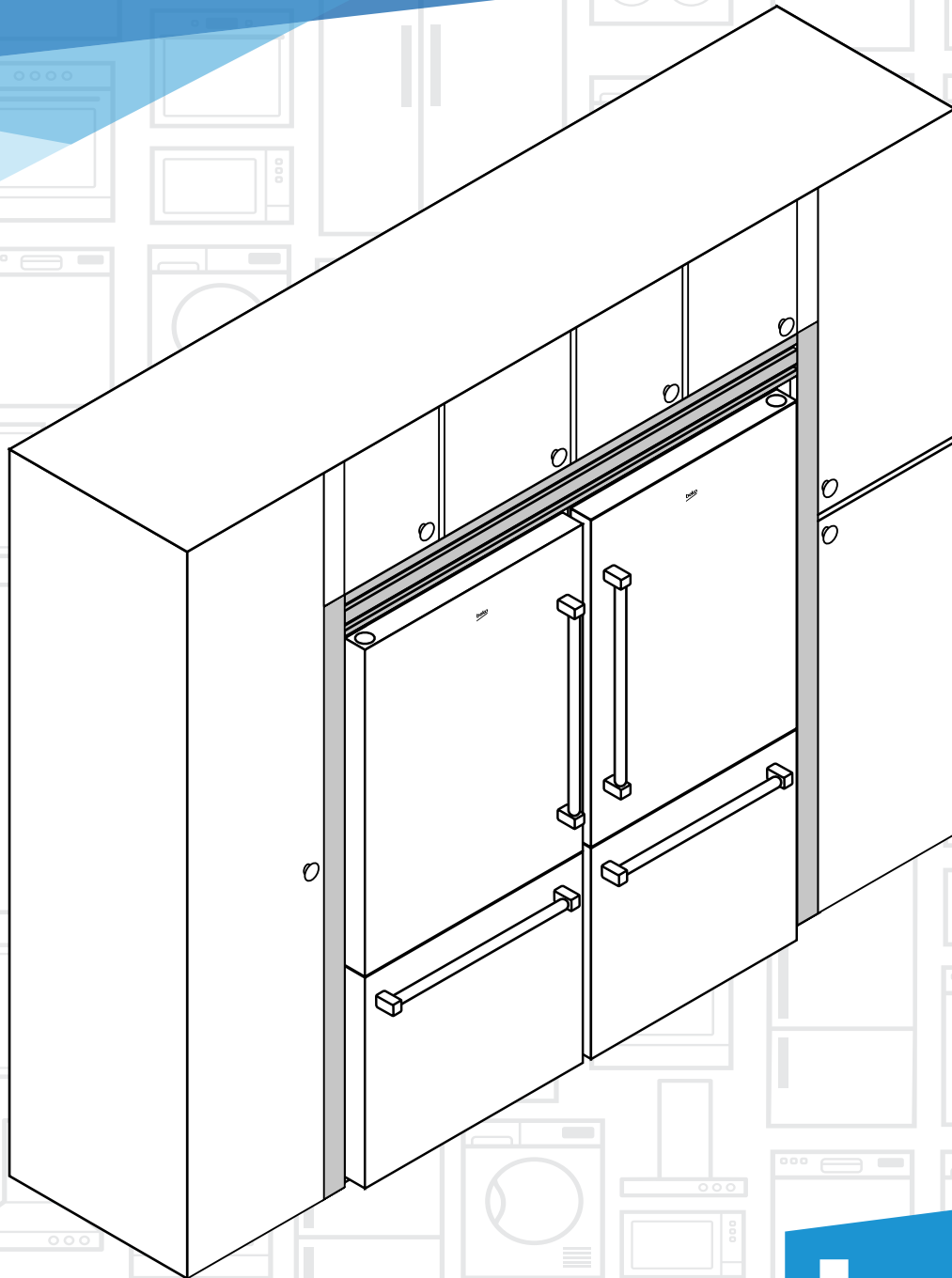


75" Built-In Trim Kit

Installation Manual

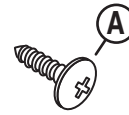
BFTK30200SS



USA

beko

PART	Quantity	Reference
Screws	20 (2 extra)	A



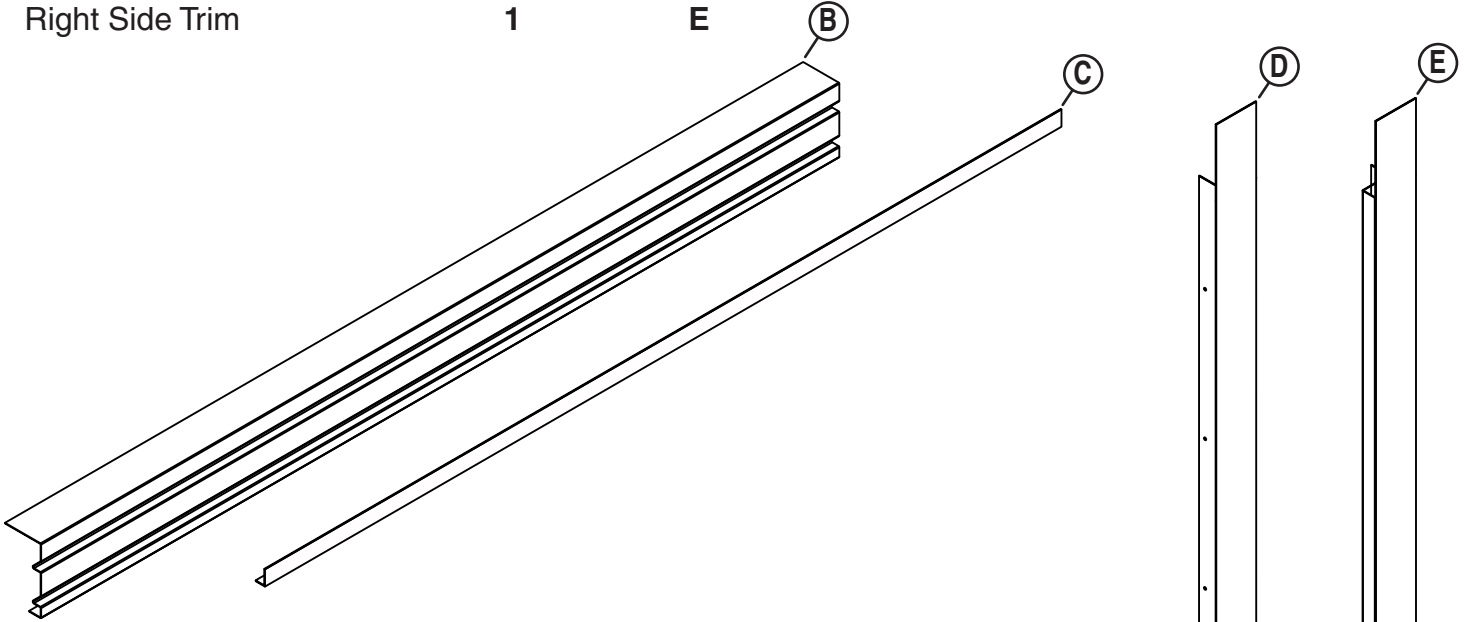
TOOLS REQUIRED: Drill with Phillips Tip, or Phillips Screwdriver, 1/8" Drill Bit

2 People Required for Assembly

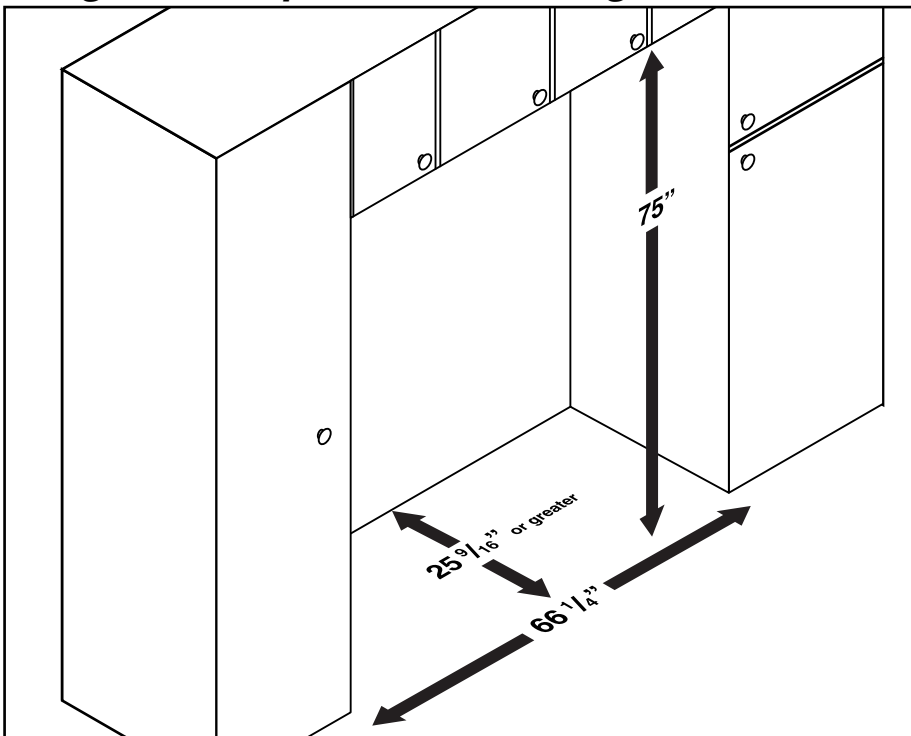
PARTS LIST

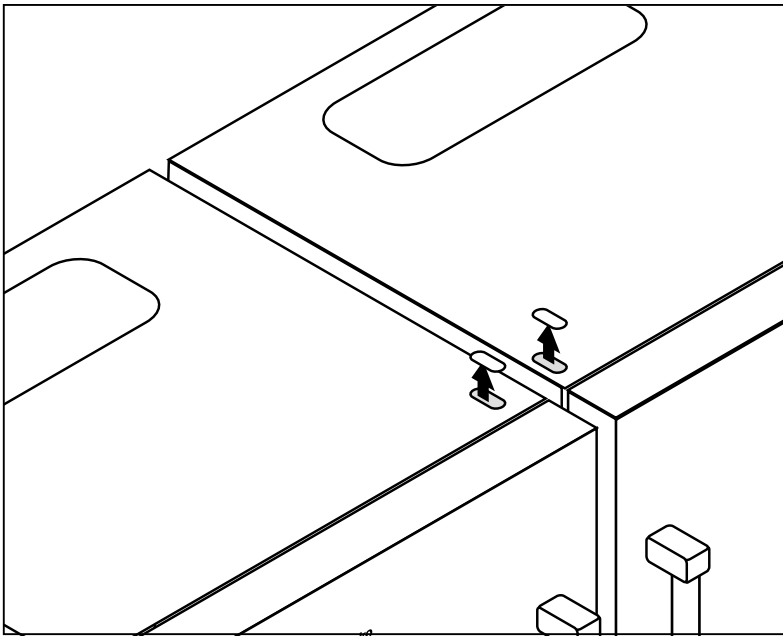
PART	Quantity	Reference
Top Trim	1	B
L Angle Trim	1	C
Left Side Trim	1	D
Right Side Trim	1	E

NOTE: Beko Pairing Kit must be installed before Trim Kit installation



Ensure the location for your fridges has an opening that is 75" Tall, 66.25" Wide, and 25.625" or greater Depth to house fridges and trim kit.



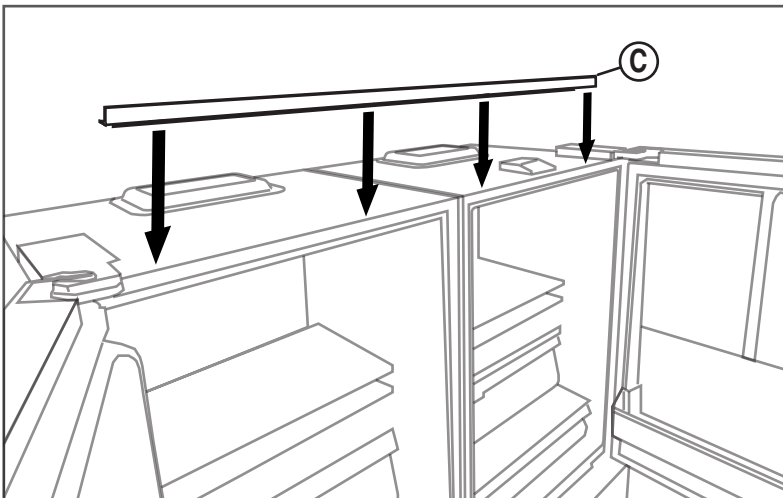


**Please see joining kit instructions*

- 1 If present, remove any plastic hole caps on top of the fridge units within 1 inch of the doors. Make sure top of the fridge units are clean and dust free.

- 2 **Beko Fridge Joining Kit**, per fridge joining kit installation instructions, must be installed prior to the next step.

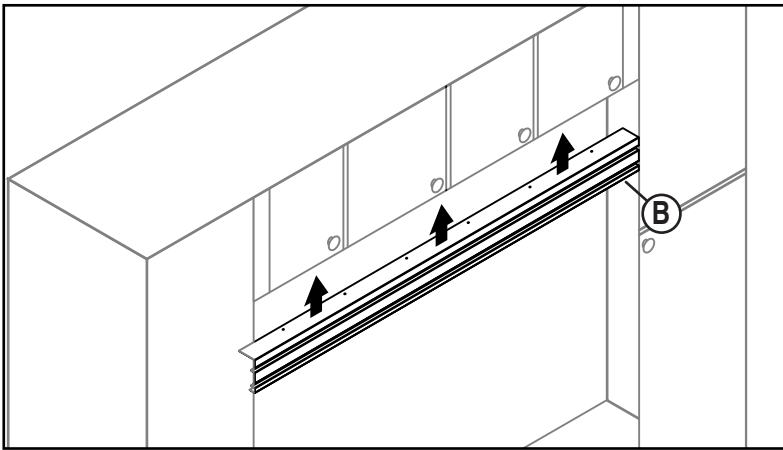
Joining Kit Part #: 6161530100



- 3 Open fridge doors. Dry fit **L Angle Trim (C)** on top of units. Make sure to have the outside of **L Angle Trim (C)** facing toward you. **L Angle Trim (C)** should be flush with front of fridge when doors are open.

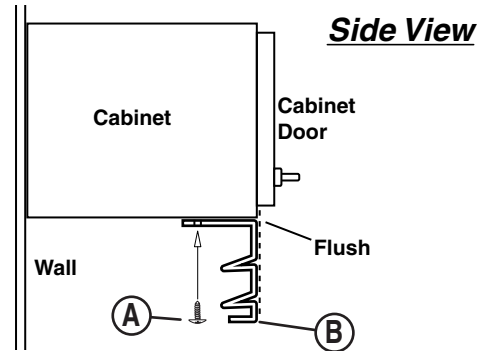


- 4 After making sure **L Angle Trim (C)** fits, peel film from *Foam Tape* on the bottom of **L Angle Trim (C)**, and apply to the top of fridge units. Press firmly to adhear **L Angle Trim (C)** to fridge units.

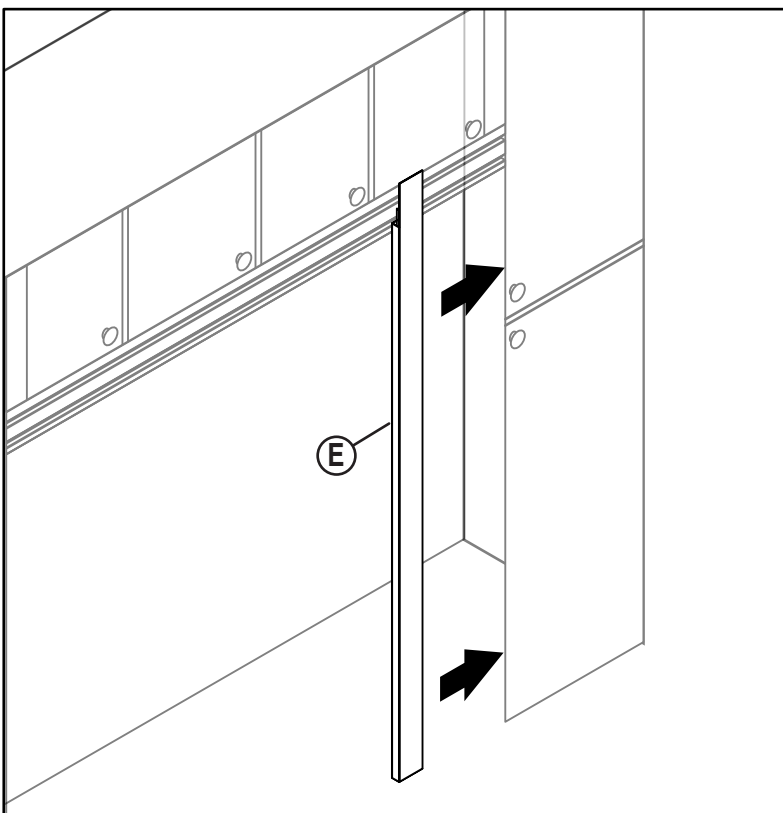
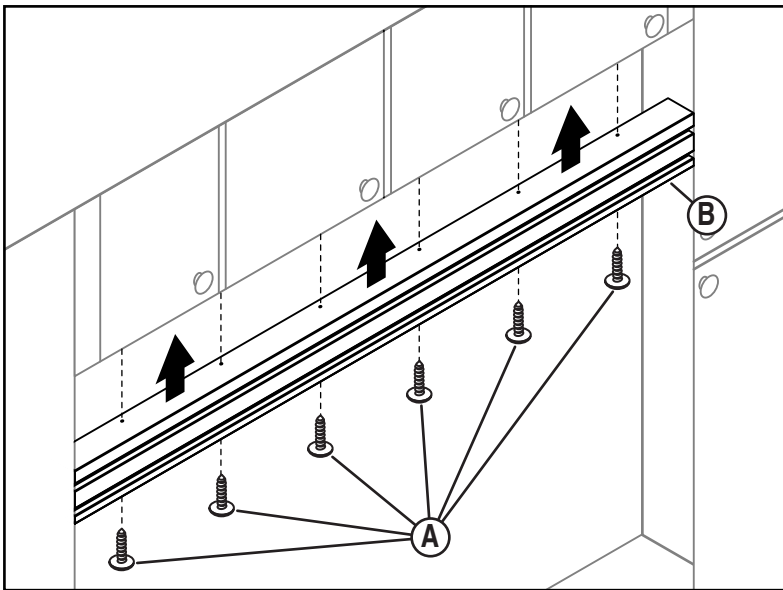


NOTE: Have 2 people for steps 5 & 6

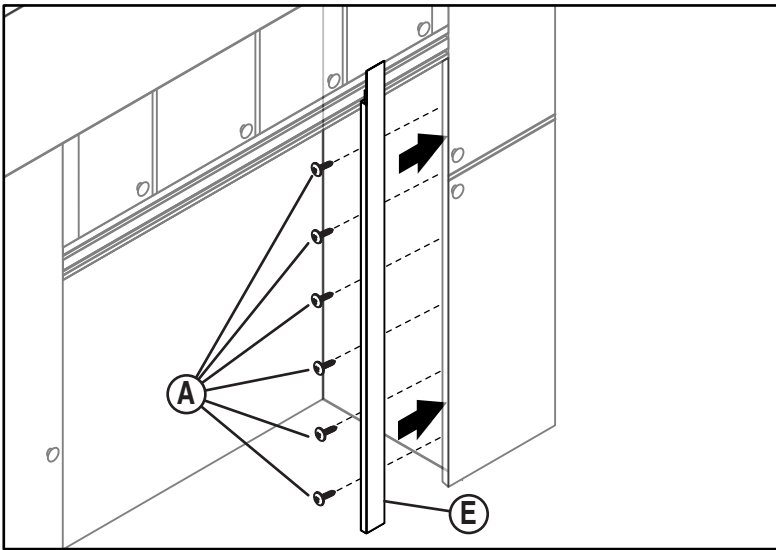
- 5** Dry fit **Top Trim (B)**, centered, under top of cabinet opening. Front of Trim should be flush with cabinetry, *Not* cabinet doors. Mark hole placement with a writing utensil. Remove **Top Trim (B)** then use drill with 1/8" bit to pilot (6) holes into the cabinet.



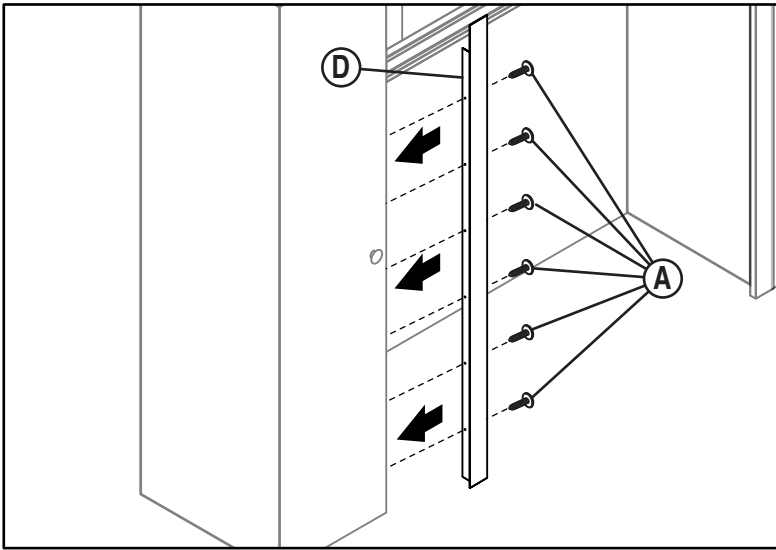
- 6** Use (6) **Screws (A)** to attach **Top Trim (B)** to cabinet.



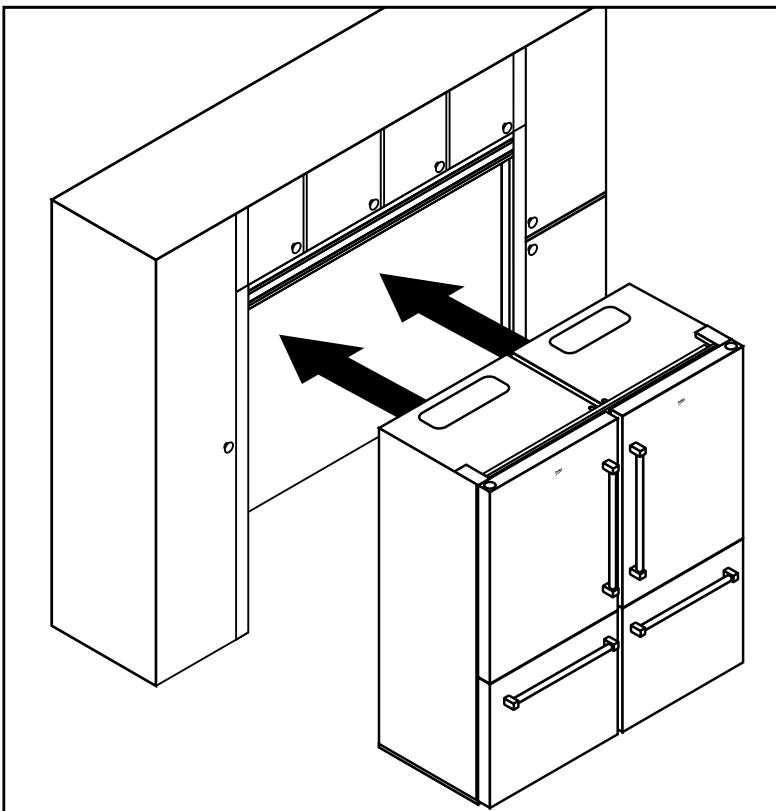
- 7** Dry fit **Right Side Trim (E)** to the side of cabinet opening. Mark hole placement with writing utensil. Remove **Right Side Trim (E)** then use drill to pilot (6) holes into the cabinet.



- 8 Use (6) Screws (A) to attach **Right Side Trim (E)**.



- 9 Repeat step 7 & 8 with **Left Side Trim (D)**.



- 10 Push paired fridge units into the center of cabinet space.