

beko

Refrigerator

User manual

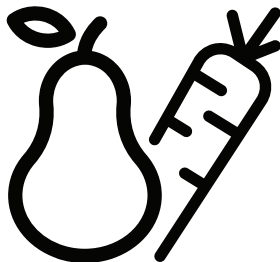
Kühlschrank/Gefrierschrank
Bedienungsanleitung

Køl/Frys

Brugervejledning

Kylskåp

Bruksanvisning



B1804N

EN / DE / DA / SV



RECYCLED &
RECYCLABLE PAPER



RECYCELTES UND
RECYCELBARES PAPIER



GENBRUGT OG
GENBRUGELIGT PAPIR



ÅTERVUNNET &
ÅTERVINNINGSBART
PAPPER

Please read this user manual first!

Dear Customer,

We hope that your product, which has been produced in modern plants and checked under the most meticulous quality control procedures, will provide you an effective service.

Therefore, read this entire user manual carefully before using the product and keep it as a reference. If you handover the product to someone else, give the user manual as well.

The user manual will help you use the product in a fast and safe way.

- Read the manual before installing and operating the product.
- Make sure you read the safety instructions.
- Keep the manual in an easily accessible place as you may need it later.
- Read the other documents given with the product.

Remember that this user manual is also applicable for several other models. Differences between models will be identified in the manual.





Explanation of symbols

Throughout this user manual the following symbols are used:

 Important information or useful tips.

 Warning against dangerous conditions for life and property.

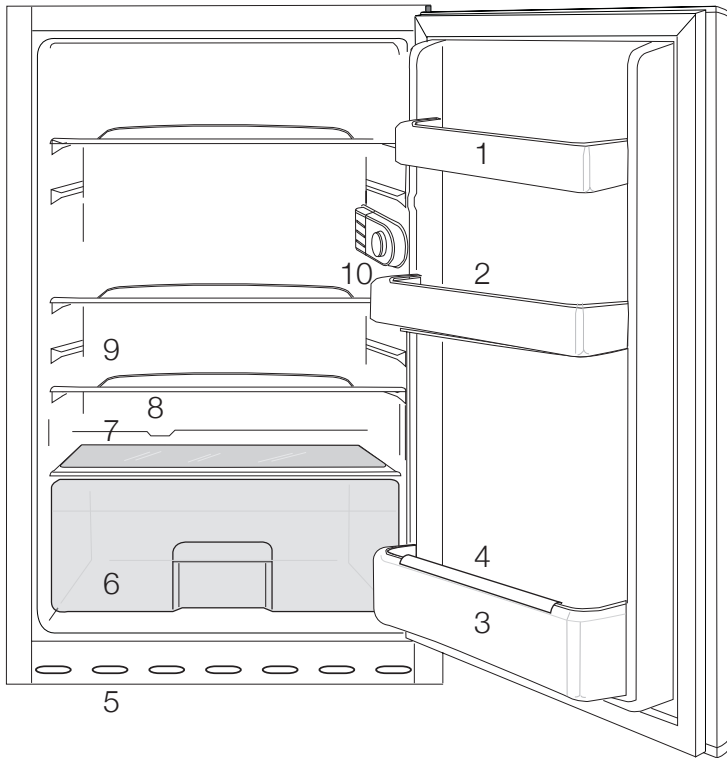
 Warning against electric voltage.

 INFORMATION	
 	The model information as stored in the product data base can be reached by entering following website and searching for your model identifier (*) found on energy label. https://eprel.ec.europa.eu/
SUPPLIER'S NAME 	

CONTENTS

1 Your refrigerator	4	4 Preparation	15
2 Important Safety Warnings	5	5 Using your refrigerator	16
Intended use	5	Using interior compartments	16
General safety	5	Cooling	16
For products with a	8	Defrost.....	17
water dispenser;.....	8		
Child safety	9	6 Maintenance and cleaning	18
Compliance with WEEE Directive and		Protection of plastic surfaces	18
Disposing of the Waste Product:	9		
Package information.....	9	7 Troubleshooting	19
HC warning.....	9		
Things to be done for energy saving .	10		
3 Installation	11		
Points to be paid attention to when the			
relocation of the refrigerator	11		
Electrical connection	11		
Changing the illumination lamp	12		
Disposing of the packaging.....	12		
Disposing of your old refrigerator	12		
Placing and Installation.....	12		
Reversing the doors	13		
Reversing the doors	14		

1 Your refrigerator



1. Door shelves
2. Egg tray
3. Bottle shelf
4. Bottle gripper
5. Air grill
6. Crisper
7. Crisper cover
8. Defrost water collection channel - Drain tube
9. Movable shelves
10. Interior light & Thermostat knob





i Figures that take place in this instruction manual are schematic and may not correspond exactly with your product. If the subject parts are not included in the product you have purchased, then it is valid for other models.

2 Important Safety Warnings

Please review the following information. Failure to observe this information may cause injuries or material damage. Otherwise, all warranty and reliability commitments will become invalid.

Original spare parts will be provided for 10 years, following the product purchasing date.

Intended use

	WARNING: Keep ventilation openings, in the appliance enclosure or in the built-in structure, clear of obstruction.
	WARNING: Do not use mechanical devices or other means to accelerate the defrosting process, other than those recommended by the manufacturer.
	WARNING: Do not damage the refrigerant circuit.
	WARNING: Do not use electrical appliances inside the food storage compartments of the appliance, unless they are of the type recommended by the manufacturer.

WARNING:



Do not store explosive substances such as aerosol cans with a flammable propellant in this appliance.

This appliance is intended to be used in household and similar applications such as

- staff kitchen areas in shops, offices and other working environments;
- farm houses and by clients in hotels, motels and other residential type environments;
- bed and breakfast type environments;
- catering and similar non-retail applications.

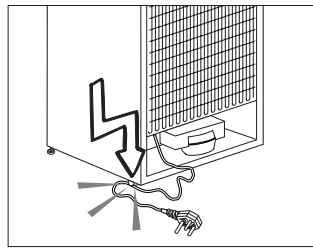
General safety

- When you want to dispose/ scrap the product, we recommend you to consult the authorized service in order to learn the required information and authorized bodies.
- Consult your authorized service for all your questions and problems related to the refrigerator. Do not intervene or let someone intervene to the refrigerator without notifying the authorised services.

- For products with a freezer compartment; Do not eat cone ice cream and ice cubes immediately after you take them out of the freezer compartment! (This may cause frostbite in your mouth.)
- For products with a freezer compartment; Do not put bottled and canned liquid beverages in the freezer compartment. Otherwise, these may burst.
- Do not touch frozen food by hand; they may stick to your hand.
- Unplug your refrigerator before cleaning or defrosting.
- Vapor and vaporized cleaning materials should never be used in cleaning and defrosting processes of your refrigerator. In such cases, the vapor may get in contact with the electrical parts and cause short circuit or electric shock.
- Never use the parts on your refrigerator such as the door as a means of support or step.
- Do not use electrical devices inside the refrigerator.
- Do not damage the parts, where the refrigerant is circulating, with drilling or cutting tools. The refrigerant that might blow out when the gas channels of the evaporator, pipe extensions or surface coatings are punctured causes skin irritations and eye injuries.
- Do not cover or block the ventilation holes on your refrigerator with any material.
- Electrical devices must be repaired by only authorised persons. Repairs performed by incompetent persons create a risk for the user.
- In case of any failure or during a maintenance or repair work, disconnect your refrigerator's mains supply by either turning off the relevant fuse or unplugging your appliance.
- Do not pull by the cable when pulling off the plug.
- Ensure highly alcoholic beverages are stored securely with the lid fastened and placed upright.
- Never store spray cans containing flammable and explosive substances in the refrigerator.
- Do not use mechanical devices or other means to accelerate the defrosting process, other than those recommended by the manufacturer.
- This product is not intended to be used by persons with physical, sensory or mental disorders or unlearned or inexperienced people (including children) unless they are attended by a person who will be responsible for their safety or who will instruct them accordingly for use of the product

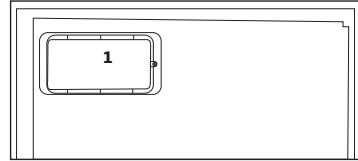
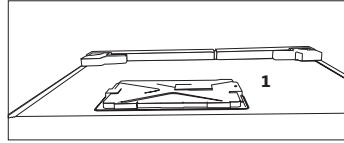
- Do not operate a damaged refrigerator. Consult with the service agent if you have any concerns.
- Electrical safety of your refrigerator shall be guaranteed only if the earth system in your house complies with standards.
- Exposing the product to rain, snow, sun and wind is dangerous with respect to electrical safety.
- Contact authorized service when there is a power cable damage to avoid danger.
- Never plug the refrigerator into the wall outlet during installation. Otherwise, risk of death or serious injury may arise.
- This refrigerator is intended for only storing food items. It must not be used for any other purpose.
- Label of technical specifications is located on the left wall inside the refrigerator.
- Never connect your refrigerator to electricity-saving systems; they may damage the refrigerator.
- If there is a blue light on the refrigerator, do not look at the blue light with optical tools.
- For manually controlled refrigerators, wait for at least 5 minutes to start the refrigerator after power failure.

- This operation manual should be handed in to the new owner of the product when it is given to others.
- Avoid causing damage on power cable when transporting the refrigerator. Bending cable may cause fire. Never place heavy objects on power cable. Do not touch the plug with wet hands when plugging the product



- Do not plug the refrigerator if the wall outlet is loose.
- Water should not be sprayed on inner or outer parts of the product for safety purposes.
- Do not spray substances containing inflammable gases such as propane gas near the refrigerator to avoid fire and explosion risk.
- Never place containers filled with water on top of the refrigerator; in the event of spillages, this may cause electric shock or fire.
- Do not overload the refrigerator with food. If overloaded, the food items may fall down and hurt you and damage refrigerator when you open the door.

- Never place objects on top of the refrigerator; otherwise, these objects may fall down when you open or close the refrigerator's door.
- As they require a precise temperature, vaccines, heat-sensitive medicine and scientific materials and etc. should not be kept in the refrigerator.
- If not to be used for a long time, refrigerator should be unplugged. A possible problem in power cable may cause fire.
- Refrigerator may move if adjustable legs are not properly secured on the floor. Properly securing adjustable legs on the floor can prevent the refrigerator to move.
- When carrying the refrigerator, do not hold it from door handle. Otherwise, it may be snapped.
- When you have to place your product next to another refrigerator or freezer, the distance between devices should be at least 8cm. Otherwise, adjacent side walls may be humidified.
- The product shall never be used while the compartment which is located at the top or back of your product and in which electronic boards are available (electronic board box cover) (1) is open.



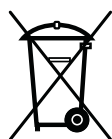
For products with a ;water dispenser

- Pressure for cold water inlet shall be maximum 90 psi (6.2 bar). If your water pressure exceeds 80 psi (5.5 bar), use a pressure limiting valve in your mains system. If you do not know how to check your water pressure, ask for the help of a professional plumber.
- If there is risk of water hammer effect in your installation, always use a water hammer prevention equipment in your installation. Consult Professional plumbers if you are not sure that there is no water hammer effect in your installation.
- Do not install on the hot water inlet. Take precautions against the risk of freezing of the hoses. Water temperature operating interval shall be 33°F (0.6°C) minimum and 100°F (38°C) maximum.

Child safety

- If the door has a lock, the key should be kept away from reach of children.
- Children must be supervised to prevent them from tampering with the product.

Compliance with WEEE Directive and Disposing of the Waste Product



This product complies with EU WEEE Directive (2012/19/EU). This product bears a classification symbol for waste electrical and electronic equipment (WEEE).

This product has been manufactured with high quality parts and materials which can be reused and are suitable for recycling. Therefore, do not dispose the product with normal domestic waste at the end of its service life. Take it to a collection point for the recycling of electrical and electronic equipment. Please consult your local authorities to learn the nearest collection point. Help protect the environment and natural resources by recycling used products. For children's safety, cut the power cable and break the locking mechanism of the door, if any, so that it will be non-functional before disposing of the product.

Package information

Packaging materials of the product are manufactured from recyclable materials in accordance with our National Environment Regulations. Do not dispose of the packaging materials together with the domestic or other wastes. Take them to the packaging material collection points designated by the local authorities.

Do not forget...

Any recycled substance is an indispensable matter for nature and our national asset wealth.

If you want to contribute to the re-evaluation of the packaging materials, you can consult to your environmentalist organizations or the municipalities where you are located.

HC warning

If your product's cooling system contains R600a:

This gas is flammable. Therefore, pay attention to not damaging the cooling system and piping during usage and transportation. In the event of damage, keep your product away from potential fire sources that can cause the product catch a fire and ventilate the room in which the unit is placed.

Ignore this warning if your product's cooling system contains R134a.

Type of gas used in the product is stated in the type label which is on the left wall inside the refrigerator.

Never throw the product in fire for disposal.

Things to be done for energy saving

- Do not leave the doors of your refrigerator open for a long time.
- Do not put hot food or drinks in your refrigerator.
- Do not overload your refrigerator so that the air circulation inside of it is not prevented.
- Do not install your refrigerator under direct sunlight or near heat emitting appliances such as ovens, dishwashers or radiators. Keep your refrigerator at least 30cm away from heat emitting sources and at least 5cm from electrical ovens.
- Pay attention to keep your food in closed containers.
- For products with a freezer compartment; You can store maximum amount of food items in the freezer when you remove the shelf or drawer of the freezer. Energy consumption value stated for your refrigerator has been determined by removing freezer shelf or drawer and under maximum load. There is no harm to use a shelf or drawer according to the shapes and size of food to be frozen.
- Thawing frozen food in fridge compartment will both provide energy saving and preserve the food quality.

3 Installation

⚠ In case the information which are given in the user manual are not taken into account, manufacturer will not assume any liability for this.

Points to be paid attention to when the relocation of the refrigerator

1. Your refrigerator should be unplugged. Before transportation of your refrigerator, it should be emptied and cleaned.

2. Before it is re-packaged, shelves, accessories, crisper, etc. inside your refrigerator should be fixed with adhesive tape and secured against impacts. Package should be bound with a thick tape or sound ropes and the transportation rules on the package should be strictly observed.

3. Original packaging and foam materials should be kept for future transportations or moving.

Before you start the refrigerator, **Check the following before you start to use your refrigerator:**

1. Attach 2 plastic wedges as illustrated below. Plastic wedges are intended to keep the distance which will ensure the air circulation between your refrigerator and the wall. (The picture is drawn up as a representation and it is not identical with your product.)

2. Clean the interior of the refrigerator as recommended in the "Maintenance and cleaning" section.

3. Connect the plug of the refrigerator to the wall socket. When

the fridge door is opened, fridge internal lamp will turn on.

4. When the compressor starts to operate, a sound will be heard. The liquid and gases sealed within the refrigeration system may also give rise to noise, even if the compressor is not running and this is quite normal.

5. Front edges of the refrigerator may feel warm. This is normal. These areas are designed to be warm to avoid condensation.

Electrical connection

Connect your product to a grounded socket which is being protected by a fuse with the appropriate capacity.

Important:

The connection must be in compliance with national regulations.

- The power plug must be easily accessible after installation.
- Electrical safety of your refrigerator shall be guaranteed only if the earth system in your house complies with standards.
- The voltage stated on the label located at left inner side of your product should be equal to your network voltage.
- Extension cables and multi plugs must not be used for connection.

⚠ A damaged power cable must be replaced by a qualified electrician.

⚠ Product must not be operated before it is repaired! There is the risk of electric shock!

Disposing of the packaging

The packing materials may be dangerous for children. Keep the packing materials out of the reach of children or dispose of them by classifying them in accordance with the waste instructions stated by your local authorities. Do not throw away with regular house waste, throw away on packaging pick up spots designated by the local authorities.

The packing of your refrigerator is produced from recyclable materials.


Disposing of your old refrigerator

Dispose of your old refrigerator without giving any harm to the environment.

- You may consult your authorized dealer or waste collection center of your municipality about the disposal of your refrigerator.

Before disposing of your refrigerator, cut out the electric plug and, if there are any locks on the door, make them inoperable in order to protect children against any danger.

Placing and Installation

 If the entrance door of the room where the refrigerator will be installed is not wide enough for the refrigerator to pass through, then call the authorized service to have them remove the doors of your refrigerator and pass it sideways through the door.

1. Install your refrigerator to a place that allows ease of use.

2. Keep your refrigerator away from heat sources, humid places and direct sunlight.

3. There must be appropriate air ventilation around your refrigerator in order to achieve an efficient operation. If the refrigerator is to be placed in a recess in the wall, there must be at least 5 cm distance with the ceiling and at least 5 cm with the wall. Do not place your product on the materials such as rug or carpet.

4. Place your refrigerator on an even floor surface to prevent jolts.

Changing the illumination lamp

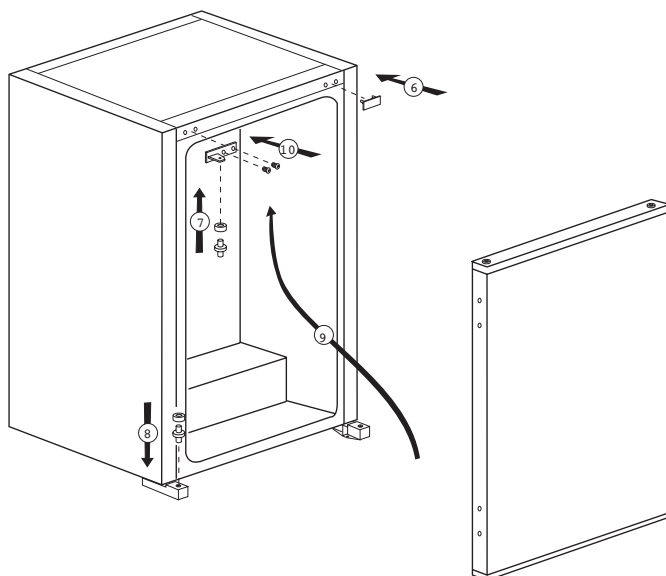
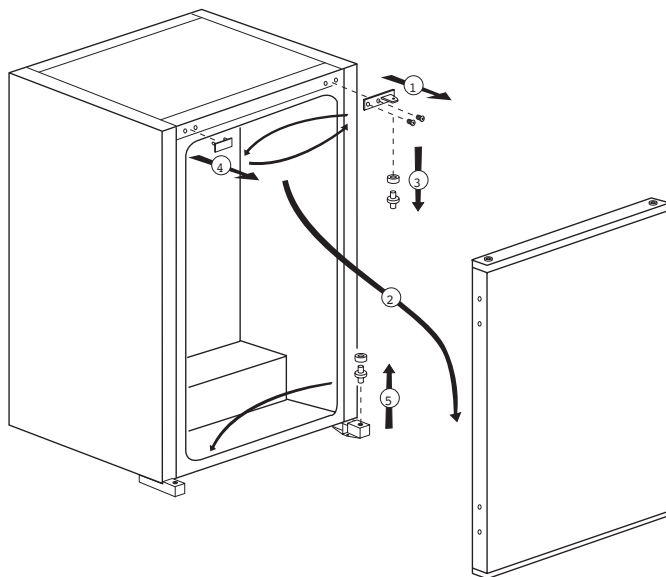
To change the Bulb/LED used for illumination of your refrigerator, call your AuthorisedService.

The lamp(s) used in this appliance is not suitable for household room illumination. The intended purpose of this lamp is to assist the user to place foodstuffs in the refrigerator/freezer in a safe and comfortable way. The lamps used in this appliance have to withstand extreme physical conditions such as temperatures below -20 °C.

(only chest and upright freezer)

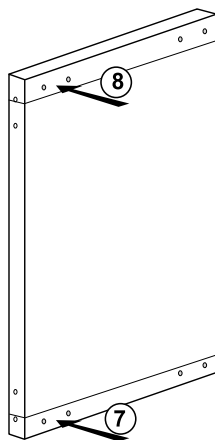
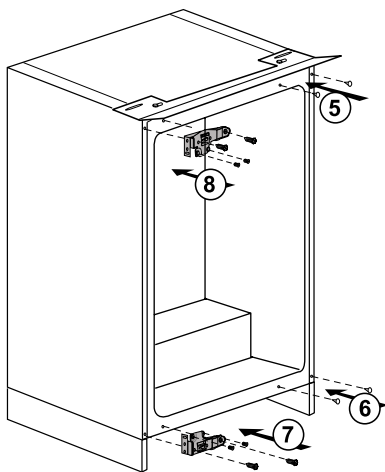
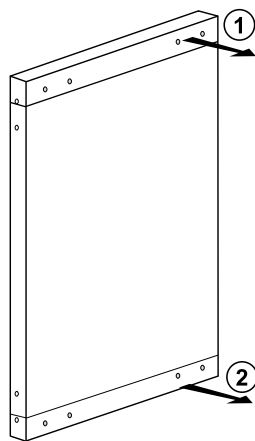
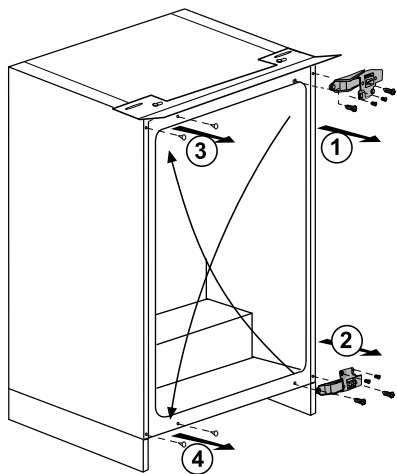
Reversing the doors

Proceed in numerical order



Reversing the doors

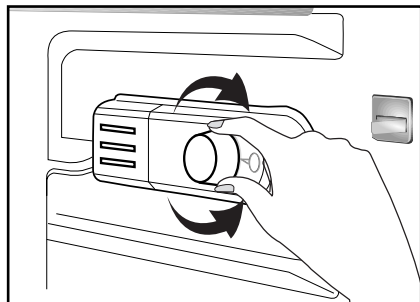
Proceed in numerical order



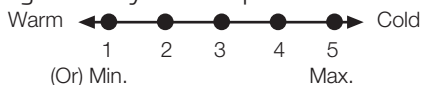
4 Preparation

- Your refrigerator should be installed at least 30 cm away from heat sources such as hobs, ovens, central heater and stoves and at least 5 cm away from electrical ovens and should not be located under direct sunlight.
- The ambient temperature of the room where you install your refrigerator should at least be 10°C. Operating your refrigerator under cooler conditions is not recommended with regard to its efficiency.
- Please make sure that the interior of your refrigerator is cleaned thoroughly.
- If two refrigerators are to be installed side by side, there should be at least 2 cm distance between them.
- When you operate your refrigerator for the first time, please observe the following instructions during the initial six hours.
- The door should not be opened frequently.
- It must be operated empty without any food in it.
- Do not unplug your refrigerator. If a power failure occurs out of your control, please see the warnings in the "Recommended solutions for the problems" section.
- Original packaging and foam materials should be kept for future transportations or moving.
- The baskets/drawers that are provided with the chill compartment must always be in use for low energy consumption and for better storage conditions.
- Food contact with the temperature sensor in the freezer compartment may increase energy consumption of the appliance. Thus any contact with the sensor(s) must be avoided.
- In some models, the instrument panel automatically turns off 5 minutes after the door has closed. It will be reactivated when the door has opened or pressed on any key.
- Due to temperature change as a result of opening/closing the product door during operation, condensation on the door/body shelves and the glass containers is normal

5 Using your refrigerator



Setting the operating temperature
The operating temperature is regulated by the temperature control.



**1 = Lowest cooling setting
(Warmest setting)**

**5 = Highest cooling setting
(Coldest setting)**

(Or)

**Min. = Lowest cooling setting
(Warmest setting)**

**Max. = Highest cooling setting
(Coldest setting)**

The average temperature inside the fridge should be around +5°C.

Please choose the setting according to the desired temperature.

Please note that there will be different temperatures in the cooling area.

The coldest region is immediately above the vegetable compartment.

The interior temperature also depends on ambient temperature, the frequency with which the door is opened and the amount of foods kept inside.

Frequently opening the door causes the interior temperature to rise.

For this reason, it is recommended to close the door again as soon as possible after use.

Using interior compartments

Movable shelves: Distance between the shelves can be adjusted when necessary.

Vegetable drawer: Vegetables and fruits can be stored in this compartment for long periods without decaying.

Bottle shelf: Bottles, jars and tins can be placed in these shelves.

Cooling

Food storage

The fridge compartment is for the short-term storage of fresh food and drinks.

Store milk products in the intended compartment in the refrigerator.

Bottles can be stored in the bottle holder or in the bottle shelf of the door.

Raw meat is best kept in a polyethylene bag in the compartment at the very bottom of the refrigerator.

Allow hot foods and beverages to cool to room temperature prior to placing them in the refrigerator.

- Attention

Store concentrated alcohol only standing upright and tightly closed.

- Attention

Do not store explosive substances or containers with flammable propellant gases (canned cream, spray cans etc.) in the device. There is a danger of explosion.

Defrost

The fridge compartment defrosts automatically. The thawing water flows through the drain channel into a collection container at the rear of the device.

During defrosting, water droplets form at the back of the fridge due to the evaporator.

If not all of the drops run down, they may freeze again after defrosting. Remove them with a cloth soaked in warm water, but never with a hard or sharp object.

6 Maintenance and cleaning

- ⚠ Never use gasoline, benzene or similar substances for cleaning purposes.
- ⚠ We recommend that you unplug the appliance before cleaning.
- ⚠ Never use any sharp abrasive instrument, soap, household cleaner, detergent and wax polish for cleaning.
- ⚠ For non-No Frost products, water drops and frosting up to a fingerbreadth occur on the rear wall of the Fridge compartment. Do not clean it; never apply oil or similar agents on it.
- ⚠ Only use slightly damp microfiber cloths to clean the outer surface of the product. Sponges and other types of cleaning cloths may scratch the surface.
- ℹ Use lukewarm water to clean the cabinet of your refrigerator and wipe it dry.
- ℹ Use a damp cloth wrung out in a solution of one teaspoon of bicarbonate of soda to one pint of water to clean the interior and wipe it dry.
- ⚠ Make sure that no water enters the lamp housing and other electrical items.
- ⚠ If your refrigerator is not going to be used for a long period of time, unplug the power cable, remove all food, clean it and leave the door ajar.
- ℹ Check door seals regularly to ensure they are clean and free from food particles.
- ⚠ To remove door racks, remove all the contents and then simply push the door rack upwards from the base.
- ⚠ Never use cleaning agents or water that contain chlorine to clean the outer surfaces and chromium coated parts of the product. Chlorine causes corrosion on such metal surfaces.
- ⚠ Do not use sharp, abrasive tools, soap, household cleaning agents, detergents, kerosene, fuel oil, varnish etc. to prevent removal and deformation of the prints on the plastic part. Use lukewarm water and a soft cloth for cleaning and then wipe it dry.

Protection of plastic surfaces

- ℹ Do not put the liquid oils or oil-cooked meals in your refrigerator in unsealed containers as they damage the plastic surfaces of your refrigerator. In case of spilling or smearing oil on the plastic surfaces, clean and rinse the relevant part of the surface at once with warm water.

7 Troubleshooting

Please review this list before calling the service. It will save your time and money. This list includes frequent complaints that are not arising from defective workmanship or material usage. Some of the features described here may not exist in your product.

The refrigerator does not operate.

- The plug is not inserted into the socket correctly. >>>Insert the plug into the socket securely.
- The fuse of the socket which your refrigerator is connected to or the main fuse have blown out. >>>Check the fuse.

Condensation on the side wall of the fridge compartment (MULTIZONE, COOL CONTROL and FLEXI ZONE).

- Door has been opened frequently. >>>Do not open and close the door of refrigerator frequently.
- Ambient is very humid. >>>Do not install your refrigerator into highly humid places.
- Food containing liquid is stored in open containers. >>>Do not store food with liquid content in open containers.
- Door of the refrigerator is left ajar. >>>Close the door of the refrigerator.
- Thermostat is set to a very cold level. >>>Set the thermostat to a suitable level.

Compressor is not running

- Protective thermic of the compressor will blow out during sudden power failures or plug-out plug-ins as the refrigerant pressure in the cooling system of the refrigerator has not been balanced yet. The refrigerator will start running approximately after 6 minutes. Please call the service if the refrigerator does not startup at the end of this period.
- The fridge is in defrost cycle. >>>This is normal for a full-automatically defrosting refrigerator. Defrosting cycle occurs periodically.
- The refrigerator is not plugged into the socket. >>>Make sure that the plug is fit into the socket.
- Temperature settings are not made correctly. >>>Select the suitable temperature value.
- There is a power outage. >>>Refrigerator returns to normal operation when the power restores.

The operation noise increases when the refrigerator is running.

- The operating performance of the refrigerator may change due to the changes in the ambient temperature. It is normal and not a fault.

The refrigerator is running frequently or for a long time.

- New product may be wider than the previous one. Larger refrigerators operate for a longer period of time.
- The room temperature may be high. >>>It is normal that the product operates for longer periods in hot ambient.
- The refrigerator might be plugged in recently or might be loaded with food. >>>When the refrigerator is plugged in or loaded with food recently, it will take longer for it to attain the set temperature. This is normal.
- Large amounts of hot food might be put in the refrigerator recently. >>>Do not put hot food into the refrigerator.
- Doors might be opened frequently or left ajar for a long time. >>>The warm air that has entered into the refrigerator causes the refrigerator to run for longer periods. Do not open the doors frequently.
- Freezer or fridge compartment door might be left ajar. >>>Check if the doors are closed completely.
- The refrigerator is adjusted to a very low temperature. >>>Adjust the refrigerator temperature to a warmer degree and wait until the temperature is achieved.
- Door seal of the fridge or freezer may be soiled, worn out, broken or not properly seated. >>>Clean or replace the seal. Damaged/broken seal causes the refrigerator to run for a longer period of time in order to maintain the current temperature.

Freezer temperature is very low while the fridge temperature is sufficient.

- The freezer temperature is adjusted to a very low value. >>>Adjust the freezer temperature to a warmer degree and check.

Fridge temperature is very low while the freezer temperature is sufficient.

- The fridge temperature is adjusted to a very low value. >>>Adjust the fridge temperature to a warmer degree and check.

Food kept in the fridge compartment drawers is frozen.

- The fridge temperature is adjusted to a very high value. >>>Adjust the fridge temperature to a lower value and check.

Temperature in the fridge or freezer is very high.

- The fridge temperature is adjusted to a very high value. >>> Fridge compartment temperature setting has an effect on the temperature of the freezer. Change the temperatures of the fridge or freezer and wait until the relevant compartments attain a sufficient temperature.
- Doors are opened frequently or left ajar for a long time. >>> Do not open the doors frequently.
- Door is ajar. >>> Close the door completely.
- The refrigerator is plugged in or loaded with food recently. >>> This is normal. When the refrigerator is plugged in or loaded with food recently, it will take longer for it to attain the set temperature.
- Large amounts of hot food might be put in the refrigerator recently. >>> Do not put hot food into the refrigerator.

Vibrations or noise.

- The floor is not level or stable. >>> If the refrigerator rocks when moved slowly, balance it by adjusting its feet. Also make sure that the floor is strong enough to carry the refrigerator, and level.
- The items put onto the refrigerator may cause noise. >>> Remove the items on top of the refrigerator.

There are noises coming from the refrigerator like liquid flowing, spraying, etc.

- Liquid and gas flows occur in accordance with the operating principles of your refrigerator. It is normal and not a fault.

Whistle comes from the refrigerator.

- Fans are used in order to cool the refrigerator. It is normal and not a fault.

Condensation on the inner walls of refrigerator.

- Hot and humid weather increases icing and condensation. It is normal and not a fault.
- Doors are opened frequently or left ajar for a long time. >>> Do not open the doors frequently. Close them if they are open.
- Door is ajar. >>> Close the door completely.

Humidity occurs on the outside of the refrigerator or between the doors.

- There might be humidity in the air; this is quite normal in humid weather. When the humidity is less, condensation will disappear.

Bad odour inside the refrigerator.

- No regular cleaning is performed.
>>>Clean the inside of the refrigerator regularly with a sponge, lukewarm water or carbonate dissolved in water.
- Some containers or package materials may cause the smell.
>>>Use a different container or different brand packaging material.
- Food is put into the refrigerator in uncovered containers. >>>Keep the food in closed containers. Microorganisms spreading out from uncovered containers can cause unpleasant odours.
- Remove the foods that have expired best before dates and spoiled from the refrigerator.

The door is not closing.

- Food packages are preventing the door from closing.
>>>Replace the packages that are obstructing the door.
- The refrigerator is not completely even on the floor. >>>Adjust the feet to balance the refrigerator.
- The floor is not level or strong.
>>>Make sure that the floor is level and capable to carry the refrigerator.

Crispers are stuck.

- The food is touching the ceiling of the drawer. >>>Rearrange food in the drawer.

If The Surface Of The Product Is Hot.

- High temperatures may be observed between the two doors, on the side panels and at the rear grill while the product is operating. This is normal and does not require service maintenance!

DISCLAIMER / WARNING

Some (simple) failures can be adequately handled by the end-user without any safety issue or unsafe use arising, provided that they are carried out within the limits and in accordance with the following instructions (see the “Self-Repair” section).

Therefore, unless otherwise authorized in the “Self-Repair” section below, repairs shall be addressed to registered professional repairers in order to avoid safety issues. A registered professional repairer is a professional repairer that has been granted access to the instructions and spare parts list of this product by the manufacturer according to the methods described in legislative acts pursuant to Directive 2009/125/EC.

However, only the service agent (i.e. authorized professional repairers) that you can reach through the phone number given in the user manual/warranty card or through your authorized dealer may provide service under the guarantee terms. Therefore, please be advised that repairs by professional repairers (who are not authorized by Beko) shall void the guarantee.

Self-Repair

Self-repair can be done by the end-user with regard to the following spare parts: door handles, door hinges, trays, baskets and door gaskets (an updated list is also available in support.beko.com as of 1st March 2021).

Moreover, to ensure product safety and to prevent risk of serious injury, the mentioned self-repair shall be done following the instructions in the user manual for self-repair or which are available in support.beko.com. For your safety, unplug the product before attempting any self-repair.

Repair and repair attempts by end-users for parts not included in such list and/or not following the instructions in the user manuals for self-repair or which are available in support.beko.com, might give rise to safety issues not attributable to Beko, and will void the warranty of the product.

Therefore, it is highly recommended that end-users refrain from the attempt to carry out repairs falling outside the mentioned list of spare parts, contacting in such cases authorized professional repairers or registered professional repairers. On the contrary, such attempts by end-users may cause safety issues and damage the product and subsequently cause fire, flood, electrocution and serious personal injury to occur.

By way of example, but not limited to, the following repairs must be addressed to authorized professional repairers or registered professional repairers: compressor, cooling circuit, main board, inverter board, display board, etc.

The manufacturer/seller cannot be held liable in any case where end-users do not comply with the above.

The spare part availability of the refrigerator that you purchased is 10 years.

During this period, original spare parts will be available to operate the refrigerator properly

The minimum duration of guarantee of the refrigerator that you purchased is 24 months.

This product is equipped with a lighting source of the “G” energy class.

The lighting source in this product shall only be replaced by professional repairers.

Bitte lesen Sie zuerst diese Anleitung!

Lieber Kunde,

Wir sind sicher, dass Ihnen dieses Produkt, das in modernsten Fertigungsstätten hergestellt und den strengsten Qualitätsprüfungen unterzogen wurde, lange Zeit gute Dienste leisten wird.

Wir empfehlen Ihnen, vor Inbetriebnahme des Gerätes das gesamte Handbuch durchzulesen und es anschließend aufzubewahren.

Diese Anleitung...

- hilft Ihnen, Ihr Gerät schnell und sicher zu bedienen.
- Lesen Sie die Anleitung, bevor Sie Ihr Gerät aufstellen und bedienen.
- Halten Sie sich an die Anweisungen, beachten Sie insbesondere die Sicherheitshinweise.
- Bewahren Sie die Anleitung an einem leicht zugänglichen Ort auf, damit Sie jederzeit darin nachschlagen können.
- Lesen Sie auch die weiteren Dokumente, die mit Ihrem Produkt geliefert wurden.
- Bitte beachten Sie, dass diese Anleitung eventuell auch für andere Geräte eingesetzt werden kann.

Symbole und ihre Bedeutung

In dieser Anleitung finden Sie die folgenden Symbole:



Wichtige Informationen oder nützliche Tipps.



Warnung vor Verletzungen oder Sachschäden.



Warnung vor elektrischem Strom.

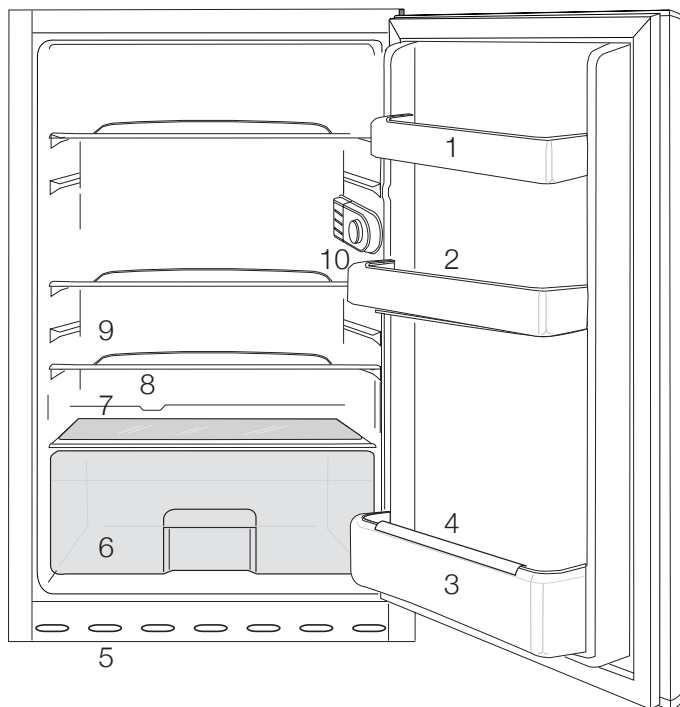


Warnung: Brandgefahr / Brennbare Materialien

ANGABEN	
ENERGY	Die Modellinformationen, wie sie in der Produktdatenbank gespeichert sind, können durch Eingabe der folgenden Webseite und Suche nach Ihrer Modellkennung (*) auf dem Energieetikett erreicht werden.
SUPPLIER'S NAME A	MODEL IDENTIFIER (*) A
https://eprel.ec.europa.eu/	

1 Ihr Kühlschrank	3	4 Vorbereitung	16
2 Wichtige Sicherheitshinweise	4	5 Nutzung des Kühlschranks	17
Bestimmungsgemäßer Einsatz.....	4	Einstellen der Betriebstemperatur.....	17
Allgemeine Hinweise zu Ihrer Sicherheit	4	Die Betriebstemperatur wird über die Temperatursteuerung reguliert.	17
Kinder - Sicherheit	8	Innenfächer verwenden.....	17
Ihre Pflichten als Endnutzer	8	Kühlen.....	17
Hinweise zum Recycling.....	9	Abtauen.....	18
Rücknahmepflichten der Vertreiber.....	9	6 Wartung und Reinigung	19
HC-Warnung.....	10	Schutz der Kunststoffflächen	20
Tipps zum Energiesparen.....	10	7 Problemlösung	21
3 Installation	11		
Wenn Sie den Kühlschrank versetzen möchten:.....	11		
Vor dem Einschalten.....	11		
Elektrischer Anschluss.....	11		
Verpackungsmaterialien entsorgen... ..	12		
Altgeräte entsorgen.....	12		
Aufstellung und Installation	12		
Beleuchtung auswechseln	13		
Türanschlag umkehren	14		
Türanschlag umkehren	15		

1 Ihr Kühlschrank



1. Türablagen
2. Eierbehälter
3. Flaschenablage
4. Flaschenhalter
5. Lüftungsgitter
6. Gemüsefach
7. Gemüsefachabdeckung
8. Tauwassersammelkanal - Abflusskanal
9. Bewegliche Ablagen
10. Innenbeleuchtung und Thermostatknopf





i Abbildungen und Angaben in dieser Anleitung sind schematisch und können etwas von Ihrem Produkt abweichen. Falls Teile nicht zum Lieferumfang des erworbenen Gerätes zählen, gelten sie für andere Modelle.

2 Wichtige Sicherheitshinweise

Bitte lesen Sie die folgenden Hinweise aufmerksam durch. Bei Nichtbeachtung dieser Angaben kann es zu Verletzungen und Sachschäden kommen. In diesem Fall erlöschen auch sämtliche Garantie- und sonstigen Ansprüche.

Originalersatzteile stehen für einen Zeitraum von 10 Jahre beginnend mit dem Kaufdatum zur Verfügung.

Bestimmungsgemäßer Einsatz

	ACHTUNG: Stellen Sie sicher, dass wenn das Gerät in seinem Gehäuse oder platziert ist, die Entlüftungsöffnungen nicht blockiert werden.
	ACHTUNG: Um den Auftauvorgang zu beschleunigen, keine anderen mechanischen Geräte oder Geräte verwenden, die nicht vom Hersteller empfohlen sind.
	ACHTUNG: Dem Kühlmittelkreislauf keine Schäden zufügen.
	ACHTUNG: In den ebensmittelaufbewahrungsfächern keine elektrischen Geräte verwenden, die nicht vom Hersteller empfohlen sind.



WARNUNG:

Lagern Sie keinerlei explosiven Substanzen (dazu zählen auch Sprühdosen mit brennbarem Treibmittel) im Gerät.

Dieses Gerät ist für die private Nutzung oder für den Gebrauch bei folgenden ähnlichen Anwendungen konzipiert wurden

- In Personalküchen in Geschäften, Büros und anderen Arbeitsumgebungen;
- In Bauernhöfen, Hotels, Motels und anderen Unterkünften, für den Gebrauch der Kunden;
- Umgebungen mit Übernachtung und Frühstück;
- Bei Catering und ähnlichen Non-Retail-Anwendungen.

Allgemeine Hinweise zu Ihrer Sicherheit

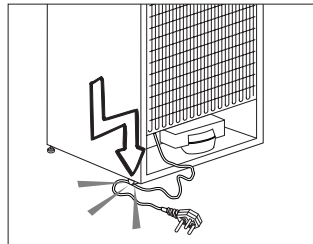
- Wenn Sie das Gerät entsorgen möchten, wenden Sie sich am besten an den autorisierten Kundendienst. Hier erhalten Sie notwendige Informationen und erfahren, welche Stellen für die Entsorgung zuständig sind.
- Bei Problemen und Fragen zum Gerät wenden Sie sich grundsätzlich an den autorisierten Kundendienst. Ziehen Sie keine Dritten zu Rate, versuchen Sie nichts in Eigenregie, ohne den autorisierten Kundendienst davon in Kenntnis zu setzen.
- Bei Geräten mit Tiefkühlbereich:

Der Verzehr von Speiseeis und Eiswürfeln unmittelbar nach der Entnahme aus dem Tiefkühlbereich ist nicht ratsam. (Dies kann zu Erfrierungen führen.)

- Bei Geräten mit Tiefkühlbereich: Bewahren Sie Getränke in Flaschen sowie Dosen niemals im Tiefkühlbereich auf. Diese platzen.
- Berühren Sie gefrorene Lebensmittel nicht mit der Hand; sie können festfrieren.
- Trennen Sie Ihren Kühlschrank vor dem Reinigen oder Abtauen vom Stromnetz.
- Verwenden Sie niemals Dampf- oder Sprühreiniger zum Reinigen und Abtauen Ihres Kühlschranks. Die Dämpfe oder Nebel können in Kontakt mit stromführenden Teilen geraten und Kurzschlüsse oder Stromschläge auslösen.
- Missbrauchen Sie niemals Teile Ihres Kühlschranks (z. B. Tür) als Befestigungen oder Kletterhilfen.
- Nutzen Sie keine elektrischen Geräte innerhalb des Kühlschranks.
- Achten Sie darauf, den Kühlkreislauf keinesfalls mit Bohr- oder Schneidwerkzeugen zu beschädigen. Das Kühlmittel kann herausspritzen, wenn die Gaskanäle des Verdunsters, Rohr- und Schlauchleitungen oder Oberflächenversiegelungen beschädigt werden. Dies kann zu Hautreizungen und Augenverletzungen führen.
- Decken Sie keinerlei Belüftungsöffnungen des Kühlschranks ab.
- Elektrische Geräte dürfen nur von autorisierten Fachkräften repariert werden. Reparaturen durch weniger kompetente Personen können erhebliche Gefährdungen des Anwenders verursachen.
- Sollten Fehler oder Probleme während der Wartung oder Reparaturarbeiten auftreten, so trennen Sie den Kühlschrank von der Stromversorgung, indem Sie die entsprechende Sicherung abschalten oder den Netzstecker ziehen.
- Ziehen Sie niemals am Netzkabel – ziehen Sie direkt am Stecker.
- Achten Sie darauf, hochprozentige Getränke stehend und mit fest verschlossenem Deckel zu lagern.
- Bewahren Sie niemals Sprühdosen mit brennbaren und explosiven Substanzen im Kühlschrank auf.
- Nutzen Sie keine mechanischen oder anderen Hilfsmittel, um das Gerät abzutauen – es sei denn, solche Hilfsmittel werden ausdrücklich vom Hersteller empfohlen.
- Dieses Produkt darf nicht von Personen (einschließlich Kindern) mit eingeschränkten physischen, sensorischen oder geistigen Fähigkeiten bedient werden, sofern sie nicht durch eine Person, die für ihre Sicherheit verantwortlich ist, in der Bedienung des Produktes angeleitet werden.
- Nehmen Sie einen beschädigten Kühlschrank nicht in Betrieb. Wenden Sie sich bei jeglichen Zweifeln an einen Kundendienstmitarbeiter.

- Die elektrische Sicherheit des Gerätes ist nur dann gewährleistet, wenn das hausinterne Erdungssystem den zutreffenden Normen entspricht.
- Setzen Sie das Gerät keinem Regen, Schnee, direktem Sonnenlicht oder Wind aus; dies kann die elektrische Sicherheit gefährden.
- Wenden Sie sich zur Vermeidung von Gefahren an den autorisierten Kundendienst, falls das Netzkabel beschädigt ist.
- Stecken Sie während der Installation niemals den Netzstecker ein. Andernfalls kann es zu schweren bis tödlichen Verletzungen kommen.
- Dieser Kühlschrank dient nur der Aufbewahrung von Lebensmitteln. Für andere Zwecke sollte er nicht verwendet werden.
- Das Etikett mit den technischen Daten befindet sich an der linken Innenwand des Kühlschranks.
- Schließen Sie Ihren Kühlschrank niemals an energiesparende Systeme an; dies kann den Kühlschrank beschädigen.
- Falls sich ein blaues Licht am Kühlschrank befindet, blicken Sie nicht längere Zeit mit bloßem Augen oder optischen Werkzeugen hinein.
- Bei manuell gesteuerten Kühlschränken warten Sie mindestens 5 Minuten, bevor Sie den Kühlschrank nach einem Stromausfall wieder einschalten.
- Falls Sie das Gerät an einen anderen Besitzer weitergeben, vergessen Sie nicht, die Bedienungsanleitung ebenfalls auszuhändigen.

- Achten Sie darauf, dass das Netzkabel beim Transport des Kühlschranks nicht beschädigt wird. Übermäßiges Biegen des Kabels birgt Brandgefahr. Platzieren Sie keine schweren Gegenstände auf dem Netzkabel.
- Berühren Sie den Netzstecker niemals mit feuchten oder gar nassen Händen.

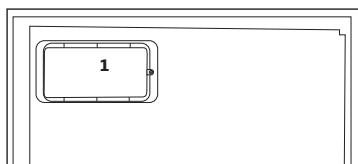
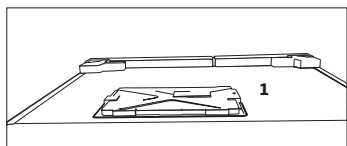


- Achten Sie beim Aufstellen des Gerätes darauf, dass das Netzkabel nicht eingeklemmt oder anderweitig beschädigt wird.
- Platzieren Sie nicht mehrere Mehrfachsteckdosen oder Netzteile hinter dem Gerät. Schließen Sie den Kühlschrank nicht an lose Steckdosen an.
- Kinder im Alter von 3 bis 8 Jahren dürfen Kühlgeräte ein- und ausräumen.
- Vermeiden Sie durch Einhaltung der folgenden Anweisungen Lebensmittelkontamination:
 - Durch langes Öffnen der Tür kann die Temperatur in den Fächern des Gerätes drastisch ansteigen.
 - Reinigen Sie die Oberflächen, die mit Lebensmitteln in Berührung kommen, sowie zugängliche Ableitungssysteme regelmäßig.

- Reinigen Sie Wassertanks, wenn diese 48 Stunden lang nicht benutzt wurden; spülen Sie das an die Wasserversorgung angeschlossene Wassersystem durch, falls 5 Tage lang kein Wasser entnommen wurde.
- Bewahren Sie rohes Fleisch und Fisch in geeigneten Behältern im Kühlschrank auf, damit diese nicht mit anderen Lebensmitteln in Berührung kommen.
- Zwei-Sterne-Gefrierfächer eignen sich zur Aufbewahrung von Tiefkühlkost, zur Lagerung oder Herstellung von Speiseeis und zur Herstellung von Eiswürfeln.
- Ein-, Zwei- und Drei-Sterne-Fächer eignen sich nicht zum Einfrieren frischer Lebensmittel.
- Falls das Kühlgerät lange Zeit leer bleibt, sollten Sie es abschalten, abtauen, reinigen, trocknen und die Tür geöffnet lassen, damit sich kein Schimmel im Gerät bildet.
- Sprühen Sie aus Sicherheitsgründen niemals Wasser auf die Innen- und Außenflächen des Gerätes.
- Sprühen Sie keine Substanzen mit brennbaren Gasen, wie z. B. Propangas, in die Nähe des Kühlschranks; andernfalls bestehen Brand- und Explosionsgefahr.
- Stellen Sie keine mit Wasser gefüllten Gegenstände auf den Kühlschrank; dies birgt Brand- und Stromschlaggefahr.
- Überladen Sie das Gerät nicht mit Lebensmitteln. Wenn das Gerät überladen ist, können beim Öffnen der Kühlschranktür Lebensmittel herausfallen und Verletzungen verursachen.
- Stellen Sie keinesfalls Gegenstände auf den Kühlschrank; sie könnten beim Öffnen oder Schließen der Kühlschranktür herunterfallen.
- Materialien wie beispielsweise Impfstoffe, wärmeempfindliche Arznei, wissenschaftliche Proben usw. sollten nicht im Kühlschrank aufbewahrt werden, da sie bei exakt festgelegten Temperaturen gelagert werden müssen.
- Trennen Sie den Kühlschrank vom Stromnetz, wenn er längere Zeit nicht benutzt wird. Ein mögliches Problem im Netzkabel kann einen Brand auslösen.
- Wenn die höhenverstellbaren Füße nicht sicher auf dem Boden stehen, kann sich der Kühlschrank bewegen. Die angemessene Sicherung der höhenverstellbaren Füße am Boden kann eine Bewegung des Kühlschranks verhindern.
- **WARNUNG:** Wenn Sie das Gerät in die gewünschte Position bringen, müssen Sie darauf achten, dass das Netzkabel nicht eingeklemmt oder beschädigt wird.
- **WARNUNG:** An der Rückseite des Geräts dürfen sich nicht mehrere tragbare Steckdosen oder tragbare Stromversorgungsgeräte befinden.
- Halten Sie den Kühlschrank beim Tragen nicht am Türgriff. Andernfalls könnte er abbrechen.
- Wenn Sie Ihr Produkt neben

einem anderen Kühl- oder Gefrierschrank aufstellen möchten, sollte der Abstand zwischen beiden Geräten mindestens 8 cm betragen. Andernfalls können die benachbarten Seitenwände feucht werden.

- Benutzen Sie das Gerät niemals, wenn die sich auf der Oberseite bzw. auf der Rückseite befindlichen Bereiche mit den elektronischen Leitern im Inneren geöffnet sind (Abdeckung der elektronischen Leiterplatten) (1).



Bei Geräten mit Wasserspender:

- Der Druck für die Kaltwasserzufuhr sollte maximal 90 psi (620 kPa) betragen. Wenn der Wasserdruck in Ihrem Haushalt 80 psi (550 kPa) übersteigt, verwenden Sie bitte ein Druckbegrenzungsventil in Ihrem Leitungssystem. Sollten Sie nicht wissen, wie der Wasserdruck gemessen wird, ziehen Sie bitte einen Fachinstallateur hinzu.
- Sollte für Ihr Leitungssystem das Risiko eines Wasserschlags (Druckstoß) bestehen, verwenden Sie stets eine

geeignete Druckstoßsicherung. Wenden Sie sich bitte an einen Fachinstallateur, falls Sie sich über die Wasserschlaggefährdung in Ihrem Leitungssystem nicht sicher sein sollten.

- Nutzen Sie niemals die Warmwasserzufuhr für den Einbau. Treffen Sie geeignete Vorsichtsmaßnahmen zum Schutz der Leitungen gegen mögliches Einfrieren. Die für den Betrieb zulässige Wassertemperatur liegt im Bereich von mindestens 0,6°C (33°F) bis hin zu maximal 38°C (100°F).
- Nur Trinkwasser verwenden.

Kinder - Sicherheit

- Bei abschließbaren Türen bewahren Sie den Schlüssel außerhalb der Reichweite von Kindern auf.
- Achten Sie darauf, dass Kinder nicht mit dem Produkt spielen.

Ihre Pflichten als Endnutzer



Dieses Elektro- bzw. Elektronikgerät ist mit einer durchgestrichenen Abfalltonne auf Rädern gekennzeichnet. Das Gerät darf deshalb nur getrennt vom unsortierten Siedlungsabfall gesammelt und zurückgenommen werden. Es darf somit nicht in den Hausmüll gegeben werden. Das Gerät kann z.B. bei einer kommunalen Sammelstelle oder ggf. bei einem Vertreiber (siehe unten zu deren Rücknahmepflichten in Deutschland) abgegeben werden.

Das gilt auch für alle Bauteile, Unterbaugruppen und Verbrauchsmaterialien des zu entsorgenden Altgeräts.

Bevor das Altgerät entsorgt werden darf, müssen alle Altbatterien und Altakkumulatoren vom Altgerät getrennt werden, die nicht vom Altgerät umschlossen sind. Das gleiche gilt für Lampen, die zerstörungsfrei aus dem Altgerät entnommen werden können. Der Endnutzer ist zudem selbst dafür verantwortlich, personenbezogene Daten auf dem Altgerät zu löschen.

Einhaltung der RoHS-Richtlinie:

Das von Ihnen gekaufte Gerät entspricht der RoHS-Richtlinie der EU (2011/65/EU). Es enthält keinerlei Materialien, die gemäß der Richtlinie als schädlich oder verboten gelten.

Hinweise zum Recycling



Helfen Sie mit, alle Materialien zu recyceln, die mit diesem Symbol gekennzeichnet sind.

Entsorgen Sie solche Materialien, insbesondere Verpackungen, nicht im Hausmüll, sondern über die bereitgestellten Recyclingbehälter oder die entsprechenden örtlichen Sammelsysteme.

Recyceln Sie zum Umwelt- und Gesundheitsschutz elektrische und elektronische Geräte.

Rücknahmepflichten der Vertreiber

Wer auf mindestens 400 m² Verkaufsfläche Elektro- und Elektronikgeräte vertreibt oder diese gewerblich an Endnutzer abgibt, ist verpflichtet, bei Abgabe eines neuen Gerätes, ein Altgerät des Endnutzers der gleichen Geräteart, das im Wesentlichen die gleichen Funktionen wie das neue Gerät erfüllt, am Ort der Abgabe oder in unmittelbarer Nähe, unentgeltlich zurückzunehmen. Das gilt auch für Vertreiber von Lebensmitteln mit einer Gesamtverkaufsfläche von mindestens 800 m², die mehrmals im Kalenderjahr oder dauerhaft Elektro- und Elektronikgeräte anbieten und auf dem Markt bereitstellen. Solche Vertreiber müssen zudem auf Verlangen des Endnutzers Altgeräte, die in keiner äußeren Abmessung größer als 25 cm sind, (kleine Elektrogeräte) im Einzelhandelsgeschäft oder in unmittelbarer Nähe hierzu unentgeltlich zurückzunehmen; die Rücknahme darf in diesem Fall nicht an den Kauf eines Elektro- oder Elektronikgerätes verknüpft, kann aber auf drei Altgeräte pro Geräteart beschränkt werden.

Ort der Abgabe ist auch der private Haushalt, wenn das neue Elektro- oder Elektronikgerät dorthin geliefert wird; in diesem Fall ist die Abholung des Altgerätes für den Endnutzer kostenlos.

Die vorstehenden Pflichten gelten auch für den Vertrieb unter Verwendung von

Fernkommunikationsmitteln, wenn die Vertreiber Lager- und Versandflächen für Elektro- und Elektronikgeräte bzw. Gesamtlager und Versandflächen für Lebensmittel beinhalten, die den oben genannten Verkaufsflächen entsprechen. Die unentgeltliche Abholung von Elektro- und Elektronikgeräten ist dann aber auf Wärmeüberträger (z.B. Kühlschrank), Bildschirme, Monitore und Geräte, die Bildschirme mit einer Oberfläche von mehr als 100 cm² enthalten und Geräte beschränkt, bei denen mindestens eine der äußeren Abmessungen mehr als 50 cm beträgt. Für alle übrigen Elektro- und Elektronikgeräte muss der Vertreiber geeignete Rückgabemöglichkeiten in zumutbarer Entfernung zum jeweiligen Endnutzer gewährleisten; das gilt auch für kleine Elektrogeräte (s.o.), die der Endnutzer zurückgeben möchte, ohne ein neues Gerät zu erwerben.

HC-Warnung

Falls das Kühlsystem Ihres Produktes R600a enthält:

Dieses Gas ist leicht entflammbar. Achten Sie also darauf, Kühlkreislauf und Leitungen während Betrieb und Transport nicht zu beschädigen. Bei Beschädigungen halten Sie das Produkt von potenziellen Zündquellen (z. B. offenen Flammen) fern und sorgen für eine gute Belüftung des Raumes, in dem das Gerät aufgestellt wurde.

Ignorieren Sie diese Warnung, falls das Kühlsystem Ihres Produktes R134a enthält.

Die Art des im Gerät eingesetzten Gases wird auf dem Typenschild an der


linken Innenwand des Kühlschranks angegeben.

Entsorgen Sie das Produkt keinesfalls durch Verbrennen.

Tipps zum Energiesparen

- Halten Sie die Kühlschranktüren nur möglichst kurz geöffnet.
- Geben Sie keine warmen Speisen oder Getränke in den Kühlschrank.
- Überladen Sie den Kühlschrank nicht; die Luft muss frei zirkulieren können.
- Stellen Sie den Kühlschrank nicht im direkten Sonnenlicht oder in der Nähe von Wärmequellen wie Öfen, Spülmaschinen oder Heizkörpern auf. Halten Sie den Kühlschrank mindestens 30 cm von Wärmequellen und mindestens 5 cm von elektrischen Öfen entfernt.
- Achten Sie darauf, Ihre Lebensmittel in verschlossenen Behältern aufzubewahren.
- Bei Geräten mit Tiefkühlbereich: Sie können noch mehr Lebensmittel einlagern, wenn Sie die Ablage oder Schublade aus dem Tiefkühlbereich herausnehmen. Der für Ihren Kühlschrank angegebene Energieverbrauch wurde nach dem Entfernen der Ablage oder Schublade und bei maximaler Beladung bestimmt. Ansonsten ist es Ihnen freigestellt, die Ablage oder Schublade zu verwenden.
- Das Auftauen von gefrorenen Lebensmitteln im Kühlbereich ist energiesparend und bewahrt die Qualität der Lebensmittel.

3 Installation

 Der Hersteller haftet nicht, falls die Angaben in dieser Anleitung nicht berücksichtigt werden.

Wenn Sie den Kühlschrank versetzen möchten

1. Ziehen Sie zuvor den Netzstecker. Der Kühlschrank sollte geleert und gesäubert werden, bevor Sie ihn transportieren oder versetzen.
2. Sichern Sie die beweglichen Teile im Inneren (z. B. Ablagen, Zubehör, Gemüsefach etc.) vor dem Verpacken mit Klebeband, schützen Sie solche Teile vor Stößen. Umwickeln Sie die Verpackung mit kräftigem Klebeband oder stabilen Schnüren, beachten Sie die Transporthinweise auf der Verpackung.
3. Originalverpackung und Schaumstoffmaterialien sollten zum zukünftigen Transport des Gerätes aufbewahrt werden.

Vor dem Einschalten

Beachten Sie Folgendes, bevor Sie Ihren Kühlschrank benutzen:

1. Bringen Sie die beiden Kunststoffkeile wie nachstehend abgebildet an. Die Kunststoffkeile sorgen für den nötigen Abstand zwischen Kühlschrank und Wand, damit die Luft frei zirkulieren kann. (Die Abbildung dient lediglich zur Orientierung und kann daher etwas von Ihrem Gerät abweichen.)

2. Bitte bringen Sie die beiden Kunststoffkeile wie in der Abbildung gezeigt an. Die Kunststoffkeile sorgen für den richtigen Abstand zwischen Kühlschrank und Wand – und damit für die richtige Luftzirkulation. (Die Abbildung dient lediglich zur Orientierung und muss nicht exakt mit Ihrem Gerät übereinstimmen.)
3. Reinigen Sie das Innere des Kühlschranks wie im Abschnitt „Wartung und Reinigung“ beschrieben.
4. Schließen Sie den Netzstecker des Kühlschranks an eine Steckdose an. Beim Öffnen der Tür leuchtet die Innenbeleuchtung auf.
5. Beim Anspringen des Kompressors sind Geräusche zu hören. Die Flüssigkeiten und Gase im Kühlsystem können auch leichte Geräusche erzeugen, wenn der Kompressor nicht läuft. Dies ist völlig normal.
6. Die Vorderkanten des Kühlgerätes können sich warm anfühlen. Dies ist normal. Diese Bereiche wärmen sich etwas auf, damit sich kein Kondenswasser bildet.


Elektrischer Anschluss


Schließen Sie das Gerät an eine geerdete (Schuko-) Steckdose an. Diese Steckdose muss mit einer passenden Sicherung abgesichert werden.

Wichtig:

- Der Anschluss muss gemäß lokaler Vorschriften erfolgen.

- Der Netzstecker muss nach der Installation frei zugänglich bleiben.
- Die elektrische Sicherheit des Gerätes ist nur dann gewährleistet, wenn das hausinterne Erdungssystem den zutreffenden Normen entspricht.
- Die auf dem Typenschild an der linken Innenwand des Gerätes angegebene Spannung muss mit Ihrer Netzspannung übereinstimmen.
- **Zum Anschluss dürfen keine Verlängerungskabel oder Mehrfachsteckdosen verwendet werden.**

 Ein beschädigtes Netzkabel muss unverzüglich durch einen qualifizierten Elektriker ausgetauscht werden.

 Das Gerät darf vor Abschluss der Reparaturen nicht mehr betrieben werden! Es besteht Stromschlaggefahr!

Verpackungsmaterialien entsorgen

Das Verpackungsmaterial kann eine Gefahr für Kinder darstellen. Halten Sie Verpackungsmaterialien von Kindern fern oder entsorgen Sie das Verpackungsmaterial gemäß gültigen Entsorgungsbestimmungen. Entsorgen Sie das Verpackungsmaterial über geeignete Sammelstellen (Ihre Stadtverwaltung informiert Sie gerne), nicht über den regulären Hausmüll.

Die Verpackung Ihres Gerätes wurde aus recyclingfähigen Materialien hergestellt.


Altgeräte entsorgen

Entsorgen Sie Altgeräte auf umweltfreundliche Weise.

- Bei Fragen zur richtigen Entsorgung wenden Sie sich bitte an Ihren Händler, an eine Sammelstelle oder an Ihre Stadtverwaltung.

Bevor Sie das Gerät entsorgen, schneiden Sie den Netzstecker ab und machen die Türverschlüsse (sofern vorhanden) unbrauchbar, damit Kinder nicht in Gefahr gebracht werden.

Aufstellung und Installation

 Falls die Tür des Raumes, in dem der Kühlschrank aufgestellt werden soll, nicht breit genug ist, wenden Sie sich an den autorisierten Kundendienst, lassen die Kühlschranktüren demontieren und befördern das Gerät seitlich durch die Tür.

1. Stellen Sie Ihren Kühlschrank an einer gut erreichbaren Stelle auf.
2. Platzieren Sie den Kühlschrank nicht in der Nähe von Wärmequellen oder dort, wo er Feuchtigkeit oder direktem Sonnenlicht ausgesetzt ist.

3. Damit das Gerät richtig arbeiten kann, müssen Sie ausreichend Platz um das Gerät herum freilassen, damit eine ordentliche Belüftung gewährleistet ist. Wenn Sie den Kühlschrank in einer Nische aufstellen, müssen Sie einen Abstand von mindestens 5 cm zur Decke und 5 cm zu den Wänden einhalten. Stellen Sie das Gerät nicht auf Materialien wie Teppichen oder Teppichböden auf.
4. Stellen Sie Ihren Kühlschrank auf einem ebenen Untergrund auf, damit er nicht wackelt.
5. Ihr Produkt benötigt eine ausreichende Luftzirkulation, um effizient zu funktionieren. Wenn das Produkt in eine Nische gestellt wird, denken Sie daran, mindestens 5 cm Abstand zwischen dem Produkt und der Decke, der Rückwand und den Seitenwänden zu lassen.
6. Wenn das Produkt in eine Nische gestellt wird, denken Sie daran, mindestens 5 cm Abstand zwischen dem Produkt und der Decke, der Rückwand und den Seitenwänden zu lassen. Prüfen Sie, ob die Rückwand-Abstandsschutzkomponente an ihrem Standort vorhanden ist (falls mit dem Produkt geliefert). Wenn die Komponente nicht verfügbar ist oder verloren geht oder heruntergefallen ist, positionieren Sie das Produkt so, dass zwischen der Rückseite des Produkts und der Wand des Raums mindestens 5 cm Abstand verbleiben. Der Freiraum an der Rückseite ist wichtig für den effizienten Betrieb des Produkts.

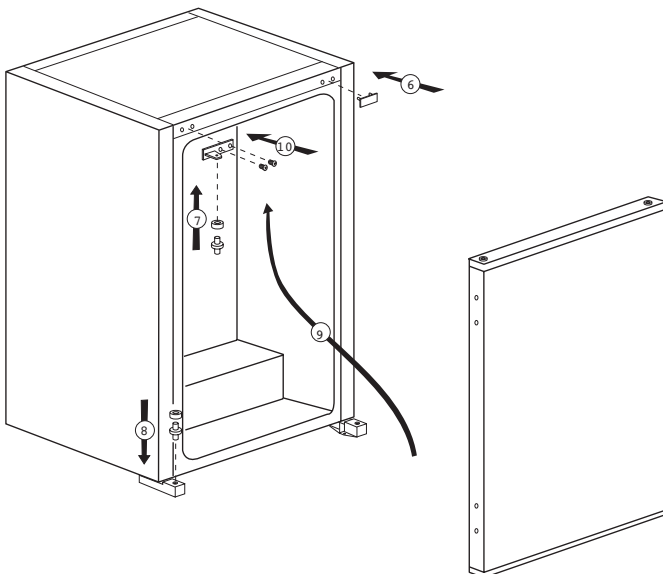
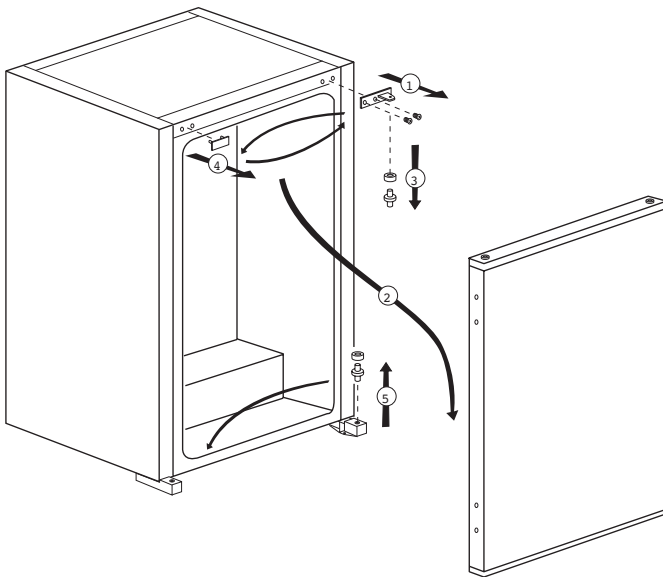
Beleuchtung auswechseln

Die Innenbeleuchtung Ihres Kühlschranks sollte ausschließlich vom autorisierten Kundendienst ausgetauscht werden. Die Glühbirnen für dieses Haushaltsgerät sind für Beleuchtungszwecke nicht geeignet. Die beabsichtigte Aufgabe dieser Lampe ist es den Benutzer zu ermöglichen die Platzierung der Lebensmittel in den Kühlschrank / Eiskühltruhe sicher und bequem vorzunehmen.

Die in diesem Gerät verwendeten Lampen müssen extremen physikalischen Bedingungen, wie z. B. Temperaturen von $-20\text{ }^{\circ}\text{C}$, standhalten.

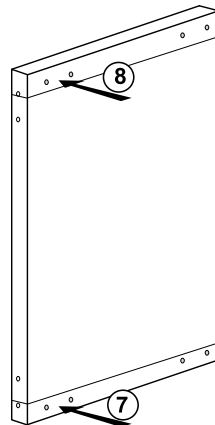
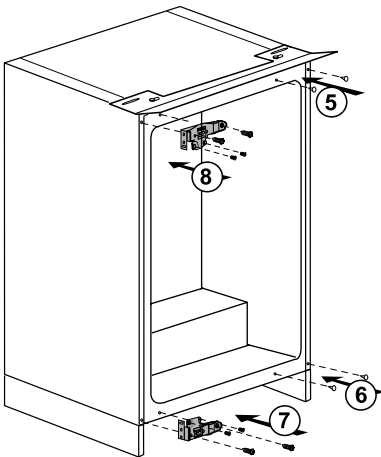
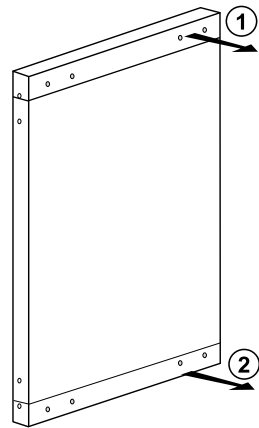
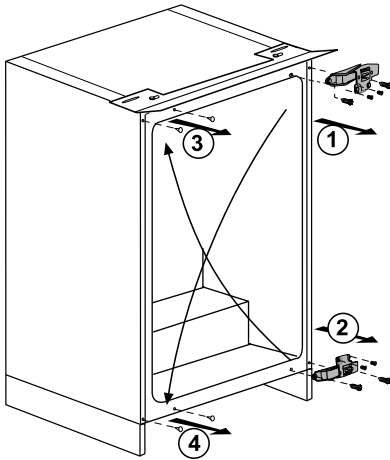
Türanschlag umkehren

Gehen Sie der Reihe nach vor.



Türanschlag umkehren

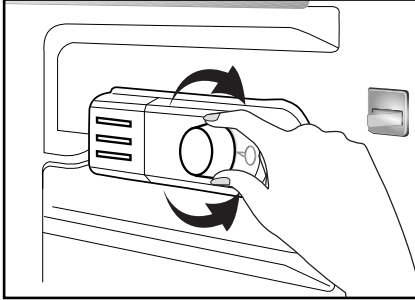
Gehen Sie der Reihe nach vor.



4 Vorbereitung

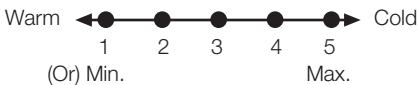
- i** Ihr Kühlschrank sollte mindestens 30 cm von Hitzequellen wie Kochstellen, Öfen, Heizungen, Herden und ähnlichen Einrichtungen aufgestellt werden. Halten Sie mindestens 5 cm Abstand zu Elektroöfen ein, vermeiden Sie die Aufstellung im direkten Sonnenlicht.
- i** Die Zimmertemperatur des Raumes, in dem der Kühlschrank aufgestellt wird, sollte mindestens 10 °C betragen. Im Hinblick auf den Wirkungsgrad ist der Betrieb des Kühlschranks bei geringerer Umgebungstemperatur nicht ratsam.
- i** Sorgen Sie dafür, dass das Innere Ihres Kühlschranks gründlich gereinigt wird.
- i** Falls zwei Kühlschränke nebeneinander aufgestellt werden sollen, achten Sie darauf, dass sie mindestens 2 cm voneinander entfernt platziert werden.
- i** Wenn Sie den Kühlschrank zum ersten Mal in Betrieb nehmen, halten Sie sich bitte an die folgenden Anweisungen für die ersten sechs Betriebsstunden.
 - Die Kühlschranktür sollte nicht zu häufig geöffnet werden.
 - Der Kühlschrank muss zunächst vollständig leer arbeiten.
 - Ziehen Sie nicht den Netzstecker. Falls der Strom ausfallen sollte, beachten Sie die Warnhinweise im Abschnitt „Empfehlungen zur Problemlösung“.
- i** Originalverpackung und Schaumstoffmaterialien sollten zum zukünftigen Transport des Gerätes aufbewahrt werden.

5 Nutzung des Kühlschranks



Einstellen der Betriebstemperatur

Die Betriebstemperatur wird über die Temperatursteu­erung .reguliert



1 = Schwächste Kühlung (wärmste Einstellung)

5 = Stärkste Kühlung (kälteste Einstellung)

(Oder)

Min. = Schwächste Kühlung
(wärmste Einstellung)

Max. = Stärkste Kühlung
(kälteste Einstellung)

Die Durchschnittstemperatur im Inneren des Kühlschranks sollte bei etwa +5 °C liegen.

Bitte wählen Sie die der gewünschten Temperatur entsprechende Einstellung.

Bitte beachten Sie, dass im Kühlbereich unterschiedliche Temperaturen herrschen.

Der kälteste Bereich befindet sich unmittelbar über dem Gemüsefach.

Die Innentemperatur hängt auch von der Umgebungstemperatur ab, außerdem davon, wie oft die Tür geöffnet wird und wie viel Lebensmittel im Inneren gelagert werden.

Beim häufigen Öffnen der Tür steigt die Innentemperatur an.

Aus diesem Grund empfehlen wir, die Tür möglichst schnell wieder zu schließen.

Innenfächer verwenden

Bewegliche Ablagen: Den Abstand dieser Ablagen können Sie nach Bedarf anpassen.

Gemüsefach: Dieses Fach eignet sich zur längeren Lagerung von Gemüse und Früchten.

Flaschenablage: Diese Ablagen nutzen Sie für Flaschen, Gläser und Dosen.

Kühlen

Lagern von Lebensmitteln

Der Kühlbereich ist für die kurzfristige Lagerung von frischen Lebensmitteln und Getränken vorgesehen.

Lagern Sie Milchprodukte im dafür vorgesehenen Bereich des Kühlschranks.

Flaschen können Sie im Flaschenhalter oder in der Flaschenablage der Tür aufbewahren.

Rohes Fleisch geben Sie am besten in einen Polyethylen-Beutel (PE) und lagern es im untersten Bereich des Kühlschranks.

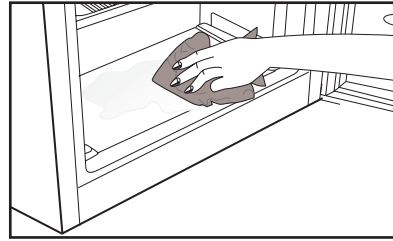
Lassen Sie heiße Speisen und Getränke immer erst auf Raumtemperatur abkühlen, bevor Sie diese in den Kühlschrank stellen.

- Achtung

Lagern Sie hochprozentigen Alkohol nur aufrecht stehend und fest verschlossen.

- Achtung

Lagern Sie keine explosiven Substanzen oder Behälter mit brennbaren Treibgasen (Sprühsahne, Sprühdosen usw.) im Kühlgerät. Es besteht Explosionsgefahr.



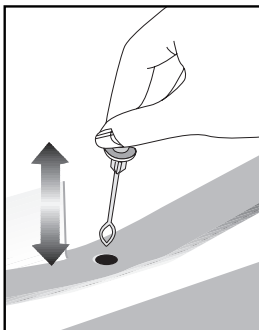
Abtauen

Der Kühlbereich taut automatisch ab. Das Tauwasser fließt durch den Abflusskanal in einen Sammelbehälter an der Rückseite des Gerätes.














Beim Abtauen bilden sich durch Verdunstung Wassertröpfchen an der Rückwand des Kühlschranks.

Falls nicht alle Tropfen nach unten ablaufen, können sie nach dem Abtauen wieder gefrieren. Entfernen Sie diese Rückstände mit einem mit warmem Wasser getränkten Tuch, niemals mit harten oder gar scharfen Gegenständen.

Kontrollieren Sie den Tauwasserfluss von Zeit zu Zeit. Dieser kann gelegentlich zum Stocken kommen.



6 **Wartung und Reinigung**

-  Verwenden Sie zu Reinigungszwecken niemals Benzin oder ähnliche Substanzen.
-  Wir empfehlen, vor dem Reinigen den Netzstecker zu ziehen.
-  Verwenden Sie zur Reinigung niemals scharfe Gegenstände, Seife, Haushaltsreiniger, Waschmittel oder Wachspolituren.
-  Bei nicht eisfreien Geräten bilden sich Wassertropfen an der Rückwand des Kühlfaches, die zu einer fingerdicken Eisschicht gefrieren können. Nicht beseitigen, nicht reinigen, niemals Öl oder andere Mittel auftragen.
-  Reinigen Sie die Außenflächen des Gerätes nur mit einem leicht angefeuchteten Mikrofasertuch. Schwämme und andere Reinigungshilfen können die Oberfläche verkratzen.
-  Reinigen Sie das Gehäuse des Gerätes mit lauwarmem Wasser, wischen Sie die Flächen danach trocken.
-  Zur Reinigung des Innenraums verwenden Sie ein feuchtes Tuch, das Sie in eine Lösung aus 1 Teelöffel Natron und einem halben Liter Wasser getaucht und ausgewrungen haben. Nach dem Reinigen wischen Sie den Innenraum trocken.
-  Achten Sie darauf, dass kein Wasser in das Lampengehäuse oder andere elektrische Komponenten eindringt.
-  Wenn Ihr Kühlgerät längere Zeit nicht benutzt wird, ziehen Sie den Netzstecker, nehmen alle Lebensmittel heraus, reinigen das Gerät und lassen die Türe geöffnet.
-  Kontrollieren Sie die Türdichtungen regelmäßig, um sicherzustellen, dass diese sauber und frei von Speiseresten sind.
-  Zum Entfernen einer Türablage räumen Sie sämtliche Gegenständen aus der Ablage und schieben diese dann nach oben heraus.
-  Verwenden Sie zur Reinigung der Außenflächen und Chrombeschichteten Produktteile niemals Reinigungsmittel oder Wasser, die/das Chlor enthält. Chlor lässt Metalloberflächen korrodieren.
-  Verwenden Sie keine spitzen oder scheuernde Gegenstände, Seifen, Reinigungsmittel bzw. Chemikalien, sowie auch kein Benzin, keine Benzole bzw. Wachse usw. Andernfalls werden die Einprägungen auf den Plasteteilen möglicherweise beschädigt oder deformiert. Verwenden Sie warmes Wasser und einen weichen Lappen zum anschließenden Trockenreiben.

Schutz der Kunststoffflächen

- i** Geben Sie keine Öle oder stark fetthaltige Speisen offen in Ihren Kühlschrank / Gefrierschrank – dadurch können die Kunststoffflächen angegriffen werden. Sollten die Plastikoberflächen einmal mit Öl in Berührung kommen, so reinigen Sie die entsprechenden Stellen umgehend mit warmem Wasser.

7 Problemlösung

Bitte arbeiten Sie diese Liste durch, bevor Sie sich an den Kundendienst wenden. Dies kann Ihnen Zeit und Geld sparen. In der Liste finden Sie häufiger auftretende Probleme, die nicht auf Verarbeitungs- oder Materialfehler zurückzuführen sind. Nicht alle hier beschriebenen Funktionen sind bei jedem Modell verfügbar.

Der Kühlschrank arbeitet nicht.

- Der Netzstecker ist nicht richtig eingesteckt. >>> Stecken Sie den Netzstecker bis zum Anschlag in die Steckdose.
- Die entsprechende Haussicherung ist herausgesprungen oder durchgebrannt. >>> Überprüfen Sie die Sicherung.

Kondensation an den Seitenwänden des Kühlbereiches (Multizone, Kühlkontrolle und FlexiZone).

- Die Tür wurde häufig geöffnet. >>> Verzichten Sie auf häufiges Öffnen der Kühlschranktür.
- Die Luftfeuchtigkeit in der Umgebung ist zu hoch. >>> Stellen Sie Ihren Kühlschrank nicht an Orten mit hoher Luftfeuchtigkeit auf.
- Lebensmittel mit hohem Flüssigkeitsanteil werden in offenen Behältern aufbewahrt. >>> Bewahren Sie Lebensmittel mit hohem Flüssigkeitsanteil nicht in offenen Behältern auf.
- Die Kühlschranktür steht offen. >>> Schließen Sie die Kühlschranktür.
- Das Thermostat ist auf eine sehr geringe Temperatur eingestellt. >>> Stellen Sie das Thermostat entsprechend nach.

Der Kompressor läuft nicht.

• Eine Schutzschaltung stoppt den Kompressor bei kurzzeitigen Unterbrechungen der Stromversorgung und wenn das Gerät zu oft und schnell ein- und ausgeschaltet wird, da der Druck des Kühlmittels eine Weile lang ausgeglichen werden muss. Der Kühlschrank beginnt nach etwa sechs Minuten wieder zu arbeiten. Bitte wenden Sie sich an den Kundendienst, falls Ihr Kühlschrank nach Ablauf dieser Zeit nicht wieder zu arbeiten beginnt.

• Der Kühlschrank taut ab. >>> Dies ist bei einem vollautomatisch abtauenden Kühlschrank völlig normal. Das Gerät taut von Zeit zu Zeit ab.

• Der Netzstecker ist nicht eingesteckt. >>> Überprüfen Sie, ob der Netzstecker richtig eingesteckt wurde.

• Die Temperatur ist nicht richtig eingestellt. >>> Wählen Sie eine geeignete Temperatur.

• Der Strom ist ausgefallen. >>> Sobald die Stromversorgung wiederhergestellt ist, nimmt der Kühlschrank den Betrieb wieder auf.

Das Betriebsgeräusch nimmt zu, wenn der Kühlschrank arbeitet.

• Das Leistungsverhalten des Kühlgerätes kann sich je nach Umgebungstemperatur ändern. Dies ist völlig normal und keine Fehlfunktion.

Der Kühlschrank arbeitet sehr intensiv oder über eine sehr lange Zeit.

• Ihr neues Gerät ist vielleicht etwas breiter als sein Vorgänger. Große Kühlgeräte arbeiten oft etwas länger.

• Die Umgebungstemperatur ist eventuell sehr hoch. >>> Bei hohen Umgebungstemperaturen arbeitet das Gerät etwas länger.

• Der Kühlschrank wurde möglicherweise erst vor Kurzem in Betrieb genommen oder mit Lebensmitteln gefüllt. >>> Wenn der Kühlschrank erst vor Kurzem in Betrieb genommen oder mit Lebensmitteln gefüllt wurde, dauert es einige Zeit, bis er die eingestellte Temperatur erreicht. Dies ist normal.

• Kurz zuvor wurden größere Mengen warmer Speisen in den Kühlschrank gestellt. >>> Geben Sie keine warmen oder gar heißen Speisen in den Kühlschrank.

• Die Türen wurden häufig geöffnet oder längere Zeit nicht richtig geschlossen. >>> Der Kühlschrank muss länger arbeiten, weil warme Luft in den Innenraum eingedrungen ist. Verzichten Sie auf häufiges Öffnen der Türen.

• Die Türen des Kühl- oder Tiefkühlbereiches wurden nicht richtig geschlossen. >>> Vergewissern Sie sich, dass die Türen richtig geschlossen wurden.

• Die Kühlschranktemperatur ist sehr niedrig eingestellt. >>> Stellen Sie die Kühlschranktemperatur höher ein. Warten Sie dann ab, bis die gewünschte Temperatur erreicht ist.

• Die Türdichtungen von Kühl- oder Gefrierbereich sind verschmutzt, verschlissen, beschädigt oder sitzen nicht richtig. >>> Reinigen oder ersetzen Sie die Dichtung. Beschädigte oder defekte Dichtungen führen dazu, dass der Kühlschrank länger arbeiten muss, um die Temperatur halten zu können.

Die Temperatur im Tiefkühlbereich ist sehr niedrig, während die Temperatur im Kühlbereich normal ist.

• Die Tiefkühltemperatur ist sehr niedrig eingestellt. >>> Stellen Sie die Tiefkühltemperatur wärmer ein, prüfen Sie die Temperatur nach einer Weile.

Die Temperatur im Kühlbereich ist sehr niedrig, während die Temperatur im Tiefkühlbereich normal ist.

• Die Kühltemperatur ist sehr niedrig eingestellt. >>> Stellen Sie die Kühlbereichtemperatur wärmer ein, prüfen Sie die Temperatur nach einer Weile.

Im Kühlbereich gelagerte Lebensmittel frieren ein.

• Die Kühltemperatur ist sehr niedrig eingestellt. >>> Wählen Sie eine höhere Kühlbereichtemperatur, prüfen Sie die Temperatur nach einer Weile.

Die Temperatur im Kühl- oder Tiefkühlbereich ist sehr hoch.

<ul style="list-style-type: none"> • Die Kühltemperatur ist sehr hoch eingestellt. >>> Die Kühlbereichstemperatur wirkt sich auf die Temperatur des Tiefkühlbereichs aus. Ändern Sie die Temperatur des Kühl- oder Tiefkühlbereichs und warten Sie, bis die entsprechenden Fächer eine geeignete Temperatur erreicht haben. • Türen wurden häufig geöffnet oder längere Zeit nicht richtig geschlossen. >>> Verzichten Sie auf häufiges Öffnen der Türen. • Die Tür steht offen. >>> Schließen Sie die Tür komplett. • Der Kühlschrank wurde möglicherweise erst vor Kurzem in Betrieb genommen oder mit Lebensmitteln gefüllt. >>> Dies ist normal. Wenn der Kühlschrank erst vor Kurzem in Betrieb genommen oder mit Lebensmitteln gefüllt wurde, dauert es einige Zeit, bis er die eingestellte Temperatur erreicht. • Kurz zuvor wurden größere Mengen warmer Speisen in den Kühlschrank gestellt. >>> Geben Sie keine warmen oder gar heißen Speisen in den Kühlschrank. 	<ul style="list-style-type: none"> • Zum gleichmäßigen Kühlen werden Ventilatoren eingesetzt. Dies ist völlig normal und keine Fehlfunktion. <p>Kondensation an den Kühlschrankinnenflächen.</p> <ul style="list-style-type: none"> • Bei heißen und feuchten Wetterlagen treten verstärkt Eisbildung und Kondensation auf. Dies ist völlig normal und keine Fehlfunktion. • Türen wurden häufig geöffnet oder längere Zeit nicht richtig geschlossen. >>> Verzichten Sie auf häufiges Öffnen der Türen. Schließen Sie geöffnete Türen. • Die Tür steht offen. >>> Schließen Sie die Tür komplett. <p>Feuchtigkeit sammelt sich an der Außenseite des Kühlschranks oder an den Türen.</p> <ul style="list-style-type: none"> • Eventuell herrscht hohe Luftfeuchtigkeit; dies ist je nach Wetterlage völlig normal. Die Kondensation verschwindet, sobald die Feuchtigkeit abnimmt. <p>Unangenehmer Geruch im Kühlschrank.</p>
<p>Vibrationen oder Betriebsgeräusche.</p>	
<ul style="list-style-type: none"> • Der Boden ist nicht eben oder nicht stabil genug. >>> Falls der Kühlschrank bei leichten Bewegungen wackelt, gleichen Sie ihn mit Hilfe seiner Füße aus. Achten Sie außerdem darauf, dass der Boden eben ist und das Gewicht des Kühlschranks problemlos tragen kann. • Gegenstände, die auf dem Kühlschrank abgestellt wurden, können Geräusche verursachen. >>> Nehmen Sie die Gegenstände vom Kühlschrank. 	
<p>Fließ- oder Spritzgeräusche sind zu hören.</p>	
<ul style="list-style-type: none"> • Aus technischen Gründen bewegen sich Flüssigkeiten und Gase innerhalb des Gerätes. Dies ist völlig normal und keine Fehlfunktion. 	
<p>Der Kühlschrank pfeift.</p>	

<ul style="list-style-type: none">• Der Kühlschrank wurde nicht regelmäßig gereinigt. >>> Reinigen Sie das Innere des Kühlschranks regelmäßig mit einem Schwamm, den Sie mit lauwarmem Wasser oder einer Natron-Wasser-Lösung angefeuchtet haben.	<ul style="list-style-type: none">• Die Bereiche zwischen den beiden Türen, an den Seitenflächen und hinten am Grill können im Betrieb sehr heiß werden. Dies ist völlig normal und weist nicht auf eine Fehlfunktion hin.
--	--

- Bestimmte Behälter oder Verpackungsmaterialien verursachen den Geruch. >>> Verwenden Sie andere Behälter oder Verpackungsmaterial einer anderen Marke.
- Lebensmittel wurden in offenen Behältern in den Kühlschrank gegeben. >>> Lagern Sie Lebensmittel in geschlossenen Behältern. Mikroorganismen, die aus unverschlossenen Behältern entweichen, können üble Gerüche verursachen.
- Nehmen Sie Lebensmittel mit abgelaufenem Mindesthaltbarkeitsdatum sowie verdorbene Lebensmittel aus dem Kühlschrank.

Die Tür lässt sich nicht schließen.

- Lebensmittelpackungen verhindern ein vollständiges Schließen der Tür. >>> Entfernen Sie die Verpackungen, welche die Tür blockieren.
- Der Kühlschrank steht nicht vollständig eben auf dem Boden. >>> Gleichen Sie den Kühlschrank mit Hilfe der Füße aus.
- Der Boden ist nicht eben oder nicht stabil genug. >>> Achten Sie darauf, dass der Boden eben ist und das Gewicht des Kühlschranks problemlos tragen kann.

Das Gemüsefach klemmt.

- Lebensmittel berühren eventuell den oberen Teil der Schublade. >>> Ordnen Sie die Lebensmittel in der Schublade anders an.

Wenn Die Produktoberfläche Heiss Ist.

HAFTUNGSAUSSCHLUSS / WARNUNG

Einige (einfache) Fehler können vom Endbenutzer angemessen behandelt werden, ohne dass Sicherheitsprobleme oder unsichere Verwendung auftreten, sofern sie innerhalb der Grenzen und gemäß den folgenden Anweisungen ausgeführt werden (siehe Abschnitt „Selbstreparatur“).

Sofern im Abschnitt „Selbstreparatur“ unten nichts anderes autorisiert ist, sind Reparaturen an registrierte professionelle Reparaturtechniker zu richten, um Sicherheitsprobleme zu vermeiden. Ein registrierter professioneller Reparaturbetrieb ist ein professioneller Reparaturtechniker, dem vom Hersteller Zugang zu den Anweisungen und der Ersatzteilliste dieses Produkts gemäß den in den Rechtsakten entsprechend der Richtlinie 2009/125/EG beschriebenen Methoden gewährt wurde.

Allerdings kann nur der Dienstleister (d.h. autorisierte professionelle Reparaturtechniker), den Sie über die in der Bedienungsanleitung/ Garantiekarte angegebene Telefonnummer oder über Ihren autorisierten Händler erreichen können, einen Service gemäß den Garantiebedingungen anbieten. Bitte beachten Sie daher, dass Reparaturen durch professionelle Reparaturtechniker (die nicht von Bekoautorisiert sind) zum Erlischen der Garantie führen.

Selbstreparatur

Die Selbstreparatur kann vom Endbenutzer in Bezug auf folgende Ersatzteile durchgeführt werden: Dichtungen, Filter, Türscharniere, Körbe, Propeller, Kunststoffzubehör usw. (eine aktualisierte Liste ist ab dem 1. März 2021 ebenfalls in support.beko.com verfügbar).

Um die Produktsicherheit zu gewährleisten und das Risiko schwerer Verletzungen zu vermeiden, muss die erwähnte Selbstreparatur gemäß den Anweisungen im Benutzerhandbuch zur Selbstreparatur durchgeführt werden, die unter support.beko.com verfügbar sind. Ziehen Sie zu Ihrer Sicherheit den Stecker aus der Steckdose, bevor Sie eine Selbstreparatur durchführen.

Reparatur- und Reparaturversuche von Endbenutzern für Teile, die nicht in dieser Liste enthalten sind und/oder die Anweisungen in den Benutzerhandbüchern zur Selbstreparatur nicht befolgen oder die auf support.beko.com verfügbar sind, können zu Sicherheitsproblemen führen, die nicht auf Bekozurückzuführen sind, und führt zum Erlöschen der Garantie des Produkts.

Deshalb wird dringend empfohlen, dass Endbenutzer nicht versuchen, Reparaturen durchzuführen, die außerhalb der genannten Ersatzteilliste liegen, und sich in solchen Fällen an autorisierte professionelle Reparaturtechniker oder registrierte professionelle Reparaturtechniker wenden. Ansonsten können solche Versuche von Endbenutzern Sicherheitsprobleme verursachen und das Produkt beschädigen und anschließend Brand, Überschwemmungen, Stromschläge und schwere Personenschäden verursachen.

Beispielsweise müssen, ohne darauf beschränkt zu sein, die folgenden Reparaturen an autorisierte professionelle Reparaturtechniker oder registrierte professionelle Reparaturtechniker gerichtet werden: Kompressor, Kühlkreislauf, Hauptplatine, Wechselrichterplatte, Anzeigetafel usw.

Der Hersteller/Verkäufer kann in keinem Fall haftbar gemacht werden, in dem Endbenutzer die oben genannten Bestimmungen nicht einhalten.

Die Ersatzteilverfügbarkeit des von Ihnen gekauften Kühlschranks beträgt 10 Jahre. Während dieser Zeit stehen Originalersatzteile zur Verfügung, um den Kühlschrank ordnungsgemäß zu betreiben.

Die Mindestgarantiedauer für den von Ihnen gekauften Kühlschrank beträgt 24 Monate.

Dieses Produkt ist mit einer Lichtquelle der Energieklasse „G“ ausgestattet.

Die Lichtquelle in diesem Produkt darf nur von professionellen Reparaturtechnikern ersetzt werden.

Læs venligst denne vejledning først!

Kære kunde

Vi håber, at dit produkt, der er produceret i moderne produktionsanlæg og kontrolleret under de grundigste kvalitetskontrolprocedurer, vil give yde dig en effektiv service.




Derfor anbefaler vi dig grundigt at læse hele vejledningen for produktet, inden du tager det i anvendelse, og gemmer det tilgængeligt for fremtidige opslag.




Denne vejledning

- Vil hjælpe dig med at bruge køleskabet hurtigt og sikkert.
- Læs denne vejledning, inden du installerer og betjener produktet.
- Følg instruktionerne, især sikkerhedsinstruktionerne.
- Opbevar denne manual på et nemt tilgængeligt sted, da du kan få brug for den senere.
- Derudover skal du også læse de andre dokumenter, der er fulgt med produktet. Bemærk at denne vejledningen også kan være gældende for andre modeller.

Symboler og deres beskrivelse

Denne brugsvejledning indeholder følgende symboler:

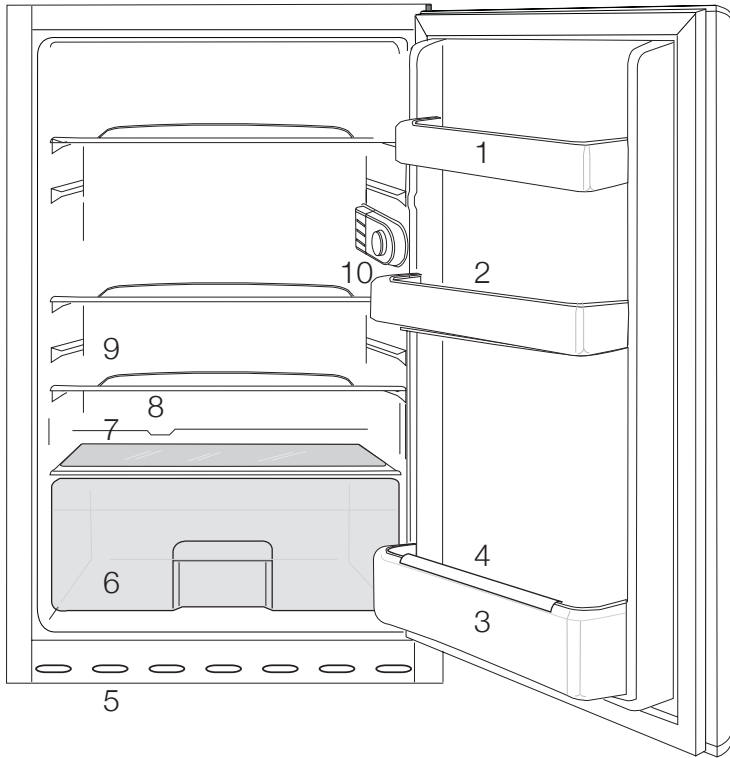
-  Vigtige informationer eller brugbare tips.
-  Advarsel mod farlige forhold for liv og ejendom.
-  Advarsel mod strømspænding.

 INFORMATION	
 <small>SUPPLIER'S NAME</small> A	 <small>MODEL IDENTIFIER (*)</small> A
<p>Modeloplysninger, som er gemt i produktbasen, kan nås ved at gå ind på følgende websted og søge efter din modelidentifikator (*), der findes på energimærket.</p> <p>https://eprel.ec.europa.eu/</p>	

INDHOLD

1 Køleskabet	3	4 Tilberedning	15
2 Vigtige sikkerhedsadvarsler	4	5 Anvendelse af køleskabet	16
Tilsluttet brug.....	4	Indstilling af driftstemperaturen	16
Børnesikkerhed	8	Driftstemperaturen reguleres ved temperaturstyringen.....	16
Overholdelse af WEEE-direktivet og bortskaffelse af affald:	8	Anvendelse af de indvendige rum	16
Overholdelse af RoHS-direktivet:	8	Køling.....	16
Emballageopslysninger	8	Afrimning	17
HC Advarsel	8	6 Vedligeholdelse og rengøring	18
Energibesparende foranstaltninger.....	9	Beskyttelse af plasticoverflader	18
3 Installation	10	7 Anbefalede løsninger på problemerne	19
Tilberedning.....	10		
Punkter, der skal tages hensyn til, hvis køleskabet skal transporteres igen...	10		
Inden køleskabet betjenes	10		
Elektrisk tilslutning	11		
Bortskaffelse af emballagen	11		
Bortskaffelse af det gamle køleskab.	11		
Udskiftning af belysningslampen	12		
Vende dørene	13		
Vende dørene	14		

1 Køleskabet



1. Dørhylder
2. Æggebakke
3. Flaskehylde
4. Flaskeholder
5. Ventilationslåg
6. Grøntsagsrum
7. Låg til grøntsagsskuffe
8. Opsamlingskanal til optøet vand - Afløbsrør
9. Forskydelige hylder
10. Indvendigt lys & termostatknop


i Tallene i denne manual er skematiske og svarer måske ikke helt til dit produkt. Hvis delene ikke er indeholdt i det produkt, du har købt, findes de i andre modeller.

2 Vigtige sikkerhedsadvarsler

Gennemgå følgende informationer. Hvis man undlader at overholde disse informationer, kan det forårsage kvæstelser eller materiel skade. Ellers vil alle garantier og løfter om driftssikkerhed blive ugyldige.

Originale reservedele kan leveres i 10 år efter produktets købsdato.

Tilsluttet brug

	ADVARSEL: Hvis der er åbninger i ventilationsåbninger i apparatets kabinet eller i den indbyggede struktur fri for forhindringer.
	ADVARSEL: Brug ikke mekanisk udstyr eller andre midler til at fremskynde afrimningen, ud over dem, der er anbefalet af producenten.
	ADVARSEL: Undgå at beskadige kølekredsløbet.
	ADVARSEL: Brug ikke elektriske apparater inden i rummet til opbevaring af fødevarer i apparatet, medmindre de er af en type anbefalet af producenten.

ADVARSEL:

Opbevar ikke eksplosive stoffer, såsom spraydåser med brændbare drivgasser i køleskabet.

Dette apparat er beregnet til brug i husholdningen og lignende anvendelser såsom

- Personalekøkkenområder i butikker, kontorer og andre arbejdsmiljøer;
- landbrug og hos kunder på hoteller, moteller og andre typer af boligmiljøer;
- bed and breakfast miljøer;
- catering og lignende ikke-detailbutikanvendelser.

Generelle sikkerhedsregler

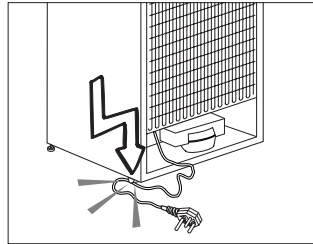
- Når du vil bortkaste/skrotte produktet, anbefaler vi, at du rådfører dig med den autoriserede service for at tilegne dig de krævede informationer samt med de autoriserede myndigheder.
- Kontakt den autoriserede forhandler for at få svar på spørgsmål og problemer omkring køle-/fryseskabet. Undlad at foretage indgreb eller lade andre foretage indgreb på køle-/fryseskabet uden at informere den autoriserede forhandler.
- For produkter med fryser; Undlad at spise vaffelis eller isterninger lige efter, du har taget dem ud af fryseren! (Det

kan forårsage forfrysninger i munden.)

- For produkter med fryser; læg ikke flydende drikkevarer på flaske eller kande i fryseren. De kan eksplodere.
- Rør ikke frosne madvarer med hænderne, da de kan hænge fast i din hånd.
- Tag køle-/fryseskabet ud af stikket inden rengøring eller afrimning.
- Damp og fordampede rengøringsmaterialer skal aldrig bruges ved rengøring og afrimning af køle-/fryseskabet. Hvis det sker, kan dampen komme i kontakt med de elektriske dele og forårsage kortslutning eller elektrisk stød.
- Brug aldrig delene på køle-/fryseskabet, som f.eks. lågen til at støtte dig på eller stå på.
- Brug ikke elektriske apparater inde i køle-/fryseskabet.
- Undlad at beskadige de dele, hvor kølemidlet cirkulerer, med bore- eller skæreværktøjer. Kølemidlet, som kan blæse ud, når fordamperens gaskanaler, forlængerrørene eller overfladebelæggningerne punkteres, kan forårsage hudirritationer og øjenskader.
- Undlad med nogen form for materiale at tildække eller blokere ventilationshullerne på køle-/fryseskabet.
- Elektrisk udstyr må kun repareres af autoriserede personer. Reparationer, der er udført af inkompetente personer, skaber en risiko for brugeren.
- I tilfælde af fejlfunktion under vedligeholdelses- eller reparationsarbejde skal køle-/fryseskabets forsyningsnet afbrydes ved enten at slukke for den relevante sikring eller ved at tage apparatets stik ud af kontakten.
- Træk ikke i ledningen, når stikket skal tages ud.
- Placer de drikkevarer, der indeholder højere alkoholprocent, stramt lukket og lodret.
- Opbevarer aldrig sprayflasker, der indeholder brændbare og eksplosive substanser, i køle-/fryseskabet.
- Der må ikke anvendes mekanisk udstyr eller andre midler, ud over de af producenten anbefalede, for at fremskynde afrimningsprocessen.
- Dette produkt er ikke beregnet til at bruges af personer med fysiske handicap, føleforstyrrelser og psykiske lidelser eller personer, som ikke har modtaget instruktion (herunder børn), medmindre de er ledsaget af en person, der er ansvarlig for deres sikkerhed eller som instruerer dem i brug af produktet.
- Lad ikke et beskadiget køle-/fryseskab køre. Kontakt serviceagenten, hvis du har nogen betænkeligheder.

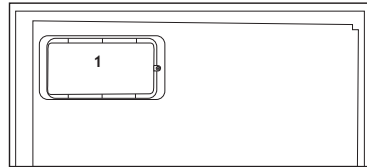
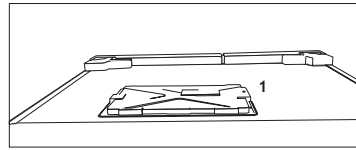
- Der kan kun garanteres for køle-/fryseskabets strømsikkerhed, hvis jordningssystemet i dit hjem opfylder standarderne.
- At udsætte produkterne for regn, sne, sol og vind er farligt hvad angår el-sikkerheden.
- Kontakt autoriseret service, hvis der er et beskadiget strømkabel, for at undgå fare.
- Sæt aldrig køle-/fryseskabet ind i stikkontakten under installationen. Hvis det sker, kan der opstå risiko for dødsfald eller alvorlig skade.
- Dette køle-/fryseskab er kun beregnet til at opbevare madvarer. Det bør ikke bruges til andre formål.
- Typeskiltet med tekniske informationer er placeret på den venstre væg i køle-/fryseskabet.
- Tilslut aldrig køle-/fryseskabet til el-besparende systemer; de kan beskadige køle-/fryseskabet.
- Hvis der er et blåt lys på køleskabet, skal du undgå at kigge på det med eller uden briller i en længere tid.
- For manuelt betjente køle-/fryseskabe skal man vente mindst 5 minutter med at starte det efter strømsvigt.
- Denne brugermanual skal afleveres til den nye ejer når det skifter ejermand.
- Undlad at beskadige strømkablet, når køle-/fryseskabet transporteres. Det

kan forårsage brand at bøje kablet. Placer aldrig tunge genstande på strømkablet. Rør ikke ved stikket med våde hænder, når du tager stikket ud.



- Tilslut ikke køle-/fryseskabet hvis stikkontakten er løs.
- Vand bør ikke blive sprøjet direkte på indre og ydre dele af produktet af sikkerhedsmæssige årsager.
- Undlad at sprøjte substanser, der indeholder brændbare gasser, som f.eks. propangas, nær ved køle-/fryseskabet for at undgå risiko for brand og eksplosion.
- Placer aldrig beholdere, der er fyldt med vand, oven på køle-/fryseskabet, da det kan forårsage elektrisk stød eller brand.
- Overfyld ikke køle-/fryseskabet med overdrevne mængder mad. Hvis det er overfyldt, kan maden falde ned og beskadige dig og beskadige køle-/fryseskabet, når lågen åbnes. Placer aldrig genstande oven på køle-/fryseskabet; disse genstande kan falde ned, når du åbner eller lukker køle-/fryseskabslågen.

- Vacciner, varmfølsomme medikamenter, videnskabelige materialer osv. bør ikke opbevares i køle-/fryseskabet, da de har brug for præcis temperatur.
- Køle-/fryseskabet skal tages ud af stikkontakten, hvis det ikke skal bruges i længere tid. Et evt. problem i strømkablet kan forårsage brand.
- Køle-/fryseskabet kan flytte sig, hvis de justerbare ben ikke er sikret godt nok på gulvet. Rigtigt sikrede justerbare ben på gulvet kan forhindre køle-/fryseskabet i at flytte sig.
- Når køle-/fryseskabet skal bæres, må man ikke holde i lågens håndtag. Hvis det sker, kan det brække.
- Hvis produktet skal placeres ved siden af et andet køle-/fryseskab eller fryser, skal afstanden mellem de to apparater være mindst 8 cm. Ellers kan de tilgrænsende sidevægge blive fugtige.
- Benyt aldrig produktet, hvis afsnittet øverst eller på bagsiden af dit produkt med elektroniske printkort indeni er åbent (printkort-dæksel) (1).



For produkter med en vanddispenser;

- Tryk i koldtands-indtag skal være maksimum 90 psi (620 kPa). Hvis vandtrykket overstiger 80 psi (550 kPa), så anvend en trykbegrænsningsventil i dit hovedsystem. Hvis du ikke ved, hvordan du skal kontrollere dit vandtryk, så spørg en professionel WS-tekniker om hjælp.
- Hvis der er risiko for vand-hammereffekt i din installation, så brug altid et vandhammerforhindringsudstyr i din installation. Spørg professionelle WS-teknikere til råds, hvis du ikke er sikker på at der ikke er en vandhammer-effekt i din installation.
- Installer ikke på varmtvands-indtaget. Tag forholdsregler imod risiko for frysning i rørene. Vandtemperaturens drifts-interval skal ligge imellem 33°F (0.6°C) minimum og 100°F (38°C) maksimum.
- Brug kun drikkevand.

Børnesikkerhed

- Hvis døren har en lås, bør nøglen opbevares uden for børns rækkevidde.
- Børn skal overvåges for at forhindre, at de spiller ved produktet.

Overholdelse af WEEE-direktivet og bortskaffelse af affald:



Dette produkt er i overensstemmelse med WEEE-direktiv (2012/19/EU). Dette produkt bærer et symbol for klassificering af bortskaffelse af elektrisk og elektronisk udstyr (WEEE).

Dette produkt er fremstillet af dele og materialer af høj kvalitet, der kan bruges igen, og som er egnede for genbrug. Smid ikke produktet med husholdningsaffald og andet affald ved slutningen af dets levetid. Bring det til et opsamlingssted for genbrug af elektroniske og elektriske apparater. Kontakt dine lokale myndigheder for at finde nærmeste opsamlingssted.

Overholdelse af RoHS-direktivet:

Det produkt, du har købt, er i overensstemmelse med EU RoHS-direktivet (2011/65/EU). Det indeholder ikke skadelige og forbudte materialer angivet i direktivet.

Emballageoplysninger

Produktets emballage er fremstillet af genbrugsmaterialer i overensstemmelse med vores nationale miljøbestemmelser. Smid ikke emballagen sammen med husholdningsaffald eller andet affald. Bring den til et opsamlingssted udpeget af de lokale myndigheder.

HC Advarsel

Hvis køle-/fryseskabets kølesystem indeholder R600a:

Denne gas er brændbar. Du skal derfor være opmærksom på ikke at ødelægge kølesystemet og kølerørene under brug og transport. I tilfælde af beskadigelse skal produktet holdes væk fra mulige brandkilder, der kan forårsage, at produktet går i brand, og du skal sørge for at lufte ud i rummet, hvor produktet er placeret.

Ignorer denne advarsel, hvis dit køle-/fryseskabs kølesystem indeholder R134a.

Gastypen, der bruges i produktet, er meddelt på typeskiltet, der er på venstre væg inde i køle-/fryseskabet.

Kast aldrig produktet i en brand for bortskaffelse.

Energibesparende foranstaltninger

- Undlad at lade lågerne i køle-/fryseskabet stå åbne i lang tid.
- Put ikke varm mad eller drikke i køle-/fryseskabet.
- Overfyld ikke køle-/fryseskabet, så luftcirkulationen bliver forhindret.
- Placer ikke dit køle-/fryseskab under direkte sollys eller tæt på varmeudstrålende apparater, som f.eks. ovne, opvaskemaskiner eller radiatorer.
- Vær omhyggelig med at opbevare maden i lukkede beholdere.
- Produkter med en fryser: Du kan opbevare maksimal mængde madvarer i fryseren, hvis du fjerner hylden eller skuffen i fryseren. Energiforbrugsværdien, der er angivet for køle-/fryseskabet, er blevet bestemt ved at fjerne fryserhylden eller -skuffen og under maksimal indfyldning. Der er ingen skade ved at bruge en hylde eller skuffe der passer i form og størrelse til de madvarer der skal fryses.
- Optøning af frossen mad i køle-/fryseskabet vil både skabe energibesparelse og bevare madens kvalitet.

3 Installation

Husk at leverandøren ikke kan holdes ansvarlig, hvis informationerne i brugsvejledningen ikke er overholdt.

Tilberedning

- i** Køleskabet skal installeres mindst 30 cm væk fra varmekilder, som f.eks. kogeplader, ovne, radiatorer og brændeovne, og mindst 5 cm væk fra elektriske ovne, og det bør ikke placeres i direkte sollys.
- i** Den omgivende temperatur i det rum, hvor køleskabet installeres, bør være mindst 10°C. For at køleskabet skal være effektivt, anbefales det ikke at betjene det under koldere forhold.
- i** Sørg for at den indvendige del af køleskabet er grundigt rengjort.
- i** Hvis der skal installeres to køleskabe ved siden af hinanden, bør der være mindst 2 cm imellem dem.
- i** Når du lader køleskabet køre første gang, skal du overholde følgende instruktioner de første 6 timer.
 - Lågen bør ikke åbnes ofte.
 - Det skal køre tomt uden nogen form for mad i det.
 - Tag ikke køleskabet ud af stikkontakten. Hvis der forekommer strømudfald uden for din kontrol, så læs advarslerne under afsnittet "Anbefalede løsninger ved problemer".
- i** Den originale emballage og skummaterialerne bør gemmes for fremtidig transport eller flytning.

Punkter, der skal tages hensyn til, hvis køleskabet skal transporteres igen

1. Køleskabet skal tømmes og rengøres inden transport.
2. Hylder, tilbehør, grøntsagsskuffer osv. i køleskabet skal fastgøres sikkert for at modvirke stød, inden produktets pakkes igen.
3. Emballagen skal fastgøres med tykt tape og stærke reb, og reglerne for transport, der er trykt på pakken, skal følges.

Husk venligst...

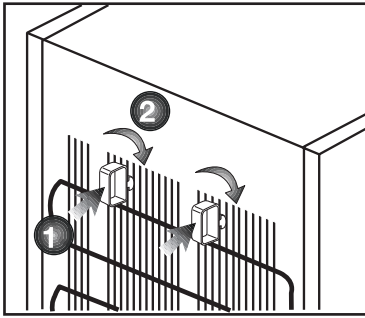
Alt genbrugsmateriale er en uundværlig kilde for naturen og for vore nationale ressourcer.

Hvis du ønsker at medvirke til at genbruge emballagen, kan du få yderligere informationer hos miljøorganisationerne eller de lokale myndigheder.

Inden køleskabet betjenes

Inden du begynder at bruge køleskabet, skal du kontrollere følgende:

1. Er køleskabet tørt indvendigt, og kan luften cirkulere frit bagved det?
2. Indsæt de plastikkiler på den bageste ventilation, som vist på figuren. Plastikkilerne vil give den krævede afstand mellem dit køleskab og væggen, så der bliver plads til luftcirkulation.



3. Rengør køleskabet indvendigt som anbefalet i afsnittet "Vedligeholdelse og rengøring".
4. Sæt køleskabets stik ind i kontakten. Når køleskabsdøren åbnes, vil køleskabets indvendige lys tændes.
5. Der vil kunne høres en lyd, når kompressoren starter. Kølevæsken og luftarterne, der findes i kølesystemet, kan også støje lidt, selv om kompressoren ikke kører, hvilket er helt normalt.
6. Køleskabets forreste kanter kan føles varme. Dette er normalt. Disse områder er beregnet til at være varme for at undgå kondensering.

Elektrisk tilslutning

Tilslut produktet til en jordet kontakt, der er beskyttet af en sikring med passende kapacitet.

Vigtigt:

Tilslutningen skal være i overensstemmelse med de nationale regulativer.

Strømtikket skal være nemt tilgængeligt efter installationen.

Spænding og tilladt sikringsbeskyttelse er angivet i afsnittet "Specifikationer".

Den angivne spænding skal være lig med spændingen for dit forsyningsnet.

Mellemkabler og stikdåser med flere stik 1 | DA

skal ikke bruges til tilslutningen.

Et ødelagt strømkabel skal udskiftes af en autoriseret elektriker.

Produktet må ikke betjenes før det er repareret! Der er fare for elektrisk stød!

Bortskaffelse af emballagen

Emballagen kan være farlig for børn. Hold emballagen væk fra børns rækkevidde eller bortskaf dem, idet du skal klassificere dem i henhold til affaldsinstruktionerne. Smid dem ikke væk sammen med det øvrige husholdningsaffald.

Køleskabets emballage er produceret af genanvendelige materialer.

Bortskaffelse af det gamle køleskab

Bortskaf det gamle køleskab uden at skade miljøet.

Du kan spørge din forhandler eller genbrugsstationen i din kommune angående bortskaffelse af køleskabet.

Inden køleskabet bortskaffes, skal du skære elstikket af, og hvis der er låse i lågen, skal du gøre dem ubrugelige for at beskytte børn mod fare.

Udskiftning af belysningslampen

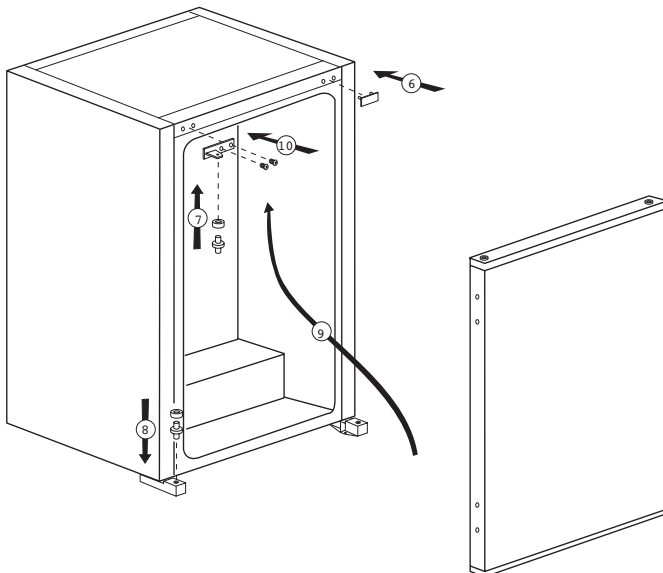
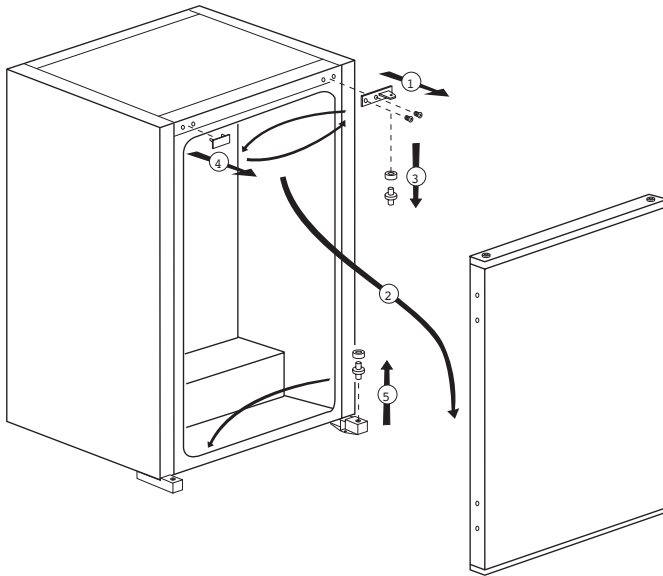
For at skifte pæren, der belyser køleskabet, bedes du ringe til den autoriserede service.

Pærernefordettehusholdningsapparat er ikke egnet til belysningsformål. Det tiltænkte formål med denne pære er at gøre det muligt for brugeren at placere levnedsmidler i køleskabet/fryseren på en sikker og bekvem måde.

De pærer der anvendes i enheden, skal kunne modstå ekstreme fysiske forhold som eksempelvis temperaturer under $-20\text{ }^{\circ}\text{C}$.

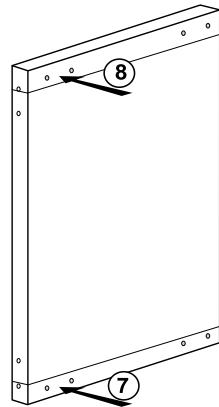
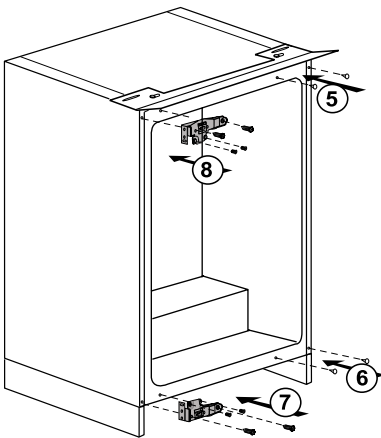
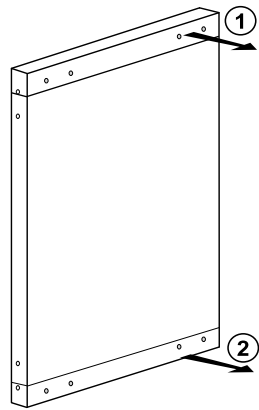
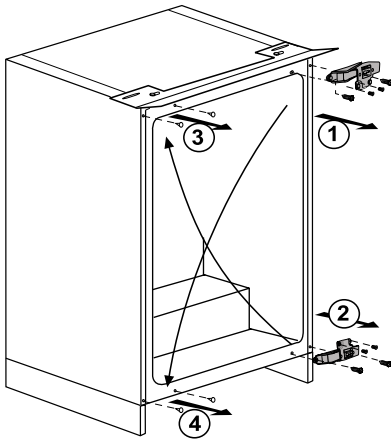
Vende dørene

Fortsæt i numerisk rækkefølge



Vende dørene

Fortsæt i numerisk rækkefølge

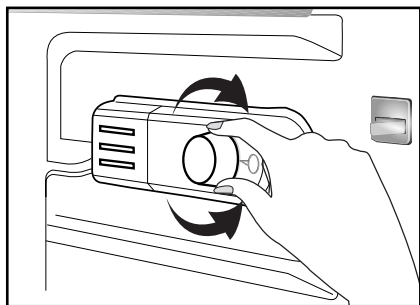


4 Tilberedning

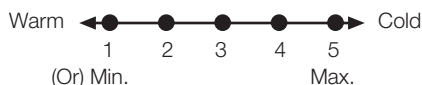
- Køle-/fryseskabet skal installeres mindst 30 cm væk fra varmekilder, som f.eks. kogeplader, ovne, radiatorer og brændeovne, og mindst 5 cm væk fra elektriske ovne, og det bør ikke placeres i direkte sollys.
- Den omgivende temperatur i det rum, hvor køle-/fryseskabet installeres, bør være mindst 10°C. For at køle-/fryseskabet skal være effektivt, anbefales det ikke at betjene det under koldere forhold.
- Sørg for at den indvendige del af køle-/fryseskabet er grundigt rengjort.
- Hvis der skal installeres to køle-/fryseskabe ved siden af hinanden, bør der være mindst 2 cm imellem dem.
- Når du lader køle-/fryseskabet køre første gang, skal du overholde følgende instruktioner de første 6 timer.
- Lågen skal ikke åbnes ofte.
- Det skal køre tomt uden nogen form for mad i det.
- Tag ikke køle-/fryseskabet ud af stikkontakten. Hvis der opstår et strømudfald uden for din kontrol, så læs advarslerne under afsnittet "Anbefalede løsninger ved problemer".
- Den originale emballage og skummaterialerne bør gemmes for fremtidig transport eller flytning.
- På nogle modeller slukker instrumentpanelet automatisk efter 5 sekunder efter at døren er lukket. Det vil blive reaktiveret, når døren åbnes eller ved tryk på enhver tast.
- På grund af temperaturændring som et resultat af at åbne / lukke produktets dør under drift, er kondens på dør / hylder og glasbeholdere er normal.

5 Anvendelse af køleskabet

Indstilling af driftstemperaturen



Driftstemperaturen reguleres ved temperaturstyringen.



1 = Laveste indstilling til køl (varmeste indstilling)

5 = Højeste indstilling til køl (koldeste indstilling)

(Eller)

Min. = Laveste indstilling til køl (Varmeste indstilling)

Maks. = Højeste indstilling til køl (Koldeste indstilling)

Gennemsnitstemperaturen inde i køleskabet bør være omkring +5 °C. Vælg indstilling efter ønsket temperatur.

Bemærk venligst, at der er forskellige temperaturer i køleområdet.

Det koldeste område er umiddelbart over grøntsagsrummet.

Den indvendige temperatur afhænger også af rumtemperaturen, hvor ofte lågen åbnes, og mængden af madvarer, der opbevares i køleskabet.

Hvis lågen åbnes ofte, får det den indvendige temperatur til at stige.

Det anbefales derfor at lukke lågen så hurtigt som muligt efter brug.

Anvendelse af de indvendige rum

Hylder: Afstanden mellem hylderne kan justeres efter behov.

Grøntsagsrum: Grøntsager og frugt kan opbevares i denne afdeling i lange perioder uden at forrådnede.

Flaskehylde: Flasker, krukker og dåser kan placeres på disse hylder.

Køling

Opbevaring af mad

Køleskabssektionen er beregnet til kortvarig opbevaring af friske mad- og drikkevarer.

Opbevar mælkeprodukter i den tilsigtede sektion i køleskabet.

Flasker kan opbevares i flaskeholderen eller i lågens flaskehylde.

Råt kød opbevares bedst i en plasticpose allernederst i køleskabet.

Lad varme mad- og drikkevarer afkøle i rumtemperatur, inden de sættes ind i køleskabet.

- Bemærk

Opbevar kun koncentreret alkohol opretstående og stramt lukket.

- Bemærk

Opbevar ikke ekspositive stoffer eller beholdere med brændbare drivgasser (flødeskum på dåse, spraydåser osv.) i køleskabet. Der er fare for eksplosion.

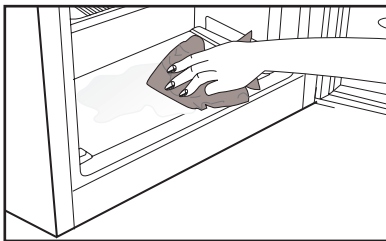
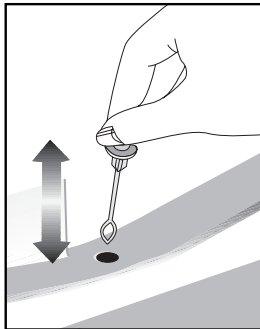
Afrimning

Køleskabssektionen afrimer automatisk. Det optøede vand flyder gennem afløbskanalen ned i en opsamlingsbakke på apparatets bagside.

Under optøning dannes der mikroskopiske vanddråber bag på køleskabet som følge af fordampningen.

Hvis alle dråberne ikke løber ned, kan de fryse igen efter optøning. Tag dem væk med en klud vredet op i varmt vand, men brug aldrig en hård eller skarp genstand.

Kontrollér fra tid til anden strømmen af optøet vand. Det kan blive tilstoppet en gang imellem.



6 Vedligeholdelse og rengøring

⚠ Anvend aldrig benzin, benzen eller lignede stoffer til rengøring.

⚠ Vi anbefaler at koble køle-/fryseskabet fra strømmen inden rengøring.

⚠ Anvend aldrig skarpe, slibende redskaber, sæbe, rengøringsmidler, detergenter og pudsemidler med voks til rengøring.

ℹ Brug lunt vand til rengøring af køle-/fryseskabet udvendigt og tør det af.

ℹ Anvend en fugtig, opvredet klud i en opløsning af en teske af natron til en halv liter vand til rengøring af køle-/fryseskabet indvendigt og tør det af.

⚠ Sørg for, at ingen vand kommer i kontakt med lampen og andre elektriske dele.

⚠ Hvis køle-/fryseskabet ikke skal bruges i en længere periode, træk stikket ud af kontakten, fjern al mad, rengør køle-/fryseskabet og lad døren stå på klem.

ℹ Kontroller jævnligt dørlisterne for at sikre, at de er rene og frie for madrester.

⚠ For at fjerne dørhylde, tømme indholdet ud, hvorefter dørhylden ganske enkelt løftes op fra sin plads.

⚠ Brug aldrig rengøringsmidler eller vand, der indeholder klorin, til rengøring af de ydre overflader og de forkrømede dele af produktet. Klorin forårsager korrosion på den slags metaloverflader.

⚠ Brug ikke skarpe eller slibende værktøjer eller sæbe, rengøringsmidler til husholdning, vaskemidler, benzin, benzen, voks osv., ellers vil stempler på plasticdelene forsvinde, og de vil blive deforme. Brug varmt vand og en blød klud til rensning og tørring.

Beskyttelse af plasticoverflader

ℹ Sæt ikke flydende olie eller olieholdige madvarer i åbne beholdere da de kan ødelægge køle-/fryseskabets plastikdele. Hvis der spildes eller smøres olie på plasticoverfladerne, skal den relevante del af overfladen renses og skylles med det samme med varmt vand.

7 Anbefalede løsninger på problemerne

Læs denne liste igennem, inden du ringer efter service. Det kan spare dig for tid og penge. Denne liste indeholder ofte forekommende reklamationer, der ikke opstår af defekt udførelse eller materialebrug. Det er muligt, at nogle af de her beskrevne funktioner ikke findes i dit produkt.

Køle-/fryseskabet virker ikke

- Er køle-/fryseskabet sat rigtigt i stikkontakten? Sæt stikket i kontakten i væggen.
- Er sikringen, som køle-/fryseskabet er tilsluttet, eller hovedsikringen sprunget? Kontroller sikringen.

Kondition på siden af køle-/fryseskabet (MULTIZONE, KØLEKONTROL og FLEXIZONE).

- Meget kolde omgivelser. Ofte åbning og lukning af lågen. Højt fugtindhold i omgivelserne. Opbevaring af mad, der indeholder væske, i åbne beholdere. Lågen står på klem. Sæt termostaten på koldere grader.
- Reducér tiden, hvor lågen står åben, eller brug den mindre ofte.
- Dæk maden, der opbevares i åbne beholdere, til med passende materiale.
- Tør kondensvandet af vha. en tør klud og kontroller, om det vedvarer.

Kompressoren kører ikke.

- Beskyttelsestermo fra kompressoren vil blæse ud under pludselig strømudfald eller tilkoblinger frakoblinger, da kølemiddeltrykket i køle-/fryseskabets kølesystem ikke er bragt i balance endnu. Køle-/fryseskabet vil starte med at køre efter ca. 6 minutter. Ring efter service, hvis køle-/fryseskabet ikke starter efter denne periode.
- Køle-/fryseskabet er ved at afrime. Dette er normalt for et køle-/fryseskab med fuldautomatisk afrimning. Afrimning foregår med jævne mellemrum.
- Køle-/fryseskabsstikket er ikke sat i kontakten. Sørg for, at stikket er sat ordentligt i kontakten.
- Er temperaturindstillingerne foretaget rigtigt?
- Strømmen kan være afbrudt.

Køle-/fryseskabet kører ofte eller i lang tid.

• Det nye køle-/fryseskab kan være bredere end det foregående. Det er ganske normalt. Store køle-/fryseskabe arbejder i længere perioder.

• Den omgivende rumtemperatur kan være høj. Det er ganske normalt.

• Køle-/fryseskabet kan have været sat til for nylig eller have været fyldt op med mad. Komplet nedkøling af køle-/fryseskabet kan vare et par timer længere.

• Store mængder varm mad kan være blevet sat ind i køle-/fryseskabet fornylig. Varm mad medfører, at køle-/fryseskabet skal køre i længere tid, indtil maden når den ønskede temperatur.

• Lågerne kan have været åbnet jævnligt eller have stået på klem i lang tid. Den varme luft, der er kommet ind i køle-/fryseskabet, får køle-/fryseskabet til at køre i længere perioder. Undlad at åbne lågen så ofte.

• Fryserens eller køle-/fryseskabets dør kan have stået på klem. Kontroller om lågerne er lukket tæt.

• Køle-/fryseskabet er indstillet meget koldt. Indstil køle-/fryseskabstemperaturen højere, indtil temperaturen er tilpas.

• Køle-/fryseskabets eller fryserens lågepakning kan være snavset, slidt, ødelagt eller ikke sat ordentligt på. Rengør eller udskift pakningen. Beskadiget/brækket pakning forårsager, at køle-/fryseskabet kører i længere perioder for at vedligeholde den aktuelle temperatur.

Frysertemperaturen er meget lav, mens køle-/fryseskabstemperaturen er tilpas.

• Frysertemperaturen er indstillet meget koldt. Juster frysertemperaturen varmere og kontroller.

Køle-/fryseskabstemperaturen er meget lav, mens fryserstemperaturen er tilpas.

• Køle-/fryseskabstemperaturen er indstillet til en meget lav temperatur. Juster køle-/fryseskabstemperaturen varmere og kontroller.

Mad, der opbevares i køle-/fryseskabet, fryser.

• Køle-/fryseskabstemperaturen er indstillet til en meget lav temperatur. Juster køle-/fryseskabstemperaturen varmere og kontroller.

Temperaturen i køle-/fryseskab eller fryser er meget høj.

• Køle-/fryseskabstemperaturen er indstillet til en meget lav temperatur. Køle-/fryseskabsindstillingen har virkning på fryserens temperatur. Skift køle-/fryseskabets eller fryserens temperatur, indtil køle-/fryseskabs- eller frysertemperatur når et tilpas niveau.

• Lågerne kan have været åbnet jævnligt eller have stået på klem i lang tid.

• Døren kan have stået på klem, luk døren helt.

• Store mængder varm mad kan være blevet sat ind i køle-/fryseskabet fornylig. Vent til køle-/fryseskabet eller fryseren når den ønskede temperatur.

• Køle-/fryseskabet kan være taget ud af kontakten fornylig. Komplet nedkøling af køle-/fryseskabet tager tid.

Funktionslyden øges, når køle-/fryseskabet kører.

• Egenskaberne for køle-/fryseskabets driftsydelse kan ændre sig alt efter ændringerne i den omgivende temperatur. Det er normalt og ikke en fejl.

Vibrationer eller støj.

• Gulvet er ikke lige, eller det er svagt. Køle-/fryseskabet vipper, når det flyttes langsomt. Sørg for, at gulvet er lige, stærkt og kapabelt til at bære køle-/fryseskabet.

• Støjen kan være forårsaget af de genstande, der er lagt i køle-/fryseskabet. Ting oven på køle-/fryseskabet skal fjernes.

Der er støj som væske, der løber over eller sprøjter.

- Væske- og gasstrømning sker i henhold til køle-/fryseskabets driftsprincipper. Det er normalt og ikke en fejl.

Der er en støj som en vind, der blæser.

- Ventilatorer bruges til at køle køle-/fryseskabet. Det er normalt og ikke en fejl.

Kondensvand på køle-/fryseskabets indervægge.

- Varmt og fugtigt vejr øger isdannelse og udsvedning. Det er normalt og ikke en fejl.
- Dørene kan have stået på klem, sørg for de er helt lukkede.
- Lågerne kan have været åbnet jævnligt eller have stået på klem i lang tid.

Der opstår fugt på ydersiden af køle-/fryseskabet eller mellem lågerne.

- Der kan være fugtighed i luften hvilket er normalt i fugtigt vejr. Når fugtigheden er mindre, vil kondensen forsvinde.

Dårlig lugt inde i køle-/fryseskabet.

- Køle-/fryseskabets skal rengøres indvendigt. Rengør køle-/fryseskabet indvendigt med en svamp, varmt vand eller kulstofholdigt vand.
- Nogle beholdere eller emballeringsmaterialer kan forårsage lugten. Brug en anden beholder eller et andet mærke indpakningsmateriale.

Døren lukker ikke.

- Madbeholdere forhindrer lågen i at lukke. Omplacer pakkerne, der blokerer lågen.
- Køle-/fryseskabet står ikke helt lodret på gulvet og vipper når det flyttes lidt. Justér højdeskruerne.
- Gulvet er ikke lige eller stærkt. Sørg for, at gulvet er lige, stærkt og kapabelt til at bære køle-/fryseskabet.

Grøntsagsskuffer sidder fast.

- Maden berører måske skuffens top. Omarranger maden i skuffen.

Hvis Produktets Overflade Er Varm.

- Der kan opleves varme temperaturer mellem de to løber, på sidepanelerne og ved risten bagtil, når produktet er i brug. Dette er normalt og kræver ikke vedligeholdelse af servicepersonale. Vær forsigtig, når du rører ved disse områder.

ANSVARFRASKRIVELSE / ADVARSEL

Nogle (enkle) fejl kan i tilstrækkelig grad håndteres af slutbrugeren uden sikkerhedsproblemer eller usikker anvendelse, forudsat at de udføres inden for grænserne og i overensstemmelse med følgende instruktioner (se afsnittet "Selvreparation").

Derfor medmindre andet er tilladt i afsnittet "Selvreparation" nedenfor, skal reparationer rettes til registrerede professionelle reparatører for at undgå sikkerhedsproblemer. En registreret professionel reparatør er en professionel reparatør, som producenten har givet adgang til listen over instruktioner og reservedele til dette produkt i henhold til metoderne beskrevet i lovgivningsmæssige retsakter i henhold til direktiv 2009/125/EF.

Imidlertid er det kun serviceagenten (dvs. autoriserede professionelle reparatører), som du kan nå gennem det telefonnummer, der er angivet i brugervejledningen/garantikortet eller gennem din autoriserede forhandler, der kan levere service under garantibetingelserne. Vær derfor opmærksom på, at reparationer udført af professionelle reparatører (som ikke er godkendt af Beko) annullerer garantien.

Selvreparation

Selvreparation kan udføres af slutbrugeren med hensyn til følgende reservedele:

dørhåndtag,
dørhængsler, bakker, kurve og dørpakninger (en opdateret liste er også tilgængelig på support.beko.com pr. 1. marts 2021).

For at sikre produktsikkerhed og for at forhindre risiko for alvorlig personskade skal den nævnte selvreparation

desuden udføres efter instruktionerne i brugervejledningen til selvreparation, eller som findes på support.beko.com. For din sikkerhed skal du trække stikket ud af produktet, inden du prøver selvreparation.

Slutbrugeres reparations- og reparationsforsøg på dele, der ikke er med på en sådan liste og/eller ikke følger instruktionerne i brugervejledningerne til selvreparation, eller som findes på support.beko.com kan give anledning til sikkerhedsproblemer, der ikke kan henføres til Beko og annullerer produktets garanti.

Derfor anbefales det stærkt, at slutbrugere afstår fra forsøget på at udføre reparationer, der falder uden for den nævnte liste over reservedele, og i sådanne tilfælde kontakter autoriserede professionelle reparatører eller registrerede professionelle reparatører. Tværtimod kan sådanne forsøg fra slutbrugere medføre sikkerhedsproblemer og beskadige produktet og derefter forårsage brand, oversvømmelse, elektrisk stød og alvorlig personskade.

Som eksempel, men ikke begrænset til, skal følgende reparationer udføres ved henvendelse til rettes til autoriserede, professionelle reparatører eller registrerede professionelle reparatører: kompressor, kølekredsløb, hovedkort, inverterkort, displaykort osv.

Producenten/sælgeren kan ikke holdes ansvarlig i tilfælde, hvor slutbrugeren ikke overholder ovenstående .

Reservedeles tilgængelighed for den køleskabet, du har købt, er 10 år. I denne periode vil originale reservedele være tilgængelige for at betjene køleskabet korrekt.

Garantiens minimumsvarighed for køleskabet, som du har købt, er 24 måneder.

Dette produkt er forsynet med en lyskilde i energiklasse "G".

Lyskilden i dette produkt må kun udskiftes af professionelle reparatører.

Läs den här bruksanvisningen först!

Kära kund!

Vi hoppas att produkten, som har tillverkats på en modern anläggning och genomgått de allra noggrannaste kvalitetsprocesser, kommer att erbjuda effektiv service.




Vi rekommenderar därför att du läser igenom hela bruksanvisningen noggrant innan du använder den och att du förvarar den nära till hands för framtida referens.




Den här bruksanvisningen

- Hjälper dig använda enheten på ett snabbt och säkert sätt.
 - Läs bruksanvisningen innan du installerar och använder produkten.
 - Följ instruktionerna, speciellt säkerhetsanvisningarna.
 - Förvara bruksanvisningen på en lättåtkomlig plats där du kan hämta den senare.
 - Läs även övriga dokument som tillhandahålls tillsammans med produkten.
- Observera att den här bruksanvisningen även kan gälla för andra modeller.

Symboler och beskrivningar för dem

Den här bruksanvisningen innehåller följande symboler:

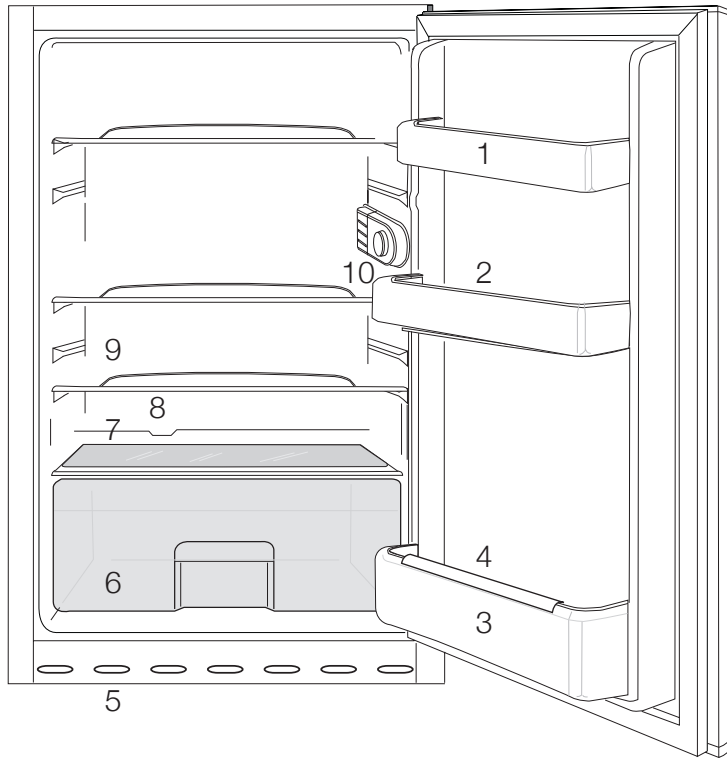
-  Viktig information eller användbara tips.
-  Varning för risker för liv och egendom.
-  Varning för elektrisk spänning.

 INFORMATION	
 SUPPLIER'S NAME A	 MODEL IDENTIFIER (*) A
Modellinformationen, som är lagrad i produkt databasen, kan nås från webbsidan och genom att söka för modellidentifikationen (*), som finns i energimärkningen.	
https://eprel.ec.europa.eu/	

INNEHÅLL

1 Kylskåpet	3	4 Förberedelse	13
2 Viktiga säkerhetsvarningar	4	5 Använda kylskåpet	14
För produkter med vattenbehållare; ...	7	Använda de invändiga facken	14
Barnsäkerhet	7	Kylning	14
I enlighet med WEEE-direktivet för hantering av avfallsprodukter:	7	Avfrostning	15
I enlighet med RoHS-direktivet:	7	6 Underhåll och rengöring	16
Paketinformation	7	7 Rekommenderade lösningar på problem	17
HC-Varning.....	7		
Saker att göra för att spara energi	8		
3 Installation	9		
Saker att tänka på vid transport av frysskåpet.....	9		
Innan du använder frysskåpet	9		
Elektrisk anslutning	9		
Byta lampan	10		
Kassering av förpackningen.....	10		
Kassering av ditt gamla skåp	10		
Placering och installation	10		
Byte av dörrar.....	11		
Byte av dörrar.....	12		

1 Kylskåpet




1. Dörrhyllor
2. Äggbehållare
3. Flaskställ
4. Flaskhållare
5. Luftgaller
6. Grönsakslåda
7. Lock till grönsakslåda
8. Uppsamlingskanal för avfrostningsvatten - dräneringstub
9. Flyttbara hyllor
10. Invändig belysning och termostatknap

i Bilder som förekommer i den här bruksanvisningen är exempel och överensstämmer inte exakt med din produkt. Om delar inte medföljer produkten du har köpt så gäller det för andra modeller.

Läs följande information. Om du underlåter att följa den här informationen kan det orsaka person- och materialskador. Annars blir alla garanti- och tillförlitlighetsåtaganden ogiltiga.

Användningstidsåtgången för enheten är 10 år. Det här är den period som reservdelarna krävs för att enheten ska hålla.

Avsedd användning

	VARNING: Håll håll i ventilationsöppningar i apparatens hölje eller i den inbyggda strukturen fritt från hinder.
	VARNING: Använd inte mekaniska anordningar eller andra medel för att påskynda avfrostningsprocessen, annat än de som rekommenderas av tillverkaren.
	VARNING: Skada inte kylmedelskretsen.
	VARNING: Använd inte elektriska apparater inuti matvaru förvaringsutrymme na i apparaten, såvida de inte är av den typ som rekommenderas av tillverkaren.



VARNING!

Förvara inte explosiva ämnen, så som aerosolbehållare med brandfarligt bränsle, i den här enheten.

Denna apparat är avsedd att användas i hushåll och liknande användning såsom

- personalkök i butiker, kontor och andra arbetsmiljöer;
- Bondgårdar och av kunder på hotell, motell och andra bostadsmiljöer;
- Bed and breakfast-miljöer;
- Catering och liknande icke-detaljhandelsanvändning.

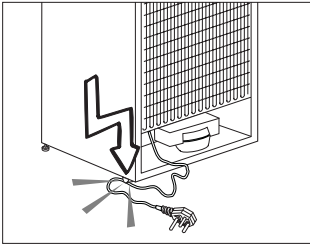
Allmän säkerhet

- När du vill avyttra produkten rekommenderar vi att du rådgör med auktoriserad kundtjänst för att få den information som krävs, samt auktoriserade organ.
- Rådfråga auktoriserad service när det gäller alla frågor och problem som är relaterade till kylskåpet. Modifiera inte kylskåpet utan att meddela auktoriserad kundtjänst.
- För produkter med frysfacket; Ät inte glass och iskuber direkt efter att du har tagit ut dem ur frysfacket! (Det kan leda till köldskador i munnen.)
- För produkter med frysfacket; Placera inte flaskprodukter och konserverade drycker i frysfacket. De kan explodera.
- Rör inte vid fryst mat med händerna; de kan fastna.
- Koppla ur kylskåpet före rengöring

och avfrostning.

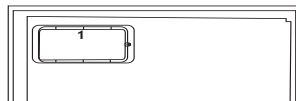
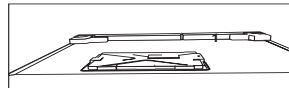
- Lättflyktiga material skall aldrig användas vid avfrostning av kylskåpet. Det kan leda till att ångan kommer i kontakt med elektriska delar och orsaka kortslutning eller elektriska stötar.
- Använd aldrig delar på ditt kylskåp såsom en dörr som stöd eller trappsteg.
- Använd inte elektriska enheter inne i kylskåpet.
- Skada inte delarna med borr eller vassa verktyg, när kylskåpet cirkulerar. Kylmedlet som kan läcka ut om rör eller ytor punkteras kan orsaka hudirritation och ögonskador.
- Täck inte över eller blockera ventilationshålen på kylskåpet med något material.
- Elektriska enheter måste repareras av behöriga fackmän. Reparationer som utförs av personer utan rätt kunskap kan orsaka risk för användaren.
- Vid eventuella fel eller felfunktion under service eller reparationsarbete, skall du koppla ur strömkällan till kylskåpet genom att antingen vrida ur motsvarande säkring eller dra ur sladden.
- Drag inte i kabeln – drag i kontakten.
- Se till att drycker med hög alkoholhalt placeras upprätt och förvaras säkert med fastsatta lock.
- Förvara aldrig spraymedel som innehåller antändbara och explosiva ämnen i kylskåpet.
- Använd inte mekaniska enheter eller andra sätt för att snabba på avfrostningsprocessen, förutom det som rekommenderas av tillverkaren.
- Den här produkten är inte avsedd att användas av personer med nedsatt fysisk, psykisk eller mental förmåga eller oerfarna personer (inklusive barn) om de inte övervakas av en person som ansvarar för deras säkerhet eller instruerar dem i användningen av produkter
- Använd inte ett skadat kylskåp. Kontakta serviceombudet om du har några frågor.
- Elsäkerheten för kylskåpet garanteras endast om jordningssystemet i huset uppfyller de krav som gäller.
- Det är farligt att utsätta produkten för regn, snö, sol och vind med tanke på elsäkerheten.
- Kontakta auktoriserad service om strömkabeln skadas för att undvika fara.
- Koppla aldrig in kylskåpet i vägguttaget under installationen. Det ökar risken för allvarlig skada eller dödsfall.
- Det här kylskåpet är endast avsett för förvaring av livsmedel. Det får inte användas för något annat ändamål.
- Etiketten med tekniska specifikationer sitter på vänster insida i kylskåpet.
- Koppla aldrig in kylskåpet till energibesparande system; de kan skada kylskåpet.
- Om det finns en blå lampa på kylskåpet får du inte titta rakt in i den eller titta på den genom optiska verktyg under en längre stund.
- För manuellt kontrollerade kylskåp, vänta i minst 5 minuter för att starta kylskåpet efter strömavbrottet.

- Den här bruksanvisningen ska lämnas till den nya ägaren av produkten när den lämnas till andra.
- Undvik att orsaka skada på strömkabeln vid transport av kylskåpet. Om du böjer kabeln kan det orsaka brand. Placera aldrig tunga föremål på strömkabeln. Rör inte vid kontakten med våta händer när du kopplar in produkten.



- Anslut inte kylskåpet till ett eluttag som sitter löst.
- Vatten får av säkerhetsskäl inte sprayas direkt på de inre eller yttre delarna av produkten.
- Spraya inte ämnen som innehåller antändbara gaser, såsom propangas, nära kylskåpet för att undvika brand och explosionsrisk.
- Placera aldrig behållare som är fyllda med vatten på kylskåpet, eftersom det kan orsaka elektrisk kortslutning eller brand.
- Överbelasta inte kylskåpet med för stora mängder mat. Om det överbelastas kan mat falla ned och skada dig och kylskåpet när du öppnar dörren. Placera aldrig föremål på kylskåpet; annars kan de falla ned när du öppnar eller stänger kylskåpsdörren.

- Produkter som behöver en exakt temperaturkontroll (vaccin, värmekänslig medicin, vetenskapliga material etc.) får inte förvaras i kylan.
- Om kylskåpet inte används under en längre tid ska det kopplas från strömkällan. Ett möjligt problem i strömkabeln kan orsaka brand.
- Kylskåpet kan flytta på sig om de justerbara benen inte sitter fast ordentligt i golvet. Om du förankrar de justerbara benen ordentligt i golvet kan det förhindra att kylskåpet flyttar på sig.
- När du bär på kylskåpet ska du inte hålla i dörrhandtaget. Annars kan det släppa.
- Om du har placerat produkten intill ett annat kylskåp eller en frys ska avståndet mellan enheterna vara minst 8 cm. Annars kan de angränsande väggarna blir fuktiga.
- Använd aldrig produkten om delen som är överst eller bak på produkten har det elektroniskt skrivna kretskortet öppet (skyddet för kretskortet) (1).



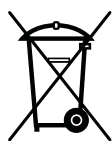
För produkter med vattenbehållare;

- Trycket titt ingående vatten ska vara minst 90 psi (620 kPa). Om vattentrycket överstiger 80 psi (550 kPa), använd en tryckbegränsande ventil i ditt huvudsystem. Om du inte vet hur du kontrollerar trycket ska du fråga en yrkesrörmokare.
- Om det finns en risk för att vattenhammaren påverkas i din installation, använd alltid en vattenhammarförhindrande utrustning i din installation. Konsultera en yrkesrörmokare om du inte är säker på om vattnet påverkar din installation.
- Installera inte på varmvattenintaget. Vidtag åtgärder mot frysrisiker i slangarna. Vattentemperaturens driftsintervall ska vara minst 33°F (0,6°C) och mest 100°F (38°C).
- Använd bara drickbart vatten.

Barnsäkerhet

- Om dörren har ett lås ska nyckeln hållas borta från barn.
- Barn ska övervakas för att hindra att de pillar på produkten.

I enlighet med WEEE-direktivet för hantering av avfallsprodukter:



Den här produkten gäller under EU WEEE-direktivet (2012/19/EU). Den här produkten är försedd med en klassificeringssymbol för avfallshantering av elektriskt och elektroniskt material (WEEE).

Denna produkt är tillverkad med delar av hög kvalitet samt material som kan återanvändas och återvinnas. Produkten får inte slängas i hushållssoporna eller i annat avfall vid livsslut. Ta den till en återvinningsstation för elektrisk och elektronisk utrustning. Kontakta din kommun för mer information om närmaste återvinningsstation.

I enlighet med RoHS-direktivet:

Produkten du har köpt gäller under EU RoHS-direktivet (2011/65/EU). Den innehåller inga av de farliga eller förbjudna material som anges i direktiven.

Paketinformation

Produktens förpackningsmaterial tillverkas av återvinningsbara material i enlighet med våra nationella miljöregler. Kassera inte förpackningsmaterial tillsammans med hushållsavfall eller annat avfall. Ta med dem till ett insamlingsställe för förpackningsmaterial som anges av de lokala myndigheterna.

HC-Varning

Om produktens kylsystem innehåller R600a:

Den här gasen är lättantändlig. Var därför noggrann så att du inte skadar kylsystemet och rören under användning och transport. Om det skulle uppstå någon skada skall produkten hållas borta från potentiella eldkällor som kan göra att produkten fattar eld och du ska ventilerat rummet där enheten är placerad.

Du kan bortse från den här varningen om produktens kylsystem innehåller R134a.

Typen av gas som används i produkten anges på märkplåten som sitter på kylskåpets vänstra insida.

Kasta aldrig produkten i eld när den ska kasseras.

Saker att göra för att spara energi

- Låt inte dörrarna till kylskåpet stå öppna under en längre tid.
- Placera inte varm mat eller varma drycker i kylskåpet.
- Överbelasta inte kylskåpet så att luften inuti det påverkas.
- Installera inte kylskåpet i direkt solljus eller nära värmeavsöndrande enheter såsom ugn, diskmaskin eller element.
- Observera att mat ska förvaras i tillslutna behållare.
- För produkter med frysack; Du kan lagra maximal mängd mat i frysen när du tar bort hyllan eller lådan till frysen. Energiförbrukningen som anges på kylskåpet har fastställts genom att ta bort fryshyllan eller lådan och ha maximal belastning. Det finns ingen risk i att använda en hylla eller låda enligt formerna och storlekarna på maten som ska frysas.
- Uptining av fryst mat i kylfacket sparar både energi och håller matens kvalitet.

3 Installation

⚠ Kom ihåg att tillverkaren inte skall hållas ansvarig om användaren underlåter att observera något i den här bruksanvisningen.

Saker att tänka på vid transport av frysskåpet

1. Frysskåpet måste vara tomt och rent före transport.
2. Hyllor, tillbehör, etc. i frysskåpet måste spännas fast ordentligt med tejp före ompaketering.
3. Förpackningen måste fästas ihop med tjock tejp och starka rep och de transportregler som anges på förpackningen måste följas.
4. Om skåpet legat ned under transport skall det stå upprätt i minst två timmar innan strömmen slås på.

Glöm inte...

Varje återvunnet material är en ovärderlig källa för naturen och för våra nationella resurser.

Om du vill bidra till återvinningen av förpackningsmaterial kan du hämta ytterligare information från våra miljöorgan eller lokala myndigheter.

Innan du använder frysskåpet

Kontrollera följande innan du startar frysskåpet:

1. Är frysskåpet insida torr och kan luften cirkulera fritt bakom det?
2. Du kan installera de två plastklämmorna så som visas på bilden. Plastklämmorna ger rätt avstånd mellan frysskåpet

och väggen för att tillåta luften att cirkulera. (Bilden som visas är bara ett exempel och överensstämmer inte exakt med din produkt.)

3. Rengör frysskåpet insida enligt rekommendationerna i avsnittet "Underhåll och rengöring".
4. Koppla in frysskåpet i vägguttaget. När kylskåpsdörren öppnas kommer den invändiga belysningen att tändas.
5. Du kommer att höra ett bullrande ljud när kompressorn startar. Vätska och gas inne i produkten kan också ge upphov till ljud, även om kompressorn inte körs och detta är helt normalt.
6. De främre kanterna på frysskåpet kan kännas varma. Detta är normalt. De här områdena är utformade för att bli varma och därmed undvika kondens

Elektrisk anslutning

Anslut produkten till ett jordat uttag som skyddas av en säkring med lämplig kapacitet.

Viktigt:

- Anslutningen måste ske i enlighet med nationell lagstiftning.
- Strömkabelns kontakt måste vara lätt att komma åt efter installationen.
- Den angivna spänningen måste överensstämma med strömkällans spänning.
- Förlängningskablar och grenkontakter får inte användas för anslutningen.

⚠ En skadad strömkabel måste bytas av en behörig elektriker.

⚠ Produkten får inte användas innan den reparerats! Det finns risk för kortslutning!

Kassering av förpackningen

Förpackningsmaterial kan vara farligt för barn. Förvara förpackningsmaterialen utom räckhåll för barn eller kassera dem i enlighet med gällande avfallsregler. Kassera dem inte med hushållsavfallet.

Förpackningsmaterialet för ditt frysskåp produceras av återvinningsbara material.

Kassering av ditt gamla skåp

Kassera ditt gamla frysskåp utan att skada miljön.

- Du kan kontakta en auktoriserad återförsäljare eller ett återvinningscenter angående avyttring av ditt frysskåp.

Innan du kasserar frysskåp, dra ur strömkontakten och, om det finns några lås på dörren, göra dem obrukbara för att förhindra att barn skadar sig.

Placering och installation

1. Installera frysskåpet på en plats där det är lättåtkomligt.
2. Håll frysskåpet borta från värmekällor, fuktiga platser och direkt solljus.
3. Det måste finnas tillräcklig ventilation runt frysskåpet för att uppnå effektiv användning. Om frysskåpet placeras i en hållighet i väggen måste det vara ett avstånd på minst 5 cm till taket och 5 cm till väggen.
4. Placera frysskåpet på en jämn och plan golvyta för att förhindra lutningar.

5. Frysbox kan placeras i kalla rum, helt ner till -15 °C. Det ger dig möjlighet att placera frysen i t.ex. sommarstugan, garaget eller redskapsrummet.

Byta lampan

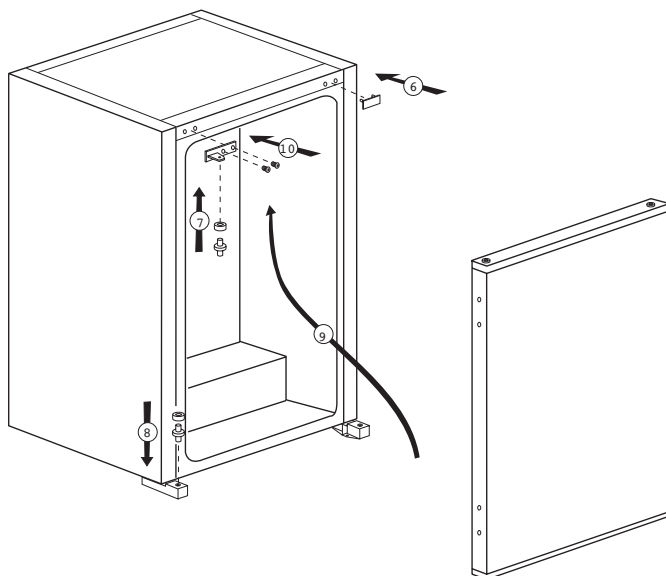
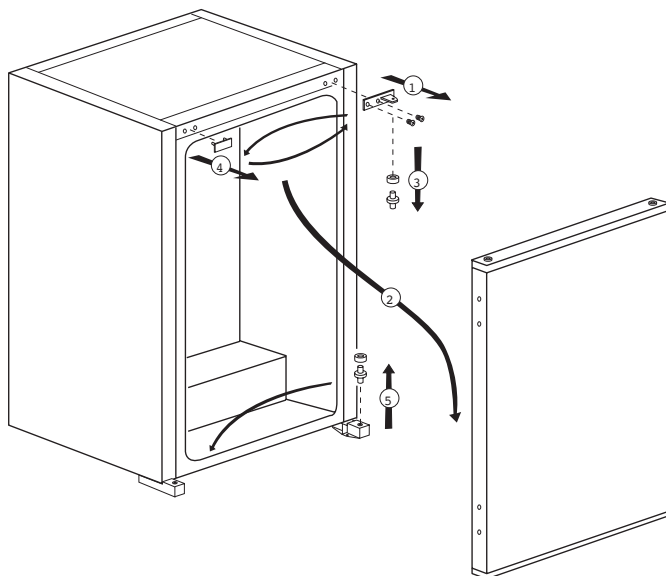
Ring auktoriserad service när du vill byta lampa.

Lamporna som används i utrustningen är inte anpassade som rumsbelysning. Det avsedda ändamålet för lamporna är att hjälpa användaren placera mat i kylskåpet/frysen på ett säkert och bekvämt sätt.

Lamporna i apparaten måste kunna tåla extrema fysiska förhållanden såsom temperaturer under -20 °C.

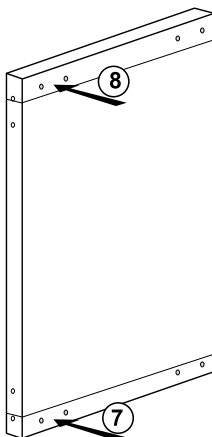
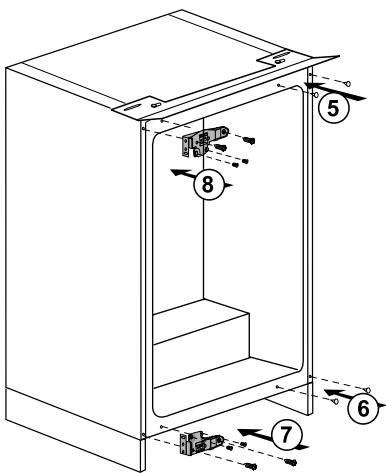
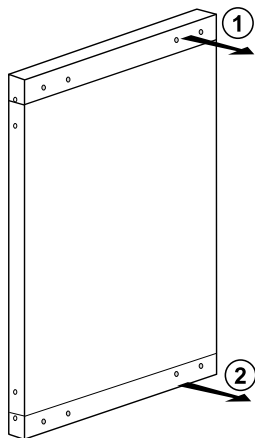
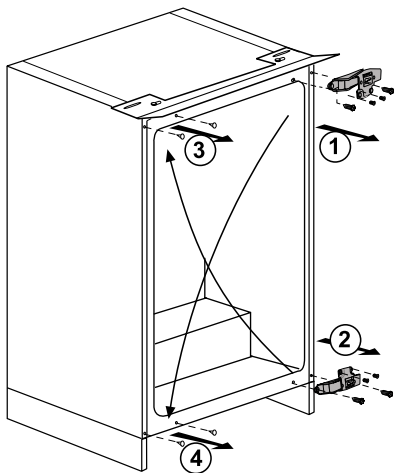
Byte av dörrar

Gå tillväga i nummerordning



Byte av dörrar

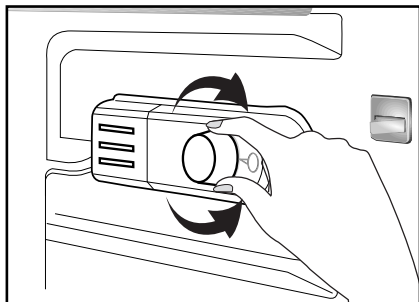
Gå tillväga i nummerordning



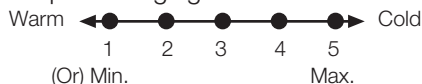
4 Förberedelse

- i** Kylskåpet skall installeras minst 30 cm från värmekällor, såsom spis, ugn och centralvärme och minst 5 cm från elektriska ugnar och får inte placeras i direkt solljus.
- i** Den omgivande temperaturen i rummet där du installerar kylskåpet skall vara minst 10°C. Användning i kallare miljöer rekommenderas inte och kan minska effektiviteten.
- i** Se till att kylskåpet är ordentligt rengjort invändigt.
- i** Om två kylskåp skall installeras intill varandra skall det vara ett avstånd på minst 2 cm mellan dem.
- i** Vid användning av kylskåpet för första gången skall du observera följande anvisningar under de första sex timmarna.
 - Dörren får inte öppnas för ofta.
 - Det måste köras tomt utan mat.
 - Dra inte ur sladden till kylskåpet. Om det inträffar ett strömavbrott som ligger utanför din kontroll, se varningarna i avsnittet "Rekommenderade lösningar på problem".
- i** Originalförpackning och skumplastmaterial skall sparas för framtida transport.

5 Använda kylskåpet



Ställ in driftstemperaturen
Driftstemperaturen regleras med
temperaturreglaget.



1 = Lägsta kylinställning (Varmaste inställning)

5 = Högsta kylinställning (Kallaste inställning)

(Eller)

Min. = Lägsta kylinställning

(Varmaste inställning)

Max. = Högsta kallaste inställning

(Kallaste inställning)

Medeltemperaturen inuti kylskåpet
bör ligga runt +5°C

Välj inställning enligt önskad
temperatur.

Observera att det förekommer olika
temperaturer i kylområdet.

Det kallaste området är placerat precis
ovanför grönsakshyllan.

Den invändiga temperaturen beror
också på den omgivande temperaturen,
hur ofta dörren öppnas och hur mycket
mat som förvaras i kylskåpet.

Frekvent öppnande av dörren gör att
den invändiga temperaturen stiger.

Av denna anledning bör man stänga
dörren så fort som möjligt efter
användning.

Använda de invändiga facken

Flyttbara hyllor: Avståndet mellan
hyllplanen kan justeras vid behov.

Grönsakslåda: Grönsaker och frukt
kan lagras i det här facket under längre
perioder utan att förstöras.

Flaskställ: Flaskor och burkar kan
placeras på de här fyllorna.

Kylning

Matförvaring

Kylen är till för kortvarig förvaring av
färsk mat och dryck.

Förvara mjölkprodukter på avsedd
hylla i kylskåpet.

Flaskor kan förvaras i flaskhållaren
eller på flaskyllan i dörren.

Rått kött förvaras bäst i en plastpåse
på hyllan i kylskåpets nedersta del.

Låt varm mat och varma drycker
svalna till rumstemperatur innan de
placeras i kylskåpet.

- Observera

Förvara koncentrerad alkohol i upprätt
position i tätt försluten behållare.

- Observera

Förvara inte explosiva ämnen eller
behållare med lättantändliga drivmedel
(grädde i sprayform, sprayburkar etc.)
i enheten. Detta kan orsaka explosion.

Avfrostning

Kylen avfrostas automatiskt. Avfrostningsvattnet rinner till dräneringsröret via en uppsamlingsbehållare på enhetens baksida.

Under avfrostning formas droppar på baksidan av frysen p.g.a. avdunstningsapparaten.

Om inte alla dropper rinner ner, kan de frysa på nytt efter avfrostning. Avlägsna dessa med en varm, fuktig trasa, men aldrig med ett hårt eller vasst föremål.

6 Underhåll och rengöring

- ⚠ Använd aldrig bensin, bensen eller liknande ämnen för rengöring.
- ⚠ Vi rekommenderar att du kopplar ur utrustningen före rengöring.
- ⚠ Använd aldrig vassa instrument eller slipande medel, tvål, rengöringsmedel, tvättmedel eller polish för rengöring.
- ⚠ För icke-No Frost-produkter kan vattendroppar och frost upp till en fingerbredd högt förekomma på den bakre väggen av kylutrymmet. Rengöra den inte; använd aldrig olja eller liknande medel på den.
- ⚠ Använd endast lätt fuktad mikrofibertrasa för att rengöra produktens yta. Svampar och andra typer av rengöringsprodukter kan repa produktens yta.
- 📌 Använd ljummet vatten för rengöring av enhetens skåp och torka det torrt.
- 📌 Använd en fuktig trasa urvriden i en lösning av en tesked bikarbonatsoda till en halv liter vatten, torka ur interiören och torka sedan torrt.
- ⚠ Se till att inget vatten tränger in i lampkåpan och i andra elektriska tillbehör.
- ⚠ Om enheten inte kommer att användas under en längre tid, stäng då av den, plocka ur all mat, rengör den och lämna dörren på glänt.
- 📌 Kontrollera dörrtätningen regelbundet så att den är ren och fri från matrester.

- ⚠ För att ta bort ett dörrfack tar du först ur allt innehåll och trycker sedan enkelt upp det från sitt fäste.
- ⚠ Använd aldrig rengöringsmedel eller vatten med kloring för att rengöra de utvändiga ytorna och krombelagda delarna på produkten. Klorin orsakar korrosion på sådana metallytor.
- ⚠ Använd inte vassa och skrapande verktyg, eller tvål, rengöringsmedel för hemmabruk, rengöringsmedel, bensin, bensen, vax eller liknande, klistermärkena på plastdelarna lossnar då och deformation kan ske. Använd varmt vatten och en mjuk trasa för rengöring, torka sedan rent.

Skydd av plastytor

- 📌 Förvara inte rinnande olja eller mat som har tillagats i olja utan att vara tillslutna i kylskåpet, eftersom det kan skada kylskåpets plastytor. Om du spillar olja på plasten, rengör och skölj ytan direkt med varmvatten.

7 Rekommenderade lösningar på problem

Titta igenom listan innan du tillkallar service. Det kan spara både tid och pengar. Den här listan inkluderar vanliga klagomål som inte uppstår till följd av defekter i tillverkningen eller materialanvändningen. Vissa av funktionerna som beskrivs här kanske inte finns på din produkt.

Kylen fungerar inte

- Är kylskåpet korrekt inkopplat? Sätt i vägguttaget.
- Har säkringen som är ansluten till kylskåpet gått? Kontrollera säkringen.

Kondens på kylskåpets sidoväggar.

- Mycket kalla omgivande förhållanden. Dörren öppnas och stängs ofta. Hög luftfuktighet i den omgivande luften. Lagring av mat med vätska i öppna behållare. Dörren har lämnats öppen.
- Vrid termostaten till ett kallare läge.
- Minska tiden som dörren lämnas öppen eller öppna inte så ofta.
- Täck över mat som lagras i öppna behållare med ett lämpligt material.
- Torka av kondens med en torr trasa och kontrollera om den ligger kvar.

Kompressorn går inte

- Det termiska skyddet i kompressorn kommer att lösas ut vid plötsliga strömavbrott då kylskåpets tryck i kylsystemet inte har balanserats. Ditt kylskåp startar efter omkring 6 minuter. Tillkalla service om kylskåpet inte startar i slutet av den här perioden.
- Frysens är i avfrostningsläge. Det här är normalt för en helautomatiskt avfrostande kyl. Avfrostningscykeln inträffar regelbundet.
- Kylskåpet är inte inkopplat i strömkällan. Se till att kontakten sitter ordentligt i vägguttaget.
- Är temperaturinställningen korrekt?
- Det är strömavbrott. Kontakta din elleverantör.

Kylskåpet körs ofta eller under en längre tid.

- Ditt nya kylskåp kan vara bredare än det gamla. Detta är helt normalt. Stora kylskåp arbetar under en längre tidsperiod.
- Den omgivande rumstemperaturen kan vara hög. Detta är helt normalt.
- Kylskåpet kan ha varit inkopplat nyligen eller ha fyllts på med mat. Det kan ta flera timmar innan kylskåpet har kylts ned helt.
- Stora mängder mat kanske har placerats i kylskåpet nyligen. Varm mat gör att kylskåpet arbetar längre för att uppnå önskad temperatur.
- Dörren kanske har öppnats ofta eller lämnats öppen under en längre tid. Den varma luften som har kommit in i kylskåpet gör att kylskåpet arbetar under längre perioder. Öppna inte dörrarna så ofta.
- Frysens eller kylfackets dörr kanske har lämnats öppen. Kontrollera om dörren är ordentligt stängd.

Kylskåpet körs ofta eller under en längre tid.

- Kylskåpet är inställt på en mycket kall nivå. Justera kylskåpstemperaturen till en högre nivå tills temperaturen är enligt önskemål.
- Dörrens tätning på kyl eller frys kan vara sliten, smutsig eller trasig. Rengör eller byt tätningen. Skadade tätningar kan göra att kylskåpet körs under en längre tid för att bibehålla den aktuella temperaturen.

Frystemperaturen är mycket låg när kyltemperaturen är normal.

- Frysens temperatur är inställd på en mycket kall nivå. Justera frystemperaturen till en högre nivå och kontrollera.

Kyltemperaturen är mycket låg när frystemperaturen är normal.

- Kylens temperatur är inställd på en mycket kall nivå. Justera kyltemperaturen till en högre nivå.

Mat som förvaras i kylskåpsfacken fryser.

- Kylens temperatur är inställd på en mycket kall nivå. Justera kyltemperaturen till en högre nivå.

Temperaturen i kylan eller frysen är mycket hög.

- Kylens temperatur är inställd på en mycket kall nivå. Kylinställningen påverkar frysens temperatur. Sänk temperaturen för kyl eller frys tills den ligger på acceptabel nivå.
- Dörren kanske har öppnats ofta eller lämnats öppen under en längre tid. Varm luft passerar in i kyl eller frys när dörrarna öppnas. Öppna inte dörrarna så ofta.
- Dörren kan ha lämnats öppen. Stäng dörren helt.
- Stora mängder mat kanske har placerats i kylskåpet nyligen. Vänta tills kylan eller frysen uppnår önskad temperatur.
- Kylskåpet kanske nyligen har varit urkopplat. Nedkylningen kan ta tid.

Kylskåpet dånar när det går.
<ul style="list-style-type: none"> Egenskaperna hos kylskåpet kan ändras enligt den omgivande temperaturen. Detta är normalt och inte något fel.
Vibrationer eller felbalans.
<ul style="list-style-type: none"> Golvet är ojämnt eller svagt. Kylskåpet skakar när det rör sig långsamt. Säkerställ att golvet är rakt, kraftigt och att det klarar tyngden från kylskåpet. Ljudet kan orsakas av saker som ligger ovanpå kylen. Sådana saker ska plockas bort från kylens ovansida.
Det förekommer ljud som låter som dropp eller sprutning.
<ul style="list-style-type: none"> Vätske- och gasflöden sker i enlighet med användningsprinciperna för ditt kylskåp. Detta är normalt och inte något fel.
Det förekommer ljud som låter som vind.
<ul style="list-style-type: none"> Luftaktivatorer (fläktar) används för att låta kylen svalna effektivt. Detta är normalt och inte något fel.
Kondens på innerväggarna i kylskåpet.
<ul style="list-style-type: none"> Varmt och fuktigt väder ökar isbildning och kondens. Detta är normalt och inte något fel. Dörrarna är öppna. Kontrollera att dörren är helt stängd. Dörrarna kan ha öppnats mycket ofta eller så kanske de har lämnats öppna under lång tid. Öppna inte dörrarna så ofta. Vatten/fukt/is på kylskåpets utsida.

Fukt bildas på kylskåpets utsida eller mellan dörrarna.
<ul style="list-style-type: none"> Vädret kan vara fuktigt. Det här är helt normalt vid fuktig väderlek. När fuktnivån är lägre försvinner kondensen.
Dålig lukt inne i kylen.
<ul style="list-style-type: none"> Kylskåpets insida måste rengöras. Rengör kylskåpets insida med en svamp och varmt vatten. Vissa behållare eller förpackningsmaterial kan orsaka lukt. Använd en annan behållare eller olika förpackningsmaterial.
Dörrarna går inte att stänga.
<ul style="list-style-type: none"> De kan vara finnas mat i vägen. Byt ut förpackningarna som ligger ivägen för dörren. Kylskåpet står antagligen inte helt plant på golvet och de kanske rär sig något när det förflyttas. Justera lyftskruvarna. Golvet är inte helt plant eller tillräckligt starkt. Säkerställ att golvet är rakt, kraftigt och att det klarar tyngden från kylskåpet.
Grönsaker fastnar.
<ul style="list-style-type: none"> Maten kanske vidrör taket i lådan. Sortera om maten i facket.
Produktens yta är varm.
<ul style="list-style-type: none"> Medan produkten är i drift är temperaturen hög mellan de två dörrarna, på sidopanelerna och på bakgallret. Detta är normalt och inget serviceunderhåll krävs!

ANSVARFRISKRIVNING/VARNING

Slutanvändaren kan lösa en del (enkla) fel utan att det leder till säkerhetsproblem eller osäker användning, förutsatt att de utförs inom begränsningarna och enligt följande instruktioner (se sektion "Självreparation").

Därför ska, om inte annat angetts, reparationerna som i sektionen "Självreparation" överlåtas till registrerad professionell reparatör, för att undvika säkerhetsproblem. En registrerad professionell reparatör är en person, som tillverkaren har gett åtkomst till denna produkts instruktioner och reservdelslista enligt metoder som beskrivits i Direktivets 2009/125/EC laghandlingar.

Emellertid kan endast servicerepresentant (auktoriserad professionell reparatör), som kan nås genom telefonnumret i bruksanvisningen/garantikortet eller auktoriserad återförsäljare utföra service under garantitiden. Märk därför, att reparationer utförda av professionell reparatör (som inte är auktoriserad avBeko) kommer att upphäva garantin.

Självreparationer

Slutanvändaren kan utföra självreparationer angående följande reservdelar: dörrhandtag, dörrgångjärn, hyllor, korgar och dörrtätningar (en uppdaterad lista finns tillgänglig på adress support.beko.com fr o m. 1:a Mars 2021).

För att försäkra produktens säkerhet och förhindra allvarlig personskada, ska nämnda självreparationer utföras enligt instruktionerna för självreparationer i bruksanvisningen eller som finns

tillgängliga på adressen support.beko.com. Koppla ur produkten innan självreparationer utförs.

Alla självreparationer eller försök till dessa utförda av slutanvändaren av delar som inte inkluderats i nämnda lista och/eller att instruktionerna i bruksanvisningen eller som finns tillgängliga på adressen support.beko.com inte åtföljs, kan leda till säkerhetsproblem utanför Beko kontroll och upphäva garantin.

Därför rekommenderar vi att slutanvändaren avstår från att utföra reparationer, som inte nämnts i reservdelslistan, utan kontaktar istället auktoriserad professionell reparatör eller registrerad professionell reparatör. Å andra sidan kan dessa reparationer utförda av slutanvändare leda till säkerhetsproblem och skador på produkten och orsaka brand, översvämning, elchock och andra allvarliga personskador.

Till exempel måste följande, men inte begränsade till, utföras av auktoriserad professionell reparatör eller registrerad professionell reparatör: kompressor, kylkrets, elektronikkort, inverterkort, displaykort etc.

Tillverkaren/säljaren kan inte hållas ansvarig i fall, där slutanvändaren inte följer ovan nämnda regler.

Reservdelar till kylskåpet finns tillgängliga i 10 år.

Under denna period kommer reservdelar att finnas tillgängliga, för att kylskåpet ska fungera på korrekt sätt.

Minimigarantitiden för kylskåpet som du köpt är 24 månader.

Denna produkt är utrustad med ljuskälla i "G" energiklass.

Endast en professionell montör får byta produktens ljuskälla.

beko

Jääkaappi

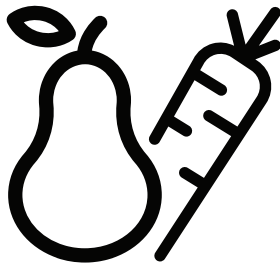
Käyttöopas

Bruksanvisning

Kjøleskap

Frigorífico

Manual do Utilizador



B1804N

FIN / NO / PT /



KIERRÄTETTY JA
KIERRÄTETTÄVÄ PAPERI



RESIRKULERT OG
RESIRKULERTBART PAPIR



PAPEL RECICLADO E
RECICLÁVEL

58 6339 0000/AC
2/2

Lue tämä käyttöopas ensin!

Hyvä asiakas,
toivomme, että nykyaikaisissa tuotantolaitoksissa valmistamamme ja erittäin huolellisella laadunvalvonnalla tarkastettu tuote toimii käytössäsi mahdollisimman tehokkaasti.

Tämän varmistamiseksi toivomme, että luet huolellisesti koko käyttöoppaan ennen jääkaapin käyttöön ottoa, ja säilytät sitä helposti saatavilla tulevaa käyttöä varten.

Tämä käyttöopas

- Auttaa käyttämään jääkaappia nopeasti ja turvallisesti.
- Lue käyttöopas ennen jääkaapin asennusta ja käyttöä.
- Noudat ohjeita, erityisesti niitä, jotka koskevat turvallisuutta.
- Säilytä käyttöopasta helposti saatavilla olevassa paikassa, sillä voit tarvita sitä myöhemmin.

Lue myös muut tuotteen mukana tulleet asiakirjat.




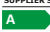

Huomaa, että tämä käyttöopas voi soveltua myös muihin malleihin.

Symbolit ja niiden kuvausTässä käyttöoppaassa käytetään seuraavia symboleja:

 Tärkeitä tietoja tai hyödyllisiä käyttövihjeitä.

 Varoitus hengelle ja omaisuudelle vaarallisista olosuhteista.

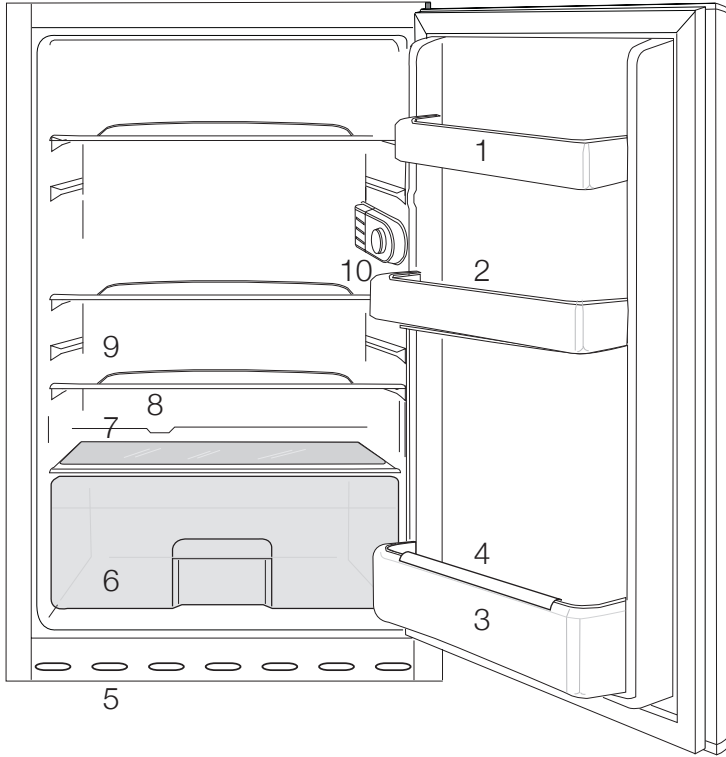
 Varoitus sähköjännitteestä.

 TIETOJA	
	
<small>SUPPLIER'S NAME</small> 	<small>MODEL IDENTIFIER (*)</small> 
<small>Tuotetietokantaan tallennetut mallitiedot löytyvät seuraavalta verkkosivulta etsimällä tuotetunnuksella (*), joka löytyy energiakilvestä.</small>	
<small>https://eprel.ec.europa.eu/</small>	

SISÄLTÖ

1 Jääkaappi/pakastin	3	4 Valmistelu	12
2 Tärkeitä turvallisuusvaroituksia	4	Ovien uudelleen sijoitus	13
Käyttötarkoitus	4	Ovien uudelleen sijoitus	14
Laitteet, joissa on vesiautomaatti	7	5 Jääkaapin käyttö	15
Lasten turvallisuus	7	Käyttölämpötilan asettaminen	15
Sähkö- ja elektroniikkaromua koskevan direktiivin (WEEE) vaatimustenmukaisuus ja tuotteen hävittäminen:	7	Käyttölämpötilaa säädetään lämpötilasäätimellä.	15
RoHS-direktiivin vaatimustenmukaisuus:	7	Sisälokeroiden käyttö.....	15
Pakkaustiedot.....	8	Jäähdytys.....	15
HC-varoitus	8	Sulatus	16
Energian säästötoimet	8	6 Ylläpito ja puhdistus	17
3 Asennus	9	Muoviosien suojelu	17
Jääkaapin kuljetuksessa huomioitavat asiat	9		
Ennen käyttöönottoa	9		
Sähköliitännät	10		
Pakkauksen hävittäminen	10		
Vanhan jääkaapin hävittäminen	10		
Sijoittaminen ja asennus	10		
Lampun vaihtaminen	11		

1 Jääkaappi/pakastin



1. Ovihyllyt
2. Munalokero
3. Pullohylly
4. Pullonpidike
5. Tuuletusaukon kansi
6. Säädettävät etujalat
7. Vihanneslokero kansi
8. Canal de recolha da água da descongelação - Tubo de drenagem
9. Irrotettavat hyllyt
10. Sisävalo ja termostaattivalitsin

f Tämän ohjekirjan kuvitus on kaavakuviin perustuvaa eikä se ehkä vastaa täysin todellista tuotetta. Jos jokin osa puuttuu ostamastasi tuotteesta, kuvaus koskee muita malleja.

2 Tärkeitä turvallisuusvaroituksia

Tutustu seuraaviin ohjeisiin. Näiden ohjeiden noudattamatta jättäminen saattaa aiheuttaa loukkaantumisen tai aineellisia vahinkoja. Muuten kaikki takuu- ja käyttövarmuusvastuut mitätöityvät.

Ostamasi laitteen käyttöikä on 10 vuotta. Tämä on myös aika, jonka kuluessa laitteen toimintaan kuvatulla tavalla tarvittavia varaosia on saatavana.

Käyttötarkoitus

Tämä tuote on suunniteltu

- sisätiloihin ja suljettuihin tiloihin kuten koteihin,
- suljettuihin työskentely-ympäristöihin, kuten myymälöihin ja toimistoihin,
- suljettuihin majoitustiloihin kuten maatiloille, hotelleihin ja pensioaatteihin.
- Tuotetta ei saa käyttää ulkona.

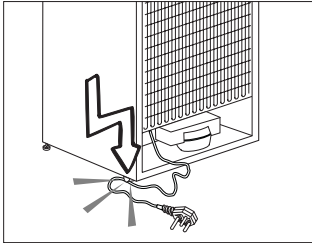
Yleinen turvallisuus

- Kun haluat hävittää/romuttaa laitteen, suosittelemme ottamaan yhteyttä valtuutettuun huoltoon vaadittavien tietojen ja valtuutettujen tahojen selville saamiseksi.
- Ota yhteys valtuutettuun huoltoon kaikissa jääkaappi/pakastinin liittyvissä kysymyksissä ja ongelmissa. Älä puutu tai anna kenenkään muun puuttua jääkaapin huoltoon ilmoittamatta valtuutettuun huoltoon.

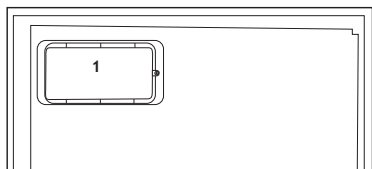
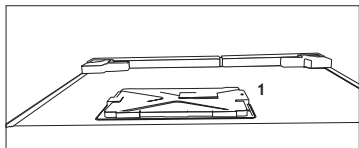
- Tuotteet joissa on pakastusosasto: Älä laita jäätelöä tai jääkuutioita suuhusi heti otettuasi ne pakastinosastosta! (Se voi aiheuttaa suuhun paleltuman.)
- Tuotteet joissa on pakastusosasto: Älä laita pullotettuja tai tölkitettyjä nesteitä pakastinosastoon. Ne voivat pakastettaessa särkyä.
- Älä kosketa käsin pakastettua ruokaa, se voi tarttua käteesi.
- Irrota jääkaappi/pakastin verkkovirrasta ennen puhdistamista tai sulattamista.
- Höyryä ja höyrystyviä puhdistusaineita ei saa koskaan käyttää jääkaapin puhdistuksessa ja sulatuksessa. Höyry voi tässä tapauksessa päästä kosketuksiin sähköosien kanssa ja aiheuttaa oikosulun tai sähköiskun.
- Älä koskaan käytä jääkaapin osia, kuten ovea, tukena tai askelmana.
- Älä käytä sähkölaitteita jääkaapin sisällä.
- Älä vahingoita poraamalla tai leikkaamalla osia, joissa jäähdytysaine kiertää. Jäähdytysainetta voi suihkuta ulos, kun haihduksen kaasukanava, johdon jatke tai pinnoite puhkaistaan, ja se voi aiheuttaa ihon ärsytystä ja silmävahinkoja.

- Älä peitä tai tuki millään materiaalilla jääkaapin tuuletusaukkoja.
- Vain valtuutetut henkilöt saavat korjata sähkölaitteita. Epäpätevän henkilön tekemät korjaukset voivat aiheuttaa vaaran käyttäjälle.
- Vian ilmetessä tai jääkaappi/pakastina huollettaessa tai korjattaessa sammuta virta joko kääntämällä sulake pois päältä tai irrottamalla virtajohto.
- Älä vedä johdosta irrottaessasi pistokkeen.
- Varmista, että runsaasti alkoholia sisältävät juomat ovat kunnolla suljetuissa astioissa ja asetettuna pystyasentoon.
- Älä säilytä jääkaapissa suihkepulloja, jotka sisältävät syttyviä ja räjähtäviä aineita.
- Älä käytä sulatusprosessin nopeuttamiseen mekaanisia tai muita keinoja, joita valmistaja ei suosittele.
- Tätä laitetta ei ole tarkoitettu sellaisten henkilöiden (lapset mukaan lukien) käytettäväksi, joilla on heikentyneet fyysiset, aistimelliset tai henkiset kyvyt tai joilta puuttuu kokemusta ja tietoa, jollei heidän turvallisuudestaan vastaava henkilö valvo heitä ja opasta heitä laitteen käytössä.
- Älä käytä rikkoutunutta jääkaappi/pakastina. Jos epäilet vikaa, ota yhteys huoltoedustajaan.
- Jääkaapin sähköturvallisuus taataan vain, jos kodin maadoitusjärjestelmä on standardien mukainen.
- Laitteen altistaminen sateelle, lumelle, auringolle ja tuulelle on vaarallista sähköturvallisuuden kannalta.
- Ota yhteys valtuutettuun huoltoon, jos sähköjohto on vahingoittunut, jotta vältetään vaarat.
- Älä koskaan liitä jääkaappi/pakastina pistorasiaan asennuksen aikana. Se voi aiheuttaa vaaran, joka voi johtaa kuolemaan tai vakavaan vammaan.
- Tämä jääkaappi/pakastin on tarkoitettu pelkästään elintarvikkeiden säilytykseen. Sitä ei saa käyttää mihinkään muihin tarkoituksiin.
- Tekniset tiedot sisältävä tyyppikilpi sijaitsee jääkaapin sisällä vasemmalla seinällä.
- Älä liitä jääkaappi/pakastina sähkönsäästöjärjestelmiin. Ne voivat vahingoittaa jääkaappi/pakastina.
- Jos jääkaapissa palaa sininen valo, älä katso siihen pitkään paljain silmin tai optisilla laitteilla.
- Odota käsinohjattavalla jääkaapilla vähintään 5 minuuttia ennen jääkaapin käynnistämistä virtakatkon jälkeen.
- Tämä käyttöopas tulee luovuttaa uudelle omistajalle tuotteen mukana, jos tuote vaihtaa omistajaa.

- Vältä vahingoittamasta virtajohtoa, kun siirrät jääkaappi/pakastina. Johdon taivuttaminen saattaa aiheuttaa tulipalon. Älä sijoita painavia esineitä sähköjohdon päälle. Älä kosketa pistoketta märin käsin, kun liität tuotteen.



- Älä kytke jääkaappi/pakastina pistorasiaan, jos sähköliitäntä on löysä.
- Vettä ei saa turvallisuuden vuoksi koskaan suihkuttaa suoraan tuotteen sisä- tai ulkosiin.
- Älä suihkuta lähellä jääkaappi/pakastina syttyviä aineita, kuten propaanikaasua, sillä se aiheuttaa tulipalo- ja räjähdysvaaran.
- Älä aseta vettä sisältäviä astioita jääkaapin päälle, sillä sellainen voi aiheuttaa sähköiskun tai tulipalon.
- Älä täytä jääkaappi/pakastina liian suurella elintarvikemäärällä. Jos jääkaappi/pakastin on ylikuormitettu, se saattaa kaatua ja vahingoittaa sinua, ja rikkoa jääkaapin ovea avattaessa. Älä aseta esineitä jääkaapin päälle, sillä ne saattavat pudota jääkaapin ovea avatessa tai sulkiessa.
- Sellaisia tuotteita, jotka vaativat tarkan lämpötilan säädön (esim. rokotteet, lämpöherkät lääkkeet, tieteellinen materiaali jne.), ei tule säilyttää jääkaapissa.
- Jos jääkaappi/pakastina ei käytetä pidempään aikaan, se on irrotettava verkkovirrasta. Mahdollinen ongelma sähköjohdossa saattaa aiheuttaa tulipalon.
- Jääkaappi/pakastin saattaa siirtyä, jos säädettäviä jalkoja ei ole kiinnitetty oikein lattiaan. Säädettävien jalkojen kiinnittäminen lattiaan oikein voi estää jääkaappi/pakastina siirtymästä.
- Kun kannat jääkaappi/pakastina, älä pidä kiinni sen ovenkahvasta. Se saattaa silloin särkyä.
- Kun laite täytyy sijoittaa toisen jääkaapin tai pakastimen viereen, laitteiden välisen etäisyyden tulee olla vähintään 8 cm. Muuten vastakkaiset seinät saattavat härmistyä.
- Älä koskaan käytä tuotetta jos osa tuotteen edessä tai takana, missä elektroninen piirilevy sijaitsee on auki (elektronisen piirilevyn suojus) (1).



Laitteet, joissa on vesiautomaatti

- Jotta jääkaapin vesijohtopiiri toimii ongelmitta, veden syöttöpaineen tulee olla välillä [1]1-8 baria[2]. Jos veden syöttöpaine on yli [1]5 baria[2], paineensäädintä on käytettävä. Jos veden syöttöpaine on yli [1]8 baria[2], jääkaapin vesijohtopiiriä ei saa kytkeä veden syöttöön. Jos et tiedä miten veden syöttöpaine mitataan, pyydä ammattilaista tarkistamaan se.
- Käytä vain juomavettä.

Lasten turvallisuus

- Jos ovesa on lukko, avain tulee pitää lasten ulottumattomissa.
- Lapsia tulee valvoa, jotta he eivät pääse leikkimään laitteella.

Sähkö- ja elektroniikkaromua koskevan direktiivin (WEEE) vaatimustenmukaisuus ja tuotteen hävittäminen:



Tämä tuote noudattaa Euroopan unionin sähkö- ja elektroniikkaromua koskevaa direktiiviä 2012/19/EY (WEEE-direktiivi). Tässä

tuotteessa on sähkö- ja elektroniikkalaitteiden (WEEE) kierrätysymboli.

Tämä laite on valmistettu korkealuokkaisista osista ja materiaaleista, jotka voidaan käyttää uudelleen ja jotka soveltuvat kierrätettäviksi. Älä hävitä tätä tuotetta normaalin kotitalousjätteen mukana sen käyttöiän päätyttyä. Vie se sähkö- ja elektroniikkaromun kierrätyspisteeseen. Kysy paikallisilta viranomaisilta lähimmän kierrätyspisteen sijaintipaikka.

RoHS-direktiivin vaatimustenmukaisuus:

Valitsemasi tuote noudattaa Euroopan unionin tiettyjen vaarallisten aineiden käytön rajoittamisesta sähkö- ja elektroniikkalaitteissa koskevaa direktiiviä 2011/65/EY (RoHS-direktiivi). Laite ei sisällä direktiivissä määritettyjä haitallisia ja kiellettyjä materiaaleja.

Pakkaustiedot

Tuotteen pakkausmateriaalit on valmistettu kierrätettävistä materiaaleista kansallisten ympäristösäädösten mukaisesti. Älä hävitä pakkausmateriaalia kotitalousjätteen tai muun jätteen mukana. Vie materiaalit pakkausmateriaalien keräyspisteisiin, joiden sijainnit saat tietoon paikallisilta viranomaisilta.

HC-varoitus

Jos laite on varustettu jäähdytysjärjestelmällä, joka sisältää R600a-kylmäainetta:

Tämä kaasu on syttyvää. Varo siksi vahingoittamasta jäähdytysjärjestelmää ja putkistoa käytön ja kuljetuksen aikana. Pidä laite erossa mahdollisista tulenlähteistä, jotka saattavat sytyttää sen tuleen. Tuuleta huone, johon laite on sijoitettu.

Ohita tämä varoitus, jos laitteen kylmäjärjestelmä sisältää R134a-kylmäainetta.

Laitteessa käytetyn kaasun tyyppi on ilmoitettu jääkaapin sisäpuolella vasemmalla seinällä olevassa tyyppikilvessä.

Älä hävitä laitetta polttamalla.

Energian säästötoimet

- Älä asenna jääkaappi/pakastina suoraan auringonpaisteeseen tai lähelle lämmönlähteitä, kuten uunit, astianpesukoneet tai lämpöpatterit.
 - Pidä huoli, että säilytät elintarvikkeita suljetuissa astioissa.
 - Tuotteet joissa on pakastusosasto: voit säilyttää pakastimessa mahdollisimman paljon elintarvikkeita, kun irrotat pakastimen hyllyn tai lokeron. Jääkaapissa ilmoitetut energiankulutusarvot on määritetty maksimitäytöllä irrottamalla jääkaapin hylly tai lokero. Vaaraa ei ole käytettäessä hyllyä tai vetolaatikkoa pakastettavien elintarvikkeiden mukaan.
 - Pakastetun ruoan sulattaminen jääkaappi/pakastinosastossa säästää sekä energiaa että säilyttää ruoan laadun.
- Älä jätä jääkaapin ovea auki pitkäksi aikaa.
 - Älä laita lämpimiä ruokia tai juomia jääkaappi/pakastinin.
 - Älä ylikuormita jääkaappi/pakastina niin, että ilman kierto kaapin sisällä estyy.

3 Asennus

⚠️ Valmistaja ei ole vastuussa, jos käyttöoppaassa annettuja ohjeita ei noudateta.

Jääkaapin kuljetuksessa huomioitavat asiat

1. Jääkaappi/pakastin on aina tyhjennettävä ja puhdistettava ennen kuljetusta.
2. Jääkaapin hyllyt, lisävarusteet, vihanneslokerot jne., on kiinnitettävä paikoilleen kunnolla teipillä niiden suojaamiseksi tärinältä ennen uudelleenpakkausta.
3. Pakkaus on sidottava vahvoilla teipeillä ja naruilla ja pakkaukseen painettuja kuljetusohjeita on noudatettava.

Älä unohda...

Kaikki kierrätetyt materiaalit ovat korvaamaton lähde luonnolle ja kansallisille resursseille.

Jos haluat osallistua pakkausmateriaalien kierrätykseen, saat lisätietoja ympäristöosastoilta tai paikallisilta viranomaisilta.

Ennen käyttöönottoa

Tarkista seuraavat seikat ennen kuin alat käyttää jääkaappi/pakastina:

1. Ovatko jääkaapin sisäpinnat kuivia ja kiertääkö ilma vapaasti jääkaapin takana?
2. Asenna 2 muovikiilaa kuten kuvassa on esitetty. Muovikiilat varmistavat vaadittavan etäisyyden jääkaapin ja seinän välillä ilman kierron takaamiseksi. (Kuva on vain esimerkki eikä vastaa tuotetta täsmällisesti.)

3. Puhdista jääkaapin sisäpinnat, kuten on suositeltu osassa "Ylläpito ja puhdistus".
4. Liitä jääkaapin virtajohto pistorasiaan. Kun jääkaapin ovi avataan, jääkaapin sisätilan valo syttyy.
5. Kuulet ääntä, kun kompressori käynnistyy. Jäähdytysjärjestelmään suljetut nesteet ja kaasut voivat myös aiheuttaa jonkin verran ääntä silloinkin, kun kompressori ei ole käynnissä. Se on aivan normaalia.
6. Jääkaapin etureunat voivat tuntua lämpimiltä. Tämä on normaalia. Näiden alueiden on suunniteltu olevan lämpimiä kondensaation estämiseksi.

Sähköliitännät

Liitä jääkaappi/pakastin maadoitettuun pistorasiaan, joka on suojattu riittävän tehokkaalla sulakkeella.

Tärkeää:

- Liitännän on oltava kansallisten säädösten mukainen.
- Virtakaapelin pistokkeen on oltava helposti saatavilla asennuksen jälkeen.
- Määritetyn jännitteen on oltava sama kuin sähköverkolla.
- Liitäntään ei saa käyttää jatkokaapeleita tai haaroitusrasioita.

⚠ Vahingoittunut virtakaapeli on jätettävä pätevän sähkötekniikon vaihdettavaksi.

⚠ Tuotetta ei saa käyttää ennen kuin se on korjattu! Muuten se voi aiheuttaa sähköiskun!

Pakkauksen hävittäminen

Pakkausmateriaali voi olla lapsille vaarallista. Pidä pakkausmateriaali lasten ulottumattomissa tai hävitä se lajittelemalla jätteidenhävitysohjeiden mukaisesti. Älä hävitä pakkausmateriaalia kotitalousjätteen mukana.

Jääkaapin pakkaus on valmistettu kierrätettävistä materiaaleista.

Vanhan jääkaapin hävittäminen

Hävitä vanha jääkaappi/pakastin aiheuttamatta vahinkoa ympäristölle.

- Voit ottaa yhteyden valtuutettuun jälleenmyyjään tai kunnalliseen jätehuoltokeskukseen saadaksesi ohjeet jääkaapin hävittämisestä.

Ennen kuin hävität jääkaapin, leikkaa virtapistoke irti, ja jos ovesta on lukitus, tee siitä toimintakyvytön, jottei siitä koidu vaaraa lapsille.

Sijoittaminen ja asennus

⚠ Jos oviaukko jääkaapin asennushuoneeseen ei ole tarpeeksi leveä, soita valtuutettuun huoltoon ja pyydä heitä irrottamaan jääkaapin ovet, jolloin se saattaa mahtua ovesta sivuttain.

1. Asenna jääkaappi/pakastin paikkaan, jossa sitä on helppo käyttää.
2. Pidä jääkaappi/pakastin etäällä lämmönlähteistä, kosteista paikoista ja suoralta auringonpaisteelta.
3. Jääkaapin ympärillä on oltavaa tilaa kunnolliselle tuuletukselle, jotta se toimisi tehokkaasti. Jos jääkaappi/pakastin asetetaan seinän syvennykseen, väliä kattoon ja seiniin on jätettävä vähintään 5 cm. Jos lattia on päällystetty matolla, jääkaapin on oltava koholla lattiasta vähintään 2,5 cm.
4. Aseta jääkaappi/pakastin tasaisella lattiapinnalle tärinän ehkäisemiseksi.

Lampun vaihtaminen

Ota yhteyttä valtuuttuun huoltoon, kun jääkaapin lamppu on vaihdettava.

Tämän kodinkoneen valaisin/valaisimet eivät sovellu huoneen valaisemiseen. Valaisimen tarkoitus on auttaa käyttäjää sijoittamaan elintarvikkeet jääkaappiin/pakastimeen on turvallisella ja mukavalla tavalla.

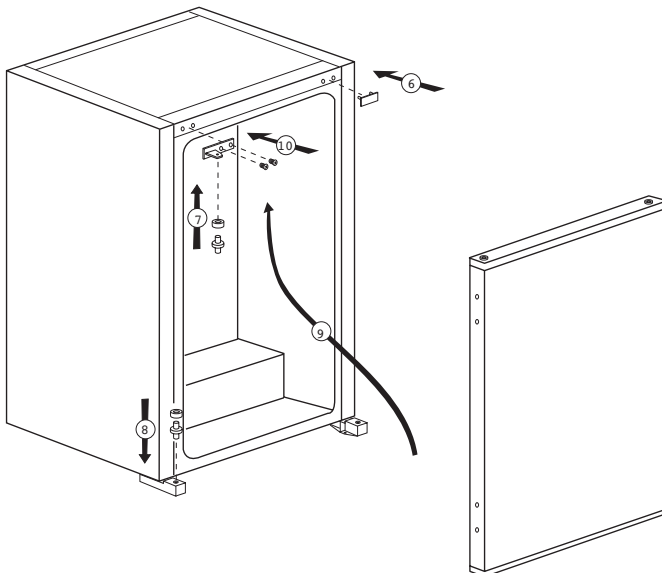
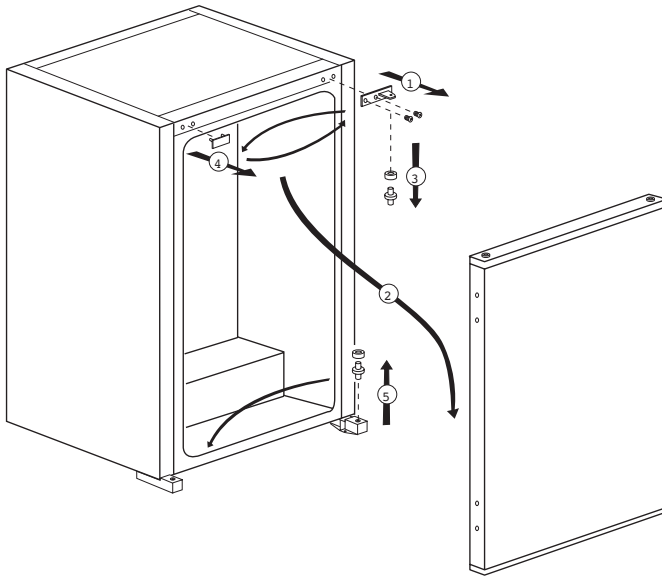
Tässä laitteessa käytettävien lamppujen tulee kestää äärimmäisiä olosuhteita kuten alle 20 °C lämpötiloja.

4 Valmistelu

- Jääkaappi/pakastin on asennettava vähintään 30 cm:n etäisyydelle lämmönlähteistä, kuten keittotaso, liesi, keskuslämmitin ja uuni sekä vähintään 5 cm:n etäisyydelle sähköliedestä, eikä sitä saa sijoittaa suoraan auringonpaisteeseen.
- Jääkaapin sijoitushuoneen lämpötilan on oltava vähintään 10 °C. Jääkaapin käyttöä kylmemmissä olosuhteissa ei suositella, sillä sen tehokkuus kärsii.
- Varmista, että jääkaapin sisäpinta on puhdistettu huolellisesti.
- Jos kaksi jääkaappi/pakastina asennetaan rinnakkain, niiden väliin on jätettävä tilaa vähintään 2 cm.
- Kun käytät jääkaappi/pakastina ensimmäistä kertaa, huomioi seuraavat ohjeet ensimmäisten kuuden tunnin aikana.
- Ovea ei saa avata jatkuvasti.
- Jääkaappi/pakastina on käytettävä tyhjänä ilman elintarvikkeita.
- Älä irrota jääkaappi/pakastina verkkovirrasta. Jos ilmenee itsestäsi riippumaton virtakatkos, katso varoitukset osassa "Suositellut ongelmanratkaisut".
- Alkuperäiset pakkaus- ja vaahtomuovimateriaalit kannattaa säilyttää tulevaa kuljetusta tai siirtoa varten.
- Laitteen oven avaamisen/sulkemisen käynnissä oloaikana aiheuttaman lämpötilan muutoksen vuoksi, veden tiivistyminen oven/rungon hyllyihin ja lasiastioihin on normaalia.

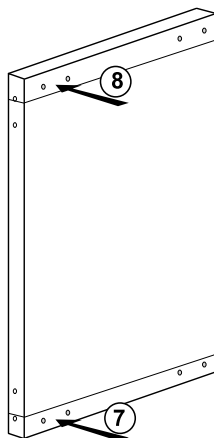
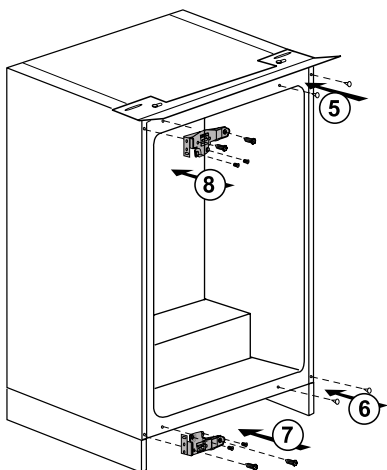
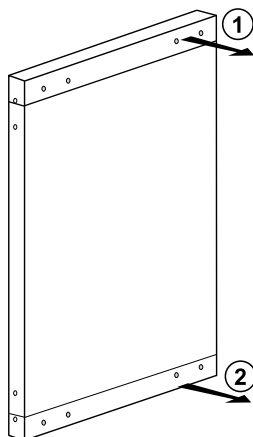
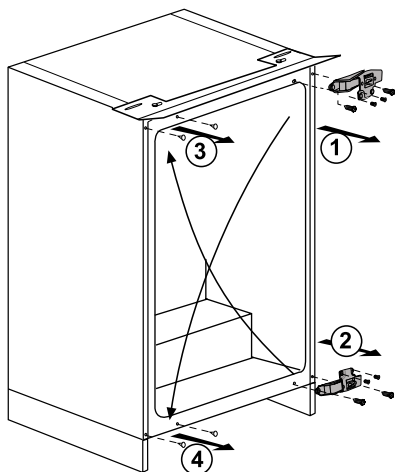
Ovien uudelleen sijoitus

Etene numerjärjestyksessä.



Ovien uudelleen sijoitus

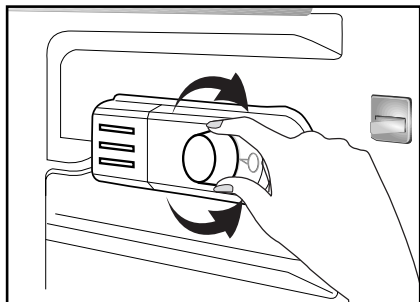
Etene numerojärjestyksessä.



5 Jääkaapin käyttö

Käyttölämpötilan asettaminen

Käyttölämpötilaa säädetään lämpötilasäätimellä.



1 = Pienin jäähdytysasetus

(Lämpimin asetus)

5 = Suurin jäähdytysasetus (Kylmin

asetus)

(tai)

Min. = Pienin jäähdytysasetus

(Lämpimin asetus)

Max. = Suurin jäähdytysasetus

(Kylmin asetus)

Jääkaapin keskilämpötilan tulee olla noin +5° C.

Aseta asetus halutun lämpötilan mukaan.

Voit pysäyttää laitteen toiminnan säätämällä termostaattivalitsimen asentoon "0".

Huomaa, että jäähdytysalueella on eri lämpötiloja.

Kylmin alue on välittömästi vihanneslokeroon yläpuolella.

Sisälämpötila riippuu myös ympäröivästä lämpötilasta, oven avaamistiheydestä ja laitteessa olevien ruokien määrästä.

Oven jatkuva avaaminen aiheuttaa sisälämpötilan nousun.

Tästä syystä suositellaan, että ovi suljetaan välittömästi käytön jälkeen.

Sisälokeroiden käyttö

Rungon hyllyt: Hyllyjen välistä etäisyyttä voidaan tarvittaessa säätää.

Vihanneslokeri: Kasviksia ja hedelmiä voidaan säilyttää tässä lokerossa pidempiä aikoja niiden pilaantumatta.

Pullohylly: Pullot, tölkit ja purkit voidaan sijoittaa näille hyllyille.

Jäähdytys

Ruokien säilytys

Jääkaappiosasto on tarkoitettu tuoreiden ruokien ja juomien lyhytaikaiseen säilytykseen.

Säilytä maitotuotteet niille tarkoitettussa osassa jääkaappia.

Pullot voidaan säilyttää pullonpidikkeissä tai oven pullohyllyllä.

Raaka liha säilyy parhaiten muovikätreessä aivan jääkaapin alaosassa.

Anna kuumien ruokien ja juomien jäähtyä huonelämpötilassa, ennen kuin laitat ne jääkaappiin.

- Huomio

Säilytä alkoholijuomia ainoastaan pystyasennossa ja tiukasti suljettuna.

- Huomio

Älä koskaan säilytä laitteessa tuotteita, jotka sisältävät syttyviä ponnekaasuja (spraypurkit, kermasprayt jne.). Ne aiheuttavat räjähdysvaaran.

Sulatus

Jääkaappiosasto sulattaa itsensä automaattisesti. Sulatusvesi poistuu poistoputkea pitkin laitteen takana olevaan keräysastiaan.

Haihduttimen vuoksi jääkaapin takaosaan voi kertyä vesipisaroita sulatuksen aikana.

Jos kaikki vesi ei valu keräysastiaan, se saattaa jäätyä. Pyyhi vesipisarot sulatuksen jälkeen lämpimään veteen kastetulla liinalla, ei kovalla tai terävällä esineellä.

Tarkasta sulatusveden kulku ajoittain. Se saattaa joskus tukkeutua.

6 Ylläpito ja puhdistus

⚠ Älä koskaan käytä puhdistamiseen bensiiniä, bentseeniä tai vastaavia aineita.

⚠ Suosittelemme, että irrotat laitteen verkkovirrasta ennen puhdistusta.

❗ Älä koskaan käytä puhdistamiseen teräviä, hankaavia välineitä, saippuaa, puhdistusainetta, pesuainetta ja vahaa.

❗ Jos tuote ei ole itsesulattavaa mallia, jääkaappiosaston takaseinään saattaa muodostua vesipisaroita ja enintään sormenleveyden paksuinen jääkerros. Älä puhdista tai koskaan käytä öljyä tai muita samankaltaisia aineita laitteen takaseinän puhdistamiseen.

❗ Käytä ainoastaan hieman kosteaa mikrokuituliinaa laitteen ulkopinnan puhdistamiseen. Sienet ja muuntyyppiset puhdistusliinat voivat naarmuttaa laitteen pintaa.

❗ Käytä jääkaappi/pakastin sisätilojen puhdistukseen haaleaa vettä ja pyyhi kuivaksi.

❗ Käytä sisätilojen puhdistukseen liinaa, joka on kostutettu 1 tl ruokasoodaa ja 1/2 litraa vettä sisältävässä liuoksessa ja puristettu kuivaksi, kuivaa lopuksi.

⚠ Varmista, ettei vettä pääse lamppukoteloon ja muihin sähkökohteisiin.

⚠ Mikäli jääkaappia ei käytetä

pitkään aikaan, irrota virtakaapeli pistorasiasta, poista kaikki ruuat, puhdista jääkaappi ja jätä ovi raolleen.

❗ Tarkista oven eristeet säännöllisesti varmistaaksesi, että ne ovat puhtaita ja vapaita ruuasta.

❗ Ovitelineiden irrottamiseksi poista niistä kaikki sisältö ja työnnä sitten ovitelinettä pohjasta ylöspäin.

❗ Älä käytä klooria sisältäviä puhdistusaineita tai vettä tuotteen ulkopintojen ja kromattujen osien puhdistamiseen. Kloori syövyttää sellaisia metallipintoja.

❗ Älä käytä teräviä tai hankaavia työkaluja tai saippuaa, kodin puhdistusaineita, pesuaineita, bensaa, bentseeniä, vahaa jne. muuten muoviosissa olevat merkinnät lähtevät irti ja osat voivat muuttaa muotoaan. Käytä puhdistamiseen lämmintä vettä sekä pehmeää liinaa ja kuivaa laite sen jälkeen.

Muoviosien suojelu

❗ Älä laita nestemäistä öljyä tai öljyssä keitettyjä elintarvikkeita jääkaappiin avoimissa astioissa, sillä ne vahingoittavat jääkaappi/pakastin muovipintoja. Jos öljyä vuotaa tai tarttuu muovipinnoille, puhdista ja huuhtelee kohta heti lämpimällä vedellä.

7 Suositellut ongelmanratkaisut

Tarkista tämä luettelo, ennen kuin soitat huoltoon. Se voi säästää aikaa ja rahaa. Tämä luettelo sisältää useita valituksia, jotka eivät johdu virheellisestä työstä tai käytetystä materiaalista. Joitain tässä kuvatuista ominaisuuksista ei ehkä ole laitteessasi.

Jääkaappi ei käy

- Onko jääkaapin virtajohto kunnolla kiinni pistorasiassa? Aseta pistoke seinäpistorasiaan.
- Onko jääkaapin pistorasian sulake tai pääsulake palanut? Tarkista sulake.

Kondensaatiota jääkaappiosaston sivuseinässä.

- Hyvin kylmä ympäristö. Oven jatkuva avaaminen ja sulkeminen. Hyvin kostea ympäristö. Nestepitoisten ruokien säilytys avoimessa astiassa. Oven jättäminen raolleen.
- Termostaatin kytkeminen kylmemmälle.
- Oven avoinnaoloajan lyhentäminen tai käyttämällä sitä harvemmin.
- Avoimissa astioissa säilytettyjen ruokien peittäminen sopivalla materiaalilla.
- Pyyhi kondensoitunut vesi kuivalla liinalla ja tarkista tuleeko sitä lisää.

Kompressor ei käy

- Kompressorin lämpövastus työntyy ulos äkillisen virtakatkoksen sattuessa tai kun virta sammuu ja syttyy uudelleen, kun jääkaapin jäähdytysjärjestelmän jäähdytysaineenpaine ei ole vielä tasapainossa. Jääkaappi käynnistyy noin 6 minuutin kuluttua. Soita huoltoon, jos jääkaappi ei käynnisty tässä ajassa.
- Jääkaapin sulatusjakso on käynnissä. Tämä on normaalia täysautomaattisesti itsesulattavassa jääkaapissa. Sulatuskierto tapahtuu tietyn väliajoin.
- Jääkaappia ei ole kytketty pistorasiaan. Varmista, että pistoke on asetettu tiukasti seinäpistorasiaan.
- Onko lämpötila-asetukset tehty oikein?
- Sähkökatkos. Soita sähkötoimittajalle.

Jääkaappi käy alituisen tai pitkän ajan.

- Uusi jääkaappisi voi olla leveämpi kuin edellinen. Tämä on aivan normaalia. Suuret jääkaapit käyvät kauemmin.
- Huonelämpötila voi olla liian korkea. Tämä on aivan normaalia.
- Jääkaappi on voitu kytkeä päälle äskettäin tai siihen on säilötty äskettäin ruokaa. Jääkaapin jäähtyminen oikeaan lämpötilaan voi kestää muutaman tunnin kauemmin.
- Suuri määrä ruokaa on voitu säilöä jääkaappiin äskettäin. Lämmin ruoka aiheuttaa jääkaapin käymisen pitempään, kunnes se saavuttaa turvallisen säilytyslämpötilan.
- Ovet on voitu avata äskettäin tai jätetty roolleen pitkäksi aikaa. Jääkaappiin päässyt lämmin ilma aiheuttaa jääkaapin käymisen pitemmän aikaa. Avaa ovia harvemmin.
- Pakastin- tai jääkaappiosaston ovi on voitu jättää raolleen. Tarkista onko ovet suljettu tiukasti.

Jääkaappi käy alituisen tai pitkän ajan.

- Jääkaappi on säädetty hyvin alhaiselle lämpötilalle. Säädä jääkaapin lämpötila lämpimämmäksi ja odota, kunnes haluttu lämpötila on saavutettu.
- Jääkaapin tai pakastimen oven tiiviste voi olla likainen, kulunut, rikkoutunut tai huonosti paikallaan. Puhdista tai vaihda tiiviste. Vahingoittunut, rikkoutunut tiiviste aiheuttaa jääkaapin käymisen pitempiä aikoja nykyisen lämpötilan ylläpitämiseksi.
- Pakastimen lämpötila on hyvin alhainen, kun jääkaapin lämpötila on sopiva.
- Pakastin on säädetty hyvin alhaiselle lämpötilalle. Säädä pakastimen lämpötila lämpimämmäksi ja tarkista.

Jääkaapin lämpötila on hyvin alhainen, kun pakastimen lämpötila on sopiva.

- Jääkaappi on säädetty hyvin alhaiselle lämpötilalle. Säädä jääkaapin lämpötila lämpimämmäksi ja tarkista.

Jääkaappiosaston vetolaatikoissa säilytetty ruoka jäätyy.

- Jääkaappi on säädetty hyvin alhaiselle lämpötilalle. Säädä jääkaapin lämpötila lämpimämmäksi ja tarkista.

Jääkaapin tai pakastimen lämpötila on hyvin korkea.

- Jääkaappi on säädetty hyvin korkealle lämpötilalle. Jääkaapin säädöt vaikuttavat pakastimen lämpötilaan. Muuta jääkaapin tai pakastimen lämpötilaa, kunnes jääkaappi tai pakastin saavuttaa riittävän tason.
- Ovet on voitu avata äskettäin tai jätetty roalleen pitkäksi aikaa. Lämmintä ilmaa tunkeutuu jääkaappiin tai pakastimeen, kun ovet avataan. Avaa ovia harvemmin.
- Ovi on voitu jättää roalleen. Sulje ovi kokonaan.
- Suuri määrä ruokaa on voitu säilöä jääkaappiin äskettäin. Odota, kunnes jääkaappi tai pakastin saavuttaa halutun lämpötilan.
- Jääkaapin virtajohto on voitu liittää pistorasiaan äskettäin. Jääkaapin jäähtyminen kokonaan kestää kauemmin sen koon vuoksi.

Käyntiääni voimistuu, kun jääkaappi käy.

- Jääkaapin käyttöteho saattaa muuttua ympäristön lämpötilan muutosten mukaan.
- Se on normaalia eikä ole vika.

Tärinä tai käyntiääni.

- Lattia ei ole tasainen tai se on heikko. Jääkaappi huojuu, kun sitä siirretään hitaasti. Varmista, että lattia on tasainen, luja, ja että se kestää jääkaapin painon.
- Melu saattaa johtua jääkaappin laitetuista kohteista. Tällaiset kohteet tulisi poistaa jääkaapin yläosasta.

Esiintyy nesteen vuotamisen tai suihkuamisen kaltaisia ääniä.

- Neste- ja kaasuvuotoja ilmenee jääkaapin käyttöperiaatteiden mukaisesti. Se on normaalia eikä ole vika.

Kuuluu tuulen huminan kaltaista ääntä

- Ilma-aktivaattoreita (tuulettimia) käytetään jääkaapin jäädyttämiseen tehokkaasti. Se on normaalia eikä ole vika.
- Jääkaapissa oleva vesi/kondensaatio/jää.

Kondensaatio jääkaapin sisäseinissä.

- Kuuma ja kostea sää lisää jäätymistä ja kondensaatiota. Se on normaalia eikä ole vika.
- Ovet ovat raollaan. Varmista, että ovet on suljettu kokonaan.
- Ovia on voitu avata jatkuvasti tai ne on voitu jättää auki pitkäksi aikaa. Avaa ovea harvemmin.
- Jääkaapin ulkopinnoilla oleva vesi/kondensaatio/jää.

Kosteutta esiintyy jääkaapin ulkopinnoilla tai ovien välissä.

- Sää voi olla kostea. Tämä on aivan normaalia kostealla säällä. Kun kosteutta on vähemmän, kondensaatio häviää.

Paha haju jääkaapin sisällä.

- Jääkaapin sisäpuoli on puhdistettava. Puhdista jääkaapin sisäpuoli sienellä, lämpimällä vedellä tai hiilihapollisella vedellä.
- Jotkut astiat tai pakkausmateriaalit voivat olla hajun aiheuttajia. Käytä erilaista säilytysastiaa tai erimerkkistä pakkausmateriaalia.

Ovi/ovet eivät mene kiinni.

- Elintarvikepakkaukset voivat estää oven sulkeutumisen. Poista pakkaukset, jotka ovat oven esteenä.
- Jääkaappi ei todennäköisesti ole aivan pystysuorassa lattialla ja se voi keinua hieman siirrettynä. Säädä nostoruuveja.
- Lattia ei ole tasainen tai kestävä. Varmista, että lattia on tasainen, ja että se kestää jääkaapin painon.

Lokerot ovat juuttuneet.

- Elintarvikkeita voi olla kosketuksissa lokeron kattoon.
- Järjestä ruuat uudelleen vetolaatikossa.

Jos Tuotteen Pinta On Kuuma.

- Korkeat lämpötilat voidaan havaita kahden oven välillä, sivupaneeleissa ja takaritilässä laitteen ollessa käytössä. Tämä on normaalia eikä vaadi huoltotoimenpiteitä! Ole varovainen joutuessasi kosketuksiin näiden alueiden kanssa.

VASTUUVAPAUCLAUSEKE / VAROITUS

Loppukäyttäjä voi suorittaa joitakin (yksinkertaisia) korjauksia ilman turvallisuusongelmia tai käyttöturvallisuuden heikkenemistä, olettaen, että ne suoritetaan rajoitusten ja seuraavien ohjeiden mukaan (katso osa "Itsekorjaus").

Siksi, jos osassa "Itsekorjaus" ei ole muuta todettu, korjaukset on luovutettava rekisteröidylle ammattimaiselle asentajalle turvallisuusongelmien välttämiseksi. Rekisteröity ammattimainen asentaja on henkilö, jolla on pääsy tämän tuotteen valmistajan ohjeisiin ja varaosaluetteloon, direktiivin 2009/125/EC mukaan kuvattujen menetelmien mukaisesti.

Mutta vain huoltoedustaja (ts. valtuutettu ammattimainen asentaja), johon voit ottaa yhteyden käyttöohjeessa/takuukortissa olevasta puhelinnumerosta tai valtuutetun jälleenmyyjän kautta, joka suorittaa korjaukset takuuehtojen mukaisesti. Huomaa siksi, että ammattimaisen asentajan suorittamat korjaukset (joita Beko ei ole valtuuttanut), mitätöi takuun.

Itsekorjaus

Loppukäyttäjä voi suorittaa itsekorjaukset seuraavien varaosien kohdalla:, ovenkahvat, oven saranat, hyllyt, korit ja oven tiivisteet (päivitetty luettelo on myös saatavissa osoitteessa support.beko.com 1. maaliskuuta 2021 lähtien

Tämän lisäksi on tuoteturvallisuuden varmistamiseksi ja vakavien henkilövahinkojen välttämiseksi mainitut

itsekorjaukset suoritettava käyttöohjeessa tai osoitteessa support.beko.com olevien itsekorjausta koskevien ohjeiden mukaan. Irrota laite virransyötöstä ennen korjausten aloittamista.

Loppukäyttäjän suorittamat korjaukset tai korjausyritykset osille, joita ei ole mainittu kyseisessä luettelossa ja/tai käyttöohjeessa tai osoitteessa support.beko.com olevien itsekorjausohjeiden laiminlyöminen, voi johtaa turvallisuusongelmiin Beko hallinnan ulkopuolella ja voi mitätöidä tuotteen takuun.

Siksi suosittelemme, että loppukäyttäjät välttävät korjausten suorittamista, joita ei ole mainittu varaosaluettelossa, vaan ottavat yhteyden valtuutettuun tai rekisteröityyn ammattimaiseen asentajaan. Toisaalta nämä loppukäyttäjän suorittamat korjausyritykset voivat johtaa turvallisuusongelmiin ja tuotevaurioihin ja aiheuttaa tulipalon, tulvan, sähköiskun ja vakavaan henkilövahinkoon.

Esimerkkinä, mutta ei rajoittuen näihin, seuraavat korjaukset on luovutettava valtuutetulle tai rekisteröidylle ammattimaiselle asentajalle: kompressorin, jäähdytyspiiri, pääpiirilevy, invertterilevy, näyttökortti jne.

Valmistajaa/myyjää ei voida pitää vastuussa, mikäli loppukäyttäjä ei noudata yllä mainittuja ohjeita.

Varaosat ovat saatavissa ostamaasi jääkaapin 10 vuoden ajan.

Tämän aikana, varaosat ovat saatavissa

jääkaapin toiminnan varmistamiseksi.
Ostamasi jääkaapin minimitakuuaika on
24 kuukautta.
Tämä tuote on varustettu "G"
energialuokan valolähteellä.
Tuotteen valolähteen saa suorittaa vain
ammattitaitoinen asentaja.

Vennligst les denne veiledningen først!

Kjære kunde,

Vi håper at produktet ditt, som er produsert ved moderne anlegg og som er kontrollert med strenge kvalitetskontrollprosedyrer, vil gi deg effektiv ytelse.

Derfor ber vi deg lese nøye gjennom denne veiledningen før du bruker produktet og beholde denne for fremtidig bruk.

Bruksanvisningen






- Vil hjelpe deg til å bruke apparatet på en hurtig og sikker måte.
- Vennligst les bruksanvisningen før du installerer og bruker produktet.
- Følg instruksjonene, spesielt de som angår sikkerheten.
- Hold veiledningen lett tilgjengelig, siden du kan ha behov for den senere.
- Les også de andre dokumentene som ble levert sammen med produktet.

Vennligst merk at denne bruksanvisningen kan gjelde for flere andre modeller.

Symboler og beskrivelser av disse

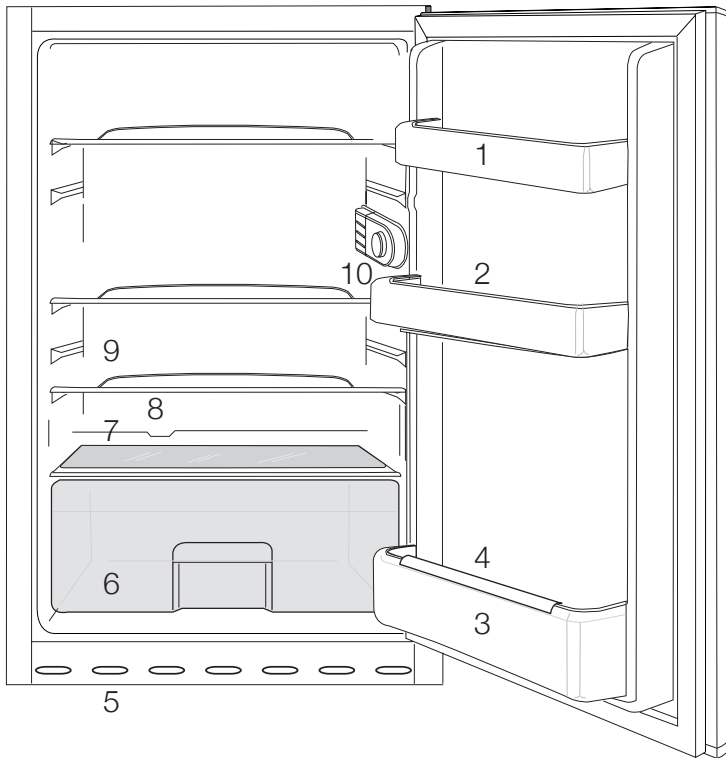
Denne veiledningen inneholder følgende symboler:

-  Viktig informasjon eller nyttige tips om bruk.
-  Advarsel om farlige tilstander for liv og eiendom.
-  Advarsel om elektrisk spenning.

 INFORMASJON	
 SUPPLIER'S NAME:  A	 MODEL IDENTIFIER:  A (*)
	Modellinformasjonen som er lagret i produktbasen kan nås ved å gå inn på følgende nettsted og søke etter din modellidentifikator (*) som finnes på energimerket. https://eprel.ec.europa.eu/

1 Kjøleskapet	3	4 Forberedelse	14
2 Viktige sikkerhetsadvarsler 4		5 Bruke kjøleskapet	15
Beregnet bruk..... 4		Stille driftstemperaturen..... 15	
For produkter med en vandisplenser: 7		Driftstemperaturen justeres med	
Barnesikring 8		temperaturkontrollen..... 15	
Samsvar med WEEE-direktivet og		Bruke de indre oppbevaringsdelene .. 15	
Deponering av avfallsproduktet: 8		Nedkjøling 15	
Samsvar med RoHS-direktivet:..... 8		Tining 16	
Informasjon om emballasjen 8		6 Vedlikehold og rengjøring 17	
HC-advarsel 8		Beskyttelse av plastoverflater 17	
Ting å gjøre for å spare energi 9		7 Anbefalte løsninger på	
3 Installasjon	10	problemer	18
Punkter som er viktige ved ny			
transportering av kjøleskapet.....10			
Før du bruker kjøleskapet10			
Elektrisk tilkobling.....10			
Bortskaffing av emballasjen.....11			
Bortskaffing av det gamle kjøleskapet11			
Plassering og installasjon.....11			
Skifte belysningslampe11			
Omhengsling av dørene..... 12			
Omhengsling av dørene..... 13			

1 Kjøleskapet



1. Dørhylle
2. Eggholdere
3. Flaskehylle
4. Flaskeholder
5. Luftgrill
6. Grønnsaksskuffer
7. Grønnsaksskuffelokk
8. Smeltevannsopsamlingskanal - avløpsrør
9. Justerbare hovedhyller
10. Belysningslampe & Termostatknapp


i Figurene i denne veiledningen er skjematiske og kan derfor være litt forskjellige fra ditt produkt. Hvis de tilhørende delene ikke medfølger produktet du har kjøpt, gjelder de for andre modeller.

2 Viktige sikkerhetsadvarsler

Vennligst les følgende informasjon. Hvis denne informasjonen ikke overholdes, kan det forårsake personskader eller materialskader. Videre vil garanti og pålitelighetsløfte bli ugyldig.

Originale reservedeler vil bli gitt i 10 år etter kjøpsdatoen for produktet.

Beregnet bruk

	ADVARSEL: Sørg for at ventilasjonsåpningene i apparatets kabinett eller i den innebygde strukturen ikke blokkeres.
	ADVARSEL: Bruk ikke andre mekaniske innretninger eller midler for å akselerere avisingsprosessen enn det som er anbefalt av produsenten.
	ADVARSEL: Ikke skad kjølekretsen.
	ADVARSEL: Ikke bruk elektriske apparater inne i oppbevaringsrommene for mat i apparatet, med mindre de er av en type som anbefales av produsenten.

ADVARSEL:

Ikke oppbevar eksplosive stoffer, slik som aerosolbokser med antennelig drivmiddel i dette apparatet.

Dette apparatet er beregnet til bruk i husholdninger og lignende bruksområder som f.eks.

- kjøkkenområder med ansatte i butikker, kontorer og andre arbeidsmiljøer;
- gårdshus og av kunder i hoteller, moteller og andre typer boligmiljøer;
- overnattingssteder med frokost;
- catering og lignende bruksområder utenom detaljhandel.

Generell sikkerhet

- Når du ønsker å kaste/skrote produktet, anbefaler vi at du forhører deg med autorisert service for å få nødvendig informasjon og autoriserte myndigheter.
- Hør med autorisert service når det gjelder alle spørsmål og problemer relatert til kjøleskapet. Ikke foreta endringer eller la noen andre foreta endringer på kjøleskapet uten å varsle autorisert service.
- For produkter med en fryserdel: Ikke spis iskrem med

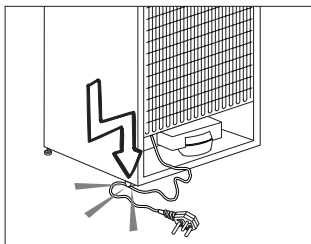
kjeks eller isbiter straks etter at du tar dem ut av fryseren! (Dette kan forårsake frostbitt i munnen.)

- For produkter med en fryserdel: Ikke putt drikkevarer på flaske eller bokser i fryseren. Dette kan føre til at de sprekker.
- Ikke rør frossen mat med hendene, da disse kan hefte seg til hånden.
- Trekk ut støpselet før rengjøring eller avising.
- Damp og amprenghjøringsmaterialer skal aldri brukes i rengjørings- og avtiningsprosesser for kjøleskapet. I slike tilfeller kan dampen komme i kontakt med de elektriske planene og forårsake kortslutning eller elektrisk sjokk.
- Bruk aldri deler på kjøleskapet slik som døren som støtte eller trinn.
- Ikke bruk elektriske innretninger på innsiden av kjøleskapet.
- Ikke ødelegg delene der kjølevæsken sirkulerer, med drill eller kutteverktøy. Kjølevæsken som kan strømme ut når gasskanaler for fordampere, rørforlengelser eller overflatebelegg punkteres, kan forårsake hudirritasjon og øyeskader.
- Ikke dekk til eller blokker ventilasjonsåpningene på kjøleskapet med noe materiale.
- Elektriske enheter må kun repareres av autoriserte personer. Reparasjoner som utføres av en inkompetent person kan forårsake fare for brukeren.
- I tilfelle feil under vedlikehold eller reparasjonsarbeid, kople fra kjøleskapets strømforsyning ved å slå av relevant sikring eller trekke ut støpselet.
- Ikke trekk etter ledningen når du trekker ut støpslet.
- Sørg for at alkoholholdige drikkevarer med høyt alkoholinnhold lagres trygt med lokket festet og plassert oppreist
- Lagre aldri spraybokser som inneholder antennelig og eksplosive stoffer i kjøleskapet.
- Ikke bruk mekanisk utstyr eller andre midler for å akselerere avisingprosessen annet enn slikt utstyr som produsenten anbefaler.
- Dette produktet er ikke beregnet til bruk av personer med fysiske, sensoriske eller mentale forstyrrelser eller personer som ikke er opplært eller ikke har erfaring (inkludert barn), med mindre det holdes under oppsyn av personer som er ansvarlige for deres sikkerhet eller som vil instruere dem tilstrekkelig i bruk av produktet.
- Ikke bruk et ødelagt kjøleskap.

Hør med serviceagenten hvis du har spørsmål.

- Elektrisk sikkerhet på kjøleskapet kan garanteres kun hvis jordingen i hjemmet oppfyller standardene.
- Det er farlig å utsette produktet for regn, snø, sol og vind pga. elektrisk sikkerhet.
- Ta kontakt med autorisert service når en strømkabel skades for å unngå fare.
- Plugg aldri kjøleskapet inn i vegguttaket under installasjonen. Dette kan føre til fare for døden eller alvorlig skade.
- Dette kjøleskapet er kun beregnet til for å oppbevare mat. Det skal ikke brukes til noen andre formål.
- Merket med tekniske spesifikasjoner befinner seg på venstre vegg inne i kjøleskapet.
- Koble aldri kjøleskapet til strømsparesystemer, de kan skade kjøleskapet.
- Dersom det er et blått lys på kjøleskapet, ikke se på det med det blotte øye eller ved hjelp av optiske verktøy over lengre tid.
- For manuelt kontrollerte kjøleskap vent i minst 5 minutter for å starte kjøleskapet etter et strømbrytning.

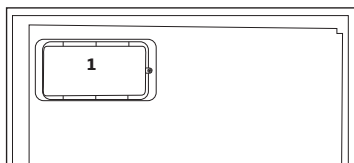
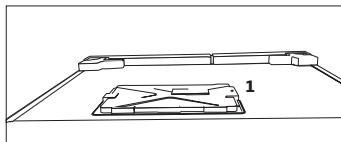
- Denne brukerhåndboken skal overleveres til neste eier av produktet hvis det skifter eier.
- Unngå å skade strømkabelen ved transport av kjøleskapet. Bøying av kabelen kan forårsake brann. Plasser aldri tunge gjenstander på strømledningen. Ikke berør støpselet med våte hender når du kobler til produktet.



- Ikke koble til kjøleskapet hvis vegguttaket er løst.
- Ikke sprut vann direkte på de ytre eller indre delene av produktet av sikkerhetsmessige grunner.
- Ikke spray stoffer som inneholder antennelige gasser, slik som propangass i nærheten av kjøleskapet for å unngå brann- og eksplosjonsfare.
- Ikke plasser gjenstander som er fylt med vann oppå kjøleskapet, da det kan føre til elektrisk støt eller brann.
- Ikke overbelast kjøleskapet med for mye mat. Hvis det overlastes, kan maten

falle ned og skade deg og kjøleskapet når du åpner døren. Ikke plasser gjenstander oppe på kjøleskapet, da disse kan falle ned ved åpning eller lukking av kjøleskapsdøren.

- Produkter som trenger en nøyaktig temperaturkontroll (vaksiner, varmesensitive medisiner, forskningsmaterialer osv.), skal ikke oppbevares i kjøleskapet.
- Hvis det ikke skal brukes på lang tid, skal kjøleskapet kobles fra strømuttaket. Et problem i den elektriske kabelen kan føre til brann.
- Kjøleskapet kan flytte seg hvis de justerbare beina ikke er riktig sikret på gulvet. Riktig sikring av justerbare bein på gulvet kan forhindre at kjøleskapet flytter seg.
- Når du bærer kjøleskapet, ikke hold det etter dørhåndtaket. Da kan det knekke av.
- Hvis du må plassere produktet ved siden av et annet kjøleskap eller fryser, skal avstanden mellom enheten være minst 8 cm. Ellers kan sideveggene som grenser til hverandre bli fuktige.
- Bruk aldri produktet hvis den del som ligger på toppen eller bak på produktet som har elektroniske kretskort inne, er åpen (deksel for elektronisk kretskort) (1).



For produkter med en :vanndisplenser

- Trykket for kaldtvannsinntaket skal være maksimalt 90 psi (620 kPa). Hvis vanntrykket overstiger 80 psi (550 kPa), må du bruke en trykkbegrensningsventil i ledningsnettets. Hvis du ikke vet hvordan du skal sjekke vanntrykket, be om hjelp fra en profesjonell rørlegger
- Hvis det er fare for vannslageffekt i installasjonen, må du alltid bruke forebyggende utstyr for vannslag i installasjonen. Rådfør med profesjonelle rørleggere hvis du ikke er sikker på at det ikke er vannslageffekt i installasjonen.
- Ikke installer på varmtvannsinntaket. Ta forholdsregler mot risikoen for frysing av slangene. Driftsintervallet for vanntemperaturen skal være 0,6 °C og minst 38 °C maks.
- Bruk kun drikkevann.

Barnesikring

- Hvis du har en lås på døren, skal nøkkelen oppbevares utilgjengelig for barn.
- Barn må passes på for å sikre at de ikke tukler med produktet.

Samsvar med WEEE-direktivet og Deponering av avfallsproduktet



Dette produktet er i samsvar med EU-direktivet som omhandler elektronisk og elektrisk utstyr (2012/19/EU). Dette produktet har et klassifiseringsymbol for sortering av avfall elektrisk og elektronisk utstyr (WEEE).

Dette produktet er laget av høykvalitetsdeler og -materialer som kan gjenbrukes og resirkuleres. Produktet skal ikke kastes sammen med normalt husholdningsavfall og annet avfall på slutten av levetiden. Ta det med til et innsamlingspunkt for resirkulering av elektriske og elektroniske innretninger. Vennligst forhør deg med de lokale myndighetene for å få opplysninger om slike innsamlingssteder.

Samsvar med RoHS-direktivet

Produktet du har kjøpt er i samsvar med EU-RoHS-direktivet (2011/65/EU). Det inneholder ingen farlige eller forbudte substanser som er angitt i direktivet.

Informasjon om emballasjen

Emballasjen for dette produktet er produsert av resirkulerbart materiale, i hht. nasjonale miljøforskrifter. Ikke kast emballasjen sammen med normalt husholdningsavfall eller annet avfall. Ta dem til et lokalt innsamlingspunkt som er beregnet på emballasjematerialer.

HC-advarsel

Hvis produktets kjølesystem inneholder R600a:

Denne gassen er brennbar. Derfor, vær forsiktig så kjølesystemet og rørene ikke ødelegges under bruk og transport. I tilfelle skade skal produktet holdes på avstand fra potensielle brannkilder som kan gjøre at produktet begynner å brenne, og ventiler rommet der enheten er plassert.

Ignorer denne advarselen hvis produktets kjølesystem inneholder R134a:

Typen gass som brukes i produktet er oppgitt på typeskiltet som finnes på venstre vegg inne i kjøleskapet.

Kast aldri produktet inn i flammer.

Ting å gjøre for å spare energi

- Ikke hold dørene til kjøleskapet åpne over lang tid.
- Ikke putt varm mat eller drikke i kjøleskapet.
- Ikke overlast kjøleskapet slik at luften sirkulerer inne i kjøleskapet hvis den ikke forhindres.
- Ikke installer kjøleskapet under direkte sollys eller i nærheten av varmeutstrålende apparater, slik som ovn, oppvaskmaskin eller radiator.
- Se til å holde maten i lukkede beholdere.
- For produkter med en fryserdel: Du kan lagre maksimale mengder mat i fryseren hvis du fjerner hyllen eller skuffen i fryseren. Energiforbruksverdien som er oppgitt for kjøleskapet har blitt bestemt ved å fjerne fryserhyllen eller skuffen og under maksimal last. Det er ingen fare ved bruk av hyllene eller skuffen i henhold til form og størrelse på maten som skal frys.
- Opptining av frossenmat i kjøleskapsdelen vil både gi energisparing og bevare matkvaliteten.

3 Installasjon

⚠ Vennligst husk at produsenten ikke skal holdes ansvarlig hvis informasjonen som gis i bruksanvisningen ikke overholdes.

Punkter som er viktige ved ny transportering av kjøleskapet

1. Kjøleskapet må tømmes og rengjøres før transport.
2. Hyller, tilbehør, grønnsaksoppbevaringsboks osv. i kjøleskapet må festes godt med teip mot støt før innpakning.
3. Innpakningen må festes med tykk teip og sterke tau, og transportreglene på pakningen må følges.

Vennligst ikke glem...

Hvert resirkulert material er en uunnværlig kilde for naturen of for de nasjonale ressursene.

Hvis du ønsker å bidra til resirkulering av pakkematerialene, kan du få mer informasjon fra miljømyndigheter eller lokale myndigheter

Før du bruker kjøleskapet

Før du begynner å bruke kjøleskapet må du kontrollere følgende:

1. Er de indre delene av kjøleskapet tørre, og kan luften sirkulere fritt på baksiden av skapet?
2. Installer de 2 plastkildene slik som vist på figuren. Plastkiler vi gi nødvendig avstand mellom kjøleskapet og veggen for å kunne gjøre det mulig med luftsirkulasjon. (Den illustrerte figuren er kun et eksempel og samsvarer ikke helt

med ditt produkt.)

3. Rengjør de indre delene av kjøleskapet slik som anbefalt i avsnittet "Vedlikehold og rengjøring".
4. Sett kjøleskapets støpsel inn i uttaket. Hvis kjøleskapsdøren er åpen, vil lyset inne i skapet tennes.
5. Du vil høre en lyd når kompressoren starter opp. Væsken og gassene som er foreglet inne i kjølesystemet også kan lage litt støy, selv om kompressoren ikke går, og dette er helt normalt.
6. Frontkantene på kjøleskapet kan føles varme. Dette er normalt. Disse områdene er designet til å være varme for å unngå kondens.1. Er de indre delene av kjøleskapet tørre, og kan luften sirkulere fritt på baksiden av skapet?

Elektrisk tilkobling

Tilkople produktet til et jordet uttak som er beskyttet av en sikring med riktig kapasitet.

Viktig:

- Tilkoplingen skal være i overensstemmelse med nasjonale forskrifter.
- Strømledningens støpsel skal være lett tilgjengelig etter installasjon.
- Oppgitt spenning må tilsvare spenningen i strømmettet ditt.
- Skjøtekabler og flerveispluggen skal ikke brukes for tilkobling.

- ⚠ En ødelagt strømledning skal skiftes ut av en kvalifisert elektriker.
- ⚠ Produktet skal ikke brukes før det er reparert! Det er fare for elektrisk støt!

Bortskaffing av emballasjen

Innpakningsmaterialer kan være farlige for barn. Hold innpakningsmaterialene utilgjengelig for barn eller kast dem ved sortering etter avfallsforskriftene. Ikke kast dem sammen med normalt husholdningsavfall.

Emballasjen for maskinen din er produsert av resirkulerbare materialer.

Bortskaffing av det gamle kjøleskapet

Bortskaff det gamle kjøleskapet uten å skade miljøet.

- Du kan forhøre deg med din autoriserte forhandler eller avfallssorteringssenteret der du bor om bortskaffing av kjøleskapet ditt.

Før du bortskaffer kjøleskapet, kutt av strømstøpselet, og hvis det finnes låser på døren, se til at de ikke lenger virker, slik at barn beskyttes mot all fare.

Plassering og installasjon

1. Plasser ikke kjøleskapet ved varmekilder, fuktige steder og i direkte sollys.
2. Det skal være tilstrekkelig luftventilasjon rundt kjøleskapet for å oppnå en effektiv drift. Hvis kjøleskapet skal plasseres i en innbygging i veggen, må det være minst 5 cm avstand fra taket og 5

cm fra veggen. Hvis gulvet er dekket med et teppe, skal produktet heves 2,5 cm fra gulvet.

3. Plasser kjøleskapet på jevn gulvoverflate for å unngå støt.

Skifte belysningslampen

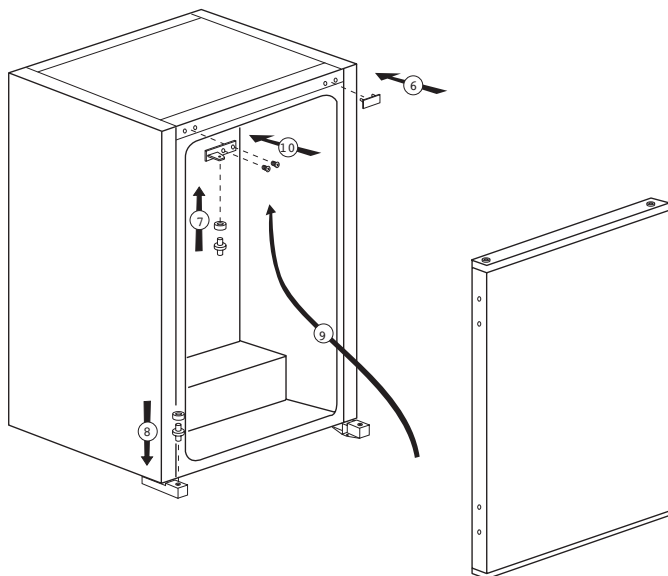
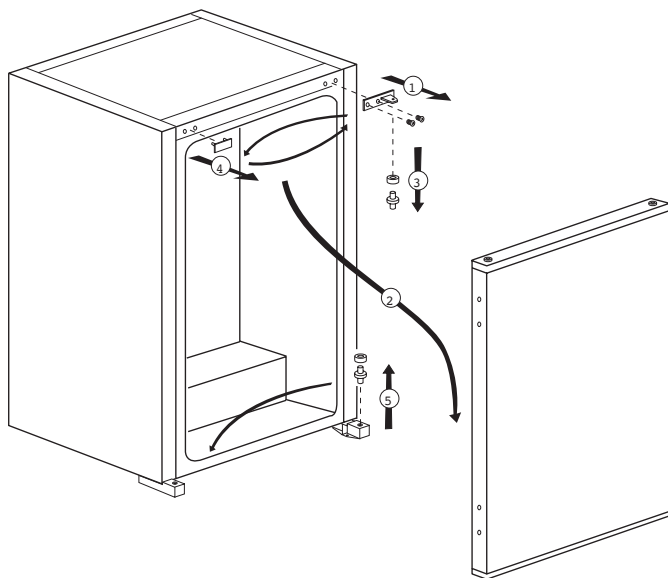
For å skifte lampen for belysning av kjøleskapet, vennligst ring autorisert service.

Lampen(e) som brukes i denne enheten er ikke egnet for belysning i hjem. Formålet for denne lampen er å hjelpe brukeren til å plassere matvarer i kjøleskapet/fryseren på en trygg og komfortabel måte.

De lampen die in dit apparaat worden gebruikt moeten bestendig zijn tegen extreme fysieke omstandigheden, zoals temperaturen beneden de -20°C.

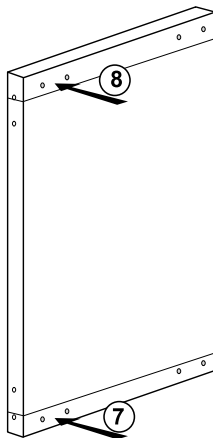
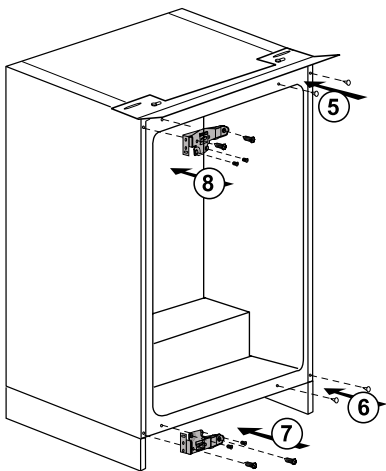
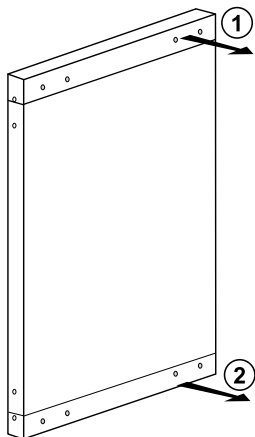
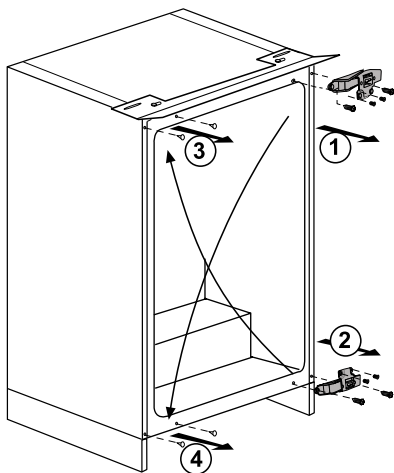
Omhengsling av dørene

Gå frem i nummerrekkefølge.



Omhengsling av dørene

Gå frem i nummerrekkefølge.

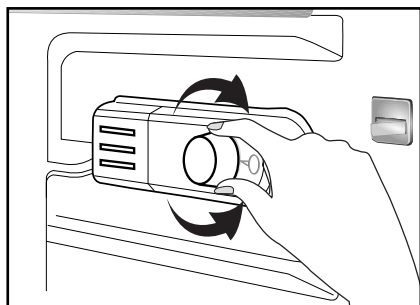


4 Forberedelse

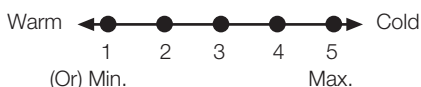
- i** Kjøleskapet skal installeres minst 30 cm på avstand fra varmekilder, slik som f.eks. komfyrer, ovner, sentralvarme og kokeplater, samt minst 5 cm borte fra elektriske ovner og skal ikke plasseres i direkte sollys.
- i** Omgivelsestemperaturen i det rommet der kjøleskapet plasseres skal være minst 10 °C. Bruk av kjøleskapet under kaldere forhold enn dette anbefales ikke pga. effektiviteten.
- i** Vennligst se til at de indre delene av kjøleskapet rengjøres grundig.
- i** Hvis to kjøleskap skal installeres ved siden av hverandre, skal det være en avstand på minst 2 cm mellom dem.
- i** Når du bruker kjøleskapet for første gang, vennligst følg instruksene rundt de første seks timene.
 - Døren skal ikke åpnes ofte.
 - Det skal kun brukes tomt uten mat.
 - Ikke trekk ut støpselet for kjøleskapet. Hvis et strømbrudd oppstår som du ikke kan kontrollere, vennligst se advarsler i avsnittet "Anbefalte løsninger på problemer".
- i** Originalinnpakningen og skummaterialer skal beholdes for fremtidig transport eller flytting.

5 Bruke kjøleskapet

Stille driftstemperaturen



Driftstemperaturen justeres med



.temperaturkontrollen

1 = Laveste kjøleinnstilling (Varmeste innstilling)

5 = Høyeste kjøleinnstilling (Kaldeste innstilling) (eller)

Min. = Laveste kjøleinnstilling (Varmeste innstilling)

Maks. = Høyeste kjøleinnstilling (Kaldeste innstilling)

Gjennomsnittstemperaturen inne i kjøleskapet bør ligge på om lag +5°C.

Vennligst velg innstilling etter ønsket temperatur.

Du kan stoppe bruken av apparatet ved å stille termostadbryteren til "0"-stillingen.

Vennligst merk at det vil være ulike temperaturer i kjøleområder.

Det kaldeste området er rett ovenfor grønnsaksområdet.

Interiørtemperaturen avhenger også av omgivelsestemperaturen, hvor ofte døren åpnes og mengde mat som oppbevares på inne i skapet.

Hvis døren åpnes ofte, kan temperaturen inne i kjøleskapet øke.

Av denne grunn anbefales det å lukke døren igjen så snart som mulig etter bruk.

Bruke de indre oppbevaringsdelene

Hovedhyller: Avstanden mellom hyllene kan justeres ved behov.

Grønnsaksoppbevaring: Grønnsaker og frukt kan lagres i denne delen over lengre tid uten å råtne.

Nederste hylle: Flasker, glass og hermetikk kan plasseres i disse hyllene.

Nedkjøling

Oppbevaring av mat

Kjøleskapsdelen brukes for kortvarig oppbevaring av ferske matvarer og drikkevarer.

Lagre melkeprodukter i tiltenkt del i kjøleskapet.

Flasker kan oppbevares i flaskeholderen eller i flaskehylle i døren.

Rått kjøtt oppbevares best i polyetylenpose i delen helt på bunnen av kjøleskapet.

La varm mat og drikke kjøle seg ned i romtemperatur før de plasseres i kjøleskapet.

- OBS

Lagre konsentrert alkohol kun stående og godt lukket.

- OBS

Lagre aldri eksplosive stoffer eller beholdere med brennbar drivgass (trykkbeholder for krem, sprayflasker og liknende) i kjøleskapet. Det er fare for eksplosjon.

Tining

Kjøleskapsdelen ises av automatisk. Avisingsvannet renner ned avløpsrøret via et samlekar på baksiden av kjøleskapet.

Under avising vil det danne seg vanndråper bakerst i kjøleskapet der det er skjult en evaporator.

Hvis ikke alle dråpene renner ned, kan de fryse igjen etter avising. Fjern dem med en klut med varmtvann, men aldri med en hard eller skarp gjenstand.

Kontroller flyten på smeltevannet av og til. Det hender at det kan tilstoppes.

6 Vedlikehold og rengjøring

- ⚠ Bruk aldri bensin, benzen eller lignende stoffer til rengjøring.
- ⚠ Vi anbefaler at du trekker ut støpselet på apparatet før rengjøring.
- 🔧 Bruk aldri noen skarpe redskaper eller rengjøringsmidler med skureeffekt, såpe, rengjøringsmidler for hjemmebruk eller voks til rengjøringen.
- 🔧 I andre enn No Frost-produkter dannes det vanndråper og isklumper på opptil en fingerbreddes størrelse på baksiden av kjøleskapet. Ikke rengjør kjøleskapet og påfør heller aldri olje eller lignende midler.
- 🔧 Bruk bare lett fuktet mikrofiberduk til å rengjøre produktets ytre overflate. Svamper og andre typer rengjøringskluter vil kunne skrape opp overflaten.
- 🔧 Bruk lunkent vann for å vaske skapet og tørk det tørt.
- 🔧 Bruk en fuktig klut vridd opp i en oppløsning av en teskje bikarbonatsoda til ca. ½ liter vann for å rengjøre innsiden av skapet og tørk det tørt.
- ⚠ Pass på at det ikke kommer vann inn i pærehuset eller andre elektriske gjenstander.
- ⚠ Hvis kjøleskapet ikke skal brukes over en lengre periode, må du trekke ut støpselet, ta ut alle matvarer, rengjøre det og sette døren på klem.
- 🔧 Kontroller pakningene til dørene jevnlig for å sikre at de er rene og fri for matrester.
- 🔧 For å demontere dørstativene tar du først ut alt innholdet og så skyver du ganske enkelt dørstativet opp fra bunnen.
- 🔧 Bruk aldri rengjøringsmidler eller vann som inneholder klor til å rense de ytre overflatene og krombelagte delene av produktet. Klor forårsaker korrosjon på slike metallflater.
- 🔧 Ikke bruk skarpe og slipende verktøy eller såpe, rengjøringsmidler, vaskemidler, bensin, benzen, voks, osv. Hvis du gjør dette, vil frimerker på plastdeler komme av og det vil oppstå deformasjon. Bruk varmt vann og en myk klut for rengjøring og tørk.

Beskyttelse av plastoverflater

- 🔧 Ikke putt flytende oljer eller oljekokte måltider i frysskapet i uforseglede beholdere, da disse kan ødelegge plastoverflatene i kjøleskapet. Ved søling eller smøring av olje på plastoverflater, rengjør og rens relevant del av overflaten med en gang med varmt vann.

7 Anbefalte løsninger på problemer

Kontroller følgende liste før du ringer service. Det kan spare deg tid og penger. Denne listen inkluderer hyppige klager som ikke oppstår fra defekt utføring eller materialbruk. Noen av funksjonene som beskrives her finnes kanskje ikke i ditt produkt.

Kjøleskapet virker ikke

- Er kjøleskapet plagget inn? Sett støpselet inn i strømuttaket.
- Har sikringen til uttaket kjøleskapet er tilknyttet eller hovedsikringen gått? Kontroller sikringen.

Kondens på sideveggen av kjøleskapet. (MULTI ZONE, COOL CONTROL og FLEXI ZONE)

- Svært kalde omgivelserforhold. Hyppig åpning eller lukking av døren. Svært fuktige omgivelserforhold. Lagring av mat som inneholder væske i åpne beholdere. Døren står på gløtt.
- Still termostaten til kaldere grad.
- Reduser tiden døren står åpen eller bruk mindre hyppig.
- Dekk til mat som lagres i åpne beholdere med egnet materiale.
- Tørk av kondensen med en tørr klut og kontroller om problemet fortsetter.

Kompressoren går ikke

- Termovern for kompressoren vil koples ut under plutselig strøbrudd eller utplugging og innplugging hvis kjølevæsketrykket i kjølesystemet til kjøleskapet ikke er balansert.
- Kjøleskapet vil starte etter ca. 6 minutter. Vennligst ring service hvis kjøleskapet ikke starter etter utløpet av denne tiden.
- Kjøleskapet er i defrostsyklus. Dette er normalt for helautomatisk avisningskjøleskap. Avisningssyklusen gjennomføres regelmessig.
- Kjøleskapet er ikke tilkopleet strømuttaket. Kontroller at støpselet er satt godt inn i kontakten.
- Er temperaturinnstillingene foretatt riktig? Det er strøbrudd. Ring strømleverandøren.

Kjøleskapet går hyppig eller over lang tid.

<ul style="list-style-type: none"> • Det nye kjøleskapet kan være bredere enn det gamle. Dette er helt normalt. Store kjøleskap arbeider over lengre tidsperioder. • Romtemperaturen kan være høy. Dette er helt normalt. • Kjøleskapet kan ha vært plagget inn nylig eller blitt lastet med mat. Fullstendig nedkjøling av kjøleskapet kan ta et par timer lenger. • Store mengder varm mat har blitt lagt inn i kjøleskapet nylig. Varm mat forårsaker lengre drift av kjøleskapet inntil den oppnår sikker oppbevaringstemperatur. • Dørene kan ha vært åpnet hyppig eller stått på gløtt i lang tid. Varm luft som har kommet inn i kjøleskapet gjør at kjøleskapet kjører over lang tid. Åpne dørene mindre hyppig. • Fryser- eller kjøleskapsdør kan ha stått på gløtt. Kontroller om dørene er tett lukket. • Kjøleskapet er justert til svært kald temperatur. Juster kjøleskapets temperatur til høyere grad og vent inntil temperaturen er oppnådd. • Dørtetningen til kjøleskapet eller fryseren kan være tilsmusset, utslitt, ødelagt eller ikke på plass. Rengjør eller skift ut tetningen. Skadet/ødelagt tetning gjør at kjøleskapet går over lang tid for å opprettholde aktuell temperatur.
<p>Frysertemperaturen er svært lav, mens kjøleskapstemperaturen er tilstrekkelig.</p>
<ul style="list-style-type: none"> • Fryserens temperatur er justert til svært lav temperatur. Juster fryserens temperatur til høyere grad og kontroller.
<p>Kjøleskapstemperaturen er svært lav, mens frysertemperaturen er tilstrekkelig.</p>
<ul style="list-style-type: none"> • Kjøleskapets temperatur er justert til svært lav temperatur. Juster kjøleskapets temperatur til høyere grad og kontroller.
<p>Mat som oppbevares i skuffene fryser.</p>
<ul style="list-style-type: none"> • Kjøleskapets temperatur er justert til svært lav temperatur. Juster kjøleskapets temperatur til høyere grad og kontroller.

<p>Temperaturen i kjøleskapet eller fryseren er svært høy.</p>
<ul style="list-style-type: none"> • Kjøleskapets temperatur er justert til svært høy grad. Kjøleskapsjusteringen har virkning på temperaturen til fryseren. Endre temperaturen i kjøleskapet eller fryseren inntil kjøleskapets eller fryserens temperatur når et tilstrekkelig nivå. • Døren kan ha stått på gløtt. Lukk døren helt. • Store mengder varm mat har blitt lagt inn i kjøleskapet nylig. Vent inntil kjøleskap eller fryser når ønsket temperatur. • Kanskje kjøleskapet nettopp ble tilkoblet. Fullstendig nedkjøling av kjøleskapet tar tid pga. størrelsen.
<p>Støy som ligner lyden av sekunder som høres fra en analog klokke kommer fra kjøleskapet.</p>
<ul style="list-style-type: none"> • Støyen kommer fra solenoidventilen på kjøleskapet. Solenoidventilen har til hensikt å sikre at kjølemiddelet passerer gjennom delen som kan justeres til kjøle- eller frysetemperaturer og utføre kjølefunksjoner. Dette er normalt og er ingen feil.
<p>Driftslyden øker når kjøleskapet går.</p>
<ul style="list-style-type: none"> • Ytelsesegenskapene til kjøleskapet kan endres etter endringene i omgivelsestemperaturen. Dette er helt normalt og er ingen feil.
<p>Vibrasjon eller klapping.</p>
<ul style="list-style-type: none"> • Gulvet er ikke jevnt eller er svakt. Kjøleskapet vugger når det flyttes sakte. Se til at gulvet er jevnt, sterkt og har evne til å bære kjøleskapet. • Støyen kan forårsakes av gjenstandene som legges inn i kjøleskapet. Slike gjenstander skal fjernes fra toppen av kjøleskapet.
<p>Det er lyder som ligner væskesøl eller spraying.</p>
<ul style="list-style-type: none"> • Væske- og gasstrømninger skjer etter virkeprinsippene til kjøleskapet. Dette er helt normalt og er ingen feil.

Det høres støy som om det blåser vind.
<ul style="list-style-type: none"> • Luftvifter brukes for at kjøleskapet skal kjøle effektivt. Dette er helt normalt og er ingen feil.
Kondens på de indre veggene på kjøleskapet.
<ul style="list-style-type: none"> • Varmt og fuktig vær øker ising og kondens. Dette er helt normalt og er ingen feil. • Dørene står på gløtt. Se til at dørene lukkes fullstendig. • Dørene kan ha vært åpnet svært hyppig eller stått åpne i lang tid. Åpne døren mindre hyppig.
Fuktighet oppstår på utsiden av kjøleskapet eller mellom dørene.
<ul style="list-style-type: none"> • Været kan være fuktig. Dette er helt normalt ved fuktig vær. Når fuktigheten er lavere, vil kondensen forsvinne.
Dårlig lukt inne i kjøleskapet.
<ul style="list-style-type: none"> • Det må rengjøres inni kjøleskapet. Rengjør innsiden av kjøleskapet med en svamp, varmt vann eller karbonert vann. • Noen beholdere eller innpakningsmaterialer kan forårsake lukten. Bruk en annen beholder eller annet merke på innpakningsmaterialet.
Døren(e) lukkes ikke.
<ul style="list-style-type: none"> • Matpakninger forhindrer lukking av døren. Flytt pakninger som forhindrer lukking av døren. • Kjøleskapet er antagelig ikke plassert helt vertikalt på gulvet og kan vugge når det beveges forsiktig. Juster høydeskruene. • Gulvet er ikke jevnt eller sterkt. Se til at gulvet er jevnt og har evne til å bære kjøleskapet.
Grønnsaksoppbevaringsboksene sitter fast.

- Mat kan berøre taket i skuffen. Ordne maten i skuffen på nytt.

Hvis Produktets Overflate Er Varm.

- Det kan oppstå høye temperaturer mellom de to dørene, på sideplatene og baksiden av produktet når det er i bruk. Dette er helt normalt og krever ikke vedlikehold.

ANSVARFRASKRIVELSE/ADVARSEL

Noen (enkle) feil kan håndteres tilstrekkelig av sluttbrukeren uten at det oppstår noe sikkerhetsproblem eller usikker bruk, forutsatt at de utføres innenfor grensene og i samsvar med følgende instruksjoner (se delen "Selvreparasjon").

Derfor, med mindre annet er godkjent i avsnittet "Selvreparasjon" nedenfor, skal reparasjoner rettes til registrerte profesjonelle reparatører for å unngå sikkerhetsproblemer. En registrert profesjonell reparatør er en profesjonell reparatør som har fått tilgang til instruksjonene og reservedelslisten for dette produktet av produsenten i henhold til metodene beskrevet i lovgivning i henhold til direktiv 2009/125/EF.

Imidlertid er det kun serviceagenten (dvs. autoriserte profesjonelle reparatører) som du kan nå gjennom telefonnummeret som er oppgitt i brukerhåndboken/garantikortet eller gjennom din autoriserte forhandler, som kan gi service under garantibetingelsene. Vær derfor oppmerksom på at reparasjoner utført av profesjonelle reparatører (som ikke er autorisert av Beko) vil annullere garantien.

Selvreparasjon

Sluttbrukeren kan utføre selvreparasjon på følgende reservedeler: dørhåndtak, dørhengsler, skuffer, kurver og dørpakninger (en oppdatert liste er også tilgjengelig på support.beko.com fra 1. mars 2021).

For å sikre produktsikkerhet og for å forhindre risiko for alvorlig personskade, skal videre nevnte selvreparasjon gjøres etter instruksjonene i brukerhåndboken for selvreparasjon eller som er tilgjengelige i support.beko.com Av hensyntil egen sikkerhet, trekk ut produktet før du prøver selvreparasjon.

Reparasjon og reparasjonsforsøk av sluttbrukere for deler som ikke er oppført i en slik liste og/eller ikke følger instruksjonene i brukerhåndbøkene for selvreparasjon eller som er tilgjengelige i support.beko.com, kan medføre til sikkerhetsproblemer som ikke kan tilskrives Beko, og vil annullere garantien for produktet.

Derfor anbefales det sterkt at sluttbrukere avstår fra forsøket på å utføre reparasjoner som faller utenfor nevnte liste over reservedeler, og i slike tilfeller kontakter autoriserte profesjonelle reparatører eller registrerte profesjonelle reparatører. Tvert imot, slike forsøk fra sluttbrukere kan forårsake sikkerhetsproblemer og skade produktet og deretter føre til brann, flom, elektrisk stød og alvorlig personskade.

Følgende er eksempler på reparasjoner som må rettes til autoriserte profesjonelle reparatører eller registrerte profesjonelle reparatører: kompressor, kjølekrets, hovedkort, omformerkort, skjermkort osv.

Produsenten/selgeren kan ikke holdes ansvarlig i noe tilfelle der sluttbrukere ikke overholder ovenstående.

Tilgjengeligheten av reservedeler til kjøleskapet du kjøpte er 10 år.

I løpet av denne perioden vil originale reservedeler være tilgjengelige for å betjene kjøleskapet riktig.

Minste garantiperiode for kjøleskapet du kjøpte er 24 måneder.

Dette produktet er utstyrt med en lyskilde i energiklassen "G".

Lyskilden i dette produktet skal bare erstattes av profesjonelle reparatører.

Por favor, leia primeiro este manual!

Caro cliente,

Esperamos que o seu produto, que foi produzido em modernas instalações e testado através de rigorosos controlos de qualidade, ofereça-lhe um serviço efectivo.




Para isso, recomendamos que leia cuidadosa e inteiramente o manual do seu produto antes de utilizá-lo e guarde-o para futuras consultas.






Este manual

- Ajudá-lo-á a utilizar o seu equipamento de forma rápida e segura.
 - Leia o manual antes de instalar e operar o seu equipamento.
 - Siga as instruções, especialmente as relativas à segurança.
 - Guarde o manual num local acessível, já que poderá precisar dele mais tarde.
 - Além disso, leia também os outros documentos fornecidos com o seu produto.
- Observe que este manual também pode ser válido para outros modelos.

Os símbolos e as suas descrições

Este manual de instruções contém os seguintes símbolos:

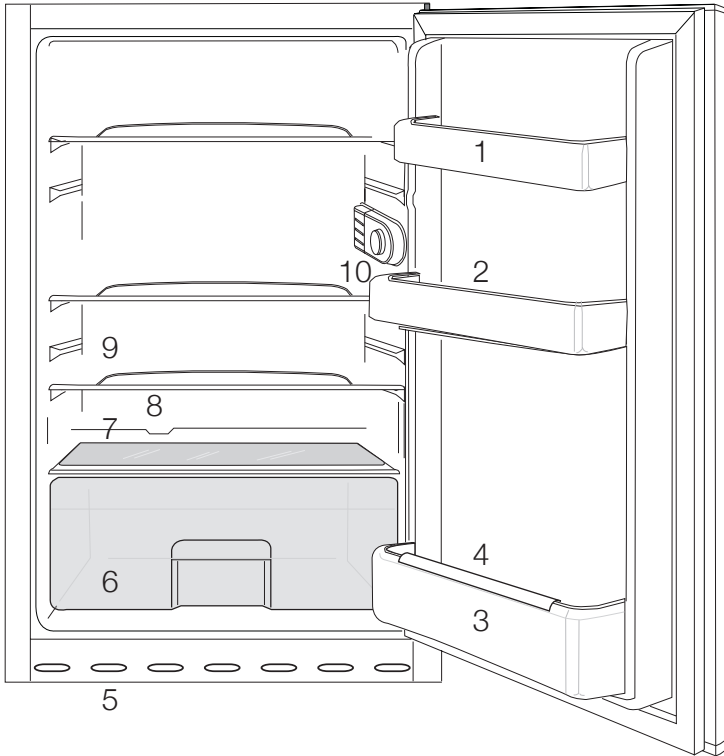
-  Informações importantes ou dicas úteis de utilização.
-  Aviso contra condições de risco para a vida e a propriedade.
-  Aviso contra a voltagem eléctrica.

 INFORMAÇÃO	
 ENERG 	A informação do modelo conforme memorizada na base de dados do produto pode ser acedida entrando no seguinte sítio web e através da busca do identificador do seu modelo (*) que se encontra na etiqueta de classificação energética. https://eprel.ec.europa.eu/
SUPPLIER'S NAME  MODEL IDENTIFIER  (*)	

CONTEÚDO

1 O seu frigorífico	3	4 Preparação	14
2 Avisos importantes de segurança	4	5 Utilizar o seu frigorífico	15
Usado pretendido.....	4	Ajuste da temperatura de funcionamento.....	15
Para produtos com um dispensador de água;.....	7	A temperatura de funcionamento é regulada pelo respectivo controlo. ...	15
Segurança com crianças.....	8	Usar os compartimentos interiores ..	15
Conformidade com a Directiva WEEE e Eliminação de Resíduos:	8	Arrefecimento	15
Cumprimento com a Directiva RoHS: 8		Descongelação.....	16
Informação sobre a embalagem	8	6 Manutenção e limpeza	17
Aviso HC	8	Protecção das superfícies plásticas	17
O que se pode fazer para economizar energia	9	7 Soluções recomendadas para os problemas	18
3 Instalação	10		
Pontos a serem considerados ao transportar novamente o seu frigorífico.....	10		
Antes de funcionar o seu frigorífico ..	10		
Ligação eléctrica	10		
Eliminação da embalagem.....	11		
Eliminação do seu frigorífico velho ...	11		
Colocação e instalação	11		
Substituir a lâmpada de iluminação	11		
Inverter as portas.....	12		
Inverter as portas.....	13		

1 O seu frigorífico



1. Prateleiras da porta
2. Bandeja para ovos
3. Prateleira para garrafas
4. Prendedor de garrafas
5. Grelha de ar
6. Gaveta para frutos e legumes
7. Tampa da gaveta para frutos e legumes
8. Canal de recolha da água da descongelação - Tubo de drenagem
9. Prateleiras amovíveis
10. Luz interior & Botão do termostato

i As figuras que aparecem neste manual de instruções são esquemáticas e podem não corresponder exactamente ao seu produto. Se as partes referidas não estiverem incluídas no produto que adquiriu, é porque são válidas para outros modelos.

2 Avisos importantes de segurança

Por favor, reveja as informações seguintes. A não-observância destas informações pode causar ferimentos ou danos ao material. Caso contrário, todas as garantias e compromissos de fiabilidade tornar-se-ão inválidos.

As peças sobressalentes originais serão fornecidas durante 10 anos a partir da data da compra.

Uso pretendido

⚠	AVISO: Manter as aberturas de ventilação, na caixa de proteção do aparelho ou na estrutura embutida, sem obstruções.
⚠	AVISO: Não usar dispositivos mecânicos nem outros meios para acelerar o processo de descongelação, exceto os recomendados pelo fabricante.
⚠	AVISO: Não danificar o circuito de refrigeração.
⚠	AVISO: Não usar aparelhos eléctricos no interior dos compartimentos de armazenamento de alimentos do aparelho, a menos que sejam do tipo recomendado pelo fabricante.

Este aparelho é destinado a ser usado em uso doméstico e aplicações similares como

- zonas de cozinha em estabelecimentos comerciais, escritórios ou outros ambientes laborais;
- casas rurais e pelos clientes em hotéis, motéis e outros ambientes de tipo residencial;
- ambientes de tipo alojamento e pequeno almoço;
- utilizações de refeições e outros não-retalhistas similares.

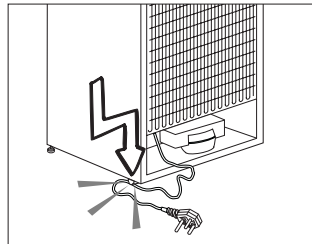
Segurança geral

- Quando quiser eliminar/ desfazer-se do produto, recomendamos que consulte o serviço de assistência e os órgãos autorizados para obter mais informações.
- Consulte o seu serviço de assistência autorizado para todas as questões e problemas relativos ao frigorífico. Não tente reparar e nem permita que ninguém o faça sem notificar os serviços de assistência autorizados.
- Para produtos com um compartimento de congelador; Não coma cones de gelados e cubos de gelo imediatamente após retirá-los do compartimento do congelador! (Isto pode provocar queimaduras de frio na sua boca).

- Para produtos com compartimento de congelador; Não coloque bebidas líquidas enlatadas ou engarrafadas no compartimento do congelador. Caso contrário, podem rebentar.
- Não toque nos alimentos congelados; podem ficar presos à sua mão.
- Desligue o seu frigorífico da tomada antes da limpeza ou descongelação.
- O vapor e materiais de limpeza vaporizados nunca deverão ser utilizados nos processos de limpeza e descongelação do seu frigorífico. Em tais casos, o vapor poderá entrar em contacto com as partes eléctricas e provocar curto-circuito ou choque eléctrico.
- Nunca use as partes do seu frigorífico, tal como a porta, como meios de apoio ou degrau.
- Não utilize dispositivos eléctricos dentro do frigorífico.
- Não danifique as partes por onde circula a refrigeração, com ferramentas perfurantes ou cortantes. O refrigerante que pode explodir quando os canais de gás do evaporador, as extensões do tubo ou os revestimentos da superfície são perfurados, causa irritações na pele ou ferimentos nos olhos.
- Não cubra ou bloqueie os orifícios de ventilação do seu frigorífico com nenhum tipo de material.
- Os dispositivos eléctricos só devem ser reparados por pessoas autorizadas. As reparações realizadas por pessoas incompetentes causam riscos ao utilizador.
- Em caso de qualquer falha quer durante uma manutenção ou num trabalho de reparação, desligue a alimentação eléctrica do seu frigorífico, desligando o fusível correspondente ou retirando a ficha da tomada.
- Não puxe pelo cabo quando for retirar a ficha da tomada.
- Assegure-se de que bebidas fortemente alcoólicas são guardadas de forma segura com a tampa apertada e colocadas na vertical .
- Nunca guarde latas de aerossol inflamáveis e substâncias explosivas no frigorífico.
- Não utilize dispositivos mecânicos ou outros para acelerar o processo de descongelação. Siga apenas as instruções recomendadas pelo fabricante.
- Este produto não se destina a ser usado por pessoas com incapacidades físicas, sensoriais ou mentais ou sem conhecimento ou experiência (incluindo crianças), a menos que sejam supervisionadas por alguém responsável pela sua segurança ou que as instrua sobre o uso do produto.

- Não utilize um frigorífico avariado. Consulte o agente autorizado se tiver qualquer questão.
- A segurança eléctrica do seu frigorífico apenas poderá ser garantida se o sistema de ligação à terra da sua casa estiver em conformidade com as normas.
- A exposição do produto à chuva, neve, sol e vento é perigosa no que toca à segurança eléctrica.
- Para evitar qualquer perigo, contacte o serviço autorizado se o cabo eléctrico estiver danificado.
- Nunca ligue o frigorífico à tomada de parede durante a instalação. Caso contrário, poderá ocorrer perigo de morte ou ferimentos graves.
- Este frigorífico foi concebido unicamente para guardar alimentos. Não deverá ser utilizado para quaisquer outros fins.
- A etiqueta das especificações técnicas está localizada na parede esquerda no interior do frigorífico.
- Nunca ligue o seu frigorífico a sistemas de poupança de electricidade, pois podem danificá-lo.
- Se houver uma luz azul no frigorífico, não olhe para ela a olho nu ou com ferramentas ópticas durante muito tempo.

- Para frigoríficos controlados manualmente, aguarde pelo menos 5 minutos para voltar a ligá-lo após uma falha eléctrica.
- Este manual de instruções deverá ser entregue ao novo proprietário do produto quando for dado/vendido a outros.
- Evite causar danos ao cabo eléctrico quando transportar o frigorífico. Dobrar o cabo pode causar incêndio. Nunca pouse objectos pesados no cabo eléctrico. Não toque na ficha com as mãos molhadas quando a introduz na tomada para ligar o produto.

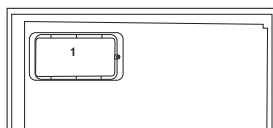
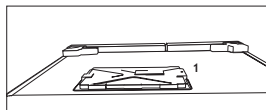


- Não ligue o frigorífico à tomada, se a tomada de parede estiver solta.
- Não deverá ser vaporizado directamente nas partes interiores ou interiores do produto devido a razões de segurança.
- Para evitar risco de incêndio e explosão, não vaporize substâncias que contenham gases inflamáveis, tais como gás propano, etc., próximo ao frigorífico.
- Não coloque recipientes que contenham água sobre o topo do frigorífico, visto que

tal poderá resultar em choque eléctrico ou incêndio.

- Não sobrecarregue o frigorífico com excesso de alimentos. Se sobrecarregado, os alimentos podem cair e feri-lo a si e danificar o frigorífico ao abrir a porta. Nunca coloque objectos no topo do frigorífico, visto que estes podem cair quando se abre ou fecha a porta do frigorífico.
- Como precisam de um controlo de temperatura exacta, as vacinas, medicamentos sensíveis ao aquecimento, materiais científicos, etc., não deverão ser guardados no frigorífico.
- Se não for utilizado por um longo tempo, o frigorífico deve ser desligado da tomada. Qualquer problema possível no cabo eléctrico poderá resultar em incêndio.
- O frigorífico pode mover-se se os pés não estiverem devidamente fixados ao piso. O ajuste seguro e apropriado dos pés ao piso pode impedir o frigorífico se mova.
- Ao transportar o frigorífico, não segure pelo puxador da porta. Caso contrário, pode quebrar.
- Se posicionar o seu frigorífico próximo de outro frigorífico ou arca frigorífica, a distância entre os dispositivos deve ser de pelo menos 8 cm. Caso contrário, as paredes laterais adjacentes podem humedecer.

- Nunca usar o produto se a secção localizada na parte superior ou traseira do seu produto com placas de circuitos impressos electrónicos no interior estiver aberta (tampa da placa de circuito electrónico impresso) (1).



Para produtos com um dispensador de água;

- A pressão para a entrada de água fria deve ser no máximo de 90 psi (620 kPa). Se a sua pressão de água exceder 80 psi 550 kPa, utilize uma válvula limitadora de pressão no seu sistema de alimentação. Se não sabe como verificar a sua pressão de água, deve solicitar a ajuda de um canalizador profissional.
- Se existir o risco de o golpe de ariete afetar a sua instalação, deve utilizar sempre um equipamento de prevenção do golpe de ariete na sua instalação. Deve

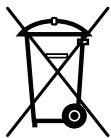
consultar os canalizadores profissionais se não tiver a certeza se existe o efeito de golpe de ariete na sua instalação.

- Não instalar na entrada de água quente. Deve tomar precauções relativamente ao risco de congelamento nas tubagens. O intervalo de funcionamento de temperatura da água deve ser 33°F (0,6°C) de mínimo e 100°F (38°C) de máximo.
- Use apenas água potável.

Segurança com crianças

- Se a porta possuir uma fechadura, a chave deverá ser mantida afastada do alcance das crianças.
- As crianças devem ser vigiadas para impedir que brinquem com o produto.

Conformidade com a Directiva WEEE e Eliminação de Resíduos:



Este produto está em conformidade com a Directiva WEEE da UE (2012/19/EU). Este produto porta um símbolo de classificação para resíduos de equipamentos eléctricos e electrónicos (WEEE).

Este produto foi fabricado com materiais e peças de alta qualidade, que podem ser reutilizados e

reciclados. No fim da sua vida útil, não elimine o resíduo com o lixo doméstico normal ou outro lixo. Leve-o a um centro de recolha para reciclagem de equipamentos eléctricos e electrónicos. Consulte as autoridades locais para se informar sobre estes centros de recolha.

Cumprimento com a Directiva RoHS:

O produto que adquiriu está em conformidade com a Directiva RoHS da UE (2011/65/EU). Ele não contém materiais perigosos e proibidos especificados na Directiva.

Informação sobre a embalagem

Os materiais de embalagem do produto são fabricados a partir de materiais recicláveis, de acordo com as nossas Normas Ambientais Nacionais. Não elimine os materiais de embalagem junto com o lixo doméstico ou outro tipo de lixo. Encaminhe-os a um ponto de recolha de materiais de embalagem indicado pelas autoridades locais.

Aviso HC

O sistema de arrefecimento do seu produto contém R600a:

Este gás é inflamável. Por isso, tenha cuidado em não danificar o sistema de arrefecimento e a tubagem durante o uso e transporte. No caso de algum dano, mantenha o seu produto longe de potenciais fontes de fogo que possam fazer com que o produto de incendeie e ventile o compartimento no qual a unidade está colocada.

Ignore este aviso se o sistema de arrefecimento do seu produto contiver R134a:

O tipo de gás usado no produto está indicado na placa de características localizada na parede esquerda no interior do frigorífico.

Nunca elimine o seu produto no fogo.

- Descongelar os alimentos congelados no compartimento do frigorífico poupará energia e preservará a qualidade dos alimentos.

O que se pode fazer para economizar energia

- Não deixe as portas do seu frigorífico abertas durante muito tempo.
- Não coloque alimentos ou bebidas quentes no seu frigorífico.
- Não sobrecarregue o seu frigorífico para que a circulação do ar no interior não seja dificultada.
- Não instale o seu frigorífico sob a luz solar directa ou próximo de aparelhos que emitem calor tais como fornos, máquinas de lavar louça ou radiadores.
- Tenha cuidado em manter os seus alimentos em recipientes fechados.
- Para produtos com um compartimento de congelador; Pode armazenar uma quantidade máxima de alimentos no congelador se remover a prateleira ou gaveta do congelador. O valor do consumo de energia indicado no seu frigorífico foi determinado removendo a prateleira do congelador ou a gaveta e com carga máxima. Não existe qualquer risco em utilizar uma prateleira ou gaveta de acordo com as formas e tamanhos dos alimentos a serem congelados.

3 Instalação

⚠ Por favor, lembre-se de que o fabricante não pode ser responsabilizado se não forem observadas as informações fornecidas no manual de instruções.

Pontos a serem considerados ao transportar novamente o seu frigorífico

1. O seu frigorífico deve ser esvaziado e limpo antes de ser transportado.
2. As prateleiras, acessórios, gaveta para frutas e legumes, etc. do seu frigorífico devem ser firmemente presos com fita adesiva, devido aos solavancos antes de voltar a empacotá-lo.
3. A embalagem deve ser amarrada com fitas grossas e cordas fortes e devem ser seguidas as normas de transporte indicadas na mesma.

Não se esqueça...

Todo material reciclado é uma fonte indispensável para a natureza e para os nossos recursos nacionais.

Se quiser contribuir para a reciclagem dos materiais da embalagem, pode obter mais informações nos organismos relativos ao ambiente ou junto das autoridades locais.

Antes de funcionar o seu frigorífico

Antes de iniciar a utilização do seu frigorífico, verifique o seguinte:

1. O interior do frigorífico está seco e o ar pode circular livremente na sua parte traseira?
2. Introduza os 2 calços plásticos na ventilação traseira, conforme mostrado na figura seguinte. Os calços plásticos proporcionarão a distância necessária entre o seu frigorífico e a parede, permitindo assim a livre circulação do ar.
3. Limpe o interior do frigorífico conforme recomendado na secção “Manutenção e limpeza”.
4. Ligue o frigorífico à tomada eléctrica. A luz interior acender-se-á quando a porta do frigorífico for aberta.
5. Ouvirá um ruído quando o compressor começar a trabalhar. O líquido e os gases no interior do sistema de refrigeração também podem fazer algum ruído, mesmo que o compressor não esteja a funcionar, o que é perfeitamente normal.
6. As arestas da frente do frigorífico podem ficar quentes. Isto é normal. Estas arestas são projectadas para ficarem quentes, a fim de evitar a condensação.

Ligação eléctrica

Ligue o seu produto a uma tomada de terra, que esteja protegida por um fusível com a capacidade apropriada. Importante:

- A ligação deve estar em concordância com os regulamentos nacionais.
- A ficha do cabo de alimentação deve estar facilmente acessível após a instalação.
- A voltagem especificada deve ser igual à sua voltagem eléctrica.

- Não devem ser usados cabos de extensão e fichas multiusos para a ligação.
- ⚠ Um cabo de alimentação danificado deve ser substituído por um electricista qualificado.
- ⚠ O produto não deve ser utilizado antes de ser reparado! Há risco de choque eléctrico!

Eliminação da embalagem

Os materiais de embalagem podem ser perigosos para as crianças. Guarde os materiais da embalagem fora do alcance das crianças ou elimine-os, classificando-os de acordo com as instruções sobre o lixo. Não os elimine juntamente com o lixo doméstico normal.

A embalagem do seu frigorífico é produzida com materiais recicláveis.

Eliminação do seu frigorífico velho

Elimine o seu frigorífico velho sem causar qualquer perigo ao meio ambiente.

- Pode consultar o seu revendedor autorizado ou o centro de recolha do lixo do seu município a respeito da eliminação do seu frigorífico.

Antes de se desfazer do seu frigorífico, corte a ficha eléctrica e, se houver trincos nas portas, deixe-os inutilizados, a fim de proteger as crianças contra qualquer perigo.

Colocação e instalação

⚠ Se a porta de entrada do compartimento onde o frigorífico será instalado não for o suficientemente larga para que ele passe, chame o

serviço de assistência autorizado para que possam remover as portas do seu frigorífico e passá-lo de forma inclinada através da porta.

1. Instale o seu frigorífico num local que permita fácil acesso.
2. Mantenha o seu frigorífico longe das fontes de calor, lugares húmidos e luz solar directa.
3. Deve existir uma circulação de ar adequada à volta do seu frigorífico, para que obtenha um funcionamento eficiente. Se o frigorífico for colocado numa reentrância da parede, deve haver uma distância mínima de 5cm do tecto e, pelo menos, 5 cm da parede. Se o piso for coberto por alcatifa, o seu produto deve ter uma elevação de 2,5 cm do chão.
4. Coloque o seu frigorífico num pavimento uniforme para evitar solavancos.

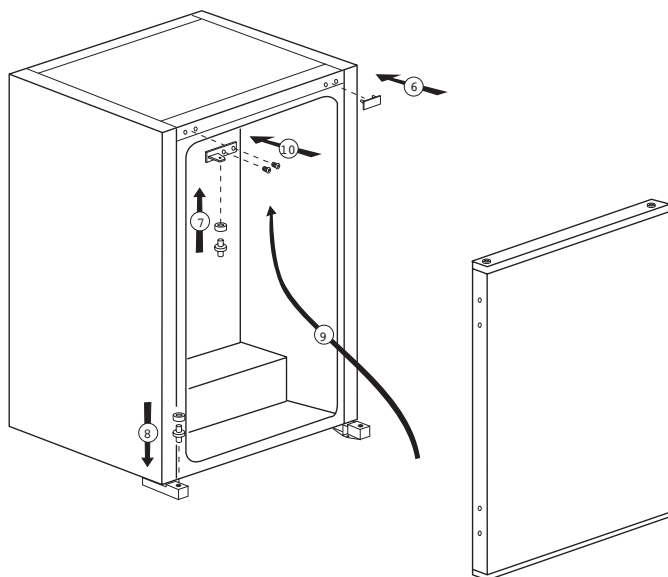
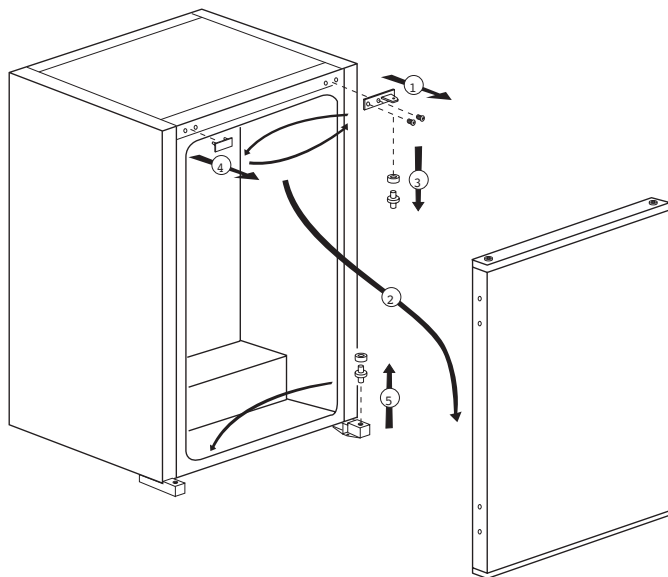
Substituir a lâmpada de iluminação

Para substituir a lâmpada utilizada para a iluminação do seu frigorífico, por favor chame o seu Serviço de Assistência Autorizado.

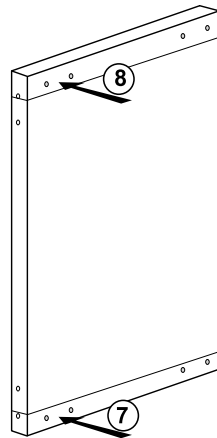
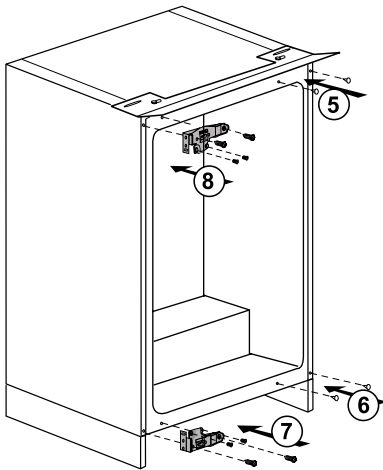
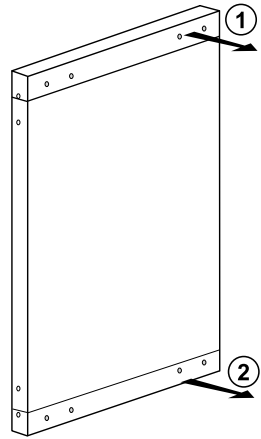
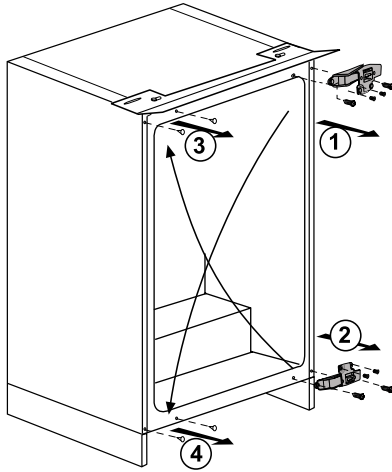
A(s) lâmpada(s) usada(s) neste aparelho não é ou não são adequada(s) para a iluminação do espaço. A finalidade desta lâmpada é auxiliar o utilizador a colocar produtos alimentares no frigorífico/congelador, de uma forma confortável e segura.

As lâmpadas usadas neste aparelho têm de suportar condições físicas extremas, tais como temperaturas abaixo de -20°C.

Inverter as portas



Inverter as portas

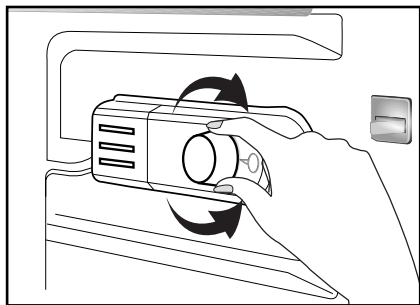


4 Preparação

- i** O seu frigorífico deverá ser instalado a uma distância mínima de 30 cm de quaisquer fontes de calor, tais como placas, fornos, aquecimento central e fogões e de 5 cm de fornos eléctricos e não deverá ficar exposto directamente à luz solar.
- i** A temperatura ambiente do compartimento onde está instalado o seu frigorífico não deve ser inferior a 10°C. Utilizar o seu frigorífico em condições de temperatura mais baixas não é recomendado em atenção à sua eficiência.
- i** Certifique-se de que o interior do seu frigorífico esteja completamente limpo.
- i** Se forem instalados dois frigoríficos lado a lado, deverá existir uma distância mínima de 2 cm entre eles.
- i** Quando utilizar o seu frigorífico pela primeira vez, por favor, observe as seguintes instruções durante as seis horas iniciais.
 - A porta não deverá ser aberta frequentemente.
 - Deve começar a funcionar vazio, sem alimentos no interior.
 - Não retire a ficha da tomada do seu frigorífico. Se houver uma falha de energia inesperada, por favor consulte os avisos na secção “Soluções recomendadas para os problemas”.
- i** A embalagem original e os materiais de esponja deverão ser guardados para transportes ou deslocações futuras.

5 Utilizar o seu frigorífico

Ajuste da temperatura de funcionamento



A temperatura de funcionamento é regulada pelo respectivo controlo.

1 = Definição de arrefecimento mais baixa (Definição mais quente)

5 = Definição de arrefecimento mais elevada (Definição mais fria)
(Ou)

Min. = Definição de arrefecimento mais baixa
(Definição mais quente)

Máx. = Definição de arrefecimento mais elevada
(Definição mais fria)

A temperatura média dentro do frigorífico deve ser cerca de +5°C.

Escolha a definição de acordo com a temperatura pretendida.

Pode parar o funcionamento do seu dispositivo, regulando o botão do termóstato para a posição "0".

Note que existem temperaturas diferentes na área de arrefecimento.

A área mais fria está imediatamente acima do compartimento para vegetais.

A temperatura inferior também depende da temperatura ambiente, da frequência com que a porta é aberta e da quantidade de alimentos mantidos no interior do equipamento.

A abertura frequente da porta faz subir a temperatura inferior.

Assim, recomendamos o fecho da porta o mais rapidamente possível após a utilização.

Usar os compartimentos interiores

Gaveta para frutos e legumes: Os frutos e vegetais podem ser armazenados neste compartimento por longos períodos, sem deteriorar.

Prateleira para garrafas: Garrafas, jarras e latas podem ser colocadas nessas prateleiras.

Arrefecimento

Armazenamento de alimentos

O compartimento do frigorífico destina-se a armazenar, durante um curto período de tempo, alimentos frescos e bebidas.

Guarde os produtos lácteos no compartimento destinado para o efeito no frigorífico.

As garrafas podem ser guardadas no respectivo suporte, ou na prateleira para garrafas existente na porta.

A carne crua deve ser guardada num saco de polietileno, na parte mais inferior do frigorífico.

Deixe as bebidas e alimentos quentes arrefecerem antes de os colocar no frigorífico.

- **Atenção**

Guarde álcool concentrado apenas na vertical e hermeticamente fechado.

- **Atenção**

Não guarde substâncias explosivas nem recipientes com gases inflamáveis (natas enlatadas, aerossóis, etc.) no equipamento. Existe perigo de explosão.

Descongelação

O compartimento do frigorífico descongela-se automaticamente. A água da descongelação circula através do tubo de drenagem até dentro de recipiente colocado na parte posterior do dispositivo.

Durante a descongelação, são formadas gotas de água na parte posterior do frigorífico devido à evaporação.

Se as gotas de água não saírem na sua totalidade, elas podem congelar novamente. Após a descongelação, remova-as com um pano molhado em água quente, e nunca com um objecto duro ou pontiagudo.

Verifique periodicamente o fluxo de água da descongelação. Ocasionalmente, o sistema pode entupir.

6 Manutenção e limpeza

- ⚠ Nunca use gasolina, benzeno ou substâncias semelhantes para a limpeza.
- ⚠ Recomendamos que desligue a ficha do equipamento da tomada antes da limpeza.
- ⚠ Nunca utilize na limpeza objectos abrasivos ou pontiagudos, sabões, produtos de limpeza doméstica, detergentes ou ceras brilhantadoras.
- ⚠ Para produtos não No Frost, gotas de água e uma congelação com a largura de um dedo podem ocorrer na parede posterior do compartimento do frigorífico. Não limpe; nunca aplique óleo ou agentes similares.
- ⚠ Utilize apenas panos macios de microfibra ligeiramente humedecidos para limpar a superfície do produto. Esponjas e outros tipos de panos de limpeza poderão riscar a superfície.
- ℹ Utilize água morna para limpar o exterior do seu frigorífico e seque-o com um pano.
- ℹ Utilize um pano humedecido numa solução composta por uma colher de chá de bicarbonato de soda dissolvido em cerca de meio litro de água para limpar o interior e depois seque-o.
- ⚠ Certifique-se de que não entra água no compartimento da lâmpada e nos outros itens eléctricos.
- ⚠ Se o seu frigorífico não for utilizado durante um longo período de tempo, remova o cabo de alimentação, retire todos os alimentos, limpe-o e deixe a porta entreaberta.
- ℹ Verifique regularmente as borrachas vedantes da porta, para se assegurar que elas estão limpas e sem restos de alimentos.
- ⚠ Para remover os suportes da porta, retire todo o seu conteúdo e, em seguida, basta empurrar cuidadosamente o seu suporte para cima a partir da base.
- ⚠ Nunca utilize agentes de limpeza ou água que contenha cloro para limpar as superfícies externas e as partes cromadas do produto. O cloro provoca a corrosão de tais superfícies metálicas.
- ⚠ Não usar ferramentas aguçadas e abrasivas ou sabão, agentes de limpeza doméstica, detergentes, gasolina, benzina, cera, etc., podem danificar os carimbos nas partes plásticas, que podem desaparecer ou ficarem deformadas. Usar água quente e um pano macio para limpar e secar com um pano seco.

Protecção das superfícies plásticas

- ℹ Não coloque óleos líquidos ou comidas cozinhadas no óleo no seu frigorífico em recipientes abertos, uma vez que podem danificar as superfícies plásticas do seu frigorífico. No caso de derrame ou salpico de óleo nas superfícies plásticas, limpe e enxágue a parte correspondente da superfície com água morna.

7 Soluções recomendadas para os problemas

Por favor, reveja esta lista antes de telefonar para a assistência. Com isso, pode poupar tempo e dinheiro. Esta lista abrange as reclamações frequentes resultantes de defeitos de fabricação ou utilização do material. Algumas das funções descritas aqui podem não existir no seu produto.

O frigorífico não funciona

- O frigorífico tem a ficha eléctrica ligada correctamente à tomada? Introduza a ficha na tomada de parede.
- O fusível da tomada na qual o frigorífico está ligado ou o fusível principal não está queimado? Verifique o fusível.

Condensação na parede lateral do compartimento do refrigerador (MULTIZONE, COOL CONTROL e FLEXI ZONE).

- Condições ambientais muito frias. Abertura e fecho frequentes da porta. Condições ambientais de alta humidade. Armazenamento de alimentos que contém líquidos em recipientes abertos. A porta foi deixada entreaberta. Comute o termóstato para um grau mais frio.
- Diminua o número de vezes de abertura da porta ou utilize menos frequentemente.
- Cubra os alimentos guardados em recipientes abertos com um material apropriado.
- Limpe a condensação usando um pano seco e verifique, se persistir.

O compressor não está a funcionar.

- A protecção térmica do compressor deixará de funcionar durante falhas eléctricas repentinas ou na extracção/colocação da ficha eléctrica, já que a pressão refrigerante no sistema de arrefecimento do frigorífico ainda não se encontra estabilizada. O seu frigorífico voltará a funcionar aproximadamente 6 minutos depois. Por favor, chame a assistência se o frigorífico não começar a operar no fim deste período.
- O refrigerador está no ciclo de descongelação. Isto é normal num frigorífico de descongelação totalmente automático. O ciclo de descongelação ocorre periodicamente.
- O seu frigorífico não está ligado à tomada. Certifique-se de que a ficha está correctamente ligada à tomada.
- A regulação da temperatura está feita correctamente?
- A corrente deve ser desligada.

O refrigerador está a funcionar frequentemente ou por um longo tempo.

- O seu novo produto pode ser mais largo do que o anterior. Esta situação é perfeitamente normal. Os frigoríficos grandes operam por um período maior de tempo.
- A temperatura ambiente pode estar muito elevada. Esta situação é perfeitamente normal.
- O frigorífico foi ligado à tomada há pouco tempo ou carregado com alimentos. O arrefecimento total do frigorífico pode demorar mais do que duas horas.
- Podem ter sido colocadas recentemente grandes quantidades de alimentos quentes no frigorífico. Os alimentos quentes obrigam a um funcionamento mais vigoroso do frigorífico até que alcance a temperatura segura de armazenamento.
- As portas podem estar a ser abertas frequentemente ou foram deixadas entreabertas por longo tempo. O ar quente que entrou no frigorífico faz com que o mesmo tenha que funcionar por períodos mais longos. Abra as portas com menos frequência.
- A porta do compartimento do refrigerador ou do congelador pode ter sido deixada entreaberta. Verifique se as portas estão completamente fechadas.
- O frigorífico está ajustado para uma temperatura muito baixa. Ajuste a temperatura do frigorífico para um grau mais quente e aguarde até que a temperatura seja atingida.
- O vedante da porta do refrigerador ou do congelador pode estar sujo, gasto, roto ou não ajustado correctamente. Limpe ou substitua o vedante. O vedante danificado/roto faz com que o frigorífico funcione por um período de tempo maior para que mantenha a temperatura actual.

A temperatura do congelador está muito baixa, enquanto que a temperatura do refrigerador é suficiente.

- A temperatura do congelador está ajustada para uma temperatura muito baixa. Ajuste a temperatura do congelador para um grau mais quente e verifique.

A temperatura do refrigerador está muito baixa, enquanto que a temperatura do congelador é suficiente.

- A temperatura do refrigerador pode ter sido ajustada para uma temperatura muito baixa. Ajuste a temperatura do refrigerador para um grau mais quente e verifique.

Os alimentos guardados nas gavetas do compartimento do refrigerador estão congelados.

- A temperatura do refrigerador pode ter sido ajustada para uma temperatura muito baixa. Ajuste a temperatura do refrigerador para um grau mais quente e verifique.

A temperatura no refrigerador ou no congelador é muito alta.

- A temperatura do refrigerador pode ter sido ajustada para um grau muito alto. O ajuste do refrigerador tem efeito na temperatura do congelador. Altere a temperatura do refrigerador ou do congelador até que a temperatura do refrigerador ou do congelador atinja um nível suficiente.
- As portas podem estar a ser abertas frequentemente ou foram deixadas entreabertas por longo tempo; abra-as menos frequentemente.
- A porta poderá ter sido deixada entreaberta; feche-a completamente.
- Podem ter sido colocadas recentemente grandes quantidades de alimentos quentes no frigorífico. Aguarde até que o refrigerador ou o congelador atinja a temperatura desejada.
- O frigorífico pode ter sido ligado à tomada há pouco tempo. O total arrefecimento do frigorífico leva tempo.

O ruído de funcionamento aumenta quando o frigorífico está a funcionar.

- O desempenho de funcionamento do frigorífico pode variar devido às alterações na temperatura ambiente. Esta situação é normal e não é um problema.

Vibrações ou ruído.

- O piso não está nivelado ou não é resistente. O frigorífico balança quando deslocado lentamente. Certifique-se de que o piso é suficientemente forte para suportar o frigorífico, e nivelado.

- O ruído pode ser causado pelos itens colocados sobre o frigorífico. Os itens sobre o topo do frigorífico devem ser removidos.

Há ruídos que surgem do frigorífico como líquidos a verter ou gotejar.

- Os fluxos de gás e líquidos acontecem conforme os princípios de funcionamento do seu frigorífico. Esta situação é normal e não é um problema.

Há um ruído parecido com o vento a soprar.

- As ventoinhas são utilizadas para arrefecer o frigorífico. Esta situação é normal e não é um problema.

Condensação nas paredes internas do frigorífico.

- O tempo quente e húmido aumenta a formação de gelo e de condensação. Esta situação é normal e não é um problema.

- As portas poderão ter sido deixadas entreabertas; certifique-se que as mesmas estão completamente fechadas.

- As portas podem estar a ser abertas frequentemente ou foram deixadas entreabertas por longo tempo; abra-as menos frequentemente.

Há ocorrência de humidade no exterior do frigorífico ou entre as portas.

- Poderá existir humidade no ar; isto é bastante normal no tempo húmido. Quando a humidade for menor, a condensação irá desaparecer.

Maus odores dentro do frigorífico.

- O interior do frigorífico deve ser limpo. Limpe o interior do frigorífico com uma esponja, água morna ou água com gás.

- Alguns recipientes ou materiais de embalagem podem provocar cheiros. Utilize um recipiente diferente ou um material de embalagem de marca diferente.

A porta não está fechada.

- Os pacotes de alimentos podem impedir o fecho da porta. Coloque de outra forma as embalagens que estão a obstruir a porta.

- O frigorífico não está completamente na vertical no pavimento e balanceia quando ligeiramente movido. Ajuste os parafusos de elevação.

- O piso não é sólido ou não está nivelado. Certifique-se de que o piso está nivelado e capaz de suportar o frigorífico.

As gavetas para frutos e legumes estão bloqueadas.

- Os alimentos podem estar a tocar o tecto da gaveta. Arrume novamente os alimentos na gaveta.

Se A Superfície Do Produto Estiver Quente.

- Podem notar-se temperaturas elevadas entre as duas portas, nos painéis laterais e na grelha traseira quando o produto está a funcionar. Esta situação é normal e não exige serviço de manutenção!

ISENÇÃO DE RESPONSABILIDADE / ADVERTÊNCIA

Algumas falhas (simples) podem ser tratadas de forma adequada pelo utilizador final sem que surja qualquer problema de segurança ou de utilização não segura, desde que as mesmas sejam solucionadas dentro dos limites e de acordo com as seguintes instruções (consultar a secção “Reparação Autónoma”.

Portanto, exceto se contrariamente autorizado na secção “Reparação Autónoma” abaixo, as reparações devem ser realizadas por profissionais reparadores registados de modo a evitar problemas de segurança. Um reparador profissional registado é um reparador profissional a quem o fabricante concedeu acesso às instruções e à lista de peças de substituição deste produto de acordo com os métodos descritos na lei nos termos da Diretiva 2009/125/CE.

No entanto, apenas o agente de reparação (ou seja, os reparadores profissionais autorizados) com quem pode entrar em contacto através do número de telefone fornecido no manual do utilizador/cartão da garantia ou através do seu revendedor autorizado que pode fornecer serviços de acordo com os termos de garantia. Portanto, deve estar ciente de que as reparações feitas por reparadores profissionais (não autorizados por Beko) anulam a garantia.

Reparação Autónoma

A reparação autónoma pode ser feita pelo utilizador final em relação à seguintes peças de substituição: porta, manípulos, dobradiças das portas, tabuleiros, cestos

e vedantes da porta (é disponibilizada uma lista atualizada em support.beko.com). a partir de 1 de março de 2021).

Além disso, para garantir a segurança do produto e evitar o risco de ferimentos graves, a reparação autónoma referida deve ser feita seguindo as instruções do manual do utilizador para reparação autónoma ou as que estão disponíveis em support.beko.com Para sua segurança, deve desligar o produto antes de tentar fazer qualquer reparação autónoma.

As tentativas de reparação feitas pelos utilizadores finais de peças não incluídas na referida lista e/ou não seguindo as instruções nos manuais do utilizador relativamente à mesma ou que se encontram disponíveis em support.beko.com, podem levantar questões de segurança não atribuíveis a Beko, e anularão a garantia do produto.

Portanto, é altamente recomendável que os utilizadores finais evitem tentar realizar reparações que não se enquadrem na lista mencionada de peças de substituição, e nesse caso deverão contactar com reparadores profissionais autorizados ou reparadores profissionais registados. Por outro lado, as referidas tentativas por parte dos utilizadores finais podem provocar problemas de segurança e danificar o produto e, subsequentemente, provocar incêndio, inundação, eletrocussão e ferimentos graves.

Por exemplo, mas não limitado a,
as seguintes reparações devem ser
realizadas por
Reparadores profissionais autorizados
ou registados: compressor, circuito de
refrigeração, placa de circuitos,
placa do inversor, placa do visor, etc.

O fabricante/vendedor não pode ser
responsabilizado em circunstâncias em
que os utilizadores finais não cumpram
com o acima referido.

A disponibilidade de peças de
substituição da frigorífico que comprou é
de 10 anos.

Durante este período, as peças de
substituição originais estarão disponíveis
para operar corretamente a frigorífico.

A duração mínima da garantia do
frigorífico que adquiriu é de 24 meses.

Este produto está equipado com uma
fonte de iluminação da classe energética
“G”

A fonte de iluminação neste produto deve
somente ser substituída por reparadores
profissionais.