



Microwave Oven

User Manual



MCF 26310 BAF

EN - NO - SV - FI - DA - DE - IT



01M-9210683200-4323-02

CONTENTS

ENGLISH	3-23
NORSK	24-42
SVENSKA	43-61
SUOMI	62-81
DANSK	82-103
DEUTSCH	104-130
ITALIANO	131-153

Please read this user manual first!

Dear Valued Customer,

Thank you for preferring this Beko appliance. We hope that you get the best results from your appliance which has been manufactured with high quality and state-of-the-art technology. For this reason, please read this entire user manual and all other accompanying documents carefully before using the appliance and keep it as a reference for future use. If you handover the appliance to someone else, give the user manual as well. Follow the instructions by paying attention to all the information and warnings in the user manual.

Remember that this user manual may also apply to other models. Differences between models are explicitly described in the manual.

Meanings of the Symbols

Following symbols are used in various sections of this user manual:



Important information and useful hints about usage.



WARNING: Warnings against dangerous situations concerning the security of life and property.



Warning for hot surfaces.



WARNING: Warning for electric shock.

Important Safety Instructions Read Carefully And Keep For Future Reference

1.1 Safety warnings

This section contains safety instructions that will help protect from risk of fire, electric shock, exposure to leak microwave energy, personal injury or property damage. Failure to follow these instructions shall void any warranty.

- Beko Microwave Ovens comply with the applicable safety standards; therefore, in case of any damage on the appliance or power cable, it should be repaired or replaced by the dealer, service center or a specialist and authorized service alike to avoid any danger. Faulty or unqualified repair work may be dangerous and cause risk to the user.
 - This appliance is intended
- to be used in household and similar applications such as:
- Staff kitchen areas in shops, offices and other working environments;
 - Farm houses
 - By clients in hotels, motels and other residential type environments;
 - Bed and Breakfast type environments.
- Microwave oven is intended used freestanding.
 - It is not intended for industrial or laboratory use.
 - Do not attempt to start the oven when its door is open; otherwise you may be exposed to harmful microwave energy. Safety locks should not be disabled or tampered with.
 - The microwave oven is intended for heating food and beverages. Drying of food or clothing and heating of warming pads, slippers, sponges, damp

cloth and similar may lead to risk of injury, ignition or fire.

- Do not place any object between the front side and the door of the oven. Do not allow dirt or cleaning agent remnants to build up on the closure surfaces.
- Any service works involving removal of the cover that provides protection against exposure to microwave energy must be performed by authorized persons/service. Any other approach is dangerous.
- Your product is intended for cooking, heating and defrost food at home. It must not be used for commercial purposes.
- Your oven is not designed to dry any living being.
- Do not use your appliance to dry clothes or kitchen towels.
- Do not use this appliance outdoors, bathrooms, humid environments or in places where the it can get wet.
- No responsibility or warranty claim shall be assumed for damages arising from misuse or improper handling of the appliance.
- Never attempt to dismantle the appliance. No warranty claims are accepted for damage caused by improper handling.
- Only use the original parts or parts recommended by the manufacturer.
- Do not leave this appliance unattended while it is in use.
- Always use the appliance on a stable, flat, clean dry, and non-slip surface.
- The appliance should not be operated with an external clock timer or separate remote control system.
- Before using the appliance

for the first time, clean all parts. Please see the details given in the “Cleaning and Care” section.

- Operate the appliance for its intended purpose only as described in this manual.
- Appliance becomes very hot while it is in use. Pay attention not to touch the hot parts inside the oven.
- Do not operate the oven empty.
- Cooking utensil may get hot due to the heat transferred from the heated food to the utensil. You may need oven gloves to hold the utensil.
- Utensils shall be checked to ensure that they are suitable for use in microwave ovens.
- Do not place the oven on stoves or other heat generating appliances. Otherwise, it may be damaged and the warranty becomes void.
- Steam may come out while opening the covers or the foil after cooking the food.
- The appliance and its accessible surfaces may be very hot when the appliance is in use.
- Door and outer glass may be very hot when the appliance is in use.
- Make sure that your mains power supply complies with the information supplied on the rating plate of the appliance.
- The only way to disconnect the appliance from the power supply is to remove the power plug from the power outlet.
- Use the appliance with a grounded outlet only.
- Never use the appliance if the power cable or the appliance itself is damaged.
- Do not use this appliance with an extension cord.

- Never touch the appliance or its plug with damp or wet hands.
- Place the appliance in a way so that the plug is always accessible.
- Prevent damage to the power cable by not squeezing, bending, or rubbing it on sharp edges. Keep the power cable away from hot surfaces and naked flame.
- Make sure that there is no danger that the power cable could be accidentally pulled or that someone could trip over it when the appliance is in use.
- Unplug the appliance before each cleaning and when the appliance is not in use.
- Do not pull the power cable of the appliance to disconnect it from its power supply and never wrap its power cable around the appliance.
- Do not immerse the appliance, power cable, or power plug in water or any other liquids. Do not hold it under running water.
- When heating food in plastic or paper containers, keep an eye on the oven due to the possibility of ignition.
- Remove the wire strings and/or metal handles of paper or plastic bags before placing bags to the oven.
- If smoke is observed, switch off or unplug the appliance if safe to do so and keep the door closed in order to stifle any flames.
- Do not use microwave oven for storage. Do not leave paper items, cooking material or food inside the oven when it is not being used.
- The contents of feeding bottles and baby food

- jars should be stirred or shaken and the temperature checked before consumption, in order to avoid burns.
- This appliance is a Group 2 Class B ISM equipment. Group 2 contains all ISM (Industrial, Scientific and Medical) equipment in which radio-frequency energy is intentionally generated and/or used in the form of electromagnetic radiation for the treatment of material, and spark erosion equipment.
 - Class B equipment is suitable for use in domestic establishments and establishments directly connected to a low voltage power supply network.
 - Do not use cooking oil in the oven. Hot oil may damage the components and materials of the oven, and it may even cause skin burns.
 - Pierce food with thick crust such as potatoes, courgettes, apples and chestnuts.
 - Appliance must be placed so that the rear side is facing the wall.
 - Before moving the appliance, please secure the turntable to prevent damage.
 - Eggs in their shell and whole hard-boiled eggs must not be heated in microwave ovens since they may explode, even after microwave heating has ended.
- WARNING:** If the door or door seals are damaged, the oven must not be operated until it has been repaired by a competent person.
- WARNING:** It is hazardous for anyone other than a competent person to carry out any service or repair operation which involves the removal of a cover which gives pro-

tection against exposure to microwave energy.

WARNING: Liquids and other foods must not be heated in sealed containers since they are liable to explode.

- The oven should be cleaned regularly and any food deposits removed.
- There should be min 30 cm free space above the top surface of the oven.
- Do not over-cook foods; otherwise, you may cause a fire.
- Do not use chemicals and steam assisted cleaners to clean the appliance.
- Extreme caution is advised when being used near children and persons who are restricted in their physical, sensory or mental abilities.
- This appliance can be used by the children who are at the age of 8 or over and by the people who have limited physical, sensory or mental capacity or who do not have knowledge and experience, as long as they are supervised with regard to safe use of the product or they are instructed accordingly or understand the risks of using the product. Children should not play with the appliance. Cleaning and user maintenance shall not be made by children unless they are older than 8 and supervised.
- **Danger of choking!** Keep all the packaging materials away from children.
- Keep the product and its power cable so that they are inaccessible by children under 8 years old.
- Do not cook food directly on the glass tray. Put the food in / on appropriate kitchen utensils before placing them in the oven.
- Metallic containers for food and beverages are

not allowed during microwave cooking. Otherwise, sparking may occur.

- This product is not designed to be built-in. Do not place the product in a cabinet or box while it is in use.
- Failure to maintain the oven in a clean condition could lead to deterioration of the surface that could adversely affect the life of the appliance and possibly result in a hazardous situation.
- The appliance shall not be cleaned with a steam cleaner.
- Microwave heating of beverages can result in delayed eruptive boiling, therefore care must be taken when handling the container.
- **WARNING:** When the appliance is operated in the combination mode, children should only use the

oven under adult supervision due to the temperatures generated.

- **Cleaning:** Do not place the appliance in water or other liquids. Clean the housing only with a sponge/cloth moistened in warm, soapy water. Do not use harsh, abrasive cleaners. See for the **Cleaning and care** and **Storage** detailed cleaning instructions.

1.2 Compliance with the WEEE Directive and Disposing of the Waste Product:

This product complies with EU WEEE Directive (2012/19/EU). This product bears a classification symbol for waste electrical and electronic equipment (WEEE).



This symbol indicates that this product shall not be disposed with other household wastes at the end of its service life. Used device must be returned to official collection point for recycling of electrical and electronic devices. To find these collection systems please contact to your local authorities or retailer where the product was purchased. Each household performs important role in recovering and recycling of old appliance. Appropriate

disposal of used appliance helps prevent potential negative consequences for the environment and human health.

1.3 Compliance with RoHS Directive

The product you have purchased complies with EU RoHS Directive (2011/65/EU). It does not contain harmful and prohibited materials specified in the Directive.

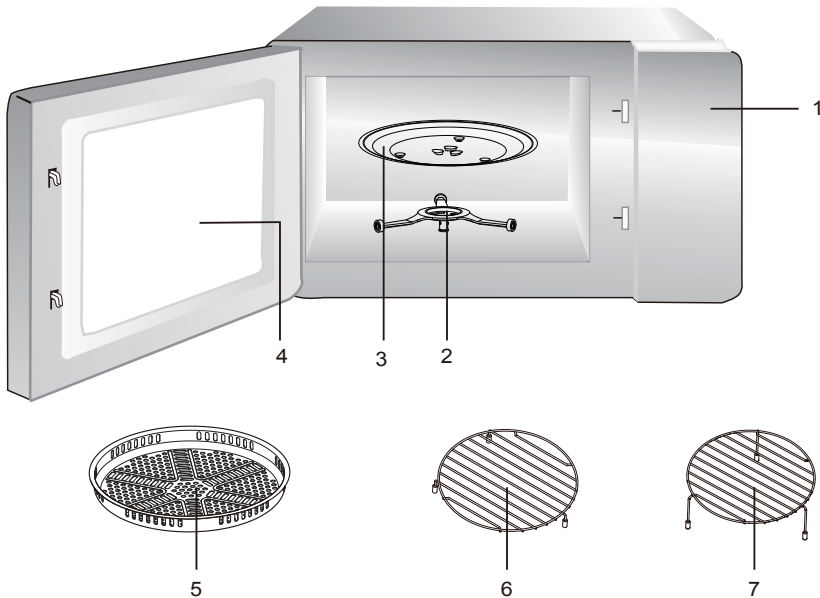
1.4 Package information



Packaging materials of the product are manufactured from recyclable materials in accordance with our National Environment Regulations. Do not dispose of the packaging materials together with the domestic or other wastes. Take them to the packaging material collection points designated by the local authorities.

2 Your microwave oven

2.1 Overview



1. Control panel
2. Turntable ring assembly
3. Glass tray
4. Oven window
5. Bake tray (Cannot be used in conjunction with microwave function and can be placed on the bake rack)
6. Lower Wire Rack (For the microwave and for baking and roasting in the oven.)
7. Higher Wire Rack(For grilling, e.g. steaks, sausages and for toasting bread.As a support for shallow dishes.)

2.2 Technical data

Model	MCF 26310 BAF
Voltage / Frequency	230V~ 50Hz
Power input - Microwave	1450W
Power output - Microwave	900W
Grill	1000W
Convection	2100W
Microwave frequency	2450MHz
Turntable diameter	288 mm
External dimensions	495*424*290 mm
Oven capacity	27 L

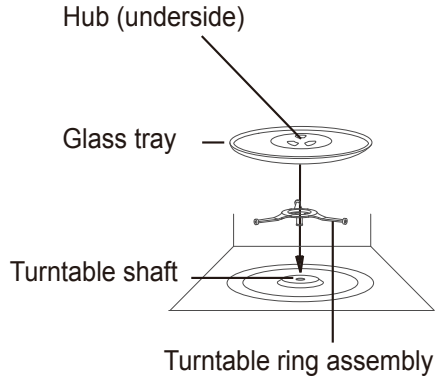
Technical and design modification rights are reserved.

Markings on the product or the values stated in other documents supplied with the product are values obtained under laboratory conditions as per relevant standards. These values may vary according to the usage of the appliance and ambient conditions. Power values are tested at 230V.

2 Your microwave oven

2.3 Installing the turntable

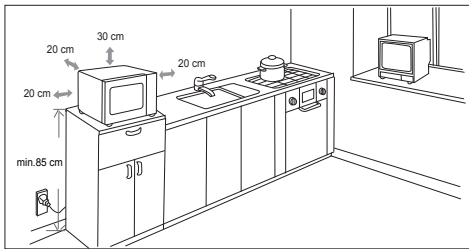
- Never place the glass tray upside down. The glass tray should never be restricted.
- Both glass tray and turntable ring assembly must always be used during cooking.
- All food and containers of food must always place on the glass tray for cooking.
- If glass tray or turntable ring assembly crack or break, contact your nearest authorized service center.



3 Installation

3.1 Installation

- Remove all packing material and accessories. Examine the oven for any damage such as dents or broken door. Do not install if oven is damaged.
- Remove any protective film found on the microwave oven cabinet surface.
- Do not remove the light brown Mica cover that is attached to the oven cavity to protect the magnetron.
- Select a level surface that provide enough open space for the intake and/or outlet vents.



- Minimum installation height is 85 cm.
- The rear surface of appliance shall be placed against a wall. Leave a minimum clearance of 30cm above the

oven, a minimum clearance of 20cm is required between the oven and any adjacent walls.

- Do not remove the legs from the bottom of the oven.
- Blocking the intake and / or outlet openings can damage the oven.
- Place the oven as far away from radios and TV as possible. Operation of microwave oven may cause interference to your radio or TV reception. 2. Plug your oven into a standard household outlet. Be sure the voltage and the frequency is the same as the voltage and the frequency on the rating label.



WARNING: Do not install oven over a range cooktop or other heat-producing appliance. If installed near or over a heat source, the oven could be damaged and the warranty would be void.



The accessible surface may be hot during operation.

4 Operation

4.1 Control panel



Display

Cooking time, power, indicators and clock time are displayed.

	Microwave
	Convection
	Grill
	Defrost by weight
	Defrost by time
	Auto menu
	Airfryer
	Alarm
	Clock/ Childlock
	Mute
	Child lock
	Gram
	Temperature


Menu

- **Auto cook buttons:** Instant settings to cook popular foods.

Function

- **Deodorizer:** Press to remove food odors in microwave.
- **Steam Clean:** Press to steam clean the microwave.
- **Clock:** Press to set clock time. It is also used to set child lock.
- **Microwave:** Press to set microwave power level.
- **Timer:** Press to set the alarm timer.
- **Defrost:** Press to defrost food based on time/weight.
- **Grill:** Press to set grill cooking program.

4 Operation

- **Combi.:** Press to set microwave, grill and convection combination cooking program.
- **Conv.:** Press to set convection cooking.
- **-/+ :** Press to set time. Long press to increase/decrease speed.
- **Mute -  X:** Press to mute
- **STOP / CANCEL:** Press to Pause/cancel at any settings. Press twice to turn off the display
- **START / +30SEC:** Press to start/confirm at any settings. Press for express cooking at standby mode

When the microwave oven firstly be powered on, the screen will display "0:00", and buzzer will ring once to enter the standby mode.

4.2 Clock setting

1. In waiting state, press "Clock" once, and then the screen displays "00:00". The hour figures will flash.
2. Press "+/-" to adjust the hour figures. The input time should be within 0-23.
3. Press "Clock" to confirm, and the minute figures will flash.
4. Press "+/-" to adjust the minute figures. The input time should be within 0-59.
5. Press "Clock" to finish clock setting.



- The clock will not work if it is not set when powered.
- After step 4, if you do not press "Clock" within 5 minutes, the oven will go back to the previous status automatically.

4.3 Kitchen timer

1. In waiting state, press "Timer" once, and the screen displays "0:00".

2. Press "+/-" to adjust the enter time. The maximum value is 95:00.
3. Press "START/+30SEC" to confirm setting.



During kitchen timer, any other programs cannot work.

4.4 Microwave cooking

1. In waiting state, press "Microwave", and "P100" will display.
2. Press "+/-" or press "Microwave" repeatedly to set the power level. "P100, P90, P80, P70, P60, P50, P40, P30, P20, P10" are available.
3. Press "START/+30SEC" to confirm. Default cook time 15:00 will display.
4. Press "+/-" to set the cook time. The maximum value is 95:00.
5. Press "START/+30SEC" to start cooking.

4.5 Grill cooking

1. Press "Grill" once, and "G" will display.
2. Press "START/+30SEC" to confirm, default cook time 15:00 will display.
3. Press "+/-" to set the cook time. The maximum value is 95:00.
4. Press "START/+30SEC" to start cooking.



- If half the grill time passes, the oven sounds to remind you to turn the food over. In order to have a better effect of grilling food, you can turn the food over, close the door and then press "START/+30SEC" to continue cooking. If no operation, the oven will work automatically.
- In the cooking process, when you increase or reduce the time, half time prompt is no affected.

4 Operation

4.6 Convection cooking

1. Press "Conv." once, and "150°C" will display.
2. Press "Conv." repeatedly to choose temperature from 150°C to 240°C.
3. Press "Start/+30SEC." to confirm the temperature, if you press "START/+30SEC" again, the oven will start preheating. when preheating temperature is reached the buzzer will sound twice. You can open the oven door and place food in it.
4. Or press "+/-" to set the cook time directly. The maximum value is 95:00.
5. Press the " Start/+30SEC" to start working.

4.7 Combi. cooking

1. Press "Combi." once, the screen will display "C-1", and press "Combi." repeatedly to choose the power you want, and "C-1, C-2, C-3, o C-4" will display.
2. Press "START/+30SEC" ton confirm the mode, default cook time 15:00 will display.
3. Press "+/-" to set the cook time. The maximum value is 95:00.
4. Press "START/+30SEC" to start cooking.

Combination instructions	Instructions display	Microwave	Grill	Convection
1	C-1	•		•
2	C-2	•	•	
3	C-3		•	•
4	C-4	•	•	•

4.8 Defrost by weight

1. In waiting state, press "Defrost" once, and the screen displays "dEF1".
2. Press "START/+30SEC" to confirm, 100g displays.
3. Press "+/-" to set the defrost weight within 100~2000g.
4. Press "START/+30SEC" to start defrosting.



The buzzer will sound to remind of turning over the food during defrosting.

4.9 Defrost by time

1. In waiting state, press "Defrost" twice, and the screen displays "dEF2".
2. Press "START/+30SEC" to confirm, 15:00 displays.
3. Press "+/-" to set the defrost time. The maximum value is 95:00.
4. Press "START/+30SEC" to start defrosting.



The buzzer will sound to remind of turning over the food during defrosting.

4.10 Multi-Stage cooking

Two stages can be maximumly set. If one stages is defrosting, it should be put in the first stage automatically. The buzzer will ring once after each stage and the next stage will begin. Kitchen Timer, Auto menu ,Speed cooking or Preheating cannot be set as one of the multi-stage.

Example: If you want to defrost the food for 10 minutes, then grill them for 10 minutes and 30 seconds. You can follow these steps.

- 1.Press "Defrost" twice, and the screen will display "dEF2".
- 2.Press "START/+30SEC" to confirm,15:00 displays.
- 3.Press "+/-" to adjust the defrost time until 10:00 displays.
- 4.Press "Grill" once, "G" displays, press "START/+30SEC" to confirm
- 5.Press "+/-" to adjust the grill time until 10:00 displays.
- 6.Press "START/+30SEC" to start cooking.

4.11 Express microwave cooking

In standby state, press "START/+30SEC" to start cooking with 100% power for 30 seconds directly.

4.12 Child lock

Lock: In standby state, press "Clock" for 3 seconds. The buzzer will sound to enter the children-lock state,and the lock indicator will light.

Lock quitting: In locked state, press "Clock" for 3 seconds.The buzzer will sound denoting that the lock is released, and the lock indicator will disappear.

4.13 Deodoriser

- 1.In standby state, press "Deodoriser", and the screen displays "dE" .
- 2.Press "START/+30SEC" to start working.

4.14 Steam clean

- 1.In standby state, press "Steam Clean", and the screen displays "SC".
- 2.Press "START/+30SEC" to start working.



Pour equal parts of water into a wide open microwave-safe container. when finished working, wipe the steamed surfaces with a clean sponge to help remove food and odors from the surfaces.

4.15 Healthy dish

1. In waiting state, press "Healthy Dish" once, and "Hd01" will display.
2. Press "Healthy Dish" repeatedly to choose the menu from "Hd01" to "Hd05".
3. Press "START/+30SEC" to confirm the submenu. the default weight or servings of the menu will display.
4. Press "+/-" to set the weight or servings.
5. Press "START/+30SEC" to start cooking.

Health dish chart

MENU/ Display	Weight/ Display	Time (min' sec")	Power
Hd01 Quinoa	100g	3'00"/15'00"	P100/P50
	200g	5'00"/15'00"	
Hd02 Couscous	200g	4'00"/8'00"	P100/P50
	300g	5'00"/10'00"	
Hd03 Macaroni	100g	10'00"	P80
	200g	12'00"	
Hd04 Brown Rice	200g	5'30"/25'00"	P100/P50
	300g	8'00"/30'00"	
Hd05 Oatmeal	2 servings	3'30"/3'30"	P100/P50
	4 servings	5'30"/5'30"	

4.16 Daily dish

1. In waiting state, press "Daily Dish" once, and "dd01" will display.
2. Press "Daily Dish" repeatedly to choose the menu from "dd01" to "dd12".
3. Press "START/+30SEC" to confirm the submenu. the default weight or servings of the menu will display.
4. Press "+/-" to set the weight or servings.
5. Press "START/+30SEC" to start cooking.

4 Operation

Daily dish chart

MENU/ Display	Weight/ Display	Time (min' sec")	Power
dd01 Frozen Peas	200g	4'00"	P100
	400g	7'00"	
dd02 Frozen mix Vegetable	200g	4'00"	P100
	400g	7'00"	
dd03 Frozen Broccoli	200g	5'00"	P100
	400g	8'00"	
dd04 Fresh Spinach	200g	2'30"	P100
	400g	4'30"	
dd05 Frozen green beans	200g	5'00"	P100
	400g	8'00"	
dd06 Potatoes without skin	400g	6'00"	P100
	800g	10'00"	
dd07 Potatoes with skin	2 (~200g/pc)	8'30"	P100
	4 (~200g/pc)	15'00"	
dd08 Frozen lasagna	300g	15'00"	C-1
	600g	20'00"	
dd09 Grill chicken breasts	200g	16'00"	Grill 60% + Conv. 240°C
	400g	20'00"	
dd10 Lamb rack	900g	35'00"	C-4
dd11 Roast beef	900g	35'00"	C-4
dd12 Grill garlic bread	200g	9'00"	C-4

4.17 Auto menu

For example set the fish menu for 350g;

1. In waiting state, press "Fish" once, and "150g" will display.
2. Press "Fish" repeatedly until 350g displays.
3. Press "START/+30SEC" to start cooking.

4 Operation

Menu Chart

MENU/ Display	Weight/ Display	Time (min' sec")	Power
A01 Popcorn	50g	1'40"	P100
	100g	2'00"	
A02 Fish	150g	3'00"	P80
	250g	4'00"	
	350g	5'30"	
	450g	6'30"	
	650g	8'30"	
A03 Chicken	500g	29'00"	C-4 (beep to turn the food over)
	750g	34'00"	
	1000g	39'00"	
	1200g	44'00"	
A04 Cake	475g	60'00"	Preheat 160°C / Conv.160°C
A05 Pizza	100g	8'00"	C-4
	200g	10'00"	
	300g	12'00"	
A06 Pasta	50g (cold water 450g)	18'00"	P80
	100g (cold water 800g)	20'00"	
	150g (cold water 1200g)	22'00"	



- The buzzer will sound to remind of turning over the food during chicken menu.
- In Cake Menu, the oven will start preheating, when preheating temperature is reached the buzzer will sound twice. You can open the oven door and place food in it. Press "START/+30SEC" to start cooking.

4.18 Airfryer

1. In waiting state, press "Airfry" repeatedly to choose the menu, and "AF01~AF10" will display in order.
2. Press "START/+30SEC" to start cooking.

4

Operation

MENU/ Display	Weight/ Display	Time (min' sec")	Power
AF01 Frozen French Fries	300g	6'00"/16'00"	G-100% + Conv.-240°C / G-60% + Conv.-240°C
AF02 Frozen Potato Wedges	450g	15'00"/15'00"	G-100% + Conv.-240°C / G-60% + Conv.-240°C
AF03 Frozen Chicken nuggets	350g	22'00"	G-60% + Conv.-240°C
AF04 Frozen Fried Squid	250g	16'00"	G-60% + Conv.-240°C
AF05 Frozen Onion Ring	250g	16'00"	G-60% + Conv.-240°C
AF06 Frozen Breaded Prawns	250g	18'00"	G-60% + Conv.-240°C
AF07 Frozen Fried Chicken Cutlet	400g	24'00"	G-60% + Conv.-240°C
AF08 Grilled Fresh Fish Fillets	300g	18'00"	G-60% + Conv.-240°C
AF09 Frozen Buffalo Chicken wings	420g	22'00"	G-60% + Conv.-240°C
AF10 Frozen Fried Chicken Wings	500g (~70g/pc)	28'00"	G-60% + Conv.-240°C



The buzzer will sound to remind of turning over the food during cooking.

5 Cleaning and maintenance

5.1 Cleaning and care



WARNING: Never use gasoline, solvent, abrasive cleaning agents, metal objects or hard brushes to clean the appliance.



WARNING: Never immerse the appliance or its power cable in water or in any other liquid.

1. Turn off the oven and remove the power plug from the wall socket before cleaning.
2. Wait for the appliance to completely cool down.
3. Keep the inside of the oven clean. When food splatters or spilled liquids adhere to oven walls, wipe with a damp cloth. Mild detergent may be used if the oven gets very dirty. Avoid the use of spray and other harsh cleaners as they may stain, streak or dull the door surface.
4. The outside surfaces should be cleaned with a damp cloth. To prevent damage to the operating parts inside the oven, water should not be allowed to seep into the ventilation openings.
5. Wipe the both sides of the door and window, the door seals and adjacent parts frequently with a damp cloth to remove any spills or splatters. Do not use abrasive cleaner.
6. A steam cleaner is not be used.
7. Do not allow the control panel to become wet. Clean with a soft, damp cloth. When cleaning the control panel, leave oven door open to prevent oven from accidentally turning on.
8. If steam accumulates inside or around the outside of the oven door, wipe with a soft cloth. This may occur when the microwave oven is operated under high humidity condition. And it is normal.
9. It is occasionally necessary to remove the glass tray for cleaning. Wash the tray in warm sudsy water or in a dishwasher.
10. The roller ring and oven floor should be cleaned regularly to avoid excessive noise. Simply wipe the bottom surface of the oven with mild detergent. The roller ring may be washed in mild sudsy water or dishwasher. When removing the roller ring from cavity floor for cleaning, be sure to replace in the proper position.
11. Remove odors from your oven by combining a cup of water with the juice and skin of one lemon in a deep microwaveable bowl, microwave for 5 minutes. Wipe thoroughly and dry with a soft cloth.
12. When it becomes necessary to replace the oven light, please consult a dealer to have it replaced.
13. Please do not dispose this appliance into the domestic rubbish bin; it should be disposed to the particular disposal center provided by the municipalities.
14. When the microwave oven with grill function is first used, it may produce slight smoke and smell. This is a normal phenomenon because the oven is made of a steel plate coated with lubricating oil, and the new oven will produce fumes and odor generated by burning the lubricating oil. This phenomenon will disappear after a period of using.

5.2 Storage

- If you do not intend to use the appliance for a long time, please store it carefully.

5 Cleaning and maintenance

- Please make sure that the appliance is unplugged, cooled down and totally dry.
- Store the appliance in a cool and dry place.
- Keep the appliance out of the reach of children.
- aging. The packaging of the appliance protects it against physical damages.
- Do not place heavy loads on the appliance or the packaging. The appliance may be damaged.
- Dropping the appliance will render it non-operational or cause permanent damage.

5.3 Handling and transportation

- During handling and transportation, carry the appliance in its original pack-

6 Troubleshooting

Normal	
Microwave oven interferes with TV reception	Radio and TV reception may be interfered when microwave oven is operating. It is similar to the interference caused by small electrical appliances, like mixer, vacuum cleaner, and electric fan. It is normal.
Oven light is dimmed	In low power microwave cooking, oven light may be dimmed. It is normal.
Steam accumulating on door, hot air coming out of vents	During cooking, steam may arise from the food. Most of this steam will get out from vents. But some may accumulate on a cool place like oven door. It is normal.
Oven started accidentally with no food in it.	It is not allowed to run the appliance without any food inside. It is very dangerous.

Problem	Possible Reason	Solution
Oven cannot be started.	1) Power cable is not plugged in properly.	Unplug. Then plug again after 10 seconds.
	2) Fuse is blown or circuit breaker is activated.	Replace fuse or reset circuit breaker (repaired by professional personnel of our company).
	3) Trouble with outlet.	Test the outlet with other electrical appliances.
Oven does not heat.	4) Door is not closed properly.	Close the door properly.

Les denne bruksanvisningen først!





Kjære kunde,

Takk for at du valgte dette Beko-apparatet. Vi håper at du får de beste resultatene av produktet, som har blitt produsert med høy kvalitet og topp teknologi. Derfor bør du lese hele denne brukerhåndboken og alle andre tilhørende dokumenter nøye før du bruker produktet og tar vare på den som en referanse for fremtidig bruk. Hvis du overfører produktet videre til noen andre, sørg da også for at brukerhåndboken følger med. Følg instruksjonene ved å være oppmerksom på all informasjon og advarsler i brukerhåndboken.

Husk at denne bruksanvisningen også kan gjelde andre modeller. Forskjeller mellom modellene er nøye forklart i bruksanvisningen.

Symbolenes betydning

Følgende symboler brukes i de ulike delene av denne brukerhåndboken:

	Viktig informasjon og nyttige tips om bruk.
	Advarsler for farlige situasjoner angående sikkerhet og eiendom.
	Advarsel mot varme overflater.
	Advarsel mot elektrisk støt.

1 Viktige sikkerhets- og miljø instruksjer

Viktige sikkerhetsinstruksjoner Les nøye og oppbevare for fremtidig henvisning

1.1 Sikkerhetsadvarsler

Dette avsnittet inneholder sikkerhetsinstruksjoner som vil hjelpe å beskytte mot brannfare, elektrisk støte, eksponering mot lekende mikrobølgeenergi, personskader eller materielle skader. Unnlattelse av å følge disse instruksjonene vil ugyldiggjøre garantien.

- Mikrobølgeovner fra Beko oppfyller gjeldende sikkerhetsstandarder. Ved skade på apparatet eller strømkabelen bør det derfor repareres eller skiftes ut av forhandleren, servicesenteret eller en/et spesialist og autorisert serviceverksted for å unngå fare. Mangelfullt eller ikke-kvalifisert reparasjonsarbeid kan være farlig og føre til risiko for brukeren.
- Dette apparatet er ment å brukes i husholdningen og lignende bruksområder slik som:
 - Kjøkkenområder med personell i butikker, kontorer og andre arbeidsmiljøer;
 - Gårdshus
 - Av kunder i hoteller, moteller og andre boligmiljøer;
 - Overnattingssteder med frokost.
- Mikrobølgeovnen er tiltenkt å skulle brukes frittstående.
- Det er ikke beregnet for industriell eller laboratoriebruk.
- Ikke prøv å starte ovnen når døren er åpen. Ellers kan du bli utsatt for skadelig mikrobølgeenergi. Sikkerhetslåser skal ikke deaktiveres eller tukles med.
- Mikrobølgeovnen er beregnet på oppvarming av

1 Viktige sikkerhets- og miljø instruksjoner

- mat og drikke. Tørking av mat eller klær og oppvarming av varmeputer, tøfler, svamper, fuktig klut og lignende kan føre til fare for personskade, antennelse eller brann.
- Ikke plasser gjenstander mellom frontsiden og ovnsdøren. Ikke la rester av smuss eller rengjøringsmiddel bygge seg opp på lukkeflatene.
 - Alt servicearbeid som involverer fjerning dekselet som gir beskyttelse mot eksponering for mikrobølgeenergi, må utføres av autoriserte personer/verksteder. Enhver annen tilnærming er farlig.
 - Produktet ditt er beregnet på matlaging, oppvarming og tining av mat hjemme. Det må ikke brukes til kommersielle formål.
 - Ovnen din er ikke designet for å tørke noe levende vesen.
 - Ikke bruk apparatet til å tørke klær eller kjøkkenhåndklær.
 - Ikke bruk apparatet uten dørs, i bad, fuktige miljøer eller på steder der det kan bli vått.
 - Det skal ikke påtas noe ansvar eller garantikrav for skader som oppstår som følge av feil bruk eller feil håndtering av apparatet.
 - Forsøk aldri å demontere apparatet. Ingen garantikrav godtas for skader forårsaket av feil håndtering.
 - Bruk bare originale deler eller deler anbefalt av produsenten.
 - Ikke la dette apparatet være uten tilsyn mens det er i bruk.
 - Bruk alltid apparatet på en stabil, flat, ren, tørr og sklisikker overflate.
 - Apparatet skal ikke betjenes med et eksternt klokkeur eller separat fjernkontrollsystem.

1 Viktige sikkerhets- og miljø instruksjer

- Før du bruker apparatet for første gang, må du rengjøre alle delene. Se detaljene gitt i "Rengjøring og vedlikehold"-delen.
 - Bruk apparatet til det tiltenkte formål kun som beskrevet i denne håndboken.
 - Apparatet blir veldig varmt mens det er i bruk. Vær oppmerksom på ikke å berøre de varme delene inne i ovnen.
 - Ikke bruk ovnen tom.
 - Kokekar kan bli varme på grunn av varmen som overføres fra den oppvarmede maten til redskapet. Du trenger kanskje ovenhansker for å holde redskapet.
 - Kjøkkenutstyr skal kontrolleres for å sikre at de er egnet for bruk i mikrobølgeovner.
 - Ikke plasser ovnen på komfyrer eller andre varmegenererende apparater.
- Ellers kan den bli skadet og garantien ugyldig.
- Damp kan komme ut mens du åpner dekslene eller folien etter tilberedning av maten.
 - Apparatet og dets tilgjengelige overflater kan være veldig varme når apparatet er i bruk.
 - Dør og ytterglass kan være veldig varme når apparatet er i bruk.
 - Forsikre deg om at strømforsyningen din er i samsvar med informasjonen som er gitt på apparatets typeskilt.
 - Den eneste måten å koble apparatet fra strømforsyningen på er å fjerne strømpluggen fra stikkontakten.
 - Bruk bare apparatet med en jordet stikkontakt.
 - Bruk aldri apparatet hvis strømkabelen eller selve apparatet er skadet.
 - Ikke bruk dette apparatet

1 Viktige sikkerhets- og miljø instruksjoner

med en skjøteledning.

- Ikke berør apparatet eller støpselet med fuktige eller våte hender.
- Plasser apparatet slik at støpselet alltid er tilgjengelig.
- Unngå skade på strømkabelen ved ikke å klemme, bøye eller gni den på skarpe kanter. Hold strømkabelen borte fra varme overflater og åpen ild.
- Forsikre deg om at det ikke er fare for at strømkabelen kan trekkes ved et uhell eller at noen kan snuble over den når apparatet er i bruk.
- Koble fra apparatet før hver rengjøring og når apparatet ikke er i bruk.
- Ikke trekk i strømkabelen til apparatet for å koble den fra strømforsyningen, og vikle aldri strømkabelen rundt enheten.
- Ikke senk apparatet, strømkabelen eller støpselet i vann eller andre væsker. Ikke hold den under rennende vann.
- Når du varmer opp mat i plast- eller papirbeholdere, må du holde øye med ovnen på grunn av antennessmulighet.
- Fjern trådstrengene og/eller metallhåndtakene til papir- eller plastposer før du legger poser i ovnen.
- Hvis røyk blir observert, må du slå av eller koble fra apparatet hvis det er trygt å gjøre det, og holde døren lukket for å kvele eventuelle flammer.
- Ikke bruk mikrobølgeovn til oppbevaring. Ikke la papirvarer, kokemateriell eller mat være i ovnen når den ikke brukes.
- Innholdet i mateflasker og babymatkrukker bør røres eller ristes, og temperaturen kontrolleres før bruk, for å unngå brannskader.
- Dette apparatet er et

1 Viktige sikkerhets- og miljø instruksjoner

gruppe 2 ISM-utstyr. Gruppe 2 inneholder alt ISM-utstyr (industrielt, vitenskapelig og medisinsk) der radiofrekvensenergi med bevisst blir generert og/eller brukt i form av elektromagnetisk stråling for behandling av materiale, og gnisterosjonsutstyr.

- Utstyr av klasse B er egnet for bruk i hjemlige virksomheter og virksomheter som er direkte koblet til et lavspenningsforsyningsnett.
- Ikke bruk matolje i ovnen. Varm olje kan skade ovnens komponenter og materialer, og det kan til og med forårsake brannskader.
- Stikk hull mat med tykk skorpe slik som poteter, courgetter, epler og kastanjer.
- Apparatet må plasseres slik at baksiden vender mot veggen.

- Før du flytter apparatet, må du feste dreieskiven for å forhindre skade.
- Egg i skall og hele hardkokte egg må ikke varmes opp i mikrobølgeovner siden de kan eksplodere, selv etter at mikrobølgeoppvarming er avsluttet.

ADVARSEL: Hvis dør- eller dørpakningene er skadet, må ikke ovnen brukes før den er reparert av en kompetent person.

ADVARSEL: Det er farlig for andre enn en kompetent person å utføre service- eller reparasjonsoperasjoner som innebærer fjerning av et deksel som gir beskyttelse mot eksponering for mikrobølgeenergi.

ADVARSEL: Væsker og andre matvarer må ikke varmes opp i forseglede beholdere, siden de kan eksplodere.

- Ovnens skal rengjøres regelmessig og eventuelle matavlinger fjernes.
- Det skal være min 30 cm

1 Viktige sikkerhets- og miljø instruksjer

ledig plass over ovnens toppflate.

- Ikke overstek mat; det kan forårsake brann.
- Ikke bruk kjemikaliser eller dampassisterte rensere til å rengjøre apparatet.
- Ekstrem forsiktighet anbefales når det brukes i nærheten av barn og personer med begrensede fysiske, sensoriske eller mentale evner.
- Dette apparatet kan brukes av barn som er over 8 år og av personer som har begrenset fysisk, sensorisk eller mental kapasitet eller som ikke har kunnskap og erfaring, så lenge de blir overvåket med hensyn til sikker bruk av produktet, eller de blir instruert følgelig eller forstår risikoen ved bruk av produktet. Barn skal ikke leke med produktet. Rengjøring og brukervedlikehold skal ikke utføres av barn med mindre de er eldre enn 8

år og under tilsyn.

- **Fare for kvelning!** Hold alt emballasjemateriale unna barn.
- Hold produktet og strømkabelen utilgjengelige for barn under 8 år.
- Ikke stek mat direkte på glassbrettet. Sett maten i/på passende kjøkkenutstyr før du legger den i ovnen.
- Metalliske beholdere for mat og drikke er ikke tillatt under steking i mikrobølgeovn. Ellers kan gnister oppstå.
- Unnlatelse av å holde ovnen i ren tilstand kan føre til forringelse av overflaten. Dette kan påvirke levetiden til apparatet negativt og muligens resultere i en farlig situasjon.
- Apparatet skal ikke rengjøres med en damprens.
- Mikrobølgeoppvarming av drikkevarer kan forårsake forsinket, eksplosiv ko-

1 Viktige sikkerhets- og miljø instruksjer

king. Det må derfor utvises forsiktighet når man håndterer drikkebeget.

- **ADVARSEL:** Når enheten brukes i kombinasjonsmodus, skal enheten kun brukes av barn under overoppsyn av voksne, grunnet temperaturene som skapes.
- **Rengjøring:** Ikke plasser apparatet i vann eller andre væsker. Rengjør huset kun med en svamp/klut fuktet i varmt såpevann. Ikke bruk sterke, skurende rengjøringsmidler. Se avsnitt **Rengjøring** og **Oppbevaring** for detaljerte rengjøringsinstruksjoner.

1.2 Samsvar med WEEE-direktivet og Deponering av avfallsproduktet:

Dette produktet er i samsvar med EU-direktivet som omhandler elektronisk og elektrisk utstyr (2012/19/EU). Dette produktet har et klassifiseringsymbol for sortering av avfall elektrisk og elektronisk utstyr (WEEE).



Dette symbolet indikerer at dette produktet ikke skal kastes med annet husholdningsavfall ved slutten av levetiden.

Brukt enhet må returneres til offisielt innsamlingssted for gjenvinning av elektriske og elektroniske enheter. For å finne disse innsamlingsstedene, vennligst kontakt din lokale myndighet eller forhandler der produktet ble kjøpt. Hver husholdning utfører en viktig rolle i gjenvinning og gjenvinning av gammelt apparat. Passende avhending av brukt apparat bidrar til å forhindre potensielle negative konsekvenser for miljøet og menneskers helse.

1.3 Samsvar med RoHS-direktivet:

Produktet du har kjøpt er i samsvar med EU-RoHS-direktivet (2011/65/EU). Det inneholder ingen farlige eller forbudte substanser som er angitt i direktivet.

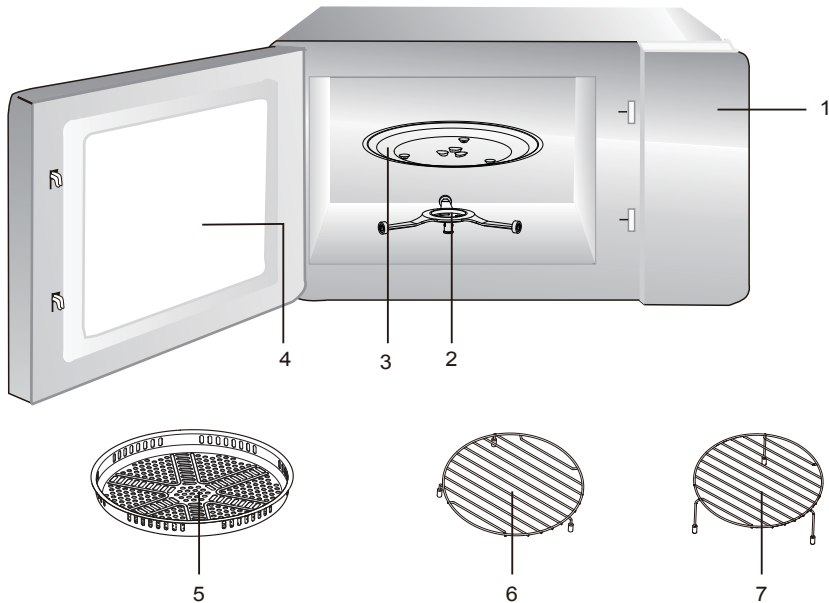
1.4 Pakningsinformasjon



Produktpakningen er laget av gjenvinnbare materialer i samsvar med våre nasjonale miljøforskrifter. Ikke kast emballasjen sammen med husholdningsavfall eller annet avfall. Ta dem med til miljøstasjoner som er opprettet av lokale offentlige myndigheter.

2 Mikrobølgeovnen din

2.1 Oversikt



1. Kontrollpanel
2. Montering av rotasjonsplate
3. Glassbrett
4. Ovnsvindu
5. Bakefat (Kan ikke brukes i sammenheng med mikrobølgefunksjonen og kan plasseres på bakestativet)
6. Nedre Nettingstativ (For mikrobølgeovnen og for baking og steking i ovnen.)
7. Øvre nettingstativ (for grilling, dvs. biffer, pølser og for å riste brød. Brukes som støtte for flate tallerkener.)

2.2 Tekniske data

Modell	MCF 26310 BAF
Spenning / Frekvens	230V~ 50Hz
Nominelt inntak - Mikrobølgeovn	1450W
Nominelt uttak - Mikrobølgeovn	900W
Grill	1000W
Konveksjon	2100W
Mikrobølgefrekvens	2450MHz
Rotasjonsplattens diameter	288 mm
Eksterne dimensjoner	495 x 424 x 290 mm
Ovnens kapasitet	27 L

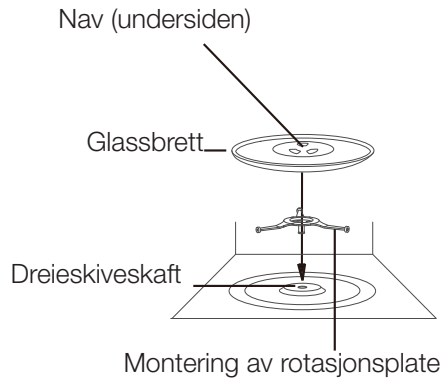
Tekniske rettigheter og designendringer-rettigheter er forbeholdt.

Merkinger på produktet eller verdiene som er angitt i andre dokumenter levert med produktet er verdier oppnådd under laboratorieforhold i henhold til relevante standarder. Disse verdiene kan variere avhengig av bruken av apparatet og omgivelsesforholdene. Effekter verdier testes ved 230V.

2 Din mikrobølgeovn

2.3 Installasjon av rotasjonsplaten

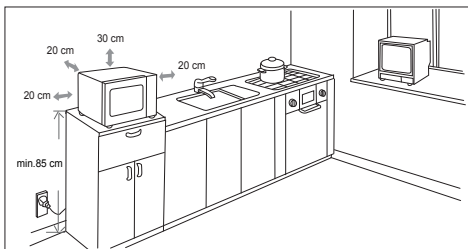
- Sett aldri glassplaten opp ned. Rotasjonsplaten må aldri begrenses.
- Både rotasjonsplaten og rotasjonsplatestøtten må alltid brukes under tilberedning.
- All(e) mat og beholdere med mat må alltid plasseres på glassbrettet for matlaging.
- Dersom rotasjonsplate eller rotasjonsplatestøtten sprekker eller går i stykker, må nærmeste autoriserte servicesenter kontaktes.



3 Montering

3.1 Montering

- Fjern all emballasje og alle løse gjenstander. Undersøk ovnen for skader som bulker eller brist i døren. Monter ikke ovnen dersom den er skadd.
- Fjern all beskyttelsesfilm som fins på mikrobølgeovnen's overflate.
- Fjern ikke det lysebrune dekket som dekker ovnens innside for å beskytte magnetronen.
- Velg en jevn overflate som gir nok plass til inntak/ventilåpninger.



- Minste installasjonshøyde er 85 cm.
- Bakre overflate på apparatet skal være plassert mot en vegg. La minste klare-

ring over ovnen være 30 cm, og 20 centimeter på alle de andre ytterkantene.

- Fjern ikke føttene fra bunnen av ovnen.
- Blokkering av inntak og/eller utløpsventiler kan skade ovnen.
- Plassér ovnen så langt unna radioapparater og TVer som mulig. Bruk av mikrobølgeovnen kan medføre forstyrrelser på radioapparater og TV-apparatets mottak. 2. Plugg ovnen inn i en standard stikkontakt. Sørg for at spenning og frekvens tilsvarer de opplysninger som gis på graderingsskiltet.



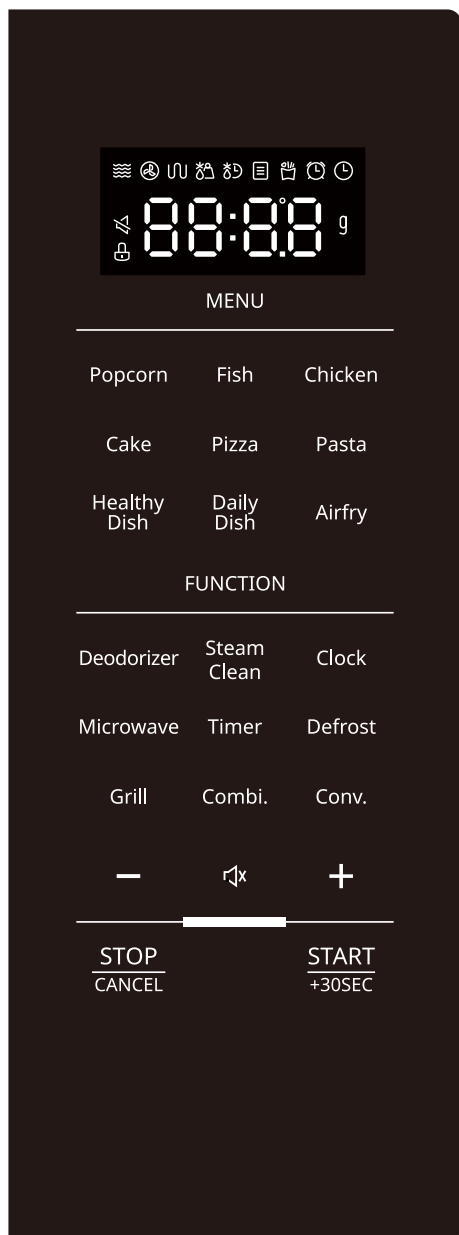
ADVARSEL: Unngå å installere ovnen over kokeflaten på en komfyr eller andre gjenstander som avgir varme. Dersom installert nær eller over en varmeoverflate kan ovnen bli skadd - og garantien kan bli ugyldiggjort.



Den tilgjengelige overflaten kan bli varm under bruk.

4 Betjening

4.1 Kontrollpanel



Display

Koketid, effekt, indikatorer og klokketid vises.

	Mikrobølge
	Konveksjon
	Grill
	Tining ihht vekt
	Tining ihht tid
	Autotilberedningsmeny
	Luftgrill
	Alarm
	Klokke/Barnesikring
	Demper
	Barnesikring
	Gram
	Temperatur

Meny

- **Automodus-knapp:** Automatinnstillinger for tilberedning av populære retter.

Funksjon

- **Deodorizer:** Trykk her for å fjerne matduft i mikrobølgeovnen.
- **Steam Clean:** Trykk her for å rengjøre ovnen med damp.
- **Clock:** Trykk her for å stille klokken. Brukes også for å stille barnesikring.
- **Microwave:** Trykk for å stille mikrobølgeeffekten.
- **Timer:** Trykk for å stille inn alarmtidspunktet.
- **Defrost:** Trykk for å tine mat basert på tid/vekt.
- **Grill:** Trykk for å stille inn grillfunksjonen.

4 Betjening

- **Combi.:** Trykk for å stille inn mikrobølgeovnen, grill eller kokeprogrammet for konveksjonskombinasjon.
- **Conv.:** Trykk for å stille inn konveksjonsfunksjonen.
- **-/+ :** Trykk for å stille inn tid. Trykk lenge for å minke/øke hastigheten.
- **Dempe - **: Trykk for å dempe
- **STOP / CANCEL:** Trykk for å pause/avbryte alle innstillinger. Trykk to ganger for å skru av skjermbildet
- **START / +30SEC:** Trykk for å starte/bekreft alle innstillinger. Trykk for hurtigkoking i standbymodus

Når mikrobølgeovnen først slås på, vises skjermbildet "0:00" og summeren gir fra seg en lyd en gang før den går i standbymodus.

4.2 Klokkeinnstilling

1. I ventemodus trykk en gang på "Clock" og så viser skjermen "00:00". Timetallet blinker.
2. Trykk "+/-" for å justere timetallet. Tiden skal vises fra 0 til 23.
3. Trykk "Clock" for å bekrefte, og minuttallet blinker
4. Trykk "+/-" for å justere minuttallet. Tiden skal vises fra 0 til 59.
5. Trykk "Clock" for å fullføre klokkeinnstillingene.



- Klokken virker ikke dersom den ikke blir stilt mens den er påslått.
- Dersom du ikke trykker "Clock" etter trinn 4, innen 5 minutt, vender ovnen automatisk tilbake til foregående status.

4.3 Kjøkkenur

1. I ventemodus trykk en gang på "Timer" og så viser skjermen "0: 00".
2. Trykk "+/-" for å justere tiden. Maksverdien er 95:00.
3. Trykk START/+30SEC for å bekrefte.



Mens kjøkkenuret brukes virker ikke de andre programmene.

4.4 Mikrobølgsteking

1. I ventemodus, trykk "Microwave" og "P100" vises.
2. Trykk "+/-" eller trykk "Microwave" gjentatte ganger for å stille effekten. Tilgjengelige innstillinger er "P100, P90, P80, P70, P60, P50, P40, P30, P20, P10".
3. Trykk "START/+30SEC" for å bekrefte. Standardtid 15:00 vises..
4. Trykk "+/-" for å stille inn steketiden. Maksverdien er 95:00.
5. Trykk på "START/+30SEC" for å starte tilberedningen.

4.5 Grilling

1. Trykk "Grill" en gang og skjermen viser "G".
2. Trykk "START/+30SEC" for å bekrefte. Standardtid 15:00 vises..
3. Trykk "+/-" for å stille inn steketid. Maksverdien er 95:00.
4. Trykk på "START/+ 30SEC" for å starte tilberedningen.

4 Betjening



- Når halvparten av grilltiden er over, gir ovnen et lydsignal for å minne deg på å vende maten. For å få bedre effekt ved grilling av mat, bør du vende maten, lukke døren og deretter trykke på START/+30SEC for å fortsette tilberedningen. Dersom du ikke griper inn, fortsetter steking.
- Når du øker eller senker tilberedningstiden under tilberedningen blir ikke halvtidsmerkingen påvirket.

4.6 Konveksjonstilberedning

1. Trykk "Conv." en gang og skjermen viser "150°C".
2. Trykk "Conv." gjentatte ganger for å velge temperatur fra 150°C til 240°C.
3. Trykk "Start/+30SEC." for å bekrefte temperaturen. Dersom du trykker "START/+30SEC" igjen og ovnen begynner forhåndsoppvarming. Når forhåndsoppvarmingen er nådd gir ovnen to summelyder. Du kan åpne ovnsdøren og plassere mat i den.
4. Eller trykke "+/-" for å stille inn steketid manuelt. Maksverdien er 95:00.
5. Trykk på "START/+30SEC" for å starte tilberedningen.

4.7 Kombinasjonssteking

1. Trykk "Combi" en gang og skjermen viser "C-1", og trykk "Combi" flere ganger for å velge den effekten du ønsker og skjermen viser "C-1, C-2, C-3 eller C-4"
2. Trykk "START/+30SEC" for å bekrefte. Standardtid 15:00 vises.
3. Trykk "+/-" for å stille inn steketid. Maksverdien er 95:00.
4. Trykk på "START/+ 30SEC" for å starte tilberedningen.

Instruksjoner om kombinasjonseffekt	Instruksjonsskjerm	Mikrobølge	Grill	Konveksjon
1	C-1	•		•
2	C-2	•	•	
3	C-3		•	•
4	C-4	•	•	•

4.8 Tining ihht vekt

1. I ventemodus trykk en gang på "Defrost" så viser skjermen "dEF1".
2. Trykk på "START/+30SEC" for å bekrefte, 100 g vises.
3. Trykk "+/-" for å stille tinevekten mellom 100~2000g.
4. Trykk på "START/+30SEC" for å starte tiningen.



Summeren gir lyd fra seg for å minne deg om å vende maten under tiningen.

4 Betjening

4.9 Tining ihht tid

1. I ventemodus trykk to ganger på "Defrost" så viser skjermen "dEF2".
2. Trykk på "START/+30SEC" for å bekrefte, 15:00 vises.
3. Trykk "+/-" for å stille inn tiningstid. Maksverdien er 95:00.
4. Trykk på "START/+30SEC" for å starte tiningen.



Summeren gir lyd fra seg for å minne deg om å vende maten under tiningen.

4.10 Flertrinnsstilberedning

To trinn kan stilles maksimalt. Dersom ett trinn er tining, bør den settes i første trinn automatisk. Summeren vil ringe en gang etter hvert trinn og neste trinn vil begynne. Tidsinnstilling: Auto-meny og hurtigsteking kan ikke angis som ett av flertrinnsene.

Eksempel: Dersom du vil tine maten i ti minutter, må du grille i 10 minutter og 30 sekunder. Du kan følge disse trinnsene.

1. Trykk "Defrost" to ganger, skjermen vil vise "dEF2".
2. Trykk på "START/+30SEC" for å bekrefte, 15:00 vises.
3. Trykk "+/-" for justere opptiningstiden til 10:00 Display.
4. Trykk "Grill" en gang, "G" viser, trykk "START/+30SEC" for å bekrefte.
5. Trykk "+/-" for justere grilletid til 10:00 vises.
6. Trykk på "START/+ 30SEC" for å starte tilberedningen.

4.11 Hurtig mikrobølgekokning

I standbystatus, trykk "START+30SEC" for å starte steking med 100% effekt di-

rette i 30 sekunder.

4.12 Barnesikring

Lås: I standbystatus. Trykk "Clock" i tre sekunder. Summeren gir fra seg en lyd for å slå inn barnesikringen og låsindikatoren lyser.

Opplåsning: I låst stilling, trykk "Clock" i tre sekunder. Summeren gir lyd for å angi at låsen er åpnet, og låsindikatoren forsvinner.

4.13 Duftfjerner

1. I Standbystatus, trykk "Deodoriser", og skjermen viser "dE".
2. Trykk på "START/+30SEC" for å starte funksjonen.

4.14 Damprensing

1. I Standbystatus, trykk "Steam Clean", og skjermen viser "SC".
2. Trykk på "START/+30SEC" for å starte funksjonen.



Hell inn like deler vann i en mikrobølgesikker skål med stor åpning. Når programmet er kjørt, tørk av den dampede overflaten med en ren klut/svamp for å fjerne matresten og duftrester fra overflaten.

4.15 Sunnhetstilberedning

1. I ventemodus, trykk "Healthy Dish" en gang og "Hd01" vises.
2. Trykk "Healthy Dish" gjentatte ganger for å velge meny fra "Hd01" til "Hd05".
3. Trykk "START/+30SEC" for å bekrefte undermenyen. Gjeldende vekt eller porsjonsmenyen vises.
4. Trykk "+/-" for å stille inn vekt eller porsjoner.

4 Betjening

5. Trykk på "START/+ 30SEC" for å starte tilberedningen.

Helsekostoversikt

MENY/skjerm	Vekt/Skjerm	Tid (min' sek")	Effekt
Hd01 Quinoa	100g	3'00"/15'00"	P100/P50
	200g	5'00"/15'00"	
Hd02 Couscous	200g	4'00"/8'00"	P100/P50
	300g	5'00"/10'00"	
Hd03 Makaroni	100g	10'00"	P80
	200g	12'00"	
Hd04 Brun ris/Villris	200g	5'30"/25'00"	P100/P50
	300g	8'00"/30'00"	
Hd05 Havregrøt	2 porsjoner	3'30"/3'30"	P100/P50
	4 porsjoner	5'30"/5'30"	

4.16 Daglig servering

1. I ventemodus, trykk "Daily Dish" en gang og "dd01" vises.

2. Trykk "Daily Dish" gjentatte ganger for å velge meny fra "dd01" til "dd05".

3. Trykk "START/+30SEC" for å bekrefte undermenyen. Gjeldende vekt eller porsjonsmenyen vises."

4. Trykk "+/-" for å stille inn vekt eller porsjoner.

5. Trykk på "START/+ 30SEC" for å starte tilberedningen.

Daglig serveringsoversikt

MENY/skjerm	Vekt/Skjerm	Tid (min' sek")	Effekt
dd01 Frosne erter	200g	4'00"	P100
	400g	7'00"	
dd02 Frosne blanding Grønnsak	200g	4'00"	P100
	400g	7'00"	
dd03 Frossen brokkoli	200g	5'00"	P100
	400g	8'00"	
dd04 Fersk spinat	200g	2'30"	P100
	400g	4'30"	
dd05 Frosne voksbønner	200g	5'00"	P100
	400g	8'00"	
dd06 Poteter uten skall	400g	6'00"	P100
	800g	10'00"	

4 Betjening

dd07 Poteter med skall	2(~ 200g/per stk)	8'30"	P100
	4(~ 200g/per stk)	15'00"	
dd08 Frossen lasagne	300g	15'00"	C-1
	600g	20'00"	
dd09 Kyllingbryst til grilling	200g	16'00"	Grill 60% + Konv.: 240°C
	400g	20'00"	
dd10 Lammekarrét	900g	35'00"	C-4
dd11 Roastbiff	900g	35'00"	C-4
dd12 Grillet hvitløksbrød	200g	9'00"	C-4

4.17 Auto-meny

Sett for eksempel fiskemenyen til 350g;

1. I ventemodus, trykk "Fish" en gang og "150g" vises.

2. Trykk "Fish" gjentatte ganger til 350 gram vises.

3. Trykk på "START/+30SEC" for å starte tilberedningen.

Menyoversikt

MENY/skjerm	Vekt/Skjerm	Tid (min' sek")	Effekt
A01 Popcorn	50g	1'40"	P100
	100g	2'00"	
A02 Fisk	150g	3'00"	P80
	250g	4'00"	
	350g	5'30"	
	450g	6'30"	
	650g	8'30"	
A03 Kylling	500g	29'00"	C-4 (pipelyd angir at maten må vendes)
	750g	34'00"	
	1000g	39'00"	
	1200g	44'00"	
A04 Kake	475g	60'00"	Forhåndsoppvarming 160°C / Konv.160°C
A05 Pizza	100g	8'00"	C-4
	200g	10'00"	
	300g	12'00"	

4 Betjening

A06 Pasta	50g (kaldt vann 450g)	18'00"	P80
	100g (kaldt vann 800g)	20'00"	
	150g (kaldt vann 1200g)	22'00"	



- Summeren gir lyd fra seg for å minne deg om å vende maten under kyllingmenyen.
- I Kakemenyen begynner ovnen med forhåndsoppvarming, når denne temperaturen er nådd lyder summeren to ganger. Du kan åpne ovnsdøren og plassere mat i den. Trykk på "START/+30SEC" for å starte tilberedningen.

4.18 Luftgrill

1. I ventemodus, trykk "Airfry" gjentatte ganger for å velge meny, og "AF01~AF10" vises i rekkefølge.

2. Trykk på "START/+30SEC" for å starte tilberedningen.

MENY/skjerm	Vekt/Skjerm	Tid (min' sek")	Effekt
AF01 Frossen Pommes Frites	300g	6'00"/16'00"	G-100% + Konv.-240°C / G-60% + Konv.-240°C
AF02 Frosne potetbåter	450g	15'00"/15'00"	G-100% + Konv.-240°C / G-60% + Konv.-240°C
AF03 Frosne kyllingnuggets	350g	22'00"	G-60% + Konv.-240°C
AF04 Frossen Calamari	250g	16'00"	G-60% + Konv.-240°C
AF05 Frosne Løkringer	250g	16'00"	G-60% + Konv.-240°C
AF06 Frosne panerte reker	250g	18'00"	G-60% + Konv.-240°C
AF07 Frosne kyllingfiléer	400g	24'00"	G-60% + Konv.-240°C
AF08 Grillede ferske fiskefiléer	300g	18'00"	G-60% + Konv.-240°C
AF09 Frosne (Buffalo-) Kyllingvinger	420g	22'00"	G-60% + Konv.-240°C
AF10 Frosne kyllingfiléer	500g(~ 70g/ per stk)	28'00"	G-60% + Konv.-240°C



Summeren gir lyd fra seg for å minne deg om å vende maten under tiningen.

5 Rengjøring og vedlikehold

5.1 Rengjøring



ADVARSEL: Bruk aldri bensin, løsemiddel, slipende rengjøringsmidler, metallgjenstander eller harde børster for å gjøre apparatet rent.



ADVARSEL: Senk aldri apparatet eller dets ledning ned i vann eller noen væske.

1. Slå av apparatet og koble strømstøpselet fra vegguttaket.
2. Vent til apparatet er helt avkjølt.
3. Hold ovnen ren innvendig. Tørk av ovnen med en fuktig klut hvis matsprut eller væskesøl sitter fast på veggene i ovnen. Hvis ovnen blir svært skitten kan du bruke et mildt rengjøringsmiddel. Unngå bruk av sprayer og andre kraftige rengjøringsmidler. Disse kan gi flekker og merker, og endre døroverflates gjennomskinnelighet.
4. Ovnens utvendige overflater skal rengjøres med en fuktig klut. Vann må ikke komme inn i ventilasjonsåpningene, for å hindre skade på delens driftskomponenter.
5. Tørk av begge sider av døren og glasset, dørpakninger og delene rundt pakningene ofte med en fuktig klut, for å fjerne flekker fra overkoking og annet søl. Ikke bruk slipende rengjøringsmidler.
6. En damprenser brukes ikke.
7. Sørg for at kontrollpanelet ikke blir vått. Rengjør med en myk, fuktig klut. La døren på ovnen stå åpen for å hindre utilsiktet start av ovnen under rengjøring av kontrollpanelet.
8. Hvis det samler seg damp inni ovnen eller rundt ovnsdøren tørker du den bort med en myk klut. Dette kan opp-

stå når mikrobølgeovnen brukes under forhold med høy fuktighet. Dette er normalt.

9. En gang i blant må glassfatet tas ut og rengjøres. Vask fatet i varmt såpevann eller i oppvaskmaskin.
10. Rulleringen og bunnen i ovnen må rengjøres regelmessig for å hindre mye støy. Det er tilstrekkelig å tørke av flaten i bunnen av ovnen med et mildt rengjøringsmiddel. Rulleringen kan vaskes i varmt såpevann eller i oppvaskmaskin. Når du tar ut rulleringen for rengjøring, må du passe på at du setter den på plass igjen på riktig sted.
11. For å fjerne vondt lukt fra ovnen, setter du et glass vann med saft og skall fra en sitron i en dyp bolle som tåler mikrobølgeovn, inn i ovnen og kjører den i fem minutter i mikrobølgemodus. Tørk av grundig, og tørk med en myk klut.
12. Hvis lampen i ovnen må skiftes ut, må du kontakte et autorisert verksted.
13. Apparatet skal ikke kastes sammen med husholdningsavfall. Gamle ovner skal leveres på kommunale innsamlingspunkter.
14. Når mikrobølgeovnen med grillfunksjon brukes første gang, kan den gi fra seg noe røyk og lukt. Dette er helt normalt fordi ovnen er laget av stålplater som er behandlet med beskyttende oljer, og den nye ovnen produserer duft og røyk fra oljen. Dette fenomenet forsvinner etter en tids bruk.

5.2 Oppbevaring

- Hvis du ikke har tenkt å bruke apparatet på lang tid, vennligst vær nøye med hvordan du oppbevarer det.

5 Rengjøring og vedlikehold

- Vennligst sørg for at apparatet er koblet fra, avkjølt og helt tørt.
- Oppbevar apparatet på et tørt og kjølig sted.
- Hold apparatet utilgjengelig for barn.

5.3 Håndtering og transport

- Oppbevar apparatet i originalemballasjen under håndtering og transport. Emballasjen beskytter apparatet mot fysiske skader.
- Legg ikke tunge gjenstander på apparatet eller på emballasjen. Apparatet kan bli skadet.
- Hvis apparatet mistes, f.eks. i gulvet, kan det slutte å virke eller få permanente skader.

6 Feilsøking

Normal	
Mikrobølgeovn forstyrrer TV-mottaket	Radio- og TV-mottak kan bli forstyrret når mikrobølgeovnen er i bruk. Det ligner forstyrrelsen som forårsakes av små elektriske apparater, slik som blandere, støvsugere og elektriske vifter. Det er normalt.
Ovnenslyset er dimmet	Ved mikrobølgsteking med lav effekt kan ovnslyset dimmes. Det er normalt.
Damp som samler seg på døren, varm luft som kommer ut av ventilasjonsåpningene	Under steking kan det oppstå damp fra maten. Det meste av denne dampen vil komme ut av ventilasjonsåpninger. Men noe kan samle seg på et kjølig sted som f.eks. en ovnsdør. Det er normalt.
Ovn startet ved et uhell uten mat i den.	Det er ikke tillatt å kjøre apparatet uten mat inni. Det er veldig farlig.

Problem	Mulig årsak	Løsning
Ovnen kan ikke startes	1) Strømkabel er ikke riktig koplet til.	Trekk den ut. Plugg den deretter inn igjen etter 10 sekunder.
	2) Sikring er sprenget eller effektbryter aktivert.	Bytt ut sikring eller tilbakestill effektbryter (må repareres av profesjonelt personell i selskapet vårt).
	3) Problem med stikkontakt.	Test stikkontakten med andre elektriske apparater.
Ovnen varmer ikke.	4) Døren er ikke ordentlig lukket.	Lukk døren ordentlig.

Läs den här bruksanvisningen först!

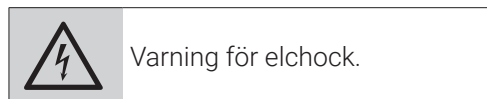
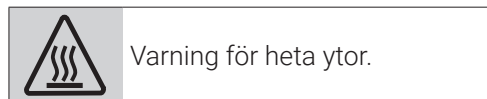
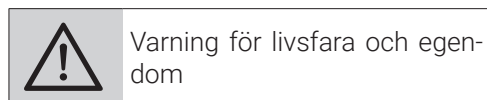
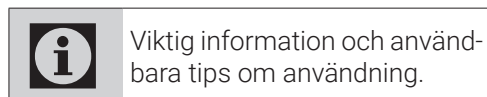
Kära kund,

Tack för att du valt denna Beko-produkt. Vi hoppas att du får det bästa resultatet från din apparat som har tillverkats med hög kvalitet och den senaste tekniken i världsklass. Läs därför hela bruksanvisningen och alla andra medföljande dokument noga innan du använder apparaten och förvara dem som referens för framtida bruk. Om du överlämnar apparaten till någon annan, ge även instruktionsboken. Följ instruktionerna genom att uppmärksamma all information och varningar i bruksanvisningen.

Kom ihåg att denna bruksanvisning även kan gälla för flera andra modeller. Skillnader mellan modellerna är tydligt angivna i bruksanvisningen.

Symbolernas betydelse

Följande symboler används i de olika delarna av bruksanvisningen:



1 Viktiga säkerhets- och miljöinstruktioner

Viktiga säkerhetsinstruktioner Läs noggrant och spara för kommande behov

1.1 Säkerhetsvarningar

Den här delen innehåller säkerhetsinstruktioner som kommer hjälpa dig att skydda dig ifrån risken av brand, elchock, exponering till läckande mikrovägsenergi, personskada eller egendomsskada. Underlåtelse att följa dessa instruktioner kommer att häva alla garantier.

- Beko mikrovägsugnar följer gällande säkerhetsföreskrifter. Vid skada eller om strömkabeln skadas kontakta direkt återförsäljaren eller servicecenter. Felaktig eller okvalificerad reparation kan medföra fara för användaren.
- Den här apparaten är avsedd att användas i ett hushåll eller i liknande an-

vändande såsom:

- personalkök i affärer, kontor och andra arbetsmiljöer;
- bondgårdar
- kunder på hotell, motell och andra boendemiljöer;
- Rum och frukost-miljöer.
- Mikrovägsugnen är avsedd att användas fristående.
- Den är inte avsedd för kommersiellt eller laboratoriebruk.
- Försök inte att starta ugnen, med dess lucka öppen; du kan exponeras till farlig mikrovägsenergi. Säkerhetslåsen ska inte kopplas ur eller mixtras med.
- Mikrovägsugnen är avsedd till värmning av mat och drycker. Torkning av mat eller kläder och uppvärmning av värmekuddar, tofflor, svampar, fuktiga

1 Viktiga säkerhets- och miljöinstruktioner

trasor och motsvarande kan leda till personskada eller brandfara.

- Placera inga föremål mellan ugnens framsida och lucka. Låt inte smuts eller rengöringsmedelrester samlas i stängningsytorna.
- All service, som innehåller borttagning av skyddet mot exponering av mikro vågsenergi måste utföras av auktoriserad person. Alla andra åtgärden kan vara farliga.
- Produkten är ämnad för kokning, uppvärmning och smältning av mat hemma. Den får inte användas till kommersiellt bruk.
- Ugnen är inte ämnad till att värma levande varelser.
- Använd inte apparaten till torkning av kläder eller kökshanddukar.
- Använd inte apparaten utomhus, badrum, fuktiga miljöer eller platser där

den kan bli blöt.

- Ingen ansvar eller garanti-anspråk kan åberopas för skador som uppstår av missbruk eller felaktig användning av produkten.
- Försök inte att demontera enheten. Inga garantianspråk godkänns för felaktigt använd apparat.
- Använd bara originalreservdelar eller reservdelar rekommenderade av tillverkaren.
- Lämna inte enheten utan övervakning, när den är på.
- Använd alltid apparaten på en stabil, jämn, ren, torr och halksäker yta.
- Apparaten är inte avsedd att användas med extern timer eller ett separat fjärrkontrollsystem.
- Rengör alla delar, innan första användning. Se informationen i sektionen "Rengöring och underhåll".
- Använd apparaten till dess avsedda bruk och i enligt

het med denna bruksanvisning.

- Apparaten blir het under användning. Rör inte i heta delar inne i ugnen.
- Använd inte ugnen tom.
- Matlagningsredskapen kan bli heta, beroende på värme som överförs från värmd mat. Du kan behöva att använda handskar till att hålla redskapet.
- Redskapen ska kontrolleras så, att de passar till användning i mikrovågsugn.
- Placera inte ugnen på spisar eller andra värmealstrande apparater. Den kan skadas och garantin hävas.
- Ånga kan komma ut när lock eller folie öppnas efter användning.
- Apparaten och dess ytor kan bli mycket heta under användning.
- Luckan och yttre glaset kan bli mycket heta under användning.
- Se till, att strömtillförseln överensstämmer med informationen på apparatens typskylt.
- Enda sättet att koppla ur apparaten från strömförsörjningen är att koppla ut stickkontakten ur vägguttaget.
- Använd apparaten endast med jordad vägguttag.
- Använd inte enheten, om strömkabeln eller själva enheten är skadad.
- Använd inte apparaten med förlängningssladd.
- Rör aldrig i apparaten eller dess stickkontakt med fuktiga eller blöta händer.
- Apparaten ska installerats så, ett kontakten är tillgänglig.
- Förhindra att strömkabeln skadas genom att inte klämma, böja eller låta den skava mot vassa kanter. Håll strömkabeln borta från heta ytor och öppen

1 Viktiga säkerhets- och miljöinstruktioner

eld.

- Se till, att strömkabeln inte kan kopplas ur oavsiktligt eller att man kan snava på den, när apparaten används.
- Koppla ur apparaten före rengöring och när den inte används.
- Koppla inte ur stickkontakten genom att dra i kabeln, och vira inte strömkabeln runt apparaten.
- Sänk inte apparaten, strömkabeln eller stickkontakten i vatten eller andra vätskor. Håll den inte under rinnande vatten.
- När mat i plast- eller pappersbehållare värms, håll ett öga på ugnen pga. möjlig tändningsfara.
- Ta bort metalltrådar eller handtag från pappers- eller plastpåsar, innan de placeras i ugnen.
- Om rök uppstår, stäng av och koppla ur apparaten om det är säkert att göra detta, och låt dörren vara stängd för att kväva lågorna.
- Använd inte mikrovågsugnen till förvaring. Lämna inte pappersföremål, matlagningsmaterial eller mat i ugnen när den inte används.
- Nappflaskor och barnmatburkar ska skakas eller röras om och temperaturen kontrolleras innan konsumtion, för att undvika brännskador.
- Denna apparat är en Grupp 2 Klass B ISM enhet. Grupp 2 innehåller alla ISM (Industriella, Vetenskapliga och Medicinska) enheter, i vilka radiofrekvensenergi genereras och/eller används i form av elektromagnetisk strålning för behandling av material och gnistbehandlingsmaskiner.
- Klass B apparater passar till hushållsanvändning direkt anslutna till lågspänningsströmförsörjning.

- Använd inte matlagningsoolja i ugnen. Het olja kan skada ugnens komponenter eller material och orsaka även brännskada.
 - Gör hål i mat med tjockt skal, så som potatis, zucchini, äpplen och kastanjer.
 - Apparaten måste placeras så, att baksidan är vänd mot väggen.
 - Fäst vändskivan för att undvika skada, innan apparaten flyttas.
 - Ägg i skal och hårdkokta ägg ska inte värmas i mikrovågsugn, då de kan explodera, även efter uppvärmningen har avslutats.
- WARNING:** Om luckan eller dess tätning är skadad, får ugnen inte användas, innan kompetent person har lagat dessa.
- WARNING:** Det är farligt, om annan än en kompetent person utför reparationer eller underhåll, som innehåller borttagning av höljen, som skyddar mot exponering till mikrovågsenergi.
- WARNING:** Vätskor och mat får inte värmas i slutna behållare, då de kan explodera.
- Ugnen ska rengöras regelbundet och matrester avlägsnas.
 - Minst 30 cm ledigt utrymme ska finnas ovanför apparaten.
 - Överkoka inte maten, detta kan leda till brandfara.
 - Använd inte kemikalier eller ångtvätt till att rengöra apparaten.
 - Vi uppmanar till försiktighet, om apparaten används nära barn eller personer, med begränsad fysisk, sensorisk eller mental kapacitet.
 - Denna produkt kan användas av minst 8-åriga barn och personer med begränsad fysisk, sensorisk eller mental kapacitet, eller

1 Viktiga säkerhets- och miljöinstruktioner

som saknar erfarenhet eller kännedom förutsatt, att de är övervakade eller utbildade till att använda produkten på ett säkert sätt och förstår riskerna med detta. Barn ska inte leka med apparaten. Rengörings och underhållsarbete ska inte utföras av barn såvida de inte är över 8 år och övervakas av någon.

- **Kvävningsfara!** Håll förpackningsmaterial borta från barn.
- Placera apparaten och strömkabeln så, att barn under 8 år inte kan nå dessa.
- Laga inte mat direkt på glasunderlägget. Lägg maten i / på lämplig köksredskap innan den placeras i ugnen.
- Metallbehållare för mat eller drycker får inte användas i mikrovågsugnen. Detta kan leda till gnistbildning.

- Om ugnen inte hålls ren kan det leda till att ytan försämras, vilket kan påverka apparatens livslängd negativt och eventuellt leda till en farlig situation.
- Apparaten får inte rengöras med en ångrengörare.
- Uppvärmning av drycker i mikrovågsugn kan leda till fördröjd kokning och därför måste man vara försiktig när man hanterar behållaren.
- **VARNING:** När apparaten används i kombinationsläge bör barn endast använda ugnen under uppsikt av en vuxen på grund av de temperaturer som uppstår.
- **Rengöring:** Inte placera apparaten i vatten eller andra vätskor. Rengör höljet endast med svamp/trasa, som blötts med varm såpvatten. Använd inte starka, skrapande rengöringsmedel. Se detaljerade rengöringsinstruktioner i kapitel

Rengöring och Förvaring.

1.2 I enlighet med WEEE-direktivet för hantering av avfallsprodukter:

Den här produkten gäller under EU WEEE-direktivet (2012/19/EU). Den här produkten är försedd med en klassificeringsymbol för avfallshantering av elektriskt och elektroniskt material (WEEE).



Denna symbol indikerar att denna produkt inte ska kasseras med annat hushållsavfall vid slutet av dess livslängd.

Använd enhet måste returneras till officiell insamlingsplats för återvinning av elektriska och elektroniska apparater. För att lokalisera dessa insamlingssystem, kontakta lokala myndigheter eller den återförsäljare där produkten införskaffades. Varje hushåll spelar en viktig roll för återförande och återvinning av gamla apparater. Lämpligt bortskaffande av använda apparater hjälper till att förhindra eventuella negativa konsekvenser för miljön och människors hälsa.

1.3 I enlighet med RoHS-direktivet:

Produkten du har köpt gäller under EU RoHS-direktivet (2011/65/EU). Den innehåller inga av de farliga eller förbjudna material som anges i direktiven.

1.4 Förpackningsinformation

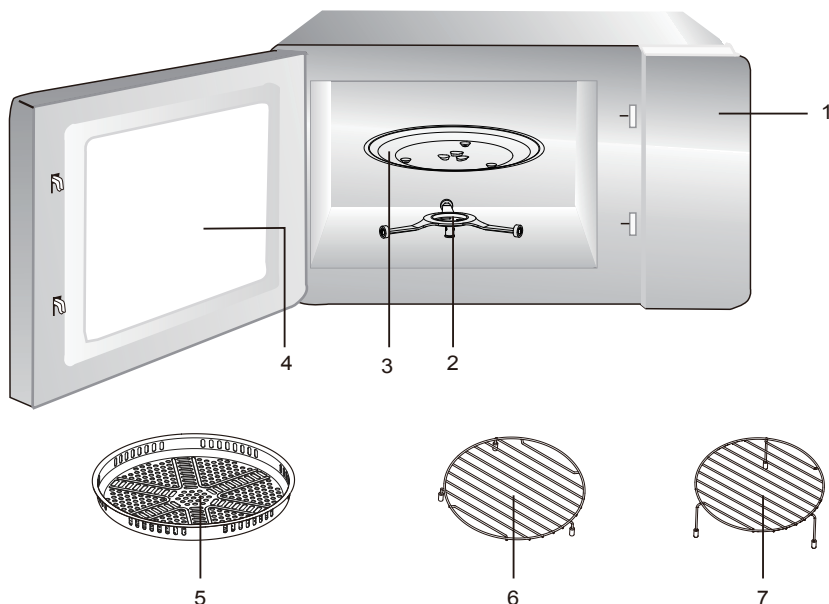


Förpackningen för din produkt är tillverkad av återvinningsbart material i enlighet med nationel-

la miljöföreskrifter. Kasta inte förpackningsmaterial i hushållsavfall eller annat liknande avfall. Ta dem till ett insamlingsställe för förpackningsmaterial som anvisas av de lokala myndigheterna.

2 Din mikrovågsugn

2.1 Översikt



1. Kontrollpanel
2. Ringmontering av vändskiva
3. Glasunderlägg
4. Ugnens fönster
5. Bakplåt (Kan inte användas tillsammans med mikrovågsfunktionen och kan placeras på bakgallret)
6. Nedre trådgaller (för mikrovågsugnen och för bakning och rostning i ugnen.)
7. Högre trådgaller (för grillning, t.ex. biffar, korv och för rostning av bröd. Som stöd för grunda kärl.)

2.2 Teknisk specifikation

Modell	MCF 26310 BAF
Spänning / frekvens	230V~ 50Hz
Nominell ingång – mikrovågor	1450W
Nominell utgång – mikrovågor	900W
Grill	1000W
Konvektion	2100W
Mikrovågsfrekvens	2450MHz
Diameter på vändskiva	288 mm
Yttermått	495*424*290 mm
Ugnens kapacitet	27 l

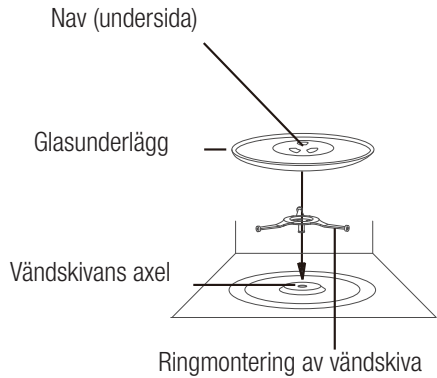
Rättigheter till tekniska och designmodifikationer reserveras.

Märkningarna i produkten eller värden som angetts i medföljande dokument har fått i laboratorieförhållanden enligt relevanta standard. Dessa värden varierar enligt apparatens användning och yttre förhållanden. Strömvrden har testats i 230V.

2 Din mikrovågsugn

2.3 Installation av vändskiva

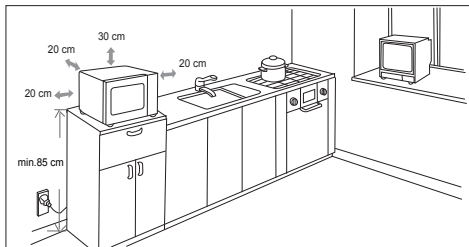
- Placera aldrig glasunderlägget upp och ner. Glasunderlägget får aldrig vara förhindrad.
- Både glasunderlägget och vändskivans ring måste användas under matlagningen.
- All mat och alla matbehållare måste placeras på glasunderlägget.
- Om glasunderlägget eller vändskivans ring spricker eller skadas, kontakta närmaste auktoriserat servicecenter.



3 Installation

3.1 Installation

- Ta bort allt förpackningsmaterial och alla tillbehör. Undersök om ugnen har några skador, t.ex. bucklor eller trasig lucka. Installera inte om ugnen är skadad.
- Ta bort eventuell skyddsfilm som finns på mikrovågsugnsens skåpsyta.
- Ta inte bort det ljusbruna glimmerhöljet som sitter fast i ugnsutrymmet för att skydda magnetronen.
- Välj en jämn yta som ger tillräckligt utrymme för inlopps- och/eller utloppsventilerna.



- Minsta installationshöjd är 85 cm.
- Apparatus bakre yta skall placeras mot en vägg. Lämna ett fritt utrymme

på minst 30 cm ovanför ugnen och ett fritt utrymme på minst 20 cm mellan ugnen och intilliggande väggar.

- Ta inte bort benen från ugnens botten.
- Om inlopps- och/eller utloppsöppningarna blockeras kan ugnen skadas.
- Placera ugnen så långt bort från radio och TV som möjligt. Användning av mikrovågsugn kan orsaka störningar i din radio- eller TV-mottagning. 2. Anslut ugnen till ett vanligt vägguttag. Kontrollera att spänningen och frekvensen är samma som spänningen och frekvensen på märkskylten.



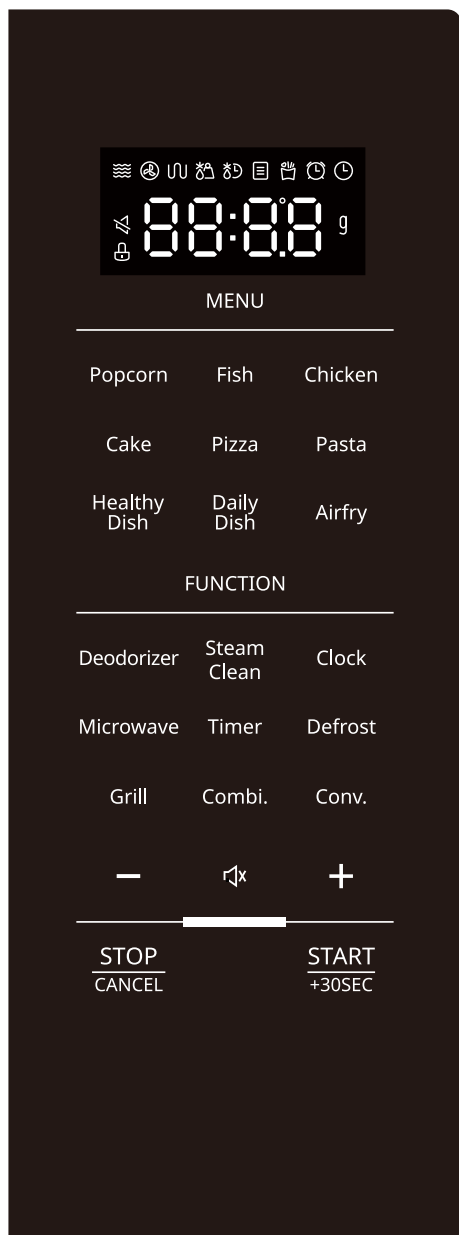
WARNING: Installera inte ugnen över en spishäll eller annan värmealstrande apparat. Om ugnen installeras nära eller över en värmekälla kan den skadas och garantin upphör att gälla.



Den åtkomliga ytan kan vara varm under drift.

4 Användning

4.1 Kontrollpanel



Skärm

Tillagningstid, effekt, indikatorer och klocktid visas.

	Mikrovåg
	Konvektion
	Grill
	Tina enligt vikt
	Tina enligt tid
	Automatisk meny
	Airfryer
	Larm
	Klocka/barnspärr
	Tyst
	Barnspärr
	Gram
	Temperatur

Meny

- **Knappar för automatisk tillagning:** Snabbinställningar för tillagning av populära livsmedel.

Funktion

- **Deodorizer:** Tryck för att avlägsna matos i mikrovågsugn.
- **Steam Clean:** Tryck för ångrengöring av mikrovågsugnen.
- **Clock:** Tryck för att ställa in klocktid, den används också för att ställa in barnspärr.
- **Microwave:** Tryck för att ställa in mikrovågsugnens effektnivå.
- **Timer:** Tryck för att ställa in larmtimer.
- **Defrost:** Tryck för att tina mat baserat på tid/vikt.

- **Grill:** Tryck för att ställa in grillprogram.
- **Combi:** Tryck för att ställa in tillagningsprogram för mikrovågsugn, grill och konvektionskombination.
- **Conv:** Tryck för att ställa in konvektionsmatlagning.
- **-/+:** Tryck för att ställa in tid. Tryck länge för att öka/minska hastigheten.
- **Tyst -  X:** Tryck för att stänga av ljud
- **STOP / CANCEL:** Tryck för att pausa/avbryta inställning. Tryck två gånger för att stänga av displayen
- **START / +30 SEC:** Tryck för att starta/bekräfta inställning. Tryck för snabbmatlagning i standby-läge

När mikrovågsugnen startas för första gången kommer skärmen att visa "0:00 ", och summern ringer en gång för att aktivera standby-läget.

4.2 Inställning av klockan

1. I vänteläge, tryck en gång på "Clock" och sedan visar skärmen "00:00". Timsiffrorna blinkar.
2. Tryck på "+/-" för att justera timsiffrorna. Inmatningstiden bör vara inom 0-23.
3. Tryck på "Clock" för att bekräfta, och minutsiffrorna blinkar.
4. Tryck på "+/-" för att justera minutsiffrorna. Inmatningstiden bör vara inom 0-59.
5. Tryck på "Clock" för att avsluta klockinställningen.



- Klockan fungerar inte om den inte är inställd när den startas.
- Om du inte trycker på "Clock" inom 4 minut efter steg 5 återgår ugnen automatiskt till föregående status.

4.3 Kökstimer

1. I vänteläge, tryck en gång på "Timer" och skärmen visar "0:00".
2. Tryck på "+/-" för att justera inmatningstiden. Maxvärdet är 95:00.
3. Tryck på "START/+30 SEC" för att bekräfta inställningen.



När kökstimern är aktiverad kan inga andra program användas.

4.4 Matlagning med mikrovågor

1. I vänteläge, tryck på "Microwave" och "P100" kommer att visas.
2. Tryck på "+/-" eller tryck på "Microwave" upprepade gånger för att ställa in effektnivån. "P100, P90, P80, P70, P60, P50, P40, P30, P20, P10" finns tillgängliga.
3. Tryck på "START/+30 SEC" för att bekräfta. 15:00 visas som standardtid för tillagning.
4. Tryck på "+/-" för att ställa in tillagningstiden. Maxvärdet är 95:00.
5. Tryck på "START/+30 SEC" för att starta tillagningen.

4.5 Grillning

1. Tryck en gång på "Grill" och "G" visas.
2. Tryck på "START/+30 SEC" för att bekräfta, standardtillagningstid 15:00 visas.
3. Tryck på "+/-" för att ställa in tillagningstiden. Maxvärdet är 95:00.
4. Tryck på "START/+30 SEC" för att starta tillagningen.

4 Användning



- Om halva grilltiden har gått ljuder ugnen för att påminna dig om att vända på maten. För att få en bättre effekt av grillningen kan du vända på maten, stänga luckan och sedan trycka på "START/+30 SEC" för att fortsätta tillagningen. Om ingen funktion används kommer ugnen att köras automatiskt.
- När du ökar eller minskar tiden i tillagningsprocessen påverkas inte halvtidsinställningen.

4.6 Konvektionsmatlagning

1. Tryck en gång på "Conv." och "150 °C" visas.
2. Tryck flera gånger på "Conv." för att välja temperatur mellan 150 °C och 240 °C.
3. Tryck på "START/+30SEC" för att bekräfta temperaturen, om du trycker på "START/+30SEC" igen börjar ugnen förvärmas. När förvärmningstemperaturen har uppnåtts ljuder summern två gånger. Du kan öppna ugnsluckan och placera mat i ugnen.
4. Eller tryck på "+/-" för att ställa in tillagningstiden direkt. Maxvärdet är 95:00.
5. Tryck på "Start/+30 SEC" för att starta funktionen.

4.7 Kombinerad matlagning

1. Tryck på "Combi." en gång så visas "C-1" på skärmen och tryck sedan på "Combi." flera gånger för att välja önskad effekt så visas "C-1, C-2, C-3, o C-4" på skärmen.
2. Tryck på "START/+30 SEC" för att bekräfta läget, standardtillagningstid 15:00 visas.
3. Tryck på "+/-" för att ställa in tillagningstiden. Maxvärdet är 95:00.
4. Tryck på "START/+30 SEC" för att starta tillagningen.

Instruktioner för kombination	Instruktioner för display	Mikrovåg	Grill	Konvektion
1	C-1	•		•
2	C-2	•	•	
3	C-3		•	•
4	C-4	•	•	•

4.8 Tina enligt vikt

1. I vänteläge, tryck en gång på "Defrost" och skärmen visar "dEF1".
2. Tryck på "START/+30 SEC" för att bekräfta, 100g visas.
3. Tryck på "+/-" för att ställa in upptningsvikten inom 100~2000g.
4. Tryck på "START/+30 SEC" för att starta upptningen.



Summern ljuder för att påminna om att vända på maten under upptining.

4 Användning

4.9 Tina enligt tid

1. I vänteläge, tryck två gånger på "Defrost" och skärmen visar "dEF2".
2. Tryck på "START/+30 SEC" för att bekräfta, 15:00 visas.
3. Tryck på "+/-" för att ställa in upptiningstiden. Maxvärdet är 95:00.
4. Tryck på "START/+30 SEC" för att starta upptiningen.



Summern ljuder för att påminna om att vända på maten under upptining.

4.10 Tillagning i flera steg

Högst två steg kan ställas in. Om en steg är tining, ska den ställas in som första steg automatiskt. Summern ringar två gånger efter varje steg och nästa steg börjar. Kökstimer, Automeny, Snabbmatlagning eller Förvärmning kan inte ställas in som ett av flera steg.

Exempel: Om du vill tina maten i 10 minuter, grilla den sedan i 10 minuter och 30 sekunder. Du kan följa dessa steg.

1. Tryck två gånger på "Defrost", så visas "dEF2" på displayen.
2. Tryck på "START/+30 SEC" för att bekräfta, 15:00 visas.
3. Tryck på "+/-" för att justera upptiningstiden tills 10:00 visas.
4. Tryck en gång på "Grill", "G" visas, tryck på "START/+30 SEC" för att bekräfta
5. Tryck på "+/-" för att justera grilltiden tills 10:00 visas.
6. Tryck på "START/+30 SEC" för att starta tillagningen.

4.11 Snabbtillagning i mikrovågsugn

I standby-läge trycker du på "START/+30 SEC" för att starta tillagningen med 100 % effekt i 30 sekunder direkt.

4.12 Barnspärr

Lås: I standby-läge, tryck på "Clock" i 3 sekunder. Summern ljuder för att aktivera barnspärren och låsindikatorn tänds.

Öppning: I låst läge trycker du på "Clock" i 3 sekunder, summern ljuder som tecken på att spärren har släppts och spärrindikatorn försvinner.

4.13 Deodoriser

1. I standby-läge, tryck på "Deodoriser", och displayen visar "dE".
2. Tryck på "START/+30 SEC" för att starta arbetet.

4.14 Steam clean

1. I standby-läge, tryck på "Steam Clean" och displayen visar "SC".
2. Tryck på "START/+30 SEC" för att starta arbetet.



Häll lika delar vatten i en vidöppen mikrovågssäker behållare. Torka av de ångade ytorna med en ren svamp när du är klar, så att mat- och luktlukt försvinner från ytorna.

4.15 Hälsosam mat

1. I vänteläge, tryck en gång på "Healthy Dish" och "Hd01" visas.
2. Tryck på "Healthy Dish" flera gånger för att välja meny från "Hd01" till "Hd05".
3. Tryck på "START/+30 SEC" för att bekräfta undermenyn. Standardvikten el-

4 Användning

ler standardportionerna för menyn visas.

4. Tryck på "+/-" för att ställa in vikt eller portioner.

5. Tryck på "START/+30 SEC" för att starta tillagningen.

Diagram över hälsosam mat

MENY / display	Vikt / display	Tid (min' sek")	Effekt
Hd01 Quinoa	100g	3'00"/15'00"	P100/P50
	200g	5'00"/15'00"	
Hd02 Couscous	200g	4'00"/8'00"	P100/P50
	300g	5'00"/10'00"	
Hd03 Makaroner	100g	10'00"	P80
	200g	12'00"	
Hd04 Brunt ris	200g	5'30"/25'00"	P100/P50
	300g	8'00"/30'00"	
Hd05 Havregrynsgröt	2 portioner	3'30"/3'30"	P100/P50
	4 portioner	5'30"/5'30"	

4.16 Daglig mat

1. I vänteläge, tryck en gång på "Daily Dish" och "dd01" kommer att visas.

2. Tryck på "Daily Dish" upprepade gånger för att välja meny från "dd01" till "dd12".

3. Tryck på "START/+30 SEC" för att bekräfta undermenyn. Standardvikten eller standardportionerna för menyn visas.

4. Tryck på "+/-" för att ställa in vikt eller portioner.

5. Tryck på "START/+30 SEC" för att starta tillagningen.

Diagram över daglig mat

MENY / display	Vikt / display	Tid (min' sek")	Effekt
dd01 Frysta ärtor	200g	4'00"	P100
	400g	7'00"	
dd02 Frysta mix Grönsak	200g	4'00"	P100
	400g	7'00"	
dd03 Fryst broccoli	200g	5'00"	P100
	400g	8'00"	
dd04 Färsk spenat	200g	2'30"	P100
	400g	4'30"	
dd05 Frysta gröna bönor	200g	5'00"	P100
	400g	8'00"	

dd06 Skalad potatis	400g	6'00"	P100
	800g	10'00"	
dd07 Oskalad potatis	2 (~200g/st)	8'30"	P100
	4 (~200g/st)	15'00"	
dd08 Fryst lasagne	300g	15'00"	C-1
	600g	20'00"	
dd09 Grillade kycklingbröst	200g	16'00"	Grill 60 % + Konv: 240 °C
	400g	20'00"	
dd10 Lammrack	900g	35'00"	C-4
dd11 Rostbiff	900g	35'00"	C-4
dd12 Grillat vitlöksbröd	200g	9'00"	C-4

4.17 Automatmeny

Ställ t.ex. in fiskmenyn på 350 g;

1. I vänteläge, tryck en gång på "Fisk" och "150g" kommer att visas.

2. Tryck flera gånger på "Fish" tills 350 g visas.

3. Tryck på "START/+30 SEC" för att starta tillagningen.

Menydiagram

MENY / display	Vikt / display	Tid (min' sek")	Effekt
A01 Popcorn	50g	1'40"	P100
	100g	2'00"	
A02 Fisk	150g	3'00"	P80
	250g	4'00"	
	350g	5'30"	
	450g	6'30"	
	650g	8'30"	
A03 Kyckling	500g	29'00"	C-4 (ljudsignal för att vända på maten)
	750g	34'00"	
	1000g	39'00"	
	1200g	44'00"	
A04 Tårta	475g	60'00"	Förvärmning 160 °C / Konv. 160 °C

4 Användning

A05 Pizza	100g	8'00"	C-4
	200g	10'00"	
	300g	12'00"	
A06 Pasta	50 g (kallvatten 450 g)	18'00"	P80
	100 g (kallvatten 800 g)	20'00"	
	150 g (kallvatten 1200 g)	22'00"	



- Summern ljuder för att påminna om att vända på maten under kycklingmenyn.
- I tårtmenyn börjar ugnen förvärmas och när förvärmningstemperaturen har uppnåtts ljuder summern två gånger. Du kan öppna ugnsluckan och placera mat i ugnen. Tryck på "START/+30 SEC" för att starta tillagningen.

4.18 Airfryer

1. I vänteläge trycker du på "Airfry" flera gånger för att välja meny, och "AF01~AF10" visas i tur och ordning.

2. Tryck på "START/+30 SEC" för att starta tillagningen.

MENY / display	Vikt / display	Tid (min' sek")	Effekt
AF01 Frysta pommes frites	300g	6'00"/16'00"	G-100 % + Konv.-240 °C / G-60 % + Konv.-240 °C
AF02 Frysta potatisklyftor	450g	15'00"/15'00"	G-100 % + Konv.-240 °C / G-60 % + Konv.-240 °C
AF03 Frysta kycklingnuggets	350g	22'00"	G-60 % + Konv.-240 °C
AF04 Frost friterad bläckfisk	250g	16'00"	G-60 % + Konv.-240 °C
AF05 Frysta lökringar	250g	16'00"	G-60 % + Konv.-240 °C
AF06 Frysta panerade räkor	250g	18'00"	G-60 % + Konv.-240 °C
AF07 Frost friterad kycklingkottlett	400g	24'00"	G-60 % + Konv.-240 °C
AF08 Grillade färsk fiskfiléer	300g	18'00"	G-60 % + Konv.-240 °C
AF09 Frysta Buffalo Chicken-vingar	420g	22'00"	G-60 % + Konv.-240 °C
AF10 Frysta friterade kycklingvingar	500 g (~70 g/st)	28'00"	G-60 % + Konv.-240 °C



Summern ljuder för att påminna om att vända på maten under tillagning.

5.1 Rengöring



WARNING: Använd aldrig bensin, lösningsmedel, slipande rengöringsmedel, metallföremål eller hårda borstar för att rengöra apparaten.



WARNING: Sänk aldrig ned apparaten eller dess strömkabel i vatten eller någon annan vätska.

1. Stäng av apparaten och koppla bort den från vägguttaget.
2. Vänta tills apparaten är helt nedkyld.
3. Håll ugnens insida ren. Torka med en torr trasa om mat spillts ut eller vätskor som skvätt ut har fastnat på ugnsväggarna. Ett mildt rengöringsmedel kan användas om ugnen blir mycket smutsig. Undvik att använda spraymedel och andra starka rengöringsmedel, eftersom de kan orsaka fläckar, märken och oegnomskinlighet på luckans yta.
4. De utvändiga ytorna på ugnen ska rengöras med en fuktig trasa. Låt inte vatten välla ut i ventilationsöppningar för att förhindra skada på ugnens funktionsdelar.
5. Torka ofta av båda sidorna på luckan och glaset, lucktätningarna och delar nära tätningarna med en fuktig trasa för att avlägsna översvämmande rester eller spillfläckar. Använd inte några rengöringsmedel med slipeffekt.
6. Låt inte kontrollpanelen bli våt. Rengör med en mjuk, fuktig trasa. Lämna ugnsluckan öppen för att förhindra oavsiktlig användning vid rengöring av kontrollpanelen.
7. Om ånga samlas i eller runt ugnsluckan ska du torka bort den med en mjuk trasa. Detta kan inträffa när mikrovågsugnen används under förhållanden med hög luftfuktighet. Detta är normalt.
8. I vissa fall kan du behöva ta bort glasplattan för rengöring. Tvätta den i varmt vatten med mild tvållösning eller i diskmaskin.
9. Rullringen och ugnsluckan ska rengöras regelbundet för att undvika buller. Det räcker att torka av nedre ytan på ugnen med ett mildt rengöringsmedel. Rullringen kan tvättas i varmt vatten med mild tvållösning eller i diskmaskin. När du tar bort rullringen från ugnens invändiga botten för rengöring, ska du se till att installera den i rätt position när den läggs tillbaka.
10. För att ta bort dålig lukt ur ugnen ska du ställa in ett glas vatten med saften och skalet av en citron i en djup skål som är lämplig för mikrovågsanvändning och köra ugnen i 5 minuter i mikrovågsläge. Torka noggrant med en mjuk och torr trasa.
11. Kontakta auktoriserad service när ugnslampan ska bytas.
12. Kasta inte apparaten bland hushållsavfall; gamla ugnar ska kastas på speciella avfallscenter som tillhandahålls av kommunerna.
13. När mikrovågsugnen används i grillfunktionen, kan en liten mängd rök och lukt uppstå som försvinner efter en viss tids användning.
14. När mikrovågsugnen med grillfunktion används för första gången kan det uppstå lite rök och lukt. Detta är ett normalt fenomen eftersom ugnen är tillverkad av en stålplatta som är belagd med smörjolja, och den nya ugnen kommer att producera rök och lukt från förbränning av smörjolja. Detta fenomen kommer att försvinna efter en tids användning.

5 Underhåll och rengöring

5.2 Förvaring

- Om apparaten inte används under en längre tid ska den förvaras korrekt och skyddat.
- Se till att apparaten är bortkopplad, nedkyld och helt torr.
- Förvara apparaten på en sval och torr plats.
- Förvara enheten utom räckhåll för barn

5.3 Hantering och transport

- Bär apparaten i originalförpackningen vid hantering eller transport. Apparatens förpackning skyddar mot fysiska skador.
- Placera inga tunga laster på apparaten eller förpackningen. Apparaten kan skadas.
- Om man råkar tappa apparaten blir den icke-operativ och man orsakar permanenta skador.

6 Felsökning

Normal	
Mikrovågsugnen stör TV-mottagningen	Radio- och TV-sändningar kan störas när mikrovågsugnen används. Det liknar störningar orsakade av små elapparater, som mixer, dammsugare eller elfläkt. Detta är normalt.
Ugnslampan är matt	Ugnslampan kan mattas under mikrovågskokning med låg effekt. Detta är normalt.
Ånga samlas på luckan, het luft kommer ut ventilationsöppningarna.	Ånga kan uppstå från maten under tillagning. Det mesta av denna ånga kommer ut ur ventilationsöppningarna. Men en del av denna kan samlas på en sval plats, som ugnsluckan. Detta är normalt.
Ugnen startas oavsiktligt utan mat i den.	Apparaten får inte användas, om det inte finns mat i den. Detta är ytterst farligt.

Problem	Möjliga orsaker	Lösning
Ugnen kan inte startas.	1) Strömkabeln är inte ansluten rätt.	Koppla ur. Anslut igen efter 10 sekunder.
	2) Säkring brunnit eller strömbrytare aktiverad.	Byt säkring eller strömbrytare (utförs av vårt företag auktoriserad personal).
	3) Problem med uttaget.	Testa uttaget med en annan elapparat.
Ugnen värmer inte.	4) Luckan har inte stängts ordentligt.	Stäng luckan ordentligt.

Lue ensin tämä käyttöopas!


Hyvä asiakas,


Kiitos, että hankit Beko-laitteen. Tämä laite on valmistettu korkealaatuisia materiaaleja ja innovatiivista teknologiaa hyödyntäen, ja toivomme, että nautit sen käytöstä. Lue tämä käyttöopas ja kaikki muut laitteen mukaan toimitetut asiakirjat huolellisesti ennen laitteen käytön aloittamista ja säilytä ne mahdollista myöhempää tarvetta varten. Jos laite luovutetaan jollekin kolmannelle osapuolelle, luovuta tämä käyttöopas sen mukana. Noudata ohjeita ja kiinnitä huomiota kaikkiin käyttöoppaassa annettuihin tietoihin ja varoituksiin.


Ota huomioon, että tämä käyttöopas voi käsittää useita muitakin malleja. Mallikohtaiset erot esitetään käyttöoppaassa selvästi.


Symbolien selitykset

Tässä käyttöoppaassa on käytetty seuraavia symboleja:

	Tärkeää tietoa ja hyödyllisiä vinkkejä koskien tuotteen käyttöä.
--	--

	Varoitukset koskien hengenvaarallisia ja omaisuusvahinkoja koskevia tilanteita.
--	---

	Varoitus kuumista pinnoista.
---	------------------------------

	Varoitus koskien sähköiskua.
--	------------------------------

1 Tärkeitä turvallisuus- ja ympäristö- ohjeita

Tärkeitä turvallisuusohjeita, lue huolellisesti ja säilytä tulevaa tarvetta varten

1.1 Turvallisuusvaroitukset

Tämä osio sisältää turvallisuusohjeita, jotka auttavat suojautumaan tulipalolta, sähköiskulta, altistumiselta mikroaaltoenergialle, henkilö- ja omaisuusvahingoilta. Näiden ohjeiden noudattamatta jättäminen johtaa takuun raukeamiseen.

- Beko Mikroaaltouunit noudattavat voimassa olevia turvastandardeja, siksi jälleenmyyjän, huoltokeskuksen tai valtuutetun asiantuntijan on korjattava tai mahdollisesti vaurioitunut laite tai virtajohto, vaaratilanteiden välttämiseksi. Virheellinen tai valtuuttamaton korjaustyö voi olla vaarallista ja aiheuttaa vaaratilanteita käyttäjälle.
- Tämä laite on tarkoitettu

kotitalous- ja vastaavaan käyttöön, kuten

- Henkilökunnan keittiötiloissa kaupoissa, toimistoissa sekä muissa työympäristöissä;
- Maatiloilla
- hotellien, motelleissa ja muiden asuinympäristöjen asukkaat
- Aamiais- ja vastaavan kaltaisten majoitusten keskuudessa.
- Mikroaaltouuni on tarkoitettu käyttöön erillisenä laitteena.
- Sitä ei ole suunniteltu teollisuus- tai laboratoriokäyttöön.
- Älä yritä käynnistää uunia, jos sen luukku on auki, voit altistua haitalliselle mikroaaltoenergialle. Turvalukkoja ei saa koskaan poistaa käytöstä tai muuttaa.
- Mikroaaltouuni on tarkoitettu elintarvikkeiden ja juomien lämmittämiseen.

1 Tärkeitä turvallisuus- ja ympäristö- ohjeita

Ruokien tai vaatteiden kuivaus ja lämpötyynyjen, tossujen, sienien, kosteiden vaatteiden ja vastaavien lämmitys uunissa voi aiheuttaa henkilö- tai laitevahinkoja, räjähdyksen tai tulipalon.

- Älä aseta mitään esineitä laitteen etuosan ja luukun väliin. Älä anna likaa tai puhdistusainejäämien kerääntyä sulkemispinnoille.
- Valtuutetun henkilön/ huoltoliikkeen on suoritettava kaikki huoltotyöt, joihin liittyy mikroaaltouunin energialle altistumiselle suojaavien suojusten irrottaminen. Mikä tahansa muu toiminta on vaarallista.
- Tuote on tarkoitettu ruoan keittämiseen, lämmittämiseen ja sulattamiseen. Sitä ei saa käyttää kaupalliseen tarkoitukseen.
- Uunia ei ole tarkoitettu elävien olentojen kuivaamiseen.
- Älä käytä laitetta vaatteiden tai keittiöpyyhkeiden kuivaamiseen.
- Älä käytä laitetta ulkona, kylpyhuoneessa, kosteissa tiloissa tai paikoissa, joissa se voi kastua.
- Emme hyväksy vastuuta tai takuuvaatimuksia vaurioista, jotka johtuvat laitteen väärinkäytöstä tai virheellisestä käsittelystä.
- Älä koskaan yritä purkaa laitetta. Emme hyväksy takuuvaatimuksia vaurioista, jotka johtuvat laitteen tarkoituksenvastaisesta käsittelystä.
- Käytä vain valmistajan suosittelemia tai alkuperäisiä varaosia.
- Älä jätä laitetta ilman valvontaa käytön aikana.
- Käytä laitetta vakaalla, tasisella, puhtaalla, kuivalla ja luistamattomalla pinnalla.
- Tätä laitetta ei saa ohjata ulkoisella kelloajastimella

1 Tärkeitä turvallisuus- ja ympäristö- ohjeita

tai kaukosäätimellä.

- Puhdista kaikki osat ennen laitteen ensimmäistä käyttökertaa. Katso ohjeet osassa "Puhdistus ja kunnossapito".
- Käyttö laitetta vain sen käyttötarkoituksen mukaisesti käyttöohjeessa kuvatulla tavalla.
- Laite kuumentuu käytön aikana. Varo koskemasta uunin sisällä oleviin kuumiin osiin.
- Älä käytä uunia tyhjänä.
- Ruoanvalmistusvälineet voivat kuumentua lämmitettävästä ruoasta niihin siirtyvästä lämmöstä johtuen. Käytä tarvittaessa käsineitä ruoanvalmistusvälineiden käsittelyssä.
- Ruoanvalmistusvälineet tulee tarkastaa mikroaaltouunissa käyttöön soveltuvuuden varmistamiseksi.
- Älä aseta uunia liedon tai muun lämpöä muodostavan laitteen päälle. Muutoin se voi vaurioitua ja takuu mitätöityä.
- Höyryä voi syntyä, kun kansi tai folio avataan ruoan valmistamisen jälkeen.
- Laite ja sen pinnat voivat olla erittäin kuumia sen käytön aikana.
- Luukku ja sen lasi voivat olla erittäin kuumia sen käytön aikana.
- Varmista, että virransyöttö vastaa laitteen arvokilvessä esitettyjä tietoja.
- Ainoa tapa irrottaa laite virransyötöstä on irrottaa virtapistoke pistorasiasta.
- Liitä laite vain maadoitettuun pistorasiaan.
- Älä käytä laitetta, jos virtajohto tai itse laite on vahingoittunut.
- Älä käytä laitetta jatkojohton kanssa.
- Älä koskaan koske laitteeseen tai sen virtapistokkeeseen kosteilla tai

1 Tärkeitä turvallisuus- ja ympäristö- ohjeita

märillä käsillä.

- Laite on sijoitettava niin, että virtapistokkeeseen päästään käsiksi.
- Älä aseta virtajohtoa puristuksiin, taivuta sitä ja estä sen hankaantuminen teräviä reunoja vastaan. Pidä virtajohto etäällä kuumista pinnoista ja avotulosta.
- Varmista, että virtajohtoa ei voida irrottaa vahingossa tai että siihen ei voida kompastua laitteen käytön aikana.
- Irrota laite virransyötöstä, ennen sen puhdistamista ja kun se ei ole käytössä.
- Älä irrota laitteen virtajohtoa virransyötöstä siitä vetämällä tai kääri sitä laitteen ympärille.
- Älä upota laitetta, virtajohtoa tai virtapistoketta veteen tai muihin nesteisiin. Älä pidä sitä juoksevan veden alla.
- Syttymisvaaran vuoksi uunia on pidettävä silmällä, jos ruokaa lämmitetään muovi- tai paperiastioissa.
- Irrota metallikiinnikkeet paperisista tai muovisista säilytysastioista/pusseista ennen niiden laittamista uuniin.
- Jos huomaat savua, sammuta laite, jos tämä on turvallista tai irrota verkkopistoke ja pidä luukku kiinni, jotta liekit tukahtuvat.
- Älä käytä mikroaaltouunia varastointitarkoitukseen. Älä jätä paperiesineitä, keittomateriaaleja tai ruokaa uunin sisään, kun sitä ei käytetä.
- Vauvojen pullojen ja ruokapurkkien sisältö tulee ravistella ja sekoittaa ja niiden lämpötila on tarkastettava ennen käyttöä palovammojen välttämiseksi.
- Tämä laite on Ryhmän 2 Luokan B ISM laite. Ryhmään 2 kuuluu kaikki ISM (teollisuuden, tieteen ja lääketieteen) laitteet, joissa luodaan radiotaa-

1 Tärkeitä turvallisuus- ja ympäristö- ohjeita

juusenergiaa tarkoituksella ja/tai sähkömagneettisen säteilyn luomiseen materiaalien käsittelyyn ja kipinäeroosiolaitteille.

- Luokan B laite sopii käyttöön kotitalouksissa ja tiloissa, joissa se liitetään suoraan pienjänniteverkkoon.
- Älä käytä paistoöljyä uunissa. Kuuma öljy voi vaurioittaa uunin komponentteja ja materiaaleja, ja johtaa palovammoihin.
- Lävistä elintarvikkeet paksulla kuorella, kuten perunat, kesäkurpitsat, omenat ja kastanjat.
- Laite on sijoitettava niin, että sen takaosa on seinää päin.
- Kiinnitä käänköpöytä ennen laitteen siirtämistä, sen vaurioitumisen välttämiseksi.
- Kuorimattomia kananmunia tai kokonaisia kovaksi keitettyjä munia ei saa kuumentaa mik-

roaaltouunissa, koska ne voivat räjähtää vielä kypsentyänsä päätyttyäkin.

VAROITUS: Jos uuninluuku tai luukun tiivisteet ovat vaurioituneet, uunia ei saa käyttää ennen kuin ammattihenkilö on sen korjannut.

VAROITUS: Huolto- tai korjaustoimenpiteet, jotka edellyttävät mikroaaltoenergialta suojaavan kannen poistamista, ovat vaarallisia muille kuin ammattihenkilölle.

VAROITUS: Nesteitä ja muita ruokia ei saa kuumentaa umpinaisissa astioissa räjähdysvaaran vuoksi.

- Uuni tulee puhdistaa säännöllisesti ja poistaa kaikki ruokajäämät.
- Uunin yläpinnan yläpuolella tulee olla vähintään 30 cm:n vapaa tila.
- Älä ylikeitä ruokaa, se voi johtaa tulipaloon.
- Älä käytä kemikaaleja ja höyrypuhdistinta laitteen

1 Tärkeitä turvallisuus- ja ympäristö- ohjeita

puhdistamiseen.

- Ole erittäin varovainen, kun laitetta käytetään lasten ja sellaisten henkilöiden läheisyydessä, joiden fyysinen, aistillinen tai henkinen kyky on rajoitettu.
- Tätä laitetta ei saa käyttää alle 8 vuotiaat lapset ja henkilöt joiden fyysiset, aistinvaraiset tai henkiset kyvyt ovat alentuneet, tai joilla ei ole riittävää kokemusta tai tietoa, paitsi jos heidän turvallisuudestaan vastaava henkilö valvoo tai neuvoo heitä laitteen käytössä. Älä anna lasten leikkiä laitteella. Laitteen puhdistamista ja huoltoa ei saa suorittaa alle 8-vuotiaiden lasten toimesta ilman aikuisten valvontaa.
- **Tukehtumisvaara!** Pidä kaikki pakkausmateriaalit poissa lasten ulottuvilta.
- Pidä tuote ja sen virtajohto alle 8-vuotiaiden lasten ulottumattomissa.
- Älä valmista ruokaa su-

oraan lasialustalla. Aseta ruoka sopivaan keittoastiaan ennen sen sijoittamista uuniin.

- Metallisia ruoka- ja juomasäiliöitä ei saa käyttää mikroaaltokypsennykseen. Tämä voi johtaa kipinöintiin.
- Laitetta ei saa puhdistaa höyrypesurilla.
- Juomien mikroaaltolämmitys voi johtaa viivästyneeseen purkautuvaan kiehumiseen, joten käsittele sitä varovasti.
- **VAROITUS:** Kun laitetta käytetään yhdistelmätilassa, lasten tulee käyttää laitetta vain aikuisten valvonnassa, johtuen korkeasta lämpötilasta.
- **Puhdistus.** Älä sijoita laitetta veteen tai muihin nesteisiin. Puhdosta kotelo vain lämpimällä saippuavedellä kostutetulla sienellä/pyyhkeellä. Älä käytä voimakkaita, hankaavia puhdistusaineita.

1 Tärkeitä turvallisuus- ja ympäristö- ohjeita

Katso yksityiskohtaiset puhdistusohjeet luvusta **Puhdistus** ja **Säilytys**.

1.2 Sähkö- ja elektroniikkaromua koskevan direktiivin (WEEE) vaatimustenmukaisuus ja tuotteen hävittäminen:

Tämä tuote noudattaa Euroopan unionin sähkö- ja elektroniikkaromua koskevaa direktiiviä 2012/19/EY (WEEE-direktiivi). Tässä tuotteessa on sähkö- ja elektroniikkalaitteiden (WEEE) kierrätysymboli.



Tämä symboli ilmoittaa, että tuotetta ei tule sen käyttöään päättyessä hävittää tavonmaisen kotitalousjätteen mukana. Tuote tulee toimittaa viralliseen sähkö- ja elektroniikkalaitteiden kierrätyspisteeseen.

Tietoja paikallisista kierrätyspisteistä saat paikallisilta viranomaisilta ja myymälästä, josta tuote on ostettu. Kotitalouksilla on tärkeä rooli vanhojen laitteiden keräämisessä ja kierrättämisessä. Kun hävität käytetyt laitteet vaatimusten mukaisella tavalla olet mukana torjumassa tällaisista laitteista aiheutuvia ympäristö- ja terveyshaittoja.

1.3 RoHS-direktiivin vaatimustenmukaisuus:

Valitsemasi tuote noudattaa Euroopan unionin tiettyjen vaarallisten aineiden käytön rajoittamisesta sähkö- ja elektroniikkalaitteissa koskevaa direktiiviä 2011/65/EY (RoHS-direktiivi). Laite ei sisällä direktiivissä määritettyjä haitallisia ja kiellettyjä materiaaleja.

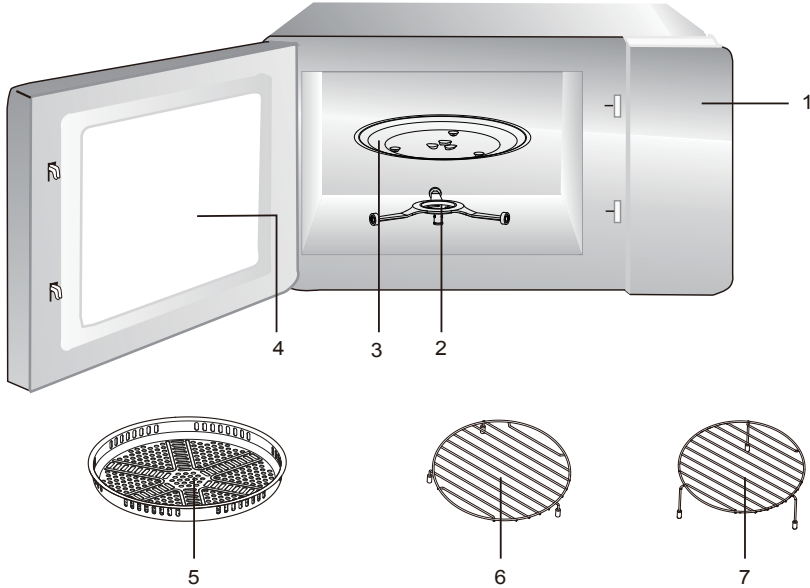
1.4 Pakkaustiedot



Tuotteen pakkaus on valmistettu kierrätettävistä materiaaleista paikallisen lainsäädännön mukaisesti. Älä hävitä pakkausmateriaaleja yhdessä muiden kotitalousjätteiden tai muiden jätteiden kanssa. Vie pakkausmateriaalit paikallisten viranomaisten ilmoittamiin keräyspisteisiin.

2 Mikroaaltouuni

2.1 Yleiskuva



1. Ohjauspaneeli
2. Pyörivä rengas
3. Lasialusta
4. Uunin ikkuna
5. Leivontapelti (ei voida käyttää yhdessä mikroaaltotoiminnon kanssa ja voidaan asettaa leivontatelineeseen)
6. Alempi ritilä (mikroaaltotoiminnolle ja leivontaan ja paahtamiseen uunissa.)
7. Ylempi ritilä (grillaamiseen, esim. paistit, makkarat ja leivän paahtamiseen. Tuki matalille astioille.)

2.2 Tekniset tiedot

Malli	MCF 26310 BAF
Jännite / taajuus	230 V~50 Hz
Syöttöteho - Mikroaalto	1450W
Lähtöteho - Mikroaalto	900W
Grilli	1000W
Konvektio	2100W
Mikroaaltotaajuus	2450MHz
Pyöritysalustan halkaisija	288 mm
Ulkoiset mitat	495*424*290 mm
Uunin tilavuus	27 l

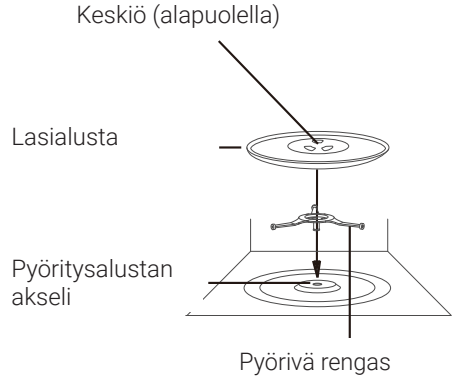
Oikeus teknisiin ja muotoilun muutoksiin pidätetään.

Merkinnät tuotteesta tai muissa asiakirjoissa ilmoitetut arvot ovat arvoja, jotka on saatu laboratorio-olosuhteissa olennaisten standardien mukaan. Nämä arvot voivat vaihdella laitteen käyttö- ja ympäristöolosuhteiden mukaan. Tehoarvot on testattu 230V virralla.

2 Mikroaaltouuni

2.3 Pyöritysalustan asennus

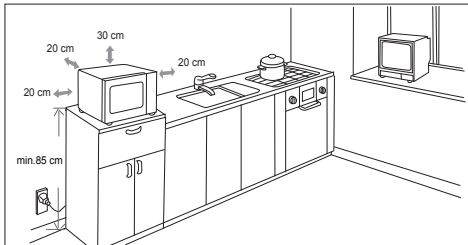
- Älä koskaan aseta lasialustaa ylösalaisin. Lasialustan pyöriminen ei saa koskaan estyä.
- Sekä lasialustaa, että pyöritysrenkaskokonaisuutta on aina käytettävä kuumentettaessa.
- Kaikki ruoat ja astiat asetetaan aina lasialustalle kuumentamista varten.
- Jos lasialusta tai pyöritysalusta halkeaa tai rikkoutuu, ota yhteys lähimpään valtuutettuun huoltoliikkeeseen.



3 Asennus

3.1 Asennus

- Poista kaikki pakkausmateriaalit ja varusteet. Tarkasta uuni vaurioiden, kuten kolhut tai luukun vaurioiden varalta. Älä asenna vaurioitunutta uunia.
- Poista suojakalvo mikroaaltouunin kotelon pinnalta.
- Älä poista vaaleanruskeaa Mica-suojusta, joka on kiinnitetty uunin sisään magnetronin suojaamiseksi.
- Valitse tasainen alusta, jossa on riittävä tila ilmanotto ja/tai poistoaukoille.



- Vähimmäisasennuskorkeus on 85 cm.
- Laitteen takaseinä tulisi sijoittaa seinän viereen. Jätä vähintään 30 cm vapaa

- tila uunin yläpuolelle ja 20 cm etäisyys uunin ja viereisten seinien väliin.
- Älä poista jalkoja uunin pohjasta.
- Ilmanotto ja/tai poistoaukkojen tukkiminen voi vaurioittaa uunia.
- Sijoita uuni mahdollisimman etäälle radioista ja televisioista. Mikroaaltouunin käyttö voi häiritä radio- tai TV-lähetystä. 2. Liitä laite tavalliseen seinäpistorasiaan. Varmista, että jännite ja taajuus ovat samat kuin arvokilvessä on esitetty.



VAROITUS: Älä asenna uunia liedien tai muun lämpöä muodostavan laitteen päälle. Jos se asetetaan lämpölähteen päälle tai lähelle, voi uuni vaurioitua ja takuu mitätöityä.



Tuotteen pinnat voivat kuumentua käytön yhteydessä.

4 Käyttö

4.1 Ohjauspaneeli



Näyttöruutu

Keittoaika, teho, ilmaisimet ja kellonaika näytetään.

	Microwave
	Convection
	Grill
	Defrost by weight
	Defrost by time
	Auto menu
	Airfryer
	Alarm
	Clock/ Childlock
	Mute
	Child lock
	Gram
	Temperature

Valikko


- **Automaattisen kypsennyksen painikkeet:** Välitön asetus suosittujen ruokien valmistamiseen.

Toiminto

- **Deodorizer:** Paina ruokahajun poistamiseksi uunista.
- **Steam Clean:** Paina mikroaaltouunin puhdistamiseksi höyryllä.
- **Clock:** Paina kellonajan asettamiseksi. Käytetään myös lapsilukon asettamiseen.
- **Microwave:** Paina mikroaaltotehon asettamiseksi.
- **Timer:** Paina hälytysajastimen asettamiseksi.
- **Defrost:** Paina ruoan sulattamiseksi

4 Käyttö

ajan/painon mukaan.

- **Grill:** Paina grillausohjelman asettamiseksi.
- **Combi.:** Paina asettaaksesi mikroaaltotoiminnon, grillin ja konventiotoiminnon yhdistelmäohjelman.
- **Conv.:** Paina konvektio-ohjelman asettamiseksi.
- **-/+ :** Paina ajan asettamiseksi. Paina pitkään nopeuden lisäämiseksi/laske-
miseksi.
- **Mykistä -  X:** Paina mykistääksesi.
- **STOP / CANCEL:** Paina minkä tahansa asetuksen keskeyttämiseksi/peruuttamiseksi. Paina kahdesti näytön sammuttamiseksi.
- **START / +30 SEC:** Paina minkä tahansa asetuksen käynnistämiseksi/vahvistamiseksi. Paina pikakypsennykseen valmiustilassa.

Kun mikroaaltouuni kytketään päälle ensimmäisen kerran, näytöllä näkyy "0:00" ja äänimerkki kuuluu kerran siirtymisestä valmiustilaan.

4.2 Kellon asetus

1. Paina odotustilassa "Clock" kerran ja näytöllä näkyy "00:00". Tuntikuvakkeet vilkkuvat.
2. Paina "+/-" tuntien asettamiseksi. Ajan tulee olla välillä 0 - 23.
3. Paina "Clock" vahvistaaksesi, minuuttikuvake alkaa vilkkua.
4. Paina "+/-" minuuttien asettamiseksi. Ajan tulee olla välillä 0 - 59.
5. Paina "Clock" kellon asettamisen lopettamiseksi.



- Kello ei toimi, jos sitä ei aseteta virrankytkenän yhteydessä.
- Jos "Clock" ei paineta 5 minuutin kuluessa vaiheen 4 jälkeen, palaa uuni automaattisesti edelliseen tilaan.

4.3 Keittiöajastin

1. Paina odotustilassa "Timer" kerran ja näytöllä näkyy "0:00".
2. Paina "+/-" ajan asettamiseksi. Suurin arvo on 95:00.
3. Vahvista asetus painamalla "START/+30SEC".



Keittiöajastimen aikana mikään muu ohjelma ei toimi.

4.4 Ruoanvalmistus mikroaaltouunissa

1. Paina odotustilassa "Microwave", ja "P100" näkyy näytöllä.
2. Paina "+/-" tai paina "Microwave" toistuvasti tehotason asettamiseksi. "P100, P90, P80, P70, P60, P50, P40, P30, P20, P10" ovat käytettävissä.
3. Vahvista painamalla "START/+30SEC". Oletuskypsennysaika 15:00 näytetään.
4. Paina "+/-" kypsennysajan asettamiseksi. Suurin arvo on 95:00.
5. Paina "START/+30SEC" kypsennyksen aloittamiseksi.

4.5 Grillaaminen

1. Paina "Grill" kerran ja "G" näkyy näytöllä.
2. Vahvista painamalla "START/+30SEC". Oletuskypsennysaika 15:00 näytetään.
3. Paina "+/-" kypsennysajan asettamiseksi. Suurin arvo on 95:00.

4 Käyttö

4. Paina "START/+30SEC" kypsennyksen aloittamiseksi.



- Kun puolet grillausajasta on kulunut, uuni muistuttaa ruoan kääntämisestä. Paremman grillaustuloksen saamiseksi, käännä ruoka ympäri, sulje luukku ja paina "START/+30SEC" kypsennyksen jatkamiseksi. Jos toimintoja ei suoriteta, uuni toimii automaattisesti.
- Jos aikaa lyhennetään tai pidennetään kypsennyksen aikana, ei tämä vaikuta puoliajan hälytykseen.

4.6 Konvektiokypsennys

1. Paina "Conv." kerran ja "150°C" näkyy näytöllä.

2. Paina "Conv." toistuvasti valitaksesi lämpötilan välillä 150 °C - 240 °C.

3. Vahvista lämpötila painamalla "Start/+30SEC.". Jos painat "START/+30SEC" uudelleen, uuni aloittaa esilämmityksen. Kun esilämmityksen lämpötila saavutetaan, äänimerkki kuuluu kahdesti. Voit avata uuniluukun ja asettaa ruoan sisään.

4. tai paina "+/-" kypsennysajan asettamiseksi suoraan. Suurin arvo on 95:00.

5. Paina "Start/+30SEC" kypsennyksen aloittamiseksi.

4.7 Yhdistelmäkypsennys

1. Paina "Combi." kerran, näytöllä näkyy "C-1", ja paina "Combi." toistuvasti halutun tehon valitsemiseksi ja näytöllä näkyy "C-1, C-2, C-3, tai C-4".

2. Vahvista tila painamalla "START/+30SEC". Oletuskypsennysaika 15:00 näytetään.

3. Paina "+/-" kypsennysajan asettamiseksi. Suurin arvo on 95:00.

4. Paina "START/+30SEC" kypsennyksen aloittamiseksi.

Yhdistelmätoiminnon ohjeet	Ohjenäyttö	Mikroaalto	Grilli	Konvektio
1	C-1	•		•
2	C-2	•	•	
3	C-3		•	•
4	C-4	•	•	•

4.8 Sulatus painon mukaan

1. Paina odotustilassa "Defrost" kerran ja näytöllä näkyy "dEF1".

2. Vahvista painamalla "START/+30SEC", 100g näkyy näytöllä.

3. Paina "+/-" asettaaksesi sulatuspainon välillä 100~2000 g.

4. Paina "START/+30SEC" sulatuksen aloittamiseksi.



Äänimerkki kuuluu ja muistuttaa ruoan kääntämisestä sulatuksen aikana.

4.9 Sulatus ajan mukaan

1. Paina odotustilassa "Defrost" kahdesti ja näytöllä näkyy "dEF2".
2. Vahvasta painamalla "START/+30SEC", 15:00 näkyy näytöllä.
3. Paina "+/-" sulatusajan asettamiseksi. Suurin arvo on 95:00.
4. Paina "START/+30SEC" sulatuksen aloittamiseksi.



Äänimerkki kuuluu ja muistuttaa ruoan kääntämisestä sulatuksen aikana.

4.10 Monivaihekypsennys

Enintään 2 vaihetta voidaan asettaa. Jos yksi vaiheista on sulatus, tulee se asettaa ensimmäiseksi vaiheeksi automaattisesti. Äänimerkki kuuluu jokaisen vaiheen jälkeen ja seuraava vaihe käynnistyy. Ajustinta, automaattikypsennystä, pikakypsennystä tai esilämmitystä ei voida asettaa monivaihe toiminnon osaksi.

Esimerkki: Jos haluat sulattaa ruokaa 10 minuutin ajan ja grillata sitä sen jälkeen 10 minuuttia ja 30 sekuntia. Noudata seuraavia ohjeita.

1. Paina "Defrost" kahdesti, näytöllä näkyy "dEF2".
2. Vahvasta painamalla "START/+30SEC", 15:00 näkyy näytöllä.
3. Paina "+/-" sulatusajan asettamiseksi, kunnes 10:00 näkyy näytöllä.
4. Paina "Grill" kerran, "G" näkyy näytöllä, vahvasta painamalla "START/+30SEC"
5. Paina "+/-" grillausajan asettamiseksi, kunnes 10:00 näkyy näytöllä.
6. Paina "START/+30SEC" kypsennyksen aloittamiseksi.

4.11 Pikamikroaaltokypsennys

Paina "START/+30SEC" valmiustilassa kypsentämiseksi 100 % teholla 30 sekuntia.

4.12 Lapsilukko

Lukitus: Paina valmiustilassa "Clock" 3 sekuntia. Äänimerkki kuuluu ja lapsilukko kytkeytyy päälle ja lukkosymboli syttyy.

Lukituksesta poistuminen: Paina lukitussa tilassa "Clock" 3 sekuntia. Äänimerkki ilmoittaa, että lukko on avattu ja lukkosymboli katoaa näytöltä.

4.13 Hajunpoistaja

1. Paina valmiustilassa "Deodoriser" ja näytöllä näkyy "dE".
2. Paina "START/+30SEC" käytön aloittamiseksi.

4.14 Höyrypuhdistus

1. Paina valmiustilassa "Steam Clean" ja näytöllä näkyy "SC"
2. Paina "START/+30SEC" käytön aloittamiseksi.



Kaada yhtä paljon vettä suureen, avoimeen mikroaaltoturvalliseen astiaan. Pyyhi käytön jälkeen höyrytetyt pinnat puhtaalla sienellä ruokajäämien ja hajujen poistamiseksi pinnoilta.

4.15 Terveellinen ateria

1. Paina odotustilassa "Healthy Dish" kerran ja "Hd01" näkyy näytöllä.
2. Paina "Healthy Dish" toistuvasti valitaksesi ruokalistan välillä "Hd01" - "Hd05".
3. Vahvista alivalikko painamalla "START/+30SEC". Oletuspaino tai annos näkyy näytöllä.
4. Paina "+/-" painon tai annoksen asettamiseksi.
5. Paina "START/+30SEC" kypsennyksen aloittamiseksi.

Terveiden aterioiden luettelo

RUOKALISTA / näyttö	Paino/ näyttö	Aika (min' sek")	Teho
Hd01 Kinua	100g	3'00"/15'00"	P100/P50
	200g	5'00"/15'00"	
Hd02 Kuskus	200g	4'00"/8'00"	P100/P50
	300g	5'00"/10'00"	
Hd03 Makaroni	100g	10'00"	P80
	200g	12'00"	
Hd04 Ruskea riisi	200g	5'30"/25'00"	P100/P50
	300g	8'00"/30'00"	
Hd05 Kaurapuuro	2 annosta	3'30"/3'30"	P100/P50
	4 annosta	5'30"/5'30"	

4.16 Päivittäiset ateriat

1. Paina odotustilassa "Daily Dish" kerran ja "dd01" näkyy näytöllä.
2. Paina "Daily Dish" toistuvasti valitaksesi ruokalistan välillä "dd01" - "dd12".
3. Vahvista alivalikko painamalla "START/+30SEC". Oletuspaino tai annos näkyy näytöllä.
4. Paina "+/-" painon tai annoksen asettamiseksi.
5. Paina "START/+30SEC" kypsennyksen aloittamiseksi.

Päivittäisten aterioiden luettelo

RUOKALISTA / näyttö	Paino/ näyttö	Aika (min' sek")	Teho
dd01 Pakasteherneet	200g	4'00"	P100
	400g	7'00"	

4 Käyttö

dd02 Pakastettu sekoitus Vihannes	200g	4'00"	P100
	400g	7'00"	
dd03 Pakastettu parsakaali	200g	5'00"	P100
	400g	8'00"	
dd04 Tuore pinaatti	200g	2'30"	P100
	400g	4'30"	
dd05 Pakastetut vihreät pavut	200g	5'00"	P100
	400g	8'00"	
dd06 Kuuritut perunat	400g	6'00"	P100
	800g	10'00"	
dd07 Kuorelliset perunat	2 (~200g/kpl)	8'30"	P100
	4 (~200g/kpl)	15'00"	
dd08 Pakastettu lasagne	300g	15'00"	C-1
	600g	20'00"	
dd09 Grillattu kananrinta	200g	16'00"	Grilli 60 % + Konv.: 240°C
	400g	20'00"	
dd10 Lampaan kylki	900g	35'00"	C-4
dd11 Paahtopaisti	900g	35'00"	C-4
dd12 Grillattu valkosipulileipä	200g	9'00"	C-4

4.17 Automaattilista

Aseta esimerkiksi kala-ateriaksi 350 g;

1. Paina odotustilassa "Fish" kerran ja "150g" näkyy näytöllä.
2. Paina "Fish" toistuvasti, kunnes 350g näkyy näytöllä.
3. Paina "START/+30SEC" kypsennyksen aloittamiseksi.

Ruokalistataulukko

RUOKALISTA / näyttö	Paino/ näyttö	Aika (min' sek")	Teho
A01 Popcorn	50g	1'40"	P100
	100g	2'00"	

4 Käyttö

A02 Kala	150g	3'00"	P80
	250g	4'00"	
	350g	5'30"	
	450g	6'30"	
	650g	8'30"	
A03 Broileri	500g	29'00"	C-4 (äänimerkki ruo- an kääntämiseksi)
	750g	34'00"	
	1000g	39'00"	
	1200g	44'00"	
A04 Kakku	475g	60'00"	Esilämmitys 160°C / Konv.160°C
A05 Pizza	100g	8'00"	C-4
	200g	10'00"	
	300g	12'00"	
A06 Pasta	50g (kylmää vettä 450g)	18'00"	P80
	100g (kylmää vettä 800g)	20'00"	
	150g (kylmää vettä 1200g)	22'00"	



- Äänimerkki kuuluu ja muistuttaa ruoan kääntämisestä kana-aterian aikana.
- Kakkutilassa uuni aloittaa esilämmityksen ja kun esilämmityksen lämpötila saavutetaan, äänimerkki kuuluu kahdesti. Voit avata uuniluukun ja asettaa ruoan sisään. Paina "START/+30SEC" kypsennyksen aloittamiseksi.

4.18 Kiertoilmakypsennin

1. Paina odotustilassa "Airfry" toistuvasti aterian valitsemiseksi ja "AF01~AF10" näytetään järjestyksessä.

2. Paina "START/+30SEC" kypsennyksen aloittamiseksi.

RUOKALISTA / näyttö	Paino/ näyttö	Aika (min' sek")	Teho
AF01 Ranskalaiset perunat	300g	6'00"/16'00"	G-100% + Konv.-240°C / G-60% + Konv.-240°C
AF02 Pakasteperunat	450g	15'00"/15'00"	G-100% + Konv.-240°C / G-60% + Konv.-240°C
AF03 Pakastetut kana-nuggetit	350g	22'00"	G-60% + Konv.-240°C

4 Käyttö

AF04 Pakastettu paistettu mustekala	250g	16'00"	G-60% + Konv.-240°C
AF05 Pakastetut sipulirenkaat	250g	16'00"	G-60% + Konv.-240°C
AF06 Pakastetut paneeratut ravut	250g	18'00"	G-60% + Konv.-240°C
AF07 Paistettu kana Kananleike	400g	24'00"	G-60% + Konv.-240°C
AF08 Grillatut tuoreet kalafileet	300g	18'00"	G-60% + Konv.-240°C
AF09 Pakastetut Buffalo-kanansiivet	420g	22'00"	G-60% + Konv.-240°C
AF10 Pakastetut paistetut kanansiivet	500g (~70g/ kpl)	28'00"	G-60% + Konv.-240°C



Äänimerkki kuuluu ja muistuttaa ruoan kääntämisestä kypsennyksen aikana.

5.1 Puhdistus



Varoitus: Älä käytä bensiiniä, luotainaineita tai hankaavia puhdistusaineita, metalliesineitä tai kovia harjoja laitteen puhdistamiseen.



Varoitus: Älä upota laitetta tai sen virtajohtoa veteen tai muuhun nesteeseen.

1. Sammuta laite ja irrota sen verkkojohdot pistorasiasta.
2. Anna laitteen jäähtyä kokonaan.
3. Pidä uunin sisäpuoli puhtaana. Pyyhi sisäpuoli kostealla liinalla, jos uunin seiniin on jäänyt kiinni ruokaa tai roiskuneita nesteitä. Voit käyttää mieta pesuainetta laitteen puhdistamiseen, jos uuni on erittäin likainen. Vältä käyttämästä suihkeita tai muita puhdistusaineita, sillä ne voivat aiheuttaa ylimääräisiä tahroja tai jälkiä ja uunin luukun pinnan samentumista.
4. Uunin ulkopinnat tulee puhdistaa kostealla liinalla. Älä anna veden päästä sisään laitteen tuuletusaukoista, jotta uunin toimivat osat eivät vaurioituisi.
5. Pyyhi uunin luukku ja lasi molemmilta puolilta, sekä luukun tiivisteet ja alueet tiivisteiden ympäriltä säännöllisesti kostealla liinalla poistaaksesi ylivuotaneet tai roiskuneet tahrat. Älä käytä hankaavia puhdistusaineita.
6. Älä anna ohjauspaneelin kastua. Puhdista laite pehmeällä, kostealla liinalla. Jätä uunin luukku auki estääksesi sen tahattoman päällekytkemisen, kun puhdistat ohjauspaneelia.
7. Jos höyryä kertyy uunin luukun sisäpuolelle tai sen ympärille, pyyhi kostealla liinalla. Näin voi tapahtua, jos mikroaaltouunia käytetään hyvin kosteassa ympäristössä. Tämä on normaalia.
8. Lasinen alusta on irrotettava silloin tällöin puhdistamista varten. Pese alusta lämpimällä saippuavedellä tai laittamalla se astianpesukoneeseen.
9. Pyörivä rengas ja uunin pohja tulee puhdistaa säännöllisesti, jotta laite ei aiheuttaisi ylimääräistä ääntä. Uunin alapinnan puhdistamiseksi riittää pyyhkiminen miedolla pesuaineliuoksella. Pyörivä rengas voidaan pestä lämpimällä saippuavedellä tai laittamalla se astianpesukoneeseen. Kun irrotat pyörivän renkaan uunista sisäpohjasta puhdistamista varten, varmista että asetat sen oikeaan asentoon, laittaessasi sitä takaisin.
10. Poistaaksesi pahat hajut mikroaaltouunista, laita lasi vettä ja sitruunamehua sekä sitruunan kuori uuniin käyttäen syvää kulhoa, ja käytä uunia 5 minuuttia mikroaaltotilassa. Pyyhi sitten kuivaksi läpikotaisin käyttäen pehmeää liinaa.
11. Ota yhteys valtuutettuun huoltoon, uunin lampun vaihtamiseksi.
12. Älä hävitä laitetta tavanomaisen kotitalousjätteen mukana: vanhat uunit tulee toimittaa kunnallisiin jätehuoltokeskuksiin.
13. Kun mikroaaltouunia käytetään yhdessä grillaus toiminnon kanssa, laitteen sisään voi muodostua hieman savua ja käryä jotka häviävät hetken kuluttua.
14. Kun mikroaaltouunia grillitoiminnolla käytetään ensimmäisen kerran, voi siitä muodostua hieman savua ja hajua. Tämä on normaalia, koska uuni on valmistettu voiteluöljyllä pinnoitetusta teräslevystä, ja uusi uuni tuottaa savua ja hajuja, johtuen voi-

5 Puhdistus ja huolto

teluöljyn palamisesta. Tämä katoaa lyhyen käyttöajan jälkeen.

5.2 Säilytys

- Jos et aio käyttää laitetta pitkään aikaan, säilytä sitä huolellisesti.
- Varmista, että laite on irrotettu pistorasiasta, jäähtynyt ja täysin kuiva.
- Säilytä laitetta viileässä, kuivassa paikassa.
- Pidä laite poissa lasten ulottuvilta.

5.3 Kuljetus ja käsittely

- Säilytä laitetta alkuperäisessä pakkauksessaan kuljetuksen ja käsittelyn aikana. Pakkaus suojaa laitetta fyysisiltä vahingoilta.
- Älä aseta raskaita kuormia laitteen tai pakkauksen päälle. Muuten laite voi vaurioitua.
- Laitteen pudottaminen voi tehdä sen toimimattomaksi tai aiheuttaa pysyviä vaurioita.

6 Vianmääritys

Normaali		
Mikroaaltouuni televisiolähetystä	häiritsee	Mikroaaltouunin käyttö voi häiritä radio- ja TV-lähetystä. Se on samanlaista kuin pienten sähkölaitteiden, kuten esimerkiksi sähkövatkaimen, pölynimurin tai sähkötuulettimen aiheuttama häirintä. Tämä on normaalia.
Uunin valo on himmeä.		Uunin valo voi himmentyä matalalla mikroaaltouuni-teholla kypsennettäessä. Tämä on normaalia.
Luukkuun kerääntyvä höyry, kuuma ilma tuuletusaukoista		Höyryä voi syntyä ruoasta kypsennyksen aikana. Suurin höyry osa poistuu tuuletusaukoista. Osa siitä voi kuitenkin keräytyä viileään paikkaan, kuten esimerkiksi uunin luukkuun. Tämä on normaalia.
Uunin käynnistyminen tyhjänä.	vahingossa	Laitetta ei saa käyttää tyhjänä. Tämä on hyvin vaarallista.

Ongelma	Mahdollinen syy	Ratkaisu
Uunin ei voida käynnistää.	1) Virtajohtoa ei ole kytketty kunnolla.	Irrota pistoke. Liitä se uudestaan 10 sekunnin kuluttua.
	2) Varoke palanut tai suoja-katkaisin aktivoitu.	Vaihda sulake tai aseta tehokatkaisin uudestaan (yrityksemme pätevän huoltohenkilön korjaamana).
	3) Ongelma pistorasian kanssa.	Testaa pistorasia muilla sähkölaitteilla.
Uuni ei kuumene.	4) Luukku ei sulkeudu kunnolla.	Sulje luukku huolellisesti.

Læs denne brugervejledning først!





Kære værdsatte kunde

Tak, fordi du har købt dette Beko-apparat. Vi håber, du får det bedste ud af dit apparat, som er fremstillet ved hjælp af moderne teknologi af højeste kvalitet. Af denne årsag skal du læse hele brugervejledningen og alle andre medfølgende dokumenter grundigt igennem, inden du tager apparatet i brug. Gem brugervejledningen til fremtidig brug. Hvis du giver apparatet videre til en anden, skal du huske også at give brugervejledningen videre. Følg vejledningen ved at læse alle brugervejledningens oplysninger og advarsler omhyggeligt.

Husk, at denne brugervejledning også gælder for andre modeller. Forskelle mellem modellerne er udtrykkeligt beskrevet i vejledningen.

Symbolernes betydning

Følgende symboler bruges i brugervejledningens forskellige afsnit:

	Vigtig information eller nyttige tips om brug.
	Advarsler om farlige situationer vedrørende sikkerhed og liv og ejendom.
	Advarsel mod varme overflader.
	Advarsel mod elektrisk stød.

1 Vigtige instruktioner om miljø og sikkerhed.

Vigtige sikkerhedsinstruktioner læses omhyggeligt og opbevares som fremtidig reference

1.1 Sikkerhedsadvarsler

Dette afsnit indeholder sikkerhedsanvisninger, der vil hjælpe med at beskytte mod brand, elektrisk stød, udsættelse for lækket mikrobølgeenergi, risiko for personskade eller skade på ejendom. Hvis du ikke følger disse instruktioner, bliver garantien annulleret.

- Beko-mikrobølgeovne overholder de gældende sikkerhedsstandarder. I tilfælde af skade på apparatet eller strømkablet skal det derfor repareres eller udskiftes af forhandleren, servicecentret eller en specialist og autoriseret service for at undgå fare. Fejlagtigt eller ikke-kvalificeret reparationsarbejde kan medføre fare og forårsage risiko for brugeren.

- Dette apparat er beregnet til brug i husholdningen og lignende anvendelser såsom
 - Personalekøkken, butiksområder, kontorer og andre arbejdsmiljøer,
 - Landbrugsejendomme
 - Kunder på hoteller, moteller og andre boligmiljøer,
 - Bed and breakfast-miljøer.
- Mikroovnen er beregnet til at blive brugt fritstående.
- Den er ikke beregnet til kommerciel eller industriel anvendelse.
- Forsøg ikke at starte ovnen, når døren er åben. Ellers kan du blive udsat for skadelig mikrobølgeenergi. Sikkerhedslåse må ikke deaktiveres eller manipuleres.
- Mikrobølgeovnen er beregnet til opvarmning af mad og drikkevarer. Tørring af mad eller beklædning og opvarmning af opvarmn-

1 Vigtige instruktioner om miljø og sikkerhed.

- ingspuder, hjemmesko, svampe, fugtig klud og lignende kan føre til risiko for personskade, antændelse eller brand.
- Anbring ingen genstande mellem forsiden og døren til ovnen. Lad ikke rester af snavs eller rengøringsmiddel opbygges på lukkeoverfladerne.
 - Eventuelle servicearbejder, der involverer fjernelse af dækslet, der giver beskyttelse mod eksponering for mikrobølgeenergi, skal udføres af autoriserede personer/service. Enhver anden tilgang er farlig.
 - Dit produkt er beregnet til madlavning, opvarmning og afrimning af mad derhjemme. Den må ikke bruges til andet formål.
 - Din ovn er ikke designet til at tørre noget levende væsen.
 - Brug ikke dit apparat til at tørre tøj eller køkkenhåndklæder.
 - Brug ikke dette apparat udendørs, badeværelser, fugtige miljøer eller steder, hvor det kan blive vådt.
 - Vi påtager os intet ansvar eller garanti for skader, der opstår som følge af forkert brug eller forkert håndtering af apparatet.
 - Forsøg ikke at afmontere produktet. Ingen garantikrav accepteres for skader, der skyldes forkert håndtering.
 - Brug kun de originale reservedele og/eller dele frigivet af producenten.
 - Lad ikke apparatet være uden opsyn, mens det er tilsluttet.
 - Brug altid apparatet på en stabil, flad, ren, tør og skridsikker overflade.
 - Apparatene er ikke beregnet til at blive betjent ved hjælp af en ekstern timer eller separat fjernbetjening.
 - Før du anvender enheden for første gang, skal du

1 Vigtige instruktioner om miljø og sikkerhed.

fjerne alt emballage. Se detaljerne i afsnittet "Rengøring og vedligeholdelse".

- Brug kun apparatet til det tilsigtede formål som beskrevet i denne vejledning.
- Apparatet bliver meget varmt, mens det er i brug. Vær opmærksom på ikke at røre ved de varme dele inde i ovnen.
- Brug ikke ovnen tom.
- Køkkengrej kan blive varmt på grund af den varme, der overføres fra den opvarmede mad til redskabet. Du har muligvis brug for termohandsker for at holde redskabet.
- Redskaber skal kontrolleres for at sikre, at de er egnede til brug i mikrobølgeovne.
- Anbring ikke ovnen på komfurer eller andre varmegenererende apparater. Ellers kan det blive beskadiget, og garantien

bortfalde.

- Der kan komme damp ud, mens du åbner dækslerne eller folien efter madlavning.
- Apparatet og dets tilgængelige overflader kan blive meget varmt, når apparatet er i brug.
- Dør og yderglas kan blive meget varmt, når apparatet er i brug.
- Sørg for, at din strømforsyning er i overensstemmelse med de oplysninger, der leveres på apparatets typeskilt.
- Den eneste måde at afbryde apparatet fra strømforsyningen er at fjerne stikket fra stikkontakten.
- Brug kun apparatet med en jordet stikkontakt.
- Brug ikke apparatet, hvis strømkablet eller selve apparatet er beskadiget.
- Brug ikke apparatet med en forlængerledning!
- Rør aldrig ved apparatet

1 Vigtige instruktioner om miljø og sikkerhed.

- eller dets stik med fugtige eller våde hænder.
- Apparatet skal placeres, så stikket altid er tilgængeligt
 - Undgå beskadigelse af strømkablet ved ikke at presse, bøje eller gnide det på skarpe kanter. Hold strømkablet væk fra varme overflader og åben ild.
 - Sørg for, at der ikke er nogen fare for, at strømkablet ved et uheld kan trækkes, eller at nogen kan snuble over det, når apparatet er i brug.
 - Tag stikket ud af stikkontakten før hver rengøring og når apparatet ikke er i brug.
 - Træk ikke i strømkablet på apparatet for at fjerne det fra strømforsyningen, og vikl aldrig strømkablet rundt om apparatet.
 - Nedsænk ikke apparatet, strømkablet eller strømstikket i vand eller andre væsker. Hold den ikke under rindende vand.
 - Når du opvarmer mad i plast- eller papirbeholdere, skal du holde øje med ovnen på grund af muligheden for antændelse.
 - Fjern trådstreng og / eller metalhåndtag af papir eller plastikposer, før du sætter poser i ovnen.
 - Hvis der observeres røg, skal du slukke for apparatet eller tage stikket ud, hvis det er sikkert, og hold døren lukket for at kvæle flammer.
 - Brug ikke mikrobølgeovn til opbevaring. Efterlad ikke papirvarer, madlavningsmateriale eller mad inde i ovnen, når den ikke bruges.
 - Indholdet af sutteflasker og babymadbøtter bør omrøres eller rystes, og temperaturen kontrolleres inden forbrug for at undgå forbrændinger.
 - Dette apparat er et gruppe 2 ISM-udstyr af klasse B. Gruppe 2 indeholder alt

1 Vigtige instruktioner om miljø og sikkerhed.

ISM (industrielt, videnskabeligt og medicinsk) udstyr, hvor radiofrekvensenergi med vilje genereres og/eller bruges i form af elektromagnetisk stråling til behandling af materiale og gnisterosionsudstyr.

- Klasse B-udstyr er velegnet til brug i hjemlige virksomheder og virksomheder, der er direkte tilsluttet et lavspændingsforsyningssnet.
- Brug ikke madolie i ovnen. Varm olie kan beskadige ovnens komponenter og materialer, og det kan endda forårsage forbrændinger på huden.
- Prik mad med tyk skorpe som kartofler, courgetter, æbler og kastanjer.
- Apparatet skal placeres, så bagsiden vender mod væggen.
- Inden du flytter apparatet, skal du sikre drejeskiven for at forhindre skader.
- Æg i deres skal og

hele hårdkogte æg må ikke opvarmes i mikrobølgeovne, da de kan eksplodere, selv efter at mikrobølgeopvarmningen er afsluttet.

ADVARSEL: Hvis døren eller dørforseglingen er beskadiget, må ovnen ikke betjenes, før den er repareret af en kompetent person.

ADVARSEL: Det er farligt for andre end en kompetent person at udføre enhver service eller reparation, der involverer fjernelse af et dæksel, der giver beskyttelse mod udsættelse for mikrobølgeenergi.

ADVARSEL: Væsker og andre fødevarer må ikke opvarmes i forseglede beholdere, da de kan eksplodere.

- Ovnens skal rengøres regelmæssigt, og eventuelle madaflejringer fjernes.
- Der skal være min 30 cm fri plads over ovnens øverste overflade.
- Maden må ikke koges for

1 Vigtige instruktioner om miljø og sikkerhed.

meget, ellers kan du forårsage brand.

- Brug ikke kemikalier og dampassisterede rengøringsmidler til at rengøre apparatet.
- Ekstrem forsigtighed tilrådes, når det bruges i nærheden af børn og personer, der er begrænset i deres fysiske, sensoriske eller mentale evner.
- Dette apparat kan bruges af børn i alderen 8 år eller derover og af personer, der har begrænset fysisk, sensorisk eller mental kapacitet, eller som ikke har viden og erfaring, så længe de overvåges med hensyn til sikker brug af produktet, eller de instrueres i overensstemmelse hermed eller forstår risikoen ved at bruge produktet. Børn bør ikke lege med produktet. Rengøring og brugervedligeholdelse må ikke udføres af børn, med mindre de er over 8 år og overvåget.
- **Fare for kvælning!** Hold alle emballagematerialer utilgængelige for børn.
- Opbevar produktet og dets strømkabel, så de er utilgængelige for børn under 8 år.
- Tilbered ikke mad direkte på glasbakken. Læg maden i/på passende køkkenredskaber, inden du sætter dem i ovnen.
- Metalbeholdere til mad og drikke er ikke tilladt i mikrobølgeovn. Ellers kan der opstå gnister.
- Hvis man ikke vedligeholder ovnen i ren tilstand, kan det føre til ødelæggelse af overfladen, der kan påvirke apparatets levetid, og muligvis resultere i en farlig situation.
- Apparatet må ikke rengøres med en damprenser.
- Opvarmning af drikkevarer i mikroovn kan resultere i forsinket eksplosionsagtig kogning. Pas derfor på, når

1 Vigtige instruktioner om miljø og sikkerhed.

beholderen håndteres.

- **ADVARSEL:** Når apparatet bruges i kombinationstilstand, bør børn kun bruge ovnen under overvågning, på grund af de genererede temperaturer.
- **Rengøring:** Læg ikke apparatet i vand eller andre væsker. Rengør kun kabinettet med en svamp/klud opvredet i varmt sæbevand. Brug ikke stærke, slibende rengøringsmidler. Se detaljerede rengøringsinstruktioner i afsnit **Rengøring og vedligeholdelse og Opbevaring**.

1.2 Overholdelse af WEEE-direktivet og bortskaffelse af affald:

Dette produkt er i overensstemmelse med WEEE-direktiv (2012/19/EU). Dette produkt bærer et symbol for klassificering af bortskaffelse af elektrisk og elektronisk udstyr (WEEE).



Dette symbol indikerer, at dette produkt ikke må bortskaffes sammen med almindeligt husholdningsaffald, når slutningen på dets levetid er nået. Brugte apparater skal indleveres på en offentlig genbrugsplads

til elektriske og elektroniske apparater. Kontakt din kommune eller forhandleren af produktet for at finde ud af, hvor disse genbrugspladser ligger. Alle husholdninger spiller en vigtig rolle i forhold til genanvendelse og genbrug af gamle produkter. Korrekt bortskaffelse af brugte apparater hjælper med at beskytte mod potentielt negative konsekvenser for miljøet og mennesker.

1.3 Overholdelse af RoHS-direktivet:

Det produkt, du har købt, er i overensstemmelse med EU RoHS-direktivet (2011/65/EU). Det indeholder ikke skadelige og forbudte materialer angivet i direktivet.

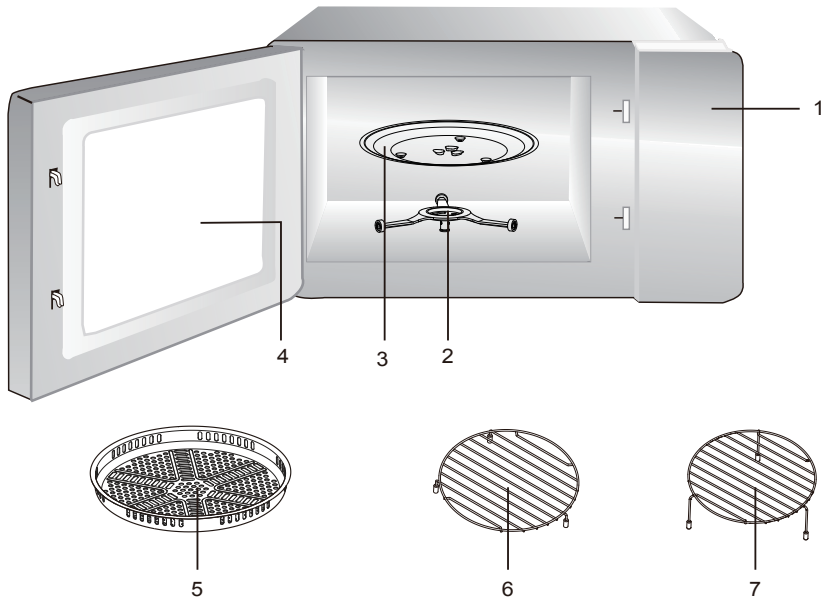
1.4 Information om emballagen



Produktets emballage er fremstillet fra genbrugsmaterialer i overensstemmelse med nationale miljølove. Smid ikke emballagen sammen med husholdningsaffald eller andet affald. Tag den til indsamlingssted for emballage, som er udpeget af lokale myndigheder.

2 Din mikrobølgeovn

2.1 Oversigt



1. Betjeningspanel
2. Montering af pladestøtte
3. Glasbakke
4. Ovnvindue
5. Bageplade (Kan ikke bruges i forbindelse med mikroovnsfunktion og kan placeres i bagestativet)
6. Lav trådrist (Til mikroovn, bagning og stegning i ovnen.)
7. Høj trådrist (Til grill, fx bøffer, pølser og ristet brød. Som støtte til flade tallerkener.)

2.2 Tekniske oplysninger

Model	MCF 26310 BAF
Spænding/frekvens	230 V~50 Hz
Effekt input- Mikroovn	1450W
Effekt output- Mikroovn	900W
Grill	1000W
Konvektion	2100W
Mikroovnsfrekvens [Hz]	2450 MHz
Drejetalderen diameter	288 mm
Ydre dimensioner:	495*424*290 mm
Ovnkapacitet	27 l

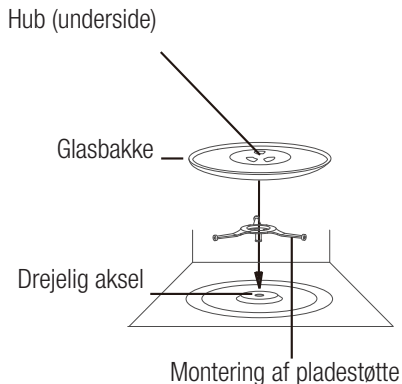
Tekniske og designændrings rettigheder er forbeholdt.

Mærkninger på apparatet eller de værdier, der er angivet i andre dokumenter, der leveres med produktet, er værdier opnået under laboratoriebetingelser i henhold til relevante standarder. Disse værdier kan variere afhængigt af brugen af apparatet og de omgivende forhold. Effektværdier er testet ved 230V.

2 Din mikrobølgeovn

2.3 Installation af ovnen

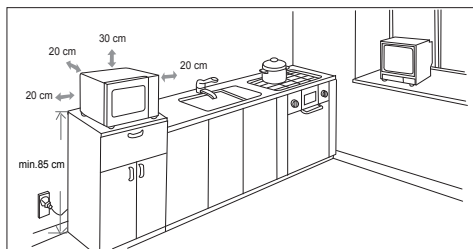
- Placer aldrig glasbakken på hovedet. Glasbakken må aldrig begrænses.
- Både glasbakke og pladestøtte skal altid bruges under madlavning.
- Al mad og beholdere med mad skal altid anbringes på glasbakken til madlavning.
- Hvis glasbakke eller drejeplade knækker eller revner, skal du kontakte dit nærmeste autoriserede servicecenter.



3 Installation

3.1 Installation

- Fjern al emballage og hjælpeværktøj. Undersøg ovnen for skader som revner eller ødelagt dør. Installer det ikke, hvis ovnen er beskadiget.
- Fjern al beskyttelsesfilm på mikroovnens kabinet-overflade.
- Fjern ikke det lysebrune Mica-dæksel, der sidder på ovnens hulrum for at beskytte magnetronen.
- Vælg en niveauoverflade, der giver tilstrækkeligt åben plads til ind- og udgående ventilation.



- Minimum installationshøjde er 85 cm.
- Overfladen på apparatets overflade skal placeres mod en væg. Efterlad et

minimum mellemrum på 30 cm over ovnen, der kræves et minimum mellemrum mellem ovnen og enhver tilhørende væg.

- Fjern ikke benene fra ovnens bund.
- Blokering af indsugnings- eller udblæsningsåbninger kan ødelægge ovnen.
- Placer ovnen så langt fra radio og TV, som muligt. Brug af mikroovnen kan skabe interferens i din radio- eller TV-modtagelse. 2. Tilslut din ovn til en almindelig stikkontakt i husholdningen. Sørg for at spænding og frekvens er den samme, som på typeskiltet.



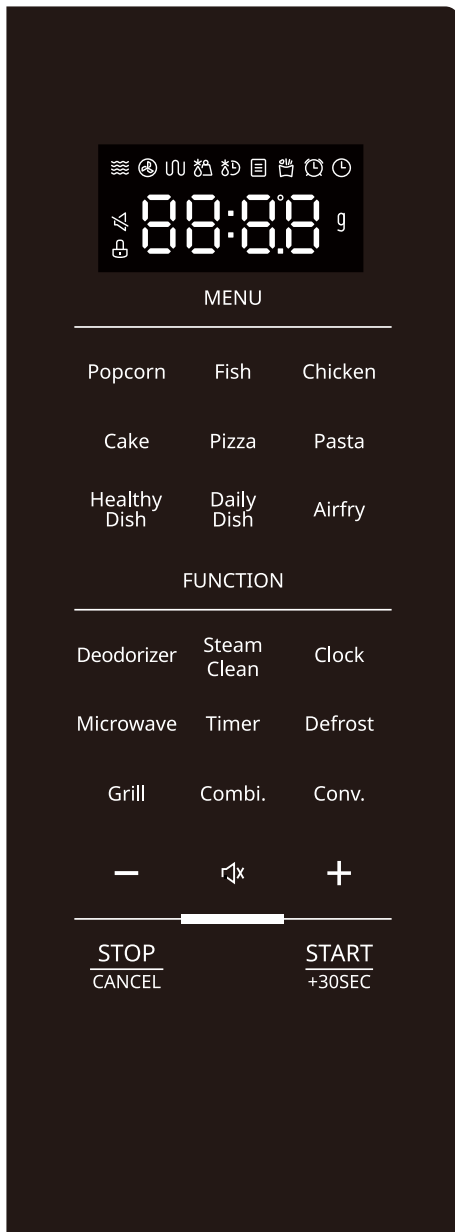
ADVARSEL: Installer ikke ovnen over et komfur eller andet varmeproducerende apparat. Hvis ovnen er installeret tæt på eller over en varmekilde, kan den blive beskadiget og garantien kan bortfalde.



Den tilgængelige overflade kan blive varm under brug.

4 Betjening

4.1 Styrepanel



Skærm

Tilberedningstid, effekt, indikatorer og tid vises.

	Microwave
	Convection
	Grill
	Defrost by weight
	Defrost by time
	Auto menu
	Airfryer
	Alarm
	Clock/ Childlock
	Mute
	Child lock
	Gram
	Temperature

Menu

- **Autotilberedningsknapper** Umiddelbare indstillinger til at tilberede populær mad.

Funktion

- **Deodorizer.** Tryk for at fjerne madlugt i mikroovnen.
- **Steam Clean:** Tryk for at damprense mikroovnen.
- **Clock:** Tryk for at indstille tiden. Den bruges også til at indstille børnelåsen.
- **Microwave:** Tryk for at indstille effektniveauet til mikroovnen.
- **Timer.** Tryk for at indstille alarmen.
- **Defrost:** Tryk for at optø mad baseret på tid/vægt.
- **Grill:** Tryk for at indstille grill-tilbered-

4 Betjening

ningsprogrammet

- **Combi.:** Tryk for at indstille mikroovn, grill og konventionskombinations-tilberedningsprogrammet.
- **Conv.:** Tryk for at indstille konvektion-tilberedning
- **-/+ :** Tryk for at indstille tid. Langt tryk for at forhøj/sænke hastighed.
- **Lydløs - ** Tryk for lydløs
- **STOP / CANCEL:** Tryk for at sætte på pause/annuller ved alle indstillinger. Tryk to gange for at slukke displayet
- **START / +30SEC:** Tryk for at sætte på start/ bekræft ved alle indstillinger. Tryk for at vise tilberedning i Standby-tilstand

Når mikroovnen først er tændt, vil skærmen vise "0:00", og brummeren vil lyde in gang for at gå til standbytilstand.

4.2 Urindstilling

1. Tryk "Clock" en gang i ventetilstand, og skærmen viser "00:00". Timetal vil blinke.
2. Drej "+/-" for at justere tilberedningstiden. Den indtastede tid skulle være mellem 0-23.
3. Tryk "Clock" for at bekræfte, minutterne vil blinke.
4. Tryk "+/-" for at justere tilberedningstiden. Den indtastede tid skulle være mellem 0-59.
5. Tryk på "Clock" for at afslutte indstilling af uret.



- Tiden vil ikke virke, hvis den ikke er indstillet ved opstarten.
- Efter trin 4, hvis du ikke trykker på "Clock" inden for 5 minut, vil ovnen automatisk gå tilbage til den tidligere status.

4.3 Køkken-minutur

1. Tryk på "Timer" en gang i ventetilstand, og skærmen viser "0:00".
2. Tryk "+/-" for at justere indtastningstiden. Maksimumværdien er 95:00.
3. Tryk "START/+30SEC" for at vise indstillingen.



Under indstilling af køkken-timeren, kan intet andet program virke.

4.4 Mikrobølgeovns madlavning

1. I ventetilstand tryk "Microwave", og "P100" vil vises.
2. Tryk "+/-" eller tryk på "Microwave" flere gange for at indstille effektniveauet. "P100, P90, P80, P70, P60, P50, P40, P30, P20 og P10" er tilgængelige.
3. Tryk "START/+30SEC" for at bekræfte. Standard-tilberedningstid 15:00 vil blive vist.
4. Tryk på "+/-" for at indstille tilberedningstid. Maksimumværdien er 95:00.
5. Tryk på "START/+30SEC" for at starte tilberedning.

4.5 Grill-tilberedning

1. Tryk på "Grill" en gang og, "G" vil blive vist.
2. Tryk "START/+30SEC" for at bekræfte. Standard-tilberedningstid 15:00 vil blive vist.

4 Betjening

- Tryk på "+/-" for at indstille tilberedningstid. Maksimumværdien er 95:00.
- Tryk på "START/+30SEC" for at starte tilberedning.



- Hvis halvdelen af grilltiden går, vil ovnens lyd minde dig om at vende maden. For at få en bedre effekt af at grille mad, skal du vende maden, lukke døren og derefter trykke på "START/+30SEC" for at fortsætte med at tilberede. Hvis der ikke sker noget, fortsætter ovnen med at arbejde.
- Når du forlænger eller afkorter tiden under tilberedningen påvirkes halvdelen af tiden ikke.

4.6 Konvektions-tilberedning

- Tryk på "Conv" en gang og " 150 °C" vil blive vist.
- Tryk "Conv." gentagne gange for at vælge temperaturer fra 150 til 240 °C.
- Tryk start "Start/+30SEC." for at bekræfte temperaturen, hvis du trykker "START/+30SEC" igen, vil ovnen starte med forvarmning, når forvarmningstemperaturen er nået, vil brummen lyde to gange. Du kan åbne ovndøren og lægge maden i den.
- Eller tryk på "+/-" for at indstille tilberedningstiden direkte. Maksimumværdien er 95:00.
- Tryk på "START/+30SEC" for at starte tilberedning.

4.7 Kombinationstilberedning

- Tryk "Combi." en gang, skærmen vil vise "C-1", og tryk "Combi." gentagne gange for at vælge den effekt, du ønsker, og "C-1, C-2, C-3, og C-4" vil blive vist.
- Tryk "START/+30SEC" for at bekræfte tilstanden, standard-tilberedningstid 15:00 vil blive vist.
- Tryk på "+/-" for at indstille tilberedningstid. Maksimumværdien er 95:00.
- Tryk på "START/+30SEC" for at starte tilberedning.

Kombinationsinstruktioner	Instruktioner vises	Mikroovn	Grill	Konvektion
1	C-1	•		•
2	C-2	•	•	
3	C-3		•	•
4	C-4	•	•	•

4.8 Optøning efter vægt

- Tryk på "Defrost" en gang i ventetilstand, og skærmen viser "dEF1".
- Tryk på "START/+30SEC" for at bekræfte, 100 g vises.
- Tryk på "+/-" for at indstille optøningsvægten mellem 100 - 2000 g.
- Tryk på "START/+30SEC" for at starte optøning.

4 Betjening



Brummeren vil lyde for at minde dig om at vende maden under optøning.

4.9 Optøning efter tid

1. Tryk på "Defrost" to gange i ventetilstand, og skærmen viser "dEF2".
2. Tryk på "START/+30SEC" for at bekræfte, 15:00 vises.
3. Tryk på "+/-" for at indstille optøningstid. Maksimumværdien er 95:00.
4. Tryk på "START/+30SEC" for at starte optøning.



Brummeren vil lyde for at minde dig om at vende maden under optøning.

4.10 Tilberedning i flere trin

Der kan maksimalt indstilles to trin. Hvis et trin er optøning, skal den sættes automatisk i den første fase. Summeren ringer en gang efter hvert trin, og næste trin begynder. Timer, auto-menu og hurtig tilberedning kan ikke indstilles som en af flertrinnene.

Eksempel: Hvis du vil optø maden, skal du optø maden i 10 minutter, derefter grille den i 10 minutter og 30 sekunder. Du kan følge disse trin.

1. Tryk to gange på "Defrost", skærmen viser "dEF2".
2. Tryk på "START/+30SEC" for at bekræfte, 15:00 vises.
3. Tryk på "+/-" for at justere optøningstiden, indtil 10:00 vises.
4. Tryk en gang på "Grill", "G" vises, tryk "START/+30SEC" for at bekræfte
5. Tryk på "+/-" for at justere grilltiden, indtil 10:00 vises.

6. Tryk på "START/+30SEC" for at starte tilberedning.

4.11 Kun mikroovnstilberedning

I standbytilstand, tryk "START/+30SEC" for at starte tilberedning med 100% effekt i 30 sekunder direkte.

4.12 Børnelås

Lås: I standby-tilstand, tryk på "Clock" i 3 sekunder. Brummeren vil lyde, når den går i børnelåstilstand, og låseindikatoren vil tænde.

Forlad lås: I låst tilstand, tryk på "Clock" i 3 sekunder. Brummeren vil lyde og indikere, at låsen er frigivet og låseindikatoren vil forsvinde.

4.13 Lugtfjernelse

1. I standbytilstand skal du trykke på "Deodoriser", og skærmen viser "dE".
2. Tryk på "START/+30SEC" for at starte tilberedning.

4.14 Damprengøring

1. I standbytilstand skal du trykke på "Steam Clean", og skærmen viser "SC".
2. Tryk på "START/+30SEC" for at starte tilberedning.



Hæld lige store dele vand i en helt åben mikroovns sikker beholder, når tilberedningen er færdig, så aftør de dampede overflader med en ren svamp for at hjælpe med at fjerne mad og lugt fra overfladerne.

4 Betjening

4.15 Sund ret

1. Tryk på "Healthy Dish" en gang i ventetilstand, og "Hd01" vil blive vist.
2. Tryk flere gange på "Healthy Dish" for at vælge menuen fra "Hd01" til "Hd05".
3. Tryk på "START/+30SEC" for at bekræfte undermenuen, standardvægt eller servering af menuen.
4. Tryk "+/-" for at indstille vægt eller servering.
5. Tryk på "START/+30SEC" for at starte tilberedning.

Tablet for sund mad

MENU/ Display	Vægt / Display	Tid (min' sek")	Effekt
Hd01 Quinoa	100g	3'00"/15'00"	P100/P50
	200g	5'00"/15'00"	
Hd02 Couscous	200g	4'00"/8'00"	P100/P50
	300g	5'00"/10'00"	
Hd03 Macaroni	100g	10'00"	P80
	200g	12'00"	
Hd04 Brun ris	200g	5'30"/25'00"	P100/P50
	300g	8'00"/30'00"	
Hd05 Havregryn	2 portioner	3'30"/3'30"	P100/P50
	4 portioner	5'30"/5'30"	

4.16 Dagligmad

1. Tryk på "Daily Dish" en gang i ventetilstand, og "dd01" vil blive vist.
2. Tryk flere gange på "Daily Dish" for at vælge menuen fra "dd01" til "dd12".
3. Tryk på "START/+30SEC" for at bekræfte undermenuen, standardvægt eller servering af menuen.
4. Tryk "+/-" for at indstille vægt eller servering.
5. Tryk på "START/+30SEC" for at starte tilberedning.

Tablet for daglig mad

MENU/ Display	Vægt / Display	Tid (min' sek")	Effekt
dd01 Frosne ærter	200g	4'00"	P100
	400g	7'00"	
dd02 Frossen blanding Vegetabilsk	200g	4'00"	P100
	400g	7'00"	
dd03 Frossen broccoli	200g	5'00"	P100
	400g	8'00"	

4 Betjening

dd04 Frisk spinat	200g	2'30"	P100
	400g	4'30"	
dd05 Frosne grønne bønner	200g	5'00"	P100
	400g	8'00"	
dd06 Skrællede kartofler	400g	6'00"	P100
	800g	10'00"	
dd07 Kartofler med skræl	2 (~200g/pc)	8'30"	P100
	4 (~200g/pc)	15'00"	
dd08 Frossen lasagne	300g	15'00"	C-1
	600g	20'00"	
dd09 Grillet kyllingebryst	200g	16'00"	Grill 60% + Conv. 240°C
	400g	20'00"	
dd10 Lammekølle	900g	35'00"	C-4
dd11 Roastbeef	900g	35'00"	C-4
dd12 Grillet hvidløgsbrød	200g	9'00"	C-4

4.17 Automenu

For eksempel indstil fiskemenuen til 350 g.

1. Tryk på "Fish" en gang i ventetilstand, og "150g" vil blive vist.
2. Tryk gentagne gange på "Fish", indtil 350g vises.
3. Tryk på "START/+30SEC" for at starte tilberedning.

Menu-tabel

MENU/ Display	Vægt / Display	Tid (min' sek")	Effekt
A01 Popcorn	50g	1'40"	P100
	100g	2'00"	
A02 Fisk	150g	3'00"	P80
	250g	4'00"	
	350g	5'30"	
	450g	6'30"	
	650g	8'30"	

4 Betjening

A03 Kylling	500g	29'00"	C-4 (bip for at vende maden)
	750g	34'00"	
	1000g	39'00"	
	1200g	44'00"	
A04 Kage	475g	60'00"	Forvarm 160 °C / Conv.160 °C
A05 Pizza	100g	8'00"	C-4
	200g	10'00"	
	300g	12'00"	
A06 Pasta:	50 g (koldt vand 450 g)	18'00"	P80
	100 g (koldt vand 800 g)	20'00"	
	150 g (koldt vand 1200 g)	22'00"	



- Brummeren vil lyde for at minde dig om at vende maden under kyllingemenu.
- I kagemenuen vil ovnen starte forvarmning, når forvarmningstemperaturen er nået, vil brummeren lyde 2 gange. Du kan åbne ovndøren og lægge maden i den. Tryk på "START/+30SEC" for at starte tilberedning.

4.18 Airfryer

1. I ventetilstand, tryk på "Airfry" flere gange for at vælge menuen, og "AF01~AF10" vil blive vist i rækkefølge.

2. Tryk på "START/+30SEC" for at starte tilberedning.

MENU/ Display	Vægt / Display	Tid (min' sek")	Effekt
AF01 Frosne pommes frites	300g	6'00"/16'00"	G-100% + Conv.-240 °C / G-60% + Conv.-240 °C
AF02 Frosne kartoffelbåde	450g	15'00"/15'00"	G-100% + Conv.-240 °C / G-60% + Conv.-240 °C
AF03 Frosne Chicken nuggets	350g	22'00"	G-60% + Conv.-240 °C
AF04 Frosne blæksprutteringe	250g	16'00"	G-60% + Conv.-240 °C
AF05 Frosne løgringe	250g	16'00"	G-60% + Conv.-240 °C
AF06 Frosne indbagte rejer	250g	18'00"	G-60% + Conv.-240 °C

4 Betjening

AF07 Frosne stegte kyllingfileter	400g	24'00"	G-60% + Conv.-240 °C
AF08 Grillede friske fiskefileter	300g	18'00"	G-60% + Conv.-240 °C
AF09 Frosne Buffalo kyllingevinger	420g	22'00"	G-60% + Conv.-240 °C
AF10 Frosne stegte kyllingevinger	500g (~70g/pc)	28'00"	G-60% + Conv.-240 °C



Brummeren vil lyde for at minde dig om at vende maden under tilberedning.

5 Rengøring og vedligeholdelse

5.1 Rengøring og vedligeholdelse



ADVARSEL: Brug aldrig benzin, opløsningsmidler, skurerengøringsmidler, met-algenstande eller hårde børster til at rengøre apparatet.



ADVARSEL: Apparatet og strømkablet må aldrig lægges i vand eller anden væske.

1. Sluk for maskinen, og træk stikket ud af stikkontakten.
2. Lad apparatet køle helt ned.
3. Hold indersiden af ovnen ren. Tør med en fugtig klud, når der er sprøjtet mad eller spildt væske på væggene i ovnen. Et mildt vaskemiddel kan anvendes, hvis ovnen bliver meget beskidt. Undgå at bruge sprays og andre kraftige rengøringsmidler, da de kan forårsage pletter, mærker og uigennemsiptighed på dørens overflade.
4. Ovnens overflader skal rengøres med en fugtig klud. Lad ikke vand trænge ind fra ventilationsåbningerne for at

undgå skader på driftsdele i ovnen.

5. Tør ofte begge sider af døren og glasset, dørpakninger og dele nær pakningerne med en fugtig klud for at fjerne pletter fra spildt eller stænket mad. Undlad at bruge slibende rengøringsmidler.
6. En damprenser bruges ikke.
7. Lad ikke kontrolpanelet blive vådt. Rengør med en fugtig, blød klud. Lad ovndøren stå åben for at forhindre, at ovnen utilsigtet tændes, mens du rengør kontrolpanelet.
8. Hvis damp samles i eller omkring ovndøren, skal den aftørres med en blød klud. Dette kan forekomme, når mikrobølgeovnen betjenes under betingelser med høj fugtighed. Det er ganske normalt.
9. Sommetider kan det være nødvendigt at tage glasbakken ud for at rengøre den. Vask bakken med varmt opvaskevand eller i opvaskemaskine.
10. Rulleringen og ovnens indvendige bund skal rengøres regelmæssigt for at undgå støj. Det er tilstrækkeligt at aftørre overfladen i bunden af ov-

5 Rengøring og vedligeholdelse

nen med et mildt rengøringsmiddel. Rulleringen kan vaskes i varmt opvaskevand eller i en opvaskemaskine. Når du tager rulleringen op fra bunden af ovnen i forbindelse med rengøring, skal du sørge for at placere den rigtigt, når du sætter den tilbage i ovnen igen.

11. Hvis du vil fjerne dårlig lugt i ovnen, skal du sætte et glas varmt vand samt en skål med saften og skallen fra en citron i ovnen og tænde ovnen i 5 minutter på mikrobølgefunktion. Aftør, og tør den grundigt af med en blød klud.
12. Kontakt det autoriserede servicecenter, når ovnlampen skal udskiftes.
13. Bortskaf ikke dette apparat sammen med husholdningsaffald. Brugte ovne skal indleveres på genbrugsstationer, der stilles til rådighed af lokale myndigheder.
14. Når mikrobølgeovnen bruges med grillfunktion, kan der i mindre omfang forekomme røg og lugt, som forsvinder efter en vis tids brug.
15. Når mikroovnen med grillfunktion bruges første gang, kan den give en smule røg og lugt. Dette er et normalt fænomen, fordi ovnen er fremstillet af en stålplade, der er belagt med smøreolie, og den nye ovn vil danne røg og lugt, der skyldes at smøreolien brændes af. Dette fænomen vil forsvinde efter et stykke tid.

5.2 Opbevaring

- Hvis du ikke skal bruge apparatet i en længere periode, skal det opbevares med omtanke.
- Sørg for, at apparatet ikke er sluttet til strøm, er kølet helt ned og er helt tørt.
- Opbevar apparatet på et tørt og køligt

sted.

- Hold apparatet uden for børns rækkevidde.

5.3 Håndtering og transport

- Under håndtering og transport skal apparatet bæres i den originale emballage. Apparatets emballage beskytter det mod fysiske skader.
- Placer ikke tunge ting på apparatet eller emballagen. Apparatet kan blive beskadiget.
- Hvis apparatet tabes, vil det miste funktionsevne eller lide permanent skade.

6 Fejlfinding

Normal	
Mikrobølgeovn forstyrrer TV-modtagelse	Radio- og TV-modtagelse kan blive forstyrret, når mikrobølgeovnen kører. Det ligner interferensen forårsaget af små elektriske apparater, som mixer, støvsuger og elektrisk ventilator. Det er normalt.
Ovnens lys dæmpes	I mikrobølgeovn med lav effekt kan ovnens lys dæmpes. Det er normalt.
Damp ophobes på døren, hvor varm luft kommer ud af ventilationsåbninger	Under madlavningen kan der opstå damp fra maden. Det meste af denne damp vil komme ud af ventilationsåbninger. Men noget kan samle sig på et køligt sted som ovndøren. Det er normalt.
Ovn startede ved et uheld uden mad i den.	Det er ikke tilladt at køre apparatet uden mad indeni. Det er meget farligt.

Problem	Mulige årsager	Løsning
Ovnen kan ikke startes.	1) Strømkablet er ikke tilsluttet korrekt.	Træk stikket ud. Tilslut derefter igen efter 10 sekunder.
	2) Sikringen er gået, eller HFI-relæet er aktiveret.	Udskift sikring eller nulstil afbryder (repareret af professionelt personale i vores virksomhed).
	3) Problemer med stikkontakt.	Test stikkontakten med andre elektriske enheder.
Ovnen varmer ikke	4) Lågen er ikke lukket korrekt.	Luk døren ordentligt.

NO

Reklamasjon og servicehåndtering.

Produkter solgt til forbruker i Norge, er underlagt Lov om forbrukerkjøp. Der det inntreffer feil eller mangler som omfattes av loven innen lovens frister, utbedres dette uten omkostninger for deg. Feil eller skader som oppstår, som er brukerbettinget eller ligger utenfor leverandørens kontroll, omfattes ikke av loven. En reparasjon vil da normalt belastes bruker. Ved næringskjøp gjelder kjøpsloven.

Grundig dekker ikke.

Feil eller mangler som har oppstått pga.

- Installasjon i strid med brukerveiledning.

- Mangelfullt vedlikehold eller behandling i strid med brukerveiledning.
- Inngrep og reparasjoner utført av uautorisert personell, eller bruk av uoriginale reservedeler.
- Unormale spenningsvariasjoner utover merkespenningen, lynnedslag, elektriske forstyrrelser eller evt. uregelmessigheter i vannforsyningen.

Reservедeler.

Informasjon om bestilling av reservedeler finner du på: www.grundig.no

Ved bestilling av reservedeler må det opplyses om modellbetegnelse og serienummer på produktet. Denne informasjonen finnes på typeskiltet på produktet.

Anmodning om service.

Grundig har lokale serviceverksteder over hele landet.

Ved tekniske henvendelser må følgende informasjon oppgis / fremvises:

- Navn
- Adresse
- Telefon
- Modellbetegnelse
- Serienummer
- Kjøpsdato / Kjøpskvittering
- Feilbeskrivelse

Grundig Nordic No As
Glynitveien 25
1400 Ski - NO

Tlf +47 815 59 590
hvitevareservice@grundig.com
www.grundig.no

DK

Reklamation og servicehåndtering

Produkter solgt til forbruger i Danmark, er underlagt lov om forbrukerkjøp. Om der oppstår feil eller mangler der er omfattet af loven indenfor de givne garantifrister, udbedres disse uden omkostninger. Dækningen forudsætter brug i normal privat husholdning.

Fejl eller skader der er brugsbetingede eller ligger udenfor leverandørens kontrol omfattes ikke af loven. En reparation vil da normalt belastes brugeren.

Grundig dækker ikke.

Fejl eller mangler som er opstået pga.

- Installation i strid med brugerveiledning.

- Mangelfuld vedligehold eller behandling i strid med brugerveiledning.
- Indgreb og reparationer udført af uautoriseret personel, eller brug af uoriginale reservedele.
- Unormale spændingsvariationer lynnedslag, elektriske forstyrrelser eller evt. uregelmæssigheder i vandforsyningen.

Reserveedele.

Information om bestilling af reservedele finder du på: www.grundig.dk

Ved bestilling af reservedele må modelbetegnelse og serienummer på produktet oplyses. Denne information findes på typeskiltet på produktet.

Anmodning om service.

Grundig har lokale serviceværksteder over hele landet.

Ved tekniske henvendelser må følgende information opgives / fremvises:

- Navn
- Adresse
- Telefon
- Modelbetegnelse
- Serienummer
- Kjøbsdato / Købskvittering
- Fejlbeskrivelse

Grundig Nordic No As
Glynitveien 25
1400 Ski - NO

Tlf +45 70 80 87 77
hvitevareservice@grundig.com
www.grundig.dk

Reklamation och servicehantering.

Produkter som sålts till konsumenter i Sverige omfattas av lagen om konsumentköp. Om det förekommer fel eller brister som omfattas av lagen om lagstadgade tidsfrister sker reparation utan kostnad för konsument. Defekter eller skador som uppstår, som är användarrelaterade eller ligger utanför leverantörens kontroll omfattas inte av lagen. En ev reparation kommer då normalt att bekostas av användaren. Vid näringsköp gäller köplagen.

Grundig täcker inte.

Skador eller defekter som uppstått pga.

- Installation i oenlighet med tillverkarens anvisning.

- Bristande underhåll eller behandling som strider mot bruksanvisningen.
- Ingrepp eller reparationer utförd av icke behörig personal, eller användningen av icke godkända reservdelar.
- Onormala spänningsvariationer utöver markspänning, blixtnedslag, elektriska störningar eller oegentligheter med vattenförsörjning.

Reservdelar.

Information för beställning av reservdelar finner du på: www.grundig.se

Vid beställning av reservdelar måste modell samt serienummer på produkt uppges. Denna information finns på typskylten av produkten.

Servicefrågor.

Grundig har lokala serviceverkstäder över hela landet.

Vid tekniska frågor måste följande information uppges / visas:

- Namn
- Adress
- Telefon
- Modell
- Serienummer
- Köpekvitto / Kvittokopia
- Felbeskrivelse

Grundig Nordic AB
Klarabergsviadukten 53
SE-101 23 Stockholm

Tlf +46 (0)770 456 330
vitvaruservice@grundig.com
www.grundig.se

Reklamaatit ja huolto:

Suomessa kuluttajalle myydyt tuotteet kuuluvat kuluttaja-suojalain piiriin. Grundig kattaa korjauskustannukset valmistus- ja materiaali vioissa viitaten kyseisen maan voimassa oleviin säännöksiin. Edellytyksenä, on että tuote on ostettu uutena Suomessa. Lisäksi edellytetään, että korjaus suoritetaan valtuutetulla huoltoilikeellä. Edellyttämme, että laite ei ole muussa kuin yksityisessä kotikäytössä.

Grundig ei kata:

Vaurioita tai vikoja jotka johtuvat esim.

- Asennus ja käyttö on tehty käyttöohjeiden vastaisesti.

- Vian tai puutteen takia korjausta, jos se on seurausta virheellisestä asennuksesta tai sijoituspaikasta.
- Korjausta, joka on seurausta muiden kuin valtuutetun huoltajan korjauksesta.
- Vikoja, jotka ovat seurausta tulipalosta, tulvista tai vastaavista (force majeure).
- Korjauksia tai vikoja jotka ovat seurausta ukkosesta, sähkövicioista, jännitevaihteluista tai talon sähkö- ja vesiasennuksista.

Varaosat:

Ohjeet varaosien tilaamiseen löydät kotisivuiltamme: www.grundig.fi

Varaosia tilattaessa on ilmoitettava laitteen malli sekä sarjanumero. Mainitut tiedot löytyvät tuotteen tyyppimerkistä.

Huoltoihin liittyvät kysymykset:

Grundigilla on koko maata kattava huoltoilikeverkosto:

Huoltoon liittyvissä kysymyksissä seuraavat tiedot ovat tärkeät ilmoittaa:

- Nimi
- Osoite
- Puhelin
- Malli
- Sarjanumero
- Kuitti / Kuittikopia
- Vian kuvaus

Grundig Nordic AB
Klarabergsviadukten 53
SE-101 23 Stockholm

Puh +358 (0) 800 152 152

kodinkonehuolto@grundig.com
www.grundig.fi

Bitte lesen Sie zunächst diese Anleitung!

Sehr geehrte Kundin, sehr geehrter Kunde,

Vielen Dank, dass Sie sich für dieses Gerät der Marke Beko entschieden haben. Wir sind überzeugt, dass Sie mit diesem Gerät, das mit den höchsten Qualitätsanforderungen und modernster Technologie hergestellt wurde, beste Ergebnisse erzielen werden. Bitte lesen Sie die gesamte Bedienungsanleitung und alle anderen Begleitdokumente aufmerksam, bevor Sie das Gerät verwenden; bewahren Sie sie zum künftigen Nachschlagen sicher auf. Wenn Sie das Gerät an jemanden weitergeben, händigen Sie ihm bitte auch diese Anleitung aus. Befolgen Sie die Anweisungen, indem Sie alle Informationen und Warnhinweise in der Bedienungsanleitung beachten.

Bitte denken Sie daran, dass diese Bedienungsanleitung eventuell für mehrere Modelle geschrieben wurde. Unterschiede zwischen den Modellen werden in der Anleitung klar und deutlich beschrieben.

Bedeutung der Symbole

Folgende Symbole werden in den verschiedenen Abschnitten dieser Anleitung verwendet:



Wichtige Informationen und nützliche Hinweise zur Verwendung.



WARNUNG: Warnhinweise zu gefährlichen Situationen im Hinblick auf die Sicherheit von Leib, Leben und Eigentum.



Warnung vor heißen Flächen.



Warnung vor Stromschlägen.



RECYCELTES UND
RECYCELBARES
PAPIER

Wichtige Sicherheitshinweise sorgfältig lesen und zum späteren Nachschlagen aufbewahren.

1.1 Sicherheitshinweise

Dieser Abschnitt enthält Sicherheitshinweise zum Schutz vor Feuer, Stromschlag, Exposition gegenüber Leckmikrowellenenergie, Verletzungen oder Sachschäden. Die Nichtbeachtung dieser Sicherheitsvorschriften hat den Verlust der Garantie zur Folge.

- Beko-Mikrowellenöfen entsprechen den geltenden Sicherheitsnormen; daher sollte im Falle einer Beschädigung des Gerätes oder des Netzkabels dieses vom Händler, Servicezentrum oder einem Fachmann und autorisierten Kundendienst gleichermaßen repariert

oder ersetzt werden, um jede Gefahr zu vermeiden. Fehlerhafte oder unqualifizierte Reparaturarbeiten können gefährlich sein und ein Risiko für den Benutzer darstellen.

- Dieses Gerät ist ausschließlich zur Verwendung in einem Haushalt und vergleichbaren Einrichtungen gedacht, darunter:
 - Teeküchen für Mitarbeiter in Läden, Büros und vergleichbaren Einrichtungen;
 - In landwirtschaftlicher Familienbetrieben
 - Für Gäste in Hotels, Motels und vergleichbaren Unterkünften;
 - Kleineren Pensionen oder vergleichbaren Einrichtungen.
- Der Mikrowellenofen ist für den freistehenden Betrieb vorgesehen.
- Es ist nicht für den gewerblichen Einsatz oder

- für Laborzwecke gedacht.
- Versuchen Sie nicht, den Ofen bei geöffneter Tür zu starten. Andernfalls können Sie schädlicher Mikrowellenenergie ausgesetzt sein. Sicherheitsschlösser dürfen nicht deaktiviert oder manipuliert werden.
 - Der Mikrowellenofen ist für die Erwärmung von Lebensmitteln und Getränken vorgesehen. Das Trocknen von Lebensmitteln oder Kleidung und die Erwärmung von Wärmekissen, Hausschuhen, Schwämmen, feuchten Tüchern und Ähnlichem kann zu Verletzungs-, Entzündungs- oder Brandgefahr führen.
 - Stellen Sie keine Gegenstände zwischen die Vorderseite und die Ofentür. Lassen Sie keine Schmutz- oder Reinigungsmittelreste auf den Verschlussflächen ansammeln.
 - Alle Servicearbeiten, bei denen die Abdeckung entfernt wird, die einen Schutz gegen Mikrowellenenergie bietet, müssen von autorisierten Personen/Serviceleistungen durchgeführt werden. Jeder andere Ansatz ist gefährlich.
 - Ihr Produkt ist zum Kochen, Erhitzen und Auftauen von Lebensmitteln zu Hause vorgesehen. Es darf nicht für kommerzielle Zwecke verwendet werden.
 - Ihr Ofen ist nicht zum Trocknen von Lebewesen ausgelegt.
 - Verwenden Sie Ihr Gerät nicht zum Trocknen von Kleidung oder Küchentüchern.
 - Verwenden Sie dieses Gerät nicht im Freien, in Badezimmern, in feuchten Umgebungen oder an Orten, an denen es nass werden kann.

- Es wird keine Verantwortung oder Gewährleistungsanspruch für Schäden übernommen, die durch Missbrauch oder unsachgemäße Handhabung des Geräts entstehen.
- Versuchen Sie niemals, das Gerät zu zerlegen. Für Schäden, die durch unsachgemäße Handhabung verursacht wurden, werden keine Gewährleistungsansprüche anerkannt.
- Verwenden Sie nur Originalteile oder Teile empfohlen von der Hersteller.
- Lassen Sie das Gerät während der Verwendung nicht unbeaufsichtigt.
- Verwenden Sie das Gerät immer auf einer stabilen, flachen, sauberen, trockenen und rutschfesten Oberfläche.
- Das Gerät darf nicht mit einer externen Zeitschaltuhr oder einer separaten Fernbedienung betrieben werden.
- Reinigen Sie alle Teile, bevor Sie das Gerät zum ersten Mal verwenden. Bitte beachten Sie die Details im Abschnitt „Reinigung und Wartung“.
- Betreiben Sie das Gerät nur für den vorgesehenen Zweck, wie in diesem Handbuch beschrieben.
- Das Gerät wird während des Betriebs sehr heiß. Achten Sie darauf, die heißen Teile im Ofen nicht zu berühren.
- Die Mikrowelle darf keinesfalls leer betrieben werden.
- Das Kochutensilien kann aufgrund der Wärmeübertragung vom erhitzten Lebensmittel auf das Utensilien heiß werden. Möglicherweise benötigen Sie Ofenhandschuhe, um das Geschirr zu halten.
- Die Utensilien müssen zuvor auf ihre Eignung zur

Benutzung in Mikrowellen überprüft werden.

- Stellen Sie den Ofen nicht auf Öfen oder andere wärmeerzeugende Geräte. Andernfalls kann es beschädigt werden und die Garantie erlischt.
- Beim Öffnen der Deckel oder der Folie kann nach dem Kochen des Essens Dampf austreten.
- Das Gerät und seine zugänglichen Oberflächen können sehr heiß sein, wenn das Gerät verwendet wird.
- Tür und Außenglas können sehr heiß sein, wenn das Gerät verwendet wird.
- Stellen Sie sicher, dass Ihre Netzspannung mit den Angaben auf dem Typenschild des Geräts übereinstimmt.
- Die einzige Möglichkeit, das Gerät von der Stromversorgung zu trennen, besteht darin, den Netzstecker aus der Steckdose zu ziehen.
- Verwenden Sie das Gerät nur mit einer geerdeten Steckdose.
- Verwenden Sie das Gerät nicht, wenn das Netzkabel oder das Gerät beschädigt ist.
- Verwenden Sie dieses Gerät nicht mit einem Verlängerungskabel.
- Berühren Sie das Gerät oder seinen Stecker niemals mit nassen Händen!
- Das Gerät muss derart aufgestellt werden, dass der Stecker zugänglich ist.
- Verhindern Sie Schäden an der Stromversorgung Kabel durch nicht quetschen, biegen, oder an scharfen Kanten reiben. Halten Sie das Netzkabel von erhitzten Oberflächen und offenen Flammen fern.
- Stellen Sie sicher, dass keine Gefahr besteht, dass

das Netzkabel versehentlich gezogen wird oder dass jemand darüber stolpert, wenn das Gerät verwendet wird.

- Ziehen Sie den Netzstecker vor jeder Reinigung und wenn das Gerät nicht in Gebrauch ist.
- Ziehen Sie nicht am Netzkabel des Geräts, um es von der Stromversorgung zu trennen, und wickeln Sie das Netzkabel niemals um das Gerät.
- Tauchen Sie das Gerät, das Netzkabel und den Netzstecker nicht in Wasser oder andere Flüssigkeiten ein. Halten Sie es nicht unter fließendes Wasser.
- Beim Erwärmen von Speisen in Kunststoff- oder Papierbehälter, immer ein Auge auf den Ofen haben um die Möglichkeit einer Zündung zu vermeiden.
- Entfernen Sie die Drahtschnüre und/oder Metallgriffe von Papier- oder Plastiktüten, bevor Sie die Tüten in den Ofen stellen.
- Wenn Rauch beobachtet wird, schalten Sie das Gerät aus oder ziehen Sie den Netzstecker, wenn dies sicher ist, und halten Sie die Tür geschlossen, um Flammen zu ersticken.
- Verwenden Sie Mikrowellen nicht zur Aufbewahrung. Lassen Sie keine Papiergegenstände, Kochmaterialien oder Lebensmittel im Ofen, wenn dieser nicht verwendet wird.
- Der Inhalt von Babyflaschen und Babynahrung sollte gerührt und geschüttelt und die Temperatur sollte vor dem Verzehr geprüft werden, um Verbrennungen zu vermeiden.
- Bei diesem Gerät handelt es sich um ein ISM-Gerät der Klasse B, Gruppe 2. Gruppe 2 beinhaltet

- alle ISM-Geräte (Hochfrequenz-Geräte in Industrie, Wissenschaft, Medizin) und Ausrüstungen, in denen Hochfrequenzenergie in Form von elektromagnetischer Strahlung für die Behandlung von Material gezielt erzeugt und/oder genutzt wird sowie Funkenerodiermaschinen.
- Ausrüstungen der Klasse B sind für den Einsatz im häuslichen Umfeld und Einrichtung, die zur Stromversorgung direkt an das Niederspannungsnetz angeschlossen sind.
 - Verwenden Sie kein Speiseöl im Ofen. Heißes Öl kann die Komponenten und Materialien des Ofens beschädigen und sogar Hautverbrennungen verursachen.
 - Pierce Essen mit dicker Kruste wie Kartoffeln, Zucchini, Äpfel und Kastanien.
 - Das Gerät muss so aufgestellt werden, dass die Rückseite zur Wand zeigt.
 - Sichern Sie vor dem Bewegen des Geräts den Drehteller, um Beschädigungen zu vermeiden.
 - Rohe Eier sowie ganze hartgekochte Eier sollten nicht im Mikrowellengerät erhitzt werden, da sie selbst nach Ende des Garvorgangs in der Mikrowelle noch platzen könnten.
- WARNUNG:** Wenn die Tür oder die Türdichtungen beschädigt sind, darf der Ofen nicht betrieben werden, bis es von einer kompetenten Person repariert ist.
- WARNUNG:** Für unkompetente Personen besteht die Gefahr einen Service auszuführen oder Reparaturen durchzuführen, die die Entfernung der Abdeckung erfordern, welche den Schutz gegen die Strahlenbelastung der Mikrowellenenergie darstellen.

WARNUNG: Flüssigkeiten und andere Lebensmittel dürfen nicht in verschlossenen Behältern aufgewärmt werden, das diese explodieren können.

- Das Mikrowellengerät sollte regelmäßig gereinigt und Lebensmittelreste entfernt werden.
- Über der Oberseite des Ofens sollte mindestens 30 cm Freiraum vorhanden sein.
- Überkochen Sie keine Lebensmittel, da Sie sonst einen Brand verursachen können.
- Verwenden Sie zum Reinigen des Geräts keine Chemikalien und dampfunterstützten Reinigungsmittel.
- Bei der Verwendung in der Nähe von Kindern und Personen, deren körperliche, sensorische oder geistige Fähigkeiten eingeschränkt sind, ist äußerste Vorsicht

geboten.

- Dieses Gerät kann von Kindern ab 8 Jahren und von Personen mit eingeschränkter körperlicher, sensorischer oder geistiger Leistungsfähigkeit oder ohne Kenntnisse und Erfahrung verwendet werden, sofern sie hinsichtlich der sicheren Verwendung beaufsichtigt werden des Produkts oder sie werden entsprechend instruiert oder verstehen die Risiken der Verwendung des Produkts. Kinder dürfen nicht mit dem Gerät spielen. Die Reinigung und Benutzerwartung darf nicht von Kindern durchgeführt werden, es sei denn, sie sind älter als 8 Jahre und werden beaufsichtigt.
- **Die Gefahr des Erstickens!** Halten Sie das Verpackungsmaterial von Kindern fern!
- Bewahren Sie das Produkt und das Netzkabel so auf,

dass Kinder unter 8 Jahren nicht darauf zugreifen können.

- Kochen Sie das Essen nicht direkt auf der Glasschale. Legen Sie die Lebensmittel in/auf geeignete Küchenutensilien, bevor Sie sie in den Ofen stellen.
- Metallische Behälter für Lebensmittel und Getränke sind während des Mikrowellenkochens nicht erlaubt. Andernfalls kann es zu Funkenbildung kommen.
- Dieses Produkt ist nicht für den Einbau vorgesehen. Stellen Sie das Produkt während des Gebrauchs nicht in einen Schrank oder eine Kiste.
- Wird der Backofen nicht sauber gehalten, kann dies zu einer Verschlechterung der Oberfläche führen, die sich negativ auf die Lebensdauer des Geräts auswirken und möglicherweise zu einer gefährlichen Situation führen kann.
- Das Gerät darf nicht mit einem Dampfreiniger gereinigt werden.
- Das Erhitzen von Getränken in der Mikrowelle kann zu einem verzögerten Eruptionskochen führen, daher ist bei der Handhabung des Behälters Vorsicht geboten
- **WARNUNG:** Wenn das Gerät im Kombinationsmodus betrieben wird, sollten Kinder den Ofen aufgrund der erzeugten Temperaturen nur unter Aufsicht von Erwachsenen benutzen.
- **Reinigung:** Legen Sie das Gerät nicht in Wasser oder andere Flüssigkeiten. Reinigen Sie das Gehäuse nur mit einem in warmer Seifenlauge angefeuchteten Schwamm/Tuch. Verwenden Sie keine

scharfen, scheuernden Reinigungsmittel. Siehe die ausführlichen Reinigungsanweisungen unter **Reinigung und Pflege** und **Lagerung**.

1.2 Ihre Pflichten als Endnutzer



Dieses Produkt erfüllt die Vorgaben der EU-WEEE-Direktive (2012/19/ EU). Das Produkt wurde mit einem Klassifizierungssymbol für elektrische und elektronische

Altgeräte (WEEE) gekennzeichnet.

Dieses Elektro- bzw. Elektronikgerät ist mit einer durchgestrichenen Abfalltonne auf Rädern gekennzeichnet. Das Gerät darf deshalb nur getrennt vom unsortierten Siedlungsabfall gesammelt und zurückgenommen werden. Es darf somit nicht in den Hausmüll gegeben werden. Das Gerät kann z.B. bei einer kommunalen Sammelstelle oder ggf. bei einem Verteiler (siehe unten zu deren Rücknahmepflichten in Deutschland) abgegeben werden.

Das gilt auch für alle Bauteile, Unterbaugruppen und Verbrauchsmaterialien des zu entsorgenden Altgeräts.

Bevor das Altgerät entsorgt werden darf, müssen alle Altbatterien und Altakkumulatoren vom Altgerät getrennt werden, die nicht vom Altgerät umschlossen sind. Das gleiche gilt für Lampen, die zerstörungsfrei aus dem

Altgerät entnommen werden können. Der Endnutzer ist zudem selbst dafür verantwortlich, personenbezogene Daten auf dem Altgerät zu löschen.

Die ordnungsgemäße Entsorgung gebrauchter Geräte trägt dazu bei, mögliche negative Folgen für die Umwelt und die menschliche Gesundheit zu vermeiden.

1.3 Hinweise zum Recycling



Helfen Sie mit, alle Materialien zu recyceln, die mit diesem Symbol gekennzeichnet sind.

Entsorgen Sie solche Materialien, insbesondere Verpackungen, nicht im Hausmüll, sondern über die bereitgestellten Recyclingbehälter oder die entsprechenden örtlichen Sammelsysteme.

Recyceln Sie zum Umwelt- und Gesundheitsschutz elektrische und elektronische Geräte.

1.4 Rücknahmepflichten der Verteiler

Wer auf mindestens 400 m² Verkaufsfläche Elektro- und Elektronikgeräte vertreibt oder diese gewerblich an Endnutzer abgibt, ist verpflichtet, bei Abgabe eines neuen Gerätes, ein Altgerät des Endnutzers der gleichen Geräteart, das im Wesentlichen die gleichen Funktionen wie das neue Gerät erfüllt, am Ort der Abgabe oder in unmittelbarer Nähe, unentgeltlich zurückzunehmen. Das gilt auch für Verteiler von Lebensmitteln mit einer Gesamtverkaufsfläche

von mindestens 800 m², die mehrmals im Kalenderjahr oder dauerhaft Elektro- und Elektronikgeräte anbieten und auf dem Markt bereitstellen. Solche Vertrieber müssen zudem auf Verlangen des Endnutzers Altgeräte, die in keiner äußeren Abmessung größer als 25 cm sind, (kleine Elektrogeräte) im Einzelhandelsgeschäft oder in unmittelbarer Nähe hierzu unentgeltlich zurückzunehmen; die Rücknahme darf in diesem Fall nicht an den Kauf eines Elektro- oder Elektronikgerätes verknüpft, kann aber auf drei Altgeräte pro Geräteart beschränkt werden.

Ort der Abgabe ist auch der private Haushalt, wenn das neue Elektro- oder Elektronikgerät dorthin geliefert wird; in diesem Fall ist die Abholung des Altgerätes für den Endnutzer kostenlos.

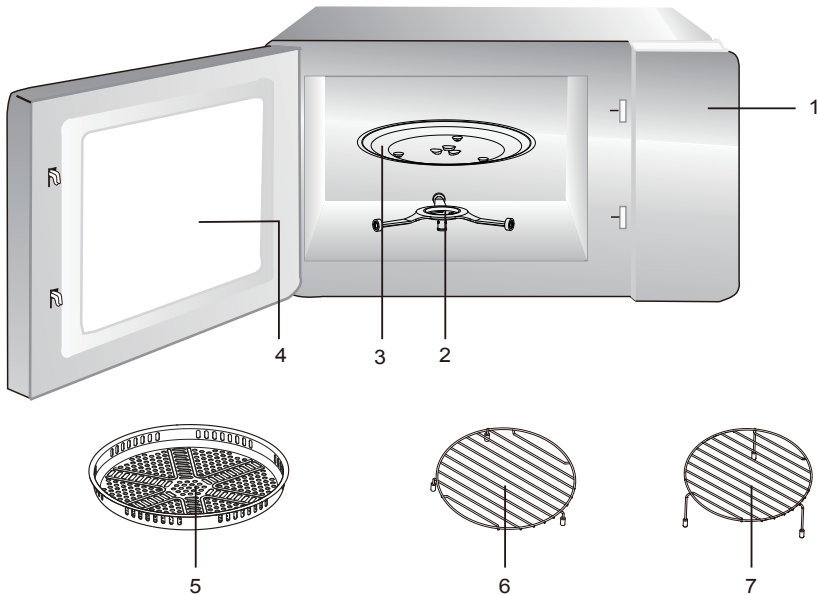
Die vorstehenden Pflichten gelten auch für den Vertrieb unter Verwendung von Fernkommunikationsmitteln, wenn die Vertrieber Lager- und Versandflächen für Elektro- und Elektronikgeräte bzw. Gesamtlager und Versandflächen für Lebensmittel beinhalten, die den oben genannten Verkaufsflächen entsprechen. Die unentgeltliche Abholung von Elektro- und Elektronikgeräten ist dann aber auf Wärmeüberträger (z.B. Kühlschrank), Bildschirme, Monitore und Geräte, die Bildschirme mit einer Oberfläche von mehr als 100 cm² enthalten und Geräte beschränkt, bei denen mindestens eine der äußeren Abmessungen mehr

1.5 Einhaltung von RoHS-Vorgaben

Das von Ihnen erworbene Produkt erfüllt die Vorgaben der EU-RoHS Richtlinie (2011/65/EU). Es enthält keine in der Richtlinie angegebenen gefährlichen und unzulässigen Materialien.

2 Ihr Mikrowellenofen

2.1 Übersicht



1. Bedienfeld
2. Montage des Drehtellerrings
3. Glasschale
4. Ofenfenster
5. Backblech (kann nicht in Verbindung mit der Mikrowellenfunktion verwendet werden und kann auf den Backrost gestellt werden)
6. Unteres Drahtgestell (Für die Mikrowelle und zum Backen und Braten im Backofen.)
7. Oberer Drahtrost (Zum Grillen, z. B. von Steaks, Würstchen und zum Toasten von Brot, als Unterlage für flache Speisen.)

2.2 Technische Daten

Modell	MCF 26310 BAF
Spannung / Frequenz	230V~ 50Hz
Leistungsaufnahme - Mikrowelle	1450W
Leistungsabgabe - Mikrowelle	900W
Grillen	1000W
Konvektion	2100W
Mikrowellenfrequenz	2450 Mhz
Drehtellerdurchmesser	288 mm
Äußere Abmessungen	495*424*290 mm
Ofenkapazität	27 L

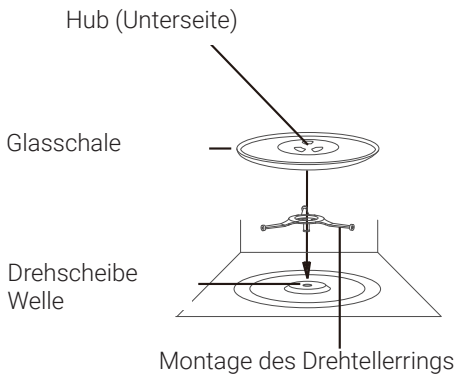
Technische und Design-Änderungsrechte sind vorbehalten.

Markierungen auf dem Produkt oder die Werte in anderen mit dem Produkt gelieferten Dokumenten sind Werte, die unter Laborbedingungen gemäß den einschlägigen Normen erhalten wurden. Diese Werte können je nach der Verwendung des Geräts und den Umgebungsbedingungen variieren. Leistungswerte werden bei 230V getestet.

2 Ihr Mikrowellenofen

2.3 Installieren des Drehtellers

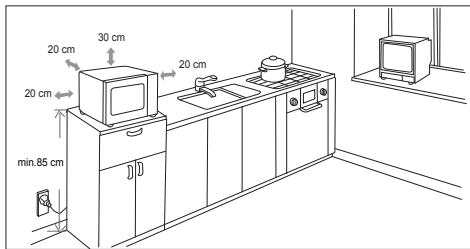
- Stellen Sie die Glasschale niemals auf den Kopf. Die Glasschale sollte niemals eingeschränkt werden.
- Sowohl die Glasschale als auch die Drehtellerringmontage müssen beim Kochen immer verwendet werden.
- Alle Lebensmittel und Lebensmittelbehälter müssen zum Kochen immer auf das Glastablett gestellt.
- Wenn die Glasschale oder Drehtellerringmontage Risse oder Brüche aufweist, wenden Sie sich an den nächstgelegenen autorisierten Kundendienst.



3 Einbau

3.1 Installation

- Entfernen Sie sämtliches Verpackungsmaterial und Zubehör. Prüfen Sie den Backofen auf Beschädigungen, wie z. B. Beulen oder eine zerbrochene Tür. Installieren Sie den Ofen nicht, wenn er beschädigt ist.
- Entfernen Sie alle Schutzfolien, die sich auf der Oberfläche des Mikrowellenofens befinden.
- Entfernen Sie nicht die hellbraune Glimmerabdeckung, die zum Schutz des Magnetrons am Garraum angebracht ist.
- Wählen Sie eine ebene Fläche, die genügend Freiraum für die Ansaug- und/ oder Ausblasöffnungen bietet.



- Minimale Installationshöhe ist 85 cm.
- Die Rückwand des Geräts muss an einer Wand stehen. Lassen Sie einen Mindestabstand von 30 cm über dem Ofen und einen Mindestabstand von 20 cm zwischen dem Ofen und den angrenzenden Wänden.
- Entfernen Sie nicht die Füße an der Unterseite des Backofens.
- Das Blockieren der Ansaug- und / oder Ausblasöffnungen kann den Backofen beschädigen.
- Stellen Sie den Backofen so weit wie möglich von Radios und Fernsehgeräten entfernt auf. Der Betrieb des Mikrowellenherds kann zu Störungen des

Radio- oder Fernsehempfangs führen. 2. Schließen Sie Ihren Backofen an eine normale Haushaltssteckdose an. Vergewissern Sie sich, dass die Spannung und die Frequenz mit der auf dem Typenschild angegebenen Spannung und Frequenz übereinstimmen.



WARNUNG! Stellen Sie den Backofen nicht über einem Herd oder einem anderen Wärme erzeugenden Gerät auf. Wenn der Backofen in der Nähe oder über einer Wärmequelle installiert wird, kann er beschädigt werden und die Garantie erlischt.



Die zugängliche Oberfläche kann während des Betriebs heiß sein.

4 Bedienung

4.1 Kontrollfeld



Display

Kochzeit, Leistung, Indikatoren und Uhrzeit werden angezeigt.

	Mikrowelle
	Konvektion
	Grillen
	Auftauen nach Gewicht
	Auftauen nach Zeit
	Auto-Menü
	Airfryer
	Alarm
	Uhr/ Kindersicherung
	Stummschaltung
	Kindersicherung
	Gramm
	Temperatur

Menü

- **Tasten zum automatischen Kochen:** Sofortige Einstellungen zum Kochen beliebiger Speisen.

Funktion

- **Deodorizer:** Drücken, um Lebensmittelgerüche in der Mikrowelle zu entfernen.
- **Steam Clean:** Drücken Sie diese Taste, um die Mikrowelle mit Dampf zu reinigen.
- **Clock:** Drücken Sie diese Taste, um die Uhrzeit einzustellen und die Kindersicherung zu aktivieren.
- **Microwave:** Drücken Sie, um die Mikrowellenleistung einzustellen.
- **Timer:** Drücken Sie diese Taste, um den Alarmtimer einzustellen.

4 Bedienung

- **Defrost:** Drücken Sie diese Taste, um die Lebensmittel je nach Zeit/Gewicht aufzutauen.
- **Grill:** Drücken, um das Grill-Kochprogramm einzustellen.
- **Combi.:** Drücken Sie diese Taste, um ein Kombinationsprogramm für Mikrowelle, Grill und Umluft einzustellen.
- **Conv.:** Drücken, um Konvektionsgaren einzustellen.
- **-/+ :** Drücken Sie um die Zeit einzustellen. Langes Drücken zum Erhöhen/Verringern der Geschwindigkeit.
- **Stummschaltung** - : Zum Stummschalten drücken
- **STOP / CANCEL:** Drücken Sie die Taste, um eine beliebige Einstellung zu pausieren/abzubrechen. Zweimal drücken, um das Display auszuschalten
- **START / +30SEC:** Drücken Sie diese Taste, um eine beliebige Einstellung zu starten/bestätigen. Drücken Sie die Taste für das Schnellgaren im Standby-Modus

Wenn der Mikrowellenherd zum ersten Mal eingeschaltet wird, erscheint auf dem Bildschirm "0:00", und der Summer ertönt einmal, um den Standby-Modus zu aktivieren.

4.2 Uhreinstellung

1. Drücken Sie im Wartezustand einmal auf "Clock", dann erscheint auf dem Bildschirm "00:00". Die Stundenzahlen blinken.
2. Drücken Sie "+/-", um die Stundenzahlen einzustellen. Die eingegebene Zeit sollte zwischen 0-23 liegen.
3. Drücken Sie zur Bestätigung auf "Clock", und die Minutenzahlen blinken.
4. Drücken Sie "+/-", um die Minutenzahlen einzustellen. Die eingegebene Zeit soll-

te zwischen 0-59 liegen.

5. Drücken Sie "Clock", um die Einstellung der Uhr zu beenden.



- Die Uhr funktioniert nicht, wenn sie beim Einschalten nicht eingestellt ist.
- Wenn Sie nach Schritt 4 nicht innerhalb von 5 Minuten auf "Clock" drücken, kehrt der Backofen automatisch in den vorherigen Zustand zurück.

4.3 Küchentimer

1. Drücken Sie im Wartezustand einmal auf "Timer", und auf dem Bildschirm wird "0:00" angezeigt.
2. Drücken Sie "+/-", um die Eingabezeit einzustellen. Der Höchstwert ist 95:00.
3. Drücken Sie "START/+30SEC", um die Einstellung zu bestätigen.



Während des Küchentimers können keine anderen Programme laufen.

4.4 Mikrowellenkochen

1. Drücken Sie im Wartezustand "Microwave", und "P100" wird angezeigt.
2. Drücken Sie "+/-" oder drücken Sie wiederholt "Microwave", um die Leistungsstufe einzustellen. "P100, P90, P80, P70, P60, P50, P40, P30, P20, P10" sind verfügbar.
3. Drücken Sie zur Bestätigung "START/+30SEC", und die Standardgarzeit 15:00 wird angezeigt.
4. Drücken Sie "+/-", um die Garzeit einzustellen. Der Höchstwert ist 95:00.
5. Drücken Sie "START/+30SEC", um den Garvorgang zu starten.

4.5 Mikrowellenkochen

1. Drücken Sie einmal auf "Grill", und "G" wird angezeigt.
2. Bestätigen Sie mit "START/+30SEC", die Standardgarzeit 15:00 wird angezeigt.
3. Drücken Sie "+/-", um die Garzeit einzustellen. Der Höchstwert ist 95:00.
4. Drücken Sie "START/+30SEC", um den Garvorgang zu starten.



- Wenn die Hälfte der Grillzeit verstrichen ist, ertönt ein Signalton, um Sie daran zu erinnern, das Gargut zu wenden. Um bessere Resultate bei den Grillspeisen zu erzielen, sollten Sie die Speisen drehen, schließen Sie die Tür und dann „START/+30SEC“ Bestätigen um den Garvorgang fortzusetzen. Wenn keine Bedienung erfolgt, arbeitet der Ofen automatisch.
- Wenn Sie während des Garvorgangs die Zeit verlängern oder verkürzen, wird die Anzeige der halben Zeit nicht beeinflusst.

4.6 Konvektionsgaren

1. Drücken Sie einmal auf "Conv.", und "150°C" wird angezeigt.
2. Drücken Sie wiederholt "Conv.", um eine Temperatur zwischen 150°C und 240°C zu wählen.
3. Drücken Sie "Start/+30SEC.", um die Temperatur zu bestätigen. Wenn Sie erneut "START/+30SEC." drücken, beginnt der Backofen mit dem Vorheizen. Wenn die Vorheiztemperatur erreicht ist, ertönt der Summer zweimal. Sie können die Backofentür öffnen und die Speisen hineinlegen.
4. Oder drücken Sie "+/-", um die Garzeit direkt einzustellen. Der Höchstwert ist 95:00.
5. Drücken Sie die Taste "Start/+30SEC", um mit der Arbeit zu beginnen.

4.7 Kombi. kochen

1. Drücken Sie einmal auf "Combi.", auf dem Bildschirm wird "C-1" angezeigt, und drücken Sie wiederholt auf "Combi.", um die gewünschte Leistung zu wählen, und "C-1, C-2, C-3 oder C-4" wird angezeigt.
2. Drücken Sie "START/+30SEC", um den Modus zu bestätigen; die Standardgarzeit 15:00 wird angezeigt. 15:00 wird angezeigt.
3. Drücken Sie "+/-", um die Garzeit einzustellen. Der Höchstwert ist 95:00.
4. Drücken Sie "START/+30SEC", um den Garvorgang zu starten.

Anweisungen für Kombinationen	Anweisungsbildschirm	Mikrowelle	Grillen	Konvektion
1	C-1	•		•
2	C-2	•	•	
3	C-3		•	•
4	C-4	•	•	•

4.8 Auftauen nach Gewicht

1. Drücken Sie im Wartezustand einmal auf "Defrost", und auf dem Bildschirm erscheint "dEF1".
2. Drücken Sie "START/+30SEC" zur Bestätigung, 100g wird angezeigt.
3. Drücken Sie "+/-", um das Abtaugewicht zwischen 100 und 2000 g einzustellen.
4. Drücken Sie "START/+30SEC", um die Abtauung zu starten.



Der Summer ertönt, um Sie daran zu erinnern, die Speisen während des Auftauens umzudrehen.

4.9 Auftauen nach Zeit

1. Drücken Sie im Wartezustand zweimal die Taste "Defrost", auf dem Bildschirm erscheint "dEF2".
2. Drücken Sie "START/+30SEC" zur Bestätigung, 15:00 wird angezeigt.
3. Drücken Sie "+/-", um die Abtauzeit einzustellen. Der Höchstwert ist 95:00.
4. Drücken Sie "START/+30SEC", um die Abtauung zu starten.



Der Summer ertönt, um Sie daran zu erinnern, die Speisen während des Auftauens umzudrehen.

4.10 Mehrstufiges Kochen

Es können maximal zwei Stufen eingestellt werden. Wenn eine Stufe abtaut, sollte sie automatisch in die erste Stufe versetzt werden. Der Summer wird nach jeder Phase einmal klingeln und die nächste Phase beginnt. Küchentimer, Auto-Menü, Schnellkochen oder Vorheizen können nicht als eine der Mehrstufen eingestellt werden.

Beispiel: Wenn Sie die Lebensmittel 10 Minuten lang auftauen möchten, grillen Sie sie anschließend 10 Minuten und 30 Sekunden lang. Gehen Sie wie folgt vor.

1. Drücken Sie zweimal auf "Defrost", und auf dem Bildschirm wird "dEF2" angezeigt.
2. Drücken Sie "START/+30SEC" zur Bestätigung, 15:00 wird angezeigt.
3. Drücken Sie "+/-", um die Abtauzeit einzustellen, bis 10:00 angezeigt wird.
4. Einmal auf "Grill" drücken, "G" wird angezeigt, zur Bestätigung auf "START/+30SEC" drücken
5. Drücken Sie "+/-", um die Grillzeit einzustellen, bis 10:00 angezeigt wird.
6. Drücken Sie "START/+30SEC", um den Garvorgang zu starten.

4.11 Schnelles Garen in der Mikrowelle

Drücken Sie im Standby-Modus die Taste "START/+30SEC", um den Garvorgang direkt mit 100 % Leistung für 30 Sekunden zu starten.

4.12 Kindersicherung

Verriegelung: Drücken Sie im Standby-Modus 3 Sekunden lang auf "Clock". Der Summer ertönt, um den Kindersicherungsstatus zu aktivieren, und die Sicherungsanzeige leuchtet auf.

Verlassen der Sperrung: Drücken Sie im gesperrten Zustand 3 Sekunden lang auf die Taste "Clock", der Summer ertönt, um anzuzeigen, dass die Sperre aufgehoben ist, und die Sperranzeige erlischt.

4.13 Deodorant

1. Drücken Sie im Standby-Modus die Taste "Deodoriser", und auf dem Bildschirm wird "dE" angezeigt.

2. Drücken Sie "START/+30SEC", um mit der Arbeit zu beginnen.

4.14 Dampfreinigung

1. Drücken Sie im Standby-Modus "Steam Clean", auf dem Bildschirm wird "SC" angezeigt.

2. Drücken Sie "START/+30SEC", um mit der Arbeit zu beginnen.



Gießen Sie zu gleichen Teilen Wasser in einen weit geöffneten, mikrowellengeeigneten Behälter. Wischen Sie die gedämpften Oberflächen nach getaner Arbeit mit einem sauberen Schwamm ab, um Lebensmittel und Gerüche von den Oberflächen zu entfernen.

4.15 Gesundes Gericht

1. Drücken Sie im Wartezustand einmal auf "Healthy Dish", und "Hd01" wird angezeigt.

2. Drücken Sie wiederholt "Healthy Dish", um das Menü von "Hd01" bis "Hd05" zu wählen.

3. Drücken Sie "START/+30SEC", um das Untermenü zu bestätigen.

4. Drücken Sie "+/-", um das Gewicht oder die Portionen einzustellen.

5. Drücken Sie "START/+30SEC", um den Garvorgang zu starten.

Gesundheitsgericht Tabelle

MENÜ/ Anzeige	Gewicht/ Anzeige	Zeit (Min' Sek")	Leistung
Hd01 Quinoa	100g	3'00"/15'00"	P100/P50
	200g	5'00"/15'00"	
Hd02 Kuskus	200g	4'00"/8'00"	P100/P50
	300g	5'00"/10'00"	
Hd03 Makkaroni	100g	10'00"	P80
	200g	12'00"	

Hd04 Brauner Reis	200g	5'30"/25'00"	P100/P50
	300g	8'00"/30'00"	
Hd05 Haferflocken	2 Portionen	3'30"/3'30"	P100/P50
	4 Portionen	5'30"/5'30"	

4.16 Tagesgericht

1. Drücken Sie im Wartezustand einmal auf "Daily Dish", und "dd01" wird angezeigt.
2. Drücken Sie wiederholt "Daily Dish", um das Menü von "dd01" bis "dd12" zu wählen.
3. Drücken Sie "START/+30SEC", um das Untermenü zu bestätigen.
4. Drücken Sie "+/-", um das Gewicht oder die Portionen einzustellen.
5. Drücken Sie "START/+30SEC", um den Garvorgang zu starten.

Tägliche Speisekarte

MENÜ/ Anzeige	Gewicht/ Anzeige	Zeit (Min' Sek")	Leistung
dd01 Gefrorene Erbsen	200g	4'00"	P100
	400g	7'00"	
dd02 Gefrier Mischung Gemüse	200g	4'00"	P100
	400g	7'00"	
dd03 Gefrorener Brokkoli	200g	5'00"	P100
	400g	8'00"	
dd04 Frischer Spinat	200g	2'30"	P100
	400g	4'30"	
dd05 Gefrorene grüne Bohnen	200g	5'00"	P100
	400g	8'00"	
dd06 Kartoffeln ohne Schale	400g	6'00"	P100
	800g	10'00"	
dd07 Kartoffeln mit Schale	2 (~200g/pc)	8'30"	P100
	4 (~200g/pc)	15'00"	
dd08 Gefrorene Lasagne	300g	15'00"	C-1
	600g	20'00"	
dd09 Hähnchenbrust grillen	200g	16'00"	Grill 60% + Konv. 240°C
	400g	20'00"	
dd10 Lammrücken	900g	35'00"	C-4

dd11 Rinderbraten	900g	35'00"	C-4
dd12 Knoblauchbrot vom Grill	200g	9'00"	C-4

4,17. Auto-Menü.

Stellen Sie zum Beispiel das Fischmenü auf 350g ein;

1. Drücken Sie im Wartezustand einmal auf "Fish", und "150g" wird angezeigt.
2. Drücken Sie wiederholt "Fish", bis 350g angezeigt wird.
3. Drücken Sie "START/+30SEC", um den Garvorgang zu starten.

Speisekarte

MENÜ/ Anzeige	Gewicht/ Anzeige	Zeit (Min' Sek")	Leistung
A01 Popcorn	50g	1'40"	P100
	100g	2'00"	
A02 Fisch	150g	3'00"	P80
	250g	4'00"	
	350g	5'30"	
	450g	6'30"	
	650g	8'30"	
A03 Hähnchen	500g	29'00"	C-4 (Piepton, um das Essen umzudrehen)
	750g	34'00"	
	1000g	39'00"	
	1200g	44'00"	
A04 Kuchen	475g	60'00"	Vorheizen 160°C / Konv.160°C
A05 Pizza	100g	8'00"	C-4
	200g	10'00"	
	300g	12'00"	
A06 Pasta	50g (Kaltwasser 450g)	18'00"	P80
	100g (Kaltwasser 800g)	20'00"	
	150g (Kaltwasser 1200g)	22'00"	



- Während des Hähnchenmenüs ertönt ein Signalton, um Sie daran zu erinnern, die Speisen zu wenden.
- Im Kuchenmenü beginnt der Ofen mit dem Vorheizen. Wenn die Vorheiztemperatur erreicht ist, ertönt der Summer zweimal. Sie können die Backofentür öffnen und die Speisen hineinlegen. Drücken Sie "START/+30SEC", um den Garvorgang zu starten.

4.18 Airfryer

1. Drücken Sie im Wartezustand wiederholt die Taste "Airfry", um das Menü auszuwählen, und "AF01~AF10" wird nacheinander angezeigt.

2. Drücken Sie "START/+30SEC", um den Garvorgang zu starten.

MENÜ/ Anzeige	Gewicht/ Anzeige	Zeit (Min' Sek")	Leistung
AF01 Pommes Frites	300g	6'00"/16'00"	G-100% + Konv.-240°C / G-60% + Konv.-240°C
AF02 Gefrorene Kartoffelspalten	450g	15'00"/15'00"	G-100% + Konv.-240°C / G-60% + Konv.-240°C
AF03 Gefrorene Hähnchennuggets	350g	22'00"	G-60% + Konv.-240°C
AF04 Gefrorener gebratener Tintenfisch	250g	16'00"	G-60% + Konv.-240°C
AF05 Gefrorener Zwiebelring	250g	16'00"	G-60% + Konv.-240°C
AF06 Gefrorene panierte Garnelen	250g	18'00"	G-60% + Konv.-240°C
AF07 Gefrorenes gebratenes Hühnerschnitzel	400g	24'00"	G-60% + Konv.-240°C
AF08 Gegrillte frische Fischfilets	300g	18'00"	G-60% + Konv.-240°C
AF09 Gefrorene Büffelhähnchenflügel	420g	22'00"	G-60% + Konv.-240°C
AF10 Gefrorene gebratene Hähnchenflügel	500g (~70g/pc)	28'00"	G-60% + Konv.-240°C



Der Summer ertönt, um Sie daran zu erinnern, die Speisen während des Garens umzudrehen.

5 Reinigung und Pflege

5.1 Reinigung und Pflege



WARNUNG: Verwenden Sie zur Reinigung des Geräts niemals Benzin, Lösungsmittel, abrasive Reinigungsmittel, Metallgegenstände oder harte Bürsten.



WARNUNG: Tauchen Sie das Gerät oder sein Netzkabel niemals in Wasser oder andere Flüssigkeiten.

1. Schalten Sie die Mikrowelle aus und ziehen Sie den Stecker aus der Steckdose, bevor Sie das Gerät reinigen.
2. Warten, bis das Gerät vollständig abgekühlt ist.
3. Halten Sie das Innere des Geräts sauber. Wenn Speisen spritzen oder Flüssigkeiten überlaufen und an den Gerätewänden kleben, wischen Sie diese mit einem feuchten Tuch trocken. Es kann ein mildes Reinigungsmittel verwendet werden, wenn die Mikrowelle sehr verschmutzt sein sollte. Vermeiden Sie den Gebrauch von Reinigungssprays oder aggressiven Reinigungsmitteln, da diese Oberfläche der Tür beschädigen oder abstumpfen lassen können.
4. Die äußeren Geräteoberflächen können mit einem feuchten Tuch gereinigt werden. Um Schäden der Funktionsteile im Inneren der Mikrowelle zu verhindern, muss das Eindringen von Wasser durch die Belüftungsöffnungen vermieden werden.
5. Wischen Sie die Tür- und Fensterseiten, die Türdichtungen und angrenzende Teile häufig mit einem feuchten Tuch ab, um Verschüttungen oder Spritzer zu entfernen. Verwenden Sie keine Scheuermittel.
6. A Dampfreiniger sollte nicht verwendet werden.
7. Achten Sie darauf, dass Bedienfeld nicht nass wird. Reinigen Sie dieses mit einem feuchten Tuch. Lassen Sie die Gerätetür offen, wenn Sie die Mikrowelle reinigen, um ein versehentliches Einschalten zu verhindern.
8. Wenn sich im Inneren bzw. um die Mikrowellentür herum Dampf ansammelt, wischen Sie diesen mit einem weichen Tuch ab. Das kann passieren, wenn die Mikrowelle in einer Umgebung mit hoher Luftfeuchtigkeit eingesetzt wird. Das ist völlig normal.
9. Von Zeit zu Zeit muss auch der Drehteller aus Glas zum Reinigen herausgenommen werden. Waschen Sie den Glasteller mit warmem Seifenwasser oder in einer Geschirrspülmaschine.
10. Der Drehring und der Geräteinnenboden müssen regelmäßig gereinigt werden, um störende Geräusche zu vermeiden. Wischen Sie dazu einfach den Geräteinnenboden unter Verwendung eines milden Reinigungsmittels ab. Der Drehring kann mit warmem Seifenwasser oder in einer Geschirrspülmaschine gesäubert werden. Wenn Sie den Drehring vom Geräteinnenboden abnehmen, achten Sie bei Wiedereinsetzen auf die richtige Position.
11. Um schlechte Gerüche im Inneren zu beseitigen, stellen Sie eine tiefe Schale mit einer Mischung aus Wasser, Zitronensaft sowie etwas Zitronenschale in die Mikrowelle und schalten Sie diese für 5 Minuten ein. Wischen Sie dann alles mit einem weichen Tuch gründlich ab.

5 Reinigung und Pflege

12. Sollte der Austausch der Mikrowellenlampe notwendig werden, wenden Sie sich bitte an einen Händler.
 13. Das Gerät darf nicht mit normalen Hausmüll entsorgt werden; sondern muss in den dafür vorgesehenen Sammelstellen der Kommunen abgegeben werden.
 14. Bei der ersten Inbetriebnahme des Mikrowellengeräts mit Grillfunktion kann es zu leichter Rauch- und Geruchsentwicklung kommen. Dies ist ein normales Phänomen, da der Ofen aus einer mit Schmieröl beschichteten Stahlplatte besteht und der neue Ofen Rauch und Gerüche erzeugt, die durch das Verbrennen des Schmieröls entstehen. Dieses Phänomen verschwindet nach einer gewissen Nutzungsdauer.
- Das Herunterfallen des Geräts macht es funktionsunfähig oder verursacht bleibende Schäden.

5.2 Lagerung

- Wenn Sie beabsichtigen, das Gerät für längere Zeit nicht zu benutzen, bewahren Sie es bitte sorgfältig auf.
- Bitte stellen Sie sicher, dass das Gerät ausgesteckt, abgekühlt und vollständig trocken ist.
- Lagern Sie das Gerät an einem kühlen und trockenen Ort.
- Bewahren Sie das Gerät außerhalb der Reichweite von Kindern auf

5.3 Handhabung und Transport

- Tragen Sie das Gerät während der Handhabung und des Transports in der Originalverpackung. Die Verpackung des Geräts schützt es vor physischen Schäden.
- Legen Sie keine schweren Lasten auf das Gerät oder auf die Verpackung. Das Gerät kann beschädigt werden.

Normal	
Mikrowellenherd stört den TV-Empfang	Der Radio- und Fernsehempfang kann gestört werden, wenn ein Mikrowellenherd in Betrieb ist. Dies ist vergleichbar mit den Störungen, die durch kleine Elektrogeräte wie Mixer, Staubsauger und elektrische Ventilatoren verursacht werden. Das ist normal.
Das Licht des Backofens ist gedimmt	Bei Mikrowellenbetrieb mit niedriger Leistung kann das Licht des Backofens gedämpft sein. Das ist normal.
Dampfansammlung an der Tür, heiße Luft kommt aus den Lüftungsschlitzen	Während des Garvorgangs kann Dampf von den Speisen aufsteigen. Der meiste Dampf entweicht aus den Lüftungsschlitzen. Ein Teil kann sich jedoch an einer kühlen Stelle wie der Backofentür ansammeln. Das ist normal.
Der Backofen wurde versehentlich gestartet, ohne dass Lebensmittel darin waren.	Das Gerät darf nicht in Betrieb genommen werden, wenn sich keine Lebensmittel darin befinden. Das ist sehr gefährlich.

Problem	Möglicher Grund	Lösung
Backofen kann nicht gestartet werden.	1) Das Netzkabel ist nicht richtig eingesteckt.	Ziehen Sie den Stecker ab. Nach 10 Sekunden wieder einstecken.
	2) Die Sicherung ist durchgebrannt oder der Schutzschalter ist aktiviert.	Ersetzen Sie die Sicherung oder setzen Sie den Schutzschalter zurück (Reparatur durch Fachpersonal unseres Unternehmens).
	3) Störung der Steckdose.	Testen Sie die Steckdose mit anderen Elektrogeräten.
Der Backofen heizt nicht.	4) Die Tür ist nicht richtig geschlossen.	Schließen Sie die Tür richtig.

Service und Ersatzteile

Unsere Geräte werden nach den neuesten technischen Erkenntnissen entwickelt, produziert und geprüft. Sollte trotzdem eine Störung auftreten, so bitten wir Sie, sich mit Ihrem Fachhändler bzw. mit der Verkaufsstelle in Verbindung zu setzen. Sollte dies nicht möglich sein, wenden Sie sich bitte an das BEKO GRUNDIG-Service-Center unter folgenden Kontaktdaten:

Telefon: 0911 590 597 29

(Montag bis Freitag von 08.00 bis 18.00 Uhr)

E-Mail: service@bg-deutschland.de

Homepage: www.grundig.com/de-de/support

(Elektrokleingeräte)

Unter den oben genannten Kontaktdaten erhalten Sie ebenfalls Auskunft über den Bezug möglicher Ersatz- und Zubehörteile.

BEKO GRUNDIG Kundenberatungszentrum

Montag bis Freitag von 8.00 bis 18.00 Uhr

Deutschland: 0911 / 590 597 30

Österreich : 0820 / 220 33 22 *

* gebührenpflichtig (0,145 €/Min. aus dem Festnetz, Mobilfunk: max. 0,20 €/Min.)

Haben Sie Fragen?

Unser Kundenberatungszentrum steht Ihnen werktags stets von 18.00 – 8.00 Uhr zur Verfügung.

Sehr geehrte Kundin, sehr geehrter Kunde,

als Käufer eines Haushaltskleingerätes der Marke Beko stehen Ihnen die gesetzlichen Gewährleistungsrechte (Nachbesserung und Nacherfüllung) aus dem Kaufvertrag zu. Die Gewährleistung erfolgt für die Fehlerfreiheit bei Geräteübergabe entsprechend dem jeweiligen Stand der Technik. Über die Gewährleistung hinaus räumt Ihnen der Hersteller eine Garantie ein, diese schränkt die gesetzliche Gewährleistung – die für 24 Monate ab dem Kaufdatum gilt - nicht ein. Garantiert wird die Mängelbeseitigung durch Reparatur oder Austausch nach Wahl des Herstellers.

Sollte eine Störung an Ihrem Gerät auftreten, wenden Sie sich bitte an Ihren Fachhändler bzw. den Verkäufer. Dieser wird vor Ort das Gerät prüfen und den Kundenservice durchführen. Auch soweit Ansprüche aus der Herstellergarantie bestehen, werden diese nur durch den Verkäufer abgewickelt.

Die Garantiezeit beträgt 24 Monate ab Kaufdatum.

Bedingungen:

1. Ein maschinell erstellter Original-Kaufbeleg liegt vor.
2. Das Gerät ist nur mit Original-Zubehör und Original-Ersatzteilen betrieben worden.
3. Die in der Gebrauchsanweisung erwähnten Wartungs- und Reinigungsarbeiten sind entsprechend ausgeführt worden.
4. Das Gerät wurde nicht geöffnet/zerlegt.
5. Bauteile, die einem gebrauchsbedingtem Verschleiß unterliegen, fallen nicht unter die Garantie
6. Ausgewechselte Teile werden Eigentum des Herstellers.
7. Ausgeschlossen von der Garantie sind die Mängel, die durch unsachgemäße Installation, z.B. Nichtbeachtung der VDE-Vorschriften; unsachgemäße Aufstellung, z.B. Nichtbeachtung der Einbau- oder Installationsvorschriften; äußere Einwirkung, z.B. Transportschäden, Beschädigung durch Stoß oder Schlag, Schäden durch Witterungseinflüsse, unsachgemäße Bedienung oder Beanspruchung, z.B. Nichtbeachtung der Gebrauchsanweisungen verursacht wurden.
8. Eine gewerbliche oder gleichzustellende Nutzung, z.B. in Hotels, Pensionen, Gaststätten, Arztpraxen oder Gemeinschaftsanlagen, gilt als eine nicht bestimmungsgemäße Benutzung, die die Garantie ausschließt.
9. Die Mängelbeseitigung verlängert die ursprüngliche Garantiezeit nicht.
10. Schadenersatzansprüche, auch hinsichtlich Folgeschäden, sind, soweit sie nicht auf Vorsatz oder grober Fahrlässigkeit beruhen, ausgeschlossen.
11. Der Anspruch auf Garantieleistung steht nur dem Erstkäufer zu und erlischt bei Weiterverkauf des Produktes durch den Erstkunden.
12. Die Garantie gilt für neue Produkte und nicht für Produkte, die als Gebrauchtgeräte verkauft worden sind und nicht für B-Ware.
13. Die Garantie ist nicht übertragbar.

Diese Garantiezusage ist nur gültig innerhalb der Bundesrepublik Deutschland

Garantiebedingungen - Beko – Version Februar 2021

Si prega di leggere questo manuale prima dell'uso!

Gentile e stimato Cliente,

grazie per aver scelto questo apparecchio Beko. Ci auguriamo che riesca ad ottenere i risultati migliori da questo prodotto, realizzato con tecnologia all'avanguardia e di alta qualità. Pertanto, prima di utilizzare il prodotto, La preghiamo di leggere con attenzione e per intero il presente manuale e ogni altro documento allegato, conservandoli come riferimento per impieghi futuri. Nel caso cedesse il prodotto ad altre persone, consegni loro anche queste istruzioni. Segua tutte le avvertenze e le informazioni riportate nel manuale utente.

Consideri che questo manuale utente può risultare valido anche per altri modelli. Il contenuto ne descrive chiaramente le eventuali differenze.

Significato dei simboli

I seguenti simboli sono utilizzati in diverse sezioni del presente manuale utente:



Informazioni importanti e suggerimenti utili sull'utilizzo.



Avvisi in merito a situazioni pericolose per la sicurezza di persone e cose.



Avvertenza di superfici calde.



Avvertenza per shock elettrico.

Importanti istruzioni di sicurezza Leggere attentamente e conservare per riferimenti futuri

1.1 Istruzioni di sicurezza

Questa sezione contiene istruzioni di sicurezza che aiutano a proteggere da rischi di incendio, scosse elettriche, esposizione a perdite di energia a microonde, lesioni personali o danni alle cose. Il mancato rispetto di queste istruzioni invaliderà qualsiasi garanzia.

- I prodotti Beko sono conformi agli standard di sicurezza applicabili; quindi - in caso di danni al dispositivo o al cavo di alimentazione - la riparazione o la sostituzione dovrebbero essere a cura del rivenditore, del centro assistenza o di un servizio specializzato e autorizzato al fine di evitare di incorrere in eventuali pericoli. Lavori di riparazione svolti male o da persone

non qualificate possono rivelarsi pericolosi e rischiosi per l'utente.

- L'apparecchiatura è destinata all'uso domestico e applicazioni simili, tra cui:
 - Cucine per il personale in negozi, uffici e altri ambienti di lavoro;
 - Fattorie
 - Clienti in hotel, motel e altri ambienti di tipo residenziale;
 - Ambienti tipo bed and breakfast.
- Il forno a microonde è destinato all'uso indipendente.
- Non è stato pensato per uso industriale o di laboratorio.
- Non tentare di avviare il forno quando il suo sportello è aperto, altrimenti si potrebbe essere esposti all'energia nociva delle microonde. Le serrature di sicurezza non devono essere disabilitate o manomesse.

1 Importanti istruzioni di sicurezza e ambientali

- Il forno a microonde è destinato a riscaldare cibi e bevande. L'asciugatura di cibo o indumenti e il riscaldamento di cuscini riscaldanti, pantofole, spugne, panni umidi e simili potrebbe comportare il rischio di lesioni, combustione e incendi.
- Non mettere alcun oggetto tra il lato anteriore e lo sportello del forno. Non lasciare accumulare sporco o residui di detergente sulle superfici di chiusura.
- Qualsiasi lavoro di manutenzione che comporti la rimozione del coperchio che fornisce la protezione contro l'esposizione alle microonde deve essere eseguito da persone/centri assistenza autorizzati. Qualsiasi altro approccio è pericoloso.
- Il prodotto è utilizzabile per cucinare, riscaldare e scongelare il cibo in ambiente domestico. Non deve essere utilizzato per scopi commerciali.
- Il forno non è progettato per asciugare materia vivente.
- Non utilizzare l'apparecchio per asciugare vestiti o asciugamani da cucina.
- Non usare questo apparecchio all'aperto, nei bagni, in ambienti umidi o in luoghi dove potrebbe bagnarsi.
- Non ci assumiamo alcuna responsabilità né risponderemo ad alcuna richiesta di garanzia per danni derivanti da un uso improprio o scorretto dell'apparecchio.
- Non tentare di smontare l'apparecchio. Non si accettano richieste di garanzia per danni derivanti da uso improprio.
- Servirsi unicamente di ricambi originali o consigliati dal produttore.
- Non lasciare l'apparecchio in funzione se non è sorve-

1 Importanti istruzioni di sicurezza e ambientali

gliato.

- Utilizzare sempre l'apparecchio su una superficie stabile, piana, pulita, asciutta e non scivolosa.
- Questo apparecchio non è progettato per funzionare con un timer esterno o con un sistema di comando a distanza.
- Prima di usare l'apparecchio per la prima volta, pulire tutte le parti. Vedere altri dettagli nella sezione "Pulizia e Manutenzione".
- Servirsi dell'apparecchio unicamente per lo scopo per cui è stato previsto, secondo quanto descritto nel presente manuale.
- L'apparecchio diventa molto caldo quando in funzione. Fare attenzione a non toccare le parti calde all'interno del forno.
- Non far funzionare il forno se vuoto.
- L'utensile da cucina potrebbe diventare caldo a causa del calore trasferito dal cibo riscaldato all'utensile stesso. Si potrebbe aver bisogno di guanti da forno per tenere l'utensile.
- Per assicurarsi che siano adatti all'uso nei forni a microonde, gli utensili dovranno essere controllati.
- Non posizionare il forno su stufe o altri apparecchi che generano calore. In caso contrario, potrebbe danneggiarsi e ciò invaliderà la garanzia.
- Mentre si aprono i coperchi o la pellicola dopo la cottura del cibo potrebbe uscire del vapore.
- L'apparecchio e le sue superfici accessibili potrebbero essere molto caldi quando l'apparecchio è in uso.
- Lo sportello e il vetro esterno potrebbero essere molto caldi quando l'apparecchio è in uso.
- Assicurarsi che l'alimentazione di rete sia conforme alle indicazioni riportate

1 **Importanti istruzioni di sicurezza e ambientali**

sulla targhetta dell'apparecchio.

- L'unico modo per scollegare l'apparecchio dall'alimentazione è rimuovere la spina dalla presa di corrente.
- Servirsi dell'apparecchio unicamente solo con una presa dotata di messa a terra.
- Non utilizzare l'apparecchio se il cavo di alimentazione o l'apparecchio stesso sono danneggiati.
- Non usare l'apparecchio con una prolunga.
- Non toccare mai l'apparecchio o la sua spina con mani umide o bagnate.
- Posizionare l'apparecchio in modo che la spina sia sempre accessibile.
- Evitare di danneggiare il cavo di alimentazione non schiacciandolo, piegandolo o strofinandolo su spigoli vivi. Tenere il cavo di alimentazione lontano da superfici calde e da fiamme libere.
- Assicurarci che non ci sia pericolo che il cavo di alimentazione possa essere tirato accidentalmente o che qualcuno possa inciampare quando l'apparecchio è in uso.
- Scollegare l'apparecchio prima di ogni pulizia e quando non è in uso.
- Non tirare il cavo di alimentazione dell'apparecchio per scollegarlo dalla sua alimentazione e non avvolgere mai il cavo di alimentazione intorno all'apparecchio.
- Non immergere l'apparecchio, il cavo di alimentazione o la spina in acqua o altri liquidi. Non tenerlo sotto l'acqua corrente.
- Quando si scalda il cibo in contenitori di plastica o carta, controllare sempre il forno in quanto sussiste la possibilità di combustione.
- Prima di mettere i sac-

1 **Importanti istruzioni di sicurezza e ambientali**

chetti nel forno, rimuovere i lacci metallici e/o i manici di metallo dei sacchetti di carta o di plastica.

- Se si osserva del fumo, spegnere l'apparecchio o disinserire la spina del cavo di alimentazione e tenere lo sportello chiuso per soffocare le eventuali fiamme.
- Non usare il forno a microonde come spazio di conservazione. Non lasciare oggetti di carta, materiale di cottura o cibo all'interno del forno quando non utilizzato.
- Per evitare scottature, agitare o scuotere il contenuto dei biberon e dei vasetti di alimenti per bambini e controllarne la temperatura prima del consumo.
- Questo apparecchio è un dispositivo ISM di gruppo 2, classe B. Il gruppo 2 contiene tutte le apparecchiature ISM (Industrial, Scientific and Medical) in cui l'energia a radiofrequenza è intenzionalmente generata e/o utilizzata sotto forma di radiazione elettromagnetica per il trattamento di materiale, e le apparecchiature di erosione delle scintille.
- Le apparecchiature di classe B sono adatte all'uso in stabilimenti domestici e stabilimenti direttamente collegati a una rete di alimentazione a bassa tensione.
- Non usare olio da cottura nel forno. L'olio caldo potrebbe danneggiare i componenti e i materiali del forno, e potrebbe anche causare ustioni alla pelle.
- Praticare un taglio sugli alimenti con crosta spessa come le patate, le zucchine, le mele e le castagne.
- L'apparecchio deve essere posizionato in modo che il lato posteriore sia rivolto

1 Importanti istruzioni di sicurezza e ambientali

verso il muro.

- Prima di spostare l'apparecchio, fissare il piatto girabile per evitare danni.
- Le uova alla coque e quelle sode non devono essere riscaldate nel microonde in quanto potrebbero esplodere, anche al termine del tempo di riscaldamento.

AVVERTENZA: Se lo sportello o le guarnizioni della sportello sono danneggiate, il forno non deve essere messo in funzione finché non sia stato riparato da un tecnico autorizzato.

AVVERTENZA: È pericoloso eseguire qualsiasi operazione di manutenzione o riparazione che riguardi la rimozione di un coperchio che evita l'esposizione all'energia delle microonde a meno che non venga eseguita da personale competente.

AVVERTENZA: Non si devono riscaldare liquidi o altri alimenti in contenitori sigillati perché potrebbero esplodere.

- Il forno deve essere pulito regolarmente ed ogni deposito di cibo deve essere rimosso.
- Ci dovrebbero essere almeno 30 cm di spazio libero sopra la superficie superiore del forno.
- Non cuocere troppo i cibi, altrimenti si potrebbe causare un incendio.
- Non usare prodotti chimici e pulitori a vapore per pulire l'apparecchio.
- Si consiglia estrema cautela nell'uso in prossimità di bambini e di persone limitate nelle loro capacità fisiche, sensoriali o mentali.
- Questo apparecchio può essere utilizzato da bambini di età pari o superiore a 8 anni e da persone con capacità fisiche, sensoriali o mentali limitate o che non hanno conoscenze ed esperienza, purché siano sorvegliati nell'uso sicuro.

1 **Importanti istruzioni di sicurezza e ambientali**

del prodotto o siano istruiti di conseguenza o comprendano i rischi dell'uso del prodotto. I bambini non devono giocare con l'apparecchio. La pulizia e la manutenzione non devono essere effettuate da bambini, a meno che non abbiano più di 8 anni e non siano sorvegliati.

• **Pericolo di soffocamento!**

Tenere tutti i materiali di imballaggio lontano dalla portata dei bambini.

- Conservare il prodotto e il suo cavo di alimentazione in modo che siano inaccessibili ai bambini di età inferiore agli 8 anni.
- Non cucinare il cibo direttamente sul vassoio di vetro. Posizionare gli alimenti in/su utensili da cucina appropriati prima di metterli in forno.
- Durante la cottura a microonde i contenitori metallici per alimenti e bevande non sono ammessi. In caso

contrario, potrebbero verificarsi delle scintille.

- Questo prodotto non è progettato per essere incassato. Non mettere il prodotto in un armadio o in una scatola mentre è in uso.
- La mancata pulizia del forno potrebbe portare al deterioramento della superficie influenzando la durata dell'apparecchio e comportando una situazione di pericolo.
- L'apparecchio non dovrà essere pulito con un pulitore a vapore.
- Non tenere il forno pulito potrebbe portare al deterioramento della superficie con conseguenze negative sulla durata dell'apparecchio e possibili situazioni di pericolo.
- L'apparecchio non deve essere pulito con un pulitore a vapore.
- Il riscaldamento a microonde delle bevande può

1 Importanti istruzioni di sicurezza e ambientali

provocare un'ebollizione eruttiva ritardata, pertanto è necessario prestare attenzione quando si maneggia il contenitore.

- **AVVERTENZA:** quando l'apparecchio funziona in modalità combinata, a causa delle temperature generate, i bambini devono utilizzare il forno solo sotto la supervisione di un adulto.
- **Pulizia:** non mettere l'apparecchio in acqua o in altri liquidi. Pulire l'involucro solo con una spugna o un panno inumidito con acqua calda e sapone. Non utilizzare detergenti aggressivi e abrasivi. Vedere le istruzioni dettagliate per la pulizia ai punti **Pulizia e cura** e **Conservazione**.

1.2 Conformità alla direttiva WEEE e allo smaltimento dei rifiuti:

Questo apparecchio è conforme alla Direttiva UE WEEE (2012/19/EU). Questo apparecchio riporta il simbolo di classificazione per i rifiuti delle apparecchiature elettriche ed elettroniche (WEEE).



Questo simbolo indica che questo prodotto non deve essere smaltito con altri rifiuti domestici al termine della sua vita utile. Il dispositivo usato deve essere portato a un punto di raccolta ufficiale per il riciclaggio di dispositivi elettrici ed elettronici. Per individuare questi punti di raccolta, contattare le proprie autorità locali oppure il rivenditore presso cui è stato acquistato il prodotto. Ciascuna famiglia ha un ruolo importante nel recupero e riciclaggio di vecchi apparecchi. Lo smaltimento appropriato degli apparecchi usati aiuta a prevenire potenziali conseguenze negative per l'ambiente e la salute umana.

1.3 Conformità alla Direttiva RoHS:

L'apparecchio acquistato è conforme alla Direttiva UE RoHS (2011/65/EU). Non contiene materiali pericolosi o proibiti specificati nella Direttiva.

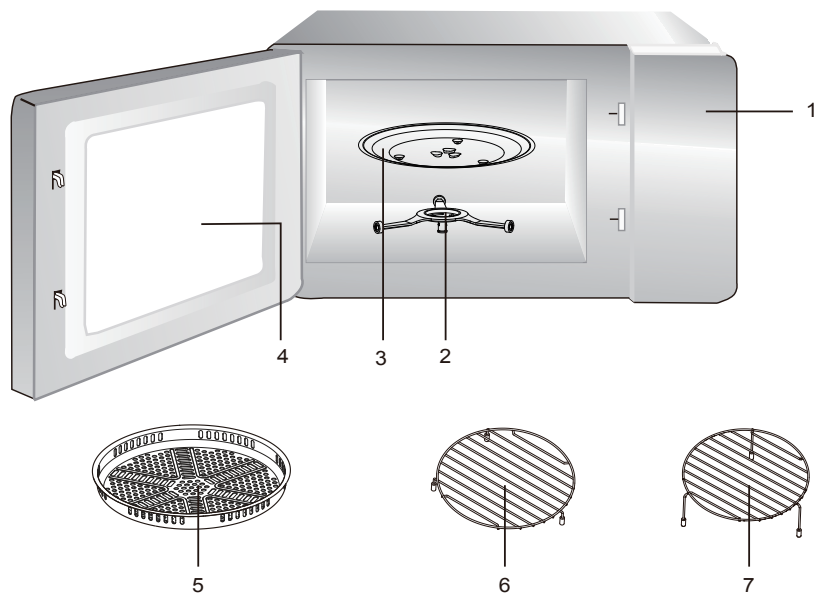
1.4 Informazioni di imballaggio



L'imballaggio del prodotto è fatto di materiali riciclabili in conformità con la normativa nazionale. Non smaltire i materiali di imballaggio con i rifiuti domestici o altri rifiuti. Portarli ai punti di raccolta per materiali di imballaggio previsti dalle autorità locali.

2 Il forno a microonde

2.1 Panoramica



1. Pannello di controllo
2. Gruppo anello girevole
3. Vassoio in vetro
4. Finestra del forno
5. Vassoio di cottura (non può essere utilizzato in combinazione con la funzione microonde e può essere posizionato sul ripiano di cottura)
6. Cestello a filo inferiore (Per il microonde e per cuocere e arrostitire in forno.)
7. Rastrelliera in filo metallico più alta (Per grigliare, ad esempio, bistecche, salsicce e per tostare il pane. Come supporto per piatti poco profondi.)

2.2 Dati tecnici

Modello	MCF 26310 BAF
Tensione/Frequenza	230V~ 50Hz
Ingresso potenza - Microonde	1450W
Uscita potenza - Microonde	900W
Grill	1000W
Convezione	2100W
Frequenza delle microonde	2450MHz
Diametro piatto girevole	288 mm
Dimensioni esterne	495*424*290 mm
Capacità del forno	27 L

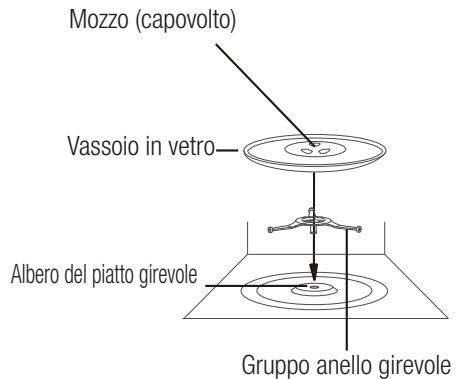
I diritti per le modifiche agli aspetti tecnici e progettuali sono riservati.

Le marcature sul prodotto o i valori indicati in altri documenti forniti con il prodotto sono valori ottenuti in condizioni di laboratorio secondo gli standard pertinenti. Questi valori possono variare in base all'utilizzo dell'apparecchio e alle condizioni ambientali. I valori di potenza sono testati a 230V.

2 Il forno a microonde

2.3 Installazione del piatto girevole

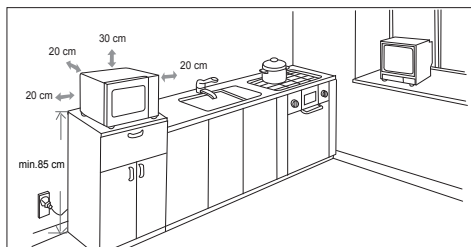
- Non mettere mai il vassoio di vetro capovolto. Il piatto in vetro non deve mai essere limitato nel movimento.
- Durante la cottura è necessario utilizzare sempre sia il vassoio di vetro che l'anello girevole.
- Per la cottura, tutti gli alimenti e i relativi contenitori devono sempre essere collocati sul vassoio in vetro.
- Se il vassoio di vetro o il gruppo anello girevole si incrinano o si rompono, contattare il centro di assistenza autorizzato più vicino.



3 Installazione

3.1 Installazione

- Rimuovere tutto il materiale di imballaggio e gli accessori. Esaminare il forno per individuare eventuali danni, come ad esempio ammaccature o rotture dello sportello. Non installare se il forno è danneggiato.
- Rimuovere l'eventuale pellicola protettiva presente sulla superficie del mobile del forno a microonde.
- Non rimuovere il coperchio di mica marrone chiaro fissato alla cavità del forno per proteggerlo il magnetron.
- Selezionare una superficie piana che offra uno spazio aperto sufficiente per le bocchette di aspirazione e/o di uscita.



- Altezza minima di installazione è di 85 cm.
- La superficie posteriore dell'apparecchio deve essere appoggiata a una parete. Lasciare uno spazio minimo di 30 cm sopra

il forno, mentre è necessario uno spazio minimo di 20 cm tra il forno e le pareti adiacenti.

- Non rimuovere i piedini dalla parte inferiore del forno.
- L'ostruzione delle aperture di aspirazione e/o di scarico potrebbe danneggiare il forno.
- Posizionare il forno quanto più lontano possibile da radio e TV. Il funzionamento del forno a microonde può causare interferenze nella ricezione radiofonica o televisiva. 2. Collegare il forno a una presa di corrente standard. Accertarsi che la tensione e la frequenza corrispondano a quelle indicate sulla targhetta.



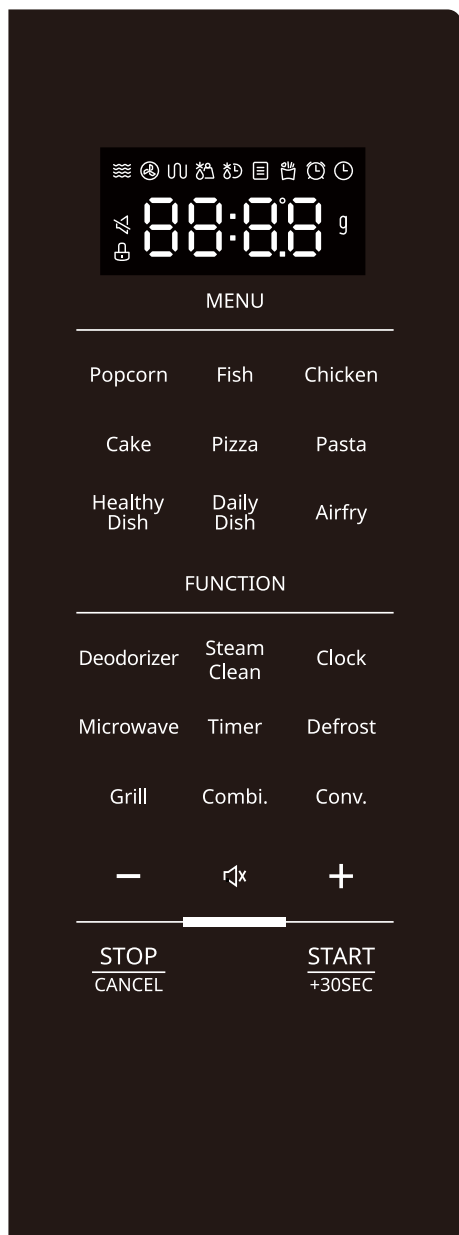
ATTENZIONE: Non installare il forno sopra un piano di cottura o altri apparecchi che producono calore. Se installato vicino o sopra una fonte di calore, il forno potrebbe danneggiarsi e la garanzia decadere.



La superficie accessibile può surriscaldarsi in fase di funzionamento.

4 Funzionamento

4.1 Pannello di controllo



Display

Vengono visualizzati il tempo di cottura, la potenza, gli indicatori e l'ora.

	Forno
	Convezione
	Grill
	Sbrinamento in peso
	Sbrinamento a tempo
	Menu automatico
	Friggitrice ad aria
	Sveglia
	Orologio/blocco per bambini
	Disattiva audio
	Blocco per bambini
	Grammi
	Temperatura

Menu

- **Pulsanti di cottura automatica:** Impostazioni automatiche per cucinare i cibi più comuni.

Funzione

- **Deodorizer:** Premere per eliminare gli odori di cibo nel microonde.
- **Steam Clean:** Premere per pulire il microonde con il vapore.
- **Clock:** Premere per impostare l'ora dell'orologio, ma anche per impostare il blocco bambini.
- **Microwave:** Premere per impostare il livello di potenza di cottura delle microonde.
- **Timer:** Premere per impostare il timer della sveglia.

4 Funzionamento

- **Defrost:** Premere per scongelare gli alimenti in base a tempo/peso.
- **Grill:** Premere per impostare il programma di cottura del grill.
- **Combi.:** Premere per impostare il programma di cottura combinato microonde, grill e convezione.
- **Conv:** Premere per impostare la cottura a convezione.
- **-/+ :** Premere per impostare il tempo. Premere a lungo per aumentare/diminuire la velocità.
- **Disattiva audio** - : Premere per disattivare l'audio
- **STOP / CANCEL:** Premere per mettere in pausa/annullare qualsiasi impostazione. Premere due volte per spegnere il display
- **START / +30SEC:** Premere per avviare/confermare qualsiasi impostazione. Premere per la cottura rapida in modalità standby

Quando il forno a microonde viene acceso per la prima volta, lo schermo visualizza "0:00" e il cicalino suona una volta per entrare in modalità standby.

4.2 Impostazione dell'orologio

1. In stato di attesa, premere una volta "Clock", quindi sullo schermo viene visualizzato "00:00". Le cifre delle ore lampeggiano.
2. Premere "+/-" per regolare le cifre delle ore. Il tempo di ingresso deve essere compreso tra 0-23.
3. Premere "Clock" per confermare e le cifre dei minuti lampeggeranno.
4. Premere "+/-" per regolare le cifre dei minuti. Il tempo di ingresso deve essere compreso tra 0-59.

5. Premere "Clock" per terminare l'impostazione dell'orologio.



- L'orologio non funziona se non è impostato quando viene alimentato.
- Dopo il punto 4, se non si preme "Clock" entro 5 minuti, il forno torna automaticamente allo stato precedente.

4.3 Timer da cucina

1. In stato di attesa, premere una volta "Timer" e lo schermo visualizza "0:00".
2. Premere "+/-" per regolare il tempo di inserimento. Il valore massimo è 95:00.
3. Premere "START/+30SEC" per confermare l'impostazione.



Quando è attivo il timer della cucina, gli altri programmi non funzioneranno.

4.4 Cottura a microonde

1. In stato di attesa, premere "Microwave" e verrà visualizzato "P100".
2. Premere "+/-" o premere ripetutamente "Microwave" per impostare il livello di potenza. "P100, P90, P80, P70, P60, P50, P40, P30, P20, P10" sono disponibili.
3. Premere "START/+30SEC" per confermare. Verrà visualizzato il tempo di cottura predefinito 15:00.
4. Premere "+/-" per impostare il tempo di cottura. Il valore massimo è 95:00.
5. Premere "START/+30SEC" per avviare la cottura.

4.5 Cottura alla griglia

1. Premere una volta "Grill" e verrà visualizzato "G".

4 Funzionamento

2. Premere "START/+30SEC" per confermare, viene visualizzato il tempo di cottura predefinito 15:00.
3. Premere "+/-" per impostare il tempo di cottura. Il valore massimo è 95:00.
4. Premere "START/+30SEC" per avviare la cottura.



- Se passa metà del tempo di cottura, il forno suona per ricordare di girare il cibo. Per ottenere un effetto migliore della cottura alla griglia, è possibile girare il cibo, chiudere lo sportello e premere "START/+30SEC" per continuare la cottura. In assenza di operazioni, il forno funziona automaticamente.
- Nel processo di cottura, quando si aumenta o si riduce il tempo, la richiesta di metà tempo non viene influenzata.

4.6 Cottura a convezione

1. Premere una volta "Conv." e verrà visualizzato "150°C".
2. Premere ripetutamente "Conv." per scegliere la temperatura da 150°C a 240°C.
3. Premere "Start/+30SEC." per confermare la temperatura; se si preme nuovamente "START/+30SEC", il forno inizia il pre-riscaldamento. quando la temperatura di preriscaldamento è raggiunta, il cicalino suona due volte. Sarà possibile aprire lo sportello del forno e inserire gli alimenti.
4. In alternativa, premere "+/-" per impostare direttamente il tempo di cottura. Il valore massimo è 95:00.
5. Premere il tasto "Start/+30SEC" per mettere in funzione il dispositivo.

4.7 Cottura combinata

1. Premere una volta "Combi.", sullo schermo apparirà "C-1"; premere ripetutamente "Combi." per scegliere la potenza desiderata e apparirà "C-1, C-2, C-3, o C-4".
2. Premere "START/+30SEC" per confermare la modalità, e verrà visualizzata l'ora di cottura predefinita 15:00.
3. Premere "+/-" per impostare il tempo di cottura. Il valore massimo è 95:00.
4. Premere "START/+30SEC" per avviare la cottura.

Istruzioni per la combinazione	Visualizzazione delle istruzioni	Forno	Grill	Convezione
1	C-1	•		•
2	C-2	•	•	
3	C-3		•	•
4	C-4	•	•	•

4.8 Scongellamento in peso

1. In stato di attesa, premere una volta "Defrost" e lo schermo visualizza "dEF1".
2. Premere "START/+30SEC" per confermare, viene visualizzato 100g.

4 Funzionamento

3. Premere "+/-" per impostare il peso di scongelamento tra 100 e 2000g.
4. Premere "START/+30SEC" per avviare lo sbrinamento.



Il cicalino suona per ricordare di girare gli alimenti mentre è in corso lo scongelamento.

4.9 Sbrinamento a tempo

1. Nello stato di attesa, premere due volte "Defrost" e lo schermo visualizza "dEF2".
2. Premere "START/+30SEC" per confermare, viene visualizzata la dicitura 15:00.
3. Premere "+/-" per impostare il tempo di sbrinamento. Il valore massimo è 95:00.
4. Premere "START/+30SEC" per avviare lo sbrinamento.



Il cicalino suona per ricordare di girare gli alimenti mentre è in corso lo scongelamento.

4.10 Cottura multi-fase

Sarà possibile impostare al massimo due fasi. Se uno degli stadi è in fase di sbrinamento, dovrebbe passare automaticamente alla prima fase. Il cicalino suonerà una volta dopo ogni fase e inizierà la fase successiva. Il timer da cucina, il menu automatico, la cottura rapida o il preriscaldamento non possono essere impostati come una delle fasi multiple.

Esempio: Se volete scongelare gli alimenti per 10 minuti, grigliateli per 10 minuti e 30 secondi. È possibile seguire i passaggi di seguito indicati.

1. Premere due volte "Defrost" e sullo schermo apparirà "dEF2".
2. Premere "START/+30SEC" per confermare, viene visualizzata la dicitura 15:00.
3. Premere "+/-" per regolare il tempo di sbrinamento fino a visualizzare 10:00.
4. Premere una volta "Grill", viene visualizzato "G", premere "START/+30SEC" per confermare
5. Premere "+/-" per regolare l'ora del grill fino a visualizzare 10:00.
6. Premere "START/+30SEC" per avviare la cottura.

4.11 Cottura rapida a microonde

Nello stato di standby, premere "START/+30SEC" per avviare direttamente la cottura al 100% della potenza per 30 secondi.

4.12 Blocco bambini

Blocco: Nello stato di standby, premere "Clock" per 3 secondi. Il cicalino suona per entrare nello stato di blocco dei bambini e l'indicatore di blocco si accende.

Bloccare l'abbandono: In stato di blocco, premere "Clock" per 3 secondi: il cicalino segnala lo sblocco del blocco e l'indicatore di blocco scompare.

4 Funzionamento

4.13 Deodorante

1. Nello stato di standby, premere "Deodoriser" e sullo schermo viene visualizzato "dE".
2. Premere "START/+30SEC" per avviare il funzionamento.

4.14 Pulizia a vapore

1. Nello stato di standby, premere "Steam Clean" e sullo schermo viene visualizzato "SC".
2. Premere "START/+30SEC" per avviare il funzionamento.



Versare una parte uguale di acqua in un contenitore per microonde ben aperto. Al termine del lavoro, pulire le superfici cotte a vapore con una spugna pulita per rimuovere il cibo e gli odori dalle superfici.

4.15 Piatto salutare

1. In stato di attesa, premere una volta "Healthy Dish" e verrà visualizzato "Hd01".
2. Premere ripetutamente "Healthy Dish" per scegliere il menu da "Hd01" a "Hd05".
3. Premere "START/+30SEC" per confermare il sottomenu. Viene visualizzato il peso oppure vengono visualizzate le porzioni predefinite del menu.
4. Premere "+/-" per impostare il peso o le porzioni.
5. Premere "START/+30SEC" per avviare la cottura.

Tabella dei piatti salutarì

MENU/ Display	Peso/ Display	Tempo (min' sec")	Potenza
Hd01 Quinoa	100g	3'00"/15'00"	P100/P50
	200g	5'00"/15'00"	
Hd02 Couscous	200g	4'00"/8'00"	P100/P50
	300g	5'00"/10'00"	
Hd03 Macaroni	100g	10'00"	P80
	200g	12'00"	
Hd04 Riso integrale	200g	5'30"/25'00"	P100/P50
	300g	8'00"/30'00"	
Hd05 Farina d'avena	2 porzioni	3'30"/3'30"	P100/P50
	4 porzioni	5'30"/5'30"	

4.16 Piatto giornaliero

1. In stato di attesa, premere una volta "Daily Dish" e verrà visualizzato "dd01".
2. Premere ripetutamente "Daily Dish" per scegliere il menu da "dd01" a "dd12".
3. Premere "START/+30SEC" per confermare il sottomenu. Viene visualizzato il peso oppure vengono visualizzate le porzioni predefinite del menu.

4 Funzionamento

4.Premere "+/-" per impostare il peso o le porzioni.

5.Premere "START/+30SEC" per avviare la cottura.

Tabella giornaliera dei piatti

MENU/ Display	Peso/ Display	Tempo (min' sec")	Potenza
dd01 Piselli congelati	200g	4'00"	P100
	400g	7'00"	
dd02 Miscela congelata Verdura	200g	4'00"	P100
	400g	7'00"	
dd03 Broccoli surgelati	200g	5'00"	P100
	400g	8'00"	
dd04 Spinaci freschi	200g	2'30"	P100
	400g	4'30"	
dd05 Fagiolini congelati	200g	5'00"	P100
	400g	8'00"	
dd06 Patate senza buccia	400g	6'00"	P100
	800g	10'00"	
dd07 Patate con la buccia	2 (~200g/pc)	8'30"	P100
	4 (~200g/pc)	15'00"	
dd08 Lasagne surgelate	300g	15'00"	C-1
	600g	20'00"	
dd09 Petti di pollo alla griglia	200g	16'00"	Griglia 60% + Conv. 240°C
	400g	20'00"	
dd10 Agnello da latte	900g	35'00"	C-4
dd11 Carrè di agnello	900g	35'00"	C-4
dd12 Pane all'aglio alla griglia	200g	9'00"	C-4

4.17 Menu Auto

Ad esempio, impostare il menu del pesce per 350 g;

1. In stato di attesa, premere una volta "Fish" e verrà visualizzato "150g".

2. Premere ripetutamente "Fish" fino a visualizzare 350 g.

3. Premere "START/+30SEC" per avviare la cottura.

4 Funzionamento

Tabella dei menu

MENU/ Display	Peso/ Display	Tempo (min' sec")	Potenza
A01 Popcorn	50g	1'40"	P100
	100g	2'00"	
A02 Pesce	150g	3'00"	P80
	250g	4'00"	
	350g	5'30"	
	450g	6'30"	
	650g	8'30"	
A03 Pollo	500g	29'00"	C-4 (segnale acustico per girare il cibo)
	750g	34'00"	
	1000g	39'00"	
	1200g	44'00"	
A04 Torta	475g	60'00"	Pre-riscaldamento 160°C / Conv.160°C
A05 Pizza	100g	8'00"	C-4
	200g	10'00"	
	300g	12'00"	
A06 Pasta	50g (acqua fredda 450g)	18'00"	P80
	100g (acqua fredda 800g)	20'00"	
	150g (acqua fredda 1200g)	22'00"	



- Il cicalino suona per ricordare di girare il cibo durante il menu del pollo.
- Nel menu Torta, il forno inizia a preriscaldarsi; quando viene raggiunta la temperatura di preriscaldamento, il cicalino suona due volte. Sarà possibile aprire lo sportello del forno e inserire gli alimenti. Premere "START/+30SEC" per avviare la cottura.

4.18 Friggitrice ad aria

1. In stato di attesa, premere ripetutamente "Airfry" per scegliere il menu e "AF01~AF10" verrà visualizzato in ordine.
2. Premere "START/+30SEC" per avviare la cottura.

4

Funzionamento

MENU/ Display	Peso/ Display	Tempo (min' sec")	Potenza
AF01 Patatine fritte surgelate	300g	6'00"/16'00"	G-100% + Conv.-240°C / G-60% + Conv.-240°C
AF02 Patate wedge surgelate	450g	15'00"/15'00"	G-100% + Conv.-240°C / G-60% + Conv.-240°C
AF03 Nugget di pollo surgelati	350g	22'00"	G-60% + Conv.-240°C
AF04 Calamari fritti congelati	250g	16'00"	G-60% + Conv.-240°C
AF05 Anelli di cipolla congelati	250g	16'00"	G-60% + Conv.-240°C
AF06 Gamberi impanati congelati	250g	18'00"	G-60% + Conv.-240°C
AF07 Cotoletta di pollo fritta congelata	400g	24'00"	G-60% + Conv.-240°C
AF08 Filetti di pesce fresco alla griglia	300g	18'00"	G-60% + Conv.-240°C
AF09 Ali di pollo di Buffalo congelate	420g	22'00"	G-60% + Conv.-240°C
AF10 Ali di pollo fritte congelate	500 g (~70 g/pz)	28'00"	G-60% + Conv.-240°C



Il cicalino suona per ricordare di girare il cibo durante la cottura.

5 Pulizia e cura

5.1 Pulizia e cura



AVVERTENZA: Non utilizzare benzina, solventi, detergenti abrasivi, oggetti metallici o spazzole dure per pulire l'apparecchio.



AVVERTENZA: Non immergere mai l'apparecchio o il suo cavo di alimentazione in acqua o in qualsiasi altro liquido.

1. Spegnere il forno e togliere la spina dalla presa di corrente prima di pulire.
2. Attendere il completo raffreddamento dell'apparecchio.
3. Tenere pulito l'interno del forno. In caso di aderenza di schizzi di cibo o liquidi versati alle pareti del forno, pulire con un panno umido. Se il forno è molto sporco, si può usare un detergente delicato. Evitare l'uso di spray e altri detergenti aggressivi perché potrebbero macchiare, striare o opacizzare la superficie dello sportello.
4. Le superfici esterne dovrebbero essere pulite con un panno umido. Per evitare danni alle parti operative all'interno del forno, l'acqua non dovrebbe penetrare nelle bocchette di ventilazione.
5. Pulire frequentemente i due lati dello sportello e del vetro, le guarnizioni dello sportello e le parti adiacenti con un panno umido per rimuovere eventuali perdite o schizzi. Non usare detergenti abrasivi.
6. Non usare un pulitore a vapore.
7. Non lasciare che il pannello di controllo si bagni. Pulire con un panno morbido e umido. Quando si pulisce il pannello di controllo, lasciare lo sportello del forno aperto per evitare che il forno si accenda accidentalmente.
8. In caso di accumulo di vapore all'interno o all'esterno dello sportello del forno, pulirlo con un panno morbido. Ciò potrebbe verificarsi quando il forno a microonde viene utilizzato in condizioni di elevata umidità. Ed è normale.
9. Occasionalmente è necessario rimuovere il vassoio di vetro per la pulizia. Lavare il vassoio in acqua calda e umida o in lavastoviglie.
10. L'anello del rullo e il pavimento del forno dovrebbero essere puliti regolarmente per evitare una rumorosità eccessiva. Basta pulire la superficie inferiore del forno con un detergente delicato. L'anello del rullo potrebbe essere lavato in acqua tiepida o in lavastoviglie. Quando si rimuove l'anello del rullo dal pavimento del forno per la pulizia, assicurarsi di rimetterlo nella posizione corretta.
11. Rimuovere gli odori dal forno mettendo insieme una tazza d'acqua con il succo e la buccia di un limone in una ciotola profonda per microonde, lasciandola nel microonde per 5 minuti. Pulire accuratamente e asciugare con un panno morbido.
12. Quando diventa necessario sostituire la luce del forno, si prega di consultare un rivenditore per farla sostituire.
13. Si prega di non gettare questo apparecchio nella spazzatura domestica, ma di smaltirlo nel centro di smaltimento specifico previsto dai comuni.
14. Quando il forno a microonde con funzione grill viene usato per la prima volta, potrebbe produrre un leggero fumo e odore. Questo è un fenomeno normale perché il forno è costituito da una piastra d'acciaio rivestita di olio lubrificante, e il nuovo

5 Pulizia e cura

forno produrrà fumi e odori generati dalla combustione dell'olio lubrificante stesso. Questo fenomeno scomparirà dopo un certo periodo di utilizzo.

5.2 Conservazione

- Se non si intende usare l'apparecchio per molto tempo, conservatelo con cura.
- Assicurarsi che l'apparecchio sia scollegato, raffreddato e completamente asciutto.
- Conservare l'apparecchio in un luogo fresco e asciutto.

- Tenere l'apparecchio fuori dalla portata dei bambini

5.3 Manipolazione e trasporto

- Durante la manipolazione e il trasporto, trasportare l'apparecchio nel suo imballo originale. L'imballaggio dell'apparecchio lo protegge da danni fisici.
- Non appoggiare carichi pesanti sull'apparecchio o sull'imballaggio. L'apparecchio potrebbe essere danneggiato.
- La caduta dell'apparecchio ne causerà il malfunzionamento o potrebbe essere causa di danni permanenti.

6 Risoluzione dei problemi

Normale	
Il forno a microonde interferisce con la ricezione TV	La ricezione radiotelevisiva può essere disturbata quando il forno a microonde è in funzione. È simile all'interferenza causata da piccoli apparecchi elettrici, come frullatore, aspirapolvere e ventilatori elettrici. È normale.
La luce del forno è attenuata	Nella cottura a microonde a bassa potenza, la luce del forno può essere attenuata. È normale.
Vapore che si accumula sulla porta, aria calda che esce dalle bocchette di ventilazione	Durante la cottura, del vapore potrebbe fuoriuscire dal cibo. La maggior parte del vapore uscirà dalle bocchette. Ma alcuni possono accumularsi in un luogo fresco come la porta del forno. È normale.
Il forno si è acceso accidentalmente senza cibo.	Non è consentito far funzionare l'apparecchio senza che vi siano alimenti all'interno. È molto pericoloso.

Problema	Possibile motivo	Soluzione
Il forno non può essere avviato.	1) Il cavo di alimentazione non è collegato correttamente.	Staccare la spina. Quindi ricollegare la spina dopo 10 secondi.
	2) Il fusibile è bruciato o l'interruttore automatico è attivato.	Sostituire il fusibile o ripristinare l'interruttore automatico (riparato da personale professionale della nostra azienda).
	3) Problemi con la presa di corrente.	Testate la presa con altri apparecchi elettrici.
Il forno non si riscalda.	4) La porta non è chiusa correttamente.	Chiudere correttamente la porta.

CERTIFICATO DI GARANZIA

La presente garanzia convenzionale descrive le condizioni di garanzia offerte da BEKO Italy S.r.l. ("Beko") con riferimento ai propri prodotti. La presente garanzia convenzionale si intende come aggiuntiva e non sostitutiva della garanzia legale, di cui è responsabile il venditore, e non pregiudica qualsiasi altro diritto di cui gode il consumatore ai sensi del D.lgs. 206/05 ("Codice del Consumo").

Per consumatore si intende esclusivamente colui che utilizza il prodotto per scopi estranei all'attività imprenditoriale o professionale eventualmente svolta e che quindi ne fa un uso domestico/privato

Questo certificato non deve essere spedito per la convalida. È valido e operante solo se conservato assieme allo scontrino fiscale o altro documento di acquisto fiscalmente obbligatorio.

Condizioni di Garanzia

1. BEKO garantisce il prodotto in relazione a difetti di fabbricazione per un periodo di 24 mesi dalla data di acquisto (in caso di acquisto da parte di consumatori) e di 12 mesi dalla data di acquisto (in caso di acquisto da parte di professionisti con fattura).
2. La garanzia è valida esclusivamente per prodotti venduti e installati sul territorio italiano, o sul territorio della Repubblica di San Marino e della Città del Vaticano, e deve essere comprovata da scontrino fiscale o fattura, che riporti il nominativo del venditore, la data di acquisto del prodotto nonché gli estremi identificativi dello stesso (tipo e modello).
3. Beko effettuerà a sua scelta la riparazione o sostituzione gratuita dei componenti difettosi o la sostituzione gratuita del prodotto con un prodotto uguale o con caratteristiche equivalenti o migliori. La gratuità degli interventi riguarda sia la manodopera sia i componenti di ricambio. La sostituzione del prodotto sarà effettuata solo in caso la riparazione risulti impossibile o eccessivamente onerosa.
4. L'intervento di riparazione sarà effettuato al domicilio dell'utente, fatto salvo i casi d'impossibilità oggettiva o di forza maggiore.
5. La riparazione o sostituzione dei componenti e la sostituzione del prodotto stesso non estendono la durata della garanzia, che rimane quindi di 24 o 12 mesi dalla data di acquisto del prodotto originale.
6. Non sono coperti dalla presente garanzia: manopole, lampade, parti in vetro e in plastica, tubazioni e accessori, tutte le parti asportarli, tutte le parti estetiche e tutti i materiali soggetti ad usura (quali, ad esempio, guarnizioni in gomma, cinghie, manicotti ecc.).
7. BEKO declina ogni responsabilità per eventuali danni che possano derivare, direttamente od indirettamente, a persone e cose come conseguenza del mancato rispetto da parte dell'utente delle istruzioni incluse nell'apposito manuale allegato a ciascun prodotto ed in particolar modo delle istruzioni relative alla installazione, all'uso ed alla manutenzione del prodotto stesso.
8. La garanzia non è operativa e conseguentemente gli interventi di assistenza saranno effettuati a pagamento da parte dell'utente nei seguenti casi:
 - a. Danni al prodotto dovuti al trasporto o alla movimentazione del prodotto stesso.
 - b. Interventi di installazione e montaggio e tutte le eventuali regolazioni, come la registrazione delle porte nei frigoriferi e/o l'inversione dell'apertura, il livellamento dei prodotti, l'eliminazione delle staffe di fissaggio vasca, la sostituzione degli ugelli e la regolazione del minimo su cucine e piani cottura.
 - c. Malfunzionamenti derivanti da installazione errata, imperfetta o incompleta del prodotto, incluse l'errata connessione o errata erogazione dalle reti di alimentazione e la mancanza di allacciamento alla presa di terra.

d. Interventi da effettuarsi in spazi eccessivamente ristretti per poter operare sui prodotti, in luoghi con eccessiva o scarsa temperatura dell'ambiente, o su prodotti installati ad oltre mt. 2,50 da un piano di lavoro stabile, o in posizioni disagiate e pericolose, che non possano garantire l'incolumità dell'operatore come stabilito dalle norme di legge sulla sicurezza sul lavoro.

e. Danni al prodotto causati da agenti atmosferici (fulmini, terremoti, incendi, alluvioni, ecc.) o da circostanze esterne che non siano riconducibili a difetti di fabbricazione del prodotto.

f. Riparazioni, modifiche o manomissioni effettuate da persone non autorizzate dal produttore o comunque per cause non dipendenti dal prodotto.

g. Mancanza dei documenti fiscali di acquisto del prodotto, oppure se gli stessi risultano contraffatti o non inerenti al prodotto, o se il numero di matricola del prodotto risulta asportato, cancellato o manomesso.

h. Uso improprio del prodotto o uso diverso da quanto stabilito dal produttore.

i. Guasti e malfunzionamenti dovuti a uso improprio del prodotto e/o a mancanza di regolare manutenzione, incuria e negligenza (ad esempio, mancata pulizia batterie condensanti, fori di drenaggio, filtri di scarico e filtri di entrata acqua, mancata eliminazione corpi estranei, insufficiente pulizia dei piani di cottura, ecc.) e in generale tutte le circostanze esterne che non siano riconducibili a difetti di fabbricazione del prodotto.

Beko si riserva la facoltà di addebitare all'utente il costo dell'intervento di assistenza nei casi in cui non sia stato riscontrato il difetto lamentato dall'utente, o nei casi di generici problemi di funzionamento correlati a errata impressione dell'utente (problemi di asciugatura, rumorosità, difetti di lavaggio, eccessiva formazione di schiuma, nonché problemi di centrifuga, di raffreddamento, di riscaldamento, ecc.).

Nei casi sopra citati in cui la garanzia non è operativa, si intendono a pagamento anche tutti gli eventuali trasporti necessari per lo svolgimento degli interventi di assistenza.

Il Servizio Assistenza di BEKO è l'unico autorizzato a riparare i prodotti a marchio BEKO sulla base della presente garanzia convenzionale.

Durante e dopo il periodo di garanzia, vi consigliamo di rivolgervi sempre ai nostri centri di assistenza autorizzati. Per contattare il Centro di Assistenza Tecnica Autorizzato operante nella vostra zona chiamate il numero unico per l'Italia:

02.03.03 per i prodotti a marchio

The Beko logo consists of the word "beko" in a lowercase, blue, sans-serif font. A horizontal blue line is positioned below the letters "e" and "o".

02.06.06 per i prodotti a marchio

The Grundig logo features the word "GRUNDIG" in a bold, uppercase, orange-red, sans-serif font.

Prima di contattare l'assistenza tecnica, al fine di agevolare la gestione della chiamata, è necessario avere a portata di mano il modello del prodotto e il documento fiscale di acquisto.

Arçelik A.Ş.
Karaağaç Caddesi No: 2-6, 34445,
Sütlüce, İstanbul, Türkiye

www.beko.com