



Refrigerator

User manual

Chłodziarka

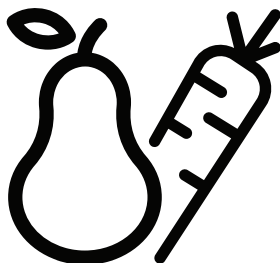
Instrukcja użytkowania

Chladnička

Používateľská príručka

Hladilnik

Navodila za uporabo



RCNE560E60ZGWHN - RCNE560E60ZGBHN



EN / PL / SK / SL

58 5051 0000/AG

1/4

Please read this manual before using the product!

Dear Valued Customer,

We wish you to get the best results from your product that has been manufactured meticulously at modern plants and tested with detailed quality control checks.

For this reason, we recommend that you read this user manual thoroughly before starting the product. If you hand over the product to someone else, please remember to give the user manual as well.

This manual will help you use your appliance in a fast and safe way.

- Please read this user manual carefully before installing and using the product.
- Always follow the applicable safety instructions.
- Keep the user manual in an easily accessible place for further use.
- Please read all the other documents provided with the product.

Please keep in mind that this manual may apply to several product models. This manual expressly indicates the differences between various models.

	Important information and useful hints.
	Risk of injury and property damage.
	Risk of electric shock.
	Packaging materials of this product has been manufactured from recyclable materials in accordance with the National Environment Regulations.

INFORMATION



ENERGY



SUPPLIER'S NAME

MODEL IDENTIFIER → (*)

A

A

The model information as stored in the product data base can be reached by entering following website and searching for your model identifier (*) found on energy label.

<https://eprel.ec.europa.eu/>

1 Important Instructions Regarding Safety and Environment 6

1.1. General Safety	6
1.1.1 Hydrocarbon (HC) Warning	8
1.1.2 For Products with a Water Dispenser/Ice Machine	8
1.2. Intended Use	9
1.3. Children's Safety	9
1.4. Compliance with the WEEE Directive and Disposing the Waste Product:	9
1.5. Compliance with the RoHS Directive: ..	10
1.6. Packaging Information	10
1.7. Technical information for Wifi + Bluetooth	10

2 Your Refrigerator 11

3 Installation 12

3.1. Right place for installation	12
3.2. Attaching the plastic wedges	12
3.3. Adjusting the stands	12
3.4. Power connection	12

4 Preparation 14

4.1. What to do for energy saving	14
4.2. First Use	14

5 Operating the product 15

5.1. Ice bucket	18
5.2. Eggholder	18
5.3. Fan	18
5.4. Vegetable bin	18
5.5. Using the second crisper of the product; ..	19
5.6. Zero degree compartment	20
5.7. Sliding storage box	20
5.8. Moving door rack	20
5.9. Moisture controlled vegetable bin	21
5.10. Deodoriser Module	21

5.11 Automatic ice machine	22
5.12 Icematic and ice storage container	22
5.13 Ice bucket	23
5.14 Blue light/HarvestFresh	23
5.15 Using the water dispenser	24
5.16 Filling the water dispenser's tank	25
5.17 Cleaning the water tank	26
5.18 Drip tray	26
5.19 HerbBox/HerbFresh	26
5.20 Freezing fresh food	27
5.21 Recommendations for storing frozen foods	27
5.22 Deep freezer details	28
5.23 Placing the food	28
5.24 Door open alert	28
5.25 Changing the opening direction of the door	28
5.26 Interior light	28

6 Care and Cleaning 29

6.1. Avoiding Bad Odours	29
6.2. Protection of plastic surfaces	29
6.3. Cleaning the Inner Surface	29
6.4. Stainless Steel Outer Surfaces	30
6.5. Cleaning Products with Glass Doors ..	30





7 Troubleshooting 31

1 Important Instructions Regarding Safety and Environment

Environment

This chapter contains safety information that will help you avoid the risk personal injury or property damage. Failure to follow these instructions shall render any product warranty void.

Intended use

	WARNING: Keep ventilation openings, in the appliance enclosure or in the built-in structure, clear of obstruction.
	WARNING: Do not use mechanical devices or other means to accelerate the defrosting process, other than those recommended by the manufacturer.
	WARNING: Do not damage the refrigerant circuit.
	WARNING: Do not use electrical appliances inside the food storage compartments of the appliance, unless they are of the type recommended by the manufacturer.

This appliance is intended to be used in household and similar applications such as

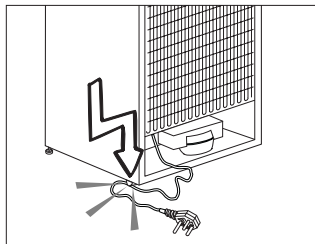
- staff kitchen areas in shops, offices and other working environments;
- farm houses and by clients in hotels, motels and other residential type environments;
- bed and breakfast type environments;

– catering and similar non-retail applications.

1.1. General Safety

- Persons with physical, sensory or mental disabilities; persons who lack experience and information and children should not approach, enter or play with the product.
- Failure to follow the instructions and uncontrolled use of the product lead to dangerous results!
- Unplug the product if you encounter a failure during use.
- If the product malfunctions, it must not be operated until repaired by the authorised service provider. Risk of electric shock!
- Plug the product into a grounded socket protected by a fuse that corresponds to the value on its nameplate. Have a qualified electrician ground the product. Our company cannot be held responsible for damages resulting from the failure to use the product with a grounded socket pursuant to local regulations.
- Unplug the product when not in use.
- Never wash the product by spreading or pouring water onto it! Risk of electric shock!
- Never touch the plug with wet hands!
- Never unplug the product by pulling the cable. Always pull the plug by holding the socket.

Safety and environment instructions



- Do not plug the refrigerator if the wall socket is loose.
- Never connect your refrigerator to energy saving devices. Such systems are harmful to your product.
- Unplug the product during installation, care, cleaning and repairing procedures.
- Always have the **Authorised Service Provider** install the product and establish its electrical connections. The manufacturer cannot be held responsible for damages caused by procedures performed by unauthorised persons.
- Do not eat cone ice cream or ice cubes immediately after you take them out of the freezer compartment! This may cause frostbite in your mouth!
- Do not touch frozen food with wet hands! They may stick to your hand!
- Do not put bottled or canned liquid beverages in the freezer compartment. They may burst!
- Never use steam or steam cleaners to clean or defrost the refrigerator. Steam gets into contact with the live parts in your refrigerator, causing short circuit or electric shock!
- Do not use mechanical devices or other means to accelerate the defrosting process other than those recommended by the manufacturer.
- Never use the parts in your refrigerator such as the door and drawer as a means of support or step. This may cause the product to tip over or damage the parts of it.
- Do not damage the parts where the refrigerant is circulating with drilling or cutting tools. The refrigerant that might blow out when the gas channels of the evaporator, pipe extensions or surface coatings are punctured causes skin irritations and eye injuries.
- Do not cover or block the ventilation holes in your refrigerator with any object.
- Place the beverage with higher proofs tightly closed and vertically.
- Do not use gaseous sprays near the product since there is the risk of fire or explosion!
- Flammable items or products that contain flammable gases (e.g. spray) as well as explosive materials should never be kept in the appliance.
- Do not place vessels filled with liquid onto the product. Splashing water on an electrical part may cause electric shock or the risk of fire.
- Do not store items that need precise temperature adjustment (such as vaccines, heat-sensitive

Safety and environment instructions

medication, science materials etc.) in the refrigerator.





- If you are not going to use the product for a long time, unplug it and remove the food in it.
- If there is a blue light on the refrigerator, do not look at this light with optical tools.
- Exposing the product to rain, snow, sun or wind is dangerous in terms of electrical safety.
- In products with mechanical control (thermostat), wait for 5 minutes to plug in the product again after unplugging.
- Do not overload the refrigerator. Objects in the refrigerator may fall down when the door is opened, causing injury or damage. Similar problems may arise if any object is placed onto the product.
- If the product has a door handle, do not pull the handle when re-locating the product. The handle might be loose.
- Be careful not to jam your hand or any other body part in the moving parts of the refrigerator.
- Do not put your hand or any other foreign materials into the ice machine while it is operating.

1.1.1 Hydrocarbon (HC) Warning

- If your product's cooling system contains R600a:

This gas is flammable. Therefore, pay attention not to damage the cooling system or the piping during use and transportation. If damaged, keep the product

away from potential fire sources that may cause it to catch fire and ventilate the room where the product is placed.

	If the product is damaged and if you see gas leak, please keep away from the gas. It may cause frostbite when it gets into contact with the skin. (including R134)
	Ignore this warning if the cooling system of your product contains R134a.
	Type of gas used in the product is stated on the type plate which is on the left wall inside the refrigerator.
	WARNING: Never throw the product into fire for disposal.

1.1.2 For Products with a Water Dispenser/Ice Machine

- Pressure for cold water inlet shall be maximum 90 psi (620 kPa). If your water pressure exceeds 80 psi (550 kPa), use a pressure limiting valve in your mains system. If you do not know how to check your water pressure, ask for the help of a professional plumber.

Safety and environment instructions

- If there is a risk of water impact in your installation, always use a water impact protection equipment in that installation. Please consult professional plumbers if you are not sure if there is water impact in your installation.
- Do not make installation on the hot water inlet.
- Use drinking water only.
- Take the necessary measures against the freezing risk of the hoses. The water temperature operating range must be 0.6°C (33°F) minimum and 38°C (100°F) maximum.



WARNING:

Never connect the product to a cold water mains with a pressure of 550 kPa (80 psi) or above.

1.2. Intended Use

- This product has been designed for domestic use. It is not suitable for commercial use and it must not be used out of its intended use.
- It must be used only for storing food.
- The manufacturer will not take any responsibility for damages resulting from improper use or transport.
- Original spare parts will be available for 10 years after the purchase date of the product.

1.3. Children's Safety

- If there is a lock on the door of the product, the key should be kept out of the reach of children.
- Do not let children play with the product.



DANGER:

Before disposing your old refrigerator or freezer:

- Children may get locked inside.
- Remove the doors.
- Leave the shelves to prevent children from getting inside the product easily.

1.4. Compliance with the WEEE Directive and Disposing the Waste Product:



This product conforms to the EU WEE Directive (2012/19 EU). This product bears a classification symbol for waste electrical and electronic equipment (WEEE). This product has been manufactured from high quality parts and materials which can be reused and are suitable for recycling. Therefore, do not dispose the product with normal domestic waste or other waste at the end of its service life. Take it to a collection centre for recycling electrical and electronic equipment. Please consult local authorities to learn about the locations of such collection centres.

Safety and environment instructions

1.5. Compliance with the RoHS Directive:

The unit you have purchased conforms to the EU RoHS Directive (2011/65/EU). It does not contain harmful or prohibited materials specified in the Directive.

1.6. Packaging Information

- Packaging materials of the product have been manufactured from recyclable materials in accordance with our National Environment Regulations. Do not dispose the packaging materials with normal domestic waste or other types of waste. Take these materials to a recycling point designated by local authorities.



DANGER:

Risk of Fire or Explosion:

- This product uses flammable refrigerant.
- Do not use mechanical devices to defrost the refrigerator.
- Do not use chemicals for cleaning.
- Do not pierce the refrigerant pipe.
- If the refrigerant pipe is pierced, it must be repaired only by licensed service personnel.
- Please consult the repair/user manual before cleaning the product. All safety instructions must be followed.
- Dispose the product according to federal or local regulations.

1.7. Technical information for Wifi + Bluetooth

Frequency Band:	2.4GHz (Wi-fi or bluetooth operational)
Max. Transmission Power:	< 100mW (Wi-fi or bluetooth operational)
Software information:	Quartz_WiFi.XXX

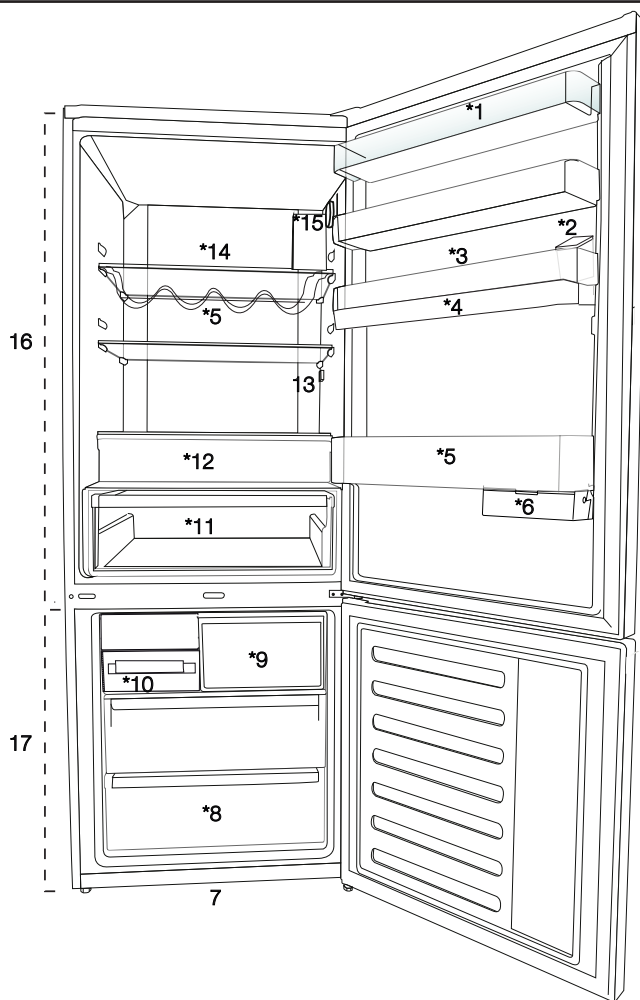
Conformity Declaration for CE:

Arçelik A.Ş. hereby declares that this appliance complies with Directive 2014/53/EU.

The complete text of the EU declaration of conformity is available in the following internet address:

Products, From: support.beko.com

2 Your Refrigerator



1. Cooler compartment door shelf
2. Water dispenser filling tank
3. Egg section
4. Water dispenser reservoir
5. Bottle shelf
6. Sliding storage box
7. Adjustable legs
8. Deep freezer compartment
9. Quick freeze compartment
10. Ice cube tray & Ice bank
11. Vegetable bin
12. Zero degree compartment
13. Interior light
14. Cooler compartment glass shelf
15. Temperature adjustment button
16. Cooler compartment
17. Freezer compartment

May not be available in all models






***optional:** Pictures given in this manual are given as example figures and they may not be exactly the same as your product. If your product does not comprise the relevant parts, the information pertains to other models.

3

Installation

3.1. Right place for installation

Contact the Authorized Service for the product's installation. To ready the product for installation, see the information in the user guide and make sure the electric and water utilities are as required. If not, call an electrician and plumber to arrange the utilities as necessary.

	WARNING: The manufacturer assumes no responsibility for any damage caused by the work carried out by unauthorized persons.
	WARNING: The product's power cable must be unplugged during installation. Failure to do so may result in death or serious injuries!
	WARNING: If the door span is too narrow for the product to pass, remove the door and turn the product sideways; if this does not work, contact the authorized service.

- Place the product on a flat surface to avoid vibration.
- Place the product at least 30 cm away from the heater, stove and similar sources of heat and at least 5 cm away from electric ovens.
- Do not expose the product to direct sunlight or keep in damp environments.
- The product requires adequate air circulation to function efficiently.
- If the product will be placed in an alcove, remember to leave at least 5 cm distance between the product and the ceiling and the walls.
- Do not install the product in environments with temperatures below -5°C.

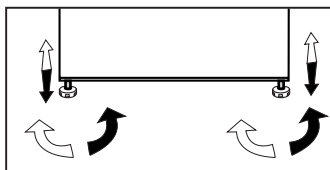
3.2. Attaching the plastic wedges

Use the plastic wedges in the provided with the product to provide sufficient space for air circulation between the product and the wall.




1. To attach the wedges, remove the screws on the product and use the screws provided with the wedges.
2. Attach 2 plastic wedges on the ventilation cover as shown in the figure.

3.3. Adjusting the stands

If the product is not in balanced position, adjust the front adjustable stands by rotating right or left.



3.4. Power connection

	WARNING: Do not use extension or multi sockets in power connection.
	WARNING: Damaged power cable must be replaced by Authorized Service.
	When placing two coolers in adjacent position, leave at least 4 cm distance between the two units.

- Our firm will not assume responsibility for any damages due to usage without earthing and power connection in compliance with national regulations.
- The power cable plug must be easily accessible after installation.
- Do not use multi-group plug with or without extension cable between the wall socket and the refrigerator.
- Your product requires adequate air circulation to function efficiently. If the product will be placed in an alcove, remember to leave at least 5 cm clearance between the product and the ceiling, rear wall and the side walls.
- If the product will be placed in an alcove, remember to leave at least 5 cm clearance between the product and the ceiling, rear wall and the side walls.

Installation

Check if the rear wall clearance protection component is present at its location (if provided with the product). If the component is not available, or if it is lost or fallen, position the product so that at least 5 cm clearance shall be left between the rear surface of the product and the wall of the room. The clearance at the rear is important for efficient operation of the product.



Hot Surface Warning!
Side walls of your product is equipped with refrigerant pipes to improve the cooling system. Refrigerant with high temperatures may flow through these areas, resulting in hot surfaces on the side walls. This is normal and does not need any servicing. Please pay attention while touching these areas.

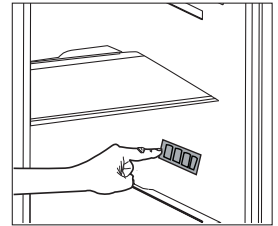
4.1. What to do for energy saving



Connecting the product to electronic energy-saving systems is harmful, as it may damage the product.

- For a freestanding appliance; 'this refrigerating appliance is not intended to be used as a built-in appliance'.
- Do not keep the refrigerator doors open for long periods.
- Do not place hot food or beverages into the refrigerator.
- Do not overfill the refrigerator; blocking the internal air flow will reduce cooling capacity.
- In order to store the maximum amount of food into the cooler compartment of your refrigerator, you should take out the upper drawers and place it onto the glass rack. The declared energy consumption of your refrigerator was determined by taking out the cooler, ice tray and upper drawers in a way that will enable maximum storage. Using the below drawer when storing is strongly recommended. Energy saving function should be activated for best energy consumption.
- You should not block the airflow by putting food in front of the cooler fan. A space of minimum 3cm must be left in front of the protective fan wire when placing food.
- Depending on the product's features; defrosting frozen foods in the cooler compartment will ensure energy saving and preserve food quality.
- Food should be stored using the drawers in the cooler compartment in order to ensure energy saving and protect food in better conditions.
- Food packages should not be in direct contact with the heat sensor located in the cooler compartment. If they are in contact with the sensor, energy consumption of the appliance might increase.

- Make sure the foods are not in contact with the cooler compartment temperature sensor described below.
- Since hot and humid air will not directly penetrate into your product when the doors are not opened, your product will optimize itself in conditions sufficient to protect your food. Functions and components such as compressor, fan, heater, defrost, lighting, display and so on will operate according to the needs to consume minimum energy under these circumstances.



4.2. First Use

Before using your refrigerator, make sure the necessary preparations are made in line with the instructions in "Safety and environment instructions" and "Installation" sections.

- Keep the product running with no food inside for 6 and do not open the door, unless absolutely necessary.



A sound will be heard when the compressor is engaged. It is normal to hear sound even when the compressor is inactive, due to the compressed liquids and gasses in the cooling system.

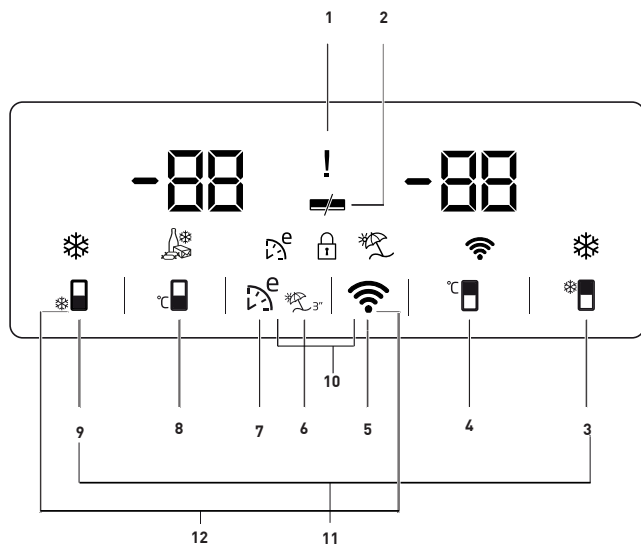


Front edges of the product might heat up. This is normal. These areas are designed to warm up in order to prevent condensation.



In some models indicator panel turns off automatically 5 minutes after the door closes. It will be reactivated when the door is open or any button is pressed.

5 Operating the product




1. Power Failure / High temperature / Error status indicator
2. Energy saving function (display off) indicator
3. Quick fridge key
4. Fridge compartment temperature setting key
5. Wireless connection key
6. Vacation function key
7. Eco-fuzzy key
8. Freezer compartment temperature setting key
9. Quick freeze button
10. Key lock
11. Key for changing temperature unit



***Optional:** The figures in this user guide are intended as drafts and may not perfectly match your product. If your product does not comprise the relevant parts, the information pertains to other models.

Using the product


1. Power Failure / High temperature / Error status indicator

This indicator () illuminates in case of power failure, high temperature and error warnings.


When the temperature of the freezer compartment is heated up to a critical level for the frozen food, the maximum value reached by the freezer compartment temperature flashes on the digital indicator.

Check the food in the freezer compartment.

This is not a malfunction. The warning may be deleted by pressing any button or on high temperature alarm off button. (Cancelling by pressing any button is not applicable for every model.)


This indicator () illuminated when a sensor failure occurs, too. When this indicator is illuminated, "E" and figures such as "1,2,3..." are displayed alternatively on the temperature indicator. These figures on the indicator inform the service personnel about the error.

2. Energy saving function (display off) indicator

If the product doors are kept closed for a long time energy saving function is automatically activated and energy saving symbol is illuminated. ()


When energy saving function is activated, all symbols on the display other than energy saving symbol will turn off. When the energy saving function is activated, if any button is pressed or the door is opened, energy saving function will be canceled and the symbols on display will return to normal. Energy saving function is a factory default and cannot be cancelled.

3. Quick fridge key

Quick fridge indicator () is lit and the fridge compartment temperature indicator value is displayed as 1 when


the quick fridge function is activated. To cancel this function, press the Quick fridge button again. Quick fridge indicator will be off and the refrigerator will be reset to its normal settings. Quick fridge function is cancelled automatically in 1 hour if you do not cancel it. If you want to cool large amounts of fresh food, press the Quick fridge button before putting the food into the fridge compartment.

4. Fridge compartment temperature setting button

When this button is pressed the fridge compartment temperature can be set to 8,7,6,5,4,3,2 and 1 values. ()

5. Wireless connection (*optional) key

A long press on the button (3 seconds) starts the product's first introduction to the home network.

During the connection establishment process, the wireless network icon () will flash at 0.5 sec intervals.

When the connection to the home network is successful, the wireless network icon lights up continuously.

After the first connection has been established, the connection can be activated/deactivated by briefly pressing this button.

After turning the power off and on, it will automatically remember and establish a connection to your network.

The wireless network icon will flash briefly (at 0.2 sec intervals) until the connection is established.

When the connection is active, the wireless network icon will light up continuously.

If the connection cannot be established for a certain period of time, check your modem/connection settings.

Using the product

HomeWhiz application is used as the connection interface.

The connection steps are described in the HomeWhiz QUICK INSTALLATION GUIDE that comes with the product.

See the troubleshooting section for answers to basic questions.

6. Vacation function key

In order to activate vacation function, press and hold the button (🔌) for 3 seconds and the vacation mode indicator (🌴) will be activated. When the vacation function is activated, "--" is displayed on the fridge compartment temperature indicator and no active cooling is performed in the fridge compartment. It is not suitable to keep the food in the fridge compartment when this function is activated. Other compartments will continue to be cooled according to their set temperatures.

To cancel this function, press **vacation function** button again.

7. Eco-fuzzy key

Press the eco-fuzzy button to enable the eco fuzzy function. When this function is enabled, the freezer will start to run in eco mode after at least 6 hours and the economical use indicator will be on. (🌿)

To disable the eco-fuzzy function, press the eco-fuzzy function button again. When the eco-fuzzy function is enabled, this indicator will turn on after 6 hours.

8. Freezer button temperature setting key

Temperature setting is made for freezer compartment.

When the button numbered (🔌) is pressed, you can set the temperature of the freezer compartment to -18, -19, -20, -21, -22, -23 and -24.

9. Quick freeze button

Press button no. (9) for quick freeze; the quick freeze indicator (❄️) will be activated.

When the quick freeze function is on, the quick freeze indicator is lit and the freezer compartment temperature indicator displays -27. To cancel this function press the quick freeze button (❄️) again.

The quick freeze indicator will turn off and the refrigerator will return to its normal settings. Quick freeze function is cancelled automatically in 24 hours if you do not cancel it. If you want to freeze large amounts of fresh food, press the quick freeze button before putting the food into the freezer compartment.

10. Key lock

Press and hold the wireless network (📶) and eco-fuzzy (🌿) buttons simultaneously for 3 seconds. Key lock symbol (🔒) will light up and key lock mode will be activated. Buttons will not function when the key lock mode is active. Press and hold the wireless network (📶) and eco-fuzzy (🌿) buttons simultaneously for 3 seconds. Key lock will be deactivated.

Use the **key lock** function if you want to prevent changing of the temperature setting of the refrigerator.

11. Key for changing temperature unit

Press and hold the Quick Fridge (🌡️) and Quick Freeze (❄️) keys for 3 seconds to switch between Fahrenheit and Celsius.

Using the product

5.1. Ice bucket

*optional

Take the ice bucket from the freezer compartment.

Fill the ice bucket with water.

Place the ice bucket into the freezer compartment.

The ice will be ready after approximately two hours. Take the ice bucket from the freezer compartment and bend in slightly over the holder that you are going to serve. Ice will easily pour into the serving holder.

5.2. Eggholder

You can put the eggholder on the door or body rack of your choice. If you decide to put it on the body rack, it is recommended to prefer the shelves below as they are colder.

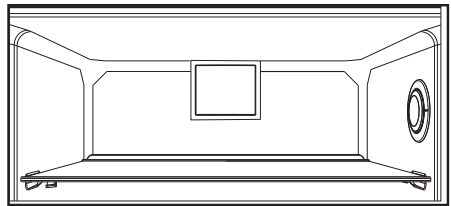


Do not put the eggholder into the freezer compartment.

5.3. Fan

Fan was designed to distribute circulate the cold air inside your refrigerator homogeneously. Operating time of the fan might vary depending the features of your product.

While in some products fan only operates with compressor, in others control system determines the operating time based on the need for cooling.



5.4. Vegetable bin

*optional

Product's vegetable bin is designed to keep vegetables fresh by preserving humidity. For this purpose, the overall cold air circulation is intensified in the vegetable bin.

5.5. Using the second crisper of the product;

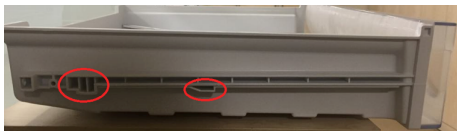


Figure 1.

As shown in the figure, there are 2 stoppers in the second crisper of K70560 model product.



Figure 2.

The second crisper looks like Figure 2 when closed.



Figure 3.

With the door is open 90°, pull the second crisper up to the first stopper as shown in Figure 3.

In the case that the drawer is more open, first of all, open the door by at least 135° degrees. After that, as shown in Figure 4, lift the second crisper for about 5 mm so that it is freed from the first stopper.



Figure 4.

After lifting, pull the second drawer up to the second stopper as shown in Figure 5.



Figure 5.

Using the product

5.6. Zero degree compartment

*optional

Use this compartment to keep delicatessen at lower temperatures or meat products for immediate consumption.

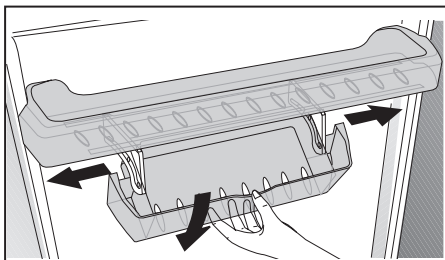
Zero degree compartment is the coolest place where foods such as dairy products, meat, fish and chicken can be stored in ideal storage conditions. Vegetables and/or fruits should not be stored in this compartment.

5.7. Sliding storage box

*optional

This accessory has been designed to increase the usage volume of the door racks.

Thanks to its ability to move sideways, it enables you to easily place long bottle, jar or boxes that you put in the bottle rack below.



5.8. Moving door rack

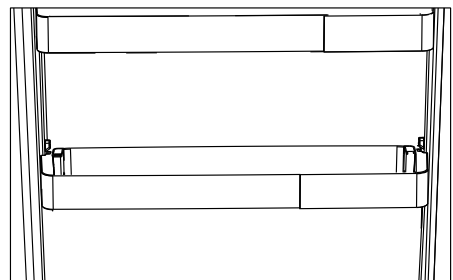
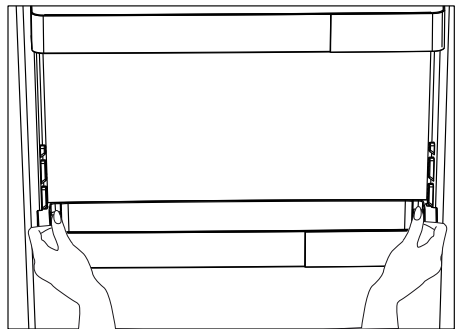
*optional

Moving door rack can be fixed in 3 different positions.

In order to move the rack, push the buttons on the side evenly. Rack will be movable.

Move the rack up or down.

When the rack is in the position that you want, release the buttons. Rack will be fixed again in the position where you have released the buttons.



Using the product

5.9. Moisture controlled vegetable bin

***optional**

With moisture control feature, moisture rates of vegetables and fruits are kept under control and ensures a longer freshness period for foods.

It is recommended to store leafed vegetables such as lettuce and spinach and similar vegetables prone to moisture loss not on their roots but in horizontal position into the vegetable bin as much as possible.

When placing the vegetables, place heavy and hard vegetables at the bottom and light and soft ones on the top, taking into account the specific weights of vegetables.

Do not leave vegetables in the vegetable bin in plastic bags. Leaving them in plastic bags causes vegetables to rot in a short time. In situations where contact with other vegetables is not preferred, use packaging materials such as paper that has a certain porosity in terms of hygiene. Do not put fruits that have a high ethylene gas production such as pear, apricot, peach and particularly apple in the same vegetable bin with other vegetables and fruits. The ethylene gas coming out of these fruits might cause other vegetables and fruits to mature faster and rot in a shorter period of time.

5.10. Deodoriser Module (OdourFresh +) *optional

The deodoriser module quickly eliminates the bad smells in your refrigerator before they permeate the surfaces. Thanks to this module, which is placed on the ceiling of the fresh food compartment, the bad odours dissolve while the air is actively being passed on the odour filter, then the air that has been cleaned by the filter is re-emitted to the fresh food compartment. This way, the unwanted odours that may emerge during the storage of foods in the refrigerator are eliminated before they permeate the surfaces.

This is achieved thanks to the fan, LED and the odour filter integrated into the module. In daily use, the deodorising module will turn on automatically on a periodic basis. To maintain efficient performance, it is recommended to have the filter in the deodorising module by the authorised service provider every 5 years. Due to the fan integrated into the module, the noise you will hear during operation is normal. If you open the door of the fresh food compartment while the module is active, the fan will pause temporarily and resume where it has left off after some time the door is closed again. In case of power failure, the deodoriser module will resume where it has left off in the total operation duration once the power is back.

Info: It is recommended to store aromatic foods (such as cheese, olives and delicatessen foods) in their packaging and sealed to avoid bad odours that may result when smells of various foods get mixed. Besides, it is recommended to take spoiled foods out of the refrigerator quickly to prevent the other foods from getting spoiled and avoid bad odours.

Using the product

5.11 Automatic ice machine

*optional

Automatic ice machine enables you to easily make ice in your refrigerator. In order to obtain ice from the ice machine, take out the water tank in the cooler compartment, fill it with water and fix it back.

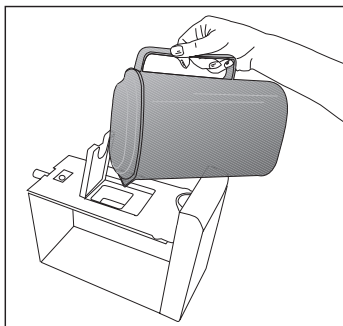
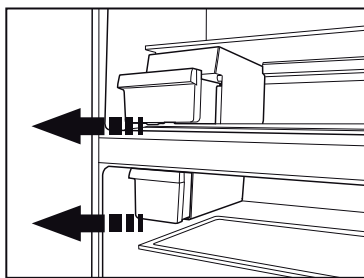
First ice will be ready in about 2 hours in the ice machine drawer in the cooler compartment.

After placing the full water tank, you can obtain about 60–70 cubes of ice until it is fully empty.

If the water in the tank has waited for 2–3 weeks, it should be changed.



In products with automatic ice machine, you might hear a sound when pouring the ice. This sound is normal and is not a sign of failure.



5.12 Icematic and ice storage container

*optional

Using the Icematic

Fill the Icematic with water and place it into its seat. Your ice will be ready approximately in two hours. Do not remove the Icematic from its seating to take ice.

Turn the knobs on the ice reservoirs clockwise by 90 degrees.

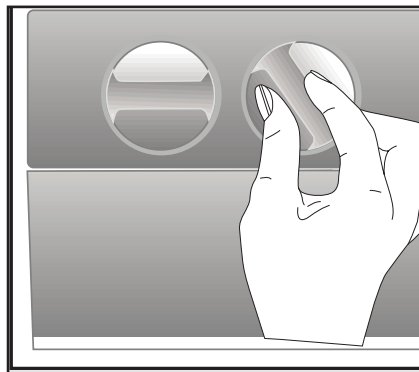
Ice cubes in the reservoirs will fall down into the ice storage container below.

You may take out the ice storage container and serve the ice cubes.

If you wish, you may keep the ice cubes in the ice storage container.

Ice storage container

Ice storage container is only intended for accumulating the ice cubes. Do not put water in it. Otherwise, it will break.

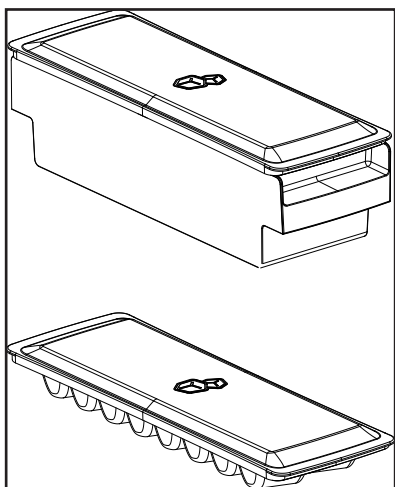


Using the product

5.13 Ice bucket

*optional

- Take the ice bucket from the freezer compartment.
- Fill the ice bucket with water.
- Place the ice bucket into the freezer compartment.
- The ice will be ready after approximately two hours. Take the ice bucket from the freezer compartment and bend in slightly over the holder that you are going to serve. Ice will easily pour into the serving holder.



5.14 Blue light/HarvestFresh

*May not be available in all models

For the blue light,

Fruits and vegetables stored in the crispers that are illuminated with a blue light continue their photosynthesis by means of the wavelength effect of blue light and thus preserve their vitamin content.

For HarvestFresh,

Fruits and vegetables stored in crispers illuminated with the HarvestFresh technology preserve their vitamins for a longer time thanks to the blue, green, red lights and dark cycles, which simulate a day cycle.

If you open the door of the refrigerator during the dark period of the HarvestFresh technology, the refrigerator will automatically detect this and enable the blue-green or red light to illuminate the crisper for your convenience. After you have closed the door of the refrigerator, the dark period will continue, representing the night time in a day cycle.

Using the product

5.15 Using the water dispenser

*optional

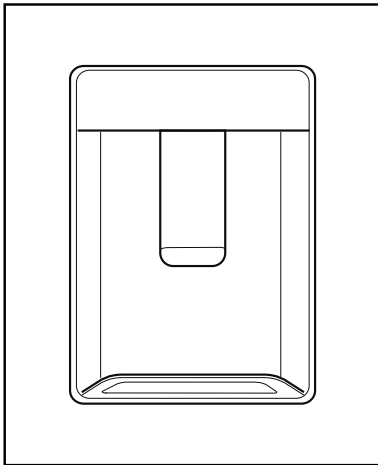


It is normal for the first few glasses of water taken from the dispenser to be warm.

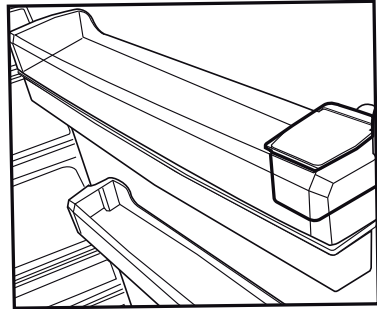


If the water dispenser is not used for a long period of time, dispose of first few glasses of water to obtain fresh water.

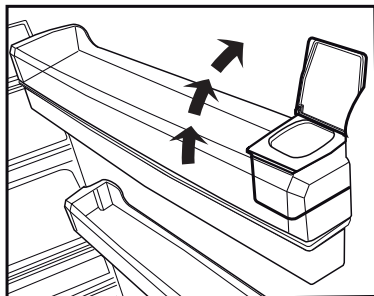
1. Push in the lever of the water dispenser with your glass. If you are using a soft plastic cup, pushing the lever with your hand will be easier.



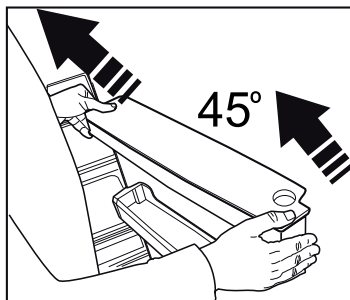
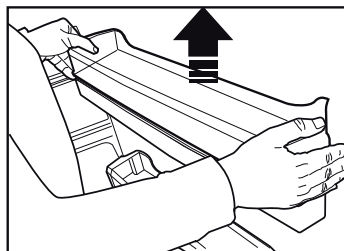
2. After filling the cup up to the level you want, release the lever.



Using the product



Please note, how much water flows from the dispenser depends on how far you depress the lever. As the level of water in your cup / glass rises, gently reduce the amount of pressure on the lever to avoid overflow. If you slightly press the arm, the water will drip; this is quite normal and not a failure.



Do not fill the water tank with any other liquid except for water such as fruit juices, carbonated beverages or alcoholic drinks which are not suitable to use in the water dispenser. Water dispenser will be irreparably damaged if these kinds of liquids are used. Warranty does not cover such usages. Some chemical substances and additives contained in these kinds of drinks/liquids may damage the water tank.



Use clean drinking water only.

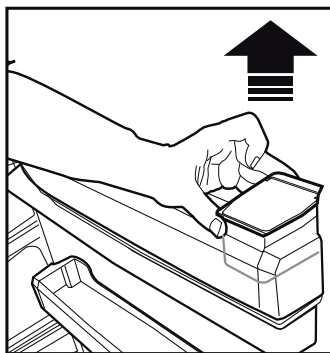


Capacity of the water tank is 3 litres; do not overfill.

5.16 Filling the water dispenser's tank

Water tank filling reservoir is located inside the door rack.

1. Open the cover of the tank.
2. Fill the tank with fresh drinking water.
3. Close the cover.



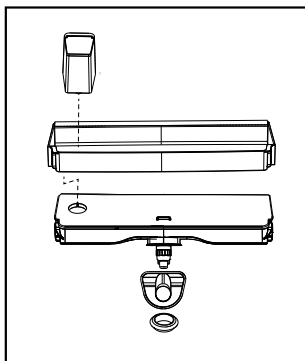
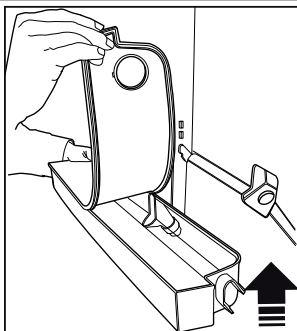
Using the product

5.17 Cleaning the water tank

1. Remove the water filling reservoir inside the door rack.
2. Remove the door rack by holding from both sides.
3. Grab the water tank from both sides and remove it with an angle of 45°C.
4. Remove the cover of the water tank and clean the tank.



Components of the water tank and water dispenser should not be washed in dishwasher.

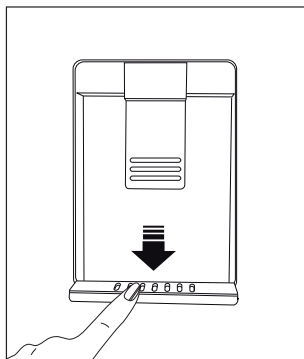


5.18 Drip tray

Water that dripped while using the water dispenser accumulates in the spillage tray.

Remove the plastic filter as shown in the figure.

With a clean and dry cloth, remove the water that has accumulated.



5.19 HerbBox/HerbFresh

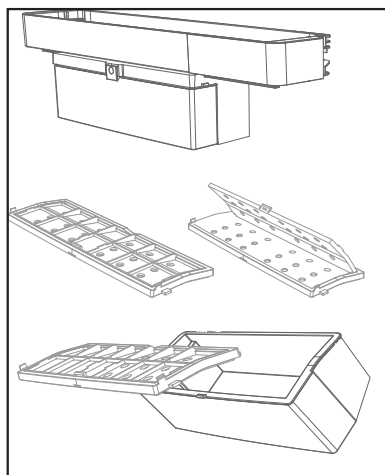
Remove the film container from HerbBox/HerbFresh+

Take the film out of the bag and put it into the film container as shown in the image.

Seal the container again and replace it into HerbBox/HerbFresh+ unit.

HerbBox–HerbFresh+ sections are especially ideal for storage of various herbs that are supposed to be kept in delicate conditions. You can store your unbagged herbs (parsley, dill, etc.) in this section horizontally and keep them fresh for a much longer period.

The film shall be replaced in every six months.



Using the product

5.20 Freezing fresh food

- To preserve food quality, the food items placed in the freezer compartment must be frozen as quickly as possible, use the rapid freezing for this.
- Freezing the food items when fresh will extend the storage time in the freezer compartment.
- Pack the food items in air-tight packs and seal tightly.
- Make sure the food items are packed before putting in the freezer. Use freezer holders, tinfoil and damp-proof paper, plastic bag or similar packaging materials instead of traditional packaging paper.



Ice in the freezing compartment thaws automatically.

- Mark each food pack by writing the date on the package before freezing. This will allow you to determine the freshness of each pack every time the freezer is opened. Keep the earlier food items in the front to ensure they are used first.
- Frozen food items must be used immediately after defrosting and should not be frozen again.
- Do not freeze large quantities of food at once.

5.21 Recommendations for storing frozen foods

The compartment must be set to at least -18°C .

1. Place the food items in the freezer as quickly as possible to avoid defrosting.
2. Before freezing, check the "Expiry Date" on the package to make sure it is not expired.

Freezer Compartment Temperature Setting	Cooler Compartment Temperature Setting	Details
-18°C	4°C	This is the default, recommended setting.
-20°C , -22°C or -24°C	4°C	These settings are recommended for ambient temperatures exceeding 30°C .
Quick Freeze	4°C	Use when you want to freeze your food in a short time. When the process ends, the product will regain its position.
-18°C or colder	2°C	Use these settings if you believe the cooler compartment is not cold enough due to ambient temperature or frequently opening the door.

Using the product

3. Make sure the food's packaging is not damaged.

5.22 Deep freezer details

As per the IEC 62552 standards, the freezer must have the capacity to freeze 4,5 kg of food items at -18°C or lower temperatures in 24 hours for each 100 litres of freezer compartment volume.

Food items can only be preserved for extended periods at or below temperature of -18°C .

You can keep the foods fresh for months (in deep freezer at or below temperatures of 18°C).

The food items to be frozen must not contact the already-frozen food inside to avoid partial defrosting.

Boil the vegetables and filter the water to extend the frozen storage time. Place the food in air-tight packages after filtering and place in the freezer. Bananas, tomatoes, lettuce, celery, boiled eggs, potatoes and similar food items should not be frozen. In case this food rots, only nutritional values and eating qualities will be negatively affected. A rotting threatening human health is not in question.

5.23 Placing the food

Freezer compartment shelves	Various frozen goods including meat, fish, ice cream, vegetables etc.
Cooler compartment shelves	Food items inside pots, capped plate and capped cases, eggs (in capped case)

Cooler compartment door shelves	Small and packed food or beverages
Vegetable bin	Fruits and vegetables
Fresh food compartment	Delicatessen (breakfast food, meat products to be consumed in short notice)

5.24 Door open alert

(Optional)

An audible alert will be heard if the product's door remains open for at least 1 minute. The audible alert will stop when the door is closed or any button on the display (if available) is pressed.

Door open alert is indicated to the user both audibly and visually. Interior lighting will turn off if the warning continues for 10 min.

5.25 Changing the opening direction of the door

You can change the direction of opening of your refrigerator depending on the location where you use it. When you need this, consult the closest Authorized Service.

The explanation above is a general statement. You should check the warning tag located inside the product package about the changeability of direction of the door.

5.26 Interior light

Interior light uses a LED type lamp. Contact the authorized service for any problems with this lamp. Lamp(s) used in this appliance cannot be used for house lighting. Intended use of this lamp is to help the user place food into the refrigerator / freezer safely and comfortably.

Service life of the product will extend and frequently encountered problems will decrease if the product is cleaned periodically.



WARNING: Switch off the product before cleaning.



WARNING: It is recommended to clean the condenser every six months using gloves. You must not use vacuum cleaners.

- Never use gasoline, benzene or similar substances for cleaning purposes.
- Never use any sharp abrasive instruments, soap, household cleaners, detergent or wax polish for cleaning.
- Dissolve one teaspoon of carbonate in half liter of water. Soak a cloth in the solution and wring it thoroughly. Wipe the interior of the refrigerator with this cloth and the dry thoroughly.
- Make sure that no water enters the lamp housing or other electrical parts.
- If you will not use the refrigerator for a long time, unplug it, remove all food inside, clean it and leave the door ajar.
- Check regularly that the door gaskets are clean. If not, clean them.
- Take out all items in the product to remove the door and body shelves.
- Remove the door shelves by pulling them up. Slide the shelves downwards to re-install them after cleaning.
- Never use chloric cleaning agents or water to clean outer surfaces or chrome-coated parts of the product. Chlorine causes abrasion on such metal surfaces.
- For non-No Frost products, water drops and frosting up to a fingerbreadth occur on the rear wall of the Fridge compartment. Do not clean it; never apply oil or similar agents on it.

- Only use slightly damp microfiber cloths to clean the outer surface of the product. Sponges and other types of cleaning cloths may scratch the surface.

6.1. Avoiding Bad Odours

Materials that may cause odour are not used in the production of our refrigerators. However, odour may be emitted if foods are stored improperly or if the inner surface of the product is not cleaned as required. Please consider the following to avoid this problem:

- It is important that the refrigerator is kept clean. Food residuals, stains, etc. can cause odour. For this reason, clean your refrigerator with carbonate solved in water every 15 days. Never use detergents or soap.
- Keep your foods in closed vessels. Microorganisms emitted from vessels without a cover may cause unpleasant odours.
- Never keep expired or spoiled foods in your refrigerator.

6.2. Protection of plastic surfaces

Do not put liquid oils or oil-cooked meals in your refrigerator in unsealed containers as they damage the plastic surfaces of your refrigerator. If oil is spilled or smeared onto the plastic surfaces, clean and rinse the relevant part of the surface with warm water immediately.

6.3. Cleaning the Inner Surface

To clean the inner surfaces and all removable parts, wash them with a mild solution comprising soap, water and carbonate. Rinse and dry thoroughly. Prevent the water from contacting the lighting means and control panel.

**ATTENTION:**

Do not use vinegar, rubbing alcohol or other alcohol-based cleaning agents on any of the inner surfaces.

6.4. Stainless Steel Outer Surfaces

Use a stainless steel cleaning agent that is non-abrasive and apply it with a lint-free, soft cloth. For polishing, wipe the surface softly with a damp microfiber cloth and use dry wash-leather. Always follow the strands of the stainless steel.

6.5. Cleaning Products with Glass Doors

Remove the protection foil on the glass. There is a coating on the surface of the glass. This coating minimises stain formation and ensures that stains and dirt are cleaned easily. Glasses that are not protected by a coating might be exposed to permanent bonding of organic or inorganic, air or waterborne pollutants such as limescale, mineral salts, unburned hydrocarbons, metal oxides and silicons, which lead to stains and physical damage in a short time. Despite regular washing, the glass becomes very hard to keep clean, though not impossible. As a result, the clarity and good appearance of the glass reduces. Hard and abrasive cleaning compounds and methods increase these defects even further and accelerate the deterioration process.

*Non-alkali, non-abrasive and water-based cleaning products must be used for routing cleaning procedures.

For the coating to have long service life, alkali or abrasive substances must not be used during cleaning processes.

These glasses were subject to a tempering process to increase their impact and breakage resistance.

As an additional safety measure, there is a safety film on the back surfaces of the glasses to ensure that they will not harm the environment in case of breakage.

Please review this list before calling the service. This will save you time and money. This list contains frequently encountered problems that are not results of faulty workmanship or material use. Your product may not have some of the features described here.

The refrigerator is not operating.

- It may not be plugged in properly. >>>Plug in the product properly.
- The fuse of the socket to which your refrigerator is connected or the main fuse may have blown. >>>Check the fuse.

Condensation on the side wall of the fridge compartment (MULTI ZONE, COOL CONTROL and FLEXI ZONE).

- The door may have been opened/closed frequently. >>>Do not open/close the refrigerator door frequently.
- The environment may be too humid. >>>Do not install the refrigerator at locations with a very high level of humidity.
- Foods containing liquid may have been placed into the refrigerator in vessels without covers. >>>Do not place foods containing liquid into the refrigerator in unsealed vessels.
- Door of the refrigerator may have been left ajar. >>>Do not keep the doors of your refrigerator open for a long time.
- The thermostat may have been set to a very cold level. >>>Set the thermostat to an appropriate level.

The compressor is not operating.

- Protective thermal of the compressor will blow out during sudden power failures or plug-out plug-ins as the refrigerant pressure in the cooling system of the refrigerator has not been balanced yet. The refrigerator will start running approximately after 6 minutes. Please call the Authorised Service Provider if the refrigerator does not start at the end of this period.
- The freezer is in defrosting cycle. >>>This is normal for a refrigerator that performs full-automatic defrosting. Defrosting cycle is performed periodically.
- The refrigerator may not be plugged in. >>>Make sure that the plug fits the socket.
- Temperature settings may be incorrect. >>>Select the correct temperature value.
- Possible power failure. >>>The refrigerator will start to operate normally when power restores.

The operation noise increases when the refrigerator is running.

- Operating performance of the refrigerator may vary based on the ambient temperature changes. This is normal and not a fault.

Troubleshooting

The fridge is running frequently or for a long time.

- Your new product may be bigger than the previous one. Larger refrigerators operate for a longer period of time.
- The room temperature may be high. >>> It is normal that the product operates for longer periods in hot environments.
- The refrigerator may have just been plugged in or loaded with food. >>>It takes the product longer to reach the set temperature when it has just been plugged in or loaded with food. This is normal.
- Large amounts of hot food may have been placed into the refrigerator recently. >>>Do not place hot foods into the refrigerator.
- The doors may have been opened frequently or left ajar for a long time. >>>The warm air that enters the refrigerator causes it to operate for a longer period of time. Do not open the doors frequently.
- Freezer or fridge compartment door may have been left ajar. >>> Check if the doors are closed completely.
- The appliance may be set to a very low temperature. >>> Set the refrigerator temperature to a warmer degree and wait until the product reaches this temperature.
- Door seal of the fridge or freezer compartment may be soiled, worn out, broken or not properly seated. >>> Clean or replace the seal. Damaged/broken seal causes the refrigerator to run for a longer period of time to maintain the current temperature.

Fridge temperature is adequate but the freezer temperature is very low.

- The freezer compartment temperature may be set to a very low value. >>> Set the freezer compartment temperature to a higher value and check.

Freezer temperature is adequate but the fridge temperature is very low.

- The fridge temperature is adjusted to a very low value. >>> Adjust the fridge temperature to a higher value and check.

Food kept in the fridge compartment drawers is frozen.

- The fridge compartment temperature may be set to a very high value. >>> Set the fridge compartment temperature to a lower value and check.

Temperature in the fridge or freezer is very high.

- The fridge compartment temperature may be set to a very high value. >>> Fridge compartment temperature setting has an effect on the temperature of the freezer. Change the temperature of the fridge or freezer compartment until the fridge or freezer compartment temperature reaches an adequate level.
- The doors may have been opened frequently or left ajar for a long time. >>>Do not open the doors frequently.
- The door may have been left ajar. >>>Close the door completely.
- The refrigerator may have been just plugged in or loaded with food. >>>This is normal. It takes the product longer to reach the set temperature when it has just been plugged in or loaded with food.
- Large amounts of hot food may have been placed into the refrigerator recently. >>>Do not place hot foods into the refrigerator.

Troubleshooting

Vibration or noise.

- The floor may not be stable or level. >>>If the refrigerator shakes when moved slightly, adjust the feet to balance it. Make sure that the floor is level and capable of carrying the refrigerator.
- Objects placed onto the refrigerator may cause noise. >>>Remove the objects on the refrigerator.

There are noises coming from the refrigerator like liquid spilling or spraying.

- Liquid and gas flows occur in accordance with the operating principles of the refrigerator. >>>This is normal and not a fault.

Whistle is heard from the refrigerator.

- There are fans that are used to cool the refrigerator. This is normal and not a fault.

Damp accumulates on the inner walls of refrigerator.

- Hot and humid weather increases icing and condensation. This is normal and not a fault.
- The doors may have been opened frequently or left ajar for a long time. >>>Do not open the doors frequently. Close the doors, if open.
- The door may have been left ajar. >>>Close the door completely.

Humidity occurs on the outer surface of the refrigerator or between the doors.

- Air might be humid. This is quite normal in humid weathers. >>>Condensation will disappear when the humidity level decreases.
- There might be external condensation at the section between two doors of the refrigerator if you use your product rarely. This is normal. Condensation will disappear upon frequent use.

There is a bad odour inside the refrigerator.

- No regular cleaning may have been performed. Clean the inside of the refrigerator with a sponge, lukewarm water or carbonated water.
- Some vessels or packaging materials may cause the odour. >>>Use another vessel, or packaging materials from another brand.
- Foods may have been placed into the refrigerator in vessels without covers. >>>Store the foods in closed vessels. Microorganisms emitted from vessels without a cover may cause unpleasant odours.
- Take out expired or spoiled foods from the refrigerator.

Troubleshooting

The door cannot be closed.

- Food packages may be preventing the door from closing. >>> Re-locate the packages that are obstructing the door.
- The refrigerator may be unstable on the floor. >>>Adjust the refrigerator feet as required to keep the refrigerator in balance.
- The floor may not be level or solid. >>>Make sure that the floor is level and capable of carrying the refrigerator.

Crispers are stuck.

- Foods may be touching the upper wall of the crisper. >>>Re-organise the foods in the crisper.

If The Surface Of The Product Is Hot.

High temperatures may be observed between the two doors, on the side panels and at the rear grill while the product is operating. This is normal and does not require service maintenance!

Fan keeps running when the door is open.

The fan may keep running when the door of the freezer is open.

The wireless network indicator blinks continuously.

- If wireless connection cannot be established or if the current connection is lost, this indicator will flash continuously; check the modem/ connection settings.
- The blinking of the wireless icon is not a factor affecting the cooling of the product, so it does not affect the cooling performance of the product.

I am having trouble entering the product code during installation.

- The product code requested during installation can be found on the inner side wall of the refrigerator or under the crisper drawer. The product code is a 10-digit number starting with '7'.

I'm having trouble establishing a connection with the refrigerator.

- The Location Access and Bluetooth features of your mobile device must be turned on during the installation.
- Do not establish any connection until you press the Wi-Fi icon for a long time and make sure the icon blinks at 0.5 s intervals.
- If the aforementioned items are fine, make sure you have an internet connection.



WARNING: If you cannot eliminate the problem although you follow the instructions in this section, consult your dealer or the Authorised Service Provider. Never attempt to repair a malfunctioned product.

DISCLAIMER / WARNING

Some (simple) failures can be adequately handled by the end-user without any safety issue or unsafe use arising, provided that they are carried out within the limits and in accordance with the following instructions (see the "Self-Repair" section).

Therefore, unless otherwise authorized in the "Self-Repair" section below, repairs shall be addressed to registered professional repairers in order to avoid safety issues. A registered professional repairer is a professional repairer that has been granted access to the instructions and spare parts list of this product by the manufacturer according to the methods described in legislative acts pursuant to Directive 2009/125/EC.

However, only the service agent (i.e. authorized professional repairers) that you can reach through the phone number given in the user manual/warranty card or through your authorized dealer may provide service under the guarantee terms. Therefore, please be advised that repairs by professional repairers (who are not authorized by Beko) shall void the guarantee.

Self-Repair

Self-repair can be done by the end-user with regard to the following spare parts: door handles, door hinges, trays, baskets and door gaskets (an updated list is also available in support.beko.com as of 1st March 2021).

Moreover, to ensure product safety and to prevent risk of serious injury, the mentioned self-repair shall be done following the instructions in the user manual for self-repair or which are available in support.beko.com. For your safety, unplug the product before attempting any self-repair.

Repair and repair attempts by end-users for parts not included in such list and/or not following the instructions in the user manuals for self-repair or which are available in support.beko.com, might give rise to safety issues not attributable to Beko, and will void the warranty of the product.

Therefore, it is highly recommended that end-users refrain from the attempt to carry out repairs falling outside the mentioned list of spare parts, contacting in such cases authorized professional repairers or registered professional repairers. On the contrary, such attempts by end-users may cause safety issues and damage the product and subsequently cause fire, flood, electrocution and serious personal injury to occur.

By way of example, but not limited to, the following repairs must be addressed to authorized professional repairers or registered professional repairers: compressor, cooling circuit, main board, inverter board, display board, etc.

The manufacturer/seller cannot be held liable in any case where end-users do not comply with the above.

The spare part availability of the refrigerator that you purchased is 10 years.

During this period, original spare parts will be available to operate the refrigerator properly. The minimum duration of guarantee of the refrigerator that you purchased is 24 months.

This product is equipped with a lighting source of the "G" energy class.

The lighting source in this product shall only be replaced by professional repairers.

Packaging sorting information

Please scan the QR code which places on the outer packaging of the product to find all the information relating to the packaging and how to manage the packaging waste.

Drogi kliencie,

Chcemy, abyś mógł uzyskać optymalną efektywność naszego produktu, który został wyprodukowany w nowoczesnym zakładzie i przy drobiazgowej kontroli jakości.

W tym celu prosimy przeczytać całą instrukcję obsługi przed użyciem produktu i przechowywać ją do ewentualnego użycia w przyszłości. Jeśli ten produkt zostanie przekazany innej osobie, prosimy przekazać tę instrukcję wraz z produktem.

Instrukcja obsługi zapewnia szybkie i bezpieczne korzystanie z produktu.

- Przed zainstalowaniem i rozpoczęciem korzystania z produktu należy przeczytać instrukcję obsługi.
- Należy zawsze przestrzegać mających zastosowanie instrukcji dotyczących bezpieczeństwa.
- Instrukcję obsługi należy mieć pod ręką, aby móc łatwo z niej korzystać.
- Prosimy przeczytać wszelkie inne dokumenty dostarczane wraz z produktem.






Należy pamiętać, że ta instrukcja obsługi może się odnosić do kilku modeli produktu. W instrukcji zostały wyraźnie określone różnice między modelami.

Symbole i uwagi

W tej instrukcji obsługi są używane następujące symbole:

	Ważne informacje i przydatne wskazówki.
	Zagrożenie dla życia i majątku.
	Zagrożenie porażeniem elektrycznym.
	Opakowanie produktu jest wykonane z materiałów umożliwiających recykling zgodnie z krajowymi przepisami środowiskowymi.

INFORMACJE

 ENERG 		Informacje o modelu zapisane w bazie danych produktów można uzyskać, wchodząc na następującą stronę internetową i wyszukując identyfikator modelu (*) znajdujący się na etykiecie efektywności energetycznej. https://eprel.ec.europa.eu/
SUPPLIER'S NAME 	MODEL IDENTIFIER (*) 	

1 Instrukcje dotyczące bezpieczeństwa i środowiska 3

1.1. Bezpieczeństwo ogólne	3
1.1.1 Ostrzeżenie HC	5
1.1.2 Dla modeli z wodotryskiem	5
1.2. Przeznaczenie	6
1.3. Bezpieczeństwo dzieci	6
1.4. Zgodność z dyrektywą WEEE i usuwanie odpadów:	6
1.5. Zgodność z dyrektywą RoHS:	6
1.6. Informacje o opakowaniu	6
1.7. Informacje techniczne dotyczące Wifi + Bluetooth.	7

2 Oto Twoja chłodziarka 8

3 Instalacja 9

3.1. Odpowiednie miejsce na instalację.	9
3.2. Zakładanie klinów plastikowych	9
3.3. Regulacja nóżek	9
3.4. Połączenie elektryczne	10

4 Przygotowanie 11

4.1. Co zrobić, aby oszczędzać energię	11
4.2. Pierwsze uruchomienie	11

5 Obsługa urządzenia 12

5.1. Pojemnik na lód	15
5.2. Pojemnik na jajka	15
5.3. Wentylator	15
5.4. Pojemnik na warzywa	15
5.5. Komora o temperaturze zero	15
5.6. Użycie drugiego pojemnika na świeże warzywa.	16
5.7. Ruchomy stelaż na drzwiach	17
5.8. Pojemnik przesuwany	17
5.9. Pochłaniacz zapachów	17
5.10. Pojemnik na warzywa z kontrolą wilgotności	18
5.11. Automatyczna maszyna do lodu	18
5.12. Kostkarka do lodu Icematic i pojemnik na lód	19

5.13. Korzystanie z dozownika wody	19
5.14. Napełnianie zbiornika dozownika wodą	20
5.15. Czyszczenie zbiornika na wodę	21
5.16. Tacka na krople	22
5.17. Zamrażanie żywności świeżej	23
5.18. Przechowywanie żywności mrożonej.	23
5.19. Informacje o komorze głębokiego zamrażania	23
5.20. Rozmieszczenie żywności.	24
5.21. Alarm o otwartych drzwiach	24
5.22. Zmiana kierunku otwierania drzwi.	24
5.23. Oświetlenie wewnętrzne.	24

6 Konserwacja i czyszczenie 25

6.1. Jak unikać nieprzyjemnych zapachów	25
6.2. Jak zabezpieczać powierzchnie plastikowe. 25	
6.3. Szkło w drzwiach	25

7 Rozwiązywanie problemów 26

1 Instrukcje dotyczące bezpieczeństwa i środowiska

Ten rozdział zawiera instrukcje dotyczące bezpieczeństwa służące unikaniu obrażeń i szkód materialnych. Nieprzestrzeganie tych instrukcji spowoduje unieważnienie wszelkich typów gwarancji produktu.

Zamierzone przeznaczenie

	OSTRZEŻENIE: Nie blokuj otworów wentylacyjnych urządzenia ani w zabudowie.
	OSTRZEŻENIE: Nie używaj urządzeń mechanicznych, ani innych środków do przyspieszenia procesu rozmrażania, poza tymi, które zaleca producent.
	OSTRZEŻENIE: Nie uszkodz obieg chłodzącego.
	OSTRZEŻENIE: Nie używaj urządzeń elektrycznych w komorze do przechowywania żywności, chyba, że są rekomendowane przez producenta.

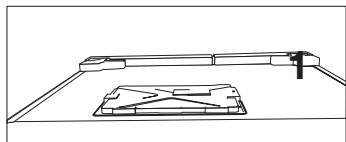
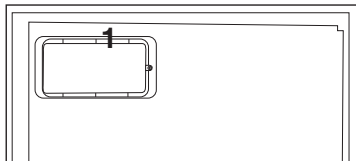
Urządzenie to jest przeznaczone do użytku domowego lub w podobnych miejscach, np.

- w kuchniach personelu sklepu, biur i innych środowisk pracy;
- gospodarstwa rolne, przez klientów hoteli, moteli i innych miejsc typu mieszkalnego
- pensjonaty;
- catering i podobne aplikacje niehandlo

1.1. Bezpieczeństwo ogólne

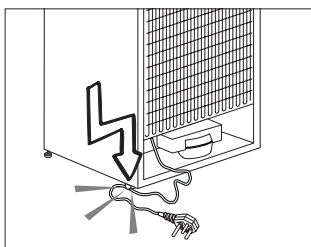
- Produkt nie może być używany przez osoby z niepełnosprawnością fizyczną, czuciową i umysłową, bez wystarczającej wiedzy i doświadczenia ani przez dzieci. Urządzenie może być używane przez takie osoby pod nadzorem i z użyciem wskazówek osoby odpowiedzialnej za ich bezpieczeństwo. Dzieciom nie wolno się bawić urządzeniem.
- W przypadku awarii urządzenia należy odłączyć od zasilania.
- Po odłączeniu należy odczekać przynajmniej 5 minut przed jego ponownym podłączeniem. Nieużywane urządzenie należy odłączyć od zasilania. Nie wolno dotykać wtyczki mokrymi rękami! Nie wolno ciągnąć za kabel, aby odłączyć zasilanie, zawsze należy trzymać za wtyk.
- Lodówki nie wolno podłączać do luźnego gniazda.
- Podczas instalacji, konserwacji, czyszczenia i naprawy produkt powinien być odłączony.
- Jeśli produkt nie będzie używany przez dłuższy czas, odłącz zasilanie i usuń całą żywność ze środka.
- Do czyszczenia lodówki i topienia lodu we wnętrzu nie wolno używać pary ani parowanych materiałów czyszczących. Para może trafić na powierzchnie elektryczne i spowodować zwarcie lub porażenie elektryczne!
- Nie wolno myć produktu, spryskując go lub polewając wodą! Zagrożenie porażeniem elektrycznym!
- Nigdy nie korzystaj z urządzenia, jeśli górna lub tylna jego część, zawierająca płytki obwodów drukowanych jest otwarta (osłona płytki obwodów drukowanych) (1).

Instrukcje dotyczące bezpieczeństwa i środowiska



- W przypadku awarii nie wolno używać produktu, ponieważ może to spowodować porażenie elektryczne. Przed wykonaniem jakichkolwiek czynności należy skontaktować się z autoryzowanym serwisem.
- Produkt należy podłączyć do uziemionego gniazdka. Uziemienie musi być wykonane przez wykwalifikowanego elektryka.
- Jeśli produkt ma oświetlenie typu LED, w celu wymiany lub usunięcia problemu należy się skontaktować z autoryzowanym serwisem.
- Nie wolno dotykać zamrożonej żywności mokrymi rękami! Może ona przymarznąć do rąk!
- Do komory zamrażarki nie wolno wkładać płynów w butelkach ani w puszkach. Mogą one wybuchnąć!
- Płyny należy stawiać pionowo po dokładnym zamknięciu pokrywki.
- W pobliżu produktu nie wolno rozpryskiwać substancji łatwopalnych, ponieważ mogą się one zapalić lub wybuchnąć.
- W lodówce nie wolno przechowywać materiałów łatwopalnych ani produktów z gazem łatwopalnym (aerzoli itp.).

- Na produkcie nie wolno kłaść pojemników z płynem. Zalanie wodą części elektrycznej może spowodować porażenie elektryczne i pożar.
- Narażenie produktu na deszcz, śnieg, bezpośrednie promienie słoneczne i wiatr spowoduje zagrożenie elektryczne. Podczas przemieszczania produktu nie wolno ciągnąć za uchwyt drzwiowy. Uchwyt może nie wytrzymać.
- Należy uważać, aby uniknąć pochwylenia ręki lub innej części ciała przez ruchome części wewnątrz produktu.
- Nie wolno stawać ani opierać się o drzwi, szuflady ani podobne części lodówki. Spowoduje to przewrócenie produktu i uszkodzenie części.
- Należy uważać, aby nie przytrzasnąć kabla zasilania.



- Podczas ustawiania urządzenia należy się upewnić, że przewód zasilający nie został przytrzasnięty ani nie jest uszkodzony.
- Nie umieszczać przenośnej listwy zasilającej ani przenośnych zasilaczy z tyłu urządzenia.
- Lodówka Side by Side wymaga podłączenia do wody. Jeśli nie jeszcze dostępnego zaworu i musisz zadzwonić po hydraulika, zwróć uwagę na to, że: jeśli Twój dom jest

Instrukcje dotyczące bezpieczeństwa i środowiska

wyposażony w system ogrzewania podłogowego, **weź pod uwagę, że wiercenie otworów w betonowym suficie może uszkodzić ten system ogrzewania.**

- Dzieci w wieku od 3 do 8 lat mogą wkładać żywność do chłodziarek i wyjmować ją.
- Aby uniknąć zanieczyszczenia żywności, należy przestrzegać poniższych wskazówek:
 - Otwarcie drzwi na dłuższy czas może spowodować znaczny wzrost temperatury w komorach chłodziarki.
 - Regularnie czyścić powierzchnie, które mogą mieć kontakt z żywnością i dostępnymi systemami odpływowymi.
 - Oczyszczyć zbiorniki wody, jeśli nie były używane przez 48 godz.; przepłukać system wodny podłączony do dopływu, jeśli woda nie była pobierana przez 5 dni.
 - Surowe mięso i ryby należy przechowywać w odpowiednich pojemnikach w lodówce, tak aby się z nimi nie stykały ani nie skapywały na inną żywność.
 - Komory na żywność mrożoną oznaczone dwiema gwiazdkami nadają się do przechowywania żywności wstępnie zamrożonej, przechowywania lub wytwarzania lodów oraz robienia kostek lodu.
 - Komory oznaczone jedną, dwiema lub trzema gwiazdkami nie nadają się do zamrażania świeżej żywności.
 - Jeżeli urządzenie chłodnicze ma być przez dłuższy czas puste, należy je wyłączyć, rozmrozić, oczyścić, wysuszyć i pozostawić otwarte

drzwi, aby zapobiec rozwojowi pleśni wewnątrz urządzenia.

1.1.1 Ostrzeżenie HC

Jeśli produkt zawiera układ chłodzenia używający gazu R600a, należy uważać, aby nie uszkodzić układu chłodzenia i jego rurki podczas używania i przemieszczania produktu. Ten gaz jest łatwopalny. W razie uszkodzenia układu chłodzenia należy trzymać produkt z dala od źródeł ognia i natychmiast przewietrzyć pomieszczenie.



Etykieta wewnątrz z lewej strony wskazuje typ gazu użyty w produkcie.

1.1.2 Dla modeli z wodotryskiem

- Maksymalnie dopuszczalne ciśnienie dla dopływu zimnej wody wynosi 620 kPa (90 psi). Jeśli ciśnienie wody w Państwa instalacji przekroczy 550 kPa (80 psi), należy zastosować zawór ograniczający ciśnienie w Państwa sieci wodociągowej. Jeśli nie wiedzą Państwo w jaki sposób sprawdzić ciśnienie wody, prosimy poprosić o pomoc profesjonalnego hydraulika.
- Jeśli w Państwa instalacji występuje ryzyko uderzenia wodnego, należy zawsze stosować wyposażenie zapobiegające przed uderzeniem wodnym. Jeśli nie mają Państwo pewności co do występowania efektu uderzenia wodnego w swojej instalacji, prosimy zasięgnąć porady u profesjonalnego hydraulika.
- Nie podłączać do dopływu ciepłej wody. Zachować środki ostrożności przed ryzykiem zamarznięcia przewodów. Temperatura robocza

Instrukcje dotyczące bezpieczeństwa i środowiska

wody powinna mieścić się w zakresie od 0,6°C (33°F) do 38°C (100°F).

- Należy używać tylko wody pitnej.

1.2. Przeznaczenie

- Ten produkt jest przeznaczony do użytku domowego. Nie jest on przeznaczony do użytku komercyjnego.
- Produkt powinien być używany jedynie do przechowywania żywności i napojów.
- W lodówce nie wolno przechowywać produktów wymagających temperatur kontrolowanych (szczepionek, leków wrażliwych na ciepło, materiałów medycznych itd.).
- Producent nie bierze na siebie odpowiedzialności za jakiegokolwiek uszkodzenia spowodowane niepoprawnym użytkowaniem lub obsługą.
- Oryginalne części zamienne będą dostępne przez 10 lat od daty zakupu produktu.

1.3. Bezpieczeństwo dzieci

- Materiały opakowaniowe należy przechowywać poza zasięgiem dzieci.
- Nie wolno pozwalać dzieciom na zabawę produktem.
- Jeśli drzwi produktu mają zamek, klucz należy przechowywać poza zasięgiem dzieci.

1.4. Zgodność z dyrektywą WEEE i usuwanie odpadów:

Niniejszy wyrób jest zgodny z dyrektywą Parlamentu Europejskiego i Rady (2012/19/WE). Wyrób ten oznaczony jest symbolem klasyfikacji zużytych urządzeń elektrycznych i elektronicznych (WEEE).



Ten symbol oznacza, że sprzęt nie może być umieszczany łącznie z innymi odpadami gospodarstwa domowego po okresie jego użytkowania. Zużyte urządzenie należy oddać do specjalnego punktu zbiórki zużytego sprzętu elektrycznego i elektronicznego w celu utylizacji. Aby uzyskać informacje o punktach zbiórki w swojej okolicy należy skontaktować się z lokalnymi władzami lub punktem sprzedaży tego produktu. Gospodarstwo domowe spełnia ważną rolę w przyczynianiu się do ponownego użycia i odzysku zużytego sprzętu. Odpowiednie postępowanie ze zużytym sprzętem zapobiega potencjalnym negatywnym konsekwencjom dla środowiska naturalnego i ludzkiego zdrowia.

1.5. Zgodność z dyrektywą RoHS:

Niniejszy wyrób jest zgodny z dyrektywą Parlamentu Europejskiego i Rady RoHS (Ograniczenie użycia substancji niebezpiecznych) (2011/65/WE). Nie zawiera szkodliwych i zakazanych materiałów, podanych w tej dyrektywie.

1.6. Informacje o opakowaniu



Opakowanie tego wyrobu wykonano z materiałów nadających się do recyklingu, zgodnie z naszym ustawodawstwem krajowym. Nie wyrzucaj materiałów opakowaniowych do śmieci wraz z innymi odpadkami domowymi. Oddaj je w jednym z wyznaczonych przez władze lokalne punktów zbiórki materiałów opakowaniowych.

Instrukcje dotyczące bezpieczeństwa i środowiska

1.7. Informacje techniczne dotyczące Wifi + Bluetooth

Pasma częstotliwości:	2,4GHz (Działa z Wi-fi lub Bluetooth)
Max. moc transmisji:	< 100 mW (Działa z Wi-fi lub Bluetooth)
Informacje dotyczące oprogramowania:	Quartz_WiFi.XXX

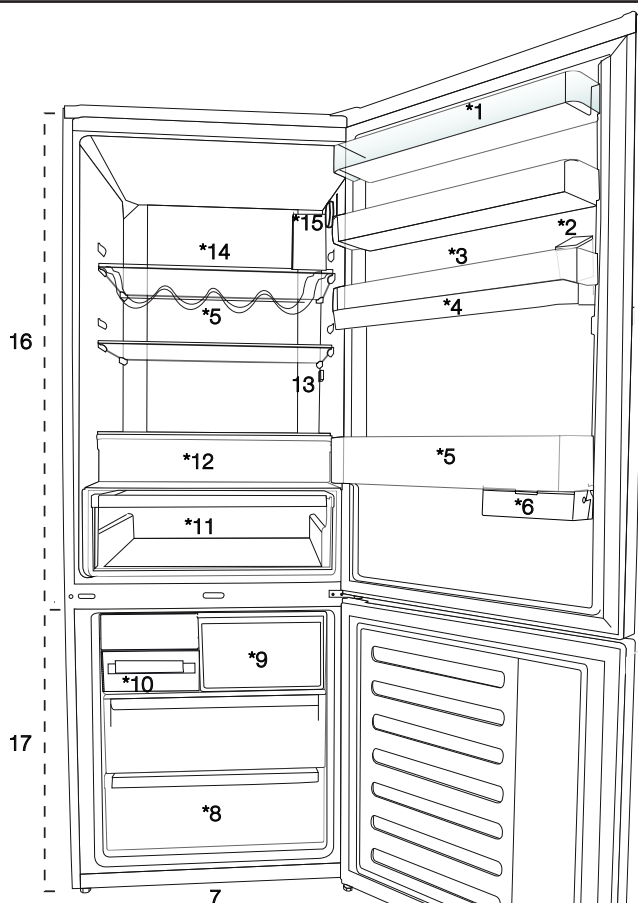
Deklaracja zgodności CE:

Arcelik A.Ş. oświadcza, że niniejsze urządzenie jest zgodne z Dyrektywą 2014/53/UE.

Pełny tekst deklaracji zgodności EU jest dostępny na stronie:

Pochodzenie produktów: support.beko.com

2 Oto Twoja chłodziarka



1. Półka w drzwiach komory chłodziarki
2. Zbiornik dozownika wody
3. Miejsce na jajka
4. Zbiornik dozownika wody
5. Półka na butelki
6. Pojemnik przesuwany
7. Regulowane nóżki
8. Komora głębokiego zamrażania
9. Komora szybkiego zamrażania
10. Tacka na kostki lodu & zapas kostek lodu
11. Pojemnik na warzywa
12. Komora o temperaturze zero
13. Oświetlenie wewnętrzne
14. Szklana półka komory chłodzenia
15. Przycisk regulacji temperatury
16. Komora chłodzenia
17. Komora zamrażalnika



***Opcjonalne:** Rysunki w tej instrukcji obsługi są tylko szkicowe i mogą nie odpowiadać dokładnie posiadanemu produktowi. Jeśli posiadany produkt nie zawiera odpowiednich części, informacje dotyczą innych modeli.

3 Instalacja

3.1. Odpowiednie miejsce na instalację

W sprawie instalacji produktu skontaktuj się z autoryzowanym serwisem. Aby przygotować produkt do instalacji, zapoznaj się z informacjami w instrukcji użytkownika i sprawdź, czy zasilanie elektryczne i dopływ wody są zgodne z wymaganiami. Jeśli nie, skontaktuj się elektrykiem i hydraulikiem, aby dokonać stosownych zmian.

	OSTRZEŻENIE: Producent nie bierze żadnej odpowiedzialności za szkody spowodowane pracami wykonywanymi przez osoby nieupoważnione.
	OSTRZEŻENIE: Podczas instalacji kabel zasilający produktu musi być odłączony od sieci. W przeciwnym razie może to skutkować śmiercią lub poważnymi obrażeniami!
	OSTRZEŻENIE: Jeśli drzwi są zbyt wąskie, aby przenieść przez nie produkt, zdejmij jego drzwiczki i obróć go na bok; jeśli to nie pomoże, skontaktuj się z autoryzowanym serwisem.

- Aby uniknąć wibracji, chłodziarkę należy ustawić na równej powierzchni.
- Zainstaluj produkty co najmniej 30 cm od podgrzewacza, piecyka i podobnych źródeł ciepła, oraz co najmniej 5 cm od kuchenek elektrycznych.
- Nie narażaj produktu na bezpośrednie działanie promieni słonecznych ani nie trzymaj go w wilgotnym otoczeniu.
- Produkt wymaga odpowiedniej cyrkulacji powietrza, aby działać wydajnie.
- Jeśli chłodziarka ma stać we wnęce w ścianie, należy zwrócić uwagę, aby pozostawić co najmniej 5 cm odstępu od sufitu i ścian.
- Nie instaluj chłodziarki w miejscu, gdzie temperatura spada poniżej -5°C .

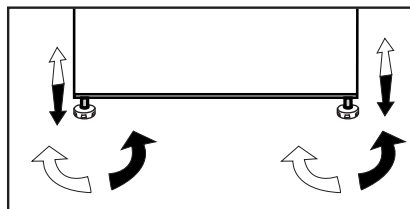
3.2. Zakładanie klinów plastikowych

Użyj klinów plastikowych dostarczonych wraz z produktem, aby zapewnić wystarczająco dużo miejsca na cyrkulację powietrza między produktem a ścianą.

1. Aby założyć kliny, wyjmij śruby z produktu i użyj śrub dostarczonych w tej samej torebce, co kliny.
2. Włóż 2 plastikowe kliny w tylną płytę wentylacyjną, jak pokazano na rysunku.




3.3. Regulacja nóżek

Jeśli produkt nie jest ustawiony równo, wyreguluj przednie regulowane nóżki, obracając je w prawo lub w lewo.



Instalacja

3.4. Połączenie elektryczne

	OSTRZEŻENIE: Do podłączania zasilania nie używaj przedłużacza ani wtyczki wielokrotnej.
	OSTRZEŻENIE: Wymianę uszkodzonego przewodu zasilającego należy zlecić autoryzowanemu serwisowi.
	W przypadku umieszczenia dwóch chłodziarek obok siebie należy zostawić między nimi odstęp przynajmniej 4 cm.

- Nasza firma nie bierze odpowiedzialności za jakiegokolwiek szkody powstałe na skutek używania bez uziemienia i korzystania z połączenia elektrycznego niezgodnego z przepisami krajowymi.
- Po instalacji wtyczka zasilania musi być łatwo dostępna.
- Nie używaj wtyczki wielokrotnej bez przedłużacza ani z nim do połączenia gniazdka w ścianie z chłodziarką.
- Produkt wymaga odpowiedniej cyrkulacji powietrza, aby mógł działać skutecznie. Jeśli produkt zostanie umieszczony we wnęce, pamiętaj o pozostawieniu co najmniej 5 cm odstępu między produktem a sufitem, ścianą tylną i ścianami bocznymi.
- Jeśli produkt zostanie umieszczony we wnęce, pamiętaj o pozostawieniu co najmniej 5 cm odstępu między produktem a sufitem, ścianą tylną i ścianami bocznymi. Sprawdź, czy element zabezpieczający tylną ścianę znajduje się na swoim miejscu (jeśli został dostarczany z produktem). Jeśli element nie jest dostępny lub został zgubiony, lub upadł, ustaw produkt w taki sposób, aby pozostawić przynajmniej 5 cm odstępu między przestrzenią za produktem a ścianami. Odstęp z tyłu jest ważny dla efektywnego działania produktu.



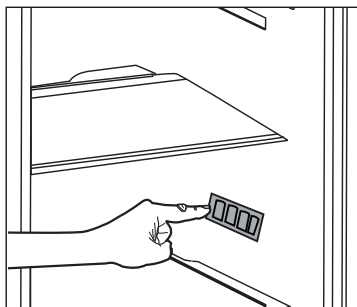
Ostrzeżenie o gorącej powierzchni
W bocznych ściankach produktu poprowadzone są przewody z chłodziwem dla poprawy systemu chłodzenia. Czynnik chłodniczy w wysokich temperaturach może przepływać przez te obszary, co może bardzo rozgrzać powierzchnie ścianek bocznych. Jest to normalne i nie wymaga żadnego serwisowania. Proszę zachować ostrożność podczas dotykania tych obszarów.

4.1. Co zrobić, aby oszczędzać energię



Podłączanie produktu do elektronicznych systemów oszczędzania energii jest niebezpieczne, ponieważ może uszkodzić produkt.

- W przypadku urządzenia wolnostojącego; „Urządzenie chłodnicze nie jest przeznaczone do stosowania jako urządzenie wbudowane”;
- Nie trzymaj chłodziarki otwartej przez dłuższy czas.
- Nie wkładaj gorącej żywności ani napojów do chłodziarki.
- Nie przepelniaj chłodziarki; zablokowanie wewnętrznego przepływu powietrza zmniejsza wydajność chłodzenia.
- Aby przechowywać maksymalną możliwą ilość żywności w komorze chłodzenia chłodziarki, należy wyjąć górne szuflady i umieścić żywność na półkach szklanych. Deklarowane zużycie energii chłodziarki zostało określone przy wyjęciu komory chłodzenia, tacki na lód i górnych szuflad w sposób, który umożliwi przechowywanie maksymalnej ilości żywności. Korzystanie z dolnej szuflady do przechowywania jest zdecydowanie zalecane. Należy włączyć funkcję oszczędzania energii w celu zoptymalizowania jej zużycia.
- Nie należy blokować przepływu powietrza, umieszczając żywność przed wentylatorem. Wkładając żywność, należy zachować minimum 3 cm odstępu od osłony wentylatora.
- W zależności od funkcji produktu; rozmrażanie zamrożonej żywności w komorze chłodzenia zapewni oszczędność energii i zachowanie jakości produktów spożywczych.
- Żywność należy przechowywać w szufladach w komorze chłodzenia, aby zapewnić oszczędność energii i lepsze warunki przechowywania.
- Pojemniki z żywnością nie powinny stykać się bezpośrednio z czujnikiem temperatury umieszczonym w komorze chłodzenia. Jeśli stykają się one z czujnikiem, zużycie energii przez urządzenie może wzrosnąć.



- Upewnij się, że żywność nie styka się z czujnikiem temperatury komory chłodzenia opisanym poniżej.
- Ponieważ gorące i wilgotne powietrze nie będzie miało bezpośredniego dostępu do Twojego produktu kiedy drzwi będą zamknięte, produkt dokona samodzielnej optymalizacji w warunkach wystarczających do ochrony Twojej żywności. W takich okolicznościach, funkcje i komponenty, takie jak kompresor, wentylator, podgrzewacz, rozmrażanie, oświetlenie, wyświetlacz itp. będą działały w taki sposób, aby zużywać minimalną potrzebną ilość energii.

4.2. Pierwsze uruchomienie

Przed użyciem chłodziarki wykonaj odpowiednie przygotowania zgodnie z instrukcjami w sekcjach „Instrukcje dotyczące bezpieczeństwa i ochrony środowiska” i „Instalacja”.

- Zostaw produkt włączony bez żywności w środku na 6 godzin i nie otwieraj drzwi, jeśli nie jest to absolutnie konieczne.



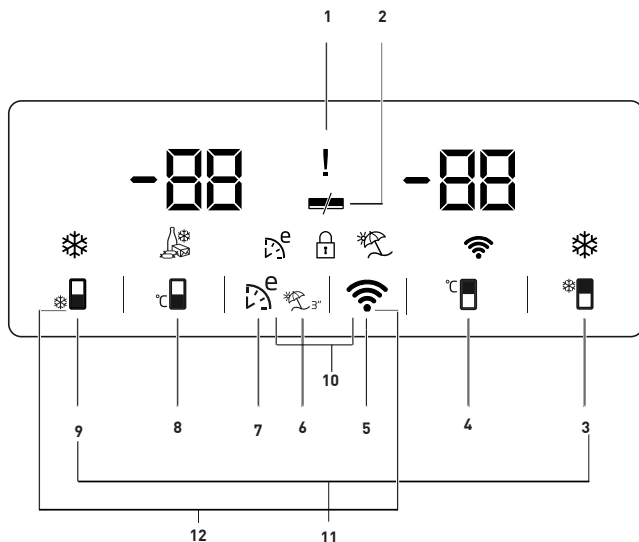
Gdy zaczyna działać sprężarka, rozlega się dźwięk. Nawet jeśli sprężarka jest wyłączona, dźwięki są normalne z powodu skompresowanych cieczy i gazów w systemie chłodzenia.



Przednie krawędzie produktu mogą się nagrzewać. Jest to całkiem normalne. Te obszary zostały zaprojektowane, aby się nagrzewać w celu zapobiegnięcia kondensacji.



W niektórych modelach panel wskaźników wyłącza się automatycznie po 5 minutach od zamknięcia drzwi. Włącza się on ponownie w momencie otwarcia drzwi lub naciśnięcia dowolnego przycisku.



1. Awaria zasilania/Wysoka temperatura/Wskaźnik błędu
2. Wskaźnik funkcji oszczędzania energii (wyświetlacz wyłączony)
3. Przycisk szybkiego chłodzenia
4. Regulator temperatury komory chłodziarki
5. Przycisk połączenia bezprzewodowego
6. Przycisk funkcji czuwania
7. Przycisk eco-fuzzy
8. Regulator temperatury zamrażalnika
9. Przycisk szybkiego zamrażania
10. Blokada przycisków
11. Przycisk zmiany jednostki miary temperatury


Opcja może nie być dostępna we wszystkich modelach



***Opcjonalne:** Rysunki w tej instrukcji obsługi są tylko szkicowe i mogą nie odpowiadać dokładnie posiadanemu produktowi. Jeśli posiadany produkt nie zawiera odpowiednich części, informacje dotyczą innych modeli.

Korzystanie z produktu

1. Awaria zasilania/Wysoka temperatura/ Wskaźnik błędu


Wskaźnik ten () zaświeci się w przypadku awarii zasilania, wysokiej temperatury i ostrzeżeń o błędach.

Gdy temperatura w komorze zamrażarki podniesie się do poziomu krytycznego dla zamrożonej żywności, na cyfrowym wskaźniku zamiga maksymalna temperatura osiągnięta w komorze zamrażarki.


Sprawdź żywność w komorze zamrażarki

Nie jest to oznaką niesprawności urządzenia.

Ostrzeżenie można usunąć, naciskając dowolny przycisk lub przycisk wyłączenia alarmu wysokiej temperatury. (Anulowanie przez naciśnięcie dowolnego przycisku nie dotyczy wszystkich modeli).


Wskaźnik ten () świeci się również w przypadku awarii czujnika. Gdy wskaźnik ten się świeci, na wskaźniku temperatury wyświetlane są naprzemiennie „E” i cyfry, takie jak „1, 2, 3...”. Te liczby na wskaźniku informują personel serwisowy o błędzie.

2. Wskaźnik funkcji oszczędzania energii (wyświetlacz wyłączony)

Jeśli drzwi lodówki pozostają zamknięte przez dłuższy czas, następuje automatyczne uruchomienie funkcji oszczędzania energii i pokazuje się symbol tej funkcji ()


Po uaktywnieniu się funkcji oszczędzania energii gasną wszystkie inne symbole na wyświetlaczu. Funkcja oszczędzania energii wyłącza się po naciśnięciu dowolnego przycisku lub otwarciu drzwi, a symbole na wyświetlaczu powracają do normalnego stanu. Ta funkcja jest ustawiana fabrycznie i nie da się jej usunąć.

3. Przycisk szybkiego chłodzenia

Po włączeniu funkcji szybkiego chłodzenia zapala się wskaźnik szybkiego chłodzenia () , a na wskaźniku temperatury w komorze

chłodziarki wyświetlana jest wartość 1. W celu wyłączenia tej funkcji należy ponownie nacisnąć przycisk szybkiego chłodzenia. Wskaźnik szybkiego chłodzenia gaśnie i zostają przywrócone normalne ustawienia lodówki. Funkcja szybkiego chłodzenia wyłącza się automatycznie po 1 godzinie, o ile nie zostanie wcześniej wyłączona przez użytkownika. W celu schłodzenia dużej ilości świeżej żywności przed jej włożeniem do lodówki należy nacisnąć przycisk szybkiego chłodzenia.

4. Regulator temperatury we wnętrzu komory chłodzenia

Po naciśnięciu tego przycisku można ustawić poziom temperatury w komorze chłodzenia na wybraną wartość: 8, 7, 6, 5, 4, 3, 2 lub 1. ()

5. Przycisk połączenia bezprzewodowego (*opcja)

Po naciśnięciu i przytrzymaniu tego przycisku przez 3 s lodówka łączy się z lokalną siecią internetową.

W czasie nawiązywania połączenia miga ikona sieci bezprzewodowej () z częstotliwością co 0,5 s.

Po ustanowieniu połączenia ikona ta zaczyna świecić światłem ciągłym.

Po pierwszym ustanowieniu połączenia można je włączać i wyłączać przez krótkie naciśnięcie tego przycisku.

Po wyłączeniu i ponownym włączeniu zasilania połączenie zostaje zapamiętane i jest każdorazowo inicjalizowane.

W czasie nawiązywania połączenia ikona sieci bezprzewodowej miga szybko (z częstotliwością co 0,2 s).

Po inicjalizacji połączenia ikona zaczyna świecić światłem ciągłym.

W przypadku niepowodzenia w ustanowieniu połączenia przez dłuższy czas należy sprawdzić modem i jego skonfigurowanie z siecią.



Korzystanie z produktu

Jako interfejs połączenia stosowana jest aplikacja HomeWhiz.

Konfiguracja połączenia jest opisana w KRÓTKIEJ INSTRUKCJI INSTALACJI HomeWhiz dostarczonej wraz z lodówką.


Odpowiedzi na najczęstsze pytania znajdują się w części „Rozwiązywanie problemów”.

6. Przycisk funkcji wakacyjnej

W celu uruchomienia funkcji wakacyjnej nacisnąć i przytrzymać przez 3 sekundy przycisk . Włącza się wskaźnik trybu wakacyjnego . Gdy funkcja trybu wakacyjnego jest aktywna, na wskaźniku temperatury w komorze chłodzenia wyświetla się „- -” i komora ta nie jest aktywnie chłodzona. W takim przypadku nie można trzymać żywności w komorze chłodzenia. Pozostałe części lodówki są nadal chłodzone zgodnie z ustawioną temperaturą.

W celu wyłączenia tej funkcji należy ponownie nacisnąć przycisk **funkcji wakacyjnej**.


7. Przycisk eco-fuzzy

Nacisnąć przycisk eco-fuzzy w celu włączenia trybu pracy ekonomicznej. Po upływie min. 6 h od włączenia tej funkcji zamrażalnik zaczyna pracować w trybie ekonomicznym, co potwierdza odpowiedni wskaźnik .


Aby wyłączyć funkcję eco-fuzzy, należy ponownie nacisnąć przycisk eco-fuzzy. Wskaźnik zapali się po 6 godzinach od momentu włączenia funkcji eco-fuzzy.


8. Przycisk ustawienia temperatury zamrażalnika

Służy do regulacji temperatury zamrażalnika.



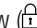

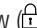
Nacisnąć przycisk  w celu ustawienia temperatury zamrażalnika na wybraną wartość: -18, -19, -20, -21, -22, -23 lub -24.

9. Przycisk szybkiego zamrażania

Nacisnąć przycisk nr (9) w celu szybkiego zamrożenia produktów; zapala się wskaźnik szybkiego zamrażania .



Po uruchomieniu funkcji szybkiego mrożenia świeci ikona tej funkcji, a wskaźnik temperatury zamrażalnika pokazuje wartość -27. W celu wyłączenia tej funkcji należy ponownie nacisnąć przycisk szybkiego zamrażania . Wskaźnik gaśnie i lodówka wraca do normalnych ustawień. Funkcja szybkiego zamrażania wyłącza się automatycznie po 24 godzinach, o ile nie zostanie wcześniej wyłączona przez użytkownika. W celu zamrożenia większej ilości świeżej żywności przed włożeniem jej do zamrażalnika należy nacisnąć przycisk szybkiego zamrażania.

10. Blokada przycisków

Równocześnie nacisnąć i przytrzymać przez 3 s przyciski: sieci bezprzewodowej  i eco-fuzzy . Zapala się symbol blokady przycisków  i ich blokada zostaje uruchomiona. W takim przypadku żaden przycisk nie działa. Równocześnie nacisnąć i przytrzymać przez 3 s przyciski: sieci bezprzewodowej  i eco-fuzzy . Blokada klawiszy zostaje wyłączona.

W celu uniemożliwienia zmiany ustawionej temperatury lodówki należy nacisnąć przycisk **blokady przycisków**.

11. Przycisk zmiany jednostki miary temperatury

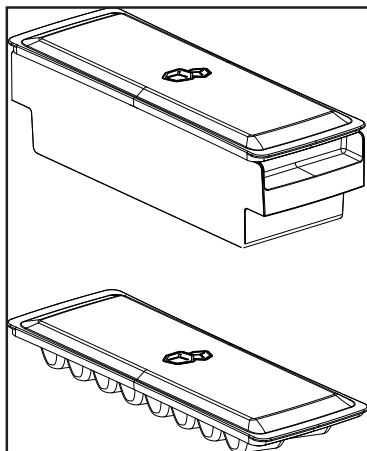
W celu przełączenia wskazań ze stopni Fahrenheita na stopnie Celsjusza nacisnąć i przytrzymać przez 3 s przycisk szybkiego chłodzenia  i szybkiego zamrażania .

Korzystanie z produktu

5.1. Pojemnik na lód

(Opcja)

- Wyjmij pojemnik na lód z komory zamrażalnika.
- Wypełnij pojemnik na lód wodą.
- Włóż pojemnik na lód do komory zamrażalnika.
- Lód będzie gotowy za ok. dwie godziny. Wyjmij pojemnik na lód z komory zamrażalnika i zegnij go lekko nad pojemnikiem, w którym zamierzasz go podać. Lód łatwo wypadnie do pojemnika.



5.2. Pojemnik na jajka

Pojemnik na jajka możesz umieścić na drzwiach lub w głównej komorze. Jeśli zdecydujesz się go umieścić w głównej komorze, zaleca się korzystanie z dolnych półek, ponieważ jest tam chłodniej.

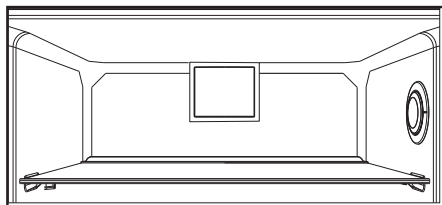


Nie wkładaj pojemnika na jajka do komory zamrażalnika.

5.3. Wentylator

Wentylator został zaprojektowany, aby równomiernie rozprowadzać chłodne powietrze we wnętrzu chłodziarki. Czas działania wentylatora może się różnić w zależności od własności chłodziarki.

W niektórych chłodziarkach wentylator działa tylko wtedy, kiedy sprężarka, w innych system sterowania określa czas działania w zależności od zapotrzebowania.



5.4. Pojemnik na warzywa

(Opcja)

Pojemnik na warzywa został zaprojektowany, aby utrzymać świeżość warzyw poprzez zachowanie wilgotności. W tym celu ogólna cyrkulacja zimnego powietrza jest intensywniejsza w tym pojemniku.

5.5. Komora o temperaturze zero

(Opcja)

Używaj tej komory, aby przechowywać delikaty w niższych temperaturach lub produkty mięsne do szybkiego spożycia. Komora o temperaturze zero to najchłodniejsze miejsce, gdzie możesz przechowywać artykuły spożywcze takie jak nabiał, mięso, ryby i drób w idealnych warunkach. W tej komorze nie należy przechowywać warzyw ani owoców.

Korzystanie z produktu

5.6. Użycie drugiego pojemnika na świeże warzywa.



Rysunek 1.

Jak pokazano na rysunku, w drugiej komorze na świeże warzywa w modelu K70560 znajdują się 2 blokadę.



Rysunek 2.

Zamknięty drugi pojemnik na świeże warzywa wygląda tak, jak pokazano na rysunku 2.



Rysunek 3.

Przy otwartych pod kątem 90° drzwiach wysunąć drugi pojemnik na świeże warzywa do pierwszej blokady, jak pokazano na rysunku 3.



W przypadku większego wysunięcia szuflady należy najpierw otworzyć drzwi przynajmniej pod kątem 135°. Następnie, jak pokazano na rysunku 4, podnieść drugi pojemnik na świeże warzywa na ok. 5 mm, aby zwolnić pierwszą blokadę.



Rysunek 4.

Po podniesieniu wysunąć drugą szufladę do drugiej blokady, jak pokazano na rysunku 5.

Rysunek 5.

Korzystanie z produktu

5.7. Ruchomy stelaż na drzwiach

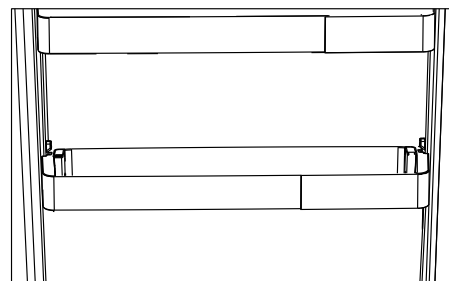
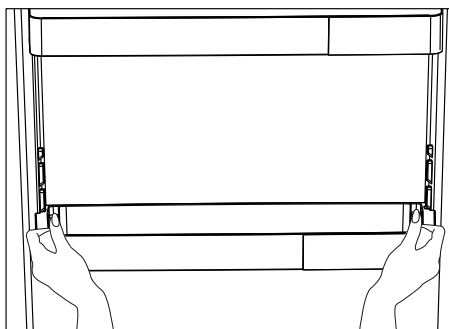
(Opcja)

Ruchomy stelaż na drzwiach można zamocować w 3 różnych pozycjach.

Aby przesunąć stelaż, naciśnij jednocześnie przyciski z boku. Stelaż można przesunąć.

Przesuń stelaż w górę lub w dół.

Kiedy stelaż znajdzie się w żądanej pozycji, zwolnij przyciski. Stelaż zostanie zamocowany w pozycji, w jakiej zwolnisz przyciski.

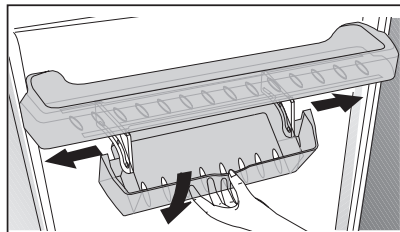


5.8. Pojemnik przesuwany

(Opcja)

Ten element wyposażenia został zaprojektowany, aby zwiększyć używalność stelaży na drzwiach.

Dzięki możliwości przesuwania na boki, ułatwia on ułożenie długiej butelki, słoika lub pudełek, które wkładasz w uchwyt na butelki poniżej.



5.9. Pochłaniacz zapachów

(FreshGuard) * opcja

Pochłaniacz zapachów błyskawicznie usuwa z lodówki nieprzyjemne zapachy, zanim przenikną do powierzchni. Urządzenie znajduje się na suficie komory na świeżą żywność. Dzięki niemu nieprzyjemne zapachy zostają zneutralizowane podczas aktywnego przepływu powietrza przez filtr zapachowy. Po oczyszczeniu powietrze wraca do komory na świeżą żywność. Dzięki temu nieprzyjemne zapachy pochodzące z żywności przechowywanej w lodówce zostają usunięte, zanim przenikną do powierzchni.

Jest to możliwe dzięki wentylatorowi, diodzie LED oraz filtrowi zapachowemu – wszystkie te elementy stanowią integralną część pochłaniacza zapachów. Podczas codziennego użytkowania pochłaniacz zapachów okresowo włącza się automatycznie. Aby zapewnić skuteczne działanie wyrobu, zaleca się wymianę filtra zapachowego przez autoryzowany serwis co 5 lat. Ponieważ pochłaniacz zapachów jest wyposażony w wentylator, podczas pracy emituje hałas – jest to normalne zjawisko. W przypadku gdy drzwi komory na świeżą żywność zostaną otwarte podczas pracy pochłaniacza, wentylator wstrzyma działanie, a po zamknięciu drzwi wznowi pracę po pewnym czasie. W przypadku awarii zasilania pochłaniacz wznowi pracę po przywróceniu zasilania na tym samym etapie cyklu działania, na którym została ona przerwana.

Corystanie z produktu

Informacja: Zaleca się przechowywanie żywności o silnym zapachu (takiej jak sery, oliwki i wyroby garmażeryjne) w zamkniętym opakowaniu, aby uniknąć nieprzyjemnej woni powstałej na skutek wymieszania zapachów różnych produktów. Ponadto zaleca się szybkie wyjmowanie z lodówki zepsutych produktów, aby zapobiec nieprzyjemnym zapachom oraz zepsuciu innych artykułów.

5.10. Pojemnik na warzywa z kontrolą wilgotności

(Opcja)

Funkcja kontroli wilgotności umożliwia zachowanie odpowiedniej wilgotności warzyw i owoców oraz zapewnia dłuższą świeżość żywności.

Zaleca się w miarę możliwości przechowywanie w pojemniku warzyw liściastych, jak sałata, szpinak itp. w pozycji poziomej, a nie opartych o korzeń, ze względu na utratę wilgotności.

Układając warzywa, ciężkie i twarde należy układać na dole, a lekkie i miękkie na górze, biorąc pod uwagę konkretną wagę warzyw.

Nie zostawiać w pojemniku warzyw w plastikowych torebkach. Zostawienie ich w plastikowej torebce spowoduje, że szybko zgniją. W sytuacjach, kiedy styczność z innymi warzywami jest niezalecana, używaj materiałów opakowaniowych takich jak papier, które mają pewną porowatość pozwalającą zachować higienę.

Nie wkładaj owoców, które wydzielają dużo gazowego etylenu, jak gruszki, morele, brzoskwinie, a przede wszystkim jabłka, do tego samego pojemnika na warzywa, co inne warzywa i owoce. Gazowy etylen wydobywający się z tych owoców może spowodować szybsze dojrzewanie i gnicie pozostałych warzyw i owoców.

5.11. Automatyczna maszyna do lodu

(Opcja)

Automatyczna maszyna do lodu umożliwia łatwe wytwarzanie lodu w chłodziarce. Aby wytworzyć lód za pomocą maszyny do lodu, wyjmij zbiornik wody z komory chłodzenia, napełnij go wodą i włóż z powrotem.

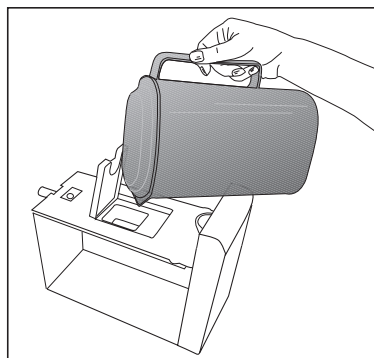
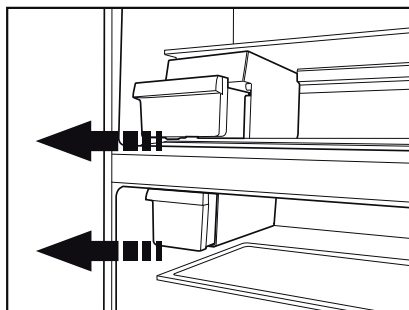
Pierwszy lód powstanie po dwóch godzinach w szufladzie na lód znajdującej się w komorze chłodzenia.

Po włożeniu pełnego zbiornika wody możesz uzyskać z niego 60-70 kostek lodu.

Jeśli woda w zbiorniku stała przez 2-3 tygodnie, należy ją wymienić.



W przypadku produktów z automatyczną maszyną do lodu możesz słyszeć dźwięk podczas wysypywania lodu. Jest to zupełnie normalne i nie świadczy o awarii.



Korzystanie z produktu

5.12. Kostkarka do lodu Icematic i pojemnik na lód

*opcja

Obsługa kostkarki do lodu Icematic

Napełnij Icematic wodą i włóż do obudowy. Lód będzie gotowy za ok. dwie godziny. Nie wyjmuj Icematic z obudowy, aby wyjąć lód.

Obróć pokrętkę na zbiornikach lodu zgodnie z ruchem wskazówek zegara o 90 stopni.

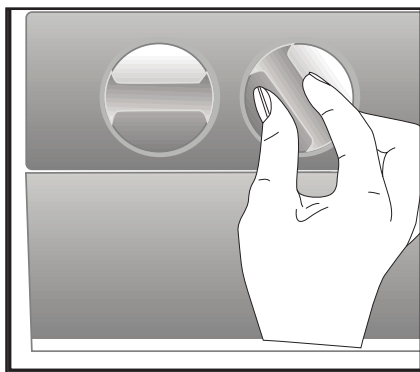
Kostki lodu w zbiornikach wypadną do pojemnika na lód pod nimi.

Teraz możesz wyjąć pojemnik na lód i podać kostki lodu.

Jeśli chcesz, możesz trzymać kostki lodu w tym pojemniku.

Pojemnik na lód

Pojemnik na lód służy wyłącznie do gromadzenia kostek lodu. Nie wlewaj do niego wody. W przeciwnym razie ulegnie uszkodzeniu.



5.13. Korzystanie z dozownika wody

*opcja



Pierwsze kilka szklanek wody z dozownika mogą być ciepłe i jest to całkiem normalne.

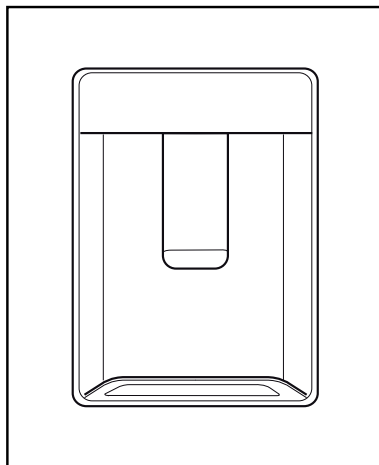


Jeżeli dozownika wody nie używa się przez dłuższy czas, wylewa się pierwsze kilka szklanek wody, aby uzyskać wodę świeżą.

1. Naciśnij szklanką dźwignię dozownika wody. Jeśli korzystasz z miękkiego plastikowego kubka, naciśnięcie dźwigni ręką będzie łatwiejsze.
2. Po napełnieniu kubka dożądanego poziomu puść dźwignię.



Prosimy zwrócić uwagę, że ilość wody wypływającej z dozownika zależy od tego, jak bardzo wciśnięto dźwignię. W miarę jak podnosi się poziom wody w kubku lub szklance delikatnie zmniejszaj nacisk na dźwignię, aby uniknąć przelania się wody. Jeśli lekko nacisnąc ramię, woda kapie, co jest całkiem normalne i nie świadczy o awarii.



Korzystanie z produktu

5.14. Napełnianie zbiornika dozownika wodą

Zbiornik wody mieści się w stelażu na drzwiach.

1. Otwórz pokrywę zbiornika.
2. Napełnij zbiornik świeżą wodą pitną.
3. Zamknij pokrywkę.



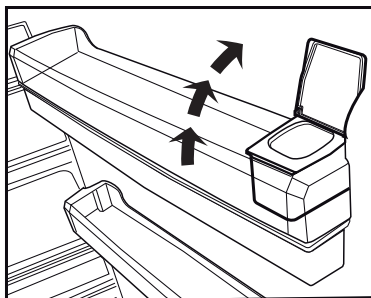
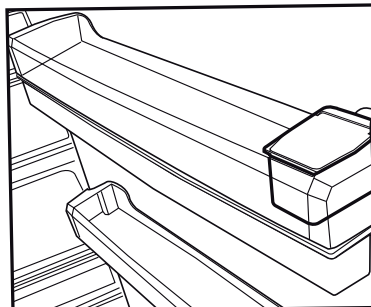
Nie napełniaj zbiornika na wodę innym płynem niż woda, np. sokiem owocowym, napojem gazowanym, czy napojem alkoholowym, które nie nadają się do stosowania w zbiorniku na wodę. Użycie płynu tego rodzaju spowoduje trwałe uszkodzenie dozownika. Użytkowania takiego nie obejmuje gwarancja. Pewne zawarte w takich płynach substancje chemiczne i dodatki mogą uszkodzić zbiornik na wodę.



Używaj tylko świeżej, czystej wody pitnej.



Pojemność zbiornika na wodę wynosi 3 litry, nie należy jej przekraczać.



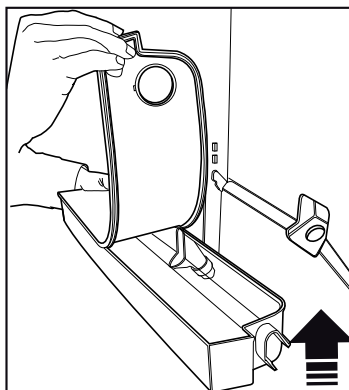
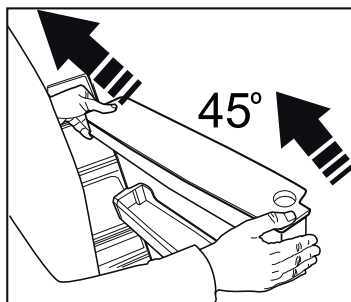
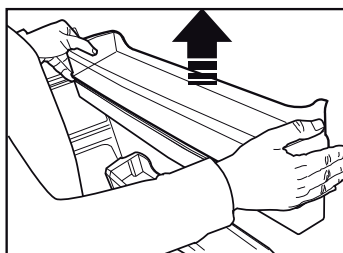
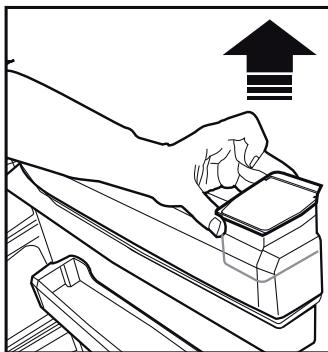
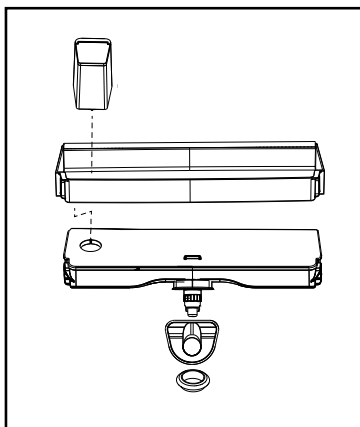
Korzystanie z produktu

5.15. Czyszczenie zbiornika na wodę

1. Wyjmij zbiornik na wodę ze stelaża na drzwiach.
2. Wyjmij stelaż na drzwiach, trzymając go z obu stron.
3. Chwyć zbiornik na wodę z obu stron i wyjmij go pod kątem 45°C.
4. Zdejmij pokrywę zbiornika na wodę i wyczyść go.



Elementów zbiornika i dozownika nie należy myć w zmywarkach do naczyń.



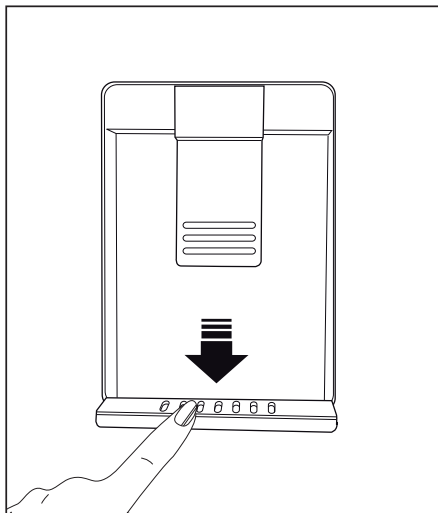
Korzystanie z produktu

5.16. Tacka na krople

Woda, która kapie przy korzystaniu z dozownika zbiera się w tacce na krople.

Wyjmij plastikowy filtr tak jak pokazano na rysunku.

Wytrzyj zebraną wodę za pomocą czystej i suchej ściereczki.



HerbBox/HerbFresh

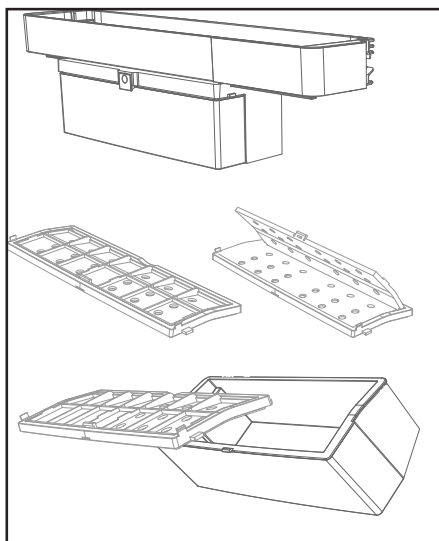
Wyjmij woreczek foliowy z pojemnika HerbBox/HerbFresh+.

Wyjmij folię z woreczka i włóż do ją do osłony tak, jak pokazano na ilustracji.

Zamknij pojemnik i umieść go w części HerbBox/HerbFresh+.

HerbBox/HerbFresh+ jest idealne do przechowywania różnorodnych, delikatnych ziół, wymagających odpowiednich warunków. W pojemniku tym możesz przechowywać na poziomo zioła wyjęte z opakowań (pietruszka, koperek, itp.), co zapewni im świeżość przez znacznie dłuższy okres.

Folię należy wymieniać co pół roku.



Korzystanie z produktu

5.17. Zamrażanie żywności świeżej

- Aby zachować jakość żywności, produkty spożywcze włożone do komory zamrażalnika powinny zostać zamrożone jak najszybciej. W tym celu użyj funkcji szybkiego zamrażania.
- Zamrażanie świeżych produktów spożywczych przedłuż ich czas przechowywania w komorze zamrażalnika.
- Zapakuj produkty spożywcze w hermetyczne opakowania i dobrze zamknij.
- Sprawdź, czy produkty są zapakowane przed włożeniem ich do zamrażalnika. Użyj pojemników do zamrażalnika, folii aluminiowej, papieru pergaminowego, woreczków plastikowych lub podobnych materiałów opakowaniowych zamiast tradycyjnego papieru do pakowania.
- Oznacz każde opakowanie przed zamrożeniem, pisząc na nim datę. Pozwoli Ci to określić świeżość każdego opakowania za każdym otwarciem zamrażalnika. Przechowuj wcześniej włożone produkty spożywcze z przodu, aby zostały użyte pierwsze.
- Zamrożone produkty należy zużyć zaraz po rozmrożeniu i nie wolno ich zamrażać ponownie.
- Nie należy zamrażać dużych ilości żywności na raz.



Lód w komorze zamrażania jest rozmrażany automatycznie.

Regulacja temperatury w komorze zamrażalnika.	Regulacja temperatury w komorze chłodzenia.	Informacje
-18°C	4°C	To domyślne, zalecane ustawienie.
-20, -22 lub -24°C	4°C	Te ustawienia są zalecane, jeśli temperatura otoczenia przekracza 30°C.
Quick Freeze	4°C	Funkcji tej używa się do szybkiego zamrażania żywności. Kiedy ten proces się zakończy, chłodziarka wróci do poprzedniego ustawienia.
-18°C lub zimniej	2°C	Użyj tych ustawień, jeśli uważasz, że w komorze chłodzenia nie jest dostatecznie zimno z powodu temperatury otoczenia lub częstego otwierania drzwiczek.

5.18. Przechowywanie żywności mrożonej

Temperatura komory musi być ustawiona na co najmniej -18°C.

1. Zamrożone produkty należy wkładać do zamrażalnika możliwie jak najszybciej, aby uniknąć rozmrożenia.
2. Przed zamrożeniem sprawdź datę ważności na opakowaniu, aby mieć pewność, że jest ona aktualna.

3. Sprawdź, że opakowanie żywności nie jest uszkodzone.

5.19. Informacje o komorze głębokiego zamrażania

Zgodnie ze standardem IEC 62552 zamrażalnik musi mieć zdolność zamrożenia 4,5 kg żywności w temperaturze -18°C lub niższej w ciągu 24 godzin na każde 100 litrów objętości komory zamrażalnika.

Corzystanie z produktu

Produkty spożywcze można przechowywać przez dłuższy czas tylko w temperaturze -18°C lub niższej.

Możesz zachować świeżość żywności przez kilka miesięcy (w komorze głębokiego zamrażania w temperaturze -18°C lub niższej). Produkty spożywcze, które mają zostać zamrożone, nie mogą się stykać z już zamrożonymi produktami, aby uniknąć ich częściowego rozmrożenia.

Ugotuj warzywa i filtruj wodę, aby przedłużyć czas przechowywania. Umieść żywność w hermetycznych opakowaniach po filtrowaniu i umieść w zamrażalniku. Banany, pomidory, sałata, seler, gotowane jajka, ziemniaki i podobne artykuły nie powinny być zamrażane. Jeśli te artykuły zepsują się, wpłynie to negatywnie tylko na wartości odżywcze i smak. Zepsucie zagrażające zdrowiu ludzkiemu nie wchodzi w grę.

5.20. Rozmieszczenie żywności

Półki w komorze zamrażalnika	Różne mrożonki, np. mięso, ryby, lody, warzywa itp.
Półki komory chłodzenia	Produkty spożywcze w garnkach, na przykrytych talerzach, zamkniętych pudełkach, jajka (w zamkniętym pudełku)
Półki na drzwiach komory chłodzenia	Małe i zapakowane produkty spożywcze oraz napoje
Pojemnik na warzywa	Owoce i warzywa
Komora na żywność świeżą	Delikatesy (produkty śniadaniowe, produkty mięsne do szybkiego spożycia)

5.21. Alarm o otwartych drzwiach (Opcja)

Jeśli drzwi chłodziarki będą otwarte przez co najmniej minutę, rozlegnie się słyszalny alarm. Alarm ten wyłączy się po zamknięciu drzwi lub naciśnięciu dowolnego przycisku na wyświetlaczu (jeśli dostępny).

Alarm o otwartych drzwiach jest prezentowany użytkownikowi słyszalnie i wizualnie.

Oświetlenie wewnętrzne wyłączy się, jeśli ostrzeżenie będzie trwało 10 min.

5.22. Zmiana kierunku otwierania drzwi

Możesz zmienić kierunek otwierania chłodziarki, w zależności od miejsca użytkowania. Jeśli musisz to zrobić, skontaktuj się z najbliższym autoryzowanym serwisem.

Powyższe wyjaśnienie to stwierdzenie ogólne. Aby uzyskać informacje o możliwości zmiany kierunku otwierania drzwi, sprawdź etykietę ostrzegawczą wewnątrz opakowania produktu.

5.23. Oświetlenie wewnętrzne

Oświetlenie wewnętrzne korzysta z lampek typu LED. W przypadku problemów z lampką skontaktuj się z autoryzowanym serwisem. Lampek używanych w tym urządzeniu nie można użyć do oświetlania domu. Zgodne z przeznaczeniem użycie tej lampki to pomoc użytkownikowi w bezpiecznym i wygodnym umieszczeniu żywności w chłodziarce/ zamrażalniku.

6 Konserwacja i czyszczenie

Czas eksploatacji urządzenia wydłuża się, jeśli jest ono regularnie czyszczone.



OSTRZEŻENIE: Przed czyszczeniem chłodziarki odłącz ją od prądu.

- Do czyszczenia nie wolno stosować żadnych ostrych ani szorstkich narzędzi, mydła, domowych środków czystości, detergentów, ani wosku do polerowania.
- Rozpuść łyżeczkę węglanu w pół litrze wody. Namoczyć ściereczkę w roztworze i dokładnie ją wyźmij. Przetrzyj wnętrze chłodziarki tą ściereczką i dokładnie wytrzyj do sucha.
- Dbaj, aby do obudowy lampki i innych urządzeń elektrycznych nie dostała się woda.
- Wyczyść drzwi wilgotną ściereczką. Aby wyjąć półki z drzwi i wnętrza chłodziarki, opróżnij je z całej zawartości. Wyjmij półki z drzwi, przesuwając je w górę. Po oczyszczeniu, wsuń je od góry do dołu, aby włożyć na miejsce.
- Do czyszczenia powierzchni zewnętrznych i chromowanych części produktu nie należy używać ani środków czyszczących, ani wody z zawartością chloru. Chlor powoduje korozję takich powierzchni metalowych.
- Nie używaj ostrych ani szorstkich narzędzi, mydła, domowych środków czystości, detergentów, nafty, oleju napędowego, lakieru itp., aby zapobiec odpadnięciu i odkształceniu plastikowych części. Do czyszczenia użyj letniej wody i miękkiej ściereczki, a następnie wytrzyj do sucha.

6.1. Jak unikać nieprzyjemnych zapachów

Do wyrobu chłodziarek nie używa się materiałów powodujące zapachy. Jednak w wyniku niewłaściwego przechowywania żywności i nieczyszczenia wnętrza chłodziarki mogą powstawać nieprzyjemne zapachy.

A zatem co 15 dni czyść chłodziarkę roztworem węglanu w wodzie.

- Żywność przechowuje się w zamkniętych pojemnikach. Wydostające się z odkrytych pojemników mikroorganizmy mogą powodować nieprzyjemne zapachy.

- W chłodziarce nie wolno przechowywać żywności zepsutej ani takiej, której termin przydatności do spożycia upłynął.

6.2. Jak zabezpieczać powierzchnie plastykowe.

Wymyć od razu ciepłą wodą, ponieważ olej może spowodować uszkodzenie plastikowej powierzchni.

6.3. Szkło w drzwiach

Zdejmij folię ochronną ze szkła.

Na powierzchni szkła znajduje się pokrycie.

To pokrycie ogranicza możliwość powstawania plam i ułatwia usuwanie ewentualnych plam i zabrudzeń. Szkło niechronione takim pokryciem może ulec trwałemu zabrudzeniu organicznymi lub nieorganicznymi związkami opartymi na powietrzu lub wodzie, jak kamień, sole mineralne, niespalone węglowodory, tlenki metali i silikony, które łatwo i szybko powodują powstanie plam i szkody materialne. Utrzymanie szkła w czystości staje się zbyt trudne pomimo regularnego czyszczenia. W konsekwencji pogarsza się wygląd i zmniejsza przezroczystość szkła. Ostre i szorstkie metody i środki czyszczące zwiększą te problemy i przyspieszą proces niszczenia.

Należy używać niezasadowych i łagodnych środków czyszczących opartych na wodzie.

Do czyszczenia należy używać niezasadowych i łagodnych środków czyszczących, aby wydłużyć trwałość tej powłoki.

Szkło to hartuje się, aby zwiększyć odporność na uderzenie i pęknięcie.

Na jego tylne powierzchnie nakłada się także folie ochronne jako dodatkowe zabezpieczenie w celu zapobieżenia szkodom w otoczeniu w przypadku jego pośluzczenia.

* Zasady to podstawa do tworzenia jonów wodorotlenku (OH⁻) po rozpuszczeniu w wodzie. Li (lit), Na (sód), K (potas) Rb (rubid), Cs (cez) oraz sztuczny i radioaktywny Fr (frans) są nazywane METALAMI ALKALICZNYMI.

Przed skontaktowaniem się z serwisem należy sprawdzić tę listę. Umożliwi to zaoszczędzenie czasu i pieniędzy. Ta lista zawiera często spotykane problemy niezwiązane z wadami jakości wykonania lub materiałów. Pewne wymienione tutaj funkcje mogą nie dotyczyć posiadanego produktu.

Lodówka nie działa.

- Wtyk zasilania nie jest włożony do końca.
>>> Dociśnij go do końca w gniazdku.
- Bezpiecznik podłączony do gniazda zasilającego produkt lub bezpiecznik główny jest przepalony. >>> Sprawdź bezpieczniki.

Kondensacja na bocznej ścianie komory chłodziarki (WIELOSTREFOWE, CHŁODZENIE, KONTROLA I STREFA ELASTYCZNA).

- Drzwi są za często otwierane >>> Należy pamiętać, aby nie otwierać drzwi produktu za często.
- Środowisko jest za wilgotne. >>> Produktu nie należy instalować w wilgotnych środowiskach.
- Żywność zawierająca płyny jest przechowywana w nieszczelnych opakowaniach. >>> Żywność zawierająca płyny należy przechowywać w zamkniętych opakowaniach.
- Drzwi produktu pozostały otwarte. >>> Nie wolno pozostawiać otwartych drzwi produktu przez długi czas.
- Termostat jest ustawiony na za niską temperaturę. >>> Ustaw termostat na odpowiednią temperaturę.

Sprężarka nie działa.

- W przypadku nagłej awarii zasilania lub wyciągnięcia kabla zasilającego z gniazda i podłączenia go z powrotem ciśnienie gazu w układzie chłodzenia produktu jest nierównoważone, co wyzwała zabezpieczenie termiczne sprężarki. Produkt ponownie się uruchomi po około 6 minutach. Jeśli produkt nie uruchomi się po tym czasie, skontaktuj się z serwisem.
- Odmrażanie jest aktywne. >>> To jest normalne w przypadku produktu z całkowicie zautomatyzowanym odmrażaniem. Odmrażanie odbywa się okresowo.
- Produkt nie jest podłączony. >>> Upewnij się, że kabel zasilania jest podłączony.
- Nastawa temperatury jest niepoprawna. >>> Wybierz poprawną nastawę temperatury.
- Brak zasilania. >>> Po przywróceniu zasilania produkt będzie kontynuował normalną pracę.

Hałas pracy lodówki zwiększa się podczas używania.

- Wydajność robocza produktu może się zmieniać w zależności od zmian temperatury otoczenia. To jest sytuacja normalna, a nie awaria.

Lodówka włącza się za często lub na zbyt długo.

Rozwiązywanie problemów

- Nowy produkt może być większy niż poprzedni. Większe produkty pracują dłużej.
- Temperatura w pomieszczeniu może być wysoka. >>> Produkt będzie normalnie działał przed dłuższy czas przy wyższej temperaturze w pomieszczeniu.
- Produkt mógł zostać niedawno podłączony lub do środka została włożona nowa porcja żywności. >>> Produkt będzie potrzebował więcej czasu na osiągnięcie ustawionej temperatury, jeśli został niedawno podłączony lub do środka została włożona nowa porcja żywności. To jest normalne.
- Do produktu włożono ostatnio dużą ilość gorącej żywności. >>> Do produktu nie wolno wkładać gorącej żywności.
- Drzwi były często otwierane lub były otwarte przez dłuższy czas. >>> Ciepłe powietrze przedostające się do środka spowoduje wydłużenie pracy produktu. Nie należy za często otwierać drzwi.
- Drzwi zamrażarki lub chłodziarki mogą być uchylone. >>> Sprawdź, czy drzwi są całkowicie zamknięte.
- Produkt może mieć ustawioną za niską temperaturę. >>> Ustaw wyższą temperaturę i poczekaj aż produkt ją osiągnie.
- Uszczelka drzwi chłodziarki lub zamrażarki może być zabrudzona, zużyta, uszkodzona lub niepoprawnie ułożona. >>> Oczyszczyć lub wymieść uszczelkę. Uszkodzona/podarta uszczelka drzwi spowoduje wydłużenie działania produktu w celu utrzymania bieżącej temperatury.

Temperatura zamrażarki jest bardzo niska, ale temperatura chłodziarki jest odpowiednia.

- Temperatura komory zamrażarki jest ustawiona bardzo nisko. >>> Ustaw wyższą temperaturę komory zamrażarki i sprawdź ponownie.

Temperatura chłodziarki jest bardzo niska, ale temperatura zamrażarki jest odpowiednia.

- Temperatura komory chłodziarki jest ustawiona bardzo nisko. >>> Ustaw wyższą temperaturę komory chłodziarki i sprawdź ponownie.

Żywność przechowywana w szufladach komory chłodziarki jest zamrożona.

- Temperatura komory chłodziarki jest ustawiona bardzo nisko. >>> Ustaw wyższą temperaturę komory zamrażarki i sprawdź ponownie.

Temperatura chłodziarki lub zamrażarki jest za wysoka.

- Temperatura komory chłodziarki jest ustawiona bardzo wysoko. >>> Nastawa temperatury komory chłodziarki wpływa na temperaturę komory zamrażarki. Zmień temperaturę komory chłodziarki lub zamrażarki i poczekaj aż odpowiednia komora osiągnie ustawiony poziom temperatury.
- Drzwi były często otwierane lub były otwarte przez dłuższy czas. >>> Nie należy za często otwierać drzwi.
- Drzwi mogą być uchylone. >>> Całkowicie zamknij drzwi.
- Produkt mógł zostać niedawno podłączony lub do środka została włożona nowa porcja żywności. >>> To jest normalne. Produkt będzie potrzebował więcej czasu na osiągnięcie ustawionej temperatury, jeśli został niedawno podłączony lub do środka została włożona nowa porcja żywności.
- Do produktu włożono ostatnio dużą ilość gorącej żywności. >>> Do produktu nie wolno wkładać gorącej żywności.

Wstrząsy lub hałas.

Rozwiązywanie problemów

- Podłoże nie jest poziome lub wytrzymałe. >>> Jeśli produkt się kołysze podczas powolnego przemieszczania, wyreguluj nóżki w celu zrównoważenia produktu. Upewnij się też, że podłoże jest wystarczająco wytrzymałe i uniesie produkt.

- Wszelkie przedmioty umieszczone na produkcie mogą powodować hałas. >>> Zdejmij wszelkie przedmioty umieszczone na produkcie.

Produkt wytwarza dźwięki przepływającego płynu, rozpryskiwania itd.

- Zasada działania produktu obejmuje przepływ płynu i gazu. >>> To jest sytuacja normalna, a nie awaria.

Z produktu słychać odgłos dmuchającego wiatru.

- Produkt używa wentylatora w procesie chłodzenia. To jest sytuacja normalna, a nie awaria.

Na wewnętrznych ściankach produktu występuje kondensacja.

- Gorąca lub zimna pogoda zwiększy zalodzenie i kondensację. To jest sytuacja normalna, a nie awaria.
- Drzwi były często otwierane lub były otwarte przez dłuższy czas. >>> Nie należy otwierać drzwi za często, a jeśli są otwarte należy je zamknąć.
- Drzwi mogą być uchylone. >>> Całkowicie zamknij drzwi.

Na powierzchni zewnętrznej lub między drzwiami produktu występuje kondensacja.

- Pogoda może być wilgotna i to zjawisko jest normalne w takich warunkach. >>> Po zmniejszeniu wilgotności kondensacja zniknie.

Nieprzyjemny zapach we wnętrzu.

- Produkt nie jest regularnie czyszczony. >>> Czyść wnętrze regularnie za pomocą gąbki, ciepłej wody i wody z węglanem.
- Niektóre pojemniki i opakowania mogą wywoływać nieprzyjemne zapachy. >>> Należy używać pojemników i opakowań z materiałów niewydzielających zapachów.
- Żywność została umieszczona w nieszczelnym opakowaniu. >>> Żywność należy przechowywać w zamkniętych opakowaniach. Drobnoustroje mogą się rozprzestrzeniać z niezamkniętych opakowań i powodować nieprzyjemne zapachy.
- Z produktu należy usunąć żywność przeterminowaną i zepsutą żywność.

Drzwi się nie zamykają.

- Opakowania żywności mogą blokować drzwi. >>> Przesuń przedmioty blokujące drzwi.
- Produkt nie stoi całkowicie pionowo na ziemi. >>> Wyreguluj nóżki, aby zrównoważyć produkt.
- Podłoże nie jest poziome lub wytrzymałe. >>> Upewnij się, że podłoże jest poziome i wystarczająco wytrzymałe oraz uniesie produkt.

Zaciął się pojemnik na warzywa.

- Żywność może się stykać z górną częścią szuflady. >>> Zmień ułożenie żywności w szufladzie.

Jeśli powierzchnia produktu jest gorąca.

- Podczas pracy produktu obszar między drzwiczkami, panele boczne i tylny ruszt mogą osiągać wysoką temperaturę. Jest to normalne zjawisko i nie oznacza konieczności dokonywania naprawy!



OSTRZEŻENIE: Jeśli problem nie zniknie po wykonaniu instrukcji podanych w tym rozdziale, skontaktuj się ze sprzedawcą lub autoryzowanym serwisem. Nie próbuj naprawiać produktu.

Gwarancja jakości

Twój produkt marki BEKO posiada gwarancję jakości udzieloną przez Beko S.A z siedzibą w Warszawie ul. Puławska 366, 02-819 Warszawa (dalej Gwarant). Gwarancja jakości udzielana jest wyłącznie na produkty marki BEKO wprowadzane do obrotu na terytorium Rzeczypospolitej Polskiej przez Gwaranta. Termin gwarancji wynosi 24 miesiące od daty zakupu produktu. Oświadczenie gwarancyjne określające warunki gwarancji znajdziesz na stronie internetowej www.beko.pl w sekcji serwis.

Warunkiem wykonywania uprawnień z gwarancji jest przedstawienie dowodu zakupu produktu lub zarejestrowanie produktu na stronie www.beko.pl w sekcji serwis .

Zarejestruj swój produkt.

Załącz konto oraz zarejestruj teraz swój produkt marki BEKO objęty gwarancją na naszej stronie internetowej www.beko.pl w sekcji serwis. Dzięki temu nie będziesz musiał się martwić w sytuacji gdy zgubisz dowód zakupu. Ponadto będziesz miał możliwość otrzymania oświadczenia gwarancyjnego w postaci „cyfrowej karty gwarancyjnej”.

Obsługa klienta – infolinia 22 250 14 14

W celu zgłoszenia reklamacji lub usterki produktu marki BEKO prosimy o kontakt telefoniczny z infolinią . Nasi konsultanci pomogą ci rozwiązać problem lub skierują do właściwego serwisu BEKO.

Infolinia czynna jest 7 dni w tygodniu od 8.00 do 20.00.

* Koszt połączenia jak za połączenie lokalne (z telefonu stacjonarnego) lub według stawek operatora sieci komórkowej.



Podpis i pieczęć instalatora (z numerem uprawnienia) w przypadku montażu urządzeń gazowych lub płyt i piekarników elektrycznych

Aby otrzymać więcej informacji dotyczących serwisu BEKO np. gdzie kupić części zamienne lub akcesoria należy odwiedzić stronę internetową www.beko.pl i wybrać zakładkę serwis.

ZASTRZEŻENIE/OSTRZEŻENIE

Niektóre (proste) awarie mogą być naprawione przez użytkownika końcowego bez obawy przed niebezpieczeństwem lub wynikającym z tego niebezpiecznego użytkowania, pod warunkiem, że naprawy zostaną wykonane w określonych granicach i zgodnie z następującymi instrukcjami (patrz rozdział „Samodzielna naprawa”).

Dlatego, o ile nie określono inaczej w rozdziale "Samodzielna naprawa", naprawy powinny być zlecane do profesjonalnych warsztatów w celu uniknięcia problemów związanych z bezpieczeństwem. Zarejestrowany profesjonalny podmiot zajmujący się naprawami to profesjonalny warsztat, któremu producent przyznał dostęp do instrukcji i wykazu części zamiennych produktu zgodnie z metodami opisanymi w aktach ustawodawczych zgodnie z dyrektywą 2009/125/WE.

Jednak tylko przedstawiciel serwisu (tj. autoryzowane profesjonalne warsztaty), z którym można skontaktować się pod numerem telefonu podanym w instrukcji obsługi/karcie gwarancyjnej lub za pośrednictwem autoryzowanego sprzedawcy, może świadczyć usługi na warunkach gwarancji. W związku z tym należy pamiętać, że naprawy wykonywane przez profesjonalne warsztaty (nieautoryzowane przez Beko) powodują utratę gwarancji.

Samodzielna naprawa

Użytkownik końcowy może samodzielnie naprawić następujące części zamienne: klamki, zawiasy drzwi, tace, kosze i uszczelki drzwi (zaktualizowana lista jest również dostępna na support.beko.com od 1 marca 2021).

Ponadto, aby zapewnić bezpieczeństwo produktu i zapobiec ryzyku poważnych obrażeń, samodzielną naprawę należy wykonać zgodnie ze wskazówkami zawartymi w instrukcji obsługi w rozdziale "Samodzielna naprawa" lub dostępnymi w support.beko.com Dla własnego bezpieczeństwa, przed samodzielną naprawą, odłącz urządzenie od zasilania.

Naprawy i próby naprawy dokonywane przez użytkowników końcowych w przypadku części niewymienionych na liście i/lub nieprzestrzeganie wskazówek zawartych w rozdziale „Samodzielna naprawa” lub dostępnych w support.beko.com, mogą stanowić zagrożenie, którego nie można przypisać do Beko, oraz spowodują utratę gwarancji.

W związku z tym zdecydowanie zaleca się, aby użytkownicy końcowi powstrzymali się od podejmowania prób wykonywania napraw spoza wymienionego wykazu części zamiennych, kontaktując się w takich przypadkach z autoryzowanymi warsztatami lub profesjonalnymi warsztatami. Samodzielne próby naprawy mogą stwarać zagrożenie i uszkodzić urządzenie, a następnie spowodować pożar, powódź, porażenie prądem i poważne obrażenia ciała.

Na przykład, ale nie tylko, następujące naprawy muszą zostać zlecone w autoryzowanych warsztatach lub zarejestrowanych profesjonalnych warsztatach: sprężarka, obwód chłodzenia, płyta główna, płyta falownika, tablica wyświetlacza itp.

Producent/sprzedawca nie ponosi odpowiedzialności w przypadku gdy użytkownik nie stosuje się do zaleceń.

Dostępność części zamiennych do zakupionej lodówki wynosi 10 lat. Przez ten czas dostępne będą oryginalne części zamienne do prawidłowej eksploatacji lodówki.

Minimalny okres gwarancji na zakupioną lodówkę wynosi 24 miesiące.

Ten produkt jest wyposażony w źródło światła o klasie energetycznej "G".

Źródło światła w tym produkcie może być wymieniane wyłącznie przez profesjonalnych serwisantów.

Pred použitím produktu si pozorne prečítajte tento návod na obsluhu.

Vážení zákazníci,

Chceme Vám poskytnúť možnosť najlepšieho použitia nášho výrobku, ktorý bol vyrobený v moderných zariadeniach so starostlivosťou a dôkladnou kontrolou kvality.

Tiež, pred použitím výrobku Vám odporúčame prečítať si celý návod na použitie. V prípade odpredaja výrobku, nezabudnite odovzdať návod jeho novému majiteľovi spoločne s výrobkom.

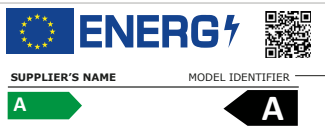
Táto príručka vám pomôže aby ste mohli výrobok používať rýchlo a bezpečne.

- Pred inštaláciou a použitím výrobku si prosím pozorne prečítajte užívateľskú príručku.
- Vždy dodržujte platné bezpečnostné predpisy.
- Majte užívateľskú príručku v dosahu pre budúce použitie.
- Prečítajte si prosím všetky ďalšie dokumenty dodané s výrobkom.

Nezabúdajte, že táto Užívateľská príručka sa môže vzťahovať na viacero modelov výrobkov. Príručka jasne ukáže všetky variácie rôznych modelov.

	Dôležité informácie a užitočné tipy.
	Ohrozenie života a majetku.
	Riziko zranenia elektrickým prúdom.
	Obal tohto výrobku je vyrobený z recyklovateľných materiálov, v súlade s Národnou legislatívou pre životné prostredie.

INFORMÁCIE



Informácie o modeli uložené v databáze výrobkov sa dajú získať zadaním nasledujúcej webovej stránky a vyhľadanim identifikátora vášho modelu (*), ktorý je uvedený na energetickom štítku.

<https://eprel.ec.europa.eu/>

1. Bezpečnostné pokyny a životné prostredie	3	5.11. Automatický výrobnik ľadu	18
1.1. Všeobecná bezpečnosť	3	5.12. Icematic a držiak na skladovanie ľadu	19
1.1.1 Varovanie HC.	4	5.13. Používanie dávkovača na vodu	19
1.1.2 Pre modely s dávkovačom vody	4	5.14. Plnenie nádrže dávkovača na vodu	20
1.2. Účel použitia	5	5.15. Čistenie nádrže na vodu	21
1.3. Bezpečnosť detí	5	5.16. Odvapkávacia miska.	22
1.4. Súlad so smernicou WEEE a Odstránenie odpadov výrobku	5	5.17. Zmrazovanie čerstvých potravín	23
1.5. Súlad so smernicou RoHS	5	5.18. Odporúčania pre skladovanie zmrazených potravín	23
1.6. Informácie o balení	5	5.19. Podrobnosti o mrazničke	24
1.7. Technické informácie pre Wifi + Bluetooth	6	5.20. Umiestnenie jedla	24
2 Vaša chladnička	7	5.21. Upozornenie na otvorené dvere.	24
3 Inštalácia	8	5.22. Zmena smeru otvárania dverí	24
3.1. Správne miesto pre inštaláciu	8	5.23. Vnútorňé osvetlenie	24
3.2. Pripojenie plastových klinov	8	6 Údržba a čistenie	25
3.3. Nastavenie stojanov	8	6.1. Zabránenie vzniku nepríjemných pachov	25
3.4. Pripojenie napájania	9	6.2. Ochrana plastových povrchov	25
4 Príprava	10	6.3. Dverové sklá	25
4.1. Čo urobiť pre úsporu energie	10	7 Riešenie problémov	26
4.2. Prvé uvedenie do prevádzky	10		
5 Prevádzka spotrebiča	11		
5.1. Zásobník na ľad	14		
5.2. Držiak na vajčička	14		
5.3. Ventilátor	14		
5.4. Zásobník na zeleninu	14		
5.5. Oddelenia Nulového stupňa	15		
5.6. Pohyblivý stojan vo dverách	15		
5.7. Posuvná odkladacia schránka	15		
5.8. Dezodorizačný modul	16		
5.9. Používanie druhého priečinka na zeleninu a ovocie;	17		
5.10. Zásobník na zeleninu s kontrolou vlhkosti	18		

Táto časť obsahuje bezpečnostné pokyny nevyhnutné pre zabránenie nebezpečenstvu zranení a materiálnych škôd. Nedodržaním týchto pokynov zanikajú všetky typy záruky výrobu.

Určené použitie

UPOZORNENIE:

Udržujte vetracie otvory na kryte prístroja alebo v konštrukcii zabudovania bez prekážok.

UPOZORNENIE:

Nepoužívajte mechanické nástroje alebo iné prostriedky na urýchlenie procesu odmrazenia, okrem tých, ktoré odporúča výrobca.

UPOZORNENIE:

Nepoškodujte chladiaci okruh.

UPOZORNENIE:

Nepoužívajte elektrické spotrebiče vo vnútri priestoru na potraviny, iba ak sú doporučené výrobcom.

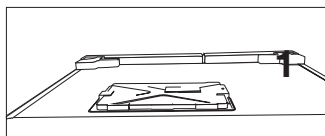
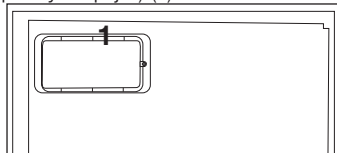


Toto zariadenie je určené pre použitie v domácnosti a v podobných podmienkach, ako sú napríklad

- Kuchynské miestnosti pre personál v obchodoch, kanceláriách a v iných pracovných prostrediach;
- farmárske domy a klienti v hoteloch, motelloch a iných typoch bytových zariadení;
- v ubytovacích zariadeniach typu bed and breakfast;
- stravovacie a podobné zariadenia neobchodného typu.

1.1. Všeobecná bezpečnosť

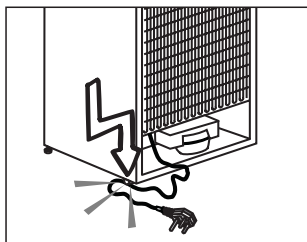
- Tento produkt by nemali používať osoby s telesným, zmyslovým a mentálnym postihnutím, osoby bez dostatočných znalostí a skúseností, alebo deti. Zariadenie môžu tieto osoby používať len pod dohľadom a po poučení osobou zodpovednou za ich bezpečnosť. Nedovoľte deťom hrať sa s týmto zariadením.
- V prípade poruchy prístroj odpojte.
- Po odpojení počkajte najmenej 5 minút pred opätovným pripojením. Odpojte výrobok, keď sa nepoužíva. Nedotýkajte sa zástrčky mokrymi rukami! Pri odpájaní neťahajte za kábel, vždy uchopte zástrčku.
- Nezapájajte chladničku, ak je zásuvka uvoľnená.
- Pri inštalácii, údržbe, čistení a opravách výrobok odpojte.
- Ak sa výrobok nebude dlhší čas používať, odpojte ho a vyberte z neho potraviny.
- Nepoužívajte paru alebo čistiace prostriedky s parou pre čistenie chladničky a topenia ľadu vo vnútri. Para môže prísť do styku s elektrifikovanými oblasťami a spôsobíť skrat alebo elektrický šok!
- Neumývajte výrobok striekaním alebo polievaním vodou na neho! Nebezpečenstvo úrazu elektrickým prúdom!
- Nikdy nepoužívajte výrobok, ak časť nachádzajúca sa na hornej alebo zadnej strane výrobku s elektronickou doskou s plošným spojom vo vnútri je otvorená (krycia doska elektronických plošných spojov) (1).



Bezpečnostné pokyny a životné prostredie

- V prípade jeho poruchy výrobok nepoužívajte, pretože by mohlo dôjsť k úrazu elektrickým prúdom. Pred tým, než čokoľvek urobíte, sa obráťte na autorizovaný servis.
- Výrobok zapájajte do uzemnenej zásuvky. Uzemnenie musí byť vykonané kvalifikovaným elektrikárom.
- Ak produkt má osvetlenie typu LED, pre jeho nahradenie alebo v prípade akéhokoľvek problému sa obráťte na autorizovaný servis.
- Nedotýkajte sa mrazených potravín mokrymi rukami! Môžu sa nalepiť na Vaše ruky!
- Nekladte do mrazničky tekutiny vo fľašiach a plechovkách. Môžu vybuchnúť!
- Tekutiny umiestnite vo vzpriamenej polohe a pevne uzatvorte ich veko.
- Nestriekajte horľavé látky v blízkosti výrobku, nakoľko sa môže zapáliť alebo explodovať.
- Nenechávajte horľavé materiály a produkty s horľavým plynom (spreje, atď.) v chladničke.
- Nekladte nádoby obsahujúce kvapaliny na hornú časť výrobku. Voda striekajúca na elektrifikované časti môže spôsobiť úraz elektrickým prúdom a nebezpečenstvo požiaru.
- Vystavenie produkt dažďu, snehu, slnku a vetru môže spôsobiť elektrické nebezpečenstvo. Pri premiestňovaní výrobku ho neťahajte držaním za rukoväť dverí. Rukoväť sa môže odtrhnúť.
- Dbajte na to, aby nedošlo k zachyteniu akúkoľvek časti vašich rúk či tela do akýchkoľvek z pohybujúcich sa častí vo vnútri výrobku.
- Nevyliezajte alebo sa neopierajte o dvere, zásuvky a podobné časti chladničky. Môže to mať za následok pád výrobku a spôsobiť poškodenie dielov.
- Dávajte pozor, aby nedošlo k privretiu napájacieho kábla.

- Pri umiestnení zariadenia sa uistite, že napájací kábel nie je zachytený alebo poškodený.
- Neumiestňujte viac prenosných zásuviek alebo prenosných zdrojov napájania vzadu od zariadení.



1.1.1 Varovanie HC

Ak výrobok obsahuje chladiaci systém v ktorom sa používa plyn R600a, zabezpečte, aby pri používaní a pohybovaní spotrebiča nedošlo k poškodeniu chladiaceho systému a jeho potrubia. Tento plyn je horľavý. Ak je chladiaci systém poškodený, zabezpečte, aby bolo zariadenie mimo dosahu zdrojov ohňa a okamžite vyvetrajte miestnosť.



Štítko na vnútornej ľavej strane označuje druh plynu používaného v produkte.

1.1.2 Pre modely s dávkovačom vody

Tlak pre prívod studenej vody musí byť maximálne 90 psi (620 kPa). Ak je váš tlak vody vyšší ako 80 psi (550 kPa, použite vo vašej sieti ventil na obmedzovanie tlaku. Ak neviete, ako skontrolovať tlak vody, požiadajte o pomoc profesionálneho inštalátora.

- Ak pri inštalácii existuje riziko vodného rázu, vždy použite preventívne zariadenia proti vodnému rázu. Ak ste si nie je istý, či vo Vašej

Bezpečnostné pokyny a životné prostredie

sieti je efekt vodného rázu, poraďte sa s profesionálnym inštalátorom. Neinštalujte na prívode pre teplú vodu. Vykonajte nevyhnutné opatrenia proti riziku zamrznutia hadíc. Prevádzkový interval teplota vody musí byť medzi minimálne 33 ° F (0,6 ° C) a maximálne 100 ° F (38 ° C).

- Používajte len pitnú vodu.

1.2. Účel použitia

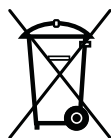
- Tento výrobok je určený pre domáce použitie. Nie je určený pre komerčné použitie.
- Spotrebič by mal byť používaný iba pre skladovanie potravín a nápojov.
- Do chladničky neukladajte citlivé produkty, ktoré si vyžadujú riadené teploty (očkovacie látky, lieky citlivé na teplo, zdravotnícky materiál, atď.).
- Výrobca nenesie žiadnu zodpovednosť za prípadné škody spôsobené nesprávnym použitím alebo nesprávnou manipuláciou.
- Životnosť výrobku je 10 rokov. Náhradné diely potrebné pre funkčnosť tohoto výrobku budú pre toto obdobie k dispozícii.

1.3. Bezpečnosť detí

- Obalové materiály uchovávajte mimo dosahu detí.
- Nedovoľte deťom, aby sa s výrobkom hrali.
- Ak je na dverách výrobku zámok, kľúč držte mimo dosahu detí.

1.4. Súlad so smernicou WEEE a Odstránenie odpadov výrobku

Tento výrobok spĺňa požiadavky smernice WEEE EÚ (2012/19/EU). Na tomto produkte je zobrazený symbol klasifikácie odpadu elektrických a elektronických zariadení (OEEZ).



Tento výrobok bol vyrobený z vysoko kvalitných materiálov a komponentov, ktoré sa dajú opätovne použiť a ktoré sú vhodné pre recykláciu. Na konci svojej životnosti spotrebič nevyhadzujte spolu s bežnými domácimi a inými odpadmi. Odnesť ho do zberného centra pre recykláciu elektrických a elektronických zariadení. Pre informácie o týchto zberných strediskách sa prosím obráťte na miestne úrady.

1.5. Súlad so smernicou RoHS

Tento výrobok spĺňa požiadavky smernice WEEE EÚ (2011/65/EU). Neobsahuje škodlivé a zakázané látky uvedené v smernici.

1.6. Informácie o balení

Obalové materiály výrobku sú vyrobené z recyklovateľných materiálov v súlade s našimi národnými predpismi o životnom prostredí. Nevyhadzujte obalové materiály spolu s domácimi alebo inými odpadmi. Vezmite ich do zberných miest pre obalové materiály určené miestnymi orgánmi.

Bezpečnostné pokyny a životné prostredie

1.7. Technické informácie pre Wifi + Bluetooth

Frekvenčné pásmo:	2,4 GHz (prevádzka Wi-Fi alebo Bluetooth)
Max. prenosový výkon:	< 100 mW (prevádzka Wi-Fi alebo Bluetooth)
Informácie o softvéri:	Quartz_WiFi.XXX

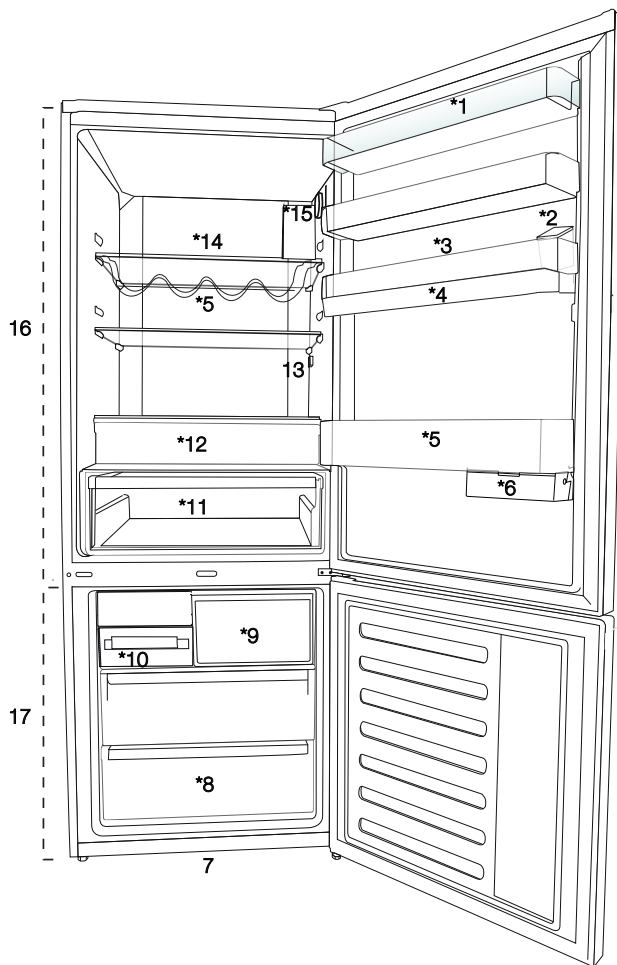
Vyhlasenie o zhode pre označenie CE:

Arçelik A.Ş. týmto prehlasuje, že toto zariadenie je v súlade so smernicou 2014/53/EU.

Úplné znenie vyhlásenia o zhode EU je k dispozícii na tejto internetovej adrese:

Produkty, od: support.beko.com

2 Vaša chladnička



1. Polica v dverách chladiacej časti
2. Plniaca nádrž dávkovača vody
3. Časť pre vajíčka
4. Zásobník dávkovača vody
5. Polica pre fľaše
6. Posuvná odkladacia schránka
7. Nastaviteľné nohy
8. Časť hlbokého mrazenia
9. Časť rýchleho mrazenia
10. Zásobník na ľadové kocky a akumulovaný ľad
11. Zásobník na zeleninu
12. Oddelenia Nulového stupňa
13. Vnútorne osvetlenie
14. Sklenená polica v chladiacej časti
15. Tlačidlo pre Nastavenie teploty
16. Chladiaci priestor
17. Mraziaci priestor

Nemusí byť súčasťou výbavy všetkých modelov



***voliteľné:** Obrázky uvedené v tejto príručke sú uvádzané ako príklad a nemusia sa presne zhodovať s Vaším produktom. Ak váš výrobok neobsahuje príslušné časti, tieto informácie sa vzťahujú na ostatné modely.

3.1. Správne miesto pre inštaláciu

Pre inštaláciu výrobku sa obráťte na autorizovaný servis. Pre prípravu výrobku pre inštaláciu vyhľadajte informácie v užívateľskej príručke a uistite sa, že sú k dispozícii požadované elektrické a vodovodné nástroje. Ak nie, pre usporiadanie týchto nástrojov podľa potreby sa obráťte na elektrikára a vodoinštalatéra.



VAROVANIE: Výrobca nenesie žiadnu zodpovednosť za škodu spôsobenú prácou vykonanou neoprávnenými osobami.



VAROVANIE: V priebehu inštalácie musí byť napájací kábel tohto výrobku odpojený. Ak tak neurobíte, môže to mať za následok smrť alebo vážne zranenie!



VAROVANIE: Ak je rozpätie dverí príliš úzke pre prenesenie výrobku, odmontujte dvere a otočte produkt na bok, ak to nefunguje, obráťte sa na autorizovaný servis.

- Pre zabránenie vibráciám umiestnite výrobok na rovný povrch.
- Umiestnite výrobok aspoň 30 cm od radiátorov, pecí a podobných tepelných zdrojov a aspoň 5 cm od elektrických rúr.
- Nevystavujte výrobok priamemu slnečnému žiareniu alebo ho neponechávajte vo vlhkom prostredí.
- Výrobok pre svoje efektívne fungovanie vyžaduje dostatočnú cirkuláciu vzduchu.
- Pokiaľ bude výrobok umiestnený vo výklenku, nezabudnite nechať najmenej 5 cm odstup medzi produktom, stropom a stenami.
- Neinštalujte výrobok v prostredí s teplotami pod -5°C .

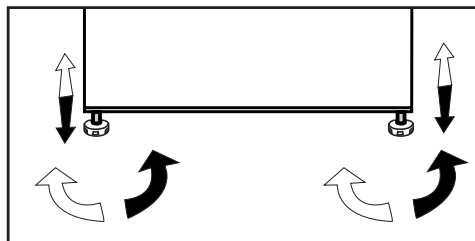
3.2. Pripojenie plastových klinov

Použite plastové kliny dodané s produktom pre zabezpečenie dostatočného priestoru pre cirkuláciu vzduchu medzi výrobkom a stenou.




1. Ak chcete pripojiť kliny, odstráňte skrutky na výrobku a použite skrutky dodané s klinmi.
2. Pripevnite 2 plastové kliny na kryt vetrania ako sú zobrazené na obrázku.

3.3. Nastavenie stojanov

Ak výrobok nie je v rovnovážnej polohe, nastavte predné nastaviteľné stojany ich otáčaním smerom doprava alebo doľava.



3.4. Pripojenie napájania

	VAROVANIE: Pre napájanie nepoužívajte rozšírené alebo združené zásuvky.
	VAROVANIE: Poškodený napájací kábel musí byť vymenený autorizovaným servisom.
	Pri umiestnení dvoch chladničiek v príľahlej pozícii, medzi dvoma jednotkami nechajte vzdialenosť najmenej 4 cm.



Výstraha pred horúcim povrchom
Bočné steny vášho produktu sú vybavené chladiacím potrubím pre zlepšenie chladiaceho systému. Cez tieto oblasti môže prúdiť chladivo s vysokými teplotami, čo vedie k horúcim povrchom bočných stien. To je normálne a nepotrebuje žiadnu opravu. Dbajte na to, keď sa dotýkate týchto oblastí.

- Naša spoločnosť nenesie zodpovednosť za prípadné škody vzniknuté v dôsledku použitia bez uzemnenia a pripojenia napájania v nesúlade s vnútroštátnymi predpismi.
- Zásuvka napájacieho kábla musí byť ľahko prístupná aj po inštalácii.
- Medzi zásuvkou a chladničkou nepoužívajte rozdvojku alebo predlžovací kábel.
- Váš výrobok pre svoje efektívne fungovanie vyžaduje dostatočnú cirkuláciu vzduchu. Ak sa výrobok umiestni do výklenku, nezabudnite medzi výrobkom a stropom, zadnou stenou a bočnými stenami ponechať voľný priestor najmenej 5 cm.
- Ak sa výrobok umiestni do výklenku, nezabudnite medzi výrobkom a stropom, zadnou stenou a bočnými stenami ponechať voľný priestor najmenej 5 cm. Skontrolujte, či sa komponent na zaistenie voľného priestoru voči zadnej stene nachádza na svojom mieste (ak sa dodáva s výrobkom). Ak komponent nie je k dispozícii, alebo ak sa stratil či spadol, umiestnite výrobok tak, aby medzi zadnou stenou výrobkov a stenou miestnosti zostal voľný priestor najmenej 5 cm. Voľný priestor vzadu je dôležitý pre efektívnu prevádzku výrobku.

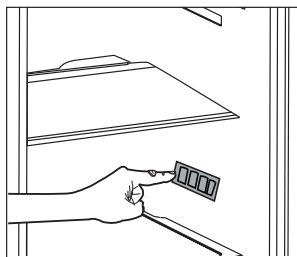
4.1. Čo urobiť pre úsporu energie



Pripojenie výrobku k elektronickým systémom pre úsporu energie je škodlivé, pretože môže dôjsť k poškodeniu výrobku.

- Pre voľne stojace zariadenie; „tento chladiaci spotrebič nie je určený na použitie ako zabudovaný spotrebič“;
- Nenechávajte dvere chladničky otvorené po dlhšiu dobu.
- Nevkladajte do chladničky horúce potraviny alebo nápoje.
- Nepreplňujte chladničku; blokovanie vnútorného toku vzduchu zníži chladiacu kapacitu.
- Aby ste mohli uchovávať maximálne množstvo potravín v chladnejšom priestore vašej chladničky, vyberte hornú zásuvku a položte ju na sklenenú policu. Deklarovaná spotreba energie chladničky bola určená po vybratí chladiča, zásobníka na ľad a hornej zásuvky, čo umožní vytvoriť maximálny skladovací priestor. Pri skladovaní dôrazne odporúčame použitie spodnej zásuvky. Pre najlepšiu spotrebu energie aktivujte funkciu úspory energie.
- Neblokujte prúdenie vzduchu tým, že umiestnite jedlo pred ventilátor chladiča. Pri umiestnení potravín je potrebné zabezpečiť minimálne 3 cm priestor pred ochrannými mrežami ventilátora.
- V závislosti na funkciách tohto výrobku; rozmrazovanie zmrazených potravín v chladnejšom priestore zaisťuje úsporu energie a zachovanie kvality potravín.
- Jedlo ukladajte pomocou použitia zásuviek v chladiacom priestore, s cieľom zabezpečenia úspory energie a ochrany potravín v lepších podmienkach.
- Balíky potravín nesmú byť v priamom kontakte s čidlom tepla, nachádzajúceho sa v chladiacom priestore. V prípade ak sa dotýkajú čidla, môže sa zvýšiť spotreba energie zariadenia.

- Uistite sa, že potraviny nie sú v kontakte so snímačom teploty priestoru chladničky popísaného nižšie.
- Pretože horúci a vlhký vzduch sa nedostane priamo do vášho výrobku, keď nie sú dvere zatvorené, výrobok sa optimalizuje v existujúcich podmienkach tak, aby jedlo vnútri bolo bezpečne chránené. Funkcie a súčasti, ako sú kompresor, ventilátor, ohrievač, rozmrazovač, osvetlenie, displej a iné, budú fungovať tak, aby za týchto podmienok spotrebovali minimálne množstvo energie.



4.2. Prvé uvedenie do prevádzky

Pred použitím chladničky sa uistite, že boli vykonané všetky nevyhnutné prípravy v súlade s pokynmi uvedenými v kapitolách “Bezpečnostné pokyny a životné prostredie” a “Inštalácia”.

- Nechajte výrobok bežať bez jedla v jeho vnútri po dobu 6 hodín a neotvárajte dvere, ak to nie je nevyhnutné.



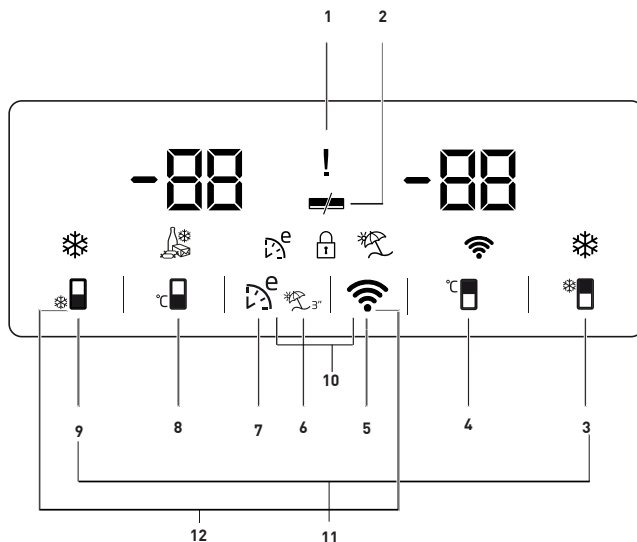
Keď sa kompresor zapne, budete počuť zvuk. Je normálne počuť zvuk, aj keď kompresor nie je aktívny, v dôsledku stlačenej kvapaliny a plynov v chladiacom systéme.



Predné hrany produktu sa môžu zahriať. To je normálne. Tieto oblasti sú navrhnuté tak, aby sa zahriali, s cieľom zabránenia kondenzácie.



Pri niektorých modeloch sa panel indikátora automaticky vypne po 5 minútach po zatvorení dverí. Znovu sa aktivujú keď sa dvere otvoria alebo po stlačení tlačidla.



1. Výpadok napájania / vysoká teplota / Kontrolka chybového stavu
2. Kontrolka funkcie úspory energie (vypnutý displej)
3. Tlačidlo rýchleho chladenia
4. Tlačidlo nastavenia teploty chladiacej časti
5. Tlačidlo bezdrôtového pripojenia
6. Tlačidlo funkcie Dovolenka
7. Tlačidlo Eco-fuzzy
8. Tlačidlo nastavenia teploty mraziacej časti
9. Tlačidlo rýchleho mrazenia
10. Zámok tlačidiel
11. Tlačidlo na zmenu jednotky teploty


Nemusi byť súčasťou výbavy všetkých modelov



***voliteľné:** Obrázky uvedené v tejto príručke sú uvádzané ako príklad a nemusia sa presne zhodovať s Vaším produktom. Ak váš výrobok neobsahuje príslušné časti, tieto informácie sa vzťahujú na ostatné modely.


Tlačidlo pre Nastavenie teploty

1. Výpadok napájania / vysoká teplota / Kontrolka chybového stavu

Táto kontrolka () sa rozsvieti v prípade výpadku napájania, vysokej teploty a chybových varovaní. Keď sa teplota mraziaceho priestoru zohreje na kritickú úroveň pre mrazené potraviny, na digitálnom ukazovateli bliká maximálna dosiahnutá hodnota teploty mraziaceho priestoru.

Skontrolujte jedlo v časti v mrazničke.

To nie je porucha. Varovanie je možné vymazať stlačením ľubovoľného tlačidla alebo tlačidlom vypnutia alarmu vysokej teploty. (Zrušenie stlačením ľubovoľného tlačidla nie je možné v prípade každého modelu.)

Táto kontrolka () sa rozsvietil aj pri poruche snímača. Keď táto kontrolka svieti, na kontrolke teploty sa alternatívne zobrazí „E“ a číslice ako „1,2,3 ...“. Tieto údaje na kontrolke informujú servisný personál o chybe.


2. Kontrolka funkcie úspory energie (vypnutý displej)

Ak sú dvere produktu zatvorené po dlhšiu dobu, automaticky sa aktivuje funkcia úspory energie a rozsvieti sa symbol úspory energie.




Keď je aktivovaná funkcia úspory energie, vypnú sa všetky symboly na displeji, okrem symbolu úspory energie. Ak je aktivovaná funkcia pre úsporu energie, ak stlačíte akékoľvek tlačidlo alebo otvoríte dvere, funkcia úspory energie sa zruší a symboly na displeji sa vrátia do normálu. Funkcia Úspora energie je nastavená od výroby a nie je ju možné zrušiť.

3. Tlačidlo rýchleho chladenia

Kontrolka rýchleho chladenia () svieti, keď je aktivovaná funkcia rýchleho chladenia a hodnota indikátora teploty chladničky sa zobrazuje ako 1. Pre zrušenie tejto funkcie stlačte tlačidlo Rýchleho chladenia. Kontrolka rýchleho chladenia sa vypne a chladnička sa vráti do normálneho nastavenia. Ak ju nezrušíte, funkcia rýchleho chladenia sa automaticky zruší do 1 hodiny. Ak chcete

ochladiť veľké množstvo čerstvých potravín, pred vložení potravín do chladničky stlačte tlačidlo rýchleho chladenia.

4. Tlačidlo nastavenia teploty chladiacej časti

Stlačením tlačidla môžete teplotu chladiaceho priestoru nastaviť na 8,7, 6,5, 4,3, 2 a 1. ()

5. Tlačidlo bezdrôtového pripojenia (* voliteľné)

Dlhým stlačením tlačidla (3 sekundy) sa spustí prvé predstavenie produktu do domácej siete.

Počas procesu nadviazania spojenia, bude ikona bezdrôtovej siete () blikať v 0,5-sekundových intervaloch.

Po úspešnom pripojení k domácej sieti bude ikona bezdrôtovej siete nepretržite svietiť.

Po nadviazaní prvého spojenia je možné spojenie aktivovať/deaktivovať krátkym stlačením tohto tlačidla.

Po vypnutí a zapnutí napájania sa automaticky zapamätá a vytvorí sa pripojenie k sieti.

Kým sa spojenie nevytvorí, ikona bezdrôtovej siete bude krátko blikať (v intervaloch 0,2 sekundy).

Keď je pripojenie aktívne, bude ikona bezdrôtovej siete nepretržite svietiť.

Ak určitú dobu nie je možné nadviazať pripojenie, skontrolujte nastavenia modemu/pripojenia.

Aplikácia HomeWhiz sa používa ako rozhranie pripojenia.

Kroky pripojenia sú popísané v príručke HomeWhiz QUICK INSTALLATION GUIDE, ktorá je dodávaná s produktom.

V časti venovanej riešeniu problémov nájdete odpovede na základné otázky.

6. Tlačidlo funkcie Dovolenska

Ak chcete aktivovať funkciu Dovolenska, stlačte a podržte tlačidlo () na 3 sekundy a aktivuje sa kontrolka dovolenkového režimu (). Ak je aktivovaná funkcia Dovolenska, na ukazovateli

Tlačidlo pre Nastavenie teploty

teploty chladničky sa zobrazí "- -" a v časti chladničky nebude aktívne chladenie. Keď je táto funkcia aktívna, neodporúča sa skladovať potraviny v chladiacom priestore. Ostatné oddelenia sa budú naďalej chladiť podľa nastavených teplôt.

Pre zrušenie tejto funkcie znova stlačte tlačidlo **funkcie Dovoľenka**.

7. Tlačidlo Eco-fuzzy

Zapnite funkciu Eco fuzzy stlačením tlačidla Eco-fuzzy. Ak je táto funkcia povolená, mraznička začne fungovať v ekologickom režime najmenej po 6 hodín a bude svietiť kontrolka ekonomického používania. (E)

Ak chcete funkciu Eco-fuzzy deaktivovať, znova stlačte tlačidlo funkcie Eco-fuzzy. Ak je aktívovaná funkcia eco-fuzzy, táto kontrolka sa rozsvieti po 6 hodinách.

8. Tlačidlo nastavenia teploty mrazničky

Nastavenie teploty sa vykonáva pre mraziaci priestor.

V prípade stlačenia očíslovaného tlačidla (T), môžete nastaviť teplotu v mrazničke na -18, -19, -20, -21, -22, -23 a -24.

9. Tlačidlo rýchleho mrazenia

Stlačte tlačidlo č. (9) na rýchle zmrazenie; aktivuje sa kontrolka rýchleho zmrazenia (R) sa.

Keď je zapnutá funkcia rýchleho zmrazenia, rozsvieti sa kontrolka rýchleho zmrazenia a na displeji sa zobrazí kontrolka teploty mraziacej časti -27. Túto funkciu zrušíte opätovným stlačením tlačidla rýchleho zmrazenia (R). Kontrolka rýchleho zmrazenia zhasne a chladnička sa vráti do pôvodného stavu. Ak ju nezrušíte, funkcia Rýchleho chladenia sa do 24 hodín automaticky zruší. Ak chcete zmraziť veľké množstvo čerstvých potravín, pred vložením potravín do mrazničky stlačte tlačidlo Rýchleho mrazenia.

10. Zámok tlačidiel

Stlačte a podržte na 3 sekundy súčasne tlačidlá pre bezdrôtovú sieť (W) a Eko-fuzzy (E). Rozsvieti sa symbol Zámku tlačidiel (L) a aktivuje sa režim Zámok tlačidiel. Ak je režim Zámok tlačidiel aktívny, tlačidlá nebudú fungovať. Stlačte a podržte na 3 sekundy súčasne tlačidlá pre bezdrôtovú sieť (W) a Eko-fuzzy (E). Zámok tlačidiel bude deaktivovaný.

Ak chcete zabrániť pozmeneniu nastavenia teploty v chladničke, stlačte tlačidlo **Zámok tlačidiel**.

11. Tlačidlo na zmenu jednotky teploty

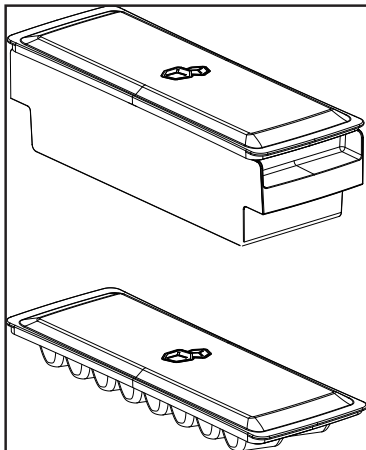
Stlačte a podržte tlačidlá Quick Fridge (F) a Quick Freeze (Z) na 3 sekundy pre prepínanie medzi Fahrenheitom a Celziumom.

Tlačidlo pre Nastavenie teploty

5.1. Zásobník na ľad

(Voliteľné)

- Vyberte von nádobu na ľad z mrazničky.
- Naplňte nádobu na ľad vodou.
- Vložte nádobu na ľad do mrazničky.
- Ľad bude pripravený asi po dvoch hodinách. Vezmite nádobu na ľad z mrazničky a opatrne ju ohnite nad držiakom, ktorý budete podávať. Ľad ľahko vypadne do servírovacieho držiaka.



5.2. Držiak na vajíčka

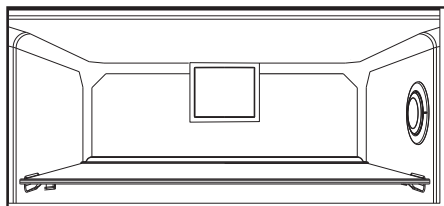
Držiak na vajíčka môžete ľubovoľne umiestniť na držiak vo dverách alebo v chladničke. Ak ste sa rozhodli dať ju na držiak v chladničke, odporúčame, aby ste použili nižšie police, nakoľko sú chladnejšie.



Nedávajte držiak na vajíčka do mrazničky.

5.3. Ventilátor

Ventilátor bol navrhnutý tak, aby zabezpečil cirkuláciu chladného vzduchu vo vnútri chladničky homogénne. Prevádzková doba ventilátora sa môže líšiť v závislosti na funkciách vášho produktu.



5.4. Zásobník na zeleninu

(Voliteľné)

Zásobník na zeleninu produktu je navrhnutý tak, aby zelenina zostala čerstvá pri zachovaní svojej vlhkosti. Za týmto účelom je celková cirkulácia chladného vzduchu v zásobníku na zeleninu intenzívnejšia.

Tlačidlo pre Nastavenie teploty

5.5. Oddelenia Nulového stupňa

(Voliteľné)

Použite tento priestor pre udržanie lahôdok alebo mäsových výrobkov na okamžitú spotrebu pri nižších teplotách.

Oddelenia Nulového stupňa je najlepšie miesto, kde môžu byť uložené v ideálnych podmienkach skladovania potraviny, ako sú mliečne výrobky, mäso, ryby a kurča. Neskladujte zeleninu a/alebo ovocie v tomto priestore.

5.6. Pohyblivý stojan vo dverách

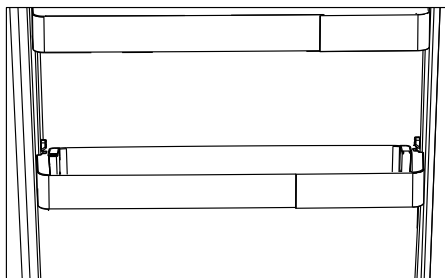
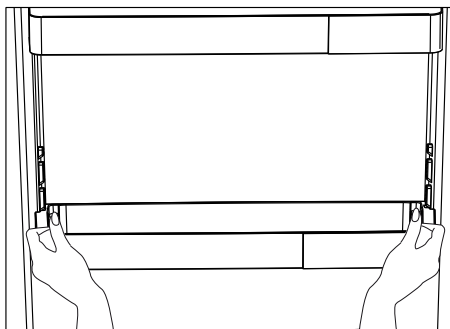
(Voliteľné)

Pohyblivý stojan vo dverách je možné upevniť do 3 rôznych polôh.

Pre presun stojana, rovnomerne stlačte bočné tlačidlá. So stojanom bude možné pohybovať.

Posuňte stojan smerom nahor alebo nadol.

Keď je stojan v požadovanej pozícii, uvoľnite tlačidlá. Po uvoľnení tlačidiel bude stojan opäť pevný na svojej pozícii.

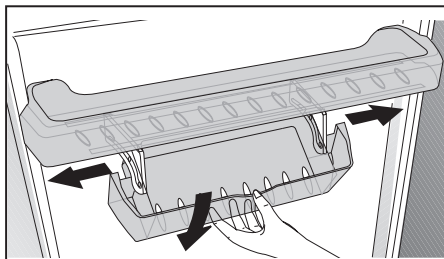


5.7. Posuvná odkladacia schránka

(Voliteľné)

Tento doplnok bol navrhnutý pre zvýšenie objemu využitia dverných stojanov.

Vďaka svojej schopnosti pohybovania sa do strán, vám umožní ľahko umiestniť dlhé fľaše, poháre alebo krabice, ktoré ste vložili do poličky pre fľaše nižšie.



Tlačidlo pre Nastavenie teploty

5.8. Dezodorizačný modul

(FreshGuard)

(Voliteľné)

Dezodorizačným modulom sa rýchlo odstraňujú zápachy vo vašej chladničke skôr, ako preniknú do povrchov. Vďaka tomuto modulu, ktorý sa nachádza na strope priehradky na čerstvé potraviny, sa zápachy rozptýlia počas aktívneho presúvania vzduchu do zápachového filtra, potom sa vzduch prečistený filtrom opätovne vypúšťa do priehradky na čerstvé potraviny. Takto sa nežiaduce zápachy, ktoré môžu vzniknúť počas uskladnenia potravín v chladničke, odstraňujú skôr, ako preniknú do povrchov.

Dosahuje sa to vďaka ventilátoru, LED a pachovému filtru, ktoré sú zabudované v module. Pri dennom používaní sa dezodorizačný modul bude pravidelne automaticky spúšťať. Na zachovanie účinnosti sa odporúča dať si filter v dezodorizačnom module vymeniť autorizovaným servisným technikom každých 5 rokov. V dôsledku zabudovania ventilátora do modulu je zvuk, ktorý počuť pri prevádzke, bežný. Ak otvoríte dverka priehradky na čerstvé potraviny,

keď je modul v činnosti, ventilátor sa dočasne zastaví a po istom čase bude pokračovať, kde prestal, po opätovnom zatvorení dverok. V prípade výpadku prúdu bude dezodorizačný modul pokračovať, kde prestal počas trvania celkovej prevádzky, po obnovení napájania. Informácia: Aromatické potraviny (napr. syr, olivy a lahôdky) sa odporúča uchovávať v ich balení a uzavreté, aby sa zamedzilo zápachom, ktoré môžu vzniknúť v dôsledku zmiešania pachov rôznych potravín. Okrem toho sa odporúča pokazené potraviny bezodkladne vybrať z chladničky, aby sa zabránilo pokazeniu ostatných potravín a zamedzilo zápachu.

5.9. Používanie druhého priečinka na zeleninu a ovocie;



Obrázok 1.

V druhom priečniku na zeleninu a ovocie na modeli K70560 sú 2 zarážky.



Obrázok 2.

Druhý priečnik vyzerá ako na Obrázku 2, keď je zatvorený.



Obrázok 3.

Otvorte dvere do uhla 90° a vytiahnite druhý priečnik na zeleninu a ovocie až po prvú zarážku, ako je znázornené na Obrázku 3.

V prípade, že je zásuvka viac otvorená, najprv otvorte dvere do uhla aspoň 135°.



Potom nadvihnite druhý priečnik na zeleninu a ovocie asi o 5 mm, takže sa uvoľní z prvej zarážky (ako je znázornené na Obrázku 4).



Obrázok 4.

Po nadvihnutí vytiahnite druhú zásuvku až po druhú zarážku, ako je znázornené na Obrázku 5.

Obrázok 5.

Tlačidlo pre Nastavenie teploty

5.10. Zásobník na zeleninu s kontrolou vlhkosti

(Voliteľné)

Pomocou funkcie regulácie vlhkosti je vlhkosť zeleniny a ovocia pod kontrolou a zabezpečí sa tým dlhšia doba čerstvosti potravín.

Ako je to možné, odporúča sa skladovať listovú zeleninu, ako je hlávkový šalát a špenát a podobné zeleniny, náchylné na stratu vlhkosti nie na svojich koreňoch, ale vo vodorovnej polohe v zeleninovom koši.

Pri umiestňovaní zeleniny, uložte ťažkú a tvrdú zeleninu na dno a ľahkú a mäkkú na vrchol, s prihliadnutím na špecifické hmotnosti zeleniny.

Nenechávajte zeleninu na zásobníku v igelitových sáčkoch. Ponechanie v igelitových sáčkoch spôsobí, že zelenina zhnije v krátkej dobe. V situáciách, kde kontakt s ostatnou zeleninou nie je vhodný, použite obalový materiál, ako je papier, ktorý má určitú pórovitosť v súlade s hygienou.

Nedávajte plody, ktoré majú vysokú produkciu plynu etylénu, ako sú hrušky, marhule, broskyne a najmä jablká do spoločného zeleninového zásobníka s inou zeleninou a ovocím. Plyn etylén vychádzajúci z týchto plodov môže spôsobiť, že ostatná zelenina a ovocie budú zrieť rýchlejšie a začnú hniť v kratšom časovom období.

5.11. Automatický výrobnik ľadu

(Voliteľné)

Automat ľad vám umožní ľahko vytvoriť ľad v chladničke. Za účelom získania ľadu z výrobníka ľadu, vyberte nádržku na vodu z chladiaceho priestoru, naplňte ju vodou a dajte ju naspäť.

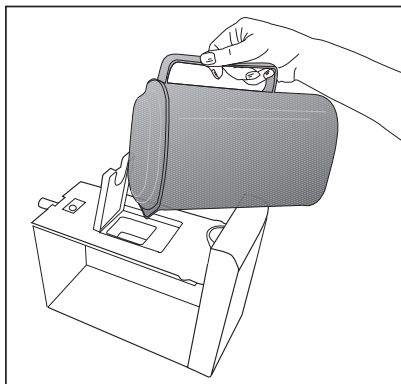
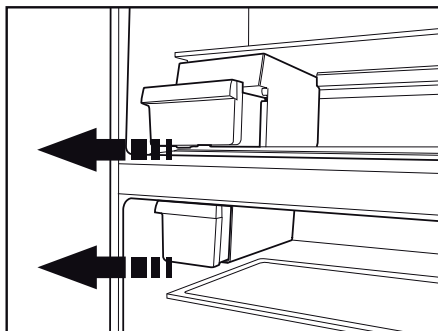
Prvý ľad bude vo výrobníku ľadu pripravený asi za 2 hodiny v chladiacom priestore.

Po umiestnení plnej vodnej nádrže, kým sa úplne nevyprázdni, môžete získať asi 60-70 kociek ľadu.

V prípade, že voda v nádrži bola dlhšie ako 2-3 týždne, vymeňte ju.



Pri produktoch s automatickým výrobníkom ľadu, pri výrobe ľadu môžete počuť zvuk. Tento zvuk je normálny a nie je známkou poruchy.



Tlačidlo pre Nastavenie teploty

5.12. Icematic a držiak na skladovanie ľadu

*voliteľné

Používanie výrobníka ľadu Icematic

Naplňte výrobník ľadu Icematic vodou a umiestnite ho na jeho miesto. Váš ľad bude pripravený asi po dvoch hodinách. Pre vybratie ľadu neodstraňujte Icematic z jeho miesta.

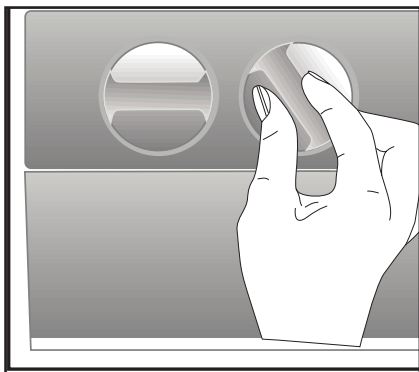
Otočte gombík na ľadovom zásobníku v smere hodinových ručičiek o 90 stupňov. Ľadové kocky v nádrži spadnú dolu do nižšie umiestneného držiaka ľadu.

Následne môžete vybrať držiak ľadu a podávať ľadové kocky.

Ak chcete, ľadové kocky môžete skladovať aj v držiaku na ľad.

Držiak na skladovanie ľadu

Držiak na skladovanie ľadu je určený len pre zbieranie kociek ľadu. Nedávajte do neho vodu. V opačnom prípade sa zlomí.



5.13. Používanie dávkovača na vodu

*voliteľné



Je normálne, že prvých niekoľko pohárov vody odobraných z dávkovača vody bude obvykle teplých.

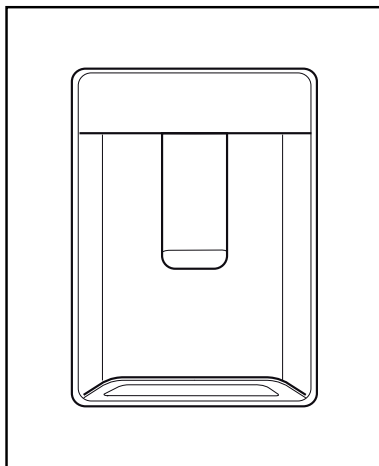


Ak sa dávkovač vody nepoužíval dlhšiu dobu, aby ste získali čistú vodu, prvé poháre vody vylejte.

1. Zatláčte pohárom o páku dávkovača vody. Ak používate mäkký plastový téglik, bude jednoduchšie páku stlačiť rukou.
2. Po naplnení pohára po požadovanú úroveň, uvoľnite páku.



Upozorňujeme, že z dávkovača vytečie toľko vody, ako ďaleko potlačíte páku. Keď hladina vody vo Vašej šálke / pohári stúpne, jemne znížte množstvo tlaku na páku, aby ste zabránili pretečeniu. Ak páku ľahko stlačíte, bude kvapkať voda; to je úplne normálne a nejde o poruchu.



Tlačidlo pre Nastavenie teploty

5.14. Plnenie nádrže dávkovača na vodu

Plniaca nádrž Vodnej nádrže je umiestnená vo vnútri stojana dverí.

1. Otvorte kryt nádrže.
2. Naplňte nádrž čerstvou pitnou vodou.
3. Zatvorte kryt.



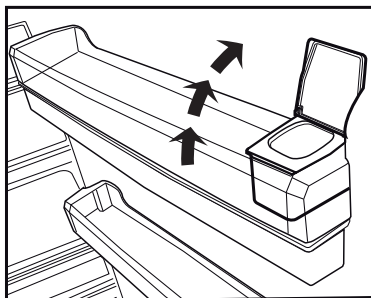
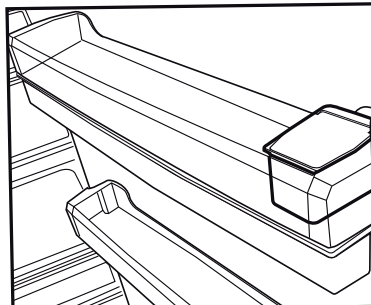
Neplňte nádrž na vodu s inou kvapalinou okrem vody, ako sú napríklad ovocné džúsy, sýtené nápoje a alkoholické nápoje, ktoré nie sú vhodné pre použitie v dávkovači vody. V prípade použitia týchto druhov kvapalín sa dávkovač vody nenapraviteľne poškodí. Záruka sa nevzťahuje na takéto použitie. Niektoré chemické látky a prísady obsiahnuté v týchto druhov nápojov / kvapalín môžu poškodiť nádržku na vodu.



Používajte len čistú pitnú vodu.



Kapacita nádrže na vodu je 3 litre; neprepĺňajte ju.



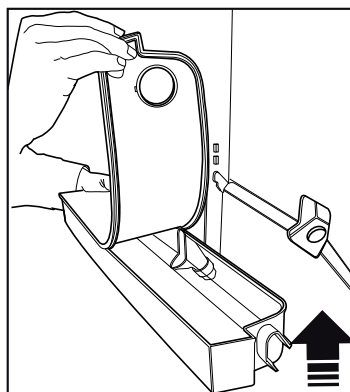
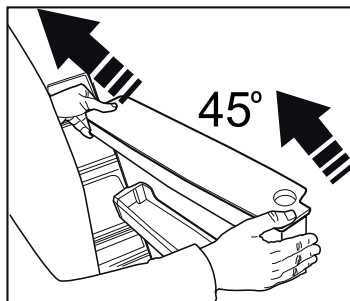
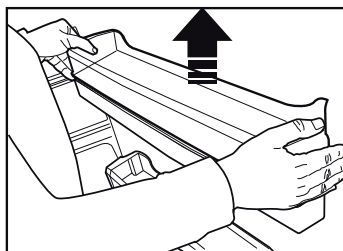
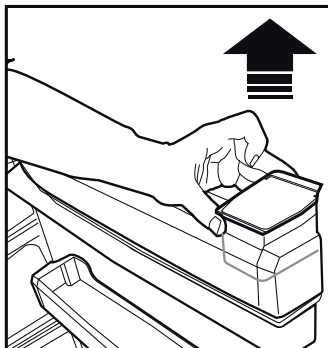
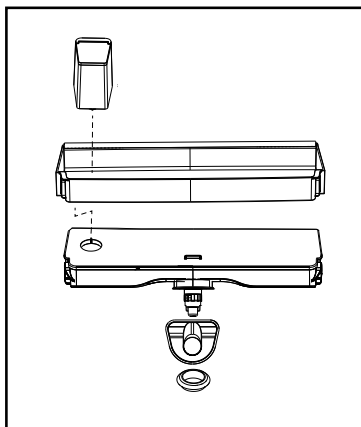
Tlačidlo pre Nastavenie teploty

5.15. Čistenie nádrže na vodu

1. Vyberte nádrž na vodu vo vnútri rámu dverí.
2. Odstráňte rám dverí ich pridržením z oboch strán.
3. Chyťte nádržku na vodu z oboch strán a odstráňte ju pod uhlom 45 ° C.
4. Odstráňte kryt zásobníka na vodu a vyčistite nádrž.



Súčasti nádrže na vodu a dávkovač vody neumývajte v umývačke riadu.



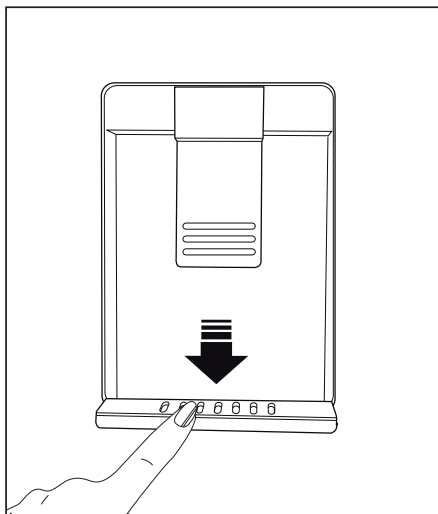
Tlačidlo pre Nastavenie teploty

5.16. Odkvapkovácia miska

Voda, ktorá pri použití dávkovača vody vykvapkala, sa hromadí v odkvapkávacom zásobníku.

Odstráňte plastový filter, ako je znázornené na obrázku.

S čistou a suchou handričkou odstráňte nahromadenú vodu.



HerbBox/HerbFresh

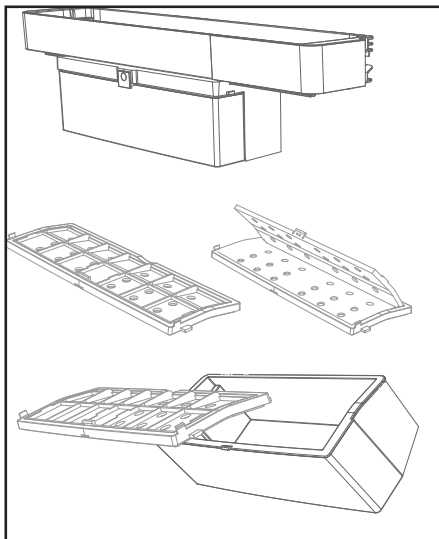
Vyberte filmový zásobník z HerbBox/HerbFresh+

Odstráňte film zo sáčky a vložte ho do filmového zásobníka, ako je znázornené na obrázku.

Opäť uzatvorte zásobník a vložte ho späť do jednotky HerbBox/HerbFresh+

Časti HerbBox/HerbFresh+ sú obzvlášť vhodné pre skladovanie rôznych bylín, ktoré majú byť uchovávané v citlivých podmienkach. Môžete ukladať svoje nezabalené bylinky (petržlen, kôpor, atď.) do tejto časti horizontálne a udržať ich čerstvé oveľa dlhšiu dobu.

Film sa nahrádza každých šesť mesiacov.



Tlačidlo pre Nastavenie teploty

5.17. Zmrazovanie čerstvých potravín

- Ak chcete zachovať kvalitu potravín, potraviny umiestnené v mrazničke musia byť zmrazené tak rýchlo, ako je to možné, z toho dôvodu použijete funkciu rýchleho zmrazenia.
- Zmrazenie potravín v čerstvom stave predĺži dobu ich skladovania v mrazničke.
- Zabalte potraviny do vzduchotesných balení a tesne ich uzatvorte.
- Uistite sa, že potraviny sú pred vložením do mrazničky zabalené. Miesto tradičného obalového papiera použijete krabice do mrazničky, staniol a papier odolný proti vlhkosti, igelitové vrecká alebo podobné obalové materiály.



Lad sa v mraziacej časti topí automaticky.

- Pred zmrazením označte každé balenie potravín napísaním dátumu na ich obal. To vám umožní určiť čerstvosť každého balenia pri každom otvorení mrazničky. Udržujte skoršie položky potravín v prednej časti, aby ste zabezpečili, že budú použité ako prvé.
- Zmrazené potraviny musia byť použité ihneď po rozmrazení a nemali by byť znovu zmrazené.
- Nezmrazujte veľké množstvo potravín naraz.

5.18. Odporúčania pre skladovanie zmrazených potravín

Chladiaci priestor musí byť nastavený na menej ako -18°C.

1. Umiestnite potraviny do mrazničky čo najrýchlejšie, aby nedošlo k ich rozmrazeniu.
2. Pred zmrazením skontrolujte položku "Dátum spotreby" na obale, aby ste sa uistili, že ešte nevypršala.
3. Uistite sa, že balenie potravín nie je poškodené.

Nastavenie teploty Mraziaceho priestoru	Nastavenie teploty Chladiaceho priestoru	Podrobnosti
-18°C	4°C	Toto je predvolené, odporúčané nastavenie.
-20,-22 alebo 24°C	4°C	Tieto nastavenia sa odporúčajú pri teplotách okolia nad 30 °C.
Quick Freeze - Rýchle mrazenie	4°C	Použite, keď chcete zmraziť vaše potraviny krátkej dobe. Po ukončení procesu sa produkt vráti do svojej predchádzajúcej pozície.
-18°C alebo nižšie	2°C	Použite toto nastavenie, ak si myslíte, že chladiaci priestor nie je dostatočne studený vzhľadom na teplotu prostredia alebo časté otváranie dverí.

Tlačidlo pre Nastavenie teploty

5.19. Podrobnosti o mrazničke

Podľa noriem IEC 62552, mraznička musí mať schopnosť zmraziť 4,5 kg potravín na teplotu -18°C alebo nižšie do 24 hodín na každých 100 litrov objemu mraziaceho priestoru.

Potraviny môžu byť zachované po dlhšiu dobu iba pri teplote do teploty -18°C.

Potraviny môžete udržiavať čerstvé po dobu niekoľkých mesiacov (v mrazničke na alebo pod teplotou -18°C).

Potraviny ktoré majú byť zmrazené nesmú prísť do kontaktu s už zmrazenými potravinami vo vnútri mrazničky z dôvodu zabránenia ich čiastočnému rozmrazeniu.

Zeleninu uvarte a vodu odfiltrujte pre predĺženie doby zmrazeného skladovania.

Po filtrácii dajte jedlo do vduchotesných balení a umiestnite ho v mrazničke. Banány, paradajky, hlávkový šalát, zeler, varené vajcia, zemiaky a podobné potraviny nezmrazujte.

V opačnom prípade tieto potraviny zhnijú a budú ovplyvnené ich nutričné hodnoty a kvalita jedenia. To, že hniloba ohrozuje aj ľudské zdravie, nie je otáznе.

5.20. Umiestnenie jedla

Police v mraziacej časti	Rôzny mrazený tovar ako sú mäso, ryby, zmrzlina, zelenina a pod.
Police v chladiacej časti	Potraviny v hrnci, tanieri a krabice s viečkami, vajcia (v krabiciach s viečkom)
Police v dverách chladiacej časti	Malé a balené potraviny alebo nápoje
Zásobník na zeleninu	Ovocie a zelenina
Časť pre čerstvé potraviny	Lahôdky (potraviny pre raňajky, mäsové výrobky, ktoré majú byť konzumované v krátkej dobe)

5.21. Upozornenie na otvorené dvere

(Voliteľné)

Ak dvere výrobku zostanú otvorené, po dobu aspoň 1 minúty, zaznie akustické upozornenie. Akustický upozornenie stíchne, keď sú dvere zatvorené alebo po stlačení ľubovoľného tlačidla na displeji (ak je k dispozícii).

Upozornenie na otvorené dvere je indikované užívateľovi tak akusticky, ako aj vizuálne. Ak alarm pokračuje po dobu 10 min, osvetlenie interiéru vypne.

5.22. Zmena smeru otvárania dverí

Smer otvárania dverí vašej chladničky môžete zmeniť v závislosti na jej mieste používania.

Keď tak potrebujete urobiť, obráťte sa na najbližší Autorizovaný servis.

Hore uvedené vysvetlenie je všeobecné vyhlásenie. O možnosti zmeny smeru otvárania dverí skontrolujte štítok s upozornením umiestnený vo vnútri obalu.

5.23. Vnútorňé osvetlenie

Vo vnútornom osvetlení sa používa LED lampa. V prípade akýchkoľvek problémov s touto lampou sa obráťte na autorizovaný servis.

Lampa/y, použité v tomto zariadení nie je možné použiť pre osvetlenie domu. Účel použitia tohto svetla je pomôcť užívateľovi umiestniť potraviny do chladničky / mrazničky bezpečne a pohodlne.

Pri pravidelnom čistení sa zvyší životnosť výrobku.



VAROVANIE: Pred čistením chladničky produkt najprv odpojte z elektrickej siete.

- Na čistenie nikdy nepoužívajte ostré alebo brúsne nástroje, mydlo, domáce čističlá, detergenty a voskové politúry.
- Rozpusťte jednu lyžičku karbonátu v pol litri vody. Namočte handričku do roztoku a dôkladne ju vyžmýkajte. Utrite vnútro spotrebiča s touto látkou a vysušte ho.
- Uistite sa, aby sa o telesa osvetlenia a iných elektrických predmetov nedostala žiadna voda.
- Očistite dvere pomocou vlhkej handričky. Ak chcete odstrániť police vo dverách a hlavné police, odstráňte všetok ich obsah. Vyberte police dverí ich posunutím smerom nahor. Po očistení, k uloženiu ich vložte smerom zhora nadol.
- Pre čistenie vonkajších povrchov a pochrómovaných súčastí výrobku nikdy nepoužívajte čistiace prostriedky ani vodu s obsahom chlóru. Chlór spôsobuje koróziu kovových povrchov.
- Pre zabránenie odstráneniu a deformácii nápisov na plastových dielach, nepoužívajte žiadne ostré, brúsne nástroje, mydlo, čistiace prostriedky pre domácnosť, čistiace prostriedky, petrolej, vykurovací olej, laky atď.. Na čistenie použite vlažnú vodu a mäkkú handričku a utrite ich do sucha.

6.1. Zabránenie vzniku nepríjemných pachov

Pri výrobe našich zariadení sa nepoužívajú materiály, ktoré môžu spôsobiť zápach. Avšak, nevhodné podmienky pre zachovanie potravín a zanedbanie čistenia vnútorného povrchu zariadenia v potrebnej miere môže spôsobiť problém zápachu.

Preto chladničku čistíte karbonátom rozpusteným vo vode každých 15 dní.

- Potraviny uchovávajte v uzavretých nádobách. Mikroorganizmy šíriace sa z nekrytých nádob môžu spôsobiť nepríjemné pachy.
- Nikdy neskladujte jedlo, ktorým vypršala trvanlivosť a sú rozliate v chladničke.

6.2. Ochrana plastových povrchov

Okamžite očistite s teplou vodou, nakoľko olej nanesený na plastové povrchy môže spôsobiť poškodenie povrchu.

6.3. Dverové sklá

Zo skiel odstráňte ochrannú fóliu.

Na povrchu skla sa nachádza povlak. Tento povlak minimalizuje vznik škvŕn pomáha ľahko odstrániť prípadné nečistoty a škvŕny. Sklá, ktoré nie sú chránené takýmto povlakom môžu byť vystavené trvalým organickým alebo anorganickým nečistotám na báze vzduchu alebo vody, ako sú vodný kameň, minerálne soli, nespálené uhľovodíky, oxidy kovov a silikóny, ktoré ľahko a rýchlo spôsobujú škvŕny alebo materiálne škody. Udržiavanie skla v čistom stave sa stáva príliš ťažkým, napriek pravidelnému čisteniu. V dôsledku toho, vzhľad a transparentnosť skla sa zhoršuje. Drsné a žieravé metódy čistenia a zlúčeniny zintenzívňujú tieto vady a urýchľujú proces zhoršovania sa. Pre bežné čistiace účely použite čistiace prostriedky na vodnej báze, ktoré nie sú zásadité a korozívne.

Na čistenie použite nealkoholické a nekorozívne materiály, aby ste zachovali povlak po dlhú dobu. Sklá sú temperované pre zvýšenie ich odolnosti proti nárazom a lámaniu.

Na ich zadnej ploche bola tiež aplikovaná bezpečnostná fólia, ako ďalšie bezpečnostné opatrenie pre zabránenie poškodeniu ich okolia v prípade ich rozbitia.

* Alkál je báza, ktorá pri rozpustení vo vode tvorí hydroxidové ióny (OH).

Kovy Li (lítium), Na (sodík), K (draslík) Rb (rubídium), Cs (cézium), a umelý a rádioaktívny Fr (Francium) sa nazývajú alkalické kovy.

Než sa obrátite na servis, pozrite si nasledujúci zoznam. Môže Vám to ušetriť čas aj peniaze. Tento zoznam obsahuje časté sťažnosti, ktoré nie sú spojené s chybným spracovaním alebo poškodením materiálu. Niektoré funkcie uvedené v tomto dokumente sa nemusia vzťahovať na váš produkt.

Chladnička nefunguje.

- Zástrčka nie je úplne nasadená. >>> Zapojte ju úplne do zásuvky.
- Poistka pripojená do zásuvky ktorá napája produkt alebo hlavná poistka je spálená. >>> Skontrolujte poistky.

Kondenzácia na bočnej stene chladiaceho priestoru (MULTI ZÓNA, CHLADIACA, KONTROLNÁ a FLEXI ZÓNA).

- Prostredie je príliš chladné. >>> Neinštalujte výrobok v prostredí s teplotami pod -5°C.
- Dvere sa otvárajú príliš často >>> Dbajte na to, aby ste dvere výrobku neotvárali príliš často.
- Prostredie je príliš vlhké. >>> Neinštalujte výrobok vo vlhkom prostredí.
- Potraviny obsahujúce tekutiny sú uchovávané v neuzavretých nádobách. >>> Uchovávajte potraviny, ktoré obsahujú tekutiny v uzavretých nádobách.
- Dvere výrobku boli ponechané otvorené. >>> Nenechávajte dvere chladničky otvorené po dlhšiu dobu.
- Termostat je nastavený na príliš nízku teplotu. >>> Nastavte termostat na vhodnú teplotu.

Kompresor nepracuje.

- V prípade náhleho výpadku prúdu alebo vytiahnutia napájacieho kábla a po jeho opätovnom pripojení tlak plynu v chladiacom systéme výrobku nie je vyvážený, čo spustí tepelný istič kompresora. Produkt sa reštartuje po približne 6 minútach. Keď sa výrobok po uplynutí tejto doby nereštartuje, obráťte sa na servis.
- Je aktívne rozmrazovanie. >>> To je normálne pre chladničku s plne automatickým rozmrazovaním. Odmrazovania sa vykonáva pravidelne.
- Produkt nie je zapojený do elektrickej siete >>> Uistite sa, že napájací kábel je zapojený.
- Nastavenie teploty je nesprávne. >>> Zvoľte zodpovedajúce nastavenie teploty.
- Nie je prúd. >>> Produkt bude naďalej fungovať normálne po obnovení napájania.

Prevádzkový hluk chladničky sa pri používaní zvyšuje.

- Prevádzkové výsledky tohto výrobku sa môžu líšiť v závislosti na zmenách teploty okolitého prostredia. To je normálne a nejedná sa o závalu.

Chladnička beží príliš často alebo príliš dlho.

Riešenie problémov

- Nový výrobok môže byť väčší ako ten predchádzajúci. Väčšie výrobky budú pracovať po dlhšiu dobu.
- Teplota v miestnosti môže byť vysoká. >>> Výrobok bude v miestnosti s vyššou teplotou spustený po dlhšiu dobu.
- Výrobok mohol byť zapojený len nedávno alebo v ňom boli umiestnené nové položky potravín. >>> Výrobok dosiahne nastavenú teplotu dlhšie, keď bol len práve zapojený alebo doň boli umiestnené nové potraviny. To je normálne.
- Do výrobku bolo v poslednej dobe umiestnené veľké množstvo teplého jedla. >>> Nepokladajte horúce jedlo do výrobku.
- Dvere boli často otvorené alebo zostali otvorené po dlhšiu dobu. >>> Teplý vzduch pohybujúce sa vo vnútri spôsobí, že výrobok bude v prevádzke dlhšie. Neotvárajte dvere chladničky príliš často.
- Dvere mrazničky alebo chladničky mohli zostať pootvorené. >>> Skontrolujte, či sú dvere úplne zatvorené.
- Výrobok môže byť nastavený na príliš nízku teplotu. >>> Nastavte teplotu na vyšší stupeň a počkajte, až výrobok dosiahne nastavenú teplotu.
- Podložky dvier chladničky alebo mrazničky môžu byť špinavé, opotrebované, rozbité alebo nesprávne nasadené. >>> Vyčistite alebo vymeňte podložky. Poškodené / roztrhané podložky dverí spôsobia, že výrobok bude bežať dlhšiu dobu pre zachovanie aktuálnej teploty.

Teplota mrazenia je veľmi nízka, ale teplota chladiča je dostačujúca.

- Teplota priestoru mrazničky je nastavená na veľmi nízky stupeň. >>> Nastavte teplotu v mrazničke na vyšší stupeň a znovu skontrolujte.

Teplota chladenia je veľmi nízka, ale teplota mrazničky je dostačujúca.

- Teplota priestoru chladničky je nastavená na veľmi nízky stupeň. >>> Nastavte teplotu v mrazničke na vyšší stupeň a znovu skontrolujte.

Potraviny uchovávané v chladnejších zásuvkách priestorov sú zmrazené.

- Teplota priestoru chladničky je nastavená na veľmi nízky stupeň. >>> Nastavte teplotu v mrazničke na vyšší stupeň a znovu skontrolujte.

Teplota v chladničke alebo v mrazničke je príliš vysoká.

- Teplota priestoru chladničky je nastavená na veľmi vysoký stupeň. >>> Nastavenie teploty chladiaceho priestoru má vplyv na teplotu v mraziacom priestore. Počkajte, až teplota príslušných častí dosiahne dostatočnú úroveň zmenou teploty chladiaceho alebo mraziaceho priestoru.
- Dvere boli často otvorené alebo zostali otvorené po dlhšiu dobu. >>> Neotvárajte dvere chladničky príliš často.
- Dvere môžu byť pootvorené. >>> Úplne zatvorte dvere.
- Výrobok mohol byť zapojený len nedávno alebo v ňom boli umiestnené nové položky potravín. >>> To je normálne. Výrobok dosiahne nastavenú teplotu dlhšie, keď bol len práve zapojený alebo doň boli umiestnené nové potraviny.
- Do výrobku bolo v poslednej dobe umiestnené veľké množstvo teplého jedla. >>> Nepokladajte horúce jedlo do výrobku.

Trasie sa alebo vydáva hluk.

- Podlaha nie je vo vodováhe alebo nie je odolná. >>> Ak sa výrobok trasie, keď sa pomaly pohybuje, nastavte stojany na vyrovnanie výrobku. >>> Uistite sa tiež, že podlaha je dostatočne odolná k tomu, aby uniesla produkt.
- Všetky položky umiestnené na výrobku môže spôsobiť hluk. >>> Odstráňte všetky položky umiestnené na výrobku.

Výrobok vytvára hluk tečúcej, striekajúcej kvapaliny a pod.

- Princíp fungovania tohto výrobku je založený na toku kvapalín a plynu. >>> To je normálne a nejedná sa o závalu.

Z výrobku znie zvuk ako vanúci vietor.

Riešenie problémov

- Výrobok pre proces chladenia používa ventilátor. To je normálne a nejedná sa o závadu.

Na vnútorných stenách výrobku sa vytvoril kondenzát.

- Horúce alebo vlhké počasie zvýši námrazu a kondenzáciu. To je normálne a nejedná sa o závadu.
- Dvere boli často otvorené alebo zostali otvorené po dlhšiu dobu. >>> Neotvárajte dvere príliš často, ak zostali otvorené, zatvorte ich.
- Dvere môžu byť pootvorené. >>> Úplne zatvorte dvere.

Vytvára sa kondenzát na vonkajšej strane výrobku alebo medzi dverami.

- Okolité prostredie môže byť vlhké, je to úplne normálne vo vlhkom počasí. >>> Kondenzácia sa rozptýli, keď sa zníži vlhkosť.

Interiér zapácha.

- Produkt nie je pravidelne čistený. >>> Pravidelne čistite vnútro pomocou hubky, teplej vody a sýtenej vody.
- Niektoré balenia a obalové materiály môže spôsobiť zápach. >>> Používajte balenia a obalové materiály bez zápachu.
- Potraviny boli umiestnené v neuzavretých baleniach. >>> Uchovávajte potraviny v uzavretých baleniach. Mikroorganizmy sa môžu z neuzavretých potravín rozšíriť a spôsobiť zápach. Z výrobku odstráňte všetky potraviny so zašlým dátumom spotreby a pokazené potraviny.

Dvere sa nezatvárajú.

- Balíčky s potravinami môžu blokovať dvere. >>> Premiestnite predmety blokujúce dvere.
- Produkt nestojí v úplne zvislej polohe na zemi. >>> Nastavte stojany pre uvedenie výrobku do zvislej polohy.
- Podlaha nie je vo vodováhe alebo nie je odolná. >>> Uistite sa, že podlaha je vyvážená a dostatočne odolná k tomu, aby uniesla produkt.

Zásobník na zeleninu sa zasekol.

- Potraviny môžu byť v kontakte s hornou časťou zásobníka. >>> Preusporiadajte potraviny v šuplíku.



VAROVANIE: Ak problém pretrváva aj po vykonaní pokynov v tejto časti, obráťte sa na svojho predajcu alebo na autorizovaný servis. Nepokúšajte sa opraviť produkt.

VYLÚČENIE ZODPOVEDNOSTI / UPOZORNENIE

Niektoré (jednoduché) poruchy môže koncový užívateľ adekvátne vyriešiť bez akýchkoľvek bezpečnostných rizík alebo nebezpečného použitia, ak sa tieto chyby opravujú v medziach stanovených limitmi a v súlade s nasledujúcimi pokynmi (pozri časť „Samoprava“).

Preto, pokiaľ nie je v nižšie uvedenej časti „Samoprava“ povolené niečo iné, opravy budú adresované registrovaným profesionálnym opravovňami, az dôvodu predchádzania problémom s bezpečnosťou. Registrovaný profesionálny opravár je profesionálny opravár, ktorému výrobca udelil prístup k pokynom a zoznamu náhradných dielov tohto produktu v súlade s metódami opísanými v legislatívnych aktoch podľa smernice 2009/125/ES.

Avšak iba servisný zástupca (tj. autorizovaný profesionálny servis), na ktorého sa môžete obrátiť prostredníctvom telefónneho čísla uvedeného v používateľskej príručke/záručnom liste alebo prostredníctvom autorizovaného predajcu, môže poskytovať služby podľa záručných podmienok. Preto vás upozorňujeme, že opravy vykonané profesionálnymi opravármi (ktorí nemajú oprávnenie od spoločnosti Beko) majú za následok stratu záruky.

Samoprava

Konečný užívateľ môže vykonať samopravu, pokiaľ ide o tieto náhradné diely: kľučka dverí, závesy dverí, podnosy, koše a tesnenia dverí (aktualizovaný zoznam je k dispozícii aj na webovej stránke support.beko.com.k 1. marca 2021).

Okrem toho, pre zaistenie bezpečnosti produktu a zabráneniu riziku vážneho zranenia, uvedená oprava sa musí vykonať podľa pokynov v používateľskej príručke pre opravu alebo ktoré sú k dispozícii v support.beko.com Z bezpečnostných dôvodov pred vykonaním akejkoľvek opravy odpojte produkt z elektrickej siete.

Opravy a pokusy o opravu koncovými používateľmi týkajúce sa častí, ktoré nie sú uvedené v zozname, a/alebo nedodržanie pokynov uvedených v používateľských príručkách pre samopravu alebo ktoré sú k dispozícii v support.beko.com, by mohli vyvolať problémy v oblasti bezpečnosti, ktoré nemožno pripísať Beko a zrušia záruku poskytnutú na výrobok.

Preto sa dôrazne odporúča, aby sa koncoví používatelia zdržali pokusov o vykonanie opráv, ktoré nespádajú do uvedeného zoznamu náhradných dielov, a v takom prípade kontaktujte autorizované profesionálne opravovne alebo registrované profesionálne opravovne. Naopak, takéto pokusy koncových používateľov môžu spôsobiť problémy s bezpečnosťou a poškodiť produkt a následne spôsobiť požiar, vytopenie, elektrický zásah a vážne zranenie osôb.

Napríklad, okrem iného, nasledujúce opravy musí, a byť adresované autorizovanému profesionálnemu opravárovi alebo registrovanému profesionálnemu opravárovi: kompresor, chladiaci okruh, hlavný panel, panel invertora, panel displeja atď.

Výrobca / predajca v žiadnom prípade nemôže byť zodpovedný, ak koncoví používatelia nedodržiavajú vyššie uvedené záležitosti.

Dostupnosť náhradných dielov chladničky, ktorú ste kúpili, je 10 rokov.

Počas tohto obdobia budú k dispozícii originálne náhradné diely pre správnu funkciu chladničky.

Minimálna záručná doba na Vami zakúpenú chladničku je 24 mesiacov.

Tento výrobok je vybavený zdrojom svetla energetickej triedy „G“.

Svetelný zdroj na tomto výrobku môžu vymeniť len profesionálni technici.

Spoštovani kupec.

Privoščimo vam, da dosežete optimalno učinkovitost našega izdelka, ki je bil proizveden v sodobni tovarni z natančnim nadzorom kakovosti.

V ta namen prosimo, da v celoti preberete navodila, preden pričnete z uporabo izdelka in naj vas vodijo kot referenčni vir. Če boste ta izdelek predali drugi osebi, poskrbite da gredo ta navodila skupaj z izdelkom.

Navodila za uporabo zagotovijo hitro in varno uporabo izdelka.




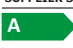

- Prosimo preberite navodila pred namestitvijo in uporabo izdelka.
- Vedno upoštevajte veljavne varnostne napotke.
- Hranite navodila v bližini za prihodnjo uporabo.
- Prosimo, da preberete vse druge dokumente, ki so prišli z izdelkom.

Imejte v mislih, da lahko ta navodila veljajo za več modelov izdelka. Ta vodič jasno prikaže razlike med različnimi modeli.

Simboli in opombe

V priročniku so uporabljeni naslednji simboli:

	Pomembne informacije in koristni nasveti.
	Tveganje za življenje in premoženje.
	Nevarnost električnega udara.
	Embalaža izdelka je izdelana iz recikliranih materialov, v skladu z nacionalno okoljsko zakonodajo.

	INFORMACIJE
	
<small>SUPPLIER'S NAME</small> 	<small>MODEL IDENTIFIER</small> → (*) 
Do informacij o modelu, ki so shranjene v zbirki podatkov o izdelkih, lahko pridete tako, da obiščete naslednje spletno mesto in poiščete identifikator modela (*), ki je naveden na energijski nalepki.	
https://eprel.ec.europa.eu/	

1	Varnost in okoljska navodila	3	5.16. Pladenj za vodo	20
1.1.	Splošna varnost	3	5.17. Zamrzovanje svežih živil	21
1.1.1	HC opozorilo	4	5.18. Priporočila za shranjevanje zamrznjenih živil	21
1.1.2	Pri modelih z vodno fontano	4	5.19. Podrobnosti globokega zamrzovanja	22
1.2.	Predvidena uporaba	4	5.20. Postavitev živil	22
1.3.	Varnost otrok	5	5.21. Opozorilo za odprta vrata	22
1.4.	Skladnost z Direktivo OEEQ in odstranjevanje naprave kot odpadka	5	5.22. Spreminjanje smeri odpiranja vrat	22
1.5.	Skladnost z direktivo RoHS	5	5.23. Notranja luč	22
1.6.	Informacije o embalaži	5		
1.7.	Tehnične informacije za Wifi + Bluetooth	5		
2	Hladilnik	6		
3	Namestitev	7		
3.1.	Ustrezno mesto za namestitev	7		
3.2.	Pritrditev plastičnih klinov	7		
3.3.	Prilagoditev stojal	7		
3.4.	Električna povezava	8		
4	Priprava	9		
4.1.	Kako prihraniti z energijo	9		
4.2.	Prva uporaba	9		
5	Uporaba izdelka	10		
5.1.	Vedro za led	13		
5.2.	Nosilec za jajca	13		
5.3.	Ventilator	13		
5.4.	Posoda za zelenjavo	14		
5.5.	Zamrzovalni predel	14		
5.6.	Premikajoča vratna polica	14		
5.7.	Uporaba drugega predala za zelenjavo	15		
5.8.	Drseče škatle za shrambo	16		
5.9.	Posoda za zelenjavo z uravnavanjem vlage	17		
5.10.	Modul z osvežilem zraka	17		
5.11.	Samodejna naprava za led	17		
5.12.	Ledomat in posoda za shranjevanje ledu	18		
5.13.	Točaj vode	18		
5.14.	Uporaba vodne pipe	19		
5.15.	Čiščenje posode za vodo	19		
6	Vzdrževanje in čiščenje	23		
6.1.	Izogibanje neprijetnim vonjavam	23		
6.2.	Zaščita plastičnih površin	23		
6.3.	Steklo vrat	23		
7.	Odpravljanje motenj	24		

1 Varnost in okoljska navodila

To poglavje vsebuje navodila za varno uporabo, potrebna za preprečitev nevarnosti poškodb in materialne škode. Neupoštevanje teh navodil bo izničilo vse vrste garancije izdelka.

Namen uporabe

	OPOZORILO : Odprtine za zračenje, ohišje naprave ali vgrajeni hladilni elementi naj bodo vedno nezastrti.
	OPOZORILO : Za hitrejše odmrzovanje ne uporabljajte mehanskih naprav, razen takih, ki jih priporoča proizvajalec.
	OPOZORILO : Ne poškodujte tokokroga hladilnega sredstva.
	OPOZORILO : V notranjosti razdelka za shranjevanje živil aparata ne uporabljajte električnih naprav, razen takih, ki jih priporoča proizvajalec.

Ta naprava je namenjena za uporabo v gospodinjstvu in podobnih okoljih, kot so:

- kuhinje za osebje v trgovinah, pisarnah in drugih delovnih okoljih;
- hoteli, moteli in druga stanovanjska okolja, kjer jo lahko uporabljajo gostje;
- okolja, kjer ponujajo nočitve z zajtrkom.
- pri cateringu in v podobnih okoljih, kjer ne gre za neposredno prodajo.

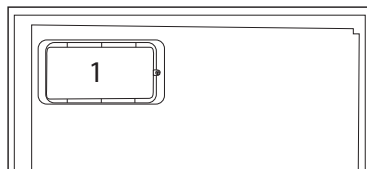
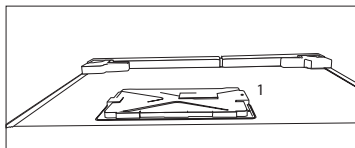
1.1. Splošna varnost

• Ta izdelek naj ne uporabljajo otroci in osebe s telesnimi, čutnimi in duševnimi motnjami brez zadostnega znanja in izkušnji. Napravo smejo uporabljati takšne osebe le pod nadzorom in po navodilih osebe, odgovorne za njihovo varnost.

Hladilnik/Uporabniški priročnik

Otroci se ne smejo igrati s to napravo.

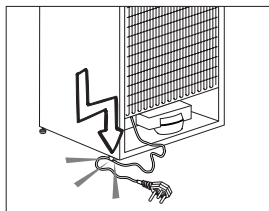
- V primeru okvare, izklopite napravo.
- Ko odklopite, počakajte najmanj 5 minut pred ponovnim priklopom. Izklopite napravo, ko ni v uporabi. Ne dotikajte se vtiča z mokrimi rokami! Ko želite izklopiti ne vlecite za kabel, vedno držite le za vtič.
- Ne priklopljajte hladilnika, če je vtičnica razrahljana.
- Izklopite napravo med namestitvijo, vzdrževanjem, čiščenjem in popravilom.
- Če naprave nekaj časa ne boste uporabljali, jo izklopite in iz notranjosti odstranite vso hrano.
- Ne uporabljajte pare ali parnih čistilnih sredstev za notranje čiščenje hladilnika in taljenje ledu. Para lahko pride v stik z električnimi elementi in povzroči kratek stik ali električni udar!
- Izdelka tudi zunaj ne perite z razprševanjem ali polivanjem vode! Nevarnost električnega udara!
- Izdelka ne uporabljajte, če je področje na vrhu ali na zadnji strani izdelka, ki vsebuje elektronska tiskana vezja, odprto (pokrov elektronskega tiskanega vezja) (1).



- V primeru okvare ne uporabljajte naprave, saj lahko to povzroči električni udar. Preden karkoli poskušate se obrnite na pooblaščenega serviserja.
- Napravo priključite v ozemljeno vtičnico. Ozemljitev mora izvesti usposobljen električar.
- Če ima naprava razsvetljavo vrste LED, se obrnite na pooblaščenega servisa zaradi zamenjave ali v primeru kakršnih koli težav.

Varnostna in okoljska navodila

- Ne dotikajte se zmrznjene hrane z mokrimi rokami! Lahko se prilepi vašim rokam!
- Ne postavljajte tekočin v steklenicah, plastenkah in pločevinkah v zamrzovalnik. Lahko počijo ali pa tekočina izbruhne!
- Postavite tekočine v pokončnem položaju, ko tesno zaprete pokrov.
- Ne pršite vnetljivih snovi v bližini naprave, saj lahko to povzroči požar ali eksplozijo.
- Ne hranite vnetljivih materialov in izdelkov z vnetljivimi plini (razpršilci itd) v hladilniku.
- Ne postavljajte posod v katerih so tekočine na vrh naprave. Politje vode po elektrificiranih delih lahko povzroči električni udar in nevarnost požara.
- Izpostavljanje naprave dežju, snegu, soncu in vetru povzroči električno nevarnost. Ko prestavljate napravo, jo ne vlecite tako, da držite za ročaj vrat. Ročaj se lahko odtrga.
- Bodite pozorni, da preprečite ukleščanje katerihkoli delov vaših rok ali telesa v katerega od gibljivih delov naprave.
- Ne stopajte ali se obešajte na vrata, predale in podobne dele hladilnika. To bi povzročilo, da se naprava prevrne in se deli poškodujejo.
- Pazite, da ne zapnete v napajalni kabel.



1.1.1 HC opozorilo

Če naprava vsebuje hladilni sistem, ki uporablja plin R600a, pazite, da ne bi poškodovali hladilni sistem in njegovo cev med uporabo in premikanjem naprave. Ta plin je vnetljiv. Če je hladilni sistem poškodovan, imejte napravo stran od virov ognja in takoj prezračite prostor.



Nalepka na notranji levi strani označuje vrsto uporabljenega plina v napravi.

1.1.2 Pri modelih z vodno fontano

- Tlak vstopne hladne vode ne sme presežati 620 kPa (90 psi). Če tlak vstopne vode presega 550 kPa (80 psi), uporabite ventil za omejevanje tlaka v vodovodnem tokokrogu. Če ne veste, kako izmeriti vodni tlak, poprosite inštalaterja za vodovod.
- Če je v vaši inštalaciji prisotno tveganje nastanka hidravličnega udara, vedno uporabite opremo za preprečevanje hidravličnega udara. Da preverite, da v vaši inštalaciji ni tveganja za pojav hidravličnega udara, se posvetujte z inštalaterjem za vodovod.
- Ne nameščajte na vod s toplo vodo. Izvedite potrebne ukrepe za preprečevanje zamrznitve cevi. Območje temperature vode za delovanje naj bo med najmanj 0,6°C (33°F) in največ 38°C (100°F).
- Uporabljajte samo pitno vodo.

1.2. Predvidena uporaba

- Ta naprava je namenjena za domačo uporabo. Ni namenjena za komercialno uporabo.
- To napravo se sme uporabiti samo za shranjevanje hrane in pijače.
- Ne hranite v hladilniku občutljive izdelke, ki zahtevajo nadzorovane temperature (cepiva, toplotno občutljiva zdravila, medicinski izdelki itd).

Varnostna in okoljska navodila

- Proizvajalec ne prevzema odgovornosti za morebitno škodo zaradi zlorabe ali napačne uporabe.
- Originalne nadomestne dele zagotavljamo 10 let po datumu nakupa.

1.3. Varnost otrok

- Hranite embalažne materiale izven dosega otrok.
- Ne dovolite, da bi se otroci igrali z napravo.
- Če vrata naprave vsebujejo ključavnico, hranite ključ izven dosega otrok.

1.4. Skladnost z Direktivo OEE0 in odstranjevanje naprave kot odpadka

Ta naprava je skladna z direktivo EU WEEE (2012/19/EU). Ta naprava nosi oznako klasifikacije za odpadno električno in elektronsko opremo (OEE0).



Naprava je bila izdelana iz visoko kakovostnih delov in materialov, ki jih je mogoče ponovno uporabiti in so primerni za recikliranje. Ne zavržite naprave kot odpadke med običajne domače in druge odpadke na koncu njegove življenjske dobe. Odnosite jo v zbirni center za recikliranje električne in elektronske opreme. Obrnite se na lokalne oblasti, da izveste za lokacije teh zbirnih centrov.

1.5. Skladnost z direktivo RoHS

- Ta naprava je skladna z direktivo EU WEEE (2011/65/EU). Ne vsebuje škodljivih in prepovedanih snovi, navedenih v direktivi.

1.6. Informacije o embalaži

- Embalaža naprave je izdelana iz recikliranih materialov v skladu z našimi nacionalnimi predpisi za okolje. Ne odlagajte embalažnih materialov skupaj z domačimi ali drugimi odpadki. Peljite jih v zbirne centre za embalažo, ki so jih lokalne oblasti pooblastile.

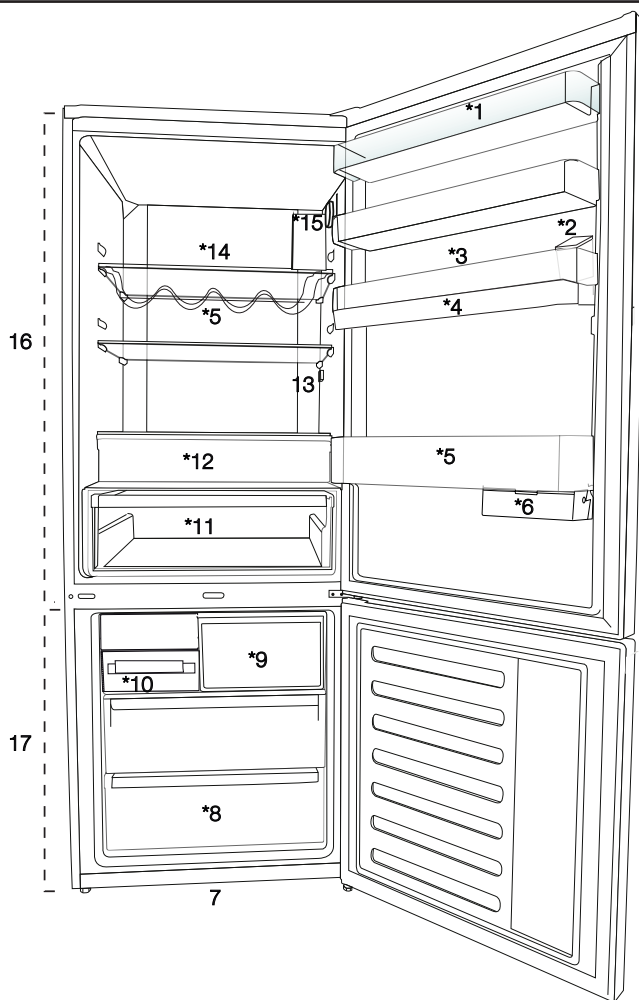
1.7. Tehnične informacije za Wifi + Bluetooth

Frekvenčni pas:	2,4 GHz (deluje Wi-fi ali bluetooth)
Maks. moč prenosa:	< 100 mW (deluje Wi-fi ali bluetooth)
Informacije o programski opremi:	Quartz_WiFi.XXX

Izjava o skladnosti za CE:

Arçelik A.Ş. s tem izjavlja, da je ta naprava skladna z Direktivo 2014/53/EU. Celotno besedilo EU izjave o skladnosti je na voljo na naslednjem spletnem naslovu: Izdelki, od: support.beko.com

2 Hladilnik



1. Polica na vratih hladilnega dela
2. Posoda za polnjenje točaja vode
3. Pladenj za jajca
4. Rezervoar točaja vode
5. Polica za steklenice
6. Drseče škatle za shrambo
7. Nastavljive noge
8. Predel za globoko zamrzovanje
9. Predal za hitro zamrzovanje
10. Pladenj za kocke ledu & posoda za led
11. Posoda za zelenjavo
12. Zamrzovalni predel
13. Notranja luč
14. Steklena polica predela hladilnika
15. Gumb za nastavitev temperature
16. Predel hladilnika
17. Zamrzovalni del






***izbirno:** Slike v tem priročniku so podate kot primer in morda niso popolnoma enako kot izdelek. Če vaš izdelek ne vključuje ustreznih delov, se podatki nanašajo na druge modele.

3 Namestitev

3.1. Ustrežno mesto za namestitev

Za namestitev izdelka se obrnite na pooblaščen servis. Če želite pripraviti izdelek na namestitev, glejte informacije v uporabniškem priročniku in se prepričajte, da so električne in vodovodne storitve ustrezne. Če ne, pokličite električarja in vodovodarja, da uredita potrebne napeljave.

	OPOZORILO: Proizvajalec ne prevzema odgovornosti za škodo, ki je posledica del, ki so jih izvedle nepooblašcene osebe.
	OPOZORILO: Med nameščanjem mora biti napajalni kabel izdelka izključen. Neupoštevanje tega lahko povzroči smrt ali resne poškodbe!
	OPOZORILO: Če je razpon vrat preozek za hrano, odstranite vrata in obrnite izdelek na stran; če to ne deluje, se obrnite na pooblaščen servis.

- Izdelek postavite na ravno površino, da ne pride do vibracij.
- Izdelek morate namestiti vsaj 30 cm od grelnika, štedilnika in podobnih virov toplote in vsaj 5 cm od električnih pečice.
- Izdelka ne postavljajte pod neposredno sončno svetlobo in v vlažna okolja.
- Izdelek za učinkovito delovanje rabi zadostno kroženje zraka.
- Če bo izdelek nameščen v nišo, ne pozabite, da pustite razdaljo vsaj 5 cm med izdelkom in stropom ter stenami.
- Naprave ne nameščajte v okoljih s temperaturo nižjo od -5°C .

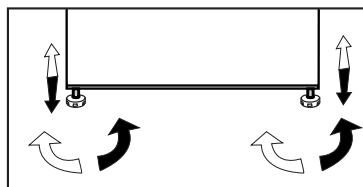
3.2. Pritrditev plastičnih klinov

Uporabite plastične klinke, ki so priloženi izdelku, da omogočite dovolj prostora za kroženje zraka med izdelkom in steno.

1. Za pritrditev klinov odstranite vijake na izdelku in uporabite vijake, ki so dobavljeni skupaj s klini.
2. Pritrdite 2 plastična klinca na pokrov prezračevanja, kot prikazuje slika.


3.3. Prilagoditev stojal

Če izdelek ni uravnotežen, prilagodite nastavljiva stojala z obračanjem v desno ali levo.




Namestitev

3.4. Električna povezava

	OPOZORILO: Pri električni povezavi ne uporabljajte podaljškov ali več vtičnic.
	OPOZORILO: Poškodovan napajalni kabel lahko zamenja le pooblaščen servis.
	Če hladilnik postavite ob drug hladilnik, naj bo razdalja med njima vsaj 4 cm.

- Naše podjetje ne prevzema odgovornosti za škodo, ki nastane zaradi uporabe ozemljitve in električne povezave, ki ni v skladu z državnimi predpisi.
- Vtič napajalnega kabla naj bo po namestitvi lahko dostopen.
- Med vtičnico in hladilnikom ne uporabljajte več vtičev z ali brez podaljška.
- Za učinkovito delovanje tega izdelka je potrebno zadostno kroženje zraka. Če bo izdelek nameščen v nišo, pustite vsaj 5 cm prostora med izdelkom ter stropom, zadnjo steno in stranskima stenama.
- Če bo izdelek nameščen v nišo, pustite vsaj 5 cm prostora med izdelkom ter stropom, zadnjo steno in stranskima stenama. Preverite, ali je nameščen zaščitni del za odmik od zadnje stene (če je priložen izdelku). Če del ni na voljo ali pa je izgubljen oziroma uničen, namestite izdelek tako, da je z zadnjo stranjo od stene prostora oddaljen vsaj 5 cm. Odmik na zadnji strani je pomemben za učinkovito delovanje izdelka.

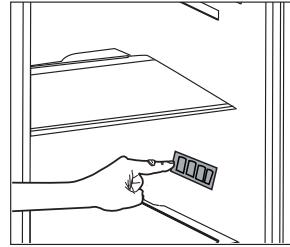
	Opozorilo za vročo površino Bočne stene izdelka so zaradi izboljšanja hladilnega sistema opremljene s hladilnimi cevmi. Po teh delih se lahko pretaka hladilno sredstvo z visoko temperaturo, zaradi česar se lahko bočne stene zelo segrejejo. To je običajno in ni razlog za servisiranje. Bodite previdni pri dotikanju teh površin.
---	--

4.1. Kako prihraniti z energijo



Priklučitev naprave na sisteme varčevanja električne energije je nevarno, saj lahko poškodujejo napravo.

- Za samostoječi aparat; »ta hladilni aparat ni namenjen za uporabo kot vgradni aparat«; Ne puščajte vrat hladilnika odprtih dlje časa.
- V napravo ne nalagajte vročih živil in pijač.
- Ne naložite v hladilnik preveč stvari; z blokiranjem notranjega pretoka zraka zmanjšate učinkovitost hlajenja.
- Da bi v hladilni predel vašega hladilnika shranili čim večjo količino hrane, odstranite zgornje police in jo položite na stekleno polico. Označena poraba energije vašega hladilnika je bila določena z odstranjenim hladilnikom, pladnjem za led in zgornjimi predali, da bi omogočili največjo zmogljivost shranjevanja. Močno priporočamo uporabo spodnje police za shranjevanje. Za najboljšo porabo energije je treba vklopiti funkcijo za varčevanje z energijo.
- Hrane ne postavljajte pred ventilator hladilnika, saj tako blokirate pretok zraka. Hrano položite vsaj 3 cm od zaščitne žice ventilatorja.
- Glede na lastnosti izdelka; z odtajanjem zamrznjene hrane v predelu hladilnika boste zagotovili varčevanje z energijo in ohranili kakovost živil.
- Hrano shranite z uporabo polic v predelu hladilnika, da zagotovite varčevanje z energijo in ohranite živila v boljšem stanju.
- Paketi hrane ne smejo biti v neposrednem stiku s senzorji toplote, ki se nahajajo v predelu hladilnika. Če so v stiku s senzorji, se lahko poraba energije naprave poveča.
- Pazite, da živila niso v stiku s senzorjem temperature predela hladilnika, kot je opisano spodaj.
- Ker vroč in vlažen zrak ne bo neposredno prodril v vaš izdelek, ko vrata niso odprta, se bo vaš izdelek optimiziral v pogojih, ki zadostujejo za zaščito vaše hrane. Funkcije in sestavni deli, kot so kompresor, ventilator, grelec, odmrzovanje, osvetlitev, zaslon in tako naprej, bodo delovali v skladu s potrebami po porabi minimalne energije v teh okoliščinah.



4.2. Prva uporaba

Pred prvo uporabo hladilnika, poskrbite, da so vse priprave izvedene v skladu z navodili v razdelkih »Varnostna in okoljska navodila« in »Namestitvev«.

- Naj izdelek deluje brez hrane 6 ur in ne odpirajte vrat, razen če je res nujno potrebno.



Ko kompresor prične delovati, boste zaslišali zvok. Zvoki so povsem običajni, tudi ko kompresor ne deluje, zaradi stisnjenih tekočin in plinov v hladilnem sistemu.

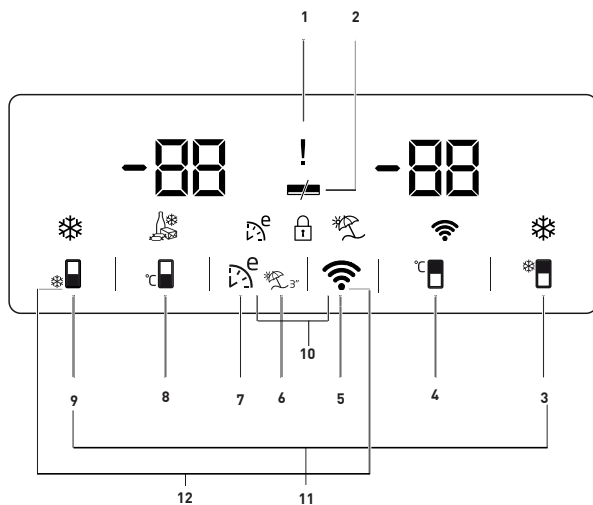


Sprednji robovi izdelka se lahko segrejejo. To je običajno. Ti predeli so oblikovani, da se segrejejo in preprečijo kondenzacijo.



Pri nekaterih modelih se indikatorska tabla samodejno izklopi 5 minut po tem, ko zaprete vrata. Aktivirala se bo, ko se vrata odprejo ali pritisnete kateri koli gumb.

5 Uporaba izdelka




1. Indikator stanja napake
2. Indikator funkcije za varčevanje z energijo (prikazovalnik izklopljen)
3. Tipka za hitro hlajenje
4. Tipka za nastavitve temperature hladilnega dela
5. Tipka za brezžično povezavo
6. Tipke za funkcijo za počitnice
7. Tipka za varčno funkcijo (Eco-Fuzzy)
8. Tipka za nastavitve temperature zamrzovalnega dela
9. Tipka za hitro zamrzovanje
10. Zaklepanje tipk
11. Tipka za spreminjanje enote za temperaturo



Slike v tem uporabniškem priročniku so shematske in se z izdelkom natančno ne ujemajo. Če izdelek, ki ste ga kupili, določenega dela ne vsebuje, potem ta del velja za kak drug model.


Uporaba izdelka

1. Indikator za izpad napajanja/visoko temperaturo/stanje napake


Ta indikator () sveti v primeru izpada napajanja, visoke temperature in opozoril za napake.

Ko se temperatura v zamrzovalnem delu dvigne na kritično raven za zamrznjeno hrano, na digitalnem indikatorju utripa najvišja vrednost, ki jo doseže temperatura zamrzovalnega dela. Preverite hrano v zamrzovalnem delu.

To ni napaka. Opozorilo lahko izbrišete tako, da pritisnete kateri koli gumb ali gumb za izklop alarma za visoko temperaturo. (Preklic s pritiskom na kateri koli gumb ni na voljo pri vseh modelih.)

Ta indikator () sveti tudi v primeru napake senzorja. Ko sveti ta indikator, se na indikatorju temperature izmenično prikazujejo črka »E« in številke, kot so »1, 2, 3 ...«. Prikazane številke predstavljajo informacije o napaki za servisno osebo.

2. Indikator funkcije za varčevanje z energijo (prikazovalnik izklopljen)

Če so vrata izdelka dlje časa zaprta, se samodejno aktivira funkcija za varčevanje z energijo in zasveti simbol varčevanja z energijo. ()


Ko je aktivirana funkcija za varčevanje z energijo, se izklopijo vsi simboli na prikazovalniku razen simbola varčevanja z energijo. Če pritisnete katero koli tipko ali odprete vrata, ko je aktivirana funkcija za varčevanje z energijo, se funkcija za varčevanje z energijo izklopi in na prikazovalniku se prikažejo običajni simboli. Funkcija za varčevanje z energijo je tovarniško nastavljena in je ni mogoče onemogočiti.

3. Tipka za hitro hlajenje

Ko je aktivirana funkcija hitrega hlajenja, sveti indikator hitrega hlajenja () in vrednost indikatorja temperature hladilnega dela je prikazana kot 1. Če želite preklicati to funkcijo,


znova pritisnite tipko za hitro hlajenje. Indikator hitrega hlajenja se izklopi in hladilnik se postavi na običajne nastavitve. Če funkcije hitrega hlajenja ne prekličete, se samodejno deaktivira po 1 uri. Če želite ohladiti velike količine sveže hrane, pritisnite tipko za hitro hlajenje, preden postavite hrano v hladilnik del.

4. Tipka za nastavev temperature hladilnega dela

Ko pritisnete to tipko, lahko nastavite temperaturo hladilnega dela na vrednost 8, 7, 6, 5, 4, 3, 2 ali 1. ()

5. Tipka za brezžično povezavo (*dodatna možnost)

Z dolgim pritiskom na gumb (3 sekunde) zaženete prvo povezovanje izdelka z domačim omrežjem.

Med vzpostavljanjem povezave ikona brezžičnega omrežja () utripa v polsekundnih intervalih.

Ko je povezava z domačim omrežjem vzpostavljena, ikona brezžičnega omrežja neprekinjeno sveti.

Po prvi vzpostavitvi povezave lahko povezavo aktivirate/deaktivirate s kratkim pritiskom na ta gumb.

Po izklopu in vklopu napajanja se nastavljena povezava ohrani in izdelek se samodejno poveže z domačim omrežjem.

Ikona brezžičnega omrežja hitro utripa (v 0,2-sekundnih intervalih), dokler ni povezava vzpostavljena.

Ko je povezava aktivna, ikona brezžičnega omrežja neprekinjeno sveti.

Če v določenem obdobju ni mogoče vzpostaviti povezave, preverite nastavitve modema/povezave.



Uporaba izdelka

Kot vmesnik povezave se uporablja aplikacija HomeWhiz.

Koraki povezave so opisani v KRATKIH NAVODILIH ZA NAMESTITEV aplikacije HomeWhiz, ki so priložena izdelku.


Za odgovore na osnovna vprašanja glejte razdelek o odpravljanju težav.

6. Tipka za funkcijo za počitnice

Če želite aktivirati funkcijo za počitnice, pritisnite gumb  in ga držite 3 sekunde; aktivira se indikator načina za počitnice . Ko je aktivirana funkcija za počitnice, se na indikatorju temperature hladilnega dela prikaže »- « in v hladilnem delu ni aktivnega hlajenja. Ko je ta funkcija aktivirana, shranjevanje živil v hladilniku ni priporočljivo. Drugi deli še naprej hladijo skladno z nastavljenimi temperaturami.

Če želite preklicati to funkcijo, znova pritisnite tipko za **funkcijo za počitnice**.


7. Tipka za varčno funkcijo (Eco-Fuzzy)

Če želite omogočiti varčno funkcijo, pritisnite tipko za varčno funkcijo. Ko je ta funkcija omogočena, začne zamrzovalnik delovati v varčnem načinu po najmanj 6 urah in vklopi se indikator varčne uporabe .



Če želite onemogočiti varčno funkcijo, znova pritisnite gumb za varčno funkcijo. Ko je varčna funkcija omogočena, se ta indikator vklopi po 6 urah.

8. Tipka za nastavitve temperature zamrzovalnega dela






Nastavi se temperatura za zamrzovalni del.

Ko pritisnete številsko tipko , lahko nastavite temperaturo zamrzovalnega dela na -18, -19, -20, -21, -22, -23 ali -24.

9. Tipka za hitro zamrzovanje



Pritisnite tipko št. (9) za hitro zamrzovanje; aktivira se indikator hitrega zamrzovanja . Ko je funkcija hitrega zamrzovanja vklopljena, sveti indikator hitrega zamrzovanja in indikator temperature zamrzovalnega dela prikazuje -27. Če želite preklicati to funkcijo, znova pritisnite tipko za hitro zamrzovanje . Indikator hitrega zamrzovanja se izklopi in hladilnik se vrne na običajne nastavitve. Če funkcije hitrega zamrzovanja ne prekličete, se samodejno deaktivira po 24 urah. Če želite zamrzniti velike količine sveže hrane, pritisnite tipko za hitro zamrzovanje, preden postavite hrano v zamrzovalni del.

10. Zaklepanje tipk

Hkrati pritisnite tipki za domače omrežje  in varčno funkcijo  ter ju držite 3 sekunde. Zasveti simbol zaklepanja tipk  in aktivira se način zaklepanja tipk. Ko je aktiven način zaklepanja tipk, tipke ne delujejo. Hkrati pritisnite tipki za domače omrežje  in varčno funkcijo  ter ju držite 3 sekunde. Zaklepanje tipk se deaktivira.

Funkcijo za **zaklepanje tipk** uporabite, če želite preprečiti spreminjanje nastavitve temperature hladilnika.

11. Tipka za spreminjanje enote za temperaturo

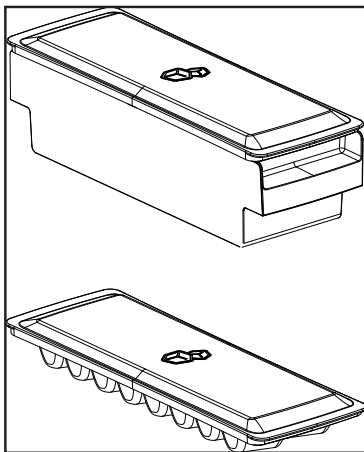
Za preklon med stopinjami F in C hkrati pritisnite tipki za hitro hlajenje  in hitro zamrzovanje  ter ju držite 3 sekunde.

Uporaba izdelka

5.1. Vedro za led

(izbirno)

- Vzemite vedro za led iz predela zamrzovalnika.
- Napolnite vedro za led z vodo.
- Postavite vedro za led v predela zamrzovalnika.
- Led bo pripravljen približno v dveh urah. Vzemite vedro za led iz predela zamrzovalnika in rahlo nagnite čez držalo, ki ga boste postregli. Led se bo samodejno preliv v držalo za serviranje.



5.2. Nosilec za jajca

Nosilec za jajca lahko namestite na vrata ali polico po izbiri. Če se odločite, da ga boste postavili na polico trupa, je priporočljivo uporabiti spodnje police, saj so hladnejše.

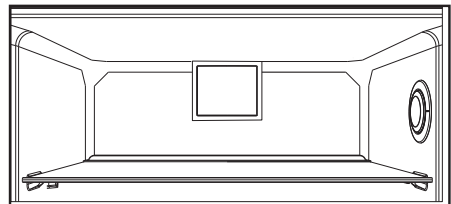


Nosilca za jajca ne postavljajte v predel zamrzovalnika.

5.3. Ventilator

Ventilator je oblikovan, da enakomerno razporeja kroženje hladnega zraka znotraj hladilnika. Čas delovanja ventilatorja se lahko razlikuje glede na lastnosti naprave.

Pri nekaterih izdelkih ventilator deluje le s kompresorjem, pri drugih pa kontrolni sistem določa čas delovanja glede na potrebo po hlajenju.



Uporaba izdelka

5.4. Posoda za zelenjavo

(izbirno)

Posoda za zelenjavo je narejen, da ohranja vlago in ohranja zelenjavo svežo. V ta namen se celotno kroženje mrzlega zraka v posodi za zelenjavo okrepi.

5.5. Zamrzovalni predel

(izbirno)

Ta predel uporabljajte za shranjevanje delikates pri nizkih temperaturah ali mesnih izdelkov, ki jih boste takoj porabili.

Zamrzovalni predel je najhladnejše mesto, kjer lahko shranite živila kot so mlečni izdelki, meso, ribe in piščanec, v idealnih pogojih shranjevanja. Ta predel ni primeren za shranjevanje zelenjave in/ali sadja.

5.6. Premikajoča vratna polica

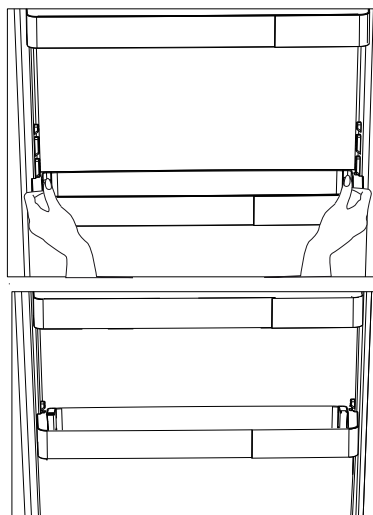
(izbirno)

Premikajoča vratna polica se lahko pritrdi na 3 različne položaje.

Če želite premakniti polico, enakomerno pritisnite gumba na straneh. Police se tako odstrani.

Pomaknite polico gor ali dol.

Ko je polica v želenem položaju, sprostite gumba. Polica bo ponovno pritrjena v položaju, kjer ste spustili gumba.



Uporaba izdelka

5.7. Uporaba drugega predala za zelenjavo



Slika 1

Kot prikazuje slika, sta v drugem predalu za zelenjavo modela K70560 dva zaustavljavca.



Slika 2

Ko je drugi predal zaprt, je videti tako, kot prikazuje slika 2.



Slika 3

Ko so vrata odprta za 90°, drugi predal za zelenjavo povlecite do prvega zaustavljavca, kot prikazuje slika 3.

Če je predal bolj odprt, najprej odprite vrata za vsaj 135°. Nato dvignite drugi predal za zelenjavo za približno 5 mm, da ga odmaknete od prvega zaustavljavca, kot prikazuje slika 4.



Slika 4



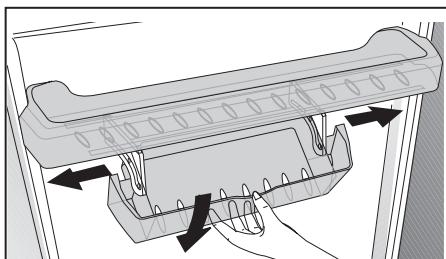
Ko ste ga dvignili, povlecite drugi predal za zelenjavo do drugega zaustavljavca, kot prikazuje slika 5.

Slika 5

5.8. Drseče škatle za shrambo (izbirno)

Dodatek je oblikovan z namenom povečati uporabno prostornino polic na vratih.

Ker se lahko premakne na stran, omogoča enostavno nameščanje dolgih steklenic, kozarcev ali škatel, ki jih postavite spodnje stojalo za steklenice.



HerbBox/HerbFresh

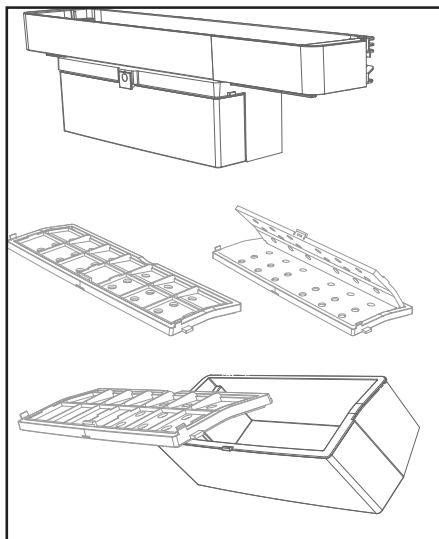
Iz škatle HerbBox/HerbFresh+ odstranite posodico s folijo.

Vzemite folijo iz vrečke in jo položite v posodico, kot je prikazano na sliki.

Znova zaprite posodo in jo vstavite v enoto HerbBox/HerbFresh+.

Razdelki HerbBox-HerbFresh+ so idealni zlasti za shranjevanje različnih zelišč, ki jih je treba hraniti pod posebnimi pogoji. V tem razdelku lahko v vodoravni legi hranite vaša zelišča, ki niso v vrečkah (peteršilj, koper in podobno), ter jih ohranite dalj časa sveže.

Zamenjajte film vsakih šest mesecev.



Uporaba izdelka

5.9. Posoda za zelenjavo z uravnavanjem vlage

(izbirno)

Funkcija uravnavanja vlage ohranjate stopnje vlage zelenjave in sadja pod nadzorom in zagotovi hrano dlje časa svežo.

Listnato zelenjavo, kot je zelena solata, špinata in podobna zelenjava, ki je podvržena izgubi vlage, shranjujte v vodoravnem položaju v posodi za zelenjavo in ne na koreninah.

Ko nalagata zelenjavo, položite težjo in trdo zelenjavo na dno, lahko in mehko pa na vrh, pri tem pa upoštevajte specifične teže zelenjave.

Zelenjave ne pustite v posodi za zelenjavo v plastičnih vrečkah. Če jo pustite v plastičnih vrečkah, zelenjava hitreje zgnije. V situacijah, kjer ni dobro, da se različne vrste zelenjave stikajo med seboj, uporabite pakirni material, kot je papir, ki ima določeno poroznost v smislu higiene.

Sadja, ki ima proizvodnjo z visoko vsebnostjo etilena, kot so hruške, marelice, breskve in predvsem jabolka, v isto posodo za zelenjavo z drugo zelenjavo in sadjem. Etilen, ki prihaja iz tega sadja, lahko povzroči, da druga zelenjava in sadje hitreje dozori in zgnije.

5.10. Modul z osvežilec zraka (FreshGuard) *izbirno

Modul z osvežilec zraka hitro odstrani neprijetne vonjave v hladilniku, preden prežamejo površine. S tem modulom, ki je nameščen na strop predala za sveža živila, se bodo slabe vonjave razblinile, zrak bo prešel v filter za odpravo neprijetnih vonjav, ta pa bo zrak poslal nazaj v predal za sveža živila. Tako bodo odstranjene neprijetne vonjave, ki se pojavijo med shranjevanjem živil v hladilniku, preden prežamejo površine.

To omogočajo ventilator, dioda in filter za svež zrak, ki je vgrajen v modulu. Modul z

osvežilec zraka se bo samodejno vklopil v intervalih. Če želite ohraniti učinkovito delovanje modula z osvežilec zraka, vam priporočamo, da filter v modulu vsakih 5 let zamenja pooblaščen serviser. Hrup, ki ga slišite med delovanjem modula je zaradi vgrajenega ventilatorja normalen. Če odprete vrata predala za sveža živila, medtem ko modul deluje, se bo ventilator začasno ustavil, ter se ponovno vklopil in deloval naprej, ko vrata zaprete. V primeru izpada električnega toka bo modul z osvežilec zraka po ponovni vzpostavitvi napajanja nadaljeval z delovanjem od točke, na kateri se je ustavil.

Informacije: Priporočamo, da aromatična živila (kot so sir, olive, delikatese) hranite zaprta v njihovi embalaži, da se izognete slabim vonjavam, ki se lahko pojavijo, kadar se mešajo vonjave različnih živil. Poleg tega priporočamo, da pokvarjena živila hitro odstranite iz hladilnika, da preprečite kvarjenje drugih živil in se izognete slabim vonjavam.

5.11. Samodejna naprava za led (izbirno)

Samodejna naprava za led omogoča enostavno izdelavo ledu v vašem hladilniku. Če želite dobiti led iz naprave za led, odstranite rezervoar za vodo iz predela hladilnika, ga napolnite z vodo in ga pritrdite nazaj na mesto.

Prvi led bo pripravljen v ok. 2 urah v predali naprave za led v predelu hladilnika.

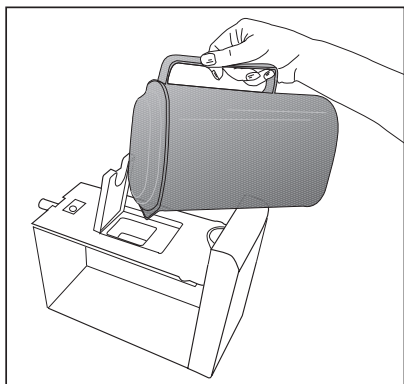
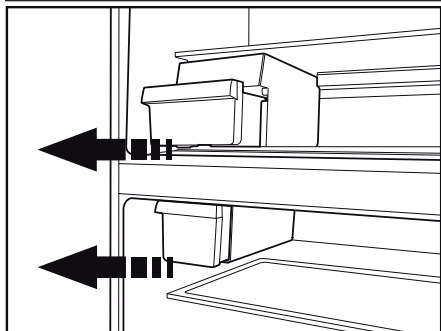
Ko namestite polni rezervoar za vodo, lahko dobite ok. 60-70 kock ledu, dokler ni popolnoma prazen.

Če je voda v rezervoarju stala 2-3 tedne, jo je treba zamenjati.



Pri izdelkih s samodejno napravo za led boste med vlivanjem ledu morda slišali zvok. Ta zvok je običajen in ni napaka.

Uporaba izdelka



5.12. Ledomat in posoda za shranjevanje ledu

*izbirno

Uporaba ledomata

Ledomat napolnite z vodo in ga postavite na ustrezno mesto. Led bo pripravljen približno v dveh urah. Ledomata ne odstranjujte iz svojega mesta, da bi vzeli led.

Gumbe na njem zavrtite v smeri urinega kazalca za 90 stopinj.

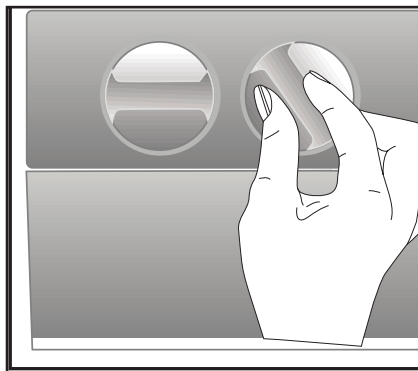
Kocke ledu v zbiralnikih bodo padle v posodo za shranjevanje ledu spodaj.

Posodo za shranjevanje ledu lahko izvlečete in postrežete kocke ledu.

Če želite, lahko kocke ledu hranite v posodi za shranjevanje ledu.

Posoda za shranjevanje ledu

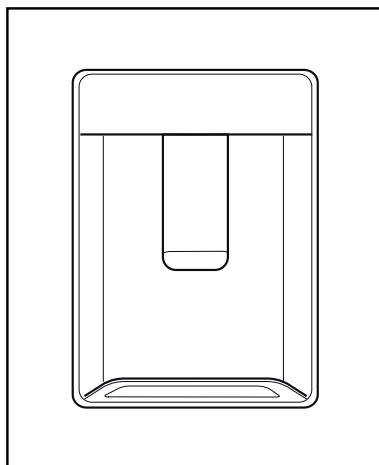
Posoda za shranjevanje ledu je namenjena le zadrževanju kock ledu. V posodo ne vlivajte vode, saj se lahko zlomi.



5.13. Točaj vode

(pri nekaterih modelih)

Točaj vode je zelo uporabna naprava, ki omogoča natakanje hladne vode brez odpiranja vrat hladilnika. Ker vam ne bo treba pogosto odpirati vrat hladilnika, boste prihranili energijo.



Uporaba izdelka

5.14. Uporaba vodne pipe

S kozarcem potisnite ročico točaja vode.

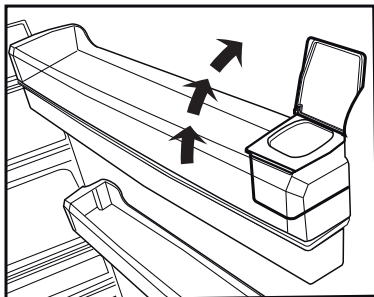
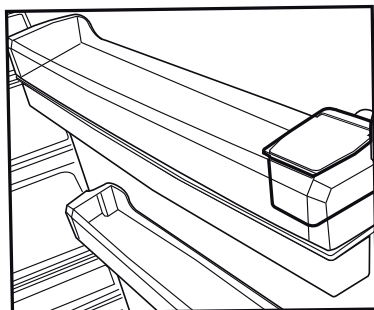
Ko pritisk na ročico popustite, bo točaj vode prenehal delovati.

Med natakanjem vode lahko dosežete največji pretok s pritiskom na ročico do konca. Ne pozabite, da je pretok vode iz točaja odvisen od sile, s katero pritisnete na ročico.

Medtem ko gladina vode v kozarcu/posodi narašča, malce popustite pritisk, da se voda ne prelije. Pri zelo nežnem pritisku na ročico bo voda samo kapljala; to je normalno in ni motnja delovanja.

Polnjenje posode točaja vode

Polnilna posodica za vodo se nahaja v notranjosti regala vrat. Odprite pokrov posode in jo napolnite s čisto pitno vodo. Nato pokrov zaprite.



Pozor!

- Posodo za vodo polnite le z vodo in ne s katero koli drugo tekočino, kot so sadni sokovi, gazirane pijače ali alkoholne pijače, ki niso primerne za uporabo v točaju vode. Pri uporabi teh tekočin bo točaj vode bo nepopravljivo poškodovan. Garancija take uporabe ne krije. Nekatere kemične snovi in aditivi, vsebovani v teh vrstah pijač / tekočin lahko posodo za vodo poškodujejo.

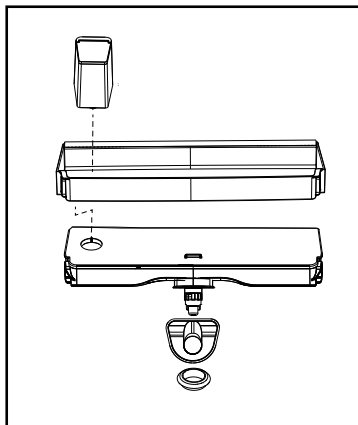
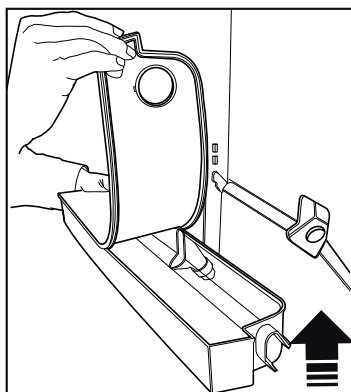
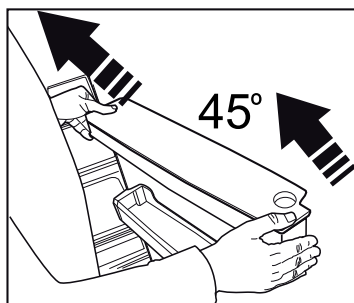
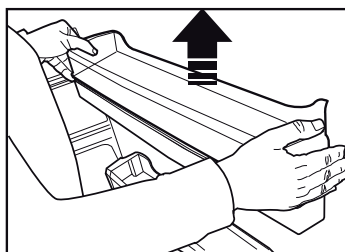
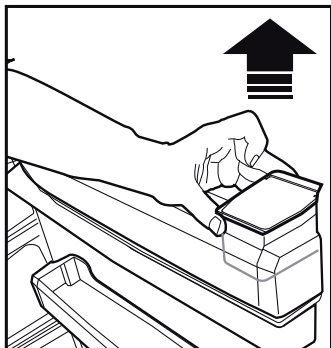
- Uporabljajte samo čisto in svežo pitno vodo.
- Prostornina posode za vodo znaša 3 litre; ne napolnite preveč.
- S kozarcem potisnite ročico točaja vode. Če uporabljate plastične kozarce za enkratno uporabo, potisnite ročico s prsti za kozarcem.

5.15. Čiščenje posode za vodo

- Odstranite posodo za polnjenje vode v notranjosti regala na vratih.
- Odstranite regal vrat, tako da ga primete na obeh straneh.
- Primite posodo za vodo na obeh straneh in jo odstranite pod kotom 45 °C.
- Posodo za vodo očistite z odstranitvijo pokrova.

Pomembno:

Sestavni deli posode za vodo in točaja vode se ne smejo prati v pomivalnem stroju.



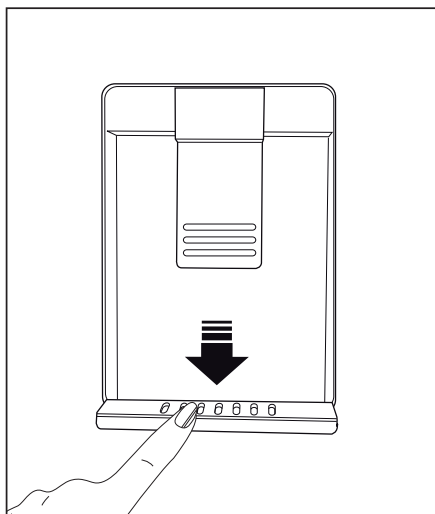
5.16. Pladenj za vodo

Voda, ki kaplja pri uporabi točaja vode, se nabira v pladnju za vodo.

Plastični pladenj odstranite, kot je prikazano na sliki.

S čisto in suho krpo obrišite razlito vodo.

POZOR: Priključite samo na napeljavo s pitno vodo.



Uporaba izdelka

5.17. Zamrzovanje svežih živil

- Če želite ohraniti kakovost živil, morate živila, ki jih postavite v predel zamrzovalnika, čim hitreje zamrzniti; za to uporabite hitro zamrzovanje.
- Zamrzovanje sveže hrane podaljša čas shranjevanja v predelu zamrzovalnika.
- Zapakirajte živila v nepredušne pakete in jih tesno zaprite.
- Pazite, da so živila zapakirana, preden jih postavite v zamrzovalnik. Uporabite držala zamrzovalnika, folijo in papir, ki je odporen na vlago, plastične vrečke ali podobni pakirni material, namesto običajnega papirja.



Lev v predelu zamrzovalnika se samodejno odtaja.

- Pred pakete s hrano zamrznete jih označite z datumom. Tako boste lahko določili svežino posameznega paketa vsakič, ko odprete zamrzovalnik. Hranite starejša živila spredaj, da jih tako uporabite najprej.
- Zamrznjena živila je treba porabiti takoj ko se odtalijo in se ne smejo ponovno zamrzniti.
- Ne zamrzujte velike količine živil naenkrat.

5.18. Priporočila za shranjevanje zamrznjenih živil

Predel mora biti nastavljen vsaj na -18°C .

1. Živila nemudoma postavite v zamrzovalnik, da se ne odtalijo.
2. Pred zamrzovanjem, preverite »datum izteka roka« na embalaži, da se prepričajte, da se ni izdelek.
3. Preverite, da embalaža živil ni poškodovana.

Nastavitev temperature zamrzovalnega dela	Nastavitev temperature hladilnega dela	Podrobnosti
-18°C	4°C	To je privzeta in priporočena nastavitev.
$-20, -22$ ali -24°C	4°C	Te nastavitve so priporočene za temperature okolja, ki presegajo 30°C .
Funkcija hitrega zamrzovanja	4°C	Uporabite, ko želite zamrzniti hrano v kratkem času. Ko se postopek konča, izdelek ponovno pridobi svoj položaj.
-18°C ali hladneje	2°C	Te nastavitve uporabite, če mislite, da predel hladilnika ni dovolj hladen zaradi temperature okolja ali pogostega odpiranja vrat.

Uporaba izdelka

5.19. Podrobnosti globokega zamrzovanja

Po standardih IEC 62552 mora imeti zamrzovalnik zmogljivost, da zamrzne 4,5 kg hrane pri -18°C ali nižji temperaturi v 24 urah na vsakih 100 litrov volumna predela zamrzovalnika.

Živila lahko dlje časa hranite samo pri ali pod temperaturo -18°C.

Hrano lahko tako ohranite svežo več mesecev (v globoke zamrzovalniku pri ali pod temperaturo -18°C).

Hrana, ki jo nameravate zamrzniti, se ne sme dotikati že zamrznjene hrane, da ne pride do delnega odtajanja.

Zavrite zelenjavo in prefiltrirajte vodo, da podaljšate čas shranjevanja zamrznjenih živil. Živila najprej filtrirajte, nato pa jih dajte v nepredušne pakete in postavite v zamrzovalnik. Banan, paradižnika, zelene solate, zelene, kuhanih jajc, krompirja in podobnih živil se ne sme zamrzovati. V primeru, da ta hrana zgine, bo to negativno vpliva na prehranske vrednosti in kakovost. Gnitje, ki ogroža človeško življenje, ni vprašljivo.

5.20. Postavitev živil

Police zamrzovalnega dela	Različne vrste živil, vključno z mesom, ribami, sladoledom, zelenjavo itd.
Police predel hladilnika	Živila v loncih, zaprtih krožnikih in zaprtih ovojih, jajca (v zaprtem ovoju)
Police na vratih hladilnega dela	Manjša in pakirana živila ali pijače
Posoda za zelenjavo	Sadje in zelenjava
Predel za sveža živila	Delikatese (hrana za zajtrk, mesni izdelki, ki jih boste porabili v kratkem času)

5.21. Opozorilo za odprta vrata (izbirno)

Če vrata naprave ostanejo odprta vsaj 1 minute, boste zaslišali zvočni alarm. Zvočni alarm ugasne, ko zaprete vrata ali pritisnete katerokoli tipko na prikazovalniku (če je na voljo).

Opozorilo za odprta vrata uporabnik sliši in vidi. Notranja razsvetljava ugasne, če se opozorilo nadaljuje 10 minut.

5.22. Spreminjanje smeri odpiranja vrat

Smer odpiranja vrat vašega hladilnika lahko spremenite glede na lokacijo, kjer ga uporabljate. Ko to rabite, se obrnite na najbližji pooblaščen servis.

Razlaga zgoraj je samo splošna izjava.

Preverite opozorilno oznako, ki se nahaja znotraj embalaže izdelka, glede spreminjanja smeri odpiranja vrat.

5.23. Notranja luč

Notranja luč uporablja luč tipa LED. Za težave s to lučjo se obrnite na pooblaščen servis.

Luč(i), ki je(so) uporabljena(-e) v tej napravi, ni mogoče uporabiti za hišno razsvetljavo. Namenska uporaba te luči je, da uporabnik varno in udobno postavi hrano v hladilnik/zamrzovalnik.

Ob rednem čiščenju naprave se njena življenjska doba podaljša.



OPOZORILO: Pred začetkom čiščenja hladilnika, ga izključite iz napajanja.

- Za čiščenje ne uporabljajte ostrih abrazivnih predmetov, mila, gospodinjskih čistil, čistilnih sredstev in loščila.
- Rastopite eno žličko karbonata v pol litra vode. V to raztopino pomočite krpo in jo temeljito ožemite. S to krpo obrišite notranjost naprave in temeljito posušite.
- Preprečite, da bi ohišje luči in ostali električni predmeti prišli v stik z vodo.
- Vrata očistite z vlažno krpo. Če želite odstraniti vrata in police, jih popolnoma spraznite. Police na vratih odstranite tako, da jih pomaknete navzgor. Po čiščenju ji namestite tako, da ji zdrsnete od zgoraj navzdol.
- Za čiščenje zunanjih površin in kromiranih delov izdelka ne uporabljajte čistilnih sredstev ali klorirane vode. Klor povzroči korozijo na kovinskih površinah.
- Ne uporabljajte ostrih, abrazivnih orodij, gospodinjskih čistil, čistilnih sredstev, kerozina, olja, loščila itd., da preprečite odstranjevanje in deformacijo odtisov na plastičnem delu. Za čiščenje uporabite mlačno vodo in mehko krpo ter do suhega obrišite.

6.1. Izogibanje neprijetnim vonjavam

V proizvodnji naših naprav ne uporabljamo materialov, ki povzročajo vonj. Vendar pa nepravilno shranjevanje živil in pomanjkljivo čiščenje notranjosti naprave lahko povzroči neprijetne vonjave.

Zato vsakih 15 dni čistite hladilnik s karbonatom, raztopljenim v vodi.

- Živila shranjujte v zaprtih posodah. Mikroorganizmi, ki prihajajo iz nepokritih posod, lahko povzročijo neprijetne vonjave.
- V hladilniku ne hranite pokvarjenih živil ali živil s pretečenim rokom.

6.2. Zaščita plastičnih površin

Nemudoma očistite s toplo vodo, saj lahko olje poškoduje plastično površino.

6.3. Steklo vrat

Odstranite zaščitno folijo s stekla.

Na površini stekla je premaz. Ta premaz zmanjša nabiranje madežev in pomaga pri lažjem odstranjevanju madežev in umazanije. Steklo, ki ni zaščiteno s takšnim premazom, je lahko predmet trajne vezave zraka ali organske ali anorganske umazanije, na osnovi vode, kot je vodni kamen, mineralne soli, nezagorelih ogljikovodikov, kovinskih oksidov in silikonov, ki lahko enostavno in hitro povzročijo madeže ali materialno škodo. Ohranjanje čistega stekla postane pretežko, kljub rednemu čiščenju. Posledično se poslabšata videz in prosojnost stekla. Grobe in korozivne metode in spojine čiščenja povečajo te napake in pospešijo proces poslabšanja.

Za redno čiščenje uporabite izdelke, na osnovi vode, ki niso alkalni in jedki.

Za čiščenje uporabite nealkalne in nekorozivne materiali in tako podaljšate življenjsko dobo tega premaza.

Steklo vrat je kaljeno za večjo odpornost proti udarcem in zlomu.

Zadnja površina stekla pa je prevlečena z zaščitnim filmom kot dodatni varnostni ukrep, ki preprečuje, da bi steklo ob zlomu povzročilo škodo okolici.

* Alkalij je baza, ki tvori hidroksilne ione (OH⁻), ko jo raztopimo v vodi.

Li (Litij), Na (Natrij), K (Kalij) Rb (Rubidij), Cs (Cezij) in umetne in radioaktivne Fr (Frensijsium) kovine se imenujejo ALKALIJSKE KOVINE.

Preverite ta seznam, preden se obrnete na servisno službo. S tem boste prihranili čas in denar. Ta seznam vključuje pogoste pritožbe, ki niso povezane z nestrokovno izdelavo ali materiali. Nekatere funkcije, ki so omenjene, morda ne veljajo za vašo napravo.

Hladilnik ne deluje.

- Napajalni kabel ni v celoti vključen v vtičnico. >>> Priključite ga v celoti, da se vsede v vtičnico.
- Pregorela je glavna varovalka ali pa varovalka priključena na vtičnico, ki napaja napravo. >>> Preverite varovalke.

Kondenzacija na stranski steni predela hladilnika (MULTI CONA, COOL, NADZOR in FLEXI CONA).

- Vrata se prepogosto odpirajo. >>> Pazite, da ne boste odpirali vrat naprave prepogosto.
- Okolje je preveč vlažno. >>> Ne nameščajte naprave v vlažnih okoljih.
- Živila, ki vsebujejo tekočine, so shranjena v nezaprtih posodah. >>> Naj bodo živila, ki vsebujejo tekočine, v zaprtih posodah.
- Vrata naprave so ostala odprta. >>> Vrata naprave ne imejte odprta predolgo časa.
- Termostat je nastavljen na prenizko temperaturo. >>> Nastavite termostat na primerno temperaturo.

Kompresor ne deluje.

- V primeru nenadnega izpada električne energije ali izvečenega vtičnega ter nato ponovnega vklopa, tlak plina v hladilnem sistemu naprave ni uravnotežen, kar sproži termično zaščito kompresorja. Naprava se bo ponovno zagnala po približno 6 minutah. Če se naprava ne zažene ponovno po tem času, se obrnite na servis.
- Odtajanje je vključeno. >>> To je normalno za popolnoma samodejno odtajanje naprave. Odtajanje se izvaja v rednih časovnih presledkih.
- Naprava ni priključena. >>> Prepričajte se, da je napajalni kabel priključen.
- Nastavitev temperature je napačna. >>> Izberite nastavitev na primerno temperaturo.
- Napajanja ni. >>> Naprava bo še naprej normalno delovala, ko se bo vrnilo napajanje.

Obratovalni hrup hladilnika se povečuje, medtem ko je v uporabi.

- Delovna intenzivnost naprave se lahko razlikuje, odvisno od nihanja temperature okolice. To je normalno in ne gre za okvaro.

Hladilnik teče prepogosto ali predolgo.

- Nova naprava je lahko večja od prejšnje. Večje naprave bodo delovale več časa.
- Sobna temperatura je lahko visoka. >>> Naprava običajno deluje več časa pri visoki sobni temperaturi.
- Naprava je lahko bila pred kratkim priključena na električno omrežje ali pa se novo živo nahaja v notranjosti. >>> Naprava bo zahtevala več časa, da doseže nastavljeno temperaturo, če je bila pred kratkim priključena na električno omrežje ali pa se nahaja v notranjosti novo živo. To je normalno.
- Velike količine tople hrane so bili morda pred kratkim dane v napravo. >>> Ne postavljajte tople hrane v napravo.
- Vrata so se pogosto odprla ali bila odprta daljše obdobje. >>> Topel zrak, ki se giblje znotraj povzroči, da naprava več časa deluje. Ne odpirajte vrat prepogosto.
- Vrata zamrzovalne skrinje ali hladilnika so lahko samo priprta. >>> Preverite, če so vrata popolnoma zaprta.
- Naprava je nastavljena na prenizko temperaturo. >>> Nastavite temperaturo na višjo stopnjo in počakajte, da naprava doseže nastavljeno temperaturo.

- Podložka vrat hladilnika ali zamrzovalnika je morda umazana, obrabljena, počena ali ni pravilno vstavljena. >>> Očistite jih ali zamenjajte podložko. Poškodovana oz. raztrgana podložka vrat bo povzročila, da naprava deluje več časa, da ohrani trenutno temperaturo.

Temperatura zamrzovalnika je zelo nizka, vendar je temperatura hladilnika primerna.

- Termostat zamrzovalnika je nastavljen na zelo nizko temperaturo. >>> Nastavite temperaturo predela zamrzovalnika na višjo stopnjo in še enkrat preverite.

Temperatura hladilnika je zelo nizka, vendar je temperatura zamrzovalnika primerna.

- Termostat hladilnika je nastavljen na zelo nizko temperaturo. >>> Nastavite temperaturo predela hladilnika na višjo stopnjo in še enkrat preverite.

Živilski izdelki hranjeni v predalih hladilnika so zamrznjeni.

Oodpravljanje težav

- Termostat hladilnika je nastavljen na zelo nizko temperaturo. >>> Nastavite temperaturo predela zamrzovalnika na višjo stopnjo in še enkrat preverite.

Temperatura hladilnika ali zamrzovalnika je previsoka.

- Termostat hladilnika je nastavljen na zelo visoko stopnjo. >>> Nastavitev temperature v predelu hladilnika vpliva na temperaturo predela zamrzovalnika. Spremenite temperaturo hladilnika ali zamrzovalnika in počakajte, da ustrezni predeli dosežejo nastavljeno temperaturno raven.
- Vrata so se pogosto odpirala ali bila odprta daljše obdobje. >>> Ne odpirajte vrat prepogosto.
- Vrata so lahko samo priprta. >>> Popolnoma zaprite vrata.
- Naprava je lahko bila pred kratkim priključena na električno omrežje ali pa se novo živilo nahaja v notranjosti. >>> To je normalno. Naprava bo zahtevala več časa, da doseže nastavljeno temperaturo, če je bila pred kratkim priključena na električno omrežje ali pa se nahaja v notranjosti novo živilo.
- Velike količine tople hrane so bili morda pred kratkim dane v napravo. >>> Ne postavljajte tople hrane v napravo.

Tresenje ali hrup.

- Tla niso ravna ali gladka. >>> Če se naprava trese, ko jo počasi premikate, prilagodite nogice za uravnoteženje naprave. Prav tako poskrbite, da so tla dovolj trdna, da nosijo napravo.
- Vsi predmeti, ki so dani na napravo lahko povzročijo hrup. >>> Odstranite vse predmete, ki so postavljeni na napravo.

Naprava proizvaja hrup pretoka tekočine, pršenja ipd.

- Principi delovanja naprave vključujejo tokove tekočin in plinov. >>> To je normalno in ne gre za okvaro.

Sliši se zvok podoben vetriču, ki prihaja iz naprave.

- Naprava uporablja ventilator za postopek hlajenja. To je normalno in ne gre za okvaro.

Nabira se kondenzacija na notranjih stenah naprave.

- Vroče ali vlažno vreme bo povečalo nabiranje ledu in kondenzacije. To je normalno in ne gre za okvaro.
- Vrata so se pogosto odprla ali bila odprta daljše obdobje. >>> Ne odpirajte vrat prepogosto; če so odprta, zaprite vrata.
- Vrata so lahko samo priprta. >>> Popolnoma zaprite vrata.

Nabira se kondenzacija na zunanjih stenah naprave ali med vrati.

- Prostor je lahko vlažen, kar je povsem normalno v vlažnem vremenu. >>> Kondenzacija se bo umaknila, ko se vlažnost zmanjša.

Notranjost ima neprijetne vonjave.

- Naprava se ne čisti redno. >>> Redno čistite notranjost z uporabo gobice, tople vode in vode s sodo.
- Nekatere posodice in embalažni materiali lahko povzročijo neprijeten vonj. >>> Uporabite posodice in embalažne materiale brez neprijetnega vonja.
- Živila so se hranila v nezaprth posodah. >>> Hranite živila v zaprtih posodah. Mikroorganizmi se lahko širijo iz nezaprte hrane in povzročijo vonjave.
- Odstranite vsa pretekla ali pokvarjena živila iz naprave.

Vrata se ne zapirajo.

- Embalaža živil lahko ovira vrata. >>> Premaknite vse predmete, ki ovirajo vrata.
- Naprava ne stoji v popolnem pokončnem položaju glede na tla. >>> Prilagodite nogice za uravnoteženje naprave.
- Tla niso ravna ali gladka. >>> Poskrbite, da so tla v ravnini in dovolj trdna, da nosijo napravo.

Posoda za zelenjavo se je zataknila.

- Živilski izdelki so lahko v stiku z zgornjim delom predala. >>> Premestite kose hrane v predalu.



OPOZORILO: Če težave ne odpravite po sledenju navodilom v tem poglavju, se obrnite na prodajalca ali pooblaščen servis. Ne poskušajte sami popraviti naprave.

ZAVRNITEV ODGOVORNOSTI / OPOZO- RILO

Nekatere (enostavne) napake lahko končni uporabnik ustrezno popravi, ne da bi prišlo do kakršnih koli varnostnih težav ali nevarne uporabe, pod pogojem, da so izvedene v mejah in v skladu z naslednjimi navodili (glejte poglavje "Samopopravila").

Če ni drugače dovoljeno v spodnjem poglavju "Samopopravila", bodo vsa popravila naslovljena na registriranega pooblaščenega serviserja, da se izognemo varnostnim težavam. Registrirani pooblaščen serviser je poklicni serviser, ki mu je proizvajalec odobril dostop do navodil in seznama nadomestnih delov tega izdelka v skladu z metodami, opisanimi v zakonodajnih aktih v skladu z Direktivo 2009/125/ES.

Vendar lahko samo servisni agent (tj. pooblaščen poklicni serviserji), do katerega lahko pridete prek telefonske številke, navedene v uporabniškem priročniku/garancijskem listu ali prek pooblaščenega prodajalca, opravlja storitve v skladu z garancijskimi pogoji. Zato vas prosimo, da upoštevate, da za popravila, ki jih izvajajo poklicni serviserji (ki niso pooblaščen s strani Beko) ne bo veljala garancija.

Samopopravila

Končni uporabnik lahko sam izvede popravilo v zvezi z naslednjimi rezervnimi deli: vratni ročaj, vratni tečaj, pladnji, košare in vratna tesnila (posodobljen seznam je na voljo tudi na spletnem mestu support.beko.com od 1. marca 2021).

Poleg tega je treba za zagotovitev varnosti izdelka in za preprečitev nevarnosti resnih poškodb omenjeno samopopravilo opraviti po navodilih v uporabniškem priročniku za samopopravilo ali v navodilih, ki so na voljo na support.beko.com. Zaradi lastne

varnosti izdelke izključite iz električnega omrežja, preden se lotite kakršnega koli samopopravljanja.

Popravila in poskusi popraviljanja končnih uporabnikov za dele, ki niso vključeni na tak seznam in/ali ne upoštevajo navodil v uporabniških priročnikih za samopopravilo ali so na voljo na support.beko.com, lahko sprožijo vprašanja varnosti, ki jih ni mogoče pripisati Beko, in garancija za ta izdelek ne velja.

Zato je zelo priporočljivo, da se končni uporabniki vzdržijo poskusov popravil, ki ne spadajo v omenjeni seznam rezervnih delov, in se v takšnih primerih obrnejo na pooblaščen poklicni serviserje ali registrirani poklicni serviser. Nasprotno, takšni poskusi končnih uporabnikov lahko povzročijo varnostne težave in poškodujejo izdelek ter posledično povzročijo požar, poplavo, električni udar in resne telesne poškodbe.

Primeri popravil, za katere se je treba obrniti na pooblaščen ali registrirane poklicne serviserje, so med drugim naslednji: kompresor, hladilni krogotok, matična plošča, inverterska plošča, plošča zaslona itd.

Proizvajalec/prodajalec ni odgovoren v primeru, ko končni uporabniki ne upoštevajo zgoraj navedenega.

Razpoložljivost rezervnih delov hladilnik, ki ste ga kupili, je 10 let.

V tem obdobju bodo na voljo originalni nadomestni deli za pravilno delovanje hladilnik.

Hladilnik, ki ste ga kupili, ima najmanj 24-mesečno garancijo.

Ta izdelek je opremljen z svetlobnim virom energijskega razreda "G".

Svetlobni vir v tem izdelku lahko zamenjajo samo poklicni serviserji.



Frigorifero

Manuale utente

Lednice

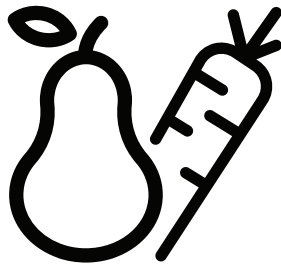
Návod k použití

Hladnjak

Korisnički priručnik

یخچال

دفترچه راهنمای کاربر



RCNE560E60ZGWHN - RCNE560E60ZGBHN



IT / CZ / HR / FA

58 5051 0000/AG

2/4

Gentile cliente,

ci piacerebbe che lei potesse raggiungere un livello di efficacia ottimale dal nostro prodotto, che è stato realizzato in una struttura moderna, adottando controlli meticolosi a livello qualitativo.

A tal fine la invitiamo a leggere con attenzione il manuale dell'utente prima di iniziare a servirsi del dispositivo. La invitiamo altresì a conservare il presente manuale per poterlo consultare in futuro. Qualora dovesse cedere il prodotto a terzi, consigliamo di accludere il presente manuale.

Il manuale dell'utente garantisce un utilizzo veloce e sicuro dell'apparecchiatura.

- Consigliamo di leggere il manuale dell'utente prima di installare e mettere in funzione l'apparecchiatura.
- Rispettare sempre le istruzioni di sicurezza.
- Consigliamo di tenere la guida dell'utente a portata di mano per poterla consultare in futuro.
- La invitiamo a leggere gli altri eventuali documenti forniti con l'apparecchiatura

Ricordi che questo manuale può riferirsi a diversi modelli. Il manuale indica chiaramente le eventuali variazioni da un modello all'altro.

Simboli e note

Nel manuale sono utilizzati i seguenti simboli:

	Informazioni importanti e consigli utili.
	Rischio di vita e proprietà.
	Rischio di scosse elettriche.
	L'imballaggio del prodotto è fatto di materiali riciclabili, in conformità con la Normativa Ambientale Nazionale.

INFORMAZIONI



SUPPLIER'S NAME

MODEL IDENTIFIER

(*)

A

A

Le informazioni sul modello memorizzate nella banca dati dei prodotti possono essere consultate sul seguente sito web, cercando l'identificativo del modello (*) presente sull'etichetta energetica.

<https://eprel.ec.europa.eu/>

1 Istruzioni relative a sicurezza e ambiente **3**

1.1 Norme di sicurezza generali	3
1.1.1 Avvertenza HC.	4
1.1.2 Per i modelli con la fontana d'acqua.	5
1.2 Impiego conforme allo scopo previsto	5
1.3 Sicurezza bambini	5
1.4 Conformità con la Direttiva WEEE e smaltimento dei prodotti di scarico.	5
1.7 Informazioni tecniche per Wi-Fi + Bluetooth.	6
1.5 Conformità con la direttiva RoHS.	6
1.6 Informazioni sull'imballaggio	6

2 Frigorifero **7**

3 Installazione **8**

3.1 Luogo idoneo per l'installazione.	8
3.2 Prima di avviare il frigorifero	8
3.3 Collegamenti elettrici.	9
3.4 Regolazione dei piedini	9

4 Preparazione **10**

4.1 Cose da fare ai fini del risparmio energetico	10
4.2 Uso iniziale.	10

5 Funzionamento del prodotto **11**

5.1. Secchiello del ghiaccio	14
(Questa funzione è opzionale).	14
5.2. Scomparto per le uova	14
5.3. Ventola	14
5.4. Cestino per verdure.	14
(Questa funzione è opzionale).	14
5.5. Scomparto zero gradi	14
(Questa funzione è opzionale).	14
5.6. Utilizzare il secondo scomparto del prodotto;	15
5.7. Ripiano mobile sportello.	16
5.8. Scomparto scorrevole per la conservazione	16
(Questa funzione è opzionale).	16
5.9. Cestino per verdure a umidità controllata	17
(Questa funzione è opzionale).	17

5.10. Modulo deodorizzatore	17
5.11. Macchina del ghiaccio automatica	18
(Questa funzione è opzionale).	18
5.12. HerbBox/HerbFresh	18
5.13. Icematic e contenitore per conservare il ghiaccio.	19
(Questa funzione è opzionale)	19
5.14. Erogatore d'acqua	19
5.15. Uso dell'erogatore d'acqua.	20
5.16. Pulizia del serbatoio dell'acqua	21
5.17. Vaschetta per l'acqua.	22
5.18. Consigli per conservare alimenti surgelati	23
5.19. Dettagli congelatore	23
5.23. Luce blu/HarvestFresh	24
5.20. Posizionamento degli alimenti.	24
5.21. Avvertenza sportello aperto.	24
5.22. Cambiare la lampadina di illuminazione	24

6. Pulizia e manutenzione **25**

6.1. Evitare i cattivi odori	25
6.2. Protezione delle superfici in plastica.	25

7. Risoluzione dei problemi **26**

1. Istruzioni relative a sicurezza e ambiente

Questa sezione fornisce le istruzioni di sicurezza necessarie per evitare il rischio di lesioni e danni materiali. Il mancato rispetto di queste istruzioni invalida tutti i tipi di garanzia esistenti sul prodotto.

Uso previsto



AVVERTENZA:

Assicurarsi che i fori di ventilazione non siano chiusi quando il dispositivo è nella sua custodia o quando lo si inserisce nel suo alloggiamento.

AVVERTENZA:

Non utilizzare alcun dispositivo meccanico o altri dispositivi per accelerare il processo di sbrinamento e seguire solo i consigli del fabbricante.

AVVERTENZA:

Non danneggiare il circuito del liquido refrigerante.

AVVERTENZA: Non utilizzare apparecchi elettrici non consigliati dal fabbricante all'interno dei vani per la conservazione degli alimenti.

AVVERTENZA: Non conservare sostanze esplosive come aerosol con gas propellenti infiammabili nell'apparecchio.

Questo apparecchio è stato progettato per applicazioni domestiche e per la seguenti applicazioni similari:

- Per essere utilizzato nelle cucine del personale di negozi, uffici e altri luoghi di lavoro;
- Per essere utilizzato dai clienti negli alberghi e nelle case di campagna, motel e altri luoghi di alloggio.
- in ambienti tipo pensioni

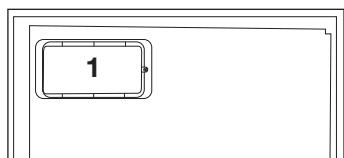
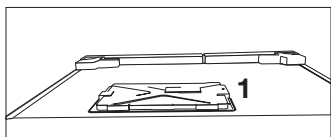
- in luoghi simili che non offrano servizi di ristorazione e non siano di vendita al dettaglio.

1.1 Norme di sicurezza generali

- Questo prodotto non dovrebbe essere usato da persone con disabilità a livello fisico, sensoriale e mentale, da persone senza un quantitativo sufficiente di conoscenze ed esperienza e da bambini. Queste persone potranno usare il dispositivo unicamente sotto la supervisione e le istruzioni di una persona responsabile della loro sicurezza. Ai bambini non dovrebbe essere consentito di giocare con questo dispositivo.
- In caso di malfunzionamento, scollegare il dispositivo.
- Dopo aver scollegato il dispositivo, attendere almeno cinque minuti prima di collegarlo nuovamente. Scollegare il prodotto se non viene usato. Non toccare la presa con le mani umide! Non tirare il cavo per eseguire lo scollegamento; prenderlo sempre per la spina.
- Non collegare il frigorifero se la presa sembra essere allentata.
- Scollegare il prodotto in fase di installazione, manutenzione, pulizia e riparazione.
- Qualora si preveda di non utilizzare il prodotto per un po' di tempo, scollegarlo ed estrarre gli eventuali elementi contenuti al suo interno.
- Non usare vapore o materiali detergenti a base di vapore per la pulizia del frigorifero e per lo scioglimento del ghiaccio al suo interno. Il vapore potrebbe entrare in contatto con le aree sotto tensione elettrica e causare cortocircuiti o scosse elettriche!
- Non lavare il prodotto spruzzando o versando acqua sullo stesso! Pericolo di scossa elettrica!

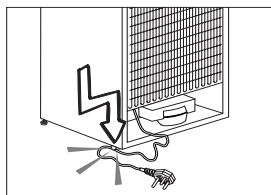
Istruzioni relativamente a sicurezza e ambiente

- Non usare mai il prodotto se la sezione che si trova sulla parte superiore o posteriore del prodotto, con le schede dei circuiti elettronici stampati all'interno, è aperta (coprire schede dei circuiti elettronici stampati) (1).



- In caso di malfunzionamento, non usare il prodotto, dato che potrebbe emettere scosse elettriche. Contattare il servizio autorizzato prima di intervenire.
- Collegare il prodotto a una presa che disponga di messa a terra. L'operazione di messa a terra deve essere eseguita da un elettricista qualificato.
- Qualora il prodotto disponga di un'illuminazione a LED, contattare l'assistenza autorizzata per la sostituzione.
- Non toccare alimenti congelati con le mani bagnate! Gli alimenti si potrebbero attaccare alle mani!
- Non posizionare liquidi in bottiglie o lattine all'interno dello scomparto congelatore. Potrebbero esplodere!
- Collocare i liquidi in posizione verticale dopo aver saldamente chiuso il tappo.
- Non spruzzare sostanze infiammabili vicino al prodotto. Potrebbero bruciare o esplodere!

- Non conservare materiali e prodotti infiammabili, come ad esempio spray, all'interno del frigorifero.
- Non collocare contenitori di liquidi sopra al prodotto. Gli spruzzi su parti sotto tensione potrebbero provocare scosse elettriche e rischio di incendio.
- L'esposizione del prodotto a pioggia, neve, sole e vento potrebbe causare pericoli a livello elettrico. Qualora sia necessario spostare il prodotto, non tirarlo per la maniglia della porta. La maniglia si potrebbe staccare.
- Evitare che parti delle mani o del corpo restino impigliate nei meccanismi mobili all'interno del prodotto.
- Non calpestare o appoggiarsi a porta, cassetti e altre componenti del frigorifero. Così facendo il prodotto potrebbe cadere e si potrebbe danneggiare.
- Fare attenzione a non bloccare il cavo di alimentazione.



1.1.1 Avvertenza HC

Qualora il prodotto sia dotato di sistema di raffreddamento che utilizza il gas R600a, fare attenzione ad evitare di danneggiare il sistema di raffreddamento e il relativo tubo in fase di utilizzo e spostamento del prodotto. Questo gas è infiammabile. Se viene danneggiato il sistema di raffreddamento, tenere il prodotto lontano da fonti di calore e provvedere immediatamente ad arieggiare la stanza.

Istruzioni relativamente a sicurezza e ambiente



Sul lato sinistro interno è indicato il tipo di gas utilizzato nel prodotto.

1.1.2 Per i modelli con la fontana d'acqua

- La pressione di ingresso dell'acqua fredda dovrebbe essere al massimo 90 psi (620 kPa). Qualora la pressione dell'acqua superi il valore 80 psi (550 kPa), utilizzare una valvola di limitazione della pressione nel sistema principale. Qualora non si sappia come verificare la pressione dell'acqua, chiedere aiuto a ad un idraulico professionista.
- In caso di rischio dell'effetto 'colpo d'ariete' nel proprio impianto, usare la strumentazione adatta per ridurre la probabilità di accadimento. Rivolgersi a idraulici professionisti in caso di dubbio relativamente alla presenza o meno dell'effetto 'colpo d'ariete' nel proprio impianto.
- Non installare l'ingresso dell'acqua calda. Prendere precauzioni contro il rischio di congelamento dei tubi. La gamma di funzionamento della temperatura dell'acqua dovrebbe essere 33°F (0.6°C) come minimo e 100°F (38°C) al massimo.
- Utilizzare solo acqua potabile.

1.2 Impiego conforme allo scopo previsto

- Questo prodotto è stato pensato per essere utilizzato in ambito domestico. Non è stato pensato per un uso di tipo commerciale.
- Il prodotto dovrebbe essere utilizzato unicamente per la conservazione di alimenti e bevande.
- Non tenere prodotti dedicati, che richiedano temperature controllate, quali ad esempio vaccini, farmaci

sensibili al calore, all'interno del frigorifero.

- Il produttore non si assume nessuna responsabilità per gli eventuali danni causati da un cattivo utilizzo o da un uso scorretto.
- I pezzi di ricambio originali verranno forniti per 10 anni, successivamente alla data di acquisto del prodotto.

1.3 Sicurezza bambini

- Tenere gli imballaggi fuori dalla portata dei bambini.
- Non permettere ai bambini di giocare con il prodotto.
- Qualora la porta del prodotto comprenda un lucchetto, tenere la chiave fuori dalla portata dei bambini.

1.4 Conformità con la Direttiva WEEE e smaltimento dei prodotti di scarico

Questo prodotto è conforme alla direttiva WEEE dell'UE (2012/19/EU). Questo prodotto è dotato di un simbolo di classificazione per i prodotti elettrici ed elettronici di scarto (WEEE).



Il prodotto è stato realizzato con componenti e materiali di alta qualità che possono essere riutilizzati oltre che riciclati. Non smaltire il prodotto con i normali rifiuti domestici e altri rifiuti al termine del suo ciclo di vita utile.

Portare il prodotto a un centro di raccolta per il riciclaggio della strumentazione elettrica ed elettronica. Consigliamo di rivolgersi alle autorità locali per ulteriori informazioni su questi centri di raccolta.

Istruzioni relativamente a sicurezza e ambiente

1.5 Conformità con la direttiva RoHS

- Questo prodotto è conforme alla direttiva WEEE dell'UE (2011/65/EU). Non contiene materiali dannosi e proibiti, indicati nella Direttiva.

1.6 Informazioni sull'imballaggio

- I materiali che compongono l'imballo del prodotto sono realizzati a partire da materiali riciclabili in conformità con le Normative Ambientali Nazionali. Non smaltire i materiali dell'imballo congiuntamente ai rifiuti domestici o ad altri rifiuti. Portarli presso i punti di raccolta imballaggi indicati dalle autorità locali.

1.7 Informazioni tecniche per Wi-Fi + Bluetooth

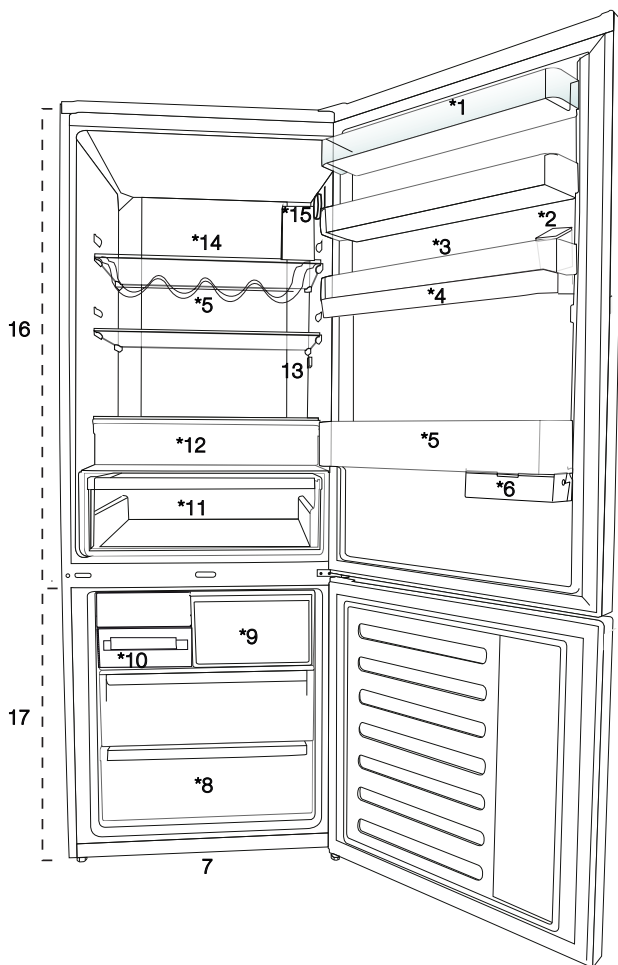
Banda di frequenza:	2.4GHz (Wi-fi o Bluetooth operativo)
Potenza max di trasmissione:	< 100mW (Wi-fi o Bluetooth operativo)
Informazioni sul software:	Quartz_WiFi.XXX

Dichiarazione di conformità per CE:

Arçelik A.Ş. dichiara che questo apparecchio è conforme alla direttiva 2014/53/EU.

Il testo completo della dichiarazione di conformità EU è disponibile al seguente indirizzo internet:Prodotti, Da:support.beko.com

2 Frigorifero



1. Ripiano sportello scomparto Coolerraggruppamento
2. Contenitore riempimento erogatore acqua
3. Porta uova
4. Serbatoio erogatore acqua
5. Ripiano bottiglie
6. Contenitori scorrevoli per la conservazione
7. Piedini regolabili
8. Scomparto freezer
9. Scomparto Quick Freeze
10. Portaggiaccio & banca Ice
11. Cestino per verdure
12. Scomparto zero gradi
13. Luce interna
14. Ripiano di vetro scomparto Cooler
15. Pulsante di regolazione della temperatura
16. Scomparto Cooler
17. Scomparto freezer



*Opzionale: Le figure in questo manuale utente sono schematiche, e potrebbero non corrispondere esattamente al prodotto. Qualora il prodotto non contenga le parti descritte, l'informazione riguarda altri modelli.

3. Installazione

3.1 Luogo idoneo per l'installazione

Rivolgersi al Servizio Autorizzato per l'installazione del prodotto. Per rendere il prodotto pronto per essere installato, confrontare le informazioni nella guida dell'utente e accertarsi che i servizi elettrici e idrici siano presenti. In caso contrario contattare un elettricista e un idraulico per rendere questi servizi conformi ai requisiti.



AVVERTENZA: Il produttore non si assume nessuna responsabilità per gli eventuali danni causati dagli interventi eseguiti da personale non autorizzato.



AVVERTENZA: Il cavo di alimentazione del prodotto deve essere scollegato in fase di utilizzo. Il mancato rispetto di queste istruzioni potrebbe provocare morte o altre gravi lesioni!



AVVERTENZA: Qualora la porta sia troppo stretta per consentire il passaggio del prodotto, togliere la porta e ruotarla; qualora ciò non funzioni, contattare il servizio autorizzato.



AVVERTENZA: Avvertenza superficie calda
Le pareti laterali del prodotto sono dotate di tubi refrigeranti per migliorare il sistema di raffreddamento. Il refrigerante a temperature elevate potrebbe scorrere in queste aree, causando così superfici calde sulle pareti laterali. Non si tratta di un'anomalia di funzionamento e non sono necessari interventi di manutenzione. Fare attenzione quando si toccano queste aree

- Collocare il prodotto su una superficie piana per evitare le vibrazioni.
- Collocare il prodotto ad almeno a 30 cm dal termosifone, dalla stufa e da altre fonti di calore e ad almeno 5 cm da eventuali forni elettrici.
- Non esporre il prodotto alla luce solare diretta o conservare in ambienti umidi.

- Il prodotto richiede una circolazione adeguata dell'aria per funzionare in modo efficace. Qual'ora il prodotto venga posizionato in un padiglione estivo, ricordare di lasciare una distanza di almeno 5 cm fra il prodotto, il soffitto, e le pareti.
- Non installare il prodotto in ambienti con temperature inferiori ai 5°.

3.2 Prima di avviare il frigorifero

Controllare quanto segue prima di utilizzare il frigorifero:

1. Montare i 2 cunei in plastica come illustrato sotto. I cunei in plastica servono a mantenere la distanza che assicura la circolazione dell'aria tra frigorifero e parete. (L'immagine è creata per illustrare e non è identica all'apparecchio).
2. Pulire la parte interna del frigorifero come consigliato nella sezione "Manutenzione e pulizia".
3. Collegare la spina del frigorifero alla presa elettrica. Quando lo sportello del frigorifero è aperto, la lampadina interna si accende.
4. Quando il compressore comincia a funzionare, si sente un rumore. I liquidi e i gas sigillati nel sistema refrigerante possono produrre dei rumori, anche se il compressore non è in funzione; questo è abbastanza normale.
5. I bordi anteriori del frigorifero possono essere tiepidi. Questo è normale. Queste zone sono progettate per essere tiepide per evitare la condensazione.
6. Il prodotto necessita di adeguata ventilazione per un funzionamento efficiente. Se in prodotto viene collocato in una alcova, lasciare almeno 5 cm di spazio tra il prodotto, il soffitto, i muri laterali e il muro retrostante.
7. Se in prodotto viene collocato in una alcova, lasciare almeno 5 cm di spazio tra il prodotto, il soffitto, i muri laterali e il muro retrostante. Controllare se il componente di protezione della parete posteriore è presente e nel suo alloggio (se fornito con il prodotto). Se il

Installazione

componente non è disponibile, o se è stato smarrito o è caduto, posizionare il prodotto in modo tale da lasciare almeno 5 cm di spazio libero tra il retro del prodotto e le pareti del locale. Lo spazio libero nella parte posteriore è importante per il funzionamento efficiente del prodotto.

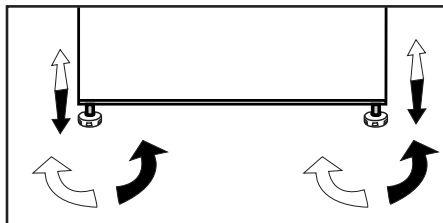
3.3 Collegamenti elettrici

Collegare il frigorifero ad una presa di messa a terra protetta da un fusibile della capacità appropriata. Importante:

- Il collegamento deve essere conforme ai regolamenti nazionali.
- La spina elettrica deve essere facilmente accessibile dopo l'installazione.
- La sicurezza elettrica del frigorifero è garantita unicamente se il sistema di messa a terra dell'apparecchiatura è conforme agli standard.
- La tensione dichiarata sull'etichetta che si trova nel lato interno a sinistra dell'apparecchio deve essere pari alla tensione di rete

3.4 Regolazione dei piedini

Se il frigorifero non è in equilibrio: è possibile bilanciare il frigorifero ruotando i piedini anteriori come illustrato in figura. L'angolo in cui i piedini sono più bassi quando girati in direzione della freccia nera e rialzati quando girati in direzione opposta. Un aiuto per sollevare leggermente il frigorifero faciliterà tale processo.



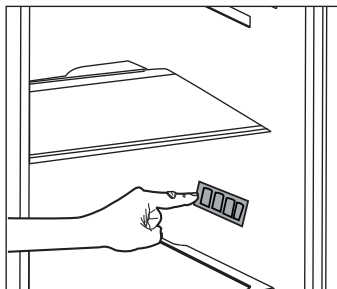
4 Preparazione

4.1 Cose da fare ai fini del risparmio energetico



La connessione dell'apparecchio a sistemi elettronici di risparmio energetico è rischiosa poiché potrebbe provocare danni all'apparecchio.

- Per apparecchio indipendente; "questo apparecchio refrigerante non è destinato a essere utilizzato come apparecchio da incasso.
- Non lasciare lo sportello del frigorifero aperto per lunghi periodi.
- Non mettere alimenti o bevande caldi nel frigorifero.
- Non sovraccaricare il frigorifero; il blocco del flusso interno dell'aria riduce la capacità di raffreddamento.
- Per conservare la quantità massima di alimenti nello scomparto Cooler del frigorifero, bisogna estrarre i cassetti superiori e metterli sul ripiano di vetro. Il consumo energetico dichiarato per il frigorifero è stato stabilito estraendo lo scomparto Cooler, il vassoio del ghiaccio e i cassetti superiori in modo da consentire la conservazione massima. L'uso del cassetto inferiore è fortemente raccomandato. La funzione di risparmio energetico deve essere attivata per un migliore consumo energetico.
- Non bisogna bloccare il flusso dell'aria mettendo gli alimenti davanti alla ventola del Cooler. Uno spazio di almeno 3 cm deve essere lasciato davanti alla griglia della ventola protettiva quando si posizionano gli alimenti.
- A seconda delle caratteristiche dell'apparecchio, scongelare nello scomparto Cooler gli alimenti congelati assicura risparmio energetico e conserva la qualità degli alimenti.
- Gli alimenti devono essere conservati nei cassetti dello scomparto Cooler per assicurare risparmio energetico e proteggere gli alimenti in condizioni migliori.
- Le confezioni con gli alimenti non devono essere a contatto diretto con il sensore di calore che si trova nello scomparto Cooler. Se sono in contatto con il sensore, il consumo energetico dell'apparecchio potrebbe aumentare.



- Assicurarsi che gli alimenti non siano in contatto con il sensore della temperatura dello scomparto Cooler descritto sotto.

4.2 Uso iniziale

Prima di utilizzare il frigorifero, assicurarsi di eseguire le preparazioni necessarie in linea con le istruzioni delle sezioni "Istruzioni per sicurezza e ambiente" e "Installazione".

- Tenere l'apparecchio in funzione senza alimenti all'interno per 6 ore e non aprire lo sportello, a meno che non sia assolutamente necessario.



Si sente un suono quando il compressore si innesca. È normale sentire il suono anche quando il compressore non è attivo, a causa dei liquidi e dei gas compressi nel sistema di refrigerazione.

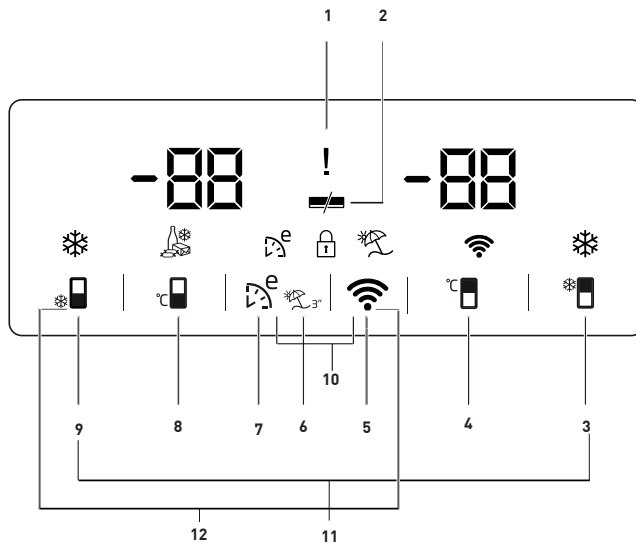


I bordi anteriori dell'apparecchio potrebbero riscaldarsi. Questo è normale. Il riscaldamento di queste parti è concepito per impedire la condensa.



In alcuni modelli il pannello indicato si spegne automaticamente 5 minuti dopo la chiusura dello sportello. Si riattiva quando lo sportello viene aperto o se viene premuto un pulsante.

- Poiché l'aria calda e umida non penetra direttamente nel prodotto quando le porte non sono aperte, il prodotto si ottimizza in condizioni sufficienti a proteggere il cibo. Funzioni e componenti quali compressore, ventola, caloriferi, sbrinamento, illuminazione, display e via dicendo funzionano secondo necessità per consumare il minimo di energia in tali circostanze.




1. Indicatore di stato d'errore
2. Indicatore della funzione di risparmio energetico (display spento)
3. Pulsante Quick fridge
4. Pulsante di impostazione della temperatura del vano frigorifero
5. Pulsante connessione wireless
6. Pulsante funzione vacanza
7. Pulsante Eco-fuzzy
8. Pulsante impostazione della temperatura del vano congelatore
9. Pulsante di congelamento rapido
10. Blocco tasti
11. Pulsante per il cambio dell'unità di temperatura



*Opzionale: Le figure in questo manuale utente sono schematiche, e potrebbero non corrispondere esattamente al prodotto. Qualora il prodotto non contenga le parti descritte, l'informazione riguarda altri modelli.


Utilizzo del frigorifero

1 Mancanza di alimentazione / Alta temperatura / Indicatore di stato di errore


Questo indicatore () si illumina in caso di mancanza di corrente, temperatura elevata e avvisi di errore.

Quando la temperatura dello scomparto congelatore si scalda fino a un livello critico per gli alimenti congelati, il valore massimo raggiunto dalla temperatura dello scomparto congelatore lampeggia sull'indicatore digitale. Controllare gli alimenti nello scomparto congelatore.

Non si tratta di un malfunzionamento. L'avviso può essere cancellato premendo un tasto qualsiasi o il tasto di spegnimento dell'allarme di alta temperatura. (L'annullamento mediante la pressione di un tasto qualsiasi non è applicabile a tutti i modelli).


Questo indicatore () si illumina anche quando si verifica un guasto del sensore. Quando questo indicatore è illuminato, "E" e delle cifre come "1,2,3..." vengono visualizzate alternativamente sull'indicatore della temperatura. Queste cifre sull'indicatore informano il personale specializzato dell'errore.

2. Indicatore della funzione di risparmio energetico (display spento)


Se le porte del prodotto vengono tenute chiuse per un lungo periodo di tempo, la funzione di risparmio energetico si attiva automaticamente e il simbolo relativo al risparmio energetico si illumina. ()

Quando la funzione di risparmio energetico è attivata, tutti i simboli sul display, ad eccezione del simbolo del risparmio energetico, si spengono. Quando la funzione di risparmio energetico è attivata, se si preme un tasto qualsiasi o si apre la porta, la funzione di risparmio energetico si disattiva e i simboli sul display ritornano alla normalità. La funzione di risparmio energetico è un'impostazione predefinita e non può essere annullata.

3. Pulsante Quick fridge


L'indicatore Quick fridge () è acceso e il valore dell'indicatore della temperatura del vano frigorifero è 1, quando la funzione Quick fridge è attiva. Per annullare questa funzione, premere nuovamente il tasto Quick fridge. L'indicatore Quick fridge si spegne e il frigorifero viene riportato alle impostazioni normali. La funzione Quick fridge si annulla automaticamente in 1 ora se non la si annulla manualmente. Per raffreddare grandi quantità di cibo fresco, premere il tasto Quick fridge prima di mettere il cibo nello scomparto del frigorifero.

4. Pulsante impostazione della temperatura dello scomparto frigorifero

Premendo questo tasto è possibile impostare la temperatura del vano frigorifero su 8,7,6,5,4,3,2 e 1. ()

5. Pulsante connessione wireless (*optional)

Premere a lungo sul pulsante (3 secondi) per avviare la prima configurazione del prodotto nella rete domestica.

Durante il processo di stabilimento della connessione, l'icona della rete wireless () lampeggia a intervalli di 0,5 secondi.

Quando la connessione alla rete domestica è avvenuta con successo, l'icona della rete wireless resta accesa in maniera continua. Dopo che la prima connessione è stata stabilita, la connessione può essere attivata/disattivata premendo brevemente questo tasto.

Dopo aver staccato e riattaccato la corrente, verrà ricordata e stabilita automaticamente la connessione alla rete.

L'icona della rete wireless lampeggia brevemente (a intervalli di 0,2 sec.) fino a quando la connessione non viene stabilita.

Quando vi è una connessione, l'icona della rete wireless resta accesa in maniera continua.

Utilizzo del frigorifero



Se la connessione non può essere stabilita per un certo periodo di tempo, controllare le impostazioni di modem/connessione.

L'app HomeWhiz viene utilizzata come interfaccia di connessione.

Le fasi di connessione sono descritte nella GUIDA DI INSTALLAZIONE RAPIDA HomeWhiz fornita col prodotto.

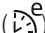
Cfr. la sezione relativa alla risoluzione dei problemi per le risposte alle domande frequenti.

6. Pulsante funzione vacanza

Per attivare la funzione vacanza, tenere premuto il tasto  per 3 secondi e l'indicatore della modalità vacanza () verrà attivato. Quando la funzione vacanza è attiva, "- -" compare sull'indicatore di temperatura dello scomparto frigorifero e non avviene nessun raffreddamento attivo nello scomparto frigorifero. Quando questa funzione è attivata, non è possibile conservare gli alimenti nel vano frigorifero. Gli altri scomparti continuano ad essere raffreddati in base alla temperatura impostata.

Per cancellare la funzione, premere nuovamente il pulsante **funzione vacanza**.


7. Pulsante Eco-fuzzy

Premere il pulsante eco-fuzzy per attivare la funzione eco-fuzzy. Quando questa funzione è abilitata, il congelatore inizierà a funzionare in modalità eco dopo almeno 6 ore e l'indicatore di risparmio energetico sarà acceso. ()


Per disattivare la funzione eco-fuzzy, premere nuovamente il pulsante funzione eco-fuzzy. Quando la funzione eco-fuzzy è abilitata, questo indicatore si accende dopo 6 ore.


8. Pulsante di impostazione della temperatura del congelatore

L'impostazione della temperatura è disponibile per lo scomparto del congelatore.



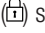


Premendo il pulsante numerato () è possibile impostare la temperatura dello scomparto congelatore su -18, -19, -20, -21, -22, -23 e -24.

9. Pulsante di congelamento rapido

Premere il tasto n. (9) per il congelamento rapido; l'indicatore di congelamento rapido () si attiverà.



Quando la funzione di congelamento rapido è attiva, l'indicatore di congelamento rapido si accende e quello della temperatura del vano congelatore mostra -27. Per annullare questa funzione premere nuovamente il tasto di congelamento rapido (). L'indicatore di congelamento rapido si spegnerà e il frigorifero tornerà alle sue normali impostazioni. La funzione di congelamento rapido si annulla automaticamente dopo 24 ore, se non la si annulla manualmente. Se si desiderano congelare grandi quantità di alimenti freschi, premere il pulsante di congelamento rapido prima di mettere gli alimenti nel congelatore.

10. Blocco tasti

Tenere premuti contemporaneamente i pulsanti rete wireless () ed eco-fuzzy () per 3 secondi. Il simbolo del blocco tasti () si accende e si attiva la modalità di blocco tasti. I pulsanti non funzionano quando la modalità di blocco tasti è attiva. Tenere premuti contemporaneamente i pulsanti rete wireless () ed eco-fuzzy () per 3 secondi. Il blocco tasti sarà disattivato.

Utilizzare la funzione di **blocco tasti** se si vuole evitare di modificare l'impostazione della temperatura del frigorifero.

11. Tasto per cambiare l'unità di temperatura

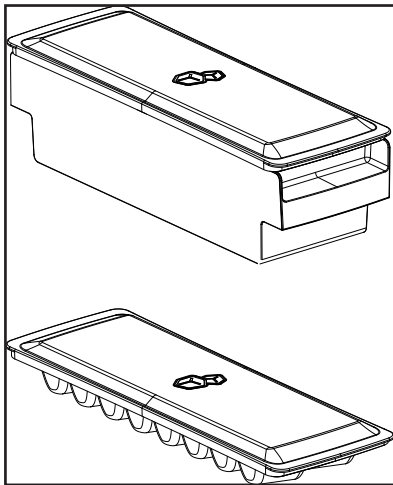
Premere e tenere premuti i pulsanti Quick Fridge () e Quick Freeze, cioè congelamento rapido, () per 3 secondi per passare da Fahrenheit a Celsius.

Utilizzo del frigorifero

5.1. Secchiello del ghiaccio

(Questa funzione è opzionale)

- Estrarre il secchiello del ghiaccio dallo scomparto freezer.
- Riempire di acqua il secchiello del ghiaccio.
- Mettere il secchiello del ghiaccio nello scomparto freezer.
- Il ghiaccio sarà pronto dopo due ore circa. Estrarre il secchiello del ghiaccio dallo scomparto freezer e piegarlo delicatamente sul contenitore in cui sarà servito il ghiaccio. Il ghiaccio si versa facilmente nel contenitore.



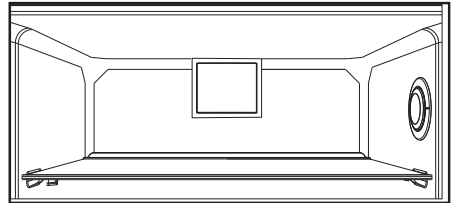
5.2. Scomparto per le uova

È possibile installare il porta uova sul ripiano desiderato della porta o del corpo.

Non porre mai il porta uova nello scomparto del freezer

5.3. Ventola

La ventola è stata concepita per garantire la circolazione dell'aria fredda all'interno del frigorifero in modo omogeneo. Il tempo di funzionamento della ventola potrebbe variare a seconda delle caratteristiche dell'apparecchio. Se in alcuni apparecchi la ventola funziona solo con il compressore, in altri il sistema di controllo determina il tempo di funzionamento sulla base dell'esigenza di raffreddamento.



5.4. Cestino per verdure

(Questa funzione è opzionale)

- Il cestino per verdure dell'apparecchio è concepito per mantenere le verdure fresche, conservando l'umidità. A questo scopo, la circolazione complessiva dell'aria fredda è più intensa nel cestino delle verdure.

5.5. Scomparto zero gradi

(Questa funzione è opzionale)

Usare questo scomparto per conservare i prodotti di gastronomia a temperatura inferiore o la carne per il consumo immediato.

Lo scomparto zero gradi è la parte più fredda in cui conservare a condizioni ideali alimenti come prodotti caseari, carne, pesce e pollo. Verdura e/o frutta non devono essere conservate in questo scomparto.

Utilizzo del frigorifero

5.6. Utilizzare il secondo scomparto del prodotto;



Figura 1.

Come mostrato nella figura, ci sono 2 meccanismi di fermo nel secondo scomparto del prodotto modello K70560.



Figura 2.

Il secondo scomparto appare come in Figura 2 quando è chiuso.



Figura 3.

Quando lo sportello è aperto a 90°, tirare il secondo scomparto fino al primo meccanismo di fermo come mostrato in Figura 3.

Nel caso in cui il cassetto abbia un'apertura maggiore, prima di tutto aprire lo sportello di almeno 135° gradi. Successivamente, come mostrato in Figura 4, sollevare il secondo scomparto di circa 5 mm in modo da liberarlo dal primo meccanismo di blocco.



Figura 4.

Dopo averlo sollevato, tirare il secondo cassetto fino al secondo meccanismo di blocco come mostrato in Figura 5.



Figura 5.

Utilizzo del frigorifero

5.7. Ripiano mobile sportello

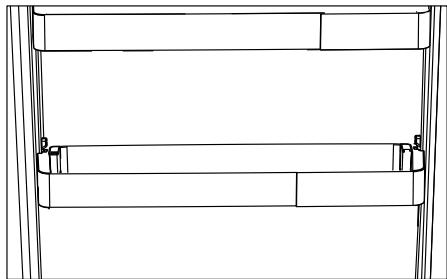
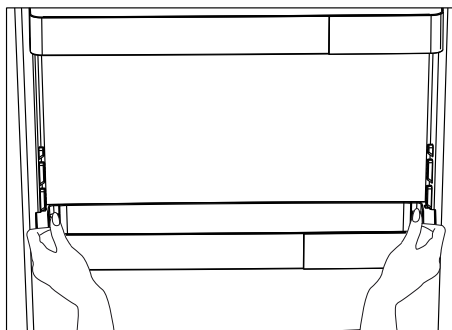
(Questa funzione è opzionale)

Il ripiano mobile dello sportello può essere fissato in 3 diverse posizioni.

Per spostare il ripiano, premere in modo uniforme i pulsanti ai lati. Il ripiano può essere spostato.

Spostare il ripiano verso l'alto o verso il basso.

Quando il ripiano è nella posizione desiderata, rilasciare i pulsanti. Il ripiano si fissa di nuovo nella posizione in cui sono stati rilasciati i pulsanti.

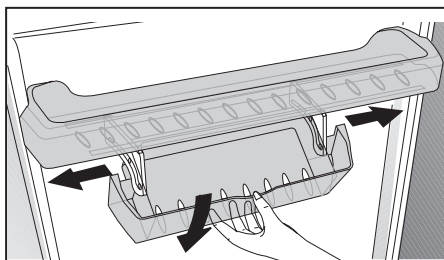


5.8. Scomparto scorrevole per la conservazione

(Questa funzione è opzionale)

Questo accessorio è progettato per accrescere il volume dei ripiani dello sportello.

Grazie alla sua capacità di spostarsi lateralmente, consente di posizionare facilmente bottiglie lunghe, barattoli o contenitori che vengono posti nella rastrelliera per bottiglie sotto.



Utilizzo del frigorifero

5.9. Cestino per verdure a umidità controllata

(Questa funzione è opzionale)

Con la funzione di controllo dell'umidità, i tassi di umidità di verdura e frutta sono tenuti sotto controllo e assicurano un periodo di freschezza più lungo per gli alimenti.

Si raccomanda di conservare le verdure a foglia come lattuga e spinaci e verdure simili che rischiano la perdita di umidità non sulle radici ma in posizione orizzontale nel cestino per le verdure, per quanto possibile.

Quando si posizionano le verdure, mettere le verdure pesanti e dure sul fondo e quelle leggere e morbide sopra, tenendo conto del peso specifico delle verdure.

Non lasciare le verdure nel cestino nei sacchetti di plastica.

Lasciarle nei sacchetti di plastica provoca in breve tempo il deterioramento delle verdure. In situazioni in cui non si consiglia il contatto con le altre verdure, utilizzare materiali di imballaggio come carta con una certa porosità per motivi di igiene.

Non mettere frutta con elevata emissione di gas etilene come pere, albicocche, pesche e in particolare mele nello stesso cestino di verdure con altra verdura e frutta. Il gas etilene che fuoriesce da questi frutti potrebbe provocare all'altra frutta e verdura una maturazione e un deterioramento più veloci.

5.10. Modulo deodorizzatore

(FreshGuard) *optional

Il modulo deodorizzatore elimina in un istante i cattivi odori dal frigorifero prima che penetrino nelle superfici. Grazie a questo modulo, il quale viene collocato sul soffitto dello scomparto per alimenti freschi, i cattivi odori si dissolvono mentre l'aria viene fatta passare

attivamente sul filtro anti-odore, quindi l'aria che è stata purificata dal filtro viene reimpressa nello scomparto per alimenti freschi. In questo modo, gli odori indesiderati che potrebbero sprigionarsi durante la conservazione degli alimenti nel frigorifero vengono eliminati prima che possano penetrare nelle superfici.

Ciò si ottiene grazie alla ventola, al LED e al filtro anti-odore integrato all'interno del modulo. Durante l'uso quotidiano, il modulo deodorizzatore si attiverà automaticamente a intervalli regolari. Per mantenere prestazioni efficienti, si consiglia la sostituzione del filtro nel modulo deodorizzatore da parte del fornitore del servizio autorizzato ogni 5 anni. A causa della ventola integrata nel modulo, il rumore che si avvertirà durante il funzionamento è del tutto normale. Se si apre la porta dello scomparto per alimenti freschi mentre il modulo è attivo, la ventola si bloccherà temporaneamente e riprenderà a funzionare dal punto in cui si era fermata una volta trascorso un determinato tempo dopo aver richiuso la porta. In caso di interruzione di corrente, il modulo deodorizzatore riprenderà a funzionare dal punto in cui si era fermato nella durata di funzionamento completa una volta ripristinata la corrente.

Informazioni: Si consiglia di conservare gli alimenti aromatici (come formaggio, olive e salumi) nella relativa confezione e sigillarli per evitare cattivi odori che potrebbero sprigionarsi quando odori di vari alimenti si mescolano tra loro. Si consiglia inoltre di togliere il più in fretta possibile dal frigorifero alimenti avariati per impedire che gli altri alimenti vadano a male ed evitare cattivi odori.

Utilizzo del frigorifero

5.11. Macchina del ghiaccio automatica

(Questa funzione è opzionale)

La macchina del ghiaccio automatica consente di preparare facilmente il ghiaccio nel frigorifero. Per ottenere ghiaccio dalla macchina, estrarre il serbatoio dell'acqua nello scomparto Cooler, riempirlo con acqua e riposizionarlo.

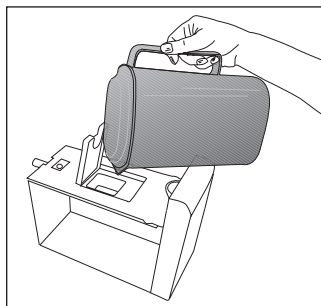
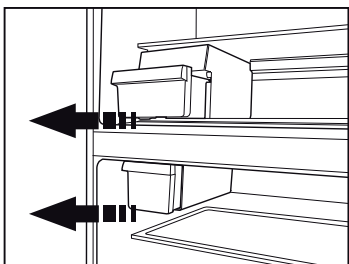
Il primo ghiaccio sarà pronto in circa 2 ore nel cassetto della macchina che si trova nello scomparto Cooler.

Dopo aver posizionato il serbatoio pieno dell'acqua, si possono ottenere circa 60-70 cubetti di ghiaccio finché non si svuota del tutto.

Se l'acqua è nel serbatoio da 2-3 settimane, deve essere cambiata.



Nei prodotti dotati di macchina del ghiaccio automatica, si potrebbe sentire un suono quando si versa il ghiaccio. Questo suono è normale e non è un segno di guasto.



5.12. HerbBox/HerbFresh

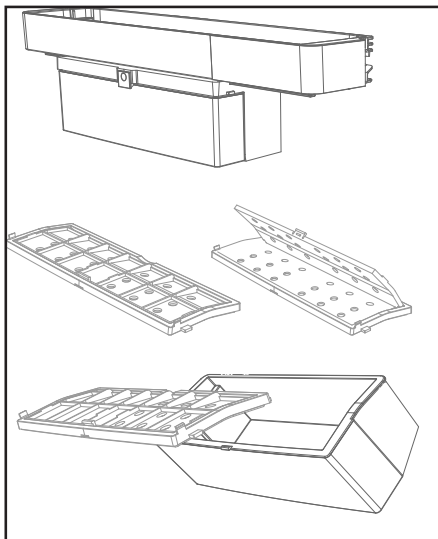
Togliere la custodia della pellicola dal HerbBox/HerbFresh+.

Togliere la pellicola dal sacchetto e inserirla nella custodia della pellicola come indicato in figura.

Chiudere la custodia e inserirla nuovamente nell'unità HerbBox/HerbFresh+.

Gli scomparti di HerbBox-HerbFresh+ sono ideali per la conservazione erbe aromatiche per quelle che devono essere conservate in condizioni sensibili. Potete conservare fresche le vostre verdure (prezzemolo, aneto, ecc) che avete tolto dal loro sacchetto in questo scomparto in posizione orizzontale per un periodo più lungo.

La pellicola deve essere sostituita ogni sei mesi.



Utilizzo del frigorifero

5.13. Icematic e contenitore per conservare il ghiaccio

Uso di Icematic

(Questa funzione è opzionale)

* Riempire Icematic con acqua e metterlo in sede. Il ghiaccio sarà pronto in due ore circa. Non rimuovere l'Icematic dalla sua sede per prendere il ghiaccio.

* Ruotare le manopole in senso orario per 90 gradi.

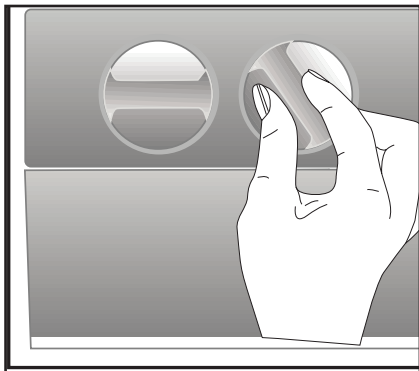
I cubetti di ghiaccio cadono nel contenitore per la conservazione del ghiaccio sotto.

* È possibile estrarre il contenitore per la conservazione del ghiaccio e servire i cubetti.

* Se lo si desidera, è possibile lasciare i cubetti nel contenitore per la conservazione del ghiaccio.

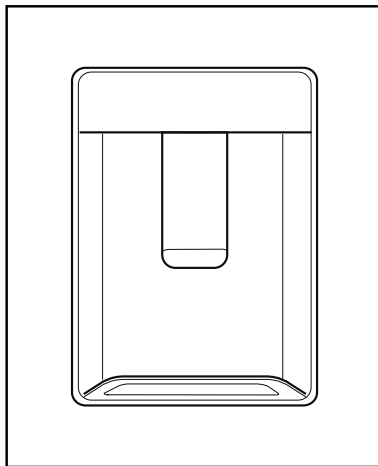
Contenitore per la conservazione del ghiaccio

Il contenitore per la conservazione del ghiaccio ha solo lo scopo di conservare i cubetti di ghiaccio. Non inserirvi dell'acqua, Altrimenti si romperà.



5.14. Erogatore d'acqua (in alcuni modelli)

L'erogatore dell'acqua è una funzione molto utile per ottenere acqua fredda senza aprire lo sportello del frigorifero. Dal momento che non bisogna aprire con frequenza lo sportello del frigorifero, si risparmia energia.



Utilizzo del frigorifero

5.15. Uso dell'erogatore d'acqua

Premere il braccio dell'erogatore d'acqua col bicchiere. L'erogatore smette di erogare quando viene rilasciato il braccio.

Quando si usa l'erogatore dell'acqua, il flusso massimo può essere ottenuto premendo completamente il braccio. Ricordare che la quantità del flusso dall'erogatore è soggetta al livello di pressione sul braccio.

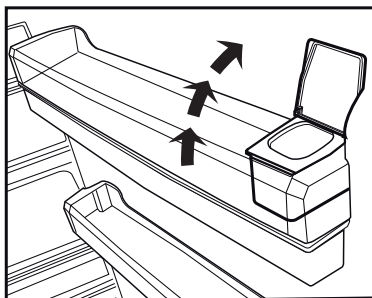
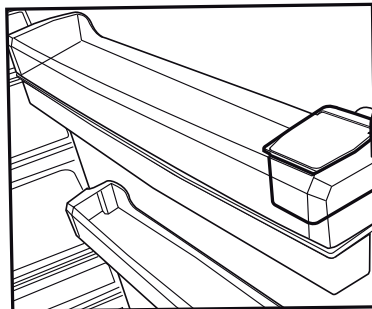
Quando il livello dell'acqua nel bicchiere/nel contenitore aumenta, diminuire leggermente la pressione sul braccio per evitare traboccamento. Se si preme delicatamente il braccio, l'acqua gocciola; questo è normale e non è un guasto.

Riempimento del serbatoio dell'erogatore d'acqua

Il serbatoio per il riempimento dell'acqua si trova all'interno della rastrelliera dello sportello. Aprire il coperchio del serbatoio e riempire di acqua potabile pulita. E poi chiudere il coperchio.

Avvertenza!

- Non riempire il serbatoio d'acqua con liquidi diversi dall'acqua, come succhi di frutta, bevande gassate o bevande alcoliche che non sono adatte per essere usate nell'erogatore d'acqua. L'erogatore d'acqua si danneggerebbe in modo irreparabile a causa dell'uso di questi liquidi. La garanzia non copre tali usi. Alcune sostanze chimiche e alcuni additivi contenuti in questo tipo di bevande/liquidi possono danneggiare il materiale del serbatoio d'acqua.
- Usare solo acqua potabile pulita e pura.
- La capacità del serbatoio dell'acqua è 3 litri; non riempire oltre.



Utilizzo del frigorifero

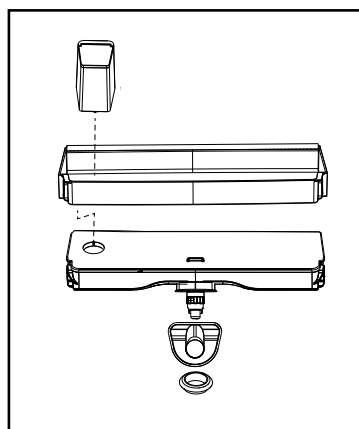
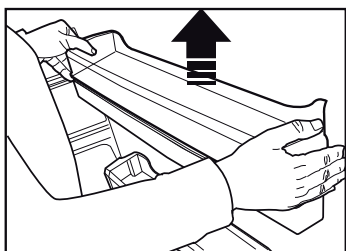
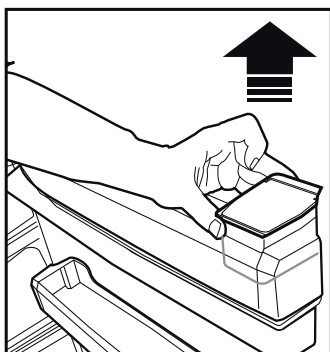
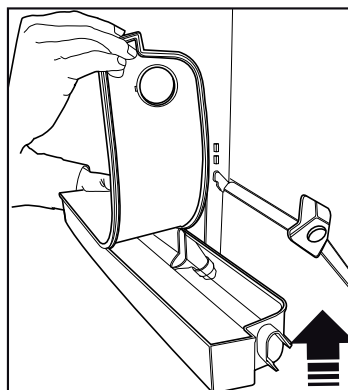
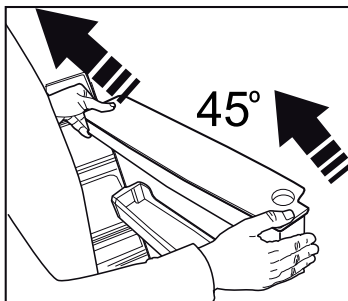
- Premere il braccio dell'erogatore d'acqua con un bicchiere rigido. Se si usano bicchieri di plastica usa e getta, spingere il braccio con le dita da dietro il bicchiere.

5.16. Pulizia del serbatoio dell'acqua

- Rimuovere il serbatoio di riempimento dell'acqua dalla rastrelliera interna dello sportello.
- Rimuovere la rastrelliera tenendo da entrambi i lati.
- Afferrare il serbatoio dell'acqua da entrambi i lati e rimuoverlo con un angolo di 45°C.
- Pulire il serbatoio dell'acqua rimuovendone il coperchio.

Importante:

I componenti del serbatoio dell'acqua e dell'erogatore dell'acqua non devono essere lavati in lavastoviglie.



Utilizzo del frigorifero

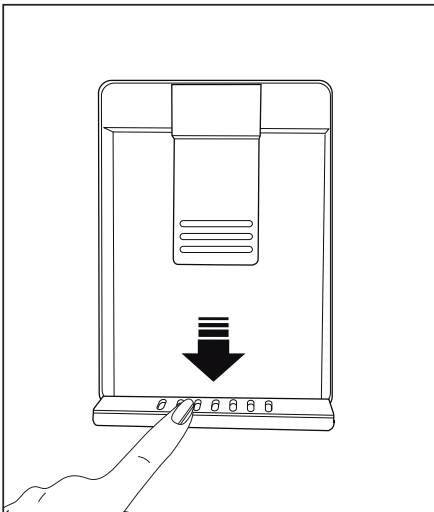
5.17. Vaschetta per l'acqua

L'acqua che sgocciola durante l'uso dell'erogatore si accumula nell'apposita vaschetta.

Estrarre la vaschetta in plastica come mostrato nella figura.

Con un panno asciutto e pulito, rimuovere l'acqua accumulata.

ATTENZIONE: Collegare solo ad una linea di acqua potabile.



Utilizzo del frigorifero

Impostazione Scomparto Congelatore	Impostazione Scomparto Frigorifero	Descrizioni
-18°C	4°C	Questa è l'impostazione predefinita è consigliata.
-20,-22 o -24°C	4°C	Queste impostazioni sono consigliate per temperature ambiente che superano i 30°C.
Congelamento rapido	4°C	Servirsi di questa opzione per congelare alimenti in un breve lasso di tempo; il dispositivo tornerà alle impostazioni precedenti al termine del processo.
-18°C o inferiore	2°C	Servirsi di queste impostazioni qualora si ritenga che lo scomparto frigorifero non sia abbastanza freddo a causa della temperatura ambiente o a causa delle frequenti aperture della porta.

5.18. Consigli per conservare alimenti surgelati

Lo scomparto deve essere impostato a una temperatura minima di -18°C.

1. Collocare gli alimenti all'interno del congelatore quanto più rapidamente possibile per evitare che si scongelino.
2. Prima del congelamento, verificare la "data di scadenza" sulla confezione per accertarsi del fatto che il prodotto non sia scaduto.
3. Accertarsi che la confezione dell'alimento non sia danneggiata.

5.19. Dettagli congelatore

Conformemente agli standard IEC 62552, il congelatore deve avere la capacità di congelare 4,5 chili di alimenti a una temperatura di -18°C o inferiore, in 24 ore, per ogni 100 l di volume di scomparto di congelamento. Gli alimenti possono essere preservati solo per lunghi periodi di tempo a temperature uguali o inferiori a -18°. Sarà possibile conservare gli alimenti freschi per mesi, all'interno del congelatore a temperature uguali o inferiori a -18°).

Gli alimenti da congelare non devono entrare in contatto con gli altri alimenti già congelati all'interno del congelatore, per evitare uno scongelamento parziale.

Bollire le verdure filtrare l'acqua per estendere il tempo di conservazione congelato. Collocare gli alimenti in sacchetti ermetici, dopo aver eseguito il filtraggio e il posizionamento all'interno del congelatore. Banane, pomodori, lattuga, sedano, uova bollite, patate e altri alimenti simili non dovrebbero essere congelati. Congelando questi alimenti se ne ridurrà il valore nutrizionale e la qualità alimentare; i prodotti si potrebbero inoltre rovinare, il che causa problemi a livello di salute.

Utilizzo del frigorifero

5.20. Posizionamento degli alimenti

Ripiani dello scomparto congelatore	Vari alimenti congelati quali ad esempio carne, pesce, gelato, verdura, eccetera.
Ripiani dello scomparto frigorifero	Alimenti all'interno di pentole, vassoi e contenitori, uova, all'interno di una confezione
Ripiani della porta scomparto frigorifero	Piccoli alimenti o bevande
Cassetto verdura	Frutta e verdura
Scomparto alimenti freschi	Prodotti gastronomici, ad esempio colazione, carne da consumare a breve

5.21. Avvertenza sportello aperto (Questa funzione è opzionale)

Un segnale di avvertenza audio viene emesso quando lo sportello dell'apparecchio viene lasciato aperto per almeno 1 minuto. Questa avvertenza scompare quando lo sportello viene chiuso o se viene premuto uno dei pulsanti del display (se presenti).

5.22. Cambiare la lampadina di illuminazione

Per cambiare lampadina/LED utilizzati per illuminare il frigorifero, rivolgersi al Servizio Assistenza Autorizzato.

La lampada (le lampade) usata (usate) nell'apparecchiatura non è (sono) adatta (adatte) per l'illuminazione domestica. L'obiettivo previsto per questa lampada è quello di assistere l'utente in fase di posizionamento degli alimenti all'interno del frigorifero / congelatore in modo sicuro e comodo.

5.23. Luce blu/HarvestFresh

***Non disponibile con tutti i modelli**

Per la luce blu,

Frutta e verdura conservate nei cassetti illuminati con luce blu continuano la loro fotosintesi grazie all'effetto della lunghezza d'onda della luce blu e conservano così il loro contenuto di vitamine.

Per HarvestFresh,

Frutta e verdura conservate in cassetti illuminati con la tecnologia HarvestFresh conservano le loro vitamine più a lungo grazie alle luci blu, verdi, rosse e ai cicli di buio che simulano il ciclo della giornata.

Aperto la porta del frigorifero durante il periodo di buio della tecnologia HarvestFresh, il frigorifero fa una rilevazione automatica e permette alla luce blu-verde o rossa di illuminare il cassetto per la propria comodità. Dopo aver chiuso lo sportello del frigorifero, il periodo di buio continuerà, come fosse il periodo notturno in un ciclo diurno.

Pulendo il prodotto a intervalli regolari sarà possibile prolungare la durata di vita.



AVVERTENZA: Scollegare il frigorifero dalla corrente prima di eseguire la pulizia.

- Non usare strumenti appuntiti e abrasivi, sapone, materiali per pulire la casa, detersivi, gas, gasolio, vernice e sostanze simili per gli interventi di pulizia.
- Per i prodotti non-No Frost, si verifica la formazione di gocce di acqua e ghiaccio fino allo spessore di un dito sulla parete posteriore dello scomparto frigo. Non pulire; non applicare mai olio né agenti simili.
- Utilizzare solo panni umidi in microfibra per pulire la superficie esterna del prodotto. Spugne e altri tipi di panni per la pulizia possono graffiare la superficie.
- Sciogliere un cucchiaino di bicarbonato in acqua. Ammorbidire un panno in acqua, quindi strizzarlo. Pulire il dispositivo con questo panno, quindi asciugare completamente.
- Fare attenzione a tenere lontana l'acqua dalla copertura delle lampade dalle altre componenti elettriche.
- Pulire la porta con un panno bagnato. Togliere tutti gli elementi all'interno per staccare la porta ed i ripiani del telaio. Sollevare i ripiani della porta verso l'alto per poterli rimuovere. Pulire e asciugare i ripiani, poi fissare nuovamente in posizione facendo scorrere da sopra.
- Non usare cloro cronica o prodotti detersivi sulla superficie esterna del dispositivo e sulle componenti rivestite in cromo del prodotto. Il cloro provoca ruggine su queste superfici metalliche.

6.1. Evitare i cattivi odori

Il prodotto è stato realizzato senza materiali che emettono cattivi odori. Conservare tuttavia gli alimenti in sezioni non adeguate e pulire le superfici interne in modo non consono potrebbe provocare cattivi odori.

A tal fine consigliamo di pulire l'interno con acqua gassata ogni 15 giorni.

- Tenere gli alimenti in contenitori sigillati. I microrganismi potrebbero fuoriuscire dagli alimenti non sigillati causando così cattivi odori.
- Non conservare alimenti scaduti e marci all'interno del frigorifero.
- Non usare strumenti affilati e abrasivi o sapone, agenti detersivi domestici, detersivi, gasolio, benzene, cera, ecc., altrimenti le indicazioni sulle parti in plastica si toglieranno e si verificherà deformazione. Usare acqua tiepida e un panno morbido unicamente per le operazioni di pulizia e asciugatura.

6.2. Protezione delle superfici in plastica

L'olio rovesciato sulle superfici in plastica potrebbe danneggiare la superficie, e deve essere pulito immediatamente servendosi di acqua tiepida.

Controllare questo elenco prima di contattare l'assistenza clienti. Questa operazione vi consentirà di risparmiare soldi. Questo elenco contiene i problemi più frequenti che non a livello di manodopera o materiali. Alcune funzioni qui indicate potrebbero non essere valide per il vostro prodotto.

Il frigorifero non funziona.

- La presa di corrente non è stata inserita correttamente. >>> Spingerla fino a inserirla completamente nella presa.
- Il fusibile collegato alla presa che alimenta il prodotto, oppure il fusibile principale, è bruciato. >>> Controllare i fusibili.

Condensa sulla parete laterale dello scomparto frigorifero (MULTI ZONE, COOL, CONTROL e FLEXI ZONE).

- La porta viene aperta troppo spesso >>> Fare attenzione a non aprire eccessivamente la porta del dispositivo.
- L'ambiente è troppo umido. >>> Non installare il prodotto in ambienti umidi.
- Gli alimenti che contengono liquidi vengono conservati in contenitori non sigillati. >>> Tenere gli alimenti in contenitori sigillati.
- La porta viene lasciata aperta. >>> Non tenere aperte a lungo le porte del frigorifero.
- Il termostato è impostato su una temperatura troppo bassa. >>> Impostare il termostato su una temperatura adeguata.

Il compressore non funziona.

- In caso di improvviso black out, o nel caso in cui la spina venga tolta e poi reinserita, la pressione del gas nel sistema di raffreddamento del dispositivo non è equilibrata, il che fa scattare la protezione termica del compressore. Il dispositivo si riavvierà dopo circa 6 minuti. Qualora il prodotto non si riavvia dopo questo periodo, contattare l'assistenza.
- La modalità di scongelamento è attiva. >>>> Si tratta di una condizione normale per un frigorifero con funzione di sbrinamento completamente automatica. Lo sbrinamento avviene a intervalli periodici.
- Il prodotto non è collegato. >>> Verificare che il cavo di alimentazione sia collegato.
- L'impostazione di temperatura non è corretta. >>>> Selezionare l'impostazione di temperatura adeguata.
- Assenza di corrente. >>> Il prodotto continuerà a funzionare normalmente quando viene ripristinata la corrente elettrica.

Il rumore di funzionamento del frigorifero aumenta col passare del tempo.

- Le prestazioni operative del prodotto possono variare a seconda delle variazioni di temperatura ambiente. Questa non è un'anomalia di funzionamento.

Il frigorifero funziona troppo spesso o troppo lungo.

Risoluzione dei problemi

- Il nuovo prodotto potrebbe essere più grande di quello precedente. I prodotti più grandi funzioneranno più a lungo.
- La temperatura ambiente potrebbe essere alta. >>> Il prodotto funzionerà normalmente per lunghi periodi di tempo con temperature superiori.
- Il prodotto potrebbe essere stato di recente collegato alla corrente, oppure al suo interno potrebbero essere stati recentemente aggiunti vari alimenti. >>> Allo prodotto servirà più tempo per raggiungere la temperatura impostata, se collegato di recente, oppure nel caso in cui vengano collocati nuovi elementi al suo interno, Non si tratta di un'anomalia.
- Forse di recente sono state introdotte nel frigorifero grandi quantità di alimenti caldi. >>> Non mettere alimenti caldi direttamente dentro al frigorifero.
- Le porte sono state aperte frequentemente o tenute aperte a lungo. >>> L'aria calda che si muove all'interno provocherà un funzionamento più lungo. Non aprire le porte con troppa frequenza.
- Le porte del congelatore o del frigorifero potrebbero essere socchiuse. >>> Controllare che le porte siano totalmente chiuse.
- Il prodotto potrebbe essere impostato su una temperatura troppo bassa, >>> Impostare la temperatura su un livello più alto e attendere che il prodotto raggiunga la temperatura desiderata.
- La rondella della porta del frigorifero del congelatore potrebbe essere sporca, usurata, rotta o non correttamente configurata, >>> Pulire e sostituire la rondella. Le rondelle consumate e usurate faranno funzionare il prodotto più a lungo per conservare la temperatura attuale.

La temperatura del congelatore è molto bassa, ma la temperatura del frigorifero è corretta.

- La temperatura dello scomparto congelatore è impostata su un livello molto basso, >>> Impostare la temperatura dello scomparto congelatore su un livello più alto, quindi eseguire un controllo.

La temperatura del frigorifero è molto bassa, ma la temperatura del congelatore è corretta.

- La temperatura dello scomparto frigorifero è impostata su un livello molto basso, >>> Impostare la temperatura dello scomparto frigorifero su un livello più alto, quindi eseguire un controllo.

Gli alimenti conservati nei cassetti dello scomparto frigorifero sono congelati.

- La temperatura dello scomparto frigorifero è impostata su un livello molto basso, >>> Impostare la temperatura dello scomparto congelatore su un livello più alto, quindi eseguire un controllo.

La temperatura nel vano frigorifero e congelatore è troppo alta.

- La temperatura dello scomparto frigorifero è impostata su un livello molto alto, >>> L'impostazione della temperatura dello scomparto frigorifero influenza la temperatura dello scomparto del congelatore. Modificare la temperatura dello scomparto congelatore o frigorifero e attendere che tutti gli scomparti interessati raggiungano il livello di temperatura impostata.
- Le porte sono state aperte frequentemente o tenute aperte a lungo. >>> Non aprire le porte con troppa frequenza.
- La porta potrebbe essere socchiusa. >>> Chiudere completamente la porta.
- Il prodotto potrebbe essere stato di recente collegato alla corrente, oppure al suo interno potrebbero essere stati recentemente aggiunti vari alimenti. >>> Al prodotto servirà più tempo per raggiungere la temperatura impostata, se collegato di recente, oppure nel caso in cui vengano collocati nuovi elementi al suo interno.
- Di recente sono state introdotte nel frigorifero grandi quantità di alimenti caldi. >>> Non mettere alimenti caldi direttamente dentro al frigorifero.

Vibrazioni o rumore.

Risoluzione dei problemi

- Il pavimento non è in piano o resistente. >>> Se il prodotto vibra, quando viene spostato lentamente, regolare i supporti per equilibrare il prodotto. Verificare inoltre che la superficie di appoggio sia sufficientemente resistente per supportarne il peso.
- Gli eventuali oggetti collocati sul prodotto potrebbero essere fonte di rumore. >>> Togliere gli eventuali elementi collocati sul prodotto.

Il prodotto emette rumori, come ad esempio liquido che scorre, spruzzo, eccetera

- I principi operativi del prodotto prevedono la presenza di flussi di liquidi e flussi di gas. >>> Questa non è un'anomalia di funzionamento.

C'è un rumore, simile a un soffio, che proviene dal prodotto.

- Il prodotto si serve di una ventola per il processo di raffreddamento. Questa non è un'anomalia di funzionamento.

Si è formata condensa sulle pareti interne del dispositivo.

- Le condizioni meteo calde o umide aumentano la formazione di ghiaccio e di condensa. Questa non è un'anomalia di funzionamento.
- Le porte sono state aperte frequentemente o tenute aperte a lungo. >>> Non aprire le porte con troppa frequenza; se la porta è aperta, chiuderla.
- La porta potrebbe essere socchiusa. >>> Chiudere completamente la porta.

Si è formata condensa sulla superficie esterna del dispositivo o fra le porte.

- Le condizioni ambientali potrebbero essere umide, e ciò è normale. >>> La condensa si dissipa quando l'umidità viene ridotta.

L'interno emette cattivi odori.

- Il prodotto non viene pulito regolarmente. >>> Pulire la superficie interna a intervalli regolari servendosi di spugna, acqua tiepida, e acqua gassata.
- Alcuni contenitori e imballaggi potrebbero emettere cattivi odori. >>> Servirsi di imballaggi che non emettano cattivi odori.
- Gli alimenti sono stati collocati all'interno di contenitori non sigillati. >>> Tenere gli alimenti in contenitori sigillati. I microrganismi potrebbero fuoriuscire dagli alimenti non sigillati causando così cattivi odori.
- Rimuovere gli eventuali alimenti scaduti o rovinati dal dispositivo.

La porta non si chiude correttamente.

- Le confezioni di cibo potrebbero bloccare la porta. >>> Trovare una nuova posizione per gli alimenti che bloccano le porte.
- Il prodotto non è in posizione verticale, appoggiato per terra. >>> Regolare i supporti per l'equilibrio del prodotto.
- Il pavimento non è in piano o resistente. >>> Verificare che la superficie di appoggio sia sufficientemente resistente per supportarne il peso.

Il cassetto verdura si è inceppato.

- Gli alimenti potrebbero entrare in contatto con la sezione superiore cassetto. >>> Riorganizzare gli alimenti nel cassetto.

Se La Superficie Del Prodotto È Bollente.

- Quando il prodotto è in funzione, possono essere osservate alte temperature tra i due sportelli, sui pannelli laterali e sul grill posteriore. . Ciò è normale e non richiede manutenzione!



AVVERTENZA: Qualora il problema persista dopo aver seguito le istruzioni contenute in questa selezione, contattare il proprio fornitore oppure un Servizio Autorizzato. Evitare in ogni caso di riparare il prodotto.

DISCLAIMER / AVVERTENZE

Alcuni guasti (semplici) possono essere adeguatamente gestiti dall'utente finale senza che sorgano problemi di sicurezza o utilizzi non sicuri, a condizione che vengano eseguiti entro i limiti e in conformità con le seguenti istruzioni (vedere la sezione "Riparazione fai da te").

Pertanto, salvo diversa autorizzazione nella sezione di seguito "Riparazione fai da te", le riparazioni devono essere indirizzate a manutentori professionisti registrati al fine di evitare problemi di sicurezza. Un manutentore professionista registrato è un manutentore professionista a cui è stato concesso l'accesso alle istruzioni e all'elenco dei pezzi di ricambio di questo prodotto dal produttore secondo le modalità descritte negli atti legislativi ai sensi della Direttiva 2009/125/CE.

Tuttavia, solo l'agente dell'assistenza (ovvero i manutentori professionisti autorizzati) che è possibile contattare tramite il numero di telefono indicato nel manuale dell'utente / scheda di garanzia o tramite il rivenditore autorizzato che può fornire assistenza in base ai termini di garanzia. Pertanto, si prega di notare che le riparazioni da parte di manutentori professionisti (non autorizzati da Beko) invaliderà la garanzia.

Riparazione fai da te

La riparazione fai da te può essere eseguita dall'utente finale per quanto riguarda i seguenti pezzi di ricambio: maniglie delle porte, cerniere delle porte, vassoi, cestelli e guarnizioni delle porte (un elenco aggiornato è disponibile anche su support.beko.com dal 1° marzo 2021)

Inoltre, per garantire la sicurezza del prodotto e per prevenire il rischio di lesioni gravi, la suddetta riparazione fai da te deve

essere eseguita seguendo le istruzioni nel manuale utente per la riparazione fai da te o disponibili in support.beko.com Per la propria sicurezza, scollegare il prodotto prima di tentare qualsiasi riparazione fai da te.

Tentativi di riparazione e riparazione da parte degli utenti finali per parti non incluse in tale elenco e/o che non seguono le istruzioni nei manuali utente per la riparazione fai da te o che sono disponibili in support.beko.com, potrebbe dar luogo a problemi di sicurezza non imputabili a Beko e invaliderà la garanzia del prodotto.

Pertanto, si raccomanda vivamente agli utenti finali di astenersi dal tentativo di eseguire riparazioni che non rientrano nell'elenco dei pezzi di ricambio menzionato, contattando in tali casi manutentori professionisti autorizzati o manutentori professionisti registrati. Altrimenti, tali tentativi da parte degli utenti finali possono causare problemi di sicurezza e danneggiare il prodotto e conseguentemente causare incendi, inondazioni, elettrocuzione e gravi lesioni personali.

A titolo esemplificativo, ma non esaustivo, le seguenti riparazioni devono essere indirizzate ai manutentori professionisti autorizzati o manutentori professionisti registrati: compressore, circuito frigorifero, scheda principale, scheda inverter, scheda display ecc.

Il produttore/venditore non può essere ritenuto responsabile in ogni caso in cui gli utenti finali non rispettano quanto sopra.

La disponibilità dei pezzi di ricambio frigorifero che hai acquistato è di 10 anni. Durante questo periodo saranno disponibili ricambi originali per il corretto funzionamento frigorifero.

La durata minima della garanzia del frigorifero acquistato è di 24 mesi.

Questo prodotto è dotato di una sorgente di illuminazione con classe energetica "G".

La sorgente di illuminazione nel prodotto dovrà essere sostituita solo da professionisti nel campo della riparazione.

Informazioni sulla classificazione dell'imballaggi

Scansiona il Qrcode che si trova sull'imballo del prodotto per trovare tutte le informazioni relative all'imballo e come gestirne il suo corretto smaltimento.

Před použitím produktu si pozorně přečtěte tento návod k obsluze.

Vážení zákazníci,

Chceme Vám poskytnout možnost nejlepšího použití našeho výrobku, který byl vyroben v moderních zařízeních s péčí a důkladnou kontrolou kvality.

Také, před použitím výrobku Vám doporučujeme přečíst si celý návod k použití. V případě odprodeje výrobku, nepamenejte předat návod jeho novému majiteli společně s výrobkem.




Tato příručka vám pomůže abyste mohli výrobek používat rychle a bezpečně.

- Před instalací a použitím výrobku si prosím pozorně přečtěte uživatelskou příručku.
- Vždy dodržujte platné bezpečnostní předpisy.
- Mějte uživatelskou příručku v dosahu pro budoucí použití.
- Přečtěte si prosím všechny další dokumenty dodané s výrobkem.

Nezapomínejte, že tato Uživatelská příručka se může vztahovat na několik modelů výrobků. Příručka jasně ukáže všechny variace různých modelů.

	Důležité informace a užitečné tipy.
	Ohrožení života a majetku.
	Riziko zranění elektrickým proudem
	Obal tohoto výrobku je vyroben z recyklovatelných materiálů, v souladu s Národní legislativou pro životní prostředí.

INFORMACE

	ENERG 	
<small>SUPPLIER'S NAME</small>	<small>MODEL IDENTIFIER</small>	
		

Informace o modelu uložené v databázi výrobků se dají získat zadáním následující webové stránky a vyhledáním identifikátoru vašeho modelu (*), který je uveden na energetickém štítku.

<https://eprel.ec.europa.eu/>

1 Bezpečnostní pokyny a životní prostředí	3	5.16. Odkapávací zásobník 23	
Všeobecná bezpečnost	3	5.17. Zmrazování čerstvých potravin 24	
1.1.1 Varování HC	5	5.18. Doporučení pro skladování zmrazených potravin 24	
1.1.2 Pro modely s dávkovačem vody	5	5.19. Podrobnosti o mrazničce 25	
1.1. Účel použití	6	5.20. Umístění jídla 25	
1.2. Bezpečnost dětí	6	5.21. Upozornění na otevřené dveře 25	
1.3. Soulad se směrnicí WEEE a Odstranění odpadů výrobku	6	5.22. Změna směru otevírání dveří 25	
1.4. Soulad se směrnicí RoHS	6	5.23. Vnitřní osvětlení 25	
1.5. Informace o balení	6	6 Údržba a čištění	26
1.6 Technické informace pro Wifi + Bluetooth	7	6.1. Zabránění vzniku nepříjemných pachů 26	
2 Vaše lednička	8	6.2. Ochrana plastových povrchů 26	
3 Instalace	9	6.3. Dveřní skla 26	
3.1. Správné místo pro instalaci	9	7 Řešení problémů	27
3.2. Připojení plastových klínů	9		
3.3. Nastavení stojanů	9		
3.4. Připojení napájení	10		
4 Příprava	11		
4.1. Co udělat pro úsporu energie	11		
4.2. První uvedení do provozu	11		
5 Provoz spotřebiče	12		
5.1. Zásobník na led	15		
5.2. Držák na vajíčka	15		
5.3. Ventilátor	15		
5.4. Zásobník na zeleninu	15		
5.5. Oddělení Nulového stupně	15		
5.6. Pohyblivý stojan ve dveřích	16		
5.7. Posuvná odkládací schránka	16		
5.8. Použití druhého prostoru pro zeleninu a ovoce;	17		
5.9. Pohlcovač pachů	18		
5.10. Zásobník na zeleninu s kontrolou vlhkosti	19		
5.11. Automatický výrobek ledu	19		
5.12. Icematic a držák na skladování ledu	20		
5.13. Použití dávkovače vody	20		
5.14. Plnění nádrže dávkovače na vodu	21		
5.15. Čištění nádrže na vodu	22		

1 Bezpečnostní pokyny a životní prostředí

Tato část obsahuje bezpečnostní pokyny nezbytné pro zabránění nebezpečí zranění a materiálních škod. Nedodržením těchto pokynů zanikají všechny typy záruky výrobku.

Určené použití



UPOZORNĚNÍ:

V případě, že je zařízení v ochranné fázi nebo umísteno, ujistěte se, zda nejsou odvětrávací dírký uzavřeny.

UPOZORNĚNÍ:

Za účelem urychlení rozpouštění ledu nepoužívejte žádné jiné mechanické zařízení nebo jiný přístroj než ty jež byly doporučeny výrobcem.

UPOZORNĚNÍ:

Pokud je chladidlo v provozu, nezasahujte do jeho obvodu.

UPOZORNĚNÍ:

Uvnitř skladovacích prostor jídla přístroje nepoužívejte jiná elektrická zařízení než ta, která byla doporučena výrobcem.

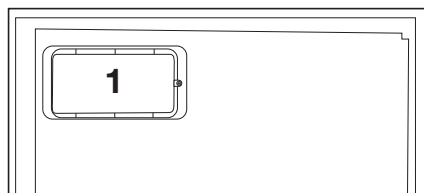
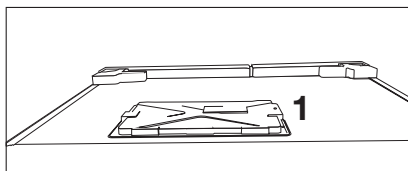
Toto zařízení bylo navrženo pro použití v domácnosti nebo pro níže uvedené aplikování.

- V kuchyních personálu obchodů, kanceláří a jiných pracovních míst;
- Za účelem použití návštěvníky farem a hotelů, motelů a jiných míst s ubytováním.
- V prostorách typu penzionů
- V podobných zařízeních, která nejsou stravovacími službami nebo maloobchodem.

Všeobecná bezpečnost

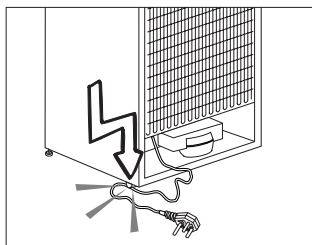
- Tento produkt by neměly používat osoby s tělesným, smyslovým a mentálním postižením, osoby bez dostatečných znalostí a zkušeností, nebo děti. Zařízení mohou tyto osoby používat jen pod dohledem a po poučení osobou odpovědnou za jejich bezpečnost. Nedovolte dětem hrát si s tímto zařízením.
- V případě poruchy přístroj odpojte.
- Po odpojení počkejte nejméně 5 minut před opětovným připojením. Odpojte výrobek, když se nepoužívá. Nedotýkejte se zástrčky mokřkýma rukama! Při odpojování netahejte za kabel, vždy uchopte zástrčku.
- Před zasunutím dovnitř otřete hrot síťové zástrčky suchým hadříkem.
- Nezapojujte ledničku, pokud je zásuvka uvolněná.
- Při instalaci, údržbě, čištění a opravách odpojte výrobek.
- Pokud se výrobek nebude delší dobu používat, odpojte jej a vyjměte potraviny.
- Nepoužívejte páru nebo čisticí prostředky s párou pro čištění chladničky a tání ledu uvnitř. Pára může přijít do styku s elektrifikovanými oblastmi a způsobit zkrat nebo elektrický šok!
- Nemyjte výrobek stříkáním nebo poléváním vodou na něj! Nebezpečí úrazu elektrickým proudem!
- Nikdy nepoužívejte výrobek, pokud část nacházející se na horní nebo zadní straně výrobku s elektronickou deskou s plošným spojem uvnitř je otevřená (krycí deska elektronických plošných spojů) (1).

Bezpečnostní pokyny a životní prostředí



- V případě jeho poruchy výrobek nepoužívejte, protože by mohlo dojít k úrazu elektrickým proudem. Před tím, než cokoliv uděláte, se obraťte na autorizovaný servis.
- Výrobek zapojte do uzemněné zásuvky. Uzemnění musí být provedeno kvalifikovaným elektrikářem.
- Pokud produkt má osvětlení typu LED, pro jeho nahrazení nebo v případě jakéhokoliv problému se obraťte na autorizovaný servis.
- Nedotýkejte se mražených potravin mokřkýma rukama! Mohou se nalepit na Vaše ruce!
- Nepokládejte do mrazničky tekutiny v lahvích a plechovkách. Mohou vybuchnout!
- Tekutiny umístěte ve vzpřímené poloze a pevně uzavřete jejich víko.
- Nestříkejte hořlavé látky v blízkosti výrobku, protože se může zapálit nebo explodovat.
- Nenechávejte hořlavé materiály a produkty s hořlavým plynem (spreje, atd.) v chladničce.

- Nepokládejte nádoby obsahující kapaliny na horní část výrobku. Voda stříkající na elektrifikované části může způsobit úraz elektrickým proudem a nebezpečí požáru.
- Vystavení produktu dešti, sněhu, slunci a větru může způsobit elektrické nebezpečí. Při přemísťování výrobku jej netahejte držením za rukojeť dveří. Rukojeť se může odtrhnout.
- Dbejte na to, aby nedošlo k zachycení jakékoliv části vašich rukou či těla do jakýchkoli z pohyblivých se částí uvnitř výrobku.
- Nevylézejte nebo se neopírejte o dveře, zásuvky a podobné části chladničky. Může to mít za následek pád výrobku a způsobit poškození dílů.
- Dávejte pozor, aby nedošlo k přivření napájecího kabelu.



- Při umístění zařízení se ujistěte, že napájecí kabel není zachycen nebo poškozen.
- Neumísťujte více přenosných zásuvek nebo přenosných zdrojů napájení vzadu od zařízení.

Bezpečnostní pokyny a životní prostředí

- Vaši Side-by-Side chladničku je třeba připojit k přípojce na vodu. Pokud ještě není k dispozici žádný vodovodní kohoutek a musíte zavolat instalatéra, nezapomeňte: V případě, že je váš dům vybaven podlahovým topením, zvažte, že vrtání otvorů do betonového stropu může tento topný systém poškodit!
- Děti ve věku od 3 do 8 let smí nakládat a vykládat chladicí zařízení.
- Abyste předešli znečištění jídla, dodržujte prosím následující pokyny:
- Ponecháte-li dvířka otevřená po dlouhou dobu, může to způsobit značné zvýšení teploty v odděleních zařízení.
- Pravidelně očišťujte povrchy, které mohou přijít do kontaktu s jídlem, a přístupné odtokové systémy.
- Očišťujte nádrže na vodu, pokud nebyly používány během 48 h; propláchněte vodní systém připojený k přívodu vody, pokud jste nečerpali vodu ze zařízení během 5 dní.
- Syrové maso a ryby uchovávejte v chladničce ve vhodných nádobách, aby nepřicházely do kontaktu s jídlem ani na něho nemohly ukápnout.
- Oddělení se dvěma hvězdičkami pro mražené potraviny jsou vhodná pro uchovávání předem zmražených jídel, uchovávání nebo přípravu zmrzliny a výrobu kostek ledu.
- Oddělení s jednou, dvěma a třemi hvězdičkami nejsou vhodná pro zmrazení čerstvého jídla.
- Je-li chladicí zařízení ponecháno prázdné po dlouhou dobu, vypněte ho, rozmrazte, očistěte, osušte a nechte dvířka otevřená, abyste tak zabránili tvoření plísní uvnitř zařízení.

1.1.1 Varování HC

Jestliže výrobek obsahuje chladicí systém ve kterém se používá plyn R600a, zajistěte, aby při používání a pohybování spotřebiče nedošlo k poškození chladicího systému a jeho potrubí. Tento plyn je hořlavý. Pokud je chladicí systém poškozen, zajistěte, aby bylo zařízení mimo dosah zdrojů ohně a okamžitě vyvětrejte místnost.



Štítek na vnitřní levé straně označuje druh plynu používaného v produktu.

1.1.2 Pro modely s dávkovačem vody

- Tlak pro přívod studené vody musí být maximálně 90 psi (620 kPa). Pokud je váš tlak vody vyšší než 80 psi (550 kPa), použijte ve vaší síti ventil na omezování tlaku. Pokud nevíte, jak zkontrolovat tlak vody, požádejte o pomoc profesionálního instalatéra.
- Pokud při instalaci existuje riziko vodního rázu, vždy použijte preventivně zařízení proti vodnímu rázu. Pokud jste si není jistý, zda ve Vaší síti je efekt vodního rázu, porad'te se s profesionálním instalatérem.

Bezpečnostní pokyny a životní prostředí

- Neinstalujte na přívodu pro teplou vodu. Proved'te nezbytná opatření proti riziku zamrznutí hadic. Provozní interval teplota vody musí být mezi minimálně 33 ° F (0,6 ° C) a maximálně 100 ° F (38 ° C).
- Používejte pouze pitnou vodu.

1.1. Účel použití

- Tento výrobek je určen pro domácí použití. Není určen pro komerční použití.
- Spotřebič by měl být používán pouze pro skladování potravin a nápojů.
- Do chladničky neukládejte citlivé produkty, které vyžadují řízené teploty (očkovací látky, léky citlivé na teplo, zdravotnický materiál, atd.).
- Výrobce nenese žádnou zodpovědnost za případné škody způsobené nesprávným použitím nebo nesprávnou manipulací.
- Životnost výrobku je 10 let. Náhradní díly potřebné pro funkčnost tohoto výrobku budou pro toto období k dispozici.

1.2. Bezpečnost dětí

- Obalové materiály uchovávejte mimo dosah dětí.
- Nedovolte dětem, aby se s výrobkem hrály.
- Pokud je na dveřích výrobku zámek, klíč držte mimo dosah dětí.

1.3. Soulad se směrnicí WEEE a Odstranění odpadů výrobku

Tento výrobek splňuje požadavky směrnice WEEE EU (2012/19/EU). Na tomto produktu je zobrazen symbol klasifikace odpadu elektrických a elektronických zařízení (OEEZ).



Tento výrobek byl vyroben z vysoce kvalitních materiálů a komponent, které lze opětovně použít a které jsou vhodné pro recyklaci. Na konci své životnosti spotřebič nevyhazujte spolu s běžnými domácími a jinými odpady. Odneste jej do sběrného centra pro recyklaci elektrických a elektronických zařízení. Pro informace o těchto sběrných střediscích se prosím obraťte na místní úřady.

1.4. Soulad se směrnicí RoHS

- Tento výrobek splňuje požadavky směrnice WEEE EU (2011/65/EU). Neobsahuje škodlivé a zakázané látky uvedené ve směrnici.

1.5. Informace o balení

- Obalové materiály výrobku jsou vyrobeny z recyklovatelných materiálů v souladu s našimi národními předpisy o životním prostředí. Nevyhazujte obalové materiály spolu s domácími nebo jinými odpady. Vezměte je do sběrných míst pro obalové materiály určené místními orgány.

Bezpečnostní pokyny a životní prostředí

1.6 Technické informace pro Wifi + Bluetooth

Frekvenční pásmo:	2,4 GHz (provoz Wi-Fi nebo Bluetooth)
Max. přenosový výkon:	< 100 mW (provoz Wi-Fi nebo Bluetooth)
Informace o softwaru:	Quartz_WiFi.XXX

Prohlášení o shodě pro označení CE:

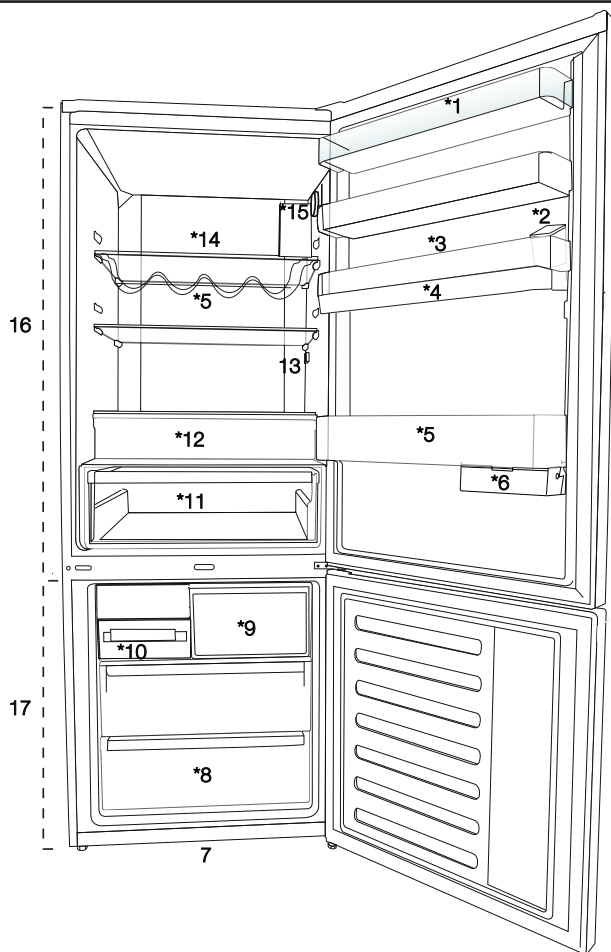
Arçelik A.Ş. tímto prohlašuje, že toto zařízení je v souladu se směrnicí 2014/53/EU.

Úplné znění EU prohlášení o shodě je k

dispozici na internetové adrese:

Produkty, od: support.beko.com

2 Vaše lednička



1. Police v dveřích chladicí části
2. Plnicí nádrž dávkovače vody
3. Část pro vajíčka
4. Zásobník dávkovače vody
5. Police pro láhve
6. Posuvná odkládací schránka
7. Nastavitelné nohy
8. Oddíl mrazničky
9. Část rychlého mražení
10. Zásobník na ledové kostky a akumulovaný led
11. Zásobník na zeleninu
12. Oddělení Nulového stupně
13. Vnitřní osvětlení
14. Skleněná police v chladicí části
15. Tlačítko pro Nastavení teploty
16. Chladicí prostor
17. Mrazicí prostor

(U některých modelů nemusí být k dispozici)



***volitelné:** Obrázky uvedené v této příručce jsou uváděny jako příklad a nemusí se přesně shodovat s Vaším produktem. Pokud váš výrobek neobsahuje příslušné části, tyto informace se vztahují na ostatní modely.

3.1. Správné místo pro instalaci

Pro instalaci výrobku se obraťte na autorizovaný servis. Pro přípravu produktu pro instalaci vyhledejte informace v uživatelské příručce a ujistěte se, že jsou k dispozici požadované elektrické a vodovodní nástroje. Pokud ne, pro uspořádání těchto nástrojů podle potřeby se obraťte na elektrikáře a vodoinstalatéři.



VAROVÁNÍ: Výrobce nenesé žádnou odpovědnost za škodu způsobené prací vykonanou neoprávněnými osobami.



VAROVÁNÍ: V průběhu instalace musí být napájecí kabel tohoto výrobku odpojen. Pokud tak neučiníte, může to mít za následek smrt nebo vážné zranění!



VAROVÁNÍ: Pokud je rozpětí dveří příliš úzké pro přenesení výrobku, odmontujte dveře a otočte produkt na bok, pokud to nefunguje, obraťte se na autorizovaný servis.

- Pro zabránění vibracím umístěte výrobek na rovný povrch.
- Umístěte výrobek alespoň 30 cm od radiátorů, kamen a podobných tepelných zdrojů a alespoň 5 cm od elektrických trub
- Nevystavujte výrobek přímému slunečnímu záření nebo jej neponechávejte ve vlhkém prostředí.
- Výrobek pro své efektivní fungování vyžaduje dostatečnou cirkulaci vzduchu.
- Pokud bude výrobek umístěn ve výklenku, nezapomeňte nechat nejméně 5 cm odstup mezi produktem, stropem a stěnami.
- Neinstalujte výrobek v prostředí s teplotami pod -5°C .
- Aby Váš výrobek účinně fungoval, vyžaduje dostatečný oběh vzduchu. Pokud bude výrobek umístěn ve výklenku, nezapomeňte mezi výrobkem a stropem, zadní stěnou a bočními stěnami ponechat volný prostor nejméně 5 cm.

- Pokud bude výrobek umístěn ve výklenku, nezapomeňte mezi výrobkem a stropem, zadní stěnou a bočními stěnami ponechat volný prostor nejméně 5 cm. Zkontrolujte, zda je na svém místě součástka zajišťující ochranný odstup od zdi (pokud je dodána s výrobkem). Pokud součástka není k dispozici, nebo pokud se ztratila nebo upadla, umístěte výrobek tak, aby mezi zadní stěnou výrobků a stěnou místnosti zůstal volný prostor nejméně 5 cm. Volný prostor vzadu je důležitý pro účinný provoz výrobku.

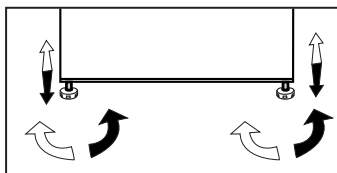
3.2. Připojení plastových klínů

Použijte plastové klíny dodané s produktem pro zajištění dostatečného prostoru pro cirkulaci vzduchu mezi výrobkem a stěnou.




1. Chcete-li připojit klíny, odstraňte šrouby na výrobku a použijte šrouby dodané s klíny.
2. Připevněte 2 plastové klíny na kryt větrání jako jsou zobrazeny na obrázku.

3.3. Nastavení stojanů


Pokud výrobek není v rovnovážné poloze, nastavte přední nastavitelné stojany jejich otáčením směrem doprava nebo doleva.



3.4. Připojení napájení

	VAROVÁNÍ: Pro napájení nepoužívejte rozšířené nebo sdružené zásuvky.
	VAROVÁNÍ: Poškozený napájecí kabel musí být vyměněn autorizovaným servisem.
	Při umístění dvou chladniček v přilehlé pozici, mezi dvěma jednotkami nechejte vzdálenost nejméně 4 cm.

- Naše společnost nenese zodpovědnost za případné škody vzniklé v důsledku použití bez uzemnění a připojení napájení v nesouladu s vnitrostátními předpisy.
- Zásuvka napájecího kabelu musí být snadno přístupná i po instalaci.
- Mezi zásuvkou a ledničkou nepoužívejte rozdvojku nebo prodlužovací kabel.

	Výstraha před horkým povrchem Boční stěny vašeho produktu jsou vybaveny potrubím s chladivem pro zlepšení chladicího systému. Přes tyto oblasti může proudit chladivo s vysokými teplotami, což vede k horkým povrchům bočních stěn. To je normální a nepotřebuje žádnou opravu. Dbejte na to, když se dotýkáte těchto oblastí.
---	--

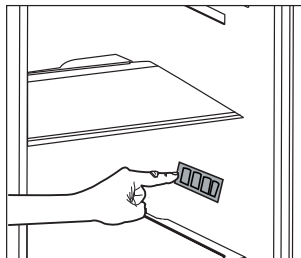
4.1. Co udělat pro úsporu energie



Připojení výrobku k elektronickým systémům pro úsporu energie je škodlivé, protože může dojít k poškození výrobku.

- Nenechávejte dveře chladničky otevřeny po delší dobu.
- Nevkládejte do chladničky horké potraviny nebo nápoje.
- Nepřepřlňujte chladničku; blokování vnitřního toku vzduchu sníží chladicí kapacitu.
- Abyste mohli uchovávat maximální množství potravin v chladnějším prostoru vaší ledničky, vyberte horní zásuvku a položte ji na skleněnou polici. Deklarovaná spotřeba energie chladničky byla určena po vyjmutí chladiče, zásobníku na led a horní zásuvky, což umožní vytvořit maximální skladovací prostor. Při skladování důrazně doporučujeme použití spodní zásuvky. Nejlepší spotřebu energie aktivujte funkci úspory energie.
- Neblokujte proudění vzduchu tím, že umístíte jídlo před ventilátor chladiče. Při umístění potravin je třeba zajistit minimálně 3 cm prostor před ochrannými mřížemi ventilátoru.
- V závislosti na funkcích tohoto výrobku; rozmrazování zmrazených potravin v chladnějším prostoru zajistí úsporu energie a zachování kvality potravin.
- Jídlo ukládejte pomocí použití zásuvek v chladicím prostoru, s cílem zajištění úspory energie a ochrany potravin v lepších podmínkách.
- Balíky potravin nesmí být v přímém kontaktu s čidlem tepla, nacházejícího se v chladicím prostoru. V případě pokud se dotýkají čidla, může se zvýšit spotřeba energie zařízení.
- Ujistěte se, že potraviny nejsou v kontaktu s čidlem teploty prostoru chladničky popsaného níže.

- Protože horký a vlhký vzduch se nedostane přímo do vašeho výrobku, když nejsou dvířka otevřena, spotřebič se optimalizuje ve stávajících podmínkách tak, aby nadějně chránil jídlo umístěné uvnitř. Funkce a součásti, jako jsou kompresor, ventilátor, rozmrazovač, osvětlení, displej aj., budou fungovat tak, aby za těchto podmínek spotřebovávali minimální množství energie.



4.2. První uvedení do provozu

Před použitím chladničky se ujistěte, že byly provedeny všechny nezbytné přípravy v souladu s pokyny uvedenými v kapitolách “Bezpečnostní pokyny a životní prostředí” a “Instalace”.

- Nechte výrobek běžet bez jídla v jeho nitru po dobu 6 hodin a neotvírejte dveře, pokud to není nezbytně nutné.



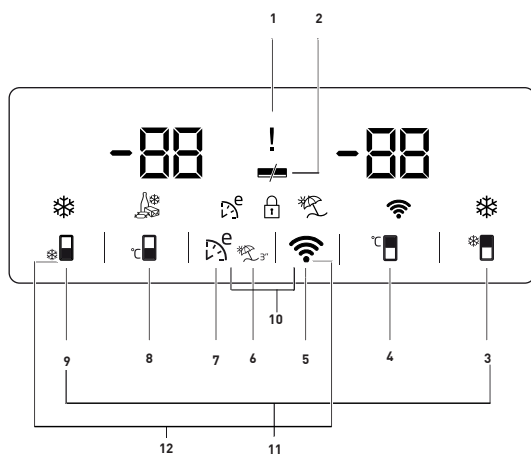
Když se kompresor zapne, uslyšíte zvuk. Je normální slyšet zvuk, i když kompresor není aktivní, v důsledku stlačené kapaliny a plynu v chladicím systému.



Přední hrany produktu se mohou zahřát. To je normální. Tyto oblasti jsou navrženy tak, aby se zahřály, s cílem zabránění kondenzace.



U některých modelů se panel indikátoru automaticky vypne po 5 minutách po zavření dveří. Znovu se aktivuje když se dveře otevrou nebo po stisknutí tlačítka.




1. Výpadek napájení / vysoká teplota / Kontrolka chybového stavu
2. Kontrolka funkce úspory energie (vypnutý displej)
3. Tlačítko rychlého chlazení
4. Tlačítko nastavení teploty chladicí části
5. Tlačítko bezdrátového připojení
6. Tlačítko funkce Dovolená
7. Tlačítko Eco-fuzzy
8. Tlačítko nastavení teploty mrazicí části
9. Tlačítko Rychlého mražení
10. Zámek tlačítek
11. Tlačítko pro změnu jednotky teploty



***volitelné:** Obrázky uvedené v této příručce jsou uváděny jako příklad a nemusí se přesně shodovat s Vaším produktem. Pokud váš výrobek neobsahuje příslušné části, tyto informace se vztahují na ostatní modely.

Tlačítko pro Nastavení teploty


1. Výpadek napájení / vysoká teplota / Kontrolka chybového stavu

Tato kontrolka () se rozsvítí v případě výpadku napájení, vysoké teploty a při chybových varováních.

Když se teplota mrazicího prostoru zahřeje na kritickou úroveň pro mražené potraviny, na digitálním ukazateli bliká maximální dosažená hodnota teploty mrazicího prostoru.

Zkontrolujte jídlo v části mrazničky.

To není porucha. Varování lze vymazat stisknutím libovolného tlačítka nebo tlačítkem vypnutí alarmu vysoké teploty. (Zrušení stisknutím libovolného tlačítka není možné v případě každého modelu.)

Tato kontrolka () se rozsvítí i při poruše snímače. Když tato kontrolka svítí, na kontrolce teploty se alternativně zobrazí "E" a číslice jako "1,2,3 ...". Tyto údaje na kontrolce informují servisní personál o chybě.


2. Kontrolka funkce úspory energie (vypnutí displej)

Pokud jsou dveře zavřené produktu dlouhou dobu, automaticky se aktivuje funkce úspory energie a rozsvítí se symbol úspory energie.




Když je aktivována funkce úspory energie, vypnou se všechny symboly na displeji, kromě symbolu úspory energie. Pokud je aktivována funkce pro úsporu energie, pokud stisknete jakékoliv tlačítko nebo otevřete dveře, funkce úspory energie se zruší a symboly na displeji se vrátí do normálu. Funkce Úspora energie je nastavena od výroby a není ji možné zrušit.

3. Tlačítko rychlého chlazení

Kontrolka rychlého chlazení () svítí, když je aktivována funkce rychlého chlazení a hodnota indikátoru teploty chladničky se zobrazuje jako 1. Pro zrušení této funkce stiskněte tlačítko Rychlého chlazení. Kontrolka rychlého chlazení se vypne a chladnička se vrátí do normálního nastavení. Pokud ji nezrušíte, funkce rychlého

chlazení se automaticky zruší do 1 hodiny. Chcete-li zmrazit velké množství čerstvých potravin, aktivujte funkci rychlého chlazení před uložením potravin do prostoru chladničky.


4. Tlačítko nastavení teploty chladicí části

Stisknutím tlačítka můžete teplotu chladicího prostoru nastavit na 8,7, 6,5, 4,3, 2 a 1. ()

5. Tlačítko bezdrátového připojení

(* volitelné)

Dlouhým stiskem tlačítka (3 sekundy) se spustí první představení produktu do domácí sítě.

Během procesu navázání spojení, bude ikona bezdrátové sítě () blikat v 0,5-sekundových intervalech.

Po úspěšném připojení k domácí síti bude ikona bezdrátové sítě nepřetržitě svítit.

Po navázání prvního spojení je možné spojení aktivovat / deaktivovat krátkým stisknutím tlačítka.

Po vypnutí a zapnutí napájení se automaticky zapamatuje a vytvoří se připojení k síti.

Zatímco se spojení nevytvoří, ikona bezdrátové sítě bude krátce blikat (v intervalech 0,2 sekundy).

Když je připojení aktivní, bude ikona bezdrátové sítě nepřetržitě svítit.

Pokud určitou dobu není možné navázat připojení, zkontrolujte nastavení modemu / připojení.



Aplikace HomeWhiz se používá jako rozhraní připojení.

Kroky připojení jsou popsány v příručce HomeWhiz QUICK INSTALLATION GUIDE, která je dodávána s produktem.

V části věnované řešení problémů najdete odpovědi na základní otázky.

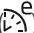
Tlačítko pro Nastavení teploty

6. Tlačítko funkce Dovolená

Pokud chcete aktivovat funkci Dovolená, stiskněte a podržte tlačítko  na 3 sekundy a aktivuje se kontrolka dovolenkového režimu . Pokud je aktivována funkce Dovolená, na ukazateli teploty chladničky se zobrazí "- -" av části chladničky nebude aktivní chlazení. Když je tato funkce aktivní, nedoporučuje se skladovat potraviny v chladicím prostoru. Ostatní oddělení budou nadále chladit podle nastavených teplot.

Pro zrušení této funkce znovu stiskněte tlačítko **funkce Dovolená**.


7. Tlačítko Eco-fuzzy

Zapněte funkci Eco fuzzy stisknutím tlačítka Eco-fuzzy. Pokud je tato funkce povolena, mraznička začne fungovat v ekologickém režimu nejméně po 6 hodin a bude svítit kontrolka ekonomického používání. 


Pro funkci Eco-fuzzy deaktivovat, znovu stiskněte tlačítko funkce Eco-fuzzy. Pokud je aktivována funkce eko-fuzzy, tato kontrolka se rozsvítí po 6 hodinách.


8. Tlačítko nastavení teploty mrazničky

Nastavení teploty se provádí pro mrazicí prostor.

V případě stisknutí očíslovaného tlačítka , můžete nastavit teplotu v mrazničce na -18, -19, -20, -21, -22, -23 a -24.



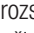

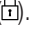
9. Tlačítko Rychlého mražení

Stiskněte tlačítko č. (9) pro rychlé zmrazení; aktivuje se kontrolka rychlého zmrazení .

Když je zapnutá funkce rychlého zmrazení, rozsvítí se kontrolka rychlého zmrazení a na displeji se zobrazí kontrolka teploty mrazicí části -27. Tuto funkci zrušíte opětovným stisknutím tlačítka rychlého zmrazení . Kontrolka rychlého zmrazení zhasne a chladnička se vrátí do původního stavu. Pokud ji nezrušíte, funkce Rychlého chlazení se do 24 hodin automaticky zruší. Chcete-li zmrazit



velké množství čerstvých potravin, aktivujte tuto funkci před uložením potravin do prostoru mrazničky.

10. Zámek tlačítek

Podržte na 3 sekundy současně tlačítka pro bezdrátovou síť  a Eko-fuzzy . Symbol zámku tlačítek  se rozsvítí a režim zamčení se aktivuje. Pokud je režim Zámek tlačítek aktivní, tlačítka nebudou fungovat. Podržte na 3 sekundy současně tlačítka pro bezdrátovou síť  a Eko-fuzzy . Zámek tlačítek bude deaktivován.

Chcete-li zabránit pozměnění nastavení teploty v chladničce, stiskněte tlačítko **Zámek tlačítek**.

11. Tlačítko pro změnu jednotky teploty

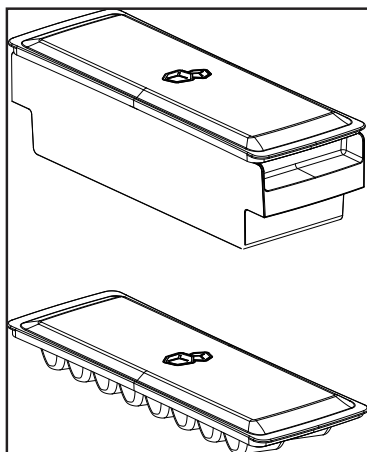
Podržte tlačítka Quick Frigde  a Quick Freeze  na 3 sekundy pro přepínání mezi Fahrenheitem a Celsius.

Tlačítko pro Nastavení teploty

5.1. Zásobník na led

(Volitelně)

- Vyberte ven nádobu na led z mrazáku.
- Naplňte nádobu na led vodou.
- Vložte nádobu na led do mrazničky.
- Led bude připraven asi po dvou hodinách. Vezměte nádobu na led z mrazáku a opatrně ji ohněte nad držákem, který budete podávat. Led snadno vypadne do servírovacího držáku.



5.2. Držák na vajíčka

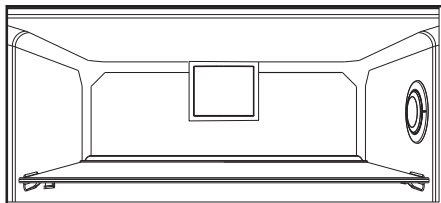
Držák na vajíčka můžete libovolně umístit na držák ve dveřích nebo v chladničce. Pokud jste se rozhodli dát ji na držák v lednici, doporučujeme, abyste použili níže police, nakolik jsou chladnější.



Nedávejte držák na vajíčka do mrazničky.

5.3. Ventilátor

Ventilátor byl navržen tak, aby zajistil cirkulaci chladného vzduchu uvnitř chladničky homogenní. Provozní doba ventilátoru se může lišit v závislosti na funkcích vašeho produktu.



5.4. Zásobník na zeleninu

(Volitelně)

Zásobník na zeleninu produktu je navržen tak, aby zelenina zůstala čerstvá při zachování své vlhkosti. Za tímto účelem je celková cirkulace chladného vzduchu v zásobníku na zeleninu intenzivnější.

5.5. Oddělení Nulového stupně

(Volitelně)

Use this compartment to keep delicatessen
Použijte tento prostor pro udržení lahůdek nebo masných výrobků pro okamžitou spotřebu při nižších teplotách.

Oddělení Nulového stupně je nejlepší místo, kde mohou být uloženy v ideálních podmínkách skladování potraviny, jako jsou mléčné výrobky, maso, ryby a kuře. Neskladujte zeleninu a/nebo ovoce v tomto prostoru.

Tlačítko pro Nastavení teploty

5.6. Pohyblivý stojan ve dveřích

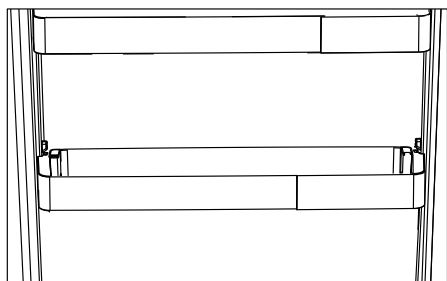
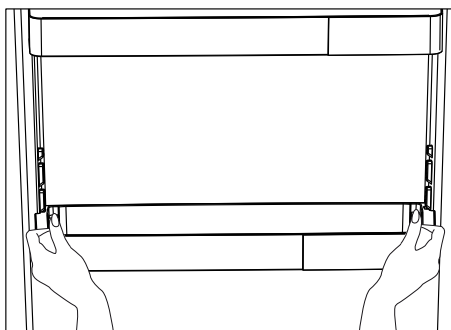
(Volitelně)

Pohyblivý stojan ve dveřích lze upevnit do 3 různých poloh.

Pro přesun stojanu, rovnoměrně stiskněte boční tlačítka. Se stojanem bude možné pohybovat.

Posuňte stojan směrem nahoru nebo dolů.

Když je stojan v požadované pozici, uvolněte tlačítka. Po uvolnění tlačítek bude stojan opět pevný na své pozici.

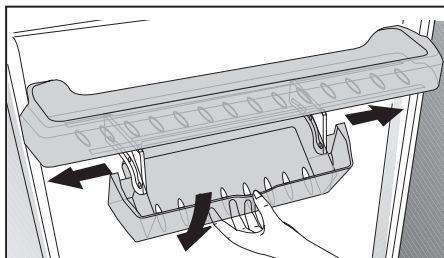


5.7. Posuvná odkládací schránka

(Volitelně)

Tento doplněk byl navržen pro zvýšení objemu využití dveřních stojanů.

Díky své schopnosti pohybování se do stran, vám umožní snadno umístit dlouhé lahve, sklenice nebo krabice, které jste vložili do poličky pro láhve níže.



Tlačítko pro Nastavení teploty

5.8. Použití druhého prostoru pro zeleninu a ovoce;



Obrázek 1.

Jak je znázorněno na obrázku, u spotřebiče modelu K70560 druhý prostor pro zeleninu a ovoce je vybaven 2 zarážkami.



Obrázek 2.

Po uzavření druhý prostor pro zeleninu a ovoce vypadá, jak je znázorněno na obrázku 2.



Obrázek 3.

Otevřete dvířka do úhlu 90° a vytáhněte druhý prostor až po první zarážku, jak je znázorněno na obrázku 3.

V případě, že je zásuvka více otevřená, nejdřív zkuste otevřít dvířka do úhlu aspoň 135°.



Pak podle obrázku 4 nadzvedněte druhý prostor přibližně o 5 mm tak, aby se uvolnil z první zarážky.



Obrázek 4.

Po zvednutí vytáhněte druhý kontejner až po druhou zarážku, jak je znázorněno na obrázku 5.

Obrázek 5.

Tlačítko pro Nastavení teploty

5.9. Pohlcovač pachů

(FreshGuard)

(Volitelně)

Deodorant rychle zápach ve vaší ledničce než stačí prostoupit na povrch. Díky tomuto deodorantu, který se umísťuje na vrchní část prostoru určený pro čerstvé potraviny, se zápach rozpustí a spolu se vzduch je aktivně přenesen do pachového filtru, poté je pročištěný vzduch opět vpuštěn zpět do prostoru pro čerstvé potraviny. Tímto způsobem jsou nechtěné pachy, které se mohou objevit v průběhu skladování potravin v ledničce, odstraněny dříve než prostoupí na povrch. Toho se dosáhne díky větráku, LED světla a zápachového filtru zabudovaného v deodorantu. V běžném provozu, se deodorant zapíná automaticky v pravidelných intervalech.

Chcete-li zachovat optimální výkon, je dobré si nechat zkontrolovat filtr v deodorantu autorizovaným poskytovatelem každých 5 let. Díky větráku zabudovaného v deodorantu je hluk, který uslyšíte během provozu, normální. Pokud otevřete dvířka prostoru pro čerstvé potraviny, když je deodorant zapnutý, větrák se automaticky přeruší a opět zapne jakmile dvířka zavřete. V případě přerušení dodávky proudu se deodorant opět automaticky zapne, v momentě kdy byl přerušen, jakmile je dodávka proudu obnovena.

Informace: Doporučuje se skladovat aromatické potraviny (jako sýry, olivy a další lahůdky) ve svých utěsněných obalech, aby se zabránilo zápachu, který může nastat zamícháním pachů různých potravin. Kromě toho, se také doporučuje rychle vyndat z ledničky zkažené potraviny, jejichž zápach může zkazit další potraviny a tím zamezit zápachu.

Tlačítko pro Nastavení teploty

5.10. Zásobník na zeleninu s kontrolou vlhkosti

(Volitelně)

Pomocí funkce regulace vlhkosti je vlhkost zeleniny a ovoce pod kontrolou a zajistí se tím delší doba čerstvosti potravin.

Jak je to možné, doporučuje se skladovat listovou zeleninu, jako je hlávkový salát a špenát a podobné zeleniny, náchylné na ztrátu vlhkosti ne na svých kořenech, ale ve vodorovné poloze v zeleninovém koši.

Při umísťování zeleniny, uložte těžkou a tvrdou zeleninu na dno a lehkou a měkkou na vrchol, s přihlédnutím na specifické hmotnosti zeleniny.

Nenechávejte zeleninu na zásobníku v igelitových sáčcích. Ponechání v igelitových sáčcích způsobí, že zelenina shnije v krátké době. V situacích, kde kontakt s ostatní zeleninou není vhodný, použijte obalový materiál, jako je papír, který má určitou pórovitost v souladu s hygienou.

Nedávejte plody, které mají vysokou produkci plynu ethylen, jako jsou hrušky, meruňky, broskve a zejména jablka do společného zeleninového zásobníku s jinou zeleninou a ovocem. Plyn etylen vycházející z těchto plodů může způsobit, že ostatní zelenina a ovoce budou zrát rychleji a začnou hnit v kratším časovém období.

5.11. Automatický výrobek ledu (Volitelně)

Automat led vám umožní snadno vytvořit led v chladničce. Za účelem získání led z výrobníku ledu, vyberte nádržku na vodu z chladicího prostoru, naplňte ji vodou a dejte ji zpět.

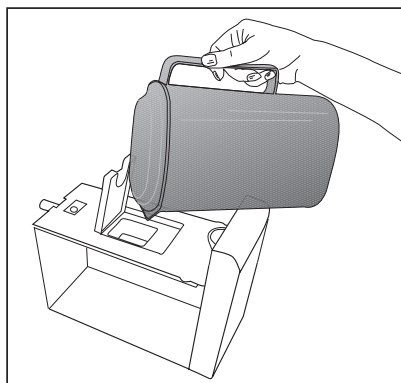
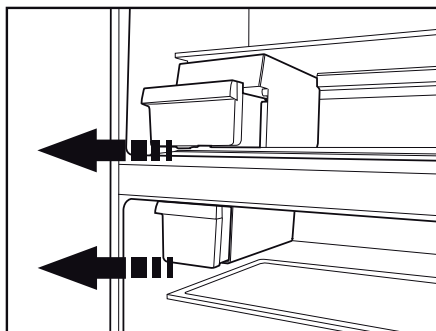
První led bude ve výrobníku ledu připraven asi za 2 hodiny v chladicím prostoru.

Po umístění plně vodní nádrže, dokud se zcela nevyprázdní, můžete získat asi 60-70 kostek ledu.

V případě, že voda v nádrži byla déle než 2-3 týdny, vyměňte ji.



U produktů s automatickým výrobníkem ledu, při výrobě ledu můžete slyšet zvuk. Tento zvuk je normální a není známkou poruchy.



Tlačítko pro Nastavení teploty

5.12. Icematic a držák na skladování ledu

*volitelné

Používání výrobku ledu Icematic

Naplňte výrobek ledu Icematic vodou a umístěte ho na jeho místo. Váš led bude připraven asi po dvou hodinách. Pro vyjmutí ledu neodstraňujte Icematic z jeho místa.

Otočte knoflík na ledovém zásobníku ve směru hodinových ručiček o 90 stupňů.

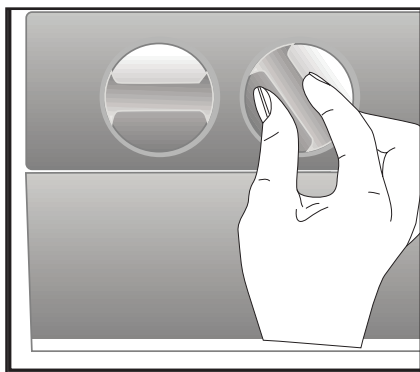
Ledové kostky v nádrži spadnou dolů do níže umístěného držáku ledu.

Následně můžete vybrat držák ledu a podávat ledové kostky.

Pokud chcete, ledové kostky můžete skladovat i v držáku na led.

Držák na skladování ledu

Držák na skladování ledu je určen pouze pro sbírání kostek ledu. Nedávejte do něj vodu. V opačném případě se zlomí.



5.13. Použití dávkovače vody

*volitelné



Je normální, že prvních několik sklenic vody odebraných z dávkovače vody bude obvykle teplejších.

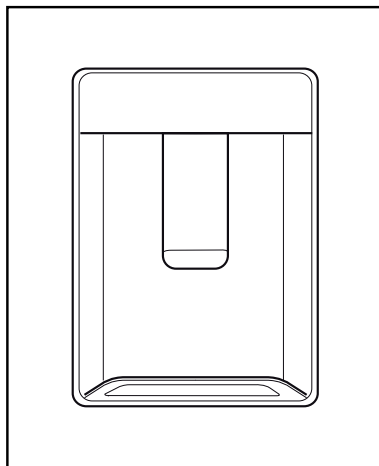


Pokud se dávkovač vody nepoužíval delší dobu, abyste získali čistou vodu, první sklenice vody vylijte.

1. Zatlačte sklenici o páku dávkovače vody. Pokud používáte měkký plastový kelímek, bude snazší páku stisknout rukou.
2. Po naplnění poháru po požadované úrovni, uvolněte páku.



Upozorňujeme, že z dávkovače vyteče tolik vody, jak daleko potlačíte páku. Když hladina vody ve Vaší šálku / sklenici stoupne, jemně snižte množství tlaku na páku, abyste zabránili přetečení. Pokud páku lehce stisknete, bude kapat voda; to je zcela normální a nejde o poruchu.



Tlačítko pro Nastavení teploty

5.14. Plnění nádrže dávkovače na vodu

Plnicí nádrž Vodní nádrže je umístěna uvnitř stojanu dveří.

1. Otevřete kryt nádrže.
2. Naplňte nádrž čerstvou pitnou vodou.
3. Zavřete kryt.



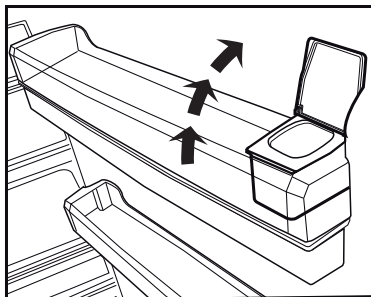
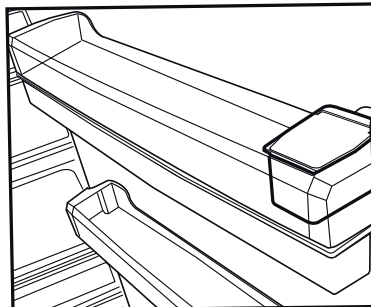
Neplňte nádrž na vodu s jinou kapalinou kromě vody, jako jsou například ovocné džusy, sycené nápoje a alkoholické nápoje, které nejsou vhodné pro použití v dávkovači vody. V případě použití těchto druhů kapalin se dávkovač vody nenapravitelně poškodí. Záruka se nevztahuje na takové použití. Některé chemické látky a přísady obsažené v těchto druhů nápojů / kapalin mohou poškodit nádržku na vodu.



Používejte pouze čistou pitnou vodu.



Kapacita nádrže na vodu je 3 litry; nepřepĺňujte ji.



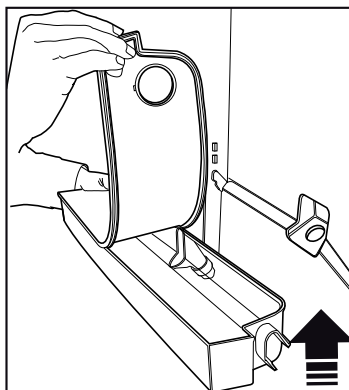
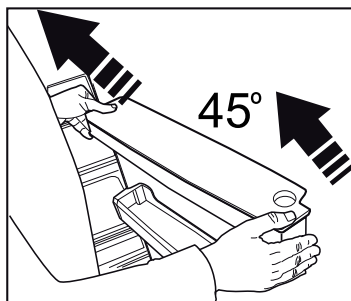
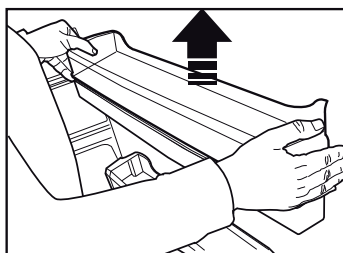
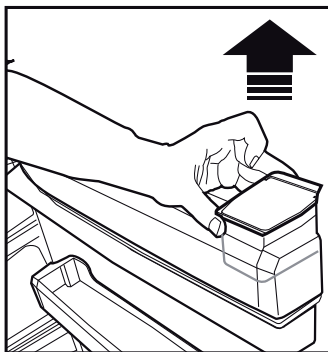
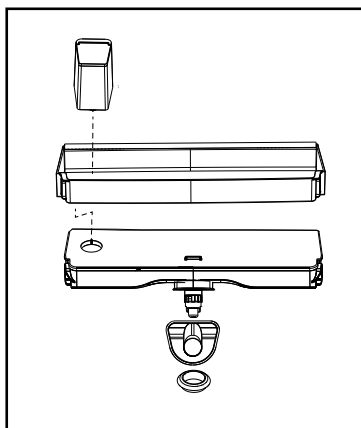
Tlačítko pro Nastavení teploty

5.15. Čištění nádrže na vodu

1. Vyberte nádrž na vodu uvnitř rámu dveří.
2. Odstraňte rám dveří jejich přidržením z obou stran.
3. Chyťte nádržku na vodu z obou stran a odstraňte ji pod úhlem 45 ° C.
4. Odstraňte kryt zásobníku na vodu a vyčistěte nádrž.



Součástí nádrže na vodu a dávkovač vody nemyjte v myčce nádobí.



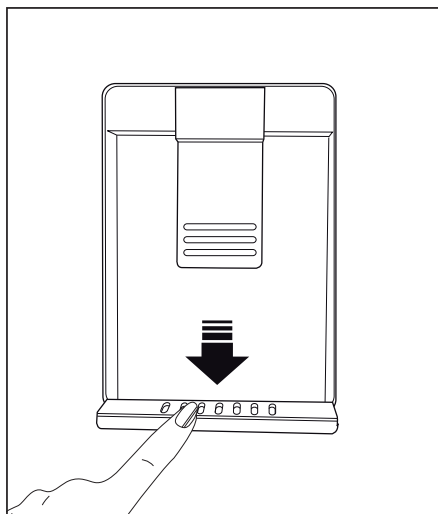
Tlačítko pro Nastavení teploty

5.16. Odkapávací zásobník

Voda, která při použití dávkovače vody vykvapkala, se hromadí v odkapávacím zásobníku.

Odstraňte plastový filtr, jak je znázorněno na obrázku.

S čistým a suchým hadříkem odstraňte nahromaděnou vodu.



HerbBox/HerbFresh

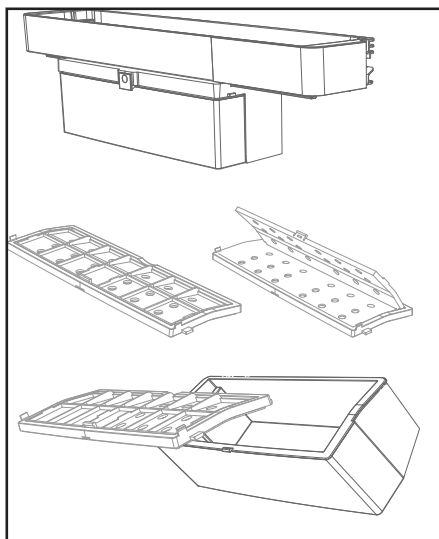
Vyberte filmový zásobník z HerbBox/HerbFresh +

Odstraňte film ze sáčku a vložte jej do filmového zásobníku, jak je znázorněno na obrázku.

Opět uzavřete zásobník a vložte jej zpět do jednotky HerbBox/HerbFresh +

Části HerbBox / HerbFresh + jsou obzvláště vhodné pro skladování různých bylin, které mají být uchovávány v citlivých podmínkách. Můžete ukládat své nezabalené bylinky (petržel, kopr, atd.) do této části horizontálně a udržet jejich čerstvost mnohem delší dobu.

Film se nahrazuje každých šest měsíců.



Tlačítko pro Nastavení teploty

5.17. Zmrazování čerstvých potravin

- Pokud chcete zachovat kvalitu potravin, potraviny umístěné v mrazničce musí být zmrazené tak rychle, jak je to možné, z toho důvodu použijte funkci rychlého zmrazení.
- Zmrazení potravin v čerstvém stavu prodlouží dobu jejich skladování v mrazničce.
- Zabalte potraviny do vzduchotěsných balení a těsně jejich uzavřete.
- Ujistěte se, že potraviny jsou před vložením do mrazničky zabalené. Místo tradičního obalového papíru použijte krabice do mrazáku, staniol a papír odolný proti vlhkosti, igelitové sáčky nebo podobné obalové materiály.



Led se v mrazící části taje automaticky.

- Před zmrazením označte každé balení potravin napsáním data na jejich obal. To vám umožní určit čerstvost každého balení při každém otevření mrazničky. Udržujte dřívější položky potravin v přední části, abyste zajistili, že budou použity jako první.
- Zmrazené potraviny musí být použity ihned po rozmrazení a neměly by být znovu zmrazeny.
- Nezmrazujte velké množství potravin najednou.

5.18. Doporučení pro skladování zmrazených potravin

Chladicí prostor musí být nastaven na méně než -18 °C.

1. Umístěte potraviny do mrazničky co nejrychleji, aby nedošlo k jejich rozmrazení.
2. Před zmrazením zkontrolujte položku "Datum spotřeby" na obalu, abyste zjistili, že ještě nevypršela.
3. Ujistěte se, že balení potravin není poškozeno.

Nastavení teploty Mrazicího prostoru	Nastavení teploty Chladicího prostoru	Podrobnosti
-18°C	4°C	Toto je výchozí, doporučené nastavení.
-20,-22 nebo 24°C	4°C	Tyto nastavení se doporučují pro teploty nad 30 ° C.
Quick Freeze - Rychlé mrazení	4°C	Použijte, když chcete zmrazit vaše potraviny krátké době. Po ukončení procesu se produkt vrátí do své předchozí pozice.
-18 ° C nebo nižší	2°C	Použijte toto nastavení, pokud si myslíte, že chladicí prostor není dostatečně studený vzhledem k teplotě prostředí nebo časté otevírání dveří.

Tlačítka pro Nastavení teploty

5.19. Podrobnosti o mrazničce

Podle norem IEC 62552, mraznička musí mít schopnost zmrazit 4,5 kg potravin na teplotu -18 °C nebo nižší do 24 hodin na každých 100 litrů objemu mrazicího prostoru.

Potraviny mohou být zachovány po delší dobu pouze při teplotě do teploty -18 °C.

Potraviny můžete udržovat čerstvé po dobu několika měsíců (v mrazničce na nebo pod teplotou -18 °C).

Potraviny které mají být zmrazeny nesmí přijít do kontaktu s již zmrazenými potravinami uvnitř mrazničky z důvodu zabránění jejich částečnému rozmrazení.

Zeleninu uvařte a vodu odfiltrujte pro prodloužení doby zmrazeného skladování. Po filtraci dejte jídlo do vzduchotěsných balení a umístěte jej v mrazničce. Banány, rajčata, hlávkový salát, celer, vařené vejce, brambory a podobné potraviny nezmrazujte. V opačném případě tyto potraviny shnijí a budou ovlivněny jejich nutriční hodnoty a kvalita jídla. To, že hniloba ohrožuje i lidské zdraví, není sporné.

5.20. Umístění jídla

Police v mrazicí části	Různý mražené zboží jako jsou maso, ryby, zmrzlina, zelenina apod.
Police v chladicí části	Potraviny v hrnci, talíře a krabice s víčky, vejce (v krabicích s víčkem)
Police v dveřích chladicí části	Malé a balené potraviny nebo nápoje
Zásobník na zeleninu	Ovoce a zelenina
Část pro čerstvé potraviny	Lahůdky (potraviny pro snídani, masné výrobky, které mají být konzumovány v krátké době)

5.21. Upozornění na otevřené dveře

(Volitelně)

Pokud dveře výrobku zůstanou otevřené, po dobu alespoň 1 minuty, zazní akustické upozornění. Akustický upozornění ztichne, když jsou dveře zavřené nebo po stisknutí libovolného tlačítka na displeji (pokud je k dispozici).

Upozornění na otevřené dveře je indikováno uživateli tak akusticky, tak vizuálně. Pokud alarm pokračuje po dobu 10 min, osvětlení interiéru vypne.

5.22. Změna směru otevírání dveří

Směr otevírání dveří vaší chladničky můžete změnit v závislosti na jejím místě použití.

Když tak potřebujete udělat, obraťte se na nejbližší Autorizovaný servis.

Výše uvedené vysvětlení je obecné prohlášení. O možnosti změny směru otevírání dveří zkontrolujte štítek s upozorněním umístěný uvnitř obalu.

5.23. Vnitřní osvětlení

Ve vnitřním osvětlení se používá LED lampa.

V případě jakýchkoliv problémů s touto lampou se obraťte na autorizovaný servis.

Lampa/y, použité v tomto zařízení není možné použít pro osvětlení domu. Účel použití tohoto světla je pomoci uživateli umístit potraviny do chladničky / mrazničky bezpečně a pohodlně.

Při pravidelném čištění se zvýší životnost výrobku.



VAROVÁNÍ: Před čištěním chladničky produkt nejprve odpojte z elektrické sítě.

- K čištění nikdy nepoužívejte ostré nebo brusné nástroje, mýdlo, domácí čistidla, detergenty a voskové čistidlo.
- Rozpusťte jednu lžičku karbonátu v půl litru vody. Namočte hadřík do roztoku a důkladně ji vyždímejte. Otrěte vnitřek spotřebiče s touto látkou a vysušte ho.
- Ujistěte se, aby se o tělesa osvětlení a jiných elektrických předmětů nedostala žádná voda.
- Očistěte dveře pomocí vlhkého hadříku. Chcete-li odstranit police ve dveřích a hlavní police, odstraňte veškerý jejich obsah. Vyberte police dveří jejich posunutím směrem nahoru. Po očištění, k uložení je vložte směrem shora dolů.
- Pro čištění vnějších povrchů a pochromovaných součástí výrobku nikdy nepoužívejte čistící prostředky ani vodu s obsahem chloru. Chlor způsobuje korozi kovových povrchů.
- Pro zabránění odstranění a deformaci nápisů na plastových dílech, nepoužívejte žádné ostré, brusné nástroje, mýdlo, čistící prostředky pro domácnost, čistící prostředky, petrolej, topný olej, laky atd. K čištění použijte vlažnou vodu a měkký hadřík a otřete je do sucha.

6.1. Zabránění vzniku nepříjemných pachů

Při výrobě našich zařízení se nepoužívají materiály, které mohou způsobit zápach. Nicméně, nevhodné podmínky pro zachování potravin a zanedbání čištění vnitřního povrchu zařízení v potřebné míře může způsobit problém zápachu.

Proto ledničku čistěte karbonáty rozpuštěným ve vodě každých 15 dní.

- Potraviny uchovávejte v uzavřených nádobách. Mikroorganismy šířící se z nekrýtkých nádob mohou způsobit nepříjemné pachy.
- Nikdy neskladujte jídlo, kterým vypršela trvanlivosti a jsou rozlitá v chladničce.

6.2. Ochrana plastových povrchů

Okamžitě očistěte s teplou vodou, protože olej nanesený na plastové povrchy může způsobit poškození povrchu.

6.3. Dveřní skla

Ze skel odstraňte ochrannou fólii.

Na povrchu skla se nachází povlak. Tento povlak minimalizuje vznik skvrn a pomáhá snadno odstranit případné nečistoty a skvrny. Skla, které nejsou chráněny takovým povlakem mohou být vystaveny trvalým organickým nebo anorganickým nečistotám na bázi vzduchu nebo vody, jako jsou vodní kámen, minerální soli, nespálené uhlovodíky, oxidy kovů a silikony, které snadno a rychle způsobují skvrny nebo materiální škody. Udržování skla v čistém stavu se stává příliš těžkým, navzdory pravidelnému čištění. V důsledku toho, vzhled a transparentnost skla se zhoršuje. Drsné a žíravé metody čištění a sloučeniny zintenzivňují tyto vady a urychlují proces zhoršování se.

Pro běžné čistící účely použijte čistící prostředky na vodní bázi, které nejsou zásadité a korozivní.

K čištění použijte nealkoholické a nekorozivní materiály, abyste zachovali povlak po dlouhou dobu.

Skla jsou temperované pro zvýšení jejich odolnosti proti nárazům a lámání.

Na jejich zadní ploše byla také aplikována bezpečnostní fólie, jako další bezpečnostní opatření pro zabránění poškození jejich okolí v případě jejich rozbití.

* Alkálie je báze, která při rozpuštění ve vodě tvoří hydroxidové ionty (OH).

Kovy Li (lithium), Na (sodík), K (draslík) Rb (rubidium), Cs (cesium), a umělý a radioaktivní Fr (Francium) se nazývají alkalické kovy.

7 Řešení problémů

Než se obrátíte na servis, viz následující seznam. Může Vám to ušetřit čas i peníze. Tento seznam obsahuje časté stížnosti, které nejsou spojeny s chybným zpracováním nebo poškozením materiálu. Některé funkce uvedené v tomto dokumentu se nemusí vztahovat na váš produkt.

Chladnička nefunguje.

Zástrčka není úplně nasazena. >>> Zapojte ji úplně do zásuvky.

Pojistka připojená do zásuvky která napájí produkt nebo hlavní pojistka je spálená. >>> Zkontrolujte pojistky.

Kondenzace na boční stěně chladicího prostoru (MULTI ZÓNA, CHLADÍCÍ, KONTROLNÍ a FLEXI ZÓNA).

- Dveře se otevírají příliš často >>> Dbejte na to, abyste dveře výrobku neotvírali příliš často.
- Prostředí je příliš vlhké. >>> Neinstalujte výrobek ve vlhkém prostředí.
- Potraviny obsahující tekutiny jsou uchovávány v neuzavřených nádobách. >>> Uchovávejte potraviny, které obsahují tekutiny v uzavřených nádobách.
- Dveře výrobku byly ponechány otevřené. >>> Nenechávejte dveře chladničky otevřené po delší dobu.
- Termostat je nastaven na příliš nízkou teplotu. >>> Nastavte termostat na vhodnou teplotu.

Kompresor nepracuje.

- V případě náhlého výpadku proudu nebo vytažení napájecího kabelu a po jeho opětovném připojení tlak plynu v chladicím systému výrobku není vyvážený, což spustí tepelný jistič kompresoru. Produkt se restartuje po přibližně 6 minutách. Když se výrobek po uplynutí této doby restartován, obraťte se na servis.
- Je aktivní rozmrazování. >>> To je normální pro chladničku s plně automatickým rozmrazováním. Odmrazování se provádí pravidelně.
- Produkt není zapojen do elektrické sítě >>> Ujistěte se, že napájecí kabel je zapojen.
- Nastavení teploty je nesprávné. >>> Zvolte odpovídající nastavení teploty.
- Není proud. >>> Produkt bude nadále fungovat normálně po obnovení napájení.

Provozní hluk chladničky se při používání zvyšuje.

- Provozní výsledky tohoto výrobku se mohou lišit v závislosti na změnách teploty okolního prostředí. To je normální a nejedná se o závadu.

Chladnička běží příliš často nebo příliš dlouho.

Řešení problémů

- Nový výrobek může být větší než ten předchozí. Větší výrobky budou pracovat po delší dobu.
- Teplota v místnosti může být vysoká. > > > Výrobek bude v místnosti s vyšší teplotou spuštěn po delší dobu.
- Výrobek mohl být zapojen nedávno nebo v něm byly umístěny nové položky potravin. > > > Výrobek dosáhne nastavenou teplotu déle, když byl jen právě zapojen nebo do něj byly umístěny nové potraviny. To je normální.
- Do výrobku bylo v poslední době umístěno velké množství teplého jídla. > > > Nepokládejte horké jídlo do výrobku.
- Dveře byly často otevřené nebo zůstaly otevřené po delší dobu. > > > Teplý vzduch pohybující se uvnitř způsobí, že výrobek bude v provozu déle. Neotvírejte dveře chladničky příliš často.
- Dveře mrazničky nebo chladničky mohli zůstat pootevřené. > > > Zkontrolujte, zda jsou dveře úplně zavřené.
- Výrobek může být nastaven na příliš nízkou teplotu. > > > Nastavte teplotu na vyšší stupeň a počkejte, až výrobek dosáhne nastavenou teplotu.
- Podložky dveří chladničky nebo mrazničky mohou být špinavé, opotřebované, rozbité nebo nesprávně nasazené. > > > Vyčistěte nebo vyměňte podložky. Poškozené / roztrhané podložky dveří způsobí, že výrobek bude běžet delší dobu pro zachování aktuální teploty.

Teplota mražení je velmi nízká, ale teplota chladiče je dostačující.

- Teplota prostoru mrazničky je nastavena na velmi nízký stupeň. > > > Nastavte teplotu v mrazničce na vyšší stupeň a znovu zkontrolujte.

Teplota chlazení je velmi nízká, ale teplota mrazničky je dostačující.

- Teplota prostoru chladničky je nastavena na velmi nízký stupeň. > > > Nastavte teplotu v chladničce na vyšší stupeň a znovu zkontrolujte.

Potraviny uchovávané v chladnějším zásuvek prostor jsou zmrazeny.

- Teplota prostoru chladničky je nastavena na velmi nízký stupeň. > > > Nastavte teplotu v mrazničce na vyšší stupeň a znovu zkontrolujte.

Řešení problémů

Teplota v chladničce nebo v mrazničce je příliš vysoká.

- Teplota prostoru chladničky je nastavena na velmi vysoký stupeň. >>> Nastavení teploty chladicí části ovlivňuje teplotu v mrazničce. Změňte teplotu v chladicí nebo mrazicí části a počkejte, dokud příslušné přihrádky dosáhnou nastavenou úroveň teploty.
- Dveře byly často otevřené nebo zůstaly otevřené po delší dobu. >>> Neotvírejte dveře chladničky příliš často.
- Dveře mohou být pootevřena. >>> Úplně zavřete dveře.
- Produkt mohl být zapojen nedávno nebo v něm byly umístěny nové položky potravin. >>> To je normální. Výrobek dosáhne nastavenou teplotu déle, když byl jen právě zapojen nebo do něj byly umístěny nové potraviny.
- Do výrobku bylo v poslední době umístěno velké množství teplého jídla. >>> Nepokládejte horké jídlo do výrobku.

Třese se nebo vydává hluk.

- Podlaha není ve vodováze nebo není odolná. >>> Pokud se výrobek třese, když se pomalu pohybuje, nastavte stojany na vyrovnaní výrobku. >>> Ujistěte se také, že podlaha je dostatečně odolná k tomu, aby unesla produkt.
- Všechny položky umístěné na výrobku mohou způsobit hluk. >>> Odstraňte všechny položky umístěné na výrobku.

Výrobek vytváří hluk tekoucí, stříkající kapalinou apod.

- Princip fungování tohoto výrobku je založen na toku kapalin a plynu. >>> To je normální a nejedná se o závadu.

Z výrobku zní zvuk jako vanoucí vítr.

- Výrobek pro proces chlazení používá ventilátor. To je normální a nejedná se o závadu.

Na vnitřních stěnách výrobku se vytvořil kondenzát.

- Horké nebo vlhké počasí zvýší námrazu a kondenzaci. To je normální a nejedná se o závadu.
- Dveře byly často otevřené nebo zůstaly otevřené po delší dobu. >>> Neotvírejte dveře příliš často, pokud zůstaly otevřeny, zavřete je.
- Dveře mohou být pootevřena. >>> Úplně zavřete dveře.

Vytváří se kondenzát na vnější straně výrobku nebo mezi dveřmi.

- Okolní prostředí může být vlhké, je to naprosto normální ve vlhkém počasí. >>> Kondenzace se rozptýlí, když se sníží vlhkost.

Interiér zapáchá.

- Produkt není pravidelně čištěn. >>> Pravidelně čistěte vnitřek pomocí houbičky, teplé vody a sycené vody.
- Některé balení a obalové materiály může způsobit zápach. >>> Používejte balení a obalové materiály bez zápachu.
- Potraviny byly umístěny v neuzavřených baleních. >>> Uchovávejte potraviny v uzavřených obalech. Mikroorganismy se mohou z neuzavřených potravin rozšířit a způsobit zápach.
- Z výrobku odstraňte všechny potraviny se zašlým datem spotřeby a zkažené potraviny.

Řešení problémů

Dveře se nezavírají.

- Balíčky s potravinami mohou blokovat dveře. >>> Přemístěte předměty blokující dveře.
- Produkt nestojí ve zcela svislé poloze na zemi. >>> Nastavte stojany pro uvedení výrobku do svislé polohy.
- Podlaha není ve vodováze nebo není odolná. >>> Ujistěte se, že podlaha je vyvážená a dostatečně odolná k tomu, aby unesla produkt.

Zásobník na zeleninu se zasekl.

- Potraviny mohou být v kontaktu s horní částí zásobníku. >>> Reorganizujte potraviny v šuplíku.

Pokud Je Povrch Produktu Horký

- Když je zařízení v provozu, lze pozorovat vysoké teploty mezi dvěma dvířky, na postranních panelech a na zadním grilu. To je běžné a není to důvod pro servisní údržbu!. Při kontaktu s těmito plochami buďte opatrní.



UPOZORNĚNÍ: Pokud problém přetrvává i po provedení pokynů v této části, obraťte se na svého prodejce nebo na autorizovaný servis. Nepokoušejte se opravit produkt.

VYLOUČENÍ ODPOVĚDNOSTI / UPOZORNĚNÍ

Některé (jednoduché) poruchy může vhodně vyřešit sám koncový uživatel, aniž by byla ohrožena bezpečnost nebo bezpečné používání, ovšem za podmínky, že je oprava provedena v mezích a v souladu s následujícími pokyny (viz část „Vlastní oprava“).

Proto pokud není dovoleno jinak v části „Vlastní oprava“ níže, opravy je nutné svěřit registrovaným odborným opravám, aby nedošlo k ohrožení bezpečnosti. Registrovaná odborná opravna je odborný servis, který získal oprávnění přístupu k pokynům a soupisu náhradních dílů k tomuto výrobku od výrobce, v souladu s postupy uvedenými v legislativních ustanoveních podle Směrnice 2009/125/EC.

Ovšem záruční opravy může provádět pouze ten servis (tedy oprávněná odborná opravna), jehož telefonní číslo naleznete v návodu/v záručním listě nebo získáte u svého autorizovaného prodejce. Upozorňujeme tedy, že opravy provedené odbornými servisy (které nejsou společností Beko oprávněni) vedou k porušení záruky.

Vlastní oprava

Konečný uživatel může provést samoopravu, pokud jde o tyto náhradní díly: klika dveří, závěsy dveří, podnosy, koše a těsnění dveří (aktualizovaný seznam je k dispozici také na webové stránce support.beko.com.k 1. březnu 2021).

Dále musí být uvedené vlastní opravy, s cílem zajistit bezpečnost výrobku a zabránit riziku vážného zranění, provedeny podle pokynů v návodu pro vlastní opravy nebo podle pokynů, které jsou k dispozici na support.beko.com. Z bezpečnostních důvodů před provedením jakékoli opravy odpojte produkt z elektrické sítě.

Opravy nebo pokusy o opravu provedené koncovými uživateli u dílů, které nejsou součástí tohoto soupisu, nebo které nejsou v souladu s pokyny v návodu pro vlastní opravy nebo s pokyny, které jsou k dispozici na support.beko.com, mohou vést ke vzniku bezpečnostních rizik, která nespádají do odpovědnosti společnosti Beko a vedou k propadnutí záruky na výrobek.

Proto velmi doporučujeme, aby se koncoví uživatelé nepokoušeli provádět opravy, které nespádají do uvedeného soupisu náhradních dílů, a aby se v takovém případě obrátili na autorizované odborné opravny nebo registrované odborné opraváře. Tyto pokusy ze strany koncových uživatelů mohou naopak vést k ohrožení bezpečnosti a poškození výrobku a následně ke vzniku požáru, zatopení, úrazu elektřinou a vážnému zranění osob.

Například, mimo jiné, následující opravy musí být adresovány autorizovanému profesionálnímu opraváři nebo registrovanému profesionálnímu opraváři: kompresor, chladicí okruh, hlavní panel, panel invertoru, panel displeje atd.

Výrobce/prodávající nemůže být v žádném případě odpovědný za případ, kdy koncoví uživatelé nedodrží výše uvedená ustanovení.

Dostupnost náhradních dílů pro chladničku je 10 let.

Během této doby budou k dispozici originální náhradní díly pro správné chladničku.

Minimální záruční doba na vámi zakoupenou ledničku je 24 měsíců.

Tento výrobek je vybaven světelným zdrojem o energetické třídě “G”.

Světelný zdroj na tomto výrobku může být vyměněn pouze profesionálními opraváři.

Molimo, prvo pročitajte ovaj priručni!





Poštovani korisniče,

Zahvaljujemo na odabiru ovog proizvoda. Nadamo se da ćete biti zadovoljni sjajnim rezultatima ovog proizvoda koji je proizveden primjenom visokokvalitetne i najsuvremenije tehnologije. Stoga vas molimo, pročitajte pažljivo ovaj priručnik u cijelosti kao i ostalu isporučenu dokumentaciju prije uporabe proizvoda i čuvajte ga za buduću uporabu. Ako proizvod odlučite proslijediti nekom drugom tada mu prosljedite i ovaj priručnik. Pridržavajte se svih upozorenja i informacija u korisničkom priručniku.

Upamtite kako je ovaj korisnički priručnik primjenjiv i na nekoliko drugih modela. Razlike između modela navest će se u priručniku.

Objašnjenje simbola

U korisničkom priručniku koriste se sljedeći simboli:

	Važne informacija i korisni savjeti o načinu korištenja.
	Upozorenja za situacije opasne po život i imovinu.
	Upozorenje za strujni udar.
	Ambalažni materijal proizvoda proizveden je od recikliranih materijala u skladu s nacionalnim odredbama o zaštiti okoliša.

PODACI

**ENERGY**

SUPPLIER'S NAME

MODEL IDENTIFIER (*)



Podaci o modelu pohranjeni u bazi podataka o proizvodu mogu se dobiti unosom sledeće mrežne stranice i pretragom po identifikacionom broju vašeg modela (*) koji se nalazi na oznaci potrošnje električne energije.

<https://eprel.ec.europa.eu/>

1 Važne upute za sigurnost i očuvanje okoliša **3**

- 1.1. Općenite informacije o sigurnosti **3**
 - 1.1.1 HCA upozorenje 5
 - 1.1.2 Za proizvode s dispencerom za vodu. 5
- 1.2. Namjena 6
- 1.3. Sigurnost djece 6
- 1.4. Sukladnost s Direktivom o gospodarenju otpadnim električnim i elektroničkim uređajima i opremom (WEEE Directive) i odlaganjem otpada: 6
- 1.5. Sukladnost s Direktivom o ograničavanju opasnih tvari (RoHS Directive): 7
- 1.6. Informacije o pakiranju 7
- 1.7. Tehničke informacije za Wifi + Bluetooth 7

2 Vaš uređaj **8**

3 Postavljanje **9**

- 3.1. Odgovarajuće mjesto za postavljanje. 9
- 3.2. Postavljanje plastičnih klinova .. 9
- 3.3. Podešavanje nožica 10
- 3.4. Električni priključak 10

4 Priprema **11**

- 4.1. Radnje za uštedu energije. 11
- 4.2. Početna upotreba 12

5 Rukovanje proizvodom **13**

- 5.1. spremnik za led 17
- 5.2. Držač za jaja 17
- 5.3. Ventilator 17
- 5.4. Odjeljak za povrće 17
- 5.5. Odjeljak za hlađenje 17
- 5.6. Pokretna polica na vratima 18
- 5.7. Klizni spremnik za pohranu 18
- 5.8. Plavo svjetlo 18

- 5.9. Odjeljak za povrće s kontrolom vlage 19
- 5.10. Automatski ledomat 19
- 5.11. Opis i čišćenje filtra za neugodne mirise 20
- 5.12. HerbBox/HerbFresh 20
- 5.13. Uporaba raspršivača za vodu... 21
- 5.14. Uporaba raspršivača za vodu... 21
- 5.15. Punjenje spremnika aparata za vodu 22
- 5.16. Čišćenje spremnika za vodu ... 23
- 5.17. Podloška za kapanje 24
- 5.18. Zamrzavanje svježije hrane 25
- 5.19. Preporuke za čuvanje zamrznute hrane. 26
- 5.20. Podaci o dubokom zamrzavanju 26
- 5.21. Stavljanje hrane 26
- 5.22. Upozorenje o otvorenim vratima 27
- 5.23. Promjena smjera otvaranja vrata 27
- 5.24. Lampa za osvjetljenje 27

6 Čišćenje i održavanje **28**

- 6.1. Izbjegavanje neugodnih mirisa 28
- 6.2. Zaštita plastičnih površina 29
- 6.3. Stakla na vratima 29





6 Čišćenje i održavanje **29**

7 Rješavanje problema **30**

1 Važne upute za sigurnost i očuvanje okoliša

Ovaj odjeljak sadrži informacije o sigurnosti koje će vam pomoći zaštititi se od opasnosti od tjelesnih ozljeda i oštećenja imovine. Ne pridržavanje ovih uputa poništava sva jamstva.

Predviđena namjena

	UPOZORENJE: Ventilacijski otvori uređaja trebaju biti u kućistu ili unutar ugradbene strukture, te ne smije biti prepreka.
	UPOZORENJE: Ne koristite mehaničke uređaje ili druga sredstva za ubrzanje postupka odmrzavanja, osim onih koje je preporučio proizvođač.
	UPOZORENJE: Nemojte oštetiti sklop rashladnog sredstva.
	UPOZORENJE: Ne koristite električne uređaje unutar odjeljaka za čuvanje hrane u uređaju, osim ako nisu tip koji je preporučio proizvođač.

Ovaj uređaj namijenjen je uporabi u kućanstvu te za primjenu u prostorima poput:

- kuhinja za osoblje, u trgovinama, uredima i drugim radnim okruženjima;
- od strane gostiju u hotelima, motelima ili drugim vrstama sličnih uslužnih objekata;
- u uslužnim objektima poput pansiona.
- za cetering i slične primjene različite od maloprodaje

1.1. Općenite informacije o sigurnosti

- Djeca starija od 8 godina i ljudi sa smanjenim tjelesnim, psihičkim, senzornim i mentalnim sposobnostima, kao i neupućene ili neiskusne osobe, mogu koristiti ovaj uređaj ako su pod nadzorom i ako su upućeni u sigurnu uporabu uređaja, kao i povezane opasnosti.. Djeca se ne smiju igrati s uređajem. Čišćenje i korisničko održavanje uređaja nikada ne smiju obavljati djeca, osim kad su pod nadzorom odrasle osobe.
- Vežano za sva pitanja i probleme povezane s proizvodom posavjetujte se s ovlaštenim servisom. Nemojte sami pokušati popraviti proizvod i ne dopuštajte drugima da to čine ako niste o tome obavijestili ovlaštenu servis.
- Ako dođe do kvara tijekom rada uređaja isključite ga iz strujne utičnice.
- Ako je proizvod pokvaren ne smije se koristiti osim ako ga nije popravilo osoblje ovlaštenog servisa. Postoji opasnost od električnog udara!
- Proizvod spojite na uzemljenu utičnicu osiguranu osiguračem u skladu s vrijednostima na nazivnoj pločici. Uzemljenje treba napraviti ovlaštenu električar Naša tvrtka neće biti odgovorna za bilo kakva oštećenja koja nastanu kad se proizvod koristi bez uzemljenja u skladu s lokalnim zakonima.
- Kad ne koristite proizvod isključite ga iz strujne utičnice.

Važne upute za sigurnost i očuvanje okoliša

- Proizvod nikad ne perite prskanjem ili ulijevanjem vode u njega! Postoji opasnost od električnog udara!
- Nikad ne dirajte utikač i utičnicu mokrim rukama! Ne isključujte uređaj povlačenjem kabela, uvijek ga izvlačite tako da rukama pridržavate utikač.
- Ne uključujte uređaj u utičnicu ako je olabavljena.
- Nikad ne spajajte proizvod na sustav za uštedu energije. Takvi sustavi mogu oštetiti proizvod.
- Isključite proizvod tijekom postavljanja, održavanja, čišćenja i popravka.
- Ne jedite sladoled i kockice leda odmah nakon što ste ih izvadili iz odjeljka zamrzivača! To može izazvati ozeblina u ustima!
- Ne dirajte rukama zamrznute namirnice! Mogu se zalijepiti za ruku!
- Ne stavljajte boce ili limenke pića u odjeljak zamrzivača. Mogu puknuti!
- Nikad ne koristite paru i materijale za čišćenje koji sadrže paru za čišćenje i odmrzavanje proizvoda. Para će izazvati kratki spoj ili struni udar, jer dolazi u kontakt s električnim dijelovima uređaja!
- Nemojte koristiti mehaničke uređaje ili druga sredstva za ubrzanje postupka odmrzavanja, osim onih koje je preporučio proizvođač.
- Nikad ne koristite dijelove uređaj poput vrata ili ladica kao potpornje ili stepenice. To može izazvati prevrtanje proizvoda ili oštećenje njegovih dijelova.
- Ne oštećujte rashladni sklop, unutar koje cirkulira rashladno sredstvo, s bušilicama ili alatom za rezanje. Rashladno sredstvo može isteći kada se plinski kanali evaporatora, produžetka cijevi ili premaza površine probuše te to može izazvati iritaciju kože i ozljede oka.
- Ne prekrivajte i ne blokirajte ventilacijske otvore proizvoda s niti jednom vrstom materijala.
- Tekućine stavite samo u uspravni položaj i dobro ih zatvorite.
- Ne koristite plinovite raspršivače u blizini proizvoda, jer postoji opasnost od požara ili eksplozije!
- Zapaljivi predmeti ili proizvodi koji sadržavaju zapaljive plinove (npr. raspršivači) te eksplozivni materijali ne smiju se nikad držati u proizvodu.
- Na vrh proizvoda ne stavljajte posude s vodom. Ako se voda prospe po električnim dijelovima to može izazvati električni udar ili požar.
- U proizvodu ne čuvajte predmete (cjepiva, lijekove osjetljive na toplinu, znanstvene materijale i sl.) koji zahtijevaju preciznu kontrolu temperature.
- Ako proizvod nećete koristiti duže vrijeme tada ga isključite iz strujne utičnice i izvadite namirnice iz njega.
- Ako je proizvod opremljen s plavim svjetlom ne gledajte u plavo svjetlo s optičkim

Važne upute za sigurnost i očuvanje okoliša

- pomagalima ili golim okom.
- Izlaganje proizvoda kiši, snijegu, suncu i vjetru je opasno u vezi sa zaštitom od električnog udara.
- Ako je proizvod opremljen s mehaničkom kontrolom (termostat) pričekajte najmanje 5 minuta prije nego što proizvod ponovo uključite nakon isključivanja iz strujne utičnice ili nakon nestanka struje.
- Prilikom prijevoza proizvoda pripazite na kabel kako se ne bi oštetio.
- Nikad ne stavljajte teške predmete na strujni kabel. Oštećeni kabel može izazvati požar.
- Ne preopterećujte proizvod. Može pasti kada se vrata otvore i izazvati ozljede ili oštećenja. Slični problemi mogu nastati ako se na vrh proizvoda stavljaju predmeti.
- Ako na vratima uređaj postoji ručka ne povlačite ručku prilikom premještanja proizvoda. Ručka se može olabaviti.
- Pripazite kako pokretni dijelovi unutar proizvoda ne bi zahvatili ruku ili druge dijelove tijela.

1.1.1 HCA upozorenje

- Ako je proizvod opremljen rashladnim sustavom koji sadrži plin R600a vodite računa i nemojte oštetiti rashladni sustav i cijevi tijekom uporabe i prijevoza. To je zapaljivi plin. Ako je rashladni sustav oštećen, proizvod držite podalje od potencijalni izvora koji mogu

izazvati zapaljivanje proizvoda i odmah dobro prozračite prostoriju u kojoj se uređaj nalazi.



Zanemarite ovo upozorenje ako je proizvod opremljen s rashladnim sustavom koji sadrži plin R134a.



Plin koji se koristi u proizvodu naveden je na pločici s tehničkim podacima smještenoj na lijevom unutrašnjem dijelu hladnjaka.



UPOZORENJE: Nikad ne bacajte proizvod u vatru.

1.1.2 Za proizvode s dispencerom za vodu

- Tlak na ulaznom otvoru hladne vode treba biti maksimalno 90 psi (6.2 bar). Ako tlak vode premaši (5,5 bar) tada na cijevima za opskrbu vodom koristite tlačno-granični ventil. Ako ne znate kako provjeriti tlak vode tada potražite pomoć kod profesionalnog vodoinstalatera.
- Ako u instalacijama postoji opasnost od efekta vodenog udara tada u instalacijama uvijek koristite opremu za sprječavanje vodenog udara. Posavjetujte se s profesionalnim vodoinstalaterom ako niste sigurni postroji li efekt vodenog udara u instalacijama.
- Ne instalirajte na ulaznom otvoru za vruću vodu. Poduzmite mjere opreza zbog opasnosti

Važne upute za sigurnost i očuvanje okoliša

od zamrzavanja cijevi. Radni interval temperature vode treba biti minimalno 33°F (0.6°C) i maksimalno 100°F (38°C).

- Koristite samo pitku vodu.

1.2. Namjena

- Ovaj uređaj namijenjen je za:- uporabu u zatvorenim prostorima kao što su kućanstva;

- zatvorenim radnim

prostorima poput trgovina i ureda;

- zatvorenim smještajnim

jedinicama poput kuća, hotela, pansiona.

- Ovaj proizvod ne smije se koristiti na otvorenom.
- Ovaj proizvod mora se koristiti samo za čuvanje namirnica.
- Proizvođač ne snosi nikakvu odgovornost zbog šteta nastalih uslijed neispravne uporabe ili prijevoza.
- Originalni rezervni dijelovi bit će dostupni 10 godina od datuma kupovine proizvoda.

1.3. Sigurnost djece

- Ambalažni materijali su opasni za djecu. Držite ambalažne materijale na sigurnom mjestu izvan doseg djece.
- Električni proizvodi su opasni za djecu. Kada koristite uređaj držite djecu podalje od njega.

- Ako su vrata proizvoda opremljena s bravom, ključeve držite izvan dohvata djece.

1.4. Sukladnost s Direktivom o gospodarenju otpadnim električnim i elektroničkim uređajima i opremom (WEEE Directive) i odlaganjem otpada:



Ovaj proizvod je sukladan s Direktivom EU o gospodarenju otpadnim električnim i elektroničkim uređajima i opremom (EU WEEE Directive) (2012/19/EU). Ovaj proizvod označen je klasifikacijskim simbolom za otpadne električne i elektroničke uređaje i opremu (WEEE).

Ovaj proizvod proizveden je od visokokvalitetnih dijelova i materijala koji se mogu ponovo koristiti i koji su pogodni za recikliranje. Po završetku vijeka trajanja ne zbrinjavajte proizvod s normalnim kućanskim i drugim otpadom. Odnosite ga od sabirnog centra za recikliranje električne i elektroničke opreme. Za više informacija o sabirnim centrima molimo posavjetujte se s tijelima lokalnih vlasti.

Važne upute za sigurnost i očuvanje okoliša

1.5. Sukladnost s Direktivom o ograničavanju opasnih tvari (RoHS Directive):

Ovaj proizvod je sukladan s Direktivom EU o ograničavanju opasnih tvari (RoHS Directive) (2011/65/EU). Proizvod ne sadrži štetne i zabranjene materijale koji su specifikirani u Direktivi.

1.6. Informacije o pakiranju

- Ambalažni materijal proizvoda proizveden je od recikliranih materijala u skladu s nacionalnim odredbama o zaštiti okoliša. Ambalažni materijal ne zbrinjavajte zajedno s kućanskim i drugim otpadom. Odnosite ga u sabirne centre za ambalažni materijal određene od strane tijela lokalnih vlasti.

1.7. Tehničke informacije za Wifi + Bluetooth

Frekvencijski pojas:	2,4 GHz (Wi-Fi ili Bluetooth rade)
Maks. snaga prijenosa:	< 100 mW (Wi-Fi ili Bluetooth rade)
Informacije o softveru:	Quartz_WiFi.XXX

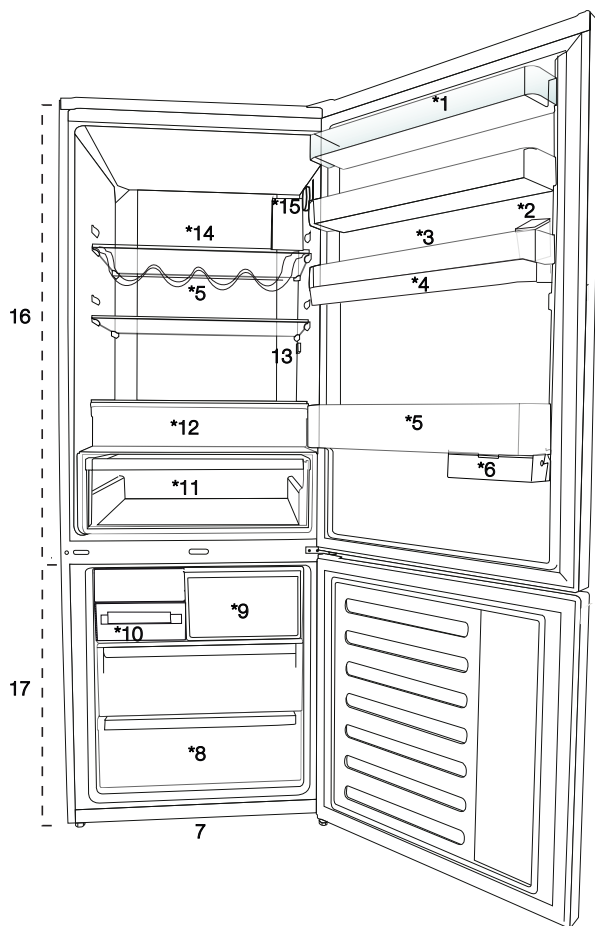
CE izjava o sukladnosti:

Arçelik A.Ş. ovime izjavljuje da je ovaj uređaj u skladu s Direktivom 2014/53/EU.

Potpuni tekst EU izjave o sukladnosti dostupan je na sljedećoj internetskoj adresi:

Proizvodi, od:

2 Vaš uređaj



1. Polica na vratima odjeljka hladnjaka
2. Spremnik za punjenje dispencera za vodu
3. Polica za jaja
4. Spremnik dispencera za vodu
5. Polica za boce
6. Klizna ladica
7. Podesive nožice
8. Odjeljak dubokog zamrzavanja
9. Odjeljak brzog zamrzavanja
10. Posudica za led i spremnik za led
11. Posuda za povrće
12. Odjeljak s temperaturom od nula stupnjeva
13. Unutarnja rasvjeta
14. Staklena polica odjeljka hladnjaka
15. Gumb podešavanja temperature
16. Odjeljak hladnjaka
17. Odjeljak zamrzivača



***opcionalno:** Ilustracije u ovom korisničkom priručniku dane su kao primjer i možda neće u potpunosti odgovarati modelu. Ako proizvod kojeg ste kupili ne sadrži određene dijelove to znači kako se ilustracija odnosi na druge modele.

3 Postavljanje

3.1. Odgovarajuće mjesto za postavljanje

Za postavljanje proizvoda obratite se ovlaštenom servisu. Da biste proizvod pripremili za upotrebu, pogledajte informacije u korisničkom priručniku i provjerite jesu li električne i vodovodne instalacije ispravne. Ako nisu, pozovite ovlaštenog električara i tehničara koji će obaviti potrebne prilagodbe.



UPOZORENJE: Proizvođač ne odgovara za oštećenja koja mogu nastati nakon postupaka koje izvedu neovlaštene osobe.



UPOZORENJE: Proizvod ne smije biti priključen na napajanje tijekom postavljanja. U suprotnom postoji opasnost od smrti ili ozbiljne ozljede!



UPOZORENJE: Ako razmak vrata u prostoriji u kojoj ćete postaviti proizvod nije toliko širok da bi proizvod mogao proći kroz njega, uklonite vrata i provucite proizvod kroz vrata tako da ga okrenete postrance; ako to ne funkcionira, pozovite ovlašteni servis.

- Proizvod postavite na ravnu površinu poda kako biste spriječili nagle udarce.
- Postavite proizvod najmanje 30 cm od izvora topline kao što su plamenici, grijalice i štednjaci i najmanje 5 cm dalje od električnih pećnica.
- Proizvod ne smije biti izložen izravnoj sunčevoj svjetlosti i vlazi.
- Kako bi se postigao učinkovit rad, oko vašeg proizvoda mora postojati odgovarajuća ventilacija. Ako se proizvod treba postaviti u otvor u zidu, osigurajte udaljenost od najmanje 5 cm od plafona i bočnih zidova.
- Proizvod nemojte postavljati na mjesta na kojima temperatura pada ispod -5°C .

- Vaš proizvod zahtijeva adekvatnu cirkulaciju zraka da bi efikasno funkcionirao. Ako će proizvod biti smješten u niši, ne zaboravite ostaviti najmanje 5 cm razmaka između proizvoda, stropa, zida sa stražnje strane i zidova s bočnih strana.
- Ako će proizvod biti smješten u niši, ne zaboravite ostaviti najmanje 5 cm razmaka između proizvoda, stropa, zida sa stražnje strane i zidova s bočnih strana. Provjerite da li se zaštitna komponenta za razmak sa stražnje strane nalazi na predviđenom mjestu (ako je isporučena uz proizvod). Ako komponenta nije dostupna ili se izgubi ili spadne, postavite proizvod tako da između stražnje površine proizvoda i zidova prostorije bude najmanje 5 cm razmaka. Razmak sa stražnje strane važan je za učinkovit rad proizvoda.

3.2. Postavljanje plastičnih klinova

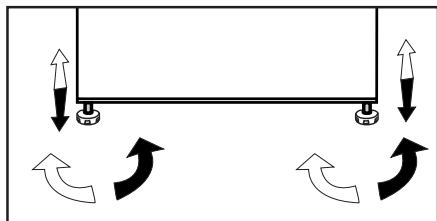
Plastični klinovi isporučeni s proizvodom upotrebljavaju se za stvaranje razmaka koji osigurava dovoljan protok zraka između proizvoda i stražnjeg zida.

1. Za postavljanje klinova uklonite vijke na proizvodu i upotrijebite vijke isporučene uz klinove.
2. Umetnite dva plastična klina u poklopac stražnje ventilacije kako je prikazano na slici.

Postavljanje

3.3. Podešavanje nožica

Ako proizvod nakon postavljanja nije uravnotežen, podesite prednje nožice tako da ih zakrenete udesno ili ulijevo.



Pozor: vruća površina
Bočne stijenke proizvoda opremljene su rashladnim cijevima radi poboljšanja rashladnog sustava. Rashladno sredstvo visoke temperature može prolaziti ovim dijelovima što može rezultirati vrućim površinama bočnih stijenki. To je normalno i ne zahtjeva servisiranje. Molimo, budite pažljivi kada dirate ove dijelove.

3.4. Električni priključak



UPOZORENJE: Nemojte upotrebljavati produžne kabele ili višestruke utičnice za spajanje proizvoda na izvor napajanja.



UPOZORENJE: Oštećeni kabel napajanja mora zamijeniti ovlašteni električar.



Ako se dva hladnjaka moraju postaviti jedan do drugog, između njih treba postojati razmak od najmanje 4 cm.

- Naša tvrtka u skladu s nacionalnim propisima nije odgovorna za bilo kakva oštećenja koja će nastati ako se proizvod upotrebljava bez uzemljenja i električnih veza.
- Utikač naponskog kabela mora biti lako dostupan nakon instalacije.
- Ne postavljajte produžne kabele ili višestruke utičnice bez kabela između proizvoda i zidne utičnice.

4.1. Radnje za uštedu energije

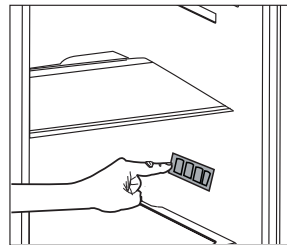


Spajanje uređaja na sustave za uštedu električne energije riskantno je jer može uzrokovati oštećenje proizvoda.

- Za samostojeći uređaj; „Ovaj rashladni uređaj nije predviđen da se koristi kao ugradni uređaj“;
- Ne ostavljajte vrata vašeg hladnjaka otvorena dulje vrijeme.
- Ne stavljajte toplu hranu ili pića u hladnjak.
- Nemojte prepuniti hladnjak, mogućnost hlađenja smanjuje se kada je otežan protok zraka unutar hladnjaka.
- Kako biste mogli pohraniti najveću moguću količinu hrane u odjeljak za zamrzavanje, potrebno je ukloniti ledomat koji se nalazi u odjeljku za zamrzavanje i koji se lako može ručno ukloniti. Vrijednosti neto volumena i potrošnje energije koje su naznačene na pločici s podacima o energiji hladnjaka izmjerene su i testirane s uklonjenim ledomatom. Nemojte uklanjati police u odjeljku zamrzivača, kao ni one na vratima odjeljka zamrzivača. Te police uvijek moraju biti u upotrebi jer omogućuju jednostavnu upotrebu i učinkovitost u potrošnji energije.
- Tok zraka ne smije se prekidati postavljanjem hrane na stranice ventilatora odjeljka zamrzivača. Potrebna je udaljenost od najmanje 3 cm na stranama zaštitnog poklopca ventilatora.
- Košare/ladice u odjeljku za hlađenje uvijek se moraju upotrebljavati za nisku potrošnju energije i za bolje uvjete pohrane.
- Kontakt hrane sa senzorom temperature u odjeljku zamrzivača može povećati potrošnju energije

uređaja. Stoga je potrebno izbjegavati bilo kakav kontakt sa senzorom (ili senzorima).

- Ovisno o značajkama proizvoda, odmrzavanje smrznute hrane u odjeljku hladnjaka uštedit će energiju te sačuvati kvalitetu hrane.



- Nemojte dopustiti da hrana dođe u kontakt s temperaturnim senzorom odjeljka hladnjaka prikazanim na slici u nastavku.
- Budući da vrući i vlažni zrak ne prodire u vaš proizvod kada vrata nisu otvorena, vaš će se proizvod optimizirati u uvjetima dostatnim za zaštitu vaše hrane. Funkcije i sastavni dijelovi kao kompresor, ventilator, grijač, odmrzivač, svjetlo, zaslon i tako dalje radit će sukladno potrebama za potrošnju minimalne energije pod ovim okolnostima

4.2. Početna upotreba

Prije upotrebe hladnjaka provjerite jesu li provedene sve pripreme u skladu s uputama u dijelovima „Uputstva za sigurnost i okoliš“ i „Postavljanje“.

- Pustite da proizvod radi 6 sati bez hrane i ne otvarajte vrata ako to nije potrebno.



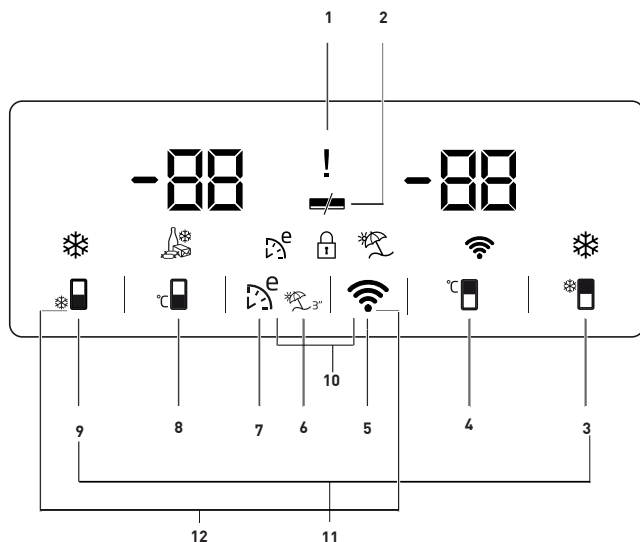
Čut ćete buku kad kompresor počne raditi. Tekućine i plinovi zabrtvljeni u rashladnom sustavu također mogu stvarati buku, čak i kad kompresor ne radi i to je potpuno normalno.



Prednji krajevi proizvoda mogu biti topli na opip. To je normalno. Ova područja su napravljena da budu topla da bi se se izbjegla kondenzacija.



Kod nekih modela ploča s instrumentima automatski se isključuje 5 minuta nakon zatvaranja vrata. Ponovno će se uključiti kada se vrata otvore ili se pritisne bilo koja tipka.



1. Indikator nestanka struje / visoke temperature / statusa pogreške
2. Indikator funkcije uštede energije (zaslon isključen)
3. Gumb brzog hlađenja
4. Gumb podešavanja temperature odjeljka hladnjaka
5. Gumb bežičnog povezivanja
6. Indikator funkcije odmora
7. Gumb funkcije eco-fuzzy
8. Gumb podešavanja temperature odjeljka zamrzivača
9. Gumb funkcija brzog zamrzavanja
10. Zaključavanje
11. Gumb promjene temperature jedinice



***Optional:** Figures in this user manual are schematic and may not match the product exactly. If the subject parts are not included in the product you have purchased, then those parts are valid for other models.

Rukovanje uređajem


1. Indikator nestanka struje / visoke temperature / statusa pogreške

Ovaj indikator () svijetli u slučaju upozorenja na nestanak struje, visoku temperaturu i pogreške.

Kad se temperatura zamrzivača zagrije do kritične razine za smrznutu hranu, na digitalnom indikatoru trepće maksimalna vrijednost postignuta temperaturom zamrzivača.


Provjerite hranu u pretincu za zamrzavanje.

To nije kvar. Upozorenje se može izbrisati pritiskom bilo koju tipku ili tipku za isključivanje alarma visoke temperature. (Otkazivanje pritiskom na bilo koju tipku nije primjenjivo za svaki model.)


Ovaj indikator () svijetli i u slučaju kvara senzora. Kad ovaj indikator svijetli, na indikatoru temperature alternativno se prikazuje „E“ i brojke poput „1, 2, 3...“. Ove brojke na indikatoru informiraju servisno osoblje o pogrešci.

2. Indikator funkcije uštede energije (zaslon isključen)


Ako se vrata proizvoda drže zatvorena duže vrijeme tada će se automatski aktivirati funkcija uštede energije i zasvijetlit će simbol uštede energije.

() Kada je aktivirana funkcija uštede energije tada će se isključiti svi drugi simboli na zaslonu osim simbola uštede energije. Kada je aktivirana funkcija uštede energije, ako se pritisne bilo koji gumb ili se vrata otvore tada će se poništiti funkcija uštede energije, a na zaslonu će zasvijetliti uobičajeni simboli. Funkcija uštede energije je tvornički zadana postavka i ne može se poništiti.

3. Gumb brzog hlađenja


Kada je aktivirana funkcija brzog hlađenja tada svijetli indikator brzog hlađenja (), a na zaslonu se vrijednost indikatora temperature odjeljka hladnjaka prikazuje kao 1. Za poništenje ove funkcije ponovno pritisnite gumb brzog hlađenja. Isključit će se indikator brzog hlađenja, a hladnjak će se vratiti na uobičajene postavke. Funkcija brzog hlađenja automatski će se poništiti za 1 sat ako je ne poništite. Ako želite rashladiti veće količine svježih namirnica tada pritisnite gumb brzog hlađenja prije nego što stavite namirnice u odjeljak hladnjaka.

4. Gumb podešavanja temperature odjeljka hladnjaka

Kada je pritisnut gumb tada se temperatura odjeljka hladnjak može podesiti na vrijednosti 8, 7, 6, 5, 4, 3, 2 i 1. ()

5. Gumb bežičnog povezivanja (*dodatno)

Dugi pritisak na gumb (3 sekunde) aktivira prvo povezivanje proizvoda na kućnu mrežu.

Tijekom postupka utvrđivanja veze ikona bežične mreže () treperit će u intervalima od 0,5 sekundi.

Kada se uspješno uspostavi veza s kućnom mrežom tada će ikona bežične mreže neprekidno svijetliti. Nakon prvog uspostavljanja veze, veza se može aktivirati/deaktivirati kratkim pritiskom na ovaj gumb. Nakon isključivanja i uključivanja

Rukovanje uređajem

napajanja proizvod će automatski zapamtiti mrežu i s njom uspostaviti vezu.

Ikona bežične mreže kratko će treperiti (u intervalima od 0,2 sekunde) dok se veza ne uspostavi. Kada je veza aktivna tada će ikona bežične mreže neprekidno svijetliti.



Ako se veza ne može uspostaviti određeno vrijeme tada provjerite postavke modema/veze.

Aplikacija HomeWhiz koristi se kao sučelje povezivanja.

Koraci povezivanja opisani su u KRATKIM UPUTAMA ZA INSTALACIJU aplikacije HomeWhiz koje su isporučene s proizvodom.

Odgovore na osnovna pitanja potražite u dijelu s rješenjima problema.


6. Gumb funkcija odmora

Za aktiviranje funkcije odmora pritisnite i držite gumb  3 sekunde i tada će se aktivirati indikator načina rada odmora (). Kada je funkcija odmor aktivirana "- -" prikazuje se na indikatoru temperature odjeljka hladnjaka te odjeljak hladnjaka ne hladi. Kada je aktivirana ova funkcija ne preporučuje se držati namirnice u odjeljku hladnjaka. Ostali odjeljci nastaviti će hladiti u skladu s podešenom temperaturom.

Za poništenje ove funkcije ponovno pritisnite gumb **funkcija odmora**.

7. Gumb funkcija eco-fuzzy

Pritisnite i otpustiti gumb eco-fuzzy za aktiviranje funkcije eco fuzzy. Kada je funkcija aktivirana zamrzivač će


početi raditi u eko načinu rada nakon barem 6 sati i zasvijetlit će indikator ekonomične primjene. ()

Za deaktiviranje funkcije eco - fuzzy ponovno pritisnite gumb funkcije eco - fuzzy. Kada je aktiviran funkcija eco-fuzzy ovaj indikator uključit će se nakon 6 sati.


8. Gumb podešavanja temperature zamrzivača

Podešavanje je izvršeno za odjeljak zamrzivača.

Kada se pritisne brojčani gumb

() temperaturu odjeljka zamrzivača možete podesiti na -18, -19, -20, -21, -22, -23 i -24.

9. Gumb funkcija brzog zamrzavanja

Pritisnite gumb broj (9) za brzo zamrzavanje i tada će se aktivirati indikator brzog zamrzavanja (). Kada je uključena funkcija brzog zamrzavanja tada svijetli indikator brzog zamrzavanja, a indikator temperature odjeljka zamrzivača prikazuje -27. Za poništenje ove funkcije ponovno pritisnite gumb brzog zamrzavanja (). Indikator brzog zamrzavanja isključit će se, a hladnjak će se vratiti na svoje normalne postavke. Funkcija brzog zamrzavanja automatski će se poništiti za 24 sati ako je ne poništite. Ako želite zamrznuti veće količine svježih namirnica tada pritisnite gumb brzog zamrzavanja prije nego što stavite namirnice u odjeljak zamrzivača.

10. Zaključavanje

Istovremeno pritisnite i držite gumbе bežične mreže (📶) i eco-fuzzy (⚡) 3 sekunde. Zasvijetlit će simbol lokota (🔒) i aktivirat će se način rada zaključavanja. Kada je aktivan način rada zaključavanja gumbi neće raditi. Istovremeno pritisnite i držite gumbе bežične mreže (📶) i eco-fuzzy (⚡) 3 sekunde. Deaktivirat će se zaključavanje.

Funkciju **zaključavanja** koristite ako želite spriječiti promjenu postavki temperature hladnjaka.

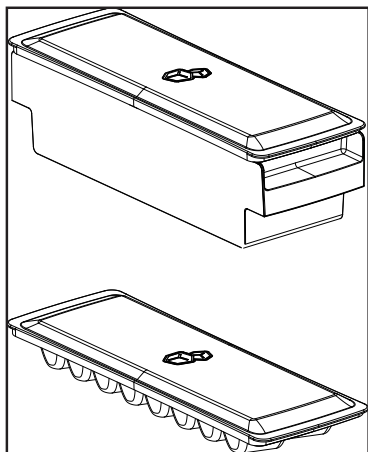
11. Gumb promjene temperature jedinice

Pritisnite i držite gumbе brzog hlađenja (❄️) i brzog zamrzavanja (🧊) 3 sekunde za promjenu mjerne jedinice fahrenheitita i celzijusa.

Rukovanje uređajem

5.1. premnik za led

- Uklonite spremnik za led iz odjeljka zamrzavanja.
- Ispunite spremnik za led vodom.
- Postavite spremnik za led u odjeljak zamrzavanja. Led je spreman nakon dva sata.
- Uklonite spremnik za led iz odjeljka zamrzavanja i postavite ga preko posude za serviranje. Kockice leda jednostavno će pasti u posudu za serviranje.



5.2. Držač za jaja

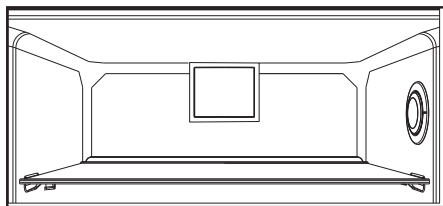
Možete instalirati držač za jaja na željenu policu vrata ili kućišta. U slučaju postavljanja na policu kućišta, preporučuju se donje hladnije police.



Nikada ne držite držač za jaja u odjeljku zamrzivača

5.3. Ventilator

Ventilator je napravljen da bi se osigurala homogena distribucija i protok hladnog zraka u vašem hladnjaku. Vrijeme rada ventilatora može se razlikovati ovisno o značajkama proizvoda. Iako ventilator radi samo s kompresorom kod nekih proizvoda, kontrolni sustav određuje vrijeme rada kod nekih proizvoda u skladu sa zahtjevima hlađenja.



5.4. Odjeljak za povrće

Odjeljak za povrće vašeg hladnjaka napravljen je posebno tako da vaše povrće održava svježim, a da ne izgubi svoju vlagu. U tu svrhu se protok zraka vrši oko odjeljka za povrće općenito.

5.5. Odjeljak za hlađenje

(Ova je funkcija neobavezna)

Koristite se ovim odjeljkom da biste pohranili delikatese koje je potrebno pohraniti na nižim temperaturama ili mesne proizvode koje ćete konzumirati u kratkom roku.

Odjeljak za hlađenje najhladnije je mjesto u hladnjaku gdje možete držati mliječne proizvode, meso, ribu i perad u idealnim uvjetima pohrane. U ovom se odjeljku ne smije pohranjivati voće i povrće.

Rukovanje uređajem

5.6. Pokretna polica na vratima

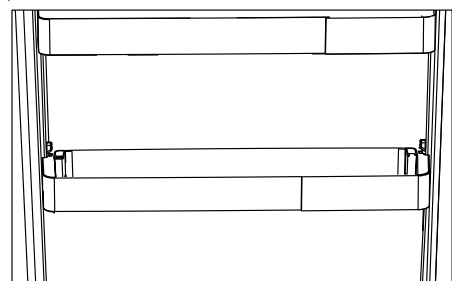
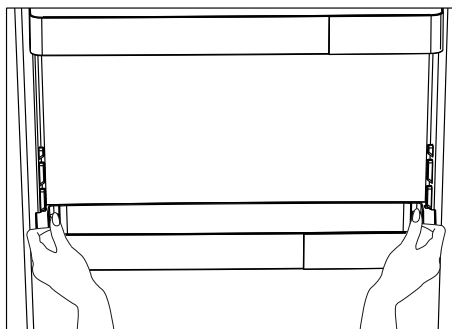
(Ova je funkcija neobavezna)

Pokretna polica na vratima može se fiksirati na 3 različita položaja.

Istom jačinom pritisnite tipke prikazane postrance da biste pomaknuli policu. Polica će se moći pomaknuti.

Pomaknite policu prema gore ili prema dolje.

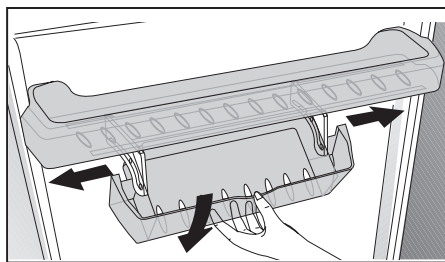
Kada polica dođe u željeni položaj, otpustite tipke. Polica će se fiksirati na položaju na kojem ste otpustili tipke.



5.7. Klizni spremnik za pohranu

(Ova je funkcija neobavezna)

Ovaj dodatak je napravljen da bi se povećao korisni volumen polica vrata. On omogućava lako postavljanje visokih boca, staklenki i konzervi na donju policu za boce zahvaljujući mogućnosti pomicanja ulijevo ili udesno.



5.8. Plavo svjetlo

(Ova je funkcija neobavezna)

Ovaj dodatak je napravljen da bi se povećao korisni volumen polica vrata. On omogućava lako postavljanje visokih boca, staklenki i konzervi na donju policu za boce zahvaljujući mogućnosti pomicanja ulijevo ili udesno.

Rukovanje uređajem

5.9. Odjeljak za povrće s kontrolom vlage

(Polica za svježinu)

(Ova je funkcija neobavezna)

S pomoću značajke odjeljka za povrće s kontrolom vlage razina vlage voća i povrća održava se pod kontrolom i osigurava se da hrana dulje ostane svježja.

Preporučujemo da listnato povrće poput zelene salate, špinata i povrća koje je osjetljivo na gubitak vlage postavite koliko god je više moguće u vodoravan položaj unutar odjeljka, kako njihovo korijenje ne bi bilo u okomitom položaju.

Prilikom postavljanja povrća, potrebno je uzeti u obzir specifičnu gravitaciju povrća. Teško i tvrdo povrće potrebno je postaviti na dno odjeljka, a lagano i meko povrće na vrh.

Povrće unutar odjeljka nikada nemojte ostaviti u njihovim vrećicama. Ako povrće ostavite u vrećicama, brže će istrunuti. U slučaju da se iz higijenskih razloga ne preporučuje kontakt s drugim povrćem, koristite se perforiranim papirom ili drugim sličnim materijalom za pakiranje umjesto vrećicom.

Kruške, marelice, breskve itd., a posebno jabuke koje imaju veliku razinu stvaranja etilena, nemojte stavljati u isti odjeljak s drugim voćem i povrćem. Etilen koji ovo voće stvara može uzrokovati brže dozrijevanje i truljenje ostalog voća.

5.10. Automatski ledomat

(Ova je funkcija neobavezna)

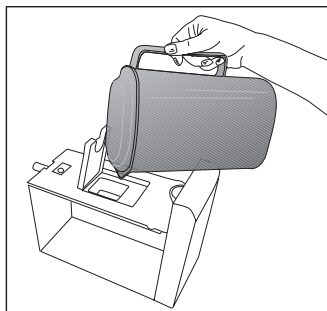
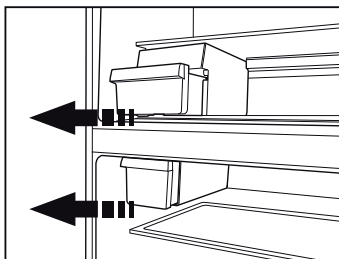
Automatski ledomat omogućuje vam jednostavnu izradu leda u hladnjaku. Izvadite spremnik za vodu u odjeljku hladnjaka, napunite ga vodom i vratite nazad da biste iz ledomata dobili led. Prve kockice leda će biti spremne za otprilike 2 sata u ladici ledomata koja se nalazi u odjeljku hladnjaka.

Ako koristite cijeli spremnik za vodu, moći ćete dobiti otprilike 60-70 kockica leda.

Promijenite vodu u spremniku ako je stajala oko 2-3 tjedna.



Za proizvode koji imaju automatski ledomat, tijekom izrade leda možda će se čuti zvukovi. To je normalno i ne znači da postoji pogreška.



Rukovanje uređajem

5.11. Opis i čišćenje filtra za neugodne mirise

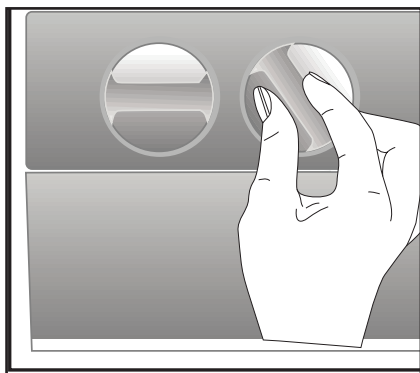
(Ova je funkcija neobavezna)

Filtar za neugodne mirise sprečava nakupljanje neugodnih mirisa u proizvodu.

1. Povucite poklopac u koji je montiran filtari za neugodne mirise prema dolje s obzirom na prednji dio i uklonite ga kako je prikazano.
2. Ostavite filtari pod sunčevom svjetlošću jedan dan. Filtari će se za to vrijeme očistiti.
3. Postavite filtari nazad na mjesto.



Filtari za neugodne mirise se mora čistiti jednom godišnje.



5.12. HerbBox/HerbFresh

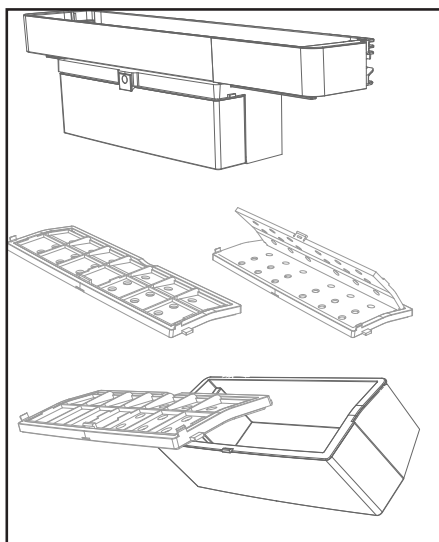
Uklonite prozirni spremnik s dijela HerbBox/HerbFresh+

Izvadite foliju iz vrećice i stavite je na prozirni spremnik na način prikazan na slici.

Ponovno zatvorite spremnik i vratite ga na mjesto u dijelu namijenjenom za HerbBox/HerbFresh+.

Dio HerbBox/HerbFresh+ posebno je namijenjen za čuvanje različitih začinske biljke koje se trebaju čuvati u posebnim uvjetima. Začinske biljke koje ne čuvate u vrećicama (peršin, kopar, itd.) možete čuvati u vodoravnom položaju u ovom dijelu i dugo vremena ih održati svježima.

Film će se zamijeniti svakih šest mjeseci.



5.13. Uporaba raspršivača za vodu

***neobavezno**



Normalno je da će prvih nekoliko čaša vode uzetih s raspršivača biti toplo.

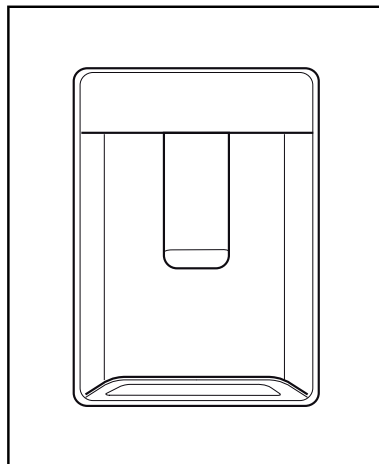


Ako se aparat za vodu ne upotrebljava duže vrijeme, prolijte prvih nekoliko čaša vode da biste dobili čistu vodu.

1. Gurnite prema unutra polugu spremnika za vodu pomoću vaše čaše. Ako upotrebljavate mekanu plastičnu čašu, bit će jednostavnije gurnuti polugu rukom.
2. Kada se čaša napuni do razine koju želite, otpustite polugu.



Imajte na umu da koliko vode teče iz spremnika ovisi o tome koliko duboko pritisnete polugu. Kako razina vode u vašoj šalici/čaši raste, polako smanjite pritisak na polugu da biste spriječili prelijevanje. Ako lagano pritisnete ručicu, voda će kapati; to je normalno i nije kvar.



5.14. Uporaba raspršivača za vodu

***neobavezno**

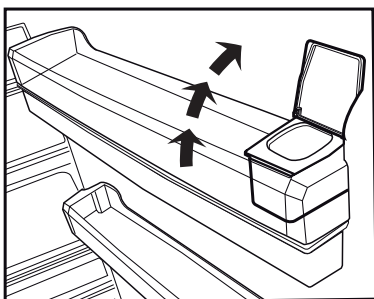
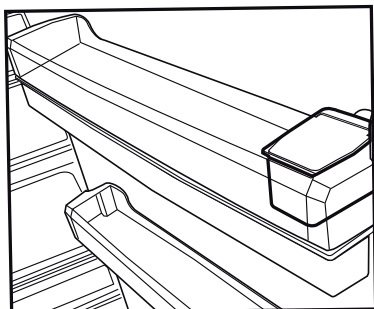


Normalno je da će prvih nekoliko čaša vode uzetih s raspršivača biti toplo.



Ako se aparat za vodu ne upotrebljava duže vrijeme, prolijte prvih nekoliko čaša vode da biste dobili čistu vodu.

1. Gurnite prema unutra polugu spremnika za vodu pomoću vaše čaše. Ako upotrebljavate mekanu plastičnu čašu, bit će jednostavnije gurnuti polugu rukom.
2. Kada se čaša napuni do razine koju želite, otpustite polugu.



Imajte na umu da koliko vode teče iz spremnika ovisi o tome koliko duboko pritisnete polugu. Kako razina vode u vašoj šalici/ čaši raste, polako smanjujte pritisak na polugu da biste spriječili prelijevanje. Ako lagano pritisnete ručicu, voda će kapati; to je normalno i nije kvar.

5.15. Punjenje spremnika aparata za vodu

Spremnik za vodu se nalazi unutar police vrata.

1. Otvorite poklopac spremnika.
2. Napunite spremnik svježom pitkom vodom.
3. Zatvorite čep.



Nemojte puniti spremnik bilo kojom tekućinom osim vode, kao što su voćni sokovi, gazirana pića ili alkoholna pića koja nisu podesna za uporabu s pipom za vodu. Pipa za vodu će se pokvariti do nepopravljivosti ako se koriste te vrste tekućina. Jamstvo ne pokriva takvu uporabu. Neke kemijske tvari i aditivi koji su sadržani u toj vrsti pića/tekućina mogu oštetiti materijal spremnika za vodu.



Upotrebljavajte samo čistu pitku vodu.

Rukovanje uređajem



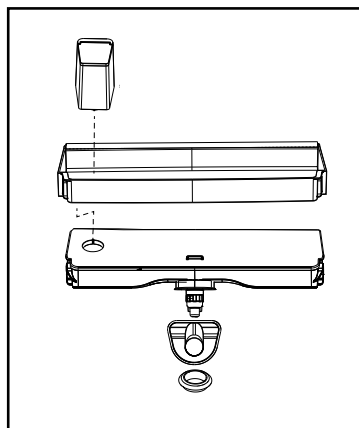
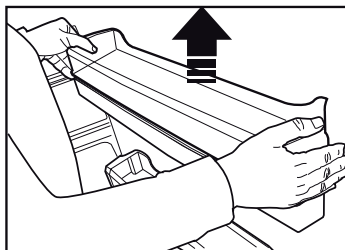
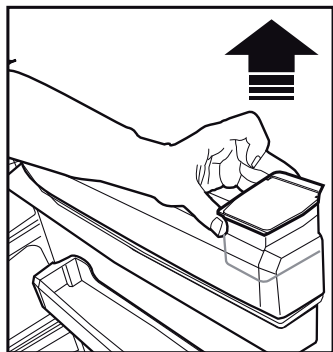
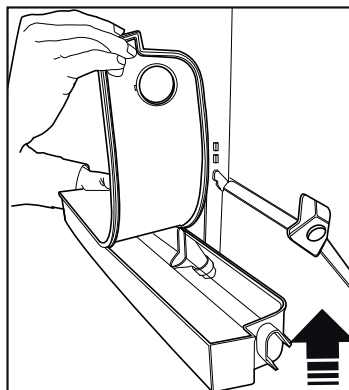
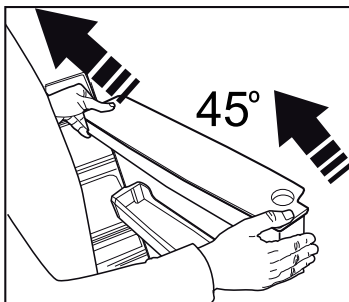
Kapacitet spremnika za vodu je 3 litre; nemojte prepuniti.

5.16. Čišćenje spremnika za vodu

1. Izvadite spremnik za vodu unutar police vrata.
2. Uklonite policu na vratima tako da je držite s obje strane.
3. Uхватите spremnik za vodu s obje strane i uklonite ga s kutom od 45°.
4. Otvorite poklopac spremnika za vodu i očistite spremnik.



Dijelovi spremnika za vodu i pipe za vodu se ne smiju prati u perilici.

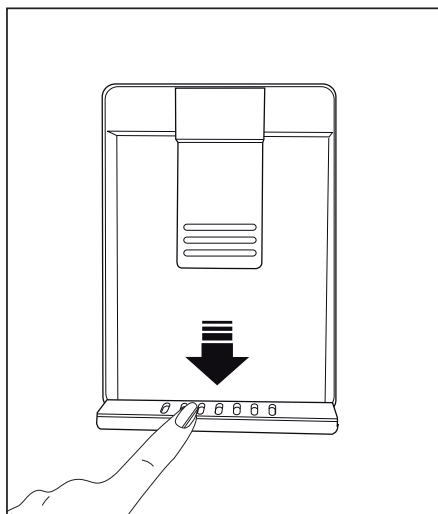


5.17. Podloška za kapanje

Voda koja kapa tijekom uporabe pipe za vodu se sakuplja u podloški.

Izvadite plastični filtar kako je prikazano na slici.

Uklonite nakupljenu vodu čistom i suhom krpom.



5.18. Zamrzavanje svježe hrane

- Kako bi se sačuvala kvaliteta hrane, hrana će se zamrznuti što je brže moguće nakon stavljanja u hladnjak; u tu svrhu upotrebjavajte funkciju brzog zamrzavanja.
- Ako hranu zamrznete dok je svježija, možete je dulje pohraniti u odjeljku za zamrzavanje.
- Zapakirajte hranu za zamrzavanje i zatvorite pakiranje tako da onemogućite ulazak zraka.
- Prije stavljanja hrane u zamrzivač, obavezno je zapakirajte. Umjesto tradicionalnog papira, upotrebjavajte spremnike za zamrzivač, folije i papire otporne na vlagu, plastične vrećice i ostalu ambalažu.
- Na svakom pakiranju hrane naznačite datum prije zamrzavanja. Na taj ćete način moći razlikovati svježinu pojedinih paketa hrane svaki put kada otvorite zamrzivač. Hranu koja je ranije zamrznuta postavite u prednji dio zamrzivača da biste je mogli prvu iskoristiti.



Pretinac za zamrzavanje automatski odmrzava.

- Smrznutom se hranom koristite odmah nakon odmrzavanja, ona se ne smije ponovno zamrzavati.
- Nemojte zamrzavati prevelike količine istodobno.

Postavka odjeljka zamrzivača	Postavka odjeljka hladnjaka	Napomene
-18 °C	4 °C	To je normalna preporučena postavka.
- 20, - 22 ili -24°C	4 °C	Ove postavke su preporučene kad sobna temperatura prelazi 30°C.
Brzo zamrzavanje	4 °C	Koristite kad želite zamrznuti svoju hranu u kratkom vremenu. Vaš će se proizvod vratiti u prethodni način rada kad postupak bude gotov.
-18 °C ili hladnije	2 °C	Upotrebjavajte ovu postavku ako mislite da odjeljak nije dovoljno hladan zbog tople okoline ili čestog otvaranja i zatvaranja vrata.

5.19. Preporuke za čuvanje zamrznute hrane

Odjeljak se mora postaviti na najmanje -18 °C.

1. Pakiranja stavite u zamrzivač što prije nakon kupnje, prije nego što se odmrznu.
2. Provjerite je li rok upotrebe istekao.
3. Provjerite da ambalaža hrane nije oštećena.

5.20. Podaci o dubokom zamrzavanju

Prema normi IEC 62552, proizvod zamrzava najmanje 4,5 kg hrane na sobnoj temperaturi od 25 °C do -18 °C ili niže unutar 24 sata za svakih 100 litara mase u zamrzivaču.

Moguće je hranu sačuvati na duže vrijeme samo na temperaturi od -18 °C ili nižoj.

Mjesecima možete održavati hranu svježom (pri temperaturi od -18 °C ili nižoj u dubokom zamrzavanju).

Hrana za zamrzavanje ne smije doći u dodir s prethodno smrznutom hranom kako bi se spriječilo djelomično odmrzavanje.

Skuhajte povrće i iscijedite njihovu vodu ako povrće zamrzavate na dulje vrijeme. Nakon što iscijedite vodu, stavite ga u vakumiranu ambalažu i zatim u zamrzivač. Hrana poput banana, rajčica, zelene salate, celera, kuhanih jaja, krumpira nije prikladna za zamrzavanje. Zamrzavanje takve hrane negativno će utjecati na njihovu hranjivu vrijednost i okus. Hrana ne smije biti pokvarena kako ne bi uzrokovala rizik za ljudsko zdravlje.

5.21. Stavljanje hrane

Police odjeljka zamrzivača	Različita zamrznuta hrana kao što je meso, riba, sladoled, povrće itd.
Police odjeljka hladnjaka	Hrana u loncima, pokrivenim tanjurima i zatvorenim posudama, jaja (u zatvorenom pakiranju)
Police vrata odjeljka hladnjaka	Mala i zapakirana hrana ili pića
Odjeljak za povrće	Povrće i voće
Odjeljak za svježu hranu	Delikatese (hrana za doručak, mesni proizvodi koji se brzo konzumiraju)

5.22. Upozorenje o otvorenim vratima

(Ova je funkcija neobavezna)

Upozorenje o otvorenim vratima korisniku se pruža vizualno i zvučno. Ako upozorenje potraje 10 minuta, unutrašnja će se svjetla isključiti.

5.23. Promjena smjera otvaranja vrata

Smjer otvaranja vrata može se promijeniti u skladu s mjestom na kojem ćete ga upotrebljavati. Ako je potrebno, obratite se najbližem ovlaštenom servisu.

Gornji je opis općenit. Za informacije o promjeni smjera otvaranja vrata pogledajte naljepnicu upozorenja na unutrašnjoj strani vrata.

5.24. Lampa za osvjetljenje

Za osvjetljenje se upotrebljavaju LED lampe. U slučaju bilo kakvih problema, obratite se ovlaštenom servisu.

Žaruljica (ili žaruljice) u ovom uređaju nije prikladna za osvjetljivanje prostorija kućanstva. Namjena ove žaruljice jest pomoći korisniku da namirnice stavi u hladnjak/zamrzivač na siguran i ugodan način.

6 Čišćenje i održavanje

Radni vijek proizvoda se produžuje te se smanjuje broj učestalih problema ako ga se čisti u redovitim vremenskim razmacima.



UPOZORENJE: Prije čišćenja isključite uređaj iz strujne utičnice.

- Nikad za čišćenje ne koristite benzin, benzen ili slične tvari.
- Za čišćenje nikad ne koristite oštre i abrazivne alate, sapun, sredstva za čišćenje kućanstva, deterdžente i vosak za poliranje.
- Rastopite jednu čajnu žličicu sode bikarbone u pola litre vode. Umočite krpu u tu otopinu i dobro je iscijedite. S njom pobrišite unutarnji dio uređaja i dobro ga osušite.
- Pripazite da voda ne uđe u kućište žaruljice i druge električne dijelove.
- Ako uređaj nećete koristiti duže vremena, isključite ga iz strujne utičnice, izvadite namirnice iz njega, očistite ga i ostavite vrata odškrinuta.
- Redovito provjeravajte čistoću gume na vratima. Ako nije čista očistite je.
- Za skidanje vrata i polica unutar hladnjaka prvo izvadite njihov sadržaj. Police na vratima uklonite povlačenjem. Nakon čišćenja, vratite ih na mjesto počevši od vrha prema dnu.
- Nikad ne koristite sredstva za čišćenje koja sadrže klor za čišćenje unutarnjeg dijela hladnjaka i njegovih kromiranih dijelova. Klor može izazvati koroziju na metalnim površinama.

6.1. Izbjegavanje neugodnih mirisa

Materijali koji mogu stvoriti mirise ne koriste se u proizvodnji naših proizvoda. Međutim, zbog neispravnih uvjeta čuvanja namirnica i ako se unutarnji dio uređaja ne čisti kako treba to može izazvati probleme s mirisima. Pripazite na sljedeće i izbjegnite ovaj problem:

- Važno je održavati uređaj čistim. Ostaci namirnica, mrlje i sl. mogu izazvati stvaranje mirisa. Stoga, čistite hladnjak sa sodom bikarbonom rastopljenom u vodi svakih 15 dana. Nikad ne koristite deterdžente ili sapun.
- Držite namirnice u zatvorenim posudama. Mikroorganizmi koji se šire iz nezatvorenih posuda mogu izazvati stvaranje neugodnih mirisa.
- U hladnjaku nikad ne držite namirnice kojima je istekao rok trajanja, jer se mogu pokvariti.

6.2. Zaštita plastičnih površina

U hladnjak nikad ne stavljajte tekuća ulja/masti ili jela kuhana na ulju/masti u nezatvorenim posudama jer mogu oštetiti njegove plastične površine. Ako se ulje/mast prolije ili razmaže po plastičnim površinama, odmah očistite i dobro isperite taj dio površine s toplom vodom.

6.3. Stakla na vratima

Uklonite zaštitnu foliju na staklima. Na površini stakla je premaz. Ovaj premaz smanjuje nakupljanje mrlja i pridonosi lakšem uklanjanju mogućih mrlja i prljavštine. Stakla koja nisu zaštićena takvim premazom mogu biti izložena konstantnom vezivanju organske ili anorganske prljavštine zasnovane na zraku ili vodi, kao što su kamenac, mineralne soli, neizgoreni ugljikohidrati, oksidi metala i silikoni koji mogu lako i brzo uzrokovati mrlje ili materijalna oštećenja. Održavanje stakla čistim postaje preteško unatoč redovitom čišćenju. Zbog toga propada izgled i prozirnost stakla. Oštri i korozivni načini čišćenja i spojevi će pojačati te nedostatke i ubrzati postupak propadanja.

Za redovito čišćenje se trebaju koristiti proizvodi za čišćenje zasnovani na vodi koji nisu alkalni i korozivni.

Za čišćenje se moraju koristiti nealkalni i nekoroziivni materijali, tako da vijek trajanja ovog premaza traje dugo. Ova stakla su temperirana da bi se povećala trajnost od udaraca i loma. sigurnosni premaz se također primjenjuje na stražnje površine kao dodatna sigurnosna mjera da bi se spriječilo oštećenje okoline u slučaju loma.

* Alkali su lužine koje tvore ionske hidrokside (OH^-) kad se otope u vodi. Li (litij), Na (natrij), K (kalij) Rb (rubidij), Cs (cezij) i umjetni i radioaktivni Fr (fancij) metali se zovu ALKALNI METALI.

Molimo, pogledajte ovaj popis prije upućivanja poziva ovlaštenom servisu. To vam može uštedjeti vrijeme i novac. Ovaj popis uključuje česte problema koji nisu nastali zbog neispravnog rada ili kvara hladnjaka. Neke od opisanih funkcija možda ne postoje kod vašeg modela hladnjaka.

Uređaj ne radi.

- Utikač nije ispravno umetnut u utičnicu. >>> **Ispravno umetnite utikač u utičnicu.**
- Pregorio je osigurač utičnice u koju je uključen hladnjak ili je pregorio glavni osigurač. >>> **Provjerite osigurač.**

Vlaga na bočnim stjenkama odjeljka hladnjaka (MULTIZONA, UPRAVLJANJE RASHLAĐIVANJEM i FLEKSI ZONA).

- Temperatura okruženja je jako niska. >>> **Ne postavljajte hladnjak u prostorije gdje temperatura pada ispod 10 °C.**
- Vrata se često otvaraju. >>> **Ne otvarajte i ne zatvarajte učestalo vrata hladnjaka.**
- Okruženje je jako vlažno. >>> **Ne postavljajte hladnjak u prostorije s velikom vlagom.**
- Namirnice koje sadrže tekućinu čuvaju se u otvorenim posudama. >>> **Namirnice koje sadrže tekućinu čuvajte u zatvorenim posudama.**
- Vrata su odškrinuta. >>> **Ne ostavljajte vrata hladnjaka otvorena dugo vremena.**
- Termostat je podešen na jako hladnu razinu. >>> **Podesite termostat na odgovarajuću razinu.**

Kompresor ne radi

- Zaštitni termički osigurač kompresora će se blokirati tijekom iznenadnog nestanka struje ili isključivanja i uključivanja strujnog utikača jer tlak rashladnog sredstva u rashladnom sustavu uređaja nije bio balansiran. Uređaj će početi s radom nakon približno 6 minuta. Molimo, nazovite osoblje ovlaštenog servisa ako uređaj ne počne s radom nakon tog vremena.
- Hladnjak je u ciklusu odmrzavanja. >>> **To je normalno za hladnjake s automatskih odmrzavanjem. Ciklus odmrzavanja odvijaju se periodično.**
- Uređaj nije uključen u strujnu utičnicu. >>> **Provjerite je li strujni utikač dobro priključen na utičnicu.**
- Postavke temperature nisu dobro podešene. >>> **Odaberite odgovarajuću vrijednost temperature.**
- Došlo je do nestanka struje. >>> **Kada se el. energije ponovo uspostavi uređaj počnje normalno raditi.**

Zvuk koji uređaj proizvodi pojačava se kada uređaj radi.

- Radne performanse uređaja mogu se mijenjati uslijed promjena u temperaturi okruženja. To je normalno i ne predstavlja kvar.

Uređaj radi često ili dugo vremena.

Rješavanje problema

- Novi proizvod je možda širi od prijašnjeg. Veći uređaji rade dulje vremena.
- Sobna temperatura je možda previsoka. >>> **Normalno je da proizvod radi dulje vrijeme u toplom okruženju.**
- Uređaj je možda tek nedavno uključen u struju utičnicu ili u njemu ima mnogo namirnica. >>> **Kada je hladnjak nedavno uključen u strujnu utičnicu ili ako u njemu ima mnogo namirnica tada će mu trebati dulje vremena za postizanje podešene temperature. To je normalno.**
- Možda su nedavno u hladnjak stavljene vruće namirnice. >>> **Ne stavljajte u hladnjak vruće namirnice.**
- Vrata se možda učestalo otvaraju ili su ostavljena odškrinuta duže vrijeme. >>> **Topli zrak koji je ušao u hladnjak utječe na dulji rad hladnjaka. Ne otvarajte često vrata hladnjaka.**
- Možda su vrata odjeljka zamrzivača ili hladnjaka ostavljena odškrinuta. >>> **Provjerite jesu li vrata dobro zatvorena.**
- Uređaj je podešen na vrlo nisku temperaturu. >>> **Podesite temperaturu hladnjaka na viši stupanj i pričekajte dok se temperatura ne postigne.**
- Brtva na vratima hladnjaka ili zamrzivača je prljava, istrošena, potrgana ili nepravilno stavljena. >>> **Očistite i zamijenite brtvu. Oštećena/pokidana brtva (guma) na vratima uređaja utječe na produljenje vremena rada uređaja radi održavanja podešene temperature.**

Temperatura zamrzivača je jako niska dok je temperatura hladnjaka dobra.

- Temperatura zamrzivača je podešena na vrlo nisku vrijednost. >>> **Podesite temperaturu zamrzivača na veću vrijednost i provjerite.**

Temperatura hladnjaka je jako niska dok je temperatura zamrzivača

- Temperatura hladnjaka je podešena na vrlo nisku vrijednost. >>> **Podesite temperaturu hladnjaka na veću vrijednost i provjerite.**

Namirnice koje se čuvaju u ladicama odjeljka hladnjaka su zamrznute.

- Temperatura hladnjaka je podešena na vrlo visoku vrijednost. >>> **Podesite temperaturu hladnjaka na nižu vrijednost i provjerite.**

Temperatura hladnjaka ili zamrzivača je jako visoka.

- Temperatura hladnjaka je podešena na vrlo visoku vrijednost. >>> **Postavke temperature odjeljka hladnjaka utječu na temperaturu zamrzivača. Promijenite temperaturu hladnjaka ili zamrzivača i pričekajte dok odgovarajući odjeljci ne postignu željenu temperaturu.**
- Vrata se učestalo otvaraju ili su ostavljena odškrinuta duže vrijeme. >>> **Ne otvarajte često vrata.**
- Vrata su odškrinuta. >>> **Dobro zatvorite vrata.**
- Uređaj je možda tek nedavno uključen u struju utičnicu ili u njemu ima mnogo namirnica. >>> **To je normalno. Kada je uređaj nedavno uključen u strujnu utičnicu ili ako u njemu ima mnogo namirnica tada će mu trebati dulje vremena za postizanje podešene temperature.**
- Možda su nedavno u hladnjak stavljene vruće namirnice. >>> **Ne stavljajte u hladnjak vruće namirnice.**

Vibracija ili buka.

Rješavanje problema

- Pod nije ravan ili stabilan. >>> Ako se proizvod klima kada se lagano dodirne uravnotežite ga podešavanjem nožica. Također, vodite računa o tome da je pod dovoljno čvrst i ravan da može izdržati težinu proizvoda.
- Predmeti koji se stave na hladnjak mogu izazvati buku. >>> Uklonite predmete s hladnjaka.

Iz uređaja se čuju zvukovi poput protoka tekućine, prskanja, itd.

- Protok tekućina i plinova odvija se u skladu s radim principima proizvoda. >>> To je normalno i ne predstavlja kvar.

Iz uređaja se čuje zvuk sličan puhanu vjetra.

- Ventilatori se koriste za hlađenje uređaja. To je normalno i ne predstavlja kvar.

Kondenzacija na unutarnjim stjenkama uređaja.

- Vruće i vlažno vrijeme povećava stvaranje leda i vlage. To je normalno i ne predstavlja kvar.
- Vrata se učestalo otvaraju ili su ostavljena odškrinuta duže vrijeme. >>> **Ne otvarajte često vrata, zatvorite ih ako su otvorena.**
- Vrata su odškrinuta. >>> **Dobro zatvorite vrata.**

Vlaga nastaje na vanjskim stjenkama uređaja ili između vrata.

- Možda je zrak vlažan; to je normalno ako je vrijeme sparno. >>> Kad u zraku ima manje vlage, kondenzacija nestaje.

Neugodan miris u hladnjaku.

- Hladnjak se ne čisti redovito. >>> **Redovito čistite unutarnji dio uređaja sa spužvom, mlakom vodom i sodom bikarbonom rastopljenom u vodi.**
- Neke posude ili materijali za pakiranje mogu stvoriti neugodni miris. >>> **Koristite posude ili materijal za pakiranje različitih proizvođača.**
- Namirnice se čuvaju u otvorenim posudama. >>> **Držite namirnice u zatvorenim posudama. Mikroorganizmi koji se šire iz nezatvorenih posuda mogu izazvati stvaranje neugodnih mirisa.**
- Iz hladnjaka uklonite namirnice kojima je istekao rok trajanja, jer se mogu pokvariti.

Vrata se ne zatvaraju.

- Ambalaža u kojoj su namirnice sprječava zatvaranje vrata. >>> **Premjestite ambalažu koja sprječava zatvaranje vrata.**
- Hladnjak ne stoji ravno na podu. >>> **Podesite nožice i uravnotežite uređaj.**
- Pod nije ravan ili čvrst. >>> **Također, vodite računa o tome da je pod dovoljno čvrst i ravan da može izdržati težinu proizvoda.**

Posude za povrće su se zaglavile.

- Namirnice dotiču vrh ladice. >>> **Razmjestite namirnice u ladici.**



UPOZORENJE: Ako se problem ne može riješiti unatoč tome što ste se pridržavali uputa u ovom odjeljku posavjetujte se s trgovcem ili osobljem ovlaštenog servisa. Ne pokušavajte sami popraviti neispravan proizvod.

ODRICANJE OD ODGOVORNOSTI / UPOZORENJE

Neke (jednostavne) kvarove može riješiti sam krajnji korisnik bez ikakvih sigurnosnih problema ili opasnosti koje mogu iskrnuti uz uvjet da je to obavljeno u granicama i u skladu sa sljedećim uputama (pogledajte dio „Samopomoć“).

Stoga, osim ako nije drukčije određeno u donjem dijelu „Samopomoći“ popravke trebaju obaviti registrirani stručni servisi kako bi se izbjegli problemi sa sigurnosti. Registrirani stručni servis je stručni servis kojem je proizvođač odobrio pristup uputama i popisu rezervnih dijelova za ovaj proizvod u skladu s metodama opisanim u zakonskim aktima u skladu s Direktivom 2009/125/EC.

Međutim, samo servisni zastupnik (tj. ovlašteni stručni servisi) kojeg možete kontaktirati na telefonski broj naveden u korisničkom priručniku/jamstvenom listu ili ovlašteni zastupnik mogu obaviti servis u skladu s uvjetima jamstva. Stoga, upozoravamo vas kako će popravci koje su obavili stručni servisi (koje nije ovlastila tvrtka Beko) poništiti jamstvo.

Samopomoć

Samopopravak može obaviti krajnji korisnik za sljedeće zamjenjive dijelove: ručke na vratima, šarke vrata, ladice, košare i brtva na vratima (ažurirani popis dostupan je na support.beko.com od 01. ožujka 2021.)

Pored toga, kako bi se osigurala sigurnost proizvoda i spriječila opasnost od teških ozljeda, spomenuta samopomoć treba se obaviti pridržavajući se uputa u korisničkom priručniku za samopomoć ili onih dostupnih na support.beko.com. Zbog vaše sigurnosti, isključite proizvod iz strujne mreže prije početka obavljanja bilo kakve samopomoći.

Popravak i pokušaj popravka koje obavljaju krajnji korisnici za dijelove koji nisu uključeni na popis i/ili ako se ne pridržavaju uputa u korisničkom priručniku ili onih dostupnih na support.beko.com, mogu izazvati sigurnosne probleme koji se ne mogu pripisati Beko te koji će poništiti jamstvo proizvoda.

Stoga, izričito se preporučuje da se krajnji korisnici suzdrže od pokušaja popravka koji ne uključuje spomenuti popis rezervnih dijelova te da u tom slučaju kontaktiraju ovlaštene stručne servise ili registrirane stručne servise. U suprotnom, takvi pokušaji koje poduzmu krajnji korisnici mogu izazvati sigurnosne probleme i oštetiti proizvod te posljedično izazvati požar, poplavu, smrt zbog strujnog udara i teške tjelesne ozljede.

Na primjer, ali se ne ograničavajući na to, sljedeće popravke moraju obaviti ovlašteni profesionalni servisi ili registrirani profesionalni servisi: kompresor, rashladni sklop, matična ploča, inverter ploča, ploča zaslona, itd.

Proizvođač/prodavač neće se smatrati odgovornim u slučaju da krajnji korisnici ne poštuju gore navedeno.

Dostupnost rezervnih dijelova za hladnjaka koju ste kupili je 10 godina.

Tijekom ovog razdoblja originalni rezervni dijelovi bit će dostupni za ispravan rad hladnjaka.

Minimalno trajanje jamstva hladnjaka kojeg ste kupili je 24 mjeseca.

Ovaj proizvod opremljen je izvorom osvjetljenja energetske klase „G“.

Izvor osvjetljenja u ovom proizvodu smiju zamijeniti samo stručni serviseri.

راهنمای کاربر یخچال

لطفاً قبل از استفاده از دستگاه این دفترچه راهنما را مطالعه کنید!

مشتریان عزیز، ما می خواهیم که شما از محصولاتمان بهترین استفاده را داشته باشید. محصولات ما با دقت و کنترل کیفیت بالایی تولید شده اند. بنابراین توصیه می کنیم کل دفترچه راهنما را قبل از استفاده از محصول بخوانید. اگر محصول را به فرد دیگری می دهید، حتماً این راهنما را نیز همراه با محصول به این فرد بدهید.

این راهنما کمک می کند به سرعت و به صورت ایمن بتوانید از دستگاه استفاده کنید.

- لطفاً قبل از نصب و کارکرد دستگاه، راهنمای کاربر را بخوانید.
 - همیشه به دستورالعمل های ایمنی قابل اجرا دقت کنید.
 - راهنمای کاربر را برای استفاده های بعدی جایی بگذارید که به راحتی قابل دسترسی باشد.
 - هرگونه سند دیگری که همراه با محصول ارائه شده است را بخوانید.
- فراموش نکنید که این راهنمای کاربر ممکن است برای چند مدل کاربرد داشته باشد. در راهنمای کاربر به طور واضح انواع مدل ها ذکر شده است.

اطلاعات مهم و مفید	
خطر مرگ یا آسیب به اموال	
خطر برق گرفتگی	
بسته بندی این دستگاه از جنس مواد قابل بازیافت است که با توجه به قوانین محیطی ملی تهیه شده اند.	

1 دستورالعمل های مهم در رابطه با ایمنی و محیط

3

1.1 ایمنی کلی 3

1.1.1 هشدار HC 6

1.1.2 برای محصولات دارای پخش کننده آب ... 6

1.2 موارد استفاده 6

1.3 ایمنی کودکان 6

1.4 تبعیت از بیانیه WEEE و دور ریختن ضایعات 6

1.5 سازگاری با بیانیه RoHS 7

1.6 اطلاعات بسته بندی 7

2 یخچال

3 نصب

3.1 محل مناسب برای نصب 9

3.2 نصب کثوهای پلاستیکی 9

3.3 تنظیم پایه ها 9

3.4 اتصال برق 9

4 آماده سازی

4.1 برای صرفه جویی در مصرف انرژی 10

4.2 ولین استفاده 10

پنکه 5.1 14

5.2 سینی قطره های آب 14

(اختیاری) 14

5.3 قسمت صفر درجه 14

(اختیاری) 14

5.4 ظرف یخ 14

5.5 نگهدارنده تخم مرغ 14

5.6 طبقه های در متحرک 14

5.7 HerbBox/HerbFresh 15

5.8 جعبه ذخیره سازی کشویی 15

5.9 یخ ساز خودکار 16

5.10 محفظه سبزیجات همراه با رطوبت کنترل شده 16

5.11 یخ ساز و محفظه نگهداری یخ 17

5.12 استفاده از توزیع کننده آب 17

5.13 پر کردن منبع توزیع کننده آب 18

5.14 تمیز کردن مخزن 18

5.15 سینی چکه 19

5.16 توصیه هایی برای نگهداری غذاهای یخ زده 20

5.17 جزئیات فریزر قوی 20

5.18 یخ زدن غذاهای تازه 20

5.19 قرار دادن غذا درون دستگاه 21

5.20 هشدار باز ماندن درب 21

(اختیاری) 21

5.21 چراغ داخل دستگاه 21

5.22 تغییر جهت باز شدن در 21

6 مراقبت و تمیز کردن دستگاه

6.1 جلوگیری از ایجاد بوی بد 22

6.2 محافظت از سطوح پلاستیکی 22

3.6 درهای شیشه ای 23

7 عیب یابی

24






محیط های کاری

- جهت استفاده توسط مشتریان در منازل
- بیلاقی و هتل ها، مثل ها و سایر محیط ها و مکان های مخصوص اقامت

1.1 ایمنی کلی

این قسمت حاوی دستورالعمل های مهمی است که به شما کمک می کند از خطرهای احتمالی مربوط به بروز جراثحت یا آسیب وارد آمدن به اموال جلوگیری کنید. عدم پیروی از این دستورالعمل ها سبب نقض ضمانت نامه می شود.

استفاده مجاز

	هشدار: هنگامیکه دستگاه در پوشش و بسته بندی محافظ خود قرار دارد و یا پس از نصب آن از عدم بسته بدون منافذ تهویه اطمینان حاصل نمائید.
	هشدار: از استفاده از هر گونه دستگاه های مکانیکی و یا سایر دستگاه ها بغیر از موارد توصیه شده توسط تولید کننده بمنظور تسریع باز کردن یخ خودداری نمائید
	هشدار: از ایجاد هرگونه آسیب در مدار مایع خنک کننده خودداری نمائید.
	هشدار: از استفاده از دستگاه های برقی بغیر از موارد مورد توصیه توسط تولید کننده درون قسمت های مخصوص نگهداری از موارد غذائی دستگاه خودداری نمائید. .
	اخطار: مواد قابل انفجار مانند قوطیهای اسپری که دارای ماده قابل اشتعال باشند را در دستگاه نگهداری نکنید.

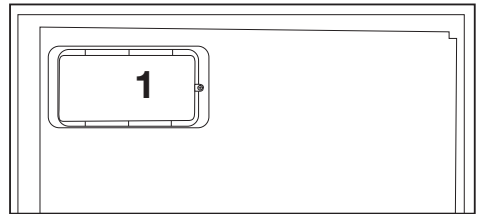
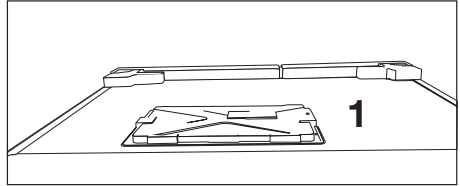
- کودکان 8 ساله به بالا و افرادی که دارای مشکلات فیزیکی، حسی یا ذهنی هستند و به درستی نمی توانند کارها را انجام دهند یا تجربه و دانش کافی ندارند در صورتی می توانند از دستگاه استفاده کنند که برای استفاده از محصول تحت نظارت و آموزش قرار بگیرند و خطرهای احتمالی آن را نیز بپذیرند. کودکان نباید با دستگاه بازی کنند. تمیز کردن و مراقبت از دستگاه نباید توسط کودکان انجام شود مگر اینکه فردی آنها را تحت نظارت خود قرار دهد.
- در صورت وجود هرگونه سؤال یا مشکلی در ارتباط با این محصول، با مرکز خدمات مجازتان تماس بگیرید. بدون اطلاع خدمات مجاز، از دست کاری دستگاه توسط خودتان یا دیگر افراد خودداری کنید.
- اگر در حین استفاده از دستگاه مشکلی ایجاد شد، دوشاخه دستگاه را از برق جدا کنید.
- اگر دستگاه دچار نقص شد، نباید از آن استفاده کنید مگر اینکه توسط نماینده مجاز تعمیر شود. خطر برق گرفتگی وجود دارد!
- دستگاه را به پریز دیواری متصل کنید که دارای فیوز باشد و با مقادیر مشخص شده در صفحه درجه بندی، مطابقت داشته باشد. نصب زمینی را توسط یک فرد متخصص در امور برق انجام دهید. شرکت ما در قبال هرگونه آسیب ایجاد شده در هنگام استفاده از دستگاه بدون برقراری اتصال زمینی بر اساس قوانین محلی، مسئولیتی نخواهد داشت.
- هنگامی که از دستگاه استفاده نمی کنید، دوشاخه آن را از برق جدا کنید.
- هرگز برای شستن دستگاه، قطعات مختلف آن را باز نکنید و درون آب نیز فرو نبرید! خطر برق گرفتگی وجود دارد!
- از دست زدن به دوشاخه و سوکت با دستان خیس خودداری کنید! برای جدا کردن سیم برق هرگز سیم را نکشید، دوشاخه را بگیرید

این دستگاه بمنظور استفاده در منزل و یا موارد مشابه ذیل طراحی شده است.

- جهت استفاده در آشپزخانه
- پرسنل در فروشگاه ها، دفاتر کار و سایر

- هرگز از مواد تمیز کننده دارای بخار یا همراه با بخار برای تمیز کردن یا آب شدن یخ دستگاه استفاده نکنید. ممکن است بخار مدار کوتاه یا برق گرفتگی ایجاد کند زیرا ممکن است با قسمت های الکتریکی دستگاه تماس ایجاد شود!
- برای تسریع مراحل یخ زدایی از دستگاه ای الکتریکی یا سایر وسایل بجز موارد توصیه شده توسط سازنده، استفاده نکنید.
- هرگز از بخش هایی از دستگاه مانند درب یا کشو به عنوان وسیله نگهدارنده یا پله استفاده نکنید. با این کار ممکن است دستگاه وارونه شود و بیفتد یا بخش هایی از آن آسیب ببینند.
- از آسیب وارد آمدن به مدار خنک کننده که مدار یخچال است، با وسایل سوراخ کننده یا برش دهنده، خودداری کنید. هنگامی که کانال های گاز قسمت تبخیر، لوله ها یا محافظ سطوح سوراخ شوند، خنک کننده ممکن است منفجر شود و سبب ایجاد حساسیت ها یا جراحات های شدید در پوست شود.
- از پوشاندن یا مسدود کردن سوراخ های تهویه دستگاه با هر ماده ای خودداری کنید.
- در نوشیدنی ها را کامل ببندید و به صورت عمودی قرار دهید.
- از اسپری های گازی در نزدیکی دستگاه خودداری کنید زیرا خطر انفجار یا آتش سوزی وجود دارد!
- دستورالعمل های مهم در رابطه با ایمنی و محیط
- موارد یا محصولات قابل اشتعال که حاوی گاز های قابل اشتعال هستند (مانند اسپری) و همچنین مواد منفجر شونده را هرگز در این دستگاه نگذارید.
- از قرار دادن محفظه های حاوی مایعات در بالای محصول خودداری کنید. ریختن مایعات بر روی قطعات برقی ممک است سبب برق گرفتگی یا بروز آتش سوزی شود.
- از نگهداری موادی مانند واکسن، داروهای حساس به گرما، مواد تحقیقاتی و دیگر موارد که نیازمند کنترل دقیق دما هستند در این دستگاه خودداری کنید.

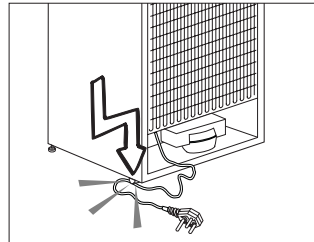
- و بکشید.
- اگر قسمت بالا یا پشت محصول دارای برچسب مربوط به مدار الکترونیکی باز داخل دستگاه است (روکش صفحه مدار الکترونیکی چاپ شده) (1)، هرگز از دستگاه استفاده نکنید.



- اگر سوکت دیوار شل است، دوشاخه دستگاه را بیرون نکشید.
- از اتصال دستگاه به سیستم های صرفه جویی در مصرف برق خودداری کنید. چنین سیستم هایی به دستگاه آسیب می رسانند.
- در حین نصب، مراقبت و نگهداری و تمیز کردن و تعمیرات دستگاه، دوشاخه را از برق جدا نکنید.
- از خوردن بستنی و تکه های یخی که بلافاصله از فریزر بیرون آورده اید خودداری کنید! با این کار ممکن است دهانتان یخ بزند!
- از لمس کردن غذاهای یخ زده با دست خودداری کنید! ممکن است دستتان بچسبد!
- از قرار دادن مایعات درون بطری و شیشه در قسمت فریزر خودداری کنید. ممکن است منفجر شوند!

دستورالعمل های ایمنی و حفظ محیط

- اگر برای مدت زمان طولانی از دستگاه استفاده نمی کنید، دوشاخه را از برق جدا کنید و غذا را از درون آن بیرون بیاورید.
- اگر محصول دارای چراغ آبی رنگ است، با ابزارهای دیداری یا چشم غیر مسلح مستقیم به آن نگاه نکنید.
- قرار دادن محصول در برابر بارش باران، برف، تابش نور خورشید یا وزش باد از نظر ایمنی الکتریکی، خطرناک است.
- در محصولات دارای کنترل مکانیکی (ترموستات)، هنگامی که دوشاخه را بیرون می کشید یا در هنگام قطعی برق، 5 دقیقه منتظر بمانید و سپس دوباره دوشاخه را به برق وصل کنید.
- در حین جابجایی محصول، مطمئن شوید که کابل آن آسیب ندیده باشد.
- هرگز اجسام سنگین را روی سیم برق قرار ندهید. سیم برق آسیب دیده ممکن است آتش بگیرد.
- از پر کردن بیش از حد دستگاه خودداری کنید. ممکن است در هنگام باز شدن درب بیفتد و جراحت یا آسیبی ایجاد کند. مشکلات مشابه زمانی رخ می دهند که محصولات را در بالای دستگاه قرار می دهید.
- اگر درب دستگاه دارای دسته باشد، دسته را نکشید حتی زمانی که محل دستگاه را تغییر می دهید. دسته ممکن است شل شود.
- مراقب باشید که دست یا هر بخشی از بدنتان در قسمت های متحرک داخل دستگاه گیر نکند.



- یخچال و فریزر سایت بای سایت (دو دربه) شما به یک اتصال آب نیاز دارد.
- گر در محل مناسب شیر آب وجود ندارد و می بایست با لوله کش تماس بگیرید ، توجه داشته باشید:

- گر خانه شما دارای سیستم گرمایش کف زمین است ، توجه داشته باشید ، سوراخ کردن سقف بتونی می تواند به این سیستم گرمایش آسیب برساند.
- هنگام نصب دستگاه در جای خود، اطمینان یابید که سیم برق آن به چیزی گیر نکند یا آسیب نبیند.
- چند راهیهای قابل حمل یا منبع تغذیه قابل حمل را در پشت دستگاه قرار ندهید.
- کودکان 3 تا 8 ساله مجاز به گذاشتن و خارج ساختن مواد غذایی از دستگاههای یخچالی هستند.
- برای جلوگیری از آلودگی مواد غذایی، لطفاً دستورالعملهای زیر را رعایت کنید:
- باز کردن درب برای مدت زمان طولانی میتواند باعث افزایش قابل توجه درجه حرارت در محفظه های دستگاه شود.
- سطوح را که ممکن است در تماس با مواد غذایی و سیستمهای زهکشی قابل دسترسی باشد، به طور مرتب تمیز کنید.
- مخازن آب را در صورتی که از آنها برای 48 ساعت استفاده نشده باشد، تمیز کنید؛ آب داخل سیستم آب متصل به منبع آب را در صورتی که به مدت 5 روز تخلیه نشده باشد، عوض کنید.
- گوشت و ماهی خام را در ظروف مناسب در یخچال نگهداری کنید، تا با غذاهای دیگر در تماس قرار نگیرند و یا
- آب آنها روی سایر مواد غذایی چکه نکند.
- محفظه های فریز دو ستاره برای نگهداری مواد غذایی از قبل منجمد شده، نگهداری یا درست کردن بستنی و تکه های یخ مناسب هستند.
- محفظه های یک، دو و سه ستاره برای انجماد مواد غذایی تازه مناسب نیستند.
- اگر دستگاه یخچال برای مدت زمانی طولانی خالی ماند، آن را خاموش، برفکزدایی، تمیز و خشک کنید و درب آن را باز بگذارید

• تا از ایجاد کپک در داخل دستگاه جلوگیری شود.

1.1.1 هشدار HC

• اگر این محصول دارای یک سیستم خنک کننده حاوی گاز R600a است، مراقب باشید که به سیستم خنک کننده و لوله ها در حین استفاده و جابجایی صدمه ای وارد نشود. این گاز قابل اشتعال است. اگر به سیستم خنک کننده آسیبی وارد شود، دستگاه را از منابع احتمالی که می توانند سبب گرفتن دستگاه شوند دور کنید و اتاقی که دستگاه در آن قرار گرفته است را فوراً خالی کنید.

اگر دستگاه دارای یک سیستم خنک کننده حاوی گاز R134a است، این هشدار را نادیده بگیرید.



با مراجع به صفحه رتبه بندی موجود در پشت دست سمت چپ آن، از گاز به کار رفته در دستگاه مطلع شوید.



هشدار: هرگز دستگاه را در آتش نیندازید



دمای آب مورد استفاده باید حداقل 33 درجه فارنهایت (0.6 درجه سانتی گراد) و حداکثر 100 درجه فارنهایت (38 درجه سانتی گراد) باشد.

• فقط از آب آشامیدنی استفاده کنید.

1.2 موارد استفاده

• این محصول برای موارد مصرف زیر در نظر گرفته شده است:
- داخل ساختمان و مکان های سرپسته مانند خانه؛
- محیط های کاری درپسته مانند فروشگاه و اداره؛

- محل های درپسته مانند گلخانه، هتل، پانسیون.

• این محصول را نباید بیرون از خانه مورد استفاده قرار دهید.

• از این محصول فقط برای نگهداری مواد غذایی استفاده کنید.

• هرگونه مسئولیت در قبال استفاده اشتباه یا جابجایی محصول بر عهده خودتان است.

• بعد از تاریخ خرید محصول، قطعات یدکی اصلی به مدت 10 سال ارائه می شوند

1.3 ایمنی کودکان

• مواد بسته بندی را از دسترس کودکان دور نگهدارید.

• اجازه ندهید کودکان با دستگاه بازی کنند.

• اگر درب دستگاه قفل دارد، کلید آن را از دسترس کودکان دور نگهدارید.

1.4 تبعیت از بیانیه WEEE و دور ریختن ضایعات

این دستگاه از بیانیه EU WEEE Directive (2012/19/EU) تبعیت می کند. این دستگاه دارای یک نماد گروه بندی برای ضایعات برقی و تجهیزات الکترونیکی (WEEE) است.

این محصول از قطعات و موادی با کیفیت بالا ساخته شده است که می توان مجدد آنها را بازیافت کرد و مورد استفاده قرار داد. در پایان طول عمر مفید دستگاه، از دور انداختن ضایعات محصول در زباله های خانگی و همراه با دیگر زباله ها خودداری کنید. این محصول را برای بازیافت قطعات و قسمت های الکترونیکی و برقی به مراکز بازیافت ببرید. برای اطلاع از این مراکز جمع آوری لطفاً با مقامات محلی تماس بگیرید.

1.1.2 برای محصولات دارای پخش کننده آب

• فشار آب سرد ورودی باید حداکثر 90 psi (620 kPa) بار باشد. اگر فشار آب بیشتر از 80 psi (55 kPa) است، از یک سوپاپ محدودکننده فشار در سیستم برق استفاده کنید. اگر نمی دانید چطور فشار آب را بررسی کنید، از یک لوله کش متخصص راهنمایی دریافت کنید.

• اگر این احتمال وجود دارد که مشکل آبچکش ایجاد شود، همیشه از تجهیزاتی برای جلوگیری از بروز آبچکش استفاده کنید. اگر مطمئن نیستید مشکل آبچکش پیدا می کند یا خیر، با یک لوله کش متخصص صحبت کنید.

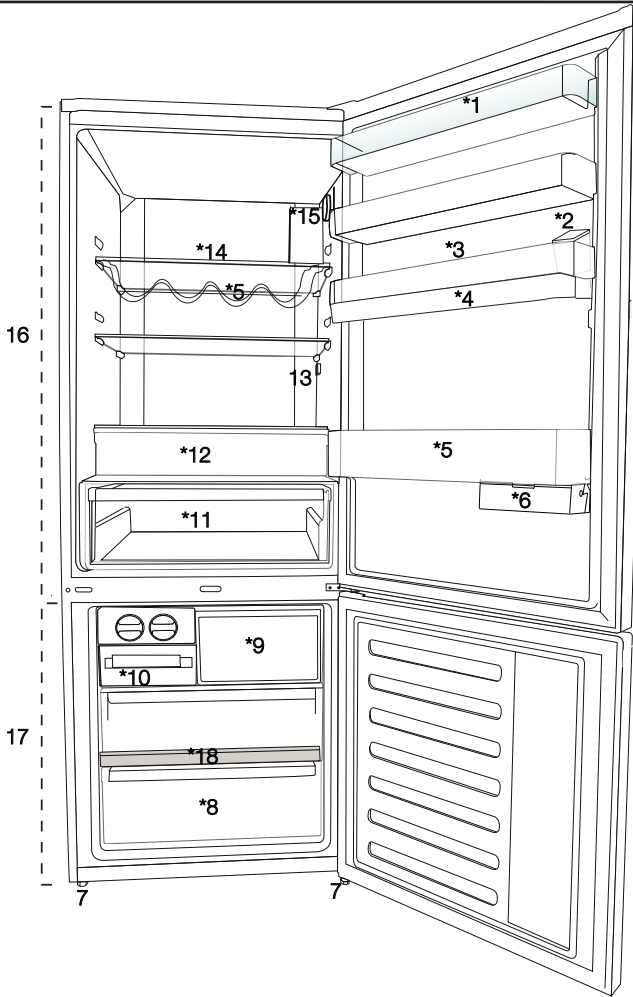
• ورودی آب گرم نصب نکنید. رای جلوگیری از یخ زدن شیرهای آب، مراقب باشید.

1.5. سازگاری با بیانیه RoHS

این دستگاه از بیانیه EU WEEE Directive (2011/65/EU) تبعیت می کند. این محصول حاوی مواد مضر و منع شده در این بیانیه نیست.

1.6. اطلاعات بسته بندی

بسته بندی مواد این محصول از مواد قابل بازیافت و با توجه به قوانین محیطی ملی ما انجام شده است. از دور انداختن این مواد همراه با زباله های خانگی و دیگر زباله ها خودداری کنید. آنها را به مراکز جمع آوری زباله های خانگی ببرید که از طرف مقامات محلی در نظر گرفته شده اند.



- | | |
|---|--|
| <p>1. طبقه درب محفظه فریزر
2. منبع پخشونده توزیع کننده آب
3. بخش تخم مرغ
4. منبع ذخیره توزیع کننده آب
5. طبقه بطری
6. یوشکی‌زاسه ریخذ
7. پایه های قابل تنظیم
8. محفظه فریزر عمیق
9. محفظه فریزر کردن سریع</p> | <p>10. سینی قالب یخ و بانک یخ
11. محفظه سبزیجات
12. محفظه صفر درجه
13. لامپ داخلی
14. طبقه شیشه ای محفظه فریزر
15. دکمه های تنظیم دما
16. طبقه شیشه ای محفظه فریزر
17. محفظه فریزر</p> |
|---|--|

*اختیاری: تصاویر موجود در این دفترچه راهنما فقط برای نمایش هستند و ممکن است کاملاً با محصول شما مطابقت نداشته باشند. اگر محصولاتان چنین بخش هایی ندارد، این اطلاعات مربوط به سایر مدل ها است.



3.1 محل مناسب برای نصب

برای نصب محصول با مرکز خدمات مجاز تماس بگیرید. برای آماده سازی دستگاه جهت نصب، به اطلاعات موجود در دفترچه راهنما مراجعه کنید و مطمئن شوید که ابزار برقی و آبی مناسب استفاده شده باشند. در غیر اینصورت با متخصص برق یا لوله کش تماس بگیرید تا آماده سازی های لازم را انجام دهند.

هشدار: سازنده در قبال آسیب ایجاد شده در نتیجه عملکرد افراد غیرمجاز هیچ مسئولیتی را نمی پذیرد.

هشدار: سیم برق دستگاه باید در حین نصب از دوشاخه بیرون باشد. عدم انجام این کار ممکن است منجر به مرگ یا جراحت شدید شود!

هشدار: اگر درب منزل برای عبور دستگاه خیلی باریک است، در را بردارید و دستگاه را به صورت افقی بخواهید. اگر این حالت کمکی نکرد با مرکز خدمات مجاز تماس بگیرید.

- برای جلوگیری از لرزش دستگاه آن را روی سطحی صاف بگذارید.
- دستگاه را حداقل 30 سانتی متر از منابع حرارتی، فر و دیگر منابع مشابه حرارتی دور نگهدارید و حداقل بین آن و فر برقی 5 سانتی متر فاصله در نظر بگیرید.
- از قرار دادن محصول در معرض نور خورشید یا نگهداری آن در مکان های مرطوب خودداری کنید.
- برای عملکرد صحیح دستگاه لازم است تهویه هوا مناسب باشد. اگر می خواهید محصول را درون یک تورفتگی قرار دهید، حداقل 5 سانتی متر بین دستگاه و سقف و دیوارها فاصله در نظر بگیرید.
- از قرار دادن دستگاه در محیطی که دمای آن کمتر از 5- درجه سانتی گراد است خودداری کنید.

3.2. نصب کشوهای پلاستیکی

از کشوهای پلاستیکی ارائه شده به همراه دستگاه استفاده کنید تا فضای کافی برای تهویه هوا بین محصول و دیوار وجود داشته باشد.

1. برای اتصال کشوها، پیچ های روی دستگاه را بیرون بیاورید و از پیچ های ارائه شده همراه با کشو استفاده کنید.
2. کشوی پلاستیکی را روی روکش تهویه وصل کنید همانطور که در تصویر نشان داده شده است.

3.3 تنظیم پایه ها

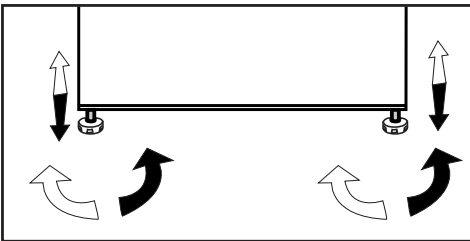
اگر دستگاه روی محل متوازنی قرار ندارد، پایه های قابل تنظیم جلویی را با چرخاندن به راست یا چپ تنظیم کنید.

3.4 اتصال برق

هشدار: از به کار بردن سیم برق یا چندراهه در اتصال برق خودداری کنید.

هشدار: سیم برق آسیب دیده باید توسط خدمات مجاز تعویض شود.

هنگامی که دو خنک کننده را در کنار یکدیگر قرار می دهید، حداقل 4 سانتی متر بین این دو دستگاه فاصله در نظر بگیرید.



هشدار سطح گرم

دیواره های کناری محصول مجهز به لوله های خنک کننده است تا سیستم خنک کننده بهبود پیدا کند. خنک کننده بهای زیاد ممکن است در این قسمت ها جریان پیدا کند و در نتیجه سطح دیواره های کناری گرم شود. این حالت طبیعی است و نیازی به انجام سرویس نیست. لطفاً هنگام لمس این قسمت ها مراقب باشید.

- در صورت بروز آسیب در نتیجه استفاده بدون اتصال به زمین و عدم استفاده از اتصال برق مطابق با قوانین ملی، کارخانه ما هیچ مسئولیتی را نمی پذیرد.
- دوشاخه کابل برق باید بعد از نصب به راحتی قابل دسترسی باشد.
- یخچال را به یک پریز متصل به زمین با ولتاژ 220 تا 240 ولت و 50 هرتز متصل کنید. دوشاخه باید فیوز 10 تا 16 آمپر داشته باشد.
- از به کار بردن چندراهه بین پریز برق و دوشاخه یخچال خودداری کنید.

4.1. برای صرفه جویی در مصرف انرژی

اتصال دستگاه به سیستم های صرفه جویی در مصرف برق ممکن است خطرناک باشند زیرا به محصول آسیب وارد می کنند.



- درب های یخچال را برای مدت زمان طولانی باز نگذارید.
- از قرار دادن غذا یا نوشیدنی ها درون یخچال خودداری کنید.
- از پر کردن بیش از حد یخچال و مسدود کردن جریان هوای داخلی خودداری کنید این کار سبب کم شدن توانایی دستگاه در خنک کردن می شود.
- مقادیر مصرف انرژی مشخص شده برای یخچال در حالتی اندازه گیری شده است که قفسه بالایی قسمت فریزر، سایر قفسه ها و کشوهای پایینی در جای خود باشند و حداکثر حجم ممکن درون دستگاه باشد. بسته به شکل و اندازه مواد غذایی یخ زده، قفسه شیشه ای بالایی را می توانید مورد استفاده قرار دهید.
- بسته به ویژگی های دستگاه، باز شدن یخ مواد یخ زده در قسمت خنک کننده سبب صرفه جویی در انرژی شده و کیفیت غذا را نیز حفظ می کند.
- سبدها/کشوهای ارائه شده همراه با قسمت بسیار خنک باید همیشه استفاده شوند تا در مصرف انرژی صرفه جویی شده و شرایط نگهداری بهتری نیز ایجاد شود.
- تماس مواد غذایی با حسگر دما در قسمت فریزر سبب افزایش میزان مصرف برق دستگاه می شود. بنابراین نباید تماسی با حسگرها ایجاد شود.
- بررسی کنید غذاها با حسگر دمای قسمت خنک کننده که در بالا توصیف شد تماسی نداشته باشند.

4.2. ولین استفاده

قبل از استفاده از یخچال مطمئن شوید که آماده سازی های لازم با توجه به دستورالعمل های موجود در قسمت "دستورالعمل های ایمنی و حفظ محیط" و "تصب" انجام شده باشد.

- به مدت 6 ساعت بدون اینکه مواد غذایی درون دستگاه بگذارید اجازه بدهید دستگاه کار کند مگر اینکه کاملاً لازم باشد چیزی درون دستگاه بگذارید.

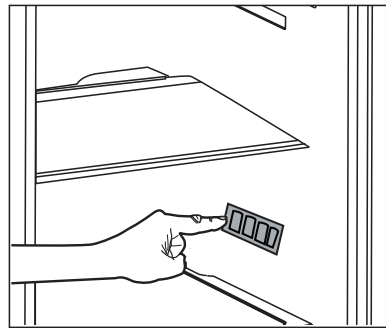
هنگامی که کمپرسور کار کند صدایی می شنوید. حتی زمانی که کمپرسور غیرفعال است طبیعی است که صدایی شنیده شود زیرا امیعات و گازهای موجود در سیستم خنک کننده فشرده هستند.

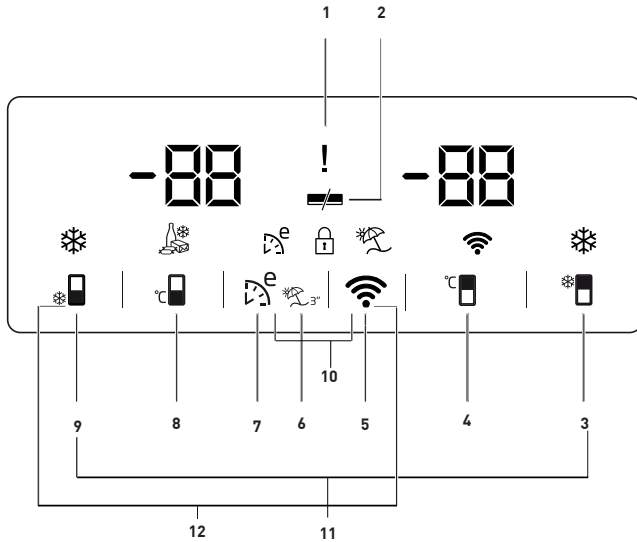


طبیعی است که کناره های یخچال گرم باشند این قسمت ها به گونه ای طراحی شده اند تا برای جلوگیری از ایجاد میعان گرم شوند.



«در بعضی از مدل ها بعد از بسته شدن درب، صفحه دستگاه به صورت خودکار 5 دقیقه خاموش می شود.. با باز کردن مجدد دستگاه یا فشردن هر کدام از کلیدها، دوباره فعال می شود.





1. اختلال برق / دمای بالا / نشانگر وضعیت خطا
2. نشانگر عملکرد کاهش مصرف انرژی (خاموشی صفحه)
3. کلید خنک‌کنندگی سریع
4. کلید تنظیم دمای قسمت یخچال
5. کلید اتصال بی‌سیم
6. کلید عملکرد تعطیلات
7. کلید اکو-فازی
8. کلید تنظیم دمای قسمت فریزر
9. دکمهٔ انجماد سریع
10. قفل کلید
11. کلید تغییر واحد دما

*اختیاری: تصاویر موجود در این دفترچه راهنما به عنوان پیش نویس درج شده اند و ممکن است به درستی منطبق با دستگاه شما نباشند. اگر محصولاتان چنین بخش‌هایی ندارد، این اطلاعات مربوط به سایر مدل‌ها است.



1. اختلال برق / دمای بالا / نشانگر وضعیت خطا

در صورت اختلال برق، دمای بالا و بروز هشدارهای خطا، این نشانگر (⚠️) روشن می‌شود. وقتی دمای محفظه فریزر تا سطحی افزایش یابد که برای مواد غذایی منجمدشده بحرانی باشد، حداکثر دمایی که محفظه فریزر به آن رسیده است روی نشانگر دیجیتال چشمک می‌زند. مواد غذایی موجود در محفظه فریزر را بررسی کنید. بروز این امر ایراد دستگاه نیست. با فشار دادن هر دکمه‌ای یا دکمه خاموش کردن زنگ هشدار دمای بالا، می‌توان این هشدار را حذف کرد. (لغو از طریق فشار دادن هر دکمه، در مورد همه مدل‌ها مصداق ندارد.) در صورت خرابی حسگر نیز این نشانگر (⚠️) روشن می‌شود. وقتی این نشانگر روشن می‌شود، "E" و اعدادی مانند "1,2,3..." به نوبت روی نشانگر دما نمایش داده می‌شوند. این اعداد روی نشانگر، پرسنل خدماتی را از خطای رخ داده مطلع می‌سازند.

2. نشانگر عملکرد کاهش مصرف انرژی (خاموشی صفحه)

اگر درهای محصول به مدت طولانی بسته بمانند، عملکرد کاهش مصرف انرژی به طور خودکار فعال می‌شود و نماد کاهش مصرف انرژی روشن می‌گردد. هنگامی که عملکرد کاهش مصرف انرژی فعال می‌شود، تمام نمادهای روی صفحه نمایش به جز نماد کاهش مصرف انرژی خاموش می‌شوند. وقتی عملکرد کاهش مصرف انرژی فعال است، اگر هر یک از دکمه‌ها فشرده شود یا درب محصول باز شود، عملکرد کاهش مصرف انرژی لغو می‌شود و نمادهای روی نمایشگر به حالت عادی باز می‌گردند. عملکرد کاهش مصرف انرژی به طور پیش‌فرض در کارخانه افزوده شده است و قابل لغو نیست.

3. کلید خنک‌کنندگی سریع

هنگامی که عملکرد خنک‌کنندگی سریع فعال می‌شود، نشانگر خنک‌کنندگی سریع (❄️) روشن می‌شود و نشانگر دمای قسمت یخچال عدد 1 را نشان می‌دهد. برای لغو این عملکرد، دکمه خنک‌کنندگی سریع را دوباره فشار دهید. بدین ترتیب، نشانگر خنک‌کنندگی سریع خاموش می‌شود و یخچال به تنظیمات عادی خود بازنشانی

می‌شود. اگر عملکرد خنک‌کنندگی سریع را لغو نکنید، پس از گذشت 1 ساعت به طور خودکار لغو می‌شود. در صورت نیاز به خنک کردن مقادیر زیادی از مواد غذایی تازه، قبل از قرار دادن مواد غذایی درون یخچال، دکمه خنک‌کنندگی سریع را فشار دهید.

4. دکمه تنظیم دمای قسمت یخچال

با فشردن این دکمه، می‌توانید دمای قسمت یخچال را روی مقادیر 8، 7، 6، 5، 4، 3، 2 و 1 تنظیم کنید. (❄️)

5. کلید اتصال بی‌سیم (*اختیاری)

فشردن طولانی این دکمه (3 ثانیه) باعث معرفی محصول به شبکه خانگی می‌شود. در طول فرآیند برقراری اتصال، نماد شبکه بی‌سیم (📶) هر 0.5 ثانیه یکبار چشمک می‌زند. پس از برقراری اتصال به شبکه خانگی، نماد شبکه بی‌سیم به طور پیوسته روشن می‌شود. پس از برقراری نخستین اتصال، می‌توان با فشردن کوتاه این دکمه، اتصال را فعال/غیرفعال کرد. پس از خاموش و روشن کردن محصول، اتصال به شبکه خانگی به طور خودکار برقرار می‌شود. تا برقراری کامل اتصال، نماد شبکه بی‌سیم به مدت کوتاه (در فواصل 0.2 ثانیه) چشمک می‌زند. هنگام فعال بودن اتصال، نماد شبکه بی‌سیم به طور پیوسته روشن می‌شود. چنانچه پس از مدتی، اتصال برقرار نشد، مودم یا تنظیمات اتصال را بررسی کنید. از برنامه هومویز (HomeWhiz) به عنوان واسطه اتصال استفاده می‌شود. مراحل اتصال در راهنمای نصب سریع HomeWhiz که به همراه محصول عرضه می‌شود آمده است. برای پاسخ سوالات اساسی، بخش عیب‌یابی را مشاهده کنید.

6. کلید عملکرد سفر

به منظور فعال‌سازی عملکرد سفر، دکمه (🛫) را فشار دهید و به مدت 3 ثانیه نگه دارید تا نشانگر حالت سفر (✈️) فعال شود. وقتی عملکرد سفر فعال شود، " - " روی نشانگر دمای قسمت یخچال به نمایش درمی‌آید و هیچ سرمایش فعالی در قسمت یخچال انجام نمی‌شود. وقتی این

دکمه‌های شبکه بی‌سیم (Wi-Fi) و اکو-فازی (HiFi) را هم‌زمان به مدت 3 ثانیه فشار دهید و نگه دارید. بدین ترتیب، قفل کلید غیرفعال خواهد شد. چنانچه مایل به جلوگیری از تغییر تنظیمات دمای یخچال هستید، از عملکرد قفل کلید استفاده کنید.

11. کلید تغییر واحد دما

دکمه‌های انجماد سریع (❄️) و خنک‌کنندگی سریع (❄️) را به مدت 3 ثانیه فشار دهید و نگه دارید تا واحد دما را به فارنهایت یا سلسیوس تغییر دهید.

عملکرد فعال است، مناسب نیست که غذا را در قسمت یخچال بگذارید. سایر قسمت‌های محصول همچنان مطابق با دمای تنظیم‌شده سرمایش خواهند داشت. برای لغو این عملکرد، دکمه **عملکرد** سفر را دوباره فشار دهید.

7. کلید اکو-فازی

برای فعال‌سازی عملکرد اکو-فازی، دکمه اکو-فازی را فشار دهید. وقتی این عملکرد فعال باشد، فریزر پس از حداقل 6 ساعت در حالت اقتصادی قرار می‌گیرد و نشانگر مصرف اقتصادی (Eco) روشن می‌شود. برای غیرفعال‌سازی عملکرد اکو-فازی، دکمه اکو-فازی را دوباره فشار دهید. وقتی عملکرد اکو-فازی فعال باشد، این نشانگر پس از 6 ساعت روشن می‌شود.

8. کلید تنظیم دمای فریزر

تنظیم دما برای قسمت فریزر انجام می‌شود. با فشار دادن دکمه (F)، می‌توانید دمای قسمت فریزر را روی 18-، 19-، 20-، 21-، 22-، 23- و 24- تنظیم کنید.

9. دکمه انجماد سریع

برای انجماد سریع، دکمه (9) را فشار دهید؛ نشانگر انجماد سریع (❄️) فعال خواهد شد. وقتی عملکرد انجماد سریع روشن باشد، نشانگر انجماد سریع روشن می‌شود و نشانگر دمای قسمت فریزر عدد 27- را نشان می‌دهد. برای لغو این عملکرد، دکمه انجماد سریع (❄️) را دوباره فشار دهید. بدین ترتیب، نشانگر انجماد سریع خاموش می‌شود و یخچال به تنظیمات عادی خود بازنشانی می‌شود. اگر عملکرد انجماد سریع را لغو نکنید، پس از گذشت 24 ساعت به طور خودکار لغو می‌شود. در صورت نیاز به فریز کردن مقادیر زیادی از مواد غذایی تازه، قبل از قرار دادن مواد غذایی درون فریزر، دکمه انجماد سریع را فشار دهید.

10. قفل کلید

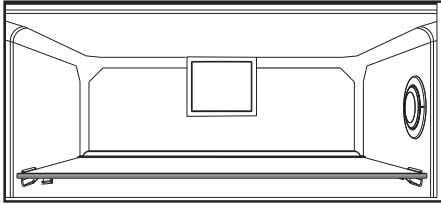
دکمه‌های شبکه بی‌سیم (Wi-Fi) و اکو-فازی (HiFi) را هم‌زمان به مدت 3 ثانیه فشار دهید و نگه دارید. نماد قفل کلید (HiFi) روشن شده و حالت قفل کلید فعال خواهد شد. وقتی حالت قفل کلید فعال است، دکمه‌ها کار نمی‌کنند.



5.1 مکینپ

تخاونکی روط بہ درس ی اوہ ش خرچ و عیزو تہ ی اربہ مکینپ
مکینپ تاہم نامز بتسا ہدشی جارط امشل لاجخیل خاد
تو اقمہ امشل لو صحم تاہ صوصخ ساسا ربتسا نکم
دشاب۔

ہارمہ طقفہ مکینپ تلاوصحم ی ضعب رد ہکی ی لاجرد
رہ لرتنک مٹسیس، رگیڈ ی ضعب رد، دنکی م راک روسریمک
صخشم ار ندرک راک نامز، ن ددش کنخ بہ زایڈ ساسا
دنکی۔



5.2 سینی قطرہ های آب (اختیاری)

آبی کہ از شیر چکیده می شود در این سینی جمع می
شود. محلی برای تخلیه آب وجود ندارد. سینی تہ مانده
آب را بکشید یا روی لبہ ہا فشار دهید تا سینی خارج
شود. سپس می توانید آب داخلی سینی را خارج کنید.

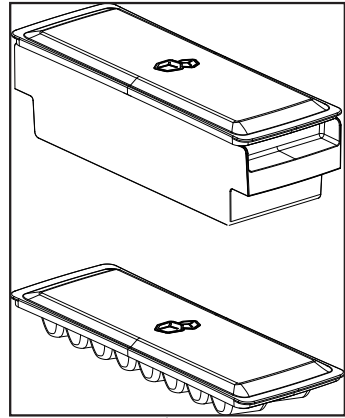
5.3 قسمت صفر درجہ (اختیاری)

ازا این قسمت استفاده کنید تا طراوت مواد با دمایی
کم حفظ شود، همچنین برای محصولات گوشتی کہ
می خواهید فوراً از آنها استفاده کنید. از قرار دادن
سبزیجات و میوہ ہا در این قسمت خودداری کنید. با
جدا کردن قسمت های صفر درجہ می توانید حجم ذخیرہ
سازی دخی دستگاہ را گسترش دهید. برای بیرون
آوردن این قسمت، کافی است آن را جلو، بالا و سپس
دوبارہ بہ بیرون بکشید.

5.4 ظرف یخ

*اختیاری

- ظرف یخ را از محفظہ فریزر بردارید.
- ظرف یخ را با آب پر کنید.
- ظرف یخ را در محفظہ فریزر بگذارید.
- یخ حدود دو ساعت بعد آماده خواهد شد. ظرف
یخ را از محفظہ فریزر بردارید و کمی بر روی ظرف
مد نظرتان خم کنید. یخ بہ راحتی داخل ظرف می
ریزد.



5.5 نگهدارندہ تخم مرغ

شما می توانید نگهدارندہ تخم مرغ را بر روی در و یا
طبقہ های بدنہ مد نظرتان قرار دهید. اگر تصمیم گرفتید
کہ نگدارندہ تخم مرغ را بر روی طبقہ های بدنہ قرار
دهید، توصلبہ می شود کہ قفسہ های پایین بہ دلیل سردتر
بودن انتخاب شوند.

نگهدارندہ تخم مرغ را داخل محفظہ
فریزر قرار ندهید.



5.6 طبقہ های در متحرک

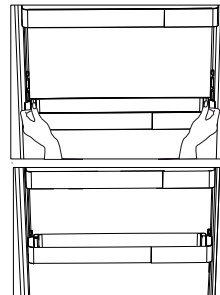
*اختیاری

طبقہ های در متحرک در سه موقعیت می توانند ثابت
شوند.

بہ منظور حرکت دادن طبقہ، دکمہ های موجود در
گوشہ را بہ طور یکسان فشار دهید. طبقہ جا بہ جا
می شود.

طبقہ را بالا یا پایین ببرید.

وقتی طبقہ درست در موقعیت دلخواہ شما قرار
گرفت، دکمہ ها را رها کنید. طبقہ در موقعیتی کہ شما
دکمہ ها را رها کردید ثابت می شود.



HerbBox/HerbFresh5.7

ظرف فیلم را از HerbBox/HerbFresh + خارج کنید.

فیلم را از کیسه خارج کنید و همانگونه که در عکس نشان داده شده است درون ظرف فیلم قرار دهید.

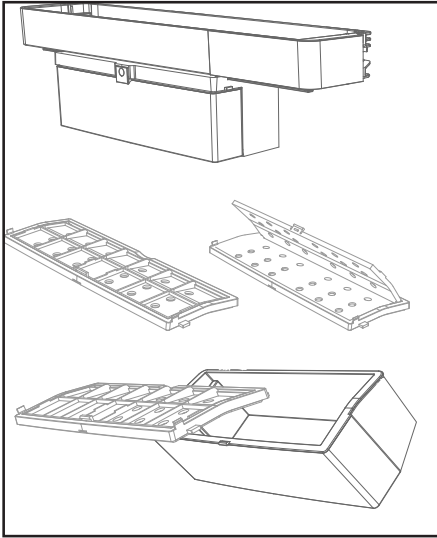
ظرف را مجدداً ببندید و درون واحد HerbBox/HerbFresh + قرار دهید.

قسمت های HerbBox-HerbFresh + بویژه جهت ذخیره سازی گیاهان مختلف که باید تحت شرایط

حساس نگهداری شوند ایده آل می باشد.

شما می توانید گیاهانی که از کیسه خود خارج شده اند (جعفری، شوید، ...) را در این قسمت به صورت افقی و برای مدت بسیار طولانی تری تازه نگهداری کنید.

فیلم باید هر شش ماه یک بار تعویض گردد.

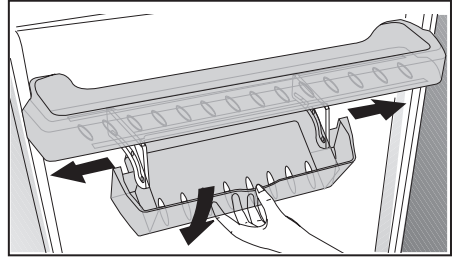


5.8 جعبه ذخیره سازی کشویی

*اختیاری

این وسیله برای افزایش حجم استفاده از قفسه های در طراحی شده است.

این جعبه به یمن قابلیت حرکت از پهلو، شما را قادر می سازد بطری، کوزه و جعبه های دراز را در قفسه بطری زیرین قرار دهید.



5.9 یخ ساز خودکار

*اختیاری

یخ ساز خودکار امکان درست کردن آسان یخ داخل یخچال را برای شما فراهم می سازد. به منظور گرفتن یخ از یخ ساز، مخزن آب در بخش یخچال را بیرون بیاورید، آن را با آب پر کنید و در جای خود قرار دهید.

اولین یخ پس از تقریباً 2 ساعت در کشوی یخ ساز در محفظه یخچال آماده خواهد شد.

پس از قرار دادن مخزن آب پر، شما تا زمانی که خالی شود می توانید 60-70 قطعه یخ به دست بیاورید.

اگر آب موجود در مخزن برای 2-3 هفته باقی مانده است، باید عوض شود.

در محصولاتی که یخ ساز خودکار دارند شما ممکن است صدای ریختن یخ ها را بشنوید. این صدا عادی است و عیب دستگاه محسوب نمی شود.



5.10 محفظه سبزیجات همراه با رطوبت کنترل شده

*اختیاری

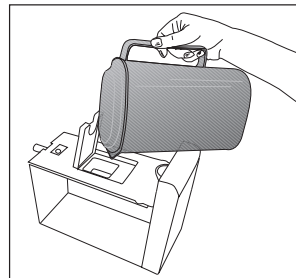
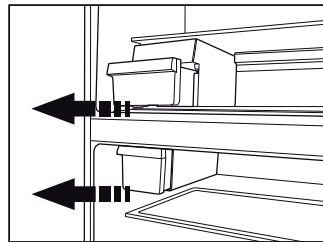
با ویژگی کنترل رطوبت، میزان رطوبت سبزیجات و میوه ها تحت کنترل قرار گرفته تا زمان طولانی تری تازه باقی بمانند.

توصیه می شود که سبزیجات برگ دار مانند کاهو و اسفناج و شبیه آنها که رطوبت خود را از دست می دهند را تا حد ممکن به صورت افقی و نه بر روی ریشه خود داخل محفظه سبزیجات قرار دهید.

در هنگام جاسازی سبزیجات، با در نظر گرفتن وزن آنها، سبزیجات سخت و سنگین را در پایین و سبزیجات سبک و نرم را در بالا قرار دهید.



سبزیجات را داخل کیسه های پلاستیکی در محفظه سبزیجات قرار ندهید. قرار دادن سبزیجات در کیسه های پلاستیکی باعث می شود که در زمان کوتاهی فاسد شوند. در شرایطی که تماس بین سبزیجات دلخواه نیست، از مواد بسته بندی چون کاغذ که از نظر بهداشتی دارای منافذی هستند استفاده کنید.

میوه هایی که گاز اتیلن زیادی تولید می کنند مانند گلابی، زرد آلو، هلو و به خصوص سیب را در همان محفظه ای که سایر سبزیجات و میوه ها هستند، قرار ندهید گاز اتیلن متصاعد شده از این میوه ها باعث می شود که سایر سبزیجات و میوه ها سریعتر برسند و در مدت زمان کوتاه تری فاسد شوند.




5.12 استفاده از توزیع کننده آب

*اختیاری

<p>گرم بودن چند لیوان اول آب دستگاه توزیع کننده عادی است.</p>	
<p>اگر توزیع کننده آب برای مدت طولانی مورد استفاده قرار ننگرفته است، چند لیوان آب اول را دور بریزید تا آب تازه به دست آورید.</p>	

اهرم توزیع کننده آب را با لیوان فشار دهید. اگر از یک فنجان پلاستیکی نرم استفاده می کنید، فشار دادن اهرم با دست آسان تر خواهد بود. 2. پس از پر کردن لیوان به میزان دلخواه، اهرم را رها کنید.

<p>لطفا توجه کنید، مقدار جریان آب از توزیع کننده بستگی به میزان فشار اهرم دارد. همانطوریکه سطح آب در فنجان / لیوان شما بالا می رود، به آرامی مقدار فشار بر اهرم را برای جلوگیری از سرریز شدن آب کم کنید. اگر اندکی اهرم را فشار دهید، آب چکه خواهد کرد؛ این مسئله عادی است و عیب دستگاه محسوب نمی شود.</p>	
--	--

5.11 یخ ساز و محفظه نگهداری یخ

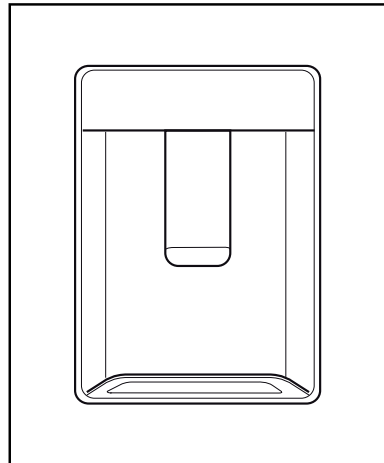
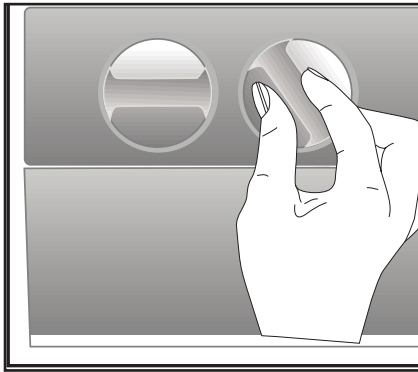
*اختیاری

استفاده از یخ ساز

یخ ساز را از آب پر کرده و در محل مربوطه قرار دهید. یخ شما حدود دو ساعت بعد آماده خواهد شد. یخ ساز را برای برداشتن یخ از جایش خارج نکنید. دکمه های موجود بر روی منبع یخ را در جهت حرکت عقربه های ساعت 90 درجه بچرخانید. قالب های یخ داخل ظرف یخ زیر خواهند افتاد. شما می توانید ظرف یخ را خارج و یخ تولید شده را مصرف نمایید. اگر بخواهید می توانید قالب های یخ را در ظرف یخ نگه دارید.

ظرف نگهداری یخ

محفظه نگهداری یخ فقط برای جمع کردن قالبهای یخ طراحی شده است. داخل آن آب نریزید. در غیر این صورت می شکند.



5.13 پر کردن منبع توزیع کننده آب

محل پر کردن مخزن آب در داخل قفسه در قرار دارد.

1. درپوش مخزن آب را بردارید.
2. مخزن را با آب آشامیدنی تازه پر کنید.
3. درپوش را ببندید.



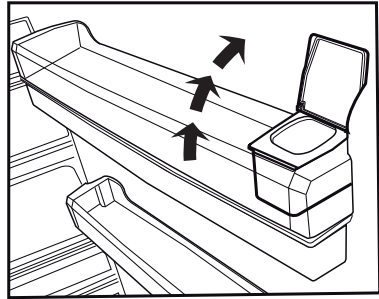
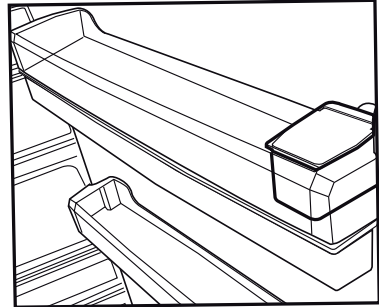
• مخزن آب را با مایعاتی دیگر غیر از آب مانند آب میوه، نوشابه های گاز دارد یا نوشیدنیهای الکلی که برای استفاده در توزیع کننده آب مناسب نیستند پر نکنید. توزیع کننده آب در صورتی که از این مایعات استفاده شود به طور جبران ناپذیر صدمه خواهد دید. ضمانت چنین مواردی را پوشش نخواهد داد. برخی از مواد شیمیایی و مواد افزودنی در این نوع نوشیدنیها/مایعات ممکن است به مخزن آب آسیب برساند.



فقط از آب نوشیدنی تمیز استفاده کنید.



ظرفیت مخزن آب 3 لیتر می باشد؛ بیش از حد در آن آب نریزید.

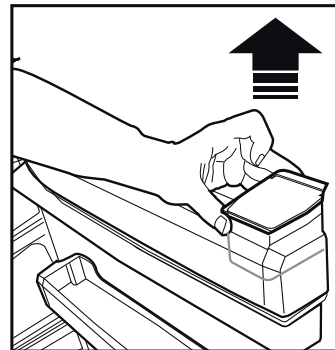


5.14 تمیز کردن مخزن

1. مخزن آب داخل قفسه در را بردارید.
2. قفسه در را با نگاه داشتن از هر دو طرف جدا کنید.
3. مخزن آب را از هر دو طرف بگیرید و آن را با زاویه 45 درجه جدا کنید.
4. درپوش مخزن آب را بردارید و مخزن را تمیز کنید.



قطعات منبع آب و توزیع کننده آب را نباید در ماشین ظرف شویی شست.

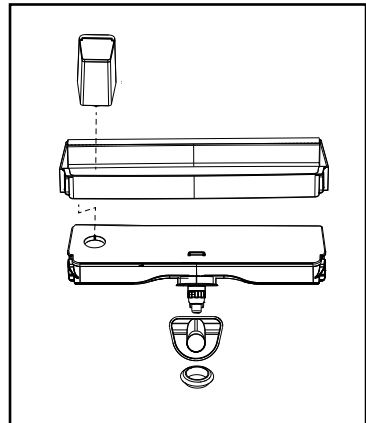
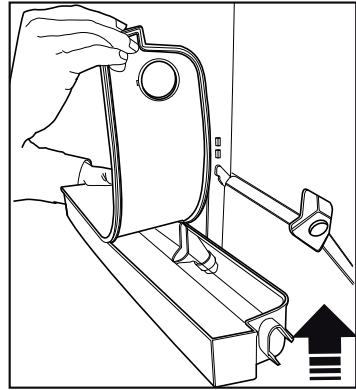
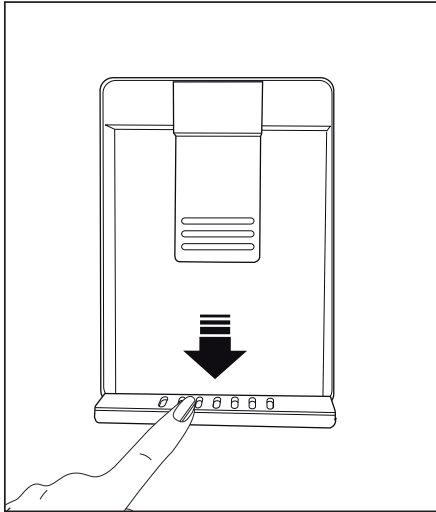
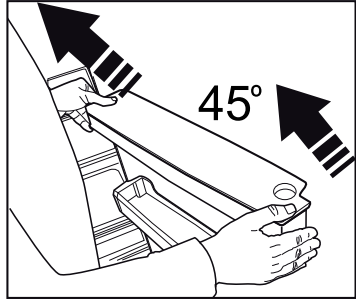
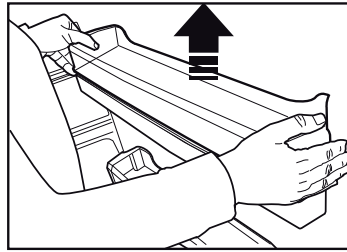


5.15 سینی چکه

وقتی که آب به هنگام استفاده از توزیع کننده آب چکه میکند در سینی نشتی جمع میشود.

فیلتر پلاستیکی را به صورتی که در تصویر نشان داده شده است، بیرون بکشید.

با یک پارچه تمیز و خشک آبی که جمع آوری شده است را بردارید.



5.18 یخ زدن غذاهای تازه

- برای حفظ کیفیت مواد غذایی، موادی که در قسمت فریزر هستند باید هرچه سریع تر یخ بزنند، از حالت یخ زدن سریع برای آن استفاده کنید.
- یخ زدن مواد غذایی هنگامی که تازه هستند سبب می شود که مدت زمان نگهداری آنها در قسمت فریزر بیشتر شود.
- مواد غذایی را در بسته بندی های محکم و بدون هوا قرار دهید و محکم ببندید.
- مطمئن شوید که مواد غذایی قبل از قرار گرفتن در فریزر بسته بندی شده باشند. از نگهدارنده های فریزر، فویل مخصوص و کاغذ ضد رطوبت، کیسه های پلاستیکی یا مواد بسته بندی مشابه به جای بسته بندی های کاغذی قدیمی استفاده کنید.
- تاریخ بسته بندی مواد غذایی را قبل از فریز کردن روی آنها بنویسید. با این کار می توانید هر بار که درب فریزر را باز می کنید از تازه بودن آنها مطمئن شوید. غذاهایی که قبلاً درون دستگاه گذاشتید را در قسمت جلو بگذارید تا اول از همه مورد استفاده قرار بگیرند.
- مواد یخ زده را باید فوراً و بعد از باز شدن یخ آنها مورد استفاده قرار دهید و نباید دوباره یخ بزنند.
- هر بار تکه های بزرگ غذا را بیرون نیاورید.

5.16 توصیه هایی برای نگهداری غذاهای یخ زده

- دمای این قسمت باید حداقل -18 درجه سانتی گراد باشد.
- هرچه سریع تر مواد غذایی را درون فریزر بگذارید تا از باز شدن یخ آنها جلوگیری شود.
- قبل از فریز کردن، "تاریخ انقضای" موجود بر روی بسته بندی را بررسی کنید تا مطمئن شوید که منقضی نشده باشد.
- بررسی کنید بسته بندی مواد غذایی آسیب ندیده باشد.

5.17 جزئیات فریزر قوی

- بر اساس IEC 62552، ظرفیت فریزر باید 4.5 کیلوگرم مواد غذایی در دمای -18 درجه سانتی گراد یا کمتر در مدت زمان 24 ساعت برای هر 100 لیتر از حجم قسمت فریزر باشد. مواد غذایی را فقط در دمای -18 درجه سانتی گراد یا کمتر می توانید برای مدت زمان طولانی نگهداری کنید می توانید مواد غذایی را برای مدت چند ماه تازه نگهداری کنید (در قسمت فریزر قوی یا دمای کمتر از 18 درجه سانتی گراد).
- مواد غذایی مورد نظر برای یخ زدن نباید با مواد غذایی که قبلاً یخ زده اند و درون دستگاه هستند تماس داشته باشند تا از یخ زدایی بخش هایی از آن جلوگیری شود.
- برای اینکه مدت زمان نگهداری بیشتر شود، سبزیجات را آب پز کنید و آب را فیلتر کنید. مواد غذایی را بعد از فیلتر کردن در بسته بندی های بدون هوا قرار دهید و در فریزر بگذارید. موز، گوجه، کاهو، کرفس، تخم مرغ آب پز، سیب زمینی و مواد غذایی مشابه را نباید فریز کنید. فریز کردن این مواد غذایی سبب کم شدن ارزش غذایی و کیفیت آنها می شود، همچنین ممکن است مواد غذایی مسموم شوند و برای سلامت شما مضر باشد.

توضیح	تنظیم قسمت خنک کننده	تنظیم قسمت فریزر
این تنظیم پیش فرض است.	4 درجه سانتی گراد	-18 درجه سانتی گراد
این تنظیمات برای دمای محیطی بالاتر از 30 درجه سانتی گراد مناسب است.	4 درجه سانتی گراد	20-، 22-، 24 درجه سانتی گراد
از این گزینه برای یخ زدن مواد غذایی در مدت زمانی کوتاه استفاده کنید. بعد از تکمیل مراحل مورد نیاز، دستگاه دوباره به تنظیمات قبلی باز می گردد.	4 درجه سانتی گراد	فریز کردن سریع
از این تنظیم زمانی استفاده کنید که فکر می کنید قسمت خنک کننده به اندازه کافی و متناسب با دمای محیط خنک نیست یا اگر درب دستگاه را زیاد باز می کنید.	2 درجه سانتی گراد	-18 درجه سانتی گراد یا خنک تر

5.19 قرار دادن غذا درون دستگاه

انواع مختلف مواد یخ زده مانند گوشت، ماهی، بستنی، سبزیجات و دیگر موارد.	قفسه های قسمت فریزر
مواد غذایی موجود در قابلمه، ظروف در دار و ظروف در بسته، تخم مرغ (در ظرف در بسته)	قفسه های قسمت خنک کننده
مواد غذایی یا سبزیجات در اندازه کوچک و بسته بندی شده	قفسه درب قسمت خنک کننده
میوه و سبزیجات	محل نگهداری سبزیجات
مواد خوراکی حساس تر (خوراکی های مخصوص صبحانه، محصولات گوشتی که باید در فاصله زمانی کوتاهی مصرف شوند)	قسمت نگهداری مواد تازه

5.20 هشدار باز ماندن درب (اختیاری)

اگر درب دستگاه به مدت 1 دقیقه باز بماند، یک هشدار صوتی می شنوید. بعد از بستن درب یا فشرده شدن هرکدام از دکمه های روی صفحه (در صورت وجود)، هشدار صوتی متوقف می شود.

5.21 چراغ داخل دستگاه

برای نور داخل دستگاه از لامپ LED استفاده می شود. در صورت وجود هرگونه مشکل در ارتباط با این لامپ با خدمات مجاز تماس بگیرید. لامپ موجود در این دستگاه برای روشن کردن اتاق در منزل مناسب نیست. هدف کاربرد این لامپ کمک به کاربر در قرار دادن مواد غذایی در یخچال/فریزر به روشی راحت و ایمن است.

5.22 تغییر جهت باز شدن در

جهت باز کردن در یخچال را می توان بر اساس محلی که از آن استفاده می کنید تغییر داد. اگر این کار لازم است، لطفاً با نزدیکترین مرکز خدمات مجاز تماس بگیرید.

می شود.

6.1 جلوگیری از ایجاد بوی بد

موادی که سبب ایجاد بوی بد می شوند در تولید دستگاه های ما به کار نرفته اند. اما به دلیل شرایط نامناسب نگهداری مواد غذایی یا تمیز نکردن سطوح داخلی دستگاه همانطور که لازم است ممکن است مشکل بوی بد ایجاد شود. برای جلوگیری از بروز مشکلات، به موارد زیر توجه کنید:

- مهم است که دستگاه را تمیز نگهدارید. باقی مانده مواد غذایی، لکه ها و موارد دیگر می توانند بوی بد ایجاد کنند. بنابراین یخچال را با کمک محلول آب و کربنات هر 15 روز یکبار تمیز کنید. هرگز از مواد شوینده یا صابون استفاده نکنید.
- مواد غذایی را درون محفظه های دربسته قرار دهید. میکروارگانیسم هایی که از محفظه های بدون درب به بیرون پخش می شوند ممکن است سبب ایجاد بویی بد شوند.
- هرگز مواد غذایی که منقضی شده اند یا بهترین تاریخ مصرف آنها گذشته است را در دستگاه نگهداری نکنید.
- از ابزارهای تیز و سابنده یا صابون، مواد تمیزکننده خانگی، مواد شوینده، بنزین، واکس و دیگر مواد استفاده نکنید، در غیر اینصورت ممکن است برچسب های روی قسمت های پلاستیکی کنده شود و تغییر شکل ایجاد شود. از آب گرم و پارچه ای نرم برای تمیز کردن و خشک کردن استفاده کنید.

6.2 محافظت از سطوح پلاستیکی

از قرار دادن روغن های مایع یا موادی که با روغن پخته شده است در دستگاه و در محفظه های بدون خودداری کنید زیرا می توانند به سطوح پلاستیکی دستگاه آسیب برسانند. اگر روغن پخش شود یا به سطوح پلاستیکی بچسبد، قسمت های کثیف را همزمان با آب گرم تمیز کرده و بشویید.

اگر دستگاه را مرتباً تمیز کنید، طول عمر محصول بیشتر می شود و مشکلات معمول از بین خواهند رفت.

هشدار: قبل از تمیز کردن، سیم برق را بکشید.



- هرگز از گازولین، بنزین یا مواد مشابه برای تمیز کردن استفاده نکنید.
- هرگز از مواد نوک تیز یا سابنده، صابون، تمیزکننده های خانگی، مواد شوینده و واکس برای تمیز کردن استفاده نکنید.
- برای محصولات بدون قابلیت برفکزدایی، قطرات آب و برفک به قطر یک انگشت (حدود یک اینچ) در دیواره پشتی محفظه یخچال بوجود می آید. آن را تمیز نکنید؛ هرگز نفت یا مواد شیمیایی مشابه را روی آن نریزید.
- برای تمیز کردن سطح خارجی محصول فقط از پارچه های میکروفایبر نسبتاً نرمناک استفاده کنید. ممکن است اسفنج و سایر پارچه های پاککننده بر روی سطح محصول خشک بیندازند.
- یک قاشق چایخوری کربنات را در نیم لیتر آب حل کنید. یک پارچه را در این محلول خیس کنید و کامل آب بکشید. قسمت داخلی دستگاه را با این پارچه تمیز کنید و به طور کامل خشک کنید.
- بررسی کنید که هیچ آبی به درون محفظه لامپ و دیگر بخش های برقی وارد نشود.
- اگر نمی خواهید از دستگاه برای مدت زمان طولانی استفاده کنید، دوشاخه آن را از برق بیرون بکشید، تمام مواد غذایی موجود در آن را بیرون بیاورید، آن را تمیز کرده و درب را نیم باز رها کنید.
- مرتباً بررسی کنید که سبدهای درب تمیز باشند. اگر تمیز نیست، آن را تمیز کنید.
- برای بیرون آوردن درب و قفسه های در، تمام محتوای آن را بیرون بیاورید.
- قفسه های درب را به سمت بالا بکشید و بیرون بیاورید. بعد از تمیز کردن، آنها را از بالا به پایین بلغزاند تا در جای خود قرار بگیرند.
- هرگز از مواد تمیزکننده یا آب حاوی کلر برای تمیز کردن سطوح بیرونی و روکش های فلزی دستگاه استفاده نکنید. کلر سبب ایجاد سایش در سطوح فلزی

3.6 درهای شیشه ای

- کلیه فویل‌های حفاظتی روی شیشه ها را بردارید.
 - یک لایه روی سطح شیشه ها کشیده شده است. این روکش تشکیل لکه را به حداقل رسانده و به زدودن لکه های و کثیفیهای ایجاد شده کمک می کند. شیشه هایی که با چنین روکشی حفاظت نشده اند ممکن است در معرض تشکیل لکه های آبی یا هوایی ارگانیک با غیر ارگانیک مانند آهک، نمکهای کانی، هیدروکربونهای سوخته نشده، اکسید فلز و سیلیکون قرار گیرند که به آسانی و با سرعت باعث ایجاد لکه و آسیب رسیدن به مواد می شوند. تمیز نگاه داشتن شیشه علی رغم تمیز کردن منظم بیش از حد مشکل خواهد شد. در نتیجه، ظاهر و شفافیت شیشه خراب می شود. روشها و ترکیبات تمیز کننده خشن و سایشی هم این خرابیها را تشدید کرده و روند خراب شدن شیشه را تسریع می کنند.
 - باید از محصولات تمیز کردن آبی که دارای آلکالین یا مواد خورنده نمی باشند برای تمیز کردن منظم استفاده کرد.
 - مواد بدون آلکالین و غیر خورنده باید برای تمیز کردن استفاده شوند تا طول کار این روکش برای مدت طولانی ادامه یابد.
 - این شیشه ها حرارت دیده می باشند تا دوام آنان در برابر ضربه و شکستگی افزایش یابد.
 - یک غشاء ایمنی هم در سطح پشت شیشه ها به منظور ایمنی بیشتر بکار گرفته شده است تا در صورت شکستن به محیط اطراف کمتر آسیب برسانند.
- * آلکالی یک باز است که هنگام حل شدن در آب یون هیدروکسید (OH^-) تولید می کند.
- Li (لیتیوم)، Na (سدیم)، K (پتاسیم)، Rb (روبییدیم)، Cs (سزیم) و فلزات مصنوعی و رادیو اکتیو Fr (فرنسیوم) به نام فلزات آلکالی نامیده می شوند.

- در هنگام قطع ناگهانی برق یا زمانی که دوشاخه را از برق قطع کرده و دوباره وصل می کنید ممکن است محافظ حرارتی کمپرسور ببرد زیرا فشار خنک کننده در سیستم خنک کننده هنوز به درستی تنظیم نشده است. دستگاه تقریباً بعد از 6 دقیقه دوباره شروع به کار می کند. اگر دستگاه در پایان این دوره شروع به کار نکرد، لطفاً با نمایندگی خدمات مجاز تماس بگیرید.

- یخچال در حالت یخ زدایی است. <<< این حالت برای یخ زدایی کاملاً خودکار یخچال امری طبیعی است. یخ زدایی به صورت دوره ای انجام می شود.

- دوشاخه دستگاه به برق وصل نیست. <<< بررسی کنید که ابتدا دوشاخه به برق وصل باشد.
- تنظیمات دما به درستی انجام نمی شوند. <<< مقدار دمای مناسب را انتخاب کنید.
- برق قطع شده است. <<< دستگاه بعد از وصل شدن برق به حالت عادی باز می گردد.

صدای عملیات در هنگام کارکرد دستگاه زیاد می شود.

- عملکرد دستگاه بسته به تغییرات ایجاد شده در دمای محیط، تغییر می کند. این حالت طبیعی است و نقص به حساب نمی آید.

دستگاه مرتباً یا برای مدت زمانی طولانی در حال کار کردن است.

ار ریز ی‌ها تمسقه، تمامدخ ش‌خ‌ب‌ا‌ب‌س‌ا‌م‌ت‌ ز‌ا‌ل‌ب‌ق‌ ا‌ق‌ط‌ل‌ا
م‌ف‌ر‌ص‌ ا‌م‌ش‌ل‌ و‌ پ‌و‌ ن‌ا‌م‌ز‌ ر‌د‌ ر‌ا‌ک‌ ن‌ی‌ا‌ ا‌ب‌. د‌ی‌ن‌ک‌ م‌ع‌ل‌ا‌ظ‌م
م‌ک‌ت‌س‌ا‌ ی‌ت‌ل‌ا‌ک‌ش‌م‌ل‌ م‌ا‌ش‌د‌ ت‌س‌ی‌ل‌ ن‌ی‌ا‌. د‌و‌ش‌ ی‌م‌ ی‌و‌چ
د‌ن‌ت‌س‌ی‌ز‌ ن‌ا‌ م‌د‌ن‌ز‌ا‌س‌ د‌ا‌و‌م‌ ا‌ب‌ م‌ا‌گ‌ت‌س‌د‌ ص‌ن‌ق‌د‌ ه‌ج‌ی‌ت‌ ر‌د‌ ل‌ا‌و‌م‌ع‌م
م‌چ‌ر‌ت‌ف‌د‌ ن‌ی‌ا‌ ر‌د‌ م‌د‌ش‌ ف‌ی‌ص‌و‌ت‌ ی‌ه‌ا‌ ی‌گ‌ز‌ی‌و‌ ز‌ا‌ ی‌ض‌ع‌ب‌
د‌ش‌ا‌ب‌ م‌ش‌ا‌د‌ن‌د‌ د‌و‌ج‌و‌ ا‌م‌ش‌ل‌ و‌ ص‌ح‌م‌ ر‌د‌ ت‌س‌ا‌ ن‌ک‌م‌.

دستگاه کار نمی کند.

- دوشاخه به درستی برق وصل نیست. <<<
- دوشاخه را محکم به پریز وصل کنید.
- فیوز دوشاخه ای که یخچال به آن وصل است یا فیوز اصلی ممکن است سوخته باشد. <<< فیوز را بررسی کنید.

در دیواره کناری یخچال (قسمت چندگانه، قسمت کنترل سرما یا قسمت انعطاف پذیر)، میعان ایجاد می شود.

- دمای محیط بسیار خنک است. <<< از نصب محصول در مکان هایی که دمای آن به کمتر از 10 درجه می رسد، خودداری کنید.
- درها به تعداد دفعات زیادی باز و بسته می شوند. <<< از باز کردن و بستن درب یخچال به تعداد دفعات زیاد خودداری کنید.
- دمای محیط بسیار مرطوب است. <<< از نصب یخچال در مکان هایی که رطوبت زیادی دارند، خودداری کنید.
- مواد غذایی حاوی مایعات در محفظه های در باز نگهداری شده اند. <<< مواد غذایی دارای محتوای مایع را در محفظه های در بسته نگهداری کنید.
- درب تا نیمه باز گذاشته شده است. <<< از باز گذاشتن درب های یخچال برای مدت زمان طولانی خودداری کنید.
- ترموستات روی سطح بسیار خنک تنظیم شده است. <<< ترموستات را روی سطحی مناسب تنظیم کنید.

کمپرسور کار نمی کند

دمای یخچال یا فریزر خیلی زیاد است.

- دمای یخچال روی مقدار بسیار زیاد تنظیم شده است. <<< تنظیم دمای قسمت یخچال بر روی دمای فریزر تأثیر می‌گذارد. دمای قسمت یخچال یا فریزر را تغییر دهید تا زمانی که قسمت های مربوطه به دمایی مناسب و کافی برسند.
- درها مرتباً باز می‌شوند یا برای مدت زمان طولانی باز مانده است. <<< از باز کردن مداوم درها خودداری کنید.
- درب تا نیمه باز گذاشته شده است. <<< در را کامل ببندید.
- ممکن است دوشاخه دستگاه به برق وصل شده باشد یا اینکه اخیراً غذا در آن گذاشته باشید. <<< این حالت طبیعی است. هنگامی که دوشاخه یخچال به برق وصل می‌شود یا اگر اخیراً مواد غذایی در آن قرار داده اید، ممکن است بیشتر طول بکشد تا دما را تنظیم کند.
- مقدار زیادی مواد غذایی گرم ممکن است اخیراً در یخچال گذاشته شده باشد. از قرار دادن مواد گرم در دستگاه خودداری کنید.

دستگاه می لرزد یا صدا تولید می‌کند.

- کف دستگاه مسطح یا ثابت نیست. <<< اگر دستگاه در هنگام جابجا شدن آهسته می‌لرزد، پایه های آن را تنظیم کنید. همچنین بررسی کنید که درب به اندازه کافی محکم باشد تا بتواند دستگاه را حمل کند و در سطحی یکسان باقی بماند.
- ممکن است موادی که در یخچال قرار داده اید، صدا ایجاد می‌کنند. <<< اجسام موجود بر روی دستگاه را بردارید.

صدایی مانند جریان آب، صدای وز وز و دیگر موارد به گوش می‌رسد.

- جریان های مایع و گاز با توجه به اصول اجرایی دستگاه پخش می‌شوند. <<< این حالت طبیعی است و نقص به حساب نمی‌آید.

از دستگاه صدایی شبیه سوت شنیده می‌شود.

- برای خنک کردن دستگاه از پنکه استفاده شده است. این حالت طبیعی است و نقص به حساب نمی‌آید.

بر روی دیواره های داخلی دستگاه میعان ایجاد می‌شود.

- محصول جدید ممکن است عریض تر از دستگاه قبلی باشد. دستگاه های بزرگ تر برای مدت زمان بیشتری کار می‌کنند.
- دمای اتاق ممکن است زیاد باشد. <<< طبیعی است که دستگاه در دمای گرم برای مدت زمان بیشتری کار کند.
- ممکن است دوشاخه دستگاه به برق وصل شده باشد یا اینکه اخیراً غذا در آن گذاشته باشید. <<< هنگامی که دوشاخه یخچال به برق وصل می‌شود یا اگر اخیراً مواد غذایی در آن قرار داده اید، ممکن است بیشتر طول بکشد تا دما را تنظیم کند. این حالت طبیعی است.
- مقدار زیادی مواد غذایی گرم ممکن است اخیراً در یخچال گذاشته شده باشد. <<< از قرار دادن مواد گرم در یخچال خودداری کنید.
- ممکن است درها مرتباً باز و بسته شده باشند یا اینکه برای مدت زمان طولانی نیمه باز مانده باشند. <<< هوای گرم وارد شده به یخچال سبب می‌شود که یخچال برای مدت زمان طولانی تری کار کند. از باز کردن مداوم درب دستگاه خودداری کنید.
- درب قسمت فریزر یا یخچال ممکن است باز مانده باشد. <<< بررسی کنید که درها کاملاً بسته باشند.
- دمای دستگاه روی مقدار بسیار کم تنظیم شده است. <<< دمای یخچال را روی مقداری گرم تر تنظیم کنید و منتظر بمانید تا زمانی که به دمای مورد نظر برسید.
- قفل درب یخچال یا فریزر ممکن است کثیف باشد، خراب شده یا اینکه شکسته باشد و به درستی بسته نشود. <<< قفل را تمیز کرده یا تعویض کنید. قفل درب آسیب دیده/شکسته سبب می‌شود که دستگاه برای مدت زمان طولانی تری کار کند تا بتواند دمای فعلی را حفظ کند.

دمای فریزر خیلی کم است در حالیکه خنکی یخچال به اندازه کافی نیست.

- دمای فریزر روی مقدار بسیار کم تنظیم شده است. <<< دمای فریزر را روی مقداری بالاتر تنظیم کنید و بررسی کنید.

دمای یخچال خیلی کم است در حالیکه خنکی فریزر به اندازه کافی نیست.

- دمای یخچال روی مقدار بسیار کم تنظیم شده است. <<< دمای یخچال را روی مقداری بالاتر تنظیم کنید و بررسی کنید.

غذای موجود در قسمت یخچال یخ زده است.

- دمای یخچال روی مقدار بسیار زیاد تنظیم شده است. <<< دمای یخچال را روی مقداری کمتر تنظیم کنید و بررسی کنید.

- هنگام کار کردن محصول ممکن است دمای فضای بین دو در، در پانلهای جانبی و گریل عقبی بالا رود. این امر عادی است و سرویس و نگهداری دستگاه لازم نیست!

- مقدار هوای گرم و مرطوب در دستگاه سبب افزایش میزان ایجاد یخ و میعان می شود. این حالت طبیعی است و نقص به حساب نمی آید.
- درها مرتباً باز می شوند یا برای مدت زمان طولانی باز مانده است. << از باز کردن مداوم درها خودداری کنید.
- درب تا نیمه باز گذاشته شده است. << در را کامل ببندید.

رطوبت روی سطح بیرونی دستگاه یا بین درب ها ایجاد می شود.

- ممکن است در هوا رطوبت باشد که در مناطق مرطوب این حالت کاملاً طبیعی است. هنگامی که رطوبت کمتر است، میعان ایجاد می شود.
- ### بوی بدی در دستگاه است.

- دستگاه را مرتباً تمیز نمی کنید. << قسمت داخلی دستگاه را مرتباً با یک اسفنج و آب گرم یا محلول آب و کربنات تمیز کنید.
- بعضی از مواد بسته بندی ها چنین بویی را ایجاد می کنند. << از یک محفظه دیگر یا مواد بسته بندی دیگر استفاده کنید.
- مواد غذایی که در دستگاه قرار گرفته است در محفظه های درباز هستند. << مواد غذایی را درون محفظه های دربسته قرار دهید. میکروارگانیسم هایی که از محفظه های بدون درب به بیرون پخش می شوند ممکن است سبب ایجاد بویی بد شوند.
- هرگز مواد غذایی که منقضی شده اند یا بهترین تاریخ مصرف آنها گذشته است را در دستگاه نگهداری نکنید.

در بسته نمی شود.

- بسته های مواد غذایی مانع از بسته شدن درب می شوند. بسته هایی که مانع از بسته شدن درب هستند را جابجا کنید.
- یخچال به طور کامل روی زمین صاف قرار نگرفته است. << پایه های آن را تنظیم کرده و ارتفاع دستگاه را تنظیم کنید.
- درب دستگاه مسطح یا محکم نیست. <<< همین بررسی کنید که کف دستگاه صاف باشد و توان کافی داشته باشد تا بتواند دستگاه را حمل کند.

میوه و سبزیجات می چسبند.

- غذا با سقف کشو در تماس است. << مرتباً غذا را در کشو مرتب کنید.

چنانچه سطح محصول داغ باشد



هشدار: اگر با دنبال کردن این دستورالعمل ها در این بخش نتوانستید مشکلات را برطرف کنید، با فروشنده یا نماینده خدمات مجاز تماس بگیرید. شخصاً از تعمیر دستگاهی که کار نمی کند، خودداری کنید.



Фрижидер

Упутство за употребу

Ладилник

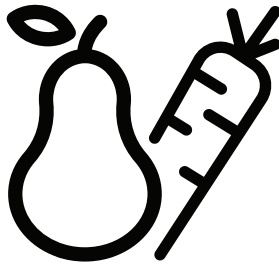
Упатство за корисникот

Frigorifer

Manual Udhëzim

Frižider

Upute za uporabu



RCNE560E60ZGWHN - RCNE560E60ZGBHN



SB / MK / SQ / BOS

58 5051 0000/AG

3/4

Poštovani potrošaču,

Mi želimo postići optimalnu efikasnost naših proizvoda, proizvodi koji su proizvedeni u modernim objektima s pedantnom kontrole kvaliteta.

Za to, molimo vas da potpuno pročitate korisnička uputstva pre upotrebe proizvoda i zadržati ih kao izvor referenca. Ako predate proizvod drugoj osobi, predati ova uputstva uz proizvod.





Korisnička uputstva osiguravaju brzu i sigurnu upotrebu proizvoda.



- Molimo pročitate korisnička uputstva pre instaliranja i upotrebe proizvoda.
- Obavezno se pridržavati važećih sigurnosnih uputa.
- Držite korisnička uputstva na dohvata ruke za upotrebu u budućnosti.
- Molimo vas pročitate sve ostale papire koje ste dobili uz proizvod.

Obratite pažnju da se ovaj korisnički vodič može primjenjivati na nekoliko modela proizvoda. Uputstva jasno ukazuju na varijacije različitih modela.

Simboli i primedbe

Sljedeći simboli se koriste u ova korisnička uputstva:

	Važne informacije i korisne savete.
	Opasnost po života i imovine.
	Opasnost od udara struje.
	Ambalaža proizvoda je napravljena od sirovina koje se mogu reciklirati, u skladu sa Zakonodavstvom nacionalne okoline.

 PODACI	
	Podaci o modelu sačuvani u bazi podataka o proizvodu mogu se dobiti unosom sledeće internet stranice i pretragom po identifikacionom broju vašeg modela (*) koji se nalazi na oznaci potrošnje električne energije. https://eprel.ec.europa.eu/

1 Uputstva o sigurnosti i okoline	3	4 Priprema	11
1.1. Namena	3	5 Rukovanje proizvodom	12
Opšta sigurnost	3	5.1. Držač za jaja	14
1.1.1 HC upozorenja	5	5.2. Fioka za led	15
1.1.2 Za modele s česmom	5	5.3. Ventilator	15
1.2. Namjena	5	5.4. Korpa za povrće	15
1.3. Sigurnost dece	6	5.5. Posuda (u hladnjaku) frižidera	15
1.4. Usklađenost s direktivom WEEE i Bacanje otpadnog proizvoda	6	5.6. Pokretna polica na vratima	16
1.5. Usklađenost sa RoHS direktivom	6	5.7. Klizna kutija za odlaganje	16
1.6. Informacija o ambalaži	6	5.8. Posuda za povrće sa kontrolom vlažnosti	17
2 Vaš frižider	7	5.9. Automatska mašina za led	17
3 Instalacija	8	5.10. Icematic i posuda za čuvanje leda	18
3.1. Pravo mesto za instalaciju	8	5.11. Korišćenje automata za vodu	18
3.2. Postavljanje plastičnih klinova	8	5.12. Punjenje rezervoara automata vodom	19
3.3. Podešavanje podnožja	8	5.13. Čišćenje rezervoara za vodu	20
3.4. Priključivanje napajanja	9	5.14. Posuda za sakupljanje vode	21
4 Priprema	10	5.15. Zamrzavanje sveže hrane	22
4.1. Šta možete uraditi da biste uštedeli energiju	10	5.16. Preporuke za čuvanje smrznute hrane	22
4.2. Prvo upotreba	11	5.17. Informacije o zamrzivaču	23
		5.18. Stavljanje hrane	23
		5.19. Upozorenje na otvorena vrata	23
		5.20. Promena smera otvaranja vrata	23
		5.21. Unutrašnje osvetljenje	23
		6 Održavanje i čišćenje	24
		6.1. Izbegavajte neprijatne mirise	24
		6.2. Zaštita plastičnih površina	24
		6.3. Stakla na vratima	24
		7 Rješavanje problema	25

Ovo deo sadrži sigurnosne upute potrebne da bi uklonili rizik od ozlede i materijalne štete. Nepoštovanje ovih uputa će poništiti sve vrste garancije proizvoda.

1.1. Namena

⚠	<p>UPOZORENJE: Ventilacione otvore na uređaju ili ugrađenoj strukturi održavajte bez prepreka.</p>
⚠	<p>UPOZORENJE: Za ubrzavanje procesa odmrzavanja koristite samo mehaničke uređaje ili druga sredstva koja je preporučio proizvođač.</p>
⚠	<p>UPOZORENJE: Vodite računa da ne oštetite rashladno kolo.</p>
⚠	<p>UPOZORENJE: Ne koristite električne uređaje u odeljcima za skladištenje hrane, osim ako oni ne pripadaju tipu koji je preporučio proizvođač.</p>

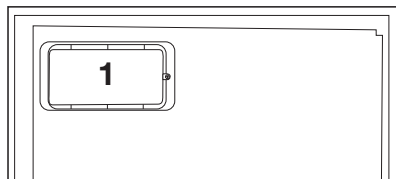
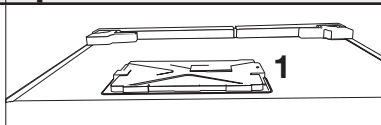
Uređaj je namenjen za korišćenje u domaćinstvu i za slične namene, kao što su

- u kuhinjama rezervisanim za osoblje prodavnice, kancelarije i druga područja poslovanja;
- na seoskim kućama i za goste u hotelima, motelima i drugim okruženjima stambenog tipa.

Opšta sigurnost

- Ovaj proizvod ne trebaju ga koristiti osobe sa fizičkim, senzornim i mentalnim invaliditetom, osobe bez dovoljno znanja i iskustva ili djeca. Proizvod se može koristiti od takvih osoba jedino pod nadzorom i instrukcijama osobe odgovorne za njihovu bezbednost. Ne ostavljati da se deca igraju sa ovim uređajem.
- U slučaju kvara, isključite uređaj.
- Nakon isključivanja, sačekajte najmanje 5 minuta pre nego što ga ponovo uključite. Isključite proizvod kada ga ne upotrebljavate. Ne dirati utikač mokrim rukama! Ne vucite kabla da bi ga isključili, uvek držite utikač.
- Ne uključujete frižider, ako utičnica je labava.
- Isključite proizvod prilikom instalacije, održavanja, čišćenja i popravke.
- Ako nećete proizvod koristiti neko vrijeme, isključite ga i izvadite hranu iznutra.
- Nemojte koristiti paru ili materijala za čišćenje na paru da bi čistili frižidera i za topljenje leda unutra. Para može doći u kontakt sa elektrificiranim područjima i uzrokovati kratkog spoja ili strujnog udara!
- Ne perite proizvod prskanjem ili sipanjem vodu na njega! Opasnost od strujnog udara!
- Nikada nemojte koristiti proizvod ako je otvoren odeljak koji se nalazi na vrhu ili poleđini vašeg proizvoda i koji sadrži elektronske štampane ploče (poklopac elektronskih štampanih ploča) (1).

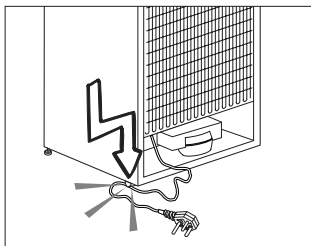
Uputstva o bezbednosti i zaštiti životne sredine



- U slučaju neispravnosti, ne koristite proizvod, jer to može dovesti do strujnog udara. Kontaktirajte ovlašćeni servis pre nego šta uradite bilo šta.
- Priključiti uređaj u utičnicu sa uzemljenjem. Uzemljenje mora biti urađeno sa strane obučenog električara.
- Ako proizvod ima rasvetu tipa LED, kontaktirajte ovlašćeni servis za zamjenu ili u slučaju bilo kakvog problema.
- Ne dirajte smrznute hrane mokrim rukama! Mogu se zalijepiti na vašim rukama!
- U zamrzivaču ne postavljati tečnosti u boce i limenke. Oni mogu izbiti!
- Postavite tečnosti u vertikalnom položaju nakon što snažno zatvorite poklopac.
- Ne prskati zapaljive materije u blizini proizvoda, jer oni se mogu zapaliti ili eksplodirati.
- Ne držite zapaljive materijale i proizvode sa zapaljivim plinom (sprejevi, itd) u frižideru.
- Ne postavljajte sudove sa tečnostima na vrhu proizvoda. Polivanje vode na elektrificiranom

delu može dovesti do strujnog udara i opasnost od požara.

- Ako izložite proizvod na kišu, snijeg, sunca i vjetar, to će izazvati električne opasnosti. Kada selite proizvod, nemojte ga vući za kvaku. Ručka se može izvaditi.
- Vodite računa da se izbjegne hvatanje bilo koji dio vaših ruka ili tela u bilo koji od pokretnih delova unutar proizvoda.
- Nemojte stajati ili naslanjati se na vrata, ladice i slične delove frižidera. To će uraditi da proizvod padne i to će izazvati oštećenje delova.
- Vodite računa da ne zahvatite napajni kabl .
- Prilikom postavljanja uređaja, pazite da kabl za napajanje nije zarobljen ili oštećen.
- Ne postavljajte više portabl utičnica ili prijenosnih napajanja na stražnjoj strani uređaja.



- **Za vaš Side by Side frižider potreban je priključak za vodu. Ako još uvek ne postoji slavina za vodu i treba da pozovete vodoinstalatera, imajte na umu sledeće: Ako u vašoj kući postoji podni sistem za grejanje, imajte na umu da bi bušenje rupa na betonu moglo da prouzrokuje štete na sistemu za grejanje.**

Uputstva o bezbednosti i zaštiti životne sredine

- Deci uzrasta od 3 do 8 godina dozvoljeno je da pune i prazne uređaje za hlađenje.
- Da biste izbegli kontaminaciju hrane, pridržavajte se sledećih uputstava:
 - - Otvaranje vrata na duže vreme može izazvati značajno povećanje temperature u odeljci frižidera.
 - - Redovno čistite površine koje mogu doći u kontakt sa hranom i pristupačnim sistemima za odvodnjavanje.
- Očistite rezervoare za vodu ako nisu korišćeni 48 sati; isperite vodeni sistem povezan sa dovodom vode ako voda nije vučena 5 dana.
- - Sirovo meso i ribu čuvajte u odgovarajućim kontejnerima u frižideru, tako da nije u kontaktu sa ili kapaju na drugu hranu.
- Odeljci sa zamrznutom hranom sa dve zvezdice su pogodni za skladištenje prethodno zamrznute hrane, skladištenje ili pripremanje sladoleda i pravljenje kockica leda.
- - Odeljci sa jednim, dva i tri zvezdice nisu pogodni za zamrzavanje sveže hrane.
- Ako je rashladni uređaj ostavljen prazan duže vrijeme, isključite ga, odmrznite, očistite, osušite i ostavite
- vrata otvorena kako bi se sprečilo stvaranje plijesni unutar uređaja.

1.1.1 HC upozorenja

Ako proizvod ima sistem za hlađenje koji sadrži gasa R600a, obratite pažnju

da se izbegne oštećenje sistema za hlađenje i njegove cevi dok koristite i premeštate proizvod. Taj je gas zapaljiv. Ako je sistem za hlađenje oštećen, držite proizvod podalje od izvora vatre i odmah provetrite sobu.



Nalepnica na unutarnjoj levoj strani pokazuje vrstu gasa koji se koristi u proizvodu.

1.1.2 Za modele s česmom

- Pritisak za dovod hladne vode je maksimalno (90)620 kPa. Ukoliko pritisak vode premašuje 550 kPa, u glavnom vodu upotrebite ventil za ograničavanje pritiska. Ako ne znate kako se proverava pritisak vode, zatražite pomoć vodoinstalatera.
- Ukoliko u vašim instalacijama postoji rizik od efekta vodenog udara, u instalacijama uvek koristite opremu za sprečavanje vodenog udara. Posavetujte se sa vodoinstalaterom ukoliko niste sigurni da li u vašim instalacijama postoji efekat vodenog udara.
- Ne montirati na dovod za toplu vodu. Preduzmite mere opreza protiv rizika od smrzavanja cevi. Raspon temperature vode je od minimalno 0,6°C do maksimalno 38°C.
- Koristite samo vodu za piće.

1.2. Namjena

- Ovaj proizvod je namjenjen za domaću upotrebu. On nije namjenjen za komercijalnu upotrebu.

Uputstva o bezbednosti i zaštiti životne sredine

- Trebate proizvoda koristiti jedino za čuvanje hrane i pića.
- Nemojte držati osetljive proizvode koji traže kontroliranu temperaturama (kao što su vaccine, lekove osetljive na toplotu, sanitetski materijal itd.) u frižideru.
- Proizvođač ne preuzima nikakvu odgovornost za bilo kakvu štetu nastale zbog zloupotrebe ili neispravne upotrebe.
- Originalni rezervni delovi će biti obezbeđeni za 10 godina od dana nabavke proizvoda.

1.3. Sigurnost dece

- Držite ambalažu van dohvata dece.
- Nemojte dopustiti deci da se s proizvodom igraju.
- Ako vrata proizvoda imaju bravu, držite ključ van dohvata dece.

1.4. Usklađenost s direktivom WEEE i Bacanje otpadnog proizvoda

Ovaj proizvod je usklađen s Direktivom EU WEEE (2012/19/EU). Ovaj proizvod nosi simbol klasifikacije za otpad električne i elektronske opreme (WEEE).



Ovaj proizvod je proizveden od visokokvalitetnih dijelova i materijala koji se mogu ponovno koristiti i pogodni su za reciklažu. Na kraju svog radnog života ne

bacajte otpadni proizvod sa normalnim domaćim i ostalim otpadom. Odnosite ga u sabirni centar za recikliranje električne i elektronske opreme. Molimo vas da pitate vaše lokalne vlasti gde su ti sabirni centri.

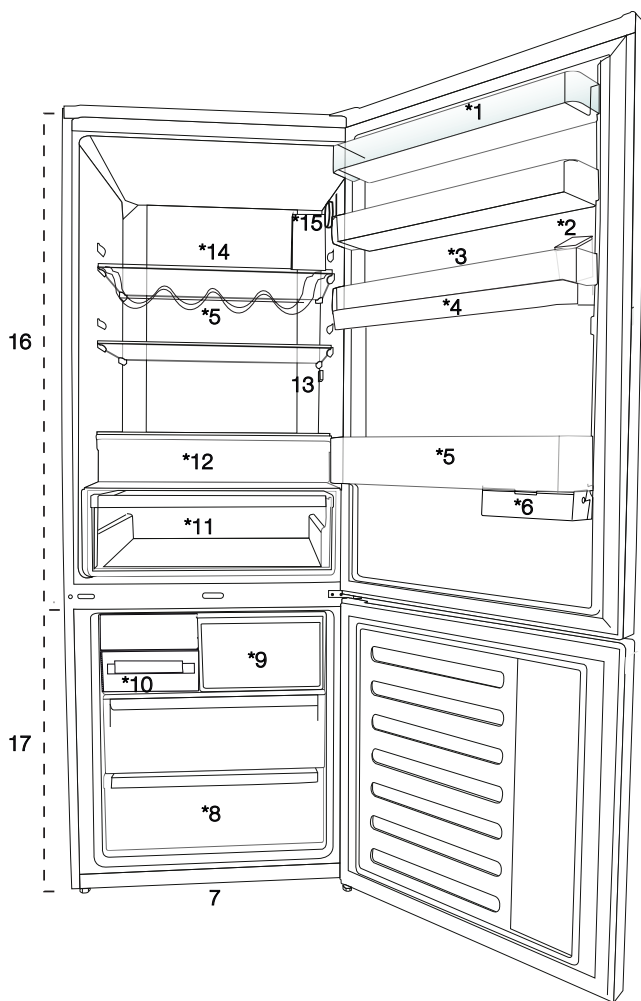
1.5. Usklađenost sa RoHS direktivom

- Ovaj proizvod je usklađen s Direktivom EU WEEE (2011/65/EU). On ne sadrži štetne i zabranjene materijale navedene u Direktivi.

1.6. Informacija o ambalaže

- Materijali za pakiranje proizvoda su proizvedeni od sekundarnih sirovina u skladu s našim nacionalnom propisu za zaštitu okoline. Ne bacajte materijala pakovanja, zajedno s domaćim ili s drugom otpadu. Odnosite ih do sabirne punktove za ambalažu koji su određeni od strane lokalnih vlasti.

2 Vaš frižider



1. Polica na vratima odeljka frižidera
2. Rezervoar za punjenje aparata za vodu
3. Odeljak za jaja
4. Rezervoar aparata za vodu
5. Polica za boce
6. Klizna kutija za odlaganje
7. Podesive nožice
8. Odeljak za duboko zamrzavanje
9. Odeljak za brzo zamrzavanje
10. Posuda za led i fioka za led
11. Korpa za povrće
12. Posuda (u hladnjaku) frižidera
13. Unutrašnje osvetljenje
14. Staklena polica odeljka frižidera
15. Dugme za prilagođavanje temperature
16. Frižider
17. Zamrzivač



***opciono:** Slike date u ovom uputstvu služe samo kao primeri i ne moraju biti potpuno iste kao vaš proizvod. Ako vaš proizvod ne sadrži delove na koje se te slike odnose, informacije se odnose na druge modele.

3.1. Pravo mesto za instalaciju

Obratite se ovlašćenom servisu za instalaciju proizvoda. Da biste proizvod pripremili za instalaciju, pogledajte informacije u uputstvu za upotrebu i proverite da li postoje potrebne električne i vodovodne instalacije. Ako ne postoje, pozovite električara i vodoinstalatera da bi ih postavili po potrebi.



UPOZORENJE: Proizvođač ne preuzima odgovornost za bilo kakvu štetu nastalu usled radova koje su obavile neovlašćene osobe.



UPOZORENJE: Kabl za napajanje proizvoda mora da se isključi iz struje tokom instalacije. Ako to ne učinite, može doći do smrti ili teških povreda!



UPOZORENJE: Ako je raspon kućnih vrata nedovoljan da se proizvod unese kroz njih, uklonite vrata sa proizvoda i okrenite proizvod na stranu, a ako ni taj način ne odgovara, kontaktirajte ovlašćeni servis.

- Proizvod postavite na ravnu površinu da biste izbegli vibracije.
- Proizvod postavite na udaljenosti od najmanje 30 cm od grejalice, šporeta i sličnih izvora toplote i najmanje 5 cm od električnih rerni.
- Proizvod ne izlažite direktnoj sunčevoj svetlosti niti ga držite u vlažnom okruženju..
- Da bi efikasno funkcionisao, proizvod zahteva odgovarajuću cirkulaciju vazduha.
- Ako proizvod treba da se postavi u udubljenje u zidu, zapamtite da treba da ostavite najmanje 5 cm slobodnog prostora između proizvoda i plafona i zidova.
- Proizvod ne instalirajte u okruženjima sa temperaturom manjom od -5°C .

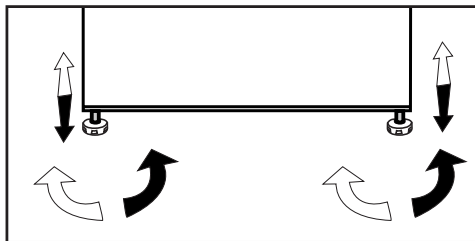
3.2. Postavljanje plastičnih klinova

Koristite priložene plastične klinove uz ovaj proizvod da biste obezbedili dovoljno prostora za cirkulaciju vazduha između uređaja i zida.




1. Da biste priključili klinove, uklonite vijke sa proizvoda i upotrebite vijke priložene uz klinove.
2. Pričvrstite 2 plastična klina za poklopac ventilatora kao što je prikazano na slici.

3.3. Podešavanje podnožja


Ako uređaj nije izbalansiran, postavite prednje podešive stope okretanjem udesno ili ulevo.



3.4. Priključivanje napajanja

	UPOZORENJE: Ne povežite produžni kabl sa jednom ili više utičnica sa priključkom za napajanje.
	UPOZORENJE: Oštećeni kabl za napajanje mora biti zamenjen od strane ovlašćenog servisa.
	Prilikom postavljanja dva frižidera jedan pored drugog, ostaviti najmanje 4 cm rastojanja između njih.

- Naša kompanija ne preuzima odgovornost za bilo kakvu štetu zbog upotrebe bez uzemljenja i bez priključka u skladu sa nacionalnim propisima.
- Napojni kabl mora biti lako dostupan nakon instalacije.
- Povežite frižider na uzemljenu utičnicu koja ima napon od 220-240V/50 Hz. Utikač mora imati osigurač od 10-16A.
- Ne koristite razvodni utikač, sa ili bez produžnog kabla, između zidne utičnice i frižidera.

	Upozorenje na vruću površinu! Na bočnim zidovima vašeg proizvoda ce nalaze cevi rashladnog sredstva koje poboljšavaju rashladni sistem. Kroz ove oblasti može da teče rashladno sredstvo na visokim temperaturama, što dovodi do vrućih površina na bočnim zidovima. Ovo je normalno i nije potrebno servisiranje. Vodite računa kada dodirujete ove oblasti.
---	---

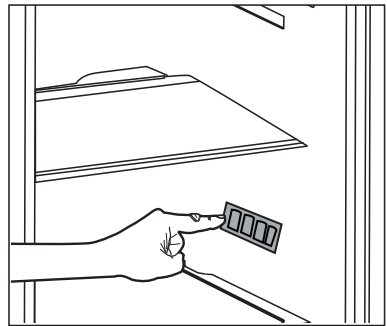
4.1. Šta možete uraditi da biste uštedeli energiju



Povezivanje proizvoda na elektronske sisteme za uštedu energije je štetno, jer to može oštetiti proizvod.

- Za samostojeći uređaj; „Ovaj rashladni uređaj nije predviđen da se koristi kao ugradni uređaj“;
- Ne ostavljati vrata frižidera otvorena duži vremenski period.
- Ne ostavljajte toplu hranu ili pića u frižider.
- Nemojte prepuniti frižider; blokiranje unutrašnjeg protoka vazduha smanjuje kapacitet hlađenja.
- Da biste skladištili maksimalnu količinu hrane u odeljak za hlađenje vašeg frižidera, treba da izvadite gornje fiokice i stavite hranu na staklenu policu. Utvrđena potrošnja električne energije vašeg frižidera je određena kada su izvađeni odeljak za hlađenje, posuda za led i gornje fiokice da bi se obezbedio maksimalni prostor za skladištenje. Prilikom skladištenja, preporučuje se korišćenje donje fiokice. Funkcija štednje energije treba da se aktivira da bi se obezbedila najbolja potrošnja energije.
- Ne smete da blokirate protok vazduha stavljanjem hrane ispred ventilatora frižidera. Prilikom stavljanja hrane, ispred zaštitne rešetke ventilatora treba da se ostavi prostor od najmanje 3 cm.
- U zavisnosti od karakteristika proizvoda; odmrzavanje zamrznute hrane u odeljku frižidera će obezbediti uštedu energije i očuvati kvalitet hrane.
- Hrana treba da se stavlja na fiokice u odeljku frižidera da bi se obezbedila ušteda energije i hrana zaštitila u boljim uslovima.
- Paketi hrane ne treba da dolaze u direktan dodir sa senzorom toplote smeštenim u odeljku frižidera. Ukoliko oni dođu u dodir sa senzorom, potrošnja energije uređaja može da se poveća.
- Pobrinite se da namirnice nisu u kontaktu sa senzorom temperature frižidera koji je opisan u nastavku.




- U slučaju da postoji više opcija, staklene police moraju biti postavljene tako da izlazi za vazduh na zadnjem zidu ne budu blokirani, i po mogućnosti da izlazi za vazduh budu ispod staklene police. Ova kombinacija može doprineti u poboljšanju raspodele vazduha i energetske efikasnosti.
- Posuda (u hladnjaku) frižidera“ obezbeđuje nižu temperaturu u odeljku frižidera. Koristite ovu posudu za čuvanje delikatesnih proizvoda (salame, kobasice, mlečni proizvodi i sl.) kojima je potrebna niža temperatura skladištenja, ili proizvode od mesa, piletine ili ribe koje nameravate ubrzo koristiti. Ne skladištite voće i povrće u ovoj posudi.

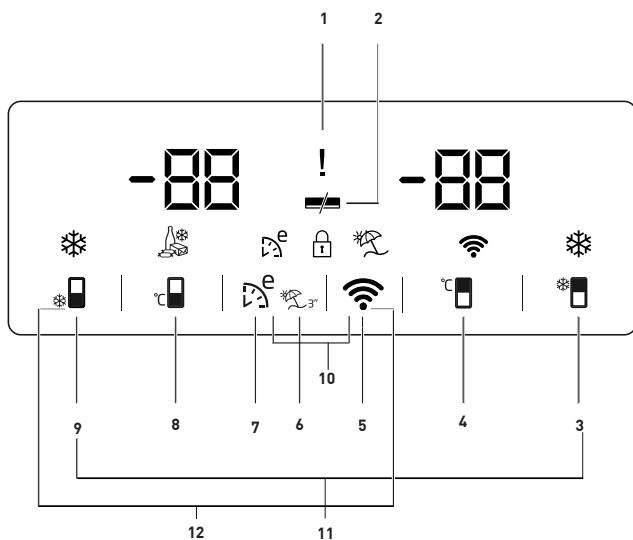


4.2. Prvo upotreba

Pre korišćenja frižidera, proverite da li su obavljene sve neophodne pripreme u skladu sa uputstvima u odeljcima „Bezbednosna uputstva i zaštita životne sredine“ i „Instalacija“.

- Ostavite proizvod da radi bez hrane 6 sati i nemojte otvarati vrata, ukoliko to nije apsolutno neophodno.

	Kada kompresor počinje da radi čuće se zvuk. Zvuk se normalno čuje čak i kada kompresor ne radi zbog komprimovane tečnosti i gasova u sistem hlađenja.
	Prednje ivice proizvoda mogu da se zagreju. To je normalno. Ovi delovi su dizajnirani da bi se zagrevali kako bi se sprečila kondenzacija.
	Na nekim modelima, panel sa indikatorima se isključuje automatski 5 minuta nakon što se vrata zatvore. Ona će se ponovo aktivirati kada se otvore vrata ili se pritisne bilo koje dugme.




1. Indikator statusa kvara u napajanju/visoke temperature/greške
2. Indikator funkcije štednje energije (ekran je isključen)
3. Dugme za brzo hlađenje
4. Dugme za podešavanje temperature odeljka frižidera
5. Dugme za povezivanje na bežičnu mrežu
6. Dugme za funkciju za odmor
7. Dugme za Eco fuzzy
8. Dugme za podešavanje temperature odeljka zamrzivača
9. Dugme za brzo zamrzavanje
10. Zaključavanje tastera
11. Dugme jedinice za promenu temperature



* **Opcionalno:** Slike u ovom uputstvu su dati kao šeme i mogu da ne odgovaraju u potpunosti vašem proizvodu. Ako vaš proizvod ne sadrži delove na koje se te slike odnose, informacije se odnose na druge modele.


Upotreba proizvoda

1. Indikator statusa kvara u napajanju/visoke temperature/greške:


Ovaj indikator () svetli u slučaju upozorenja na prekid napajanja, visoke temperature ili greške.

Kada temperatura zamrzivača postane toliko visoka da je na nivou kritičnom za zamrznutu hranu, maksimalna vrednost dostignuta u zamrzivaču treperi na digitalnom indikatoru. Proverite hranu u odeljku zamrzivača.

Ovo nije kvar. Upozorenje se može izbrisati pritiskom na bilo koje dugme ili na dugme za isključivanje alarma za visoku temperaturu. (Otkazivanje pritiskom na bilo koje dugme nije primenljivo za svaki model.)


Ovaj indikator () svetli i kada dođe do kvara senzora. Kada svetli ovaj indikator, na indikatoru temperature se alternativno prikazuju „E“ i brojeve poput „1,2,3 ...“. Ovi brojevi na indikatoru obavestavaju osoblje servisa o grešci.

2. Indikator funkcije štednje energije (ekran je isključen)

Ako se vrata uređaja drže zatvorena duže vreme, funkcija uštede energije se automatski aktivira i simbol štednje energije svetli. ()


Kada se aktivira funkcija štednje energije, svi simboli na ekranu osim simbola štednje energije će se ugasiti. Kada je aktivirana funkcija štednje energije, ako se pritisne bilo koje dugme ili se otvore vrata, funkcija štednje energije će biti otkazana i simboli na ekranu će se vratiti u normalu. Funkcija uštede energije je fabrički podrazumevana i ne može se otkazati.

3. Dugme za brzo hlađenje

Indikator brzog hlađenja () svetli a vrednost indikatora temperature odeljka frižidera prikazuje se kao 1 kada se aktivira funkcija brzog hlađenja. Da biste otkazali ovu funkciju, ponovo pritisnite dugme Brzo hlađenje. Indikator brzog hlađenja će se isključiti i frižider će se vratiti na normalna podešavanja. Funkcija

brzog hlađenja se otkazuje automatski za 1 sat ako je ne otkazete ranije. Ako želite da hladite velike količine sveže hrane, pritisnite dugme Brzo hlađenje pre stavljanja hrane u odeljak frižidera.

4. Dugme za podešavanje temperature odeljka frižidera

Kada se pritisne ovo dugme, temperatura prostora za hlađenje može da se podesi na vrednosti 8, 7, 6, 5, 4, 3, 2 i 1. ()

5. Dugme za povezivanje na bežičnu mrežu (*opciono)

Dugo pritiskanje na dugme (3 sekunde) pokreće prvo uvođenje proizvoda na mrežu domaćinstva.

Tokom procesa uspostavljanja veze, ikonica bežične mreže () će treptati u intervalima od 0,5 sekunde.

Kada se veza sa mrežom domaćinstva uspešno uspostavi, ikonica bežične mreže će neprekidno da svetli.

Nakon uspostavljanja prve veze, veza se može aktivirati/deaktivirati kratkim pritiskom na ovo dugme.

Nakon isključivanja i uključivanja, automatski će upamtiti i uspostaviti vezu sa vašom mrežom.

Ikona bežične mreže će kratko svetliti (u intervalima od 0,2 sekunde) dok se veza ne uspostavi.

Tokom aktivne veze, ikonica bežične mreže će neprekidno da svetli.

Ako se veza ne može uspostaviti određeno vreme, proverite podešavanja modema/povezivanja.

Aplikacija HomeWhiz koristi se kao interfejs za povezivanje.

Koraci povezivanja opisani su u Vodiču za brzu instalaciju aplikacije HomeWhiz koji se isporučuje uz proizvod.

Odgovore na osnovna pitanja pronađite u odeljku za rešavanje problema.

Upotreba proizvoda

6. Dugme za funkciju za odmor

Da biste aktivirali funkciju za odmor, pritisnite i držite dugme (🔌) 3 sekunde i aktiviraće se indikator režima za odmor (🔌). Kada se aktivira funkcija za odmor, „-“ se prikazuje na indikatoru temperature odeljka frižidera i u odeljku frižidera se ne obavlja aktivno hlađenje. Ne preporučuje se čuvanje hrane u odeljku frižidera kada je aktivirana ova funkcija. Hlađenje drugih odeljaka će se nastaviti u skladu sa njihovim podešenim temperaturama. Da biste otkazali ovu funkciju, pritisnite dugme funkcije za **odmor** ponovo.

7. Dugme za Eco fuzzy

Pritisnite dugme za eco-fuzzy da biste aktivirali funkciju eco-fuzzy. Kada je ova funkcija omogućena, zamrzivač će početi da radi u ekonomičnom režimu nakon najmanje 6 sati i indikator korištenja ekonomičnog režima će se upaliti (🔌).

Da biste onemogućili funkciju eco-fuzzy, pritisnite ponovo dugme funkcije eco-fuzzy. Kada je omogućena eco-fuzzy funkcija, ovaj indikator će se uključiti nakon 6 sati.

8. Dugme za podešavanje temperature zamrzivača

Podešavanje temperature vrši se za odeljak zamrzivača.

Kada se pritisne dugme br. (🔌), temperaturu odeljka zamrzivača možete podesiti na -18, -19, -20, -21, -22, -23 i -24.

9. Dugme za brzo zamrzavanje

Pritisnite dugme br. (9) za brzo zamrzavanje; aktiviraće se indikator (🔌) brzog zamrzavanja. Kada je uključena funkcija brzog zamrzavanja, indikator brzog zamrzavanja svetli dok indikator temperature zamrzivača prikazuje -27. Da biste otkazali ovu funkciju, pritisnite dugme za brzo zamrzavanje (🔌) ponovo. Indikator brzog zamrzavanja će se isključiti i frižider će

se vratiti na normalna podešavanja. Funkcija brzog zamrzavanja se otkazuje automatski za 24 sati ako je ne otkazete ranije. Ako želite da zamrznete velike količine sveže hrane, pritisnite dugme za brzo hlađenje pre stavljanja hrane u odeljak frižidera.

10. Zaključavanje tastera

Pritisnite i držite dugmad bežične mreže (📶) i eco-fuzzy (🔌) istovremeno 3 sekunde. Simbol zaključavanje tastera (🔒) će se upaliti i režim zaključavanja tastera će se aktivirati. Dugmad neće funkcionisati kada je aktivan režim zaključavanja tastera. Pritisnite i držite dugmad bežične mreže (📶) i eco-fuzzy (🔌) istovremeno 3 sekunde. Zaključavanje tastera će se deaktivirati.

Upotrebite funkciju **zaključavanja tastera** ako želite da sprečite promenu podešavanja temperature frižidera.

11. Dugme jedinice za promenu temperature

Pritisnite i držite tastere Brzo hlađenje (🔌) i Brzo zamrzavanje (🔌) 3 sekunde za prebacivanje između Farenhajta i Celzijusa.

5.1. Držać za jaja

Držać za jaja možete po izboru da stavite na policu na vratima ili policu u frižideru. Ako odlučite da ga stavite na policu u frižideru, preporučuje se da za to izaberete donje police pošto su one hladnije.



Ne stavljajte držać za jaja u odeljak zamrzivača.

Upotreba proizvoda

5.2. Fioka za led

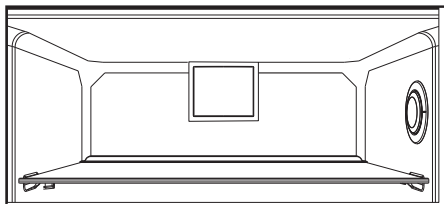
* Opcionalno

- Izvadite fioku za led iz odeljka zamrzivača.
- Napunite fioku za led vodom.
- Vratite fioku za led u odeljak zamrzivača.
- Led će biti spreman nakon otprilike dva sata. Izvadite fioku za led iz odeljka zamrzivača i lagano je nagnite preko držača koji ćete servirati. Led će se jednostavno presipati u držač za serviranje.

5.3. Ventilator

Ventilator je dizajniran da ravnomerno cirkuliše hladan vazduh u frižideru. Vreme rada ventilatora može da varira u zavisnosti od funkcija vašeg proizvoda.

Dok u nekim proizvodima ventilator radi samo sa kompresorom, u drugim kontrolni sistem određuje vreme rada na osnovu potrebe sa hlađenjem.



5.4. Korpa za povrće

* Opcionalno

Korpa za povrće proizvoda je projektovana tako da povrće održava svežim tako što će zadržati vlažnost. Zbog toga će se ukupna cirkulacija hladnog vazduha povećati u korpi za povrće.

5.5. Posuda (u hladnjaku) frižidera

Obezbeđuje nižu temperaturu u odeljku frižidera. Koristite ovu posudu za čuvanje delikatesnih proizvoda (salame, kobasice, mlečni proizvodi i sl.) kojima je potrebna niža temperatura skladištenja, ili proizvode od mesa, piletine ili ribe koje nameravate ubrzo koristiti. Ne skladištite

voće i povrće u ovoj posudi.
Frižider / Uputstvo za korisnike

HerbBox/HerbFresh

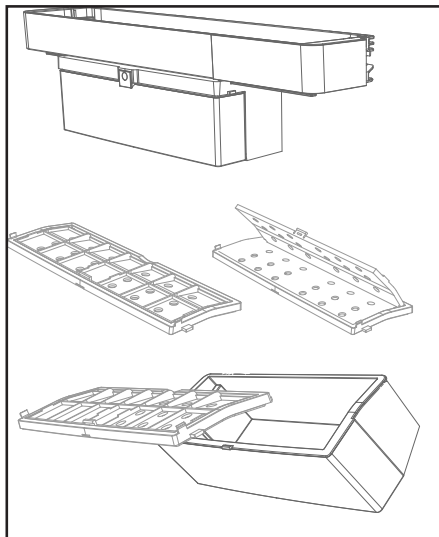
Izvadite posudu za foliju iz HerbBox/HerbFresh+ kutije

Izvadite foliju iz kesice i stavite je u posudu za foliju na način prikazan na slici.

Ponovo zatvorite posudu i vratite je u HerbBox/HerbFresh+ kutiju.

HerbBox-HerbFresh+ odeljci su naročito prikladni za čuvanje različitog bilja treba da se čuva u delikatnim uslovima. U ovom odeljku bilje koje se ne nalazi u kesici (peršun, mirođija, itd.) možete čuvati u horizontalnom položaju i održavati ga svežim mnogo duži vremenski period.

Sloj se zamenjuje na šest meseci.



Upotreba proizvoda

5.6. Pokretna polica na vratima

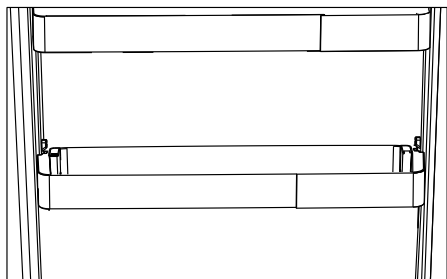
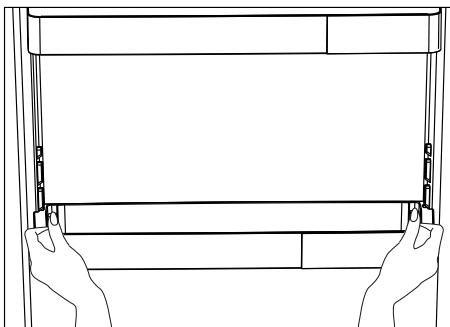
* Opcionalno

Pokretna polica na vratima može da se fiksira u 3 različita položaja.

Da biste pomerili policu, istovremeno pritisnite dugmad na bočnim stranama. Polica će moći da se pomera.

Pomerite policu nagore ili nadole.

Kada se polica nalazi u željenom položaju, pustite dugmad. Polica će se ponovo fiksirati u položaju u kome oslobodite dugmad.

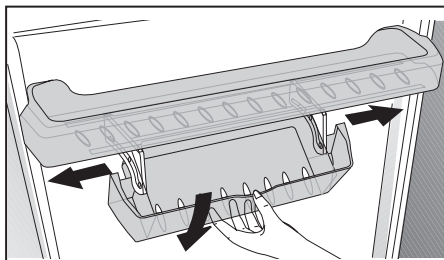


5.7. Klizna kutija za odlaganje

* Opcionalno

Ova dodatna oprema je predviđena da poveća korisnu zapreminu policna na vratima.

Zahvaljujući njenoj sposobnosti da se pomera bočno, ona vam omogućava da jednostavno stavite dugačku bocu, teglu ili kutije koje stavljate na donji stalak za boce.



Upotreba proizvoda

5.8. Posuda za povrće sa kontrolom vlažnosti

* Opcionalno

Sa funkcijom kontrole vlažnosti, nivoi vlažnosti voća i povrća se drže pod kontrolom i obezbeđuje se duži period vlažnosti hrane.

Preporučuje se da se lisnato povrće, kao što je zelena salata, spanać i slično povrće sklono gubitku vlažnosti u posudi za povrće čuva u što horizontalnijem položaju a ne postavljeno na koren.

Prilikom postavljanja povrća, teško i tvrdo povrće stavite na dno a meko na vrh, uzimajući u obzir specifične težine povrća.

Ne ostavljajte povrće u posudi za povrće u plastičnim kesama. Ostavljanje u plastičnim kesama dovodi do toga da povrće brzo istruli. U situacijama kada kontakt sa drugim vrstama povrća nije poželjan, koristite materijal za pakovanje kao što je papri koji ima određenu poroznost u pogledu higijene.

Na stavljanje voća koje ima visoku proizvodnju etilena, kao što su kruška, kajsija, breskva, a naročito jabuka, u istu posudu za povrće sa drugim povrćem i voćem. Etilen koji izlazi iz ovog voća može da dovede do bržeg zrenja i truljenja drugog voća i povrća.

5.9. Automatska mašina za led

* Opcionalno

Automatska mašina za led vam omogućava da brže pravite led u frižideru. Da bi se dobio led iz mašine za led, izvadite rezervoar za vodu iz odeljka frižidera, napunite vodom i vratite ga nazad.

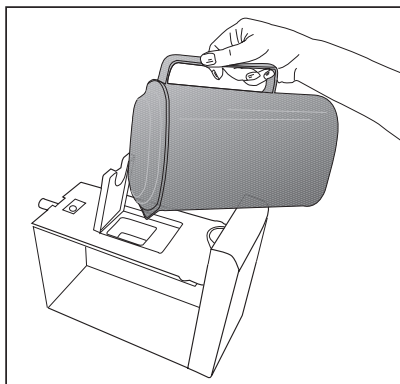
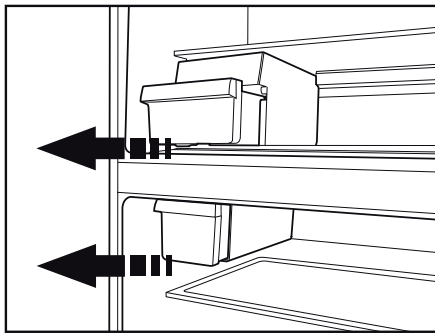
Prvi led će biti sprema za oko 2 sata u fioci mapine za led u odeljku frižidera.

Nakon što stavite pun rezervoar za vodu, možete dobiti oko 60-70 kocki leda dok se on potpuno ne isprazni.

Ako voda u rezervoaru stoji 2-3 nedelje, ona treba da se promeni.



Na proizvodima sa automatskom mašinom za led, može se čuti zvuk prilikom sipanja proizvoda. Ovaj zvuk je normalan i ne označava kvar.



Upotreba proizvoda

5.10. Icematic i posuda za čuvanje leda

* Opcionalno

Korišćenje odeljka Icematic

Napunite Icematic vodom i postavite ga na mesto. Led će biti spreman nakon otprilike dva sata. Za vađenje leda, ne skidajte Icematic sa njegovog mesta.

Okrenite dugmad na rezervoarima za led za 90 stepeni u smeru kretanja kazaljke na satu.

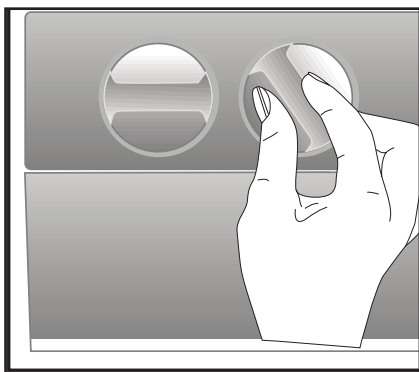
Kocke leda u rezervoarima će pasti u donju posudu za čuvanje leda

Možete izvaditi posudu za čuvanje leda i servirati kocke leda.

Ako želite, možete čuvati kocke leda u posudi za čuvanje leda.



Posuda za čuvanje leda

Posuda za čuvanje leda je namenjena samo za sakupljanje kocki leda. Ne stavljajte vodu u nju. U suprotnom, ona će se polomiti.




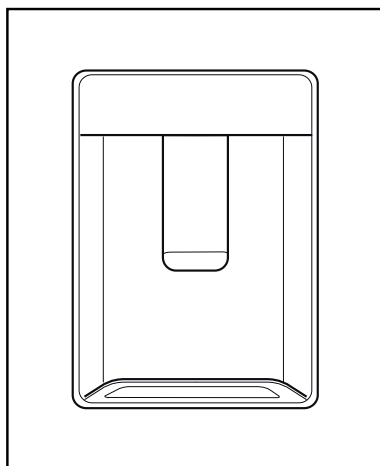
5.11. Korišćenje automata za vodu

* Opcionalno

	Normalno je da prvih nekoliko čaša vode sipanih iz automata za vodu budu tople.
	Ako se aparat za vodu ne koristi duži vremenski period, prosipajte prvih nekoliko čaša da biste dobili svežu vodu.

1. Čašom gurnite ručicu rezervoara za vodu. Ako koristite meku plastičnu čašu, jednostavnije je da ručicu gurnete rukom.
2. Nakon punjenja čaše do željenog nivoa, pustite ručicu.

	Imajte na umu da protok vode iz automata zavisi od toga koliko jako pritisnete ručicu. Kako nivo vode u plastičnoj/staklenoj čaši raste, lagano smanjite količinu pritiska na polugu da biste izbegli da se ona prepuni. Ako lagano pritisnete ručicu, voda će da kaplje; ovo je sasvim normalno i nije kvar.
---	---



Upotreba proizvoda

5.12. Punjenje rezervoara automata vodom

Rezervoar za vodu koji se dopunjuje se nalazi na polici na vratima.

1. Otvorite poklopac rezervoara.
2. Napunite rezervoar svežom vodom za piće.
3. Zatvorite poklopac.



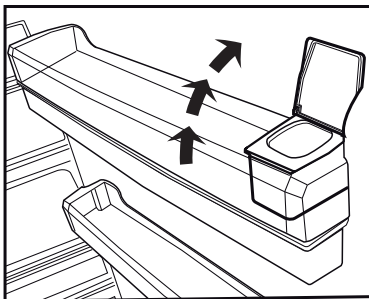
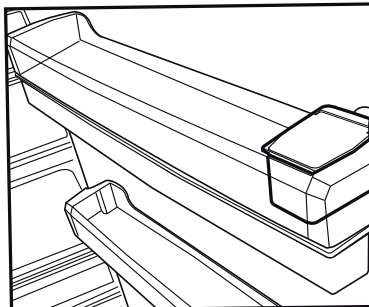
Rezervoar za vodu ne punite drugim tečnostima, kao što su voćni sokovi, gazirana pića ili alkoholna pića koja nisu pogodna za korišćenje u aparatu za vodu. Aparat za vodu će biti nepopravljivo oštećen ukoliko se koriste ovakve vrste tečnosti. Garancija ne pokriva takve načine korišćenja. Neke hemijske supstance i aditivi koji se nalaze u ovim vrstama pića/tečnosti mogu da oštete rezervoar za vodu.



Koristite samo svežu vodu za piće.



Kapacitet rezervoara za vodu je 3 litra, nemojte ga prepunjavati.



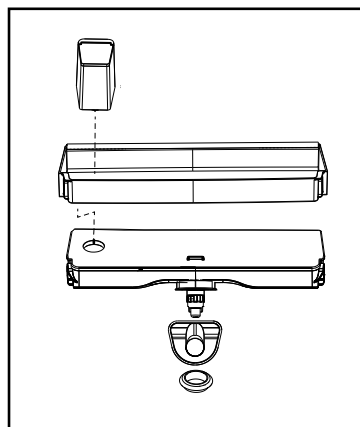
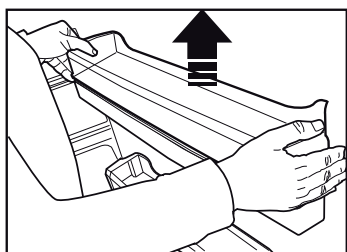
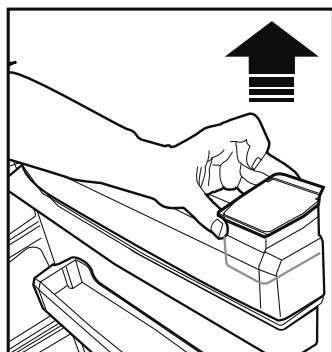
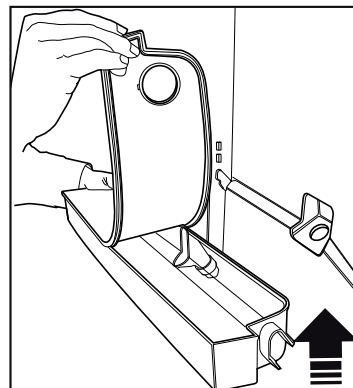
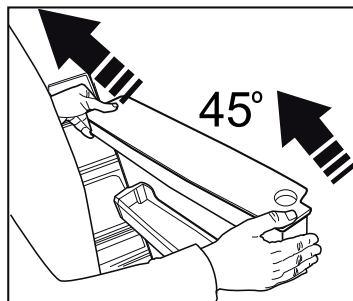
Upotreba proizvoda

5.13. Čišćenje rezervoara za vodu

1. Skinite rezervoar za punjenje vode sa police na vratima.
2. Skinite policu na vratima tako što ćete je držati sa obe strane.
3. Uхватite rezervoar za vodu sa obe strane i skinite ga tako što ćete ga okrenuti za 45°C.
4. Skinite poklopac rezervoara za vodu i očistite rezervoar.



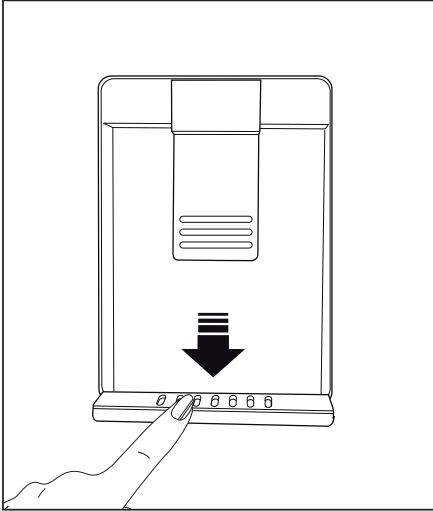
Komponente rezervoara za vodu i aparata za vodu ne treba da se peru u mašini za pranje sudova.



Upotreba proizvoda

5.14. Posuda za sakupljanje vode

Voda koja kaplje tokom korišćenja aparata za vodu se sakuplja u posudi za sakupljanje vode. Skinite plastični filter na način prikazan na slici. Nagomilanu vodu pokupite čistom suvom krpom.



Upotreba proizvoda

5.15. Zamrzavanje sveže hrane

- Da bi se kvalitet hrane u zamrzivaču očuvao, ona se mora zamrznuti što je brže moguće i za ovo možete koristiti brzo zamrzavanje.
- Zamrzavanje hrane kada je sveža će produžiti vreme skladištenja u zamrzivaču.
- Hranu zapakujte u hermetički zatvorene pakete i zalepite.
- Pobrinite se da hrana bude zapakovana pre stavljanja u zamrzivač. Koristite posude za zamrzavanje, staniol i vodootporni papir, plastične kese ili sličnu ambalažu umesto tradicionalne papirne ambalaže.



Led u odeljku zamrzivača se automatski topi.

- Pre zamrzavanja označite svaki paket hrane ispisivanjem datuma na pakovanju. To će

vam omogućiti da utvrdite svežinu svakog paketa kadgod otvorite zamrzivač. Hranu koju ste ranije stavili prebacite u prednji deo zamrzivača da biste je ranije upotrebili.

- Smrznuta hrana se mora iskoristiti odmah nakon odmrzavanja i ne treba je ponovno zamrzavati.
- Ne zamrzavati velike količine hrane odjednom.

5.16. Preporuke za čuvanje smrznute hrane

Odeljak mora biti postavljen na najmanje -18 °C.

1. Stavite hranu u zamrzivač što je moguće pre da bi se izbeglo otapanje.
2. Pre zamrzavanja, proverite „Rok trajanja“ na pakovanju da biste proverili da li je istekao.
3. Proverite da li je pakovanje hrane oštećeno.

Podešavanje temperature odeljka zamrzivača	Podešavanje temperature odeljka frižidera	Detalji
-18°C	4°C	Ovo je podrazumevano, preporučeno podešavanje.
-20, -22 ili -24°C	4°C	Ova podešavanja se preporučuju za ambijentalne temperature koje premašuju 30°C.
Brzo zamrzavanje	4°C	Koristite kada želite da zamrznete hranu u kratkom vremenskom periodu. Kada se ovaj proces završi, proizvod će povratiti svoj položaj.
-18 °C ili hladniji	2°C	Koristite ova podešavanja ako smatrate da odeljak frižidera nije dovoljno hladan zbog ambijentalne temperature ili čestog otvaranja vrata.

Upotreba proizvoda

5.17. Informacije o zamrzivaču

Prema standardima IEC 62552, zamrzivač mora imati sposobnost da zamrzne 4,5 kg prehrambenih artikala na -18°C ili niže temperature u roku od 24 sata na svakih 100 litara zapremine zamrzivača.

Hrana se može sačuvati u dužem periodu samo na ili ispod temperature od -18°C .

Svežina hrane se može održati mesecima (u zamrzivaču na ili ispod temperature od 18°C). Hrana koja se zamrzava ne sme da dodiruje već smrznutu hranu da bi se izbeglo parcijalno odmrzavanje.

Povrće treba skuvati i filtrirati vodu da bi se produžilo vreme skladištenja u smrznutom stanju. Nakon filtriranja, hranu zatvorite u hermetičke pakete i odložite u zamrzivač. Banane, paradajz, zelena salata, celer, kuvana jaja, krompir i slične prehrambene artikle ne treba zamrzavati. Ukoliko ova hrana istruli, to će negativno uticati samo na nutritivne vrednosti i kvalitet ishrane. Truljenje neće imati negativan uticaj na zdravlje ljudi.

5.18. Stavljanje hrane

Police odeljka zamrzivača	Razne smrznute hrane, uključujući meso, ribu, sladoled, povrće itd.
Police odeljka frižidera	Hrana u loncima, pokrivena tanjirima i u zatvorenim kutijama, jaja (u slučaju da su u zatvorenoj kutiji)
Police na vratima odeljka za hlađenje	Manja i upakovana hrana ili pića
Korpa za povrće	Voće i povrće
Odjeljak za svežu hranu	Delikatesi (hrana za doručak, proizvodi od mesa koji se konzumiraju u kratkom roku)

5.19. Upozorenje na otvorena vrata (Opcionalno)

Zvučno upozorenje će se čuti ako vrata proizvoda ostanu otvorena duže od 1 minuta. Zvučno upozorenje će se zaustaviti kada su vrata zatvorena ili se pritisne bilo koje dugme na ekranu (ako je dostupno).

Upozorenje na otvorena vrata će se označiti i zvučno i vizuelno. Unutrašnje osvetljenje će se isključiti ako upozorenje potraje još 10 minuta.

5.20. Promena smera otvaranja vrata

Smer otvaranja vrata frižidera možete promeniti u zavisnosti od lokacije na kojoj ga koristite. Kada vam ovo bude potrebno, kontaktirajte najbliži ovlašćeni servis.

Objašnjenje u nastavku je opšta izjava. Treba da proverite oznaku upozorenja koja se nalazi u ambalaži proizvoda o mogućnosti promene smera otvaranja vrata.

5.21. Unutrašnje osvetljenje

Unutrašnje osvetljenje koristi lampice tipa LED. Kontaktirajte ovlašćeni servis u slučaju problema sa ovom lampicom.

Lampica(e) korišćena(e) u ovom uređaju ne mogu da se koriste za kućno osvetljenje. Namena ove lampice je da pomogne korisniku da bezbedno i praktično stavi hranu u frižider/zamrzivač.

Ovaj proizvod je opremljen izvorom osvetljenja energetske klase „G“.

Izvor osvetljenja u ovom proizvodu mogu zameniti samo stručni serviseri.

Vek trajanja proizvoda se povećava ako se on redovno čisti



UPOZORENJE: Pre čišćenja, frižider prvo isključite iz struje.

- Za čišćenje nikada ne koristite oštre i abrazivne alate, sapun, sredstva za čišćenje u domaćinstvu, deterdžent i vosak za poliranje.
- Rastvorite jednu kašiku karbonata u pola litra vode. Krpu natopite rastvorom i temeljno je iscedite. Ovom krpom izbrišite unutrašnjost uređaja i temeljno isperite.
- Vodite računa da voda ne uđe u kućište lampe i druge električne komponente.
- Vrata očistite vlažnom krpom. Da biste skinuli police na vratima i u frižideru, prvo sklonite sve što se nalazi na njima. Police na vratima skinite tako što ćete ih povući nagore. Nakon čišćenja, gurnite ih odozgo nadole da biste ih postavili.
- Nikada ne koristite sredstva za čišćenje niti vodu koja sadrži hlor za čišćenje spoljašnjih površina i delova proizvoda obloženih hromom. Hlor izaziva koroziju na takvim metalnim površinama.
- Ne koristite oštra, abrazivna sredstva, sapun, sredstva za čišćenje u domaćinstvu, kerozin, mazut, lak, itd. da biste sprečili skidanje i deformaciju štampe na plastičnim delovima. Za čišćenje koristite mlaku vodu i meku krpu, a zatim osušite brisanjem.

6.1. Izbegavajte neprijatne mirise

Materijali koji mogu da izazovu neprijatne mirise nisu korišćeni u proizvodnji naših uređaja. Međutim, zbog neodgovarajućih uslova čuvanja hrane i neredovnog čišćenja unutrašnje površine uređaja, može se razviti problem sa neprijatnim mirisima.

Stoga, čistite frižider karbonatom rastvorenim u vodi na svakih 15 dana.

- Hranu čuvajte u zatvorenim posudama. Mikroorganizmi koji se šire iz nezatvorenih posuda mogu da prouzrokuju neprijatne mirise.

- Hranu sa isteklim rokom trajanja i pokvarenu hranu nikada ne čuvajte u frižideru.

6.2. Zaštita plastičnih površina

Ruke odmah isperite vodom pošto ulje može da izazove oštećenja površine kada se sipa na plastične površine.

6.3. Stakla na vratima

Skinite zaštitnu foliju sa stakala

Skinite oblogu sa površine stakala. Ova obloga smanjuje nagomilavanje mrlja i pomaže u jednostavnom uklanjanju mogućih mrlja i prljavštine. Stakla koja nisu zaštićena takvom oblogom mogu biti podložna upornom vezivanju vazduha ili vode na osnovu organske ili neorganske prljavštine kao što je kamenac, mineralne soli, nesagoreli ugljovodonici, oksidi metala i silikoni koji mogu jednostavno i brzo da izazovu mrlje ili oštećenje materijala. Održavanje stakala čistim postaje suviše teško uprkos redovnom čišćenju. Kao posledica toga, izgled i providnost stakla se pogoršava. Agresivne i korozivne metode čišćenja i jedinjenja će povećati ova oštećenja i ubrzati proces propadanja.

Sredstva za čišćenje na bazi vode koja nisu alkalna i korozivna moraju da se koriste u svrhe redovnog čišćenja.

Za čišćenje moraju da se koriste materijali koji nisu alkalni i nisu korozivni tako da vek trajanja ove obloge traje duže.

Ovo staklo je ojačano da bi se povećala njegova izdržljivost na uticaje i pucanje. Bezbednosna folija se takođe nanosi na zadnje površine kao dodatna bezbednosna mera da bi se sprečilo da ona izazovu oštećenja na okolnim predmetima ukoliko puknu.

*Alkali su baze koje formiraju jone hidroksida (OH) kada se rastvaraju u vodi.

Metali Li (litijum), Na (natrijum), K (kalijum) Rb (rubidijum), Cs (cezijum) i veštački i radioaktivni Fr (francijum) se nazivaju ALKALNI METALI.

Provjerite ovu listu prije kontaktiranja servisa. Na taj način ćete uštedjeti vreme i novac. Ova lista uključuje česte pritužbe koje se ne odnose na neispravne izradu ili materijale. Određene navedene odlike mogu se ne odnositi na vaš proizvod.

Frizider ne radi.

- Utikač nije u potpunosti utaknut. >>> *Uključite ga u potpunosti u utičnicu.*
- Osigurač povezani na šteker koji napaja proizvod ili glavni osigurač je eksplodirao. >>> *Provjerite osigurače.*

Kondenzacija na bočnom zidu hladnjaka (MULTI ZONA, HLADNO, KONTROLA i FLEXI ZONA).

- Okruženje je previše hladno. >>> *Ne postavljajte proizvod u sredinama s temperaturama ispod -5 ° C.*
- Vrata su se otvorila prečesto >>> *Pazite da ne otvorati vrata proizvoda prečesto.*
- Okruženje je previše vlažno. >>> *Ne postavljati proizvod u vlažnim sredinama.*
- Hrana koja sadrži tekućine se čuvaju u otvorenim posuđem. >>> *Držite hranu koja sadrži tekućine zatvorenu.*
- Vrata proizvoda je ostala otvoreno. >>> *Nemojte držati vrata proizvoda otvorene tokom dugih perioda.*
- Termostat je podešen na suviše niske temperature. >>> *Podesite termostat na odgovarajuću temperaturu.*

Kompresor ne radi.

- U slučaju iznenadnog nestanka struje ili povlačenjem utikača i onda vraćanja, pritisak gasova u sistemu hlađenja proizvoda nije izbalansiran i to pokreće termičku zaštitu kompresora. Proizvod će se ponovo pokrenuti nakon oko 6 minuta. Ako proizvod se nije ponovo pokrenuo nakon tog perioda, kontaktirajte servis.
- Odmrzavanje je aktivno. >>> *To je normalno za potpuno automatsko odmrzavanje proizvoda. Odmrzavanje se obavlja periodično.*
- Proizvod nije priključen >>> *Pobrinite se da je napajanje priključeno*
- Postavka temperature je pogrešna. >>> *Odaberite odgovarajuću postavku temperature.*
- Nestalo je struje. >>> *Proizvod će nastaviti normalno raditi kada struja opet dođe.*

Radna buka frižidera se povećava dok je u upotrebi.

- Operativni performanse proizvoda može se razlikovati ovisno o varijacije temperature okoline. To je normalno i ne predstavlja kvar.

Frizider radi prečesto ili predugo.

Rešavanje problema

- Novi proizvod može biti veći od prethodnog. Veći proizvodi će duže raditi.
- Sobna temperatura može biti visoka. >>> *Proizvod će normalno raditi za duže periode kod višu temperaturu sobe.*
- Proizvod je možda nedavno uključen ili nove hrane su unutra. >>> *Proizvodu će trebati više vremena da dostigne zadanu temperaturu kada je nedavno uključen ili kada ima novih hrana unutra. To je normalno.*
- Velike količine tople hrane možda su nedavno postavljene u proizvod. >>> *Ne stavljajte toplu hranu u proizvod.*
- Vrata su se otvorila često ili su bila otvorena dužeg vremena. >>> *Topli zrak koji se kreće unutar će izazvati da proizvod više radi. Ne otvarajte vrata prečesto.*
- Vrata zamrzivača ili hladnjaka mogu biti odškrinuta. >>> *Provjerite da li su vrata potpuno zatvorena.*
- Proizvod možda je postavljen na prenisku temperaturu. >>> *Postavite temperaturu na viši stupanj i čekati da dođe do podešenu temperaturu.*
- Gumica vrata hladnjak ili zamrzivača možda je prljava, istrošen, slomljena ili nije pravilno postavljena. >>> *Očistite ili zamijenite gumicu. Oštećena / pocepana gumica vrata će uzrokovati da proizvod radi duži period za očuvanje trenutne temperature.*

Temperatura zamrzivača je veoma niska, ali je temperatura hladnjaka adekvatna.

- Temperatura odjeljka Zamrzivač je postavljena na vrlo niskim stepenom. >>> *Podesite temperaturu zamrzivača na viši stupanj i provjerite još jednom.*

Temperatura hladnjaka je vrlo niska, ali temperatura zamrzivača je adekvatna.

- Temperatura hladnjaka je postavljena na vrlo nizak stupanj. >>> *Postavite temperatura hladnjaka na viši stupanj i provjerite još jednom.*

Hrana koja je u hladnjaku je zamrznula.

- Temperatura hladnjaka je postavljena na vrlo nizak stupanj. >>> *Podesite temperaturu zamrzivača na viši stupanj i provjerite još jednom.*

Temperatura u hladnjaku ili zamrzivaču je previsoka.

- Temperatura hladnjaka je postavljena na vrlo visoki stupanj. >>> *Postavka temperature hladnjaka utječe na temperaturu zamrzivača. Promijenite temperature hladnjaka ili zamrzivača i sačekajte da relevantne pregrade dostigne podešeni nivo temperature.*
- Vrata su se otvorila često ili su bila otvorena dužeg vremena. >>> *Ne otvarajte vrata prečesto.*
- Vrata mogu biti odškrinuta. >>> *Potpuno zatvorite vrata.*
- Proizvod je možda nedavno uključen ili nove hrane su unutra. >>> *To je normalno. Proizvodu će trebati više vremena da dostigne zadanu temperaturu kada je nedavno uključen ili kada ima novih hrana unutra.*
- Velike količine tople hrane možda su nedavno postavljene u proizvod. >>> *Ne stavljajte toplu hranu u proizvod.*

Drhtanje ili buke.

- Tlo nije ravno ili izdržljivo. >>> *Ako se proizvod tresе kada se polako pomiče, prilagoditi nogare za uravnoteženje proizvoda. Također pazite da je tlo dovoljno izdržljivo da nosi proizvod.*
- Svi predmeti na proizvodu mogu izazvati buku. >>> *Uklonite sve predmete koje se nalaze na proizvodu.*

Proizvod daje buku kao kad tečnost teče, prskanje itd.

- Operativni principi proizvoda uključuju tokovi tečnosti i gasova. >>> *To je normalno i ne predstavlja kvar.*

Čuje se zvuk vetra koji dolazi iz proizvoda.

- Proizvod koristi ventilator za proces hlađenja. To je normalno i ne predstavlja kvar.

Postoji kondenzacije na unutrašnjim zidovima proizvoda.

Rešavanje problema

- Vruće ili vlažno vremenu će povećati zaleđivanje i kondenzacije. To je normalno i ne predstavlja kvar.
- Vrata su se otvarala često ili su bila otvorena dužeg vremena. >>> *Ne otvarajte vrata prečesto, ako su otvorena, zatvorite ih.*
- Vrata mogu biti odškrinuta. >>> *Do kraja zatvorite vrata.*



UPOZORENJE: Ako problem i dalje postoji nakon što ste slijedeli upute u ovom poglavlju, obratite se prodavcu ili ovlaštenom servisu. Nemojte pokušavati popraviti proizvod.

Postoji kondenzacije na vanjske površine proizvoda ili između vrata.

- Spoljni vazduh može biti vlažan, to je sasvim normalno u vlažnom vremenu. >>> *Kondenzacija će nestati kada se vlažnost smanjuje.*

Unutrašnjost smrdi.

- Proizvod se redovno ne čiste. >>> *Redovno čistite unutrašnjost pomoću spužve, toplom vodom i gaziranom vodom.*
- Pojedini držači i materijale za pakovanje mogu izazvati mirise. >>> *Koristite držače i materijale za pakovanje bez mirisa.*
- Hrane su bili smješteni u otvorenim posuđem. >>> *Držite hranu u zatvorenim posuđem. Mikroorganizmi mogu se proširiti od nezapečaćenih prehrambenih artikala i izazvati loši miris.*
- Uklonite iz proizvoda sve hrane kojima je istekao rok ili su pokvarene.

Vrata se ne zatvaraju.

- Paketi hrane može blokiraju vrata. >>> *Relocirajte stvari koji blokiraju vrata.*
- Proizvod ne stoji u potpuno uspravnom položaju. >>> *Podesite nogare za uravnoteženje proizvoda.*
- Tlo nije ravno ili izdržljivo. >>> *Pobrinite se da je tlo ravno i dovoljno izdržljivo da nosi proizvoda.*

Korpa za povrća je zaglavljena.

- Hrana može biti u kontaktu sa gornjem delu ladice. >>> *Reorganizovati prehrambenih artikala u ladici.*

Ве молиме, прочитајте го овој прирачник пред да го користите производот!

Почитувам потрошувачу,

Би сакале да го користите најдобро што може нашиот производ кој е грижливо направен во модерни простории и со строги контроли на квалитетот.





Затоа, Ве советуваме да го прочитате целото упатство за употреба пред да го користите производот. Во случај да му го дадете производот на некој друг, не заборавајте да му го дадете упатството на новиот сопственик заедно со производот.








Ова упатство ќе Ви помогне да го користите производот брзо и безбедно.

- Ве молиме, прочитајте го внимателно упатството за употреба пред да го инсталирате и да го користите производот.
- Секогаш придржувајте се до важечките безбедносни упатства.
- Чувајте го упатството за употреба на дофат за идна употреба.
- Ве молиме, прочитајте ги сите други документи дадени со производот.

Имајте предвид дека ова упатство за употреба може да важи за повеќе модели на производи.

Упатството јасно укажува на варијациите на разните модели.




	Важни информации и корисни совети.
	Ризици за животот и за имотот.
	Ризик од струен удар.
	Пакувањето на производот е направено од материјали што може да се рециклираат, во согласност со националното законодавство за животна средина.

	ИНФОРМИИ
	ENERGY
	Информациите за моделот се чуваат во базата на податоци и до нив можете да стигнете ако одите на следнава веб-локација и да го побарате идентификаторот на вашиот модел (*) кој се наоѓа на налепницата за енергија.
SUPPLIER'S NAME 	MODEL IDENTIFIER (*) 
	
	https://eprel.ec.europa.eu/

1. Безбедност и упатства за животната средина	3	5.14. Чистење на водниот резервоар	23
1.1. Општа безбедност	3	5.15. Послужавник за капење.	24
1.1.1 НС-предупредување	7	5.16. Кутија за зачини/Свежи зачини (HerbBox/ HerbFresh).	24
1.1.2 За модели со чешма за вода	7	5.17. Замрзнување свежа храна	25
1.2. Наменета употреба	8	5.18. Препораки за чување на смрзната храна.	25
1.3. Безбедност во однос на деца.	8	5.19. Детали за за длабоко замрзнување . .	26
1.4. Усогласеност со Директивата за отпадна електрична и електронска опрема и ослободување од отпадни производи .	8	5.20. Ставање на храната	26
1.5. Усогласеност со Директивата за ограничување опасни супстанции	9	5.21. Предупредување за отворена врата .	26
1.6. Информации за пакувањето.	9	5.22. Менување на насоката на отворање на вратата	26
2 Вашиот фрижидер	10	5.23. Внатрешно светло	26
3 Инсталација	11	5.24. Сино светло/HarvestFresh (Тазе набрано)	27
3.1. Вистинско место за инсталирање	11	5.25. Менување на светилката за осветлување	27
3.2. Прицврстување на пластичните делови	11	6 Одржување и чистење	28
3.3. Приспособување на садот	11	6.1. Избегнување на лоши мириси	28
3.4. Поврзување во струја	12	6.2. Заштита на пластичните површини . .	28
4 Подготовка	13	6.3. Стаклото на вратата	28
4.1. Што да правите за заштеда на енергија	13	7 Решавање проблеми	30
4.2. Прва употреба	13		
5 Користење на производот	14		
5.1. Панел со индикатори	14		
5.2. Кофа за мраз	18		
5.3. Сад на јајца	18		
5.4. Вентилатор	18		
5.5. Корпа за зеленчуци	18		
5.6. Корпата за млечни производи(за чување на ладно)	18		
5.7. Подвижна рамка на вратата.	19		
5.8. Лизгачка кутија за складирање	19		
5.9. Корпа за зеленчук со контрола на влажност	20		
5.10. Автоматска машина за мраз	20		
5.11. Ледомат и сад за чување мраз	21		
5.12. Користење на чешмата за вода	21		
5.13. Полнење на резервоарот на чешмата за вода	22		

Овој дел дава безбедносни упатства потребни за спречување на ризик од повреда и материјална штета. Непочитувањето на овие упатства ги поништува сите видови гаранции за производот.

Наменета употреба

	<p>ПРЕДУПРЕДУВАЊЕ: Пред отворите за вентилација во затворениот дел на уредот или во вградената структура да нема никакви пречки.</p>
	<p>ПРЕДУПРЕДУВАЊЕ: Не користете механички уреди или други средства за забрзување на процесот на топење, освен оние препорачани од производителот.</p>
	<p>ПРЕДУПРЕДУВАЊЕ: Не оштетувајте го разладувачкото коло.</p>



ПРЕДУПРЕДУВАЊЕ:

Не користете струјни уреди во одделите за складирање на храна на уредот, освен ако не се од вид препорачан од производителот.

Уредот е наменет да се користи во домаќинството и слично, како што се:

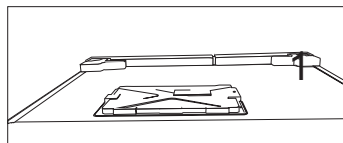
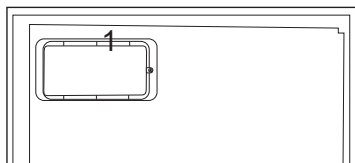
- кујни за персоналот во продавници, канцеларии и други работни средини;
- фарми и од клиенти во хотели, мотели и други станбени средини;
- пансиони и слични средини;
- кејтеринг и слични немалопродажни примени.

1.1. Општа безбедност

- Овој производ не треба да го користат лица со физички, сензорни и ментални пречки, без доволно знаење и искуство или деца. Уредот тие лица може да го користат само под надзор и водство на лице задолжено за нивната безбедност. На деца не смее да им се дозволува да играат во овој уред.

Безбедност и упатства за животната средина

- Во случај на неправилно работење, извадете ја приклучницата на уредот од струја.
- Откако ќе ја извадите приклучницата од струја, почекајте најмалку 5 минути пред да ја вклучите повторно.
- Извадете ја приклучницата кога не се користи уредот.
- Не допирајте го кабелот со мокри раце! Не влечете го кабелот за да ја извадите приклучницата, секогаш држете ја.
- Не вклучувајте го штекерот на фрижидерот во струја ако штекерот е лабав.
- Издавате ја приклучницата на производот во текот на инсталирањето, одржувањето, чистењето и поправањето.
- Ако нема да го користите извесно време производот, извадете ја приклучницата од струја и извадете ја храната однатре.
- Не користете го производот кога е отворен одделот со колни картички кој се наоѓа на горниот заден дел од производот (поклопец на кутијата на електричната картичка) (1).



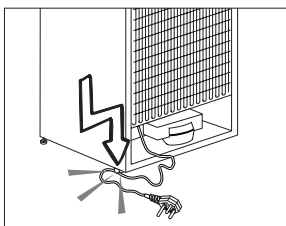
- Не користете пара или средства за чистење во облик на пареа за чистење на фрижидерот и за топење на мразот внатре. Пареата може да дојде во контакт со деловите со струја и да предизвика краток спој или струен удар!
- Не чистете го производот со шприцање или истурање вода на него! Ризик од струен удар!
- Во случај на неправилно работење, не користете го производот, може

Безбедност и упатства за животната средина

- да предизвика струен удар. Контактирајте го овластениот сервис пред да направите што било.
- Вклучете го приклучокот во приземјен штекер. Приземјувањето мора да го направи квалификуван електричар.
- Ако производот има осветлување LED, контактирајте го овластениот сервис за замена или во случај да има некаков проблем.
- Не допирајте смрзната храна со мокри раце! Може да Ви се залепи за рацете!
- Не ставајте течности во шишиња и лименки во одделеот за замрзнување. Може да пукнат и да истечат!
- Ставете ги течностите во исправена позиција откако цврсто ќе го затворите капакот.
- Не шприцајте запаливи супстанции близу производот, може да изгори или да експлодира.
- Не чувајте запаливи материјали или производи со запалив гас (спрејови итн.) во фрижидерот.
- Не ставајте садови со течност врз производот. Прскањето вода на дел во кој има струја може да предизвика струен удар или ризик од пожар.
- Изложувањето на производот на дожд, снег, сончева светлина или ветар ќе предизвикаат опасност од електричен инцидент. Кога го преместувате производот, не го влечете за рачката на вратата. Рачката може да се извади.
- Внимавајте да не фатете дел од рацете или телото во некој од подвижните делови во производот.
- Не се качувајте или потпирајте се на вратата, фиоките или слични делови од фрижидерот. Ова ќе предизвика производот да падне и ќе предизвика оштетување на деловите.

Безбедност и упатства за животната средина

- Внимавајте да не го згазите кабелот за струја.
- При поставување на уредот, осигурете дека кабелот за напојување не е прекинат или оштетен.
- Не поставувајте повеќе преносни штекери или преносни напојувања на задниот дел од уредот.



- Деца на возраст од 3 до 8 година можат да ги полнат и празнат разладните уреди.
- За да се избегне контаминација, Ве молиме почитувајте ги следните упатства:
- Отворањето врата на подолги временски периоди може да предизвика значително зголемување на температурата во деловите од уредот.

- Чистете ги редовно површините кои можат да дојдат во допир со храна и достапните системи за одвод.
- Чистете ги резервоарите со вода што не сте ги користеле 48 часа; исклучете го системот за вода поврзан со доводот на вода ако водата не е исцедена 5 дена.
- Складирајте сирова храна и риба во соодветните садови во фрижидерот, така што нема да дојдат во допир со или да прокапуваат на друга храна.
- Деловите со две ѕвезди се соодветни за складирање претходно смрзната храна, складирање и правење сладолед
- и правење коцки мраз.
- Деловите со една, две или три ѕвезди не се соодветни за смрзнување на свежа храна.
- Ако разладниот уред е оставен празен подолго време, исклучете го,

одмрзнете, исчистете, исушете и оставете

- ја вратата отворена за да спречите создавање мувла во уредот.

1.1.1 НС-предупредување

Ако производот има систем за ладење со R600a гас, внимавајте да не го оштетувате системот за ладење и цевката додека го користите и движите производот. Овој гас е запалив. Ако е општетен системот за ладење, чувајте го производот подалеку од извори на оган и извентилирајте ја веднаш собата.



Етикетата на внатрешната лева стана означува каков вид гас е користен во производот.

1.1.2 За модели со чешма за вода

- Притисокот за внес на студена вода треба да биде најмногу 90 psi (620 kPa). Ако притисокот на водата надминува 80 psi (550 kPa), користете

вентил за ограничување на притисокот во главната мрежа. Ако не знаете како да го проверите водниот притисок, побарајте помош од професионален водоводџија.

- Ако постои ризик од воден удар во инсталацијата, секога користете опрема за спречување на воден удар во вашата инсталација. Консултирајте професионални водоводџии ако не сте сигури дека нема ефект на воден удар во инсталацијата.
- Не инсталирајте на влезот за топла вода. Преземете мерки против ризикот од смрзнување на цревата. Оперативниот интервал на температурата на водата треба да биде 33°F (0,6°C) минимум и 100°F (38°C) максимум.
- Користете само вода за пиење.

Безбедност и упатства за животната средина

1.2. Наменета употреба

- Производот е наменет за домашна употреба. Не е наменет за комерцијална употреба.
- Производот треба да се користи само за складирање на храна и пијалаци.
- Не користете чувствителни поризводи на кои им требаат контролирани температури (вакцини, лекови чувствителни на топлина, медицински резерви итн.) во фрижидерот.
- Производителот не презема никаква одговорност за оштетување поради неправилна употреба или неправилно ракување.
- Оригиналните резервни делови ќе имате за 10 години по датумот на купување на производот.

1.3. Безбедност во однос на деца

- Чувајте ги подалеку од децата материјалите за пакување.

- Не дозволувајте им на децата да си играат со производот.
- Ако вратата на производот има клуч, чувајте го клучот подалеку од децата.

1.4. Усогласеност со Директивата за отпадна електрична и електронска опрема и ослободување од отпадни производи

Овој производ е во согласност со Директивата на ЕУ за отпадна електрична и електронска опрема (2012/19/EU). Овој производ има симбол за класификација за отпадна електрична и електронска опрема (Директивата за отпадна електрична и електронска опрема).



Овој производ е направен со висококвалитетни делови и материјали што може да се користат повторно и што се соодветни за рециклирање.

Кога ќе дотрае, не се ослободувајте од отпадниот производ во нормалниот домашен отпад и други отпади. Однесете го во пункт за собирање за рециклирање на електрична и електронска опрема. Ве молиме, консултирајте ги локалните власти за да дознаете за овие собирачки пунктови.

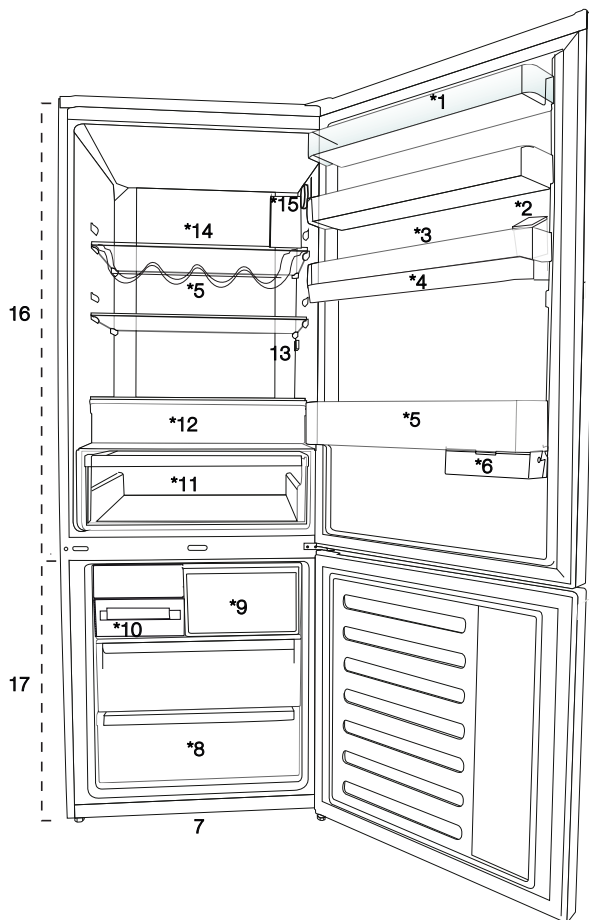
1.5. Усогласеност со Директивата за ограничување опасни супстанции

- Овој производ е во согласност со Директивата на ЕУ за отпадна електрична и електронска опрема (2011/65/EU). Не содржи штетни или забранети материјали наведени во Директивата.

1.6. Информации за пакувањето

- Материјалите за пакување на производот се произведени од материјали за рециклирање според нашите национални регулативи за животната средина. Не се одлободувајте од материјалите за пакување заедно со домашниот или други отпади. Однесете ги во пунктот за собирање материјали за пакување определени од локалните власти.

2 Вашиот фрижидер



1. Рафт на вратата на одделот за ладење
2. Резервоар за полнење на чешмата за вода
3. Дел за јајца
4. Резервоар на чешмата за вода
5. Рафт за шишиња
6. Лизгачка кутија за складирање
7. Приспособливи ногалки
8. Оддел за длабоко замрзнување
9. Оддел за брзо замрзнување
10. Послужавник за коцки мраз и резервоар за мраз
11. Корпа за зеленчуци
12. Корпата за млечни производи (за чување на ладно)
13. Внатрешно светло
14. Стаклен рафт на вратата на одделот за ладење
15. Копче за приспособување на температурата
16. Оддел за ладење
17. Оддел за замрзнување






***по избор:** Сликите во овој прирачник се дадени како слики за пример и може да не се исти како вашиот производ. Ако вашиот производ не ги содржи релевантните делови, информациите се однесуваат на други модели.

3 Инсталација

3.1. Вистинско место за инсталирање

Контактирајте го овластениот сервис за инсталирање на производот. За да го подготвите поризводот за инсталирање, погледнете ги информациите во упатството за употреба и проверете дали електричните и водните уреди се како што треба. Ако не се, повикајте електричар и водоводчија да ги наместата уредите како што треба.

	ПРЕДУПРЕДУВАЊЕ: Производителот не презема никаква одговорност за каква било штета предизвикана со работата која ја изведуваат неовластени лица.
	ПРЕДУПРЕДУВАЊЕ: Електричниот кабел на производот мора да е исклучен за време на инсталирањето. Ако не го направите тоа, може да дојде со смрт или сериозни повреди!
	ПРЕДУПРЕДУВАЊЕ: Ако ширината на вратата е премногу тесна за да помине производот, озвадете ја вратата и свртете го производот странично; ако ова не функционира, контактирајте овластен сервис.

- Ставете го производот на рамна површина за да нема вибрации.
- Ставете го производот најмалку 30 см подалеку од грејачот, шпоретот и слични извори на топлина и најмалку 5 см од електрични рерни.
- Не изложувајте го производот на директна сончева светлина и не го чувајте во влажна средина.
- На производот му треба соодветна воздушна циркулација за да функционира ефикасно.
- Ако производот се става во вдлабнатина во сидот, не заборавајте да оставите растојание од најмалку 5 см помеѓу производот и плафонот и сидовите.
- Не инсталирајте го производот во средина во која температурите се под -5°C .

- За да функционира ефикасно, на овој производ му треба соодветна циркулација на воздух. Ако го сместувате производот во ниша, оставете најмалку 5 сантиметри простор помеѓу производот, плафонот и сидовите.
- Ако го сместувате производот во ниша, оставете најмалку 5 сантиметри простор помеѓу производот, плафонот и сидовите. Проверете дали заштитната компонентата за обезбедување оддалеченост од сид е на своето место (ако е доставена со производот). Ако компонентата не е достапна или ако се изгубила/паднала, ставете го производот така што ќе има најмалку 5 сантиметри меѓу производот и сидовите на собата. Растојанието на задниот дел е важно за ефикасното работење на производот.

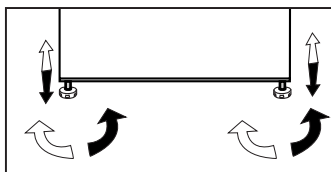
3.2. Прицврстување на пластичните делови

Со пластините делови дадени со производот за да обезбедите доволно простор за воздушна циркулација помеѓу производот и сидот.




1. Да да ги прикачите деловите, извадете ги завртките на производот и користете ги завртките обезбедени со деловите.
2. Прикачете 2 пластични делови на поклопецот на вентилацијата, како што е прикажано на сликата.

3.3. Приспособување на садот


Ако производот не е во балансирана позиција, приспособете ги предните приспособливи држачи со ротирање десно или лево.



3.4. Поврзување во струја

	<p>ПРЕДУПРЕДУВАЊЕ: Не користете продолжителни или повеќе штекери при поврзување во струја.</p>
	<p>ПРЕДУПРЕДУВАЊЕ: Оштетениот струен кабел мора да го замени овластениот сервис.</p>
	<p>Кога ставате два ладилника еден наспроти друг, оставете најмалку 4 см растојание помеѓу двете единици.</p>

- Нашата фирма не може да преземе одговорност за оштетувања поради користење без заземјување и електрична врска во согласност со националните регулативи.
- Приклучокот на кабелот за струја мора да е лесно достапен по инсталирањето.
- Поврзете го фрижидерот во заземјен штекер со волтажа од 220-240V/50 Hz. Приклучокот мора да е 10-16A осигурувач.
- Не користете групни штекери со или без продолжен кабел помеѓу сидниот штекер и фрижидерот.

	<p>Предупредување за врела содржина! Во страничните сидови на производот има цевки за разладување што го подобруваат системот за ладење. Разладувачка течност со високи температури може да тече низ овие овие области, правејќи ги деловите на страничните сидови врели. Ова е нормално и нема потреба да се поправа. Ве молиме, внимавајте кога ги допирате овие области.</p>
---	---

4.1. Што да правите за заштеда на енергија

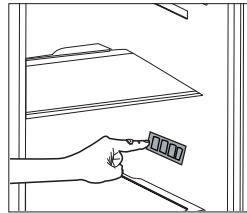


Поврзувањето на производот за електронски системи за заштеда на енергија е штетно, може да го оштети производот.

- Самостоен уред; „овој фрижидер не е наменет да се користи како уред за вградување“;
- Не држете ги вратите на фрижидерот отворени долго време.
- Не ставајте топла храна или пијалаци во фрижидерот.
- Не преполнувајте го фрижидерот, блокирањето на интерниот проток на воздух ќе го намали капацитетот на ладење.
- За да се чува максимална количина на храна во одделеот за ладење на фрижидерот, треба да ги извадите горните фиоки и да ја ставите на стаклениот рафт. Наведената потрошувачка на струја на вашиот фрижидер беше определена со вадење на ладилникот, послужавникот за мраз и горните фиоки за да се овозможи максимално складирање. Строго се препорачува да се користи долната фиока при чување. Треба да се активира функцијата за заштеда на енергија за најдобра потрошувачка на енергија.
- Не треба да го блокирате протокот на воздух со ставање на храна пред вентилаторот на ладилникот. Простор од најмалку 3 см мора да се остави пред заштитната жица на вентилаторот кога ја ставате храната.
- Во зависност од карактеристиките на производот; одмрзнувањето на замрзната храна во одделот за ладење ќе обезбеди заштеда на енергија и зачувување на квалитетот на храната.
- Храната треба да се чува со фиоките во одделот за ладење за да се обезбеди заштеда на енергијата и да се заштити храната во подобри услови.
- Пакувањата храна не треба да бидат во директен контакт со топлинскиот сензор Фрижидер/Упатство за употреба

лоциран во одделот за ладење. Ако тие се во контакт со сензорот, може да се зголеми енергетската потрошувачка на уредот.

- Проверете храната да не е во контакт со температурниот сензор на одделот за ладење опишан подолу.
- Бидејќи топлиот и влажен воздух директно не навлегуваат во вашиот производ кога вратите не се отворени, вашиот производ ќе се оптимизира во услови доволни за заштита на вашата храна. Во оваа функција за зачувување енергија, функциите и составните делови како компресор, вентилатор, грејач, замрзнувач, осветлување, дисплеј ќе работат и други, ќе работат во согласност со потребите за трошење минимална електрична енергија и истовремено вашата храна ќе биде свежа.



4.2. Прва употреба

Пред да го користите фрижидерот, проверете дали се направени потребните подготовки според упатствата во деловите „Упатства за безбедноста и за средината“ и „Инсталација“.

- Производот нека работи без храна во него 6 часа и не отворајте ја вратата, освен ако не е баш неопходно.



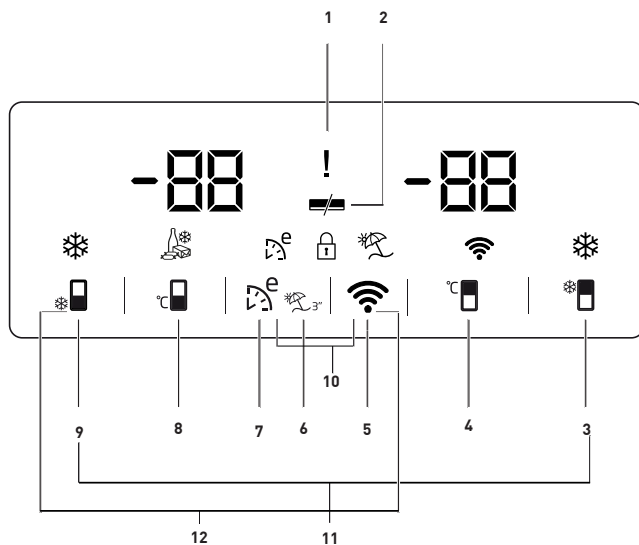
Ќе се слушне звук кога работи компресорот. Нормално е да се слуша звук дури и компресорот е неактивен, поради компримираните течности и гасови во системот за ладење.



Може да се загреат предните рабови на производот. Ова е нормално. Овие области се дизајнирани да се загреат за да се спречи кондензирање.



Во некои модели, плочата со панели автоматски се исклучува 5 минути откако ќе се затвори вратата. Ќе се реактивира кога ќе се отвори вратата или ќе се притисне кое било копче.




1. Индикатор за предупредување за прекин на струја/висока температура/грешка:
2. Индикатор за функција на заштеда на енергија (исклучен екран)
3. Копче за брзо ладење
4. Копче за поставување на температурата во одделот за ладење
5. Копче за безжична врска
6. Индикатор за функцијата „годишен одмор“
7. Копче Eco-fuzzy
8. Копче за поставување на температурата во одделот за замрзнување
9. Копче за брзо замрзнување
10. Заклучување
11. Копче за менување единица температура



***По избор:** Сликите во ова упатство за употреба се сметаат за нацрт и може да не одговараат најдобро на производот. Ако вашиот производ не ги содржи релевантните делови, информациите се однесуваат на други модели.

Користење на производот


1. Показател за предупредување за прекин на струја/висока температура/грешка:

Овој показател () светнува во случај на предупредување за прекин на струјата, висока температура или грешки.

Кога температурата на одделот за замрзнување се загрева до критично ниво за замрзнатата храна, на дигиталниот показател трепка максималната вредност достигната од температурата на одделот за замрзнување.

Проверете ја храната во одделот за замрзнување.

Тоа не значи дека работи неисправно. Предупредувањето може да се избрише со притискање на кое било копче или на копчето за исклучување на алармот за висока температура. (Откажувањето со притискање на кое било копче не е применливо кај секој модел.)

Овој показател () светнува и кога има дефект на сензор. Кога показателот свети, наизменично се покажуваат „E“ и бројките како „1,2,3...“ на показателот за температура. Овие бројки на показателот го информираат персоналот за сервисирање за грешката.

2. Индикатор за функција на заштеда на енергија (исклучен екран)


Ако вратите на производот се затворени долго време, автоматски се активира функцијата за заштеда на енергија и ќе се осветли симболот за заштеда на енергија.




Кога ќе се активира функцијата за заштеда на енергија, сите симболи на екранот ќе се исклучат, освен симболот за заштеда на енергија. Кога е активирана функцијата за заштеда на енергија, ако притиснете некое

копче или ја отворите врата, функцијата за заштеда на енергија ќе биде поништена и симболите на екранот ќе се вратат во нормала. Функцијата за заштеда на енергија е стандардна фабричка поставка и не може да се поништи.

3. Копче за брзо ладење


Индикаторот за брзо ладење () се осветлува и вредноста на индикаторот на температурата на фрижидерот се прикажува како 1 кога се активира функцијата за брзо ладење. За да ја откажете оваа функција, повторно притиснете го копчето за брзо ладење. Индикаторот за брзо ладење ќе се исклучи и фрижидерот ќе се ресетира на нормалните поставки. Функцијата за брзо ладење автоматски ќе се поништи за 1 час ако не ја поништите. Ако сакате да изладите големи количини свежа храна, притиснете го копчето за брзо ладење пред да ја ставите храната во одделот за ладење.

4. Копче за поставување на температурата во одделот за ладење

Кога се притиска ова копче, температурата на одделот за ладење може да се постави на вредностите 8,7,6,5,4,3,2 и 1. ()

5. Копче за безжична врска (*изборно)

Првото претставување на производот со домашната мрежа се започнува со долго притискање на копчето (3 секунди).

За време на процесот на воспоставување врска, иконата за бежична врска () ќе светка на интервали од 0.5 секунди.

Кога врската со домашната мрежа е успешна, иконата за безжична мрежа постојано свети.

Откако првата врска ќе се воспостави, врската може да се активира/деактивира

Користење на производот

со кратко притискање на копчето.

По вклучување и исклучување од струја, автоматски ќе запамти и ќе воспостави врска со Вашата мрежа.

Иконата за безжична мрежа брзо трепка (во интервали од 0,2 секунди) додека не се воспостави врската.

Кога врската е активна, иконата за безжична мрежа постојано свети.

Доколку врската не може да се воспостави одреден период на време, проверете ги поставките на модемот/врската.

Како интерфејс за конектирање треба да се користи апликацијата HomeWhiz.

Чекорите за поврзување се опишани во БРЗ ВОДИЧ ЗА ИНСТАЛИРАЊЕ на HomeWhiz што доаѓа заедно со производот.

Видете го делот за решавање проблеми за одговори на основни прашања.

6. Копче за функцијата за одмор

За да ја активирате функцијата за одмор, притиснете и задржете го ова копче (☞) 3 секунди и ќе се активира показателот на режимот за одмор (☞). Кога се активира функцијата за одмор „_ _“ е прикажана на показателот на температурата на одделот на фрижидерот и нема активно ладење на одделот на фрижидерот. Не се соодветно да се чува храна во одделот на фрижидерот кога е активирана функцијата за одмор. Другите оддели и понатаму ќе се ладат според нивните поставени температури.

За да ја откажете оваа функција, повторно притиснете го копчето функција за одмор.

7. Копче Eco-fuzzy

Притиснете го копчето Eco-fuzzy за да ја овозможите функцијата за економичност. Кога оваа функција е овозможена,

замрзнувачот ќе започне да работи во еко режим по најмалку 6 часа и индикаторот за економична употреба ќе се вклучи (E). За да ја оневозможите функцијата за економичност, повторно притиснете го копчето за функцијата за економичност. Кога функцијата за економичност е овозможена, индикаторот ќе се вклучи по 6 часа.

8. Копче за поставување на температурата на замрзнувачот

Поставувањето на температурата е направено за одделот за замрзнување. Кога копчето нумерирано (T) ќе се притисне, можете да ја поставите температурата на одделот за замрзнување на -18, -19, -20, -21, -22, -23 или -24.

9. Копче за брзо замрзнување

Притиснете го копчето бр. (9) за брзо замрзнување; индикаторот за брзо замрзнување (☞) ќе се активира. Кога е вклучена функцијата за брзо замрзнување, индикаторот за брзо замрзнување се осветлува и индикаторот за температурата на одделот за замрзнување прикажува -27. За да ја откажете оваа функција, повторно притиснете го копчето (☞) брзо замрзнување. Индикаторот за брзо замрзнување ќе се исклучи и фрижидерот ќе се врати на нормалните поставки. Функцијата за брзо замрзнување автоматски ќе се поништи за 24 часа ако не ја поништите. Ако сакате да замрзнете големи количини свежа храна, активирајте ја функција за брзо замрзнување пред да ја ставите храната во одделот за замрзнување.

10. Заклучување

Притиснете и задржете ги копчињата за бежична мрежа (📶) и економичност (⏻) истовремено, 3 секунди. Ќе светне симболот за заклучување со клуч (🔒) и ќе се активира режимот за заклучување со клуч. Копчињата нема да функционираат кога режимот за заклучување со клуч е активен. Притиснете и задржете ги копчињата за бежична мрежа (📶) и економичност (⏻) истовремено, 3 секунди. Заклучувањето ќе се деактивира.

Користете ја функцијата заклучување доколку сакате да спречите да се менува поставката на температурата на фрижидерот.

11. Копче за менување единица температура

Притиснете и задржете ги копчињата за брзо ладење (❄️) и брзо замрзнување (❄️) 3 секунди за да менувате од Фаренхајт во Целзиус.

5.1. Кофа за мраз

*по избор:

- Земете ја кофата за мраз од одделот за замрзнување.
- Наполнете ја кофата со мраз со вода.
- Земете ја кофата за мраз во одделот за замрзнување.
- Мразот ќе биде готов после околу два часа. Земете ја кофата со мраз од одделот за замрзнување и свиткајте ја малку преку садот што ќе го сервираате. Мразот лесно ќе се пренесе во садот за сервирање.

5.2. Сад на јајца

Може да ставите сад за јајца. Ако решите да го ставите на рафто на телото, се препорачува да ги користите полиците подолу бидејќи се постудени.

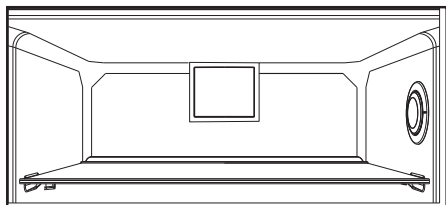


Не ставајте го садот за јајца во одделот за замрзнување.

5.3. Вентилатор

Вентилаторот е дизајниран за да дистрибуира студен воздух во фрижидерот хомогено. Работното време на вентилаторот може да се менува во зависност од карактеристиките на Вашиот производ.

Додека во некои производи вентилаторот функционира само со компресот, во други, контролниот систем го определува работното време во зависност од потребата за ладење.



5.4. Корпа за зеленчуци

*по избор

Корпата за зеленчуци на производот е дизајнирана да ги држи зеленчуците свежи со задржување на влажноста. За таа цел, целосното циркулирање на студениот воздух е засилено во корпата со зеленчуци.

5.5. Корпата за млечни производи(за чување на ладно)

Обезбедува пониска температура во самата преграда на фрижидерот. Користете ја оваа корпа за да чувате деликатеси (салами, кобасици, млечни производи итн.) за кои е потребна пониска температура или за ставање производи од месо, пилешко или риба кратко пред да се сервираат. Во оваа корпа немојте да чувате овошје и зеленчук.

5.6. Подвижна рамка на вратата

*по избор

Подвижната рамка на вратата може да се намести во 3 различни позиции.

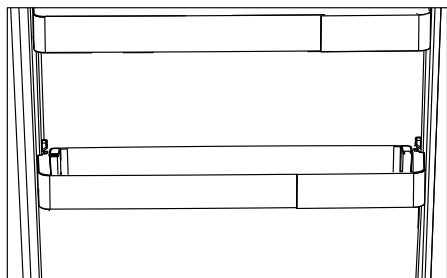
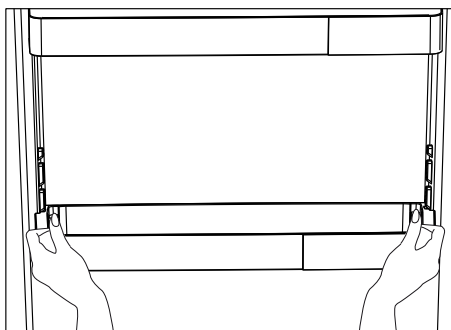
За да ја поместите рамката, притиснете ги рамномерно копчињата на страната.

Ќе може да ја поместите рамката.

Движете ја рамката нагоре или надолу.

Кога рамката е во позицијата што ја посакувате, пуштете ги копчињата.

Рамката ќе се фиксира повторно во позицијата каде што сте ги пуштиле копчињата.

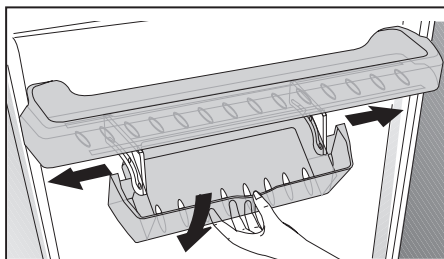


5.7. Лизгачка кутија за складирање

*по избор

Овој додаток е дизајниран за да ја зголеми површината на рафтовите на вратата.

Благодарение на можноста за движење странично, може лесно да ставите високо шише, тегла или кутии што се ставаат на рафотот за шишиња подолу.



5.8. Корпа за зеленчук со контрола на влажност

*по избор

Со опцијата за контрола на влагата, степенот на влажност на зеленчуците и овошјата се контролира и овозможува поголем период на свежина за храната.

Се препорачува да не се складираат лиснати зеленчуци, како марула и спанаќ и слични зеленчуци склони на губење на влага, на корењата, туку во хоризонтална положба во корпата за зеленчуци што е можно повеќе.

Кога ги ставате зеленчуците, ставете ги тешките и тврди зеленчуци на дното, а лесните и меките горе, имајќи ја предвид специфичната тежина на зеленчуците.

Не оставајте ги зеленчуците во корпата за зеленчуци во пластични кеси. Ако ги оставите во пластични кеси, зеленчуците ќе скапат за кусо време. Во ситуации во кои не се препорачува контакт со други зеленчуци, користете материјали за пакување како хартија што има одредена порозност, во смисла на хигиената.

Не ставајте овошје кое произведува голема количина на етиленски гас, како што се крушата, кајсијата, праската и особено јаболката, во истата корпа за зеленчуци со други зеленчуци и овошја. Етиленот што доаѓа од овие овошја може да предизвика други зеленчуци и овошја да созреат побрзо и да скапат побрзо.

5.9. Автоматска машина за мраз

*по избор

Со автоматската машина за мраз може лесно да правите мраз во фрижидерот. За да добиете мраз од машината за мраз, извадете го резервоарот за вода во одделот за ладење, наполнете го со вода и вратете го на место.

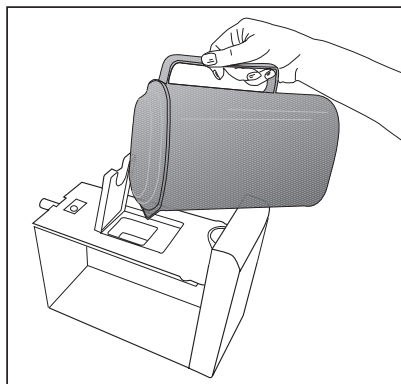
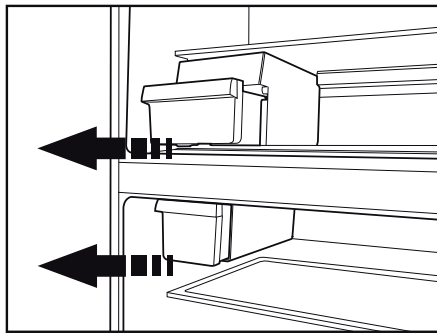
Првиот мраз ќе биде готов за два часа во фиоката на машината за мраз во одделот за ладење.

По ставање на полниот воден резервоар, може да добиете околу 60-70 коцки мраз додека не се испразни целосно.

Ако водата стоела во резервоарот 2-3 седмици, треба да се смени.



Во производи со автоматска машина за лед, може да слушнете звук кога ставате мраз. Овој звук е нормален и не е знак на неправилно работење.



5.10. Ледомат и сад за чување мраз

*по избор

Користење на ледоматот

Наполнете го ледоматот со вода и ставете го на лежиштето. Мразот ќе биде готов за околу два часа. Не го вадете ледоматот од лежиштето за да земете мраз.

Свртете ги рачките на резервоарот на мраз во правец на движење на стрелките на часовникот за 90 степени.

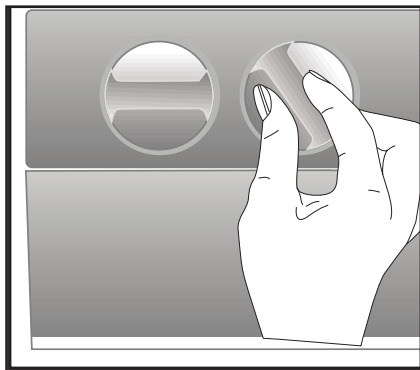
Коцките мраз во резервоарите ќе паднат во садот за чување на мраз под нив.

Може да го извадите садот за чување на мраз и да ги сервираите коцките мраз.

Ако сакате, може да ги чувате коцките мраз во садот за чување мраз.



Сад за чување мраз

Садот за чување мраз е наменет само за акумулирање на коцки мраз. Не ставајте вода во него. Инаку ќе се скрши.

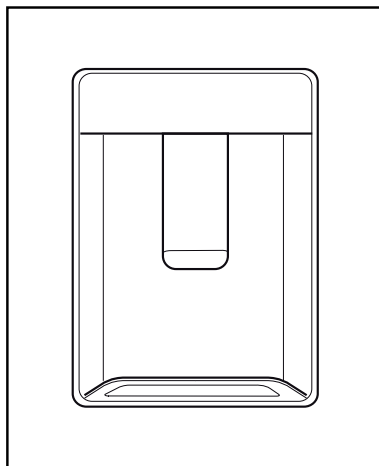


5.11. Користење на чешмата за вода

*по избор

	Нормално е првите неколку чаши вода од чешмата за вода да бидат топли.
	Ако чешмата за вода не се користи долго време, фрлете ги првите неколку чаши вода за да добиете чиста вода.

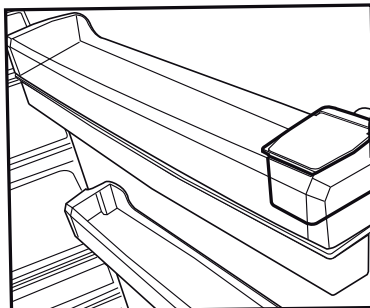
1. Притиснете ја рачката на чешмата за вода со чашата. Ако користите чаша од мека пластика, притискањето на рачката со раката ќе биде полесно.
2. Откако ќе ја наполните чашата до нивото што го сакате, опуштете ја рачката.



Користење на производот



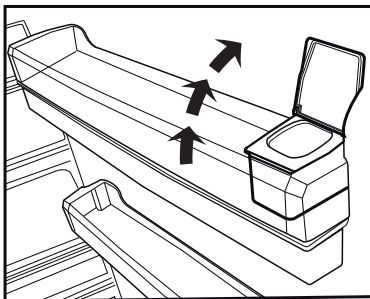
Ве молиме, имајте предвид, колку вода тече од чешмата зависи од тоа колку сте ја притиснале рачката. Како што нивото на водата во шолјата/чашата расте, нежно намалете го притисокот на рачката за да не претече. Ако малку ја притиснете дршката, ќе тече вода; ова е доста нормално и не е неправилно работење.



5.12. Полнење на резервоарот на чешмата за вода

Резервоарот за полнење на садот за вода е лоциран во рамката на вратата.

1. Отворете го капакот на резервоарот.
2. Наполнете го резервоарот со свежа вода за пиење.
3. Затворете го капакот.



Не полнете го резервоарот со вода со друга течност освен со вода како што се овошни сокови, газирани или алкохолни пијалаци што не се соодветни за чешмата за вода. Чешмата за вода ќе биде трајно оштетена ако се користат овие видов течност. Гаранцијата не покрива такво користење. Некои хемиски супстанции и адитиви содржани во овој вид пијалаци/течности може да го повредат резервоарот за вода.



Користете само вода за пиење.



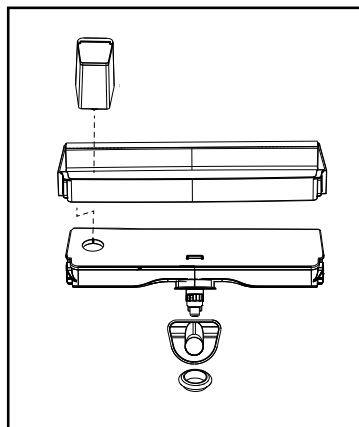
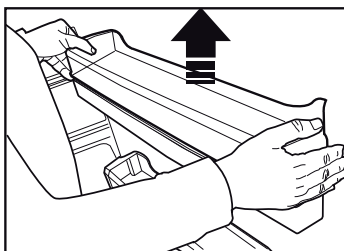
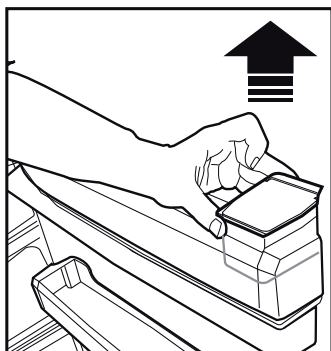
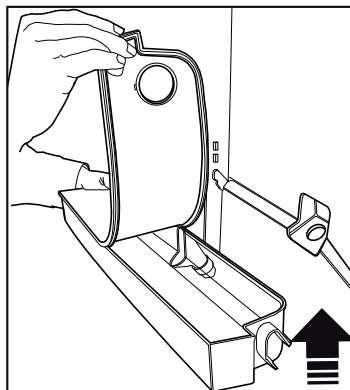
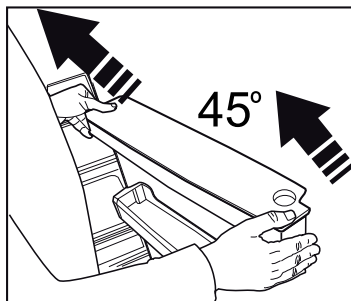
Капацитеот на водниот резервоар е 3 литри; не преполнувајте.

5.13. Чистење на водниот резервоар

1. Извадете го резервоарот за полнење вода на полицата на вратата.
2. Тргнете ја рамката на вратата држејќи ја за двете страни.
3. Грабнете го водниот резервоар од двете страни и тргнете го под агол од 45°C.
4. Тргнете го капакот на водниот резервоар и исчистете го резервоарот.



Компонентите на водниот резервоар и водната чешма не треба да се мијат во мапината за миење садови.

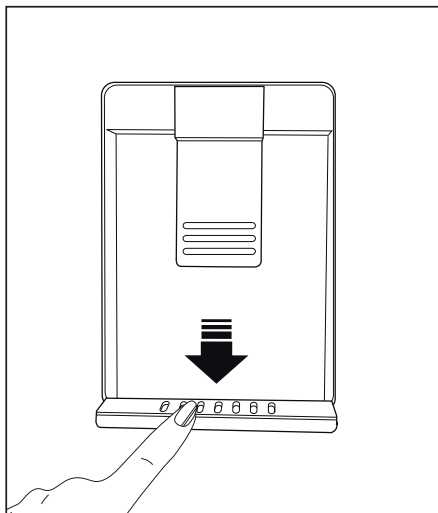


5.14. Послужавник за капење

Водата што тече додека ја користите чешмата за вода се акумулира во послужавникот за течење.

Тргнете го пластичниот филтер како што е покажано на сликата.

Со чиста и сува крпа, тргнете ја водата што се акумулирала.



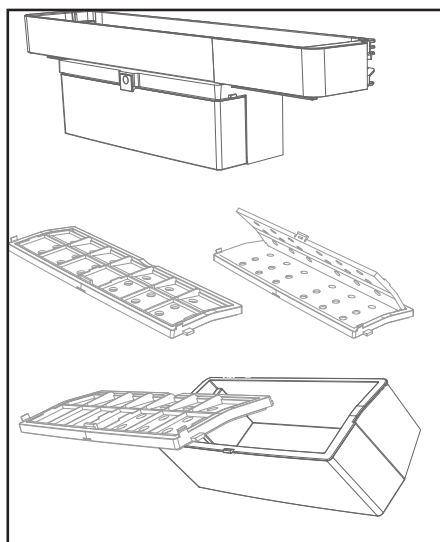
5.15. Кутија за зачини/Свежи зачини (HerbBox/HerbFresh)

Отстранете го садот со филм од кутијата за зачини/свежи зачини+ Извадете го филмот од кутијата и ставете го во садот за филм како што е прикажано на сликата.

Затворете го повторно садот и вратете го во кутијата за зачини/ свежи зачини+.

Кутиите за зачини/свежи зачини се особено добри оддели за чување разни зачини што се поделикатни. Во нив неисечканите зачини (магданос, копар и сл.) се чуваат во хоризонтална положба и многу подолго остануваат свежи.

Филмот се менува на шест месеци.



5.16. Замрзнување свежа храна

- За да го зачувате квалитетот на храната, храната ставена во одделот за замрзнување мора да се замрзне што може побрзо, користете брзо замрзнување за ова.
- Замрзнувањето на храна кога е свежа ќе го продолжи времето на чување во одделот за замрзнување.
- Спакувајте ја храната во садови без воздух и затворете ја цврсто.
- Проверете дали храната е спакувана пред да ја ставите во замрзнувачот. Користете држачи за замрзнување, алуминиум и хартија која не се влажни, пластични кеси или слични материјали за пакување наместо традиционална хартија за пакување.



Мразот во одделот за замрзнување се топи автоматски.

- Означете го секое пакување со храна со датум пред замрзнување. Така ќе

може да ја одредите свежината на секое пакување секојпат кога ќе го отворите замрзнувачот. Чувајте ја порано ставената храна напред за да се осигурите дека ќе се искористи прва.

- Замрзнатата храна мора да се искористи веднаш по одмрзнување и не треба да се замрзнува повторно.
- Не замрзнувајте одеднаш големи количини храна.

5.17. Препораки за чување на смрзната храна

Одделот мора да биде ставен на најмалку -18°C .

1. Ставете ја храната во замрзнувачот најбрзо што можете да за избегнете одмрзнување.
2. Пред замрзнување, проверете го датумот на истекување на пакувањето за да проверите дека не е истечен.
3. Проверете дали пакувањето на храната не е оштетено.

Поставување на температурата во одделот за замрзнување	Поставување на температурата во одделот за ладење	Детали
-18°C	4°C	Ова е стандардната, препорачана поставка.
$-20, -22$ или -24°C	4°C	Овие поставки се препорачуваат за амбиентални температури над 30°C .
Брзо замрзнување	4°C	Користете го кога сакате за кусо време да ја замрзнете храната. Кога ќе заврши процесот, производот ќе се врати на позицијата.
-18°C или постудено	2°C	Користете го овие поставки ако мислите дека одделот за ладење не е доволно студен поради амбиенталната температура или честото отворање на вратата.

Користење на производот

5.18. Детали за за длабоко замрзнување

Според стандардите на IEC 62552, замрзнувачот мора да има капацитет за замрзнување на 4,5 кг храна или смалете ја температурата во 24 часа за секои 100 литри на површината на замрзнувачот. Храната може само да се чува подолги периоди на или под температура од -18°C . Може да ја чувате храната свежа со месеци (во замрзнувачот на или под температура од 18°C).

Храната што се замрзнува не смее да ја допре веќе замрзнатата храна внатре за да се избегне делумно одмрзнување. Сварете ги зеленчуците и филтрирајте ја водата за да го продолжите времето на чување. Ставете ја храната во вакумирани пакувања по филтрирање и ставете ги во фрижидерот. Банани, домати, марула, целер, варени јајца, компири и слична храна не треба да се смрзнува. Ако оваа храна скапе, само хранливите вредности и вкусот ќе бидат влошени. Не станува збор за скапување опасно за здравјето на луѓето.

5.19. Ставање на храната

Рафтови во одделот на замрзнувачот	Некои видови замрзната храна, вклучувајќи месо, риби, сладолед, зеленчук итн.
Рафтови во одделот на замрзнувачот	Храната во тенџериња, затворени садови и затворени пакувања, јајца (во затворени пакувања)
Рафт на вратата на одделот за ладење	Мали и пакувани храна и пијалаци
Корпа за зеленчуци	Овошје и зеленчук

Оддел за свежа храна	Деликатесна храна (храна за доручек, месни производи што треба да се исконсумираат за кусо време)
----------------------	---

5.20. Предупредување за отворена врата (По избор)

Звучно предупредување ќе се слушне ако вратата на производот остане отворена најмалку една минута. Аудио предупредувањето ќе прекине кога вратата е затворена или некое копче на екранот (ако е достапно) е притиснато. Предупредувањето за отворена врата е и звучно и визуелно. Интерното светло ќе се исклучи ако предупредување продолжи 10 минути.

5.21. Менување на насоката на отворање на вратата

Може да ја смените насоката на отворање на фрижидерот во зависност од локацијата на која го употребувате. Кога ви треба тоа, консултирајте се со најблиската овластена служба.

Објаснувањето погоре е општа изјава.

Треба да ја проверите предупредувачката етикета лоцирана во пакувањето на производот за променливоста на насоката на вратата.

5.22. Внатрешно светло

Внатрешното светло користи ЛЕД-сијалици. Контакттирајте го овластениот сервис за какви било проблеми со оваа сијалица.

Сијалицата/сијалиците користени во овој уред не може да се користат за домашно осветлување. Наменетата употреба на оваа сијалица е да му помогне на корисникот да ја стави храната во фрижидерот/замрзнувачот безбедно и удобно.

5.23. Сино светло/HarvestFresh (Тазе набрано)

*Може да не е достапно кај сите модели

За синото светло

Овошјето и зеленчукот складирани во кутиите за свеж зеленчук кои се осветлени со сина светлина ја продолжуваат својата фотосинтеза со помош на ефектот за бранова должина на сино светло и така ги задржуваат своите витамини.

За HarvestFresh,

Овошјето и зеленчукот складирани во кутии за свеж зеленчук со технологијата HarvestFresh ги задржуваат своите витамини подолго време благодарение на циклусите со сино, зелено, црвено светло и темнина, кои го симулираат дневниот циклус.

Ако ја отворите вратата на фрижидерот во текот на темниот период на технологијата HarvestFresh, фрижидерот автоматски ќе го детектира и активира синозеленото или црвеното светло за да ја осветли кутијата за свежи производи по ваша желба. Откако ќе ја затворите вратата на фрижидерот, ќе продолжи темниот период, претставувајќи го вечерниот циклус од дневниот циклус.

5.24. Менување на светилката за осветлување

Повикајте овластен сервисер за да ја смените светилката што служи за осветлување на ладилникот.

Сијалицата што се користи во овој уред не служи за осветлување на соби во домот. Намената на сијалицата е да му помогне на корисникот да ја стави храната во фрижидерот безбедно и удобно.

Сијалиците што се користат во овој производ треба да ги издржуваат екстремните физички услови, како што се температурите под -20°C .

Овој производ е опремен со извор на осветлување од енергетската класа „G“.

Изворот на осветлување во овој производ треба да го замени само стручен сервисер.

Векот на траење на производот се продолжува ако се чисти редовно



ПРЕДУПРЕДУВАЊЕ: Прво извадете го кабелот од струја пред да го чистите фрижидерот.

- Никогаш не користете остри или абразивни алатки, сапун, средства за чистење во домаќинството, детергенти и восочен полир за чистење.
- Растворете една малечка лажича сода бикарбона на половина литар вода. Накиснете крпа со растворот и исцедете ја темелно. Избришете ја внатрешноста на уредот со оваа крпа и исушете ја темелно.
- Проверете да не влегува вода во куќиштето на сијалицата и другите електрични предмети.
- Исчистете ја вратата со влажна крпа. За да извадите вратата и рафовите на телото, извадете ја сета содржина. Извадете ги рафовите со движење нагоре. По листењето, излизгајте ги од горе до долу за да ги инсталирате.
- Никогаш не користете средства за чистење или вода што содржи хлор за да ги чистите надворешните површини и деловите обложени со хром на производот. Хлорот предизвикува корозија на такви метални површини.
- Не користете, остри алатки, сапун, средства за чистење, детергенти, керозин, нафта, лак итн., за да спречите вадење или деформирање на написите на пластичниот дел. Користете млека вода и мека крпа за чистење и потоа и исушете.

6.1. Избегнување на лоши мириси

Во производството на нашите уреди не се користени материјали што може да предизвикаат мирис. Сепак поради несоодветните услови за лување храна и нечистењето на внатрешната површина на уредот како што треба, може да се појави проблем со мирисот.

Затоа, чистете го фрижидерот со вода со растворена сода секои 15 дена.

- Чувајте ја храната во затворени садови. Микроорганизмите што се шират од непокриените садови може да предизвикаат непријатни мириси.
- Во фрижидерот никогаш не чувајте храна што има истечен датум на користење и што е расипана.

6.2. Заштита на пластичните површини

Исчистете ги веднаш со топла вода бидејќи маслото може да ги оштети површините ако се стави на пластика.

6.3. Стаклото на вратата

Извадете ја заштитната фолија од стаклата. Има облога на површината на стаклата. Оваа површина го минимизира наталожувањето и помага да се отстраната можните дамки и нечистотија. Стаклата што не се заштитени со таков слој може да се предмет на постојано поврзување на нечистотија од воздух или вода, како што се варовникот, минералните соли, неизгорените јаглеводороди, металните оксиди и силиконите што може лесно и брзо да предизвикаат дамки или оштетување на материјалот. Одржувањето на стаклото чисто станува тешко и покрај редовното чистење. Поради тоа, изгледот и транспарентноста на стаклото се влошуваат. Грубите и корозивните методи за чистење и соединенија ги интензивираат овие дефекти и го забрзуваат процесот на распаѓање.

Производите за чистење врз база на вода што не се лакални и корозивни мора да се користат за редовно чистење.

Неалкалните и некорозивните метеријали мора да се користат за чистење за да може облогата да трае подолго време.

Овие стакла се термички обработени за да се зголеми нивната издржливост против удари и кршење. Безбедносен филм исто така се применува на нивната површина како дополнителна мерка на безбедност за да се спречи да предизвикаат оштетување во средината ако се скршат.

*Алкалите се база што формира хидроксидни јони (OH^-) кога ќе се раствори во вода.

Li (литиум), Na (натриум), K (калиумот) Rb (рубидиумот), Cs (цезиумот) и вештачките и радиоактивни Fr (Fap-sium) метали се наречени АЛКАЛНИ МЕТАЛИ.

Проверете го списокот пред да повикате сервис. Ќе ви заштеди време и пари. Овој список ги опфаќа честите поплаки што не произлегуваат од неправилна работа или употреба на материјали. Одредени спомнати одлики може да не се однесуваат на вашиот производ.

Ако ладилникот не работи.

- Приклучокот за струја не е наместен убаво. >>> Приклучете го убаво да влезе во штекерот.
- Осигурувачот за штекерот што обезбедува струја за производот или главниот осигурувач се прегорени. >>> Проверете ги осигурувачите.

Се јавува кондензација на страничните ѕидови во одделот на ладилникот (ПОВЕЌЕНАМЕНСКА ЗОНА, КОНТРОЛА НА ЛАДЕЊЕТО И ФЛЕКСИБИЛНА ЗОНА).

- Средината е многу студена. >>> Не поставувајте го производот во средина каде што температурата се спушта под -5 °C.
- Вратата се отвора многу често >>> Внимавајте да не ја отворате вратата многу често.
- Има многу влага во средината. >>> Не поставувајте го производот во средина со влага.
- Течната храна се чува во садови без капак. >>> Чувајте ја течната храна во затворени садови.
- Вратата на производот е оставена отворена. >>> Не оставајте ја вратата отворена долго.
- Термостатот е поставен на ниска температура. >>> Поставете го термостатот на соодветната температура.

Компресорот не работи.

- Ако снеса струја или ако го извлечете приклучокот од штекерот и потоа повторно го приклучите, притисокот на гасот во системот за ладење на производот нема да биде рамномерен што предизвикува вклучување на термичката заштита на компресорот. Производот ќе се рестартира по околу 6 минути. Повикајте сервисер ако производот не се рестартира по овој период.
- Вклучено е одмрзнувањето. >>> Ова е нормално за целосно автоматизиран процес на одмрзнување. Одмрзнувањето се извршува периодично.
- Производот не е вклучен. >>> Проверете дали кабелот за струја е вклучен.
- Поставката за температура не е точна. >>> Изберете соодветна поставка за температурата.
- Нема струја. >>> Производот ќе продолжи да работи кога ќе дојде струја.

Буката од работата на ладилникот се зголемува додека работи.

- Работата на производот може да се разликува во зависност од промените на температурата во средината. Тоа е нормално и не е грешка.

Ладилникот работи многу често или многу долго.

Решавање на проблеми

- Новиот производ веројатно е поголем од претходниот. Поголемите производи работат подолго.
- Температурата во просторијата е висока. >>> Производот нормално ќе работи подолго ако има висока температура во просторијата.
- Производот бил приклучен неодамна или ставена е нова храна. >>> На производот му треба повеќе време да ја достигне поставената температура кога е вклучен неодамна или ако се стави нова храна во него. Тоа е сосема нормално.
- Ставена е поголема количина врела храна во производот. >>> Не ставајте врела храна во ладилникот.
- Вратите се отвораат често или биле оставени отворени подолго. >>> Топлиот воздух влегува внатре и затоа производот работи подолго. Не отворајте ги вратите многу често.
- Вратата на ладилникот или замрзнувачот е оставена подотворена. >>> Проверете дали вратите се убаво затворени.
- Производот е поставен на многу ниска температура. >>> Поставете на повисока температура и почекајте производот да ја достигне прилагодената температура.
- Гумата на врата од ладилникот или замрзнувачот е валкана, изабена, искршена или не е правилно наместена. >>> Исчистете или заменете ја гумата. Оштетената / искината гума на вратата предизвикува долга работа на производот за да ја одржува поставената температура.

Температурата во замрзнувачот е многу ниска додека температурата во ладилникот е задоволителна.

- Температурата во одделот на замрзнувачот е поставена многу ниско. >>> Поставете повисока температура за одделот на замрзнувачот и проверете одново.

Температурата во ладилникот е многу ниска додека температурата во замрзнувачот е задоволителна.

- Температурата во одделот на ладилникот е поставена многу ниско. >>> Поставете повисока температура за одделот на замрзнувачот и проверете одново.

Храната што се чува во ладилникот е замрзната.

- Температурата во одделот на ладилникот е поставена многу ниско. >>> Поставете повисока температура за одделот на замрзнувачот и проверете одново.

Температурата во ладилникот или замрзнувачот е многу висока.

- Температурата во одделот на ладилникот е поставена многу високо. >>> Поставката за температурата во одделот на ладилникот влијае врз температурата во одделот на замрзнувачот. Почекајте температурата во соодветниот оддел да го достигне потребното ниво така што ќе ја смените температурата во одделите за ладилникот или замрзнувачот.
- Вратите се отвораат често или биле оставени отворени подолго. >>> Не отворајте ги вратите многу често.
- Вратата е оставена подотворена. >>> Затворете ја вратата убаво.
- Производот бил приклучен неодамна или ставена е нова храна. >>> Ова е нормално. На производот му треба повеќе време да ја достигне поставената температура кога е вклучен неодамна или ако се стави нова храна во него.
- Ставена е поголема количина врела храна во производот. >>> Не ставајте врела храна во ладилникот.

Тресење или бучава.

Решавање на проблеми

- Подот не е рамен или издржлив. >>> Ако производот се тресе кога ќе го помрднете малку, прилагодете ги ногарките за да го порамните. Проверете и дали подот е доволно издржлив да го носи производот.
- Работите ставени врз производот предизвикуваат бучава. >>> Тргнете ги работите што сте ги ставиле врз него.

Производот испушта звуци на течење, прскање и сл.

- Работните принципи на производот вклучуваат течење на течност и гас. >>> Тоа е нормално и не е грешка.

Звук на ветер се слуша од производот.

- Производот користи вентилатор во процесот на ладење. Тоа е нормално и не е грешка.

Има кондензација на внатрешните ѕидови на производот.

- Врела и влажна клима го зголемува создавањето мраз и кондензација. Тоа е нормално и не е грешка.
- Вратите се отвораат често или биле оставени отворени подолго. >>> Не отворајте ги вратите многу често. Ако се отворени, затворете ги.
- Вратата е оставена подотворена. >>> Затворете ја вратата убаво.

Има кондензација по надворешноста на производот или меѓу вратите.

- Климата во средината е влажна. Ова е нормално за влажна клима. >>> Кондензацијата ќе исчезне кога ќе се намали влагата.

Внатрешноста мириса лошо.

- Производот не се чисти редовно. >>> Редовно чистете ја внатрешноста со сунѓер и топла вода со сода бикарбона.
- Одредени држачи и материјали за пакување создаваат миризби. >>> Користете држачи и материјали за пакување што не содржат миризби.
- Храната се чува во садови без капак. >>> Чувајте ја храната во затворени садови. Може да се развијат микроорганизми кај храната што не се чува во затворен сад со што се создава лоша миризба. Отстранете ја храната со истечен рок или расипаната храна од производот.

Вратата не се затвора.

- Пакувањето на храната ја блокира вратата. >>> Преместете ги работите што ги блокираат вратите.
- Производот не е поставен во целосно исправена положба на подот. >>> Прилагодете ги ногарките за да го порамните.
- Подот не е рамен или издржлив. >>> Проверете дали подот е рамен и доволно издржлив да го носи производот.

Корпата за зеленчук е преполна.

- Храната се допира до горната секција во фиоката. >>> Разместете ја храната во фиоката.

Ако површината на производот е жешка

- Може да се појават високи температури помеѓу двете вратички, на страничните панели и кај задниот грил додека производот е вклучен. Тоа е нормално и нема потреба за поправка!



ПРЕДУПРЕДУВАЊЕ: Ако проблемот опстојува и откако сте ги примениле сите упатства во ова поглавје, контактирајте со продавачот или овластен сервис. Не обидувајте се да го поправите апаратот.

Lexoni këtë manual para përdorimit të produktit!

I nderuar klient,




Ne dëshirojmë që ju ta shfrytëzoni sa më mirë produktin tonë, i cili është prodhuar në fabrika moderne me kujdes dhe nën kontroll të përpikta të cilësisë.




Për këtë arsye ju këshillojmë ta lexoni të gjithë manualin e përdorimit para se ta përdorni produktin. Në rast se ndryshon përdoruesi i produktit, mos harroni t'i jepni pronarit të ri udhëzuesin bashkë me produktin.

Ky udhëzues do t'ju ndihmojë ta përdorni produktin me shpejtësi dhe në mënyrë të sigurt.

- Lexojeni udhëzuesin e përdorimit me kujdes para se ta montoni dhe ta përdorni produktin.
- Respektoni gjithmonë udhëzimet përkatëse të sigurisë.
- Mbajeni udhëzuesin e përdorimit në një vend lehtësisht të arritshëm për përdorim në të ardhmen.
- Lexoni çdo dokument tjetër të marrë me produktin.

Mos harroni se ky udhëzues përdorimi mund të jetë i vlefshëm për disa modele të produktit. Udhëzuesi tregon në mënyrë të qartë çdo ndryshim të modeleve të ndryshme.

	Informacione të rëndësishme dhe këshilla të dobishme.
	Rrezik për jetën dhe për pronën.
	Rrezik i goditjes elektrike.
	Paketimi i produktit është i prodhuar me materiale të riciklueshme në përputhje me legjislacionin kombëtar për mjedisin.

	INFORMACIONE	
		Informacionet e modelit të ruajtura në bazën e të dhënave të produktit mund të arrihen duke hyrë në faqen e mëposhtme të internetit dhe duke kërkuar për identifikuesin e modelit tuaj (*) që gjendet në etiketën e energjisë.
		https://eprel.ec.europa.eu/

1. Udhëzimet për sigurinë dhe mjedisin³

1.1. Siguria e përgjithshme	3
1.1.1 Paralajmërimi HC	5
1.1.2 Për modelet me aparatin e ujit	5
1.2. Përdorimi i planifikuar	5
1.3. Siguria për fëmijët	6
1.4. Përputhja me Direktivën WEEE dhe hedhja e produktit të përdorur	6
1.5. Përputhja me Direktivën RoHS	6
1.6. Informacionet mbi paketimin.	6

2 Frigoriferi juaj 7

3 Instalimi 8

3.1. Vendi i duhur për montimin.	8
3.2. Vendosja e kunjave plastike	8
3.3. Rregullimi i mbështetëseve.	8
3.4. Lidhja elektrike	9

4 Përgatitja 10

4.1. Çfarë të bëni për kursimin e energjisë.	10
4.2. Përdorimi për herë të parë	10

5 Vënia në punë e produktit 11

5.1. Kova e akullit.	14
5.2. Mbajtësja e vezëve.	14
5.3. Ventilatori	14
5.4. Koshi i perimeve	15
5.5. Rafti i lëvizshëm i derës	15
5.6 Ndarja e bulmetit (ruajtja e ftohtë)	15
5.7 Kutia e ruajtjes me rrëshqitje	16
5.8 HerbBox/HerbFresh.	16
5.9 Koshi i perimeve me lagështi të kontrolluar	17
5.10 Aparati autoamtik i akullit	17

5.11 Icematic dhe kontejneri i ruajtjes së akullit ¹⁸	18
5.12 Përdorimi i aparatit të ujit	18
5.13 Mbushja e depozitës së aparatit të ujit	19
5.14 Pastrimi i depozitës së ujit	20
5.15 Tabakaja e derdhjes	21
5.16 Ngrirja e ushqimeve të freskëta	22
5.17 Rekomandimet për ruajtjen e ushqimeve të ngrira.	22
5.18 Detajet për ngrirjen e thellë	23
5.19 Vendosja e ushqimeve.	23
5.20 Sinjalizimi i hapjes së derës.	23
5.21 Ndryshimi i drejtimit të hapjes së derës	23
5.22 Drita e brendshme	23
5.23 Drita blu/HarvestFresh.	24
5.24 Ndërimi i llambës së ndriçimit	24

6 Mirëmbajtja dhe pastrimi 25

6.1. Shmangia e aromave të këqija	25
6.2. Mbrojtja e sipërfaqeve plastike	25
6.3. Xhamat e derës	25

7 Zgjidhja e problemeve 26

Ky paragraf siguron udhëzime për sigurinë të nevojshme për të parandaluar rrezikun e lëndimeve dhe të dëmeve materiale. Mosrespektimi i këtyre udhëzimeve do të anulohë të gjitha llojet e garancisë së produktit.

Përdorimi i planifikuar

	KUJDES: Mbajini të lira nga pengesat hapësirat e ventilimit në kasën e pajisjes ose në strukturën e montimit.
	KUJDES: Mos përdorni pajisje mekanike ose mjete të tjera për të përshpejtuar procesin e ngrirjes, përveç atyre që rekomandohen nga prodhuesi.
	KUJDES: Mos e dëmtoni qarkun e ftohësit.
	KUJDES: Mos përdorni pajisje elektrike brenda ndarjeve për ruajtjen e ushqimeve, përveçse nëse janë të tipit të rekomanduar nga prodhuesi.
	KUJDES! Mos mbani substanca shpërthyes si kanaçe aerosoli me gaz shtytës brenda kësaj pajisjeje.

Kjo pajisje është projektuar për përdorim në shtëpi ose përdorime të ngjashme, si p.sh.

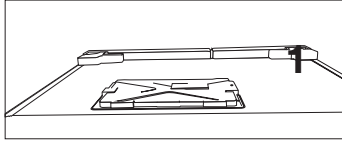
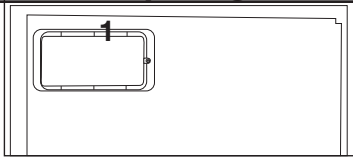
- zonat e kuzhinës së personelit në dyqane, zyra dhe ambiente të tjera pune;
- shtëpi në ferma dhe nga klientët në hotele, motele dhe ambiente të tjera banimi;

- ambiente të tipit të moteleve me mëngjes;
- për catering dhe përdorime të tjera jo të shitjes me pakicë.

1.1. Siguria e përgjithshme

- Ky produkt nuk duhet të përdoret nga persona me paaftësi fizike, ndijore ose mendore, pa njohuri të mjaftueshme dhe pa eksperiencë, apo nga fëmijët. Pajisja mund të përdoret vetëm nga personat nën monitorimin dhe me udhëzimet e një personi përgjegjës për sigurinë e tyre. Fëmijët nuk duhet të lejohen të luajnë me këtë pajisje.
- Në rast defekti, hiqeni pajisjen nga priza.
- Pasi ta hiqni nga priza, prisni për të paktën 5 minuta para se ta vendosni përsëri në prizë.
- Hiqeni produktin nga priza kur nuk është në përdorim.
- Mos e prekni spinën me duar të njoma! Mos e tërhiqni kabllon për ta hequr nga priza, mbani gjithmonë spinën.
- Mos e vendosni frigoriferin në prizë nëse priza është e liruuar.
- Hiqeni produktin nga priza gjatë montimit, mirëmbajtjes, pastrimit dhe riparimit.
- Nëse produkti nuk do të përdoret për pak kohë, hiqeni produktin nga priza dhe hiqni të gjitha ushqimet në të.
- Mos e përdorni produktin kur është e hapur ndarja me kartat e qarkut që ndodhen në pjesën e pasme lart të produktit (kapaku i kutisë së kartës elektrike) (1).

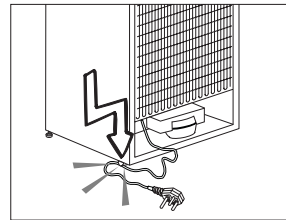
Udhëzimet për sigurinë dhe mjedisin



- Mos përdorni avull ose materiale pastrimi me avull për pastrimin e frigoriferit dhe për shkrirjen e akullit brenda. Avulli mund të bjerë në kontakt me zonat me elektricitet dhe të shkaktojë një qark të shkurtër ose një goditje elektrike!
- Mos e lani produktin duke spërkatur ose duke derdhur ujë mbi të! Rrezik i goditjes elektrike!
- Në rast defekti, mos e përdorni produktin, pasi mund të shkaktojë një goditje elektrike. Kontaktoni me shërbimin e autorizuar para se të bëni ndonjë veprim.
- Vendoseni produktin në një prizë me tokëzim. Tokëzimi duhet të realizohet nga një elektrikist i kualifikuar.
- Nëse produkti ka ndriçim të tipit LED, kontaktoni me shërbimin e autorizuar për ndërrimin e tij ose në rast të ndonjë problemi.
- Mos i prekni ushqimet e ngrira me duar të njoma! Ato mund të ngjiten në duar!
- Mos vendosni lëngje në shishe dhe kanoçe në ndarjen e ngrirësit. Ato mund të çahen!
- Vendosini lëngjet në një pozicion vertikal pasi ta mbyllni mirë kapakun.
- Mos spërkatni me substanca të djegshme pranë produktit, pasi mund të

digjet ose të shpërthejë.

- Mos mbani materiale të djegshme dhe produkte me gaze të djegshme (me spërkatje, etj.) në frigorifer.
- Mos vendosni kontejnerët me lëngje mbi produkt. Derdhja e ujit mbi një pjesë me elektricitet mund të shkaktojë goditje elektrike dhe rrezik zjarri.
- Ekspozimi i produktit në shi, borë, rrezet e diellit dhe erë do të shkaktojë rreziqe nga elektriciteti. Kur të ndryshoni vendin e produktit, mos e tërhiqni nga doreza e derës. Doreza mund të këputet.
- Tregoni kujdes që të shmangni kapjen e ndonjë pjese të trupit ose duart në ndonjë pjesë të lëvizshme brenda produktit.
- Mos shkelni apo mbështeteni mbi derë, rafte dhe pjesë të tjera të ngjashme të frigoriferit. Kjo do të bëjë që produkti të bjerë dhe të shkaktoni dëmtimin e pjesëve.
- Tregoni kujdes që të mos e kapni kabllon elektrike.
- Kur vendosni aparatit, sigurohuni që kordoni i furnizimit të mos jetë i bllokuar ose dëmtuar.
- Mos vendosni priza të shumta portative ose furnizime të lëvizshme në pjesën e pasme të aparatit.



- Fëmijët të moshës prej 3 deri 8 ju lejohej të mbushin dhe të boshatisin pajisjet frigoriferike.

Udhëzimet për sigurinë dhe mjedisin

- Për të shmangur kontaminimin e ushqimit, ju lutemi respektoni udhëzimet e mëposhtme:
- - Hapja e derës për kohë të gjatë mund të shkakton rritje të ndjeshme të temperaturës në pjesët e pajisjes.
- - Pastroni rregullisht sipërfaqet që mund të vinë në kontakt me ushqim dhe akseset e sistemit për kullimit.
- - Pastroni tanket e ujit nëse ato nuk janë përdorur për 48 orë; lishoni sistemin e ujit të lidhur me ujësjellës nëse uji nuk është shterur për 5 ditë.
- - Ruani mishin e thatë dhe peshkun në kontejnerë të përshtatshëm në frigorifer, në mënyrë që ato të mos jenë në kontakt me ose të mos piket në ushqime të tjera.
- - Ndarjet për - dy - yje - ushqim i ngrirë janë të përshtatshme për ruajtjen e ushqimeve paraprakisht të ngrira, ruajtje ose bërjen e akullores dhe bërjen e kubeve të akullit.
- - Ndarjet një-dy dhe tre- yjeve nuk janë të përshtatshme për ngrirjen e ushqimit të freskët.
- - Nëse pajisja frigoriferike është lënë bosh për një kohë të gjatë, fiken, shkrynin, pastroni, thanin, dhe leni derën të hapur të parandaloni zhvillimin e mykut në pajisje.

1.1.1 Paralajmërimi HC

Nëse produkti përfshin një sistem ftohjeje me gaz R600a, tregoni kujdes që të shmangni dëmtimin e sistemit të ftohjes dhe të tubit të tij kur e përdorni dhe kur e lëvizni produktin. Ky gaz është i djegshëm. Në rast se dëmtohet sistemi i ftohjes, mbajeni produktin larg nga burimet e zjarrit dhe ajrosni menjëherë dhomën.



Etiketa në anën e brendshme majtas tregon tipin e gazit të përdorur në produkt.

1.1.2 Për modelet me aparatën e ujit

- Presioni nga hyrja e ujit të ftohtë duhet të jetë maksimumi 90 psi (620 kPa). Nëse presioni i ujit e kalon 80 psi (550 kPa), përdorni një valvulë kufizuese të presionit në sistemin e rritjet kryesor. Nëse nuk dini se si ta kontrolloni presionin e ujit, kërkoni ndihmën e një hidrauliku profesionist.
- Nëse ekziston rreziku i efektit të goditjes çekiç të ujit në instalim, përdorni gjithmonë një pajisje parandaluese për efektin e goditjes çekiç në instalim. Këshillohuni me hidraulikë profesionistë nëse nuk jeni të sigurt se nuk ka një efekt të goditjes çekiç në instalimin tuaj.
- Mos e instaloni te hyrja e ujit të nxehtë. Merrni masa parandaluese kundër rrezikut të ngrirjes së tubave. Intervali funksional i temperaturës së ujit do të jetë minimumi 0,6°C (33°F) dhe maksimumi 38°C (100°F).
- Përdorni vetëm ujë të pijshëm.

1.2. Përdorimi i planifikuar

- Ky produkt është i projektuar për përdorim familjar. Ai nuk është i përshtatshëm për përdorim tregtar.
- Produkti duhet të përdoret vetëm për ruajtjen e ushqimeve dhe të pijeve.
- Mos mbani produkte delikate që kërkojnë temperatura të kontrolluara (vaksina, ilaçe të ndjeshme ndaj nxehtësisë, materiale mjekësore, etj.) në frigorifer.
- Prodhuuesi nuk mban asnjë përgjegjësi për çdo dëmtim për shkak të keqpërdorimit ose keqadministrimit.

Udhëzimet për sigurinë dhe mjedisin

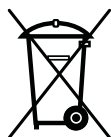
- Pjesët origjinale të ndërrimit do të ofrohen për 10 vite, pas datës së blerjes së produktit.

1.3. Siguria për fëmijët

- Mbajini materiale e paketimit larg nga fëmijët.
- Mos i lejoni fëmijët të luajnë me produktin.
- Nëse dera e produktit ka një kyç, mbajeni çelësin larg fëmijëve.

1.4. Përputhja me Direktivën WEEE dhe hedhja e produktit të përdorur

Ky produkt është në përputhje me Direktivën evropiane WEEE (2012/19/EU). Ky produkt ka një simbol klasifikimi për pajisjet elektrike dhe elektronike të përdorura (WEEE).



Ky produkt është prodhuar me pjesë dhe materiale me cilësi të lartë, të cilat mund të ripërdoren dhe janë të përshtatshme për riciklim. Mos e hidhni produktin e përdorur bashkë me mbeturinat familjare dhe mbeturinat e tjera

në fund të jetës së shërbimit të produktit.

Çojeni atë në qendrën e grumbullimit për riciklimin e pajisjeve elektrike dhe elektronike. Këshillohuni me autoritetet lokale për të mësuar mbi këto qendra të grumbullimit.

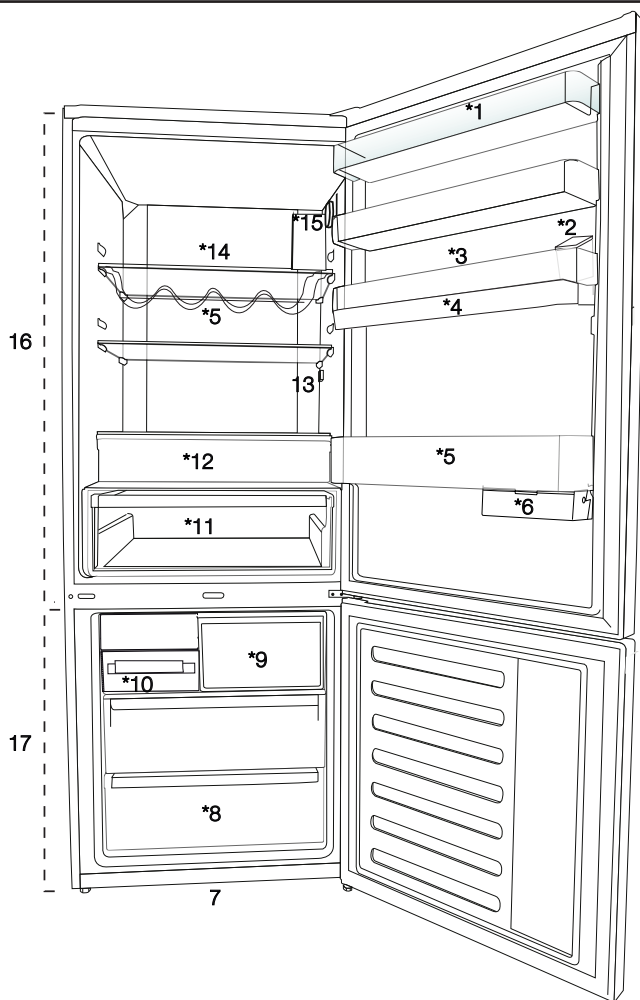
1.5. Përputhja me Direktivën RoHS

- Ky produkt është në përputhje me Direktivën evropiane WEEE (2011/65/EU). Ai nuk përmban materiale të dëmshme dhe të ndaluara të specifikuar në Direktivë.

1.6. Informacionet mbi paketimin

- Materialet e paketimit të produktit prodhohen nga materiale të riciklueshme në përputhje me Rregulloret tona kombëtare për mjedisin. Mos i hidhni materialet e paketimit bashkë me mbeturinat familjare ose mbeturinat e tjera. Çojini ato te pikat e grumbullimit për materialet e paketimit të përcaktuara nga autoritetet lokale.

2 Frigoriferi juaj



1. Rafti i derës së ndarjes së ftohësit
2. Depozita e mbushjes së aparatit të ujit
3. Seksioni i vezëve
4. Rezervuari i aparatit të ujit
5. Rafti i shisheve
6. Kutia e ruajtjes me rrëshqitje
7. Këmbët e rregullueshme
8. Ndarja për ngrirjen e thellë
9. Ndarja për ngrirjen e shpejtë
10. Tava e kubave të akullit dhe depozita e akullit
11. Koshi i perimeve
12. Ndarja e bulmetit (ruajtja e ftohtë)
13. Drita e brendshme
14. Rafti i xhamit të ndarjes së ftohësit
15. Butoni i rregullimit të temperaturës
16. Ndarja e ftohësit
17. Ndarja e ngrirësit



***opsionale:** Fotografitë e dhëna në këtë manual janë figura për shembull dhe mund të mos jenë me saktësi të njëjta si produkti juaj. Nëse produkti juaj nuk i përfshin pjesët përkatëse, informacionet kanë lidhje me modele të tjera.

3.1. Vendi i duhur për montimin

Kontakti me Shërbimin e autorizuar për montimin e produktit. Për ta përgatitur produktin për montim, shikoni informacionet në udhëzuesin e përdorimit dhe sigurohuni që shërbimet elektrike dhe të ujit të jenë siç kërkohet. Nëse jo, telefononi elektrikist dhe një hidraulik për të organizuar shërbimet sipas nevojës.

	KUJDES: Prodhuesi nuk mban asnjë përgjegjësi për çdo dëmtim të kryer nga punët e kryera nga persona të paautorizuar.
	KUJDES: Kabloja elektrike e produktit duhet të hiqet nga priza gjatë montimit. Mosrespektimi i kësaj mund të shkaktojë vdekje ose lëndime të rënda!
	KUJDES: Nëse hapësira e derës është shumë e ngushtë për kalimin e produktit, hiqeni derën dhe kthejeni produktin në anë; nëse kjo nuk funksionon, kontakti me shërbimin e autorizuar.

- Vendoseni produktin në një sipërfaqe të rrafshët për të shmangur dridhjet.
- Vendoseni produktin të paktën 30 cm larg nga ngrohësi, soba ose burime të ngjashme të nxehtësisë dhe të paktën 5 cm larg nga furrat elektrike.
- Mos e ekspozoni produktin ndaj dritës së drejtpërdrejtë të diellit dhe mos e mbani në ambiente me lagështi.
- Produkti kërkon një qarkullim të përshtatshëm të ajrit për të funksionuar me efektivitet.
- Nëse produkti do të vendoset në një vend të futur, mos harroni të lini të paktën 5 cm distancë mes produktit dhe tavanit dhe mureve.
- Mos e montoni produktin në mjedise me temperatura nën -5°C .
- Produkti juaj kërkon një qarkullim të përshtatshëm të ajrit për të funksionuar me efikasitet. Nëse produkti do të vendoset në një vend të futur, mos harroni të lini të paktën 5 cm hapësirë mes produktit dhe tavanit, murit të pasmë dhe mureve anësore.

- Nëse produkti do të vendoset në një vend të futur, mos harroni të lini të paktën 5 cm hapësirë mes produktit dhe tavanit, murit të pasmë dhe mureve anësore. Kontrolloni nëse elementi mbrojtës i pasmë për distancën me murin është i pranishëm në vendin përkatës (nëse është i përfshirë me produktin). Nëse elementi nuk është i disponueshëm ose nuk humbet apo bie, vendoseni produktin në mënyrë që të lini të paktën 5 cm hapësirë mes sipërfaqes së pasme të produktit dhe murit të dhomës. Hapësira në pjesën e pasme është e rëndësishme për një funksionim efikas të produktit.

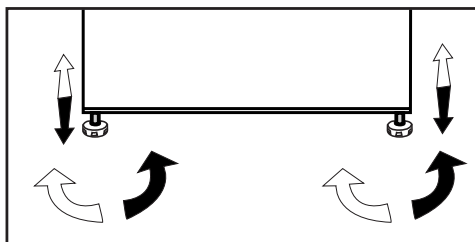
3.2. Vendosja e kunjave plastike

Përdorni kunjat plastike të përfshira me produktin për të siguruar një hapësirë të mjaftueshme për qarkullimin e ajrit midis produktit dhe murit.




1. Për të vendosur kunjat, hiqni vidhat në produkt dhe përdorni vidhat e përfshira me kunjat.
2. Vendosni 2 kunjat plastike në kapakun e ventilimit siç tregohet në figurë.

3.3. Rregullimi i mbështetëseve


Nëse produkti nuk është në ekuilibër, rregulloni mbështetëset e përparme të rregullueshme duke i rrotulluar ato djathtas ose majtas.



3.4. Lidhja elektrike

	KUJDES: Mos përdorni zgjatues ose priza të shumëfishta në lidhjen elektrike.
	KUJDES: Kablloja e dëmtuar elektrike duhet të zëvendësohet nga Shërbimi i autorizuar.
	Kur vendosni dy ftohës në pozicion ngjitur me njëri-tjetrin, lini të paktën 4 cm distancë midis dy njërive.

- Kompania jonë nuk do të mbajë përgjegjësi për asnjë dëmtim të shkaktuar nga përdorimi pa lidhjen e tokëzimit dhe pa lidhjen elektrike në përputhje me rregulloret kombëtare.
- Spina e kordonit elektrik duhet të jetë lehtësisht e arritshme pas montimit.
- Lidhni frigoriferin me një prizë me tokëzim me voltazh 220-240V/50 Hz. Spina duhet të përfshijë një siguresë 10-16A.
- Mos përdorni spina të grupuara me ose pa kablllo zgjatuese midis prizës së murit dhe frigoriferit.

	Paralajmërim për sipërfaqe të nxehtë! Muret anësore të produktit tuaj janë të pajisura me tuba me lëng ftohës për përmirësimin e sistemit të ftohjes. Në këto zona mund të qarkullojë lëngu ftohës me temperatura të larta, duke sjellë nxehtjen e sipërfaqeve në muret anësore. Kjo është normale dhe nuk ka nevojë për shërbim. Tregoni kujdes kur prekni këto zona.
---	---

4.1. Çfarë të bëni për kursimin e energjisë



Lidhja e produktit me sistemet elektronike të kursimit të energjisë është e dëmshme, dhe kjo mund të dëmtojë produktin.

- Për një pajisje kolonë; “ky frigorifer nuk është planifikuar të përdoret si pajisje inkaso.
- Mos i mbani dyert e frigoriferit të hapura për periudha të gjata.
- Mos vendosni ushqime ose pije të nxehta në frigorifer.
- Mos e mbushni shumë frigoriferin; bllokimi i rrjedhës së brendshme të ajrit do të ulë kapacitetin e ftohjes.
- Për të ruajtur sasinë maksimale të ushqimeve në ndarjen e ftohësit të frigoriferit tuaj, duhet të hiqni sirtarët e sipërm dhe t'i vendosni ushqimet në raftin e xhamit. Konsumi i deklaruar i energjisë për frigoriferin tuaj është përcaktuar duke hequr ftohësin, tabakanë e akullit dhe sirtarët e sipërm në mënyrë që të sigurohet ruajtja maksimale e ushqimeve. Rekomandohet shumë që të përdorni sirtarin e poshtëm kur ruani ushqimet. Për konsumin më të mirë të energjisë, duhet të aktivizoni funksionin e kursimit të energjisë.
- Nuk duhet ta bllokoni qarkullimin e ajrit duke vendosur ushqime përpara ventilatorit të ftohësit. Kur vendosni ushqimet, duhet të lini një hapësirë minimumi 3 cm përpara telit mbrojtës të ventilatorit.
- Në varësi të veçorive të produktit, shkrirja e ushqimeve të ngrira në ndarjen e ftohtë do të sigurojë kursimin e energjisë dhe do të ruajë cilësinë e ushqimeve.
- Ushqimet duhet të ruhen me anë të sirtarëve në ndarjen e ftohësit për të siguruar kursimin e energjisë dhe për mbrojtjen e ushqimeve në kushte më të mira.
- Paketimet e ushqimeve nuk duhet të jenë në kontakt të drejtpërdrejtë me sensorin e nxehtësisë që ndodhet në ndarjen e ftohësit. Nëse janë në kontakt me sensorin, konsumi i energjisë së pajisjes tuaj mund të rritet.
- Sigurohuni që ushqimet të mos jenë në kontakt me sensorin e temperaturës së ndarjes së ftohësit që përshkruhet më poshtë.

- Duke qenë se ajri dhe lagështia nuk do të depërtojnë direkt në produkt kur dyert nuk janë të hapura, produkti juaj do të optimalizohet në kushte të mjaftueshme për ta mbrojtur ushqimin. Në këtë funksion të kursimit të energjisë, funksionet dhe komponentet si kompresori, ventilatori, ngrohësi, shkrirja, ndriçimi, ekrani etj. do të punojnë sipas nevojave për të konsumuar minimumin e energjisë, ndërkohë që ruhet freskia e ushqimeve tuaja.
- Në rastin e opsioneve të shumëfishta, raftet prej xhami duhen vendosur në mënyrë që daljet e ajrit në pjesën e pasme të mos bllokohen, preferohet që daljet e ajrit të mbeten nën raftin prej xhami. Ky kombinim mund të ndihmojë në përmirësimin e shpërndarjes së ajrit dhe të efikasitetit të energjisë.

4.2. Përdorimi për herë të parë

Para se ta përdorni frigoriferin, sigurohuni që të bëni përgatitjet e duhura në përputhje me udhëzimet në paragrafët “Udhëzimet për sigurinë dhe mjedisin” dhe “Montimi”.

- Mbajeni produktin në punë pa ushqime në të për 6 orë dhe mos e hapni derën, nëse nuk është shumë e domosdoshme.



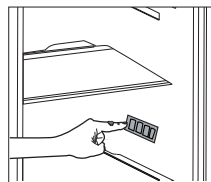
Kur të aktivizohet kompresori do të dëgjoni një tingull. Është normale të dëgjoni tinguj kur kompresori nuk është aktiv, për shkak të lëngjeve dhe gazeve të ngjeshura në sistemin e ftohjes.



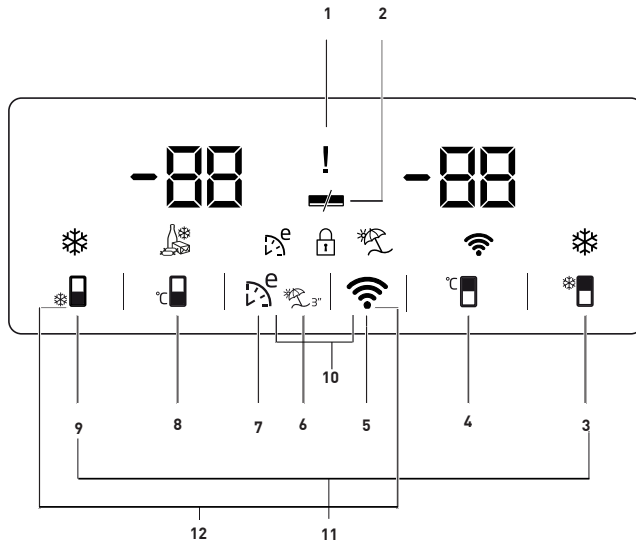
Anët e përparme të produktit mund të ngrohen. Kjo është normale. Këto zona janë të projektuara që të ngrohen për të parandaluar kondensimin.



Në disa modele, paneli i treguesve fiket automatikisht 5 minuta pas mbylljes së derës. Ai do të riaktivizohet kur të hapet dera ose kur të shtypet një buton.



Udhëzuesi i frigoriferit / i përdorimit



1. Treguesi i ndërprerjes së energjisë/temperaturës së lartë/statusit të gabimit
2. Treguesi i funksionit të kursimit të energjisë (ekrani joaktiv):
3. Butoni i ftohjes së shpejtë
4. Butoni i përcaktimit të temperaturës së ndarjes së frigoriferit
5. Butoni i lidhjes me valë
6. Butoni i funksionit të pushimeve
7. Butoni Eco-fuzzy
8. Butoni i përcaktimit të temperaturës së ndarjes së ngrirësit
9. Butoni i ngrirjes së shpejtë
10. Kyçja e butonave
11. Butoni për ndryshimin e njësisë së temperaturës



***Opsional:** Shifrat në këtë manual përdorimi janë të përdorura si modele dhe mund të mos përputhen saktësisht me produktin tuaj. Nëse produkti juaj nuk i përfshin pjesët përkatëse, informacionet kanë lidhje me modele të tjera.

Përdorimi i produktit


1. Treguesi i ndërprerjes së energjisë/ temperaturës së lartë/statusit të gabimit

Ky tregues () ndriçohet në rast të ndërprerjes së energjisë, të temperaturës së lartë dhe paralajmërimeve të gabimeve.

Kur temperatura e ndarjes së ngrirësit rritet në një nivel kritik për ushqimet e ngrira, vlera maksimale e arritur në temperaturën e ndarjes së ngrirësit pulson në treguesin dixhital.

Kontrolloni ushqimet në ndarjen e ngrirësit.

Ky nuk është një defekt. Paralajmërimi mund të fshihet duke shtypur çdo buton ose me butonin e çaktivizimit të alarmit të temperaturës së lartë. (Anulimi me shtypjen e çfarëdo butoni nuk është i vlefshëm për çdo model.)


Ky tregues () ndriçohet po ashtu kur ndodh një defekt i sensorit. Kur ndriçohet ky tregues, në treguesin e temperaturës shfaqen në mënyrë të alternuar shkronja "E" dhe numrat si "1,2,3...". Këta numra në tregues e informojnë personelin e shërbimit për gabimin.

2. Treguesi i funksionit të kursimit të energjisë (ekrani joaktiv):

Nëse dyert e produktit mbahen të mbyllura për një kohë të gjatë, funksioni i kursimit të energjisë aktivizohet automatikisht dhe do të ndriçohet simboli i kursimit të energjisë. (—)


Kur funksioni i kursimit të energjisë është i aktivizuar, të gjitha simbolet në ekran përveç simbolit të kursimit të energjisë do të fikën. Kur funksioni i kursimit të energjisë është i aktivizuar, nëse shtypet një buton ose nëse hapet dera, funksioni i kursimit të energjisë do të anulohet dhe simbolet në ekran do të kthehen në normale. Funksioni i kursimit të energjisë është një parazgjedhje e fabrikës dhe nuk mund të anulohet.

3. Butoni i ftohjes së shpejtë

Treguesi i ftohjes së shpejtë () është i ndezur dhe vlera e treguesit të temperaturës për ndarjen e frigoriferit shfaqet si 1 kur funksioni i ftohjes së shpejtë është i aktivizuar. Për ta anuluar


këtë funksion, shtypni përsëri butonin e ftohjes së shpejtë. Treguesi i ftohjes së shpejtë do të çaktivizohet dhe frigoriferi do të rikthehet në parametrat normale. Funksioni i ftohjes së shpejtë anulohet automatikisht pas 1 ore nëse nuk e anuloni më parë. Nëse dëshironi të ftohni sasi të mëdha ushqimesh të freskëta, shtypni butonin e ftohjes së shpejtë para se të vendosni ushqimet në ndarjen e frigoriferit.

4. Butoni i përcaktimit të temperaturës së ndarjes së frigoriferit

Kur shtypet ky buton, temperatura e ndarjes së ftohësit mund të caktohet përkatësisht në vlerat 8,7,6,5,4,3,2 dhe 1. (°C )

5. Butoni i lidhjes me valë (*opsionale)

Një shtypje e gjatë në buton (3 sekonda) nis prezantimin e parë të produktit me rrjetin e shtëpisë.

Gjatë procesit të vendosjes së lidhjes, ikona e rrjetit me valë () do të pulsojë me intervale prej 0,5 sekondash.

Kur lidhja me rrjetin e shtëpisë të kryhet me sukses, ikona e rrjetit me valë do të ndizet në vazhdimësi.

Pas vendosjes së lidhjes së parë, lidhja mund të aktivizohet/çaktivizohet duke shtypur shkurtimisht këtë buton.

Pas fikjes dhe ndezjes së energjisë, ajo do të kujtohet automatikisht dhe do të vendoset një lidhje me rrjetin tënd.

Ikona e rrjetit me valë do të pulsojë shkurtimisht (në intervale me 0,2 sek.) deri sa të vendoset lidhja.

Kur lidhja është aktive, ikona e rrjetit me valë do të ndizet në mënyrë të vazhdueshme.

Nëse lidhja nuk mund të vendoset për një periudhë të caktuar, kontrolloni parametrat e modemit/lidhjes.



Përdorimi i produktit

Aplikacioni HomeWhiz përdoret si ndërfaqe e lidhjes.

Hapat e lidhjes përshkruhen në UDHËZUESIN E INSTALIMIT TË SHPEJTË TË HomeWhiz që vjen me produktin.


Shikoni në pjesën e zgjedhjes së problemeve për përgjigje për pyetjet bazë.

6. Butoni i funksionit të pushimeve

Për të aktivizuar funksionin e pushimeve, mbani të shtypur këtë buton () për 3 sekonda dhe do të aktivizohet treguesi i modalitetit të pushimeve (). Kur aktivizohet funksioni i pushimeve, në treguesin e temperaturës së ndarjes së frigoriferit shfaqet “- -” dhe në ndarjen e frigoriferit nuk kryhet ftohja aktive. Nuk është e përshtatshme që të mbani ushqime në ndarjen e frigoriferit kur ky funksion është i aktivizuar. Ndarjet e tjera do të vazhdojnë të ftohen sipas temperaturave të tyre të përcaktuara.

Për ta anuluar këtë funksion, shtypni përsëri butonin e funksionit të **pushimeve**.


7. Butoni Eco-fuzzy

Shtypni butonin eco-fuzzy për të aktivizuar funksionin eco-fuzzy. Kur ky funksion është aktiv, ngrirësi do të fillojë të punojë në modalitetin ekonomik pas të paktën 6 orësh dhe do të ndizet treguesi i përdorimit ekonomik ().


Për të çaktivizuar funksionin eco-fuzzy, shtypni përsëri butonin e funksionit eco-fuzzy. Kur funksioni eco-fuzzy është i aktivizuar, ky tregues do të aktivizohet pas 6 orësh.

8. Butoni i përcaktimit të temperaturës së ndarjes së ngrirësit

Përcaktimi i temperaturës bëhet për ndarjen e ngrirësit

Kur shtypet butoni me numrin (), mund ta caktoni temperaturën e ndarjes së ngrirësit në -18, -19, -20, -21, -22, -23 dhe -24.





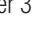
9. Butoni i ngrirjes së shpejtë

Shtypni butonin me numër (9) për ngrirjen e shpejtë; treguesi i ngrirjes së shpejtë () do të aktivizohet.

Kur funksioni i ngrirjes së shpejtë është aktiv, treguesi i ngrirjes së shpejtë do të ndizet dhe treguesi i temperaturës së ndarjes së ngrirësit do të tregojë vlerën -27. Për ta anuluar këtë funksion, shtypni përsëri butonin e ngrirjes së shpejtë (). Treguesi i ngrirjes së shpejtë do të çaktivizohet dhe frigoriferi do të kthehet te parametrat normalë. Funksioni i ngrirjes së shpejtë anulohet automatikisht pas 24 orësh nëse nuk e anuloni më parë. Nëse dëshironi të ngrini sasi të mëdha ushqimesh të freskëta, shtypni butonin e ngrirjes së shpejtë para se t'i vendosni ushqimet në ndarjen e ngrirësit.

10. Kyçja e butonave



Mbani të shtypur butonat e rrjetit me valë

() dhe eco-fuzzy () në të njëjtën kohë për 3 sekonda. Simboli i kyçit të butonave () do të ndriçohet dhe do të aktivizohet modaliteti i kyçit të butonave. Butonat nuk do të funksionojnë kur modaliteti i kyçit të butonave është aktiv. Mbani të shtypur butonat e rrjetit me valë () dhe eco-fuzzy () në të njëjtën kohë për 3 sekonda. Kyçi i butonave do të çaktivizohet.

Përdorni funksionin e **kyçit të butonave**

nëse dëshironi që të parandaloni ndryshimin e përcaktimit të temperaturës së frigoriferit.

11. Butoni për ndryshimin e njësisë së temperaturës

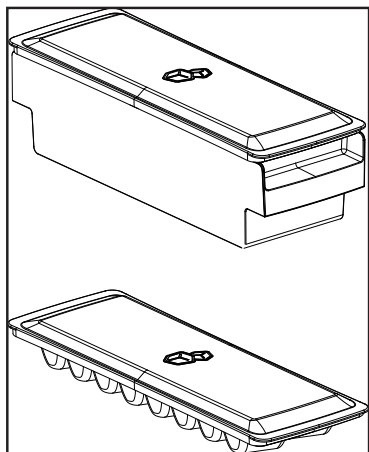
Mbani të shtypur butonat e Ftohjes së shpejtë () dhe të Ngrirjes së shpejtë () për 3 sekonda për të ndërruar mes vlerave në farenhait dhe celsius.

Përdorimi i produktit

5.1. Kova e akullit

*opsionale

- Hiqni kovën e akullit nga ndarja e ngrirësit.
 - Mbusheni kovën e akullit me ujë.
 - Vendoseni kovën e akullit në ndarjen e ngrirësit.
 - Akulli do të jetë gati pas afro dy orësh.
- Merrni kovën e akullit nga ndarja e ngrirësit dhe përkuleni lehtë mbi enën ku do ta shërbeni. Akulli do të derdhet me lehtësi në enën e përdorimit.



5.2. Mbajtësja e vezëve

Mbajtësen e vezëve mund ta vendosni te dera ose në një raft të trupit sipas dëshirës. Nëse vendosni ta mbani në një raft të trupit, rekomandohet të zgjidhni më mirë raftet poshtë pasi janë më të ftohta.

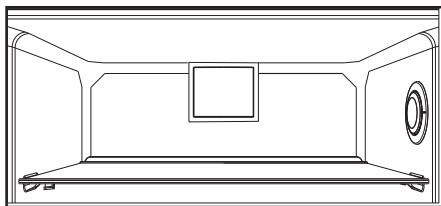


Mos e vendosni mbajtësen e vezëve në ndarjen e ngrirësit.

5.3. Ventilatori

Ventilatori është projektuar për të qarkulluar ajrin e ftohtë brenda frigoriferit në mënyrë të njëtrajtshme. Koha e përdorimit të ventilatorit mund të ndryshojë në varësi të veçorive të produktit tuaj.

Ndërkohë që në disa produkte ventilatori punon me kompresorin, në produkte të tjera koha e përdorimit përcaktohet nga sistemi i kontrollit bazuar në nevojën për ftohje.



Përdorimi i produktit

5.4. Koshi i perimeve

*opsionale

Koshi i perimeve i produktit është i projektuar për t'i ruajtur perimet e freskëta, duke ruajtur lagështinë. Për këtë qëllim, qarkullimi i përgjithshëm i ajrit të ftohtë është më i lartë në koshin e perimeve.

5.5. Rafti i lëvizshëm i derës

*opsionale

Rafti i lëvizshëm i derës mund të fiksohet në 3 pozicione të ndryshme.

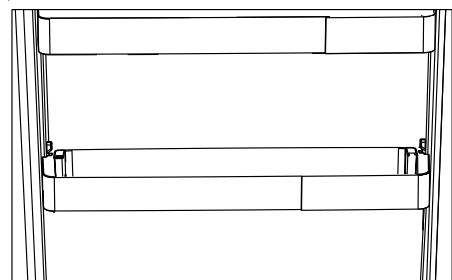
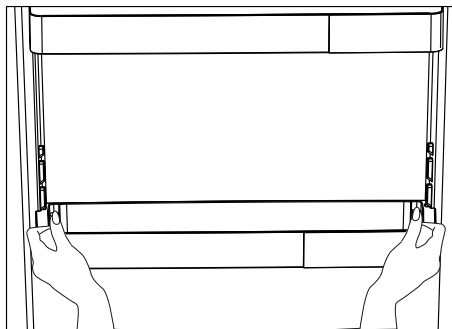
Për ta lëvizur raftin, shtypni njëkohësisht butonat në anë. Rafti do të mund të lëvizet.

Zhvendoseni raftin lart ose poshtë.

Kur rafti të jetë në pozicionin që dëshironi, lëshoni butonat. Rafti do të fiksohet në pozicionin ku keni lëshuar butonat.

5.6 Ndarja e bulmetit (ruajtja e ftohtë)

Siguron një temperaturë më të ulët se ndarja e frigoriferit. Përdoreni këtë ndarje për të ruajtur ushqime gastronomike (sallam, suxhukë, produkte bulmeti etj.) që kërkojnë një temperaturë më të ulët ose mish, mish pule ose peshk për konsum të menjëhershëm. Mos ruani fruta dhe perime në këtë ndarje



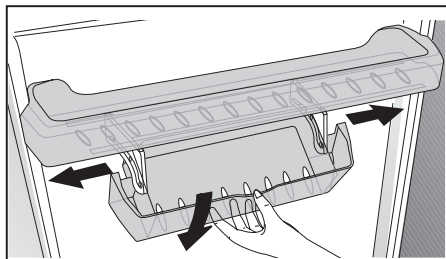
Përdorimi i produktit

5.7 Kutia e ruajtjes me rrëshqitje

*opsionale

Ky aksesori është projektuar për të rritur vëllimin e përdorimit të rafteve të derës.

Falë aftësisë së tij për të lëvizur në anë, ai bën të mundur që të vendosni me lehtësi shishe, kavanozë ose kuti të gjata në raftin e shisheve më poshtë.



5.8 HerbBox/HerbFresh

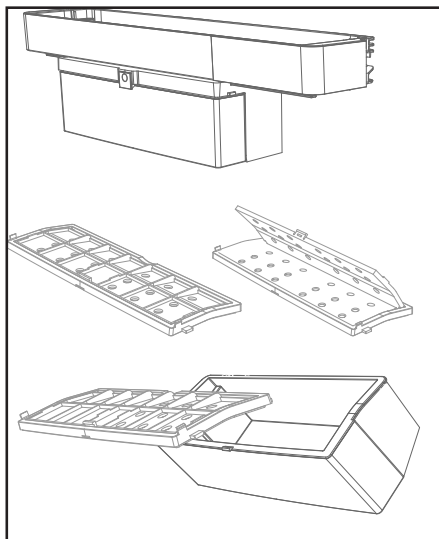
Hiqni kontejnerin me film nga HerbBox/HerbFresh+

Hiqni filmin nga qesja dhe vendoseni në kontejnerin me film si në imazh.

Mbylleni përsëri kontejnerin dhe vendoseni përsëri në njësinë HerbBox/HerbFresh+.

Ndarjet HerbBox-HerbFresh+ janë më shumë ideale për ruajtjen e erëzave të ndryshme që pritet të mbahen në kushte delikate. Mund t'i ruani erëzat pa qese (majdanos, kopër, etj.) në këtë ndarje në mënyrë horizontale dhe t'i mbani të freskëta për një kohë më të gjatë.

Filmi duhet të ndërrohet çdo gjashtë muaj.



Përdorimi i produktit

5.9 Koshi i perimeve me lagështi të kontrolluar

*opsionale

Me veçorinë e kontrollit të lagështisë, nivelet e lagështisë së perimeve dhe frutave mbahen nën kontroll dhe kjo siguron një freski më të gjatë për ushqimet.

Rekomandohet që perimet me gjethe, si sallata, spinaqi dhe perimet e ngjashme që humbasin lagështi, t'i ruani sa më shumë në pozicion horizontal dhe jo mbi rrënjët e tyre në koshin e perimeve.

Kur vendosni perimet, vendosni perimet e forta dhe të rënda në fund dhe perimet e buta dhe të lehta sipër, duke pasur parasysh peshat specifike të perimeve.

Mos i lini perimet në qese plastike në koshin e perimeve. Nëse i lini në qese plastike, kjo bën që perimet të kalben për një kohë të shkurtër. Në rastet kur nuk preferoni kontaktin me perimet e tjera, përdorni materiale paketimi, si letër, që ka një depërtueshmëri të caktuar në kuadër të higjienës.

Mos i vendosni frutat që krijojnë shumë gaz etileni, si dardhat, kajsitë, pjeshkat dhe sidomos mollët, në të njëjtin kosh perimesh me perime dhe fruta të tjera. Gazi i etilenit që del nga këto fruta mund të bëjë që perimet dhe frutat e tjera të piqen më shpejt dhe të kalben në një periudhë të shkurtër.

5.10 Aparati autoamtik i akullit

*opsionale

Aparati automatik i akullit bën të mundur që të prodhoni me lehtësi akull në frigoriferin tuaj. Për të marrë akull nga aparati i akullit, nxirri depozitën e ujit nga ndarja e ftohësit, mbusheni me ujë dhe vendoseni përsëri.

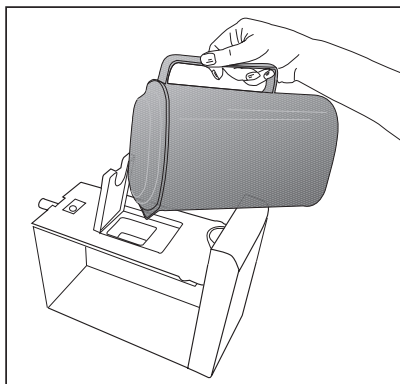
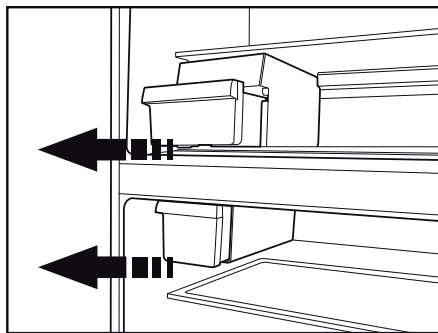
Kubat e parë të akullit do të jenë gati për afro 2 orë në sirtarin e aparatit të akullit në ndarjen e ftohësit.

Pas vendosjes së depozitës së mbushur të ujit, mund të merrni rreth 60-70 kuba akulli deri sa ajo të boshatiset plotësisht.

Nëse uji në depozitë ka qëndruar për 2-3 javë, ai duhet të ndërrohet.



Në produktet me një aparat automatik akulli, mund të dëgjoni një zhurmë kur nxirri akullin. Kjo zhurmë është normale dhe nuk është shenjë defekti.



Përdorimi i produktit

5.11 Icematic dhe kontejneri i ruajtjes së akullit

*opsionale

Përdorimi i Icematic

Mbusheni Icematic me ujë dhe vendoseni në vendin përkatës. Akulli do të jetë gati për afro dy orë. Mos e hiqni Icematic nga vendi i tij për të marrë akullin.

Rrotulloni dorezat në rezervuarët e akullit në drejtim orar me 90 gradë.

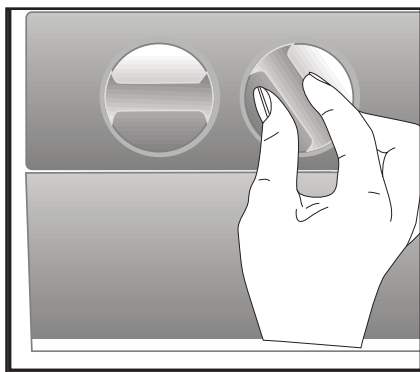
Kubat e akullit në rezervuarë do të bien në kontejnerin e ruajtjes së akullit poshtë.

Mund ta nxirri kontejnerin e ruajtjes së akullit dhe t'i përdorni kubat e akullit.

Nëse dëshironi, mund t'i mbani kubat e akullit në kontejnerin e ruajtjes së akullit.

Kontejneri i ruajtjes së akullit

Kontejneri i ruajtjes së akullit është vetëm për grumbullimin e kubave të akullit. Mos hidhni ujë në të. Në rast të kundërt, ai do të thyhet.



5.12 Përdorimi i aparatit të ujit

*opsionale



Është normale që në fillim disa gota me ujë nga aparati të jenë të ngrohta.

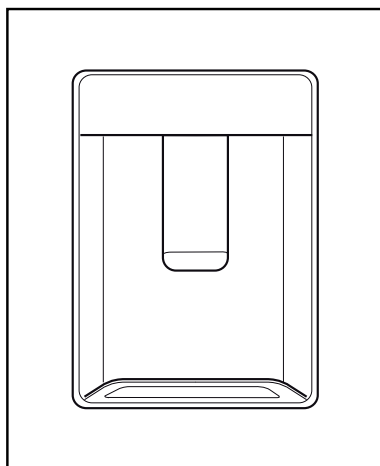


Nëse aparati i ujit nuk përdoret për një kohë të gjatë, hidhni poshtë gotat e para me ujë për të marrë ujë të pastër.

1. Shtyjeni levën e aparatit të ujit me gotë. Nëse po përdorni një gotë plastike të butë, mund të jetë më e lehtë ta shtyni levën me dorë.
2. Pasi ta mbushni gotën në nivelin e dëshiruar, lëshojeni levën.



Kini parasysh se sasia e ujit që rrjedh nga aparati varet nga sa e shtypni levën. Me rritjen e nivelit të ujit në gotë, uleni lehtë presionin e ushtruar mbi levë për të shmangur derdhjen e ujit. Nëse e shtypni pak krahnun, do të derdhet ujë; kjo është normale dhe nuk është një defekt.



Përdorimi i produktit

5.13 Mbushja e depozitës së aparatit të ujit

Rezervuari i mbushjes së depozitës së ujit ndodhet brenda raftit të derës.

1. Hapni kapakun e depozitës.
2. Mbusheni depozitën me ujë të pijshëm të freskët.
3. Mbylleni kapakun.



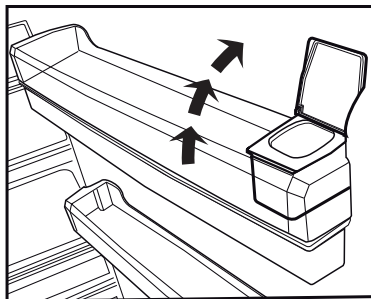
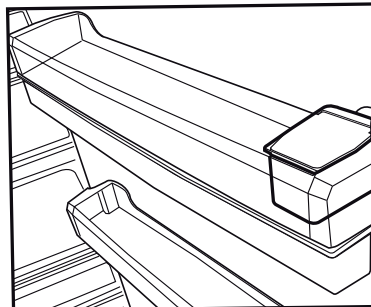
Mos e mbushni depozitën e ujit me lëngje të tjera, përveç ujit, si lëngje frutash, pije me gaz ose pije alkoolike që nuk janë të përshtatshme për t'u përdorur në aparatit e ujit. Aparati i ujit do të dëmtohet në mënyrë të pariparueshme nëse përdoren këto lëngje. Garancia nuk i mbulon përdorime të tilla. Disa substanca kimike dhe substanca të shtuara në këto lloj pijesh/lëngjesh mund të dëmtojnë depozitën e ujit.



Përdorni vetëm ujë të pastër dhe të pijshëm.



Kapaciteti i depozitës së ujit është 3 litra; mos e mbushni më shumë.



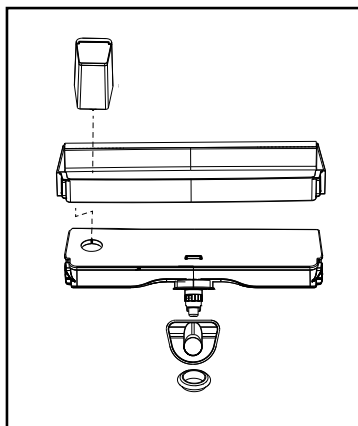
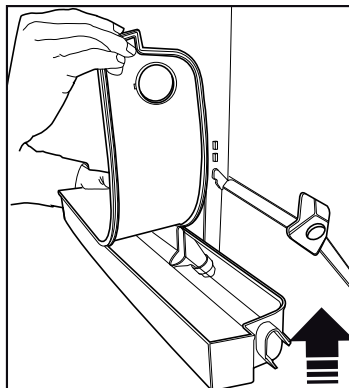
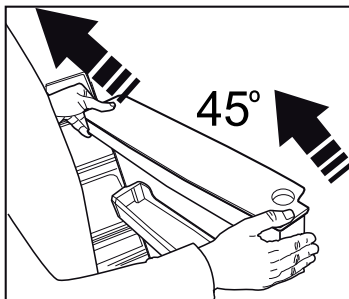
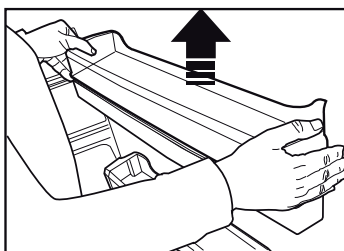
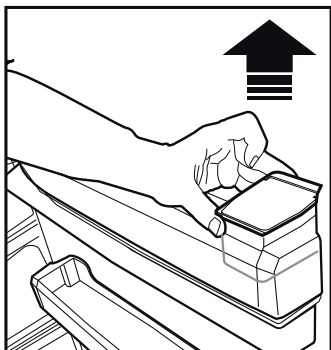
Përdorimi i produktit

5.14 Pastrimi i depozitës së ujit

1. Hiqni rezervuarin e mbushjes së ujit brenda raftit të derës.
2. Hiqni raftin e derës duke e mbajtur nga të dyja anët.
3. Kapeni depozitën e ujit nga të dyja anët dhe hiqni me një kënd 45°.
4. Hiqni kapakun e depozitës së ujit dhe past-roni depozitën.



Pjesët e depozitës së ujit dhe të aparatit të ujit nuk duhet të lahen në lavastovilje.



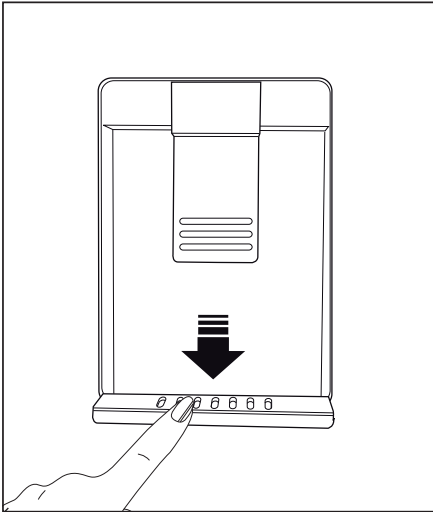
Përdorimi i produktit

5.15 Tabakaja e derdhjes

Uji që derdhet gjatë përdorimit të aparatit të ujit grumbullohet në tavën e derdhjes.

Hiqni filtrin plastik siç tregohet në figurë.

Hiqni ujin e grumbulluar me një rrobë të pastër e të thatë.



Përdorimi i produktit

5.16 Ngrirja e ushqimeve të freskëta

- Për të ruajtur cilësinë e ushqimeve, artikujt ushqimorë të vendosur në ndarjen e ngrirësit duhet të ngrijnë sa më shpejt të jetë e mundur - përdorni ngrirjen e shpejtë për këtë gjë.
- Ngrirja e ushqimeve kur janë të freskëta do të zgjasë kohën e ruajtjes së tyre në ndarjen e ngrirësit.
- Paketojini ushqimet në pako të izoluara nga ajri dhe mbyllini mirë.
- Sigurohuni që ushqimet të jenë të paketuara para se t'i vendosni në ngrirës. Përdorni mbajtëse për ngrirësin, letër alumini, letër kundër lagështisë, qese plastike ose paketime të ngjashme në vend të letrës tradicionale të paketimit.



Akulli në ndarjen e ngrirjes shkrihet automatikisht.

- Shënojeni çdo pako ushqimesh duke shënuar datën në paketim para se t'i ngrini.

Kjo do t'ju lejojë të përcaktoni freskinë e secilës pako sa herë që hapni ngrirësin. Mbjajni përpara ushqimet më të vjetra për të garantuar që do të përdoren të parat.

- Ushqimet e ngrira duhet të përdoren menjëherë pas shkrijes dhe nuk duhet të ngrijnë përsëri.
- Mos shkrihi sasi shumë të mëdha ushqimesh në të njëjtën kohë.

5.17 Rekomandimet për ruajtjen e ushqimeve të ngrira

Ndarja duhet të caktohet të paktën në -18°C.

1. Vendosini ushqimet në ngrirës sa më shpejt të jetë e mundur për të shmangur shkrijen e tyre.
2. Para se t'i ngrini, kontrolloni "Datën e skadimit" paketim për t'u siguruar që nuk kanë skaduar.
3. Sigurohuni që paketimi i ushqimit nuk është i dëmtuar.

Përcaktimi i temperaturës së ndarjes së ngrirësit	Përcaktimi i temperaturës së ndarjes së ftohësit	Detajet
-18°C	4°C	Ky është parametri i paracaktuar i rekomanduar.
-20,-22 ose -24°C	4°C	Këta parametra rekomandohen kur temperaturat e ambientit kalojnë 30°C.
Ngrirja e shpejtë	4°C	Përdoreni kur dëshironi të ngrini ushqimet për një kohë të shkurtër. Kur të mbarojë procesi, produkti do të rikthehet në pozicionin e tij.
-18°C ose më i ftohtë	2°C	Përdorni këta parametra nëse besoni se ndarja e ftohësit nuk është e ftohtë sa duhet për shkak të temperaturës së ambientit ose nga hapja e shpeshtë e derës.

Përdorimi i produktit

5.18 Detajet për ngrirjen e thellë

Sipas standardeve IEC 62552, ngrirësi duhet të ketë kapacitetin për të ngrirë 4,5 kg ushqime në -18°C ose në temperatura më të ulët në 24 orë për çdo 100 litra vëllim të ndarjes së ngrirësit.

Ushqimet mund të ruhen për periudha të gjata vetëm në -18°C ose në temperaturë më të ulët.

Mund t'i mbani ushqimet të freskëta për muaj të tërë (në grirje të thellë ose në temperatura nën -18°C).

Ushqimet që do të ngrini nuk duhet të bien në kontakt me ushqimet e ngrira në brendësi për të shmangur shkrijen e pjesshme.

Ziejini perimet dhe filtrojeni ujin për të zgjatur kohën e ruajtjes në ngrirje. Vendosini ushqimet në paketime të izoluar nga ajri pas filtrimit dhe vendosini në ngrirës. Bananet, domatet, sallata, selinoja, vezët e ziera, patatet dhe ushqime të tjera të ngjashme nuk duhet të ngrihen. Në rast se këto ushqime kalben, kjo do të ketë ndikim negativ vetëm në vlerat ushqimore dhe cilësitë e shijeve. Kalbja nuk do të jetë një rrezik për shëndetin njerëzor.

5.19 Vendosja e ushqimeve

Raftet e ndarjes së ngrirësit	Ushqimet e ndryshme të ngrira si mishi, peshku, akullorja, perimet, etj.
Raftet e ndarjes së ftohësit	Ushqimet në vazo, pjata e mbuluara dhe kuti me kapak, vezë (në kuti me kapak)
Raftet e derës së ndarjes së ftohësit	Pije dhe ushqime të vogla të paketuara
Koshi i perimeve	Frutat dhe perimet
Ndarja e ushqimeve të freskëta	Ushqimet delikate (ushqimet për mëngjes, produktet e mishit që do të konsumohen së shpejti)

5.20 Sinjalizimi i hapjes së derës (Opsionale)

Do të dëgjoni një sinjalizim zanor nëse dera e produktit qëndron e hapur për të paktën 1 minutë. Sinjalizimi zanor do të ndalojë kur dera është e mbyllur ose kur shtypet një buton në ekran (nëse ka).

Sinjalizimi për derën e hapur bëhet në mënyrë zanore dhe vizuale për përdoruesin. Drita e brendshme do të çaktivizohet nëse paralajmërimi vazhdon për 10 minuta.

5.21 Ndryshimi i drejtimit të hapjes së derës

Mund ta ndryshoni drejtimin e hapjes së frigoriferit në varësi të vendit ku e përdorni. Kur të keni nevojë të bëni këtë, këshillohuni me shërbimin e autorizuar më të afërt.

Shpjegimi i mësipërm është një prezantim i përgjithshëm. Duhet të kontrolloni etiketën e paralajmërimit që ndodhet brenda paketimit të produktit mbi mundësinë e ndryshimit të drejtimit të derës.

5.22 Drita e brendshme

Drita e brendshme përdor një llambë të tipit LED. Kontaktoni me shërbimin e autorizuar për çdo problem me këtë llambë.

Llamba(t) e përdorur në këtë pajisje nuk mund të përdoret për ndriçimin e shtëpisë. Qëllimi i përdorimit të kësaj llambe është të ndihmojë përdoruesin të vendosë ushqime në frigorifer / ngrirës në mënyrë të sigurt dhe me lehtësi.

5.23 Drita blu/HarvestFresh

***Mund të mos jetë e disponueshme në të gjitha modelet**

Për dritën blu,

Frutat dhe perimet e ruajtura në ndarëset e perimeve që ndriçohen me një dritë blu vazhdojnë fotosintezën nëpërmjet efektit të gjatësisë së valëve të dritës blu dhe ruajnë kështu përmbajtjen e vitaminave.

Për HarvestFresh,

Frutat dhe perimet e ruajtura në ndarëset e perimeve që ndriçohen me teknologjinë HarvestFresh i ruajnë vitaminat për një kohë më të gjatë falë dritave blu, jeshile dhe të kuqe dhe cikleve të errësirës, të cilat simulojnë ciklin e një dite.

Nëse e hapni derën e frigoriferit gjatë periudhës së errësirës së teknologjisë HarvestFresh, frigoriferi do ta zbulojë automatikisht këtë dhe do të aktivizojë dritën blu-jeshile ose të kuqe për ndriçimin e ndarëses së perimeve për lehtësinë tuaj. Pasi ta keni mbyllur derën e frigoriferit, periudha e errësirës do të vazhdojë duke përfaqësuar kohën e natës në ciklin e një dite.

5.24 Ndërrimi i llambës së ndriçimit

Për të ndërruar llambën/dritën LED që përdoret për ndriçimin e frigoriferit, telefononi Shërbimin e autorizuar.

Llamba(t) e përdorur në këtë pajisje nuk është e përshtatshme për ndriçimin e dhomave të shtëpisë. Qëllimi i kësaj llambe është të ndihmojë përdoruesin të vendosë ushqime në frigorifer/ngrirës në një mënyrë të sigurt dhe të lehtë.

Llambat e përdorura në këtë pajisje duhet t'i rezistojnë kushteve fizike ekstreme si temperaturat nën -20 °C.

Ky produkt është i pajisur me një burim ndriçimi të klasës energjetike "G".

Burimi i ndriçimit në këtë produkt duhet të zëvendësohet vetëm nga riparues profesionistë.

Jetëgjatësia e produktit rritet nëse ai pastrohet rregullisht



KUJDES: Në fillim hiqeni produktin nga prizë para se ta pastroni.

- Mos përdorni asnjëherë mjete të mprehta dhe gërryese, sapun, pastrues shtëpiak, detergjente dhe shkëlqyes me dyllë për pastrimin.
- Tretni një lugë çaji me karbonat në një gjysmë litri ujë. Lagni një rrobë me këtë solucion dhe shtrydhjeni mirë. Fshini pjesën e brendshme të pajisjes me këtë rrobë dhe thajeni mirë.
- Sigurohuni që uji të mos hyjë te struktura e llambës dhe elementet e tjera elektrike.
- Pastroni derën me një rrobë të njomë. Për të hequr raftet e derës dhe të trupit të pajisjes, hiqni të gjitha përmbajtjet e tyre. Hiqni raftet e derës duke i lëvizur lart. Pas pastrimit, rrëshqitini nga lart poshtë për t'i montuar.
- Mos përdorni asnjëherë substanca ose ujë me klor për të pastruar sipërfaqet e jashtme dhe pjesët me veshje kromi të produktit. Klori shkakton gërryerjen e sipërfaqeve të tilla metalike.
- Mos përdorni mjete të mprehta, gërryese, sapun, substanca pastrimi të shtëpisë, detergjente, vajguri, kaburant, vaj, bojë etj. për të parandaluar heqjen dhe deformimin e printimeve në pjesët plastike. Përdorni ujë të vakët dhe një pecetë të butë për pastrimin dhe më pas thajeni duke e fshirë.

6.1. Shmangia e aromave të këqija

Për prodhimin e pajisjeve tona nuk përdoren materiale që mund të shkaktojnë aroma. Sidoqoftë, për shkak të kushteve të papërshtatshme të ruajtjes së ushqimeve dhe mospastrimit të sipërfaqes së brendshme të pajisjes si duhet mund të shfaqet problemi i aromave të këqija.

Për këtë arsye, pastrojini frigoriferin me karbonat të tretur në ujë çdo 15 ditë.

- Mbajini ushqimet në kontejnerë të mbyllur. Mikroorganizmat që përhapen nga kontejnerët e pambuluar mund të shkaktojnë aroma të pakëndshme.

- Mos mbani asnjëherë ushqime të prishura dhe me data të skaduara në frigorifer.

6.2. Mbrojtja e sipërfaqeve plastike

Pastroni menjëherë me ujë të ngrohtë pasi vaji mund të shkaktojë dëmtim në sipërfaqe kur bie mbi sipërfaqet plastike.

6.3. Xhamat e derës

Hiqni fletën mbrojtëse të xhamave.

Në sipërfaqen e xhamave ka një shtresë. Kjo shtresë minimizon grumbullimin e njollave dhe ndihmon në heqjen e njollave dhe papastërtive me lehtësi. Xhamat që nuk janë të mbrojtura me një veshje të tillë mund të jenë objekt i grumbullimit të papastërtive organike ose joorganike me bazë uji ose ajri si smërçi, kripëra minerale, hidrokarbure të padjegura, okside metali dhe silikonë që mund të shkaktojnë njolla ose dëmtime të materialeve me shpejtësi dhe me lehtësi. Pastrimi i vazhdueshëm i xhamit bëhet i vështirë, pavarësisht pastrimit të rregullt. Si pasojë, pamja dhe tejudukshmëria e xhamit do të përkeqësohet. Substancat dhe metodat e pastrimit të ashpra dhe gërryese do t'i përkeqësojnë këto defekte dhe do ta shpejtojnë këtë proces.

Për pastrimin e rregullt duhet të përdoren produkte pastrimi me bazë uji që nuk janë alkaline dhe gërryese.

Për pastrimin duhet të përdoren materiale jo alkaline dhe jo gërryese në mënyrë që jetëgjatësia e kësaj veshjeje të zgjasë për një kohë të gjatë.

Këta xhama janë të temperuar, për të rritur qëndrueshmërinë e tyre ndaj goditjeve dhe thyerjes. Në sipërfaqet e tyre të pasme është vendosur po ashtu një fletë sigurie si një masë shtesë sigurie për të parandaluar dëmtimet e ambientit rrethues në rast se thyhen.

*Alkali është një bazë që krijon jone hidroksidi (OH) kur tretet në ujë.

Li (litiumi), Na (natriumi), K (kaliumi) Rb (rubidiumi), Cs (ceziumi) dhe metalet artificiale dhe radioaktive Fr (fansiumi) quhen METALE ALKALINE.

Kontrolloni këtë listë para se të kontaktoni me servisin. Kjo do t'ju kursejë kohë dhe para. Kjo listë përfshin ankesat e shpeshta që nuk janë të lidhura me defekte të prodhimit ose të materialeve. Disa veçori të përmendura këtu mund të mos jenë të vlefshme për produktin tuaj.

Frigoferi nuk punon.

- Spina elektrike nuk është vendosur mirë. >>> Shtyjeni që të jetë e vendosur mirë në prizë.
- Siguresa e lidhur me prizën e produktit ose siguresa kryesore mund të jetë e djegur. >>> Kontrolloni siguresat.

Kondensim në faqen anësore të ndarjes së ftohësit (pjesameshëmëzona, ftohësi, kontrolli dhe zona fleksibël)

- Mjedisi është shumë i lagësht. >>> Mos e montoni produktin në mjedise me lagështi.
- Ushqimet e lëngshme mbahen në mbajtëse të paizoluara. >>> Mbajini ushqimet e lëngshme në mbajtëse të izoluara.
- Dera e produktit është lënë e hapur. >>> Mos e mban derën e frigoferit të hapur për periudha të gjata.
- Temperatura e termostatit është shumë e ulët. >>> Vendoseni termostatit në temperaturën e duhur

Kompresori nuk punon.

- Në rast se ndërprerjeve të energjisë ose heqjes dhe rivendosjes së spinës, presioni i gazit në sistemin e ftohjes së produktit nuk është i ekuilibruar dhe kjo aktivizon mbrojtjen termik të kompresorit. Produkti do të rifillojë punën pas afro 6 minutash. Nëse produkti nuk rifillon punën pas kësaj periudhe, kontaktoni me servisin.
- Shkrija është aktive. >>> Kjo është normale për një produkt me shkrije automatike. Shkrija kryhet periodikisht.
- Produkti nuk është në prizë. >>> Sigurohuni që kordoni elektrik të jetë në prizë.
- Përcaktimi i temperaturës nuk i gabuar. >>> Zgjidhni përcaktimin e përshtatshëm të temperaturës.
- Nuk ka energji elektrike. >>> Produkti do të vazhdojë të punojë si normalisht pas rikthimit të energjisë

Zhurma e përdorimit të frigoferit rritet gjatë punës.

- Rendimenti i përdorimit të frigoferit mund të ndryshojë në varësi të ndryshimeve të temperaturës së ambientit. Kjo është normale dhe nuk është një defekt.
- Frigoferi punon shumë shpesh dhe për një kohë të gjatë.
- Produkti i ri mund të jetë më i madh se produkti i mëparshëm. Produktet e mëdha do të punojnë për periudha më të gjata.
- Temperatura e dhomës mund të jetë shumë e lartë. >>> Produkti do të punojë normalisht për periudha më të gjata në temperatura më të larta të dhomës.
- Produkti mund të jetë vënë në prizë së fundi ose mund të jenë vendosur ushqime të tjera në të. >>> Produkti do të kërkojë më shumë kohë për të arritur temperaturën e caktuar kur vendoset në prizë së fundi ose kur vendosen ushqime të reja. Kjo është normale.
- Sasi të mëdha ushqimesh të nxehta mund të jenë vendosur në produkt së fundi. >>> Mos vendosni ushqime të nxehta te produkti.
- Dyert janë hapur shpesh ose janë mbajtur të hapura për periudha të gjata. >>> Ajri i ngrohtë që lëviz brenda do të bëjë që produkti të punojë më gjatë. Mos i hapni shumë shpesh dyert.
- Dera e ngrirësit ose e ftohësit mund të jetë pak e hapur. >>> Kontrolloni që dyert të jenë të mbyllura mirë.
- Produkti mund të jetë vendosur në temperaturë shumë të ulët. >>> Vendoseni temperaturën pak më lart dhe prisni që produkti të arrijë temperaturën e rregulluar.
- Rondelja e derës së ftohësit ose ngrirësit mund të jetë e pistë, e konsumuar, e thyer ose jo në vendin e duhur. >>> Pastroni ose ndërroni rondelen. Rondelet e dëmtuara/të konsumuara të derës do të bëjnë që produkti të punojë për periudha më të gjata për të ruajtur temperaturën aktuale.

Zgjidhja e problemeve

Zgjidhja e problemeve

- Temperatura e ndarjes së ngrirësit është vendosur shumë e ulët. >>> Ngrijeni pak temperaturën e ndarjes së ngrirësit dhe kontrollojeni përsëri.
- Temperatura e ftohësit është shumë e ulët, por temperatura e ngrirësit është e përshtatshme.
- Temperatura e ndarjes së ftohësit është vendosur shumë e ulët. >>> Ngrijeni pak temperaturën e ndarjes së ngrirësit dhe kontrollojeni përsëri.
- Ushqimet në raftet e ndarjes së ftohësit janë të ngrira
- Temperatura e ndarjes së ftohësit është vendosur shumë e ulët. >>> Ngrijeni pak temperaturën e ndarjes së ngrirësit dhe kontrollojeni përsëri.
- Temperatura në ftohës ose në ngrirës është shumë e lartë.
- Temperatura e ndarjes së ftohësit është vendosur shumë e lartë. >>> Përcaktimi i temperaturës së ndarjes së ftohësit ka ndikim në temperaturën në ndarjen e ngrirësit. Prisni deri sa temperatura e pjesëve përkatëse të arrijë një nivel të mjaftueshëm duke e ndryshuar temperaturën e ndarjes së ftohësit ose të ngrirësit.
- Dyert janë hapur shpesh ose janë mbajtur të hapura për periudha të gjata. >>> Mos i hapni shumë shpesh dyert.
- Dera mund të jetë pak e hapur. >>> Mbylleni plotësisht derën.
- Produkti mund të jetë vënë në prizë së fundi ose mund të jenë vendosur ushqime të tjera në të. >>> Kjo është normale. Produkti do të kërkojë më shumë kohë për të arritur temperaturën e caktuar kur vendoset në prizë së fundi ose kur vendosen ushqime të reja.
- Sasi të mëdha ushqimesh të nxehta mund të jenë vendosur në produkt së fundi. >>> Mos vendosni ushqime të nxehta te produkti.
- Dyshemeja nuk është në nivel ose e qëndrueshme. >>> Nëse produkti tundet kur e lëvizni ngadalë, rregulloni mbështetëset për ta sjellë produktin në ekuilibër. Sigurohuni po ashtu që dyshemeja të jetë mjaft e fortë për të mbajtur produktin.
- Artikujt e vendosur në produkt mund të shkaktojnë zhurmë. >>> Hiqni artikujt e vendosur në produkt.
- Produkti bën zhurma si rrjedhje lëngjesh, spërkatje, etj.
- Parimet e funksionimit të produktit përfshijnë rrjedhjen e lëngjeve dhe të gazeve. >>> Kjo është normale dhe nuk është një defekt.
- Ka zhurmë sikur fryn erë nga produkti.
- Produkti përdor një ventilator për procesin e ftohjes. Kjo është normale dhe nuk është një defekt.
- Ka kondensim në muret e brendshme të produktit.
- Moti i nxehtë ose i lagësht do të rrisë krijimin e akullit dhe të kondensimit. Kjo është normale dhe nuk është një defekt.
- Dyert janë hapur shpesh ose janë mbajtur të hapura për periudha të gjata. >>> Mos i hapni shumë
- shpesh dyert - nëse është e hapur, mbylleni derën.
- Dera mund të jetë pak e hapur. >>> Mbylleni plotësisht derën.
- Ka kondensim në pjesën e jashtme të produktit ose midis deryeve.
- Moti në ambient mund të ketë lagështi, kjo është normale në një mot të lagësht. >>> Kondensimi
- do të largohet kur të ulet lagështia.
- Pjesa e brendshme ka aromë të keqe.

Zgjidhja e problemeve

Dridhje ose zhurmë.

Zgjidhja e problemeve

- Produkti nuk është pastruar rregullisht. >>> Pastroni pjesën e brendshme rregullisht me një sfungjer, ujë të ngrohtë dhe ujë me sodë.
- Disa mbajtëse dhe materiale paketimi mund të shkaktojnë aroma. >>> Përdorni mbajtëse dhe materiale paketimi pa aroma.
- Ushqimet janë vendosur në mbajtëse të paizoluara. >>> Mbajini ushqimet në mbajtëse të izoluara. Mikroorganizmat mund të përhapen nga ushqimet e paizoluara dhe të shkaktojnë aroma të këqija. Hiqni ushqimet e skaduara ose të prishura nga produkti.

Dera nuk mbyllet.

- Paketimet e ushqimeve mund të bllokojnë derën. >>> Zhvendosni artikujt që bllokojnë dyert.
- Produkti nuk qëndron drejt vertikalisht në dysheme. >>> Rregulloni mbështetëset për ekuilibrimin e produktit.
- Dyshemeja nuk është në nivel ose e qëndrueshme. >>> Sigurohuni që dyshemeja të jetë në nivel dhe mjaft e fortë për të mbajtur produktin.

Koshi i perimeve është bllokuar.

- Ushqimet mund të jenë në kontakt me pjesën e sipërme të raftit. >>> Sistemoni përsëri ushqimet në raft.

Nëse Sipërfaqja E Produktit Është E Nxehtë

- Mund të vërehen temperatura të larta midis dy derve, në panelet anësore dhe në grilën e pasme ndërsa produkti është në punë. Kjo është normale dhe nuk kërkon shërbim mirëmbajtjeje! Bëni kujdes kur prekni këto zona.



KUJDES: Nëse problemi përsëritet pasi të ndiqni udhëzimet në këtë paragraf, kontaktoni me shitësin ose me një servis të autorizuar. Mos u përpiqni ta riparoni produktin.

Molimo pročitajte ovaj priručnik prije korištenja proizvoda!

Dragi kupci,





Mi želimo da na najbolji način iskoristite naš proizvod, koji je proizveden u modernim objektima veoma pažljivo i s pedantnom kontrolom kvalitete.






Stoga vam savjetujemo da pročitate cijeli korisnički priručnik prije korištenja ovog proizvoda. Ako proizvod promijeni vlasnika, ne zaboravite da uz proizvod novom vlasniku date i ovaj priručnik.

Ovaj priručnik će vam pomoći da proizvod koristite brzo i bezbjedno.

- Molimo pažljivo pročitajte korisnički vodič prije instaliranja i upotrebe proizvoda.
- Obavezno se pridržavajte važećih sigurnosnih uputa.
- Korisnički vodič držite na dohvat ruke za buduću upotrebu.
- Molimo vas da pročitate sve ostale dokumente koje ste dobili uz proizvod.

Imajte na umu da se ovaj korisnički vodič može primjenjivati na nekoliko modela proizvoda. Vodič jasno ukazuje na bilo kakve varijacije kod različitih modela.

	Važne informacije i korisni savjeti.
	Opasnost po život i imovinu.
	Opasnost od strujnog udara.
	Ambalaža proizvoda je napravljena od sekundarnih sirovina, u skladu s nacionalnim propisima za zaštitu okoliša.

	PODACI	
		Podaci o modelu pohranjeni u bazi podataka o proizvodu mogu se dobiti unosom sledeće mrežne stranice i pretragom po identifikacionom broju vašeg modela (*) koji se nalazi na oznaci potrošnje električne energije.
SUPPLIER'S NAME	MODEL IDENTIFIER (*)	
		https://eprel.ec.europa.eu/

1. Sigurnosne upute i upute o zaštiti okoliša **3**

- 1.1. Opšta sigurnost 3
- 1.1.1 HC upozorenje 5
- 1.1.2 Za modele sa automatom za vodu. 5
- 1.2. Namjena 6
- 1.3. Sigurnost djece 6
- 1.4. Usklađenost s direktivom WEEE i Odlaganje otpadnog proizvoda: 7
- 1.5. Usklađenost sa RoHS direktivom. 7
- 1.6. Informacija o ambalaži 7

2 Vaš hladnjak **8**

3 Instalacija **9**

- 3.1. Odgovarajuće mjesto za instalaciju 9
- 3.2. Postavljanje plastičnih klinova 9
- 3.3. Podešavanje postolja 9
- 3.4. Priključak za napajanje 10

4 Priprema **11**

- 4.1. Što učiniti za uštedu energije 11
- 4.2. Prvo korištenje. 11

5 Rukovanje proizvodom **12**

- 5.1. Fioka za led 15
- 5.2. Držač za jaja 15
- 5.3. Ventilator. 15
- 5.4. Kutija za povrće 15
- 5.5. Odjeljak za mliječne proizvode (hladno spremište) 15
- 5.6. Klizna kutija za odlaganje 15
- 5.7. Pokretna polica na vratima 16
- 5.8. Posuda za povrće sa kontrolom vlažnosti. 17
- 5.9. Automatska mašina za led 17
- 5.10. Icematic i posuda za čuvanje leda 18
- 5.11. Korištenje automata za vodu 18
- 5.12. Punjenje rezervoara automata vodom. . . 19
- 5.13. Čišćenje rezervoara za vodu 19
- 5.14. Posuda za kapanje 20
- 5.15. Zamrzavanje svježe hrane 22
- 5.16. Preporuke za skladištenje smrznute hrane 22
- 5.17. Detalji zamrzivača za duboko zamrzavanje 23
- 5.18. Stavljanje hrane 23
- 5.19. Upozorenje na otvorena vrata 23
- 5.20. Promjena smjera otvaranja vrata 23
- 5.21. Unutrašnje osvjetljenje 23
- 5.22. Plavo svjetlo/HarvestFresh. 24
- 5.23. Mijenjanje lampice za osvjetljenje. 24






6 Održavanje i čišćenje **25**

- 6.1. Izbjegavajte neugodne mirise 25
- 6.2. Zaštita plastičnih površina 25
- 6.3. Stakla na vratima 25

7 Rješavanje problema **26**

Ovo poglavlje sadrži sigurnosne upute potrebne da bi spriječili rizik od ozljede i materijalne štete. Nepoštovanje ovih uputa će poništiti sve vrste garancije proizvoda.

Namjena

	<p>UPOZORENJE: Ventilacijske otvore na uređaju, kućištu aparata ili ugrađenoj strukturi održavajte bez prepreka.</p>
	<p>UPOZORENJE: Za ubrzavanje procesa odmrzavanja koristite samo mehaničke uređaje ili druga sredstva koja je preporučio proizvođač.</p>
	<p>UPOZORENJE: Nemojte oštetiti rashladno kolo.</p>
	<p>UPOZORENJE: Ne koristite električne uređaje u odjeljcima za skladištenje hrane, osim ako oni ne pripadaju tipu koji je preporučio proizvođač.</p>
	<p>UPOZORENJE: Nemojte skladištiti eksplozivne tvari poput limenki s aerosolom sa zapaljivim potisnim plinom u ovaj uređaj.</p>

Ovaj uređaj je namijenjen za korištenje u domaćinstvu i u sličnim objektima, kao što su

- mala kuhinja za zaposlene u trgovinama, uredima i drugim radnim okruženjima;
- seoske kuće i za goste u hotelima, motelima i drugim stambenim objektima;
- objekti koji nude prenoćište i doručak,
- za pripremu i dostavu hrane i slične primjene koje ne spadaju u maloprodaju.

1.1. Opšta sigurnost

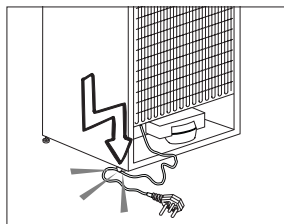
- Ovaj proizvod ne trebaju koristiti osobe sa fizičkim, senzornim i mentalnim invaliditetom, osobe bez dovoljno znanja i iskustva ili djeca. Takve osobe mogu koristiti uređaj samo pod nadzorom i instrukcijama osobe odgovorne za njihovu sigurnost. Djeca ne treba dopustiti da se igraju sa ovim uređajem.
- U slučaju kvara, isključite uređaj.
- Nakon isključivanja, pričekajte najmanje 5 minuta prije nego što ga ponovno uključite.
- Isključite proizvod kada nije u upotrebi.

Sigurnosne upute i upute o zaštiti okoliša

- Ne dodirujte utikač mokrim rukama! Ne vucite kabel da bi ga isključili, uvijek vucite samo utikač.
 - Ne uključujte hladnjak ako je utičnica hlabava.
 - Isključite proizvod prilikom instalacije, održavanja, čišćenja i popravke.
 - Ako se proizvod neće koristiti neko vrijeme, isključite uređaj i izvadite hranu iz njega.
 - Nemojte koristiti ovaj proizvod kada je odjeljak sa štampanim karticama koji se nalazi u gornjem zadnjem dijelu proizvoda (poklopac električnog odjeljka sa karticama (1) otvoren.
- 
- 
- Nemojte koristiti paru ili sredstva za čišćenje parom za čišćenje hladnjaka i topljenje leda u njemu. Para može doći u dodir s dijelovima pod naponom i dovesti do kratkog spoja ili strujnog udara!
 - Ne perite proizvod prskanjem ili sipanjem vode na njega! Opasnost od strujnog udara!
 - U slučaju kvara, ne koristite proizvod, jer to može dovesti do strujnog udara. Kontaktirajte ovlaštenu servis prije nego što bilo šta uradite.
 - Priključite uređaj na uzemljenu utičnicu. Uzemljenje mora izvršiti kvalificirani električar.
 - Ako proizvod ima rasvjetu LED tipa, kontaktirajte ovlaštenu servis za zamjenu ili u slučaju bilo kakvog problema.
 - Ne dirajte smrznutu hranu vlažnim rukama! Ona se može zalijepiti za ruke!
 - Ne stavljajte tečnosti u bocama i limenkama u odjeljak zamrzivača. One mogu prsnuti!
 - Tečnosti postavite u uspravan položaj nakon što čvrsto zatvorite poklopac.

Sigurnosne upute i upute o zaštiti okoliša

- Ne prskajte zapaljive tvari u blizini proizvoda, jer se mogu zapaliti ili eksplodirati.
- Ne držite zapaljive materijale i proizvode sa zapaljivim plinom (sprejevi, itd) u hladnjaku.
- Ne stavljajte posude sa tekućinama na vrh proizvoda. Prskanje vode na elektrificirani dio može dovesti do strujnog udara i opasnosti od požara.
- Izlaganje proizvod kiši, snijegu, suncu i vjetru će izazvati električnu opasnost. Kada premještate proizvod, ne vucite ga za ručicu na vratima. Ručica može otpasti.
- Vodite računa da izbjegnute hvatanje bilo kog dijela ruke ili tijela u bilo koji od pokretnih dijelova unutar proizvoda.
- Nemojte stajati niti se naslanjati na vrata, ladice i slične dijelove hladnjaka. To će uzrokovati da proizvod padne i izazvati oštećenje dijelova.
- Vodite računa da ne uhvatite kabel za napajanje.



1.1.1 HC upozorenje

Ako proizvod sadrži sistem za hlađenje koji koristi plin R600a, vodite računa da izbjegnute oštećenje sistema za hlađenje i njegovih cijevi dok koristite i premještate proizvod. Ovaj plin je zapaljiv. Ako je sistem za hlađenje oštećen, držite proizvod podalje od izvora vatre i odmah provjetrite prostoriju.



Etiketa na unutarnjoj lijevoj strani ukazuje na vrstu plina koji se koristi u proizvodu.

1.1.2 Za modele sa automatom za vodu

- Pritisak za dovod hladne vode treba biti maksimalno 90 psi (6,2 bara). Ako vodeni pritisak premašuje 80 psi (5,5 bara), koristite ventil za ograničenje pritiska u sistemu za napajanje. Ako

Sigurnosne upute i upute o zaštiti okoliša

ne znate kako da provjerite vodeni pritisak, potražite pomoć od profesionalnog vodoinstalatera.

- Ukoliko postoji rizik od efekta vodenog udara na vašoj instalaciji, uvijek koristite opremu za sprječavanje vodenog udara. Konsultujte profesionalne vodoinstalatere ako niste sigurni da li postoji efekat vodenog udara u vašoj instalaciji.
- Nemojte instalirati na dovodu vruće vode. Preduzmite mjere predostrožnosti protiv rizika od smrzavanja crijeva. Temperatura vode radnog intervala će biti minimalno 33°F (0,6 °C) i maksimalno 100°F (38°C).
- Koristite samo vodu za piće.

1.2. Namjena

- Ovaj proizvod je dizajniran za kućnu upotrebu. On nije namijenjen za komercijalnu upotrebu.

- Proizvod treba koristiti samo za čuvanje hrane i pića.
- Nemojte držati osjetljive proizvode koji zahtijevaju kontrolirane temperature (vakcine, lijekove osjetljive na toplotu, sanitetski materijal itd.) u hladnjaku.
- Proizvođač ne preuzima odgovornost za bilo kakvu štetu zbog zloupotrebe ili neispravne upotrebe.
- Originalni rezervni dijelovi će biti obezbijedeni tijekom narednih 10 godina od datuma kupovine proizvoda.

1.3. Sigurnost djece

- Držite ambalažu van dohvata djece.
- Nemojte dopustiti djeci da se igraju s proizvodom.

Sigurnosne upute i upute o zaštiti okoliša

- Ako vrata proizvoda imaju bravu, držite ključ van dohvata djece.

1.4. Usklađenost s direktivom WEEE i Odlaganje otpadnog proizvoda:

Ovaj proizvod je usklađen s Direktivom EU WEEE (2012/19/EU). Ovaj proizvod nosi simbol klasifikacije za odlaganje električne i elektronske opreme (WEEE).



Ovaj proizvod je proizveden od visokokvalitetnih dijelova i materijala koji se mogu ponovo koristiti i pogodni su za reciklažu. Na kraju radnog vijeka, ne bacajte otpadni proizvod sa običnim domaćim i ostalim otpadom.

Odnosite ga u sabirni centar za recikliranje električne i elektronske opreme. Obratite vašim lokalnim vlastima kako biste saznali više o ovim sabirnim centrima.

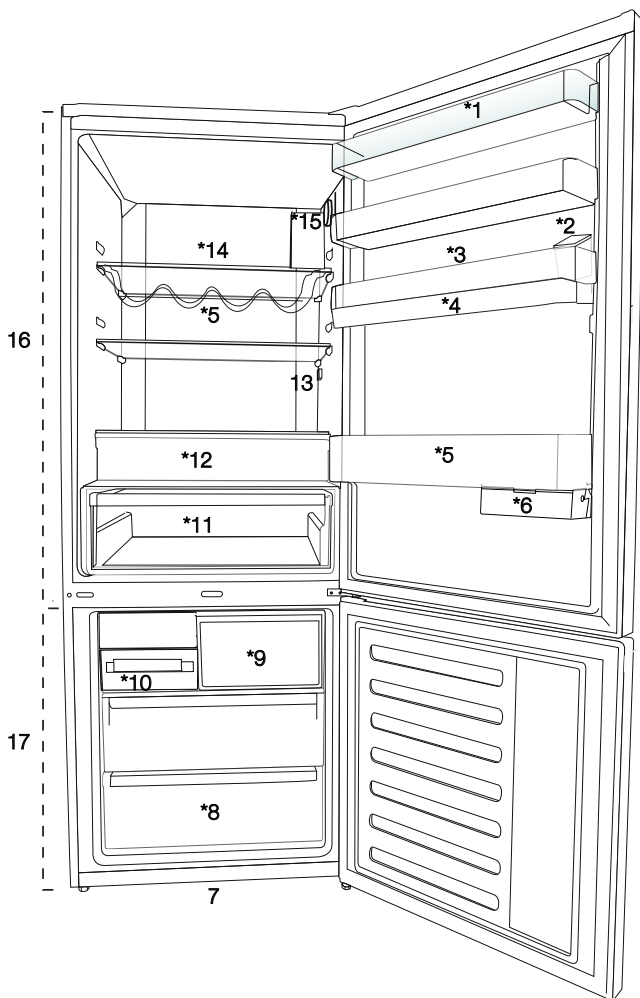
1.5. Usklađenost sa RoHS direktivom

- Ovaj proizvod je usklađen s Direktivom EU WEEE (2011/65/EU). On ne sadrži štetne i zabranjene materijale navedene u Direktivi.

1.6. Informacija o ambalaži

- Ambalaža proizvoda je proizvedena od sekundarnih sirovina u skladu s našim nacionalnim propisima za zaštitu okoliša. Ne bacajte ambalažu zajedno s domaćim ili drugim otpadom. Odnosite je do sabirnih centara za ambalažu koje su odredile lokalne vlasti.

2 Vaš hladnjak






1. Polica na vratima odjeljka za hlađenje
2. Rezervoar za punjenje aparata za vodu
3. Odjeljak za jaja
4. Rezervoar aparata za vodu
5. Polica za boce
6. Klizna kutija za odlaganje
7. Podesive nožice
8. Odjeljak za duboko zamrzavanje
9. Odjeljak za brzo smrzavanje
10. Posuda za led i fioka za led
11. Kutija za povrće
12. Odjeljak za mliječne proizvode (hladno spremište)
13. Unutrašnje osvjetljenje
14. Staklena polica odjeljka za hlađenje
15. Tipka za podešavanje temperature
16. Odjeljak hladnjaka
17. Zamrzivač



***opcionalno:** Slike date u ovom priručniku služe samo kao primjeri i ne moraju biti potpuno iste kao vaš proizvod. Ako vaš proizvod ne sadrži odgovarajuće dijelove, informacije se odnose na druge modele.

3.1. Odgovarajuće mjesto za instalaciju

Kontaktirajte ovlaštenu servis za instalaciju proizvoda. Da biste proizvod pripremili za instalaciju, pogledajte informacije u korisničkom vodiču i pobrinite se da su snabdijevanje struje i vode u skladu sa zahtjevima. Ako nisu, nazovite električara i vodoinstalatera da bi ih postavili po potrebi.

	UPOZORENJE: Proizvođač ne preuzima odgovornost za bilo kakvu štetu nastalu radom koji je obavila neovlaštena osoba.
	UPOZORENJE: Kabel za napajanje proizvoda mora biti isključen iz struje tijekom instalacije. Ako to ne učinite, može doći do smrti ili teških povreda!
	UPOZORENJE: Ako je raspon vrata preuzak da proizvod prođe, skinite vrata i okrenite proizvod u stranu, a ako i to ne uspe, kontaktirajte ovlaštenu servis.

- Stavite proizvod na ravnu površinu kako bi izbjegli vibracije.
- Postavite proizvoda najmanje 30 cm od grijalice, peći i sličnih izvora topline i najmanje 5 cm od električnih peći.
- Ne izlažite proizvod direktnoj sunčevoj svjetlosti ili ne držite ga u vlažnom okruženju.
- Proizvod zahtijeva adekvatnu cirkulaciju zraka da bi efikasno funkcionirao.
- Ako proizvod treba da se stavi u nišu, ne zaboravite da ostavite najmanje 5 cm udaljenosti između uređaja i plafona i zidova.
- Ne postavljajte proizvod u okruženjima s temperaturama ispod -5°C.
- Vaš proizvod zahtijeva adekvatnu cirkulaciju zraka da bi efikasno funkcionirao. Ako će proizvod biti smješten u niši, ne zaboravite ostaviti najmanje 5 cm razmaka između proizvoda i stropa, zida sa stražnje strane i zidova s bočnih strana.

- Ako će proizvod biti smješten u niši, ne zaboravite ostaviti najmanje 5 cm razmaka između proizvoda i stropa, zida sa stražnje strane i zidova s bočnih strana. Provjerite da li se zaštitna komponenta za razmak sa stražnje strane nalazi na predviđenom mjestu (ako je isporučena uz proizvod). Ako komponenta nije dostupna ili se izgubi ili spadne, postavite proizvod tako da između stražnje površine proizvoda i zidova prostorije bude najmanje 5 cm razmaka. Razmak sa stražnje strane važan je za učinkovit rad proizvoda.

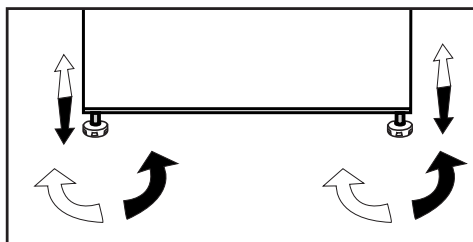
3.2. Postavljanje plastičnih klinova

Koristite plastične klinove priložene uz ovaj proizvod da osigurate dovoljno prostora za cirkulaciju zraka između uređaja i zida.




1. Da biste priključili klinove, uklonite vijke na proizvodu i koristite vijke priložene uz klinove.
2. Pričvrstite 2 plastična klina na poklopac ventilacije kao što je prikazano na slici.

3.3. Podešavanje postolja


Ako proizvod nije u uravnoteženom položaju, podesite prednja podesiva postolja okretanjem na desno ili lijevo.



3.4. Priključak za napajanje

	UPOZORENJE: Ne koristite produžni kabel ili kabel sa više utičnica na priključku za napajanje.
	UPOZORENJE: Oštećeni kabel za napajanje mora da zamijeni ovlašteni servis.
	Prilikom postavljanja dva hladnjaka jedan pored drugog, ostavite najmanje 4 cm prostora između dvije jedinice.

- Naša firma ne preuzima odgovornost za bilo kakvu štetu zbog korištenja bez uzemljenja i bez priključka za napajanje u skladu sa nacionalnim propisima.
- Napojni kabel mora biti lako dostupan nakon instalacije.
- Povežite hladnjak na uzemljenu utičnicu sa naponom od 220-240 V/50 Hz. Utikač mora sadržati osigurač od 10-16A.
- Ne koristite utikač sa više grupa sa ili bez produžnog kabela između zidne utičnice i hladnjaka.

	Upozorenje na vruću površinu! Na bočnim zidovima vašeg proizvoda ce nalaze cijevi rashladnog sredstva koje poboljšavaju rashladni sistem. Kroz ove oblasti može da teče rashladno sredstvo na visokim temperaturama, što rezultira vrućim površinama na bočnim zidovima. Ovo je normalno i nije potrebno servisiranje. Vodite računa kada dodirujete ove oblasti.
---	---

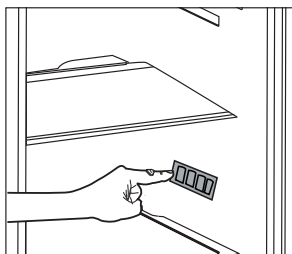
4.1. Što učiniti za uštedu energije



Povezivanje proizvoda na elektronske sisteme za štednju energije je štetno jer to može oštetiti proizvod.

- Za samostojeći uređaj; „Ovaj rashladni uređaj nije predviđen da se koristi kao ugradni uređaj“.
- Ne držite vrata hladnjaka otvorena duže vrijeme.
- Ne stavljajte toplu hranu ili pića u hladnjak.
- Nemojte prepuniti hladnjak; blokiranje unutrašnjeg protoka zraka će smanjiti kapacitet hlađenja.
- Kako biste stavili maksimalnu količinu hrane u odjeljak za hlađenje vašeg hladnjaka, treba da izvadite gornje fioke i stavite hranu na staklenu полицu. Utvrđena potrošnja električne energije vašeg hladnjaka je određena kada su izvađeni odjeljak za hlađenje, posuda za led i gornje fioke kako bi se obezbjedio maksimalni prostor za skladištenje. Prilikom skladištenja, preporučuje se korištenje donje fioke. Funkcija štednje energije treba da se aktivira da bi se obezbijedila najbolja potrošnja energije.
- Ne smete da blokirate protok zraka stavljanjem hrane ispred ventilatora hladnjaka. Prilikom stavljanja hrane, ispred zaštitne rešetke ventilatora treba se ostaviti prostor od najmanje 3 cm.
- Ovisno o karakteristikama proizvoda; odmrzavanje smrznute hrane u odjeljku hladnjaka će osigurati uštedu energije i očuvanje kvaliteta hrane.
- Hrana treba da se stavlja u fioke u odjeljku hladnjaka kako bi se osigurala štednja energije i hrana zaštitila u boljim uslovima.
- Paketi hrane ne treba da dolaze u direktan dodir sa senzorom toplote smještenim u odjeljku hladnjaka. Ako oni dođu u dodir sa senzorom, potrošnja energije uređaja se može povećati.
- Pobrinite se da namirnice ne budu u kontaktu sa senzorom temperature hladnjaka opisanog u nastavku.

- U slučaju da postoji više opcija, staklene police moraju biti postavljene tako da izlazi za zrak na zadnjem zidu ne budu začepljeni, po mogućnosti da izlazi za zrak budu ispod staklene police. Takva kombinacija može pomoći u poboljšanju raspodjele zraka i energetske efikasnosti.
- Budući da vrući i vlažni zrak ne prodire u vaš proizvod kada vrata nisu otvorena, vaš će se proizvod optimizirati u uvjetima dovoljnim za zaštitu vaše hrane. Uz ovu funkciju za uštedu energije, funkcije i sastavni dijelovi kao kompresor, ventilator, grijač, odmrzivač, svijetlo, ekran i tako dalje će raditi u skladu sa potrebama za potrošnju minimalne energije pod ovim okolnostima, uz očuvanje svježine vaše hrane.



4.2. Prvo korištenje

Prije upotrebe hladnjaka, pobrinite se da su potrebne pripreme obavljene u skladu sa uputstvima u odjeljcima „Sigurnosne upute i upute o zaštiti okoliša“ i „Instalacija“.

- Pustite proizvod radi bez hrane 6 sati i ne otvarajte vrata ukoliko to nije apsolutno neophodno.



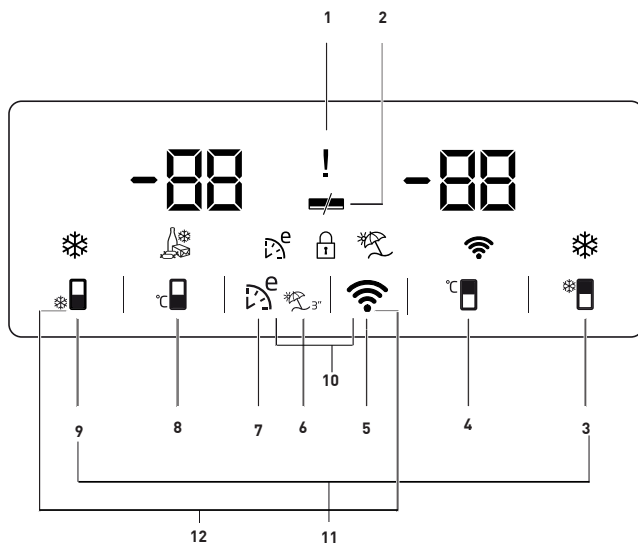
Zvuk će se čuti kada kompresor počinje da radi. Normalno je da se čuje zvuk čak i kada je kompresor neaktivan, zbog komprimiranih tekućina i plinova u sistemu hlađenja.



Prednje ivice proizvoda mogu da se zagriju. To je normalno. Ova područja su dizajnirana za zagrijavanje kako bi se spriječila kondenzacija.



Na nekim modelima, panel indikatora se isključuje automatski 5 minuta nakon što se vrata zatvore. On će se ponovno aktivirati kada se otvore vrata ili se pritisne bilo koja tipka.



1. Indikator za prekid u napajanju/visoku temperaturu/status greške
2. Indikator funkcije štednje energije (zaslon je isključen)
3. Tipka za brzo hlađenje
4. Tipka za podešavanje temperature u odjeljku hladnjaka
5. Tipka za bežičnu vezu
6. Funkcijska tipka za odmor
7. Tipka za eco-fuzzy
8. Tipka za podešavanje temperature u odjeljku zamrzivača
9. Dugme za brzo zamrzavanje
10. Zaključavanje tipki
11. Tipka za promjenu jedinice temperature



* **Opcionalno:** Slike u ovom uputstvu služe kao skice i možda neće savršeno odgovarati vašem proizvodu. Ako vaš proizvod ne sadrži odgovarajuće dijelove, informacije se odnose na druge modele.

Korištenje proizvoda


1. Indikator za prekid u napajanju/visoku temperaturu/status greške

Ovaj indikator () svijetli u slučaju prekida napajanja, visoke temperature ili upozorenja na grešku.


Kada se temperatura zamrzivača podigne do razine kritične za smrznutu hranu, na digitalnom indikatoru trepće maksimalna vrijednost koju postigne temperatura zamrzivača.

Provjerite hranu u odjeljku zamrzivača.

Ovo nije kvar. Upozorenje se može izbrisati pritiskom bilo kojeg dugmeta ili dugmeta za isključivanje alarma za visoku temperaturu. (Otkazivanje pritiskom bilo kojeg dugmeta nije primjenjivo za svaki model.)


Ovaj indikator () svijetli i kada se desi kvar senzora. Kada ovaj indikator svijetli, na indikatoru temperature alternativno se prikazuju „E“ i brojevi poput „1, 2, 3...“. Ovi brojevi na indikatoru služe da obavijestite osoblje servisa o grešci.

2. Indikator funkcije štednje energije (zaslon je isključen)

Ako se vrata proizvoda drže zatvorena duže vrijeme, funkcija štednje energije se automatski aktivira i simbol štednje energije svijetli. ()


Kada se aktivira funkcija štednje energije, svi simboli na ekranu osim simbola štednje energije će se ugasi. Kada je aktivirana funkcija štednje energije, ako se pritisne bilo koja tipka ili se otvore vrata, funkcija štednje energije će biti otkazana i simboli na ekranu će se vratiti u normalu. Funkcija štednje energije aktivira se tijekom tvorničke isporuke i ne može se otkazati.

3. Tipka za brzo hlađenje


Indikator za brzo hlađenje () svijetli i vrijednost indikatora temperature u hladnjaku se prikazuje kao 1 kada je aktivirana funkcija

brzog hlađenja. Za otkazivanje ove funkcije, ponovno pritisnite tipku Brzo hlađenje. Indikator brzog hlađenja će se isključiti i proizvod će se vratiti na normalna podešavanja. Funkcija brzog hlađenja automatski će se otkazati za 1 sat ako je vi ne otkažete. Ako želite da hladite velike količine svježe hrane, pritisnite dugme za Brzo hlađenje prije stavljanja hrane u odjeljak hladnjaka.

4. Tipka za podešavanje temperature odjeljka hladnjaka

Pritiskom na ovu tipku omogućit će se podešavanje temperature rashladnog odjeljka na 8, 7, 6, 5, 4, 3, 2 i 1. ()

5. Tipka za bežičnu vezu (*opcionalno)

Dugim pritiskom na gumb (3 sekunde) započinje prvi uvod proizvoda u kućnu mrežu. Tokom procesa uspostavljanja veze, ikona bežične mreže () će bljeskati u intervalima od 0,5 s.

Kada je povezivanje s kućnom mrežom uspješno, ikona bežične mreže svijetlit će neprekidno.

Nakon što je prva veza uspostavljena, veza se može aktivirati/deaktivirati kratkim pritiskom na ovaj gumb.

Nakon isključivanja i uključivanja, automatski će zapamtiti i uspostaviti vezu s vašom mrežom.

Ikonica bežične veze će treptati brzo (u intervalima od 0,2 sekunde) dok se veza ne uspostavi.

Kada je veza aktivna, ikonica bežične mreže svijetlit će neprekidno.

Ako se veza ne može uspostaviti određeno vrijeme, provjerite postavke modema/veze.



Aplikacija HomeWhiz koristi se kao sučelje za povezivanje.

Koraci za povezivanje opisani su u Sažetom vodiču za instalaciju aplikacije HomeWhiz koji ste dobili uz proizvod.

Korištenje proizvoda


Za odgovore na osnovna pitanja pogledajte odjeljak za rješavanje problema.

6. Funkcijska tipka za odmor

Za aktiviranje funkcije Odmor pritisnite i držite tipku () 3 sekunde i aktiviraće se indikator režima Odmor (). Kada se aktivira funkcija Odmor, „-“ se prikazuje na indikatoru temperature odjeljka hladnjaka i u odjeljku hladnjaka se ne obavlja aktivno hlađenje. Ne preporučuje se čuvanje hrane u odjeljku hladnjaka kada je aktivirana ova funkcija. Hlađenje drugih odjeljaka nastavit će se u skladu s temperaturom podešenom za te odjeljke.

Za otkazivanje ove funkcije, ponovno pritisnite dugme za funkciju **Odmor**.


7. Tipka za eco-fuzzy

Pritisnite tipku za eco-fuzzy da biste omogućili funkciju za eco fuzzy. Kada je ova funkcija omogućena, zamrzivač će početi raditi u ekonomičnom načinu rada nakon najmanje 6 sati, a indikator ekonomične upotrebe bit će uključen. ()


Da biste onemogućili funkciju eco-fuzzy, ponovo pritisnite dugme za funkciju eco-fuzzy. Kada je funkcija eco-fuzzy omogućena, ovaj indikator će se uključiti nakon 6 sati.

8. Tipka za postavku temperature u odjeljku zamrzivača


Postavka temperature vrši se za odjeljak zamrzivača.

Kada pritisnete dugme br. (), možete postaviti temperaturu odjeljka zamrzivača na -18, -19, -20, -21, -22, -23 odnosno -24.






9. Dugme za brzo zamrzavanje

Pritisnite dugme br. (9) za rad brzog zamrzavanja, aktivirat će se indikator brzog zamrzavanja ().

Kad je uključena funkcija brzog zamrzavanja, indikator brzog zamrzavanja svijetli a indikator

temperature odjeljka za zamrzavanje prikazuje vrijednost -27. Za otkazivanje ove funkcije, ponovno pritisnite tipku za brzo zamrzavanje (). Indikator brzog zamrzavanja će se isključiti i hladnjak će se vratiti na normalne postavke. Funkcija brzog zamrzavanja automatski će se otkazati za 24 sat ako je vi ne otkazete. Ako želite da zamrzavate velike količine svježe hrane, prebacite tipku za brzo zamrzavanje prije stavljanja hrane u odjeljak za brzo smrzavanje.

10. Zaključavanje tipki

Pritisnite i držite dugmad za bežičnu mrežu () i eco-fuzzy () istovremeno 3 sekunde. Ikona zaključavanja tipki () će zasvijetliti i aktivirat će se režim zaključavanja tipki. Tipke neće funkcionirati kada je aktivan režim zaključavanja tipki. Pritisnite i držite dugmad za bežičnu mrežu () i eco-fuzzy () istovremeno 3 sekunde. Zaključavanje tipki će biti deaktivirano.

Pritisnite tipku za **zaključavanje tipki** ako želite da spriječite promjenu podešavanja temperature hladnjaka.

11. Tipka za promjenu jedinice temperature

Kada pritisnete i držite tipke za brzo hlađenje () i brzo zamrzavanje () 3 sekunde, možete prebacivati između Fahrenheitovih i Celzijevih jedinica temperature.

Korištenje proizvoda

5.1. Fioka za led

* Opcionalno

- Izvadite fioku za led iz odjeljka zamrzivača.
- Napunite fioku za led vodom.
- Vratite fioku za led u odjeljak zamrzivača.
- Led će biti spreman nakon otprilike dva sata. Izvadite fioku za led iz odjeljka zamrzivača i lagano je nagnite preko držača koji ćete servirati. Led će se jednostavno presipati u držač za serviranje.

5.2. Držak za jaja

Držak za jaja možete po izboru staviti na policu na vratima ili policu u hladnjaku. Ako odlučite da ga stavite na policu u hladnjaku, preporučuje se da za to odaberete donje police pošto su one hladnije.

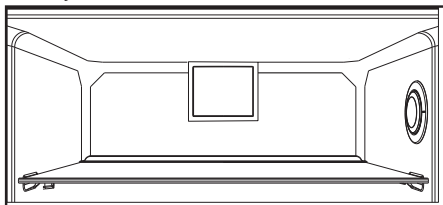


Ne stavljajte držak za jaja u odjeljak zamrzivača.

5.3. Ventilator

Ventilator je dizajniran da ravnomjerno cirkulira hladan vazduh u hladnjaku. Vrijeme rada ventilatora može da varira ovisno o funkcijama vašeg proizvoda.

Dok u nekim proizvodima ventilator radi samo sa kompresorom, u drugim kontrolni sistem određuje vrijeme rada na osnovu potrebe za hlađenjem.



5.4. Kutija za povrće

* Opcionalno

Kutija za povrće proizvoda je dizajnirana da povrće održi svježim zadržavajući vlagu. Za tu svrhu, ukupna cirkulacija hladnog zraka je povećana u kutiji za povrće.

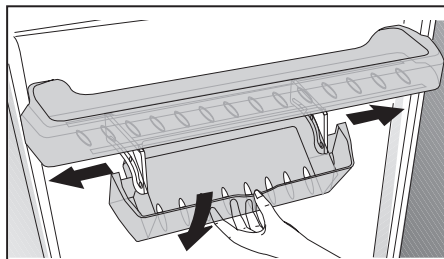
5.5. Odjeljak za mliječne proizvode (hladno spremište)

Daje nižu temperaturu nego u odjeljku hladnjaka. Ovaj odjeljak koristite za čuvanje delicatesa (salama, kobasica, mliječnih proizvoda itd.) koje zahtijevaju nižu temperaturu čuvanja ili mesa, piletine ili ribljih proizvoda za neposrednu konzumaciju. Voće i povrće nemojte držati u ovom odjeljku.

5.6. Klizna kutija za odlaganje

* Opcionalno

Ova dodatna oprema je predviđena da povećava korisnu zapreminu policna na vratima. Zahvaljujući njenoj sposobnosti da se pomjera bočno, ona vam omogućuje da jednostavno stavite dugačku bocu, teglu ili kutije koje stavljate na donji stalak za boce.



5.7. Pokretna polica na vratima

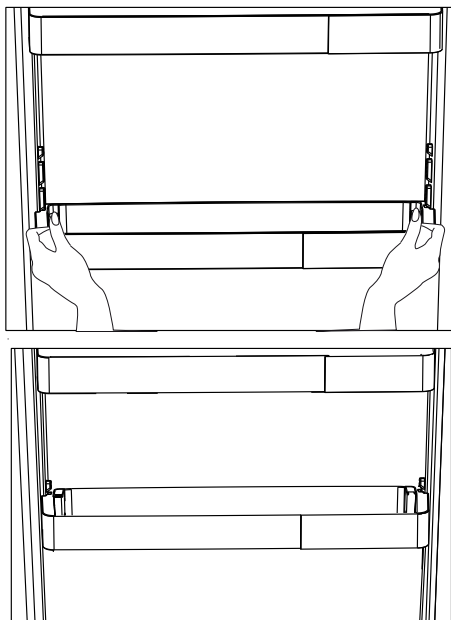
* Opcionalno

Pokretna polica na vratima se može fiksirati u 3 različita položaja.

Za pomjeranje police, istovremeno pritisnite tipke na bočnim stranama. Polica će moći da se pomjera.

Pomjerite policu gore ili dolje.

Kada se polica nalazi u željenom položaju, pustite tipke. Polica će se ponovno fiksirati u položaju u kome oslobodite tipke.



HerbBox/HerbFresh

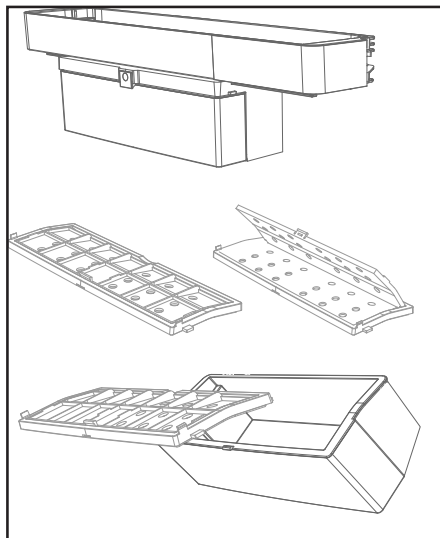
Izvadite posudu za foliju iz HerbBox/HerbFresh+ kutije

Izvadite foliju iz vrećice i stavite je u posudu za foliju kao što je prikazano na slici.

Ponovo zatvorite posudu i vratite je u HerbBox/HerbFresh+ kutiju.

HerbBox-HerbFresh+ odjeljci su naročito pogodni za čuvanje različitog bilja koje bi se trebalo čuvati u delikatnim uvjetima. U ovom odjeljku bilje koje se ne nalazi u vrećici (peršun, mirođija, itd.) možete čuvati u horizontalnom položaju i održavati ga svežim mnogo duži vremenski period.

Slaj se zamjenjuje na šest mjeseci.



Korištenje proizvoda

5.8. Posuda za povrće sa kontrolom vlažnosti

* Opcionalno

S funkcijom kontrole vlažnosti, nivoi vlažnosti voća i povrća se drže pod kontrolom i obezbeđuje se duži period vlažnosti hrane.

Preporučuje se da se lisnato povrće, kao što je zelena salata, špinat i slično povrće sklono gubitku vlažnosti u posudi za povrće čuva u što horizontalnijem položaju a ne postavljeno na korijen.

Prilikom postavljanja povrća, teško i tvrdo povrće stavite na dno a meko na vrh, uzimajući u obzir specifične težine povrća.

Ne ostavljajte povrće u posudi za povrće u plastičnim vrećicama. Ostavljanje u plastičnim vrećicama dovodi do toga da povrće brzo istruli. U situacijama kada kontakt sa drugim vrstama povrća nije poželjan, koristite materijal za pakiranje kao što je papir koji ima određenu poroznost u pogledu higijene.

Nemojte stavljati voće koje ima visoku proizvodnju etilena, kao što su kruška, kajsija, breskva, a naročito jabuka, u istu posudu za povrće sa drugim povrćem i voćem. Etilen koji izlazi iz ovog voća može da dovede do bržeg sazrijevanja i truljenja drugog voća i povrća.

5.9. Automatska mašina za led

* Opcionalno

Automatska mašina za led vam omogućuje da brže pravite led u hladnjaku. Da bi se dobio led iz mašine za led, izvadite rezervoar za vodu iz odjeljka hladnjaka, napunite vodom i vratite ga nazad.

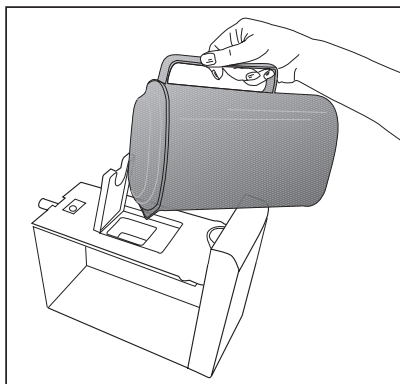
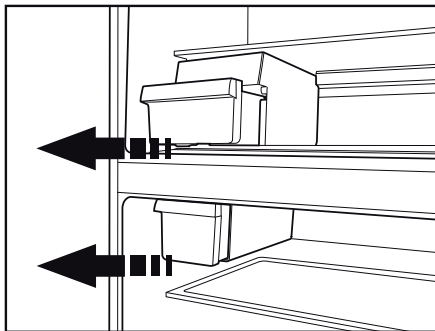
Prvi led će biti spreman za oko 2 sata u fioci mašine za led u odjeljku hladnjaka.

Kada stavite pun rezervoar za vodu, možete dobiti oko 60-70 kocki leda dok se on potpuno ne isprazni.

Ako voda u rezervoaru stoji 2-3 sedmice, ona treba da se promjeni.



Na proizvodima sa automatskom mašinom za led, može se čuti zvuk prilikom sipanja proizvoda. Ovaj zvuk je normalan i ne označava kvar.



Korištenje proizvoda

5.10. Icematic i posuda za čuvanje leda

* Opcionalno

Korištenje odjeljka Icematic

Napunite Icematic vodom i postavite ga na mjesto. Led će biti spreman nakon otprilike dva sata. Za vađenje leda, ne skidajte Icematic sa njegovog mjesta.

Okrenite tipke na rezervoarima za led za 90 stupnjeva u smjeru kretanja kazaljke na satu.

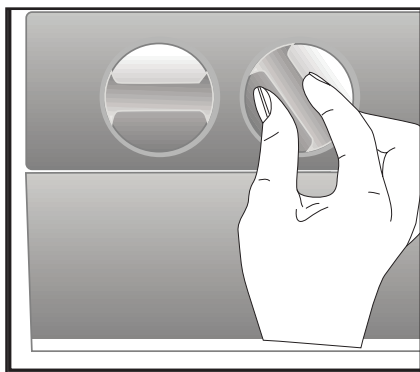
Kocke leda u rezervoarima će pasti u donju posudu za čuvanje leda.

Tada možete izvaditi posudu za čuvanje leda i poslužiti led.

Ako želite, možete čuvati kocke leda u posudi za čuvanje leda.

Posuda za čuvanje leda

Posuda za čuvanje leda je namijenjena samo za sakupljanje kocki leda. Ne stavljajte vodu u nju. U protivnom, ona će se polomiti.



5.11. Korištenje automata za vodu

* Opcionalno



Normalno je da prvih nekoliko čaša vode sipanih iz automata za vodu budu tople.

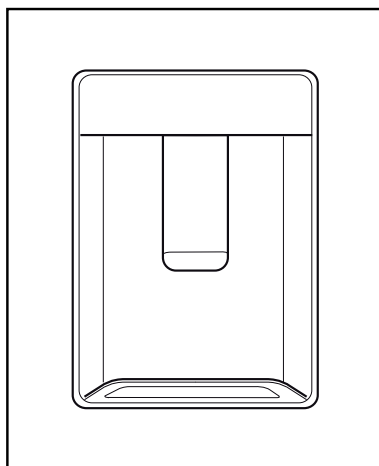


Ako se aparat za vodu ne koristi duže vrijeme, prosipajte prvih nekoliko čaša da biste dobili svježu vodu.

1. Čašom gurnite ručicu rezervoara za vodu. Ako koristite meku plastičnu čašu, jednostavnije je da ručicu gurnete rukom.
2. Nakon punjenja čaše do željenog nivoa, pustite ručicu.



Imajte na umu da protok vode iz automata ovisi o tome koliko jako pritisnete ručicu. Kako nivo vode u plastičnoj/staklenoj čaši raste, lagano smanjite količinu pritiska na polugu kako biste izbjegli da se ona prepuni. Ako lagano pritisnete ručicu, voda će da kaplje; ovo je sasvim normalno i nije kvar.



Korištenje proizvoda

5.12. Punjenje rezervoara automata vodom

Rezervoar za vodu koji se dopunjuje se nalazi na polici na vratima.

1. Otvorite poklopac rezervoara.
2. Napunite rezervoar svježom vodom za piće.
3. Zatvorite poklopac.



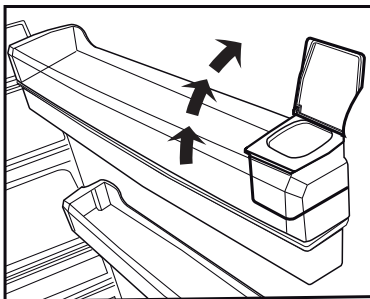
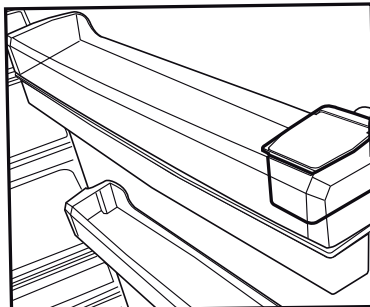
Rezervoar za vodu ne punite drugim tekućinama, kao što su voćni sokovi, gazirana pića ili alkoholna pića koja nisu pogodna za korištenje u aparatu za vodu. Aparat za vodu će biti nepopravljivo oštećen ukoliko se koriste ovakve vrste tekućina. Garancija ne pokriva takve načine korištenja. Neke kemijske supstance i aditivi koji se nalaze u ovim vrstama pića/tekućina mogu da oštete rezervoar za vodu.



Koristite samo čistu vodu za piće.



Kapacitet rezervoara za vodu je 3 litra, nemojte ga prepunjavati.



5.13. Čišćenje rezervoara za vodu

1. Uklonite rezervoar za punjenje vode sa police na vratima.

Korištenje proizvoda

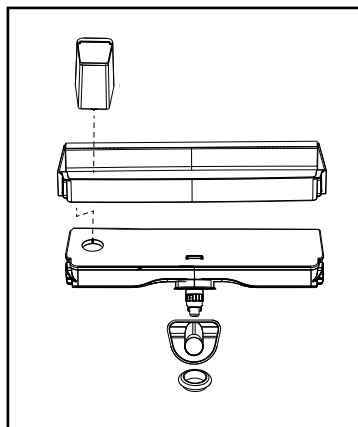
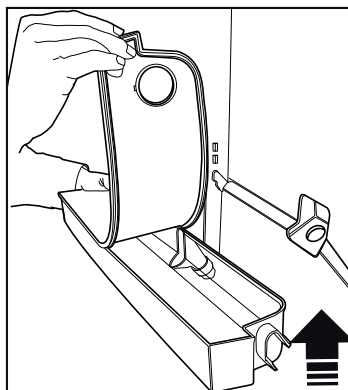
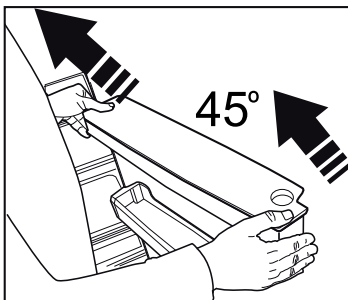
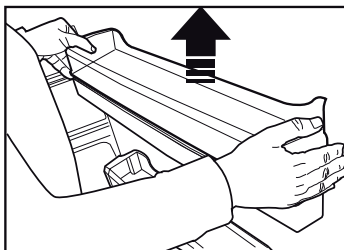
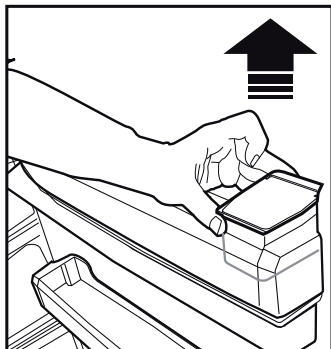
2. Skinite policu sa vratima tako što ćete je držati sa obje strane.
3. Uхватite rezervoar za vodu sa obje strane i skinite ga tako što ćete ga okrenuti za 45°C.
4. Skinite poklopac rezervoara za vodu i očistite rezervoar.



Komponente rezervoara za vodu i aparata za vodu ne treba prati u mašini za pranje posuđa.

5.14. Posuda za kapanje

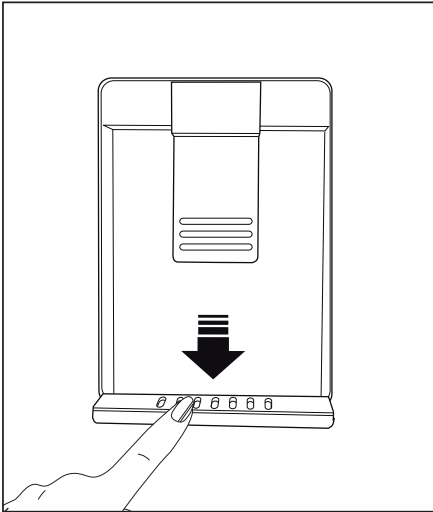
Voda koja kaplje tokom korištenja aparata za vodu se sakuplja u posudi za sakupljanje vode.



Korištenje proizvoda

Skinite plastični filter kao što je prikazano na slici.

Sakupljenu vodu pokupite čistom suhom krpom.



Korištenje proizvoda

5.15. Zamrzavanje svježe hrane

- Za očuvanje kvaliteta hrane, hrana stavljena u odjeljak zamrzivača se mora zamrznuti što je brže moguće, za ovo možete koristiti brzo zamrzavanje.
- Zamrzavanje hrane kada je svježija će produžiti vrijeme skladištenja u zamrzivaču.
- Spakujte hranu u hermetički zatvorene pakete i čvrsto je zapečatite.
- Pobrinite se da hrana bude upakovana prije stavljanja u zamrzivač. Koristite posude za zamrzavanje, staniol i voodootporni papir, plastične vreće ili sličnu ambalažu umjesto tradicionalne papirne ambalaže.



Led u odjeljku zamrzivača se automatski topi.

- Označite svaki paket hrane pisanjem datuma na pakovanju prije zamrzavanja.

To će vam omogućiti da utvrdite svježinu svakog paketa svaki put kad se zamrzivač otvori. Hranu koju ste ranije stavili prebacite u prednji dio zamrzivača da biste je ranije upotrebili.

- Smrznuta hrana se mora iskoristiti odmah nakon odmrzavanja i ne treba je ponovno zamrzavati.
- Ne zamrzavajte velike količine hrane odjednom.

5.16. Preporuke za skladištenje smrznute hrane

Odjeljak mora biti postavljen na najmanje -18 °C.

1. Stavite hranu u zamrzivač što je brže moguće da bi se izbjeglo otapanje.
2. Prije zamrzavanja, provjerite „Rok trajanja“ na pakovanju kako biste bili sigurni da nije istekao.
3. Pobrinite se da pakovanje hrane nije oštećeno.

Podešavanje temperature odjeljka zamrzivača	Podešavanje temperature odjeljka hladnjaka	Detalji
-18°C	4°C	Ovo je podrazumijevano, preporučeno podešavanje.
-20, -22 ili -24°C	4°C	Ova podešavanja se preporučuju za temperature okoline veće od 30°C.
Brzo zamrzavanje	4°C	Koristite kada želite da zamrznete hranu u kratkom vremenskom periodu. Kada se ovaj proces završi, proizvod će povratiti svoj položaj.
-18 °C ili hladniji	2°C	Koristite ova podešavanja ako smatrate da odjeljak hladnjaka nije dovoljno hladan zbog temperature okoline ili čestog otvaranja vrata.

Korištenje proizvoda

5.17. Detalji zamrzivača za duboko zamrzavanje

Prema standardima IEC 62552, zamrzivač mora imati sposobnost da zamrzne 4,5 kg prehrambenih artikala na -18 °C ili niže temperature u roku od 24 sata na svakih 100 litara zapremine zamrzivača.

Hrana se može čuvati duži period samo na temperaturi od -18 °C ili nižoj.

Svežina hrane se može održati mjesecima (u zamrzivaču na temperaturi od 18 °C ili nižoj). Hrana za zamrzavanje ne smije dodirivati već smrznutu hranu kako bi se izbjeglo parcijalno odmrzavanje.

Skuhajte povrće i filtrirajte vodu da produžite vremena skladištenja u smrznutom stanju. Stavite hranu u hermetičke pakete nakon filtriranja i stavite je u zamrzivač. Banane, paradajz, zelena salata, celer, kuhana jaja, krumpir i slične prehrambene artikle ne treba zamrzavati. Ako ova hrana istruli, to će negativno uticati samo na nutritivne vrijednosti i kvalitet ishrane. Truljenje neće imati negativan utjecaj na zdravlje ljudi.

5.18. Stavljanje hrane

Police odjeljka zamrzivača	Razne vrste smrznute hrane, uključujući meso, ribu, sladoled, povrće itd
Police odjeljka za hlađenje	Hrana u loncima, pokrivena tanjirima i u zatvorenim kutijama, jaja (u slučaju da su u zatvorenoj kutiji)
Police na vratima odjeljka za hlađenje	Mala i upakovana hrana ili pića
Kutija za povrće	Voće i povrće

Odjeljak za svježu hranu	Delikatesi (hrana za doručak, proizvodi od mesa koji se konzumiraju u kratkom roku)
--------------------------	---

5.19. Upozorenje na otvorena vrata (Opcionalno)

Zvučno upozorenje će se čuti ako vrata proizvoda ostanu otvorena duže od 1 minuta. Zvučno upozorenje će se zaustaviti kada se vrata zatvore ili se pritisne bilo koja tipka na ekranu (ako je dostupno).

Upozorenje na otvorena vrata označit će se i zvučno i vizualno. Unutrašnje osvjetljenje će se isključiti ako upozorenje potraje još 10 minuta.

5.20. Promjena smjera otvaranja vrata

Smjer otvaranja vrata hladnjaka možete promijeniti ovisno o lokaciji na kojoj ga koristite. Kada vam ovo bude potrebno, kontaktirajte najbliži ovlašteni servis.

Objašnjenje iznad je opšta izjava. Treba da provjerite oznaku upozorenja koja se nalazi u ambalaži proizvoda o mogućnosti promjene smjera otvaranja vrata.

5.21. Unutrašnje osvjetljenje

Unutrašnje osvjetljenje koristi lampe LED tipa. Kontaktirajte ovlašteni servis u slučaju problema sa ovom lampom.

Lampica(e) korištena(e) u ovom uređaju ne mogu se koristiti za kućno osvjetljenje. Namjena ove lampice je da pomogne korisniku da sigurno i praktično stavi hranu u hladnjak/zamrzivač.

Korištenje proizvoda

5.22. Plavo svjetlo/HarvestFresh

*Možda nije dostupno kod svih modela

Za plavo svjetlo,

Voće i povrće pohranjeno u odjeljcima za voće i povrće osvjetljenim plavim svjetlom nastavlja da vrši fotosintezu pomoću efekta valnih duljina plave svjetlosti i na taj način sadržaj vitamina u njima ostaje sačuvan.

Za HarvestFresh,

Voće i povrće pohranjeno u odjeljcima za voće i povrće osvjetljenim tehnologijom HarvestFresh duže će održati vitamine u sebi zahvaljujući plavim, zelenim, crvenim svjetlima i ciklusima mraka, koji simuliraju dnevni ciklus.

Ako otvorite vrata hladnjaka tokom perioda mraka tehnologije HarvestFresh, hladnjak će to automatski registrovati i omogućiti da plavo, zeleno ili crveno svjetlo osvjetle odjeljke za voće i povrće, radi vaše ugodnosti. Nakon što zatvorite vrata hladnjaka, period mraka će se nastaviti, predstavljajući period noći tokom dnevnog ciklusa.

5.23. Mijenjanje lampice za osvjetljenje

Da biste promijenili lampicu/LED za osvjetljenje u frižideru, pozovite ovlašteni servis.

Lampa (e) koji se koristi u ovom uređaju nije prikladna za kućno osvjetljenje. Cilj ove lampe je da pomogne korisniku da postavi hranu u hladnjak/zamrzivač na siguran i ugodan način. Lampice koje se koriste u ovom uređaju moraju podnositi ekstremne fizičke uslove kao što su temperature ispod -20°C.

Ovaj je proizvod opremljen izvorom osvjetljenja energetskog razreda „G”.

Izvor osvjetljenja u ovom proizvodu mogu zamijeniti samo stručni serviseri.

Vijek trajanja proizvoda se povećava ako se on redovito čisti



UPOZORENJE: Prije čišćenja, hladnjak prvo isključite iz struje.

- Za čišćenje nikada nemojte koristiti oštre i abrazivne alate, sapun, sredstva za čišćenje u domaćinstvu, deterdžent i vosak za poliranje.
- Rastvorite jednu kašičicu karbonata u pola litre vode. Krpu natopite rastvorom i temeljito je iscijedite. Ovom krpom obrišite unutrašnjost uređaja i temeljito isperite.
- Vodite računa da voda ne uđe u kućište lampe i druge električne komponente.
- Očistite vrata vlažnom krpom. Za skidanje polica na vratima i u hladnjaku, prvo sklonite sve što se nalazi na njima. Police na vratima skinite tako što ćete ih povući nagore. Nakon čišćenja, gurnite ih odozgo na dolje da biste ih postavili.
- Nikada nemojte koristiti sredstva za čišćenje niti vodu koja sadrži klor za čišćenje spoljnih površina i dijelova proizvoda obloženih hromom. Klor izaziva koroziju na takvim metalnim površinama.
- Ne koristite oštra, abrazivna sredstva, sapun, sredstva za čišćenje u domaćinstvu, kerozin, lož ulje, lak, itd. da biste spriječili skidanje i deformaciju štampe na plastičnim dijelovima. Za čišćenje koristite mlaku vodu i meku krpu, potom osušite brisanjem.

6.1. Izbjegavajte neugodne mirise

Materijali koji mogu da izazovu neugodne mirise nisu korišteni u proizvodnji naših uređaja. Međutim, zbog neodgovarajućih uslova čuvanja hrane i neredovnog čišćenja unutrašnje površine uređaja, može se razviti problem sa neugodnim mirisima. Stoga, hladnjak čistite karbonatom rastvorenim u vodi na svakih 15 dana.

- Hranu čuvajte u zatvorenim posudama. Mikroorganizmi koji se šire iz nezatvorenih posuda mogu da prouzrokuju neugodne mirise.

- Hranu sa isteklim rokom trajanja i pokvarenu hranu nikada ne čuvajte u hladnjaku.

6.2. Zaštita plastičnih površina

Ruke odmah isperite vodom pošto ulje može da izazove oštećenja površine kada se sipa na plastične površine.

6.3. Stakla na vratima

Skinite zaštitnu foliju sa stakala.

Skinite oblogu sa površine stakala. Ova obloga smanjuje nagomilavanje mrlja i pomaže u lakom uklanjanju mogućih mrlja i prljavštine. Stakla koja nisu zaštićena takvom oblogom mogu biti podložna upornom vezivanju zraka ili vode na osnovu organske ili neorganske prljavštine kao što je kamenac, mineralne soli, nesagorijeli ugljovodonici, oksidi metala i silikoni koji mogu lako i brzo izazvati mrlje ili oštećenje materijala. Održavanje stakala čistim postaje suviše teško usprkos redovitom čišćenju. Kao posljedica toga, izgled i providnost stakla se pogoršava. Agresivne i korozivne metode čišćenja i jedinjenja će povećati ova oštećenja i ubrzati proces propadanja.

Sredstva za čišćenje na bazi vode koja nisu alkalna i korozivna se moraju koristiti u svrhe redovitog čišćenja.

Za čišćenje se moraju koristiti materijali koji nisu alkalni i nisu korozivni tako da se produži vijek trajanja ove obloge.

Ovo staklo je ojačano kako bi se povećala njegova izdržljivost na utjecaje i pucanje. Sigurnosna folija se također nanosi na stražnje površine kao dodatna sigurnosna mjera da bi se spriječilo da ona izazovu oštećenja na okolnim predmetima ukoliko puknu.

*Alkali su baze koje formiraju jone hidroksida (OH) kada se rastvaraju u vodi.

Metali Li (litij), Na (natrij), K (kalij) Rb (rubidij), Cs (cezij) i vještački i radioaktivni Fr (francij) nazivaju se ALKALNI METALI.

Provjerite ovu listu prije kontaktiranja servisa. Na taj način ćete uštedjeti vrijeme i novac. Ova lista uključuje česte pritužbe koje se ne odnose na neispravne izradu ili materijale. Određene navedene odlike mogu se ne odnositi na vaš proizvod.

Frižider ne radi.

- Utikač nije u potpunosti utaknut. >>> *Uključite ga u potpunosti u utičnicu.*
- Osigurač povezani na šтекer koji napaja proizvod ili glavni osigurač je eksplodirao. >>> *Provjerite osigurače.*

Kondenzacija na bočnom zidu hladnjaka (MULTI ZONA, HLADNO, KONTROLA I FLEXI ZONA).

- Okruženje je previše hladno. >>> *Ne postavljajte proizvod u sredinama s temperaturama ispod -5 °C.*
- Vrata su se otvorila prečesto >>> *Pazite da ne otvorite vrata proizvoda prečesto.*
- Okruženje je previše vlažno. >>> *Ne postavljati proizvod u vlažnim sredinama.*
- Hrana koja sadrži tekućine se čuvaju u otvorenim posuđem. >>> *Držite hranu koja sadrži tekućine zatvorenu.*
- Vrata proizvoda je ostala otvoreno. >>> *Nemojte držati vrata proizvoda otvorene tokom dugih perioda.*
- Termostat je podešen na suviše niske temperature. >>> *Podesite termostat na odgovarajuću temperaturu.*

Kompresor ne radi.

- U slučaju iznenadnog nestanka struje ili povlačenjem utikača i onda vraćanja, pritisak plina u sistemu hlađenja proizvoda nije izbalansiran i to pokreće termičku zaštitu kompresora. Proizvod će se ponovo pokrenuti nakon oko 6 minuta. Ako proizvod se nije ponovo pokrenuo nakon tog perioda, kontaktirajte servis.
- Odmrzavanje je aktivno. >>> *To je normalno za potpuno automatsko odmrzavanje proizvoda. Odmrzavanje se obavlja periodično.*
- Proizvod nije priključen >>> *Pobrinite se da je napajanje priključeno*
- Postavka temperature je pogrešna. >>> *Odaberite odgovarajuću postavku temperature.*
- Nestalo je struje. >>> *Proizvod će nastaviti normalno raditi kada struja opet dođe.*

Radna buka frižidera se povećava dok je u upotrebi.

- Operativni performanse proizvoda može se razlikovati ovisno o varijacije temperature okoline. To je normalno i ne predstavlja kvar.

Frižider radi prečesto ili predugo.

Rješavanje problema

- Novi proizvod može biti veći od prethodnog. Veći proizvodi će duže raditi.
- Sobna temperatura može biti visoka. >>> *Proizvod će normalno raditi za duže periode kod višu temperaturu sobe.*
- Proizvod je možda nedavno uključen ili nove hrane su unutra. >>> *Proizvodu će trebati više vremena da dostigne zadanu temperaturu kada je nedavno uključen ili kada ima novih hrana unutra. To je normalno.*
- Velike količine tople hrane možda su nedavno postavljeni u proizvod. >>> *Ne stavljajte toplu hranu u proizvod.*
- Vrata su se otvorila često ili su bila otvorena dužeg vremena. >>> *Topli zrak koji se kreće unutar će izazvati da proizvod više radi. Ne otvarajte vrata prečesto.*
- Vrata zamrzivača ili hladnjaka mogu biti odškrinuta. >>> *Provjerite da li su vrata potpuno zatvorena.*
- Proizvod možda je postavljen na prenisku temperaturu. >>> *Postavite temperaturu na viši stupanj i čekati da dođe do podešenu temperaturu.*
- Gumica vrata hladnjak ili zamrzivača možda je prljava, istrošen, slomljena ili nije pravilno postavljena. >>> *Očistite ili zamijenite gumicu. Oštećena / pocepana gumica vrata će uzrokovati da proizvod radi duži period za očuvanje trenutne temperature.*

Temperatura zamrzivača je veoma niska, ali je temperatura hladnjaka adekvatna.

- Temperatura odjeljka Zamrzivač je postavljena na vrlo niskim stepenom. >>> *Podesite temperaturu zamrzivača na viši stupanj i provjerite još jednom.*

Temperatura hladnjaka je vrlo niska, ali temperatura zamrzivača je adekvatna.

- Temperatura hladnjaka je postavljena na vrlo nizak stupanj. >>> *Postavite temperatura hladnjaka na viši stupanj i provjerite još jednom.*

Hrana koja je u hladnjaku je zamrznula.

- Temperatura hladnjaka je postavljena na vrlo nizak stupanj. >>> *Podesite temperaturu zamrzivača na viši stupanj i provjerite još jednom.*

Temperatura u hladnjaku ili zamrzivaču je previsoka.

- Temperatura hladnjaka je postavljena na vrlo visoki stupanj. >>> *Postavka temperature hladnjaka utječe na temperaturu zamrzivača. Promijenite temperature hladnjaka ili zamrzivača i sačekajte da relevantne pregrade dostigne podešeni nivo temperature.*
- Vrata su se otvorila često ili su bila otvorena dužeg vremena. >>> *Ne otvarajte vrata prečesto.*
- Vrata mogu biti odškrinuta. >>> *Potpuno zatvorite vrata.*
- Proizvod je možda nedavno uključen ili nove hrane su unutra. >>> *To je normalno. Proizvodu će trebati više vremena da dostigne zadanu temperaturu kada je nedavno uključen ili kada ima novih hrana unutra.*
- Velike količine tople hrane možda su nedavno postavljeni u proizvod. >>> *Ne stavljajte toplu hranu u proizvod.*

Drhtanje ili buke.

- Tlo nije ravno ili izdržljivo. >>> *Ako se proizvod tresu kada se polako pomiče, prilagoditi nogare za uravnoteženje proizvoda. Također pazite da je tlo dovoljno izdržljivo da nosi proizvoda.*
- Svi predmeti na proizvodu mogu izazvati buku. >>> *Uklonite sve predmete koje se nalaze na proizvodu.*

Proizvod daje buku kao kad tekućine teče, prskanje itd.

Rješavanje problema

- Operativni principi proizvoda uključuju tokovi tekućina i plina. >>> *To je normalno i ne predstavlja kvar.*

Ima zvuk vjetra koji puše koji dolazi iz proizvoda.

- Proizvod koristi ventilator za proces hlađenja. To je normalno i ne predstavlja kvar.

Postoji kondenzacije na unutrašnjim zidovima proizvoda.

- Vruće ili vlažno vremenu će povećati zaleđivanje i kondenzacije. To je normalno i ne predstavlja kvar.
- Vrata su se otvorila često ili su bila otvorena dužeg vremena. >>> *Ne otvarajte vrata prečesto, ako su otvorena, zatvorite vrata.*
- Vrata mogu biti odškrinuta. >>> *Potpuno zatvorite vrata.*

Postoji kondenzacije na vanjske površine proizvoda ili između vrata.

- Spoljašni vazduh može biti vlažan, to je sasvim normalno u vlažnom vremenu. >>> *Kondenzacija će nestati kada se smanjuje vlažnost.*

Unutrašnjost smrdi.

- Proizvod se redovno ne čiste. >>> *Redovno čistite unutrašnjost pomoću spužve, toplom vodom i gaziranom vodom.*
- Pojedini držači i materijale za pakovanje mogu izazvati mirise. >>> *Koristite držače i materijale za pakovanje bez mirisa.*
- Hrane su bili smješteni u otvorenim posuđem. >>> *Držite hranu u zatvorenim posuđem. Mikroorganizmi mogu se proširiti od nezapečaćenih prehrambenih artikala i izazvati loši miris.*
- Uklonite iz proizvoda sve hrane kojima je istekao rok ili su pokvarene.

Vrata se ne zatvaraju.

- Paketi hrane može blokiraju vrata. >>> *Relocirajte stvari koji blokiraju vrata.*
- Proizvod ne stoji u potpuno uspravnom položaju. >>> *Podesite nogare za uravnoteženje proizvoda.*
- Tlo nije ravno ili izdržljivo. >>> *Pobrinite se da je tlo ravno i dovoljno izdržljivo da nosi proizvoda.*

Kutija za povrća je zaglavljena.

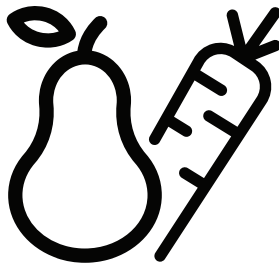
- Hrana može biti u kontaktu sa gornjem dijelu ladice. >>> *Reorganizovati prehrambenih artikala u ladici.*



UPOZORENJE: Ako problem i dalje postoji nakon što ste slijedeli upute u ovom poglavlju, obratite se prodavcu ili ovlaštenom servisu. Nemojte pokušavati popraviti proizvod.



Refrigerador
Manual del usuario
Frigorífico
Manual do Utilizador



RCNE560E60ZGWHN - RCNE560E60ZGBHN



ES / PT /

58 5051 0000/AG

4/4

Lea este manual de usuario antes de utilizar el aparato.

Estimado cliente:

Esperamos que este aparato, que ha sido fabricado en plantas dotadas de la más avanzada tecnología y sometido a los más estrictos procedimientos de control de calidad, le preste un servicio eficaz.

Por lo tanto, lea detenidamente este manual de instrucciones antes de utilizar el aparato y guardar el manual como referencia. Si entrega el aparato a otro propietario, no olvide incluir el manual de usuario.

El manual del usuario le ayudará a usar el aparato de manera rápida y segura.






- Lea el manual antes de instalar y poner en funcionamiento el aparato.
- Asegúrese de haber leído las instrucciones de seguridad.
- Conserve el manual en un sitio de fácil acceso, ya que podría necesitarlo en el futuro.
- Lea los otros documentos incluidos con el producto.

Recuerde que este manual de usuario también es aplicable a otros modelos. Las diferencias entre los modelos se identificarán en el manual.

Explicación de los símbolos

En este manual se utilizan los siguientes símbolos:

	Información importante o consejos de utilidad.
	Existe un riesgo de lesiones y de daños a la propiedad.
	Existe riesgo de descargas eléctricas.
	El embalaje del aparato se fabrica con materiales reciclables, de acuerdo con nuestro Reglamento Nacional sobre Medio Ambiente.

	INFORMACIÓN
	
SUPPLIER'S NAME	MODEL IDENTIFIER (*)
	
La información del modelo, tal como está almacenada en la base de datos de productos, puede ser consultada en la página web siguiente introduciendo el identificador del modelo (*) que se encuentra en la etiqueta de clasificación energética. https://eprel.ec.europa.eu/	

Contenidos

1. Instrucciones de seguridad y medio ambiente 3

- 1.1. Seguridad general.....3
- 1.1.2 Para los modelos con dispensador de agua5
- 1.2. Uso previsto.....5
- 1.7. Información técnica para Wifi + Bluetooth6
- 1.3. Seguridad para niños.....6
- 1.4. En cumplimiento de la Directiva RAEE, y la eliminación del aparato.....6
- 1.5. En cumplimiento de la Directiva RoHS....6
- 1.6. Información sobre el paquete.....6

2 Familiarizarse con el electrodoméstico 7

3 Instalación 8

- 3.1. Lugar adecuado para la instalación.....8
- 3.2. Instalación de las cuñas de plástico.....8
- 3.3. Ajuste de los pies.....9
- 3.4. Conexión eléctrica.....9

4 Preparación 10

- 4.1. Consejos para el ahorro de energía.....10
- 4.2. Uso inicial.....11

5 Uso del aparato 12

- 5.1. Mover el estante de la puerta.....16
- 5.2. Contenedor de almacenamiento deslizable.....16
- 5.3. Módulo desodorante.....17
- 5.4. Cubitera.....18
- 5.5. Luz azul.....18
- 5.6. HerbBox/HerbFresh (Cajón para hierbas/Hierbas frescas).....18
- 5.7. Huevera.....18
- 5.8. Uso del segundo cajón de frutas y verduras;.....19
- 5.9. Ventilador.....20
- 5.10. Cajón de frutas y verduras.....20
- 5.11. Compartimento de enfriamiento.....20
- 5.12. Icematic automático.....21
- 5.13. Compartimento para verduras con control de humedad.....21
- 5.14. Icematic y caja de almacenamiento de hielo.....22
- 5.15. Uso del dispensador de agua.....22
- 5.16. Uso del dispensador de agua.....23

- 5.17. Llenar el depósito del dispensador de agua.....24
- 5.18. Limpieza del depósito de agua.....24
- 5.19. Bandeja de goteo.....25
- 5.20. Congelación de alimentos frescos.....26
- 5.21. Recomendaciones para la conservación de alimentos congelados.....27
- 5.22. Información sobre la congelación.....27
- 5.23. Colocar los alimentos.....27
- 5.24. Aviso de puerta abierta.....28
- 5.25. Cambio de la dirección de apertura de la puerta.....28
- 5.26. Lámpara de iluminación.....28

6 Mantenimiento y limpieza 29

- 6.1. Cómo evitar malos olores.....29
- 6.2. Protección de las superficies de plástico29
- 6.3. Vidrios de las puertas.....30

7 Resolución de problemas 31

1 Instrucciones de seguridad y medio ambiente

Esta sección proporciona las instrucciones de seguridad necesarias para evitar el riesgo de lesión y daños materiales. El incumplimiento de estas instrucciones puede invalidar cualquier tipo de garantía del aparato.

Finalidad prevista



ADVERTENCIA:

Asegúrese de que cuando el dispositivo está en su custodia o durante su montaje en el alojamiento, los orificios de ventilación no están cerrados.



ADVERTENCIA:

Con el fin de acelerar la operación de derretimiento del hielo, no utilice cualquier dispositivo o aparato mecánico que no es recomendado por el fabricante



ADVERTENCIA:

No dañe el circuito de fluido refrigerante.



ADVERTENCIA:

No utilice dispositivos eléctricos que no estén recomendados por el fabricante en los compartimentos del dispositivo para la conservación de alimentos.

Este dispositivo está diseñado para ser utilizado en el hogar o en las siguientes aplicaciones similares:

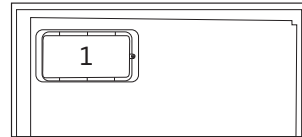
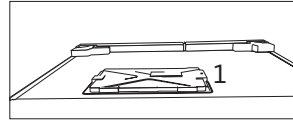
- Con el fin de ser utilizado en las cocinas para el personal de las tiendas, oficinas y otros lugares de trabajo;
- Con el fin de ser utilizado por los clientes en casas de campo y hoteles, moteles y otros lugares de alojamiento:
 - en entornos tales pensiones;
 - en lugares similares que no ofrecen servicios de restauración y no es al por menor.

1.1. Seguridad general

- Este aparato no debe ser utilizado por personas con discapacidades físicas, sensoriales y mentales, sin el conocimiento y la experiencia suficiente o por los niños. El aparato solo puede ser utilizado por estas personas bajo la supervisión y la instrucción de una persona responsable de su seguridad. A los niños no se les debe permitir jugar con este dispositivo.

Instrucciones para la seguridad y el medio ambiente

- En caso de mal funcionamiento, desconecte el dispositivo.
- Después de desconectar, espere por lo menos 5 minutos antes de conectar de nuevo. Desenchufe el aparato cuando no esté en uso. ¡No toque el enchufe con las manos mojadas! No tire del cable para enchufar para sacarlo de la toma de la pared, hágalo tomándolo de la cabeza del enchufe.
- No enchufe el refrigerador si la toma de corriente está floja.
- Desenchufe el aparato durante la instalación, el mantenimiento, limpieza y reparación.
- Si el aparato no se utiliza durante un tiempo, desenchufe el aparato y elimine cualquier alimento en el interior.
- No utilice vapor ni materiales de limpieza al vapor para la limpieza del refrigerador y el derretimiento del hielo en el interior. ¡El vapor podría contactar las zonas electrificadas y causar un cortocircuito o una descarga eléctrica!
- ¡No lave el aparato rociando ni vertiendo agua sobre él! ¡Riesgo de descarga eléctrica!
- Nunca utilice el producto si la sección situada en la parte superior o posterior del producto que tiene las placas de circuitos impresos electrónicos en el interior está abierta (cubierta de la placa del circuito electrónico impreso) (1).

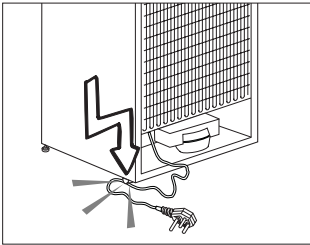


- En caso de mal funcionamiento, no utilice el aparato, ya que puede causar una descarga eléctrica. Póngase en contacto con el servicio técnico autorizado antes de hacer cualquier cosa.
- Conecte el aparato a una toma de tierra. La puesta a tierra debe ser realizada por un electricista calificado.
- Si el aparato tiene un LED de iluminación y requiere sustituirlo, póngase en contacto con el servicio técnico autorizado para sustituirlo o en caso de cualquier problema.
- ¡No toque la comida congelada con las manos mojadas! ¡Se podría adherir a sus manos!
- No coloque líquidos en botellas ni latas en el compartimento del congelador. ¡Podrían estallar!
- Coloque los líquidos en posición vertical después de cerrar bien la tapa.
- No rocíe sustancias inflamables cerca del aparato, ya que podría quemarse o explotar.
- No guarde materiales ni aparatos con gases inflamables (sprays, etc.) en el refrigerador.
- No ponga recipientes que contengan líquido encima del aparato. Salpicar agua en una parte electrificada podría provocar

Instrucciones para la seguridad y el medio ambiente

descargas eléctricas y riesgos de incendio.

- La exposición del aparato a la lluvia, la nieve, la luz directa del sol y el viento causarán un peligro eléctrico. Cuando traslade el aparato, no tire sujetando la manija de la puerta. El mango se podría salir.
- Tenga cuidado de no atrapar ninguna parte de sus manos o de su cuerpo en cualquiera de las partes móviles en el interior del aparato.
- No se pare ni se apoye en las puertas, cajones y partes similares de la nevera. Esto causará que el aparato se caiga hacia y dañe sus partes.
- Tenga cuidado de no tropezar con el cable de alimentación.



1.1.1 Aviso HC

Si el aparato dispone de un sistema de refrigeración que utilizan gas R600a, tenga cuidado de no dañar el sistema de refrigeración y su tubería mientras se utiliza o mueva el aparato. Este gas es inflamable. Si el sistema de refrigeración está dañado, mantenga el

aparato alejado de fuentes de incendio y ventile la habitación inmediatamente.



La etiqueta en la parte interior izquierda indica el tipo de gas utilizado en el aparato.

1.1.2 Para los modelos con dispensador de agua

- La presión en la entrada de agua fría será a un máximo de 90 psi (620 kPa). Si la presión del agua es superior a 80 psi (550 kPa), utilice una válvula limitadora de presión en el sistema de red. Si usted no sabe cómo controlar la presión del agua, pida la ayuda de un plomero profesional. Si hay riesgo de golpe de ariete en la instalación, siempre utilice un equipo de prevención contra golpes de ariete en la instalación. Consulte a un fontanero profesional si no está seguro de que no hay un efecto del golpe de ariete en la instalación.
- No instale en la entrada de agua caliente. Tome precauciones contra el riesgo de congelación en las mangueras. El intervalo de funcionamiento de la temperatura del agua debe ser un mínimo de 33°F (0.6°C) y un máximo de 100°F (38°C).
- Solo use agua potable apta para beber.

1.2. Uso previsto

- Este aparato está diseñado para uso en el hogar. No es adecuado para un uso comercial.
- El aparato debe utilizarse para solamente para almacenar alimentos y bebidas.
- No guarde aparatos sensibles que requieran temperatura controlada (vacunas, medicamentos sensibles)

Instrucciones para la seguridad y el medio ambiente

al calor, equipos médicos, etc.) en el refrigerador.

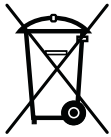
- El fabricante no asume ninguna responsabilidad por los daños debidos al mal uso o mal manejo.
- Se proporcionarán piezas de recambio originales durante 10 años, después de la fecha de compra del producto.

1.3. Seguridad para niños

- Guarde los materiales de embalaje fuera del alcance de los niños.
- A los niños no se les debe permitir jugar con el aparato.
- Si la puerta del aparato usa una cerradura, guarde la llave fuera del alcance de los niños.

1.4. En cumplimiento de la Directiva RAEE, y la eliminación del aparato

Este aparato cumple con la Directiva WEEE (RAEE) de la UE (2012/19/EU). Este aparato lleva el símbolo de clasificación de los equipos eléctricos y electrónicos (WEEE/RAEE).



Este aparato ha sido fabricado con piezas y materiales de alta calidad que pueden ser reutilizados y son aptos para el reciclaje. No deseche el aparato de

junto con los desechos domésticos normales al final de su vida útil. Llévelo al centro de recolección para reciclaje de aparatos eléctricos y electrónicos. Consulte a las autoridades locales para obtener información acerca de estos centros de acopio.

1.5. En cumplimiento de la Directiva RoHS

- El producto que ha adquirido es conforme con la directiva de la UE sobre la restricción de sustancias peligrosas (RoHS) (2011/65/UE). No contiene ninguno de los materiales nocivos o prohibidos especificados en la directiva.

1.6. Información sobre el paquete

- Los materiales de embalaje del aparato son fabricados a partir de materiales reciclables, de acuerdo con nuestra Reglamentación Nacional para el Medio Ambiente. No se deshaga de los materiales de embalaje junto con los desechos domésticos o de otro tipo. Llévelos a los puntos de recolección de material de embalaje designados por las autoridades locales.

1.7. Información técnica para Wifi + Bluetooth

Banda de frecuencia:	2,4GHz (Wi-fi o bluetooth operativo)
Max. Potencia de transmisión:	< 100mW (Wi-fi o bluetooth operativo)
Información sobre el software:	Quartz_WiFi.XXX

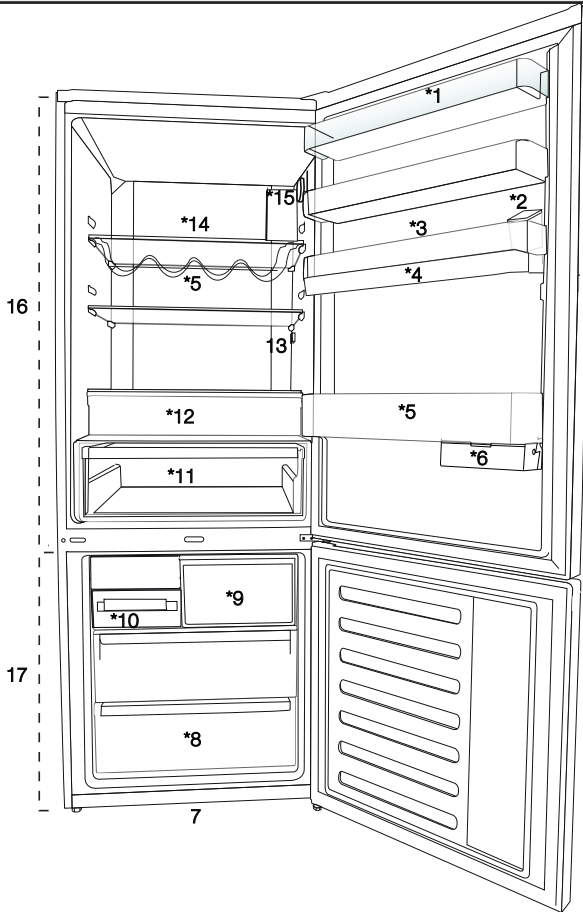
Declaración de conformidad para la CE:

Arçelik A.Ş. declara por la presente que este aparato cumple con la Directiva 2014/53/EU.

El texto completo de la declaración de conformidad de la EU está disponible en la siguiente dirección de Internet:

Productos, De: support.beko.com

2 Familiarizarse con el electrodoméstico



1. Estante de la puerta del compartimento refrigerador
2. Contenedor de llenado del dispensador de agua
3. Huevera
4. Depósito del dispensador de agua
5. Estante para botellas
6. Contenedor de almacenamiento deslizante
7. Pies ajustables
8. Compartimento congelador
9. Compartimento de congelación rápida
10. Cubitera y compartimento para hielo
11. Cajón de verdura
12. Compartimento de cero grados
13. Luz interior
14. Estante de vidrio del compartimento refrigerador
15. Botón de ajuste de la temperatura
16. Compartimento refrigerador
17. Compartimento congelador



Las ilustraciones de este manual se proporcionan a modo de ejemplo y podrían no corresponderse exactamente con su aparato. Si determinadas partes no están presentes en el aparato que usted ha adquirido, indica que la figura corresponde a otro modelo.

3 Instalación

3.1. Lugar adecuado para la instalación

Contacte con un Servicio Técnico autorizado para la instalación del aparato. Para tener el aparato a punto para la instalación, vea la información en la guía de usuario y asegúrese de que las herramientas eléctricas y de agua sean las adecuadas. Si no lo son, llame a un electricista y a un fontanero para que hagan las modificaciones necesarias.



ADVERTENCIA: El fabricante no se responsabiliza de ningún daño causado por el trabajo llevado a cabo por personas no autorizadas.



ADVERTENCIA: El aparato debe estar desenchufado durante la instalación. ¡No hacerlo podría causar la muerte o lesiones graves!



ADVERTENCIA: Si la extensión de la puerta es demasiado estrecha para permitir el paso del aparato, retire la puerta y gire el aparato de lado; si esto no funciona, contacte con el servicio técnico autorizado.

- Coloque el aparato sobre una superficie lisa para evitar sacudidas.
- Instale el aparato a una distancia no inferior de 30 cm de radiadores, estufas y fuentes de calor similares y una distancia no inferior a 5 cm de cualquier horno eléctrico.

- No exponga el aparato directamente a la luz solar en ambientes húmedos.
- El producto requiere una circulación de aire adecuada para funcionar de manera eficiente.
- Si va a colocar el aparato en un hueco de la pared, no olvide dejar una distancia mínima de 5 cm con respecto al techo y las paredes.
- No instale el aparato en ambientes con una temperatura por debajo de -5°C .

3.2. Instalación de las cuñas de plástico

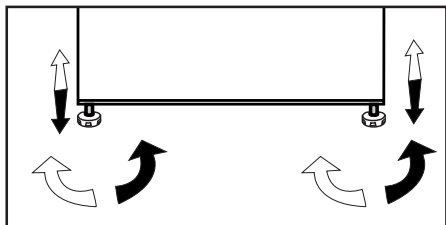
Use las cuñas de plástico incluidas con el aparato para que haya suficiente espacio para la circulación de aire entre el producto y el techo.

1. Para ello, retire los tornillos del aparato y utilice los tornillos que encontrará en la bolsa de las cuñas.

Instalación

3.3. Ajuste de los pies

Si el aparato no queda equilibrado tras su instalación, ajuste las pies frontales girándolos de la derecha a la izquierda.



3.4. Conexión eléctrica



ADVERTENCIA: No utilice cables de extensión ni ladrones para realizar la conexión eléctrica.



ADVERTENCIA: Deje en manos de un servicio técnico autorizado la sustitución de un cable de alimentación dañado.



En caso de que vaya a instalar dos frigoríficos uno al lado del otro, debe dejar una separación no inferior a 4 cm entre ellos.

- Nuestra empresa no se hará responsable de daños provocados por el uso del aparato sin una toma de tierra conforme a las normativas nacionales.
- Tras la instalación, el enchufe del cable de alimentación debe quedar al alcance de la mano.
- No use cables de extensión ni múltiples tomacorrientes sin cable entre el aparato y la toma de pared.



Advertencia de superficie caliente
Las paredes laterales de su producto están equipadas con tubos de refrigerante para mejorar el sistema de refrigeración. El refrigerante con altas temperaturas puede fluir a través de estas áreas, lo que resulta en superficies calientes en las paredes laterales. Esto es normal y no necesita ningún mantenimiento. Por favor, tenga cuidado al tocar estas áreas.

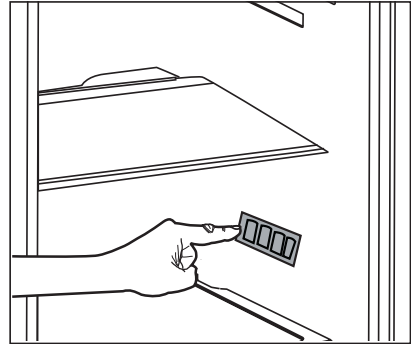
4.1. Consejos para el ahorro de energía



El aparato podría sufrir daños si se conecta a sistemas de ahorro de energía, por lo que es arriesgado.

- Para uso no empotrado: "este aparato de refrigeración no está destinado a ser utilizado como electrodoméstico empotrado.
- No deje las puertas del frigorífico abiertas durante periodos largos de tiempo.
- No introduzca alimentos o bebidas calientes en el frigorífico.
- No sobrecargue el frigorífico, pues se reducirá la capacidad de enfriamiento si se obstaculiza la circulación del aire en el interior.
- Para poder almacenar la máxima cantidad de alimentos en el compartimento del congelador, debe retirar el icematic, ubicado allí y que puede ser retirado con la mano. El volumen neto y el consumo energético especificados en la placa de datos del frigorífico se miden y se prueban retirando el frigorífico. No retire los estantes de dentro del compartimento del congelador de la puerta del compartimento del congelador. Úselos siempre, pues facilitan el uso del aparato y ayudan al consumo energético eficiente.
- No bloquee el flujo de aire colocando alimentos a los lados del ventilador del compartimento del congelador. Deje una distancia mínima de 3 cm a los lados de las paredes de la cobertura de protección del ventilador.
- Use siempre los canastos/ cajones que se suministran con el compartimento del congelador para obtener un menor consumo de energía y mejores condiciones de almacenamiento.

- El contacto de los alimentos con el sensor de temperatura en el compartimento congelador puede



eleva el consumo de energía del electrodoméstico. Por lo tanto, se debe evitar todo contacto con el/los sensor/es.

- Según las características del electrodoméstico, descongele alimentos congelados en el compartimento del frigorífico para obtener un ahorro energético y conservar la calidad de los alimentos.
- No deje que los alimentos entren en contacto con el sensor de temperatura del compartimento del frigorífico que aparece en la imagen de más arriba.
- Puesto que el aire caliente y húmedo no penetra directamente en su producto cuando las puertas no están abiertas, su producto se optimiza en condiciones suficientes para proteger sus alimentos. Las funciones y componentes como el compresor, ventilador, calentador, descongelador, iluminación, pantalla, etc. funcionarán de acuerdo con las necesidades de consumo mínimo de energía en estas circunstancias

4.2. Uso inicial

Antes de empezar a utilizar el frigorífico, compruebe que se hayan realizado todas las preparaciones indicadas en las secciones "Instrucciones importantes sobre seguridad" e "Instalación".

- Mantenga el aparato en funcionamiento durante 6 horas sin alimentos en su interior y no abra la puerta si no es estrictamente necesario.



Se oye un ruido cada vez que el compresor se pone en funcionamiento. Los líquidos y los gases contenidos en el sistema de refrigeración pueden también generar ruidos, incluso aunque el compresor no esté funcionando, lo cual es normal.

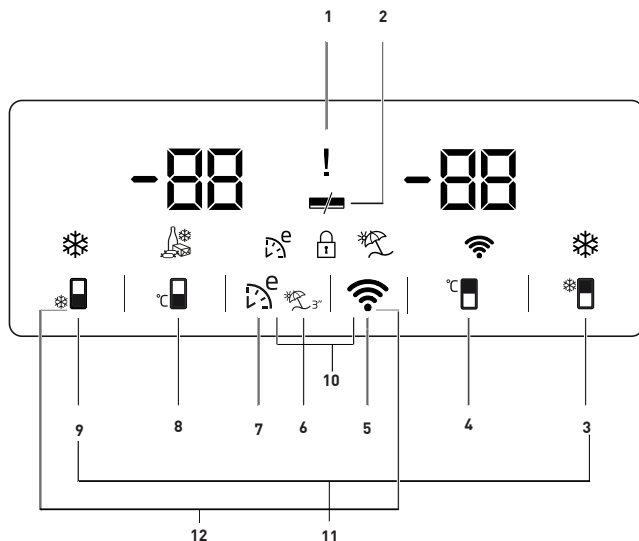


Es posible que las aristas delanteras del aparato se noten calientes al tacto. Esto es normal. Estas zonas deben permanecer calientes para evitar la condensación.



En algunos modelos, el panel de instrumentos se apaga automáticamente 5 minutos después de que la puerta se haya cerrado. Se reactivará cuando la puerta se abra o cuando se pulse cualquier tecla.

- Já que o ar quente e húmido não irá penetrar diretamente o seu produto enquanto as portas não estiverem abertas, o seu produto irá otimizar-se por si próprio para possuir condições suficientes para proteger os seus alimentos. As funções e os componentes como o compressor, a ventoinha, o aquecedor, o descongelador, a iluminação, o visor, entre outros, funcionarão de acordo com as necessidades para o consumo mínimo de energia nestas circunstâncias.




1. Fallo de Alimentación / Alta temperatura / Indicador de estado de error
2. Indicador de función de ahorro energético (pantalla apagada)
3. Botón de refrigeración rápida (quick fridge)
4. Botón de ajuste de temperatura del frigorífico
5. Botón de conexión inalámbrica
6. Botón de función de vacaciones
7. Botón Eco-fuzzy
8. Botón de ajuste de temperatura del congelador
9. Botón de congelación rápida
10. Bloqueo de botones
11. Botón de ajuste de temperatura de la unidad



Las ilustraciones de este manual se proporcionan a modo de ejemplo y podrían no corresponderse exactamente con su aparato. Si determinadas partes no están presentes en el aparato que usted ha adquirido, indica que la figura corresponde a otro modelo.

Funcionamiento del aparato

1. Fallo de Alimentación / Alta temperatura / Indicador de estado de error


Se ilumina este indicador () al producirse un fallo de alimentación, alta temperatura y advertencias de error.

En el caso de que la temperatura del compartimento de congelación llegue a un nivel crítico para los alimentos congelados, en el indicador digital parpadea el valor máximo de temperatura alcanzado por el compartimento de congelación.


Revise los alimentos que hay en el compartimento del congelador.

Esto no es un mal funcionamiento.

Esta alerta se puede borrar pulsando cualquier botón o en el botón de apagado de la alarma por temperatura alta. (La cancelación pulsando cualquier botón no es aplicable en todos los modelos).

Este indicador () también se ilumina al producirse un fallo en el sensor. Al iluminarse este indicador, en el indicador de temperatura se muestra alternativamente "E" y figuras como "1,2,3...". Estas figuras que aparecen en el indicador informan al personal de servicio sobre el error.


2. Indicador de función de ahorro energético (pantalla apagada)

Si las puertas del aparato se mantienen cerradas durante mucho tiempo, se activará automáticamente la función de ahorro energético y se encenderá el símbolo correspondiente. ()


Al activar esta función, se apagarán todos los símbolos de la pantalla, excepto el de ahorro energético.

Al activar la función de ahorro energético, si se pulsa cualquier botón o se abre la puerta, dicha función se cancelará y los símbolos de la pantalla volverán a la normalidad. Esta función viene predeterminada de fábrica y no se puede cancelar.

3. Botón de refrigeración rápida (quick fridge)

Se encenderá el indicador de refrigeración rápida () y el valor del indicador de temperatura del frigorífico se mostrará como 1 cuando se active dicha función. Pulse el botón "Quick fridge" (refrigeración rápida) de nuevo para cancelar esta función. Se apagará el indicador correspondiente y la nevera se reajustará a su configuración normal. La función de refrigeración rápida se cancelará automáticamente en 1 hora si no lo hace usted. Pulse el botón de refrigeración rápida antes de poner la comida en el compartimento de la nevera si quiere enfriar grandes cantidades de alimentos frescos.


4. Botón de ajuste de temperatura del frigorífico

Cuando se pulsa este botón, la temperatura del compartimento del frigorífico se puede ajustar a los valores 8,7,6,5,4,3,2 y 1. ()

5. Botón de conexión inalámbrica (*opcional)

Una pulsación prolongada del botón (3 segundos) inicia la primera conexión del aparato a la red doméstica.

Funcionamiento del aparato

Durante el establecimiento de la conexión, el icono de la red inalámbrica () parpadeará a intervalos de 0,5 segundos.

Cuando la conexión a la red doméstica se realiza con éxito, el icono de la red inalámbrica se ilumina continuamente.

Una vez establecida la primera conexión, ésta se podrá activar o desactivar pulsando brevemente este botón.

Tras conectar y desconectar de la corriente, recordará y establecerá automáticamente una conexión con su red.

El icono de la red inalámbrica parpadeará brevemente (a intervalos de 0,2 segundos) hasta que se establezca la conexión.

Cuando la conexión a la red doméstica se realiza con éxito, el icono de la red inalámbrica se ilumina continuamente.



En caso de que en un determinado período de tiempo no se pueda establecer la conexión, compruebe la configuración del módem/conexión.

La aplicación HomeWhiz se utiliza como interfaz de conexión.

Los pasos de conexión se describen en la GUÍA DE INSTALACIÓN RÁPIDA de HomeWhiz que acompaña al aparato.


Consulte la sección de resolución de problemas para obtener respuestas a las preguntas básicas.

6 . Botón de función de vacaciones

Para activar la función de vacaciones, mantenga pulsado el botón () durante 3 segundos y se activará el indicador de modo de vacaciones (). Cuando se activa la función de vacaciones, en el indicador de temperatura del frigorífico aparecerá "- -" y no habrá ninguna refrigeración activa en el frigorífico. Cuando esta función esté activada, no es conveniente guardar la comida en el frigorífico. Los demás compartimentos seguirán enfriándose según las temperaturas que se hayan fijado.

Para cancelar esta función, pulse de nuevo el botón de **función de vacaciones** .


7. Botón Eco-fuzzy

Pulse el botón Eco-fuzzy para activar esta función. Cuando esta función esté activada, el congelador comenzará a funcionar en modo eco después de al menos 6 horas y el indicador de uso económico estará encendido. ()

Para desactivar la función eco-fuzzy, pulse de nuevo el botón de función eco-fuzzy. Este indicador se encenderá después de 6 horas cuando se active la función eco-fuzzy.

8. Botón de ajuste de temperatura del congelador

El ajuste de la temperatura se hace para el congelador.

Cuando se pulsa el botón numerado () se puede ajustar la temperatura del congelador a -18, -19, -20, -21, -22, -23 y -24.

Funcionamiento del aparato

9. Botón de congelación rápida

Pulse el botón n°. (9) para la congelación rápida; se activará el indicador de congelación rápida (*❏). Cuando la función de congelamiento rápido está activada, el indicador de congelamiento rápido se iluminará () y el indicador de temperatura del compartimiento de congelamiento mostrará el valor -27. A fin de cancelar esta función, pulse otra vez el botón Quick Freeze (*❏). El indicador correspondiente se apagará y el aparato volverá al modo normal. La función de refrigeración rápida se cancelará automáticamente en 24 horas si no lo hace usted. Pulse el botón de Congelador rápida antes de poner la comida en el compartimiento de la Congelador si quiere enfriar grandes cantidades de alimentos frescos.

10. Bloqueo de botones

Pulse a la vez los botones (📶) y (*❏) durante 3 segundos. Se encenderá el símbolo (🔒) y se activará el bloqueo de botones. Los botones no funcionarán si el modo de bloqueo de botones está activo. Pulse a la vez los botones (📶) y (🔒) durante 3 segundos. Se desactivará el bloqueo.

Utilice la función **key lock** de bloqueo de botones si quiere evitar cambios en los ajustes de temperatura del frigorífico.

11 . Botón de ajuste de temperatura de la unidad

Mantenga pulsados a la vez los botones Quick Frige (*❏) y Quick Freeze (*❏) durante 3 segundos para alternar entre grados Fahrenheit y Celsius.

Funcionamiento del aparato

5.1. Mover el estante de la puerta

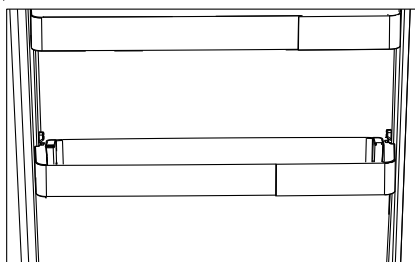
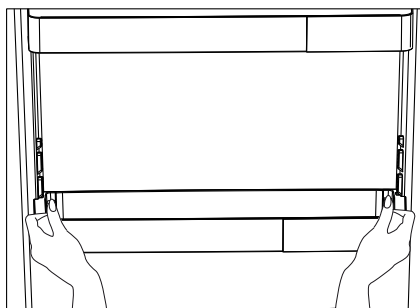
(Característica opcional)

La estantería móvil de la puerta puede fijarse en 3 posiciones diferentes.

Pulse los botones que se muestran a los lados de la misma manera para mover la estantería. La estantería debe ser móvil.

Mueva el estante hacia arriba o hacia abajo.

Suelte los botones cuando la estantería esté en la posición deseada. Debe fijar la estantería en la posición donde suelte los botones.

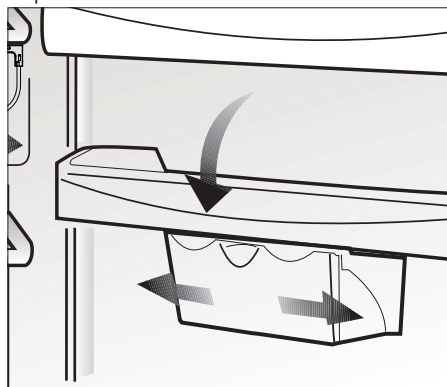


5.2. Contenedor de almacenamiento deslizante

(Característica opcional)

Este accesorio está diseñado para incrementar el volumen útil de los estantes de las puertas.

Le permite colocar con facilidad las botellas, jarras y conservas de mayor altura en el botellero inferior gracias a su capacidad para desplazarse a izquierda o derecha.



Funcionamiento del aparato

5.3. Módulo desodorante

(FreshGuard) *opcional

El módulo de desodorización elimina rápidamente los malos olores de su frigorífico antes de que penetren en las superficies. Gracias a este módulo, que se coloca en el techo del compartimento de alimentos frescos, los malos olores se disuelven mientras el aire pasa activamente por el filtro de olores y, a continuación, el aire que ha sido limpiado por el filtro vuelve a salir al compartimento de alimentos frescos. De esta manera, los olores no deseados que pueden surgir durante el almacenamiento de los alimentos en el frigorífico se eliminan antes de que penetren en las superficies.

Esto se consigue gracias al ventilador, al LED y al filtro de olores integrado en el módulo. En el uso diario, el módulo de desodorización se encenderá automáticamente de forma periódica. Para mantener un rendimiento eficiente, se recomienda que el proveedor de servicios autorizado coloque el filtro en el módulo de desodorización cada 5 años. Debido al ventilador integrado en el módulo, se oye normalmente el ruido durante el funcionamiento. Si abre la puerta del compartimento de alimentos frescos mientras el módulo está activo, el ventilador se detendrá temporalmente y se reanudará en el punto en el que se detuvo al cabo de algún tiempo una vez cerrada la puerta nuevamente.

En caso de fallo de alimentación, el módulo de desodorización se reiniciará en el punto en el que se haya interrumpido en la duración total de funcionamiento una vez que se restablezca la alimentación.

Info: Se recomienda almacenar los alimentos aromáticos (como quesos, aceitunas y alimentos selectos) en sus envases y sellados para evitar los malos olores que pueden resultar al mezclarse los olores de diversos alimentos. Además, se recomienda sacar los alimentos en mal estado del frigorífico rápidamente para evitar que los demás alimentos se estropeen, así como los malos olores.

Funcionamiento del aparato

5.4. Cubitera

*opcional

- Retire la cubitera del compartimento congelador.
- Llene la cubitera con agua.
- Coloque la cubitera en el compartimento congelador.
- El hielo estará listo en unas dos horas aproximadamente. Retire la cubitera del compartimento congelador y dóblelo ligeramente encima de la bandeja donde lo vaya a servir. El hielo se verterá fácilmente en la bandeja para servir..

5.5. Luz azul

(Característica opcional)

Este accesorio está diseñado para incrementar el volumen útil de los estantes de las puertas.

Le permite colocar con facilidad las botellas, jarras y conservas de mayor altura en el botellero inferior gracias a su capacidad para desplazarse a izquierda o derecha.

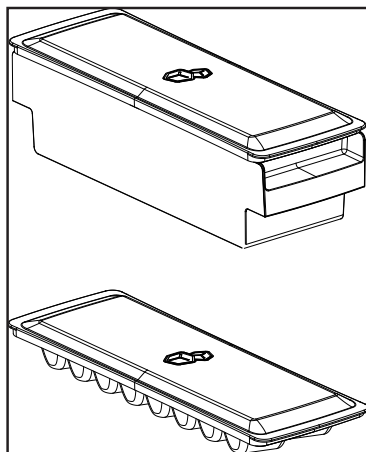
5.6. HerbBox/ HerbFresh (Cajón para hierbas/ Hierbas frescas)

Retire el contenedor de película plástica del HerbBox/HerbFresh+ Saque la película plástica de la bolsa y póngala en el recipiente para la película plástica como se muestra en la imagen.

Vuelva a sellar el recipiente y vuelva a colocarlo en la unidad HerbBox/HerbFresh+.

Las secciones del HerbBox-HerbFresh+ son especialmente ideales para el almacenamiento de diversas hierbas que deben mantenerse en condiciones delicadas. Usted puede almacenar sus hierbas sin empaque (perejil, eneldo, etc) en esta sección horizontalmente y mantenerlas frescas durante un período mucho más largo.

La película deberá ser sustituida cada seis meses.



5.7. Huevera

Puede instalar la huevera en la puerta o el estante que desee. Si va a colocarlo en los estantes del cuerpo, se recomienda usar los estantes inferiores más fríos.



No ponga la huevera en el compartimento congelador

Funcionamiento del aparato

5.8. Uso del segundo cajón de frutas y verduras;



Figura 1.

Como se muestra en la figura, hay 2 toques en el segundo cajón de frutas y verduras del modelo K70560.



Figura 2.

El segundo cajón de frutas y verduras se asemeja al de la figura 2 al cerrarse.

Figura 3.

Con la puerta abierta 90°, tire del segundo cajón de frutas y verdura hasta el primer tope, tal y como se muestra en la figura 3.

En el caso de que el cajón esté más abierto, en primer lugar, abra la puerta por lo menos 135°. A continuación, como se muestra en la figura 4, levante el segundo cajón de frutas y verdura durante unos 5 mm de modo que quede desbloqueado del primer tope.



Figura 4.

Después de la elevación, tire del segundo cajón de frutas y verduras hasta el segundo tope, tal y como se muestra en la Figura 5.



Figura 5.

Funcionamiento del aparato

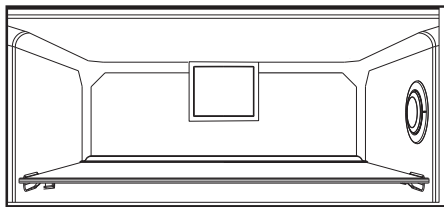
5.9. Ventilador

"El ventilador turbo está diseñado para garantizar una distribución y circulación homogéneas del aire frío en el interior del su frigorífico. El tiempo de funcionamiento puede variar según las propiedades del electrodoméstico.

En algunos modelos, el ventilador funciona únicamente cuando lo hace el compresor, mientras que en otros el sistema de control determina su tiempo de funcionamiento de acuerdo con las necesidades de enfriamiento.

5.10. Cajón de frutas y verduras

El cajón de frutas y verduras de su aparato está especialmente diseñado para mantener la frescura de sus vegetales sin que pierdan su humedad. Con este fin, alrededor del cajón de frutas y verduras se intensifica la circulación de aire frío.



5.11. Compartimento de enfriamiento

(Característica opcional)

Use este compartimento para almacenar delicatessen que deban almacenarse a temperaturas más bajas o productos cárnicos que vaya a consumir dentro de poco tiempo.

El compartimento refrigerador es el lugar más frío del frigorífico, donde podrá almacenar productos lácteos, carnes, pescado y carne de ave de corral en las mejores condiciones. No almacene frutas ni verduras en este compartimento.

Funcionamiento del aparato

5.12. Icematic automático

(Característica opcional)

El Icematic automático le permite fabricar hielo en el frigorífico fácilmente. Retire el depósito del agua del compartimento frigorífico, llénelo de agua y vuélvalo a colocar para obtener hielo del sistema Icematic.

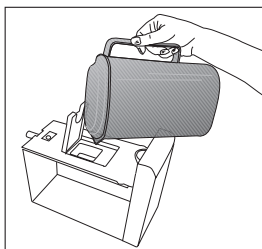
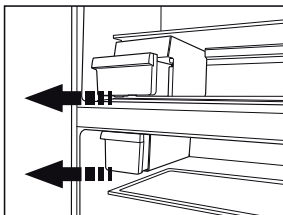
Los primeros cubitos estarán disponibles al cabo de unas dos horas en la cubitera del sistema Icematic ubicada en el compartimento congelador.

Si llena por completo el depósito de agua, podrá obtener aproximadamente entre 60 y 70 cubitos de hielo.

Cambie el agua del depósito de agua si ha estado allí durante 2-3 semanas.



Para los productos que tienen el Icematic automático, se puede oír cuando se esté formando el hielo. Este sonido es normal y en ningún caso indica un fallo.



5.13. Compartimento para verduras con control de humedad

(FreSHelf)

(Característica opcional)

Los niveles de humedad de las frutas y de las verduras se mantienen bajo control con la función del cajón de frutas y verduras con control de humedad y se garantiza que los alimentos se mantengan frescos por más tiempo.

Le recomendamos colocar las verduras de hoja, tales como lechuga, espinaca y aquellas hortalizas sensibles a la pérdida de humedad, en posición horizontal en la medida de lo posible, dentro del cajón, no sobre sus raíces en posición vertical.

Mientras se guardan las frutas y verduras, tenga en cuenta su peso específico. Las frutas y verduras más duras y pesadas deben colocarse en el fondo del cajón y aquellas más blandas y livianas deben ubicarse arriba.

Nunca deje las hortalizas dentro del cajón de frutas y verduras en sus bolsas. Si las hortalizas se dejan dentro de sus bolsas, se descompondrán en un breve período de tiempo. En caso de que no desee que las frutas y verduras estén en contacto entre sí por cuestiones de higiene, utilice un papel perforado, espuma u otros materiales de embalaje similares en lugar de una bolsa. No coloque juntos peras, albaricoques, melocotones, etc. y manzanas, en particular, en el mismo cajón que otras frutas y verduras, ya que tienen un alto nivel de generación de gas etileno. El gas etileno emitido por estas frutas puede ocasionar que las otras frutas maduren más rápido y se echen a perder en poco tiempo.

Funcionamiento del aparato

5.14. Icematic y caja de almacenamiento de hielo

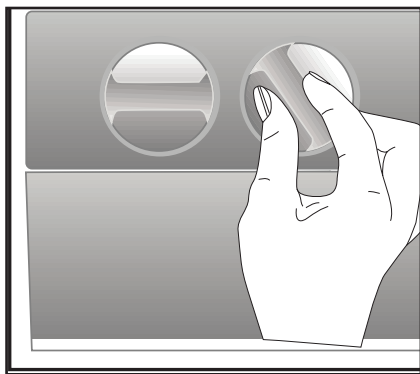
(Opcional)

Llene el icematic con agua y póngalo en marcha. El hielo estará listo después de aproximadamente dos horas. No retire la icematic para tomar el hielo.

Gire los botones de las cámaras de hielo a mano derecha al 90°, el hielo caerá en la caja de almacenamiento de hielo de abajo. A continuación, puede quitar la caja de almacenamiento de hielo y servir el hielo.



La caja de almacenamiento del hielo está destinada para el almacenamiento de hielo solamente. No llene con agua. Si lo hace, hará que se rompa.



5.15. Uso del dispensador de agua

*opcional



Es normal que los primeros vasos de agua servidos por el dispensador estén calientes.



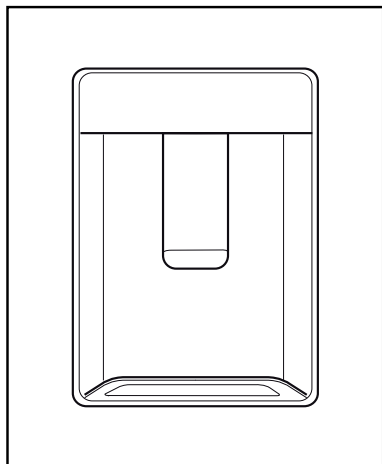
Si no se usa el dispensador de agua durante un periodo de tiempo prolongado, no consuma los primeros vasos de agua.

1. Presione la palanca del dispensador de agua con el vaso. Si está usando un vaso blando de plástico, le será más fácil empujar la palanca con la mano.
2. Una vez haya llenado el vaso hasta el nivel que desee, suelte la palanca.



Tenga en cuenta que el caudal de agua que suministra el dispensador depende del recorrido de la palanca. A medida que el nivel del agua en su copa o vaso llegue al borde, reduzca suavemente la presión ejercida sobre la palanca con el fin de evitar el rebosamiento. Si presiona la palanca levemente el agua goteará, es bastante normal, no se trata de un fallo.

Funcionamiento del aparato



5.16. Uso del dispensador de agua

*opcional

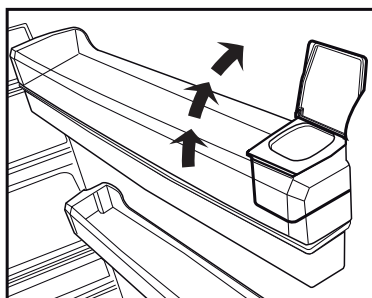
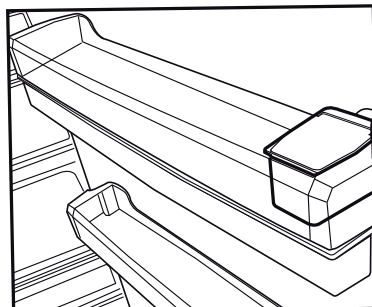


Es normal que los primeros vasos de agua servidos por el dispensador estén calientes.



Si no se usa el dispensador de agua durante un periodo de tiempo prolongado, no consuma los primeros vasos de agua.

1. Presione la palanca del dispensador de agua con el vaso. Si está usando un vaso blando de plástico, le será más fácil empujar la palanca con la mano.
2. Una vez haya llenado el vaso hasta el nivel que desee, suelte la palanca.



Tenga en cuenta que el caudal de agua que suministra el dispensador depende del recorrido de la palanca. A medida que el nivel del agua en su copa o vaso llegue al borde, reduzca suavemente la presión ejercida sobre la palanca con el fin de evitar el rebosamiento. Si presiona la palanca levemente el agua goteará, es bastante normal, no se trata de un fallo.

Funcionamiento del aparato

5.17. Llenar el depósito del dispensador de agua

El depósito de agua se encuentra dentro de la bandeja de la puerta.

1. Abra la tapa del depósito.
2. Llene el depósito con agua potable.
3. Cierre la cubierta.



No vierta en el depósito de agua ningún otro líquido que no sea agua; la bebidas tales como los zumos de frutas, bebidas carbonatadas o bebidas alcohólicas no son adecuadas para el dispensador de agua. El dispensador de agua quedará dañado de forma irreparable si se utilizan dichos líquidos. La garantía no cubre estos usos. Algunas sustancias químicas y aditivos que contienen esos tipos de bebidas/líquidos pueden dañar el depósito de agua.



Utilice únicamente agua potable limpia.



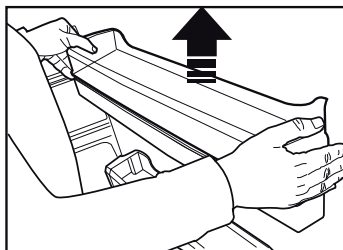
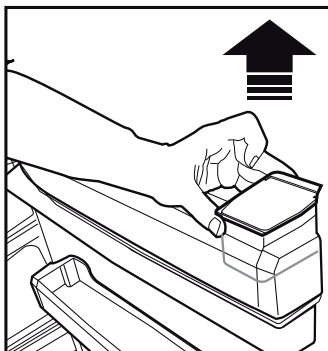
La capacidad del depósito de agua es de 3 litros, no lo llene excesivamente.

5.18. Limpieza del depósito de agua

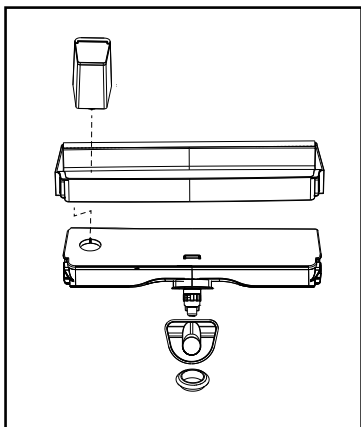
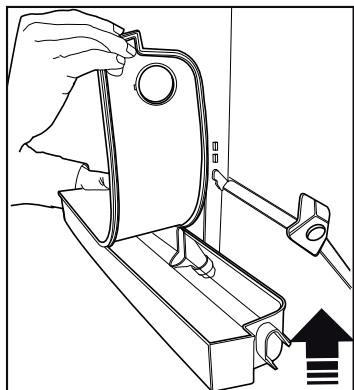
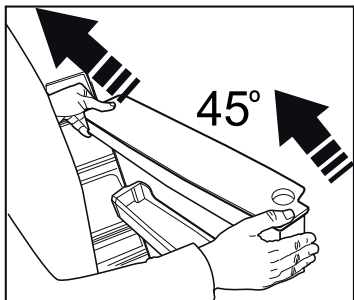
1. Retire el depósito de llenado de agua del interior de la rejilla de la puerta.
2. Retire la rejilla de la puerta sujetando por ambos lados.
3. Sujete el depósito de agua por ambos lados y retírelo en un ángulo de 45°C.
4. Retire la tapa del depósito y limpie el depósito.



Los componentes del depósito de agua y del dispensador de agua no deben lavarse en el lavavajillas.



Funcionamiento del aparato

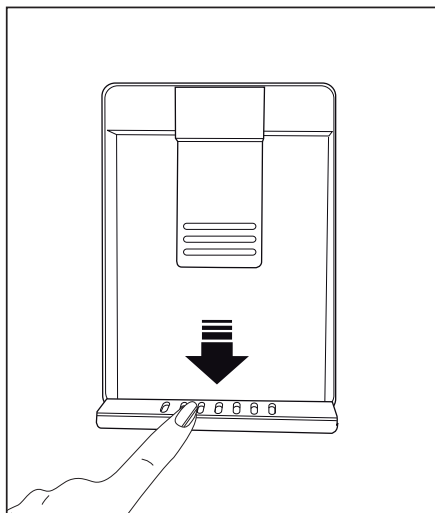


5.19. Bandeja de goteo

El agua que gotea durante el uso del dispensador de agua se acumula en la bandeja de derramamiento.

Retire el filtro de plástico tal y como se muestra en la figura.

Enjuague el agua acumulada con un trapo limpio y seco.



Funcionamiento del aparato

5.20. Congelación de alimentos frescos

- Para preservar la calidad de los alimentos, debe congelarlos tan pronto como sea posible cuando los coloque en el compartimento congelador. Utilice la función de congelación rápida para esta finalidad.
- Puede guardar los alimentos durante más tiempo en el compartimento congelador cuando los congele cuando estén frescos.
- Envuelva los alimentos que vaya a congelar y cierre el envase para que quede hermético.
- Asegúrese de envolver bien los alimentos antes de colocarlos en el congelador. Use contenedores para congelador, láminas y papeles antihumedad, bolsas de plástico y otros materiales de embalaje en vez de papeles de embalaje tradicionales.

- Etiquete cada paquete de alimentos con la fecha antes de congelarlos. De esta manera, podrá distinguir el frescor de cada paquete de alimentos cada vez que abra el congelador. Guarde los alimentos congelados en la parte frontal del compartimento para asegurar que se consuman primero.



El compartimento del congelador se deshuela de manera automática.

- Consuma inmediatamente los alimentos recién descongelados, y no los vuelva a congelar.
- No congele cantidades demasiado grandes de una sola vez.

Ajuste del compartimento congelador	Ajuste del compartimento frigorífico	Comentarios
-18°C/4°F	4°C/40°F	Estos son los valores de uso recomendados.
-20/-4°F,-22/ -6°F o -24°C/-11°F	4°C/40°F	Se recomiendan estos valores cuando la temperatura ambiente rebase los 30 °C.
Congelación rápida	4°C/40°F	Se utiliza para congelar los alimentos rápidamente. El aparato volverá a su modo de funcionamiento previo una vez finalizado el proceso.
-18°C/4°F o más frío	2°C/37°F	Utilice estos ajustes si cree que el compartimento frigorífico no está suficientemente frío debido a las altas temperaturas ambientales o por la frecuente apertura y cierre de la puerta.

Funcionamiento del aparato

5.21. Recomendaciones para la conservación de alimentos congelados

El compartimento no debe estar a más de $-18\text{ }^{\circ}\text{C}$.

1. Coloque los paquetes de alimentos congelados en el congelador lo antes posible tras su compra sin dejar que se descongelen.
2. Compruebe si las fechas de consumo preferente y caducidad de los envases han vencido o no antes de congelarlos.
3. Asegúrese de que el envase de comida no esté dañado.

5.22. Información sobre la congelación

Los alimentos sólo pueden conservarse durante periodos prolongados de tiempo a temperaturas de $-18\text{ }^{\circ}\text{C}$ o menos.

Los alimentos frescos pueden conservarse durante muchos meses en el congelador a temperaturas de $-18\text{ }^{\circ}\text{C}$ o menos.

5.23. Colocar los alimentos

Estantes del compartimento congelador	Alimentos congelados diversos tales como carnes, pescados, helados, verduras, etc.
Estantes del compartimento frigorífico	Alimentos en cazuelas, platos cubiertos y recipientes cerrados, huevos (en recipientes cerrados)
Estantes de la puerta del compartimento frigorífico	Alimentos o bebidas en envases pequeños
Cajón de frutas y verduras	Verduras y frutas

No deje que los alimentos entren en contacto con alimentos previamente congelados, con el fin de evitar que éstos puedan descongelarse parcialmente.

Hierva las verduras y drene el agua para almacenarla durante más tiempo ya que estarán congeladas. Después de descargar el agua, colóquelos en paquetes herméticos y colóquelos dentro del congelador. Alimentos tales como plátanos, tomates, lechuga, huevos duros y patatas hervidas saladas no son aptas para la congelación. Cuando estos alimentos estén congelados, su valor nutricional y sabor pueden verse afectados negativamente. Esto podría crear un riesgo para la salud humana.

Funcionamiento del aparato

Compartimento de alimentos frescos	Las delicatessen (comida de desayuno, productos cárnicos que vayan a consumirse en poco tiempo)
------------------------------------	---

5.24. Aviso de puerta abierta

(Característica opcional)

El frigorífico emitirá una señal acústica de aviso cuando la puerta del aparato permanezca abierta más de un 1 minuto. Esta advertencia quedará silenciada cuando se cierre la puerta o se pulse cualquiera de los botones de la pantalla (si los hay).

La advertencia de puerta abierta se da tanto en forma visual como acústica. Si la advertencia prosigue durante 10 minutos, las luces interiores se apagarán.

5.25. Cambio de la dirección de apertura de la puerta

Puede cambiar la dirección de apertura de la puerta de su frigorífico en función del lugar en donde lo use. Si es necesario, o por favor, llame al servicio técnico más cercano.

La descripción anterior es una información acerca del cambio de la dirección de la puerta, deberá consultar la etiqueta de advertencia del lado interior de la puerta.

5.26. Lámpara de iluminación

Las luces LED se usan como lámparas de iluminación. Contacte con un servicio técnico autorizado en caso de que haya algún problema con este tipo de luz.

La(s) luz(ces) usadas en este aparato no son aptas para la iluminación de las habitaciones del hogar. El fin previsto de la luz es ayudar al usuario a colocar alimentos en el frigorífico/congelador de una manera segura y cómoda.

6 Mantenimiento y limpieza

La vida útil del aparato aumentará si lo limpia regularmente.



ADVERTENCIA: Desenchufe primero el aparato antes de limpiarlo.

- No utilice nunca para la limpieza herramientas afiladas o abrasivas, jabones, limpiadores domésticos, detergentes ni ceras abrillantadoras.
- Disuelva una cucharadita de bicarbonato en medio cuarto de agua. Empape un trapo en la solución y escúrralo totalmente. Limpie el interior del aparato con este paño y luego séquelo totalmente.
- Asegúrese de que no penetre agua en el alojamiento de la lámpara ni otros elementos eléctricos.
- Utilice un paño húmedo para limpiar la puerta. Para retirar la puerta y los estantes, retire todos sus contenidos. Retire los estantes de la puerta tirando de ellos hacia arriba. Tras limpiarlos, deslícelos de arriba hacia abajo para su colocación.
- Nunca use agentes de limpieza o agua que contengan cloro para limpiar las superficies exteriores y los cromados del producto, ya que el cloro corroe dichas superficies metálicas.
- No use herramientas afiladas o abrasivas, jabón, agentes de limpieza domésticos detergentes, queroseno, gasolina, barniz, etc. para eliminar las huellas dactilares de las piezas de plástico. Use agua tibia un paño suave para limpiarlo, y luego séquelo.

6.1. Cómo evitar malos olores

Nuestros electrodomésticos no se fabrican con materiales que puedan producir olores. Sin embargo, una conservación inadecuada de los alimentos y la falta de limpieza de la superficie interior del electrodoméstico pueden dar lugar a un problema de olores.

Por lo tanto, limpie el frigorífico con bicarbonato disuelto en agua cada 15 días.

- Conserve los alimentos en recipientes cerrados. Los microorganismos que proliferan en los envases no cubiertos pueden causar malos olores.
- Retire del frigorífico los alimentos cuya fecha de caducidad haya vencido y estén en mal estado.

6.2. Protección de las superficies de plástico

Límpielos con agua caliente inmediatamente, puesto que el aceite podría dañar las superficies de plástico.

6.3. Vidrios de las puertas

Retire la lámina protectora de los vidrios.

Hay una capa que reduce al mínimo la formación de manchas y ayuda a eliminarlas con facilidad, así como la suciedad que pueda depositarse. Los vidrios que no disponen de este recubrimiento de protección pueden verse sometidos a la acción persistente de sustancias orgánicas o inorgánicas presentes en el aire o el agua como por ejemplo cal, sales minerales, hidrocarburos sin quemar, óxidos de metal y siliconas que pueden causar con facilidad y rapidez manchas o daños materiales. Resulta muy difícil mantener el vidrio siempre limpio, a pesar de la limpieza regular. En consecuencia, el aspecto y la transparencia del vidrio se deteriora. Los métodos y productos de limpieza fuertes y corrosivos intensificarán estos efectos y acelerarán el proceso de deterioro.

Limpie siempre los vidrios con productos de limpieza con base acuosa que no sean alcalinos ni corrosivos.

Utilice siempre productos no alcalinos ni corrosivos para la limpieza, a fin de prolongar al máximo la vida útil de este recubrimiento.

Son vidrios templados para incrementar su resistencia frente a impactos y roturas.

La superficie posterior de los vidrios cuenta con una película de seguridad que evita que cause daños a los objetos circundantes en caso de rotura.

Consulte la siguiente lista antes de llamar al servicio técnico. Si lo hace podrá ahorrar tiempo y dinero. La lista incluye las quejas más comunes que no tienen relación con un problema de fabricación ni con el material usado. Puede que ciertas características mencionadas aquí no sean de aplicación a este aparato.

El frigorífico no funciona.

- El enchufe de alimentación no está colocada correctamente. >>> Enchúfelo para colocarlo correctamente en la toma de alimentación.
- El fusible conectado a la toma de corriente del aparato o el fusible principal están fundidos. >>> Compruebe los fusibles.

Condensación en la pared lateral del compartimento frigorífico (MULTIZONA, CONTROL DE FRÍO y FLEXI ZONA).

- El ambiente es demasiado frío. >> No instale el aparato en ambientes con una temperatura por debajo de -5°C .
- La puerta se abre con demasiada frecuencia >>> Intente no abrir la puerta tan a menudo.
- El ambiente es demasiado húmedo. >> No instale el aparato en ambientes demasiado húmedos.
- Los alimentos que contengan líquidos están guardados en recipientes no sellados. >>> Guarde los alimentos que contengan líquidos en recipientes sellados.
- La puerta del aparato se ha dejado abierta. >>> No deje la puerta del aparato abierta durante mucho tiempo.
- El termostato está ajustado a un nivel muy bajo. >>> Ajuste el termostato a una temperatura adecuado.

El compresor no funciona.

- En caso de que haya un apagón repentino o de desenchufar el cable y enchufarlo de nuevo, la presión de gas del sistema de refrigeración del aparato no estará equilibrada, lo que accionará la protección térmica del compresor. El aparato se reiniciará aproximadamente al cabo de 6 minutos. Si el aparato no se reinicia después de este período, contacte con el servicio técnico.
- La descongelación está todavía activo. >>> Esto es normal en un congelador con descongelación automática. La descongelación se realiza periódicamente.
- El aparato no está enchufado. >>> Asegúrese de que el cable de alimentación está enchufado.
- El ajuste de temperatura es incorrecto. >>> Seleccione el ajuste de temperatura adecuado.
- Se ha cortado el suministro eléctrico. >>> El aparato seguirá funcionando con normalidad una vez que el suministro se haya restablecido.

El ruido de funcionamiento del frigorífico aumenta durante su uso.

- Tales valores variarán en función de las fluctuaciones de la temperatura ambiente. Esto es perfectamente normal, y no constituye una avería.

El frigorífico está mucho tiempo funcionando o se enciende con demasiada frecuencia.

Resolución de problemas

- Puede que su nuevo aparato sea más grande que el que tenía anteriormente. Los aparatos más grandes funcionarán durante más tiempo.
- Puede que la temperatura ambiente sea alta. >>> El aparato funcionará normalmente durante largos períodos de tiempo con una temperatura ambiente más alta.
- Puede que el aparato se haya enchufado recientemente o que se haya colocado un nuevo alimento en su interior. >>> El aparato tardará más en alcanzar la temperatura cuando haya sido enchufado recientemente o cuando se coloque un nuevo alimento en su interior. Esto es normal.
- Puede que se haya colocado grandes cantidades de alimentos calientes en el aparato. >>> No coloque alimentos calientes en el aparato.
- Las puertas se han abierto demasiado a menudo o se dejan abiertas durante largos períodos de tiempo. >>> El aire circulante en el interior hará que el aparato funcione durante más tiempo. No abra las puertas con demasiada frecuencia.
- Puede que el congelador o la la puerta del congelador esté entreabierta. >>> Compruebe que las puertas estén totalmente cerrados.
- Puede que el aparato esté configurado con una temperatura demasiado baja. >>> Fije la temperatura a un grado más alto y espere a que el aparato alcance la temperatura establecida.
- Es posible que la junta de la puerta del compartimento frigorífico o congelador esté sucia, desgastada, rota o no asentada correctamente. >>> Limpie o sustituya la junta. Una junta de puerta rota / dañada hará que el aparato funcione durante más tiempo para preservar la temperatura actual.

La temperatura del frigorífico es muy baja, pero la del congelador es adecuada.

- La temperatura del compartimento congelador está fijada a un grado muy bajo. >>> Fíjela a un grado más alto y compruébelo de nuevo.

La temperatura del frigorífico es muy baja, mientras que la del congelador es adecuada.

- La temperatura del compartimento congelador está fijada a un grado muy bajo. >>> Fíjela a un grado más alto y compruébelo de nuevo.

Los alimentos depositados en los cajones del compartimento frigorífico están congelados.

- La temperatura del compartimento congelador está fijada a un grado muy bajo. >>> Fíjela a un grado más alto y compruébelo de nuevo.

La temperatura del congelador o del frigorífico es demasiado alta.

Resolución de problemas

- La temperatura del compartimento congelador está fijada a un grado muy bajo. >>> La temperatura del compartimento refrigerador incide en la temperatura del compartimento congelador. Cambie las temperaturas del frigorífico o el congelador y espere hasta que la temperatura de los compartimentos correspondientes estén a un nivel adecuado.
- Las puertas se han abierto demasiado a menudo o se dejan abiertas durante largos períodos de tiempo. >>> No abra las puertas con demasiada frecuencia.
- Puede que la puerta esté entreabierta. >>> Cierre la puerta totalmente.
- Puede que el aparato se haya enchufado recientemente o que se haya colocado un nuevo alimento en su interior. >>> Esto es normal. El aparato tardará más en alcanzar la temperatura cuando haya sido enchufado recientemente o cuando se coloque un nuevo alimento en su interior.
- Puede que se haya colocado grandes cantidades de alimentos calientes en el aparato. >>> No coloque alimentos calientes en el aparato.

Sacudidas o ruidos.

- El suelo no está nivelado o estable. >>> Si el aparato vibra, ajuste los pies para equilibrarlo. Compruebe además que el suelo sea lo suficientemente firme para soportar el aparato.
- Cualquier elemento colocado en el aparato puede provocar ruidos >>> Retire cualquier elemento colocado en el producto.

El aparato emite ruido del líquido en circulación, pulverización, etc.

- Los líquidos y gases fluyen en función de los principios de funcionamiento del frigorífico. >>> Esto es normal y no es una avería.

El aparato emite un ruido de sople de viento.

- El aparato usa un ventilador para el proceso de refrigeración. Esto es perfectamente normal, y no constituye una avería.

Hay condensación en las paredes internas del aparato.

- El tiempo cálido y húmedo favorece la formación de hielo y la condensación. Esto es perfectamente normal, y no constituye una avería.
- Las puertas se han abierto demasiado a menudo o se dejan abiertas durante largos períodos de tiempo. >>> No abra las puertas con demasiada frecuencia. Si las abre, ciérrelas.
- Puede que la puerta esté entreabierta. >>> Cierre la puerta totalmente.

Hay condensación en el exterior del aparato o entre sus puertas.

- Puede que haya humedad en el aire; es algo bastante normal en climas húmedos. >>> Cuando el grado de humedad descienda, la condensación desaparecerá.

Resolución de problemas

El interior huele mal.

- El producto no se limpia regularmente. >>> Limpie el interior regularmente con una esponja, agua caliente y bicarbonato.
- Ciertos recipientes y materiales de embalaje pueden causar mal olor. >>> Utilice recipientes y materiales de embalaje libres de malos olores.
- Los alimentos están guardados en recipientes no sellados. >>> Guarde los alimentos en recipientes sellados. Los microorganismos pueden propagarse fuera de los recipientes de alimentos y causar olores desagradables.
- Retire cualquier alimentos caducado o descompuesto del aparato.

La puerta no cierra.

- Puede que los paquetes de comida estén bloqueando la puerta. >>> Recoloque los elementos que estén bloqueando la puerta.
- El aparato no está colocado en el suelo en una posición totalmente vertical. >>> Ajuste los soportes para equilibrar el aparato.
- El suelo no está equilibrado o no es sólido. >>> Compruebe además que el suelo esté nivelado y que sea capaz de soportar el peso del frigorífico.

El cajón de las verduras está atascado.

- Puede que los alimentos estén en contacto con la sección superior del cajón. >>> Reorganice los alimentos del cajón.



ADVERTENCIA: Si el problema persiste después de seguir las instrucciones en este apartado, contacte con un distribuidor o con el servicio técnico autorizado. No intente reparar el aparato.

EXENCIÓN DE RESPONSABILIDADES / ADVERTENCIA

Es posible que algunas fallas (simples) sean tratadas de manera adecuada por el usuario final sin que se plantee ningún problema de seguridad o uso no seguro, siempre y cuando se lleven a cabo dentro de los límites y de conformidad con las siguientes instrucciones (véase la sección "Autorreparación").

En consecuencia, siempre y cuando no se autorice lo contrario en la sección "Autorreparación" que se encuentra a continuación, las reparaciones deben ser dirigidas a los reparadores profesionales registrados para evitar problemas de seguridad. Se considera un reparador profesional registrado el que ha tenido acceso a las instrucciones y a la lista de piezas de repuesto de este producto por parte del fabricante de acuerdo con los métodos descritos en los actos legislativos en virtud de la Directiva 2009/125/CE.

No obstante, según las condiciones de la garantía, sólo el agente de servicio (por ejemplo, los reparadores profesionales autorizados) al que puede llamar utilizando el número de teléfono que figura en el manual de usuario/ tarjeta de garantía o bien a través de su distribuidor autorizado puede prestar servicio. Por consiguiente, por favor, tenga en cuenta que las reparaciones realizadas por reparadores profesionales (no autorizados por Beko) anularán la garantía.

Autorreparación

El usuario final puede realizar la reparación por su cuenta con respecto a las siguientes piezas de repuesto: manijas de puertas, bisagras de puertas, bandejas, cestas y juntas de puertas (una lista actualizada también estará disponible en support.beko.com a partir del 1 de Marzo de 2021).

Por otra parte, con el fin de garantizar la seguridad del producto y prevenir el riesgo de lesiones graves, la autorreparación citada se llevará a cabo siguiendo las instrucciones del manual de usuario para la autorreparación o las que están disponibles en support.beko.com Para su seguridad, desenchufe el producto antes de intentar cualquier autorreparación.

La reparación y los intentos de reparación por parte de los usuarios finales de piezas no incluidas en dicha lista y/o no seguir las instrucciones contenidas en los manuales de usuario para la autorreparación o que están disponibles en support.beko.com, podrían causar problemas de seguridad no atribuibles a Beko, y anularían la garantía del producto.

Por ello, es muy recomendable que los usuarios finales se abstengan de intentar realizar las reparaciones que estén fuera de la lista de piezas de repuesto mencionada, comunicándose en tales casos con los reparadores profesionales autorizados o con los reparadores profesionales registrados. Al contrario, dichos intentos por parte de los usuarios finales pueden provocar problemas de seguridad y dañar el producto y, en consecuencia, provocar incendios, inundaciones, electrocución y lesiones personales graves.

Con carácter ejemplar, pero no limitado a ello, las siguientes reparaciones deben dirigirse a los autorizados reparadores profesionales o reparadores profesionales registrados: compresor, circuito de refrigeración, placa principal, tablero del inversor, tablero de la pantalla, etc.

En caso de que los usuarios finales no cumplan con lo anterior, el fabricante/ vendedor no podrá ser considerado responsable.

La disponibilidad de piezas de repuesto del refrigerador que ha adquirido es de 10 años. Durante este período, las piezas de repuesto originales estarán disponibles para el funcionamiento apropiado del refrigerador. La duración mínima de la garantía del refrigerador que ha comprado es de 24 meses.

Este producto está equipado con una fuente de iluminación de la clase energética "G". La fuente de iluminación de este producto sólo debe ser sustituida por reparadores profesionales.

Caro Cliente,

Gostaríamos que aproveitasse a óptima eficiência do nosso produto, fabricado em modernas instalações segundo controlos de qualidade meticulosos.

Para este propósito, ler integralmente o guia do utilizador antes de utilizar o produto e manter o guia como fonte de referência. Se ceder este produto a outra pessoa, fornecer este guia em conjunto com o produto.

O guia do utilizador assegura a utilização rápida e segura do produto.






- Ler o guia do utilizador antes de instalar e operar com o produto.
- Observar sempre as instruções de segurança aplicáveis.
- Manter o guia do utilizador em local de fácil acesso para uso futuro.
- Ler quaisquer outros documentos fornecidos com o produto.

Ter em mente que este guia do utilizador é aplicável a vários modelos do produto. O guia indica claramente quaisquer variações de modelos diferentes.

Símbolos e Observações

No guia do utilizador são usados os símbolos seguintes:

	Informações importantes e dicas úteis.
	Risco de vida e do equipamento.
	Risco de choque eléctrico.
	A embalagem do produto é feita com materiais recicláveis, de acordo com a Legislação Ambiental Nacional.

 INFORMAÇÃO	
 ENERGY 	A informação do modelo conforme memorizada na base de dados do produto pode ser acedida entrando no seguinte sítio web e através da busca do identificador do seu modelo (*) que se encontra na etiqueta de classificação energética.
SUPPLIER'S NAME:  MODEL IDENTIFIER: 	
https://eprel.ec.europa.eu/	

1 Instruções de segurança e ambientais **3**

- 1.1. Segurança geral 3
- 1.1.1 Advertência HC 5
- 1.1.2 Para modelos com dispensador de água 5
- 1.2. Utilização prevista. 5
- 1.3. Segurança das crianças 5
- 1.4. Em conformidade com a Directiva REEE e Eliminação de Resíduos 5
- 1.5. Em conformidade com a Directiva RSP. 6
- 1.6. Informação da embalagem 6
- 1.7. Informação Técnica para WiFi + Bluetooth 6

2 O seu aparelho **7**

4 Preparação **8**

- 4.1. Coisas a serem feitas para poupar energia 8
- 4.2. Uso inicial 8

5 Operar com o produto **10**

- 5.1. Recipiente para o gelo 14
- 5.2. Suporte para ovos. 14
- 5.3. Ventilador. 14
- 5.4. Gaveta para vegetais 15
- 5.5. Compartimento refrigerador 15
- 5.6. Icematic e caixa de armazenamento de gelo (Opcional). 15
- 5.7. Usar a segunda gaveta para frutos e legumes do produto; 16
- 5.8. Mover a prateleira da porta 17
- 5.9. Recipiente de armazenamento deslizante 18
- 5.10. Luz azul 18
- 5.11. Módulo desodorizador. 18
- 5.12. Gaveta de vegetais com humidade controlada 19
- 5.13. Icematic automático 19
- 5.14. Utilizar a fonte de água fresca 20

- 5.15. Utilizar a fonte de água fresca 20
- 5.16. Encher o depósito do dispensador de água 21
- 5.17. Limpar o depósito de água 21
- 5.18. Tabuleiro para gotas de água. 22
- 5.19. Congelar alimentos frescos 23
- 5.20. Recomendações para preservar alimentos congelados. 24
- 5.21. Informação do congelador 24
- 5.22. Colocar alimentos. 24
- 5.23. Botão para abrir a porta 24
- 5.24. Mudar a direção da abertura da porta 24
- 5.25. Lâmpada de iluminação 24

6 Manutenção e limpeza **25**

- 6.1. Evitar maus odores 25
- 6.2. Proteger superfícies de plástico 25
- 6.3. Vidros da Porta 25

7 Resolução de problemas **26**

Esta secção fornece as instruções de segurança necessárias para prevenir risco de lesões e danos materiais. O não cumprimento destas instruções invalidará todos os tipos de garantia do produto.

1.1. Segurança geral

AVISO:

Manter as aberturas de ventilação, na caixa de proteção do aparelho ou na estrutura embutida, sem obstruções.

ADVERTÊNCIA:

Não usar dispositivos mecânicos nem outros meios para acelerar o processo de descongelação, exceto os recomendados pelo fabricante.



AVISO:

Não danificar o circuito de refrigeração.

ADVERTÊNCIA:

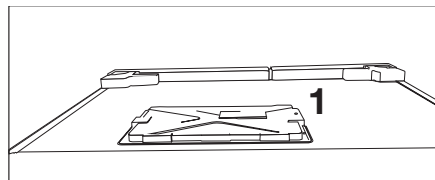
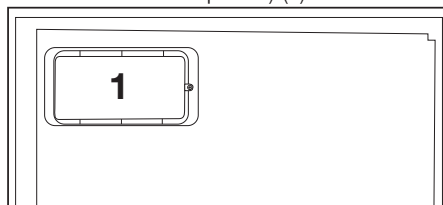
Não usar aparelhos eléctricos no interior dos compartimentos de armazenamento de alimentos do aparelho, a menos que sejam do tipo recomendado pelo fabricante.

Este aparelho é destinado a ser usado em uso doméstico e aplicações similares como

- zonas de cozinha em estabelecimentos comerciais, escritórios ou outros ambientes laborais;
- casas rurais e pelos clientes em hotéis, motéis e outros ambientes de tipo residencial;
- ambientes de tipo alojamento e pequeno almoço;
- utilizações de refeições e outros não-retalhistas similares.

- Este produto não deve ser usado por pessoas com deficiências físicas, sensoriais e mentais, sem conhecimento e experiência suficiente ou por crianças. O dispositivo apenas pode ser usado por estas pessoas sob supervisão e instrução de uma pessoa responsável pela sua segurança. As crianças não devem ser autorizadas a brincar com este aparelho.

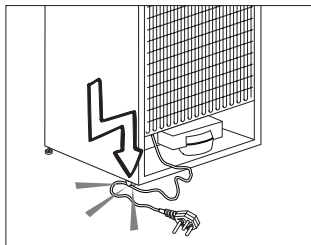
- Em caso de mau funcionamento, desligue o aparelho.
- Depois de desligar, aguarde pelo menos 5 minutos antes de ligar novamente. Desligar o produto quando não está em uso. Não tocar na ficha com as mãos molhadas! Não puxar pelo cabo para desligar, segurar sempre pela ficha.
- Não ligar o frigorífico se a tomada estiver solta.
- Desligar o produto durante a instalação, manutenção, limpeza e reparação.
- Se o produto não for usado por uns tempos, desligar o produto e retirar quaisquer alimentos do interior.
- Não utilizar materiais de limpeza a vapor ou vapor para limpar o frigorífico e derreter o gelo no interior. O vapor pode entrar em contacto com as áreas electrificadas e causar curto-circuito ou choque eléctrico!
- Não lavar o produto pulverizando-o ou deitando água sobre o mesmo! Perigo de choque eléctrico!
- Nunca usar o produto se a secção localizada na parte superior ou traseira do seu produto com placas de circuitos impressos electrónicos no interior estiver aberta (tampa da placa de circuito electrónico impresso) (1).



- Em caso de mau funcionamento, não usar o produto, porque pode provocar um choque eléctrico. Contactar a assistência autorizada antes de fazer alguma coisa.
- Ligar o produto a uma tomada com ligação à terra. A ligação à terra deve ser feita por um electricista qualificado.

Instruções de segurança e ambientais

- Se o produto tem luz tipo LED, contactar a assistência autorizada para substituir ou em caso de quaisquer problemas.
- Não tocar em alimentos congelados com as mãos molhadas! Podem aderir às suas mãos!
- Não colocar líquidos em garrafas e latas no compartimento de congelação. Podem explodir!
- Colocar os líquidos em posição vertical depois de fechar a tampa firmemente.
- Não pulverizar substâncias inflamáveis perto do produto, podem incendiar ou explodir.
- Não manter no frigorífico materiais inflamáveis e produtos com gás inflamável (sprays, etc.).
- Não colocar recipientes com líquidos em cima do produto. Pulverizar água sobre as partes eléctricas pode causar choque eléctrico e risco de incêndio.
- Expor o produto à chuva, neve, sol e vento pode causar perigo eléctrico. Quando recolocar o produto, não puxar pelo puxador da porta. O puxador pode soltar-se.
- Ter cuidado para evitar prender qualquer parte das suas mãos ou corpo em alguma das partes móveis dentro do produto.
- Não pisar ou apoiar-se nas portas, gavetas e peças similares do frigorífico. Isto pode causar avaria do produto e danificar as partes.
- Ter cuidado para não prender o cabo de alimentação.
- Ao instalar o eletrodoméstico, certifique-se de que o cabo de alimentação não fica entalado nem danificado.
- Não coloque tomadas múltiplas nem fontes de alimentação portáteis junto à parte traseira do eletrodoméstico.



- No caso de a sua casa ter um sistema de aquecimento do pavimento, deve ter em atenção que se fizer furos no teto de betão, isso pode danificar o referido sistema de aquecimento!
- As crianças com idade entre 3 e 8 anos podem colocar e retirar cargas de aparelhos de refrigeração.
- Para evitar a contaminação dos alimentos, respeite as instruções a seguir apresentadas:
 - – abrir a porta durante longos períodos de tempo pode causar um aumento de temperatura significativo nos compartimentos do aparelho;
 - – limpe regularmente as superfícies que podem entrar em contacto com alimentos, assim como os sistemas de drenagem acessíveis;
 - – limpe os reservatórios de água se não forem utilizados durante 48 horas; lave o sistema de ligação ao fornecimento de água, se não tiver sido extraída água durante 5 dias;
 - – armazene carne e peixe crus em recipientes adequados, no frigorífico, para que não entrem em contacto ou pinguem para os outros alimentos;
 - – os compartimentos para congelação de alimentos de duas estrelas são adequados para armazenar alimentos pré-congelados, armazenar ou fazer gelados e fazer cubos de gelo;
 - – os compartimentos de uma, duas e três estrelas não são adequados para congelar alimentos frescos;

Instruções de segurança e ambientais

- se o aparelho de refrigeração ficar vazio durante longos períodos de tempo, desligue, descongele, limpe, seque e deixe a porta aberta para evitar a formação de bolor no interior do aparelho.

1.1.1 Advertência HC

Se o produto inclui um sistema de refrigeração com gás R600a, ter cuidado para não danificar o sistema de arrefecimento e a sua tubagem durante a utilização e movimentação do produto. O gás é inflamável. Se o sistema de refrigeração estiver danificado, manter o produto longe de fontes de ignição e ventilar imediatamente o espaço onde o frigorífico se encontra.



A etiqueta no lado esquerdo interior indica o tipo de gás usado no produto.

1.1.2 Para modelos com dispensador de água

- A pressão para a entrada de água fria deve ser no máximo de 90 psi (620 kPa). Se a sua pressão de água exceder 80 psi (550 kPa, utilize uma válvula limitadora de pressão no seu sistema de alimentação. Se não sabe como verificar a sua pressão de água, deve solicitar a ajuda de um canalizador profissional.
- Se existir o risco de o golpe de ariete afetar a sua instalação, deve utilizar sempre um equipamento de prevenção do golpe de ariete na sua instalação. Deve consultar os canalizadores profissionais se não tiver a certeza se existe o efeito de golpe de ariete na sua instalação.
- Não instalar na entrada de água quente. Deve tomar precauções relativamente ao risco de congelamento nas tubagens. O intervalo de funcionamento de temperatura da água deve ser 33°F (0,6°C) de mínimo e 100°F (38°C) de máximo.
- Usar apenas água potável.

1.2. Utilização prevista

- Este produto é concebido para utilização doméstica. Não está previsto para utilização comercial.
- O produto deve ser utilizado apenas para armazenar alimentos e bebidas.
- Não manter no frigorífico produtos sensíveis que requerem temperaturas controladas (vacinas, medicamentos sensíveis ao calor, equipamentos médicos, etc.).
- O fabricante não assume responsabilidades por qualquer dano devido a uso indevido ou inadequado.
- O tempo de vida do produto é de 10 anos. As peças sobresselentes necessárias ao funcionamento do produto estarão disponíveis durante o referido período de tempo.

1.3. Segurança das crianças

- Manter os materiais de embalagem fora do alcance das crianças.
- Não permitir que as crianças brinquem com o produto.
- Se a porta do produto incluir uma fechadura, manter a chave fora do alcance das crianças.

1.4. Em conformidade com a Directiva REEE e Eliminação de Resíduos

Este produto está em conformidade com a Directiva UE REEE (2012/19/UE). Este produto tem um símbolo de classificação de resíduos de equipamentos eléctricos e electrónicos (REEE).



Este produto foi fabricado com peças de alta qualidade e materiais que podem ser reutilizados e são adequados para reciclagem. Não eliminar os resíduos como resíduos domésticos normais ou outros no fim da vida útil. Colocar no centro de recolha para a reciclagem de equipamentos eléctricos

Instruções de segurança e ambientais

e electrónicos. Consultar as autoridades locais para indicação destes centros de recolha.

1.5. Em conformidade com a Directiva RSP

- Este produto está em conformidade com a Directiva UE REEE (2011/65/UE). Não contém materiais nocivos e proibidos especificados na Directiva.

1.6. Informação da embalagem

- Os materiais de embalagem do produto são fabricados com materiais recicláveis de acordo com os nossos Regulamentos Ambientais Nacionais. Não eliminar os materiais de embalagem junto com lixos domésticos ou outros. Colocar nos pontos de recolha de material de embalagem designados pelas autoridades locais.

1.7. Informação Técnica para WiFi + Bluetooth

Banda de frequência:	2.4GHz (Wi-Fi ou Bluetooth operacional)
Potência máx de transmissão:	< 100mW (Wi-Fi ou Bluetooth operacional)
Informação do software	Quartz_WiFi.XXX

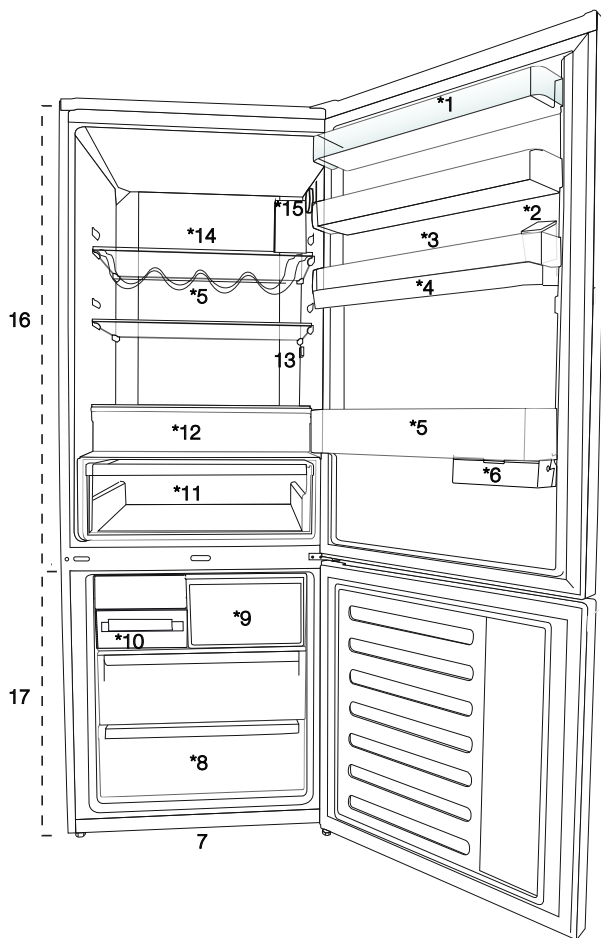
Declaração de Conformidade para CE:

Arçelik A.Ş. declara por este meio que este aparelho está em conformidade com a Diretiva 2014/53/EU.

O texto completo da declaração de conformidade EU é disponibilizado no seguinte endereço de internet:

Produtos, De: support.beko.com

2 0 seu aparelho



1. Prateleira da porta do compartimento do frigorífico
2. Reservatório de enchimento do dispensador de água
3. Secção dos ovos
4. Reservatório do dispensador de água
5. Prateleira para garrafas
6. Recipiente deslizante para armazenamento
7. Pés ajustáveis
8. Compartimento do congelador
9. Compartimento de congelação rápida
10. Tabuleiro para cubos de gelo e banco de gelo
11. Recipiente para vegetais
12. Compartimento zero graus
13. Luz interior
14. Prateleira de vidro do compartimento do frigorífico
15. Botão de ajuste da temperatura
16. Compartimento do frigorífico
17. Compartimento do congelador



***opcional:**As figuras neste manual do utilizador são dadas como um exemplo e podem não coincidir exatamente com o produto. Se as partes relevantes não estão disponíveis no produto que comprou, a figura aplica-se a outros modelos.

4 Preparação

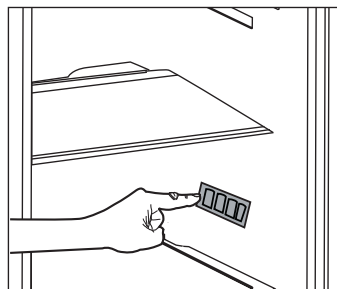
4.1. Coisas a serem feitas para poupar energia



Ligar o produto a sistemas eletrónicos de poupança de energia é arriscado pois podem danificar o produto.

- Para um aparelho de instalação independente: "este frigorífico não se destina a ser usado como um aparelho de encastrar.
- Não deixar as portas do seu frigorífico abertas por muito tempo.
- Não colocar alimentos ou bebidas quentes no seu frigorífico.
- Não sobrecarregar o frigorífico, a capacidade de arrefecimento falhará quando a circulação de ar interior for impedida.
- De modo a armazenar a quantidade máxima de alimentos no compartimento frigorífico, o Icmatic, disponível no compartimento congelador e facilmente removível à mão, deverá ser retirado. Os valores declarados de volume líquido e consumo de energia declarados na placa de dados de energia do seu frigorífico são medidos e testados retirando o Icmatic. Não retirar as prateleiras do interior do compartimento congelador e na porta do compartimento congelador não devem ser removidas e devem ser sempre usadas pois proporcionam facilidade de utilização e eficiência no consumo de energia.
- O fluxo de ar não deve ser bloqueado colocando alimentos nas laterais do ventilador do compartimento do congelador. Deve ser disponibilizada uma distância mínima de 3 cm nas laterais da tampa protetora do ventilador.
- Os cestos/gavetas que são fornecidos com o compartimento para os frescos têm de ser sempre utilizados para um menor consumo de energia e para melhores condições de armazenamento.
- O contacto dos alimentos com o sensor de temperatura no compartimento do congelador pode aumentar o consumo de energia do aparelho. Assim deve ser evitado qualquer contacto com o(s) sensor(es).
- Dependendo das características de seu produto, o descongelamento de alimentos congelados no compartimento frigorífico irá proporcionar a poupança de energia e preservar a qualidade dos alimentos.

- Não permitir o contacto de alimentos com o sensor de temperatura do compartimento frigorífico exibido na figura abaixo.
- Já que o ar quente e húmido não irá penetrar diretamente o seu produto enquanto as portas não estiverem abertas, o seu produto irá otimizar-se por si próprio para possuir condições suficientes para proteger os seus alimentos. As funções e os componentes como o compressor, a ventoinha, o aquecedor, o descongelador, a iluminação, o visor, entre outros, funcionarão de acordo com as necessidades para o consumo mínimo de energia nestas circunstâncias.



4.2. Uso inicial

Antes de começar a usar o seu frigorífico, assegurar que todos os preparativos são feitos de acordo com as instruções nas secções "Instruções de segurança e ambientais" e "Instalação".

- Pôr o produto a trabalhar sem quaisquer alimentos durante 6 horas e não abrir a porta, a menos que absolutamente necessário.



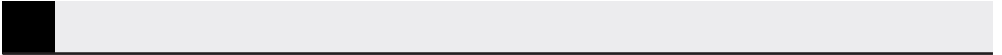
Ouvirá um ruído quando o compressor arrancar. Os líquidos e gases vedados no sistema de refrigeração podem também dar origem a ruídos, mesmo se o compressor não estiver a funcionar o que é perfeitamente normal.



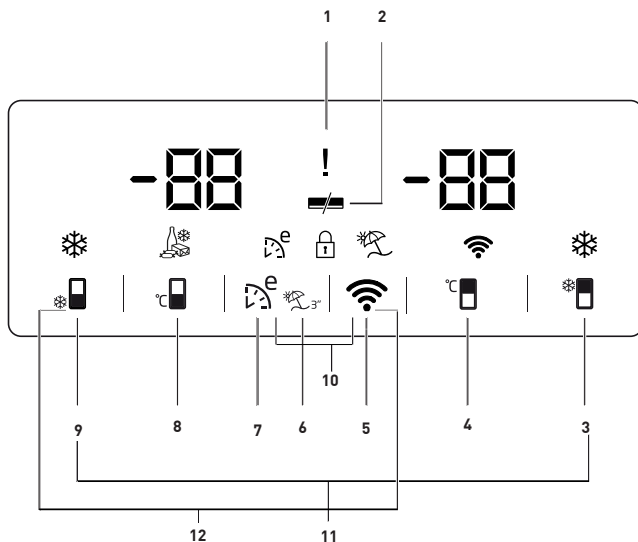
As extremidades dianteiras do produto podem ficar quentes. Isto é normal. Estas áreas são concebidas para aquecer para evitar a condensação.



Em alguns modelos, o painel de instrumentos desliga automaticamente 5 minutos depois de a porta ser fechada. Será reativado quando a porta for aberta ou premida qualquer tecla.

- 
- Já que o ar quente e húmido não irá penetrar diretamente o seu produto enquanto as portas não estiverem abertas, o seu produto irá otimizar-se por si próprio para possuir condições suficientes para proteger os seus alimentos. As funções e os componentes como o compressor, a ventoinha, o aquecedor, o descongelador, a iluminação, o visor, entre outros, funcionarão de acordo com as necessidades para o consumo mínimo de energia nestas circunstâncias.

5 Operar com o produto



1. Interrupção de energia / Temperatura elevada / Indicador de erro de estado
2. Poupança de energia (visor desligado)
3. Tecla da Refrigeração rápida
4. Tecla de definição de temperatura do compartimento frigorífico
5. Tecla da ligação sem fio
6. Tecla da função férias
7. Tecla da Eco-inteligente
8. Tecla de definição de temperatura do compartimento congelador
9. Botão de congelação rápida
10. Bloqueio de teclas
11. Tecla para alterar a unidade de temperatura


Poderá não estar disponível em todos os modelos



***Opcional:** As figuras neste manual do utilizador são esquemáticas e podem não coincidir exatamente com o produto. Se as partes sujeitas não estão incluídas no produto que comprou, então essas partes são válidas para outros modelos.


Operar com o produto

1. Interrupção de energia / Temperatura elevada / Indicador de erro de estado

Este indicador () acende-se no caso de falha de energia, temperaturas elevada e de avisos de erro.


Quando a temperatura do compartimento do congelador aquece até um nível crítico para os alimentos congelados, o valor máximo atingido pela temperatura do compartimento do congelador fica a piscar no indicador digital. Verificar os alimentos no compartimento do congelador.

Isto não é um mau funcionamento. O aviso pode ser apagado premindo qualquer botão ou no botão de desligar o alarme de alta temperatura. (Cancelar premindo qualquer botão não é aplicável para todos os modelos.)


Este indicador () acende-se também quando ocorre uma falha no sensor. Quando o indicador se acender, são exibidos alternativamente “E” e números como “1,2,3...” no indicador da temperatura. Estes números no indicador informam o pessoal da manutenção acerca do erro.

2. Poupança de energia (visor desligado)


Se as portas do produto são mantidas fechadas durante muito tempo a função de poupança energia é automaticamente ativada e o símbolo de poupança de energia ilumina-se.

() Quando a função de poupança de energia é ativada, todos os símbolos no visor que não o símbolo de poupança de energia apagar-se-ão. Quando a função de poupança de energia é ativada, se qualquer botão for premido ou a porta for aberta, a função de poupança de energia será cancelada e os símbolos no visor voltarão ao normal. A função de poupança de energia é predefinição de fábrica e não pode ser cancelada.

3. Tecla da Refrigeração rápida


Indicador rápido de geladeira () acende e o valor do indicador de temperatura do compartimento da geladeira é exibido como 1 quando a função de geladeira rápida está ativada. Para cancelar esta função premir de novo o botão Resfriamento rápido. O indicador de Refrigeração rápida estará desligado e o frigorífico será redefinido às definições normais. A função de Refrigeração rápida é cancelada automaticamente após 1 hora se não a cancelar. Para refrigerar uma grande quantidade de alimentos frescos, premir o botão Refrigeração rápida antes de colocar os alimentos no compartimento frigorífico.

4. Botão de definição de temperatura do compartimento frigorífico

Quando o botão é premido, a temperatura do compartimento refrigerador pode ser definida para valores de 8, 7, 6, 5, 4, 3, 2 e 1. ()

5. Tecla da ligação sem fio (*opcional)

Manter botão premido por 3 segundos inicia a primeira introdução do produto à rede doméstica.

Durante o processo de estabelecimento da conexão, o ícone da rede sem fio () pisca em intervalos de 0,5 s.

Quando a conexão à rede doméstica é bem-sucedida, o ícone de rede sem fio acende-se continuamente.

Depois que a primeira conexão for estabelecida, a conexão poderá ser ativada / desativada ao premir brevemente este botão.

Depois de desligar e ligar, automaticamente irá memorizar e estabelecer uma ligação à sua rede.

O ícone da rede sem fio piscará brevemente (em intervalos de 0,2 segundos) até que a conexão seja estabelecida.

Operar com o produto

Quando a conexão está ativa, o ícone de rede sem fio acende-se continuamente.

Se a conexão não for estabelecida por um determinado período de tempo, verifique as definições de modem / conexão.

O aplicativo HomeWhiz é usado como interface de conexão.

As etapas de conexão estão descritas no GUIA DE INSTALAÇÃO RÁPIDA HomeWhiz que acompanha o produto.

Consulte a seção de resolução de problemas para obter respostas às perguntas básicas.

6. Tecla da função férias

De modo a ativar a função férias, premir e manter premido o botão (☀️) durante 3 segundos, e o indicador de modo de férias (☀️) será ativado. Quando a função férias é ativada, “-” é exibido no indicador de temperatura do compartimento frigorífico e não é realizado arrefecimento ativo no compartimento frigorífico. Não é adequado manter os alimentos no compartimento do frigorífico quando esta função é ativada. Outros compartimentos continuarão a ser resfriados de acordo com as temperaturas definidas.

Para cancelar esta função premir de novo o botão de **função Férias**.

7. Tecla da Eco-inteligente

Premir o botão eco-inteligente para ativar a função eco-inteligente. Quando esta função está ativa, o congelador começará o modo económico depois de pelo menos 6 horas e o indicador de utilização económica acenderá. (🌱) Para desativar a função eco-inteligente, premir e manter premido durante 3 segundos o botão dessa função. Quando a função eco-inteligente estiver ativada, este indicador será ativado após 6 horas.

8. Tecla de definição de temperatura do botão de congelador

A definição de temperatura é feita para o compartimento do congelador.

Quando o botão número (🔢) é premido, pode definir a temperatura do compartimento congelador para -18, -19, -20, -21, -22, -23 e -24.

9. Botão de congelação rápida

Premir botão nº (9) para congelamento rápido; o indicador de congelamento rápido (❄️) será ativado.

Quando a função de congelamento rápido está ligada, o indicador de congelamento rápido acende e o indicador de temperatura do compartimento do congelador exibe -27. Para cancelar esta função premir de novo o botão congelar rápido (❄️). O indicador de congelar rápido desligará e o frigorífico voltará às definições normais. A função de congelar rápido é cancelada automaticamente após 24 hora se não a cancelar. Para congelar uma grande quantidade de alimentos frescos, premir o botão congelar rápido antes de colocar os alimentos no compartimento congelador.

10. Bloqueio de teclas

Premir e manter premido os botões da ligação sem fio (📶) e eco-inteligente (🌱) durante 3 segundos. O símbolo de bloqueio de teclas (🔒) acenderá e o modo de bloqueio de teclas será ativado. Os botões não funcionarão se o modo de bloqueio de teclas está ativado. Premir e manter premido os botões da ligação sem fio (📶) e eco-inteligente (🌱) durante 3 segundos. Bloqueio de teclas será desativado.

Utilize a função de **bloqueio de teclas** se quer evitar alteração da definição de temperatura do frigorífico.

Operar com o produto

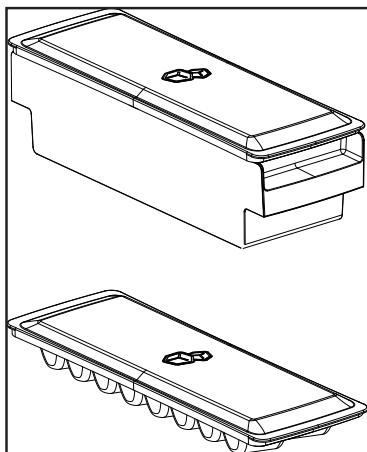
11. Tecla para alterar a unidade de temperatura

Premir e manter premido por 3 segundos as teclas Refrigeração Rápida (❄️) e Congelamento rápido (❄️) para alternar entre Fahrenheit e Celcius.

Operar com o produto

5.1. Recipiente para o gelo

- Remover o depósito do gelo do compartimento de congelamento.
- Encher o depósito com água.
- Colocar o depósito do gelo do compartimento de congelamento. Duas horas mais tarde, o gelo está pronto para usar.
- Remover o depósito do gelo do compartimento de congelamento e dobrá-lo sobre uma placa de serviço. Os cubos de gelo cairão com facilidade para a placa de serviço.



5.2. Suporte para ovos

Pode instalar o suporte para ovos na porta pretendida ou na estrutura da prateleira. Se for colocado na estrutura de prateleiras então as prateleiras de refrigeração inferiores são as recomendadas.

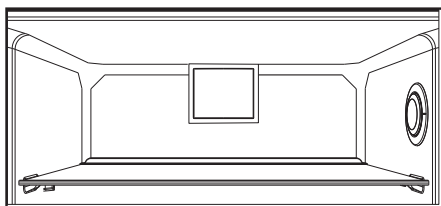


Colocar o depósito do gelo do compartimento de congelamento.

5.3. Ventilador

O ventilador tem a finalidade de assegurar uma distribuição homogénea e circulação do ar frio no interior do seu frigorífico. O tempo de funcionamento do ventilador pode variar dependendo das propriedades do seu produto.

Enquanto o ventilador está a funcionar apenas com o compressor nalguns produtos, o sistema de controlo determina o seu tempo de funcionamento em alguns produtos de acordo com os requisitos de refrigeração.



Operar com o produto

5.4. Gaveta para vegetais

A gaveta para vegetais do produto destina-se especialmente a manter os vegetais frescos sem que percam a respetiva humidade. Para este efeito, a circulação de ar frio é intensificada de um modo geral em volta da gaveta para vegetais.

5.5. Compartimento refrigerador

(Esta característica é opcional)

Usar este compartimento para armazenar produtos delicados que devem ser armazenados a temperaturas baixas ou produtos de carne que devem ser consumidos num curto espaço de tempo. O compartimento refrigerador é o local mais fresco do seu frigorífico onde pode manter os produtos lácteos, carne, peixe e aves nas condições ideais de armazenamento. As frutas e os vegetais não devem ser armazenados neste compartimento.

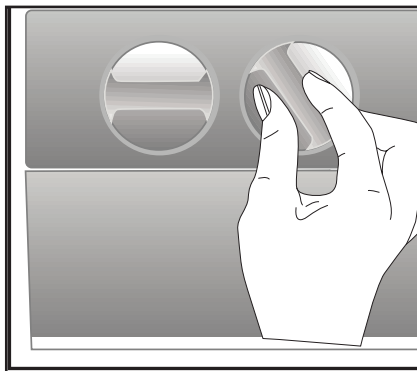
5.6. Icematic e caixa de armazenamento de gelo (Opcional)

Encher o icematic com água e colocar no lugar. O gelo estará pronto aproximadamente duas horas depois. Não retirar o icematic para tirar o gelo.

Rodar os botões nas câmaras de gelo do lado direito em 90°, o gelo cairá para a caixa de armazenamento de gelo por baixo. Pode depois retirar a caixa de armazenamento de gelo e servir o gelo.



A caixa de armazenamento de gelo é concebida apenas para armazenar gelo. Não encher com água. Isto pode fazer com que se parta.



Operar com o produto

5.7. Usar a segunda gaveta para frutos e legumes do produto;



Figura 1.

Conforme mostra a figura, existem 2 retentores na segunda gaveta para frutos e legumes do modelo K70560 do produto.



Figura 2.

A segunda gaveta para frutos e legumes fica como na Figura 2 quando fechada.



Figura 3.

Com a porta aberta a 90°, puxe a segunda gaveta para frutos e legumes até ao primeiro retentor conforme mostra a Figura 3.



Se a gaveta estiver mais aberta, antes de tudo, abra a porta pelo menos a 135°. Depois, conforme mostra a Figura 4, levante a segunda gaveta para frutos e legumes cerca de 5 mm para a libertar do primeiro retentor.



Figura 4.

Após levantar, puxe a segunda gaveta até ao segundo retentor, conforme mostra a Figura 5.

Figura 5.

Operar com o produto

5.8. Mover a prateleira da porta

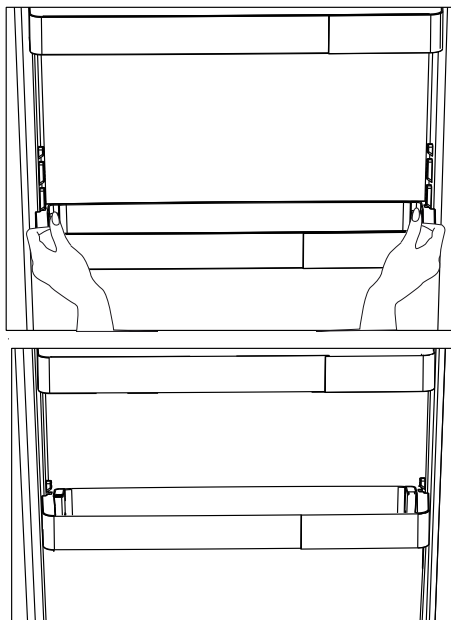
(Esta característica é opcional)

Ao mover a prateleira da porta pode fixá-la em 3 posições diferentes.

Premir os botões mostrados nas partes laterais simultaneamente de modo a mover a prateleira. A prateleira deve ser amovível.

Mover a prateleira para cima ou para baixo.

Soltar os botões quando tiver a prateleira na posição desejada. A prateleira deve ser fixada na posição depois de libertar os botões.



HerbBox/HerbFresh

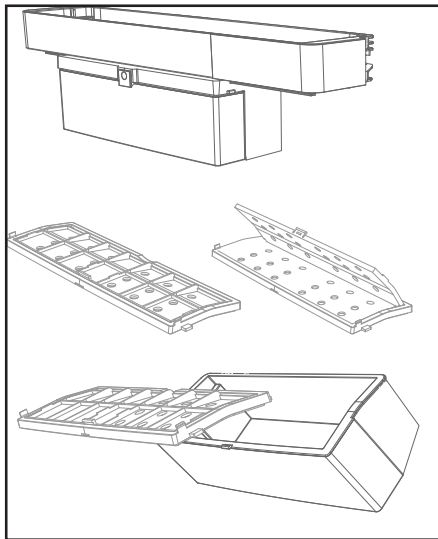
Remover o recipiente da película da HerbBox/HerbFresh+

Remover a película do saco e colocá-la no recipiente da película conforme mostrado na figura.

Fechar novamente o recipiente e voltar a colocá-lo no compartimento HerbBox/HerbFresh+.

Os compartimentos HerbBox/HerbFresh+ são ideais para o armazenamento das várias ervas aromáticas que são supostas serem guardadas em condições delicadas. Pode armazenar as suas ervas aromáticas não embaladas (salsa, endro, etc.) neste compartimento na posição horizontal e poderá assim mantê-las frescas durante muito mais tempo.

A película deve ser substituída em cada seis meses.

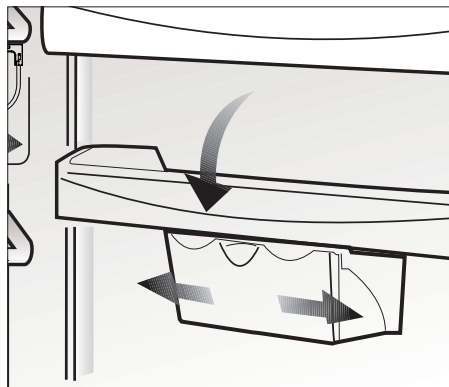


Operar com o produto

5.9. Recipiente de armazenamento deslizante

(Esta característica é opcional)

Este acessório é concebido para aumentar o volume de utilização das prateleiras da porta. Permite-lhe com facilidade colocar garrafas mais altas e latas na prateleira de garrafas mais baixas graças à possibilidade de a mover para a direita ou para a esquerda.



5.10. Luz azul

(Esta característica é opcional)

Este acessório é concebido para aumentar o volume de utilização das prateleiras da porta. Permite-lhe com facilidade colocar garrafas mais altas e latas na prateleira de garrafas mais baixas graças à possibilidade de a mover para a direita ou para a esquerda.

5.11. Módulo desodorizador

(FreshGuard) *opcional

O módulo desodorizador elimina rapidamente os maus cheiros do seu frigorífico antes que eles penetrem nas superfícies. Graças a este módulo, que é colocado no teto do compartimento de alimentos frescos, os maus odores dissolvem-se enquanto o ar está a ser passado ativamente no filtro de odores, depois o ar que foi limpo pelo filtro é reemitido para o compartimento de alimentos frescos. Desta forma, os odores indesejados que podem surgir durante o armazenamento dos alimentos no frigorífico são eliminados antes de penetrarem nas superfícies.

Isto é conseguido graças à ventoinha, ao LED e ao filtro de odores integrados no módulo. No uso diário, o módulo desodorizador será ligado automaticamente numa base periódica. Para manter um desempenho eficiente, recomenda-se solicitar ao prestador de assistência técnica autorizado que faça a manutenção do filtro no módulo do desodorizador a cada 5 anos. Devido à ventoinha integrada no módulo, o ruído que ouvirá durante o funcionamento é normal. Se abrir a porta do compartimento de alimentos frescos enquanto o módulo estiver ativo, a ventoinha fará uma pausa temporária e continuará de onde parou algum tempo depois da porta se novamente fechada. Em caso de falha de energia, o módulo do desodorizador retomará de onde parou na duração total de funcionamento quando a energia voltar.

Info: Recomenda-se armazenar alimentos aromáticos (como queijo, azeitonas e alimentos de charcutaria) nas suas embalagens e seladas para evitar odores desagradáveis que podem resultar quando se misturam odores de vários alimentos. Além disso, recomenda-se retirar rapidamente os alimentos estragados do frigorífico para evitar que os outros alimentos fiquem estragados e para se evitar os maus odores.

Operar com o produto

5.12. Gaveta de vegetais com humidade controlada

(FreSHelf)

(Esta característica é opcional)

As taxas de humidade dos vegetais e da fruta são mantidas sob controlo com a função de gaveta de vegetais com humidade controlada e os alimentos mantêm-se frescos durante mais tempo.

Recomendamos que coloque os vegetais de folhas como a alface, espinafres e os vegetais que são sensíveis à perda de humidade, na posição horizontal tanto quanto possível dentro da gaveta para vegetais, e não sobre as raízes na posição vertical.

Enquanto os vegetais estão a ser colocados, a gravidade específica dos mesmos deve ser tida em conta. Os vegetais pesados e rijos devem ser colocados na parte de baixo da gaveta para vegetais e os mais leves e macios devem ser colocados por cima.

Nunca deixar os vegetais dentro da gaveta dentro dos sacos. Se os vegetais forem deixados dentro dos sacos respetivos, isso dará origem à decomposição dos mesmos num curto período de tempo. No caso de não se pretender o contacto com outros vegetais por razões de higiene, deve usar papel perfurado ou outro tipo de materiais de embalagem semelhantes em vez do saco. Não colocar juntos peras, alperces, pêsegos, etc. e maçãs em especial as quais têm um elevado nível de geração de gás etileno na mesma gaveta de vegetais com outros vegetais e fruta. O gás etileno que é produzido por estes frutos pode dar origem a que outros frutos amadureçam mais rapidamente e entrem em decomposição num curto espaço de tempo.

5.13. Icematic automático

(Esta característica é opcional)

O Icematic automático permite-lhe fazer gelo com facilidade no frigorífico. Remover o depósito de água no compartimento do frigorífico, encher com água e instalá-lo novamente para obter gelo a partir do Icematic.

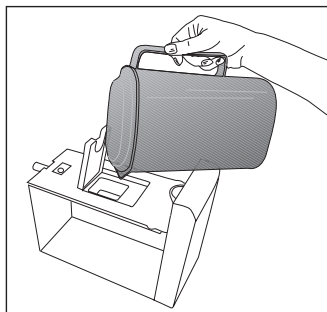
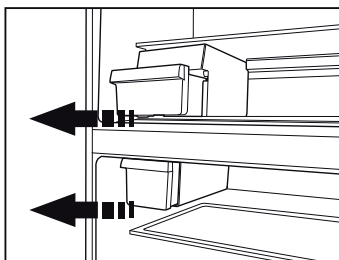
Os primeiros cubos de gelo estarão prontos em aproximadamente 2 horas, na gaveta do Icematic localizada no compartimento do congelador.

Se encher totalmente com água, tem possibilidade de obter aproximadamente 60-70 cubos de gelo.

Substituir a água no depósito da mesma se esta tiver sido colocada no mesmo há cerca de 2-3 semanas.





Para os produtos com Icematic automático, pode ser ouvido um som durante a queda do gelo. Este som é normal e não indício de qualquer erro.




Operar com o produto

5.14.Utilizar a fonte de água fresca

***opcional**



	É normal que a água dos primeiros copos retirados do dispensador esteja quente.
	Se o dispensador de água não for usado durante muito tempo, eliminar os primeiros copos de água para obter água limpa.

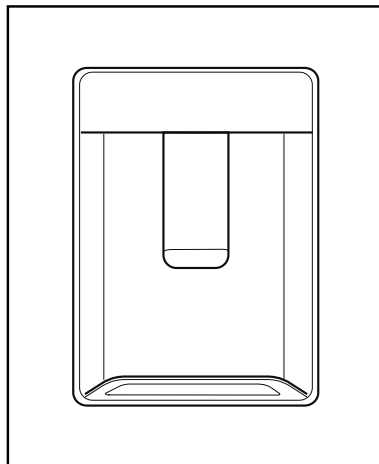
1. Empurrar a alavanca do dispensador de água com o seu copo. Se estiver a usar um copo de plástico macio, empurrar a alavanca com a mão para ser mais fácil.
2. Depois de encher o copo até ao nível pretendido, soltar a alavanca.

	Deve notar que a quantidade do fluxo de água do dispensador depende da velocidade com que solta a alavanca. À medida que o nível de água na sua taça/copo aumenta, reduzir suavemente a quantidade de pressão na alavanca para evitar derramamento. Se pressionar ligeiramente a alavanca, a água pingará, isto é muito normal e não é uma avaria.
---	--


5.15.Utilizar a fonte de água fresca

***opcional**

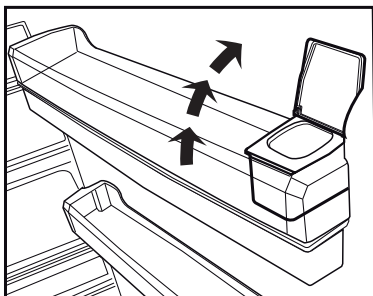
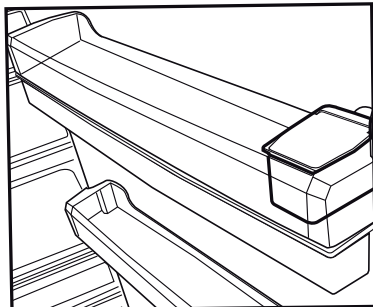
	É normal que a água dos primeiros copos retirados do dispensador esteja quente.
	Se o dispensador de água não for usado durante muito tempo, eliminar os primeiros copos de água para obter água limpa.



1. Empurrar a alavanca do dispensador de água com o seu copo. Se estiver a usar um copo de plástico macio, empurrar a alavanca com a mão para ser mais fácil.
2. Depois de encher o copo até ao nível pretendido, soltar a alavanca.

	Deve notar que a quantidade do fluxo de água do dispensador depende da velocidade com que solta a alavanca. À medida que o nível de água na sua taça/copo aumenta, reduzir suavemente a quantidade de pressão na alavanca para evitar derramamento. Se pressionar ligeiramente a alavanca, a água pingará, isto é muito normal e não é uma avaria.
---	--

Operar com o produto



5.16. Encher o depósito do dispensador de água

O reservatório para enchimento do depósito de água está localizado no interior da estrutura da porta.

1. Abrir a tampa do depósito.
2. Encher o depósito com água potável fresca.
3. Fechar a tampa.



Não encher o depósito de água com qualquer outro líquido exceto água, como sumos de fruta, bebidas gasosas ou bebidas alcoólicas que não são adequadas para usar no dispensador de água. O dispensador de água ficará irremediavelmente danificado se forem usados estes tipos de líquidos. A garantia não cobre estas utilizações. Algumas substâncias químicas e aditivos contido neste tipo de bebidas/líquidos podem danificar o depósito da água.



Usar apenas água potável.



A capacidade do depósito de água é de 3 litros, não encher demasiado.

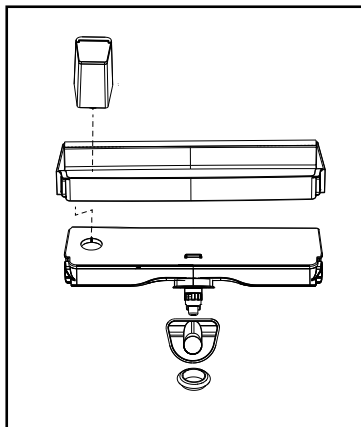
5.17. Limpar o depósito de água

1. Remover o reservatório de enchimento de água no interior da estrutura da porta.
2. Remover a estrutura da porta segurando em ambos os lados.
3. Segurar o depósito de água de ambos os lados e removê-lo com um ângulo de 45°C.
4. Remover a tampa do depósito de água e limpar o mesmo.



Os componentes do depósito de água e do dispensador de água não podem ser lavados na máquinas de lavar loiça.

Operar com o produto

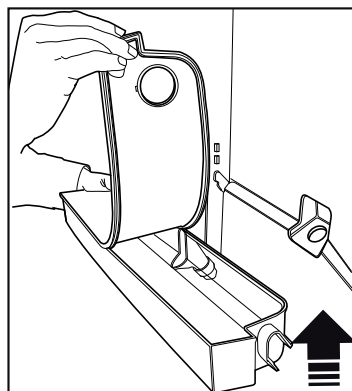
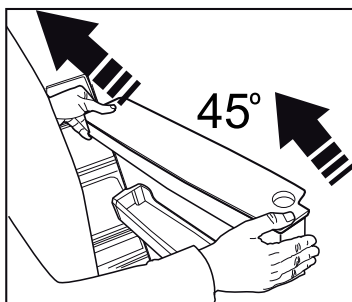
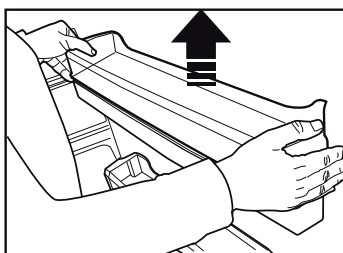
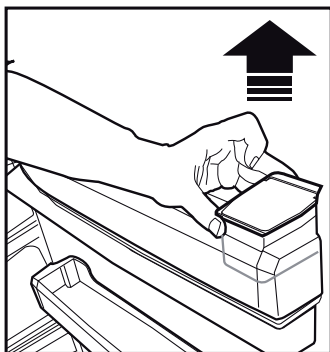
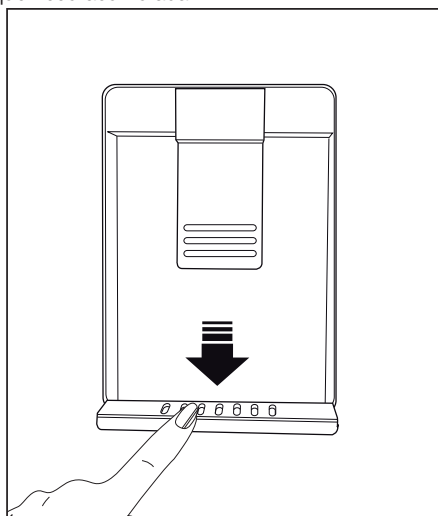


5.18. Tabuleiro para gotas de água

A água que pinga enquanto está a usar o dispensador de água acumula-se no tabuleiro para os pingos de água.

Remover o filtro de plástico conforme mostrado na figura.

Com um pano limpo e seco, remover a água que ficou acumulada.



Operar com o produto

5.19. Congelar alimentos frescos

- De modo a preservar a qualidade dos alimentos, estes devem ser congelados tão rapidamente quanto possível quando é colocado no compartimento do congelador, usar a função de congelamento rápido para este efeito.
 - Pode armazenar os alimentos durante mais tempo no compartimento do congelador quando os congela quando ainda estão frescos.
 - Embalar os alimentos a serem congelados e fechar a embalagem de modo a que não haja entrada de ar.
 - Assegurar que embala os seus alimentos antes de os colocar no congelador. Usar recipientes para congelamento, papel de alumínio e papel à prova de humidade, sacos de plástico ou materiais de embalagem semelhantes, em vez do papel de embalagem tradicional.
 - Etiquetar cada uma das embalagens adicionando a data antes de congelar. Pode distinguir a frescura de cada embalagem de alimentos de cada vez que abre o congelador. Armazenar os alimentos congelados na parte frontal do compartimento para assegurar que são os primeiros a serem utilizados.
- Os alimentos congelados têm de ser usados imediatamente depois de terem sido descongelados e não devem ser congelados novamente.
 - Não congelar grandes quantidades de alimentos de uma só vez.



O compartimento do congelador descongela automaticamente.

Definições do Compartimento Congelador	Definições do compartimento frigorífico	Observações
-18°C	4°C	Esta é a definição normal recomendada.
-20,-22 ou -24°C	4°C	Estas definições são recomendadas para temperaturas ambientes excedendo 30°C.
Congelamento Rápido	4°C	Usar quando pretender congelar os seus alimentos num curto espaço de tempo. O seu produto voltará ao modo anterior quando o processo termina.
-18°C ou mais frio	2°C	Usar estas definições se achar que o compartimento do seu frigorífico não estiver suficientemente frio devido às condições ambientais quentes ou à abertura e fecho frequente da porta.

Operar com o produto

5.20. Recomendações para preservar alimentos congelados

O compartimento deve estar colocado a -18°C no mínimo.

1. Colocar as embalagens no congelador o mais rapidamente possível depois da compra sem permitir que descongelem.
2. Verificar se as datas de “Usar por” e “Validade” na embalagem já estão expiradas ou não antes de o congelar.
3. Assegurar que a embalagem dos alimentos não está danificada.

5.21. Informação do congelador

De acordo com as normas IEC 62552, o produto deve congelar pelo menos 4,5 kg de alimentos a 25°C de temperatura ambiente para -18°C ou mais baixa em 24 horas por cada 100 litros de volume do congelador.

É possível preservar os alimentos durante um longo período de tempo apenas a -18°C ou temperaturas mais baixas.

Pode manter a frescura dos alimentos durante muitos meses (a -18°C ou temperaturas mais baixas na congelação profunda).

Os alimentos a serem congelados não devem entrar em contacto com itens anteriormente congelados para evitar que fiquem parcialmente descongelados. Ferver os vegetais e esvaziar a respetiva água de modo a guardar os vegetais congelados durante um longo período de tempo. Depois de esvaziar a respetiva água, colocá-los em embalagens de vácuo e colocar as mesmas dentro do congelador. Alimentos como as bananas, tomates, alface, aipo, ovos cozidos, batatas não são adequados para congelar. Quando estes alimentos são congelados, somente é afetado negativamente o seu valor nutricional e o seu sabor. Não devem deteriorados de modo que não criem situações de risco para a saúde humana.

5.22. Colocar alimentos

Prateleiras do compartimento congelador	Vários produtos congelados, incluindo carne, peixe, gelado, vegetais, etc.
Prateleiras do compartimento refrigerador	Alimentos em frigideiras, pratos com tampa e recipientes fechados, ovos (em recipiente fechado)
Prateleiras da porta do compartimento do frigorífico	Alimentos pequenos e embalados ou bebidas
Gaveta para vegetais	Vegetais e fruta
Compartimento de alimentos frescos	Charcutaria (pequeno almoço, produtos de carne a serem consumidos a curto prazo)

5.23. Botão para abrir a porta

(Esta característica é opcional)

O aviso de abertura da porta é dado ao utilizador tanto visual como acusticamente. Se o aviso continuar durante 10 minutos, as luzes no interior desligar-se-ão.

5.24. Mudar a direção da abertura da porta

A direção da abertura da porta do seu refrigerador pode ser alterada conforme o local em que o está a utilizar. Se isto for necessário, deve contactar o Serviço Autorizado mais próximo.

A descrição acima é uma informação geral. Para informação sobre como alterar a direção da abertura da porta, deve consultar o rótulo de advertência localizado no lado de dentro da porta.

5.25. Lâmpada de iluminação

As lâmpadas LED são usadas como lâmpadas de iluminação. Contactar o serviço autorizado no caso de surgir algum problema com este tipo de luz. A(s) lâmpada(s) usada(s) neste aparelho não são adequadas para iluminação de salas domésticas. O fim adequado desta lâmpada é ajudar o utilizador a colocar produtos alimentares no frigorífico/ congelador de forma segura e confortável.

6 Manutenção e limpeza

A vida útil do produto aumenta se este for limpo regularmente.



ADVERTÊNCIA: Desligar em primeiro lugar o produto antes de limpar o frigorífico.

- Nunca usar para a limpeza utensílios afiados e abrasivos, detergente, soluções de limpeza doméstica, cera para polir.
- Dissolver uma colher de chá de carbonato em meio litro de água. Embeber um pano com a solução e torcê-lo totalmente. Limpar o interior do aparelho com este pano e secar totalmente.
- Assegurar que não entra água no compartimento da lâmpada e de outros itens elétricos.
- Limpar a porta usando um pano húmido. Para remover a porta e a estrutura das prateleiras, remover todo o seu conteúdo. Remover as prateleiras da porta movendo-as para cima. Depois de limpar, desligar as mesmas do topo para a base para as instalar.
- Nunca usar soluções de limpeza ou água que contenha lexívia para limpar as superfícies exteriores e as partes cromadas do produto. A lexívia dá origem a corrosão nas referidas superfícies metálicas.

6.1. Evitar maus odores

Os materiais que podem causar odores não são usados na produção dos nossos equipamentos. No entanto, devido a condições deficientes de conservação de alimentos e à não limpeza da superfície interior do aparelho conforme é necessário, isso pode dar origem ao problema do odor.

Portanto, limpar o frigorífico com carbonato dissolvido em água em cada duas semanas.

- Manter os alimentos em recipientes fechados. Os microorganismos espalham-se a partir dos recipientes não tapados e podem dar origem a odores desagradáveis.
- Nunca guardar alimentos no frigorífico com a data de validade ultrapassada ou se estiverem estragados.

6.2. Proteger superfícies de plástico

Limpar imediatamente com água morna dado o óleo poder causar danos na superfície quando é derramado sobre superfícies plásticas.

6.3. Vidros da Porta

Retirar toda a película de proteção dos vidros.

Há um revestimento nas superfícies de vidro. Este revestimento minimiza a formação de manchas e ajuda a remover as possíveis manchas e sujidade com facilidade. Os vidros que não estão protegidos com o referido revestimento podem estar sujeitos à pressão persistente de sujidade orgânica ou inorgânica baseada em água ou ar como o calcário, sais minerais, hidrocarbonetos não queimados, óxidos de metal e silicões que podem fácil e rapidamente causar manchas ou danos no material. Manter o vidro limpo torna-se muito difícil apesar da limpeza regular. Consequentemente, o aspeto e a transparência do vidro deteriora-se. Métodos e compostos de limpeza abrasivos e corrosivos intensificarão estes defeitos e acelerarão o processo de deterioração.

Têm de ser usados produtos de limpeza baseados em água que não são alcalinos e corrosivos para a limpeza regular.

Têm de ser usados materiais não alcalinos e não corrosivos para a limpeza de modo que a vida útil deste revestimento dure durante um longo período de tempo. Estes vidros são temperados para aumentar a sua durabilidade contra impactos e quebra. É igualmente aplicada uma película de segurança nas respetivas superfícies traseiras como medida suplementar de modo a impedir que causem danos à sua volta no caso de uma quebra.

“Álcali é uma base que forma os iões de hidróxido (OH⁻) quando é dissolvido na água.

Li (Lítio), Na (Sódio), K (Potássio) Rb (Rubídio), Cs (Césio) e metais artificiais e radioativos Fr (Fân-sium) são designados por METAIS ALCALINOS.

Verificar a lista antes de contactar a assistência. Fazer isto poupa-lhe tempo e dinheiro. Esta lista inclui queixas frequentes que não estão relacionadas com o fabrico ou materiais defeituosos. Certas características mencionadas neste documento podem não ser aplicáveis ao seu produto.

O frigorífico não está a funcionar.

- A ficha de alimentação não está totalmente ajustada. >>> Ligá-la para a ajustar completamente à tomada.
- O fusível ligado à tomada de ligação do produto ou o fusível principal está queimado. >>> Verificar os fusíveis.

Condensação na parede lateral do compartimento refrigerador (ZONA MÚLTIPLA, ZONA DE FRESCOS, CONTROLO e FLEXIVEL).

- A porta é aberta com muita frequência >>> Ter cuidado para não abrir a porta do produto tão frequentemente.
- O ambiente está demasiado húmido. >>> Não instalar o produto em ambientes húmidos.
- Alimentos contendo líquidos estão colocados em recipientes não fechados. >>> Manter os alimentos contendo líquidos em recipientes fechados.
- A porta do produto foi deixada aberta. >>> Não manter a porta do produto aberta por períodos longos.
- O termostato está definido para temperatura demasiado baixa. >>> Definir o termostato para temperatura adequada.

O compressor não está a funcionar.

- Em caso de falta de energia repentina ou retirar a ficha de alimentação e colocar de novo, a pressão do gás no sistema de refrigeração do produto não é equilibrada, o que desencadeia a salvaguarda térmica do compressor. O produto voltará a ligar-se depois de aproximadamente 6 minutos. Se o produto não se voltar a ligar depois deste período, contactar a assistência.
- Descongelação está activa. >>> Isto é normal para um produto de descongelação totalmente automática. A descongelação é executada periodicamente.
- O produto não está ligado. >>> Assegurar que o cabo de alimentação está ligado.
- A definição de temperatura é incorrecta. >>> Seleccionar a definição de temperatura adequada.
- Não há energia. >>> O produto continuará a funcionar normalmente assim que a energia seja restabelecida.

O ruído de funcionamento do frigorífico aumenta durante a utilização.

- O desempenho de funcionamento do produto pode variar dependendo das variações de temperatura do ambiente. Isto é normal e não é um mau funcionamento.

O frigorífico funciona muito frequentemente ou por muito tempo.

Resolução de problemas

- O novo produto pode ser maior do que o anterior. Produtos maiores funcionam por períodos mais longos.
- A temperatura da sala pode ser elevada. >>> O produto funcionará normalmente por períodos mais longos com temperaturas de sala mais elevadas.
- O produto foi ligado recentemente ou foi colocado no interior um novo alimento. >>> O produto levará mais tempo a atingir a temperatura definida quando recentemente ligado ou quando é colocado um novo alimento no interior. Isto é normal.
- Grandes quantidades de alimentos quentes podem ter sido colocadas recentemente no produto. >>> Não colocar alimentos quentes no produto.
- As portas foram abertas frequentemente ou deixadas abertas por períodos longos. >>> O ar quente que se move no interior fará o produto funcionar mais tempo. Não abrir as portas com demasiada frequência.
- A porta do congelador ou refrigerador pode estar entreaberta. >>> Verificar se as portas estão completamente fechadas.
- O produto pode estar definido para temperatura demasiado baixa. >>> Definir a temperatura para um grau mais elevado e aguardar que o produto atinja a temperatura ajustada.
- A junta da porta do congelador ou refrigerador pode estar suja, desgastada, partida ou não ajustada adequadamente. >>> Limpar ou substituir a junta. A junta da porta danificada / cortada fará o produto funcionar por períodos mais longos para preservar a temperatura actual.

A temperatura do congelador está muito baixa, mas a temperatura do refrigerador é adequada.

- A temperatura do compartimento de congelação está definida para um grau muito baixo. >>> Definir a temperatura do compartimento de congelação para um grau mais elevado e verificar de novo.

A temperatura do refrigerador está muito baixa, mas a temperatura do congelador é adequada.

- A temperatura do compartimento de refrigeração está definida para um grau muito baixo. >>> Definir a temperatura do compartimento de refrigeração para um grau mais elevado e verificar de novo.

Os alimentos guardados em gavetas do compartimento de refrigeração estão congelados.

- A temperatura do compartimento de refrigeração está definida para um grau muito baixo. >>> Definir a temperatura do compartimento de congelação para um grau mais elevado e verificar de novo.

A temperatura no refrigerador ou congelador é demasiado elevada.

- A temperatura do compartimento de refrigeração está definida para um grau muito elevado. >>> A definição de temperatura do compartimento de refrigeração influencia a temperatura do compartimento de congelação. Altere a temperatura do compartimento de refrigeração ou congelação e aguarde até que os referidos compartimentos atinjam o nível de temperatura ajustado.
- As portas foram abertas frequentemente ou deixadas abertas por períodos longos. >>> Não abrir as portas com demasiada frequência.
- A porta pode estar entreaberta. >>> Fechar completamente a porta.
- O produto foi ligado recentemente ou foi colocado no interior um novo alimento. >>> Isto é normal. O produto levará mais tempo a atingir a temperatura definida quando recentemente ligado ou um novo alimento é colocado no interior.
- Grandes quantidades de alimentos quentes podem ter sido colocadas recentemente no produto. >>> Não colocar alimentos quentes no produto.

Vibração ou ruído.

Resolução de problemas

- O chão não está nivelado ou não é resistente. >>> Se o produto vibra quando movido lentamente, ajustar os pés para equilibrar o produto. Assegurar também que o chão é suficientemente resistente para suportar o produto.
- Alguns itens colocados no produto podem causar ruídos. >>> Retirar alguns itens colocados no produto.

O produto está a fazer ruído de líquido a fluir, pulverização, etc.

- Os princípios de funcionamento do produto incluem fluídos líquidos e gasosos. >>> Isto é normal e não um mau funcionamento.

Há som de vento a soprar proveniente do produto.

- O produto usa uma ventoinha no processo de refrigeração. Isto é normal e não é um mau funcionamento.

Há condensação nas paredes internas do produto.

- Meio ambiente quente ou húmido aumentará a formação de gelo e condensação. Isto é normal e não é um mau funcionamento.
- As portas foram abertas frequentemente ou deixadas abertas por períodos longos. Não abrir as portas com demasiada frequência; se aberta, fechar a porta.
- A porta pode estar entreaberta. >>> Fechar completamente a porta.

Há condensação no exterior do produto ou entre as portas.

- O meio ambiente pode estar húmido, isto é perfeitamente normal com tempo húmido. >>> A condensação dissipa quando a humidade diminuir.

O interior cheira mal.

- O produto não é limpo regularmente. >>> Limpar o interior regularmente usando uma esponja, água quente e água com carbonato.
- Alguns recipientes e materiais de embalagem podem provocar odores. >>> Usar recipientes e materiais de embalagem isentos de odor.
- Os alimentos foram colocados em recipientes não vedados. >>> Manter os alimentos em recipientes fechados. Os microrganismos podem disseminar-se dos alimentos não fechados e causar mau cheiro.
- Retirar quaisquer alimentos fora de prazo e estragados do frigorífico.

A porta não está a fechar.

- Embalagens de alimentos podem bloquear a porta. >>> Recolocar quaisquer itens que bloqueiem as portas.
- O produto não está colocado em posição vertical no chão. >>> Ajustar os pés para equilibrar o produto.
- O chão não está nivelado ou não é resistente. >>> Assegurar que o chão é nivelado e suficientemente resistente para suportar o produto.

A gaveta para vegetais está presa.

- Os alimentos podem estar em contacto com a secção superior da gaveta. >>> Reorganizar os alimentos na gaveta.

Se a superfície do produto estiver quente.

- Podem notar-se temperaturas elevadas entre as duas portas, nos painéis laterais e na grelha traseira quando o produto está a funcionar. Esta situação é normal e não exige serviço de manutenção!



RECOMENDAÇÕES: Se os problemas persistirem depois de seguir as instruções nesta secção, contactar o seu vendedor ou uma Assistência Autorizada. Não tentar reparar o produto.

ISENÇÃO DE RESPONSABILIDADE / ADVERTÊNCIA

Algumas falhas (simples) podem ser tratadas de forma adequada pelo utilizador final sem que surja qualquer problema de segurança ou de utilização não segura, desde que as mesmas sejam solucionadas dentro dos limites e de acordo com as seguintes instruções (consultar a secção “Reparação Autónoma”.

Portanto, exceto se contrariamente autorizado na secção “Reparação Autónoma” abaixo, as reparações devem ser realizadas por profissionais reparadores registados de modo a evitar problemas de segurança. Um reparador profissional registado é um reparador profissional a quem o fabricante concedeu acesso às instruções e à lista de peças de substituição deste produto de acordo com os métodos descritos na lei nos termos da Diretiva 2009/125/CE.

No entanto, apenas o agente de reparação (ou seja, os reparadores profissionais autorizados) com quem pode entrar em contacto através do número de telefone fornecido no manual do utilizador/ cartão da garantia ou através do seu revendedor autorizado que pode fornecer serviços de acordo com os termos de garantia. Portanto, deve estar ciente de que as reparações feitas por reparadores profissionais (não autorizados por Beko) anulam a garantia.

Reparação Autónoma

A reparação autónoma pode ser feita pelo utilizador final em relação às seguintes peças de substituição: porta, manípulos, dobradiças das portas, tabuleiros, cestos e vedantes da porta (é disponibilizada uma lista atualizada em support.beko.com) a partir de 1 de março de 2021).

Além disso, para garantir a segurança do produto e evitar o risco de ferimentos graves, a reparação autónoma referida deve ser feita seguindo as instruções do manual do utilizador para reparação autónoma ou as que estão disponíveis em support.beko.com. Para sua segurança, deve desligar o produto antes de tentar fazer qualquer reparação autónoma.

As tentativas de reparação feitas pelos utilizadores finais de peças não incluídas na referida lista e/ou não seguindo as instruções nos manuais do utilizador relativamente à mesma ou que se encontram disponíveis em support.beko.com, podem levantar questões de segurança não atribuíveis a Beko, e anularão a garantia do produto.

Portanto, é altamente recomendável que os utilizadores finais evitem tentar realizar reparações que não se enquadrem na lista mencionada de peças de substituição, e nesse caso deverão contactar com reparadores profissionais autorizados ou reparadores profissionais registados. Por outro lado, as referidas tentativas por parte dos utilizadores finais podem provocar problemas de segurança e danificar o produto e, subsequentemente, provocar incêndio, inundação, eletrocussão e ferimentos graves.

Por exemplo, mas não limitado a, as seguintes reparações devem ser realizadas por reparadores profissionais autorizados ou registados: compressor, circuito de refrigeração, placa de circuitos, placa do inversor, placa do visor, etc.

O fabricante/vendedor não pode ser responsabilizado em circunstâncias em que os utilizadores finais não cumpram com o acima referido.

A disponibilidade de peças de substituição da frigorífico que comprou é de 10 anos. Durante este período, as peças de substituição originais estarão disponíveis para operar corretamente a frigorífico. A duração mínima da garantia do frigorífico que adquiriu é de 24 meses. Este produto está equipado com uma fonte de iluminação da classe energética "G" A fonte de iluminação neste produto deve somente ser substituída por reparadores profissionais.