

beko

Fully Automatic Espresso Machine

User Manual



CEG 5311 X

EN - AR



CE UK
CA

01M-8814253200-4421-12

1 Important instructions for safety and environment 4

1.1 Danger of electric current	4
1.2 Danger of burning or scalding	4
1.3 Fundamental safety precautions	5
1.4 Intended use	8
1.5 Limitation of liability.....	8
1.6 Compliance with the WEEE Directive and Disposing of the Waste Product:.....	8
1.7 Compliance with RoHS Directive	8
1.8 Package information	8
1.9 Plug Wiring	9

2 Your Fully Automatic Coffee Machine 10

Technical data.....	10
---------------------	----

3 Display 11

3.1 Control Panel	11
-------------------------	----

4 Preparation 12

4.1 Installation	12
4.2 Filling the water tank	12

5 Operation 14

5.1 Grinding Adjustment	14
5.2 Filling the bean container	14
5.3 Making Your Coffee.....	15
5.4 Adjusting The Volume of Your Coffee/Hot Water.....	16
To reset to the default/factory settings;.....	16
5.5 Preparing Frothy Milk for Coffee.....	16
5.6 Hot Water	17
5.7 Mode Selection.....	17

6 Cleaning 19

6.1 Cleaning of the appliance	19
6.2 Self-Cleaning.....	20
6.3 Empty System Function.....	21
6.4 Manual Rinsing.....	21
Cancelling the auto-clean mode	22

7 Troubleshooting 23

Please read this user manual first!

Dear Customers,

Thank you for selecting an Beko product. We hope that you get the best results from your product which has been manufactured with high quality and state-of-the-art technology. Therefore, please read this entire user manual and all other accompanying documents carefully before using the product and keep it as a reference for future use. If you handover the product to someone else, give the user manual as well. Follow all warnings and information in the user manual.

Meanings of the symbols

Following symbols are used in the various section of this manual:



Important information or useful hints about usage.



DANGER: Warning for hazardous situations with regard to life and property.



WARNING: Warning indicates a potentially dangerous situation.



CAUTION: Warning indicates potential material damage.



Materials are intended to be in contact with food.



This product has been produced in environmentally-friendly, state-of-the-art facilities.

1 Important instructions for safety and environment

This section includes the safety instructions that will help providing protection against personal injury and material loss risks. Failure to follow these instructions invalidates the granted warranty.

1.1 Danger of electric current

Danger to life by electric current!

Contact with live wires or components could lead to serious injury or even death!

Observe the following safety precautions to avoid electric shocks:

- Do not use it if the power cable or the appliance itself is damaged. Contact an authorised service.
- Do not open the housing of the coffee machine. Danger of electric shock if live connections are touched and/or the electrical and mechanical configuration is changed.

- Before cleaning the bean container, pull the mains plug of the appliance out of the socket. Danger from rotating coffee mill!

1.2 Danger of burning or scalding

Parts of the coffee machine can become very hot during operation! Dispensed drinks and escaping steam are very hot!

Observe the following safety precautions to avoid burning/scalding yourself and/or others:

- Do not touch either of the metal sleeves on both coffee spouts.
- Avoid direct contact of the skin with escaping steam or hot rinsing, cleaning and descaling water.

1 Important instructions for safety and environment

1.3 Fundamental safety precautions

Observe the following safety precautions to ensure safe handling of the coffee machine:

- Never play with packaging material. Risk of suffocation. Keep all the packaging materials away from children.
- Inspect the coffee machine for visible signs of damage before use. Do not use a damaged coffee machine. Contact an authorised service.
- If the connecting cable is damaged, it should only be replaced by a service agent recommended by the manufacturer in order to prevent any danger! Please contact the manufacturer or his customer service.
- Repairs to the coffee machine must only be carried out by an authorised specialist or by the works customer service. Unqualified repairs can lead to considerable danger for the user. They will also void the warranty.
- Repairs to the coffee machine during the warranty period may only be carried out by service centres authorised by the manufacturer, otherwise the warranty will become void in the event of subsequent damage.
- Defective parts may only be replaced with original spare parts. Only original spare parts guarantee that the safety requirements are met.

1 Important instructions for safety and environment

- This appliance can be used by children from the age of 8 up as well as by persons with reduced physical, sensory or mental abilities or with lacking experience and/or knowledge, if these persons are supervised or have been instructed how to use the appliance in a safe way and have understood the hazards which could arise from using it. Children must not play with the appliance. Cleaning and user maintenance shall not be made by children unless they are older than 8 and supervised.
- This appliance is intended to be used in household and similar applications such as:
 - staff kitchen areas in shops, offices and other working environments,
 - farm houses,
 - by clients in hotels, motels and other residential type environments,
 - bed and breakfast type environments.
- Protect the coffee machine against the effects of weather such as rain, frost and direct sunlight. Do not use the coffee machine outdoors.
- Never immerse the coffee machine itself, the mains cable or the mains plug into water or other liquids.
- Do not clean the coffee machine or accessories in a dish washer.
- Do not pour any other liquids apart from water or place foodstuffs into the water tank.
- Do not fill the water tank beyond the maximum mark (lower edge of the filling hole).
- Only operate the machine when the waste container, drip tray and the cup grate are fitted.

1 Important instructions for safety and environment

- Do not pull the cable to remove the plug from the mains socket or touch with wet hands.
- Do not hold the coffee machine with the mains cable.
- Keep the appliance and its cord out of reach of children aged less than 8 years.
- The appliance can only be used to prepare coffee.
- Children should be supervised to ensure that they do not play with the appliance.
- Unplug the appliance before each cleaning and when the appliance is not in use.
- Place the appliance in a way so that the plug is always accessible.
- Always use the appliance on a stable, flat, clean dry, and non-slip surface.
- Appliance is not built-in coffee-makers and is not designed use in cabinet. The coffee maker shall not be place in a cabinet when in use.
- Do not squeeze or bend the power cord and do not rub it on sharp edges in order to prevent any damage.Keep the power cord away from hot surfaces and naked flame.
- Your mains power supply should comply with the information supplied on the rating plate of the appliance.
- Use the appliance with a grounded outlet only.
- Do not use the appliance with an extension cord.
- Do not touch the appliance or its plug with wet or damp hands when the appliance is plugged in.

1 Important instructions for safety and environment

1.4 Intended use

The fully automatic coffee machine Beko is intended for use in homes and similar applications, for instance in staff kitchens, shops, offices and similar areas or by customers in bed & breakfast, hotels, motels and other living accommodation. This coffee machine is not intended for commercial use. The machine is only intended for preparing coffee and heating milk and water. Any other use other than previously stated is considered as improper use.

Danger resulting from improper use!

If not used for its intended purpose or used in any other way, the coffee machine may be or become a source of danger.



WARNING: Therefore, the coffee machine may only be used for its intended purpose.



WARNING: Observe the procedures described in this user manual.

No claims of any kind will be accepted for damage or injury resulting from use of the coffee machine for other than its intended purpose.

The risk has to be borne solely by the machine owner.

1.5 Limitation of liability

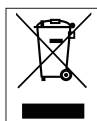
All technical information, data and instructions on installation, operation and maintenance of the coffee machine contained in these operating instructions represent the current status at the time of printing and are based on the best possible knowledge gained by experience and knowhow.

No claims can be derived from the information, illustrations and descriptions in this user manual.

The manufacturer assumes no liability for damage or injury resulting from failure to observe the user manual, use for other than the intended purpose, unprofessional repairs, unauthorised modifications or use of non-approved spare parts.

1.6 Compliance with the WEEE Directive and Disposing of the Waste Product:

This product complies with EU WEEE Directive (2012/19/EU). This product bears a classification symbol for waste electrical and electronic equipment (WEEE).



This symbol indicates that this product shall not be disposed with other household wastes at the end of its service life. Used device must be returned to official collection point for recycling of electrical and electronic devices. To find these collection systems please contact to your local authorities or retailer where the product was purchased. Each household performs important role in recovering and recycling of old appliance. Appropriate disposal of used appliance helps prevent potential negative consequences for the environment and human health.

1.7 Compliance with RoHS Directive

The product you have purchased complies with EU RoHS Directive (2011/65/EU). It does not contain harmful and prohibited materials specified in the Directive.

1.8 Package information



Packaging materials of the product are manufactured from recyclable materials in accordance with our National Environment Regulations. Do not dispose of the packaging materials together with the domestic or other wastes. Take them to the packaging material collection points designated by the local authorities.

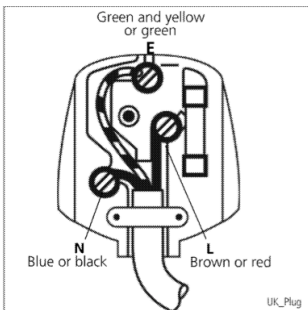
1 Important instructions for safety and environment

1.9 Plug Wiring

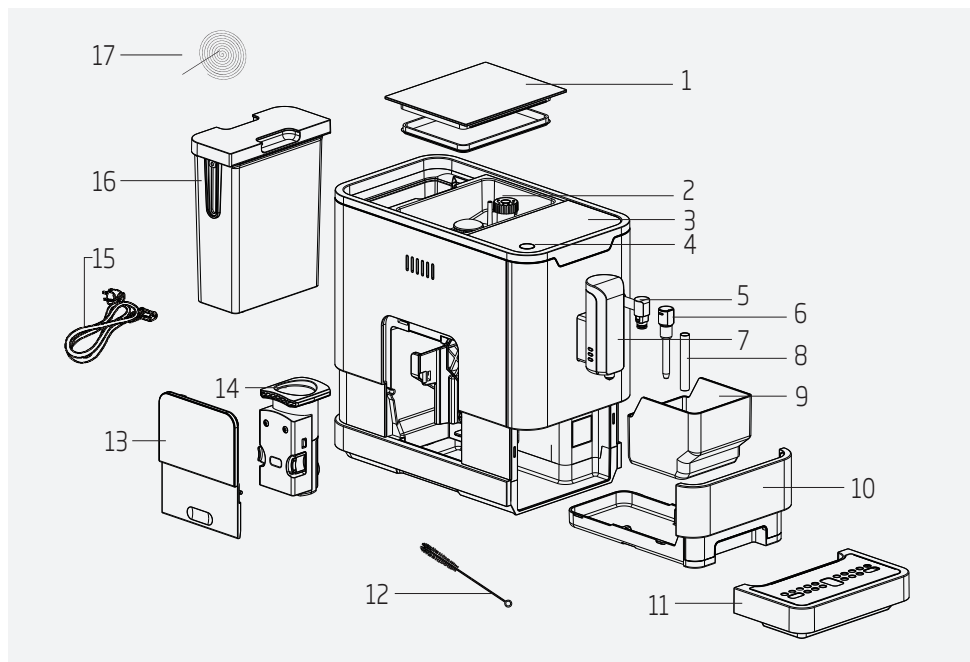
The moulded plug on this appliance incorporates a 13 A fuse. Should the fuse need to be replaced an ASTA approved BS1362 fuse of the same rating must be used. Do not forget to refit the fuse cover. In the event of losing the fuse cover, the plug must not be used until a replacement fuse cover has been fitted. Colour of the replacement fuse cover must be the same colour as that visible on the pin face of the plug. Fuse covers are available from any good electrical store.

Fiting a different plug

- As the colours of the wires in the mains lead of this appliance may not correspond with the coloured markings identifying the terminals on your plug, proceed as follows:
- Brown cable = L (Live)
- Blue cable = N (Neutral)
- Green/yellow cable must be connected to ground (E) \equiv line
- With the alternative plugs a 13 A fuse must be fitted either in the plug or adaptor or in the main fuse box. If in doubt contact a qualified electrician.



2 Your Fully Automatic Coffee Machine



1. Coffee Bean Container Cover
2. Coffee Bean Container
3. Control Panel
4. On/Off button
5. Steam Nozzle
6. Nozzle cover
7. Adjustable coffee spout
8. Metal tube
9. Coffee Grounds Container
10. Internal Drip Tray
11. External Drip Tray
12. Cleanliness brush
13. Service Door
14. Brewer
15. Power cord
16. Water Tank
17. Cleanliness needle

Technical data

Power supply:

220-240 V~, 50-60 Hz



Power: 1350 W

Technical and design modifications reserved.

All declared values on the product and on the printed leaflets are picked up after laboratory measurements performed according to related standards. These values may differ upon usage and ambient conditions.

3 Display

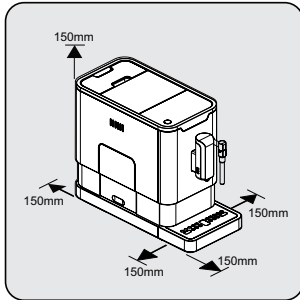
3.1 Control Panel

	Flashing: Low water level/ Water tank missing
	Not enough coffee beans
	Steady warning light: The coffee grounds container is full Flashing light: The internal Drip Tray/coffee grounds container is missing
	Steady warning light: Brewer is missing/ installed improperly Flashing light: Service door is opened / installed improperly
	Steady warning light: Requires descaling Flashing light: Descaling is under way
	Empty System Function is running
	Power ON/OFF Button
	Steam Button
	Hot Water Button
	Strong Espresso Button (25-40 ml coffee with one press on button)
	Mild Espresso Button (51-69 ml coffee with one press on button)

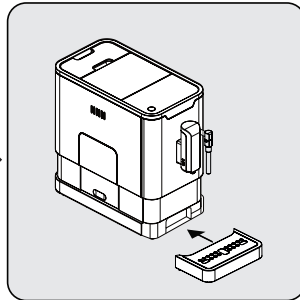
4 Preparation

4.1 Installation

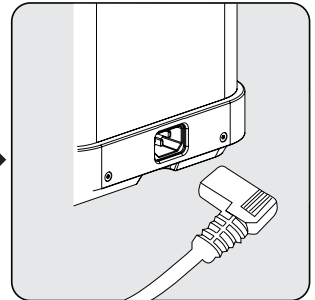
i Remove any protective films, stickers and any other packing material on the appliance.



Choose a safe and stable surface with an easily reachable power supply and allow minimum distance from the sides of the machines.



Insert the external drip tray. Make sure it is inserted correctly.



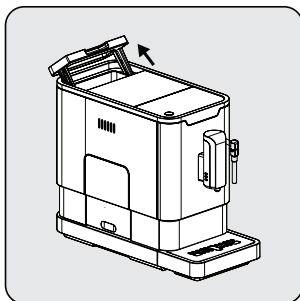
Unwind and straighten the power cord and insert the plug into the socket located on the back of the machine. Insert the other end of the power cord into a wall socket with suitable power voltage.

4.2 Filling the water tank

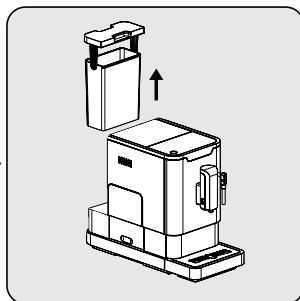
! **About the protect program:** If the water tank is not fully placed into the machine, a protection mode will be activated in 15 seconds during brewing process. Hot water button will lights on control panel.

1. Make sure that the water tank is fully inserted into the machine.
2. Press the hot water button. After the hot water is dispensed, the machine will be in standby condition.

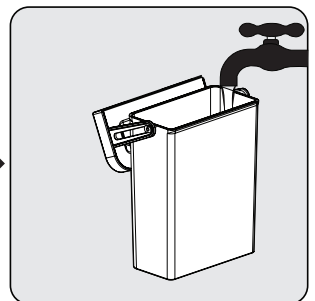
! **WARNING:** When  is flashing, the water tank is at a low water level and requires filling.



Lift the water tank by using the lid as the handle.



Take the water tank out.



Rinse the water tank with fresh water and then fill the tank to the Max level and place it back into the machine. Make sure it is fully inserted.

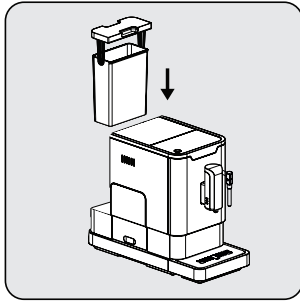
4 Preparation



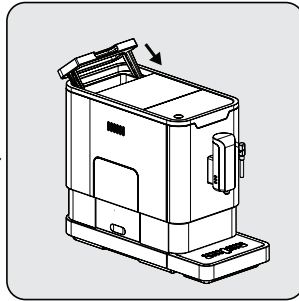
To prevent overflow of water from the water tank, do not add water directly into the appliance with another container.



WARNING: Never fill the water tank with warm or hot water, sparkling water or any other liquid which might damage the water tank and the machine.



Place the water tank back by using the lid as the handle.

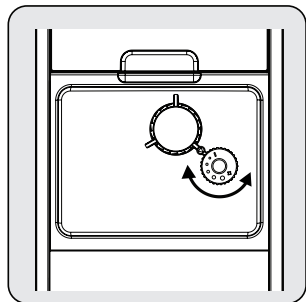


Close the water tank by using the lid.

5 Operation

5.1 Grinding Adjustment

You can adjust the grinder to suit the roast of your coffee by turning the adjuster knob in the bean container:



WARNING: Never adjust the grinder when it is in use.

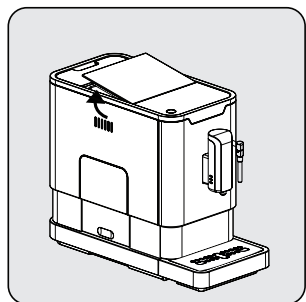


The dots on the adjuster knob indicate the fineness of the grind.

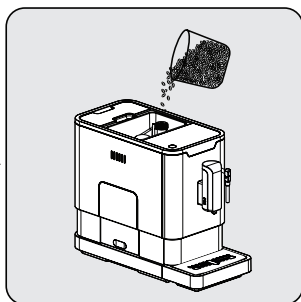
5.2 Filling the bean container



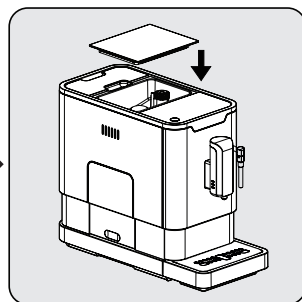
When  is flashing, the appliance needs to be filled with coffee beans.



Remove the bean container lid.



Slowly pour in the coffee beans.



Place the container lid back.

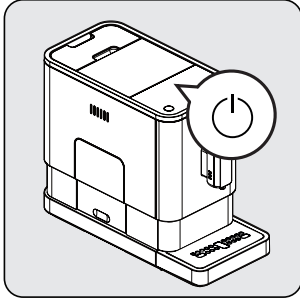


WARNING: Fill the coffee bean container only with coffee beans. Ground coffee, instant coffee, caramelized coffee or any other objects may damage the machine.

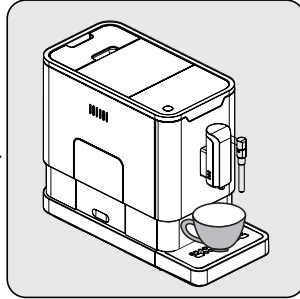
5 Operation

i Press the hot water button to clean the inside of the coffee maker before first use.

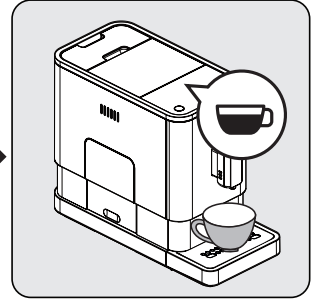
5.3 Making Your Coffee



Switch on the appliance by pressing the power on/off button. The appliance turns on in standby mode and will be ready for use by flowing some hot water from coffee spout.



Place a cup under the coffee spout and adjust the height of the spout to fit the cup.



Press the espresso button and the light will turn on, with the illumination lights indicating that the appliance is preparing a cup of coffee. When the appliance is back on standby, the coffee is ready to serve.

i Switch off the appliance by pressing the power on/off button.

i Press the strong espresso or mild espresso button depending on the taste of coffee you'd prefer.

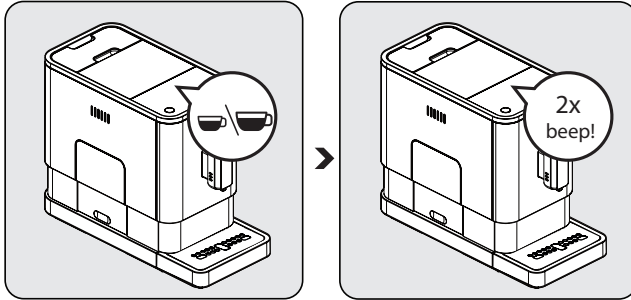
i Press the hot water button to clean the inside of the coffee maker before first use.

i The Appliance is equipped with auto-shut off. Depending on the mode you have selected, the appliance will have different auto-shut off timing.

5 Operation

5.4 Adjusting The Volume of Your Coffee/Hot Water

You can save your desired volume of coffee for both strong espresso and mild espresso and also the hot water from 25ml to 250ml.



When making your coffee (either strong espresso or mild espresso) press and hold the button you selected. The appliance will continue to make the cup of coffee while holding on the button.

When the volume of coffee meets your desired volume, release the button. If you hear two beeps, that indicates the machine has saved the volume of coffee that you prefer.

To reset to the default/factory settings;

In order to reset to the default settings of coffee and hot water volume selection recorded in memory, it is necessary to reset to the factory settings.

1. When the device is off, remove the inner and outer drip pans,
2. Remove the service cover,
3. Remove the carafe,
4. Place the service cover,
5. Press down the on-off key for 5 seconds (It beeps 2 times)
6. Open the service cover,
7. Place the carafe,
8. Close the service cover,
9. Place the drip tray.

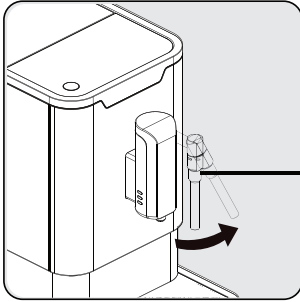
It has been resetted to factory settings.

5.5 Preparing Frothy Milk for Coffee

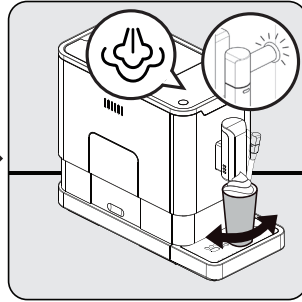


As the temperature of steam is higher than the temperature of espresso, the espresso should be prepared before making frothy milk. Otherwise the espresso might get burnt.

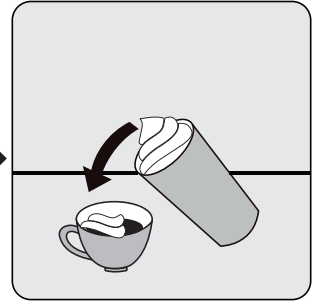
5 Operation



Prepare the espresso coffee with a larger cup. Turn the steam nozzle toward to the Drip tray.



Press the steam button. The steam indicator light will flash. Then the appliance will heat up and drain the residual water into the Drip Tray or another container. After the steam indicator light stops flashing and stays steady, place a container with milk under the steam nozzle and immerse the steam nozzle about 5cm deep into the container. Swivel the container while the hot steam comes out.



Pour the hot frothy milk into the espresso. Now you can enjoy your coffee!

i After the usage of steam nozzle, please clean the nozzle from the milk residue by wiping away the nozzle with a wet rag.

i It is recommended to remove any milk residue that may accumulate at the tip of the nozzle by activating hot water function from the nozzle.

5.6 Hot Water

The appliance can dispense hot water by simply pressing the hot water button. The hot water button and the illumination lit up indicates that the appliance is heating up the water. When the hot water button and the illumination turn off, the water is ready to serve.

5.7 Mode Selection



The machine has three different settings: the default setting, ECO mode and speed mode. In ECO mode, the appliance saves more energy. In speed mode, the user can make their coffee faster than in the default setting.




5 Operation


	ECO Mode	Speed Mode	Default Setting
Illumination Light	No	Yes	Yes
Pre-brewing*	Yes	No	Yes
Auto shut off time	10mins	30mins	20mins
Cup Volume memory	Yes	Yes	Yes



The pre-brewing function moistens the ground beans in the brewer with a small amount of water before full extraction. This expands the coffee grounds to build up greater pressure in the brewer, which helps extract all the oils and bring out the full flavour of the beans.

1. When the machine is in standby, press and hold the  for 5 seconds.
2. The  will then flash and the next button will have the following indications for different settings:

	Hot water button 	Strong espresso button 	Mild espresso button 
In ECO Mode	Lights On	Flashing	Flashing
In Speed Mode	Yes	No	Flashing
In Default Setting	Flashing	Flashing	Lights On

3. Press the hot water button for ECO mode, strong espresso button for speed mode and mild espresso button for default settings. You'll hear two beeps when the mode has been selected. (Note: If you are pressing the lights on button for each mode, the machine will not respond).
4. If you would like the setting to remain unchanged, press  again or wait for 5 seconds for the machine to return to standby condition.

6 Cleaning

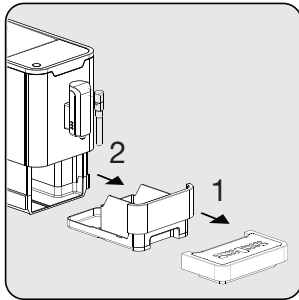
6.1 Cleaning of the appliance

1. Disconnect the power cord from the mains supply outlet.
2. Pour away all the water in the internal and external drip tray.
3. Use a damp cloth or non-scratching cleaner to clean the water stains on the appliance.

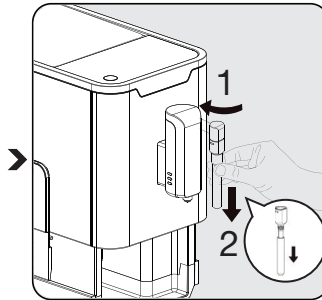


WARNING: Never use any abrasive, vinegar or descaling agents not included in the box to clean the appliance.

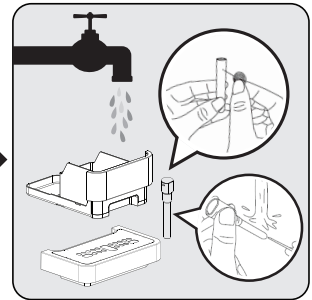
Timely cleaning and maintenance of the appliance is very important in prolonging its life.



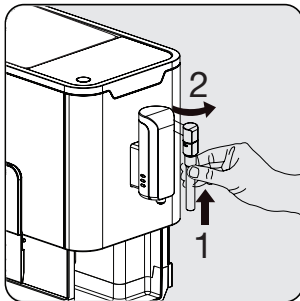
Remove the external drip tray. Slide open the internal drip tray and the coffee grounds container.



Remove metal tube by pulling it down. Then unlock the nozzle cover by turning it to left to disassemble the nozzle cover and metal tube.



Empty the coffee grounds container and external drip tray. Wash the metal tube with warm running water and use needle or bristle of brush to clean the hole. Wash the nozzle cover with warm running water and use needle or bristle of brush to clean the hole. Dry them afterwards.

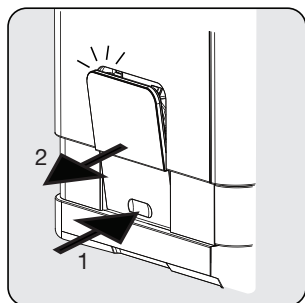


Assembly the metal tube back to the nozzle cover. Then push upward to place the nozzle cover back. And turn it to right to lock it.

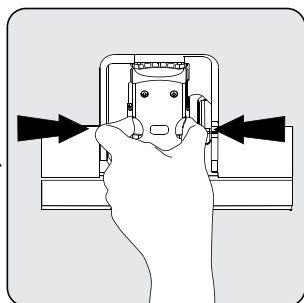


When  lights up, the coffee grounds container needs to be emptied.

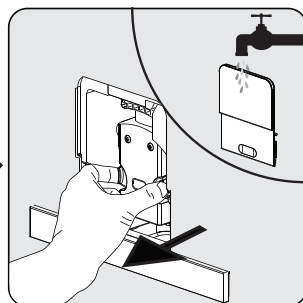
6 Cleaning



Press unlock area, service door will pop out. Then pull out the service door.



Press release knobs and pull out.



Remove the brewer. Wash the brewer with fresh water. Dry the brewer afterwards.



When  lights up, it indicates that the brewer is missing / installed improperly. When  is flashing, it indicates that the service door is missing/installed improperly.

6.2 Self-Cleaning







WARNING: Please wait to finish the self-cleaning process and then switch off the machine.

When  is flashing, it indicates that the appliance needs to undergo self-cleaning. The appliance will remain in the best condition if this function is performed at least once a month or more regularly depending on the hardness of water used. You should also

1. Fully fill the water tank.
2. Add one pack of cleaning agent included in the box to the water tank.






WARNING: Do not use vinegar or other cleaning agents for the self-cleaning of this appliance. The cleaning agent might damage the appliance.

3. Plug in the appliance.
4. Place a sufficiently large container under the coffee spout and nozzle.
5. In standby, press and hold  and the strong espresso button  for 5 seconds. You'll hear a beep with and the strong espresso button  will flash.
6. Press the strong espresso button to confirm the self-cleaning process. To resume back to the standby, press .
7. If it's flashing, that indicates that the appliance is self-cleaning.

6 Cleaning








WARNING: Keep skin/body away from hot water.

8. When all the water in the water tank has been emptied, the  and self cleaning button  will flash. Remove all the remaining solution in the water tank and fill the tank with normal tap water up to the max position. When the tank is full, the  will go off. Then the appliance will continue the self-cleaning process.
9. When the self-cleaning process is completed, the appliance will switch off automatically.

6.3 Empty System Function

Use the empty system function before a long period of non-use, for frost protection, and before talking to a repair agent.




1. In standby condition, press and hold the  and the mild espresso button  together for 5 seconds.
2.  will then start flashing.
3. Remove the water tank from the appliance.  will light up indicating that the empty system is under way. Press  before removing the water tank to return back to the standby.
4. When the empty system function is completed, the appliance will switch off automatically.



WARNING: After performing the EMPTY SYSTEM FUNCTION; press the hot water button until water can come out from the spout when the coffee maker is reused again.

6.4 Manual Rinsing

You can manually rinse to clean the coffee nozzle after use. If the appliance has not been used for a long period of time, a manual rinse may be a good idea.

1. In standby, press and hold the  and the hot water button  together.
2. The hot water button , the strong espresso button  and the mild espresso button  will then go off. The coffee nozzle will then dispense a small amount of water which is used for rinsing.



WARNING: The water that comes out of the coffee nozzle is hot and is collected in the drip tray underneath. Avoid contact as it splashes around.

3. After rinsing, the appliance will return to the standby.

6 Cleaning

Canceling the auto-clean mode

Your appliance cleans itself automatically before and after each brewing operation. You may follow the steps below to cancel the auto-clean mode.

- Turn on the appliance by pressing the On-Off switch and wait until it engages the Stand-by position.
- Open the service cover.
- Press the On-Off switch for 5 seconds, a beep shall be heard.
- Close the service cover.
- Now, the auto-clean operation is cancelled.



We recommend you to use the auto-clean mode actively for a healthy operation.

7 Troubleshooting

Problem	Cause	Solution
The appliance does not work.	The appliance is not connected to the mains.	Plug in and press the switch. Check the cable and the Plug.
No or delayed response in several trials of pressing a function key on the panel	Appliance is under an electromagnetic interference. Dirt over the panel.	Unplug the appliance. Restart after a few minutes Clean the panel with the cloth provided.
The coffee is not hot enough.	The cups have not been preheated. The brewing unit is too cold.	Warm up your cup by using steam function before you make coffee or rinse the cup with hot water. Make sure that the water in the water tank is not too cold.
The coffee cannot come out from spout.	Empty system function maybe used before. Coffee spout may not have been cleaned and blocked by coffee residues.	Press the hot water button until water can come out from the spout. Clean the coffee spout.
The first cup of coffee is poor quality.	The first run of the grinder does not pour a sufficient quantity of coffee into the brewing unit.	Throw the coffee away. The next cups will be better.
The water tank is removed / the water level is very low in the water tank but  there's no alert.	The area near the water tank connector is wet.	Wipe off the water around the water tank connector.
The internal drip tray is filled with a lot of water.	The ground coffee is too fine, which blocks the water from coming out.	Adjust the coffee fineness to bigger dot during grinder operation.
Coffee is delivered too slowly or a drop at a time.	Coffee grounds are too fine, which blocks the water from coming out.	Adjust the coffee fineness to bigger dot during grinder operation.
The indicator flashes that there's not enough coffee beans, but there are plenty inside the container.	The internal coffee grounds outlet is blocked.	Follow the steps described for Cleaning coffee grounds outlet.
The brewer or the coffee ground tray is impossible to remove.	The appliance did not finish the self-cleaning process and was switched off .	Please switch on the machine again and let it finish its auto cleaning process.
The appliance no longer performs the rinsing cycle when switched on or off.	Improper handling when servicing the appliance may be the cause.	1. When the appliance is on, remove the service door. 2. Press and hold the on/off button until you hear 2 beeps. 3. Replace service door.
The touch buttons are not sensitive.	Not pressing the touch button from the front direction of the appliance.	Press the lower bottom part of the icon of the touch button from the front direction of the appliance.

Product Guarantee

12 months breakdown and repair guarantee

Guarantor: **Beko plc, 1 Greenhill Crescent, Watford, Hertfordshire. WD18 8UF**

The guarantee does not in any way diminish your statutory or legal rights.

Your **appliance** has the benefit of our manufacturer's guarantee which covers the product for 12 months from the date of original purchase.

This gives you reassurance that if within that time, your **appliance** is proven to be defective because of either workmanship or materials, we will at our discretion either repair or replace your **appliance**.

The **appliance** must be correctly installed, located and operated in accordance with the instructions contained in the user manual. The guarantor disclaims any liability for accidental or consequential damage.

The Guarantee is subject to the following conditions:

- Documentary proof of the original purchase date is provided.
- The appliance has been installed and operated correctly and in accordance with our operating and maintenance instructions.
- The appliance is used only on the electricity supply on the rating plate.
- The appliance has only been used for normal domestic purposes.
- The appliance has not been altered, serviced, dismantled or otherwise interfered with by any person.
- The appliance is used in the United Kingdom or Republic of Ireland.
- Any parts removed during repair work or any product that has been replaced becomes our property.
- The guarantee is not transferrable if the product is resold.

The Guarantee does not cover:

- Transit, installation or delivery damage.
- Accidental damage.
- Misuse or abuse.
- Replacement of any consumable item or accessories. These include but are not limited to: plugs, cables, light bulbs, knobs, filters and flaps.
- Repairs or replacements required as a result of unauthorised repairs or inexpert installation that fails to meet the requirements contained in the user guide or instruction book.
- Repairs to products used in commercial or non-residential household premises.

How to obtain after sales service, help or general advice

Please keep your purchase receipt or other proof of purchase in a safe place as you will need to show us this document if your product requires attention within the guarantee period.

Please also record your product details below, which will allow you to access our services more quickly and help us identify your product. The model number is printed on the front of the user guide and the serial and model number is shown on your products rating plate.

Model number	Serial number	Purchased from	Date of purchase

Please call our UK based Customer Service department if you need help or advice from us:

United Kingdom and Northern Ireland: **0333 207 9710**

Republic of Ireland: **01 862 3411**

You can also contact us through our website: **www.beko.co.uk**

7 استكشاف الأخطاء وإصلاحها

الحل	السبب	المشكلة
قم بتوصيله واضغط على المفتاح. تحقق من الكبل والقابس.	الجهاز غير متصل بالتيار الكهربائي.	الجهاز لا يعمل.
انزع الجهاز من الكهرباء. أعد التشغيل بعد بضع دقائق، نظف اللوحة بقطعة القماش المرفقة.	الجهاز تحت تداخل كهرومغناطيسي. يوجد أساخ على اللوحة.	لا توجد استجابة أو تأخر في عدة تجارب للضغط على مفتاح وظيفي باللوحة
قم بتسخين الكوب باستخدام وظيفة البخار قبل تحضير القهوة أو شطف الكوب بالماء الساخن. تأكد من أن الماء في خزان المياه ليس بارداً جداً.	لم يتم تسخين الكؤوس. وحدة التخمير باردة جداً.	القهوة ليست ساخنة بدرجة كافية.
اضغط على زر الماء الساخن حتى يخرج الماء من الفوهة. قم بتنظيف صنوبر القهوة.	ربما تم استخدام وظيفة النظام الفارغ من قبل. ربما لم يتم تنظيف صنوبر القهوة وتم انسداده بسبب بقايا القهوة.	لا تخرج القهوة من الفوهة.
تخلص من القهوة الاكواب التالية ستكون أفضل.	لا تسكب المطحنة الأولى كمية كافية من القهوة في وحدة التخمير.	فجان القهوة الأول رديء الجودة.
امسح الماء حول موصل خزان المياه.	المنطقة القريبة من موصل خزان المياه رطبة.	تمت إزالة خزان المياه / مستوى المياه منخفض جداً في خزان المياه ولكن لا يوجد تنبيه.
اضبط درجة نقاء القهوة على نقطة أكبر أثناء تشغيل المطحنة.	البن المطحون ناعم جداً، مما يمنع الماء من الخروج.	يتمثل إنباء التنقيط الداخلي بالكثير من الماء.
اضبط درجة نقاء القهوة على نقطة أكبر أثناء تشغيل المطحنة.	البن المطحون ناعم جداً، مما يمنع الماء من الخروج.	تخرج القهوة ببطء شديد.
اتبع الخطوات الموضحة لتنظيف مخرج القهوة المطحونة.	منفذ القهوة الداخلي مسدود.	يومض المؤشر أنه لا يوجد ما يكفي من حبوب البن، ولكن هناك الكثير داخل الوعاء.
يرجى تشغيل الجهاز مرة أخرى والسماح له بإنهاء عملية التنظيف التلقائي.	لم يُنهي الجهاز عملية التنظيف الذاتي وتم إيقاف تشغيله.	من المستحيل إزالة المخمر أو إنباء القهوة المطحونة.
1. عندما يكون الجهاز قيد التشغيل، قم بإزالة باب الخدمة. 2. اضغط باستمرار على زر التشغيل / الإيقاف حتى تسمع صوتين. 3. استبدل باب الخدمة.	قد يكون التعامل غير السليم أثناء صيانة الجهاز هو السبب.	لم يعد الجهاز يقوم بدورة الشطف عند تشغيله أو إيقاف تشغيله.
اضغط على الجزء السفلي السفلي من أيقونة زر اللمس من الاتجاه الأمامي للجهاز.	عدم الضغط على زر اللمس من الاتجاه الأمامي للجهاز.	أزرار اللمس ليست حساسة.

إلغاء وضع التنظيف التلقائي

- ينظف جهازك نفسه تلقائيًا قبل وبعد كل عملية تخمير. ولكن يمكنك اتباع الخطوات الموضحة أدناه لإلغاء وضع التنظيف التلقائي.
- شغل الجهاز بالضغط على مفتاح التشغيل - إيقاف التشغيل وانتظر لحين تشغيله في وضع الاستعداد.
 - افتح غطاء الخدمة.
 - اضغط على مفتاح التشغيل - إيقاف التشغيل لمدة 5 ثوان. وسوف تسمع صوت صفارة.
 - أغلق غطاء الخدمة.
 - الآن. يكون تم إلغاء عملية التنظيف التلقائي. ملحوظة: نوصيك باستخدام وضع التنظيف التلقائي بفعالية لضمان التشغيل الصحي.
 - أغلق غطاء الخدمة.
 - الآن. يكون تم إلغاء عملية التنظيف التلقائي.

نوصيك باستخدام وضع التنظيف التلقائي بفعالية لضمان التشغيل الصحي.



6. اضغط على زر الإسبريسو القوي لتأكيد عملية التنظيف الذاتي. للعودة إلى وضع الاستعداد، اضغط على ①.

7. إذا كان يومض، فهذا يشير إلى أن الجهاز يقوم بالتنظيف الذاتي.

تحذير: أبعد الجلد / الجسم بعيداً عن الماء الساخن.



8. عندما يتم إفراغ كل المياه الموجودة في خزان المياه، وسيومض ② و زر التنظيف الذاتي ③. قم بإزالة كل المحلول المتبقي في خزان المياه وإملاً الخزان بماء الصنبور العادي حتى الحد الأقصى. عندما يمتلئ الخزان، سيختفي ②. ثم سيواصل الجهاز عملية التنظيف الذاتي.

9. عند اكتمال عملية التنظيف الذاتي، سيتم إيقاف تشغيل الجهاز تلقائياً.

6.3 وظيفة النظام الفارغة

استخدم وظيفة النظام الفارغة قبل فترة طويلة من عدم الاستخدام، للحماية من الصقيع، وقبل التحدث إلى وكيل الإصلاح.

1. في حالة الاستعداد، اضغط مع الاستمرار على ① و زر الإسبريسو الخفيف ④ معاً لمدة 5 ثوانٍ.

2. سيبدأ ⑤ بعد ذلك في الوميض.

3. قم بإزالة خزان المياه من الجهاز. سيضيء ⑤ مشيراً إلى استمرار النظام الفارغ. اضغط على ① قبل إزالة خزان المياه للعودة إلى وضع الاستعداد.

4. عند اكتمال وظيفة النظام الفارغ، سيتم إيقاف تشغيل الجهاز تلقائياً.

تحذير: بعد أداء وظيفة النظام الفارغ؛ اضغط على زر الماء الساخن حتى يخرج الماء من الفوهة عند إعادة استخدام جهاز تحضير القهوة مرة أخرى.



6.4 الشطف اليدوي

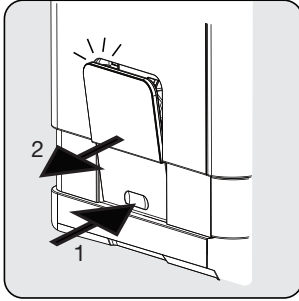
يمكنك الشطف يدوياً لتنظيف فوهة القهوة بعد الاستخدام. إذا لم يتم استخدام الجهاز لفترة طويلة، فقد يكون الشطف اليدوي فكرة جيدة. 1. في وضع الاستعداد، اضغط على باستمرار على ① و زر الماء الساخن ② معاً.

2. ثم يختفي زر الماء الساخن ② و زر الإسبريسو القوي ③ و زر الإسبريسو الخفيف ④. ستقوم فوهة القهوة بعد ذلك بتوزيع كمية صغيرة من الماء الذي يستخدم للشطف.

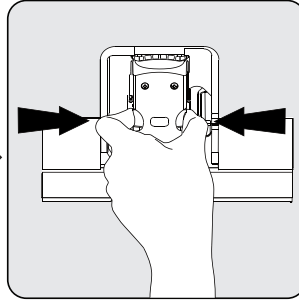
تحذير: الماء الذي يخرج من فوهة القهوة ساخن ويتم تجميعه في إناء التقطير تحتها. تجنب ملامسته لأنه يتناثر.



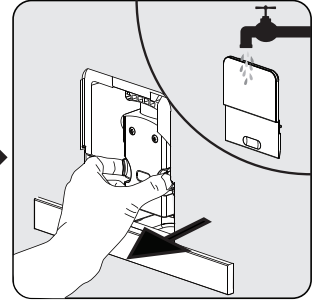
3. بعد الشطف، سيعود الجهاز إلى وضع الاستعداد.





اضغط على منطقة الفتح، سيظهر باب الخدمة. ثم اسحب باب الخدمة.




اضغط على مقابض التحرير واسحب للخارج.




قم بإزالة المخمر. اغسل المخمر بالماء العذب. جفف المخمر بعد ذلك.


عندما يضيء ، فهذا يشير إلى أن المخمر غير موجود/ مثبت بشكل غير صحيح. عندما يومض ، فهذا يشير إلى أن باب الخدمة غير موجود/ مثبت بشكل غير صحيح.

6.2 التنظيف الذاتي

 **تحذير:** يرجى الانتظار لإنهاء عملية التنظيف الذاتي ثم إيقاف تشغيل الجهاز.

عندما يومض ، فهذا يشير إلى أن الجهاز يحتاج إلى التنظيف الذاتي. سبطل الجهاز في أفضل حالة إذا تم تنفيذ هذه الوظيفة مرة واحدة على الأقل شهرياً أو أكثر بانتظام حسب درجة عسر الماء المستخدم. يجب عليك أيضاً

1. املاً خزان المياه بالكامل.

 **تحذير:** لا تستخدم الخل أو عوامل التنظيف الأخرى للتنظيف الذاتي لهذا الجهاز. قد تؤدي مواد التنظيف إلى تلف الجهاز.

2. أضف عبوة واحدة من المنظف الموجود في العلبة إلى خزان المياه.

3. قم بتوصيل الجهاز.

4. ضع وعاءً كبيراً بدرجة كافية تحت فوهة وصنبور القهوة.

5. في وضع الاستعداد، اضغط مع الاستمرار على  وزر الإسبريسو القوي  لمدة 5 ثوانٍ. ستسمع صغيراً وسيومض زر الإسبريسو القوي .

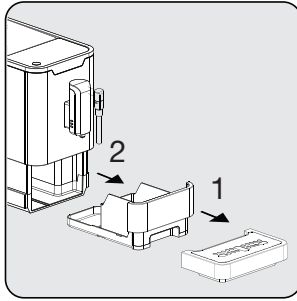
6.1 تنظيف الجهاز

1. افصل سلك الطاقة من مأخذ التيار الكهربائي.
2. اسكب كل الماء في إناء التنقيط الداخلي والخارجي.
3. استخدم قطعة قماش مبللة أو منظف لا يسبب الخدش لتنظيف بقع الماء على الجهاز.

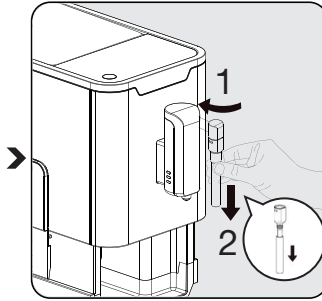
تحذير: لا تستخدم أبداً أي مواد كاشطة أو خل أو عوامل إزالة الترسبات غير المدرجة في الصندوق لتنظيف الجهاز.



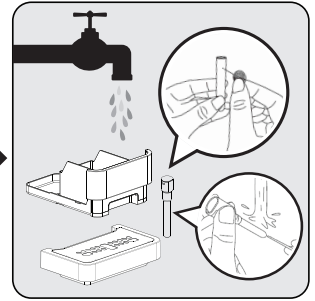
يعد تنظيف الجهاز وصيانته في الوقت المناسب أمراً مهماً للغاية لإطالة عمره.



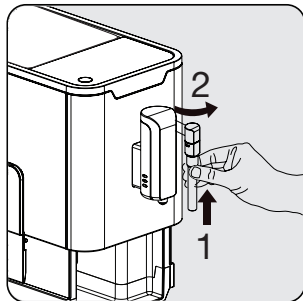
قم بإزالة إناء التنقيط الخارجي. افتح إناء التنقيط الداخلي ووعاء القهوة المطحونة.



قم بإزالة الأنبوب المعدني عن طريق سحبه للأسفل. ثم افتح غطاء الفوهة بتدويره إلى اليسار لتفكيك غطاء الفوهة والأنبوب المعدني.



أفرغ وعاء القهوة المطحونة وإناء التنقيط الخارجي. اغسل الأنبوب المعدني بالماء الجاري الدافئ واستخدم ابرة أو فرشاة لتنظيف الفتحة. اغسل غطاء الفوهة بالماء الجاري الدافئ واستخدم ابرة أو فرشاة لتنظيف الفتحة. جففهم بعد ذلك.



قم بتركيب الأنبوب المعدني مرة أخرى في غطاء الفوهة. ثم ادفع لأعلى لوضع غطاء الفوهة في الخلف. وأدره إلى اليمين لقلعه.

عندما يضيء الرمز يجب إفراغ حاوية البن المطحون. وسيضيئ هذا الرمز بعد كل ١٠ مرات من تخمير البن. وعندئذ نطفئ الحاوية لإعادة تعيين الرمز. إذا كانت الحاوية نظيفة، فسيكون من الكافي إزالة الحاوية ثم إعادة وضعها في مكانها.



5.6 الماء الساخن

يمكن للجهاز توزيع الماء الساخن ببساطة عن طريق الضغط على زر الماء الساخن. يشير زر الماء الساخن والإضاءة إلى أن الجهاز يقوم بتسخين المياه. عندما ينطفئ زر الماء الساخن والإضاءة، يكون الماء جاهزاً للتقديم.

5.7 تحديد الوضع

يحتوي الجهاز على ثلاثة إعدادات مختلفة: الإعداد الافتراضي ووضع ECO ووضع السرعة. في وضع ECO، يوفر الجهاز المزيد من الطاقة. في وضع السرعة، يمكن للمستخدم تحضير قهوته بشكل أسرع من الإعداد الافتراضي.

الإعداد الافتراضي	وضع السرعة	وضع ECO	
نعم	نعم	لا	ضوء الإضاءة
نعم	لا	نعم	تخمير مسبق*
20 دقيقة	30 دقيقة	10 دقائق	وقت الإغلاق التلقائي
نعم	نعم	نعم	ذاكرة حجم الكوب

i تعمل وظيفة التخمير المسبق على ترطيب الحبوب المطحونة في المخمر بكمية صغيرة من الماء قبل الاستخراج الكامل. يعمل هذا على توسيع حبيبات القهوة لبناء ضغط أكبر في المخمر، مما يساعد على استخراج جميع الزيوت وإخراج النكهة الكاملة للحبوب.

1. عندما يكون الجهاز في وضع الاستعداد، اضغط باستمرار على (⏻) لمدة 5 ثوانٍ.

2. سيومض (⏻) بعد ذلك وسيحتوي الزر التالي على المؤشرات التالية لإعدادات مختلفة:

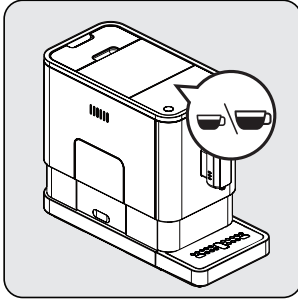
زر إسبريسو خفيف	زر إسبريسو قوي	زر الماء الساخن	
			
الوميض	الوميض	تشغيل الضوء	في وضع ECO
الوميض	لا	نعم	في وضع السرعة
تشغيل الضوء	الوميض	الوميض	في الإعداد الافتراضي

3. اضغط على زر الماء الساخن لوضع ECO، وزر الإسبريسو القوي لوضع السرعة وزر الإسبريسو المعتدل للإعدادات الافتراضية. ستسمع صوتين عند تحديد الوضع. (ملاحظة: إذا كنت تضغط على زر تشغيل الأضواء لكل وضع، فلن يستجيب الجهاز).

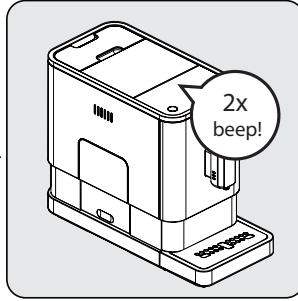
4. إذا كنت ترغب في أن يظل الإعداد دون تغيير، فاضغط مرة أخرى على (⏻) أو انتظر لمدة 5 ثوانٍ حتى يعود الجهاز إلى حالة الاستعداد.

5.4 ضبط حجم قهوتك / الماء الساخن

يمكنك توفير الحجم الذي تريده من القهوة لكل من الإسبرسو القوي والإسبرسو الخفيف وكذلك الماء الساخن من 25 مل إلى 250 مل.



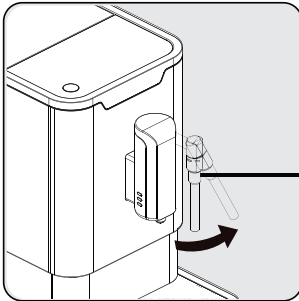
عند تحضير قهوتك (سواء أكان إسبرسو قوي أو إسبرسو خفيف) اضغط باستمرار على الزر الذي حددته، سيستمر الجهاز في تحضير فجان القهوة أثناء الضغط على الزر.



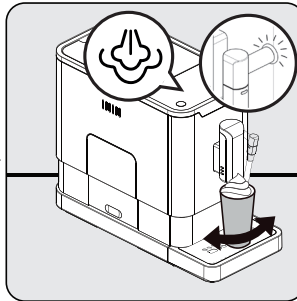
عندما يصل حجم القهوة إلى الحجم المطلوب، اترك الزر. إذا سمعت صوتين، فهذا يشير إلى أن الجهاز قد وفر كمية القهوة التي تفضلها.

5.5 تحضير الحليب الرغوي للقهوة

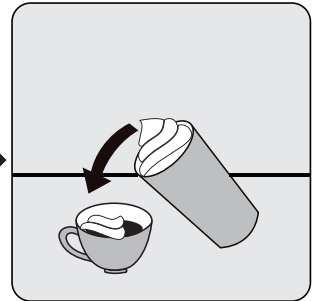
نظرًا لأن درجة حرارة البخار أعلى من درجة حرارة الإسبرسو، يجب تحضير الإسبرسو قبل تحضير الحليب الرغوي. وإلا فقد يحترق الإسبرسو. **i**



حضّر قهوة الإسبرسو بكوب أكبر. أدر فوهة البخار باتجاه إناء التنقيط.



اضغط على زر البخار. سيومض ضوء مؤشر البخار. ثم يسخن الجهاز ويصرف الماء المتبقّي في إناء التنقيط أو إناء آخر. بعد أن يتوقف ضوء مؤشر البخار عن الوميض ويبقى ثابتًا، ضع وعاءًا به حليب تحت فوهة البخار واضرب فوهة البخار بعمق 5 سم في الوعاء. قم بتدوير الوعاء أثناء خروج البخار الساخن.



صب الحليب الساخن الرغوي على الإسبرسو. الآن يمكنك الاستمتاع بقهوتك! **i**

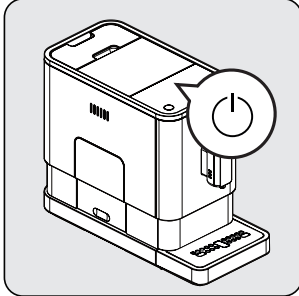
بعد استخدام فوهة البخار، يرجى تنظيف الفوهة من بقايا الحليب عن طريق مسح الفوهة بقطعة قماش مبللة. **i**

يوصى بإزالة أي بقايا حليب قد تتراكم عند طرف الفوهة عن طريق تنشيط وظيفة الماء الساخن من الفوهة. **i**

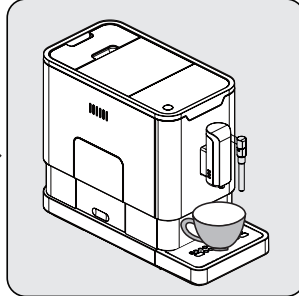
اضغط على زر الماء الساخن لتنظيف الجزء الداخلي قبل الاستخدام لأول مرة.



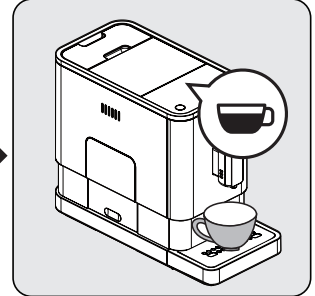
5.3 تحضير قهوتك



قم بتشغيل الجهاز بالضغط على زر التشغيل / الإيقاف. يتم تشغيل الجهاز في وضع الاستعداد وسيكون جاهزًا للاستخدام عن طريق تدفق بعض الماء الساخن من صنبور القهوة.



ضع كوبًا تحت صنبور القهوة واضبط ارتفاع الفوهة بما يتناسب مع الكوب.



اضغط على زر الإسبريسو وسوف يضيء الضوء، حيث تشير الأضواء إلى أن الجهاز يقوم بتحضير فنجان قهوة. عندما يعود الجهاز إلى وضع الاستعداد، تكون القهوة جاهزة للتقديم.

قم بإيقاف تشغيل الجهاز بالضغط على زر التشغيل / الإيقاف.



اضغط على زر الإسبريسو القوي أو زر الإسبريسو الخفيف حسب طعم القهوة الذي تفضله.



اضغط على زر الماء الساخن لتنظيف الجزء الداخلي قبل الاستخدام لأول مرة.

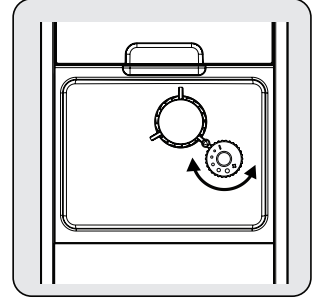


الجهاز مزود بإغلاق تلقائي. اعتمادًا على الوضع الذي حددته، سيكون للجهاز توقيت إيقاف تلقائي مختلف.



5.1 ضبط الطحن

يمكنك ضبط المطحنة لتناسب تحميص قهوتك عن طريق تدوير مقبض الضبط في وعاء الحبوب:




تحذير: لا تقم أبدًا بضبط المطحنة عندما تكون قيد الاستخدام.

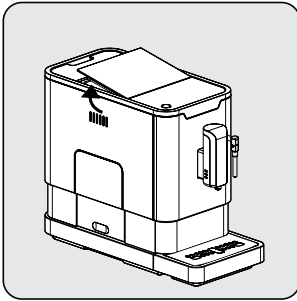


تشير النقاط الموجودة على مقبض الضبط إلى رقة الطحن.

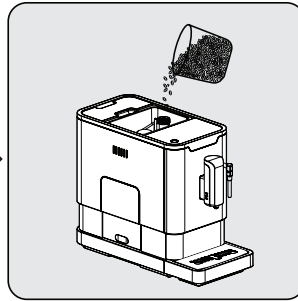


5.2 ملء وعاء حبوب البن

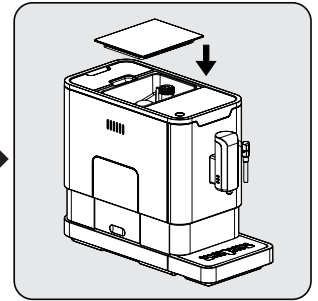
عندما يومض ، يجب ملء الجهاز بحبوب القهوة.



قم بإزالة غطاء وعاء الحبوب.



اسكب حبوب القهوة ببطء.



ضع غطاء الوعاء للخلف.

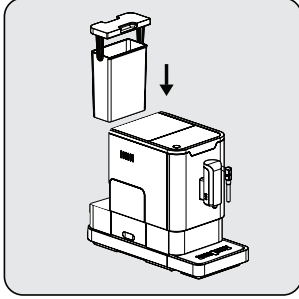
تحذير: املأ وعاء حبوب القهوة بحبوب القهوة ببطء فقط. قد يؤدي البن المطحون أو القهوة سريعة الذوبان أو القهوة بالكراميل أو أي أشياء أخرى إلى تلف الجهاز.



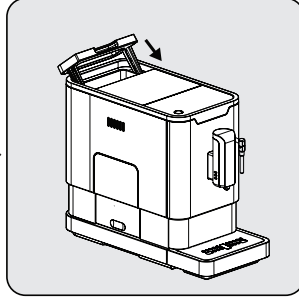
لمنع فيض المياه من الخزان ، لا تتم بإضافة الماء مباشرة إلى الجهاز باستخدام وعاء آخر.



تحذير: لا تتم أبدًا بملء خزان المياه بالماء الدافئ أو الساخن أو الماء الفوار أو أي سائل آخر قد يؤدي إلى تلف خزان المياه والجهاز.



ضع خزان المياه مرة أخرى باستخدام الغطاء كمنقبض.

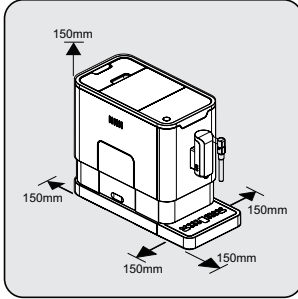


أغلق خزان المياه باستخدام الغطاء.

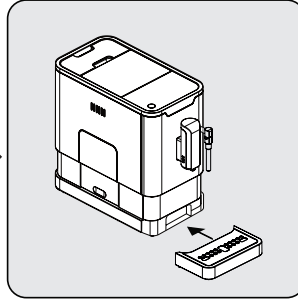
4 التحضير

4.1 التركيب

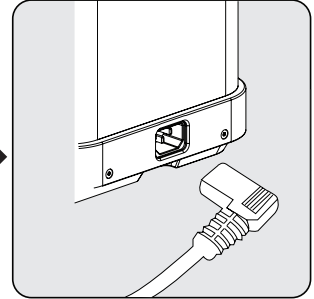
قم بإزالة أي أغشية واقية وملصقات وأي مواد تغليف أخرى على الجهاز.



اختر سطحًا آمنًا ومستقرًا مزودًا بمصدر طاقة يمكن الوصول إليه بسهولة واترك مسافة أقل من جوانب الماكينات.



أدخل إزاء التنقيط الخارجي. تأكد من إدخاله بشكل صحيح.




قم بفك وشد سلك الطاقة وإدخال القابس في المقبس الموجود في الجزء الخلفي من الجهاز. أدخل الطرف الآخر من سلك الطاقة في مقبس الحائط بجهد طاقة مناسب.

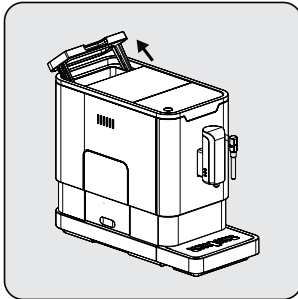
4.2 تعبئة خزان المياه

حول برنامج الحماية: إذا لم يتم وضع خزان المياه بالكامل في الماكينة، فسيتم تنشيط وضع الحماية خلال 15 ثانية أثناء عملية التخمير. سيضيء زر الماء الساخن على لوحة التحكم.

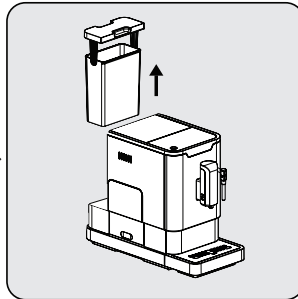
1. تأكد من إدخال خزان المياه بالكامل في الماكينة.
2. اضغط على زر الماء الساخن. بعد توزيع الماء الساخن، ستكون الماكينة في وضع الاستعداد.



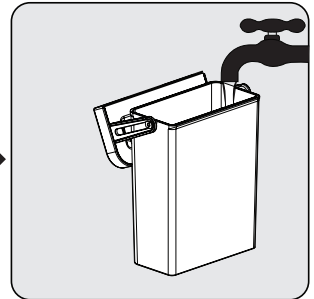
تحذير: عندما يومض ، يكون خزان المياه عند مستوى منخفض من الماء ويتطلب التعبئة.



ارفع خزان المياه باستخدام الغطاء كمقبض.



أخرج خزان الماء.

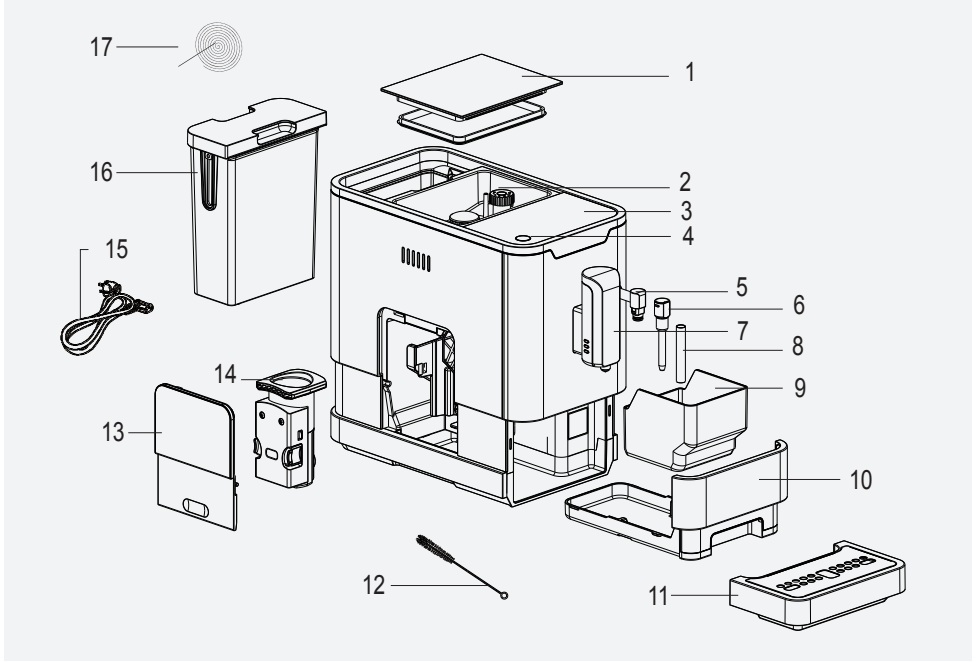


اشطف خزان المياه بالمياه العذبة ثم املا الخزان إلى أقصى مستوى وضعه مرة أخرى على الجهاز. تأكد من إدخاله بالكامل.

3.1 لوحة التحكم

وميض: مستوى الماء منخفض / خزان المياه غير موجود	
حبوب البن غير كافية	
ضوء تحذير ثابت: إناء نفل القهوة ممتلئ وميض الضوء: إناء التنقيط الداخلي / وعاء نفل القهوة غير موجود	
ضوء تحذير ثابت: المخمر غير موجود / تم تركيبه بشكل غير صحيح وميض الضوء: تم فتح / تركيب باب الخدمة بشكل غير صحيح	
ضوء تحذير ثابت: يجب إزالة الترسبات وميض الضوء: جاري إزالة الترسبات	
تعمل وظيفة النظام الفارغة	
زر التشغيل/الإيقاف	
زر البخار	
زر الماء الساخن	
زر إسبريسو قوي (25-40 مل قهوة بضغط واحدة على الزر)	
زر إسبريسو خفيف (51-69 مل قهوة بضغط واحدة على الزر)	

2 ماكينة تحضير القهوة الأوتوماتيكية بالكامل



1. غطاء وعاء حبوب البن
2. وعاء حبوب البن
3. لوحة التحكم
4. زر التشغيل/الإيقاف
5. فوهة بخار
6. غطاء الفوهة
7. صنوبر قهوة قابل للتعديل
8. أنبوب معدني
9. وعاء ثقل القهوة
10. إناء تنقيط داخلي
11. إناء تنقيط خارجي
12. فرشاة تنظيف
13. باب الخدمة
14. المخمر
15. سلك الطاقة
16. خزان الماء
17. إبرة التنظيف

البيانات التقنية

إمداد الطاقة:

220-240 فولت ~ ، 50-60 هرتز

الطاقة: 1350 وات

التعديلات الفنية والتصميمية محفوظة.

ناروشنملا إلى عو جنتملا إلى عا نلعملا ميقلأ عييجل لوصلا مّ
دق .تلصلا تاذر بياعملا أقو تير بتخملا تاسايقلأ عارجلأ دعبه عوبملا
تطيخملا فورظلاو ما دختسلأا بسج ميقلأ مده فالنخت.

1 تعليمات هامة للسلامة والبيئة

1.5 حدود المسؤولية القانونية

تمثل جميع المعلومات والبيانات والتعليمات الفنية الخاصة بتركيب وتشغيل وصيانة ماكينة القهوة الواردة في تعليمات التشغيل، هذه الحالة الحالية وقت الطباعة وتُستند إلى أفضل معرفة ممكنة مكتسبة من خلال الخبرة والمعرفة.

لا يمكن اشتقاق أي مطالبات من المعلومات والرسوم التوضيحية والأوصاف الواردة في دليل المستخدم هذا.

لا تتحمل الشركة المصنعة أي مسؤولية عن التلف أو الإصابة الناتجة عن عدم مراعاة دليل المستخدم أو الاستخدام لغير الغرض المقصود أو الإصلاحات غير المهنية أو التعديلات غير المصرح بها أو استخدام قطع غيار غير معتمدة.

1.6 الامتثال للتوجيهات الخاصة بنفايات الأجهزة والتخلص منها:

هذا المنتج متوافق مع توجيهات (2012/19) EU WEEE (EU). يحمل هذا المنتج رمز تصنيف التخلُّق من الأجهزة الكهربائية والإلكترونية (WEEE).

يشير هذا الرمز إلى أنه لا يجب التخلص من هذا المنتج مع النفايات المنزلية الأخرى في نهاية عمره التشغيلي. يجب إعادة الجهاز المستخدم إلى نقطة التجميع الرسمية لإعادة تدوير الأجهزة الكهربائية والإلكترونية. للعثور على أنظمة التجميع هذه، يرجى الاتصال بالسلطات المحلية أو بائع التجزئة الذي تم شراء المنتج منه. تؤدي كل أسرة دوراً مهماً في استعادة وإعادة تدوير الأجهزة القديمة. حيث يساعد التخلص المناسب من الأجهزة المستخدمة على منع النتائج السلبية المحتملة على البيئة وصحة الإنسان.



1.7 الامتثال لتوجيهات حظر المواد الخطرة:

هذا المنتج متوافق مع توجيهات (2011/65/EU) RoHS. وهو لا يحتوي على مواد ضارة أو محظورة محددة في التوجيهات.

1.8 معلومات الغلاف

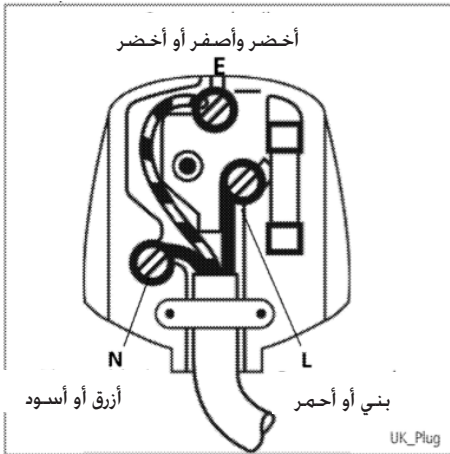
تم تصنيع مواد تغليف المنتج من مواد قابلة لإعادة التدوير طبقاً لأنظمة البيئة الوطنية. لا تتخلص من مواد التغليف مع النفايات المنزلية وغيرها. قم بنقلها إلى نقاط تجميع مواد التغليف المحددة من قبل السلطات المحلية.



1.9 توصيل القابس

يشتمل القابس المدمج في هذا الجهاز على صمام كهربائي 13 أمبير. في حالة الحاجة إلى استبدال الصمام الكهربائي يجب استبداله بصمام كهربائي BS1362 بنفس الجهد. لا تنس إعادة ضبط غطاء الصمام الكهربائي. وفي حالة فقد غطاء الصمام الكهربائي، لا يجب استخدام القابس إلى أن يتم تركيب غطاء صمام كهربائي بديل. ينبغي أن يكون لون غطاء الصمام الكهربائي البديل هو نفس اللون الظاهر على وجه السنون لغطاء الصمام الكهربائي للقابس، وتتوافر الأغشية في جميع المتاجر الكهربائية.

- تركيب قابس مختلف
- حيث قد لا تتوافق ألوان الأسلاك في سلك التيار الرئيسي لهذا الجهاز مع ملصقات الألوان المحددة للأطراف في القابس الخاص بك، نفذ ما يلي:
- كابل بني = L (موجب)
- كابل أزرق = N (محايد)
- يجب أن يكون الكابل الأخضر / الأصفر متصلًا بالخط الأرضي (E)
- عند تركيب قابس بديلة ينبغي أيضاً تركيب صمام كهربائي 13 أمبير أو محول كهربائي في صندوق الصمام الكهربائي الرئيسي. إذا كان لديك شك فتواصل مع فني كهربائي مؤهل.



1 تعليمات هامة للسلامة والبيئة

1.4 الاستخدام المخصص

تم تصميم ماكينة صنع القهوة الأوتوماتيكية بالكامل من Beko للاستخدام في المنازل والبيئات المماثلة، على سبيل المثال في مطابخ الموظفين والمتاجر والمكاتب والمناطق المماثلة أو بواسطة العملاء في المبيت والإفطار والفنادق والموتيلات وأماكن الإقامة الأخرى. ماكينة القهوة هذه غير مخصصة للاستخدام التجاري. الماكينة مخصصة فقط لتحضير القهوة وتسخين الحليب والماء. يعتبر أي استخدام آخر بخلاف المذكور سابقاً استخداماً غير لائق.

!خطر ناتج عن سوء استخدام

إذا لم يتم استخدامها للغرض المقصود منها أو استخدامها بأي طريقة أخرى، فقد تكون ماكينة تحضير القهوة مصدرًا للخطر.

تحذير: لذلك، لا يجوز استخدام ماكينة القهوة إلا للغرض المقصود منها.



تحذير: اتبع الإجراءات الموضحة في دليل المستخدم هذا.



لن يتم قبول أي مطالبات من أي نوع عن الأضرار أو الإصابات الناتجة عن استخدام ماكينة القهوة لغرض غير المقصود منها. يجب أن يتحمل صاحب الجهاز وحده الخطر.

- لا تغمر ماكينة القهوة، أو كابل التيار الكهربائي، أو قابس التيار الكهربائي في الماء أو السوائل الأخرى.
- لا تنظف ماكينة القهوة أو ملحقاتها في غسالة الأطباق.
- لا تصب أي سوائل أخرى غير الماء ولا تضع أي مواد غذائية في خزان المياه.
- لا تملأ خزان الماء بعد علامة الحد الأقصى (الحافة السفلية لفتحة التعبئة) (1.5 لتر).
- قم بتشغيل الجهاز فقط بعد تركيب وعاء النفايات وإناء التنقيط وشبكة الكوب.
- لا تسحب الكابل لإزالة القابس من مقبس التيار الكهربائي ولا تلمسه بيد مبللة.
- لا تحمل ماكينة القهوة من كابل التيار الكهربائي.
- احتفظ بالجهاز وسلكه بعيداً عن متناول الأطفال دون 8 أعوام.
- لا تقم بتشغيل وظيفة الماء الساخن بشكل مستمر لأكثر من خزان ماء.

1 تعليمات هامة للسلامة والبيئة

. تجنب ملامسة الجلد للبخار المتسرب أو الماء الساخن أو ماء التنظيف وإزالة الترسبات.

. لا يجوز استبدال الأجزاء المعيبة إلا بقطع غيار أصلية. تضمن قطع الغيار الأصلية فقط استيفاء متطلبات السلامة.

. يمكن استخدام هذا الجهاز من قبل الأطفال من سن 8 سنوات فما فوق وكذلك الأشخاص الذين يعانون من ضعف القدرات الجسدية أو الحسية أو العقلية أو الذين يفتقرون إلى الخبرة و / أو المعرفة، فقط إذا تم الإشراف على هؤلاء الأشخاص أو تم إرشادهم حول كيفية استخدام الجهاز بطريقة آمنة، وإدراكهم المخاطر التي يمكن أن تنشأ عن استخدامه. يحظر عبث الأطفال بالجهاز. يحظر إجراء أعمال التنظيف والصيانة بواسطة الأطفال إلا إذا كانوا أكبر من 8 أعوام وتحت الإشراف.

. هذا الجهاز مصمم للاستخدام المنزلي والتطبيقات المماثلة مثل:

- مناطق كادر الطبخ في المتاجر والمكاتب وبيئات العمل الأخرى.

- المزارع؛

- النزلاء في الفنادق وفنادق الطرق والبيئات السكنية المماثلة؛

- أماكن المبيت والإفطار؛

. احمي ماكينة القهوة من تأثيرات الطقس مثل المطر والصقيع وأشعة الشمس المباشرة. لا تستخدم ماكينة القهوة في الهواء الطلق.

1.3 احتياطات السلامة الأساسية

اتبع احتياطات السلامة التالية لضمان التعامل الآمن مع ماكينة القهوة:

. لا تلعب أبداً بمواد التنظيف. خطر الاختناق.

. افحص ماكينة القهوة بحثاً عن علامات تلف واضحة قبل الاستخدام. لا تستخدم آلة القهوة في حالة وجود تلف.

. في حالة تلف كابل التوصيل، يجب استبداله فقط بواسطة وكيل خدمة موصى به من قبل الشركة المصنعة من أجل منع أي خطر! يرجى الاتصال بالشركة المصنعة أو خدمة العملاء التابعة لها.

. يجب أن يتم إصلاح ماكينة القهوة فقط من قبل متخصص معتمد أو من خلال خدمة العملاء. يمكن أن تؤدي الإصلاحات غير المؤهلة إلى خطر كبير على المستخدم. سيؤدي ذلك إلى إبطال الضمان أيضاً.

. لا يجوز إجراء إصلاحات ماكينة القهوة خلال فترة الضمان إلا من قبل مراكز الخدمة المعتمدة من قبل الشركة المصنعة، وإلا سيصبح الضمان باطلاً في حالة حدوث تلف لاحق.

1 تعليمات هامة للسلامة والبيئة

- لا تفتح غطاء ماكينة القهوة. خطر التعرض لصدمة كهربائية إذا تم لمس التوصيلات الحية و / أو تغيير التكوين الكهربائي والميكانيكي.
 - قبل تنظيف حاوية الحبوب، اسحب قابس التيار الكهربائي من المقبس. خطر مطحنة القهوة الدوارة!
- يتضمن هذا القسم تعليمات السلامة التي ستساعد في توفير الحماية ضد الإصابة الشخصية ومخاطر فقدان المواد. يؤدي عدم اتباع هذه التعليمات إلى إبطال الضمان الممنوح.

1.1 خطر التيار الكهربائي

خطر على الحياة بسبب التيار الكهربائي! قد يؤدي التلامس مع الأسلاك أو المكونات الحية إلى إصابة خطيرة أو حتى الموت! اتبع احتياطات السلامة التالية لتجنب الصدمات الكهربائية:

- لا تستخدم ماكينة القهوة في حالة تلف كابل التوصيل أو قابس التيار الكهربائي.
 - قبل إعادة استخدام ماكينة القهوة، يجب استبدال كابل التيار الكهربائي بواسطة كهربائي مؤهل.
- يمكن أن تصبح أجزاء ماكينة القهوة ساخنة جدًا أثناء التشغيل! المشروبات المحضرة والبخار المتسرب ساخن للغاية! التزم باحتياطات السلامة التالية لتجنب حرق نفسك و / أو الآخرين:
- لا تلمس أيًا من الأكمال المعدنية الموجودة على فوهة القهوة.

1.2 خطر الحروق

1 تعليمات هامة للسلامة والبيئة 3

- 1.1 خطر التيار الكهربائي..... 3
- 1.2 خطر الحروق..... 3
- 1.3 احتياطات السلامة الأساسية..... 4
- 1.4 الاستخدام المخصص..... 6
- 1.5 حدود المسؤولية القانونية..... 7
- 1.6 الامتثال للتوجيهات الخاصة بنفايات الأجهزة والتخلص منها: 7
- 1.7 الامتثال لتوجيهات حظر المواد الخطرة:..... 7
- 1.8 معلومات الغلاف..... 7
- 1.9 توصيل القابس..... 7

**2 ماكينة تحضير القهوة الأوتوماتيكية
بالكامل 8**

- البيانات التقنية..... 8

3 الشاشة 9

- 3.1 لوحة التحكم..... 9

4 التحضير 10

- 4.1 التركيب..... 10
- 4.2 تعبئة خزان المياه..... 10

5 التشغيل 12

- 5.1 ضبط الطحن..... 12
- 5.2 ملء وعاء حبوب البن..... 12
- 5.3 تحضير قهوتك..... 13
- 5.4 ضبط حجم قهوتك / الماء الساخن..... 14
- 5.5 تحضير الحليب الرغوي للقهوة..... 14
- 5.6 الماء الساخن..... 15
- 5.7 تحديد الوضع..... 15

6 التنظيف 16

- 6.1 تنظيف الجهاز..... 16
- 6.2 التنظيف الذاتي..... 17
- 6.3 وظيفة النظام الفارغة..... 18
- 6.4 الشطف اليدوي..... 18

7 استكشاف الأخطاء وإصلاحها 19

يرجى قراءة دليل المستخدم هذا أولاً!

معاني الرموز

عميلنا العزيز،

شكرًا لك على اختيار أحد منتجات Beko. نأمل أن تحصل على أفضل النتائج من منتجك الذي تم تصنيعه بجودة عالية وأحدث التقنيات. لذلك، يرجى قراءة دليل المستخدم بالكامل وجميع المستندات الأخرى المصاحبة له بعناية قبل استخدام المنتج والاحتفاظ به كمرجع للاستخدام في المستقبل. وإذا قمت بإعطاء المنتج إلى شخص آخر، فقم بإعطاء دليل المستخدم أيضًا. اتبع جميع التحذيرات والمعلومات الواردة في دليل المستخدم.

تستخدم الرموز التالية في الأقسام المختلفة من هذا الدليل:

معلومات هامة أو تلميحات مفيدة عن الاستخدام.



خطر: تحذير حول مواقف خطيرة تتعلق بالحياة والممتلكات.



تحذير: تحذير يشير إلى موقف خطير محتمل.



إنذار: يشير التحذير إلى تلف مادي محتمل.



يهدف إلى تلامس المواد للطعام.



تم إنتاج هذا المنتج في مرافق حديثة وصديقة للبيئة

beko

ماكينة تحضير القهوة الأوتوماتيكية بالكامل دليل المستخدم



CEG 5311 X

AR



CE

01M-8814253200-4421-12