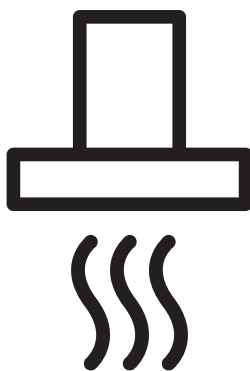




Hood Cooker

User Manual



CTB6253 X

EN



01M-8842013200-3323-06

CONTENTS

1 Important safety and environmental instructions 4

- 1.1 General safety 4
- 1.2 Compliance with the WEEE Directive and Disposing of the Waste Product: . 7
- 1.3 Compliance with RoHS Directive . 7
- 1.4 Package Information 7

2 General appearance 8

- 2.1 Overview 8
- 2.1 Technical data. 8

3 Operation of the appliance 9

- 3.1 Controlling the appliance 9
- 3.2 Energy efficient usage 9
- 3.3 Operating the hood 9
- 3.4 Replacement of lamp 9
- 3.5 Operation with chimney connection 10
- 3.6 Operation without chimney connection 10

4 Cleaing and maintenance 11

- 4.1 Cleaning of aluminum grease filter11
- 4.2 Replacement of carbon filters . . 11

5 Installation of appliance 12

- 5.1 Position of the appliance 12
- 5.2 Installation accessories 12
- 5.3 Installation of the hood 13
- 5.4 Storage 15
- 5.5 Handling and transportation. . . 15

6 Troubleshooting 16

Please read this user manual first!

Dear Valued Customer,

Thank you for preferring this Beko appliance. We hope that you get the best results from your appliance which has been manufactured with high quality and state-of-the-art technology. For this reason, please read this entire user manual and all other accompanying documents carefully before using the appliance and keep it as a reference for future use. If you handover the appliance to someone else, give the user manual as well. Follow the instructions by paying attention to all the information and warnings in the user manual.

Remember that this user manual may also apply to other models. Differences between models are explicitly described in the manual.

Meanings of the Symbols

Following symbols are used in various sections of this user manual:



Important information and useful hints about usage.



WARNING: Warnings against dangerous situations concerning the security of life and property.



WARNING: Warning for danger of fire.



WARNING: Warning for electric shock.



Protection class for electric shock.



This appliance has been produced in environmentally friendly facilities without harming the nature.

1 Important safety and environmental instructions

1.1 General safety

Important Safety Instructions Read Carefully And Keep For Future Reference This section contains safety instructions that will help protect from risk of fire, electric shock, exposure to leak microwave energy, personal injury or property damage. Failure to follow these instructions shall void any warranty.

- Beko products comply with the applicable safety standards; therefore, in case of any damage on the appliance or power cable, it should be repaired or replaced by the dealer, service center or a specialist and authorized service alike to avoid any danger. Faulty or unqualified repair work may be dangerous and cause risk to the user.
- This appliance is intended to be used in household and similar applications such as:
 - Staff kitchen areas in shops, offices and other working environments;
 - Farm houses
 - By clients in hotels, and other residential type environments;
 - Bed and Breakfast type environments.
- Operate the appliance for its intended purpose only as described in this manual.
- The manufacturer cannot be held liable for damages resulting from improper installation or misuse of the product.
- This appliance can be used by children aged from 8 years and above and persons with reduced physical, sensory or mental capabilities or lack of experience and knowledge if they have been given supervision or instruction concerning use of the appliance in a safe way and understand the hazards involved.
- Children shall not be allowed play with the appliance. Cleaning and user maintenance shall not be made by children without supervision.

1 Important safety and environmental instructions

- The minimum distance between the supporting surface for the cooking vessels on the hob and the lowest part of your product must be at least 65 cm.
 - If the instructions for installation for the gas hob specify a greater distance, this has to be taken into account.
 - Make sure that your mains power supply complies with the information supplied on the rating plate of the appliance.
 - Never use the appliance if the power cable or the appliance itself is damaged.
 - Prevent damage to the power cable by not squeezing, bending, or rubbing it on sharp edges. Keep the power cable away from hot surfaces and naked flame.
 - Use the appliance with a grounded outlet only.
- WARNING:** Do not connect the appliance to the mains until the installation is fully complete.
- Place the appliance in a way so that the plug is always accessible.
 - Do not touch the lamps if they have operated for a long time. They can burn your hands since they will be hot.
 - Follow the regulations set out by competent authorities on discharge of the exhaust air (this warning is not applicable for use without flue).
 - Operate your appliance after putting a pot, pan etc. on the hob. Otherwise, high heat may cause deformation in some parts of your product.
 - Turn off the hob before taking the pot, pan etc. from it.
 - Do not leave hot on the hob. Pans with hot may cause self combustion.
 - Pay attention to your curtains and covers since may catch fire while cooking food such as fries.
 - Grease filter must be cleaned at least monthly. Carbon filter must be replaced at least every 3 months.

1 Important safety and environmental instructions

- Product shall be cleaned accordance with user manual. If cleaning was not carried out in accordance with user manual, there may be fire risk.
 - Do not use non-fire-resistant filtering materials instead of the current filter.
 - Only use the original parts or parts recommended by the manufacturer.
 - Do not operate the product without the filter and do not remove the filters while the product is running.
 - In the event of be started any flame, de-energize your product and cooking appliances.
 - In the event of be started any flame, cover the flame and never use water to extinguish.
 - Unplug the appliance before each cleaning and when the appliance is not in use.
 - The negative pressure in the environment should not exceed 4 Pa (4x10 bar) while the hood for electric hob and appliances running on another type of energy but electricity operate simultaneously.
 - In the environment where the appliance is being used, the exhaust of devices running on fuel or gas, such as room heater must be absolutely isolated or device must be hermetical type.
 - When connecting the flue, use pipes with a diameter of 120 or 150 mm. Pipe connection must be as short as possible and have as few elbows as possible.
 - Danger of choking! Keep all the packaging materials away from children.
- CAUTION:** Accessible parts may become hot when used with cooking appliances.
- The product outlet must not be connected to air channels that include other smoke.
 - The ventilation in the room may be insufficient when the hood for electric hob is used simultaneously with the devices operating on gas or other fuels (this may not apply to appliances that only discharge the air back into the room).

1 Important safety and environmental instructions

- Objects placed on the product may fall. Do not place any objects on the product.
- Do not flambe under the your product.

WARNING: Before installing the Hood, remove the protective films.

- Never leave high naked flames under the hood when it is in operation
- Deep fat fryers must be continuously monitored during use: overheated can burst into flames.

1.2 Compliance with the WEEE Directive and Disposing of the Waste Product:

This product complies with EU WEEE Directive (2012/19/EU). This product bears a classification symbol for waste electrical and electronic equipment (WEEE).



This symbol indicates that this product shall not be disposed with other household wastes at the end of its service life. Used device must be returned to official collection point for recycling

of electrical and electronic devices. To find these collection systems please contact to your local authorities or retailer where the product was purchased. Each household performs important role in recovering and recycling of old appliance. Appropriate disposal of used appliance helps prevent potential negative consequences for the environment and human health.

1.3 Compliance with RoHS Directive

The product you have purchased complies with EU RoHS Directive (2011/65/EU). It does not contain harmful and prohibited materials specified in the Directive.

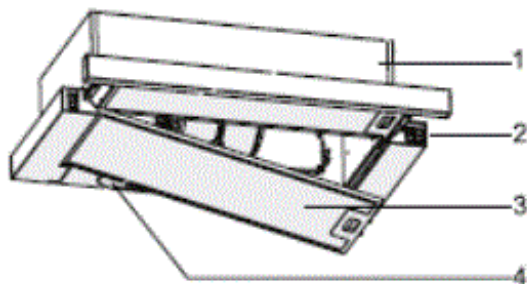
1.4 Package Information



Packaging materials of the product are manufactured from recyclable materials in accordance with our National Environment Regulations. Do not dispose of the packaging materials together with the domestic or other wastes. Take them to the packaging material collection points designated by the local authorities.

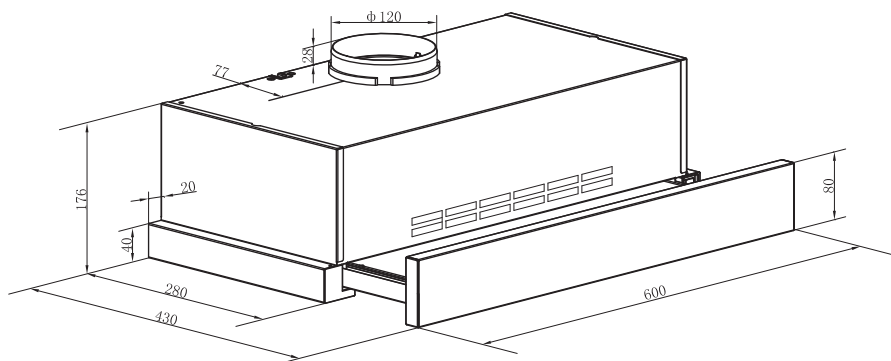
2 General appearance

2.1 Overview



Control and parts

1. Front panel
2. Switch
3. Aluminum grease filter
4. Halogen lighting

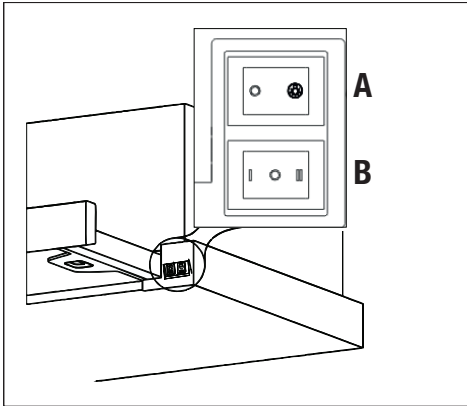


2.1 Technical data

Supply voltage & Frequency	220 - 240 V~ 50 Hz
Lamp power	2x28 W
Motor power	200 W
Flow rate – 2. Level	440 m ³ /h

3 Operation of the appliance

3.1 Controlling the appliance



Key	Function
A : Light On/Off	Pull the sliding plate to the front. Press the button downwards to turn on the lamp or upwards to turn off the lamp.
B : 1 and 2 speed button	Pull the sliding plate to the front. Press the button upwards to operate the hood at speed level 1, and downwards to operate the hood at speed level 2.

3.2 Energy efficient usage

- When using your appliance, adjust the speed settings according to vapour and odour intensity, in order to save energy.
- Use low speeds (1-2) under normal conditions, and high speed (3) for intense odour and vapour.
- The lamps on the hood are placed for illuminating the cooking area.
- Using them for environmental lighting shall cause unnecessary energy expenditure and insufficient lighting.

3.3 Operating the hood

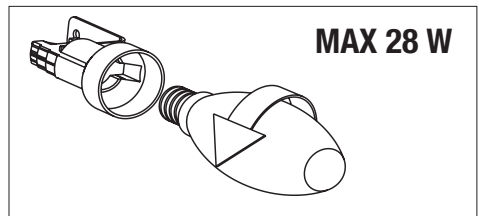
- Your appliance contains a motor that has various speeds.

- For better performance, we recommend using low speeds under normal conditions and high speeds in cases of strong odours and intense vapour.
- You can start your appliance by pressing on the desired speed setting button. (B).
- You may illuminate the cooking area by pressing the lamp.

3.4 Replacement of lamp

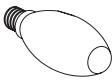


CAUTION: Disconnect the electrical supply of the hood. Leave the lamps to cool down first because they could burn your hands when they are hot.



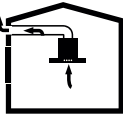
(Figure 1)

Remove the aluminium cartridge filter. Remove the defective bulb and replace with a new one with the same rating (Figure 1).

Bulb	
Bulb power	28 W
Holder/Socket	E 14
Bulb voltage	AC 220 V

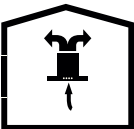
3 Operation of the appliance

3.5 Operation with chimney connection

-  Vapour is extracted through the flue duct, which is fastened to the connection head on the hood.

- The diameter of the flue duct must be the same as the connection ring. In horizontal settings, the pipe has to have a slight upward slope (around 10°) so that the air can exit the room easily.

3.6 Operation without chimney connection

-  Air is filtered through the carbon filter and recirculated in the room. Carbon filter is used when it is impossible to use a flue in the house.

- In flueless use, remove the flaps inside the flue adapter.
- Remove the aluminum grease filter. To install the carbon filter, fit the filter to the tabs by centring it on the plastic piece on both sides of the fan body. Tighten it by turning right or left.
- Replace aluminum grease filter.

4 Cleaning and maintenance



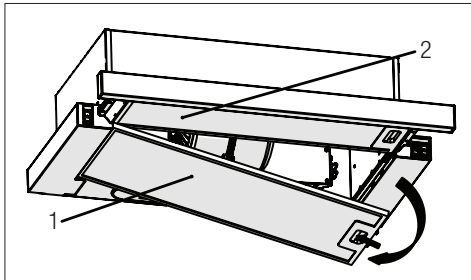
Before cleaning and maintenance, unplug the product or turn off the switch.



CAUTION: In case of normal use, clean your aluminum grease filter once in a month.

4.1 Cleaning of aluminum grease filter

Aluminum grease filter is used to retain the particles in the air. Aluminum grease filter may change colour after repeated cleaning. This is normal, and you do not have to replace your filters.



(Figure 2)

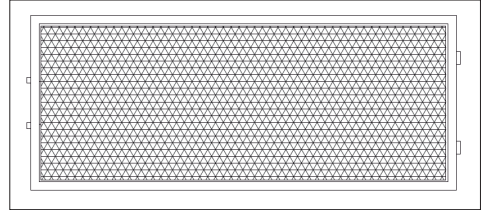
1. External aluminium grease filter
 2. Internal aluminium grease filter
- Pull the sliding plate out by holding the front panel. Remove the external aluminium grease filter first, and then the internal aluminium grease filter .
 - Push the aluminium grease filter lock forward.
 - Then lower it slightly down and pull it out (**Figure 2**). Otherwise, you can bend the filter. Wash and rinse aluminium grease filter s with liquid detergent and replace aluminium grease filter s to their sockets by by carrying out the steps specified above in reverse order. This filter retain the particles in the air.



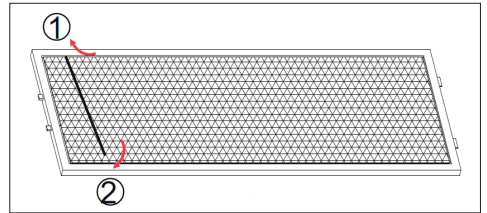
You may also wash the aluminum grease filter in the washing machine.

4.2 Carbon filter

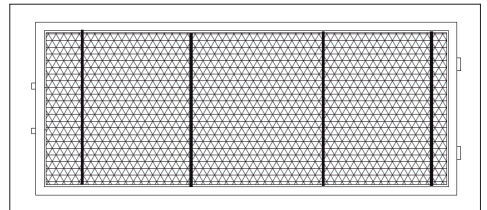
1. Put the charcoal filter foam on the back of the outer aluminium cassette filter.



2. Use an iron wire to insert in the side of aluminium filter and press the charcoal filter foam.



3. Use other three iron wires in the same method to press the charcoal filter foam flat. (4 pcs iron wires for BRH60TW), (5 pcs iron wires for BRH90TW)



4. The same method is used to install the charcoal filter foam for inner aluminium filter with same quantity of iron wires.

5 Installation of appliance

CAUTION:

- Carbon filter shall never be washed.
- Replace carbon filters once every 3 months.
- You can obtain the carbon filter from the authorized services.



WARNING: Before starting the installation, read the safety information on user manual.



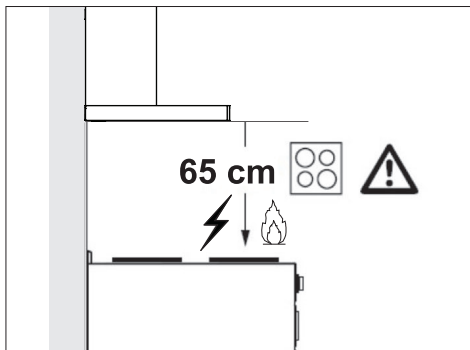
WARNING: Failure to install with screws and stabilizers in accordance with these instructions may result in electric shock.



For the installation of the hood, please contact the nearest Authorized Service.

It is the customer's responsibility to prepare the location and electrical installation of the hood.

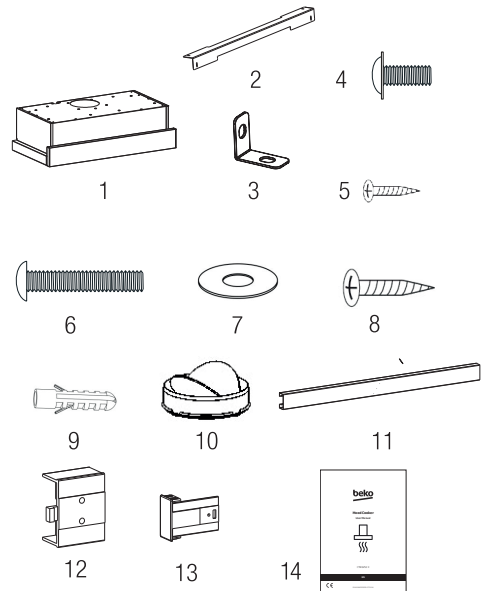
5.1 Position of the appliance



(Figure 5)

- Distance between the cooker and the cooker hood must be considered prior to assembly. This distance should be 65 cm (Figure 5).
- Distance must be measured from the surface of grate for gas cookers,
- From surface of glass for electric cookers.

5.2 Installation accessories



1. Hood
2. Positioning plate
3. Wall mounting lock (2x)
4. Screw M4*10 mm (2x)
5. Screw ST3*12 mm (2x)
6. Screw M4*35 mm (6x)
7. Flat metal Ø4*20*1 mm (6x)
8. Screw ST4*30 mm (4x)
9. Wall plug (4x)
10. outlet (120 mm)+non-return valves
11. Front panel 40 mm
12. Decoration panel fixation (4x)
13. Decoration panel cap (2x)
14. User manual

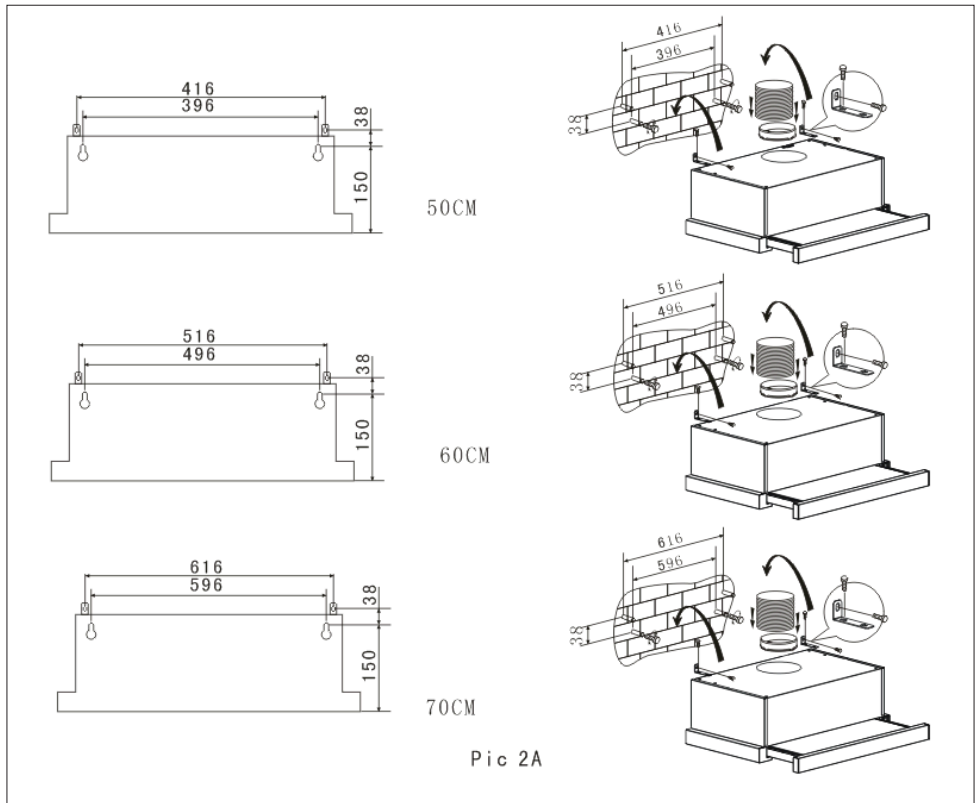
The information required to make the location suitable for the installation of the hood is given below.

5 Installation of appliance

5.3 Installation of the hood

Way one: (See Pic 2A)

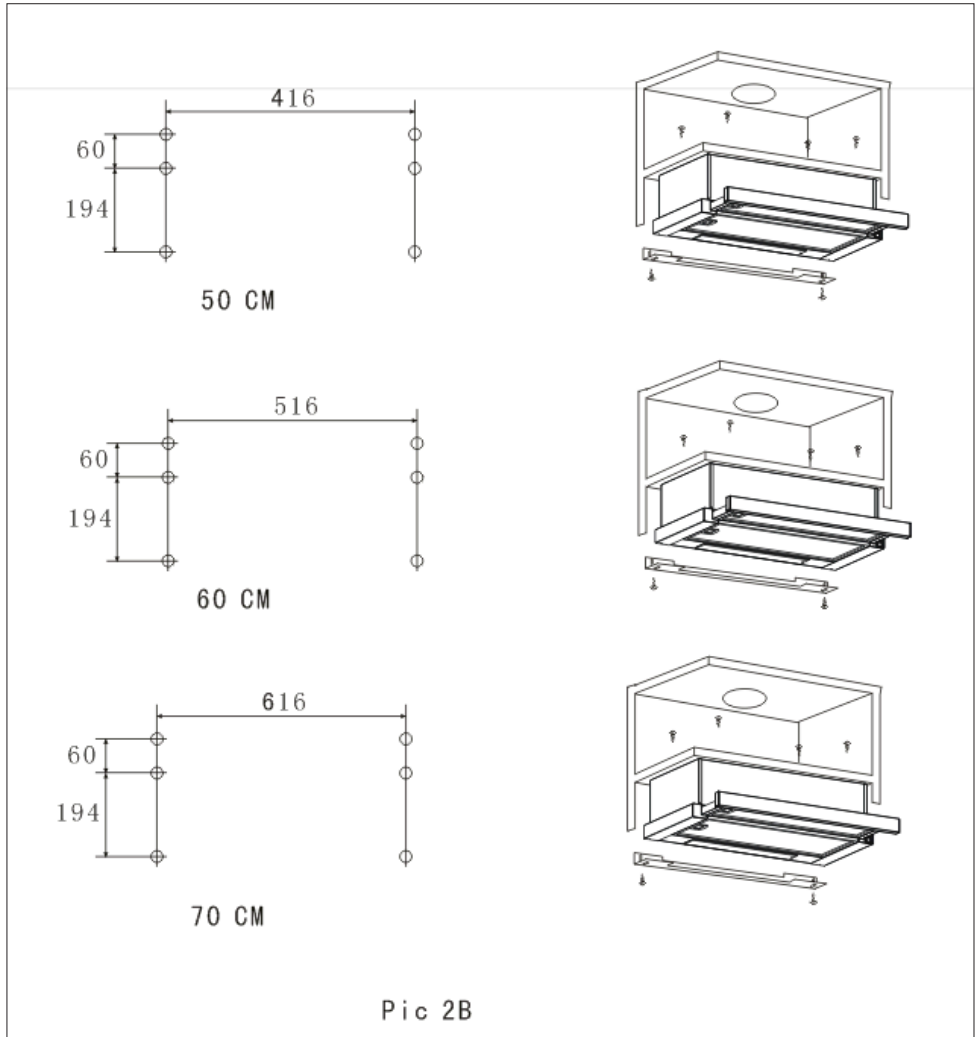
- To install onto the wall drill 4 holes of $\varnothing 8$ mm on a suitable place according with the centre distance of hole in the back of the cooker hood.
- Insert the wall plugs into the holes.
- Insert the screws into the wall pulgs and tight the screws.
- Put up the cooker hood onto the fixed screws.
- Put the one air outlet and extensible pipe onto the cooker hood. (the extensible pipe is optional not supplied)



5 Installation of appliance

Way two: (See Pic 2B)

- Drill 6 holes of 4 mm diameter at the bottom of the hanging cupboard
- Put the air outlet on the cooker hood, then install the cooker hood on the bottom of the cupboard, tighten the hood with enclosed 6 screws.
- Install the adjusted board on the bottom of the hood in order to keep out the gap between hood back and cupboard.

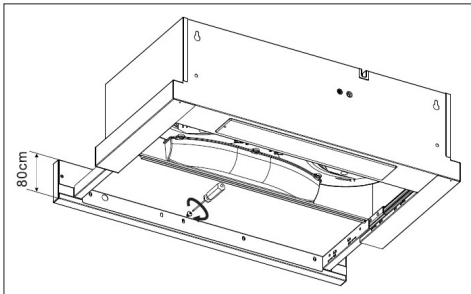
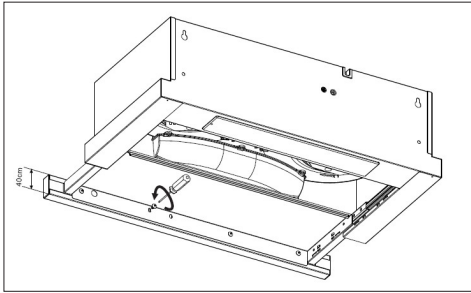


5 Installation of appliance

7 Replacement for the front panel

Replace the front panel (80 mm) is as below:

- Side the front panel of the cooker hood.
- In order to change front panel, the AI anti-grease filter should be detached firstly. Press the lock and pull it downward.
- Remove 4 screws in the back of the front panel (40 mm)
- Put the front panel (80 mm) on the slider board, adjust position in order to keep balance with the hood body, tighten with enclosed 4 screws.
- Repeat the same way if change to 40 mm



- Always keep the appliance out of the reach of children.

5.5 Handling and transportation

- During handling and transportation, carry the appliance in its original packaging. The packaging of the appliance protects it against physical damages.
- Do not place heavy loads on the appliance or the packaging. The appliance may be damaged.
- Dropping the appliance will render it non-operational or cause permanent damage.

5.4 Storage

- If you do not intend to use the appliance for a long time, store it carefully.
- Before lifting the appliance unplug it and then let it cool completely.
- Keep the appliance and its accessories in their original packages.
- Store it in a cool, dry place.

6 Troubleshooting

Troubleshooting	Root cause	Help
Appliance is not working.	Check your fuses.	Fuse may be blown, inspect and restore it.
Appliance is not working.	Check the electrical connection.	Mains voltage shall be between 220 and 240 V.
Appliance is not working.	Check the electrical connection.	Check if other appliance in your kitchen operate.
Illumination light does not operate.	Check the electrical connection.	Mains voltage shall be between 220 and 240 V.
Illumination light does not operate.	Inspect the lamp switch.	Lamp switch shall be at "on" position.
Illumination light does not operate.	Inspect the lamps.	The lamps of the appliance shall illuminate.
Air inlet of the appliance is inadequate.	Inspect the aluminium filter.	Under normal operating conditions, aluminum grease filter shall be cleaned at least once in a month.
Air inlet of the appliance is inadequate.	Check the air discharge chimney.	The air discharge chimney shall be at "on" position.
Air inlet of the appliance is inadequate.	Inspect the carbon filter.	The filters of the appliances with carbon filters shall be replaced once in every 3 months under normal conditions.



Manufacturer's Warranty

FOR SALES IN AUSTRALIA AND NEW ZEALAND

This document sets out the terms and conditions of the product warranties for Beko appliances, and it is an important document which you should keep safe together with your proof of purchase for future reference should there be a manufacturing defect in your appliance. This warranty is in addition to other rights you may have under Australian and New Zealand Consumer Laws.

1. In this warranty:

- a. 'Appliance' means any Beko product purchased by you and accompanied by this document;
- b. 'ASC' means Beko authorised service centres;
- c. 'Beko' means Beko Australia and New Zealand Pty Ltd of 55 Blanck Street, Ormeau, QLD 4208, Australia ABN 49 152 055 162 in respect of Appliances purchased in Australia and New Zealand;
- d. 'Warranty Period' means the period specified in clause 3 of this manufacturer's guarantee;
- e. 'you' means the purchaser of the Appliance not having purchased the Appliance for re-sale, and 'your' has a corresponding meaning.

2. Application: This warranty only applies to new Appliances, purchased and used in Australia or New Zealand and is in addition to (and does not exclude, restrict or modify in any way) other rights and remedies under a law to which the Appliances relate, including any non-excludable statutory guarantees in Australia and New Zealand.

3. Warranty Period: Subject to these terms and conditions this warranty continues for a period of 24 months following the date of original purchase of the Appliance. In addition, the Warranty Period is extended an additional 36 months if you register your Appliance on the Beko website shown below within 90 days following the date of original purchase.

4. Repair or Replace Warranty: During the Warranty Period Beko or its ASC will, at no extra charge if your Appliance is readily accessible for service, without special equipment and subject to these terms and conditions, repair or replace any parts which it considers to be defective. Beko or its ASC may use refurbished parts to repair your Appliance. You agree that any replaced Appliances or parts become the property of Beko.

5. Travel and Transportation Costs: Subject to clause 7 Beko will bear the reasonable cost of transportation, travel and delivery of the Appliance to and from Beko or its ASC. Travel and transportation will be arranged by Beko as part of any valid warranty claim.

6. Proof of Purchase: Proof of purchase is required before you can make a claim under this warranty.

7. Exclusions: You may not make a claim under this warranty unless the defect claimed is due to faulty or defective parts or workmanship. This warranty does not cover:

- a. light globes, batteries, filters or similar perishable or consumable parts;

- b. parts and Appliances not supplied by Beko;
- c. cosmetic damage which does not affect the operation of the Appliance;
- d. damage to the Appliance caused by:
 - i. negligence or accident;
 - ii. misuse or abuse, including failure to properly maintain or service;
 - iii. normal wear and tear;
 - iv. power surges, electrical storm damage or incorrect power supply;
 - v. incomplete or improper installation;
 - vi. incorrect, improper or inappropriate operation;
 - vii. insect or vermin infestation;
 - viii. failure to comply with any additional instructions supplied with the Appliance;

In addition, Beko is not liable under this warranty if:

- a. the Appliance has been, or Beko reasonably believes that the Appliance has been, used for purposes other than those for which the Appliance was intended, including where the Appliance has been used for any non-domestic purpose;
- b. the Appliance is modified without authority from Beko in writing;
- c. the Appliance's serial number or warranty seal has been removed or defaced;
- d. the Appliance was serviced or repaired by anyone other than Beko, an authorised repairer or ASC.

8. How to Claim Under This Warranty: To enquire about claiming under this warranty, please follow these steps:

- a. carefully check the operating instructions, user manual and the terms of this warranty;
- b. have the model and serial number of the Appliance available;
- c. have the proof of purchase (e.g. an invoice) available;
- d. contact Beko using the contact details shown below.

9. Australia: For Appliances and services provided by Beko in Australia, Beko goods come with a guarantee by Beko that cannot be excluded under the Australian Consumer Law. You are entitled to a replacement or refund for a major failure and for compensation for any other reasonably foreseeable loss or damage. You are also entitled to have the Appliance repaired or replaced if the Appliance fails to be of acceptable quality and the failure does not amount to a major failure. 'Acceptable quality' and 'major failure' have the same meaning as referred to in the Australian Consumer Law.

10. New Zealand: For Appliances and services provided by Beko in New Zealand, the Appliances come with a guarantee by Beko pursuant to the provisions of the Consumer Guarantees Act, the Sales of Goods Act and the Fair Trading Act. Where the Appliance was purchased in New Zealand for commercial purposes the Consumer Guarantee Act does not apply.

11. Confidentiality: You accept that if you make a warranty claim, Beko and its ASC may exchange information in relation to you to enable Beko to meet its obligations under this warranty.

Australia Service Contact Details:

<https://www.beko.com/au-en/support/help-center>

Toll Free 1300AUBEKO 1300 282 356

Email: beko.care@beko.com

Fax: (07) 5549 3546



New Zealand Service Contact Details:

<https://www.beko.com/nz-en/support/help-center>

Toll Free 0800NZBEKO 0800 69 2356

Email: beko.care@beko.com

Fax: (+617) 5549 3546



Beko A&NZ Pty Ltd
55 Blanck Street , Ormeau QLD, 4208
AUSTRALIA

www.beko.com.au