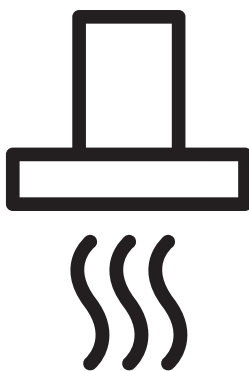




Cooker Hood

User Manual



BRH60CX - BRH90CX

EN



01M-8864653200-2721-02
01M-8864663200-2721-02

Please read this manual first!

Dear Customers!

Thank you for preferring a Beko product. We hope that you get the best results from your product which has been manufactured with high quality and state-of-the-art technology. Therefore, please read this entire user manual and all other accompanying documents carefully before using the product and keep it as a reference for future use. If you handover the product to someone else, give the user manual as well. Follow all warnings and information in the user manual.

Remember that this user manual is also applicable for several other models. Differences between the models are explicitly described in the manual.

Meanings of the Symbols

Following symbols are used in the various section of this manual:



Important information and useful hints about usage.



WARNING: Warnings for dangerous situations concerning the safety of life and property.



Warning for electric shock.



Warning for hot surfaces.



This product has been manufactured in environmental friendly modern plants without giving any harm to the nature.

This section contains safety instructions that will help protect from risk of personal injury or property damage. Failure to follow these instructions invalidates the granted warranty.


1.1 General safety

- Always have the installation and repairing procedures carried out by the Authorised Service Agent. Manufacturer shall not be held responsible for damages that may be caused by unauthorised persons.
 - This appliance is not intended for use by persons (including children) with reduced physical, sensory or mental capabilities, or lack of experience and knowledge. Children should be supervised to ensure that they do not play with the appliance.
- ### 1.1.1 Electrical safety
- Always unplug the appliance from the mains supply during installation, maintenance, cleaning and repair operations.
 - If the power cable is faulty, it should be replaced by a qualified person certified by the manufacturer, after-sales service or similar (preferably an electrician) or a person described by the importer.
 - Operating voltage is 220 to 240 volts.
 - If the appliance has a failure, it should not be operated unless it is repaired by the Authorised Service Agent. There is the risk of electric shock!
 - Do not route power cable close to hobs. Otherwise power cable may cause fire since it melts down easily.
 - Never plug the hood before installation is completed.
 - In order to obtain the best performance, external conductor must not be longer than 4 m. It must not contain more than 2 perpendicular (90°) angles and its diameter must be min. $\varnothing 120$ mm.
 - Disconnect the appliance from mains before any intervention to the internal parts of the appliance.
 - Use the appliance with a grounded outlet only.

- If the supply cord is damaged, it must be replaced by the manufacturer or its service agent or a similarly qualified person in order to avoid a hazard.
- ### 1.1.2 Product safety
- You can use a pipe with a diameter of 120 mm or 150 mm on the flue connection of the hood.
 - Do not make connections to the flues connected with stoves, exhaust shafts or flues with rising flames. Observe the rules set by authorities on the discharge of exhaust air.
 - The minimum distance from the surface of the hood to the upper surface of the stove/hob should not be less than 65 cm.
 - Do not operate the hood without grease filters and do not remove the filters while it is operated.
 - Never touch the hood's lamps after they are operated for a long time. Hot lamps may burn your hand.
 - Avoid large flames beneath the product. Otherwise, particles on oil filter may ignite and lead to a fire.
 - Turn on the hobs after placing pans or pots on it. Otherwise, rising heat may deform certain parts of your product.
 - Turn off the hobs before taking away pans or pots.
 - Avoid inflammable materials under the hood.
 - Oil may ignite while frying foods. Therefore, be careful about cloths and curtains.
 - Never leave the cooker unattended when frying foods; otherwise hot oil may cause fire.
 - There is the risk of fire if your hood is not cleaned in the specified periods.
 - Be extremely careful and wear gloves when cleaning the hood.
 - We advise you to operate the appliance a few minutes before starting to cook in order to increase the suction power. Thus, you shall have a continuous and stable suction power when the vapors arise.

1

Important safety and environmental instructions

- Operate your hood for 15 minutes more after the end of cooking or frying in order to remove the smell and cooking vapor in the kitchen.
 - When the hood is in use, especially together with gas cookers or other fuels, make sure that environment is ventilated with clean air.
 - Pay attention not to connect the appliance to the flues used by non-electrical devices. (E.g.: Heater flue).
 - Simultaneous and smooth operation of the hood and another device that require air is only possible when a low pressure of 4 Pa (0.04 mbar) is reached, and thus the reabsorption of the gas is avoided. This can only be achieved by means of air coming from uncovered openings (door, window, ventilation openings or other technical measures). Pay utmost attention to provide sufficient air flow. A flue that provides air ingress/egress is not enough for this purpose.
- 

The hood may stop working during an electrostatic discharge (e.g. lightning). This involves no risk of damage. Switch off the electricity supply to the hood and reconnect after one minute.
- Do not allow the hood to be used by children or persons with reduced (physical, sensory or mental) capabilities or lack of experience and knowledge, unless they have been given instruction concerning use of
 - the appliance by a person responsible for their safety.
 - Children should be supervised so that they do not play with the appliance.
 - To avoid the risk of fire, clean the metal filter regularly, permanently control pans containing hot oil and do not flambé food underneath the hood.
 - Do not use the hood if it shows signs of damage or imperfection. Contact an authorised service agent or the manufacturer.
 - Accessible parts may heat up when using cooking appliances.

1

Important safety and environmental instructions

1.1.3 Children's safety

- Packaging materials are dangerous to children. Keep packaging materials in a safe place out of reach of children.
 - Electrical appliances are dangerous to children. Keep children away from the product. Do not allow children play with the appliance.
 - This appliance can be used by the children who are at the age of 8 or over and by the people who have limited physical, sensory or mental capacity or who do not have knowledge and experience, as long as they are supervised with regard to safe use of the product or they are instructed accordingly and understand the risks of using the product. Children should not play with the appliance.
 - **CAUTION:** Accessible parts may heat up when used with a cooking device.
- The manufacturer shall not be liable for any damage caused by improper use or handling.

1.2 Intended use

- This appliance is intended for domestic use. It is not suitable for commercial use and it must not be used out of its intended use.

1

Important safety and environmental instructions

- **WARNING:** Failure to fix the screws in concordance with the instructions provided in the manual may lead to electrical hazards.

1.3 Compliance with WEEE Directive and disposing of the waste product



This product complies with EU WEEE Directive (2012/19/EU). This product bears a classification symbol for waste electrical and electronic equipment (WEEE).

This product has been manufactured with high quality parts and materials which can be reused and are suitable for recycling. Do not dispose of the waste product with normal domestic and other wastes at the end of its service life. Take it to the collection center for the recycling of electrical and electronic equipment. Please consult your local authorities to learn about these collection centers.

Compliance with RoHS Directive:

The product you have purchased complies with EU RoHS Directive (2011/65/EU). It does not contain harmful and prohibited materials specified in the Directive.

1.4 Package information



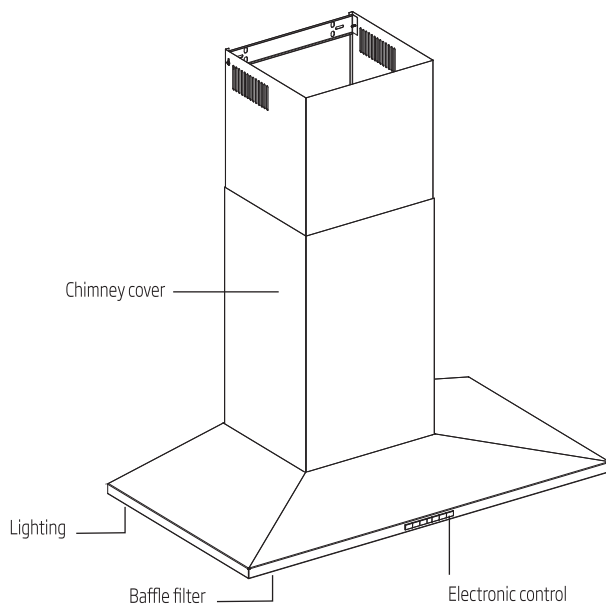
Package of the product is made of recyclable materials in accordance with our National Legislation. Do not dispose of the packaging materials together with the domestic or other wastes. Take them to the packaging material collection points designated by the local authorities.

2

Technical specifications of your appliance

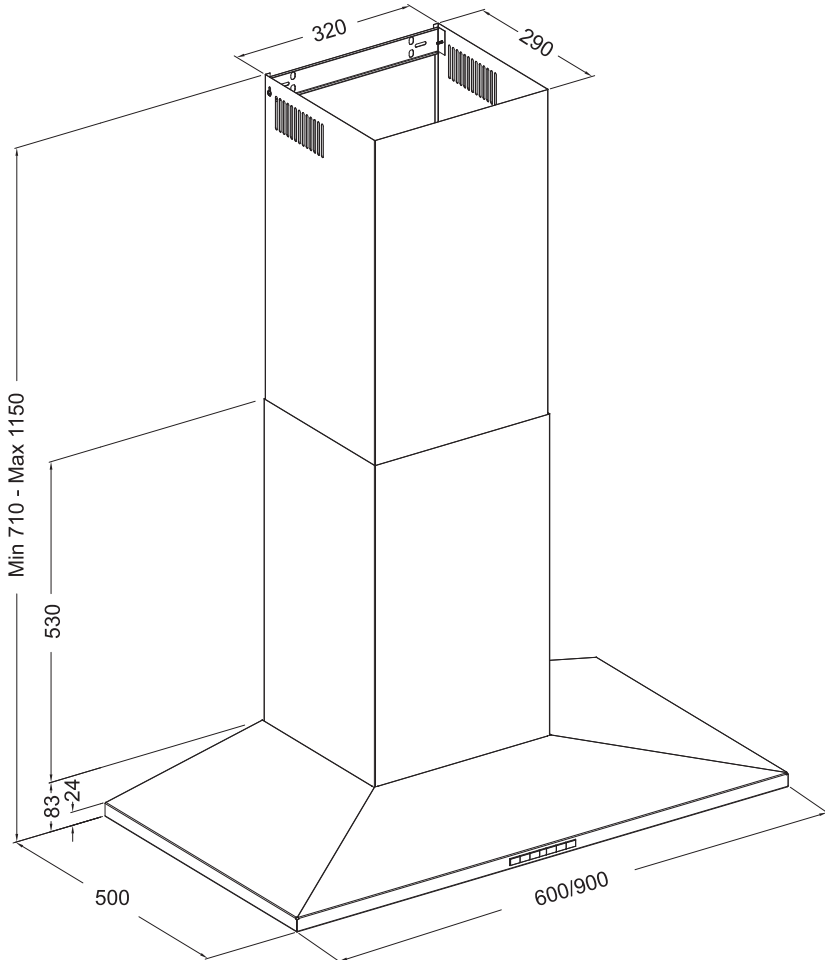
	BRH60CX	BRH90CX
Width	600 mm	900 mm
Depth	500 mm	500 mm
Height	Min. 710 - Max. 1150 mm	Min. 710 - Max. 1150 mm
Supply Voltage	220-240V~50 Hz	220-240V~50 Hz
Control	Electronic Tact Switch with Speed Display	Electronic Tact Switch with Speed Display
Suction power	700 m ³ /h	700 m ³ /h
Motor power	240 W	240 W
Lamp power	2 x 2 W	2 x 2 W
Total power	244 W	244 W
Net weight	14.4 kg	16.3 kg
Gross weight	17.6 kg	20.5 kg

Fig.1 Explanatory figure of the kitchen hood



2 Technical specifications of your appliance

Fig.2 Dimension drawing



3 Operating your appliance

The hood is designed for suction of fumes while preparing meals. The device can be operated in two modes:

As extractor: vapors are removed outside the room by means of a venting pipe. The venting pipe is not available with the device and must be purchased separately.



Use the shortest vapor discharging pipe possible.



The venting pipe shall have the smoothest inner surface as possible (it is not recommended to use pipes of type spiro).



Use a pipe with as few bends as possible (bending angles should not be greater than 90 degrees).



It is not recommended to apply section changes of the pipe (larger to smaller e.g. air outlet Ø150 mm to air outlet Ø120mm).


As absorber: vapors are cleaned of grease and odors before they are returned to the room through the grille on the upper chimney cover. If the hood shall work as an absorber, it is necessary to install an active carbon filter. The carbon filter is not standard equipment; it must be purchased from a vendor.

4 Installing your appliance



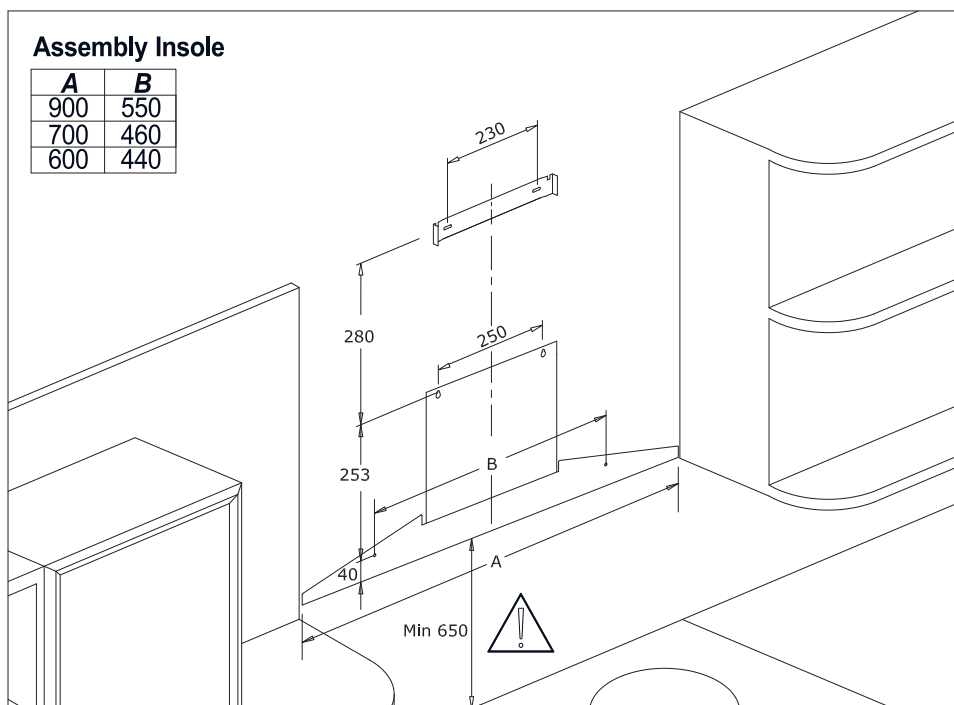
The exhaust air must not be discharged into a flue which is used for exhausting fumes from other appliances burning gas or other fuels.

Regulations concerning the discharge of air have to be fulfilled.

- Use a rigid PVC pipe with a min. \varnothing 120 mm to evacuate fumes outside.
- The above restrictions do not apply to hoods with no fumes outlet to outside (recirculation system with activated charcoal filter).
- Install the hood in line with the instructions on the template .

Assembly Insole

A	B
900	550
700	460
600	440



4 Installing your appliance

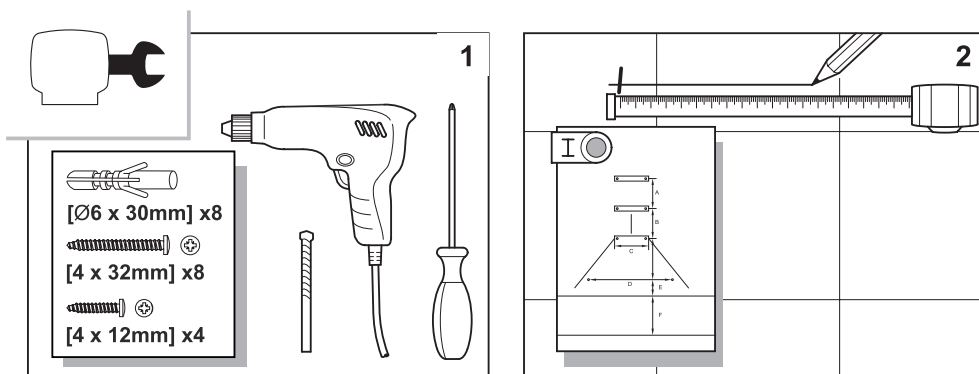
Before installation, the following must be done:

- Check that the dimensions of the purchased product are adapted to the selected target spot.
- Disconnect and remove (if possible) the furniture located in the installation area of the hood to get easy access to the ceiling or wall to which the hood is to be fitted. If this is not possible, the elements located near the working area must be secured.
- Verify if there is a plug socket close to the hood installation area and if it is possible to connect the hood to the vent pipe evacuating the vapors outside.
- Verify if the drilling spots do not cover installation wires (electrical, hydraulic, etc.).
- Be equipped with the following tools: measuring tape, pencil, drill/ driver, drill $\varnothing 8$, screwdriver, bubble level.

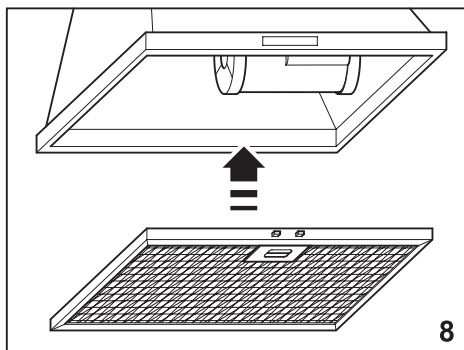
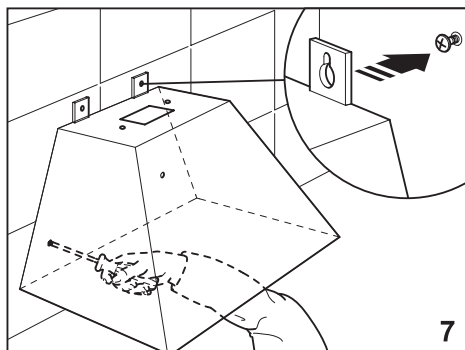
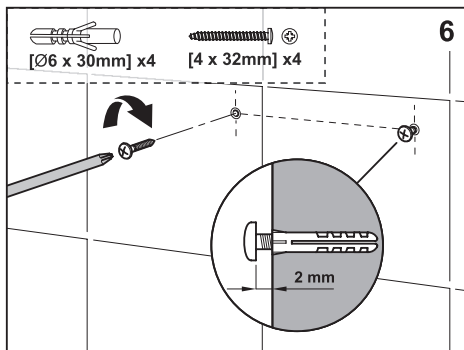
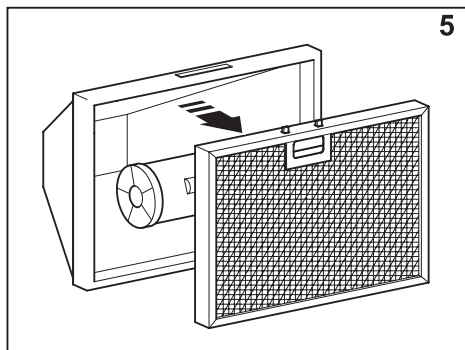
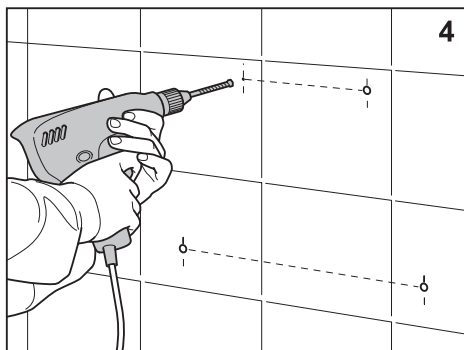
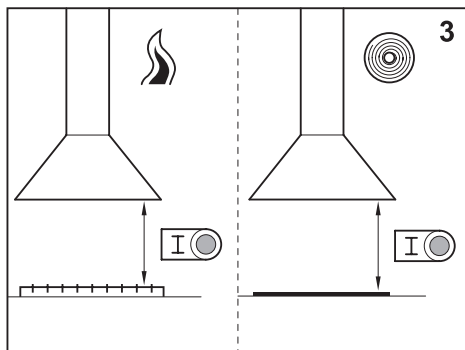


The installation must be carried out very carefully, so as not to scratch the chimney cover and the hood.

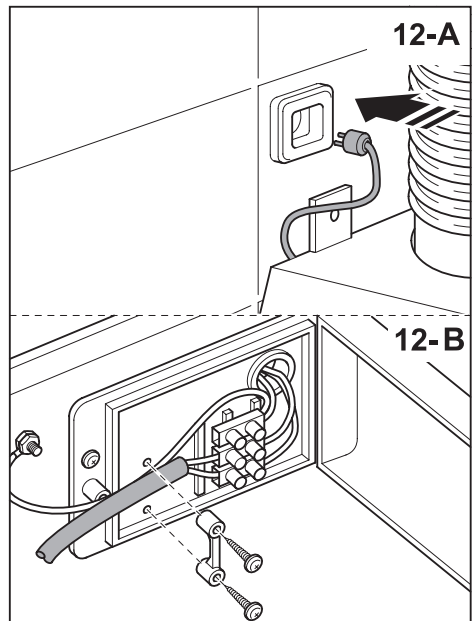
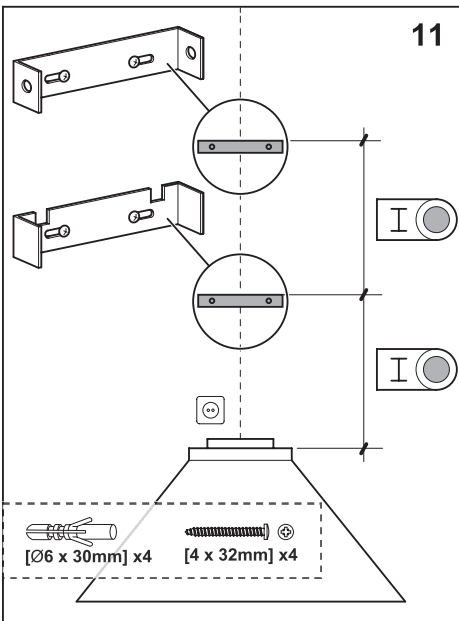
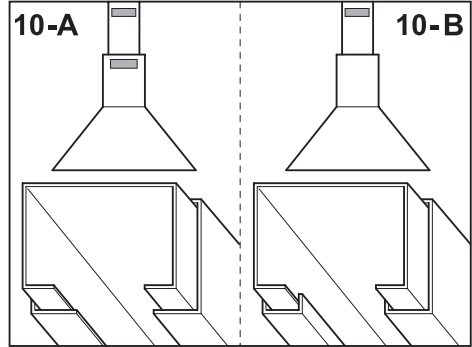
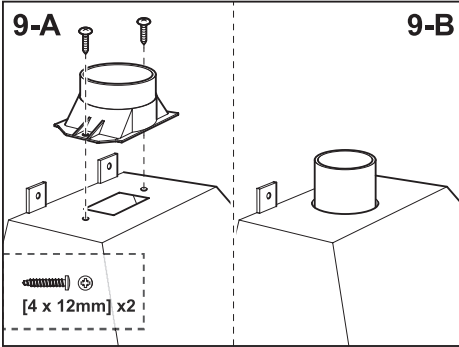
4.1 Installation works



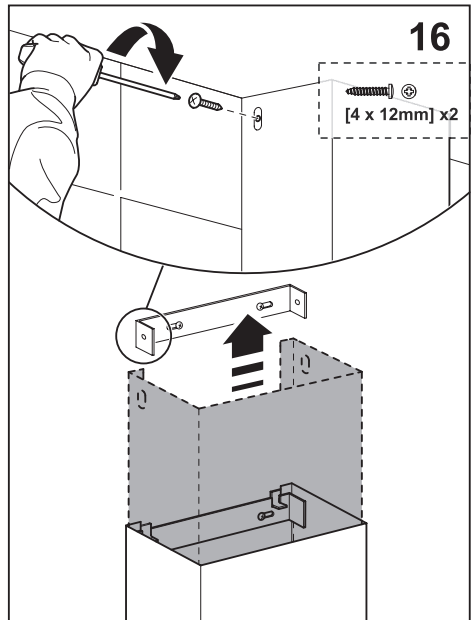
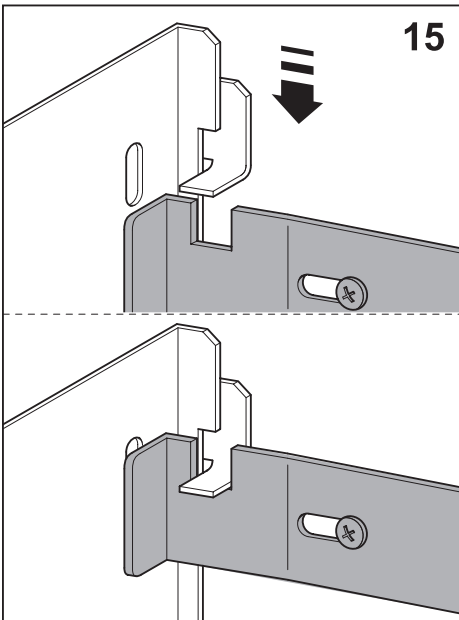
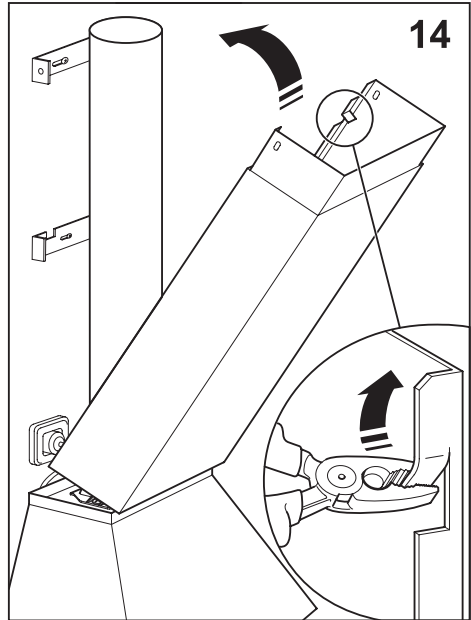
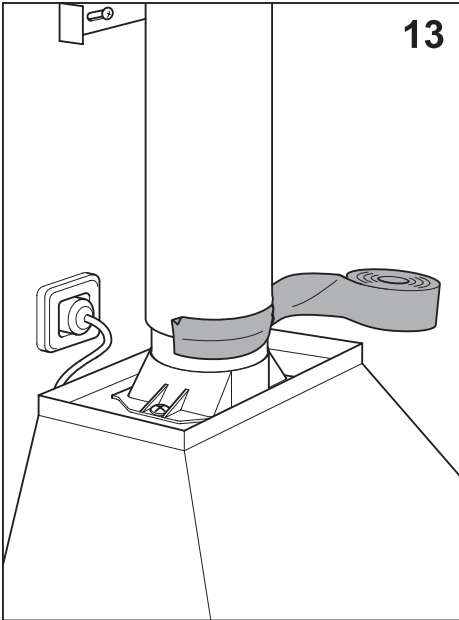
4 Installing your appliance



4 Installing your appliance



4 Installing your appliance



4 Installing your appliance

4.2 Electric connection

The mains voltage must correspond to the voltage indicated on the rating plate affixed to the inside of the hood. If the kitchen hood is equipped with a plug, it should be put in a socket connector that meets the requirements of binding regulations and is located in an easily accessible place. If the hood is not fitted with a plug, the installation of the hood should be entrusted to someone with appropriate permissions (e.g. electrician).



Before connecting the hood: switch off the electricity supply and check that the supplied voltage and frequency coincide with that indicated on the appliance nameplate.

If the extractor hood has a plug, connect it to a power socket in line with applicable regulations, located in an accessible area.

If the hood does not have a plug, connect it directly to the electrical grid, protected by a separator device accessible for disconnection, in line with local regulations.

5 Cleaning and maintenance

Before carrying out any maintenance operations on the appliance, remove the plug from the wall outlet. The hood should be cleaned with mild cleaning agents, do not use abrasives. Regular maintenance significantly improves the performance and durability of the hood. The hood should be cleaned at least once a month or every 35 hours of hood operation. To clean hood DO NOT USE ALCOHOL-BASED AGENTS. Satin items (inox) should be cleaned with special preparations for that purpose.



Failure to comply with the provisions relating to cleaning of the device and replacement of filters may cause fire risks. It is therefore recommended to comply with the guidelines given herein. The manufacturer is not liable for any damage to the engine or fires caused by improper use.



Always switch off the electricity supply before carrying out maintenance work on the hood. In the event of a fault, contact an official distributor or authorised service agent.

5.1 Exterior Cleaning

Use non-corrosive, liquid detergent and avoid the use of abrasive cleaning products.

5.2 Grease Filter

To avoid fires, clean thoroughly once a month or whenever the display pilot light indicates as such. To do so, remove the filters and wash with hot water and detergent. If using a dishwasher, position the filters vertically to prevent solid remains from depositing on them. do not use polish to clean or shine.

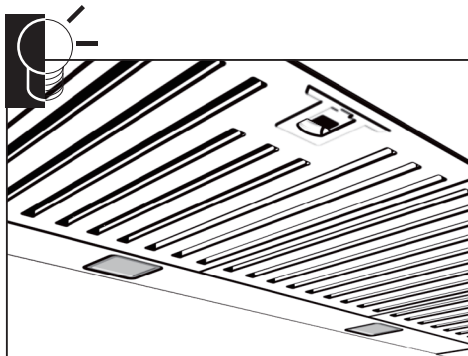
5.3 Activated Charcoal Filter

Replace the charcoal filter every 3 months.



Increase the filter cleaning/replacement frequency if the hood is used for more than 2 hours a day. Always use genuine filters from the manufacturer.

5.4 Replacing of lighting



Contact customer service for bulb replacement on specific model.



Use new bulbs according to that indicated on the hood name plate.



Do not handle the bulbs until the electricity supply has been switched off and they have cooled.

On cooker hoods equipped with LED lamps, the lights should only be used during operation of the motor. They should not be left on permanently and use as a light source.

6 Control of hood operation

6.1 Control of the hood

The different control panels are described below. Check the panel model installed on your hood and see the figure indicated in each case.

Four-speed panel - Digital display

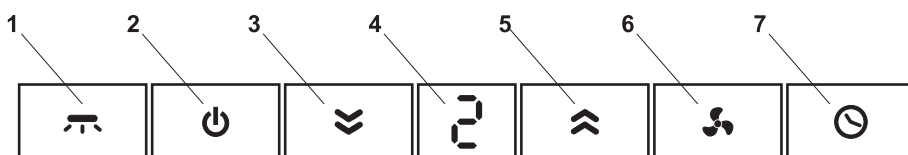
- 1 - Lighting on and off.
- 2 - Extractor fan on and off.
- 3 - Decrease extractor fan speed.
- 4 - Extractor fan speed display panel.
- 5 - Increase extractor fan speed.
- 6 - Enable extractor fan turbo speed.
- 7 - Enable and disable extractor fan timer.

Timer:

The extractor fan works for 5 min. at the current speed and another 5 min. at each of the lower speeds until it stops and the lighting switches off.

6.2 Methods of reducing the effect of cooking process on the environment

- To reduce Energy consumption, cook with using covers on kitchenware.
- Grease filters must be kept clean (recommended length of grease filter operation between cleanings is max. 35h of hood operation).
- Take care of permeability of the ventilation pipes.
- The operation level of the turbine when cooking shall be always set to a minimum gear, which will allow removing the fumes at the current intensity of cooking.



7 Solving problems

Symptoms	Cause	Repairing method
No symbol is shown on the display, the hood does not respond to pressing the control fields.	The touch control is probably suspended.	Disconnect the hood from the power supply for about 15 sec. and switch it on again.
The hood has very poor vapor suction.	Probably cause is dirty filters.	The grease filter must be cleaned in the dishwasher or replace with a new one. The carbon filter (if present) must be replaced with a new one.
One or more light points do not operate.	Defective halogen/ LED bulb.	The light bulb needs to be replaced with a new, compatible with the symbol specified in the instruction manual for the cooker hood.
The hood generated excessive noise and vibration.	This may be caused by an incorrect installation of the hood to the wall or kitchen cabinets. Not all provided screws have been used or screws are loosely fitted leaving clearance.	The hood must be mounted to a wall or cabinet by using all the points provided for by the manufacturer. After adjusting the position of the hood horizontally and vertically, tighten all mounting screws.
If the recommendations above do not solve the problem, contact an authorised service agent entitled to repair. Under no circumstances is the hood user entitled to independent repair.		

8 Legal Information

8.1 The Manufacturer

- Is not responsible for any failure to observe the instructions given in this manual and current safety regulations for the correct use of the equipment.
- Reserves the right to make any modifications to the equipment or this manual without prior notice.

Contact our local distributor should you require technical assistance or additional information on our products.

Arçelik A.Ş.
Karaağaç Caddesi No: 2-6, 34445,
Sütlüce, İstanbul, Türkiye

www.beko.com