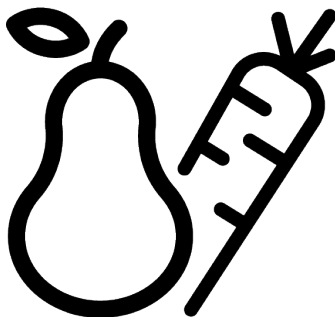


# beko

**Refrigerator** / User Manual  
**Kühlschrank** / Bedienungsanleitung  
**Hűtőszekrény** / Felhasználói kézikönyv



B5RCNE565HXP

58 9501 0000/ EN/ DE/ HU/ 1/2\_AD/ 13/10/23 11:49  
7295841301



# Please read this manual first!

**Dear Customer**

**Please read this manual before using the product.**

Thank you for choosing this Beko product. We would like you to achieve the optimal efficiency from this high quality product which has been manufactured with state of the art technology. To do this, carefully read this manual and any other documentation provided before using the product and keep it as a reference.

Heed all information and warnings in the user manual. This way, you will protect yourself and your product against the dangers that may occur.

Keep the user manual. Include this manual with the unit if you hand it over to someone else.

**The following symbols are used in the user manual:**



Hazard that may result in death or injury.



Important information or useful tips on operation.



Read the user manual.



Combustible material, warning against fire hazard.

NOTICE A hazard that may cause material damage to the product or its surroundings

 <p><b>SUPPLIER'S NAME</b> <b>MODEL IDENTIFIER</b> → (*)</p>  	<p>The model information as stored in the product data base can be reached by entering following website and searching for your model identifier (*) found on energy label.</p> <p><a href="https://eprel.ec.europa.eu/">https://eprel.ec.europa.eu/</a></p>
--	--

<b>1</b>	<b>Safety Instructions.....</b>	<b>4</b>
1.1	Intention of Use .....	4
1.2	Safety of Children, Vulnerable Persons and Pets .....	4
1.3	Electrical Safety.....	5
1.4	Handling Safety .....	6
1.5	Installation Safety.....	6
1.6	Operational Safety.....	8
1.7	Food Storage Safety.....	10
1.8	Maintenance and Cleaning Safety	11
1.9	Disposal of the Old Product.....	12
<b>2</b>	<b>Environmental Instructions.....</b>	<b>12</b>
2.1	Compliance with the WEEE Dir- ective and Disposing of the Waste Product .....	12
<b>3</b>	<b>Your Refrigerator .....</b>	<b>13</b>
<b>4</b>	<b>Installation .....</b>	<b>13</b>
4.1	Right Place For Installation.....	14
4.2	Electrical Connection .....	14
4.3	Adjusting the Legs.....	14
4.4	Hot Surface Warning.....	14
<b>5</b>	<b>Preparation.....</b>	<b>15</b>
5.1	What To Do For Energy Saving .....	15
5.2	First Use .....	15
5.3	Climate Class and Definitions .....	16
<b>6</b>	<b>Operating the Product.....</b>	<b>16</b>
<b>7</b>	<b>Use of Your Appliance.....</b>	<b>17</b>
7.1	Control Panel of the Product .....	17
7.2	Storing Food in the Cooler Com- partment.....	19
7.3	Crisper .....	23
7.4	Crisper Technologies .....	23
7.5	Dairy Products Cold Storage Area	24
7.6	The ice storage area.....	24
7.7	Reversing the Door Opening Side.	24
7.8	Door Open Alert .....	24
7.9	Replacing the Illumination Lamp..	24
7.10	AeroFlow .....	24
7.11	Fan.....	25
7.12	Egg holder .....	25
<b>8</b>	<b>Maintenance and Cleaning .....</b>	<b>25</b>
<b>9</b>	<b>Troubleshooting.....</b>	<b>26</b>

## 1 Safety Instructions

- This section includes the safety instructions necessary to prevent the risk of personal injury or material damage.
- Our company shall not be held responsible for damages that may occur if these instructions are not observed.



Always have installation and repair operations performed by manufacturer, authorized service or a person who will be described by importer company.



Use original spare parts and accessories only.



Do not repair or replace any component of the product unless it is clearly specified in the user manual.



Do not perform any modifications on the product.

### 1.1 Intention of Use

- This product is not suitable for commercial use and should not be used for a purpose other than its intended use.
- This product is intended for operating interiors, such as households or similar.

For example;

In the staff kitchens of the stores, offices and other working environments,

In farm houses,  
In the units of hotels, motels or other resting facilities that are used by the customers,  
In hostels, or similar environments,  
In catering services and similar non-retail applications.

- This product shall not be used in open or enclosed external environments such as vessels, camper vans, balconies or terraces. Exposing the product to rain, snow, sunlight and wind may cause risk of fire.



### 1.2 Safety of Children, Vulnerable Persons and Pets

- This product may be used by children aged 8 years and older and persons with underdeveloped physical, sensory or mental capabilities or lack of experience and knowledge if they are being supervised or have been given instruction concerning use of the appliance in a safe way and the hazards involved.
- Children between 3 and 8 years are allowed to put and take out food into/from the cooler product.

- Electrical products are dangerous for children and pets. Children and pets must not play with, climb on, or enter the product.
- Cleaning and user maintenance should not be performed by children unless there is someone overseeing them.
- Keep the packaging materials away from children. Risk of injury and suffocation.

Before disposing of old products that shall not be used any more:

1. Unplug the power cord from the mains socket.
  2. Cut the power cable and remove it from the appliance together with the plug.
  3. Do not remove the racks and drawers from the product to prevent children from getting inside the appliance.
  4. Remove the doors.
  5. Store the product so that it shall not be tipped over.
  6. Do not allow children to play with the scrapped product.
- Do not dispose of the product by throwing it into fire. Risk of explosion.
  - If there is a lock available on the product's door, keep the key out of children's reach.



### 1.3 Electrical Safety

- The product shall not be plugged into the outlet during installation, maintenance, cleaning, repair, and transportation operations.
- If the power cable is damaged, it shall only be replaced by authorized service to avoid any risks that may occur.
- Do not tuck the power cable under the product or to the rear of the product. Do not put heavy items on the power cable. The power cable should not be bent, crushed, and come into contact with any heat source.
- Do not use an extension cord, multi-plug or adaptor to operate your product.
- Portable multi-plugs or portable power supplies may overheat and cause fire. Thus, do not have a multi-plug, portable power sources behind or in the vicinity of the product.
- Do not plug the product's power cord in a loose or damaged power outlet. These types of connections may overheat and cause fire.
- The plug shall be easily accessible. If this is not possible, a mechanism that meets the electrical legislation and that

disconnects all terminals from the mains (fuse, switch, main switch, etc.) shall be available on the electrical installation.

- Do not touch the plug with wet hands.
- When unplugging the appliance, don't hold the power cord, but the plug.

### 1.4 Handling Safety

- Make sure to unplug the appliance before carrying the product.
- This product is heavy, do not handle it by yourself. Injuries may occur if the product falls on you. Do not bump into places or drop the product while transporting it.
- Always close the doors and do not hold the product by its doors while transporting it.
- Be careful not to damage the cooling system and the pipes while handling the product. Do not operate the product if the pipes are damaged, and contact an authorized service.

### 1.5 Installation Safety

- Contact the Authorized Service for the product's installation. To prepare the product for use, see the information in the user manual and make sure the electric and water utilities are

as required. If not, call a qualified electrician and plumber to arrange the utilities as necessary. Failure to do so may result in electric shock, fire, problems with the product, or injury.

- This product is designed for use at a maximum altitude of 2000 metres above sea level.
- Check for any damage on the product before installing it. Do not have the product installed if it is damaged.
- Always use personal protective equipment (gloves, etc.) during product installation, maintenance and repair. Risk of Injury!
- Place the product on a clean, level and hard surface and balance it with the adjustable legs (by rotating the front feet to the right or left). Otherwise, the refrigerator may tip over and cause injuries.
- The product shall be installed in a dry and ventilated environment. Do not keep carpets, rugs or similar covers under the product. This may cause risk of fire as a result of inadequate ventilation!
- Do not block or cover ventilation holes. Otherwise, power consumption increases and your product may be damaged.

- When placing the product, make sure that the supply cable is not damaged or pinched.
- The product must not be connected to supply systems such as solar power supply. Otherwise, your product may be damaged due to sudden voltage changes!
- The more refrigerant a refrigerator contains, the bigger its installation room should be. In very small rooms, a flammable gas-air mixture may occur in case of a gas leak in the cooling system. At least 1 m<sup>3</sup> of volume is required for each 8 grams of refrigerant. The amount of the refrigerant available in your product is specified in the Type Label.
- The installation place of the product shall not be exposed to direct sunlight and it shall not be in the vicinity of a heat source such as stoves, radiators, etc. If you cannot prevent installation of the product in the vicinity of a heat source, use a suitable insulation plate and make sure the minimum distance to the heat source is as specified below:
  - At least 30 cm away from heat sources such as stoves, ovens, heating units and heaters, etc.,
  - And at least 5 cm away from electrical ovens.
- Your product has the protection class of I.
- Plug the product in a grounded socket that conforms with the Voltage, Current and Frequency values specified in the type label. The socket must have a 10A – 16A fuse. Our firm will not assume responsibility for any damages due to usage without earthing and without power connection in compliance with local and national regulations.
- The product's power cable must be unplugged during installation. Otherwise, risk of electric shock and injury may occur!
- Do not plug the product's power cord in loose, dislocated, broken, dirty, oily power outlets which have a risk of water contact. These types of connections may cause overheating and fire.
- Place the power cable and hoses (if any) of the product so that they shall not cause a risk of tripping over.

- Penetration of humidity and liquid to live parts or to the power cord may cause short circuit. Thus, do not use the product in humid environments or in areas where water may splash (e.g. garage, laundry room, etc.) If the refrigerator is wet by water, unplug it and contact an authorized service.
- Do not ever connect your refrigerator to power saving devices. These systems are harmful for the product.
- There is a risk of contact with electrical parts when removing the electronic board cover and the compressor rear cover (if fitted). Do not remove the electronic board cover and the compressor rear cover (if fitted). There is a risk of electrocution!
- Do not place a source of flame (e.g. candles, cigarettes, etc.) on the product or in the vicinity of it.
- Do not get on the product. Risk of falling and injury!
- Do not cause damage to the pipes of the cooling system using sharp and piercing tools. The refrigerant that sprays out in case of puncturing the gas pipes, pipe extensions or upper surface coatings may cause irritation of skin and injury to the eyes.
- Do not place and operate electrical appliances inside the refrigerator/freezer unless it is advised by the manufacturer.
- Do not jam any parts of your hands or your body to the moving parts inside the product. Be careful to prevent jamming of your fingers between the refrigerator and its door. Be careful while opening or closing the door if there are children around.
- Do not put ice cream, ice cubes or frozen food to your mouth as soon as you take them out of the freezer. Risk of frostbite!

## 1.6 Operational Safety

- Do not ever use chemical solvents on the product. These materials contain an explosion risk.
- In case of a failure of the product, unplug it and do not operate until it is repaired by the authorized service. There is a risk of electric shock!



- Do not touch the inner walls, metal parts of the freezer or food kept inside the freezer with wet hands. Risk of frost-bite!
- Do not place soda cans or cans and bottles that contain fluids that may be frozen to the freezer compartment. Cans or bottles may explode. Risk of injury and material damage!
- Do not use or place materials sensitive against temperature such as flammable sprays, flammable objects, dry ice or other chemical agents in the vicinity of the refrigerator. Risk of fire and explosion!
- Do not store explosive materials such as aerosol cans with flammable materials inside the product.
- Do not place cans containing fluids over the product an open state. Splashing of water on an electrical part may cause an electric shock or a fire.
- This product is not intended for storage and cooling of medicines, blood plasma, laboratory preparations or similar materials and products that are subject to the Medical Products Directive.
- If the product is used against its intended purpose, it may cause damage to or deterioration of the products kept inside.
- If your refrigerator is equipped with blue light, do not look at this light with optical devices. Do not stare directly at UV LED light for a long time. Ultraviolet rays may cause eye strain.
- Do not fill the product with more contents than its capacity. Injuries or damages may occur if the contents of the refrigerator fall when the door is opened. Similar problems may also occur when an object is placed over the product.
- Ensure that you have removed any ice or water that may have fallen to the floor to prevent injuries.
- Change the locations of the racks/bottle racks on the door of your refrigerator only when the racks are empty. Danger of injury!
- Do not place objects that may fall/tip over on the product. These objects may fall while opening or closing the door and cause injuries and/or material damages.

- Do not hit or exert excessive pressure on glass surfaces. Broken glass may cause injuries and/or material damages.
- The cooling system in your product contains R600a refrigerant. The refrigerant type used in the product is specified in the type label. This gas is flammable. Therefore, be careful not to damage the cooling system and the pipes while operating the product. In case of damage to the pipes;
  1. Do not touch the product or the power cable.
  2. Keep the product away from potential sources of fire that may cause the product to catch fire.
  3. Ventilate the area where the product is placed. Do not use a fan.
  4. Contact Authorized Service. If the product is damaged and you observe gas leak, please stay away from the gas. Gas may cause frostbite if it contacts your skin. Before disposing of old products that shall not be used any more:
    1. Unplug the power cord from the mains socket.
    2. Cut the power cable and remove it from the appliance together with the plug.
- 3. Do not remove the racks and drawers from the product to prevent children from getting inside the appliance.
- 4. Remove the doors.
- 5. Store the product so that it shall not be tipped over.
- 6. Do not allow children to play with the scrapped product.
- Do not dispose of the product by throwing it into fire. Risk of explosion.
- If there is a lock available on the product's door, keep the key out of children's reach.

### 1.7 Food Storage Safety

Please pay attention to the following warnings to avoid food spoilage:

- Leaving the doors open for a long time may cause the temperature inside the product to rise.
- Regularly clean the accessible drainage systems in contact with food.
- Clean the water tanks that have not been used for 48 hours and mains-fed water systems that have not been used for more than 5 days.
- Store raw meat and fish products in appropriate compartments within the product.

Thus, it does not drip on or come into contact with other foods.

- Two-star freezer compartments are used for storing pre-filled foods, making and storing ice and ice cream.
- One, two and three-star compartments are not appropriate for freezing fresh food.
- If the cooling product has been left empty for a long time, turn off the product, defrost, clean, and dry the product in order to protect the housing of the product.



## 1.8 Maintenance and Cleaning Safety

- Unplug the refrigerator before cleaning it or starting to perform maintenance.
- Do not pull by the door handle if you shall move the product for cleaning purposes. Handle may cause injuries if it is pulled too hard.
- Do not put your hands etc. under the refrigerator. Jamming may occur or any sharp edge may cause personal injuries.
- Do not clean the product by spraying or pouring water on the product and inside the product. Risk of electric shock and fire.
- When cleaning the product, do not use sharp and abrasive tools or household cleaning agents, detergent, gas, gasoline, thinner, alcohol, varnish, and similar substances. Use only cleaning and maintenance agents that are not harmful for food inside the product.
- Do not ever use steam or steamed cleaning materials for cleaning the product and thawing the ice inside it. Steam contacts the live areas in your refrigerator and causes short circuit or electric shock.
- Do not use any mechanical tools or any other tools than the recommendations of the manufacturer to speed up the defrost operation.
- Take care to keep water away from the ventilation holes, electronic circuits or lighting of the product.
- Use a clean, dry cloth to wipe the dust or foreign material on the tips of the plugs. Do not use a wet or damp piece of cloth to clean the plug. Otherwise, risk of fire or electric shock may occur.



### 1.9 Disposal of the Old Product

When disposing of your old product follow the instructions below:

- To prevent children from accidentally locking themselves into the product, if there is door lock, make it deactivated.
- Splash of coolant is harmful to the eyes. Do not damage any part of the cooling system while disposing of the product.

- It may be fatal if the compressor oil is swallowed or if it penetrates the respiratory tract.
- Cooling system of your product includes R600a gas as specified in the type label. This gas is flammable. Do not dispose of the product by throwing it into fire. Risk of explosion!

## 2 Environmental Instructions

### 2.1 Compliance with the WEEE Directive and Disposing of the Waste Product




This product complies with EU WEEE Directive (2012/19/EU). This product bears a classification symbol for waste electrical and electronic equipment (WEEE).

This symbol indicates that this product shall not be disposed with other household wastes at the end of its service life. Used device must be returned to official collection point for recycling of electrical and electronic devices. To find these collection systems please contact to your local authorities or retailer where the product was purchased. Each household performs important role in recovering and recycling of old appliance. Appropriate disposal of used

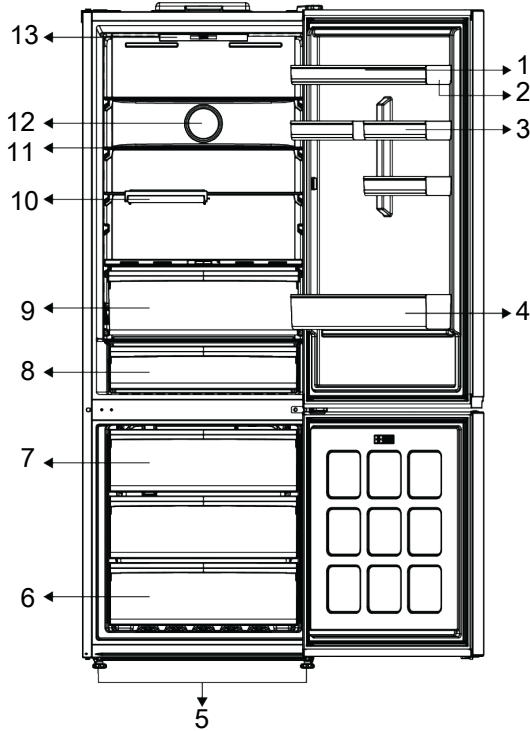
appliance helps prevent potential negative consequences for the environment and human health.

### Compliance with RoHS Directive

The product you have purchased complies with EU RoHS Directive (2011/65/EU). It does not contain harmful and prohibited materials specified in the Directive.



**Package information**  
Packaging materials of the product are manufactured from recyclable materials in accordance with our National Environment Regulations. Do not dispose of the packaging materials together with the domestic or other wastes. Take them to the packaging material collection points designated by the local authorities.



- 1 Egg holder
- 2 Adjustable Door Shelf
- 3 \* Small Door Shelf
- 4 Bottle Shelf
- 5 Adjustable Stands
- 6 Freezer Compartment
- 7 Icebox container
- 8 Cold Storage Drawer
- 9 Crisper
- 10 \* Foldable shelf
- 11 Adjustable Shelf
- 12 Fan
- 13 Lighting

**\*Optional:** Figures in this user manual are schematic and may not exactly match your product. If your product does not comprise the relevant parts, the information pertains to other models.

### 4 Installation



Read the "Safety Instructions" section first!

## 4.1 Right Place For Installation

Contact the Authorized Service for the product's installation. To prepare the product for installation, see the information in the user manual and make sure the electric and water utilities are as required. If not, call an electrician and plumber to arrange the utilities as necessary.



### WARNING:

The manufacturer assumes no responsibility for any damages caused by the work carried out by unauthorized persons.



### WARNING:

The product's power cable must be unplugged during installation. Failure to do so may result in death or serious injuries!



### WARNING:

If the door span is too narrow for the product to pass, remove the door and turn the product sideways; if this does not work, contact the authorized service.

- Place the product on a flat surface to avoid vibration.
- Place the product at least 30 cm away from the heater, stove and similar sources of heat and at least 5 cm away from electric ovens.
- Do not expose the product to direct sunlight or keep it in damp environments.
- Your product requires adequate air circulation to function efficiently. If the product will be placed in an alcove, remember to leave at least 5 cm clearance between the product and the ceiling, rear wall and the side walls.
- Check if the rear wall clearance protection component is present at its location (if provided with the product).
- If the component is not available, or if it is lost or fallen, position the product so that at least 5 cm clearance shall be left between the rear surface of the product

and the wall of the room. The clearance at the rear is important for efficient operation of the product.

## 4.2 Electrical Connection



Do not use extension or multi sockets in power connection.



Damaged power cable must be replaced by Authorized Service.

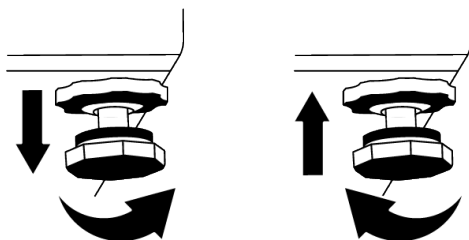


When placing two coolers in adjacent position, leave at least 4 cm distance between the two units.

- Our firm will not assume responsibility for any damages due to usage without earthing and power connection in compliance with national regulations.
- The power cable plug must be easily accessible after installation.
- Do not use multi-group plug with or without extension cable between the wall socket and the refrigerator.

## 4.3 Adjusting the Legs

If the product is not in balanced position, adjust the front adjustable legs by rotating them to right or left.



## 4.4 Hot Surface Warning

The side walls of your product are equipped with cooler pipes to enhance the cooling system. High pressure fluid may flow through these surfaces, and cause hot surfaces on the side walls. This is normal and it does not require servicing. Be careful when you contact these areas.

## 5 Preparation



Read the "Safety Instructions" section first!

### 5.1 What To Do For Energy Saving



Connecting the product to electronic energy-saving systems is harmful, as it may damage the product.

- This refrigerating appliance is not intended to be used as a built in appliance.
- Do not keep the refrigerator doors open for long periods.
- Do not place hot food or beverages into the refrigerator.
- Do not overfill the refrigerator; blocking the internal air flow will reduce cooling capacity.
- Since hot and humid air will not directly penetrate into your product when the doors are not opened, your product will optimize itself in conditions sufficient to protect your food. Under these circumstances, functions and components such as compressor, fan, heater, defrost, lighting, display and so on will operate according to the needs by consuming minimum energy.
- In case that multiple options are present, glass shelves must be placed so that the air outlets at the rear wall are not blocked and preferably, in a way that air outlets remain below the glass shelf. This combination may help improving air distribution and energy efficiency.
- Using the below drawer when storing is strongly recommended.
- Depending on the product's features; defrosting frozen foods in the cooler compartment will ensure energy saving and preserve food quality.

- In order to load the maximum quantity of food into the freezer compartment of your refrigerator, the upper drawers may be taken out and the food should be placed onto the wire/glass shelves.
- Food shall be stored using the drawers in the cooler compartment in order to ensure energy saving and protect food in better conditions.
- Food packages shall not be in direct contact with the temperature sensor located in the freezer compartment.

### 5.2 First Use

Before using your refrigerator, make sure the necessary preparations are made in line with the instructions in "Safety and Environmental Instructions" and "Installation" sections.

- Keep the product running without placing any food inside for 6 hours and do not open the door, unless absolutely necessary.
- The temperature change caused by opening and closing of the door while using the product may normally lead to condensation on door/body shelves and glassware placed in the product.



A sound will be heard when the compressor is engaged. It is normal for the product to make noise even if the compressor is not running, as fluid and gas may be compressed in the cooling system.



It is normal for the front edges of the refrigerator to be warm. These areas are designed to warm up in order to prevent condensation.



For some models, indicator panel turns off automatically 1 minute after the door closes. It will be re-activated when the door is opened or any button is pressed.

### 5.3 Climate Class and Definitions

Please refer to the Climate Class on the rating plate of your device. One of the following information is applicable to your device according to the Climate Class.

- **SN:** Long Term Temperate Climate: This cooling device is designed for use at ambient temperatures between 10 °C and 32 °C.
- **N:** Temperate Climate: This cooling device is designed for use at ambient temperatures between 16°C and 32 °C.
- **ST:** Subtropical Climate: This cooling device is designed for use at ambient temperatures between 16°C and 38°C.
- **T:** Tropical Climate: This cooling device is designed for use at ambient temperatures between 16°C and 43°C.

## 6 Operating the Product



Read the "Safety Instructions" section first!

- Do not use any mechanical tools or any other tools than the recommendations of the manufacturer to speed up the defrost operation.
- Do not use parts of your refrigerator such as the door or drawers as a support or a step. This may cause the product to trip over or its components to be damaged.
- The product shall be used for storing food only.

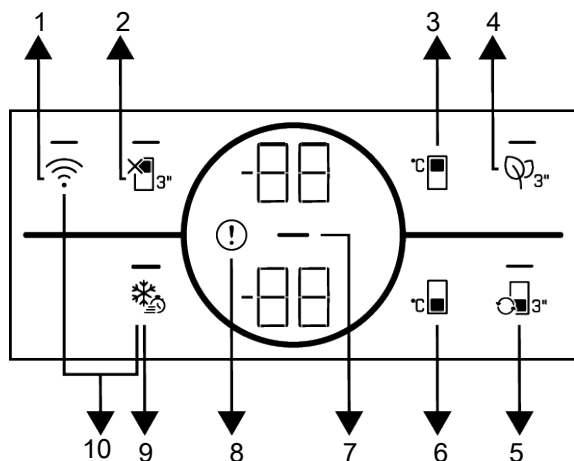
- Turn off the water valve if you will be away from home (e.g. at vacation) and you will not be using the Icematic or the water dispenser for a long period of time. Otherwise, water leaks may occur.

### Unplugging the Product

- If you are not going to use the product for a long time, unplug the product from the socket.
- Remove the food to prevent odours,
- Wait for the ice to melt, clean the interior and let it dry, leave the doors open to avoid damaging the inner body plastics.



### 7.1 Control Panel of the Product



- |  |   |
|--|---|
| 1 * Wireless Key                               | 2 * Cooler Compartment OFF (Vacation) Function      |
| 3 * Cooler Compartment Temperature Setting Key | 4 * Deodoriser Module Key                           |
| 5 * Compartment Conversion Key                 | 6 * Freezer Compartment Temperature Setting Key     |
| 7 * Energy Saving (Display Off) Indicator      | 8 * Error Status Indicator                          |
| 9 * Quick Freezing Key                         | 10 * Key for Resetting Wireless Connection Settings |



Read the "Safety Instructions" section first.

Auditory and visual functions on the indicator panel will assist you in using the refrigerator.

**\*Optional:** Shown functions are optional, there may be differences of shape and location in functions found on your appliance's indicator panel.

#### 1. Wireless Key

This key is used to make a wireless connection with your product via HomeWhiz mobile

app. When you press the key for 3 seconds, the wireless connection symbol on the display/screen flashes slowly (with intervals of 0.5 seconds). The home network is initialized on the product this way. After achieving wireless connection with the product, wireless connection symbol illuminates continuously, you may activate/deactivate the connection with a short press on this key. The wireless connection icon flashes (with the interval of 0.2 seconds) until the connection is established. When the connection is active, LED will remain lit. If the connection cannot be established for a long period, check your connection settings and refer to the "Troubleshooting" section provided in the user manual. Home-

Whiz application will be used for wireless connection. The steps for setup are explained through the application during setup. You can access the application by scanning the QR code on the HomeWhiz label on the appliance. The application can be obtained from App Store or from Play Store for Android devices. For details visit <https://www.homewhiz.com/> address.

## 2. Cooler Compartment Off (Vacation)

### Function Key

Press the key for 3 seconds to activate the vacation function. Vacation mode is activated and the LED on the key is illuminated. "--" shall be displayed on the Cooler Compartment temperature indicator and the cooler compartment does not actively perform cooling. You should not keep your food in the cooler compartment if you activate this function. The other compartments continue to cool according to temperatures set before. Press and hold the key for 3 seconds again to cancel this function.

## 3. Cooler Compartment Temperature

### Setting Key

Allows setting of temperature for cooler compartment. Pressing the key will enable the cooler compartment temperature to be set at 8 °C, 7 °C, 6 °C, 5 °C, 4 °C, 3 °C, 2 °C, and 1 °C.

## 4.\*Deodoriser Module Key

Press this key for 3 seconds to activate/deactivate the deodoriser feature. When the deodoriser feature is active, the LED on the respective key is illuminated. When the feature is active, the deodoriser module will be operated periodically.

## 5. Compartment Conversion Key

Pressing compartment conversion key for 3 seconds, the freezer section switches between cooler, off and freezer modes. If it is operated as the cooler compartment, the temperature of the compartment will be set as 4 °C. In the off mode, compartment temperature indicator shall display "--".

## 6. Freezer Compartment Temperature

### Setting Key

Temperature setting is made for freezer compartment. Pressing the key will enable the freezer compartment temperature to be set at -18 °C, -19 °C, -20 °C, -21 °C, -22 °C, -23 °C, and -24 °C.

## 7. Energy Saving (Display Off) Indicator

Energy saving function is enabled automatically and the energy saving symbol lights up when the door of the product is not opened or closed for some period of time. When the energy saving function is active, all symbols on the screen other than the energy saving symbol shall be turned off. When the energy saving function is active, pressing any key or opening the door will deactivate the energy saving function and the display signals will return to normal. The energy saving function is a function activated ex-factory and cannot be cancelled.

## 8. Error Status Indicator

This indicator shall be active when your refrigerator cannot perform adequate cooling or in case of any sensor error. On the freezer compartment temperature indicator the letter "E" and on the cooler compartment temperature indicator the numbers 1, 2, 3 will be displayed. These numbers on the indicator specify the service regarding the failure. If you place hot food in the freezer compartment or leave its door open for a prolonged time, an exclamation mark can be lit. This is not a fault, this warning shall be removed when the food is cooled down or when any key is pressed.

## 9. Quick Freezing Key

When the quick freezing key is pressed, the LED on the key is illuminated and the quick freezing function shall be activated. The freezer compartment temperature is set to -27 °C. Press the key again to cancel the function. The quick freezing function will be automatically cancelled after 24 hours. To

freeze a large amount of fresh food, press the quick freezing key before placing the food in the freezer compartment.

## 10. Key for Resetting Wireless Connection Settings +

To reset wireless connection settings, Quick freezing and Wireless connection keys should be pressed on

## 7.2 Storing Food in the Cooler Compartment

### Storing Food in the Cooler Compartment

- Compartment temperatures rise prominently if compartment door is opened and closed frequently and kept open for a long time, this can reduce the life span of the food and cause the food to spoil.
- In order not to cause odour and taste changes, the food should be stored in the closed containers.
- Do not store too much food in your refrigerator. To achieve a better and homogeneous cooling, place the food separately in a way that cold air can wander through them.
- Provide air flow by leaving a space between the food and internal wall. If you lean the food against the rear wall, the food may freeze.
- Bring cooked hot meals to the room temperature before placing them in the refrigerator. Then, you can place the tepid meal in the lower shelves of your refrigerator. Do not place the tepid meals close to the foods which may easily spoil.
- Especially pay attention not to mix the foods sold as frozen with the fresh foods.
- Defrost your frozen food in the fresh food compartment. Thereby, you can cool fresh food compartment by using frozen food and save energy.
- Storing unripe tropical fruits (mango, melon varieties, papaya, banana, pineapple) in the refrigerator may speed up the ripening process. This is not recommended because it will cause shorter storage time.
- You should store onions, garlics, gingers and other root vegetables in dark and cold room conditions, not in the refrigerator.
- If you notice that a food has spoiled in the refrigerator, throw away that food and clean the accessories which have come into contact with it.
- In order to cool the meals like soups and stews, which are cooked in the large pots, quickly, you can put them in the refrigerator by separating them into their own shallow containers.
- Do not place unpackaged food close to eggs.
- Keep the fruits and vegetables separately and store each variety together (for example; apples with apples, carrots with carrots).
- Take green vegetables out of the plastic bag and place them in the refrigerator after wrapping them in a paper towel or drying cloth. If you wash this type of food before placing them in the refrigerator, remember to dry them.
- You can both create a damp environment and provide an air flow by keeping fruits and vegetables, which are prone to drying, in the perforated or unsealed plastic bags.
- Except the cases where extreme circumstances are available in the environment, if your product (on the recommended set values table) is set to the specified set values, the food keep their freshness for a longer time both in the fresh product compartment and freezer compartment.

Store Foods In The Different Places According To Their Properties:

Food	Location
Egg	Door Shelf
Dairy products (butter, cheese)	If available, zero degree (for breakfast food) compartment
Fruits, vegetables and greenery	Fruit-vegetable compartment, crisper or EverFresh+ compartment (if available)
Fresh meat, poultry, fish, sausage etc. Cooked foods	If available, zero degree (for breakfast food) compartment
Ready to serve foods, packaged products, canned foods and pickles	Top shelves or door shelf
Beverages, bottles, spices and snacks	Door Shelf

### Storing Food In The Freezer Compartment

- You can activate Quick Freezing function 4-6 hours before freezing function and perform a faster cooling.
- Bring hot meals to the room temperature before placing them in the freezer compartment.
- Foods to be frozen must be divided into portions according to a size to be consumed, and frozen in separate packages.
- It is recommended to pack the foods before placing them in the freezer.
- In order to prevent expiration of storage time, write the freezing date, time and name of the product on the package according to the storage times of different foods.
- Consume the foods you have defrosted quickly. Defrosted foods cannot be frozen again unless they are cooked. It is not safe to consume the refrozen fresh foods without cooking after they are defrosted.
- As you freeze fresh foods, do not bring them in contact with already frozen foods. Otherwise, frozen foods will be defrosted.

### Storing The Foods, Which Are Sold Frozen

- Always follow the instructions of the producer in relation to the time during which you are required to store your foods. Do not exceed the time specified in these instructions!

- In order to protect the quality of the food, keep the time interval between purchasing transaction and storing as short as possible.
- Buy frozen food which are stored at  $-18^{\circ}\text{C}$  or lower temperatures.
- Avoid buying foods whose packages are covered with ice etc. This means that the product could be partially defrosted and refrozen. Temperature impacts the quality of the food.
- Do not exceed the storing time recommended by the food producer. Remove only the food as much as you need from the freezer.
- Except the cases where extreme circumstances are available in the environment, if your product (on the recommended set values table) is set to the specified set values, the food keep their freshness for a longer time both in the fresh product compartment and freezer compartment.
- If fresh food compartment is set to a lower temperature, fresh fruits and vegetables may be partially frozen.
- The two-star compartments are suitable for pre-frozen food. Ice cream and ice cubes can be stored.
- Do not freeze food in compartments with one, two and three-stars.

Meat and Fish		Preparation	Longest storage time (month)		
Meat Products	Veal	Steak	By cutting them 2 cm thick and placing foil between them or wrapping tightly with stretch	6-8	
		Roast	By packing the pieces of meat in a refrigerator bag or wrapping them tightly with stretch	6-8	
		Cubes	In small pieces	6-8	
		Schnitzel, chops	By placing foil between cut slices or wrapping individually with stretch	6-8	
	Mutton	Chops	By placing foil between meat pieces or wrapping individually with stretch	4-8	
		Roast	By packing the pieces of meat in a refrigerator bag or wrapping them tightly with stretch	4-8	
		Cubes	By packing the shredded meats in a refrigerator bag or wrapping them tightly with stretch	4-8	
	Beef	Roast	By packing the pieces of meat in a refrigerator bag or wrapping them tightly with stretch	8-12	
		Steak	By cutting them 2 cm thick and placing foil between them or wrapping tightly with stretch	8-12	
		Cubes	In small pieces	8-12	
		Boiled meat	By packaging in small pieces in a refrigerator bag	8-12	
	Mince		Without seasoning, in flat bags	1-3	
	Offal (piece)		In pieces	1-3	
	Fermented sausage - Salami		It should be packaged even if it has casing.	1-3	
Jambon		By placing foil between cut slices	2-3		
Poultry and hunting animals	Chicken and Turkey		By wrapping in foil	4-6	
	Goose		By wrapping in foil (portions should not exceed 2.5 kg)	4-6	
	Duck		By wrapping in foil (portions should not exceed 2.5 kg)	4-6	
	Deer, Rabbit, Roe Deer		By wrapping in foil (portions should not exceed 2.5 kg, and their bones should be separated)	6-8	
Fish and seafood	Freshwater fish (Trout, Carp, Crane, Catfish)		After thoroughly cleaning the inside and scales, it should be washed and dried, and the tail and head parts should be cut when necessary.	2	
	Lean fish (Sea bass, Turbot, Sole)			4-6	
	Fatty fish (Bonito, Mackerel, Bluefish, Red Mullet, Anchovy)			2-4	
	Shellfish			Cleaned and in bags	4-6
	Caviar			In its packaging, in an aluminium or plastic container	2-3

"The storage times specified in the table are based on the storage temperature of -18°C. "

Fruits and Vegetables	Preparation	Longest storage time (month)
String bean and Pole bean	By shock boiling for 3 minutes after washing and cutting into small pieces	10-13
Green pea	By shock boiling for 2 minutes after shelling and washing	10-12
Cabbage	By shock boiling for 1-2 minute(s) after cleaning	6-8
Carrot	By shock boiling for 3-4 minutes after cleaning and cutting into slices	12
Pepper	By boiling for 2-3 minutes after cutting the stem, dividing into two and separating the seeds	8-10
Spinach	By shock boiling for 2 minutes after washing and cleaning	6-9
Leek	By shock boiling for 5 minutes after chopping	6-8
Cauliflower	By shock boiling in a little lemon water for 3-5 minutes after separating the leaves, cutting the core into pieces	10-12
Eggplant	By shock boiling for 4 minutes after washing and cutting into 2cm pieces	10-12
Squash	By shock boiling for 2-3 minutes after washing and cutting into 2cm pieces	8-10
Mushroom	By lightly sauteing in oil and squeezing lemon on it	2-3
Corn	By cleaning and packing in cob or granular	12
Apple and Pear	By shock boiling for 2-3 minutes after peeling and slicing	8-10
Apricot and Peach	Divide in half and extract the seeds	4-6
Strawberry and Raspberry	By washing and shelling	8-12
Baked fruit	By adding 10% sugar in the container	12
Plum, Cherry, Sour Cherry	By washing and shelling the stalks	8-12

"The storage times specified in the table are based on the storage temperature of -18°C. "

Dairy Products	Preparation	Longest Storage Time (Month)	Storage Conditions
Cheese (except feta cheese)	By placing foil therebetween, in slices	6-8	It can be left in its original packaging for short term storage. For long-term storage it should also be wrapped in aluminium or plastic foil.
Butter, margarine	In its own packaging	6	In its own packaging or in plastic containers

"The storage times specified in the table are based on the storage temperature of -18°C. "

"The amount of fresh food that can be frozen for a certain period of time is specified on the type label."

Freezer Compartment Setting	Cooler Compartment Setting	Remarks
-20°C	4°C	This is the default, recommended setting. This setting is recommended if ambient temperature is below 30°C.
-22 or -24 °C	4°C	These settings are recommended for ambient temperatures exceeding 30°C.
Quick Freeze	4°C	Use when you want to freeze your food in a short time. When the process ends, the product's settings will return to previous position.
-18°C or colder	2°C	Use these settings if you believe the cooler compartment is not cold enough due to ambient temperature or frequently opening the door.

### Freezer Details

As per the IEC 62552 standards, the freezer must have the capacity to freeze 4,5 kg of food items at -18°C or lower temperatures at 25°C room temperature in 24 hours for each 100 litres of freezer compartment volume.

Food products can only be preserved for extended periods at or below temperature of -18 °C.

You can keep the foods fresh for months (in freezer at or below temperatures of -18 °C).

The food products to be frozen must not contact the already-frozen food inside to avoid partial defrosting.

Boil the vegetables and filter the water to extend the frozen storage time. Place the food in air-tight packages after filtering and place in the freezer. Bananas, tomatoes, lettuce, celery, boiled eggs, potatoes and similar food items should not be frozen. In case these foods are frozen, only nutritional values and eating qualities will be negatively affected. A rotting that would threaten human health is not in question.

### Placing The Food

**Freezer compartment shelves:**Different frozen foods like meat, fish, ice cream, vegetables etc.

**Cooler compartment shelves:**Food items inside pots, capped plate and capped cases, eggs (in closed case)

**Cooler compartment door shelves:**Small and packaged food or beverages

**Crisper:**Vegetables and fruits

**Fresh food compartment:**Delicatessen (breakfast food, meat products to be consumed in short time)

## 7.3 Crisper

The refrigerator's crisper is designed to keep vegetables fresh by preserving their humidity. For this purpose, the overall cold air circulation is intensified in the crisper. Keep fruits and vegetables in this compartment. Keep the green-leaved vegetables and fruits separately to prolong their life.

## 7.4 Crisper Technologies

### Blue Light

Fruits and vegetables stored in the crispers that are illuminated with a blue light continue their photosynthesis by means of the wavelength effect of blue light and thus preserve their vitamin content.

### HarvestFresh

Fruits and vegetables stored in crispers illuminated with the HarvestFresh technology preserve their vitamins for a longer time thanks to the blue, green, red lights and dark cycles, which simulate a day cycle. When the door of your refrigerator is opened during the dark period of the HarvestFresh technology, your refrigerator shall sense this automatically and illuminate the crisper with one of the blue, green

or red lights respectively for your convenience. After you have closed the door of the refrigerator, the dark period will continue, representing the night time in a day cycle.

### 7.5 Dairy Products Cold Storage Area

#### Cold Storage Drawer

The Cold Storage Drawer can reach lower temperatures in the cooler compartment. Use this drawer for delicatessen products (salami, sausage, etc.) and dairy products that require colder storage conditions, or for meat, chicken or fish to be consumed quickly. It is not suitable to store fruits and vegetables in this drawer.

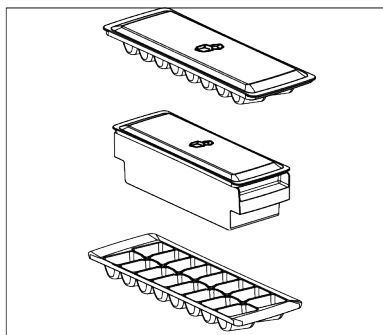
### 7.6 The ice storage area

#### Ice Container

Ice bucket allows you take ice easily from the refrigerator.

#### Using the ice bucket

1. Take the ice bucket out of the freezer compartment.
2. Fill the ice bucket with water.
3. Place the ice bucket into the freezer compartment. The ice will be ready after approximately two hours.
4. Take the ice bucket from the freezer compartment and bend in slightly over the holder that you are going to serve. Ice will easily pour into the serving holder.



### 7.7 Reversing the Door Opening Side

The door opening side of your refrigerator can be reversed according to the place you put it. When you need this, you should definitely call the nearest Authorized Service.

### 7.8 Door Open Alert

The door open alert system of your refrigerator may differ depending on the model.

#### Version 1;

If the door of the product remains open for a certain time (between 60 s and 120 s), an audio warning signal sounds; depending on the product model, a visual warning signal (light flash) can also be displayed. If you close the door of the device or press a button on the screen of the device, if any, the warning sound will stop.

#### Version 2;

If the door of the device remains open for a certain period of time (between 60 s and 120 s), the door open alert is sounded. The door open alert is sounded gradually. First, an audible warning starts to sound. After 4 minutes, if the door is still not closed, a visual warning (lighting flash) is activated. The door open alert will be delayed for a certain period of time (between 60 s and 120 s) when any key on the product screen, if any, is pressed. Then the process will start again. When the device door is closed, the door open alert will be cancelled.

### 7.9 Replacing the Illumination Lamp

Call the Authorized Service when the Bulb/LED used for lighting in your refrigerator will be replaced.

Lamp(s) used in this appliance cannot be used for house lighting. Intended use of this lamp is to help the user place food into the refrigerator / freezer safely and comfortably.

### 7.10 AeroFlow

It is an air distribution system that provides homogeneous temperature distribution. With the air circulation, the homogeneous



temperature distribution is ensured in the fresh food storage compartment, and the temperature fluctuations are kept at low levels. No direct air blowing over the food is realized and this helps to reduce moisture loss. It preserves the freshness of the food stored in the fresh food compartment of the refrigerator. In this way, your food is stored at more stable temperatures and the contact with air is reduced. The drying and shrinking of foods by losing moisture is prevented and freshness is provided for a longer time.

### 7.11 Fan

The fan is designed to ensure that the cold air is distributed and circulates homogeneously in it. The operating time of the fan may change according to the feature of the product.

Whereas, in some of the products, the fan only operates with the compressor, in the other products, the control system determines the time the fan will operate according to the cooling need.

### 7.12 Egg holder

You can place the egg holder on the door or body shelf you wish.

If the egg holder is to be placed on the body shelf, we recommend you to choose colder lower shelves.



**Never place the egg holder on the freezer compartment**

## 8 Maintenance and Cleaning



#### **WARNING:**

Read the "Safety Instructions" section first.



#### **WARNING:**

Unplug the refrigerator before cleaning it.

- Do not use sharp or abrasive tools to clean the product. Do not use materials such as household cleaning agents, soap, detergents, gas, gasoline, thinner, alcohol, wax, etc.
- The dust shall be removed from the ventilation grill on the rear of the product at least once a year (without opening the cover). Clean the product with a dry cloth.
- Take care to keep water away from the lamp's cover and other electrical parts.
- Clean the door with a damp cloth. Remove all contents to remove the door and body racks. Remove the door racks by lifting them upwards. Clean and dry the shelves, then attach back in place by sliding from above.
- Do not use chlorinated water or cleaning products on the exterior surface and chrome-coated parts of the product. Chlorine will cause rust on such metallic surfaces.
- Do not use sharp and abrasive tools, soap, house cleaning materials, detergents, gas, gasoline, varnish and similar substances to prevent deformation of the plastic part and removal of prints on the part. Use warm water and a soft cloth for cleaning, and then dry it.
- On the products without a No-Frost feature, water droplets and icing up to a thickness of a finger may occur on the rear wall of the freezer compartment. Do not clean, and never apply oils or similar materials.
- Use a mildly dampened micro-fibre cloth to clean the external surface of the product. Sponges and other types of cleaning clothes may cause scratches.
- To clean all removable components during the cleaning of the interior surface of the product, wash these components with a mild solution consisting of soap,

water and carbonate. Wash and dry thoroughly. Prevent contact of water with illumination components and the control panel.



**CAUTION:**

Do not use vinegar, rubbing alcohol or other alcohol based cleaning agents on any interior surface.

**Stainless Steel External Surfaces**

Use a non-abrasive stainless steel cleaning agent and apply it with a soft lint-free cloth. To polish, gently wipe the surface with a micro-fibre cloth dampened with water and use dry polishing chamois. Always follow the veins of the stainless steel.

## 9 Troubleshooting

Check this list before contacting the service. Doing so will save you time and money. This list includes frequent complaints that are not related to faulty workmanship or materials. Certain features mentioned herein may not apply to your product.

**The refrigerator is not working.**

- The power plug is not fully settled. >>> Plug it in to settle completely into the socket.
- The fuse connected to the socket powering the product or the main fuse is blown. >>> Check the fuse.

**Condensation on the side wall of the cooler compartment (MULTI ZONE, COOL CONTROL and FLEXI ZONE).**

- The door is opened too frequently. >>> Take care not to open the product's door too frequently.
- The environment is too humid. >>> Do not install the product in humid environments.
- Foods containing liquids are kept in unsealed holders. >>> Keep the foods containing liquids in sealed holders.

**Preventing Odours**

The product is manufactured free of any odorous materials. However, keeping the food in inappropriate sections and improper cleaning of internal surfaces may lead to odours.

- To avoid this, clean the inside with carbonated water every 15 days.
- Keep the foods in sealed holders, as micro-organisms arising from foods kept in unsealed containers will cause bad odour.
- Do not keep expired and spoilt foods in the refrigerator.

**Protecting Plastic Surfaces**

Oil spilled on plastic surfaces may damage the surface and must be cleaned immediately with warm water.

- The product's door is left open. >>> Do not keep the product's door open for long periods.
- The thermostat is set to a very cool temperature. >>> Set the thermostat to an appropriate temperature.

**Compressor is not working.**

- In case of sudden power failure or pulling the power plug off and putting back on, the gas pressure in the product's cooling system is not balanced, which triggers the compressor thermic safeguard. The product will restart after approximately 6 minutes. If the product does not restart after this period, contact the service.
- Defrosting is active. >>> This is normal for a fully-automatic defrosting product. The defrosting is carried out periodically.
- The product is not plugged in. >>> Make sure the power cord is plugged in.
- The temperature setting is incorrect. >>> Select the appropriate temperature setting.
- The power is out. >>> The product will continue to operate normally once the power is restored.

### **The refrigerator's operating noise is increasing while in use.**

- The product's operating performance may vary depending on the ambient temperature variations. This is normal and not a malfunction.

### **The refrigerator runs too often or for too long.**

- The new product may be larger than the previous one. Larger products will run for longer periods.
- The room temperature may be high. >>> The product will normally run for long periods in higher room temperature.
- The product may have been recently plugged in or a new food item is placed inside. >>> The product will take longer to reach the set temperature when recently plugged in or a new food item is placed inside. This is normal.
- Large quantities of hot food may have been recently placed into the product. >>> Do not place hot food into the product.
- The doors were opened frequently or kept open for long periods. >>> The warm air moving inside will cause the product to run longer. Do not open the doors too frequently.
- The freezer or cooler door may be ajar. >>> Check that the doors are fully closed.
- The product may be set to a temperature that is too low. >>> Set the temperature to a higher degree and wait for the product to reach the adjusted temperature.
- The cooler or freezer door washer may be dirty, worn out, broken or not properly settled. >>> Clean or replace the gasket. Damaged / torn door washer will cause the product to run for longer periods to preserve the current temperature.

### **The freezer temperature is very low, but the cooler temperature is adequate.**

- The freezer compartment temperature is set to a very low degree. >>> Set the freezer compartment temperature to a higher degree and check again.

### **The cooler temperature is very low, but the freezer temperature is adequate.**

- The cooler compartment temperature is set to a very low degree. >>> Set the cooler compartment temperature to a higher degree and check again.

### **The food items kept in cooler compartment drawers are frozen.**

- The cooler compartment temperature is set to a very low degree. >>> Set the cooler compartment temperature to a higher degree and check again.

### **The temperature in the cooler or the freezer is too high.**

- The cooler compartment temperature is set to a very high degree. >>> Temperature setting of the cooler compartment has an effect on the temperature in the freezer compartment. Wait until the temperature of relevant parts reach the sufficient level by changing the temperature of cooler or freezer compartments.
- The doors were opened frequently or kept open for long periods. >>> Do not open the doors too frequently.
- The door may be ajar. >>> Fully close the door.
- The product may have been recently plugged in or a new food item is placed inside. >>> This is normal. The product will take longer to reach the set temperature when recently plugged in or a new food item is placed inside.
- Large quantities of hot food may have been recently placed into the product. >>> Do not place hot food into the product.

### **Shaking or noise.**

- The surface is not flat or durable >>> If the product is shaking when moved slowly, adjust the stands to balance the product. Also make sure the ground is sufficiently durable to bear the product.
- Any items placed on the product may cause noise. >>> Remove any items placed on the product.
- The product is making noise of liquid flowing, spraying etc.

- The product's operating principles involve liquid and gas flows. >>> This is normal and not a malfunction.

#### **There is sound of wind blowing coming from the product.**

- The product uses a fan for the cooling process. This is normal and not a malfunction.

#### **There is condensation on the product's internal walls.**

- Hot or humid weather will increase icing and condensation. This is normal and not a malfunction.
- The doors were opened frequently or kept open for long periods. >>> Do not open the doors too frequently; if open, close the door.
- The door may be ajar. >>> Fully close the door.

#### **There is condensation on the product's exterior or between the doors.**

- The ambient weather may be humid, this is quite normal in humid weather. >>> The condensation will dissipate when the humidity is reduced.

#### **The interior smells bad.**

- The product is not cleaned regularly. >>> Clean the interior regularly using sponge, warm water and carbonated water.
- Certain holders and packaging materials may cause odour. >>> Use holders and packaging materials without free of odour.
- The foods were placed in unsealed holders. >>> Keep the foods in sealed holders. Microorganisms may spread out of unsealed food items and cause bad odour.

## **DISCLAIMER / WARNING**

Some (simple) failures can be adequately handled by the end-user without any safety issue or unsafe use arising, provided that they are carried out within the limits and in accordance with the following instructions (see the "Self-Repair" section).

- Remove any expired or spoiled foods from the product.

#### **The door is not closing.**

- Food packages may be blocking the door. >>> Relocate any items blocking the doors.
- The product is not standing in full upright position on the ground. >>> Adjust the stands to balance the product.
- The surface is not flat or durable >>> Make sure the surface is flat and sufficiently durable to bear the product.

#### **The crisper is jammed.**

- The food items may be in contact with the upper section of the drawer. >>> Reorganize the food items in the drawer.

#### **Temperature on the product surface.**

- High temperature may be observed between two doors, on the side panels and on the rear grill area while your product is operated. This is normal and it does not require servicing.

#### **Fan continues to operate when the door is opened.**

- Fan may continue to operate when the freezer door is open.



**WARNING:** If the problem persists after following the instructions in this section, contact your vendor or an Authorized Service. Do not try to repair the product. This is normal.

#### **Packaging sorting information**

Please scan the QR code which places on the outer packaging of the product to find all the information relating to the packaging and how to manage the packaging waste.

Therefore, unless otherwise authorized in the "Self-Repair" section below, repairs shall be addressed to registered professional repairers in order to avoid safety issues. A registered Professional repairer is a professional repairer that has been granted access to the instructions and spare parts list of this product by the manufacturer ac-

ording to the methods described in legislative acts pursuant to Directive 2009/125/EC.

**However, only the service agent (i.e. authorized professional repairers) that you can reach through the phone number given in the user manual/warranty card or through your authorized dealer may provide service under the guarantee terms. Therefore, please be advised that repairs by professional repairers (who are not authorized by) Beko shall void the guarantee.**

### **Self-Repair**

Self-repair can be done by the end-user with regard to the following spare parts: door handles, door hinges, trays, baskets and door gaskets (an updated list is also available support.beko.com as of 1st March 2021).

Moreover, to ensure product safety and to prevent risk of serious injury, the mentioned self-repair shall be done following the instructions in the user manual for selfrepair or which are available in support.beko.com . For your safety, unplug the product before attempting any self-repair. Repair and repair attempts by end-users for parts not included in such list and/or not following the instructions in the user manuals for self-repair or which are available in support.beko.com, might give raise to safety issues not attributable to Beko, and will void the warranty of the product.

Therefore, it is highly recommended that end-users refrain from the attempt to carry out repairs falling outside the mentioned list of spare parts, contacting in such cases authorized professional repairers or registered professional repairers. On the contrary, such attempts by end-users may cause safety issues and damage the product and subsequently cause fire, flood, electrocution and serious personal injury to occur.

By way of example, but not limited to, the following repairs must be addressed to authorized professional repairers or re-

gistered professional repairers: compressor, cooling circuit, main board, inverter board, display board, etc.

The manufacturer/seller cannot be held liable in any case where end-users do not comply with the above.

The spare part availability of the refrigerator that you purchased is 10 years. During this period, original spare parts will be available to operate the refrigerator properly. The minimum duration of guarantee of the refrigerator that you purchased is 24 months.

This product is equipped with a lighting source of the "G" energy class.

The lighting source in this product shall only be replaced by Professional repairer.

See also

2 DISCLAIMER / WARNING [ ] 29]

# Bitte lesen Sie zunächst dieses Handbuch

Lieber Kunde,

**Bitte lesen Sie dieses Handbuch, bevor Sie das Produkt verwenden.**

Vielen Dank, dass Sie sich für dieses Beko Produkt entschieden haben. Wir möchten, dass Sie mit diesem hochwertigen Produkt, das mit modernster Technologie hergestellt wurde, die optimale Effizienz erzielen. Lesen Sie dazu dieses Handbuch und alle anderen mitgelieferten Dokumentationen sorgfältig durch, bevor Sie das Produkt verwenden, und bewahren Sie sie als Referenz auf.

Beachten Sie alle Informationen und Warnungen im Bedienungsanleitung. Auf diese Weise schützen Sie sich und Ihr Produkt vor den Gefahren, die auftreten können.

Bewahren Sie das Bedienungsanleitung auf. Fügen Sie diese Anleitung dem Gerät bei, wenn Sie sie an eine andere Person übergeben.

**In dieser Bedienungsanleitung werden folgende Symbole verwendet:**



Gefahr, die zum Tod oder zu Verletzungen führen kann.



Wichtige Informationen oder nützliche Tipps zur Bedienung.







Lesen Sie die Bedienungsanleitung.



Brennbares Material, Warnung vor Brandgefahr.

HINWEIS Eine Gefahr, die zu Materialschäden am Produkt oder seiner Umgebung führen kann

	
<b>SUPPLIER'S NAME</b>	<b>MODEL IDENTIFIER</b> → (*)
	

Die in der Produktdatenbank gespeicherten Modellinformationen können über die folgende Website und die Suche nach Ihrer Modellkennung (\*) auf dem Energieetikett abgerufen werden.

<https://eprel.ec.europa.eu/>

<b>1</b>	<b>Sicherheitshinweise .....</b>	<b>32</b>
1.1	Verwendungszweck .....	32
1.2	Sicherheit von Kindern, gefährdeten Personen und Haustieren .....	32
1.3	Elektrische Sicherheit.....	33
1.4	Handhabungssicherheit.....	34
1.5	Montagesicherheit .....	35
1.6	Betriebssicherheit .....	37
1.7	Sicherheit bei der Lagerung von Lebensmitteln .....	40
1.8	Wartungs- und Reinigungssicherheit.....	40
1.9	Entsorgung des alten Produkts ....	41
<b>2</b>	<b>Umwelthinweise.....</b>	<b>42</b>
2.1	Informationen zur Entsorgung:.....	42
<b>3</b>	<b>Ihr Kühlschrank.....</b>	<b>43</b>
<b>4</b>	<b>Installation .....</b>	<b>44</b>
4.1	Richtiger Ort für die Installation....	44
4.2	Elektrischer Anschluss.....	44
4.3	Einstellen der Füße.....	45
4.4	Warnung vor heißer Oberfläche!...	45
<b>5</b>	<b>Vorbereitung.....</b>	<b>45</b>
5.1	Was man zum Energiesparen tun kann.....	45
5.2	Erste Verwendung .....	46
5.3	Klimaklasse und Definitionen .....	46
<b>6</b>	<b>Produktbedienung .....</b>	<b>46</b>
<b>7</b>	<b>Verwendung des Geräts.....</b>	<b>47</b>
7.1	Bedienfeld des Geräts .....	47
7.2	Aufbewahrung von Lebensmitteln im Kühlfach.....	49
7.3	Gemüsefach .....	54
7.4	Gemüsefach-Technologien.....	54
7.5	Kühlraum für Molkereiprodukte....	55
7.6	Der Eisspeicherraum .....	55
7.7	Umkehren der Türöffnungsseite ..	55
7.8	Alarm bei offener Tür .....	55
7.9	Auswechseln der Beleuchtungslampe .....	56
7.10	AeroFlow .....	56
7.11	Lüfter.....	56
7.12	Eierhalter .....	56
<b>8</b>	<b>Wartung und Reinigung .....</b>	<b>56</b>

## 1 Sicherheitshinweise

- Dieser Abschnitt enthält die notwendigen Sicherheitshinweise, um die Gefahr von Personen- und Sachschäden zu vermeiden.
- Unser Unternehmen haftet nicht für Schäden, die bei Nichtbeachtung dieser Anweisungen entstehen können.



Lassen Sie Montage- und Reparaturarbeiten immer vom Hersteller, einem autorisierten Kundendienst oder einer Person, die von der einführenden Firma beschrieben wird, durchführen.



Verwenden Sie nur Originalersatzteile und Zubehör.



Reparieren oder ersetzen Sie keine Komponenten des Produkts, wenn dies nicht eindeutig in der Bedienungsanleitung angegeben ist.



Nehmen Sie keine Änderungen am Produkt vor.

### 1.1 Verwendungszweck

- Dieses Produkt ist nicht für den kommerziellen Gebrauch geeignet und sollte nicht für einen anderen als den vorgesehenen Zweck verwendet werden.

- Dieses Produkt ist für den Betrieb in Innenräumen, wie z.B. in Haushalten oder ähnlichem, vorgesehen.

Zum Beispiel;

In den Personalküchen von Geschäften, Büros und anderen Arbeitsumgebungen,

In Bauernhöfen,

In den Räumen von Hotels, Motels oder anderen Erholungseinrichtungen, die von Kunden genutzt werden,

In Herbergen oder ähnlichen Umgebungen,

In Catering-Diensten und ähnlichen Anwendungen außerhalb des Einzelhandels.

- Dieses Produkt darf nicht in offenen oder geschlossenen Außenbereichen wie Schiffen, Wohnmobile, Balkonen oder Terrassen verwendet werden. Wenn das Produkt Regen, Schnee, Sonnenlicht und Wind ausgesetzt wird, besteht Brandgefahr.

### 1.2 Sicherheit von Kindern, gefährdeten Personen und Haustieren

- Dieses Produkt kann von Kindern ab 8 Jahren und Personen mit unterentwickelten kör-



perlichen, sensorischen oder geistigen Fähigkeiten oder mangelnder Erfahrung und Kenntnis verwendet werden, wenn sie beaufsichtigt werden oder eine Einweisung in den sicheren Gebrauch des Geräts und die damit verbundenen Gefahren erhalten haben.

- Kinder zwischen 3 und 8 Jahren dürfen Lebensmittel in das Kühlerprodukt einlegen und aus ihr entnehmen.
- Elektrische Produkte sind für Kinder und Haustiere gefährlich. Kinder und Haustiere dürfen nicht mit dem Produkt spielen, darauf klettern oder es betreten.
- Reinigung und Benutzerwartung sollten nicht von Kindern durchgeführt werden, es sei denn, sie werden von jemandem beaufsichtigt.
- Halten Sie Verpackungsmaterialien von Kindern fern! Es besteht Verletzungs- und Erstickungsgefahr.

Bevor Sie alte Produkte entsorgen, die nicht mehr verwendet werden sollen:

1. Ziehen Sie den Stecker des Netzkabels aus der Steckdose.

2. Schneiden Sie das Netzkabel ab und ziehen Sie es zusammen mit dem Stecker aus dem Gerät.
  3. Nehmen Sie die Ablagen und Schubladen nicht aus dem Gerät, um zu verhindern, dass Kinder in das Innere des Geräts gelangen können.
  4. Entfernen Sie die Türen.
  5. Bewahren Sie das Gerät so auf, dass es nicht umgestoßen werden kann.
  6. Erlauben Sie Kindern nicht, mit dem ausrangierten Produkt zu spielen.
- Entsorgen Sie das Gerät nicht, indem Sie es ins Feuer werfen. Es besteht Explosionsgefahr.
  - Wenn ein Schloss an der Tür des Geräts vorhanden ist, bewahren Sie den Schlüssel außerhalb der Reichweite von Kindern auf.



### 1.3 Elektrische Sicherheit

- Das Gerät darf während der Installation, Wartung, Reinigung, Reparatur und des Transports nicht an die Steckdose angeschlossen werden.
- Wenn das Netzkabel beschädigt ist, darf es nur von einem autorisierten Kundendienst

ausgetauscht werden, um jegliche Risiken zu vermeiden, die auftreten können.

- Verlegen Sie das Netzkabel nicht unter dem Gerät oder an der Rückseite des Geräts. Stellen Sie keine schweren Gegenstände auf das Netzkabel. Das Netzkabel darf nicht geknickt oder gequetscht werden und nicht mit einer Wärmequelle in Berührung kommen.
- Verwenden Sie keine Verlängerungskabel, Mehrfachsteckdosen oder Adapter, um Ihr Gerät zu betreiben.
- Tragbare Mehrfachsteckdosen oder tragbare Netzteile können sich überhitzen und einen Brand verursachen. Stellen Sie daher keine tragbaren Stromquellen mit Mehrfachsteckdosen hinter oder in der Nähe des Geräts auf.
- Schließen Sie das Netzkabel des Geräts nicht an eine lose oder beschädigte Steckdose an. Derartige Verbindungen können überhitzen und einen Brand verursachen.
- Der Stecker muss leicht zugänglich sein. Wenn dies nicht möglich ist, muss die Elektroinstallation über einen Mechanismus verfügen, der den gesetzlichen Vorschriften ent-

spricht und alle Anschlüsse vom Netz trennt (Sicherung, Schalter, Hauptschalter usw.).

- Berühren Sie den Stecker nicht mit nassen Händen!
- Fassen Sie beim Ausstecken des Geräts nicht das Netzkabel, sondern den Stecker an.



#### 1.4 Handhabungssicherheit

- Ziehen Sie unbedingt den Netzstecker, bevor Sie das Gerät tragen.
- Dieses Produkt ist schwer, handhaben Sie es nicht selbst. Wenn das Gerät auf Sie fällt, können Sie sich verletzen. Stoßen Sie beim Transport nicht an und lassen Sie das Gerät nicht fallen.
- Schließen Sie immer die Türen und halten Sie das Gerät nicht an den Türen fest, wenn Sie es transportieren.
- Achten Sie beim Umgang mit dem Gerät darauf, dass das Kühlsystem und die Leitungen nicht beschädigt werden. Nehmen Sie das Gerät nicht in Betrieb, wenn die Leitungen beschädigt sind, und wenden Sie sich an einen autorisierten Kundendienst.



## 1.5 Montagesicherheit

- Wenden Sie sich für die Montage des Geräts an den autorisierten Kundendienst. Um das Gerät für die Verwendung vorzubereiten, lesen Sie die Informationen in der Bedienungsanleitung und stellen Sie sicher, dass die Strom- und Wasserleitungen den Anforderungen entsprechen. Wenn dies nicht der Fall ist, wenden Sie sich an einen qualifizierten Elektriker und einen Monteur, um die Versorgungsleitungen entsprechend zu installieren. Andernfalls kann es zu einem elektrischen Schlag, Brand, Problemen mit dem Gerät oder Verletzungen kommen.
- Dieses Produkt ist für die Verwendung in einer maximalen Höhe von 2000 Metern über dem Meeresspiegel ausgelegt.
- Überprüfen Sie das Gerät vor der Installation auf eventuelle Schäden. Lassen Sie das Gerät nicht installieren, wenn es beschädigt ist.
- Verwenden Sie bei der Installation, Wartung und Reparatur des Produkts stets persönliche Schutzausrüstung (Handschuhe usw.). Verletzungsgefahr!
- Stellen Sie das Gerät auf eine saubere, ebene und stabile Fläche und balancieren Sie es mit den verstellbaren Füßen aus (durch Drehen der vorderen Füße nach rechts oder links). Andernfalls kann der Kühlschrank umkippen und Verletzungen verursachen.
- Das Gerät muss in einer trockenen und belüfteten Umgebung aufgestellt werden. Legen Sie keine Teppiche, Vorleger oder ähnliche Beläge unter das Gerät. Dies kann zu Brandgefahr durch unzureichende Belüftung führen!
- Die Lüftungsöffnungen dürfen nicht blockiert oder abgedeckt werden. Andernfalls erhöht sich der Stromverbrauch und Ihr Produkt kann beschädigt werden.
- Achten Sie beim Platzieren des Produkts darauf, dass das Netzkabel nicht beschädigt oder eingeklemmt wird.
- Das Produkt darf nicht an Stromversorgungssysteme wie z.B. Solarstrom angeschlossen werden. Andernfalls kann Ihr Gerät durch plötzliche Spannungsschwankungen beschädigt werden!
- Je mehr Kältemittel ein Kühlschrank enthält, desto größer sollte sein Aufstellraum sein.

In sehr kleinen Räumen kann bei einem Gasaustritt im Kühlsystem ein brennbares Gas-Luft-Gemisch entstehen. Pro 8 Gramm Kältemittel wird mindestens 1 m<sup>3</sup> Rauminhalt benötigt. Die Menge des in Ihrem Produkt verfügbaren Kältemittels ist auf dem Typenschild angegeben.

- Der Aufstellungsort des Produkts darf nicht der direkten Sonneneinstrahlung ausgesetzt sein und sich nicht in der Nähe von Wärmequellen wie Öfen, Heizkörpern usw. befinden. Wenn Sie die Aufstellung des Produkts in der Nähe einer Wärmequelle nicht vermeiden können, verwenden Sie eine geeignete Isolierplatte und stellen Sie sicher, dass der Mindestabstand zur Wärmequelle wie unten angegeben ist:
  - Mindestens 30 cm Abstand zu Wärmequellen wie Herden, Öfen, Heizgeräten und Heizkörpern usw.,
  - Und mindestens 5 cm Abstand zu Elektroöfen.
- Ihr Produkt hat die Schutzklasse I.
- Schließen Sie das Gerät an eine geerdete Steckdose an, die mit den auf dem Typenschild angegebenen Werten für Spannung, Stromstärke und Frequenz übereinstimmt. Die Steckdose muss mit einer 10A - 16A Sicherung ausgestattet sein. Unser Unternehmen übernimmt keine Haftung für alle Schäden aufgrund einer Nutzung ohne Erdung oder ohne eines Stromanschlusses, der nicht den örtlichen und nationalen Vorschriften genügt.
- Während der Aufstellung muss der Gerätenetzstecker gezogen sein. Andernfalls besteht die Gefahr eines Stromschlags und von Verletzungen!
- Schließen Sie das Netzkabel des Geräts nicht an lose, verbogene, kaputte, schmutzige oder ölige Steckdosen an, die mit Wasser in Berührung kommen können. Derartige Anschlüsse können zu Überhitzung und Feuer führen.
- Verlegen Sie das Netzkabel und die Schläuche (falls vorhanden) des Geräts so, dass sie keine Stolpergefahr darstellen.
- Das Eindringen von Feuchtigkeit und Flüssigkeit in stromführende Teile oder in das Netzkabel kann einen Kurzschluss verursachen. Verwenden Sie das Gerät daher nicht in feuchten Umgebungen oder in Bereichen, in denen Wasser

- spritzen kann (z.B. Garage, Waschküche usw.). Wenn der Kühlschrank nass geworden ist, ziehen Sie den Stecker und wenden Sie sich an einen autorisierten Kundendienst.
- Schließen Sie Ihren Kühlschrank niemals an Energiespargeräte an. Solche Systeme sind schädlich für das Gerät.
  - Beim Entfernen der Abdeckung der Elektronikplatine und der hinteren Abdeckung des Kompressors (falls vorhanden) besteht die Gefahr des Kontakts mit elektrischen Teilen. Entfernen Sie nicht die Abdeckung der Elektronikplatine und die hintere Abdeckung des Kompressors (falls vorhanden). Es besteht die Gefahr eines Stromschlags!

## 1.6 Betriebssicherheit

- Verwenden Sie niemals chemische Lösungsmittel für das Gerät. Diese Stoffe bergen ein Explosionsrisiko.
  - Im Falle eines Defekts ziehen Sie den Stecker aus der Steckdose und nehmen Sie das Gerät nicht in Betrieb, bis es von einem autorisierten Kundendienst repariert wurde. Es besteht die Gefahr eines Stromschlags.
- Stellen Sie keine Flammenquelle (z.B. Kerzen, Zigaretten usw.) auf das Gerät oder in dessen Nähe.
  - Steigen Sie nicht auf das Gerät. Sturz- und Verletzungsgefahr!
  - Beschädigen Sie die Leitungen des Kühlsystems nicht mit scharfen und stechenden Werkzeugen. Das Kältemittel, das beim Durchstechen der Gasrohre, der Rohrverlängerungen oder der oberen Oberflächenbeschichtungen austritt, kann zu Hautreizungen und Verletzungen der Augen führen.
  - Stellen Sie keine elektrischen Geräte im Inneren des Kühl-/Gefrierschranks auf und betreiben Sie sie nicht, es sei denn, dies wird vom Hersteller empfohlen.
  - Klemmen Sie keine Teile Ihrer Hände oder Ihres Körpers in die beweglichen Teile im Inneren des Geräts ein. Achten Sie darauf, dass Ihre Finger nicht zwischen Kühlschrank und Tür eingeklemmt werden. Seien Sie vorsichtig beim Öffnen und Schließen der Tür, wenn Kinder in der Nähe sind.

- Nehmen Sie Eis, Eiswürfel oder gefrorene Lebensmittel nicht sofort in den Mund, wenn Sie sie aus dem Gefrierschrank nehmen. Frostbeulenrisiko!
- Berühren Sie die Innenwände, die Metallteile des Gefrierschranks oder die im Gefrierschrank aufbewahrten Lebensmittel nicht mit nassen Händen. Frostbeulenrisiko!
- Stellen Sie keine Getränkedosen oder Dosen und Flaschen, die Flüssigkeiten enthalten, die gefrieren können, in das Gefrierfach. Dosen oder Flaschen können explodieren. Verletzungsgefahr und Gefahr von Sachschäden!
- Verwenden oder lagern Sie keine temperaturempfindlichen Materialien wie brennbare Sprays, brennbare Gegenstände, Trockeneis oder andere chemische Stoffe in der Nähe des Kühlschranks. Brand- und Explosionsgefahr!
- Bewahren Sie keine explosiven Materialien wie Spraydosen mit brennbaren Stoffen im Inneren des Geräts auf.
- Stellen Sie Dosen, die Flüssigkeiten enthalten, nicht im offenen Zustand auf das Produkt. Wenn Wasser auf ein elektrisches Teil spritzt, besteht die Gefahr eines elektrischen Schlags oder eines Brands.
- Dieses Produkt ist nicht für die Lagerung und Kühlung von Arzneimitteln, Blutplasma, Laborpräparaten oder ähnlichen Materialien und Produkten vorgesehen, die unter die Medizinprodukte-Richtlinie fallen.
- Wenn das Produkt nicht bestimmungsgemäß verwendet wird, kann es zu einer Beschädigung oder Beeinträchtigung der darin aufbewahrten Produkte kommen.
- Wenn Ihr Kühlschrank mit blauem Licht ausgestattet ist, dürfen Sie nicht mit optischen Geräten in dieses Licht blicken. Schauen Sie nicht über einen längeren Zeitraum direkt in das UV-LED-Licht. Ultraviolette Strahlen können die Augen überanstrengen.
- Befüllen Sie das Produkt nicht mit mehr Inhalt als es aufnehmen kann. Es kann zu Verletzungen oder Schäden kommen, wenn der Inhalt des Kühlschranks beim Öffnen der Tür herunterfällt. Ähnliche Probleme können auch auftreten, wenn ein Gegenstand auf das Gerät gestellt wird.

- Vergewissern Sie sich, dass Sie jegliches Eis oder Wasser, das auf den Boden gefallen sein könnte, entfernt haben, um Verletzungen zu vermeiden.
- Ändern Sie die Position der Ablagen/Flaschenablagen an der Tür Ihres Kühlschranks nur, wenn die Ablagen leer sind. Es besteht Verletzungsgefahr!
- Stellen Sie keine Gegenstände auf das Produkt, die herunterfallen/umkippen können. Diese Gegenstände können beim Öffnen oder Schließen der Tür herunterfallen und Verletzungen und/oder Sachschäden verursachen.
- Schlagen Sie nicht auf Glasflächen und üben Sie keinen übermäßigen Druck darauf aus. Zerbrochenes Glas kann zu Verletzungen und/oder Sachschäden führen.
- Das Kühlsystem in Ihrem Produkt enthält das Kältemittel R600a. Der im Produkt verwendete Kältemitteltyp ist auf dem Typenschild angegeben. Das Gas ist entflammbar. Achten Sie deshalb beim Betrieb des Produkts darauf, dass das Kühlsystem und die Leitungen nicht beschädigt werden. Im Falle einer Beschädigung der Rohre;
  1. Berühren Sie nicht das Produkt oder das Netzkabel.
  2. Halten Sie das Gerät von potenziellen Feuerquellen fern, die das Gerät in Brand setzen könnten.
  3. Belüften Sie den Bereich, in dem das Gerät aufgestellt ist. Verwenden Sie keinen Ventilator.
  4. Wenden Sie sich an den autorisierten Kundendienst.Wenn das Gerät beschädigt ist und Sie ein Gasleck feststellen, halten Sie sich bitte vom Gas fern. Gas kann Erfrierungen verursachen, wenn es mit Ihrer Haut in Kontakt kommt. Bevor Sie alte Produkte entsorgen, die nicht mehr verwendet werden sollen:
  1. Ziehen Sie den Stecker des Netzkabels aus der Steckdose.
  2. Schneiden Sie das Netzkabel ab und ziehen Sie es zusammen mit dem Stecker aus dem Gerät.
  3. Nehmen Sie die Ablagen und Schubladen nicht aus dem Gerät, um zu verhindern, dass Kinder in das Innere des Geräts gelangen können.
  4. Entfernen Sie die Türen.
  5. Bewahren Sie das Gerät so auf, dass es nicht umgestoßen werden kann.

6. Erlauben Sie Kindern nicht, mit dem ausrangierten Produkt zu spielen.
- Entsorgen Sie das Gerät nicht, indem Sie es ins Feuer werfen. Es besteht Explosionsgefahr.
- Wenn ein Schloss an der Tür des Geräts vorhanden ist, bewahren Sie den Schlüssel außerhalb der Reichweite von Kindern auf.

### **1.7 Sicherheit bei der Lagerung von Lebensmitteln**

Bitte beachten Sie die folgenden Warnhinweise, um den Verderb von Lebensmitteln zu vermeiden:

- Wenn Sie die Türen längere Zeit offen stehen lassen, kann die Temperatur im Inneren des Geräts ansteigen.
- Reinigen Sie regelmäßig die zugänglichen Abflusssysteme, die mit den Lebensmitteln in Berührung kommen.
- Reinigen Sie Wassertanks, die 48 Stunden lang nicht benutzt wurden, und Wasserversorgungssysteme, die mehr als 5 Tage lang nicht benutzt wurden.
- Lagern Sie rohe Fleisch- und Fischprodukte in geeigneten Fächern innerhalb des Produkts. So tropft es nicht auf

andere Lebensmittel und kommt nicht mit ihnen in Berührung.

- Zwei-Sterne-Gefrierfächer werden für die Lagerung von vorgefüllten Lebensmitteln, die Herstellung und Lagerung von Eis und Speiseeis verwendet.
- Ein-, Zwei- und Drei-Sterne-Fächer sind nicht zum Einfrieren frischer Lebensmittel geeignet.
- Wenn das Gefrierschrank längere Zeit nicht benutzt wurde, schalten Sie es aus, tauen Sie es ab, reinigen und trocknen Sie es, um das Gehäuse des Geräts zu schützen.

### **1.8 Wartungs- und Reinigungssicherheit**

- Ziehen Sie den Netzstecker des Kühlschranks, bevor Sie ihn reinigen oder Wartungsarbeiten durchführen.
- Ziehen Sie nicht am Türgriff, wenn Sie das Gerät zu Reinigungszwecken bewegen müssen. Ein zu starkes Ziehen am Griff kann zu Verletzungen führen.
- Halten Sie Ihre Hände usw. nicht unter den Kühlschrank. Es kann zu einem Einklemmen kommen oder scharfe Kanten können Verletzungen verursachen.



- Reinigen Sie das Gerät nicht, indem Sie Wasser auf das Gerät und in das Innere des Geräts sprühen oder gießen. Es besteht Stromschlag- und Brandgefahr.
- Verwenden Sie zum Reinigen des Produkts keine scharfen und scheuernden Werkzeuge oder Haushaltsreiniger, Waschmittel, Gas, Benzin, Verdüner, Alkohol, Lacke und ähnliche Substanzen. Verwenden Sie nur Reinigungs- und Pflegemittel, die für die Lebensmittel im Inneren des Geräts unschädlich sind.
- Verwenden Sie zur Reinigung des Geräts und zum Auftauen des Eises im Inneren niemals Dampf oder dampfhaltige Reinigungsmittel. Dampf kommt mit den stromführenden Teilen Ihres Kühlschranks in Berührung und kann einen Kurzschluss oder Stromschlag verursachen.
- Achten Sie darauf, dass Wasser nicht in die Nähe der Lüftungsöffnungen, der elektronischen Schaltkreise oder der Beleuchtung des Geräts gelangt.
- Verwenden Sie ein sauberes, trockenes Tuch, um Staub oder Fremdkörper an den Stecker-

spitzen abzuwischen. Verwenden Sie kein nasses oder feuchtes Tuch, um den Stecker zu reinigen. Andernfalls besteht die Gefahr eines Brands oder Stromschlags.



### 1.9 Entsorgung des alten Produkts

Befolgen Sie bei der Entsorgung Ihres alten Produkts die nachstehenden Anweisungen:

- Um zu verhindern, dass sich Kinder versehentlich in das Gerät einschließen, deaktivieren Sie die Türverriegelung, falls sie vorhanden ist.
- Spritzer von Kühlmittel sind schädlich für die Augen. Beschädigen Sie beim Entsorgen des Geräts keine Teile des Kühlsystems.
- Es kann tödlich sein, wenn das Kompressoröl verschluckt wird oder in die Atemwege eindringt.
- Das Kühlsystem Ihres Produkts enthält R600a-Gas, wie auf dem Typenschild angegeben. Das Gas ist entflammbar. Entsorgen Sie das Gerät nicht, indem Sie es ins Feuer werfen. Es besteht Explosionsgefahr!

## 2 Umwelthinweise

### 2.1 Informationen zur Entsorgung:



#### Ihre Pflichten als Endnutzer

Dieses Elektro- bzw. Elektronikgerät ist mit einer durchgestrichenen Abfalltonne auf Rädern gekennzeichnet. Das Gerät darf deshalb nur getrennt vom un-

sortierten Siedlungsabfall gesammelt und zurückgenommen werden. Es darf somit nicht in den Hausmüll gegeben werden. Das Gerät kann z.B. bei einer kommunalen Sammelstelle oder ggf. bei einem Vertreiber (siehe unten zu deren Rücknahmepflichten in Deutschland) abgegeben werden.

Das gilt auch für alle Bauteile, Unterbaugruppen und Verbrauchsmaterialien des zu entsorgenden Altgeräts.

Bevor das Altgerät entsorgt werden darf, müssen alle Altbatterien und Altakkumulatoren vom Altgerät getrennt werden, die nicht vom Altgerät umschlossen sind. Das gleiche gilt für Lampen, die zerstörungsfrei aus dem Altgerät entnommen werden können. Der Endnutzer ist zudem selbst dafür verantwortlich, personenbezogene Daten auf dem Altgerät zu löschen.



#### Hinweise zum Recycling

Helfen Sie mit, alle Materialien zu recyceln, die mit diesem Symbol gekennzeichnet sind. Entsorgen Sie solche Materialien, insbesondere Verpackungen, nicht im Hausmüll, sondern über die bereitgestellten Recyclingbehälter oder die entsprechenden örtlichen Sammelsysteme. Recyceln Sie zum Umwelt- und Gesundheitsschutz elektrische und elektronische Geräte.

#### Rücknahmepflichten der Vertreiber

Wer auf mindestens 400 m<sup>2</sup> Verkaufsfläche Elektro- und Elektronikgeräte vertreibt oder diese gewerblich an Endnutzer abgibt, ist verpflichtet, bei Abgabe eines neuen Gerä-

tes, ein Altgerät des Endnutzers der gleichen Geräteart, das im Wesentlichen die gleichen Funktionen wie das neue Gerät erfüllt, am Ort der Abgabe oder in unmittelbarer Nähe, unentgeltlich zurückzunehmen. Das gilt auch für Vertreiber von Lebensmitteln mit einer Gesamtverkaufsfläche von mindestens 800 m<sup>2</sup>, die mehrmals im Kalenderjahr oder dauerhaft Elektro- und Elektronikgeräte anbieten und auf dem Markt bereitstellen. Solche Vertreiber müssen zudem auf Verlangen des Endnutzers Altgeräte, die in keiner äußeren Abmessung größer als 25 cm sind, (kleine Elektrogeräte) im Einzelhandelsgeschäft oder in unmittelbarer Nähe hierzu unentgeltlich zurückzunehmen; die Rücknahme darf in diesem Fall nicht an den Kauf eines Elektro- oder Elektronikgerätes verknüpft, kann aber auf drei Altgeräte pro Geräteart beschränkt werden. Ort der Abgabe ist auch der private Haushalt, wenn das neue Elektro- oder Elektronikgerät dorthin geliefert wird; in diesem Fall ist die Abholung des Altgerätes für den Endnutzer kostenlos.

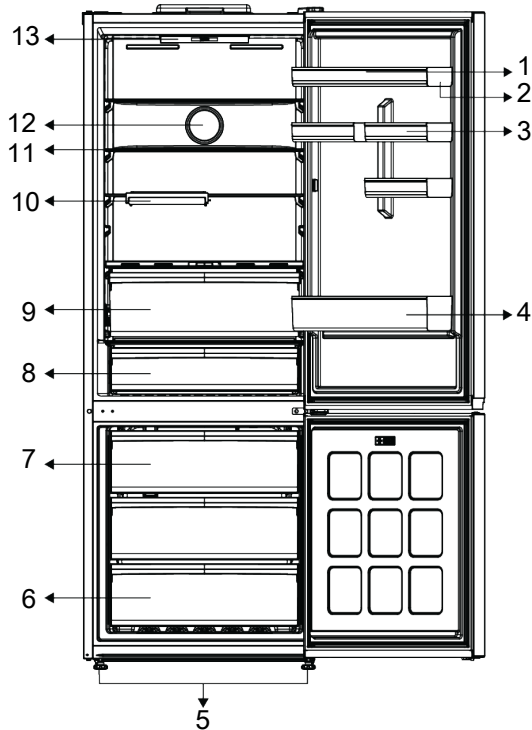
Die vorstehenden Pflichten gelten auch für den Vertrieb unter Verwendung von Fernkommunikationsmitteln, wenn die Vertreiber Lager- und Versandflächen für Elektro- und Elektronikgeräte bzw. Gesamtlager und Versandflächen für Lebensmittel beinhalten, die den oben genannten Verkaufsflächen entsprechen. Die unentgeltliche Abholung von Elektro- und Elektronikgeräten ist dann aber auf Wärmeüberträger (z.B. Kühlschrank), Bildschirme, Monitore und Geräte, die Bildschirme mit einer Oberfläche von mehr als 100 cm<sup>2</sup> enthalten und Geräte beschränkt, bei denen mindestens eine der äußeren Abmessungen mehr als 50 cm beträgt. Für alle übrigen Elektro- und Elektronikgeräte muss der Vertreiber geeignete Rückgabemöglichkeiten in zumutbarer Entfernung zum jeweiligen Endnutzer gewährleisten; das gilt auch für kleine Elektrogeräte (s.o.), die der Endnutzer zurückgeben möchte, ohne ein neues Gerät zu erwerben.

## Einhaltung der RoHS-Richtlinie:

Das von Ihnen gekaufte Gerät entspricht der RoHS-Richtlinie der EU (2011/65/EU). Es enthält keinerlei Materialien, die gemäß der Richtlinie als schädlich oder verboten gelten.

DE

## 3 Ihr Kühlschrank



- |                        |                          |
|------------------------|--------------------------|
| 1 Eierhalter           | 2 Verstellbares Türregal |
| 3 * Kleiber Türregal   | 4 Flaschenablage         |
| 5 Stellfüße            | 6 Gefrierfach            |
| 7 Eisbox-Behälter      | 8 Kühlagerschublade      |
| 9 Gemüsefach           | 10 * Klappbares Regal    |
| 11 Einstellbares Regal | 12 Lüfter                |
| 13 Beleuchtung         |                          |

**\*Optional:** Die Abbildungen in dieser Bedienungsanleitung sind schematisch und stimmen möglicherweise nicht genau mit Ihrem

Produkt überein. Wenn Ihr Produkt nicht die relevanten Teile enthält, beziehen sich die Informationen auf andere Modelle.

## 4 Installation



Lesen Sie zuerst den Abschnitt „Sicherheitshinweise“!

### 4.1 Richtiger Ort für die Installation

Wenden Sie sich für die Montage des Geräts an den autorisierten Kundendienst. Um das Gerät für die Installation vorzubereiten, lesen Sie die Informationen in der Bedienungsanleitung und stellen Sie sicher, dass die Strom- und Wasserleitungen den Anforderungen entsprechen. Wenn dies nicht der Fall ist, wenden Sie sich an einen Elektriker und einen Monteur, um die Versorgungsleitungen entsprechend zu installieren.



#### **WARNUNG:**

Der Hersteller haftet nicht für alle Schäden, die entstehen, wenn diese Arbeiten von nicht dazu befugten Personen aufgeführt werden.



#### **WARNUNG:**

Während der Aufstellung muss der Gerätenetzstecker gezogen sein. Andernfalls besteht ein ernsthaftes Risiko für schwere Verletzungen mit Todesfolge.



#### **WARNUNG:**

Sollte die Eingangsöffnung am Aufstellungsort zu schmal für das Gerät sein, bauen Sie die Gerätetür ab und drehen Sie das Gerät auf die Seite. Wenden Sie sich an den zuständigen Kundendienst, wenn sich das Problem so nicht lösen lässt.

- Stellen Sie das Gerät auf eine ebene Fläche, um Vibrationen zu vermeiden.
- Stellen Sie das Produkt mindestens 30 cm von Heizung, Herd und ähnlichen Wärmequellen und mindestens 5 cm von Elektroöfen entfernt auf.
- Setzen Sie das Produkt keinem direkten Sonnenlicht aus und bewahren Sie es nicht in feuchten Umgebungen auf.

- Ihr Produkt benötigt eine ausreichende Luftzirkulation, um effizient zu funktionieren. Wenn das Produkt in eine Nische gestellt wird, denken Sie daran, mindestens 5 cm Abstand zwischen dem Produkt und der Decke, der Rückwand und den Seitenwänden zu lassen.
- Prüfen Sie, ob die Rückwand-Abstandsschutzkomponente an ihrem Standort vorhanden ist (falls mit dem Produkt geliefert).
- Wenn die Komponente nicht verfügbar ist oder verloren geht oder heruntergefallen ist, positionieren Sie das Produkt so, dass zwischen der Rückseite des Produkts und der Wand des Raums mindestens 5 cm Abstand verbleiben. Der Freiraum an der Rückseite ist wichtig für den effizienten Betrieb des Produkts.

### 4.2 Elektrischer Anschluss



Verwenden Sie für den Anschluss an des Stromnetz keine Verlängerungskabel oder Mehrfachsteckdosen.



Ein beschädigtes Kabel darf nur vom autorisierten Kundendienst ausgetauscht werden.



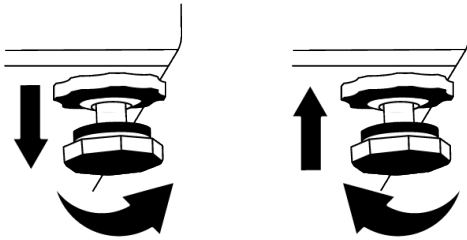
Wenn Sie zwei Kühlschränke nebeneinander aufstellen, müssen Sie einen Mindestabstand von wenigstens 4 cm zwischen beiden Geräten einhalten.

- Unser Unternehmen übernimmt keine Haftung für alle Schäden aufgrund einer Nutzung ohne Erdung oder eines Stromanschlusses, der nicht den örtlichen Vorschriften genügt.
- Das Netzkabel muss nach der Aufstellung gut zugänglich sein.

- Verwenden Sie keinen Mehrfachstecker mit oder ohne Verlängerungskabel zwischen der Steckdose und dem Kühlschrankschrank.

### 4.3 Einstellen der FüÙe

Wenn sich das Gerat nicht im Gleichgewicht befindet, stellen Sie die vorderen verstellbaren FuÙe ein, indem Sie sie nach rechts oder links drehen.



## 5 Vorbereitung



Lesen Sie zuerst den Abschnitt „Sicherheitshinweise“!

### 5.1 Was man zum Energiesparen tun kann



Der Anschluss des Produkts an elektronische Energiesparsysteme ist schadlich, da er das Produkt beschadigen kann.

- Dieses Kuhlgerat ist nicht fur die Verwendung als Einbaugerat vorgesehen
- Lassen Sie die Kuhlschranksur nicht uber langere Zeit hinweg offen.
- Stellen Sie keine heiÙen Speisen oder Geranke in den Kuhlschrank.
- Uberfullen Sie den Kuhlschrank nicht. Ein Blockieren der inneren Luftzirkulation verringert die Kuhlleistung.
- Da heiÙe und feuchte Luft nicht direkt in Ihr Produkt eindringt, wenn die Turen nicht geoffnet werden, optimiert sich Ihr Produkt unter Bedingungen, die zum Schutz Ihrer Lebensmittel ausreichen. Unter diesen Umstanden arbeiten Funktionen und Komponenten wie Kompres-

### 4.4 Warnung vor heiÙer Oberflache!

Die Seitenwande Ihres Produkts sind mit Kuhlerrohren ausgestattet, um das Kuhlsystem zu verbessern. Hochdruckflussigkeit kann durch diese Oberflachen flieÙen und heiÙe Oberflachen an den Seitenwanden verursachen. Dies ist normal und erfordert keine Wartung. Seien Sie vorsichtig, wenn Sie diese Bereiche kontaktieren.

sor, Lufte, Heizung, Abtaugung, Beleuchtung, Display usw. bedarfsgerecht und mit minimalem Energieverbrauch.

- Falls mehrere Optionen vorhanden sind, mussen Glasboden so platziert werden, dass die Luftauslasse an der Ruckwand nicht blockiert werden und vorzugsweise so, dass die Luftauslasse unterhalb des Glasbodens bleiben. Diese Kombination kann dazu beitragen, die Luftverteilung und die Energieeffizienz zu verbessern.
- Es wird dringend empfohlen, bei der Lagerung die untere Schublade zu verwenden.
- Abhangig von den Eigenschaften des jeweiligen Modells kann das Auftauen von Tiefkuhlware im Frischefach Energie sparen und die Qualitat der auftauenden Lebensmittel bewahren.
- Um die maximale Menge an Lebensmitteln in das Gefrierfach Ihres Kuhlschranks zu laden, sollten die oberen Schubladen herausgenommen und die Lebensmittel auf die Draht-/Glasboden gelegt werden.

- Lebensmittel sind in den Schubladen im Kühlfach aufzubewahren, um Energie zu sparen und Lebensmittel unter besseren Bedingungen zu schützen.
- Lebensmittelverpackungen dürfen nicht in direktem Kontakt mit dem Temperatursensor im Gefrierfach stehen.

## 5.2 Erste Verwendung

Bevor Sie den Kühlschrank das erste Mal verwenden, achten Sie darauf, alle Vorbereitungen gemäß dieser Bedienungsanleitung, insbesondere wie in den Abschnitten „Wichtige Hinweise zur Sicherheit und zum Umweltschutz“ und „Aufstellung“ beschrieben, durchzuführen.

- Lassen Sie das leere Gerät mindesten 6 lang laufen und öffnen Sie dabei nicht Tür, sofern es nicht absolut notwendig sein sollte.
- Die Temperaturänderung, die durch das Öffnen und Schließen der Tür während der Verwendung des Produkts verursacht wird, kann normalerweise zu Kondenswasserbildung führen, die auf Tür-/Korpusregalen und Glaswaren in das Produkt gestellt werden.



Wenn der Kompressor sich einschaltet, ist ein Geräusch zu hören. Es ist normal, dass das Produkt Geräusche macht, auch wenn der Kompressor nicht läuft, da im Kühlsystem Flüssigkeit und Gas komprimiert werden können.



Es ist normal, dass die vorderen Ränder des Kühlschranks warm sind. Diese sind so gestaltet, dass sie erwärmen, um Kondensation zu vermeiden.



Bei einigen Modellen schaltet sich die Anzeigetafel 1 Minuten nach dem Schließen der Tür automatisch aus. Sie wird wieder aktiviert, wenn die Tür offen ist oder eine beliebige Taste gedrückt wird.

## 5.3 Klimaklasse und Definitionen

Bitte beachten Sie die Klimaklasse auf dem Typenschild Ihres Geräts. Je nach Klimaklasse ist eine der folgenden Informationen auf Ihr Gerät anwendbar.

- **SN:** Langfristig gemäßigttes Klima: Dieses Kühlgerät ist für den Einsatz bei Umgebungstemperaturen zwischen 10 °C und 32 °C ausgelegt.
- **N:** Gemäßigtes Klima: Dieses Kühlgerät ist für den Einsatz bei Umgebungstemperaturen zwischen 16°C und 32 °C ausgelegt.
- **ST:** Subtropisches Klima: Dieses Kühlgerät ist für den Einsatz bei Umgebungstemperaturen zwischen 16°C und 38°C ausgelegt.
- **T:** Tropisches Klima: Dieses Kühlgerät ist für den Einsatz bei Umgebungstemperaturen zwischen 16°C und 43°C ausgelegt.

## 6 Produktbedienung



Lesen Sie zuerst den Abschnitt „Sicherheitshinweise“!

- Verwenden Sie keine mechanischen Werkzeuge oder andere Werkzeuge als die Empfehlungen des Herstellers, um den Auftauvorgang zu beschleunigen.
- Nutzen Sie Teile des Kühlschranks, wie z.B. die Tür oder die Schubladen nicht als Unterstützung oder als Trittbrett. Dies kann dazu führen, dass das Produkt umkippt oder seine Komponenten beschädigt werden.
- Das Gerät darf nur zur Aufbewahrung von Lebensmitteln verwendet werden.
- Schalten Sie das Wasserventil aus, wenn Sie nicht zu Hause sind (z.B. im Urlaub) und die Eismaschine oder den Wasserspender längere Zeit nicht benutzen. Andernfalls können Wasserlecks auftreten.

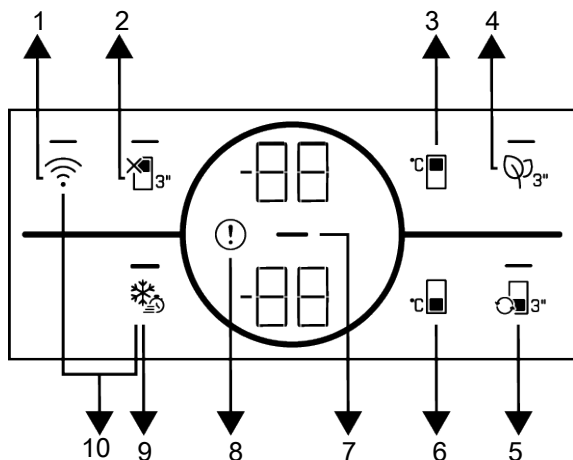
## Pausieren des Programms

- Wenn Sie das Gerät für längere Zeit nicht benutzen, ziehen Sie den Stecker aus der Steckdose.
- Entfernen Sie die Lebensmittel, um Gerüche zu vermeiden.

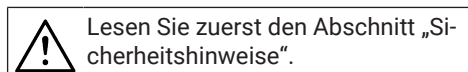
- Warten Sie, bis das Eis geschmolzen ist, reinigen Sie den Innenraum und lassen Sie ihn trocknen; lassen Sie die Türen offen, um eine Beschädigung der inneren Kunststoffteile zu vermeiden.

## 7 Verwendung des Geräts

### 7.1 Bedienfeld des Geräts



- |  |   |
|--|---|
| 1 * Kabellose Taste                              | 2 * Funktionstaste Kühlfach AUS (Ursymbol: Kühlschrank mit '3' und 'AUS') |
| 3 * Temperatureinstellungstaste für das Kühlfach | 4 * Desodorierungsmodul Schlüssel   |
| 5 * Fachumwandlungstaste                         | 6 * Temperatureinstellungstaste für das Gefrierfach                       |
| 7 * Energiesparanzeige (Anzeige aus)             | 8 * Fehlerzustandsanzeige   |
| 9 * Schnellgefriertaste                          | 10 Taste zum Zurücksetzen der Einstellungen für die kabellose Verbindung  |



Die auditiven und visuellen Funktionen der Anzeigetafel erleichtert Ihnen die Nutzung des Kühlschranks.

**\*Optional:** Die angezeigten Funktionen sind optional, es können Form- und Lageunterschiede bei den Funktionen auf der Anzeige Ihres Geräts auftreten.

### 1. Kabellose Taste

Diese Taste wird verwendet um über die mobile HomeWhiz-App eine drahtlose Verbindung mit Ihrem Produkt herzustellen. Wenn Sie die Taste 3 Sekunden lang drücken, blinkt das Symbol für die kabellose Verbindung auf dem Display/Bildschirm langsam (in Abständen von 0,5 Sekunden). Das Heimnetzwerk wird auf diese Weise auf dem Produkt initialisiert. Nachdem eine drahtlose Verbindung mit

dem Produkt hergestellt wurde, leuchtet das Symbol für die drahtlose Verbindung kontinuierlich auf. Sie können die Verbindung durch einen kurzen Druck auf diese Taste aktivieren/deaktivieren. Das Symbol für die drahtlose Verbindung blinkt (im Intervall von 0,2 Sekunden), bis die Verbindung hergestellt ist. Wenn die Verbindung aktiv ist, leuchtet die LED. Wenn die Verbindung über einen längeren Zeitraum nicht hergestellt werden kann, überprüfen Sie Ihre Verbindungseinstellungen und lesen Sie den Abschnitt „Fehlerbehebung“ im Bedienungsanleitung. Die HomeWhiz-Anwendung wird für die drahtlose Verbindung verwendet werden. Die Schritte zur Einrichtung werden während der Einrichtung durch die Anwendung erklärt. Sie können auf die Anwendung zugreifen, indem Sie den QR-Code auf dem HomeWhiz-Etikett am Gerät scannen. Die Anwendung ist im App Store oder im Play Store für Android-Geräte erhältlich. Weitere Informationen finden Sie unter <https://www.homewhiz.com/>.

## 2. Funktionstaste Kühlfach Aus (Urlaub)



Drücken Sie die Taste 3 Sekunden lang, um die Urlaubsfunktion zu aktivieren. Der Urlaubsmodus wird aktiviert und die LED an der Taste leuchtet. Auf der Temperaturanzeige des Kühlfachs muss „-“ angezeigt werden, und der Kühlfachs führt keine aktive Kühlung durch. Wenn Sie diese Funktion aktivieren, sollten Sie Ihre Lebensmittel nicht im Kühlfach aufbewahren. Die anderen Fächer kühlen entsprechend der zuvor eingestellten Temperaturen weiter. Drücken und halten Sie die Taste erneut 3 Sekunden lang, um diese Funktion abzubrechen.

## 3. Temperatureinstellungstaste für das Kühlfach



Ermöglicht die Einstellung der Temperatur für das Kühlfach. Durch das Drücken dieser Taste wird die Einstellung der Kühlfachtemperatur auf 8 °C, 7 °C, 6 °C, 5 °C, 4 °C, 3 °C, 2 °C, und 1 °C.

## 4. Desodorierungsmodul-Schlüssel



Drücken Sie diese Taste 3 Sekunden lang, um die Desodorierungsfunktion zu aktivieren/deaktivieren. Wenn die Desodorierungsfunktion aktiv ist, leuchtet die LED der jeweiligen Taste. Wenn die Funktion aktiv ist, wird das Desodorierungsmodul periodisch betrieben.

## 5. Fachumwandlungstaste



Durch Drücken der Fachumwandlungstaste ( ) für 3 Sekunden wechselt das Gefrierteil zwischen Kühl-, Aus- und Gefriermodus. Wenn das Fach als Kühlfach betrieben wird, wird die Temperatur des Fachs auf 4 °C eingestellt. In der Betriebsart OFF zeigt die Fachtemperaturanzeige "- -" an.

## 6. Temperatureinstellungstaste für das

### Gefrierfach



Die Temperatureinstellung erfolgt für das Gefrierfach. Durch Drücken der Taste kann die Temperatur des Gefrierfachs auf -18 °C, -19 °C, -20 °C, -21 °C, -22 °C, -23 °C und -24 °C eingestellt werden.

## 7. Anzeige für Energiesparen (Display aus)

Die Energiesparfunktion wird automatisch aktiviert und das Energiesparsymbol leuchtet auf, wenn die Tür des Produkts längere Zeit nicht geöffnet oder geschlossen wird. Wenn die Energiesparfunktion aktiv ist, müssen alle Symbole auf dem Bildschirm außer dem Energiesparsymbol deaktiviert sein. Wenn Sie bei aktivierter Energiesparfunktion eine andere Taste drücken oder die Tür öffnen, stellt sich diese Funktion aus und die Symbole auf der Anzeige leuchten wieder auf. Die Energiesparfunktion ist eine ab Werk aktivierte Funktion und kann nicht abgebrochen werden.

## 8. Fehlerzustandsanzeige



Diese Anzeige -muss aktiv sein, wenn Ihr Kühlschrank keine ausreichende Kühlung durchführen kann oder wenn ein Sensorfehler vorliegt. Auf der Gefrierfach-Temperaturanzeige wird der Buchstabe „E“ und auf der Kühlfach-Temperaturanzeige die Ziffern 1,



2, 3 angezeigt. Diese Nummern auf der Anzeige geben den Dienst bezüglich des Fehlers an. Wenn Sie warme Speisen in das Gefrierfach legen oder dessen Tür längere Zeit offen lassen, kann ein Ausrufezeichen aufleuchten. Dies ist kein Fehler. Diese Warnung wird erloschen, wenn die Lebensmittel abgekühlt sind oder wenn eine Taste gedrückt wird.

### 9. Schnellgefriertaste

Wenn die Schnellgefriertaste gedrückt wird, leuchtet die LED auf der Taste und die Schnellgefrierfunktion muss aktiviert werden. Die Gefrierfachtemperatur ist auf -27 °C eingestellt. Drücken Sie die Taste erneut, um die Funktion abzubrechen. Die Schnellgefrierfunktion wird nach 24 Stunden automatisch abgebrochen. Um eine große Men-

ge an frischen Lebensmitteln einzufrieren, drücken Sie die Schnellgefriertaste, bevor Sie die Lebensmittel in das Gefrierfach legen.

### 10. Taste zum Zurücksetzen der Einstellungen für die kabellose Verbindung



Um die Einstellungen der drahtlosen Verbindung zurückzusetzen, müssen die Tasten Schnell-Einfrieren (Quick freezing) und kabellose Verbindung gleichzeitig 3 Sekunden lang gedrückt werden. Alle zuvor aufgezeichneten Benutzerinformationen werden auf dem Produkt entfernt, bei dem die Einstellungen für die drahtlose Verbindung auf die Werkseinstellungen zurückgesetzt/wiederhergestellt werden.

## 7.2 Aufbewahrung von Lebensmitteln im Kühlfach

### Aufbewahrung von Lebensmitteln im Kühlfach

- Die Temperatur des Fachs steigt stark an, wenn die Fachtür häufig geöffnet und geschlossen wird und lange Zeit offen bleibt; dies kann die Lebensdauer der Lebensmittel verkürzen und zum Verderben der Lebensmittel führen.
- Um Geruchs- und Geschmacksveränderungen zu vermeiden, sollten die Lebensmittel in geschlossenen Behältern aufbewahrt werden.
- Lagern Sie nicht zu viele Lebensmittel in Ihrem Kühlschrank. Um eine bessere und gleichmäßige Kühlung zu erreichen, legen Sie die Lebensmittel getrennt voneinander so ein, dass die kalte Luft durch sie hindurchströmen kann.
- Sorgen Sie für Luftzirkulation, indem Sie einen Zwischenraum zwischen den Lebensmitteln und der Innenwand lassen. Wenn Sie die Lebensmittel an die Rückwand lehnen, können sie einfrieren.
- Bringen Sie gekochte warme Speisen auf Zimmertemperatur, bevor Sie sie in den Kühlschrank stellen. Dann können Sie die lauwarmen Speisen in die unteren Fächer des Kühlschranks stellen. Stellen Sie die lauwarmen Speisen nicht in die Nähe von Lebensmitteln, die leicht verderben können.
- Achten Sie besonders darauf, die als gefroren verkauften Lebensmittel nicht mit den frischen Lebensmitteln zu vermischen.
- Tauen Sie Ihre gefrorenen Lebensmittel im Frischhaltefach auf. Auf diese Weise können Sie das Frischhaltefach durch die Verwendung von Tiefkühlkost kühlen und Energie sparen.
- Lagern Sie unreife Südfrüchte (Mango, Melonen, Papaya, Banane, Ananas) im Kühlschrank, um den Reifeprozess zu beschleunigen. Dies ist nicht empfehlenswert, da sich dadurch die Lagerzeit verkürzt.
- Zwiebeln, Knoblauch, Ingwer und anderes Wurzelgemüse sollten Sie nicht im Kühlschrank, sondern in einem dunklen und kalten Raum aufbewahren.
- Wenn Sie feststellen, dass ein Lebensmittel im Kühlschrank verdorben ist, werfen Sie es weg und reinigen Sie das Zubehör, das mit dem Lebensmittel in Berührung gekommen ist.

- Um Speisen wie Suppen und Eintöpfe, die in großen Töpfen gekocht werden, schnell abzukühlen, können Sie sie in eigenen flachen Behältern in den Kühlschrank stellen.
- Stellen Sie unverpackte Lebensmittel nicht in die Nähe von Eiern.
- Bewahren Sie Obst und Gemüse getrennt auf und lagern Sie jede Sorte zusammen (z.B. Äpfel mit Äpfeln, Karotten mit Karotten).
- Nehmen Sie grünes Gemüse aus dem Plastikbeutel und legen Sie es in den Kühlschrank, nachdem Sie es in ein Papiertuch oder ein Trockentuch eingewickelt haben. Wenn Sie diese Art von Lebensmitteln waschen, bevor Sie sie in den Kühlschrank stellen, denken Sie daran, sie zu trocknen.
- Sie können sowohl eine feuchte Umgebung schaffen als auch für einen Luftstrom sorgen, indem Sie Obst und Gemüse, die zum Austrocknen neigen, in perforierten oder unverschlossenen Plastiktüten aufbewahren.
- Abgesehen von den Fällen, in denen in der Umgebung extreme Bedingungen herrschen, bleiben die Lebensmittel sowohl im Frischfach als auch im Gefrierfach länger frisch, wenn Sie Ihr Produkt (auf der Tabelle der empfohlenen Werte) auf die angegebenen Werte einstellen.

Lagern Sie Lebensmittel je nach ihren Eigenschaften an verschiedenen Orten:	
Essen	Standort
Eier	Türregal
Molkereiprodukte (Butter, Käse)	Falls verfügbar, Null-Grad-Fach (für Frühstücksnahrung)
Obst, Gemüse und Grünzeug	Obst-/Gemüsefach, Gemüse- oder EverFresh+-Fach (sofern vorhanden)
Frisches Fleisch, Geflügel, Fisch, Wurst usw. Gekochte Lebensmittel	Falls verfügbar, Null-Grad-Fach (für Frühstücksnahrung)
Servierfertige Lebensmittel, verpackte Produkte, Konserven und eingelegte Lebensmittel	Obere Regale oder Türregal
Getränke, Flaschen, Gewürze und Snacks	Türregal

### Lagerung von Lebensmitteln im Gefrierfach

- Sie können die Schnellgefrierfunktion 4-6 Stunden vor dem Einfrieren aktivieren und eine schnellere Abkühlung vornehmen.
- Bringen Sie warme Speisen auf Raumtemperatur, bevor Sie sie in das Gefrierfach legen.
- Lebensmittel, die eingefroren werden sollen, müssen entsprechend der zu verzehrenden Größe in Portionen aufgeteilt und in separaten Verpackungen eingefroren werden.
- Es wird empfohlen, die Lebensmittel zu verpacken, bevor sie in den Gefrierfach schrank gelegt werden.
- Um zu verhindern, dass die Lagerzeit abläuft, schreiben Sie das Einfrierdatum, die Uhrzeit und den Namen des Produkts auf die Verpackung, entsprechend der Lagerzeit der verschiedenen Lebensmittel.
- Verbrauchen Sie die aufgetauten Lebensmittel schnell. Aufgetaute Lebensmittel können nicht wieder eingefroren werden, es sei denn, sie werden gekocht. Es ist nicht sicher, die wieder eingefrorenen frischen Lebensmittel nach dem Auftauen ohne Kochen zu verzehren.
- Bringen Sie beim Einfrieren frischer Lebensmittel diese nicht mit bereits gefrorenen Lebensmitteln in Kontakt. Andernfalls werden die gefrorenen Lebensmittel aufgetaut.

**Aufbewahrung der Lebensmittel, die tiefgekühlt verkauft werden**

- Befolgen Sie stets die Anweisungen des Herstellers in Bezug auf die Zeit, in der Sie Ihre Lebensmittel aufbewahren müssen. Überschreiten Sie nicht die in diesen Anweisungen angegebene Zeit!
- Um die Qualität der Lebensmittel zu schützen, sollten Sie die Zeitspanne zwischen Kauf und Lagerung so kurz wie möglich halten.
- Kaufen Sie Tiefkühlkost, die bei -18 °C oder niedrigeren Temperaturen gelagert wird.
- Vermeiden Sie den Kauf von Lebensmitteln, deren Verpackungen mit Eis usw. bedeckt sind. Dies bedeutet, dass das Produkt teilweise aufgetaut und wieder eingefroren werden könnte. Die Temperatur wirkt sich auf die Qualität der Lebensmittel aus.
- Überschreiten Sie nicht die vom Lebensmittelhersteller empfohlene Lagerzeit. Nehmen Sie nur so viele Lebensmittel aus dem Gefrierschrank, wie Sie benötigen.
- Abgesehen von den Fällen, in denen in der Umgebung extreme Bedingungen herrschen, bleiben die Lebensmittel sowohl im Frischfach als auch im Gefrierfach länger frisch, wenn Sie Ihr Produkt (auf der Tabelle der empfohlenen Werte) auf die angegebenen Werte einstellen.
- Wenn das Frischhaltefach auf eine niedrigere Temperatur eingestellt ist, kann frisches Obst und Gemüse teilweise gefroren sein.
- Die Zwei-Sterne-Fächer sind für vorgefrorene Lebensmittel geeignet. Eiscreme und Eiswürfel können darin aufbewahrt werden.
- Gefrieren Sie keine Lebensmittel in Fächern mit einem, zwei und drei Sternen.

Fleisch und Fisch		Vorbereitung		Längste Lagerzeit (Monat)	
Fleischprodukte	Kalb	Steak	Schneiden Sie sie 2 cm dick und legen Sie Folie dazwischen oder wickeln Sie sie fest mit Stretch ein	6-8	
		Rösten	Packen Sie die Fleischstücke in einen Kühlschrankbeutel oder wickeln Sie sie fest mit Stretch ein	6-8	
		Würfel	In kleinen Stücken	6-8	
		Schnitzel, Koteletts	Indem Sie Folie zwischen geschnittene Scheiben legen oder einzeln mit Stretch einwickeln	6-8	
	Hammelfleisch	Koteletts	Indem Sie Folie zwischen Fleischstücken legen oder einzeln mit Stretch einwickeln	4-8	
		Rösten	Packen Sie die Fleischstücke in einen Kühlschrankbeutel oder wickeln Sie sie fest mit Stretch ein	4-8	
		Würfel	Packen Sie das zerkleinerte Fleisch in einen Kühlschrankbeutel oder wickeln Sie sie fest mit Stretch ein	4-8	
	Rindfleisch	Rösten	Packen Sie die Fleischstücke in einen Kühlschrankbeutel oder wickeln Sie sie fest mit Stretch ein	8-12	
		Steak	Schneiden Sie sie 2 cm dick und legen Sie Folie dazwischen oder wickeln Sie sie fest mit Stretch ein	8-12	
		Würfel	In kleinen Stücken	8-12	
		Gekochtes Fleisch	Durch Verpacken in kleinen Stücken in einem Kühlschrankbeutel	8-12	
	Hackfleisch		Ohne Gewürze in flachen Beuteln	1-3	
	Innereien (Stück)		In Stücken	1-3	
	Fermentierte Wurst - Salami		Es sollte auch dann verpackt sein, wenn es ein Gehäuse hat.	1-3	
	Schinken		Durch Platzieren von Folie zwischen geschnittenen Scheiben	2-3	
Geflügel und Jagdtiere	Huhn und Pute		Durch Einwickeln in Folie	4-6	
	Gans		Durch Einwickeln in Folie (Portionen sollten 2,5 kg nicht überschreiten)	4-6	
	Ente		Durch Einwickeln in Folie (Portionen sollten 2,5 kg nicht überschreiten)	4-6	
	Hirsch, Kaninchen, Reh		Durch Einwickeln in Folie (Portionen sollten 2,5 kg nicht überschreiten und ihre Knochen sollten getrennt werden)	6-8	
Fisch und Meeresfrüchte	Süßwasserfische (Forelle, Karpfen, Kranich, Wels)		Nach gründlicher Reinigung der Innenseite und der Schuppen sollten diese gewaschen und getrocknet werden, und die Schwanz- und Kopfteile sollten bei Bedarf geschnitten werden.	2	
	Magerer Fisch (Wolfsbarsch, Steinbutt, Seezunge)			4-6	
	Fetthaltiger Fisch (Bonito, Makrele, Bluefish, Rotbarbe, Sardelle)			2-4	
	Schaltiere			Gereinigt und in Säcken	4-6
	Kaviar			In seiner Verpackung in einem Aluminium- oder Kunststoffbehälter	2-3

„Die in der Tabelle angegebenen Haltbarkeitsfristen basieren auf einer Lagertemperatur von -18°C.“

Obst und Gemüse	Vorbereitung	Längste Lagerzeit (Monat)
Bohnen und Stangenbohnen	Durch Schock kochen für 3 Minuten nach dem Waschen und Schneiden in kleine Stücke	10-13
Grüne Erbse	Durch Schock kochen für 2 Minuten nach dem Schälen und Waschen	10-12
Kohl	Durch Schock 1-2 Minuten nach dem Reinigen kochen	6-8
Karotte	Durch Schock 3-4 Minuten kochen lassen, nachdem gereinigt und in Scheiben geschnitten wurde	12
Pfeffer	Nach dem Schneiden des Stiels 2-3 Minuten kochen lassen, in zwei Teile teilen und die Samen trennen	8-10
Spinat	Nach dem Waschen und Reinigen 2 Minuten lang unter Schock kochen	6-9
Lauch	Durch Schock 5 Minuten nach dem Zerhacken kochen	6-8
Blumenkohl	Durch Schock in etwas Zitronenwasser für 3-5 Minuten kochen, nachdem die Blätter getrennt wurden, den Kern in Stücke schneiden	10-12
Auberginen	Nach dem Waschen und Schneiden in 2 cm große Stücke 4 Minuten lang unter Schock kochen	10-12
Kürbis	Durch Schock kochen für 2-3 Minuten nach dem Waschen und Schneiden in 2 cm Stücke	8-10
Pilz	Durch leichtes Anbraten in Öl und Auspressen von Zitrone darauf	2-3
Mais	Durch Reinigen und Verpacken in Kolben oder Granulat	12
Apfel und Birne	Durch Schock kochen für 2-3 Minuten nach dem Schälen und Schneiden	8-10
Aprikose und Pfirsich	In zwei Hälften teilen und die Samen extrahieren	4-6
Erdbeere und Himbeere	Durch Waschen und Schälen	8-12
Gebackene Früchte	Durch Zugabe von 10% Zucker in den Behälter	12
Pflaume, Kirsche, Sauerkirsche	Durch Waschen und Schälen der Stiele	8-12

„Die in der Tabelle angegebenen Haltbarkeitsfristen basieren auf einer Lagertemperatur von -18°C.“

Milchprodukte	Vorbereitung	Längste Lagerzeit (Monat)	Lagerbedingungen
Käse (außer Feta-Käse)	Durch Platzieren von Folie zwischen geschnittenen Scheiben	6-8	Es kann zur kurzfristigen Lagerung in der Originalverpackung aufbewahrt werden. Zur Langzeitlagerung sollte es auch in Aluminium- oder Kunststoffolie eingewickelt werden.
Butter, Margarine	In eigener Verpackung	6	In eigener Verpackung oder in Plastikbehältern

„Die in der Tabelle angegebenen Haltbarkeitsfristen basieren auf einer Lagertemperatur von -18°C.“

„Die Menge an frischen Lebensmitteln, die für einen bestimmten Zeitraum eingefroren werden kann, ist auf dem Typenschild angegeben.“

Gefrierfach Einstellung	Kühlfach Einstellung	Bemerkungen
-20°C	4°C	Das ist die standardmäßige, empfohlene Einstellung. Diese Einstellung wird empfohlen, wenn die Umgebungstemperatur unter 30°C liegt.
-22 oder -24 °C	4°C	Diese Einstellungen werden für Umgebungstemperaturen empfohlen, die 30°C überschreiten.
Schnelleinfrieren	4°C	Verwenden Sie sie, wenn Sie Ihre Lebensmittel in kurzer Zeit einfrieren möchten. Nach Beendigung des Vorgangs werden die Einstellungen des Produkts auf die vorherige Position zurückgesetzt.
-18°C oder kälter	2°C	Verwenden Sie diese Einstellungen, wenn Sie überzeugt sind, dass das Frischfach, aufgrund der Umgebungstemperatur oder dem Öffnen der Tür nicht kalt genug sind.

### Gefrierschrank Details

Gemäß den IEC 62552-Standards muss das Gefrierschrank über eine Kapazität zum Einfrieren von 4,5 kg an Lebensmitteln bei Temperaturen von -18°C oder niedriger von 25°C in 24 Stunden pro jeweils 100 Liter an Gefrierfachvolumen verfügen.

Lebensmittel können über eine längere Zeit hinweg nur bei Temperaturen von weniger als -18 °C gelagert werden.

Sie können die Lebensmittel über Monate frisch halten (im Gefrierschrank bei Temperaturen von oder niedriger als -18 °C Grad). Die einzufrierenden Lebensmittel dürfen nicht mit bereits tiefgekühlten Produkten in Berührung kommen, um ein teilweises Auftauen zu verhindern.

Blanchieren Sie das Gemüse und gießen Sie das Wasser ab, um die Lagerzeit bei Tiefkühlung zu verlängern. Legen Sie das Gefriergut nach dem Abgießen in luftdichte Verpackungen und dann in das Gefrierschrank. Bananen, Tomaten, Salat, Sellerie, gekochte Eier, Kartoffeln und vergleichbare Lebensmittel dürfen nicht eingepackt werden. Wenn diese Lebensmittel eingefroren werden, werden nur der Nährwert und die Verzehreigenschaften beeinträchtigt. Eine Verrottung, die die menschliche Gesundheit bedroht, kommt nicht in Frage.

### Platzierung der Lebensmittel

**Regale im Gefrierfach:**Verschiedene Tiefkühlkost wie Fleisch, Fisch, Eiscreme, Gemüse usw.

**Regale im Kühlfach:**Lebensmittel in Töpfen, Behältern mit Deckeln und Verschlusskappen, sowie Eier (geschlossenen Gefäßen)

**Kühlfachtürregale:**Kleine und verpackte Lebensmittel oder Getränke

**Gemüsefach:**Gemüse und Obst

**Fach für frische Lebensmittel:**Feinkostprodukte (Frühstücksprodukte, Fleischprodukte, die in kurzer Zeit verzehrt werden)

### 7.3 Gemüsefach

Das Gemüsefach im Kühlschranks hält das Gemüse frisch, indem ihre Feuchtigkeit erhalten bleibt. Für diesen Zweck ist die Zirkulation der Kaltluft im Gemüsefach intensiver. Lagern Sie Obst oder Gemüse in diesem Fach. Lagern grünblättriges Gemüse getrennt von Früchten, um deren Leben zu verlängern.

### 7.4 Gemüsefach-Technologien

#### Blaue Beleuchtung

Obst und Gemüse, die im Gemüsefach gelagert werden, das mit blaues Licht beleuchtet wird, setzen ihre Photosynthese

durch den Wellenlängeneffekt des blauen Lichts fort und bewahren so ihren Vitamingehalt.

### HarvestFresh

Obst und Gemüse, im Gemüsefach gelagert werden, das mit der HarvestFresh -Technologie beleuchtet wird, bewahren ihren Vitamingehalt länger dank der blauen, grünen, roten Lichter und dunklen Zyklen, die einen Tageszyklus simulieren.

Wenn die Tür Ihres Kühlschranks während der Dunkelperiode der HarvestFresh -Technologie geöffnet wird, erkennt Ihr Kühlschrank dies automatisch und beleuchtet das Gemüsefach jeweils für Ihre Zweckmäßigkeit mit einem der blauen, grünen oder roten Lichter. Nachdem Sie die Kühlschranktür geschlossen haben, wird die Dunkelumschaltzeit fortgesetzt, was die Nachtzeit in einem Tageszyklus darstellt.

## 7.5 Kühlraum für Molkereiprodukte

### Kühlagerschublade

Die Kühlschrankschublade kann im Kühlfach niedrigere Temperaturen erreichen. Verwenden Sie diese Schublade für Feinkostprodukte (Salami, Wurst usw.) und Milchprodukte, die kältere Lagerbedingungen erfordern, oder für Fleisch, Hähnchen oder Fisch, die schnell verzehrt werden sollen. Es ist nicht geeignet, Obst und Gemüse in dieser Schublade aufzubewahren.

## 7.6 Der Eisspeicherraum

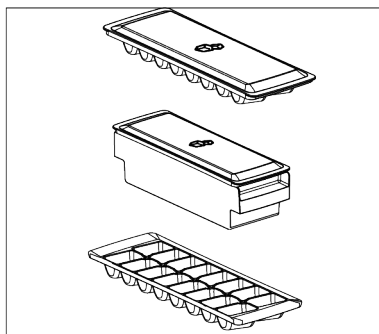
### Eisbehälter

Mit dem Eisbehälter können Sie ganz einfach Eis aus dem Kühlschrank entnehmen.

### Verwendung des Eisbehälters

1. Nehmen Sie den Eisbehälter aus dem Gefrierfach.
2. Füllen Sie den Eisbehälter mit Wasser.
3. Stellen Sie den Eisbehälter in das Gefrierfach. Das Eis sollte nach ca. zwei Stunden fertig sein.

4. Nehmen Sie den Eisbehälter aus dem Gefrierfach und biegen Sie ihn leicht über den Halter, den Sie servieren möchten. Eis wird leicht in den Servierhalter geschüttet.



## 7.7 Umkehren der Türöffnungsseite

Die Türöffnungsseite Ihres Kühlschranks kann je nach Aufstellort umgedreht werden. Wenn Sie dies benötigen, sollten Sie unbedingt den nächsten autorisierten Service anrufen.

## 7.8 Alarm bei offener Tür

Das Türöffnungswarnsystem Ihres Kühlschranks kann sich je nach Modell unterscheiden.

### Version 1;

Bleibt die Tür des Geräts für eine bestimmte Zeit (zwischen 60 s und 120 s) offen, ertönt ein akustisches Warnsignal; je nach Produktmodell kann auch ein optisches Warnsignal (Lichtblitz) angezeigt werden. Wenn Sie die Tür des Geräts schließen oder eine Taste auf dem Bildschirm des Geräts drücken (falls vorhanden), wird der Warnton beendet.

### Version 2;

Wenn die Tür des Geräts für eine bestimmte Zeit (zwischen 60 s und 120 s) offen bleibt, ertönt der Türöffnungsalarm. Der Türöffnungsalarm wird schrittweise ausgelöst. Zunächst ertönt ein akustisches Warnsignal. Wenn die Tür nach 4 Minuten immer noch nicht geschlossen ist, wird eine optische Warnung (Blinklicht) aktiviert. Der Türöffnungsalarm wird für eine bestimmte Zeit

(zwischen 60 s und 120 s) verzögert, wenn eine beliebige Taste auf dem Produktbildschirm gedrückt wird (falls vorhanden). Danach beginnt der Vorgang von neuem. Wenn die Gerätetür geschlossen ist, wird der Türöffnungsalarm aufgehoben.

## 7.9 Auswechseln der Beleuchtungslampe

Rufen Sie den autorisierten Kundendienst an, wenn die Glühbirne/LED für die Beleuchtung Ihres Kühlschranks ausgetauscht werden soll.

Die in diesem Gerät verwendeten Lampen können nicht für die Hausbeleuchtung verwendet werden. Die beabsichtigte Verwendung dieser Lampe soll dem Benutzer helfen, Lebensmittel sicher und bequem in den Kühl- / Gefrierschrank zu stellen.

## 7.10 AeroFlow

Es handelt sich um ein Luftverteilungssystem, das für eine gleichmäßige Temperaturverteilung sorgt. Durch die Luftzirkulation wird eine gleichmäßige Temperaturverteilung im Frischhaltefach gewährleistet, und die Temperaturschwankungen werden gering gehalten. Es wird keine direkte Luft über die Lebensmittel geblasen, was dazu beiträgt, den Feuchtigkeitsverlust zu verringern. Die Frische der im Frischfach des Kühlschranks gelagerten Lebensmittel

bleibt erhalten. Auf diese Weise werden Ihre Lebensmittel bei stabileren Temperaturen gelagert und der Kontakt mit der Luft wird reduziert. Das Austrocknen und Schrumpfen von Lebensmitteln durch Feuchtigkeitsverlust wird verhindert und die Frische bleibt länger erhalten.

## 7.11 Lüfter

Das Gebläse ist so konstruiert, dass die kalte Luft gleichmäßig darin verteilt wird und zirkuliert. Die Betriebszeit des Gebläses kann je nach Ausstattung des Produkts variieren.

Während bei einigen Produkten das Gebläse nur zusammen mit dem Kompressor arbeitet, bestimmt bei anderen Produkten das Steuerungssystem die Betriebszeit des Gebläses je nach Kühlbedarf.

## 7.12 Eierhalter

Sie können den Eierhalter auf der Tür oder auf dem Gehäuseregal platzieren, wie Sie möchten.

Wenn Sie den Eierhalter auf der Hauptablage platzieren, empfehlen wir Ihnen, die kälteren unteren Ablagen zu wählen.



**Stellen Sie den Eierhalter niemals auf das Gefrierfach**

## 8 Wartung und Reinigung



### **WARNUNG:**

Lesen Sie zuerst den Abschnitt „Sicherheitshinweise“!



### **WARNUNG:**

Ziehen Sie den Netzstecker bevor Sie das Kühlschranks reinigen.

- Verwenden Sie zum Reinigen des Produkts keine scharfen oder scheuernden Werkzeuge. Verwenden Sie keine Materialien wie Haushaltsreiniger, Seifen, Reinigungsmittel, Gas, Benzin, Verdünnern, Alkohol, Wachs usw.

- Der Staub muss mindestens einmal im Jahr vom Lüftungsgitter auf der Rückseite des Produkts entfernt werden (ohne die Abdeckung zu öffnen). Reinigen Sie das Produkt nur mit einem trockenen Tuch.
- Achten Sie darauf, dass die Abdeckung der Lampen und sonstige Elektroteile nicht mit Wasser in Kontakt kommen.
- Reinigen Sie die Tür nur mit einem feuchten Tuch. Entfernen Sie den gesamten Inhalt, um die Tür- und Gehäuseregale zu entfernen. Entfernen Sie die Türregale, indem Sie sie nach oben heben. Reinigen



Sie die Türeinsätze gründlich und setzen Sie sie sodann wieder ein, indem Sie diesen nach unten gleiten lassen.

- Verwenden Sie kein chlorhaltiges Wasser bzw. chlorhaltige Reinigungsmittel zur Reinigung der Außenflächen und chrombeschichteten Teile des Geräts. Chlor lässt metallische Oberflächen rosten.
- Verwenden Sie keine scharfen und abrasiven Werkzeuge, Seife, Reinigungsmittel, Reinigungsmittel, Gas, Benzin, Lacke und ähnliche Substanzen, um eine Verformung des Kunststoffteils und das Entfernen von Drucken auf dem Teil zu verhindern. Verwenden Sie zum Reinigen warmes Wasser und ein weiches Tuch und trocknen Sie es anschließend ab.
- Bei Produkten ohne Frostschutzfunktion können Wassertropfen und Eisbildung bis zu einer Fingerdicke an der Rückwand des Gefrierfachs auftreten. Nicht reinigen und niemals Öle oder ähnliche Materialien auftragen.
- Verwenden Sie ein leicht angefeuchtetes Mikrofaser Tuch, um die Außenfläche des Produkts zu reinigen. Schwämme und andere Arten von Reinigungskleidung können Kratzer verursachen.
- Um alle entfernbaren Komponenten während der Reinigung der Innenfläche des Produkts zu reinigen, waschen Sie diese Komponenten mit einer milden Lösung aus Seife, Wasser und Karbonat. Gründlich waschen und trocknen. Kontakt von Wasser mit Beleuchtungskomponenten und dem Bedienfeld verhindern.



#### **VORSICHT:**

Verwenden Sie auf keiner Innenfläche Essig, Reinigungsalkohol oder andere Reinigungsmittel auf Alkoholbasis.

#### **Außenflächen aus Edelstahl**

Verwenden Sie ein nicht scheuerndes Reinigungsmittel aus rostfreiem Stahl und tragen Sie es mit einem weichen, fusselfreien Tuch auf. Wischen Sie zum Polieren die Oberfläche vorsichtig mit einem mit Wasser angefeuchteten Mikrofaser Tuch ab und verwenden Sie eine trockene Poliergämsse. Folgen Sie immer den Adern des Edelstahls.

#### **Gerüche verhindern**

Das Gerät wurde ohne die Verwendung von Geruch erzeugenden Materialien hergestellt. Jedoch kann die unsachgemäße Lagerung von Lebensmitteln wie auch eine unzureichende Reinigung der Innenräume zur Entstehung von Gerüchen führen.

- Um dies zu vermeiden, sollten Sie den Innenraum mit kohlenstoffhaltigem Wasser alle vierzehn Tage reinigen.
- Bewahren Sie die Lebensmittel in versiegelten Behältern auf, da Mikroorganismen, die von Lebensmitteln in nicht versiegelten Behältern stammen, einen schlechten Geruch verursachen.
- Bewahren Sie keine verdorbenen Lebensmittel bzw. solche mit abgelaufenem Haltbarkeitsdatum im Kühlschrank auf.

#### **Schutz der Kunststoffoberflächen**

Auf Kunststoffoberflächen ausgelaufenes Öl kann diese beschädigen. Reinigen Sie daher solche Verschmutzungen unverzüglich.

## **9 Fehlerbehebung**

Prüfen Sie diese Liste, bevor Sie sich an den Kundendienst wenden. So sparen Sie Zeit und Geld. Diese Liste enthält häufige Beanstandungen, die nicht auf Verarbeitungs- oder Materialfehler zurückzuführen sind. Bestimmte hier aufgeführte Merkmale treffen möglicherweise nicht auf Ihr Produkt zu.

#### **Der Kühlschrank funktioniert nicht.**

- Der Netzstecker ist nicht vollständig eingesteckt. >>> Stecken Sie den Stecker vollständig in die Steckdose.
- Die Sicherung in der Steckdose, die das Produkt mit Strom versorgt, oder die Hauptsicherung ist durchgebrannt. >>> Prüfen Sie die Sicherung.

### **Kondenswasser an der Seitenwand des Kühlfachs (MULTI ZONE, COOL CONTROL und FLEXI ZONE).**

- Die Tür wird zu häufig geöffnet. >>> Achten Sie darauf, die Tür des Geräts nicht zu häufig zu öffnen.
- Die Umgebung ist zu feucht. >>> Stellen Sie das Gerät nicht in feuchten Umgebungen auf.
- Flüssigkeitshaltige Lebensmittel werden in unverschlossenen Behältern aufbewahrt. >>> Bewahren Sie die Lebensmittel, die Flüssigkeiten enthalten, in versiegelten Behältern auf.
- Die Tür des Geräts steht offen. >>> Lassen Sie die Tür des Geräts nicht für längere Zeit offen.
- Der Thermostat ist auf eine sehr kühle Temperatur eingestellt. >>> Stellen Sie den Thermostat auf eine angemessene Temperatur ein.

### **Der Kompressor funktioniert nicht.**

- Bei einem plötzlichen Stromausfall oder wenn der Netzstecker gezogen und wieder eingesteckt wird, ist der Gasdruck im Kühlsystem des Geräts nicht ausgeglichen, wodurch die thermische Sicherung des Kompressors ausgelöst wird. Das Gerät schaltet sich nach etwa 6 Minuten wieder ein. Wenn das Gerät nach diesem Zeitraum nicht wieder anläuft, wenden Sie sich an den Kundendienst.
- Die Abtauung ist aktiv. >>> Dies ist normal für ein vollautomatisches Abtauungsprodukt. Die Abtauung wird regelmäßig durchgeführt.
- Das Gerät ist nicht eingesteckt. >>> Vergewissern Sie sich, dass das Netzkabel eingesteckt ist.
- Die Temperatur ist falsch eingestellt. >>> Wählen Sie die richtige Temperatureinstellung.
- Der Strom ist ausgefallen. >>> Das Gerät arbeitet normal weiter, sobald die Stromversorgung wiederhergestellt ist.

### **Das Betriebsgeräusch des Kühlschranks nimmt während des Betriebs zu.**

- Die Betriebsleistung des Geräts kann je nach den Schwankungen der Umgebungstemperatur variieren. Dies ist normal und stellt keine Fehlfunktion dar.

### **Der Kühlschrank läuft zu oft oder zu lange.**

- Das neue Gerät ist möglicherweise größer als das vorherige. Größere Produkte sind länger in Betrieb.
- Die Raumtemperatur ist möglicherweise zu hoch. >>> Das Gerät läuft normalerweise über längere Zeit bei höherer Raumtemperatur.
- Das Gerät wurde möglicherweise vor kurzem eingesteckt oder es wurde ein neues Lebensmittel hineingelegt. >>> Das Gerät braucht länger, um die eingestellte Temperatur zu erreichen, wenn es kürzlich eingesteckt wurde oder ein neues Lebensmittel hineingelegt wurde. Das ist normal.
- Möglicherweise wurden kürzlich große Mengen heißer Lebensmittel in das Gerät gelegt. >>> Legen Sie keine heißen Lebensmittel in das Gerät.
- Die Türen wurden häufig geöffnet oder für längere Zeit offen gehalten. >>> Die warme Luft, die sich im Inneren bewegt, lässt das Gerät länger laufen. Öffnen Sie die Türen nicht zu häufig.
- Die Tür des Gefrier- oder Kühlgeräts ist möglicherweise angelehnt. >>> Vergewissern Sie sich, dass die Türen vollständig geschlossen sind.
- Das Gerät ist möglicherweise auf eine zu niedrige Temperatur eingestellt. >>> Stellen Sie die Temperatur auf eine höhere Stufe und warten Sie, bis das Produkt die eingestellte Temperatur erreicht hat.
- Die Türdichtung des Kühl- oder Gefriereschranks ist möglicherweise verschmutzt, abgenutzt, kaputt oder nicht richtig eingesetzt. >>> Reinigen oder ersetzen Sie die Dichtung. Eine beschädig-

te/gerissene Türdichtung führt dazu, dass das Gerät länger laufen muss, um die aktuelle Temperatur zu halten.

**Die Temperatur des Gefrierfachs ist sehr niedrig, aber die Temperatur des Kühlfachs ist ausreichend.**

- Die Temperatur des Gefrierfachs ist auf eine sehr niedrige Temperatur eingestellt. >>> Stellen Sie die Temperatur des Gefrierfachs auf eine höhere Stufe und prüfen Sie erneut.

**Die Temperatur im Kühlfach ist sehr niedrig, aber die Temperatur im Gefrierfach ist ausreichend.**

- Die Temperatur des Kühlfachs ist sehr niedrig eingestellt. >>> Stellen Sie die Temperatur des Kühlfachs auf eine höhere Temperatur ein und überprüfen Sie sie erneut.

**Die Lebensmittel in den Schubladen des Kühlfachs sind gefroren.**

- Die Temperatur des Kühlfachs ist sehr niedrig eingestellt. >>> Stellen Sie die Temperatur des Kühlfachs auf eine höhere Temperatur ein und überprüfen Sie sie erneut.

**Die Temperatur im Kühl- oder Gefrierfach ist zu hoch.**

- Die Kühlfachtemperatur ist sehr hoch eingestellt. >>> Die Temperatureinstellung des Kühlfachs wirkt sich auf die Temperatur im Gefrierfach aus. Warten Sie, bis die Temperatur der betreffenden Teile ein ausreichendes Niveau erreicht hat, indem Sie die Temperatur der Kühl- oder Gefrierfächer ändern.
- Die Türen wurden häufig geöffnet oder für längere Zeit offen gehalten. >>> Öffnen Sie die Türen nicht zu häufig.
- Die Tür kann angelehnt sein. >>> Schließen Sie die Tür vollständig.
- Das Gerät wurde möglicherweise vor kurzem eingesteckt oder es wurde ein neues Lebensmittel hineingelegt. >>> Das ist normal. Das Gerät braucht länger, um die eingestellte Temperatur zu erreichen,

wenn es kürzlich eingesteckt wurde oder ein neues Lebensmittel hineingelegt wurde.

- Möglicherweise wurden kürzlich große Mengen heißer Lebensmittel in das Gerät gelegt. >>> Legen Sie keine heißen Lebensmittel in das Gerät.

**Schütteln oder Geräusche.**

- Der Untergrund ist nicht eben oder nicht stabil >>> Wenn das Produkt bei langsamer Bewegung wackelt, stellen Sie die Ständer ein, um das Produkt auszubalancieren. Vergewissern Sie sich auch, dass der Boden ausreichend stabil ist, um das Gerät zu tragen.
- Auf dem Gerät abgestellte Gegenstände können Geräusche verursachen. >>> Entfernen Sie alle auf dem Gerät abgestellten Gegenstände.
- Das Gerät macht Geräusche von fließenden Flüssigkeiten, Sprühern usw.
- Die Funktionsweise des Produkts beinhaltet Flüssigkeits- und Gasströme. >>> Dies ist normal und stellt keine Fehlfunktion dar.

**Aus dem Gerät kommt ein Windgeräusch.**

- Das Produkt verwendet einen Ventilator für den Kühlprozess. Dies ist normal und stellt keine Fehlfunktion dar.

**An den Innenwänden des Produkts bildet sich Kondenswasser.**

- Heißes oder feuchtes Wetter führt zu verstärkter Vereisung und Kondensation. Dies ist normal und stellt keine Fehlfunktion dar.
- Die Türen wurden häufig geöffnet oder für längere Zeit offen gehalten. >>> Öffnen Sie die Türen nicht zu häufig; wenn sie offen sind, schließen Sie die Tür.
- Die Tür kann angelehnt sein. >>> Schließen Sie die Tür vollständig.

### **An der Außenseite des Geräts oder zwischen den Türen bildet sich Kondenswasser.**

- Die Umgebungsluft kann feucht sein, dies ist bei feuchtem Wetter ganz normal. >>> Das Kondenswasser wird sich auflösen, wenn die Luftfeuchtigkeit reduziert wird.

### **Der Innenraum riecht schlecht.**

- Das Produkt wird nicht regelmäßig gereinigt. >>> Reinigen Sie den Innenraum regelmäßig mit einem Schwamm, warmem Wasser und kohlenensäurehaltigem Wasser.
- Bestimmte Halterungen und Verpackungsmaterialien können Geruch verursachen. >>> Verwenden Sie geruchsneutrale Halterungen und Verpackungsmaterialien.
- Die Lebensmittel wurden in nicht verschlossenen Behältern gelagert. >>> Lagern Sie die Lebensmittel in geschlossenen Behältern. Mikroorganismen können auf unverschlossene Lebensmittel überspringen und unangenehme Gerüche verursachen.
- Entfernen Sie alle abgelaufenen oder verdorbenen Lebensmittel aus dem Gerät.

### **Die Tür schließt nicht.**

- Lebensmittelverpackungen können die Tür blockieren. >>> Entfernen Sie alle Gegenstände, die die Türen blockieren.

- Das Gerät steht nicht ganz aufrecht auf dem Boden. >>> Stellen Sie die Ständer so ein, dass das Gerät im Gleichgewicht ist.
- Die Oberfläche ist nicht eben oder nicht stabil >>> Vergewissern Sie sich, dass die Oberfläche eben und ausreichend stabil ist, um das Produkt zu tragen.

### **Das Gemüsefach ist eingeklemmt.**

- Die Lebensmittel können mit dem oberen Teil der Schublade in Kontakt sein. >>> Ordnen Sie die Lebensmittel in der Schublade neu an.

### **Temperatur auf der Oberfläche des Produkts.**

- Während des Betriebs Ihres Geräts kann zwischen zwei Türen, an den Seitenwänden und im hinteren Grillbereich eine hohe Temperatur festgestellt werden. Dies ist normal und erfordert keine Wartung.

### **Das Gebläse läuft weiter, wenn die Tür geöffnet wird.**

- Das Gebläse kann weiterlaufen, wenn die Gefrierschranktür geöffnet ist.



**WARNUNG:** Wenn das Problem nach Befolgen der Anweisungen in diesem Abschnitt weiterhin besteht, wenden Sie sich an Ihren Händler oder einen autorisierten Kundendienst. Versuchen Sie nicht, das Gerät zu reparieren. Das ist normal.

## **HAFTUNGSAUSSCHLUSS / WARNUNG**

Einige (einfache) Störungen können vom Endbenutzer in angemessener Weise behoben werden, ohne dass ein Sicherheitsproblem oder eine unsichere Verwendung entsteht, vorausgesetzt, sie werden innerhalb der Grenzen und in Übereinstimmung mit den folgenden Anweisungen durchgeführt (siehe Abschnitt „Selbstreparatur“).

Sofern im Abschnitt „Selbstreparatur“ nicht anders angegeben, müssen Reparaturen von registrierten Fachwerkstätten durchgeführt werden, um Sicherheitsprobleme zu vermeiden. Eine registrierte Fachwerkstatt ist eine Fachwerkstatt, die vom Hersteller

gemäß den in den Rechtsakten gemäß der Richtlinie 2009/125/EG beschriebenen Methoden Zugang zu den Anweisungen und der Ersatzteilliste dieses Produkts erhalten hat.

**Allerdings kann nur der Kundendienst (d.h. autorisierte Fachwerkstätten), den Sie über die in der Bedienungsanleitung/ Garantiekarte angegebene Telefonnummer oder über Ihren Vertragshändler erreichen können, Leistungen im Rahmen der Garantiebedingungen erbringen. Bitte beachten Sie daher, dass bei Repara-**

**turen durch (die nicht autorisiert sind durch) Beko Fachwerkstätten die Garantie erlischt.**

### **Selbstreparatur**

Folgende Ersatzteile können vom Endverbraucher selbst repariert werden: Türgriffe, Türscharniere, Ablagen, Körbe und Türdichtungen (eine aktualisierte Liste ist ab dem 1. März 2021 auch unter [support.beko.com](http://support.beko.com) verfügbar).

Um die Produktsicherheit zu gewährleisten und die Gefahr von schweren Verletzungen zu vermeiden, müssen die genannten Selbstreparaturen gemäß den Anweisungen in der Bedienungsanleitung für Selbstreparaturen oder auf [support.beko.com](http://support.beko.com) durchgeführt werden. Ziehen Sie zu Ihrer Sicherheit den Netzstecker des Produkts, bevor Sie eine Selbstreparatur durchführen.

Reparatur- und Instandsetzungsversuche durch Endverbraucher für Teile, die nicht in dieser Liste enthalten sind, und/oder die nicht gemäß den Anweisungen in den Benutzerhandbüchern für die Selbstreparatur oder unter [support.beko.com](http://support.beko.com) durchgeführt werden, können zu Sicherheitsproblemen führen, die nicht von Beko zu verantworten sind, und führen zum Erlöschen der Garantie für das Produkt.

Daher wird den Endnutzern dringend empfohlen, von Reparaturversuchen abzusehen, die nicht in der genannten Ersatzteilliste aufgeführt sind, und sich in solchen Fällen an autorisierte Fachwerkstätten oder registrierte Fachwerkstätten zu wenden. Im Gegenteil, solche Versuche können Sicherheitsprobleme verursachen und das Produkt beschädigen und in der Folge Feuer, Überschwemmungen, Stromschläge und schwere Personenschäden hervorrufen. Zum Beispiel, aber nicht ausschließlich, müssen die folgenden Reparaturen an autorisierte Fachwerkstätten oder registrierte Fachwerkstätten gerichtet werden: Kompressor, Kühlkreislauf, Hauptplatine, Inverterplatine, Displayplatine, usw.

Der Hersteller/Verkäufer kann in keinem Fall haftbar gemacht werden, wenn der Endverbraucher die oben genannten Bestimmungen nicht einhält.

Die Ersatzteilverfügbarkeit des von Ihnen gekauften Kühlschranks beträgt 10 Jahre, während dieser Zeit sind Original-Ersatzteile für den ordnungsgemäßen Betrieb des Kühlschranks verfügbar.

Die Mindestgarantiedauer für den von Ihnen gekauften Kühlschrank beträgt 24 Monate.

Dieses Produkt ist mit einer Lichtquelle der Energieklasse „G“ ausgestattet.

Die Lichtquelle in diesem Produkt darf nur von autorisierte Fachwerkstätten ausgetauscht werden.

Siehe auch

2 DISCLAIMER / WARNING [ ] 29]

## Kérjük, először olvassa el ezt a kézikönyvet!

**Kedves Vásárló!**

**A termék használata előtt olvassa el ezt a kézikönyvet.**

Köszönjük, hogy a Beko terméket választotta! Szeretnénk, ha ezzel a kiváló minőségű termékkel, amelyet a legkorszerűbb technológiával gyártottak, optimális hatékonyságot érne el. Ehhez gondosan olvassa el ezt a kézikönyvet és minden egyéb dokumentációt, mielőtt a terméket felhasználná, és őrizze meg ezeket referenciaként.

Vegye figyelembe a felhasználói kézikönyvben szereplő összes információt és figyelmeztetést. Így megvédi magát és termékét a felmerülő veszélyektől.

Tartsa meg a felhasználói kézikönyvet. Ha a terméket átadja másnak, adja át vele ezt a kézikönyvet is.

**A felhasználói kézikönyv a következő szimbólumokat használja:**



Halált vagy sérülést eredményező veszély.



Fontos információk vagy hasznos tippek a működtetéshez.







Olvassa el a felhasználói kézikönyvet!



Éghető anyag, figyelmeztetés tűzveszélyre.


**MEGJEGYZÉS** Veszély, amely anyagi kárt okozhat a termékben vagy annak környezetében


		A termékadatbázisban tárolt modellinformációkat a következő weboldalra belépve és az energiacímkén található modellazonosítót (*) keresve érheti el. <a href="https://eprel.ec.europa.eu/">https://eprel.ec.europa.eu/</a>
<b>SUPPLIER'S NAME</b>	<b>MODEL IDENTIFIER</b> → (*)	
		


	<b>8</b>	<b>Karbantartás és tisztítás.....</b>	<b>85</b>
	<b>9</b>	<b>Hibaelhárítás.....</b>	<b>86</b>
<b>1</b>		<b>Biztonsági útmutató .....</b>	<b>64</b>
1.1		Felhasználási szándék.....	64
1.2		Gyermekek, veszélyeztetett személyek és háziállatok biztonsága	64
1.3		Elektromos biztonság .....	65
1.4		Biztonságos kezelés .....	66
1.5		Biztonságos telepítés.....	66
1.6		Biztonságos működtetés.....	68
1.7		Biztonságos élelmiszertárolás .....	71
1.8		BIZTONSÁGOS KARBANTARTÁS ÉS TISZTÍTÁS .....	71
1.9		A régi termék ártalmatlanítása.....	72
<b>2</b>		<b>Környezetvédelmi utasítások .....</b>	<b>72</b>
2.1		A WEEE-irányelvnek való megfelelés és hulladékártalmatlanítás...	72
<b>3</b>		<b>Az Ön hűtőszekrénye .....</b>	<b>73</b>
<b>4</b>		<b>Üzembe helyezés.....</b>	<b>74</b>
4.1		Megfelelő elhelyezés.....	74
4.2		Elektromos csatlakoztatások.....	74
4.3		A lábak beállítása .....	75
4.4		Forró felület figyelmeztetés.....	75
<b>5</b>		<b>Előkészületek .....</b>	<b>75</b>
5.1		Teendők az energiatakarékosság érdekében .....	75
5.2		Első használat .....	75
5.3		Klímaosztály és meghatározások	76
<b>6</b>		<b>A termékek üzemeltetése .....</b>	<b>76</b>
<b>7</b>		<b>Az Ön készülékének használata..</b>	<b>77</b>
7.1		A termék kezelőpanelje.....	77
7.2		Étel tárolása a hűtőrekeszben .....	79
7.3		Zöldségtároló rekesz .....	83
7.4		Zöldségtároló rekesz technológiák .....	83
7.5		Tejtermékek hűtve tárolási területe.....	84
7.6		A jégtároló terület.....	84
7.7		Az ajtó nyitási oldalának megfordítása.....	84
7.8		Ajtó nyitva riasztás .....	84
7.9		A megvilágító lámpa cseréje .....	85
7.10		AeroFlow .....	85
7.11		Ventilátor.....	85
7.12		Tojástartó.....	85


## 1 Biztonsági útmutató

- Ez a fejezet a személyi sérülés vagy anyagi kár kockázatának megelőzéséhez szükséges biztonsági utasításokat tartalmazza.
- Cégünk nem vállal felelősséget azokért a károkért, amelyek ezen utasítások be nem tartása esetén keletkeznek.

 A beszerelési és javítási műveleteket mindig a gyártó, a hivatalos szerviz vagy az importőr cég által megjelölt személy végezze el.

 Csak eredeti pótalkatrészeket és tartozékokat használjon.

 Ne javítsa vagy cserélje ki a termék egyetlen alkatrészét sem, hacsak a felhasználói kézikönyvben nincs egyértelműen meghatározva.

 Ne végezzen semmilyen módosítást a terméken.

### 1.1 Felhasználási szándék

- A készülék nem alkalmas kereskedelmi használatra, és a rendeltetésszerű használaton kívül ne használja másra.
- A termék belső terekben, például háztartásokban vagy hasonló helyiségekben történő üzemeltetésre szolgál.

Például;

Személyzeti konyhában, irodában és más munkakörnyezetekben,  
Gazdasági épületekben,  
Szállodák, motelek vagy egyéb pihenőhelyek helyiségeiben, amelyeket az ügyfelek használnak,  
Szállóknban vagy hasonló környezetben,  
Vendéglátóipari egységekben és hasonló, nem kiskereskedelmi célú használatra.

- A termék nem használható nyitott vagy elkerített külső környezetben, például hajón, lakókocsiban, erkélyen vagy teraszon. Az esőnek, hónak, napfénynek és szélnek való kitettség tűzveszély szempontjából kockázatos.

### 1.2 Gyermekek, veszélyeztetett személyek és háziállatok biztonsága

- A terméket 8 éves és idősebb gyermekek, valamint fejletlen fizikai, érzékszervi vagy szellemi képességekkel, illetve tapasztalat és ismeretek hiányával rendelkező személyek csak felügyelet mellett használhatják, vagy ha kaptak a készülék



biztonságos használatára és az azzal járó veszélyekre vonatkozó eligazítást.

- A 3 és 8 év közötti gyermekek betehetnek és kivehetnek ételt a hűtő termékből.
- Az elektromos termékek veszélyesek a gyermekekre és a háziállatokra. Gyermekek és háziállatok nem játszhatnak a termékkel, nem mászhatnak fel rá, és nem mászhatnak be a készülékbe.
- A tisztítást és a felhasználói karbantartást gyermekek csak felügyelet mellett végezhetik.
- A csomagolóanyagokat tartsa távol a gyermekektől. Sérülés- és fulladásveszély.

A régi, már nem használható termékek ártalmatlanítása előtt:

1. Húzza ki a tápkábelt a hálózati aljzatból.
2. Vágja el a tápkábelt, és a dugóval együtt távolítsa el a készülékből.
3. Ne távolítsa el a termékből a rekeszeket és a fiókokat, megakadályozandó, hogy gyermekek bejussanak a készülék belsejébe.
4. Távolítsa el az ajtókat.
5. Úgy tárolja a készüléket, hogy ne lehessen felborítani.
6. Ne engedje, hogy gyermekek játsszanak a leselejtezett készülékkel.

- Ne dobja a terméket tűzbe. Robbanásveszély.
- Ha a termék ajtaján van zár, a kulcsot tartsa gyermekek számára elérhetetlen helyen.



### 1.3 Elektromos biztonság

- A terméket a telepítés, karbantartás, tisztítás, javítás és szállítás során nem szabad a konnektorba csatlakoztatni.
- Ha a tápkábel megsérül, a felmerülő kockázatok elkerülése érdekében csak hivatalos szerviz cserélheti ki.
- Ne dugja a tápkábelt a termék alá vagy a termék hátuljára. Ne tegyen nehéz tárgyakat a tápkábelre. A tápkábelt nem szabad meghajlítani, összenyomni, és nem érintkezhet hőforrással.
- Ne használjon hosszabbítót, többdugós csatlakozót vagy adaptert a termék működtetéséhez.
- A hordozható többdugós csatlakozók vagy hordozható tápegységek túlmelegedhetnek és tüzet okozhatnak. Ezért ne legyen a termék mögött vagy közelében többdugós, hordozható áramforrás.

- Ne csatlakoztassa a termék tápkábelét kilazult vagy sérült konnektorba. Az ilyen csatlakozások túlmelegedhetnek és tüzet okozhatnak.
- A dugó legyen könnyen hozzáférhető. Ha ez nem lehetséges, akkor az elektromos berendezésen rendelkezésre kell állnia egy, az elektronikai szabályozásoknak megfelelő, az összes csatlakozót a hálózatról leválasztó mechanizmusnak (biztosíték, kapcsoló, főkapcsoló stb.).
- Ne érintse meg a dugót nedves kézzel.
- A készülék kihúzásakor ne a tápkábelt, hanem a dugót fogja meg.

#### 1.4 Biztonságos kezelés

- A termék szállítása előtt feltétlenül húzza ki a készüléket a konnektorból.
- A termék nehéz, ne mozgassa egyedül. Ha a termék Önre esik, sérüléseket okozhat. Szállítás közben ne ütközzön helyeknek, és ne ejtse le a terméket.
- Szállítás közben mindig zárja be az ajtókat, és ne fogja a terméket az ajtóknál fogva.

- A termék mozgatása során ügyeljen arra, hogy ne sértse meg a hűtőrendszert és a csöveket. Ne működtesse a terméket, ha a csövek megsérültek, és forduljon hivatalos szervizhez.

#### 1.5 Biztonságos telepítés

- A termék telepítésével kapcsolatban forduljon a hivatalos szervizhez. A termék használatra való előkészítéséhez olvassa el a használati útmutatóban található információkat, és győződjön meg arról, hogy az elektromos hálózat és vízellátás megfelel az előírásoknak. Ha nem, hívjon szakképzett villanyszerelőt és vízvezeték-szerelőt, hogy a közműveket a szükséges módon kialakítsák. Ennek elmulasztása áramütést, tüzet, a termékkel kapcsolatos problémákat vagy sérülést okozhat.
- Ez a termék legfeljebb 2000 méteres tengerszint feletti magasságig használható.
- Telepítés előtt ellenőrizze, hogy a terméken nincsenek-e sérülések. Ha a termék sérült, ne telepítse.

- A termék telepítése, karbantartása és javítása során mindig használjon egyéni védőfelszerelést (kesztyűt stb.). Sérülésveszély!
- Helyezze a terméket egy tiszta, vízszintes és kemény felületre, és egyensúlyozza ki az állítható lábakkal (az első lábak jobbra vagy balra történő elforgatásával). Ellenkező esetben a hűtőszekrény felborulhat és sérüléseket okozhat.
- A terméket száraz és jól szellőző környezetben kell elhelyezni. Ne tegyen a termék alá szőnyeget, takarót vagy hasonlókat. Ez a nem megfelelő szellőzés miatt tűzveszélyt okozhat!
- Ne zárja el és ne takarja el a szellőzőnyílásokat. Ellenkező esetben megnő az energiafogyasztás, és a termék károsodhat.
- A termék elhelyezésekor ügyeljen arra, hogy a tápkábel ne sérüljön meg és ne legyen becsípdve.
- A termék nem csatlakoztatható olyan ellátórendszerekhez, mint például napelemek. Ellenkező esetben a termék a hirtelen feszültségváltozások miatt károsodhat!
- Minél több hűtőközeget tartalmaz egy hűtőszekrény, annál nagyobbak kell lennie a telepítési helyiségnek. A nagyon kis helyiségekben a hűtőrendszerben fellépő gázszivárgás esetén gyúlékony gáz-levegő keverék keletkezhet. Minden 8 gramm hűtőközeghez legalább 1 m<sup>3</sup> térfogat szükséges. A termékben rendelkezésre álló hűtőközeg mennyiségét a típuscímke tartalmazza.
- A termék telepítési helye nem lehet közvetlen napfénynek kitéve, és nem lehet hőforrás, például kályha, radiátor stb. közelében. Ha nem lehet elkerülni, hogy a terméket hőforrás közelében telepítse, használjon megfelelő szigetelőlemezt, és gondoskodjon arról, hogy a hőforrástól való minimális távolság az alábbiakban meghatározott legyen:
  - Legalább 30 cm távolságra hőforrásoktól, például kályhától, sütőtől, fűtőberendezéstől, fűtőtesttől stb.,
  - és legalább 5 cm távolságra az elektromos sütőtől.
- Az Ön terméke az I. védelmi osztályba tartozik.
- A terméket olyan földelt konnektorba csatlakoztassa, amely megfelel a típus táblán megadott feszültség-, áram- és frekvenciaértékeknek. A konnektornak 10A–16A biztosítékkal kell rendelkeznie. Cégünk

nem vállal felelősséget a helyi és nemzeti előírásoknak megfelelő földelés és hálózati csatlakozás nélküli használatból eredő károkért.

- Telepítés közben ne dugja be a hűtőt a konnektorba. Ellenkező esetben áramütés és sérülés veszélye áll fenn!
- Ne csatlakoztassa a termék tápkábelét laza, elmozdult, törött, piszkos, olajos konnektorokba, ahol fennáll a vízzel való érintkezés veszélye. Az ilyen csatlakozások túlmelegedhetnek és tüzet okozhatnak.
- A termék tápkábelét és a tömlőket (ha vannak) úgy helyezze el, hogy azok ne okozzanak botlásveszélyt.
- A nedvesség és a folyadék behatolása a feszültség alatt álló részekre vagy a tápkábelre rövidzárlatot okozhat. Ezért ne használja a terméket párás környezetben, illetve olyan helyiségekben, ahol víz fröccsenhet rá (pl. garázs, mosókonyha stb.). Ha a hűtőszekrény elázott, húzza ki a hálózathoz, és forduljon hivatalos szervizhez.
- Soha ne csatlakoztassa a hűtőszekrényt energiatakarékos eszközökhöz. Ezek a rendszerek károsak a termékre.

- Az elektronikai lap fedelének és a kompresszor hátsó fedelének (ha van) eltávolításakor fennáll az elektromos alkatrészekkel való érintkezés veszélye. Ne távolítsa el az elektronikai lap fedelét és a kompresszor hátsó fedelét (ha van). Fennáll az áramütés veszélye!



## 1.6 Biztonságos működtetés

- Soha ne használjon kémiai oldószereket a terméken. Ezek az anyagok robbanásveszélyesek.
- A termék meghibásodása esetén húzza ki a készüléket a hálózathoz, és ne működtesse, amíg a hivatalos szerviz meg nem javítja. Elektromos áramütés veszélye áll fenn!
- Ne helyezzen lángforrást (pl. gyertyát, cigarettát stb.) a termékre vagy annak közelébe.
- Ne másszon fel a termékre. Leesés- és sérülésveszély!
- Ne okozzon kárt a hűtőrendszer csöveiben éles és szűrőszerszámokkal. A gázcsövek, csőhosszabbítások vagy felső felületi bevonatok átszúrása esetén kifröccsenő hűtőközeg bőrirritációt és szemsérülést okozhat.

- Ne helyezzen el és ne működtessen elektromos készüléket a hűtőszekrény/fagyasztó belsejében, kivéve, ha a gyártó ezt tanácsolja.
- Ügyeljen arra, hogy ne szoruljon be a kezének vagy testének bármely része a termék belsejében lévő mozgó alkatrészek közé. Vigyázzon, hogy ujjai ne szoruljanak be a hűtőszekrény és az ajtaja közé. Legyen óvatos az ajtó nyitásakor vagy zárásakor, ha gyermekek vannak a közelben.
- Ne tegyen jégkrémet, jégkockát vagy fagyasztott ételt a szájához, amikor kiveszi a fagyasztóból. Fagyásveszély!
- Ne érintse meg nedves kézzel a fagyasztó belső falait, fémrészeit vagy a fagyasztóban tárolt élelmiszereket. Fagyásveszély!
- Ne helyezzen a fagyasztórekeszbe üdítő dobozokat vagy olyan folyadékot tartalmazó dobozokat és palackokat, amelyek megfagyhatnak. A dobozok vagy palackok felrobbanhatnak. Sérülés- és anyagi kár veszélye!
- A hűtőszekrény közelében ne használjon és ne helyezzen el hőmérsékletre érzékeny anyagokat, például gyúlékony spray-ket, gyúlékony tárgyakat, szárazjeget vagy más vegyi anyagokat. Tűz- és robbanásveszély!
- Ne tároljon robbanásveszélyes anyagokat, például gyúlékony anyagokat tartalmazó aeroszolos dobozokat a termék belsejében.
- Ne helyezzen folyadékot tartalmazó dobozokat a termék fölé nyitott állapotban. A víz elektromos alkatrészeire fröccsenése áramütést vagy tüzet okozhat.
- Ez a termék nem alkalmas gyógyszerek, vérplazma, laboratóriumi készítmények vagy hasonló anyagok és termékek tárolására és hűtésére, amelyek az orvosi termékekről szóló irányelv hatálya alá tartoznak.
- Ha a terméket nem rendeltetésszerűen használják, az a benne tárolt termékek károsodását vagy megromlását okozhatja.
- Ha a hűtőszekrénye kék fényrel van felszerelve, ne nézzen ebbe a fénybe optikai eszközökkel. Ne nézzen hosszabb ideig közvetlenül az UV LED fénybe. Az ultraibolya sugarak szemfáradtságot okozhatnak.
- Ne töltsön a termékbe a kapacitásánál nagyobb mennyiségű tartalmat. Sérülések vagy károk keletkezhetnek, ha a hűtő-

szekrény tartalma az ajtó kinyitásakor leesik. Hasonló problémák akkor is előfordulhatnak, ha egy tárgyat helyeznek a termékre.

- A sérülések megelőzése érdekében győződjön meg arról, hogy eltávolította a padlóra esett jeget vagy vizet.
  - A hűtőszekrény ajtaján lévő állványok/palacktartók helyét csak akkor változtassa meg, ha az állványok üresek. Sérülésveszély!
  - Ne helyezzen a termékre olyan tárgyakat, amelyek leeshetnek/felborulhatnak. Ezek a tárgyak az ajtó nyitásakor vagy zárásakor leeshetnek, és sérülést és/vagy anyagi kárt okozhatnak.
  - Ne üsse meg, és ne gyakoroljon túlzott nyomást az üvegfelületekre. A törött üveg sérülést és/vagy anyagi kárt okozhat.
  - A termék hűtőrendszere R600a hűtőközeget tartalmaz. A termékben használt hűtőközeg típusát a típuscímke tartalmazza. Ez a gáz gyúlékony. Ezért ügyeljen arra, hogy működtetés közben ne sértse meg a hűtőrendszert és a csöveket. A csövek sérülése esetén;
1. Ne érintse meg a terméket vagy a tápkábelt.

2. Tartsa a terméket távol a lehetséges tűzforrásoktól, amelyek a termék kigyulladását okozhatják.
3. Szellőztesse a területet, ahol a terméket elhelyezte. Ne használjon ventilátort.
4. Forduljon hivatalos szervizhez.

Ha a termék megsérült, és gázszivárgást észlel, kérjük, maradjon távol a gáztól. A gáz fagyási sérüléseket okozhat, ha a bőrrel érintkezik.

A régi, már nem használható termékek ártalmatlanítása előtt:

1. Húzza ki a tápkábelt a hálózati aljzatból.
  2. Vágja el a tápkábelt, és a dugóval együtt távolítsa el a készülékből.
  3. Ne távolítsa el a termékből a rekeszeket és a fiókokat, megakadályozandó, hogy gyermekek bejussanak a készülék belsejébe.
  4. Távolítsa el az ajtókat.
  5. Úgy tárolja a készüléket, hogy ne lehessen felborítani.
  6. Ne engedje, hogy gyermekek játsszanak a leselejtezett készülékkel.
- Ne dobja a terméket tűzbe. Robbanásveszély.
  - Ha a termék ajtaján van zár, a kulcsot tartsa gyermekek számára elérhetetlen helyen.

## 1.7 Biztonságos élelmiszer-tárolás

Kérjük, az élelmiszerek megromlásának elkerülése érdekében vegye figyelembe az alábbi figyelmeztetéseket:

- Az ajtók hosszú ideig történő nyitva hagyása a termék belsejében lévő hőmérséklet emelkedését okozhatja.
- Rendszeresen tisztítsa meg az élelmiszerral érintkező, hozzáférhető vízelvezető rendszereket.
- Tisztítsa meg a 48 órán át nem használt víztartályokat és az 5 napnál hosszabb ideig nem használt hálózati vízrendszereket.
- A nyers hús- és haltermékeket a terméken belül a megfelelő rekeszekben tárolja. Így nem csöpöghet, illetve nem érintkezhet más élelmiszerekkel.
- A kétcsillagos fagyasztórekeszek előre töltött élelmiszerek tárolására, jég és fagylalt készítésére és tárolására szolgálnak.
- Az egy-, két- és háromcsillagos rekeszek nem alkalmasak friss élelmiszerek fagyasztására.
- Ha a hűtőkészülék hosszabb ideig üresen áll, kapcsolja ki, olvassza le, tisztítsa meg és szárítsa meg a készülékház védelme érdekében.

## 1.8 BIZTONSÁGOS KARBANTARTÁS ÉS TISZTÍTÁS

HU

- Húzza ki a hűtőszekrényt a hálózatból, mielőtt tisztítani kezdené vagy karbantartási munkálatokat végezne.
- Ne húzza a készüléket az ajtó fogantyújánál fogva, ha tisztítás céljából mozgatnia kell. A fogantyú túl erős meghúzás esetén sérüléseket okozhat.
- Ne tegye a kezét stb. a hűtőszekrény alá. Beszorulhat, vagy valamely éles perem személyi sérülést okozhat.
- Ne tisztítsa a terméket úgy, hogy vizet permetez vagy önt a termékre és a belsejébe. Áramütés- és tűzveszély áll fenn.
- A termék tisztításakor ne használjon éles és koptató szerszámokat vagy háztartási tisztítószereket, mosószert, gázt, benzint, hígítót, alkoholt, lakkot és hasonló anyagokat. Csak olyan tisztító- és karbantartószereket használjon, amelyek nem károsak a termék belsejében lévő élelmiszerekre.
- Soha ne használjon gőzt vagy gőzzel működő tisztítókészüléket a termék tisztításához és a benne lévő jég felolvasztásához. A gőz érintkezésbe kerül a

hűtőszekrény elektromos területeivel és rövidzárlatot vagy áramütést okoz.

- Ügyeljen arra, hogy ne érje víz a termék szellőzőnyílásait, elektronikus áramköreit vagy világítását.
- Tiszta, száraz ruhával törölje le a port vagy idegen anyagot a dugók hegyéről. Ne használjon nedves vagy vizes ruhadarabot a dugó tisztításához. Ellenkező esetben tűz és áramütés veszélye áll fenn.



## 1.9 A régi termék ártalmatlanítása

A régi termék megsemmisítésekor kövesse az alábbi utasításokat:

## 2 Környezetvédelmi utasítások

### 2.1 A WEEE-irányelvnek való megfelelés és hulladékártalmatlanítás



A termék megfelel a WEEE (elektromos és elektronikus berendezések hulladékairól szóló 2012/19/EU) irányelv követelményeinek. Ez a termék az

elektromos és elektronikus berendezések hulladékainak osztályozási szimbólumát (WEEE) viseli.

Ez a szimbólum azt jelzi, hogy a terméket az élettartama végén nem szabad közösen más háztartási hulladékokkal együtt kidobni. A használt eszközt vissza kell vinni a hivatalos gyűjtőhelyre az elektromos és elektronikus eszközök újrahasznosítása céljából. A gyűjtőrendszerek megtalálásához ve-

- Annak megakadályozása érdekében, hogy a gyermekek véletlenül bezárják magukat a termékbe, ha van ajtózár, kapcsolja ki azt.
- A hűtőfolyadék fröccsenése károsítja a szemet. A termék ártalmatlanítása során ne sértse meg a hűtőrendszer egyetlen részét sem.
- A kompresszorolaj lenyelése vagy légutakba jutása halált okozhat.
- A termék hűtőrendszere R600a gázt tartalmaz a típustáblán megadottak szerint. Ez a gáz gyúlékony. Ne dobja a terméket tűzbe. Robbanásveszély!

gye fel a kapcsolatot a helyi hatóságokkal vagy a kereskedővel, ahol a terméket vásárolták. A háztartások fontos szerepet játszanak a régi készülékek elszállításában és újrahasznosításában. A használt készülék megfelelő ártalmatlanítása segít megelőzni a környezetre és emberi egészségre gyakorolt potenciálisan kedvezőtlen következményeket.

### Az RoHS irányelv betartása

A megvásárolt termék megfelel az EU RoHS Irányelvének (2011/65/EU). Nem tartalmaz az irányelvben meghatározott káros és tiltott anyagokat.



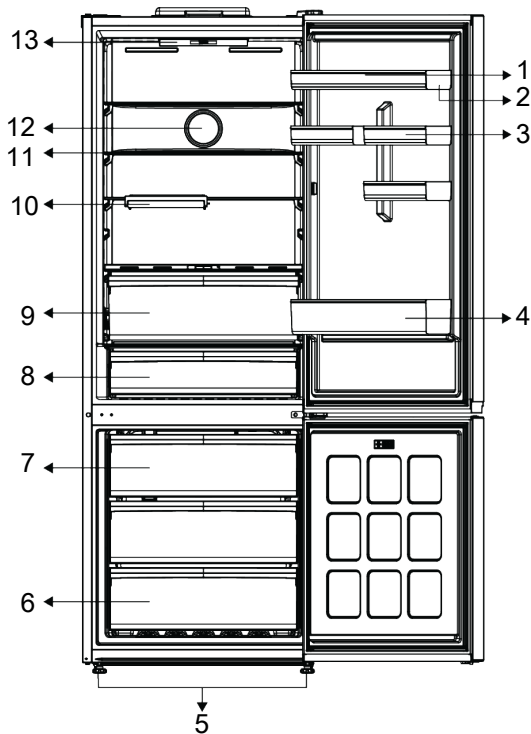


### A csomagolásra vonatkozó információk

A termék csomagolóanyagait újrahasznosítható anyagokból gyártjuk, a Nemzeti Környezetvédelmi Szabályzatunkkal összhangban. A csomagolóanyagokat ne dobja el a háztartási vagy egyéb hulladékok közé. Vigye őket a helyi hatóságok által kijelölt csomagolóanyag-gyűjtő helyekre.

HU

## 3 Az Ön hűtőszekrénye



- |                              |                         |
|------------------------------|-------------------------|
| 1 Tojástartó                 | 2 Beállítható ajtópolc  |
| 3 * Kisméretű polc az ajtón  | 4 Üvegtartó polc        |
| 5 Állítható állványok        | 6 Fagyasztórekesz       |
| 7 Fagyasztódoboz tárolóedény | 8 Hűtve tároló fiók     |
| 9 Zöldségtároló rekesz       | 10 * Összehajtható polc |
| 11 Állítható polc            | 12 Ventilátor           |
| 13 Világítás                 |                         |

\***Opcionális:** A felhasználói útmutatóban szereplő adatok vázlatosak, és lehet, hogy nem egyeznek pontosan a termékével. Ha a

termék nem tartalmazza a vonatkozó alkatrészeket, akkor az információ más modellekre vonatkozik.

## 4 Üzembe helyezés

HU



Először olvassa el a „Biztonsági előírások” részt!

### 4.1 Megfelelő elhelyezés

A termék telepítésével kapcsolatban forduljon a hivatalos szervizhez. A termék használatra való előkészítéséhez olvassa el a használati útmutatóban található információkat, és győződjön meg arról, hogy az elektromos hálózat és vízellátás megfelel az előírásoknak. Ha nem, hívjon villanyszerelőt és vízvezeték-szerelőt, hogy a közműveket a szükséges módon kialakítsák.



#### FIGYELMEZTETÉS:

A gyártó nem vállal felelősséget az illetéktelen személyek által végzett munkából származó károkért.



#### FIGYELMEZTETÉS:

Telepítés közben ne dugja be a hűtőt a konnektorba. Ellenkező esetben súlyos vagy halálos sérülést szenvedhet.



#### FIGYELMEZTETÉS:

Amennyiben a hűtőszekrény tárolására kijelölt szoba ajtaja nem elég széles, a hűtők ajtajainak eltávolításához hívja ki a hivatalos szervizt.

- A rázkódások elkerülése érdekében a hűtőszekrényt egyenes padlón helyezze el.
- A hűtőt legalább 30 cm-re kell elhelyezni minden hőforrástól (pl. kandalló, sütő, főzőlap) és legalább 5 cm-re az elektromos sütőtől.
- Ne tegye ki a terméket közvetlen napfénynek, és ne tartsa nedves környezetben.
- Az Ön terméke a hatékony működéshez megfelelő légáramlást igényel. Ha a terméket egy alkóvba helyezi, ne felejtse el

hagyni legalább 5 cm távolságot a termék, a mennyezet és a hátsó és oldal falak között.

- Ellenőrizze, hogy a hátsó fal védőkomponense a helyén van-e (ha a termékkel együtt szállították).
- Ha az alkatrész nem áll rendelkezésre, vagy elveszett vagy leesett, helyezze el a terméket úgy, hogy legalább 5 cm szabad hely maradjon a termék hátó része és a szoba fala között. A termék hatékony működése szempontjából fontos a hátsó hézag.

### 4.2 Elektromos csatlakoztatások



Az elektromos csatlakozáshoz ne használjon hosszabbítót vagy elosztó aljzatot.



A sérült tápkábel a hivatalos szerviznek kell kicserélnie.

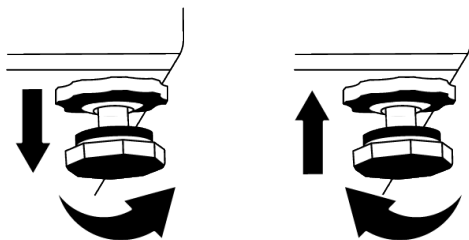


Ha két hűtőt kíván egymás mellett elhelyezni, kérjük, hagyjon legalább 4 cm helyet közöttük.

- A vállalatunk nem vállal semmiféle felelősséget azokért a károkért, melyek a hűtőszekrény nem a nemzeti előírásoknak megfelelő földeléssel vagy elektromos összeköttetéssel való használatából erednek.
- Ügyeljen rá, hogy a tápkábel könnyen hozzáférhető legyen a hűtő elhelyezése után.
- Ne használjon többrészes aljzatot hosszabbító kábellel vagy anélkül, a fali aljzat és a hűtőszekrény között.

### 4.3 A lábak beállítása

Ha a készülék nincs kiegyensúlyozott helyzetben, állítsa be az elülső állítható lábakat, jobbra vagy balra forgatva.



### 4.4 Forró felület figyelmeztetés

A termék oldalfalai hűtő csövekkel vannak felszerelve, a hűtőrendszer teljesítményének növelése érdekében. Ezekon a felületeken nagynyomású folyadék áramolhat, és az oldalfalakon forró felületeket okozhat. Ez normális, és nem igényel karbantartást. Legyen óvatos, amikor megérinti ezeket a felületeket.

## 5 Előkészületek



Először olvassa el a „Biztonsági előírások” részt!

### 5.1 Teendők az energiatakarékos-ság érdekében



A termék csatlakoztatása elektromos energiatakarékos rendszerekhez káros és károsíthatja a terméket.

- Ezt a hűtőkészüléket nem beépített készülékként történő felhasználásra szánták.
- Ne hagyja sokáig nyitva a hűtő ajtaját.
- Ne tegyen meleg ételt vagy italt a hűtőbe.
- Csak annyi ételt/italt tegyen a hűtőbe, hogy az ne akadályozza a belső levegő cirkulációt.
- Mivel a forró és nedves levegő nem hatol be közvetlenül a termékébe, ha az ajtókat nem nyitják ki, a termék önmagát olyan körülmények között optimalizálja, amely elegendő az ételek védelméhez. Ilyen körülmények között az olyan funkciók és alkatrészek, mint a kompresszor, a ventilátor, a fűtés, a leolvasztás, a világítás, a kijelző stb. az igényeknek megfelelően, minimális energiafogyasztással működnek.
- Többféle lehetőség esetén az üvegpolcokat úgy kell elhelyezni, hogy a hátsó falon lévő szellőzőnyílások ne legyenek elzárva, és lehetőleg úgy, hogy a szellőzőnyílá-

sok az üvegpalc alatt maradjanak. Ez a kombináció segíthet a levegőelosztás és az energiahatékonyság javításában.

- Az alsó fiók használata tároláskor erősen ajánlott.
- A termék tulajdonságaitól függően a fagyasztott élelmiszer hűtőszekrényben történő felolvasztása energiát takarít meg, és megőrzi az étel minőségét.
- Ahhoz, hogy a hűtőszekrény fagyasztórekeszébe a lehető legnagyobb mennyiségű élelmiszert tehessen be, a felső fiókokat ki kell venni, és az élelmiszereket a drót/üveg polcokra kell helyezni.
- Az energiatakarékos és az ételek minőségének megőrzése érdekében az ételeket a hűtőszekrény fiókjában kell tárolni.
- Az élelmiszercsomagok nem érintkezhetnek közvetlenül a fagyasztórekeszben található hőmérséklet-érzékelővel.

### 5.2 Első használat

A hűtőszekrény használata előtt győződjön meg róla, hogy elvégezte a „Biztonsági és környezetvédelmi utasítások” és az „Üzembe helyezés” bekezdés alatt felsorolt összes előkészületi műveletet.

- Működtesse a terméket étel behelyezése nélkül 6 óráig és ne nyissa ki az ajtót, kivéve ha ez elengedhetetlenül fontos.

- A termék használata közben az ajtó nyitása és zárása által okozott hőmérsékletváltozás általában páralecsapódáshoz vezethet az ajtó/test polcain és a termékben elhelyezett üvegárukon.



A kompresszor bekapcsolását egy hangjelzés jelzi. Normális, hogy a termék akkor is zajt csap, ha a kompresszor nem működik, mivel a hűtőrendszerben folyadék és gáz sűrűsödhet össze.



Normális, hogy a hűtőszekrény elülső széléi melegnek. Ezek a részek azért melegednek fel, hogy így elejét vegyék a páralecsapódásnak.



Néhány modell esetén a kijelző az ajtó bezárása után 1 perccel automatikusan kikapcsol. Ismét bekapcsol, ha kinyitja az ajtót vagy lenyom egy gombot.

## 6 A termékek üzemeltetése



Először olvassa el a „Biztonsági előírások” részt!

- A felolvasztás felgyorsításához ne használjon semmilyen mechanikus vagy egyéb szerszámot, csak a gyártó ajánlásait.
- Ne használja a hűtőszekrény egyes részeit, például az ajtót vagy a fiókokat támaszként vagy lépcsőként. Ez a termék meghibásodását vagy alkatrészeinek károsodását okozhatja.
- A termék kizárólag élelmiszerek tárolására használható.

## 5.3 Klímaosztály és meghatározások

Kérjük, olvassa el a készülék adattábláján található klímaosztályt. Az alábbi információk egyike vonatkozik az Ön készülékére a klímaosztály szerint.

- **SN:** Hosszú távú mérsékelt éghajlat: Ez a hűtőberendezés 10°C és 32°C közötti környezeti hőmérsékleten történő használatra készült.
- **N:** Mérsékelt éghajlat: Ez a hűtőberendezés 16°C és 32°C közötti környezeti hőmérsékleten történő használatra készült.
- **ST:** Szubtrópusi éghajlat: Ez a hűtőberendezés 16°C és 38°C közötti környezeti hőmérsékleten történő használatra készült.
- **T:** Trópusi éghajlat: Ez a hűtőberendezés 16°C és 43°C közötti környezeti hőmérsékleten történő használatra készült.

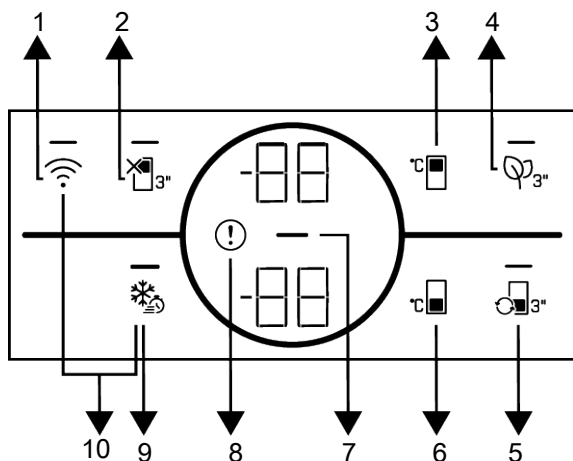
- Zárja el a vízszelepet, ha elutazik (pl. nyaraláskor), és hosszú ideig nem használja a jégkészítőt vagy a vízadagolót. Ellenkező esetben vízszivárgás léphet fel.

### A termék kihúzása a konnektorból


- Ha hosszabb ideig nem használja a készüléket, húzza ki a konnektorból.
- Vegye ki az ételt a kellemetlen szagok megelőzése érdekében.
- Várja meg, amíg a jég leolvad, tisztítsa meg a belső teret és hagyja megszáradni, hagyja nyitva az ajtókat, hogy elkerülje a belső rész műanyagainak károsodását.

## 7 Az Ön készülékének használata

### 7.1 A termék kezelőpanelje



- 1 \* WIFI-gomb
- 2 \* Hűtőrekesz kikapcsolása (vakáció) funkció
- 3 \* Hűtőrekesz hőmérséklet-beállító gomb
- 4 \* Szagtalanító modul gomb
- 5 \* Rekesz átalakítása gomb
- 6 \* Fagyasztórekesz hőmérséklet-beállító gomb
- 7 \* Energiatakarékosság (a kijelző ki van kapcsolva) jelző
- 8 \* Hibaállapot-jelző
- 9 \* Gyorsfagyasztás gomb
- 10 \* Gomb a vezeték nélküli kapcsolat beállításainak visszaállításához

 Először olvassa el a „Biztonsági útmutató” részt.

A jelzőpanel audiális és vizuális funkciói segítik a hűtőszekrény használatát.

**\*Opcionális:** A feltüntetett funkciók opcionálisak, a készülék kijelzőpanelén található funkciók formája és elhelyezkedése eltérhet.

#### 1. WIFI-gomb

Ez a gomb arra szolgál, hogy vezeték nélküli kapcsolatot létesítsen a termékkel a HomeWhiz

mobilalkalmazáson keresztül. Ha a gombot 3 másodpercig lenyomja, a vezeték nélküli kapcsolat szimbóluma a kijelzőn/képer-

nyőn lassan villog (0,5 másodperces időközökkel). A termék így inicializálja az otthoni hálózatot. A termékkel való vezeték nélküli kapcsolat elérése után a vezeték nélküli kapcsolat szimbóluma folyamatosan világít, és a kapcsolatot a gomb rövid megnyomásával aktiválhatja/deaktiválhatja. A vezeték nélküli kapcsolat szimbóluma villog (0,2 másodperces időközönként), amíg a kapcsolat létre nem jön. Ha a kapcsolat aktív, a LED égve marad. Ha a kapcsolatot hosszú ideig nem lehet létrehozni, ellenőrizze a csatlakozási beállításokat, és olvassa el a felhasználói kézikönyv „Hibaelhárítás” szakaszát. A vezeték nélküli kapcsolathoz a HomeWhiz alkalmazást használja. A telepítés lépéseit a telepítés során az alkalma-

zásban olvashatja. Az alkalmazáshoz a termék HomeWhiz címkéjén található QR-kód beolvasásával férhet hozzá. Az alkalmazás az App Store-ból, Android készülékeken a Play Store-ból érhető el. További részletekért keresse fel ezt az oldalt: <https://www.homewhiz.com/address>.

## 2. Hűtőrekesz kikapcsolása (vakáció)

**funkciógomb**

Nyomja meg a gombot 3 másodpercig a vakáció funkció aktiválásához. A Vakáció mód be van kapcsolva, és a gombon lévő LED világít. A hűtőrekesz hőmérséklet-jelzőjén „-” jelzés jelenik meg, és a hűtőrekesz nem hűt. Ha ez a funkció be van kapcsolva, ne tartson ételt a hűtőrekeszben. A egyéb rekeszek a beállított hőmérsékletnek megfelelően tovább hűtenek. Ismét nyomja meg és tartsa lenyomva a gombot 3 másodpercig a funkció törléséhez.

## 3. Hűtőrekesz hőmérséklet-beállító

**gomb**

Lehetővé teszi a hűtőtér hőmérsékletének beállítását. A gomb megnyomásával a hűtőrekesz hőmérsékletét 8°C, 7°C, 6°C, 5°C, 4°C, 3°C, 2°C és 1°C értékre állíthatja be.

## 4. \*Szagtalanító modul gomb

Nyomja meg ezt a gombot 3 másodpercig a szagtalanító funkció aktiválásához/deaktiválásához. Ha a szagtalanító funkció aktív, a LED világít a megfelelő gombon. Ha a funkció aktív, a szagtalanító modul időszakszerűen működik.

## 5. Rekesz átalakítása gomb

A fagyasztoékesz átalakító gomb 3 másodpercig történő megnyomásával a fagyasztoékesz átvált a hűtő, a kikapcsolt és a fagyasztoékesz üzemmódok között. Hűtőrekeszként való működtetés esetén a rekesz hőmérséklete 4°C-ra áll be. Kikapcsolt üzemmódban a rekesz hőmérsékletének jelzője „-” jelzést mutat.

## 6. Fagyasztoékesz hőmérséklet-beállító

**gomb**

Beállítja a fagyasztoékesz hőmérsékletét. A gomb megnyomásával a fagyasztoékesz hőmérsékletét -18°C, -19°C, -20°C, -21°C, -22°C, -23°C és -24°C értékre állíthatja be.

## 7. Energiatakarékosság (kijelző kikapcsolva) jelzés

Ha a termék ajtaját bizonyos ideig nem nyitják vagy zárják, az energiatakarékosság funkció automatikusan bekapcsol, és megjelenik az energiatakarékosság szimbólum. Ha az energiatakarékosság funkció aktív, a képernyőn az összes energiatakarékos jelzésen kívüli szimbólum ki lesz kapcsolva. Ha az energiatakarékosság funkció aktív, bármely gomb megnyomása vagy az ajtó kinyitása kikapcsolja ezt a funkciót, és a kijelző jelzései normál állapotba állnak vissza. Az energiatakarékosság funkció gyárilag aktivált funkció, és nem törölhető.

## 8. Hibaállapot-jelző

Ez a jelzés akkor aktív, ha a hűtőszekrény nem képes megfelelő hűtésre, vagy bármilyen szenzorhiba lépett fel. A fagyasztoékesz hőmérsékletjelzőjén az „E” betű, a hűtőrekesz hőmérsékletjelzőjén pedig az 1, 2, 3 számok jelennek meg. A kijelzőn lévő számok a hibára vonatkozó szolgáltatást jelzik. Ha forró ételt tesz a fagyasztoékeszbe, vagy hosszabb ideig nyitva hagyja annak ajtaját, felkiáltójel világíthat. Ez nem hiba, ezt a figyelmeztetés eltávolításra kerül, ha az élelmiszer lehűlt, vagy bármelyik gombot megnyomja.

## 9. Gyorsfagyasztás gomb

A gyorsfagyasztás gomb megnyomásakor a gombon lévő LED világítani kezd, és a gyorsfagyasztás funkció aktiválódik. A fagyasztoékesz hőmérséklete -27°C-ra van beállítva. A funkció törléséhez nyomja meg újra a gombot. A gyorsfagyasztás funkció 24 óra után után automatikusan törlődik. Nagy mennyiségű friss élelmiszer fagyasztása esetén mielőtt az élelmiszert a fagyasztoékeszbe helyezi, nyomja meg a gyorsfagyasztás gombot.

## 10. Gomb a vezeték nélküli kapcsolat

beállításainak visszaállításához  +



A vezeték nélküli kapcsolat beállításainak visszaállításához nyomja meg a gyorsfagyasztás és vezeték nélküli kapcsolat gombokat

## 7.2 Étel tárolása a hűtőrekeszben

### Étel tárolása a hűtőrekeszben

- A rekeszek hőmérséklete jelentősen megemelkedik, ha a rekesz ajtaját gyakran nyitják és zárják, illetve hosszú ideig nyitva tartják, ez csökkentheti az élelmiszerek élettartamát, és az élelmiszerek megromlását okozhatja.
- Annak érdekében, hogy ne történjen szag- és ízváltozás, az élelmiszereket zárt tárolóedényekben kell tárolni.
- Ne tároljon túl sok élelmiszert a hűtőszekrényben. A jobb és egyenletesebb hűtés érdekében egymástól elválasztva helyezze el az élelmiszereket úgy, hogy a hideg levegő átjárhassa őket.
- Biztosítsa a levegő áramlását úgy, hogy helyet hagy az élelmiszer és a belső fal között. Ha az élelmiszereket a hátsó falhoz támasztja, az ételek megfagyhatnak.
- A főtt meleg ételleket szobahőmérsékletre kell hűteni, mielőtt a hűtőszekrénybe helyezi őket. Ezután a langyos ételt a hűtőszekrény alsó polcaira helyezheti. A langyos ételleket ne tegye olyan élelmiszerek közelébe, amelyek könnyen megromolhatnak.
- Különösen ügyeljen arra, hogy a fagyasztottként árult élelmiszereket ne keverje össze a friss élelmiszerekkel.
- A fagyasztott ételleket a friss ételek rekeszében olvassza ki. Ezáltal a friss élelmiszerek rekeszét a fagyasztott élelmiszerekkel hűtheti, és energiát takaríthat meg.
- Az éretlen trópusi gyümölcsök (mangó, dinnyefajták, papaya, banán, ananász) hűtőben való tárolása felgyorsíthatja az érési folyamatot. Ez nem ajánlott, mert rövidebb tárolási időhöz vezet.

egyidejűleg 3 másodpercig. Ha a vezeték nélküli kapcsolat beállításait törlik/visszaállítják a gyári alapértékekre, az összes korábban rögzített felhasználói információ eltávolításra kerül a termékről.

HU

- A hagymát, fokhagymát, gyömbért és más gyökérzöldségeket sötét és hideg szobai körülmények között tárolja, ne a hűtőszekrényben.
- Ha észreveszi, hogy egy élelmiszer megromlott a hűtőszekrényben, dobja ki az adott ételt, és tisztítsa meg a vele érintkező tartozékokat.
- Annak érdekében, hogy a nagy fazekakban főzött ételeket, például levest és a pörköltet gyorsan lehűtse, a hűtőszekrényben különálló, sekély edényekbe szétosztva helyezze el őket.
- Ne tegyen csomagolatlan ételleket tojás közelébe.
- Tartsa a gyümölcsöket és a zöldségeket külön, és az egyes fajtákat együtt tárolja (például: alma az almával, sárgarépa a sárgarépával).
- Vegye ki a zöld zöldségeket a műanyag zacskóból, és tegye őket a hűtőszekrénybe, miután papírtörülőbe vagy száraz kendőbe csomagolta őket. Ha megmossa az ilyen típusú élelmiszereket, mielőtt a hűtőszekrénybe teszi őket, ne felejtse el megszáritani őket.
- Egyszerre teremthet nedves környezetet és biztosíthatja a levegő áramlását, ha a kiszáradásra hajlamos gyümölcsöket és zöldségeket perforált vagy lezáratlan műanyag zacskókban tartja.
- A szélsőséges környezeti körülmények kivételével ha a készülékét (az ajánlott beállítási értékek táblázatában) a megadott értékekre állítja be, az élelmiszerek hosszabb ideig megőrzik frissességüket mind a friss termék rekeszben, mind a fagyasztórekeszben.

Tárolja az élelmiszereket különböző helyeken tulajdonságaiknak megfelelően:	
Élelmiszer	Elhelyezés
Tojás	Ajtópolc
Tejtermékek (vaj, sajt)	Ha van, nulla fokos (reggelihez való ételeknél) rekesz
Gyümölcsök, zöldségek és leveles növények	Gyümölcs-zöldségrekesz, zöldségtartó vagy EverFresh+ rekesz (ha van)
Friss hús, baromfi, hal, kolbász stb. Főtt ételek	Ha van, nulla fokos (reggelihez való ételeknél) rekesz
Tálalásra kész élelmiszerek, csomagolt termékek, konzervek és savanyúságok	Felső polcok vagy ajtópolc
Italok, palackok, fűszerek és snackek	Ajtópolc

### Étel tárolása a fagyasztórekeszben

- A gyorsfagyasztás funkciót 4-6 órával a fagyasztási funkció előtt aktiválhatja, így gyorsabb hűtést végezhet.
  - A főtt meleg ételeket szobahőmérsékletre kell hűteni, mielőtt a fagyasztórekeszbe helyezi őket.
  - A lefagyasztandó ételeket a fogyasztásra szánt mennyiségnek megfelelően adagokra kell osztani, és külön csomagokban kell lefagyasztani.
  - Az ételeket ajánlott becsomagolni, mielőtt a fagyasztóba helyezi őket.
  - A tárolási idő lejáratának megelőzése érdekében írja fel a csomagolásra a fagyasztás dátumát, idejét és a termék nevét a különböző élelmiszerek tárolási idejének megfelelően.
  - A kiolvasztott élelmiszereket hamar fogyassza el. A kiolvasztott élelmiszereket csak akkor lehet újra lefagyasztani, ha megfőzi őket. Az újrafagyasztott friss élelmiszerek felolvasztás után főzés nélkül nem biztonságosak.
  - Amikor a friss élelmiszereket lefagyasztja, azok ne érintkezzenek a már lefagyasztott élelmiszerekkel. Ellenkező esetben a fagyasztott élelmiszerek kiolvadnak.
- Az élelmiszerek minőségének megóvása érdekében a lehető legrövidebb időintervallumot tartsa be a vásárlás és az eltárolás között.
  - Vásároljon  $-18^{\circ}\text{C}$ -on vagy annál alacsonyabb hőmérsékleten tárolt fagyasztott élelmiszereket.
  - Kerülje az olyan élelmiszerek vásárlását, amelyek csomagolását jég stb. borítja. Ez azt jelenti, hogy a termék részben kiolvadt és újra megfagyott. A hőmérséklet befolyásolja az élelmiszer minőségét.
  - Ne lépje túl az élelmiszer gyártója által ajánlott tárolási időt. Csak annyi élelmiszert vegyen ki a fagyasztóból, amennyire szüksége van.
  - A szélsőséges környezeti körülmények kivételével ha a készülékét (az ajánlott beállítási értékek táblázatában) a megadott értékekre állítja be, az élelmiszerek hosszabb ideig megőrzik frissességüket mind a friss termék rekeszben, mind a fagyasztórekeszben.
  - Ha a friss élelmiszer rekesz alacsonyabb hőmérsékletre van állítva, a friss gyümölcsök és zöldségek részben megfagyhatnak.
  - A kétcsillagos rekeszek előfagyasztott élelmiszerek tárolására alkalmasak. Jégkrém és jégkocka tárolására is alkalmas.
  - Az egy, két és háromcsillagos rekeszekben ne fagyasszon le élelmiszereket.

### A fagyasztva értékesített élelmiszerek tárolása

- Mindig kövesse a gyártó utasításait azzal kapcsolatban, hogy mennyi ideig kell tárolhatja az élelmiszereket. Ne lépje túl az ezekben az utasításokban megadott időt!



Hús és hal		Előkészületek	A leghosszabb tárolási idő (hónap)	
Hústermékek	Borjúhús	Steak	2 cm vastagra vágva és fóliát helyezve közéjük, vagy fesszen szorosan becsomagolva	6-8
		Sültek	Úgy, hogy a húsdarabokat fagyasztó tasakba csomagolja, vagy sztreccsfóliával szorosan körbetekeri	6-8
		Kockák	Apró darabokban	6-8
		Hússzelet, karaj	Úgy, hogy a vágott szeletek közé fóliát tesz, vagy külön-külön sztreccsfóliával szorosan körbetekeri	6-8
	Űrűhús	Borda	Húsdarabok közé fólia helyezésével vagy egyenként nyújtással történő csomagolással	4-8
		Sültek	Úgy, hogy a húsdarabokat fagyasztó tasakba csomagolja, vagy sztreccsfóliával szorosan körbetekeri	4-8
		Kockák	Úgy, hogy a téptet húst fagyasztózacskóba csomagolja, vagy sztreccsfóliával szorosan körbetekeri	4-8
	Marha-hús	Sültek	Úgy, hogy a húsdarabokat fagyasztó tasakba csomagolja, vagy sztreccsfóliával szorosan körbetekeri	8-12
		Steak	2 cm vastagra vágva és fóliát helyezve közéjük, vagy fesszen szorosan becsomagolva	8-12
		Kockák	Apró darabokban	8-12
		Főtt hús	Hűtőtásakba apró darabokra csomagolva	8-12
	Vagdalt hús		Fűszerezés nélkül, lapos tasakokban	1-3
	Belsősegek (darabok)		Darabokban	1-3
	Fermentált kolbász - szalámi		Akkor is csomagolni kell, ha van saját csomagolása.	1-3
Sonka		Fólia elhelyezésével a vágott szeletek közé	2-3	
Baromfi és vadállatok	Csirke és pulyka	Fóliába csomagolva	4-6	
	Liba	Fóliába csomagolva (az adagok nem haladhatják meg a 2,5 kg-ot)	4-6	
	Kacsa	Fóliába csomagolva (az adagok nem haladhatják meg a 2,5 kg-ot)	4-6	
	Szarvas, nyúl, őz	Fóliába csomagolva (az adagok nem haladhatják meg a 2,5 kg-ot, és ki kel csontozni őket)	6-8	
Hal és tenger gyümölcsei	Édesvízi halak (pisztráng, ponty, daru, harcsa)	A belsősegek és a pikkelyek alapos megtisztítása után meg kell mosni és megszáritani, valamint szükség esetén le kell vágni a farok- és fejrészeket.	2	
	Sovány halak (tengeri sügér, rombuszhal, nyelvhal)		4-6	
	Zsíros halak (Bonito, makréla, kékuszójú hal, vörös márna, szardella)		2-4	
	Kagylófélék		Tisztítva és tasakokban	4-6
	Kaviár		Saját csomagolásában, alumínium vagy műanyag tartóban	2-3

„A táblázatban megadott tárolási idők -18°C-os tárolási hőmérsékleten alapulnak.”

Gyümölcsök és zöldségek	Előkészületek	A leghosszabb tárolási idő (hónap)
Stróbab és rúd bab	Mosás után 3 percig tartó sokkoló forralással, apró darabokra vágva	10-13
Zöldborsó	Kibontás és mosás után 2 percig tartó sokkoló forralással	10-12
Fejes káposzta	Tisztítás után 1-2 percig tartó sokkoló forralással	6-8
Sárgarépa	Tisztítás és szeletekre vágás után 3-4 percig tartó sokkoló forralással	12
Paprika	A szár levágása után 2-3 percig forralva, két részre osztva és a magokat elválasztva	8-10
Spenót	Mosás és tisztítás után 2 percig tartó sokkoló forralással	6-9
Póréhagyma	A felvágás után 5 percig tartó sokkoló forralással	6-8
Karfiol	A levelek szétválasztása után sok citromvízben 3-5 percig forraljuk, darabokra vágva	10-12
Padlizsán	Mosás után 4 percig tartó sokkoló forralással, 2 cm darabokra vágva	10-12
Tök	Mosás után 2-3 percig tartó forralással, 2 cm-es darabokra vágva	8-10
Gomba	Enyhén olajon megdinsztelve és citromot csepegtetve rája	2-3
Kukorica	Letisztítás után a csutkák vagy szemek csomagolása	12
Alma és körte	Hámozás és szeletelés után 2-3 percig tartó sokkoló forralással	8-10
Sárgabarack és őszibarack	Kettévágás és a magok eltávolítása	4-6
Eper és málna	Mosás és hámozás	8-12
Sült gyümölcs	10% cukor hozzáadásával az edénybe	12
Szilva, cseresznye, meggy	Mosás és a szárok eltávolítása	8-12

„A táblázatban megadott tárolási idők -18°C-os tárolási hőmérsékleten alapulnak.”

Tejtermékek	Előkészületek	Leghosszabb tárolási idő (hónap)	Tárolási feltételek
Sajt (a feta sajt kivételével)	Fólia közbeiktatásával, szeletelve	6-8	Rövid távú tárolás céljából eredeti csomagolásukban hagyhatók. Hosszú távú tárolás céljából alumínium vagy műanyag fóliába kell csomagolni.
Vaj, margarin	Saját csomagolásban	6	Saját csomagolásban vagy műanyag edényekben

„A táblázatban megadott tárolási idők -18°C-os tárolási hőmérsékleten alapulnak.”

„Az adott ideig lefagyasztható friss élelmiszerek mennyisége a típuscímkén van feltüntetve”.

Fagyasztórekesz Beállítások	Hűtő rekesz Beállítások	Megjegyzések
-20°C	4°C	Ez az alapértelmezett, ajánlott beállítás. Ez a beállítás javasolt, ha a környezeti hőmérséklet 30°C alatt van.
-22 vagy -24 °C	4°C	Ezeket a beállításokat 30°C-ot meghaladó környezeti hőmérsékleten ajánljuk.
Quick Freeze - Gyorsfagyasztás	4°C	Akkor használja, ha az élelmiszereket rövid idő alatt szeretné lefagyasztani. A folyamat végeztével a termék beállításai visszatérnek az előző pozícióba.
-18 °C vagy ennél hidegebb	2°C	Használja ezeket a beállításokat, ha úgy gondolja, hogy a hűtőtér nem elég hideg a környezeti hőmérséklet vagy az ajtó gyakori kinyitása miatt.

### Fagyasztó adatai

Az IEC 62552 szabvány szerint a fagyasztónak 100 liter fagyasztórekesz térfogatára vetítve 24 óra alatt 4,5 kg élelmiszert kell -18°C-ra vagy annál alacsonyabb hőmérsékletre lefagyasztania, 25°C-os szobahőmérsékleten.

Az élelmiszerek csak -18°C-os vagy annál alacsonyabb hőmérsékleten tarthatók el hosszabb ideig.

Az élelmiszerek hónapokig frissen tarthatók (fagyasztóban -18°C-os vagy annál alacsonyabb hőmérsékleten).

A lefagyasztandó élelmiszerek a részleges leolvasztás elkerülése érdekében nem érintkezhetnek a már lefagyasztott élelmiszerekkel.

Forraljuk fel a zöldségeket és szűrjük le a vizet a fagyasztott tárolási idő meghosszabbítása érdekében. Szűrés után helyezze az ételt légmentesen lezárt csomagokba, és tegye a fagyasztóba. A banánt, paradicsomot, salátát, zellert, főtt tojást, burgonyát és hasonló ételeket nem szabad fagyasztani. Amennyiben ezeket az élelmiszereket lefagyasztja, csak a tápértékek és az étkezési tulajdonságok sérülnek. Az emberi egészséget veszélyeztető rothadásról nem beszélhetünk.

### Az ételek elhelyezése

**Fagyasztórekesz polcok:** Különböző fagyasztott ételek, pl. hús, hal, fagyalt, zöldségek stb.

**Hűtőrekesz polcok:** Élelmiszerek edényekben, fedett tányérban és fedeles dobozban, tojás (zárt dobozban)

**Hűtőrekesz ajtópolc:** Kicsi és csomagolt ételek vagy italok

**Zöldségtároló rekesz:** Zöldségek és gyümölcsök

**Friss élelmiszerek rekesz:** Delikát élelmiszerek (reggelire való élelmiszer, rövid időn belüli elfogyasztásra szánt húskészítmények)

### 7.3 Zöldségtároló rekesz

A hűtő zöldségtároló rekesze frissen tartja a zöldségeket a nedvességtartalmuk megőrzésével. Ezért a hideg levegő keringetése fokozott a zöldségtároló rekeszben. Tartsa a gyümölcsöket és zöldségeket ebben a rekeszben. A felhasználhatóságuk meghosszabbítása érdekében tartsa külön a leveles zöldségeket és a gyümölcsöket.

### 7.4 Zöldségtároló rekesz technológiák

#### Kék megvilágítás

A kék fényrel megvilágított zöldségtároló rekeszben tárolt gyümölcsök és zöldségek a kék fény hullámhosszának hatására tovább fotszintetizálnak, így megőrzik vitamintartalmukat.

## HarvestFresh

A HarvestFresh technológiával megvilágított zöldségtároló rekeszben tárolt gyümölcsök és zöldségek hosszabb ideig megőrzik vitamintartalmukat a kék, zöld, piros fény és sötét ciklusoknak köszönhetően, amelyek a napi ciklust szimulálják.

Ha hűtőszekrény ajtaját a HarvestFresh technológia sötét időszakában nyitja ki, akkor a hűtőszekrény ezt automatikusan érzékeli, és az Ön kényelme érdekében a kék, zöld vagy piros lámpák egyikével világítja meg a zöldségtároló rekeszt. Miután becsukta a hűtőszekrény ajtaját, a sötét periódus folytatódik, ami a napi ciklusban az éjszakai időszakot jelenti.

## 7.5 Tejtermékek hűtve tárolási területe

### Hűtve tároló fiók

A hűtve tároló fiókban a hűtőrekeszben alacsonyabb hőmérsékletet lehet elérni. Használja ezt a rekeszt olyan delikát termékek (szalámi, kolbász stb.) és tejtermékek tárolására, amelyek hidegebb tárolási körülményeket igényelnek, vagy azonnali fogyasztásra szánt hús-, csirke- vagy haltermékek tárolására. Ez a fiók nem alkalmas gyümölcsök és zöldségek tárolására.

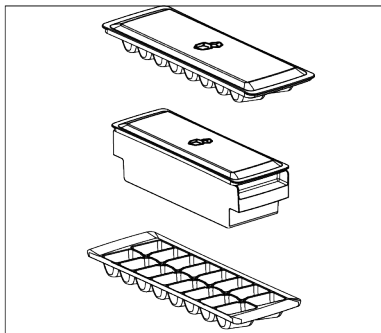
## 7.6 A jégtároló terület

### Jégtartó

A jégvödör lehetővé teszi, hogy a jeget könnyedén kivegye a hűtőszekrényből.

### A jégvödör használata

1. Vegye ki a jégvödröt a fagyasztórekeszből.
2. Töltse meg a jégvödröt vízzel.
3. Helyezze a jégvödröt a fagyasztórekeszbe. A jég kb. 2 óra alatt lesz kész.
4. Vegye ki a jégvödröt a fagyasztórekeszből, és kissé hajtsa be a tálalni kívánt tartó fölé. A jég könnyen beleöntethető a tálalótartóba.



## 7.7 Az ajtó nyitási oldalának megfordítása

A hűtőszekrény ajtónyitási oldala megfordítható aszerint, hogy hová helyezi. Ha erre van szükség, mindenképpen hívja a legközelebbi hivatalos szervizt.

## 7.8 Ajtó nyitva riasztás

A hűtőszekrény ajtónyitásra figyelmeztető rendszere modelltől függően eltérő lehet.

### 1. Verzió;

Ha a termék ajtaja egy bizonyos ideig (60 s és 120 s között) nyitva marad, hangjelzés hallható; a termék modelltől függően vizuális figyelmeztető jelzés (fényvillanás) is megjelenhet. Ha becsukja a készülék ajtaját, vagy megnyomja a készülék képernyőjén lévő gombot, ha van ilyen, a figyelmeztető hang megszűnik.

### 2. Verzió;

Ha a készülék ajtaja egy bizonyos ideig (60 s és 120 s között) nyitva marad, az ajtó nyitva riasztás megszólal. Az ajtó nyitva riasztás fokozatosan megszólal. Először egy hangjelzés kezd el szólni. Ha 4 perc elteltével az ajtó még mindig nem záródik, akkor vizuális figyelmeztetés (villogó fény) aktiválódik. Az ajtónyitási riasztás egy bizonyos ideig (60 s és 120 s között) késleltetve lesz, ha a termék képernyőjén lévő bármelyik gombot megnyomják, ha van ilyen. Ezután a folyamat újraindul. Ha a készülék ajtaját becsukja, az ajtó nyitva riasztás megszűnik.

## 7.9 A megvilágító lámpa cseréje

Hívja a hivatalos szervizt, ha a hűtőszekrényt megvilágító izzót/LED-et ki kell cserélni.

A készülékben használt lámpa (ka) t nem lehet a ház világitására használni. A lámpa célja, hogy segítse a felhasználót az élelmiszerek biztonságos és kényelmes elhelyezésében a hűtőszekrényben / fagyasztóban.

## 7.10 AeroFlow

Ez egy olyan levegőelosztó rendszer, amely homogén hőmérséklet-eloszlást biztosít. A légkeringetéssel biztosított a homogén hőmérséklet-eloszlás a friss élelmiszer tároló-rekeszben, és a hőmérséklet-ingadozás alacsony szinten tartható. Az élelmiszer főle nem fúj közvetlen levegőt, ez segít csökkenteni a nedvességtartalom csökkenését. Megőrzi a hűtőszekrény friss élelmiszer rekeszében tárolt ételek frissességét. Így az élelmiszereket stabilabb hőmérsékleten tárolja, és kevésbé érintkeznek levegővel. Megakadályozza az élelmiszerek nedves-

ségtartalmának csökkenése miatti kiszáradást és zsugorodást, és hosszabb ideig frissen tart.

## 7.11 Ventilátor

A ventilátort úgy tervezték, hogy a hideg levegő egyenletesen oszoljon el és keringjen benne. A ventilátor üzemideje a termék jellemzőitől függően változhat.

Míg egyes termékeknél a ventilátor csak a kompresszorral együtt működik, addig más termékeknél a vezérlőrendszer a hűtési igénynek megfelelően határozza meg a ventilátor működési idejét.

## 7.12 Tojástartó

A tojástartót elhelyezheti az ajtó- vagy a test polcára, ha szeretné.

Ha a tojástartó a test polcra kerül, javasoljuk, hogy hidegebb alsó polcokat válasszon.



**Soha ne helyezze a tojástartót a fagyasztórekeszre**

## 8 Karbantartás és tisztítás



### FIGYELMEZTETÉS:

Először olvassa el a „Biztonsági útmutató” részt.



### FIGYELMEZTETÉS:

Tisztítás előtt húzza ki a hűtőszekrény hálózati csatlakozóját.

- A termék tisztításához ne használjon éles vagy súrolószert. Ne használjon olyan anyagokat, mint háztartási tisztítószerek, szappan, mosószerek, gáz, benzin, alkohol, viasz stb.
- A port a termék hátulján lévő szellőző-rácsról évente legalább egyszer el kell távolítani (a fedél kinyitása nélkül). A készüléket nedves törlőkendővel tisztítsa.
- Ügyeljen arra, hogy a lámpa burkolatától és egyéb elektromos alkatrészekről távol tartsa a vizet.

- Tisztítsa meg az ajtót nedves ruhával. Távolítsa el minden tartalmat az ajtó és a polcok eltávolításához. Távolítsa el az ajtóstartókat felfelé emeléssel. Tisztítsa és szárítsa meg a polcokat, majd felülről csúsztatva helyezze vissza a helyükre.
- Ne használjon klóros vizet vagy tisztítószereket a termék külső felületén és krómzott részein. A klór az ilyen fémfelületek rozsdásodását okozza.
- Ne használjon éles és dörzsölő szerszámokat, szappant, házi tisztítószereket, tisztítószereket, gázt, benzint, lakkot és hasonló anyagokat a műanyag rész deformálódásának és a nyomatok eltávolításának megakadályozása érdekében. Használjon meleg vizet és puha ruhát a tisztításhoz, majd szárítsa meg.

- A No-Frost funkcióval nem rendelkező termékeknél vízcseppek és ujjnyi vastagságú jegesedés fordulhat elő a fagyasztótér hátsó falán. Ne tisztítson, és soha ne használjon olajat vagy hasonló anyagokat.
- Enyhén nedvesített mikroszálás kendővel tisztítsa meg a termék külső felületét. A szivacsok és más típusú ruhákkal való tisztítás karcosodást okozhat.
- Az összes eltávolítható alkatrész tisztítási során mossa le ezeket az alkatrészeket szappanból, vízből és karbonátból álló enyhe oldattal. Alaposan mossa le és szárítsa meg. Kerülje a víz érintkezését a világító alkatrészekkel és a kezelőpanellel.



#### VIGYÁZAT:

A belső felületen ne használjon ecetet, alkoholt vagy más alkohol-alapú tisztítószeret.

#### Rozsdamentes acél külső felületek

Használjon nem koptató rozsdamentes acél tisztítószeret, és vigye fel puha, szőszmentes ruhával. A fényezéshez óvatosan törölje le a felületet vízzel megnedvesített mikroszálás kendővel, és használjon száraz polírozó szarvasbőrt. Mindig kövesse a rozsdamentes acél szálait.

#### Szagok megelőzése

A terméket szagtalan anyagoktól mentesen gyártják. Az étel nem megfelelő szakaszokban tartása és a belső felületek nem megfelelő tisztítása azonban szagokat okozhat.

- Ennek elkerülése érdekében 15 naponta tisztítsa meg a belsejét szénsavas vízzel.
- Az élelmiszereket tartsa lezárt tartókban, mivel a le nem zárt tartókban lévő élelmiszerekből származó mikroorganizmusok rossz szagot okoznak.
- Ne tartsa lejárt és elrontott ételeket a hűtőszekrényben.

#### Műanyag felületek védelme

A műanyag felületekre ömlött olaj károsíthatja a felületet, ezért azonnal meleg vízzel meg kell tisztítani.

## 9 Hibaelhárítás

Ellenőrizze ezt a listát, mielőtt felveszi a kapcsolatot a szervizzel. Ezzel időt és pénzt takaríthat meg. Ez a lista olyan gyakori panaszokat tartalmaz, amelyek nem a hibás kivitelezéssel vagy anyaghibával kapcsolatosak. Előfordulhat, hogy az itt említett egyes funkciók nem vonatkoznak az Ön termékére.

#### A hűtőszekrény nem működik.

- A hálózati csatlakozó nincs teljesen rögzítve. >>> Dugja be úgy, hogy teljesen illeszkedjen az aljzatba.
- A termék áramellátását adó, aljzathoz tartozó biztosíték vagy a fő biztosíték kiégett. >>> Ellenőrizze a biztosítékokat.

#### Kondenzáció a hűtőrekesz oldalfalán (MULTI ZONE, COOL CONTROL és FLEXI ZONE).

- Az ajtó túl gyakran van kinyitva. >>> Ügyeljen rá, hogy ne nyissa ki túl gyakran a termék ajtaját.

- A környezet túl párás. >>> Ne telepítse a terméket párás környezetbe.
- A folyadékokat tartalmazó élelmiszerek lezártan tartóban vannak. >>> A folyadékokat tartalmazó élelmiszereket tartsa lezárt tartókban.
- A készülék ajtaja nyitva maradt. >>> Ne tartsa a termék ajtaját hosszú ideig nyitva.
- A termosztát nagyon alacsony hőmérsékletre van beállítva. >>> Állítsa a termosztátot megfelelő hőmérsékletre.

#### A kompresszor nem működik.

- Hirtelen áramkimaradás vagy a hálózati csatlakozó kihúzása és visszahelyezése esetén a termék hűtőrendszerében a gáznyomás nem kerül egyensúlyba, ami beindítja a kompresszor termikus védelmét. A készülék körülbelül 6 perc elteltével újraindul. Ha a termék ezen időtartam után sem indul újra, forduljon a szervizhez.

- A leolvasztás aktív. >>> Ez normális egy teljesen automatikus leolvasztással rendelkező termék esetében. A leolvasztás időszakosan történik.
- A termék nincs bedugva. >>> Ellenőrizze, hogy a tápkábel be van-e dugva.
- A hőmérséklet beállítása helytelen. >>> Válassza ki a megfelelő hőmérséklet-beállítást.
- Nincs áramellátás. >>> Az áramellátás helyreállítása után a termék normálisan működik tovább.

### **A hűtőszekrény működési zaja használat közben megnő.**

- A termék működési teljesítménye a környezeti hőmérséklet-változásoktól függően változhat. Ez normális és nem üzemszavar.

### **A hűtőszekrény túl gyakran vagy túl sokáig működik.**

- Az új termék nagyobb lehet, mint az előző. A nagyobb termékek hosszabb ideig működnek.
- A helyiség hőmérséklete magas lehet. >>> A termék magasabb szobahőmérsékleten általában hosszú ideig működik.
- Lehet, hogy a terméket nemrég csatlakoztatták, vagy új élelmiszer került bele. >>> A terméknek tovább tart elérni a beállított hőmérsékletet, ha nemrég csatlakoztatták, vagy új élelmiszer került bele. Ez normális.
- Lehet, hogy nemrégiben nagy mennyiségű forró ételt helyeztek a készülékbe. >>> Ne tegyen forró ételt a készülékbe.
- Az ajtókat gyakran kinyitották vagy hosszú ideig nyitva tartották. >>> A bent mozgó meleg levegő hatására a készülék hosszabb ideig üzemel. Ne nyissa ki túl gyakran az ajtókat.
- A fagyasztó vagy a hűtő ajtaja lehet, hogy résnyire nyitva van. >>> Ellenőrizze, hogy az ajtók teljesen zárva vannak-e.
- Lehet, hogy a termék túl alacsony hőmérsékletre van beállítva. >>> Állítsa a hőmérsékletet magasabbra, és várja meg, amíg a készülék eléri a beállított hőmérsékletet.

- A hűtő vagy a fagyasztó ajtó alátéte lehet, hogy piszkos, elhasználódott, eltört vagy nem megfelelően van beállítva. >>> Tisztítsa meg vagy cserélje ki a tömítést. A sérült/szakadt ajtó alátét miatt a termék hosszabb ideig üzemel, hogy megőrizze az aktuális hőmérsékletet.

### **A fagyasztó hőmérséklete nagyon alacsony, de a hűvösebb hőmérséklet megfelelő.**

- A fagyasztórekesz hőmérséklete nagyon alacsonyra van beállítva. >>> Állítsa magasabbra a fagyasztótér hőmérsékletét, és ellenőrizze újra.

### **A hűtő hőmérséklete nagyon alacsony, de a fagyasztó hőmérséklete megfelelő.**

- A hűtőrekesz hőmérséklete nagyon alacsonyra van beállítva. >>> Állítsa magasabbra a hűtőtér hőmérsékletét, és ellenőrizze újra.

### **A hűtőrekesz fiókjában tárolt élelmiszerek fagyaszottak.**

- A hűtőrekesz hőmérséklete nagyon alacsonyra van beállítva. >>> Állítsa magasabbra a hűtőtér hőmérsékletét, és ellenőrizze újra.

### **A hűtő vagy a fagyasztó hőmérséklete túl magas.**

- A hűtőrekesz hőmérséklete nagyon magas értékre van beállítva. >>> A hűtőrekesz hőmérsékletének beállítása hatással van a fagyasztórekesz hőmérsékletére. Várja meg, amíg az érintett részek hőmérséklete eléri a megfelelő szintet a hűtő- vagy fagyasztórekeszek hőmérsékletének megváltoztatásával.
- Az ajtókat gyakran kinyitották vagy hosszú ideig nyitva tartották. >>> Ne nyissa ki túl gyakran az ajtókat.
- Az ajtó lehet, hogy résnyire nyitva van. >>> Csukja be teljesen az ajtót.
- Lehet, hogy a terméket nemrég csatlakoztatták, vagy új élelmiszer került bele. >>> Ez normális. A terméknek tovább tart elérni a beállított hőmérsékletet, ha nemrég csatlakoztatták, vagy új élelmiszer került bele.

- Lehet, hogy nemrégiben nagy mennyiségű forró ételt helyeztek a készülékbe. >>> Ne tegyen forró ételt a készülékbe.

### Rázkódás vagy zaj.

- A felület nem sík vagy strapabíró >>> Ha a termék lassú mozgatkör remeg, állítsa be a lábakat a termék kiegyensúlyozásához. Győződjön meg arról is, hogy a padló kellően strapabíró a termék elbírásához.
- A termékre helyezett bármilyen tárgy zajt okozhat. >>> Távolítsa el a készülékre helyezett tárgyakat.
- A készülékből folyadékcsorgás, permetezés stb. zaja hallatszik.
- A termék működése folyadék- és gázáramlással jár. >>> Ez normális és nem üzemzavar.

### A termékből szélfújás hangja hallatszik.

- A termék ventilátort használ a hűtési folyamathoz. Ez normális és nem üzemzavar.

### A termék belső falain páralecsapódás keletkezik.

- A meleg vagy párás időjárás fokozza a jegesedést és a kondenzációt. Ez normális és nem üzemzavar.
- Az ajtókat gyakran kinyitották vagy hosszú ideig nyitva tartották. >>> Ne nyissa ki túl gyakran az ajtókat; ha nyitva van, csukja be.
- Az ajtó lehet, hogy résnyire nyitva van. >>> Csukja be teljesen az ajtót.

### A készülék külső felületén vagy az ajtók között páralecsapódás van.

- A környezet párás lehet, ez párás időben teljesen normális. >>> A páralecsapódás el fog oszlani, ha a páratartalom csökken.

### A belső térnek rossz szaga van.

- A terméket nem tisztítják rendszeresen. >>> A belső teret rendszeresen tisztítsa meg szivaccsal, meleg vízzel és szénaszóval.

- Bizonyos tartályok és csomagolóanyagok rossz szagot okozhatnak. >>> Használjon szagmentes tartókat és csomagolóanyagokat.
- Az élelmiszereket lezáratlan tartókban helyezték el. >>> Tartsa az élelmiszereket lezárt tartókban. A nem zárt élelmiszerekből mikroorganizmusok terjedhetnek el, és rossz szagot okozhatnak.
- Távolítsa el a lejárt vagy romlott élelmiszereket a készülékből.

### Az ajtó nem záródik.

- Előfordulhat, hogy az élelmiszercsomagok elzárják az ajtót. >>> Távolítsa el az ajtókat eltorlaszoló tárgyakat.
- A termék nem áll teljesen függőlegesen a padlón. >>> Állítsa be a lábakat a készülék kiegyensúlyozásához.
- A felület nem sík vagy nem strapabíró >>> Győződjön meg róla, hogy a felület sík és kellően strapabíró ahhoz, hogy elbírja a terméket.

### A zöldségtartó beragadt.

- Az élelmiszerek érintkezhetnek a fiók felső részével. >>> Rendezze át az élelmiszereket a fiókban.

### A készülék felületének hőmérséklete.

- A készülék működése közben magas hőmérséklet figyelhető meg a két ajtó között, az oldallapokon és a hátsó rácsfelületen. Ez normális, és nem igényel karbantartást.

### A ventilátor továbbra is működik, ha az ajtó nyitva van.

- A ventilátor továbbra is működhet, ha a fagyasztó ajtaja nyitva van.



**FIGYELMEZTETÉS:** Ha a probléma az ebben a fejezetben leírtak elvégzése után is fennáll, forduljon a forgalmazóhoz vagy hivatalos szervizhez. Ne próbálja megjavítani a készüléket. Ez normális.



Egyes (egyszerű) meghibásodásokat a végfelhasználó is megfelelően kezelhet anélkül, hogy bármilyen biztonsági probléma vagy nem biztonságos használat következne be, feltéve, hogy azokat a határokon belül és az alábbi utasításoknak megfelelően végzi el (lásd az „Önálló javítás” fejezetet). Ezért, hacsak az alábbi „Önálló javítás” fejezet nem engedélyezi, a javításokat a biztonsági problémák elkerülése érdekében regisztrált szakszerviznek kell elvégeznie. A regisztrált szakszerviz olyan szakszerviz, akinek a gyártó a 2009/125/EK irányelv szerinti jogszabályban leírt módszereknek megfelelően hozzáférést biztosított a termék használati utasításaihoz és pótalkatrészjegyzékéhez.

**A garanciális feltételek alapján azonban csak az a szerviz (azaz hivatalos szakszerviz) nyújthat szolgáltatást, amelyet a használati útmutatóban/garanciakártyán megadott telefonszámon vagy a hivatalos kereskedőn keresztül érhet el. Ezért felhívjuk figyelmét, hogy a Beko által nem engedélyezett szakszervizek által végzett javítások esetén a garancia érvényét veszti.**

### **Önálló javítás**

Az önálló javítást a végfelhasználó a következő pótalkatrészek tekintetében végezheti: ajtókilincsek, ajtópántok, tálcák, kosarak és ajtó tömítések (2021. március 1-től frissített lista is elérhető [support.beko.com](http://support.beko.com)).

Továbbá, a termék biztonsága és a súlyos sérülések megelőzése érdekében az említett önálló javítást az ahhoz szükséges felhasználói kézikönyvben vagy az alábbiakban található utasítások szerint kell elvégezni: [support.beko.com](http://support.beko.com). Saját biztonsága érdekében húzza ki a terméket a hálózatról, mielőtt bármilyen önálló javítást kísérelne meg.

A végfelhasználók által az ilyen listán nem szereplő alkatrészekkel végzett javítások és javítási kísérletek és/vagy az önálló javításra vonatkozó felhasználói kézikönyvekben szereplő, vagy a [support.beko.com](http://support.beko.com) ol-

dalon elérhető utasítások be nem tartása olyan biztonsági problémákat vethet fel, amelyek nem a Beko-nak tulajdoníthatók, és a termékre vonatkozó garancia érvényét veszti.

Ezért erősen ajánlott, hogy a végfelhasználók tartózkodjanak az említett alkatrészlistán kívül eső javítási kísérletektől, és ilyen esetekben forduljanak hivatalos szakszervizhez vagy regisztrált szakszervizhez. Ellenkező esetben a végfelhasználók ilyen kísérletei biztonsági problémákat vethetnek fel, és károsíthatják a terméket, majd ezt követően tűz, elázás, áramütés és súlyos személyi sérülések bekövetkezését okozhatják.

Példaként, de nem kizárólagosan, a következő javításokat kell hivatalos szakszerviznek vagy regisztrált szakszerviznek végeznie: kompresszor, hűtőkör, főpanel, inverterpanel, kijelzőpanel stb.

A gyártó/eladó nem vállal felelősséget abban az esetben, ha a végfelhasználók nem tartják be a fentieket.

Az Ön által megvásárolt hűtőszekrény pótalkatrész-ellátási ideje 10 év. Ezen időszak alatt elérhetők eredeti pótalkatrészek a hűtőszekrény megfelelő üzemeltetéséhez.

A megvásárolt hűtőberendezésre vonatkozó minimum garancia 24 hónap.

A termék „G” energiasztályú fényforrással van felszerelve.

A termékben lévő fényforrást csak szakszerviz cserélheti ki.

Lásd még

2 DISCLAIMER / WARNING [ ] 29]





