

beko

Refrigerator

Instruction of use

Kühlschrank

Gebrauchsanweisung

Хладилник

Инструкции за употреба

Ψυγείο

Οδηγίες χρήστη

Lednička

Pokyny pro používání

Chladnička

Návod na použitie



BCSA285K4SN

EN-DE-BG-EL-CZ-SK

Please read this manual first!

Dear Customer,

We hope that your product, which has been produced in modern plants and checked under the most meticulous quality control procedures, will provide you an effective service.

For this, we recommend you to carefully read the entire manual of your product before using it and keep it at hand for future references.


This manual

- Will help you use your appliance in a fast and safe way.
- Read the manual before installing and operating your product.
- Follow the instructions, especially those for safety.
- Keep the manual in an easily accessible place as you may need it later.
- Besides, read also the other documents provided with your product.
- Please note that this manual may be valid for other models as well.

Symbols and their descriptions

This instruction manual contains the following symbols:

 Important information or useful usage tips.

 Warning against dangerous conditions for life and property.

 Warning against electric voltage.



WARNING!

In order to ensure a normal operation of your refrigerating appliance, which uses a completely environmentally friendly refrigerant the R600a (flammable only under certain conditions) you must observe the following rules:

- Do not hinder the free circulation of the air around the appliance.
- Do not use mechanical devices in order to accelerate the defrosting, others than the ones recommended by the manufacturer.
- Do not destroy the refrigerating circuit.
- Do not use electric appliances inside the food keeping compartment, other than those that might have been recommended by the manufacturer.

INFORMATION



The model information as stored in the product data base can be reached by entering following website and searching for your model identifier (*) found on energy label.

<https://eprel.ec.europa.eu/>

CONTENTS

1 Your refrigerator **3**

2 Important Safety Warnings **4**

Intended use	4
General safety.....	4
For products with a water dispenser....	6
Child safety.....	6
HCA Warning	6
Things to be done for energy saving ..	6

3 Installation **7**

Points to be considered when re-transporting your refrigerator	7
Before operating your refrigerator	7
Electric connection	7
Disposing of the packaging	7
Disposing of your old refrigerator	8
Placing and Installation	8
Replacing the interior light bulb	8

4 Preparation **9**

Reversing the doors	10
---------------------------	----

5 Using your refrigerator **11**

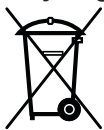
Thermostat setting button.....	11
Defrost	11

6 Maintenance and cleaning **13**

Protection of plastic surfaces	13
--------------------------------------	----

7 Recommended solutions for the problems **14**

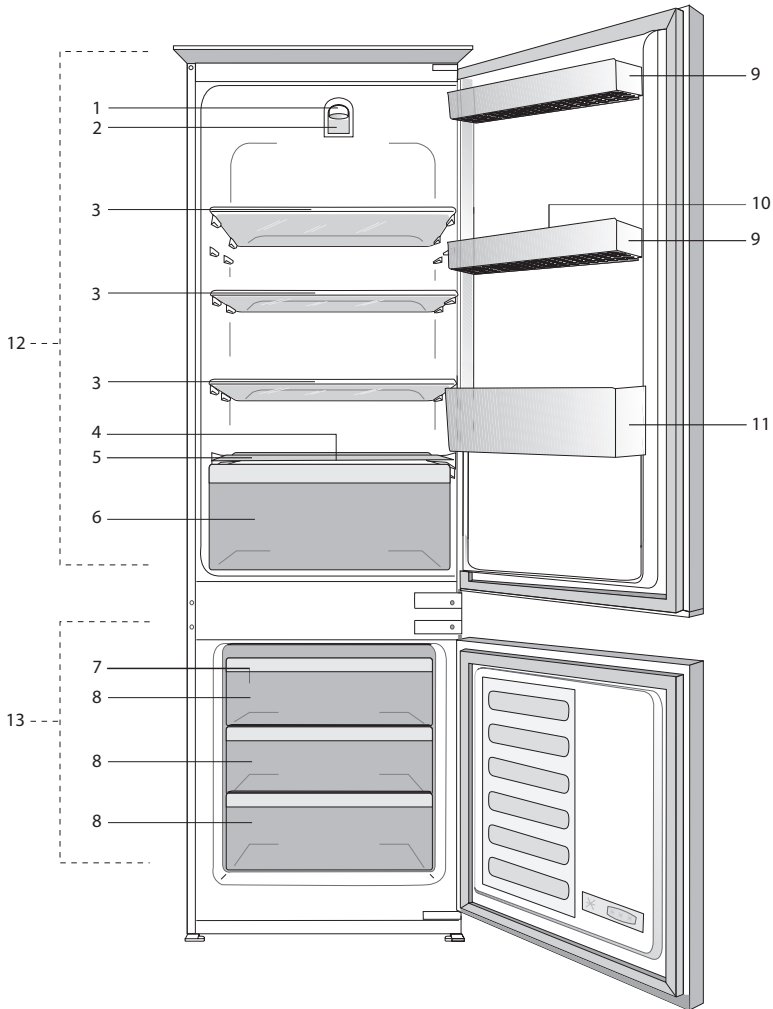
Recycling



This product is supplied with the selective sorting symbol for waste electrical and electronic equipment (WEEE). This means that this product must be handled pursuant to European Directive 2002/96/EC in order to be recycled or dismantled to minimise its impact on the environment. For further information, please contact your local or regional authorities.

Electronic products not included in the selective sorting process are potentially dangerous for the environment and human health due to the presence of hazardous substances.

1 Your refrigerator



- | | |
|--|--------------------------------|
| 1) Thermostat knob | 8) Freezer compartment drawers |
| 2) Lamp housing | 9) Adjustable door shelves |
| 3) Movable shelves | 10) Egg compartment |
| 4) Defrost water collection channel - drain tube | 11) Bottle shelf |
| 5) Crisper cover | 12) Fridge compartment |
| 6) Crisper | 13) Freezer compartment |
| 7) Ice bank | |

i Figures that take place in this instruction manual are schematic and may not correspond exactly with your product. If the subject parts are not included in the product you have purchased, then it is valid for other models.

2 Important Safety Warnings

Please review the following information. Failure to observe this information may cause injuries or material damage. Otherwise, all warranty and reliability commitments will become invalid.

Original Spare parts will be provided for 10 years, following the product purchasing date.

Intended use

This product is intended to be used:

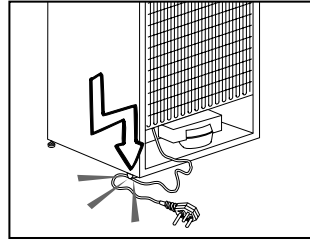
- indoors and in closed areas such as homes;
- in closed working environments such as stores and offices;
- in closed accommodation areas such as farm houses, hotels, pensions.
- This product should not be used outdoors.

General safety

- When you want to dispose/scrap the product, we recommend you to consult the authorized service in order to learn the required information and authorized bodies.
- Consult your authorized service for all your questions and problems related to the refrigerator. Do not intervene or let someone intervene to the refrigerator without notifying the authorised services.
- For products with a freezer compartment; Do not eat cone ice cream and ice cubes immediately after you take them out of the freezer compartment! (This may cause frostbite in your mouth.)

- For products with a freezer compartment; Do not put bottled and canned liquid beverages in the freezer compartment. Otherwise, these may burst.
- Do not touch frozen food by hand; they may stick to your hand.
- Unplug your refrigerator before cleaning or defrosting.
- Vapor and vaporized cleaning materials should never be used in cleaning and defrosting processes of your refrigerator. In such cases, the vapor may get in contact with the electrical parts and cause short circuit or electric shock.
- Never use the parts on your refrigerator such as the door as a means of support or step.
- Do not use electrical devices inside the refrigerator.
- Do not damage the parts, where the refrigerant is circulating, with drilling or cutting tools. The refrigerant that might blow out when the gas channels of the evaporator, pipe extensions or surface coatings are punctured causes skin irritations and eye injuries.
- Do not cover or block the ventilation holes on your refrigerator with any material.
- Electrical devices must be repaired by only authorised persons. Repairs performed by incompetent persons create a risk for the user.
- In case of any failure or during a maintenance or repair work, disconnect your refrigerator's mains supply by either turning off the relevant fuse or unplugging your appliance.

- Do not pull by the cable when pulling off the plug.
- Place the beverage with higher proofs tightly closed and vertically.
- Never store spray cans containing flammable and explosive substances in the refrigerator.
- Do not use mechanical devices or other means to accelerate the defrosting process, other than those recommended by the manufacturer.
- This appliance is not intended for use by persons (including children) with reduced physical, sensory or mental capabilities, or lack of experience and knowledge, unless they have been given supervision or instruction concerning use of the appliance by a person responsible for their safety. Children should be supervised to ensure that they do not play with the appliance.
- Do not operate a damaged refrigerator. Consult with the service agent if you have any concerns.
- Electrical safety of your refrigerator shall be guaranteed only if the earth system in your house complies with standards.
- Exposing the product to rain, snow, sun and wind is dangerous with respect to electrical safety.
- Contact authorized service when there is a power cable damage to avoid danger.
- Never plug the refrigerator into the wall outlet during installation. Otherwise, risk of death or serious injury may arise.
- This refrigerator is intended for only storing food items. It must not be used for any other purpose.
- Label of technical specifications is located on the left wall inside the refrigerator.
- Never connect your refrigerator to electricity-saving systems; they may damage the refrigerator.
- If there is a blue light on the refrigerator, do not look at the blue light with optical tools.
- For manually controlled refrigerators, wait for at least 5 minutes to start the refrigerator after power failure.
- This operation manual should be handed in to the new owner of the product when it is given to others.
- Avoid causing damage on power cable when transporting the refrigerator. Bending cable may cause fire. Never place heavy objects on power cable.



- Do not touch the plug with wet hands when plugging the product.
- Do not plug the refrigerator if the wall outlet is loose.
- Water should not be sprayed directly on inner or outer parts of the product for safety purposes.
- Do not spray substances containing inflammable gases such as propane gas near the refrigerator to avoid fire and explosion risk.
- Never place containers filled with water on top of the refrigerator, otherwise this may cause electric shock or fire.
- Do not overload your refrigerator with excessive amounts of food. If overloaded, the food items may fall down and hurt you and damage refrigerator when you open the door.
- Never place objects on top of the refrigerator; otherwise, these objects may fall down when you open or close the refrigerator's door.
- As they require a precise temperature, vaccines, heat-sensitive medicine and scientific materials and etc. should not be kept in the refrigerator.

- If not to be used for a long time, refrigerator should be unplugged. A possible problem in power cable may cause fire.
- The plug's tip should be regularly cleaned; otherwise, it may cause fire.
- The plug's tip should be cleaned regularly with a dry cloth; otherwise, it may cause fire.
- Refrigerator may move if adjustable legs are not properly secured on the floor. Properly securing adjustable legs on the floor can prevent the refrigerator to move.
- When carrying the refrigerator, do not hold it from door handle. Otherwise, it may be snapped.
- When you have to place your product next to another refrigerator or freezer, the distance between devices should be at least 8 cm. Otherwise, adjacent side walls may be humidified.

For products with a water dispenser

- Pressure of water mains should be minimum 1 bar. Pressure of water mains should be maximum 8 bars.
- Use only potable water.

Child safety

- If the door has a lock, the key should be kept away from reach of children.
- Children must be supervised to prevent them from tampering with the product.

HCA Warning

If your product's cooling system contains R600a:

This gas is flammable. Therefore, pay attention to not damaging the cooling system and piping during usage and transportation. In the event of damage, keep your product away from potential fire sources that can cause the product catch a fire and ventilate the room in which the unit is placed.

Ignore this warning if your product's cooling system contains R134a.

Type of gas used in the product is stated in the type plate which is on the left wall inside the refrigerator. Never throw the product in fire for disposal.

Things to be done for energy saving

- Do not leave the doors of your refrigerator open for a long time.
- Do not put hot food or drinks in your refrigerator.
- Do not overload your refrigerator so that the air circulation inside of it is not prevented.
- Do not install your refrigerator under direct sunlight or near heat emitting appliances such as ovens, dishwashers or radiators.
- Pay attention to keep your food in closed containers.
- For products with a freezer compartment; You can store maximum amount of food items in the freezer when you remove the shelf or drawer of the freezer. Energy consumption value stated for your refrigerator has been determined by removing freezer shelf or drawer and under maximum load. There is no harm to use a shelf or drawer according to the shapes and size of food to be frozen.
- Thawing frozen food in fridge compartment will both provide energy saving and preserve the food quality.

3 Installation

⚠ Please remember that the manufacturer shall not be held liable if the information given in the instruction manual is not observed.

Points to be considered when re-transporting your refrigerator

1. Your refrigerator must be emptied and cleaned prior to any transportation.
2. Shelves, accessories, crisper and etc. in your refrigerator must be fastened securely by adhesive tape against any jolt before repackaging.
3. Packaging must be tied with thick tapes and strong ropes and the rules of transportation printed on the package must be followed.

Please do not forget...

Every recycled material is an indispensable source for the nature and for our national resources. If you wish to contribute to recycling the packaging materials, you can get further information from the environmental bodies or local authorities.

Before operating your refrigerator

Before starting to use your refrigerator check the following:

1. Is the interior of the refrigerator dry and can the air circulate freely in the rear of it?
2. Clean the interior of the refrigerator as recommended in the "Maintenance and cleaning" section.
3. Plug the refrigerator into the wall outlet. When the fridge door is open, the fridge compartment interior light will come on.

4. You will hear a noise as the compressor starts up. The liquid and gases sealed within the refrigeration system may also give rise to noise, even if the compressor is not running and this is quite normal.

5. Front edges of the refrigerator may feel warm. This is normal. These areas are designed to be warm to avoid condensation

Electric connection

Connect your product to a grounded socket which is being protected by a fuse with the appropriate capacity.

Important:

- The connection must be in compliance with national regulations.
- The power cable plug must be easily accessible after installation.
- The specified voltage must be equal to your mains voltage.
- **Extension cables and multiway plugs must not be used for connection.**

⚠ A damaged power cable must be replaced by a qualified electrician.

⚠ Product must not be operated before it is repaired! There is danger of electric shock!

Disposing of the packaging

The packing materials may be dangerous for children. Keep the packing materials out of the reach of children or dispose of them by classifying them in accordance with the waste instructions. Do not dispose of them along with the normal household waste.

The packing of your refrigerator is produced from recyclable materials.

Disposing of your old refrigerator

Dispose of your old refrigerator without giving any harm to the environment.

- You may consult your authorised dealer or waste collection center of your municipality about the disposal of your refrigerator.

Before disposing of your refrigerator, cut out the electric plug and, if there are any locks on the door, make them inoperable in order to protect children against any danger.

Placing and Installation

⚠ If the entrance door of the room where the refrigerator will be installed is not wide enough for the refrigerator to pass through, then call the authorised service to have them remove the doors of your refrigerator and pass it sideways through the door.

1. Install your refrigerator to a place that allows ease of use.
2. Keep your refrigerator away from heat sources, humid places and direct sunlight.
3. There must be appropriate air ventilation around your refrigerator in order to achieve an efficient operation. If the refrigerator is to be placed in a recess in the wall, there must be at least 5 cm distance with the ceiling and at least 5 cm with the wall. If the floor is covered with a carpet, your product must be elevated 2,5 cm from the floor.
4. Place your refrigerator on an even floor surface to prevent jolts.
5. Do not keep your refrigerator in ambient temperatures under 10°C.

Replacing the interior light bulb

To change the Bulb/LED used for illumination of your refrigerator, call your Authorised Service.

The lamp(s) used in this appliance is not suitable for household room illumination. The intended purpose of this lamp is to assist the user to place foodstuffs in the refrigerator/freezer in a safe and comfortable way.

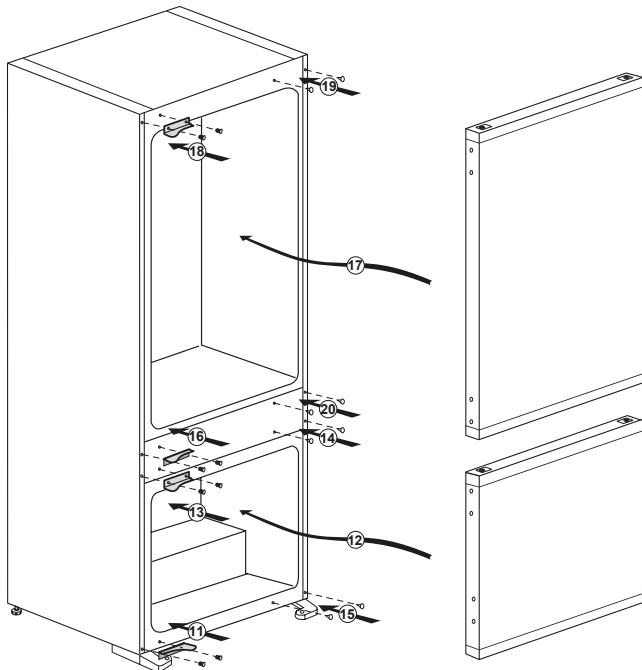
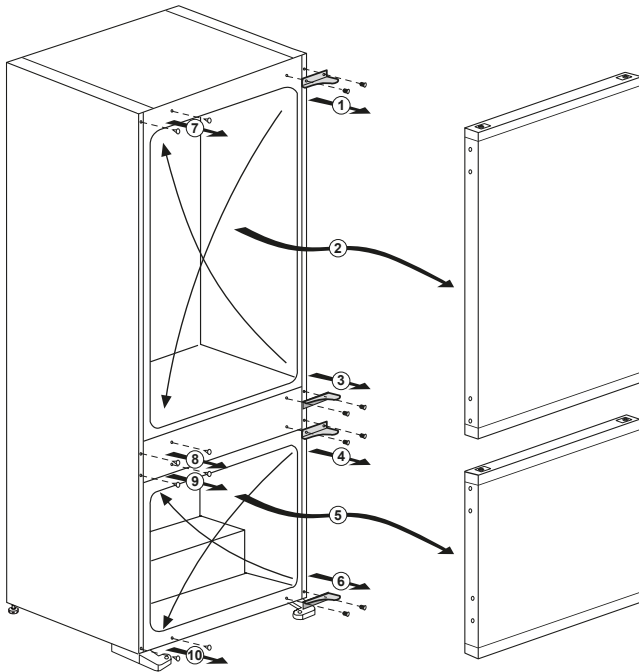
The lamps used in this appliance have to withstand extreme physical conditions such as temperatures below -20°C.

4 Preparation

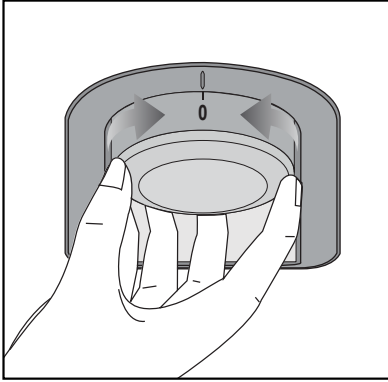
- i** Your refrigerator should be installed at least 30 cm away from heat sources such as hobs, ovens, central heater and stoves and at least 5 cm away from electrical ovens and should not be located under direct sunlight.
- i** The ambient temperature of the room where you install your refrigerator should at least be 10°C. Operating your refrigerator under cooler conditions than this is not recommended with regard to its efficiency.
- i** Please make sure that the interior of your refrigerator is cleaned thoroughly.
- i** If two refrigerators are to be installed side by side, there should be at least 2 cm distance between them.
- i** When you operate your refrigerator for the first time, please observe the following instructions during the initial six hours.
 - The door should not be opened frequently.
 - It must be operated empty without any food in it.
 - Do not unplug your refrigerator. If a power failure occurs out of your control, please see the warnings in the “Recommended solutions for the problems” section.
- i** Original packaging and foam materials should be kept for future transportations or moving.

Reversing the doors

Proceed in numerical order.



5 Using your refrigerator



Thermostat setting button

The interior temperature of your refrigerator changes for the following reasons:

- Seasonal temperatures.
- Frequent opening of the door and leaving the door open for long periods.
- Food put into the refrigerator without cooling down to the room temperature.
- The location of the refrigerator in the room (e.g. exposing to sunlight).
- You may adjust the varying interior temperature due to such reasons by using the thermostat. Numbers around the thermostat button indicates the cooling degrees.
- If the ambient temperature is higher than 32°C, turn the thermostat button to maximum position.
- If the ambient temperature is lower than 25°C, turn the thermostat button to minimum position.

Defrost

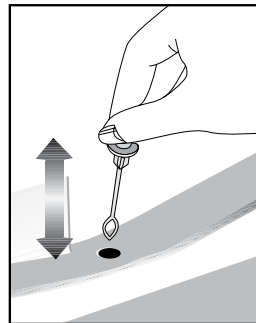
A) Fridge compartment

Fridge compartment performs full-automatic defrosting.

Water drops and a frosting up to 7-8 mm can occur on the inner rear wall of the fridge compartment while your refrigerator cools down. Such formation is normal as a result of the cooling system.

The frost formation is defrosted by performing automatic defrosting with certain intervals thanks to the automatic defrosting system of the rear wall. User is not required to scrape the frost or remove the water drops. Water resulting from the defrosting passes from the water collection groove and flows into the evaporator through the drain pipe and evaporates here by itself.

Check regularly to see if the drain pipe is clogged or not and clear it with the stick in the hole when necessary.



B) Freezer compartment

Deep freezer compartment does not perform automatic defrosting in order to prevent decaying of the frozen food. Defrosting is very straightforward and without mess, thanks to a special defrost collection basin.

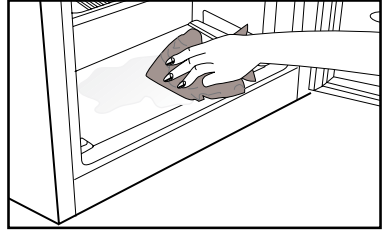
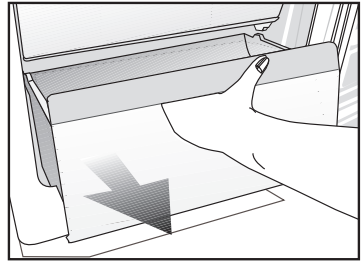
Defrost twice a year or when a frost layer of around 7 (1/4") mm has formed. To start the defrosting procedure, switch off the appliance at the socket outlet and pull out the mains plug. All food should be wrapped in several layers of newspaper and stored in a cool place (e.g. fridge or larder). Containers of warm water may be placed carefully in the freezer to speed up the defrosting. Do not use pointed or sharp-edged objects, such as knives or forks to remove the frost.

Never use hair dryers, electrical heaters or other such electrical appliances for defrosting.

Sponge out the defrost water collected in the bottom of the freezer compartment.

After defrosting, dry the interior thoroughly.

Insert the plug into the wall socket and switch on the electricity supply.



6 Maintenance and cleaning

- ⚠ Never use gasoline, benzene or similar substances for cleaning purposes.
- ⚠ We recommend that you unplug the appliance before cleaning.
- ⚠ Never use any sharp abrasive instrument, soap, household cleaner, detergent and wax polish for cleaning.
- ℹ Use lukewarm water to clean the cabinet of your refrigerator and wipe it dry.
- ℹ Use a damp cloth wrung out in a solution of one teaspoon of bicarbonate of soda to one pint of water to clean the interior and wipe it dry.
- ⚠ Make sure that no water enters the lamp housing and other electrical items.
- ⚠ If your refrigerator is not going to be used for a long period of time, unplug the power cable, remove all food, clean it and leave the door ajar.
- ℹ Check door seals regularly to ensure they are clean and free from food particles.
- ⚠ To remove door racks, remove all the contents and then simply push the door rack upwards from the base.

Protection of plastic surfaces

- ℹ Do not put the liquid oils or oil-cooked meals in your refrigerator in unsealed containers as they damage the plastic surfaces of your refrigerator. In case of spilling or smearing oil on the plastic surfaces, clean and rinse the relevant part of the surface at once with warm water.

7 Recommended solutions for the problems

Please review this list before calling the service. It might save you time and money. This list includes frequent complaints that are not arising from defective workmanship or material usage. Some of the features described here may not exist in your product.

The refrigerator does not operate.
<ul style="list-style-type: none">• Is the refrigerator properly plugged in? Insert the plug to the wall socket.• Is the fuse of the socket which your refrigerator is connected to or the main fuse blown out? Check the fuse.
Condensation on the side wall of the fridge compartment (MULTIZONE, COOL CONTROL and FLEXI ZONE).
<ul style="list-style-type: none">• Very cold ambient conditions. Frequent opening and closing of the door. Highly humid ambient conditions. Storage of food containing liquid in open containers. Leaving the door ajar. Switching the thermostat to a colder degree.• Decreasing the time the door left open or using it less frequently.• Covering the food stored in open containers with a suitable material.• Wipe the condensation using a dry cloth and check if it persists.
Compressor is not running.
<ul style="list-style-type: none">• Protective thermic of the compressor will blow out during sudden power failures or plug-out plug-ins as the refrigerant pressure in the cooling system of the refrigerator has not been balanced yet. Your refrigerator will start running approximately after 6 minutes. Please call the service if the refrigerator does not startup at the end of this period.• The fridge is in defrost cycle. This is normal for a full-automatically defrosting refrigerator. Defrosting cycle occurs periodically.• Your refrigerator is not plugged into the socket. Make sure that the plug is properly fit into the socket.• Are the temperature adjustments correctly made?• Power might be cut off.

The fridge is running frequently or for a long time.

- Your new product may be wider than the previous one. This is quite normal. Large refrigerators operate for a longer period of time.
- The ambient room temperature may be high. This is quite normal.
- The refrigerator might have been plugged in recently or might have been loaded with food. Cooling down of the refrigerator completely may last for a couple of hours longer.
- Large amounts of hot food might have been put in the refrigerator recently. Hot food causes longer running of the refrigerator until they reach the safe storage temperature.
- Doors might have been opened frequently or left ajar for a long time. The warm air that has entered into the refrigerator causes the refrigerator to run for longer periods. Open the doors less frequently.
- Freezer or fridge compartment door might have been left ajar. Check if the doors are tightly closed.
- The refrigerator is adjusted to a very low temperature. Adjust the refrigerator temperature to a warmer degree and wait until the temperature is achieved.
- Door seal of the fridge or freezer may be soiled, worn out, broken or not properly seated. Clean or replace the seal. Damaged/broken seal causes the refrigerator to run for a longer period of time in order to maintain the current temperature.

Freezer temperature is very low while the fridge temperature is sufficient.

- The freezer temperature is adjusted to a very low temperature. Adjust the freezer temperature to a warmer degree and check.

Fridge temperature is very low while the freezer temperature is sufficient.

- The fridge temperature might have been adjusted to a very low temperature. Adjust the fridge temperature to a warmer degree and check.

Food kept in the fridge compartment drawers are freezing.

- The fridge temperature might have been adjusted to a very low temperature. Adjust the fridge temperature to a warmer degree and check.

Temperature in the fridge or freezer is very high.

- The fridge temperature might have been adjusted to a very high degree. Fridge adjustment has an effect on the temperature of the freezer. Change the temperature of the fridge or freezer until the fridge or freezer temperature reaches to a sufficient level.
- Doors might have been opened frequently or left ajar for a long time; open them less frequently.
- Door might have been left ajar; close the door completely.
- Large amount of hot food might have been put in the refrigerator recently. Wait until the fridge or freezer reaches the desired temperature.
- The refrigerator might have been plugged in recently. Cooling down of the refrigerator completely takes time.

The operation noise increases when the refrigerator is running.
<ul style="list-style-type: none"> The operating performance of the refrigerator may change due to the changes in the ambient temperature. It is normal and not a fault.
Vibrations or noise.
<ul style="list-style-type: none"> The floor is not even or it is weak. The refrigerator rocks when moved slowly. Make sure that the floor is strong enough to carry the refrigerator, and level. The noise may be caused by the items put onto the refrigerator. Items on top of the refrigerator should be removed.
There are noises coming from the refrigerator like liquid spilling or spraying.
<ul style="list-style-type: none"> Liquid and gas flows happen in accordance with the operating principles of your refrigerator. It is normal and not a fault.
There is a noise like wind blowing.
<ul style="list-style-type: none"> Fans are used in order to cool the refrigerator. It is normal and not a fault.
Condensation on the inner walls of refrigerator.
<ul style="list-style-type: none"> Hot and humid weather increases icing and condensation. It is normal and not a fault. Doors might have been left ajar; make sure that the doors are closed fully. Doors might have been opened frequently or left ajar for a long time; open them less frequently.
Humidity occurs on the outside of the refrigerator or between the doors.
<ul style="list-style-type: none"> There might be humidity in the air; this is quite normal in humid weather. When the humidity is less, condensation will disappear.
Bad odour inside the refrigerator.
<ul style="list-style-type: none"> Inside of the refrigerator must be cleaned. Clean the inside of the refrigerator with a sponge, lukewarm water or carbonated water. Some containers or package materials might cause the smell. Use a different container or different brand packaging material.
The door is not closing.
<ul style="list-style-type: none"> Food packages may prevent the door's closing. Replace the packages that are obstructing the door. The refrigerator is not completely upright on the floor and rocking when slightly moved. Adjust the elevation screws. The floor is not level or strong. Make sure that the floor is level and capable to carry the refrigerator.
Crispers are stuck.
<ul style="list-style-type: none"> The food might be touching the ceiling of the drawer. Rearrange food in the drawer.

Bitte lesen Sie zuerst diese Anleitung!

Lieber Kunde,

Wir sind sicher, dass Ihnen dieses Produkt, das in modernsten Fertigungsstätten hergestellt und den strengsten Qualitätsprüfungen unterzogen wurde, lange Zeit gute Dienste leisten wird.




Wir empfehlen Ihnen, vor Inbetriebnahme des Gerätes das gesamte Handbuch durchzulesen und es anschließend aufzubewahren.

Diese Anleitung...

- Hilft Ihnen, Ihr Gerät schnell und sicher zu bedienen.
- Lesen Sie die Anleitung, bevor Sie Ihr Gerät aufstellen und bedienen.
- Halten Sie sich an die Anweisungen, beachten Sie insbesondere die Sicherheitshinweise.
- Bewahren Sie die Anleitung an einem leicht zugänglichen Ort auf, damit Sie jederzeit darin nachschlagen können.
- Lesen Sie auch die weiteren Dokumente, die mit Ihrem Produkt geliefert wurden.
- Bitte beachten Sie, dass diese Anleitung eventuell auch für andere Geräte eingesetzt werden kann.

Symbole und ihre Bedeutung

In dieser Anleitung finden Sie die folgenden Symbole:

-  Wichtige Informationen oder nützliche Tipps.
-  Warnung vor Verletzungen oder Sachschäden.
-  Warnung vor elektrischem Strom.



WARNUNG!

Ihr Gerät verwendet ein umweltverträgliches Kältemittel, R600a (nur unter bestimmten Umständen brennbar). Um einen einwandfreien Betrieb Ihres Gerätes sicherzustellen, beachten Sie bitte folgende Vorschriften:

- Die Luftzirkulation um das Gerät darf nicht behindert sein.
- Verwenden Sie außer der vom Hersteller empfohlenen, keine mechanischen Hilfsmittel, um den Abtauprozess zu beschleunigen.
- Der Kältemittelkreislauf darf nicht beschädigt werden.
- Verwenden Sie im Lebensmittelaufbewahrungsbereich Ihres Gerätes keine elektrischen Geräte, es sei denn, sie sind vom Hersteller empfohlen.

ANGABEN



SUPPLIER'S NAME

MODEL IDENTIFIER

(*)

A

A

Die Modellinformationen, wie sie in der Produktdatenbank gespeichert sind, können durch Eingabe der folgenden Website und Suche nach Ihrer Modellkennung (*) auf dem Energieetikett erreicht werden.

<https://eprel.ec.europa.eu/>

INHALT

1 Ihr Kühlschrank 3

2 Wichtige Hinweise zu Ihrer Sicherheit 4

Bestimmungsgemäßer Gebrauch	4
Allgemeine Hinweise zu Ihrer Sicherheit	4
Bei Geräten mit Wasserspender	6
Kinder – Sicherheit	6
HCA-Warnung	6
Tipps zum Energiesparen	6

3 Installation 7

Was Sie bei einem weiteren Transport Ihres Kühlschranks beachten müssen....	7
Bevor Sie Ihren Kühlschrank einschalten	7
Elektrischer Anschluss.....	7
Verpackungsmaterialien entsorgen	8
Altgeräte entsorgen	8
Aufstellung und Installation	8
Austausch der Innenbeleuchtung	8

4 Vorbereitung 9

Türanschlag umkehren.....	10
---------------------------	----

5 So bedienen Sie Ihren Kühlschrank 11

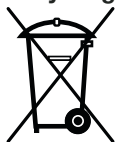
Thermostateinstelltaste	11
Abtauen.....	11

6 Wartung und Reinigung 13

Schutz der Kunststoffflächen.....	13
-----------------------------------	----

7 Empfehlungen zur Problemlösung 14

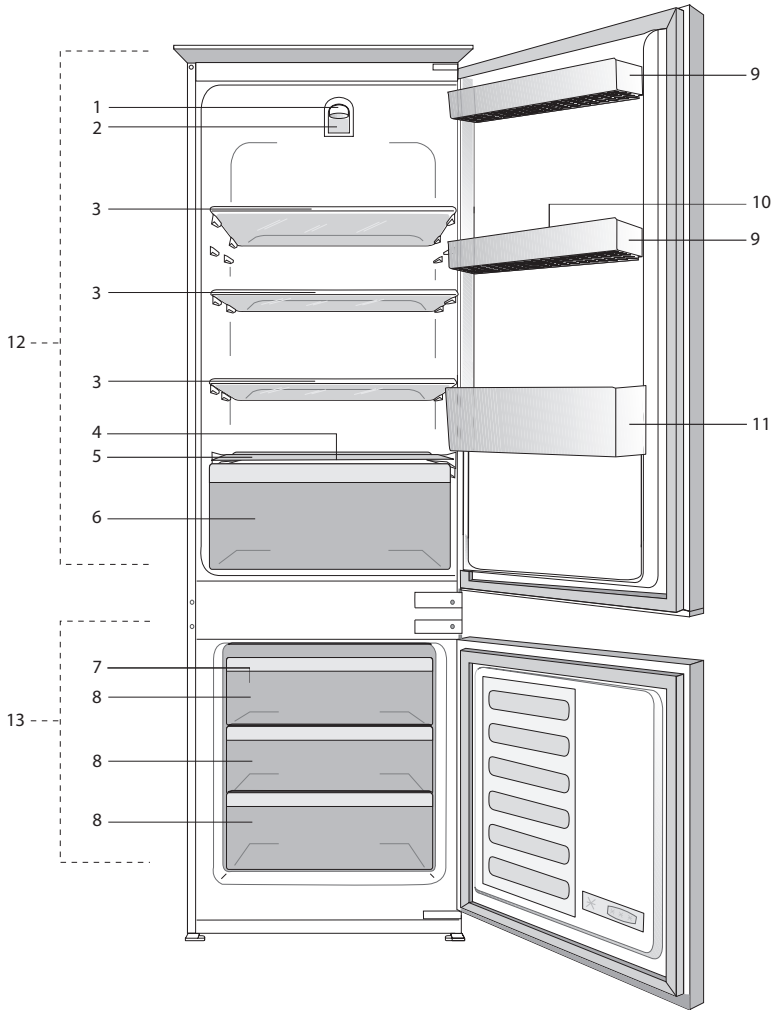
Recycling



Dieses Produkt ist mit dem selektiven Entsorgungssymbol für elektrische und elektronische Altgeräte (WEEE) gekennzeichnet. Das bedeutet, dass dieses Produkt gemäß der europäischen Richtlinie 2002/96/EC gehandhabt werden muss, um mit nur minimalen umweltspezifischen Auswirkungen recycelt oder zerlegt werden zu können. Weitere Informationen erhalten Sie von Ihren regionalen Behörden.

Elektronikprodukte, die nicht durch den selektiven Entsorgungsvorgang erfasst werden, stellen durch das Vorhandensein potenziell gefährlicher Substanzen umwelt- und gesundheitsrelevante Risiken dar.

1 Ihr Kühlschrank



- | | |
|---------------------------------------|----------------------------|
| 1) Thermostatdrehknopf | 8) Tiefkühlbereich |
| 2) Lampengehäuse | 9) Adjustierende Türfächer |
| 3) Bewegbare Regale | 10) Eierhalter |
| 4) Tauwassersammelkanal - Abflussrohr | 11) Flaschenfach |
| 5) Abdeckplatte für Gemüselade | 12) Kühlbereich |
| 6) Gemüselade | 13) Gefrierfach |
| 7) Eiswürfelfach | |

i Abbildungen und Angaben in dieser Anleitung sind schematisch und können etwas von Ihrem Produkt abweichen. Wenn die Teile nicht im gekauften Produkt enthalten sind, gelten sie für andere Modelle.

2 Wichtige Hinweise zu Ihrer Sicherheit

Bitte lesen Sie die folgenden Hinweise aufmerksam durch. Bei Nichtbeachtung kann es zu Verletzungen und Sachschäden kommen. In diesem Fall erlöschen auch sämtliche Garantie- und sonstigen Ansprüche.

Originalersatzteile stehen für einen Zeitraum von 10 Jahren ab Kaufdatum zur Verfügung.

Bestimmungsgemäßer Gebrauch

Dieses Produkt ist für folgende Einsatzzwecke vorgesehen:

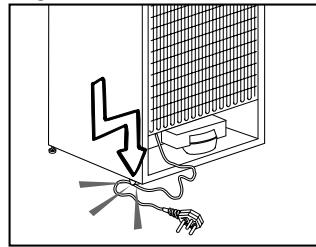
- Nutzung in Innenräumen; beispielsweise im Privathaushalt
- Das Gerät sollte nicht im Freien benutzt werden.

Allgemeine Hinweise zu Ihrer Sicherheit

- Wenn Sie das Gerät entsorgen möchten, wenden Sie sich am besten an den autorisierten Kundendienst. Hier erhalten Sie notwendige Informationen und erfahren, welche Stellen für die Entsorgung zuständig sind.
- Bei Problemen und Fragen zum Gerät wenden Sie sich grundsätzlich an den autorisierten Kundendienst. Ziehen Sie keine Dritten zu Rate, versuchen Sie nichts in Eigenregie, ohne den autorisierten Kundendienst davon in Kenntnis zu setzen.
- Bei Geräten mit Tiefkühlbereich: Der Verzehr von Speiseeis und Eiswürfeln unmittelbar nach der Entnahme aus dem Tiefkühlbereich ist nicht ratsam. (Dies kann zu Erfrierungen führen.)
- Bei Geräten mit Tiefkühlbereich: Bewahren Sie Getränke in Flaschen sowie Dosen niemals in Tiefkühlbereich auf. Diese platzen.
- Berühren Sie gefrorene Lebensmittel nicht mit der Hand; sie können festfrieren.
- Ziehen Sie den Netzstecker, bevor Sie den Kühlschrank reinigen oder abtauen.
- Verwenden Sie niemals Dampf- oder Sprühreiniger zum Reinigen oder Abtauen Ihres Kühlschranks. Die Dämpfe oder Nebel können in Kontakt mit stromführenden Teilen geraten und Kurzschlüsse oder Stromschläge auslösen.
- Missbrauchen Sie niemals Teile Ihres Kühlschranks (z. B. Tür) als Befestigungen oder Kletterhilfen.
- Nutzen Sie keine elektrischen Geräte innerhalb des Kühlschranks.
- Achten Sie darauf, den Kühlkreislauf keinesfalls mit Bohr- oder Schneidwerkzeugen zu beschädigen. Das Kühlmittel kann herauspritzen, wenn die Gaskanäle des Verdunsters, Rohr- und Schlauchleitungen oder Oberflächenversiegelungen beschädigt werden. Dies kann zu Hautreizungen und Augenverletzungen führen.
- Decken Sie keinerlei Belüftungsöffnungen des Kühlschranks ab.
- Elektrogeräte dürfen nur von autorisierten Fachkräften repariert werden. Reparaturen durch weniger kompetente Personen können erhebliche Gefährdungen des Anwenders verursachen.
- Sollten Fehler oder Probleme während der Wartung oder Reparaturarbeiten auftreten, so trennen Sie den Kühlschrank von der Stromversorgung, indem Sie die entsprechende Sicherung abschalten oder den Netzstecker ziehen.
- Ziehen Sie niemals am Netzkabel – fassen Sie stets den Stecker selbst.
- Lagern Sie hochprozentige alkoholische Getränke gut verschlossen und aufrecht.

- Lagern Sie niemals Behälter mit brennbaren Gasen (z. B. Spraydosen) oder explosive Dinge im Kühlschrank.
- Nutzen Sie keine mechanischen oder andere Hilfsmittel, um das Gerät abzutauen – es sei denn, solche Hilfsmittel werden ausdrücklich vom Hersteller empfohlen.
- Dieses Gerät darf nicht von Personen (einschließlich Kindern) benutzt werden, die unter körperlichen oder geistigen Einschränkungen leiden oder denen es an der nötigen Erfahrung im Umgang mit solchen Geräten mangelt. Eine Ausnahme kann gemacht werden, wenn solche Personen ständig beaufsichtigt werden und/oder gründlich in der Verwendung des Gerätes unterwiesen wurden.
- Nehmen Sie einen beschädigten Kühlschrank nicht in Betrieb. Wenden Sie sich im Zweifelsfall unbedingt zuerst an den Kundendienst.
- Die elektrische Sicherheit des Gerätes ist nur dann gewährleistet, wenn das hausinterne Erdungssystem den zutreffenden Normen entspricht.
- Setzen Sie das Gerät keinem Regen, Schnee, direktem Sonnenlicht oder Wind aus, da dies die elektrische Sicherheit gefährden kann.
- Damit es nicht zu Gefährdungen kommt, lassen Sie beschädigte Netzkabel unverzüglich vom Kundendienst austauschen.
- Stecken Sie während der Installation niemals den Netzstecker ein. Andernfalls kann es zu schweren bis tödlichen Verletzungen kommen.
- Der Kühlschrank darf nur zum Lagern von Lebensmitteln, keinesfalls für andere Zwecke verwendet werden.
- Das Typenschild mit technischen Daten befindet sich an der linken Innenwand des Kühlschranks.
- Schließen Sie den Kühlschrank niemals an Energiesparsysteme an; andernfalls kann es zu Beschädigungen kommen.

- Bei Geräten mit blauer Innenbeleuchtung: Schauen Sie niemals mit optischen Hilfsmitteln in das blaue Licht.
- Bei manuell gesteuerten Kühlschränken warten Sie nach Stromausfällen mindestens 5 Minuten ab, bevor Sie das Gerät neu starten.
- Falls Sie das Gerät an einen anderen Besitzer weitergeben, vergessen Sie nicht, die Bedienungsanleitung ebenfalls weiterzugeben.
- Achten Sie beim Transportieren des Kühlschranks darauf, dass das Netzkabel nicht beschädigt wird. Geknickte Kabel können sich entzünden. Stellen Sie niemals schwere Gegenstände auf dem Netzkabel ab. Berühren Sie den Netzstecker niemals mit feuchten oder gar nassen Händen.



- Stecken Sie den Netzstecker niemals in lose Steckdosen ein.
- Sprühen Sie aus Sicherheitsgründen niemals direkt Wasser auf die Innen- und Außenflächen des Gerätes.
- Nutzen Sie niemals leicht entzündliche Substanzen (z. B. Propangas) in der Nähe des Kühlschranks; es besteht Brand- und Explosionsgefahr.
- Stellen Sie niemals mit Wasser oder anderen Flüssigkeiten gefüllte Gefäße auf dem Kühlschrank ab; es besteht Brand- und Stromschlaggefahr.
- Überladen Sie den Kühlschrank nicht mit übermäßig vielen Lebensmitteln. Bei Überladung können Lebensmittel beim Öffnen der Tür herausfallen, Sachschäden und Verletzungen verursachen. Stellen Sie niemals Gegenstände auf dem Kühlschrank ab; solche Gegenstände können beim Öffnen und Schließen der Kühlschranktür herabfallen.

- Materialien, die bei exakt festgelegten Temperaturen gelagert werden müssen (beispielsweise Impfstoffe, wärmeempfindliche Arznei, wissenschaftliche Proben, usw.) sollten nicht im Kühlschrank gelagert werden.
- Ziehen Sie den Netzstecker, wenn Sie den Kühlschrank längere Zeit nicht nutzen. Andernfalls können Brände durch defekte Netzkabel nicht gänzlich ausgeschlossen werden.
- Die Kontakte des Netzsteckers sollten regelmäßig gereinigt werden; andernfalls besteht Brandgefahr.
- Die Steckerkontakte sollten regelmäßig gereinigt werden; andernfalls besteht Brandgefahr.
- Der Kühlschrank kann sich bewegen, falls die Füße nicht richtig auf dem Boden aufliegen. Stellen Sie die verstellbaren Füße so ein, dass der Kühlschrank absolut stabil steht und sich somit nicht bewegen kann.
- Tragen Sie den Kühlschrank nicht am Türgriff; der Griff kann abbrechen.
- Wenn Sie das Gerät neben einem anderen Kühlgerät aufstellen, achten Sie darauf, dass zwischen den Geräten mindestens 8 cm Platz verbleiben. Andernfalls kann sich Feuchtigkeit an den Seitenwänden niederschlagen.

Bei Geräten mit Wasserspender

Der Wasserdruck sollte zwischen 1 und 8 bar liegen.

- Nur Trinkwasser verwenden.

Kinder – Sicherheit

- Bei abschließbaren Türen bewahren Sie den Schlüssel außerhalb der Reichweite von Kindern auf.
- Kinder müssen stets beaufsichtigt werden, damit sie nicht mit dem Gerät spielen.

HCA-Warnung

Falls Ihr Gerät mit dem Kühlmittel R600a arbeitet:

Dieses Gas ist leicht entflammbar. Achten Sie also darauf, Kühlkreislauf und Leitungen während Betrieb und Transport nicht zu beschädigen. Bei Beschädigungen halten Sie das Produkt von potenziellen Zündquellen (z. B. offenen Flammen) fern und sorgen für eine gute Belüftung des Raumes, in dem das Gerät aufgestellt wurde.

Diese Warnung können Sie ignorieren, wenn Ihr Gerät mit dem Kühlmittel R134a arbeitet.

Das verwendete Kühlmittel wird auf dem Typenschild an der linken Innenseite des Kühlschranks angegeben. Entsorgen Sie das Gerät niemals durch Verbrennen.

Tipps zum Energiesparen

- Halten Sie die Kühlschranktüren nur möglichst kurz geöffnet.
- Lagern Sie keine warmen Speisen oder Getränke im Kühlschrank ein.
- Überladen Sie den Kühlschrank nicht; die Luft muss frei zirkulieren können.
- Stellen Sie den Kühlschrank nicht im direkten Sonnenlicht oder in der Nähe von Wärmequellen wie Öfen, Spülmaschinen oder Heizkörpern auf.
- Achten Sie darauf, Ihre Lebensmittel in verschlossenen Behältern aufzubewahren.
- Bei Geräten mit Tiefkühlbereich: Sie können noch mehr Lebensmittel einlagern, wenn Sie die Ablagen oder Schubladen aus dem Tiefkühlbereich herausnehmen. Die Energieverbrauchswerte Ihres Kühlschranks wurden bei maximaler Beladung mit herausgenommenen Ablagen oder Schubladen ermittelt. Ansonsten ist es Ihnen natürlich freigestellt, die Ablagen oder Schubladen zu verwenden.
- Wenn Sie gefrorene Lebensmittel im Kühlbereich auftauen, sparen Sie Energie und bewahren die Qualität der Lebensmittel.

3 Installation

⚠ Bitte beachten Sie, dass der Hersteller nicht haftet, wenn Sie sich nicht an die Informationen und Anweisungen der Bedienungsanleitung halten.

Was Sie bei einem weiteren Transport Ihres Kühlschranks beachten müssen

1. Der Kühlschrank muss vor dem Transport geleert und gesäubert werden.
2. Befestigen und sichern Sie Ablagen, Zubehör, Gemüsefach etc. mit Klebeband, bevor Sie das Gerät neu verpacken.
3. Die Verpackung muss mit kräftigem Klebeband und stabilen Seilen gesichert, die auf der Verpackung aufgedruckten Transporthinweise müssen beachtet werden.

Vergessen Sie nicht...

Jeder wiederverwendete Artikel stellt eine unverzichtbare Hilfe für unsere Natur und unsere Ressourcen dar. Wenn Sie zur Wiederverwertung von Verpackungsmaterialien beitragen möchten, können Sie sich bei Umweltschutzvereinigungen und Ihren Behörden vor Ort informieren.

Bevor Sie Ihren Kühlschrank einschalten

Bevor Sie Ihren Kühlschrank in Betrieb nehmen, beachten Sie bitte Folgendes:

1. Ist der Innenraum des Kühlschranks trocken, kann die Luft frei an der Rückseite zirkulieren?

2. Reinigen Sie das Innere des Kühlschranks wie im Abschnitt „Wartung und Reinigung“ beschrieben.
3. Stecken Sie den Netzstecker des Kühlschranks in eine Steckdose. Wenn die Kühlbereichtür geöffnet wird, schaltet sich das Licht im Inneren ein.
4. Sie hören ein Geräusch, wenn sich der Kompressor einschaltet. Die Flüssigkeiten und Gase im Kühlsystem können auch leichte Geräusche erzeugen, wenn der Kompressor nicht läuft. Dies ist völlig normal.
5. Die Vorderkanten des Kühlgerätes können sich warm anfühlen. Dies ist normal. Diese Bereiche wärmen sich etwas auf, damit sich kein Kondenswasser bildet.

Elektrischer Anschluss

Schließen Sie das Gerät an eine geerdete (Schuko-) Steckdose an. Diese Steckdose muss mit einer passenden Sicherung abgesichert werden.

Wichtig:

- Der Anschluss muss gemäß lokaler Vorschriften erfolgen.
- Der Netzstecker muss nach der Installation frei zugänglich bleiben.
- Die angegebene Spannung muss mit Ihrer Netzspannung übereinstimmen.
- **Zum Anschluss dürfen keine Verlängerungskabel oder Mehrfachsteckdosen verwendet werden.**

- ⚠ Ein beschädigtes Netzkabel muss unverzüglich durch einen qualifizierten Elektriker ausgetauscht werden.
- ⚠ Das Gerät darf vor Abschluss der Reparaturen nicht mehr betrieben werden! Es besteht Stromschlaggefahr!

Verpackungsmaterialien entsorgen

Das Verpackungsmaterial kann eine Gefahr für Kinder darstellen. Halten Sie Verpackungsmaterialien von Kindern fern oder entsorgen Sie das Verpackungsmaterial gemäß den gültigen Entsorgungsbestimmungen. Entsorgen Sie Verpackungsmaterialien nicht mit dem regulären Hausmüll. Die Verpackung Ihres Gerätes wurde aus recyclingfähigen Materialien hergestellt.

Altgeräte entsorgen

Entsorgen Sie Altgeräte auf umweltfreundliche Weise.

- Bei Fragen zur richtigen Entsorgung wenden Sie sich bitte an Ihren Händler, an eine Sammelstelle oder an Ihre Stadtverwaltung.

Bevor Sie das Gerät entsorgen, schneiden Sie den Netzstecker ab und machen die Türverschlüsse (sofern vorhanden) unbrauchbar, damit Kinder nicht in Gefahr gebracht werden.

Aufstellung und Installation

⚠ Falls die Tür des Raumes, in dem der Kühlschrank aufgestellt werden soll, nicht breit genug ist, wenden Sie sich an den autorisierten Kundendienst, lassen die Kühlschranktüren demontieren und befördern das Gerät seitlich durch die Tür.

1. Stellen Sie Ihren Kühlschrank an einer gut erreichbaren Stelle auf.
2. Platzieren Sie den Kühlschrank nicht in der Nähe von Wärmequellen oder dort, wo er Feuchtigkeit oder direktem Sonnenlicht ausgesetzt ist.
3. Damit das Gerät richtig arbeiten kann, müssen Sie ausreichend Platz um das Gerät herum freilassen, damit eine ordentliche Belüftung gewährleistet ist. Wenn Sie den Kühlschrank in einer Nische aufstellen, müssen Sie einen Abstand von mindestens 5 cm zur Decke und 5 cm zu den Wänden einhalten. Wenn Sie das Gerät auf einem Teppich oder Teppichboden aufstellen, müssen Sie einen Abstand von mindestens 2,5 cm zum Boden einhalten.
4. Stellen Sie Ihren Kühlschrank auf einem ebenen Untergrund auf, damit er nicht wackelt.
5. Stellen Sie den Kühlschrank nicht an Stellen auf, an denen Temperaturen von weniger als 10°C herrschen.

Austausch der Innenbeleuchtung

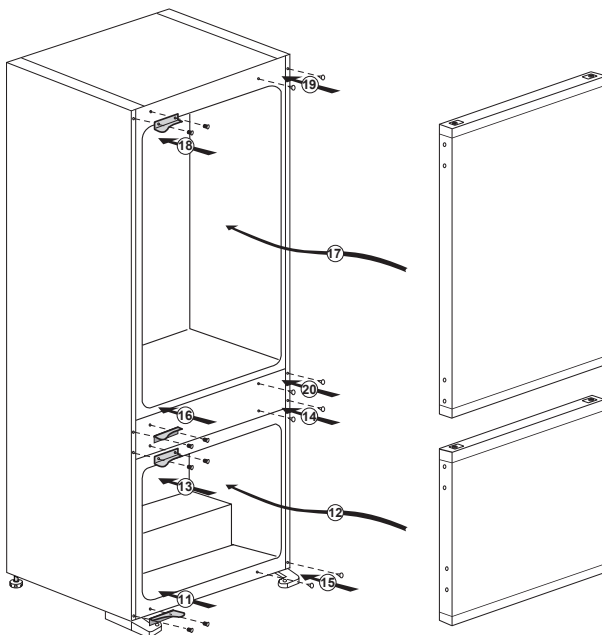
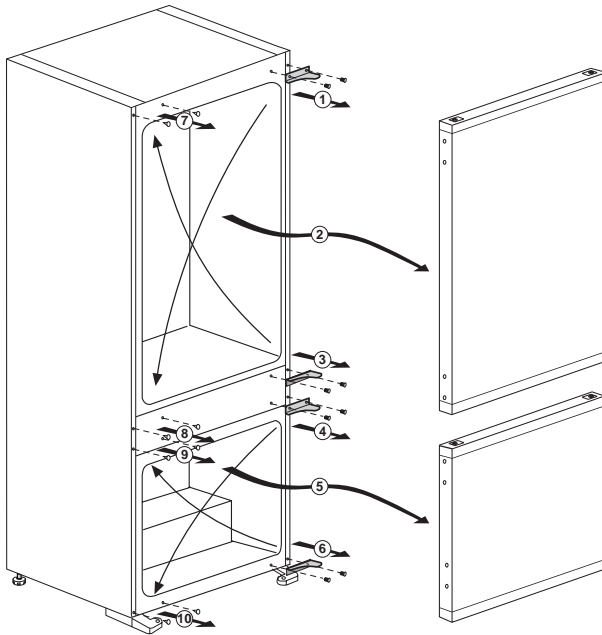
Die Innenbeleuchtung Ihres Kühlschranks sollte ausschließlich vom autorisierten Kundendienst ausgetauscht werden. Die Glühbirnen für dieses Haushaltsgerät sind für Beleuchtungszwecke nicht geeignet. Die beabsichtigte Aufgabe dieser Lampe ist es den Benutzer zu ermöglichen die Platzierung der Lebensmittel in den Kühlschrank / Eiskühltruhe sicher und bequem vorzunehmen. Die in diesem Gerät verwendeten Lampen müssen extremen physikalischen Bedingungen, wie z. B. Temperaturen von -20°C, standhalten.

4 Vorbereitung

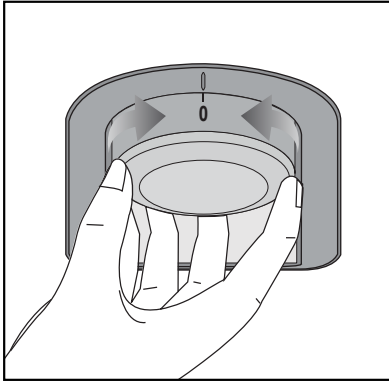
- i** Ihr Kühlschrank sollte mindestens 30 cm von Hitzequellen wie Kochstellen, Öfen, Heizungen, Herden und ähnlichen Einrichtungen aufgestellt werden. Halten Sie mindestens 5 cm Abstand zu Elektroöfen ein, vermeiden Sie die Aufstellung im direkten Sonnenlicht.
- i** Die Zimmertemperatur des Raumes, in dem der Kühlschrank aufgestellt wird, sollte mindestens 10°C betragen. Im Hinblick auf den Wirkungsgrad ist der Betrieb des Kühlschranks bei geringerer Umgebungstemperatur nicht ratsam.
- i** Sorgen Sie dafür, dass das Innere Ihres Kühlschranks gründlich gereinigt wird.
- i** Falls zwei Kühlschränke nebeneinander platziert werden sollen, achten Sie darauf, dass sie mindestens 2 cm voneinander entfernt aufgestellt werden.
- i** Wenn Sie den Kühlschrank zum ersten Mal in Betrieb nehmen, halten Sie sich bitte an die folgenden Anweisungen für die ersten sechs Betriebsstunden.
 - Die Kühlschranktür sollte nicht zu häufig geöffnet werden.
 - Der Kühlschrank muss zunächst vollständig leer arbeiten.
 - Ziehen Sie nicht den Netzstecker.Falls der Strom ausfallen sollte, beachten Sie die Warnhinweise im Abschnitt „Empfehlungen zur Problemlösung“.
- i** Originalverpackung und Schaumstoffmaterialien sollten zum zukünftigen Transport des Gerätes aufbewahrt werden.

Türanschlag umkehren

Gehen Sie der Reihe nach vor.



5 So bedienen Sie Ihren Kühlschrank



Thermostateinstelltaste

Die Innentemperatur Ihres Kühlschranks hängt teilweise von folgenden Einflüssen ab:

- Umgebungstemperatur.
- Häufigkeit der Türöffnungen, Offenstehen der Tür über längere Zeit.
- Einlagern von Lebensmitteln, ohne diese zuvor auf Raumtemperatur abkühlen zu lassen.
- Platzierung des Kühlschranks innerhalb des Raumes (z. B. im direkten Sonnenlicht).
- Zum Anpassen der Innentemperatur an solche Einflüsse benutzen Sie das Thermostat. Die Zahlen rund um die Thermostateinstelltaste zeigen die Kühlungsleistung an.
- Falls die Umgebungstemperatur mehr als 32°C beträgt, wählen Sie die höchstmögliche Thermostateinstellung.
- Sofern die Umgebungstemperatur weniger als 25°C beträgt, wählen Sie die geringste Thermostateinstellung.

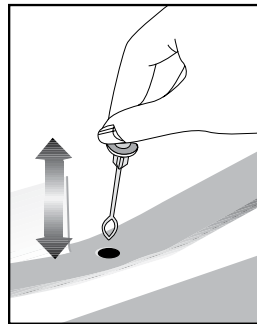
Abtauen

A) Kühlbereich

Der Kühlbereich tau vollautomatisch ab. Im Betrieb können sich Wassertropfen und eine 7 – 8 mm starke Eisschicht an der Innenwand des Kühlbereiches absetzen. Dies ist vollkommen normal und ein Nebeneffekt des Kühlungssystems. Dank des automatischen Abtausystems an der Rückwand wird das Eis in bestimmten Abständen automatisch abgetaut.

Weder Eis noch Wassertropfen müssen manuell entfernt werden. Beim Abtauen läuft das Tauwasser in die Ablaufrinne und fließt anschließend zum Verdampfer - hier verdunstet das Wasser automatisch.

Überzeugen Sie sich regelmäßig davon, dass der Ablauf nicht verstopft ist; beseitigen Sie eventuelle Verstopfungen mit dem Stäbchen.

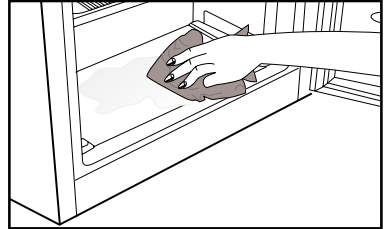
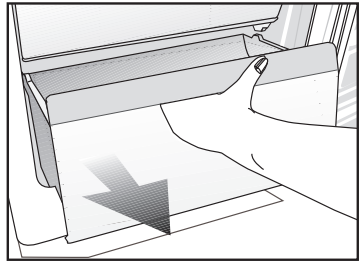


B) Tiefkühlbereich

Der Tiefkühlbereich wird nicht automatisch abgetaut, da es ansonsten schnell zum Verderben gefrorener Lebensmittel kommen könnte.

Dank einer speziellen Tauwassersammelschale ist das Abtauen einfach und nicht mit Verunreinigungen verbunden.

Tauen Sie zweimal jährlich ab, oder wenn die Eisschicht auf etwa 7 mm angewachsen ist. Um den Abtauprozess zu starten, schalten Sie das Gerät am Steckdosenschalter aus und ziehen den Stecker aus der Steckdose. Sämtliche Lebensmittel sollten in mehrere Lagen Papier eingewickelt und an einem kalten Ort (z. B. Kühlschrank oder Speisekammer) gelagert werden. Um den Abtauvorgang zu beschleunigen, können Sie Schüsseln mit warmem Wasser in das Gerät stellen. Verwenden Sie keine spitzen oder scharfen Gegenstände (wie Messer oder Gabeln) zum Entfernen der Eisschicht. Verwenden Sie niemals Haartrockner, elektrische Heizgeräte oder ähnliches zum Beschleunigen des Abtauvorgangs. Wischen Sie das Tauwasser, welches sich am Boden des Tiefkühlbereichs ansammelt, mit einem Schwamm auf. Trocknen Sie nach Beendigung des Abtauens die Innenseiten gut ab. Stecken Sie den Netzstecker wieder in die Steckdose, schalten Sie die Stromzufuhr wieder ein.



6 **Wartung und Reinigung**

- ⚠ Verwenden Sie zu Reinigungszwecken niemals Benzin oder ähnliche Substanzen.
- ⚠ Wir empfehlen, vor dem Reinigen den Netzstecker zu ziehen.
- 🔧 Verwenden Sie zur Reinigung niemals scharfe Gegenstände, Seife, Haushaltsreiniger, Waschmittel oder Wachspolituren.
- 🔧 Reinigen Sie das Gehäuse des Gerätes mit lauwarmem Wasser, wischen Sie die Flächen danach trocken.
- ⚠ Zur Reinigung des Innenraums verwenden Sie ein feuchtes Tuch, das Sie in eine Lösung aus 1 Teelöffel Natron und einem halben Liter Wasser getaucht und ausgewrungen haben. Nach dem Reinigen wischen Sie den Innenraum trocken.
- ⚠ Achten Sie darauf, dass kein Wasser in das Lampengehäuse oder andere elektrische Komponenten eindringt.
- ⚠ Wenn Ihr Kühlgerät längere Zeit nicht benutzt wird, ziehen Sie den Netzstecker, nehmen alle Lebensmittel heraus, reinigen das Gerät und lassen die Türe geöffnet.
- 🔧 Kontrollieren Sie die Türdichtungen regelmäßig, um sicherzustellen, dass diese sauber und frei von Speiseresten sind.
- 🔧 Zum Entfernen einer Türablage räumen Sie sämtliche Gegenständen aus der Ablage und schieben diese dann nach oben heraus.

Schutz der Kunststoffflächen

- 🔧 Geben Sie keine Öle oder stark fetthaltige Speisen offen in Ihren Kühlschrank – dadurch können die Kunststoffflächen angegriffen werden. Sollten die Plastikoberflächen einmal mit Öl in Berührung kommen, so reinigen Sie die entsprechenden Stellen umgehend mit warmem Wasser.

7 Empfehlungen zur Problemlösung

Bitte arbeiten Sie diese Liste durch, bevor Sie den Kundendienst anrufen. Das kann Ihnen Zeit und Geld sparen. In der Liste finden Sie häufiger auftretende Probleme, die nicht auf Verarbeitungs- oder Materialfehler zurückzuführen sind. Nicht alle hier beschriebenen Funktionen sind bei jedem Modell verfügbar.

Der Kühlschrank arbeitet nicht.

- Ist der Kühlschrank richtig angeschlossen? Stecken Sie den Netzstecker in die Steckdose.
- Ist die entsprechende Haussicherung herausgesprungen oder durchgebrannt? Überprüfen Sie die Sicherung.

Kondensation an den Seitenwänden des Kühlbereiches. (Multizone, Kühlkontrolle und FlexiZone).

- Sehr geringe Umgebungstemperaturen. Häufiges Öffnen und Schließen der Tür. Sehr feuchte Umgebung. Offene Lagerung von feuchten Lebensmitteln. Tür nicht richtig geschlossen. Kühlere Thermostateinstellung wählen.
- Türen kürzer geöffnet halten oder seltener öffnen.
- Offene Behälter abdecken oder mit einem geeigneten Material einwickeln.
- Kondensation mit einem trockenen Tuch entfernen und überprüfen, ob diese erneut auftritt.

Der Kompressor läuft nicht.

- Eine Schutzschaltung stoppt den Kompressor bei kurzzeitigen Unterbrechungen der Stromversorgung und wenn das Gerät zu oft und schnell ein- und ausgeschaltet wird, da der Druck des Kühlmittels eine Weile lang ausgeglichen werden muss. Ihr Kühlschrank beginnt nach etwa sechs Minuten wieder zu arbeiten. Bitte wenden Sie sich an den Kundendienst, falls Ihr Kühlschrank nach Ablauf dieser Zeit nicht wieder zu arbeiten beginnt.
- Der Kühlschrank taut ab. Dies ist bei einem vollautomatisch abtauenden Kühlschrank völlig normal. Das Gerät taut von Zeit zu Zeit ab.
- Der Netzstecker ist nicht eingesteckt. Überprüfen Sie, ob das Gerät richtig angeschlossen ist.
- Stimmen die Temperatureinstellungen?
- Eventuell ist der Strom ausgefallen.

Der Kühlschrank arbeitet sehr intensiv oder über eine sehr lange Zeit.

- Ihr neues Gerät ist vielleicht etwas breiter als sein Vorgänger. Dies ist völlig normal. Große Kühlgeräte arbeiten oft längere Zeit.
- Die Umgebungstemperatur ist eventuell sehr hoch. Dies ist völlig normal.
- Das Kühlgerät wurde möglicherweise erst vor kurzem in Betrieb genommen oder mit Lebensmitteln gefüllt. Es kann einige Stunden länger dauern, bis der Kühlschrank seine Arbeitstemperatur erreicht hat.
- Kurz zuvor wurden größere Mengen warmer Speisen im Kühlschrank eingelagert. Heiße Speisen führen dazu, dass der Kühlschrank etwas länger arbeiten muss, bis die geeignete Temperatur zur sicheren Lagerung erreicht ist.
- Türen wurden häufig geöffnet oder längere Zeit nicht richtig geschlossen. Der Kühlschrank muss länger arbeiten, weil warme Luft in den Innenraum eingedrungen ist. Öffnen Sie die Türen möglichst selten.
- Die Tür des Kühl- oder Tiefkühlbereichs war nur angelehnt. Vergewissern Sie sich, dass die Türen richtig geschlossen wurden.
- Die Kühlschranktemperatur ist sehr niedrig eingestellt. Stellen Sie die Kühlschranktemperatur höher ein und warten Sie, bis die gewünschte Temperatur erreicht ist.
- Die Türdichtungen von Kühl- oder Gefrierbereich sind verschmutzt, verschlissen, beschädigt oder sitzen nicht richtig. Reinigen oder ersetzen Sie die Dichtung. Beschädigte oder defekte Dichtungen führen dazu, dass der Kühlschrank länger arbeiten muss, um die Temperatur halten zu können.

Die Temperatur im Tiefkühlbereich ist sehr niedrig, während die Temperatur im Kühlbereich normal ist.

- Die Tiefkühltemperatur ist sehr niedrig eingestellt. Stellen Sie die Gefrierfachtemperatur wärmer ein und prüfen Sie.

Die Temperatur im Kühlbereich ist sehr niedrig, während die Temperatur im Tiefkühlbereich normal ist.

- Die Kühltemperatur ist eventuell sehr niedrig eingestellt. Stellen Sie die Kühlbereichtemperatur wärmer ein und prüfen Sie.

Im Kühlbereich gelagerte Lebensmittel frieren ein.

- Die Kühltemperatur ist eventuell sehr niedrig eingestellt. Stellen Sie die Kühlbereichtemperatur wärmer ein und prüfen Sie.

Die Temperatur im Kühl- oder Tiefkühlbereich ist sehr hoch.
<ul style="list-style-type: none"> Die Temperatur des Kühlbereichs ist eventuell sehr hoch eingestellt. Die Einstellung des Kühlbereichs beeinflusst die Temperatur im Tiefkühlbereich. Stellen Sie den Kühl- oder Tiefkühlbereich auf die gewünschte Temperatur ein. Türen wurden häufig geöffnet oder längere Zeit nicht richtig geschlossen; weniger häufig öffnen. Die Tür wurde eventuell nicht richtig geschlossen; Tür richtig schließen. Kurz zuvor wurden größere Mengen warmer Speisen im Kühlschrank eingelagert. Warten Sie, bis der Kühl- oder Tiefkühlbereich die gewünschte Temperatur erreicht. Der Kühlschrank war kurz zuvor von der Stromversorgung getrennt. Ihr Kühlschrank braucht einige Zeit, um sich auf die gewünschte Temperatur abzukühlen.
Das Betriebsgeräusch nimmt zu, wenn der Kühlschrank arbeitet.
<ul style="list-style-type: none"> Das Leistungsverhalten des Kühlgerätes kann sich je nach Umgebungstemperatur ändern. Dies ist völlig normal und keine Fehlfunktion.
Vibrationen oder Betriebsgeräusche.
<ul style="list-style-type: none"> Der Boden ist nicht eben oder nicht fest. Der Kühlschrank wackelt, wenn er etwas bewegt wird. Achten Sie darauf, dass der Boden eben ist und das Gewicht des Kühlschranks problemlos tragen kann. Das Geräusch kann durch auf dem Kühlschrank abgestellte Gegenstände entstehen. Nehmen Sie abgestellte Gegenstände vom Kühlschrank herunter.
Fließ- oder Spritzgeräusche sind zu hören.
<ul style="list-style-type: none"> Aus technischen Gründen bewegen sich Flüssigkeiten und Gase innerhalb des Gerätes. Dies ist völlig normal und keine Fehlfunktion.
Windähnliche Geräusche sind zu hören.
<ul style="list-style-type: none"> Zum gleichmäßigen Kühlen werden Ventilatoren eingesetzt. Dies ist völlig normal und keine Fehlfunktion.
Kondensation an den Kühlschrankinnenflächen.
<ul style="list-style-type: none"> Bei heißen und feuchten Wetterlagen tritt verstärkt Eisbildung und Kondensation auf. Dies ist völlig normal und keine Fehlfunktion. Die Türen wurden eventuell nicht richtig geschlossen; Türen komplett schließen. Türen wurden häufig geöffnet oder längere Zeit nicht richtig geschlossen; weniger häufig öffnen.
Feuchtigkeit sammelt sich an der Außenseite des Kühlschranks oder an den Türen.
<ul style="list-style-type: none"> Eventuell herrscht hohe Luftfeuchtigkeit; dies ist je nach Wetterlage völlig normal. Die Kondensation verschwindet, sobald die Feuchtigkeit abnimmt.
Unangenehmer Geruch im Kühlschrankinnenraum.
<ul style="list-style-type: none"> Das Innere des Kühlschranks muss gereinigt werden. Reinigen Sie das Innere des Kühlschranks mit einem Schwamm, den Sie mit lauwarmem oder kohlenensäurehaltigem Wasser angefeuchtet haben. Bestimmte Behälter oder Verpackungsmaterialien verursachen den Geruch. Verwenden Sie andere Behälter oder Verpackungsmaterial einer anderen Marke.
Die Tür wurde nicht richtig geschlossen.
<ul style="list-style-type: none"> Lebensmittelpackungen verhindern eventuell das Schließen der Tür. Entfernen Sie die Verpackungen, welche die Tür blockieren. Der Kühlschrank steht nicht mit sämtlichen Füßen fest auf dem Boden und schaukelt bei kleinen Bewegungen. Stellen Sie die Höheneinstellschrauben ein. Der Boden ist nicht eben oder nicht stabil genug. Achten Sie darauf, dass der Boden eben ist und das Gewicht des Kühlschranks problemlos tragen kann.
Das Gemüsefach klemmt.
<ul style="list-style-type: none"> Die Lebensmittel berühren eventuell den oberen Teil der Schublade. Ordnen Sie die Lebensmittel in der Schublade anders an.

Моля първо да прочетете това ръководство!

Уважаеми клиенти,

Надяваме се, че вашият продукт, произведен в съвременни фабрики и проверен при най-стриктни процедури за контрол на качеството, ще ви осигури ефективна работа.




За целта, ви съветваме да прочетете внимателно цялото ръководство за употреба на продукта преди да го ползвате и да го държите под ръка за справки в бъдеще.

Това ръководство

- Ще ви помогне да използвате уреда по-най-бърз и безопасен начин.
- Прочетете ръководството преди монтаж и работа с продукта.
- Следвайте всички инструкции, особено тези за безопасност.
- Дръжте ръководството на лесно достъпно място, тъй като може да се нуждаете от него.
- Освен това, прочетете и другите листовки, доставени с продукта.
- Обърнете внимание, че това ръководство може да важи и за други модели уреди.

Символи и техните описания

Това ръководство за употреба съдържа следните символи:

-  Важна информация или полезни съвети за употреба.
-  Предупреждения при опасност за живота или имуществото.
-  Предупреждения за електрическата мощност.



ВНИМАНИЕ!

Вашият апарат съдържа хладилна течност R 600a (запалим само при определени условия) газ от естествен произход който е силно съвместим със изискванията за опазване на околната среда. За да осигурите нормална работа на Вашият уред моля спазвайте следните правила:

- Осигурете нормална вентилация на уреда.
- Не използвайте механични устройства за размразяване на уреда, освен тези препоръчни от производителя.
- Не наранявайте хладилната верига.
- Не използвайте електрически уреди вътре в апарата.

ИНФОРМАЦИЯ



ENERGY



SUPPLIER'S NAME

MODEL IDENTIFIER → (*)

A

A

Информацията за модела, съхранявана в базата данни на продукта, може да бъде получена, като въведете следния уебсайт и потърсите идентификатора на вашия модел (*), намиращ се на енергийния етикет.

<https://eprel.ec.europa.eu/>

1 Вашият хладилник 3

2 Важни предупреждения относно безопасността 4

Употреба на уреда	4
Обща безопасност	4
За продукт с воден разпределител.....	5
Защита от деца	6
НСА предупреждение	6
Неща, които да направите с цел пестене на енергия.....	6

3 Монтаж 7

На какво да обърнете внимание при повторно транспортиране на хладилника	7
Преди да започнете работа с хладилника	7
Електрическо свързване	7
Изхвърляне на опаковъчните материали	7
Изхвърляне на стария ви хладилник.	8
Поставяне ни монтиране	8
Подмяна на осветителната лампичка	8

4 Подготовка 8

Обръщане на вратите.....	9
--------------------------	---

5 Използване на хладилника 10

Бутон за настройка на термостата.....	10
Разлеждане	10

6 Поддръжка и почистване 11

Предпазване на пластмасовите повърхности	11
--	----

7 Възможни решения на възникнали проблеми 12

Рециклиране

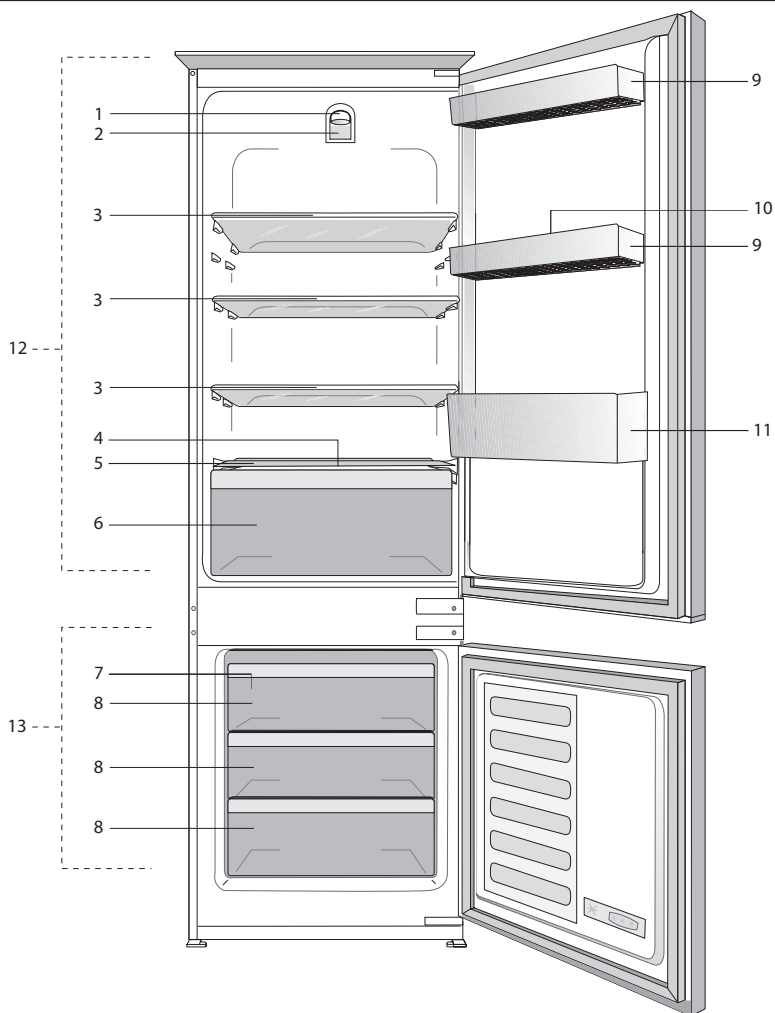


Този продукт носи символ за селективно сортиране за Изхвърляне на електрическо и електронно оборудване (WEEE).

Това означава, че този продукт трябва да се изхвърли в съответствие с Европейската Директива 2002/96/ЕС, за да се рециклира или бъде разглобен с цел намаляване на влиянието върху околната среда. За допълнителна информация се обърнете към местните и регионални власти.

Електронните продукти, които не бъдат включени в процеса на селективно сортиране, са потенциално опасни за околната среда и човешкото здраве поради съдържанието на рискови вещества.

1 Вашият хладилник



- | | |
|--|---|
| 1. Копче на термостата | 8. Контейнер за съхранение на замразени храни |
| 2. Гнездо за лампичката | 9. Подвижни рафтове на вратата |
| 3. Подвижни рафтове | 10. Отделение за яйца |
| 4. Улей за водата от разлеждането - Дренажна тръба | 11. Рафт за бутилки |
| 5. Капак на контейнера за плодове и зеленчуци | 12. Хладилно отделение |
| 6. Контейнер за запазване на свежестта | 13. Фризерно отделение |
| 7. Отделение за лед | |

i Фигурите в настоящето ръководство за употреба са схематични и може да не отговарят точно на вашия уред. Ако споменатите части липсват във вашия уред, то те важат за други модели.

2 Важни предупреждения относно безопасността

Моля, прегледайте следната информация. Неспазването на тази информация може да доведе до наранявания или материални щети. В противен случай всякаква гаранция и отговорност стават невалидни.

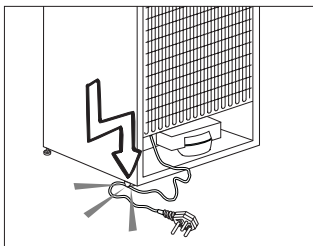
Употреба на уреда

- Този продукт е предназначен за употреба в закрити помещения и зони, като например вкъщи;
- в затворена работна среда като например магазин и офиси;
- в затворени сгради за настаняване на хора, като например вили, хотели, пансиони.
- Този продукт не бива да се използва навън.

Обща безопасност

- Когато решите да изхвърлите продукта, препоръчваме да се консултирате с оторизирания сервиз за да получите нужната информация за това, както и с оторизираните власти.
- Консултирайте се с оторизирания сервиз по всякакви въпроси и проблеми, свързани с хладилника. Не се опитвайте да поправяте сами или да позволявате друг да прави това без да предупредите оторизирания сервиз.
- За продукти с фризерно отделение; Не яжте сладолед или кубчета лед веднага след като ги извадите от фризерното отделение! (Това може да доведе до измръзване в устата ви.)
- За продукти с фризерно отделение; Не поставяйте бутилирани или консервирани течности във фризерното отделение. В противен случай те може да се пръснат.
- Не пипайте замразената храна с ръце; тя може да се залепи за ръката ви.
- Изключете хладилника от контакта преди почистване или размразяване.
- Не бива никога да използвате пара и парни почистващи материали при почистването и разлеждането на хладилника. Парата може да влезе в контакт с електрическите части и да предизвика късо съединение или токов удар.
- Никога не използвайте частите на хладилника, като например вратата за подпора или за стъпване.
- Не използвайте електрически уреди вътре в хладилника.
- Не повреждайте частите, където циркулира охладителя с пробивни или режещи инструменти. Евентуалното изтичане на охладител при пробиване на каналите на изпарителя, удължената на тръбата или покритието върху повърхността може да предизвика дразнене на кожата или нараняване на очите.
- Не покривайте и не блокирайте с предмети вентилационните отвори на хладилника.
- Електрическите устройства трябва да се ремонтират само от оторизирани лица. Ремонтът, извършен от некомпетентно лице може да създаде риск за потребителя.
- В случай на каквато и да е повреда или по време на поддръжка и ремонт, изключете хладилника от ел. захранване като изключите съответния бушон или извадите щепсела от контакта.
- Не дърпайте за кабела когато искате да извадите щепсела от контакта.
- Високоградусови спиртни напитки трябва да се поставят в хладилника само вертикално и плътно затворени.
- Никога не съхранявайте спрейове съдържащи възпламеними или експлозивни вещества в хладилника.
- Не използвайте механични устройства или други средства, за да ускорите процеса на размразяване, освен посочените от производителя.
- Този уред не е предназначен за употреба от лица с физически, сензорни или умствени разстройства или лица без опит и познания (включително деца), освен ако те не са наблюдавани или инструктирани относно употребата на уреда от отговорно за безопасността им лице.
- Не използвайте хладилника ако е повреден. Ако имате някакви съмнения, се обърнете към сервизния агент.
- Електрическата безопасност на хладилника е гарантирана само ако заземяването на ел. инсталация в дома ви отговаря на съответните стандарти.

- Излагането на продукта на дъжд, сняг, слънце и вятър представлява опасност от електрическа гледна точка.
- Свържете се с оторизирания сервис при повреда в хранящия кабел за да избегнете всякакъв риск.
- Никога не включвайте хладилника в контакта по време на инсталация. В противен случай съществува риск за живота или от сериозно нараняване.
- Тзи хладилник е предназначен само за съхранение на хранителни продукти. Той не бива да се ползва за никакви други цели.
- Етикетът с технически спецификации е разположен върху лявата вътрешна стена на хладилника.
- Никога не свързвайте хладилника с енергоспестяващи системи; те могат да повредят хладилника.
- Ако на хладилника има синя светлина, не разглеждайте синята светлина с оптически устройства.
- За ръчно контролирани хладилници, изчакайте поне 5 минути за да рестартирате хладилника след прекъсване в захранването.
- Това упътване за употреба трябва да се предаде на новия собственик ако уредът бъде продаден на други лица.
- Внимавайте да не повредите хранящия кабел при транспортирането на хладилника. Огъването на кабела може да доведе до пожар. Никога не поставяйте тежки предмети върху хранящия кабел. Не пипайте щепсела с мокри ръце когато включвате уреда в контакта.
- Не пръскайте субстанции, съдържащи възпламеними газове от рода на пропан газ в близост до хладилника за да избегнете риска от пожар и експлозия.
- Никга не поставяйте съдове, пълни с вода върху хладилника, тъй като това може да доведе до токов удар или пожар.
- Не препълвайте хладилника с прекомерно количество храна. Ако е препълнен, хранителните продукти може да паднат и да ви наранят или да повредят хладилника при отваряне на вратата. Никога не поставяйте предмети върху хладилника; в противен случай те може да изпаднат при отварянето и затварянето на вратата на хладилника.
- Тъй като се нуждаят от точно определена температура на съхранение (ваксини, температурно-зависими лекарства, научни материали, и др.) не бива да се държат в хладилника.
- Ако не бъде използван дълго време, хладилникът трябва да бъде изключен от контакта. Възможно е неизправност в хранящия кабел да доведе до пожар.
- Накрайникът на щепсела трябва да бъде редовно почистван за да се избегне риска от пожар.
- Накрайникът на щепсела трябва да бъде редовно почистван със сух парцал за да се избегне риска от пожар.
- Хладилникът може да мърда ако регулируемите крачета не са стабилно закрепени на пода. Стабилното закрепване на регулируемите крачета на пода може да предпази хладилника от мърдане.
- При преместването на хладилника, не го хващайте за дръжката на вратата. В противен случай тя може да се откъсне.
- Ако се налага да поставите уреда до друг хладилник или фризер, разстоянието между двата уреда трябва да е поне 8см. В противен случай прилежащите странични стени може да се навлажнят.



- Не включвайте хладилника в разхлабени контакти.
- По причини на безопасността по външността или вътрешността на уреда не бива да се пръска директно вода.

За продукт с воден разпределител

- Налягането на водата трябва да е поне 1 бар. Налягането на водата трябва да е под 8 бара.
- Използвайте само питейна вода.

Защита от деца

- Ако на вратата е поставена ключалка, ключът трябва да се държи далеч от достъпа на деца.
- Децата трябва да бъдат надзиравани за да се избегне играене с уреда.

НСА предупреждение

Ак охлаждащата система на уреда ви съдържа R600a:

Този газ е запалим. Затова внимавайте да не повредите охладителната система и тръбите при употреба и транспорт. В случай на повреда, дръжте продукта далеч от потенциални източници на огън, което може да доведе до подпалването на уреда и проветрявайте стаята, където се намира той.

Не взимайте предвид това предупреждение ако охладителната ви система съдържа R134a.

Типът газ, използван в продукта, е обозначен на страничната табелка с данни върху вътрешната лява страна на хладилника.

Никога не изхвърляйте уреда в огън.

Неща, които да направите с цел пестене на енергия

- Не оставяйте вратите на хладилника отворени за дълго.
- Не прибирайте горещи храни и напитки в хладилника.
- Не препълвайте хладилника за да не се затруднява въздушната циркулация вътре в него.
- Не инсталирайте хладилника под пряка слънчева светлина или в близост до уреди, излъчващи топлина, като фурни, съдомиялни машини или радиатори.
- Дръжте храната в затворени контейнери.
- За уреди с фризерно отделение; Можете да съхранявате максимално количество хранителни продукти ако свалите рафта или чекмеджето на хладилника. Стойността на енергийната консумация, посочена върху хладилника, е измерена при свален рафт или чекмедже на фризера и при максимално зареждане. Няма никаква опасност да използвате рафт или чекмедже в зависимост от формата и размера на хранителните продукти които замразявате.
- Разлеждането на замразена храна в хладилника ще осигури както пестене на енергия, така и ще запази качеството на хранителните продукти.

3 Монтаж

⚠ Помнете, че производителят не носи отговорност, в случай, че предоставената в ръководството за употреба информация не се спазва.

На какво да обърнете внимание при повторно транспортиране на хладилника

1. Хладилникът трябва да се изпразни и почисти преди всяко транспортиране.
2. Рафтовете, аксесоарите, контейнера за запазване свежестта и др. в хладилника трябва да се залепят добре с изолирбанд срещу друсането при пренасяне.
3. Опаковката трябва да се обиколи с дебело тиксо и здрави въжета и правилата за транспортиране, напечатани върху опаковката, да се спазват.

Не забравяйте...

Всеки рециклиран продукт е от ползва за природата и националните ресурси.

Ако искате да допринесете за рециклирането на опаковъчните материали, може да получите информация за това от местните власти и органи за опазване на околната среда.

Преди да започнете работа с хладилника

Преди да започнете употреба на хладилника, моля поверете следното:

1. Вътрешността на хладилника суха ли е и може ли въздухът да циркулира свободно в задната му част?
2. Почистете вътрешността на хладилника, както е препоръчано в раздел "Поддръжка и почистване".
3. Включете хладилника в контакта. При отваряне на вратата вътрешната лампичка светва.
4. Ще чуете шум, когато компресорът започне да работи. Нормално е течността и газовете в охладителната система да издават шум, дори компресорът да не работи.

5. Предните ъгли на хладилника може да са топли на пипане. Това е нормално. Тези части са проектирани да бъдат топли с цел избягване на кондензацията-та.

Електрическо свързване

Свържете хладилника към заземен контакт, който се предпазва от бушон с подходящ капацитет.

Важно:

- Свързването трябва да бъде направено в съответствие с наредбите в страната.
- Щепселът трябва да е лесно достъпен след монтажа.
- Посочената мощност трябва да отговаря на мощността на вашето хранване.
- При свързването не бива да се ползват удължители и разклонители.

⚠ Ако кабелът е повреден, той трябва да се подмени от квалифициран техник.

⚠ Уредът не бива да се ползва преди той да бъде поправен! Съществува опасност от токов удар!

Изхвърляне на опаковъчните материали

Опаковъчните материали може да представляват опасност за децата.

Дръжте опаковъчните материали далеч от достъпа на деца или ги изхвърлете разделно, в съответствие с указанията за изхвърляне на отпадъци. Не ги изхвърляйте заедно с другите битови отпадъци.

Опаковката на вашия хладилник е изработена от рециклируеми материали.

Изхвърляне на стария ви хладилник.

Изхвърлете стария си уред така, че да не навредите на околната среда.

- Може да се консултирате с оторизирания търговец или центъра за събиране на отпадъци във вашата община относно изхвърлянето на хладилника ви.

Преди да изхвърлите хладилника ви, отрежете кабела и, ако вратата е със заключалки, ги направете неизползваеми, така, че да предпазите децата от всякакви евентуални рискове.

Поставяне на монтиране

⚠ Ако вратата на стаята, където ще инсталирате хладилника, не е достатъчно широка за да мине през нея хладилника, се обадете в оторизирания сервиз за да свалят вратите на хладилника и го вкарайте странично през вратата.

1. Инсталирайте хладилника на място, където може лесно да се ползва.

2. Дръжте хладилника далеч от топлинни източници, задушни места и пряка слънчева светлина.

3. Трябва да осигурите добра вентилация около хладилника за да може той да работи ефективно. Ако ще монтирате хладилника в ниша в стената, трябва да има поне 5 см разстояние от тавана и стената. Ако подът е покрит с килим, уредът трябва да се повдигне на 2.5 см от пода.

4. Поставете хладилника върху равна подова повърхност за да се избегне клатене на уреда.

5. Не дръжте хладилника при външна температура под 10°C.

Подмяна на осветителната лампичка

За да подмените лампичката в хладилника, моля обадете се в оторизирания сервиз.

Лампата(ите) в този уред не са подходящи за осветление в битови помещения.

Предназначението на тази лампа е да помага на потребителя да оставя

хранителни продукти в хладилника/фризера по безопасен и удобен начин.

Лампите, използвани в този уред, трябва да издържат на екстремни физически условия като температура под -20°C.

4 Подготовка

- Хладилникът ви трябва да се инсталира поне на 30 см разстояние от топлинни източници като котлони, фурни, централно парно, на поне 5 см от електрически печки и не трябва да се излага на пряка слънчева светлина.

- Температурата в стаята, където ще инсталирате хладилника, трябва да е поне 10°C. Употребата на хладилника при по-студени условия не е препоръчителна, тъй като това се отразява на ефективността му.

- Проверете дали вътрешността на хладилника е почистена изцяло.

- Ако два хладилника се инсталират един до друг, трябва да има поне 2 см разстояние помежду им.

- Когато използвате хладилника за първи път, следвайте следните указания през първите 6 часа.

- Вратата не бива да се отваря често.

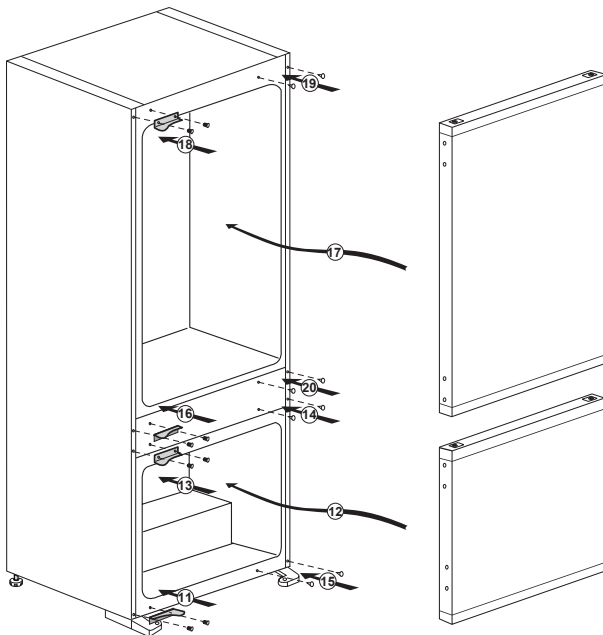
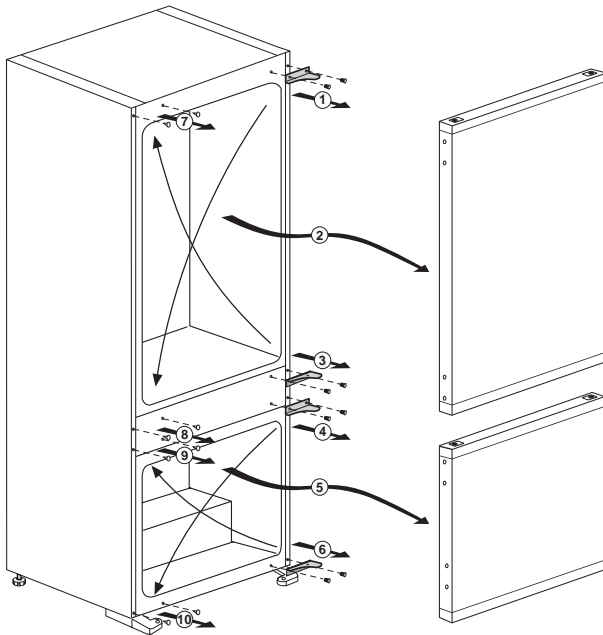
- Хладилникът трябва да работи празен, без храна в него.

- Не изключвайте хладилника от щепсела. Ако има прекъсване на захранването, което не можете да контролирате, моля прочетете предупрежденията в раздел **“Възможни решения на възникнали проблеми”**.

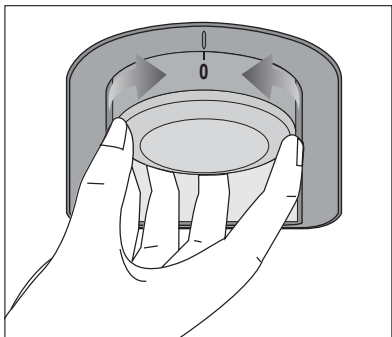
- Оригиналната опаковка и изолиращи материали трябва да се запазят за бъдещо транспортиране или преместване.

Обръщане на вратите

Процедирайте по ред на номерата.



5 Използване на хладилника



Бутон за настройка на термостата

Вътрешната температура на хладилника се променя поради следните причини:

- Сезонни температурни промени.
- Често отваряне на вратата и оставянето и за дълго отворена.
- Поставянето на храна, която не е охладена до стайна температура.
- Местото на хладилника в стаята (напр. излагане на слънце).
- С помощта на термостата може да нагласите вътрешната температура спрямо тези обстоятелства. Номерата около термостатния бутон показват градусите на охлаждане.
- Ако околната температура е над 32°C, завъртете термостатния бутон на максимална позиция.
- Ако околната температура е под 25°C, завъртете термостатния бутон на минимална позиция.

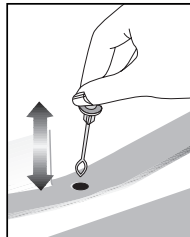
Разлеждане

А) Хладилно отделение

Хладилното отделение осъществява изцяло автоматично размразяване.

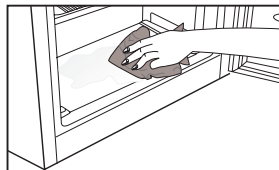
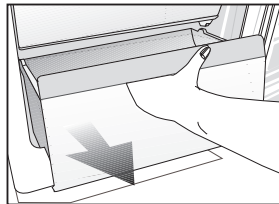
Докато хладилникът ви охлажда могат да се появят водни капки и заскрежавания до 8 мм на вътрешната задна стена в хладилното отделение. Тези образувания се получават от охлаждащата система. Образования лед се развежда чрез автоматичното размразяване на няколко интервала, извършвано от автоматичната развеждаща система на задната стена. На потребителя не се налага да изстъргва леда или да премахва водните капки. Водата, образувана при развеждането преминава през улея за събиране на вода и през дренажната тръба минава в изпарителя докато се изпари сама.

Редовно проверявайте дали дренажната тръба не е запушена и при необходимост я почиствайте с боцване на дупката.













В) Фризерно отделение

Отделението за дълбоко замразяване не извършва автоматично развеждане за да не се развали замразената храна. Размразяването става много лесно и безпроблемно, благодарение на специалното легенче за събиране на размразената вода. Размразявайте два пъти годишно или при образуване на 7мм (1/4") леден пласт. За да започнете с развеждането, изключете уреда от превключвателя и извадете захранващия кабел от контакта. Всички хранителни продукти трябва да се увият в няколко пласта вестник и да се съхраняват на хладно място (напр. хладилник или килер). Може да поставите внимателно съдове с топла вода във фризера за да се ускори развеждането. Не използвайте остри предмети като ножове и вилици за да свалите леда. Никога не използвайте сешуари, ел. пещки и други подобни уреди за развеждане на уреда. Попийте с гъба водата, събрала се при развеждането в долната част на отделението на фризера. След развеждането, подсушете цялостно вътрешността. Вкарайте щепсела в контакта и включете електрическото захранване.



6 Поддръжка и почистване

-  Никога не използвайте газ, бензин или подобни вещества за почистване на уреда.
-  Препоръчваме ви да изключите уреда от контакта, преди почистване.
-  Никога не използвайте за почистване остри или абразивни материали, сапун, домакински препарати, перилни препарати или полир.
-  Използвайте хладка вода, за да почистите корпуса на хладилника, и подсушете.
-  Използвайте влажна кърпа, натопена в разтвор от една супена лъжица сода бикарбонат в половин литър вода, за да почистите вътрешността, и подсушете.
-  В гнездото на лампата и другите електрически компоненти не бива да навлиза вода.
-  Ако хладилникът няма да се използва дълго време, изключете го от контакта, извадете всички хранителни продукти, почистете го и оставете вратата откритата.
-  Редовно проверявайте уплътненията на вратата, за да сте сигурни, че са чисти и че по тях няма хранителни остатъци.
-  За да свалите рафт от вратата, извадете всички продукти и го бутнете нагоре от основата му.
-  Никога не използвайте почистващи препарати или вода със съдържание на хлор за почистване на външните повърхности и хромираните части на продукта. Хлорът разяжда такива метални повърхности.

Предпазване на пластмасовите повърхности

- Не слагайте течни мазнини или готвени в мазнина ястия в хладилника освен в затворен контейнер, тъй като те повреждат пластмасовите повърхности на хладилника. В случай на разливане или омазване на пластмасовите повърхности с мазнина, почистете и изплакнете съответната част от повърхността с топла вода.

7 Възможни решения на възникнали проблеми

Моля, прегледайте този списък преди да се обадите в сервиса. Това може да ви спести време и пари. Този списък съдържа проблеми, които не са в резултат на дефетно производство или лоша употреба на материали. Някои от описаните тук характеристики може да не са налични на вашия продукт.

Хладилникът не работи.

- Хладилникът правилно ли е включен в контакта? Включете щепсела в контакта.
- Да не е изгорял бушонът на контакта, към който е свързан хладилника или главният бушон? Проверете бушона.

Кондензация на вода по страничната стена на хладилното отделение (MULTI ZONE, COOL CONTROL ve FLEXI ZONE).

- Много студени външни температурни условия. Често отваряне и затваряне на вратата. Много влажни външни условия. Съхранение на храни със съдържание на течности в отворените контейнери. Оставена откритата вратата.
- Превключете термостата на по-ниска стойност.
- Дръжте вратата отворена по-кратко време или я използвайте по рядко.
- Покривайте храните, съхранявани в отворени контейнери с подходящи материали.
- Избършете кондензираната вода със сух парцал и проверете дали се кондензира отново.

Компресорът не работи.

- Защитният термостат на компресора се изключва при внезапно прекъсване в захранването или при включване и изключване от контакта тъй като налягането на охладителя в охладителната система на хладилника все още не е уравновесен.
- Хладилникът ще започне да работи след около 6 минути. Ако след този период от време хладилникът не почне да работи, се свържете със сервиса.
- Хладилникът е в цикъл на разлеждане. Това е нормално за хладилник с напълно автоматично разлеждане. Цикълът на разлеждане се задейства периодично.
- Хладилникът не е включен в контакта. Проверете дали щепселът е пъхнат докрай в контакта.
- Правилно ли са направени температурните настройки? Прекъснато е ел. захранването. Обадете се в енергоснабдяване.

Хладилникът работи често или продължително време.

- Новият ви хладилник може да е по-широк от предишния. Това е съвсем нормално. Големите хладилници работят по-дълго време.
- Стайната температура е висока. Това е нормално.
- Хладилникът може скоро да е включен в контакта или да е зареден с храна. Пълното охлаждане на хладилника може да продължи няколко часа по-дълго.
- Възможно е наскоро да сте поставили големи количества топла храна в хладилника. Горещата храна води до по-продължителна работа на хладилника до достигане на необходимата ѝ температура на съхранение.
- Вратите може да са били отворяни често или оставени открити за дълго време. Топлият въздух, проникнал в хладилника, го кара да работи за по-продължителни периоди. Избягвайте да отваряте вратите толкова често.
- Вратата на фризерното или хладилно отделение може да е била оставена откритата. Проверете дали вратите са плътно затворени.
- Хладилникът е настроен на много ниска температура. Настройте хладилника на по-висок градус и изчакайте докато достигне температурата.
- Уплътнението на вратата на хладилника или фризера може да е замърсено, износено, повредено или неправилно поставено. Почистете или подменете уплътнението. Повреденото уплътнение кара хладилника да работи по-продължително време за да поддържа температурата.

Температурата във фризера е много ниска, докато температурата в хладилника е задоволителна.

- Фризерът е настроен на много ниска температура. Настройте температурата във фризера на по-висока стойност и проверете.

Температурата в хладилника е много ниска, докато температурата във фризера е задоволителна.

- Хладилникът е настроен на много ниска температура. Настройте температурата в хладилника на по-висока стойност и проверете.

Хранителните продукти, съхранявани в чекмеджетата на хладилното отделение, замръзват.

- Хладилникът е настроен на много ниска температура. Настройте температурата в хладилника на по-висока стойност и проверете.

<p>Температурата в хладилника или фризера е много висока.</p> <ul style="list-style-type: none"> • Хладилникът е настроен на много висока температура. Настройката на хладилника оказва влияние върху температурата във фризера. Променете температурата в хладилника или фризера до достигане на задоволително ниво. • Вратата може да е оставена откритата. Затворете вратата докрай. • Възможно е наскоро да сте поставили големи количества топла храна в хладилника. Изчакайте хладилникът или фризерът да достигнат желаната температура. • Хладилникът може скоро да е включен в контакта. Пълното охлаждане на хладилника отнема време поради големият обем.
<p>От хладилника се чува шум, подобен на часовниково тиктакане.</p> <ul style="list-style-type: none"> • Този шум идва от електромагнитния клапан на хладилника. Електромагнитният клапан работи за да подсури преминаването на охлаждащата течност през отделението, което може да се настрои на охлаждащи или зампазващи температури и осигурява охлаждащия ефект. Това е нормално и не е признак на повреда.
<p>Работният шум се увеличава когато хладилникът работи.</p> <ul style="list-style-type: none"> • Оперативните характеристики на хладилника ви може да се променят в зависимост от промените на околната температура. Това е нормално и не е повреда.
<p>Вибрации или шум.</p> <ul style="list-style-type: none"> • Подът не е равен или издръжлив. Хладилникът се люлее при леко помръдване. Уверете се, че подът е равен, издръжлив и способен да издържи хладилника. • Шумът може да идва от предметите, поставени върху хладилника. Те трябва да се свалят от хладилника.
<p>Чуват се шумове като от разливане на течност или спрей.</p> <ul style="list-style-type: none"> • Потокът на течност и газ е в съответствие с оперативните принципи на хладилника ви. Това е нормално и не е повреда.
<p>Чува се шум като от духане на вятър.</p> <ul style="list-style-type: none"> • Въздушните активатори (вентилатори) се използват за да може хладилникът да охлажда по-ефективно. Това е нормално и не е повреда.
<p>Кондензация по вътрешните страни на хладилника.</p> <ul style="list-style-type: none"> • Топлият и влажен климат повишава залеждането и кондензацията. Това е нормално и не е повреда. • Вратите са открити. Проверете дали вратите са плътно затворени. • Вратите може да са отворени твърде често или да са оставени отворени продължително време. Избягвайте да отваряте вратата толкова често.
<p>Отвън на хладилника или между вратите се събира влага.</p> <ul style="list-style-type: none"> • Климатът е влажен. Това е съвсем нормално при влажен климат. Когато влажността във въздуха намалее, кондензираната вода ще изчезне.
<p>Лоша миризма в хладилника.</p> <ul style="list-style-type: none"> • Вътрешността на хладилника трябва да се почисти. Почистете вътрешността на хладилника с гъба, топла или газирана вода. • Миризмата може да излиза от контейнери или опаковъчни материали. Използвайте друг контейнер или различна марка опаковъчни материали.
<p>Вратата/вратите не се затваря(т).</p> <ul style="list-style-type: none"> • Пакетите с храна може да пречат на затварянето на вратата. Преместете пакетите, които пречат на вратата. • Хладилникът може да не е нивелиран напълно вертикално върху пода и да се люлее при леко помръдване. Настойте повдигащите винтове. • Подът не е равен или издръжлив. Уверете се, че подът е равен и способен да издържи хладилника.
<p>Контейнерите за запазване на свежестта са заклещени.</p> <ul style="list-style-type: none"> • Храната може да докосва горната част на чекмеджето. Разместете храната в чекмеджето.

Παρακαλούμε διαβάστε πρώτα το παρόν εγχειρίδιο!

Αγαπητέ Πελάτη,

Ελπίζουμε ότι η συσκευή σας, που κατασκευάστηκε σε μοντέρνες εγκαταστάσεις και ελέγχθηκε με τις πιο αυστηρές διαδικασίες ελέγχου ποιότητας, θα σας προσφέρει αποδοτικά τις υπηρεσίες της.




Για το λόγο αυτό, συνιστούμε να διαβάσετε προσεκτικά όλο το εγχειρίδιο οδηγιών του προϊόντος σας πριν το χρησιμοποιήσετε και κατόπιν να το φυλάξετε σε εύκολα προσπελάσιμο σημείο για μελλοντική αναφορά.

Το παρόν εγχειρίδιο

- Θα σας βοηθήσει να χρησιμοποιήσετε τη συσκευή σας με γρήγορο και ασφαλή τρόπο.
- Διαβάστε το εγχειρίδιο πριν την εγκατάσταση και τη χρήση του προϊόντος σας.
- Ακολουθείτε τις οδηγίες και ιδιαίτερα αυτές που αφορούν την ασφάλεια.
- Φυλάξτε το εγχειρίδιο σε εύκολα προσπελάσιμο μέρος γιατί μπορεί να το χρειαστείτε αργότερα.
- Επιπλέον, διαβάστε και την υπόλοιπη τεκμηρίωση που συνοδεύει το προϊόν σας.
- Έχετε υπόψη σας ότι το παρόν εγχειρίδιο μπορεί να ισχύει και για άλλα μοντέλα.

Σύμβολα και οι περιγραφές τους

Το παρόν εγχειρίδιο οδηγιών περιέχει τα εξής σύμβολα:

-  Σημαντικές πληροφορίες ή χρήσιμες συμβουλές για τη χρήση.
-  Προειδοποίηση για συνθήκες επικίνδυνες για τη ζωή και την περιουσία.
-  Προειδοποίηση για ηλεκτρική τάση.



ΠΡΟΕΙΔΟΠΟΙΗΣΗ!

Για να εξασφαλίσετε κανονική λειτουργία της ψυκτικής σας συσκευής, η οποία χρησιμοποιεί ένα πλήρως φιλικό προς το περιβάλλον ψυκτικό μέσο, το R600a (εύφλεκτο μόνο υπό ορισμένες συνθήκες), πρέπει να τηρείτε τους ακόλουθους κανόνες:

- Μην εμποδίζετε την ελεύθερη κυκλοφορία του αέρα γύρω από τη συσκευή.
- Μη χρησιμοποιείτε μηχανικές διατάξεις για να επιταχύνετε την απόψυξη, εκτός από τα μέσα που συνιστά ο κατασκευαστής.
- Μην προκαλέσετε ζημιά στο ψυκτικό κύκλωμα.
- Μη χρησιμοποιείτε ηλεκτρικές συσκευές μέσα στο χώρο φύλαξης τροφίμων, εκτός από αυτές που ενδεχομένως έχει συστήσει ο κατασκευαστής.



ΠΛΗΡΟΦΟΡΙΕΣ



ENERG



SUPPLIER'S NAME

MODEL IDENTIFIER (*)

A

A

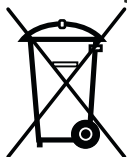
Η πρόσβαση στις πληροφορίες για το μοντέλο όπως είναι αποθηκευμένες στη βάση δεδομένων για τα προϊόντα είναι εφικτή με την είσοδο στον παρακάτω ιστότοπο και την αναζήτηση για το αναγνωριστικό του μοντέλου (*) της συσκευής σας που αναφέρεται στην ετικέτα ενεργειακής σήμανσης.

<https://eprel.ec.europa.eu/>

ΠΕΡΙΕΧΟΜΕΝΑ

1 Το ψυγείο σας	3	4 Προετοιμασία	8
		Αντιστροφή της φοράς ανοίγματος των πορτών	9
2 Σημαντικές προειδοποιήσεις ασφαλείας	4	5 Χρήση του ψυγείου σας	10
Προβλεπόμενος σκοπός χρήσης.....	4	Κουμπί ρύθμισης θερμοστάτη	10
Γενικές οδηγίες ασφαλείας	4	Απόψυξη.....	10
Για προϊόντα με διανομέα νερού:.....	6	6 Συντήρηση και καθαρισμός	11
Ασφάλεια των παιδιών.....	6	Προστασία των πλαστικών επιφανειών	11
Προειδοποίηση HCA (Για συσκευές Ψύξης - Θέρμανσης)	6	7 Συνιστώμενες λύσεις για προβλήματα	12
Τι πρέπει να κάνετε για εξοικονόμηση ενέργειας	6		
3 Εγκατάσταση	7		
Σημεία που πρέπει να προσεχτούν κατά τη μεταφορά του προϊόντος	7		
Πριν θέσετε σε λειτουργία το ψυγείο σας	7		
Ηλεκτρική σύνδεση.....	7		
Διάθεση των υλικών συσκευασίας	7		
Διάθεση του παλιού σας ψυγείου	8		
Τοποθέτηση και εγκατάσταση	8		
Αντικατάσταση της εσωτερικής λάμπας	8		

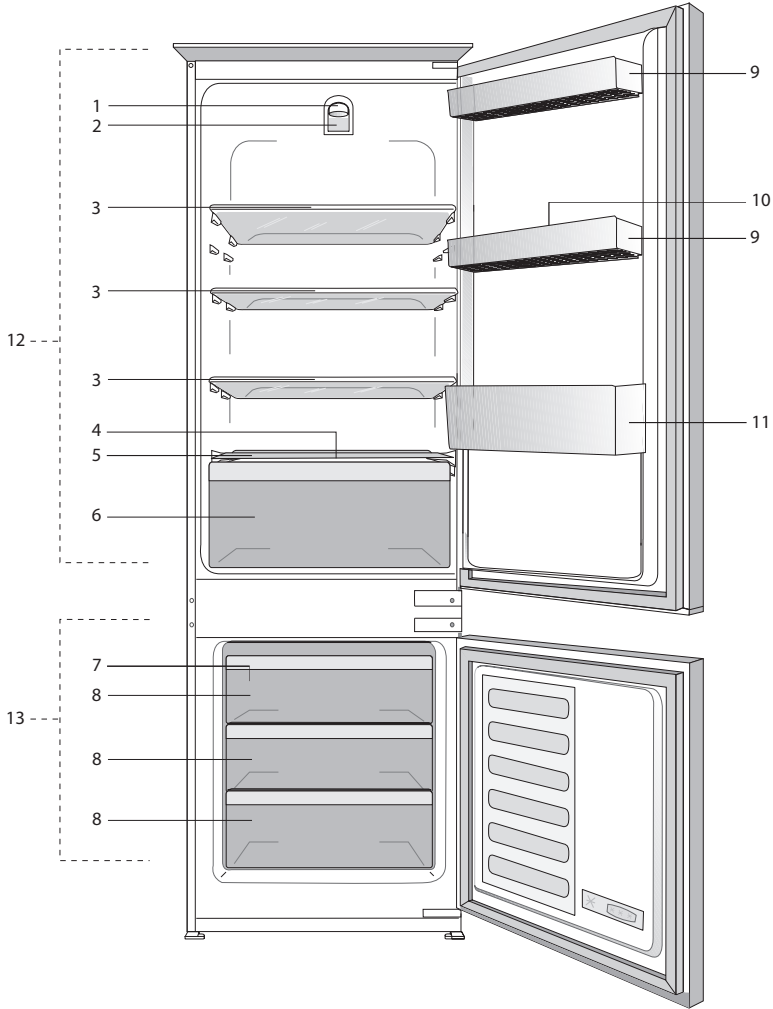
Ανακύκλωση



Αυτό το προϊόν φέρει το σύμβολο της επιλεκτικής διαλογής για Απόβλητα ειδών Ηλεκτρικού και Ηλεκτρονικού Εξοπλισμού (ΑΗΗΕ). Αυτό σημαίνει ότι αυτό το προϊόν θα πρέπει να τυχάνει χειρισμού σύμφωνα με την Ευρωπαϊκή Οδηγία 2002/96/ΕΚ για να ανακυκλώνεται ή να αποσυναρμολογείται ώστε να ελαχιστοποιείται η επίπτωσή του στο περιβάλλον. Για περισσότερες πληροφορίες, παρακαλούμε απευθυνθείτε στις τοπικές ή τις περιφερειακές σας αρχές.

Τα ηλεκτρονικά προϊόντα που δεν περιλαμβάνονται στη διαδικασία της επιλεκτικής διαλογής είναι δυνητικά επικίνδυνα για το περιβάλλον και την ανθρώπινη υγεία λόγω παρουσίας επικίνδυνων ουσιών.

1 Το ψυγείο σας



1. Περιστροφικό κουμπί ρύθμισης θερμοκρασίας
2. Εσωτερικός φωτισμός
3. Ράφια χώρου συντήρησης
4. Κανάλι συλλογής νερού απόψυξης – Σωλήνας αποστράγγισης
5. Κάλυμμα συρταριών λαχανικών
6. Συρτάρι λαχανικών
7. Θήκη για παγάκια
8. Χώροι φύλαξης κατεψυγμένων τροφίμων
9. Ράφια πόρτας
10. Θήκη αυγών
11. Ράφι για μπουκάλια
12. Χώρος συντήρησης
13. Χώρος κατάψυξης

i Οι εικόνες σ' αυτό το εγχειρίδιο οδηγιών είναι σχηματικές και ενδέχεται να μην ανταποκρίνονται ακριβώς στο προϊόν σας. Αν ορισμένα τμήματα δεν περιλαμβάνονται στο προϊόν που έχετε προμηθευτεί, τότε ισχύουν για άλλα μοντέλα.

2 Σημαντικές προειδοποιήσεις ασφαλείας

Παρακαλούμε να μελετήσετε τις πληροφορίες που ακολουθούν. Η μη τήρηση αυτών των πληροφοριών μπορεί να γίνει αιτία τραυματισμών ή υλικών ζημιών. Αν δεν το κάνετε αυτό, θα καταστεί άκυρη κάθε εγγύηση και κάθε δέσμευση περί αξιοπιστίας.

Προβλεπόμενος σκοπός χρήσης

Το προϊόν αυτό προορίζεται να χρησιμοποιείται:

- σε εσωτερικούς χώρους και κλειστές περιοχές όπως είναι τα στίπια
- σε κλειστούς χώρους εργασίας όπως καταστήματα και γραφεία
- σε κλειστούς χώρους ενδιάθεσης όπως αγροτόσπιτα, ξενοδοχεία, πανσιόν.
- Το προϊόν αυτό δεν πρέπει να χρησιμοποιείται σε εξωτερικό χώρο.

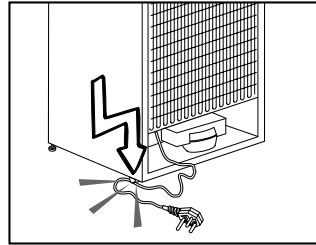
Γενικές οδηγίες ασφαλείας

- Όταν θέλετε να πετάξετε ως άχρηστο ή να ανακυκλώσετε το προϊόν, συνιστούμε για τις απαιτούμενες πληροφορίες να συμβουλευτείτε το εξουσιοδοτημένο σέρβις ή τους αρμόδιους φορείς.
- Να συμβουλευέστε το εξουσιοδοτημένο σέρβις για όλες τις ερωτήσεις και προβλήματα σχετικά με το ψυγείο. Μην επεμβαίνετε και μην αφήνετε οποιονδήποτε άλλον να επέμβει στο ψυγείο χωρίς να ειδοποιήσετε το εξουσιοδοτημένο σέρβις.
- Για προϊόντα με χώρο κατάψυξης: Μην καταναλώνετε παγωτό και παγοκύβους αμέσως μόλις τα βγάλετε από το χώρο της κατάψυξης! (Αυτό μπορεί να προκαλέσει κρουπαγήματα στο στόμα σας).
- Για προϊόντα με χώρο κατάψυξης: Μην τοποθετείτε στην κατάψυξη ποτά ή αναψυκτικά σε μπουκάλια ή μεταλλικά κουτιά. Αλλιώς, υπάρχει κίνδυνος να σκάσουν.

- Μην αγγίζετε τα παγωμένα τρόφιμα με τα χέρια, γιατί μπορεί να κολλήσουν στο χέρι σας.
- Αποσυνδέετε το ψυγείο από την πρίζα πριν τον καθαρισμό ή την απόψυξη.
- Δεν πρέπει να χρησιμοποιείτε ποτέ ατμό και ατμοποιημένα καθαριστικά υλικά στις διαδικασίες καθαρισμού και απόψυξης του ψυγείου σας. Σε τέτοιες περιπτώσεις, ο ατμός μπορεί να έλθει σε επαφή με τα ηλεκτρικά εξαρτήματα και να γίνει η αιτία βραχυκυκλώματος ή ηλεκτροπληξίας.
- Ποτέ μη χρησιμοποιείτε εξαρτήματα του ψυγείου σας, όπως η πόρτα, ως μέσο στήριξης ή ως σκαλοπάτι.
- Μη χρησιμοποιείτε ηλεκτρικές συσκευές στο εσωτερικό του ψυγείου.
- Μην προξενήσετε ζημιά με εργαλεία διάτρησης ή κοπής στα μέρη της συσκευής όπου κυκλοφορεί το ψυκτικό μέσο. Το ψυκτικό μέσο που μπορεί να εκπαχθεί αν τρυπήσουν οι δίοδοι αερίου του εξατμιστήρα, των επεκτάσεων σωλήνων ή των επιφανειακών επικαλύψεων, προκαλεί ερεθισμό στο δέρμα και τραυματισμό στα μάτια.
- Μην καλύπτετε και μην φράσσετε με οποιοδήποτε υλικό τα ανοίγματα αερισμού του ψυγείου σας.
- Οι επισκευές σε ηλεκτρικές συσκευές πρέπει να διεξάγονται μόνο από εξουσιοδοτημένο προσωπικό. Οι επισκευές που γίνονται από αναρμόδια άτομα δημιουργούν κινδύνους για το χρήστη.
- Σε περίπτωση οποιασδήποτε βλάβης ή κατά τη διάρκεια των εργασιών συντήρησης ή επισκευών, να αποσυνδέετε το ψυγείο από την παροχή ηλεκτρικού ρεύματος είτε απενεργοποιώντας τον αντίστοιχο ασφαλειοδιακόπτη είτε βγάζοντας το φως από την πρίζα.
- Για την αποσύνδεση του φως μην τραβάτε το καλώδιο.

- Τοποθετείτε τα ποτά που έχουν σχετικά μεγάλη περιεκτικότητα σε οινόπνευμα σφικτά κλεισμένα και σε κατακόρυφη θέση.
- Ποτέ μην αποθηκεύετε στο ψυγείο μπουκάλια σπρέι που περιέχουν εύφλεκτες και εκρηκτικές ουσίες.
- Μη χρησιμοποιείτε μηχανικές διατάξεις ή άλλα μέσα για να επιταχύνετε τη διαδικασία της απόψυξης, εκτός από τα μέσα που συνιστά ο κατασκευαστής.
- Το προϊόν αυτό δεν προορίζεται για χρήση από άτομα με σωματικά, αισθητηριακά ή διανοητικά προβλήματα ή από άτομα με έλλειψη εμπειρίας (περιλαμβανομένων παιδιών), εκτός αν τα άτομα βρίσκονται υπό την επίβλεψη ατόμου που θα είναι υπεύθυνο για την ασφάλειά τους ή που θα τα καθοδηγήσει όπως απαιτείται για τη χρήση του προϊόντος.
- Μη χρησιμοποιήσετε το ψυγείο αν έχετε υποστεί βλάβη ή ζημιά. Αν έχετε οποιαδήποτε αμφιβολία συμβουλευτείτε τον αντιπρόσωπο σέρβις.
- Η ηλεκτρική ασφάλεια του ψυγείου σας θα είναι εγγυημένη μόνον αν το σύστημα γείωσης του σπιτιού σας συμμορφώνεται με τα ισχύοντα πρότυπα.
- Η έκθεση του προϊόντος σε βροχή, χιόνι, ήλιο και άνεμο δημιουργεί κινδύνους σε σχέση με την ασφάλεια με το ηλεκτρικό ρεύμα.
- Αν υπάρχει ζημιά στο καλώδιο ρεύματος, για την αποφυγή κινδύνου επικοινωνήστε με το εξουσιοδοτημένο σέρβις.
- Σε καμία περίπτωση μη συνδέσετε το ψυγείο στην πρίζα κατά τη διάρκεια της εγκατάστασης. Αλλιώς, μπορεί να δημιουργηθεί κίνδυνος θανάτου ή σοβαρού τραυματισμού.
- Το ψυγείο αυτό προορίζεται αποκλειστικά για τη φύλαξη τροφίμων. Δεν πρέπει να χρησιμοποιηθεί για οποιονδήποτε άλλο σκοπό.
- Η ετικέτα τεχνικών προδιαγραφών βρίσκεται πάνω στο αριστερό τοίχωμα στο εσωτερικό του ψυγείου.
- Ποτέ μη συνδέσετε το ψυγείο σας σε συστήματα εξοικονόμησης ενέργειας, γιατί αυτά μπορεί να προκαλέσουν ζημιά στο ψυγείο.
- Αν το ψυγείο σας διαθέτει μπλε φως, μην κοιτάζετε το μπλε φως μέσω οπτικών διατάξεων.

- Για ψυγεία με μη αυτόματο σύστημα ελέγχου, μετά από διακοπή ρεύματος περιμένετε τουλάχιστον 5 λεπτά πριν θέσετε πάλι το ψυγείο σε λειτουργία.
- Σε περίπτωση μεταβίβασης, το παρόν εγχειρίδιο χρήσης θα πρέπει να παραδοθεί στον καινούριο ιδιοκτήτη του προϊόντος.
- Αποφύγετε την πρόκληση ζημιάς στο καλώδιο ρεύματος όταν μεταφέρετε το ψυγείο. Αν το καλώδιο τσακίσει μπορεί να προκληθεί πυρκαγιά. Ποτέ μην τοποθετείτε βαριά αντικείμενα πάνω στο καλώδιο ρεύματος. Μην αγγίζετε το φως με υγρά χέρια όταν συνδέετε το προϊόν στην πρίζα.



- Μη συνδέσετε το ψυγείο σε πρίζα που δεν είναι καλά στερεωμένη στη θέση της.
- Για λόγους ασφαλείας, δεν πρέπει ποτέ να πιπιλίζετε νερό απ' ευθείας σε εσωτερικά ή εξωτερικά μέρη του προϊόντος.
- Για να αποφύγετε τον κίνδυνο πυρκαγιάς και έκρηξης, μην ψεκάζετε κοντά στο ψυγείο υλικά που περιέχουν εύφλεκτα αέρια όπως προπάνιο κ.λ.π.
- Ποτέ μην τοποθετείτε πάνω στο ψυγείο δοχεία που περιέχουν νερό, γιατί μπορεί να προκληθεί ηλεκτροπληξία ή πυρκαγιά.
- Μην υπερφορτώνετε το ψυγείο με υπερβολική ποσότητα τροφίμων. Αν υπερφορτωθεί το ψυγείο, όταν ανοίγετε την πόρτα τα τρόφιμα μπορεί να πέσουν και να σας κτυπήσουν ή να προξενήσουν ζημιά στο ψυγείο. Ποτέ μην τοποθετείτε αντικείμενα πάνω στο ψυγείο.
- Διαφορετικά μπορεί να πέσουν όταν ανοίγετε ή κλείνετε την πόρτα του ψυγείου.
- Επειδή για τη φύλαξή τους απαιτούνται ακριβείς συνθήκες θερμοκρασίας, δεν πρέπει να φυλάσσονται στο ψυγείο εμβόλια, φάρμακα ευαίσθητα στη θερμοκρασία, επιστημονικά υλικά κλπ.

- Το ψυγείο θα πρέπει να αποσυνδέεται από το ρεύμα αν δεν πρόκειται να χρησιμοποιηθεί για μεγάλο χρονικό διάστημα. Ένα ενδεχόμενο πρόβλημα στο καλώδιο ρεύματος μπορεί να προκαλέσει πυρκαγιά.
- Τα άκρα του φιν ρευματοληψίας πρέπει να καθαρίζονται τακτικά, αλλιώς μπορεί να προκληθεί πυρκαγιά.
- Τα άκρα του φιν πρέπει να καθαρίζονται τακτικά με ένα στεγνό πανί, αλλιώς μπορεί να προκληθεί πυρκαγιά.
- Το ψυγείο μπορεί να μετακινηθεί αν τα ρυθμιζόμενα πόδια δεν έχουν ρυθμιστεί ώστε να έχουν σταθερή επαφή με το δάπεδο. Η σωστή στερέωση των ρυθμιζόμενων ποδιών στο δάπεδο μπορεί να αποτρέψει τη μετακίνηση του ψυγείου.
- Όταν μεταφέρετε το ψυγείο μην το κρατάτε από τη λαβή της πόρτας. Διαφορετικά, αυτή μπορεί να σπάσει.
- Όταν χρειαστεί να εγκαταστήσετε το ψυγείο σας δίπλα σε άλλο ψυγείο ή καταψύκτη, η απόσταση ανάμεσα στις συσκευές θα πρέπει να είναι τουλάχιστον 8 εκ. Διαφορετικά, μπορεί να σχηματιστεί υγρασία στα γειτονικά πλευρικά τοιχώματα.

Για προϊόντα με διανομέα νερού

- Η πίεση του νερού δικτύου δεν θα πρέπει να είναι μικρότερη από 1 bar.
- Η πίεση του νερού δικτύου δεν θα πρέπει να είναι μεγαλύτερη από 8 bar.
- Χρησιμοποιείτε μόνο πόσιμο νερό.

Ασφάλεια των παιδιών

- Αν το ψυγείο σας διαθέτει κλειδαριά, πρέπει να φυλάτε το κλειδί μακριά από παιδιά.
- Τα παιδιά πρέπει να βρίσκονται υπό επίβλεψη ώστε να μην επεμβαίνουν στο προϊόν.

Προειδοποίηση HCA (Για συσκευές Ψύξης - Θέρμανσης)

Αν το ψυκτικό σύστημα της συσκευής σας περιέχει R600a:

Το αέριο αυτό είναι εύφλεκτο. Για το λόγο αυτό, προσέχετε να μην προκληθεί ζημιά στο ψυκτικό σύστημα και τις σωληνώσεις του κατά τη χρήση και τη μεταφορά της συσκευής.

Σε περίπτωση ζημιάς, κρατήστε τη συσκευή σας μακριά από ενδεχόμενες πηγές φωτιάς οι οποίες μπορούν να κάνουν το προϊόν να πιάσει φωτιά και αερίστε το χώρο στον οποίο είναι τοποθετημένη η μονάδα.

Αγνοήστε αυτή την προειδοποίηση αν το ψυκτικό σύστημα της συσκευής σας περιέχει R134a.

Ο τύπος αερίου που χρησιμοποιείται στο προϊόν αναφέρεται στην πινακίδα στοιχείων η οποία βρίσκεται πάνω στο αριστερό τοίχωμα στο εσωτερικό του ψυγείου.

Σε καμία περίπτωση μην πετάξετε το προϊόν σε φωτιά.

Τι πρέπει να κάνετε για εξοικονόμηση ενέργειας

- Μην αφήνετε τις πόρτες του ψυγείου σας ανοικτές για μεγάλο χρονικό διάστημα.
- Μην τοποθετείτε ζεστά φαγητά ή ποτά στο ψυγείο σας.
- Μην υπερφορτώνετε το ψυγείο σας, ώστε να μην εμποδίζεται η κυκλοφορία αέρα στο εσωτερικό του.
- Μην τοποθετείτε το ψυγείο σας σε απ' ευθείας ηλιακό φως ή κοντά σε συσκευές που εκπέμπουν θερμότητα όπως φούρνους, πλυντήρια πιάτων ή σώματα θέρμανσης.
- Φροντίστε να διατηρείτε τα τρόφιμα σε κλειστά δοχεία.
- Για προϊόντα με χώρο κατάψυξης: Μπορείτε να φυλάξετε τη μέγιστη ποσότητα τροφίμων στην κατάψυξη όταν αφαιρέσετε το ράφι ή το συρτάρι της κατάψυξης. Η αναφερόμενη τιμή κατανάλωσης ενέργειας για το ψυγείο σας προσδιορίστηκε ενώ είχε αφαιρεθεί το ράφι ή το συρτάρι της κατάψυξης και με το μέγιστο φορτίο τροφίμων. Δεν υπάρχει πρόβλημα από τη χρήση ραφίου ή συρταριού ανάλογα με τα σχήματα και τα μεγέθη των τροφίμων που πρόκειται να καταψυχθούν.
- Η απόψυξη των κατεψυγμένων τροφίμων στο χώρο συντήρησης θα παρέχει και εξοικονόμηση ενέργειας και καλύτερη διατήρηση της ποιότητας των τροφίμων.

3 Εγκατάσταση

⚠ Παρακαλούμε να θυμάστε ότι δεν θα θεωρείται υπεύθυνος ο κατασκευαστής αν δεν τηρηθούν οι πληροφορίες που δίνονται στο εγχειρίδιο οδηγιών.

Σημεία που πρέπει να προσεχτούν κατά τη μεταφορά του προϊόντος

1. Θα πρέπει να αδειάζετε και να καθαρίζετε το ψυγείο σας πριν από οποιαδήποτε μεταφορά.
2. Πριν τοποθετήσετε πάλι το ψυγείο στη συσκευασία του, τα ράφια, τα αξεσουάρ, το συρτάρι λαχανικών κλπ. θα πρέπει να στερεωθούν με χρήση κολλητικής ταινίας για προστασία από τα τραντάγματα.
3. Η συσκευασία θα πρέπει να ασφαλιστεί με ταινίες κατάλληλου πάχους και γερά σχοινιά και θα πρέπει να ακολουθούνται οι κανόνες μεταφοράς που είναι τυπωμένοι στο κιβώτιο.

Μην ξεχνάτε...

Κάθε υλικό που ανακυκλώνεται είναι μια απαραίτητη πηγή υλικών προς όφελος της φύσης και των εθνικών μας πόρων.

Αν επιθυμείτε να συμβάλετε στην ανακύκλωση των υλικών συσκευασίας, μπορείτε να πάρετε περισσότερες πληροφορίες από τους περιβαλλοντικούς φορείς ή τις τοπικές αρχές.

Πριν θέσετε σε λειτουργία το ψυγείο σας

Πριν αρχίσετε να χρησιμοποιείτε το ψυγείο σας ελέγξτε τα εξής:

1. Είναι το εσωτερικό του ψυγείου στεγνό και μπορεί ο αέρας να κυκλοφορεί ανεμπόδιστα στο πίσω του μέρος;
2. Καθαρίστε το εσωτερικό του ψυγείου όπως συνιστάται στην ενότητα "Συντήρηση και καθαρισμός".
3. Συνδέστε το ψυγείο στην πρίζα στον τοίχο. Όταν ανοιχτεί η πόρτα το εσωτερικό φως στο χώρο συντήρησης θα ανάψει.

4. Θα ακούσετε ένα θόρυβο καθώς ξεκινά η λειτουργία του συμπιεστή. Το υγρό και τα αέρια που βρίσκονται στο κλειστό κύκλωμα ψύξης μπορεί επίσης να προκαλέσουν θόρυβο, ακόμα και όταν ο συμπιεστής δεν λειτουργεί, πράγμα που είναι φυσιολογικό.

5. Οι μπροστινές ακμές του ψυγείου μπορεί να είναι θερμές στο άγγιγμα. Αυτό είναι φυσιολογικό. Οι περιοχές αυτές έχουν σχεδιαστεί να είναι θερμές ώστε να αποφεύγεται η συμπύκνωση.

Ηλεκτρική σύνδεση

Συνδέστε τη συσκευή σας σε γειωμένη πρίζα η οποία προστατεύεται από ασφάλεια κατάλληλης ονομαστικής τιμής ρεύματος. Σημαντική παρατήρηση:

- Η σύνδεση πρέπει να συμμορφώνεται με τους εθνικούς κανονισμούς.
- Το φως του καλώδιου ρεύματος πρέπει να είναι εύκολα προσπελάσιμο μετά την εγκατάσταση.
- Η καθοριζόμενη ηλεκτρική τάση πρέπει να είναι ίδια με την τάση ρεύματος του δικτύου σας.
- Δεν πρέπει να χρησιμοποιούνται καλώδια προέκτασης και πολυπρίζα για τη σύνδεση στο ρεύμα.

⚠ Αν ένα καλώδιο ρεύματος έχει υποστεί ζημιά, αυτό πρέπει να αντικατασταθεί από αδειούχο ειδικό τεχνικό.

⚠ Δεν επιτρέπεται η λειτουργία της συσκευής πριν την επισκευή! Υπάρχει κίνδυνος ηλεκτροπληξίας!

Διάθεση των υλικών συσκευασίας

Τα υλικά συσκευασίας μπορεί να είναι επικίνδυνα για τα παιδιά. Κρατάτε τα υλικά συσκευασίας μακριά από παιδιά ή πετάξτε τα αφού τα διαχωρίσετε ανάλογα με τις οδηγίες για απόβλητα. Μην τα πετάξετε μαζί με τα κοινά οικιακά απορρίμματα. Η συσκευασία του ψυγείου σας έχει παραχθεί από ανακυκλώσιμα υλικά.

Διάθεση του παλιού σας ψυγείου

Απορρίψτε την παλιά σας συσκευή με τρόπο φιλικό προς το περιβάλλον.

- Σχετικά με τον τρόπο απόρριψης του ψυγείου σας μπορείτε να συμβουλευτείτε τον εξουσιοδοτημένο έμπορο που συνεργάζεστε ή τις δημοτικές σας αρχές.

Πριν πετάξετε το ψυγείο σας, κόψτε το καλώδιο ρεύματος, και, αν υπάρχουν κλειδαριές σε πόρτες, καταστήστε τις μη λειτουργικές, για την προστασία των παιδιών από οποιονδήποτε κίνδυνο.

Τοποθέτηση και εγκατάσταση

⚠ Αν η πόρτα εισόδου του χώρου όπου θα τοποθετηθεί το ψυγείο δεν είναι αρκετά πλατιά για να περάσει το ψυγείο, τότε καλέστε το εξουσιοδοτημένο σέρβις για να αφαιρέσει την πόρτα του ψυγείου σας και να το περάσει μέσα από την πόρτα με το πλάι.

1. Εγκαταστήστε το ψυγείο σε θέση που προσφέρει ευκολία στη χρήση.
2. Κρατήστε το ψυγείο σας μακριά από πηγές θερμότητας, μέρη με υγρασία και από απ' ευθείας ηλιακό φως.
3. Πρέπει να υπάρχει επαρκής κυκλοφορία αέρα γύρω από το ψυγείο σας για να επιτυγχάνεται αποδοτική λειτουργία. Αν το ψυγείο πρέπει να τοποθετηθεί σε εσοχή στον τοίχο, θα πρέπει να υπάρχει ελάχιστη απόσταση 5 εκ. από το ταβάνι και 5 εκ. από τον τοίχο. Αν το πάτωμα είναι καλυμμένο με χαλί, το προϊόν σας θα πρέπει να ανυψωθεί κατά 2,5 εκ. από το δάπεδο.
4. Τοποθετήστε το ψυγείο σας σε δάπεδο με επίπεδη επιφάνεια για να αποφευχθούν τα τραντάγματα.
5. Μην αφήνετε το ψυγείο σας σε θερμοκρασίες περιβάλλοντος χώρου μικρότερες από 10°C.

Αντικατάσταση της εσωτερικής λάμπας

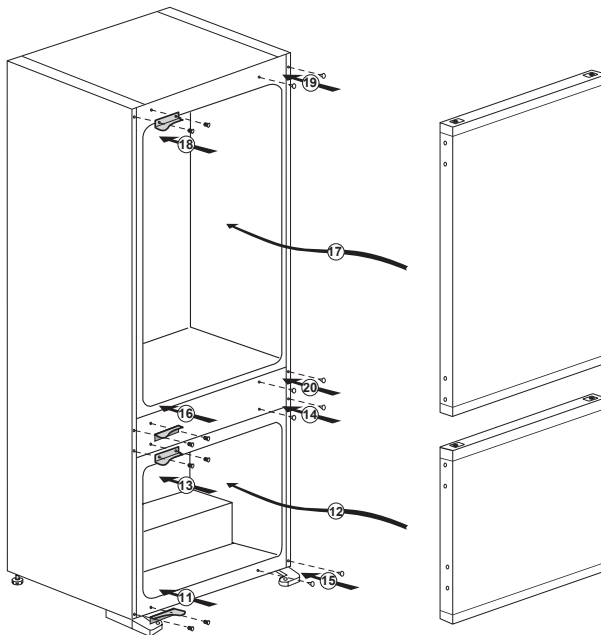
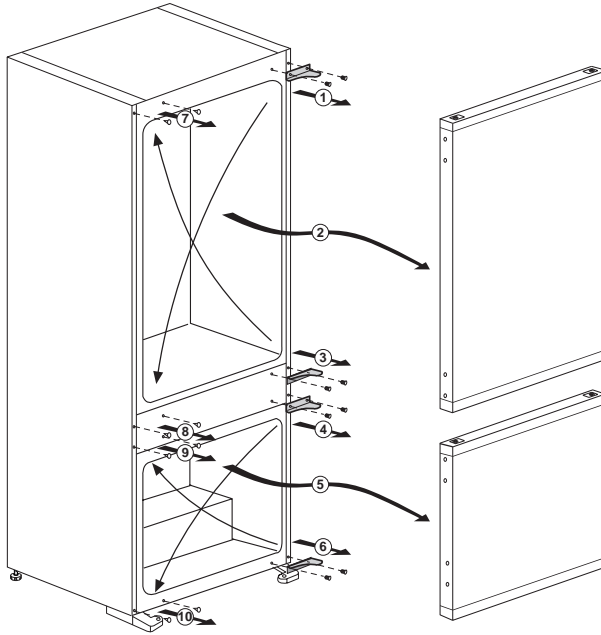
Για αλλαγή της λάμπας φωτισμού του ψυγείου σας, καλέστε το τοπικό σας εξουσιοδοτημένο σέρβις. Ο λαμπτήρας (οι λαμπτήρες) που χρησιμοποιεί αυτή η συσκευή δεν είναι κατάλληλος(-οι) για φωτισμό των οικιακών χώρων. Ο σκοπός αυτού του λαμπτήρα είναι να βοηθά το χρήστη να βρίσκει με ασφάλεια και άνεση τα τρόφιμα στη συντήρηση/κατάψυξη. Οι λάμπες που χρησιμοποιούνται σε αυτή τη συσκευή πρέπει να είναι ανθεκτικές σε ακραίες φυσικές συνθήκες, όπως θερμοκρασίες κάτω από -20°C.

4 Προετοιμασία

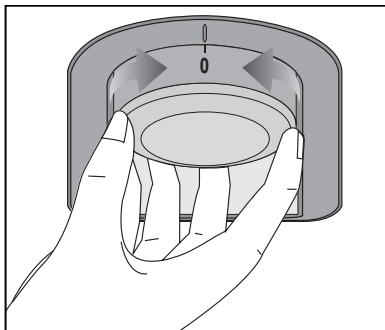
- 1 Το ψυγείο σας θα πρέπει να εγκατασταθεί σε απόσταση τουλάχιστον 30 εκ. από πηγές θερμότητας όπως εστίες μαγειρέματος, φούρνους, σώματα κεντρικής θέρμανσης και σύμπτες και τουλάχιστον 5 εκ. μακριά από ηλεκτρικούς φούρνους και δεν θα πρέπει να τοποθετείται σε μέρη όπου δέχεται απ' ευθείας ηλιακή ακτινοβολία.
- 2 Η θερμοκρασία περιβάλλοντος του δωματίου που τοποθετείτε το ψυγείο σας θα πρέπει να είναι τουλάχιστον 10°C. Η λειτουργία του ψυγείου σας σε πιο κρύες συνθήκες από αυτές δεν συνιστάται από την άποψη της απόδοσής του.
- 3 Παρακαλούμε να φροντίζετε να διατηρείτε το εσωτερικό του ψυγείου σας σχολαστικά καθαρό.
- 4 Αν πρέπει να εγκατασταθούν δύο ψυγεία το ένα δίπλα στο άλλο, θα πρέπει να υπάρχει μεταξύ τους απόσταση τουλάχιστον 2 εκ.
- 5 Όταν θέσετε το ψυγείο σε λειτουργία για πρώτη φορά, παρακαλούμε τηρείτε τις ακόλουθες οδηγίες κατά τις αρχικές έξι ώρες.
 - Η πόρτα δεν θα πρέπει να ανοίγει συχνά.
 - Το ψυγείο θα πρέπει να λειτουργήσει κενό, χωρίς τρόφιμα στο εσωτερικό του.
 - Μην αποσυνδέσετε το ψυγείο σας από το ρεύμα. Αν συμβεί μια ανεξέλεγκτη διακοπή ρεύματος, δείτε τις προειδοποιήσεις στην ενότητα "Συνιστώμενες λύσεις για προβλήματα".
- 6 Η αρχική συσκευασία και τα αφρώδη υλικά θα πρέπει να φυλαχτούν για μελλοντικές μεταφορές ή μετακόμιση.

Αντιστροφή της φοράς ανοίγματος των πορτών

Προχωρήστε σύμφωνα με την σειρά των αριθμών.



5 Χρήση του ψυγείου σας



Κουμπί ρύθμισης θερμοστάτη

Η εσωτερική θερμοκρασία του ψυγείου σας μεταβάλλεται για τους εξής λόγους:

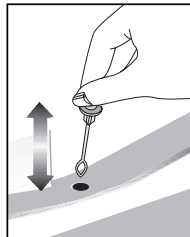
- Εποχική διακύμανση θερμοκρασίας περιβάλλοντος,
- Συχνό άνοιγμα και παραμονή ανοικτής για μεγάλα διαστήματα της πόρτας,
- Τοποθέτηση στο ψυγείο τροφίμων χωρίς πρώτα να ψυχθούν στη θερμοκρασία περιβάλλοντος,
- Θέση του ψυγείου στο δωμάτιο (π.χ. έκθεση σε ηλιακό φως).
- Μπορείτε με το θερμοστάτη να αντισταθμίσετε τη διακύμανση της εσωτερικής θερμοκρασίας εξαιτίας των πιο πάνω αιτιών. Οι αριθμοί περιμετρικά του κουμπιού του θερμοστάτη δείχνουν τους βαθμούς ψύξης.
- Αν η θερμοκρασία του περιβάλλοντος είναι υψηλότερη από 32°C, γυρίστε το κουμπί του θερμοστάτη στη θέση μέγιστης ψύξης.
- Αν η θερμοκρασία του περιβάλλοντος είναι χαμηλότερη από 25°C, γυρίστε το κουμπί του θερμοστάτη στη θέση ελάχιστης ψύξης.

Απόψυξη

A) Χώρος συντήρησης

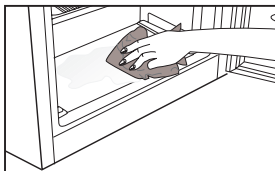
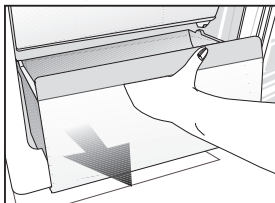
Ο χώρος συντήρησης εκτελεί πλήρως αυτόματη απόψυξη. Όταν η θερμοκρασία στο χώρο συντήρησης πέφτει, στο πίσω τοίχωμα του εσωτερικού του μπορεί να δημιουργηθούν σταγονίδια νερού και πάχνη πάχους μέχρι 7-8 χιλ. Το φαινόμενο αυτό είναι φυσιολογικό αποτέλεσμα της λειτουργίας του συστήματος ψύξης. Η πάχνη που δημιουργείται αποψύχεται με την εκτέλεση αυτόματης απόψυξης σε ορισμένα διαστήματα χάρη στο σύστημα αυτόματης απόψυξης στο πίσω τοίχωμα. Δεν απαιτείται από το χρήστη να ξύσει την πάχνη ή να απομακρύνει τα σταγονίδια νερού. Το νερό που παράγεται κατά την απόψυξη περνάει από την αυλάκωση συλλογής νερού και ρέει στον εξατμιστή μέσα από το σωλήνα αποστράγγισης. Στον εξατμιστή το νερό εξατμίζεται αυτόματα.

Ελέγχετε τακτικά μήπως ο σωλήνας αποστράγγισης είναι φραγμένος και καθαρίστε τον, αν χρειάζεται, με το ραβδάκι που βρίσκεται στην οπή.



B) Χώρος κατάψυξης

Ο χώρος βαθιάς κατάψυξης δεν εκτελεί αυτόματη απόψυξη, ώστε να αποφευχθεί η αλλοίωση των τροφίμων. Η απόψυξη γίνεται με πολύ απλό τρόπο και χωρίς να δημιουργείται ακαταστασία, χάρη στην ειδική λεκάνη συλλογής νερού απόψυξης. Κάνετε απόψυξη δύο φορές το χρόνο ή όταν έχει σχηματιστεί στρώμα πάχνης περίπου 7 χιλιοστών (1/4"). Για να ξεκινήσετε τη διαδικασία της απόψυξης, διακόψτε την παροχή ρεύματος στην πρίζα και τραβήξτε το φως από την πρίζα. Θα πρέπει να τυλίξετε όλα τα τρόφιμα σε αρκετές στρώσεις εφημερίδας και να τα φυλάξετε σε δροσερό μέρος (π.χ. ψυγείο ή κελάρι). Μπορείτε προσεκτικά να τοποθετήσετε δοχεία με ζεστό νερό στην κατάψυξη για να επιταχύνετε την απόψυξη. Μη χρησιμοποιείτε μυτερά ή αιχμηρά αντικείμενα όπως μαχαίρια ή πιρούνια για να αφαιρέσετε την πάχνη. Ποτέ μη χρησιμοποιήσετε για την απόψυξη πιστολάκια μαλλιών, ηλεκτρικές συσκευές θέρμανσης ή άλλες παρόμοιες ηλεκτρικές συσκευές. Σκουπίστε με ένα σφουγγάρι το νερό απόψυξης που συλλέγεται στο κάτω μέρος του χώρου κατάψυξης. Μετά την απόψυξη, στεγνώστε καλά το εσωτερικό του χώρου. Συνδέστε στην πρίζα το φως και ενεργοποιήστε την παροχή ρεύματος.



6 Συντήρηση και καθαρισμός

- ⚠ Ποτέ μη χρησιμοποιήσετε βενζίνη, βενζόλιο ή παρόμοια υλικά για τον καθαρισμό.
- ⚠ Συνιστούμε να αποσυνδέετε τη συσκευή από την πρίζα πριν τον καθαρισμό.
- ⚠ Ποτέ μη χρησιμοποιείτε για τον καθαρισμό οποιοδήποτε αιχμηρό όργανο που χαράζει, σαπουνί, οικιακά καθαριστικά, απορρυπαντικά και γυαλιστικά κεριού.
- ℹ Για να καθαρίσετε το περίβλημα του ψυγείου σας, χρησιμοποιήστε χλιαρό νερό και κατόπιν σκουπίστε το για να στεγνώσει.
- ℹ Για να καθαρίσετε το εσωτερικό, χρησιμοποιήστε πανί που έχει υγρανθεί ελαφρά σε διάλυμα από μια κουταλιά του γλυκού μαγειρικής σόδας σε περίπου μισό λίτρο νερού. Κατόπιν σκουπίστε τις επιφάνειες για να στεγνώσουν.
- ⚠ Φροντίστε απαραίτητα να μην εισέλθει νερό στο περίβλημα της λάμπας και σε άλλα ηλεκτρικά εξαρτήματα.
- ⚠ Εάν το ψυγείο σας δεν πρόκειται να χρησιμοποιηθεί για μεγάλη χρονική περίοδο, αποσυνδέστε το καλώδιο ρεύματος από την πρίζα, αφαιρέστε όλα τα τρόφιμα, καθαρίστε το και αφήστε την πόρτα μισάνοιχτη.
- ℹ Ελέγχετε τακτικά τις στεγανοποιήσεις στις πόρτες για να βεβαιωθείτε ότι είναι καθαρές και απαλλαγμένες από σωματίδια τροφίμων.
- ⚠ Για να αφαιρέσετε ένα ράφι πόρτας, αφαιρέστε όλα τα περιεχόμενα και κατόπιν απλά στρώστε το ράφι προς τα πάνω ώστε να βγει από τη βάση του.

Προστασία των πλαστικών επιφανειών

- ℹ Μην τοποθετείτε υγρά λάδια ή φαγητά μαγειρεμένα σε λάδι στο ψυγείο σας σε μη σφραγισμένα δοχεία, επειδή προξενούν βλάβες στις πλαστικές επιφάνειες του ψυγείου σας. Σε περίπτωση που χυθεί ή αλειφτεί λάδι στις πλαστικές επιφάνειες, αμέσως καθαρίστε και ξεπλύνετε το επηρεαζόμενο μέρος της επιφάνειας με χλιαρό νερό.

7 Συνιστώμενες λύσεις για προβλήματα

Παρακαλούμε συμβουλευτείτε τη λίστα πριν καλέσετε το σέρβις. Έτσι μπορείτε να εξοικονομήσετε χρόνο και χρήματα. Η λίστα αυτή περιλαμβάνει συχνά παράπονα που δεν είναι αποτέλεσμα ελαττωμάτων της κατασκευής ή των χρησιμοποιούμενων υλικών. Ορισμένες από τις δυνατότητες που περιγράφονται εδώ ίσως να μην υπάρχουν στη συσκευή σας.

Το ψυγείο δεν λειτουργεί.

- Έχει συνδεθεί το ψυγείο σωστά στο ρεύμα; Συνδέστε το φως στην πρίζα στον τοίχο.
- Μήπως έχει καεί η ασφάλεια της πρίζας στην οποία έχει συνδεθεί το ψυγείο ή η γενική ασφάλεια; Ελέγξτε την ασφάλεια.

Συμπύκνωση στα πλευρικά τοιχώματα του χώρου συντήρησης (Πολλαπλή Ζώνη, Έλεγχος Ψύξης και Ευέλικτη Ζώνη).

- Πολύ χαμηλές θερμοκρασίες περιβάλλοντος. Συχνό άνοιγμα και κλείσιμο της πόρτας. Πολύ υψηλή υγρασία περιβάλλοντος. Αποθήκευση τροφίμων που περιέχουν υγρά σε ανοικτά δοχεία. Η πόρτα έχει ξεχαστεί μισάνοιχτη. Ρύθμιση του θερμοστάτη σε χαμηλότερη θερμοκρασία.
- Μείωση του χρόνου που μένει ανοικτή η πόρτα ή λιγότερο συχνή χρήση της.
- Κάλυψη με κατάλληλο υλικό του φαγητού που φυλάσσεται σε ανοικτά δοχεία.
- Σκουπίστε τη συμπυκνωμένη υγρασία με στεγνό πανί και ελέγξτε αν επιμένει.

Ο συμπιεστής δεν λειτουργεί.

- Το προστατευτικό θερμικό του συμπιεστή θα ενεργοποιηθεί σε περίπτωση ξαφνικών διακοπών ρεύματος ή αν η συσκευή αποσυνδεθεί και συνδεθεί γρήγορα στο ρεύμα, όταν η πίεση του ψυκτικού μέσου στο σύστημα ψύξης του ψυγείου δεν έχει εξισορροπηθεί ακόμα. Η λειτουργία του ψυγείου σας θα αρχίσει πάλι μετά από 6 λεπτά. Παρακαλούμε καλέστε το σέρβις αν το ψυγείο σας δεν ξεκινήσει στο τέλος αυτού του χρονικού διαστήματος.
- Το ψυγείο βρίσκεται στον κύκλο απόψυξης. Αυτό είναι κανονικό για ψυγείο που δεν διαθέτει απόλυτα αυτόματη απόψυξη. Ο κύκλος απόψυξης λαμβάνει χώρα περιοδικά.
- Το ψυγείο δεν έχει συνδεθεί στην πρίζα. Βεβαιωθείτε ότι το φως έχει τοποθετηθεί σωστά στην πρίζα.
- Έχουν γίνει σωστά οι ρυθμίσεις θερμοκρασίας;
- Μπορεί να έχει διακοπεί το ρεύμα.

Το ψυγείο ενεργοποιείται συχνά ή για πολλή ώρα.

<ul style="list-style-type: none"> • Η νέα σας συσκευή μπορεί να είναι πλατύτερη από την προηγούμενη. Αυτό είναι πολύ φυσιολογικό. Τα μεγάλα ψυγεία λειτουργούν για μεγαλύτερο χρονικό διάστημα. • Η θερμοκρασία του περιβάλλοντος χώρου είναι πολύ υψηλή. Αυτό είναι πολύ φυσιολογικό. • Το ψυγείο ίσως συνδέθηκε στην πρίζα πρόσφατα ή μπορεί να έχει φορτωθεί με πολλά τρόφιμα. Η πλήρης ψύξη του ψυγείου σας στη θερμοκρασία λειτουργίας μπορεί να διαρκέσει δύο ώρες επιπλέον. • Μπορεί πρόσφατα να τοποθετήθηκαν στο ψυγείο μεγάλες ποσότητες ζεστού φαγητού. Το πολύ ζεστό φαγητό προκαλεί λειτουργία του ψυγείου για περισσότερη ώρα έως ότου φθάσει την επιθυμητή θερμοκρασία φύλαξης των τροφίμων. • Ίσως να ανοίγονταν συχνά οι πόρτες ή να παρέμειναν μισάνοιχτες για μεγάλο χρονικό διάστημα. Ο θερμός αέρας που έχει εισέλθει στο ψυγείο προκαλεί τη λειτουργία του ψυγείου για μεγαλύτερες χρονικές περιόδους. Ανοίγετε τις πόρτες λιγότερο συχνά. • Η πόρτα του χώρου κατάψυξης ή συντήρησης μπορεί να έχει ξεχαστεί μισάνοιχτη. Ελέγξτε αν οι πόρτες έχουν κλείσει καλά. • Το ψυγείο έχει ρυθμιστεί σε πολύ χαμηλή θερμοκρασία. Ρυθμίστε τη θερμοκρασία του ψυγείου σε υψηλότερο επίπεδο και περιμένετε έως ότου επιτευχθεί αυτή η θερμοκρασία. • Η στεγανοποίηση πόρτας της συντήρησης ή κατάψυξης μπορεί να είναι λερωμένη, φθαρμένη, σπασμένη ή δεν εφαρμόζει καλά. Καθαρίστε ή αντικαταστήστε τη στεγανοποίηση. Αν υπάρχει ζημιά/ σπάσιμο στη στεγανοποίηση της πόρτας, μπορεί να προκληθεί λειτουργία του ψυγείου για μεγαλύτερες περιόδους για να διατηρείται η τρέχουσα θερμοκρασία.
<p>Η θερμοκρασία της κατάψυξης είναι πολύ χαμηλή ενώ η θερμοκρασία της συντήρησης είναι επαρκής.</p>
<ul style="list-style-type: none"> • Η θερμοκρασία του χώρου κατάψυξης έχει ρυθμιστεί σε πολύ χαμηλό επίπεδο. Ρυθμίστε τη θερμοκρασία του χώρου κατάψυξης σε υψηλότερο επίπεδο και ελέγξτε.
<p>Η θερμοκρασία της συντήρησης είναι πολύ χαμηλή ενώ η θερμοκρασία της κατάψυξης είναι επαρκής.</p>
<ul style="list-style-type: none"> • Η θερμοκρασία του χώρου συντήρησης μπορεί να έχει ρυθμιστεί σε πολύ χαμηλό επίπεδο. Ρυθμίστε τη θερμοκρασία του χώρου συντήρησης σε υψηλότερο επίπεδο και ελέγξτε.
<p>Τα τρόφιμα στα συρτάρια της συντήρησης παγώνουν.</p>
<ul style="list-style-type: none"> • Η θερμοκρασία του χώρου συντήρησης μπορεί να έχει ρυθμιστεί σε πολύ χαμηλό επίπεδο. Ρυθμίστε τη θερμοκρασία του χώρου συντήρησης σε υψηλότερο επίπεδο και ελέγξτε.
<p>Η θερμοκρασία στη συντήρηση ή την κατάψυξη είναι πολύ υψηλή.</p>
<ul style="list-style-type: none"> • Η θερμοκρασία του χώρου συντήρησης μπορεί να έχει ρυθμιστεί σε πολύ υψηλό επίπεδο. Η ρύθμιση της συντήρησης έχει επίδραση στη θερμοκρασία της κατάψυξης. Αλλάξτε τη θερμοκρασία της συντήρησης ή κατάψυξης έως ότου η θερμοκρασία της συντήρησης ή κατάψυξης φθάσει σε επαρκές επίπεδο. • Ίσως να ανοίγονταν συχνά οι πόρτες ή να παρέμειναν μισάνοιχτες για μεγάλο χρονικό διάστημα. Ανοίγετέ τις λιγότερο συχνά. • Μπορεί να έχει παραμείνει πόρτα μισάνοιχτη. Κλείστε την πόρτα τελείως. • Μπορεί πρόσφατα να τοποθετήθηκε στο ψυγείο μεγάλη ποσότητα ζεστού φαγητού. Περιμένετε έως ότου η συντήρηση ή η κατάψυξη φθάσει στην επιθυμητή θερμοκρασία. • Το ψυγείο μπορεί να έχει συνδεθεί στην πρίζα πρόσφατα. Η πλήρης ψύξη του ψυγείου απαιτεί χρόνο.
<p>Ο θόρυβος λειτουργίας αυξάνεται όταν λειτουργεί το ψυγείο.</p>
<ul style="list-style-type: none"> • Η απόδοση λειτουργίας του ψυγείου μπορεί να διαφέρει λόγω μεταβολών στη θερμοκρασία περιβάλλοντος. Το φαινόμενο είναι φυσιολογικό και δεν αποτελεί ένδειξη δυσλειτουργίας.

Κραδασμοί ή θόρυβος.
<ul style="list-style-type: none"> • Το δάπεδο δεν είναι ομαλό ή δεν είναι ανθεκτικό. Το ψυγείο ταλαντεύεται όταν μετακινηθεί ελαφρά. Βεβαιωθείτε ότι το δάπεδο είναι αρκετά ανθεκτικό να φέρει το βάρος του ψυγείου, και οριζόντιο. • Ο θόρυβος μπορεί να προκαλείται από αντικείμενα που έχουν τοποθετηθεί πάνω στο ψυγείο. Αυτά τα είδη πρέπει να απομακρυνθούν από πάνω από το ψυγείο.
Υπάρχουν θόρυβοι από το ψυγείο σαν ροής ή ψεκασμού υγρού.
<ul style="list-style-type: none"> • Η ροή υγρών και αερίων είναι σύμφωνη με την αρχή λειτουργίας του ψυγείου σας. Το φαινόμενο είναι φυσιολογικό και δεν αποτελεί ένδειξη δυσλειτουργίας.
Υπάρχει θόρυβος σαν ανέμου που φυσά.
<ul style="list-style-type: none"> • Χρησιμοποιούνται ανεμιστήρες για την ψύξη του ψυγείου. Το φαινόμενο είναι φυσιολογικό και δεν αποτελεί ένδειξη δυσλειτουργίας.
Συμπύκνωση στα εσωτερικά τοιχώματα του ψυγείου.
<ul style="list-style-type: none"> • Ο ζεστός και υγρός καιρός αυξάνει το σχηματισμό πάγου και συμπύκνωσης. Το φαινόμενο είναι φυσιολογικό και δεν αποτελεί ένδειξη δυσλειτουργίας. • Οι πόρτες μπορεί να έχουν παραμείνει μισάνοικτες. Βεβαιωθείτε ότι οι πόρτες είναι τελείως κλειστές. • Ίσως να ανοίγονταν συχνά οι πόρτες ή να παρέμειναν μισάνοικτες για μεγάλο χρονικό διάστημα. Ανοίγετέ τις λιγότερο συχνά.
Εμφανίζεται υγρασία στο εξωτερικό του ψυγείου ή ανάμεσα στις πόρτες.
<ul style="list-style-type: none"> • Ίσως να υπάρχει υγρασία στον αέρα. Αυτό είναι πολύ φυσιολογικό όταν ο καιρός είναι υγρός. Όταν η υγρασία είναι μικρότερη, η συμπύκνωση θα πάψει να εμφανίζεται.
Κακοσμία στο εσωτερικό του ψυγείου.
<ul style="list-style-type: none"> • Το εσωτερικό του ψυγείου πρέπει να καθαριστεί. Καθαρίστε το εσωτερικό του ψυγείου, με ένα σφουγγάρι, χλιαρό νερό ή διάλυμα μαγειρικής σόδας σε νερό. • Ίσως η οσμή να προκαλείται από ορισμένα δοχεία ή υλικά συσκευασίας. Χρησιμοποιήστε διαφορετικό δοχείο ή διαφορετική μάρκα υλικού συσκευασίας.
Η πόρτα δεν κλείνει.
<ul style="list-style-type: none"> • Συσκευασίες τροφίμων ίσως να εμποδίζουν το κλείσιμο της πόρτας. Μετατοπίστε τις συσκευασίες που εμποδίζουν την πόρτα. • Το ψυγείο πιθανόν να μην είναι εντελώς κατακόρυφο στο δάπεδο και μπορεί να ταλαντεύεται όταν σπρωχτεί ελαφρά. Ρυθμίστε τις βίδες ανύψωσης. • Το δάπεδο δεν είναι επίπεδο ή δεν είναι ανθεκτικό. Βεβαιωθείτε ότι το δάπεδο είναι οριζόντιο και ικανό να φέρει το βάρος του ψυγείου.
Τα συρτάρια λαχανικών έχουν κολλήσει.
<ul style="list-style-type: none"> • Τα τρόφιμα μπορεί να αγγίζουν την οροφή του συρταριού. Ανακαταθέμετε τα τρόφιμα στο συρτάρι.

Nejprve si přečtěte tento návod!

Vážený zákazníku,

Doufáme, že výrobek, který byl vyroben v moderních závodech a kontrolován v souladu s nejpřísnějšími postupy kontroly kvality, vám zajistí účinný provoz.

Z tohoto důvodu vám doporučujeme pozorně si přečíst celý návod k výrobku, než jej použijete, a uskladněte je v dosahu pro budoucí použití.

Tento návod

- Pomůže vám s použitím spotřebiče rychle a bezpečně.
- Návod si přečtěte dříve, než produkt nainstalujete a zapnete.
- Dodržujte pokyny, zejména ty, které se týkají bezpečnosti.
- Návod uschovejte na snadno přístupném místě, možná jej budete později potřebovat.
- Kromě toho si přečtěte i další dokumenty dodané s výrobkem.
- Nezapomeňte, že tento návod může platit i pro jiné modely.

Symbols a jejich popis

Tento návod obsahuje následující symboly:

 Důležité informace nebo užitečné tipy k použití.

 Varování před nebezpečnými situacemi pro život a majetek.

 Varování na elektrické napětí.



UPOZORNĚNÍ!

Aby byl zajištěn normální provoz vaší chladničky, která používá pro životní prostředí zcela neškodné chladicí médium R600a (vznětlivé pouze za určitých podmínek), musíte dodržet následující pravidla:

- Nebraňte ve volné cirkulaci vzduchu kolem přístroje.
- Nepoužívejte mechanická zařízení pro zrychlení odmražení kromě těch, která jsou doporučena výrobcem.
- Nelikvidujte chladicí okruh.
- Nepoužívejte elektrické spotřebiče uvnitř prostoru pro potraviny kromě těch, která by mohl doporučit výrobce.

INFORMACE



ENERGY



SUPPLIER'S NAME

MODEL IDENTIFIER (*)

A

A

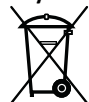
Informace o modelu uložené v databázi výrobků se dají získat zadáním následující webové stránky a vyhledáním identifikátoru vašeho modelu (*), který je uveden na energetickém štítku.

<https://eprel.ec.europa.eu/>

1 Vaše chladnička	3	4 Příprava	10
2 Důležitá bezpečnostní upozornění	4	5 Používání chladničky	11
Určené použití	4	Tlačítko nastavení termostatu.....	11
Obecná bezpečnost	4	Odmrazování	11
U výrobků s dávkovačem vody	6	6 Údržba a čištění	13
Bezpečnost dětí	6	Ochrana plastových ploch	13
Upozornění HCA	6	7 Doporučená řešení problémů	14
Postup pro úsporu energie	6		
3 Instalace	7		
Body ke zvážení při přepravě chladničky	7		
Než chladničku zapnete.....	7		
Zapojení do sítě.....	7		
Likvidace obalu.....	7		
Likvidace vaší staré chladničky	8		
Umístění a instalace.....	8		
Výměna vnitřní žárovky	8		
Změna dvířek	9		

Dodržování směrnice WEEE a o likvidaci odpadů:

Recyklace



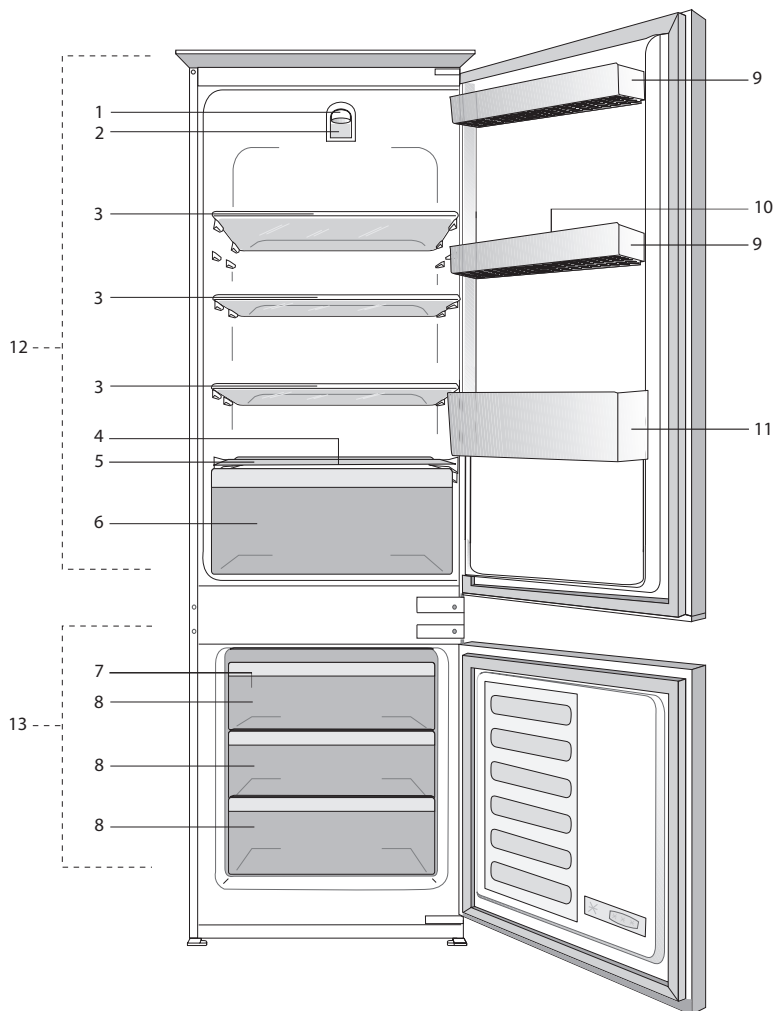
Tento produkt splňuje směrnici EU WEEE (2012/19/EU). Tento výrobek nese symbol pro třídění, platný pro elektrický a elektronický odpad (WEEE).

Tento produkt byl vyroben z vysoce kvalitních součástí a materiálů, které lze znovu použít a které jsou vhodné pro recyklaci. Produkt na konci životnosti nevyhazujte do běžného domácího odpadu. Odveďte ho do sběrného místa pro recyklaci elektrických a elektronických zařízení. Informace o těchto sběrných místech získáte na místních úřadech.

Dodržování směrnice RoHS:

Produkt, který jste zakoupili splňuje směrnicích EU RoHS (2011/65/EU). Neobsahuje žádné škodlivé ani zakázané materiály, které jsou směrnicí zakázané.

1 Vaše chladnička



- | | |
|--|---|
| 1) Tlačítko termostatu | 8) Příhrádky na uchování mrazených potravin |
| 2) Umístění osvětlení | 9) Nastavitelné police ve dveřích |
| 3) Posuvné police | 10) Tácek na vejce |
| 4) Kanál pro sběr odmražené vody – odčerpávací trubice | 11) Police na lahve |
| 5) Krycí sklo | 12) Prostor chladničky |
| 6) Příhrádka na salát | 13) Prostor mrazničky |
| 7) Nádoba a příhrádka na led | |

i Obrázky uvedené v tomto návodu k použití jsou schematické a nemusí přesně korespondovat s vaším výrobkem. Pokud zobrazené části nejsou obsaženy v produktu, který jste zakoupili, jde o součásti jiných modelů.

2 Důležitá bezpečnostní upozornění

Prostudujte si následující informace. Nedodržení těchto informací může vést ke zraněním nebo škodám na majetku. Jinak neplatí záruka ani jiné závazky.

Určené použití

Tento výrobek je určen pro použití:

- uvnitř a v uzavřených oblastech, jako jsou domy;
- v uzavřených pracovních prostředích, jako jsou obchody a kanceláře;
- v uzavřených obytných oblastech, jako jsou farmy, hotely, penziony. Nepoužívejte přístroj venku.

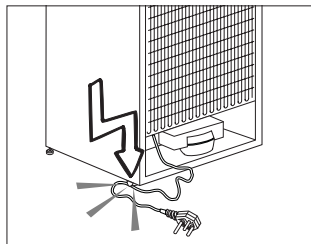
Obecná bezpečnost

- Když chcete výrobek zlikvidovat/ sešrotovat, doporučujeme kontaktovat autorizovaný servis, kde zjistíte nezbytné informace a autorizované orgány.
- Veškeré otázky a problémy související s chladničkou vám pomůže vyřešit autorizovaný servis. Nezasahujte do chladničky a nikomu toto nedovolte bez upozornění autorizovaného servisu.
- U výrobků s prostorem mrazničky; Nejezte zmrzlinu a kostky ledu bezprostředně poté, co je vyjmete z prostoru mrazničky! (Může dojít k omrznutí úst.)
- U výrobků s prostorem mrazničky; Nevkládejte do prostoru mrazničky nápoje v lahvích a plechovkách. Jinak by mohlo dojít k jejich explozi.
- Nedotýkejte se mražených potravin rukou; mohou se vám přilepit k ruce.
- Odpojte chladničku, než ji vyčistíte nebo odmrzíte.
- Výpary a parní čisticí materiály nikdy nepoužívejte při čištění a odmrazování chladničky. V těchto případech by se totiž výpary mohly dostat do styku s elektrickými součástmi a způsobit zkrat či zásah elektrickým proudem.
- Nikdy nepoužívejte součásti na chladniče, jako je ochranná deska, jako dvířka nebo podpěru nebo schůdek.
- Nepoužívejte elektrická zařízení uvnitř chladničky.
- Nepoškozujte součásti, kde obíhá chladicí médium, vrtáním nebo řezáním. Chladicí médium by mohlo vytéct v místech porušení plynových kanálů výparníku, prodlouženích trubek nebo povrchových vrstev a způsobit podráždění kůže a zranění očí.
- Nezakrývejte a neblokujte větrací otvory na chladniče žádným materiálem.
- Elektrické spotřebiče musejí opravovat jen autorizované osoby. Opravy provedené nekompetentními osobami mohou vést k ohrožení uživatele.
- V případě poruchy nebo při údržbě či opravách odpojte napájení chladničky buď vypnutím příslušné pojistky nebo odpojením spotřebiče.
- Netahejte za kabel – tahejte za zástrčku.
- Nápoje umísťujte zavřené a ve svislé poloze.
- Nikdy neskladujte nádoby s hořlavými spreji a výbušnými látkami v chladniče.

- Nepoužívejte mechanické nástroje nebo jiné prostředky k urychlení procesu odmrazení s výjimkou těch, které doporučuje výrobce.
- Tento výrobek by neměly používat osoby s tělesnými, smyslovými nebo duševními poruchami či nezkušené nebo nepoučené osoby (včetně dětí), pokud jsou bez dohledu osoby, která bude odpovídat za jejich bezpečnost nebo která jim poskytné náležité školení k používání výrobku.

- Nepoužívejte poškozenou chladničku. V případě jakýchkoli pochybností kontaktujte servisního zástupce.
- Elektrická bezpečnost chladničky je zaručena pouze tehdy, pokud systém uzemnění ve vašem domě splňuje patřičné normy.
- Vystavení výrobku dešti, sněhu, slunci a větru je nebezpečné z hlediska elektrické bezpečnosti.
- Pokud dojde k poškození napájecího kabelu, kontaktujte autorizovaný servis.
- Během instalace nikdy nezapojte chladničku k zásuvce. Jinak může dojít k ohrožení zdraví s následkem smrti.
- Tato chladnička je určena jen k uchování potravin. Neměla by být používána k žádnému jinému účelu.
- Štítek s technickými parametry se nachází na levé stěně uvnitř chladničky.
- Nikdy nepřipojte chladničku k systémům pro úsporu elektřiny; mohly by chladničku poškodit.
- Pokud na chladničce svítí modré světlo, nedívejte se do něj optickými nástroji.
- U manuálně ovládaných chladniček počkejte nejméně 5 minut, než chladničku po výpadku energie znovu spustíte.

- Tento návod k použití předejte novému majiteli v případě prodeje výrobku.
- Při přepravě chladničky nepoškozujte napájecí kabel. Ohnutím kabelu může dojít k požáru. Na napájecí kabel nikdy nestavte těžké předměty.



- Nedotýkejte se zástrčky mokřými rukama při zapojování výrobku.
- Nezapojte chladničku, pokud je zásuvka uvolněna.
- Nestříkejte vodu přímo na vnitřní či vnější části výrobku z bezpečnostních důvodů.
- Do blízkosti chladničky nestříkejte látky s hořlavými plyny, jako je propan, aby nedošlo k požáru a výbuchu.
- Na horní stranu chladničky nikdy nestavte nádoby naplněné vodou, jinak by mohlo dojít k zásahu elektrickým proudem nebo k požáru.
- Do chladničky nekládejte přílišná množství potravin. Při přeplnění mohou potraviny spadnout dolů a poranit vás a poškodit chladničku při otevření dveří. Na horní stranu chladničky nic nestavte; tyto předměty by jinak mohly spadnout, až otevřete nebo zavřete dvířka chladničky.
- Jelikož vakcíny, léky citlivé na teplo a vědecké materiály atd. vyžadují přesnou teplotu, neskladujte je tedy v této chladničce.

- Pokud chladničku delší dobu nebudete používat, odpojte ji. Možný problém napájecího kabelu by mohl způsobit požár.
- Konec zástrčky pravidelně čistěte; jinak by mohl způsobit požár.
- Konec zástrčky pravidelně čistěte suchým hadříkem; jinak by mohl způsobit požár.
- Chladničku se může pohybovat, pokud její nožky nejsou řádně upevněny na podlaze. Správným nastavením nožek na podlaze předejdete pohybu chladničky.
- Při přenášení chladničky ji nedržte za kliku dvířek. Jinak by se mohla odlomit.
- Když musíte postavit tento výrobek vedle jiné chladničky nebo mrazničky, vzdálenost mezi zařízeními by měla být nejméně 8 cm. Jinak by mohlo dojít k provlhnutí sousedních stěn.

U výrobků s dávkovačem vody

Tlak vody by měl být minimálně 1 bar.
Tlak vody by měl být maximálně 8 barů.

- Používejte jen pitnou vodu.

Bezpečnost dětí

- Pokud mají dvířka zámek, měli byste skladovat klíč mimo dosah dětí.
- Děti je nutno kontrolovat, aby nezasahovaly do součástí výrobku.

Upozornění HCA

Pokud chladicí systém vašeho výrobku obsahuje R600a:

Tento plyn je hořlavina. Dávejte tedy pozor, abyste nepoškodili systém chlazení a potrubí během použití a přepravy.

V případě poškození udržujte výrobek mimo potenciální zdroje hoření, které mohou způsobit vznícení výrobku, a vyvětrejte místnost, v níž je přístroj umístěn.

Ignorujte toto upozornění, pokud chladicí systém vašeho výrobku obsahuje R134a.

Typ plynu použitý ve výrobku je uveden na typovém štítku na levé stěně uvnitř chladničky. Výrobek nikdy nevhazujte do ohně.

Postup pro úsporu energie

- Nenechávejte dvířka chladničky otevřená delší dobu.
- Nevkládejte do chladničky horké potraviny nebo nápoje.
- Nepřepíňujte chladničku, abyste nebránili oběhu vzduchu uvnitř.
- Neinstalujte chladničku na přímé sluneční světlo nebo do blízkosti tepelných spotřebičů, jako je trouba, myčka nebo radiátor.
- Dávejte pozor, abyste nechávali potraviny v uzavřených nádobách.
- U výrobků s prostorem mrazničky; Maximální množství potravin v mrazničce můžete uskladnit, pokud vyjmete polici nebo zásuvku mrazničky. Hodnota spotřeby energie udaná pro vaši chladničku byla stanovena při vyjmuté polici nebo zásuvce mrazničky a při maximální náplni. Nehrozí riziko při používání police nebo zásuvky podle tvarů a rozměrů potravin, které chcete mrazit.
- Rozmrazování zmražených potravin v prostoru chladničky zajistí úsporu energie a zachová kvalitu potravin.

3 Instalace

⚠ Nezapomeňte, že výrobce neodpovídá za nedodržení informací uvedených v návodu k použití.

Body ke zvážení při přepravě chladničky

1. Chladničku je nutno vyprázdnit a vyčistit před jakoukoli přepravou.
2. Police, příslušenství, prostor pro čerstvé potraviny atd. v chladničku je nutno řádně upoutat lepicí páskou, aby nedocházelo k vibracím.
3. Obaly je nutno upevnit silnými páskami a lany a je nutno dodržovat pravidla pro přepravu vytištěná na obalu.

Nezapomeňte...

Každý recyklovaný materiál je nezbytný zdroj pro přírodu a naše národní zdroje.

Pokud chcete přispět k recyklaci obalových materiálů, další informace získáte od orgánů ochrany životního prostředí nebo místních úřadů.

Než chladničku zapnete

Než začnete používat chladničku, zkontrolujte následující:

1. Je vnitřek chladničky suchý a může za ní volně obíhat vzduch?
2. Vyčistíte vnitřek chladničky podle kapitoly „Údržba a čištění“.
3. Zapojte chladničku do sítě. Po otevření dvířek se rozsvítí vnitřní osvětlení prostoru chladničky.
4. Uslyšíte hluk při startování kompresoru. Kapalina a plyn v chladicí soustavě mohou také vydávat zvuky, i když kompresor neběží, což je poměrně normální.

5. Přední kraje chladničky mohou být teplé. Je to zcela normální. Tyto oblasti mají být teplé, aby nedocházelo ke kondenzaci.

Zapojení do sítě

Připojte výrobek k uzemněné zásuvce, která je chráněna pojistkou vhodné kapacity.

Důležité:

- Spojení musí být v souladu s národními předpisy.
- Napájecí kabel musí být po instalaci snadno dostupný.
- Specifikované napětí musí být rovné napětí v síti.
- **K připojení nepoužívejte prodlužovací kabely a vícecestné zásuvky.**

⚠ Poškozený napájecí kabel musí vyměnit kvalifikovaný elektrikář.

⚠ Výrobek nesmíte používat, dokud není opraven! Hrozí riziko zásahu elektrickým proudem!

Likvidace obalu

Obalové materiály mohou být pro děti nebezpečné. Udržujte materiály mimo dosah dětí nebo je zlikvidujte v souladu s pokyny zpracování odpadů. Nelikvidujte je s běžným domovním odpadem. Balení chladničky je z recyklovatelných materiálů.

Likvidace vaší staré chladničky

Starou chladničku zlikvidujte tak, abyste neohrozili životní prostředí

- Informace o likvidaci chladničky získáte u autorizovaného prodejce nebo odpadového odboru vašeho města.

Před likvidací vaší chladničky odřízněte zástrčku a v případě, že jsou na dveřích zámky, zneškodněte je, aby nedošlo k ohrožení dětí.

Umístění a instalace

△ Pokud nejsou vstupní dveře do místnosti, v níž chladničku nainstalujete, dostatečně široké, aby chladnička prošla, kontaktujte autorizovaný servis a nechte sejmut dveře chladničky a protáhněte je bokem.

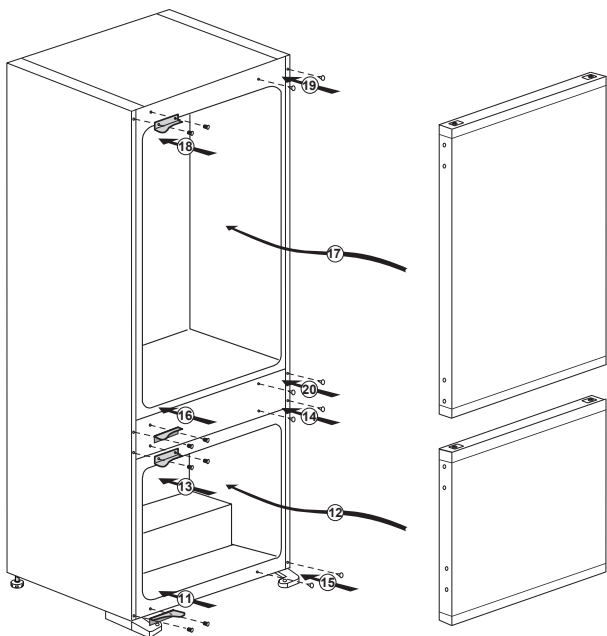
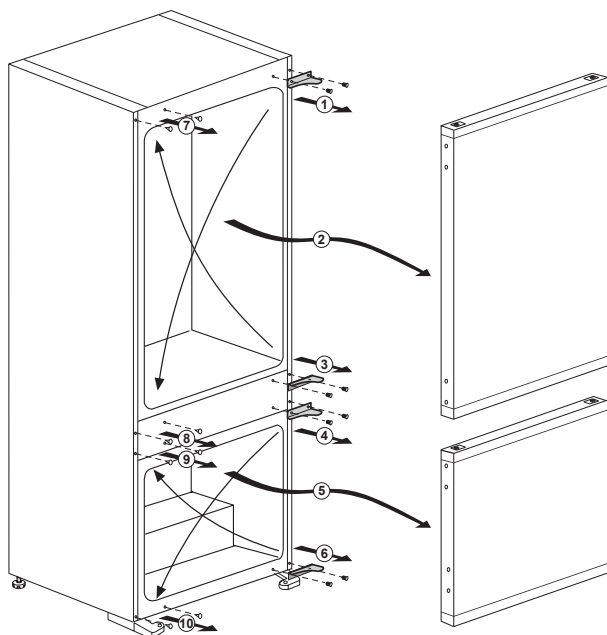
1. Chladničku umístěte na místo, které umožňuje snadnou obsluhu.
2. Chladničku umístěte mimo zdroje tepla, vlhka a přímé světlo.
3. Kolem chladničky musí být dostatečný prostor pro ventilaci, aby se zajistila účinnost provozu. Pokud máte chladničku umístit do výklenku, musí být nejméně 5 cm od stropu a 5 cm od stěn. Pokud je na podlaze koberec, musíte zvednout produkt o 2,5 cm nad zem.
4. Umístěte chladničku na rovnou podlahu, aby nedocházelo ke kymácení.
5. Neskladujte chladničku při teplotách pod 10°C.

Výměna vnitřní žárovky

Za účelem výměny žárovky osvětlení v chladničce prosím kontaktujte Autorizovaný servis. Lampa (y) použité v tomto přístroji nejsou vhodné pro osvětlení místnosti domácnosti. Zamýšlený účel tohoto svítidla je pomoci uživateli umístit potraviny do chladničky / mrazničky bezpečně a pohodlně. Žárovky použité v tomto spotřebiči musí vydržet extrémní fyzické podmínky, např. teploty pod -20°C.

Změna dvířek

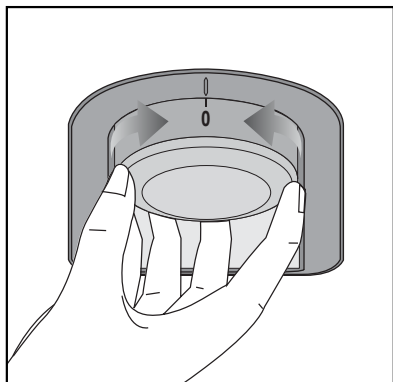
Postupujte podle pořadí.



4 Příprava

- i** Chladničku instalujte nejméně 30 cm od zdrojů tepla, jako jsou varné desky, trouby, ústřední topení a sporáky a nejméně 5 cm od elektrických trub, neumísťujte ji na přímé sluneční světlo.
- i** Teplota prostředí v místnosti, kde instalujete chladničku, by měla být nejméně 10°C. Používání chladničky za chladnějších podmínek se nedoporučuje vzhledem k její účinnosti.
- i** Zajistěte, aby byl vnitřek vaší chladničky důkladně vyčištěn.
- i** Pokud vedle sebe instalujete dvě chladničky, měl by mezi nimi být rozestup nejméně 2 cm.
- i** Když spustíte chladničku poprvé, dodržujte následující pokyny během prvních šesti hodin.
 - Dveře neotevírejte často.
 - Musí běžet prázdná bez vkládání potravin.
 - Neodpojujte chladničku. Pokud dojde k výpadku energie, prostudujte si varování v kapitole “Doporučená řešení problémů”.
- i** Původní obaly a pěnové materiály uschovejte pro budoucí přepravu či přesun.

5 Používání chladničky



Tlačítko nastavení termostatu

Vnitřní teplota chladničky se mění z následujících důvodů:

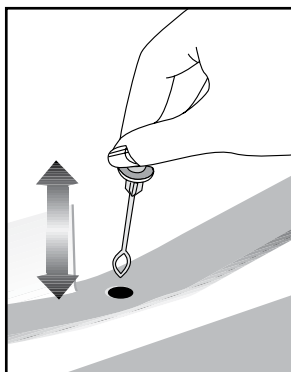
- Teploty podnebí.
- Časté otevírání dveří a nechávání dveří dlouho otevřených.
- Vložené jídlo do chladničky bez ochlazení na pokojovou teplotu.
- Umístění chladničky v místnosti (např. na slunci).
- Můžete upravit teplotu uvnitř z těchto důvodů pomocí termostatu. Čísla kolem tlačítka termostatu označují stupně chlazení.
- Pokud je teplota vyšší než 32°C, otočte tlačítko termostatu na maximum.
- Pokud je teplota nižší než 25°C, otočte tlačítko termostatu na minimum.

Odmrazování

A) Prostor chladničky

V prostoru chladničky dochází k plně automatickému odmrazení. Kapky vody a námraza do síly 7-8 mm se mohou objevit na zadní stěně chladničky, když se chladnička ochlazuje. Tyto jevy jsou normálním důsledkem systému chlazení. Námraza se uvolní automaticky v určitých intervalech díky automatickému odmrazení na zadní stěně. Uživatel nemusí odškrabávat námrazu nebo stírat kapky vody. Voda po odmrazení stéká do drážky pro sběr vody a teče do výparníku udvodňovací trubcí, kde se sama vypařuje.

Pravidelně kontrolujte průchodnost odvodňovací trubice a podle potřeby ji čistěte.



B) Prostor mrazničky

Prostor mrazničky se automaticky neodmrazuje, aby nedošlo ke snížení kvality zmražených potravin.

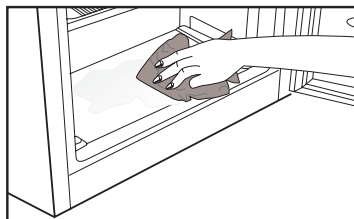
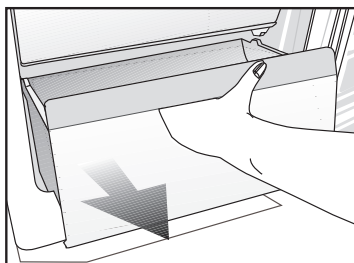
Odmrazování je velmi jednoduché a bez nečistot díky zvláštní nádržce pro sběr odmražené vody.

Odmrazujte dvakrát ročně nebo tehdy, když se utvoří vrstva námrazy asi 7 (1/4") mm. Pro spuštění procesu odmrazování vypněte přístroj ze sítě.

Všechny potraviny zabalte do několika vrstev novinového papíru a uskladněte na chladném místě (např. chladnička nebo spíž). Nádoby s teplou vodou lze umístit opatrně do mrazničky, urychlí se tím odmrazování. Námrazu

neodstraňujte špičatými nebo ostrými předměty, jako jsou nože nebo vidličky. Nepoužívejte sušiče na vlasy, elektrické radiátory nebo jiné elektrické spotřebiče na odmražení. Odmraženou vodu setřete houbičkou ze dna prostoru mrazničky. Po odmražení vnitřek pečlivě vysušte.

Zasuňte zásuvku do sítě a zapněte přívod elektrické energie.



6 Údržba a čištění

- ⚠ Nikdy na čištění nepoužívejte benzin, technický benzin a podobné materiály.
- ⚠ Doporučujeme odpojit přístroj od sítě, než jej začnete čistit.
- ⚠ Nikdy nepoužívejte brusné nástroje, mýdlo, domovní čistič, odmašťovač či voskové čisticí prostředky.
- ℹ Používejte vlažnou vodu pro vyčištění skříně a otřete ji pak dosucha.
- ℹ Používejte vlhký hadřík namočený do roztoku jedné čajové lžičky sody bikarbony na půl litru vody na vyčištění vnitřku, pak jej dosucha otřete.
- ⚠ Zajistěte, aby do krytu světla a jiných elektrických prvků nepronikla voda.
- ⚠ Pokud chladničku delší dobu nebudete používat, odpojte napájecí kabel, vyjměte všechny potraviny, vyčistěte jej a nechte dveře otevřené.
- ℹ Pravidelně kontrolujte těsnění dvířek, abyste zajistili jejich čistotu a nezanesení částicemi potravin.
- ⚠ Pro odstranění polic ve dveřích odstraňte všechnu obsah a pak jen zvedněte dveřní polici vzhůru ze základny.
- ⚠ K čištění vnějších povrchů a chrómem potažených součástí produktu nikdy nepoužívejte čisticí prostředky nebo vodu, která obsahuje chlór. Chlór způsobuje korozi takových kovoých povrchů.

Ochrana plastových ploch

- ℹ Nevkládejte tekuté oleje nebo pokrmy s obsahem oleje do chladničky v neuzavřených nádobách, jelikož poškodí plastovou plochu vaší chladničky. V případě rozlití nebo rozetření oleje na plastové ploše vyčistěte a opláchněte příslušnou část plochy teplou vodou.

7 Doporučená řešení problémů

Než zavoláte do servisu, projděte si tento seznam. Možná vám ušetří čas a peníze. Tento seznam obsahuje časté stížnosti, které nejsou způsobeny vadným zpracováním či použitými materiály. Některé zde uvedené funkce nemusejí být přítomny na vašem výrobku.

Chladnička nefunguje.

- Je chladnička řádně zapojena? Zasuňte zástrčku do sítě.
- Není vypálena pojistka zástrčky, do níž je chladnička zapojena, nebo hlavní pojistka? Zkontrolujte pojistku.

Kondenzace na boční stěně prostoru chladničky (MULTIZONE, COOL CONTROL a FLEXI ZONE).

- Velmi nízká teplota prostředí. Časté otevírání a zavírání dveří. Vysoká vlhkost v prostředí. Skladování potravin s obsahem kapalin v otevřených nádobách. Necháání otevřených dveří. Přepnutí termostatu na nižší teplotu.
- Snížení času otevřených dveří nebo méně časté použití.
- Zakrytí potravin v otevřených nádobách vhodným materiálem.
- Otřete kondenzaci suchým hadrem a ověřte, zda je stále přítomna.

Kompresor neběží.

- Tepelná pojistka kompresoru se zapne během náhlého výpadku energie nebo odpojení a zapojení, jelikož tlak chladicího média v chladicí soustavě chladničky není dosud vyvážen. Vaše chladnička začne fungovat asi po 6 minutách. Kontaktujte servis, pokud se chladnička nespustí na konci této doby.
- Chladnička je v režimu odmrazování. Toto je normální pro chladničku s plně automatickým odmrazováním. Cyklus odmražení probíhá pravidelně.
- Chladnička není zapojena do zásuvky. Ověřte, zda je zástrčka řádně zasunuta do zásuvky.
- Je správně nastavena teplota?
- Možná je odpojeno napájení.

Chladnička často běží nebo běží dlouhodobě.

- Nový výrobek může být širší než předchozí. Je to zcela normální. Četší chladničky fungují delší dobu.
- Okolní teplota v místnosti je možná vysoká. Je to zcela normální.
- Chladnička možná byla nedávno zapojena nebo byla naplněna potravinami. Ochlazování chladničky může trvat o pár hodin déle.
- V nedávné době jste do chladničky vložili velké množství teplých pokrmů. Horké pokrmy způsobují delší fungování chladničky až do dosažení bezpečné teploty pro uchování.
- Dveře se mohly otevřít častěji nebo byly ponechány dlouhou dobu otevřené. Teplý vzduch, který pronikl do chladničky, způsobil dlouhodobější chod chladničky. Otevírejte dveře méně často.
- Mraznička nebo dveře chladničky zůstaly dokořán. Zkontrolujte, zda jsou dveře pevně zavřeny.
- Chladnička je nastavena na velmi nízkou teplotu. Upravte teplotu chladničky na vyšší hodnotu a počkejte na dosažení této teploty.
- Těsnění dveří chladničky nebo mrazničky může být ušpiněno, opotřebené, prasklé nebo nesprávně usazené. Vyčistěte nebo vyměňte těsnění. Poškození/prasklé těsnění způsobuje dlouhodobý chod chladničky pro udržení správné teploty.

Teplota mrazničky je velmi nízká, zatímco teplota v chladničce je dostatečná.

- Teplota mrazničky je nastavena na velmi nízkou teplotu. Upravte teplotu mrazničky na vyšší hodnotu a zkontrolujte ji.

Teplota chladničky je velmi nízká, zatímco teplota v mrazničce je dostatečná.

- Teplota chladničky může být nastavena na velmi nízkou teplotu. Upravte teplotu chladničky na vyšší hodnotu a zkontrolujte ji.

Jídlo v chladničce začíná mrznout.

- Teplota chladničky může být nastavena na velmi nízkou teplotu. Upravte teplotu chladničky na vyšší hodnotu a zkontrolujte ji.

Teplota v mrazničce nebo chladničce je velmi vysoká.

- Teplota chladničky může být nastavena na velmi vysokou teplotu. Nastavení chladničky má vliv na teplotu v mrazničce. Změňte teplotu chladničky nebo mrazničky, dokud teplota v chladničce nebo mrazničce nedosáhne dostatečnou hodnotu.
- Dveře se mohly otevřít častěji nebo byly ponechány dlouhou dobu otevřené; otevírejte je méně často.
- Možná jste nechali nedovřená dvířka; zavírejte je úplně.
- V nedávné době jste do chladničky vložili velké množství teplých pokrmů. Počkejte, až chladnička nebo mraznička dosáhne požadované teploty.
- Chladnička byla nedávno zapojena. Úplné ochlazení chladničky trvá nějakou dobu.

<p>Provozní hluk se zvyšuje, když je chladnička zapnutá.</p> <ul style="list-style-type: none"> • Provozní vlastnosti chladničky se mohou změnit podle výkyvů okolní teploty. Je to normální, nejde o poruchu.
<p>Vibrace nebo hluk.</p> <ul style="list-style-type: none"> • Podlaha není rovná nebo je slabá. Chladnička se při pohybu kymácí. Ověřte, zda je podlaha dostatečně pevná pro chladničku a zda je rovná. • Hluk mohou způsobovat předměty vkládané na chladničku. Předměty na horní straně chladničky sejměte.
<p>Ozývá se zvuk z chladničky jako rozlévání kapaliny nebo stříkání.</p> <ul style="list-style-type: none"> • Proudění kapalin a plynu se může objevit v souladu s provozními zásadami vaší chladničky. Je to normální, nejde o poruchu.
<p>Ozývá se hluk jako kvílení větru.</p> <ul style="list-style-type: none"> • Jsou v provozu ventilátory pro ochlazení chladničky. Je to normální, nejde o poruchu.
<p>Kondenzace na vnitřních stěnách chladničky.</p> <ul style="list-style-type: none"> • Horké a vlhké počasí zvyšuje tvorbu ledu a kondenzace. Je to normální, nejde o poruchu. • Možná zůstala nedovřená dvířka; zajistěte úplné uzavření dveří. • Dveře se mohly otevřít častěji nebo byly ponechány dlouhou dobu otevřené; otevírejte je méně často.
<p>Vlhkost na vnější straně chladničky nebo mezi dveřmi.</p> <ul style="list-style-type: none"> • Ve vzduchu může být vlhkost; toto je ve vlhkém počasí poměrně normální. Po poklesu vlhkosti kondenzace zmizí.
<p>Nepříjemný zápach v chladničce.</p> <ul style="list-style-type: none"> • Chladničku je nutno vyčistit uvnitř. Vyčistěte vnitřek chladničky houbičkou, vlažnou vodou nebo karbonovou vodou. • Některé nádoby či obalové materiály mohou způsobit zápach. Použijte odlišnou nádobu nebo obalový materiál jiné značky.
<p>Dvířka se nezavírají.</p> <ul style="list-style-type: none"> • Zabalené potraviny mohou bránit v zavírání dveří. Vyměňte obaly, které brání v chodu dveří. • Chladnička nestojí zcela svise na podlaze a při pohybu se mírně pohupuje. Upravte seřizovací šrouby. • Podlaha není rovná či silná. Ověřte, zda je podlaha rovná a unese chladničku.
<p>Příhrádky na čerstvé potraviny jsou zaseklé.</p> <ul style="list-style-type: none"> • Potraviny se možná dotýkají horní strany zásuvek. Upravte rozložení potravin v zásuvce.

Prosím, prečítajte si najskôr túto príručku!

Vážený zákazník,

Dúfame, že váš produkt, ktorý bol vyrobený v moderných továrňach a skontrolovaný v rámci prepracovaných postupov riadenia kvality, vám bude úspešne a efektívne slúžiť.

Preto vám odporúčame, aby ste si pozorne prečítali celú túto príručku k vášmu produktu predtým, ako ho začnete používať, a ponechajte si ju poruke, aby ste si ju v prípade potreby mohli prezerat'.

Tento manuál

- Vám pomôže používať vaš prístroj rýchle a bezpečne.
- Manuál si prečítajte pred inštaláciou a prevádzkou vášho produktu.
- Dodržiavajte pokyny, obzvlášť tie, ktoré sa týkajú bezpečnosti.
- Manuál si uschovajte na ľahko prístupnom mieste, pretože ho môžete neskôr potrebovať.
- Okrem toho si prečítajte aj ostatné dokumenty dodané s vaším produktom.
- Majte na pamäti, že tento manuál platí aj pre iné modely.

Symbols a ich popis

Tento návod na obsluhu obsahuje nasledovné symboly:

 Dôležité informácie alebo užitočné tipy.

 Výstraha pred ohrozením života a majetku.

 Výstraha pred elektrickým napätím.

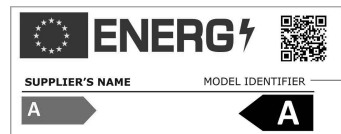


VAROVANIE!

Aby sa zabezpečila normálna prevádzka vašej chladničky, ktorá používa úplne ekologicky nezávadné chladivo R 600a (horľavé len pri určitých podmienkach), musíte dodržiavať nasledujúce pravidlá:

- Nebráňte voľnej cirkulácii vzduchu okolo spotrebiča.
- Nepoužívajte mechanické prístroje na urýchľovanie rozmrazovacieho procesu, iné ako odporúča výrobca.
- Neporušujte chladiaci okruh.
- Nepoužívajte elektrické spotrebiče vo vnútri pípacieho priestoru potravín, iné ako tie, ktoré odporúča výrobca.

INFORMÁCIE



Informácie o modeli uložené v databáze výrobkov sa dajú získať zadaním nasledujúcej webovej stránky a vyhľadaním identifikátora vášho modelu (*), ktorý je uvedený na energetickom štítku.

<https://eprel.ec.europa.eu/>

OBSAH

1 Vaša chladnička	3	4 Príprava	10
2 Dôležité bezpečnostné výstrahy	4	5 Použitie chladničky	11
Určené použitie.....	4	Tlačidlo nastavenia teploty.....	11
Všeobecná bezpečnosť	4	Rozmrazenie	11
Pri výrobkoch s dávkovačom vody	6	6 Údržba a čistenie	13
Bezpečnosť detí	6	Ochrana plastových povrchov	13
Upozornenie HCA.....	6	7 Odporúčané riešenia problémov	14
Veci, ktoré treba urobiť pre úsporu energie	6		
3 Inštalácia	7		
Body, ktoré je potrebné zvažovať pri opakovanej preprave chladničky	7		
Pred uvedením chladničky do prevádzky.....	7		
Elektrické pripojenie.....	7		
Likvidácia obalu.....	8		
Likvidácia vašej starej chladničky	8		
Umiestnenie a inštalácia	8		
Výmena žiarovky vnútorného osvetlenia	8		
Obrátenie dverí.....	9		

Recyklácia

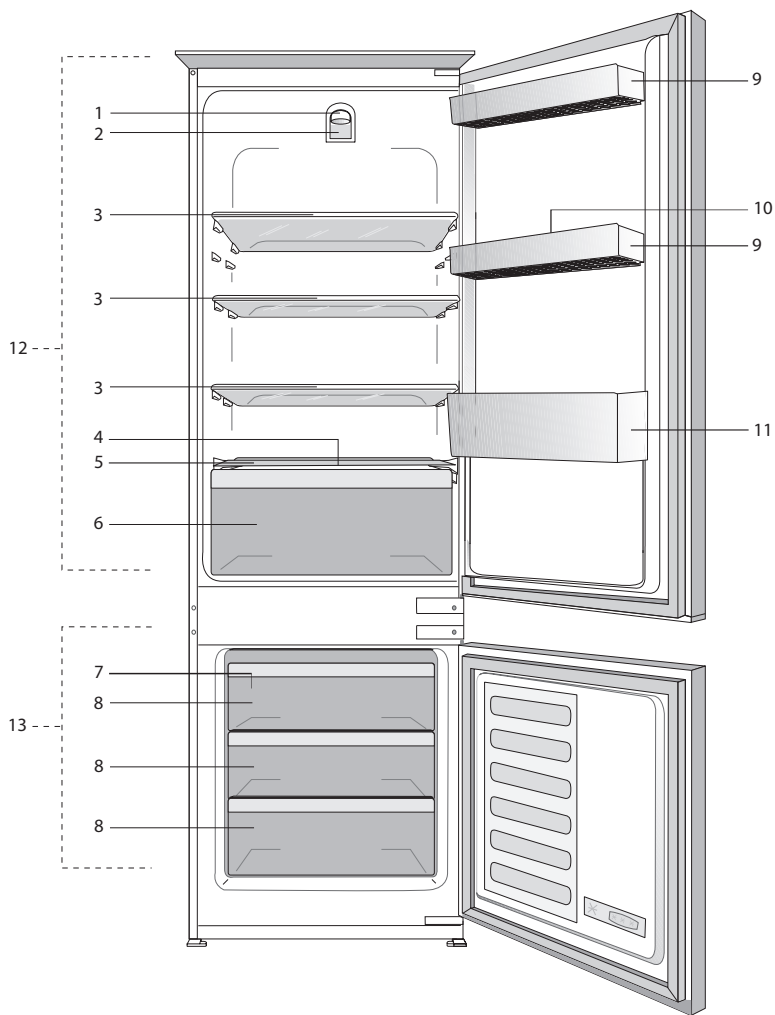


Tento produkt obsahuje symbol samostatného roztriedenia pre odpadové elektrické a elektronické vybavenie (WEEE).

To znamená, že s týmto produktom sa musí narábať v súlade s európskou normou 2002/96/ES, aby sa mohol recyklovať alebo rozobrať, čím sa minimalizuje jeho dopad na životné prostredie. Ohľadom ďalších informácií kontaktujte vaše miestne alebo okresné úrady.

Elektronické produkty, ktoré nie sú súčasťou roztriedovacieho procesu, sú potenciálne nebezpečné pre životné prostredie a ľudské zdravie, kvôli prítomnosti nebezpečných látok.

1 Vaša chladnička



- | | |
|---|---|
| 1) Gombík termostatu | 8) Priestory pre uchovávanie mrazených potravín |
| 2) Puzdro osvetlenia | 9) Nastaviteľné poličky na dverách |
| 3) Pohyblivé police | 10) Priečinko na vajíčka |
| 4) Kanálik pre zber rozmrazenej vody – odtoková rúrka | 11) Polica na fľašky |
| 5) Kryt priečinku na zeleninu a ovocie | 12) Priečinko chladničky |
| 6) Priečinko na zeleninu a ovocie | 13) Priečinko mrazničky |
| 7) Zásobník na lad | |

i Obrázky v tejto príručke k obsluhu sú schematické a nemusia sa presne zhodovať s vaším produktom. Ak produkt, ktorý ste si zakúpili, nedisponuje uvádzanými časťami, potom sa to týka iných modelov.

2 Dôležité bezpečnostné výstrahy

Prečítajte si nasledujúce informácie. Nedodrievanie týchto informácií môže mať za následok zranenia alebo vecné škody. Všetky záručné záväzky tým strácajú platnosť.

Originálne náhradné súčiastky budú dodávané po dobu 10 rokov od kúpy výrobku.

Určené použitie

Tento výrobok je určený na použitie:

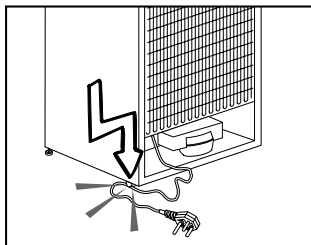
- v interiéroch a v uzatvorených oblastiach, ako napríklad v domoch,
- v uzatvorených pracovných prostrediach, ako napríklad obchody a kancelárie,
- v uzatvorených ubytovacích oblastiach, ako napríklad chalupy, hotely, penzióny.
- Tento výrobok sa nesmie používať v exteriéroch.

Všeobecná bezpečnosť

- Ak chcete vyradiť/zlikvidovať tento produkt, odporúčame vám poradiť sa s autorizovaným servisom, aby ste získali potrebné informácie o autorizovaných orgánoch zariadených na tento účel.
- Obráťte sa na autorizovaný servis so všetkými otázkami a problémami s vašou chladničkou. Nezasahujte ani nenechajte iných zasahovať do chladničky bez upozornenia autorizovaného servisu.
- Pri výrobkoch s mraziacim priečinkom nejezdte zmrzlinu v kornútoch a kocky ľadu ihneď po ich vybratí z mraziaceho priečinka! (Môžete si tým spôsobiť nepríjemný mrazivý pocit v ústach.)
- Pri výrobkoch s mraziacim priečinkom nedávajte do mraziaceho priečinka tekuté nápoje vo fľašiach a plechovkách. V opačnom prípade by mohli prasknúť.

- Mrazeného jedla sa nedotýkajte rukami; mohlo by sa k ruke prilepiť.
- Pred čistením alebo rozmrazovaním chladničku odpojte.
- Para a parové čistiace prostriedky by sa nikdy nemali používať pri čistení a odmrazovaní vašej chladničky. V takýchto prípadoch by sa para mohla dostať do kontaktu s elektrickými dielmi a spôsobiť skrat alebo zásah elektrickým prúdom.
- Nikdy nepoužívajte rôzne časti, ako napr. dvere, ako podpery alebo schodíky.
- Vo vnútri vašej chladničky nepoužívajte elektrické zariadenia.
- Časti, v ktorých cirkuluje chladivo, nepoškodzuje nástrojmi na vírtanie alebo rezanie. V prípade perforácie plynových kanálov výparníka, trubkových rozšírení alebo povrchových úprav, spôsobuje rozliaty chladiaci prostriedok podráždenie pokožky a zranenia očí.
- Neprekrývajte ani neblokujte ventilačné otvory na chladničke žiadnymi materiálmi.
- Elektrické spotrebiče musia opravovať len oprávnené osoby. Opravy vykonávané nekompetentnými osobami predstavujú riziko pre používateľa.
- V prípade zlyhania alebo počas údržby alebo opráv odpojte chladničku od elektrického rozvodu buď vypnutím príslušnej poistky alebo odpojením spotrebiča od siete.
- Pri odpájaní zásuvky neťahajte za kábel, ale potiahnite zásuvku.
- Nápoje s vysokým obsahom alkoholu umiestnite tesne vedľa seba a vertikálne.
- V chladničke neskladujte spreje s rozprašovačom, ktoré obsahujú horľavé alebo výbušné látky.

- Nepoužívajte mechanické prístroje alebo iné prostriedky na urýchľovanie rozmrazovacieho procesu iné ako tie, ktoré odporúča výrobca.
- Tento produkt nie je určený na používanie osobami s fyzickými, zmyslovými alebo duševnými poruchami alebo nepoučenými alebo neskúsenými osobami (vrátane detí), pokiaľ pri nich nie je osoba, ktorá je zodpovedná za ich bezpečnosť, alebo ktorá ich riadne poučí o používaní produktu.
- Neuvádzajte do prevádzky poškodenú chladničku. Ak máte akékoľvek pochybnosti, obráťte sa na servisného zástupcu.
- Elektrická bezpečnosť vašej chladničky je zaručená len vtedy, keď je váš uzemňovací systém v zhode s týmito štandardmi.
- Vystavenie produktu pôsobeniu dažďa, snehu, slnka a vetra je nebezpečné z pohľadu elektrickej bezpečnosti.
- Pri poškodení elektrického kábla kontaktujte autorizovaný servis, aby ste zabránili ohrozeniu.
- Počas inštalácie nikdy chladničku nepripájajte do elektrickej zásuvky. V opačnom prípade vznikne riziko usmrtenia alebo vážneho zranenia.
- Táto chladnička je určená len na skladovanie potravín. Nepoužívajte ju na žiadne iné účely.
- Štítok s technickými údajmi sa nachádza na ľavej stene vo vnútri chladničky.
- Chladničku nezapájajte do elektronických systémov na úsporu energie, pretože ju môžu poškodiť.
- Ak je v chladničke modré svetlo, nepozerajte sa naň cez optické zariadenia.
- Manuálne riadené chladničky zapínajte po výpadku prúdu s odstupom najmenej 5 minút.
- Pri odovzdaní produktu inej osobe odovzdajte túto príručku k obsluhu novému vlastníkovi.
- Zabráňte poškodeniu elektrického kábla pri preprave chladničky. Prehýbanie kábla môže spôsobiť požiar. Na napájací kábel nedávajte ťažké predmety.



- Pri zapájaní produktu sa zástrčky nedotýkajte mokrými rukami.
- Chladničku nezapájajte, ak je zásuvka na stene uvoľnená.
- Z bezpečnostných dôvodov nestriekajte vodu priamo na vnútorné alebo vonkajšie časti produktu.
- Z dôvodu rizika požiaru a výbuchu nerozstrekujte v blízkosti chladničky horľavé materiály, ako napríklad propánový plyn a pod.
- Na chladničku neumiestňujte nádoby naplnené vodou, pretože môžu spôsobiť zásah elektrickým prúdom alebo požiar.
- Nepreťažujte chladničku nadmernými množstvami potravín. Ak je preťažená, potraviny môžu spadnúť a spôsobiť vám zranenie a poškodiť chladničku, keď otvoríte dvere. Na chladničku nikdy nedávajte predmety, pretože môžu spadnúť, keď otvoríte alebo zatvoríte dvere chladničky.
- V chladničke nechovávajte vakcíny, lieky citlivé na teplo, vedecké materiály a pod., ktoré si vyžadujú presnú teplotu.

- Ak sa chladnička nebude dlhší čas používať, treba ju odpojiť zo siete. Možný problém s napájacím káblom môže spôsobiť požiar.
- Výbežky zástrčky by sa mali pravidelne čistiť, pretože v opačnom prípade môže dôjsť k požiaru.
- Výbežky zástrčky by sa mal pravidelne čistiť suchou handričkou, pretože v opačnom prípade môže dôjsť k požiaru.
- Keď nastaviteľné nožičky nie sú umiestnené pevne na podlahe, môže dôjsť k posunu chladničky. Správnym upevnením nastaviteľných nožičiek na podlahe možno zabrániť posúvaniu chladničky.
- Pri prenášaní chladničky ju nedržte za rukoväť na dverách. V opačnom prípade môže prasknúť.
- Ak musíte umiestniť produkt vedľa inej chladničky alebo mrazničky, vzdialenosť medzi nimi musí byť najmenej 8 cm. Inak môžu priľahlé steny strán navlhnúť.

Pri výrobkoch s dávkovačom vody

- musí byť tlak prívodu vody najmenej 1 bar. Tlak prívodu vody musí byť najviac 8 barov.
- Používajte len pitnú vodu.

Bezpečnosť detí

- Ak dvere obsahujú zámku, kľúč uchovávajte mimo dosah detí.
- Deti musia byť pod dohľadom, aby sa zabránilo ich zasahovaniu do produktu.

Upozornenie HCA

Chladiaci systém vášho výrobku obsahuje R600a:

Tento plyn je horľavý. Preto dajte pozor na to, aby ste nepoškodili chladiaci systém a potrubné vedenia pri používaní a preprave. V prípade poškodenia udržiavajte produkt mimo potenciálnych zdrojov plameňa, ktoré by mohli spôsobiť vznietenie produktu, a miestnosť, kde je zariadenie umiestnené, dostatočne vetrajte.

Ignorujte toto upozornenie, ak chladiaci systém vášho výrobku obsahuje R134a.

Typ plynu použitý vo výrobku je uvedený na typovom štítku, ktorý sa nachádza na ľavej stene vnútri chladničky.

Produkt nelikvidujte hodením do ohňa.

Veci, ktoré treba urobiť pre úsporu energie

- Dvere vašej chladničky nenechávajú otvorené dlhý čas.
- Do chladničky nevkladajte horúce jedlá alebo nápoje.
- Chladničku neprepĺňajte, aby ste neblokovali prúdenie vzduchu v interiéri.
- Vašu chladničku neumiestňujte na priame slnečné svetlo alebo do blízkosti spotrebičov, ktoré produkujú teplo, ako napr. rúry na pečenie, umývačky riadu alebo radiátory.
- Dbajte na to, aby ste jedlo uchovávali v uzavretých nádobách.
- Pri výrobkoch s mraziacim priečinkom môžete v mrazničke skladovať maximálny objem potravín vtedy, keď odstránite poličku alebo priečinkov mrazničky. Hodnota spotreby energie stanovená pre vašu chladničku bola stanovená tak, že sa odstráni polička alebo priečinkov mrazničky a pri maximálnom vyťažení. So zreteľom na tvary a veľkosť potravín určených na zamrazenie neexistuje pri používaní police alebo zásuvky žiadne riziko.
- Rozmrazovanie mrazených potravín v priečinku chladničky zabezpečuje úsporu energie a taktiež zachováva kvalitu potravín.

3 Inštalácia

⚠ Zapamätajte si, že výrobca nie je zodpovedný za škody v prípade, ak nedodržíte pokyny v návode na použitie.

Body, ktoré je potrebné zvažovať pri opakovanej preprave chladničky

1. Vaša chladnička musí byť pred presunom prázdna a očistená.
2. Police, príslušenstvo, priehradky atď. vo vašej chladničke musia byť pred opätovným zabalením chladničky zalepené a zaistené voči otrasom.
3. Balenie musíte zaistiť hrubými páskami alebo silnými lanami a musíte dodržiavať bezpečnostné pokyny na balení.

Nezabudnite...

Každý recyklovaný materiál je nepostrádateľným zdrojom pre prírodu a národné zdroje.

Ak by ste chceli prispieť k recyklácii obalových materiálov, informácie môžete získať u ekologických organizácií alebo na miestnych úradoch.

Pred uvedením chladničky do prevádzky

Pred začatím používania vašej chladničky skontrolujte nasledovné:

1. Je interiér chladničky suchý a môže vzduch ľahko cirkulovať v zadnej časti?
2. Vyčistíte interiér chladničky podľa odporúčania v časti „Údržba a čistenie“.

3. Chladničku pripojte do elektrickej zásuvky. Keď sa otvoria dvere chladničky, zapne sa vnútorné svetlo.
4. Budete počuť zvuk pri zapnutí kompresora. Kvapalina a plyny utesnené v chladiacom systéme môžu vydávať nejaký zvuk, bez ohľadu na to, či kompresor je alebo nie je v prevádzke. Toto je celkom normálne.
5. Predné hrany chladničky môžu byť zohriate. To je normálne. Tieto časti sú vytvorené tak, aby boli zohriate, aby sa predišlo kondenzácii.

Elektrické pripojenie

Pripojte výrobok k uzemnenej zástrčke, ktorá je chránená poistkou príslušnej kapacity.

Dôležité:

- Pripojenie musí byť v zhode s národnými predpismi.
- Elektrická zásuvka musí byť po inštalácii ľahko prístupná.
- Určené napätie musí byť rovnaké ako napätie vo vašej elektrickej sieti.
- **Predlžovacie káble a rozbočky sa nesmú používať na pripojenie zariadenia.**

⚠ Poškodený elektrický kábel musí vymeniť kvalifikovaný elektrikár.

⚠ Zariadenie sa nesmie prevádzkovať dovtedy, pokiaľ nebude opravené! Hrozí nebezpečenstvo zásahu elektrickým prúdom!

Likvidácia obalu

Obalový materiál môže byť nebezpečný pre deti. Obalový materiál držte mimo dosahu detí alebo ho vyhodte podľa pokynov pre likvidáciu odpadu. Neodhadzujte ho spolu s normálnym domovým odpadom. Balenie chladničky je vyrobené z recyklovateľných materiálov.

Likvidácia vašej starej chladničky

Vašu starú chladničku zlikvidujte ekologicky.

- O likvidácii vašej starej chladničky sa môžete poradiť s vašim autorizovaným predajcom alebo zberným miestom.

Pred likvidáciou vašej chladničky odrežte elektrickú zásuvku a ak sa na dverách nachádzajú nejaké zámky, znefunkčnite ich, aby ste nevystavili deti žiadnemu nebezpečenstvu.

Umiestnenie a inštalácia

△ Ak vstupné dvere v miestnosti, kde bude chladnička nainštalovaná, nie sú dostatočne široké na to, aby cez ne chladnička prešla, zavolajte do autorizovaného servisu, aby odmontovali dvere vašej chladničky a bokom ju preniesli cez dvere.

1. Chladničku nainštalujte na miesto, ktoré umožňuje ľahké použitie.
2. Chladničku udržiavajte mimo dosah zdrojov tepla, vlhkých miest a priameho slnečného svetla.
3. Kvôli dosiahnutiu účinnej prevádzky musí byť v okolí chladničky dostatočné vetranie. Ak bude chladnička umiestnená vo výklenku v stene, minimálna vzdialenosť od stropu musí byť 5 cm a od steny 5 cm.

Ak je podlaha pokrytá kobercom, výrobok musí byť zdvihnutý do výšky 2,5 cm od podlahy.

4. Kvôli zabráneniu hádzaniu dajte chladničku na rovnú podlahu.
5. Chladničku neuchovávajte pri teplote okolia pod 10°C.

Výmena žiarovky vnútorného osvetlenia

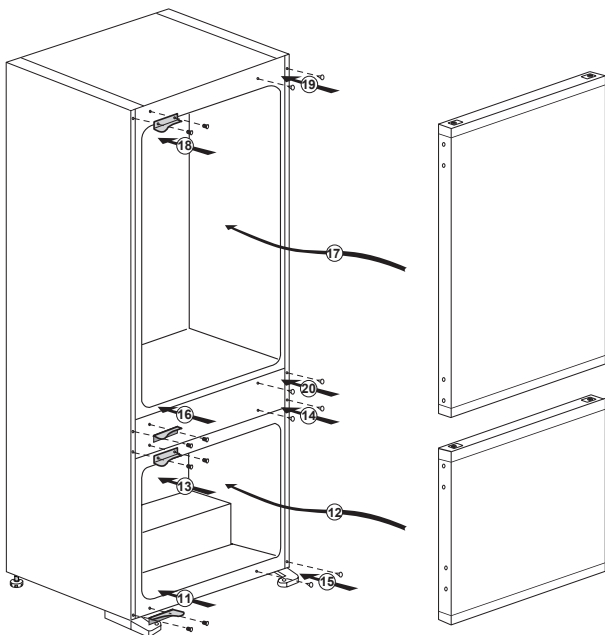
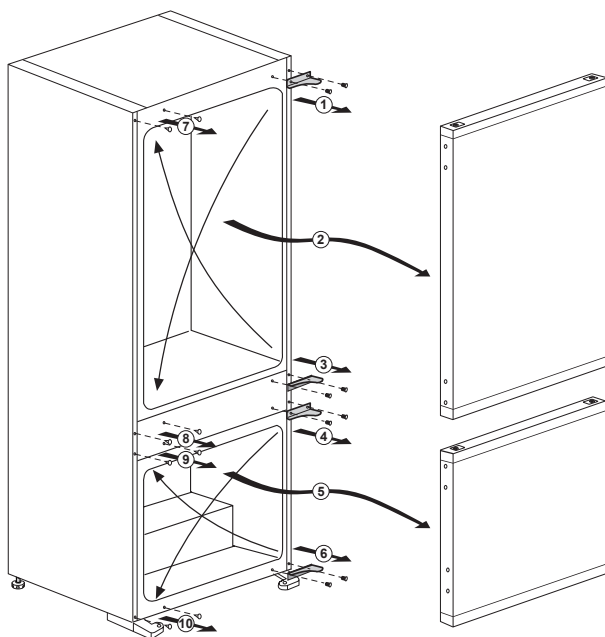
Ak chcete vymeniť lampu použitú na osvetlenie vašej chladničky, zavolajte do autorizovaného servisu.

Lampa(y) použité v tomto prístroji nie sú vhodné pre osvetlenie miestnosti domácnosti. Zamýšľaný účel tohto svietidla je pomôcť užívateľovi umiestniť potraviny do chladničky/mrazničky bezpečne a pohodlne.

Žiarovky použité v tomto spotrebiči musí vydržať extrémne fyzické podmienky, napr. teploty pod -20°C.

Obrátenie dverí

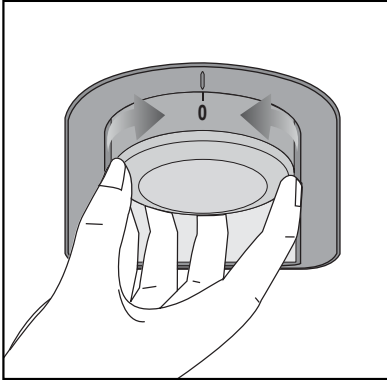
Postupujte podľa číselného poradia.



4 Príprava

- i** Vaša chladnička by mala byť umiestnená v najmenej 30 cm vzdialenosti od zdrojov tepla, ako sú horáky, rúry na pečenie, radiátory a kachle a najmenej v 5 cm vzdialenosti od elektrických rúr na pečenie a nemala by byť umiestnená na priamom slnku.
- i** Teplota prostredia v miestnosti, kde chladničku inštalujete, by mala byť aspoň 10°C. Prevádzka chladničky v chladnejšom prostredí sa neodporúča s ohľadom na jej účinnosť.
- i** Uistite sa, že je interiér vašej chladničky dôkladne vyčistený.
- i** Ak sa budú vedľa seba inštalovať dve chladničky, mala by byť medzi nimi vzdialenosť minimálne 2 cm.
- i** Pri prvom spustení vašej chladničky počas šiestich hodín dodržujte nasledujúce pokyny.
 - Dvere by ste nemali otvárať príliš často.
 - Chladnička musí byť počas tohto času prázdna.
 - Chladničku neodpájajte od siete. Ak dôjde k výpadku napájania, ktoré nemôžete ovplyvniť, pozrite si upozornenia v časti „Odporúčané riešenia problémov“.
- i** Originálny obal a penové materiály by ste si mali odložiť za účelom budúceho transportu a prenášania.

5 Použitie chladničky



Tlačidlo nastavenia teploty

Teplota interiéru vašej chladničky sa mení z nasledovných dôvodov:

- Sezónne teploty.
- Časté otváranie dverí a dlhé ponechanie otvorených dverí.
- Vloženie jedla do chladničky skôr, ako sa schladí na izbovú teplotu.
- Umiestnenie chladničky v miestnosti (napr. vystavenie slnečnému žiareniu).
- Meniacu sa teplotu interiéru môžete kvôli týmto dôvodom nastaviť pomocou termostatu. Čísla okolo tlačítka termostatu značia stupne chladenia.
- Ak je okolitá teplota vyššia ako 32°C, otočte tlačidlo termostatu do maximálnej polohy.
- Ak je okolitá teplota nižšia ako 25°C, otočte tlačidlo termostatu do minimálnej polohy.

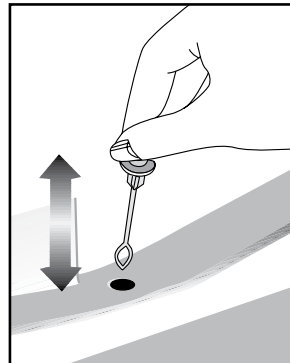
Rozmrazenie

A) Priestor chladničky

Chladnička prevedie plne automatické odmrazovanie.

Vodné kvapky a námraza do veľkosti 7-8 mm sa môže objaviť vnútri chladničky kým sa priestor v chladničke ochladzuje. Takýto jav je normálny výsledok chladiaceho systému. Vytvorená námraza sa automaticky odstraňuje pri automatickom odmrazovaní po určitých intervaloch vďaka automatickému odmrazovaciemu systému v zadnej stene. Používateľ nemusí zoškrabávať námrazu alebo odstraňovať kvapky vody. Voda pochádzajúca z odmrazovania odtečie zo zberača vody do odparovača odkvapovou rúrou, kde sa sama odparí.

Pravidelne kontrolujte, či nie je upchatá odkvapová rúra a v prípade potreby ju odpochajte pomocou prepichnutia.



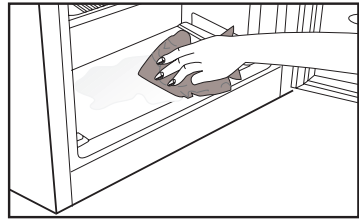
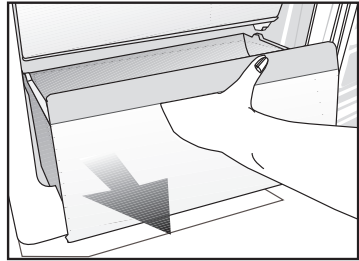
B) Priestor mrazničky

Priečinok hlbokého zmrazenia nevykonáva automatické odmrazovanie, kvôli zabráneniu rozkladu zmrazeného jedla.

Rozmrazovanie je veľmi priamočiare a bez zmätokov vďaka špeciálnej rozmrazovacej zbernej miske.

Rozmrazovanie dvakrát do roka alebo keď sa vytvorila namrznutá vrstva asi 7 (1/4") mm. Pri začatí rozmrazovacieho postupu vypnite spotrebič zo zásuvky a vytiahnite zástrčku. Všetky potraviny by mali byť zabalené do niekoľkých vrstiev novín a skladované na chladnom mieste (napr. v chladničke alebo v komore). Nádrže teplej vody sa môžu opatrne položiť do mrazničky na urýchlenie rozmrazovania. Na odstránenie námrazy nepoužívajte špicaté predmety ani predmety s ostrou hranou, ako nože alebo vidličky. Na rozmrazovanie nikdy nepoužívajte sušiče vlasov, elektrické ohrievače alebo iné elektrické spotrebiče. Odsajte rozmrazenú vodu zhromaždenú na dne priestoru mrazničky. Po rozmrazení starostlivo osušte interiér.

Vložte zástrčku do zásuvky v stene a zapnite dodávku elektriny.



6 Údržba a čistenie

- ⚠ Na čistenie nikdy nepoužívajte benzín, benzén alebo obdobné prostriedky.
- ⚠ Odporúčame vám, aby ste zariadenie pred čistením odpojili od siete.
- ⚠ Na čistenie nikdy nepoužívajte žiadne ostré a drsné predmety, mydlo, domáce čistiadlá, saponáty a voskové leštidlá.
- ℹ Na čistenie skrine chladničky použite vlažnú vodu a vytrite ju do sucha.
- ℹ Pomocou vlhkej handry namočenej do roztoku jednej lyžičky sódy bikarbóny v pol litri vody očistite vnútrajšok a vytrite ho do sucha.
- ⚠ Uistite sa, že do puzdra lampy, prípadne iných elektrických súčiastok, neprenikne voda.
- ⚠ Ak sa chladničku nechystáte používať dlhšie obdobie, odpojte napájací kábel, vyberte všetky potraviny, vyčistite ju a dvere nechajte pootvorené.
- ℹ Pravidelne kontrolujte, či je tesnenie dverí čisté a zbavené odrobiniek z potravín.
- ⚠ Ak chcete odstrániť prielepkovitú vrstvu vo dverách, vyberte celý ich obsah a potom jednoducho potlačte prielepkovitú vrstvu nahor zo základne.

⚠ Na čistenie vonkajších povrchov a chrómových dielov produktu nikdy nepoužívajte čistiace prostriedky ani vodu s obsahom chlóru. Chlór spôsobuje koróziu takýchto kovových povrchov.

Ochrana plastových povrchov

- ℹ Kvapalné oleje a vyprázané jedlá nedávajte do chladničky v otvorených nádobách, pretože poškodzujú plastové povrchy vašej chladničky. V prípade rozliatia alebo roztratia oleja na plastové povrchy okamžite vyčistite a opláchnite príslušnú časť povrchu teplou vodou.

7 Odporúčané riešenia problémov

Pred zavolaním servisu si pozrite tento zoznam. Môže vám to ušetriť čas aj peniaze. Tento zoznam obsahuje bežné sťažnosti, ktoré sa nevzťahujú na chybné spracovanie alebo využitie materiálu. Niektoré z tu popísaných funkcií nemusí váš produkt obsahovať.

Chladnička nefunguje.

- Je chladnička správne pripojená do siete? Zasuňte zásuvku do stenovej zástrčky.
- Nie je prepálená poistka, ku ktorej je pripojená chladnička, alebo hlavná poistka? Skontrolujte poistku.

Kondenzácia na bočnej stene priestoru chladničky (MULTIZÓNA, OVLÁDANIE CHLADU a FLEXI ZÓNA).

- Veľmi studené podmienky prostredia. Časté otváranie a zatváranie dverí. Veľmi vlhké podmienky prostredia. V chladničke sa nachádzajú potraviny obsahujúce kvapaliny v otvorených nádobách. Ponechanie pootvorených dverí. Prepnutie termostatu do chladnejšej polohy.
- Skrátenie doby otvorenia dverí alebo ich zriedkavejšie používanie.
- Prikrytie jedla v otvorených nádobách vhodným materiálom.
- Vlhkosť poutierajte suchou handrou a skontrolujte, či stále pretrváva.

Kompresor nie je v prevádzke.

- Ochranná teplotná poistka kompresora sa vypáli počas náhleho výpadku napájania alebo pri vytiahnutí a opätovnom zastrčení zásuvky, pretože tlak chladiva v chladničke ešte nie je vyvážený. Vaša chladnička začne pracovať po približne šiestich minútach. Ak po tomto čase chladnička nezačne fungovať, zavolajte servis.
- Chladnička je v rozmrazovacom cykle. Pre plne automatickú rozmrazovaciu chladničku je to normálne. Cyklus odmrazovania sa vykonáva pravidelne.
- Chladnička nie je pripojená do siete. Ubezpečte sa, že ste zástrčku správne vložili do zásuvky.
- Sú správne vykonané nastavenia teploty?
- Napájanie je možno prerušené.

Chladnička pracuje príliš často alebo príliš dlhý čas.

- Váš nový produkt môže byť širší ako predchádzajúci. To je úplne normálne. Veľké chladničky pracujú dlhší čas.
- Okolité teplota môže byť vysoká. To je úplne normálne.
- Chladnička mohla byť zapnutá len nedávno alebo mohlo byť do nej vložené jedlo. Kompletné vychladenie chladničky môže trvať o niekoľko hodín dlhšie.
- Do chladničky mohlo byť len nedávno vložené väčšie množstvo teplého jedla. Teplé jedlo spôsobuje dlhší chod chladničky, kým sa nedosiahne bezpečná teplota skladovania.
- Dvere mohli byť často otvárané alebo ponechané po dlhý čas v pootvorenom stave. Teplý vzduch, ktorý prenikol do chladničky, spôsobuje, že chladnička pracuje dlhší čas. Dvere otvárajte menej často.
- Oddelenie mrazničky alebo chladničky mohlo byť ponechané pootvorené. Skontrolujte, či sú dvere tesne zatvorené.
- Teplota v chladničke je nastavená na veľmi nízku hodnotu. Nastavte teplotu v chladničke na vyššiu a vyčkajte, kým je táto teplota dosiahnutá.
- Tesnenie dverí chladničky alebo mrazničky môže byť zanesené špinou, opotrebované, poškodené alebo nesprávne nasadené. Vyčistite alebo vymeňte tesnenie. Poškodené tesnenie spôsobuje, že chladnička pracuje dlhšiu dobu, aby udržala požadovanú teplotu.

Teplota mrazničky je veľmi nízka, zatiaľ čo teplota chladničky je dostatočná.

- Teplota v mrazničke je nastavená na veľmi nízku hodnotu. Nastavte teplotu v mrazničke na vyššiu a skontrolujte.

Teplota chladničky je veľmi nízka, zatiaľ čo teplota mrazničky je dostatočná.

- Teplota v chladničke je možno nastavená na veľmi nízku teplotu. Nastavte teplotu v chladničke na vyššiu a skontrolujte.

Jedlo uložené v spodných zásuvkách chladničky je zmrazené.

- Teplota v chladničke je možno nastavená na veľmi nízku teplotu. Nastavte teplotu v chladničke na vyššiu a skontrolujte.

Teplota v chladničke alebo mrazničke je príliš vysoká.

- Teplota v chladničke je možno nastavená na veľmi vysokú hodnotu. Nastavenia chladničky vplyvajú na teplotu v mrazničke. Zmeňte teplotu chladničky alebo mrazničky, pokým sa tieto teploty nedostanú na adekvátnu úroveň.
- Dvere mohli byť často otvárané alebo ponechané po dlhý čas v pootvorenom stave - otvárajte ich menej často.
- Dvere ste možno nechali pootvorené - dvere úplne zatvorte.
- Do chladničky ste možno nedávno vložili väčšie množstvo teplého jedla. Počkajte, kým mraznička alebo chladnička dosiahnu požadovanú teplotu.
- Chladnička mohla byť pripojená do siete len nedávno. Úplné ochladenie chladničky nejaký čas trvá.

Prevádzkový hluk sa zvyšuje, keď chladnička pracuje.
<ul style="list-style-type: none"> • Prevádzkový výkon chladničky sa môže meniť podľa zmeny teploty okolia. Je to úplne normálne a neznamená to poruchu.
Otrasy alebo hluk.
<ul style="list-style-type: none"> • Podlaha nie je rovná alebo nie je pevná. Chladnička sa trasie pri pomalom pohybe. Skontrolujte, či podlaha dokáže uniesť hmotnosť chladničky a či je rovná. • Hluk môže byť spôsobený predmetmi položenými na chladničke. Odstráňte predmety na vrchu chladničky.
Z chladničky vychádzajú zvuky ako rozliatie alebo rozstrekovanie kvapaliny.
<ul style="list-style-type: none"> • Tok kvapaliny a plynu sa uskutočňuje podľa prevádzkových princípov. Je to úplne normálne a neznamená to poruchu.
Chladnička vydáva zvuky ako fúkanie vetra.
<ul style="list-style-type: none"> • Na ochladenie chladničky sa používajú ventilátory. Je to úplne normálne a neznamená to poruchu.
Kondenzácia na vnútorných stenách chladničky.
<ul style="list-style-type: none"> • Horúce a vlhké počasie zvyšuje namrazovanie a kondenzáciu. Je to úplne normálne a neznamená to poruchu. • Dvere ste možno nechali pootvorené - zabezpečte sa, že ste dvere úplne zatvorili. • Dvere mohli byť často otvárané alebo ponechané po dlhý čas v pootvorenom stave - otvárajte ich menej často.
Na vonkajšej strane chladničky alebo medzi dverami sa tvorí vlhkosť.
<ul style="list-style-type: none"> • Vo vzduchu sa môže nachádzať vlhkosť - je to celkom bežné pri vlhkom počasí. Pri nižšej vlhkosti sa kondenzácia stratí.
Vo vnútri chladničky je nepríjemný zápach.
<ul style="list-style-type: none"> • Musíte vyčistiť interiér chladničky. Interiér chladničky vyčistíte špongiou, vlažnou vodou alebo perlivou vodou. • Zápach môžu spôsobovať niektoré nádoby alebo obalové materiály. Použite odlišnú nádobu alebo odlišnú značku baliaceho materiálu.
Dvere sa nezatvárajú.
<ul style="list-style-type: none"> • Obaly potravín môžu brániť zatvoreniu dverí. Odstráňte obaly, ktoré bránia v ceste dverám. • Chladnička nie je na podlahe v úplne zvislej polohe a pri miernom pohybe sa kolíše. Nastavte elevačné skrutky. • Podlaha nie je rovná alebo dostatočne pevná. Skontrolujte, či je podlaha rovná a či dokáže uniesť hmotnosť chladničky.
Špeciálne priehradky sú zaseknuté.
<ul style="list-style-type: none"> • Jedlo sa môže dotýkať vrchnej strany zásuvky. Znovu usporiadajte jedlo v zásuvke.

