

EN

FR

RO

SR

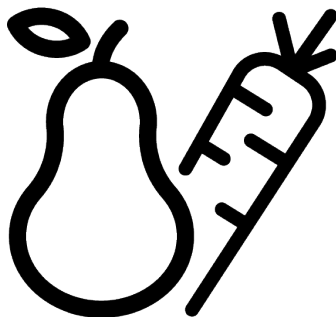
beko

Refrigerator / User Manual

Congélateur / Réfrigérateur / Manuel d'utilisation

Frigider / Manual de utilizare

Frižider / Uputstvo za upotrebu



B3RCNE534HXB

K70531NE

11 5075 6400/ EN/ FR/ RO/ SR/ AB_1/2/ 31.01.24 16:39
7202947602



RECIKLIRANI PAPIR I
PAPIR ZA RECIKLAŽU



HĂRTIE RECIKLATĂ ȘI
RECIKLABILĂ



PAPIER ENTIEREMENT
RECYCLÉ ET RECYCLABLE



RECYCLED &
RECYCLABLE PAPER

Please read this manual first!

Dear Customer

Please read this manual before using the product.

Thank you for choosing this product. We would like you to achieve the optimal efficiency from this high quality product which has been manufactured with state of the art technology. To do this, carefully read this manual and any other documentation provided before using the product and keep it as a reference.

Heed all information and warnings in the user manual. This way, you will protect yourself and your product against the dangers that may occur.

Keep the user manual. Include this manual with the unit if you hand it over to someone else.

The following symbols are used in the user manual:



Hazard that may result in death or injury.



Important information or useful tips on operation.







Read the user manual.



Combustible material, warning against fire hazard.

NOTICE A hazard that may cause material damage to the product or its surroundings

  SUPPLIER'S NAME MODEL IDENTIFIER → (*)  	<p>The model information as stored in the product data base can be reached by entering following website and searching for your model identifier (*) found on energy label.</p> <p>https://eprel.ec.europa.eu/</p>
--	--

1	Safety Instructions.....	4
1.1	Intention of Use	4
1.2	Safety of Children, Vulnerable Persons and Pets	4
1.3	Electrical Safety.....	5
1.4	Handling Safety	5
1.5	Installation Safety.....	6
1.6	Operational Safety.....	8
1.7	Food Storage Safety.....	10
1.8	Maintenance and Cleaning Safety	11
1.9	Disposal of the Old Product.....	12
2	Environmental Instructions.....	12
2.1	Compliance with the WEEE Dir- ective and Disposing of the Waste Product	12
3	Your Refrigerator	13
4	Installation	13
4.1	Right Place For Installation.....	13
4.2	Electrical Connection	14
4.3	Attaching the Plastic Wedges	14
4.4	Adjusting the Legs.....	15
4.5	Hot Surface Warning.....	15
5	Preparation.....	15
5.1	What To Do For Energy Saving	15
5.2	First Use	15
5.3	Climate Class and Definitions	16
6	Operating the Product.....	16
7	Control Panel of the Product.....	17
8	Using The Product.....	18
8.1	Storing Food in the Cooler Com- partment.....	19
8.2	Replacing the Illumination Lamp..	23
8.3	Door Open Alert	23
8.4	Reversing the Door Opening Side.	24
9	Product Features	24
9.1	The ice storage area.....	24
9.2	Egg holder	24
9.3	Crisper	24
9.4	Dairy Products Cold Storage Area	24
9.5	AeroFlow	25
9.6	Humidity Controlled Crisper	25
10	Maintenance and Cleaning	25

1 Safety Instructions

- This section includes the safety instructions necessary to prevent the risk of personal injury or material damage.
- Our company shall not be held responsible for damages that may occur if these instructions are not observed.



Always have installation and repair operations performed by manufacturer, authorized service or a person who will be described by importer company.



Use original spare parts and accessories only.



Do not repair or replace any component of the product unless it is clearly specified in the user manual.



Do not perform any modifications on the product.

1.1 Intention of Use

- This product is not suitable for commercial use and should not be used for a purpose other than its intended use.
- This product is intended for operating interiors, such as households or similar.

For example;

In the staff kitchens of the stores, offices and other working environments,

In farm houses,
In the units of hotels, motels or other resting facilities that are used by the customers,
In hostels, or similar environments,
In catering services and similar non-retail applications.

- This product shall not be used in open or enclosed external environments such as vessels, camper vans, balconies or terraces. Exposing the product to rain, snow, sunlight and wind may cause risk of fire.



1.2 Safety of Children, Vulnerable Persons and Pets

- This product may be used by children aged 8 years and older and persons with underdeveloped physical, sensory or mental capabilities or lack of experience and knowledge if they are being supervised or have been given instruction concerning use of the appliance in a safe way and the hazards involved.
- Children between 3 and 8 years are allowed to put and take out food into/from the cooler product.

- Children and pets must not play with, climb on, or get inside the product.
- Children and pets must be kept away from the cabin area (compressor) where electrical parts are located.
- Cleaning and user maintenance must not be performed by children unless there is someone overseeing them.
- Keep the packaging materials away from children. Risk of injury and suffocation.
- Portable multi-plugs or portable power supplies may overheat and cause fire. Thus, do not have a multi-plug, portable power sources behind or in the vicinity of the product.
- Do not plug the product's power cord in a loose or damaged power outlet. These types of connections may overheat and cause fire.
- The plug shall be easily accessible. If this is not possible, a mechanism that meets the electrical legislation and that disconnects all terminals from the mains (fuse, switch, main switch, etc.) shall be available on the electrical installation.

1.3 Electrical Safety

- The product shall not be plugged into the outlet during installation, maintenance, cleaning, repair, and transportation operations.
- If the power cable is damaged, it shall only be replaced by authorized service to avoid any risks that may occur.
- Do not tuck the power cable under the product or to the rear of the product. Do not put heavy items on the power cable. The power cable should not be bent, crushed, and come into contact with any heat source.
- Do not use an extension cord, multi-plug or adaptor to operate your product.
- The product must not be operated with an external switching device such as a timer, or a remote controlled system.
- Do not use the product when your feet are bare or your body is wet.
- Do not touch the plug with wet hands.
- When unplugging the appliance, don't hold the power cord, but the plug.

1.4 Handling Safety

- Make sure to unplug the appliance before carrying the product.

- This product is heavy, do not handle it by yourself. Injuries may occur if the product falls on you. Do not bump into places or drop the product while transporting it.
- Always close the doors and do not hold the product by its doors while transporting it.
- Be careful not to damage the cooling system and the pipes while handling the product. Do not operate the product if the pipes are damaged, and contact an authorized service.
- Check for any damage on the product before installing it. Do not have the product installed if it is damaged.
- Always use personal protective equipment (gloves, etc.) during product installation, maintenance and repair. Risk of Injury!
- Place the product on a clean, level and hard surface and balance it with the adjustable legs (by rotating the front feet to the right or left). Otherwise, the refrigerator may tip over and cause injuries.

1.5 Installation Safety

- Contact the Authorized Service for the product's installation. To prepare the product for use, see the information in the user manual and make sure the electric and water utilities are as required. If not, call a qualified electrician and plumber to arrange the utilities as necessary. Failure to do so may result in electric shock, fire, problems with the product, or injury.
- This product is designed for use at a maximum altitude of 2000 metres above sea level.
- Keep children away from installation area.
- The product shall be installed in a dry and ventilated environment. Do not keep carpets, rugs or similar covers under the product. This may cause risk of fire as a result of inadequate ventilation!
- Do not block or cover ventilation holes. Otherwise, power consumption increases and your product may be damaged.
- When placing the product, make sure that the supply cable is not damaged or pinched.
- The product must not be connected to supply systems and power sources which may cause sudden voltage changes (i.e. a portable solar-energy power source). Otherwise,

damage to your product may occur as a result of the abrupt voltage fluctuations!

- The more refrigerant a refrigerator contains, the bigger its installation room shall be. In very small rooms, a flammable gas-air mixture may occur in case of a gas leak in the cooling system. At least 1 m³ of volume is required for each 8 grams of refrigerant. The amount of the refrigerant available in your product is specified in the Type Label.
- The product must never be placed in such a way that power cables, the metal hose of the gas stove, metal gas or water pipes come into contact with the product's rear wall (or the condenser).
- The installation place of the product must not be exposed to direct sunlight and it shall not be in the vicinity of a heat source such as stoves, radiators, etc. If you cannot prevent installation of the product in the vicinity of a heat source, use a suitable insulation plate and make sure the minimum distance to the heat source is as specified below:
 - At least 30 cm away from heat sources such as stoves, ovens, heating units and heaters, etc.,
 - And at least 5 cm away from electrical ovens.
- Your product has the protection class of I.
- Plug the product in a grounded socket that conforms with the Voltage, Current and Frequency values specified in the type label. The socket must have a 10A – 16A fuse. Our firm will not assume responsibility for any damages due to usage without earthing and without power connection in compliance with local and national regulations.
- The product's power cable must be unplugged during installation. Otherwise, risk of electric shock and injury may occur!
- Do not plug the product's power cord in loose, dislocated, broken, dirty, oily power outlets which have a risk of water contact. These types of connections may cause overheating and fire.
- Place the power cable and hoses (if any) of the product so that they shall not cause a risk of tripping over.

- Penetration of humidity and liquid to live parts or to the power cord may cause short circuit. Thus, do not use the product in humid environments or in areas where water may splash (e.g. garage, laundry room, etc.) If the refrigerator is wet by water, unplug it and contact an authorized service.
- Do not ever connect your refrigerator to power saving devices. These systems are harmful for the product.
- There is a risk of contact with electrical parts when removing the electronic board cover and the compressor rear cover (if fitted). Do not remove the electronic board cover and the compressor rear cover (if fitted). There is a risk of electrocution!
- Do not place a source of flame (e.g. candles, cigarettes, etc.) on the product or in the vicinity of it.
- Do not get on the product. Risk of falling and injury!
- Do not cause damage to the pipes of the cooling system using sharp and piercing tools. The refrigerant that sprays out in case of puncturing the gas pipes, pipe extensions or upper surface coatings may cause irritation of skin and injury to the eyes.
- Do not place and operate electrical appliances inside the refrigerator/freezer unless it is advised by the manufacturer.
- Do not jam any parts of your hands or your body to the moving parts inside the product. Be careful to prevent jamming of your fingers between the refrigerator and its door. Be careful while opening or closing the door if there are children around.
- Do not put ice cream, ice cubes or frozen food to your mouth as soon as you take them out of the freezer. Risk of frostbite!

1.6 Operational Safety

- Do not ever use chemical solvents on the product. These materials contain an explosion risk.
- In case of a failure of the product, unplug it and do not operate until it is repaired by the authorized service. There is a risk of electric shock!

- Do not touch the inner walls, metal parts of the freezer or food kept inside the freezer with wet hands. Risk of frost-bite!
- Do not place soda cans or cans and bottles that contain fluids that may be frozen to the freezer compartment. Cans or bottles may explode. Risk of injury and material damage!
- Do not use or place materials sensitive against temperature such as flammable sprays, flammable objects, dry ice or other chemical agents in the vicinity of the refrigerator. Risk of fire and explosion!
- Do not store explosive materials such as aerosol cans with flammable materials inside the product.
- Do not place cans containing fluids over the product an open state. Splashing of water on an electrical part may cause an electric shock or a fire.
- Due to risk of breaking, do not store glass containers with liquid inside in the freezer compartment.
- This product is not intended for storage and cooling of medicines, blood plasma, laboratory preparations or similar materials and products that are subject to the Medical Products Directive.
- If the product is used against its intended purpose, it may cause damage to or deterioration of the products stored inside.
- If your refrigerator is equipped with blue light, do not look at this light with optical devices. Do not stare directly at UV LED light for a long time. Ultraviolet rays may cause eye strain.
- Do not fill the product with more contents than its capacity. Injuries or damages may occur if the contents of the refrigerator fall when the door is opened. Similar problems may also occur when an object is placed over the product.
- Ensure that you have removed any ice or water that may have fallen to the floor to prevent injuries.
- Change the locations of the racks/bottle racks on the door of your refrigerator only when the racks are empty. Danger of injury!
- Do not place objects that may fall/tip over on the product. These objects may fall while opening or closing the door and cause injuries and/or material damages.

- Do not hit or exert excessive pressure on glass surfaces. Broken glass may cause injuries and/or material damages.
- The cooling system in your product contains R600a refrigerant. The refrigerant type used in the product is specified in the type label. This gas is flammable. Therefore, be careful not to damage the cooling system and the pipes while operating the product. In case of damage to the pipes;
 1. Do not touch the product or the power cable.
 2. Keep the product away from potential sources of fire that may cause the product to catch fire.
 3. Ventilate the area where the product is placed. Do not use a fan.
 4. Contact Authorized Service.

If the product is damaged and you observe gas leak, please stay away from the gas. Gas may cause frostbite if it contacts your skin.

Before disposing of old products that shall not be used any more:

 1. Unplug the power cord from the mains socket.
 2. Cut the power cable and remove it from the appliance together with the plug.
- 3. Do not remove the racks and drawers from the product to prevent children from getting inside the appliance.
- 4. Remove the doors.
- 5. Store the product so that it shall not be tipped over.
- 6. Do not allow children to play with the scrapped product.
- Do not dispose of the product by throwing it into fire. Risk of explosion.
- If there is a lock available on the product's door, keep the key out of children's reach.

1.7 Food Storage Safety

Please pay attention to the following warnings to avoid food spoilage:

- Leaving the doors open for a long time may cause the temperature inside the product to rise.
- Regularly clean the accessible drainage systems in contact with food.
- Clean the water tanks that have not been used for 48 hours and mains-fed water systems that have not been used for more than 5 days.
- Store raw meat and fish products in appropriate compartments within the product.

Thus, it does not drip on or come into contact with other foods.

- Two-star freezer compartments are used for storing pre-filled foods, making and storing ice and ice cream.
- One, two and three-star compartments are not appropriate for freezing fresh food.
- If the cooling product has been left empty for a long time, turn off the product, defrost, clean, and dry the product in order to protect the housing of the product.



1.8 Maintenance and Cleaning Safety

- Unplug the refrigerator before cleaning it or starting to perform maintenance.
- Do not pull by the door handle if you shall move the product for cleaning purposes. Handle may cause injuries if it is pulled too hard.
- Do not put your hands etc. under the refrigerator. Jamming may occur or any sharp edge may cause personal injuries.
- Do not clean the product by spraying or pouring water on the product and inside the product. Risk of electric shock and fire.

- When cleaning the product, do not use sharp and abrasive tools or household cleaning agents, detergent, gas, gasoline, thinner, alcohol, varnish, and similar substances. Use only cleaning and maintenance agents that are not harmful for food inside the product.
- Do not ever use steam or steamed cleaning materials for cleaning the product and thawing the ice inside it. Steam contacts the live areas in your refrigerator and causes short circuit or electric shock.
- Do not use any mechanical tools or any other tools than the recommendations of the manufacturer to speed up the defrost operation.
- Take care to keep water away from the ventilation holes, electronic circuits or lighting of the product.
- Use a clean, dry cloth to wipe the dust or foreign material on the tips of the plugs. Do not use a wet or damp piece of cloth to clean the plug. Otherwise, risk of fire or electric shock may occur.

1.9 Disposal of the Old Product

When disposing of your old product follow the instructions below:

- To prevent children from accidentally locking themselves into the product, if there is door lock, disable it.
- Splash of coolant is harmful to the eyes. Do not damage any part of the cooling system while disposing of the product.

- It may be fatal if the compressor oil is swallowed or if it penetrates the respiratory tract.
- Cooling system of your product includes R600a gas as specified in the type label. This gas is flammable. Do not dispose of the product by throwing it into fire. Risk of explosion!
- C-Pentane is used as a blowing agent in insulation foam and it is a flammable substance. Do not dispose of the product by throwing it into fire.

2 Environmental Instructions

2.1 Compliance with the WEEE Directive and Disposing of the Waste Product



This product complies with EU WEEE Directive (2012/19/EU). This product bears a classification symbol for waste electrical and electronic equipment (WEEE).

This symbol indicates that this product shall not be disposed with other household wastes at the end of its service life. Used device must be returned to official collection point for recycling of electrical and electronic devices. To find these collection systems please contact to your local authorities or retailer where the product was purchased. Each household performs important role in recovering and recycling of old appliance. Appropriate disposal of used

appliance helps prevent potential negative consequences for the environment and human health.

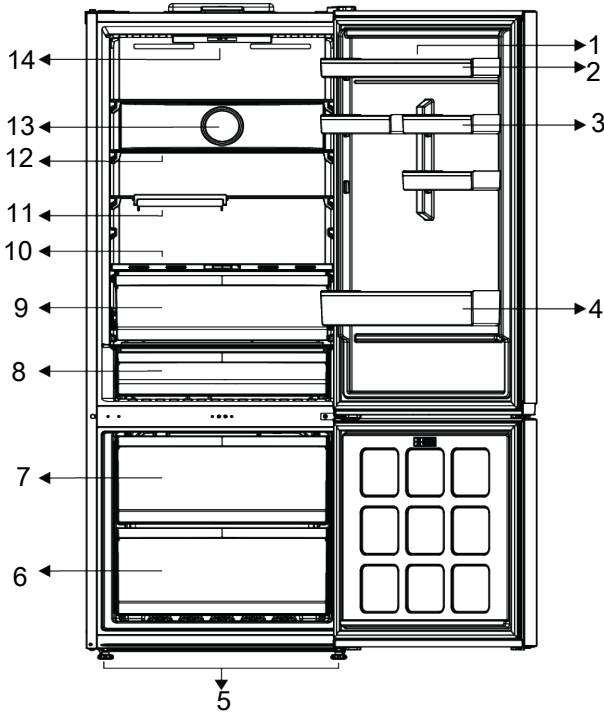
Compliance with RoHS Directive

The product you have purchased complies with EU RoHS Directive (2011/65/EU). It does not contain harmful and prohibited materials specified in the Directive.



Package information

Packaging materials of the product are manufactured from recyclable materials in accordance with our National Environment Regulations. Do not dispose of the packaging materials together with the domestic or other wastes. Take them to the packaging material collection points designated by the local authorities.



- | | |
|----------------------------|---------------------------------|
| 1 *Adjustable door shelves | 2 Egg holder |
| 3 *Small door shelves | 4 *Bottle shelf |
| 5 Adjustable legs | 6 Freezer compartment drawer |
| 7 Icebox container | 8 *Cold storage drawer |
| 9 Crisper | 10 *Humidity controlled crisper |
| 11 *Foldable wine rack | 12 *Adjustable glass shelf |
| 13 Fan | 14 Lighting |

***Optional:** Figures in this user manual are schematic and may not exactly match your product. If your product does not comprise the relevant parts, the information pertains to other models.

4 Installation

 Read the "Safety Instructions" section first!

4.1 Right Place For Installation

Contact the Authorized Service for the product's installation. To prepare the product for installation, see the information

in the user manual and make sure the electric and water utilities are as required. If not, call an electrician and plumber to arrange the utilities as necessary.



WARNING:

The manufacturer assumes no responsibility for any damages caused by the work carried out by unauthorized persons.



WARNING:

The product's power cable must be unplugged during installation. Failure to do so may result in death or serious injuries!



WARNING:

If the door span is too narrow for the product to pass, remove the door and turn the product sideways; if this does not work, contact the authorized service.

- Place the product on a flat surface to avoid vibration.
- Place the product at least 30 cm away from the heater, stove and similar sources of heat and at least 5 cm away from electric ovens.
- Do not expose the product to direct sunlight or keep it in damp environments.
- Your product requires adequate air circulation to function efficiently. If the product will be placed in an alcove, remember to leave at least 5 cm clearance between the product and the ceiling, rear wall and the side walls.
- Check if the rear wall clearance protection component is present at its location (if provided with the product).
- If the component is not available, or if it is lost or fallen, position the product so that at least 5 cm clearance shall be left between the rear surface of the product and the wall of the room. The clearance at the rear is important for efficient operation of the product.

4.2 Electrical Connection



Do not use extension cables or multi sockets in power connection.



Damaged power cable must be replaced by Authorized Service.



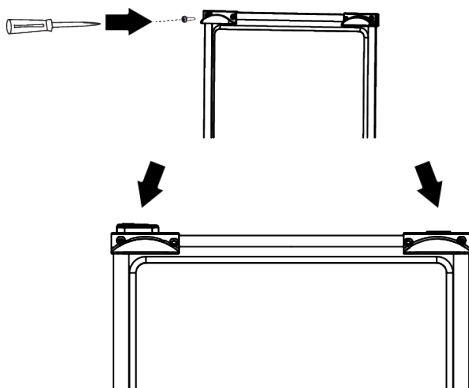
When placing two coolers in adjacent position, leave at least 4 cm distance between the two units.

- Our firm will not assume responsibility for any damages due to usage without earthing and without power connection in compliance with national regulations.
- The power cable plug must be easily accessible after installation.
- Do not use multi-group plug with or without extension cable between the wall socket and the refrigerator.

4.3 Attaching the Plastic Wedges

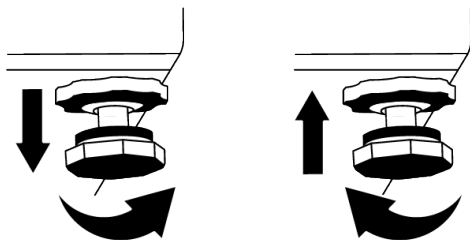
Use the plastic wedges provided with the product to maintain sufficient space for air circulation between the product and the wall.

1. To attach the wedges, remove the screws on the product and use the screws provided with the wedges.
2. Attach 2 plastic wedges on the ventilation cover as shown in the figure.



4.4 Adjusting the Legs

If the product is not in balanced position, adjust the front adjustable legs by rotating them to right or left.



5 Preparation



Read the "Safety Instructions" section first!

5.1 What To Do For Energy Saving



Connecting the product to electronic energy-saving systems is harmful, as it may damage the product.

- This refrigerating appliance is not intended to be used as a built in appliance.
- Do not keep the refrigerator doors open for long periods.
- Do not place hot food or beverages into the refrigerator.
- Do not overfill the refrigerator; blocking the internal air flow will reduce cooling capacity.
- Since hot and humid air will not directly penetrate into your product when the doors are not opened, your product will optimize itself in conditions sufficient to protect your food. Under these circumstances, functions and components such as compressor, fan, heater, defrost, lighting, display and so on will operate according to the needs by consuming minimum energy.
- In case that multiple options are present, glass shelves must be placed so that the air outlets at the rear wall are not blocked and preferably, in a way that air outlets

4.5 Hot Surface Warning

The side walls of your product are equipped with cooler pipes to enhance the cooling system. High pressure fluid may flow through these surfaces, and cause hot surfaces on the side walls. This is normal and it does not require servicing. Be careful when you contact these areas.

remain below the glass shelf. This combination may help improving air distribution and energy efficiency.

- Using the below drawer when storing is strongly recommended.
- Depending on the product's features; defrosting frozen foods in the cooler compartment will ensure energy saving and preserve food quality.
- In order to load the maximum quantity of food into the freezer compartment of your refrigerator, the upper drawers may be taken out and the food should be placed onto the wire/glass shelves.
- Food shall be stored using the drawers in the cooler compartment in order to ensure energy saving and protect food in better conditions.
- Food packages shall not be in direct contact with the temperature sensor located in the freezer compartment.

5.2 First Use

Before using your refrigerator, make sure the necessary preparations are made in line with the instructions in "Safety and Environmental Instructions" and "Installation" sections.

- Keep the product running without placing any food inside for 6 hours and do not open the door, unless absolutely necessary.

- The temperature change caused by opening and closing of the door while using the product may normally lead to condensation on door/body shelves and glassware placed in the product.



A sound will be heard when the compressor is engaged. It is normal for the product to make noise even if the compressor is not running, as fluid and gas may be compressed in the cooling system.



It is normal for the front edges of the refrigerator to be warm. These areas are designed to warm up in order to prevent condensation.



For some models, indicator panel turns off automatically 1 minute after the door closes. It will be re-activated when the door is opened or any button is pressed.

6 Operating the Product



Read the "Safety Instructions" section first!

- Do not use any mechanical tools or any other tools than the recommendations of the manufacturer to speed up the defrost operation.
- Do not use parts of your refrigerator such as the door or drawers as a support or a step. This may cause the product to trip over or its components to be damaged.
- The product shall be used for storing food only.

5.3 Climate Class and Definitions

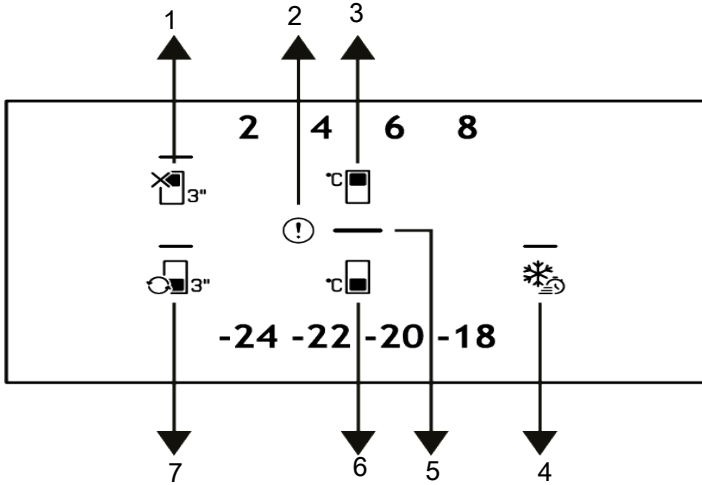
Please refer to the Climate Class on the rating plate of your device. One of the following information is applicable to your device according to the Climate Class.

- **SN:** Long Term Temperate Climate: This cooling device is designed for use at ambient temperatures between 10 °C and 32 °C.
- **N:** Temperate Climate: This cooling device is designed for use at ambient temperatures between 16°C and 32 °C.
- **ST:** Subtropical Climate: This cooling device is designed for use at ambient temperatures between 16°C and 38°C.
- **T:** Tropical Climate: This cooling device is designed for use at ambient temperatures between 16°C and 43°C.

- Turn off the water valve if you will be away from home (e.g. at vacation) and you will not be using the Icematic or the water dispenser for a long period of time. Otherwise, water leaks may occur.


Unplugging the Product

- If you are not going to use the product for a long time, unplug the product from the socket.
- Remove the food to prevent odours,
- Wait for the ice to melt, clean the interior and let it dry, leave the doors open to avoid damaging the inner body plastics.



- 1 *Cooler Compartment Off Vacation Function Key
- 3 Cooler Compartment Temperature Setting Key
- 5 Energy Saving (Display Off) Indicator
- 7 *Compartment Conversion Key

- 2 Error Status Indicator
- 4 *Quick Freezing Key
- 6 Freezer Compartment Temperature Setting Key

 Read the "Safety Instructions" section first.

*Optional: Shown functions are optional, there may be differences of shape and location in functions found on your appliance's indicator panel.

Auditory and visual functions on the indicator panel will assist you in using the refrigerator.

1. Cooler Compartment Off (Vacation)

Function Key

Press the key for 3 seconds to activate the vacation function. Vacation mode is activated and the vacation symbol is illuminated. "-.-" shall be displayed on the Cooler Compartment temperature indicator and the cooler compartment does not actively perform cooling.

You should not keep your food in the cooler compartment if you activate this function. Other

compartments continue to cool according to temperatures set before. Press the key for 3 seconds again to cancel this function.

2. Error Condition Indicator

When your refrigerator cannot perform adequate cooling or in case of any sensor error, this indicator will be active. When you put hot food in the freezer compartment or remain the door open for a long time, an exclamation mark may be illuminated for a certain time. This is not a fault, this warning will be removed when the food is cooled down or when any key is pressed.

3. Cooler Compartment Temperature

Setting Key

Allows setting of temperature for cooler compartment. Pressing the key will enable the cooler compartment temperature to be set at 8,6,4,2 °C.

4. Quick Freezing Key

When the quick freezing key is pressed, the quick freezing symbol shall be illuminated and the quick freezing function shall be activated. The freezer compartment temperature is set to -27 °C. Press the key again to cancel the function. The quick freezing function will be cancelled automatically. To freeze a large amount of fresh food, press the quick freezing key before placing the food in the freezer compartment.

5. Energy Saving (Display Off) Indicator

Energy saving function is enabled automatically and the energy saving symbol lights up when the door of the product is not opened or closed for some period of time. When the energy saving function is active,

all symbols on the screen except the energy saving symbol will be turned off. When the energy saving function is active, pressing any key or opening the door will deactivate the energy saving function and the display signals will return to normal. The energy saving function is a function activated ex-factory and cannot be cancelled.

6. The Freezer Compartment Temperature Setting Key


Temperature setting is made for freezer compartment. Pressing the key will enable the freezer compartment temperature to be set at -18, -20, -22, -24 °C.

7. *Compartment Conversion Key 3"

By pressing compartment conversion key for 3 seconds, the freezer compartment can be set to the cooler compartment, off and the freezer compartment, respectively. While the freezer compartment is running, the light of the selected freezer compartment temperature value is illuminated, the light on the conversion key is turned

off. -24-22-20-18  3"

While the cooler compartment is running, all the lights of the freezer compartment temperature values go off, the light on the conversion key is illuminated. The compartment operates as cooler.

2 4 6 8 , -24-22-20-18  3"

When the freezer compartment is closed, all the lights of the freezer compartment temperature values and the light on the conversion key go off. For this selection, no food exists at the compartment.

-24-22-20-18.

8 Using The Product



Read the "Safety Instructions" section first!

8.1 Storing Food in the Cooler Compartment

Storing Food in the Cooler Compartment

- Compartment temperatures rise prominently if compartment door is opened and closed frequently and kept open for a long time, this can reduce the life span of the food and cause the food to spoil.
- In order not to cause odour and taste changes, the food should be stored in the closed containers.
- Do not store too much food in your refrigerator. To achieve a better and homogeneous cooling, place the food separately in a way that cold air can wander through them.
- Provide air flow by leaving a space between the food and internal wall. If you lean the food against the rear wall, the food may freeze.
- Bring cooked hot meals to the room temperature before placing them in the refrigerator. Then, you can place the tepid meal in the lower shelves of your refrigerator. Do not place the tepid meals close to the foods which may easily spoil.
- Especially pay attention not to mix the foods sold as frozen with the fresh foods.
- Defrost your frozen food in the fresh food compartment. Thereby, you can cool fresh food compartment by using frozen food and save energy.
- Storing unripe tropical fruits (mango, melon varieties, papaya, banana, pineapple) in the refrigerator may speed up the ripening process. This is not recommended because it will cause shorter storage time.
- You should store onions, garlicks, gingers and other root vegetables in dark and cold room conditions, not in the refrigerator.
- If you notice that a food has spoiled in the refrigerator, throw away that food and clean the accessories which have come into contact with it.
- In order to cool the meals like soups and stews, which are cooked in the large pots, quickly, you can put them in the refrigerator by separating them into their own shallow containers.
- Do not place unpackaged food close to eggs.
- Keep the fruits and vegetables separately and store each variety together (for example; apples with apples, carrots with carrots).
- Take green vegetables out of the plastic bag and place them in the refrigerator after wrapping them in a paper towel or drying cloth. If you wash this type of food before placing them in the refrigerator, remember to dry them.
- You can both create a damp environment and provide an air flow by keeping fruits and vegetables, which are prone to drying, in the perforated or unsealed plastic bags.
- Except the cases where extreme circumstances are available in the environment, if your product (on the recommended set values table) is set to the specified set values, the food keep their freshness for a longer time both in the fresh product compartment and freezer compartment.

Store Foods In The Different Places According To Their Properties:	
Food	Location
Egg	Door Shelf
Dairy products (butter, cheese)	If available, zero degree (for breakfast food) compartment
Fruits, vegetables and greenery	Fruit-vegetable compartment, crisper or EverFresh+ compartment (if available)

Store Foods In The Different Places According To Their Properties:

Food	Location
Fresh meat, poultry, fish, sausage etc. Cooked foods	If available, zero degree (for breakfast food) compartment
Ready to serve foods, packaged products, canned foods and pickles	Top shelves or door shelf
Beverages, bottles, spices and snacks	Door Shelf

Storing Food In The Freezer Compartment

- You can activate Quick Freezing function 4-6 hours before freezing function and perform a faster cooling.
 - Bring hot meals to the room temperature before placing them in the freezer compartment.
 - Foods to be frozen must be divided into portions according to a size to be consumed, and frozen in separate packages.
 - It is recommended to pack the foods before placing them in the freezer.
 - In order to prevent expiration of storage time, write the freezing date, time and name of the product on the package according to the storage times of different foods.
 - Consume the foods you have defrosted quickly. Defrosted foods cannot be frozen again unless they are cooked. It is not safe to consume the refrozen fresh foods without cooking after they are defrosted.
 - As you freeze fresh foods, do not bring them in contact with already frozen foods. Otherwise, frozen foods will be defrosted.
- In order to protect the quality of the food, keep the time interval between purchasing transaction and storing as short as possible.
 - Buy frozen food which are stored at -18°C or lower temperatures.
 - Avoid buying foods whose packages are covered with ice etc. This means that the product could be partially defrosted and refrozen. Temperature impacts the quality of the food.
 - Do not exceed the storing time recommended by the food producer. Remove only the food as much as you need from the freezer.
 - Except the cases where extreme circumstances are available in the environment, if your product (on the recommended set values table) is set to the specified set values, the food keep their freshness for a longer time both in the fresh product compartment and freezer compartment.
 - If fresh food compartment is set to a lower temperature, fresh fruits and vegetables may be partially frozen.
 - The two-star compartments are suitable for pre-frozen food. Ice cream and ice cubes can be stored.
 - Do not freeze food in compartments with one, two and three-stars.

Storing The Foods, Which Are Sold Frozen

- Always follow the instructions of the producer in relation to the time during which you are required to store your foods. Do not exceed the time specified in these instructions!

Meat and Fish		Preparation	Longest storage time (month)		
Meat Products	Veal	Steak	By cutting them 2 cm thick and placing foil between them or wrapping tightly with stretch	6-8	
		Roast	By packing the pieces of meat in a refrigerator bag or wrapping them tightly with stretch	6-8	
		Cubes	In small pieces	6-8	
		Schnitzel, chops	By placing foil between cut slices or wrapping individually with stretch	6-8	
	Mutton	Chops	By placing foil between meat pieces or wrapping individually with stretch	4-8	
		Roast	By packing the pieces of meat in a refrigerator bag or wrapping them tightly with stretch	4-8	
		Cubes	By packing the shredded meats in a refrigerator bag or wrapping them tightly with stretch	4-8	
	Beef	Roast	By packing the pieces of meat in a refrigerator bag or wrapping them tightly with stretch	8-12	
		Steak	By cutting them 2 cm thick and placing foil between them or wrapping tightly with stretch	8-12	
		Cubes	In small pieces	8-12	
		Boiled meat	By packaging in small pieces in a refrigerator bag	8-12	
	Mince		Without seasoning, in flat bags	1-3	
	Offal (piece)		In pieces	1-3	
	Fermented sausage - Salami		It should be packaged even if it has casing.	1-3	
Jambon		By placing foil between cut slices	2-3		
Poultry and hunting animals	Chicken and Turkey		By wrapping in foil	4-6	
	Goose		By wrapping in foil (portions should not exceed 2.5 kg)	4-6	
	Duck		By wrapping in foil (portions should not exceed 2.5 kg)	4-6	
	Deer, Rabbit, Roe Deer		By wrapping in foil (portions should not exceed 2.5 kg, and their bones should be separated)	6-8	
Fish and seafood	Freshwater fish (Trout, Carp, Crane, Catfish)		After thoroughly cleaning the inside and scales, it should be washed and dried, and the tail and head parts should be cut when necessary.	2	
	Lean fish (Sea bass, Turbot, Sole)			4-6	
	Fatty fish (Bonito, Mackerel, Bluefish, Red Mullet, Anchovy)			2-4	
	Shellfish			Cleaned and in bags	4-6
	Caviar			In its packaging, in an aluminium or plastic container	2-3

"The storage times specified in the table are based on the storage temperature of -18°C. "

Fruits and Vegetables	Preparation	Longest storage time (month)
String bean and Pole bean	By shock boiling for 3 minutes after washing and cutting into small pieces	10-13
Green pea	By shock boiling for 2 minutes after shelling and washing	10-12
Cabbage	By shock boiling for 1-2 minute(s) after cleaning	6-8
Carrot	By shock boiling for 3-4 minutes after cleaning and cutting into slices	12
Pepper	By boiling for 2-3 minutes after cutting the stem, dividing into two and separating the seeds	8-10
Spinach	By shock boiling for 2 minutes after washing and cleaning	6-9
Leek	By shock boiling for 5 minutes after chopping	6-8
Cauliflower	By shock boiling in a little lemon water for 3-5 minutes after separating the leaves, cutting the core into pieces	10-12
Eggplant	By shock boiling for 4 minutes after washing and cutting into 2cm pieces	10-12
Squash	By shock boiling for 2-3 minutes after washing and cutting into 2cm pieces	8-10
Mushroom	By lightly sauteing in oil and squeezing lemon on it	2-3
Corn	By cleaning and packing in cob or granular	12
Apple and Pear	By shock boiling for 2-3 minutes after peeling and slicing	8-10
Apricot and Peach	Divide in half and extract the seeds	4-6
Strawberry and Raspberry	By washing and shelling	8-12
Baked fruit	By adding 10% sugar in the container	12
Plum, Cherry, Sour Cherry	By washing and shelling the stalks	8-12

"The storage times specified in the table are based on the storage temperature of -18°C. "

Dairy Products	Preparation	Longest Storage Time (Month)	Storage Conditions
Cheese (except feta cheese)	By placing foil therebetween, in slices	6-8	It can be left in its original packaging for short term storage. For long-term storage it should also be wrapped in aluminium or plastic foil.
Butter, margarine	In its own packaging	6	In its own packaging or in plastic containers

"The storage times specified in the table are based on the storage temperature of -18°C. "

"The amount of fresh food that can be frozen for a certain period of time is specified on the type label."

Freezer Compartment Setting	Cooler Compartment Setting	Remarks
-22	4°C	These settings are recommended for general use.
Quick Freeze	4°C	Use when you want to freeze your food in a short time. When the process ends, the product's settings will return to previous position.
-18°C or colder	2°C	Use these settings if you believe the cooler compartment is not cold enough due to ambient temperature or frequently opening the door.

Freezer Compartment Setting	Cooler Compartment Setting	Remarks
-22°C	4°C	This is the default, recommended setting. This setting is recommended if ambient temperature is below 30°C.
Quick Freeze	4°C	Use when you want to freeze your food in a short time. When the process ends, the product's settings will return to previous position.

Freezer Details

As per the IEC 62552 standards, the freezer must have the capacity to freeze 4,5 kg of food items at -18°C or lower temperatures at 25°C room temperature in 24 hours for each 100 litres of freezer compartment volume.

Food products can only be preserved for extended periods at or below temperature of -18 °C.

You can keep the foods fresh for months (in freezer at or below temperatures of -18 °C).

The food products to be frozen must not contact the already-frozen food inside to avoid partial defrosting.

Boil the vegetables and filter the water to extend the frozen storage time. Place the food in air-tight packages after filtering and place in the freezer. Bananas, tomatoes, lettuce, celery, boiled eggs, potatoes and similar food items should not be frozen. In case these foods are frozen, only nutritional values and eating qualities will be negatively affected. A rotting that would threaten human health is not in question.

Placing The Food

Freezer compartment shelves:Different frozen foods like meat, fish, ice cream, vegetables etc.

Cooler compartment shelves:Food items inside pots, capped plate and capped cases, eggs (in closed case)

Cooler compartment door shelves:Small and packaged food or beverages

Crisper:Vegetables and fruits

Fresh food compartment:Delicatessen (breakfast food, meat products to be consumed in short time)

8.2 Replacing the Illumination Lamp

Call the Authorized Service when the Bulb/LED used for lighting in your refrigerator will be replaced.

Lamp(s) used in this appliance cannot be used for house lighting. Intended use of this lamp is to help the user place food into the refrigerator / freezer safely and comfortably.

8.3 Door Open Alert

The door open alert system of your refrigerator may differ depending on the model.

Version 1;

If the door of the product remains open for a certain time (between 60 s and 120 s), an audio warning signal sounds; depending on the product model, a visual warning signal (light flash) can also be displayed. If you close the door of the device or press a button on the screen of the device, if any, the warning sound will stop.

Version 2;

If the door of the device remains open for a certain period of time (between 60 s and 120 s), the door open alert is sounded. The door open alert is sounded gradually. First, an audible warning starts to sound. After 4

minutes, if the door is still not closed, a visual warning (lighting flash) is activated. The door open alert will be delayed for a certain period of time (between 60 s and 120 s) when any key on the product screen, if any, is pressed. Then the process will start again. When the device door is closed, the door open alert will be cancelled.

8.4 Reversing the Door Opening Side

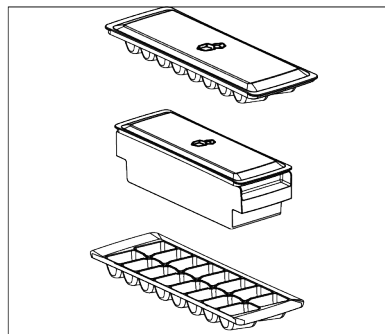
The door opening side of your refrigerator can be reversed according to the place you put it. When you need this, you should definitely call the nearest Authorized Service.

9 Product Features**9.1 The ice storage area****Ice Container**

Ice bucket allows you take ice easily from the refrigerator.

Using the ice bucket

1. Take the ice bucket out of the freezer compartment.
2. Fill the ice bucket with water.
3. Place the ice bucket into the freezer compartment. The ice will be ready after approximately two hours.
4. Take the ice bucket from the freezer compartment and bend in slightly over the holder that you are going to serve. Ice will easily pour into the serving holder.

**9.2 Egg holder**

You can place the egg holder on the door or body shelf you wish.

If the egg holder is to be placed on the body shelf, we recommend you to choose colder lower shelves.



Never place the egg holder on the freezer compartment

9.3 Crisper

The refrigerator's crisper is designed to keep vegetables fresh by preserving their humidity. For this purpose, the overall cold air circulation is intensified in the crisper. Keep fruits and vegetables in this compartment. Keep the green-leaved vegetables and fruits separately to prolong their life.

9.4 Dairy Products Cold Storage Area**Cold Storage Drawer**

The Cold Storage Drawer can reach lower temperatures in the cooler compartment. Use this drawer for delicatessen products (salami, sausage, etc.) and dairy products that require colder storage conditions, or for meat, chicken or fish to be consumed quickly. It is not suitable to store fruits and vegetables in this drawer.

9.5 AeroFlow


It is an air distribution system that provides homogeneous temperature distribution. With the air circulation, the homogeneous temperature distribution is ensured in the fresh food storage compartment, and the temperature fluctuations are kept at low levels. No direct air blowing over the food is realized and this helps to reduce moisture loss. It preserves the freshness of the food stored in the fresh food compartment of the refrigerator. In this way, your food is stored at more stable temperatures and the contact with air is reduced. The drying and shrinking of foods by losing moisture is prevented and freshness is provided for a longer time.


9.6 Humidity Controlled Crisper

With the humidity controlled crisper feature, the humidity of vegetables and fruits is kept under control and the food is kept fresh for a longer period of time.

We recommend that you place leafy vegetables such as lettuce, spinach and similar vegetables that are sensitive to moisture loss in the crisper, not upright on their roots, but as horizontally as possible. When placing the vegetables, place heavy and hard vegetables at the bottom and light and soft ones on the top, taking into account the specific weights of vegetables. Never leave vegetables in plastic bags in the crisper. Leaving them in plastic bags causes vegetables to rot in a short time. In situations where contact with other vegetables is not preferred, use packaging materials such as paper that has a certain level of porosity in terms of hygiene. Do not put fruits that have a high ethylene gas production such as pear, apricot, peach and particularly apple in the same crisper with other vegetables and fruits. The ethylene gas coming out of these fruits might cause other vegetables and fruits to mature faster and rot in a shorter period of time.

10 Maintenance and Cleaning

 **WARNING:** Read the "Safety Instructions" section first.

 **WARNING:** Unplug the refrigerator before cleaning it.

- Do not use sharp or abrasive tools to clean the product. Do not use materials such as household cleaning agents, soap, detergents, gas, gasoline, thinner, alcohol, wax, etc.
- The dust shall be removed from the ventilation grill on the rear of the product at least once a year (without opening the cover). Clean the product with a dry cloth.
- Take care to keep water away from the lamp's cover and other electrical parts.
- Clean the door with a damp cloth. Remove all contents to remove the door and body racks. Remove the door racks by lifting them upwards. Clean and dry the shelves, then attach back in place by sliding from above.
- Do not use chlorinated water or cleaning products on the exterior surface and chrome-coated parts of the product. Chlorine will cause rust on such metallic surfaces.
- Do not use sharp and abrasive tools, soap, house cleaning materials, detergents, gas, gasoline, varnish and similar substances to prevent deformation of the plastic part and removal of prints on the part. Use warm water and a soft cloth for cleaning, and then dry it.
- On the products without a No-Frost feature, water droplets and icing up to a thickness of a finger may occur on the

rear wall of the freezer compartment. Do not clean, and never apply oils or similar materials.

- Use a mildly dampened micro-fibre cloth to clean the external surface of the product. Sponges and other types of cleaning clothes may cause scratches.
- To clean all removable components during the cleaning of the interior surface of the product, wash these components with a mild solution consisting of soap, water and carbonate. Wash and dry thoroughly. Prevent contact of water with illumination components and the control panel.



CAUTION:

Do not use vinegar, rubbing alcohol or other alcohol based cleaning agents on any interior surface.

Stainless Steel External Surfaces

Use a non-abrasive stainless steel cleaning agent and apply it with a soft lint-free cloth. To polish, gently wipe the surface with a mi-

cro-fibre cloth dampened with water and use dry polishing chamois. Always follow the veins of the stainless steel.

Preventing Odours

The product is manufactured free of any odorous materials. However, keeping the food in inappropriate sections and improper cleaning of internal surfaces may lead to odours.

- To avoid this, clean the inside with carbonated water every 15 days.
- Keep the foods in sealed holders, as micro-organisms arising from foods kept in unsealed containers will cause bad odour.
- Do not keep expired and spoilt foods in the refrigerator.

Protecting Plastic Surfaces

Oil spilled on plastic surfaces may damage the surface and must be cleaned immediately with warm water.

11 Troubleshooting

Check this list before contacting the service. Doing so will save you time and money. This list includes frequent complaints that are not related to faulty workmanship or materials. Certain features mentioned herein may not apply to your product.

The refrigerator is not working.

- The power plug is not fully settled. >>> Plug it in to settle completely into the socket.
- The fuse connected to the socket powering the product or the main fuse is blown. >>> Check the fuse.

Condensation on the side wall of the cooler compartment (MULTI ZONE, COOL CONTROL and FLEXI ZONE).

- The door is opened too frequently. >>> Take care not to open the product's door too frequently.

- The environment is too humid. >>> Do not install the product in humid environments.
- Foods containing liquids are kept in unsealed holders. >>> Keep the foods containing liquids in sealed holders.
- The product's door is left open. >>> Do not keep the product's door open for long periods.
- The thermostat is set to a very cool temperature. >>> Set the thermostat to an appropriate temperature.

Compressor is not working.

- In case of sudden power failure or pulling the power plug off and putting back on, the gas pressure in the product's cooling system is not balanced, which triggers the compressor thermic safeguard. The product will restart after approximately 6 minutes. If the product does not restart after this period, contact the service.

- Defrosting is active. >>> This is normal for a fully-automatic defrosting product. The defrosting is carried out periodically.
- The product is not plugged in. >>> Make sure the power cord is plugged in.
- The temperature setting is incorrect. >>> Select the appropriate temperature setting.
- The power is out. >>> The product will continue to operate normally once the power is restored.

The refrigerator's operating noise is increasing while in use.

- The product's operating performance may vary depending on the ambient temperature variations. This is normal and not a malfunction.

The refrigerator runs too often or for too long.

- The new product may be larger than the previous one. Larger products will run for longer periods.
- The room temperature may be high. >>> The product will normally run for long periods in higher room temperature.
- The product may have been recently plugged in or a new food item is placed inside. >>> The product will take longer to reach the set temperature when recently plugged in or a new food item is placed inside. This is normal.
- Large quantities of hot food may have been recently placed into the product. >>> Do not place hot food into the product.
- The doors were opened frequently or kept open for long periods. >>> The warm air moving inside will cause the product to run longer. Do not open the doors too frequently.
- The freezer or cooler door may be ajar. >>> Check that the doors are fully closed.
- The product may be set to a temperature that is too low. >>> Set the temperature to a higher degree and wait for the product to reach the adjusted temperature.

- The cooler or freezer door washer may be dirty, worn out, broken or not properly settled. >>> Clean or replace the gasket. Damaged / torn door washer will cause the product to run for longer periods to preserve the current temperature.

The freezer temperature is very low, but the cooler temperature is adequate.

- The freezer compartment temperature is set to a very low degree. >>> Set the freezer compartment temperature to a higher degree and check again.

The cooler temperature is very low, but the freezer temperature is adequate.

- The cooler compartment temperature is set to a very low degree. >>> Set the cooler compartment temperature to a higher degree and check again.

The food items kept in cooler compartment drawers are frozen.

- The cooler compartment temperature is set to a very low degree. >>> Set the cooler compartment temperature to a higher degree and check again.

The temperature in the cooler or the freezer is too high.

- The cooler compartment temperature is set to a very high degree. >>> Temperature setting of the cooler compartment has an effect on the temperature in the freezer compartment. Wait until the temperature of relevant parts reach the sufficient level by changing the temperature of cooler or freezer compartments.
- The doors were opened frequently or kept open for long periods. >>> Do not open the doors too frequently.
- The door may be ajar. >>> Fully close the door.
- The product may have been recently plugged in or a new food item is placed inside. >>> This is normal. The product will take longer to reach the set temperature when recently plugged in or a new food item is placed inside.

- Large quantities of hot food may have been recently placed into the product. >>> Do not place hot food into the product.

Shaking or noise.

- The surface is not flat or durable >>> If the product is shaking when moved slowly, adjust the stands to balance the product. Also make sure the ground is sufficiently durable to bear the product.
- Any items placed on the product may cause noise. >>> Remove any items placed on the product.
- The product is making noise of liquid flowing, spraying etc.
- The product's operating principles involve liquid and gas flows. >>> This is normal and not a malfunction.

There is sound of wind blowing coming from the product.

- The product uses a fan for the cooling process. This is normal and not a malfunction.

There is condensation on the product's internal walls.

- Hot or humid weather will increase icing and condensation. This is normal and not a malfunction.
- The doors were opened frequently or kept open for long periods. >>> Do not open the doors too frequently; if open, close the door.
- The door may be ajar. >>> Fully close the door.

There is condensation on the product's exterior or between the doors.

- The ambient weather may be humid, this is quite normal in humid weather. >>> The condensation will dissipate when the humidity is reduced.

The interior smells bad.

- The product is not cleaned regularly. >>> Clean the interior regularly using sponge, warm water and carbonated water.

- Certain holders and packaging materials may cause odour. >>> Use holders and packaging materials without free of odour.
- The foods were placed in unsealed holders. >>> Keep the foods in sealed holders. Microorganisms may spread out of unsealed food items and cause bad odour.
- Remove any expired or spoiled foods from the product.

The door is not closing.

- Food packages may be blocking the door. >>> Relocate any items blocking the doors.
- The product is not standing in full upright position on the ground. >>> Adjust the stands to balance the product.
- The surface is not flat or durable >>> Make sure the surface is flat and sufficiently durable to bear the product.

The crisper is jammed.

- The food items may be in contact with the upper section of the drawer. >>> Reorganize the food items in the drawer.

Temperature on the product surface.

- High temperature may be observed between two doors, on the side panels and on the rear grill area while your product is operated. This is normal and it does not require servicing.

Fan continues to operate when the door is opened.

- Fan may continue to operate when the freezer door is open.



WARNING: If the problem persists after following the instructions in this section, contact your vendor or an Authorized Service. Do not try to repair the product. This is normal.

DISCLAIMER / WARNING

Some (simple) failures can be adequately handled by the end-user without any safety issue or unsafe use arising, provided that they are carried out within the limits and in accordance with the following instructions (see the "Self-Repair" section).

Therefore, unless otherwise authorized in the "Self-Repair" section below, repairs shall be addressed to registered professional repairers in order to avoid safety issues. A registered Professional repairer is a professional repairer that has been granted access to the instructions and spare parts list of this product by the manufacturer according to the methods described in legislative acts pursuant to Directive 2009/125/EC.

However, only the service agent (i.e. authorized professional repairers) that you can reach through the phone number given in the user manual/warranty card or through your authorized dealer may provide service under the guarantee terms. Therefore, please be advised that repairs by professional repairers (who are not authorized by) shall void the guarantee.

Self-Repair

Self-repair can be done by the end-user with regard to the following spare parts: door handles, door hinges, trays, baskets and door gaskets (an updated list is also available as of 1st March 2021).

Moreover, to ensure product safety and to prevent risk of serious injury, the mentioned self-repair shall be done following the instructions in the user manual for self-repair or which are available in . For your safety, unplug the product before attempting any self-repair.

Repair and repair attempts by end-users for parts not included in such list and/or not following the instructions in the user manuals for self-repair or which are available in , might give rise to safety issues not attributable to , and will void the warranty of the product.

Therefore, it is highly recommended that end-users refrain from the attempt to carry out repairs falling outside the mentioned list of spare parts, contacting in such cases authorized professional repairers or registered professional repairers. On the contrary, such attempts by end-users may cause safety issues and damage the product and subsequently cause fire, flood, electrocution and serious personal injury to occur.

By way of example, but not limited to, the following repairs must be addressed to authorized professional repairers or registered professional repairers: compressor, cooling circuit, main board, inverter board, display board, etc.

The manufacturer/seller cannot be held liable in any case where end-users do not comply with the above.

The spare part availability of the refrigerator that you purchased is 10 years. During this period, original spare parts will be available to operate the refrigerator properly. The minimum duration of guarantee of the refrigerator that you purchased is 24 months.

This product is equipped with a lighting source of the "G" energy class.

The lighting source in this product shall only be replaced by Professional repairer.

See also

2 DISCLAIMER / WARNING [] 29

Premièrement veuillez lire ce manuel !

Cher client, chère cliente,

Veuillez lire ce manuel avant d'utiliser l'appareil.

Nous vous remercions d'avoir choisi ce produit. Nous aimerions que vous obteniez une efficacité optimale de ce produit de haute qualité qui a été fabriqué avec une technologie de pointe. À cette fin, lisez attentivement ce manuel et toute autre documentation fournie avant d'utiliser le produit et conservez-les comme référence.

Tenez compte de toutes les informations et de tous les avertissements figurant dans le manuel d'utilisation. De cette façon, vous vous protégez, vous et votre produit, contre les dangers qui peuvent survenir.

Conservez le manuel d'utilisation. Joignez ce guide à l'unité si vous le remettez à quelqu'un d'autre.

Les symboles suivants sont utilisés dans le manuel d'utilisation :



Il s'agit d'un danger qui peut entraîner la mort ou des blessures.



Informations importantes ou conseils utiles sur le fonctionnement.







Lisez le manuel d'utilisation.



Matériau combustible, mise en garde contre le risque d'incendie.

AVERTISSEMENT Un danger qui peut causer des dommages matériels au produit ou à son environnement

	
SUPPLIER'S NAME	MODEL IDENTIFIER → (*)
	

Les informations sur le modèle, telles qu'elles sont enregistrées dans la base de données des produits, peuvent être obtenues en accédant au site web suivant et en recherchant l'identifiant du modèle (*) figurant sur l'étiquette énergétique.

<https://eprel.ec.europa.eu/>

1	Consignes de sécurité.....	32	9.4	Zone d'entreposage frais des produits laitiers.....	56
1.1	Intention d'utilisation.....	32	9.5	AeroFlow	56
1.2	Sécurité des enfants, des personnes vulnérables et des animaux domestiques.....	32	9.6	bac à légumes avec contrôle d'humidité.....	56
1.3	Sécurité électrique.....	33	10	Entretien et nettoyage	57
1.4	Sécurité de manipulation	34	11	Dépannage	58
1.5	Sûreté des installations	34			
1.6	Sécurité de fonctionnement	37			
1.7	Sécurité du stockage des aliments	40			
1.8	Sécurité relative à l'entretien et au nettoyage	40			
1.9	Mise au rebut de l'ancien produit .	41			
2	Instructions environnementales..	42			
2.1	Conformité avec la directive DEEE et élimination des déchets..	42			
3	Votre réfrigérateur	43			
4	Installation	43			
4.1	Lieu idéal d'installation	43			
4.2	Branchement électrique.....	44			
4.3	Fixation des cales en plastique....	44			
4.4	Réglages des pieds avant.....	45			
4.5	Attention aux surfaces chaudes...	45			
5	Préparation.....	45			
5.1	Moyens d'économiser l'énergie....	45			
5.2	Première utilisation	46			
5.3	Classe climatique et définitions ...	46			
6	Fonctionnement de l'appareil.....	46			
7	Panneau de contrôle du produit..	47			
8	Utilisation de l'appareil.....	49			
8.1	Stockage des aliments dans le compartiment réfrigérant.....	49			
8.2	Remplacement de la lampe d'éclairage.....	55			
8.3	Alerte de porte ouverte.....	55			
8.4	Inversion du côté d'ouverture de la porte	55			
9	Caractéristiques du produit.....	55			
9.1	La zone de stockage de la glace..	55			
9.2	Porte-œuf	56			
9.3	Bac à légumes	56			

1 Consignes de sécurité

Cette section contient les instructions de sécurité nécessaires à la prévention des risques de dommage corporel ou de dommage matériel.

Notre entreprise ne peut être tenue pour responsable des dommages qui peuvent se produire si ces instructions ne sont pas respectées.

Les opérations d'installation et de réparation doivent être effectuées par un service agréé.

Utilisez uniquement des pièces de rechange et des accessoires d'origine.

Les pièces de rechange originales sont fournies pendant les 10 années suivant la date d'achat de l'appareil.

Évitez de réparer ou de remplacer tout composant de l'appareil sauf si cela est clairement spécifié dans le manuel d'utilisation.

Il ne faut pas effectuer de modifications sur l'appareil.

1.1 Intention d'utilisation

Ce produit ne convient pas à un usage commercial et ne doit pas être utilisé autrement que pour l'usage auquel il est destiné. Ce

produit est conçu pour être utilisé à l'intérieur, dans les foyers et dans des endroits similaires.

Par exemple ;

- cuisines du personnel des magasins, bureaux et autres environnements professionnels,
- les maisons de campagne,
- unités des hôtels, motels ou autres installations de repos utilisées par les clients,
- hôtels ou environnements similaires,
- services de restauration et les espaces semblables de vente en gros.

Ces appareils ne doivent pas être utilisés dans des environnements extérieurs ouverts ou clôturés tels que les bateaux, balcons ou terrasses. L'exposition de l'appareil à la pluie, à la neige, au soleil et au vent présente un risque d'incendie.

1.2 Sécurité des enfants, des personnes vulnérables et des animaux domestiques



- Cet appareil peut être utilisé par des enfants âgés d'au moins 8 ans, ainsi que par des personnes avec des capacités physiques, sensorielles ou

- mentales réduites ou sans expérience et connaissances, si elles sont supervisées ou ont été formées à l'utilisation sécurisée de l'appareil et comprennent les risques relatifs.
- Les enfants de 3 à 8 ans sont autorisés à mettre les aliments dans la glacière et à les enlever.
 - Les enfants et les animaux domestiques ne doivent pas jouer avec le produit, ni grimper dessus, ni y entrer.
 - Les enfants et les animaux domestiques doivent être tenus à l'écart de la zone de la cabine (compresseur) où se trouvent les pièces électriques.
 - Le nettoyage et l'entretien des utilisateurs ne doivent pas être effectués par des enfants, sauf s'il y a une personne qui les surveille.
 - Tenez les emballages hors de la portée des enfants. Risque de blessure et d'asphyxie .

1.3 Sécurité électrique

- Il ne faut pas brancher le produit dans la prise de courant pendant les opérations d'installation, d'entretien, de nettoyage, de réparation et de transport.
- Si le câble d'alimentation est endommagé, il doit être remplacé par un service agréé uniquement pour éviter tout risque qui pourrait survenir.
- Ne placez pas le câble d'alimentation sous l'appareil ou à l'arrière de celui-ci. Ne placez aucun objet lourd sur le câble d'alimentation. Le câble d'alimentation ne doit pas être plié, écrasé et entrer en contact avec une source de chaleur.
- N'utilisez pas de rallonge, de prise multiple ou d'adaptateur pour faire fonctionner votre appareil.
- Les prises multiples mobiles ou les blocs d'alimentation portatifs peuvent surchauffer et causer un incendie. Par conséquent, ne placez pas de multiprises ou de sources d'alimentation portables derrière ou à proximité de l'appareil.
- Ne branchez pas le cordon d'alimentation du produit dans une prise de courant mal fixée ou endommagée. Ces types de connexions peuvent surchauffer et provoquer un incendie..
- La prise doit être facilement accessible. Si cela n'est pas possible, l'installation électrique doit être dotée d'un mécanisme conforme à la réglementation en matière d'électri-

cité et qui déconnecte toutes les bornes du réseau (fusible, interrupteur, commutateur principal, etc.).

- Le produit ne doit pas être utilisé avec un dispositif de commutation externe tel qu'une minuterie ou un système télécommandé.
- N'utilisez pas l'appareil lorsque vous avez les pieds nus ou le corps mouillé.
- Évitez de toucher le cordon d'alimentation avec des mains humides.
- Lorsque vous débranchez l'appareil, ne tenez pas le cordon d'alimentation, mais la prise.

1.4 Sécurité de manipulation

- Assurez-vous de débrancher l'appareil avant de le transporter.
- Cet appareil est lourd, ne le manipulez pas seul. Vous risquez de vous blesser si le produit tombe sur vous. Ne heurtez pas l'appareil et ne le faites pas tomber pendant son transport.
- Fermez toujours les portes et ne tenez pas l'appareil par ses portes lorsque vous le transportez.

- Veillez à ne pas endommager le système de refroidissement et les tuyaux lorsque vous manipulez l'appareil. Évitez de faire fonctionner l'appareil si les tuyaux sont endommagés et contactez un service agréé.

1.5 Sûreté des installations

- Contactez le service agréé pour l'installation de votre réfrigérateur. Pour préparer l'appareil à l'utilisation, lisez attentivement les instructions du manuel d'utilisation et assurez-vous que les équipements électriques et d'approvisionnement d'eau sont installés convenablement. Si ce n'est pas le cas, appelez un électricien et un plombier qualifiés pour faire le nécessaire. Le non-respect de cette consigne peut entraîner un choc électrique, un incendie, des problèmes avec le produit ou des blessures.
- Ce produit est conçu pour une utilisation à une altitude maximale de 2 000 mètres au-dessous du niveau de la mer.
- Tenez les enfants à l'écart de la zone d'installation.

- Vérifiez que l'appareil n'est pas endommagé avant de l'installer. N'installez pas l'appareil lorsqu'il est endommagé.
- Utilisez toujours un équipement de protection individuelle (gants, etc.) pendant l'installation, l'entretien et la réparation du produit. Risque de blessures !
- Placez le produit sur une surface propre, plane et dure et équilibrez-le à l'aide des pieds réglables (en tournant les pieds avant vers la droite ou la gauche). Sinon, le réfrigérateur risque de se renverser et provoquer des blessures.
- Installez l'appareil dans un endroit sec et ventilé. Ne laissez pas de tapis, de moquettes ou d'autres revêtements similaires sous l'appareil. Ils peuvent entraîner un risque d'incendie en raison d'une ventilation inadéquate !
- N'obstruez pas ou ne couvrez pas les orifices de ventilation. Sinon, la consommation d'énergie risque d'augmenter et votre produit pourrait être endommagé.
- Lorsque vous installez le produit, veillez à ce que le câble d'alimentation ne soit pas endommagé ou pincé.
- Le produit ne doit pas être connecté à des systèmes d'alimentation et à des sources d'énergie susceptibles de provoquer des variations soudaines de tension (par exemple, une source d'énergie solaire portable). Autrement, votre appareil pourrait être endommagé par les fluctuations brusques de la tension !
- Plus un réfrigérateur contient de réfrigérant, plus grande doit être la pièce d'installation. Dans les très petites pièces, un mélange gaz-air inflammable peut se produire en cas de fuite de gaz dans le système de refroidissement. Au moins 1 m³ de volume est requis pour chaque 8 grammes de réfrigérant. La quantité de réfrigérant disponible dans votre appareil est indiquée sur la plaque signalétique.
- Le produit ne doit jamais être placé de manière à ce que les câbles électriques, le tuyau métallique de la cuisinière à gaz, les tuyaux métalliques de gaz ou d'eau entrent en contact avec la paroi arrière du produit (ou le condenseur).
- Le lieu d'installation du produit ne doit pas être exposé à la lumière directe du soleil et ne doit pas se trouver à proximité

d'une source de chaleur telle qu'un poêle, un radiateur, etc. Si vous ne pouvez pas empêcher l'installation du produit à proximité d'une source de chaleur, utilisez une plaque isolante appropriée et assurez-vous que la distance minimale par rapport à la source de chaleur est conforme aux spécifications ci-dessous.

- À au moins 30 cm des sources de chaleur telles que les cuisinières, les fours, les appareils de chauffage, etc.
- Et à au moins 5 cm des fours électriques.
- Votre produit a la classe de protection I.
- Branchez le produit dans une prise avec mise à la terre conforme aux valeurs de tension, de courant et de fréquence indiquées sur la plaque signalétique. La prise de courant doit être équipée d'un fusible de 10 à 16A. Notre entreprise ne sera pas tenue responsable de tout dommage résultant de l'utilisation de l'appareil sans prise de mise à la terre et sans branchement électrique conforme aux normes locales et nationales en vigueur.
- Débranchez le câble d'alimentation du réfrigérateur pendant l'installation. Dans le cas contraire, vous risquez de vous électrocuter et de vous blesser !
- Ne branchez pas le cordon d'alimentation du produit dans des prises de courant lâches, disloquées, cassées, sales, huileuses et présentant un risque de contact avec l'eau. Ces types de branchements peuvent provoquer une surchauffe et un incendie.
- Placez le câble d'alimentation et les flexibles (si disponibles) de l'appareil de sorte qu'ils ne puissent pas provoquer de risque de trébuchement.
- La pénétration de l'humidité et de liquide sur les pièces sous tension ou sur le cordon d'alimentation peut provoquer un court-circuit. Par conséquent, n'utilisez pas l'appareil dans des environnements humides ou dans des zones où l'eau peut éclabousser (p. ex., garage, buanderie, etc.). Si le réfrigérateur est mouillé par l'eau, débranchez-le et communiquez avec un service autorisé.

- Ne branchez jamais votre réfrigérateur sur des dispositifs d'économie d'énergie. Ces systèmes sont nocifs pour l'appareil.
- En retirant le couvercle de la carte électronique et le couvercle arrière du compresseur (si présent), vous risquez d'entrer en contact avec des pièces électriques. Ne retirez pas le couvercle de la carte électronique et le couvercle arrière du compresseur (si présent). Il existe un risque d'électrocution !
- N'endommagez pas les tuyaux du système de refroidissement avec des outils tranchants et perçants. Le réfrigérant qui s'échappe en cas de perforation des tuyaux à gaz, des tuyaux d'extension ou des revêtements de la surface supérieure peut provoquer une irritation de la peau et des lésions oculaires.
- Ne placez pas et n'utilisez pas d'appareils électriques à l'intérieur du réfrigérateur/congélateur, sauf avis contraire du fabricant.



1.6 Sécurité de fonctionnement

- N'utilisez jamais de solvants chimiques sur le réfrigérateur. Ces matériaux présentent un risque d'explosion.
- En cas de panne de l'appareil, débranchez-le et ne l'utilisez pas avant sa réparation par le service autorisé. Il existe un risque d'électrocution !
- Ne placez pas une source de flamme (p. ex. des bougies, cigarettes, etc.) sur l'appareil ou à proximité de celui-ci.
- Ne montez pas sur l'appareil. Risque de chute et de blessure !
- Ne coinciez pas les parties de vos mains ou de votre corps sur les parties mobiles à l'intérieur de l'appareil. Faites attention à ne pas coincer vos doigts entre le réfrigérateur et sa porte. Soyez prudent lorsque vous ouvrez ou fermez la porte en présence des enfants.
- Ne mettez pas de crème glacée, de glaçons ou d'aliments congelés dans votre bouche immédiatement après les avoir sortis du congélateur. Risque de gelure !
- Ne touchez pas les parois intérieures, les parties métalliques du congélateur ou les aliments

conservés dans le congélateur avec les mains mouillées.

Risque de gelure !

- Ne placez pas de canettes de soda ou de bouteilles contenant des liquides pouvant être congelés dans le compartiment congélateur. Les canettes ou les bouteilles peuvent exploser. Risque de blessures et de dommages matériels !
- N'utilisez pas ou ne placez pas de matériaux sensibles à la température tels que des aérosols inflammables, des objets inflammables, de la glace sèche ou d'autres agents chimiques à proximité du réfrigérateur. Risque d'incendie ou d'explosion !
- Ne stockez pas de matières explosives telles que des aérosols contenant des matériaux inflammables à l'intérieur de l'appareil.
- Ne placez pas de boîtes contenant des liquides sur l'appareil lorsqu'il est ouvert. Les éclaboussures d'eau sur une pièce électrique peuvent provoquer un choc électrique ou un incendie.
- En raison du risque de rupture, ne stockez pas de récipients en verre contenant du liquide dans le compartiment congélateur.
- Cet appareil n'est pas destiné au stockage et au refroidissement de médicaments, de plasma sanguin, de préparations de laboratoire ou de matériaux et produits similaires qui sont soumis à la directive sur les produits médicaux.
- Si l'appareil est utilisé à d'autres fins que celles pour lesquelles il a été conçu, il peut endommager ou détériorer les produits qu'il contient.
- Si votre réfrigérateur est équipé d'un voyant lumineux bleu, ne contemplez pas le voyant lumineux avec des instruments optiques. Ne fixez pas directement la lumière LED à UV pendant une longue période, car les rayons ultraviolets peuvent entraîner la fatigue oculaire.
- Ne remplissez pas l'appareil de contenu dépassant sa capacité. Des blessures ou des dégâts peuvent survenir au cas où le contenu du réfrigérateur tombe lorsque la porte est ouverte. Des problèmes similaires peuvent survenir lorsqu'un objet est placé sur l'appareil.

- Pour éviter tout risque de blessures, rassurez-vous que vous avez retiré toute la glace ou toute l'eau qui auraient pu se verser au sol.
- Changez l'emplacement des casiers/porte-bouteilles sur la porte de votre réfrigérateur uniquement lorsqu'ils sont vides. Risque de blessures !
- Ne placez aucun objet qui pourrait tomber ou basculer sur l'appareil. Ces objets peuvent tomber lors de l'ouverture ou de la fermeture de la porte, et causer des blessures et/ou des dégâts matériels.
- Ne frappez ni n'exercez aucune pression excessive sur les surfaces en verre. Le verre brisé peut causer des blessures et/ou des dégâts matériels.
- Le système de refroidissement de votre appareil contient du réfrigérant R600a. Le type de réfrigérant utilisé dans l'appareil est indiqué sur la plaque signalétique. Ce gaz est inflammable. Par conséquent, veillez à ne pas endommager le système de refroidissement et les tuyaux pendant l'utilisation de l'appareil. Si les tuyaux sont endommagés :
 1. Ne touchez pas l'appareil ni le câble d'alimentation,
 2. Maintenez l'appareil éloigné des sources potentielles d'incendie qui pourraient causer l'incendie de l'appareil,
 3. Aérez la zone où l'appareil est placé, - N'utilisez pas de ventilateur,
 4. Contactez un centre de service agréé.Si l'appareil est endommagé et que vous observez une fuite de gaz, éloignez-vous du gaz. Le gaz peut causer des gelures lorsqu'il entre en contact avec votre peau.
Avant de vous débarrasser des appareils usagés qui ne doivent plus être utilisés :
 1. Débranchez le cordon d'alimentation de la prise de courant.
 2. Coupez le cordon d'alimentation et retirez-le de l'appareil avec la prise.
 3. Ne retirez pas les étagères et les tiroirs de l'appareil pour empêcher les enfants d'y pénétrer.
 4. Démontage des portes.
 5. Stockez l'appareil de façon à éviter qu'il se renverse.
 6. Ne laissez pas les enfants jouer avec un appareil usagé.
- Ne jetez pas l'appareil en le mettant au feu. Risque d'explosion.

- Si une serrure est disponible sur la porte de l'appareil, gardez la clé hors de la portée des enfants.

1.7 Sécurité du stockage des aliments

Veillez prêter attention aux avertissements suivants afin d'éviter la détérioration des aliments :

- Laisser les portes ouvertes pendant une longue période peut entraîner une augmentation de la température à l'intérieur du produit.
- Nettoyez régulièrement les systèmes de drainage accessibles en contact avec les aliments.
- Nettoyez les réservoirs d'eau qui n'ont pas été utilisés pendant 48 heures et les systèmes d'alimentation en eau qui n'ont pas été utilisés pendant plus de 5 jours.
- Conservez les produits de viande et de poisson crus dans des compartiments appropriés à l'intérieur de l'appareil. Ainsi, ils ne coulent pas sur les autres aliments et n'entre pas en contact avec eux.
- Les compartiments de congélation à deux étoiles permettent de conserver les ali-

ments pré-cuisinés, de préparer et de conserver la glace et la crème glacée.

- Les compartiments à une, deux et trois étoiles ne conviennent pas à la congélation des aliments frais.
- Si le produit réfrigérant est resté vide pendant une longue période, éteignez le produit, dégivrez, nettoyez et séchez le produit afin de protéger le boîtier de l'appareil.

1.8 Sécurité relative à l'entretien et au nettoyage

- Ne tirez pas sur la poignée de la porte si vous devez déplacer l'appareil pour le nettoyer. La poignée peut causer des blessures si vous la tirez trop fort.
- Ne nettoyez pas l'appareil en pulvérisant ou en versant de l'eau dessus et à l'intérieur. Risque de choc électrique et d'incendie.
- Lors du nettoyage de l'appareil, n'utilisez pas d'outils tranchants et abrasifs ni de produits de nettoyage ménagers, de détergents, d'essence, de diluant, d'alcool, de vernis et de substances similaires. Utilisez des produits de nettoyage et

- d'entretien qui ne sont pas nocifs pour les aliments uniquement à l'intérieur de l'appareil.
- N'utilisez jamais de vapeur ou de matériel de nettoyage à vapeur pour nettoyer l'appareil et faire fondre la glace qui s'y trouve. Lorsque la vapeur entre en contact avec les zones sensibles de votre réfrigérateur, elle peut provoquer un court-circuit ou un choc électrique.
 - Veillez à éloigner l'eau des circuits électroniques ou de l'éclairage de l'appareil.
 - Utilisez un torchon propre et sec pour essuyer la poussière ou les corps étrangers sur les extrémités des fiches. N'utilisez pas de torchon humide ou mouillé pour nettoyer la fiche. Ceci, pour éviter tout risque d'incendie ou de choc électrique.
 - Pour éviter que les enfants ne s'enferment accidentellement dans le produit, désactivez le verrou de porte s'il en existe un.
 - Les éclaboussures de liquide de refroidissement sont dangereuses pour les yeux. N'endommagez aucune partie du système de refroidissement lorsque vous mettez le produit au rebut.
 - L'ingestion de l'huile du compresseur ou sa pénétration dans les voies respiratoires peut être fatale.
 - Le système de refroidissement de votre produit comprend du gaz R600a comme spécifié sur la plaque signalétique. Ce gaz est inflammable. Ne jetez pas l'appareil en le mettant au feu. Risque d'explosion !
 - C- Le pentane est utilisé comme agent gonflant dans les mousses d'isolation et c'est une substance inflammable. Ne jetez pas l'appareil en le mettant au feu.

1.9 Mise au rebut de l'ancien produit

Lorsque vous mettez votre ancien produit au rebut, suivez les instructions ci-dessous :

2 Instructions environnementales

2.1 Conformité avec la directive DEEE et élimination des déchets



Cet appareil est conforme à la directive DEEE de l'Union européenne (2012/19/UE). Le produit possède un symbole de classification attribué aux déchets d'équipements élec-

triques et électroniques (DEEE).

Ce symbole indique que cet appareil ne doit pas être mis au rebut avec les ordures ménagères à la fin de sa durée de vie. Les appareils usagés doivent être retournés au point de collecte officiel pour le recyclage des dispositifs électriques et électroniques. Pour trouver ces systèmes de collecte, veuillez contacter les autorités locales ou le détaillant à l'endroit où l'appareil a été acheté. Chaque ménage joue un rôle important dans la récupération et le recyclage des vieux appareils ménagers. La mise au

rebut appropriée des appareils usagés permet de prévenir les conséquences négatives potentielles pour l'environnement et la santé humaine.

Conformité à la directive RoHS

Votre appareil est conforme à la directive RoHS de l'Union européenne (2011/65/UE). Il ne comporte pas de matériaux dangereux et interdits mentionnés dans la directive.

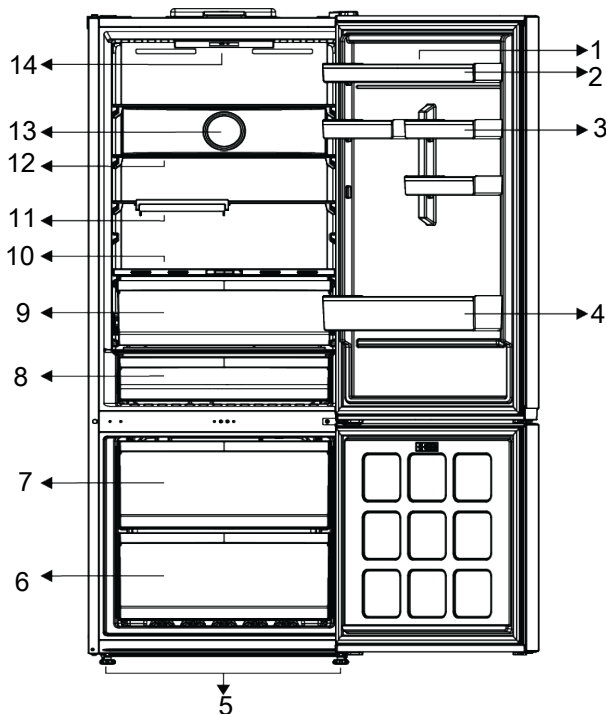


Informations sur l'emballage

Les matériaux d'emballage de cet appareil sont fabriqués à partir de matériaux recyclables, conformément à nos réglementations nationales en matière d'environnement. Ne mettez pas les matériaux d'emballage au rebut avec les ordures ménagères et d'autres déchets. Apportez-les aux points de collecte des matériaux d'emballage désignés par les autorités locales.

3 Votre réfrigérateur

FR



- | | |
|------------------------------------|--|
| 1 *Étagères de porte réglables | 2 Porte-œufs |
| 3 *Étagères de la porte supérieure | 4 Étagère pour les bouteilles |
| 5 Pieds réglables | 6 Tiroir du compartiment congélateur |
| 7 Réservoir glacière | 8 *Tiroir de stockage du froid |
| 9 Bac à légumes | 10 *Bac à légumes avec contrôle d'humidité |
| 11 *Porte-bouteille pliable | 12 *Étagère en verre réglable |
| 13 Ventilateur | 14 Éclairage |

***En option :** Les illustrations présentées dans ce manuel d'utilisation sont schématiques et peuvent ne pas correspondre

exactement à votre produit. Si votre appareil ne présente pas les parties citées, alors l'information s'applique à d'autres modèles.

4 Installation



Lisez d'abord la section « Instructions de sécurité » !

4.1 Lieu idéal d'installation

Contactez le service agréé pour l'installation de votre réfrigérateur. Pour préparer l'installation du réfrigérateur, lisez attentivement les instructions du manuel d'utilisa-

tion et assurez-vous que les équipements électriques et d'approvisionnement d'eau sont installés convenablement. Si ce n'est pas le cas, appelez un électricien et un plombier pour faire le nécessaire pour les services publics.



ATTENTION :

Le fabricant ne sera pas tenu responsable en cas de problèmes causés par des travaux effectués par des personnes non autorisées.



ATTENTION :

Débranchez le câble d'alimentation du réfrigérateur pendant l'installation. Le non-respect de cette consigne peut entraîner la mort ou des blessures graves !



ATTENTION :

Si le cadre de la porte est trop étroit pour laisser passer l'appareil, retirez la porte et faites passer l'appareil sur les côtés ; si cela ne fonctionne pas, contactez le service agréé.

- Placez l'appareil sur une surface plane pour éviter les vibrations.
- Placez le produit à 30 cm du chauffage, de la cuisinière et des autres sources de chaleur similaires et à au moins 5 cm des fours électriques.
- N'exposez pas le produit directement à lumière du soleil et ne le laissez pas dans des environnements humides.
- Votre appareil nécessite une circulation d'air adéquate pour pouvoir fonctionner efficacement. S'il est placé dans une alcôve, n'oubliez pas de laisser un espace d'au moins 5 cm entre l'appareil, le plafond, la paroi arrière et les parois latérales.
- Vérifiez que l'élément de protection d'espace de la façade arrière est présent à son emplacement (au cas où il est fourni avec l'appareil).

- Si l'élément n'est pas disponible, perdu ou tombé, positionnez l'appareil de manière à laisser un espace d'au moins 5 cm entre la surface arrière de l'appareil et les murs de la pièce. L'espace prévu à l'arrière est important pour le fonctionnement efficace de l'appareil.

4.2 Branchement électrique



N'utilisez pas de câbles de rallonge ou de prises multiples pour le branchement électrique.



Les câbles d'alimentation endommagés doivent être remplacés par le service agréé.



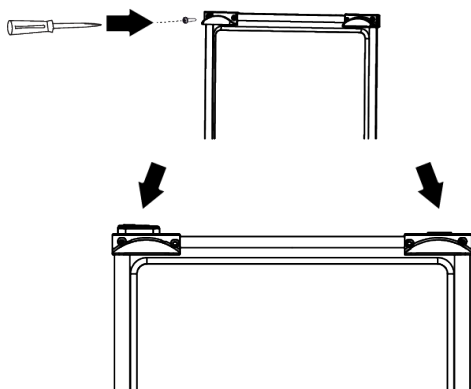
Lorsque deux réfrigérateurs sont installés côte à côte, laissez au moins 4 cm de distance entre les deux appareils

- Notre entreprise ne sera pas tenue responsable de tout dommage résultant de l'utilisation de l'appareil sans prise de mise à la terre ou branchement électrique conforme à la norme nationale en vigueur.
- Gardez la fiche du câble d'alimentation à portée de main après l'installation.
- N'utilisez pas de fiche multigroupe avec ou sans rallonge entre la prise murale et le réfrigérateur.

4.3 Fixation des cales en plastique

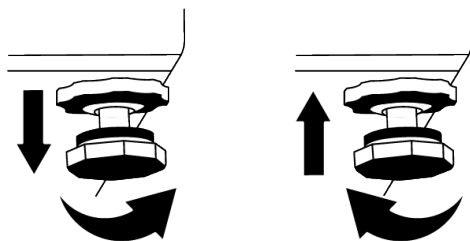
Utilisez les cales en plastiques fournies avec le réfrigérateur pour maintenir une circulation d'air suffisante entre le réfrigérateur et le mur.

1. Pour fixer les cales, retirez les vis du réfrigérateur et utilisez celles fournies avec les cales.
2. Fixez 2 cales en plastique sur le couvercle de ventilation tel qu'illustré par l'image.



4.4 Réglage des pieds avant

Si l'appareil n'est pas équilibré, réglez les pieds avant en les tournant vers la gauche ou la droite.



4.5 Attention aux surfaces chaudes

Les parois latérales de votre appareil sont équipées de tuyaux de refroidissement pour améliorer le système de refroidissement. Un fluide à haute pression peut s'écouler à travers ces surfaces, et provoquer des surfaces chaudes sur les parois latérales. C'est normal et cela ne nécessite pas d'entretien. Faites attention lorsque vous contactez ces zones.

5 Préparation



Lisez d'abord la section « Instructions de sécurité » !

5.1 Moyens d'économiser l'énergie



Il est dangereux de connecter l'appareil aux systèmes électroniques d'économie d'énergie, ils pourraient l'endommager.

- Cet appareil de réfrigération n'est pas conçu pour être utilisé comme un appareil encastré.
- Ne laissez pas la porte du réfrigérateur ouverte longtemps.
- Ne placez pas d'aliments ou de boissons chauds dans le réfrigérateur.
- Ne surchargez pas le réfrigérateur, l'obstruction du flux d'air interne réduira la capacité de réfrigération.
- Comme l'air chaud et humide ne pénètre pas directement dans votre produit lorsque les portes ne sont pas ouvertes, votre produit s'optimisera dans des conditions suffisantes pour protéger vos aliments. Dans ces conditions, les fonctions et les composants tels que le compresseur, le ventilateur, le chauffage, le dégivrage, l'éclairage, l'affichage, etc. fonctionneront en fonction des besoins en consommant un minimum d'énergie.
- Dans le cas où plusieurs options sont présentes, les étagères en verre doivent être placées de manière à ce que les sorties d'air de la paroi arrière ne soient pas bloquées et, de préférence, de manière à ce que les sorties d'air restent sous l'étagère en verre. Cette combinaison peut contribuer à améliorer la distribution de l'air et l'efficacité énergétique.
- Il est fortement recommandé d'utiliser le tiroir du bas pour le rangement.
- Selon les caractéristiques de l'appareil, le dégivrage des aliments congelés dans le compartiment réfrigérateur assurera l'économie d'énergie et la préservation de la qualité des aliments.

- Afin de charger la quantité maximale d'aliments dans le compartiment congélateur, vous pouvez retirer les tiroirs supérieurs et placer les aliments sur les clayettes métalliques/en verre.
- Les aliments sont stockés à l'aide des tiroirs du compartiment réfrigéré afin de garantir une économie d'énergie et de protéger les aliments dans de meilleures conditions.
- Les emballages de denrées alimentaires ne doivent pas être en contact direct avec le capteur de température situé dans le compartiment de congélation.



Il est normal que les bords avant du réfrigérateur soient chauds. Ces parties doivent en principe être chaudes afin d'éviter la condensation.



Pour certains modèles, le panneau indicateur s'éteint automatiquement 1 minute après la fermeture des portes. Il s'active à nouveau à l'ouverture de la porte ou lorsque vous appuyez sur n'importe quelle touche.

5.2 Première utilisation

Avant d'utiliser votre réfrigérateur, assurez-vous que les installations nécessaires sont conformes aux instructions des sections « Instructions en matière de sécurité et d'environnement » et « Installation ».

- Laissez l'appareil fonctionner à vide pendant 6 heures, et ne l'ouvrez pas sauf en cas de nécessité absolue.
- Le changement de température causé par l'ouverture et la fermeture de la porte pendant l'utilisation du produit peut normalement entraîner la formation de condensation sur les tablettes de la porte/du corps et sur les verres placés dans l'appareil.



Un son retentit à l'activation du compresseur. Il est normal que l'appareil fasse du bruit même si le compresseur ne fonctionne pas, car du fluide et du gaz peuvent être comprimés dans le système de refroidissement.

5.3 Classe climatique et définitions

Veillez vous référer à la classe climatique figurant sur la plaque signalétique de votre appareil. L'une des informations suivantes s'applique à votre appareil selon la classe climatique.

- **SN** : Climat tempéré à long terme : Ce dispositif de refroidissement est conçu pour être utilisé à une température ambiante comprise entre 10 °C et 32 °C.
- **N** : Climat tempéré : Ce dispositif de refroidissement est conçu pour être utilisé à une température ambiante comprise entre 16°C et 32 °C.
- **ST** : Climat subtropical : Ce dispositif de refroidissement est conçu pour être utilisé à une température ambiante comprise entre 16°C et 38°C.
- **T** : Climat tropical : Ce dispositif de refroidissement est conçu pour être utilisé à une température ambiante comprise entre 16°C et 43°C.

6 Fonctionnement de l'appareil



Lisez d'abord la section « Instructions de sécurité » !

- Il ne faut pas utiliser d'outils mécaniques ou autres que les recommandations du fabricant pour accélérer l'opération de décongélation.

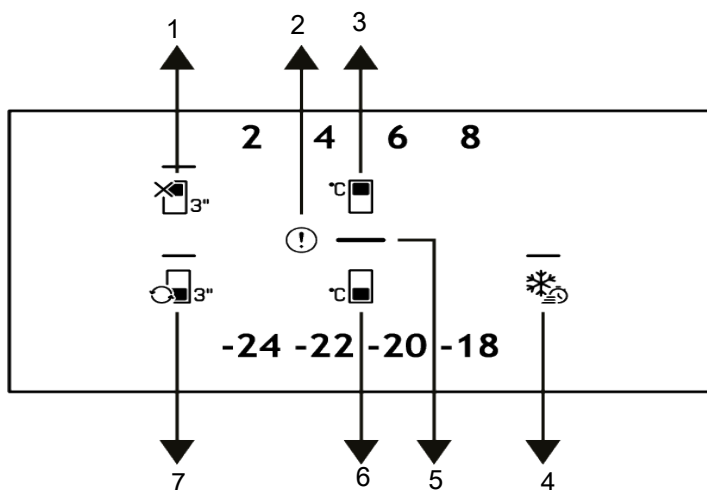
- Évitez d'utiliser des parties de votre réfrigérateur, telles que la porte ou les tiroirs, comme support ou comme marchepied. Cela peut faire trébucher le produit ou endommager ses composants.
- Le produit ne doit être utilisé que pour la conservation des aliments.

- Fermez le robinet d'eau si vous vous absentez de chez vous (par exemple, en vacances) et que vous n'utilisez pas le distributeur d'eau ou le distributeur de glace pendant une longue période. Dans le cas contraire, des fuites d'eau peuvent se produire.

Interruption du programme

- Si vous n'avez pas l'intention d'utiliser le produit pendant une longue période, débranchez-le de la prise de courant.
- Enlevez la nourriture pour éviter les odeurs.
- Attendez que la glace fonde, nettoyez l'intérieur et laissez-le sécher, laissez les portes ouvertes pour éviter d'endommager les plastiques intérieurs de la carrosserie.

7 Panneau de contrôle du produit



- | | |
|--|---|
| 1 * Touche de fonction Arrêt du compartiment réfrigéré vacances | 2 Indicateur de condition d'erreur |
| 3 Touche de réglage de la température du compartiment de refroidissement | 4 * Clé de congélation rapide |
| 5 Indicateur d'économie d'énergie (affichage éteint) | 6 Touche de réglage de la température du compartiment congélateur |
| 7 * Clé de conversion des compartiments | |



Lisez d'abord la section « Instructions de sécurité ».

*En option : Les fonctions indiquées sont facultatives, il peut y avoir des différences de forme et d'emplacement au niveau des fonctions indiquées sur le panneau de votre appareil.

Les fonctions sonores et visuelles dudit panneau vous aident à utiliser votre réfrigérateur.

1. Touche de fonction Arrêt du compartiment réfrigéré (vacances)

Appuyez sur la touche pendant 3 secondes pour activer la fonction vacances. Le mode vacances est activé et le symbole vacances est illuminé. « - - » doit être affiché sur l'indicateur de température du compartiment de refroidissement et le compartiment de refroidissement n'effectue pas de refroidissement actif.

Vous ne devez pas conserver vos aliments dans le compartiment réfrigérateur lorsque cette fonction est activée. Autre

Les compartiments continuent de refroidir selon les températures fixées auparavant. Il suffit d'appuyer à nouveau sur la touche pendant 3 secondes pour annuler cette fonction.

2. Indicateur de condition d'erreur

Lorsque votre réfrigérateur ne peut pas effectuer un refroidissement adéquat ou en cas d'erreur de capteur, cet indicateur est actif. Lorsque vous placez des aliments chauds dans le compartiment congélateur ou que vous laissez la porte ouverte pendant une longue période, un point d'exclamation peut s'allumer pendant un certain temps. Il ne s'agit pas d'un défaut, cet avertissement disparaît lorsque l'aliment est refroidi ou lorsqu'on appuie sur une touche quelconque.

3. Touche de réglage de la température du compartiment de refroidissement

Permet de régler la température du compartiment du refroidisseur. Appuyez sur la touche pour régler la température du compartiment de refroidissement à 8, 6, 4, 2 °C.

4. Touche de gel rapide

Dès que vous appuyez sur la touche de congélation rapide, le symbole de congélation rapide s'allume et la fonction de congélation rapide est activée. La température du compartiment congélateur est réglée sur -27 °C. Appuyez à nouveau sur la touche pour annuler la fonction. La fonction de congélation rapide sera automatiquement annulée. Pour congeler une grande partie d'aliments frais, appuyez sur la touche de congélation rapide avant de mettre les aliments dans le compartiment congélateur.

5. Indicateur d'économie d'énergie (affichage éteint)

La fonction d'économie d'énergie est activée automatiquement et le symbole d'économie d'énergie s'affiche lorsque la porte du produit n'est pas ouverte ou fermée pendant un certain temps. Lorsque la fonction d'économie d'énergie est active, tous les symboles de l'écran, à l'exception du symbole d'économie d'énergie, sont éteints. Lorsque cette fonction est utilisée, la pression sur une touche quelconque ou l'ouverture de la porte entraîne sa désactivation et les voyants allumés retournent à la normale. La fonction d'économie d'énergie est une fonction activée départ usine et ne peut être annulée.


6. La touche de réglage de la température du compartiment congélateur

Le réglage de la température est effectué pour le compartiment de congélation. Appuyez sur la touche pour régler la température du compartiment congélateur à -18, -20, -22, -24 °C.


7. * Clé de conversion des comparti-

ments 

En appuyant sur la touche de conversion de compartiment pendant 3 secondes, il est possible de régler le compartiment de congélation sur le compartiment de refroidissement, sur l'arrêt et sur le compartiment de congélation, respectivement.

Pendant le fonctionnement du compartiment congélateur, le voyant de la valeur de température du compartiment congélateur sélectionnée est allumé, le voyant de la clé de conversion est éteint..-24-22-20-18 

Pendant que le compartiment réfrigérateur fonctionne, tous les voyants des valeurs de température du compartiment congélateur s'éteignent, le voyant de la clé de conversion est allumé. Le compartiment fonctionne comme une glacière.

2 4 6 8 , -24-22-20-18 

Lorsque le compartiment congélateur est fermé, tous les voyants des valeurs de température du compartiment congélateur et le voyant de la clé de conversion s'éteignent. Pour cette sélection, aucune nourriture ne se trouve dans le compartiment.

-24-22 -20-18.

8 Utilisation de l'appareil



Lisez d'abord la section « Instructions de sécurité » !

8.1 Stockage des aliments dans le compartiment réfrigérant

Stockage des aliments dans le compartiment réfrigérant

- La température des compartiments augmente considérablement si la porte du compartiment est ouverte et fermée fréquemment et si elle reste ouverte pendant longtemps, ce qui peut réduire la durée de vie des aliments et les faire se gâter.
 - Afin de ne pas provoquer de changements d'odeur et de goût, les aliments doivent être conservés dans des récipients fermés.
 - Ne conservez pas de quantités excessives d'aliments dans votre réfrigérateur. Pour obtenir un refroidissement plus efficace et homogène, placez les aliments séparément de manière à ce que l'air froid puisse circuler.
 - Assurez la circulation de l'air en laissant un espace entre l'aliment et la paroi interne. Si vous appuyez les aliments contre la paroi arrière, ils risquent de geler.
 - Amenez les plats chauds cuisinés à la température ambiante avant de les placer dans le réfrigérateur. Ensuite, vous pouvez placer le repas tiède dans les étagères inférieures de votre réfrigérateur.
- Ne placez pas les repas tièdes à proximité des aliments qui peuvent facilement se gâter.
 - Faites surtout attention à ne pas mélanger les aliments vendus comme surgelés avec les aliments frais.
 - Décongelez vos aliments congelés dans le compartiment des aliments frais. Ainsi, vous pouvez refroidir le compartiment des aliments frais en utilisant des aliments congelés et économiser de l'énergie.
 - Conservez les fruits tropicaux non mûrs (mangue, variétés de melon, papaye, banane, ananas) au réfrigérateur peut accélérer le processus de maturation. Ceci n'est pas recommandé car cela entraînera une réduction de la durée de stockage.
 - Vous devez conserver les oignons, les aulx, les gingembres et les autres légumes-racines dans une pièce sombre et froide, et non au réfrigérateur.
 - Si vous remarquez qu'un aliment a tourné dans le réfrigérateur, jetez-le et nettoyez les accessoires qui ont été en contact avec cet aliment.

- Pour refroidir rapidement les plats tels que les soupes et les ragoûts, qui sont cuits dans de grandes marmites, vous pouvez les mettre au réfrigérateur en les séparant dans leurs propres récipients peu profonds.
- Ne placez pas d'aliments non emballés à proximité des œufs.
- Conservez les fruits et légumes séparément et stockez chaque variété ensemble (par exemple : les pommes avec les pommes, les carottes avec les carottes).
- Sortez les légumes verts du sac en plastique et placez-les au réfrigérateur après les avoir enveloppés dans une serviette en papier ou un linge sec. Si vous lavez

ce type d'aliments avant de les placer dans le réfrigérateur, n'oubliez pas de les sécher.

- Vous pouvez à la fois créer un environnement humide et assurer une circulation d'air en conservant les fruits et légumes, qui ont tendance à sécher, dans des sacs en plastique perforés ou non fermés.
- Sauf en cas de circonstances extrêmes dans l'environnement, si votre produit (sur le tableau des valeurs de consigne recommandées) est réglé sur les valeurs de consigne spécifiées, les aliments conservent leur fraîcheur plus longtemps, aussi bien dans le compartiment des produits frais que dans celui du congélateur.

Rangez les aliments dans les différents endroits en fonction de leurs propriétés :	
Aliment	Emplacement
Œuf	Balconnet
Produits laitiers (beurre, fromage)	Si disponible, compartiment zéro degré (pour les aliments du petit-déjeuner)
Fruits, légumes et verdure	Compartiment fruits-légumes, bac à légumes ou Compartiment EverFresh+ (si disponible)
Viande fraîche, volaille, poisson, saucisses, etc. Aliments cuits	Si disponible, compartiment zéro degré (pour les aliments du petit-déjeuner)
Aliments prêts à consommer, produits emballés, conserves, produits marinés	Étagères supérieures ou balconnet
Boissons, bouteilles, épices et snacks	Balconnet

Stockage des aliments dans le compartiment congélateur

- Vous pouvez activer la fonction de congélation rapide de 4 à 6 heures avant la fonction de congélation et profiter d'un refroidissement plus rapide.
- Amenez les repas chauds à la température ambiante avant de les placer dans le compartiment congélateur.
- Les aliments à congeler doivent être divisés en portions en fonction de la taille à consommer, et congelés dans des emballages séparés.
- Il est recommandé d'emballer les aliments avant de les placer dans le congélateur.
- Afin de prévenir l'expiration du temps de conservation, inscrivez la date et l'heure de congélation ainsi que le nom du pro-

duit sur l'emballage, en fonction des temps de conservation des différents aliments.

- Consommez rapidement les aliments que vous avez décongelés. Les aliments décongelés ne peuvent être recongelés que s'ils sont cuits. Il n'est pas sûr de consommer les aliments frais recongelés sans cuisson après leur décongélation.
- Lorsque vous congelez des aliments frais, ne les mettez pas en contact avec des aliments déjà congelés. Sinon, les aliments congelés seront décongelés.

Stockage des aliments vendus surgelés

- Suivez toujours les instructions du producteur en ce qui concerne le temps pendant lequel vous devez conserver vos aliments. Ne dépassez pas le temps indiqué dans ces instructions!

- Afin de préserver la qualité des aliments, veillez à ce que l'intervalle de temps entre la transaction d'achat et le stockage soit aussi court que possible.
- Achetez les aliments congelés qui sont conservés à -18°C ou à des températures inférieures.
- Évitez d'acheter des aliments dont l'emballage est recouvert de glace, etc. Cela signifie que le produit pourrait être partiellement décongelé et recongelé. La température a un impact sur la qualité des aliments.
- Ne dépassez pas la durée de conservation recommandée par le producteur de l'aliment. Ne sortez du congélateur que les aliments dont vous avez besoin.
- Sauf en cas de circonstances extrêmes dans l'environnement, si votre produit (sur le tableau des valeurs de consigne recommandées) est réglé sur les valeurs de consigne spécifiées, les aliments conservent leur fraîcheur plus longtemps, aussi bien dans le compartiment des produits frais que dans celui du congélateur.
- Si le compartiment des aliments frais est réglé sur une température inférieure, les fruits et légumes frais peuvent être partiellement congelés.
- Les compartiments à deux étoiles conviennent aux aliments surgelés. Les glaces et les glaçons peuvent y être conservés.
- Ne congelez pas d'aliments dans les compartiments comportant une, deux ou trois étoiles.

Viande et poisson		Préparation		Temps de stockage le plus long (mois)	
Produits à base de viande	Veau	Steak	En les coupant à 2 cm d'épaisseur et en les séparant par une feuille d'aluminium ou en les enveloppant hermétiquement avec du papier étirable.	6-8	
		Rôti	En emballant les morceaux de viande dans un sac réfrigérant ou en les enveloppant hermétiquement avec du papier étirable.	6-8	
		Cubes	En petites portions	6-8	
		escalopes, côtelettes	En séparant les tranches coupées par une feuille d'aluminium ou en les enveloppant individuellement avec papier étirable.	6-8	
	Mouton	Côtelettes	En séparant les morceaux de viande par une feuille d'aluminium ou en les enveloppant individuellement avec papier étirable.	4-8	
		Rôti	En emballant les morceaux de viande dans un sac réfrigérant ou en les enveloppant hermétiquement avec du papier étirable.	4-8	
		Cubes	En emballant la viande hachée dans un sac réfrigérant ou en les enveloppant hermétiquement avec du papier étirable.	4-8	
	Patte	Rôti	En emballant les morceaux de viande dans un sac réfrigérant ou en les enveloppant hermétiquement avec du papier étirable.	8-12	
		Steak	En les coupant à 2 cm d'épaisseur et en les séparant par une feuille d'aluminium ou en les enveloppant hermétiquement avec du papier étirable.	8-12	
		Cubes	En petites portions	8-12	
		Viande bouillie	En l'emballant en petites portions dans un sac réfrigérant	8-12	
	Hacher		Sans assaisonnement, dans des sachets plats		1-3
	Abats (pièce)		En pièces		1-3
	Saucisse fermentée - Salami		Elle doit être emballée, même si elle est dans une boîte.		1-3
	Jambon		En plaçant une feuille d'aluminium entre les tranches coupées		2-3
Volaille et animaux de chasse	Poulet et dinde		En l'enveloppant dans une feuille d'aluminium	4-6	
	Oie		En les emballant dans une feuille d'aluminium (les portions ne doivent pas dépasser 2,5 kg)	4-6	
	Canard		En les emballant dans une feuille d'aluminium (les portions ne doivent pas dépasser 2,5 kg)	4-6	
	Cerf, Lapin, Chevreuil		En les emballant dans une feuille d'aluminium (les portions ne doivent pas dépasser 2,5 kg et les os doivent être séparés)	6-8	

Viande et poisson		Préparation	Temps de stockage le plus long (mois)
Poissons et fruits de mer	Poissons d'eau douce (truite, carpe, grue, poisson-chat)	Après avoir soigneusement nettoyé l'intérieur et les écailles, il faut le laver, le sécher et couper la queue et la tête si nécessaire.	2
	Poisson maigre (Bar, Turbot, Sole)		4-6
	Poissons gras (Bonito, Maquereau, Poisson bleu, Rouget, Anchois)		2-4
	Mollusques	Nettoyés et dans des sachets	4-6
	Caviar	Dans son emballage, dans un récipient en aluminium ou en plastique	2-3

« Les temps de stockage indiqués dans le tableau sont basés sur la température de stockage de - 18° C. »

Fruits et légumes	Préparation	Temps de stockage le plus long (mois)
Haricots verts et haricots grimpants	Par ébullition-choc pendant 3 minutes après avoir été lavés et coupés en petits morceaux.	10-13
Petit pois	Par ébullition-choc pendant 2 minutes après décortilage et lavage.	10-12
Choux	Par ébullition-choc pendant 1 à 2 minute(s) après le nettoyage	6-8
Carotte	Par ébullition-choc pendant 3 à 4 minutes après avoir été nettoyés et coupés en tranches.	12
Poivre	En faisant bouillir pendant 2 à 3 minutes après avoir coupé la tige, en la divisant en deux et en séparant les graines.	8-10
Épinards	Par ébullition-choc pendant 2 minutes après lavage et nettoyage	6-9
Poireaux	Par ébullition-choc pendant 5 minutes après hachage	6-8
Chou-fleur	En les faisant bouillir dans une petite quantité d'eau citronnée pendant 3 à 5 minutes après avoir séparé les feuilles et coupé le cœur en morceaux	10-12
Aubergines	Par ébullition-choc pendant 4 minutes après avoir été lavés et coupés en morceaux de 2 cm.	10-12
Courges	Par ébullition-choc pendant 2 - 3 minutes après avoir été lavés et coupés en morceaux de 2 cm.	8-10
Champignons	En les faisant légèrement sauter dans l'huile et pressant du citron dessus.	2-3
Mais	Par nettoyage et conditionnement en épi ou en granulés	12
Pomme et poire	Par ébullition-choc pendant 2 à 3 minutes après les avoir épluchées et coupées en tranches.	8-10
Abricot et pêche	Divisez de moitié et retirez les grains	4-6
Fraise et framboise	Par lavage et décortilage	8-12
Fruits cuits	En ajoutant 10 % de sucre dans le récipient	12
Prune, cerise, griotte	En lavant et en égrenant les tiges	8-12

« Les temps de stockage indiqués dans le tableau sont basés sur la température de stockage de - 18° C. »

Produits laitiers	Préparation	Temps de stockage le plus long (Mois)	Conditions de stockage
Fromage (sauf feta)	En plaçant une feuille d'aluminium entre les tranches coupées	6-8	Il est possible de le laisser dans son emballage d'origine pour un stockage à court terme. Pour un stockage à long terme, il doit également être enveloppé dans une feuille d'aluminium ou en plastique.
Beurre, margarine	Dans son propre emballage	6	Dans son propre emballage ou dans des récipients en plastique

« Les temps de stockage indiqués dans le tableau sont basés sur la température de stockage de - 18° C. »

« La quantité d'aliments frais qui peut être congelée pendant une certaine période est indiquée sur l'étiquette signalétique. »

Compartiment de congélation Réglages	Compartiment réfrigérateur Réglages	Remarques
-22	4°C	Ces réglages sont recommandés pour une utilisation générale.
Congélation rapide	4°C	Est utilisée lorsque vous voulez congeler vos denrées pendant une courte période. Lorsque le processus se termine, les paramètres du produit reviennent à la position précédente.
Inférieure ou égale à - 18 °C	+2° C	Utilisez ces paramètres si à votre avis le compartiment réfrigérateur n'est pas assez froid en raison de la température ambiante ou de l'ouverture fréquente de la porte.

Détails du congélateur

Selon les normes IEC 62552, à une température ambiante de 25° C, le congélateur doit pouvoir congeler 4,5 kg de denrées alimentaires à - 18° C ou à des températures inférieures en 24 heures pour chaque 100 litres de volume du compartiment congélateur.

Les aliments peuvent être préservés pour des périodes prolongées uniquement à des températures inférieures ou égales à - 18° C.

Vous pouvez garder les aliments frais pendant des mois (dans le congélateur à des températures inférieures ou égales à - 18° C).

Les aliments à congeler ne doivent pas être en contact avec ceux déjà congelés pour éviter un dégivrage partiel.

Faites bouillir les légumes et filtrez l'eau pour prolonger la durée de conservation à l'état congelé. Placez les aliments dans des emballages sous vide après les avoir filtrés et placez-les dans le congélateur. Les bananes, les tomates, les feuilles de laitue, le céleri, les œufs durs, les pommes de terre et les aliments similaires ne doivent pas être congelés. Si ces aliments sont congelés, seules les valeurs nutritionnelles et les qualités gustatives seront affectées. Une pourriture qui mettrait en danger la santé humaine n'est pas à l'ordre du jour.

Placer les aliments

Balconnets du compartiment congélateur : Différents aliments congelés comme la viande, le poisson, la crème glacée, les légumes, etc.

Étagères du compartiment réfrigérateur : Les aliments contenus dans des casseroles, des plats couverts, des gamelles et les œufs (dans des gamelles fermées)

Balconnets de la porte du compartiment réfrigérateur : Aliments ou boissons de petite taille et emballés.

Bac à légumes : Légumes et fruits

Compartiment des aliments frais : Delicatessen (aliments pour le petit déjeuner, produits carnés à consommer dans un délai court).

8.2 Remplacement de la lampe d'éclairage

Appelez le service autorisé lorsque l'ampoule/LED utilisée pour l'éclairage de votre réfrigérateur doit être remplacée.

La ou les lampes utilisées dans cet appareil ne peuvent pas être utilisées pour l'éclairage de la maison. L'objectif de cette lampe est d'aider l'utilisateur à placer les aliments dans le réfrigérateur/congélateur de manière sûre et confortable.

8.3 Alerte de porte ouverte

Le système d'alerte d'ouverture de porte de votre réfrigérateur peut varier selon le modèle.

Version 1;

Si la porte du produit reste ouverte pendant un certain temps (entre 60 s et 120 s), un signal d'avertissement sonore retentit ; se-

lon le modèle de produit, un signal d'avertissement visuel (flash lumineux) peut également être affiché. Si vous fermez la porte de l'appareil ou appuyez sur une touche de l'écran de l'appareil, le signal d'avertissement sonore s'arrête.

Version 2;

Si la porte de l'appareil reste ouverte pendant un certain temps (entre 60 s et 120 s), l'alarme d'ouverture de porte retentit. L'alarme d'ouverture de porte retentit progressivement. Un signal d'avertissement sonore retentit d'abord. Si la porte n'est toujours pas fermée après 4 minutes, un avertissement visuel (lumière clignotante) est activé. L'alarme d'ouverture de porte est retardée pendant un certain temps (entre 60 s et 120 s) si l'on appuie sur n'importe quelle touche de l'écran du produit (le cas échéant). Le processus recommence alors. Lorsque la porte de l'appareil est fermée, l'alarme d'ouverture de porte est annulée.

8.4 Inversion du côté d'ouverture de la porte

Le côté d'ouverture de la porte de votre réfrigérateur peut être inversé en fonction de l'endroit où vous le placez. En cas de besoin, vous devez absolument appeler le service agréé le plus proche.

9 Caractéristiques du produit

9.1 La zone de stockage de la glace

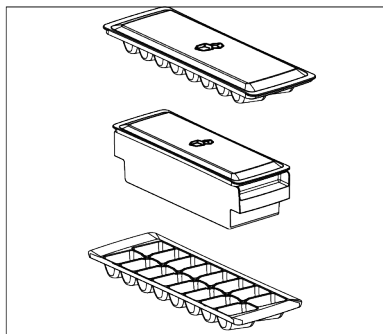
Récipient à glace

Le seau à glace vous permet de prendre facilement de la glace dans le réfrigérateur.

Utilisation du seau à glace

1. Sortez le seau à glace du compartiment congélateur.
2. Remplissez le seau à glace avec de l'eau.

3. Placez le seau à glace dans le compartiment du congélateur. Les glaçons seront prêts après environ deux heures.
4. Sortez le seau à glace du compartiment congélateur et penchez-vous légèrement sur le support que vous allez servir. La glace se verse facilement dans le récipient de service.



9.2 Porte-œuf

Vous pouvez placer le porte-œuf sur la porte ou l'étagère du corps que vous souhaitez.

Si le porte-œufs doit être placé sur l'étagère du corps, nous vous recommandons de choisir des étagères inférieures plus froides.



Ne placez jamais le porte-œuf sur le compartiment congélateur.

9.3 Bac à légumes

Le bac à légumes du réfrigérateur est conçu pour conserver les légumes frais en préservant leur humidité. À cette fin, la circulation générale d'air froid est intensifiée dans le bac à légumes. Conservez les fruits et les légumes dans ce compartiment. Conservez séparément les légumes verts et les fruits pour prolonger leur durée de vie.

9.4 Zone d'entreposage frais des produits laitiers

Tiroir de stockage du froid

Le tiroir de stockage du froid peut atteindre des températures plus basses dans le compartiment réfrigérant. Utilisez ce tiroir pour les produits de charcuterie (salami, saucisse, etc.) et les produits laitiers qui nécessitent des conditions de stockage plus froides, ou pour la viande, le poulet ou le poisson à consommer rapidement. Il n'est pas possible de stocker des fruits et des légumes dans ce tiroir.

9.5 AeroFlow

C'est un système de distribution d'air qui assure une répartition homogène de la température. Grâce à la circulation de l'air, la distribution homogène de la température est assurée dans le compartiment de stockage des aliments frais, et les fluctuations de température sont maintenues à de faibles niveaux. Il n'y a pas de soufflage direct d'air sur les aliments, ce qui permet de réduire la perte d'humidité. Cela préserve la fraîcheur des aliments stockés dans le compartiment des aliments frais du réfrigérateur. De cette façon, vos aliments sont conservés à des températures plus stables et le contact avec l'air est réduit. Le séchage et le rétrécissement des aliments par perte d'humidité sont évités et la fraîcheur est assurée plus longtemps.

9.6 bac à légumes avec contrôle d'humidité

Grâce à la fonction de bac à légumes à humidité contrôlée, l'humidité des légumes et des fruits est maîtrisée et les aliments restent frais plus longtemps.

Nous vous recommandons de placer les légumes à feuilles tels que la laitue, les épinards et les légumes similaires qui sont sensibles à la perte d'humidité dans le bac à légumes, non pas à la verticale sur leurs racines, mais le plus horizontalement possible.

Lorsque vous placez les légumes, placez les légumes lourds et durs en bas et les légumes légers et tendres en haut, en tenant compte du poids spécifique des légumes. Ne laissez jamais de légumes dans des sacs en plastique dans le bac à légumes. En les laissant dans des sacs en plastique, les légumes pourrissent en peu de temps. Dans les situations où le contact avec d'autres légumes n'est pas privilégié, utilisez des matériaux d'emballage tels que le papier qui présente un certain niveau de porosité en termes d'hygiène.

Il ne faut pas mettre les fruits qui ont une forte production de gaz d'éthylène comme la poire, l'abricot, la pêche et surtout la pomme dans le même bac à légumes avec d'autres fruits et légumes. Le gaz d'éthy-

lène qui sort de ces fruits pourrait faire mûrir plus rapidement d'autres légumes et fruits et les faire pourrir dans un laps de temps plus court.

10 Entretien et nettoyage



AVERTISSEMENT :

Lisez d'abord la section « Instructions de sécurité ».



AVERTISSEMENT :

Débranchez le réfrigérateur avant le nettoyage.

- N'utilisez pas des objets pointus ou des produits de nettoyage abrasifs pour nettoyer l'appareil. Il ne faut pas utiliser de matériaux tels que des produits d'entretien ménager, du savon, des détergents, du gaz, de l'essence, un diluant, de l'alcool, de la cire, etc.
- La poussière doit être enlevée de la grille de ventilation située à l'arrière du produit au moins une fois par an (sans ouvrir le couvercle). Nettoyez l'appareil avec un chiffon humide.
- Veillez à ne pas mouiller le logement de la lampe ainsi que d'autres composants électriques.
- Nettoyez la porte avec un chiffon humide. Retirez tout le contenu pour enlever la porte et les supports de carrosserie. Retirez les supports de porte en les soulevant vers le haut. Nettoyez et séchez les étagères, puis refixez-les en les faisant glisser à partir du haut.
- N'utilisez pas d'eau contenant du chlore, ou des produits de nettoyage pour les surfaces externes et les pièces chromées de l'appareil. Le chlore entraîne la corrosion de ce type de surfaces métalliques.
- Il ne faut pas utiliser d'outils tranchants et abrasifs, de savon, de produits d'entretien ménager, de détergents, de gaz, d'essence, de vernis et de substances similaires pour empêcher la déformation de la pièce en plastique et l'élimination des

empreintes sur la pièce. Utilisez de l'eau chaude et un chiffon doux pour le nettoyage, puis séchez-le.

- Sur les produits sans fonction « No-Frost », des gouttelettes d'eau et un givre pouvant atteindre l'épaisseur d'un doigt peuvent se former sur la paroi arrière du compartiment congélateur. Ne nettoyez pas et n'appliquez jamais d'huiles ou de produits similaires.
- Utilisez un chiffon en microfibres légèrement humidifié pour nettoyer la surface extérieure du produit. Les éponges et autres types de vêtements de nettoyage peuvent provoquer des éraflures.
- Afin de nettoyer tous les composants amovibles pendant le nettoyage de la surface intérieure du produit, il faut laver ces composants avec une solution douce composée de savon, d'eau et de carbonate. Lavez et séchez soigneusement. Évitez le contact de l'eau avec les composants d'éclairage et le panneau de contrôle.



ATTENTION :

N'utilisez pas de vinaigre, d'alcool à friction ni de produits nettoyants à base d'alcool sur les surfaces intérieures.

Surfaces extérieures en acier inoxydable

Utilisez un produit de nettoyage non abrasif pour l'acier inoxydable et appliquez-le avec un chiffon doux non pelucheux. Pour polir, essuyez doucement la surface avec un chiffon en microfibres humidifié à l'eau et utilisez une peau de chamois sèche. Suivez toujours les veines de l'acier inoxydable.

Prévention des odeurs

À sa sortie d'usine, cet appareil ne contient aucun matériau odorant. Cependant, la conservation des aliments dans des sections inappropriées et le mauvais nettoyage de l'intérieur peuvent donner lieu aux mauvaises odeurs.

- Pour éviter cela, nettoyez l'intérieur à l'aide de carbonate dissout dans l'eau tous les 15 jours.

- Conservez les aliments dans des récipients scellés, car les micro-organismes provenant des aliments conservés dans des récipients non scellés provoquent une mauvaise odeur.
- Ne conservez pas d'aliments périmés ou avariés dans le réfrigérateur.

Protection des surfaces en plastique

Si de l'huile se répand sur les surfaces en plastique, il faut immédiatement les nettoyer avec de l'eau tiède, sinon elles seront endommagées.

11 Dépannage

Vérifiez la liste suivante avant de contacter le service après-vente. Cela devrait vous éviter de perdre du temps et de l'argent. Cette liste répertorie les plaintes fréquentes ne provenant pas de vices de fabrication ou des défauts de pièces. Certaines fonctionnalités mentionnées dans ce manuel peuvent ne pas exister sur votre modèle.

Le réfrigérateur ne fonctionne pas.

- La fiche électrique n'est pas correctement insérée. >>> Branchez-la en l'enfonçant complètement dans la prise.
- Le fusible branché à la prise qui alimente l'appareil ou le fusible principal est grillé. >>> Vérifiez les fusibles.

Condensation sur la paroi latérale du congélateur (MULTI ZONE, COOL, CONTROL et FLEXI ZONE).

- La porte a été ouverte trop fréquemment >>> Évitez d'ouvrir trop fréquemment la porte de l'appareil.
- L'environnement est trop humide. >>> N'installez pas l'appareil dans des endroits humides.
- Les aliments contenant des liquides sont conservés dans des récipients non fermés. >>> Conservez ces aliments dans des emballages scellés.
- La porte de l'appareil est restée ouverte. >>> Ne laissez pas la porte de l'appareil ouverte longtemps.
- Le thermostat est réglé sur une température très froide. >>> Réglez le thermostat à la température appropriée.

Le compresseur ne fonctionne pas.

- En cas de coupure soudaine de courant ou de débranchement intempestif, la pression du gaz dans le système de réfrigération de l'appareil n'est pas équilibrée, ce qui déclenche la fonction de conservation thermique du compresseur. L'appareil se remet en marche au bout de 6 minutes environ. Dans le cas contraire, veuillez contacter le service de maintenance.
- Le dégivrage est actif. >>> Ce processus est normal pour un appareil à dégivrage complètement automatique. Le dégivrage se déclenche périodiquement.
- L'appareil n'est pas branché. >>> Vérifiez que le cordon d'alimentation est branché.
- Le réglage de la température est incorrect. >>> Sélectionnez le réglage de température approprié.
- Absence d'énergie électrique. >>> Le produit continuera à fonctionner normalement une fois le courant rétabli.

Le bruit du réfrigérateur en fonctionnement s'accroît pendant son utilisation.

- Le rendement de l'appareil en fonctionnement peut varier en fonction des fluctuations de la température ambiante. Ceci est normal et ne constitue pas un dysfonctionnement.

Le réfrigérateur fonctionne fréquemment ou pendant de longues périodes.

- Il se peut que le nouvel appareil soit plus grand que l'ancien. Les appareils plus grands fonctionnent plus longtemps.
- La température de la pièce est peut-être trop élevée. >>> Il est normal que l'appareil fonctionne plus longtemps quand la température de la pièce est élevée.
- L'appareil vient peut-être d'être branché ou chargé de nouvelles denrées alimentaires. >>> L'appareil met plus longtemps à atteindre la température réglée s'il vient d'être branché ou récemment rempli de denrées. C'est normal.
- Il est possible que des quantités importantes d'aliments chauds aient été récemment placées dans l'appareil. >>> Ne mettez pas d'aliments chauds à l'intérieur de l'appareil.
- Les portes étaient ouvertes fréquemment ou sont restées longtemps ouvertes. >>> L'air chaud qui se déplace à l'intérieur permet à l'appareil de fonctionner plus longtemps. N'ouvrez pas les portes trop fréquemment.
- Il est possible que la porte du congélateur soit entrouverte. >>> Vérifiez que les portes sont complètement fermées.
- L'appareil peut être réglé à une température trop basse. >>> Réglez la température à un degré supérieur et attendez que l'appareil atteigne la nouvelle température.
- Le joint de la porte du congélateur peut être sale, usé, cassé, ou mal positionné. >>> Nettoyez ou remplacez le joint d'étanchéité. Si le joint du congélateur est endommagé ou arraché, l'appareil prendra plus longtemps à conserver la température actuelle.

La température du congélateur est très basse, alors que celle du réfrigérateur est appropriée.

- La température du compartiment congélateur est très basse. >>> Réglez la température du compartiment congélateur à un degré supérieur et vérifiez à nouveau.

La température du réfrigérateur est très basse, alors que celle du congélateur est appropriée.

- La température du compartiment réfrigérateur est très basse. >>> Réglez la température du compartiment de refroidissement à un degré supérieur et vérifiez à nouveau.

Les aliments conservés dans le compartiment réfrigérateur sont congelés.

- La température du compartiment réfrigérateur est très basse. >>> Réglez la température du compartiment de refroidissement à un degré supérieur et vérifiez à nouveau.

La température du compartiment réfrigérateur ou congélateur est très élevée.

- La température du compartiment réfrigérateur est réglée à un degré très élevé. >>> Le réglage de la température du compartiment réfrigérateur a une incidence sur la température du compartiment congélateur. Attendez jusqu'à ce que la température des pièces correspondantes atteigne le niveau d'efficacité requis en changeant la température des compartiments réfrigérateur ou congélateur.
- Les portes étaient ouvertes fréquemment ou sont restées longtemps ouvertes. >>> N'ouvrez pas les portes trop fréquemment.
- La porte peut être entrouverte. >>> Fermez complètement la porte.
- L'appareil vient peut-être d'être branché ou chargé de nouvelles denrées alimentaires. >>> Cela est normal. L'appareil met plus longtemps à atteindre la température réglée s'il vient d'être branché ou récemment rempli de denrées.
- Il est possible que des quantités importantes d'aliments chauds aient été récemment placées dans l'appareil. >>> Ne mettez pas d'aliments chauds à l'intérieur de l'appareil.

En cas de vibrations ou de bruits.

- La surface n'est pas plate ou durable >>> Si l'appareil balance lorsqu'il est déplacé doucement, ajustez les supports afin de

le remettre en équilibre. Assurez-vous également que le sol est assez solide pour supporter l'appareil.

- Les éléments placés sur l'appareil peuvent être à l'origine du bruit. >>> Retirez tous les éléments placés sur l'appareil.
- L'appareil émet un bruit d'écoulement de liquide ou de pulvérisation, etc.
- Les principes de fonctionnement de l'appareil impliquent des écoulements de liquides et des émissions de gaz. >>> Ceci est normal et ne constitue pas un dysfonctionnement.

L'appareil émet un sifflement.

- L'appareil effectue le refroidissement à l'aide d'un ventilateur. Ceci est normal et ne constitue pas un dysfonctionnement.

Il y a de la condensation sur les parois internes de l'appareil.

- Un climat chaud ou humide accélère le processus de givrage et de condensation. Ceci est normal et ne constitue pas un dysfonctionnement.
- Les portes étaient ouvertes fréquemment ou sont restées longtemps ouvertes. >>> N'ouvrez pas les portes trop fréquemment ; fermez-les lorsqu'elles sont ouvertes.
- La porte peut être entrouverte. >>> Fermez complètement la porte.

Il y a de la condensation sur les parois externes ou entre les portes de l'appareil.

- Il se peut que le climat ambiant soit humide, auquel cas cela est normal. >>> La condensation se dissipera lorsque l'humidité sera réduite.

Présence d'une odeur désagréable dans l'appareil.

- L'appareil n'est pas nettoyé régulièrement. >>> Nettoyez régulièrement l'intérieur à l'aide d'une éponge, de l'eau tiède et du carbonate dissout dans l'eau.

- Certains récipients et matériaux d'emballage sont peut-être à l'origine des mauvaises odeurs. >>> Utilisez des récipients et des emballages exempts de toute odeur.
- Les aliments étaient placés dans des récipients ouverts. >>> Conservez les aliments dans des récipients fermés. Des micro-organismes peuvent se proliférer dans des récipients non fermés et émettre de mauvaises odeurs.
- Retirez tous les aliments périmés ou avariés de l'appareil.

La porte ne se ferme pas.

- Les paquets d'aliments peuvent bloquer la porte. >>> Déplacez tout ce qui bloque les portes.
- L'appareil ne se tient pas parfaitement droit sur le sol. >>> Ajustez les supports afin de remettre l'appareil en équilibre.
- La surface n'est pas plane ou durable >>> Assurez-vous que la surface est plane et suffisamment durable pour supporter le produit.

Le bac à légumes est bloqué.

- Il est possible que les aliments soient en contact avec la section supérieure du bac. >>> Reclassez les aliments dans le bac.

Température à la surface de l'appareil.

- Une température élevée peut être observée entre deux portes, sur les panneaux latéraux et sur la zone du gril arrière lorsque votre produit est utilisé. C'est normal et cela ne nécessite pas d'entretien.

Le ventilateur continue de fonctionner lorsque la porte est ouverte.

- Le ventilateur peut continuer à fonctionner lorsque la porte du congélateur est ouverte.



AVERTISSEMENT : Si le problème persiste même après observation des instructions contenues dans cette partie, contactez votre fournisseur ou un service de maintenance agréé. N'essayez pas de réparer vous-même l'appareil. C'est normal.

CLAUSE DE NON-RESPONSABILITÉ / AVERTISSEMENT

Certaines défaillances (simples) peuvent être traitées de manière adéquate par l'utilisateur final sans qu'aucun problème de sécurité ou d'utilisation dangereuse ne survienne, à condition qu'elles soient effectuées dans les limites et conformément aux instructions suivantes (voir la section « Auto-réparation »).

Par conséquent, sauf autorisation contraire dans la section « Auto-réparation » ci-dessous, adressez-vous à des réparateurs professionnels agréés pour toutes réparations afin d'éviter des problèmes de sécurité. Un réparateur professionnel agréé est une personne à qui le fabricant a donné accès aux instructions et à la liste des pièces détachées de ce produit selon les méthodes décrites dans les actes législatifs en application de la directive 2009/125/CE

Toutefois, seul l'agent de service (c'est-à-dire les réparateurs professionnels agréés) que vous pouvez joindre au numéro de téléphone indiqué dans le manuel d'utilisation/la carte de garantie ou par l'intermédiaire de votre fournisseur agréé peut fournir un service conformément aux conditions de garantie. Par conséquent, veuillez noter que les réparations effectuées par des réparateurs professionnels (qui ne sont pas autorisés par) Marka annulent la garantie.

Auto-réparation

L'auto-réparation peut être effectuée par l'utilisateur final en ce qui concerne les pièces de rechange suivantes : poignées de porte, charnières de porte, plateaux, paniers

et joints de porte (une liste mise à jour est également disponible sur à partir du 1er mars 2021).

En outre, pour garantir la sécurité du produit et éviter tout risque de blessure grave, ladite auto-réparation doit être effectuée en suivant les instructions du manuel d'utilisation pour l'auto-réparation ou celles disponibles sur . Pour votre sécurité, débranchez le produit avant de procéder à toute auto-réparation.

Les réparations et tentatives de réparation par les utilisateurs finaux pour des pièces ne figurant pas dans cette liste et/ou ne suivant pas les instructions des manuels d'utilisation pour l'auto-réparation ou celles disponibles sur , pourraient donner lieu à des problèmes de sécurité non imputables à , et annuleront la garantie du produit.

Il est donc fortement recommandé aux utilisateurs finaux de s'abstenir de tenter d'effectuer des réparations ne figurant pas sur la liste des pièces de rechange mentionnée, mais de contacter dans de tels cas des réparateurs professionnels autorisés ou des réparateurs professionnels agréés. Au contraire, de telles tentatives de la part des utilisateurs finaux peuvent causer des problèmes de sécurité et endommager le produit et, par la suite, provoquer un incendie, une inondation, une électrocution et des blessures corporelles graves.

À titre d'exemple, mais sans s'y limiter, vous devez vous adresser à des réparateurs professionnels autorisés ou à des réparateurs professionnels agréés pour les réparations suivantes : compresseur, circuit de refroidissement, carte mère, carte d'inverseur, panneau d'affichage, etc.

Le fabricant/vendeur ne peut être tenu responsable dans tous les cas où les utilisateurs finaux ne se conforment pas à ce qui précède.

La disponibilité des pièces de rechange du réfrigérateur que vous avez acheté est de 10 ans. Pendant cette période, les pièces de rechange d'origine seront disponibles pour faire fonctionner le réfrigérateur correctement.

La durée minimale de garantie du réfrigérateur que vous avez acheté est de 24 mois.

Cet appareil est équipé d'une source d'éclairage de classe énergétique « G ».

La source d'éclairage de cet appareil ne doit être remplacée que par des réparateurs professionnels.



Voir également

- 2 CLAUSE DE NON-RESPONSABILITÉ / AVERTISSEMENT [] 62]

Vă rugăm ca mai întâi să citiți acest manual!

Stimate client/ă

Vă rugăm să citiți acest manual înainte de a utiliza produsul.

Vă mulțumim că ați ales acest produs. Am dori să obțineți eficiența optimă din acest produs de înaltă calitate care a fost fabricat cu tehnologie de ultimă generație. Pentru a face acest lucru, citiți cu atenție acest manual și orice alte documente furnizate, înainte de a utiliza produsul și păstrați-l ca referință.

Respectați toate informațiile și avertismentele din manualul de utilizare. În acest fel, vă veți proteja pe dumneavoastră și produsul dumneavoastră împotriva pericolelor care pot apărea.

Păstrați manualul de utilizare. Includeți acest manual împreună cu unitatea dacă o predați altcuiva.

Următoarele simboluri sunt utilizate în manualul de utilizare:



Pericol care poate duce la deces sau vătămare.



Informații importante sau sfaturi utile privind funcționarea.



Citiți manualul de utilizare.



Material combustibil, avertizare împotriva pericolului de incendiu.

NOTIFICARE Un pericol care poate provoca daune produsului sau mediului înconjurător

		Informațiile despre model, așa cum sunt stocate în baza de date despre produse, pot fi accesate pe următorul site web căutând identificatorul de model (*) aflat pe eticheta energetică. https://eprel.ec.europa.eu/
SUPPLIER'S NAME	MODEL IDENTIFIER → (*)	
		

1 Instrucțiuni de siguranța	66		
1.1 Utilizare destinată.....	66		
1.2 Siguranța copiilor, a persoanelor vulnerabile și a animalelor de companie	66		
1.3 Siguranța electrică	67		
1.4 Manevrarea în siguranță	68		
1.5 Siguranța instalației	68		
1.6 Siguranța funcțională	71		
1.7 Siguranța depozitării alimentelor ..	73		
1.8 Siguranța legată de întreținere și curățare	74		
1.9 Eliminarea produselor vechi	74		
2 Instrucțiuni privind mediul	75		
2.1 Conformitatea cu Directiva DEEE și eliminarea deșeurilor	75		
3 Frigiderul dumneavoastră.....	76		
4 Instalae	76		
4.1 Locul potrivit pentru instalare.....	76		
4.2 Conexiunea electrică.....	77		
4.3 Fixarea elementelor de fixare de tip pană din plastic	77		
4.4 Ajustarea picioarelor frontale.....	78		
4.5 Avertisment de suprafață fierbinte	78		
5 Pregătirea	78		
5.1 Modalități de reducere a consumului de energie electrică ..	78		
5.2 Prima utilizare.....	79		
5.3 Clasa climatică și definiții.....	79		
6 Operarea produsului.....	79		
7 Panoul de control al produsului ..	80		
8 Utilizarea produsului	82		
8.1 Păstrarea alimentelor în compartimentul frigider	82		
8.2 Înlocuirea lămpii de iluminat	87		
8.3 Alertă ușă deschisă.....	87		
8.4 Schimbarea sensului de deschidere a ușii.....	87		
9 Caracteristicile produsului.....	87		
9.1 Zona de depozitare a gheții	87		
9.2 Suportul pentru ouă.....	88		
9.3 Sertar pentru fructe și legume proaspete	88		
9.4 Zona de depozitare la rece a produselor lactate.....	88		
9.5 AeroFlow	88		RO
9.6 Sertar legume fructe cu control al umidității.....	88		
10 Întreținerea și curățarea	89		
11 Depanare.....	90		

1 Instrucțiuni de siguranța

Această secțiune include instrucțiunile de siguranță necesare pentru a preveni riscul de vătămare corporală sau daunele materiale.

Compania noastră nu răspunde de daunele care pot să apară dacă aceste instrucțiuni nu sunt respectate.

Operațiunile de instalare și reparare trebuie să fie realizate întotdeauna de către un service autorizat.

Utilizați doar piese de schimb și accesorii originale.

Piesele de schimb originale pentru 10 ani, după data de achiziție a produsului.

Nu reparați și nu înlocuiți nicio componentă a produsului, cu excepția cazului în care este specificat în mod expres în manualul de utilizare.

Nu efectuați nicio modificare asupra produsului.

1.1 Utilizare destinată

Acest produs nu este adecvat pentru uzul comercial și nu trebuie utilizat altfel decât pentru utilizarea prevăzută. Acest produs este conceput pentru a fi utilizat în spații interioare, casă și în locuri similare.

De exemplu:

- În bucătăriile pentru personal ale magazinelor, birourilor și în alte medii de lucru,
- În ferme,
- În unitățile hotelurilor, motelurilor sau în alte facilități de cazare care sunt folosite de către clienți,
- În hostelurile sau alte medii similare,
- Pentru servicii de catering și alte aplicații non-retail similare.

Acest produs nu trebuie să fie folosit în medii deschise sau externe închise, precum nave, balcoane sau terase. Expunerea produsului la ploaie, zăpadă, lumina soarelui și vânt poate cauza un risc de incendiu.

1.2 Siguranța copiilor, a persoanelor vulnerabile și a animalelor de companie



- Acest produs poate să fie folosit de către copiii în vârstă de cel puțin 8 ani și de către persoanele cu capacități fizice, senzoriale sau mentale subdezvoltate sau lipsite de experiență și cunoștințe numai dacă sunt supravegheate sau

au fost instruite cu privire la folosirea aparatului într-un mod sigur pentru produs și în legătură cu pericolele asociate.

- Copiii cu vârste între 3 și 8 ani pot să scoată și să introducă produse din/în frigider.
- Copiii și animalele de companie nu trebuie să se joace cu, să se urce pe produs sau să intre în produs.
- Copiii și animalele de companie trebuie îndepărtate de zona cabinei (compresor) în care se află componentele electrice.
- Curățarea și întreținerea de către utilizator nu trebuie efectuate de către copii, cu excepția cazului în care există cineva care îi supraveghează.
- Țineți ambalajele departe de copii. Risc de vătămare și sufocare.

1.3 Siguranța electrică

- Produsul nu trebuie conectat la priză în timpul operațiunilor de instalare, întreținere, curățare, reparare și transport.
- În cazul în care cablul de alimentare este deteriorat, acesta trebuie să fie înlocuit numai de către un service autorizat, pentru a elimina riscurile care pot să apară.
- Nu strângeți cablul de alimentare sub produs sau în spatele produsului. Nu puneți obiecte grele pe cablul de alimentare. Cablul de alimentare nu trebuie îndoit, strivit și nu trebuie să intre în contact cu nicio sursă de căldură.
- Nu folosiți un prelungitor, un triplu ștecăr sau un adaptor pentru a utiliza produsul.
- Ștecherile multiple portabile sau sursele de alimentare portabile se pot supraîncălzi, cauzând un incendiu. De aceea, nu poziționați un ștecăr multiplu în spatele sau în apropierea produsului.
- Nu conectați cablul de alimentare al produsului la o priză electrică slăbită sau deteriorată. Aceste tipuri de conexiuni se pot supraîncălzi și pot provoca incendii.
- Priza trebuie să fie ușor accesibilă. Dacă acest lucru nu este posibil, un mecanism ce respectă legislația în domeniul electricității și care deconectează toate conexiunile de la rețeaua de alimentare (siguranță, comutator, comutator principal etc.) trebuie să existe în instalația electrică.

- Produsul nu trebuie să funcționeze cu un dispozitiv de comutare extern, cum ar fi un temporizator sau un sistem controlat de la distanță.
- Nu utilizați produsul atunci când aveți picioarele goale sau când sunteți ud pe corp.
- Nu atingeți priza cu mâinile ude.
- Atunci când decuplați aparatul, nu țineți de cablul de alimentare, ci de ștecher.

1.4 Manevrarea în siguranță

- Asigurați-vă că scoateți aparatul din priză înainte de a transporta produsul.
- Acest produs este greu; nu îl manevrați singuri. Vă puteți accidenta dacă produsul cade peste dumneavoastră. Nu loviți și nu scăpați produsul în timp ce îl transportați.
- Închideți întotdeauna ușile și nu țineți produsul de uși atunci când îl transportați.
- În timp ce manevrați produsul, aveți grijă să nu deteriorați sistemul de răcire și țevile. Nu folosiți produsul dacă țevile sunt deteriorate; contactați un service autorizat.

1.5 Siguranța instalației

- Pentru instalarea produsului, contactați un service autorizat. Pentru a pregăti produsul pentru utilizare, consultați informațiile din manualul de utilizare și asigurați-vă că racordarea la utilitățile de apă și electricitate este conformă. Dacă nu este conformă, contactați un electrician și un instalator calificat. În caz contrar pot interveni situații de electrocutare, incendiu, probleme cu produsul sau vătămări.
- Produsul este conceput pentru a fi utilizat la o altitudine de maxim 2000 de metri deasupra nivelului mării.
- Nu permiteți accesul copiilor în zona de instalare.
- Verificați eventualele deteriorări ale produsului înainte de instalare. Înainte de a instala produsul, verificați dacă este deteriorat.
- Folosiți întotdeauna echipament de protecție personală (mănuși etc.) în timpul instalării, întreținerii și reparării produsului. Risc de accidentare!
- Așezați produsul pe o suprafață curată, plană și dură și echilibrați-l cu ajutorul

picioarelor reglabile (prin răsucirea picioarelor din față spre dreapta sau spre stânga). În caz contrar, frigiderul poate să se răstoarne și să cauzeze vătămări.

- Produsul trebuie să fie instalat într-un loc uscat și bine ventilat. Sub produs, nu trebuie să existe mochete, covoare sau alte articole de acoperit. Din cauza ventilării insuficiente, acestea pot să cauzeze un incendiu!
- Nu blocați și nu acoperiți orificiile de ventilare. În caz contrar, consumul de energie crește și produsul poate fi deteriorat.
- Când amplasați produsul, asigurați-vă că cablul de alimentare nu este deteriorat sau ciupit.
- Produsul nu trebuie să fie conectat la sisteme de alimentare și la surse de alimentare care pot provoca schimbări bruște de tensiune (de exemplu, o sursă de energie solară portabilă). În caz contrar, produsul poate să fie deteriorat din cauza fluctuațiilor bruște de tensiune!
- Cu cât mai mult agent frigorific conține un frigider, cu atât mai mare trebuie să fie camera în care se află. În camerele foarte mici, poate să apară un amestec de aer și gaz inflamabil în cazul unei scurgeri de gaz din sistemul de răcire. Un volum de cel puțin 1 m³ este necesar pentru fiecare 8 grame de agent frigorific. Cantitatea disponibilă în produsul dumneavoastră este specificată în eticheta de tip.
- Produsul nu trebuie niciodată poziționat în așa fel încât cablurile de alimentare, furtunul metalic al aragazului, conductele metalice de gaz sau de apă să intre în contact cu perețele din spate al produsului (sau cu condensatorul).
- Locul de instalare a produsului nu trebuie expus la lumina directă a soarelui și nu trebuie să se afle în apropierea unei surse de căldură, cum ar fi soba, caloriferul etc. Dacă nu aveți altă posibilitate decât să instalați produsul în apropierea unei surse de căldură, trebuie să utilizați o placă izolatoare adecvată, iar distanța minimă până la sursa de căldură este cea specificată mai jos:
 - Cel puțin 30 cm de sursele de căldură precum sobe, unități de încălzire și radiatoare etc.,

- Și cel puțin 5 cm de cuptoarele electrice.
- Produsul dumneavoastră are clasa de protecție I.
- Racordați produsul la o priză legată la pământ ce respectă valorile de tensiune, intensitate și frecvență specificate în eticheta de tip. Priza trebuie să aibă o siguranță de 10A – 16A. Compania noastră nu își va asuma responsabilitatea pentru daunele cauzate de utilizarea fără împământare și fără conectarea la rețeaua electrică în conformitate cu reglementările locale și naționale.
- Cablul de alimentare al produsului trebuie să fie scos din priză în timpul instalării. În caz contrar, pot să apară riscuri de electrocutare și vătămare!
- Nu conectați cablul de alimentare al produsului în prize de curent slăbite, dislocate, rupte, murdare, uleioase, sau care prezintă riscul de contact cu apa. Aceste tipuri de conexiuni pot provoca supraîncălzire și incendii.
- Amplasați cablul de alimentare și furtunurile produsului (dacă există) astfel încât să nu producă un risc de împiedicare.
- Pătrunderea umidității și a lichidelor în piesele sub tensiune sau în cablul de alimentare poate să cauzeze un scurtcircuit. De aceea, nu folosiți produsul în medii umede sau în zone în care apa poate să fie împrăscată (de exemplu, garaj, spălătorie etc.). Dacă frigiderul este udat cu apă, scoateți-l din priză și contactați un service autorizat.
- Nu racordați niciodată frigiderul la dispozitive de economisire a energiei. Aceste sisteme sunt dăunătoare pentru produs.
- Atunci când se îndepărtează capacul plăcii electronice și capacul din spate al compresorului (dacă este montat) există riscul de contact cu piesele electrice. Nu îndepărtați capacul plăcii electronice și capacul din spate al compresorului (dacă este montat). Este un risc de electrocutare!

1.6 Siguranța funcțională

- Nu folosiți niciodată solvenți chimici pe produs. Aceste materiale prezintă un risc de explozie.
- În cazul defectării produsului, scoateți-l din priză și nu îl utilizați până când nu este reparat la un service autorizat. Risc de electrocutare!
- Nu așezați o sursă de flacără (de exemplu, lumânări, țigări etc.) pe produs sau în apropierea acestuia.
- Nu vă urcați pe produs. Risc de cădere și vătămare!
- Nu produceți stricăciuni țevilor sistemului de răcire folosind instrumente ascuțite și tăioase. Agentul frigorific care se împrăștie în caz de perforare a conductelor de gaz, a extensiilor de conducte sau a straturilor de acoperire a suprafeței superioare poate provoca iritația pielii și vătămarea ochilor.
- Nu introduceți și nu utilizați aparate electrice în interiorul frigiderelor/congelatoarelor decât la recomandarea producătorului.
- Aveți grijă să nu vă prindeți mâinile sau alte membre în piesele în mișcare din interiorul produsului. Aveți grijă să nu vă prindeți degetele între frigider și ușa sa. Dacă un copil se află în apropiere, aveți grijă atunci când deschideți sau închideți ușa.
- Nu introduceți în gură înghețată, cuburi de gheață sau alimentate congelate imediat după ce le-ați scos din congelator. Risc de degerături!
- Nu atingeți cu mâinile ude pereții interiori, piesele din metal ale congelatorului sau alimentele din interiorul congelatorului. Risc de degerături!
- Nu introduceți cutii cu sucuri acidulate sau cutii și sticle ce conțin lichide care pot să fie congelate în compartimentul de congelare. Cutiile sau sticlele pot să explodeze. Risc de vătămare și daune materiale!
- Nu folosiți și nu amplasați materiale sensibile la temperatură, precum sprayuri inflamabile, obiecte inflamabile, zăpadă carbonică sau alți agenți chimici, în apropierea instalației frigorifice. Risc de incendiu și explozie!

- Nu depozitați materiale explozibile, precum cutiile cu aerosoli cu materiale inflamabile, în interiorul produsului.
- Nu așezați cutii de conserve care conțin lichide pe produs atunci când acesta este deschis. Stropirea cu apă a pieselor electrice poate să ducă la electrocutare sau incendii.
- Datorită riscului de spargere, nu depozitați recipiente din sticlă cu lichid în interior în compartimentul congelator.
- Acest produs nu este destinat depozitării și răcirii medicamentelor, plasmei din sânge, preparatelor de laborator sau a altor materiale și produse similare care fac obiectul Directivei privind produsele medicale.
- Dacă produsul nu este folosit conform scopului destinat, poate să producă daune sau deteriorarea produselor păstrate în interiorul său.
- Dacă frigiderul este prevăzut cu lumină albastră, nu priviți această lumină cu dispozitive optice. Nu priviți direct spre ledul UV pentru o perioadă lungă de timp. Razele ultraviolete pot să afecteze ochii.
- Conținutul din interiorul produsului nu trebuie să depășească volumul recomandat. Pot să apară vătămări sau daune în cazul în care conținutul frigiderului cade atunci când ușa este deschisă. Probleme similare pot să apară de asemenea atunci când un obiect este așezat pe produs.
- Asigurați-vă că ați îndepărtat gheața sau apa care este posibil să fi căzut pe podea pentru a preveni vătămarile.
- Schimbați poziția rafturilor/ rafurilor pentru sticle de pe ușa frigiderului numai atunci când acestea sunt goale. Pericol de accidentare!
- Nu așezați obiecte care pot să cadă/să se răstoarne pe produs. Aceste obiecte pot să cadă atunci când deschideți sau închideți ușa și să cauzeze vătămări și/sau daune materiale.
- Nu loviți și nu exercitați o presiune excesivă pe suprafețele din sticlă. Sticla spartă poate să cauzeze răniri și/sau daune materiale.
- Sistemul de răcire din produsul nostru conține agent frigorific R600a. Tipul agentului frigorific folosit în produs este indicat în eticheta de tip. Acest

gaz este inflamabil. De aceea, aveți grijă să nu deteriorați sistemul de răcire și țevile în timp ce utilizați produsul. În caz de deteriorare a țevilor:

1. Nu atingeți produsul sau cablul de alimentare.
2. Țineți produsul la distanță de potențialele surse de incendiu care pot să ducă la incendierea sa.
3. Ventilați zona în care se află produsul. Nu folosiți un ventilator.
4. Contactați un service autorizat.

Dacă produsul este deteriorat și observați o scurgere de gaze, păstrați distanța față de gaz. Dacă intră în contact cu pielea, acesta poate să cauzeze degerături.

Înainte de a elimina produsele vechi ce nu mai sunt folosite:

1. Scoateți ștecherul cablului de alimentare din priza de perete.
2. Tăiați cablul de alimentare și îndepărtați-l de aparat, împreună cu ștecărul.
3. Nu scoateți rafturile și sertarele din produs pentru a nu le permite copiilor să intre în acesta.
4. Scoateți ușile.

5. Depozitați produsul astfel încât să nu poată să se răstoarne.

6. Nu permiteți copiilor să se joace cu produsul casat.
 - Nu eliminați produsul aruncându-l pe foc. Risc de explozie.
 - Dacă există o încuietore pe ușa produsului, nu lăsați cheia la îndemâna copiilor.



1.7 Siguranța depozitării alimentelor

Vă rugăm să acordați atenție următoarelor avertismente pentru a evita deteriorarea alimentelor:

- Lăsarea ușilor deschise pentru o perioadă lungă de timp poate duce la creșterea temperaturii din interiorul produsului.
- Curățați în mod regulat sistemele de drenaj accesibile care au contact cu alimentele.
- Curățați rezervoarele de apă care nu au fost folosite timp de 48 de ore și sistemele de apă alimentate de la rețea care nu au fost folosite de mai mult de 5 zile.
- Puneți carnea crudă și produsele din pește în compartimente adecvate din

cadrul produsului. Astfel, acestea nu picură și nu intră în contact cu alte alimente.

- Compartimentele congelatorului cu două stele sunt folosite pentru alimentele preumplute, prepararea și depozitarea înghețatei și a înghețată.
- Compartimentele cu una, două și trei stele nu sunt adecvate pentru congelarea alimentelor proaspete.
- Dacă produsul de răcire a fost lăsat gol pentru o perioadă lungă de timp, opriți produsul, dezghețați-l, curățați-l și uscați-l pentru a proteja carcasa produsului.



1.8 Siguranța legată de întreținere și curățare

- Dacă trebuie să mutați produsul pentru a-l curăța, nu trageți de mânerul ușii. Mânerul poate să producă vătămări dacă este tras prea tare.
- Nu curățați produsul pulverizând sau turnând apă pe produs și în interiorul produsului. Risc de electrocutare și incendiu.
- Când curățați produsul, nu utilizați unelte ascuțite și abrazive sau agenți de

curățare de uz casnic, detergent, gaz, benzină, diluant, alcool, lac și substanțe similare. În interiorul produsului utilizați numai agenți de curățare și întreținere care nu sunt toxici pentru alimente.

- Nu folosiți aburi sau materiale de curățare cu aburi pentru curățarea produsului și topirea gheții din interiorul acestuia. Aburul intră în contact cu zonele sub tensiune din frigider și poate să ducă la electrocutări și scurtcircuite.
- Aveți grijă ca apa să nu intre în circuitele electrice sau în dispozitivele de iluminat ale produsului.
- Folosiți o lavetă curată, uscată pentru a șterge praful sau materiile străine de pe polii prizelor. Nu folosiți o lavetă udă sau umedă pentru a curăța priza. În caz contrar, pot să apară pericole de incendiu sau electrocutare.



1.9 Eliminarea produselor vechi

Atunci când eliminați produsul vechi, urmați instrucțiunile de mai jos:

- Pentru a preveni blocarea accidentală a copiilor în produs, dacă există un sistem de blocare a ușii, dezactivați-l.
- Stropii de lichid de răcire sunt dăunători pentru ochi. Nu deteriorați nicio parte a sistemului de răcire în timpul eliminării produsului.
- Poate fi fatal dacă uleiul din compresor este înghițit sau dacă acesta pătrunde în tractul respirator.
- Sistemul de răcire al produsului include gaz R600a, așa cum este specificat în eticheta de tip. Acest gaz este inflamabil. Nu eliminați produsul aruncându-l pe foc. Risc de explozie!
- C-Pentanul este utilizat ca agent de expandare în spuma de izolație și este o substanță inflamabilă. Nu eliminați produsul aruncându-l pe foc.

2 Instrucțiuni privind mediul

2.1 Conformitatea cu Directiva DEEE și eliminarea deșeurilor



Acest produs este în conformitate cu Directiva UE privind DEEE (2012/19/UE). Produsul este prevăzut cu un simbol de clasificare pentru deșeurile de echipamente

electrice și electronice (WEEE).

Acest simbolul indică faptul că acest produs nu trebuie eliminat cu alte deșeurile domestice la terminarea duratei sale de viață. Aparatul uzat trebuie predat la punctul de colectare oficial pentru reciclarea dispozitivelor electrice și electronice. Pentru a găsi aceste sisteme de colectare, contactați autoritățile dvs. locale sau distribuitorul de unde a fost achiziționat produsul. Fiecare gospodărie joacă un rol important în recuperarea și reciclarea aparatelor vechi. Eliminarea

corespunzătoare a aparatelor uzate contribuie la prevenirea consecințelor potențial negative asupra mediului și sănătății umane.

Conformitatea cu Directiva RoHS

Produsul pe care l-ați achiziționat este în conformitate cu Directiva UE RoHS (65/2011/UE). Acesta nu conține materiale nocive și interzise specificate în Directivă.

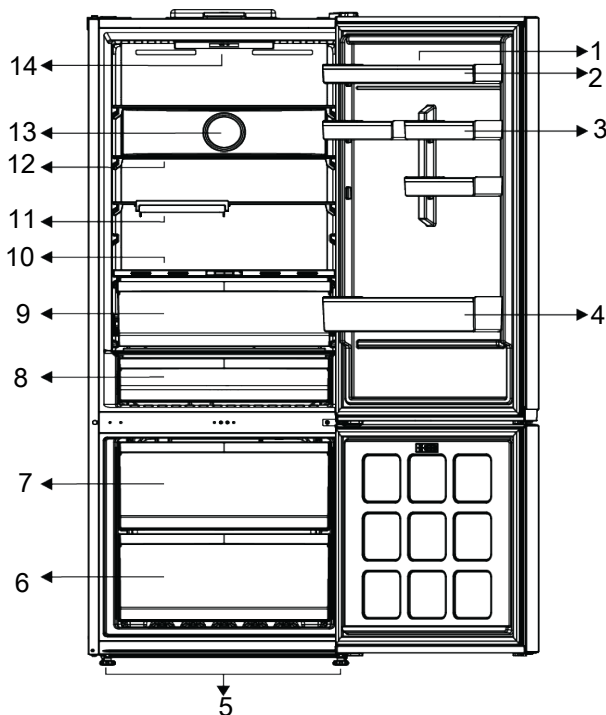


Informații despre ambalaj

Materialele de ambalare ale produsului sunt fabricate din materialele reciclabile în conformitate cu Reglementările naționale privind mediul. Nu eliminați materialele de ambalare împreună cu deșeurile menajere sau alte deșeurile. Predați-le la punctele de colectare a ambalajelor desemnate de autoritățile locale.

3 Frigiderul dumneavoastră

RO



1 *Rafturi ajustabile ușă

3 *Raft ușă mică

5 Picioare ajustabile

7 Recipient gheață

9 Sertar pentru legume

11 *Poliță pliabilă pentru sticle de vin

13 Ventilator

2 Suportul pentru ouă

4 *Raft sticle

6 Sertarul compartimentului de congelare

8 *Sertar depozitare la rece

10 *Sertar legume fructe cu control al umidității

12 *Raft reglabil din sticlă

14 Iluminare

***Opțional:** Cifrele din acest manual de utilizare sunt schematice și s-ar putea să nu corespundă exact cu produsul dvs. Dacă

produsul dumneavoastră nu conține componentele relevante, informațiile se referă la alte modele.

4 Instalare



Citiți mai întâi secțiunea „Instrucțiuni de siguranță”!

4.1 Locul potrivit pentru instalare

Pentru instalarea produsului, contactați un service autorizat. Pentru a pregăti produsul pentru instalare, consultați informațiile din

manualul de utilizare și asigurați-vă că racordarea la utilitățile de apă și electricitate este conformă. Dacă nu este conformă, contactați un electrician și un instalator.



AVERTISMENT:

Producătorul nu își asumă nicio responsabilitate pentru orice avarii suferite de lucrările efectuate de persoane neautorizate.



AVERTISMENT:

Cablul de alimentare al produsului trebuie să fie scos din priză în timpul instalării. În caz contrar, există pericol de moarte sau de vătămare gravă!



AVERTISMENT:

Dacă ușa încăperii este prea îngustă pentru a permite introducerea produsului, demontați ușa și răsuciți produsul în lateral; dacă acest lucru nu funcționează, contactați centrul de service autorizat.

- Dispuneți produsul pe o suprafață plată pentru a evita vibrațiile.
- Așezați produsul la cel puțin 30 cm față de plite, cuptor și surse similare de căldură și la cel puțin 5 cm față de cuptoarele electrice.
- Nu expuneți produsul la lumina directă a soarelui și nu îl păstrați în medii umede.
- Produsul dumneavoastră. necesită o circulație adecvată a aerului pentru a funcționa eficient. Dacă produsul va fi plasat într-o nișă, nu uitați să lăsați o distanță de cel puțin 5 cm între produs și tavan, peretele din spate și pereții laterali.
- Verificați dacă elementul de protecție a spațiului la peretele din spate se află în locația sa (dacă este furnizat împreună cu produsul).
- Dacă elementul nu este disponibil sau dacă este pierdut sau căzut, poziționați produsul astfel încât să rămână o distanță de cel puțin 5 cm între suprafața

din spate a produsului și pereții camerei. Spațiul din spate este important pentru funcționarea eficientă a produsului.

4.2 Conexiunea electrică



Nu utilizați prelungitoare sau prize multiple pentru alimentarea la rețeaua electrică.



Cablul de alimentare deteriorat trebuie înlocuit de un centru de service autorizat.



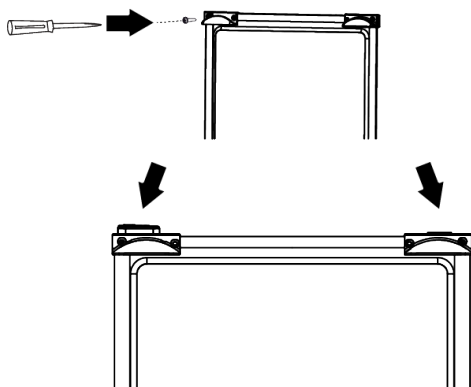
Când amplasați două frigiderice în poziție adiacentă, lăsați o distanță de cel puțin 4 cm între cele două unități.

- Firma noastră nu își va asuma responsabilitatea pentru niciun fel de avarii produse din cauza folosirii fără împământare sau conectare la alimentare în conformitate cu reglementările naționale.
- Cablul de alimentare trebuie să fie ușor accesibil după instalare.
- Nu utilizați un ștecher multigrup cu sau fără cablu prelungitor între priza de perete și frigider.

4.3 Fixarea elementelor de fixare de tip pană din plastic

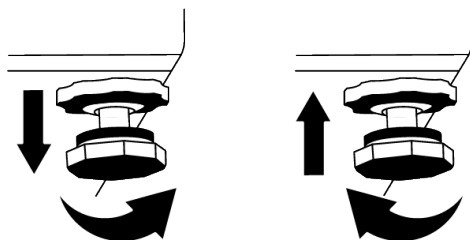
Folosiți penele de plastic furnizate împreună cu produsul pentru a asigura destul spațiu pentru circulația aerului între produs și perete.

1. Pentru a atașa penele, îndepărtați șuruburile de pe produs și folosiți șuruburile oferite cu penele.
2. Atașați 2 pene de plastic de capacul de ventilație așa cum se vede în figură.



4.4 Ajustarea picioarelor frontale

Dacă produsul nu este echilibrat, ajustați picioarele reglabile frontale rotind la dreapta sau stânga.



RO

4.5 Avertisment de suprafață fierbinte

Pereții laterali ai produsului dvs. sunt echipați cu țevi de răcire pentru a îmbunătăți sistemul de răcire. Lichidul de înaltă presiune poate curge prin aceste suprafețe și poate cauza suprafețe fierbinți pe pereții laterali. Acest lucru este normal și nu necesită reparații. Aveți grijă când intrați în contact cu aceste zone.

5 Pregătirea



Citiți mai întâi secțiunea „Instrucțiuni de siguranță”!

5.1 Modalități de reducere a consumului de energie electrică



Conectarea produsului la sisteme electronice de economisire a energiei este dăunătoare deoarece poate afecta produsul.


- Acest aparat frigorific nu este destinat utilizării ca aparat încorporat.
- Nu lăsați ușa frigiderului deschisă perioade îndelungate de timp.
- Nu puneți mâncare fierbinte sau băuturi în frigider.
- Nu supraîncărcați frigiderul; blocarea circulației aerului din interior va reduce capacitatea de răcire.
- Deoarece aerul cald și umed nu va pătrunde direct în produsul dvs. atunci când ușile nu sunt deschise, produsul dvs. se va optimiza în condiții suficiente pentru a vă proteja alimentele. Funcțiile și componentele, cum ar fi compresorul, ventilatorul, radiatorul, dezghețarea, iluminatul, afișajul și așa mai departe, vor funcționa în funcție de necesitățile de consum minim de energie.
- În cazul în care există mai multe opțiuni, rafturile din sticlă trebuie amplasate astfel încât intrările de aer de la peretele din spate să nu fie blocate, și este de preferat ca intrările de aer să rămână sub raftul de sticlă. Această combinație poate ajuta la îmbunătățirea distribuției de aer și eficienței energetice.
- Utilizarea sertarului inferior în timpul încărcării este recomandată cu tărie.
- În funcție de caracteristicile produsului, decongelarea alimentelor congelate în compartimentul frigorific va asigura economisirea energiei și va păstra calitatea alimentelor.
- Pentru a încărca cantitatea maximă de alimente în compartimentul de congelare al frigiderului, sertarele superioare trebuie scoase și alimentele trebuie așezate pe rafturile metalice/de sticlă.


- Alimentele se depozitează folosind sertarele din compartimentul frigorific pentru a asigura economisirea energiei și pentru a proteja alimentele în condiții mai bune.
- Ambalajele alimentare nu trebuie să fie în contact direct cu senzorul de temperatură situat în compartimentul congelatorului.


5.2 Prima utilizare

Înainte de utilizarea frigiderului, asigurați-vă că ați realizat pregătirile necesare conform instrucțiunilor din capitolele „Instrucțiuni privind siguranța și mediul” și „Instalarea”.

- Lăsați frigiderul să funcționeze fără alimente timp de 6 ore și nu deschideți ușa, decât dacă este absolut necesar.
- Schimbarea de temperatură cauzată de deschiderea și închiderea ușii în timpul utilizării produsului poate duce în mod normal la condens pe rafturile ușii/corpului și pe produsele de sticlă plasate în produs.

 Se va auzi un sunet când compresorul este cuplat. Este normal ca produsul să facă zgomot chiar dacă compresorul nu funcționează, deoarece lichidul și gazul pot fi comprimate în sistemul de răcire.

 Este normal ca marginile frontale ale frigiderului să fie calde. Aceste zone sunt proiectate să se încălzească pentru împiedicarea condensului.


 Pentru unele modele, panoul indicator se oprește automat la 1 minut după ce ușa este închisă. Va fi reactivat atunci când ușa este deschisă sau dacă este apăsat vreun buton.

5.3 Clasa climatică și definiții

Vă rugăm să consultați Clasa Climatică de pe plăcuța de identificare a aparatului. Una dintre următoarele informații este aplicabilă aparatului conform Clasei Climatice.

- **SN:** Clima temperată pe termen lung: Aparatul de răcire este proiectat pentru a fi utilizat la temperaturi ambientale cuprinse între 10 °C și 32 °C.
- **N:** Clima temperată: Aparatul de răcire este proiectat pentru a fi utilizat la temperaturi ambientale cuprinse între 16°C și 32 °C.
- **ST:** Climă subtropicală: Aparatul de răcire este proiectat pentru a fi utilizat la temperaturi ambientale cuprinse între 16°C și 38°C.
- **T:** Climă tropicală: Aparatul de răcire este proiectat pentru a fi utilizat la temperaturi ambientale cuprinse între 16°C și 43°C.

6 Operarea produsului

 Citiți mai întâi secțiunea „Instrucțiuni de siguranță”!

- Nu utilizați unelte mecanice sau alte unelte decât cele recomandate de producător pentru a accelera operațiunea de dezghețare.
- Nu folosiți părți ale frigiderului, cum ar fi ușa sau sertarele, ca suport sau treaptă. Acest lucru poate duce la răsturnarea produsului sau deteriorarea componentelor sale.

- Produsul se utilizează numai pentru depozitarea alimentelor.
- Închideți supapa de apă dacă vă veți afla departe de casă (de exemplu, în vacanță) și nu veți folosi icematic sau dozatorul de apă pentru o perioadă lungă de timp. În caz contrar, pot apărea scurgeri de apă.

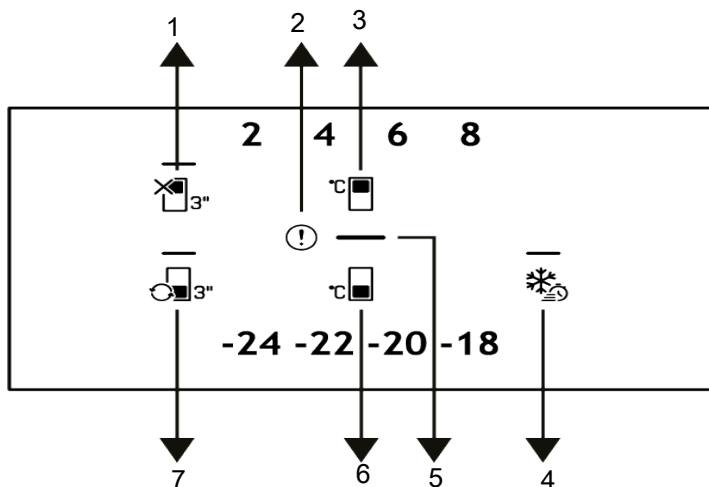
Înteruperea programului

- Dacă nu veți folosi produsul pentru o perioadă lungă de timp, deconectați produsul de la priză.

- Îndepărtați alimentele pentru a preveni mirosurile.

- Așteptați ca gheața să se topească, curățați interiorul și lăsați-l să se usuce, lăsați ușile deschise pentru a nu deteriora materialele plastice din interior.

7 Panoul de control al produsului



1 * Tastă funcțională Vacanță a compartimentului de răcire DEZACTIVATĂ

3 Tastă de setare a temperaturii compartimentului frigorific

5 Indicator de economisire a energiei (Afișaj Oprit)

7 * Tasta de conversie a compartimentului

2 Indicatorul privind starea de eroare

4 *Tasta de congelare rapidă

6 Tastă setare temperatură compartiment congelator



Citiți mai întâi secțiunea „Instrucțiuni de siguranță”.

*Opțional: Funcțiile afișate sunt opționale, pot exista diferențe de formă și de locație ale funcțiilor de pe panoul indicator al aparatului.

Funcțiile audio și vizuale ale panoului indicator vă vor ajuta la folosirea frigiderului.

1. Tastă funcțională (Vacanță) a compartimentului frigorific dezactivată



Apăsați tasta timp de 3 secunde pentru a activa funcția vacanță. Modul vacanță este activat, iar simbolul de vacanță este aprins. “-” va fi afișat pe indicatorul temperaturii Compartimentului frigorific iar compartimentul frigorific nu efectuează răcirea în mod activ.

Nu este recomandat să țineți alimente în compartimentul frigorific atunci când această funcție este activată. Celelalte compartimente continuă să se răcească în funcție de temperaturile setate anterior. Apăsați tasta din nou timp de 3 secunde pentru a anula această funcție.

2. Indicator de stare de eroare



Atunci când frigiderul dumneavoastră nu poate răci bine sau în cazul oricărei erori de senzor, acest indicator va fi activ. Când introduceți alimente fierbinți în congelator sau lăsați ușa deschisă mult timp, semnul de exclamație se poate aprinde o anumită perioadă de timp. Aceasta nu este o defecțiune, acest avertisment dispare atunci când alimentul este răcit sau atunci când este apăsat orice buton.

3. Tastă de setare a temperaturii

compartimentului frigorific



Permite setarea temperaturii pentru compartimentul frigorific. Apăsarea tastei va permite setarea temperaturii compartimentului de răcire la 8, 6, 4, 2 °C.

4. Tastă de congelare rapidă



Atunci când este apăsată tasta de congelare rapidă simbolul de congelare rapidă se aprinde și funcția de congelare rapidă este activată. Temperatura compartimentului congelator este setată la -27 °C. Apăsați din nou tasta pentru a anula funcția. Funcția de congelare rapidă va fi anulată automat. Pentru a congela o

cantitate mare de alimente proaspete, apăsați tasta de congelare rapidă înainte de amplasa alimentele în compartimentul frigorific.

5. Indicator de economisire a energiei (Afișaj Oprit)

Funcția de economisire a energiei este activată automat și simbolul de economisire a energiei este aprins atunci când ușa produsului nu este deschisă sau închisă pentru o anumită perioadă de timp. Atunci când este activă funcția de economisire a energiei, toate simbolurile de pe afișaj, altele decât simbolul de economisire a energiei, vor fi dezactivate. Când funcția de economisire a energiei este activă, dacă apăsați orice tastă sau dacă deschideți ușa, funcția de economisire a energiei se va dezactiva și semnalele de pe afișaj vor reveni la normal. Funcția de economisire a energiei este o funcție activată din fabrică și nu poate fi anulată.

6. Tasta de setare a temperaturii compartimentului congelator



Setarea temperaturii se face pentru compartimentul congelatorului. Apăsarea tastei va activa temperatura compartimentului frigorific pentru a fi setată la -18,-20,-22, -24°C.

7. * Tasta de conversie a

compartimentului




Apăsând tasta de conversie a compartimentului timp de 3 secunde, compartimentul congelator poate fi setat la compartimentul frigorific, oprit și, respectiv, compartimentul congelator.

În timp ce compartimentul congelator funcționează, lumina valorii de temperatură selectată a compartimentului congelator este aprinsă iar lumina de pe tasta de conversie este stinsă.-24-22-20-18



În timp ce compartimentul de răcire funcționează, toate luminile valorilor de temperatură ale compartimentului

congelator se sting iar lumina de pe tasta de conversie este aprinsă. Compartimentul funcționează ca frigider.

2 4 6 8 , -24-22-20-18 

Când compartimentul frigiderului este închis, toate luminile valorilor de temperaturi ale compartimentului

congelator se sting iar lumina de pe tasta de conversie este aprinsă. Pentru această selecție în compartiment nu există nici un aliment.

-24-22-20-18.

RO

8 Utilizarea produsului



Citiți mai întâi secțiunea „Instrucțiuni de siguranță”!

8.1 Păstrarea alimentelor în compartimentul frigider

Păstrarea alimentelor în compartimentul frigider

- Dacă ușa compartimentului este deschisă și închisă frecvent și lăsată deschisă o perioadă lungă de timp, temperaturile din compartiment cresc considerabil, ceea ce poate reduce durata de viață a alimentelor și poate duce la deteriorarea acestora.
- Pentru a nu provoca schimbări ale mirosului și gustului, alimentele trebuie păstrate în recipiente închise.
- Nu depozitați prea multe alimente în frigider. Pentru a asigura o răcire mai bună și mai omogenă, așezați alimentele separat, permițând circulația aerului rece printre ele.
- Asigurați circulația aerului lăsând spațiu între alimente și peretele interior. Dacă lipiți alimentele de peretele din spate, acestea pot îngheța.
- Așteptați ca mâncarea gătită și fierbinte să ajungă la temperatura camerei înainte de a o pune în frigider. Apoi, puteți pune mâncarea caldă în rafturile inferioare ale frigiderului. Nu așezați mâncarea caldă în apropierea alimentelor care se pot altera ușor.
- Aveți grijă în mod special să nu amestecați alimentele vândute sub formă congelată cu cele proaspete.
- Dezghețați alimentele congelate în compartimentul pentru alimente proaspete. Astfel, puteți răci

- compartimentul pentru alimente proaspete folosind alimente congelate astfel putând economisi energie.
- Păstrarea fructelor tropicale necoapte (mango, soiuri de pepene galben, papaya, banane, ananas) în frigider poate accelera procesul de maturizare. Acest lucru nu este recomandat deoarece va duce la o perioadă mai scurtă de păstrare.
- Păstrați ceapa, usturoiul, chimbirul și alte legume rădăcinoase în condiții de cameră întunecată și rece, nu în frigider.
- Dacă observați că în frigider s-a alterat un aliment, aruncați-l și curățați accesoriile care au intrat în contact cu el.
- Pentru a răci rapid mâncărurile precum supe și tocane, care se gătesc în cratițe mari, le puteți pune la frigider, separându-le în recipiente de mică adâncime.
- Nu așezați alimente neambalate lângă ouă.
- Păstrați fructele și legumele separat și fiecare soi împreună (de exemplu: mere cu mere, morcovi cu morcovi).
- Scoateți legumele verzi din punga de plastic și puneți-le la frigider după ce le-ați înfășurat într-un prosop de hârtie sau o cârpă. Dacă spălați acest tip de alimente înainte de a le pune în frigider, nu uitați să le uscați.

- Puteți crea atât un mediu umed, cât și să permiteți circulația aerului păstrând fructele și legumele, care sunt predispuse la uscare, în pungi de plastic perforate sau nesigilate.
- Înafara cazurilor în care în mediul înconjurător există circumstanțe extreme, dacă produsul dvs. (din tabelul cu valori

setate recomandate) este păstrat la valorile setate specificate, el își va păstra prospețimea mai mult timp atât în compartimentul pentru produse proaspete, cât și în compartimentul congelator.

Păstrați alimentele în diferite locuri în funcție de proprietățile acestora:	
Aliment	Locația
Ou	Raft de ușă
Produse lactate (unt, brânză)	Dacă există, compartimentul de zero grade (pentru alimentele de mic dejun)
Fructe, legume și verdeață	Compartimentul fructe-legume, sertar pentru fructe și legume sau Compartimentul EverFresh+ (dacă există)
Carnea proaspătă, carne de pui, pește, cârnați etc. Alimente găte	Dacă există, compartimentul de zero grade (pentru alimentele de mic dejun)
Produse gata de servit, produse împachetate, produse conservă și murături	Rafturile superioare sau raftul de ușă
Băuturi, sticle, condimente și snackuri	Raft de ușă

Păstrarea alimentelor în compartimentul congelator

- Puteți activa funcția Quick Freeze (Congelare rapidă) cu 4-6 ore înainte de funcția de congelare putând astfel efectua o răcire mai rapidă.
- Așteptați ca mâncarea fierbinte să ajungă la temperatura camerei înainte de a o pune în compartimentul congelator.
- Alimentele trebuie congelate în pachete separate împărțite în porții conform cantității consumate la o masă.
- Împachetarea alimentelor înainte de a le introduce în congelator este recomandată.
- Pentru a preveni expirarea termenului de păstrare, scrieți pe ambalaj data congelării, ora și denumirea produsului în funcție de termenii de păstrare a diferitelor alimente.
- Consumați rapid alimentele decongelate. Alimentele decongelate nu pot fi congelate din nou decât dacă sunt găte. Nu este sănătos să consumați alimente proaspete recongelate fără a le găti după ce sunt decongelate.

- Atunci când congelați alimente proaspete, evitați contactul acestora cu alimentele deja congelate. În caz contrar, alimentele congelate se vor dezgheța.

Păstrarea alimentelor care sunt vândute gata congelate

- Urmați întotdeauna instrucțiunile producătorului cu privire la termenul de păstrare al alimentelor. Nu depășiți termenul specificat în aceste instrucțiuni!
- Pentru a proteja calitatea alimentelor, intervalul de timp între tranzacția de cumpărare și depozitare trebuie să fie cât mai scurt posibil.
- Cumpărați alimente congelate care sunt păstrate la $-18\text{ }^{\circ}\text{C}$ sau temperaturi mai scăzute.
- Evitați cumpărarea alimentelor ale căror ambalaje sunt acoperite cu gheață etc. Aceasta înseamnă că produsul ar putea fi parțial decongelat și apoi recongelat. Temperatura are impact asupra calității alimentelor.
- Nu depășiți termenul de păstrare recomandat de producătorul de alimente. Scoateți din congelator doar alimentele de care aveți nevoie.

- Înafara cazurilor în care în mediul înconjurător există circumstanțe extreme, dacă produsul dvs. (din tabelul cu valori setate recomandate) este păstrat la valorile setate specificate, el își va păstra prospețimea mai mult timp atât în compartimentul pentru produse proaspete, cât și în compartimentul congelator.
- În cazul în care compartimentul pentru alimente proaspete este setat la o temperatură mai scăzută, fructele și legumele proaspete se pot congela parțial.
- Compartimentele cu două stele sunt ideale pentru alimentele pre-congelate. Se pot depozita înghețata și cuburile de gheață.
- Nu congelați alimente în compartimentele cu una, două și trei stele.

Carne și pește		Pregătirea		Cea mai lungă durată de depozitare (Lună)
Produce pe bază de carne	Mânzat	Biftec	Prin tăierea la grosimi de 2 cm, și așezând folie între bucăți, sau prin înfășurarea strânsă în folie alimentară.	6-8
		Friptură	Prin împachetarea bucăților de carne în pungi de frigider sau prin înfășurarea strânsă în folie alimentară.	6-8
		Cuburi	În părți mici	6-8
		Șnițel, cotlet	Prin așezarea foliei între feliile tăiate sau prin înfășurarea strânsă individual în folie alimentară.	6-8
	Carne de oaie	Cotlet	Prin așezarea foliei între bucățile de carne sau prin înfășurarea strânsă individual în folie alimentară.	4-8
		Friptură	Prin împachetarea bucăților de carne în pungi de frigider sau prin înfășurarea strânsă în folie alimentară.	4-8
		Cuburi	Prin împachetarea bucăților de carne mărunțită în pungi de frigider sau prin înfășurarea strânsă în folie alimentară.	4-8
	Carne de vită	Friptură	Prin împachetarea bucăților de carne în pungi de frigider sau prin înfășurarea strânsă în folie alimentară.	8-12
		Biftec	Prin tăierea la grosimi de 2 cm, și așezând folie între bucăți, sau prin înfășurarea strânsă în folie alimentară.	8-12
		Cuburi	În părți mici	8-12
		Carne fiartă	Prin împachetarea bucăților mici în pungi de frigider	8-12
	Carne tocată	Fără condimente, în pungi drepte	1-3	
	Măruntaie (bucată)	În bucăți	1-3	
	Mezeluri crud-uscate - cârnați sau salam	Trebuie împachetate chiar dacă au membrană.	1-3	
	Șuncă	Prin așezarea foliei între feliile tăiate	2-3	
Pasăre și vânat	Pui și curcan	Prin înfășurare în folie	4-6	
	Gâscă	Prin înfășurare în folie (porțiile nu trebuie să depășească 2,5 kg)	4-6	
	Rață	Prin înfășurare în folie (porțiile nu trebuie să depășească 2,5 kg)	4-6	
	Cerb, iepure, căprioară	Prin înfășurare în folie (porțiile să fie dezodate și să nu trebuie să depășească 2,5 kg)	6-8	

Carne și pește		Pregătirea	Cea mai lungă durată de depozitare (lună)	
Pește și fructe de mare	Pești de apă dulce (păstrăv, crap, crane, somn)	După o curățare temeinică a interiorului și solzilor, trebuie spălat și șters iar coada și capul trebuie tăiate după caz.	2	
	Pește slab (biban de mare, calcan, limbă de mare)		4-6	
	Pește gras (sardine, macrou, bluefish, barbun, anșoa)		2-4	
	Crustacee		Curățat și pus în pungi	4-6
	Icre		În ambalajul propriu, în recipient din aluminiu sau plastic.	2-3

"Duratele de depozitare specificate în tabel au la bază o temperatură de depozitare de -18°C."

Fructe și legume	Pregătirea	Cea mai lungă durată de depozitare (lună)
Fasole în păstăi și fasole cățărătoare	Prin fierbere rapidă timp de 3 minute după spălare și tăiere în bucățele	10-13
Mazăre	Prin fierbere rapidă timp de 2 minute după extragerea din păstăi și spălare.	10-12
Varză	Prin fierberea timp de 1-2 minute după curățare	6-8
Morcov	Prin fierbere rapidă timp de 3-4 minute după curățare și tăiere în bucățele	12
Ardei	Prin fierbere pentru 2-3 minute după tăierea tulpinii, tăierea în două și scoaterea semințelor	8-10
Spanac	Prin fierbere rapidă timp de 2 minute după spălare și curățare	6-9
Praz	Prin fierberea timp de 5 minute după mărunțire	6-8
Conopidă	Prin fierberea rapidă în apă cu puțină lămâie timp de 3-5 minute după separarea de frunze și tăierea în bucăți	10-12
Vânăță	Prin fierbere rapidă timp de 4 minute după spălare și tăiere în bucăți de 2 cm	10-12
Dovlecel	Prin fierbere rapidă timp de 2-3 minute după spălare și tăiere în bucăți de 2 cm	8-10
Ciuperci	Prin ușoară sotare în ulei urmată de stoarcerea unei lămâi peste ele	2-3
Porumb	Prin curățarea și împachetarea știuleților sau boabe	12
Mere și pere	Prin fierbere rapidă timp de 2-3 minute după decojire și feliere	8-10
Caise și piersici	Tăiate în jumătăți și înlăturați sămburii	4-6
Căpșuni și zmeură	Prin spălare și îndepărtarea codițelor	8-12
Fructe coapte	Prin adăugare 10% zahăr în recipient	12
Prune, cireșe, vișine	Prin spălarea și îndepărtarea codițelor	8-12

"Duratele de depozitare specificate în tabel au la bază o temperatură de depozitare de -18°C."

Produse lactate	Pregătirea	Cea mai lungă durată de depozitare(lună)	Condiții de depozitare
Brânză (exceptând brânza feta)	Prin așezarea foliei între bucăți, în felii	6-8	Pentru o perioadă scurtă de depozitare, poate fi lăsată în ambalajul original. Pentru perioade lungi de depozitare, trebuie înfășurată în folie de aluminiu sau alimentară.
Unt, margarină	În propriul ambalaj.	6	În propriul ambalaj sau în recipient din plastic.

"Duratele de depozitare specificate în tabel au la bază o temperatură de depozitare de -18°C."

"Cantitatea de alimente proaspete care poate fi congelată într-o anumită perioadă de timp este specificată pe eticheta de tip."

Compartiment congelator Setare	Compartimentul frigorific Setare	Observații
-22	4°C	Aceste setări sunt recomandate pentru utilizarea generală.
Quick Freeze (Congelare rapidă)	4°C	Utilizați atunci când doriți să congelați alimentele într-un timp scurt. La încheierea procesului, produsul va reveni la poziția anterioară.
-18°C sau mai rece	2°C	Utilizați aceste setări în cazul în care considerați că compartimentul răcitorului nu este suficient de rece din cauza temperaturii ambiante sau a deschiderii frecvente a ușii.

Detalii congelator

Conform standardelor IEC 62552, congelatorul trebuie să aibă capacitatea de a îngheța 4,5 kg de alimente la -18°C sau la temperaturi mai scăzute la 25°C temperatura camerei în 24 de ore pentru fiecare 100 de litri din volumul compartimentului congelatorului.

Produsele alimentare se pot păstra pentru perioade îndelungate de timp numai la temperaturi de sau mai mici de -18°C. Puteți păstra alimentele proaspete cu lunile (în congelator sau la temperaturi sub 18°C). Produsele alimentare de congelat nu trebuie să ia contact cu alimentele deja congelate din interior, pentru a evita decongelarea parțială.

Fierbeți legumele și filtrați apa pentru a prelungi timpul de stocare în congelator. Puneți alimentele în ambalaje ermetice

după filtrare și puneți-le în congelator. Bananele, roșiile, salata, țelina, ouăle fierte, cartofii și alte alimente similare nu trebuie congelate. În cazul în care aceste alimente îngheață, doar valorile nutriționale și calitățile alimentare vor fi afectate negativ. Nu se pune în discuție o putrefacție care ar amenința sănătatea umană.

Așezarea alimentelor

Rafturile din compartimentul congelator: Diverse alimente congelate precum carne, pește, înghețată, legume etc.

Rafturile din compartimentul frigider: Alimente în recipiente, farfurii cu capac și recipiente cu capac, ouă (în recipient acoperit)

Rafturi ușă compartimentul frigider: Alimente sau băuturi mici și ambalate

Sertarul pentru legume și

fructe: Legume și fructe

Compartimentul pentru alimente

proaspete: Delicatese (alimente pentru micul dejun, produse din carne care trebuie consumate repede)

8.2 Înlocuirea lămpii de iluminat

Luați legătura cu Service-ul autorizat atunci când becul/LED-ul utilizat pentru iluminarea frigiderului va fi schimbat.

Lampa (lămpile) utilizată (utilizate) în acest aparat nu poate (pot) fi utilizată (utilizate) pentru iluminatul locuințelor. Scopul acestei lămpi este de a ajuta utilizatorul să introducă alimente în frigider/congelator în condiții de siguranță și confort.

8.3 Alertă ușă deschisă

În funcție de model, sistemul de alertă de deschidere a ușii frigiderului dumneavoastră poate fi diferit.

Versiunea 1;

Dacă ușa produsului rămâne deschisă pentru o anumită perioadă de timp (între 60 s și 120 s), se emite un semnal sonor de avertizare; în funcție de modelul produsului, poate fi afișat și un semnal vizual de avertizare (lumină intermitentă). Dacă

închideți ușa dispozitivului sau apăsați un buton de pe ecranul dispozitivului, dacă acesta există, sunetul de avertizare se va opri.

Versiunea 2;

Dacă ușa dispozitivului rămâne deschisă pentru o anumită perioadă de timp (între 60s și 120 s), se declanșează alerta de ușă deschisă. Alerta de deschidere a ușii se declanșează treptat. Pentru început, se va declanșa o avertizare sonoră. După 4 minute, dacă ușa nu este încă închisă, se activează un avertisment vizual (lumină intermitentă). Alerta de deschidere a ușii va fi amânată pentru o anumită perioadă de timp (între 60 s și 120 s) atunci când este apăsată orice tastă de pe ecranul produsului, dacă o astfel de tastă există. Apoi, procesul va începe din nou. Atunci când ușa dispozitivului este închisă, alerta de ușă deschisă va fi anulată.

8.4 Schimbarea sensului de deschidere a ușii

Sensul de deschidere a ușii a frigiderului poate fi schimbat în funcție de locul în care puneți frigiderul. Când aveți nevoie de așa ceva, luați neapărat legătura cu cel mai apropiat Service autorizat.

9 Caracteristicile produsului

9.1 Zona de depozitare a gheții

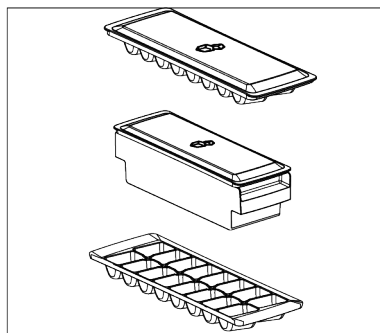
Recipient pentru gheață

Recipientul pentru cuburi de gheață vă permite să scoateți cu ușurință gheața din frigider.

Utilizarea recipientului pentru cuburi de gheață

1. Extrageți recipientul pentru cuburi de gheață din compartimentul de congelare.
2. Umpleți recipientul pentru cuburi de gheață cu apă.
3. Așezați recipientul pentru cuburi de gheață în compartimentul de congelare. În aproximativ două ore, cuburile de gheață vor fi gata.

4. Extrageți recipientul pentru cuburi de gheață din compartimentul congelatorului și îndoiiți-l ușor deasupra recipientului pe care îl veți servi. Gheața se va turna cu ușurință în recipientul de servire.



9.2 Suportul pentru ouă

Puteți așeza suportul pentru ouă pe ușa sau pe raftul dorit.

Dacă suportul pentru ouă urmează să fie așezat pe raft, vă recomandăm să alegeți rafturi inferioare mai reci.



9.3 Sertar pentru fructe și legume proaspete

Setarul pentru legume și fructe proaspete al frigiderului este conceput pentru a menține legumele proaspete prin păstrarea umidității. În acest scop, circulația totală a aerului rece este intensificată în cutia pentru legume și fructe. Păstrați fructele și legumele în acest compartiment. Păstrați legumele cu frunze verzi și fructele separat pentru a prelungi durata de viață.

9.4 Zona de depozitare la rece a produselor lactate

Sertar depozitare la rece

Sertarul de depozitare la rece poate atinge temperaturi mai scăzute în compartimentul frigorific. Utilizați acest sertar pentru a depozita delicatase (salam, cârnați, produse lactate etc.) și produse lactate care necesită o temperatură de depozitare mai scăzută sau produse din carne, pui sau pește pentru consum imediat. Stocarea fructelor și legumelor în acest compartiment nu este recomandată.

9.5 AeroFlow

Este un sistem de distribuție a aerului care asigură o distribuție omogenă a temperaturii. Odată cu circulația aerului se asigură distribuția omogenă a temperaturii în compartimentul de depozitare a alimentelor proaspete, iar fluctuațiile de temperatură sunt menținute la cote scăzute. Aerul nu este suflat direct peste alimente iar acest lucru ajută la reducerea

pierderii umidității. Astfel, prospețimea alimentelor depozitate în compartimentul pentru alimente proaspete al frigiderului este păstrată. În acest fel, alimentele sunt păstrate la temperaturi mai stabile și contactul cu aerul este redus. Uscarea și micșorarea alimentelor prin pierderea umidității este prevenită iar prospețimea este asigurată pentru mai mult timp.

9.6 Sertar legume fructe cu control al umidității

Cu funcția de sertar cu umiditate controlată, umiditatea legumelor și fructelor este ținută sub control, iar alimentele sunt păstrate proaspete pentru o perioadă mai lungă de timp.

Vă recomandăm să așezați legumele cu frunze precum salata verde, spanacul și legumele similare care sunt sensibile la pierderea umidității în sertar, nu în poziție verticală pe rădăcini, ci cât mai orizontal posibil.

La plasarea legumelor, așezați legumele grele și dure în partea de jos și cele ușoare și moi în partea de sus, luând în considerare greutatea specifică a legumelor.

Nu lăsați niciodată legumele în pungi în sertarul pentru legume și fructe. Lăsându-le în pungi de plastic, legumele putrezesc într-un timp scurt.

În situațiile în care nu se preferă contactul cu alte legume, utilizați materiale de ambalare, cum ar fi hârtia, care are un anumit nivel de porozitate din punct de vedere al igienei.

Nu așezați fructe care au o producție mare de gaze de etilenă, cum ar fi pere, caise, piersici și în special mere, în același sertar cu alte legume și fructe. Gazul de etilenă care provine din aceste fructe poate determina alte legume și fructe să se maturizeze mai repede și să putrezească într-o perioadă mai scurtă de timp.

10 Întreținerea și curățarea



AVERTISMENT:

Citiți mai întâi secțiunea „Instrucțiuni de siguranță”.



AVERTISMENT:

Scoateți frigiderul din priză înainte de a-l curăța.

- Nu folosiți instrumente ascuțite sau abrazive pentru a curăța produsul. Nu folosiți materiale precum agenți de curățare de uz domestic, săpun, detergenți, gaz, benzină, diluant, alcool, ceară etc.
- Praful trebuie îndepărtat de pe grilajul de ventilație din spatele produsului cel puțin o dată pe an (fără a deschide capacul). Curățați ușa cu o cârpă umedă.
- Asigurați-vă că nu intră apă în carcasa lămpii și în alte componente electrice.
- Curăța ușa cu o cârpă umedă. Scoateți tot conținutul pentru a scoate rafturile ușilor și ale corpului. Scoateți rafturile ușilor ridicându-le în sus. Curățați și uscați rafturile, apoi montați-le la loc glisând de sus.
- Nu utilizați apă clorurată sau produse de curățare pe suprafața exterioară și pe componentele cromate ale produsului. Clorul va cauza ruginirea suprafețelor metalice.
- Nu utilizați unelte ascuțite și abrazive, săpun, materiale de curățare a locuințelor, detergenți, gaz, benzină, lac și substanțe similare pentru a preveni deformarea părții din plastic și îndepărtarea amprentelor de pe piesă. Folosiți apă caldă și o cârpă moale pentru curățare și apoi uscați prin ștergere.
- Pe produsele fără caracteristica No-Frost, pe peretele din spate al compartimentului congelatorului pot apărea picături de apă și formarea gheții de grosimea unui deget. Nu curățați și nu aplicați niciodată uleiuri sau materiale similare.

- Utilizați o cârpă din microfibră ușor umezită pentru a curăța suprafața externă a produsului. Bureții și alte tipuri de haine de curățare pot provoca zgârieturi.
- Pentru a curăța toate componentele detașabile în timpul curățării suprafeței interioare a produsului, spălați aceste componente cu o soluție ușoară constând din săpun, apă și bicarbonat de sodiu. Spălați și uscați bine. Preveniți contactul apei cu componentele de iluminare și panoul de control.



ATENȚIE:

Nu folosiți oțet, alcool de frecare sau alți agenți de curățare pe bază de alcool pe orice suprafață interioară.

Suprafețe externe din oțel inoxidabil

Utilizați un agent de curățare neabraziv pentru oțel inoxidabil și aplicați-l cu o cârpă moale, care nu lasă scame. Pentru lustruire, ștergeți ușor suprafața cu o cârpă din microfibră umezită cu apă și folosiți o lavetă uscată pentru lustruire uscat. Urmați întotdeauna venele din oțel inoxidabil.

Prevenirea mirosurilor neplăcute

Produsul a fost fabricat fără să prezinte orice mirosuri neplăcute. Cu toate acestea, dacă păstrați alimentele în compartimentele inadecvate și curățați suprafețele interne în mod necorespunzător se pot acumula mirosuri neplăcute.

- Pentru a evita acest lucru, curățați interiorul cu apă cu bicarbonat de sodiu la fiecare 15 zile.
- Păstrați alimentele în suporturi sigilate, deoarece microorganismele care apar din alimentele păstrate în recipiente nesigilate vor provoca mirosuri neplăcute.
- Nu păstrați în frigider alimente expirate și alterate.

Dacă pe suprafețele din plastic se scurge ulei, acestea se pot deteriora; curățați-le imediat cu apă caldă.

11 Depanare

Verificați această listă înainte de a contacta departamentul de service. Puteți economisi timp și bani. Această listă include probleme frecvente care nu sunt provocate de defecte de material sau de manoperă. Este posibil ca unele funcții descrise aici să nu se aplice pentru produsul dvs.

Frigiderul nu funcționează.

- Cablul de alimentare nu este complet reglat. >>> Introduceți ștecherul în priză.
- Siguranța prizei la care este conectat frigiderul sau siguranța principală este arsă. >>> Verificați siguranța.

Condens pe peretele lateral al compartimentului frigiderului (MULTI ZONE, COOL CONTROL și FLEXI ZONE).

- Ușa este deschisă prea frecvent. >>> Aveți grijă să nu deschideți ușa frigiderului prea frecvent.
- Mediul este prea umed. >>> Nu instalați produsul în medii umede.
- Alimentele lichide sunt păstrate în recipiente deschise. >>> Păstrați alimentele lichide în recipiente închise.
- Ușa produsului este lăsată deschisă. >>> Nu lăsați ușa frigiderului deschisă perioade îndelungate de timp.
- Termostatul este setat la o temperatură foarte rece. >>> Setați termostatul la o temperatură adecvată.

Compresorul nu funcționează.

- Sistemul de protecție termică a compresorului se va activa în cazul penelor de curent sau în cazul deconectării și reconectării la priză, întrucât presiunea din sistemul de răcire nu este încă echilibrată. Frigiderul va porni după circa 6 minute. Contactați un centru de service dacă frigiderul nu pornește după această perioadă.

- Dezghețare este activată. >>> Acest mod este normal pentru un frigider cu dezghețare automată. Ciclul de dezghețare are loc periodic.
- Frigiderul nu este conectat la priză.>>> Asigurați-vă că ștecherul este introdus corect în priză.
- Setarea de temperatură este incorectă. >>> Selectați temperatura adecvată.
- Nu este curent. >>> Frigiderul va continua să funcționeze normal după ce curentul revine.

În timpul funcționării frigiderului, zgomotul devine mai intens.

- Modul de funcționare a frigiderului se poate modifica în funcție de condițiile ambientale. Acesta este un fenomen normal și nu reprezintă o defecțiune.

Frigiderul pornește des sau funcționează perioade îndelungate de timp.

- Este posibil ca noul dvs. frigider să fie mai mare decât cel vechi. Frigiderele mari funcționează perioade îndelungate de timp.
- Temperatura încăperii poate fi ridicată. >>> De regulă, frigiderul funcționează perioade îndelungate de timp la temperaturi ridicate în încăpere.
- Este posibil ca frigiderul să fi fost conectat recent la priză sau să fi fost umplut recent cu alimente. >>> Dacă frigiderul a fost conectat recent la priză sau a fost umplut cu alimente, va dura mai mult până frigiderul va atinge temperatura setată. Este un lucru normal.
- Este posibil ca în frigider să fi fost introduse recent cantități mari de alimente calde. >>> Nu introduceți alimente calde în frigider.
- Este posibil ca ușile să fi fost deschise frecvent sau lăsate întredeschise mai mult timp. >>> Aerul cald care pătrunde

În frigider determină funcționarea pe perioade mai îndelungate de timp.
Deschideți mai rar ușile.

- Este posibil ca ușa congelatorului sau frigiderului să fi fost lăsată întredeschisă. >>> Verificați dacă ușile sunt închise corect.
- Produsul poate fi setat la o temperatură foarte joasă. >>> Selectați o temperatură mai ridicată și așteptați ca aceasta să fie atinsă.
- Este posibil ca garnitura ușii frigiderului sau congelatorului să fie murdară, uzată, ruptă sau poziționată incorect. >>> Curățați sau înlocuiți garnitura. Garniturile deteriorate/defecte determină funcționarea pe perioade îndelungate de timp a frigiderului pentru a se asigura temperatura corectă.

Temperatura congelatorului este foarte joasă, iar temperatura frigiderului este adecvată.

- Ați selectat o temperatură foarte joasă a congelatorului. >>> Selectați o temperatură mai ridicată a congelatorului și verificați din nou.

Temperatura frigiderului este foarte joasă, iar temperatura congelatorului este adecvată.

- Ați selectat o temperatură foarte joasă a frigiderului. >>> Setati o temperatură mai ridicată a compartimentului frigorific și verificați din nou.

Alimentele din sertarele frigiderului sunt înghețate.

- Ați selectat o temperatură foarte joasă a frigiderului. >>> Setati o temperatură mai ridicată a compartimentului frigorific și verificați din nou.

Temperatura din frigider sau congelator este foarte mare.

- Ați selectat o temperatură foarte ridicată a frigiderului. >>> Setarea temperaturii compartimentului de răcire are un efect asupra temperaturii din compartimentul congelatorului. Așteptați până când temperatura pieselor relevante atinge

nivelul suficient prin schimbarea temperaturii compartimentelor de răcire sau de congelare.

- Este posibil ca ușile să fi fost deschise frecvent sau lăsate întredeschise mai mult timp. >>> Deschideți mai rar ușile.
- Este posibil ca ușa să fi fost lăsată întredeschisă. >>> Închideți complet ușa.
- Este posibil ca frigiderul să fi fost conectat recent la priză sau să fi fost umplut recent cu alimente. >>> Acest lucru este normal. Dacă frigiderul a fost conectat recent la priză sau a fost umplut cu alimente, va dura mai mult până frigiderul va atinge temperatura setată.
- Este posibil ca în frigider să fi fost introduse recent cantități mari de alimente calde. >>> Nu introduceți alimente calde în frigider.

Vibrații sau zgomot.

- Suprafața nu este plană sau dură >>> Dacă frigiderul se clatină când este împins ușor, reglați picioarele pentru a echilibra frigiderul. De asemenea, asigurați-vă că podeaua este suficient de stabilă și poate susține frigiderul.
- Zgomotul poate fi provocat de obiectele amplasate pe frigider. >>> Aceste obiecte trebuie îndepărtate de pe frigider.
- Frigiderul emite zgomote asemănătoare curgerii sau pulverizării lichidelor etc.
- Funcționarea frigiderului se bazează pe circulația gazelor și lichidelor. >>> Acesta este un fenomen normal și nu reprezintă o defecțiune.

Frigiderul emite un zgomot similar cu suieratul vântului.

- Frigiderul este prevăzut cu un ventilator pentru răcire. Acesta este un fenomen normal și nu reprezintă o defecțiune.

Condens pe pereții interiori ai frigiderului.

- Mediile calde și umede favorizează formarea gheții și condensului. Acesta este un fenomen normal și nu reprezintă o defecțiune.

- Este posibil ca uşile să fi fost deschise frecvent sau lăsate întredeschise mai mult timp. >>> Deschideţi mai rar uşile; dacă uşa este deschisă, închideţi-o.
- Este posibil ca uşa să fi fost lăsată întredeschisă. >>> Închideţi complet uşa.

Condens în exteriorul frigiderului sau între uşi.

- Este posibil ca mediul să fie umed. Acest fenomen este normal în medii umede. >>> La reducerea umidităţii, condensul va dispărea.

Mirosuri neplăcute în frigider.

- Frigiderul nu este curăţat în mod periodic. >>> Curăţaţi periodic interiorul frigiderului folosind un burete, apă caldă şi carbonată.
- Este posibil ca mirosul să fie cauzat de anumite recipiente şi ambalaje. >>> Folosiţi un recipient sau un ambalaj care nu prezintă mirosuri neplăcute.
- Alimentele au fost introduse în recipiente deschise. >>> Păstraţi alimentele în recipiente închise. Alimentele neetanşate corespunzător pot răspândi microorganisme şi cauzează mirosuri neplăcute.
- Aruncaţi toate alimentele expirate sau alterate din frigider.

Uşa nu se închide.

- Este posibil ca ambalajele alimentelor să blocheze uşa. >>> Mutaţi alimentele care împiedică închiderea uşii.

- Este posibil ca frigiderul să fie înclinat. >>> Reglaţi picioarele de pentru a echilibra frigiderul.
- Suprafaţa nu este plană sau dură >>> Asiguraţi-vă că suprafaţa este plană şi destul de dură pentru a susţine produsul.

Cutia legume/fructe este blocată.

- Este posibil ca alimentele să atingă partea superioară a sertarului. >>> Rearanjaţi alimentele în sertar.

Temperatura la suprafaţa produsului.

- Temperatura ridicată poate fi observată între două uşi, pe panourile laterale şi pe suprafaţa grilei din spate în timp ce produsul este pus în funcţiune. Acest lucru este normal şi nu necesită reparaţii.

Ventilatorul continuă să funcţioneze atunci când uşa este deschisă.

- Ventilatorul poate continua să funcţioneze atunci când uşa congelatorului este deschisă.



AVERTISMENT: Dacă problema persistă după ce aţi urmat instrucţiunile din acest capitol, contactaţi distribuitorul dvs. sau un centru de service autorizat. Nu încercaţi să reparaţi produsul. Este un lucru normal.

DECLINARE RESPONSABILITATE / AVERTIZARE

Unele defecţiuni (simple) pot fi tratate în mod adecvat de către utilizatorul final fără a apărea nicio problemă de siguranţă sau utilizare nesigură, cu condiţia ca acestea să fie efectuate în limitele şi în conformitate cu următoarele instrucţiuni (consultaţi secţiunea „Auto-reparare”).

Prin urmare, dacă în secţiunea „Auto-reparare” de mai jos nu este autorizat altfel, reparaţiile vor fi adresate mecanicilor profesionişti înregistraţi pentru a evita problemele de siguranţă. Un mecanic profesionist înregistrat este un mecanic

profesionist căruia i s-a acordat acces la instrucţiunile şi lista de piese de schimb ale acestui produs de către producător conform metodelor descrise în actele legislative în conformitate cu Directiva 125/2009/CE.

Cu toate acestea, numai agentul de service (adică mecanicii profesionişti autorizaţi) pe care îl puteţi contacta de la numărul de telefon indicat în manualul de utilizare/cardul de garanţie sau prin dealer-ul dumneavoastră autorizat poate asigura service-ul în condiţiile

garanției. Prin urmare, vă rugăm să rețineți că reparațiile efectuate de mecanici profesioniști (care nu sunt autorizați de) vor duce la anularea garanției.

Auto-repararea

Auto-repararea poate fi efectuată de utilizatorul final cu privire la următoarele piese de schimb: mânere de uși, balamale uși, tăvi, coșuri și garnituri de ușă (o listă actualizată este disponibilă începând cu 1 martie 2021).

Mai mult, pentru a asigura siguranța produsului și pentru a preveni riscul de vătămare gravă, auto-repararea menționată se va face urmând instrucțiunile din manualul de utilizare pentru auto-reparare sau care sunt disponibile în . Pentru siguranța dumneavoastră, scoateți produsul din priză înainte de a încerca orice auto-reparare.

Reparațiile și încercarea de reparații ale utilizatorilor finali pentru piesele care nu sunt incluse în această listă și/sau care nu respectă instrucțiunile din manualele de utilizare pentru auto-reparare sau care sunt disponibile în , ar putea ridica probleme de siguranță care nu pot fi atribuite , și ar putea duce la anularea garanției produsului.

Prin urmare, este recomandat cu tărie ca utilizatorii finali să se abțină de la încercarea de a efectua reparații care nu se încadrează în lista menționată de piese de schimb, contactând în astfel de cazuri mecanici profesioniști autorizați sau mecanici profesioniști înregistrați. În caz contrar, încercările de reparație efectuate de utilizatorii finali pot cauza probleme legate de siguranță, pot deteriora produsul și pot cauza incendii, inundații, electrocutări și grave vătămări corporale.

Cu titlu de exemplu, dar fără a se limita la, următoarele reparații trebuie să fie adresate mecanicilor profesioniști autorizați sau mecanicilor profesioniști înregistrați: compresor, circuit de răcire, placa principală, placă invertor, placă de afișare etc.

Producătorul/vânzătorul nu poate fi tras la răspundere în niciun caz în care utilizatorii finali nu respectă cele de mai sus.

Disponibilitatea pieselor de schimb ale frigiderului pe care l-ați achiziționat este de 10 ani. În această perioadă, vor fi disponibile piese de schimb originale pentru ca frigiderul să funcționeze corect. Durata minimă a garanției pentru frigiderul pe care l-ați achiziționat este de 24 de luni. Acest produs este prevăzut cu o sursă de iluminare de clasă energetică „G”. Sursa de iluminare a acestui produs trebuie înlocuită numai de mecanici profesioniști.

De asemenea vezi

- 2 CLAUSE DE NON-RESPONSABILITÉ / AVERTISSEMENT [} 62]

Najpre pročitajte ovaj priručnik!

Poštovani korisnici,

Pre upotrebe proizvoda, pročitajte ovaj priručnik.

Hvala što ste izabrali ovaj proizvod. Želimo da postignete optimalnu efikasnost ovog visokokvalitetnog proizvoda koji je proizveden uz primenu vrhunske tehnologije. Da biste to postigli, pažljivo pročitajte ovaj priručnik i svu drugu dokumentaciju koja je data pre upotrebe proizvoda i sačuvajte istu za naknadnu referencu.

Obratite pažnju na sve informacije i upozorenja u uputstvu za upotrebu. Na taj način ćete zaštititi sebe i svoj proizvod od opasnosti koje mogu nastati.

Sačuvajte uputstvo za upotrebu. Ne odvajajte ovaj priručnik od jedinice ako želite da je predate nekom drugom licu.

Sledeći simboli se koriste u priručniku:



Opasnost koja može za rezultat imati smrt ili ozledu.



Važne informacije i korisni saveti u vezi sa upotrebom.







Pročitajte uputstvo za upotrebu!



Zapaljiv materijal, upozorenje na opasnost od požara.

NAPOMENA Opasnost koja može prouzrokovati materijalnu štetu na proizvodu ili okolini


		Podaci o modelu sačuvani u bazi podataka o proizvodu mogu se dobiti unosom sledeće internet stranice i pretragom po identifikacionom broju vašeg modela (*) koji se nalazi na oznaci potrošnje električne energije. https://eprel.ec.europa.eu/
SUPPLIER'S NAME	MODEL IDENTIFIER → (*)	
		


1 Bezbednosna uputstva.....	96
1.1 Predviđena upotreba.....	96
1.2 Sigurnost dece, ugroženih osoba i kućnih ljubimaca.....	96
1.3 Električna bezbednost.....	97
1.4 Bezbednost pri rukovanju	98
1.5 Bezbednost pri ugradnji	98
1.6 Bezbednost rukovanja.....	100
1.7 Bezbednost skladištenja hrane	103
1.8 Bezbednost pri održavanju i čišćenju	103
1.9 Odlaganje starog proizvoda.....	104
2 Uputstva za zaštitu životne sredine	105
2.1 Usaglašenost sa WEEE direktivom i odlaganjem proizvoda u otpad.....	105
3 Vaš Frižider.....	106
4 Ugradnja	106
4.1 Adekvatno mesto za instalaciju ...	106
4.2 Priključivanje na izvor električne energije.....	107
4.3 Postavljanje plastičnih klinova	107
4.4 Podešavanje postolja.....	108
4.5 Upozorenje na vruću površinu	108
5 Priprema	108
5.1 Koraci za uštedu energije	108
5.2 Prva upotreba	109
5.3 Klimatski razred i definicije.....	109
6 Rukovanje proizvodom	109
7 Kontrolna tabla proizvoda	110
8  	112
8.1 Čuvanje hrane u odeljku frižidera .	112
8.2 Zamena sijalice za osvetljenje.....	116
8.3 Upozorenje na otvorena vrata	116
8.4 Promena strane za otvaranje vrata	117
9  	117
9.1 Prostor za skladištenje leda	117
9.2 Držać za jaja	117
9.3 Odeljak za voće i povrće	117
9.4 Prostor za skladištenje mlečnih proizvoda	117


9.5 AeroFlow	117
9.6 Odeljak za voće i povrće sa kontrolom vlažnosti	118
10 Održavanje i čišćenje	118
11 Rešavanje problema	119


1 Bezbednosna uputstva

- Ovaj deo sadrži uputstva o bezbednosti koja su neophodna za sprečavanje rizika od fizičkih povreda i materijalnih šteta.
- Naša kompanija ne snosi odgovornost za štetu koja može nastati ako se ova uputstva ne poštuju

 Radove na montaži i popravci uvek neka obavlja proizvođač, ovlašćeni servis ili osoba koju će odrediti kompanija uvoznik.

 Koristite isključivo originalne rezervne delove i dodatke.

 Ne popravljajte i ne menjajte nijednu komponentu proizvoda ako to nije jasno naznačeno u uputstvu za upotrebu.

 Ne izvodite nikakve tehničke modifikacije na proizvodu.

1.1 Predviđena upotreba

- Ovaj proizvod nije pogodan za komercijalnu upotrebu i ne bi trebalo da se koristi u druge svrhe osim onih predviđenih.
- Ovaj je proizvod namenjen za rad u zatvorenom prostoru, kao što su domaćinstva ili slično.

Na primer:

U kuhinjama zaposlenih u prodavnicama, kancelarijama i drugim radnim okruženjima, U seoskim kućama, U jedinicama hotela, motela ili drugih odmarališta koje kupci koriste, U hostelima ili sličnim okruženjima, U službama dostave pripremljene hrane i slične primene koje ne spadaju u maloprodaju.

- Ovi proizvodi se ne smeju koristiti u otvorenim ili zatvorenim spoljašnjim okruženjima kao što su plovila, kamperi, balkoni ili terase. Izlaganje proizvoda kiši, snegu, suncu i vetru će izazvati rizik od požara.

1.2 Sigurnost dece, ugroženih osoba i kućnih ljubimaca

- Ovaj uređaj mogu koristiti deca od 8 godina i starija, i osobe sa ograničenim fizičkim, čulnim ili mentalnim sposobnostima, osobe koje nemaju dovoljno znanja ili iskustva ako su pod nadzorom ili su im data uputstva koja se tiču upotrebe

uređaja na siguran način proizvoda i opasnosti koje uključuju.

- Deca između 3 i 8 godina smeju stavljati u i vaditi hranu iz proizvoda za hlađenje.
- Deca i kućni ljubimci ne smeju se igrati, penjati se ili ulaziti u proizvod.
- Deca i kućni ljubimci moraju se držati dalje od prostora kabine (kompresora) gde se nalaze električni delovi.
- Deca nikada ne smeju da čiste i održavaju uređaj, sem ako se nalaze pod nadzorom odrasle osobe.
- Materijale za pakovanje držite dalje od dece. Opasnost od ozlede i gušenja.



1.3 Električna bezbednost

- Proizvod ne sme biti uključen u utičnicu tokom ugradnje, održavanja, čišćenja, popravke i transporta.
- Ako je kabal za napajanje oštećen, treba da ga zameni isključivo ovlašćeni servis kako bi se izbegao bilo kakav rizik koji se može pojaviti.
- Ne stavljajte kabal za napajanje ispod proizvoda ili na zadnju stranu proizvoda. Ne stavljajte teške predmete na kabal za napajanje. Kabl za

napajanje ne treba da se savija, prelama i ne sme da dođe u kontakt sa bilo kojim izvorom toplote.

- Za upravljanje proizvodom ne koristite produžni kabal, višestruku priključnicu ili adapter.
- Prenosne višestruke utičnice ili prenosni izvori napajanja mogu se pregrijati i uzrokovati požar. Prema tome, nemojte držati višestruku utičnicu, prenosne izvore napajanja iza ili u blizini proizvoda.
- Ne uključujte kabl za napajanje proizvoda u labavu ili oštećenu utičnicu. Ove vrste priključaka mogu se pregrejati i izazvati požar.
- Utikač mora biti lako dostupan. Ako to nije moguće, na električnoj instalaciji biće dostupan mehanizam koji ispunjava zakone o električnoj energiji i koji isključuje sve priključke iz mreže (osigurač, prekidač, glavni prekidač itd.).
- Proizvod ne sme da se koristi sa eksternim prekidačem kao što je tajmer ili sistem sa daljinskim upravljanjem.
- Nemojte koristiti proizvod kada ste bosi ili vam je telo mokro.
- Ne dodirujte utikač vlažnim rukama!

- Kad isključujete uređaj, ne držite kabal za napajanje, već utikač.

1.4 Bezbednost pri rukovanju

- Vodite računa da je utikač uređaja izvučete iz struje pre prenošenja proizvoda.
- Ovaj je proizvod težak, nemojte sami sa njim postupati. Ako proizvod padne na vas, može izazvati povrede. Nemojte udariti ili ispustiti proizvod tokom transporta.
- Uvek zatvorite vrata i ne držite proizvod za vrata dok ga transportujete.
- Pazite da pri rukovanju s proizvodom ne oštetite rashladni sistem i cevi. Ne koristite proizvod ako su cevi oštećene i obratite se ovlašćenom servisu.

1.5 Bezbednost pri ugradnji

- Kontaktirajte ovlašćeni servis za instalaciju proizvoda. Da biste proizvod pripremili za korišćenje, pogledajte informacije u korisničkom priručniku i pobrinite se da su snabdevanje struje i vode u skladu sa zahtevima. Ako nisu, pozovite kvalifikovnog električara i vodoinstalatera da bi ih postavili po potrebi. U

suprotnom, postoji opasnost od strujnog udara, požara, problema u radu proizvoda ili ozlede.

- Ovaj proizvod je dizajniran za upotrebu na maksimalnoj nadmorskoj visini od 2000 metara nadmorske visine.
- Držite decu dalje od mesta instalacije.
- Pre instaliranja proverite ima li oštećenja na proizvodu. Nemojte da instalirate uređaj ako je oštećen.
- Uvek koristite ličnu zaštitnu opremu (rukavice, itd.) tokom instalacije, održavanja i popravke proizvoda. Opasnost od ozlede!
- Postavite proizvod na čistu, ravnu i tvrdnu površinu i uravnotežite ga s podesivim nogicama (rotiranjem prednjih stopala udesno ili ulevo). U suprotnom, frižider se može prevrnuti i prouzrokovati ozlede.
- Proizvod mora biti instaliran u suvom i provetrenom okruženju. Ne držite tepihe, prostirače ili slične zastore ispod proizvoda. To može uzrokovati opasnost od požara zbog neadekvatne ventilacije!

- Ne blokirajte i ne prekrivajte ventilacione otvore. U suprotnom, potrošnja energije se povećava i vaš se proizvod može oštetiti.
- Kada postavljate proizvod, vodite računa da kabl za napajanje nije oštećen ili priklješten.
- Proizvod se ne sme povezivati na sisteme napajanja i izvore napajanja koji mogu izazvati nagle promene napona (tj. prenosivi izvor solarne energije). U suprotnom može doći do oštećenja vašeg proizvoda kao rezultat naglih oscilacija napona!
- Što više rashladnog sredstva sadrži hladnjak, veća će mu biti i prostorija za ugradnju. U vrlo malim prostorijama može doći do zapaljive smese plina i vazduha u slučaju curenja plina iz rashladnog sistema. Za svakih 8 grama rashladnog sredstva potrebno je najmanje 1 m³ zapremine. Količina rashladnog sredstva dostupnog u vašem proizvodu navedena je u tipskoj nalepnici.
- Proizvod se nikada ne sme postavljati tako da kablovi za napajanje, metalno crevo plinskog šporeta, metalne cevi za gas ili vodu dođu u kontakt sa zadnjim zidom proizvoda (ili kondenzatorom).
- Mesto ugradnje proizvoda ne sme biti izloženo direktnoj sunčevoj svetlosti i ne sme biti u blizini izvora toplote kao što su peći, radijatori itd. Ako ne možete sprečiti postavljanje proizvoda u blizini izvora toplote, koristite odgovarajuću izolacionu ploču i uverite se da je minimalno rastojanje do izvora toplote kao što je navedeno u nastavku:
 - Najmanje 30 cm udaljen od izvora toplote kao što su peći, rerne, grijalice i grijači itd.,
 - I udaljen najmanje 5 cm od električnih rerni.
- Vaš proizvod ima klasu zaštite I.
- Uključite proizvod u uzemljenu utičnicu koja odgovara vrednostima napona, struje i frekvencije navedene na tipskoj nalepnici. Utičnica mora imati osigurač od 10A - 16A. Naša kompanija ne preuzima odgovornost za bilo kakvu štetu zbog upotrebe bez uzemljenja i bez priključka na napajanje u skladu sa lokalnim i nacionalnim propisima.

- Kabl za napajanje proizvoda mora da se isključi iz struje tokom instalacije. U suprotnom može doći do opasnosti od električnog udara i ozleda!
- Ne priključujte kabl za napajanje proizvoda u labave, pomerene, slomljene, prljave, masne utičnice sa rizikom od kontakta vode. Ove vrste priključaka mogu izazvati pregrevanje i požar.
- Postavite kabal za napajanje i kablove (ako su dostupni) proizvoda tako da ne uzrokuju opasnost od saplitanja.
- Prodiranje vlage i tečnosti u delove pod naponom ili na kabal za napajanje može prouzrokovati kratki spoj. Stoga, nemojte koristiti proizvod u vlažnim okruženjima ili na mestima gde može prskati voda (npr. garaža, praonica rublja itd.) Ako je hladnjak vlažan od vode, isključite ga sa napajanja i obratite se ovlašćenom servisu.
- Nikada ne priključujte svoj frižider na uređaje za uštedu energije. Ovi sistemi su štetni za proizvod.
- Postoji opasnost od kontakta sa električnim delovima prilikom uklanjanja poklopca

elektronske ploče i zadnjeg poklopca kompresora (ako postoji). Ne skidajte poklopac elektronske ploče i zadnji poklopac kompresora (ako postoji). Postoji opasnost od strujnog udara!



1.6 Bezbednost rukovanja

- Nikada na proizvodu nemojte koristiti hemijske rastvore. Ovi materijali nose opasnost od eksplozije.
- U slučaju kvara proizvoda, isključite ga sa napajanja i nemojte ga stavljati u režim rada dok ga ovlašćeni servis ne popravi. Postoji opasnost od električnog udara!
- Ne stavljajte izvor plamena (npr. sveće, cigarete, itd.) na proizvod ili u njegovoj blizini.
- Ne penjite se na proizvod. Rizik od pada i povreda!
- Nemojte oštetiti cevi rashladnog sistema koristeći oštre i probojne alate. Rashladno sredstvo koje se prska u slučaju probijanja gasovoda, produžetaka cevi ili prevlaka gornje površine može prouzrokovati iritaciju kože i povredu očiju.

- Ne stavljajte i ne upotrebljavajte električne uređaje unutar frižidera/ zamrzivača, osim ako to ne preporuča proizvođač.
- Nemojte gurati bilo koji deo ruke ili tela u bilo koji od pokretnih delova unutar proizvoda. Vodite računa da sprečite zaglavljivanje prstiju između frižidera i njegovih vrata. Budite oprezni dok otvarate ili zatvarate vrata ako u blizini ima dece.
- Ne stavljajte sladoled, kockice leda ili smrznutu hranu u usta čim ih izvadite iz zamrzivača. Rizik od promrzlina!
- Ne dirajte unutrašnje zidove, metalne delove zamrzivača ili hranu čuvanu u frižideru mokrim rukama. Rizik od promrzlina!
- Ne stavljajte limenke sa sodom ili limenke i boce u kojima se nalazi tečnost koja može biti smrznuta u odeljak za zamrzavanje. Limenke ili boce mogu eksplodirati. Opasnost od ozlede i materijalne štete!
- Ne koristite i ne stavljajte materijale osetljive na temperaturu kao što su zapaljivi sprejevi, zapaljivi predmeti, suvi led ili druga hemijska sredstva u blizini frižidera. Opasnost od požara i eksplozije!
- Ne skladištite unutar proizvoda eksplozivne materije poput aerosola u zapaljivim materijalima.
- Ne stavljajte otvorene limenke s tečnošću na proizvod. Prskanje vodom električnog dela može prouzrokovati strujni udar ili požar.
- Zbog rizika od pucanja, nemojte skladištiti staklene posude s tečnostima u odeljku za zamrzavanje.
- Ovaj proizvod nije namenjen skladištenju i hlađenju lekova, krvne plazme, laboratorijskih preparata ili sličnih materijala i proizvoda koji podliježu Direktivi o medicinskim proizvodima.
- Ako se proizvod koristi suprotno predviđenoj nameni, može prouzrokovati oštećenje ili pogoršanje proizvoda koji se čuvaju u unutrašnjosti.
- Ako je vaš frižider opremljen plavom svetlošću, nemojte gledati ovo svetlo optičkim uređajima. Ne gledajte direktno u UV LED svetlo tokom dugog vremenskog perioda. Ultraljubičasti zraci mogu uzrokovati naprezanje očiju.

- Ne punite proizvod onom količinom koja nadmašuje njegov kapacitet. Do povreda ili oštećenja može doći ako sadržaj iz frižidera padne prilikom otvaranja vrata. Slični problemi mogu se takođe pojaviti kada se predmet stavi preko proizvoda.
- Osigurajte da ste uklonili sav led ili vodu koja je možda pala na pod kako biste sprečili ozlede.
- Promenite mesto za stalke/ stalke za boce na vratima vašeg hladnjaka isključivo kada su stalci prazni. Opasnost od povrede!
- Ne stavljajte predmete koji mogu pasti/prevrnuti se na proizvod. Ti predmeti mogu pasti tokom otvaranja ili zatvaranja vrata i uzrokovati ozlede i/ili materijalne štete.
- Ne udarajte i ne vršite preveliki pritisak na staklene površine. Slomljeno staklo može prouzrokovati ozlede i/ili materijalne štete.
- Sisitem za hlađenje u vašem proizvodu sadrži rashladno sredstvo R600a. Vrsta rashladnog sredstva koje se koristi u proizvodu navedena je na tipskoj nalepnici. Ovaj plin je zapaljiv. Stoga, pazite da pri

radu proizvoda ne oštetite rashladni sistem i cevi. U slučaju oštećenja cevi;

1. Ne dirajte proizvod ni kabel za napajanje.
2. Držite proizvod dalje od potencijalnih izvora vatre koji mogu prouzrokovati da se proizvod zapali.
3. Provetrite područje na kojem se proizvod nalazi. Ne koristite ventilator.
4. Obratite se ovlašćenom servisu.

Ako je proizvod oštećen i primetite curenje plina, držite se podalje od plina. Plin može uzrokovati promrzline ako dođe u kontakt s vašom kožom.

Pre odlaganja starih proizvoda koji se više ne smeju koristiti:

1. Isključite mrežni kabal iz utičnice.
 2. Odrežite kabel za napajanje i izvadite ga iz uređaja zajedno sa utikačem.
 3. Ne uklanjajte stalke i ladice iz proizvoda kako biste sprečili da deca uđu u uređaj.
 4. Uklonite vrata.
 5. Postavite proizvod tako da ne može da se prevrne.
 6. Nemojte dopustiti deci da se igraju sa starim proizvodom.
- Ne odlažite proizvod tako što ćete ga spaljivati. Opasnost od eksplozije.

- Ako je na vratima proizvoda dostupna brava, ključ držite van dohvata dece.

1.7 **Bezbednost skladištenja hrane**

Obratite pažnju na sledeća upozorenja da biste izbegli kvarenje hrane:

- Ostavljanje vrata otvorena duže vreme može dovesti do porasta temperature unutar proizvoda.
- Redovno čistite dostupne drenažne sisteme koji su u kontaktu sa hranom.
- Očistite rezervoare za vodu koji nisu korišćeni 48 sati i sisteme za vodu koji se napajaju iz mreže koji nisu korišćeni duže od 5 dana.
- Sirovo meso i riblje proizvode skladištite u odgovarajućim odeljcima unutar proizvoda. Tako neće kapati na drugu hranu niti doći u kontakt sa njom.
- Odeljak zamrzivača sa dve zvezdice se koristi za skladištenje napunjenih namirnica, pravljenje i skladištenje leda i sladoleda.
- Odeljci sa jednom, dve i tri zvezdice nisu prikladni za zamrzavanje sveže hrane.

- Ako je proizvod za hlađenje ostavljen prazan duže vreme, isključite proizvod, odmrznite, očistite i osušite proizvod kako biste zaštitili kućište proizvoda.

1.8 **Bezbednost pri održavanju i čišćenju**

- Isključite frižider s napajanja električnom energijom pre čišćenja ili početka radova održavanja.
- Ne povlačite za ručku na vratima ako proizvod pomičete radi čišćenja. Ručka može uzrokovati ozlede ako se povuče previše jako.
- Ne stavljajte ruke i sl. ispod frižidera. Može doći do zaglavlivanja ili bilo koje oštre ivice mogu izazvati telesne povrede.
- Ne čistite proizvod raspršivanjem ili nalivanjem vode na proizvod i unutar proizvoda. Opasnost od strujnog udara i požara.
- Prilikom čišćenja proizvoda nemojte koristiti oštre i abrazivne alate ili sredstva za čišćenje u domaćinstvu, deterđente, plin, benzin, razređivač, alkohol, lakove i slične supstance. Unutar proizvoda koristite isključivo

sredstva za čišćenje i održavanje koja nisu štetna za hranu.

- Nemojte nikada koristiti paru ili sredstva za čišćenje parom za čišćenje proizvoda i topljenje leda u njemu. Para dolazi u kontakt sa dostupnim područjima u vašem hladnjaku i izaziva kratki spoj ili strujni udar!
- Ne koristite mehanički alat ili bilo koji drugi alat osim onih preporučenih od strane proizvođača s ciljem ubrzavanja postupka odmrzavanja.
- Vodite računa da voda bude udaljena od ventilacionih otvora, elektro-kola ili osvetljenja proizvoda.
- Upotrebite čistu suhu krpu za brisanje prašine ili stranih materijala za vrhove utikača. Za čišćenje utikača nemojte koristiti mokri ili vlažni komad tkanine. U suprotnom može doći do opasnosti od požara ili strujnog udara.



1.9 Odlaganje starog proizvoda

Prilikom odlaganja starog proizvoda sledite uputstva u nastavku:

- Da biste sprečili da se deca slučajno zaključaju u proizvod, ako postoji brava na vratima - onesposobite je.
- Prskanje rashladne tečnosti je štetno za oči. Nemojte oštetiti nijedan deo sistema za hlađenje prilikom odlaganja proizvoda.
- Može biti opasno po život ako se ulje kompresora proguta ili ako prodre u respiratorni trakt.
- Sistem za hlađenje vašeg proizvoda uključuje gas R600a kako je navedeno na tipskoj etiketi. Ovaj plin je zapaljiv. Ne odlažite proizvod tako što ćete ga spaljivati. Opasnost od eksplozije!
- Ciklopentan se koristi kao agens za naduvavanje u izolacionim penama i to je zapaljiva supstanca. Ne odlažite proizvod tako što ćete ga spaljivati.

2 Uputstva za zaštitu životne sredine

2.1 Usaglašenost sa WEEE direktivom i odlaganjem proizvoda u otpad



Ovaj proizvod je usaglašen sa WEEE direktivom Evropske unije (2012/19/EU). Ovaj proizvod nosi simbol klasifikacije za odlaganje električne i elektronske opreme

(WEEE).

Ovaj simbol ukazuje na to da se ovaj proizvod ne sme odlagati sa ostalim kućnim otpadom širom EU. Iskorišćeni uređaj mora se vratiti u službeno zbirno mesto za recikliranje električnih i elektronskih uređaja. Da biste pronašli ove sisteme za prikupljanje, obratite se lokalnim vlastima ili prodavcu gde je proizvod kupljen. Svako domaćinstvo igra važnu ulogu u obnavljanju i recikliranju

stareg aparata. Odgovarajuće odlaganje korišćenog uređaja pomaže u sprečavanju potencijalnih negativnih posledica po životnu sredinu i zdravlje ljudi.

Usaglašenost sa RoHS Direktivom

Proizvod koji ste kupili u saglasnosti je sa RoHS Direktivom Evropske unije (2011/65/EU). On ne sadrži štetne i zabranjene materijale navedene u Direktivi.

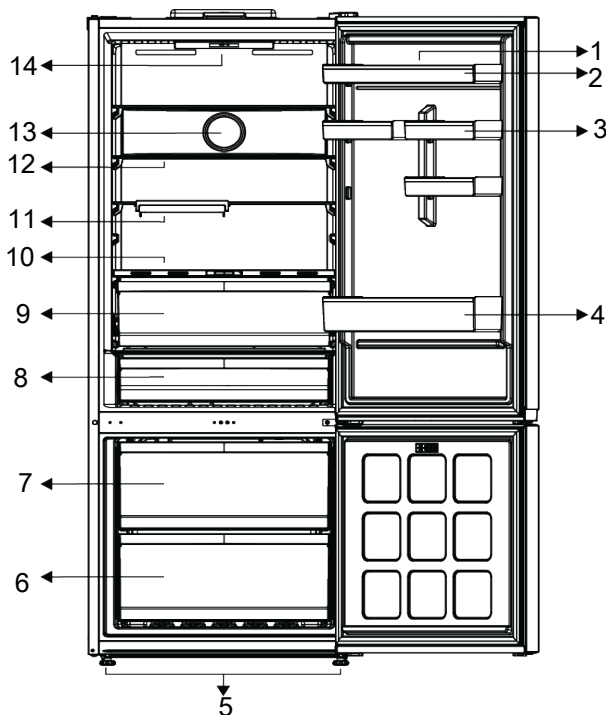


Informacije o ambalaži

Ambalažni materijali ovog proizvoda su napravljeni od materijala koji mogu da se recikliraju u skladu sa nacionalnim propisima o zaštiti životne sredine. Ne bacajte materijal pakovanja zajedno sa kućnim ili drugim otpadom. Odnosite ih do sabirnih centara za ambalažu koji su određeni od strane lokalnih vlasti.

SR

3 Vaš Frižider



SR

- | | |
|-----------------------------------|--|
| 1 Podesive police na vratima | 2 Držać za jaja |
| 3 *Male police na vratima | 4 *Polica za boce |
| 5 Podesive nožice | 6 Fioka odeljka zamrzivača |
| 7 Posuda ledomata | 8 *Fioka za skladištenje za hlađenje |
| 9 Odeljak za voće i povrće | 10 *Fioka za povrće sa kontrolom vlage |
| 11 *Polica za vino na rasklapanje | 12 *Podesive staklene police |
| 13 Ventilator | 14 Svetlo |

* **Opcionalno:** Slike u ovom priručniku su šematski date i možda neće u potpunosti odgovarati vašem proizvodu. Ako vaš

proizvod ne sadrži delove na koje se te slike odnose, informacije se odnose na drugim modelima.

4 Ugradnja



Prvo pročitajte odeljak „Bezbednosna uputstva“!

4.1 Adekvatno mesto za instalaciju

Kontaktirajte ovlašćeni servis za instalaciju proizvoda. Da biste proizvod pripremili za instalaciju, pogledajte informacije u korisničkom priručniku i pobrinite se da su snabdevanje struje i vode u skladu sa

zahtevima. Ako ne postoje, pozovite električara i vodoinstalatera da bi ih postavili po potrebi.



UPOZORENJE:

Proizvođač ne preuzima odgovornost za bilo kakvu štetu nastalu usled radova koje su obavile neovlašćene osobe.



UPOZORENJE:

Kabl za napajanje proizvoda mora da se isključi iz struje tokom instalacije. Ako to ne učinite, može doći do smrti ili teških povreda!



UPOZORENJE:

Ako je raspon kućnih vrata nedovoljan da se proizvod unese kroz njih, uklonite vrata sa proizvoda i okrenite proizvod na stranu, a ako ni taj način ne odgovara, kontaktirajte ovlašćeni servis.

- Proizvod postavite na ravnu površinu da biste izbegli vibracije.
- Proizvod postavite na udaljenosti od najmanje 30 cm od grejalice, šporeta i sličnih izvora toplote i najmanje 5 cm od električnih retni.
- Proizvod ne izlažite direktnoj sunčevoj svetlosti niti ga držite u vlažnom okruženju..
- Vaš proizvod zahteva adekvatnu cirkulaciju vazduha da bi efikasno funkcionisao. Ako proizvod postavljate u niši (udubljenju u zidu), vodite računa da razmak između proizvoda i plafona, zida sa zadnje strane i zidova sa bočnih strana bude najmanje 5 cm.
- Proverite da li se zaštitna komponenta za razmak sa zadnje strane nalazi na predviđenom mestu (ako je isporučena uz proizvod).
- Ako komponenta nije dostupna ili se izgubi ili spadne, postavite proizvod tako da između zadnje strane proizvoda i

zidova prostorije bude najmanje 5 cm razmaka. Razmak sa zadnje strane je važan za efikasan rad proizvoda.

4.2 Priključivanje na izvor električne energije



Ne povezujte produžne kablove sa jednom ili više utičnica sa priključkom za napajanje.



Oštećeni kabl za napajanje mora biti zamenjen od strane ovlašćenog servisa.



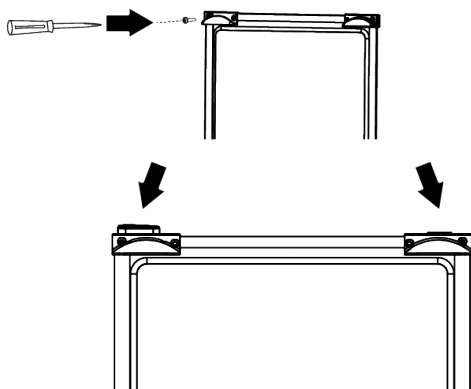
Prilikom postavljanja dva frižidera jedan pored drugog, ostaviti najmanje 4 cm rastojanja između njih.

- Naša kompanija ne preuzima odgovornost za bilo kakvu štetu zbog upotrebe bez uzemljenja i bez priključka u skladu sa nacionalnim propisima.
- Napojni kabl mora biti lako dostupan nakon instalacije.
- Ne koristite razvodni utikač, sa ili bez produžnog kabla, između zidne utičnice i frižidera.

4.3 Postavljanje plastičnih klinova

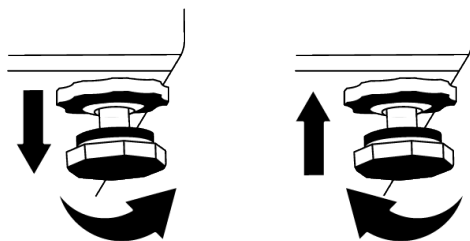
Koristite priložene plastične klinove isporučene uz ovaj proizvod da biste održali dovoljno prostora za cirkulaciju vazduha između uređaja i zida.

1. Da biste priključili klinove, uklonite vijke sa proizvoda i upotrebite vijke priložene uz klinove.
2. Pričvrstite 2 plastična klina za poklopac ventilatora kao što je prikazano na slici.



4.4 Podešavanje postolja

Ako uređaj nije izbalansiran, postavite prednje podesive stope okretanjem udesno ili ulevo.



SR

4.5 Upozorenje na vruću površinu

Na bočnim zidovima vašeg proizvoda se nalaze cevi rashladnog sredstva koje poboljšavaju rashladni sistem. Vruća tečnost može teći kroz ove površine, uzrokujući toplotu na bočnim zidovima. Ovo je normalno i ne zahteva servisiranje. Budite pažljivi kada dodirujete ove delove.

5 Priprema



Prvo pročitajte odeljak „Bezbednosna uputstva“!

5.1 Koraci za uštedu energije



Povezivanje proizvoda na elektronske sisteme za uštedu energije je štetno, jer to može oštetiti proizvod.

- Ovaj rashladni uređaj nije namenjen za upotrebu kao ugradni uređaj.
- Ne ostavljati vrata frižidera otvorena duži vremenski period.
- Ne ostavljajte toplu hranu ili pića u frižider.
- Nemojte prepuniti frižider; blokiranje unutrašnjeg protoka vazduha smanjiće kapacitet hlađenja.
- Budući da vrući i vlažni vazduh neće direktno prodreti u vaš proizvod dok se vrata ne otvore, vaš proizvod će stvoriti optimalne uslove dovoljne da sačuva vašu hranu. Pod ovim okolnostima, funkcije i komponente poput kompresora, ventilatora, grejača, odmrzavanja,

osvetljenja, ekrana i tako dalje funkcionisaće u skladu s potrebama uz potrošnju minimalne količine energije.

- U slučaju da postoji više opcija, staklene police moraju biti postavljene tako da izlazi za vazduh na zadnjem zidu ne budu blokirani, i po mogućnosti tako da izlazi za vazduh budu ispod staklene police. Ova kombinacija može doprineti u poboljšanju raspodele vazduha i energetske efikasnosti.
- Preporučuje se korišćenje donje fioke za skladištenje.
- U zavisnosti od karakteristika proizvoda; odmrzavanje zamrznute hrane u odeljku frižidera će obezbediti uštedu energije i očuvati kvalitet hrane.
- Da biste u odeljak za hlađenje vašeg frižidera stavili maksimalnu količinu hrane, gornje fioke treba izvaditi i hranu staviti na žičane/staklene police. Informacije o neto zapremini i potrošnji energije navedene na energetske nalepnici vašeg frižidera testirane su sa izvučenim gornjim ladicama u odeljku frižidera i korpom za led, koju lako možete ukloniti rukom.

- Hrana treba da se stavlja na fioke u odeljku frižidera da bi se obezbedila ušteda energije i hrana zaštitila u boljim uslovima.
- Pakovanja hrane ne treba da dolaze u direktan dodir sa senzorom temperature smeštenim u odeljku frižidera.

5.2 Prva upotreba

Pre upotrebe frižidera, pobrinite se da su potrebne pripreme napravljene u skladu sa uputstvima u odeljku „Uputstva o sigurnosti i životnoj sredini“ i „Instalacija“.

- Uključite proizvod da radi 6 sati bez unešene hrane i ne otvarajte vrata osim ako je to izričito neophodno.
- Promena temperature izazvana otvaranjem i zatvaranjem vrata tokom upotrebe proizvoda može obično dovesti do kondenzacije na vratima/policama unutar frižidera i staklenim posudama smeštenim u proizvodu.



Kada kompresor počinje da radi čuće se zvuk. Normalno je da proizvod proizvodi buku čak i ako kompresor ne radi, jer se tečnost i gas mogu kompresovati u sistemu za hlađenje.



Normalno je da prednje ivice frižidera budu tople. Ovi delovi su dizajnirani da bi se zagrevali kako bi se sprečila kondenzacija.



Kod nekih modela, panel sa indikatorima se isključuje automatski 1 minut nakon što se vrata zatvore. Ona će se ponovo aktivirati kada se otvore vrata ili se pritisne bilo koje dugme.

SR

5.3 Klimatski razred i definicije

Pogledajte klimatski razred na natpisnoj pločici vašeg uređaja. Jedna od sledećih informacija je primenljiva na vaš uređaj prema klimatskom razredu.

- **SN:** Dugoročna umerena klima: Ovaj rashladni uređaj je dizajniran za upotrebu na temperaturama okoline između 10 °C i 32 °C.
- **N:** Umerena klima: Ovaj rashladni uređaj je dizajniran za upotrebu na temperaturama okoline između 16°C i 32 °C.
- **ST:** Subtropska klima: Ovaj rashladni uređaj je dizajniran za upotrebu na temperaturama okoline između 16°C i 38°C.
- **T:** Tropska klima: Ovaj rashladni uređaj je dizajniran za upotrebu na temperaturama okoline između 16°C i 43°C.

6 Rukovanje proizvodom



Prvo pročitajte odeljak „Bezbednosna uputstva“!

- Ne koristite mehanički alat ili bilo koji drugi alat osim onih preporučenih od strane proizvođača c ciljem ubrzavanja postupka odmrzavanja.
- Ne koristite delove frižidera, poput vrata ili fioka, kao potporu ili stepenicu. To može dovesti do prevrtanja proizvoda ili oštećenja njegovih komponenti.
- Proizvod sme da se koristi isključivo za čuvanje hrane i pića.

- Isključite ventil za vodu ako ćete biti daleko od kuće (npr. na odmoru) i nećete dugo koristiti aparat za led ili dozator vode. U suprotnom može doći do curenja vode.

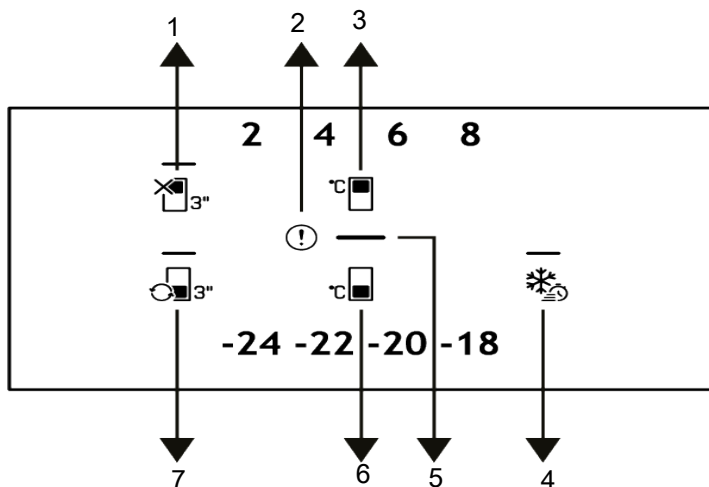
Isključivanje proizvoda s napajanja

- Ako nećete da koristite proizvod duže vreme, isključite proizvod iz utičnice.
- Uklonite hranu da biste sprečili stvaranje neugodnih mirisa,


- sačekajte da se led otopi, očistite unutrašnjost i ostavite da se osuši, ostavite vrata otvorena da ne biste oštetili plastiku unutrašnjosti frižidera.

7 Kontrolna tabla proizvoda

SR




- | | |
|---|--|
| 1 *Funkcijski taster za odeljak frižidera isključen (odmor) | 2 Indikator statusa greške |
| 3 Taster za podešavanje temperature odeljka frižidera | 4 *Taster za brzo zamrzavanje |
| 5 Pokazatelj štednje energije (prikaz isključen) | 6 Taster za podešavanje temperature u odeljku zamrzivača |
| 7 * Taster za konverziju odeljka | |

 Prvo pročitajte odeljak „Bezbednosna uputstva“.

Zvučne i vizuelne funkcije table s indikatorima pomoći će vam kod upotrebe frižidera.

* Opcionalno: Prikazane funkcije su opcione, mogu postojati razlike u obliku i lokaciji u funkcijama koje se nalaze na indikatorskoj tabli vašeg uređaja.

1. Funkcijski taster za odeljak frižidera

isključen (odmor) 

Pritisnite taster 3 sekunde da aktivirate režim rada tokom vašeg odmora. Režim rada tokom vašeg odmora aktiviran je i ikona simbola za odmor svetli. Na indikatoru temperature odeljka frižidera prikazaće se „-“, a odeljak frižidera ne hladi aktivno.

Ne treba da čuvate hranu u odeljku frižidera kada je aktivirana ova funkcija. Ostali odeljci će nastaviti da se hlade u skladu sa temperaturom prethodno podešenom. Pritisnite taster ponovo 3 sekunde da biste otkazali ovu funkciju.

2. Indikator stanja kvara

Kada vaš frižider ne može da obavi adekvatno hlađenje ili u slučaju greške senzora, ovaj indikator će biti aktivan. Kada vruću hranu stavite u odeljak zamrzivača ili ako ostavite vrata otvorena na duže vreme, znak uzvika može neko vreme da svetli. To nije greška, ovo upozorenje skloniće se kad se hrana ohladi ili kad se pritisne bilo koji taster.

3. Taster za podešavanje temperature

odeljka frižidera 

Omogućava podešavanje temperature za odeljak frižidera. Pritiskom na ovaj taster omogućiće se podešavanje temperature odeljka frižidera na 8 °C, 6 °C, 4 °C i 2 °C.

4.*Taster za brzo zamrzavanje

Kada se pritisne taster za brzo zamrzavanje, simbol za zamrzavanje svetli i funkcija brzog zamrzavanja će se aktivirati. Temperatura odeljka zamrzivača podešena je na -27 °C. Pritisnite taster ponovo da biste otkazali funkciju. Funkcija brzog zamrzavanja automatski će se otkazati. Da biste zamrzli veliku količinu sveže hrane, pritisnite taster brzog zamrzavanja pre stavljanja hrane u zamrzivač.

5. Pokazatelj štednje energije (prikaz isključen)

Funkcija uštede energije automatski se omogućava i simbol štednje energije svetli kada se vrata proizvoda neko vreme ne otvaraju ili ne zatvaraju. Kada se aktivira funkcija štednje energije, svi simboli na ekranu osim simbola štednje energije će se ugasi. Kada je funkcija za štednju energije aktivna, pritiskom na bilo koji taster ili otvaranje vrata će deaktivirati funkciju za štednju energije i signali ekrana će se vratiti u normalu. Funkcija štednje energije je fabrički podrazumevano aktivna funkcija i ne može da se otkáže.

6. Taster za podešavanje temperature u


odeljku zamrzivača 

Podešavanje temperature vrši se za odeljak zamrzivača. Pritiskom na ovaj taster omogućiće se podešavanje temperature odeljka zamrzivača na -18, -20, -22, -24 °C.


7. *Taster za konverziju odeljka

Kad se taster za konverziju odeljka pritisne 3 sekunde, odeljak zamrzivača se prebacuje između režima frižidera, režima isključenosti i zamrzivača.

Dok zamrzivač radi, lampica izabrane vrednosti temperature zamrzivača svetli, svetlo na tasteru za konverziju je

isključeno. -24-22-20-18 

Dok odeljak frižidera radi, sva svetla vrednosti temperature odeljka zamrzivača se gase, lampica na tasteru za konverziju svetli. Odeljak radi kao frižider.

2 4 6 8 , -24-22-20-18 

Kada se odeljak zamrzivača zatvori, sva svetla vrednosti temperature zamrzivača i svetlo na tasteru za konverziju se gase. Za slučaj ovog izbora, hrana nema u odeljku. -24-22-20-18.

8 Коришћење производа

8.1 Чuvanje хране у оделјку фриџидера

Чuvanje хране у оделјку фриџидера

- Температура оделјка значајно расте ако се врата оделјка често отварају и затварају и држе отворена дуже време, што може да скрати рок трајања хране и изазвати кварање хране.
- Да не би дошло до промене мириса и укуса, храну треба чувати у затвореним посудama.
- Не чувajte превише хране у фриџидеру. Да бисте постигли bolje и homogeno хлађење, поставите храну одвојену једну од друге тако да хладан ваздух може да продире кроз њих.
- Оbezбедите проток ваздуха тако што ћете оставити простор између хране и унутрашњег зида. Ако прислоните храну на задњи зид, храна се може замрзнути.
- Кувана топла јела оставите да достигну собну температуру пре него што их ставите у фриџидер. Затим можете ставити млак оброк на доње полице вашег фриџидера. Не стављajte млake обroke близу намirnica које се лако могу покварити.
- Посебно обратите пањњу да не мешате храну која се продаје као замрзнута са свежом храном.
- Odmrznite своју замрзнуту храну у оделјку за свежу храну. На тај начин можете охладити оделјак за свежу храну користећи замрзнуту храну и уштедети енергију.
- Чuvanje незрелог тропског воћа (mango, sorte dinje, papaja, banana, ananas) у фриџидеру може убрзати процес зрења. Ово се не препоручује јер ће проузроковати краће време складиштења.
- Лук, beli luk, đumbir и друго korenasto povrće треба чувати у мрачним и хладним просторijama, а не у фриџидеру.
- Ако приметите да се храна покварила у фриџидеру, bacite је и очистите прибор који је са њом дошао у контакт.
- Да бисте брзо охладити јела попут супа и variva, која се kuvaju у великим loncima, можете их ставити у фриџидер тако што ћете их одвојити у zaseбne плитке посуде.
- Не стављajte neupakovanu храну близу јаја.
- Držite воће и povrće одвојено и чувajte исту врсту заједно (на пример, jabuke са jabukama, šargarepe са šargarepama).
- Izvadite зелено povrće из пластичне кесе и ставите га у фриџидер након што га umotate у papirni omotač или kрпу за сушење. Ако ову врсту хране operete пре него што је ставите у фриџидер, не заборавите да је осушите.
- Можете и stvoriti влажно окружење и обезбедити проток ваздуха тако што ћете воће и povrće, које је podložно сушењу, држати у perforiranim или затвореним пластичним kesama.
- Osim у случајевима екстремних околности у окружењу, ако је ваш производ (у tabelи са preporуčenim вредностима) podešen на наведене zadate вредности, namirnice zadržavaju свежину дуже време и у оделјку за свеже производе и у замрзивачу.

SR

Чuvajte храну на различитим местима у складу са њиховим својствима:	
Храна	Локација
Јaje	Полице на вратима
Млечни производи (путер, сир)	Ако постоји, оделјак са нултим stepenom (за храну за dorуčак)
Воће, povrće и zeleniš	Оделјак за воће-povrće, оделјак за воће и povrće или EverFresh+ оделјак (ако је dostupan)

Čuvajte hranu na različitim mestima u skladu sa njihovim svojstvima:	
Hrana	Lokacija
Sveže meso, živina, riba, kobasice itd. Kuvana hrana	Ako postoji, odeljak sa nultim stepenom (za hranu za doručak)
Hrana spremna za posluživanje, upakovani proizvodi, konzervisane hrane i kisele salate	Gornje police ili polica na vratima
Pića, flaše, začini i grickalice	Police na vratima

SR

Čuvanje hrane u odeljku zamrzivača

- Funkciju brzog zamrzavanja možete aktivirati 4-6 sati pre funkcije zamrzavanja i obaviti brže hlađenje.
- Vruća jela ostavite da dostignu sobnu temperaturu pre nego što ih stavite u odeljak zamrzivača.
- Hrana koja se zamrzava mora biti podeljena na delove prema količini koja se konzumira i zamrznuta u odvojenim pakovanjima.
- Preporučuje se da hrana bude zapakovana pre stavljanja u zamrzivač.
- Da biste sprečili istek vremena skladištenja, napišite datum zamrzavanja, vreme i naziv proizvoda na pakovanju prema vremenima skladištenja različitih namirnica.
- Za kratko vreme konzumirajte hranu koju ste odmrznuli. Odmrznuta hrana se ne može ponovo zamrznuti ako nije kuvana. Nije bezbedno konzumirati ponovo zamrznutu svežu hranu koju niste skuvali nakon što se odmrznula.
- Dok zamrzavate svežu hranu, nemojte je dovoditi u kontakt sa već smrznutom hranom. U suprotnom, zamrznuta hrana će se odmrznuti.

Čuvanje hrane koja se prodaje zamrznuta

- Uvek se pridržavajte uputstava proizvođača u vezi sa vremenom tokom kojeg morate da čuvate hranu. Nemojte prekoračiti vreme navedeno u ovim uputstvima!

- Da biste zaštitili kvalitet hrane, vremenski interval između kupovine i skladištenja neka bude što kraći.
- Kupujte smrznutu hranu koja se čuva na -18°C ili nižim temperaturama.
- Izbegavajte kupovinu namirnica čija su pakovanja prekrivena ledom itd. To znači da se proizvod može delimično odmrznuti i ponovo zamrznuti. Temperatura utiče na kvalitet hrane.
- Ne prekoračujte vreme skladištenja koje preporučuje proizvođač hrane. Iz zamrzivača izvadite samo količinu hrane koja vam je potrebna.
- Osim u slučajevima ekstremnih okolnosti u okruženju, ako je vaš proizvod (u tabeli sa preporučenim vrednostima) podešen na navedene zadate vrednosti, namirnice zadržavaju svežinu duže vreme i u odeljku za sveže proizvode i u zamrzivaču.
- Ako je odeljak za svežu hranu podešen na nižu temperaturu, sveže voće i povrće može biti delimično zamrznuto.
- Odeljci sa dve zvezdice su pogodni za prethodno zamrznutu hranu. Tu se mogu čuvati sladoled i kockice leda.
- Nemojte zamrzavati hranu u odeljcima sa jednom, dve i tri zvezdice.

Meso i riba		Priprema	Najduže vreme skladištenja (mesec dana)	
Mesni proizvodi	Teletina	Šnicla	Rezanjem debljine 2 cm i postavljanjem folije između parčadi ili čvrstim omotavanjem streč-folijom	6-8
		Pečenje	Pakovanjem komada mesa u kese za frižider ili čvrstim omotavanjem streč-folijom	6-8
		Kocke	U malim komadima	6-8
		Šnicla, kotleti	Postavljanjem folije između reznih komada ili omotavanjem streč-folijom pojedinačnih parčadi	6-8
	Ovčetina	Kotleti	Postavljanjem folije između komada mesa ili omotavanjem streč-folijom pojedinačnih komada	4-8
		Pečenje	Pakovanjem komada mesa u kese za frižider ili čvrstim omotavanjem streč-folijom	4-8
		Kocke	Pakovanjem iseckanog mesa u kesu za frižider ili čvrstim omotavanjem streč-folijom	4-8
	Junetina	Pečenje	Pakovanjem komada mesa u kese za frižider ili čvrstim omotavanjem streč-folijom	8-12
		Šnicla	Rezanjem debljine 2 cm i postavljanjem folije između parčadi ili čvrstim omotavanjem streč-folijom	8-12
		Kocke	U malim komadima	8-12
		Kuvano meso	Pakovanjem sitnih komada u kesu za frižider	8-12
	Mleveno meso		Bez začina, u poravnatim kesama	1-3
	Iznutrice (komad)		U delovima	1-3
	Fermentisana kobasica - salama		Treba je zapakovati čak i ako ima svoje pakovanje.	1-3
Šunka		Postavljanjem folije između reznih kriški	2-3	
Živina i divljač	Piletina i čuretina	Umotavanjem u foliju	4-6	
	Guščetina	Umotavanjem u foliju (komadi ne smeju da prelaze 2,5 kg)	4-6	
	Patka	Umotavanjem u foliju (komadi ne smeju da prelaze 2,5 kg)	4-6	
	Jelen, zec, srndać	Umotavanjem u foliju (delovi ne smeju da prelaze 2,5 kg, a kosti treba odvojiti)	6-8	
Riba i morski plodovi	Slatkovodne ribe (pastrmka, šaran, ždral, som)	Nakon temeljnog čišćenja unutrašnjosti i krljušti, potrebno ih je oprati i osušiti, a delove repa i glave odrezati po potrebi.	2	
	Nemasna riba (brancin, iverak, list)		4-6	
	Masna riba (Bonito, skuša, plava riba, crveni cipal, inćuni)		2-4	
	Školjke		Očišćene i u kesama	4-6
	Kavijar		U svojoj ambalaži, u aluminijumskoj ili plastičnoj posudi	2-3

Vremena skladištenja navedena u tabeli su zasnovana na temperaturi skladištenja od -18°C.

SR

Voće i povrće	Priprema	Najduže vreme skladištenja (mesec dana)
Pasulj i boranija	Skladištiti prokuvano 3 minuta nakon pranja i rezanja na male komade	10-13
Grašak	Skladištiti prokuvano 2 minuta nakon vađenja iz mahuna i pranja	10-12
Kupus	Skladištiti prokuvano 1-2 minuta nakon čišćenja	6-8
Šargarepa	Skladištiti prokuvano 3-4 minuta nakon čišćenja i rezanja na kriške	12
Paprika	Skladištiti prokuvano 2-3 minuta nakon rezanja stabljike, deljenja na dva dela i odvajanja semena	8-10
Spanać	Skladištiti prokuvano 2 minuta nakon pranja i čišćenja	6-9
Poriluk	Skladištiti prokuvano 5 minuta nakon usitnjavanja	6-8
Karfiol	Skladištiti prokuvano u malo limunove vode 3-5 minuta nakon odvajanja lišća, rezanje jezgra na komade	10-12
Plavi patlidžan	Skladištiti prokuvano 4 minuta nakon pranja i rezanja na komade od 2 cm	10-12
Bundeва	Skladištiti prokuvano 2-3 minuta nakon pranja i rezanja na komade od 2 cm	8-10
Pečurka	Laganim sotiranjem na ulju i poliveno sa malo limuna	2-3
Kukuruz	Čišćenjem i pakovanjem u klipove ili zrna	12
Jabuka i kruška	Skladištiti prokuvano 2-3 minuta nakon što ih ogulite i izrežete	8-10
Kajsija i breskva	Podelite na pola i izvadite seme	4-6
Jagoda i malina	Operite i granatirajte	8-12
Pečeno voće	Dodajte 10% šećera u posudu	12
Šljiva, trešnja, višnja	Operite i očistite stabljike	8-12

SR

Vremena skladištenja navedena u tabeli su zasnovana na temperaturi skladištenja od -18°C.

Mlečni proizvodi	Priprema	Najduže vreme skladištenja (mesec)	Uslovi skladištenja
Sir (osim feta sira)	Postavljanjem folije između kriški	6-8	Može se ostaviti u originalnom pakovanju ako će se kratkotrajno skladištiti. Ako će se dugotrajno skladištiti treba ga umotati u aluminijsku ili plastičnu foliju.
Puter, margarin	U originalnom pakovanju	6	U originalnom pakovanju ili u plastičnim posudama

Vremena skladištenja navedena u tabeli su zasnovana na temperaturi skladištenja od -18°C.

„Količina sveže hrane koja se može zamrznuti na određeni vremenski period navedena je na tipskoj etiketi.“

Odeljak zamrzivača Podešavanje	Odeljak frižidera Podešavanje	Detalji
-22	4°C	Ova podešavanja se preporučuju za opštu upotrebu.
Brzo zamrzavanje	4°C	Koristite kada želite da zamrznete hranu u kratkom vremenskom periodu. Kada se ovaj proces završi, podešavanja proizvoda će se vratiti u prethodno stanje.
-18°C ili hladnije	2°C	Koristite ova podešavanja ako smatrate da odeljak frižidera nije dovoljno hladan zbog ambijentalne temperature ili čestog otvaranja vrata.

Podaci o zamrzivaču

Prema standardima IEC 62552, zamrzivač mora imati sposobnost da zamrzne 4,5 kg prehrambenih artikala na -18°C ili niže temperature na sobnoj temperaturi od 25°C u roku od 24 sata na svakih 100 litara zapremine zamrzivača.

Prehrambeni artikli mogu biti sačuvani na duži period samo na ili ispod temperature od -18 °C.

Možete održati hranu svježom mjesecima (u zamrzivaču na ili ispod temperature od -18 °C).

Prehrambeni artikli koji se zamrzavaju ne smeju da dodiruju već smrznutu hranu da bi se izbeglo parcijalno odmrzavanje.

Povrće treba skuvati i filtrirati vodu da bi se produžilo vreme skladištenja u smrznutom stanju. Nakon filtriranja, hranu zatvorite u hermetičke pakete i odložite u zamrzivač.

Banane, paradajz, zelena salata, celer, kuvana jaja, krompir i slične prehrambene artikle ne treba zamrzavati. Ukoliko je takva hrana zamrznuta, to će negativno uticati samo na nutritivne vrednosti i kvalitet ishrane. Ne dovodi se u pitanje truljenje koje bi ugrozilo ljudsko zdravlje.

Stavljanje hrane

Police odeljka zamrzivača: Različite smrznute namirnice poput mesa, ribe, sladoleda, povrća itd.

Police frižidera: Prehrambeni artikli u posudama, tanjuri sa poklopcima i kutije sa poklopcima, jaja (u zatvorenoj kutiji)

Police na vratima frižidera: Mala i pakirana hrana ili piće

Ladica: Povrće i voće

Odeljak za svežu hranu: Delikatesa (hrana za doručak, mesni proizvodi za kratko vreme)

8.2 Zamena sijalice za osvetljenje

Pozovite ovlašćeni servis kada treba da zamenite sijalicu/LED koja se koristi za osvetljenje u vašem frižideru.

Lampica(e) korišćena(e) u ovom uređaju ne mogu da se koriste za kućno osvetljenje. Namena ove lampice je da pomogne korisniku da bezbedno i praktično stavi hranu u frižider/zamrzivač.

8.3 Upozorenje na otvorena vrata

Sistem upozorenja na otvorena vrata vašeg frižidera može se razlikovati u zavisnosti od modela.

Verzija 1.;

Ako vrata proizvoda ostanu otvorena određeno vreme (između 60 s i 120 s), oglašava se zvučni signal upozorenja; u zavisnosti od modela proizvoda, može se prikazati i vizuelni signal upozorenja (treperenje svetla). Ako zatvorite vrata uređaja ili pritisnete neko dugme na ekranu uređaja, ako postoji, zvuk upozorenja će prestati.

Verzija 2.;

Ako vrata uređaja ostanu otvorena određeno vreme (između 60 s i 120 s), oglašice se upozorenje na otvorena vrata. Upozorenje na otvorena vrata se oglašava postepeno. Prvo počinje da se oglašava zvučno upozorenje. Nakon 4 minuta, ako

vrata i dalje nisu zatvorena, aktivira se vizuelno upozorenje (treperenje svetla). Upozorenje na otvorena vrata će biti odloženo na određeni vremenski period (između 60 s i 120 s) kada se pritisne bilo koji taster na ekranu proizvoda, ako postoji. Tada će postupak ponovo početi. Kada se vrata uređaja zatvore, upozorenje na otvorena vrata će biti poništeno.

9 Карактеристике производа

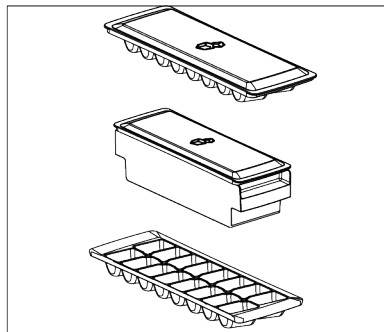
9.1 Prostor za skladištenje leda

Posuda za led

Fioka za led omogućava vam lako uzimanje leda iz frižidera.

Korišćenje fioke za led

1. Izvadite fioku za led iz odeljka zamrzivača.
2. Napunite fioku za led vodom.
3. Vratite fioku za led u odeljak zamrzivača. Led će biti spreman nakon otprilike dva sata.
4. Izvadite fioku za led iz odeljka zamrzivača i lagano je nagnite preko posude u koju ćete servirati led. Led će se lako prebaciti u posudu za serviranje.



9.2 Držać za jaja

Držać za jaja možete postaviti na police na vratima ili unutar proizvoda po želji. Ako držać za jaja treba postaviti na policu unutar proizvoda, preporučujemo da odaberete hladnije donje police.

8.4 Promena strane za otvaranje vrata

Strana otvaranja vrata vašeg frižidera može se pomeniti u zavisnosti od mesta na koje ste ga stavili. Po potrebi, svakako pozovite najbliži ovlašćeni servis.

SR



9.3 Odeljak za voće i povrće

Odeljak za voće i povrće frižidera je dizajniran da održi povrće svežim, čuvajući njegovu vlažnost. Zbog toga će se ukupna cirkulacija hladnog vazduha povećati u odeljku za voće i povrće. Držite voća i povrća u tom prostoru. Držite zelenolisnog povrća i voće odvojeno da bi produžili njihovi život.

9.4 Prostor za skladištenje mlečnih proizvoda

Fioka za skladištenje za hlađenje

Fioka za skladištenje za hlađenje može dostići niže temperature u odeljku za hlađenje. Koristite ovu fioku za delikatesne proizvode (salama, kobasice, itd.) i mlečne proizvode koji zahtevaju hladnije uslove skladištenja ili za meso, piletiinu ili ribu koju ćete u skorije vreme konzumirati. Nije pogodno čuvati voće i povrće u ovoj fioci.

9.5 AeroFlow

To je sistem za distribuciju vazduha koji obezbeđuje homogenu raspodelu temperature. Sa cirkulacijom vazduha obezbeđuje se homogena distribucija temperature u odeljku za skladištenje sveže hrane, a temperaturne fluktuacije se održavaju na niskim nivoima. Ne ostvaruje se direktno duvanje vazduha preko hrane i to pomaže da se smanji gubitak njene vlažnosti. Čuva svežinu hrane koja se nalazi

u odeljku za svežu hranu u frižideru. Na ovaj način vaša hrana se čuva na stabilnijim temperaturama i smanjuje se kontakt sa vazduhom. Sprečava se sušenje i skupljanje namirnica usled gubitka vlažnosti i obezbeđuje se svežina duže vreme.

9.6 Odeljak za voće i povrće sa kontrolom vlažnosti

Sa funkcijom odeljak za voće i povrće sa kontrolom vlažnosti, vlažnost povrća i voća se drži pod kontrolom, a hrana ostaje sveža tokom dužeg vremenskog perioda.

Preporučujemo da lisnato povrće kao što su zelena salata, spanać i slično povrće koje je osetljivo na gubitak vlage stavljate u odeljak za voće i povrće, ne uspravno na koren, već što je moguće horizontalnije.

Prilikom postavljanja povrća, teško i tvrdo povrće stavite na dno a meko na vrh, uzimajući u obzir specifične težine povrća. Nikada ne ostavljajte povrće u plastičnim kesama u odeljak za voće i povrće. Ostavljanje u plastičnim kesama dovodi do toga da povrće brzo istruli.

U situacijama kada kontakt sa drugim vrstama povrća nije poželjan, koristite materijal za pakovanje kao što je papri koji ima određeni nivo poroznosti u pogledu higijene.

Na stavljajte voće koje ima visoku proizvodnju etilena, kao što su kruška, kajsija, breskva, a naročito jabuka, u isti odeljak za voće i povrće sa drugim povrćem i voćem. Etilen koji izlazi iz ovog voća može da dovede do bržeg zrenja i truljenja drugog voća i povrća.

SR

10 Održavanje i čišćenje



UPOZORENJE:

Prvo pročitajte odeljak „Bezbednosna uputstva“.



UPOZORENJE:

Isključite frižider s napajanja električnom energijom pre čišćenja.

- Za čišćenje proizvoda ne koristite oštre ili abrazivne alate. Ne koristite materijale kao što su sredstva za čišćenje u domaćinstvu, tečnosti za pranje, deterdženti, plin, benzin, razređivač za boje, alkohol, vosak itd.
- Prašina se uklanja sa ventilacione rešetke na zadnjoj strani proizvoda najmanje jednom godišnje (bez otvaranja poklopca). Proizvod očistite vlažnom krpom.
- Vodite računa da voda ne dođe do poklopac lampe i drugih električnih delova.
- Vrata očistite vlažnom krpom. Uklonite sav sadržaj da biste uklonili police na vratima i police unutar frižidera. Police na

vratima skinite tako što ćete ih povući nagore. Očistite i osušite police, a zatim vratite ih na mesto klizanjem odozgo.

- Nemojte koristiti hlorisanu vodu ili proizvode za čišćenje na vanjskim površinama i na kromom obložene delove proizvoda. Klor će uzrokovati rđe na takve metalne površine.
- Ne koristite oštre i abrazivne alate, tečnost za pranje, sredstva za čišćenje domaćinstva, deterdžente, plin, benzin, lakove i slične materije kako biste sprečili deformacije plastičnog dela i uklanjanje otisaka na nekom delu. Za čišćenje koristite topluvodu i meku krpnu, a zatim osušite brisanjem.
- Na proizvodima bez funkcije No-Frost na zadnjem zidu odeljka za zamrzavanje mogu se pojaviti kapljice vode i led do debljine prsta. Ne čistite i nikada ne nanosite ulja ili slične materijale.
- Za čišćenje spoljne površine proizvoda koristite blago navlaženu krpnu od mikro vlakana. Spužve i druge vrste materijala za čišćenje mogu izazvati ogrebotine.

- Da biste očistili sve uklonjive komponente tokom čišćenja unutrašnje površine proizvoda, operite te komponente blagim rastvorom od deterdženta, vode i karbonata. Operite i temeljno osušite. Sprečite kontakt vode sa komponentama osvetljenja i kontrolnom pločom.



OPREZ:

Ne koristite sirće, alkohol ili druga sredstva za čišćenje na bazi alkohola na bilo kojoj unutrašnjoj površini.

Spoljne površine od nehrđajućeg čelika

Koristite neabrazivno sredstvo za čišćenje površina od nehrđajućeg čelika i nanesite ga mekom krpom koja ne ostavlja dlačice. Za poliranje, površinu nežno obrišite krpom od

mikro-vlakana namočenom u vodu i koristite suhu jelensku kožu. Uvek to radite niz žlebove od nerđajućeg čelika.

Sprečavanje neugodnih mirisa

Proizvod je proizveden bez mirisnih materijala. Međutim, držanje hrane u neprikladnim delovima i nepravilno čišćenje unutrašnjih površina može dovesti do pojave mirisa.

- Da biste to izbegli, unutrašnjost čistite gaziranom vodom svakih 15 dana.
- Držite hranu zatvorenom, jer mikroorganizmi koji nastaju iz hrane koja se čuva u nezatvorenim posudama mogu izazvati neugodan miris.
- Nemojte držati hrane isteklim rokom i pokvarene hrane u hladnjaku.

Zaštita plastičnih površina

Ulje priliveno na plastične površine može oštetiti površinu i mora se odmah očistiti s toplom vodom.

11 Rešavanje problema

Proverite ovu listu pre nego što kontaktirate servis. Na taj način ćete uštedeti vreme i novac. Ova lista uključuje česte žalbe koje se ne odnose na neispravnu izradu ili materijale. Određene karakteristike pomenute ovde možda se ne odnose na vaš proizvod.

Frižider ne radi.

- Utikač za napajanje nije u potpunosti utaknut. >>> Uključite ga tako da je potpuno utaknut u utičnicu.
- Osigurač spojen na utičnicu koja napaja proizvod ili glavni osigurač je pregoreo. >>> Proverite osigurač.

Kondenzacija na bočnom zidu rashladnog prostora (VIŠESTRUKA ZONA, KONTROLA HLAĐENJA i FLEXI ZONA).

- Vrata se prečesto otvaraju. >>> Vodite računa da vrata proizvoda ne otvarate prečesto.
- Okolina je previše vlažna. >>> Ne ugrađujte uređaj u okruženjima sa velikom vlažnošću vazduha.

- Hrana koja sadrži tečnost se čuva u nezatvorenim posudama. >>> Držite hranu koja sadrži tečnost u zatvorenim posudama.
- Vrata proizvoda ostaju otvorena. >>> Ne ostavljati vrata frižidera otvorena na duže vremenske periode.
- Termostat je podešen na veoma nisku temperaturu. >>> Podesite termostat na odgovarajuću temperaturu.

Kompresor ne radi.

- U slučaju iznenadnog nestanka struje ili izvlačenja utikača i ponovnog uključivanja, pritisak gasa u sistemu za hlađenje proizvoda nije izbalansiran, što aktivira termičku zaštitu kompresora. Proizvod će se ponovo pokrenuti nakon otprilike 6 minuta. Ako se proizvod ne pokrene ponovo nakon ovog perioda, kontaktirajte servis.
- Odmrzavanje je aktivirano. >>> Ovo je normalno za proizvod s potpuno automatskim odmrzavanjem. Odmrzavanje se vrši periodično.

- Proizvod nije priključen. >>> Uverite se da je kabl za napajanje uključen.
- Podešavanje temperature je netačno. >>> Izaberite odgovarajuću temperaturu.
- Nestalo je struje. >>> Proizvod će nastaviti da radi normalno kada se napajanje opet uspostavi.

Zvuk frižidera tokom rada se pojačava tokom upotrebe.

- Radni učinak proizvoda može da varira u zavisnosti od promena temperature okoline. To je normalno i nije kvar.

Frižider radi prečesto ili predugo.

- Novi proizvod može biti veći od prethodnog. Veći proizvodi će trajati duže.
- Sobna temperatura može biti visoka. >>> Proizvod će normalno raditi duže vreme na višoj sobnoj temperaturi.
- Proizvod je možda nedavno bio uključen ili je unutra stavljena nova hrana. >>> Proizvodu će trebati više vremena da dostigne podešenu temperaturu kada je nedavno uključen ili ako se unutra stavi nova namirnica. To je normalno.
- U proizvod su možda nedavno stavljene velike količine tople hrane. >>> Ne stavljajte toplu hranu u proizvod.
- Vrata su se često otvarala ili su bila otvorena duže vreme. >>> Topli vazduh koji se kreće unutra će prouzrokovati da proizvod radi duže. Ne otvarajte vrata prečesto.
- Vrata zamrzivača ili hladnjaka mogu biti otvorena. >>> Proverite da li su vrata potpuno zatvorena.
- Proizvod je možda podešen na prenisku temperaturu. >>> Podesite temperaturu na viši stepen i sačekajte da proizvod dostigne podešenu temperaturu.
- Aparat za pranje vrata hladnjaka ili zamrzivača može biti prljav, istrošen, pokvaren ili nije pravilno postavljen. >>> Očistite ili zamenite zaptivku. Oštećeni/istrošeni aparat za pranje vrata će prouzrokovati da proizvod radi duže vreme kako bi se očuvala trenutna temperatura.

Temperatura zamrzivača je veoma niska, ali temperatura zamrzivač je adekvatna.

- Temperatura zamrzivača je podešena na veoma nizak stepen. >>> Podesite temperaturu u zamrzivaču na viši stepen i ponovo proverite.

Temperatura frižidera je veoma niska, ali temperatura zamrzivača je adekvatna.

- Temperatura odeljka frižidera je podešena na veoma nizak stepen. >>> Podesite temperaturu odeljka frižidera na viši stepen i ponovo proverite.

Namirnice koje se čuvaju u fiokama odeljka frižidera su zamrznute.

- Temperatura odeljka frižidera je podešena na veoma nizak stepen. >>> Podesite temperaturu odeljka frižidera na viši stepen i ponovo proverite.

Temperatura u frižideru ili zamrzivaču je previsoka.

- Temperatura odeljka frižidera je podešena na veoma visok stepen. >>> Podešavanje temperature u odeljku frižidera utiče na temperaturu u zamrzivaču. Sačekajte dok temperatura relevantnih delova ne dostigne dovoljan nivo promenom temperature u odeljku frižidera ili zamrzivača.
- Vrata su se često otvarala ili su bila otvorena duže vreme. >>> Ne otvarajte vrata prečesto.
- Vrata su možda odškrinuta. >>> Potpuno zatvorite vrata.
- Proizvod je možda nedavno bio uključen ili je unutra stavljena nova hrana. >>> To je normalno. >>> Proizvodu će trebati više vremena da dostigne podešenu temperaturu kada je nedavno uključen ili ako se unutra stavi nova namirnica.
- U proizvod su možda nedavno stavljene velike količine tople hrane. >>> Ne stavljajte toplu hranu u proizvod.

Tresenje ili buka.

- Površina nije ravna ili izdržljiva >>> Ako se proizvod tresе kada se polako pomeri, podesite postolja da biste nivelisali

proizvod. Takođe proverite da li je podloga dovoljno izdržljiva da drži proizvod.

- Bilo koji predmet postavljen na proizvod može izazvati buku. >>> Uklonite sve predmete postavljene na proizvod.
- Proizvod proizvodi buku tečnosti, prskanja itd.
- Principi rada proizvoda uključuju protok tečnosti i gasa. >>> To je normalno i nije kvar.

Iz proizvoda se čuje zvuk vetra.

- Proizvod koristi ventilator za proces hlađenja. To je normalno i nije kvar.

Na unutrašnjim zidovima proizvoda dolazi do kondenzacije.

- Vruće ili vlažno vreme će povećati zaleđivanje i kondenzaciju. To je normalno i nije kvar.
- Vrata su se često otvarala ili su bila otvorena duže vreme. >>> Ne otvarajte vrata prečesto; ako su otvorena, zatvorite vrata.
- Vrata su možda odškrinuta. >>> Potpuno zatvorite vrata.

Javlja se kondenzacija na spoljašnjosti proizvoda ili između vrata.

- U okolini može biti vlažnosti, to je sasvim normalno po vlažnom vremenu. >>> Kondenzacija će nestati kada se smanji vlažnost.

Iz unutrašnjosti se oseća neugodan miris.

- Proizvod se ne čisti redovno. >>> Redovno čistite unutrašnjost koristeći sunder, toplu vodu i gaziranu vodu.
- Određene posude i materijali za pakovanje mogu izazvati neugodan miris. >>> Koristite posude i materijale za pakovanje bez mirisa.

- Hrana je stavljena u nezatvorene posude. >>> Držite hranu u zatvorenim posudama. Mikroorganizmi se mogu širiti iz nezapečaćenih namirnica i izazvati loš miris.
- Uklonite svu hranu kojoj je istekao rok ili pokvarenu hranu iz proizvoda.

Vrata se ne zatvaraju.

- Pakovanja sa hranom možda blokiraju vrata. >>> Premestite sve artikle koji blokiraju vrata.
- Proizvod ne stoji u potpuno uspravnom položaju na podlozi. >>> Podesite postolje da iznivelišete proizvod.
- Površina nije ravna ili izdržljiva >>> Uverite se da je površina ravna i dovoljno izdržljiva da drži proizvod.

Odeljak za voće i povrće se zaglavio.

- Namirnice možda dodiruju gornji deo fioke. >>> Presložite namirnice u fioci.

Temperatura na površini proizvoda.

- Visoka temperatura se može primetiti između dvoje vrata, na bočnim pločama i na zadnjoj površini dela gde su rešetke dok se vaš proizvod koristi. Ovo je normalno i ne zahteva servisiranje.

Ventilator nastavlja da radi kada se vrata otvore.

- Ventilator može nastaviti da radi kada su vrata zamrzivača otvorena.



UPOZORENJE: Ako problem i dalje postoji nakon što ste slijedeli upute u ovom poglavlju, obratite se prodavcu ili ovlaštenom servisu. Ne pokušavajte da popravite uređaj. To je normalno.

Takođe pogledajte

2 CLAUSE DE NON-RESPONSABILITÉ /
AVERTISSEMENT [] 62]