



Main Cavity Gross Volume
81 L

Number of Functions
8

Oven Feature
Multifunction

Cleaning Feature
Catalytic Back Wall

Main Features

Oven feature:	Multifunctional Cooking
Gross Volume:	81 Litres
Net Volume:	71 Litres
Detachable Side Racks:	5 Levels
Standard Telescopic Shelving:	1 Level (Standard)
Control Type:	Digital, Push in/Push Out Knobs
Multidimensional Cooking:	Yes
Grill Type:	Electric
Cooling Fan:	Yes
Max. Temperature:	280°C
Total Power Consumption:	2.5 kW
Fuse:	16 A

Design

Colour:	Black Glass, Stainless Steel
Illumination:	1 x Round (Rear)
Layers of Door Glass:	3
Inner Door Type:	Full Glass (removable)

Cleaning

Catalytic Liner on Back Wall:	Yes
Easy Clean Inner Door Glass:	Yes

Accessories

Cooking Tray (Standard):	1
Cooking Tray (Pastry):	1
Tray Rack (Standard):	1
Wire Shelf for Side Racks:	2

Functions

Number of Functions	8
	Top and Bottom Heating
	Fan Assisted Top & Bottom
	Bottom Heating
	Operating with Fan
	Fan Heating
	3D Function
	Full Grill
	Grill+Fan

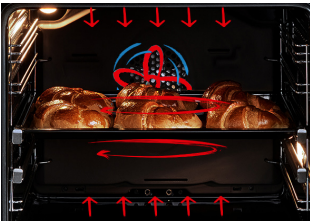
Dimensions & Weights

Built-in dimensions (cabinet):	See Diagram Page 3
Height:	590 mm
Width:	560 mm
Depth:	550 mm
Built-in dimensions (under bench):	See Diagram Page 3
Height:	600 mm
Width:	560 mm
Depth:	550 mm
Unpacked Weight:	33.4 kg
Packaged Height:	655 mm
Packaged Width:	660 mm
Packaged Depth:	660 mm
Packaged Weight:	35.7 kg

SKU:	7754887726
Ean Code:	8690842157356
Manufacturers Warranty:	2 Years + 3 Years by Registration
Launch Date:	Jan 2018

BB060S1MB

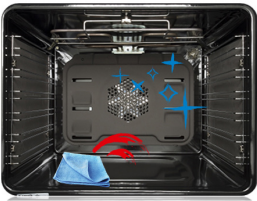
81 L Multifunction 60 cm Built-In Oven



Multifunctional Cooking - Bake perfect cupcakes, roast a delicious Sunday dinner or use the grill to make a hearty but healthy breakfast. A multi-function oven provides you with the ultimate in cooking flexibility by combining a fan and conventional oven, a grill and a host of different cooking functions.

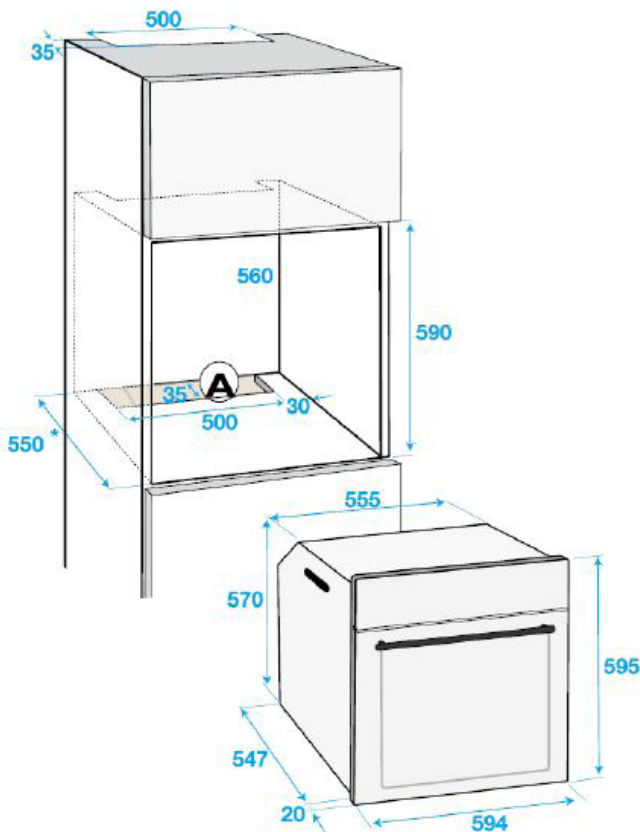


Large Capacity- We understand how busy your home life can get and how important it is to be able to cook more food in one go. Our large capacity ovens come in a huge 82 litres gross capacity, so you can cook everything you need for your family & friends.



Catalytic Panels & Easy Clean Door - Offering an easy cleaning solution, the interior side & back has catalytic panels, absorbing grease & dirt. Cleaning your oven's door has never been easier with Beko's easy-to-remove inner glass door. Free of bolts you can comfortably slide the glass door out to help you clean even those hard-to-reach places.

Cabinet Dimensions



Under Counter Dimensions

