

24" Counter Depth, Bottom-Freezer Refrigerator

BFBF2413SS



Meets CEE Specifications

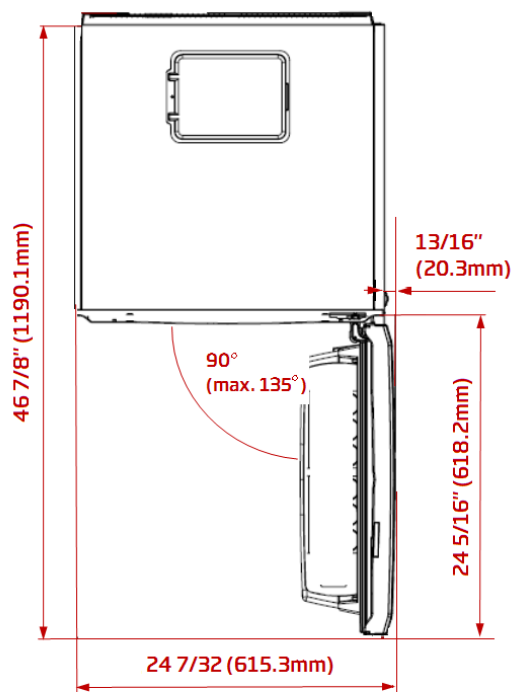
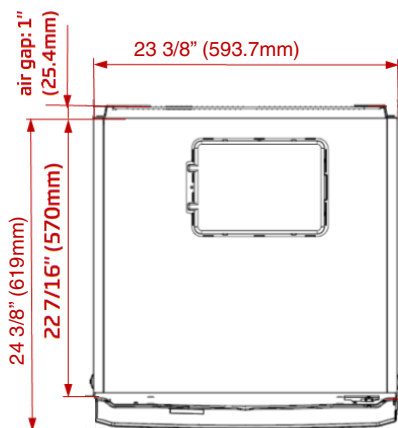
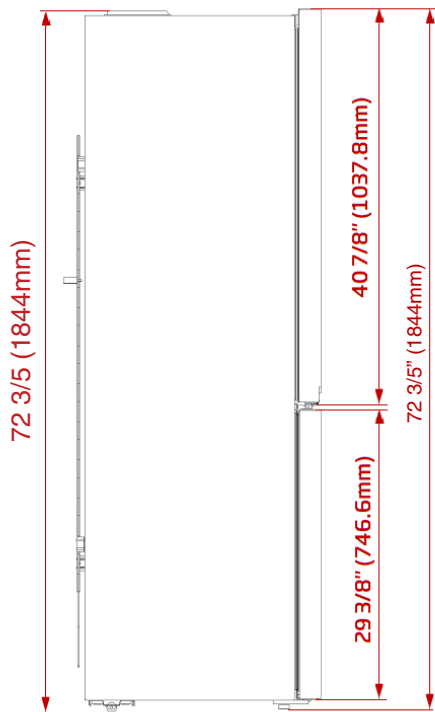
FRIDGE FEATURES

- Field reversibility of Doors
- IonGuard
- NeoFrost Dual Cooling Technology
- Zone Temperature Adjustability
- Inner Digital Display
- Interior LED Lighting

GENERAL	
Cooling System	NeoFrost Dual Cooling Technology
Control System	Electronic Control
Finish	Fingerprint-free Stainless Steel
CAPACITY	
Total Net Volume	12.9 cu. ft.
Fresh Food Net Volume	7.93 cu. ft.
Freezer Net Volume	3.42 cu. ft.
FRIDGE FEATURES	
Electronic Control Display Type	Digital Inner Display
IonGuard	Yes
Child Lock	Yes
Auto Defrost	Yes
LED Inner Illumination	LED- Ceiling
Shelves	3 Safety Glass
Crispers	1
Door Racks	3
Wine Rack	Yes
Bottle Gripper	Yes
Compressor	Variable Speed VCC
Fan Ventilation	Yes
FREEZER FEATURES	
Number of Freezer Drawers	3
PERFORMANCE	
Annual Energy Consumption	395 kwh/year
Cooling Gas	R600a
TECHNICAL INFORMATION	
Supply Voltage	120 V / 60 Hz
Rated Current	2.1A
Noise Level	43 dBA
DIMENSIONS	
H x W x D, in.	72 ³ / ₅ " x 23 ³ / ₈ " x 24 ³ / ₈ "
Product Weight	159 lbs. (72 kg)
H x W x D, cm	184.5 x 59.5 x 62

24" Counter Depth, Bottom-Freezer Refrigerator

BFBF2413SS



NOTE TO THE INSTALLER: All height, width, and depth dimensions are shown in inches (as well as metric). Beko U.S., Inc. reserves the absolute and unrestricted right to change product materials and specifications, at any time, without notice. Please visit our website, www.BekoAppliances.com, or call 888.352.2356 to verify the latest specifications with final dimensional data and other details prior to installation and making a cutout. Applicable product limited warranty information may be found in accompanying product materials, or you may contact your account manager for further details. Proper installation is the responsibility of the installer. Product failure due to improper installation is not covered under the Limited Warranty.

888.352.BEKO(2356) | BekoAppliances.com

YOUR NEXT LEVEL OF REMARKABLE

