

BFBF3018SSIML



30" Bottom-Freezer Refrigerator with Left Hinge and Ice Maker



CEE Tier 1

GENERAL PROPERTIES

Cooling System	NeoFrost Dual Cooling Technology
Control System	Electronic Controls
Finish	Fingerprint-free Stainless Steel
Type	Freestanding
Field Reversible Door	No

CAPACITY

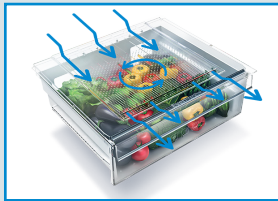
Total Net Volume	16.2 cu. ft.
Fresh Food Net Volume	11.1 cu. ft.
Freezer Net Volume	5.1 cu. ft.

PERFORMANCE

Fresh Food Temperature Range*	33° F to 46° F
Freezer Temperature Range*	-8° F to 5° F
Freeze Guard	Works in Temperatures between 32° F and 110° F
Modes	On/Off Power, On/Off Icemaker, Temperature Control, Quick Freeze, Vacation
ENERGY STAR® Certified	Yes
Annual Energy Consumption	528 kWh/year

*Actual temperatures may vary upon different options.

PREMIUM TECHNOLOGY



EVERFRESH+™ WITH ACTIVE FRESH BLUE LIGHT

Our EverFresh+ with Active Fresh Blue Light technology keeps fresh food fresher three times longer than the average refrigerator – for up to 30 days! Our technology retains vitamins and nutrients that simulates natural lighting conditions, extending the photosynthesis process of fruits and vegetables in your refrigerator.



IONGUARD

Advanced IonGuard technology creates a fresh air environment inside your refrigerator to protect and preserve foods longer and eliminate odor transfer.



FREEZE GUARD

Beko freezers will work in ambient temperatures between 32°F and 110°F without any loss of performance at any pre-set temperature of the unit, thanks to effective usage of inverter compressor and electronic control technology.

BFBF3018SSIML



30" Bottom-Freezer Refrigerator with Left Hinge and Ice Maker

FRESH FOOD	
EverFresh+	Yes
Active Fresh Blue Light	Yes
IonGuard	Yes
Electronic Control Display Type	Digital Inner Display
Auto Defrost	Yes
Interior Illumination	LED- Side Walls
Shelves	2 - Full-depth Glass Shelves
Crisper	1 - Humidity Controlled
Door racks	3
Compressor	Variable Speed VCC

FREEZER	
Interior Illumination	Yes
Number of Freezer Drawers	3
Auto Defrost	Yes
Wire Shelf	3
Automatic Ice Maker	Makes up to 6 lbs./day

TECHNICAL INFORMATION	
Required Power Supply	120 V / 60 Hz
Rated Current	1.9 A
Noise Level	43 dBA
Refrigerant	R600a
Plug Type	NEMA 3-Prong
Power Cord Length	6 ft.

DIMENSIONS	
H x W x D (in)	67 ³ / ₄ x 29 ¹ / ₈ x 28 ¹ / ₄
H x W x D (mm)	1720 x 740 x 717
Height with Hinge Cap (in)	67 ³ / ₄
Width (in)	29 ¹ / ₈
Depth with Handles (in)	30 ⁵ / ₁₆
Depth without Handles (in)	28 ¹ / ₄
Depth without Door (in)	25 ⁵ / ₈
Product Weight (lbs)	208
Product Weight (kg)	94.6
Packed Weight (lbs)	223
Packed Weight (kg)	101.5

* Depth is with door/without handles

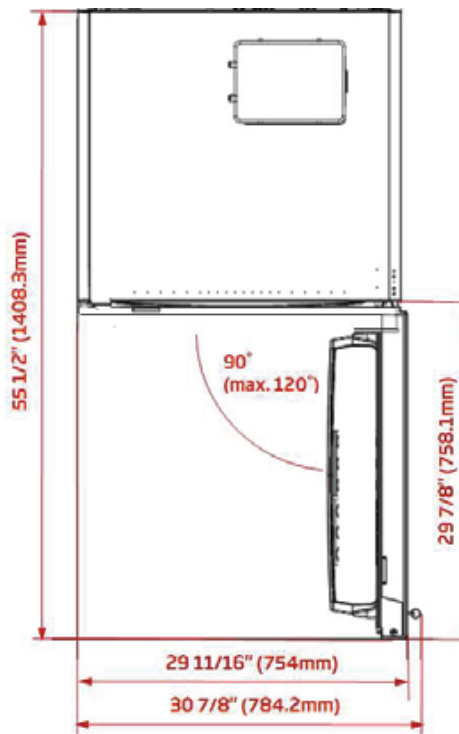
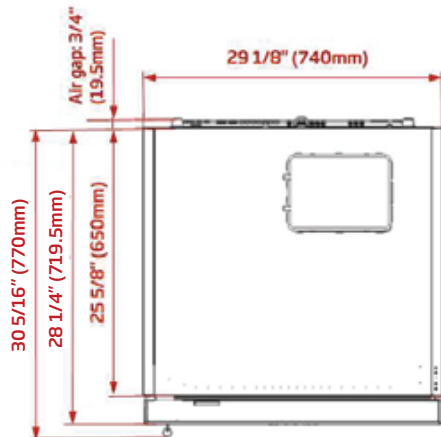
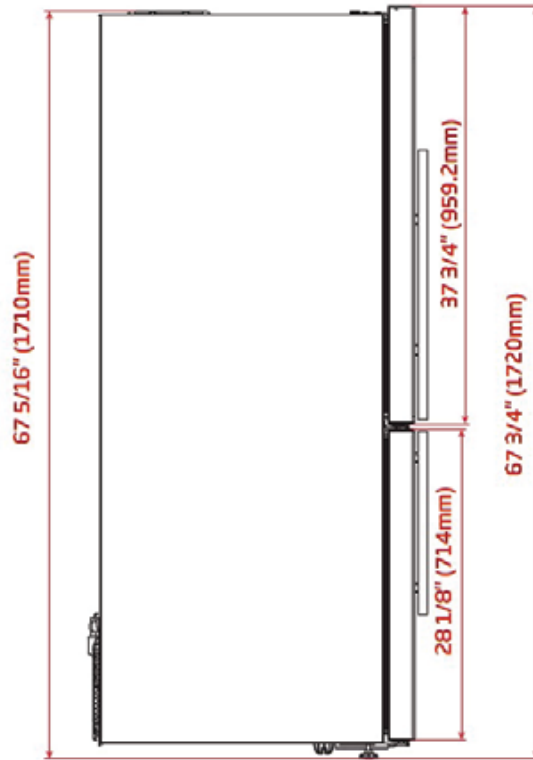
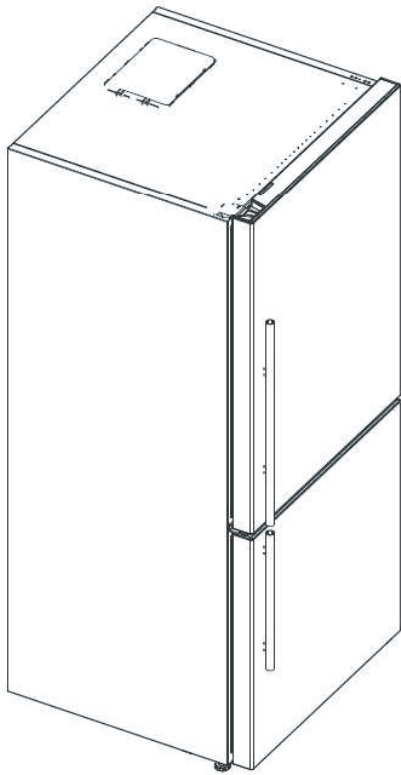
ACCESSORIES	
Water Filter	No

WARRANTY	
All Products	2 -year Full Warranty
Sealed System Parts Only	5-year Warranty
ProSmart Inverter Motor	10-year Warranty – parts only

BFBF3018SSIML



30" Bottom-Freezer Refrigerator with Left Hinge and Ice Maker



*Drawers can be pulled out with door open 90°

NOTE TO THE INSTALLER: All height, width, and depth dimensions are shown in inches (as well as metric). Beko U.S., Inc. reserves the absolute and unrestricted right to change product materials and specifications, at any time, without notice. Please visit our website, www.BekoAppliances.com, or call 888.352.2356 to verify the latest specifications with final dimensional data and other details prior to installation and making a cutout. Applicable product limited warranty information may be found in accompanying product materials, or you may contact your account manager for further details. Proper installation is the responsibility of the installer. Product failure due to improper installation is not covered under the Limited Warranty.