

36" Counter Depth, Side-by-Side Refrigerator

BFSB3622SS



GENERAL	
Cooling System	NeoFrost Dual Cooling Technology
Control System	Electronic Control
Finish	Fingerprint-free Stainless Steel
CAPACITY	
Total Net Volume	19.32 cu. ft.
Fresh Food Net Volume	13 cu. ft.
Freezer Net Volume	6.32 cu. ft.
FRIDGE FEATURES	
Active Fresh Blue Light	Yes
EverFresh+	Yes
IonGuard	Yes
Filtered Ice & Water Dispenser Through Door	Yes
Electronic Control Display Type	Yes – Digital Display on the Door
Auto Defrost	Yes
LED Inner Illumination	Side Walls
Shelves	4 Safety Glass
Crispers	2
Door Racks	5
Wine Rack	Yes
Compressor	Variable Speed VCC
Fan Ventilation	Yes
FREEZER FEATURES	
Auto Defrost	Yes
Number of Freezer Drawers	2
Automatic Ice Maker	Yes
PERFORMANCE	
Annual Energy Consumption	580 kwh/year
Cooling Gas	R134a
TECHNICAL INFORMATION	
Supply Voltage	120 V / 60 Hz
Rated Current	2.5 A
Noise Level	43 dBA
DIMENSIONS	
H x W x D, in.	71 11/16" x 35 13/16" x 26 13/16"
Product Weight	261.68 lbs. (119 kg)
H x W x D, cm	182 x 90.8 x 68



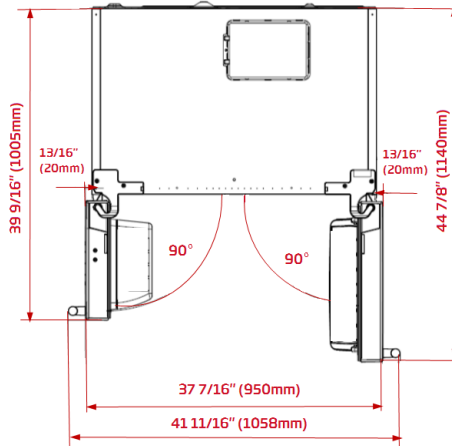
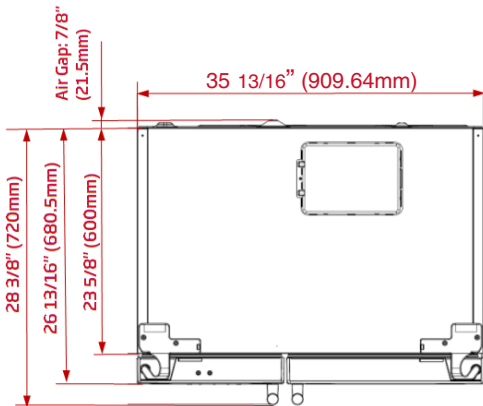
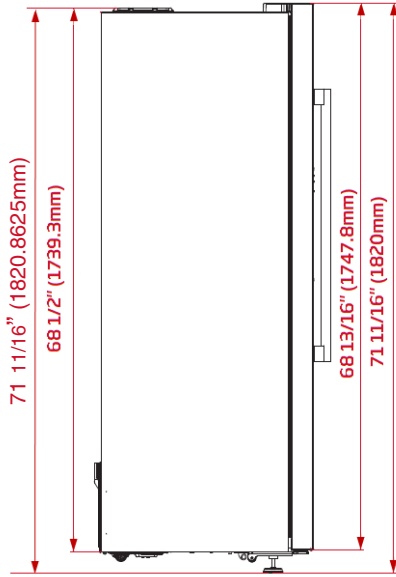
Meets CEE Specifications

FRIDGE FEATURES

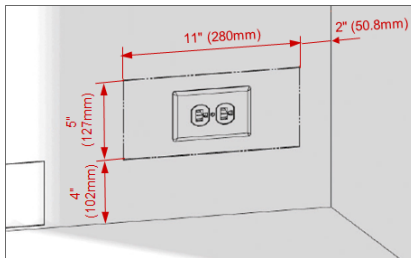
- EverFresh+
- Active Fresh Blue Light
- IonGuard
- NeoFrost Dual Cooling Technology
- Zone Temperature Adjustability
- Interior Theater Lighting with LED Lights

36" Counter Depth, Side-by-Side Refrigerator

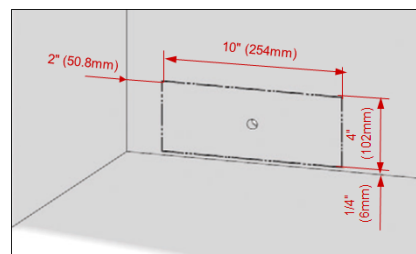
BFSB3622SS



Plumbing



Electrical



NOTE TO THE INSTALLER: All height, width, and depth dimensions are shown in inches (as well as metric). Beko U.S., Inc. reserves the absolute and unrestricted right to change product materials and specifications, at any time, without notice. Please visit our website, www.BekoAppliances.com, or call 888.352.2356 to verify the latest specifications with final dimensional data and other details prior to installation and making a cutout. Applicable product limited warranty information may be found in accompanying product materials, or you may contact your account manager for further details. Proper installation is the responsibility of the installer. Product failure due to improper installation is not covered under the Limited Warranty.