

BFBF3018SS



30" Bottom Freezer Refrigerator, Right Hinge



GENERAL PROPERTIES

Type	Freestanding
Style	Bottom Freezer
Finish	Fingerprint-Free Stainless Steel with Finished Gray Sides
Handles	Pro Handle - Rounded Stainless Steel
Metal Back Wall	-
Cooling System	NeoFrost™ Dual Cooling Technology
Control System	Electronic Controls
Control Display Type & Location	Digital LED Display, Interior
Connectivity	-

CAPACITY

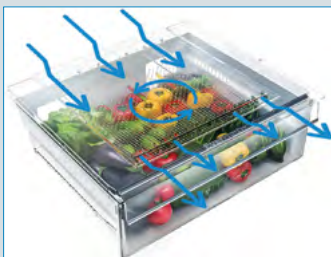
Total Net Volume	16.2 cu. ft.
Fresh Food Net Volume	11.1 cu. ft.
Freezer Net Volume	5.1 cu. ft.

Also Available:
BFBF3018SSL - Left Hinge



CEE Tier 1

PREMIUM TECHNOLOGY



EVERFRESH+™ WITH ACTIVE FRESH BLUE LIGHT

Our EverFresh+ with Active Fresh Blue Light technology keeps fresh food fresher three times longer than the average refrigerator – for up to 30 days! Our technology retains vitamins and nutrients that simulates natural lighting conditions, extending the photosynthesis process of fruits and vegetables in your refrigerator.



IONGUARD®

Advanced IonGuard® technology creates a fresh air environment inside your refrigerator to protect and preserve foods longer and eliminate odor transfer.



FREEZE GUARD

Beko Freeze Guard technology uses an inverter compressor and electronic temperature control system to ensure the freezer continues to work in ambient temperatures as low as 5° F, without any loss of performance.*

*The fridge compartment will not work properly in low temperatures, so we recommend you only use the freezer compartment in low ambient temperatures.

30" Bottom Freezer Refrigerator, Right Hinge

PERFORMANCE	
Fresh Food Temperature Range*	33° F to 46° F
Freezer Temperature Range*	-11° F to 0° F
Environment Temperature Range	Operates in Temperatures Between 32° F and 110° F
Freeze Guard	Yes, Freezer Operates in Temperatures as Low as 5° F
Modes	On/Off Power, Temperature Control, Quick Freeze, Vacation, Economy, Sabbath
Compressor	Variable Speed VCC
ENERGY STAR® Certified	Yes
Annual Energy Consumption	444 kwh/year

FRESH FOOD FEATURES	
Water Filter with Alert (6 Months)	–
Crispers	1 - Full-Width, Humidity Controlled
EverFresh+™ Crispers	Yes
Active Fresh Blue Light™ Crispers	Yes
Full-Width Deli Drawer	–
Shelves	2 - Full-Depth, Safety Glass (2 Adjustable)
Total Number of Door Bins	3
Gallon-Sized Door Bins	–
Odor Control Technology	IonGuard®
Sabbath Mode	–
Eco-Mode	Yes
Door Open Alarm	Yes
Interior Illumination	LED - Side Walls

FREEZER FEATURES	
Freezer Configuration	Swing Door
Freezer Drawers / Baskets / Bins	2 Drawers
Freezer Shelves	1 Wire
Freezer Interior Illumination	Yes
Automatic Ice Maker	–
Ice Maker Ready	–
Auto Defrost	Yes

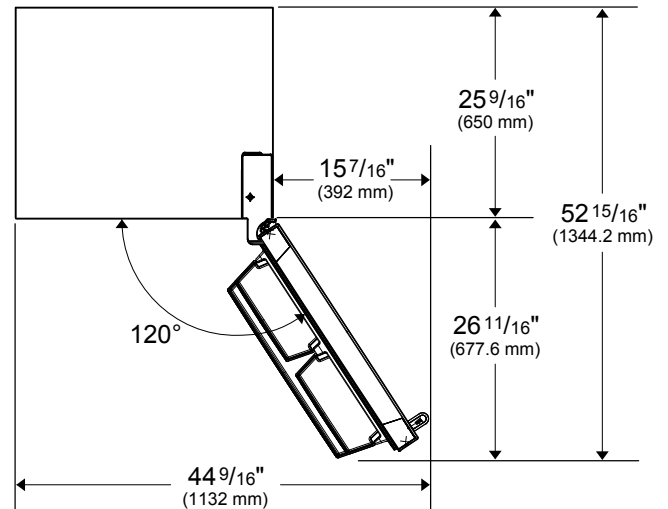
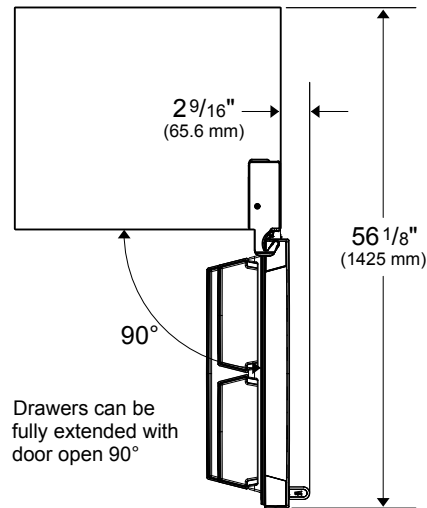
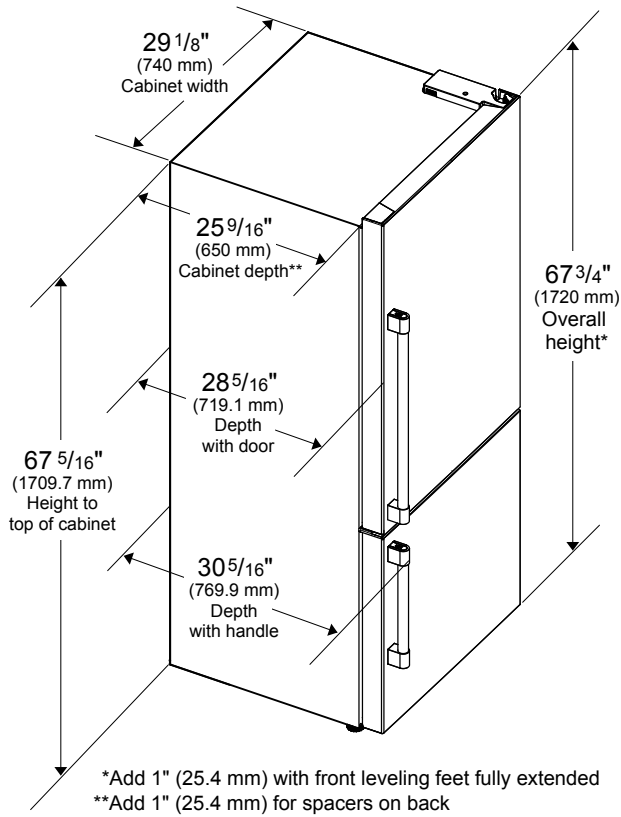
TECHNICAL INFORMATION	
Volts / Frequency	120 V / 60 Hz
Rated Current (A)	1.9 A
Min. Circuit Breaker Size	15 Amp
Sound Level	43 dBA
Refrigerant Type	R600a
Plug Type	NEMA 3-Prong
Power Cord Length	6 ft.
Reversible Doors	–

DIMENSIONS & WEIGHT	
Product (H x W x D) (in)	67 ³ / ₄ x 29 ¹ / ₈ x 30 ⁵ / ₁₆
Height With Hinge Cap	67 ³ / ₄
Height Without Hinge Cap	67 ⁵ / ₁₆
Depth With Handles	30 ⁵ / ₁₆
Depth Without Handles	28 ⁵ / ₁₆
Depth Without Doors	25 ⁹ / ₁₆
Carton (H x W x D) (in)	71 ¹¹ / ₁₆ x 32 x 31 ¹ / ₁₆
Product Weight (lbs)	208
Shipping Weight (lbs)	223

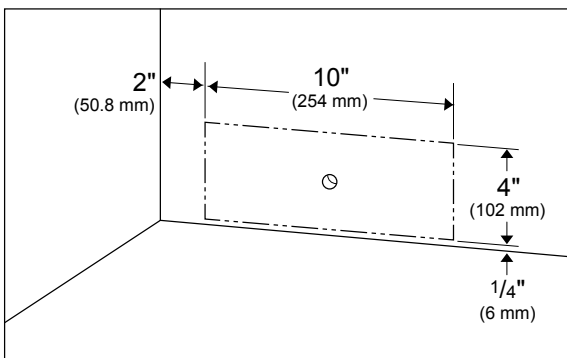
WARRANTY	
Entire Appliance (Parts & Labor)	2-year Full Warranty
Sealed System (Parts Only)	5-year Limited Warranty

* Actual temperatures may vary with environment and other factors

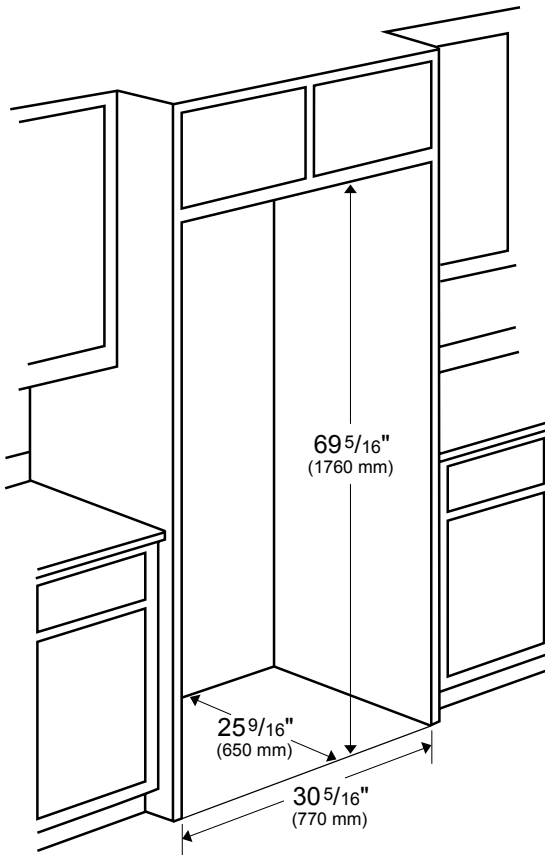
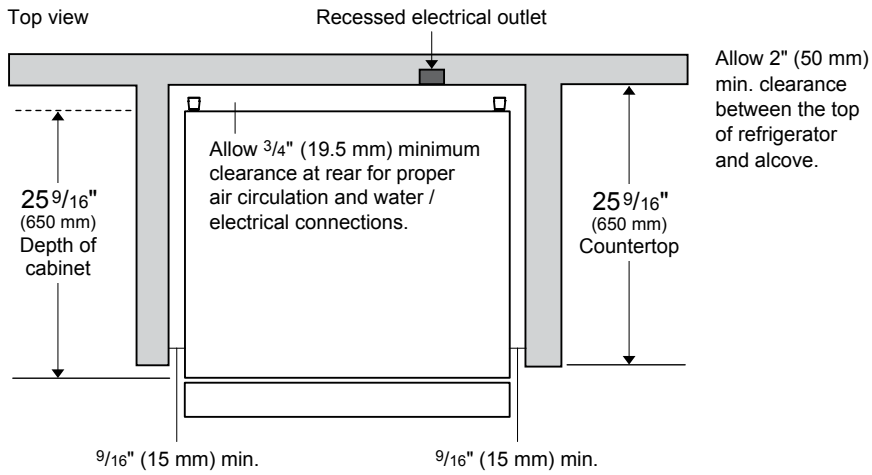
30" Bottom Freezer Refrigerator, Right Hinge



Water Location (Models with Ice Maker)



30" Bottom Freezer Refrigerator, Right Hinge



NOTE TO THE INSTALLER: All height, width, and depth dimensions are shown in inches (as well as metric). Beko U.S., Inc. reserves the absolute and unrestricted right to change product materials and specifications, at any time, without notice. Please visit our website, www.BekoAppliances.com, or call 888.352.2356 to verify the latest specifications with final dimensional data and other details prior to installation and making a cutout. Applicable product limited warranty information may be found in accompanying product materials, or you may contact your account manager for further details. Proper installation is the responsibility of the installer. Product failure due to improper installation is not covered under the Limited Warranty.