

# 24" Counter Depth, Bottom-Freezer Refrigerator

**BFBF2412SS**



GENERAL	
Cooling System	NeoFrost Dual Cooling Technology
Control System	Electronic Control
Finish	Fingerprint-free Stainless Steel
CAPACITY	
Total Net Volume	10.34 cu. ft.
Fresh Food Net Volume	6.85 cu. ft.
Freezer Net Volume	3.49 cu. ft.
FRIDGE FEATURES	
Electronic Control Display Type	Digital Inner Display
Auto Defrost	Yes
LED Inner Illumination	LED- Ceiling
Auto Defrost	Yes
Shelves	3 Safety Glass
Crispers	1
Door Racks	3
Wine Rack	Yes
Bottle Gripper	Yes
Compressor	Variable Speed VCC
Fan Ventilation	Yes
FREEZER FEATURES	
Auto Defrost	Yes
Number of Freezer Drawers	3
Ice Cube Tray	Yes
PERFORMANCE	
Annual Energy Consumption	302 kwh/year
Cooling Gas	R600a
TECHNICAL INFORMATION	
Supply Voltage	120 V / 60 Hz
Rated Current	4 A
Noise Level	43 dBA
DIMENSIONS	
Product Dimensions (H x W x D)	68 <sup>3</sup> / <sub>8</sub> " x 23 <sup>7</sup> / <sub>16</sub> " x 25 <sup>11</sup> / <sub>16</sub> " (173.6 x 59.5 x 65.2 cm)
Product Weight, lbs.	150 lbs. (68.3 kg)
Packed Dimensions (H x W x D)	70 <sup>9</sup> / <sub>16</sub> " x 25 <sup>1</sup> / <sub>4</sub> " x 29 <sup>1</sup> / <sub>8</sub> " (179.2 x 64.2 x 74 cm)
Packed Weight, lbs.	157 lbs. (71.3 kg)

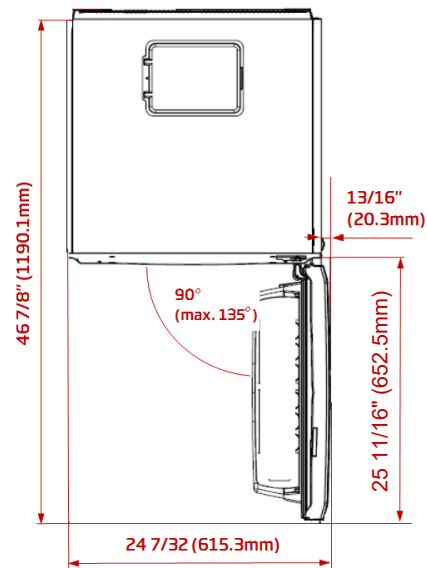
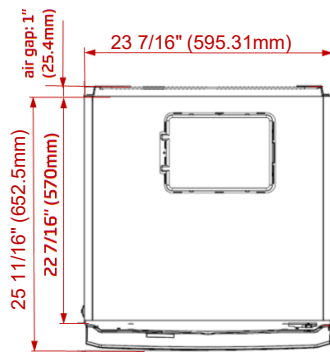
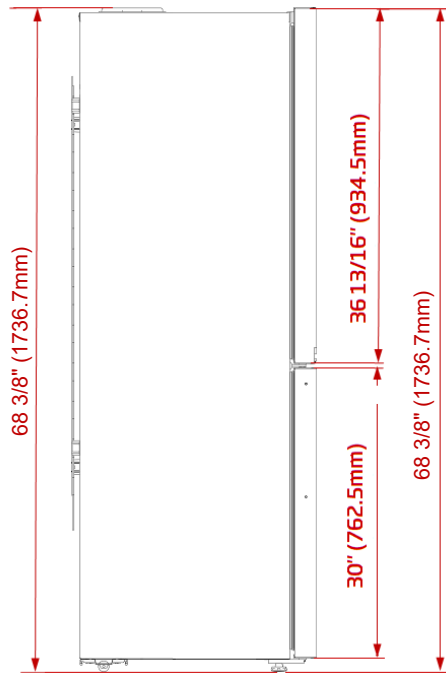


## FRIDGE FEATURES

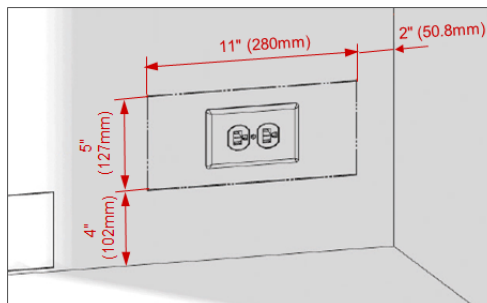
- NeoFrost Dual Cooling Technology
- Zone Temperature Adjustability
- Field reversibility of Doors
- Inner Digital Display
- Interior LED Lighting
- Professional Design

# 24" Counter Depth, Bottom-Freezer Refrigerator

BFBF2412SS



## Electrical



NOTE TO THE INSTALLER: All height, width, and depth dimensions are shown in inches (as well as metric). Beko U.S., Inc. reserves the absolute and unrestricted right to change product materials and specifications, at any time, without notice. Please visit our website, [www.BekoAppliances.com](http://www.BekoAppliances.com), or call 888.352.2356 to verify the latest specifications with final dimensional data and other details prior to installation and making a cutout. Applicable product limited warranty information may be found in accompanying product materials, or you may contact your account manager for further details. Proper installation is the responsibility of the installer. Product failure due to improper installation is not covered under the Limited Warranty.

888.352.BEKO(2356) | [BekoAppliances.com](http://BekoAppliances.com)

