

24" Tall Tub, Top Control Dishwasher

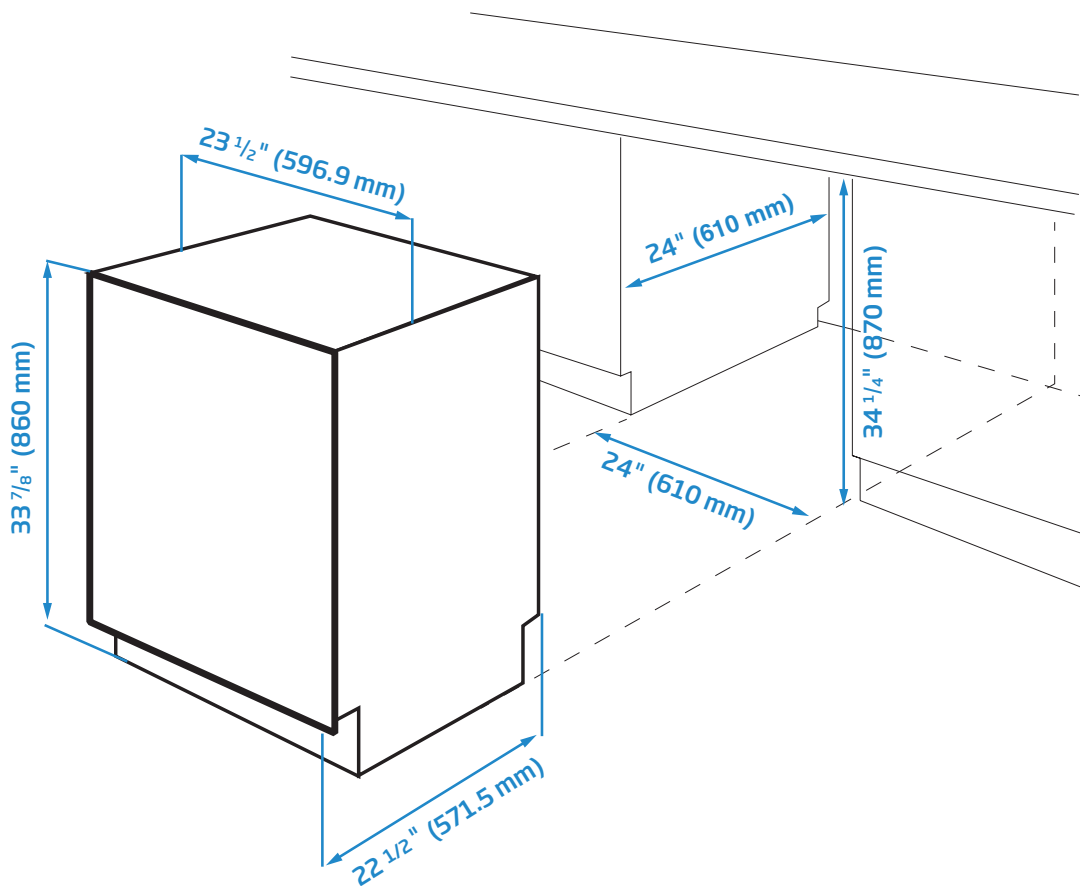
DDT25400XP



KEY FEATURES

- 14 Place Settings
- 5 programs
- 48 dBA Silence Level
- Aqualtense
- IonGuard
- Aquaflex
- 5 Level Wash
- 3-way Filtration System

GENERAL	
Control Type	Electronic
Position	Top Control
Finish	Fingerprint-free Stainless Steel
MAIN FEATURES	
Loading Capacity (Place Settings)	14
Tub Material	Stainless Steel
Inner Door Material	Stainless Steel
DMSF Overflow Protection	Yes
5 Level Wash with 3rd Spray Arm	Yes
Delay Timer Up to 1-24 Hour	Yes
3-way Filtration System	Yes
Drying System	Static
ProSmart Inverter Motor	Yes
Turbidity Sensor	Yes
SilentTech	48 dBA
Interior High Loop with Air Gap	Yes
FUNCTIONS	
Sanitize Function	Yes
InnerClean	Yes
FastClean	Yes
Auto Tablet Function	Yes
Half Load Function	Yes
PROGRAMS	
Number of Programs	5
Normal	Yes
Heavy Plus	Yes
Clean & Shine	Yes
Express	Yes
Rinse & Hold	Yes
DISPLAY	
Program Sequence	Digital Display
Rinse Aid Indicator Display	Yes
Rinse Aid Indicator	Electronic
LED Spot (Light Indicator On Floor)	Yes
RACK SYSTEM	
Cutlery Basket	Sliding
Upper Rack (Inset Shelves)	2
Easy Fold Upper Rack Folding Tines	Yes
Adjustable Upper Rack	Unloaded
Nylon Coated Racks	Yes
ENVIRONMENTAL STANDARDS	
Energy Consumption	255 kWh/year
Water Consumption	3.5 – 5.0 gal. / cycle
DIMENSIONS	
H x W x D, in.	33 ⁷ / ₈ " x 23 ¹ / ₂ " x 22 ¹ / ₂ "
H x W x D, cm	86 x 59.6 x 57.15 cm
Product Weight	87lbs. (40 kg)



NOTE TO THE INSTALLER: All height, width, and depth dimensions are shown in inches (as well as metric). Beko U.S., Inc. reserves the absolute and unrestricted right to change product materials and specifications, at any time, without notice. Please visit our website, www.BekoAppliances.com, or call 888.352.2356 to verify the latest specifications with final dimensional data and other details prior to installation and making a cutout. Applicable product limited warranty information may be found in accompanying product materials, or you may contact your account manager for further details. Proper installation is the responsibility of the installer. Product failure due to improper installation is not covered under the Limited Warranty.