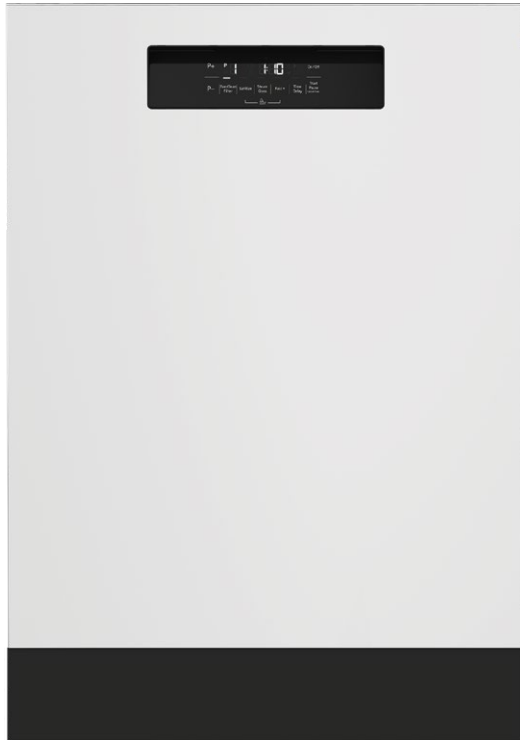


# DUT36522W



Front Control, Pocket Handle Dishwasher, 6 Programs, 45 dBA



## GENERAL PROPERTIES

Style	Front Control
Finish	White
Handle	Pocket Handle
Connectivity	–
Tub Type	Tall Tub
Tub and Door Liner	Stainless Steel
Control Type	Electronic Touch Control
Toe Kick	Black Plastic
Leveling System	4 Leveling Legs

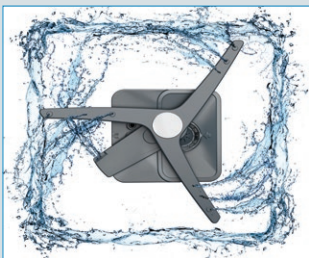
## EFFICIENCY

Energy Efficiency Class	Tier 1
ENERGY STAR® Certified	Most Efficient
Total Annual Energy Consumption (kWh)	230 kWh/year
Total Annual Water Consumption (g)	2.32 - 5.60 g/cycle



CEE Tier 1

## PREMIUM TECHNOLOGY



### CORNERINTENSE®

The specially designed spray arm rotates on a movable axis instead of a fixed axis. Jets of water continually move in more than just one fixed pattern, to completely cover every part of the dishwasher. It cleans dishes like never before, while using half the water and two-thirds the energy.\*

\*As compared to US Federal Standards for dishwasher water and energy usage.



### EVERCLEAN™ FILTER

EverClean™ filter technology keeps your dishwasher's filter clean up to four times longer to help maintain the quality of each cycle's wash. A special sprinkler system is built inside the filter which moves in a circular motion to clean the filter's interior.



### FULL-SIZE THIRD RACK

This removable rack gives you extra capacity for cutlery and espresso cups while still allowing for glassware and bowls in the upper basket.



# DUT36522W



Front Control, Pocket Handle Dishwasher, 6 Programs, 45 dBA

## FEATURES

Number of Wash Cycles	6
SilentTech™	45 dBA
CornerIntense®	Yes
Deep Wash	–
EverClean™ Filter	Yes
SelfDry	–
IonGuard	–
Drying System	Active Ventilation
Interior Illumination	–
DMSF Overflow Protection	Yes
Turbidity Sensor	Yes
Delay Timer	Yes
Detergent & Rinse Aid Dispenser (with Indicator)	Yes
Flood Protection	Yes
Overflow Safety	Yes
Water Softener	–
Watertap Indicator	Yes
LED Spot (Light Indicator on Floor)	–
Interior High Loop with Air Gap	Yes
All-In-1 Tablet	Yes
ProSmart Inverter Motor	Yes
NSF®-Certified – Sanitize Option	Yes

## RACK SYSTEM

Full Size Third Rack	Yes, with Cutlery Tray
Easy Fold Lower Rack Tines	–
Cutlery Basket	Standard, Full-Size
Upper Rack	Standard, 2 Mug Shelves
Easy Fold Upper Rack Tines	–
Height-Adjustable Upper Rack	Yes, 3 Positions, when Loaded
Nylon Coated Racks	Yes

## CAPACITY

Number of Place Settings	15
--------------------------	----

## TECHNICAL INFORMATION

Total Power (W)	1,400 W
Current (A)	12 A
Volts (A)	120 V
Frequency (Hz)	60 Hz
Power Cord Full Length	Yes
Power Cord Install Length from Edge of Unit when Facing the Door	4 ft.
Minimum Water Pressure (psi)	4.35 – 145
Length Discharge Hose	6 ft.

## DIMENSIONS & WEIGHT

Product (H x W x D) (in)	33 <sup>7</sup> / <sub>8</sub> x 23 <sup>9</sup> / <sub>16</sub> x 22 <sup>7</sup> / <sub>16</sub>
Required Cutout Dimensions (H x W x D) (in)	34 x 24 x 24
Net Weight (lbs)	91.9

## ACCESSORIES (INCLUDED)

Installation Accessory Pack	1784430063
Toe Kick	1765810101

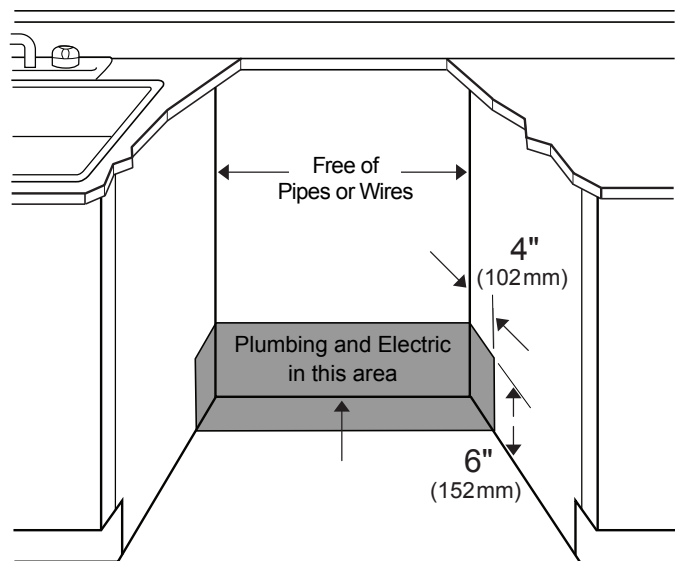
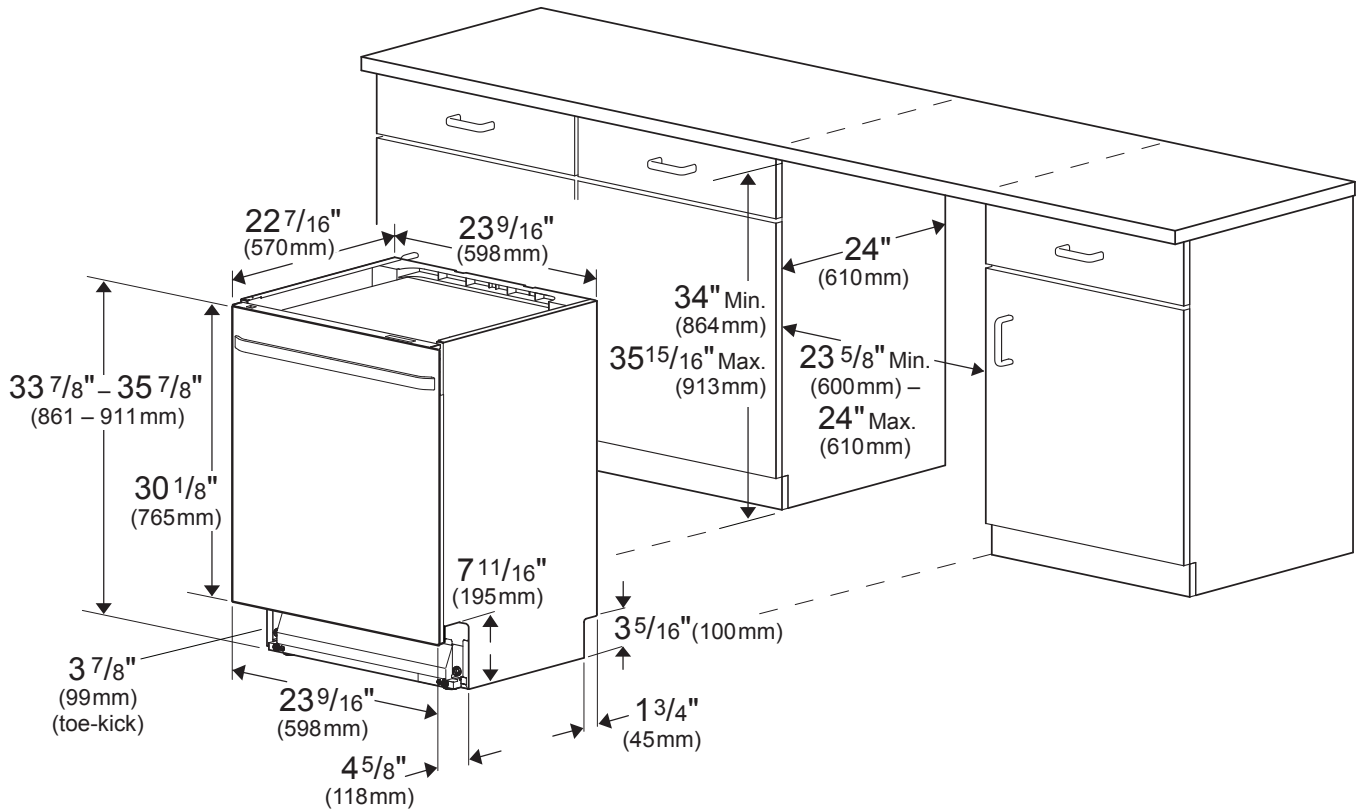
## WARRANTY

All Products	2-Year Full Warranty
ProSmart Inverter Motor	10-Year Warranty – Parts Only

# DUT36522W



Front Control, Pocket Handle Dishwasher, 6 Programs, 45 dBA



NOTE TO THE INSTALLER: All height, width, and depth dimensions are shown in inches (as well as metric). Beko U.S., Inc. reserves the absolute and unrestricted right to change product materials and specifications, at any time, without notice. Please visit our website, [www.BekoAppliances.com](http://www.BekoAppliances.com), or call 888.352.2356 to verify the latest specifications with final dimensional data and other details prior to installation and making a cutout. Applicable product limited warranty information may be found in accompanying product materials, or you may contact your account manager for further details. Proper installation is the responsibility of the installer. Product failure due to improper installation is not covered under the Limited Warranty.