

24" Tall Tub, Top Control Dishwasher

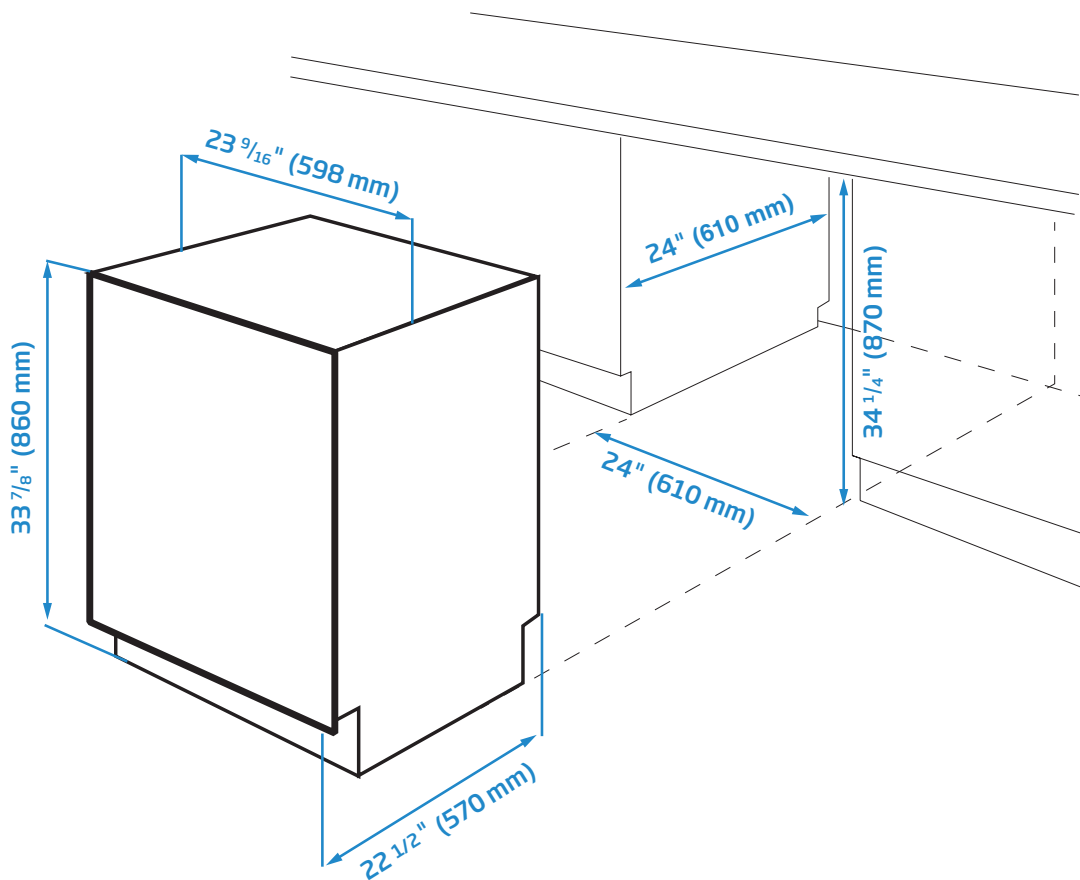
DDT29430X



KEY FEATURES

- 14 Place Settings
- 9 programs
- 40 dBA Silence Level
- IonGuard
- Aquaflex

GENERAL	
Control Type	Electronic
Position	Top Control
Finish	Fingerprint-free Stainless Steel
MAIN FEATURES	
Loading Capacity (Place Settings)	14
Tub Material	Stainless Steel
Inner Door Material	Stainless Steel
Inner Illumination	Yes
Water Softener	Yes
DMSF Overflow Protection	Yes
Delay Timer Up to 1-24 Hour	Yes
Drying System	Closed Fan
ProSmart Inverter Motor	Yes
Turbidity Sensor	Yes
IonGuard	Yes
SilentTech	45 dBA
Interior High Loop with Air Gap	Yes
FUNCTIONS	
Auto Tablet Function	Yes
InnerClean	Yes
Half Load Function	Yes
Sanitize Function	Yes
SteamGloss Function	Yes
PROGRAMS	
Number of Programs	9
Heavy	Yes
Auto Program	Yes
AquaFlex	Yes
Normal	Yes
Express	Yes
Rinse & Hold	Yes
DISPLAY	
Program Sequence	Digital Display
Rinse Aid Indicator Display	Yes
Rinse Aid Indicator	Electronic
Salt Indicator Display	Yes
LED Spot (Light Indicator On Floor)	Yes
RACK SYSTEM	
Easy Fold Lower Rack Folding Tines	Yes
Lower Rack Embossed Stainless Handle	Yes
Cutlery Basket	Sliding
Upper Rack (Inset Shelves)	4
Easy Fold Upper Rack Folding Tines	Yes
Adjustable Upper Rack	Loaded
Removable 3rd Rack	Yes
Nylon Coated Racks	Yes
ENVIRONMENTAL STANDARDS	
Energy Consumption	256 kWh/year
Water Consumption	2.4 – 4.7 gal./cycle
DIMENSIONS	
H x W x D, in.	33 ⁷ / ₈ " x 23 ⁹ / ₁₆ " x 22 ¹ / ₂ "
H x W x D, cm	86.1 x 59.8 x 57
Product Weight	98 lbs. (45 kg)



NOTE TO THE INSTALLER: All height, width, and depth dimensions are shown in inches (as well as metric). Beko U.S., Inc. reserves the absolute and unrestricted right to change product materials and specifications, at any time, without notice. Please visit our website, www.BekoAppliances.com, or call 888.352.2356 to verify the latest specifications with final dimensional data and other details prior to installation and making a cutout. Applicable product limited warranty information may be found in accompanying product materials, or you may contact your account manager for further details. Proper installation is the responsibility of the installer. Product failure due to improper installation is not covered under the Limited Warranty.