

SLGR30532SS

30" Slide-In Gas Range



GENERAL PROPERTIES

Type	Freestanding / Slide-In
Size	30"
Finish	Stainless Steel
Oven Control Type	Electronic Controls with Multi-Color LED Display
Cooktop Control Type	Metal Knobs
Control Key Lock	Yes
Drawer Type	Warming (150-200°F)
Exterior Side Walls	Black
Fuel Type	Natural Gas

OVEN FEATURES & FUNCTIONS

Capacity	5.7 cu. ft. (Main Oven) + 1 cu. ft. (Warming Drawer)
Convection Type	Fan Assisted
Functions	12

PREMIUM TECHNOLOGY



LARGER OVEN CAPACITY

For the cook who enjoys some extra elbow room, Beko's 30" range interiors are among the most spacious in their class. With an industry-leading 5.7 cu. ft. interior volume, you'll have more than enough room for the caramelized vegetables and tender roast at your next dinner party.



TELESCOPIC ROLLER-RACK*

The rack fully extends on heavy duty rails so you can safely access even the heaviest dishes with ease, without reaching into the oven.



INTERIOR HALOGEN LIGHTING

Elegant dual halogen lights make it easy to see what's cooking in Beko's bright oven interior.

*Can be used only in the lowest rack position

SLGR30532SS



30" Slide-In Gas Range

OVEN FEATURES & FUNCTIONS CONTINUED

Cooking Functions	Bake, Broil, Roast, Convection Bake, Convection Roast, Prime Turkey, Bread Proof
Pyrolytic Self-Cleaning	Yes
Sabbath Mode	Yes
Door Cooling System	4 Pane Heat-Resistant Glass (Fixed)
Interior Illumination	2 x Halogen Lights
Telescopic Roller-Rack	1 (Lowest Position)
Oven Racks	3
Oven Rack Positions	6
12-24 Hour Clock Format	Yes
Preheat Indicator (Audible Signal)	Yes

COOKTOP – FEATURES & PERFORMANCE

Burner Configuration	5 Burners
Front Left	12,500 BTU
Rear Left	8,000 BTU
Center	10,000 BTU Oval
Front Right	16,000 BTU Dual Ring
Rear Right	8,000 BTU
Simmer Function	Yes
Grates	Cast Iron*
Electric Ignition with Auto Reignition	Yes

TECHNICAL INFORMATION

Volts / Frequency	110-120 V, 60 Hz
Power Cord	Attached to Range
High Altitude Installation up to an Elevation of 7,800 ft.	Yes **

DIMENSIONS & WEIGHT

Product (H x W x D) (in)	37 1/2 - 38 1/4 x 29 13/16 x 28 5/8
Depth (Incl. Handle) (in)	28 5/8
Depth (w/o Handle) (in)	26
Adjustable Leveling Feet	Yes
Required Cutout Size (H x W x D) (in)	36 x 30 x 25
Carton (H x W x D) (in)	32 3/4 x 45 3/8 x 27 9/16
Product Weight (lbs)	293.21
Shipping Weight (lbs)	348.33

ACCESSORIES (INCLUDED)

LP Conversion Kit	Yes
Cast Iron Wok Ring Attachment	Yes
Island Trim	Yes
Anti-Tip Bracket	Yes

ACCESSORIES (OPTIONAL / NOT INCLUDED)

Side Trim Kit, Stainless Steel	OW3001
Side Trim Kit, Black	OW3002
Backguard	BG3003
Griddle	G3002

WARRANTY

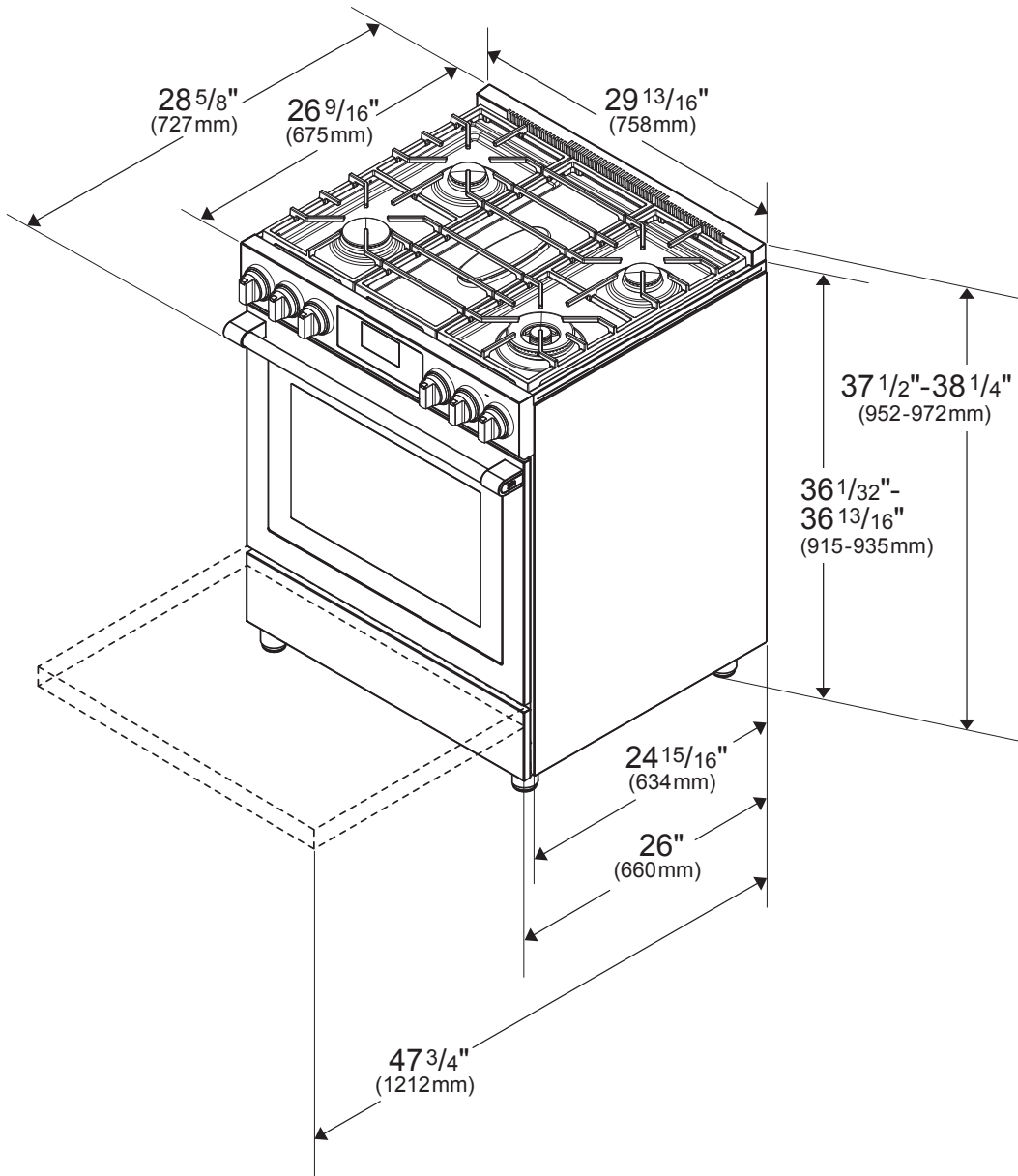
Parts & Labor	2-Year Full Warranty
---------------	----------------------

*Hand wash only; grates are not dishwasher-safe

**This appliance has been tested and it has been confirmed that it will operate in compliance with the applicable standards up to an elevation of 7,800 ft (2,377m) without any modification.

SLGR30532SS

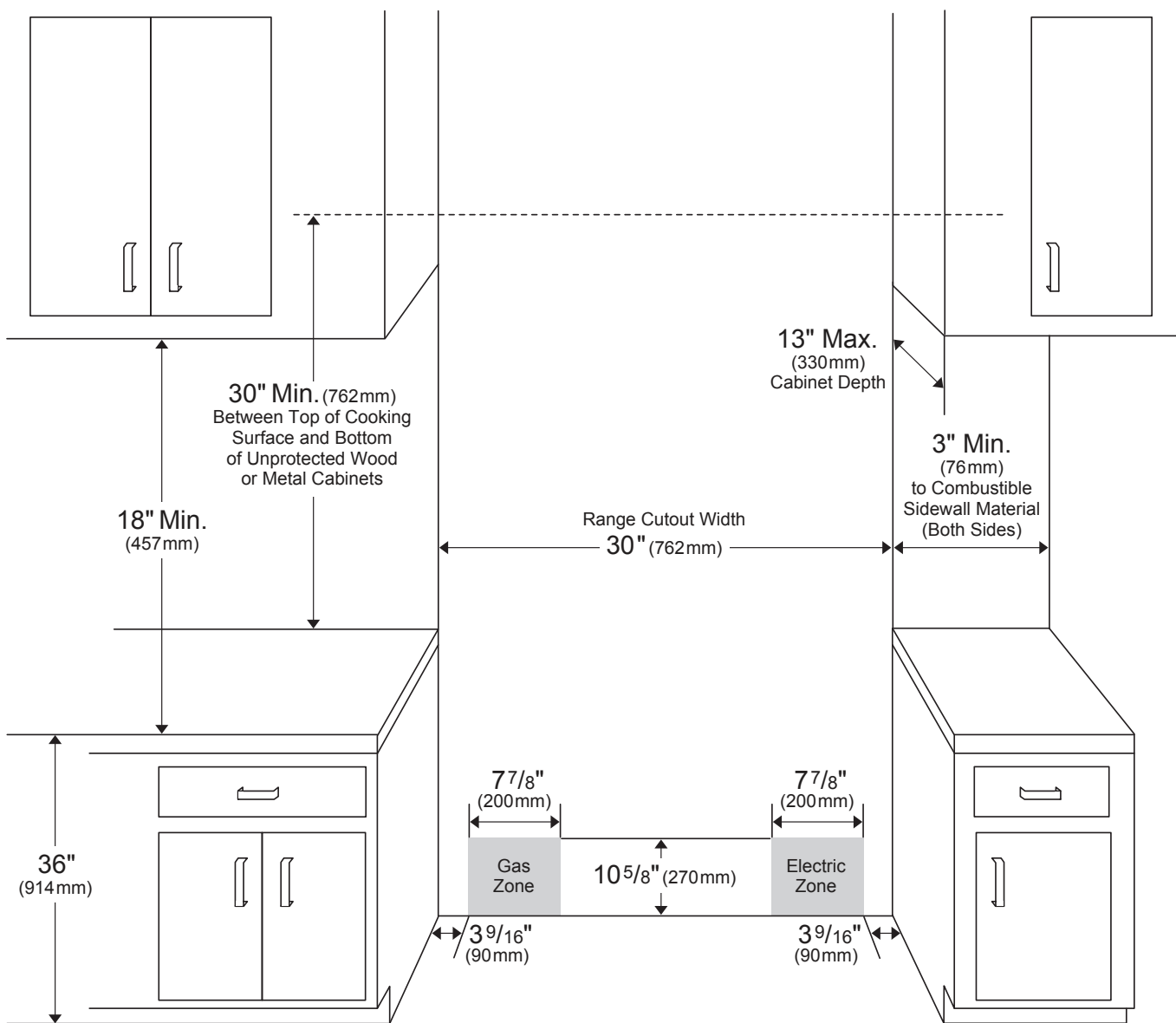
30" Slide-In Gas Range



SLGR30532SS



30" Slide-In Gas Range



NOTE TO THE INSTALLER: All height, width, and depth dimensions are shown in inches (as well as metric). Beko U.S., Inc. reserves the absolute and unrestricted right to change product materials and specifications, at any time, without notice. Please visit our website, www.BekoAppliances.com, or call 888.352.2356 to verify the latest specifications with final dimensional data and other details prior to installation and making a cutout. Applicable product limited warranty information may be found in accompanying product materials, or you may contact your account manager for further details. Proper installation is the responsibility of the installer. Product failure due to improper installation is not covered under the Limited Warranty.