

SLGR30432SS

30" Slide-In Gas Range



Image Shown is Not Final

GENERAL PROPERTIES

| | |
|----------------------|--|
| Type | Freestanding / Slide-In |
| Size | 30" |
| Finish | Stainless Steel |
| Oven Control Type | Electronic Controls with Multi-Color LED Display |
| Cooktop Control Type | Metal Knobs |
| Control Key Lock | Yes |
| Drawer Type | Storage |
| Exterior Side Walls | Black |
| Fuel Type | Natural Gas |

OVEN FEATURES & FUNCTIONS

| | |
|-----------------|--|
| Capacity | 5.7 cu. ft. (Main Oven) + 1 cu. ft. (Storage Drawer) |
| Convection Type | Fan Assisted |
| Functions | 12 |

PREMIUM TECHNOLOGY



LARGER OVEN CAPACITY

For the cook who enjoys some extra elbow room, Beko's 30" range interiors are among the most spacious in their class. With an industry-leading 5.7 cu. ft. interior volume, you'll have more than enough room for the caramelized vegetables and tender roast at your next dinner party.



INTERIOR HALOGEN LIGHTING

Elegant dual halogen lights make it easy to see what's cooking in Beko's bright oven interior.

SLGR30432SS



30" Slide-In Gas Range

OVEN FEATURES & FUNCTIONS CONTINUED

| | |
|------------------------------------|--|
| Cooking Functions | Bake, Broil, Roast, Convection Bake, Convection Roast, Prime Turkey, Bread Proof |
| Pyrolytic Self-Cleaning | Yes |
| Sabbath Mode | Yes |
| Door Cooling System | 4 Pane Heat-Resistant Glass (Fixed) |
| Interior Illumination | 2 x Halogen Lights |
| Oven Racks | 2 |
| Oven Rack Positions | 6 |
| 12-24 Hour Clock Format | Yes |
| Preheat Indicator (Audible Signal) | Yes |

COOKTOP – FEATURES & PERFORMANCE

| | |
|--|------------|
| Burner Configuration | 4 Burners |
| Front Left | 12,500 BTU |
| Rear Left | 8,000 BTU |
| Center | – |
| Front Right | 12,500 BTU |
| Rear Right | 8,000 BTU |
| Grates | Cast Iron* |
| Electric Ignition with Auto Reignition | Yes |

TECHNICAL INFORMATION

| | |
|-------------------|-------------------|
| Volts / Frequency | 110-120 V, 60 Hz |
| Power Cord | Attached to Range |

DIMENSIONS & WEIGHT

| | |
|---------------------------------------|-----------------------------------|
| Product (H x W x D) (in) | 37 1/2-38 1/4 x 29 13/16 x 28 5/8 |
| Depth (Incl. Handle) (in) | 28 5/8 |
| Depth (w/o Handle) (in) | 26 |
| Adjustable Leveling Feet | Yes |
| Required Cutout Size (H x W x D) (in) | 36 x 30 x 25 |
| Carton (H x W x D) (in) | 34 1/4 x 37 13/16 x 27 9/16 |
| Product Weight (lbs) | 275.57 |
| Shipping Weight (lbs) | 330.69 |

ACCESSORIES (INCLUDED)

| | |
|-------------------|-----|
| LP Conversion Kit | Yes |
| Island Trim | Yes |
| Anti-Tip Bracket | Yes |

ACCESSORIES (OPTIONAL / NOT INCLUDED)

| | |
|--------------------------------|--------|
| Side Trim Kit, Stainless Steel | OW3001 |
| Side Trim Kit, Black | OW3002 |
| Backguard | BG3003 |

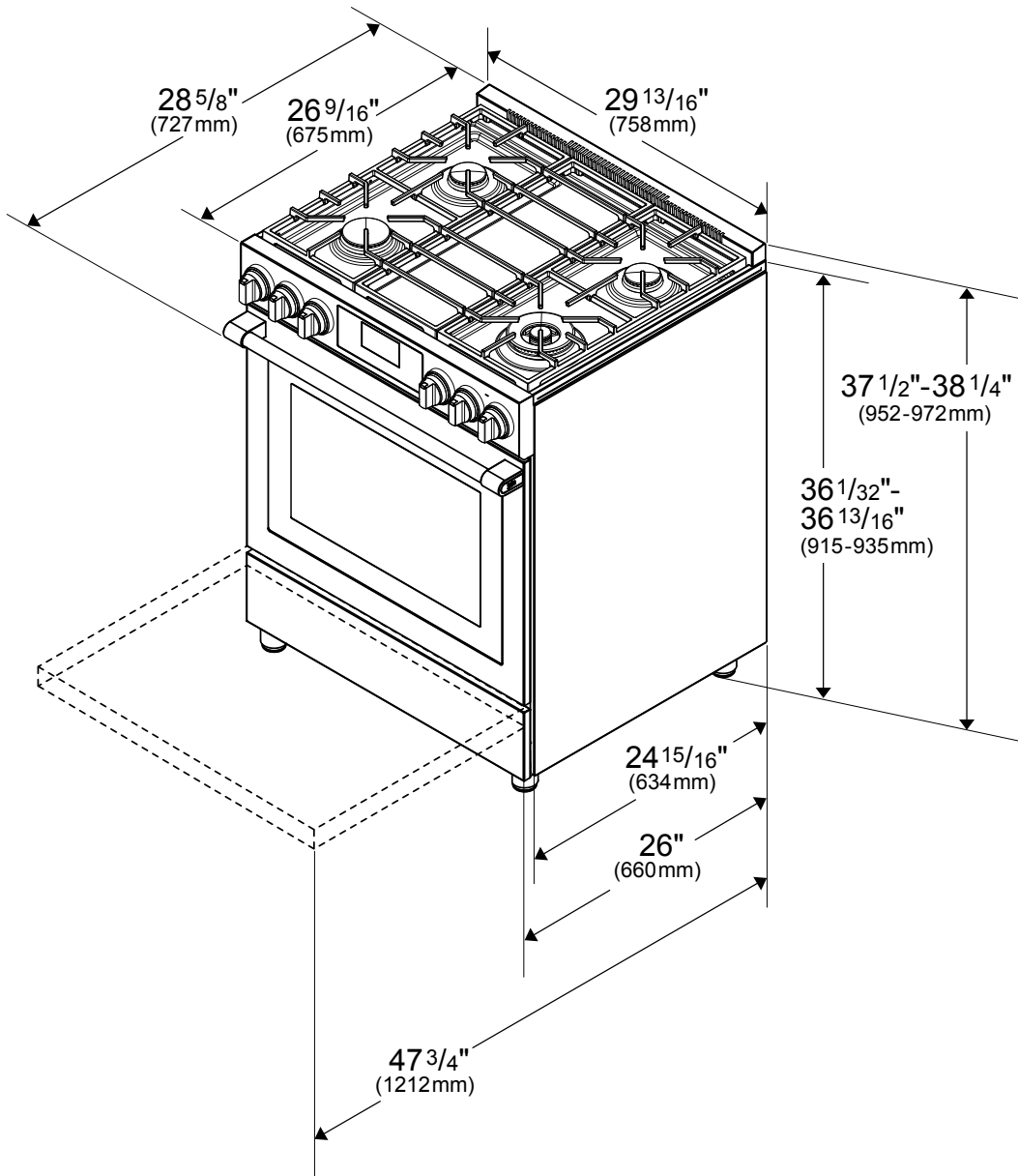
WARRANTY

| | |
|------------------|----------------------|
| Entire Appliance | 2-Year Full Warranty |
|------------------|----------------------|

*Hand wash only; grates are not dishwasher-safe

SLGR30432SS

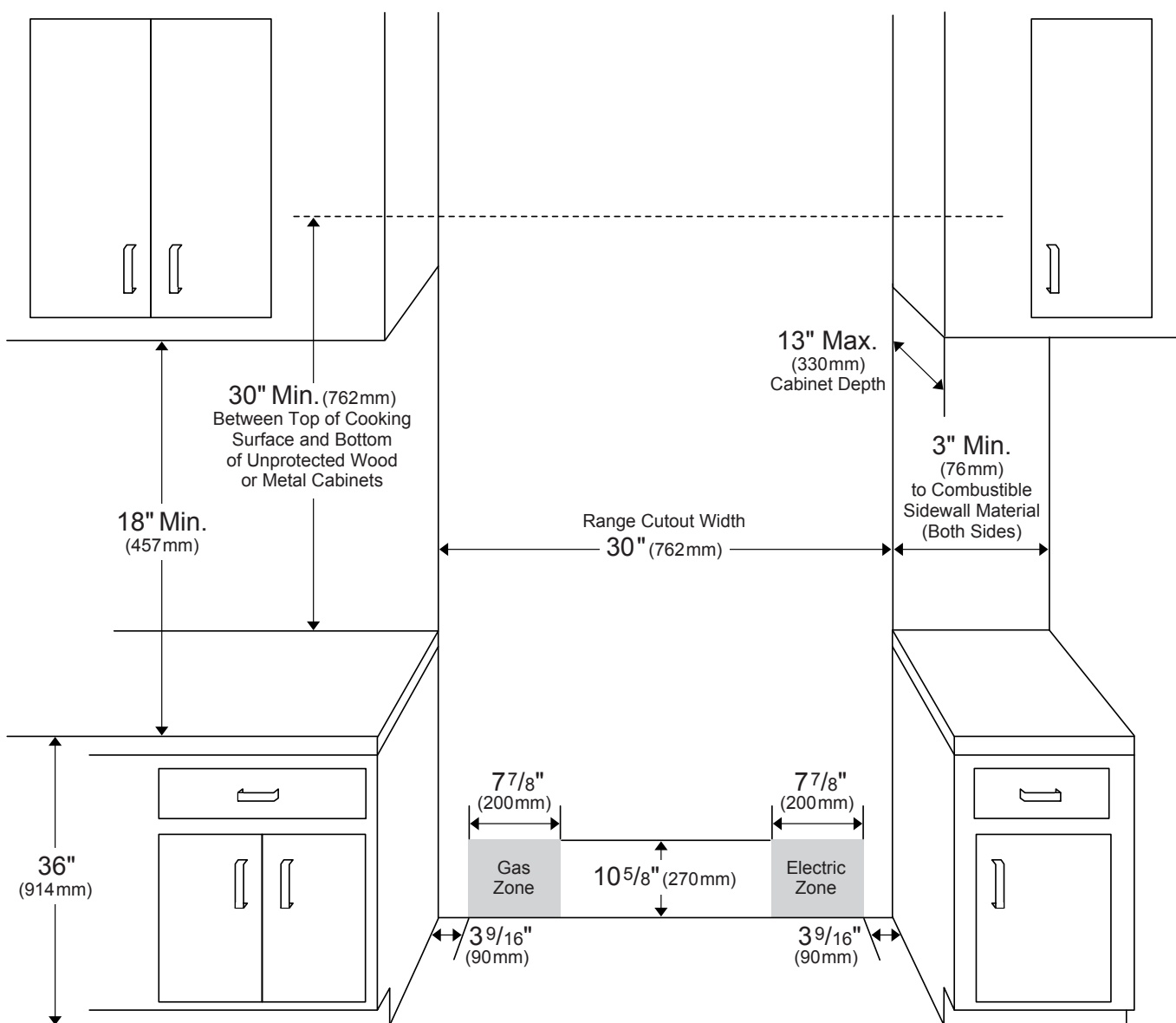
30" Slide-In Gas Range



SLGR30432SS



30" Slide-In Gas Range



NOTE TO THE INSTALLER: All height, width, and depth dimensions are shown in inches (as well as metric). Beko U.S., Inc. reserves the absolute and unrestricted right to change product materials and specifications, at any time, without notice. Please visit our website, www.BekoAppliances.com, or call 888.352.2356 to verify the latest specifications with final dimensional data and other details prior to installation and making a cutout. Applicable product limited warranty information may be found in accompanying product materials, or you may contact your account manager for further details. Proper installation is the responsibility of the installer. Product failure due to improper installation is not covered under the Limited Warranty.