

# SLER30432SS



## 30" Slide-In Electric Range



### GENERAL PROPERTIES

Type	Freestanding / Slide-In
Size	30"
Finish	Stainless Steel
Oven Control Type	Electronic Controls with Multi-Color LED Display
Cooktop Control Type	Metal Knobs
Control Key Lock	Yes
Drawer Type	Storage
Exterior Side Walls	Black
Fuel Type	Electric

### OVEN FEATURES & FUNCTIONS

Capacity	5.7 cu. ft. (Main Oven) + 1 cu. ft. (Storage Drawer)
Convection Type	True European Convection
Functions	12

## PREMIUM TECHNOLOGY



### LARGER OVEN CAPACITY

For the cook who enjoys some extra elbow room, Beko's 30" range interiors are among the most spacious in their class. With an industry-leading 5.7 cu. ft. interior volume, you'll have more than enough room for the caramelized vegetables and tender roast at your next dinner party.



### INTERIOR HALOGEN LIGHTING

Elegant dual halogen lights make it easy to see what's cooking in Beko's bright oven interior.

# SLER30432SS



## 30" Slide-In Electric Range

### OVEN FEATURES & FUNCTIONS CONTINUED

Cooking Functions	Bake, Broil, Roast, Convection Bake, Convection Broil, Convection Roast, Pizza Cooking, Warm Keep, Bread Proof, Sabbath Mode, Perfect Turkey, Self Clean
Pyrolytic Self-Cleaning	Yes
Sabbath Mode	Yes
Door Cooling System	4 Pane Heat-Resistant Glass (Fixed)
Interior Illumination	2 x Halogen Lights
Oven Racks	2
Oven Rack Positions	6
12-24 Hour Clock Format	Yes
Preheat Indicator (Audible Signal)	Yes

### COOKTOP – FEATURES & PERFORMANCE

Zone Configuration	4 Vitroceramic + 1 Warming Zone
Front Left	Dual 5" / 8" - 750 W / 2,200 W
Rear Left	8" - 2,200 W
Center	6" - 90 W Warming
Front Right	Dual 9" / 12" - 1,800 W / 3,000 W
Rear Right	6" - 1,500 W

### TECHNICAL INFORMATION

Volts / Frequency	240 / 208 V, 60 Hz
Min. Amps (A)	40 A
Power Cord	Required, Purchase Separately

### DIMENSIONS & WEIGHT

Product (H x W x D) (in)	37 1/2 - 38 1/4 x 29 13/16 x 28 5/8
Depth (Incl. Handle) (in)	28 5/8
Depth (w/o Handle) (in)	26
Adjustable Leveling Feet	Yes
Required Cutout Size (H x W x D) (in)	36 x 30 x 25
Carton (H x W x D) (in)	32 3/4 x 45 3/8 x 27 9/16
Product Weight (lbs)	249.12
Shipping Weight (lbs)	308.64

### ACCESSORIES (INCLUDED)

Island Trim	Yes
Anti-Tip Bracket	Yes

### ACCESSORIES (OPTIONAL / NOT INCLUDED)

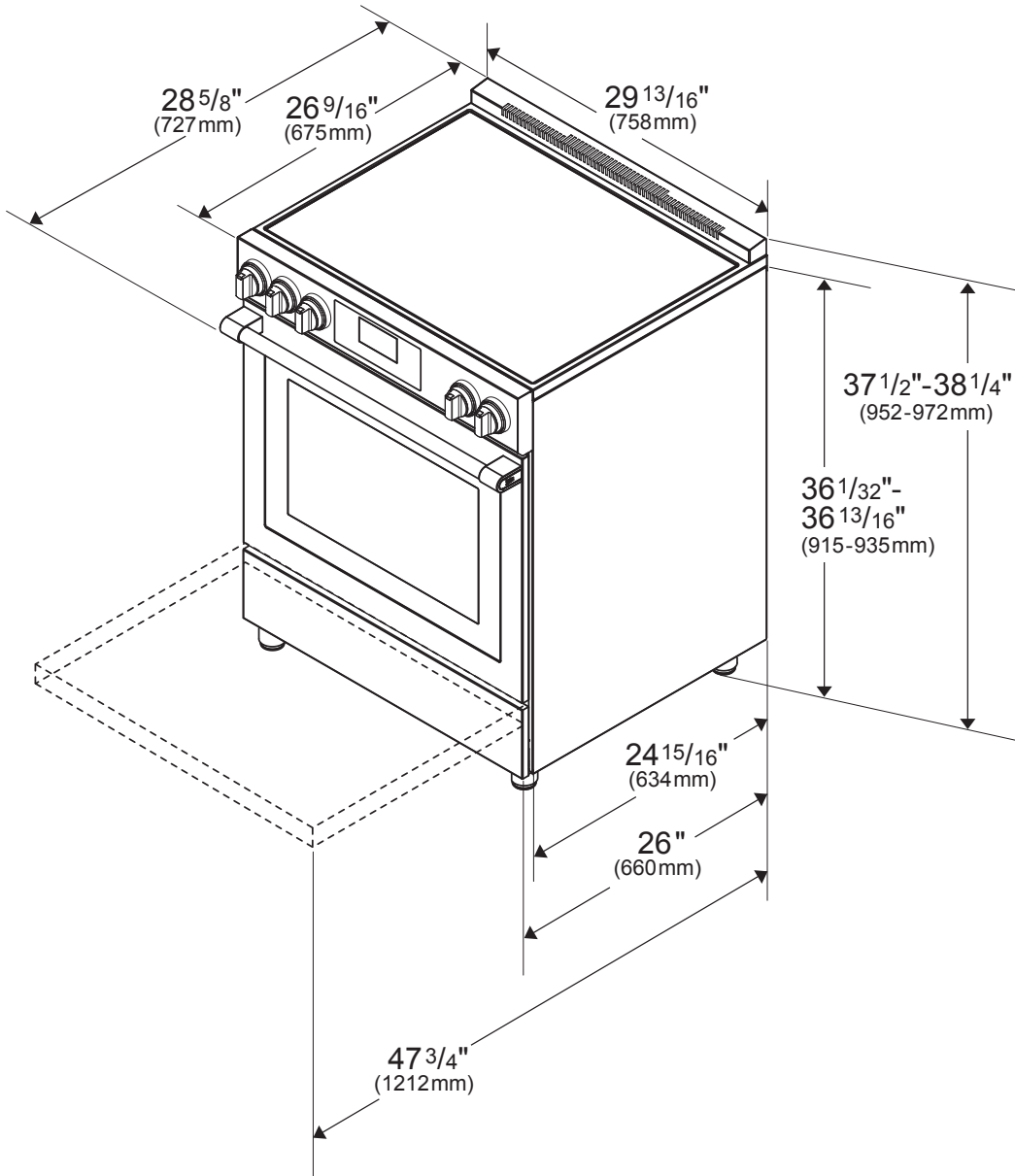
Side Trim Kit, Stainless Steel	OW3001
Side Trim Kit, Black	OW3002
Backguard	BG3004

### WARRANTY

Parts & Labor	2-Year Full Warranty
---------------	----------------------

# SLER30432SS

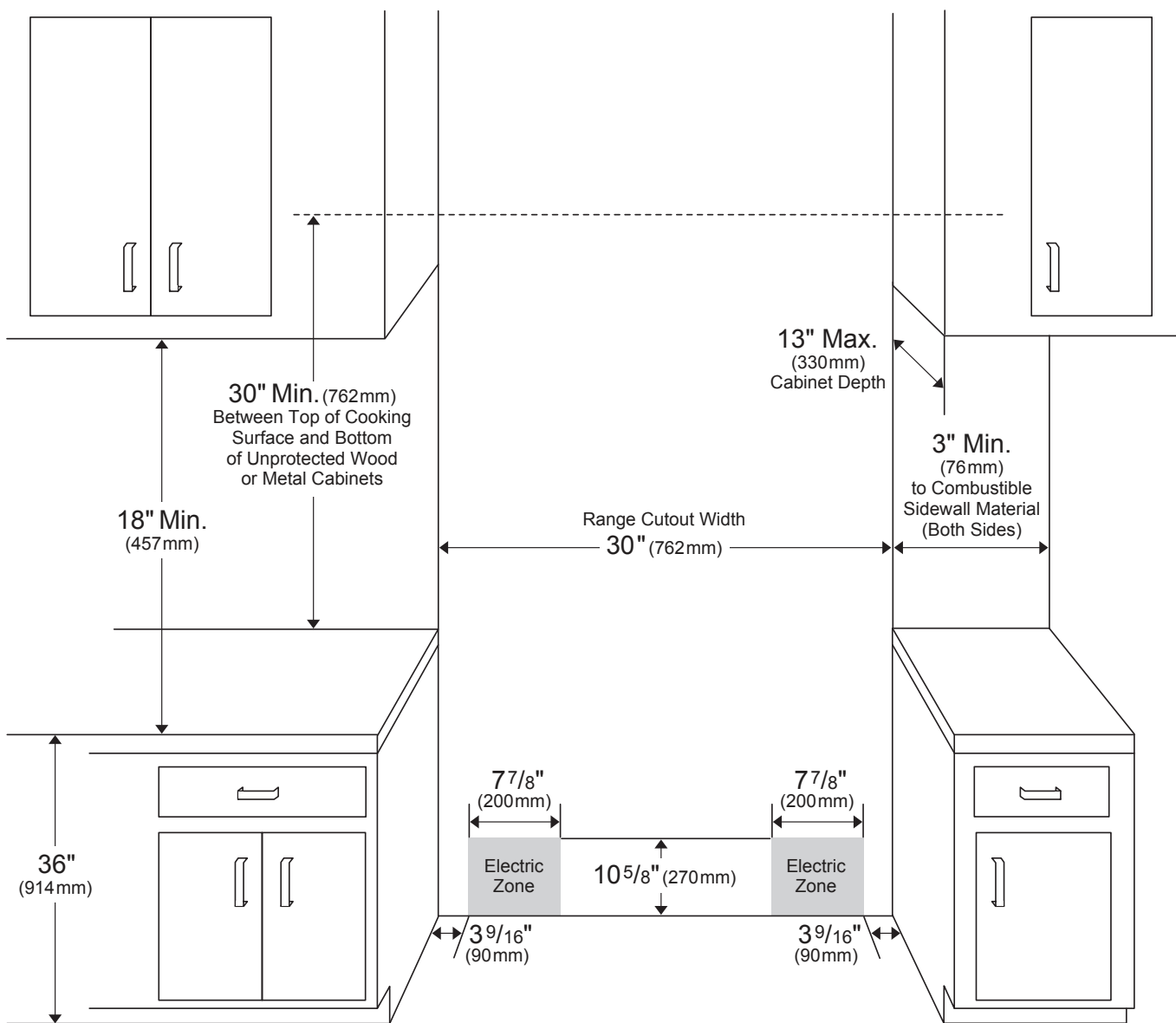
30" Slide-In Electric Range



# SLER30432SS



## 30" Slide-In Electric Range



NOTE TO THE INSTALLER: All height, width, and depth dimensions are shown in inches (as well as metric). Beko U.S., Inc. reserves the absolute and unrestricted right to change product materials and specifications, at any time, without notice. Please visit our website, [www.BekoAppliances.com](http://www.BekoAppliances.com), or call 888.352.2356 to verify the latest specifications with final dimensional data and other details prior to installation and making a cutout. Applicable product limited warranty information may be found in accompanying product materials, or you may contact your account manager for further details. Proper installation is the responsibility of the installer. Product failure due to improper installation is not covered under the Limited Warranty.