

SLER30423SS

30" Slide-In Electric Range



GENERAL PROPERTIES	
Type	Slide-In
Size	30"
Finish	Stainless Steel
Ergonomic Tilted Control and Display Panel	Yes
Oven Control Type	Electronic Controls with Multi-Color LED Display
Cooktop Control Type	Knob Control
Control Key Lock	Yes
Drawer Type	Storage
Exterior Side Walls	Black
Fuel Type	Electric



DESIGN
AWARD
2023



reddot winner 2023

PREMIUM TECHNOLOGY



ERGONOMIC TILTED CONTROL AND DISPLAY PANEL

Ergonomic and Stylish: Elevate Your Cooking Experience with an Inclined Control Panel Range. New Beko Slide-in Ranges come with an inclined control panel which offers a user-friendly and ergonomic design that makes it easy to view and adjust cooking settings.



SPACIOUS OVEN INTERIOR FOR CULINARY CREATIVITY

For the cook who enjoys some extra room, Beko's oven interiors are one of the most spacious in their class. With this expanded oven space, you can cook multiple dishes at once or accommodate large roasts and baking sheets with ease. Enjoy the ultimate cooking convenience and unleash your culinary creativity with our range's spacious and versatile interior.

SLER30423SS



30" Slide-In Electric Range

OVEN FEATURES & FUNCTIONS

Capacity	5.2 cu. ft. (Main Oven) + 1.4 cu. ft. (Storage Drawer)
Convection Type	-
Functions	7
Cooking Functions	Bake, Broil, Roast, Bread Proof
Pyrolytic Self-Cleaning	Yes**
Sabbath Mode	Yes
Door Cooling System	4 Pane Heat-Resistant Glass (Inner Glass Removable)
Interior Illumination	1 x Halogen Lights
Oven Racks	2
Oven Rack Positions	6
12-24 Hour Clock Format	Yes
Preheat Indicator (Audible Signal)	Yes

COOKTOP – FEATURES & PERFORMANCE

Zone Configuration	4 Vitroceramic
Front Left	Dual 5" / 8" - 750 W / 2,200 W
Rear Left	8" - 2,200 W
Center	-
Front Right	Dual 9" / 12" - 1,800 W / 3,000 W
Rear Right	8" - 2,200 W
Simmer Function	Yes
Residual Heat Indicators	Yes

TECHNICAL INFORMATION

Volts / Frequency	120-240 V, 60Hz
Min. Amps (A)	50 A
Power Cord	Required, Purchase Separately

DIMENSIONS & WEIGHT

Product (H x W x D) (in)	36 ⁹ / ₁₆ * x 29 ¹⁵ / ₁₆ x 29
Depth (Incl. Handle) (in)	29
Depth (w/o Handle) (in)	28 ³ / ₄
Interior (H x W x D) (in)	17 ³ / ₁₆ x 24 ¹ / ₄ x 19 ¹ / ₂
Adjustable Leveling Feet	Yes
Required Cutout Size (H x W x D) (in)	36 x 30 x 25
Carton (H x W x D) (in)	40 ²³ / ₆₄ x 32 ²⁵ / ₃₂ x 30 ³ / ₈
Product Weight (lbs)	210
Shipping Weight (lbs)	265

ACCESSORIES (INCLUDED)

Anti-Tip Bracket	Yes
------------------	-----

ACCESSORIES (OPTIONAL / NOT INCLUDED)

Height-Adjustable Telescopic Roller-Rack	RT3001
--	--------

WARRANTY

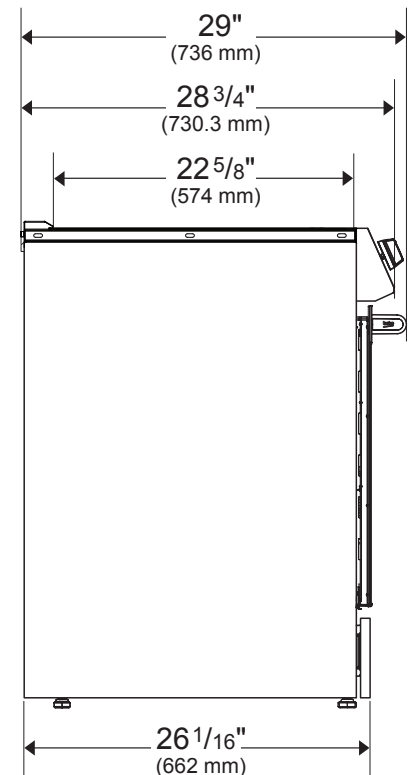
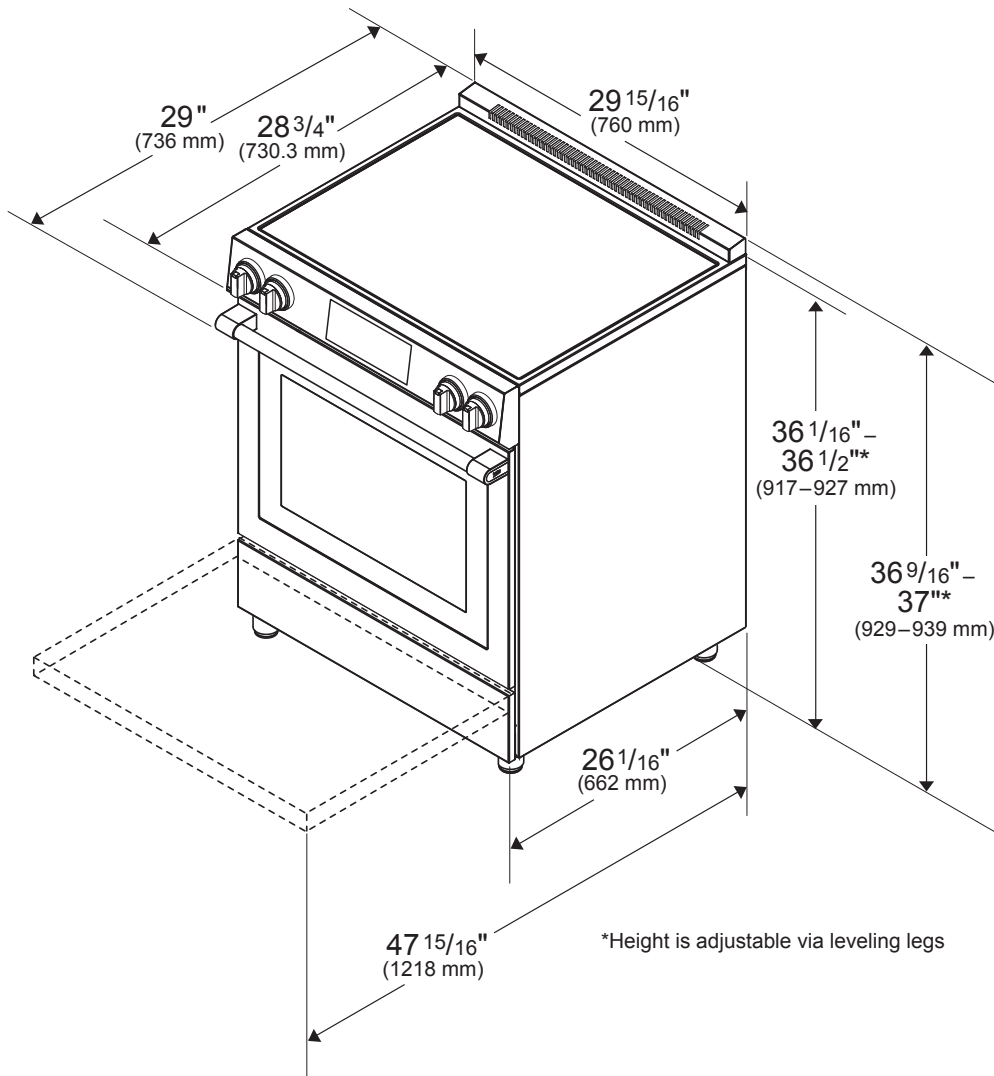
Parts & Labor	2-Year Full Warranty
---------------	----------------------

*Height is adjustable to 37" via leveling legs **Oven racks need to be removed during the self-cleaning

SLER30423SS



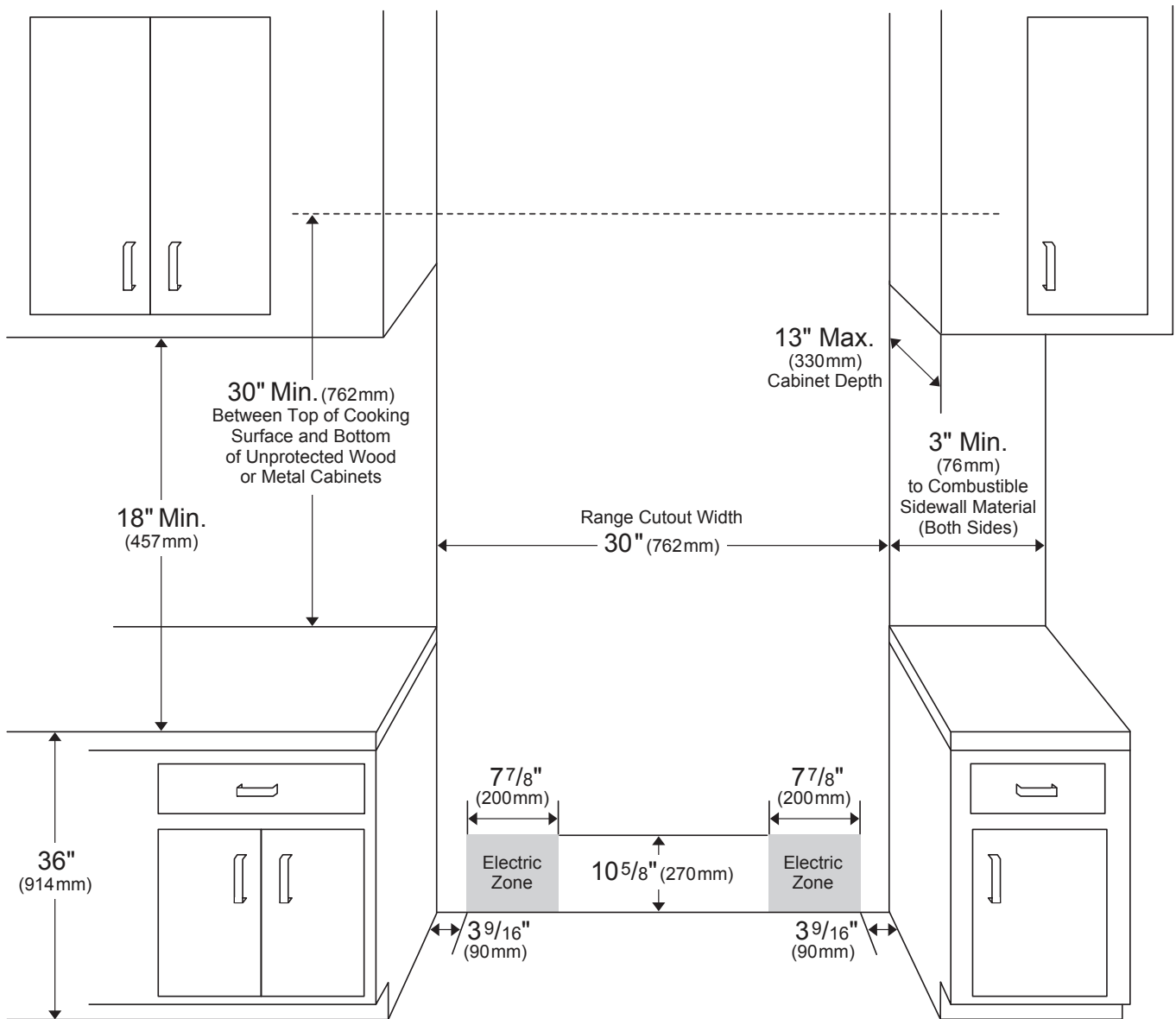
30" Slide-In Electric Range



SLER30423SS



30" Slide-In Electric Range



NOTE TO THE INSTALLER: All height, width, and depth dimensions are shown in inches (as well as metric). Beko U.S., Inc. reserves the absolute and unrestricted right to change product materials and specifications, at any time, without notice. Please visit our website, www.BekoAppliances.com, or call 888.352.2356 to verify the latest specifications with final dimensional data and other details prior to installation and making a cutout. Applicable product limited warranty information may be found in accompanying product materials, or you may contact your account manager for further details. Proper installation is the responsibility of the installer. Product failure due to improper installation is not covered under the Limited Warranty.