

# SLGR30524SS

30" Slide-In Gas Range



## GENERAL PROPERTIES

Type	Slide-In
Size	30"
Finish	Stainless Steel
Ergonomic Tilted Control and Display Panel	Yes
Oven Control Type	Electronic Controls with Multi-Color LED Display
Cooktop Control Type	Knob Control
Control Key Lock	Yes
Drawer Type	Warming (150-200°F)
Exterior Side Walls	Black
Fuel Type	Natural Gas



DESIGN  
AWARD  
2023



reddot winner 2023

## PREMIUM TECHNOLOGY



### ERGONOMIC TILTED CONTROL AND DISPLAY PANEL

Ergonomic and Stylish: Elevate Your Cooking Experience with an Inclined Control Panel Range. New Beko Slide-in Ranges come with an inclined control panel which offers a user-friendly and ergonomic design that makes it easy to view and adjust cooking settings.



### AIRFRY: A HEALTHIER ALTERNATIVE TO FRYING

AirFry delivers crispy food without the use of cooking oil, resulting in a healthy way to enjoy the taste of fried foods without the frying. AirFry also requires no pre-heat time. Faster and healthier cooking made easy!



### ULTIMATE COOKING POWER WITH 18,000 BTU DUAL RING BURNER

Boil water rapidly and sear meats to perfection with its extraordinary heat output. The dual ring design offers precise temperature control and even heat distribution, ensuring your food is cooked to mouthwatering perfection every time. Its high efficiency operation not only saves you time but also reduces your energy consumption, making it an eco-friendly choice for your kitchen.

# SLGR30524SS



## 30" Slide-In Gas Range

### OVEN FEATURES & FUNCTIONS

Capacity	5.9 cu. ft. (Main Oven) + 1.4 cu. ft. (Warming Drawer)
Convection Type	True European Convection
Functions	13
Cooking Functions	Bake, Broil, Roast, Convection Bake, Convection Roast, Convection Broil, Prime Turkey, Bread Proof, Air Fry , Pizza
Pyrolytic Self-Cleaning	Yes†
Sabbath Mode	Yes
Door Cooling System	4 Pane Heat-Resistant Glass (Inner Glass Removable)
Interior Illumination	2 x Halogen Lights
Height-Adjustable Telescopic Roller-Rack	1
Oven Racks	1
Oven Rack Positions	6
12-24 Hour Clock Format	Yes
Preheat Indicator (Audible Signal)	Yes

### COOKTOP – FEATURES & PERFORMANCE

Burner Configuration	5 Burners
Front Left	12,500 BTU
Rear Left	7,000 BTU
Center	18,000 BTU
Front Right	12,500 BTU
Rear Right	7,000 BTU
Simmer Function	Yes
Grates	Cast Iron*
Electric Ignition with Auto Reignition	Yes

### TECHNICAL INFORMATION

Volts / Frequency	110-120 V, 60 Hz
Power Cord	Attached to Range

### DIMENSIONS & WEIGHT

Product (H x W x D) (in)	38 <sup>3</sup> / <sub>16</sub> ** x 29 <sup>15</sup> / <sub>16</sub> x 29
Depth (Incl. Handle) (in)	29
Depth (w/o Handle) (in)	28 <sup>3</sup> / <sub>4</sub>
Interior (H x W x D) (in)	17 <sup>3</sup> / <sub>16</sub> x 24 <sup>1</sup> / <sub>4</sub> x 18 <sup>5</sup> / <sub>16</sub>
AirFry Tray (H x W x D) (in)	13 <sup>1</sup> / <sub>16</sub> x 15 <sup>7</sup> / <sub>8</sub> x 13 <sup>7</sup> / <sub>16</sub>
Adjustable Leveling Feet	Yes
Required Cutout Size (H x W x D) (in)	36 x 30 x 25
Carton (H x W x D) (in)	40 <sup>23</sup> / <sub>64</sub> x 32 <sup>25</sup> / <sub>32</sub> x 30 <sup>3</sup> / <sub>8</sub>
Product Weight (lbs)	252
Shipping Weight (lbs)	310

### ACCESSORIES (INCLUDED)

LP Conversion Kit	Yes
Cast Iron Wok Ring Attachment	Yes
Anti-Tip Bracket	Yes
AirFry Tray	Yes

### ACCESSORIES (OPTIONAL / NOT INCLUDED)

Side Trim Kit, Stainless Steel	OW3001
Side Trim Kit, Black	OW3002

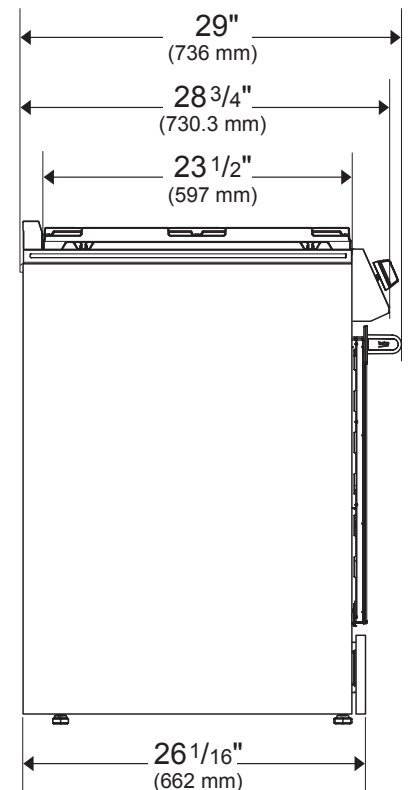
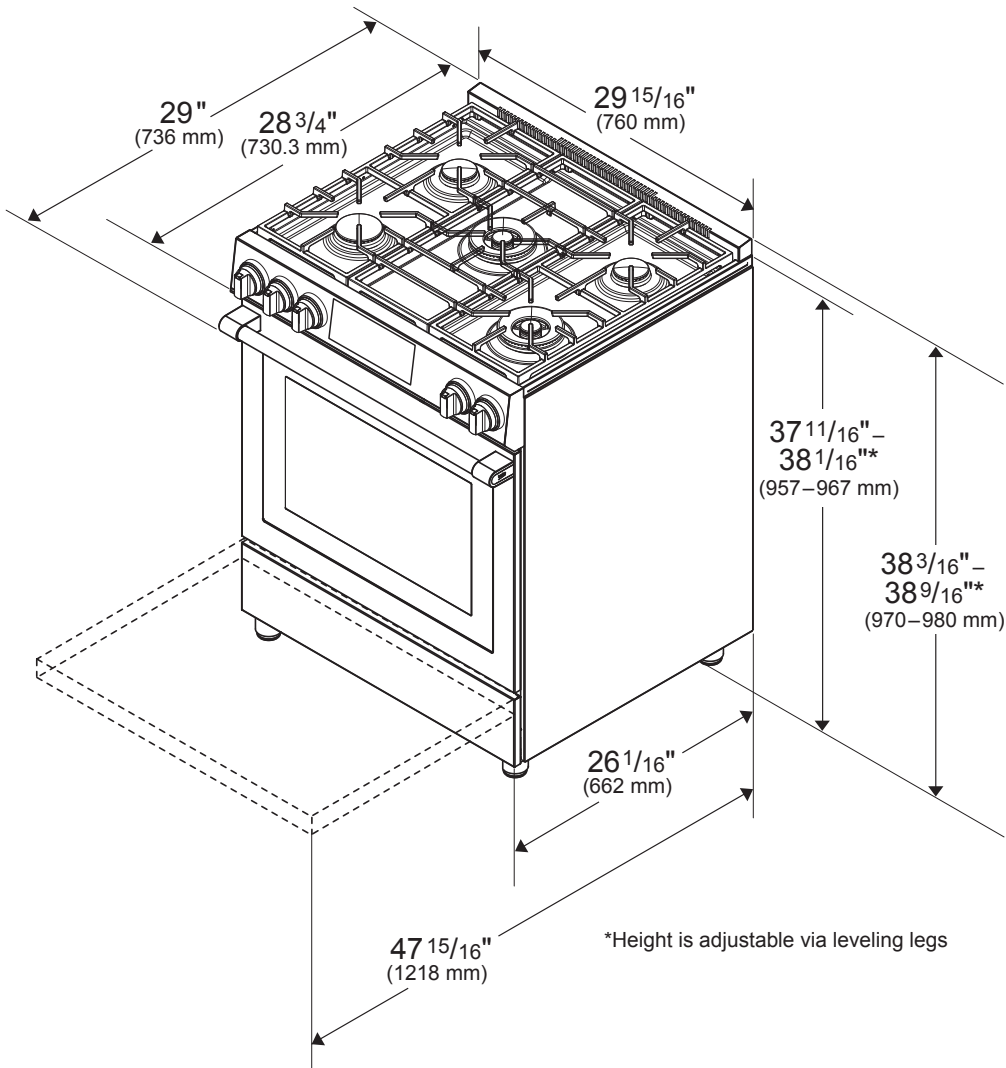
### WARRANTY

Parts & Labor	2-Year Full Warranty
---------------	----------------------

\*Hand wash only; grates are not dishwasher-safe \*\*Height is adjustable to 38 <sup>9</sup>/<sub>16</sub>" via leveling legs †Oven racks need to be removed during the self-cleaning

# SLGR30524SS

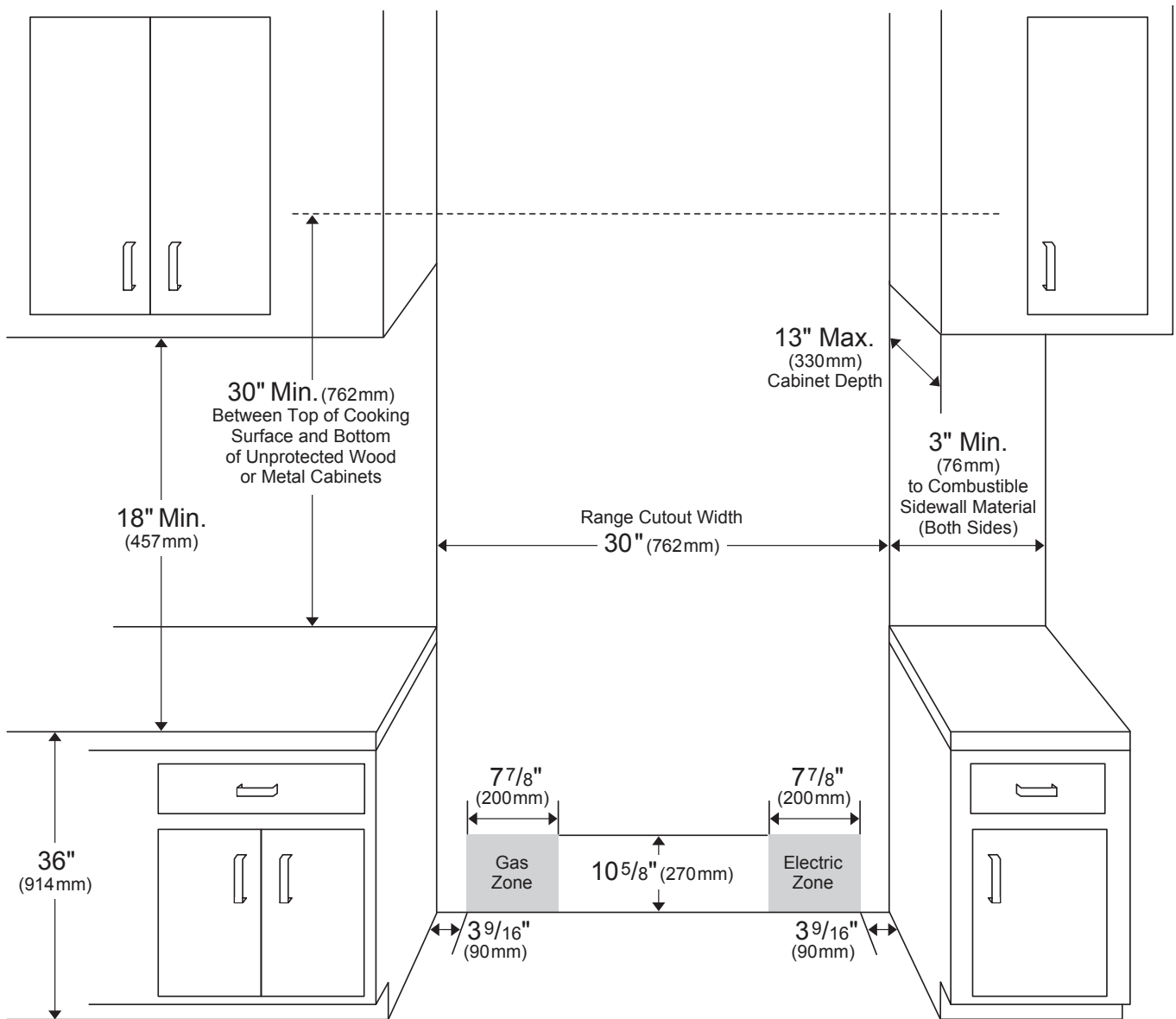
30" Slide-In Gas Range



# SLGR30524SS



## 30" Slide-In Gas Range



NOTE TO THE INSTALLER: All height, width, and depth dimensions are shown in inches (as well as metric). Beko U.S., Inc. reserves the absolute and unrestricted right to change product materials and specifications, at any time, without notice. Please visit our website, [www.BekoAppliances.com](http://www.BekoAppliances.com), or call 888.352.2356 to verify the latest specifications with final dimensional data and other details prior to installation and making a cutout. Applicable product limited warranty information may be found in accompanying product materials, or you may contact your account manager for further details. Proper installation is the responsibility of the installer. Product failure due to improper installation is not covered under the Limited Warranty.