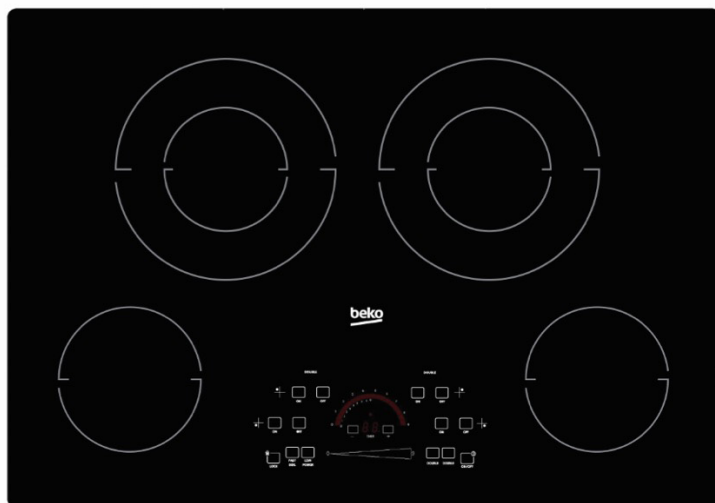


30" Electric Built-in Cooktop

ECTM30102

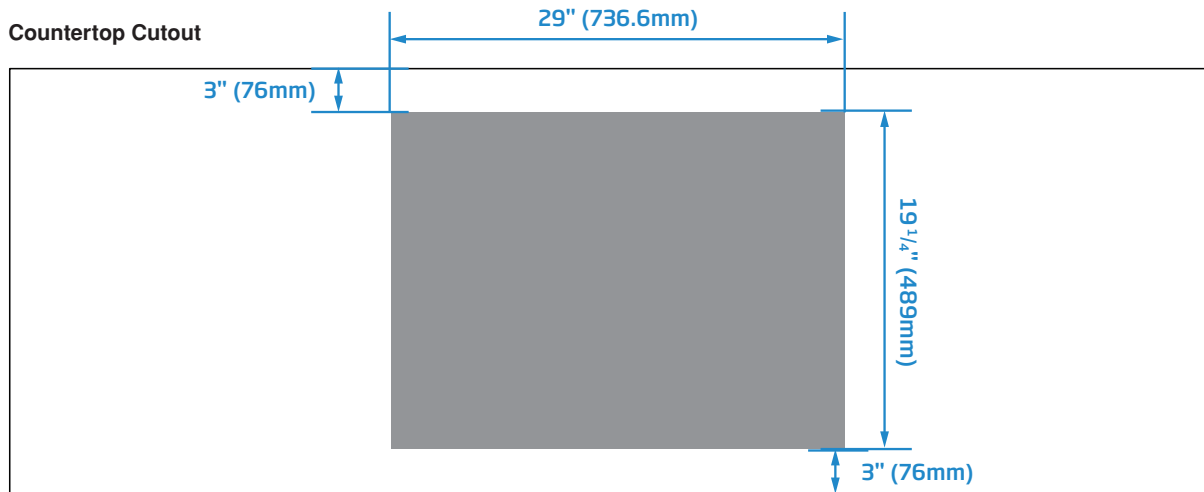
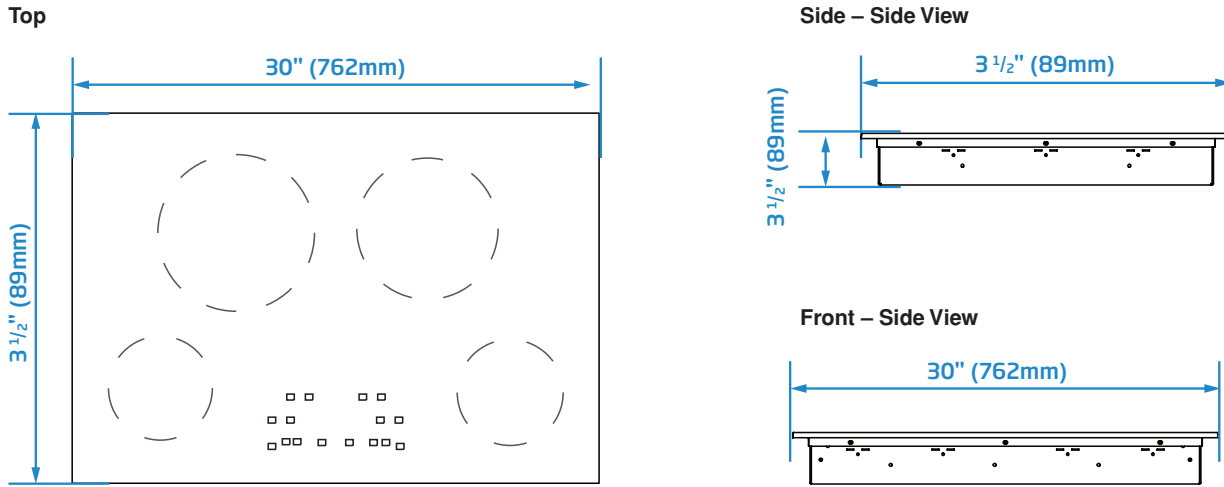


KEY FEATURES

- 4 Vitroceramic Burners
- LED Display – Touchslider Control
- Radiant Cooking Zone
- Overheat Safety System



GENERAL	
Heating Technology	Electric
Glass Type	Tempered Glass Surface
Color	Black
Frame Type	Yes
Control type	Touch Sensitive Control
BURNER POWER LEVELS	
Number of Zones	4 Vitroceramic
Cooking Levels	19
Front Left	5 1/2" – 1200 W Hi-Light
Front Right	5 1/2" – 1200 W Hi-Light
Rear Left	4 3/4" – 8 1/4" – 750/2200W Duo
Rear Right	4 3/4" – 8 1/4" – 750/2200W Duo
FUNCTIONS	
Overheat Safety System	Yes
Residual Heat Indicator	Yes
TECHNICAL INFORMATION	
KW/Amps Rating	220 – 240V, 6 kW, 60 Hz, 25 A
DIMENSIONS	
Required Cutout Dim (H x W)	28 11/16" x 19 39/64"
Product dim (H x W x D)	3 1/2" x 30" x 20 1/2" (8.9 x 76.2 x 52 cm)
Product Weight	33.06 lbs. (15 kg)
Packed HxWxD	8 1/4" x 32 11/16" x 26" (21 x 83 x 66 cm)
Packed Weight	37.48 lbs. (17 kg)



NOTE TO THE INSTALLER: All height, width, and depth dimensions are shown in inches (as well as metric). Beko U.S., Inc. reserves the absolute and unrestricted right to change product materials and specifications, at any time, without notice. Please visit our website, www.BekoAppliances.com, or call 888.352.2356 to verify the latest specifications with final dimensional data and other details prior to installation and making a cutout. Applicable product limited warranty information may be found in accompanying product materials, or you may contact your account manager for further details. Proper installation is the responsibility of the installer. Product failure due to improper installation is not covered under the Limited Warranty.