

30" Built-in Carbon Fiber Wall Oven

WOS30200CF

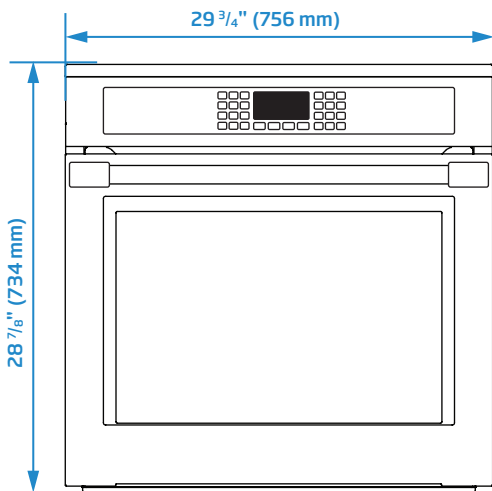


KEY FEATURES

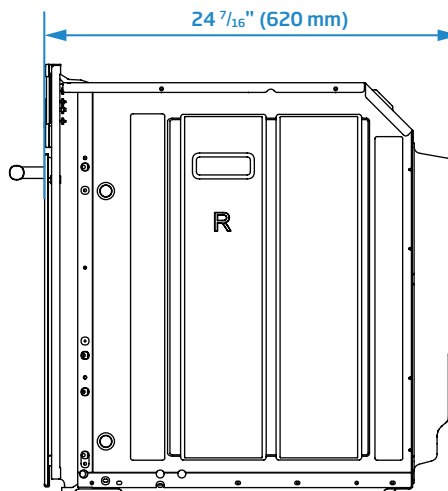
- 12 Cooking Functions
- Full Extension Telescopic Lower Rack
- 2 Wire Heavy Duty Racks with Wrap Around Metal Tines
- 5.7 cu. ft. Oven Space
- Cooling Fan
- Door Lock

GENERAL	
Type	Built-in Oven
Size	30"
Oven Type	Multifunction
Control Type	LED Multicolor Display
Finish	Graphite
Door Material	Scratch Resistant Carbon Fiber Door
FUNCTIONS	
Cooking Functions	12
Convection Broil	Yes
SURF Convection	Yes
Bake	Yes
Broil	Yes
Fast Preheat	Yes
SPECIAL FEATURES	
Self-clean (Programmable) with Multilevel Selection	Yes
Sabbath Mode	Yes
Electronic Timer (Programmable)	Yes
Special Food Preset Programs	Yes
OVEN DOORS	
Oven Glass Window	"O" Shaped Metal & Glass
Door Cooling System	Cool Touch Door - 4 Pane Glass
OVEN CAPACITY/ACCESSORIES	
Cavity Enamel Color	Black
Net Capacity (cu. ft)	5.7 cu. ft
Interior Oven Lights	2 x Square Halogen Lights
Broil Lower Heating Element	Yes
Meat Probe	Yes
2-Heavy Duty Wire Oven Racks	Yes
Full Extension Telescopic Rack	Lower Rack
Easy-to-clean Enamel	Yes
Broiler Pan	Included
TECHNICAL INFORMATION	
kW/Amp rating	220 - 240 V, 60 Hz
DIMENSIONS	
Required Cutout Dim (H x W x D)	28 1/4" x 28 1/2" x 24"
Product Dim (H x W x D)	28 7/8" x 29 3/4" x 24 7/16" (73.3 x 75.5 x 62 cm)
Product Weight	193.12 lbs. (87.6 kg)
Packed HxWxD	33 1/4" x 33 3/4" x 30 1/16" (84.5 x 85.7 x 76.4 cm)
Packed Weight	210.54 lbs. (95.5 kg)

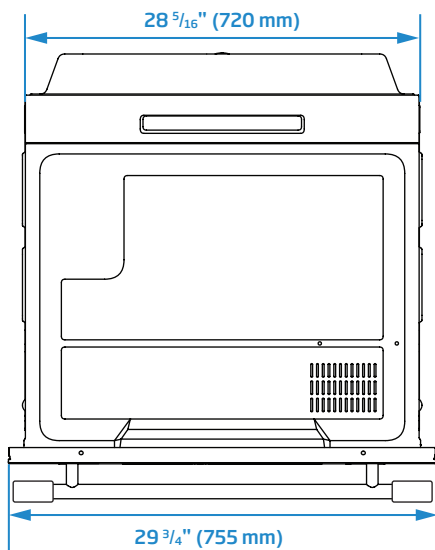
Front



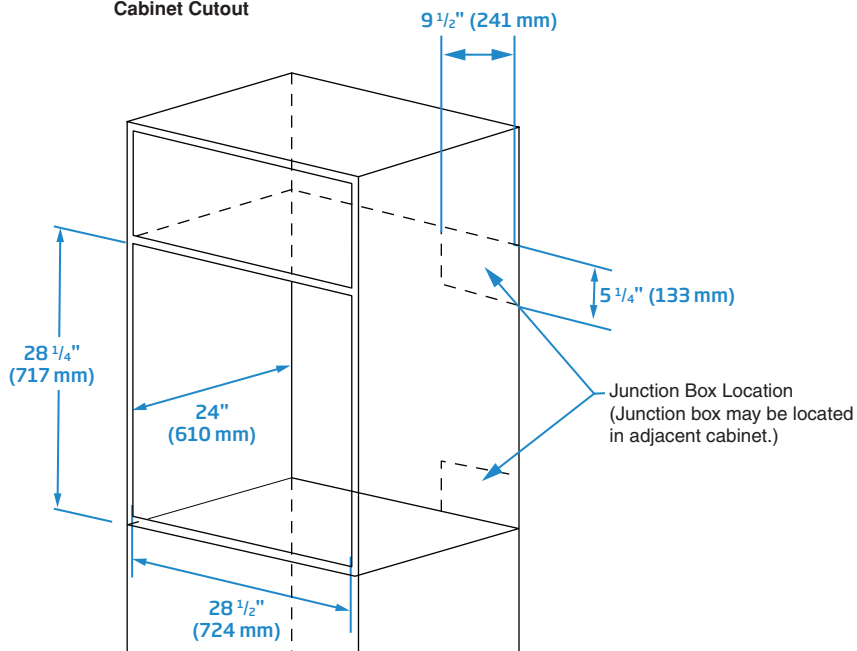
Side



Top



Cabinet Cutout



If installing in lower cabinet, leave 4" (102 mm) minimum clearance below.

NOTE TO THE INSTALLER: All height, width, and depth dimensions are shown in inches (as well as metric). Beko U.S., Inc. reserves the absolute and unrestricted right to change product materials and specifications, at any time, without notice. Please visit our website, www.BekoAppliances.com, or call 888.352.2356 to verify the latest specifications with final dimensional data and other details prior to installation and making a cutout. Applicable product limited warranty information may be found in accompanying product materials, or you may contact your account manager for further details. Proper installation is the responsibility of the installer. Product failure due to improper installation is not covered under the Limited Warranty.