

# BFBF2815SSIM



## 28" Bottom Freezer Refrigerator with Ice Maker



### GENERAL PROPERTIES

Type	Freestanding
Style	Bottom Freezer
Finish	Fingerprint-Free Stainless Steel with Finished Gray Sides
Handles	Flush Pocket Handle
Metal Back Wall	-
Cooling System	NeoFrost™ Dual Cooling Technology
Control System	Electronic Controls
Control Display Type & Location	Digital LED Display, Interior
Connectivity	-

### CAPACITY

Total Net Volume	13.80 cu. ft.
Fresh Food Net Volume	9.97 cu. ft.
Freezer Net Volume	3.83 cu. ft.



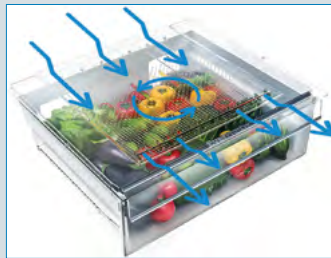
CEE Tier 1

## PREMIUM TECHNOLOGY



### HARVESTFRESH™

Proprietary 3-color light technology simulates the 24-hour cycle of the sun. By mimicking a full day of sunshine, produce has been proven to retain its vitamins and minerals for up to five days longer than ordinary refrigerators.



### EVERFRESH+™

EverFresh+ technology keeps fresh food fresher three times longer than the average refrigerator – for up to 30 days! Meticulous temperature management and precise humidity control mean every stalk, head, or bunch you bought as a healthy option or key ingredient stays fresher longer.



### NEOFROST™ DUAL COOLING TECHNOLOGY

NeoFrost™ Dual Cooling's separate cooling systems for each compartment maintain ideal air flow and optimal temperatures with a high level of humidity in both the freezer and the fridge.

# BFBF2815SSIM



## 28" Bottom Freezer Refrigerator with Ice Maker

PERFORMANCE	
Fresh Food Temperature Range*	33° F to 46° F
Freezer Temperature Range*	-12° F to 0° F
Environment Temperature Range	Operates in Temperatures Between 40° F and 110° F
Freeze Guard	Yes, Freezer Operates in Temperatures as Low as 5° F
Modes	On/Off Power, On/Off Icemaker, Temperature Control, Quick Cool, Vacation, Sabbath, Economy
Compressor	Variable Speed VCC
ENERGY STAR® Certified	Yes - Most Efficient for 2023
Annual Energy Consumption	420 kwh/year

FRESH FOOD FEATURES	
Water Filter with Alert (6 Months)	-
Crispers	1 - Full-Width, Humidity Controlled
EverFresh+™ Crispers	Yes
Full-Width Deli Drawer	Yes
Shelves	3 - Full-Depth, Safety Glass
Total Number of Door Bins	3
Gallon-Sized Door Bins	1
Egg Tray	Yes
Odor Control Technology	-
Sabbath Mode	Yes
Eco-Mode	Yes
Door Open Alarm	Yes
Interior Illumination	LED - Side Walls

FREEZER FEATURES	
Freezer Configuration	Swing Door
Freezer Drawers / Baskets / Bins	2 Removable Drawers
Freezer Shelves	1 - Safety Glass
Freezer Interior Illumination	-
Automatic Ice Maker	Yes, Makes up to 2.2 lbs./Day
Auto Defrost	Yes

TECHNICAL INFORMATION	
Volts / Frequency	120 V / 60 Hz
Rated Current (A)	2 A
Min. Circuit Breaker Size	15 Amp
Sound Level	40 dBA
Refrigerant Type	R600a
Plug Type	NEMA 3-Prong
Power Cord Length	6 ft.
Reversible Doors	Yes

DIMENSIONS & WEIGHT	
Product (H x W x D) (in)	67 <sup>11</sup> / <sub>16</sub> x 27 <sup>9</sup> / <sub>16</sub> x 24 <sup>1</sup> / <sub>2</sub>
Height With Hinge Cap	67 <sup>11</sup> / <sub>16</sub>
Height Without Hinge Cap	67 <sup>3</sup> / <sub>16</sub>
Depth With Handles	24 <sup>1</sup> / <sub>2</sub>
Depth Without Handles	24 <sup>1</sup> / <sub>2</sub>
Depth Without Doors	21 <sup>5</sup> / <sub>8</sub>
Carton (H x W x D) (in)	71 <sup>1</sup> / <sub>4</sub> x 29 <sup>15</sup> / <sub>16</sub> x 28 <sup>3</sup> / <sub>4</sub>
Product Weight (lbs)	158
Shipping Weight (lbs)	174

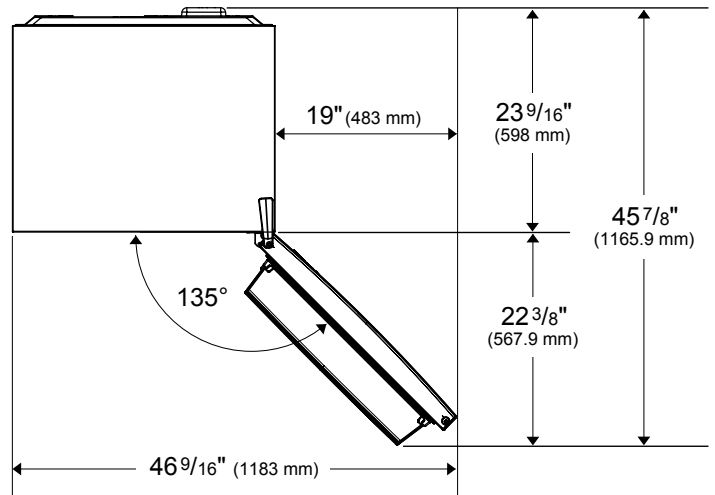
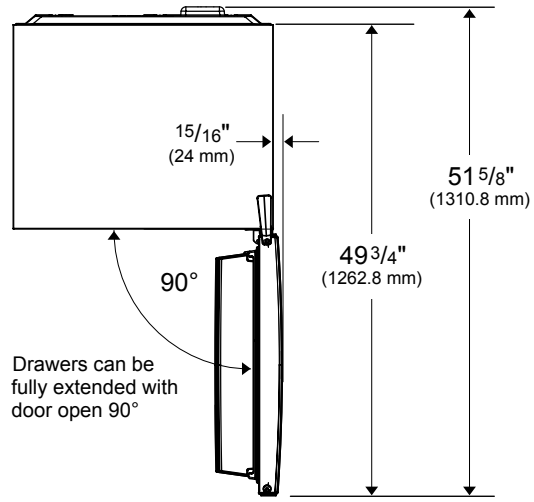
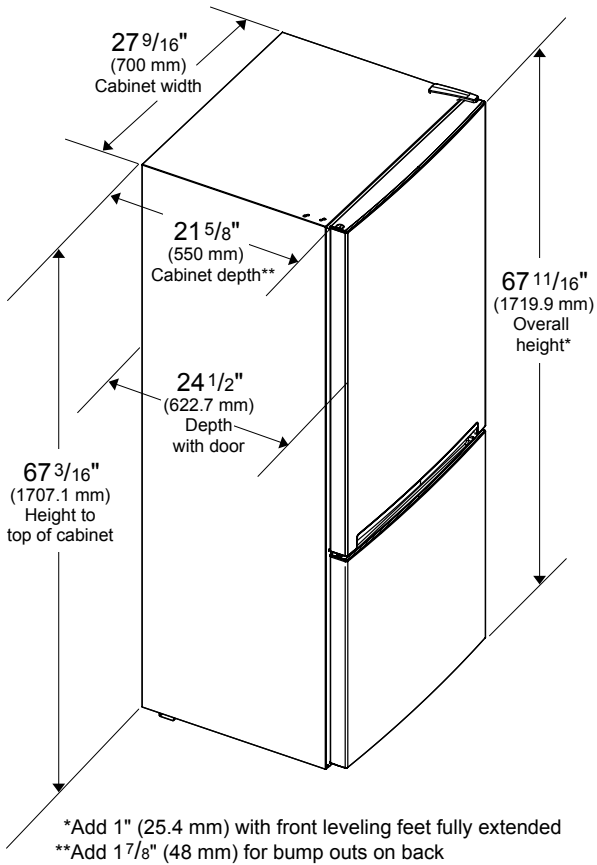
WARRANTY	
Entire Appliance (Parts & Labor)	2-year Full Warranty
Sealed System (Parts Only)	5-year Limited Warranty

\* Actual temperatures may vary with environment and other factors

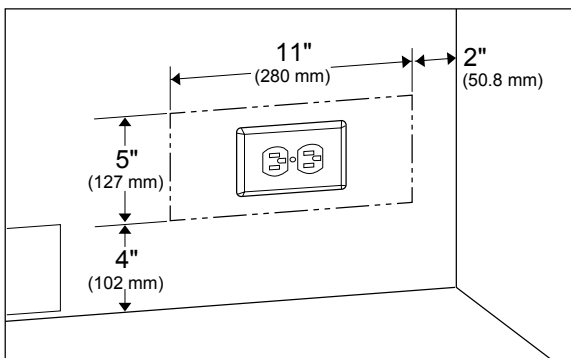
# BFBF2815SSIM



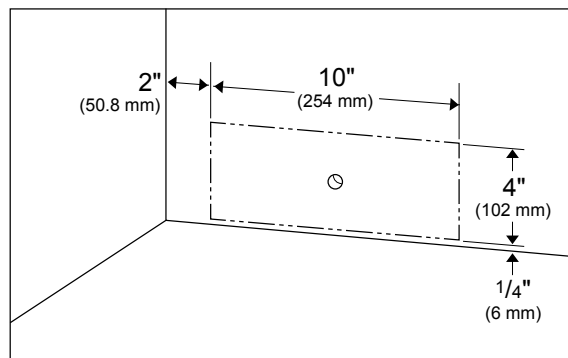
## 28" Bottom Freezer Refrigerator with Ice Maker



### Electrical Location



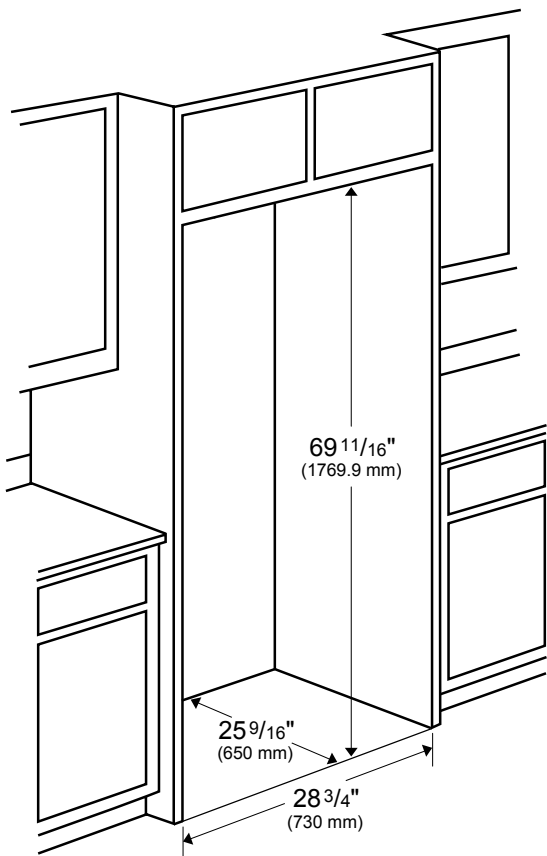
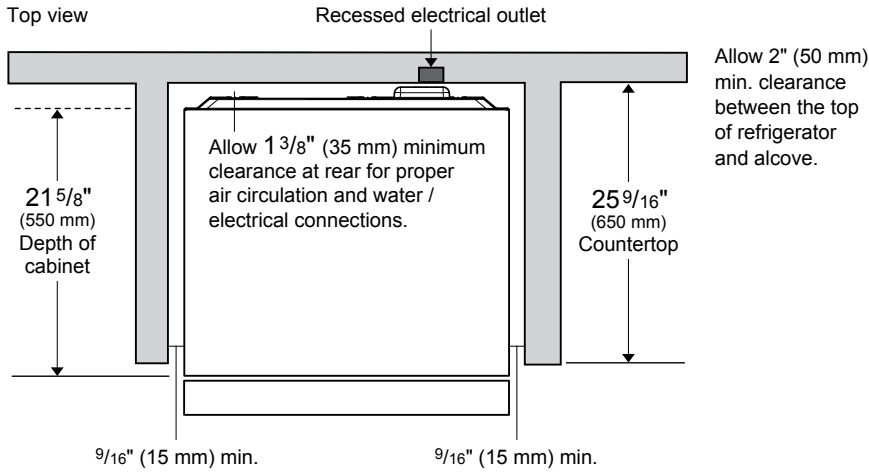
### Water Location (Models with Ice Maker)



# BFBF2815SSIM



## 28" Bottom Freezer Refrigerator with Ice Maker



NOTE TO THE INSTALLER: All height, width, and depth dimensions are shown in inches (as well as metric). Beko U.S., Inc. reserves the absolute and unrestricted right to change product materials and specifications, at any time, without notice. Please visit our website, [www.BekoAppliances.com](http://www.BekoAppliances.com), or call 888.352.2356 to verify the latest specifications with final dimensional data and other details prior to installation and making a cutout. Applicable product limited warranty information may be found in accompanying product materials, or you may contact your account manager for further details. Proper installation is the responsibility of the installer. Product failure due to improper installation is not covered under the Limited Warranty.