

30" Under Cabinet — Graphite Professional Range Hood

CHP30100CF



KEY FEATURES

- Manual Control
- 600 CFM Extraction Power with 4 Fan Speed Levels
- LED Lights - 2 - with 2 Level Lighting
- Max Height Range for Installation- 30" Electric, 36" Gas
- Direct Ducting Only

FEATURES

Hood Type	Canopy
Control Type	Manual Control
Hood Width	30 in.
Finish	Graphite Matches Carbon Fiber Products

PERFORMANCE

Intensive Setting (Booster)	Yes
No. of Power Levels	4
Number of Motors	1
Maximum Ventilation Capacity	738 cu. meters / hour
Minimum Ventilation Capacity	303 cu. meters / hour
Ventilation Capacities	303 - 510 - 738 - 876 cu. meters / hour
Maximum Noise Level (Sound Power)	71 dBA
Minimum Noise Level (Sound Power)	49 dBA
Noise Level (Sound Power)	49 - 63 - 71 - 74 dBA
Total Power Consumption	550 W

HOOD FEATURES

Type of Lighting	LED
No. of Lights	2
Power of Lights	7.5 W
No. of Grease Filters	2
Type Of Grease Filters	Stainless Steel Baffle Filter
Dishwasher Safe Filters	Yes
Flape (Ducted Operation)	Yes
Ductless Operation	No
Recirculation Kit	No
Fitting Kit (Screws)	Yes

DESIGN

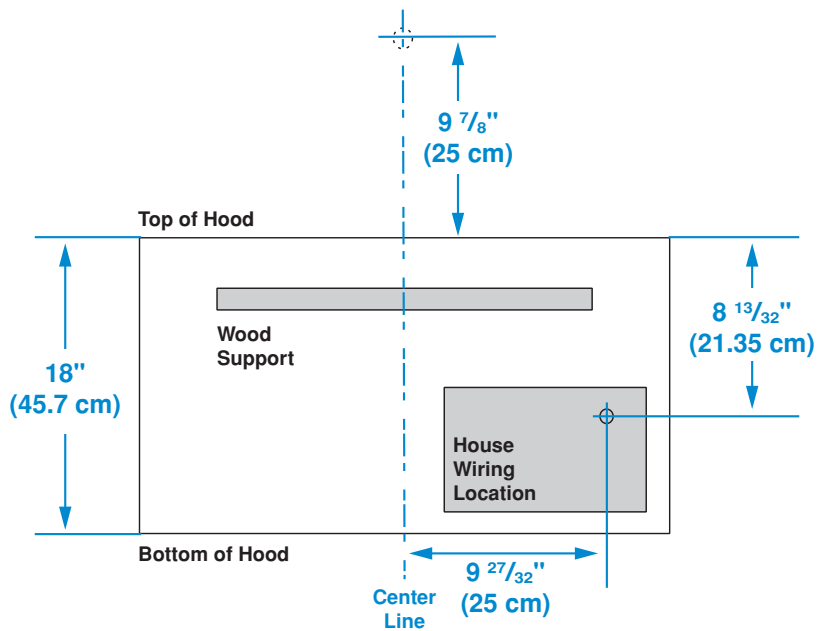
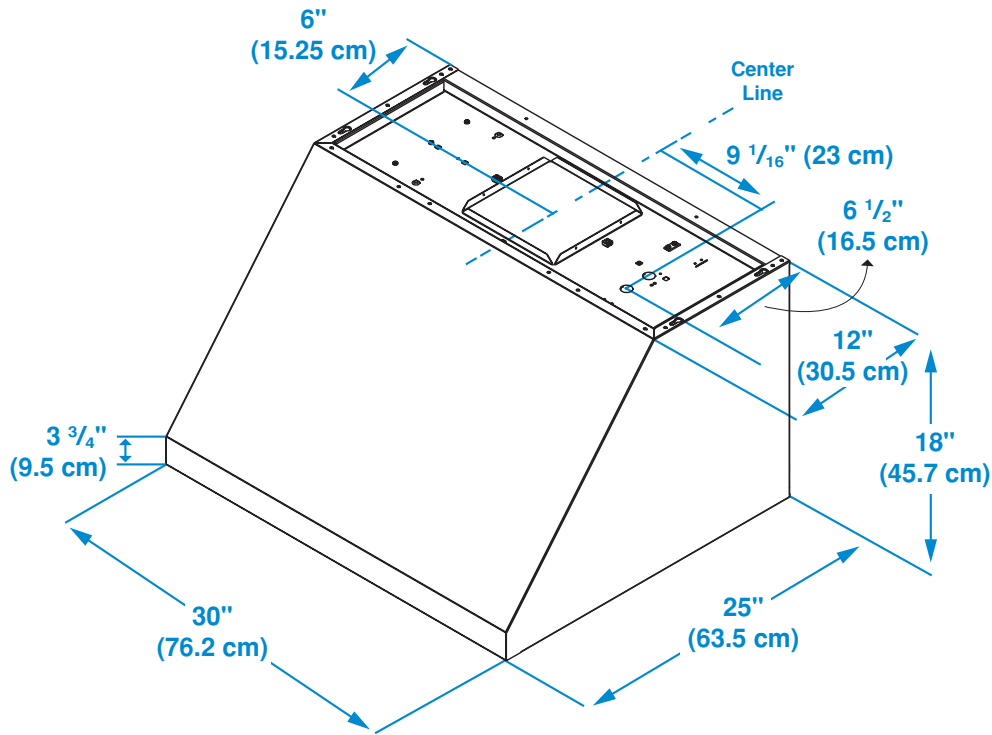
Control Panel Design	Flat Panel
Control Panel Type	Metal
Body Color	Graphite
Body Material	Graphite

TECHNICAL INFORMATION

Voltage	120 V
Frequency	60 Hz

DIMENSIONS

Required Cutout Dimension H x W x D	18" x 30" x 25"
H x W x D	18 3/8" x 29 5/16" x 23" (46.7 x 76 x 58.4 cm)
Product Weight	62 lbs. (28 kg)
Packed H x W x D	24 5/8" x 35 1/8" x 30" (62.5 x 89.2 x 76.2 cm)
Packed Weight	82.5 lbs. (37.4 kg)



NOTE TO THE INSTALLER: All height, width, and depth dimensions are shown in inches (as well as metric). Beko U.S., Inc. reserves the absolute and unrestricted right to change product materials and specifications, at any time, without notice. Please visit our website, www.BekoAppliances.com, or call 888.352.2356 to verify the latest specifications with final dimensional data and other details prior to installation and making a cutout. Applicable product limited warranty information may be found in accompanying product materials, or you may contact your account manager for further details. Proper installation is the responsibility of the installer. Product failure due to improper installation is not covered under the Limited Warranty.