

30" Under Cabinet — Range Hood

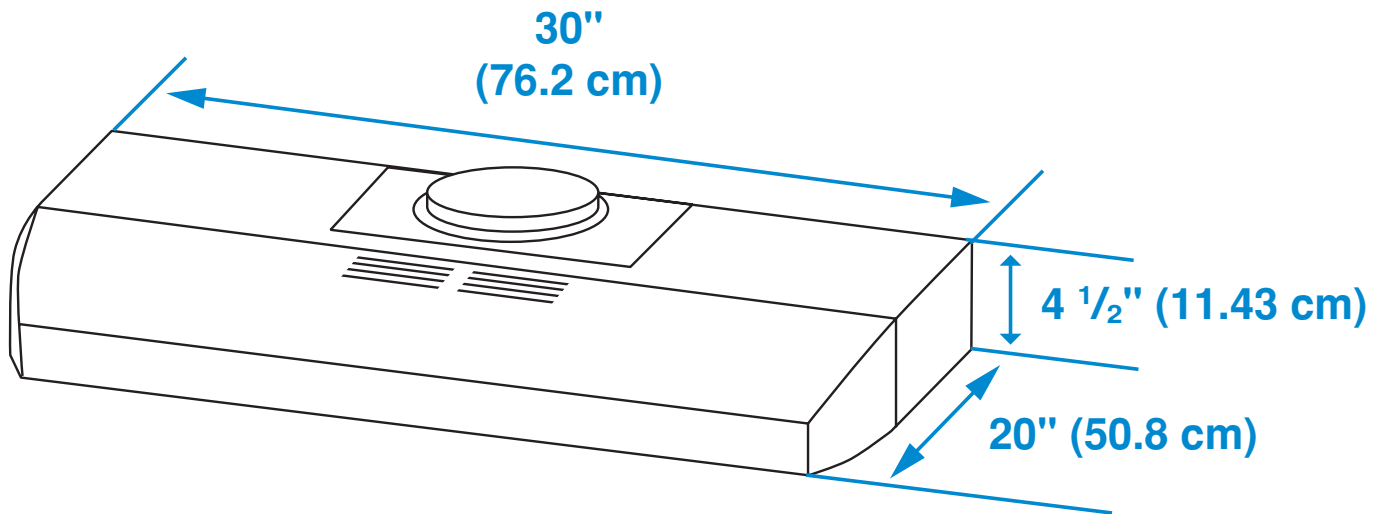
CHS30100SS



KEY FEATURES

- Tag Switches with LED Controls
- 250CFM Suction Power with 3 Different Fan Speed Levels
- Washable Grease Filters
- 2 - 50W Halogen Lights with Surface Light Adjustable Illumination
- Direct Ducting
- Ductless Operation Available with Recirculation Kit

FEATURES	
Hood Type	Standard
Control Type	Mechanical Control - Push Button
Hood Width	30 in.
PERFORMANCE	
No. of Power Levels	3
Number of Motors	2
Maximum Ventilation Capacity	408 cu. meters / hour
Minimum Ventilation Capacity	272 cu. meters / hour
Ventilation Capacities	272 - 340 - 408 cu. meters / hour
Maximum Noise Level (Sound Power)	62 dBA
Minimum Noise Level (Sound Power)	54 dBA
Noise Level (Sound Power)	54 - 59 - 62 dBA
Total Power Consumption	360 W
HOOD FEATURES	
Type of Lighting	Halogen
No. of Lights	2
Power of Lights	50 W
Adjustable Illumination	No
No. of Grease Filters	2
Type Of Grease Filters	Metal - Casette
Dishwasher Safe Filters	Yes
Air Diverter (Recirculated Operation)	Yes
Flape (Ducted Operation)	Yes
Ductless Operation	No
Recirculation Kit	Available
Fitting Kit (Screws)	Yes
DESIGN	
Control Panel Design	Flat Panel
Control Panel Type	Metal
Body Color	Silver
Body Material	Painted Metal
TECHNICAL INFORMATION	
Voltage	120 V
Frequency	60 Hz
Plug Type	None
DIMENSIONS	
Required cutout dim (H x W x D)	4 ½" x 30" x 20" (12.1 x 76 x 50.8 cm)
Product dim H x W x D	4 ¾" x 29 ⁵⁄₁₆" x 20" (12.1 x 76 x 50.8 cm)
Packed H x W x D	9 ¹³⁄₁₆" x 34" x 24 ⁵⁄₁₆" (24.9 x 86.4 x 61.8 cm)
Product Weight	29.54 lbs. (13.4 kg)



NOTE TO THE INSTALLER: All height, width, and depth dimensions are shown in inches (as well as metric). Beko U.S., Inc. reserves the absolute and unrestricted right to change product materials and specifications, at any time, without notice. Please visit our website, www.BekoAppliances.com, or call 888.352.2356 to verify the latest specifications with final dimensional data and other details prior to installation and making a cutout. Applicable product limited warranty information may be found in accompanying product materials, or you may contact your account manager for further details. Proper installation is the responsibility of the installer. Product failure due to improper installation is not covered under the Limited Warranty.