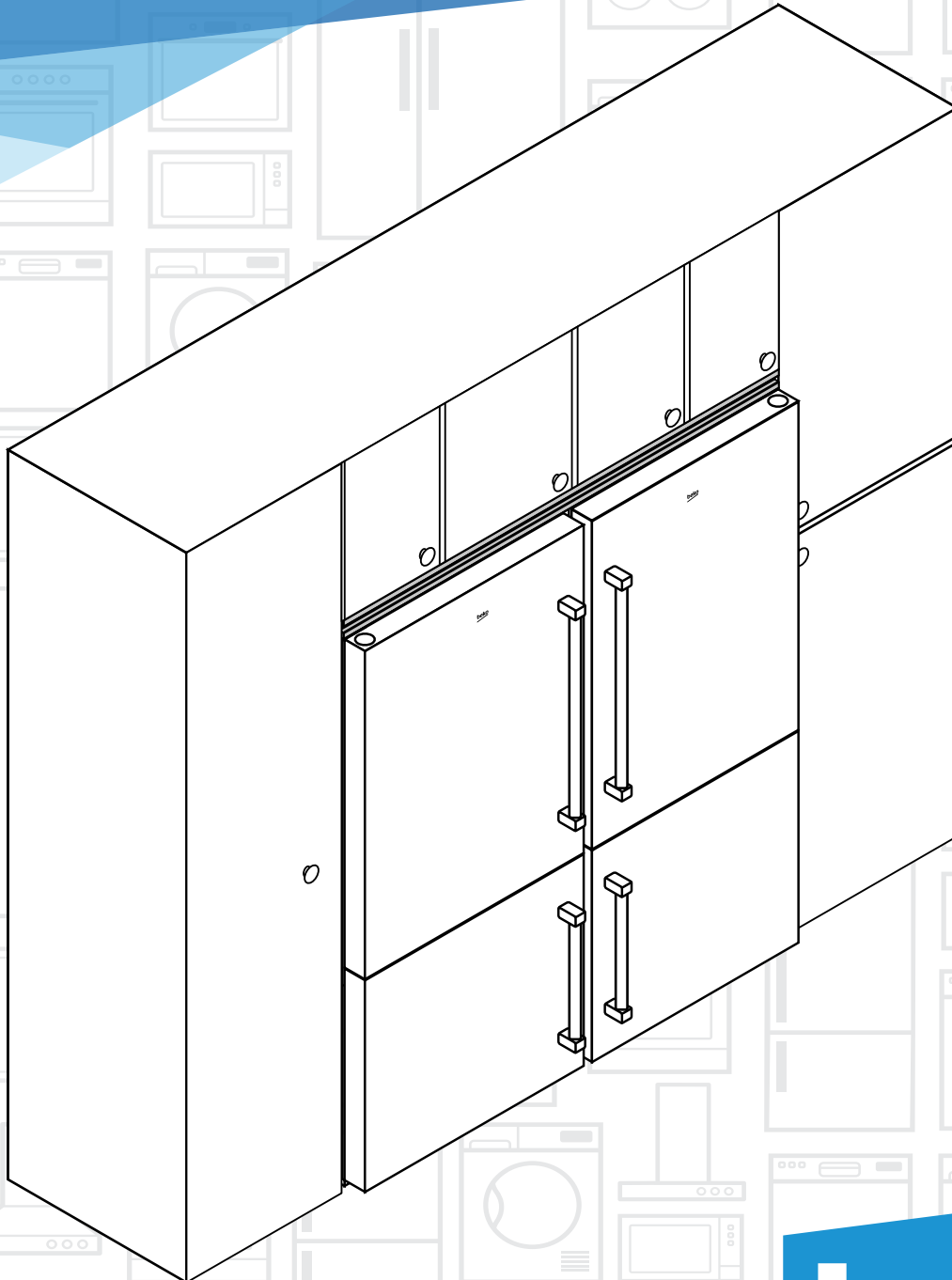


72" Built-In Trim Kit

Installation Manual

BFTK30100SS



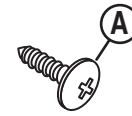
USA

beko

PARTS BAG

26137 Beko - 30" Fridge Trim Kit

PART	Quantity	Reference
Screws	8 (2 extra)	A



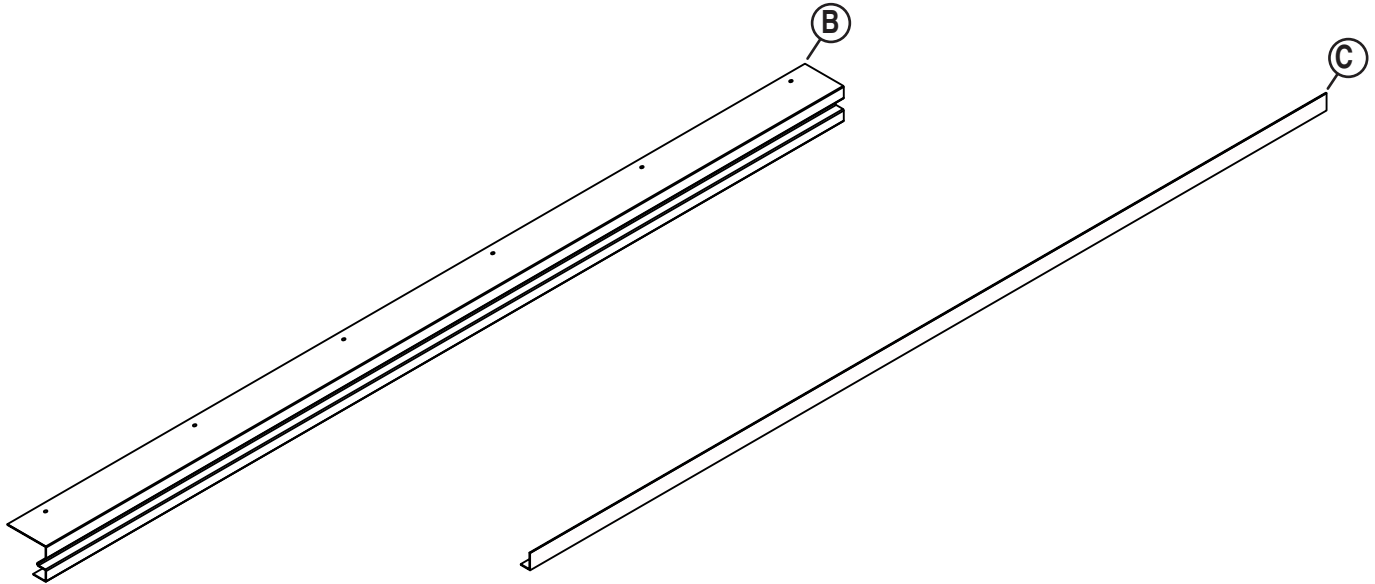
TOOLS REQUIRED: Drill with Phillips Tip, or Phillips Screwdriver, 1/8" Drill Bit

2 People Required for Assembly

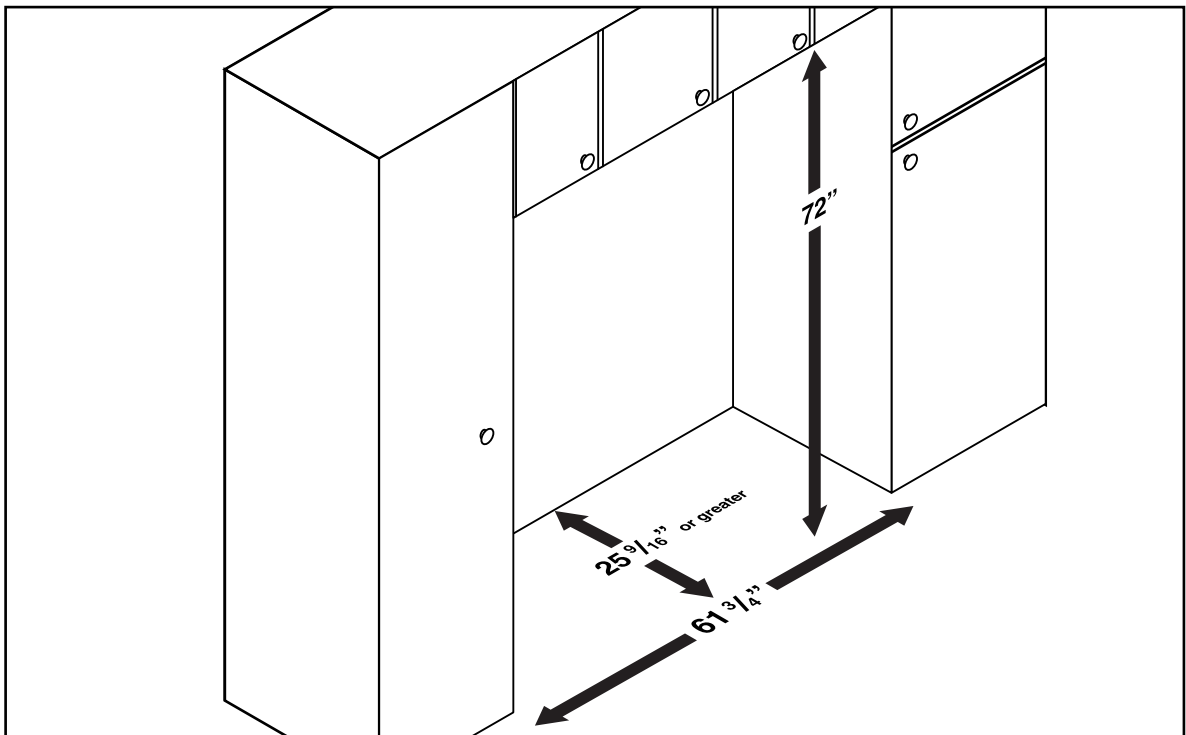
PARTS LIST

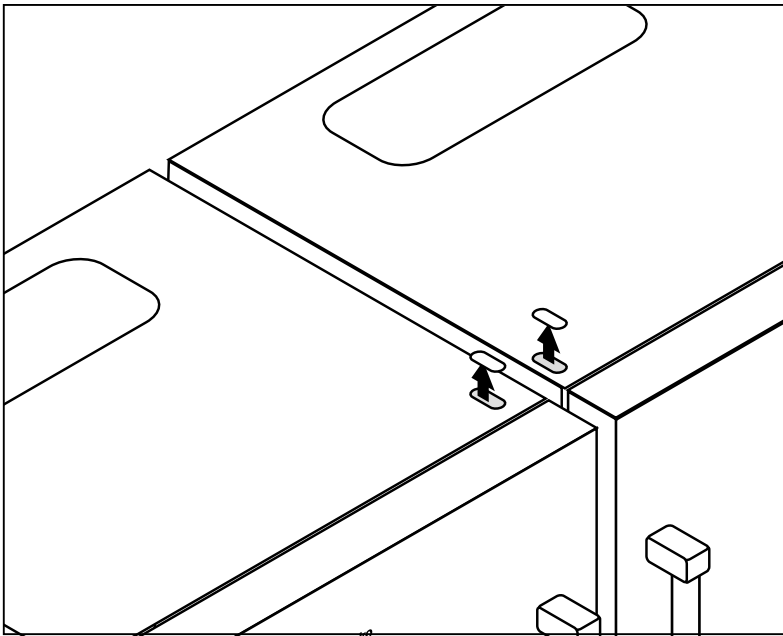
PART	Quantity	Reference
Top Trim	1	B
L Angle Trim	1	C

NOTE: **Beko Joining Kit** must be installed before **Trim Kit** installation



Ensure the location for your fridges has an opening that is 72" Tall, 61.75" Wide, and 25.625" or greater Depth to house fridges and trim kit.



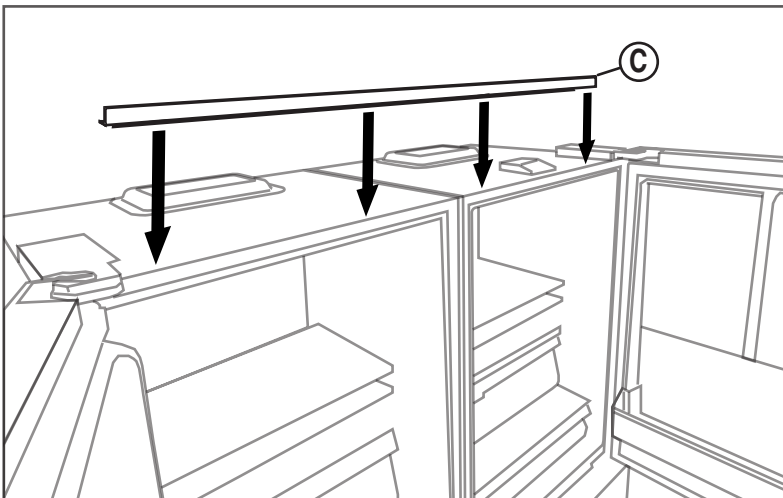


**Please see joining kit instructions*

- 1 If present, remove any plastic hole caps on top of the fridge units within 1 inch of the doors. Make sure top of the fridge units are clean and dust free.

- 2 **Beko Fridge Joining Kit**, per fridge joining kit installation instructions, must be installed prior to the next step.

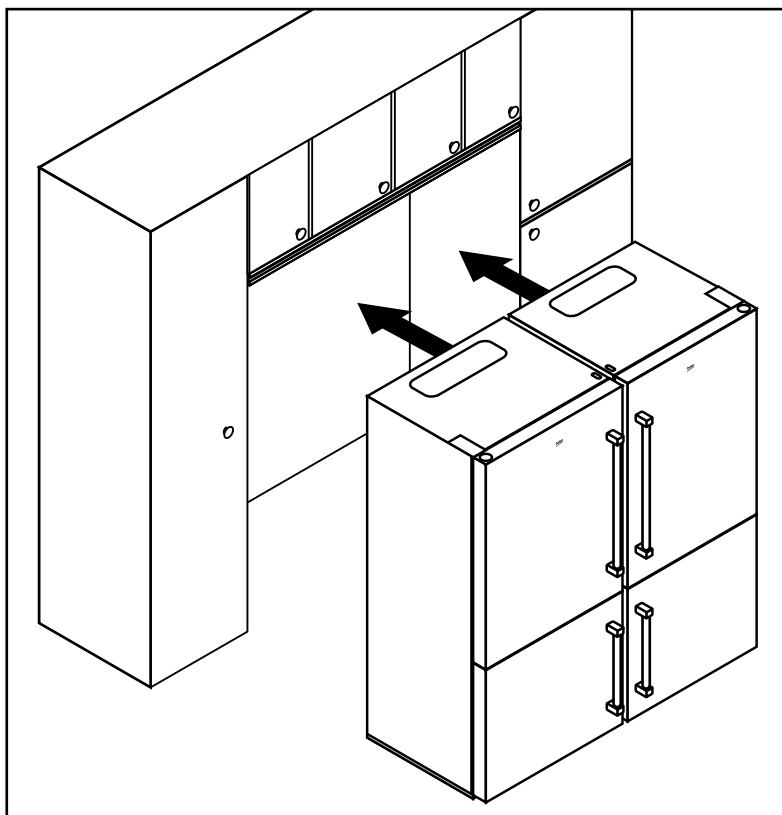
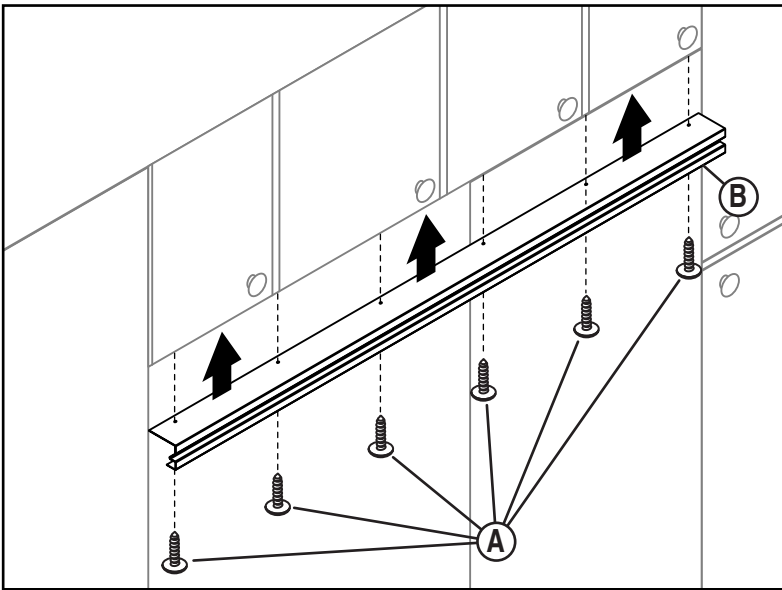
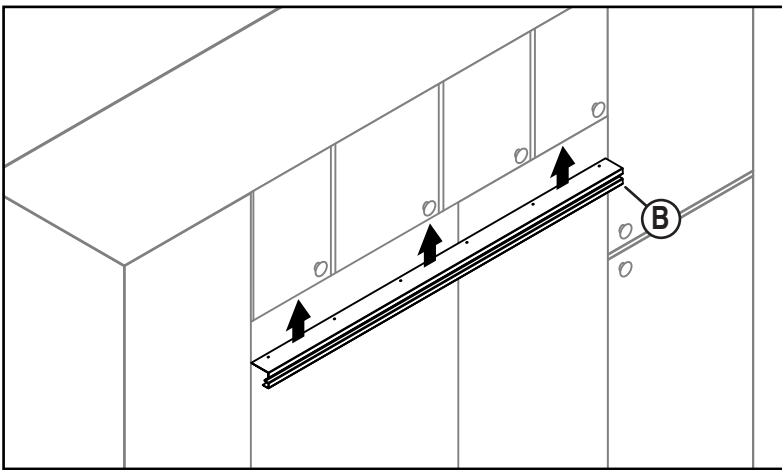
Joining Kit Part #: 6161530100



- 3 Open fridge doors. Dry fit **L Angle Trim (C)** on top of units. Make sure to have the outside of **L Angle Trim (C)** facing toward you. **L Angle Trim (C)** should be flush with front of fridge when doors are open.

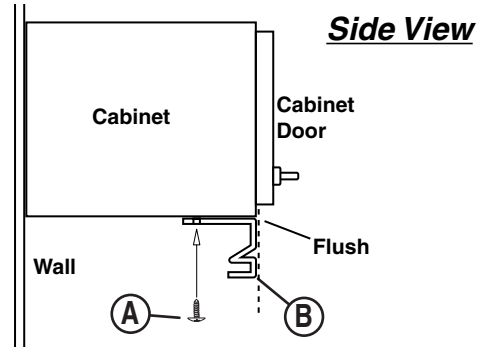


- 4 After making sure **L Angle Trim (C)** fits, peel film from *Foam Tape* on the bottom of **L Angle Trim (C)**, and apply to the top of fridge units. Press firmly to adhear **L Angle Trim (C)** to fridge units.



NOTE: Have 2 people for steps 5 & 6

- 5** Dry fit **Top Trim (B)**, centered, under top of cabinet opening. Front of Trim should be flush with cabinetry, *Not* cabinet doors. Mark hole placement with a writing utensil. Remove **Top Trim (B)** then use drill with 1/8" bit to pilot (6) holes into the cabinet.



- 6** Use (6) **Screws (A)** to attach **Top Trim (B)** to cabinet.

- 7** Push paired fridge units into the center of cabinet space.