



Upright Freezer

Instruction of use

Skříňová Mraznička

Pokyny pro používání

Skriňová Mraznička

Návod na použitie

Stojący Zamrażarki

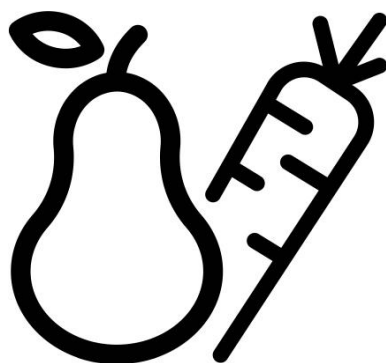
Instrukcja obsługi

Fagyasztószeekrény

Használati útmutató

Zamrzovalna Omara

Navodila za uporabo



RFSA240M33WN

EN-CZ-SK-PL-HU-SL



WARNING!

In order to ensure a normal operation of your refrigerating appliance, which uses a completely environmentally friendly refrigerant the R600a (flammable only under certain conditions) you must observe the following rules:

- Do not hinder the free circulation of the air around the appliance.
- Do not use mechanical devices in order to accelerate the defrosting, others than the ones recommended by the manufacturer.
- Do not destroy the refrigerating circuit.
- Do not use electric appliances inside the food keeping compartment, other than those that might have been recommended by the manufacturer.

UPOZORNĚNÍ!

Aby byl zajištěn normální provoz vaší chladničky, která používá pro životní prostředí zcela neškodné chladicí médium R600a (vznětlivé pouze za určitých podmínek), musíte dodržet následující pravidla:

- Nebráňte ve volné cirkulaci vzduchu kolem přístroje.
- Nepoužívejte mechanická zařízení pro zrychlení odmražení kromě těch, která jsou doporučena výrobcem.
- Nelikvidujte chladicí okruh.
- Nepoužívejte elektrické spotřebiče uvnitř prostoru pro potraviny kromě těch, která by mohl doporučit výrobce.

VAROVANIE!

Aby sa zabezpečila normálna prevádzka vašej chladničky, ktorá používa úplne ekologicky nezávadné chladivo R600a (horľavé len pri určitých podmienkach), musíte dodržiavať nasledujúce pravidlá:

- Nebráňte voľnej cirkulácii vzduchu okolo spotrebiča.
- Nepoužívajte mechanické prístroje na urýchľovanie rozmrazovacieho procesu, iné ako odporúča výrobca.
- Neporušujte chladiaci okruh.
- Nepoužívajte elektrické spotrebiče vo vnútri pípacieho priestoru potravín, iné ako tie, ktoré odporúča výrobca.

UWAGA!

Aby zapewnić normalną pracę tej, wykorzystującej całkowicie przyjazny środowisku (łatwopalny tylko w pewnych warunkach) środek chłodniczy R600a, chłodziarko-zamrażarki, należy przestrzegać następujących zasad:

- Nie należy blokować swobodnego przepływu powietrza wokół chłodziarko-zamrażarki.
- W celu przyspieszenia rozmrażania nie należy używać żadnych innych urządzeń mechanicznych niż zalecane przez producenta.
- Nie wolno uszkodzić obwodu chłodniczego.
- Wewnątrz komory przechowywania żywności nie należy używać żadnych innych urządzeń elektrycznych niż ewentualnie zalecanych przez producenta.

FIGYELMEZTETÉS!

Azí, R600a (csak bizonyos körülmények között gyúlékony) teljesen környezetberát gázzal működő hűtőberendezés normális működésének eléréséhez, kövesse a következő szabályokat:

- Ne gátolja a levegő keringését a készülék körül!
- Ne használjon más mechanikus eszközöket a gyorsabb felolvasztás érdekében, mint amit a gyártó ajánl!
- Ne szakítsa meg a hűtőközeg keringésirendszerét!
- Ne használjon más elektromos eszközöket a mélyfagyasztó részben, mint amiket a gyártó javasolhat!

OPOZORILO!

Za normalno delovanje vašega hladilnika, ki uporablja naravi prijazno hladilno sredstvo R600a (vnetljivo samo pod določenimi pogoji), je treba upoštevati naslednja pravila:

- Ne ovirajte prostega pretoka zraka okoli naprave.
- Za hitrejše odtajanje ne uporabljajte mehanskih naprav, ki jih ni priporočil proizvajalec.
- Ne preprečite hladilnega krogotoka.
- V prostoru za hrano ne uporabljajte električnih naprav, ki jih ni priporočil proizvajalec.

EN Index

Safety first /1
Electrical requirements /2
Transportation instructions /2
Installation instructions /2
Temperature control and adjustment /3
Before operating /3
Freezer control panel /4
Fast freeze function /4
Storing frozen food /4
Freezing fresh food /4
Getting to know your appliance /5
Defrosting /5
Cleaning and care /5
Repositioning the door /5
Do's and don'ts /6
Troubleshooting /7
Information about operating noises /7

CZ Rejstřík

Bezpečnost především /8
Elektrické požadavky /9
Pokyny pro transport /9
Pokyny pro instalaci /9
Kontrola a nastavení teploty /10
Před spuštěním /10
Ovládací panel mrazničky /10
Funkce rychlého zmrazení /11
Ukládání zmrazených potravin /11
Mražení čerstvých potravin /11
Seznámení s vaším spotřebičem /12
Odmrazování /12
Čištění a péče /12
Výměna dvířek /12
Co dělat a co nedělat /13
Odstraňování potíží /14
Informace o provozních hlucích /14

SK Index

Bezpečnosť nadovšetko /15
Elektrické požiadavky /16
Prepravné pokyny /16
Inštalčné pokyny /16
Riadenie a nastavenie teploty /17
Pred uvedením do prevádzky /17
Prevádzka ovládacieho panela /18
Funkcia rýchleho zmrazenia /18
Skladovanie zmrazených potravín /18
Mrazenie čerstvých potravín /19
Poznávanie spotrebiča /19
Rozmrazovanie /19
Čistenie a údržba /20
Premiestňovanie dverí /20
Čo sa má a čo sa nesmie robiť /20
Riešenie problémov /21
Informácie o prevádzkovom hluku /21

PL Spis treści

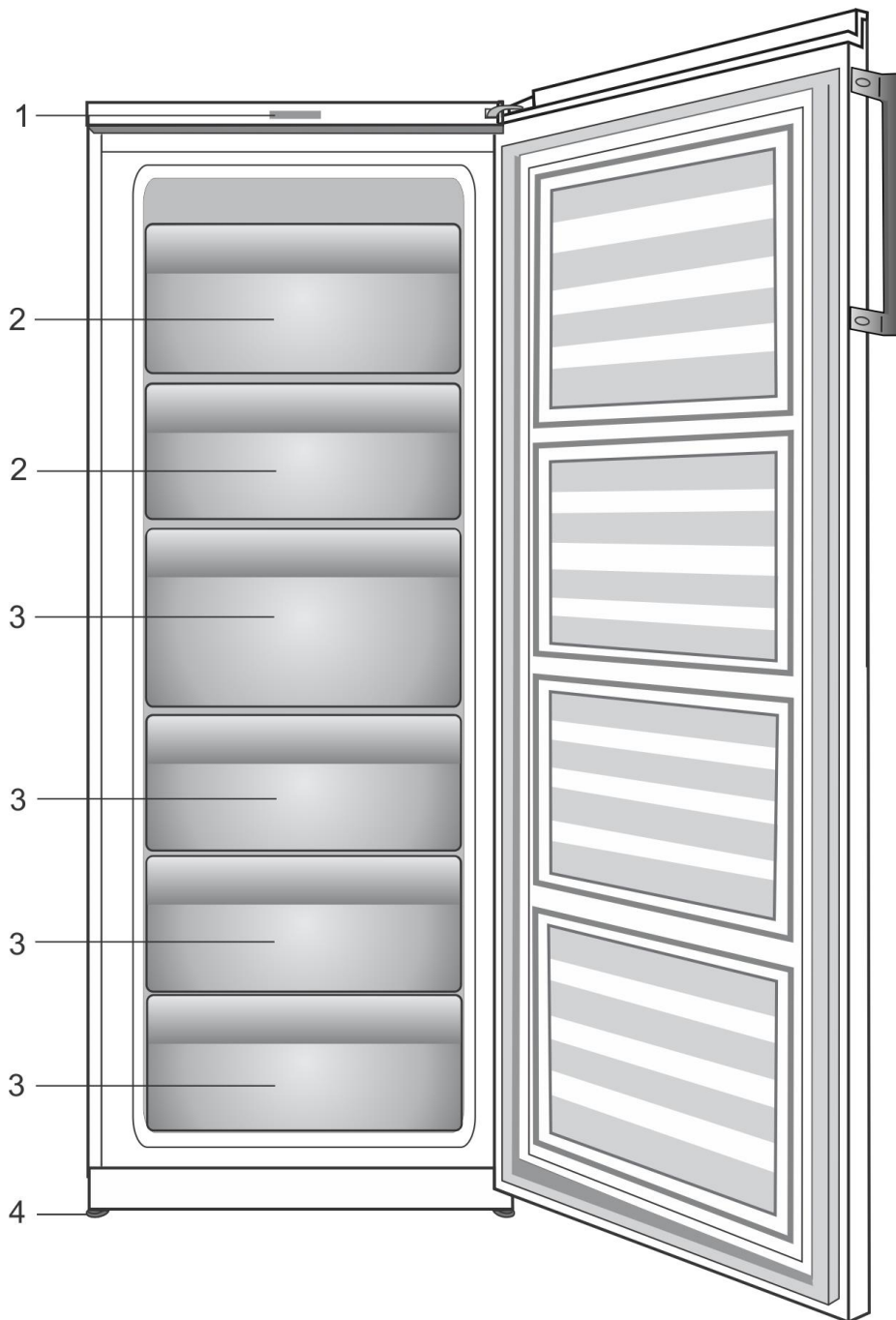
Bezpieczeństwo przede wszystkim /22
Wymagania elektryczne /23
Instrukcje transportowe /23
Instrukcje instalacyjne /24
Regulacja i nastawianie temperatury /24
Przed uruchomieniem /24
Panel sterowania zamrażarki /25
Funkcja szybkiego zamrażania /25
Przechowywanie żywności mrożonej /25
Zamrażanie żywności świeżej /26
Poznaj swoją zamrażarkę /26
Rozmrażanie /26
Czyszczenie i konserwacja /27
Przenoszenie drzwiczek /27
Co trzeba, a czego nie należy robić / 27
Usuwanie problemów /28
Odgłosy pracy zamrażarki /28
Odzysk starego urządzenia chłodniczego /29

HU Tartalomjegyzék

Első a biztonság /30
Elektromos követelmények /31
Szállítási utasítások /31
Beüzemelési utasítások /31
Hőmérséklet szabályozás és beállítás /32
Működtetés előtt /32
Fagyasztó vezérlőpanel /33
Gyorsfagyasztó funkció /33
Fagyasztott étel tárolása /33
Friss étel fagyasztása /34
Ismerje meg készülékét /34
Kiolvasztás /34
Tisztítás és védelem /35
Ajtó áthelyezése /35
Tegye és ne tegye /35
Problémakeresés /36
Információ az üzemeltetési zajokról /36

SL Kazalo

Varnost /37
Električne zahteve /38
Navodila za prevoz /38
Navodila za namestitve /38
Nadzor in prilagoditev temperature /39
Pred delovanjem /39
Nadzorna plošča zamrzovalnika /39
Funkcija hitrega zamrzovanja /40
Shranjevanje zamrznjene hrane /40
Zamrzovanje sveže hrane /40
Spoznajte vašo napravo /40
Odtajanje /41
Čiščenje in nega /41
Premeščanje vrat /41
Kaj lahko in kaj ne smete /42
Iskanje in odpravljanje napak /43
Informacije o hrupu med delovanjem /43



1

❗ Figures that take place in this instruction manual are schematic and may not correspond exactly with your product. If the subject parts are not included in the product you have purchased, then it is valid for other models.

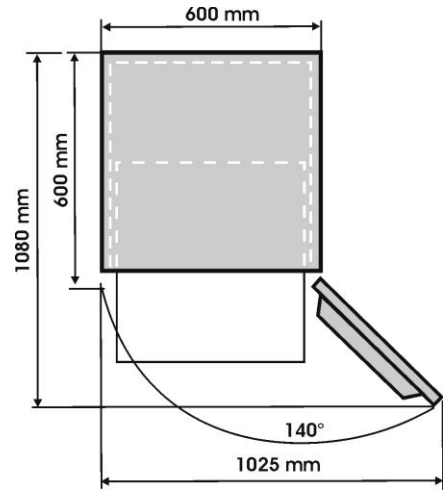
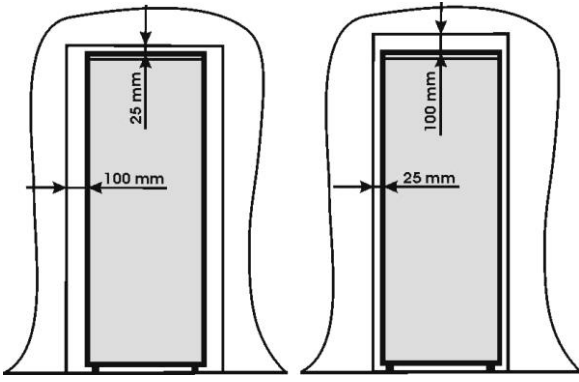
❗ Sestava uvedená v tomto manuálu k použití je pouze schematická a nemusí přesně odpovídat Vašemu produktu. Pokud produkt, který jste nakoupil nezahrnuje určité součásti, ty platí pro jiné modely.

❗ Obrázky v tejto príručke k obsluhu sú schematické a nemusia sa presne zhodovať s vaším produktom. Ak produkt, ktorý ste si zakúpili, nedisponuje uvádzanými časťami, potom sa to týka iných modelov.

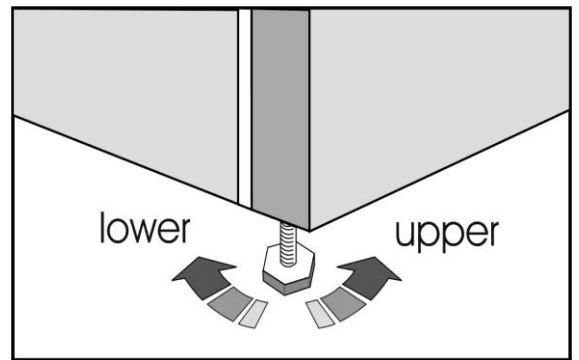
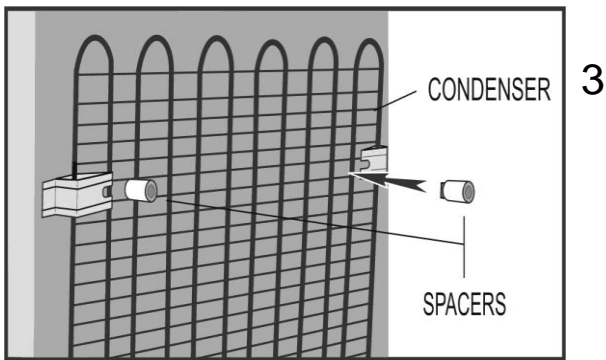
❗ Rysunki w niniejszej instrukcji to tylko schematy i nie muszą ściśle odpowiadać Waszemu modelowi chłodziarki. Jeśli pewnych części nie ma w Waszej chłodziarce, to znaczy, że odnoszą się do innych modeli.

❗ A használati útmutatóban található képek szemléltető jellegűek, nem a valódi terméket ábrázolják. Amennyiben olyan részeket talál, melyek nem találhatók meg, az Ön által megvásárolt termékben, akkor azok más modellekre vonatkoznak.

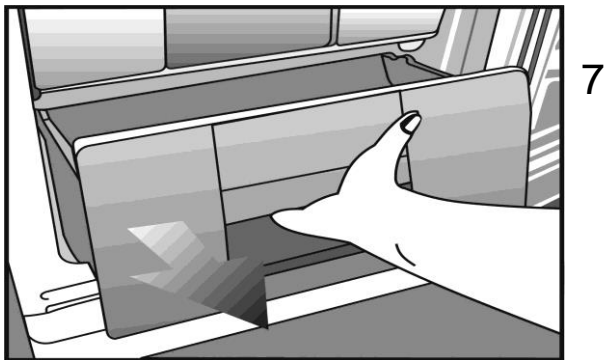
❗ Slike v navodilih za uporabo so shematske in morda ne ustrezajo vašemu proizvodu. Če naprava, ki ste jo kupili, ne vsebuje določenih delov, so veljavni za druge modele.



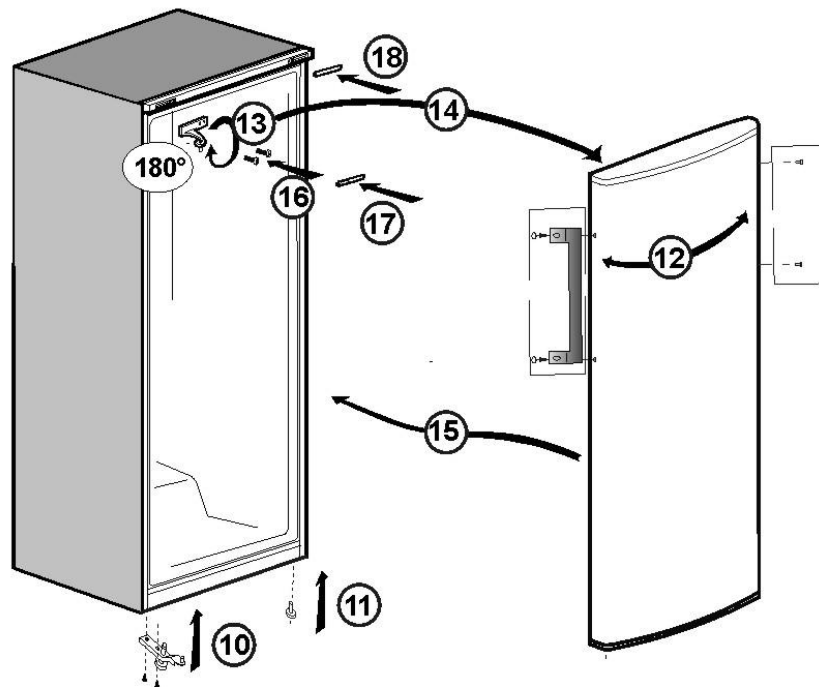
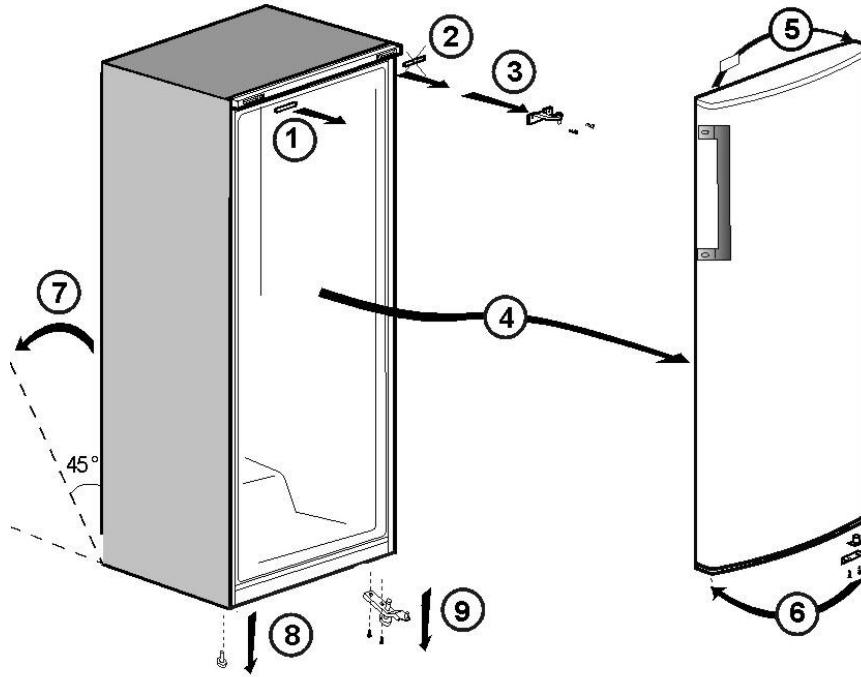
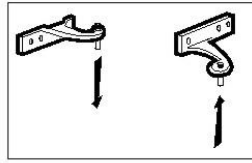
2



5



(13)



Congratulations on your choice of a BEKO Quality Appliance, designed to give you many years of service.

Safety first!

Do not connect your appliance to the electricity supply until all packing and transit protectors have been removed.

- Leave to stand for at least 4 hours before switching on, to allow compressor oil to settle, if transported horizontally.
- If you are discarding an old appliance with a lock or latch fitted to the door, ensure that it is left in a safe condition to prevent the entrapment of children.
- This appliance must only be used for its intended purpose.
- Do not dispose of the appliance on a fire. Your appliance contains non CFC substances in the insulation which are flammable. We suggest you contact your local authority for information on disposal and available facilities.
- We do not recommend use of this appliance in an unheated, cold room. (e.g. garage, conservatory, annex, shed, out-house etc.)

To obtain the best possible performance and trouble free operation from your appliance it is very important to read these instructions carefully. Failure to observe these instructions may invalidate your right to free service during the guarantee period.

Please keep these instructions in a safe place for easy reference.

Original Spare parts will be provided for 10 years, following the product purchasing date.

i INFORMATION

 <p>The energy label features the EU flag, the word "ENERGY" with a lightning bolt, a QR code, and two energy efficiency classes "A" in arrow-shaped boxes. The label also includes the text "SUPPLIER'S NAME" and "MODEL IDENTIFIER" with an arrow pointing to the QR code.</p>	<p>The model information as stored in the product data base can be reached by entering following website and searching for your model identifier (*) found on energy label.</p> <p>https://eprel.ec.europa.eu/</p>
---	--

This appliance is not intended for use by person with reduced physical, sensory or mental capabilities or lack of experience and knowledge unless they have been given supervision or instruction concerning use of the appliance by a person responsible for their safety.

Children should be supervised to ensure that they do not play with the appliance.

Electrical requirements

Before inserting the plug into the wall socket make sure that the voltage and the frequency shown in the rating plate inside the appliance corresponds to your electricity supply.

We recommend that this appliance is connected to the mains supply via a suitably switched and fused socket in a readily accessible position.

The plug has to be accessible after installation in order to allow disconnection of the appliance from the supply after installation.

Warning! This appliance must be earthed.

Repairs to the electrical equipment may only be made by qualified experts. If the power cable is damaged, the manufacturer or customer service must replace it in order to avoid danger.

ATTENTION!

This appliance operates with R 600a which is an environmental friendly but flammable gas. During the transportation and fixing of the product, care must be taken not to damage the cooling system. If the cooling system is damaged and there is a gas leakage from the system, keep the product away from open flame sources and ventilate the room for a while.

WARNING - Do not use mechanical devices or other means to accelerate the defrosting process, others than those recommended by the manufacturer.

WARNING - Do not damage the refrigerant circuit.

WARNING - Do not use electrical appliances inside the food storage compartments of the appliance, unless they are of the type recommended by the manufacturer.

WARNING - If the supply cord is damaged, it must be replaced by the manufacturer, its service agent or similarly qualified persons in order to avoid a hazard.

Transportation instructions

1. The appliance should be transported only in an upright position. The packing as supplied must be intact during transportation.
2. If during the transport the appliance, has been positioned horizontally, it must not be

operated for at least 4 hours, to allow the system to settle.

3. Failure to comply with the above instructions could result in damage to the appliance, for which the manufacturer will not be held liable.

4. The appliance must be protected against rain, moisture and other atmospheric influences.

Important!

- Care must be taken while cleaning/carrying the appliance not to touch the bottom of the condenser metal wires at the back of the appliance, as this could cause injury to fingers and hands.
- Do not attempt to sit or stand on top of your appliance as it is not designed for such use. You could injure yourself or damage the appliance.
- Make sure that the mains cable is not caught under the appliance during and after moving, as this could damage the cable.
- Do not allow children to play with the appliance or tamper with the controls.

Installation instructions

1. Do not keep your appliance in a room where the temperature is likely to fall below -15 degrees C (5 degrees F) at night and/or especially in winter, as it is designed to operate in ambient temperatures between -15 and +43 degrees C (5 and 109 degrees F). At lower temperatures the appliance may not operate, resulting in a reduction in the storage life of the food.

2. Do not place the appliance near cookers or radiators or in direct sunlight, as this will cause extra strain on the appliance's functions. If installed next to a source of heat or freezer, maintain the following minimum side clearances:

From Cookers 30 mm

From Radiators 300 mm

From Freezers 25 mm

3. Make sure that sufficient room is provided around the appliance to ensure free air circulation (**Item 2**).

- Put the back airing lid to the back of your refrigerator to set the distance between the refrigerator and the wall (**Item 3**).

4. The appliance should be positioned on a smooth surface. The two front feet can be adjusted as required. To ensure that your appliance is standing upright adjust the two front feet by turning clockwise or anti-clockwise, until firm contact is secured with the floor. Correct adjustment of feet prevents excessive vibration and noise (**Item 4**).
5. Refer to "Cleaning and Care" section to prepare your appliance for use.

Temperature control and adjustment

The freezer temperature is influenced by the freezer temperature set button (**recommended are 2 or 3 position**).

Generally, this temperature is below -18°C . Lower temperatures can be obtained by adjusting the thermostat knob towards position MAX.

We recommend checking the temperature with a thermometer to ensure that the storage compartments are kept to the desired temperature. Remember to take the reading immediately since the thermometer temperature will rise very rapidly after you remove it from the freezer.

Please remember that each time the door is opened cold air escapes and the internal temperature rises. Therefore never leave the door open and ensure it is closed immediately after food is put in or removed.

Before operating

Final Check

Before you start using the freezer check that:

1. The feet have been adjusted for perfect levelling.
2. The interior is dry and air can circulate freely at the rear.
3. The interior is clean as recommended under "CLEANING AND CARE."
4. The plug is inserted into the wall socket and the electricity supply is switched on. Avoid accidental disconnection by taping over the switch.

And note that:

5. You will hear a noise as the compressor starts up. The liquid and gases sealed within the refrigeration system may also make some noise, whether the compressor is running or not. This is quite normal.

6. To freeze the fresh foods use the compartment marked with 4 stars (recommended second shelf).

7. Don't put in freezer a too big quantity of foods in the same time. The foods quality is well kept if they are deeply frozen in the shortest time possible. Therefore it is preferable do not exceed the freezing capacity of the appliance shown in "*Appliance record*". The thermostat knob shall be adjusted in order to obtain the lowest temperature inside the freezer, with the fast freeze function activated and the orange lamp lighting.

8. Do not load the appliance immediately it is switched on. Wait until the correct storage temperature has been reached. We recommend that you check the temperature with an accurate thermometer (see; Temperature Control and Adjustment).

Important Note:

If there is a power failure do not open the door. Frozen food should not be affected if the failure lasts for less than 16 hours. If the failure is longer, then the food should be checked and either eaten immediately or cooked and then re-frozen.

Freezer control panel

Item 5

The control panel adjusts the temperature in the freezer and has the following functions:

1 - Orange led - Fast freeze on

When you turn the freezer temperature set button (4) to the „FAST FREEZE” position, the orange led (1) will lit and the appliance will run in lowest temperature conditions. The orange LED stops to lit after 50 hours of running in lowest temperature conditions.

2 - Green led - electricity on (Voltage)

Lights when the appliance is connected to the network and remains lit as long as it is available power supply. LED green does not provide information on temperature inside the freezer.

3 - Red Led - High Temperature Alarm

4 - Setting temperature button

High temperature alarm

After the appliance is turned on for the first time the alarm is not active for 12 hours (red led is off).

After this period, red led can lights (red led is on) in the following cases:

- If the appliance is overloaded with fresh food
- If the door is left open by mistake.

In these cases the red led will remain lit until the appliance reached the preset temperature. If the red led is on wait for 24 hours before to announce the authorized service.

Important:

The temperatures obtained inside can vary according to the conditions of use of the appliance: location, ambient temperature, frequency of door opening, degree of loading with food. The temperature setting will be modified according to these conditions.

If the red led is on wait for 24 hours before to announce the authorized service.

It could be the warm food placed inside the freezer and/or the door who was left open. In 24 hrs of functioning the allarm for hight temperature (red led) it should be off.

Fast freeze function

To activate FAST FREEZING function, please adjust the temperature setting knob to „FAST FREEZE” position. It is advised that you place the foodstuffs that you wish to freeze faster in the freezer compartment 24 hours after you activate fast freezing function. While fast freezing is activated, your refrigerator runs at lowest temperature setting for freezer. Fast freeze function lasts for 50 hours. After terminated, your refrigerator reverts to normal use conditions with a temperature setting of 3 even though the knob is still employed at „FAST FREEZE” position. This ecodesign feature provides energy saving when fast freezing function is not cancelled for any reason. Freezing capacity of your refrigerator is measured and declared while fast freezing function is active.

Storing frozen food

Your freezer is suitable for the long-term storage of commercially frozen foods and also can be used to freeze and store fresh food. If there is a power failure, do not open the door. Frozen food should not be affected if the failure lasts for less than 16 hrs. If the failure is longer, then the food should be checked and either eaten immediately or cooked and then re-frozen.

Freezing fresh food

Please observe the following instructions to obtain the best results.

Do not freeze too large a quantity at any one time. The quality of the food is best preserved when it is frozen right through to the core as quickly as possible.

If large amounts of fresh food are going to be frozen, adjust the control knob to „FAST FREEZE” position with 24 hours before putting the fresh food in the fast freeze compartment. It is strongly recommended to keep the knob at „FAST FREEZE” position at least 24 hours to freeze maximum amount of fresh food declared as freezing capacity. Take special care not to mix frozen food and fresh food.

Small quantities of food up to 1/2 kg. (1 lb) can be frozen without fast freezer function. Take special care not to mix already frozen food and fresh food.

Getting to know your appliance

(Item 1)

- 1 - Control panel, display and adjustment
- 2 - Compartment for quickly freezing
- 3 - Compartments for frozen foods keeping
- 4 - Adjustable front feet

Defrosting

Please defrost the freezer compartment at least twice a year or when the ice layer is too thick.

- Ice build-up is a normal phenomenon.
- The ice build-up, especially in the upper side of the compartment is a natural phenomenon and does not affect the good functioning of the appliance.
- It is recommended to defrost the appliance when the quantity of frozen food is not too big.
- Before the defrosting set the adjusting thermostat button on the maximum position in order to strongly freeze the foods. During this time, the temperature in the refrigerator must not be too low.
 - Unplug the appliance
 - Take out the frozen foods, pack them in several paper sheets and put them in a cool place.
 - Let the door open for a quick defrosting and put inside vessels with warm water (max.80°C).

Do not use pointed or sharp-edged objects such as knives or forks to remove the frost. Never use hairdryers, electrical heaters or other such electrical appliances for defrosting. When defrosting has finished, close the defrosting part and dry the interior thoroughly **(Item 6 & 7)**.

Cleaning and care

1. We recommend that you switch off the appliance at the socket outlet and pull out the mains plug before cleaning.
2. Never use any sharp instruments or abrasive substances, soap, household cleaner, detergent or wax polish for cleaning.
3. Use luke warm water to clean the cabinet of the appliance and wipe it dry.
4. Use a damp cloth wrung out in a solution of one teaspoon of bicarbonate of soda to one pint of water to clean the interior and wipe it dry.
5. If the appliance is not going to be used for a long period of time, switch it off, remove all food, clean it and leave the door ajar.
6. We recommend that you polish the metal parts of the product (i.e. door exterior, cabinet sides) with a silicone wax (car polish) to protect the high quality paint finish.
7. Any dust that gathers on the condenser, which is located at the back of the appliance, should be removed once a year with a vacuum cleaner.
8. Check door seals regularly to ensure they are clean and free from food particles.
9. Never:
 - Clean the appliance with unsuitable material; eg petroleum based products.
 - Subject it to high temperatures in any way,
 - Scour, rub etc., with abrasive material.
10. Excess deposit of ice should be removed regularly. Large accumulation of ice will impair the performance of the freezer.
11. To remove a drawer, pull it as far as possible, tilt it upwards and then pull it out completely.

Repositioning the door

Proceed in numerical order **(Item 8)**.

Do's and don'ts

- Do-** Check contents of the freezer at regular intervals.
- Do-** Clean and defrost your appliance regularly (See "Defrosting")
- Do-** Keep food for as short a time as possible and adhere to "Best Before" and "Use By" dates.
- Do-** Store commercially frozen food in accordance with the instructions given on the packets.
- Do-** Always choose high quality fresh food and be sure it is thoroughly clean before you freeze it.
- Do-** Prepare fresh food for freezing in small portions to ensure rapid freezing.
- Do-** Wrap frozen food immediately after purchasing and put it in to the freezer as soon as possible.
- Do-** Separate food in the compartments and complete the contents card. This will enable you to find food quickly and avoid excessive door opening, which will save electricity.
- Don't-** Leave the door open for long periods, as this will make the appliance more costly to run and cause excessive ice formation.
- Don't-** Use sharp edged objects such as knives or forks to remove the ice.
- Don't-** Put hot food into the appliance. Let it cool down first.
- Don't-** Put liquid-filled bottles or sealed cans containing carbonated liquids into the freezer, as they may burst.
- Don't-** Store poisonous or any dangerous substances in your appliance. It has been designed for the storage of edible foodstuffs only.
- Don't-** Exceed the maximum freezing loads when freezing fresh food.
- Don't-** Consume ice-cream and water ices direct from the freezer. The low temperature may cause 'freezer burns' on lips.
- Don't-** Freeze fizzy drinks.
- Don't-** Try to keep frozen food which has thawed; it should be eaten within 24 hours or cooked and refrozen.
- Don't-** Remove items from the freezer with wet hands.
- Don't-** Close the door before replacing the fast-freeze compartment cover.

Troubleshooting

If the appliance does not operate when switched on, check;

- That the plug is inserted properly in the socket and that the power supply is on. (To check the power supply to the socket, plug in another appliance)
- Whether the fuse has blown/circuit breaker has tripped/main distribution switch has been turned off.
- That the temperature control has been set correctly.
- That the new plug is wired correctly, if you have changed the fitted, moulded plug.

If the appliance is still not operating at all after above checks, contact the dealer from whom you purchased the unit.

Please ensure that above checks have been done, as a charge will be made if no fault is found.

Information about operating noises

To keep the selected temperature constant, your appliance occasionally switches ON the compressor.

The resulting noises are quite normal.

As soon as the appliance has reached the operating temperature, the noises automatically reduce in volume.

The humming noise is emitted by the motor (compressor). When the motor switches ON, the noise may briefly increase in volume.

The bubbling, gurgling or whirring noise is emitted by the refrigerant as it flows through the pipes.

The clicking noise can always be heard when the thermostat switches ON/OFF the motor.

A clicking noise may occur when

- the automatic defrosting system is active.
- the appliance is cooling down or warming up (material expansion).

If these noises are excessively loud, the causes are probably not serious and are usually very easy to eliminate.

The appliance is not level

Use the height-adjustable feet or place packing under the feet.

The appliance is not free-standing

Please move the appliance away from kitchen units or other appliances.

Shelves are loose or stick


Please check the detachable components and, if required, refit them.

Warning!

Do not attempt at any time to repair the appliance or its electric components yourself.

Any repair done by an unskilled person is dangerous for the user and can lead to warranty loss.



The symbol  on the product or on packaging indicates that this product may not be treated as household waste. Instead it shall be handed over to the applicable collection point for the recycling of electrical and electronic equipment. By ensuring this product is disposed of correctly, you will help prevent potential negative consequences for the environment and human health, which could otherwise be caused by inappropriate waste handling of this product. For more detailed information about recycling of this product, please contact your local city office, your household waste disposal service or the shop where you purchased the product.

Blahopřejeme k výběru kvalitního spotřebiče BEKO který je určen pro mnoho let služby.

Bezpečnost především!

Nezapojujte spotřebič do napájecí sítě, dokud neodstraníte všechny obalové a přepravní materiály.

- Před zapnutím nechte nejméně 4 hodin stát, aby se usadil olej v kompresoru po přepravě v horizontální poloze.

- Pokud likvidujete starý spotřebič s zámek nebo západkou na dveřích, ujistěte se, že je v bezpečném stavu a dětem nehrozí uvíznutí uvnitř.

- Tento spotřebič musí být používán pro stanovený účel.

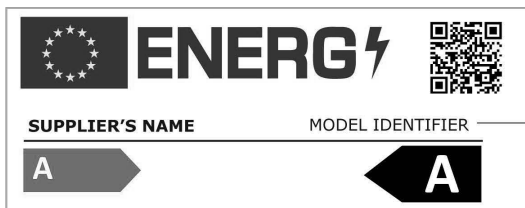
- Neodkládejte spotřebič do ohně. Váš spotřebič obsahuje v izolační vrstvě látky bez CFC, které jsou hořlavé. Doporučujeme kontaktovat místní úřady pro informace o likvidaci a dostupných zařízeních.

- Nedoporučujeme používat tento spotřebič v nevytápěné chladné místnosti. (např. garáž, sklad, přístavba, kůlna, hospodářské stavení atd.)

Pro co nejlepší výkonnost a bezporuchovou službu vašeho spotřebiče je velmi důležité pozorně si přečíst tyto pokyny. Nedodržením těchto pokynů se vystavujete riziku zrušení možnosti servisu zdarma po dobu záruční lhůty.

Uschovejte tyto pokyny na bezpečném místě pro snadné vyhledání.

i INFORMACE



Informace o modelu uložené v databázi výrobků se dají získat zadáním následující webové stránky a vyhledáním identifikátoru vašeho modelu (*), který je uveden na energetickém štítku.

<https://eprel.ec.europa.eu/>

Tento spotřebič by neměly používat osoby se sníženou fyzickou, sensorickou nebo mentální způsobilostí a nebo s nedostatečnými zkušenostmi a poznatky. Tyto osoby mohou spotřebič používat jen pod dohledem osoby zodpovědné za jejich bezpečnost, a nebo pokud je zodpovědná osoba poučila o správném používání spotřebiče.

Děti by měly být pod dozorem, aby si nehrály se spotřebičem.

Elektrické požadavky

Před zasunutím zásuvky do sítě se ujistěte, že napětí a kmitočet na štítku uvnitř spotřebiče odpovídají vašemu zdroji. Doporučujeme připojit tento spotřebič do sítě přes vhodně vypínanou a zajištěnou zásuvku na snadno dostupném místě. Zásuvka musí být přístupná po instalaci tak, aby se umožnilo odpojení spotřebiče od napájení po instalaci.

Upozornění! Tento spotřebič musí být uzemněn.

Opravy elektrického vybavení smí provádět jen kvalifikovaný odborník. Dojde-li k poškození napájecího kabelu, výrobce nebo zákaznický servis jej musí vyměnit, aby se předešlo nebezpečí.

POZOR!

Tento spotřebič používá R600a, což je plyn, který je šetrný k životnímu prostředí, ale je hořlavý. Během přepravy a upevňování výrobku je třeba dbát zvýšené opatrnosti, aby nedošlo k poškození chladicí soustavy. Pokud je chladicí soustava poškozená a ze systému uniká plyn, udržte výrobek mimo otevřený oheň a nějakou dobu v místnosti větrejte.

UPOZORNĚNÍ – Nepoužívejte mechanické nástroje nebo jiné prostředky k urychlení procesu odmrazení s výjimkou těch, které doporučuje výrobce.

UPOZORNĚNÍ – Nepoškozujte chladicí obvod.

UPOZORNĚNÍ – Nepoužívejte elektrické spotřebiče uvnitř prostor na skladování potravin spotřebiče, pokud se nejedná o typy doporučené výrobcem.

UPOZORNĚNÍ – V případě poškození napájecího kabelu je nutno jej nechat vyměnit u výrobce, jeho servisního zástupce či podobně kvalifikované osoby, aby se předešlo nebezpečí.

Pokyny pro přepravu

1. Spotřebič se smí přenášet jen ve svislé pozici. Obaly musí zůstat během přepravy neporušené.

2. Pokud byl spotřebič během přepravy umístěn vodorovně, nesmí být používán po vybalení nejméně 4 hodin, aby se systém mohl ustálit.

3. Nedodržení výše uvedených pokynů by mohlo vést k poškození spotřebiče, za které výrobce nezodpovídá.

4. Spotřebič je třeba chránit proti dešti, vlhku a jiným atmosférickým vlivům.

Důležité upozornění!

- Při čištění/přenášení spotřebiče se nedotýkejte spodní části kovových kabelů kondenzátoru na zadní straně spotřebiče, mohlo by dojít k poranění prstů a rukou.
- Nepokoušejte se stoupat nebo sedat na horní okraj spotřebiče, jelikož na toto není určen. Mohli byste se zranit nebo poškodit spotřebič.
- Ujistěte se, že napájecí kabel není zachycen pod spotřebičem během a po přesouvání, mohlo by to poškodit kabel.
- Nedovolte dětem hrát si se spotřebičem nebo manipulovat s ovladači.

Pokyny pro instalaci

1. Nepřechovávejte spotřebič v místnosti, kde může teplota klesnout pod -15°C v noci a/nebo zejména v noci, jelikož je určen na provoz v teplotách mezi -15 a $+43^{\circ}\text{C}$ stupni Celsia. Při nižších teplotách nemusí spotřebič fungovat, čímž poklesne doba skladovatelnosti potravin.

2. Neumísťujte spotřebič do blízkosti sporáků nebo radiátorů nebo na přímé sluneční světlo, dojde tím ke zvýšenému napětí funkcí spotřebiče. Při instalaci v blízkosti zdroje tepla nebo mrazničky udržujte minimální odstupy po stranách:

- Od sporáků 30 mm
- Od radiátorů 300 mm
- Od mrazniček 25 mm

3. Ujistěte se, že kolem spotřebiče je dostatečný odstup tak, aby se zaručil volný oběh vzduchu (**Položka 2**).

• Umístěte zadní odvětrávací víko na zadní stranu vaší chladničky, abyste viděli vzdálenost mezi chladničkou a stěnou (**Položka 3**).

4. Spotřebič by měl být umístěn na hladkém povrchu. Obě přední nožky lze nastavit dle potřeby. Abyste měli jistotu, že váš spotřebič stojí vzpřímeně, nastavte obě přední nožky tak, že jimi otočíte doprava nebo doleva, dokud není zajištěn pevný kontakt s podlahou. Správným nastavením nožek předejdete přílišným vibracím a hluku (**Položka 4**).

5. Informace pro přípravu spotřebiče na použití naleznete v oddíle „Čištění a údržba“.

Kontrola a nastavení teploty

Na teplotu mrazničky má vliv tlačítko nastavení teploty mrazničky (**doporučena je poloha 2 nebo 3**).

Obecně platí, že tato teplota je pod -18° . Nižších teplot lze dosáhnout nastavením tlačítka termostatu směrem k poloze MAX. Doporučujeme kontrolovat teplotu teploměrem, abyste měli jistotu, že skladovací prostory mají stále požadovanou teplotu. Nezapomínejte zjistit hodnotu okamžitě, protože teplota na teploměru stoupne velmi rychle poté, co jej vyjmete z mrazničky. Nezapomínejte, že při každém otevření dveří uniká studený vzduch ven a teplota uvnitř stoupne. Proto nikdy nenechávejte dveře otevřené a zajistěte, aby se zavřely okamžitě po vyjmutí či vložení potravin.

Před zahájením provozu

Poslední kontrola

Než začnete používat mrazničku, zkontrolujte, zda:

1. Nožky byly seřízeny pro ideální rovnováhu.
2. Vnitřek je suchý a vzduch může vzadu volně cirkulovat.
3. Vnitřek je čistý dle doporučení v oddíle „ČIŠTĚNÍ A ÚDRŽBA“.
4. Zásuvka byla zasunuta do sítě a elektřina je zapnutá. Předcházejte náhodnému odpojení tím, že spínač přelepíte.

A nezapomeňte, že:

5. Uslyšíte hluk při startování kompresoru. Kapalina a plyny uzavřené v chladicí soustavě mohou dělat další hluk, ať je kompresor v chodu, nebo není. Je to zcela normální.

6. Ke zmrazení čerstvých potravin použijte přihrádku se 4 hvězdami (doporučena druhá police).

7. Nevkládejte do mrazničky příliš velké množství potravin najednou. Kvalita potravin se zachová, pokud se hloubkově zmrazí v co nejkratší době. Proto se doporučuje nepřekračovat kapacitu mrazničky uvedenou v „Základní spotřebiče“. Tlačítko termostatu musí být nastaveno tak, aby se v mrazničce dosáhlo nejnižší možné teploty, k čemuž se aktivuje funkce rychlé mražení a rozsvítí se oranžová kontrolka.

8. Nezaplňujte spotřebič ihned po jeho zapnutí. Počkejte na dosažení správné skladovací teploty. Doporučujeme kontrolovat teplotu přesným teploměrem (viz: Kontrola a nastavení teploty).

Důležitá poznámka:

Dojde-li k výpadku elektrické energie, neotvírejte dveře. Zmrazené potraviny nebudou poškozeny, pokud výpadek trvá méně než 16 hodin. Pokud je výpadek delší, pak potraviny zkontrolujte a buď okamžitě snězte, nebo je uvařte a pak znovu zmraďte.

Ovládací panel mrazničky

Položka 5

Ovládací panel upravuje teplotu v mrazničce a má následující funkce:

1 - Oranžová kontrolka - rychlé zmražení zapnuto

Když zapnete mrazničku, nastavte tlačítko nastavení teploty (4) do pozice „RYCHLÉ MRAZENÍ“, rozsvítí se oranžová kontrolka LED (1) a spotřebič se spustí při nejnižší teplotě. Oranžová kontrolka LED se vypne po 50 hodinách provozu při nejnižší teplotě.

2 - Zelená kontrolka - Napětí zapnuto (napětí)

Svítil, když je spotřebič připojen k síti, a zůstane svítit, dokud je dostupné napájení. Zelená kontrolka neposkytuje informace o teplotě uvnitř mrazničky.

3 - Červená kontrolka - Alarm na vysokou teplotu

4 - Tlačítko nastavení teploty

Alarm vysoké teploty

Po prvním zapnutí spotřebiče není alarm aktivní 12 hodin (červená kontrolka nesvítí).

Po této době se může červená kontrolka rozsvítit v následujících případech:

- Pokud spotřebič přeplníte čerstvými potravinami
- Pokud dlouho necháte otevřená dvířka.

V těchto případech zůstane červená kontrolka svítit, dokud spotřebič nedosáhne předvolené teploty.

Pokud svítí červená kontrolka, počkejte 24 hodin, než kontaktujete autorizovaný servis.

Důležité:

Vnitřní teploty s mohou lišit podle podmínek používání spotřebiče, jako např.: umístění, okolní teplota, častost otevírání dvířek, stupeň zaplnění jídlem. Nastavení teploty bude změněno podle těchto podmínek.

Pokud svítí červená kontrolka, počkejte 24 hodin, než kontaktujete autorizovaný servis. Může se to stát vložením teplých potravin do mrazničky a/nebo dvířek nechaných v otevřené pozici.

Za 24 hod. by měl alarm hlásící vysokou teplotu (červená kontrolka) ustát.

Funkce rychlého zmrazení

Pro aktivaci funkce RYCHLÉ MRAŽENÍ nastavte tlačítko nastavení teploty do pozice "RYCHLÉ MRAŽENÍ". Doporučujeme, abyste potraviny, které chcete zmrazit rychleji, vložili do mrazničky 24 hodin po aktivaci funkce rychlého mražení. Jakmile se rychlé mražení aktivuje, vaše chladnička se spustí při nejnižší teplotě nastavené pro mrazničku. Funkce rychlého mražení trvá nejvýše 50 hodin. Po ukončení se chladnička přepne do normálního stavu s nastavením teploty 3, a to i když je tlačítko stále nastavené na pozici "RYCHLÉ MRAŽENÍ". Tato funkce umožňuje úsporu energie, není-li funkce rychlého mražení z nějakého důvodu zrušena. Mrazicí kapacita vaší chladničky je změřena a deklarována během aktivace funkce rychlého mražení.

Skladování zmražených potravin

Vaše mraznička je vhodná na dlouhodobé uchování běžně dostupných zmražených potravin a lze ji též použít na zmrazení a uskladnění čerstvých potravin.

Před uskladněním doma zmražených čerstvých potravin zkontrolujte návod na délku skladování na výplni dvířek.

Dojde-li k výpadku elektrické energie, neotvírejte dveře. Zmrzlé potraviny by měly zůstat nepoškozeny, pokud závada trvá necelých 16 hodin. Pokud je výpadek delší, pak by měly být potraviny zkontrolovány a buď ihned upraveny, nebo uvařeny a pak znovu zmrazeny.

Mražení čerstvých potravin

Pro dosažení nejlepších výsledků prosím dodržujte následující pokyny.

Nezmrazujte příliš velké množství najednou. Množství potravin se nejlépe uchovává, pokud se zmrazí hloubkově a co nejrychleji.

Pokud má dojít ke zmrazení velkého množství čerstvých potravin, nastavte ovládací tlačítko do pozice "RYCHLÉHO MRAŽENÍ" max. 24 hodin před vložením potravin do prostoru pro rychlé mražení.

Doporučujeme mít zapnutý spínač v poloze "RYCHLÉHO MRAŽENÍ" nejméně 24 hodin, abyste zmrazili maximální množství čerstvých potravin udané jako mrazicí kapacita. Dávejte zvýšený pozor, abyste nesmísili již zmrzlé a čerstvé potraviny.

Nezapomeňte vrátit tlačítko termostatu zpět do předchozí polohy po zmrazení potravin Malá množství do ½ kg lze zmrazit bez funkce rychlého zmražení

Dávejte zvýšený pozor, abyste nesmísili již zmrzlé a čerstvé potraviny.

Seznámení s vaším spotřebičem (Položka 1)

- 1 - Ovládací panel, displej a nastavení
- 2 - Prostor pro rychlé zmrazení
- 3 - Příhrádky pro uchovávání zmražených potravin
- 4 - Nastavitelné přední nožky

Odmrazování

Prostor mrazničky odmrázujte nejméně dvakrát ročně nebo po nahromadění vrstvy ledu.

- Hromadění ledu je normální jev.
- Nahromadění ledu, zejména v horní části prostoru, je přirozený jev a neovlivňuje správnou funkci spotřebiče.
- Doporučujeme odmrázovat spotřebič, když není obsah mražených potravin příliš velký.
- Před odmrážením nastavte tlačítko nastavení termostatu na maximální pozici pro silné zmrazení potravin. Během této doby nesmí být teplota v chladničce příliš nízká.
 - Odpojte spotřebič ze sítě;
 - Vyjměte mražené potraviny, zabalte je do několika listů papíru a odložte je na chladné místo.
 - Nechte dvířka otevřená pro rychlejší odmrážení a vložte dovnitř nádoby s teplou vodou (max. 80°C).

Námrazu neodstraňujte špičatými nebo ostrými předměty, jako jsou nože nebo vidličky.

Nepoužívejte sušiče na vlasy, elektrické radiátory nebo jiné elektrické spotřebiče na odmrážení.

Po skončení odmrážování zavřete díl pro odmrážování a vnitřek důkladně vysušte
(Položka 6 a 7).

Čištění a péče

1. Doporučujeme vypnout přístroj ze sítě a vyjmout hlavní zásuvku, než přistoupíte k čištění.

2. Nikdy nepoužívejte ostré předměty či brusné látky, mýdlo, domovní čistič, odmašťovač či voskové čisticí.

3. Používejte vlažnou vodu pro vyčištění skříně a otřete ji pak dosucha.

4. Používejte vlhký hadřík namočený do roztoku jedné čajové lžičky sody bikarbony na půl litru vody na vyčištění vnitřku, pak jej dosucha otřete.

5. Pokud spotřebič delší dobu nebudete používat, vypněte jej, vyjměte všechny potraviny, vyčistěte jej a nechte dveře otevřené.

6. Doporučujeme vyčistit kovové součásti výrobku (např. vnější část dvířek, posuvné části) silikonovým voskem (autoleštidlem) pro ochranu vysoce kvalitního povrchového nátěru.

7. Prach, který se usadí na kondenzátoru, který je umístěn na zadní straně spotřebiče, by měl být jednou ročně odstraněn vysavačem.

8. Pravidelně kontrolujte těsnění dvířek, abyste zajistili jejich čistotu a nezanesení částicemi potravin.

9. Nikdy:

- Nečištějte spotřebič nevhodnými materiály; tzn. výrobky na bázi petroleje.
- Jej nevystavujte vysokým teplotám.
- Nedrhňte, nebruste atd. brusnými materiály.

10. Přebytečné nahromadění ledu doporučujeme pravidelně odebírat. Velké nahromadění ledu sníží výkonnost mrazničky.

11. Pro vyjmutí zásuvky ji vytáhněte co nejdále, nadzvedněte ji a pak ji zcela vytáhněte ven.

Výměna dvířek

Postupujte v číselném pořadí (Položka 8).

Co dělat a co nedělat

- Ano-** Zkontrolujte obsah mrazničky v pravidelných intervalech.
- Ano-** Pravidelně čistěte a odmrazujte spotřebič (viz „Odmrazování“)
- Ano-** Uchovávejte potraviny co nejkratší dobu a dodržujte jejich lhůtu spotřeby, doporučenou dobu spotřeby atd.
- Ano-** Již zmrazené potraviny skladujte v souladu s instrukcemi uvedenými na jejich obalech.
- Ano-** Vždy si vybírejte kvalitní čerstvé potraviny a před jejich zmrazením se ujistěte, zda jsou zcela čisté.
- Ano-** Připravte čerstvé potraviny na zmrazení v malých částech, abyste zajistili rychlé zmrazení.
- Ano-** Zmrazené potraviny obalte ihned po zakoupení a co nejrychleji je vložte do mrazničky.
- Ano-** Potraviny v přihrádkách oddělujte a vypisujte si kartičku s obsahem. Díky tomu rychle najdete potraviny a předejdete přílišnému otevírání dveří, čímž ušetříte elektřinu.
- Ne-** nechte dveře otevřené delší dobu, provoz spotřebiče se tím prodraží a dojde k nadbytečné tvorbě ledu.
- Ne-** používejte ostré předměty jako nože nebo vidličky na odstranění ledu.
- Ne-** vkládejte do spotřebiče teplé potraviny. Nechte je nejprve vychladnout.
- Ne-** vkládejte lahve s kapalinou nebo zavřené plechovky s perlivými kapalinami do mrazničky, mohly by explodovat.
- Ne-** skladujte ve spotřebiči jedovaté nebo nebezpečné látky. Byl určen na skladování jen jedlých potravin.
- Ne-** překračujte maximální náplň mrazničky při zmrazování čerstvých potravin.
- Ne-** konzumujte zmrzlinu a led do vody přímo z mrazničky. Nízká teplota může způsobit na rtech „popáleniny od mrazu“.
- Ne-** zmrazujte šumivé nápoje.
- Ne-** snažte se uchovat zmrzlé potraviny, které rozmrzly; měli byste je sníst do 24 hodin, nebo uvařit a znovu zmrazit.
- Ne-** odstraňujte předměty z mrazničky mokřýma rukama.
- Ne-** zavírejte dvířka před navrácením krytu prostoru pro rychlé zmrazení.

Odstraňování potíží

Pokud spotřebič po zapnutí nefunguje, zkontrolujte;

- Zda je zásuvka správně zasunutá do sítě a je zapnutý přívod elektrické energie. (Pro kontrolu napětí v zásuvce do ní zapojte další spotřebič)
- Zda není vyhozená pojistka/se neaktivoval přerušovač obvodu/hlavní jistič není vypnutý.
- Zda byla správně nastavena funkce ovládání teploty.
- Zda je nová zásuvka správně propojená, pokud jste změnilí osazenou tvarovanou zásuvku.

Pokud spotřebič po provedení těchto kontrol stále nefunguje, kontaktujte prodejce, u něhož jste přístroj zakoupili.

Provedte prosím všechny výše uvedené kontroly, v případě nezjištění závady bude kontrola zpoplatněna.

Informace o provozních hlucích

Aby zvolená teplota zůstala konstantní, zapne váš spotřebič občas kompresor.

Výsledný hluk je zcela normální.

Jakmile spotřebič dosáhne provozní teploty, zvuk se automaticky ztiší.

Hučení vychází z motoru (kompresoru). Když se motor zapne, hluk může na chvíli zesílit.

Bublání, vrčení nebo šplouchání je způsobeno chladicím médiem, které prochází vedením.

Vždy, když termostat zapne/vypne motor, je slyšet **cvaknutí**.

Cvaknutí se může ozývat, když

- je automatický systém odmrazování aktivní.
- se spotřebič zahřívá nebo zchlazuje (rozpínání materiálu).

Pokud tyto zvuky jsou příliš hlasité, příčiny nejsou nejspíš vážné a obvykle se velmi snadno odstraňují.

Spotřebič není vyrovnaný

Použijte nožky pro nastavení výšky nebo vložte pod nožky část obalu.

Spotřebič nestojí volně

Posuňte spotřebič mimo kuchyňské pomůcky nebo jiné spotřebiče.


Police jsou uvolněné nebo zaseknuté

Zkontrolujte odnímatelné součásti a v případě nutnosti je vraťte zpět.

Upozornění!

Nikdy se nepokoušejte opravit přístroj či jeho elektrické součástky sami. Jakákoli oprava provedená neškolenou osobou je nebezpečná pro uživatele a může vést k ukončení záruky.



Symbol  na výrobku nebo na obalu upozorňuje na skutečnost, že spotřebič nepatří do běžného domácího odpadu. Místo toho je třeba jej odevzdat do speciální sběrné odpadů na recyklování elektrických a elektronických zařízení. Vaší podporou správné likvidace pomáháte zabránit potenciálně negativním vlivům na životní prostředí a lidské zdraví, které by jinak nesprávná likvidace výrobku mohla způsobit. Další informace a recyklování tohoto spotřebiče získáte na místním úřadě, ve sběrně odpadu nebo u prodejce, kde jste spotřebič zakoupili.

Blahoželáme k vášmu výberu kvalitného spotrebiča značky BEKO navrhnutého tak, aby vám slúžil veľa rokov.

Bezpečnosť nadovšetko!

Nezapájajte spotrebič do elektrickej siete, kým nie sú odstránené baliace a ochranné prostriedky.

- Nechajte spotrebič stáť minimálne 4 hodiny predtým, ako ho zapnete, aby sa olej v kompresore usadil, ak bol prepravovaný horizontálne.

- Ak znehodnocujete starý spotrebič, jeho zámok alebo závoru usposobenú k dverám, uistite sa, že sú odstránené bezpečným spôsobom, aby ste predišli tomu, že sa dnu zamknú deti.

- Tento spotrebič musí byť výlučne použitý pre navrhnutý účel.

- Nevystavujte spotrebič ohňu. Spotrebič neobsahuje CFC substancie v izolácií, ktoré sú horľavé.

Navrhujeme vám kontaktovať miestne úrady pre informácie na disponovanie a využitie zariadenia.

- Neodporúčame využívať toto zariadenie v nevykurovanej, studenej miestnosti. (napr.: garáž, sklad, prístavba, prístrešok, v exteriéri atď...)

Aby ste dosiahli najlepší možný výkon a bezproblémový chod spotrebiča, je veľmi dôležité podrobne si prečítať tento návod. Nedodržanie týchto pokynov môže zrušiť vaše právo na bezplatný servis počas záručnej doby.

Uchovajte tieto pokyny na bezpečnom mieste pre ľahšie použitie.

Originálne náhradné súčiastky budú dodávané po dobu 10 rokov od kúpy výrobku.

i INFORMÁCIE



SUPPLIER'S NAME

MODEL IDENTIFIER

(*)

A

A

Informácie o modeli uložené v databáze výrobkov sa dajú získať zadáním nasledujúcej webovej stránky a vyhľadáním identifikátora vášho modelu (*), ktorý je uvedený na energetickom štítku.

<https://eprel.ec.europa.eu/>

Tento spotrebič by nemali používať osoby so zníženou fyzickou, senzorickou alebo mentálnou spôsobilosťou alebo s nedostatočnými skúsenosťami a poznatkami. Tieto osoby môžu spotrebič používať len pod dohľadom osoby zodpovednej za ich bezpečnosť, alebo ak ich zodpovedná osoba poučila o správnom používaní spotrebiča.

Deti by mali byť pod dozorom, aby sa nehrali so spotrebičom.

Elektrické požiadavky

Pred zasunutím zástrčky do zásuvky v stene sa uistite, že napätie a frekvencia uvedené na výkonovom štítku zodpovedajú zásobovaniu elektrickou energiou.

Odporúčame, aby toto zariadenie bolo zapojené do elektrickej sústavy cez vhodnú zásuvku so spínačom v ľahko dostupnej pozícii.

Zástrčka musí byť po inštalácii prístupná, aby sa umožnilo odpojenie zariadenia od sieťového napájania po inštalácii.

Varovanie! Tento spotrebič musí byť uzemnený.

Opravy elektrických prístrojov môžu vykonávať len kvalifikovaní experti. Ak je sieťový kábel poškodený, tak ho musí vymeniť výrobca alebo zákaznícky servis, aby sa predišlo nebezpečenstvu.

POZOR!

Tento spotrebič pracuje s plynom R 600a, ktorý je ekologicky nezávadný, ale horľavý. Počas prepravy a zostavovania produktu dbajte na to, aby ste nepoškodili chladiaci systém. Ak je poškodený chladiaci systém a unikol zo systému plyn, držte zariadenie mimo otvoreného ohňa a na chvíľu vyvetrajte miestnosť.

VAROVANIE – Nepoužívajte mechanické prístroje alebo iné prostriedky na urýchľovanie rozmrazovacieho procesu, inak ako odporúča výrobca.

VAROVANIE – Nepoškodte chladiaci okruh.

VAROVANIE – Nepoužívajte elektrické zariadenia vo vnútri priestoru na potraviny, iba ak ide o typy odporúčané výrobcom.

VAROVANIE – Ak je sieťový kábel poškodený, je potrebné, aby ho vymenil výrobca, servisný agent alebo podobne kvalifikovaná osoba, vyhnite sa tak možnému nebezpečenstvu.

Prepravné pokyny

1. Spotrebič musí byť prepravovaný výlučne vo vertikálnej polohe. Obal musí počas prepravy ostať neporušený.

2. Ak bol spotrebič počas prepravy v horizontálnej polohe, nesmiete ho uvádzať do prevádzky najbližšie 4 hodiny, aby sa systém ustálil.

3. Nedodržanie vyššie uvedených pokynov by mohlo mať za následok poškodenie spotrebiča, za ktoré výrobca nebude niesť zodpovednosť.

4. Spotrebič musí byť chránený proti dažďu, vlhkosti a iným poveternostným vplyvom.

Dôležité!

- Kladte dôraz na opatrnosť počas čistenia/údržby spotrebiča, nedotýkajte sa spodku chladiacich kovových vedení na zadnej strane spotrebiča, mohlo by vám to spôsobiť úraz prstov a rúk.
- Nepokúšajte sa sadieť alebo stáť na vrch zariadenia, pretože nie je navrhnuté pre takéto použitie. Mohli by ste sa poraniť alebo poškodiť zariadenie.
- Uistite sa, že elektrický kábel nie je pricviknutý pod zariadením počas presúvania a po presunutí, mohlo by to poškodiť kábel.
- Nedovoľte deťom hrať sa so zariadením alebo s ovládačmi.

Pokyny o montáži

1. Nedržte spotrebič v miestnosti, kde teplota v noci pravdepodobne klesne pod -15 stupňov C (5 stupňov F) a/alebo hlavne v zime, pretože je navrhnutý na prevádzku pri vonkajších teplotách medzi -15 až +43 stupňov C (5 až 109 stupňov F). Pri nižších teplotách spotrebič nemusí fungovať, čoho dôsledkom je zníženie doby skladovania potravín.

2. Neumiestnite spotrebič blízko pri sporákoch alebo radiátoroch, alebo pri priamom slnečnom svetle, pretože to spôsobí mimoriadne poškodenie funkcií spotrebiča. Ak je nainštalovaný pri zdroji tepla alebo mrazničke, zachovajte nasledujúce minimálne bočné vôle:

Od sporákov 30 mm

Od radiátorov 300 mm

Od mrazničiek 25 mm

3. Uistite sa, že okolo spotrebiča je dostatočný priestor na zabezpečenie voľnej cirkulácie vzduchu (**Položka 2**).

• K zadnej časti chladničky položte zadný vetrací kryt na nastavenie vzdialenosti medzi chladničkou a stenou (**Položka 3**).

4. Spotrebič by sa mal umiestniť na hladký povrch. Dve predné nohy sa dajú nastaviť podľa požiadaviek. Aby ste zabezpečili, že váš spotrebič stojí rovno, nastavte dve predné nohy otočením v smere alebo proti smeru hodinových ručičiek, kým sa nezabezpečí pevný kontakt s podlahou. Správne nastavenie nôh bráni nadmernej vibrácii a hluku (**Položka 4**).

5. Odkazujeme na časť „Čistenie a údržba“, kde nájdete popis, ako pripraviť spotrebič na používanie.

Riadenie a nastavenie teploty

Na teplotu mrazničky vplyva tlačidlo nastavenia teploty v mrazničke (**odporúča sa pozícia 2 alebo 3**).

Všeobecne je táto teplota pod -18°C . Nižšie teploty môžete získať nastavením gombíku termostatu smerom k polohe MAX.

Odporúčame, aby ste teplotu skontrolovali pomocou teplomera, aby ste zaistili, že sa priechytky pre uskladnenie udržuujú pri požadovanej teplote. Nezabudnite skontrolovať údaje okamžite, pretože teplota teplomera bude po jeho vybratí z mrazničky veľmi rýchlo stúpať.

Nezabudnite tiež, že zakaždým, čo sa otvorí dvere, začne unikať studený vzduch a začne stúpať vnútorná teplota. Preto nikdy nenechávajte otvorené dvere a zaistite, že sa po vložení alebo vybratí potravín okamžite zatvorili.

Pred prevádzkou

Záverečná kontrola

Pred začatím používania mrazničky skontrolujte či:

1. Sú nohy nastavené do úplného vyrovnanie.
 2. Vnútro je suché a vzduch môže voľne cirkulovať vzadu.
 3. Vnútro je čisté podľa odporúčania v časti „ČISTENIE A ÚDRŽBA“.
 4. Zástrčka je vsunutá do zásuvky v stene a elektrické napájanie je zapnuté.
- Predchádzajte náhodnému odpojeniu ťuknutím na spínač.

A všimnite si, že:

5. Budete počuť zvuk pri zapnutí kompresora. Aj kvapalina a plyny utesnené v chladiacom systéme môžu vydávať nejaký zvuk, či kompresor je alebo nie je v prevádzke. To je úplne normálne.

6. Na mrazenie čerstvých potravín použite priečinok označený 4 hviezdikami (odporúča sa druhá polica).

7. Do mrazničky nekladajte priveľké množstvo potravín súčasne. Kvalita potravín sa najlepšie uchová, ak sa hlboko zmrazia v najkratšom možnom čase. Preto sa odporúča neprekračovať kapacitu mrazenia spotrebiča, ktorá je uvedená na „zázname spotrebiča“. Termostatu musí byť nastavený tak, aby sa získal čo najnižšiu teplotu v mrazničke, s rýchleho zmrazovania funkcia aktivovaná a oranžové lampy osvetlenia.

8. Nenapliňte spotrebič hneď po zapnutí. Počkajte, kým sa nedosiahne správna teplota skladovania. Odporúčame skontrolovať teplotu presným teplomerom (Pozrite časť Riadenie a nastavenie teploty)

Dôležitá poznámka:

Ak došlo k výpadku prúdu, neotvárajte dvere. Zmrazené potraviny nebudú ovplyvnené, ak výpadok bude trvať menej ako 16 hodín. Ak výpadok trvá dlhšie, potraviny sa musia skontrolovať a zjesť okamžite alebo sa musia uvariť a potom opätovne zamraziť.

Ovládací panel mrazničky

Položka 5

Ovládací panel nastavuje teplotu v mrazničke a má nasledujúce funkcie:

1 - Oranžová kontrolka - rýchle zmrazenie zapnuté

Pri zapnutí mrazničky nastavenej teploty buton (4) do polohy "rýchleho zmrazenia" pozície, oranžová LED dióda (1) svieti a prístroj bude prebiehať v najnižších teplôt. Oranžová kontrolka prestane svietiť aj po 50 hodinách prevádzky v najnižších teplôt.

2 - Zelená kontrolka - zapnuté napájanie (Napätie)

Rozsvieti sa, keď je zariadenie pripojené k sieti a zostane rozsvietená, kým je dostupné sieťové napájanie. Zelená kontrolka LED neposkytuje informácie o teplote v mrazničke.

3 - Červená kontrolka - Upozornenie na vysokú teplotu

4 - Nastavenie tlačidla teploty

Upozornenie na vysokú teplotu

Po prvom zapnutí zariadenia nebude upozornenie prvých 12 hodín aktívne (červená kontrolka je vypnutá).

Po tomto čase sa červená kontrolka LED (červená kontrolka svieti) môže rozsvietiť v nasledujúcich prípadoch:

- Ak je zariadenie preplnené čerstvými potravinami
 - Ak omylom necháte otvorené dvere.
- V týchto prípadoch zostane červená kontrolka rozsvietená, kým zariadenie nedosiahne predvolenú teplotu.

Ak svieti červená kontrolka, čakajte 24 hodín, kým sa obrátite na autorizovaný servis.

Dôležité:

Vnútorne teploty sa môžu meniť podľa podmienok používania spotrebiča: umiestnenie, vonkajšia teplota, frekvencia otvárania dvier, stupeň plnenia potravinami. Nastavenie teploty sa bude meniť podľa týchto podmienok.

Ak svieti červená kontrolka, čakajte 24 hodín, kým sa obrátite na autorizovaný servis. Mohla by znamenať upozornenie na umiestnenie teplých potravín do mrazničky a/alebo na dvere, ktoré boli ponechané otvorené.

Po 24 hodinách prevádzky by sa mala vypnúť signalizácia vysokej teploty (červená kontrolka).

Funkcia rýchleho zmrazenia

Ak chcete aktivovať funkciu rýchleho zmrazenia, upravte nastavenie teploty do polohy "rýchleho zmrazenia" pozície. Odporúča sa umiestniť potraviny, ktoré chcete zmraziť rýchlejšie v mrazničke 24 hodín po aktivácii funkcie rýchleho zmrazenia. Pri rýchlom zmrazení je aktivovaná vaša chladnička beží na najnižšie nastavenie teploty pre mrazničky. Funkcia rýchleho zmrazenia trvá 50 hodín. Po ukončení, vaša chladnička sa vráti do normálnych podmienok použitia sa nastavenie teploty 3, aj keď je gombík stále zamestnaný u "rýchleho zmrazenia" pozície. Táto funkcia umožňuje na ekodizajn energetických úspor pri rýchle zmrazovanie funkcia nie je z akéhokoľvek dôvodu zrušená. Mraziaca kapacita chladničky sa meria a vyhlásil pri rýchlom zmrazení Funkcia je aktívna.

Skladovanie mrazených potravín

Vaša mraznička je vhodná na dlhodobé skladovanie komerčne zmrazených potravín a môže sa použiť aj na mrazenie a skladovanie čerstvých potravín.

Informácie o skladovaní doma mrazených potravín nájdete v sprievodcovi dobou skladovateľnosti vo vložke dvier.

Ak došlo k výpadku prúdu, neotvárajte dvere. Mrazené potraviny by sa nemali poškodiť, ak výpadok trvá menej ako 16 hodín. Ak je výpadok dlhší, potraviny by sa mali skontrolovať a buď okamžite zjesť, alebo uvariť a potom znova zmraziť.

Mrazenie čerstvých potravín

Dodržiavajte nasledujúce pokyny, aby ste dosiahli najlepšie výsledky.

Nemrazte príliš veľké množstvo naraz. Kvalita potravín sa najlepšie zachová, keď sa mrazia správne až do vnútra, čo možno najrýchlejšie. Ak sa veľké množstvo čerstvých potravín sa bude mrazené, nastavte ovládací gombík do "rýchleho zmrazenia" pozíciu s 24 hodín pred uvedením čerstvé potraviny v rýchlom zmrazení priestore.

Dôrazne sa odporúča, aby gombík u "rýchleho zmrazenia" pozícii aspoň 24 hodín zmraziť maximálne také množstvo čerstvých potravín je deklarovaný ako Mraziaci výkon. Zvláštna opatrnosť nemiešať mrazené a čerstvé potraviny.

Malé množstvá jedla až do 1/2 kg. (1 lb) môžete zmrazovať bez funkcie rýchleho mrazenia.

Buďte obzvlášť opatrní, aby ste nezmiešali mrazené a čerstvé potraviny.

Poznávanie spotrebiča (Položka 1)

- 1 - Ovládací panel, zobrazovací a nastavovací panel
- 2 - Priestor pre rýchle zmrazovanie
- 3 - Priestory pre uchovávanie mrazených potravín
- 4 - Nastaviteľné predné nôžky

Rozmrazovanie

Priečinok mrazničky rozmrazujte aspoň dvakrát do roka alebo v prípade, ak je vrstva ľadu príliš hrubá.

- Vytváranie ľadu je normálne.
- Ľad sa vytvára hlavne na hornej strane priečinka je prirodzeným javom a neovplyvňuje dobré fungovanie spotrebiča.
- Spotrebič sa odporúča rozmrazovať v prípade, ak nie je príliš veľká kvalita mrazených potravín.
- Pred rozmrazovaním nastavte tlačidlo pre nastavenie termostatu do maximálnej polohy, aby ste silno zmrazili potraviny. Počas tejto doby nemusí byť teplota v chladničke veľmi nízka.

- Zariadenie odpojte
- Vyberte mrazené potraviny, zabalte ich do niekoľkých vrstiev papiera a umiestnite ich na studené miesto.
- Nechajte otvorené dvere pre rýchle rozmrazovanie a vnútorné nádoby naplňte teplou vodou (max. 80°C).

Na odstránenie námrazy nepoužívajte špicaté predmety ani predmety s ostrou hranou ako nože alebo vidličky.

Na rozmrazovanie nikdy nepoužívajte sušiče vlasov, elektrické ohrievače alebo iné elektrické spotrebiče.

Keď sa rozmrazovanie dokončilo, zatvorte rozmrazovaný priečinok a poriadne vysušte vnútornú časť.

(Položka 6 a 7).

Čistenie a údržba

1. Pred čistením odporúčame vypnúť spotrebič zo zástrčky a odtrhnúť elektrickú šnúru.
2. Nikdy na čistenie nepoužívajte žiadne ostré predmety alebo brúsne látky, mydlo, domáce čističlá, čistiace prostriedky alebo voskové politúry.
3. Použite teplú vodu na čistenie spotrebiča a vytrite ho do sucha.
4. Použite sacie plátno a rozmiešajte roztok jednej čajovej lyžičky sódy bikarbóny a pol litra vody. Umyte interiér a vytrite do sucha.
5. Ak sa spotrebič nechystáte používať dlhšie obdobie, vypnite ho, odstráňte všetky potraviny, vyčistite ho a nechajte dvere pootvorené.
6. Odporúčame vyleštiť kovové časti interiéru (napr.: dvere, mriežky...) so silikónovým voskom (leštadlo na karosériu) na ochranu farbených častí.
7. Všetok prach, ktorý sa nazbiera na chladiči, ktorý je umiestnený na zadnej strane spotrebiča, by sa mal odstrániť vysávačom raz ročne.
8. Skontrolujte či je tesnenie dverí čisté a zbavené čiastočiek potravín.
9. Nikdy:
 - Nečistite spotrebič s nevhodnými materiálmi; ako sú ropné produkty.
 - Nepodrobujte ho vysokým teplotám,
 - Neleštite, neutierajte atď. s brúsnyimi materiálmi.
10. Pravidelne musíte odstraňovať nadmerne vytvorený ľad. Veľké nahromadenie ľadu zhorší výkonnosť mrazničky.
11. Ak chcete odstrániť zásuvku, vytiahnite ju tak ďaleko, ako je to možné, nakloňte ju nahor a potom úplne vytiahnite.

Premiestnenie dvier

Postupujte podľa číselného poradia (Položka 8).

Čo sa má a čo sa nesmie robiť

- Urobte-** Pravidelne kontrolujte obsah mrazničky.
- Urobte-** Pravidelne čistite a odmrázajte váš spotrebič (Pozrite „Rozmrázovanie“)
- Urobte-** Uchovávajte potraviny čo najkratší čas a dodržujte dátumy "Spotrebovať pred" a „Použiť do“.
- Urobte-** Skladujte komerčne zmrazené potraviny v súlade s pokynmi uvedenými na obale.
- Urobte-** Vždy si vyberajte vysokokvalitné čerstvé potraviny a uistite sa, že sú pred mrazením starostlivo čisté.
- Urobte-** Pripravujte čerstvé potraviny na mrazenie v malých porciách, aby sa zabezpečilo rýchlo mrazenie.
- Urobte-** Zabaľte mrazené potraviny okamžite po nákupe a vložte ich čo najskôr do mrazničky.
- Urobte-** Rozdeľte potraviny do priecinkov a vyplňte kartu ich obsahu. Toto vám umožní rýchle nájdenie potravín a vyhnete sa tak nadmernému otváraniu dverí, čím ušetríte elektrinu.
- Nerobte-** Nenechávajte dvere otvorené dlhý čas, pretože to spôsobí drahšiu prevádzku spotrebiča a nadmernú tvorbu ľadu.
- Nerobte-** Na odstránenie ľadu nepoužívajte predmety s ostrými hranami ako nože alebo vidličky.
- Nerobte-** Nevkladajte do spotrebiča horúce potraviny. Najprv ich nechajte vychladnúť.
- Nerobte-** Do mrazničky nevkladajte fľaše s kvapalinami alebo uzavreté konzervy obsahujúce sódové kvapaliny, pretože môžu vybuchnúť.
- Nerobte-** V spotrebiči neskladujte jedovaté alebo iné nebezpečné látky. Spotrebič bol navrhnutý len na skladovanie jedlých potravín.
- Nerobte-** Neprekračujte maximálne mraziace nosnosti pri mrazení čerstvých potravín.

- Nerobte-** Nekonzumujte zmrzlinu a vodové zmrzliny priamo z mrazničky. Nízka teplota môže spôsobiť omrzliny na perách.
- Nerobte-** Nezmrazujte šumivé nápoje.
- Nerobte-** Nepokúšajte sa skladovať mrazené potraviny, ktoré sa rozpustili, mali by sa zjesť do 24 hodín alebo uvariť a znovu zmraziť.
- Nerobte-** Nevyberajte tovar z mrazničky mokrými rukami.
- Nerobte-** Nezatvárajte dvere pred opätovným nasadením krytu priečinku pre rýchle zmrazovanie.

Riešenie problémov

Ak spotrebič nefunguje, keď je zapnutý, skontrolujte,

- či je zástrčka správne vložená do zásuvky a či je zapnutý napájací zdroj. (Ak chcete skontrolovať napájací zdroj k zásuvke, pripojte iný spotrebič)
- Či poistka vyhorela/sa prerušovač rozpojil/sa hlavný rozvodový spínač vypol.
- Či bolo riadenie teploty nastavené správne.
- Či je nová zástrčka správne zapojená, ak ste vymenili namontovanú, lisovanú zástrčku.

Ak spotrebič po tom všetkom stále nepracuje, kontaktujte obchodného zástupcu, od ktorého ste ho zakúpili.

Zabezpečte vykonanie vyššie uvedených kontrol, pretože, ak sa nezistí žiadna chyba, môže sa to spoplatniť.

Informácie o prevádzkovom hluku

Aby sa udržala zvolená teplota v konštantnom stave, váš spotrebič príležitostne zapne kompresor.

Výsledné zvuky sú celkom normálne.

Akonáhle spotrebič dosiahne prevádzkovú teplotu, hlasitosť zvukov sa automaticky zníži.

Bzučivý zvuk vydáva motor (kompresor).

Keď je motor zapnutý, zvuk môže krátko narastať.

Bublavé, klokotavé alebo vírivé zvuky vydáva chladivo, pretože preteká cez trubky.

Vždy, keď termostat zapne/vypne motor, môžete počuť **klopkajúce zvuky**.

Klopkajúci zvuk sa môže vyskytnúť, keď

- je systém automatického rozmrazovania aktívny

- sa spotrebič ochladzuje alebo zohrieva (rozpínavosť materiálu).

Ak sú tieto zvuky nadmerne hlasné, príčiny pravdepodobne nie sú vážne a zvyčajne sa veľmi ľahko odstránia.

Spotrebič nie je vyrovnaný

Použite výškovo nastaviteľnú nožičku alebo nožičku podložte.

Zariadenie nie je voľne stojace

Premiestnite zariadenie ďalej od kuchynských jednotiek alebo iných zariadení.

Sú uvoľnené alebo zaseknuté police


Skontrolujte odnímateľné komponenty a v prípade potreby ich znovu upevnite.

Varovanie!

Nepokúšajte sa sami opravovať elektrické komponenty, prípadne iné príslušenstvo.

Akákoľvek oprava vykonaná neskúsenou osobou je nebezpečná pre užívateľa a môže viesť k strate záruky.



Symbol  na výrobku alebo na balení označuje, že s týmto výrobkom sa nesmie manipulovať ako s odpadom z domácnosti. Namiesto toho by ste ho mali odovzdať na príslušnom zbernom mieste, kde sa zabezpečuje recyklácia elektrických a elektronických zariadení. Zabezpečením správnej likvidácie tohto výrobku pomôžete zabrániť potenciálne nebezpečným negatívnym následkom na životné prostredie a zdravie ľudí, ktoré by inak mohla spôsobiť nevhodná likvidácia tohto výrobku. Ak chcete získať podrobnejšie informácie o recyklácii tohto výrobku, obráťte sa na miestny mestský úrad, na spoločnosť, ktorá sa zaoberá likvidáciou odpadu z domácností, alebo na predajňu, v ktorej ste výrobok kúpili.

Gratulujemy wyboru urządzenia o wysokiej jakości produkcji firmy BEKO zaprojektowanego do wieloletniego użytkowania.

Przed wszystkim bezpieczeństwo!

Prosimy nie przyłączać zamrażarki do prądu, dopóki nie zostanie usunięte całe opakowanie i zabezpieczenia na czas transportu.

- Jeśli zamrażarkę transportowano w pozycji poziomej, przed włączeniem należy postawić ją w pionie na co najmniej 4 godziny, aby przywrócić prawidłowy stan oleju w sprężarce.
- Jeśli pozbywacie się starej zamrażarki z zamkiem lub zatraskiem w drzwiczkach upewnijcie się, że pozostawiono ją w bezpiecznych warunkach, tak aby nie mogły zamknąć się w niej dzieci.
- Urządzenie to można używać wyłącznie zgodnie z jego przeznaczeniem.
- Nie wolno pozbywać się zamrażarki poprzez spalanie jej. W izolacji zamrażarki zastosowano pozbawione CFC substancje łatwopalne. Sugerujemy, aby skontaktować się z miejscowymi władzami w celu zasięgnięcia informacji o możliwościach recyklingu zamrażarki.
- Nie zalecamy użytkowania tej zamrażarki w nieogrzewanym, zimnym pomieszczeniu. (np. w garażu, szklarni, przybudówce, szopie, altance, itp.) Aby uzyskać możliwie najlepsze osiągi i uniknąć kłopotów przy pracy tej zamrażarki warto uważnie przeczytać niniejszą instrukcję. Nieprzestrzeganie niniejszej instrukcji może spowodować utratę prawa do bezpłatnego serwisu w okresie gwarancyjnym. Prosimy zachować tę instrukcję w bezpiecznym miejscu do wglądu w przyszłości. Oryginalne części zamienne będą dostępne przez 10 lat od daty zakupu produktu.



INFORMACJE



SUPPLIER'S NAME

MODEL IDENTIFIER

(*)

A

A

Informacje o modelu zapisane w bazie danych produktów można uzyskać, wchodząc na następującą stronę internetową i wyszukując identyfikator modelu (*) znajdujący się na etykiecie efektywności energetycznej.

<https://eprel.ec.europa.eu/>

Używanie urządzenia przez osoby z fizycznymi sensorycznymi lub mentalnymi ograniczeniami powinno odbywać się tylko pod kontrolą osób odpowiedzialnych za ich bezpieczeństwo. Należy dopilnować, aby dzieci nie używały urządzenia do zabawy.

Wymogi elektryczne

Przed włożeniem wtyczki do gniazdka w ścianie należy upewnić się, że napięcie i częstotliwość podane na tabliczce znamionowej wewnątrz zamrażarki odpowiadają parametrom domowej sieci zasilającej.

Zalecamy, aby zamrażarkę tę przyłączyć do elektrycznej sieci zasilającej poprzez wyłączane i chronione bezpiecznikiem gniazdko umieszczone w dostępnym miejscu. Wtyczka musi być łatwo dostępna po instalacji, aby można było odłączyć urządzenie od zasilania.

Uwaga! Urządzenia elektryczne naprawiać mogą tylko wykwalifikowani fachowcy. Aby uniknąć zagrożenia w razie uszkodzenia przewodu zasilającego, należy go wymienić u producenta lub w punkcie obsługi klientów.

UWAGA!

W urządzeniu tym zastosowano gaz R600a, przyjazny środowisku naturalnemu ale łatwopalny. Podczas transportu i ustawianie zamrażarki należy uważać, aby nie uszkodzić jej systemu chłodniczego. Jeśli system chłodniczy ulegnie uszkodzeniu i ulatnia się z niego gaz, należy trzymać zamrażarkę z dala od źródeł ognia i przez jakiś czas przewietrzyć pomieszczenie.

UWAGA - W celu przyspieszenia procesu rozmrażania zamrażarki nie należy używać żadnych urządzeń mechanicznych ani innych środków poza zalecanymi przez jej producenta.

UWAGA - Nie wolno uszkodzić obwodu czynnika chłodniczego.

UWAGA - Wewnątrz komór zamrażarki do przechowywania żywności nie wolno używać żadnych urządzeń elektrycznych, o ile nie są z rodzaju zalecanego przez jej producenta.

UWAGA - W razie uszkodzenia przewodu zasilającego, aby uniknąć niebezpieczeństwa, musi go wymienić producent, jego agent serwisowy lub podobnie wykwalifikowany personel.

Podłączenie do zasilania

!!! Ostrzeżenie

Urządzenie to musi być uziemione

- Należy sprawdzić, czy rodzaj i napięcie zasilania w miejscu ustawienia zamrażarki odpowiadają danym na tabliczce znamionowej w jej wnętrzu.

- Bezpieczeństwo zamrażarki pod względem elektrycznym zapewnione jest tylko wtedy, jeśli domowy system uziemienia zainstalowano zgodnie z przepisami.
 - Ustawiając zamrażarkę należy zadbać, aby nie stała na przewodzie zasilającym, co może grozić jego uszkodzeniem.
 - Należy zapewnić łatwy dostęp do wtyczki w gniazdka zasilającym. Nie należy stosować ani przedłużaczy ani rozdzielników.
 - Parametry elektryczne zamrażarki podano na tabliczce znamionowej umieszczonej w jej wnętrzu.
 - Elektryczny przewód zasilający należy ułożyć tak, aby można go było łatwo włączyć i wyłączyć po zakończeniu instalacji.
 - Jeśli nie ma dostępu do przewodu zasilającego należy użyć przekładki izolacyjnej (dla modeli do zabudowy).
- (!) Urządzenie jest przeznaczone do pracy przy zasilaniu ~220-240V.

Instrukcje transportowe

- Zamrażarkę należy transportować tylko w pozycji pionowej. Opakowanie, w którym dostarczono zamrażarkę, musi pozostać nienaruszone podczas transportu.
- Jeśli transportowano zamrażarkę w pozycji poziomej, przez co najmniej 4 godziny nie wolno jej uruchomić, aby przywrócić należyty stan systemu.
- Nieprzestrzeganie powyższego zalecenia może skutkować uszkodzeniem zamrażarki, za które nie będzie odpowiadał jej wytwórca.
- Zamrażarkę należy chronić przed deszczem, wilgocią i innymi wpływami atmosferycznymi.

Uwaga !

- Podczas czyszczenia i transportu zamrażarki należy uważać, aby nie dotykać spodu metalowych przewodów sprężarki z tyłu zamrażarki, ponieważ może to spowodować skaleczenia palców i rąk.
- Nie należy stawać ani siadać na zamrażarce, ponieważ nie przewidziano tego przy jej projektowaniu. Można zrobić sobie krzywdę, lub uszkodzić zamrażarkę.
- Upewnijcie się, że elektryczny przewód zasilający nie uwiązał pod zamrażarką w trakcie jej ustawiania i przesuwania, ponieważ mogłoby to go uszkodzić.

• Nie można pozwolić, aby zamrażarką bawiły się dzieci, ani manipulowały jej pokrętłami i przyciskami.

Instrukcje instalacyjne

1. Nie należy używać zamrażarki w pomieszczeniu, w którym w nocy, a zwłaszcza w zimie, temperatura może spaść poniżej -15°C , ponieważ przeznaczona jest do pracy w temperaturach otoczenia pomiędzy -15°C a $+43^{\circ}\text{C}$. Przy niższych temperaturach zamrażarka może nie działać, czego skutkiem będzie skrócenie dopuszczalnego okresu przechowywania żywności.

2. Nie należy ustawiać zamrażarki w pobliżu kucharek ani grzejników, a także bezpośrednio w polu działania promieni słonecznych, ponieważ powoduje to dodatkowe obciążenie jej funkcjonowania. Jeśli zamrażarkę zainstalowano obok źródła ciepła lub zamrażarki, po bokach należy zachować następujące minimalne odstęp:

od kucharek	30 mm
od grzejników	300 mm
od zamrażarek	25 mm

3. Aby zapewnić swobodny przepływ powietrza, należy wokół zamrażarki pozostawić wystarczająco wiele wolnej przestrzeni (**Rys. 2**).

• Aby ustalić odstęp pomiędzy ścianą a zamrażarką, na jej tylnej ścianie należy umieścić pokrywę wentylacyjną (**Rys. 3**).

4. Zamrażarkę należy ustawić na równej powierzchni. Obie przednie nóżki można nastawiać według potrzeb. Aby zapewnić pionowe ustawienie zamrażarki należy nastawić przednie nóżki kręcąc nimi w zgodnie z kierunkiem wskazówek zegara lub przeciwnie doń, aż zamrażarka stać będzie pewnie na podłodze. Prawidłowe ustawienie nóżek zapobiega nadmiernym drganiom i hałasowi (**Rys. 4**).

5. Aby przygotować zamrażarkę do pracy należy zastosować się do instrukcji w rozdziale „Czyszczenie i konserwacja”.

Regulacja i nastawianie temperatury

Temperatura w zamrażarce zależy od ustawienia przycisku temperatury zamrażarki (**zaleca się pozycje 2 lub 3**).

Generalnie temperatura ta wynosi poniżej -18°C . Niższe temperatury uzyskać można przekręcając pokrętło termostatu w kierunku pozycji MAX.

Zalecamy sprawdzenie tej temperatury termometrem aby upewnić się, że temperatura w komorach przechowywania utrzymywana jest na wymaganym poziomie. Wskazanie termometru należy odczytać natychmiast, ponieważ po wyjęciu termometru z zamrażarki jego temperatura szybko wzrośnie.

Prosimy pamiętać, że za każdym otwarciem drzwiczek zimne powietrze ulatnia się i temperatura wewnątrz rośnie. Nie należy zatem pozostawiać drzwiczek otwartych i pamiętać o ich zamykaniu natychmiast po włożeniu lub wyjęciu żywności.

Przed uruchomieniem

Ostateczne sprawdzenie

Przed uruchomieniem zamrażarki sprawdźcie, czy:

1. Nóżki ustawiono tak, że zamrażarka stoi idealnie równo.

2. Wnętrze jest suche, a powietrze może swobodnie krążyć z tyłu.

3. Wnętrze jest czyste, jak zaleca się w rozdziale „Czyszczenie i konserwacja”.

4. Wtyczkę wetknięto w gniazdko w ścianie i włączono jego zasilanie. Należy unikać przypadkowego wyłączenia zasilania przez nieumyślne przyciśnięcie wyłącznika.

Oraz zwróćcie uwagę, że:

5. Po uruchomieniu sprężarki usłyszycie jej szum. Także płyn i gaz zamknięte w systemie chłodzenia mogą wydawać pewne odgłosy, niezależnie od tego, czy sprężarka pracuje, czy nie. Jest to całkiem normalne.

6. Do zamrażania świeżej żywności używa się komory oznaczonej 4 gwiazdkami (zaleca się użycie drugiej półki).

7. Nie należy wkładać do zamrażarki zbyt wiele żywności na raz. Jakość żywności najlepiej zachowuje się, kiedy dogłębnie zamraża się ją w możliwie najkrótszym czasie. Nie zaleca się zatem przekraczania wydajności zamrażarki podanej w „Danych urządzenia”. Pokrętło termostatu należy ustawić tak, aby uzyskać najniższą temperaturę wewnątrz zamrażarki, przy uruchomionej funkcji szybkiego zamrażania i palącej się lampce pomarańczowej.

8. Nie należy wkładać żywności do zamrażarki zaraz po jej włączeniu. Poczekajcie, aż osiągnięta zostanie właściwa temperatura przechowywania. Zalecamy sprawdzanie temperatury dokładnym termometrem (patrz rozdział „Regulacja i nastawianie temperatury”).

Ważna uwaga:

W razie przerwy w zasilaniu elektrycznością nie należy otwierać drzwiczek. Zamrożonej żywności nic się nie stanie, jeśli awaria taka trwa nie dłużej niż 16 godzin. Jeśli awaria trwa dłużej, należy sprawdzić żywność i albo zjeść ją od razu, albo zagotować i ponownie zamrozić.

Panel sterowania zamrażarki

Rys. 5

Panel sterowania służy do nastawiania temperatury w zamrażarce i ma następujące funkcje:

1 - Lampka pomarańczowa - Załączono szybkie zamrażanie

Jeśli przycisk nastawiania temperatury zamrażarki (4) nastawi się na „FAST FREEZE” [SZYBKIE ZAMRAŻANIE], zapali się lampka pomarańczowa (1) i chłodziarka będzie zamrażać donajniższej temperatury. Lampka pomarańczowa zgaśnie po 50 zamrażania do najniższej temperatury.

2 - Lampka zielona - załączono zasilanie (napięcie)

Zapala się po przyłączeniu urządzenia do sieci i pali się tak długo, jak w sieci jest odpowiednie napięcie. Lampka zielona nie informuje o temperaturze we wnętrzu zamrażarki.

3 - Lampka czerwona - Ostrzeżenie o zbyt wysokiej temperaturze

4 - Przycisk nastawiania temperatury

Ostrzeżenie o zbyt wysokiej temperaturze

Po pierwszym załączeniu tego urządzenia ostrzeżenie to jest nieczynne przez 12 godzin (wyłączona lampka czerwona).

Potem lampka czerwona może się zapalić (zostaje załączona) w następujących przypadkach

- Jeśli zamrażarka jest nadmiernie wypełniona świeżą żywnością.

- Jeśli drzwiczki zostaną otwarte przez pomyłkę.

W tych przypadkach lampka czerwona palić się będzie, aż zamrażarka osiągnie zadaną temperaturę.

Jeśli zapali się lampka czerwona, należy odczekać 24 godziny zanim powiadomi się autoryzowany serwis.

Ważna uwaga:

Temperatury osiągnane wewnątrz urządzenia mogą się różnić zależnie od warunków jego użytkowania, umiejscowienia, temperatury otoczenia, częstotliwości otwierania drzwiczek oraz ilości przechowywanej żywności.

Odpowiednio do tych warunków można modyfikować nastawienia temperatury.

Jeśli zapali się lampka czerwona, należy odczekać 24 godziny zanim powiadomi się autoryzowany serwis.

Może to być spowodowane włożeniem do zamrażarki gorącej żywności lub pozostawieniem otwartych drzwiczek.

W ciągu 24 godzin pracy alarm z powodu przekroczenia temperatury (lampka czerwona) powinien się wyłączyć.

Funkcja szybkiego zamrażania

Aby uruchomić funkcję FAST FREEZING [SZYBKIE ZAMRAŻANIE] proszę nastawić pokrętko temperatury na „FAST FREEZE”. Zaleca się umieszczać środki spożywcze, które chce się zamrozić szybciej, w komorze zamrażalnika w 24 godziny po uruchomieniu funkcji szybkiego zamrażania. Gdy załączone jest szybkie zamrażanie, chłodziarka pracuje przy najniższym ustawieniu temperatury zamrażarki. Funkcja szybkiego zamrażania działa najwyżej przez 50 godzin. Po jej zakończeniu chłodziarka powraca do normalnych warunków pracy przy ustawieniu temperatury 3, nawet jeśli pokrętko nadal nastawione jest na „FAST FREEZE” [SZYBKIE ZAMRAŻANIE]. Ta przyjazna środowisku naturalnemu funkcja zapewnia oszczędność energii nawet jeśli z jakiegoś powodu funkcja szybkiego zamrażania nie zostanie wyłączona. Zdolność zamrażania tej chłodziarki zmierzono i podano przy załączonej funkcji szybkiego zamrażania.

Przechowywanie żywności mrożonej

Zamrażarka służy do długoterminowego przechowywania mrozonek spożywczych kupionych w sklepie, a także można jej użyć do zamrażania i przechowywania żywności świeżej. Wskazówki przechowywania świeżej żywności zamrożonej w domu znajdują się na wewnętrznej powierzchni drzwiczek.

W razie przerwy w zasilaniu elektrycznością nie należy otwierać drzwiczek. Przerwa w zasilaniu poniżej 16 godz. nie powinna zaszkodzić zamrożonej żywności. Jeśli awaria trwa dłużej, należy sprawdzić stan żywności i albo zjeść ją natychmiast, albo zagotować i ponownie zamrozić.

Zamrażanie żywności świeżej

Aby uzyskać najlepsze rezultaty prosimy przestrzegać następujących instrukcji. Nie należy zmrażać zbyt dużych ilości żywności na raz. Jakość żywności zachowuje się najlepiej zamrażając ją na wskroś najszybciej, jak to możliwe.

Jeśli chce się zamrozić znaczne ilości świeżej żywności, należy ustawić pokrętkę sterowania na „FAST FREEZE” [SZYBKIE ZAMRAŻANIE] na 24 godziny przed włożeniem jej do komory szybkiego zamrażania.

Aby zamrozić maksymalną ilość świeżej żywności podawaną jako zdolność zamrażania stanowczo zaleca się utrzymanie tego pokrętki w pozycji „FAST FREEZE” [SZYBKIE ZAMRAŻANIE] przez co najmniej 24 godziny. Należy specjalnie zadbać, aby nie mieszać żywności mrożonej ze świeżą. Niewielkie ilości żywności do ½ kg można zamrażać nie używając funkcji szybkiego zamrażania.

Należy specjalnie zadbać, aby nie mieszać żywności już zamrożonej ze świeżą.

Poznaj swoją zamrażarkę

(Rys. 1)

- 1 - Panel sterowania, wyświetlacz i regulacja
- 2 - Komora szybkiego zamrażania
- 3 - Komory do przechowywania żywności mrożonej
- 4 - Nastawiane nóżki przednie

Rozmrażanie

Zalecamy rozmrażanie komory zamrażarki przynajmniej dwa razy w roku, lub gdy warstwa lodu jest zbyt gruba.

- Narastanie warstwy lodu jest zjawiskiem normalnym.
 - Narastanie warstwy lodu, zwłaszcza w górnej części komory, jest zjawiskiem naturalnym i nie szkodzi prawidłowej pracy zamrażarki.
 - Zaleca się rozmrażanie zamrażarki przy umiarkowanej ilości żywności mrożonej.
 - Przed rozmrażaniem należy ustawić przycisk regulacji termostatu na maksimum aby dobrze zamrozić żywność. W tym czasie temperatura zamrażarki nie może być zbyt niska.
 - Wyłączcie zamrażarkę z prądu.
 - Wyjmijcie zamrożoną żywność, zawińcie w kilka arkuszy papieru i umieśćcie w chłodnym miejscu.
 - Zostawcie drzwiczki otwarte w celu szybkiego rozmrożenia i wstawcie do środka naczynia z gorącą wodą (maks. 80°C)
- Do usuwania szronu nie należy używać ostro zakończonych przedmiotów takich jak noże lub widelce.
- Do rozmrażania nie należy używać suszarek do włosów, grzejników elektrycznych, ani żadnych innych urządzeń elektrycznych.
- Po zakończeniu rozmrażania należy zamknąć część rozmrażającą i starannie do sucha wytrzeć wnętrze.

(Rys. 6 i 7)

Czyszczenie i konserwacja

1. Zalecamy, aby przed czyszczeniem odłączyć zasilanie gniazdka elektrycznego i wyjąć z niego wtyczkę przewodu zasilającego.

2. Do czyszczenia nie wolno stosować żadnych ostrych narzędzi ani szorstkich substancji, mydła, domowych środków czystości, detergentów, ani wosku do polerowania.

3. Szafkę zamrażarki należy czyścić letnią wodą, a następnie wytrzeć do sucha.

4. Wnętrze należy czyścić ściereczką zamoczoną i wyżętą w roztworze jednej łyżeczki do herbaty sody oczyszczonej w 0,5 litra wody, a następnie wytrzeć do sucha.

5. Jeśli zamrażarka ma być nieużywana przez dłuższy okres czasu, należy ją wyłączyć i całkowicie opróżnić z żywności, oczyścić i pozostawić z uchylonymi drzwiczkami.

6. Zalecamy, aby dla zabezpieczenia wysokiej jakości lakieru polerować metalowe części zamrażarki (tzn. zewnętrzną powierzchnię drzwiczek, boczne ściany szafki) woskiem silikonowym (do polerowania samochodów).
7. Raz do roku należy odkurzaczem usunąć kurz, który zbiera się na sprężarce umieszczonej z tyłu zamrażarki.

8. Regularnie sprawdzajcie stan uszczelek w drzwiczkach aby upewnić się, że nie są zabrudzone okruskami żywności.

9. Nie wolno:

- czyścić zamrażarki nieodpowiednimi środkami, np. wyrobami na bazie ropy naftowej,
- w jakikolwiek sposób poddawać ją działaniu wysokich temperatur,
- szorować, skrobać itp. szorstkimi materiałami.

10. Należy regularnie usuwać nadmierne osady lodu. Znaczne nagromadzenie lodu zmniejsza wydajność pracy zamrażarki.

11. Aby wyjąć szufladę należy wysunąć ją jak najdalej, unieść jej przód w górę, a potem całkiem wyciągnąć.

Przenoszenie drzwiczek

Prosimy postępować w kolejności liczb (**Rys. 8**)

Co trzeba, a czego nie należy robić

Trzeba - Z regularną częstotliwością sprawdzać zawartość zamrażarki.

Trzeba - Regularnie czyścić i rozmrażać zamrażarkę (patrz: „Rozmrażanie”)

Trzeba - Przechowywać żywność nie dłużej niż to konieczne i przestrzegać terminów przydatności do spożycia podanych na opakowaniach.

Trzeba - Gotowe mrożonki przechowywać zgodnie z instrukcją podaną na opakowaniu.

Trzeba - Zawsze wybierać świeżą żywność wysokiej jakości i upewniać się przed zamrażaniem, że jest zupełnie czysta.

Trzeba - Przygotowywać świeżą żywność do zamrażania w małych porcjach, aby szybko się mroziła.

Trzeba - Zawijać mrożonki natychmiast po zakupie i wkładać do zamrażalnika najprędzej, jak to możliwe.

Trzeba - Rozdzielać żywność w komorach i wypełniać kartę zawartości. Umożliwi to szybkie odnalezienie żywności i uniknięcie niepotrzebnego otwierania drzwiczek, co oszczędzi energii elektrycznej.

Nie wolno - Pozostawiać drzwiczki otwarte na dłużej, ponieważ powoduje to zwiększenie kosztów używania zamrażarki i nadmierne osadzanie się lodu.

Nie wolno - Używać ostrych przedmiotów, takich jak nóż, czy widelec, do wyjmowania kostek lodu.

Nie wolno - Wkładać do zamrażarki gorących potraw. Niech najpierw ostygną.

Nie wolno - Wkładać do zamrażarki pełnych butelek ani zamkniętych puszek z zawartością napojów gazowanych, ponieważ mogą wybuchnąć.

Nie wolno - Przechowywać w zamrażarce żadnych substancji trujących lub niebezpiecznych. Zaprojektowana ją wyłącznie do przechowywania jadalnych produktów żywnościowych.

- Nie wolno** - Przekraczać maksymalnych dozwolonych ilości świeżej żywności przechowywanych w zamrażarce.
- Nie wolno** - Podawać dzieciom lodów ani sorbetów prosto z zamrażarki. Niska temperatura może spowodować odmrożenie warg.
- Nie wolno** - Zamrażać napojów gazowanych.
- Nie wolno** - Próbować przechowywać mrożonek, które odtajały; należy je zjeść w ciągu 24 godzin albo zagotować i ponownie zamrozić.
- Nie wolno** - Wyjmować czegokolwiek z zamrażarki wilgotnymi dłońmi.
- Nie wolno** - Zamykać drzwiczek bez uprzedniego zdjęcia pokrywy komory szybkiego zamrażania.

Usuwanie problemów

Jeśli zamrażarka po włączeniu nie działa, sprawdźcie:

- Czy wtyczka jest prawidłowo włożona do gniazdka i czy gniazdko jest zasilane prądem. (Aby sprawdzić zasilanie gniazdka, włączcie do niego inne urządzenie).
- Czy nie zadziałał bezpiecznik/ nie odłączono zasilania gniazdka/ nie odłączono zasilania całego pionu.
- Czy prawidłowo nastawiono regulator temperatury.
- Czy, jeśli wymieniono dostarczoną fabrycznie wtyczkę na przewodzie zasilającym, nowa wtyczka została prawidłowo przyłączona.

Jeśli mimo tego sprawdzenia zamrażarka nadal nie działa, skontaktujcie się ze sprzedawcą, od którego ją kupiliście.

Prosimy nie zaniedbać żadnego z tych sprawdzeń, ponieważ jeśli serwis nie wykryje awarii, zostanie pobrana opłata.

Odgłosy pracy zamrażarki

Aby stale utrzymać nastawioną temperaturę zamrażarka co jakiś czas włącza sprężarkę. Odgłosy, które temu towarzyszą, są całkiem normalne.

Gdy tylko zamrażarka osiągnie temperaturę roboczą, odgłosy automatycznie słabną.

Ten brzęczący odgłos wydaje silnik (sprężarka). Gdy silnik się włącza, odgłos ten może się na chwilę nasilić.

Odgłos musowania, bulgotania lub warkotu wydaje przepływ czynnika chłodniczego w rurach.

Kiedy termostat załącza lub wyłącza silnik daje się słyszeć odgłos kliknięcia.

Odgłos kliknięcia może pojawić się, gdy

- pracuje system automatycznego rozmrażania.,
- zamrażarka stygnie lub grzeje się (rozszerzenie materiału).

Jeśli odgłosy te nie są nadmiernie głośne, ich przyczyny nie są zapewne poważne i zazwyczaj bardzo łatwo je usunąć.

Zamrażarka nie jest równo ustawiona

Należy wyregulować wysokość nóżek, lub coś pod nie podłożyć.

Zamrażarka o coś się opiera

Należy odsunąć zamrażarkę od mebli kuchennych lub innych urządzeń.

Półki się poluzowały lub stykają się ze sobą

Należy sprawdzić ruchome elementy wyposażenia i w razie potrzeby wyjąć je i ponownie włożyć.

Uwaga!

W żadnym przypadku nie należy samemu próbować naprawiać zamrażarki ani jej komponentów elektrycznych. Wszelkie naprawy wykonywane przez niewykwalifikowane osoby są niebezpieczne dla użytkowników i mogą spowodować utratę gwarancji.

Odzysk starego urządzenia chłodniczego

Jeżeli to urządzenie chłodnicze ma zastąpić urządzenie starsze, to prosimy przeczytać uważnie poniżej podane uwagi. Stare urządzenia chłodnicze nie są beзуżytecznymi odpadkami; usunięcie ich zgodnie z przepisami o ochronie środowiska naturalnego pozwoli na odzyskanie wielu cennych surowców wtórnych. Z urządzeniem, którego chcemy się pozbyć należy postąpić w następujący sposób:

- odłączyć je od źródła zasilania;
- odciąć kabel zasilania;
- wymontować wszelkie zamki drzwiowe aby ochronić dzieci przed zatrzaśnięciem się wewnątrz.

Zamrażarki zawierają materiały izolacyjne i czynniki chłodnicze, które należy poddać odpowiedniej utylizacji (uzdatnieniu do ponownego użycia).

Urządzenie to zawiera czynnik chłodzący R600a, który spełnia wymogi norm ochrony środowiska. Prosimy dopilnować tego, aby nie uszkodzić obiegu chłodniczego i opróżnić z niego czynnik chłodniczy w sposób zgodny z obowiązującymi przepisami.

Odzysk opakowania

Ostrzeżenie!

Nie należy trzymać opakowań w zasięgu dzieci. Zabawa ze złożonymi kartonami lub arkuszami plastikowymi niesie za sobą niebezpieczeństwo uduszenia się dziecka.

Urządzenie to zostało zapakowane w sposób wystarczającymi na czas transportu.

Wszystkie materiały pakunkowe zostały wyprodukowane zgodnie z przepisami ochrony środowiska i dlatego mogą być poddane odzyskowi.

Prosimy o pomoc w ochronie środowiska naturalnego przez umożliwienie ponownego uzdatniania odpadów wszędzie tam, gdzie jest to możliwe.

UWAGA!

To urządzenie jest oznaczone zgodnie z Dyrektywą Europejską 2002/96/WE oraz polską ustawą o zużytych sprzęcie elektrycznym i elektronicznym symbolem przekreślonego kontenera na odpady.



Takie oznakowanie informuje, że sprzęt ten nie może być umieszczany łącznie z innymi odpadami pochodzącymi z gospodarstwa domowego. Użytkownik jest zobowiązany do oddania go prowadzącym zbieranie zużytego sprzętu elektrycznego i elektronicznego. Prowadzący zbieranie, w tym lokalne punkty zbiórki, sklepy oraz gminne jednostki, tworzą odpowiedni system, umożliwiający oddanie tego sprzętu.

Właściwe postępowanie ze zużytym sprzętem elektrycznym i elektronicznym przyczynia się do uniknięcia szkodliwych dla zdrowia ludzi i środowiska naturalnego konsekwencji wynikających z obecności składników niebezpiecznych oraz niewłaściwego składowania i przetwarzania takiego sprzętu.

Gratulálunk a BEKO minőségű készülékválasztásához, melyet sok évnyi használatra terveztek.

Első a biztonság!

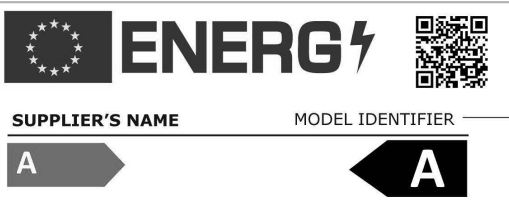
Ne csatlakoztassa a készüléket elektromos ellátáshoz, amíg minden csomagolást és szállítási védelmet el nem távolított.

- Hagyja állni 4 órát, mielőttbekapcsolná a készüléket, hogy a kompresszor olajsintje leülepedjen, ha vízszintesen szállították.
- Ha lecseréli régi készülékét zárral vagy retesszel, győződjön meg róla, hogy biztonságos, hogy elkerülje egy gyermek benntrekedését.
- A készüléket csak az arra tervezett célra szabad használni.
- Ne helyezze a készüléket tűz mellé. Az Ön készüléke a szigetelésben CFC anyagot tartalmaz, amely gyúlékony. Azt ajánljuk, hogy további információért, hogy hogyan szabaduljon meg készülékétől és lehetséges szolgáltatásokért, lépjen kapcsolatba a helyi hatósággal.
- Nem ajánljuk a készülék használatát fűtetlen vagy hideg helyiségben. (pl.: garázs, télikert, melléképület, fészker, házon kívül, stb.)

A lehető legjobb teljesítmény és zavarmentes működéshez nagyon fontos, hogy ezeket az utasításokat figyelmesen olvassa el. Ezen utasítások elmulasztása érvénytelenítheti az ingyen szervízhez való jogot a garancia időtartama alatt.

Kérem tartsa ezeket az utasításokat biztonságos helyen a gyorsabb használhatóság érdekében.

i INFORMÁCIÓ



A termékadatbázisban tárolt modellinformációkat elérheti a következő weboldalra belépéssel és az energiacímkén található modell azonosítójának (*) megkeresésével.

<https://eprel.ec.europa.eu/>

Ennek a készüléknek a használata, csökkentett szellemi és fizikai képességekkel rendelkezők számára csak felügyelet mellett tanácsos.

A készülék a gyerekek számára veszélyes, ezért, csak felügyelet mellett használhatják.

A készülék nem játékszer.

Elektromos követelmény

Mielőtt bedugná a dugót a konnektorba, győződjön meg róla, hogy a feszültség és frekvenciamutató megfelel a készülék hátulján szereplő osztályozásnak.

Azt ajánljuk, hogy a készülékét a fő áramkört egy megfelelő kapcsolón keresztül csatlakoztassa egy könnyedén elérhető állásba.

A dugónak a beszerelést követően is hozzáférhetőnek kell lennie, hogy a készüléket bármikor lecsatlakoztathassa az áramról.

FIGYELMEZTETÉS! Ezt a készüléket földelni kell.

A készülék javítását csak szakember végezze. Ha az elektromos vezeték sérült, forduljon a gyártóhoz vagy a vevőszolgálathoz, hogy ott a veszélyek elkerülése érdekében azt kicserélhessék.

Figyelem!

Ez a készülék R 600a –val működik, amely környezetbarát, de gyúlékony gáz. A termék szállítása és rögzítése folyamán ügyelnie kell arra, hogy ne sértse meg a hűtőrendszert. Ha a hűtőrendszer megsérül és a gáz szivárog a rendszerből, tartsa távol nyílt lángtól és szellőztesse ki a helyiséget rövid időre.

Figyelmeztetés! – Ne használjon mechanikus berendezéseket vagy egyéb eszközöket a kioldás felgyorsításához, mint amelyeket a gyártó ajánlott.

FIGYELMEZTETÉS – Ne sértse meg az újrafagyasztó áramkört.

FIGYELMEZTETÉS – Ne használjon elektromos berendezést a készülék élelmiszer tárolására alkalmas rekeszeiben, kivéve a gyártó által ajánlott típusokat.

FIGYELMEZTETÉS – Ha az áramellátó zsinór megsérült, annak kicserélését a gyártóval, a gyártó szervizelőjével vagy hasonló képzett szakemberrel kell elvégezni a veszély elkerülése érdekében.

Szállítási utasítások

1. A készüléket csak függőleges állapotban szabad szállítani. A szállítmány csomagolásának érintetlennek kell lennie a szállítás alatt.

2. Ha a készüléket vízszintesen helyezik el a szállítás alatt, legalább 4 óráig nem szabad működtetni, hogy a rendszer, hogy a rendszer helyreálljon.

3. Ha a fenti utasításoknak elmulaszt eleget tenni, az a készülék sérülését eredményezheti, amelyért a gyártó nem felelős.

4. A készüléket óvni kell esővel, nedvességgel és egyéb atmoszférikus hatással szemben.

Fontos!

- Óvatosnak kell lennie a készülék tisztítása/szállítása alatt, hogy a kondenzátor drót huzaljai ne érintkezzenek a készülék hátuljában, mivel az ujjak és kezek sérülését okozhatják..

- Ne próbálja meg ráülni vagy ráállni készülékének tetejére, mivel nem hasonló használatra tervezték.. Megsérülhet vagy károsíthatja a készüléket.

- Győződjön meg róla, hogy a fő kábel nem csipődött be a készülék alá a mozgatás alatt, mivel ez megsértheti a kábelt

- Ne engedje, hogy a gyerekek játszanak a készülékkel vagy megváltoztassák a vezérlést.

Beüzemelési utasítások

1. Ne tartsa a készüléket olyan helyiségben, ahol a hőmérséklet valószínűleg -15°C (5 F) alá esik éjjel és/vagy különösen télen, mivel -15 és $+43^{\circ}\text{C}$ ($5-109\text{ F}$) közötti külső hőmérsékletre tervezték. Alacsonyabb hőmérsékleten a berendezés lehet, hogy nem működik, az étel tárolási időtartamának csökkenését eredményezve.

2. Ne tegye a berendezést tűzhelyek vagy fűtőtestek közelébe vagy közvetlen napfényre, mivel ez különösen hathat a készülék funkcióira. Ha meleg vagy mélyhűtő mellé helyezi, tartsa be a következő minimális oldaltávolságokat:

Tűzhelyektől 30 mm

Fűtőtestektől 300 mm

Fagyasztóktól 25 mm

3. Győződjön meg róla, hogy elég hely van a berendezés körül, hogy biztosítsa a szabad levegő áramlását **(2 tétel)**.

- Tegye a hátsó szellőző fedelet a hűtőszekrény hátuljára, hogy beállítsa a hűtőszekrény és fal közötti távolságot **(3 tétel)**.

4. A készüléket síma felületre kell helyezni. A két első lábat beállíthatja, ha szükséges. Ahhoz, hogy biztosítsa, hogy a berendezés egyenesen álljon, állítsa a két első lábat az óra járásával megegyező vagy ellentétes irányba fordításával, amíg biztonságos kapcsolatba nem kerül a padlóval. A lábak megfelelő beállításával elkerüli a túlzott rezgést és hangot (**4 tétel**).

5. Hivatkozzon a „Tisztítás és védelem” részre, hogy a berendezést előkészítse a használatra.

Hőmérséklet szabályozás és beállítás

A mélyhűtő hőmérséklete a hőmérséklet-szabályozó gombbal állítható (**a javasolt beállítás a 2-es vagy 3-as helyzet**).

Ez a hőmérséklet általában - 18°C alatti. Ennél alacsonyabb hőmérsékletet a hőszabályozó gomb MAX helyzetbe való tekerésével érhet el.

Javasoljuk a hőmérséklet hőmérővel történő ellenőrzését, hogy meggyőződjön róla, hogy a tároló rekeszek a megfelelő hőmérsékleten legyenek tárolva. Olvassa le a mért hőfokot azonnal, mert az adatok egyből visszaesnek, ahogy kivette a hűtőből.

Jegyezze meg, minden esetben, ha kinyitja a készülék ajtaját, a hideg levegő kiáramlik, és a belső hőmérséklet nő. Éppen ezért ne hagyja nyitva a készülék ajtaját, mindig csukja be azt az étel kivétele után.

A működés megkezdése előtt

Végső ellenőrzés

Mielőtt elkezdi használni a fagyasztót, ellenőrizze, hogy:

1. A lábak a megfelelő szintre vannak beállítva.
2. A belseje száraz és a levegő szabadon tud keringeni a hátsó résznél.
3. A belseje tiszta a „TISZTÍTÁS ÉS VÉDELEM” részben leírtak alapján.
4. A dugó be van helyezve a fali csatlakozóba és az elektromos áramellátás be van kapcsolva. Kerülje a véletlenszerű kikapcsolást.

És jegyezze meg, hogy:

5. Hangot fog hallani, amint a kompresszor beindul. A folyadék és a gázok, amelyeket a hűtésrendszeren belül lezártak szintén hangot adhatnak ki, akár működik a kompresszor, akár nem. Ez teljesen normális.

6. A friss ételek fagyasztására használja a 4 csillaggal jelölt rekeszt (a második polc javasolt).

7. Ne tegyen a fagyasztóba egyazon időben nagyobb mennyiségű ételt. Az étel megőrzi minőségét, ha azt a legrövidebb idő alatt lefagyasztja. Ezért javasoljuk, hogy a ne lépje túl a termék fagyasztási kapacitását, amelyet a "Készülék adatai"-ban talál. A fagyasztó legalacsonyabb hőmérsékletének eléréséhez be kell állítani a termosztát gombot, a gyorsfagyasztás funkció aktiválása mellett, ekkor a narancs színű lámpa világít.

8. Ne tölts fel azonnal a készüléket, ha bekapcsolja. Várjon, míg a készülék eléri a megfelelő tárolási hőmérsékletet. Azt tanácsoljuk, hogy ellenőrizze a hőmérsékletet pontos hőmérővel (lásd Hőmérséklet vezérlés és beállítás).

Fontos megjegyzés:

Ha áramszünet van, ne nyissa ki az ajtót. Ha a meghibásodás 16 órán belül helyreáll, az étel nem károsodik. Ha az áramszünet ennél hosszabb, ellenőrizze az ételt, és egye meg azt azonnal, vagy főzze meg és úgy fagyassza le.

Fagyasztó vezérlőpanel

5. tétel

A vezérlőpanellel beállíthatja a fagyasztó hőmérsékletét. A következő funkciókkal rendelkezik:

1 - Narancssárga jelzés - Gyorsfagyasztás bekapcsolva

Ha elforgatja a fagyasztó hőmérséklet-beállító gombját (4) a „FAST FREEZE” állásba, akkor a narancs színű led (1) kigyullad és a készülék a legalacsonyabb hőmérsékleti feltételek mellett működik. A narancs színű LED a legalacsonyabb hőmérsékleten történő 50 órányi működést követően már nem világít.

2 - Töld jelzés - áramellátás be (Feszültség)

Akkor világít, amikor a készülék az elektromos hálózathoz van csatlakoztatva, és egészen addig világít, míg az áramforrás elérhető. A Zöld jelzés nem ad információkat a fagyasztó belső hőmérsékletéről.

3 - Piros jelzés - Magas Hőmérséklet Jelzés

4 - Hőmérséklet beállító gomb

Magas hőmérséklet jelzés

A készülék első bekapcsolása után, a jelzés csak 12 óra után kapcsol be (a piros led nem világít).

Ezután a piros led a következő esetekben világíthat:

- Ha a készülék friss étellel van megpakolva.
- Az ajtó véletlenül nyitva maradt.

Ezekben az esetekben a piros led addig világít, míg a készülék el nem éri az előre beállított értéket.

Ha a piros led világít, várjon 24 órát, mielőtt hívja a szakszervízt.

Fontos:

A belső hőmérséklet változhat a készülék használatának feltételei szerint: elhelyezés, környező hőmérséklet, ajtó nyitásának gyakorisága, milyen szinten töltjük fel a berendezést élelmiszerekkel. Ezeknek a kondícióknak megfelelően kell beállítani a hőmérsékletet.

Ha a piros led világít, várjon 24 órát, mielőtt hívja a szakszervízt.

Ez egy meleg étel betétele miatt és/vagy a nyitvahagyott ajtó miatt is lehetséges.

24 órás működés során a magas hőmérsékletet jelzőnek (piros led) ki kell aludnia.

Gyorsfagyasztó funkció

A GYORSFAGYASZTÁS funkció aktiválásához állítsa a hőmérséklet-beállító gombot „FAST FREEZE” állásba. A gyorsabb lefagyasztásra szánt élelmiszereket 24 órával azt követően ajánlatos behelyezni a mélyhűtő rekeszbe, hogy aktiválta a gyorsfagyasztás funkciót. Ha a gyorsfagyasztás aktiválva van, a hűtőgép a fagyasztó legalacsonyabb hőmérséklet-beállítása mellett működik. A gyorsfagyasztás funkció 50 óráig tart. Amint véget ér, a hűtőszekrény visszatér a normál felhasználási feltételekhez 3 hőmérséklet-beállítással, akkor is, ha a gomb még mindig „FAST FREEZE” állásban van. Ez az ökodizájn funkció energiát takarít meg abban az esetben, ha a gyorsfagyasztás funkció bármely okból nincs törölve. A hűtőszekrény mért és deklarált fagyasztókapacitása a gyorsfagyasztás funkció aktiválása mellett értendő.

Mélyhűtött étel tárolása

A mélyhűtője alkalmas a kereskedelmileg lefagyasztott ételek hosszútávú tárolására és arra is használhatják, hogy friss ételt tároljon és fagyasszon.

Az otthon lefagyasztott friss étel tárolása miatt hivatkozzon az ajtóbetéten található tárolási élettartam útmutatóra.

Ha áramszünet van, ne nyissa ki az ajtót. A mélyhűtött ételre nincs hatással, ha az áramkimaradás kevesebb, mint 16 óráig tart. Ha hosszabb az áramszünet, ellenőrizze az ételt, amit azonnal ettek vagy főztek, majd lefagyasztottak.

Friss étel lefagyasztása

Kérem vegye figyelembe a következő utasításokat, hogy a legjobb eredményeket érje el.

Ne fagyasszon le egyszerre túl nagy mennyiséget. Az étel minősége akkor a legjobban konzervált, ha olyan gyorsan van lefagyasztva, amennyire lehetséges.

Ha nagy mennyiségű friss élelmiszert szeretne lefagyasztani, állítsa a szabályozó gombot „FAST FREEZE” állásra 24 órával azelőtt, hogy berakná az élelmiszert a mélyhűtő rekeszbe.

Nyomatékosan javasoljuk, hogy a gomb legalább 24 órán keresztül maradjon „FAST FREEZE” állásban, így a deklarált fagyasztási kapacitásnak megfelelő, maximális mennyiségű friss étel fagyasztható le.

Különösen ügyeljen arra, hogy a fagyasztott és a friss ételek ne keveredjenek össze.

Kis ételmennyiséget (max. ½ kg.) a gyorsfagyasztó funkció használata nélkül is lefagyaszthat.

Különösen figyeljen arra, hogy ne keverje a már lefagyasztott és friss ételeket.

Ismerje meg készülékét

(1. tétel)

- 1 - Kontroll panel, kijelzések és beállítások
- 2 - Gyorsfagyasztó rekesz
- 3 - Lefagyasztott ételtartó rekesz
- 4 - Állítható első lábak

Kioldasztás

Olvassza le a fagyasztó rekeszt évente legalább kétszer, ill. amikor a jég nagyon vastag.

- A jégképződés egy általános jelenség.
- A jégképződés, különösen a rekesz felső részén, természetes jelenség, és nem befolyásolja a készülék helyes működését.
- Javasolt a készüléket akkor leengedni, amikor kevés élelmiszer van a fagyasztóban.
- Mielőtt leengedi a készüléket, állítsa a beállító termosztátot maximum pozícióra, hogy jobban lefagyassza az ételeket. Ezidő alatt a fagyasztóban a hőmérséklet nem lehet nagyon alacsony.

- kapcsolja le a hálózatról a készüléket
- Vegye ki a fagyott ételt, takarja be rétegesen papírral majd helyezze hűvös környezetbe.
- A gyors leoldasztás érdekében, hagyja nyitva a készülék ajtaját, tegyen a belsejében meleg vízzel megtöltött edényt. (max. 80°C).

Ne használjon hegyes vagy éles szélű tárgyakat, mintpl. Kés vagy villa, hogy a fagyot eltávolítsa.

Soha ne használjon hajszáritót, elektromos fűtőttestet vagy egyéb elektromos berendezést a kioldasztáshoz.

Ha befejeződött a leoldasztás, csukja be a fagyasztó részt, és szárítsa meg a belső részt alaposan

(6. és 7. tétel)

Tisztítás és védelem

1. Azt tanácsoljuk, hogy kapcsolja ki a készüléket és húzza ki a fő dugót, mielőtt tisztítja.
2. Soha ne használjon éles tárgyat vagy csiszoló anyagot, szappant, háztartási tisztítót, tisztítószert vagy wax polírozót a tisztításhoz.
3. Használjon langyos vizet a készülék vitrinjének tisztításához és törölje szárazra.
4. Használjon nedves, kicsavart ruhát egy teáskanálnyi bikarbónát, szódát fél liternyi vízben feloldva a tisztításhoz és törölje szárazra.
5. Ha a készüléket hosszú ideig nem használják, kapcsolja ki, távolítson el minden élelmiszert, tisztítsa meg és hagyja félig nyitva az ajtót.
6. Azt tanácsoljuk, hogy a termék fémrészeit (pl.: külső ajtó, vitrin oldalak) szilikon wax-szal (autó polírozó) polírozza, hogy a minőségi fedőfestést megóvja.
7. Bármilyen port, amely felgyülemlik a kondenzátoron a készülék hátulján, távolítsa el évente egyszer vákuumos tisztítóval.
8. Rendszeresen ellenőrizze az ajtó tömítéseket, hogy meggyőződjön róla, hogy tiszták és ételmaradékoktól mentesek.
9. Soha:
 - Ne tisztítsa a készüléket arra alkalmatlan anyagokkal, pl.: petróleum alapú termékekkel.
 - Semmilyen körülmények között ne szolgáltatassa ki magas hőnek.
 - Ne tisztítsa, súrolja, stb., csiszoló anyaggal.
10. A felgyülemlett jeget rendszeres időközönként távolítsa el. A jég nagy felhalmozódása gyengíteni fogja a fagyasztó teljesítményét.
11. Egy fiók eltávolításához, húzza ki amennyire csak lehetséges, billentse felfelé, majd húzza ki teljesen.

Ajtó áthelyezése

Eljárási számsorrendben (8 tétel).

Tegye és ne tegye

- Tegye-** Ellenőrizze a fagyasztó tartalmát rendszeres időközönként.
- Tegye-** Rendszeresen tisztítsa és olvassa ki a készüléket (Lásd „Kiolvasztás”)
- Tegye-** Addig tartsa az ételt, amíg lehetséges és ragasszon fel „Szavatosság lejár” és „Alkalmazható” stb. Dátumokat.
- Tegye-** A kereskedelmileg lefagyasztott ételeket a csomagoláson megadott utasításoknak megfelelően tárolja.
- Tegye-** Mindig kiváló minőségű friss ételt válasszon és győződjön meg róla, hogy alaposan meg van tisztítva, mielőtt lefagyasztja.
- Tegye-** A friss ételt kis adagokban készítse elő, hogy biztosítsa a gyors lefagyasztást.
- Tegye-** A fagyasztott ételt azonnal csomagolja be, mmiután megvásárolta és tegye a fagyasztóba, amint lehetséges.
- Tegye-** Különítse el egymástól az ételeket a tartóban, és töltsen ki a címkét. Így az ételt később könnyen megtalálhatja, és nem hagyja sokáig nyitva az ajtót, így áramot spórol.
- Ne tegye-** Ne hagyja nyitva az ajtót hosszú ideig, mert költségesebbé válik a működés és túlzott jégképződést okoz.
- Ne tegye-** Ne használjon a jég eltávolításához éles szélű tárgyat, mint pl. kést vagy villát.
- Ne tegye-** Ne tegyen forró ételt a készülékbe. Először hűtse le.
- Ne tegye-** Ne tegyen szénsavas folyadékkal teli palackokat vagy tartályokat a fagyasztóba, mert szétrobbanhat.
- Ne tegye-** Ne tároljon mérgező vagy bármilyen veszélyes anyagot a készülékben. A készüléket csak ehető élelmiszerek tárolására tervezték.
- Ne tegye-** Ne lépje túl a maximális fagyasztási töltetet, amikor friss ételt fagyaszt.

- Ne tegye-** Jégkrém és jeges víz közvetlenül a fagyasztóból. Az alacsony hőmérséklet a mélyhűtő leégését okozhatja a széleken.
- Ne tegye-** Ne fagyassza le a szénsavas italokat.
- Ne tegye-** Ne próbálja meg mélyhűtött ételt tárolni, amelyet 24 órán belül le kell fagyasztani vagy meg kell főzni.
- Ne tegye-** Ne távolítsa el nedves kézzel a tételeket a hűtőszekrényből.
- Ne tegye-** Ne csukja be az ajtót mielőtt visszatette volna a gyorsfagyasztó rekesz fedelét.

Problémakeresés

Ha a készülék nem működik, amikor bekapcsolja, akkor ellenőrizze,

- Hogy a dugó megfelelően van-e bedugva a fali csatlakozóba és hogy van-e áram. (Az elektromos áramellátás ellenőrzéséhez dugjon be más készüléket)
- Vajon a biztosíték ki van-e ütve/ az áramkörmegszakító kiment-e/ a fő elosztó ki van-e kapcsolva.
- Hogy a hőmérséklet szabályozó megfelelően van-e beállítva.
- Hogy az új dugó helyesen van-e bekötve, ha megváltoztatta az illesztést és formadugót.

Ha a készülék még mindig egyáltalán nem működik a fenti ellenőrzések után, lépjen kapcsolatba a kereskedővel, akinél a készüléket vásárolta.

Kérem bizonyosodjon meg róla, hogy a fenti ellenőrzéseket elvégezte, mert felszámíthatják, ha nem találnak hibát.

Információ az üzemeltetési zajokról

A kiválasztott hőmérséklet állandó tartásához a készülék néha Bekapcsolja a kompresszort.

Az ebből keletkező zajok teljesen normálisak. Amint a készülék elérte a működési hőmérsékletet, a zajok automatikusan csökkennek.

A **zűmmögő hangot** a motor (kompresszor) adja. Ha a motor bekapcsol, a hangok rövid ideig hangosabbak lehetnek.

A **bugyborékoló, bugyogó vagy bűgő** zajokat a hűtőanyag bocsátja ki, amikor a csöveken keresztül folyik.

Mindig hallhat **kattogó zajt**. Amikor a hőszabályozó BE/KI kapcsolja a motort.

Kattanó zaj jelentkezhethet, ha

- az automatikus kiolvasztó rendszer aktív.
- a készülék lehűl vagy felmelegszik (anyagtágulás).

Ha ezek a zajok nagyon hangosak, valószínűleg nem komoly okokról van szó és általában nagyon könnyű kiküszöbölni őket.

A készülék nincs egy síkban

Használja a beállító lábakat vagy tegyen tömítést a lábak alá.

A készülék nem áll szabadon

Vegye el a készülék közeléből a konyhai eszközöket ill. más eszközöket.


A polcok elvesztek vagy beragadtak

Ellenőrizze a levehető alkatrészeket, és ha szükséges, szerelje fel őket újra.

FIGYELMEZTETÉS!

Soha ne próbálja meg egyedül a készülék vagy elektromos részek javítását. Bármilyen képzetlen személy általi javítás veszélyes lehet a felhasználóra és a garancia elvesztését eredményezheti.



A terméken vagy a csomagoláson található  ábra azt jelzi, hogy a termék nem kezelhető háztartási hulladékként, hanem a megfelelő, az elektromos és elektronikus felszerelések újrahasznosítására létesült begyűjtő pontokban kell leadni. Ha gondoskodik a termék megfelelő leselejtezéséről, segít megelőzni azokat a környezetre és egészségre káros hatásokat, amelyeket a termék nem megfelelő leselejtezése eredményezne. A termék leselejtezésével kapcsolatos további részletekért forduljon a lakóhelyén található háztartási hulladék begyűjtőhöz vagy az áruházhoz, ahol a terméket megvásárolta.

Čestitamo vam, ker ste izbrali kakovostno napravo BEKO, ki je izdelana za večletno uporabo.

Najprej varnost!

Naprave ne priključite na električno napajanje, dokler niste odstranili vso embalažo in zaščito za prevoz. Pred vklopom naj naprava pokončno stoji vsaj 4 ure, če je bila prevažana vodoravno, da se olje kompresorja umiri. Če ima vaša stara naprava na vratih pritrjeno ključavnico, jo pustite v varnem stanju, da se otroci ne zaklenejo noter.

Napravo lahko uporabljate samo za določene namene. Naprave po koncu uporabe ne vrzite v ogenj. V izolaciji vaše naprave so snovi brez CFC-ja, ki so vnetljive.

Priporočamo vam, da se o odlaganju in razpoložljivih odlagališčih posvetujete z lokalnimi oblastmi.

Ne priporočamo, da to napravo uporabljate v neogrevanem in mrzlem prostoru (npr. garaža, rastlinjak, prizidek, lopa, zunanost hiše itd.).

Da bi ohranili vašo napravo v čim boljšem stanju in brez napak, si pozorno preberite ta navodila. Če ne boste upoštevali teh navodil, lahko izgubite pravico do brezplačnih uslug v času garancije.

Hranite navodila na varnem mestu, kjer jih lahko čim prej uporabite.

Originalne nadomestne dele zagotavljamo 10 let od dneva nakupa izdelka.



INFORMACIJE



ENERG



SUPPLIER'S NAME

MODEL IDENTIFIER

(*)

A

A

Do informacij o modelu, ki so shranjene v zbirki podatkov o izdelkih, lahko pridete tako, da obiščete naslednje spletno mesto in poiščete identifikator modela (*), ki je naveden na energijski nalepki.

<https://eprel.ec.europa.eu/>

Uporaba te naprave ni namenjena osebam s slabšimi fizičnimi, senzornimi ali duševnimi zmožnostmi ter osebam, ki nimajo potrebnih izkušenj in znanja, razen če so prejele navodila za uporabo ali so pod nadzorom osebe, ki je odgovorna za njihovo varnost.

Otroci se ne smejo igrati z napravo.

Električne zahteve

Preden vključite napravo v vtičnico, se prepričajte, da napetost in frekvenca, ki sta navedeni na ploščici za navedbe znotraj naprave, ustrezata vaši oskrbi z električno energijo.

Priporočamo, da je naprava povezana na električno napajanje preko ustrezne vtičnice na dostopnem položaju.

Vtič naj bo po namestitvi dostopen, da lahko napravo po namestitvi izklopite iz napetosti.

Opozorilo! Naprava mora biti ozemljena.

Opravi električnih pristrojov môžu vykonávať len kvalifikovaní experti. Ak je sieťový kábel poškodený, tak ho musí vymeniť výrobca alebo zákaznicky servis, aby sa predišlo nebezpečenstvu.

POZOR!

Ta naprava deluje z R600a, ki je okolju prijazen a vnetljiv plin. Med prevozom in popravilom izdelka pazite, da ne poškodujete hladilnega sistema. Če se hladilni sistem poškoduje in pride do puščanja plina, ne približujte izdelka virom odprtega ognja in dobro prezračite prostor.

OPOZORILO - Za pospeševanje postopka taljenja ne uporabljajte mehanskih naprav ali drugih pripomočkov, razen tistih, ki jih priporoča proizvajalec.

OPOZORILO - Ne poškodujte hladilnega krogotoka.

OPOZORILO - Ne uporabljajte električnih naprav v prostorih za shranjevanje hrane, razen, če so tipa, ki jih priporoča proizvajalec.

OPOZORILO - Če je napajalni kabel poškodovan, ga mora zamenjati proizvajalec, njegov servis ali podobno usposobljene osebe, da se izognete nevarnosti.

Navodila za prevoz

1. Napravo prevažajte samo v navpičnem položaju. Med prevozom mora embalaža ostati nedotaknjena.

2. Če je bila naprava med prevozom dana v vodoravni položaj, ne sme delovati vsaj 4 ur, da se sistem ponovno vzpostavi.

3. Neupoštevanje zgoraj navedenih navodil lahko pripelje do okvare naprave, za kar proizvajalec ne bo odgovoren.

4. Napravo morate zaščititi pred dežjem, vlago in drugimi atmosferskimi vplivi.

Pomembno!

Med čiščenjem/prevažanjem naprave je treba paziti, da se na zadnjem delu naprave ne dotaknete spodnjega dela kovinskih žic kondenzatorja, saj si lahko poškodujete prste in roke.

Ne poskušajte se usesti ali stopiti na vrh vaše naprave, saj ni izdelana za takšno rabo.

Lahko poškodujete sebe ali napravo.

Prepričajte se, da napajalni kabel med in po premikanju ni ujet pod napravo, saj lahko to poškoduje kabel.

Otroci se ne smejo igrati z napravo ali upravljalnimi elementi.

Navodila za namestitev

1. Naprave ne postavljajte v prostor, kjer lahko temperatura ponoči in/ali pozimi pade pod -15 stopinj C, saj je oblikovana za delovanje v prostoru s temperaturo zraka med -15 in +43 stopinj C. Pri nižjih temperaturah naprava ne bo delovala in zmanjšala se bo življenjska doba shranjene hrane.

2. Naprave ne postavljajte v bližino kuhalnikov, radiatorjev ali neposredno na sončno svetlobo, saj to pomeni dodatno obremenitev funkcij naprave. Če napravo namestite zraven vira toplote ali zamrzovalnika, upoštevajte naslednje najmanjše razdalje:

od kuhalnika 30 mm

od radiatorja 300 mm

od zamrzovalnika 25 mm

3. Prepričajte se, da je okoli naprave dovolj prostora za prosto kroženje zraka (**Slika 2**). Na zadnjo stran hladilnika dajte pokrov za zračenje, da nastavite razdaljo med hladilnikom in steno (**Slika 3**).

4. Naprava mora biti postavljena na gladko površino. Sprednji dve nogi lahko poljubno nastavite. Da bo vaša naprava stala pokončno, nastavite sprednji nogi z obračanjem v smeri urinega kazalca ali obratno, dokler ne pride do trdnega stika s tlemi. S pravilno nastavitvijo nog se izognete prekomernim vibracijam in hrupu (**Slika 4**).

5. Preberite poglavje »Čiščenje in skrb« ter pripravite vašo napravo za uporabo.

Nadzor in nastavitve temperature

Temperaturo zamrzovalnika nastavite z gumbom za nastavitve temperature zamrzovalnika

(priporočljiva položaja sta 2 ali 3).

Ponavadi je temperatura pod -18°C . Nižje temperature dosežete, če nastavite gumb termostata proti položaju MAKŠ.

Če si želite zagotoviti, da je temperatura v predelih za shranjevanje takšna kot ste jo nastavili, jo preverite s termometrom. Meritev preberite takoj, saj se bo temperatura termometra, ko ga vzamete iz zamrzovalnika, hitro dvigala.

Vedno, ko odprete vrata, mrzel zrak uide in temperatura se dvigne. Zato ne puščajte odprtih vrat in jih zaprite takoj, ko daste hrano noter ali jo vzamete ven.

Pred delovanjem

Zadnji pregled

Preden začnete uporabljati napravo, preverite, če:

1. so noge v pravilnem položaju.
2. je notranost čista in lahko zrak na zadnjem delu prosto kroži.
3. je notranost čista, kot je priporočeno v poglavju »ČIŠČENJE IN SKRB«.
4. je vtičač vstavljen v vtičnico in električna vklopljena. Izogibajte se slučajnemu izklapljanju z dotikom stikala.

Opomba:

5. Ko se vklopi kompresor, boste zaslišali hrup. Tekočine in plini, ki so ujeti v hladilnem sistemu, lahko oddajajo zvoke tudi, ko kompresor ne deluje. To ni nič nenavadnega.

6. Za zamrzovanje svežih živil uporabljajte predel, ki je označen s 4-mi zvezdicami (priporočljiva je druga polica).

7. Ne dajajte prevelike količine hrane naenkrat v zamrzovalnik. Kakovost hrane se ohrani, če je ta v čim hitrejšem času globoko zamrznjena. Zato ne presežite zmoglosti zamrzovanja naprave, ki je prikazana v »Podatkih naprave«. Da bi ohranili najnižjo temperaturo v zamrzovalniku, nastavite termostat z gumbom, z aktivirano funkcijo hitrega zamrzovanja in prižigom oranžne lučke.

8. Ne napolnite naprave takoj, ko jo vklopite. Počakajte, da naprava doseže pravilno temperaturo za shranjevanje. Priporočamo, da preverite temperaturo z natančnim termometrom (glejte: Nadzor in nastavitve temperature).

Pomembna opomba:

V primeru izpada elektrike, ne odpirajte vrat. Zamrznjena hrana ne bo prizadeta, če izpad traja manj kot 16 ur. Če izpad traja dalj časa, je hrano treba pregledati in jo takoj pojesti ali pa skuhati in ponovno zamrzniti.

Nadzorna plošča zamrzovalnika (att. 5)

Nadzorna plošča nastavi temperaturo v zamrzovalniku in ima naslednje funkcije:

1 - Oranžna lučka - Vključeno hitro zamrzovanje

Ko zavrtite gumb za nastavitve temperature zamrzovalnika (4) v položaj "FAST FREEZE", bo zasvetila oranžna lučka (1) in naprava bo delovala pri najnižji temperaturi. Oranžna LED lučka ugasne po 50 urah delovanja pri najnižji temperaturi.

2 - Zelena lučka - električna vklopljena (napetost)

Sveti ko je naprava priključena na omrežje in ostane prižgana dokler se dovaja napetost. Zelena LED lučka ne posreduje informacij o temperaturi znotraj zamrzovalnika.

3 - Rdeča lučka - Alarm visoke temperature

4 - Gumb za nastavitve temperature

Alarm visoke temperature

Ob prvem vklopu naprave, alarm ne deluje 12 ur (rdeča lučka je izklopljena).

Po tem času lahko rdeča lučka sveti (rdeča lučka je vklopljena) v naslednjih primerih:

- če je naprava prenapolnjena s svežimi živili,
- če so vrata pomotoma ostala odprta.

V teh primerih bo rdeča lučka svetila, dokler naprava ne doseže prej nastavljenе temperature.

Če zasveti rdeča lučka, počakajte 24 ur, preden obvestite pooblaščen servis.

Pomembno:

Dosežena temperatura se razlikuje glede na pogoje uporabe, kot so npr.: položaj naprave, temperatura prostora, pogostost odpiranja vrat, preobilno polnjenje zamrzovalnika s hrano. Temperatura se bo prilagodila glede na te pogoje.

Če zasveti rdeča lučka, počakajte 24 ur, preden obvestite pooblaščen servis.

Lahko pomeni, da je bila v zamrzovalnik položena topla hrana in/ali so odprta vrata. V 24-ih urah bi se moral alarm, ki opozarja na visoko temperaturo (rdeča lučka), izključiti.

Funkcija hitrega zamrzovanja

Za vklop funkcije FAST FREEZING prestavite gumb za nastavitve temperature v položaj "FAST FREEZE". Priporočamo, da postavite živila, ki jih želite hitreje zamrzniti, v predel za zamrzovanje 24 ur po vklopu funkcije hitrega zamrzovanja. Medtem ko je vklopljeno hitro zamrzovanje, hladilnik deluje pri najnižji nastavitvi temperature za zamrzovalnik.

Funkcija hitrega zamrzovanja traja 50 ur. Ko jo prekličete, se hladilnik vrne v običajni način delovanja z nastavitvijo temperature 3, tudi če je gumb še vedno nastavljen v položaj "FAST FREEZE". Funkcija ecodesign omogoča varčevanje z energijo, kadar funkcija hitrega zamrzovanja ni bila preklicana. Zmožnost zamrzovanja vašega hladilnika se meri, kadar je vklopljena funkcija hitrega zamrzovanja.

Shranjevanje zamrznjene hrane

Vaš zamrzovalnik je primeren za dolgotrajno shranjevanje zamrznjene hrane, ki je na voljo v trgovinah, in lahko se uporablja tudi za zamrzovanje in shranjevanje sveže hrane.

V primeru izpada elektrike, ne odpirajte vrat. Zamrznjena hrana ne bo prizadeta, če izpad traja manj kot 16 ur. Če je izpad daljši, je hrano treba pregledati in ali jo pojesti takoj ali pa jo skuhati in ponovno zamrzniti.

Zamrzovanje sveže hrane

Če želite ohraniti najboljše rezultate, upoštevajte naslednja navodila.

Ne zamrzujte velike količine naenkrat. Ak idete zmraziti velike množstvo čerstvých potravín, nastavte ovládací gombík na max. 24 hodín predtým, ako vložíte čerstvé potraviny do priechánka rýchleho mrazenia.

Če želite zamrzniti velike količine svežih živil, prestavite krmilni gumb v položaj "FAST FREEZE" 24 ur preden jih postavite v predel za hitro zamrzovanje.

Priporočamo, da za zamrzovanje največje količine svežih živil, navedene pod zmogljivostjo zamrzovanja, ostane gumb v položaju "FAST FREEZE" vsaj 24 ur. Pazite, da ne zamešate zamrznjenih in svežih živil. Majhne količine živil do 1/2 kg (1 lb) lahko zamrznete brez funkcije hitrega zamrzovanja. Pazite, da ne zamešate že zamrznjenih in svežih živil.

Spoznajte vašo napravo (Slika 1)

- 1 - Kontrolna plošča, zaslon in nastavitve
- 2 - Predel za hitro zamrzovanje
- 3 - Predeli za shranjevanje zamrznjene hrane
- 4 - Nastavljivi sprednji nogi

Odtajanje

Predel zamrzovalnika odtajajte vsaj dvakrat na leto ali ko se nabere prevelika plast ledu.

- Nastajanje ledu je običajen pojav.
- Nastajanje ledu, še posebej na zgornjem predelu, je običajen pojav in ne učinkuje na dobro delovanje naprave.
- Priporočljivo je odtajati napravo takrat, ko količina zamrznjene hrane ni prevelika.
- Pred odtajanjem nastavite gumb na termostatu na najvišji položaj, da se hrana globoko zamrzne. Med tem časom temperatura hladilnika ne sme biti prenizka.
- Izključite napravo.
- Odstranite zamrznjeno hrano, jo zavijte v več plasti papirja in jo postavite v mrzli prostor.
- Za hitro odtajanje pustite vrata odprta in v notranjost postavite vedra s toplo vodo (največ 80°C).

Za odstranjevanje ledu ne uporabljajte ostrih predmetov, kot so nož ali vilice.

Za odtajanje ne uporabljajte sušilnikov za lase, električnih grelcev ali drugi električnih naprav.

Ko se odtajanje konča, zaprite odtajalni del in temeljito posušite notranjost (Sliki 6 in 7).

Čiščenje in nega

1. Pred čiščenjem izklopite napravo pri vtičnici in izvlecite vtičač.
2. Za čiščenje ne uporabljajte ostrih predmetov ali abrazivnih sredstev, mila, gospodinjskih čistil, čistilnih sredstev ali loščila.
3. Omarico naprave očistite z mlačno vodo in jo do suhega obrišite.
4. Za čiščenje notranjosti uporabite izžeto krpo, ki ste jo namočili v raztopino ene čajne žličke sode bikarbonata in enega pinta vode ter nato do suhega obrišite.
5. Če naprave dalj časa ne boste uporabljali, jo izključite, odstranite vso hrano, jo očistite in pustite vrata priprta.
6. Priporočamo, da s silikonskim voskom (loščilom za avtomobile) zloščite kovinske dele naprave (kot so zunanost vrat, stranski deli omarice) in tako ohranite visoko kakovost barve.

7. Enkrat na leto s sesalnikom odstranite prah, ki se je nabral na kondenzatorju na zadnji strani naprave.

8. Preverite, da so pečati na vratih čisti in ne vsebujejo delcev hrane.

9. Nikoli:

- Ne čistite naprave z neprimernimi sredstvi, kot so npr. naftni izdelki.
- Naprave ne izpostavljajte visokim temperaturam.
- Naprave ne čistite in drgnite itd. z abrazivnimi sredstvi.

10. Pretirano nabiranje ledu je treba hitro odstraniti. Velika količina ledu bo zmanjšala učinkovitost zamrzovalnika.

11. Da bi očistili predel, ga do izvlecite kolikor se da, ga potegnite navzgor in ga nato v celoti izvlecite.

Premeščanje vrat

Sledite zaporedju (Slika 8).

Kaj lahko in kaj ne smete

Lahko - Redno preglejte vsebino zamrzovalnika.

Lahko - Redno čistite in odtajajte svojo napravo (Glejte »Odtajanje«)

Lahko - Hrano hranite čim krajši čas in upoštevajte datume »Najboljše pred« in »Uporabno do«.

Lahko - Zamrznjeno hrano, ki je na voljo v trgovinah, shranjujte v skladu z navodili na embalaži.

Lahko - Vedno izberite svežo hrano visoke kakovosti in jo dobro očistite preden jo zamrznete.

Lahko - Svežo hrano za zamrzovanje razdelite na manjše porcije, da bo zamrzovanje čim hitrejše.

Lahko - Že prej zamrznjeno hrano zavijte takoj po nakupu in jo čim hitreje shranite v zamrzovalnik.

Lahko - Ločite hrano v predelih in izpolnite kartico z vsebino. Tako lahko hitro najdete hrano in se izognete pretiranemu odpiranju vrat, kar vam prihrani električno energijo.

Ne smete - Ne odpirajte vrat za dalj časa, saj to pomeni več stroškov za delovanje in povzroči prekomerno nastajanje ledu.

Ne smete - Za odstranjevanje ledu nikoli ne uporabljajte ostrih predmetov, kot so noži ali vilice.

Ne smete - Ne polagajte vroče hrane v napravo. Naj se najprej ohladi.

Ne smete - V zamrzovalniku ne hranite steklenic, polnjenih s tekočino, ali pločevink, ki vsebujejo tekočino z ogljikom, saj lahko eksplodirajo.

Ne smete - V vaši napravi ne shranjujte strupenih ali nevarnih snovi. Oblikovana je samo za shranjevanje hrane, ki jo lahko zaužijete.

Ne smete - Ko zamrzujete svežo hrano, ne smete preseči največje količine zamrzovanja.

Ne smete - Ne dajte otrokom sladoleda in ledu neposredno iz zamrzovalnika. Nizka temperatura lahko povzroči hladilne opekline na ustnicah.

Ne smete - Ne zamrzujte pijač z mehurčki.

Ne smete - Ne hraniti zamrznjene hrane, ki je že bila odtajana; treba jo je pojesti v 24 urah ali skuhati in ponovno zamrzniti.

Ne smete - Ne jemljite predmetov iz zamrzovalnika z mokrimi rokami.

Ne smete - Ne zapirajte vrat, preden ne zamenjate pokrova na predelu za hitro zamrzovanje.

Iskanje in odpravljanje napak

Če naprava, ko jo vključite, ne deluje, preverite:

- Ali je vtič pravilno vstavljen v vtičnico in je naprava pod napetostjo. (Če želite preveriti napetost v vtičnici, vanjo vklopite drugo napravo).
- Ali je pregorela varovalka, se je sprožil prekinjač ali pa je glavno stikalo izključeno.
- Ali je temperatura pravilno nastavljena.
- Če ste zamenjali vtič, da je ta pravilno napeljan.

Če ste preverili vse zgoraj naštetih razlogov in naprava še vedno ne deluje, se obrnite na prodajalca od katerega ste kupili napravo. Plačati morate tudi, če ni odkrita nobena napaka, zato se prepričajte, da ste pregledali vse zgoraj naštetih vzroke.

Informacije o hrupu med delovanjem

Vaša naprava občasno prižge kompresor, da ohrani nastavljeno temperaturo.

Nastali hrup je povsem običajen.

Hrup se zmanjša, ko naprava doseže temperaturo delovanja.

Motor (kompresor) oddaja brneči zvok. Ko se motor prižge, se hrup za kratek čas poveča.

Šumenje, klopotanje ali brenčanje povzroča hladilo, ko se pretaka po ceveh.

Vedno, ko termostat vklopi/izklopi motor, se zasliši klikanje.

Klikanje se lahko pojavi, ko

- se naprava ohlaja ali segreva (širitev materiala).

Če zvok ni preglasen, verjetno ni resnih razlogov in jih je ponavadi možno enostavno odpraviti.

Naprava ni ravna

Uporabite noge za nastavitev višine ali pod noge podložite embalažo.

Naprava ni samostoječa

Odmaknite napravo v stran od kuhinjskih enot ali drugih naprav.


Police so razrahljane ali lepljive

Preverite ločljive elemente in jih ponovno namestite, če je potrebno.

Opozorilo!

Nikoli ne poskušajte sami popraviti napravo ali njene električne dele. Popravilo, ki ga izvede neusposobljena oseba, je nevarno za



Če se na izdelku ali embalaži nahaja znak , to pomeni, da z izdelkom ne smete ravnati tako kot z ostalimi gospodinjstvi odpadki. Napravo morate oddati na primernem zbirališču za recikliranje električnih in elektronskih naprav. Nepravilno odlaganje izdelka lahko pripelje do negativnih učinkov na okolje in zdravje ljudi, kar pa lahko preprečite s pravilnim odlaganjem vaše stare naprave. Za podrobne informacije o recikliranju tega izdelka se obrnite na lokalni mestni urad, komunalno službo ali trgovino, kjer ste izdelek kupili.

