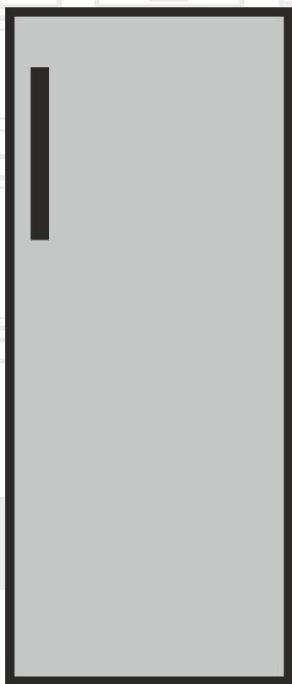


Refrigerator
Kühlschrank
Koelkast
Réfrigérateur
Hladilnik
Chladnička
Chladnička

Instruction of use
Gebrauchsanweisung
Gebruiksaanwijzing
Notice d'utilisation
Navodila za uporabo
Pokyny pro používání
Návod na použitie



RSSA290M33W

ENIDNLI FRISLICZISK

beko

WARNING!

In order to ensure a normal operation of your refrigerating appliance, which uses a completely environmentally friendly refrigerant the R 600a (flammable only under certain conditions) you must observe the following rules:

- ◆ Do not hinder the free circulation of the air around the appliance.
- ◆ Do not use mechanic devices in order to accelerate the defrosting, others than the ones recommended by the manufacturer.
- ◆ Do not destroy the refrigerating circuit.
- ◆ Do not use electric appliances inside the food keeping compartment, other than those that might have been recommended by the manufacturer.

WARNUNG!

Ihr Gerät verwendet ein umweltverträgliches Kältemittel, R 600a (nur unter bestimmten Umständen brennbar). Um einen einwandfreien Betrieb Ihres Gerätes sicherzustellen, beachten Sie bitte folgende Vorschriften:

- ◆ Die Luftzirkulation um das Gerät darf nicht behindert sein.
- ◆ Verwenden Sie außer der vom Hersteller empfohlenen, keine mechanischen Hilfsmittel, um den Abtauprozess zu beschleunigen.
- ◆ Der Kältemittelkreislauf darf nicht beschädigt werden.
- ◆ Verwenden Sie im Lebensmittelaufbewahrungsbereich Ihres Gerätes keine elektrischen Geräte, es sei denn, sie sind vom Hersteller empfohlen.

WAARSCHUWING!

U moet de volgende regels in acht nemen om de normale werking van uw koelkast, die het volledig milieuvriendelijke koelmiddel R 600a (ontvlambaar) gebruikt, te verzekeren:

- ◆ Hinder de vrije luchtcirculatie rond het toestel niet.
- ◆ Gebruik geen andere mechanische toestellen om het ontdooien te versnellen dan de toestellen die door de fabrikant worden aangeraden.
- ◆ Beschadig het koelcircuit niet.
- ◆ Gebruik geen andere elektrische toestellen in de bewaarlade voor etenswaren dan de toestellen die eventueel door de fabrikant worden aangeraden.

AVERTISSEMENT !

Afin de s'assurer du fonctionnement normal de votre réfrigérateur, contenant le réfrigérant R 600a qui contribue à la protection de l'environnement (inflammable dans certaines conditions seulement), il convient de respecter les règles suivantes :

- ◆ Ne pas empêcher la circulation d'air autour de l'appareil.
- ◆ Ne pas utiliser d'outils mécaniques ou autres dispositifs pour accélérer le processus de décongélation autres que ceux qui sont recommandés par le fabricant.
- ◆ Ne pas abîmer le circuit réfrigérant.
- ◆ Ne pas utiliser d'appareils électriques à l'intérieur des compartiments de conservation de denrées, à moins qu'ils soient conformes au type d'appareils recommandés par le fabricant.

OPOZORILO!

Za normalno delovanje vašega hladilnika, ki uporablja naravi prijazno hladilno sredstvo R 600a (vnetljivo samo pod določenimi pogoji), je treba upoštevati naslednja pravila:

- ◆ Ne ovirajte prostega pretoka zraka okoli naprave.
- ◆ Za hitrejše odtajanje ne uporabljajte mehanskih naprav, ki jih ni priporočil proizvajalec.
- ◆ Ne uničujte hladilnega tokokroga.
- ◆ V prostoru za živila ne uporabljajte električnih naprav, ki jih ni priporočil proizvajalec.

UPOZORNĚNÍ!

Aby byl zajištěn normální provoz vaší chladničky, která používá pro životní prostředí zcela neškodné chladicí médium R600a (vznětlivé), musíte dodržet následující pravidla:

- ◆ Nebraňte ve volné cirkulaci vzduchu kolem přístroje.
- ◆ Nepoužívejte mechanická zařízení pro zrychlení odmražení kromě těch, která jsou doporučena výrobcem.
- ◆ Nelikvidujte chladicí okruh.
- ◆ Nepoužívejte elektrické spotřebiče uvnitř prostoru pro potraviny kromě těch, která by mohl doporučit výrobce.

VÝSTRAHA!

Na zabezpečenie normálnej prevádzky chladničky, ktorá používa úplne ekologicky bezpečné chladivo R 600a (horľavé len pri určitých podmienkach), musíte dodržiavať tieto pravidlá:

- ◆ Nebráňte voľnej cirkulácii vzduchu okolo spotrebiča.
- ◆ Nepoužívajte mechanické prístroje na urýchľovanie rozmrazovacieho procesu iné, ako odporúča výrobca.
- ◆ Nepoškodte chladiaci okruh.
- ◆ Vo vnútri signalizačného priečinka na potraviny nepoužívajte iné elektrické spotrebiče ako tie, ktoré odporúča výrobca.

EN Index

Safety first /1
Electrical requirements /2
Transportation instructions /2
Installation instructions /2
Getting to know your appliance /3
Suggested arrangement of food in the larder fridge /3
Temperature control and adjustment /4
Before operating /4
Defrosting /5
Replacing the interior light bulb /5
Repositioning the door /5
Cleaning and care /5
Do's and don'ts /6
Information about operating noises /7
Troubleshooting /7

D Inhalt

Sicherheit an erster Stelle /8
Voraussetzungen für den Elektroanschluss /9
Transportvorschriften /9
Hinweise zur Installation und zum Aufstellungsort /9
Kennenlernen des geräts /10
Vorschläge für das Einordnen von Lebensmitteln beim Vorratskühlschrank /10
Einstellung und Regelung der Temperatur /11
Inbetriebnahme /11
Abtauen /12
Auswechseln der Glühlampe für die Innenbeleuchtung /12
Wechseln des türanschlags /12
Reinigung und Pflege /12
Was Sie tun sollten und was auf keinen fall-einige Hinweise /13
Massnahmen bei Betriebsstörung /14

NL Index

Veiligheid eerst /15
Elektriciteitsvereisten /16
Transportinstructies /16
Installatie-instructies /16
Uw toestel leren kennen /17
Voorstel voor de schikking van de etenswaren in het toestel /17
Opmeting en regeling van de temperatuur /18
Alvorens de inwerkstelling /18
Ontdooien /19
Het binnenlichtje vervangen /19
De deur verplaatsen /19
Schoonmaak en onderhoud /19
Wel en niet /20
Informatie over de functiegeluiden /20
Problemen oplossen /21

FR Sommaire

Premièrement la sécurité! /22
Avertissements et conseils importants /23
Installation /23
Presentation de l'appareil /24
Réversibilité de la porte /24
Mise en fonctionnement /24
Réglage de la température /24
Suggestions concernant le placement des denrées /25
Changement de la lampe /25
Dégivrage /25
Nettoyage /25
Remarques sur les bruits de fonctionnement /26

SL**Kazalo**

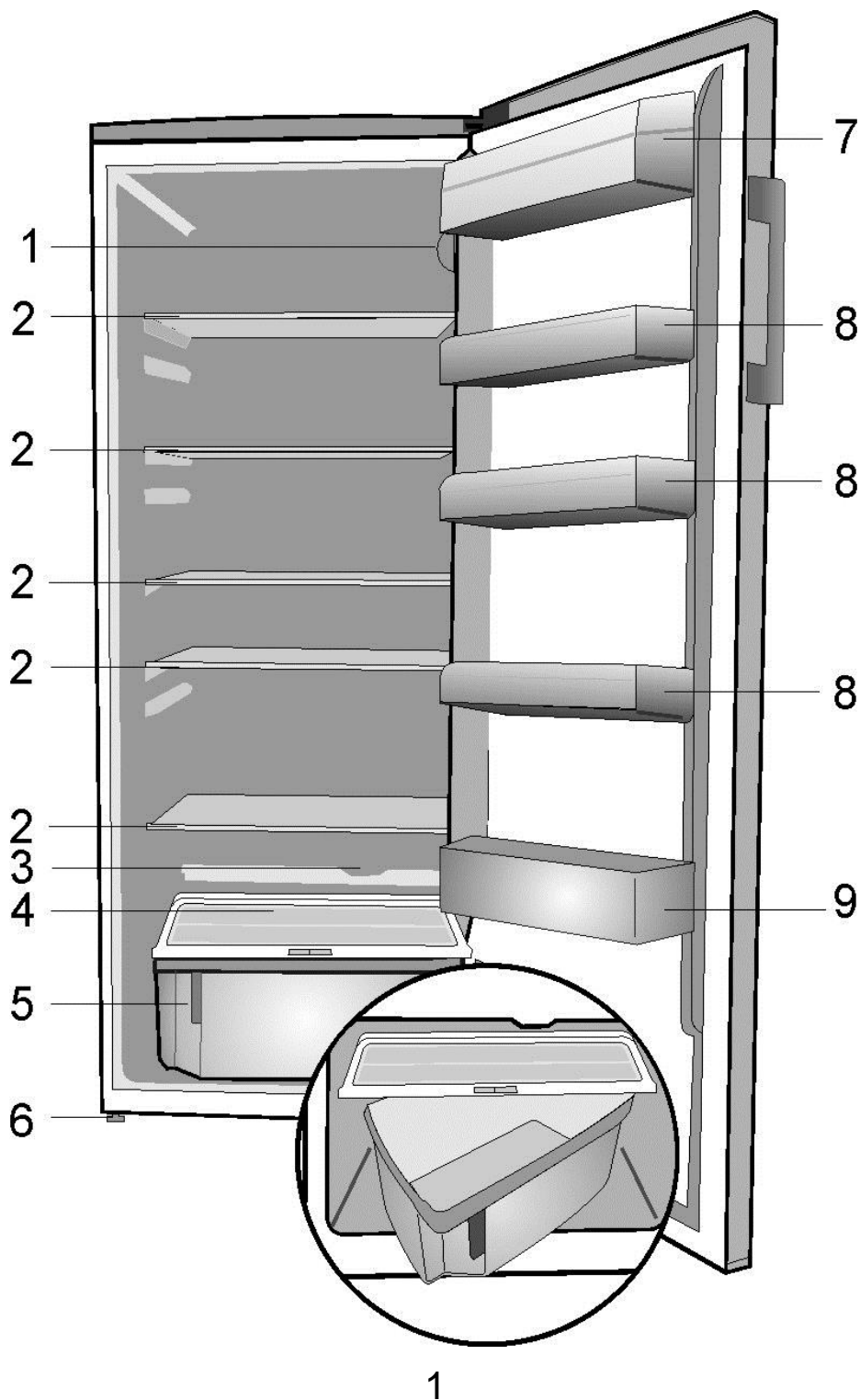
Najprej varnost /27
Električne zahteve /28
Navodila za prevoz /28
Navodila za namestitev /28
Spoznajte svojo napravo /29
Predlagana razvrstitev živil v hladilniku brez nizkotemperaturnega prostora /29
Nadzor in prilagoditev temperature /30
Pred delovanjem /30
Odtajanje /31
Zamenjava notranje žarnice /31
Premeščanje vrat /31
Čiščenje in nega /31
Kaj lahko in česa ne smete /32
Informacije o hrupu med delovanjem /33
Odpravljanje težav /33

CZ Rejstřík

Bezpečnost především /34
Elektrické požadavky /35
Pokyny pro transport /35
Pokyny pro instalaci /35
Seznámení s vaším spotřebičem /36
Doporučené rozložení potravin ve spotřebiči /36
Kontrola a nastavení teploty /37
Před spuštěním /37
Odmrazování /38
Výměna vnitřní žárovky /38
Změna pozice dvířek /38
Čištění a péče /38
Co dělat a co nedělat /39
Informace o provozních hlucích /40
Odstraňování potíží /40

SK Obsah

Bezpečnosť nadovšetko /41
Elektrické požiadavky /42
Prepravné pokyny /42
Pokyny na inštaláciu /42
Spoznajte spotrebič /43
Navrhované rozmiestnenie potravín v chladničke /43
Regulácia a nastavenie teploty /44
Pred uvedením do prevádzky /44
Rozmrazovanie /45
Výmena žiarovky vnútorného osvetlenia /45
Premiestnenie dverí /45
Čistenie a údržba /45
Čo sa má a čo sa nesmie robiť /46
Informácie o prevádzkovom hluku /47
Riešenie problémov /47



1

i Figures that take place in this instruction manual are schematic and may not correspond exactly with your product. If the subject parts are not included in the product you have purchased, then it is valid for other models.

i Abbildungen und Angaben in dieser Anleitung sind schematisch und können etwas von Ihrem Gerät abweichen. Falls Teile nicht zum Lieferumfang des erworbenen Gerätes zählen, gelten sie für andere Modelle.

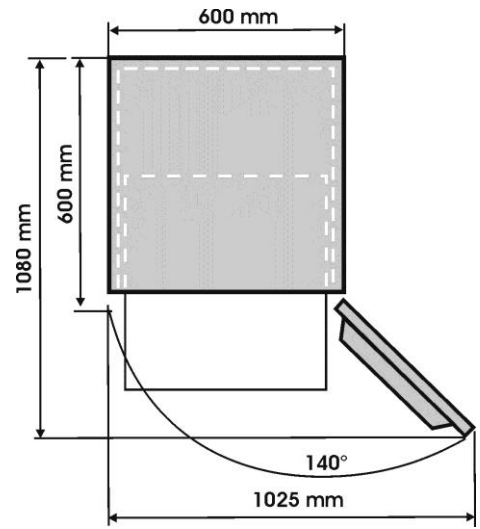
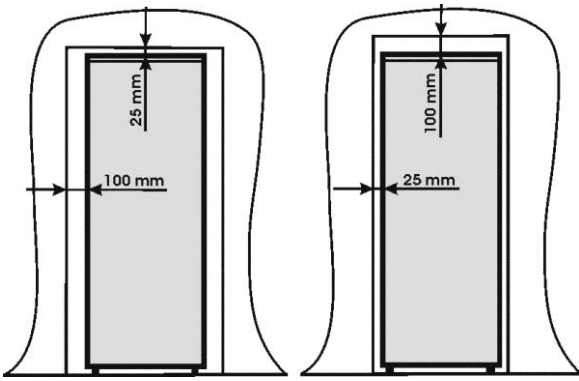
i De afbeeldingen in deze gebruiksaanwijzing zijn schematisch en hoeven niet exact met uw product overeen te komen. Wanneer onderdelen niet tot het product behoren dat u hebt gekocht, gelden deze voor andere modellen.

i Les illustrations présentées dans cette notice d'utilisation sont schématiques et peuvent ne pas correspondre exactement à votre produit. Si certains fonctions ne sont pas inclus dans le produit que vous avez acheté, ils concerneront d'autres modèles.

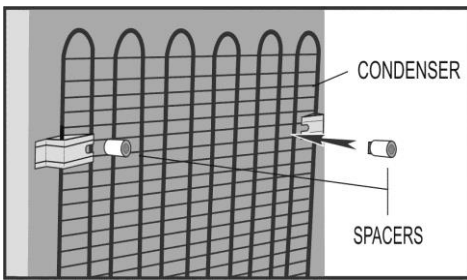
i Slike v navodilih za uporabo so shematske in morda ne ustrezajo vašemu proizvodu. Če naprava, ki ste jo kupili, ne vsebuje določenih delov, so veljavni za druge modele.

i Obrázky uvedené v tomto návodu k použití jsou schematické a nemusejí přesně korespondovat s vaším výrobkem. Pokud zobrazené části nejsou obsaženy v produktu, který jste zakoupili, jde o součásti jiných modelů.

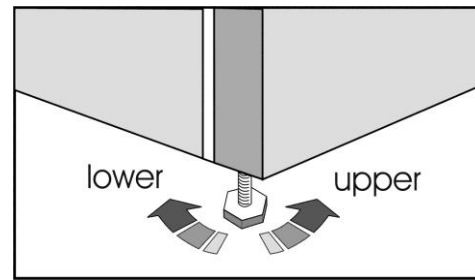
i Obrázky v tejto príručke k obsluhu sú schematické a nemusia sa presne zhodovať s vaším produktom. Ak produkt, ktorý ste si zakúpili, nedisponuje uvádzanými časťami, potom sa to týka iných modelov.



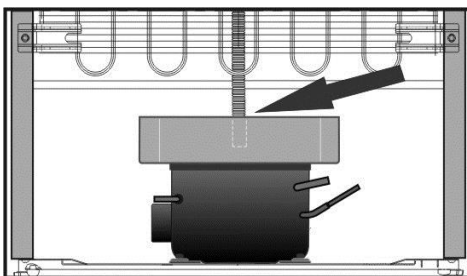
2



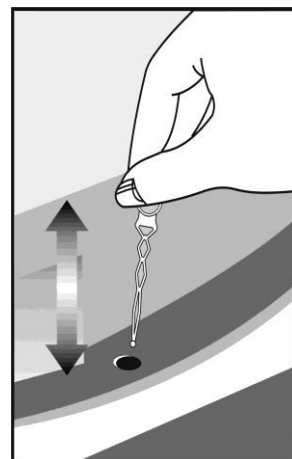
3



4

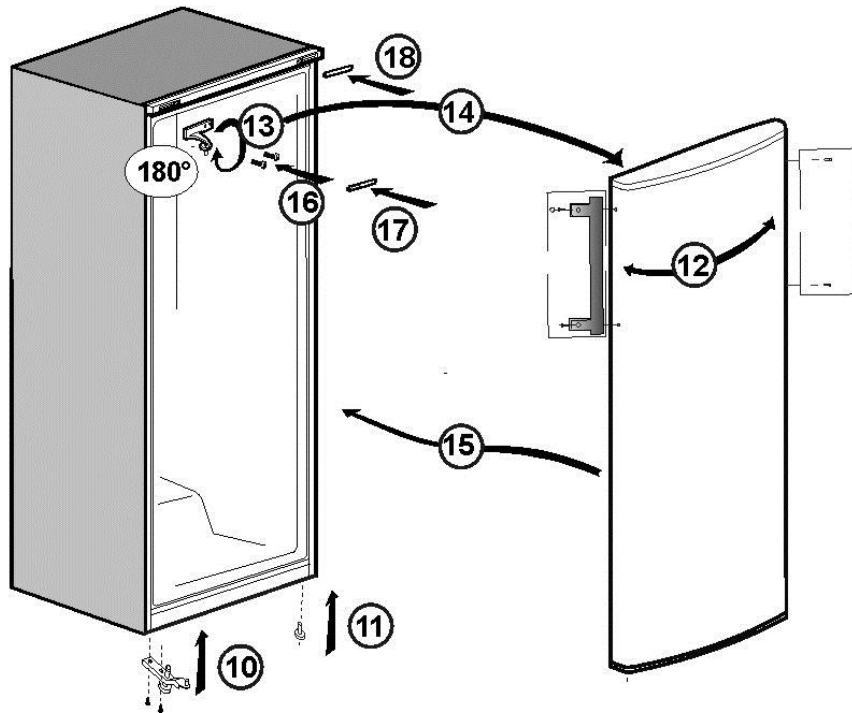
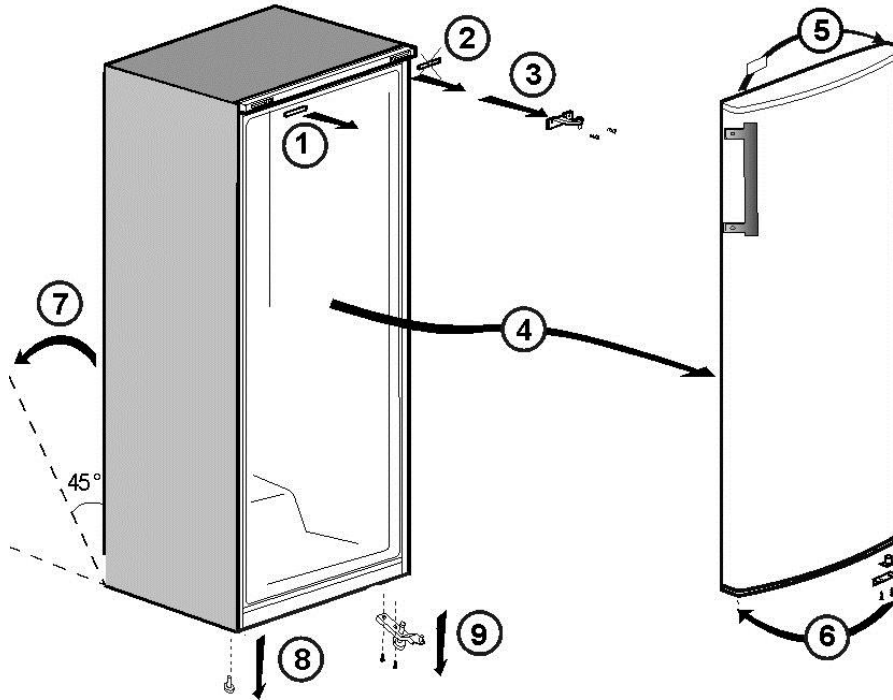
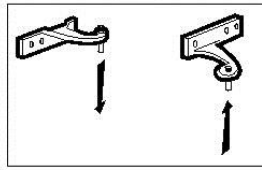


5



6

(13)



Congratulations on your choice of a **BEKO** Quality Appliance, designed to give you many years of service.

Safety first!

Do not connect your appliance to the electricity supply until all packing and transit protectors have been removed.

- Leave to stand for at least 4 hours before switching on, to allow compressor oil to settle.
- If you are discarding an old appliance with a lock or latch fitted to the door, break or disable the lock to ensure that it is left in a safe condition to prevent children becoming trapped inside.
- This appliance must only be used for its intended purpose.
- Do not dispose of the appliance on a fire. Your appliance contains non CFC substances in the insulation which are flammable. We suggest you contact your local authority for information on correct disposal and available facilities.
- We do not recommend use of this appliance in an unheated, cold room. (e.g. garage, conservatory, annex, shed, out-house etc.)

To obtain the best possible performance and trouble free operation from your appliance it is very important to read these instructions carefully. Failure to observe these instructions may invalidate your right to free service during the guarantee period.

Please keep these instructions in a safe place for easy reference.

Original Spare parts will be provided for 10 years, following the product purchasing date.

**This appliance is not intended for use by person with reduced physical, sensory or mental capabilities or lack of experience and knowledge unless they have been given supervision or instruction concerning use of the appliance by a person responsible for their safety.
Children should be supervised to ensure that they do not play with the appliance.**

Electrical requirements

Before inserting the plug into the wall socket make sure that the voltage and the frequency shown in the rating plate inside the appliance corresponds to your electricity supply. We recommend that this appliance is connected to the mains supply via a suitably switched and fused socket in a readily accessible position.

Warning! This appliance must be earthed.

Repairs to electrical equipment should only be performed by a qualified technician. Incorrect repairs carried out by an unqualified person are carry risks that may have critical consequences for the user of the appliance.

ATTENTION!

This appliance operates with R 600a which is an environmental friendly but flammable gas. During the transportation and fixing of the product, care must be taken not to damage the cooling system. If the cooling system is damaged and there is a gas leak from the system, keep the product away from ignition sources and ventilate the room for a while.

WARNING - Do not use mechanical devices or other means to accelerate the defrosting process, other than those recommended by the manufacturer.

WARNING - Do not damage the refrigerant circuit.

WARNING - Do not use electrical appliances inside the food storage compartments of the appliance, unless they are of the type recommended by the manufacturer.

WARNING - If the supply cord is damaged, it must be replaced by the manufacturer, its service agent or similarly qualified persons in order to avoid a hazard.

Transportation instructions

1. The appliance should be transported only in an upright position. The packing as supplied must be intact during transportation.
2. The appliance should not be operated for at least 4 hours after installation, to allow the system to settle. You may also need to allow five minutes between plugging in and switching on the appliance.

3. Failure to comply with the above instructions could result in damage to the appliance, for which the manufacturer will not be held liable.

4. The appliance must be protected against rain, moisture and cold.

Important!

- Care must be taken while cleaning/carrying the appliance not to touch the bottom of the condenser metal wires at the back of the appliance, as this could cause injury to fingers and hands.

- Do not sit or stand on top of your appliance as it is not designed for such use. You could injure yourself or damage the appliance.

WARNING - Make sure that the mains cable is not caught under the appliance during and after moving, as this could damage the cable.

- Do not allow children to play with the appliance or tamper with the controls.

Installation instructions

1. Do not keep your appliance in a room where the temperature is likely to fall below 10 degrees C (50 degrees F) at night and/or especially in winter, as it is designed to operate in ambient temperatures between +10 and +43 degrees C (50 and 109 degrees F). At lower temperatures the appliance may not operate, resulting in a reduction in the storage life of the food.

2. Do not place the appliance near cookers or radiators or in direct sunlight, as this will cause extra strain on the appliance's functions. If installed next to a source of heat or freezer, maintain the following minimum side clearances:

From Cookers 30 mm

From Radiators 300 mm

From Freezers 25 mm

3. Make sure that sufficient room is provided around the appliance to ensure free air circulation (**Item 2**).

- Open the door of your refrigerator to set the distance between the refrigerator and the wall (**Item 3**).

4. The appliance should be positioned on a smooth surface. The two front feet can be adjusted as required. To ensure that your appliance is standing upright adjust the two front feet by turning clockwise or anti-clockwise, until firm contact is secured with the floor. Correct adjustment of feet prevents excessive vibration and noise **(Item 4)**.

5. Refer to "Cleaning and Care" section to prepare your appliance for use.

Getting to know your appliance (Item 1)

- 1 - Thermostat and lamp housing
- 2 - Adjustable Cabinet shelves
- 3 - Water collector
- 4 - Crisper cover
- 5 - Crisper
- 6 - Adjustable foot
- 7 - Dairy Compartment
- 8 - Shelf for jars
- 9 - Shelf for bottles

Suggested arrangement of food in the larder fridge

Guidelines for obtaining optimum storage and hygiene:

1. This appliance for the short-term storage of fresh food and drinks.

2. Dairy products should be stored in the special compartment provided in the door liner.

3. Cooked dishes should be stored in airtight containers and are best kept on either of the removable shelves.

4. Fresh wrapped produce can be kept on the shelf. Fresh fruit and vegetables should be cleaned and stored in the crisper bins.

5. Bottles can be kept in the door section.

6. To store raw meat, wrap in polythene bags and place on the lowest shelf. Do not allow to come into contact with cooked food, to avoid contamination. For safety, only store raw meat for two to three days.

7. For maximum efficiency, the removable shelves should not be covered with paper or other materials to allow free circulation of cool air.

8. The shelves are fitted with rear stops and tilting for storing bottles. Lift shelf clear of grooves when adjusting.

9. To tilt a shelf, place the back of the shelf one level below the front of the shelf. To remove a tilted shelf, first release the back from the one level below the front of the shelf. To remove a tilted shelf, first release the back from the grooves and then pull.

10. Do not keep vegetable oil on door shelves. Keep food packed, wrapped or covered. Allow hot food and beverages to cool before refrigerating. Do not store explosive substances in the refrigerator. High proof alcohol must be stored upright in sealed containers. Leftover canned food should not be stored in the can.

11. Some fruit and vegetables suffer damage if kept at temperatures near 0 degrees centigrade. Therefore wrap pineapples, melon, cucumbers, tomatoes and similar produce in polythene bags.

Temperature control and adjustment

The internal temperature could be adjusted by means of the button from the thermostat.

The temperatures obtained inside the appliance could oscillate depending on the usage conditions: location, environmental temperature, doors opening frequency, foods quantity. Position of thermostat button will change depending on these conditions.

Generally, for an environmental temperature of 25°C (77°F), thermostat button will be settled on a medium position.

Avoid some positions of thermostat button that could involve a continuously running of the appliance. This could involve a temperature decrease under 0°C, therefore the drinks and fresh foods could freeze and an excessive ice quantity could be accumulated on the internal wall. All these above mentioned could involve a decrease of the refrigerating efficiency (increase of the power consumption).

Before operating

Final Check

Before you start using the appliance check that:

1. The feet have been adjusted for perfect levelling.
2. The interior is dry and air can circulate freely at the rear.
3. The interior is clean as recommended under "Cleaning and care."
4. The plug has been inserted into the wall socket and the electricity is switched on. When the door is open the interior light will come on.

And note that:

5. You will hear a noise as the compressor starts up. The liquid and gases sealed within the refrigeration system may also make some (noise), whether the compressor is running or not. This is quite normal.
6. Slight undulation of the top of the cabinet is quite normal due to the manufacturing process used; it is not a defect.
7. We recommend setting the thermostat knob midway and monitor the temperature to ensure the appliance maintains desired storage temperatures (See section Temperature Control and Adjustment).
8. Do not load the appliance immediately it is switched on. Wait until the correct storage temperature has been reached. We recommend checking the temperature with an accurate thermometer (see; Temperature Control and Adjustment).

Defrosting

The larder refrigerator defrosts automatically. The defrosting water runs to the drain tube via a collection channel and is evaporated in a special container at the back of the appliance.

(Item 5).

During defrosting, water droplets may form at the back of the larder refrigerator where a concealed evaporator is located. Some droplets may remain on the liner and refreeze when defrosting is completed. Do not use pointed or sharp-edged objects such as knives or forks to remove the droplets which have refrozen.

If, at any time, the defrost water does not drain from the collection channel, check that no food particles have blocked the drain tube. The drain tube can be cleared by pushing the special plastic plunger provided down the drain tube.

Check that the tube is permanently placed with its end in the collecting tray on the compressor to prevent the water spilling on the electric installation or on the floor **(Item 6)**.

Replacing the interior light bulb

To change the Bulb/LED used for illumination of your refrigerator, call your Authorised Service.

The lamp(s) used in this appliance is not suitable for household room illumination. The intended purpose of this lamp is to assist the user to place foodstuffs in the refrigerator/freezer in a safe and comfortable way.

The lamps used in this appliance have to withstand extreme physical conditions such as temperatures below -20°C.

Repositioning the door

Proceed in numerical order **(Item 7)**.

Cleaning and care

1. We recommend that you switch off the appliance at the socket outlet and pull out the mains plug before cleaning.

2. Never use any sharp instruments or abrasive substances, soap, household cleaner, detergent or wax polish for cleaning.

3. Use luke warm water to clean the cabinet of the appliance and wipe it dry.

4. Use a damp cloth wrung out in a solution of one teaspoon of bicarbonate of soda to one pint of water to clean the interior and wipe it dry.

5. Make sure that no water enters the temperature control box.

6. If the appliance is not going to be used for a long period of time, switch it off, remove all food, clean it and leave the door ajar.

7. Any dust that gathers on the condenser, which is located at the back of the appliance, should be removed once a year with a vacuum cleaner.

8. Check door seals regularly to ensure they are clean and free from food particles.

9. Never:

- Clean the appliance with unsuitable material; eg petroleum based products.
- Subject it to high temperatures in any way,
- Scour, rub etc., with abrasive material.

10. Removal of dairy cover and door tray :

- To remove the dairy cover, first lift the cover up by about an inch and pull it off from the side where there is an opening on the cover.
- To remove a door tray, remove all the contents and then simply push the door tray upwards from the base.

11. Make sure that the special plastic container at the back of the appliance which collects defrost water is clean at all times. If you want to remove the tray to clean it, follow the instructions below:

- Switch off at the socket outlet and pull out the mains plug
- Gently uncrimp the stud on the compressor, using a pair of pliers, so that the tray can be removed
- Lift it up.
- Clean and wipe it dry
- Reassemble, reversing the sequence and operations.

Do's and don'ts

- Do-** Clean and defrost your appliance regularly.
- Do-** Keep raw meat and poultry below cooked food and dairy products.
- Do-** Keep food for as short a time as possible and adhere to "Best Before" and "Use by" etc. dates.
- Do-** Take off any unusable leaves on vegetables and wipe off any soil.
- Do-** Leave lettuce, cabbage, parsley and cauliflower on the stem.
- Do-** Wrap cheese firstly in greaseproof paper and then in a polythene bag, excluding as much air as possible. For best results, take out of the fridge compartment an hour before eating.
- Do-** Wrap raw meat and poultry loosely in polythene or aluminium foil. This prevents drying.
- Do-** Wrap fish and offal in polythene bags.
- Do-** Wrap food with a strong odour or which may dry out, in polythene bags, or aluminium foil or place in airtight container.
- Do-** Wrap bread well to keep it fresh.
- Do-** Chill white wines, beer, lager and mineral water before serving.
- Don't-** Store bananas in your fridge compartment.
- Don't-** Store melon in your fridge. It can be chilled for short periods as long as it is wrapped to prevent it flavouring other food.
- Don't-** Leave the door open for long periods, as this will make the larder refrigerator. Your larder refrigerator has been designed for the storage of edible foodstuffs only.
- Don't-** Cover the shelves with any protective materials which may obstruct air circulation.
- Don't-** Store poisonous or any dangerous substances in your appliance. It has been designed for the storage of edible foodstuffs only.
- Don't-** Consume food which has been refrigerated for an excessive length of time.
- Don't-** Store cooked and fresh food together in the same container. They should be packaged and stored separately.
- Don't-** Let defrosting food or food juices drip onto food.

Information about operating noises

To keep the selected temperature constant, your appliance occasionally switches ON the compressor.

The resulting noises are quite normal.

As soon as the appliance has reached the operating temperature, the noises automatically reduce in volume.

The humming noise is emitted by the motor (compressor). When the motor switches ON, the noise may briefly increase in volume.

The bubbling, gurgling or whirring noise is emitted by the refrigerant as it flows through the pipes.

The clicking noise can always be heard when the thermostat switches ON/OFF the motor.

A clicking noise may occur when

- the automatic defrosting system is active.
- the appliance is cooling down or warming up (material expansion).

If these noises are excessively loud, the causes are probably not serious and are usually very easy to eliminate.

- The appliance is not level - Use the height-adjustable feet or place packing under the feet.
- The appliance is not free-standing - Please move the appliance away from kitchen units or other appliances.
- Drawers or shelves are loose or stick - Please check the detachable components and, if required, refit them.
- Bottles and/or receptacles are touching each other - Please move bottles and/or receptacles away from each other.

Troubleshooting


If the appliance does not operate when switched on, check;

- That the plug is inserted properly in the socket and that the power supply is on. (To check the power supply to the socket, plug in another appliance)
- Whether the fuse has blown/circuit breaker has tripped/main distribution switch has been turned off.
- That the temperature control has been set correctly.
- That the new plug is wired correctly, if you have changed the fitted, moulded plug.

If the appliance is still not operating at all after above checks, contact the dealer from whom you purchased the unit.

Please ensure that above checks have been done, as a charge will be made if no fault is found.



The symbol  on the product or on packaging indicates that this product may not be treated as household waste. Instead it shall be handed over to the applicable collection point for the recycling of electrical and electronic equipment. By ensuring this product is disposed of correctly, you will help prevent potential negative consequences for the environment and human health, which could otherwise be caused by inappropriate waste handling of this product. For more detailed information about recycling of this product, please contact your local city office, your household waste disposal service or the shop where you purchased the product.

Wir beglückwünschen Sie dazu, daß Sie sich für ein Haushaltsgerät von **BEKO** entschieden haben-ein Produkt von hoher Qualität, das Ihnen sicher viele Jahre lang wertvolle Dienste leisten wird.

Sicherheit an erster Stelle!

Schließen Sie Ihr Gerät NICHT an die Stromversorgung an, bevor Sie die gesamte Verpackung und alle Transportschutzvorrichtungen entfernt haben.

- Lassen Sie das Gerät vor dem Einschalten für mindestens 4 Stunden aufrecht stehen, damit sich nach einem waagerechten Transport zunächst das Kompressoröl sammeln kann.
- Falls Sie ein Altgerät entsorgen und sich an dessen Tür ein Schloß oder eine Verriegelung befindet, dann achten Sie darauf, daß Sie letztere in einem sicheren Zustand hinterlassen, so daß sich Kinder nicht versehentlich im Gerät einschließen können.
- Dieses Haushaltgerät darf nur für seinen vorgesehenen Verwendungszweck eingesetzt werden.
- Bei der Entsorgung des Geräts darf kein Feuer zum Einsatz kommen. Die Isolierung des Geräts enthält FCKW-freie Stoffe, die jedoch entflammbar sind und daher nicht mit Feuer in Berührung kommen dürfen. Bitte informieren Sie sich bei den vor Ort zuständigen Behörden über die vorhandenen Entsorgungsmöglichkeiten und-einrichtungen.
- Vom Einsatz dieses Geräts in einem ungeheizten bzw. kühlen Raum wird abgeraten (z.B. Garage, Wintergarten, Abstellraum, Schuppen, Nebengebäude usw.).

Um eine optimale Leistung und einen störungsfreien Betrieb des Geräts zu erreichen, sollten Sie sich die vorliegende Bedienungsanleitung unbedingt genau durchlesen.

Die Nichtbeachtung dieser Bedienungsanleitung kann den Verlust Ihres Rechts auf kostenlosen Service während der Garantiezeit zur Folge haben.

Bitte bewahren Sie diese Bedienungsanleitung gut auf, damit Sie sie bei Bedarf jederzeit zur Hand haben.

Originalersatzteile stehen für einen Zeitraum von 10 Jahren ab Kaufdatum zur Verfügung.

Dieses Gerät ist nicht dafür bestimmt durch Personen (einschließlich Kinder) mit eingeschränkten physischen, sensorischen oder geistigen Fähigkeiten oder mangels Erfahrung und/oder mangels Wissen benutzt zu werden, es sei denn, sie werden durch eine für ihre Sicherheit zuständige Person beaufsichtigt oder erhielten von ihr Anweisungen, wie das Gerät zu benutzen ist.

Voraussetzungen für den Elektroanschluss

Bevor Sie das Gerät mit einer Steckdose verbinden, sollten Sie sich vergewissern, daß Spannung und Frequenz der Stromversorgung mit den Angaben auf dem Typenschild übereinstimmen, das sich im Innenraum des Geräts befindet.

Das Gerät sollte an einer ordnungsgemäß installierten und leicht zugänglichen Steckdose angeschlossen werden, die mit einer Sicherung abgesichert ist.

Achtung! Dieses Gerät muß über einen ordnungsgemäßen Erdanschluß verfügen!

Reparaturen an elektrischen Geräten dürfen ausschließlich von einem hierfür qualifizierten Fachmann ausgeführt werden. Eine falsch bzw. nicht fachgerecht ausgeführte Reparatur kann Gefahren mit möglicherweise gravierenden Folgen für den Benutzer herbeiführen.

Wenn die Netzanschlussleitung dieses Gerätes beschädigt wird, muss sie durch den Hersteller oder seinen Kundendienst oder eine ähnlich qualifizierte Person ersetzt werden, um Gefährdungen zu vermeiden.

Transportvorschriften

1. Das Gerät sollte wenn möglich ausschließlich senkrecht transportiert werden. Während eines Transports muß sich die mitgelieferte Verpackung komplett am Gerät befinden.

2. Wenn sich das Gerät während eines Transports in waagerechter Lage befunden hat, darf es danach für einen Zeitraum von 4 Stunden nicht in Betrieb genommen werden, damit sich das Kühlsystem wieder stabilisieren kann.

3. Die Nichtbeachtung der obengenannten Vorschriften kann zu einer Beschädigung des Geräts führen. Der Hersteller kann nicht zur Verantwortung gezogen werden, wenn diese Vorschriften nicht beachtet werden.

4. Das Gerät muß so transportiert werden, daß es vor Regen, Feuchtigkeit und anderen Witterungseinflüssen geschützt ist.

Wichtiger Hinweis!

- Achten Sie beim Reinigen / Tragen des Geräts darauf, daß Sie die unteren Enden des Kondensator-Drahtgitters an der Rückseite des Geräts nicht berühren, da Sie sich dabei an den Fingern / Händen verletzen könnten.
- Sie sollten sich auf keinen Fall auf das Gerät stellen oder setzen, da es nicht für eine solche Belastung ausgelegt ist. Sie könnten sich hierdurch verletzen oder das Gerät beschädigen.
- Stellen Sie sicher, daß sich das Anschlußkabel beim Tragen / Verrücken des Geräts bzw. danach nicht unter diesem verfängt und dadurch abgetrennt oder anderweitig beschädigt wird.
- Achten Sie darauf, daß Kinder nicht mit dem Gerät spielen oder sich an den Bedienelementen zu schaffen machen.

Hinweise zur Installation und zum Aufstellungsort

1. Stellen Sie das Gerät nicht in einem Raum auf, wo die Temperaturen nachts bzw. besonders im Winter leicht unter 10°C (50°F) fallen können.

Das Gerät ist für einen Betrieb bei einer Umgebungstemperatur zwischen +10°C und +43°C (bzw. 50 bis 109°F) ausgelegt. Wenn Sie das Gerät in einem ungeheizten / kühlen Raum (z.B. Wintergarten, Abstellraum, Schuppen, Garage usw.) aufstellen, dann beeinträchtigt dies die Funktion und kann zu einer Verkürzung der Lagerungszeit von Tiefkühlware führen.

2. Stellen Sie das Gerät nicht in der Nähe eines Herds, eines Heizkörpers oder im Bereich direkter Sonneneinstrahlung auf, da das Kühlaggregat dann stärker arbeiten muß. Wenn die Aufstellung in der Nähe einer Wärmequelle oder eines Gefrierschranks erfolgt, dann sind die folgenden seitlichen Mindestabstände einzuhalten:

von Herden	30 mm
von Heizkörpern:	300 mm
von Gefriergeräten:	25 mm

3. Achten Sie darauf, daß um das Gerät herum genügend Platz verbleibt, so daß für eine ausreichende Luftzirkulation gesorgt ist (**Abb. 2**).

• Bringen Sie die hinter Lüftungsabdeckung an der Rückseite des Geräts an, um den Abstand zwischen dem Kühlschrank und der Wand zu bestimmen (**Abb. 3**).

4. Das Gerät sollte auf einer ebenen Fläche stehen. Die beiden vorderen Füße sind je nach Bedarf höhenverstellbar. Um eine genau senkrechte Stellung zu erzielen, können Sie die beiden vorderen Füße durch Drehen im Uhrzeigersinn oder umgekehrt so einstellen, bis das Gerät überall fest auf dem Boden steht. Durch ein korrektes Einstellen der Füße lassen sich darüber hinaus überflüssige Schwingungen und Geräusche vermeiden (**Abb. 4**).

5. Lesen Sie vor einer ersten Benutzung des Geräts den Abschnitt „Reinigung und Pflege“.

Kennenlernen des Geräts

(**Abb. 1**)

- 1 - Thermostat und Beleuchtungsarmatur
- 2 - Verstellbare Ablagen
- 3 - Tauwasserablauf
- 4 - Deckplatte
- 5 - Obst- und Gemüsekorb
- 6 - Höhenverstellbare Vorderfüße
- 7 - Fach für Milchprodukte
- 8 - Gläserfach
- 9 - Flaschenfach

Vorschläge für das Einordnen von Lebensmitteln beim Vorratskühlschrank

Zur Erzielung bestmöglicher Ergebnisse und zur Einhaltung der Lebensmittelhygiene berücksichtigen Sie bitte die folgenden Regeln und Hinweise:

1. Das Gerät eignet sich zum kurzzeitigen Lagern von frischen Lebensmitteln und Getränken.
2. Bewahren Sie Milchprodukte im speziellen Türfach auf.
3. Gekochte Speisen müssen in luftdicht verschlossenen Behältern aufbewahrt werden und können vorzugsweise auf eine der herausnehmbaren Ablagen gestellt werden.
4. Frische, noch verpackte Lebensmittel können auf einer Ablage eingeordnet werden. Frisches Obst und Gemüse sollten Sie säubern und in den dafür vorgesehenen Körben lagern.
5. Flaschen können im Türbereich eingeordnet werden.
6. Rohes Fleisch sollten Sie in Polyethylenbeutel wickeln und auf der untersten Ablage verstauen, wobei Sie darauf achten sollten, daß es nicht mit gekochten Speisen in Berührung kommt, um eine Übertragung von Keimen zu verhindern. Rohes Fleisch sollte sicherheitshalber nicht länger als zwei bis drei Tage gelagert werden.
7. Zur besseren Aufbewahrung von Flaschen sind die Ablagen mit einer hinteren Begrenzung versehen und können schräggestellt werden. Beim Umsetzen die Ablage anheben, um die Tragenut freizumachen.
8. Um ein Ablagefach schrägzustellen, setzen Sie den hinteren Teil der Ablage eine Stufe tiefer als den Vorderteil. Um eine schräggestellte Ablage zu entfernen, zuerst an der Hinterseite aus den Tragenuten lösen und dann herausziehen.

9. Stellen Sie keine Behälter mit Pflanzenöl auf die Ablageborde in der Tür. Lagern Sie die Lebensmittel in ihrer Verpackung bzw. eingewickelt oder abgedeckt. Lassen Sie heiße Speisen und Getränke abkühlen, bevor Sie sie in den Kühlschrank stellen. Lagern Sie keine explosiven Stoffe ein. Hochprozentiger Alkohol muß in aufrecht stehenden, dicht verschlossenen Behältern gelagert werden. Reste von Lebensmitteln, die in Konservendosen geliefert werden, sollten nicht in der Dose selbst aufbewahrt werden.

10. Bei einigen Obst- und Gemüsesorten tritt eine Qualitätsminderung ein, wenn sie bei Temperatur nahe 0°C gelagert werden. Bewahren Sie daher Ananas, Melonen, Gurken, Tomaten und ähnliche Erzeugnisse in Polyethylenbeuteln auf.

Einstellung und Regelung der Temperatur

Die Einstellung der Betriebstemperatur kann mit dem Thermostatknopf vorgenommen werden.

Vermeiden Sie eine Thermostatknopflage der kann bis ein kontinuierlich Betrieb des Gerätes zu erführen. Diese verursacht das Abnehmen des Temperatur unter 00C mit die Gefahr des Getränkes – und frisches Lebensmittelseinfrierens und eine übermäßige Eisanhäufung auf dem Innenwand, mit dem Abnehmen des Kühleffizienz für das Geräte (die Zunahme des Energieverbrauch).

Bei Umgebungstemperaturen von über 25°C (77°F), also besonders im Sommer, sollten Sie den Thermostatknopf auf einen Wert in Richtung 7 einstellen. Bei Umgebungstemperaturen von unter 25°C (77°F) sollte sich der Thermostatknopf etwa in Mittelstellung befinden.

Inbetriebnahme

Abschließende Kontrolle

Kontrollieren Sie die folgenden Punkte, bevor Sie das Gerät in Betrieb nehmen:

1. Die Füße müssen so eingestellt sein, daß das Gerät genau waagrecht steht.

2. Der Innenraum muß trocken sein, und die Luft muß hinter dem Gerät ungehindert zirkulieren können.

3. Reinigen Sie den Innenraum gemäß den Hinweisen im Abschnitt „Reinigung und Pflege“.

4. Verbinden Sie den Netzstecker mit der Steckdose und schalten Sie die Stromversorgung ein. Sofern die Tür geöffnet ist, sollte nun die Beleuchtung angehen.

5. Beim Einschalten des Kompressors ist ein Geräusch zu hören. Darüber hinaus können die im Kühlsystem enthaltenen flüssigen und gasförmigen Stoffe bestimmte Geräusche erzeugen, und zwar unabhängig davon, ob der Kompressor gerade läuft oder nicht. Auch hierbei handelt es sich um eine normale Erscheinung.

6. Eine leicht gewellte Oberfläche der Deckplatte ist normal und steht mit dem Herstellungsprozeß im Zusammenhang. Diese Erscheinung stellt keinen Schaden dar und sollte daher kein Anlaß zur Beunruhigung sein.

7. Es wird empfohlen, den Thermostatknopf auf eine mittlere Position einzustellen und zu kontrollieren, ob die jeweils gewünschte Lagertemperatur eingehalten wird (vgl. hierzu den Abschnitt „Einstellung und Regelung der Temperatur“).

8. Beladen Sie das Gerät nicht schon unmittelbar nach dem Einschalten, sondern warten Sie solange, bis die richtige Lagertemperatur erreicht ist. Die Überprüfung der Temperatur mit einem gut geeichten Thermometer wird empfohlen (siehe Abschnitt „Einstellung und Regelung der Temperatur“).

Abtauen

Der Vorratskühlschrank verfügt über eine Abtau-Automatik. Das Tauwasser läuft dabei über einen Sammelkanal in die Abflußleitung und danach in eine dafür vorgesehene Schale an der Hinterseite des Geräts, wo es verdampft wird. **(Abb. 5)**

Während des Abtauens können sich an der Rückwand des Kühlschranks, hinter dem der Verdampfer verborgen ist, Wassertropfen bilden. Dabei können einige Tropfen auf der Verkleidung der Rückwand verbleiben und nach dem Abtauen wieder gefrieren.

Verwenden Sie zum Entfernen solcher gefrorenen Tropfen niemals einen spitzen oder scharfkantigen Gegenstand, wie etwa ein Messer oder eine Gabel.

Sollte das Tauwasser einmal nicht aus dem Sammelkanal ablaufen, so überprüfen Sie, ob evtl. die Tauwasserablaufleitung durch Reste von Lebensmitteln o.ä. verstopft wurde. Zum Reinigen der Ablaufleitung kann der hierzu mitgelieferte Plastikkolben durch die Leitung hindurchgeführt werden **(Abb. 6)**.

Auswechseln der Glühlampe für die Innenbeleuchtung

Die Innenbeleuchtung Ihres Kühlschranks sollte ausschließlich vom autorisierten Kundendienst ausgetauscht werden.

Die Glühbirnen für dieses Haushaltsgerät sind für Beleuchtungszwecke nicht geeignet. Die beabsichtigte Aufgabe dieser Lampe ist es den Benutzer zu ermöglichen die Plazierung der Lebensmittel in den Kühlschrank / Eiskühltruhe sicher und bequem vorzunehmen.

Die in diesem Gerät verwendeten Lampen müssen extremen physikalischen Bedingungen, wie z. B. Temperaturen von -20°C, standhalten.

Wechseln des türanschlags

Befolgen Sie nacheinander die einzelnen Schritte entsprechend der Numerierung **(Abb. 7)**.

Reinigung und pflege

1. Vor der Reinigung empfiehlt es sich, das Gerät ggf. an der Steckdose abzuschalten und den Netzstecker zu ziehen.

2. Verwenden Sie zum Reinigen weder scharfe Gegenstände noch Scheuermittel, Seife, Haushaltsreiniger, andere Putzmittel oder Wachspolitur.

3. Reinigen Sie den Innenraum des Geräts mit lauwarmem Wasser und reiben Sie ihn dann trocken.

4. Befeuchten Sie zum Reinigen ein Tuch in einer Lösung aus einem Teelöffel Natriumbikarbonat (doppeltkohlen-saures Natron) und einem halben Liter Wasser, und wischen Sie den Innenraum damit aus.

5. Achten Sie darauf, daß kein Wasser in die Thermostateinheit gelangt.

6. Wenn das Gerät für eine längere Zeit nicht verwendet werden soll, dann schalten Sie es ab, nehmen Sie sämtliche Lebensmittel heraus, reinigen Sie es, und lassen Sie die Tür leicht geöffnet.

7. Staub, der sich auf dem Kondensator hinter dem Gerät ansammelt, sollte einmal pro Jahr mit einem Staubsauger entfernt werden.

8. Überprüfen Sie die Türdichtung regelmäßig auf Sauberkeit und achten Sie darauf, daß sich keine Reste von Lebensmitteln o.ä. darauf befinden.

9. Vermeiden Sie es in jedem Fall,

- das Gerät mit ungeeigneten Substanzen zu reinigen, wie etwa mit benzinhaltigen Mitteln,
- es allzu hohen Temperaturen auszusetzen,
- es mit scheuernden Substanzen zu putzen, abzureiben o.ä.

10. Ausbau des Deckels des Milchproduktfachs und der Türablage:

- Zum Ausbau den Deckel zunächst 2-3 cm anheben und dann an der Seite abziehen, an der sich im Deckel eine Öffnung befindet.
- Um eine Türablage zu entfernen, zunächst den gesamten Inhalt der Ablage entfernen und dann einfach vom Boden her nach oben drücken.

11. Um eine Türablage zu entfernen, zunächst den gesamten Inhalt der Ablage entfernen und dann einfach vom Boden her nach oben drücken.

12. Achten Sie darauf, daß die Plastikschaale an der Rückseite des Geräts, die zum Sammeln von Tauwasser dient, immer sauber bleibt. Wenn Sie die Schale zum Reinigen ausbauen wollen, dann gehen Sie wie folgt vor:

- Das Gerät ggf. an der Steckdose abschalten und den Netzstecker ziehen.
- Den Stift am Kompressor vorsichtig mit einer Zange zurückbiegen, so daß die Schale freiliegt.
- Die Schale abnehmen.
- Die Schale reinigen und trockenreiben.
- Zum Wiedereinbauen die gleichen Schritte in umgekehrter Reihenfolge ausführen.

Was Sie tun sollten und was auf keinen fall-einige Hinweise

- Richtig:** Den Vorratskühlschrank regelmäßig reinigen.
- Richtig:** Rohes Fleisch und Geflügel tiefer lagern als gekochte Speisen und Molkereiprodukte.
- Richtig:** Lebensmittel so kurz wie möglich aufbewahren und die Angaben „Mindestens haltbar bis:“ bzw. „Verfallsdatum“ beachten.
- Richtig:** Bei Gemüse alles unbrauchbare Blattwerk entfernen und etwaigen Schmutz abwischen.
- Richtig:** Blattsalat, Kohl, Petersilie und Blumenkohl am Stiel belassen.
- Richtig:** Käse fest in Butterbrotpapier und dann in einen Beutel aus Polyethylen wickeln, und die Luft soweit als möglich herausdrücken. Käse schmeckt am besten, wenn er eine Stunde vor dem Verzehr aus dem Kühlteil genommen wird.
- Richtig:** Rohes Fleisch und Geflügel nicht zu fest in Polyethylen- oder Aluminiumfolie einwickeln, um ein Austrocknen zu verhindern.
- Richtig:** Fisch und Innereien in Polyethylenbeutel wickeln.
- Richtig:** Lebensmittel, die einen starken Geruch haben oder nicht austrocknen sollen, in Polyethylenbeutel oder Aluminiumfolie wickeln oder in luftdichten Behältern lagern.
- Richtig:** Brot gut einwickeln, damit es frisch bleibt.
- Richtig:** Weißwein, Bier und Mineralwasser vor dem Servieren gut kühlen.

Falsch: Bananen im Kühlabteil lagern.

Falsch: Melonen im Kühlabteil lagern. - Melonen können allerdings für kurze Zeit gekühlt werden, solange sie eingewickelt werden, so daß sich ihr Aroma nicht auf andere Lebensmittel überträgt.

Falsch: Die Tür längere Zeit offenstehen lassen. - Hierdurch wird der Betrieb des Geräts teurer, und die Eisbildung verstärkt sich.

Falsch: Die Ablagen mit einem schonenden Material bedecken. - Dies würde die Kaltluftzirkulation behindern.

Falsch: Gifte oder Gefahrenstoffe im Gerät lagern. - Das Gerät ist ausschließlich für die Lagerung von Lebensmitteln bestimmt.

Falsch: Lebensmittel verzehren, die zu lange im Gerät gelagert wurden.

Falsch: Gekochte Speisen und frische Lebensmittel zusammen in einen Behälter tun. - Beides sollte getrennt verpackt und gelagert werden.

Falsch: Beim Auftauen Wasser oder Flüssigkeit von Lebensmitteln auf andere Lebensmittel tropfen lassen.

Massnahmen bei Betriebsstörungen


Wenn das Gerät nach dem Einschalten nicht funktionieren sollte, dann prüfen Sie, ob

- der Netzstecker richtig in der Steckdose steckt, und daß der Strom angeschaltet ist (zum Prüfen der Stromversorgung können Sie ein anderes Gerät an die Steckdose anschließen);
- ob evtl. die Sicherung durchgebrannt ist / der Sicherungsautomat ausgelöst wurde oder der Hauptschalter auf Aus steht;
- ob der Temperaturwahlschalter richtig eingestellt wurde;
- (falls der angegossene Stecker ersetzt wurde) ob der neu angebrachter Stecker richtig verdrahtet wurde.

Sollte das Gerät nach dieser Überprüfung immer noch nicht funktionieren, dann setzen Sie sich bitte mit dem Händler in Verbindung, bei dem Sie das Gerät erworben haben.

Denken bitte Sie daran, daß eine Gebühr fällig wird, wenn am Gerät kein Fehler gefunden werden sollte; prüfen Sie das Gerät daher auf jeden Fall wie oben beschrieben.



Das Symbol  am Produkt oder seiner Verpackung weist darauf hin, dass dieses Produkt nicht mit dem Hausmüll entsorgt werden darf. Stattdessen muss es bei einer geeigneten Sammelstelle zum Recycling elektrischer und elektronischer Altgeräte abgegeben werden. Durch ordnungsgemäße Entsorgung dieses Produktes tragen Sie dazu bei, negative Auswirkungen auf Umwelt und Gesundheit abzuwenden, die durch unsachgemäße Entsorgung dieses Produktes entstehen können. Detaillierte Informationen zum Recycling dieses Produktes erhalten Sie von Ihrer örtlichen Stadtverwaltung, Ihren Entsorgungsdiensten oder beim Händler, bei dem Sie das Produkt erworben haben.

Gefeliciteerd met uw keuze voor een kwaliteitstoestel van **BEKO**, ontwikkeld voor vele jaren dienst.

Veiligheid eerst!

Sluit uw toestel niet op de stroomtoevoer aan totdat alle verpakking en transportbescherming werd verwijderd.

- Laat de koelkast minstens 4 uur stilstaan alvorens ze in werking te stellen zodat de compressorolie zich kan stabiliseren.
- Als u een oud toestel met een slot of een klink aan de deur vervangt, zorg er dan voor dat het op een veilige manier wordt achtergelaten zodat kinderen er niet in opgesloten kunnen geraken.
- Dit toestel mag enkel worden gebruikt voor het doel waar het voor dient.
- Verbrand uw apparaat niet. Het apparaat bevat bestanddelen zonder C.F.K. in de isolatie. Deze zijn brandbaar. Wij raden u aan om de plaatselijke instanties te contacteren voor informatie over de beschikbare faciliteiten voor het verwijderen van uw toestel.
- Wij raden het gebruik van dit toestel af in een onverwarmde, koude ruimte. (bijv. garage, serre, aanbouw, schuurtje, bijgebouw, enz.)

Het is heel belangrijk deze instructies zorgvuldig te lezen om de best mogelijke en probleemloze werking van uw toestel te bewerkstelligen. Het niet opvolgen van deze instructies kan uw recht op gratis service tijdens de garantieperiode doen vervallen.

Gelieve deze instructies op een veilige plaats te bewaren voor eenvoudige raadpleging.

Dit apparaat is niet bedoeld voor gebruik door personen met gereduceerde fysieke, zintuiglijke of mentale capaciteiten, of een gebrek aan ervaring en kennis, tenzij ze toezicht of instructies kregen betreffende het gebruik van het apparaat door een persoon die verantwoordelijk is voor hun veiligheid.

Kinderen moeten onder toezicht staan om ervoor te zorgen dat ze niet spelen met het apparaat.

Elektriciteitsvereisten

Vergewis u ervan, alvorens u de stekker in het stopcontact steekt, dat de voltage en de frequentie op de kwalificatieplaat binnenin het toestel overeenkomen met uw stroomtoevoer. Wij raden u aan dit toestel aan te sluiten op de hoofdtoevoer via een naar behoren aangesloten en verzekerd stopcontact op een onmiddellijk bereikbare plaats.

Waarschuwing! Dit toestel moet worden geaard.

Herstellingen aan de elektrische uitrusting mogen enkel door een gekwalificeerde technicus worden uitgevoerd. Foutieve herstellingen, die werden uitgevoerd door een ongekwalificeerde persoon, houden risico's in die kritieke gevolgen kunnen hebben voor de gebruiker van het toestel.

OPGELET!

Dit toestel werkt op R 600a. Dit is een milieuvriendelijk, maar brandbaar gas. Tijdens het transport en de plaatsing van het product moet er zorg voor worden gedragen dat het koelsysteem niet wordt beschadigd. Als het koelsysteem toch wordt beschadigd en er ontstaat een gaslek, houd het product dan verwijderd van ontstekingsbronnen en verlucht de kamer een tijdje.

WAARSCHUWING - Gebruik geen mechanische apparaten of andere middelen om het ontdooiingproces te versnellen dan die apparatuur of middelen die door de fabrikant worden aangeraden.

WAARSCHUWING - Beschadig het koelcircuit niet.

WAARSCHUWING - Gebruik geen elektrische toestellen in de bewaarladen van het toestel, tenzij ze door de fabrikant worden aangeraden.

WAARSCHUWING - Indien het netsnoer beschadigd is, moet dit door de producent, de dealer of een ander gekwalificeerd persoon worden gerepareerd om gevaar te voorkomen.

Transportinstructies

1. Het toestel mag enkel in staande positie worden vervoerd. De oorspronkelijke verpakking moet intact blijven tijdens het transport.

2. Het toestel mag gedurende minstens 4 uur na de installatie niet worden gebruikt om het systeem toe te laten zich te stabiliseren. Laat ook vijf minuten tijd tussen het aansluiten op de elektriciteit en het inschakelen van het toestel.

3. Het niet naleven van de bovenstaande instructies kan het toestel beschadigen.

Hiervoor kan de fabrikant niet verantwoordelijk worden gehouden.

4. Het apparaat moet worden beschermd tegen regen, vochtigheid en koude.

Belangrijk!

- Tijdens het schoonmaken/dragen van het toestel dient u ervoor te zorgen dat de metalen draden aan de onderkant van de condensor, die zich aan de achterkant van het toestel bevindt, niet worden aangeraakt. Deze kunnen vingers en handen kwetsen.

- Probeer niet bovenop het toestel te gaan zitten of staan, omdat het daar niet voor werd ontworpen. U zou zichzelf kunnen kwetsen of het toestel beschadigen.

WAARSCHUWING - Zorg ervoor dat de hoofdkabel niet onder het toestel komt vast te zitten tijdens en na het verplaatsen ervan. Dit zou de kabel kunnen beschadigen.

- Laat kinderen niet met het toestel spelen of aan de knoppen komen.

Installatie-instructies

1. Plaats uw toestel niet in een kamer waar de temperatuur 's nachts en/of vooral 's winters lager dan 10°C (50°F) kan worden. Het werd ontworpen voor een werking in een omgevingstemperatuur tussen +10°C en +43°C (50°F en 109°F). Bij lagere temperaturen zou het apparaat mogelijk niet kunnen werken. Dit zou de bewaartijd van de etenswaren verkorten.

2. Plaats het toestel niet in direct zonlicht of in de nabijheid van een fornuis of een radiator. Dit zou de functies van het toestel extra belasten. Als het toch naast een warmtebron of een diepvriezer wordt geplaatst, neem dan de volgende minimumafstanden in acht:

Van een fornuis 30 mm

Van een radiator 300 mm

Van een diepvriezer 25 mm

3. Zorg voor voldoende ruimte rond het toestel, zodat de lucht er vrij kan circuleren (**Afbeelding 2**).

- Open de deur van de koelkast om de afstand tussen de deur en de koelkast in te stellen (**Afbeelding 3**).

4. Het toestel moet op een vlak oppervlak worden geplaatst. De twee voorste voetjes kunnen naar wens worden aangepast. Draai ze met of tegen de richting van de klok, totdat ze veilig en stevig de grond raken en uw toestel goed recht staat. Het juist afstellen van de voetjes voorkomt overdreven trillingen en lawaai (**Afbeelding 4**).

5. Raadpleeg het onderdeel "Schoonmaak en Onderhoud" om uw toestel klaar te maken voor gebruik.

Uw toestel leren kennen (Afbeelding 1)

- 1 - Thermostaat en lampkast
- 2 - Aanpasbare kabinetsschappen
- 3 - Watercollector
- 4 - Deksel van de groentelade
- 5 - Groentelades
- 6 - Aanpasbaar voetje
- 7 - Schap voor glazen potten
- 8 - Vak voor zuivelproducten
- 9 - Vak voor flessen

Voorstel voor de schikking van de etenswaren in het toestel

Richtlijnen voor het bereiken van een optimale opslagruimte en hygiëne:

1. Dit toestel dient voor het bewaren op korte termijn van vers voedsel en drank.
2. Bereide gerechten moeten in luchtdichte dozen bewaard worden en worden het best geplaatst op één van de verwijderbare schappen.
3. Verse ingepakte producten kunnen op het schap worden bewaard. Vers fruit en groeten moeten worden schoongemaakt en worden bewaard in de groenteladen.
4. Flessen kunnen in het deurvak worden bewaard.

5. Rauw vlees pakt u in een plastic zakje en bewaart u op het onderste schap. Zorg ervoor dat het niet in contact komt met bereide etenswaren, zodat besmetting wordt vermeden. Bewaar rauw vlees uit veiligheid niet langer dan twee of drie dagen.

6. Voor maximale efficiëntie mogen de verwijderbare schappen niet worden bedekt met papier of andere materialen, zodat de koele lucht er vrij rond kan circuleren.

7. De roosters zijn voorzien van stoppen aan de achterzijde en kunnen kantelen voor het bewaren van flessen. Til het rooster uit de groeven tijdens het instellen.

8. Om een rooster te kantelen, plaats de achterzijde van het rooster één niveau lager dan de voorzijde van het rooster. Om een gekanteld rooster te verwijderen, verwijder eerst de achterkant dat één niveau lager is dan de voorkant van het rooster. Om een gekanteld rooster te verwijderen, verwijder eerst de achterkant uit de groeven en trek vervolgens.

9. Bewaar geen plantaardige olie in de deurvakken. Bewaar de etenswaren verpakt, ingepakt of bedekt. Laat warm eten en warme dranken eerst afkoelen, alvorens u ze in de koelkast plaatst. Plaats geen explosieve stoffen in de koelkast. Sterk alcoholische dranken moeten rechtstaand worden bewaard in veilig gesloten containers. Overschot van ingeblikte etenswaren mag niet in het blik worden bewaard.

10. Sommige stukken fruit en groenten worden slecht wanneer ze worden bewaard bij temperaturen rond 0°C Daarom pakt u ananassen, meloenen, komkommers, tomaten en gelijkaardige producten beter in plastic zakjes in.

Opmeting en regeling van de temperatuur

De interne temperatuur kan worden aangepast via de knop van de thermostaat. De temperatuur die binnenin het toestel verkregen wordt, zou kunnen schommelen afhankelijk van de gebruiksomstandigheden: plaats, omgevingstemperatuur, frequentie van het openen van de deur, hoeveelheid voedsel. De positie van de thermostaatknop zal wijzigen afhankelijk van deze omstandigheden. In het algemeen zal de thermostaatknop voor een omgevingstemperatuur van 25°C (77°F) zich stabiliseren op de middenpositie. Vermijd sommige posities van de thermostaatknop die een voortdurende werking van het toestel met zich brengen. Dit zou kunnen resulteren in een temperaturdaling onder de 0°C, en dan kunnen de dranken en de verse voedingswaren bevriezen en kan er zich een overmatige ijsafzetting op de binnenwanden voordoen. Dit kan allemaal een daling van de koeldoeltreffendheid (stijging van het stroomverbruik) met zich brengen.

Alvorens de inwerkingstelling

Laatste controle

Alvorens u het toestel begint te gebruiken, controleer of:

1. De voetjes zo werden geregeld dat de koelkast perfect recht staat.
2. De binnenkant droog is en dat de lucht achteraan vrij kan circuleren.
3. De binnenkant proper is, zoals aanbevolen onder "Schoonmaak en onderhoud".
4. De stekker in het stopcontact zit en de elektriciteit is aangesloten. Wanneer de deur wordt geopend, zal het binnenlichtje aangaan.

Ter informatie:

5. U zult een geluid horen wanneer de compressor opstart. De vloeistof en de gassen die zich in het koelsysteem bevinden, zouden ook wat lawaai kunnen veroorzaken en dit ongeacht of de compressor aan het werken is of niet. Dit is normaal.
6. Een lichte golving van de bovenkant van de koelkast is normaal wegens het gebruikte fabricatieproces; het is geen defect.
7. Wij raden u aan de thermostaatknop halfweg in te stellen en de temperatuur op te volgen, zodat het toestel de vereiste bewaartemperaturen behoudt (Zie onderdeel Opmeting en regeling van de temperatuur).
8. Laad het toestel niet onmiddellijk, nadat het is aangeschakeld. Wacht tot de juiste bewaartemperatuur wordt bereikt. Wij raden u aan de temperatuur op te meten met een accurate thermometer (zie: Opmeting en regeling van de temperatuur).

Ontdooien

De koelkast ontdooit automatisch. Het dooiwater loopt naar de afvoerpijp via een verzamelbak aan de achterkant van het toestel en verdampt in een speciale container aan de achterkant van het apparaat.

(Afbeelding 5).

Tijdens het ontdooien kunnen er waterdruppels worden gevormd aan de achterkant van koelkast, waar er zich een verborgen verdampers bevindt. Sommige druppels zouden op de voering kunnen blijven zitten en opnieuw aanvriezen wanneer het ontdooiingsproces is afgelopen. Gebruik geen puntige of scherpe voorwerpen, zoals messen of vorken, om de opnieuw aangevroren druppels te verwijderen.

Als het dooiwater op een bepaald moment niet afloopt van het verzamelkanaal, controleer dan of er geen etensresten de afvoerpijp hebben geblokkeerd. De afvoerpijp kan worden vrijgemaakt met behulp van een speciale bijgeleverde plastic ontstopper. Controleer of de slang op permanente wijze met het ene uiteinde in de verzamelbak op de compressor is geplaatst om te voorkomen dat water op de elektrische installatie of op de vloer wordt gemorst (Afbeelding 6).

Het binnenlichtje vervangen

Om de lamp/led voor de binnenverlichting van uw koelkast te vervangen, bel uw bevoegde onderhoudsdienst.

De lamp of lampen voorzien in dit apparaat mogen niet worden gebruikt voor de verlichting van huishoudelijke ruimten. Het beoogde gebruik van deze lamp is de gebruiker te helpen etenswaren op veilige en comfortabele wijze in de koelkast/diepvriezer te plaatsen.

De lampen die in dit apparaat worden gebruikt moeten bestendig zijn tegen extreme fysieke omstandigheden, zoals temperaturen beneden de -20°C.

De deur verplaatsen

Ga te werk in de volgorde van de getallen (Afbeelding 7).

Schoonmaak en onderhoud

1. Wij raden u aan het toestel uit te schakelen aan het stopcontact en de hoofdstekker uit te trekken voor het schoonmaken.

2. Gebruik nooit scherpe instrumenten of schurende bestanddelen, zeep, huishoudproducten, afwasmiddel of boenwas om te poetsen.

3. Gebruik lauw water om de kast van het toestel schoon te maken en wrijf het droog.

4. Gebruik een vochtige doek, uitgewrongen in een oplossing van één koffielepel natriumbicarbonaat voor 50 cl water, om de binnenkant schoon te maken en wrijf vervolgens droog.

5. Zorg ervoor dat er geen water de temperatuurregelaar binnensijpelt.

6. Als het toestel voor een lange periode niet zal worden gebruikt, schakel het dan uit, verwijder al de etenswaren, maak het schoon en laat de deur op een kier staan.

7. Al het stof dat zich op de condensator nestelt, die zich achteraan het toestel bevindt, moet één keer per jaar met een stofzuiger worden verwijderd.

8. Kijk de deurgrendels regelmatig na om u ervan te vergewissen dat ze proper en vrij van etensresten zijn.

9. Nooit doen:

- Maak het toestel nooit schoon met ongeschikt materiaal; vb. producten op basis van petroleum.
- Stel het toestel nooit bloot aan hoge temperaturen op eender welke manier.
- Schrob, wrijf, enz. nooit met schurend materiaal.

10. Zorg ervoor dat de speciale plastic bak, die achteraan het toestel het dooiwater opvangt, altijd proper is. Als u de bak wilt verwijderen om hem schoon te maken, volg dan de onderstaande instructies:

- Schakel het toestel uit aan het stopcontact en trek de hoofdstekker uit.
- Plooi de nagel op de compressor voorzichtig recht met een tang, zodat de bak kan worden verwijderd.
- Hef de bak op.
- Maak de bak schoon en wrijf hem droog.
- Zet het geheel terug in elkaar door de volgorde van de handelingen om te draaien.

Wel en niet doen

- Wel** - Reinig en ontdooi uw koelkast regelmatig.
- Wel** - Rauw vlees en gevogelte bewaren onder klaargemaakte etenswaren en zuivelproducten.
- Wel** - Bewaar etenswaren zo kort mogelijk en houdt u aan de vervaldatum.
- Wel** - Onbruikbare bladeren van groenten verwijderen en eventuele aarde er afwrijven.
- Wel** - Laat sla, kool, peterselie en bloemkool op hun stengel.
- Wel** - Pak kaas eerst in vetvrij papier in en vervolgens in een plastic zakje. Probeer zo veel mogelijk lucht buiten te sluiten. Voor het beste resultaat neemt u de kaas een uur voor de maaltijd uit de koelkast.
- Wel** - Pak rauw vlees en gevogelte los in plastic of aluminiumfolie in. Dit voorkomt uitdroging.
- Wel** - Pak vis en restafval in plastic zakjes in.
- Wel** - Pak etenswaren met een sterke geur of etenswaren die kunnen uitdrogen in plastic zakjes of aluminiumfolie in of plaats ze in een luchtdichte bak.
- Wel** - Pak brood goed in, zodat het vers blijft.
- Wel** - Koel witte wijn, bier, pils en mineraalwater alvorens op te dienen.
- Niet**- Bananen bewaren in het koelkastgedeelte.
- Niet**- Meloen bewaren in uw koelkast. De meloen kan voor korte perioden worden afgekoeld, zolang hij is ingepakt en niet de smaak van andere etenswaren kan bederven.
- Niet**- De deur openlaten gedurende langere periodes gezien dit het toestel kostelijker zal maken. Het toestel werd enkel ontworpen voor het bewaren van eetbare producten.
- Niet**- De schappen bedekken met beschermend materiaal. Dit zou de luchtcirculatie kunnen hinderen.
- Niet**- Giftige of gevaarlijke bestanddelen in uw koelkast bewaren. Het toestel werd namelijk enkel ontworpen voor het bewaren van eetbare producten.
- Niet**- Etenswaren consumeren die overdreven lang in de koelkast hebben gestaan.
- Niet**- Klaargemaakte en verse etenswaren samen in dezelfde bak bewaren. Zij moeten afzonderlijk worden ingepakt en bewaard.
- Niet**- Ontdooiende etenswaren of sappen van etenswaren op andere etenswaren laten druppelen.

Informatie over de functiegeluiden

Om de geselecteerde temperatuur constant te houden, schakelt uw toestel nu en dan de compressor AAN.

De resulterende geluiden zijn normaal. Van zodra het toestel de gewenste temperatuur heeft bereikt, zullen de geluiden automatisch minder luid worden.

Het zoemende geluid wordt voortgebracht door de motor (compressor). Wanneer de motor wordt AAN geschakeld, kan het geluid even luider worden.

Het bubbelende, gorgelende of gonzende geluid wordt voortgebracht door de koelvloeistof, wanneer ze door de pijpen stroomt.

Het klikkende geluid kan altijd worden gehoord wanneer de thermostaat de motor AAN/UIT schakelt.

Een klikkend geluid kan voorkomen wanneer

- het automatische ontdooisysteem is actief.
- het toestel aan het afkoelen of aan het opwarmen is (materiaalexpansie).

Als deze geluiden overdreven luid zijn, zijn de oorzaken ervan waarschijnlijk niet heel erg.

Meestal kan dit heel eenvoudig worden opgelost.

- Het toestel staat niet recht - Gebruik de aanpasbare voetjes of plaats verpakkingsmateriaal onder de voetjes.
- Het toestel staat tegen iets anders - Gelieve het toestel te verwijderen van keukeneenheden of andere toestellen.
- Laden of schabben liggen los of kleven vast
 - Gelieve de verwijderbare onderdelen na te kijken en, als nodig, ze opnieuw te installeren.
- Flessen en/of kommen raken elkaar - Gelieve de flessen en/of kommen van elkaar te verwijderen.


Problemen oplossen

Als het toestel niet werkt wanneer het is aangeschakeld, controleer dan het volgende:

- Of de stekker goed in het stopcontact steekt en of de stroomtoevoer aanstaat. (Om de stroomtoevoer naar het stopcontact te testen, sluit u een ander toestel erop aan)
- Of de zekering is gesprongen / de stroomonderbreker is doorgeslagen / de hoofddistributie werd afgesloten.
- Of de temperatuurregeling juist werd ingesteld.
- Of de nieuwe stekker juist werd aangesloten, als u de aangeleverde standaardstekker heeft vervangen.

Als het toestel nog altijd niet werkt na alle bovenstaande controles, contacteer dan de verdeler van wie u het toestel heeft gekocht. Gelieve ervoor te zorgen dat de bovenstaande controles werden uitgevoerd, aangezien u de verplaatsing zal worden aangerekend als er geen fout wordt vastgesteld.



Het symbool  op het product of op de verpakking geeft aan dat het product niet als huishoudelijke afval kan worden behandeld. In plaats daarvan moet het worden afgegeven in het toepasselijke recyclagecentrum voor het recycleren van elektrische en elektronische apparaten. Door ervoor te zorgen dat dit product op de juiste manier wordt verwijderd, helpt u potentiële negatieve gevolgen te vermijden voor het milieu en de menselijke gezondheid, die anders veroorzaakt zouden kunnen worden door de verkeerde afvalbehandeling van dit product. Voor meer gedetailleerde informatie over het recycleren van dit product, neem contact op met de plaatselijke instanties, uw huishoudafvalverwerkingsdienst of de winkel waar u het product hebt aangekocht.

Félicitations pour avoir choisi un appareil de qualité **BEKO**, conçu pour vous apporter satisfaction durant de nombreuses années de fonctionnement.

Premièrement la sécurité!

- Ne pas connecter votre appareil au réseau électrique avant d'avoir enlevé tout emballage ou pièce de protection pendant le transport
- Laissez l'appareil rester pendant au moins 4 heures avant de le mettre en fonction, pour permettre la stabilisation de l'huile du compresseur, si l'appareil a été transporté horizontalement.
- Si vous recyclez un vieil appareil ayant un verrou attaché dans la porte, assurez-vous qu'il a été laissé en bonne condition pour prévenir l'entrée des enfants.
- L'appareil doit être utilisé exclusivement dans le but pour lequel il a été projeté.
- Ne pas jeter l'appareil au feu. Votre appareil contient des substances sans CFC dans l'isolation, qui sont inflammables. Nous vous suggérons de contacter votre autorité locale pour recevoir des informations concernant le recyclage et les centres recommandés.
- Nous ne recommandons pas l'utilisation de l'appareil dans un espace non chauffé, froid. (ex: garage, annexe, etc.)
- Pour obtenir un fonctionnement meilleur et irréprochable de votre appareil il est très important de lire attentivement ces instructions. Si vous ne respectez pas ces instructions votre droit de recevoir service gratuit sera annulé.
- Nous vous prions de garder ces instructions dans une place sûre pour référence rapide.

Les pièces détachées d'origine sont disponibles pendant 10 ans, à compter de la date d'achat du produit.

Cet appareil ne sera pas utilisé par des personnes ayant capacités physiques, sensorielles ou mentales réduites, ou sans expérience concernant l'utilisation de l'appareil, si une personne responsable de leur sécurité ne les a pas instruites pour ce but. Les enfants doivent être surveillés pour avoir la certitude qu'ils ne jouent pas avec l'appareil.

Avertissements et conseils importants

Il est très important que cette notice d'utilisation soit gardée avec l'appareil pour toute future consultation. Si cet appareil devait être vendu ou transféré à une autre personne, assurez-vous que la notice suive l'appareil de façon à ce que le nouvel utilisateur puisse être informé du fonctionnement de celui-ci et des avertissements relatifs. Ces avertissements sont donnés pour votre sûreté et pour celle d'autrui. Nous vous prions donc de bien vouloir les lire attentivement avant d'installer et d'utiliser votre réfrigérateur.

Sûreté

- ◆ Cet appareil a été conçu pour être utilisé par des adultes. Veillez donc à ce que les enfants n'y touchent pas ou qu'ils l'utilisent comme un jouet.
 - ◆ Débranchez toujours la prise de courant avant de procéder au nettoyage intérieur et au remplacement de la lampe d'éclairage.
 - ◆ Cet appareil est lourd; faites attention lors d'un déplacement.
 - ◆ Si le cordon d'alimentation est endommagé, celui-ci doit être remplacé par le fabricant, ses agents agréés ou tout autre agent qualifié afin d'être à l'abri de tout danger.
 - ◆ Les adultes doivent faire particulièrement attention en utilisant cet appareil à proximité d'enfants.
 - ◆ Ne permettez pas à de jeunes enfants de jouer avec l'appareil.
- Ne permettez pas à de jeunes enfants ou à des personnes infirmes d'utiliser l'appareil sans surveillance.

Service / réparation

- ◆ Il est dangereux de modifier ou d'essayer de modifier les caractéristiques de cet appareil.
- ◆ En cas de panne, n'essayez pas de réparer l'appareil vous-même. Les réparations effectuées par du personnel non qualifié peuvent provoquer des dommages. Contactez le service après vente de votre revendeur et exigez des pièces détachées d'origine.

Utilisation

- ◆ Les réfrigérateurs ménagers sont destinés uniquement à la conservation des aliments et des boissons.

Installation

- ◆ Assurez-vous qu'après avoir installé l'appareil, celui-ci ne repose pas sur le câble d'alimentation.
- ◆ L'appareil chauffe sensiblement au niveau du condenseur et du compresseur. Veillez à ce que l'air circule librement autour de l'appareil. Une ventilation insuffisante entraînerait un mauvais fonctionnement et une augmentation de la consommation d'électricité.
- ◆ Si l'appareil a été transporté couché, il est recommandé d'attendre environ 4 heures avant de la brancher.

Installation

Si cet appareil, muni d'une fermeture magnétique, doit être employé pour en remplacer une autre muni d'une fermeture à ressort, nous vous conseillons de rendre cette dernière inutilisable avant de mettre l'ancien appareil au rebut. Cela dans le but d'éviter que des enfants puissent s'y enfermer et mettre ainsi leur vie en danger.

Emplacement

- ◆ Placez de préférence votre appareil loin d'une source de chaleur (chauffage, cuisson, rayons solaires trop intenses). Pour le bon fonctionnement de votre appareil, la température ambiante du local doit être comprise entre +10⁰ et +43⁰C (classe SN-T). En dehors de ces limites, l'appareil ne fonctionne plus normalement.
- ◆ Veillez à la bonne circulation de l'air à l'arrière de l'appareil. Pour un meilleur rendement de celui-ci, la distance minimale entre la partie supérieure de l'appareil et un éventuel élément de cuisine doit être au moins de 100 mm (fig. 2).
- ◆ Montez les deux entretoises arrière livrés séparément (fig. 3).
- ◆ Mettez l'appareil de niveau en agissant sur les pieds réglables (fig. 4).

Branchement au réseau

Votre appareil est prévu pour fonctionner sous une tension de 230 volts monophasée.

Il doit être raccordé à une prise murale munie d'un contact de terre.

Le fabricant décline toute responsabilité si cette prévention contre les accidents n'est pas respectée.

Présentation de l'appareil

- 1 - boîte thermostat et lampe pour lumière intérieure
- 2 - clayettes de rangement
- 3 - voie de récupération de l'eau de dégivrage - Tube d'écoulement
- 4 - dessus de bac à légumes
- 5 - bac à légumes
- 6 - pied réglable
- 7 - compartiment produits laitiers
- 8 - étagères de contreporte
- 9 - porte bouteilles

Réversibilité de la porte

(Fig. 7)

Procédez suivant l'ordre numérique

Mise en fonctionnement

L'appareil étant convenablement installé, nous vous conseillons de nettoyer l'intérieur avec de l'eau tiède légèrement savonneuse (produit à vaisselle). N'utilisez ni produit abrasif, ni poudre à récurer qui risqueraient d'endommager les finitions.

Cet appareil doit être installé de façon à ce que la fiche de prise de courant soit accessible.

Branchez l'appareil, ouvrez la porte: la lumière doit s'allumer. Réglez la manette du thermostat sur une position moyenne et attendez environ 2 heures avant d'y introduire les produits.

Réglage de la température

La température interne est réglée à l'aide du bouton monté sur le thermostat.

Les températures obtenues à l'intérieur peuvent varier en fonction des conditions d'utilisation de l'appareil: emplacement, température ambiante, fréquence d'ouverture de porte, le degré de remplissage de denrées. La position du bouton du thermostat sera modifiée conformément à ces conditions. En général, pour une température ambiante de 25°C, le bouton thermostat sera fixé sur une position moyenne.

Le thermostat assure aussi le dégivrage automatique du compartiment. Pendant le dégivrage, la température à l'intérieur du compartiment peut atteindre +8°C, mais pendant la période de congélation baisse jusqu'à 2-3°C, ainsi la moyenne des températures dans un cycle complet de fonctionnement est d'environ + 5°C.

Évitez une position du bouton thermostat qui pourrait déterminer un fonctionnement continu de l'appareil. Cela provoque la baisse des températures inférieure à 0°C, avec le risque de la congélation des boissons et des denrées fraîches et une accumulation excessive de glace sur la paroi intérieure, avec la diminution de l'efficacité frigorifique de l'appareil (augmentation de la consommation d'énergie).

Pendant le fonctionnement du système frigorifique, on constate l'apparition de gouttes de condensation ou de la glace sur la paroi intérieure du fond. Il ne faut pas enlever ces gouttes, parce que cette paroi se dégivre automatiquement (Fig. 6).

L'eau qui résulte s'écoule par la tuyère spéciale, elle est collectée dans un plateau situé sur le compresseur, d'où elle s'évapore.

Suggestions concernant le placement des denrées

Pour obtenir un entreposage et une hygiène optimales, nous vous suggérons ce qui suit:

- Dans le réfrigérateur on garde pour une période courte des denrées fraîches et des boissons.
- Les denrées préparées doivent être gardés dans des récipients bien fermés, pas plus de 2 - 3 jours.
- Les produits frais, emballés, peuvent être gardés sur les grilles. On garde les fruits et les légumes frais dans le bac à légumes.
- On garde les bouteilles dans le compartiment pour bouteilles à l'intérieur de la porte (9).
- Pour garder la viande fraîche pour quelques jours dans le réfrigérateur, emballez-la dans des sachets en polyéthylène. Ne la mettez pas en contact avec les denrées préparées comme une mesure de précaution, ne gardez pas la viande fraîche plus de 2-3 jours.
- Pour une meilleure efficacité, les grilles ne seront pas couverts de papier ou d'autres matériaux pour permettre la circulation libre de l'air froid.
- Ne gardez pas l'huile dans les compartiments à l'intérieur de la porte.
- Gardez les denrées emballées ou couvertes. Les produits conservés ne seront plus gardés dans la boîte après qu'elle a été ouverte.
- Laissez les denrées chaudes se refroidir avant de les introduire dans le réfrigérateur.
- Les boissons acidulées ne se gardent pas dans le réfrigérateur. Les boissons alcooliques à concentration plus grande doivent être gardés en position verticale, dans des récipients bien fermés.

Changement de la lampe

Pour remplacer la lampe LED du réfrigérateur, veuillez contacter le service après-vente agréé. La lampe (s) utilisé dans cet appareil ne convient pas pour l'éclairage de la salle de ménage. Le but visé par cette lampe est d'aider à l'utilisateur de placer les aliments dans le réfrigérateur / congélateur d'une manière sûre et confortable. Les voyants utilisés dans cet appareil doivent résister aux conditions physiques extrêmes telles que des températures inférieures à -20°C.

Dégivrage

Le dégivrage est complètement automatique et se produit pendant chaque période d'arrêt du motocompresseur commandée par le thermostat.

Aucune intervention de votre part n'est nécessaire.

L'eau du dégivrage est collectée dans un bac situé sur le compresseur, où elle s'évapore à cause de la chaleur générée pendant son fonctionnement (Fig. 5).

Important !

Gardez propre le collecteur et le tube d'écoulement de l'eau de dégivrage. Veillez à ce que le tube soit tout le temps avec l'extrémité dans l'intérieur du bac collecteur situé sur le motocompresseur pour prévenir l'écoulement de l'eau sur l'installation électrique ou sur le plancher.

Nettoyage

- ◆ Nettoyer fréquemment l'intérieur de l'armoire.

Avant toute opération de nettoyage, prenez la précaution de débrancher l'appareil.

Nettoyage intérieur :

Nettoyer l'intérieur de l'armoire avec de l'eau tiède additionnée de bicarbonate de soude. Faites attention à ce que de l'eau ne pénètre pas à l'intérieur du boîtier du thermostat. Rincez et essuyez soigneusement.

Nettoyage extérieur :

Lavez la carrosserie avec de l'eau tiède savonneuse sans oublier le joint de la porte. Dépoussiérez le condenseur situé à l'arrière de l'appareil à l'aide d'une brosse ou d'un aspirateur. Une accumulation de poussière risquerait de diminuer le rendement du réfrigérateur.

Arret prolongé

Lorsque l'appareil doit rester à l'arrêt pendant un certain temps : débranchez la prise de courant ; videz l'appareil ; nettoyez-le à fond ; laissez la porte entrouverte pour éviter l'apparition de mauvaises odeurs.

Remarques sur les bruits de fonctionnement

Afin que la température choisie reste constante, l'appareil enclenche périodiquement le compresseur.

Les bruits qui en résultent proviennent du fonctionnement de l'appareil.

Ils diminuent automatiquement dès que l'appareil a atteint la température de service.

Bourdonnements étouffés

Ces bruits normaux proviennent du moteur du compresseur. Ils s'intensifient un peu lorsque le moteur s'enclenche.

Gargouillis et clapotis légers

Ils proviennent de la circulation du fluide réfrigérant dans les serpentins.

Déclics

Ces déclics sont audibles chaque fois que le thermostat ordonne l'enclenchement ou la coupure du moteur.

Des craquements peuvent survenir si ...

- La décongélation automatique se met en marche.

- L'appareil est en train de se refroidir et/ou se réchauffer (dilatation des matériaux).

Si les bruits de fonctionnement deviennent trop forts, vous pouvez peut-être en trouver facilement la cause et les supprimer.

L'appareil n'est pas d'aplomb - Veuillez ajuster l'aplomb de l'appareil à l'aide d'un niveau à eau. Pour cela, utilisez les pieds à vis ou placez quelque chose sous l'appareil pour le caler.

Les parois de l'appareil appuient contre quelque chose - Veuillez éloigner l'appareil des meubles ou appareils qu'il touche.

Les tiroirs, paniers ou clayettes ne sont pas bien fixés ou au contraire coincés - Vérifiez le bon positionnement des pièces, amovibles et remettez-les correctement en place si nécessaire.

Des bouteilles ou récipients placés dans l'appareil se touchent - Dans ce cas, éloignez les bouteilles et récipients légèrement les uns des autres.

Recyclage



Ce produit est marqué du symbole du tri sélectif, relatif aux déchets d'équipements électriques et électroniques. Cela signifie que ce produit doit être pris en charge par un système de collecte sélectif conformément à la directive européenne 2002/96/CE, afin de pouvoir être recyclé ou démantelé dans le but de réduire tout impact sur l'environnement. Attention les produits électroniques n'ayant pas fait l'objet d'un tri sélectif sont potentiellement dangereux pour l'environnement et la santé humaine en raison de la présence potentielle de substances dangereuses.

Čestitamo vam, ker ste izbrali kakovostno napravo **BEKO**, ki je izdelana za večletno uporabo.

Najprej varnost!

Naprave ne priključite na vir napetosti, dokler niste odstranili vse embalaže in zaščitite za prevoz.

- Pred vklopom naj naprava pokončno stoji vsaj 4 ure, da se kompresorsko olje ponovno nastavi.
- Če odstranjujete staro napravo, ki ima na vratih pritrjeno ključavnico, ključavnico zlomite ali onemogočite, da se vanjo ne bi zaklenili otroci.
- Napravo lahko uporabljate samo za predviden namen.
- Naprave ne odvrzite v ogenj. Izolacija vaše naprave vsebuje snovi brez CFC-ja, ki so vnetljive. Priporočamo vam, da se o pravilnem odlaganju in razpoložljivih obratih posvetujete z lokalnimi oblastmi.
- Uporabe naprave ne priporočamo v neogrevanih, hladnih prostorih (npr. v garaži, rastlinjaku, prizidku, lopi, na prostem itd.).

Za ohranitev čim boljšega delovanja naprave pozorno preberite ta navodila. Če ne boste upoštevali teh navodil, lahko izgubite pravico do brezplačnih storitev v času veljavnosti garancije.

Hranite navodila na varnem mestu, ki je hitro dostopno. Originalne nadomestne dele zagotavljamo 10 let od dneva nakupa izdelka.

Uporaba te naprave ni namenjena osebam s slabšimi telesnimi, zaznavnimi ali duševnimi zmožnostmi ter osebam, ki nimajo potrebnih izkušenj in znanja, razen če so prejele navodila za uporabo ali so pod nadzorom osebe, ki je odgovorna za njihovo varnost.

Otroci se ne smejo igrati z napravo.

Električne zahteve

Preden vključite napravo v vtičnico, se prepričajte, da napetost in frekvenca, ki sta navedeni na ploščici za navedbe znotraj naprave, ustrezata vaši oskrbi z električno energijo.

Priporočamo, da je naprava povezana na električno napajanje preko ustrezne vtičnice na dostopnem mestu.

Opozorilo! Naprava mora biti ozemljena.

Popravila električnih naprav lahko izvede samo usposobljen tehnični strokovnjak. Nepravilna popravila, ki jih izvede neusposobljena oseba, so nevarna in imajo lahko za uporabnika naprave usodne posledice.

POZOR!

Ta naprava deluje z okolju prijaznim, a vnetljivim plinom R 600a. Med prevozom in popravitom izdelka pazite, da ne poškodujete hladilnega sistema. Če se hladilni sistem poškoduje in pride do puščanja plina, ne približujte izdelka virom vžiga in prostor prezračite.

OPOZORILO - Za pospeševanje postopka taljenja ne uporabljajte mehanskih naprav ali drugih pripomočkov, razen tistih, ki jih priporoča proizvajalec.

OPOZORILO - Ne poškodujte hladilnega tokokroga.

OPOZORILO - Električnih naprav ne uporabljajte v prostorih za shranjevanje živil, razen če so tipa, ki ga priporoča proizvajalec.

OPOZORILO - Če je napajalni kabel poškodovan, ga mora zamenjati proizvajalec, pooblaščen servis ali podobno usposobljene osebe, da se izognete nevarnosti.

Navodila za prevoz

1. Napravo prevažajte samo v navpičnem položaju. Med prevozom mora ostati embalaža nedotaknjena.

2. Naprava ne sme delovati vsaj 4 ure po namestitvi, da se sistem ponovno nastavi. Prav tako boste morda morali počakati pet minut med priklopom in vklopom naprave.

3. Neupoštevanje zgoraj navedenih navodil lahko pripelje do okvare naprave, za kar proizvajalec ne bo odgovoren.

4. Napravo morate zaščititi pred dežjem, vlago in mrazom.

Pomembno!

- Med čiščenjem/prevažanjem naprave je treba paziti, da se na zadnjem delu naprave ne dotikate spodnjega dela kovinskih žic kondenzatorja, saj si lahko poškodujete prste in roke.

- Ne poskušajte se usesti ali stopiti na vrh svoje naprave, saj ni oblikovana za takšno rabo. Poškodujete lahko sebe ali napravo.

OPOZORILO - Prepričajte se, da napajalni kabel ni ujet pod napravo med in po premikanju, saj lahko to poškoduje kabel.

- Otroci se ne smejo igrati z napravo ali kontrolnim aparatom.

Navodila za namestitev

1. Naprave ne postavljajte v prostor, kjer lahko temperatura ponoči in/ali pozimi pade pod 10 °C, saj je oblikovana za delovanje v prostoru s temperaturo zraka med 10 in 43 °C. Pri nižjih temperaturah naprava ne bo delovala, zato se bo življenjska doba shranjevanja živil skrajšala.

2. Naprave ne postavljajte v bližino kuhalnikov, radiatorjev ali neposredno na sončno svetlobo, saj to funkcije naprave dodatno obremeni. Če napravo namestite zraven vira toplote ali zamrzovalnika, upoštevajte naslednje najmanjše razdalje: od kuhalnika 30 mm; od radiatorja 300 mm; od zamrzovalnika 25 mm.

3. Prepričajte se, da je okoli naprave dovolj prostora za prosto kroženje zraka (**slika 2**).

- Odprite vrata hladilnika, da nastavite razdaljo med hladilnikom in steno (**slika 3**).

4. Naprava mora biti postavljena na gladko površino. Sprednji dve nogi lahko poljubno nastavite. Da bo vaša naprava stala pokončno, nastavite sprednji nogi z obračanjem v smeri urnega kazalca ali v nasprotni smeri urnega kazalca, dokler ne prideta v trden stik s tlemi. S pravilno nastavitvijo nog se izognete prekomernim vibracijam in hrupu (**slika 4**).

5. Preberite razdelek »Čiščenje in skrb« ter pripravite svojo napravo za uporabo.

Spoznajte svojo napravo (Slika 1)

- 1 - Termostat in ohišje luči
- 2 - Nastavljive police omarice
- 3 - Zbiralnik vode
- 4 - Pokrov predela za sveža živila
- 5 - Predel za sveža živila
- 6 - Nastavljiva noga
- 7 - Predel za mlečne izdelke
- 8 - Polica za kozarce
- 9 - Polica za steklenice

Predlagana razvrstitev živil v hladilniku brez nizkotemperaturnega prostora

Smernice za optimalno shranjevanje in higieno:

1. Naprava je primerna za kratkotrajno shranjevanje svežih živil in pijač.
2. Mlečne izdelke hranite v posebnem predelu, ki se nahaja na vstavku na vratih.
3. Kuhane jedi hranite v nepredušnih posodah in jih postavite na odstranljive police.
4. Sveže zavite izdelke lahko hranite na polici. Sveže sadje in zelenjavo je treba očistiti in shraniti v posodo za sveža živila.
5. Steklenice hranite v predelu vrat.
6. Surovo meso zavijte v polietilenske vrečke in ga položite na najnižjo police. Poskrbite, da ne bo prišlo v stik s svežimi živili, saj lahko pride do okužbe. Zaradi varnosti hranite surovo meso le dva do tri dni.
7. Za čim večjo učinkovitost police ne smejo biti prekrite s papirjem ali drugimi materiali, saj mora hladen zrak prosto krožiti.
8. Police so opremljene z zadnjo zaporo in nagibanjem za shranjevanje steklenic. Med nameščanjem police dvignite iz zarez.
9. Da bi polico nagnili, namestite zadnji del police eno stopnjo nižje od sprednjega dela. Nagnjeno polico lahko odstranite, če zadnji del najprej vzamete z ene stopnje nižje od sprednjega dela. Nagnjeno polico lahko odstranite, če zadnji del vzamete iz zarez in nato povlečete.
10. Rastlinskih olj ne hranite na polici vrat. Živila naj bodo zapakirana, zavita ali pokrita. Živila in pijača naj se ohladijo, preden jih shranite v hladilnik. V hladilniku ne shranjujte eksplozivnih snovi. Visokoodstotni alkohol hranite pokončno v zaprtih posodah. Ostankov živil iz konzerv ne smete hraniti v konzervah.
11. Nekatero sadje in zelenjava se uničita pri temperaturah blizu 0 °C. Zato ananas, melone, kumarice, paradižnik in podobne izdelke zavijte v polietilenske vrečke.

Nadzor in nastavitve temperature

Notranjo temperaturo nastavite z gumbom termostata.

Notranje temperature naprave lahko nihajo glede na pogoje uporabe: mesto postavitve, temperatura prostora, pogostost odpiranja vrat, količina hrane. Položaj gumba termostata se spremeni pod naslednjimi pogoji. Če je temperatura prostora 25 °C, naj bo gumb termostata nastavljen na srednji položaj.

Izogibajte se nekaterim položajem gumba termostata, ki povzročijo nenehno delovanje naprave. To lahko vključuje padec temperature pod 0 °C, zaradi česar lahko pijača in sveža hrana zamrzneta, na notranji steni hladilnika pa se lahko začne nabirati odvečna količina ledu. Zgoraj navedeno lahko poslabša učinkovitost hladilnika (večja poraba električne energije).

Pred delovanjem

Zadnji pregled

Preden začnete uporabljati napravo, preverite, ali:

1. So noge v pravilnem položaju.
2. Je notranjost suha in lahko zrak v zadnjem delu prosto kroži.
3. Je notranjost čista, kot je priporočeno v poglavju »Čiščenje in skrb«.
4. Je vtikač vstavljen v vtičnico in električna vklopljena. Ko se vrata odprejo, zasveti notranja luč.

Opomba:

5. Ko se vklopi kompresor, boste zaslišali hrup. Tekočine in plini, ki so ujeti v hladilnem sistemu, lahko oddajajo zvoke, tudi ko kompresor ne deluje. To je običajno.
6. Rahla valovitost na vrhu omarice, ki nastane med proizvodnjo, je običajna.
7. Priporočamo, da nastavite gumb na termostatu na sredino in spremljate, ali naprava ohranja nastavljeno temperaturo (glejte razdelek Nadzor in nastavitve temperature).
8. Ne napolnite naprave takoj, ko jo vklopite. Počakajte, da naprava doseže pravilno temperaturo za shranjevanje. Priporočamo, da temperaturo preverite z natančnim termometrom (glejte: Nadzor in nastavitve temperature).

Odtajanje

Hladilnik brez nizkotemperaturnega prostora se samodejno odtaja. Odtajena voda odteče preko zbiralnega kanala v odtočno cev in izhlapi v posebnem zbiralniku, ki se nahaja na zadnji strani naprave. **(Slika 5)**.

Med odtajanjem se lahko naberejo kapljice vode na zadnji strani hladilnika brez nizkotemperaturnega prostora, kje se nahaja izparilnik. Nekaj kapljic lahko ostane na vstavku in ponovno zamrzne, ko se odtajanje zaključi. Za odstranjevanje zamrznjenih kapljic ne uporabljajte ostrih predmetov, kot so nož ali vilice.

Če odtajena voda ne steče iz zbiralnega kanala, preverite, ali deli živil niso zamašili odtočne cevi. Odtočno cev lahko izpraznite, če priložen posebni plastični bat potisnete navzdol po odtočni cevi.

Preverite, ali je cev z enim koncem položena v zbiralni pladenj na kompresorju, in tako preprečite, da bi voda stekla na električno napeljavo ali tla **(slika 6)**.

Zamenjava notranje žarnice

Zamenjavo žarnice/lučke LED, ki se uporablja za osvetlitev hladilnika, naročite pri pooblaščenem servisu.

Luči, ki se uporabljajo v tej napravi, niso primerne za razsvetljavo prostorov. S pomočjo te luči lahko uporabniki varno in udobno namestijo živila v hladilnik/zamrzovalnik.

Luči, uporabljene v tej napravi, morajo prenesti ekstremne fizične pogoje, kot so temperature pod $-20\text{ }^{\circ}\text{C}$.

Premikanje vrat

Sledite zaporedju **(slika 7)**.

Čiščenje in vzdrževanje

1. Pred čiščenjem izklopite napravo pri vtičnici in izvlecite vtičač.

2. Za čiščenje ne uporabljajte ostrih predmetov ali abrazivnih sredstev, mila, gospodinjskih čistil, čistilnih sredstev ali loščila.

3. Omarico naprave očistite z mlačno vodo in jo do suhega obrišite.

4. Za čiščenje notranjosti uporabite izžeto krpo, ki ste jo namočili v raztopino ene čajne žličke sode bikarbone in pol litra vode, ter nato do suhega obrišite.

5. Prepričajte se, da voda ni stekla v škatlo za uravnavanje temperature.

6. Če naprave dalj časa ne boste uporabljali, jo izključite, odstranite vso hrano, jo očistite in pustite vrata priprta.

7. Enkrat na leto s sesalnikom odstranite prah, ki se je nabral na kondenzatorju na zadnji strani naprave.

8. Preverite, ali so pečati na vratih čisti in ali ne vsebujejo delcev hrane.

9. Nikoli:

- ne čistite naprave z neprimernimi sredstvi, npr. izdelki na osnovi nafte;
- naprave ne izpostavljajte visokim temperaturam;
- naprave ne čistite, drgnite itd. z abrazivnimi sredstvi.

10. Odstranjevanje pokrova za mlečne izdelke in vratnega pladnja:

- Če želite odstraniti pokrov za mlečne izdelke, ga najprej za malenkost dvignite in ga povlecite v stran od odprtine na pokrovu.
- Če želite odstraniti vratni pladenj, ga izpraznite in ga enostavno potisnite navzgor od podlage.

11. Prepričajte se, da je plastični zbiralnik za odtajano vodo, ki se nahaja na zadnji strani naprave, vedno čist. Če želite odstraniti pladenj in ga očistiti, sledite spodnjim navodilom:

- Izključite vtičnico in izvlecite vtičač.
- S kleščami nežno odvijte gumb na kompresorju tako, da ga lahko odstranite.
- Dvignite ga.
- Očistite ga in ga obrišite do suhega.
- V obratnem vrstnem redu ga ponovno sestavite.

Kaj lahko in česa ne smete

- Lahko** - Svojo napravo redno čistite in odtajajte.
- Lahko** - Surovo meso in perutnino hranite pod kuhanimi živili in mlečnimi izdelki.
- Lahko** - Živila hranite čim krajši čas in upoštevajte datume »Najbolje porabiti do« in »Uporabno do« itd.
- Lahko** - Odstranite vse neuporabne liste na zelenjavi in odstranite zemljo.
- Lahko** - Pustite zeleno solato, zelje, peteršilj in cvetačo na steblo.
- Lahko** - Sir najprej zavijte v papir, odporen proti maščobi, in ga nato položite v polietilensko vrečko (iztisnite zrak). Iz hladilnega dela ga vzemite eno uro pred zaužitjem.
- Lahko** - Surovo meso in perutnino na rahlo zavijte v polietilensko ali aluminijasto folijo. To prepreči izsušitev.
- Lahko** - Zavijte ribo in drobovje v polietilenske vrečke.
- Lahko** - Živila z močnim vonjem ali živila, ki se lahko izsušijo, zavijte v polietilenske vrečke ali v aluminijasto folijo ali pa jih hranite v neprepustni posodi.
- Lahko** - Kruh dobro zavijte, da ostane svež.
- Lahko** - Preden postrežete belo vino, pivo in mineralno vodo, jih ohladite.
- Ne smete** - Hraniti banan v predelu hladilnika.
- Ne smete** - Hraniti melon v hladilniku. Zavito jo lahko shranite le kratek čas, saj oddaja močan vonj.
- Ne smete** - Dalj časa puščati odprtih vrat, saj to pomeni več stroškov za delovanje hladilnika brez nizkotemperaturnega prostora. Hladilnik brez nizkotemperaturnega prostora je namenjen samo za shranjevanje užitnih živil.
- Ne smete** - Pokrivati polic z zaščitnim materialom, ki lahko ovira kroženje zraka.
- Ne smete** - V svoji napravi shranjevati strupenih ali nevarnih snovi. Namenjena je samo za shranjevanje užitnih živil.
- Ne smete** - Uživati hrane, ki je bila v hladilniku predolgo.
- Ne smete** - Skupaj v isti posodi shranjevati sveže in kuhane hrane. Hrana mora biti ločeno pakirana in shranjena.
- Ne smete** - Pustiti, da odtajana hrana ali njeni sokovi kapljajo na preostalo hrano.

Informacije o hrupu med delovanjem

Vaša naprava občasno prižge kompresor, da ohrani nastavljeno temperaturo.

Nastali hrup je povsem običajen.

Hrup se zmanjša, ko naprava doseže temperaturo delovanja.

Motor (kompresor) oddaja brneči zvok. Ko se motor prižge, se hrup za kratek čas poveča.

Šumenje, kлокotanje in brenčanje povzroča hladilo, ko se pretaka po ceveh.

Vedno, ko termostat vklopi/izklopi motor, se zasliši klikanje.

Klikanje se lahko pojavi, ko

- se aktivira samodejni sistem za odtajanje,
- se naprava ohlaja ali segreva (širitev materiala).

Če zvok ni preglasen, vzroki verjetno niso resni in jih je mogoče preprosto odpraviti.

- Naprava ni ravna – za nastavitve višine uporabite noge ali pa jih podložite z embalažo.
- Naprava ni samostoječa – odmaknite jo v stran od kuhinjskih enot ali drugih naprav.
- Predalniki ali police so razrahljane ali lepljive – preverite ločljive elemente in jih ponovno namestite, če je potrebno.
- Steklenice in/ali posode za zbiranje se dotikajo med sabo – odmaknite steklenice in/ali posode za zbiranje drugo od druge.


Odpravljanje težav

Če naprava, ko jo vključite, ne deluje, preverite:

- Ali je vtič pravilno vstavljen v vtičnico in je naprava pod napetostjo. (Če želite preveriti napetost v vtičnici, vanjo vklopite drugo napravo).
- Ali je pregorela varovalka/se je izklopilo prekinjalo tokokroga/je izklopljeno glavno stikalo za dovod elektrike.
- Ali je temperatura pravilno nastavljena.
- Ali je nov vtič pravilno napeljan, če ste ga zamenjali.

Če ste preverili vse zgoraj naštetih razloge in naprava še vedno ne deluje, se obrnite na prodajalca, od katerega ste kupili napravo. Storitve boste plačali, tudi če ne bo odkrita nobena napaka, zato se prepričajte, da ste preverili vse zgoraj naštetih razloge.



Če se na izdelku ali embalaži nahaja znak , to pomeni, da z izdelkom ne smete ravnati tako kot z drugimi gospodinjskimi odpadki. Napravo morate oddati na primernem zbirališču za recikliranje električnih in elektronskih naprav. Nepravilno odlaganje izdelka lahko povzroči negativne učinke na okolje in zdravje ljudi, kar pa lahko preprečite s pravilnim odlaganjem svoje stare naprave. Za podrobne informacije o recikliranju tega izdelka se obrnite na lokalni mestni urad, komunalno službo ali trgovino, kjer ste izdelek kupili.

Blahopřejeme k výběru kvalitního spotřebiče **BEKO** který je určen pro mnoho let služby.

Bezpečnost především!

Nezapojujte spotřebič do napájecí sítě, dokud neodstraníte všechny obalové a přepravní materiály.

- Před zapnutím nechte nejméně 4 hodin stát, aby se usadil olej v kompresoru.
- Pokud likvidujete starý spotřebič se zámkem nebo západkou na dveřích, rozlomte nebo zneškodněte zámek, aby byl v bezpečném stavu a dětem nehrozilo uvíznutí uvnitř.
- Tento spotřebič musí být používán pro stanovený účel.
- Neodkládejte spotřebič do ohně. Váš spotřebič obsahuje v izolační vrstvě látky bez CFC, které jsou hořlavé. Doporučujeme kontaktovat místní úřady pro informace o likvidaci a dostupných zařízeních.
- Nedoporučujeme používat tento spotřebič v nevytápěné chladné místnosti. (např. garáž, sklad, přístavba, kůlna, hospodářské stavení atd.)

Pro co nejlepší výkonnost a bezporuchovou službu vašeho spotřebiče je velmi důležité pozorně si přečíst tyto pokyny. Nedodržením těchto pokynů se vystavujete riziku zrušení možnosti servisu zdarma po dobu záruční lhůty.

Uschovejte tyto pokyny na bezpečném místě pro snadné vyhledání.

Tento spotřebič není určen pro použití osobami se sníženými fyzickými, smyslovými nebo duševními schopnostmi nebo nedostatečnou zkušeností a znalostmi, pokud jsou bez dohledu nebo pokynů o použití spotřebiče od osob zodpovídajících za jejich bezpečnost. Děti by měly být pod dozorem, aby se zajistilo, že si nebudou hrát se spotřebičem.

Elektrické požadavky

Před zasunutím zásuvky do sítě se ujistěte, že napětí a kmitočet na štítku uvnitř spotřebiče odpovídají vašemu zdroji.

Doporučujeme připojit tento spotřebič do sítě přes vhodně vypínanou a zajištěnou zásuvku na snadno dostupném místě.

Upozornění! Tento spotřebič musí být uzemněn.

Opravy elektrického vybavení by měl provádět jen kvalifikovaný technik. Nesprávné opravy provedené nekvalifikovanou osobou představují riziko, které by mohlo mít kritické dopady pro uživatele spotřebiče.

POZOR!

Tento spotřebič používá R 600a, což je plyn, který je šetrný k životnímu prostředí, ale je hořlavý. Během přepravy a upevňování výrobku je třeba dbát zvýšené opatrnosti, aby nedošlo k poškození chladicí soustavy. Pokud je chladicí soustava poškozená a ze systému uniká plyn, udržte výrobek mimo otevřený oheň a nějakou dobu v místnosti větrejte.

UPOZORNĚNÍ – Nepoužívejte mechanické nástroje nebo jiné prostředky k urychlení procesu odmrazení s výjimkou těch, které doporučuje výrobce.

UPOZORNĚNÍ – Nepoškozujte chladicí obvod.

UPOZORNĚNÍ – Nepoužívejte elektrické spotřebiče uvnitř prostor na skladování potravin spotřebiče, pokud se nejedná o typy doporučené výrobcem.

UPOZORNĚNÍ – V případě poškození napájecího kabelu je nutno jej nechat vyměnit u výrobce, jeho servisního zástupce či podobně kvalifikované osoby, aby se předešlo nebezpečí.

Pokyny pro přepravu

1. Spotřebič se smí přenášet jen ve svislé pozici. Obaly musí zůstat během přepravy neporušené.

2. Spotřebič nepoužívejte nejméně 4 hodiny po instalaci, aby se systém mohl usadit. Možná bude také nutné počkat pět minut mezi zapojením a zapnutím spotřebiče.

3. Nedodržení výše uvedených pokynů by mohlo vést k poškození spotřebiče, za které výrobce nezodpovídá.

4. Spotřebič je třeba chránit proti dešti, vlhku a chladu.

Důležité upozornění!

- Při čištění/přenášení spotřebiče se nedotýkejte spodní části kovových kabelů kondenzátoru na zadní straně spotřebiče, mohlo by dojít k poranění prstů a rukou.
 - Nesedejte si a nestoupejte na horní okraj spotřebiče, jelikož na toto není určen. Mohli byste se zranit nebo poškodit spotřebič.
- UPOZORNĚNÍ** - Ujistěte se, že napájecí kabel není zachycen pod spotřebičem během a po přesouvání, mohlo by to poškodit kabel.
- Nedovolte dětem hrát si se spotřebičem nebo manipulovat s ovladači.

Pokyny pro instalaci

1. Nepřechovávejte spotřebič v místnosti, kde může teplota klesnout pod 10°C v noci a/nebo zejména v noci, jelikož je určen na provoz v teplotách mezi +10 a +43 stupni Celsia. Při nižších teplotách nemusí spotřebič fungovat, čímž poklesne doba skladovatelnosti potravin.

2. Neumisťujte spotřebič do blízkosti sporáků nebo radiátorů nebo na přímé sluneční světlo, dojde tím ke zvýšenému napětí funkcí spotřebiče. Při instalaci v blízkosti zdroje tepla nebo mrazničky udržujte minimální odstupy po stranách:

Od sporáků 30 mm

Od radiátorů 300 mm

Od mrazniček 25 mm

3. Ujistěte se, že kolem spotřebiče je dostatečný odstup tak, aby se zaručil volný oběh vzduchu (**Položka 2**).

- Otevřete dvířka chladničky a nastavte vzdálenost mezi chladničkou a stěnou (**Položka 3**).

4. Spotřebič by měl být umístěn na hladkém povrchu. Obě přední nožky lze nastavit dle potřeby. Abyste měli jistotu, že váš spotřebič stojí vzpřímeně, nastavte obě přední nožky tak, že jimi otočíte doprava nebo doleva, dokud není zajištěn pevný kontakt s podlahou. Správným nastavením nožek předejdete přílišným vibracím a hluku (**Položka 4**).

5. Informace pro přípravu spotřebiče na použití naleznete v oddíle „Čištění a údržba“.

Seznámení s vaším spotřebičem (Položka 1)

- 1 - Umístění termostatu a světla
- 2 - Nastavitelné poličky
- 3 - Kolektor vody
- 4 - Kryt přihrádek na čerstvé potraviny
- 5 - Přihrádky na čerstvé potraviny
- 6 - Nastavitelná nožka
- 7 - Prostor pro mléčné výrobky
- 8 - Polička na nádoby
- 9 - Polička na lahve

Doporučené rozložení potravin ve spotřebiči

Návody pro optimální uskladnění a hygienu:

1. Tento spotřebič je pro krátkodobé ukládání čerstvých potravin a nápojů.
2. Vařené potraviny skladujte v neprodyšných nádobách a v ideálním případě na některé z vyjímatelných polic.
3. Čerstvé balené výrobky lze skladovat na polici. Čerstvé ovoce a zeleninu je třeba očistit a skladovat v přihrádkách na čerstvou zeleninu.
4. Láhve lze uchovat ve dveřní části.
5. Chcete-li skladovat syrové maso, zabalte je do polyetylenových sáčků a umístěte na nejnižší polici. Nenechte je přijít do kontaktu s vařenými potravinami, aby nedošlo ke kontaminaci. Z bezpečnostních důvodů skladujte syrové maso jen dva až tři dny.
6. Pro maximální účinnost by se neměly výsuvné police překrývat papírem nebo jinými materiály, aby studený vzduch mohl volně proudit.
7. Police jsou vybaveny zadními zářezky a náklonem pro skladování lahví. Při nastavování zvedněte polici ze zářezů.
8. Polici nakloníte tak, že zadní stranu police umístíte o jednu úroveň pod přední stranu. Nakloněnou polici vyjmete tak, že nejprve uvolníte zadní stranu jedné úrovně pod přední stranou police. Pro vyjmutí nakloněné police nejprve uvolněte zadní stranu ze zářezů a zatáhněte.
9. Neskladujte rostlinný olej na policích ve dveřích. Potraviny uchovávejte zabalené, chráněné nebo překryté. Teplé potraviny a nápoje nechte před zchlazením vychladnout. Neskladujte v chladničce výbušné látky. Silný alkohol se musí skladovat ve vzpřímené pozici a pevně uzavřených nádobách. Zbývající potraviny z konzerv by se neměly skladovat v konzervách.
10. Některé ovoce a zelenina se mohou poškodit, pokud je skladujete při teplotách kolem 0°C. Ananas, meloun, okurky, rajčata a podobné druhy skladujte v polyetylenových sáčcích.

Kontrola a nastavení teploty

Vnitřní teplotu lze nastavit pomocí tlačítek termostatu.

Teplota dosahovaná uvnitř přístroje by mohla kolísat podle podmínek používání: Umístění, teplota prostředí, četnost otevírání dvířek, množství potravin. Pozice tlačítka termostatu se změní v závislosti na těchto podmínkách. Pro teplotu okolí 25°C bude tlačítko termostatu nastaveno na střední pozici. Předcházejte některým pozicím termostatu, které by mohly znamenat neustálý chod spotřebiče. To může nastat při snížení teplot pod 0°C, nápoje a čerstvé potraviny by pak mohly zmrznout a přebytečné množství ledu by se mohlo nahromadit na vnitřní stěně. Všechny tyto výše uvedené stavy by mohly znamenat snížení chladicí účinnosti (zvýšení spotřeby energie).

Před zahájením provozu

Poslední kontrola

Než začnete používat spotřebič, zkontrolujte, zda:

1. Nožky byly seřizeny pro ideální rovnováhu.
2. Vnitřek je suchý a vzduch může vzadu volně cirkulovat.
3. Vnitřek je čistý dle doporučení v oddíle „Čištění a údržba“.
4. Zásuvka byla zasunuta do sítě a elektřina je zapnutá. Po otevření dvířek se rozsvítí vnitřní osvětlení.

A nezapomeňte, že:

5. Uslyšíte hluk při startování kompresoru. Kapalina a plyny uzavřené v chladicí soustavě mohou dělat další hluk, ať je kompresor v chodu, nebo není. Je to zcela normální.
6. Nepatrné zvlnění horní části chladničky je zcela normální a je způsobeno použitým výrobním procesem; nejedná se o závadu.
7. Doporučujeme nastavovat tlačítko termostatu na střed a sledovat teplotu, abyste zajistili, že spotřebič udržuje požadovanou teplotu skladování (viz oddíl Kontrola a nastavení teploty).
8. Nezaplňujte spotřebič ihned po jeho zapnutí. Počkejte na dosažení správné skladovací teploty. Doporučujeme kontrolovat teplotu přesným teploměrem (viz: Kontrola a nastavení teploty).

Odmrazování

Chladnička se odmrazuje automaticky. Odmražená voda stéká do výpustné trubice přes sběrný kanál a odpařuje se do zvláštní nádoby v zadní části spotřebiče. **(Položka 5)** Během odmrazování se mohou na zadní stěně prostoru chladničky utvořit kapky vody v místech, kde je umístěn odpařovač. Několik kapek může zůstat na obvodu, ty zmrznou po skončení odmrazování. Znovu zmrzlé kapky neodstraňujte špičatými nebo ostrými předměty, jako jsou nože nebo vidličky. Pokud se kdykoli odmražená voda neodčerpává ze sběrného kanálu, zkontrolujte, zda odčerpávací trubici neblokuje částí potravin. Výpustná trubice se čistí tak, že zatlačíte speciální plastový plovák do výpustné trubice. Zkontrolujte, zda je hadice neustále umístěná koncem v sběrném tácu na kompresoru, aby nedošlo k rozlití vody na elektrickou instalaci nebo zem **(Položka 6)**.

Výměna vnitřní žárovky

Za účelem výměny žárovky osvětlení v chladničce prosím kontaktujte Autorizovaný servis.

Lampa (y) použité v tomto přístroji nejsou vhodné pro osvětlení místnosti domácnosti. Zamýšlený účel tohoto svítidla je pomoci uživateli umístit potraviny do chladničky / mrazničky bezpečně a pohodlně.

Žárovky použité v tomto spotřebiči musí vydržet extrémní fyzické podmínky, např. teploty pod -20°C.

Výměna dvířek

Postupujte v číselném pořadí **(Položka 7)**.

Čištění a péče

1. Doporučujeme vypnout přístroj ze sítě a vyjmout hlavní zásuvku, než přistoupíte k čištění.
2. Nikdy nepoužívejte ostré předměty či brusné látky, mýdlo, domovní čistič, odmašťovač či voskové čisticí.
3. Používejte vlažnou vodu pro vyčištění skříně a otřete ji pak dosucha.
4. Používejte vlhký hadřík namočený do roztoku jedné čajové lžičky sody bikarbony na půl litru vody na vyčištění vnitřku, pak jej dosucha otřete.
5. Ujistěte se, že do skříně pro kontrolu teploty nepronikne žádná voda.
6. Pokud spotřebič delší dobu nebudete používat, vypněte jej, vyjměte všechny potraviny, vyčistěte jej a nechte dveře otevřené.
7. Prach, který se usadí na kondenzátoru, který je umístěn na zadní straně spotřebiče, by měl být jednou ročně odstraněn vysavačem.
8. Pravidelně kontrolujte těsnění dvířek, abyste zajistili jejich čistotu a nezanesení částicemi potravin.
9. Nikdy:
 - Nečistěte spotřebič nevhodnými materiály; tzn. výrobky na bázi petroleje.
 - Jej nevystavujte vysokým teplotám.
 - Nedrhňte, nebruste atd. brusnými materiály.
10. Ujistěte se, že zvláštní plastová nádoba na zadní straně spotřebiče, která shromažďuje odmraženou vodu, je neustále čistá. Pokud chcete odstranit podnos a vyčistit jej, postupujte podle níže uvedených pokynů:
 - Vypněte přístroj a odpojte napájecí kabel.
 - Jemně odpojte čep na kompresoru pomocí kleští, aby bylo možné tác vyjmout
 - Zvedněte jej.
 - Očistěte jej a otřete.
 - Při montáži postupujte v opačném pořadí.

Co dělat a co nedělat

- Ano-** Spotřebič pravidelně čistěte a odmrazujte.
- Ano-** Syrové maso a drůbež skladujte pod vařenými potravinami a mléčnými výrobky.
- Ano-** Uchovávejte potraviny co nejkratší dobu a dodržujte jejich lhůtu spotřeby atd.
- Ano-** Otrhávejte ze zeleniny nepoužitelné lístky a otírejte přebytečnou zeminu.
- Ano-** Nechte salát, zelí, petržel a květák na stonku.
- Ano-** Sýr balte do nepropustného papíru a pak do polyetylénového sáčku tak, aby uvnitř zůstalo co nejméně vzduchu. Nejlepší je jej vyjmout z chladničky asi hodinu před podáváním.
- Ano-** Obalte syrové maso těsně do polyetylénu nebo alobalu. Zabráníte tím vysušení.
- Ano-** Balte ryby a vnitřnosti do polyetylénových sáčků.
- Ano-** Balte potraviny se silným aroma nebo ty, které by mohly vyschnout, do polyetylénových sáčků, alobalu nebo je ukládejte do vzduchotěsných nádob.
- Ano-** Chléb dobře zabalte, aby zůstal čerstvý.
- Ano-** Bílé víno, pivo, ležák a minerální vodu před podáváním vychladte.
- Ne-** skladujte banány v chladničce.
- Ne-** skladujte melouny v chladničce. Lze je zchladit na krátkou dobu, dokud jsou zabaleny, aby nemohly ovlivnit svým aroma jiné potraviny.
- Ne-** Nenechávejte dveře otevřené dlouhou dobu, ohřejete tím chladničku. Spotřebič byl určen na skladování jen jedlých potravin.
- Ne-** zakrývejte police ochrannými materiály, které by mohly bránit v cirkulaci vzduchu.
- Ne-** skladujte ve spotřebiči jedovaté nebo nebezpečné látky. Byl určen na skladování jen jedlých potravin.
- Ne-** konzumujte potraviny, které byly zmrazeny po příliš dlouhou dobu.
- Ne-** skladujte vařené a čerstvé potraviny společně ve stejné nádobě. Měly by být zabaleny a uskladněny zvlášť.
- Ne-** nechte rozmrazované potraviny nebo šťávy potravin kapat na potraviny.

Informace o provozních hlucích

Aby zvolená teplota zůstala konstantní, zapne váš spotřebič občas kompresor.

Výsledný hluk je zcela normální.

Jakmile spotřebič dosáhne provozní teploty, zvuk se automaticky ztiší.

Hučení vychází z motoru (kompresoru). Když se motor zapne, hluk může na chvíli zesílit.

Bublání, vrčení nebo šplouchání je způsobeno chladicím médiem, které prochází vedením.

Vždy, když termostat zapne/vypne motor, je slyšet cvaknutí.

Cvaknutí se může ozývat, když

- je automatický systém odmrazování aktivní.
- se spotřebič zahřívá nebo zchladzuje (rozpínání materiálu).

Pokud tyto zvuky jsou příliš hlasité, příčiny nejsou nejspíš vážné a obvykle se velmi snadno odstraňují.

- Spotřebič nestojí rovně – použijte nožky na nastavení výšky nebo umístěte pod nožky nějakou podložku.
- Spotřebič nestojí volně – Posuňte tedy spotřebič mimo kuchyňské prostředky nebo jiné spotřebiče.
- Zásuvky nebo poličky jsou volné nebo zaseklé – Zkontrolujte snímací součásti a v nutném případě je znovu osadte.
- Lahve a/nebo nádoby se navzájem dotýkají – Přesuňte lahve a/nebo nádoby dál od sebe.

Odstraňování potíží


Pokud spotřebič po zapnutí nefunguje, zkontrolujte;

- Zda je zásuvka správně zasunutá do sítě a je zapnutý přívod elektrické energie. (Pro kontrolu napětí v zásuvce do ní zapojte další spotřebič)
- Zda není vyhozená pojistka/se neaktivoval přerušovač obvodu/hlavní jistič není vypnutý.
- Zda byla správně nastavena funkce ovládání teploty.
- Zda je nová zásuvka správně propojená, pokud jste změnilí osazenou tvarovanou zásuvku.

Pokud spotřebič po provedení těchto kontrol stále nefunguje, kontaktujte prodejce, u něhož jste přístroj zakoupili.

Provedte prosím všechny výše uvedené kontroly, v případě nezjištění závady bude kontrola zpoplatněna.



Symbol  na výrobku nebo na obalu upozorňuje na skutečnost, že spotřebič nepatří do běžného domácího odpadu. Místo toho je třeba jej odevzdat do speciální sběrné odpadů na recyklování elektrických a elektronických zařízení. Vaší podporou správné likvidace pomáháte zabránit potenciálně negativním vlivům na životní prostředí a lidské zdraví, které by jinak nesprávná likvidace výrobku mohla způsobit. Další informace a recyklování tohoto spotřebiče získáte na místním úřadě, ve sběrně odpadů nebo u prodejce, kde jste spotřebič zakoupili.

Blahoželáme k výberu kvalitného spotrebiča značky **BEKO** navrhnutého tak, aby vám slúžil dlhé roky.

Bezpečnosť nadovšetko!

Nezapájajte spotrebič do elektrickej siete, kým nie sú odstránené baliace a ochranné prostriedky.

- Skôr ako spotrebič zapnete, nechajte ho stáť minimálne 4 hodiny, aby sa olej v kompresore usadil.
- Ak znehodnocujete starý spotrebič so zámkom alebo západkou namontovanou na dverách, overte, či sú odstránené bezpečným spôsobom, aby ste predišli zamknutiu detí vo vnútri.
- Tento spotrebič sa musí výlučne používať na určený účel.
- Nevystavujte spotrebič ohňu. Spotrebič neobsahuje v izolácii látky CFC, ktoré sú horľavé. Navrhujeme, aby ste kontaktovali miestne úrady a získali informácie o správnej likvidácii a o dostupných zariadeniach.
- Neodporúčame využívať toto zariadenie v nevykurovanej, studenej miestnosti. (napr. garáž, sklad, prístavba, prístrešok, exteriér a pod.)

Je veľmi dôležité dôkladne si prečítať tento návod, aby ste dosiahli najlepší možný výkon a bezproblémovú prevádzku spotrebiča. Nedodržaním týchto pokynov môžete prísť o svoje právo na bezplatný servis počas záručnej doby.

Tieto pokyny uschovajte na bezpečnom mieste pre ľahšie použitie.

Originálne náhradné súčiastky budú dodávané po dobu 10 rokov od kúpy výrobku.

Tento spotrebič nie je určený na to, aby ho používala osoba so zníženými telesnými, zmyslovými alebo duševnými schopnosťami, či nedostatkom skúseností a vedomostí, ak nie je pod dohľadom osoby zodpovednej za jej bezpečnosť alebo ak od nej nedostáva pokyny. Deti by mali byť pod dohľadom, aby sa zabránilo ich hre so spotrebičom.

Elektrické požiadavky

Pred zasunutím zástrčky do zásuvky v stene sa uistite, že napätie a frekvencia uvedené na výkonovom štítku zodpovedajú zásobovaniu elektrickou energiou.

Odporúčame, aby toto zariadenie bolo zapojené do elektrickej siete cez vhodnú zásuvku so spínačom na ľahko dostupnom mieste.

Výstraha! Tento spotrebič musí byť uzemnený.

Opravy tohto zariadenia by mal vykonávať kvalifikovaný technik. Nesprávne opravy vykonané nekvalifikovanou osobou spôsobujú nebezpečenstvo nepriaznivých následkov pre užívateľa spotrebiča.

POZOR!

Tento spotrebič pracuje s plynom R 600a, ktorý je ekologicky bezpečný, ale horľavý. Počas prepravy a zostavovania výrobku dbajte na to, aby ste nepoškodili chladiaci systém. Ak je poškodený chladiaci systém a unikol z neho plyn, udrzte spotrebič mimo zdroja ohňa a na chvíľu vyvetrajte miestnosť.

VÝSTRAHA – Nepoužívajte mechanické prístroje alebo iné prostriedky na urýchľovanie rozmrazovacieho procesu inak, ako odporúča výrobca.

VÝSTRAHA – Nepoškodte chladiaci okruh.

VÝSTRAHA – Nepoužívajte elektrické zariadenia v priestoroch na potraviny, iba ak ide o typy odporúčané výrobcom.

VÝSTRAHA – Ak je sieťový kábel poškodený, je potrebné, aby ho vymenil výrobca, servisný agent alebo podobne kvalifikovaná osoba, vyhnite sa tak možnému nebezpečenstvu.

Prepravné pokyny

1. Spotrebič musí byť prepravovaný výlučne vo vertikálnej polohe. Obal musí počas prepravy zostať neporušený.
2. Spotrebič by sa nemal používať aspoň 4 hodiny po inštalácii, aby sa systém mohol ustáliť. Medzi zapojením a zapnutím spotrebiča možno budete musieť počkať päť minút.

3. Nedodržanie vyššie uvedených pokynov by mohlo mať za následok poškodenie spotrebiča, za ktoré výrobca nebude niesť zodpovednosť.

4. Spotrebič musí byť chránený proti dažďu, vlhkosti a chladu.

Dôležité!

- Budte opatrný počas čistenia alebo prenosu spotrebiča, nedotýkajte sa spodnej časti chladiacich kovových vedení na zadnej strane spotrebiča, pretože by vám to mohlo spôsobiť zranenie prstov a rúk.

- Nesadajte ani nestojte na vrchnej časti zariadenia, pretože nie je vyrobené na takéto použitie. Mohli by ste sa poraniť alebo poškodiť zariadenie.

VÝSTRAHA – Zabezpečte, aby elektrický kábel nebol pricviknutý pod zariadením počas presúvania a po presunutí, mohlo by sa tým poškodiť.

- Nedovoľte deťom hrať sa so zariadením alebo s ovládačmi.

Pokyny na inštaláciu

1. Nenechávajte spotrebič v miestnosti, kde teplota v noci pravdepodobne klesne pod 10 stupňov C (50 stupňov F) a hlavne v zime, pretože je vyrobený na prevádzku pri vonkajších teplotách od +10 do +43 stupňov C (50 až 109 stupňov F). Pri nižších teplotách spotrebič nemusí fungovať, čoho dôsledkom je zníženie doby skladovania potravín.

2. Neumiestňujte spotrebič blízko pri sporákoch alebo radiátoroch ani na priamom slnečnom svetle, pretože to spôsobí mimoriadne poškodenie funkcií spotrebiča. Ak je nainštalovaný pri zdroji tepla alebo mrazničke, zachovajte nasledovné minimálne bočné vzdialenosti:

Od sporákov 30 mm

Od radiátorov 300 mm

Od mrazničiek 25 mm

3. Overte si, či je okolo spotrebiča dostatočný priestor na zabezpečenie voľnej cirkulácie vzduchu (**Položka 2**).

- Otvorte dvere chladničky a nastavte vzdialenosť chladničky od steny (**Položka 3**).

4. Spotrebič by mal byť položený na hladkom povrchu. Dve predné nožičky sa dajú nastaviť podľa potreby. Nastavte dve predné nožičky otočením v smere alebo proti smeru hodinových ručičiek, kým sa nezabezpečí pevný kontakt s podlahou, aby ste zabezpečili, že váš spotrebič stojí rovno. Správne nastavenie nožičiek zabráni nadmernej vibrácii a hluku (**Položka 4**).

5. Prečítajte si časť „Čistenie a údržba“, kde nájdete popis, ako pripraviť spotrebič na používanie.

Spoznajte spotrebič (Položka 1)

- 1 - Termostat a kryt svetidla
- 2 - Nastaviteľné poličky
- 3 - Zberač vody
- 4 - Kryt priehradky na ovocie
- 5 - Priehradky na ovocie
- 6 - Nastaviteľná nožička
- 7 - Priehradka pre mliečne výrobky
- 8 - Polička na nádoby
- 9 - Polička na fľaše

Navrhované rozmiestnenie potravín v chladničke

Pokyny na dosiahnutie optimálneho skladovania a hygieny:

1. Priestor chladničky je na krátkodobé skladovanie čerstvých potravín a nápojov.
2. Varené jedlá by ste mali skladovať vo vzduchotesných nádobách, najlepšie na jednej z odnímateľných poličiek.
3. Čerstvé zabalené výrobky sa môžu uchovávať na poličke. Čerstvé ovocie a zelenina by sa mali umyť a uskladniť v špeciálnych priehradkách.
4. Fľaše môžu byť uložené v dverovej časti.
5. Surové mäso zabaľte do polyetylénových vreciek a položte na najspodnejšiu poličku. Zabráňte kontaktu s varenými potravinami, aby ste sa vyhli kontaminácii. Z bezpečnostných dôvodov skladujte surové mäso len dva až tri dni.
6. Pre maximálnu účinnosť by odnímateľné poličky nemali byť pokryté papierom, či iným materiálom, aby sa umožnila voľná cirkulácia chladného vzduchu.
7. Tieto poličky sú vybavené zadnými priehradkami a vyklápacími časťami na skladovanie fliaš. Pri nastavovaní zodvihnite poličku úplne nad drážky.
8. Ak chcete nakloniť poličku, zadnú časť poličky dajte o jednu úroveň nižšie, ako je predná časť poličky. Ak chcete vybrať naklonenú poličku, najprv uvoľnite zadnú časť o jednu úroveň nižšie, ako je predná časť poličky. Ak chcete vybrať naklonenú poličku, najprv uvoľnite jej zadnú časť z drážok a potom ju potiahnite.
9. Na dverových poličkách neskladujte rastlinný olej. Potraviny skladujte zabalené alebo zakryté. Horúce potraviny a nápoje pred vložением do chladničky nechajte vychladnúť. V chladničke neskladujte výbušné látky. Vysokostupňový alkohol sa musí uskladňovať vo vertikálnej polohe v tesne uzavretých nádobách. Otvorené konzervované potraviny by sa nemali skladovať v konzerve.
10. Niektoré druhy ovocia a zeleniny sa poškodia, ak sa skladujú pri teplote okolo 0 stupňov Celzia. Preto ananás, melón, uhorky, paradajky a podobné produkty zabaľte do polyetylénových vreciek.

Riadenie a nastavenie teploty

Vnútoraná teplota by mala byť nastavená pomocou tlačidla termostatu.

Teploty dosiahnuté vo vnútri spotrebiča by sa mali pohybovať v závislosti od podmienok použitia – umiestnenie, okolitá teplota, frekvencia otvárania dvier a množstvo jedla.

Poloha tlačidla termostatu sa zmení podľa týchto podmienok. Pre vonkajšiu teplotu 25°C (77°F) bude tlačidlo termostatu obvykle nastavené na strednú polohu.

Zabráňte takým polohám tlačidla termostatu, ktoré by mohli spôsobiť nepretržitú prevádzku spotrebiča. Mohlo by tak dôjsť k poklesu teploty pod 0°C, preto by mohli nápoje a jedlo zamrznúť a na vnútornej stene by sa nahromadilo nadmerné množstvo ľadu.

Všetky uvedené informácie by mohli znamenať pokles chladiacej účinnosti (rast spotreby energie).

Pred použitím

Záverečná kontrola

Skôr ako začnete používať spotrebič, skontrolujte, či:

1. Sú nožičky nastavené do úplnej roviny.
2. Je vnútro suché a vzduch môže vzadu voľne cirkulovať.
3. Je vnútro čisté podľa odporúčania v časti „Čistenie a údržba“.
4. Je zástrčka zasunutá do zásuvky v stene a elektrina je zapnutá. Keď sa otvoria dvere, zapne sa vnútorné svetlo.

Všimnite si, že:

5. Budete počuť zvuk pri zapnutí kompresora. Kvapalina a plyny utesnené v chladiacom systéme môžu vydávať nejaký zvuk, bez ohľadu na to, či kompresor je alebo nie je v prevádzke. To je úplne normálne.
6. Mierne zvlnenie na vrchu skrinky je dosť normálne a spôsobené použitým výrobným procesom, nie je to chyba.
7. Odporúčame nastaviť gombík termostatu do stredu a sledovať teplotu, aby sa zabezpečilo, že spotrebič udržiava požadovanú teplotu skladovania (Pozri časť Regulácia a nastavenie teploty).
8. Nenapíňajte spotrebič hneď po zapnutí. Počkajte, kým sa nedosiahne správna teplota skladovania. Odporúčame skontrolovať teplotu presným teplomerom (Pozri časť Regulácia a nastavenie teploty).

Odmrazovanie

Chladnička sa odmrazuje automaticky. Rozmrazená voda odteka do výtokového potrubia cez zberný kanál a vyparuje sa v špeciálnej nádobe v zadnej časti spotrebiča.

(Položka 5)

Počas odmravovania sa môžu vytvárať kvapky vody v zadnej časti chladničky, kde sa nachádza skrytý výparník. Niektoré kvapky môžu zostať na vložke a znovu zamrznúť, keď sa odmravovanie skončí. Na odstraňovanie kvapiek, ktoré znovu zamrzli, nepoužívajte špicaté predmety ani predmety s ostrou hranou ako napríklad nože alebo vidličky. Ak odmravená voda niekedy nevytečie zo zberného kanála, skontrolujte, či čiastočky potravín neupchali výtokové potrubie. Výtokové potrubie môžete vyčistiť stlačením špeciálneho plastového piesta umiestneného vo výtokovom potrubí.

Skontrolujte, či je potrubie nepretržite umiestnené koncom v zbernom podnose na kompresore, aby sa zabránilo rozliatiu vody na elektroinštaláciu alebo na podlahu

(Položka 6).

Výmena žiarovky vnútorného osvetlenia

Ak chcete vymeniť lampu použitú na osvetlenie vašej chladničky, zavolajte do autorizovaného servisu.

Lampa(y) použité v tomto prístroji nie sú vhodné pre osvetlenie miestnosti domácnosti. Zamýšľaný účel tohto svietidla je pomôcť užívateľovi umiestniť potraviny do chladničky/mrazničky bezpečne a pohodlne. Žiarovky použité v tomto spotrebiči musí vydržať extrémne fyzické podmienky, napr. teploty pod -20°C.

Premiestnenie dverí

Postupujte podľa číselného poradia (Položka 7).

Čistenie a údržba

1. Pred čistením odporúčame vypnúť zásuvku spotrebiča a vytiahnuť zástrčku zo siete.
2. Na čistenie nikdy nepoužívajte žiadne ostré predmety ani drsné látky, mydlo, domáce čistiadlá, čistiace prostriedky ani voskové leštidlá.
3. Na čistenie spotrebiča použite teplú vodu a vytrite ho do sucha.
4. Použite vlhkú handru namočenú v roztoku jednej lyžičky sódy bikarbóny v pol litri vody. Umyte vnútrajšok a vytrite ho do sucha.
5. Skontrolujte, či sa do krytu termostatu nedostala voda.
6. Ak sa spotrebič nechystáte používať dlhšie obdobie, vypnite ho, vyberte všetky potraviny, vyčistite ho a nechajte dvere pootvorené.
7. Všetok prach, ktorý sa nazbieral na chladiči na zadnej strane spotrebiča, by sa mal raz ročne povysávať.
8. Skontrolujte, či je tesnenie dverí čisté a zbavené čiastočiek potravín.
9. Nikdy:
 - Nečistite spotrebič nevhodnými materiálmi, napríklad výrobkami na báze pretroleja.
 - Nevystavujte ho vysokým teplotám.
 - Neleštite, neutierajte a pod. drsnými materiálmi.
10. Skontrolujte, či je špeciálna plastová nádoba na zadnej strane spotrebiča, ktorá zbiera vodu po rozmrazovaní, stále čistá. Ak chcete vybrať nádobu a vyčistiť ju, postupujte podľa nasledujúcich pokynov:
 - Vypnite zásuvku spotrebiča a vytiahnite zástrčku zo siete.
 - Kliešťami jemne vytiahnite spojovací prvok na kompresore tak, aby sa nádoba dala vybrať.
 - Zdvihnite ju hore.
 - Vyčistite a utrite ju do sucha.
 - Pri opätovnom zostavení postupujte v opačnom poradí.

Čo sa má a čo sa nesmie robiť

- Má sa** Spotrebič pravidelne čistiť a odmrázovať.
- Má sa** Skladovať surové mäso a hydina pod varenými potravinami a mliekarenskými výrobkami.
- Má sa** Uchovávať potraviny čo najkratší čas a dodržiavať dátumy „Spotrebovať pred“ a „Použiť do“, atď.
- Má sa** Odstrániť nepoužiteľné listy na zelenine a odstrániť zem.
- Má sa** Nechať šalát, kapustu, petržlen a karfiol s koreňom.
- Má sa** Syr najprv zabaliť do papiera odolného voči tukom a do polyetylénového vrečka, pritom odstrániť čo najviac vzduchu. Najlepšie výsledky dosiahnete, keď vyberiete jedlo z priestoru chladničky hodinu pred jedením.
- Má sa** Zabaliť surové mäso a hydinu voľne do polyetylénovej alebo hliníkovej fólie. Zabraňuje to vysušeniu.
- Má sa** Ryby a omrvinky zabaliť do polyetylénových vreciek.
- Má sa** Výrazne aromatické potraviny alebo tie, ktoré môžu vyschnúť, zabaliť do polyetylénových vreciek alebo hliníkovej fólie alebo ich uložiť do vzduchotesnej nádoby.
- Má sa** Chlieb dobre zabaliť, aby vydržal čerstvý.
- Má sa** Biele vína, pivo, svetlé pivo a minerálku pred podávaním vychladiť.

- Nemá sa** Skladovať banány v priestore chladničky.
- Nemá sa** Skladovať v chladničke melón. Môže sa schladiť na krátky čas, ak je zabalený, aby sa zabránilo napáchnutiu iných potravín.
- Nemá sa** Nechávať na dlhú dobu otvorené dvere, pretože odmrázanie vykoná chladnička. Chladnička bola vyrobená len na skladovanie jedlých potravín.
- Nemá sa** Prikrývať poličky ochrannými materiálmi, ktoré môžu zabrániť cirkulácii vzduchu.
- Nemá sa** V spotrebiči skladovať jedovaté alebo iné nebezpečné látky. Spotrebič bol vyrobený len na skladovanie jedlých potravín.
- Nemá sa** Konzumovať potraviny, ktoré boli v chladničke nadmerne dlhý čas.
- Nemá sa** Skladovať varené a čerstvé potraviny spolu v tej istej nádobe. Mali by byť oddelene zabalené a uskladnené.
- Nemá sa** Nechávať rozmrazené potraviny alebo šťavy kvapkať na ostatné potraviny.

Na konštantné udržanie zvolenej teploty spotrebič príležitostne zapne kompresor.

Výsledné zvuky sú celkom normálne.

Hneď ako spotrebič dosiahne prevádzkovú teplotu, hlučnosť sa automaticky zníži.

Bzučivý zvuk vydáva motor (kompresor). Keď sa motor ZAPÍNA, zvuk môže krátko silnieť.

Bublavé, klokotavé alebo vírivé zvuky vydáva chladivo, pretože preteká rúrkami.

Vždy, keď termostat ZAPNE/VYPNE motor, môžete počuť klopkajúce zvuky.

Klopkajúci zvuk sa môže vyskytnúť, keď

– je systém automatického rozmrazovania aktívny

– sa spotrebič ochladzuje alebo zohrieva (rozpínavosť materiálu).

Ak sú tieto zvuky nadmerne hlasné, príčiny pravdepodobne nie sú vážne a zvyčajne sa veľmi ľahko odstránia.

– Spotrebič nie je v rovine – Použite nožičku s nastaviteľnou výškou alebo pod ňu položte obal.

– Spotrebič samostatne nestojí – Odsuňte spotrebič z kuchynských jednotiek alebo iných spotrebičov.

– Zásuvky alebo poličky sú uvoľnené alebo prilepené – skontrolujte odnímateľné prvky a ak je to potrebné, znovu ich namontujte.

– Fľaše alebo nádoby sa navzájom dotýkajú. Odsuňte fľaše alebo nádoby od seba.

Riešenie problémov


Ak spotrebič nefunguje, keď je zapnutý, skontrolujte,

- Či je zástrčka správne zasunutá do zásuvky a či je zapnuté napájanie. (Ak chcete skontrolovať napájanie zásuvky, pripojte iný spotrebič.)
- Či poistka vyhorela/sa istič rozpojil/sa hlavný rozvodový spínač vypol.
- Či bola správne nastavená regulácia teploty.
- Či je nová zástrčka správne zapojená, ak ste vymenili namontovanú, lisovanú zástrčku.

Ak spotrebič po tom všetkom stále nepracuje, kontaktujte obchodného zástupcu, od ktorého ste ho zakúpili.

Zabezpečte vykonanie vyššie uvedených kontrol, pretože, ak sa nezistí žiadna chyba, môže sa to spoplatniť.



Symbol  na výrobku alebo na balení označuje, že s týmto výrobkom sa nesmie manipulovať ako s odpadom z domácnosti. Namiesto toho by ste ho mali odovzdať na príslušnom zbernom mieste, kde sa zabezpečuje recyklácia elektrických a elektronických zariadení. Zabezpečením správnej likvidácie tohto výrobku pomôžete zabrániť potenciálne nebezpečným negatívnym následkom na životné prostredie a zdravie ľudí, ktoré by inak mohla spôsobiť nevhodná likvidácia tohto výrobku. Ak chcete získať podrobnejšie informácie o recyklácii tohto výrobku, obráťte sa na miestny mestský úrad, na spoločnosť, ktorá sa zaoberá likvidáciou odpadu z domácností, alebo na predajňu, v ktorej ste výrobok kúpili.



www.beko.com

4578333411/AG
EN-D-NL-FR-SL-CZ-SK