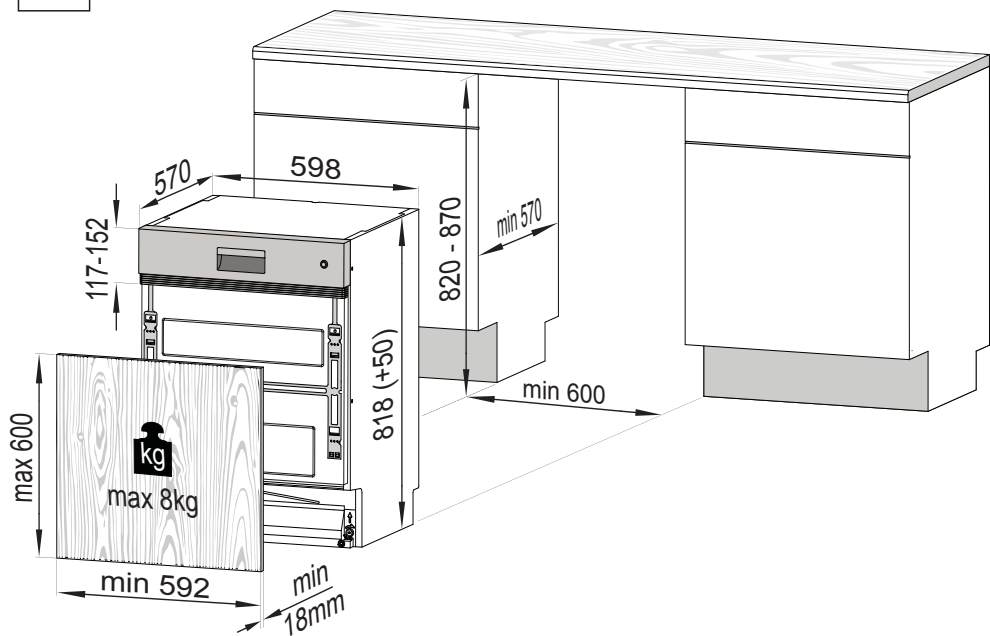
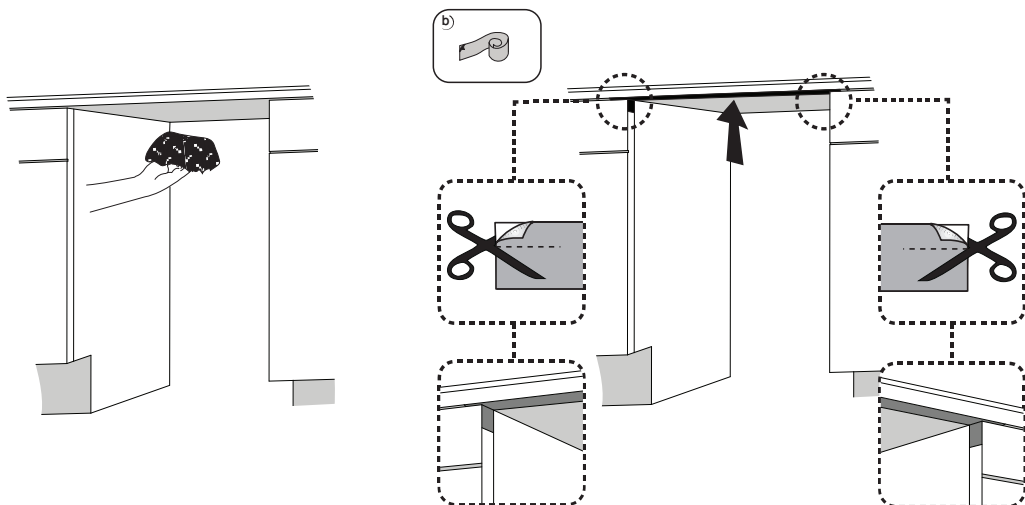


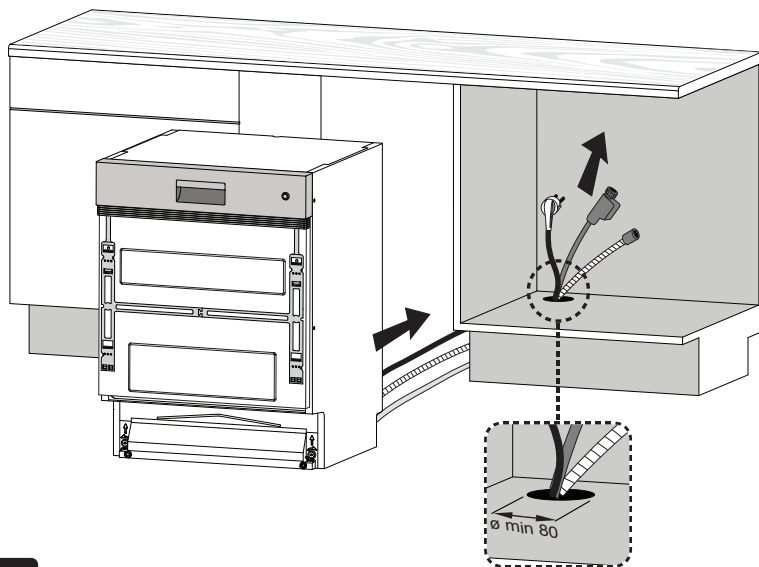
1



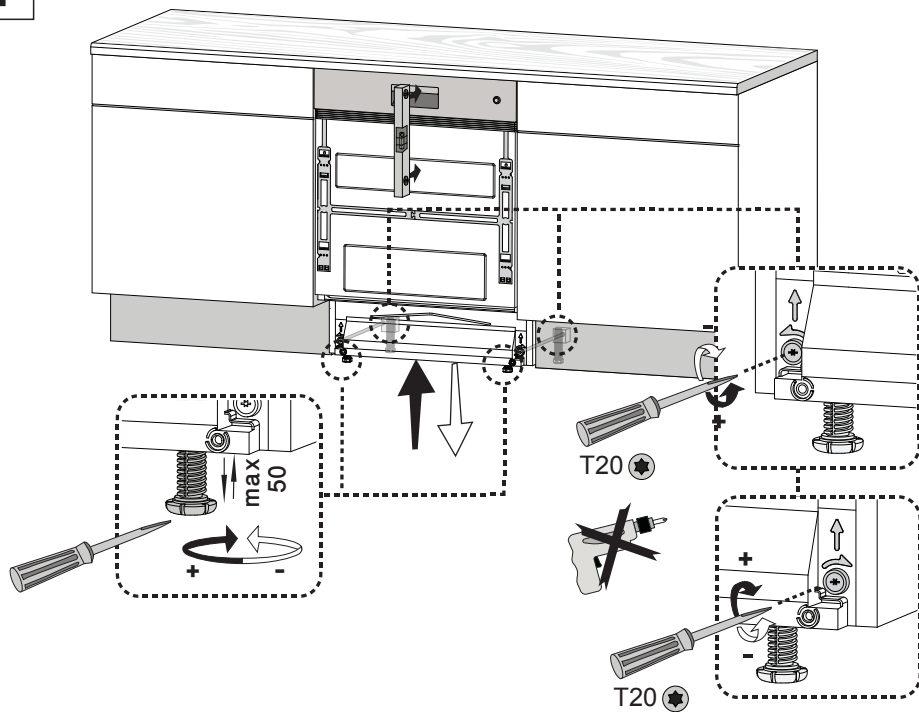
2



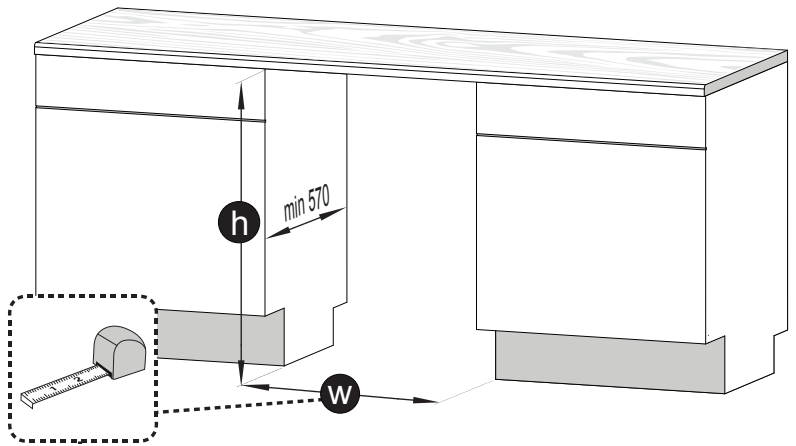
3



4



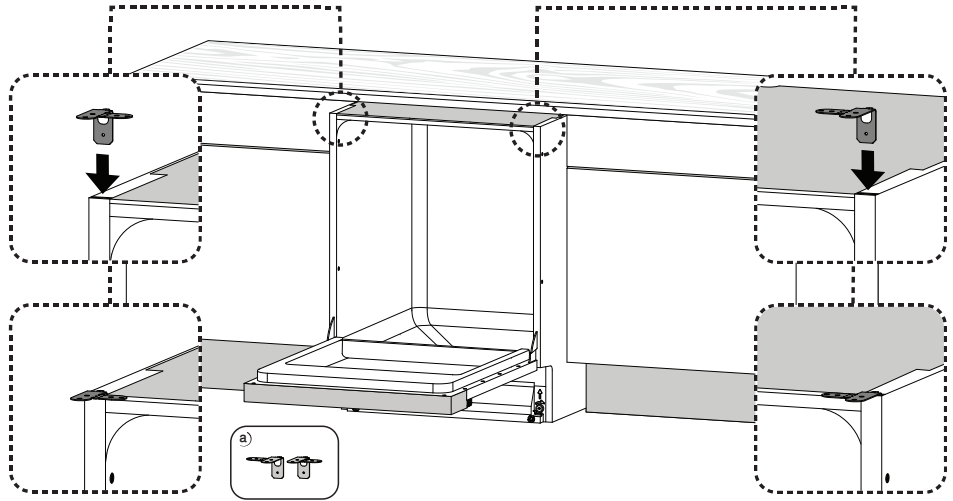
5



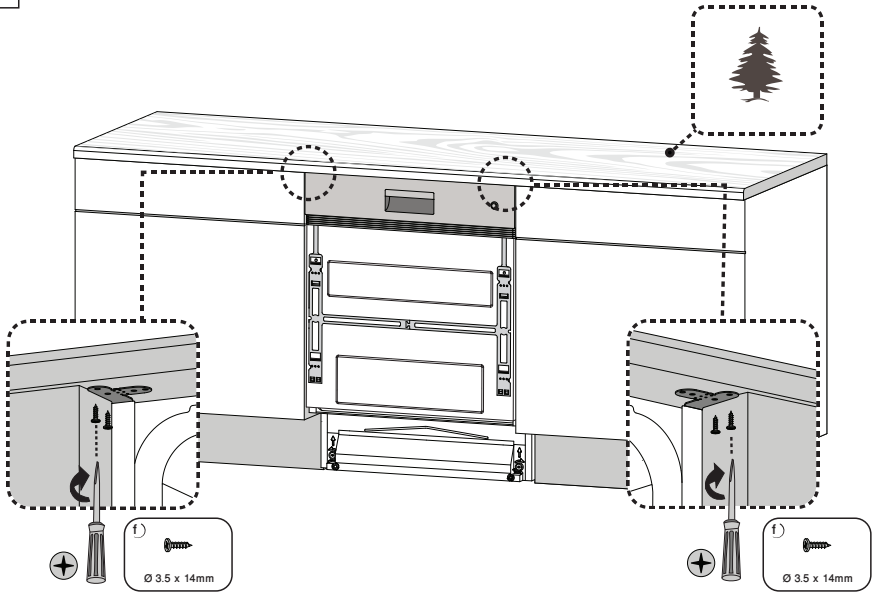
$w > 610$
↓
6

$w = 600 - 610$
↓
8

6

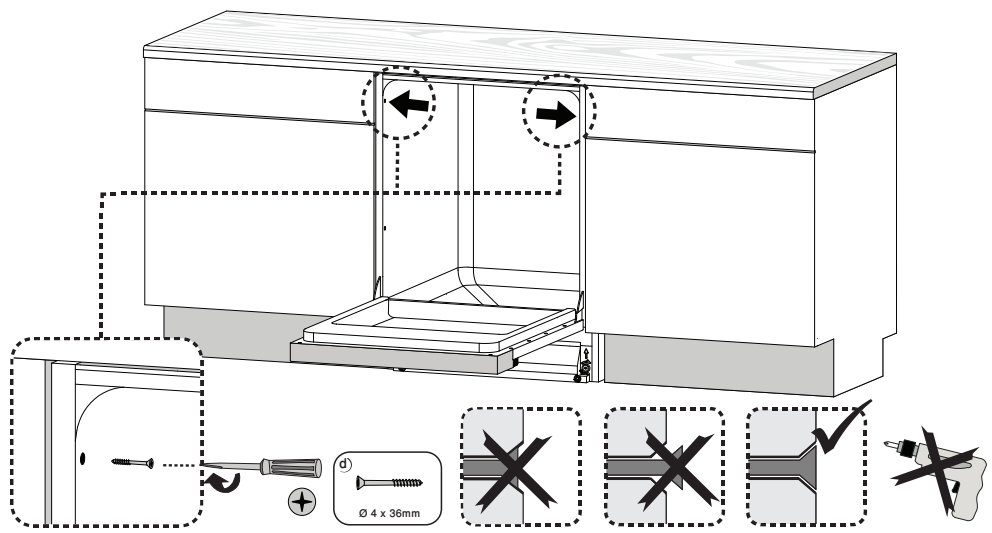


7

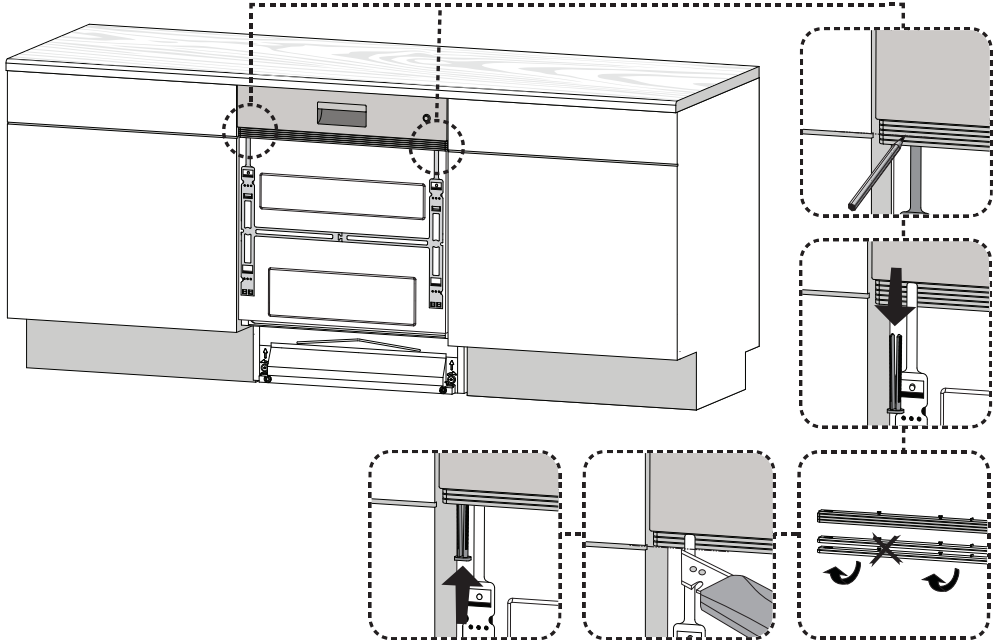


9

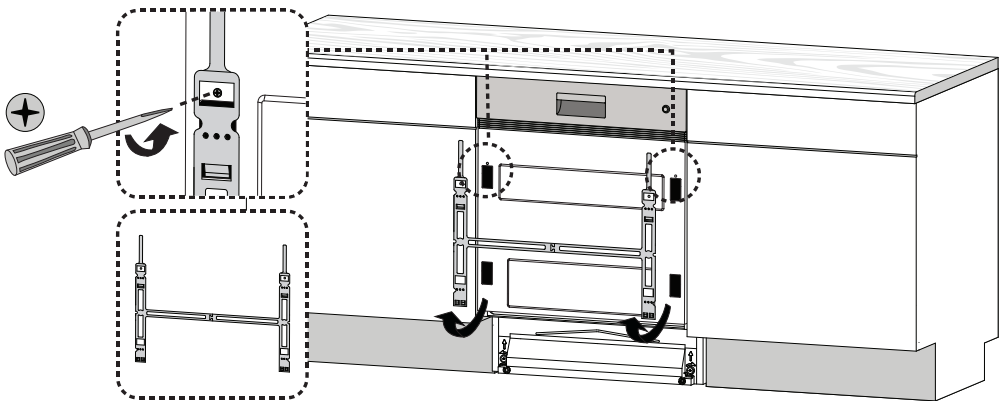
8



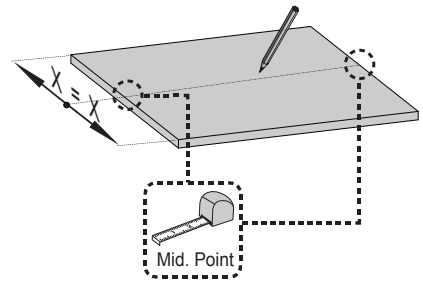
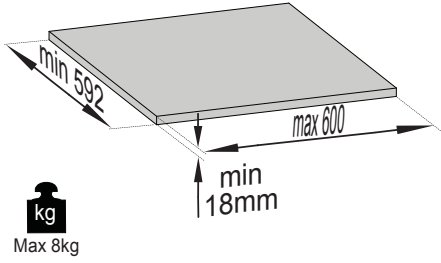
9



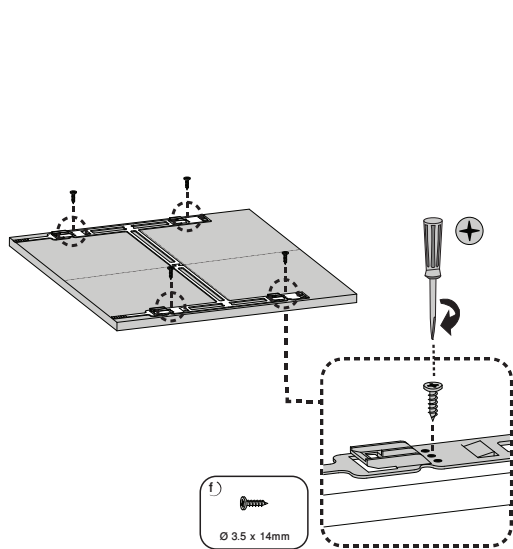
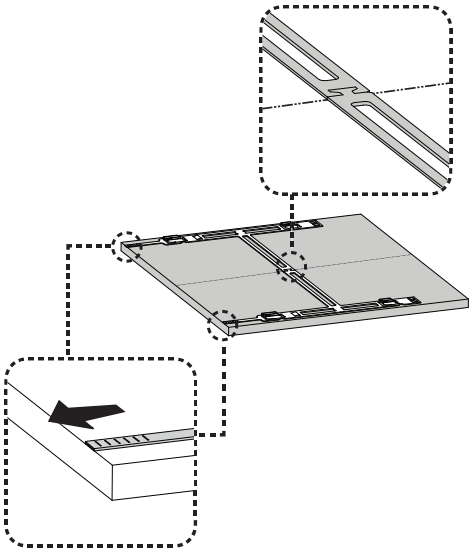
10



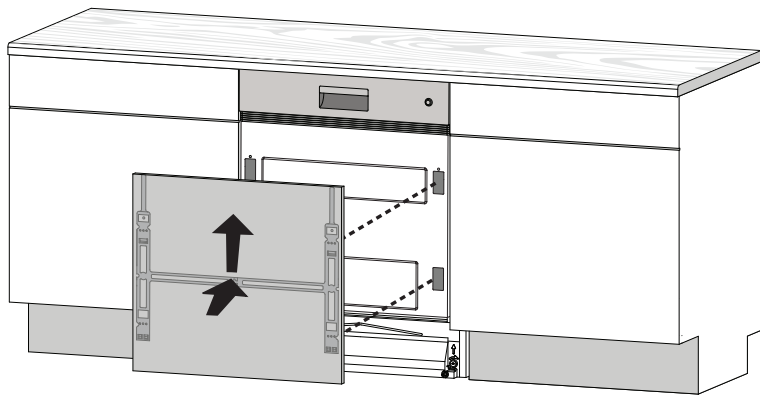
11



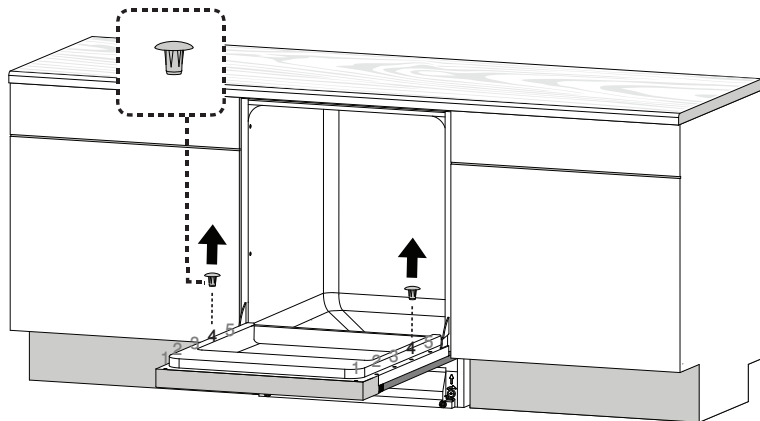
12



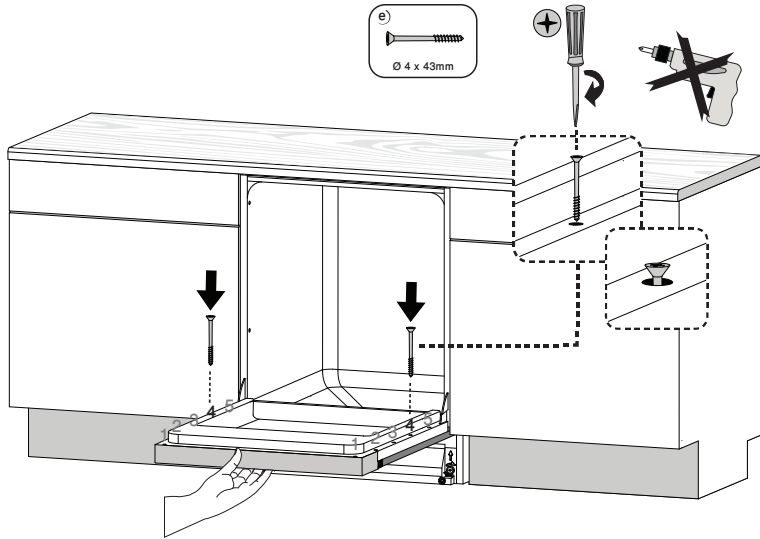
13



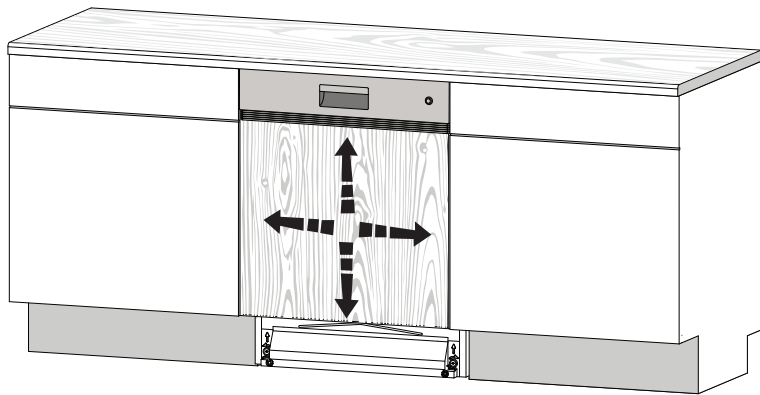
14



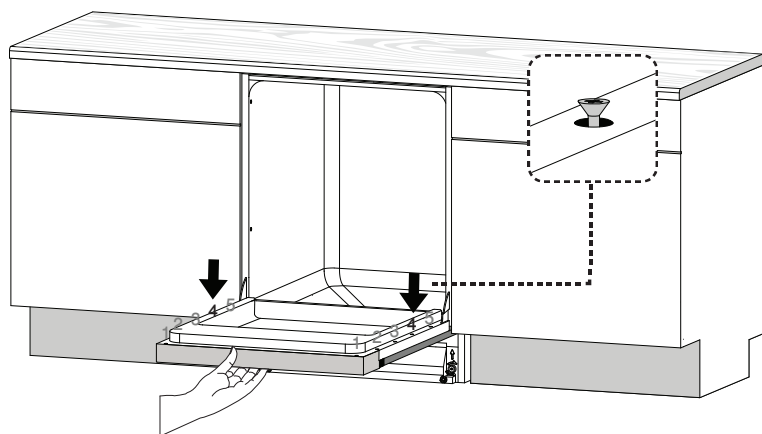
15



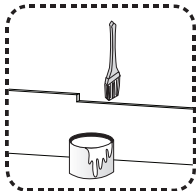
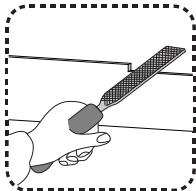
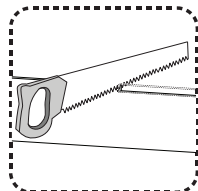
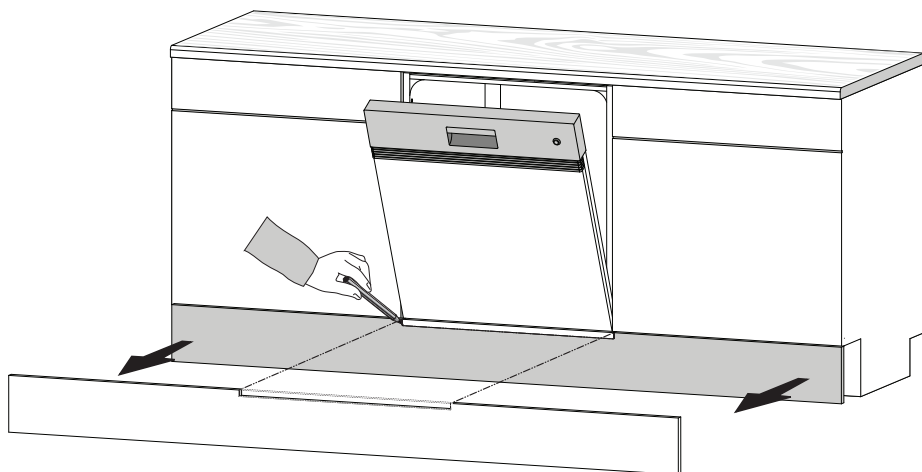
16

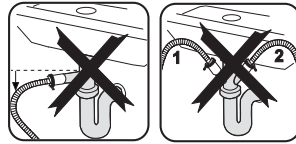
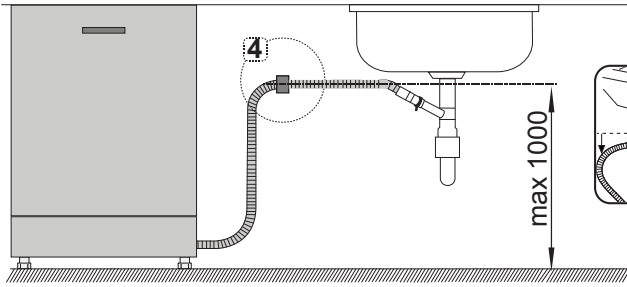
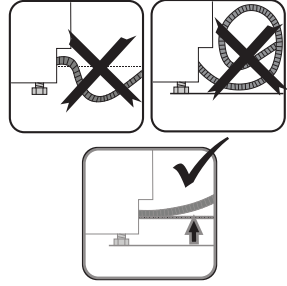
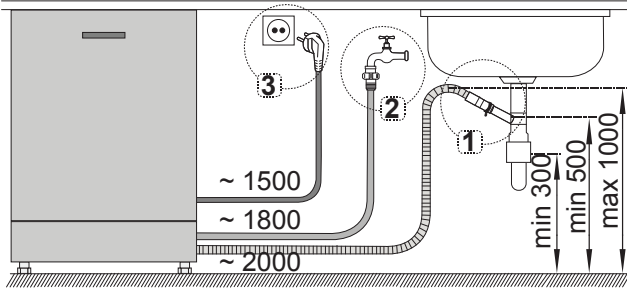


17



18





1

2

3

4



