



Refrigerator

User manual

Kühlschrank/Gefrierschrank

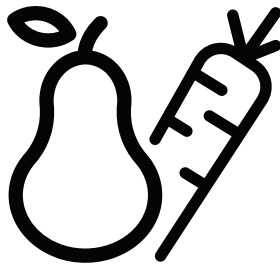
Bedienungsanleitung

Réfrigérateur

Manuel d'utilisation

Koelkast

Gebruiksaanwijzing



RSNE445E33W - RSNE445E33WN



EN / DE / FR / NL

57 9960 0000/AF
1/2

Please read this manual before using the product!

Dear Customer,

We'd like you to make the best use of our product, which has been manufactured in modern facilities with care and meticulous quality controls.






Thus, we advise you to read the entire user manual before you use the product. In case the product changes hands, do not forget to hand the guide to its new owner along with the product.

This guide will help you use the product quickly and safely.

- Please read the user guide carefully before installing and operating the product.
- Always observe the applicable safety instructions.
- Keep the user guide within easy reach for future use.
- Please read any other documents provided with the product.

Keep in mind that this user guide may apply to several product models. The guide clearly indicates any variations of different models.

	Important information and useful tips.
	Risk of life and property.
	Risk of electric shock.
	The product's packaging is made of recyclable materials, in accordance with the National Environment Legislation.





 INFORMATION	
	
SUPPLIER'S NAME	MODEL IDENTIFIER (*)
	
<p>The model information as stored in the product data base can be reached by entering following website and searching for your model identifier (*) found on energy label.</p> <p>https://eprel.ec.europa.eu/</p>	

1 Safety and environment instructions	4
General safety	4
Intended use	6
Child safety	6
Compliance with WEEE Directive and Disposing of the Waste Product	6
Compliance with RoHS Directive.....	7
Package information	7
2 Your refrigerator	8
3 Installation	9
Appropriate Installation Location.....	9
Adjusting the Feet	10
Electrical Connection	10
4 Preparation	11

5 Operating the product	12
Freezing fresh food	14
Recommendations for preserving the frozen food.....	15
Deep-freeze information	15
Placing the food	16
Door open warning	16
Changing the door opening direction	16
6 Maintenance and cleaning	21
7 Troubleshooting	22

This section provides the safety instructions necessary to prevent the risk of injury and material damage. Failure to observe these instructions will invalidate all types of product warranty.

Intended use

	WARNING: Keep ventilation openings, in the appliance enclosure or in the built-in structure, clear of obstruction.
	WARNING: Do not use mechanical devices or other means to accelerate the defrosting process, other than those recommended by the manufacturer.
	WARNING: Do not damage the refrigerant circuit.
	WARNING: Do not use electrical appliances inside the food storage compartments of the appliance, unless they are of the type recommended by the manufacturer.

This appliance is intended to be used in household and similar applications such as

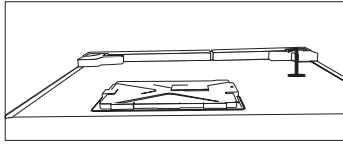
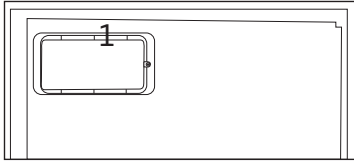
- staff kitchen areas in shops, offices and other working environments;
- farm houses and by clients in hotels, motels and other residential type environments;
- bed and breakfast type environments;

- catering and similar non-retail applications.

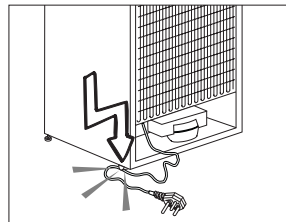
1.1. General safety

- This product should not be used by persons with physical, sensory and mental disabilities, without sufficient knowledge and experience or by children. The device can only be used by such persons under supervision and instruction of a person responsible for their safety. Children should not be allowed to play with this device.
- In case of malfunction, unplug the device.
- After unplugging, wait at least 5 minutes before plugging in again.
- Unplug the product when not in use.
- Do not touch the plug with wet hands! Do not pull the cable to plug off, always hold the plug.
- Do not plug in the refrigerator if the socket is loose.
- Unplug the product during installation, maintenance, cleaning and repair.
- If the product will not be used for a while, unplug the product and remove any food inside.
- Do not use the product when the compartment with circuit cards located on the upper back part of the product (electrical card box cover) (1) is open.

Safety and environment instructions



- Do not use steam or steamed cleaning materials for cleaning the refrigerator and melting the ice inside. Steam may contact the electrified areas and cause short circuit or electric shock!
- Do not wash the product by spraying or pouring water on it! Danger of electric shock!
- In case of malfunction, do not use the product, as it may cause electric shock. Contact the authorised service before doing anything.
- Plug the product into an earthed socket. Earthing must be done by a qualified electrician.
- If the product has LED type lighting, contact the authorised service for replacing or in case of any problem.
- Do not touch frozen food with wet hands! It may adhere to your hands!
- Do not place liquids in bottles and cans into the freezer compartment. They may explode.
- Place liquids in upright position after tightly closing the lid.
- Do not spray flammable substances near the product, as it may burn or explode.
- Do not keep flammable materials and products with flammable gas (sprays, etc.) in the refrigerator.
- Do not place containers holding liquids on top of the product. Splashing water on an electrified part may cause electric shock and risk of fire.
- Exposing the product to rain, snow, sunlight and wind will cause electrical danger. When relocating the product, do not pull by holding the door handle. The handle may come off.
- Take care to avoid trapping any part of your hands or body in any of the moving parts inside the product.
- Do not step or lean on the door, drawers and similar parts of the refrigerator. This will cause the product to fall down and cause damage to the parts.
- Take care not to trap the power cable.



Safety and environment instructions

1.1.1 HC warning

If the product comprises a cooling system using R600a gas, take care to avoid damaging the cooling system and its pipe while using and moving the product. This gas is flammable. If the cooling system is damaged, keep the product away from sources of fire and ventilate the room immediately.



The label on the inner left side indicates the type of gas used in the product.

1.1.2 For models with water dispenser

- Pressure for cold water inlet shall be maximum 90 psi (6.2 bar). If your water pressure exceeds 80 psi (5.5 bar), use a pressure limiting valve in your mains system. If you do not know how to check your water pressure, ask for the help of a professional plumber.
- If there is risk of water hammer effect in your installation, always use a water hammer prevention equipment in your installation. Consult Professional plumbers if you are not sure that there is no water hammer effect in your installation.
- Do not install on the hot water inlet. Take precautions against of the risk of freezing of the hoses. Water temperature operating interval shall be 33°F (0.6°C) minimum and 100°F (38°C) maximum.
- Use drinking water only.

1.2. Intended use

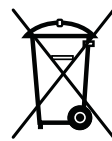
- This product is designed for home use. It is not intended for commercial use.
- The product should be used to store food and beverages only.
- Do not keep sensitive products requiring controlled temperatures (vaccines, heat sensitive medication, medical supplies, etc.) in the refrigerator.
- The manufacturer assumes no responsibility for any damage due to misuse or mishandling.
- Original spare parts will be provided for 10 years, following the product purchasing date.

1.3. Child safety

- Keep packaging materials out of children's reach.
- Do not allow the children to play with the product.
- If the product's door comprises a lock, keep the key out of children's reach.

1.4. Compliance with WEEE Directive and Disposing of the Waste Product

This product complies with EU WEEE Directive (2012/19/EU). This product bears a classification symbol for waste electrical and electronic equipment (WEEE).



This product has been manufactured with high quality parts and materials which can be reused and are suitable for recycling. Do not dispose of the waste product with normal domestic and

Safety and environment instructions

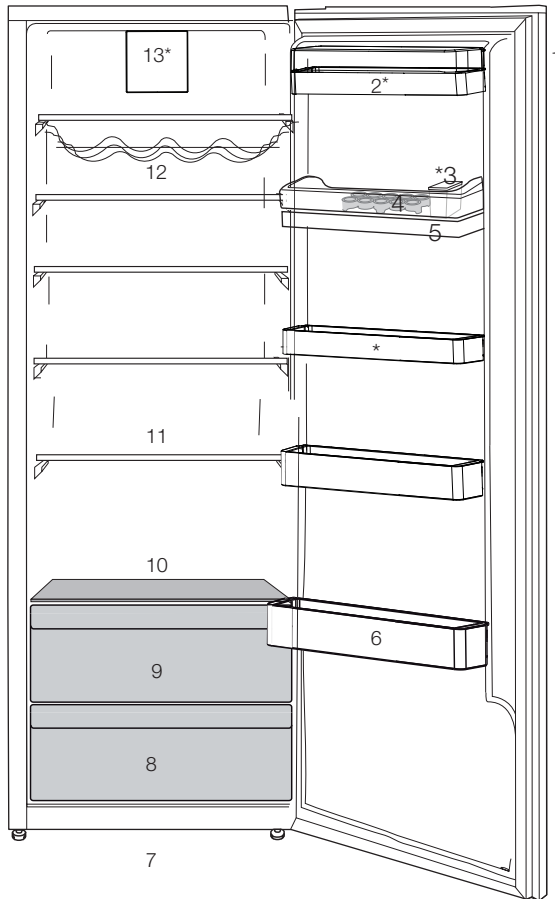
other wastes at the end of its service life. Take it to the collection center for the recycling of electrical and electronic equipment. Please consult your local authorities to learn about these collection centers.

1.5. Compliance with RoHS Directive

- This product complies with EU WEEE Directive (2011/65/EU). It does not contain harmful and prohibited materials specified in the Directive.

1.6. Package information

- Packaging materials of the product are manufactured from recyclable materials in accordance with our National Environment Regulations. Do not dispose of the packaging materials together with the domestic or other wastes. Take them to the packaging material collection points designated by the local authorities.



- | | |
|---------------------------------|-----------------------------|
| 1. Indicator panel | 8. Crispers |
| 2. Butter & Cheese sections | 9. Chiller |
| 3. Water dispenser filling tank | 10. Chiller cover and glass |
| 4. Egg section | 11. Movable shelves |
| 5. Water dispenser reservoir | 12. Wine cellar |
| 6. Adjustable door shelves | 13. Fan |
| 7. Adjustable front feet | |



***May not be available in all models**



Figures that take place in this instruction manual are schematic and may not correspond exactly with your product. If the subject parts are not included in the product you have purchased, then it is valid for other models.

3.1. Appropriate Installation Location

Contact an Authorized Service for the installation of the product. In order to prepare the product for use, refer the information in the user manual and ensure that electrical installation and water installation are appropriate. If not, call a qualified electrician and technician to have any necessary arrangements carried out.

	WARNING: Manufacturer shall not be held liable for damages that may arise from procedures carried out by unauthorized persons.
	WARNING: Product must not be plugged in during installation. Otherwise, there is the risk of death or serious injury!
	WARNING: If the door clearance of the room where the product shall be placed is so tight to prevent passing of the product, remove the door of the room and pass the product through the door by turning it to its side; if this does not work, contact the authorized service.

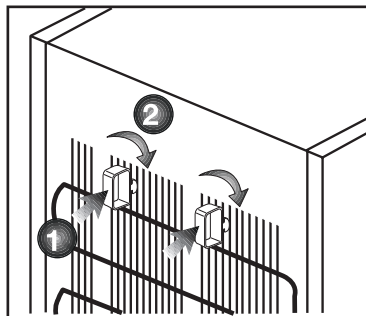
- Place the product on an even floor surface to prevent jolts.
- Install the product at least 30 cm away from heat sources such as hobs, heater cores and stoves and at least 5 cm away from electrical ovens.
- Product must not be subjected to direct sun light and kept in humid places.

- Appropriate air ventilation must be provided around your product in order to achieve an efficient operation. If the product is to be placed in a recess in the wall, pay attention to leave at least 5 cm distance with the ceiling and side walls.

Installing the Plastic Wedges

Plastic wedges supplied with the product are used to create the distance for the air circulation between the product and the rear wall.

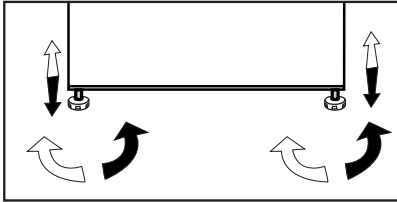
1. To install the wedges, remove the screws on the product and use the screws supplied together with the wedges.
2. Insert the 2 plastic wedges onto the rear ventilation cover as illustrated in the figure.



Installation

3.2. Adjusting the Feet

If the product stands unbalanced after installation, adjust the feet on the front by rotating them to the right or left.



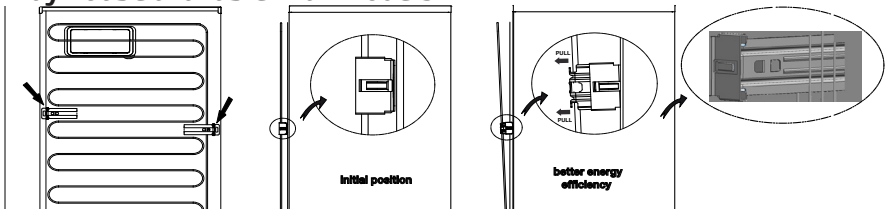
3.3. Electrical Connection

	WARNING: Do not make connections via extension cables or multi-plugs.
	WARNING: Damaged power cable must be replaced by the Authorized Service Agent.
	If two coolers are to be installed side by side, there should be at least 4 cm distance between them.

- Our company shall not be liable for any damages that will arise when the product is used without grounding and electrical connection in accordance with the national regulations.
- Power cable plug must be within easy reach after installation.
- Do not extension cords or cordless multiple outlets between your product and the wall outlet.

The condenser of your appliance is located on the back as shown below. In order to achieve better energy efficiency with lower energy consumption, please pull the condenser towards yourself as illustrated in picture below.

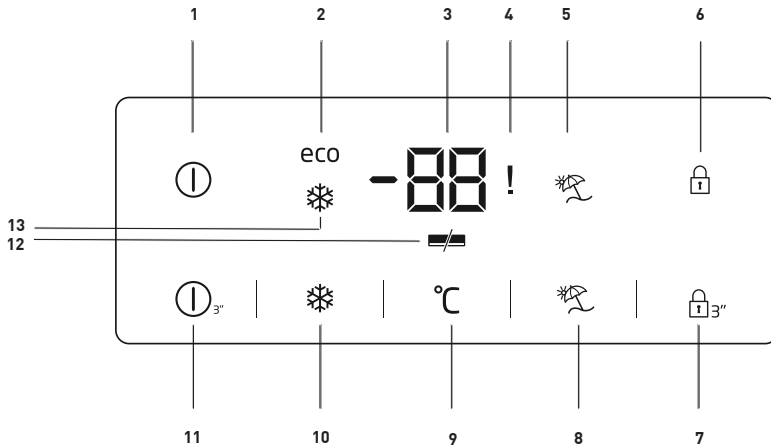
***may not be available in all models**



4 Preparation

- For a freestanding appliance; 'this refrigerating appliance is not intended to be used as a built-in appliance.
- Your refrigerator should be installed at least 30 cm away from heat sources such as hobs, ovens, central heater and stoves and at least 5 cm away from electrical ovens and should not be located under direct sunlight.
- The ambient temperature of the room where you install your refrigerator should at least be 5°C. Operating your refrigerator under cooler conditions is not recommended with regard to its efficiency.
- Please make sure that the interior of your refrigerator is cleaned thoroughly.
- If two refrigerators are to be installed side by side, there should be at least 2 cm distance between them.
- When you operate your refrigerator for the first time, please observe the following instructions during the initial six hours.
- The door should not be opened frequently.
- It must be operated empty without any food in it.
- Do not unplug your refrigerator. If a power failure occurs out of your control, please see the warnings in the "Recommended solutions for the problems" section.
- Original packaging and foam materials should be kept for future transportations or moving.
- The baskets/drawers that are provided with the chill compartment must always be in use for low energy consumption and for better storage conditions.
- Food contact with the temperature sensor in the freezer compartment may increase energy consumption of the appliance. Thus any contact with the sensor(s) must be avoided.
- In some models, the instrument panel automatically turns off 5 minutes after the door has closed. It will be reactivated when the door has opened or pressed on any key.
- Due to temperature change as a result of opening/closing the product door during operation, condensation on the door/body shelves and the glass containers is normal
- Since hot and humid air will not directly penetrate into your product when the doors are not opened, your product will optimize itself in conditions sufficient to protect your food. Functions and components such as compressor, fan, heater, defrost, lighting, display and so on will operate according to the needs to consume minimum energy under these circumstances.

5 Operating the product



1. On/Off Indicator:

This icon (Ⓜ) comes on when the fridge is turned off. All the other icons turn off.

2. Economic Usage Indicator:

This icon (eco) comes on when the Fridge Compartment is set to 8°C which is the most economical set value. Economic Usage Indicator turns off when the Quick Fridge or Quick Freeze function is selected.

3. Fridge Compartment Temperature Setting Indicator:

Indicates the temperature set for the Fridge Compartment.

4. Power Failure / High temperature / Error status indicator

This indicator (!) illuminates in case of power failure, high temperature and error warnings.

When the temperature of the freezer compartment is heated up to

a critical level for the frozen food, the maximum value reached by the freezer compartment temperature flashes on the digital indicator.

Check the food in the freezer compartment.

This is not a malfunction. The warning may be deleted by pressing any button or on high temperature alarm off button. (Cancelling by pressing any button is not applicable for every model.)

This indicator (!) illuminated when a sensor failure occurs, too. When this indicator is illuminated, "E" and figures such as "1,2,3..." are displayed alternatively on the temperature indicator. These figures on the indicator inform the service personnel about the error.

6. Key Lock Indicator:


This icon (Ⓜ) lights up when the Key Lock mode is activated.




Figures in this user manual are schematic and may not match the product exactly. If the subject parts are not included in the product you have purchased, then those parts are valid for other models.

Operating the product

7. Key Lock Mode:


Press Key Lock () button continuously for 3 seconds. Key lock icon will light up and key lock mode will be activated. Buttons will not function if the Key Lock mode is active. Press Key Lock button continuously for 3 seconds again. Key lock icon will turn off and the key lock mode will be exited.

8. Vacation Function:


When you press Vacation button, vacation function () is activated and vacation indicator lights. You can use this function when you will not use your fridge for a long time. Note that there should be no food inside your fridge, otherwise fridge can not preserve your food at Vacation mode.

If this function is activated, fridge compartment temperature is kept at 15 °C in order to prevent bad smelling. Press Vacation button again to deactivate vacation function.

9. Fridge Set Function:


This function () allows you to make the Fridge compartment temperature setting. Press this button to set the temperature of the fridge compartment to 8, 7, 6, 5, 4, 3, and 1 respectively.

10. Quick Fridge Function:


Quick Fridge indicator () turns on when the Quick Fridge function is on. Press Quick Fridge button again to cancel this function. Quick Fridge indicator will turn off and normal settings will be resumed. Quick Fridge function will be cancelled automatically 1 hour later if you do not cancel it manually. If you want to cool plenty amount of fresh food, press Quick

Fridge button before you place the food into the fridge compartment.

11. On/Off Function:

This function () allows you to make the Fridge turn off when pressed for 3 seconds. The fridge could be turned on by pressing On/Off button for 3 seconds again.

12. Energy Saving Indicator :

If the product doors are kept closed for a long time energy saving function is automatically activated and energy saving symbol is illuminated. ()

When energy saving function is activated, all symbols on the display other than energy saving symbol will turn off. When the Energy Saving function is activated, if any button is pressed or the door is opened, energy saving function will be canceled and the symbols on display will return to normal.

Energy saving function is activated during delivery from factory and cannot be canceled.

13. Quick Freeze Indicator :

This icon () comes on when the Quick Freeze function is on.

Operating the product

5.1. Freezing fresh food

- In order to preserve the quality of the food, it shall be frozen as quickly as possible when it is placed in the freezer compartment, use the fast freezing feature for this purpose.
- You may store the food longer in freezer compartment when you freeze them while they are fresh.
- Pack the food to be frozen and close the packing so that it would not allow entrance of air.
- Ensure that you pack your food before putting them in the freezer. Use freezer containers, foils and moisture-proof papers, plastic bags and other packing materials instead of traditional packing papers.
- Label each pack of food by adding the date before freezing. You may distinguish the freshness of each food pack in this way when you open your freezer each time. Store the food frozen before in the front side of compartment to ensure that they are used first.



The freezer compartment defrosts automatically.

- Frozen food must be used immediately after they are thawed and they should not be re-frozen.
- Do not freeze too large quantities of food at one time.

Operating the product

Freezer Compartment Setting	Fridge compartment Setting	Remarks
-18°C	4°C	This is the normal recommended setting.
-20,-22 or -24°C	4°C	These settings are recommended when the ambient temperature exceeds 30°C.
Quick Freeze	4°C	Use when you wish to freeze your food in a short time. Your product will return to its previous mode when the process is over.
-18°C or colder	2°C	Use these settings if you think that your fridge compartment is not cold enough because of the hot ambient conditions or frequent opening and closing of the door.

5.2. Recommendations for preserving the frozen food

Compartment shall be set to -18°C at least.

1. Put packages in the freezer as quickly as possible after purchase without allowing the to thaw.
2. Check whether the "Use By" and "Best Before" dates on the packaging are expired or not before freezing it.
3. Ensure that the package of the food is not damaged.

5.3. Deep-freeze information

According to IEC 62552 standards, the product shall freeze at least 4.5 kg of food at 32°C ambient temperature to -18°C or lower within 24 hours for every 100-litres of freezer volume.

It is possible to preserve the food for a long time only at -18°C or lower temperatures.

You can keep the freshness of food for many months (at -18°C or lower temperatures in the deep freeze).

Foods to be frozen should not be allowed to come in contact with the previously frozen items to prevent them from getting thawed partially.

Boil the vegetables and drain their water in order to store vegetables for a longer time as frozen. After draining their water, put them in air-proof packages and place them inside the freezer. Food such as bananas, tomatoes, lettuce, celery, boiled eggs, potatoes are not suitable for freezing. When these foods are frozen, only their nutritional value and taste shall be affected negatively. They shall not be spoiled so that they would create a risk for human health.

Operating the product

5.4. Placing the food

Freezer compartment shelves	Various frozen food such as meat, fish, ice cream, vegetables and etc.
Refrigerator compartment shelves	Food in pans, covered plates and closed containers, eggs (in closed container)
Door shelves of fridge compartment	Small and packaged food or beverage
Crisper	Vegetables and fruits
Fresh zone compartment	Delicatessen (breakfast food, meat products that shall be consumed in a short time)

5.5. Door open warning

(This feature is optional)

An audio warning signal will be given when the door of your product is left open for at least 1 minute. This warning will be muted when the door is closed or any of the display buttons (if any) are pressed.

Door open warning is given to user both visually and acoustically. If the warning continues for 10 minutes, interior lights will be turned off.

5.6. Changing the door opening direction

Door opening direction of your refrigerator can be changed according to the place you are using it. If this is necessary, please call your nearest Authorized Service.

Above description is a general expression. For information on changing the opening direction of the door, you must refer to the warning label located on the inner side of the door.

Operating the product

Using the water dispenser

* May not be available in all models



It is normal for the first few glasses of water taken from the dispenser to be warm.

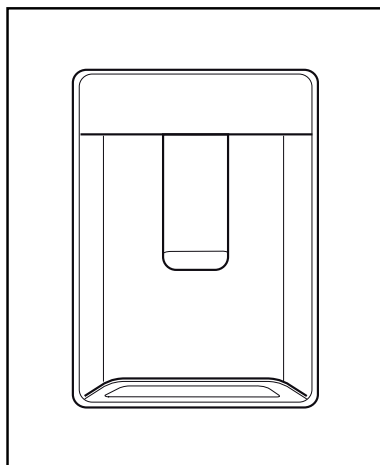


If the water dispenser is not used for a long period of time, dispose of first few glasses of water to obtain fresh water.

1. Push in the lever of the water dispenser with your glass. If you are using a soft plastic cup, pushing the lever with your hand will be easier.
2. After filling the cup up to the level you want, release the lever.



Please note, how much water flows from the dispenser depends on how far you depress the lever. As the level of water in your cup / glass rises, gently reduce the amount of pressure on the lever to avoid overflow. If you slightly press the arm, the water will drip; this is quite normal and not a failure.



Filling the water dispenser's tank

Water tank filling reservoir is located inside the door rack.

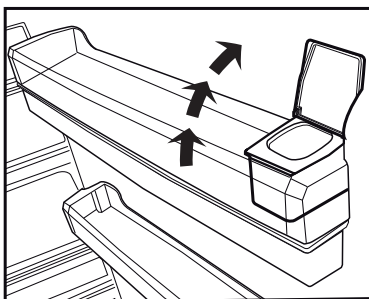
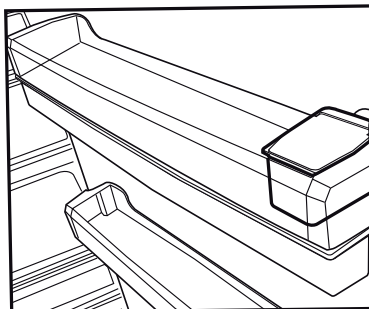
1. Open the cover of the tank.
2. Fill the tank with fresh drinking water.
3. Close the cover.



Do not fill the water tank with any other liquid except for water such as fruit juices, carbonated beverages or alcoholic drinks which are not suitable to use in the water dispenser. Water dispenser will be irreparably damaged if these kinds of liquids are used. Warranty does not cover such usages. Some chemical substances and additives contained in these kinds of drinks/liquids may damage the water tank.



Use clean drinking water only.



Operating the product



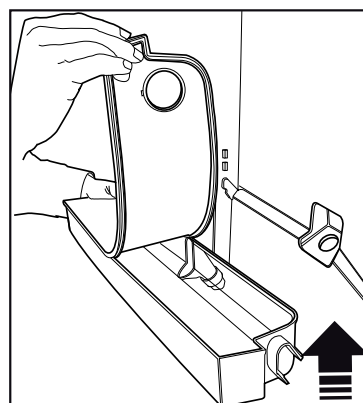
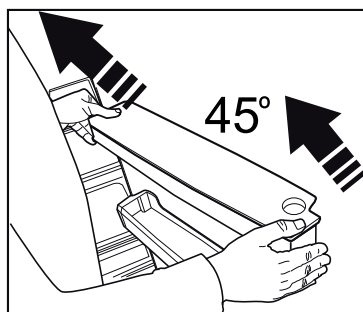
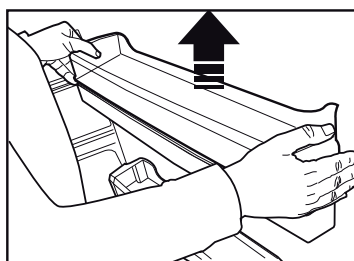
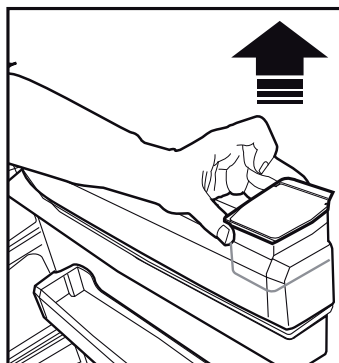
Capacity of the water tank is 3 litres; do not overfill.

Cleaning the water tank

1. Remove the water filling reservoir inside the door rack.
2. Remove the door rack by holding from both sides.
3. Grab the water tank from both sides and remove it with an angle of 45°C.
4. Remove the cover of the water tank and clean the tank.



Components of the water tank and water dispenser should not be washed in dishwasher.



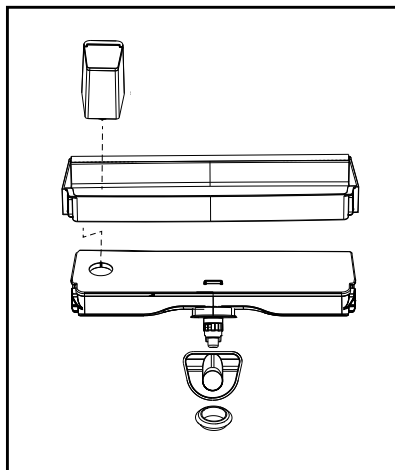
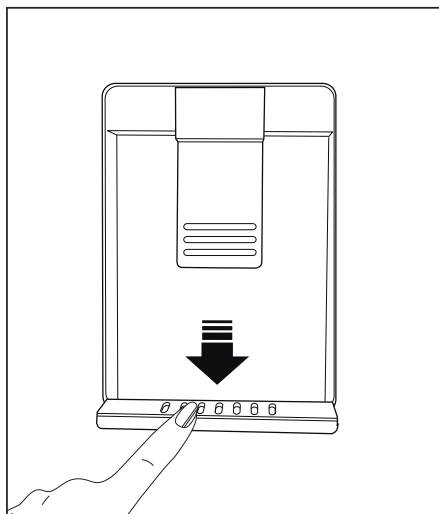
Operating the product

Drip tray

Water that dripped while using the water dispenser accumulates in the spillage tray.

Remove the plastic filter as shown in the figure.

With a clean and dry cloth, remove the water that has accumulated.



Cleaning your fridge at regular intervals will extend the service life of the product.



WARNING:

Unplug the product before cleaning it.

- Never use gasoline, benzene or similar substances for cleaning purposes.
- Never use any sharp and abrasive tools, soap, household cleaners, detergent and wax polish for cleaning.
- For non-No Frost products, water drops and frosting up to a fingerbreadth occur on the rear wall of the Fridge compartment. Do not clean it; never apply oil or similar agents on it.
- Only use slightly damp microfiber cloths to clean the outer surface of the product. Sponges and other types of cleaning cloths may scratch the surface
- Dissolve one teaspoon of bi-carbonate in half litre of water. Soak a cloth with the solution and wring it thoroughly. Wipe the interior of the refrigerator with this cloth and the dry thoroughly.
- Make sure that no water enters the lamp housing and other electrical items.
- If you will not use the refrigerator for a long period of time, unplug it, remove all food inside, clean it and leave the door ajar.
- Check regularly that the door gaskets are clean. If not, clean them.
- To remove door and body shelves, remove all of its contents.
- Remove the door shelves by pulling them up. After cleaning, slide them from top to bottom to install.

- Never use cleaning agents or water that contain chlorine to clean the outer surfaces and chromium coated parts of the product. Chlorine causes corrosion on such metal surfaces.

6.1 Avoiding bad odours

- Materials that may cause odour are not used in the production of our refrigerators. However, due to inappropriate food preserving conditions and not cleaning the inner surface of the refrigerator as required can bring forth the problem of odour. Pay attention to following to avoid this problem:
 - Keeping the refrigerator clean is important. Food residuals, stains, etc. can cause odour. Therefore, clean the refrigerator with bi-carbonate dissolved in water every few months. Never use detergents or soap.
 - Keep the food in closed containers. Microorganisms spreading out from uncovered containers can cause unpleasant odours.
 - Never keep the food that have passed best before dates and spoiled in the refrigerator.

6.2 Protecting the plastic surfaces

Do not put liquid oils or oil-cooked meals in your refrigerator in unsealed containers as they damage the plastic surfaces of the refrigerator. If oil is spilled or smeared onto the plastic surfaces, clean and rinse the relevant part of the surface at once with warm water.

7 Troubleshooting

Check this list before contacting the service. Doing so will save you time and money. This list includes frequent complaints that are not related to faulty workmanship or materials. Certain features mentioned herein may not apply to your product.

The refrigerator is not working.

- The power plug is not fully settled. >>> Plug it in to settle completely into the socket.
- The fuse connected to the socket powering the product or the main fuse is blown. >>> Check the fuses.

Condensation on the side wall of the cooler compartment (MULTI ZONE, COOL, CONTROL and FLEXI ZONE).

- The door is opened too frequently >>> Take care not to open the product's door too frequently.
- The environment is too humid. >>> Do not install the product in humid environments.
- Foods containing liquids are kept in unsealed holders. >>> Keep the foods containing liquids in sealed holders.
- The product's door is left open. >>> Do not keep the product's door open for long periods.
- The thermostat is set to too low temperature. >>> Set the thermostat to appropriate temperature.

Compressor is not working.

- In case of sudden power failure or pulling the power plug off and putting back on, the gas pressure in the product's cooling system is not balanced, which triggers the compressor thermic safeguard. The product will restart after approximately 6 minutes. If the product does not restart after this period, contact the service.

- Defrosting is active. >>> This is normal for a fully-automatic defrosting product. The defrosting is carried out periodically.
- The product is not plugged in. >>> Make sure the power cord is plugged in.
- The temperature setting is incorrect. >>> Select the appropriate temperature setting.
- The power is out. >>> The product will continue to operate normally once the power is restored.

The refrigerator's operating noise is increasing while in use.

- The product's operating performance may vary depending on the ambient temperature variations. This is normal and not a malfunction.

The refrigerator runs too often or for too long.

- The new product may be larger than the previous one. Larger products will run for longer periods.
- The room temperature may be high. >>> The product will normally run for long periods in higher room temperature.
- The product may have been recently plugged in or a new food item is placed inside. >>> The product will take longer to reach the set temperature when recently plugged in or a new food item is placed inside. This is normal.
- Large quantities of hot food may have been recently placed into the product. >>> Do not place hot food into the product.
- The doors were opened frequently or kept open for long periods. >>> The warm air moving inside will cause the product to run longer. Do not open the doors too frequently.

Troubleshooting

- The freezer or cooler door may be ajar. >>> Check that the doors are fully closed.
- The product may be set to temperature too low. >>> Set the temperature to a higher degree and wait for the product to reach the adjusted temperature.
- The cooler or freezer door washer may be dirty, worn out, broken or not properly settled. >>> Clean or replace the washer. Damaged / torn door washer will cause the product to run for longer periods to preserve the current temperature.

The freezer temperature is very low, but the cooler temperature is adequate.

- The freezer compartment temperature is set to a very low degree. >>> Set the freezer compartment temperature to a higher degree and check again.

The cooler temperature is very low, but the freezer temperature is adequate.

- The cooler compartment temperature is set to a very low degree. >>> Set the freezer compartment temperature to a higher degree and check again.

The food items kept in cooler compartment drawers are frozen.

- The cooler compartment temperature is set to a very low degree. >>> Set the freezer compartment temperature to a higher degree and check again.

The temperature in the cooler or the freezer is too high.

- The cooler compartment temperature is set to a very high degree. >>> Temperature setting of the cooler compartment has an effect on

the temperature in the freezer compartment. Wait until the temperature of relevant parts reach the sufficient level by changing the temperature of cooler or freezer compartments.

- The doors were opened frequently or kept open for long periods. >>> Do not open the doors too frequently.
- The door may be ajar. >>> Fully close the door.
- The product may have been recently plugged in or a new food item is placed inside. >>> This is normal. The product will take longer to reach the set temperature when recently plugged in or a new food item is placed inside.
- Large quantities of hot food may have been recently placed into the product. >>> Do not place hot food into the product.

Shaking or noise.

- The ground is not level or durable. >>> If the product is shaking when moved slowly, adjust the stands to balance the product. Also make sure the ground is sufficiently durable to bear the product.
- Any items placed on the product may cause noise. >>> Remove any items placed on the product.

The product is making noise of liquid flowing, spraying etc.

- The product's operating principles involve liquid and gas flows. >>> This is normal and not a malfunction.

There is sound of wind blowing coming from the product.

- The product uses a fan for the cooling process. This is normal and not a malfunction.

Troubleshooting

There is condensation on the product's internal walls.

- Hot or humid weather will increase icing and condensation. This is normal and not a malfunction.
- The doors were opened frequently or kept open for long periods. >>> Do not open the doors too frequently; if open, close the door.
- The door may be ajar. >>> Fully close the door.

There is condensation on the product's exterior or between the doors.

- The ambient weather may be humid, this is quite normal in humid weather. >>> The condensation will dissipate when the humidity is reduced.

The interior smells bad.

- The product is not cleaned regularly. >>> Clean the interior regularly using sponge, warm water and carbonated water.
- Certain holders and packaging materials may cause odour. >>> Use holders and packaging materials without free of odour.
- The foods were placed in unsealed holders. >>> Keep the foods in sealed holders. Micro-organisms may spread out of unsealed food items and cause malodour. Remove any expired or spoiled foods from the product.

The door is not closing.

- Food packages may be blocking the door. >>> Relocate any items blocking the doors.
- The product is not standing in full upright position on the ground. >>> Adjust the stands to balance the product.

- The ground is not level or durable. >>> Make sure the ground is level and sufficiently durable to bear the product.

The vegetable bin is jammed.

- The food items may be in contact with the upper section of the drawer. >>> Reorganize the food items in the drawer.

If The Surface Of The Product Is Hot.

- High temperatures may be observed between the two doors, on the side panels and at the rear grill while the product is operating. This is normal and does not require service maintenance! Be careful when touching these areas.



WARNING:

If the problem persists after following the instructions in this section, contact your vendor or an Authorised Service. Do not try to repair the product.

DISCLAIMER / WARNING

Some (simple) failures can be adequately handled by the end-user without any safety issue or unsafe use arising, provided that they are carried out within the limits and in accordance with the following instructions (see the "Self-Repair" section).

Therefore, unless otherwise authorized in the "Self-Repair" section below, repairs shall be addressed to registered professional repairers in order to avoid safety issues. A registered professional repairer is a professional repairer that has been granted access to the instructions and spare parts list of this product by the manufacturer according to the methods described in legislative acts pursuant to Directive 2009/125/EC.

However, only the service agent (i.e. authorized professional repairers) that you can reach through the phone number given in the user manual/warranty card or through your authorized dealer may provide service under the guarantee terms. Therefore, please be advised that repairs by professional repairers (who are not authorized by Beko) shall void the guarantee.

Self-Repair

Self-repair can be done by the end-user with regard to the following spare parts: door handles, door hinges, trays, baskets and door gaskets (an updated list is also available in support.beko.com as of 1st March 2021).

Moreover, to ensure product safety and to prevent risk of serious injury, the mentioned self-repair shall be done following the instructions in the user manual for self-repair or which are available in support.beko.com. For your safety, unplug the product before attempting any self-repair.

Repair and repair attempts by end-users for parts not included in such list and/or not following the instructions in the user manuals for self-repair or which are available in support.beko.com, might give raise to safety issues not attributable to Beko, and will void the warranty of the product.

Therefore, it is highly recommended that end-users refrain from the attempt to carry out repairs falling outside the mentioned list of spare parts, contacting in such cases authorized professional repairers or registered professional repairers. On the contrary, such attempts by end-users may cause safety issues and damage the product and subsequently cause fire, flood, electrocution and serious personal injury to occur.

By way of example, but not limited to, the following repairs must be addressed to authorized professional repairers or registered professional repairers: compressor, cooling circuit, main board, inverter board, display board, etc.

The manufacturer/seller cannot be held liable in any case where end-users do not comply with the above.

The spare part availability of the refrigerator that you purchased is 10 years.

During this period, original spare parts will be available to operate the refrigerator properly. The minimum duration of guarantee of the refrigerator that you purchased is 24 months.

This product is equipped with a lighting source of the "G" energy class.

The lighting source in this product shall only be replaced by professional repairers.

Sehr geehrter Kunde,

Wir möchten Ihnen eine optimale Effizienz Ihres Produkts bieten, welches in modernen Betrieben mit akribischen Qualitätskontrollen hergestellt wurde.

Hierzu bitten wir Sie die Bedienungsanleitung vollständig und gründlich durchzulesen und das Handbuch als Referenzquelle aufzubewahren. Wenn Sie das Produkt wiederum an eine andere Person weitergeben, geben Sie auch dieses Handbuch zusammen mit dem Produkt weiter.

Das Benutzerhandbuch gewährleistet die schnelle und sichere Anwendung des Produkts.





- Vor der Installation und Anwendung des Produkts, lesen Sie bitte diese Bedienungsanleitung sorgfältig durch.
- Beachten Sie auf alle Fälle die Anleitung im Zusammenhang mit der Sicherheit.
- Da Sie diese Bedienungsanleitung auch in der Zukunft benötigen werden, sollte es leicht zugänglich aufbewahrt werden.
- Lesen Sie auch die, mit dem Produkt mitgelieferten, sonstigen Belege durch.

Beachten Sie, dass diese Anleitung für mehrere Produktmodelle anwendbar ist. Differenzen zwischen den Modellen sind eindeutig aufgeführt.

Symbole und Erläuterungen

In dieser Bedienungsanleitung befinden sich folgende Symbole:

	Wichtige Informationen oder hilfreiche Tipps.
	Risiken für Gesundheit und Produkt.
	Stromschlagrisiko.
	Verpackung des Produktes, produziert aus wiederverwertbarem Materialien entsprechend der nationalen Umweltschutzgesetze.

 ANGABEN	
 SUPPLIER'S NAME:  MODEL IDENTIFIER:  (*)	Die Modellinformationen, wie sie in der Produktdatenbank gespeichert sind, können durch Eingabe der folgenden Webseite und Suche nach Ihrer Modellkennung (*) auf dem Energieetikett erreicht werden. https://eprel.ec.europa.eu/

1 Hinweise zu Sicherheit und Umwelt **4**

2 Ihr Kühlschrank/ Gefrierschrank **9**

3 Installation **10**

Wenn Sie den Kühlschrank versetzen möchten:10
Vor dem Einschalten10
Elektrischer Anschluss.....11
Verpackungsmaterialien entsorgen....11
Altgeräte entsorgen.....12
Aufstellung und Installation.....12

4 Vorbereitung **13**

5 Nutzung des Kühlschrank/ Gefrierschranks **14**

Doppeltes Kühlsystem16
Frische Lebensmittel tiefkühlen.....16
Empfehlungen zur Konservierung gefrorener Lebensmittel.....20
Lebensmittel platzieren20
Hinweise zum Tiefkühlen.....21
Tür-offen-Warnung.....21
Wechseln des Türanschlags21

6 Pflege und Reinigung **22**

7 Problemlösung **23**

Dieser Abschnitt bietet die zur Vermeidung von Verletzungen und Materialschäden erforderlichen Sicherheitsanweisungen. Bei Nichtbeachtung dieser Anweisungen erlöschen jegliche Garantieansprüche.

Bestimmungsgemäßer Einsatz

ACHTUNG:

Stellen Sie sicher, dass die Entlüftungsöffnungen am Aufstellort des Gerätes nicht blockiert sind.

ACHTUNG:

Um den Auftauvorgang zu beschleunigen, keine anderen mechanischen Geräte oder Geräte verwenden, die nicht vom Hersteller empfohlen sind.

ACHTUNG:

Dem Kühlmittelkreislauf keine Schäden zufügen.

ACHTUNG:

In den Lebensmittelaufbewahrungsfächern keine Geräte verwenden, die nicht vom Hersteller empfohlen sind.



Dieses Gerät ist für die private Nutzung oder für den Gebrauch bei folgenden ähnliche Anwendungen konzipiert worden

- In Personalküchen in Geschäften, Büros und anderen Arbeitsumgebungen;
- In Bauernhöfen, Hotels, Motels und anderen Unterkünften, für den Gebrauch der Kunden;
- Umgebungen mit Übernachtung und Frühstück;

- Bei Catering und ähnliche Non-Retail-Anwendungen.

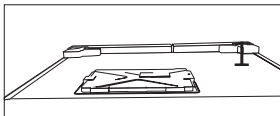
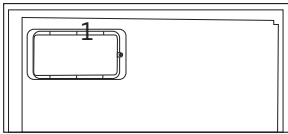
1.1 Allgemeine Sicherheitshinweise

- Dieses Produkt darf nicht von Personen mit körperlichen, sensorischen oder mentalen Einschränkungen, einem Mangel an Erfahrung und Wissen oder von Kindern verwendet werden. Das Gerät darf nur dann von solchen Personen benutzt werden, wenn diese von einer für ihre Sicherheit verantwortlichen Person beaufsichtigt werden oder angeleitet werden. Kinder dürfen nicht mit diesem Gerät spielen.
- Ziehen Sie bei Fehlfunktionen den Netzstecker des Gerätes.
- Warten Sie nach Ziehen des Netzsteckers mindestens 5 Minuten, bevor Sie ihn wieder anschließen.
- Ziehen Sie den Netzstecker, wenn Sie das Gerät nicht nutzen.
- Berühren Sie den Netzstecker niemals mit feuchten oder gar nassen Händen. Ziehen Sie beim Trennen niemals am Kabel, greifen Sie immer am Stecker.
- Wischen Sie den Netzstecker vor dem Einstecken mit einem trockenen Tuch ab.
- Schließen Sie den Kühlschrank nicht an lose Steckdosen an.
- Das Gerät muss bei Aufstellung, Wartungsarbeiten, Reinigung und bei Reparaturen

Sicherheits- und Umweltschutzanweisungen

vollständig vom Stromnetz getrennt werden.

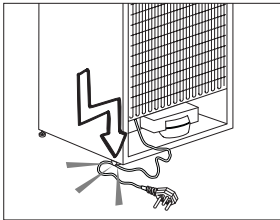
- Falls das Produkt längere Zeit nicht benutzt wird, ziehen Sie den Netzstecker und nehmen Sie sämtliche Lebensmittel aus dem Kühlschrank.
- Verwenden Sie das Produkt nicht, wenn das Fach mit Leiterplatten im unteren hinteren Bereich des Gerätes (Abdeckung des Fachs mit der elektrischen Karte) (1) geöffnet ist.



- Benutzen Sie keine Dampfreiniger oder ähnliche Gerätschaften zum Reinigen oder Abtauen Ihres Gerätes. Der Dampf kann in Bereiche eindringen, die unter Spannung stehen. Kurzschlüsse oder Stromschläge können die Folge sein!
- Lassen Sie niemals Wasser direkt auf das Gerät gelangen; auch nicht zum Reinigen! Es besteht Stromschlaggefahr!
- Verwenden Sie das Produkt bei Fehlfunktionen nicht; es besteht Stromschlaggefahr! Wenden Sie sich als erstes an den autorisierten Kundendienst.
- Stecken Sie den Netzstecker des Gerätes in eine geerdete Steckdose. Die Erdung muss durch einen qualifizierten Elektriker vorgenommen werden.
- Falls das Gerät über eine LED-Beleuchtung verfügt, wenden Sie sich zum Auswechseln sowie im Falle von Problemen an den autorisierten Kundendienst.
- Berühren Sie gefrorene Lebensmittel nicht mit feuchten Händen! Sie können an Ihren Händen festfrieren!
- Geben Sie keine Flüssigkeiten in Flaschen oder Dosen in den Tiefkühlbereich. Sie können platzen!
- Geben Sie Flüssigkeiten in aufrechter Position in den Kühlschrank; zuvor den Deckel sicher verschließen.
- Sprühen Sie keine entflammaren Substanzen in die Nähe des Gerätes, da sie Feuer fangen oder explodieren könnten.
- Bewahren Sie keine entflammaren Materialien oder Produkte mit entflammaren Gasen (Sprays etc.) im Kühlschrank auf.
- Stellen Sie keine mit Flüssigkeiten gefüllten Behälter (z. B. Vasen) auf dem Gerät ab. Falls Wasser oder andere Flüssigkeiten an unter Spannung stehende Teile gelangen, kann es zu Stromschlägen oder Bränden kommen.

Sicherheits- und Umweltschutzanweisungen

- Setzen Sie das Gerät keinem Regen, Schnee, direkten Sonnenlicht oder Wind aus; dies kann die elektrische Sicherheit gefährden. Verschieben Sie das Gerät nicht durch Ziehen an den Türgriffen. Die Griffe könnten sich lösen.
- Achten Sie darauf, dass weder Ihre Hände noch andere Körperteile von beweglichen Teilen im Inneren des Gerätes eingeklemmt oder gequetscht werden.
- Achten Sie darauf, nicht auf die Tür, Schubladen oder ähnliche Teile des Kühlschranks zu treten; lehnen Sie sich nicht daran an. Andernfalls könnte das Gerät umkippen, Teile könnten beschädigt werden.
- Achten Sie darauf, das Netzkabel nicht einzuklemmen.



Dieses Gas ist leicht entflammbar. Bei Beschädigungen des Kühlsystems halten Sie das Gerät von potenziellen Zündquellen (z. B. offenen Flammen) fern und sorgen für eine gute Belüftung des Raumes.



Das Typenschild an der linken Innenwand des Kühlschranks gibt die Art des im Gerät verwendeten Gases an.

1.1.2 Modelle mit Wasserspender

- Der Druck für die Kaltwasserzufuhr sollte maximal 90 psi (620 kPa) betragen. Wenn der Wasserdruck in Ihrem Haushalt 80 psi (550 kPa) übersteigt, verwenden Sie bitte ein Druckbegrenzungsventil in Ihrem Leitungssystem. Sollten Sie nicht wissen, wie der Wasserdruck gemessen wird, ziehen Sie bitte einen Fachinstallateur hinzu.
- Sollte für Ihr Leitungssystem das Risiko eines Wasserschlags (Druckstoß) bestehen, verwenden Sie stets eine geeignete Druckstoßsicherung. Wenden Sie sich bitte an einen Fachinstallateur, falls Sie sich über die Wasserschlaggefährdung in Ihrem Leitungssystem nicht sicher sein sollten.
- Nutzen Sie niemals die Warmwasserzufuhr für den Einbau. Treffen Sie geeignete Vorsichtsmaßnahmen zum

1.1.1 Wichtige Hinweise zum Kältemittel

Wenn das Gerät über ein Kühlsystem mit R600a-Gas verfügt, achten Sie darauf, das Kühlsystem und den dazugehörigen Schlauch während der Benutzung und des Transports nicht zu beschädigen.

Sicherheits- und Umweltschutzanweisungen

Schutz der Leitungen gegen mögliches Einfrieren. Die für den Betrieb zulässige Wassertemperatur liegt im Bereich von mindestens 0,6°C (33°F) bis hin zu maximal 38°C (100°F).

- Nutzen Sie ausschließlich Trinkwasser.

1.2 Bestimmungsgemäßer Einsatz

- Dieses Gerät ist für den Einsatz im Haushalt vorgesehen. Er eignet sich nicht zum kommerziellen Einsatz.
- Das Produkt sollte ausschließlich zum Lagern von Lebensmitteln und Getränken verwendet werden.
- Bewahren Sie keine empfindlichen Produkte, die kontrollierte Temperaturen erfordern (z. B. Impfstoffe, wärmeempfindliche Medikamente, Sanitätsartikel etc.) im Kühlschrank auf.
- Der Hersteller haftet nicht für jegliche Schäden, die durch Missbrauch oder falsche Handhabung entstehen.
- Originalersatzteile stehen für einen Zeitraum von 10 Jahre beginnend mit dem Kaufdatum zur Verfügung.

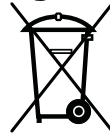
1.3 Sicherheit von Kindern

Bewahren Sie Verpackungsmaterialien außerhalb der Reichweite von Kindern auf. Lassen Sie Kinder nicht mit dem Gerät spielen.

Falls das Gerät mit einer abschließbaren Tür ausgestattet ist, bewahren Sie den Schlüssel außerhalb der Reichweite von Kindern auf.

1.4 Einhaltung von WEEE-Vorgaben und Altgeräteentsorgung

Dieses Gerät erfüllt die Vorgaben der EU-WEEE-Direktive (2012/19/EU). Das Gerät wurde mit einem Klassifizierungssymbol für elektrische und elektronische Altgeräte (WEEE) gekennzeichnet.



Dieses Gerät wurde aus hochwertigen Materialien hergestellt, die wiederverwendet und recycelt werden können. Entsorgen Sie das Gerät am Ende seiner Einsatzzeit nicht mit dem regulären Hausmüll. Bringen Sie das Gerät zu einer Sammelstelle zum Recycling von elektrischen und elektronischen Geräten.

Ihre Stadtverwaltung informiert Sie gerne über geeignete Sammelstellen in Ihrer Nähe.

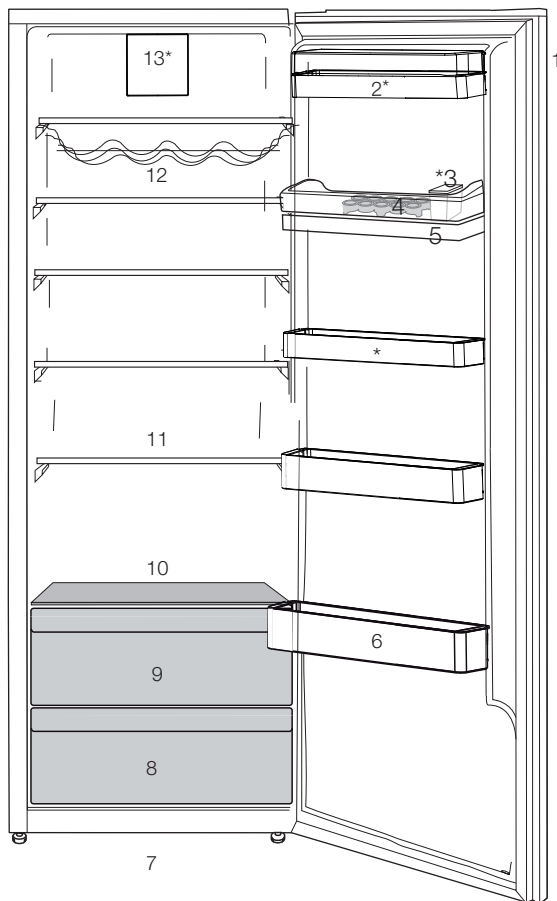
1.5 Einhaltung von RoHS-Vorgaben

- Dieses Gerät erfüllt die Vorgaben der EU-WEEE-Direktive (2011/65/EU). Es enthält keine in der Direktive angegebenen gefährlichen und unzulässigen Materialien.

1.6 Hinweise zur Verpackung

- Die Verpackungsmaterialien des Gerätes worden gemäß nationalen Umweltschutzbestimmungen aus recyclingfähigen Materialien hergestellt. Entsorgen Sie Verpackungsmaterialien nicht mit dem regulären Hausmüll oder anderen Abfällen. Bringen Sie Verpackungsmaterialien zu geeigneten Sammelstellen; Ihre Stadtverwaltung berät Sie gern.

2 Ihr Kühlschrank/Gefrierschrank



- | | |
|---------------------------------|--------------------------------|
| 1. Anzeigetafel | 8. Gemüsefächer |
| 2. Butter & Käseschnitte | 9. Chiller |
| 3. Wasserspender Befüllbehälter | 10. Chiller Abdeckung und Glas |
| 4. Eierhalter | 11. Bewegliche Regale |
| 5. Wasserspender Reservoir | 12. Weinkeller |
| 6. Verstellbare Türablagen | 13. Lüfter |
| 7. Einstellbare Vorderfüße | |

***Möglicherweise nicht für alle Modelle verfügbar.**



Abbildungen und Angaben in dieser Anleitung sind schematisch und können etwas von Ihrem Produkt abweichen. Wenn die Teile nicht im gekauften Produkt enthalten sind, gelten sie für andere Modelle.

3 Installation



HINWEIS:

Der Hersteller haftet nicht, falls die Angaben in dieser Anleitung nicht berücksichtigt werden.

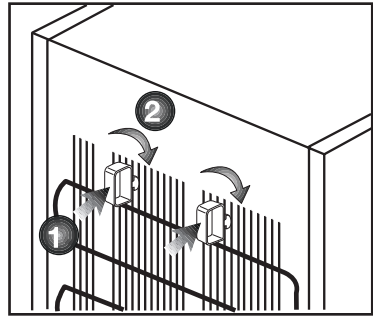
3.1. Wenn Sie den Kühlschrank versetzen möchten:

1. Ziehen Sie zuvor den Netzstecker. Der Kühlschrank sollte geleert und gesäubert werden, bevor Sie ihn transportieren oder versetzen.
2. Sichern Sie die beweglichen Teile im Inneren (z. B. Ablagen, Zubehör, Gemüsefach etc.) vor dem Verpacken mit Klebeband, schützen Sie solche Teile vor Stößen. Umwickeln Sie die Verpackung mit kräftigem Klebeband oder stabilen Schnüren, beachten Sie die Transporthinweise auf der Verpackung.
3. Originalverpackung und Schaumstoffmaterialien sollten zum zukünftigen Transport des Gerätes aufbewahrt werden.

3.2. Vor dem Einschalten

Beachten Sie Folgendes, bevor Sie Ihren Kühlschrank benutzen:

1. Bringen Sie die beiden Kunststoffkeile wie nachstehend abgebildet an. Die Kunststoffkeile sorgen für den nötigen Abstand zwischen Kühlschrank und Wand, damit die Luft frei zirkulieren kann. (Die Abbildung dient lediglich zur Orientierung und kann daher etwas von Ihrem Gerät abweichen.)
2. Bitte bringen Sie die beiden Kunststoffkeile wie in der Abbildung gezeigt an. Die Kunststoffkeile sorgen für den richtigen Abstand zwischen Kühlschrank und Wand - und damit für die richtige Luftzirkulation.



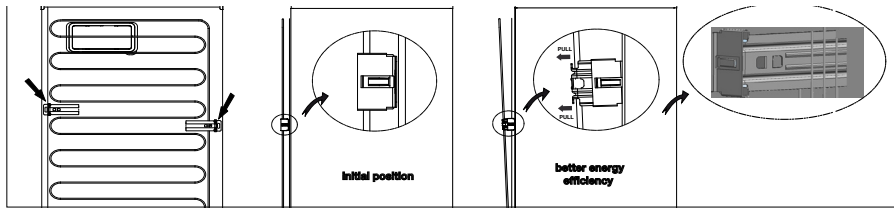
(Die Abbildung dient lediglich zur Orientierung und muss nicht exakt mit Ihrem Gerät übereinstimmen.)

3. Reinigen Sie das Innere des Kühlschranks wie im Abschnitt „Wartung und Reinigung“ beschrieben.
4. Schließen Sie den Netzstecker des Kühlschranks an eine Steckdose an. Beim Öffnen der Tür leuchtet die Innenbeleuchtung auf.
5. Beim Anspringen des Kompressors sind Geräusche zu hören. Die Flüssigkeiten und Gase im Kühlsystem können auch leichte Geräusche erzeugen, wenn der Kompressor nicht läuft. Dies ist völlig normal.
6. Die Vorderkanten des Kühlgerätes können sich warm anfühlen. Dies ist normal. Diese Bereiche wärmen sich etwas auf, damit sich kein Kondenswasser bildet.

Installation

Der Kondensator Ihres Geräts befindet sich an der Rückseite, siehe unten. Um eine höhere Energieeffizienz mit gesenktem Stromverbrauch zu erzielen, ziehen Sie den Kondensator bitte zu sich heran, wie im Bild unten dargestellt.

*** Möglicherweise nicht für alle Modelle verfügbar.**



3.3. Elektrischer Anschluss

Schließen Sie das Gerät an eine geerdete (Schuko-) Steckdose an. Diese Steckdose muss mit einer passenden Sicherung abgesichert werden.

Wichtig:

- Der Anschluss muss gemäß lokaler Vorschriften erfolgen.
- Der Netzstecker muss nach der Installation frei zugänglich bleiben.
- Die elektrische Sicherheit des Gerätes ist nur dann gewährleistet, wenn das hausinterne Erdungssystem den zutreffenden Normen entspricht.
- Die auf dem Typenschild an der linken Innenwand des Gerätes angegebene Spannung muss mit Ihrer Netzspannung übereinstimmen.
- **Zum Anschluss dürfen keine Verlängerungskabel oder Mehrfachsteckdosen verwendet werden.**

	HINWEIS: Ein beschädigtes Netzkabel muss unverzüglich durch einen qualifizierten Elektriker ausgetauscht werden.
	HINWEIS: Das Gerät darf vor Abschluss der Reparaturen nicht mehr betrieben werden! Es besteht Stromschlaggefahr!

3.4. Verpackungsmaterialien entsorgen

Das Verpackungsmaterial kann eine Gefahr für Kinder darstellen. Halten Sie Verpackungsmaterialien von Kindern fern oder entsorgen Sie das Verpackungsmaterial gemäß gültigen Entsorgungsbestimmungen. Entsorgen Sie das Verpackungsmaterial über geeignete Sammelstellen (Ihre Stadtverwaltung informiert Sie gerne), nicht über den regulären Hausmüll.

Installation

Die Verpackung Ihres Gerätes wurde aus recyclingfähigen Materialien hergestellt.

3.5. Altgeräte entsorgen

Entsorgen Sie Altgeräte auf umweltfreundliche Weise.

- Bei Fragen zur richtigen Entsorgung wenden Sie sich bitte an Ihren Händler, an eine Sammelstelle oder an Ihre Stadtverwaltung.

Bevor Sie das Gerät entsorgen, schneiden Sie den Netzstecker ab und machen die Türverschlüsse (sofern vorhanden) unbrauchbar, damit Kinder nicht in Gefahr gebracht werden.

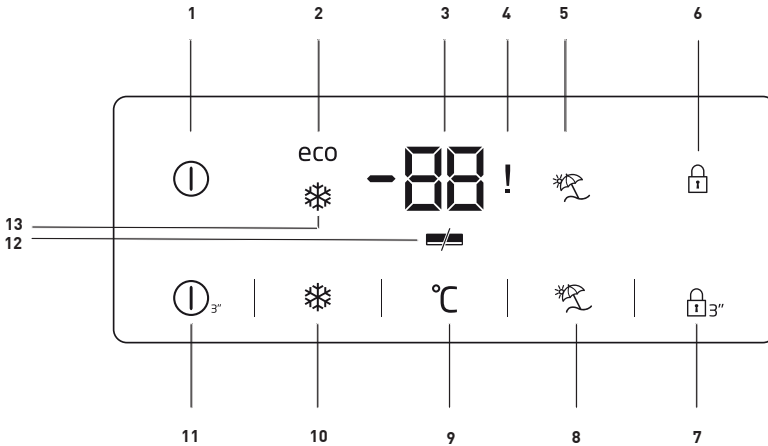
3.6. Aufstellung und Installation



HINWEIS: Falls die Türbreite nicht breit genug ist, um das Gerät durchzuführen, heben Sie die Tür des Geräts aus und versuchen Sie es seitlich durch zuschieben; falls dies auch nicht funktioniert, wenden Sie sich an den Kundendienst.

1. Stellen Sie Ihren Kühlschrank an einer gut erreichbaren Stelle auf.
2. Platzieren Sie den Kühlschrank nicht in der Nähe von Wärmequellen oder dort, wo er Feuchtigkeit oder direktem Sonnenlicht ausgesetzt ist.
3. Damit das Gerät richtig arbeiten kann, müssen Sie ausreichend Platz um das Gerät herum freilassen, damit eine ordentliche Belüftung gewährleistet ist. Wenn Sie den Kühlschrank in einer Nische aufstellen, müssen Sie einen Abstand von mindestens 5 cm zur Decke und 5 cm zu den Wänden einhalten. Stellen Sie das Gerät nicht auf Materialien wie Teppichen oder Teppichböden auf.
4. Stellen Sie Ihren Kühlschrank auf einem ebenen Untergrund auf, damit er nicht wackelt.

5 Nutzung des Kühlschranks/Gefrierschranks



1. Ein/Aus-Anzeige:

Dieses Symbol (ⓘ) leuchtet, wenn der Kühlbereich abgeschaltet ist. Alle anderen Symbole erlöschen.

2. Energiesparanzeige:

Dieses Symbol (eco) leuchtet, wenn der Kühlbereich auf den ökonomischsten Wert von 8 °C eingestellt ist. Die Energiesparanzeige erlischt, wenn Sie Schnellkühlen oder Schnellgefrieren zuschalten.

3. Kühlbereich-Temperatureinstellungsanzeige:

Zeigt die für den Kühlbereich eingestellte Temperatur an.

4. Stromausfall / Hohe Temperatur / Fehlerstatusanzeige

Diese Anzeige (!) leuchtet bei Stromausfall, hohen Temperaturen und Fehlerwarnungen.

Wenn die Temperatur des Gefrierfachs auf ein für die Tiefkühlkost kritisches Niveau erwärmt wird, blinkt der von der Gefrierfachtemperatur erreichte Maximalwert auf der Digitalanzeige.

Kontrollieren Sie die Lebensmittel im Gefrierfach.

Dies ist keine Fehlfunktion. Die Warnung kann durch Drücken einer beliebigen Taste oder durch Drücken der Hochtemperaturalarm Aus-Taste gelöscht werden. (Das Abbrechen durch Drücken einer beliebigen Taste gilt nicht für jedes Modell.)


Diese Anzeige (!) leuchtet auch, wenn ein Sensorfehler auftritt. Wenn diese Anzeige leuchtet, werden alternativ auf der Temperaturanzeige „E“ und Zahlen wie „1,2,3 ...“ angezeigt. Diese Zahlen auf der Anzeige informieren das Servicepersonal über den Fehler.




Abbildungen und Angaben in dieser Anleitung sind schematisch und können etwas von Ihrem Produkt abweichen. Wenn die Teile nicht im gekauften Produkt enthalten sind, gelten sie für andere Modelle.

Nutzung des Kühlschranks/Gefrierschranks


5. Urlaub-Anzeige:

Dieses Symbol () leuchtet bei aktiver Urlaubsfunktion auf.


6. Tastensperre-Anzeige

Dieses Symbol () leuchtet bei aktiver Tastensperre.

7. Tastensperre:

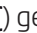
Halten Sie die Tastensperre-Taste () 3 Sekunden lang gedrückt. Das Tastensperre-Symbol leuchtet auf, die Tastensperre ist aktiv. Bei aktiver Tastensperre reagiert das Gerät nicht auf Tastenbetätigungen. Halten Sie die Tastensperre-Taste erneut 3 Sekunden lang gedrückt. Das Tastensperre-Symbol erlischt, die Tastensperre wird abgeschaltet.

8. Urlaubsfunktion:


Wenn Sie die Urlaubstaste drücken, wird die Urlaubsfunktion () aktiviert und die Urlaubsanzeige leuchtet. Diese Funktion empfiehlt sich, wenn Sie Ihren Kühlschrank längere Zeit nicht benutzen. Achten Sie darauf, dass sich keine Lebensmittel in Ihrem Kühlschrank befinden; im Urlaubsmodus kann der Kühlschrank Ihre Lebensmittel nicht frisch halten.

Wenn diese Funktion aktiv ist, wird die Temperatur des Kühlbereiches bei 15 °C gehalten, damit sich keine unangenehmen Gerüche bilden. Zum Abschalten der Urlaubsfunktion drücken Sie die Urlaubstaste noch einmal.

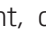
9. Kühltemperatur einstellen::

Mit dieser Funktion () geben Sie die Temperatur des Kühlbereiches vor. Durch mehrmaliges Drücken dieser Taste stellen Sie die Kühlbereichtemperatur auf 8 °, 7 °, 6 °, 5 °, 4 °, 3 ° oder 1 °C ein.


10. Schnellkühlen:

Die Schnellkühlanzeige () leuchtet bei aktiver Schnellkühlfunktion auf. Zum Aufheben dieser Funktion drücken Sie die Schnellkühl Taste noch einmal. Die Schnellkühlanzeige erlischt, das Gerät wechselt wieder zum Normalbetrieb. Wenn Sie die Schnellkühlfunktion nicht manuell aufheben, wird sie nach 1 Stunde automatisch beendet. Möchten Sie große Mengen frischer Lebensmittel kühlen, drücken Sie die Schnellkühl Taste, bevor Sie die Lebensmittel in den Kühlbereich geben.

11. Ein/Aus-Funktion

Diese Funktion () ermöglicht bei 3-sekündiger Betätigung die Abschaltung des Kühlbereiches. Der Kühlbereich kann wieder eingeschaltet werden, indem Sie die Ein-/Austaste erneut 3 Sekunden gedrückt halten.

12. Energiesparsymbol:

Falls die Gerätetüren lange Zeit geschlossen bleiben, wird die Energiesparfunktion automatisch aktiviert und das Energiesparsymbol leuchtet. ()

Bei aktiver Energiesparfunktion erlöschen sämtliche Display-Symbole mit Ausnahme des Energiesparsymbols. Die Energiesparfunktion wird aufgehoben, sobald Tasten betätigt werden oder die Tür geöffnet wird. Das Display zeigt wieder die normalen Symbole.

Die Energiesparfunktion wird während der Lieferung ab Werk aktiviert und kann nicht aufgehoben werden.

13. Schnellkühlenanzeige:

Dieses Symbol () leuchtet, wenn die Schnellgefrierfunktion aktiviert ist.

Nutzung des Kühlschranks/Gefrierschranks

5.1. Doppeltes Kühlsystem

Ihr Kühlgerät ist mit zwei getrennten Kühlsystemen für Kühl- und Tiefkühlbereich ausgestattet. Dadurch vermischt sich die Luft im Kühlbereich nicht mit der Luft im Tiefkühlbereich. Durch die Trennung der Kühlsysteme kühlt Ihr Gerät erheblich schneller als viele andere Kühlgeräte. Auch die Gerüche der beiden Kühlbereiche bleiben getrennt. Darüber hinaus sparen Sie Energie, da auch das Abtauen getrennt erfolgt.

5.2. Frische Lebensmittel tiefkühlen

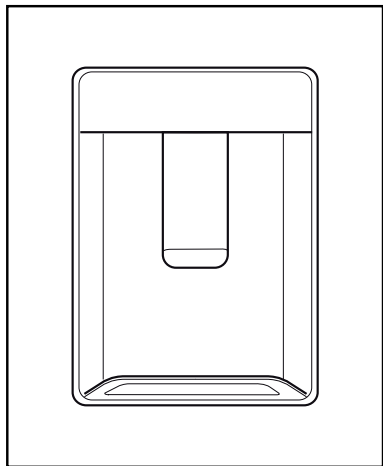
- Achten Sie darauf, Lebensmittel vor dem Einlagern im Kühlschrank einzuwickeln oder abzudecken. Heiße Speisen müssen auf Raumtemperatur abgekühlt sein, ehe sie in den Kühlschrank gegeben werden.
 - Lebensmittel, die Sie einfrieren möchten, sollten frisch und von guter Qualität sein.
 - Verteilen Sie die Lebensmittel / Gerichte auf familienfreundliche oder anderweitig sinnvolle Portionen.
 - Lebensmittel sollten luftdicht verpackt sein, damit sie nicht austrocknen. Dies gilt auch dann, wenn Sie Lebensmittel nur kurze Zeit lagern möchten.
 - Verpackungsmaterialien müssen luftdicht und gegen Kälte und Feuchtigkeit beständig sein. Lebensmittelverpackungen sollten ausreichend dick und stabil sein. Andernfalls kann es vorkommen, dass Lebensmittel beim Gefrieren die Verpackung durchstoßen. Achten Sie grundsätzlich darauf, dass die Verpackung richtig versiegelt wird, damit Lebensmittel maximal lange haltbar bleiben.
- Verbrauchen Sie eingefrorene Lebensmittel direkt nach dem Auftauen, frieren Sie sie nicht wieder ein.
 - Bitte beachten Sie die folgenden Hinweise, um beste Resultate zu erzielen.
 1. Wenn Ihr Kühlgerät mit einer Schnellgefrierfunktion ausgestattet ist, nutzen Sie diese zum schnellen Einfrieren.
 2. Frieren Sie nicht zu große Mengen auf einmal ein. Die Qualität der Lebensmittel bleibt am besten erhalten, wenn sie so schnell wie möglich bis in den Kern tiefgekühlt werden.
 3. Achten Sie besonders darauf, bereits tiefgekühlte und frische Speisen nicht zu vermischen.
 4. Achten Sie darauf, dass rohe Lebensmittel keine gekochten Lebensmitteln im Kühlbereich berühren.

Nutzung des Kühlschranks/Gefrierschranks

Wasserspender

* Möglicherweise nicht für alle Modelle verfügbar.

Der Wasserspender ist eine praktische Einrichtung, mit der Sie kühles Wasser zapfen können, ohne dabei die Tür Ihres Kühlschranks/ Gefrierschranks öffnen zu müssen. Da Sie die Tür des Gerätes nicht häufig öffnen müssen, sparen Sie eine



Menge Energie.

So benutzen Sie den Wasserspender

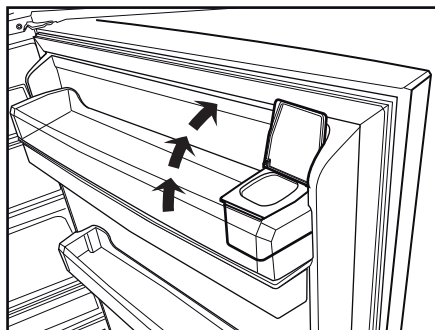
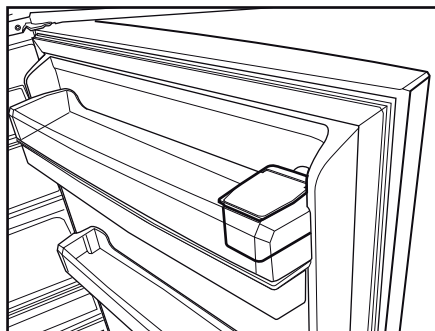
Drücken Sie mit dem Glas gegen den Hebel des Wasserspenders. Die Wasserausgabe stoppt, sobald der Hebel losgelassen wird.

Den schnellsten Durchfluss erreichen Sie, wenn Sie den Hebel komplett eindrücken. Denken Sie daran, dass die Stärke des Wasserdurchflusses davon abhängt, wie weit der Hebel eingedrückt wird.

Geben Sie den Hebel langsam wieder frei, sobald das Glas fast vollständig gefüllt ist, damit nichts überläuft. Das Wasser tritt nur tropfenweise aus, wenn Sie den Hebel nur leicht betätigen; dies ist völlig normal.

Wasserbehälter füllen

Der Wassertank befindet sich an der Innenseite der Türablage. Öffnen Sie die Abdeckung des Behälters, füllen Sie Trinkwasser ein. Schließen Sie anschließend den Deckel.

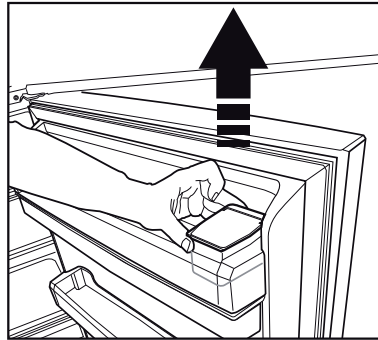


Warnung!

- Füllen Sie den Wassertank nur mit sauberem Trinkwasser, nicht mit anderen Flüssigkeiten gleich welcher Art. Falls andere Flüssigkeiten eingefüllt werden, kann der Wasserspender irreparabel beschädigt werden. Solche Beschädigungen werden nicht durch die Garantie abgedeckt. Viele Flüssigkeiten und Getränke enthalten Zusätze, die das Material des Wassertanks angreifen können.
- Nutzen Sie ausschließlich klares Trinkwasser.
- Die Kapazität des Wassertanks beträgt 3 Liter; füllen Sie nicht mehr hinein.

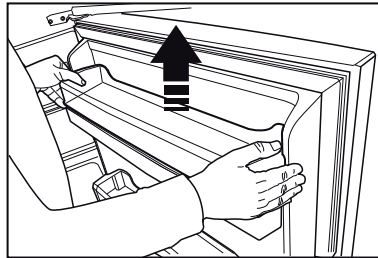
Nutzung des Kühlschranks/Gefrierschranks

- Drücken Sie mit einem haltbaren Glas gegen den Hebel des Wasserspenders. Falls Sie Einwegbecher verwenden, betätigen Sie den Hebel mit dem Finger.



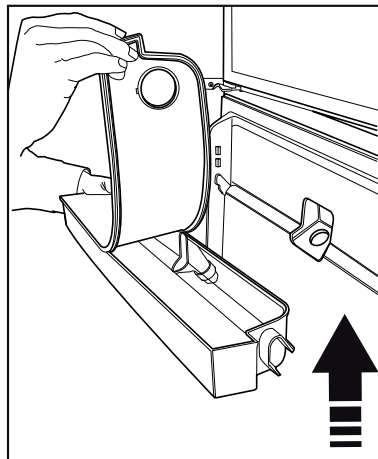
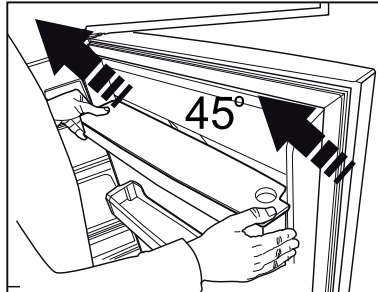
Wassertank reinigen

- Entfernen Sie den Füllbehälter auf der Innenseite der Türablage.
- Entfernen Sie die Türablage, indem Sie diese an beiden Seiten greifen.
- Greifen Sie den Wassertank an beiden Seiten und entfernen ihn in einem Winkel von 45 °C.
- Öffnen Sie die Abdeckung und reinigen den Wassertank.



Wichtig:

Die Komponenten des Wasserspenders und des Wassertanks sollten nicht in der Spülmaschine gereinigt werden.



Nutzung des Kühlschranks/Gefrierschranks

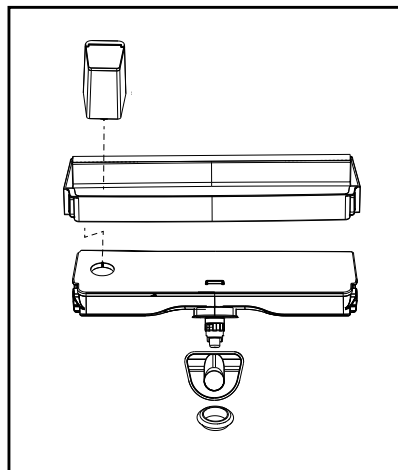
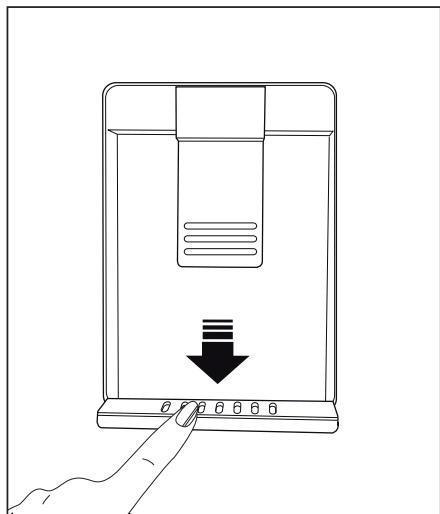
Tropfschale

Wasser, das bei der Nutzung des Wasserspenders heruntertropft, sammelt sich in der Tropfschale.

Nehmen Sie das Kunststoffsieb wie in der Abbildung gezeigt heraus.

Entfernen Sie angesammeltes Wasser mit einem sauberen, trockenen Tuch.

Achtung: Nur an Trinkwasserleitungen anschließen.



Nutzung des Kühlschranks/Gefrierschranks

Tiefkühlbereich-einstellung	Kühlbereich-einstellung	Anmerkungen
-18 °C	4 °C	Dies ist die allgemein empfohlene Einstellung.
-20, -22 oder -24 °C	4 °C	Diese Einstellungen empfehlen wir bei Umgebungstemperaturen über 30 °C.
Schnellgefrieren	4 °C	Diese Funktion nutzen Sie zum Einfrieren von Lebensmitteln in kurzer Zeit. Auf diese Weise bleibt die Qualität möglichst schonend erhalten; dies gilt insbesondere für Fleisch und Fisch.
-18 °C und kälter	2 °C	Halten Sie sich an diese Einstellung, falls Sie meinen, dass der Kühlbereich aufgrund zu hoher Außentemperatur, der Nähe zu Wärmequellen oder zu häufiges Öffnen und Schließen der Kühlschranktür nicht kalt genug wird.
-18 °C und kälter	Schnellkühlen	Verwenden Sie diese Einstellung, wenn der Kühlbereich überladen ist oder Sie die Inhalte schneller abkühlen möchten. Wir empfehlen, die Schnellgefrierfunktion 4 bis 8 Stunden vor dem Einlagern frischer Lebensmittel einzuschalten.

5.3. Empfehlungen zur Konservierung gefrorener Lebensmittel

- Handelsübliche, verpackte Tiefkühlkost sollte gemäß den Hinweisen des Herstellers zur Lagerung in Tiefkühlfächern gelagert werden.
- Um besonders gute Ergebnisse zu erzielen und zu erhalten, sollten Sie Folgendes berücksichtigen:
 1. Geben Sie Lebensmittel so schnell wie möglich nach dem Kauf in den Tiefkühlbereich.
 2. Sorgen Sie dafür, dass sämtliche Lebensmittel beschriftet und mit einem Datum versehen werden.
 3. Achten Sie darauf, dass das Mindesthaltbarkeitsdatum auf der Verpackung nicht überschritten wird.

Abtauen

Der Tiefkühlbereich taut automatisch ab.

5.4. Lebensmittel platzieren

Tiefkühlbereich-Ablagen	Verschiedene gefrorene Lebensmittel wie Fleisch, Fisch, Speiseeis, Gemüse etc.
Eierbehälter	Eier
Kühlbereich-Ablagen	Lebensmittel in Pfannen, Töpfen, auf abgedeckten Tellern, in geschlossenen Behältern
Kühlbereich-Türablagen	Kleine, verpackte Lebensmittelprodukte oder Getränke (zum Beispiel Milch, Saft oder Bier)
Gemüsefach	Gemüse und Früchte

Nutzung des Kühlschranks/Gefrierschranks

Frischefach

Milch- und Wurstprodukte
(Käse, Butter, Salami und
dergleichen)

5.5. Hinweise zum Tiefkühlen

Lebensmittel sollten schnellstmöglich eingefroren werden, damit sie nicht an Qualität verlieren.

Sie können die Frische Ihrer Lebensmittel viele Monate bewahren (bei einer Tiefkühlbereichtemperatur von maximal -18 °C).



HINWEIS: Verteilen Sie die Lebensmittel / Gerichte auf familienfreundliche oder anderweitig sinnvolle Portionen

5.6. Tür-offen-Warnung

Ein Signal ertönt, wenn die Tür des Kühlschranks / Gefrierschranks oder des Tiefkühlfachs für eine bestimmte Zeit geöffnet bleibt. Dieses Tonsignal verstummt, sobald Sie eine beliebige Taste drücken oder die Tür wieder schließen.

5.7. Wechseln des Türanschlags

Der Türanschlag des Gerätes kann nur von einem Fachmann durchgeführt werden. Bei Bedarf wenden Sie sich bitte an unsere Service-Hotline. Der Einsatz des Servicetechnikers ist kostenpflichtig.

- Lebensmittel sollten luftdicht verpackt sein, damit sie nicht austrocknen. Dies gilt auch dann, wenn Sie Lebensmittel nur kurze Zeit lagern möchten.
- Benötigtes Verpackungsmaterial:
- Kältebeständiges Klebeband
- Selbstklebende Etiketten
- Gummiringe
- Stift

Geeignete Verpackungsmaterialien müssen reißfest und unempfindlich gegenüber Kälte, Feuchtigkeit, Gerüchen, Ölen und Säuren sein.

Einzufrierende Lebensmittel sollten keinen direkten Kontakt zu bereits gefrorenen Lebensmitteln haben, damit diese nicht antauen. Angetaute Lebensmittel müssen so schnell wie möglich verbraucht, dürfen nicht wieder eingefroren werden.

6 Pflege und Reinigung

Eine regelmäßige Reinigung erhöht die Lebensdauer des Geräts.



HINWEIS: Trennen Sie Ihren Kühlschrank vor der Reinigung vom Netz.

- Verwenden Sie zur Reinigung auf keinen Fall scharfen oder spitzen Gegenstände, Seife, Hausreinigungsmittel, Reinigungsmittel, Gas, Benzin, Lack u. Ä.
- Bei nicht eisfreien Geräten bilden sich Wassertropfen an der Rückwand des Kühlfaches, die zu einer fingerdicken Eisschicht gefrieren können. Nicht beseitigen, nicht reinigen, niemals Öl oder andere Mittel auftragen.
- Reinigen Sie die Außenflächen des Gerätes nur mit einem leicht angefeuchteten Mikrofasertuch. Schwämme und andere Reinigungshilfen können die Oberfläche verkratzen.
- Schütten Sie ein Teelöffel Karbonat in einen halben Liter Wasser. Nehmen Sie ein Tuch, tauchen Sie es in diese Flüssigkeit und wringen Sie es gut kräftig. Wischen Sie mit diesem Tuch das Innere des Geräts und trocknen Sie es gründlich.
- Achten Sie darauf, dass das Gehäuse der Leuchte und sonstige elektrischen Teile nicht mit Wasser in Berührung kommen.
- Reinigen Sie die Tür mit einem feuchten Tuch. Entnehmen Sie den Inhalt vom Innenraum und den Türen. Entfernen Sie die Regale nach oben hebend. Nach der Reinigung und dem Trocknen legen Sie es wieder ein, indem Sie es nach unten schieben.
- Verwenden Sie auf keinen Fall bei der Reinigung der Außenfläche

des Geräts und den verchromten Teilen chlorhaltigem Wasser oder Reinigungsmittel. Chlor führt bei dieser Art von Oberflächen zur Verrostungen.

- Verwenden Sie keine spitzen oder scheuernde Gegenstände, Seifen, Reinigungsmittel bzw. Chemikalien, sowie auch kein Benzin, keine Benzole bzw. Wachse usw. Andernfalls werden die Einprägungen auf den Plasteteilen möglicherweise beschädigt oder deformiert. Verwenden Sie warmes Wasser und einen weichen Lappen zum anschließenden Trockenreiben.

6.1. Vermeidung von schlechtem Geruch

Bei der Herstellung Ihres Geräts wurden keinerlei Materialien verwendet, die Geruch verursachen könnten. Jedoch können aufgrund von ungeeigneter Lagerung von Lebensmitteln und unsachgemäßer Reinigung der Innenseite Gerüche entstehen. Zur Vermeidung dieses Problems reinigen Sie es regelmäßig alle 15 Tage.

- Bewahren Sie die Speisen in geschlossenen Behältern auf. Lebensmittel, die in offenen Behältern aufbewahrt werden, können durch die Verbreitung von Mikroorganismen Gerüche verursachen.
- Keine Lebensmittel deren Aufbewahrungsdauer abgelaufen ist im Kühlschrank aufbewahren.

6.2. Schutz von Kunststoffoberflächen

Das Ausschütten von Öl kann den Kunststoffoberflächen Schaden zufügen, daher sollte hier mit lauwarmem Wasser gereinigt werden.

Problemlösung

Der Kühlschrank arbeitet sehr intensiv oder über eine sehr lange Zeit.

- Ihr neues Gerät ist vielleicht etwas breiter als sein Vorgänger. Große Kühlgeräte arbeiten oft etwas länger.
- Die Umgebungstemperatur ist eventuell sehr hoch. >>> Bei hohen Umgebungstemperaturen arbeitet das Gerät etwas länger.
- Der Kühlschrank wurde möglicherweise erst vor Kurzem in Betrieb genommen oder mit Lebensmitteln gefüllt. >>> Wenn der Kühlschrank erst vor Kurzem in Betrieb genommen oder mit Lebensmitteln gefüllt wurde, dauert es einige Zeit, bis er die eingestellte Temperatur erreicht. Dies ist normal.
- Kurz zuvor wurden größere Mengen warmer Speisen in den Kühlschrank gestellt. >>> Geben Sie keine warmen oder gar heißen Speisen in den Kühlschrank.
- Die Türen wurden häufig geöffnet oder längere Zeit nicht richtig geschlossen. >>> Der Kühlschrank muss länger arbeiten, weil warme Luft in den Innenraum eingedrungen ist. Verzichten Sie auf häufiges Öffnen der Türen.
- Die Türen des Kühl- oder Tiefkühlbereiches wurden nicht richtig geschlossen. >>> Vergewissern Sie sich, dass die Türen richtig geschlossen wurden.
- Die Kühlschranktemperatur ist sehr niedrig eingestellt. >>> Stellen Sie die Kühlschranktemperatur höher ein. Warten Sie dann ab, bis die gewünschte Temperatur erreicht ist.
- Die Türdichtungen von Kühl- oder Gefrierbereich sind verschmutzt, verschlissen, beschädigt oder sitzen nicht richtig. >>> Reinigen oder ersetzen Sie die Dichtung. Beschädigte oder defekte Dichtungen führen dazu, dass der Kühlschrank länger arbeiten muss, um die Temperatur halten zu können.

Die Temperatur im Tiefkühlbereich ist sehr niedrig, während die Temperatur im Kühlbereich normal ist.

- Die Tiefkühltemperatur ist sehr niedrig eingestellt. >>> Stellen Sie die Tiefkühltemperatur wärmer ein, prüfen Sie die Temperatur nach einer Weile.

Die Temperatur im Kühlbereich ist sehr niedrig, während die Temperatur im Tiefkühlbereich normal ist.

- Die Kühltemperatur ist sehr niedrig eingestellt. >>> Stellen Sie die Kühlbereichtemperatur wärmer ein, prüfen Sie die Temperatur nach einer Weile.

Im Kühlbereich gelagerte Lebensmittel frieren ein.

- Die Kühltemperatur ist sehr niedrig eingestellt. >>> Wählen Sie eine höhere Kühlbereichtemperatur, prüfen Sie die Temperatur nach einer Weile.

Die Temperatur im Kühl- oder Tiefkühlbereich ist sehr hoch.

- Die Kühltemperatur ist sehr hoch eingestellt. >>> Die Kühlbereichtemperatur wirkt sich auf die Temperatur des Tiefkühlbereichs aus. Ändern Sie die Temperatur des Kühl- oder Tiefkühlbereichs und warten Sie, bis die entsprechenden Fächer eine geeignete Temperatur erreicht haben.
- Türen wurden häufig geöffnet oder längere Zeit nicht richtig geschlossen. >>> Verzichten Sie auf häufiges Öffnen der Türen.
- Die Tür steht offen. >>> Schließen Sie die Tür komplett.
- Der Kühlschrank wurde möglicherweise erst vor Kurzem in Betrieb genommen oder mit Lebensmitteln gefüllt. >>> Dies ist normal. Wenn der Kühlschrank erst vor Kurzem in Betrieb genommen oder mit Lebensmitteln gefüllt wurde, dauert es einige Zeit, bis er die eingestellte Temperatur erreicht.
- Kurz zuvor wurden größere Mengen warmer Speisen in den Kühlschrank gestellt. >>> Geben Sie keine warmen oder gar heißen Speisen in den Kühlschrank.

Problemlösung

Vibrationen oder Betriebsgeräusche.

- Der Boden ist nicht eben oder nicht stabil genug. >>> Falls der Kühlschrank bei leichten Bewegungen wackelt, gleichen Sie ihn mit Hilfe seiner Füße aus. Achten Sie außerdem darauf, dass der Boden eben ist und das Gewicht des Kühlschranks problemlos tragen kann.
- Gegenstände, die auf dem Kühlschrank abgestellt wurden, können Geräusche verursachen. >>> Nehmen Sie die Gegenstände vom Kühlschrank.

Fließ- oder Spritzgeräusche sind zu hören.

- Aus technischen Gründen bewegen sich Flüssigkeiten und Gase innerhalb des Gerätes. Dies ist völlig normal und keine Fehlfunktion.

Der Kühlschrank pfeift.

- Zum gleichmäßigen Kühlen werden Ventilatoren eingesetzt. Dies ist völlig normal und keine Fehlfunktion.

Kondensation an den Kühlschrankinnenflächen.

- Bei heißen und feuchten Wetterlagen treten verstärkt Eisbildung und Kondensation auf. Dies ist völlig normal und keine Fehlfunktion.
- Türen wurden häufig geöffnet oder längere Zeit nicht richtig geschlossen. >>> Verzichten Sie auf häufiges Öffnen der Türen. Schließen Sie geöffnete Türen.
- Die Tür steht offen. >>> Schließen Sie die Tür komplett.

Feuchtigkeit sammelt sich an der Außenseite des Kühlschranks oder an den Türen.

- Eventuell herrscht hohe Luftfeuchtigkeit; dies ist je nach Wetterlage völlig normal. Die Kondensation verschwindet, sobald die Feuchtigkeit abnimmt.

Unangenehmer Geruch im Kühlschrank.

- Der Kühlschrank wurde nicht regelmäßig gereinigt. >>> Reinigen Sie das Innere des Kühlschranks regelmäßig mit einem Schwamm, den Sie mit lauwarmem Wasser oder einer Natron-Wasser-Lösung angefeuchtet haben.
- Bestimmte Behälter oder Verpackungsmaterialien verursachen den Geruch. >>> Verwenden Sie andere Behälter oder Verpackungsmaterial einer anderen Marke.
- Lebensmittel wurden in offenen Behältern in den Kühlschrank gegeben. >>> Lagern Sie Lebensmittel in geschlossenen Behältern. Mikroorganismen, die aus unverschlossenen Behältern entweichen, können üble Gerüche verursachen.
- Nehmen Sie Lebensmittel mit abgelaufenem Mindesthaltbarkeitsdatum sowie verdorbene Lebensmittel aus dem Kühlschrank.

Die Tür lässt sich nicht schließen.

- Lebensmittelpackungen verhindern ein vollständiges Schließen der Tür. >>> Entfernen Sie die Verpackungen, welche die Tür blockieren.
- Der Kühlschrank steht nicht vollständig eben auf dem Boden. >>> Gleichen Sie den Kühlschrank mit Hilfe der Füße aus.
- Der Boden ist nicht eben oder nicht stabil genug. >>> Achten Sie darauf, dass der Boden eben ist und das Gewicht des Kühlschranks problemlos tragen kann.

Das Gemüsefach klemmt.

- Lebensmittel berühren eventuell den oberen Teil der Schublade. >>> Ordnen Sie die Lebensmittel in der Schublade anders an.

Wenn Die Produktoberfläche Heiss Ist.

- Die Bereiche zwischen den beiden Türen, an den Seitenflächen und hinten am Grill können im Betrieb sehr heiß werden. Dies ist völlig normal und weist nicht auf eine Fehlfunktion hin.

HAFTUNGSAUSSCHLUSS / WARNUNG

Einige (einfache) Fehler können vom Endbenutzer angemessen behandelt werden, ohne dass Sicherheitsprobleme oder unsichere Verwendung auftreten, sofern sie innerhalb der Grenzen und gemäß den folgenden Anweisungen ausgeführt werden (siehe Abschnitt „Selbstreparatur“).

Sofern im Abschnitt „Selbstreparatur“ unten nichts anderes autorisiert ist, sind Reparaturen an registrierte professionelle Reparaturtechniker zu richten, um Sicherheitsprobleme zu vermeiden. Ein registrierter professioneller Reparaturbetrieb ist ein professioneller Reparaturtechniker, dem vom Hersteller Zugang zu den Anweisungen und der Ersatzteilliste dieses Produkts gemäß den in den Rechtsakten entsprechend der Richtlinie 2009/125/EG beschriebenen Methoden gewährt wurde.

Allerdings kann nur der Dienstleister (d.h. autorisierte professionelle Reparaturtechniker), den Sie über die in der Bedienungsanleitung/Garantiekarte angegebene Telefonnummer oder über Ihren autorisierten Händler erreichen können, einen Service gemäß den Garantiebedingungen anbieten. Bitte beachten Sie daher, dass Reparaturen durch professionelle Reparaturtechniker (die nicht von Bekoautorisiert sind) zum Erlischen der Garantie führen.

Selbstreparatur

Die Selbstreparatur kann vom Endbenutzer in Bezug auf folgende Ersatzteile durchgeführt werden: Dichtungen, Filter, Türscharniere, Körbe, Propeller, Kunststoffzubehör usw. (eine aktualisierte Liste ist ab dem 1. März 2021 ebenfalls in support.beko.com verfügbar).

Um die Produktsicherheit zu gewährleisten und das Risiko schwerer Verletzungen zu vermeiden, muss die erwähnte Selbstreparatur gemäß den Anweisungen im Benutzerhandbuch zur Selbstreparatur durchgeführt werden, die unter support.beko.com verfügbar sind. Ziehen Sie zu

Ihrer Sicherheit den Stecker aus der Steckdose, bevor Sie eine Selbstreparatur durchführen.

Reparatur- und Reparaturversuche von Endbenutzern für Teile, die nicht in dieser Liste enthalten sind und/oder die Anweisungen in den Benutzerhandbüchern zur Selbstreparatur nicht befolgen oder die auf support.beko.com verfügbar sind, können zu Sicherheitsproblemen führen, die nicht auf Bekozurückzuführen sind, und führt zum Erlöschen der Garantie des Produkts.

Deshalb wird dringend empfohlen, dass Endbenutzer nicht versuchen, Reparaturen durchzuführen, die außerhalb der genannten Ersatzteilliste liegen, und sich in solchen Fällen an autorisierte professionelle Reparaturtechniker oder registrierte professionelle Reparaturtechniker wenden. Ansonsten können solche Versuche von Endbenutzern Sicherheitsprobleme verursachen und das Produkt beschädigen und anschließend Brand, Überschwemmungen, Stromschläge und schwere Personenschäden verursachen.

Beispielsweise müssen, ohne darauf beschränkt zu sein, die folgenden Reparaturen an autorisierte professionelle Reparaturtechniker oder registrierte professionelle Reparaturtechniker gerichtet werden: Kompressor, Kühlkreislauf, Hauptplatine, Wechselrichterplatine, Anzeigetafel usw.

Der Hersteller/Verkäufer kann in keinem Fall haftbar gemacht werden, in dem Endbenutzer die oben genannten Bestimmungen nicht einhalten.

Die Ersatzteilverfügbarkeit des von Ihnen gekauften Kühlschranks beträgt 10 Jahre. Während dieser Zeit stehen Originalersatzteile zur Verfügung, um den Kühlschrank ordnungsgemäß zu betreiben.

Die Mindestgarantiedauer für den von Ihnen gekauften Kühlschrank beträgt 24 Monate.

Dieses Produkt ist mit einer Lichtquelle der Energieklasse „G“ ausgestattet.
Die Lichtquelle in diesem Produkt darf nur von professionellen Reparaturtechnikern ersetzt werden.

Veillez d'abord lire ce manuel d'utilisation !

Chère cliente, cher client,

Nous aimerions que vous soyez entièrement satisfait de notre appareil, fabriqué dans des infrastructures modernes et ayant fait l'objet d'un contrôle de qualité minutieux.

À cet effet, veuillez lire en intégralité le manuel d'utilisation avant d'utiliser cet appareil, et conservez-le pour références ultérieures. Si vous offrez cet appareil à une autre personne, remettez-lui également le manuel d'utilisation.

Le manuel d'utilisation garantit l'utilisation rapide et sécurisée du réfrigérateur.

- Veuillez lire le manuel d'utilisation avant d'installer et d'utiliser le réfrigérateur,
- Respectez toujours les instructions de sécurité en vigueur,
- Tenez le manuel d'utilisation à portée pour références ultérieures,
- Veuillez lire tous les autres documents fournis avec l'appareil,

Veillez noter que ce manuel d'utilisation peut se rapporter à plusieurs modèles de cet appareil. Le manuel indique clairement toutes les différences entre les modèles.

Symboles et commentaires

Les symboles suivants sont utilisés dans le manuel d'utilisation :

	Informations importantes et renseignements utiles,
	Avertissement relatif aux conditions dangereuses pour la vie et la propriété,
	Risque d'électrocution,
	L'emballage de l'appareil a été fabriqué à partir de matériaux recyclables, conformément à la législation nationale en matière d'environnement,

INFORMATIONS



SUPPLIER'S NAME

MODEL IDENTIFIER

(*)

A

A

Vous pouvez accéder aux informations relatives au modèle telles que sauvegardées dans la base de données des produits en entrant le site internet suivant et en recherchant l'identifiant de votre modèle (*) qui se trouve sur la vignette énergie

<https://eprel.ec.europa.eu/>

Table des matières

1 Instructions en matière de sécurité et d'environnement 3

Sécurité générale.....	3
Utilisation prévue.....	6
Sécurité enfants.....	6
Conformité avec la directive DEEE et mise au rebut de votre ancien appareil	6
Conformité avec la directive RoHS	6
Informations relatives à l'emballage.....	6

2 Votre congélateur/ réfrigérateur 7

3 Installation 8

Éléments à prendre en considération lors du déplacement de votre réfrigérateur	8
Avant de mettre votre réfrigérateur en marche	8
Branchement électrique	9
Mise au rebut de l'emballage	9
Mise au rebut de votre ancien réfrigérateur.....	10
Disposition et Installation.....	10

4 Préparation 11

5 Utilisation de l'appareil 12

Système de réfrigération active dual cooling :.....	14
Congélation des produits frais.....	14
Recommandations concernant la conservation des aliments congelés..	15
Informations concernant la congélation	16

6 Entretien et nettoyage 20

7 Dépannage 21

Cette section fournit les instructions de sécurité nécessaires à la prévention des risques de blessures ou de dommage matériel. Le non-respect de ces instructions annule tous les types de garantie de l'appareil.

1.1. Sécurité générale

	REMARQUE : Assurez-vous que les trous d'aération ne sont pas fermés quand le dispositif est dans son boîtier ou est installé à sa place.
	REMARQUE : Ne pas utiliser tout dispositif mécanique ou un autre dispositif hors des recommandations du fabricant pour accélérer le processus de décongeler.
	REMARQUE : Ne pas utiliser des appareils électriques non prévus par le fabricant dans les compartiments de conservation des aliments.
	REMARQUE : Ne pas utiliser des appareils électriques non prévus par le fabricant dans les compartiments de conservation des aliments.

AVERTISSEMENT:
Ne conservez pas de substances explosives comme des aérosols avec un liquide inflammable dans cet appareil.

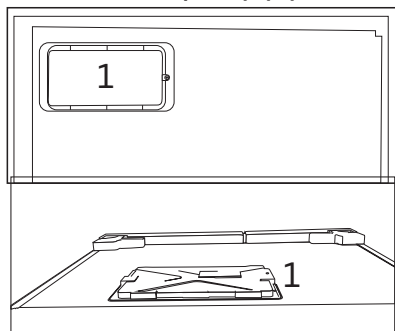
Ce dispositif est conçu pour l'usage domestique ou les applications similaires suivantes :

- Pour être utilisé dans la cuisine de personnel dans les magasins, bureaux et autres environnements de travail ;
- Pour être utilisé par les clients dans les maisons de campagne et hôtels et les autres environnements d'hébergement ;

- Cet appareil ne doit pas être utilisé par des personnes atteintes de déficience physique, sensorielle ou mentale, des personnes sans connaissances suffisantes et inexpérimentées ou par des enfants. Il ne doit être utilisé par ces personnes que si elles sont supervisées ou sous les instructions d'une personne responsable de leur sécurité. Ne laissez pas les enfants jouer avec l'appareil.
- En cas de dysfonctionnement, débranchez l'appareil.
- Après avoir débranché l'appareil, patientez 5 minutes avant de le rebrancher. Débranchez l'appareil lorsqu'il n'est pas utilisé. Évitez de toucher le cordon d'alimentation avec des mains humides ! Ne le débranchez jamais en tirant le câble, mais plutôt en tenant la prise.

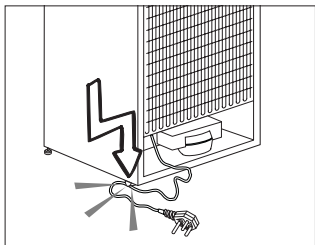
Instructions en matière de sécurité et d'environnement

- Évitez de brancher le réfrigérateur lorsque la prise est instable.
- Débranchez l'appareil pendant l'installation, l'entretien, le nettoyage et la réparation.
- Si l'appareil ne sera pas utilisé pendant une longue période, débranchez-le et videz l'intérieur.
- N'utilisez pas la vapeur ou de matériel de nettoyage à vapeur pour nettoyer le réfrigérateur et faire fondre la glace. La vapeur peut atteindre les zones électrifiées et causer un court-circuit ou l'électrocution !
- Ne lavez pas l'appareil par pulvérisation ou aspersion d'eau ! Risque d'électrocution !
- Ne jamais utiliser le produit si la section située dans sa partie supérieure ou inférieure avec cartes de circuits imprimés électroniques à l'intérieur est ouverte (couvercle de cartes de circuits imprimés électroniques) (1).
- En cas de dysfonctionnement, n'utilisez pas l'appareil car il peut entraîner une électrocution. Contactez le service agréé avant de procéder à toute intervention.
- Branchez votre appareil à une prise de mise à la terre. La mise à la terre doit être effectuée par un technicien qualifié.
- Si l'appareil possède un éclairage de type LED, contactez le service agréé pour tout remplacement ou en cas de problème.
- Évitez de toucher les aliments congelés avec des mains humides ! Ils pourraient coller à vos mains !
- Ne placez pas de boissons en bouteille ou en canette dans le compartiment de congélation. Elles risquent d'exploser !
- Placez les boissons verticalement, dans des récipients convenablement fermés.
- Ne pulvérisez pas de substances contenant des gaz inflammables près du réfrigérateur pour éviter tout risque d'incendie et d'explosion.
- Ne conservez pas de substances et produits inflammables (vaporisateurs, etc.) dans le réfrigérateur.
- Ne placez pas de récipients contenant des liquides au-dessus du réfrigérateur. Les projections d'eau sur des pièces électrifiées peuvent entraîner des électrocutions et un risque d'incendie.



Instructions en matière de sécurité et d'environnement

- L'exposition du produit à la pluie, à la neige, au soleil et au vent présente des risques pour la sécurité électrique. Quand vous transportez le réfrigérateur, ne le tenez pas par la poignée de la porte. Elle peut se casser.
- Évitez que votre main ou toute autre partie de votre corps ne se retrouve coincée dans les parties amovibles de l'appareil.
- Évitez de monter ou de vous appuyer contre la porte, les tiroirs ou toute autre partie du réfrigérateur. Cela peut faire tomber l'appareil et l'endommager.
- Évitez de coincer le câble d'alimentation.



1.1.1 Avertissement sur l'usage de fluides frigorigènes

Si votre réfrigérateur possède un système de refroidissement utilisant le gaz R600a, évitez d'endommager le système de refroidissement et sa tuyauterie pendant l'utilisation et le transport de l'appareil. Ce gaz est inflammable. Si le système de refroidissement est endommagé, éloignez l'appareil des flammes et aérez la pièce immédiatement.



L'étiquette en dessous du compartiment fraîcheur indique le type de gaz utilisé.

1.1.2 Pour les modèles avec distributeur d'eau reliés à l'eau courante

- La pression de l'eau froide à l'entrée ne doit pas excéder 90 psi (6.2 bar). Si votre pression d'eau dépasse 80 psi (5,5 bar), utilisez une soupape de limitation de pression sur votre réseau de conduite. Si vous ne savez pas comment vérifiez la pression de l'eau, demandez l'assistance d'un plombier professionnel.
- S'il existe un risque d'effet coup de bélier sur votre installation, utilisez systématiquement un équipement de protection contre l'effet coup de bélier sur celle-ci. Consultez des plombiers professionnels si vous n'êtes pas sûr de la présence de cet effet sur votre installation.
- Ne l'installez pas l'arrivée d'eau chaude. Prenez des précautions contre le risque de congélation des tuyaux. L'intervalle de fonctionnement de la température des eaux doit être de 33 F (0,6°C) au moins et de 100 F (38 C) au plus.
- Utilisez uniquement de l'eau potable.

Instructions en matière de sécurité et d'environnement

1.2. Utilisation prévue

- Cet appareil est exclusivement conçu pour un usage domestique. Il n'est pas destiné à un usage commercial.
- Il doit être exclusivement utilisé pour le stockage des denrées et des boissons.
- Les produits qui nécessitent un contrôle de température précis (vaccins, médicaments sensibles à la chaleur, matériels médicaux, etc.) ne doivent pas être conservés dans le réfrigérateur.
- Le fabricant ne sera pas tenu responsable de tout dommage résultant d'une mauvaise utilisation ou manipulation.
- Les pièces détachées d'origine sont disponibles pendant 10 ans, à compter de la date d'achat du produit.

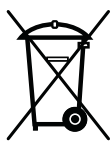
1.3. Sécurité enfants

- Conservez les matériaux d'emballage hors de la portée des enfants.
- Ne laissez pas les enfants jouer avec l'appareil.
- Si la porte de l'appareil est dotée d'une serrure, gardez la clé hors de la portée des enfants.

1.4. Conformité avec la directive DEEE et mise au rebut de votre ancien appareil

Cet appareil est conforme à la directive DEEE de l'Union européenne (2012/19/UE). Il porte un symbole de classification pour la mise au rebut

des équipements électriques et électroniques (DEEE).



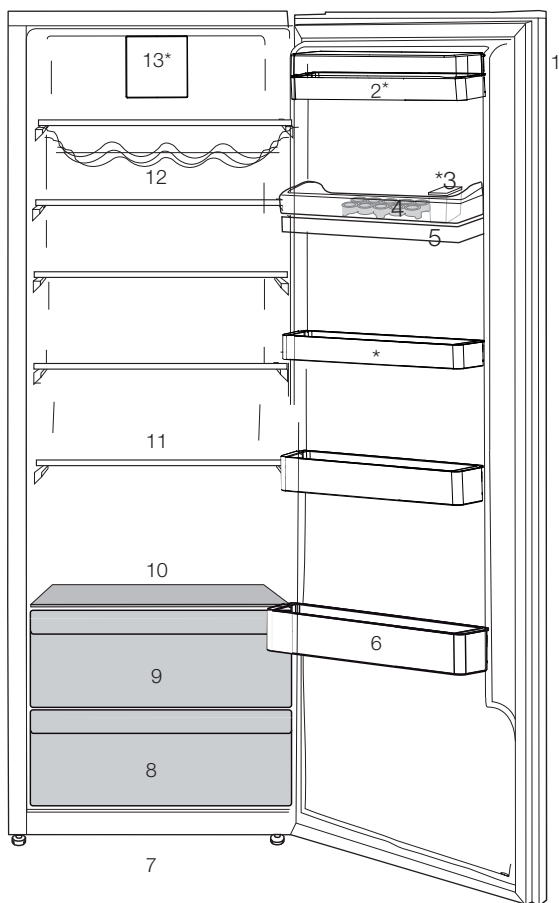
Le présent produit a été fabriqué avec des pièces et du matériel de qualité supérieure susceptibles d'être réutilisés et adaptés au recyclage. Ne le mettez pas au rebut avec les ordures ménagères et d'autres déchets à la fin de sa durée de vie. Rendez-vous dans un point de collecte pour le recyclage de tout matériel électrique et électronique. Rapprochez-vous des autorités de votre localité pour plus d'informations concernant ces points de collecte.

1.5. Conformité avec la directive RoHS

- Cet appareil est conforme à la directive DEEE de l'Union européenne (2011/65/UE). Il ne comporte pas les matériaux dangereux et interdits mentionnés dans la directive.

1.6. Informations relatives à l'emballage

- Les matériaux d'emballage de cet appareil sont fabriqués à partir de matériaux recyclables, conformément à nos réglementations nationales en matière d'environnement. Ne mettez pas les matériaux d'emballage au rebut avec les ordures ménagères et d'autres déchets. Amenez-les plutôt aux points de collecte des matériaux d'emballage, désignés par les autorités locales.



- | | |
|--|---------------------------------------|
| 1. Panneau Indicateur | 7. Pieds Avant Réglables |
| 2. Sections De Beurre Et Fromage | 8. Bac à légumes |
| 3. Distributeur Réservoir D'eau De Remplissage | 9. Chiller |
| 4. Section Egg | 10. Couverture De Chiller Et Le Verre |
| 5. Réservoir De Distribution De L'eau | 11. Tablettes Amovibles |
| 6. Balconnets Réglables | 12. Cave À Vin |
| | 13. Ventilateur |

***Peut ne pas être possible dans tous les modèles.**



Les illustrations présentées dans cette notice d'utilisation sont schématiques et peuvent ne pas correspondre exactement à votre produit. Si des pièces présentées ne sont pas comprises dans le produit que vous avez acheté, elles sont valables pour d'autres modèles.

3 Installation



AVERTISSEMENT:

Dans l'hypothèse ou l'information contenue dans ce manuel n'a pas été prise en compte par l'utilisateur, le fabricant ne sera aucunement responsable en cas de problèmes.

3.1. Éléments à prendre en considération lors du déplacement de votre réfrigérateur

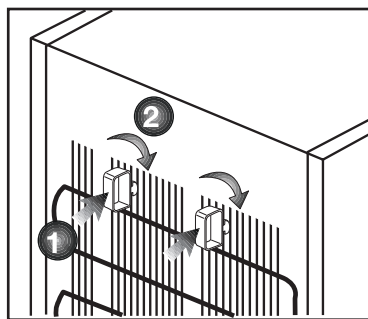
1. Votre réfrigérateur doit être débranché. Avant le transport de votre réfrigérateur, vous devez le vider et le nettoyer. Avant d'emballer votre réfrigérateur, vous devez fixer ses étagères, bac, accessoires, etc, avec du ruban adhésif afin de les protéger contre les chocs.
2. L'emballage doit être solidement attaché avec du ruban adhésif épais ou avec un cordage solide. La réglementation en matière de transport et de marquage de l'emballage doit être strictement respectée.
3. L'emballage et les matériaux de protection d'emballage doivent être conservés pour les éventuels transports ou déplacements à venir.

3.2. Avant de mettre votre réfrigérateur en marche

Vérifiez les points suivants avant de commencer à utiliser votre réfrigérateur

1. Fixez les câles en plastique tel qu'indiqué sur le schéma ci-dessous. Les câles en plastique servent à maintenir une distance permettant la circulation de l'air entre le réfrigérateur et le mur. (Cette image n'est donnée qu'à titre indicatif ; elle n'est pas identique à votre produit.)

2. Vous pouvez installer les 2 cales en plastique comme illustré dans le schéma. Les cales en plastique maintiendront la distance nécessaire entre votre Congélateur / réfrigérateur et le mur pour permettre une bonne circulation de l'air. (Le schéma présenté est fourni à titre indicatif et peut ne pas correspondre exactement avec votre produit.)



3. Nettoyez l'intérieur du réfrigérateur tel qu'indiqué dans la section « Entretien et nettoyage ».
4. Insérez la prise du réfrigérateur dans la prise murale. Lorsque la porte du réfrigérateur est ouverte, la lampe interne du réfrigérateur s'éclaire.
5. Lorsque le compresseur commence à fonctionner, il émettra un son. Le liquide et les gaz intégrés au système du réfrigérateur peuvent également faire du bruit, que le compresseur soit en marche ou non. Ceci est tout à fait normal.
6. Les parties antérieures du réfrigérateur peuvent chauffer. Ce phénomène est normal. Ces zones doivent en principe être chaudes pour éviter tout risque de condensation.

3.3. Branchement électrique

Branchez votre réfrigérateur à une prise électrique protégée par un fusible ayant une capacité appropriée.

Important :

- Le branchement doit être conforme aux normes en vigueur sur le territoire national.
- La fiche du câble d'alimentation doit être facilement accessible après installation.
- La sécurité électrique du réfrigérateur n'est assurée que si le système de mise à la terre de votre domicile est conforme aux normes en vigueur.
- La tension indiquée sur l'étiquette située sur la paroi gauche interne de votre produit doit correspondre à celle fournie par votre réseau électrique.

- **Les rallonges et prises multivoies ne doivent pas être utilisés pour brancher l'appareil.**



AVERTISSEMENT:

Un câble d'alimentation endommagé doit être remplacé par un électricien qualifié.



AVERTISSEMENT:

L'appareil ne doit pas être mis en service avant d'être réparé ! Cette précaution permet d'éviter tout risque de choc électrique!

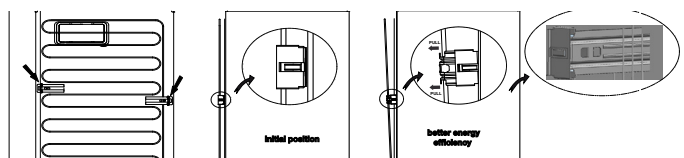
3.4. Mise au rebut de l'emballage

Les matériaux d'emballage peuvent être dangereux pour les enfants. Tenez les matériaux d'emballage hors de portée des enfants ou jetez-les conformément aux consignes établies par les autorités locales en matière de déchets. Ne les jetez pas avec les déchets domestiques, déposez-les dans les centres de collecte désignés par les autorités locales.

L'emballage de votre appareil est produit à partir de matériaux recyclables.

Le condenseur de votre appareil est situé à l'arrière, tel que l'indique le schéma ci-dessous. Pour garantir un meilleur rendement énergétique associé à une faible consommation de l'énergie, tirez le condenseur vers vous tel qu'indique le schéma ci-dessous.

*** Peut ne pas être possible dans tous les modèles.**



3.5. Mise au rebut de votre ancien réfrigérateur

Débarassez-vous de votre ancien réfrigérateur sans nuire à l'environnement.

- Vous pouvez consulter le service après-vente agréé ou le centre chargé de la mise au rebut dans votre municipalité pour en savoir plus sur la mise au rebut de votre produit.

Avant de procéder à la mise au rebut de votre machine, coupez la prise électrique et, le cas échéant, tout verrouillage susceptible de se trouver sur la porte. Rendez-les inopérants afin de ne pas exposer les enfants à d'éventuels dangers.

3.6. Disposition et Installation



AVERTISSEMENT:

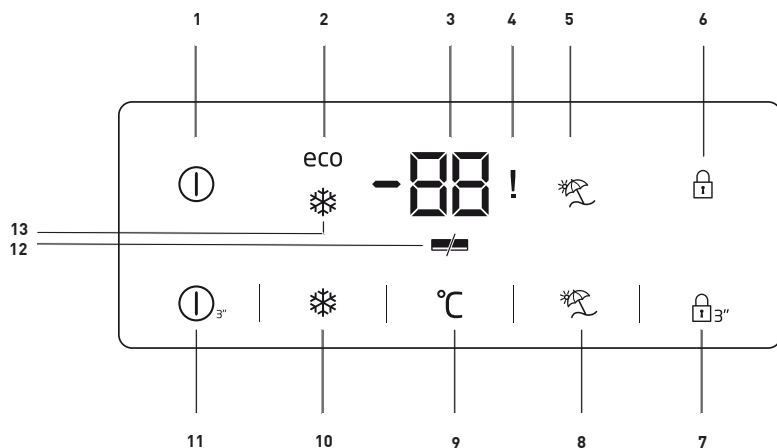
Si la porte d'entrée de la pièce où sera installé le réfrigérateur n'est pas assez large pour laisser passer le réfrigérateur, appelez le service après-vente qui retirera les portes du réfrigérateur et le fera entrer latéralement dans la pièce.

1. Installez le réfrigérateur dans un emplacement qui permette une utilisation pratique.
2. Maintenez le réfrigérateur éloigné de toutes sources de chaleur, des endroits humides et de la lumière directe du soleil.
3. Une ventilation d'air autour du réfrigérateur doit être aménagée pour obtenir un fonctionnement efficace. Si le réfrigérateur est placé dans un enfoncement du mur, il doit y avoir un espace d'au moins 5 cm avec le plafond et d'au moins 5 cm avec le mur. Ne placez pas l'appareil sur des revêtements tels qu'un tapis ou de la moquette.
4. Placez le réfrigérateur sur une surface plane afin d'éviter les à-coups.

4 Préparation

- Pour un appareil amovible, cet appareil de réfrigération n'est pas conçu pour être utilisé comme un appareil à encastrer.
- Votre congélateur / réfrigérateur doit être installé à au moins 30 cm des sources de chaleur telles que les plaques de cuisson, les fours, appareils de chauffage ou cuisinières, et à au moins 5 cm des fours électriques. De même, il ne doit pas être exposé à la lumière directe du soleil.
- Veuillez vous assurer que l'intérieur de votre appareil est soigneusement nettoyé.
- La température ambiante de la pièce où vous installez le congélateur / réfrigérateur doit être d'au moins 5°C. Faire fonctionner l'appareil sous des températures inférieures n'est pas recommandé et pourrait nuire à son efficacité.
- Si deux congélateur / réfrigérateurs sont installés côte à côte, ils doivent être séparés par au moins 2 cm.
- Lorsque vous faites fonctionner le congélateur / réfrigérateur pour la première fois, assurez-vous de suivre les instructions suivantes pendant les six premières heures.
- La porte ne doit pas être ouverte fréquemment.
- Le congélateur / réfrigérateur doit fonctionner à vide, sans denrées à l'intérieur.
- Ne débranchez pas le congélateur / réfrigérateur. Si une panne de courant se produit, veuillez vous reporter aux avertissements dans la section « Solutions recommandées aux problèmes ».
- L'emballage et les matériaux de protection d'emballage doivent être conservés pour les éventuels transports ou déplacements à venir.
- Les paniers/tiroirs fournis avec le compartiment rafraîchissement doivent être utilisés de manière continue pour une consommation énergétique minimale et de meilleures conditions de conservation.
- Le contact entre le capteur de température et les denrées alimentaires à l'intérieur du compartiment de congélation peut augmenter la consommation énergétique de l'appareil. Pour cette raison, les contacts avec les capteurs doivent être évités.
- Dans certains modèles, le tableau de bord s'éteint automatiquement 5 minutes après la fermeture de la portière. Il est réactivé à l'ouverture de la portière ou lorsqu'on appuie sur n'importe quelle touche.
- En raison des variations de température dues à l'ouverture ou à la fermeture de la porte de l'appareil en fonctionnement, il est normal que la condensation se forme sur la porte, les étagères ou les récipients en verre.
- Comme l'air chaud et humide ne pénètre pas directement dans votre produit lorsque les portes ne sont pas ouvertes, votre produit optimisera son fonctionnement en fonction des conditions pour protéger vos aliments. Les fonctions et les composants tels que le compresseur, le ventilateur, le chauffage, le dégivrage, l'éclairage, l'affichage, etc. fonctionneront en fonction des besoins pour consommer un minimum d'énergie dans de telles circonstances.

5 Utilisation de l'appareil



1. Indicateur de marche / d'arrêt :

Cette icône (ⓘ) s'allume lorsque le réfrigérateur est éteint. Toutes les autres icônes s'éteignent.

2. Voyant d'économie d'énergie :

Cette icône (eco) s'allume lorsque le compartiment réfrigérateur est réglé sur la valeur la plus économique, soit 8 °C. Le voyant d'économie d'énergie s'éteint lorsque la fonction de réfrigération rapide ou de congélation rapide est sélectionnée.

3. Indicateur de réglage de température du compartiment réfrigérateur :

Indique le réglage de température pour le compartiment réfrigérateur.

4. Panne de courant / Température élevée / Indicateur d'état d'erreur

Cet indicateur (!) s'allume en cas de panne de courant, de température élevée et d'avertissements d'erreur.

Lorsque la température du

compartiment congélateur est portée à un niveau critique pour les aliments congelés, la valeur maximale atteinte par la température du compartiment congélateur clignote sur l'indicateur numérique.

Vérifiez les aliments dans le compartiment du congélateur.

Ce n'est pas un dysfonctionnement. L'avertissement peut être supprimé en appuyant sur n'importe quel bouton ou sur le bouton d'arrêt de l'alarme de température élevée. (L'annulation par pression sur n'importe quel bouton n'est pas applicable à tous les modèles.)

Cet indicateur (!) s'est également allumé en cas de défaillance d'un capteur. Lorsque cet indicateur est allumé, "E" et des chiffres tels que "1,2,3..." sont affichés alternativement sur l'indicateur de température. Ces chiffres sur l'indicateur informent le personnel de



Les illustrations présentées dans cette notice d'utilisation sont schématiques et peuvent ne pas correspondre exactement à votre produit. Si des pièces présentées ne sont pas comprises dans le produit que vous avez acheté, elles sont valables pour d'autres modèles.

Utilisation du réfrigérateur

service de l'erreur.

5. Indicateur Vacances

Cette icône (☼) s'allume lorsque la fonction Vacances est active.

6. Indicateur de verrouillage des commandes :

L'icône (🔒) s'allume quand le mode de verrouillage des commandes est activé.

7. Mode Verrouillage des commandes :

Appuyez sur le bouton (🔒) de Verrouillage des commandes pendant 3 secondes. L'icône de verrouillage des commandes s'allumera et le mode Verrouillage des commandes sera activé. Les boutons ne fonctionneront pas si le mode Verrouillage des commandes est actif. Appuyez à nouveau sur le bouton de Verrouillage des commandes pendant 3 secondes. L'icône de verrouillage des commandes s'éteindra et le mode Verrouillage des commandes sera désactivé.

8. Fonction Vacances :

Lorsque vous appuyez sur le bouton Vacances, la fonction Vacances (☼) est activée et l'indicateur correspondant s'allume. Vous pouvez utiliser cette fonction lorsque vous ne souhaitez pas utiliser l'appareil pendant une longue période. Veillez à ce que votre réfrigérateur soit vide étant donné que l'appareil ne peut pas conserver les aliments en mode Vacances.

Lorsque cette fonction est activée, la température du compartiment réfrigérateur est maintenue à 15 °C pour éviter la formation de mauvaises odeurs. Appuyez de nouveau sur le bouton Vacances pour désactiver la fonction Vacances.

9. Fonction de réglage du congélateur

Cette fonction (°C) vous permet de régler la température du compartiment réfrigérateur. Appuyez sur ce bouton pour régler la température du compartiment réfrigérateur sur 8, 7, 6, 5, 4, 3 et 1 respectivement.

10. Fonction de réfrigération rapide

L'indicateur de réfrigération rapide (❄️) s'allume lorsque sa fonction est activée. Pour annuler cette fonction, appuyez à nouveau sur le bouton Réfrigération rapide. L'indicateur Réfrigération rapide s'éteindra et les paramètres normaux seront de nouveau appliqués. La fonction de réfrigération rapide est annulée automatiquement 1 heure plus tard, si vous ne l'avez pas annulée manuellement. Si vous souhaitez refroidir de grandes quantités de produits frais, appuyez sur le bouton Réfrigération rapide avant d'introduire ces produits dans le compartiment réfrigérateur.

11. Fonction Marche / Arrêt :

En appuyant sur cette fonction (⏸) pendant 3 secondes, le réfrigérateur s'arrête. Il peut à nouveau être mis en marche en appuyant sur la touche marche / arrêt pendant 3 secondes.

12. Indicateur d'Économie d'énergie :

Si les portes de l'appareil restent fermées pendant longtemps, la fonction Économie d'énergie s'active automatiquement et le symbole d'Économie d'énergie s'allume. (🔌). Si la fonction Économie d'énergie est active, tous les symboles de l'écran hormis celui de l'Économie d'énergie s'éteindront. Lorsque la Fonction Économie d'énergie est active, si vous appuyez sur un bouton quelconque ou ouvrez la porte, cette fonction sera désactivée et les symboles

Utilisation du réfrigérateur

qui se trouvent à l'écran redeviendront normaux.

La fonction Économie d'énergie est activée à la sortie de l'appareil de l'usine et ne peut être annulée.

13. Indicateur de congélation rapide :

Cette icône (❄️) s'allume lorsque la fonction de congélation rapide est active.

5.1. Système de réfrigération active dual cooling :

Votre réfrigérateur est équipé de deux systèmes de réfrigération séparés destinés à refroidir le compartiment des aliments frais et le compartiment de congélation du réfrigérateur. Ainsi, l'air du compartiment des produits frais et l'air du compartiment de congélation ne sont pas mélangés. Grâce à ce système de réfrigération séparé, les vitesses de réfrigération sont beaucoup plus élevées que pour des réfrigérateurs classiques. Par ailleurs, les odeurs des compartiments ne sont pas mélangées.

5.2. Congélation des produits frais

* Enveloppez ou couvrez vos denrées avant de les placer au réfrigérateur.

* Laissez refroidir les aliments à température ambiante avant de les placer au réfrigérateur.

* Les denrées que vous souhaitez surgeler doivent être fraîches et en bon état.

• Il est conseillé de séparer les denrées en portions, en fonction des besoins quotidiens de votre famille ou du nombre de repas.

• Les denrées doivent être emballées hermétiquement afin d'éviter qu'elles ne s'assèchent, même si elles ne doivent être conservées qu'une courte période.

* Les matériaux servant à emballer vos denrées doivent résister au froid et à l'humidité, et doivent être hermétiques. Le matériau d'emballage de vos denrées doit être suffisamment épais et doit pouvoir être conservé sur une longue période. Dans le cas contraire, les denrées endurcies par la congélation pourraient perforer l'emballage. Il est essentiel pour l'emballage d'être bien fermé.

* Les denrées congelées doivent être consommées immédiatement après leur décongélation et elles ne doivent jamais être recongelées.

* Veuillez respecter les instructions suivantes afin d'obtenir les meilleurs résultats.

1. Si le réfrigérateur dispose de la fonction congélation rapide, activez-la lorsque vous souhaitez congeler des aliments.
2. Ne congelez pas une quantité trop importante à la fois. La qualité des aliments est préservée de façons optimale lorsqu'ils sont entièrement congelés et ce, aussi rapidement que possible.
3. Faites particulièrement attention à ne pas mélanger les produits déjà congelés et les produits frais.
4. Assurez-vous que les aliments crus ne soient pas en contact avec les cuits dans votre réfrigérateur.

Utilisation du réfrigérateur

Réglage du compartiment congélateur	Réglage du compartiment réfrigérateur	Remarques
-18°C	4°C	Voici le réglage normal recommandé.
-20,-22 ou -24°C	4°C	Ces réglages sont recommandés lorsque la température ambiante dépasse 30 °C.
Congélation rapide	4°C	Cet indicateur est utilisé lorsque vous voulez congeler vos denrées pendant une courte période. Il est recommandé de l'utiliser pour maintenir la qualité des produits tels que la viande et le poisson.
-18°C ou plus froid	2°C	Si vous pensez que le compartiment de réfrigération n'est pas assez froid à cause de la chaleur ou des ouvertures / fermetures fréquentes de la porte.
-18°C ou plus froid	Réfrigération rapide	Vous pouvez utiliser ce réglage lorsque le compartiment de réfrigération est surchargé ou lorsque vous souhaitez refroidir rapidement vos denrées. Il est conseillé d'activer la fonction de réfrigération rapide pendant 4 à 8 heures avant d'introduire les denrées dans le congélateur.

5.3. Recommandations concernant la conservation des aliments congelés

- Les aliments vendus préemballés et surgelés doivent être conservés conformément aux instructions du fabricant de produits congelés, dans le compartiment destiné au stockage des produits congelés.
- Afin de veiller à ce que la qualité supérieure recherchée par le fabricant et le détaillant des produits congelés soit atteinte, il convient de se rappeler les points suivants :

1. Mettre les emballages dans le congélateur aussi rapidement que possible après achat.
2. Assurez-vous que le contenu emballé est correctement étiqueté et daté.

3. Ne pas dépasser les dates « à consommer avant le » et « à consommer de préférence avant le » figurant sur l'emballage.

Dégivrage

Le compartiment congélateur se dégivre automatiquement.

Utilisation du réfrigérateur

Disposition des denrées

Clayettes du compartiment congélation	Différentes denrées congelées comme de la viande, du poisson, des crèmes glacées, des légumes, etc.
Section Oeufs	Œufs
Clayettes du compartiment de réfrigération	Nourriture dans des casseroles, assiettes couvertes et récipients fermés
Étagères sur la porte du compartiment réfrigérant	Produits ou boissons emballés et de petite taille (comme le lait, les jus de fruits ou la bière)
Bac à légumes	Fruits et légumes
Compartiment Fraîcheur	Produits délicats (fromage, beurre, salami, etc.)

5.4. Informations concernant la congélation

Les denrées doivent être congelées le plus rapidement possible lorsqu'elles sont placées dans le congélateur, afin de préserver leur qualité.

Il n'est possible de conserver des denrées sur de longues périodes qu'avec des températures inférieures ou égales à -18°C.

AVERTISSEMENT !

- Il est conseillé de séparer les denrées en portions, en fonction des besoins quotidiens de votre famille ou du nombre de repas.

- Les denrées doivent être emballées hermétiquement afin d'éviter qu'elles ne s'assèchent, même si elles ne doivent être conservées qu'une courte période.

Matériaux nécessaires à l'emballage :

- Bande adhésive résistante au froid
- Étiquette auto-collante
- Élastiques en caoutchouc
- Stylo

Les matériaux utilisés pour l'emballage des denrées doivent résister aux déchirures, au froid, à l'humidité, et doivent être imperméables aux odeurs, aux graisses et aux acides.

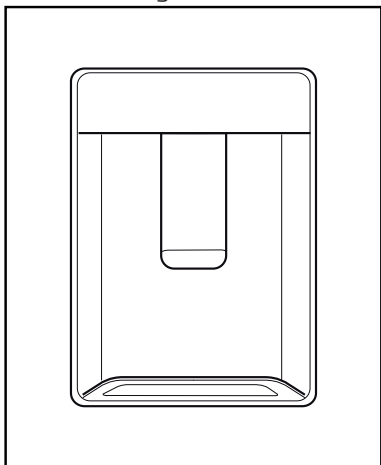
Il faut éviter que les denrées à congeler n'entrent en contact avec des aliments déjà congelés afin d'empêcher le dégel partiel de ces aliments. Les aliments décongelés doivent être consommés et ne pas être congelés à nouveau.

Utilisation du réfrigérateur

Fontaine frigorigifique

Peut ne pas être possible dans tous les modèles.

Cette fontaine est très important pour obtenir de l'eau fraîche sans avoir à ouvrir la porte de votre Congélateur / réfrigérateur. Comme vous n'aurez pas à ouvrir fréquemment la porte de votre Congélateur / réfrigérateur, cela vous permettra d'économiser de l'énergie.



Utilisation de la fontaine

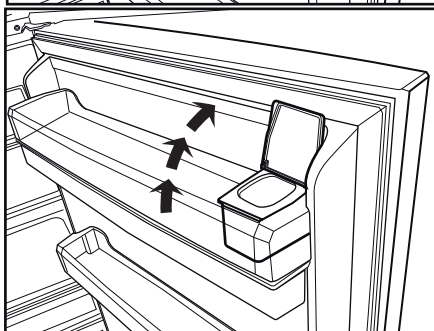
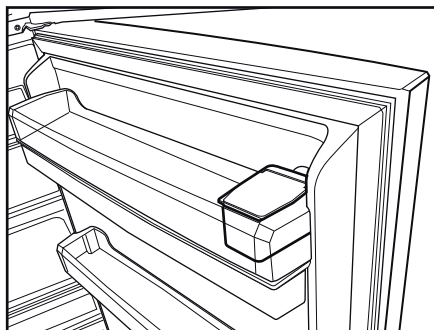
Appuyez sur le bouton de la fontaine avec votre verre. La fontaine cessera de fonctionner lorsque vous aurez relâché le bouton.

Pendant le fonctionnement de la fontaine, vous pouvez obtenir une quantité maximale en appuyant à fond sur le bouton. N'oubliez pas que la quantité de liquide obtenue est fonction du degré d'appui que vous exercez sur le bouton.

A mesure que le niveau d'eau de votre tasse / verre augmente, réduisez doucement la quantité de pression du bouton pour éviter tout risque de débordement. Si vous appuyez légèrement sur le bouton, l'eau tombera; ce phénomène est tout à fait normal et n'est pas un dysfonctionnement.

Remplir le réservoir d'eau de la fontaine frigorigifique

Le réservoir d'approvisionnement en eau se trouve dans le balconnet de la porte. Ouvrez le couvercle du réservoir et remplissez-le avec de l'eau potable pure. Refermez ensuite le couvercle.

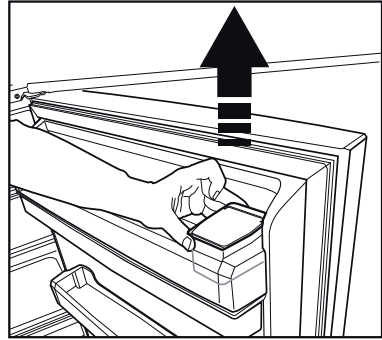


Avertissement !

- Ne remplissez pas le réservoir d'eau avec un liquide autre que de l'eau ; des boissons comme le jus de fruit, les boissons gazeuses, et les boissons alcooliques ne sont pas adaptées pour être utilisées avec le distributeur d'eau. Si de tels liquides sont utilisés, le distributeur connaîtra un dysfonctionnement et peut être profondément endommagé. La garantie ne couvre pas de telles utilisations. Certaines substances chimiques et additifs contenus dans de telles boissons / breuvages peuvent également endommager le réservoir d'eau.

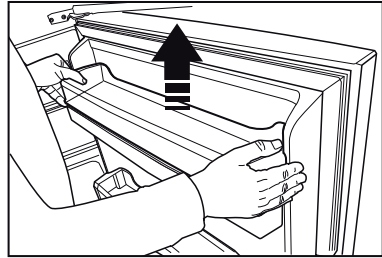
Utilisation du réfrigérateur

- Utilisez uniquement de l'eau potable pure.
- La capacité du réservoir est de 3 litres; ne dépassez pas la limite.
- Appuyez sur le bouton de la fontaine avec votre verre. Si vous utilisez une tasse jetable, poussez le bouton avec vos doigts à partir de l'arrière de la tasse.



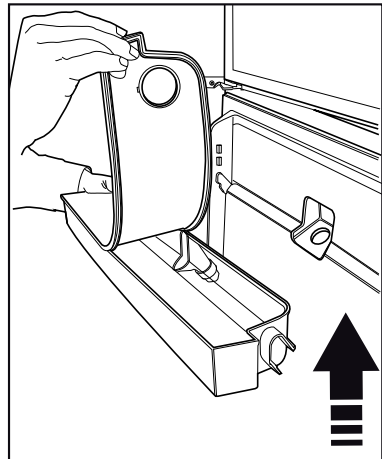
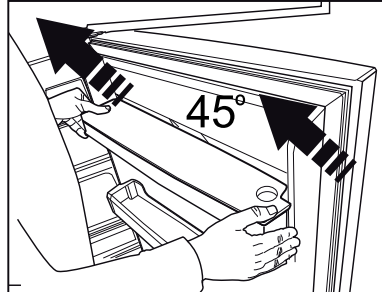
Nettoyer le réservoir d'eau

- Retirez le réservoir d'approvisionnement en eau du balconnet de la porte.
- Retirez le balconnet de la porte en le tenant par les deux côtés.
- Tenez le réservoir par les deux côtés et retirez-le selon un angle de 45Dgr.
- Retirez le couvercle afin de nettoyer le réservoir.



Important :

Le réservoir d'eau et les composantes du distributeur d'eau ne peuvent pas être passés au lave-vaisselle.



Utilisation du réfrigérateur

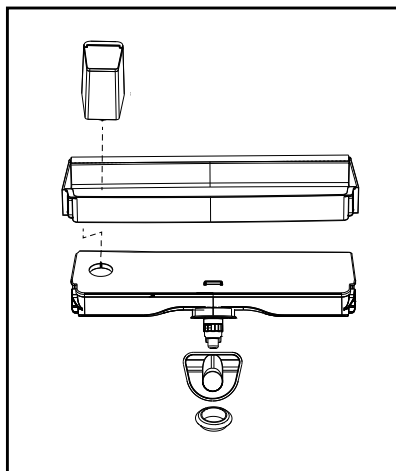
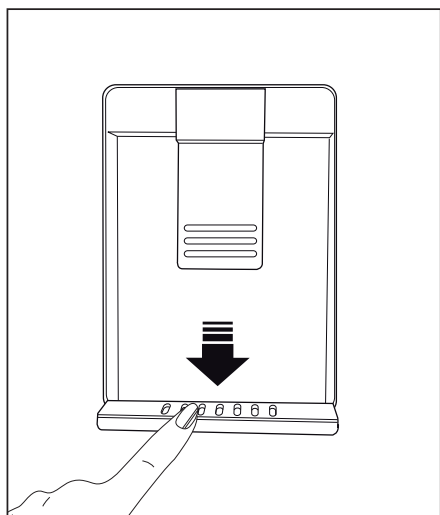
Bac à eau

L'eau qui s'écoule lors de l'utilisation du distributeur d'eau s'accumule dans le bac de dégivrage.

Retirez la crépine en plastique comme sur le schéma.

Retirez l'excédent d'eau à l'aide d'un chiffon propre et sec.

ATTENTION : Raccorder uniquement à un tuyau d'alimentation en eau potable.



6 Entretien et nettoyage

Le nettoyage régulier du produit prolonge sa durée de vie.



AVERTISSEMENT:

Débranchez l'alimentation avant de nettoyer le réfrigérateur.

- N'utilisez jamais d'outils pointus et abrasifs, de savon, de produits nettoyage domestiques, d'essence, de carburant, du cirage ou des substances similaires pour le nettoyage du produit.
- Pour des appareils qui ne sont pas de la marque No Frost, des gouttes d'eau et une couche de givre pouvant atteindre la largeur d'un doigt se forment sur la paroi arrière du compartiment réfrigérateur. Ne les nettoyez pas et évitez d'y utiliser de l'huile ou des produits similaires.
- Utilisez uniquement des tissus en microfibres légèrement mouillés pour nettoyer la surface externe de l'appareil. Les éponges et autres tissus de nettoyage sont susceptibles de rayer la surface.
- Faites dissoudre une cuillerée à café de bicarbonate dans de l'eau. Trempez un morceau de tissu dans cette eau et essorez-le. Nettoyez soigneusement l'appareil avec ce chiffon et ensuite avec un chiffon sec.
- Veillez à ne pas mouiller le logement de la lampe ainsi que d'autres composants électriques.
- Nettoyez la porte à l'aide d'un torchon humide. Retirez tous les aliments de l'intérieur afin de démonter la porte et les étagères du châssis. Relevez les étagères de la porte pour les démonter. Nettoyez et séchez les étagères, puis refixez-les en les faisant glisser à partir du haut.
- N'utilisez pas d'eau contenant du chlore, ou des produits de nettoyage pour les surfaces externes et les pièces chromées de l'appareil. Le chlore entraîne la corrosion de ce type de surfaces métalliques.
- Évitez d'utiliser des objets tranchants ou abrasifs, du savon, des produits ménagers de nettoyage, des détergents, de l'essence, du benzène, de la cire, ect. ; autrement, les marques sur les pièces en plastique pourraient s'effacer et les pièces elles-mêmes pourraient présenter des déformations. Utilisez de l'eau tiède et un torchon doux pour nettoyer et sécher.

6.1. Prévention des mauvaises odeurs

À sa sortie d'usine, cet appareil ne contient aucun matériau odorant. Cependant; la conservation des aliments dans des sections inappropriées et le mauvais nettoyage de l'intérieur peuvent donner lieu aux mauvaises odeurs.

Pour éviter cela, nettoyez l'intérieur à l'aide de bicarbonate dissout dans l'eau tous les 15 jours.

- Conservez les aliments dans des récipients fermés. Des micro-organismes peuvent proliférer des récipients non fermés et émettre de mauvaises odeurs.
- Ne conservez pas d'aliments périmés ou avariés dans le réfrigérateur.

6.2. Protection des surfaces en plastique

Si de l'huile se répand sur les surfaces en plastique, il faut immédiatement les nettoyer avec de l'eau tiède, sinon elles seront endommagées.

7 Dépannage

Veillez vérifier la liste suivante avant d'appeler le service après-vente. Cela peut vous faire économiser du temps et de l'argent. Cette liste regroupe les problèmes les plus fréquents ne provenant pas d'un défaut de fabrication ou d'utilisation du matériel. Il se peut que certaines des fonctions décrites ne soient pas présentes sur votre produit.

Le réfrigérateur ne fonctionne pas.

- La fiche n'est pas insérée correctement dans la prise. >>>Insérez correctement la fiche dans la prise.
- Est-ce que le fusible ou le fusible principal a sauté? >>>Vérifiez le fusible.

Condensation sur la paroi intérieure du compartiment réfrigérateur. (MULTIZONE, COOL CONTROL et FLEXI ZONE).

- La porte a été ouverte souvent. >>>Évitez d'ouvrir et de fermer trop fréquemment la porte du réfrigérateur.
- L'environnement est très humide. >>>N'installez pas votre réfrigérateur dans des endroits très humides.
- La nourriture contenant du liquide est conservée dans des récipients ouverts. >>>Ne conservez pas de la nourriture contenant du liquide dans des récipients ouverts.
- La porte du réfrigérateur est laissée entrouverte. >>>Fermez la porte du réfrigérateur.
- Le thermostat est réglé à un niveau très froid. >>>Réglez le thermostat à un niveau adapté.

Le compresseur ne fonctionne pas.

- Le dispositif de protection thermique du compresseur sautera en cas de coupures soudaines du courant ou de débranchement intempestif, en effet la pression du liquide réfrigérant du système de refroidissement ne sera pas équilibrée. Le réfrigérateur recommencera à fonctionner normalement après 5 minutes environ. Veuillez contacter le service après-vente si le réfrigérateur ne redémarre pas après cette période.
- Le réfrigérateur est en mode dégivrage. >>>Cela est normal pour un réfrigérateur à dégivrage semi-automatique. Le cycle de dégivrage se déclenche régulièrement.
- Le réfrigérateur n'est pas branché à la prise. >>>Assurez-vous que la prise est branchée dans la prise murale.
- Les réglages de température ne sont pas effectués correctement. >>>Sélectionnez la température appropriée.
- Il y a une panne de courant. >>>Le réfrigérateur recommence à fonctionner normalement après le retour du courant.

Le niveau sonore augmente lorsque le réfrigérateur est en marche.

- Les caractéristiques de performance du réfrigérateur peuvent changer en raison des variations de la température ambiante. Cela est normal et n'est pas un défaut.

Le réfrigérateur fonctionne fréquemment ou pendant de longues périodes.

- Votre nouveau réfrigérateur peut être plus large que l'ancien. Les grands réfrigérateurs fonctionnent plus longtemps.
- La température de la pièce est probablement élevée. >>> Il est normal que l'appareil fonctionne plus longtemps quand la température ambiante est élevée.
- Le réfrigérateur pourrait y avoir été branché tout récemment ou pourrait avoir été chargé de denrées alimentaires. >>> Quand le réfrigérateur a été branché ou récemment rempli avec de la nourriture, il met plus de temps à atteindre la température réglée. Ce phénomène est normal.
- D'importantes quantités de denrées chaudes ont peut-être été introduites dans le réfrigérateur récemment. >>> Ne mettez pas de nourriture chaude dans le réfrigérateur.
- Les portes ont peut-être été ouvertes fréquemment ou laissées entrouvertes pendant une durée prolongée. >>> L'air chaud qui entre dans l'appareil oblige le réfrigérateur à travailler sur de plus longues périodes. N'ouvrez pas les portes fréquemment.
- La porte du réfrigérateur est probablement entrouverte. >>> Vérifiez que les portes sont bien fermées.
- Le réfrigérateur est réglé à une température très basse. >>> Réglez la température du réfrigérateur à un degré supérieur et attendez que la température réglée soit atteinte.
- Le joint de la porte du réfrigérateur ou du congélateur peut être sale, déchiré, rompu ou mal en place. >>> Nettoyez ou remplacez le joint. Tout joint endommagé/déchiré fait fonctionner le réfrigérateur pendant une période de temps plus longue afin de conserver la température actuelle.

La température du congélateur est très basse alors que celle du réfrigérateur est correcte.

- La température du congélateur est réglée à une température très basse. >>> Réglez la température du congélateur à un degré supérieur et vérifiez.

La température du réfrigérateur est très basse alors que celle du congélateur est correcte.

- La température du réfrigérateur est réglée à une température très basse. >>> Réglez la température du réfrigérateur à un degré supérieur et vérifiez.

Les denrées conservées dans les tiroirs du compartiment de réfrigération sont congelées.

- La température du réfrigérateur est réglée à une température très basse. >>> Réglez la température du réfrigérateur à un niveau inférieur et vérifiez.

Dépannage

La température dans le réfrigérateur ou le congélateur est très élevée.

• La température du réfrigérateur est réglée à une température très basse. >>>Le réglage du compartiment réfrigérant a un effet sur la température du congélateur. Changez les températures du réfrigérateur ou du congélateur et attendez que les compartiments atteignent une température suffisante.

• Les portes ont peut être été ouvertes fréquemment ou laissées entrouvertes pendant une durée prolongée. >>>N'ouvrez pas les portes fréquemment.

• La porte est entrouverte. >>>Refermez complètement la porte.

• Le réfrigérateur a été récemment branché ou rempli avec de la nourriture. >>>Ce phénomène est normal. Lorsque le réfrigérateur vient d'être branché ou récemment rempli avec de la nourriture, il met plus de temps à atteindre la température réglée.

• D'importantes quantités de denrées chaudes ont peut être été introduites dans le réfrigérateur récemment. >>>Ne mettez pas de nourriture chaude dans le réfrigérateur.

Vibrations ou bruits

• Le sol n'est pas plat ou stable. >>>Si le réfrigérateur balance lorsqu'il est déplacé lentement, équilibrez-le en ajustant sa base. Assurez-vous que le sol est plat et suffisamment solide pour supporter le poids et le volume de l'appareil.

• Les éléments placés sur le réfrigérateur peuvent faire du bruit. >>>Enlevez les éléments du haut du réfrigérateur.

Le réfrigérateur produit des bruits semblables à de l'eau qui coule, à la pulvérisation d'un liquide, etc.

• Des écoulements de gaz et de liquides surviennent dans le réfrigérateur, de par ses principes de fonctionnement. Cela est normal et n'est pas un défaut.

Un sifflement sort du réfrigérateur.

• Les ventilateurs sont utilisés pour refroidir le réfrigérateur. Cela est normal et n'est pas un défaut.

Condensation sur les parois intérieures du réfrigérateur.

• Un temps chaud et humide augmente la formation de givre et de condensation. Cela est normal et n'est pas un défaut.

• Les portes ont peut être été ouvertes fréquemment ou laissées entrouvertes pendant une durée prolongée. >>>N'ouvrez pas les portes fréquemment. Refermez-les si elles sont ouvertes.

• La porte est entrouverte. >>>Refermez complètement la porte.

De l'humidité est présente à l'extérieur ou entre les portes du réfrigérateur.

• Il y a peut être de l'humidité dans l'air; ceci est tout à fait normal par un temps humide. Lorsque l'humidité est faible, la condensation disparaîtra.

Présence d'une mauvaise odeur dans le réfrigérateur.

• Il n'y a pas de nettoyage régulier effectué. >>>Nettoyez régulièrement l'intérieur du réfrigérateur avec une éponge, de l'eau tiède ou du carbonate dissout dans l'eau.

• Certains récipients ou matériaux d'emballage peuvent provoquer ces odeurs. >>>Utilisez un autre récipient ou changez de marque de matériau d'emballage.

• Les denrées sont mises au réfrigérateur dans des récipients sans couvercle. >>>Conservez les aliments liquides dans des récipients fermés. Les micro-organismes issus de récipients non fermés peuvent dégager des odeurs désagréables.

• Enlevez les aliments périmés et pourris du réfrigérateur.

Dépannage

La porte ne se ferme pas.

- Des récipients empêchent la fermeture de la porte. >>>Retirez les emballages qui obstruent la porte.
- Le réfrigérateur n'est pas complètement vertical sur le sol. >>>Ajustez les pieds du réfrigérateur pour l'équilibrer.
- Le sol n'est pas plat ou solide. >>>Assurez-vous que le sol est plat et qu'il peut supporter le poids du réfrigérateur.

Les bacs à légumes sont coincés.

- Il se peut que les denrées touchent le plafond du tiroir. >>>Disposez à nouveau les denrées dans le tiroir.

Si La Surface De L'appareil Est Chaude.

- Vous pouvez observer une élévation de la température entre les deux portes, sur les panneaux latéraux et au niveau de la grille arrière pendant le fonctionnement de l'appareil. Ce phénomène est normal et ne nécessite aucune opération d'entretien !

CLAUSE DE NON-RESPONSABILITÉ / AVERTISSEMENT

Il est possible de remédier à certaines défaillances (simples) de manière adéquate par l'utilisateur final sans qu'il y ait de problème de sécurité ou d'utilisation dangereuse, à condition qu'elles soient effectuées dans les limites et conformément aux instructions suivantes (voir la section « Auto-réparation »).

Dès lors, sauf autorisation contraire dans la section « Auto-réparation » ci-dessous, les réparations doivent être adressées à des réparateurs professionnels agréés afin d'éviter les problèmes de sécurité.

Un réparateur professionnel agréé est un réparateur professionnel à qui le fabricant a donné accès aux instructions et à la liste des pièces détachées de ce produit selon les méthodes décrites dans les actes législatifs en application de la directive 2009/125/CE.

Par contre, tel que mentionné dans le manuel d'utilisation/carte de garantie, seul l'agent de service (c'est-à-dire les réparateurs professionnels agréés) que vous pouvez joindre au numéro de téléphone indiqué dans le manuel d'utilisation/carte de garantie ou par l'intermédiaire de votre revendeur agréé peut fournir un service dans le cadre des conditions de garantie. Par conséquent, veuillez noter que les réparations effectuées Beko par des réparateurs professionnels (qui ne sont pas autorisés par) annuleront la garantie.

Auto-réparation

L'utilisateur final peut lui-même réparer les pièces de rechange ci-après : poignées de porte, charnières de porte, plateaux, paniers et joints de porte (une liste mise à jour est également disponible à l'adresse support.beko.com au 1er mars 2021).

En outre, pour garantir la sécurité du produit et éviter tout risque de blessure

grave, l'autoréparation mentionnée doit être effectuée en suivant les instructions du manuel d'utilisation pour l'autoréparation ou qui sont disponibles dans support.beko.com. Pour votre sécurité, débranchez le produit avant de tenter toute autoréparation.

Les réparations et tentatives de réparation par les utilisateurs finaux pour les pièces ne figurant pas dans cette liste et/ou ne suivant pas les instructions des manuels d'utilisation pour l'autoréparation ou qui sont disponibles dans support.beko.com, pourrait donner lieu à des problèmes de sécurité non imputables à Beko, et annulera la garantie du produit.

Il est donc fortement recommandé aux utilisateurs finaux de s'abstenir de tenter d'effectuer des réparations ne figurant pas sur la liste des pièces de rechange mentionnée, en s'adressant dans ce cas à des réparateurs professionnels autorisés ou à des réparateurs professionnels agréés.

Au contraire, de telles tentatives de la part des utilisateurs finaux peuvent causer des problèmes de sécurité et endommager le produit et, par la suite, provoquer un incendie, une inondation, une électrocution et des blessures corporelles graves.

Sans être exhaustives, les réparations suivantes par exemple doivent être effectuées par des personnes qualifiées : les réparateurs professionnels ou les réparateurs professionnels agréés : compresseur, circuit de refroidissement, carte mère, carte de convertisseur, carte d'affichage, etc.

Le fabricant/vendeur ne peut être tenu responsable dans tous les cas où les utilisateurs finaux ne se conforment pas à ce qui précède.

La disponibilité des pièces de rechange du réfrigérateur que vous avez acheté est de 10 ans.

Pendant cette période, des pièces de rechange originales seront disponibles pour faire fonctionner correctement le réfrigérateur.

La durée minimale de garantie du réfrigérateur que vous avez acheté est de 24 mois.

Cet appareil est doté d'une source d'éclairage de classe énergétique "G".

Seuls des réparateurs qualifiés sont autorisés à procéder au remplacement de la source d'éclairage de cet appareil.



Beste klant,

We willen optimale prestaties bereiken met onze producten die in moderne faciliteiten worden gefabriceerd met nauwgezette kwaliteitscontroles.

Om die reden moet u de gebruikersgids volledig lezen voor u het product in gebruik neemt en bewaar de handleiding als referentiebron. Als u het product aan een andere persoon geeft, moet u deze handleiding ook meegeven.

De gebruikershandleiding zorgt voor een snel en veilig gebruik van het product.

- Lees de gebruikershandleiding voor de installatie en bediening van het product.
- U moet de geldige veiligheidsinstructies altijd naleven.
- Bewaar de handleiding binnen handbereik voor een eventuele raadpleging in de toekomst.
- Lees alle andere documenten die worden geleverd met het product.

Vergeet niet dat deze handleiding van toepassing kan zijn op meerdere productmodellen. De handleiding vermeldt eventuele variaties tussen de verschillende modellen heel duidelijk.

Symbolen en opmerkingen

De volgende symbolen worden gebruikt in de handleiding:

	Belangrijke informatie en handige tips.
	Risico van fatale gevolgen en schade aan eigendom.
	Risico van elektrische schokken.
	De verpakking van het product is vervaardigd uit recyclebaar materiaal, in overeenstemming met de Nationale Milieuwetgeving.

INFORMATIE



ENERG



SUPPLIER'S NAME

MODEL IDENTIFIER

(*)

A

A

De informatie van het model zoals opgeslagen in de product-databank is toegankelijk op de onderstaande website. Zoek uw model identificatie (*) vermeld op het energielabel.

<https://eprel.ec.europa.eu/>

1 Belangrijke Veiligheids- en omgevingsinstructies 4

Algemene veiligheid	4
Bedoeld gebruik.....	6
Kinderveiligheid.....	7
Conformiteit met de WEEE-richtlijn en Verwijdering van afvalproducten	7
Conformiteit met de RoHS-richtlijn	7
Informatie op de verpakking.....	7

2 Installatie 8

3 Installatie 9

Punten waarop gelet moet worden bij de verplaatsing van een koelkast	9
Voordat u de koelkast inschakelt,.....	9
Elektrische aansluiting	10
Afvoeren van de verpakking	10
Waarschuwing Deur open	11
De openingsrichting van de deur wijzigen	11
Stelvoetjes aanpassen.....	11

4 Voorbereiding 12

5 Bediening van het product 13

Tweeledig koelsysteem:.....	18
Verse etenswaren invriezen.....	18
Aanbeveling voor het bewaren van diepvriesvoedsel.....	19
Het plaatsen van de levensmiddelen	20
Diepvriesinformatie.....	20

6 Entretien et nettoyage 21

7Probleemoplossing 22

1 Belangrijke Veiligheids- en omgevingsinstructies

Deze sectie bevat de noodzakelijke veiligheidsinstructies om risico op letsels of materiële schade te vermijden. Het niet naleven van deze instructies resulteert in de nietigverklaring van alle mogelijke productgaranties.

Bedoeld gebruik

	WAARSCHUWING: Indien het apparaat in zijn beschermingskap is of geplaatst is, zorg ervoor dat de ventilatieopeningen niet gedekt zijn.
	WAARSCHUWING: Gebruik geen mechanische apparaten of andere apparaten behalve apparaten welke door de producent worden geadviseerd om het proces voor ontdoeien te versnellen.
	WAARSCHUWING: Beschadig koelmiddelstroom circuit niet.
	WAARSCHUWING:: Gebruik geen elektrische apparaten welke niet aanbevolen worden door de producent binnen de opslag ruimten voor voedsel.
	WAARSCHUWING: Bewaar geen explosieve stoffen, zoals spuitbussen met een ontvlambaar drijfgas, in dit apparaat.

Dit apparaat is ontworpen om huiselijk gebruik of bij onderstaande soortgelijke gevallen gebruikt te worden.

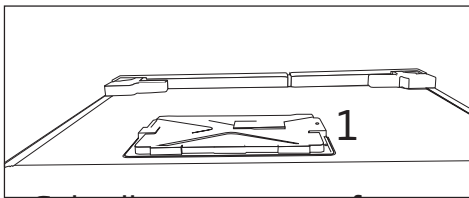
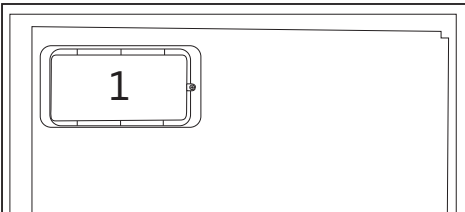
- Voor het gebruik in personeel keukens bij winkels, bureaus en overige werkplaatsen;
- Voor het gebruik door klanten bij boerderijen en hotels, motels en overige plaatsen waar klanten kunnen verblijven;

1.1. Algemene veiligheid

- Dit product mag niet worden gebruikt door personen met fysieke, gevoelsmatige en mentale handicaps, door personen met onvoldoende kennis en ervaring of door kinderen. Het apparaat mag enkel worden gebruikt door dergelijke personen als ze onder toezicht en instructies staan van een persoon die verantwoordelijk is voor hun veiligheid. Kinderen mogen niet met dit apparaat spelen.
- Als er een defect optreedt, moet u de stekker verwijderen uit het stopcontact.
- Nadat u de stekker hebt verwijderd, moet u 5 minuten wachten voor u hem opnieuw in het stopcontact voert.
- Verwijder de stekker van het product uit het stopcontact als u het niet gebruikt.
- U mag het product niet aanraken met natte handen! Trek niet aan het netsnoer maar houd het steeds vast bij de stekker.

Veiligheids-en omgevingsinstructies

- U mag de stekker van de koelkast niet invoeren als het stopcontact los zit.
- Verwijder de stekker uit het stopcontact tijdens de installatie, onderhoudswerken, reiniging en reparaties.
- Als u het product gedurende een lange periode niet gebruikt, moet u de stekker van het product uit het stopcontact verwijderen en alle etenswaren verwijderen.
- Gebruik het product niet als het compartiment met circuitkaarten op het bovenste deel achteraan van het product (elektrische kaart doos deksel) (1) open is.



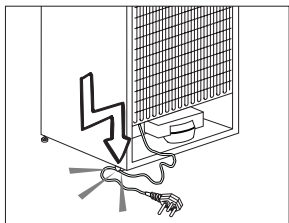
- Gebruik geen stoom of stoomreinigers om de koelkast te reinigen en het ijs te smelten. Stoom kan in contact komen met de geëlektrificeerde zones en kortsluitingen of elektrische schokken veroorzaken!
- U mag het product niet reinigen door er water op te verstuiven of te gieten!

Gevaar van elektrische schokken!

- Als er een defect optreedt, mag u het product niet gebruiken want dit kan elektrische schokken veroorzaken. Neem contact op met de geautoriseerde dienst voor u iets doet.
- Voer de stekker in een geaard stopcontact. De aarding moet worden uitgevoerd door een gekwalificeerde elektricien.
- Als het product voorzien is van een LED-type verlichting moet u contact opnemen met de geautoriseerde dienstverlening om het te vervangen als er een probleem optreedt.
- Raak geen bevroren goederen aan met natte handen! Ze kunnen blijven plakken aan uw handen!
- Plaats geen vloeistoffen in flessen en blikjes in het vriesvak. Deze kunnen namelijk barsten!
- Plaats vloeistoffen rechtop nadat u het deksel stevig hebt gesloten.
- U mag geen ontvlambare stoffen in de buurt van het product verstuiven want deze kunnen branden of ontploffen.
- Bewaar geen ontvlambaar materiaal en producten met ontvlambaar gas (sprays, etc.) in de koelkast.
- Plaats geen containers met vloeistof bovenop het product. Water spatten op een geëlektrificeerd onderdeel kan elektrische schokken veroorzaken en fataal aflopen.

Veiligheids-en omgevingsinstructies

- Het product blootstellen aan regen, sneeuw, zonlicht en wind veroorzaakt elektrisch gevaar. Als u het product verplaatst, mag u er niet aan trekken bij het handvat. Het handvat kan los komen.
- Zorg ervoor uw handen of lichaam niet te klemmen in een van de bewegende delen van het product.
- U mag niet stappen of leunen op de deur, laden of gelijkaardige delen van de koelkast. Dit kan er toe leiden dat het product valt en het kan schade veroorzaken aan de onderdelen.
- Let erop het netsnoer niet te klemmen.



1.1.1 HC waarschuwing

Als het product voorzien is van een koelsysteem met R600 gas moet u er op letten het koelsysteem en de leiding niet te beschadigen wanneer u het product gebruikt of verplaatst. Dit gas is ontvlambaar. Als het koelsysteem beschadigd is, moet u het product uit te buurt van brandhaarden houden en de ruimte onmiddellijk ventileren.



Het label links aan de binnenzijde geeft het type gas aan dat in het product wordt gebruikt.

1.1.2 Voor modellen met een waterfontein

- De druk van de koud waterinlaat mag maximum 90psi (6,2 bar) bedragen. Als uw waterdruk hoger is dan 80psi (5,5 bar) moet u een drukbegrenzer gebruiken in uw netwerk. Als u niet weet hoe u uw waterdruk kunt controleren, moet u hulp vragen van een professionele loodgieter.
- Als het risico bestaat op een waterslageffect in uw installatie moet u altijd een waterslag preventie apparatuur installeren. Raadpleeg een professionele loodgieter als u niet zeker bent of er een waterslageffect aanwezig is in uw installatie.
- Installeer deze niet op de warme waterinlaat. Neem de nodige maatregelen tegen het bevriezen van de leidingen. De watertemperatuur bedrijfsinterval moet minimum 33°F (0,6°C) en maximum 100°F (38°C) zijn.
- Gebruik enkel drinkwater.

1.2. Bedoeld gebruik

- Dit product is ontworpen voor huishoudelijk gebruik. Het is niet bedoeld voor commercieel gebruik.
- Het product mag enkel worden gebruikt om etenswaren en dranken op te slaan.
- U mag geen gevoelige producten bewaren die een gecontroleerde temperatuur vereisen (vaccins,

warmtegevoelige medicatie, medische producten, etc.) in de koelkast.

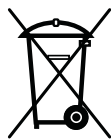
- De fabrikant aanvaardt geen verantwoordelijkheid voor eventuele schade als het gevolg van misbruik of een incorrecte hantering.
- Originele reserveonderdelen worden geleverd gedurende een periode van 10 jaar vanaf de product aankoopdatum.

1.3. Kinderveiligheid

- Houd de verpakking uit de buurt van kinderen.
- Laat kinderen nooit spelen met het product.
- Als de deur van het product voorzien is van een slot moet u ze uit de buurt van kinderen houden.

1.4. Conformiteit met de WEEE-richtlijn en Verwijdering van afvalproducten

Dit product is conform met de EU WEEE-richtlijn (2012/19/EU). Dit product draagt een classificatiesymbool voor afval elektrische en elektronische apparatuur (WEEE).



Dit product werd vervaardigd met kwalitatief hoogstaande onderdelen en materialen die opnieuw kunnen worden gebruikt en die geschikt zijn voor recycling. U mag het afvalproduct niet verwijderen

met het normale huishoudelijke en andere afval aan het einde van de levensduur. Breng het naar een inzamelcentrum voor de recycling van elektrische en elektronische apparatuur.

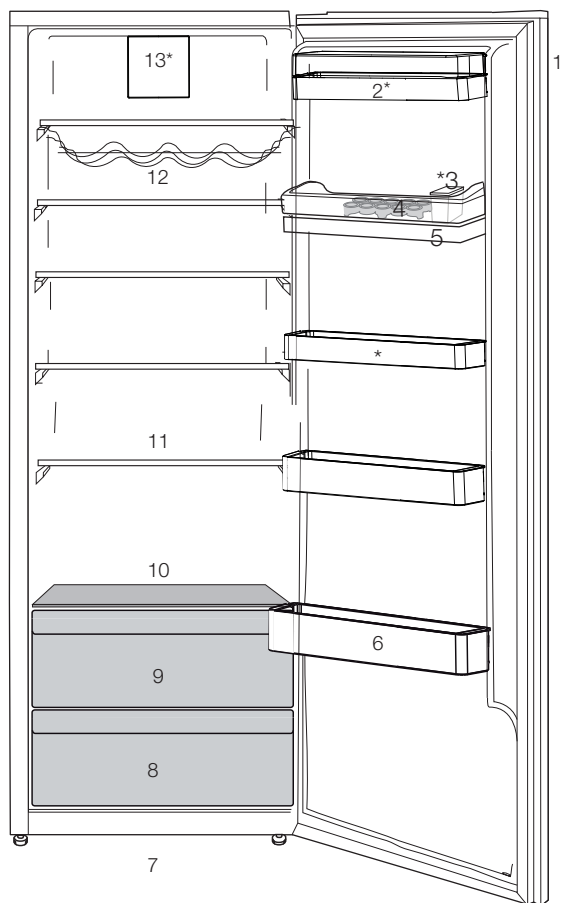
Raadpleeg uw lokale autoriteiten voor meer informatie over deze inzamelcentra.

1.5. Conformiteit met de RoHS-richtlijn

- Dit product is conform met de EU WEEE-richtlijn (2011/65/EU). Het bevat geen schadelijk en verboden materiaal zoals gespecificeerd in de Richtlijn.

1.6. Informatie op de verpakking

- Het verpakkingsmateriaal van het product is gefabriceerd van recyclebaar materiaal in overeenstemming met onze Nationale Milieuwetgeving. U mag het verpakkingsmateriaal niet samen met het huishoudelijke of ander afval weggooien. Breng het naar de inzamelpunten voor verpakkingsmateriaal aangewezen door de lokale autoriteiten.



- | | |
|---|--|
| <ul style="list-style-type: none"> 1. Indicatorpaneel elektronische bediening 2. Boter- en kaasvak 3. Vulreservoir waterdispenser 4. Eiergedeelte 5. Reservoir waterdispenser 6. Flessenrek | <ul style="list-style-type: none"> 7. Afstelbare poten 8. Groenteladen 9. Chillervak 10. Deksel groentelade 11. Aanpasbare schappen 12. Wijnkelder 13. Ventilator |
|---|--|

***Is mogelijk niet beschikbaar in alle modellen**



De afbeeldingen in deze gebruiksaanwijzing zijn schematisch en hoeven niet exact met uw product overeen te komen. Wanneer onderdelen niet tot het product behoren dat u hebt gekocht, zijn deze geldig voor andere modellen.

3 Installatie

3.1. Punten waarop gelet moet worden bij de verplaatsing van een koelkast

1. Uw koelkast moet van de stroom zijn afgesloten. Voor het vervoer van uw koelkast moet deze leeg zijn gemaakt en gereinigd.
2. Voordat deze wordt verpakt, moeten schappen, accessoires, groentelade, enz. in de koelkast worden vastgemaakt met tape en beschermd zijn tegen stoten. De verpakking dient met dikke tape of geschikt touw worden ingebonden en de vervoerregels op de verpakking dienen strikt te worden nageleefd.
3. Originele verpakking en schuimmaterialen moeten worden bewaard voor toekomstig transport of verhuizen.



WAARSCHUWING: Indien de informatie die in deze gebruikershandleiding wordt gegeven, niet wordt opgevolgd, is de fabrikant in geen geval aansprakelijk.



WAARSCHUWING: Een beschadigde stroomkabel moet door een gekwalificeerd elektricien worden vervangen.

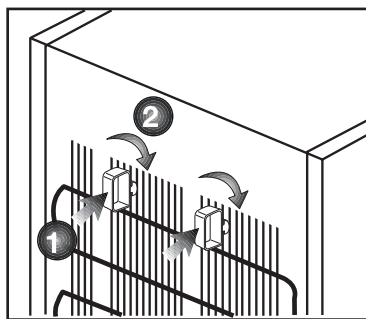


WAARSCHUWING: Het product mag niet in werking worden gesteld voordat het gerepareerd is! Er bestaat anders gevaar op een elektrische schok!

3.2. Voordat u de koelkast inschakelt,

Controleer het volgende voordat u uw koelkast gaat gebruiken:

1. Bevestig 2 plastic wiggen zoals hieronder afgebeeld. Plastic wiggen zijn bedoeld om afstand te houden, om zo een luchtcirculatie te behouden tussen uw koelkast en de muur. (De afbeelding is slechts een schets en is niet gelijk aan uw product.)



2. Maak de binnenkant van de koelkast schoon, zoals aanbevolen in het hoofdstuk "Onderhoud en reiniging".
3. Sluit de stekker van de koelkast aan op het stopcontact. Als de koelkastdeur wordt geopend, gaat de binnenverlichting van de koelkast aan.
4. Als de compressor begint te draaien, komt er een geluid vrij. De vloeistof en de gassen die zich in het koelsysteem bevinden, zouden ook wat lawaai kunnen veroorzaken zelfs wanneer de compressor niet werkt. Dit is normaal.
5. De buitenkant van de koelkast kan warm aanvoelen. Dit is normaal. Deze oppervlakken zijn bedoeld om warm te worden om condensvorming te voorkomen.

3.3. Elektrische aansluiting

Sluit uw apparaat aan op een geaard stopcontact, beschermd door een zekering met de juiste capaciteit.

Belangrijk:

- De aansluiting moet in naleving zijn met nationale voorschriften.
- De stroomstekker moet na installatie eenvoudig bereikbaar zijn.
- Elektrische veiligheid van uw koelkast wordt alleen gegarandeerd wanneer het aardingsysteem in uw huis aan de normen voldoet.
- Het voltage op het etiket dat zich links binnenin uw product bevindt moet gelijk zijn aan uw netstroomvoltage.
- **Verlengkabels en verdeelstekkers mogen voor aansluiting niet worden gebruikt.**

3.4. Afvoeren van de verpakking

De verpakkingsmaterialen kunnen gevaarlijk zijn voor kinderen. Houd het verpakkingsmateriaal buiten bereik van kinderen of voer deze af conform afvalinstructies zoals bepaald door uw lokale autoriteiten. Gooi het niet weg met het normale huishoudafval, maar maak gebruik van ophaalplaatsen voor verpakkingen die door lokale autoriteiten zijn aangewezen.

De verpakking van uw koelkast is vervaardigd uit herbruikbare materialen.

Afvoeren van uw oude koelkast

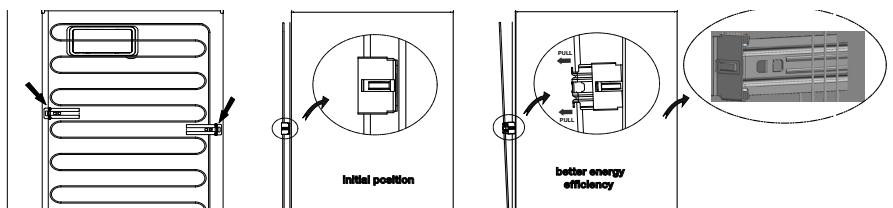
Voer uw oude koelkast af zonder het milieu op enige wijze te schaden.

- U kunt uw bevoegde dealer of het afvalcentrum van uw gemeente raadplegen over het afvoeren van uw koelkast.

Voordat u uw koelkast afvoert, snijd de elektrische stekker af. Indien het apparaat is uitgevoerd met deursluitingen, dit slot dan onbruikbaar maken om kinderen tegen gevaar te beschermen.

- De condensator van uw apparaat bevindt zich aan de achterzijde, zoals hieronder afgebeeld. Om energiezuiniger te zijn met minder energieverbruik trekt u de condensator naar uzelf toe, zoals aangegeven op onderstaande afbeelding.

* Is mogelijk niet beschikbaar in alle modellen



Plaatsing en installatie



Is de toegangsdeur van de kamer waarin de koelkast wordt geïnstalleerd niet breed genoeg is voor de koelkast om erdoor te passen, bel dan de bevoegde dienst zodat deze de deuren van uw koelkast kan verwijderen en de koelkast zijdelings door de deur kan.

1. Installeer uw koelkast op een plaats waar deze gemakkelijk kan worden gebruikt.
2. Houd uw koelkast uit de buurt van warmtebronnen, vochtige plaatsen en direct zonlicht.
3. Er moet geschikte luchtventilatie rond uw koelkast zijn om een efficiënte werking te verkrijgen. Als de koelkast in een uitsparing in de muur wordt geplaatst, moet er minstens 5 cm afstand zijn ten opzichte van het plafond en minstens 5 cm ten opzichte van de muur. Plaats uw product niet op materialen zoals een kleden of vloerbedekking.
4. Plaats uw koelkast op een vlak vloeroppervlak om schokken te vermijden.

3.6. Waarschuwing Deur open

Er gaat een alarmsignaal af wanneer de deur van de koelkast of van het diepvriesgedeelte gedurende een bepaalde periode open wordt gelaten. Dit geluidssignaal stopt zodra er een knop op de indicator wordt ingedrukt of wanneer de deur gesloten wordt.

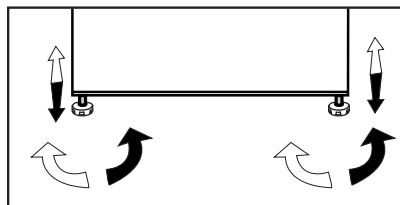
3.7. De openingsrichting van de deur wijzigen

De openingsrichting van uw koelkast kan gewijzigd worden afhankelijk van de plaats waar u ze gebruikt. Indien dit nodig is, bel naar uw dichtstbijzijnd erkend servicebedrijf.

3.5. Stelvoetjes aanpassen

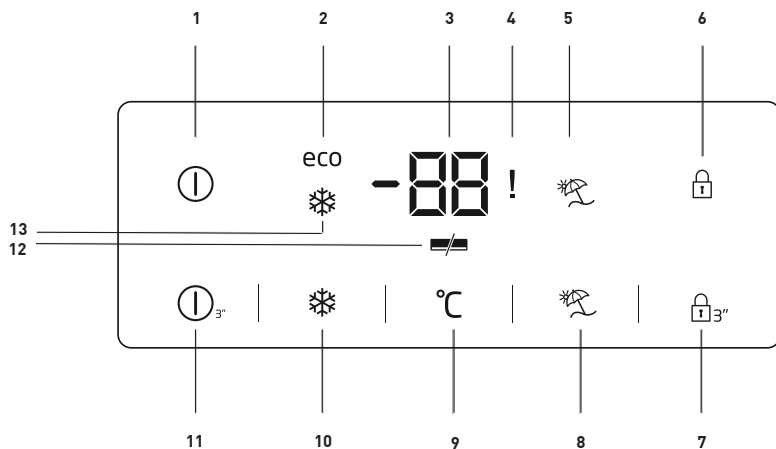
Wanneer uw koelkast niet waterpas staat;

U kunt uw koelkast waterpas stellen door aan de stelvoetjes te draaien zoals getoond in de afbeelding. De hoek van het stelvoetje wordt verlaagd wanneer u in de richting van de zwarte pijl draait en verhoogd wanneer u in de tegenovergestelde richting draait. Wanneer iemand u hierbij helpt door de koelkast lichtjes op te tillen vereenvoudigt dit het proces.



4 Voorbereiding

- Voor een vrijstaand apparaat; "dit koelend apparaat is niet bedoeld voor gebruik als een ingebouwd apparaat
- Uw koelkast moet worden geïnstalleerd op minstens 30 cm afstand van warmtebronnen zoals kookplaten, centrale verwarming en kachels en op minstens 5 cm afstand van elektrische ovens. De koelkast mag niet in direct zonlicht worden geplaatst.
- De omgevingstemperatuur van de kamer waarin u de koelkast installeert dient minstens 5°C te zijn. In verband met efficiëntie wordt gebruik van uw koelkast in koudere omstandigheden niet aanbevolen.
- Controleer of de binnenzijde van uw koelkast volledig schoon is.
- Bij installatie van twee koelkasten naast elkaar, moeten de koelkasten op een afstand van minstens 2 cm van elkaar worden geplaatst.
- Wanneer u de koelkast voor de eerste keer in gebruik neemt, gelieve tijdens de eerste zes uur de volgende instructies in acht te houden.
- De deur niet regelmatig openen.
- Koelkast moet in bedrijf gesteld worden zonder levensmiddelen.
- De stekker van de koelkast niet uittrekken. Indien zich een stroomstoring voordoet buiten uw macht, zie de waarschuwingen in het deel "Aanbevolen oplossingen voor problemen".
- De manden/lades die met het koelcompartiment worden meegeleverd moeten altijd worden gebruikt om voor een laag energieverbruik en betere opslagcondities te zorgen.
- Wanneer voedsel in contact komt met de temperatuursensor in het vriezercompartiment dan kan dit het energieverbruik van het apparaat verhogen. Derhalve dient contact met de sensor(s) voorkomen te worden.
- Originele verpakking en schuimmaterialen moeten worden bewaard voor toekomstig transport of verhuizen.
- In bepaalde modellen schakelt het instrumentenpaneel uit 5 minuten nadat de deur werd gesloten. Het wordt opnieuw ingeschakeld als de deur wordt geopend of als een knop wordt ingedrukt.
- Als gevolg van temperatuurschommelingen door het openen/sluiten van de deur van het product tijdens zijn werking, is condens op de deur-/koelkastschappen en de glazen houders normaal
- Aangezien warme en vochtige lucht niet direct in uw product doordringt als de deuren niet geopend zijn, zal uw product zichzelf optimaliseren in omstandigheden die voldoende zijn om uw voedsel te beschermen. Functies en onderdelen zoals een compressor, ventilator, verwarmers, ontdooien, verlichting, display enzovoort zullen werken volgens de behoeften om in deze omstandigheden een minimum aan energie te verbruiken.



1. Aan/Uit-indicator:

Dit pictogram (ⓘ) gaat aan wanneer de koelkast wordt uitgeschakeld. Alle andere pictogrammen gaan uit.

2. Indicator Economisch Gebruik:

Dit pictogram (eco) gaat aan wanneer het koelcompartiment op 8°C wordt gezet, wat de meest economische instelwaarde is. De Indicator voor Zuinig Gebruik gaat uit als de functie Snelkoelen of Snelvriezen wordt geselecteerd.

3. Aanduiding temperatuurinstelling koelgedeelte:

Geeft de ingestelde temperatuur aan voor het koelgedeelte.

4. Waarschuwingsindicator Stroomstoring / Hoge temperatuur / fout:

Dit lampje (ⓘ) licht op bij een stroomstoring, storing door hoge temperatuur en waarschuwingen voor fouten. Tijdens een langerestroomstoring zal de hoogste temperatuur die het koelcompartiment bereikt, op de digitale display knipperen.

5. Vakantieaanduiding:

Dit pictogram (☂) licht op wanneer de Vakantiefunctie actief is.

6. Indicator Vergrendeling


Dit pictogram (ⓘ) licht op wanneer de Vergrendel-modus geactiveerd is.




De afbeeldingen in deze gebruiksaanwijzing zijn schematisch en hoeven niet exact met uw product overeen te komen. Wanneer onderdelen niet tot het product behoren dat u hebt gekocht, zijn deze geldig voor andere modellen.

Gebruik van uw koelkast

7. Vergrendel-modus:

Druk aanhoudend op de knop Vergrendel-modus () gedurende 3 seconden. Het Vergrendel-pictogram zal oplichten en de vergrendelmodus zal geactiveerd worden. Knoppen zullen niet functioneren als de Vergrendel-modus actief is. Druk opnieuw aanhoudend op de Vergrendel-knop gedurende 3 seconden. Het Vergrendel-pictogram zal uit gaan en de vergrendelmodus zal eraf gaan.


8. Vakantiefunctie:

Bij het indrukken van de Vakantiekноп wordt de vakantiefunctie () geactiveerd en licht de vakantieaanduiding op. U kunt deze functie gebruiken als u uw koelkast een lange tijd niet gebruikt. Let op dat er geen levensmiddelen in de koelkast liggen. In de vakantiemodus kan uw koelkast geen levensmiddelen bewaren. Bij het inschakelen van deze functie blijft het koelgedeelte op 15 °C om onaangename geuren te voorkomen. Druk nogmaals op de Vakantiekноп om de vakantiefunctie uit te schakelen.

9. Functie Koelkastinstelling:


Met deze functie () kunt u de temperatuurinstelling van het koelgedeelte bepalen. Druk deze knop in om de temperatuur van het koelgedeelte in te stellen op respectievelijk 8, 7, 6, 5, 4, 3 en 1.

10. Functie Snelkoelen:

De aanduiding Snelkoelen () licht op zodra de functie Snelkoelen aanstaat. Druk de knop Snelvriezen nogmaals in om deze functie te annuleren. De indicator Snelvriezen gaat uit en het apparaat keert terug naar de normale instellingen. Als u de functie

Snelkoelen niet handmatig annuleert, wordt de functie Snelkoelen na 1 uur automatisch geannuleerd. Als u een grote hoeveelheid verse etenswaren wilt koelen, drukt u op de knop Snelkoelen voordat u de etenswaren in het koelgedeelte plaatst.

11. Aan/uit-functie:

Deze functie () stelt u in staat om de Koelkast uit te zetten wanneer u er 3 seconden op drukt. De koelkast kan aanzet worden door opnieuw 3 seconden op de knop Aan/Uit te drukken.

12. Energiebesparingsindicator:

Als de deuren van het product een lange periode gesloten zijn, wordt de functie energiebesparing automatisch geactiveerd en het symbool voor energiebesparing licht op. ()

Wanneer de functie energiebesparing geactiveerd is, zullen alle symbolen op de display anders dan het symbool voor energiebesparing uit gaan. Wanneer de functie Energiebesparing geactiveerd is, zal de functie energiebesparing, als er op een knop gedrukt wordt of de deur geopend wordt, worden geannuleerd en de symbolen op de display zullen terugkeren naar normaal.

De functie Energiebesparing wordt geactiveerd bij levering van fabriek en kan niet worden geannuleerd.

13. Indicator Snelvriezen:

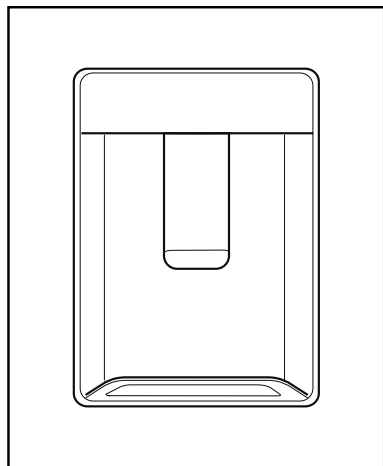
Dit pictogram () staat aan wanneer de functie Snel Vriezen aan staat.

Gebruik van uw koelkast

Waterdispenser

*optioneel

De waterdispenser is erg bruikbaar om koud water te krijgen zonder de deur van de koelkast te openen. Omdat u minder regelmatig de koelkast open doet, spaart u energie.



Gebruik van de waterdispenser

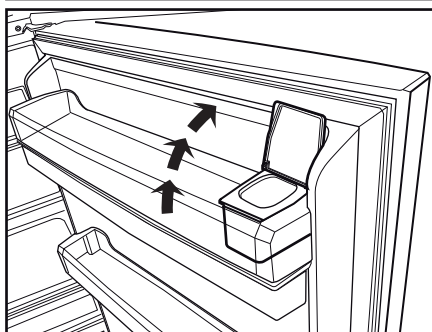
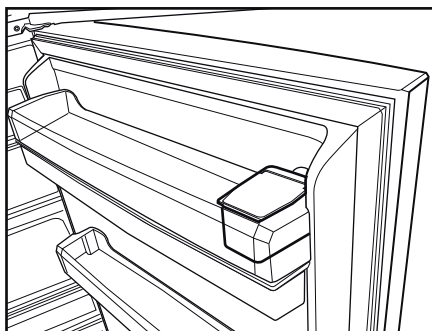
Druk met uw glas tegen de hefboom van de waterdispenser. De dispenser stopt met werken zodra u de hefboom los laat.

Wanneer u de waterdispenser bedient, kan het maximale debiet worden bekomen door de hefboom volledig in te drukken. Vergeet niet dat de debiethoeveelheid van de dispenser afhankelijk is van de mate waarin u de hefboom indrukt.

Met de stijging van het waterpeil in uw glas/container, vermindert u de druk op de hefboom om te voorkomen dat het recipiënt overloopt. Wanneer u de hefboom slechts lichtjes indrukt druppelt het water, dit is normaal en is geen storing.

Het reservoir van de waterdispenser vullen

Het waterreservoir bevindt zich aan de binnenkant van het deurrooster. U kunt de reservoirdeksel openen en vullen met drinkwater. Sluit vervolgens de deksel.



Waarsch.!

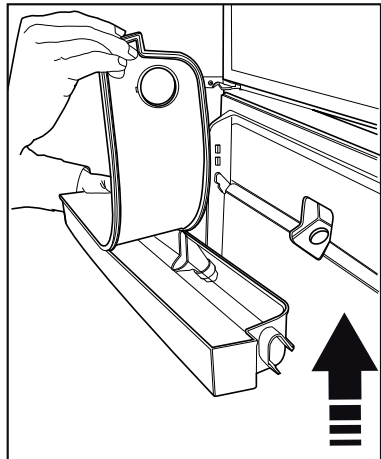
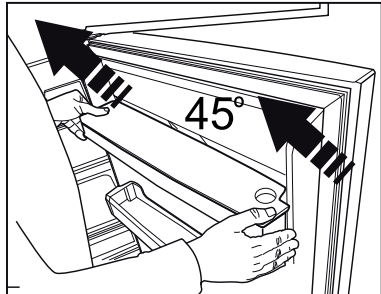
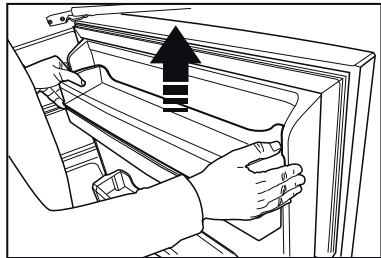
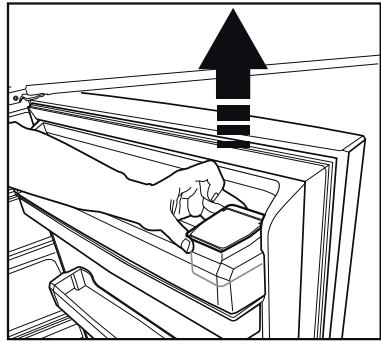
- Giet geen andere vloeistof (zoals vruchtensappen, koolzuurhoudende dranken of alcoholische dranken) dan water in het waterreservoir. Deze zijn niet geschikt voor gebruik in de waterdispenser. De waterdispenser zal onherstelbaar beschadigd raken wanneer deze vloeistoffen worden gebruikt. Als u dit doet vervalt de garantie. Sommige chemische producten en additieven die in deze dranken/vloeistoffen aanwezig zijn kunnen het waterreservoir en zijn materialen beschadigen.

Gebruik van uw koelkast

- Gebruik alleen schoon drinkwater.
- De capaciteit van het waterreservoir is 3 liter. Het reservoir niet te vol vullen.
- Druk met een hard glas tegen de hefboom van de waterdispenser. Indien u plastic wegwerpbekers gebruikt, moet u de hefboom met uw vingers achter de beker indrukken.

Reinigen van het waterreservoir

- Verwijder het waterreservoir in het deurrooster.
- Verwijder het deurrooster door dit aan beide kanten vast te houden.
- Grijp de watertank aan beide kanten vast en verwijder hem bij een hoek van 45°C.
- Reinig het waterreservoir door de deksel te verwijderen.



Gebruik van uw koelkast

Belangrijk:

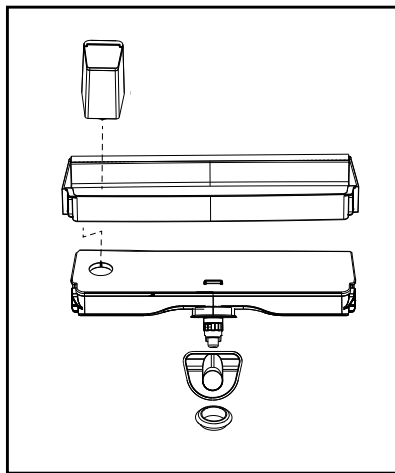
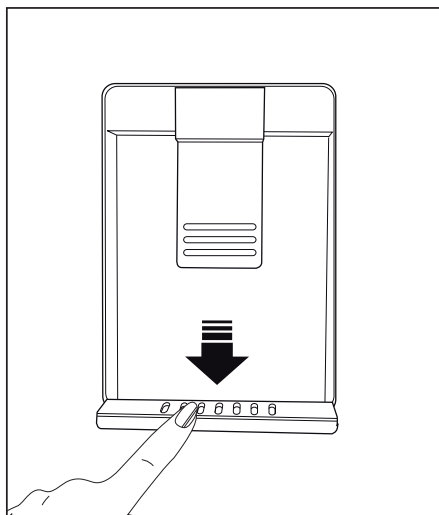
Componenten van de watertank en de waterdispenser mogen niet in de vaatwasser worden schoongemaakt.

Waterlade

In deze druplade wordt water dat tijdens het gebruik van de waterdispenser druppelt opgevangen.

Verwijder de plastic grendel zoals weergegeven in de afbeelding.

Verwijder het water dat zich heeft opgehoopt met een schone en droge doek.



5.1. Tweeledig koelsysteem:

Uw koelkast is uitgerust met een apart koelsysteem om het koel- en diepvriesgedeelte te koelen. De lucht in het koelgedeelte vermengt zich niet met de lucht in het diepvriesgedeelte. Dankzij deze twee aparte koelsystemen, is de koelsnelheid veel hoger dan bij andere koelkasten. Geur van de twee gedeelten raakt niet gemengd. Daarnaast biedt dit aanvullende energiebesparing, aangezien het ontdooien afzonderlijk plaatsvindt.

5.2. Verse etenswaren invriezen

- Wikkel het voedsel in of bedek het vóór het plaatsen
- Warm voedsel moet eerst afkoelen naar kamertemperatuur voordat het in de koelkast gezet mag worden.
- De levensmiddelen die u wenst in te vriezen dienen vers en van goede kwaliteit te zijn.
- De levensmiddelen moeten in porties worden verdeeld op basis van de dagelijkse of maaltijd gebaseerde consumptiebehoeften van het gezin.
- Levensmiddelen moeten luchtdicht worden verpakt om uitdroging te voorkomen, zelfs wanneer ze slechts gedurende een korte periode worden bewaard.
- De gebruikte verpakkingsmaterialen dienen resistent te zijn voor kou en vochtigheid en ze moeten luchtdicht zijn. Het verpakkingsmateriaal van het voedsel moet voldoende dik en duurzaam zijn. Anders kan het door bevriezing hard geworden voedsel de verpakking doorprikken. Het is belangrijk dat de verpakking goed

wordt gesloten om veilige bewaring van het voedsel te waarborgen.

- Bevroren levensmiddelen moeten meteen na ontdooiing worden gebruikt en mogen nooit opnieuw worden ingevroren.
 - Gelieve de volgende instructies in acht te nemen om de beste resultaten te bereiken.
1. Als de koelkast over een snelvriesfunctie beschikt, gebruikt u deze snelvriesfunctie als u voedsel wilt invriezen.
 2. Vries nooit te grote hoeveelheden levensmiddelen in één keer in. De kwaliteit van het voedsel blijft het best geconserveerd wanneer het zo snel mogelijk goed tot in het hart wordt ingevroren.
 3. Zorg er goed voor geen diepvriesproducten te mengen met verse etenswaren.
 4. Zorg dat rauw voedsel in de koelkast niet in contact komt met bereid voedsel.

Gebruik van uw koelkast

Instelling diepvriesgedeelte	Instelling koelgedeelte	Opmerkingen
-18°C	4°C	Dit is de normale aanbevolen instelling.
-20,-22 of -24°C	4°C	Deze instellingen worden aanbevolen wanneer de omgevingstemperatuur boven de 30°C komt.
Snelvriezen	4°C	Te gebruiken wanneer u de etenswaren in korte tijd wilt invriezen. Het gebruik wordt aanbevolen om de kwaliteit van vlees- en visproducten te behouden.
-18°C of kouder	2°C	Wanneer u denkt dat uw koelgedeelte niet koud genoeg is als gevolg van de warme omgevingstemperatuur of het frequent openen en sluiten van de deur.
-18°C of kouder	Snelkoelen	U kunt deze gebruiken wanneer uw koelgedeelte overladen is of wanneer u de levensmiddelen zeer snel wilt koelen. Wij raden aan de snelvriesfunctie 4-8 uur voor het plaatsen van de etenswaren te activeren.

5.3. Aanbeveling voor het bewaren van diepvriesvoedsel

- Voorverpakte diepvriesproducten uit de winkel dienen conform de instructies van de fabrikant te worden bewaard in het vak voor diepvriesproducten.
- Om de kwaliteit van de fabrikant van de diepvriesproducten en voedingswinkels te behouden, dient u het volgende in acht te nemen:
 1. Plaats de diepvriesproducten na aankoop zo snel mogelijk in de diepvriezer.
 2. Zorg dat de inhoud van de verpakking gelabeld en gedateerd is.
 3. Overschrijd nooit de "Te gebruiken voor" of "Tenminste houdbaar tot" data op de verpakking.

Ontdooien

Het diepvriesgedeelte ontdooit automatisch.

5.4. Het plaatsen van de levensmiddelen

Schappen van het diepvriesgedeelte	Verschiedende ingevroren levensmiddelen zoals vlees, vis, ijs, groenten enz.
Eiergedeelte	Eieren
Schappen van het koelgedeelte	Levensmiddelen in pannen, bedekte borden, gesloten bakjes.
Deurschappen van het koelgedeelte	Kleine en verpakte levensmiddelen en drank (zoals melk, vruchtensap en bier)
Groentelade	Groente en fruit
Vershoudgedeelte	Delicatessen (kaas, boter, salami enz.)

5.5. Diepvriesinformatie

Om levensmiddelen in goede kwaliteit te houden, moeten ze zo snel mogelijk worden ingevroren na plaatsing in de diepvriezer.

Het is mogelijk om de levensmiddelen gedurende lange tijd op een temperatuur van -18°C of lager te bewaren.

U kunt de versheid van levensmiddelen gedurende vele maanden bewaren (bij een temperatuur van -18°C of lager in de diepvriezer).



De levensmiddelen moeten in porties worden verdeeld op basis van de dagelijkse of maaltijd gebaseerde consumptiebehoeften van het gezin. Levensmiddelen moeten luchtdicht worden verpakt om uitdroging te voorkomen, zelfs wanneer ze slechts gedurende een korte periode worden bewaard.

Benodigde materialen voor verpakking:

- Plakband dat bestand is tegen kou
- Zelfplakkende etiketten
- Elastiekjes
- Pen

Materialen die voor verpakking worden gebruikt moeten scheurvast zijn en bestand zijn tegen kou, vocht, geuren, olie en zuren.

In te vriezen levensmiddelen mogen niet in aanraking komen met eerder ingevroren stukken om gedeeltelijke ontdooiing daarvan te voorkomen.

Ontdooid voedsel moet geconsumeerd worden en mag niet opnieuw ingevroren worden.

6 Entretien et nettoyage

Le nettoyage régulier du produit prolonge sa durée de vie.



AVERTISSEMENT:

Débranchez l'alimentation avant de nettoyer le réfrigérateur.

- N'utilisez jamais d'outils pointus et abrasifs, de savon, de produits nettoyage domestiques, d'essence, de carburant, du cirage ou des substances similaires pour le nettoyage du produit.
- Pour des appareils qui ne sont pas de la marque No Frost, des gouttes d'eau et une couche de givre pouvant atteindre la largeur d'un doigt se forment sur la paroi arrière du compartiment réfrigérateur. Ne les nettoyez pas et évitez d'y utiliser de l'huile ou des produits similaires.
- Utilisez uniquement des tissus en microfibres légèrement mouillés pour nettoyer la surface externe de l'appareil. Les éponges et autres tissus de nettoyage sont susceptibles de rayer la surface.
- Faites dissoudre une cuillerée à café de bicarbonate dans de l'eau. Trempez un morceau de tissu dans cette eau et essorez-le. Nettoyez soigneusement l'appareil avec ce chiffon et ensuite avec un chiffon sec.
- Veillez à ne pas mouiller le logement de la lampe ainsi que d'autres composants électriques.
- Nettoyez la porte à l'aide d'un torchon humide. Retirez tous les aliments de l'intérieur afin de démonter la porte et les étagères du châssis. Relevez les étagères de la porte pour les démonter. Nettoyez et séchez les étagères, puis refixez-les en les faisant glisser à partir du haut.

- N'utilisez pas d'eau contenant du chlore, ou des produits de nettoyage pour les surfaces externes et les pièces chromées de l'appareil. Le chlore entraîne la corrosion de ce type de surfaces métalliques.
- Évitez d'utiliser des objets tranchants ou abrasifs, du savon, des produits ménagers de nettoyage, des détergents, de l'essence, du benzène, de la cire, ect. ; autrement, les marques sur les pièces en plastique pourraient s'effacer et les pièces elles-mêmes pourraient présenter des déformations. Utilisez de l'eau tiède et un torchon doux pour nettoyer et sécher.

6.1. Prévention des mauvaises odeurs

À sa sortie d'usine, cet appareil ne contient aucun matériau odorant. Cependant; la conservation des aliments dans des sections inappropriées et le mauvais nettoyage de l'intérieur peuvent donner lieu aux mauvaises odeurs.

Pour éviter cela, nettoyez l'intérieur à l'aide de bicarbonate dissout dans l'eau tous les 15 jours.

- Conservez les aliments dans des récipients fermés. Des micro-organismes peuvent proliférer des récipients non fermés et émettre de mauvaises odeurs.
- Ne conservez pas d'aliments périmés ou avariés dans le réfrigérateur.

6.2. Protection des surfaces en plastique

Si de l'huile se répand sur les surfaces en plastique, il faut immédiatement les nettoyer avec de l'eau tiède, sinon elles seront endommagées.

7 Probleemoplossing

Controleer deze lijst voor u contact opneemt met de dienst. Dit kan u tijd en geld besparen. Deze lijst omvat regelmatig voorkomende klachten die niet het resultaat zijn van gebrekkig vakmanschap of materiaal. Sommige functies die hier worden vermeld zijn mogelijk niet van toepassing op uw product.

De koelkast werkt niet.

- De stekker is niet volledig ingevoerd. >>> Voer de stekker volledig in het stopcontact.
- De zekering verbonden met de aansluiting die het product van stroom voorziet of de hoofdzekering is gesprongen. >>> Controleer de zekeringen.

Condensatie op de zijwand van het koelvak (MULTI ZONE, COOL, CONTROL en FLEXI ZONE).

- De deur werd te vaak geopend >>> Zorg ervoor de deur van het product niet te vaak wordt geopend.
- De omgeving is te vochtig. >>> Installeer het product niet in vochtige omgevingen.
- Etenswaaren met vloeistoffen worden bewaard in niet afgedekte containers. >>> Bewaar de etenswaaren die vloeistof bevatten in afgedekte containers.
- De deur van het product werd open gelaten. >>> Houd de deur van het product niet te lang open.
- De thermostaat is ingesteld op een te lage temperatuur. >>> Stel de thermostaat in op de gewenste temperatuur.

De compressor werkt niet.

- In het geval van een plotse stroompanne of als het netsnoer wordt verwijderd en opnieuw ingevoerd, is de gasdruk in het koelproduct van het product niet in evenwicht en dit schakelt de thermische beveiliging van de compressor in. Het product start opnieuw op na circa 6 minuten. Als het product na deze periode niet opnieuw start, moet u contact opnemen met de dienst.
- De ontdooifunctie is actief. >>> Dit is normaal voor een volledig automatisch ontdooiend product. Het ontdooien wordt periodiek uitgevoerd.
- De stekker van het product zit niet in het stopcontact. >>> Zorg ervoor dat de stekker in het stopcontact zit.
- De temperatuurinstelling is incorrect. >>> Selecteer de correcte temperatuurinstelling.
- De stroom is uitgeschakeld. >>> Het product blijft normaal werken zodra de stroom opnieuw wordt ingeschakeld.

Het operationele lawaai van de koelkast wordt erger als ze in gebruik is.

- De operationele prestaties van het product kan variëren naargelang de wisselingen in de omgevingstemperatuur. Dit is normaal en houdt geen defect in.

Probleemoplossing

De koelkast schakelt te vaak in of schakelt te lang in.

- Het nieuwe product kan groter zijn dan het vorige. Grotere producten werken gedurende langere perioden.

- De temperatuur in de ruimte kan hoog zijn. >>> Het product zal normaal werken gedurende lange perioden bij hogere kamertemperaturen.

- Het is mogelijk dat de stekker van het product recent in het stopcontact werd gevoerd of dat nieuwe etenswaren in het product werden geplaatst. >>> Het duurt langer voor het product om de ingestelde temperatuur te bereiken als het recent in het stopcontact werd gestoken of als er nieuwe etenswaren in het product werden geplaatst. Dit is normaal.

- Het is mogelijk dat er recent grote hoeveelheden warme etenswaren in het product werden geplaatst. >>> Plaats geen warme etenswaren in het product.

- De deuren werden vaak geopend of open gehouden voor lange perioden. >>> De warm lucht die in het product circuleert, zal ervoor zorgen dat het product langer moet werken. Open de deur niet te vaak.

- De deur van de diepvriezer of het koelvak kan op een kier staan. >>> Controleer of de deur volledig gesloten is.

- Het product kan ingesteld zijn op een te lage temperatuur. >>> Stel de temperatuur hoger in en wacht tot het product de ingestelde temperatuur bereikt.

- De sluitring van de koelvak of vriesvak deur kan vuil zijn, versleten of stuk zijn of incorrect aangebracht. >>> Reinig of vervang de sluitring. Een beschadigde / versleten deur sluitring kan er toe leiden dat het product langere perioden werkt om de huidige temperatuur te handhaven.

- De temperatuur in het vriesvak is bijzonder laag ingesteld. >>> Stel de temperatuur van het vriesvak in op een hogere temperatuur en controleer opnieuw.

De temperatuur in het vriesvak is uiterst laag maar de temperatuur in het vriesvak is geschikt.

- De temperatuur in het koelvak is bijzonder laag ingesteld. >>> Stel de temperatuur van het koelvak in op een hogere temperatuur en controleer opnieuw.

De etenswaren in de laden van het koelvak zijn bevroren.

- De temperatuur in het koelvak is bijzonder laag ingesteld. >>> Stel de temperatuur van het vriesvak in op een hogere temperatuur en controleer opnieuw.

De temperatuur in het koelvak of de diepvriezer is te hoog.

- De temperatuur in het koelvak is bijzonder hoog ingesteld. >>> De temperatuurinstelling in het koelvak beïnvloedt de temperatuur in het vriesvak. Wijzig de temperatuur in het koel- of vriesvak en wacht tot de relevante compartimenten de ingestelde temperatuur bereiken.

- De deuren werden vaak geopend of open gehouden voor lange perioden. >>> Open de deur niet te vaak.

- De deur kan op een kier staan. >>> Sluit de deur volledig.

- Het is mogelijk dat de stekker van het product recent in het stopcontact werd gevoerd of dat nieuwe etenswaren in het product werden geplaatst. >>> Dit is normaal. Het duurt langer voor het product om de ingestelde temperatuur te bereiken als het recent in het stopcontact werd gestoken of als er nieuwe etenswaren in het product werden geplaatst.

- Het is mogelijk dat er recent grote hoeveelheden warme etenswaren in het product werden geplaatst. >>> Plaats geen warme etenswaren in het product.

Probleemoplossing

Schudden of lawaai.

- De grond is niet horizontaal of duurzaam. >>> Als het product schudt wanneer het langzaam wordt verplaatst, moet u de voetjes instellen om het product in evenwicht te brengen. Zorg er ook voor dat de vloer voldoende duurzaam is om het product te kunnen dragen.
- Alle voorwerpen die op het product zijn geplaatst, kunnen lawaai veroorzaken. >>> Verwijder alle voorwerpen die op het product werden geplaatst.

Het product maakt lawaai van stromende vloeistof, sprays, etc.

- De operationele principes van het product omvatten vloeistoffen en gassen >>> Dit is normaal en houdt geen defect in.

Er komt een windgeluid voort uit het product.

- Het product gebruikt een ventilator voor de koelprocedure. Dit is normaal en houdt geen defect in.

Er is condensatie op de interne wanden van het product.

- Warme of vochtige weersomstandigheden verhogen ijsvorming en condensatie. Dit is normaal en houdt geen defect in.
- De deuren werden vaak geopend of open gehouden voor lange perioden. >>> U mag de deur niet te vaak openen; als ze open staat, moet u de deur sluiten.
- De deur mag niet op een kier staan. >>> Sluit de deur volledig.

Er is condensatie aanwezig op de buitenzijde van het product of tussen de deuren.

- Het weer kan vochtig zijn. Dit is normaal in vochtige weersomstandigheden. >>> De condensatie zal verdwijnen naarmate de vochtigheidsgraad daalt.

De binnenzijde ruikt slecht.

- Het product wordt niet regelmatig gereinigd. >>> Maak de binnenzijde regelmatig schoon met een spons, warm water en koolzuurhoudend water.
- Sommige containers en verpakkingsmateriaal kunnen geurtjes afgeven. >>> Gebruik de containers en het verpakkingsmateriaal zonder geurtjes.
- De etenswaren werden in niet afgedekte containers geplaatst. >>> Bewaar de etenswaren in afgedekte containers. Micro-organismen kunnen zich verspreiden uit niet afgedekte etenswaren en onaangename geurtjes veroorzaken.
- Verwijder alle verstreken of bedorven etenswaren uit het product.

De deur sluit niet.

- De verpakkingen van etenswaren mogen de deur niet blokkeren. >>> Verplaats alle voorwerpen die de deur blokkeren.
- Het product staat niet recht op de vloer. >>> Pas de voetjes aan om het product in evenwicht te brengen.
- De grond is niet horizontaal of duurzaam. >>> Zorg ervoor dat de vloer horizontaal is en voldoende duurzaam om het product te kunnen dragen.

Het groentevak is geblokkeerd.

- De etenswaren kunnen in contact komen met de bovenste sectie van de lade. >>> Herschik de etenswaren in de lade.

Als Het Oppervlak Van Het Product Heet Is

- Tijdens de werking kunnen tussen de twee deuren, de zijpanelen en de achterste grill hoge temperaturen worden waargenomen. Dit is normaal en behoeft geen serviceonderhoud! Wees voorzichtig bij het aanraken van deze zones.



WAARSCHUWING: Als het probleem aanhoudt nadat u de instructies in deze sectie hebt gevolgd, kunt u contact opnemen met uw verkoper of een Geautoriseerde Dienst. Probeer het product niet te repareren.

DISCLAIMER / WAARSCHUWING

Sommige (eenvoudige) defecten kunnen correct worden behandeld door de eindgebruiker zonder dat dit aanleiding geeft tot veiligheidsproblemen of een onveilig gebruik, op voorwaarde dat ze worden uitgevoerd binnen de limieten en in overeenstemming met de volgende instructies (zie het hoofdstuk "Zelf-reparatie").

Om die reden, tenzij anderzijds toegelaten in het onderstaande hoofdstuk 'Zelf-reparatie', moeten reparaties worden uitgevoerd door geregistreerde professionele monteurs om veiligheidsproblemen te voorkomen. Een geregistreerde professionele monteur is een professionele monteur die toegang heeft gekregen tot de instructies en de lijst met reserveonderdelen van dit product door de fabrikant, in overeenstemming met de methoden beschreven in wetsbesluiten in overeenstemming met Richtlijn 2009/125/EC.

Hoewel, de onderhouds- en reparatiewerken in het kader van de garantievoorwaarden mogen uitsluitend worden uitgevoerd door de gespecialiseerd vertegenwoordiger (m.a.w. geautoriseerde professionele monteurs) die u kunt bereiken via het telefoonnummer vermeld in de gebruikshandleiding/garantiekaart of via uw geautoriseerde verdeler. Om die reden zullen reparaties die worden uitgevoerd door professionele monteurs (die niet zijn geautoriseerd door Beko) de garantie nietig verklaren.

Zelf-reparatie

De eindgebruiker kan de volgende reserveonderdelen zelf repareren: deur handgrepen, deur scharnieren, laden, manden en deurpakkingen (een bijgewerkte lijst is ook beschikbaar op support.beko.com op 1 maart 2021).

Bovendien, om de veiligheid van het product te garanderen en het risico van ernstig letsel te voorkomen, moet de vermelde zelf-reparatie

worden uitgevoerd in overeenstemming met de instructies in de handleiding voor zelf-reparatie of die beschikbaar is in support.beko.com. Uit veiligheidsoverwegingen moet u de stekker van het product loskoppelen voor u een zelf-reparatie probeert uit te voeren.

Reparaties en pogingen tot reparatie door eindgebruikers van onderdelen die niet zijn omvat in deze lijst en/of waarbij de instructies in de handleiding voor zelf-reparatie of die beschikbaar zijn in support.beko.com niet worden nageleefd, kunnen resulteren in veiligheidsproblemen die niet kunnen worden toegewezen aan Beko Beko en deze zullen de garantie van het product nietig verklaren.

Om die reden raden wij ten stelligste af dat eindgebruikers op eigen houtje reparaties proberen uit te voeren die buiten de vermelde lijst van reserveonderdelen vallen en in dergelijke situaties beroep doen op een geautoriseerde professionele monteur of geregistreerde professionele monteurs. Dergelijke pogingen van eindgebruikers kunnen daarentegen veiligheidsproblemen en schade aan het product veroorzaken en resulteren in brand, overstromingen, elektrische schokken en ernstig persoonlijk letsel.

Als voorbeeld, maar niet beperkt tot, de volgende reparaties moeten worden uitgevoerd door geautoriseerde professionele servicemonteurs of geregistreerde professionele monteurs: compressor, koelcircuit, moederbord, omzetter bord, weergavebord, etc.

De fabrikant/verkoper kan niet aansprakelijk worden gesteld wanneer eindgebruikers de bovenstaande instructies niet naleven.

De beschikbaarheid van de reserveonderdelen van de koelkast die u hebt gekocht is 10 jaar. Tijdens deze periode zijn de originele reserveonderdelen beschikbaar voor de correcte werking van uw koelkast.

De minimale duur van de garantie van de koelkast die u hebt gekocht, is 24 maanden.



Frigorífico

Manual do Utilizador

Hladilnik

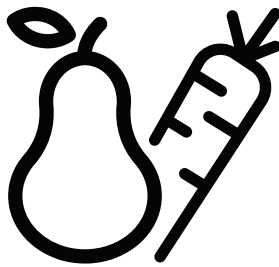
Navodila za uporabo

Refrigerador

Manual del usuario

Hladnjak

Korisnički priručnik



RSNE445E33W - RSNE445E33WN



PT / SL / ES / HR

57 9960 0000/AF

2/2

Caro Cliente,

Gostaríamos que aproveitasse a óptima eficiência do nosso produto, fabricado em modernas instalações segundo controlos de qualidade meticulosos.

Para este propósito, ler integralmente o guia do utilizador antes de utilizar o produto e manter o guia como fonte de referência. Se ceder este produto a outra pessoa, fornecer este guia em conjunto com o produto.

O guia do utilizador assegura a utilização rápida e segura do produto.

- Ler o guia do utilizador antes de instalar e operar com o produto.
- Observar sempre as instruções de segurança aplicáveis.
- Manter o guia do utilizador em local de fácil acesso para uso futuro.
- Ler quaisquer outros documentos fornecidos com o produto.

Ter em mente que este guia do utilizador é aplicável a vários modelos do produto. O guia indica claramente quaisquer variações de modelos diferentes.

Símbolos e Observações

No guia do utilizador são usados os símbolos seguintes:

	Informações importantes e dicas úteis.
	Risco de vida e do equipamento.
	Risco de choque eléctrico.
	A embalagem do produto é feita com materiais recicláveis, de acordo com a Legislação Ambiental Nacional.

INFORMAÇÃO



ENERGY



SUPPLIER'S NAME

MODEL IDENTIFIER

(*)

A

A

A informação do modelo conforme memorizada na base de dados do produto pode ser acedida entrando no seguinte sítio web e através da busca do identificador do seu modelo (*) que se encontra na etiqueta de classificação emergética.

<https://eprel.ec.europa.eu/>

Conteúdo

1 Instruções de segurança e ambientais	4	4 Preparação	11
1.1. Segurança geral	4	5 Ligar o produto	12
1.1.1 Advertência HC	5	5.1. Congelar alimentos frescos	14
1.1.2 Para modelos com dispensador de água	5	5.2. Recomendações para armazenar alimentos congelados	15
1.2. Utilização prevista	6	5.3. Detalhes do congelador	15
1.3. Segurança das crianças	6	5.4. Colocar alimentos	15
1.4. Em conformidade com a Directiva REEE e Eliminação de Resíduos	6	5.5. Alerta de porta aberta (Opcional)	15
1.5. Em conformidade com a Directiva RSP	6	5.6. Alterar a direcção da abertura da porta	15
1.6. Informação da embalagem	6	5.7. Utilizar a fonte de água fresca	16
2 Frigorífico	7	5.8. Encher o depósito do dispensador de água	16
3 Instalação	8	5.9. Limpar o depósito de água	17
3.1. Pontos a serem considerados ao transportar novamente o seu frigorífico	8	5.10. Tabuleiro para gotas de água	17
3.2. Antes de funcionar o seu frigorífico	8	6 Manutenção e limpeza	19
3.3. Ligação eléctrica	9	6.1. Prevenir maus cheiros	19
3.4. Eliminação da embalagem	9	6.2. Proteger superfícies de plástico	19
3.5. Eliminação do seu frigorífico velho	9	7. Resolução de problemas	20
3.6. Colocação e instalação	10		

1 Instruções de segurança e ambientais

Esta secção fornece as instruções de segurança necessárias para prevenir risco de lesões e danos materiais. O não cumprimento destas instruções invalidará todos os tipos de garantia do produto.

1.1. Segurança geral

AVISO:

Manter as aberturas de ventilação, na caixa de proteção do aparelho ou na estrutura embutida, sem obstruções.

ADVERTÊNCIA:

Não usar dispositivos mecânicos nem outros meios para acelerar o processo de descongelação, exceto os recomendados pelo fabricante.



AVISO:

Não danificar o circuito de refrigeração.

ADVERTÊNCIA:

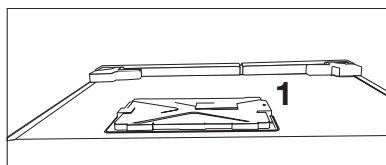
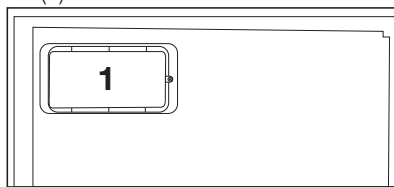
Não usar aparelhos eléctricos no interior dos compartimentos de armazenamento de alimentos do aparelho, a menos que sejam do tipo recomendado pelo fabricante.

Este aparelho é destinado a ser usado em uso doméstico e aplicações similares como

- zonas de cozinha em estabelecimentos comerciais, escritórios ou outros ambientes laborais;
- casas rurais e pelos clientes em hotéis, motéis e outros ambientes de tipo residencial;
- ambientes de tipo alojamento e pequeno almoço;
- utilizações de refeições e outros não-retalhistas similares.

- Este produto não deve ser usado por pessoas com deficiências físicas, sensoriais e mentais, sem conhecimento e experiência suficiente ou por crianças. O dispositivo apenas pode ser usado por estas pessoas sob supervisão e instrução de uma pessoa responsável pela sua segurança. As crianças não devem ser autorizadas a brincar com este aparelho.
- Em caso de mau funcionamento, desligue o aparelho.

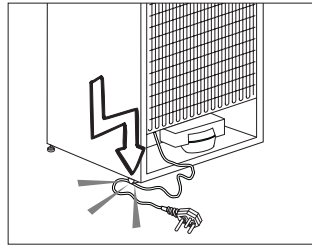
- Depois de desligar, aguarde pelo menos 5 minutos antes de ligar novamente. Desligar o produto quando não está em uso. Não tocar na ficha com as mãos molhadas! Não puxar pelo cabo para desligar, segurar sempre pela ficha.
- Não ligar o frigorífico se a tomada estiver solta.
- Desligar o produto durante a instalação, manutenção, limpeza e reparação.
- Se o produto não for usado por uns tempos, desligar o produto e retirar quaisquer alimentos do interior.
- Não utilizar materiais de limpeza a vapor ou vapor para limpar o frigorífico e derreter o gelo no interior. O vapor pode entrar em contacto com as áreas electrificadas e causar curto-circuito ou choque eléctrico!
- Não lavar o produto pulverizando-o ou deitando água sobre o mesmo! Perigo de choque eléctrico!
- Nunca usar o produto se a secção localizada na parte superior ou traseira do seu produto com placas de circuitos impressos electrónicos no interior estiver aberta (tampa da placa de circuito electrónico impresso) (1).



- Em caso de mau funcionamento, não usar o produto, porque pode provocar um choque eléctrico. Contactar a assistência autorizada antes de fazer alguma coisa.

Instruções de segurança e ambientais

- Ligar o produto a uma tomada com ligação à terra. A ligação à terra deve ser feita por um electricista qualificado.
- Se o produto tem luz tipo LED, contactar a assistência autorizada para substituir ou em caso de quaisquer problemas.
- Não tocar em alimentos congelados com as mãos molhadas! Podem aderir às suas mãos!
- Não colocar líquidos em garrafas e latas no compartimento de congelação. Podem explodir!
- Colocar os líquidos em posição vertical depois de fechar a tampa firmemente.
- Não pulverizar substâncias inflamáveis perto do produto, podem incendiar ou explodir.
- Não manter no frigorífico materiais inflamáveis e produtos com gás inflamável (sprays, etc.).
- Não colocar recipientes com líquidos em cima do produto. Pulverizar água sobre as partes eléctricas pode causar choque eléctrico e risco de incêndio.
- Expor o produto à chuva, neve, sol e vento pode causar perigo eléctrico. Quando recolocar o produto, não puxar pelo puxador da porta. O puxador pode soltar-se.
- Ter cuidado para evitar prender qualquer parte das suas mãos ou corpo em alguma das partes móveis dentro do produto.
- Não pisar ou apoiar-se nas portas, gavetas e peças similares do frigorífico. Isto pode causar avaria do produto e danificar as partes.
- Ter cuidado para não prender o cabo de alimentação.



1.1.1 Advertência HC

Se o produto inclui um sistema de refrigeração com gás R600a, ter cuidado para não danificar o sistema de arrefecimento e a sua tubagem durante a utilização e movimentação do produto. O gás é inflamável. Se o sistema de refrigeração estiver danificado, manter o produto longe de fontes de ignição e ventilar imediatamente o espaço onde o frigorífico se encontra.



A etiqueta no lado esquerdo interior indica o tipo de gás usado no produto.

1.1.2 Para modelos com dispensador de água

- A pressão para a entrada de água fria deve ser no máximo de 90 psi (620 kPa). Se a sua pressão de água exceder 80 psi (550 kPa, utilize uma válvula limitadora de pressão no seu sistema de alimentação. Se não sabe como verificar a sua pressão de água, deve solicitar a ajuda de um canalizador profissional.
- Se existir o risco de o golpe de ariete afetar a sua instalação, deve utilizar sempre um equipamento de prevenção do golpe de ariete na sua instalação. Deve consultar os canalizadores profissionais se não tiver a certeza se existe o efeito de golpe de ariete na sua instalação.
- Não instalar na entrada de água quente. Deve tomar precauções relativamente ao risco de congelamento nas tubagens. O intervalo de funcionamento de temperatura

Instruções de segurança e ambientais

da água deve ser 33°F (0,6°C) de mínimo e 100°F (38°C) de máximo.

- Usar apenas água potável.

1.2. Utilização prevista

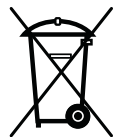
- Este produto é concebido para utilização doméstica. Não está previsto para utilização comercial.
- O produto deve ser utilizado apenas para armazenar alimentos e bebidas.
- Não manter no frigorífico produtos sensíveis que requerem temperaturas controladas (vacinas, medicamentos sensíveis ao calor, equipamentos médicos, etc.).
- O fabricante não assume responsabilidades por qualquer dano devido a uso indevido ou inadequado.
- O tempo de vida do produto é de 10 anos. As peças sobresselentes necessárias ao funcionamento do produto estarão disponíveis durante o referido período de tempo.

1.3. Segurança das crianças

- Manter os materiais de embalagem fora do alcance das crianças.
- Não permitir que as crianças brinquem com o produto.
- Se a porta do produto incluir uma fechadura, manter a chave fora do alcance das crianças.

1.4. Em conformidade com a Directiva REEE e Eliminação de Resíduos

Este produto está em conformidade com a Directiva UE REEE (2012/19/UE). Este produto tem um símbolo de classificação de resíduos de equipamentos eléctricos e electrónicos (REEE).



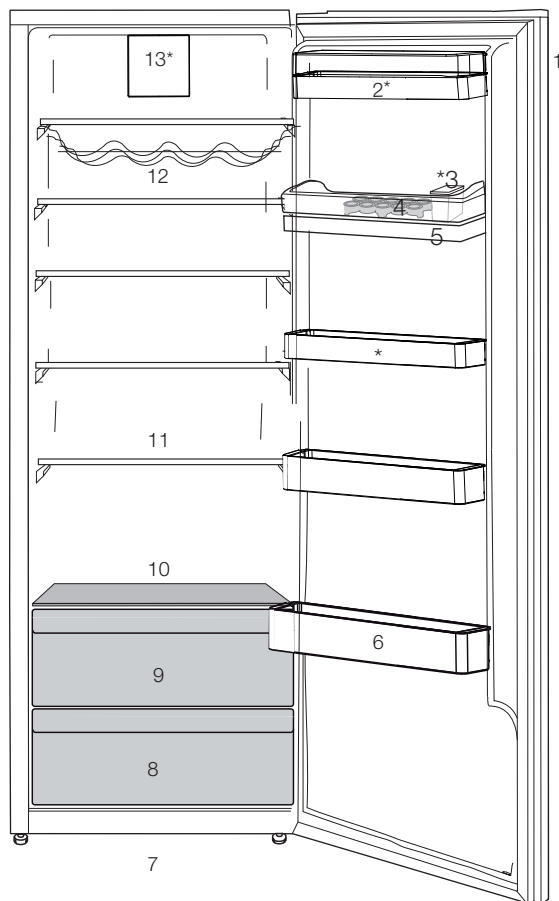
Este produto foi fabricado com peças de alta qualidade e materiais que podem ser reutilizados e são adequados para reciclagem. Não eliminar os resíduos como resíduos domésticos normais ou outros no fim da vida útil. Colocar no centro de recolha para a reciclagem de equipamentos eléctricos e electrónicos. Consultar as autoridades locais para indicação destes centros de recolha.

1.5. Em conformidade com a Directiva RSP

- Este produto está em conformidade com a Directiva UE REEE (2011/65/UE). Não contém materiais nocivos e proibidos especificados na Directiva.

1.6. Informação da embalagem

- Os materiais de embalagem do produto são fabricados com materiais recicláveis de acordo com os nossos Regulamentos Ambientais Nacionais. Não eliminar os materiais de embalagem junto com lixos domésticos ou outros. Colocar nos pontos de recolha de material de embalagem designados pelas autoridades locais.



- | | |
|--|----------------------------------|
| 1. Painel Indicador | 8. Gavetas para frutos e legumes |
| 2. Seções Da Manteiga & Cheese | 9. Compartimento de refrigeração |
| 3. Reservatório de enchimento do dispensador de água | 10. Cubra E Vidro Chiller |
| 4. Bandeja Egg | 11. Prateleiras Amovíveis |
| 5. Prateleiras Da Porta Ajustável | 12. Adega |
| 6. Prateleiras De Garrafa | 13. Ventilador |
| 7. Pés Frontais Ajustáveis | |

*** Pode não estar disponível em todos os modelos**



As imagens neste guia do utilizador são esquemáticas e podem não coincidir exactamente com o seu produto. Se o seu produto não incluir partes relevantes, a informação diz respeito a outros modelos.

3 Instalação



Por favor, lembre-se de que o fabricante não pode ser responsabilizado se não forem observadas as informações fornecidas no manual de instruções.

3.1. Pontos a serem considerados ao transportar novamente o seu frigorífico

1. O seu frigorífico deve ser esvaziado e limpo antes de ser transportado.
2. As prateleiras, acessórios, gaveta para frutas e legumes, etc. do seu frigorífico devem ser firmemente presos com fita adesiva, devido aos solavancos antes de voltar a empacotá-lo.
3. A embalagem deve ser amarrada com fitas grossas e cordas fortes e devem ser seguidas as normas de transporte indicadas na mesma.

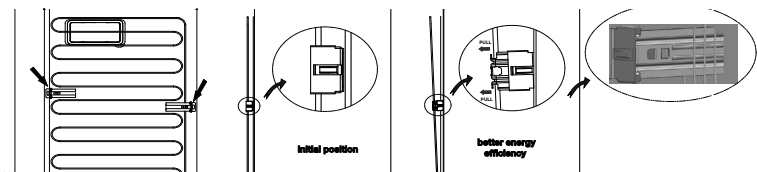
Não se esqueça...

Todo material reciclado é uma fonte indispensável para a natureza e para os nossos recursos nacionais.

Se quiser contribuir para a reciclagem dos materiais da embalagem, pode obter mais informações nos organismos relativos ao ambiente ou junto das autoridades locais.

- O condensador do seu equipamento está localizado na parte de trás, como mostrado a seguir. A fim de obter uma melhor eficiência energética com baixo consumo de energia, puxe o condensador na sua direção, como ilustrado na figura abaixo.

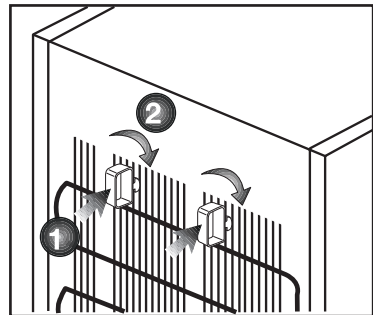
*** Pode não estar disponível em todos os modelos.**



3.2. Antes de funcionar o seu frigorífico

Antes de iniciar a utilização do seu frigorífico, verifique o seguinte:

1. O interior do frigorífico está seco e o ar pode circular livremente na sua parte traseira?
2. Introduza os 2 calços plásticos na ventilação traseira, conforme mostrado na figura seguinte. Os calços plásticos proporcionarão a distância necessária entre o seu frigorífico e a parede, permitindo assim a livre circulação do ar.



Instalação

3. Limpe o interior do frigorífico conforme recomendado na secção “Manutenção e limpeza”.
4. Ligue o frigorífico à tomada eléctrica. A luz interior acender-se-á quando a porta do frigorífico for aberta.
5. Ouvirá um ruído quando o compressor começar a trabalhar. O líquido e os gases no interior do sistema de refrigeração também podem fazer algum ruído, mesmo que o compressor não esteja a funcionar, o que é perfeitamente normal.
6. As arestas da frente do frigorífico podem ficar quentes. Isto é normal. Estas arestas são projectadas para ficarem quentes, a fim de evitar a condensação.

3.3. Ligação eléctrica

Ligue o seu produto a uma tomada de terra, que esteja protegida por um fusível com a capacidade apropriada.

Importante:

- A ligação deve estar em concordância com os regulamentos nacionais.
- A ficha do cabo de alimentação deve estar facilmente acessível após a instalação.
- A voltagem especificada deve ser igual à sua voltagem eléctrica.
- Não devem ser usados cabos de extensão e fichas multiusos para a ligação.



Um cabo de alimentação danificado deve ser substituído por um electricista qualificado.



O produto não deve ser utilizado antes de ser reparado! Há risco de choque eléctrico!

3.4. Eliminação da embalagem

Os materiais de embalagem podem ser perigosos para as crianças. Guarde os materiais da embalagem fora do alcance das crianças ou elimine-os, classificando-os de acordo com as instruções sobre o lixo. Não os elimine juntamente com o lixo doméstico normal.

A embalagem do seu frigorífico é produzida com materiais recicláveis.

3.5. Eliminação do seu frigorífico velho

Elimine o seu frigorífico velho sem causar qualquer perigo ao meio ambiente.

- Pode consultar o seu revendedor autorizado ou o centro de recolha do lixo do seu município a respeito da eliminação do seu frigorífico.

Antes de se desfazer do seu frigorífico, corte a ficha eléctrica e, se houver trincos nas portas, deixe-os inutilizados, a fim de proteger as crianças contra qualquer perigo.

3.6. Colocação e instalação



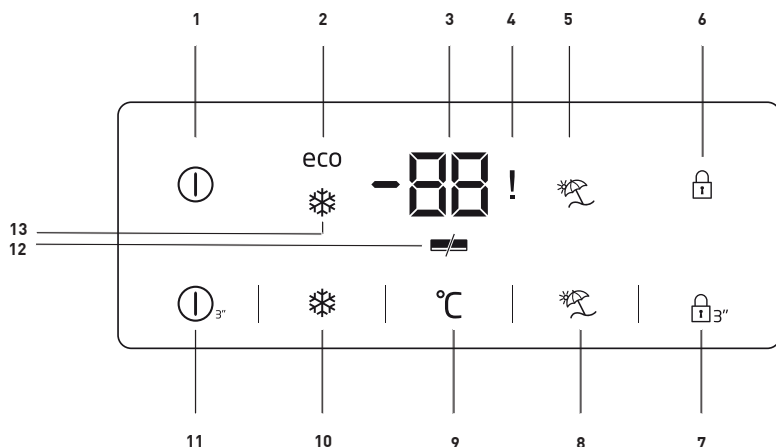
Se a porta de entrada do compartimento onde o frigorífico será instalado não for o suficientemente larga para que ele passe, chame o serviço de assistência autorizado para que possam remover as portas do seu frigorífico e passá-lo de forma inclinada através da porta.

1. Instale o seu frigorífico num local que permita fácil acesso.
2. Mantenha o seu frigorífico longe das fontes de calor, lugares húmidos e luz solar directa.
3. Deve existir uma circulação de ar adequada à volta do seu frigorífico, para que obtenha um funcionamento eficiente. Se o frigorífico for colocado numa reentrância da parede, deve haver uma distância mínima de 5cm do tecto e, pelo menos, 5 cm da parede. Se o piso for coberto por alcatifa, o seu produto deve ter uma elevação de 2,5 cm do chão.
4. Coloque o seu frigorífico num pavimento uniforme para evitar solavancos.

4 Preparação

- Para um aparelho de instalação independente: "este frigorífico não se destina a ser usado como um aparelho de encastrar.
- O seu frigorífico deverá ser instalado a uma distância mínima de 30 cm de quaisquer fontes de calor, tais como placas, fornos, aquecimento central e fogões e de 5 cm de fornos eléctricos e não deverá ficar exposto directamente à luz solar.
- A temperatura ambiente do compartimento onde está instalado o seu frigorífico não deve ser inferior a 5 °C. Utilizar o seu frigorífico em condições de temperatura mais baixas não é recomendado em atenção à sua eficiência.
- Certifique-se de que o interior do seu frigorífico esteja completamente limpo.
- Se forem instalados dois frigoríficos lado a lado, deverá existir uma distância mínima de 2 cm entre eles.
- Quando utilizar o seu frigorífico pela primeira vez, por favor, observe as seguintes instruções durante as seis horas iniciais.
- A porta não deverá ser aberta frequentemente.
- Deve começar a funcionar vazio, sem alimentos no interior.
- Não retire a ficha da tomada do seu frigorífico. Se houver uma falha de energia inesperada, por favor, consulte os avisos na secção "Soluções recomendadas para os problemas".
- A embalagem original e os materiais de esponja deverão ser guardados para transportes ou deslocações futuras.
- Os cestos/gavetas que são fornecidos com o compartimento para os frescos têm de ser sempre utilizados para um menor consumo de energia e para melhores condições de armazenamento.
- O contacto dos alimentos com o sensor de temperatura no compartimento do congelador pode aumentar o consumo de energia do aparelho. Assim deve ser evitado qualquer contacto com o(s) sensor(es).
- Nalguns modelos, o painel de instrumentos desliga-se automaticamente 5 minutos depois da porta ter sido fechada. Será reactivado quando a porta for aberta ou quando for premida qualquer tecla.
- Devido a mudanças de temperatura, em consequência da abertura/ fecho da porta do produto durante o funcionamento, é normal que se produza condensação na porta/ prateleiras e recipientes de vidro da estrutura.
- Já que o ar quente e húmido não irá penetrar diretamente o seu produto enquanto as portas não estiverem abertas, o seu produto irá otimizar-se por si próprio para possuir condições suficientes para proteger os seus alimentos. As funções e os componentes como o compressor, a ventoinha, o aquecedor, o descongelador, a iluminação, o visor, entre outros, funcionarão de acordo com as necessidades para o consumo mínimo de energia nestas circunstâncias.

5 Ligar o produto



1. Indicador On/Off (ligar/desligar)

Este ícone (⓪) aparece quando o frigorífico é desligado. Todos os outros ícones são desligados.

2. Indicador de utilização económica:

Este ícone (**eco**) (aparece quando o compartimento de congelação está colocado a 8°C que é o valor definido mais económico. O Indicador de utilização económica desliga-se quando as funções de Congelação rápida ou Arrefecimento rápido são selecionadas.

3. Indicador da definição da temperatura do compartimento do frigorífico

Indica a temperatura definida para o compartimento do frigorífico.

4. Interrupção de energia / Temperatura elevada / Indicador de erro de estado

Este indicador (!) acende-se no caso de falha de energia, temperaturas elevada e

de avisos de erro.

Quando a temperatura do compartimento do congelador aquece até um nível crítico para os alimentos congelados, o valor máximo atingido pela temperatura do compartimento do congelador fica a piscar no indicador digital.

Verificar os alimentos no compartimento do congelador.

Isto não é um mau funcionamento. O aviso pode ser apagado premindo qualquer botão ou no botão de desligar o alarme de alta temperatura. (Cancelar premindo qualquer botão não é aplicável para todos os modelos.)


Este indicador (!) acende-se também quando ocorre uma falha no sensor. Quando o indicador se acender, são exibidos alternativamente "E" e números como "1,2,3,..." no indicador da temperatura. Estes números no indicador informam o pessoal da manutenção acerca do erro.




As imagens neste guia do utilizador são esquemáticas e podem não coincidir exactamente com o seu produto. Se o seu produto não incluir partes relevantes, a informação diz respeito a outros modelos.

Utilizar o produto


5. Indicador de férias:

Este ícone () acende-se quando a função de Férias está ativa.


6. Indicador de bloqueio infantil:

Este ícone () acende quando o modo de Bloqueio infantil é ativado.

7. Modo de bloqueio infantil:


Pressione o botão de Bloqueio infantil () continuamente durante 3 segundos. O ícone do bloqueio infantil acende-se e o modo de bloqueio respetivo é ativado. Os botões não funcionarão se o modo de Bloqueio infantil estiver ativo. Pressione de novo continuamente o botão de Bloqueio infantil durante 3 segundos. O ícone de Bloqueio infantil desliga-se e o modo de bloqueio respetivo será desativado.

8. Função “Vacation” (Férias):


Ao premir o botão “Vacation” (Férias), a função de férias () é ativada e o indicador “Vacation” acende-se. Pode usar esta função quando não for utilizar o seu frigorífico durante muito tempo. Repare que não deverá haver alimentos no interior do frigorífico, caso contrário o frigorífico não poderá preservar os seus alimentos no modo “Vacation” (Férias).

Se esta função estiver ativada, a temperatura do compartimento do refrigerador é mantida a 15°C para evitar maus cheiros. Prima novamente o botão Vacation para desactivar a função.

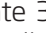
9. Função de Ajuste do refrigerador:

Esta função () permite-lhe fazer os ajustes de temperatura do compartimento do frigorífico. Prima este botão para ajustar a temperatura do compartimento do refrigerador para 8,7,6,5,4,3 e 1 respetivamente.


10. Função Refrigeração rápida:

O indicador Quick Fridge (Refrigeração rápida) () acende quando a função correspondente está ativa. Prima novamente o botão Quick Fridge para cancelar esta função. O indicador Quick Fridge (Refrigeração rápida) apagar-se-á e as definições normais serão restabelecidas. A função Quick Fridge (Refrigeração rápida) será cancelada automaticamente após 1 hora, se não a cancelar manualmente. Se quiser refrigerar grandes quantidades de alimentos frescos, prima o botão Quick Fridge antes de colocar os alimentos no compartimento do frigorífico.

11. Função on/off (ligar/desligar):

Esta função () permite-lhe fazer com que o congelador se desligue quando for pressionada durante 3 segundos. O frigorífico pode ser ligado pressionando o botão On/Off (ligar/desligar) durante 3 segundos novamente.

12. Indicador da poupança de energia:

Se as portas do produto forem mantidas fechadas durante muito tempo, a função de poupança de energia é automaticamente ativada e o símbolo respetivo de poupança de energia ficará aceso. ()

Quando é ativada a função de poupança de energia, todos os símbolos no visor, para além do símbolo de poupança de energia, se desligarão. Quando a função de poupança de energia é ativada, se nenhum botão for pressionado ou se a porta estiver aberta, a função de economia de energia será cancelada e os símbolos no visor irão voltar ao normal.

A função de poupança de energia é ativada durante a entrega da fábrica e não pode ser cancelada.

Utilizar o produto

13. Indicador de Congelação rápida (“Quick Freeze”):

Este ícone (❄) aparece quando a função de Arrefecimento rápido está ligada.

5.1. Congelar alimentos frescos

- Para preservar a qualidade dos alimentos, os alimentos colocados no compartimento de congelação devem ser congelados tão rápido quanto possível, usar a congelação rápida para isto.
 - Congelar os alimentos quando frescos amplia o tempo de armazenagem no compartimento de congelação.
 - Embalar os alimentos em embalagens herméticas e firmemente seladas.
 - Assegurar que os alimentos são embalados antes de os colocar no congelador. Usar suportes de congelação, papel de alumínio e papel à prova de humidade, sacos de plástico ou materiais de embalagem semelhantes, em vez do papel de embalagem tradicional.
- Marcar cada embalagem de alimentos com a data de embalagem antes de congelar. Isto permitirá determinar a frescura de cada embalagem de cada vez que abrir o congelador. Manter os primeiros alimentos à frente para garantir que são usados primeiro.
 - Os alimentos congelados devem ser consumidos imediatamente após descongelar e não devem ser congelados de novo.
 - Não congelar grandes quantidades de alimentos de uma só vez.

Definições do Compartimento de Congelação	Definições do Compartimento de Refrigeração	Descrições
-18°C	4°C	Estas são por defeito as definições recomendadas.
-20,-22 ou-24°C	4°C	Estas configurações são recomendadas para temperaturas ambiente superiores a 30°C.
Congelação rápida	4°C	Usar isto para congelar alimentos em pouco tempo, o produto volta às definições anteriores quando o processo for concluído.
-18°C ou mais frio	2°C	Usar estas definições, se entender que o compartimento de refrigeração não está frio o suficiente devido à temperatura ambiente ou a abertura frequente da porta.

Utilizar o produto

5.2. Recomendações para armazenar alimentos congelados

O compartimento deve ser definido pelo menos a -18°C .

1. Colocar os alimentos no congelador tão rápido quanto possível para evitar que descongelem.
2. Antes de congelar, verificar a "Data de Validade" na embalagem para assegurar que não está ultrapassada.
3. Assegurar que a embalagem do alimento não está danificada.

5.3. Detalhes do congelador

De acordo com as normas IEC 62552, o congelador deve ter a capacidade de congelar 4,5 kg de alimentos a -18°C ou temperaturas mais baixas em 24 horas para cada 100 litros de volume de compartimento de congelação. Os alimentos só podem ser preservados por períodos prolongados à temperatura de -18°C ou a temperatura inferior. Pode manter os alimentos frescos durante meses (em congelador à temperatura de -18°C ou inferior).

Os alimentos a serem congelados não devem entrar em contacto com alimentos já congelados no interior para evitar a descongelação parcial.

Ferver os vegetais e escorrer a água para prolongar o tempo de armazenagem congelados. Colocar os alimentos em embalagens herméticas depois de escorridos e colocar no congelador. Bananas, tomates, alface, aipo, ovos cozidos, batatas e alimentos similares não devem ser congelados. Congelar este alimentos simplesmente reduzirá o valor nutricional e a qualidade alimentar dos mesmos, assim como a possível deterioração que é prejudicial à saúde.

5.4. Colocar alimentos

Prateleiras do compartimento de congelação	Vários produtos congelados, incluindo carne, peixe, gelado, vegetais, etc.
Prateleiras do compartimento de refrigeração	Os alimentos em panelas, pratos e caixas com tampa, ovos (em caixa com tampa)
Prateleiras da porta do compartimento de refrigeração	Alimentos pequenos e embalados ou bebidas
Gaveta para vegetais	Frutas e vegetais
Compartimento de alimentos frescos	Charcutaria (pequeno almoço, produtos de carne a serem consumidos a curto prazo)

5.5. Alerta de porta aberta (Opcional)

Será ouvido um alerta sonoro se a porta do produto permanecer aberta durante 1 minuto. O alerta sonoro pára quando a porta for fechada ou premido qualquer botão no visor (se disponível).

5.6. Alterar a direcção da abertura da porta

A direcção de abertura da porta do seu frigorífico pode ser modificada de acordo com o local em que o está a utilizar. Se necessário, contacte a sua Assistência técnica mais próxima.

5.7. Utilizar a fonte de água fresca

* Pode não estar disponível em todos os modelos



É normal que a água dos primeiros copos retirados do dispensador esteja quente.

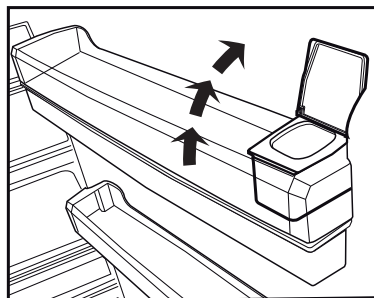
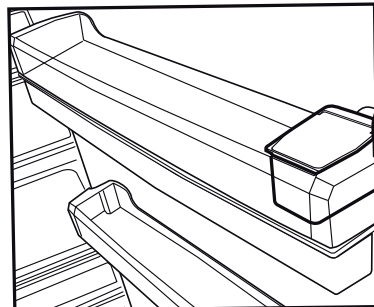


Se o dispensador de água não for usado durante muito tempo, eliminar os primeiros copos de água para obter água limpa.

1. Empurrar a alavanca do dispensador de água com o seu copo. Se estiver a usar um copo de plástico macio, empurrar a alavanca com a mão para ser mais fácil.
2. Depois de encher o copo até ao nível pretendido, soltar a alavanca.



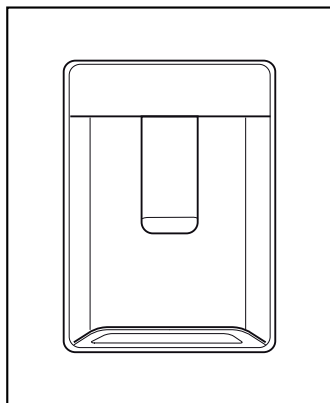
Deve notar que a quantidade do fluxo de água do dispensador depende da velocidade com que solta a alavanca. À medida que o nível de água na sua taça/copo aumenta, reduzir suavemente a quantidade de pressão na alavanca para evitar derramamento. Se pressionar ligeiramente a alavanca, a água pingará, isto é muito normal e não é uma avaria.



5.8. Encher o depósito do dispensador de água

O reservatório para enchimento do depósito de água está localizado no interior da estrutura da porta.

1. Abrir a tampa do depósito.
2. Encher o depósito com água potável fresca.
3. Fechar a tampa.





Não encher o depósito de água com qualquer outro líquido exceto água, como sumos de fruta, bebidas gasosas ou bebidas alcoólicas que não são adequadas para usar no dispensador de água. O dispensador de água ficará irremediavelmente danificado se forem usados estes tipos de líquidos. A garantia não cobre estas utilizações. Algumas substâncias químicas e aditivos contido neste tipo de bebidas/líquidos podem danificar o depósito da água.



Usar apenas água potável.



A capacidade do depósito de água é de 3 litros, não encher demasiado.

5.9. Limpar o depósito de água

1. Remover o reservatório de enchimento de água no interior da estrutura da porta.
2. Remover a estrutura da porta segurando em ambos os lados.
3. Segurar o depósito de água de ambos os lados e removê-lo com um ângulo de 45°C.
4. Remover a tampa do depósito de água e limpar o mesmo.



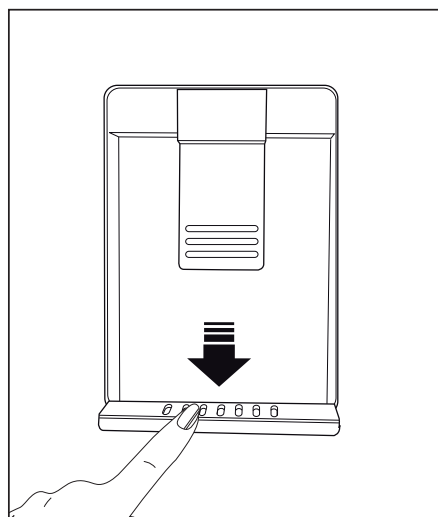
Os componentes do depósito de água e do dispensador de água não podem ser lavados na máquinas de lavar loiça.

5.10. Tabuleiro para gotas de água

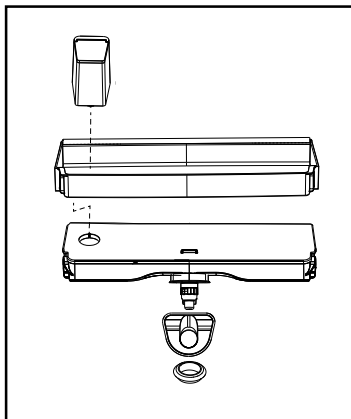
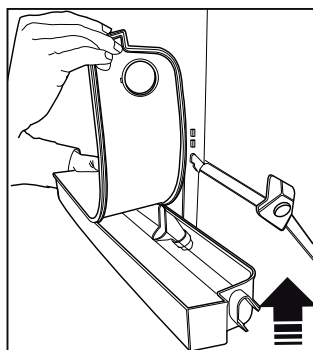
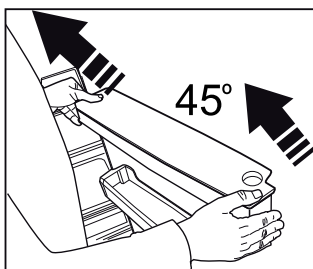
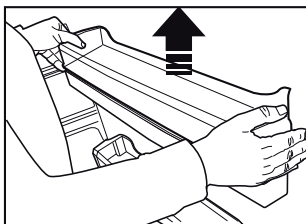
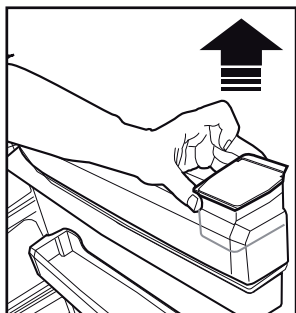
A água que pinga enquanto está a usar o dispensador de água acumula-se no tabuleiros para os pingos de água.

Remover o filtro de plástico conforme mostrado na figura.

Com um pano limpo e seco, remover a água que ficou acumulada.



Resolução de problemas



6 Manutenção e limpeza

Limpar o produto regularmente prolongará a sua vida útil.



RECOMENDAÇÕES:

Desligar a alimentação antes de limpar o frigorífico.

- Não usar ferramentas afiadas e abrasivas, sabão, materiais de limpeza doméstica, detergentes, gás, gasolina, vernizes e substâncias similares para limpar.
- Para produtos não No Frost, gotas de água e uma congelação com a largura de um dedo podem ocorrer na parede posterior do compartimento do frigorífico. Não limpe; nunca aplique óleo ou agentes similares.
- Utilize apenas panos macios de microfibra ligeiramente humedecidos para limpar a superfície do produto. Esponjas e outros tipos de panos de limpeza poderão riscar a superfície.
- Dissolver uma colher de chá de carbonato na água. Molhar um pedaço de pano na água e torcer. Limpar o dispositivo com este pano e secar completamente.
- Cuidado em manter a água longe da protecção da lâmpada e outras partes eléctricas.
- Limpar a porta usando um pano húmido. Retirar todos os itens do interior para tirar as prateleiras da porta e do interior do frigorífico. Levantar as prateleiras da porta para retirar. Limpar e secar as prateleiras, depois volta a colocar no lugar fazendo deslizar de cima pra baixo.
- Não usar água clorada ou produtos de limpeza na superfície exterior e peças cromadas do produto. O cloro irá enferrujar essas superfícies metálicas.
- Não usar ferramentas aguçadas e abrasivas ou sabão, agentes de limpeza doméstica, detergentes, gasolina, benzina, cera, etc., podem danificar os carimbos nas partes plásticas, que podem desaparecer ou

ficarem deformadas. Usar água quente e um pano macio para limpar e secar com um pano seco.

6.1. Prevenir maus cheiros

O produto é fabricado livre de quaisquer materiais odorantes. No entanto, manter os alimentos em seções inadequadas e limpeza inadequada das superfícies interiores pode causar mau cheiro. Para evitar isto, limpar o interior com água de carbonato a cada 15 dias.

- Manter os alimentos em recipientes fechados. Os microrganismos podem disseminar-se dos alimentos não fechados e causar mau cheiro.
- Não manter alimentos fora de prazo e estragados no frigorífico.

6.2. Proteger superfícies de plástico

Óleo derramado em superfícies de plástico pode danificar a superfície e deve ser limpo imediatamente com água morna.

7. Resolução de problemas

Verificar a lista antes de contactar a assistência. Fazer isto poupa-lhe tempo e dinheiro. Esta lista inclui queixas frequentes que não estão relacionadas com o fabrico ou materiais defeituosos. Certas características mencionadas neste documento podem não ser aplicáveis ao seu produto.

O frigorífico não está a funcionar.

- A ficha de alimentação não está totalmente ajustada. >>> Ligá-la para a ajustar completamente à tomada.
- O fusível ligado à tomada de ligação do produto ou o fusível principal está queimado. >>> Verificar os fusíveis.

Condensação na parede lateral do compartimento refrigerador (ZONA MÚLTIPLA, ZONA DE FRESCOS, CONTROLO e FLEXIVEL).

- A porta é aberta com muita frequência >>> Ter cuidado para não abrir a porta do produto tão frequentemente.
- O ambiente está demasiado húmido. >>> Não instalar o produto em ambientes húmidos.
- Alimentos contendo líquidos estão colocados em recipientes não fechados. >>> Manter os alimentos contendo líquidos em recipientes fechados.
- A porta do produto foi deixada aberta. >>> Não manter a porta do produto aberta por períodos longos.
- O termostato está definido para temperatura demasiado baixa. >>> Definir o termostato para temperatura adequada.

O compressor não está a funcionar.

- Em caso de falta de energia repentina ou retirar a ficha de alimentação e colocar de novo, a pressão do gás no sistema de refrigeração do produto não é equilibrada, o que desencadeia a salvaguarda térmica do compressor. O produto voltará a ligar-se depois de aproximadamente 6 minutos. Se o produto não se voltar a ligar depois deste período, contactar a assistência.
- Descongelação está activa. >>> Isto é normal para um produto de descongelação totalmente automática. A descongelação é executada periodicamente.
- O produto não está ligado. >>> Assegurar que o cabo de alimentação está ligado.
- A definição de temperatura é incorrecta. >>> Seleccionar a definição de temperatura adequada.
- Não há energia. >>> O produto continuará a funcionar normalmente assim que a energia seja restabelecida.

O ruído de funcionamento do frigorífico aumenta durante a utilização.

- O desempenho de funcionamento do produto pode variar dependendo das variações de temperatura do ambiente. Isto é normal e não é um mau funcionamento.

Resolução de problemas

O frigorífico funciona muito frequentemente ou por muito tempo.

- O novo produto pode ser maior do que o anterior. Produtos maiores funcionam por períodos mais longos.
- A temperatura da sala pode ser elevada. >>> O produto funcionará normalmente por períodos mais longos com temperaturas de sala mais elevadas.
- O produto foi ligado recentemente ou foi colocado no interior um novo alimento. >>> O produto levará mais tempo a atingir a temperatura definida quando recentemente ligado ou quando é colocado um novo alimento no interior. Isto é normal.
- Grandes quantidades de alimentos quentes podem ter sido colocadas recentemente no produto. >>> Não colocar alimentos quentes no produto.
- As portas foram abertas frequentemente ou deixadas abertas por períodos longos. >>> O ar quente que se move no interior fará o produto funcionar mais tempo. Não abrir as portas com demasiada frequência.
- A porta do congelador ou refrigerador pode estar entreaberta. >>> Verificar se as portas estão completamente fechadas.
- O produto pode estar definido para temperatura demasiado baixa. >>> Definir a temperatura para um grau mais elevado e aguardar que o produto atinja a temperatura ajustada.
- A junta da porta do congelador ou refrigerador pode estar suja, desgastada, partida ou não ajustada adequadamente. >>> Limpar ou substituir a junta. A junta da porta danificada / cortada fará o produto funcionar por períodos mais longos para preservar a temperatura actual.

A temperatura do congelador está muito baixa, mas a temperatura do refrigerador é adequada.

- A temperatura do compartimento de congelação está definida para um grau muito baixo. >>> Definir a temperatura do compartimento de congelação para um grau mais elevado e verificar de novo.

A temperatura do refrigerador está muito baixa, mas a temperatura do congelador é adequada.

- A temperatura do compartimento de refrigeração está definida para um grau muito baixo. >>> Definir a temperatura do compartimento de refrigeração para um grau mais elevado e verificar de novo.

Os alimentos guardados em gavetas do compartimento de refrigeração estão congelados.

- A temperatura do compartimento de refrigeração está definida para um grau muito baixo. >>> Definir a temperatura do compartimento de congelação para um grau mais elevado e verificar de novo.

A temperatura no refrigerador ou congelador é demasiado elevada.

- A temperatura do compartimento de refrigeração está definida para um grau muito elevado. >>> A definição de temperatura do compartimento de refrigeração influencia a temperatura do compartimento de congelação. Altere a temperatura do compartimento de refrigeração ou congelação e aguarde até que os referidos compartimentos atinjam o nível de temperatura ajustado.
- As portas foram abertas frequentemente ou deixadas abertas por períodos longos. >>> Não abrir as portas com demasiada frequência.
- A porta pode estar entreaberta. >>> Fechar completamente a porta.
- O produto foi ligado recentemente ou foi colocado no interior um novo alimento. >>> Isto é normal. O produto levará mais tempo a atingir a temperatura definida quando recentemente ligado ou um novo alimento é colocado no interior.
- Grandes quantidades de alimentos quentes podem ter sido colocadas recentemente no produto. >>> Não colocar alimentos quentes no produto.

Resolução de problemas

Vibração ou ruído.

- O chão não está nivelado ou não é resistente. >>> Se o produto vibra quando movido lentamente, ajustar os pés para equilibrar o produto. Assegurar também que o chão é suficientemente resistente para suportar o produto.
- Alguns itens colocados no produto podem causar ruídos. >>> Retirar alguns itens colocados no produto.

O produto está a fazer ruído de líquido a fluir, pulverização, etc.

- Os princípios de funcionamento do produto incluem fluídos líquidos e gasosos. >>> Isto é normal e não um mau funcionamento.

Há som de vento a soprar proveniente do produto.

- O produto usa uma ventoinha no processo de refrigeração. Isto é normal e não é um mau funcionamento.

Há condensação nas paredes internas do produto.

- Meio ambiente quente ou húmido aumentará a formação de gelo e condensação. Isto é normal e não é um mau funcionamento.
- As portas foram abertas frequentemente ou deixadas abertas por períodos longos. Não abrir as portas com demasiada frequência; se aberta, fechar a porta.
- A porta pode estar entreaberta. >>> Fechar completamente a porta.

Há condensação no exterior do produto ou entre as portas.

- O meio ambiente pode estar húmido, isto é perfeitamente normal com tempo húmido. >>> A condensação dissipa quando a humidade diminuir.

O interior cheira mal.

- O produto não é limpo regularmente. >>> Limpar o interior regularmente usando uma esponja, água quente e água com carbonato.
- Alguns recipientes e materiais de embalagem podem provocar odores. >>> Usar recipientes e materiais de embalagem isentos de odor.
- Os alimentos foram colocados em recipientes não vedados. >>> Manter os alimentos em recipientes fechados. Os microrganismos podem disseminar-se dos alimentos não fechados e causar mau cheiro.
- Retirar quaisquer alimentos fora de prazo e estragados do frigorífico.

A porta não está a fechar.

- Embalagens de alimentos podem bloquear a porta. >>> Recolocar quaisquer itens que bloqueiem as portas.
- O produto não está colocado em posição vertical no chão. >>> Ajustar os pés para equilibrar o produto.
- O chão não está nivelado ou não é resistente. >>> Assegurar que o chão é nivelado e suficientemente resistente para suportar o produto.

A gaveta para vegetais está presa.

- Os alimentos podem estar em contacto com a secção superior da gaveta. >>> Reorganizar os alimentos na gaveta.

Resolução de problemas

Se a superfície do produto estiver quente.

- Podem notar-se temperaturas elevadas entre as duas portas, nos painéis laterais e na grelha traseira quando o produto está a funcionar. Esta situação é normal e não exige serviço de manutenção!



RECOMENDAÇÕES: Se os problemas persistirem depois de seguir as instruções nesta secção, contactar o seu vendedor ou uma Assistência Autorizada. Não tentar reparar o produto.

ISENÇÃO DE RESPONSABILIDADE / ADVERTÊNCIA

Algumas falhas (simples) podem ser tratadas de forma adequada pelo utilizador final sem que surja qualquer problema de segurança ou de utilização não segura, desde que as mesmas sejam solucionadas dentro dos limites e de acordo com as seguintes instruções (consultar a secção “Reparação Autónoma”.

Portanto, exceto se contrariamente autorizado na secção “Reparação Autónoma” abaixo, as reparações devem ser realizadas por profissionais reparadores registados de modo a evitar problemas de segurança. Um reparador profissional registado é um reparador profissional a quem o fabricante concedeu acesso às instruções e à lista de peças de substituição deste produto de acordo com os métodos descritos na lei nos termos da Diretiva 2009/125/CE.

No entanto, apenas o agente de reparação (ou seja, os reparadores profissionais autorizados) com quem pode entrar em contacto através do número de telefone fornecido no manual do utilizador/ cartão da garantia ou através do seu revendedor autorizado que pode fornecer serviços de acordo com os termos de garantia. Portanto, deve estar ciente de que as reparações feitas por reparadores profissionais (não autorizados por Beko) anulam a garantia.

Reparação Autónoma

A reparação autónoma pode ser feita pelo utilizador final em relação à seguintes peças de substituição: porta, manípulos, dobradiças das portas, tabuleiros, cestos e vedantes da porta (é disponibilizada uma lista atualizada em support.beko.com) a partir de 1 de março de 2021).

Além disso, para garantir a segurança do produto e evitar o risco de ferimentos graves, a reparação autónoma referida deve ser feita seguindo as instruções do manual do utilizador para reparação autónoma ou as que estão disponíveis em support.beko.com Para sua segurança, deve desligar o produto antes de tentar fazer qualquer reparação autónoma.

As tentativas de reparação feitas pelos utilizadores finais de peças não incluídas na referida lista e/ou não seguindo as instruções nos manuais do utilizador relativamente à mesma ou que se encontram disponíveis em support.beko.com, podem levantar questões de segurança não atribuíveis a Beko, e anularão a garantia do produto.

Portanto, é altamente recomendável que os utilizadores finais evitem tentar realizar reparações que não se enquadrem na lista mencionada de peças de substituição, e nesse caso deverão contactar com reparadores profissionais autorizados ou reparadores profissionais registados. Por outro lado, as referidas tentativas por parte dos utilizadores finais podem provocar problemas de segurança e danificar o produto e, subsequentemente, provocar incêndio, inundação, eletrocussão e ferimentos graves.

Por exemplo, mas não limitado a, as seguintes reparações devem ser realizadas por Reparadores profissionais autorizados ou registados: compressor, circuito de refrigeração, placa de circuitos, placa do inversor, placa do visor, etc.

O fabricante/vendedor não pode ser responsabilizado em circunstâncias em que os utilizadores finais não cumpram com o acima referido.

A disponibilidade de peças de substituição da frigorífico que comprou é de 10 anos. Durante este período, as peças de substituição originais estarão disponíveis para operar corretamente a frigorífico. A duração mínima da garantia do frigorífico que adquiriu é de 24 meses. Este produto está equipado com uma fonte de iluminação da classe energética "G". A fonte de iluminação neste produto deve somente ser substituída por reparadores profissionais.

Spoštovani kupec.

Privoščimo vam, da dosežete optimalno učinkovitost našega izdelka, ki je bil proizveden v sodobni tovarni z natančnim nadzorom kakovosti.

V ta namen prosimo, da v celoti preberete navodila, preden pričnete z uporabo izdelka in naj vas vodijo kot referenčni vir. Če boste ta izdelek predali drugi osebi, poskrbite da grede ta navodila skupaj z izdelkom.

Navodila za uporabo zagotovijo hitro in varno uporabo izdelka.






- Prosimo preberite navodila pred namestitvijo in uporabo izdelka.
- Vedno upoštevajte veljavne varnostne napotke.
- Hranite navodila v bližini za prihodnjo uporabo.
- Prosimo, da preberete vse druge dokumente, ki so prišli z izdelkom.

Imejte v mislih, da lahko ta navodila veljajo za več modelov izdelka. Ta vodič jasno prikaže razlike med različnimi modeli.

Simboli in opombe

V priročniku so uporabljeni naslednji simboli:

	Pomembne informacije in koristni nasveti.
	Tveganje za življenje in premoženje.
	Nevarnost električnega udara.
	Embalaža izdelka je izdelana iz recikliranih materialov, v skladu z nacionalno okoljsko zakonodajo.

 INFORMACIJE	
 ENERG 	Do informacij o modelu, ki so shranjene v zbirki podatkov o izdelkih, lahko pridete tako, da obiščete naslednje spletno mesto in poiščete identifikator modela (*), ki je naveden na energijski nalepki. https://eprel.ec.europa.eu/
SUPPLIER'S NAME → MODEL IDENTIFIER → (*)  	

1 Varnost in okoljska navodila 4

Splošna varnost	4
Predvidena uporaba	6
Varnost otrok	6
Skladnost z Direktivo OEEQ in odstranjevanje naprave kot odpadka.....	7
Skladnost z direktivo RoHS	7
Informacije o embalaži	7

2 Vaš hladilnik 8

3 Namestitev 9

Napotki, ki jih je treba upoštevati ob ponovnem prevozu hladilnika	9
Pred uporabo hladilnika	9
Električna povezava	10
Odstranjevanje embalaže	10
Odstranjevanje starega hladilnika.....	10
Namestitev in montaža	10
Nastavitev nogic	11

4 Priprava 12

5 Upravljanje izdelka 13

Zamrzovanje sveže hrane.....	15
Opozorilo za odpiranje vrat.....	16
Spreminjanje smeri odpiranja vrat	16
Priporočila za shranjevanje zamrznjenih živil.....	16
Podrobnosti o zamrzovalniku	16
Vstavljanje hrane.....	16
Uporaba vodnega razpršilca	17
Polnjenje posodice vodnega razpršilnika.....	17
Čiščenje posode za vodo	18
Odcejalnik	19




6 Vzdrževanje in čiščenje 20

7 Odpravljanje motenj 21

1 Varnost in okoljska navodila

To poglavje vsebuje navodila za varno uporabo, potrebna za preprečitev nevarnosti poškodb in materialne škode. Neupoštevanje teh navodil bo izničilo vse vrste garancije izdelka.

Namen uporabe

	OPOZORILO : Odrprtine za zračenje, ohišje naprave ali vgrajeni hladilni elementi naj bodo vedno nezastri.
	OPOZORILO : Za hitrejšo odmrzovanje ne uporabljajte mehanskih naprav, razen takih, ki jih priporoča proizvajalec.
	OPOZORILO : Ne poškodujte tokokroga hladilnega sredstva.
	OPOZORILO : V notranjosti razdelka za shranjevanje živil aparata ne uporabljajte električnih naprav, razen takih, ki jih priporoča proizvajalec.

Ta naprava je namenjena za uporabo v gospodinjstvu in podobnih okoljih, kot so:

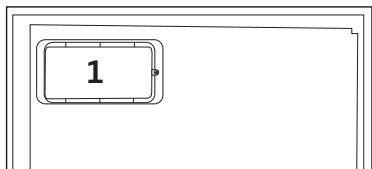
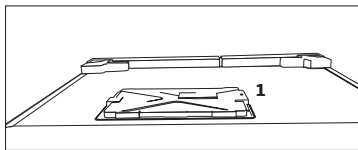
- kuhinje za osebje v trgovinah, pisarnah in drugih delovnih okoljih;
- hoteli, moteli in druga stanovanjska okolja, kjer jo lahko uporabljajo gostje;
- okolja, kjer ponujajo nočitve z zajtrkom.
- pri cateringu in v podobnih okoljih, kjer ne gre za neposredno prodajo.

1.1. Splošna varnost

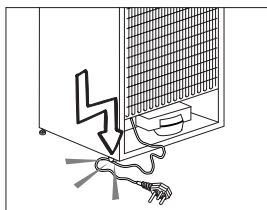
- Ta izdelek naj ne uporabljajo otroci in osebe s telesnimi, čutnimi in duševnimi motnjami brez zadostnega znanja in izkušenj. Napravo smejo uporabljati takšne osebe le pod nadzorom in po navodilih osebe, odgovorne za njihovo varnost. Otroci se ne smejo igrati s to napravo.
- V primeru okvare, izklopite napravo.
- Ko odklopite, počakajte najmanj 5 minut pred ponovnim priklopom. Izključite napravo, ko ni v uporabi. Ne dotikajte se vtiča z mokrimi rokami! Ko želite izklopiti ne vlecite za kabel, vedno držite le za vtič.
- Ne priklopljajte hladilnika, če je vtičnica razrahljana.
- Izključite napravo med namestitvijo, vzdrževanjem, čiščenjem in popravilom.
- Če naprave nekaj časa ne boste uporabljali, jo izključite in iz notranjosti odstranite vso hrano.
- Ne uporabljajte pare ali parnih čistilnih sredstev za notranje čiščenje hladilnika in taljenje ledu. Para lahko pride v stik z električnimi elementi in povzroči kratek stik ali električni udar!
- Izdelka tudi zunaj ne perite z razprševanjem ali polivanjem vode! Nevarnost električnega udara!
- Izdelka ne uporabljajte, če je področje na vrhu ali na zadnji strani izdelka, ki vsebuje elektronska tiskana vezja,

Varnost in okoljska navodila

odprto (pokrov elektronskega tiskanega vezja) (1).



- V primeru okvare ne uporabljajte naprave, saj lahko to povzroči električni udar. Preden karkoli poskušate se obrnite na pooblaščenega serviserja.
- Napravo priključite v ozemljeno vtičnico. Ozemljitev mora izvesti usposobljen električar.
- Če ima naprava razsvetljavo vrste LED, se obrnite na pooblaščenega servisa zaradi zamenjave ali v primeru kakršnih koli težav.
- Ne dotikajte se zmrznjene hrane z mokrimi rokami! Lahko se prilepi vašim rokam!
- Ne postavljajte tekočin v steklenicah, plastenkah in pločevinkah v zamrzovalnik. Lahko počijo ali pa tekočina izbruhne!
- Postavite tekočine v pokončnem položaju, ko tesno zaprete pokrov.
- Ne pršite vnetljivih snovi v bližini naprave, saj lahko to povzroči požar ali eksplozijo.
- Ne hranite vnetljivih materialov in izdelkov z vnetljivimi plini (razpršilci itd) v hladilniku.
- Ne postavljajte posod v katerih so tekočine na vrh naprave. Politje vode po elektrificiranih delih lahko povzroči električni udar in nevarnost požara.
- Izpostavljanje naprave dežju, snegu, soncu in vetru povzroči električno nevarnost. Ko prestavljate napravo, jo ne vlecite tako, da držite za ročaj vrat. Ročaj se lahko odtrga.
- Bodite pozorni, da preprečite ukleščenje katerihkoli delov vaših rok ali telesa v katerega od gibljivih delov naprave.
- Ne stopajte ali se obešajte na vrata, predale in podobne dele hladilnika. To bi povzročilo, da se naprava prevrne in se deli poškodujejo.
- Pazite, da ne zapnete v napajalni kabel.



Varnost in okoljska navodila

1.1.1 HC opozorilo

Če naprava vsebuje hladilni sistem, ki uporablja plin R600a, pazite, da ne bi poškodovali hladilni sistem in njegovo cev med uporabo in premikanjem naprave. Ta plin je vnetljiv. Če je hladilni sistem poškodovan, imejte napravo stran od virov ognja in takoj prezračite prostor.



Nalepka na notranji levi strani označuje vrsto uporabljenega plina v napravi.

1.1.2 Pri modelih z vodno fontano

- Tlak vstopne hladne vode ne sme presežati 620 kPa (90 psi). Če tlak vstopne vode presega 550 kPa (80 psi), uporabite ventil za omejevanje tlaka v vodovodnem tokokrogu. Če ne veste, kako izmeriti vodni tlak, poprosite inštalaterja za vodovod.
- Če je v vaši inštalaciji prisotno tveganje nastanka hidravličnega udara, vedno uporabite opremo za preprečevanje hidravličnega udara. Da preverite, da v vaši inštalaciji ni tveganja za pojav hidravličnega udara, se posvetujte z inštalaterjem za vodovod.
- Ne nameščajte na vod s toplo vodo. Izvedite potrebne ukrepe za preprečevanje zamrznitve cevi. Območje temperature vode za delovanje naj bo med najmanj 0,6°C (33°F) in največ 38°C (100°F).
- Uporabljajte samo pitno vodo.

1.2. Predvidena uporaba

- Ta naprava je namenjena za domačo uporabo. Ni namenjena za komercialno uporabo.
- To napravo se sme uporabiti samo za shranjevanje hrane in pijače.
- Ne hranite v hladilniku občutljive izdelke, ki zahtevajo nadzorovane temperature (cepiva, toplotno občutljiva zdravila, medicinski izdelki itd).
- Proizvajalec ne prevzema odgovornosti za morebitno škodo zaradi zlorabe ali napačne uporabe.
- Originalne nadomestne dele zagotavljamo 10 let po datumu nakupa.

1.3. Varnost otrok

- Hranite embalažne materiale izven dosega otrok.
- Ne dovolite, da bi se otroci igrali z napravo.
- Če vrata naprave vsebujejo ključavnico, hranite ključ izven dosega otrok.

1.4. Skladnost z Direktivo OEE0 in odstranjevanje naprave kot odpadka

Ta naprava je skladna z direktivo EU WEEE (2012/19/EU). Ta naprava nosi oznako klasifikacije za odpadno električno in elektronsko opremo (OEE0).



Naprava je bila izdelana iz visoko kakovostnih delov in materialov, ki jih je mogoče ponovno uporabiti in so primerni za recikliranje. Ne zavržite naprave kot odpadka med običajne domače in druge odpadke na koncu njegove življenjske dobe. Odnosite jo v zbirni center za recikliranje električne in elektronske opreme. Obrnite se na lokalne oblasti, da izveste za lokacije teh zbirnih centrov.

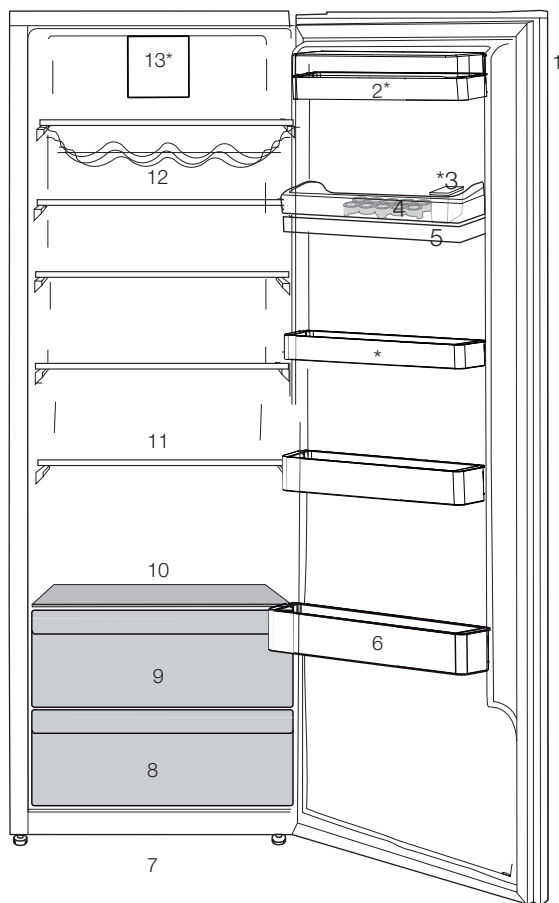
1.5. Skladnost z direktivo RoHS

- Ta naprava je skladna z direktivo EU WEEE (2011/65/EU). Ne vsebuje škodljivih in prepovedanih snovi, navedenih v direktivi.

1.6. Informacije o embalaži

- Embalaža naprave je izdelana iz recikliranih materialov v skladu z našimi nacionalnimi predpisi za okolje. Ne odlagajte embalažnih materialov skupaj z domačimi ali drugimi odpadki. Peljite jih v zbirne centre za embalažo, ki so jih lokalne oblasti pooblastile.

2 Vaš hladilnik



1. Indikatorska Tabla
2. Maslo In Sir Oddelki
3. Posoda za polnjenje in razprševanje
4. Prostor za jajca
5. Posoda za natakanje vode
6. Staklenice Police
7. Nastavljiva Sprednja Noge
8. Predal za sveža živila
9. Predel za hlajenje
10. Chiller In Stekleni Pokrov
11. Premične Police
12. Vinska Klet
13. Ventilator za kroženje hladnega zraka

*** Morda ni na voljo pri vseh modelih.**



Slike v navodilih za uporabo so shematske in morda ne ustrezajo vašemu proizvodu. Če naprava, ki ste jo kupili, ne vsebuje določenih delov, so veljavni za druge modele.

3 Namestitev



OPOZORILO: Proizvajalec ne prevzema nobene odgovornosti za morebitno škodo, ki so jo povzročila dela, opravljena s strani nepooblaščenih oseb.

3.1. Napotki, ki jih je treba upoštevati ob ponovnem prevozu hladilnika

1. Hladilnik morate izprazniti in očistiti pred vsakim prevozom.
2. Police, pripomočke, predale za sveža živila itd. v hladilniku pred ponovnim pakiranjem varno pritrdite z lepilnim trakom, da jih zaščitite pred sunki.
3. Embalažo pričvrstite z debelimi trakovi in močnimi vrvmi ter sledite navodilom za prevoz natisnjenih na embalaži.

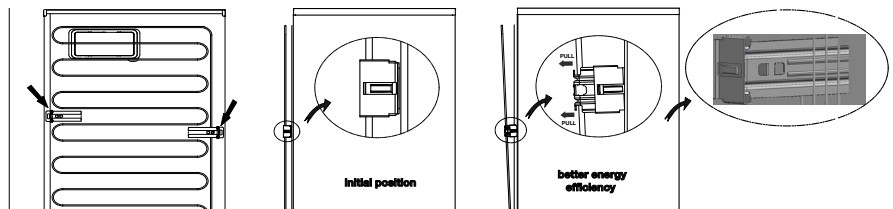
Prosimo, ne pozabite ...

Vsak recikliran material je nujen vir za naravo in nacionalne vire.

Če želite sodelovati pri recikliranju embalažnega materiala, se za nadaljnje informacije obrnite na okoljske organe ali lokalne oblasti.

- Kondenzator vaše naprave je nameščen na hrbtni strani, kot je prikazano spodaj. Da bi dosegli večjo energetsko učinkovitost z manjšo porabo energije, povlecite kondenzator proti sebi, kot prikazuje spodnja slika.

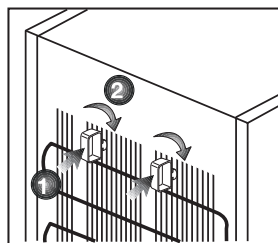
* **Morda ni na voljo pri vseh modelih.**



3.2. Pred uporabo hladilnika

Preden pričnete uporabljati hladilnik, preverite naslednje:

1. Ali je notranjost hladilnika suha in lahko zrak v zadnjem delu prosto kroži?
2. Prosimo, namestite 2 plastična klina, kot kaže slika. Plastična klina zagotovi potrebno razdaljo med hladilnikom in steno za neovirano kroženje zraka. (Slika je samo primer in se ne sklada popolnoma z vašo napravo.)



Namestitev

3. Notranjost hladilnika očistite kot je priporočeno v poglavju »Vzdrževanje in čiščenje«.
4. Hladilnik priključite v vtičnico električnega omrežja. Ko se vrata hladilnika odprejo, zasveti notranja luč hladilnega dela.
5. Ko se vklopi kompresor, boste zaslišali hrup. Tekočina in plini v hladilnem sistemu običajno lahko povzročijo hrup, tudi kadar kompresor ne deluje.
6. Sprednji robovi hladilnika so lahko topli na dotik. To je običajno. Te površine so oblikovane, tako da so tople, kar preprečuje kondenzacijo.

3.3. Električna povezava

Napravo priključite v zemljeno vtičnico, ki je zaščitena z varovalko ustrezne zmogljivosti.

Pomembno;

- Priključitev mora ustrezati nacionalnim predpisom.
- Vtič napajalnega kabla naj bo po namestitvi lahko dostopen.
- Določena napetost mora ustrezati omrežni napetosti.
- Za priključitev ne uporabljajte podaljševalnih kablov ali večpotnih vtičev.



OPOZORILO: Poškodovan napajalni kabel lahko zamenja le usposobljen električar.



OPOZORILO: Naprave ne uporabljajte preden ni popravljen! Obstaja nevarnost električnega udara!

3.4. Odstranjevanje embalaže

Embalažni material je lahko nevaren za otroke. Embalažni material hranite izven dosega otrok ali ga odstranite v skladu z navodili za odstranjevanje odpadkov. Ne odstranite ga z običajnimi gospodinjstvi odpadki.

Embalaža hladilnika je izdelana iz materiala primerne za recikliranje.

3.5. Odstranjevanje starega hladilnika

Star hladilnik odstranite okolju prijazno.

- Glede odstranjevanja hladilnika se posvetujte s pooblaščenim prodajalcem ali centrom za zbiranje odpadkov v vaši občini.

Preden odstranite hladilnik, izklopite električni vtič in onemogočite morebitne ključavnice na vratih, da zaščitite otroke pred nevarnostmi.

3.6. Namestitev in montaža



Če vhodna vrata sobe, kjer boste namestili hladilnik niso dovolj široka, da bi hladilnik lahko spravili skozi, pokličite pooblaščen servisno službo, da bodo odstranili vrata hladilnika in ga bočno spravite skozi vrata.

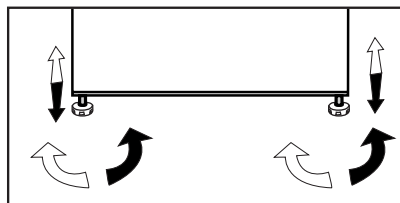
1. Namestite hladilnik na mesto, ki bo omogočalo preprosto uporabo.
2. Hladilnik naj ne bo v bližini toplotnih virov, vlažnih prostorov ali neposredne sončne svetlobe.

Namestitev

3. Za učinkovito delovanje mora biti prostor okrog hladilnika ustrezno prezračen. Če bo hladilnik nameščen v vdolbino v steni, mora biti najmanj 5 cm razmika od stropa in najmanj 5 cm razmika od stene. Če so tla pokrita s preprogo, mora biti proizvod 2,5 cm nad tlemi.
4. Da bi preprečili tresenje, namestite hladilnik na ravno talno površino.

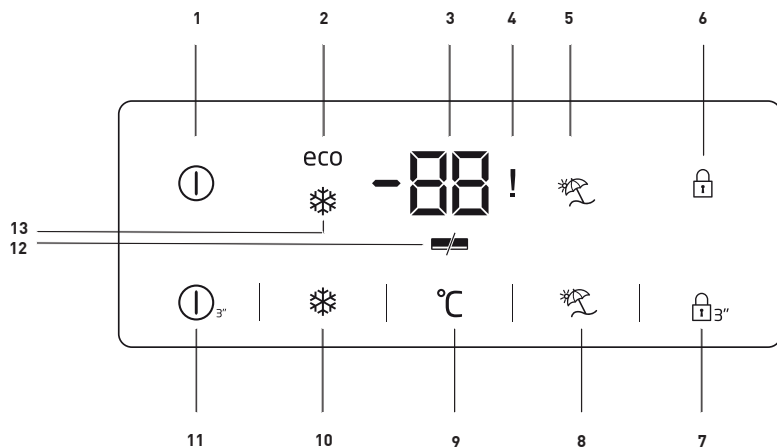
3.7. Nastavitev nogic

Če vaš hladilnik ni izravnán Hladilnik lahko izravnate tako, da sprednje noge zavrtite, kot kaže slika. Kot, kjer je noga, je spuščén, če obrnete v smeri črne puščice in dvignjen, če obrnete v nasprotno smer. Olajšajte si delo in prosite za pomoč drugo osebo, ki naj rahlo privzdigne hladilnik.



- Za samostoječi aparat; »ta hladilni aparat ni namenjen za uporabo kot vgradni aparat.
- Hladilnik morate namestiti vsaj 30 cm od virov toplote kot so kuhalne plošče, peči, glavni grelci ali štedilniki in vsaj 5 cm od električnih pečic, prav tako ga ne postavljajte pod neposredno sončno svetlobo.
- Temperatura prostora kjer boste namestili hladilnik naj bo vsaj 5°C. Delovanje hladilnika v hladnejših pogojih ni priporočljivo, saj vpliva na njegovo učinkovitost.
- Prepričajte se, da je notranjost hladilnika popolnoma čista.
- Če bosta dva hladilnika nameščena drug ob drugem, naj bo vmes vsaj 2 cm razmika.
- Pri prvi uporabi hladilnika upoštevajte naslednja navodila med prvimi šestimi urami delovanja.
- Izognite se pogostemu odpiranju vrat.
- Delovati mora prazen, brez živil.
- Hladilnika ne izklopite. Če se pojavi nenadzorovan izpad elektrike, upoštevajte opozorila v oglavju "Priporočljive rešitve za težave".
- Originalno embalažo in penasti material shranite za prihodnji prevoz ali premikanje.
- Košare/predali, ki so nameščeni v razdelku za hlajenje, morajo biti vedno v uporabi, da bo poraba energije nižja in pogoji za hranjenje boljši.
- Stik hrane s temperaturnim tipalom v zamrzovalnem delu lahko poveča porabo energije aparata. Zato preprečite vsak stik s tipalom/tipali
- Pri nekaterih modelih se nadzorna plošča samodejno izključi 5 minut zatem, ko zaprete vrata. Ko odprete vrata ali pritisnete na katero koli tipko, se bo ponovno aktivirala.
- Zaradi temperaturne spremembe, ki je posledica odpiranja/zapiranja vrat izdelka med delovanjem, je kondenzacija vrat/polic in steklenih vsebnikov običajna.
- Ker vroč in vlažen zrak ne bo neposredno prodril v vaš izdelek, ko vrata niso odprta, se bo vaš izdelek optimiziral v pogojih, ki zadostujejo za zaščito vaše hrane. Funkcije in sestavni deli, kot so kompresor, ventilator, grelec, odmrzovanje, osvetlitev, zaslon in tako naprej, bodo delovali v skladu s potrebami po porabi minimalne energije v teh okoliščinah.

5 Upravljanje izdelka



1. Kazalec za vklop/izklop:

Ta ikona (ⓘ) se prikaže, ko je hladilnik izklopljen. Vse druge ikone se bodo izklopile.

2. Kazalec varčne uporabe:

Ta ikona (eco) se prižge, ko je hladilnik del nastavljen na 8°C, kar je najbolj varčna nastavitvev. Kazalec varčne uporabe se izklopi, ko izberete funkcijo hitrega hlajenja (Quick Fridge) ali hitrega zamrzovanja (Quick Freeze).

3. Kazalec nastavitve temperature hladilnega dela:

Prikazuje nastavljen temperaturo hladilnega dela.

4. Indikator za izpad napajanja/visoko temperaturo/stanje napake

Ta indikator (!) sveti v primeru izpada napajanja, visoke temperature in opozoril za napake.

Ko se temperatura v zamrzovalnem delu

dvigne na kritično raven za zamrznjeno hrano, na digitalnem indikatorju utripa najvišja vrednost, ki jo doseže temperatura zamrzovalnega dela.

Preverite hrano v zamrzovalnem delu.

To ni napaka. Opozorilo lahko izbrišete tako, da pritisnete kateri koli gumb ali gumb za izklop alarma za visoko temperaturo. (Preklic s pritiskom na kateri koli gumb ni na voljo pri vseh modelih.)

Ta indikator (!) sveti tudi v primeru napake senzorja. Ko sveti ta indikator, se na indikatorju temperature izmenično prikazujejo črka »E« in številke, kot so »1, 2, 3 ...«. Prikazane številke predstavljajo informacije o napaki za servisno osebje.

5. Kazalec za počitnice:


Ikona (☀) zasveti, ko je aktivirana funkcija za počitnice.




Slike v navodilih za uporabo so shematske in morda ne ustrezajo vašemu proizvodu. Če naprava, ki ste jo kupili, ne vsebuje določenih delov, so veljavni za druge modele.

Uporaba hladilnika


6. Kazalec za ključavnico (Key Lock):

Ikona () zasveti ob vklopu načina »Key Lock«.

7. Način ključavnica (Key Lock):

Pritisnite gumb za ključavnico () za 3 sekunde. Zasvetila bo ikona za ključavnico in vklopil se bo način za ključavnico. Med delovanjem načina ključavnice (Key Lock) gumbi ne delujejo. Ponovno pritisnite ključavnico za 3 sekunde. Ikona za ključavnico bo prenehala svetiti in način za ključavnico se izklopi.

8. Funkcija za počitnice:


Ko pritisnete gumb funkcije za počitnice, se vklopi funkcija za počitnice () in zasveti kazalec za počitnice. To funkcijo lahko uporabite, ko vašega hladilnika ne boste uporabljali dlje časa. Ne pozabite, da v hladilniku ne sme biti nič hrane, drugače hladilnik ne more ohraniti vaše hrane v načinu za počitnice.

Če je ta funkcija vklopljena, se temperatura hladilnega predela ohranja pri 15°C, da se preprečijo neprijetne vonjave. Če želite izklopiti funkcijo za počitnice, ponovno pritisnite gumb "Vacation".

9. Funkcija "Fridge Set" (nastavitev hladilnika):


Funkcija (°C) omogoča nastavitve temperature hladilnega dela. Temperature hladilnega dela nastavite na 8,7,6,5,4,3 in 1, če pritisnete gumb zaporedoma.

10. Funkcija »Quick Fridge« (hitro hlajenje):


Kazalec funkcije hitrega hlajenja () se vklopi, ko je funkcija vklopljena. Za preklic funkcije ponovno pritisnite gumb "Quick Fridge". Kazalec "QuickFridge" se bo izklopil in vklopil se bodo običajne

nastavitve. Če funkcije hitrega hlajenja ne prekličete ročno, se bo po 1 urah samodejno izklopila. Če želite ohladiti velike količine svežih živil, pritisnite gumb "Quick Fridge" preden jih postavite v hladilni del.

11. Funkcija vklop/izklop:

Ta funkcija () vam omogoča, da izklopite hladilnik, ko držite gumb za 3 sekunde. Hladilnik lahko vklopite, tako da pritisnete gumb za izklop/vklop 3 sekunde.


12. Kazalec varčevanja energije (Energy Saving):

Če so vrata naprave dlje časa ostala zaprta, se funkcija varčevanja energije samodejno vklopi, simbol te funkcije pa zasveti. ()

Ko je funkcija za varčevanje energije aktivirana, se bodo na zaslonu izklopili vsi simboli razen simbol za varčevanje energije. Če med delovanjem funkcije »Energy Saving« pritisnete kateri koli gumb ali odprete vrata, se bo funkcija izklopila in simboli na zaslonu se bodo vrnili na običajno delovanje.

Funkcija varčevanja energije se vklopi med dostavo iz tovarne in je ni mogoče preklicati.

13. Kazalec hitrega zamrzovanja (Quick Freeze):

Ta ikona () se prikaže, ko je funkcija »Quick Freeze« (hitrega zamrzovanja) vklopljena.

Uporaba hladilnika

5.1. Zamrzovanje sveže hrane

- Da bi ohranili kakovost hrane, morajo živila dana v zamrzovalnik čim prej zamrzniti, in z ta namen uporabite hitro zamrzovanje.
- Zamrzovanje hrane, ko je še sveža, podaljša čas shranjevanja v zamrzovalniku.
- Zapakirajte kose hrane v nepredušne zaprte pakete in tesno zaprite.
- Zagotovite, da so kosi živila zapakirani, preden jih postavite v zamrzovalnik. Uporabite posode za zamrzovalnik, celofan in papir obstojen na vlago, plastične vrečke ali podobne embalažne materiale, namesto običajnega embalažnega papirja.
- Označite vsak paket hrane s pripisom datuma na embalažo pred samim zamrzovanjem. To vam bo omogočilo, da določite svežino vsakega paketa vsakič, ko se zamrzovalnik odpre. Imejte starejše pakete hrane v ospredju, da zagotovite njihovo čimprejšnjo uporabo.
- Zamrznjene živilske izdelke morate uporabiti takoj po odtajanju in jih ne smete ponovno zamrzniti.
- Ne dajajte zamrzniti večje količine hrane naenkrat.

Nastavitev predela zamrzovalnika	Nastavitev predela hladilnika	Opisi
-18°C	4°C	To je privzeta, priporočena nastavitev.
-20, -22 ali -24 °C	4°C	Te nastavitve se priporočajo za temperature prostora okolice nad 30 °C.
Hitro zamrzovanje	4°C	Uporabite, da zamrznete kose hrane v kratkem času, naprava se bo vrnila na prejšnje nastavitve, ko bo postopek končan.
-18 °C ali hladneje	2°C	Uporabite te nastavitve, če menite, da predel hladilnika ni dovolj hladen zaradi sobne temperature ali pogostega odpiranja vrat. Hladilnik - navodila z uporabo

5.2. Priporočila za shranjevanje zamrznjenih živil

Temperaturo za predel morate nastaviti na najmanj -18 °C.

1. Kakor hitro je mogoče postavite kose hrane v zamrzovalnik, da preprečite odtajanje.
2. Pred zamrzovanjem preverite na embalaži datum izteka roka trajanja in se prepričajte, da ni potekel.
3. Prepričajte se, da embalaža hrane ni poškodovana.

5.3. Podrobnosti o zamrzovalniku

Po standardih IEC 62552 mora zamrzovalnik imeti sposobnost, da zamrzne 4,5 kg prehrabnih izdelkov pri -18 °C ali nižjih temperaturah v 24 urah na 100 litrov prostornine predela zamrzovalnika. Živila je mogoče ohraniti za dalj časa le pri ali pod temperaturo -18 °C. Živila lahko ohranite sveža več mesecev (v globokem zamrzovalniku pri ali pod temperaturo 18 °C).

Živilski izdelki, ki se zamrzujejo, se noter ne smejo dotikati že zamrznjene hrane, da bi se tako izognili njenemu delnemu odtajanju.

Zavrite zelenjavo in filtrirajte vodo, da podaljšate čas shranjevanja zamrznjene hrane. Postavite hrano po filtriranju v nepredušno zaprte pakete in jih postavite v zamrzovalnik. Banane, paradižnik, zelena solata, zelena, kuhana jajca, krompir in podobna vrsta hrane se ne sme zamrzniti. Zamrzovanje teh kosov hrane bo preprosto zmanjšalo hranilno vrednost in kakovost hrane, kakor tudi povzročilo morebitno pokvarjenost hrane, kar je škodljivo za zdravje.

5.4. Vstavljanje hrane

Police predela zamrzovalnika	Različni zamrznjeni izdelki, vključno z mesom, ribami, sladoledom, zelenjavo itd.
Police predela hladilnika	Živila v loncih, zaprte plošče in zaprte škatle, jajca (v škatli)
Police z vrati predela hladilnika	Majhna in pakirana hrana ali pijača
Posoda za zelenjavo	Sadje in zelenjava
Predel za svežo hrano	Delikatese (hrana za zajtrk, mesni izdelki, ki jih porabite v kratkem roku)

5.5. Opozorilo za odpiranje vrat

Ko so vrata hladilnega ali zamrzovalnega dela odprta, se po določenem času sproži zvočno opozorilo. Zvočni alarm ugasne, ko pritisnete katerokoli tipko na prikazovalniku ali zaprete vrata.

5.6. Spreminjanje smeri odpiranja vrat

Smer odpiranja vrat naprave se lahko spremeni glede na to, kje jo boste uporabljali. Če je to potrebno, pokličite najbližji pooblaščen servis.

Uporaba hladilnika

5.7. Uporaba vodnega razpršilca

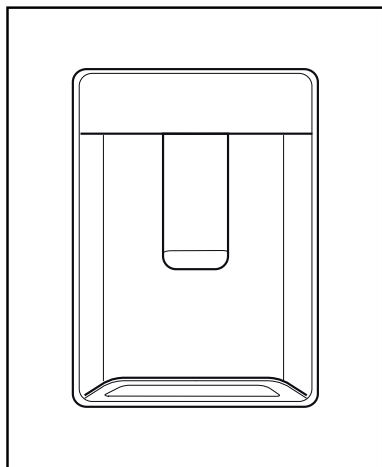
*možnosti izvedbe



Normalno je, da je prvih nekaj kozarcev vode vzeti iz razpršilnika toplih.



Če se razpršilec vode ne uporablja dlje časa, zavrzite prvih nekaj kozarcev vode, da bi nato dobili svežo vodo.



1. Potisnite vzvod za razpršilnik vode s svojim kozarcem. Če uporabljate mehki plastični kozarec, bo potiskanje ročice z roko lažje.
2. Ko napolnite kozarec do zelene ravni, spustite ročico.

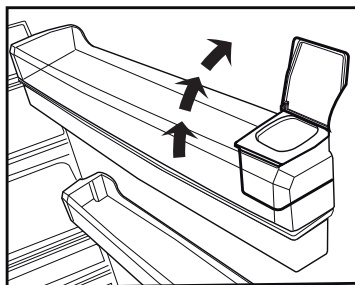
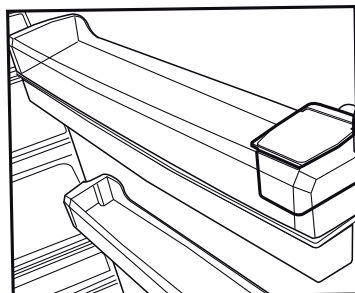


Prosimo, upoštevajte, da je količina vode, ki teče iz razpršilnika odvisna od tega, kako daleč pritisnemo ročico. Ko se nivo vode v kozarcu dvigne, rahlo zmanjšajte količino pritiska na vzvod, da bi se izognili prelivanju. Če ste rahlo pritisnili ročico, bo voda le kapljala; to je povsem normalno in ni okvara.

5.8. Polnjenje posodice vodnega razpršilnika

Polnilna posodica vode se nahaja v notranjosti regala vrat.

1. Odprite pokrov posode.
2. Napolnite posodo s svežo pitno vodo.
3. Zaprite pokrov.



Uporaba hladilnika



Posodice za vodo polnite le z vodo in ne s katero koli drugo tekočino, kot so sadni sokovi, gazirane pijače ali alkoholne pijače, ki niso primerne za uporabo v točaj vode. Točaj vode bo nepopravljivo poškodovano, če se uporabljajo te vrste tekočin. Garancija ne velja za takšno uporabo. Nekatere kemične snovi in aditivi, vsebovani v teh vrstah pijač / tekočin lahko poškodujejo posodico za vodo.



Uporabljajte samo svežo pitno vodo.



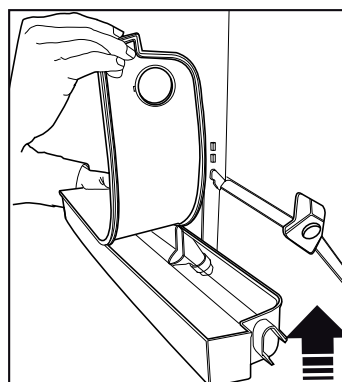
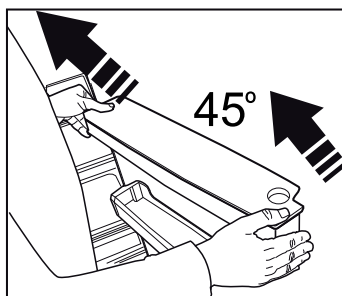
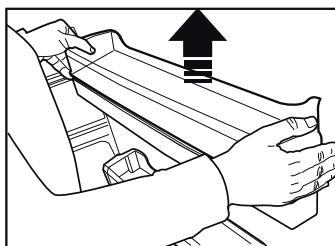
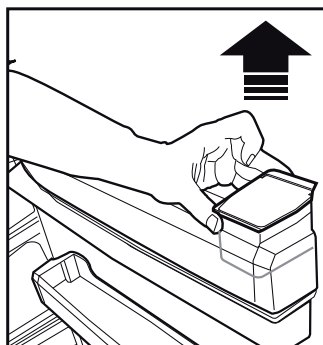
Prostornina posodice za vodo znaša 3 litre; ne napolnite preveč.

5.9. Čiščenje posode za vodo

1. Odstranite posode za polnjenje vode v notranjosti regala na vratih.
2. Odstranite regal vrat z držanjem na obeh straneh.
3. Primite posodo za vodo na obeh straneh in jo odstranite pod kotom 45 °C.
4. Odstranite pokrov posode za vodo in jo očistite.



Sestavni deli posode za vodo in točaja vode se ne smejo oprati v pomivalnem stroju.



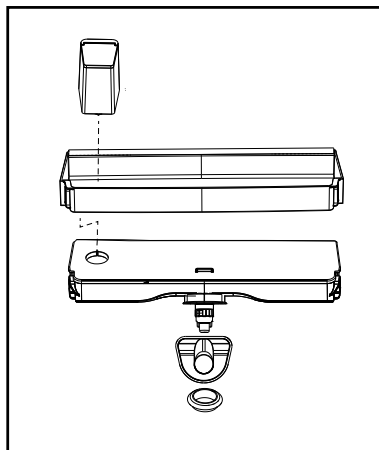
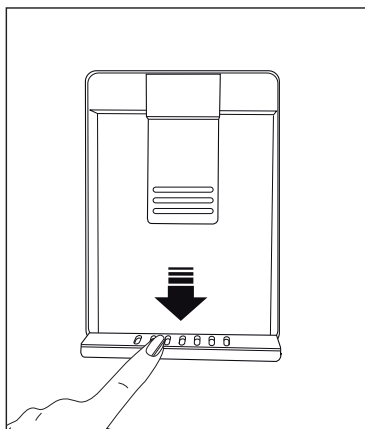
Uporaba hladilnika

5.10. Odcejalnik

Voda, ki je kapljala pri uporabi vode točaja, se nabira v predalu razlitja.

Odstrani plastični filter, kot je prikazano na sliki.

S čisto in suho krpo odstranite vodo, ki se je nabrala.



6 Vzdrževanje in čiščenje

Redno čiščenje podaljša življenjsko dobo naprave.



OPOZORILO: Pred čiščenjem odklopite napajanje hladilnika.

- Ne uporabljajte ostrih in abrazivnih orodij, mila, čistila za dom, detergentov, plina, bencina, odstranjevalcev in podobnih snovi za čiščenje.
- Pri hladilnikih brez tehnologije No Frost se na zadnji notranji steni hladilnega dela lahko pojavijo vodne kaplje ali plast ledu, debeline do 2 cm. Hladilnega dela ne čistite; nikoli ne uporabljajte olja ali podobnih sredstev.
- Za čiščenje zunanje površine izdelka uporabite samo rahlo vlažno krpo iz mikrovlakn. Gobice in druge vrste krp za čiščenje lahko opraskajo površino.
- V vodi raztopite čajno žličko sode bikarbone. V vodi navlažite kos blaga in ga ožemite. S to krpo obrišite napravo in jo nato temeljito posušite.
- Bodite previdni, da voda ne pride v stik s pokrovom žarnice in do drugih električnih delov.
- Očistite vrata z mokro krpo. Odstranite vse predmete znotraj, da ločite vrata in posode polic. Dvignite police vrat, da jih odstranite. Očistite in osušite police, nato jih pritrdite nazaj na svoje mesto s spustom od zgoraj.
- Ne uporabljajte klorirane vode ali čistilnih sredstev na zunanjih površinah in na delih naprave s prevleko kroma. Klor povzroči rjavenje na takšnih kovinskih površinah.

- Ne uporabljajte ostrih in abrazivnih orodij ali mil, gospodinjskih čistilnih sredstev, detergentov, bencina, benzena, voskov itd., da se s plastičnih delov ne odstranijo napisi in da ne pride do deformacij. Za čiščenje uporabite toplo vodo in mehko krpo in obrišite do suhega.

6.1. Preprečevanje vonjav

Naprava je izdelana iz materialov brez kakršnega koli vonja. Vendar pa lahko shranjevanje hrane v neprimernih predelih in nepravilno čiščenje notranjih površin privede do vonjav.

Da bi to preprečili, očistite notranjost z vodo s sodo bikarbone na vsakih 15 dni.

- Hranite živila v zaprtih posodah. Mikroorganizmi se lahko širijo iz nezaprte hrane in povzročijo vonjave.
- Ne shranjujte hrane v hladilniku, ki ima pretečen rok ali je pokvarjena.

6.2. Zaščita plastičnih površin

Olja razlita na plastičnih površinah lahko poškodujejo površino in jih je treba takoj očistiti s toplo vodo.

Preverite ta seznam, preden se obrnete na servisno službo. S tem boste prihranili čas in denar. Ta seznam vključuje pogoste pritožbe, ki niso povezane z nestrokovno izdelavo ali materiali. Nekatere funkcije, ki so omenjene, morda ne veljajo za vašo napravo.

Hladilnik ne deluje.

- Napajalni kabel ni v celoti vključen v vtičnico. >>> Priključite ga v celoti, da se vsede v vtičnico.
- Pregorela je glavna varovalka ali pa varovalka priključena na vtičnico, ki napaja napravo. >>> Preverite varovalke.

Kondenzacija na stranski steni predela hladilnika (MULTI CONA, COOL, NADZOR in FLEXI CONA).

- Vrata se prepogosto odpirajo. >>> Pazite, da ne boste odpirali vrat naprave prepogosto.
- Okolje je preveč vlažno. >>> Ne nameščajte naprave v vlažnih okoljih.
- Živila, ki vsebujejo tekočine, so shranjena v nezaprtyh posodah. >>> Naj bodo živila, ki vsebujejo tekočine, v zaprtih posodah.
- Vrata naprave so ostala odprta. >>> Vrata naprave ne imejte odprta predolgo časa.
- Termostat je nastavljen na prenizko temperaturo. >>> Nastavite termostat na primerno temperaturo.

Kompresor ne deluje.

- V primeru nenadnega izpada električne energije ali izvlečenega vtičača ter nato ponovnega vklopa, tlak plina v hladilnem sistemu naprave ni uravnotežen, kar sproži termično zaščito kompresorja. Naprava se bo ponovno zagnala po približno 6 minutah. Če se naprava ne zažene ponovno po tem času, se obrnite na servis.

- Odtajanje je vključeno. >>> To je normalno za popolnoma samodejno odtajanje naprave. Odtajanje se izvaja v rednih časovnih presledkih.
- Naprava ni priključena. >>> Prepričajte se, da je napajalni kabel priključen.

- Nastavitev temperature je napačna. >>> Izberite nastavitev na primerno temperaturo.
- Napajanja ni. >>> Naprava bo še naprej normalno delovala, ko se bo vrnilo napajanje.

Obratovalni hrup hladilnika se povečuje, medtem ko je v uporabi.

- Delovna intenzivnost naprave se lahko razlikuje, odvisno od nihanja temperature okolice. To je normalno in ne gre za okvaro.

Odpravljanje motenj

Hladilnik teče prepogosto ali predolgo.

- Nova naprava je lahko večja od prejšnje. Večje naprave bodo delovale več časa.
- Sobna temperatura je lahko visoka. >>> Naprava običajno deluje več časa pri visoki sobni temperaturi.
- Naprava je lahko bila pred kratkim priključena na električno omrežje ali pa se novo živilo nahaja v notranjosti. >>> Naprava bo zahtevala več časa, da doseže nastavljeno temperaturo, če je bila pred kratkim priključena na električno omrežje ali pa se nahaja v notranjosti novo živilo. To je normalno.

• Velike količine tople hrane so bili morda pred kratkim dane v napravo. >>> Ne postavljajte tople hrane v napravo.

• Vrata so se pogosto odprla ali bila odprta daljše obdobje. >>> Topel zrak, ki se giblje znotraj povzroči, da naprava več časa deluje. Ne odpirajte vrat prepogosto.

• Vrata zamrzovalne skrinje ali hladilnika so lahko samo priprta. >>> Preverite, če so vrata popolnoma zaprta.

• Naprava je nastavljena na prenizko temperaturo. >>> Nastavite temperaturo na višjo stopnjo in počakajte, da naprava doseže nastavljeno temperaturo.

• Podložka vrat hladilnika ali zamrzovalnika je morda umazana, obrabljena, počena ali ni pravilno vstavljena. >>> Očistite jih ali zamenjajte podložko. Poškodovana oz. raztrgana podložka vrat bo povzročila, da naprava deluje več časa, da ohrani trenutno temperaturo.

Temperatura zamrzovalnika je zelo nizka, vendar je temperatura hladilnika primerna.

- Termostat zamrzovalnika je nastavljen na zelo nizko temperaturo. >>> Nastavite temperaturo predela zamrzovalnika na višjo stopnjo in še enkrat preverite.

Temperatura hladilnika je zelo nizka, vendar je temperatura zamrzovalnika primerna.

- Termostat hladilnika je nastavljen na zelo nizko temperaturo. >>> Nastavite temperaturo predela hladilnika na višjo stopnjo in še enkrat preverite.

Živilski izdelki hranjeni v predalih hladilnika so zamrznjeni.

- Termostat hladilnika je nastavljen na zelo nizko temperaturo. >>> Nastavite temperaturo predela zamrzovalnika na višjo stopnjo in še enkrat preverite.

Temperatura hladilnika ali zamrzovalnika je previsoka.

- Termostat hladilnika je nastavljen na zelo visoko stopnjo. >>> Nastavitev temperature v predelu hladilnika vpliva na temperaturo predela zamrzovalnika. Spremenite temperaturo hladilnika ali zamrzovalnika in počakajte, da ustrezni predeli dosežejo nastavljeno temperaturno raven.

• Vrata so se pogosto odpirala ali bila odprta daljše obdobje. >>> Ne odpirajte vrat prepogosto.

• Vrata so lahko samo priprta. >>> Popolnoma zaprite vrata.

• Naprava je lahko bila pred kratkim priključena na električno omrežje ali pa se novo živilo nahaja v notranjosti. >>> To je normalno. Naprava bo zahtevala več časa, da doseže nastavljeno temperaturo, če je bila pred kratkim priključena na električno omrežje ali pa se nahaja v notranjosti novo živilo.

• Velike količine tople hrane so bili morda pred kratkim dane v napravo. >>> Ne postavljajte tople hrane v napravo.

Odpravljanje motenj

Tresenje ali hrup.

- Tla niso ravna ali gladka. >>> Če se naprava tresi, ko jo počasi premikate, prilagodite nogice za uravnoteženje naprave. Prav tako poskrbite, da so tla dovolj trdna, da nosijo napravo.
- Vsi predmeti, ki so dani na napravo lahko povzročijo hrup. >>> Odstranite vse predmete, ki so postavljeni na napravo.

Naprava proizvaja hrup pretoka tekočine, pršenja ipd.

- Principi delovanja naprave vključujejo tokove tekočin in plinov. >>> To je normalno in ne gre za okvaro.

Sliši se zvok podoben vetriču, ki prihaja iz naprave.

- Naprava uporablja ventilator za postopek hlajenja. To je normalno in ne gre za okvaro.

Nabira se kondenzacija na notranjih stenah naprave.

- Vroče ali vlažno vreme bo povečalo nabiranje ledu in kondenzacije. To je normalno in ne gre za okvaro.
- Vrata so se pogosto odprla ali bila odprta daljše obdobje. >>> Ne odpirajte vrat prepogosto; če so odprta, zaprite vrata.
- Vrata so lahko samo priprta. >>> Popolnoma zaprite vrata.

Nabira se kondenzacija na zunanjih stenah naprave ali med vrati.

- Prostor je lahko vlažen, kar je povsem normalno v vlažnem vremenu. >>> Kondenzacija se bo umaknila, ko se vlažnost zmanjša.

Notranjost ima neprijetne vonjave.

- Naprava se ne čisti redno. >>> Redno čistite notranjost z uporabo gobice, tople vode in vode s sodo.
- Nekatero posodice in embalažni materiali lahko povzročijo neprijeten vonj. >>> Uporabite posodice in embalažne materiale brez neprijetnega vonja.
- Živila so se hranila v nezaprtih posodah. >>> Hranite živila v zaprtih posodah. Mikroorganizmi se lahko širijo iz nezaprte hrane in povzročijo vonjave.
- Odstranite vsa pretekla ali pokvarjena živila iz naprave.

Vrata se ne zapirajo.

- Embalaža živil lahko ovira vrata. >>> Premaknite vse predmete, ki ovirajo vrata.
- Naprava ne stoji v popolnem pokončnem položaju glede na tla. >>> Prilagodite nogice za uravnoteženje naprave.
- Tla niso ravna ali gladka. >>> Poskrbite, da so tla v ravnini in dovolj trdna, da nosijo napravo.

Posoda za zelenjavo se je zataknila.

- Živilski izdelki so lahko v stiku z zgornjim delom predala. >>> Premestite kose hrane v predalu.



OPOZORILO: Če težave ne odpravite po sledenju navodilom v tem poglavju, se obrnite na prodajalca ali pooblaščen servis. Ne poskušajte sami popraviti naprave.

ZAVRnitev ODGOVORNOSTI / OPOZO-RILO

Nekatere (enostavne) napake lahko končni uporabnik ustrezno popravi, ne da bi prišlo do kakršnih koli varnostnih težav ali nevarne uporabe, pod pogojem, da so izvedene v mejah in v skladu z naslednjimi navodili (glejte poglavje "Samopopravila").

Če ni drugače dovoljeno v spodnjem poglavju "Samopopravila", bodo vsa popravila naslovljena na registriranega pooblaščenega serviserja, da se izognemo varnostnim težavam. Registrirani pooblaščen serviser je poklicni serviser, ki mu je proizvajalec odobril dostop do navodil in seznama nadomestnih delov tega izdelka v skladu z metodami, opisanimi v zakonodajnih aktih v skladu z Direktivo 2009/125/ES.

Vendar lahko samo servisni agent (tj. pooblaščen poklicni serviserji), do katerega lahko pridete prek telefonske številke, navedene v uporabniškem priročniku/garancijskem listu ali prek pooblaščenega prodajalca, opravlja storitve v skladu z garancijskimi pogoji. Zato vas prosimo, da upoštevate, da za popravila, ki jih izvajajo poklicni serviserji (ki niso pooblaščen s strani Beko) ne bo veljala garancija.

Samopopravila

Končni uporabnik lahko sam izvede popravilo v zvezi z naslednjimi rezervnimi deli: vratni ročajji, vratni tečajji, pladnji, košare in vratna tesnila (posodobljen seznam je na voljo tudi na spletnem mestu support.beko.com od 1. marca 2021).

Poleg tega je treba za zagotovitev varnosti izdelka in za preprečitev nevarnosti resnih poškodb omenjeno samopopravilo opraviti po navodilih v uporabniškem priročniku za samopopravilo ali v navodilih, ki so na

voljo na support.beko.com Zaradi lastne varnosti izdelek izključite iz električnega omrežja, preden se lotite kakršnega koli samopopravljanja.

Popravila in poskusi popraviljanja končnih uporabnikov za dele, ki niso vključeni na tak seznam in/ali ne upoštevajo navodil v uporabniških priročnikih za samopopravilo ali so na voljo na support.beko.com, lahko sprožijo vprašanja varnosti, ki jih ni mogoče pripisati Beko, in garancija za ta izdelek ne velja.

Zato je zelo priporočljivo, da se končni uporabniki vzdržijo poskusov popravil, ki ne spadajo v omenjeni seznam rezervnih delov, in se v takšnih primerih obrnejo na pooblaščen poklicni serviserje ali registrirani poklicni serviser. Nasprotno, takšni poskusi končnih uporabnikov lahko povzročijo varnostne težave in poškodujejo izdelek ter posledično povzročijo požar, poplavo, električni udar in resne telesne poškodbe.

Primeri popravil, za katere se je treba obrniti na pooblaščen ali registrirane poklicne serviserje, so med drugim naslednji: kompresor, hladilni krogotok, matična plošča, inverterska plošča, plošča zaslona itd.

Proizvajalec/prodajalec ni odgovoren v primeru, ko končni uporabniki ne upoštevajo zgoraj navedenega.

Razpoložljivost rezervnih delov hladilnik, ki ste ga kupili, je 10 let.

V tem obdobju bodo na voljo originalni nadomestni deli za pravilno delovanje hladilnik.

Hladilnik, ki ste ga kupili, ima najmanj 24-mesečno garancijo.

Ta izdelek je opremljen z svetlobnim virom energijskega razreda "G".

Svetlobni vir v tem izdelku lahko zamenjajo samo poklicni serviserji.

Lea este manual antes de utilizar el frigorífico.

Estimado cliente:

Esperamos que este producto, que ha sido fabricado en plantas dotadas de la más avanzada tecnología y sometido a los más estrictos procedimientos de control de calidad, le preste un servicio eficaz.

Para ello, le recomendamos que lea atentamente el presente manual antes de utilizar el producto, y que lo tenga a mano para futuras consultas.

Este manual

- Le ayudará a usar el electrodoméstico de manera rápida y segura.
- Lea el manual antes de instalar y poner en funcionamiento el producto.
- Siga las instrucciones, en particular las relacionadas con la seguridad.
- Conserve el manual en un sitio de fácil acceso, ya que podría necesitarlo en el futuro.
- Además, lea también otros documentos suministrados junto con el producto.
- Tenga en cuenta que este manual también podría ser válido para otros modelos.


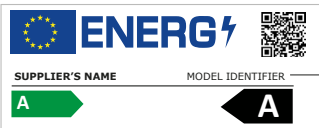
Símbolos y sus descripciones

El presente manual de instrucciones emplea los siguientes símbolos:

 Información importante o consejos útiles sobre el funcionamiento.

 Advertencia sobre situaciones peligrosas para la vida y la propiedad.

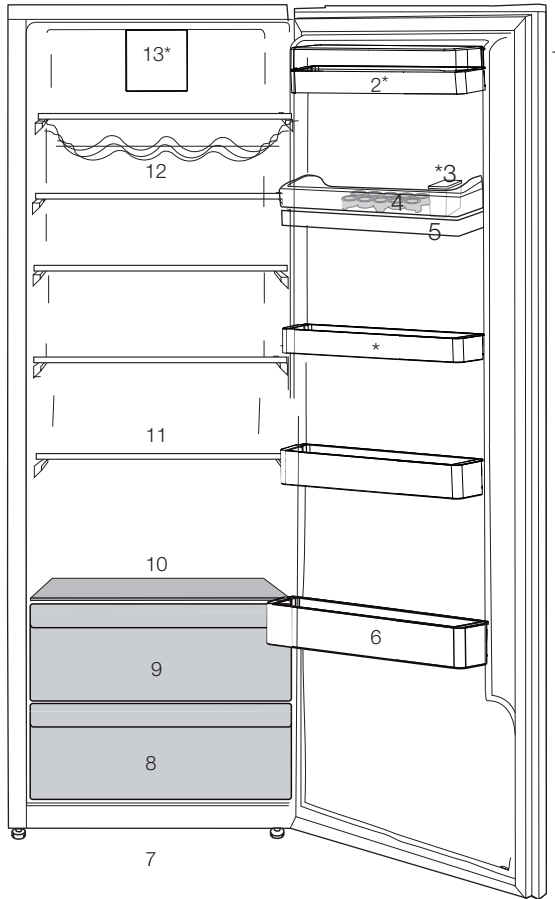
 Advertencia acerca de la tensión eléctrica.

 INFORMACIÓN	
	La información del modelo, tal como está almacenada en la base de datos de productos, puede ser consultada en la página web siguiente introduciendo el identificador del modelo (*) que se encuentra en la etiqueta de clasificación energética. https://eprel.ec.europa.eu/

ÍNDICE

1 Su frigorífico	3	4 Preparación	14
2 Avisos importantes sobre la seguridad	4	5 Funcionamiento del aparato	15
Finalidad prevista.....	4	Sistema de enfriamiento:.....	17
Productos equipados con dispensador de agua:.....	8	Congelación de alimentos frescos ...	18
Seguridad infantil.....	9	Recomendaciones para la conservación de alimentos congelados.....	18
Conformidad con la normativa WEEE y eliminación del aparato al final de su vida útil:	9	Información sobre la congelación.....	19
Cumplimiento de la directiva RoHS: ...	9	Aviso de puerta abierta	19
Información sobre el embalaje.....	9	Uso del dispensador de agua	20
Advertencia sobre la seguridad de la salud	9	Llenar el depósito del dispensador de agua	21
Consejos para el ahorro de energía .	10	6 Mantenimiento y limpieza	23
3 Instalación	11	Protección de las superficies de plástico	23
Cuestiones a considerar a la hora de transportar el frigorífico.....	11	7 Sugerencias para la solución de problemas	24
Antes de usar el frigorífico	11		
Conexiones eléctricas	12		
Eliminación del embalaje.....	12		
Eliminación de su viejo frigorífico.....	12		
Colocación e instalación	13		
Cambio de la dirección de apertura de la puerta.....	13		
Ajuste de los pies	13		
Cambio de la bombilla de iluminación	13		

1 Su frigorífico



- | | |
|--|----------------------------------|
| 1. Panel De Indicadores | 7. Patas Delanteras Ajustables |
| 2. Secciones De Mantequilla Y Queso | 8. Cajones de frutas y verduras |
| 3. Contenedor de llenado del dispensador de agua | 9. Compartimento de enfriamiento |
| 4. Huevera | 10. Cubierta Chiller Y Vidrio |
| 5. Depósito del dispensador de agua | 11. Estanterías Móviles |
| 6. Estantes De Botellas | 12. Bodega |
| | 13. Admirador |

***Ei ole saadaval kõigil mudelitel**

i Las ilustraciones incluidas en el presente manual de instrucciones son esquemáticas y puede que no se adecúen a su producto con exactitud. Si alguno de los elementos reflejados no se corresponde con el producto que usted ha adquirido, entonces será válido para otros modelos.

2 Avisos importantes sobre la seguridad

Lea con atención la siguiente información. No tener en cuenta dicha información podría acarrear lesiones o daños materiales. En tal caso, las garantías y los compromisos de fiabilidad quedarían anulados.

Se proporcionarán piezas de recambio originales durante 10 años, después de la fecha de compra del producto.

ADVERTENCIA:

Asegúrese de que cuando el dispositivo está en su custodia o durante su montaje en el alojamiento, los orificios de ventilación no están cerrados.

ADVERTENCIA:

Con el fin de acelerar la operación de derretimiento del hielo, no utilice cualquier dispositivo o aparato mecánico que no es recomendado por el fabricante.

ADVERTENCIA:

No dañe el circuito de fluido refrigerante.

ADVERTENCIA:

No utilice dispositivos eléctricos que no estén recomendados por el fabricante en los compartimentos del dispositivo para la conservación de alimentos.

Este dispositivo está diseñado para ser utilizado en el hogar o en las siguientes aplicaciones similares:

- Con el fin de ser utilizado en las cocinas para el personal de las tiendas, oficinas y otros lugares de trabajo;

- Con el fin de ser utilizado por los clientes en casas de campo y hoteles, moteles y otros lugares de alojamiento;

- en entornos tales pensiones

- en lugares similares que no ofrecen servicios de restauración y no es al por menor

Finalidad prevista

Este aparato está diseñado para usarse en los siguientes entornos:

- interiores y entornos cerrados tales como domicilios particulares;
- entornos cerrados de trabajo tales como almacenes u oficinas;
- zonas de servicio cerradas tales como casas rurales, hoteles o pensiones.
- Este aparato no se debe usar al aire libre.

Seguridad general

- Cuando desee deshacerse del aparato, le recomendamos que solicite a su servicio técnico autorizado la información



necesaria a este respecto, así como la relación de entidades locales a las que puede dirigirse.

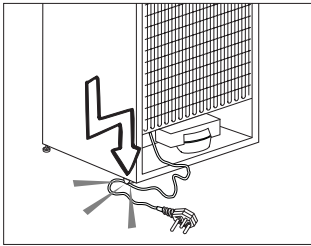
- En caso de dudas o problemas, diríjase a su servicio técnico autorizado. No intente reparar el frigorífico sin consultar con el servicio técnico, ni deje que nadie lo haga.
- Para aparatos equipados con un compartimento congelador: no consuma los helados o cubitos de hielo inmediatamente después de sacarlos del compartimento congelador, ya que podría sufrir daños en su boca a causa del frío.
- Para aparatos equipados con un compartimento congelador: no deposite bebidas embotelladas o enlatadas en el compartimento congelador, ya que podrían estallar.
- No toque con la mano los alimentos congelados, ya que podrían adherirse a ella.
- Desenchufe su frigorífico antes de proceder a su limpieza o deshielo.
- No utilice nunca materiales de limpieza que usen vapor para limpiar o descongelar el frigorífico. El vapor podría entrar en contacto con los elementos eléctricos

y causar cortocircuitos o descargas eléctricas.

- No utilice nunca elementos del frigorífico tales como la puerta como medio de sujeción o como escalón.
- No utilice aparatos eléctricos en el interior del frigorífico.
- Evite dañar el circuito del refrigerante con herramientas cortantes o de perforación. El refrigerante que puede liberarse si se perforan los canales de gas del evaporador, los conductos o los recubrimientos de las superficies causa irritaciones en la piel y lesiones en los ojos.
- No cubra ni bloquee los orificios de ventilación de su frigorífico con ningún material.
- Deje la reparación de los aparatos eléctricos únicamente en manos de personal autorizado. Las reparaciones realizadas por personas incompetentes generan riesgos para el usuario.
- En caso de fallo o cuando vaya a realizar cualquier operación de reparación o mantenimiento, desconecte el frigorífico de la corriente apagando el fusible correspondiente o bien desenchufando el aparato.

- No desenchufe el aparato de la toma de corriente tirando del cable.
- Asegúrese de guardar las bebidas alcohólicas correctamente con la tapa puesta y colocadas hacia arriba.
- No almacene en el frigorífico aerosoles que contengan sustancias inflamables o explosivas.
- No utilice dispositivos mecánicos u otros medios para acelerar el proceso de deshielo distintos de los recomendados por el fabricante.
- Este aparato no debe ser utilizado por niños o por personas con sus facultades físicas, sensoriales o mentales reducidas o bien que carezcan de la experiencia y los conocimientos necesarios, a menos que lo hagan bajo la supervisión de personas responsables de su seguridad o bien tras haber recibido instrucciones de uso por parte de dichas personas.
- No utilice un frigorífico que haya sufrido daños. Consulte con el servicio de atención al cliente en caso de duda.
- La seguridad eléctrica de su frigorífico sólo estará garantizada si el sistema de toma de tierra de su domicilio se ajusta a los estándares.
- Desde el punto de vista de la seguridad eléctrica, es peligroso exponer el aparato a la lluvia, la nieve o el viento.
- Póngase en contacto con el servicio técnico autorizado en caso de que el cable de alimentación principal se dañe, para evitar cualquier peligro.
- Nunca enchufe el frigorífico en la toma de corriente durante su instalación. Existe peligro de lesiones graves e incluso de muerte.
- Este frigorífico está únicamente diseñado para almacenar alimentos. No debe utilizarse para ningún otro propósito.
- La etiqueta que contiene los datos técnicos del frigorífico se encuentra en la parte interior izquierda del mismo.
- Jamás conecte el frigorífico a sistemas de ahorro de electricidad, ya que podría dañarlo.
- Si el frigorífico está equipado con una luz azul, no la mire a simple vista o a través de dispositivos ópticos durante un tiempo prolongado.
- En los frigoríficos de control manual, si se produce un corte del fluido eléctrico espere al menos 5 minutos antes de volver a ponerlo en marcha.

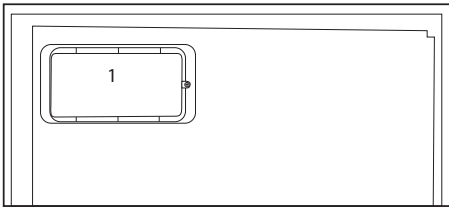
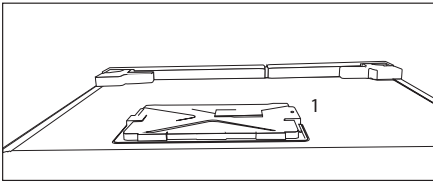
- Cuando entregue este aparato a un nuevo propietario, asegúrese de entregar también este manual de instrucciones.
- Tenga cuidado de no dañar el cable de alimentación al transportar el refrigerador. Doblar el cable podría causar un incendio. Nunca deposite objetos pesados encima del cable de alimentación. No toque el enchufe con las manos mojadas para conectar el aparato.



- No enchufe el refrigerador si el enchufe no encaja con firmeza en la toma de corriente de la pared.
- Por razones de seguridad, no pulverice agua directamente en las partes interiores o exteriores de este aparato.
- No rocíe cerca del refrigerador sustancias que contengan gases inflamables tales como gas propano para evitar riesgos de incendio y explosiones.

- Nunca coloque recipientes con agua sobre el refrigerador, ya que podría provocar una descarga eléctrica o un incendio.
- No deposite cantidades excesivas de alimentos en el refrigerador. Si lo hace, al abrir la puerta del refrigerador los alimentos podrían caerse y provocar lesiones personales o dañar el refrigerador. Nunca coloque objetos sobre el refrigerador, ya que podrían caer al abrir o cerrar la puerta.
- No guarde en el refrigerador productos que necesiten un control preciso de la temperatura tales como vacunas, medicamentos sensibles al calor, materiales científicos, etc.
- Desenchufe el refrigerador si no lo va a utilizar durante un periodo prolongado de tiempo. Un problema en el cable de alimentación podría causar un incendio.
- El refrigerador podría moverse si los pies no están adecuadamente asentados en el suelo. Fijar adecuadamente los pies del refrigerador en el suelo puede ayudar a evitar que se mueva.
- Cuando transporte el refrigerador, no lo aferre del asa de la puerta. De lo contrario, podría romperla.

- Cuando tenga que colocar el frigorífico cerca de otro frigorífico o congelador, deberá dejar un espacio entre ambos aparatos de 8 cm como mínimo. De lo contrario, podría formarse humedad en las paredes adyacentes.
- Nunca utilice el producto si la sección situada en la parte superior o posterior del producto que tiene las placas de circuitos impresos electrónicos en el interior está abierta (cubierta de la placa del circuito electrónico impreso) (1).



Productos equipados con dispensador de agua:

- La presión en la entrada de agua fría será a un máximo de 90 psi (620 kPa). Si la presión del agua es superior a 80 psi (550 kPa), utilice una válvula limitadora de presión en el sistema de red. Si usted no sabe cómo controlar la presión del agua, pida la ayuda de un plomero profesional.
- Si hay riesgo de golpe de ariete en la instalación, siempre utilice un equipo de prevención contra golpes de ariete en la instalación. Consulte a un fontanero profesional si no está seguro de que no hay un efecto del golpe de ariete en la instalación.
- No instale en la entrada de agua caliente. Tome precauciones contra el riesgo de congelación en las mangueras. El intervalo de funcionamiento de la temperatura del agua debe ser un mínimo de 33°F (0.6°C) y un máximo de 100°F (38°C).
- Use agua potable únicamente.

Seguridad infantil

- Si la puerta tiene cerradura, mantenga la llave fuera del alcance de los niños.
- Vigile a los niños para evitar que manipulen el aparato.

Conformidad con la normativa WEEE y eliminación del aparato al final de su vida útil:



Este producto es conforme con la directiva de la UE sobre residuos de aparatos eléctricos y electrónicos (WEEE) (2012/19/UE). Este producto incorpora el símbolo de la clasificación selectiva para los residuos de aparatos eléctricos y electrónicos (WEEE).

Este aparato se ha fabricado con piezas y materiales de primera calidad, que pueden ser reutilizados y son aptos para el reciclado. No se deshaga del producto junto con sus los residuos domésticos normales y de otros tipos al final de su vida útil. Llévelo a un centro de reciclaje de dispositivos eléctricos y electrónicos. Solicite a las autoridades locales información acerca de dichos centros de recogida.

Cumplimiento de la directiva RoHS:

El producto que ha adquirido es conforme con la directiva de la UE sobre la restricción de sustancias peligrosas (RoHS) (2011/65/UE). No contiene ninguno de los materiales nocivos o prohibidos especificados en la directiva.

Información sobre el embalaje

El embalaje del aparato se fabrica con materiales reciclables, de acuerdo con nuestro Reglamento Nacional sobre Medio Ambiente. No elimine los materiales de embalaje junto con los residuos domésticos o de otro tipo. Llévelos a un punto de recogida de materiales de embalaje designado por las autoridades locales.

Advertencia sobre la seguridad de la salud

Si el sistema de refrigeración de su aparato contiene R600a:

Este gas es inflamable. Por lo tanto, procure no dañar el sistema de enfriamiento ni sus conductos durante el uso o el transporte del aparato. En caso de daños, mantenga el aparato alejado de fuentes potenciales de ignición que puedan provocar que éste sufra un incendio, y ventile la estancia en la que se encuentre el aparato.

Ignore esta advertencia si el sistema de refrigeración de su aparato contiene R134a.

El tipo de gas utilizado en el aparato se indica en la placa de datos ubicada en la pared interior izquierda del frigorífico.

Jamás arroje el aparato al fuego.

Consejos para el ahorro de energía

- No deje las puertas del frigorífico abiertas durante periodos largos de tiempo.
- No introduzca alimentos o bebidas calientes en el frigorífico.
- No sobrecargue el frigorífico, ya que entorpecería la circulación del aire en su interior.
- No instale el frigorífico de forma que quede expuesto a la luz solar directa o cerca de aparatos que irradian calor tales como hornos, lavavajillas o radiadores.
- Procure depositar los alimentos en recipientes cerrados.
- Productos equipados con compartimento congelador: puede disponer del máximo volumen para el depósito de alimentos retirando el estante o el cajón del congelador. El consumo energético que se indica para su frigorífico se ha calculado retirando el estante o el cajón del congelador y en condiciones de máxima carga. No existe ningún riesgo en la utilización de un estante o cajón según las formas o tamaños de los alimentos que se van a congelar.
- Descongele los alimentos congelados en el compartimento frigorífico; ahorrará energía y preservará la calidad de los alimentos.

3 Instalación

⚠ Recuerde que el fabricante declina toda responsabilidad en caso de incumplimiento de las instrucciones de este manual.

Cuestiones a considerar a la hora de transportar el frigorífico

1. El frigorífico debe estar vacío y limpio antes de proceder a su transporte.
2. Los estantes, accesorios, el cajón de frutas y verduras, etc., deben sujetarse con cinta adhesiva antes de embalar el frigorífico para evitar que se muevan.
3. Enciente el frigorífico una vez embalado con cinta gruesa y fíjelo con cuerdas resistentes. Siga las reglas de transporte que encontrará impresas en el propio embalaje.

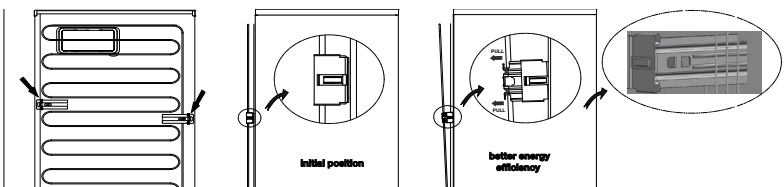
No olvide que:

El reciclaje de materiales es un asunto de vital importancia para la naturaleza y para los recursos del país.

Si desea contribuir al reciclaje de los materiales de embalaje, solicite más información a los responsables medioambientales de su zona o a las autoridades locales.

- El condensador de su aparato se encuentra en la parte trasera tal y como se muestra más abajo. Para mejorar la eficiencia energética con un menor consumo, tire del condensador hacia usted tal y como se muestra en la ilustración.

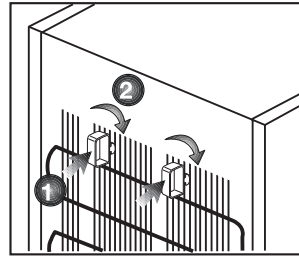
* Podría no estar disponible en todos los modelos.



Antes de usar el frigorífico

Antes de empezar a usar el frigorífico, verifique lo siguiente:

1. El interior del frigorífico está seco y el aire puede circular con libertad por su parte posterior.
2. Introduzca 2 cuñas plásticas en la ventilación trasera, como se muestra en la figura siguiente. Las cuñas de plástico proporcionarán la distancia requerida entre su frigorífico y la pared para una correcta circulación del aire.



3. Limpie el interior del frigorífico de la forma recomendada en la sección "Mantenimiento y Limpieza".
4. Enchufe el frigorífico a la toma de corriente. Al abrir la puerta del frigorífico, la luz interior del compartimento frigorífico se enciende.
5. Se oye un sonido cuando arranca el compresor. El líquido y los gases contenidos en el sistema de refrigeración pueden también generar ruidos, incluso aunque el compresor no esté funcionando, lo cual es normal.
6. Es posible que las aristas delanteras del aparato se noten calientes al tacto. cosa que es perfectamente normal. Estas zonas deben permanecer calientes para evitar la condensación.

Conexiones eléctricas

Conecte el frigorífico a una toma de corriente provista de toma de tierra y protegida por un fusible de la capacidad adecuada.

Importante:

- La conexión debe cumplir con las normativas nacionales.
- El enchufe de alimentación debe ser fácilmente accesible tras la instalación.
- La tensión especificada debe corresponder a la tensión de la red eléctrica.
- No use cables de extensión ni enchufes múltiples para conectar la unidad.

⚠ Todo cable de alimentación dañado debe ser reemplazado por un electricista cualificado.

⚠ No ponga en funcionamiento el aparato hasta que esté reparado, ya que existe peligro de cortocircuito.

Eliminación del embalaje

Los materiales de empaque pueden ser peligrosos para los niños. Manténgalos fuera de su alcance o deshágase de ellos clasificándolos según las instrucciones para la eliminación de residuos. No los tire junto con los residuos domésticos normales.

El embalaje del frigorífico se ha fabricado con materiales reciclables.

Eliminación de su viejo frigorífico

Deshágase de su viejo frigorífico de manera respetuosa con el medio ambiente.

- Consulte las posibles alternativas a un distribuidor autorizado o al centro de recogida de residuos de su municipio.

Antes de proceder a la eliminación del frigorífico, corte el enchufe y, si las puertas tuvieran cierres, destrúyalos para evitar que los niños corran riesgos.

Colocación e instalación

⚠ Si la puerta de entrada a la estancia donde va a instalar el frigorífico no es lo suficientemente ancha como para permitir su paso, solicite al servicio técnico que retire las puertas del frigorífico y lo pase de lado a través de la puerta.

1. Instale el frigorífico en un lugar en el que pueda utilizarse con comodidad.

2. Mantenga el frigorífico alejado de fuentes de calor y lugares húmedos y evite su exposición directa a la luz solar.

3. Para que el frigorífico funcione con la máxima eficacia, debe instalarse en una zona que disponga de una ventilación adecuada. Si el frigorífico va a instalarse en un hueco de la pared, debe dejarse un mínimo de 5 cm de separación con el techo y de 5 cm con las paredes. Si el suelo está cubierto con una alfombra, deberá elevar el frigorífico 2,5 cm del suelo.

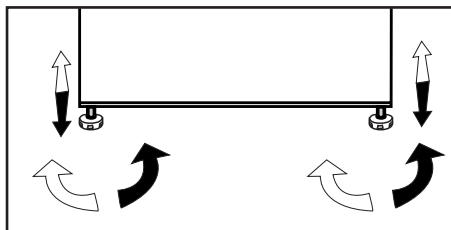
4. Coloque el frigorífico sobre una superficie lisa para evitar sacudidas.

Cambio de la dirección de apertura de la puerta

Puede cambiar la dirección de apertura de la puerta de su frigorífico en función del lugar en donde lo use. En tal caso, póngase en contacto con el servicio técnico autorizado más próximo.

Ajuste de los pies

Si su frigorífico no está equilibrado: Puede equilibrar el frigorífico girando los pies delanteros tal como se muestra en la siguiente ilustración. La esquina correspondiente al pie que está manipulando descenderá al girar el pie en la dirección de la flecha negra y se elevará al girarlo en la dirección opuesta. Le será más fácil realizar esta operación si le pide a alguien que levante ligeramente el frigorífico.



Cambio de la bombilla de iluminación

Para cambiar la bombilla utilizada para iluminar el frigorífico, póngase en contacto con el servicio técnico autorizado.

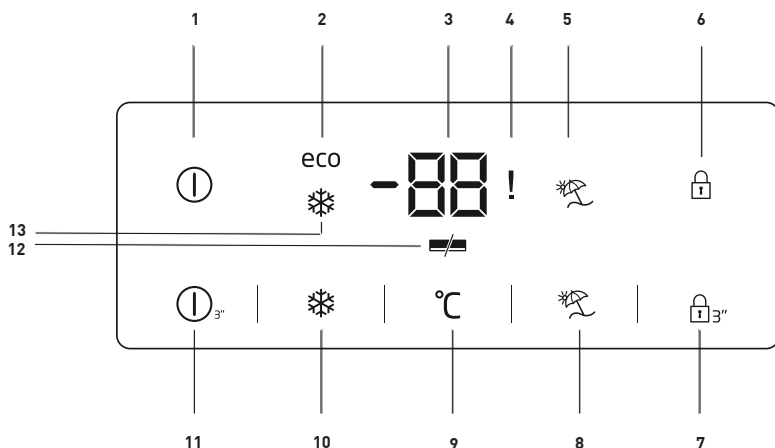
Las bombillas de este electrodoméstico no sirven para la iluminación en el hogar. Su propósito es el de ayudar al usuario a colocar los alimentos en el frigorífico o congelador de forma cómoda y segura.

Las lámparas utilizadas en este electrodoméstico soportan unas condiciones físicas extremas como temperaturas inferiores a -20 °C.

4 Preparación

- Para uso no empotrado: "este aparato de refrigeración no está destinado a ser utilizado como electrodoméstico empotrado.
- El frigorífico debe instalarse dejando una separación no inferior a 30 cm respecto a fuentes de calor tales como quemadores, hornos, calefacciones o estufas y no inferior a 5 cm con respecto a hornos eléctricos, evitando asimismo su exposición directa a la luz solar.
- La temperatura ambiente de la estancia donde instale el frigorífico no debe ser inferior a 10 °C. A temperaturas inferiores, el frigorífico puede ver reducida su eficacia.
- Asegúrese de limpiar meticulosamente el interior del frigorífico.
- En caso de que vaya a instalar dos frigoríficos uno al lado del otro, debe dejar una separación no inferior a 2 cm entre ellos.
- Al utilizar el frigorífico por primera vez, siga las siguientes instrucciones referentes a las primeras seis horas.
- No abra la puerta con frecuencia.
- No deposite alimentos en el interior.
- No desenchufe el frigorífico. En caso de corte del suministro eléctrico ajeno a su voluntad, consulte las advertencias de la sección "Sugerencias para la solución de problemas".
- Guarde el embalaje original para futuros traslados.
- Para un consumo eléctrico reducido y mejores condiciones de almacenamiento, las cestas y cajones incluidos con el congelador deberán estar siempre en uso.
- Si los alimentos entran en contacto con el sensor de temperatura del congelador, el consumo eléctrico puede incrementarse. Por tanto, es aconsejable evitar cualquier tipo de contacto con el sensor.
- En algunos modelos, el panel de instrumentos se apaga automáticamente 5 minutos después de cerrar la puerta. Se reactivará cuando se abra la puerta o se pulse cualquier botón.
- Debido al cambio de temperatura como resultado de la apertura/clusura de la puerta del producto durante el funcionamiento, la condensación en los estantes de la puerta/cuerpo y los contenedores de cristal es normal.
- Puesto que el aire caliente y húmedo no penetra directamente en su producto cuando las puertas no están abiertas, su producto se optimiza en condiciones suficientes para proteger sus alimentos. Las funciones y componentes como el compresor, ventilador, calentador, descongelador, iluminación, pantalla, etc. funcionarán de acuerdo con las necesidades de consumo mínimo de energía en estas circunstancias.

5 Funcionamiento del aparato



1. Indicador de Encendido/ Apagado:

Este icono (ⓘ) aparece cuando la nevera se apaga. Todos los demás indicadores permanecen apagados.

2. Indicador del modo ahorro

Este icono (eco) aparece cuando el compartimento de la nevera está ajustado a 8°C, que es el valor de configuración más económico. El indicador de uso económico se apaga al seleccionar la función de refrigeración rápida o de congelación rápida.

3. El indicador del ajuste de la temperatura del compartimento de la nevera:

Indica la temperatura ajustada para el compartimento frigorífico.

4. Fallo de Alimentación / Alta temperatura / Indicador de estado de error

Se ilumina este indicador (!) al producirse un fallo de alimentación, alta temperatura y advertencias de error.

En el caso de que la temperatura del compartimento de congelación llegue a un nivel crítico para los alimentos congelados, en el indicador digital parpadea el valor máximo de temperatura alcanzado por el compartimento de congelación.

Revise los alimentos que hay en el compartimento del congelador.

Esto no es un mal funcionamiento. Esta alerta se puede borrar pulsando cualquier botón o en el botón de apagado de la alarma por temperatura alta. (La cancelación pulsando

❗ Las ilustraciones incluidas en el presente manual de instrucciones son esquemáticas y puede que no se adecúen a su producto con exactitud. Si alguno de los elementos reflejados no se corresponde con el producto que usted ha adquirido, entonces será válido para otros modelos.

cualquier botón no es aplicable en todos los modelos).

Este indicador (!) también se ilumina al producirse un fallo en el sensor. Al iluminarse este indicador, en el indicador de temperatura se muestra alternativamente "E" y figuras como "1,2,3...". Estas figuras que aparecen en el indicador informan al personal de servicio sobre el error.

5. Indicador de vacaciones:

Este icono (☼) se ilumina cuando la función de vacaciones está activa.

6. Indicador de bloqueo de teclas:

Este indicador (⏏) se ilumina cuando el modo de bloqueo de teclas se activa.

7. Modo de bloqueo de teclas:

Pulse el botón (⏏) de bloqueo de teclas continuamente durante 3 segundos. El indicador de bloqueo de teclas se iluminará y el modo de bloqueo de teclas se activará. Los botones no funcionarán si el modo de bloqueo de teclas está activo. Pulse el botón de bloqueo de teclas continuamente durante 3 segundos. El indicador de bloqueo de teclas se apagará y el modo de bloqueo de teclas se cancelará.

8. Función de vacaciones

Al mantener pulsado el botón de vacaciones, la función de vacaciones (☼) se activará y su indicador se iluminará. Puede usar esta función cuando no tenga que usar la nevera durante un largo período de tiempo. Tenga en cuenta que no debería haber alimentos dentro de la nevera. De lo contrario, la nevera no podrá conservarlos durante el modo de Vacaciones.

Si esta función se activa, la refrigeración del compartimento frigorífico se mantendrá a 15 °C con el fin de evitar la aparición de malos olores. Mantenga pulsado de nuevo el botón de vacaciones para desactivar esta función.

9. Función de ajuste del frigorífico:

Esta función (°C) le permite ajustar la temperatura del compartimento de la nevera. Pulse este botón para ajustar la temperatura del compartimento de la nevera a 8,7,6,5,4,3, y 1 respectivamente.


10. Función de refrigeración rápida:

El indicador de refrigeración rápida (❄) cuando la función de Refrigeración Rápida está activa. Para cancelar esta función pulse de nuevo el botón de refrigeración rápida. El indicador de refrigeración rápida se apagará y se recuperarán los ajustes normales. Si no se cancela manualmente, la función de Refrigeración Rápida se anulará automáticamente al cabo de 1 horas. Si desea enfriar grandes cantidades de alimentos frescos, pulse el botón de refrigeración rápida antes de introducir los alimentos en el compartimento frigorífico.

11. Función de Encendido/ Apagado:

Esta función (⏻) le permite desconectar la nevera si lo pulsa durante 3 segundos. La nevera puede encenderse pulsando el botón de Encendido / Apagado de nuevo durante 3 segundos.

12. Indicador de ahorro de energía:


Si las puertas de la nevera se mantienen cerradas durante un tiempo largo, la función de ahorro se activa automáticamente y el símbolo de ahorro de energía se ilumina. ()

Si la función de ahorro de energía está activa, todos los símbolos del visor se apagarán excepto el símbolo de energía. Cuando el modo de ahorro de energía está activo, si se pulsa cualquier botón o se abre la puerta, la función de ahorro de energía se cancelará y los símbolos en el visor volverán a su estado normal.

La función de ahorro de energía se activará durante la entrega desde la batería y no se puede cancelar.

13. Función de Refrigeración

Rápida:

Este indicador () aparece cuando la función de Congelación Rápida está activada.

Sistema de enfriamiento:

Este congelador está equipado con un sistema de enfriamiento que mantiene los niveles óptimos para una conservación más duradera. Además, se obtiene un ahorro de energía adicional porque la descongelación se realiza automáticamente.

Ajuste del compartimento congelador	Explicaciones
-18°C	Éstos son los valores de uso recomendados.
-20,-22 o -24°C	Se recomiendan estos valores cuando la temperatura ambiente rebasa los 30 °C.
Congelación rápida	Se utiliza para congelar los alimentos rápidamente. El frigorífico volverá a su modo de funcionamiento previo una vez finalizado el proceso.
-18°C o menos	Si usted cree que el compartimento refrigerador no está suficientemente frío debido a las altas temperaturas ambientales o por la frecuente apertura y cierre de la puerta.
-18°C o menos	Puede utilizarlo cuando haya un exceso de carga en el compartimento o bien si desea enfriar sus alimentos rápidamente. Se recomienda activar la función de refrigeración rápida 4-8 horas antes de colocar los alimentos.

Congelación de alimentos frescos

- Es preferible envolver o cubrir los alimentos antes de introducirlos en el frigorífico.
 - Los alimentos calientes deben dejarse enfriar hasta alcanzar la temperatura ambiente antes de introducirlos en el frigorífico.
 - Los alimentos que vayan a congelar deben ser frescos y estar en buen estado.
 - Los alimentos deben dividirse en porciones basadas en las necesidades de consumo de la familia.
 - Los alimentos deben empaquetarse herméticamente para evitar que se sequen, incluso aunque vayan a guardarse durante poco tiempo.
 - Los materiales utilizados para empaquetar alimentos deben ser a prueba de desgarrones y resistentes al frío, a la humedad, los olores, los aceites y los ácidos, y además deben ser herméticos. También deben estar bien cerrados y estar hechos de materiales fáciles de utilizar y aptos para su uso en congeladores.
 - Los alimentos que vayan a ser congelados deben depositarse en el compartimento congelador. (No deje que entren en contacto con los alimentos previamente congelados para evitar que éstos puedan descongelarse parcialmente. La capacidad de congelación del aparato se menciona en las especificaciones técnicas del mismo).
- Respete estrictamente los tiempos de conservación de alimentos congelados que encontrará en el apartado de información sobre la congelación.
 - Consuma inmediatamente los alimentos recién descongelados, y en ningún caso los vuelva a congelar.
 - Para obtener los mejores resultados, se deben tener en cuenta las siguientes instrucciones.
 1. No congele cantidades demasiado grandes de una sola vez. La calidad de los alimentos se conserva mejor si la congelación alcanza su interior lo antes posible.
 2. Si se introducen alimentos calientes en el compartimento congelador, se obliga al sistema de enfriamiento a funcionar de forma continua hasta congelarlos totalmente.
 3. Ponga especial cuidado en no mezclar alimentos ya congelados con alimentos frescos.

Recomendaciones para la conservación de alimentos congelados

- Los alimentos congelados ya envasados disponibles en los comercios deben almacenarse de acuerdo con las instrucciones de su fabricante respecto de la conservación en un compartimento congelador de  (4 estrellas).
- Si desea garantizar el mantenimiento de la calidad de los alimentos congelados proporcionada por el fabricante y por el comercio, tenga en cuenta lo siguiente:

1. Coloque los paquetes de alimentos congelados en el congelador lo antes posible tras su compra.
2. Asegúrese de que todos los contenidos tengan etiqueta y fecha.
3. Respete las fechas de "Usar antes de" o "Consumir antes de" indicadas en los envases.

Si se produce un corte de corriente, no abra la puerta del congelador. Incluso si el corte de corriente tiene una duración superior al "Tiempo de aumento de temperatura" indicado en la sección de las "Especificaciones técnicas de su frigorífico", los alimentos congelados se verán afectados. En caso de que la avería dure más, deberá comprobar el estado de los alimentos y en los casos necesarios consumirlos inmediatamente o bien cocinarlos y posteriormente volverlos a congelar.

Deshielo

El compartimento del congelador se deshuela de manera automática.

Información sobre la congelación

Los alimentos deben congelarse lo más rápido posible con el fin de mantenerlos en las mejores condiciones de calidad.

Los alimentos sólo pueden conservarse durante periodos prolongados de tiempo a temperaturas de -18°C o menos.

A -18°C o menos es posible mantener los alimentos frescos durante muchos meses en el congelador.

ADVERTENCIA

- Los alimentos deben dividirse en porciones basadas en las necesidades de consumo de la familia.
- Los alimentos deben empaquetarse herméticamente para evitar que se sequen, incluso si van a guardarse durante poco tiempo.

Materiales necesarios para el empaquetado:

- Cinta adhesiva resistente al frío
- Etiquetas autoadhesivas
- Gomas elásticas
- Bolígrafo
- Los materiales utilizados para empaquetar alimentos deben ser a prueba de desgarrones y resistentes al frío, la humedad, los olores, los aceites y los ácidos.

No deje que los alimentos entren en contacto con alimentos previamente congelados, con el fin de evitar que éstos puedan descongelarse parcialmente.

Respete siempre los valores especificados en las tablas para los periodos de conservación.

Consuma inmediatamente los alimentos recién descongelados, y en ningún caso los vuelva a congelar.

Aviso de puerta abierta

*opcional

El frigorífico emitirá una señal acústica de aviso cuando la puerta del compartimento del frigorífico permanezca abierta durante un cierto periodo de tiempo. Esta señal acústica de aviso cesará cuando se pulse cualquier botón del indicador o se cierre la puerta.

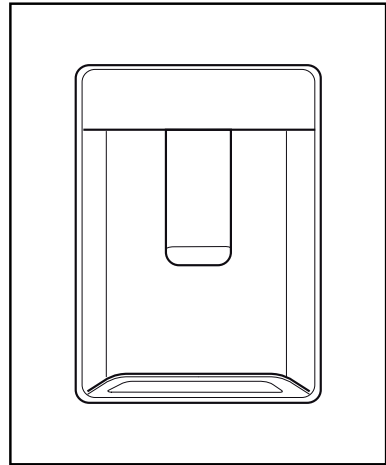
Uso del dispensador de agua

*Ei ole saadaval kõigil mudelitel

i	Es normal que los primeros vasos de agua servidos por el dispensador estén calientes.
i	Si no se usa el dispensador de agua durante un periodo de tiempo prolongado, no consuma los primeros vasos de agua.

1. Presione la palanca del dispensador de agua con el vaso. Si está usando un vaso blando de plástico, le será más fácil empujar la palanca con la mano.
2. Una vez haya llenado el vaso hasta el nivel que desee, suelte la palanca.

i	Tenga en cuenta que el caudal de agua que suministra el dispensador depende del recorrido de la palanca. A medida que el nivel del agua en su copa o vaso llegue al borde, reduzca suavemente la presión ejercida sobre la palanca con el fin de evitar el rebosamiento. Si presiona la palanca levemente el agua goteará, es bastante normal, no se trata de un fallo.
---	---



Llenar el depósito del dispensador de agua

El depósito de agua se encuentra dentro de la bandeja de la puerta.

1. Abra la tapa del depósito.
2. Llene el depósito con agua potable.
3. Cierre la cubierta.



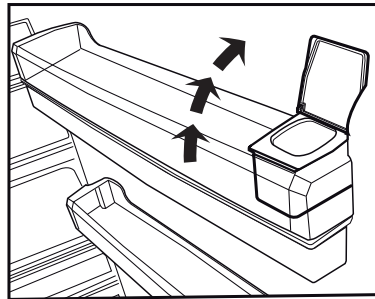
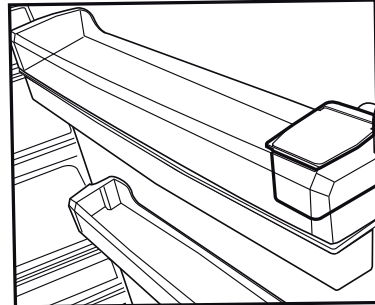
No vierta en el depósito de agua ningún otro líquido que no sea agua; las bebidas tales como los zumos de frutas, bebidas carbonatadas o bebidas alcohólicas no son adecuadas para el dispensador de agua. El dispensador de agua quedará dañado de forma irreparable si se utilizan dichos líquidos. La garantía no cubre estos usos. Algunas sustancias químicas y aditivos que contienen esos tipos de bebidas/líquidos pueden dañar el depósito de agua.



Utilice únicamente agua potable limpia.



La capacidad del depósito de agua es de 3 litros, no lo llene excesivamente.



Limpeza del depósito de agua

1. Retire el depósito de llenado de agua del interior de la rejilla de la puerta.
2. Retire la rejilla de la puerta sujetando por ambos lados.
3. Sujete el depósito de agua por ambos lados y retírelo en un ángulo de 45°C.
4. Retire la tapa del depósito y limpie el depósito.



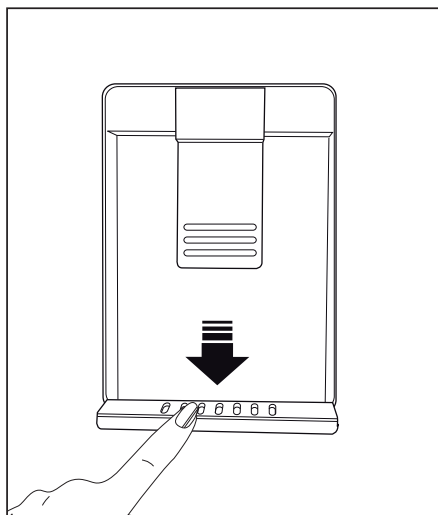
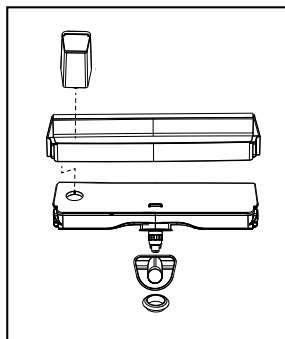
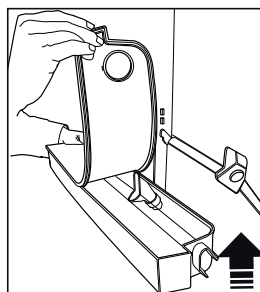
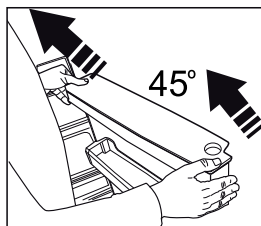
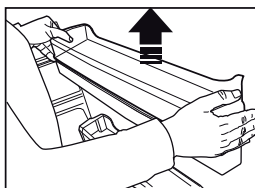
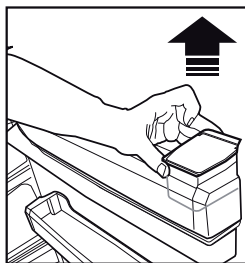
Los componentes del depósito de agua y del dispensador de agua no deben lavarse en el lavavajillas.

Bandeja de goteo

El agua que gotea durante el uso del dispensador de agua se acumula en la bandeja de derramamiento.

Retire el filtro de plástico tal y como se muestra en la figura.

Enjuague el agua acumulada con un trapo limpio y seco.



6 Mantenimiento y limpieza

- ⚠ No utilice nunca gasolina, benceno o sustancias similares para la limpieza.
- ⚠ Le recomendamos desenchufar el aparato antes de proceder a su limpieza.
- ❗ No utilice nunca para la limpieza instrumentos afilados o sustancias abrasivas, jabones, limpiadores domésticos, detergentes ni ceras brillantadoras.
- ❗ En el caso de productos que no sean sin escarcha, se pueden producir gotas de agua y una capa de hielo en la pared trasera del compartimento del frigorífico. No lo limpie, nunca aplique aceite o agentes similares en el mismo.
- ❗ Utilice solo paños de microfibra ligeramente humedecidos para limpiar la superficie exterior del producto. Las esponjas u otro tipo de paños de limpieza pueden rayar la superficie.
- ❗ Limpie el armario del frigorífico con agua tibia y séquelo con un paño.
- ❗ Para limpiar el interior, utilice un paño humedecido en un vaso grande de agua con una cucharadita de bicarbonato sódico disuelta y séquelo con un trapo.
- ⚠ Asegúrese de que no penetre agua en el alojamiento de la lámpara ni en otros elementos eléctricos.
- ⚠ Si no va a utilizar el frigorífico durante un periodo prolongado, desenchúfelo, retire todos los alimentos, límpielo y deje la puerta entreabierta.
- ❗ Compruebe regularmente los cierres herméticos de la puerta para asegurarse de que estén limpios y sin restos de alimentos.
- ❗ Para extraer las bandejas de la puerta, retire todo su contenido y, a continuación, simplemente empuje la bandeja hacia arriba desde su base.
- ❗ Nunca use agentes de limpieza o agua que contengan cloro para limpiar las superficies exteriores y los cromados del producto, ya que el cloro corroe dichas superficies metálicas.
- ❗ No utilice herramientas afiladas y abrasivas ni jabón, productos de limpieza domésticos, detergentes, gasolina, benceno, cera, etc., de lo contrario los sellos en las piezas de plástico se caerán y deformarán. Use agua tibia y un paño suave para limpiar y secar.

Protección de las superficies de plástico

- ❗ No deposite aceites líquidos o alimentos aceitosos en recipientes no cerrados ya que dañarán las superficies de plástico de su frigorífico. En caso de derrame de aceite sobre las superficies de plástico, limpie y enjuague con agua caliente la parte afectada de inmediato.

7 Sugerencias para la solución de problemas

Le rogamos compruebe la siguiente lista antes de llamar al servicio técnico. Ello puede ayudarle a ahorrar tiempo y dinero. Esta lista incluye problemas frecuentes no achacables a defectos en materiales o manufactura. Es posible que algunas de las características mencionadas no estén presentes en su producto.

El refrigerador no funciona

- ¿Está el frigorífico correctamente enchufado? Inserte el enchufe en la toma de corriente.
- ¿Están fundidos el fusible principal o el fusible del enchufe al cual ha conectado el frigorífico? Revise los fusibles.

Condensación en la pared lateral del compartimento refrigerador. (MULTI ZONE, COOL CONTROL y FLEXI ZONE)

- Condiciones ambientales muy frías. Frecuente apertura y cierre de la puerta. Nivel alto de humedad ambiental. Almacenamiento de alimentos que contienen líquidos en recipientes abiertos. Dejar la puerta entreabierta.
- Ponga el termostato a una temperatura más baja.
- Deje la puerta abierta durante menos tiempo o ábrala con menor frecuencia.
- Cubra los alimentos almacenados en recipientes abiertos con un material adecuado.
- Enjague el agua condensada con un paño seco y compruebe si la condensación persiste.

El compresor no funciona

- El dispositivo térmico protector del compresor saltará en caso de un corte súbito de energía o de idas y venidas de la corriente, ya que la presión del refrigerante en el sistema de enfriamiento aún no se ha estabilizado.
- Su frigorífico se pondrá en marcha transcurridos unos 6 minutos. Llame al servicio técnico si su frigorífico no se pone en marcha transcurrido ese periodo.
- El frigorífico se encuentra en el ciclo de descongelación. Esto es normal en un frigorífico con descongelación automática. El ciclo de descongelación se produce de forma periódica.
- El frigorífico no está enchufado. Compruebe que el enchufe esté firmemente insertado en la toma de corriente.
- ¿Está la temperatura correctamente fijada? Hay un corte del fluido eléctrico. Llame a su electricista.

El frigorífico está en funcionamiento con frecuencia o durante periodos prolongados.

- Puede que su nuevo frigorífico sea más grande que el que tenía anteriormente. Esto es perfectamente normal. Los frigoríficos de mayor tamaño funcionan durante más tiempo.
- Es posible que la temperatura ambiente de la estancia sea más alta. Esto es perfectamente normal.
- Es posible que haya enchufado el frigorífico o bien lo haya cargado de alimentos recientemente. Puede que el frigorífico tarde unas dos horas en enfriarse por completo.
- Es posible que recientemente haya depositado grandes cantidades de alimentos en el frigorífico. Los alimentos calientes pueden ocasionar que el frigorífico trabaje durante más tiempo hasta alcanzar la temperatura de almacenamiento seguro.
- Es posible que las puertas se hayan abierto con frecuencia o que se hayan dejado entreabiertas por un tiempo prolongado. El aire caliente que ha penetrado en el frigorífico hace que éste funcione durante más tiempo. Abra las puertas con menos frecuencia.
- Es posible que la puerta del compartimento frigorífico o congelador se haya dejado entreabierta. Compruebe que las puertas estén bien cerradas.
- El frigorífico está ajustado a una temperatura muy baja. Ajuste la temperatura del frigorífico a un valor más alto y espere a que se alcance dicha temperatura.
- La junta de la puerta del compartimento frigorífico o congelador puede estar sucia, desgastada, rota o no asentada correctamente. Limpie o sustituya la junta. Una junta rota o dañada hace que el frigorífico funcione durante más tiempo con el fin de mantener la temperatura actual.

La temperatura del congelador es muy baja, mientras que la del frigorífico es correcta.

- La temperatura del congelador está ajustada a un valor muy bajo. Ajuste la temperatura del congelador a un valor más elevado y compruebe.

La temperatura del frigorífico es muy baja, mientras que la del congelador es correcta.

- La temperatura del compartimento frigorífico está ajustada a un valor muy bajo. Ajuste la temperatura del frigorífico a un valor más elevado y compruebe.

Los alimentos depositados en los cajones del compartimento frigorífico se están congelando.

- La temperatura del compartimento frigorífico está ajustada a un valor muy bajo. Ajuste la temperatura del frigorífico a un valor más elevado y compruebe.

La temperatura del congelador o el frigorífico es muy alta.

- La temperatura del frigorífico está ajustada a un valor muy alto. El ajuste de la temperatura del frigorífico afecta a la temperatura del congelador. Cambie la temperatura del frigorífico o del congelador hasta que alcance un nivel suficiente.
- Es posible que la puerta se haya quedado entreabierta. Cierre la puerta del todo.
- Es posible que recientemente haya depositado grandes cantidades de alimentos en el frigorífico. Espere hasta que el frigorífico o el congelador alcance la temperatura deseada.
- Es posible que el frigorífico haya sido enchufado recientemente. El enfriamiento completo del frigorífico lleva un tiempo debido a su tamaño.

Puede escucharse un sonido parecido al tic tac de un reloj saliendo del frigorífico.

- Este ruido procede de la electroválvula del frigorífico. La electroválvula garantiza el flujo de líquido refrigerante a través del compartimento, que puede ajustarse a temperaturas de enfriamiento o congelación así como llevar a cabo funciones de refrigeración. Esto es perfectamente normal y no es ninguna anomalía.

El nivel de ruidos propios del funcionamiento se incrementa cuando el frigorífico está en marcha.

- Las características de rendimiento del frigorífico pueden cambiar en función de las variaciones en la temperatura ambiente. Esto es perfectamente normal, no es ninguna avería.

Vibraciones o ruidos.

- El suelo no está nivelado ni es firme. El frigorífico oscila al moverlo lentamente. Compruebe que el suelo esté nivelado y sea firme y capaz de soportar el peso del frigorífico.
- El ruido puede deberse a los elementos guardados en el frigorífico. Tales objetos deben retirarse de la parte superior del frigorífico.

Pueden oírse ruidos como si un líquido se derramara o se pulverizara.

- Los líquidos y gases fluyen de acuerdo con los principios de funcionamiento del frigorífico. Esto es perfectamente normal, no es ninguna avería.

Puede oírse un ruido parecido al viento.

- Se utilizan ventiladores con el fin de hacer que el frigorífico se enfríe con eficiencia. Esto es perfectamente normal, no es ninguna avería.

Condensación en las paredes interiores del frigorífico.

- El tiempo cálido y húmedo favorece la formación de hielo y la condensación. Esto es perfectamente normal, no es ninguna avería.
- Las puertas están entreabiertas. Asegúrese de que las puertas estén completamente cerradas.
- Es posible que las puertas se hayan estado abriendo con frecuencia o que se hayan dejado abiertas durante un periodo prolongado. Abra las puertas con menor frecuencia.

Hay humedad en el exterior del frigorífico o entre las puertas.

- Puede que haya humedad ambiental. Esto es perfectamente normal en climas húmedos. Cuando el grado de humedad descienda, la condensación desaparecerá.

Mal olor en el interior del frigorífico.

- El interior del frigorífico debe limpiarse. Limpie el interior del frigorífico con una esponja empapada en agua caliente o agua con gas.
- Es posible que el olor provenga de algún recipiente o envoltorio. Utilice otro recipiente o materiales para envolver de una marca diferente.

La puerta (o puertas) no se cierra.

- Puede que los paquetes de alimentos depositados no dejen que las puertas se cierren. Recolecte los paquetes que estén obstruyendo la puerta.
- Es probable que el frigorífico no esté en posición completamente vertical sobre el suelo y que oscile si se lo mueve ligeramente. Ajuste los tornillos de elevación.
- El suelo no está nivelado o no es firme. Compruebe que el suelo esté nivelado y que sea capaz de soportar el peso del frigorífico.

Los cajones están atascados.

- Es posible que algún alimento toque el techo del cajón. Cambie la distribución de los alimentos en el cajón.

Si la superficie del producto está caliente

- Pueden observarse altas temperaturas entre las dos puertas, en los paneles laterales y en la parrilla trasera mientras el producto esté en funcionamiento. Se trata de algo normal y no requiere mantenimiento del servicio.

EXENCIÓN DE RESPONSABILIDADES / ADVERTENCIA

Es posible que algunas fallas (simples) sean tratadas de manera adecuada por el usuario final sin que se plantee ningún problema de seguridad o uso no seguro, siempre y cuando se lleven a cabo dentro de los límites y de conformidad con las siguientes instrucciones (véase la sección "Autorreparación").

En consecuencia, siempre y cuando no se autorice lo contrario en la sección "Autorreparación" que se encuentra a continuación, las reparaciones deben ser dirigidas a los reparadores profesionales registrados para evitar problemas de seguridad. Se considera un reparador profesional registrado el que ha tenido acceso a las instrucciones y a la lista de piezas de repuesto de este producto por parte del fabricante de acuerdo con los métodos descritos en los actos legislativos en virtud de la Directiva 2009/125/CE.

No obstante, según las condiciones de la garantía, sólo el agente de servicio (por ejemplo, los reparadores profesionales autorizados) al que puede llamar utilizando el número de teléfono que figura en el manual de usuario/tarjeta de garantía o bien a través de su distribuidor autorizado puede prestar servicio. Por consiguiente, por favor, tenga en cuenta que las reparaciones realizadas por reparadores profesionales (no autorizados por Beko) anularán la garantía.

Autorreparación

El usuario final puede realizar la reparación por su cuenta con respecto a las siguientes piezas de repuesto: manijas de puertas,

bisagras de puertas, bandejas, cestas y juntas de puertas (una lista actualizada también estará disponible en support.beko.com

a partir del 1 de Marzo de 2021).

Por otra parte, con el fin de garantizar la seguridad del producto y prevenir el riesgo de lesiones graves, la autorreparación citada se llevará a cabo siguiendo las instrucciones del manual de usuario para la autorreparación o las que están disponibles en support.beko.com Para su seguridad, desenchufe el producto antes de intentar cualquier autorreparación.

La reparación y los intentos de reparación por parte de los usuarios finales de piezas no incluidas en dicha lista y/o no seguir las instrucciones contenidas en los manuales de usuario para la autorreparación o que están disponibles en support.beko.com, podrían causar problemas de seguridad no atribuibles a Beko, y anularían la garantía del producto.

Por ello, es muy recomendable que los usuarios finales se abstengan de intentar realizar las reparaciones que estén fuera de la lista de piezas de repuesto mencionada, comunicándose en tales casos con los reparadores profesionales autorizados o con los reparadores profesionales registrados. Al contrario, dichos intentos por parte de los usuarios finales pueden provocar problemas de seguridad y dañar el producto y, en consecuencia, provocar incendios, inundaciones, electrocución y lesiones personales graves.

Con carácter ejemplar, pero no limitado a ello, las siguientes reparaciones deben dirigirse a los autorizados reparadores profesionales o reparadores

profesionales registrados: compresor, circuito de refrigeración, placa principal, tablero del inversor, tablero de la pantalla, etc.

En caso de que los usuarios finales no cumplan con lo anterior, el fabricante/ vendedor no podrá ser considerado responsable.

La disponibilidad de piezas de repuesto del refrigerador que ha adquirido es de 10 años.

Durante este período, las piezas de repuesto originales estarán disponibles para el funcionamiento apropiado del refrigerador.

La duración mínima de la garantía del refrigerador que ha comprado es de 24 meses.

“Este producto está equipado con una fuente de iluminación de la clase energética “G”.

La fuente de iluminación de este producto sólo debe ser sustituida por reparadores profesionales.

Molimo prvo pročitajte ovaj priručnik!

Poštovani kupci,

Nadamo se da će vam naš proizvod, proizveden u suvremenim postrojenjima i provjeren po strogim procedurama kontrole kvalitete, pružiti učinkovit rad.

Zbog toga vam preporučujemo da pažljivo pročitate cijeli priručnik proizvoda prije uporabe te da ga čuvate na pristupačnom mjestu zbog buduće uporabe.

Ovaj priručnik

- Če vam pomoći da koristite svoj uređak brzo i sigurno.
- Pročitajte priručnik prije instaliranja i rada s vašim proizvodom.
- Slijedite upute, posebno one vezane za sigurnost.
- Čuvajte priručnik na lako dostupnom mjestu jer vam može zatrebati kasnije.
- Osim toga, također pročitajte druge dokumente dostavljene s vašim proizvodom.

Molimo imajte na umu da ovaj priručnik može vrijediti i za druge modele.

Simboli i njihovi opisi

Ovaj korisnički priručnik sadrži sljedeće simbole:



Važne informacije ili korisni savjeti za uporabu.



Upozorenja protiv opasnosti po život i imovinu.



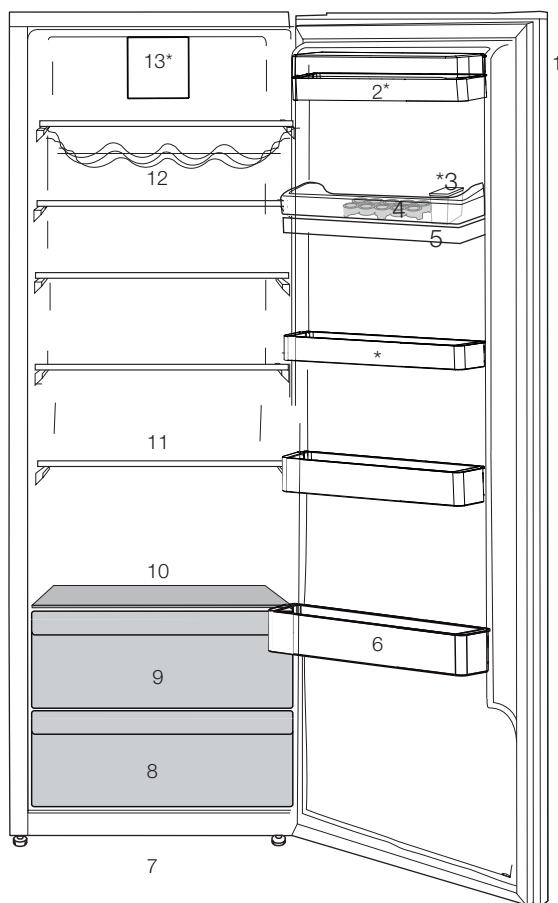
Upozorenje protiv električnog napona.

PODACI	
 SUPPLIER'S NAME A	 MODEL IDENTIFIER (*) A
Podaci o modelu pohranjeni u bazi podataka o proizvodu mogu se dobiti unosom sledeće mrežne stranice i pretragom po identifikacionom broju vašeg modela (*) koji se nalazi na oznaci potrošnje električne energije.	
https://eprel.ec.europa.eu/	

SADRŽAJ

1 Vaš hladnjak	3	4 Priprema	15
2 Važna sigurnosna upozorenja	4	5 Rad s proizvodom	16
Predviđena namjena	4	6 Održavanje i čišćenje	21
Za proizvode s raspršivačem za vodu;	9	Zaštita plastičnih površina	21
Sigurnost djece	9	7 Preporučena rješenja za probleme	22
Usklađenost s Direktivom o električnoj i elektroničkoj opremi (WEEE) i zbrinjavanju otpada:	10		
Usklađenost s Direktivom o zabrani uporabe određenih opasnih tvari u električnoj i elektroničkoj opremi (RoHS):	10		
Upozorenje za HC	10		
Stvari koje se trebaju uraditi za uštedu energije	10		
3 Instalacija	12		
Stvari kojih se treba pridržavati kod ponovnog transporta vašeg hladnjaka	12		
Prije uključivanja vašeg hladnjaka	12		
Električno spajanje	12		
Odlaganje pakiranja	13		
Odlaganje stalnog hladnjaka	13		
Postavljanje i instalacija	13		
Upozorenje o otvorenim vratima	14		
Prilagođavanje nogu	14		
Promjena lampice za osvjetljenje	14		

1 Vaš hladnjak



- | | |
|--------------------------------------|---------------------------------|
| 1. Pokazivač Na Ploči | 7. Boca Police |
| 2. Maslac I Sir Sekcije | 8. Podesive Prednje Noge |
| 3. Dozator Spremnik Za Punjenje Vode | 9. Chiller |
| 4. Odjeljak Jaja | 10. Poklopac Hladnjake I Stakla |
| 5. Raspodjelu Vode U Rezervoar | 11. Pokretne Police |
| 6. Police Podesive Vrata | 12. Vinski Podrum |
| | 13. Ventilator |



i Slike koje se nalaze u ovom priručniku su shematske i možda se ne ogovaraju u potpunosti vašem proizvodu. Ako dijelovi naslova nisu sadržani u proizvodu koji ste kupili, onda to vrijedi za ostale modele.




2 Važna sigurnosna upozorenja

Molimo pregledajte sljedeće informacije. Nepridržavanje ovih informacija može uzrokovati ozljede ili materijalnu štetu. U suprotnom će sva upozorenja i obveze za pouzdanost postati nevaljane.

Originalni rezervni dijelovi bit će dostupni 10 godina od datuma kupovine proizvoda.

Predviđena namjena

	UPOZORENJE: Ventilacijski otvori uređaja trebaju biti u kućištu ili unutar ugradbene strukture, te ne smije biti prepreka.
	UPOZORENJE: Ne koristite mehaničke uređaje ili druga sredstva za ubrzanje postupka odmrzavanja, osim onih koje je preporučio proizvođač.

	UPOZORENJE: Nemojte oštetiti sklop rashladnog sredstva.
	UPOZORENJE: Ne koristite električne uređaje unutar odjeljaka za čuvanje hrane u uređaju, osim ako nisu tip koji je preporučio proizvođač.
	UPOZORENJE: Nemojte spremati eksplozivne supstance kao što su kantice sa sprejem sa zapaljivim pogonskim sredstvom u ovaj uređaj.

Ovaj uređaj namijenjen je uporabi u kućanstvu te za primjenu u prostorima poput:

- kuhinja za osoblje, u trgovinama, uredima i drugim radnim okruženjima;
- od strane gostiju u hotelima, motelima ili drugim vrstama sličnih uslužnih objekata;

- u uslužnim objektima poput pansiona.
- za cetering i slične primjene različite od maloprodaje.

Opća sigurnost

- Kad budete željeli odložiti uređaj, preporučujemo da konzultirate ovlaštenu servisnu službu da biste saznali potrebne informacije i ovlaštena tijela.
- Konzultirajte se s ovlaštenim servisom za sva pitanja i probleme vezane za hladnjak. Nemojte intervenirati ili dopustiti da netko intervenira na hladnjaku bez prethodnog obavještanja ovlaštenih servisa.
- Za proizvode u odjeljku škrinje; Ne jedite kornete sladoleda i kockice leda odmah nakon vađenja kad ih izvadite iz odjeljka hladnjaka! (To može uzrokovati ozljede od hladnoće u vašim ustima.)
- Za proizvode s odjeljkom sa škrinjom; ne stavljajte tekućinu u bocama i konzervama u odjeljak škrinje. U suprotnom bi mogli puknuti.
- Ne dodirujte smrznutu hranu rukom; može vam se zalijepiti za ruku.
- Isključite svoj hladnjak prije čišćenja ili odmrzavanja.
- Para i raspršujuća sredstva za čišćenje se nikada ne smiju koristiti tijekom postupka čišćenja i odmrzavanja u vašem hladnjaku. U takvim slučajevima, para može doći u kontakt s električnim dijelovima i uzrokovati kratki spoj ili strujni udar.
- Nikada ne koristite dijelove vašeg hladnjaka, kao što su vrata, za pridržavanje ili za stajanje na njima.
- Ne koristite električne uređaje unutar hladnjaka.
- Ne oštećujte dijelove gdje cirkulira rashladno

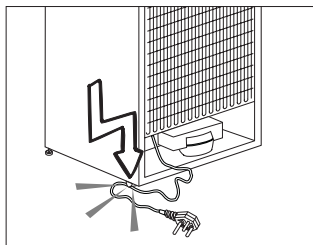
- sredstvo pomoću alata za bušenje ili rezanje. Rashladno sredstvo koje može eksplodirati kad se plinski kanali isparivača, produžetka cijevi ili površinskih premaza probuše, može uzrokovati iritaciju kože i ozljede oka.
- Ne pokrivajte i ne blokirajte otvore za ventilaciju na vašem hladnjaku bilo kakvim materijalom.
 - električne aparate smiju popravljati samo ovlaštene osobe. Popravke koje izvrše nestručne osobe mogu predstavljati rizik za korisnika.
 - U slučaju bilo kakvog kvara tijekom održavanja ili popravke, otpojite hladnjak s napajanja ili isključivanjem odgovarajućeg osigurača ili isključivanjem vašeg uređaja iz struje.
 - Kod isključivanja utikača, nemojte povlačiti za kabel.
 - Pića s visokim udjelom alkohola potrebno je pravilno spremiti, u uspravnom položaju i s čvrsto zatvorenim poklopcem.
 - Nikada ne držite konzerve sa sprejevima koji sadrže zapaljive i eksplozivne tvari u hladnjaku.
 - Ne koristite mehaničke uređaje ili druge načine za ubrzavanje procesa topljenja, osim onih koje preporuča proizvođač.
 - Ovaj uređaj nije namijenjen uporabi od strane osoba s fizičkim osjetilnim ili mentalnim nedostacima ili osoba bez znanja ili iskustva (uključujući djecu), osim ako su pod nadzorom osobe koja će biti odgovorna za njihovu sigurnost ili koja će ih valjano uputiti o uporabi proizvoda.
 - Ne uključujte oštećeni hladnjak. Konzultirajte

se sa serviserom ako imate bilo kakvih nedoumica.

- Za električnu sigurnost vašeg hladnjaka se jamči samo ako je uzemljenje u vašoj kući u skladu sa standardima.
- Izlaganje proizvoda kiši, snijegu, suncu i vjetru je opasno u pogledu električne sigurnosti.
- Kad je oštećen kabel, javite se ovlaštenom servisu da izbjegnute opasnost.
- Nikada ne uključujte hladnjak u zidnu utičnicu tijekom instalacije. Inače može doći do opasnosti po život ili ozbiljne ozljede.
- Hladnjak je namijenjen samo držanju hrane. Ne smije se koristiti u bilo koje druge svrhe.
- Naljepnica s tehničkim specifikacijama se nalazi na lijevoj stijenci unutar hladnjaka.
- Nikada ne spajajte hladnjak na sustave za uštedu energije; oni

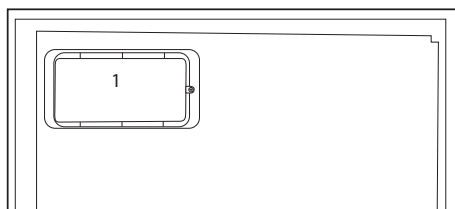
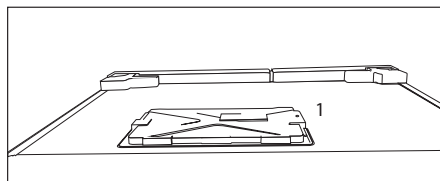
mogu oštetiti hladnjak.

- Ako na hladnjaku postoji plavo svjetlo, nemojte gledati u plavo svjetlo optičkim alatima.
- Za hladnjake kojima se upravlja manualno, sačekajte bar 5 minuta da biste uključili hladnjak nakon nestanka el. energije.
- Ukoliko se uređaj da nekom drugom, korisnički priručnik se mora predati novom vlasniku.
- Pazite da ne oštetite kabel kod prijevoza hladnjaka. Presavijanje kabela može uzrokovati požar. Nikada ne stavljajte teške predmete na kabel napajanja. Ne dodirujte utikač mokrim rukama kad uključujete uređaj.



- Ne uključujte hladnjak ako je električna utičnica labava.
- Voda se ne smije špricati izravno na unutarnje ili vanjske dijelove proizvoda zbog sigurnosnih razloga.
- Nemojte špricati tvari koje sadrže zapaljive plinove kao što je propan blizu hladnjaka da biste izbjegli opasnost od požara i eksplozije.
- Nikada na hladnjak ne stavljajte posude s vodom, jer inače mogu uzrokovati električni udar ili požar.
- Nemojte prepuniti hladnjak s previše hrane. Ako se prepuni, hrana može pasti i ozlijediti vas kad otvorite vrata. Nikad ne stavljajte predmete na hladnjak, inače ti predmeti mogu pasti kad otvarate ili zatvarate vrata hladnjaka.
- Proizvodi za koje je potrebna precizna kontrola temperature, cjepiva, lijekovi osjetljivi na toplinu, znanstveni materijali, itd. se ne smiju držati u hladnjaku.
- Ako se neće koristiti dulje vrijeme, hladnjak se treba isključiti. Mogući problem na kabelu napajanja može uzrokovati požar.
- Hladnjak se može pomaknuti ako podesive noge nisu pravilno pričvršćena na podu. Pravilno pričvršćivanje podesivih nogu na podu može spriječiti pomicanje hladnjaka.
- Kad nosite hladnjak, nemojte ga držati za ručku vrata. U suprotnom, može puknuti.
- Kad morate staviti svoj proizvod pored drugog hladnjaka ili škrinje, udaljenost između uređaja treba biti najmanje 8 cm. U suprotnom, susjedne bočne stijenke se mogu navlažiti.
- Nikad ne koristite proizvod ako dio koji se nalazi na vrhu ili

poledini proizvoda ima elektroničke tiskane pločice unutar otvora (poklopac elektroničke tiskane pločice)(1).



Za proizvode s raspršivačem za vodu;

- Tlak na ulaznom otvoru hladne vode treba biti maksimalno 90 psi (6.2 bar). Ako tlak vode premaši (5,5 bar) tada na cijevima za opskrbu vodom koristite tlačno-granični ventil. Ako ne znate kako provjeriti tlak vode

tada potražite pomoć kod profesionalnog vodoinstalatera.

- Ako u instalacijama postoji opasnost od efekta vodenog udara tada u instalacijama uvijek koristite opremu za sprječavanje vodenog udara. Posavjetujte se s profesionalnim vodoinstalaterom ako niste sigurni postroji li efekt vodenog udara u instalacijama.
- Ne instalirajte na ulaznom otvoru za vruću vodu. Poduzmite mjere opreza zbog opasnosti od zamrzavanja cijevi. Radni interval temperature vode treba biti minimalno 33°F (0.6°C) i maksimalno 100°F (38°C).
- Koristite samo pitku vodu.

Sigurnost djece

- Ako vrata imaju bravu, ključ se treba držati podalje od dosega djece.
- Djeca moraju biti pod

nadzorom da bi se spriječilo neovlašteno korištenje proizvoda.

Usklađenost s Direktivom o električnom i elektroničkom opremom (WEEE) i zbrinjavanju otpada:



Ovaj proizvod usklađen je s EU Direktivom WEEE (2012/19/EU). Ovaj proizvod nosi lasifikacijsku oznaku za električni i elektronski otpad (WEEE).

Ovaj je proizvod proizveden s visokokvalitetnim dijelovima i materijalima koji se mogu ponovno upotrijebiti i prikladni su za reciklažu. Ne odlažite otpadne uređaje s normalnim otpadom iz kućanstva i drugim otpadom na kraju servisnog vijeka. Odnosite ga u sabirni centar za recikliranje električne i elektroničke opreme. Obratite se lokalnim vlastima da biste saznali više informacija o sabirnim centrima.

Usklađenost s Direktivom o zabrani uporabe određenih opasnih tvari u električnoj i elektroničkoj opremi (RoHS):

Proizvod koji ste kupili usklađen je s EU Direktivom RoHS (2011/65/EU). Ne sadrži štetne i zabranjene materijale navedene u Direktivi.

Podaci o pakiranju Ambalažni materijali proizvoda proizvedeni su od reciklirajućih materijala sukladno našim nacionalnim propisima o zaštiti

okoliša. Ambalažne materijale ne odlažite skupa s kućnim ili drugim otpadom. Odnosite ih u sabirne centre ambalažnog otpada koje su odredile lokalne vlasti.

Upozorenje za HC

Ako rashladni sustav vašeg uređaja sadrži R600a:

Ovaj plin je zapaljiv. Zato pazite da tijekom uporabe i transporta ne oštetite sustav za hlađenje i cijevi. U slučaju oštećenja, držite uređaj podalje od potencijalnog izvora plamena koji može dovesti do toga da uređaj zapali, te prozračujete sobu u kojoj se nalazi uređaj.

Ignorirajte ovo upozorenje ako rashladni sustav vašeg uređaja sadrži R134a.

Vrsta plina koja se koristi u proizvodu je navedena na tipskoj pločici koja je na lijevoj stijenci unutar hladnjaka.

Nikada kod odlaganja ne bacajte uređaj u vatru.

Stvari koje se trebaju uraditi za uštedu energije

- Ne ostavljajte vrata vašeg hladnjaka otvorena dulje vrijeme.
- Ne stavljajte toplu hranu ili pića u hladnjak.
- Nemojte prepuniti hladnjak tako da se ne sprječava cirkuliranje zraka u unutrašnjosti.
- Ne postavljajte vaš hladnjak izravno na sunčevu svjetlost ili blizu uređaja koji emitiraju toplinu kao što su pećnice, perilice suđa ili radijatori.
- Pazite da držite svoju hranu u zatvorenim posudama.

- Za uređaje s odjeljkom škrinje; možete spremiti maksimalnu količinu hrane u škrinju kad uklonite policu ili ladicu škrinje. Vrijednost potrošnje energije koja je navedena za vaš hladnjak je određena tako da je uklonjena polica ili ladica škrinje i pod maksimalnim opterećenjem. Ne postoji opasnost od uporabe police ili ladice prema oblicima i veličinama hrane koja će biti zamrznuta.
- Topljenje smrznute hrane u odjeljku hladnjaka će osigurati uštedu energije u sačuvati kvalitetu hrane.

3 Instalacija



Molimo imajte na umu da se proizvođač neće smatrati odgovornim ukoliko se ne budete pridržavali informacija navedenih u korisničkom priručniku.

Stvari kojih se treba pridržavati kod ponovnog transporta vašeg hladnjaka

1. Vaš hladnjak mora biti ispražnjen i očišćen prije bilo kakvog transporta.
2. Police, dodaci, odjeljak za povrće itd. u vašem hladnjaku moraju biti čvrsto pričvršćeni ljepljivom trakom zbog treskanja prije ponovnog pakiranja.
3. Pakiranje se mora pričvrstiti ljepljivom trakom i mora se pridržavati pravila o transportu ispisanih na pakiranju.

Molimo ne zaboravite...

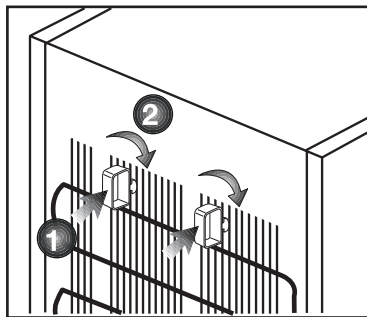
Svaki reciklirani materijal je nezamjenjiv izvor za prirodu i za naše nacionalne izvore.

Ako želite pridonijeti reciklaži materijala pakiranja, možete dobiti dodatne informacije od ureda za okoliš ili lokalnih vlasti.

Prije uključivanja vašeg hladnjaka

Prije početka uporabe vašeg hladnjaka provjerite sljedeće:

1. Je li unutrašnjost hladnjaka suha i može li zrak slobodno cirkulirati sa stražnje strane?
2. Prednji krajevi hladnjaka mogu biti topli na opip. To je normalno. Ova područja su napravljena da



budu topla da bi se se izbjegla kondenzacija. Možete postaviti 2 plastična klina kako je prikazano na slici. Plastični klinovi će dati osigurati potrebnu udaljenost između vašeg hladnjaka i zida da bi se omogućilo cirkuliranje zraka. (Slika s ilustracijom je samo primjer i ne odgovara u potpunosti vašem proizvodu.)

3. Čut ćete buku kad kompresor počne raditi. Tekućine i plinovi zabrtvljeni u rashladnom sustavu također mogu stvarati buku, čak i kad kompresor ne radi i to je potpuno normalno.
4. Prednji krajevi hladnjaka mogu biti topli na opip. To je u normalno. Ova područja su napravljena da budu topla da bi se se izbjegla kondenzacija.

Električno spajanje

Spojite svoj proizvod u uzemljenu utičnicu koja je zaštićena osiguračem odgovarajućeg kapaciteta.

Važno:

- Spoj mora biti u skladu s nacionalnim zakonskim odredbama.
- Kabel napajanja mora biti lako dostupan nakon postavljanja.

- Navedeni napon mora biti jednak naponu el. energije.
- Produžni kabeli i razvodnici se ne smiju koristiti za spajanje.



Oštećeni kabel napajanja mora zamijeniti kvalificirani električar.



Proizvod ne smije raditi prije popravke! Postoji opasnost od električnog udara!

Odlaganje pakiranja

Materijali pakiranja mogu biti opasni za djecu. Čuvajte materijale pakiranja dalje od dohvata djece ili ih odložite svrstavanjem u skladu s uputama o odlaganju. Nemojte ih odlagati s normalnim otpadom iz kućanstva.

Pakiranje vašeg hladnjaka je proizvedeno od recikliranih materijala.

Odlaganje stalnog hladnjaka

Odlaganje vašeg starog stroja bez štete za okoliš.

- O odlaganju vašeg hladnjaka se možete konzultirati s vašim ovlaštenim dobavljačem ili centrom za sakupljanje otpada u vašoj općini.

Prije odlaganja vašeg hladnjaka, odrežite električni utikač i, ukoliko postoje bilo kakve brave na vratima, onesposobite ih da biste zaštitili djecu od bilo kakve opasnosti.

Postavljanje i instalacija



Ako ulaz u prostoriju gdje će biti postavljen hladnjak nije dovoljno širok da hladnjak kroz njega prođe, pozovite ovlaštenu servis da skine vrata vašeg hladnjaka tako da kroz vrata prođe bočno.

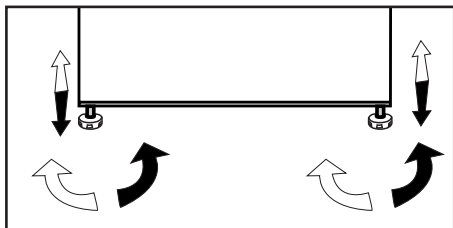
1. Instalirajte vaš hladnjak na mjesto koje dopušta laku uporabu.
2. Držite vaš hladnjak podalje od izvora topline, vlažnih mjesta i direktne sunčeve svjetlosti.
3. Da bi se postigao učinkoviti rad, oko vašeg hladnjaka mora postojati odgovarajuća ventilacija. Ako se hladnjak treba postaviti u otvor u zidu, mora postojati udaljenost najmanje 5 cm od plafona i 5 cm od zida.
4. Ako je pod prekriven tepihom, vaš uređaj mora biti podignut od poda 2.5 cm. Stavite svoj hladnjak na ravnu površinu poda da biste spriječili udarce.

Upozorenje o otvorenim vratima

Kad vrata hladnjaka ili odjeljka škrinje vašeg uređaja ostanu otvorena određeno vrijeme, začut će se zvučno upozorenje. Ovaj zvučni signal upozorenja se neće čuti kad se pritisne oznaka ili kad se vrata zatvore.

Prilagođavanje nogu

Ako vaš hladnjak nije u ravnoteži; Možete postaviti hladnjak u ravnotežu okretanjem prednjih nožica kako je prikazano na slici. kut gdje se nalaze noge je spuštao kad okrenete u smjeru crne strelice a diže se kad okrenete u suprotnom smjeru. Ovaj postupak će biti lakši ako nekoga zamolite da malo podigne hladnjak.



Promjena lampice za osvjetljenje

Da biste zamijenili lampicu koja se koristi za osvjetljavanje, molimo nazovite svoj ovlaštenu servis.

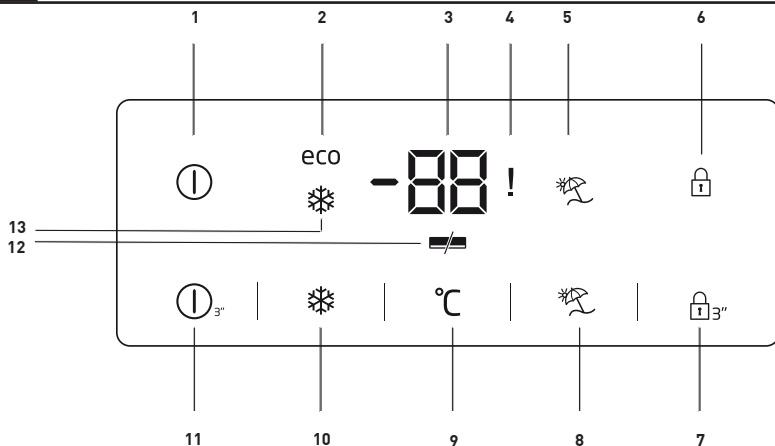
Lampa koja se koristi u ovom uređaju nije podesna za uporabu za osvjetljenje doma. Predviđena namjena ove lampe je da pomogne korisniku da stavi hranu u hladnjak/škrinju na siguran i ugodan način.

Svjetiljke ovog uređaja moraju podnijeti ekstremne uvjete poput temperatura nižih od -20 °C.

4 Priprema

- Vaš hladnjak se treba postaviti najmanje 30 cm od izvora topline kao što su plamenici, pećnice, grijalice i štednjaci i najmanje 5 cm dalje od električnih pećnica te se ne smiju stavljati na direktnu sunčevu svjetlost.
- sobna temperatura u prostoriji u koju postavite hladnjak treba biti najmanje 10°C. Rad vašeg hladnjaka u hladnijim uvjetima od navedenih se ne preporuča vezano za učinkovitost.
- Pazite da se unutrašnjost vašeg hladnjaka temeljito čisti.
- Ako se dva hladnjaka trebaju instalirati jedan do drugog, između njih treba postojati razmak od najmanje 2 cm.
- Kada prvi put uključite hladnjak, molimo pridržavajte se sljedećih uputa tijekom prvih šest sati.
- Vrata se ne smiju često otvarati.
- Mora raditi prazan, bez ikakve hrane u njemu.
- Ne isključujte vaš hladnjak. Ako dođe do nestanka el. energije na koji ne možete utjecati, molimo pogledajte upozorenja u dijelu "Preporučena rješenja problema".
- Originalno pakiranje i materijali od pjene se trebaju čuvati zbog budućeg transporta ili selidbe.
- Kod nekih modela instrument ploča isključuje se 5 minuta nakon što se vrata zatvore. Ona će se ponovo aktivirati kada se vrata otvore ili kada se pritisne bilo koji gumb.
- S obzirom na promjenu temperature uslijed otvaranja/zatvaranja vrata proizvoda tijekom rada, kondenzacija na vratima/policama i staklenom spremniku normalna je pojava.
- Budući da vrući i vlažni zrak ne prodire u vaš proizvod kada vrata nisu otvorena, vaš će se proizvod optimizirati u uvjetima dostatnim za zaštitu vaše hrane. Funkcije i sastavni dijelovi kao kompresor, ventilator, grijač, odmrzivač, svijetlo, zaslon i tako dalje radit će sukladno potrebama za potrošnju minimalne energije pod ovim okolnostima

5 Rad s proizvodom



1. Indikator uključivanja/ isključivanja:

Ova se ikona (ⓘ) uključuje kada je hladnjak isključen. Sve se druge ikone isključuju.

2. Indikator ekonomične uporabe:

Ova se ikona (eco) uključuje kada je odjeljak hladnjaka postavljen na 8 °C, što je najekonomičnija postavljena vrijednost. Indikator ekonomične uporabe isključuje se kad se odabere funkcija brzog hlađenja ili brzog zamrzavanja.

3. Indikator postavke temperature odjeljka hladnjaka:

Označava temperaturu postavljenu za odjeljak hladnjaka.

4. Indikator nestanka struje / visoke temperature / statusa pogreške

Ovaj indikator (!) svijetli u slučaju upozorenja na nestanak struje, visoku temperaturu i pogreške.

Kad se temperatura zamrzivača zagrije do kritične razine za smrznutu hranu, na digitalnom indikatoru trepće maksimalna vrijednost postignuta temperaturom zamrzivača.

Provjerite hranu u pretincu za zamrzavanje.

To nije kvar. Upozorenje se može izbrisati pritiskom bilo koju tipku ili tipku za isključivanje alarma visoke temperature. (Otkazivanje pritiskom na bilo koju tipku nije primjenjivo za svaki model.)


Ovaj indikator (!) svijetli i u slučaju kvara senzora. Kad ovaj indikator svijetli, na indikatoru temperature alternativno se prikazuje „E” i brojeke poput „1, 2, 3...”. Ove brojke na indikatoru informiraju servisno osoblje o pogrešci.

i Slike koje se nalaze u ovom priručniku su shematske i možda se ne ogovaraju u potpunosti vašem proizvodu. Ako dijelovi naslova nisu sadržani u proizvodu koji ste kupili, onda to vrijedi za ostale modele.

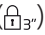
5. Oznaka odmora:

Ova ikona () zasvijetli kad je uključena funkcija Odmor.


6. Indikator zaključavanja tipki:

Ova ikona () zasvijetli kada je uključen način zaključavanja tipki.

7. Način zaključavanja tipki:

Pritisnite tipku za zaključavanje tipki () i držite je 3 sekunde. Ikona zaključavanja tipki zasvijetlit će i način zaključavanja tipki bit će uključen. Tipke neće raditi ako je način zaključavanja tipki uključen. Pritisnite ponovno tipku za zaključavanje tipki i držite je 3 sekunde. Ikona zaključavanja tipki isključit će se i uređaj će izaći iz načina zaključavanja tipki.

8. Funkcija Odmor:

Kada pritisnete tipku Odmor uključuje se funkcija odmora () i zasvijetli indikator odmora. Ovom se funkcijom možete koristiti kada se hladnjakom nećete koristiti dulje vrijeme. Imajte na umu da u hladnjaku ne smije biti hrane jer hladnjak ne može čuvati hranu kada je uključen režim odmora.

Ako je ova funkcija uključena, temperatura odjeljka hladnjaka iznosi 15 °C kako bi se spriječili neugodni mirisi. Ponovno pritisnite tipku Odmor da biste isključili funkciju odmora.

9. Funkcija za podešavanje hladnjaka:


Ova funkcija (°C) vam omogućava postavljanje temperature odjeljka hladnjaka. Pritisnite ovu tipku da biste postavili temperaturu odjeljka hladnjaka na 8, 7, 6, 5, 4, 3 i 1.

10. Funkcija brzog hlađenja:


Indikator brzog hlađenja () uključuje se kad je funkcija brzog hlađenja

uključena. Za opoziv ove funkcije, ponovno pritisnite tipku brzog hlađenja. Indikator brzog hlađenja isključit će se i nastaviti će normalna postavka. Funkcija brzog hlađenja bit će opozvana automatski nakon 1 sata ako je ne isključite ručno. Ako želite ohladiti velike količine svježe hrane, pritisnite tipku Brzo hlađenje prije stavljanja hrane u odjeljak hladnjaka.

11. Funkcija uključivanja/isključivanja:

Ova funkcija () omogućava isključivanje hladnjaka kada tipku pritisnete na 3 sekunde. Hladnjak se može uključiti ponovnim pritiskom tipke uključiti/isključiti na 3 sekunde.

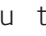
12. Oznaka za uštedu energije:

Ako su vrata uređaja zatvorena duže vrijeme, automatski se uključuje funkcija uštede energije i zasvijetli znak uštede energije. ()

Kada je funkcija za uštedu energije uključena, isključit će se svi znakovi na zaslonu osim znaka za uštedu energije. Kada je funkcija za uštedu energije uključena, ako se pritisne bilo koja tipka ili se otvore vrata, poništiti će se funkcija za uštedu energije i znakovi na prikazu vratiti će se u uobičajeno stanje.

Funkcija za uštedu energije uključuje se tijekom isporuke iz tvornice te se ne može isključiti.

13. Indikator brzog zamrzavanja:

Ova se ikona () uključuje kada je uključena funkcija brzog zamrzavanja.

Uporaba raspršivača za vodu

*neobavezno



Normalno je da će prvih nekoliko čaša vode uzetih s raspršivača biti toplo.

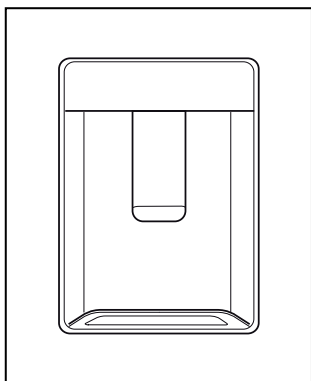


Ako se aparat za vodu ne upotrebljava duže vrijeme, prolijte prvih nekoliko čaša vode da biste dobili čistu vodu.

1. Gurnite prema unutra polugu spremnika za vodu pomoću vaše čaše. Ako upotrebljavate mekanu plastičnu čašu, bit će jednostavnije gurnuti polugu rukom.
2. Kada se čaša napuni do razine koju želite, otpustite polugu.



Imajte na umu da koliko vode teče iz spremnika ovisi o tome koliko duboko pritisnete polugu. Kako razina vode u vašoj šalici/čaši raste, polako smanjajte pritisak na polugu da biste spriječili prelijevanje. Ako lagano pritisnete ručicu, voda će kapati; to je normalno i nije kvar.



Filling the water dispenser's tank

Water tank filling reservoir is located inside the door rack.

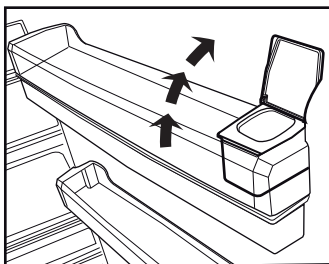
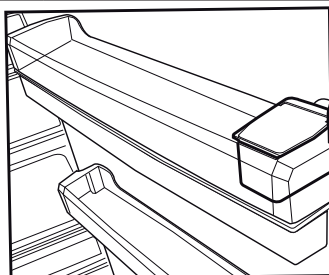
1. Open the cover of the tank.
2. Fill the tank with fresh drinking water.
3. Close the cover.



Do not fill the water tank with any other liquid except for water such as fruit juices, carbonated beverages or alcoholic drinks which are not suitable to use in the water dispenser. Water dispenser will be irreparably damaged if these kinds of liquids are used. Warranty does not cover such usages. Some chemical substances and additives contained in these kinds of drinks/liquids may damage the water tank.



Use clean drinking water only.





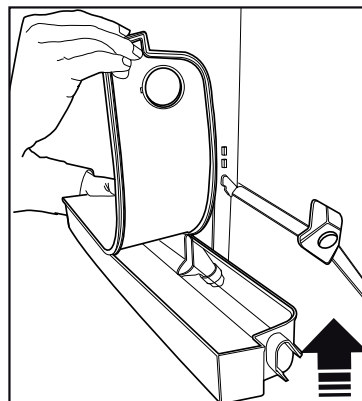
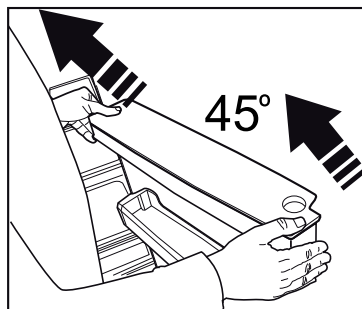
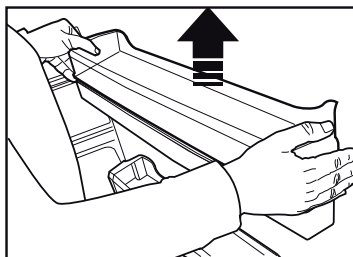
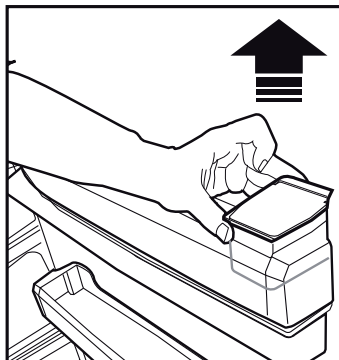
Kapacitet spremnika za vodu je 3 litre; nemojte prepuniti.

Čišćenje spremnika za vodu

1. Izvadite spremnik za vodu unutar police vrata.
2. Uklonite policu na vratima tako da je držite s obje strane.
3. Uхватите spremnik za vodu s obje strane i uklonite ga s kutom od 45°C.
4. Otvorite poklopac spremnika za vodu i očistite spremnik.



Dijelovi spremnika za vodu i pipe za vodu se ne smiju prati u perilici.

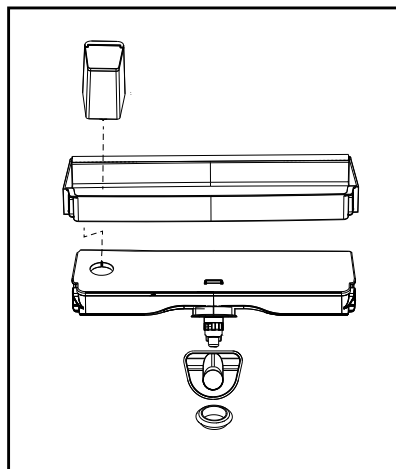
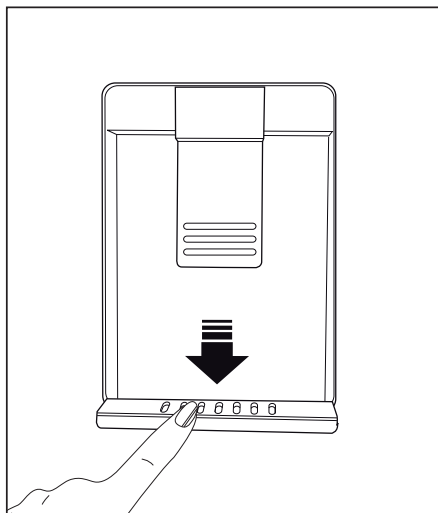


Podloška za kapanje

Voda koja kapa tijekom uporabe pipe za vodu se sakuplja u podloški.

Izvadite plastični filtar kako je prikazano na slici.

Uklonite nakupljenu vodu čistom i suhom krpom.



6 Održavanje i čišćenje

- ⚠ Nikada za čišćenje nemojte koristiti benzin ili slične materijale.
- ⚠ Savjetujemo da isključite uređaj iz struje prije čišćenja.
- ⓘ Nikada za čišćenje nemojte koristiti oštre predmete ili abrazivne tvari, sapun, tekućinu za čišćenje kućanstva, deterdžent ili vosak za poliranje.
- ⓘ Za proizvode koji nisu No Frost mogu se javiti kapljice vode i led debljine prsta na stražnjoj strani odjeljka hladnjaka. Nemojte čistiti proizvod; nikada nemojte upotrebljavati ulje i slična sredstva na njemu.
- ⓘ Upotrebljavajte samo navlažene krpe od mikrovlakana za čišćenje vanjske površine proizvoda. Spužve i druge vrste krpa za čišćenje mogu izgubiti površinu.
- ⓘ Koristite mlaku vodu za čišćenje kutije hladnjaka i osušite ga krpom.
- ⓘ Koristite ocijeđenu vlažnu krpu potopljenu u otopini jedne žličice sode bikarbone na pola litre vode da biste očistili unutrašnjost i osušite je krpom.
- ⚠ Pazite da voda ne uđe u kućište lampe i druge električne dijelove.
- ⚠ Ako se aparat neće koristiti dulje

vrijeme, isključite ga, izvadite svu hranu, očistite ga i ostavite vrata otvorena.

- ⓘ Provjeravajte brtve na vratima redovito da biste bili sigurni da su čisti i da na njima nema komadića hrane.
- ⓘ Da biste skinuli police s vrata, izvadite sav sadržaj i tada jednostavno gurnite policu vrata gore iz osnove.
- ⓘ Nikad ne upotrebljavajte sredstva za čišćenje ili vodu koja sadrži klor za čišćenje vanjskih površina ili kromiranih dijelova proizvoda. Klor uzrokuje koroziju na takvim metalnim površinama.
- ⓘ Ne koristite oštre i abrazivne alate ili sapun, sredstva za čišćenje u kućanstvu, deterdžente, benzin, benzen, vosak i sl. jer u protivnom naljepnice na plastičnom dijelu se mogu odlijepiti te može doći do deformacija. Za čišćenje koristite toplu vodu te osušite mekanom krpom.

Zaštita plastičnih površina

- ⓘ Ne stavljajte tekuće ulje ili jela kuhana na ulju u vaš hladnjak u nezatvorenim posudama jer oni mogu oštetiti plastične površine hladnjaka. U slučaju prolijevanja ili razmazivanja ulja na plastičnim površinama, odmah očistite i isperite odgovarajuće dijelove površine toplom vodom.

7 Preporučena rješenja za probleme

Molimo provjerite popis prije zvanja servisa. To vam može uštedjeti vrijeme i novac. Popis sadrži česte reklamacije koje nisu posljedica oštećenja u proizvodnji ili uporabi. Neke od opisanih mogućnosti možda ne postoje na vašem proizvodu.

Hladnjak ne radi
<ul style="list-style-type: none">• Je li hladnjak pravilno uključen na napajanje? Uključite utikač u utičnicu u zidu.• Je li pregorio osigurač utičnice na koju je priključen vaš hladnjak? Provjerite osigurač.
kondenzacija na bočnoj stijenci odjeljka hladnjaka. (MULTI ZONA, UPRAVLJANJE HLAĐENJEM i FLEKSI ZONA)
<ul style="list-style-type: none">• Jako hladna okolina. Često otvaranje i zatvaranje vrata. Jako vlažna okolina. Čuvanje hrane koja sadrži tekućinu u otvorenim posudama. Ostavljanje vrata odškrinutim.• Prebacivanje termostata na hladniji stupanj.• Smanjivanje vremena kad su vrata otvorena ili rjeđa uporaba.• Prekrivanje hrane spremljene u otvorenim posudama odgovarajućim materijalom.• Obrišite kondenzat pomoću suhe krpe i provjerite ukoliko se i dalje javlja.
Kompresor ne radi
<ul style="list-style-type: none">• Zaštitni termički dio kompresora će pregoriti tijekom naglih nestanaka el. energije ili isključivanja priključaka jer tlak rashladnog sredstva u sustavu za hlađenje hladnjaka nije još izbalansiran.• Vaš hladnjak će početi s radom otprilike nakon 6 minuta. Molimo nazovite servis ako se vaš hladnjak ne uključi na kraju ovog razdoblja.• Hladnjak je u ciklusu odmrzavanja. To je normalno za hladnjak s potpuno automatskim odmrzavanjem. Ciklus za odmrzavanje se događa periodički.• Vaš hladnjak nije uključen u utičnicu. Pazite da je utikač dobro utaknut u zidnu utičnicu.• Je li temperatura pravilno postavljena? Došlo je do nestanka struje. Zovite vašeg dobavljača el.energije.

Hladnjak radi često ili dugotrajno.

- Vaš novi hladnjak je možda širi od prethodnog. To je u potpunosti normalno. Veći hladnjaci rade dulje.
- Sobna temperatura je možda visoka. To je potpuno normalno.
- Hladnjak je možda nedavno priključen na el.energiju ili je možda napunjen hranom. Potpuno hlađenje hladnjaka može trajati nekoliko sati dulje.
- Možda su nedavno u hladnjak stavljene velike količine tople hrane. Topla hrana uzrokuje dulji rad hladnjaka dok ne dostigne sigurnu temperaturu za čuvanje.
- Vrata su možda često otvarana ili ostavljena odškrinuta dulje vrijeme. Topli zrak koji je ušao u hladnjak uzrokuje da hladnjak radi dulje vrijeme. Rjeđe otvarajte vrata.
- Vrata škrinje ili hladnjaka su možda bila odškrinuta. Provjerite jesu li vrata čvrsto zatvorena.
- Hladnjak je postavljen na vrlo nisku temperaturu. Prilagodite temperaturu hladnjaka na topliju razinu dok se ne postigne temperatura.
- Brtva vrata hladnjaka ili škrinje može biti prljava, pohabana, oštećena ili nije dobro sjela. Očistite ili zamijenite brtvu. Oštećena/pokidana brtva uzrokuje dulji rad hladnjaka da bi se održala trenutna temperatura.

Temperatura hladnjaka je vrlo niska dok je temperatura frižidera dovoljna.

- Temperatura hladnjaka je postavljena na vrlo nisku temperaturu. Prilagodite temperaturu hladnjaka na topliji stupanj i provjerite.

Temperatura frižidera je vrlo niska dok je temperatura hladnjaka dovoljna.

- Temperatura hladnjaka je postavljena na vrlo nisku temperaturu. Prilagodite temperaturu hladnjaka na topliji stupanj i provjerite.

Hrana koja se čuva i ladicama hladnjaka se smrzava.

- Temperatura hladnjaka je postavljena na vrlo nisku temperaturu. Prilagodite temperaturu hladnjaka na topliji stupanj i provjerite.

Temperatura u hladnjaku ili škrinji je previsoka.

- Temperatura hladnjaka je postavljena na vrlo visoku temperaturu. Prilagođavanje hladnjaka ima utjecaja na temperaturu škrinje. Mijenjajte temperaturu hladnjaka ili škrinje dok temperatura hladnjaka ili škrinje ne dosegne dovoljnu razinu.
- Možda su vrata odškrinuta. Zatvorite vrata do kraja.
- Možda su nedavno u hladnjak stavljene velike količine tople hrane. Čekajte dok hladnjak ili škrinja ne dosegnu željenu temperaturu.
- Hladnjak je možda uključen nedavno. Potpuno hlađenje hladnjaka može potrajati zbog veličine.

Iz hladnjaka dolazi buka slična sekundama oja se čuje iz analognog sata.
<ul style="list-style-type: none"> Ova buka dolazi iz elektromagnetskog ventila hladnjaka. Elektromagnetski ventil služi osiguravanju prolaska rashladnog sredstva kroz odjeljak koji se može prilagoditi temperaturama hlađenja ili zamrzavanja i obavljanja funkcija hlađenja. to je normalno i nije uzrok kvara.
Buka tijekom rada se povećava kad hladnjak radi.
<ul style="list-style-type: none"> Radne performanse hladnjaka se mogu promijeniti ovisno o promjenama sobne temperature. To je normalno i ne predstavlja kvar.
Vibracije ili buka.
<ul style="list-style-type: none"> Pod nije ravan ili je slab. Hladnjak se njiše kad se polako pomiče. Pazite da je pod ravan, jak i da može nositi hladnjak. Buka može biti uzrokovana predmetima koji se nalaze na hladnjaku. Takvi predmeti se moraju ukloniti s hladnjaka.
Čuje se buka poput prolivanja tekućine ili špricanja.
<ul style="list-style-type: none"> Protok tekućine i plinova se događa u skladu s radnim principima vašeg hladnjaka. To je normalno i ne predstavlja kvar.
Čuje se buka poput puhanja vjetra.
<ul style="list-style-type: none"> Aktivatori zraka (ventilatori) se koriste da bi se hladnjak učinkovito hladio. To je normalno i ne predstavlja kvar.
Kondenzacija na unutarnjim stjenkama hladnjaka.
<ul style="list-style-type: none"> Toplo i vlažno vrijeme povećava nastanak leda i kondenziranje. To je normalno i ne predstavlja kvar. Vrata su odškrinuta. Pazite da su vrata zatvorena do kraja. Vrata su možda često otvarana ili su dulje vrijeme bila otvorena. Rjeđe otvarajte vrata.
Vlaga se pojavljuje na vanjskom dijelu hladnjaka ili između vrata.
<ul style="list-style-type: none"> Možda je vlažno vrijeme. To je potpuno normalno kod vlažnog vremena. Kad je vlažnost manja, kondenzat će nestati.
Neugodan miris unutar hladnjaka.
<ul style="list-style-type: none"> Mora se očistiti unutrašnjost hladnjaka. Očistite unutrašnjost hladnjaka spužvom, toplom ili gaziranom vodom. Neugodan miris možda uzrokuju neke posude ili materijali pakiranja. Koristite neku drugu posudu ili drugačiju marku materijala za pakiranje.

Vrata se ne zatvaraju.

- Paketi hrane možda sprječavaju zatvaranje vrata. Uklonite pakete hrane koji smetaju vratima.
- Hladnjak vjerojatno nije potpuno okomit prema podu i možda se njiše kad se lagano pomiče. Prilagodite vijke za podizanje.
- Pod nije ravan ili jak. Pazite da je pod ravan i da može nositi hladnjak.

Odjeljci za voće i povrće su zaglavljani.

- Hrana možda dodiruje vrh ladice. Presložite hranu u ladici.

Ako je površina proizvoda vruća

- Visoke temperature mogu se pojaviti između dvaju vrata, na bočnim pločama i na stražnjem dijelu roštilja prilikom rada proizvoda. To je normalno i ne zahtijeva servisiranje!

ODRICANJE OD ODGOVORNOSTI / UPOZORENJE

Neke (jednostavne) kvarove može riješiti sam krajnji korisnik bez ikakvih sigurnosnih problema ili opasnosti koje mogu iskrsnuti uz uvjet da je to obavljeno u granicama i u skladu sa sljedećim uputama (pogledajte dio „Samopomoć“).

Stoga, osim ako nije drukčije određeno u donjem dijelu „Samopomoći“ popravke trebaju obaviti registrirani stručni servisi kako bi se izbjegli problemi sa sigurnosti. Registrirani stručni servis je stručni servis kojem je proizvođač odobrio pristup uputama i popisu rezervnih dijelova za ovaj proizvod u skladu s metodama opisanim u zakonskim aktima u skladu s Direktivom 2009/125/EC.

Međutim, samo servisni zastupnik (tj. ovlašteni stručni servisi) kojeg možete kontaktirati na telefonski broj naveden u korisničkom priručniku/jamstvenom listu ili ovlašteni zastupnik mogu obaviti servis u skladu s uvjetima jamstva. Stoga, upozoravamo vas kako će popravci koje su obavili stručni servisi (koje nije ovlastila tvrtka Beko) poništiti jamstvo.

Samopomoć

Samopopravak može obaviti krajnji korisnik za sljedeće zamjenjive dijelove: ručke na vratima, šarke vrata, ladice, košare i brtva na vratima (ažurirani popis dostupan je na support.beko.com od 01. ožujka 2021.)

Pored toga, kako bi se osigurala sigurnost proizvoda i spriječila opasnost od teških ozljeda, spomenuta samopomoć treba se obaviti pridržavajući se uputa u korisničkom priručniku za samopomoć

ili onih dostupnih na support.beko.com. Zbog vaše sigurnosti, isključite proizvod iz strujne mreže prije početka obavljanja bilo kakve samopomoći.

Popravak i pokušaj popravka koje obavljaju krajnji korisnici za dijelove koji nisu uključeni na popis i/ili ako se ne pridržavaju uputa u korisničkom priručniku ili onih dostupnih na support.beko.com, mogu izazvati sigurnosne probleme koji se ne mogu pripisati Beko te koji će poništiti jamstvo proizvoda.

Stoga, izričito se preporučuje da se krajnji korisnici suzdrže od pokušaja popravka koji ne uključuje spomenuti popis rezervnih dijelova te da u tom slučaju kontaktiraju ovlaštene stručne servise ili registrirane stručne servise. U suprotnom, takvi pokušaji koje poduzmu krajnji korisnici mogu izazvati sigurnosne probleme i oštetiti proizvod te posljedično izazvati požar, poplavu, smrt zbog strujnog udara i teške tjelesne ozljede.

Na primjer, ali se ne ograničavajući na to, sljedeće popravke moraju obaviti ovlašteni profesionalni servisi ili registrirani profesionalni servisi: kompresor, rashladni sklop, matična ploča, inverter ploča, ploča zaslona, itd.

Proizvođač/prodavač neće se smatrati odgovornim u slučaju da krajnji korisnici ne poštuju gore navedeno.

Dostupnost rezervnih dijelova za hladnjaka koju ste kupili je 10 godina. Tijekom ovog razdoblja originalni rezervni dijelovi bit će dostupni za ispravan rad hladnjaka.

Minimalno trajanje jamstva hladnjaka kojeg ste kupili je 24 mjeseca.
Ovaj proizvod opremljen je izvorom osvjetljenja energetske klase „G“.
Izvor osvjetljenja u ovom proizvodu smiju zamijeniti samo stručni serviseri.