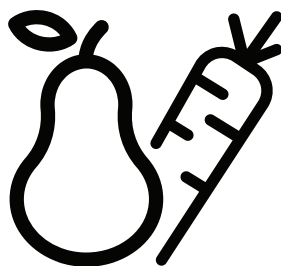




Refrigerator
User manual

Réfrigérateur
Manuel d'utilisation



RCNE560E40ZLXPHUN

EN / FR



RECYCLED &
RECYCLABLE PAPER



PAPIER ENTièrement
RECYCLÉ ET RECYCLABLE

Dear Customer,
Please read this user manual before using the product.

Thank you for preferring this product. We hope that you get the best results from your product which has been manufactured with high quality and state-of-the-art technology. Therefore, please read this entire user manual and all other accompanying documents before using the product.

Follow all warnings and information in the user manual. Thus, you can protect yourself and your product against potential dangers.

Keep the user manual. If you handover the product to someone else, give the user manual as well.

The following symbols are used throughout this user manual:



Danger that may result in death or injury.

NOTICE Danger that may result in damage to the product or its surroundings.



Important information or useful hints about usage.



Read the user manual.



UV radiation hazard.



INFORMATION



ENERGY



SUPPLIER'S NAME

MODEL IDENTIFIER → (*)

A

A


The model information as stored in the product data base can be reached by entering following website and searching for your model identifier (*) found on energy label.


<https://eprel.ec.europa.eu/>


1- Safety Instructions	4	6.17 Drip tray	25
⚠ 1.1 Intended Use	4	6.18 HerbBox/HerbFresh	25
⚠ 1.2 - Safety for children, vulnerable persons and pets.	4	6.19 Operation recommendations for the Hygiene Compartment:	26
⚠ 1.3 - Electrical safety	5	6.20 Deodoriser Module	27
⚠ 1.4 - Transportation safety	5	6.21 Freezing fresh food	28
⚠ 1.5 - Installation safety	5	6.22 Recommendations for storing frozen foods	28
⚠ 1.6- Operational safety	6	6.23 Deep freezer details	29
⚠ 1.7- Maintenance and cleaning safety ..	8	6.24 Placing the food	29
⚠ 1.8- HomeWhiz	9	6.25 Door open alert	29
⚠ 1.9- Lighting	9	6.26 Changing the opening direction of the door	29
⚠ 1.10- UV-C radiation safety	9	6.27 Interior light	29
2 Environment instructions	11	7 Care and Cleaning	30
3 Your Refrigerator	12	7.1 Avoiding Bad Odours	30
4 Installation	13	7.2 Protection of plastic surfaces	30
4.1 Right place for installation	13	7.3 Cleaning the Inner Surface	30
4.2 Adjusting the stands	13	7.4 Stainless Steel Outer Surfaces	31
4.3 Power connection	14	7.5 Cleaning Products with Glass Doors	31
4.4 Attaching the plastic wedges	14	7 Care and Cleaning	31
5 Preparation	15	8 Troubleshooting	32
5.1 What to do for energy saving	15		
5.2 First Use	15		
6 Operation of the product	16		
6.1 Blue light/HarvestFresh	19		
6.2 Hygiene Compartment	19		
6.3 Ice bucket	20		
6.4 Eggholder	20		
6.5 Fan	20		
6.6 Vegetable bin	20		
6.7 Zero degree compartment	20		
6.8 Moving door rack	21		
6.9 Sliding storage box	21		
6.10 Moisture controlled vegetable bin	21		
6.11 Deodoriser Module	22		
6.12 Automatic ice machine	22		
6.13 Icematic and ice storage container	23		
6.14 Using the water dispenser	23		
6.15 Filling the water dispenser's tank	24		
6.16 Cleaning the water tank	25		


1 Safety Instructions

- This section contains safety instructions that will help get protected against risks of personal injury or property damage.
- Our company shall not be responsible for damages that may arise when these instructions are not followed.

 Installation and repair procedures must always be performed by the manufacturer, authorised service agent or a qualified person specified by the importer.

 Only use original parts and accessories.

 Do not repair or replace any part of the product unless specified expressly in the user manual.

 Do not make any technical modifications to the product.

1.1. Intended Use

- This product is not suitable for commercial use and it must not be used out of its intended use.

This product is designed to be used in houses and indoor places.

For example:

- Personnel kitchens in stores, offices and other working environments,
- Farm houses,
- Areas used by customers at hotels, motels and other types of accommodation,
- Bed&breakfast type hotels, boardinghouses,
- Catering and similar non-retail applications.

This product should not be used outdoors with or without a tent above it such as boats, balconies or terraces. Do not expose the product to rain, snow, sun or wind.

There is the risk of fire!

1.2. Safety for children, vulnerable persons and pets

- This product can be used by children 8 years of age and older as long as they are supervised or trained about the safe use and hazards of the product; it is not intended for use by persons who are underdeveloped in physical, sensory or mental skills, or who lack of experience and knowledge.
- Children aged from 3 to 8 years are allowed to load and unload refrigerating products.
- Electrical products are dangerous for children and pets. Children and pets must not play with, climb or enter the product.
- Cleaning and user maintenance should not be performed by children unless they are supervised by someone.
- Keep packaging materials away from children. There is the risk of injury and suffocation!
- Before disposing of the old or obsolete product:
 1. Unplug the product by gripping from the plug.
 2. Cut the power cable and remove it from the appliance together with its plug
 3. Do not remove the shelves or drawers so that it is harder for children to enter the product.
 4. Remove the doors.
 5. Keep the product in a way that it will not tip over.
 6. Do not allow children play with the old product.
- Never throw the product into fire for disposal. There is the risk of explosion!
- If there is a lock on the door of the product, the key should be kept out of the reach of children.

Safety instructions



1.3. Electrical safety

- The product must be unplugged during installation, maintenance, cleaning, repairing and moving procedures.
- If the power cable is damaged, it must be replaced by a qualified person specified by the manufacturer, authorised service agent or importer in order to avoid potential dangers.
- Do not squeeze the power cable under or behind the product. Do not place heavy objects on the power cable. Power cable must not be bent excessively, pinched or get in contact with any heat source.
- Do not use extension cords, multi-sockets or adapters to operate the product.
- Portable multi-sockets or portable power sources can overheat and cause fire. Therefore, do not keep any multi-sockets behind or near the product.
- Plug must be easily accessible. If this is not possible, the electrical installation to which the product is connected must contain a device (such as a fuse, switch, circuit breaker, etc.) which conforms to the electrical regulations and disconnects all poles from the grid.
- Do not touch the power plug with wet hands.
- Remove the plug from the socket by gripping the plug and not the cable.



1.4. Transportation safety

- Product is heavy; do not move it alone.
- Do not hold its door when moving the product.
- Pay attention not to damage the cooling system or the piping during transportation. If the piping is damaged, do not operate the product and call the authorised service agent.



1.5. Installation safety

- Call the authorised service agent for installation of the product. To make the product ready for use, check the information in the user manual to make sure that the electricity and water installations are suitable. If they are not, call a qualified electrician and plumber to have the necessary arrangements made. Otherwise, there is the risk of electric shock, fire, problems with the product, or injury!
- Prior to installation, check if the product has any defects on it. If the product is damaged, do not have it installed.
- Place the product on a clean, flat and solid surface and balance it with adjustable feet. Otherwise, the product may tip over and cause injuries.
- The installation location must be dry and well ventilated. Do not place carpets, rugs or similar covers under the product. Insufficient ventilation causes the risk of fire!

Safety instructions

- Do not cover or block the ventilation openings. Otherwise, power consumption increases and your product may get damaged.
- Product must not be connected to supply systems such as solar power supplies. Otherwise, your product may get damaged due to sudden voltage changes!
- The more refrigerant a refrigerator contains, the larger the installation location must be. If the installation location is too small, flammable refrigerant and air mixture will accumulate in cases of refrigerant leakage in cooling system. The required space for each 8 gr of refrigerant is 1 m³ minimum. The amount of refrigerant in your product is indicated on the Type Label.
- Product must not be installed in places exposed to direct sunlight and it must be kept away from heat sources such as hobs, radiators, etc.

If it is inevitable to install the product close to a heat source, a suitable insulation plate must be used in between and the following minimum distances must be kept to the heat source:

- Minimum 30 cm away from heat sources such as hobs, ovens, heater units or stoves,

- Minimum 5 cm away from electric ovens.

- Protection class of your product is Type I. Plug the product in a grounded socket that conforms the voltage, current and frequency values stated on the type label of the product. The socket must be equipped with a 10 A - 16 A circuit

breaker. Our company shall not be liable for any damages that will arise when the product is used without grounding and electrical connection in accordance with the local and national regulations.

- Product must not be plugged in during installation. Otherwise, there is the risk of electric shock and injury!
- Do not plug the product in sockets that are loose, dislocated, broken, dirty, greasy or bear the risk of getting in contact with water.
- Route the power cable and hoses (if any) of the product in a way that they do not cause risk of tripping over.
- Exposing the live parts or power cable to humidity may cause short circuit. Therefore, do not install the product in places such as garages or laundry rooms where humidity is high or water may splash. If the refrigerator gets wet with water, unplug it and call the authorised service agent.
- Never connect your refrigerator to energy saving devices. Such systems are harmful to your product.

1.6. Operational safety

- Never use chemical solvents on the product. There is the risk of explosion!
- If the product malfunctions, unplug it and do not operate until it is repaired by the authorised service agent. There is the risk of electric shock!

Safety instructions

- Do not place flame sources (lit candles, cigarettes, etc.) on or close to the product.
- Do not climb on the product. There is the risk of falling and getting injured!
- Do not damage the pipes of the cooling system with sharp or penetrating objects. The refrigerant that might come out when the refrigerant pipes, pipe extensions or surface coatings are punctured causes skin irritations and eye injuries.
- Unless recommended by the manufacturer, do not place or use electrical devices inside the refrigerator/deep freezer.
- Be careful not to trap your hands or any other part of your body in the moving parts inside the refrigerator. Pay attention not to squeeze your fingers between the door and the refrigerator. Be careful when opening and closing the door particularly if there are children around.
- Never eat ice cream, ice cubes or frozen food right after removing them from the refrigerator. There is the risk of frostbite!
- When your hands are wet, do not touch the inner walls or metal parts of the freezer or the food stored therein. There is the risk of frostbite!
- Do not place tins or bottles that contain carbonated drinks or freezable liquids in the freezer compartment. Tins and bottles may burst. There is the risk of injury and material damage!
- Do not place or use flammable sprays, flammable materials, dry ice, chemical substances or similar heat-sensitive materials near the refrigerator. There is the risk of fire and explosion!
- Do not store explosive materials that contain flammable materials, such as aerosol cans, in your product.
- Do not place containers filled with liquid onto the product. Splashing water on an electrical part may cause electric shock or the risk of fire.
- This product is not intended for storing medicines, blood plasma, laboratory preparations or similar medical substances and products subject to Medical Products Directive.
- Using the product against its intended purpose may cause the products stored inside it to deteriorate or spoil.
- If your refrigerator is equipped with blue light, do not look at this light with optical tools. Do not stare at UV LED lamp directly for a long time. Ultraviolet light may cause eye strain.
- Do not overload the product. Objects in the refrigerator may fall down when the door is opened, causing injury or damage. Similar problems may arise if any object is placed onto the product.
- To avoid injuries, make sure that you have cleaned all the ice and water that may have fallen or splashed on the floor.

Safety instructions

- Change the position of the shelves/bottle holders on the door of your refrigerator only when they are empty. There is the risk of injury!
- Do not place objects that can fall down/tip over onto the product. Such objects may fall down when the door is opened and cause injuries and/or material damage.
- Do not hit or exert excessive force on glass surfaces. Broken glass may cause injuries and/or material damage.
- Cooling system of your product contains R600a refrigerant: Type of the refrigerant used in the product is indicated on the type label. This refrigerant is flammable. Therefore, pay attention not to damage the cooling system or the piping while the product is in use. If the piping is damaged:
 - Do not touch the product or the power cable,
 - Keep away potential sources of fire that may cause the product to catch fire.
 - Ventilate the area where the product is located. Do not use fans.
 - Call the authorised service agent.
- If the product is damaged and you see refrigerant leak, please stay away from the refrigerant. Refrigerant may cause frostbite in case of skin contact.

For products with a Water Dispenser/Ice Machine

- Use only potable water. Do not fill the water tank with any liquids -such as fruit juice, milk, carbonated beverages or alcoholic drinks- that are not suitable for use in the water dispenser.
- There is the risk for health and safety!
- Do not allow children play with the water dispenser or ice machine (Icematic) in order to prevent accidents or injuries.
- Do not insert your fingers or other objects into the water dispenser hole, water channel or ice machine container. There is the risk of injury or material damage!

1.7.Maintenance and cleaning safety

- Do not pull from the door handle if you need to move the product for cleaning purposes. Handle may break and cause injuries if you exert excessive force on it.
- Do not spray or pour water on or inside the product for cleaning purposes. There is the risk of fire and electric shock!
- Do not use sharp or abrasive tools when cleaning the product. Do not use household cleaning products, detergent, gas, gasoline, thinner, alcohol, varnish etc.
- Only use cleaning and maintenance products inside the product that are not harmful for food.

Safety instructions

- Never use steam or steam assisted cleaners to clean or defrost the product. Steam gets into contact with the live parts in your refrigerator, causing short circuit or electric shock!
- Make sure that no water enters the electronic circuits or lighting elements of the product.
- Use a clean and dry cloth to wipe the foreign materials or dust on the pins of the plug. Do not use a wet or damp cloth to clean the plug. There is the risk of fire and electric shock!

1.8. HomeWhiz

- When you operate your product through HomeWhiz application, you must observe the safety warnings even when you are away from the product. You must also follow the warnings in the application.

1.9. Lighting

- Call the authorised service when it is required to replace the LED/bulb used for lighting.



1.10. UV-C radiation safety

- Do not remove the UV-C lamp protection glass.
- Do not operate the product without UV-C lamp protection glass.
- This product contains a lamp that radiates UV-C rays. Do not look directly into the light source.
- When cleaning the compartment containing the UV-C lamp, pull the plug from the socket.
- Do not use a product with any damage to the protection glass under any circumstances.

- Disable the UV-C feature from the display control panel while replacing the UV-C lamp with the help of an authorized service.
- Never remove the “Ultraviolet Radiation Hazard” label on the hygiene compartment that contains the UV-C lamps.
- Using the product outside of its intended use or damage to the UV-C lamp protection glass or its surroundings may result in hazardous UV-C radiation. UV-C radiation may cause injury to the eyes and the skin even at low doses! Do not operate a damaged product!
- If the UV-C symbol starts to flash when the hygiene function is activated, this indicates that the half life of the lamps have been reached and that their effectiveness is reduced. We recommend you to replace the UV-C lamps when you observe this warning. UV-C lamps are replaced together with the tray they are contained in. Procurement and installation of the UV-C tray shall be performed via the authorized services.



Safety instructions

	WARNING: UV-C radiation is harmful to eyes and skin. Do not use UV-C lamps out of the product !
	WARNING: UV-C lamps are not allowed to be replaced by the user. Ask for the support of the authorized service when the service life of the UV-C lamps expires !

1.11. Technical information for Wifi + Bluetooth

Frequency Band:	2.4GHz (Wi-fi or bluetooth operational)
Max. Transmission Power:	< 100mW (Wi-fi or bluetooth operational)
Software information:	Quartz_WiFi.XXX

Conformity Declaration for CE:

Arçelik A.Ş. hereby declares that this appliance complies with Directive 2014/53/EU.

The complete text of the EU declaration of conformity is available in the following internet address: Products, From: support.beko.com

The defined cybersecurity-related software update support period of the product is the warranty period of the product. After this period, cybersecurity-related software updates are not guaranteed.

2 Environment instructions

2.1 Compliance with the WEEE Directive and Disposing of the Waste Product:

This product complies with EU WEEE Directive (2012/19/EU). This product bears a classification symbol for waste electrical and electronic equipment (WEEE).



This symbol indicates that this product shall not be disposed with other household wastes at the end of its service life. Used device must be returned to official collection

point for recycling of electrical and electronic devices. To find these collection systems please contact to your local authorities or retailer where the product was purchased. Each household performs important role in recovering and recycling of old appliance. Appropriate disposal of used appliance helps prevent potential negative consequences for the environment and human health.

2.2 Compliance with RoHS Directive

The product you have purchased complies with EU RoHS Directive (2011/65/EU). It does not contain harmful and prohibited materials specified in the Directive.

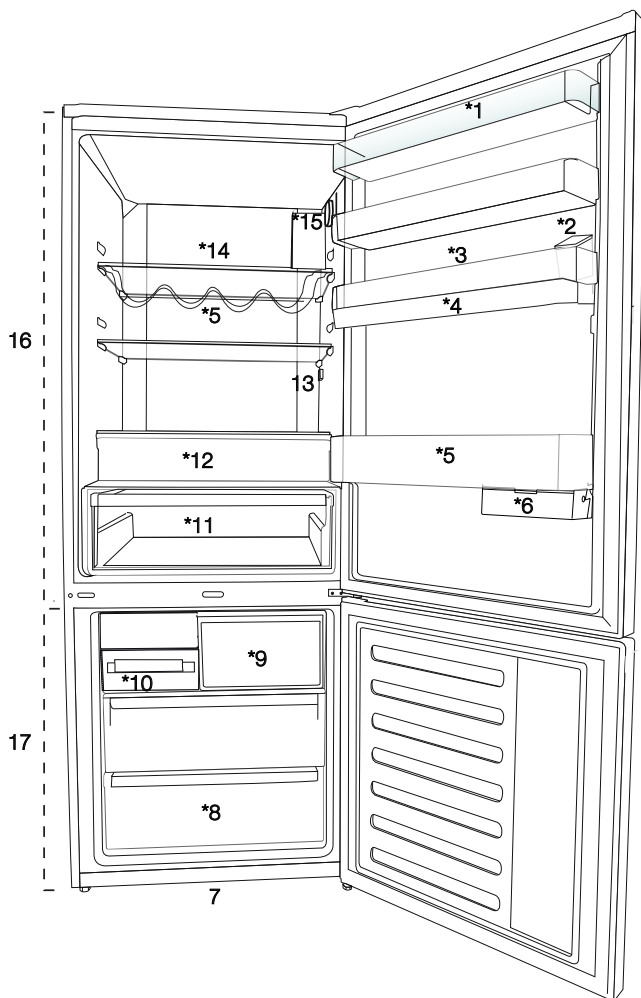
2.3 Package information



Packaging materials of the product are manufactured from recyclable materials in accordance with our National Environment Regulations.

Do not dispose of the packaging materials together with the domestic or other wastes. Take them to the packaging material collection points designated by the local authorities.

3 Your Refrigerator



1. Cooler compartment door shelf
2. Water dispenser filling tank
3. Egg section
4. Water dispenser reservoir
5. Bottle shelf
6. Sliding storage box
7. Adjustable legs
8. Deep freezer compartment
9. Quick freeze compartment
10. Ice cube tray & Ice bank
11. Vegetable bin
12. Hygiene Compartment (UV- C Lamps)
13. Interior light
14. Cooler compartment glass shelf
15. Temperature adjustment button
16. Cooler compartment
17. Freezer compartment

May not be available in all models






***optional:** Pictures given in this manual are given as example figures and they may not be exactly the same as your product. If your product does not comprise the relevant parts, the information pertains to other models.

4 Installation

 Read the "Safety Instructions" section first!

4.1 Right place for installation

Contact the Authorized Service for the product's installation. To ready the product for installation, see the information in the user guide and make sure the electric and water utilities are as required. If not, call an electrician and plumber to arrange the utilities as necessary.

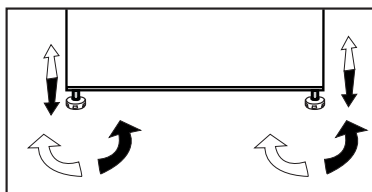
	WARNING: The manufacturer assumes no responsibility for any damage caused by the work carried out by unauthorized persons.
	WARNING: The product's power cable must be unplugged during installation. Failure to do so may result in death or serious injuries!
	WARNING: If the door span is too narrow for the product to pass, remove the door and turn the product sideways; if this does not work, contact the authorized service.

- Place the product on a flat surface to avoid vibration.
- Place the product at least 30 cm away from the heater, stove and similar sources of heat and at least 5 cm away from electric ovens.
- Do not expose the product to direct sunlight or keep in damp environments.
- The product requires adequate air circulation to function efficiently.
- If the product will be placed in an alcove, remember to leave at least 5 cm distance between the product and the ceiling and the walls.
- Do not install the product in environments with temperatures below -5°C .

- Your product requires adequate air circulation to function efficiently. If the product will be placed in an alcove, remember to leave at least 5 cm clearance between the product and the ceiling, rear wall and the side walls.
- If the product will be placed in an alcove, remember to leave at least 5 cm clearance between the product and the ceiling, rear wall and the side walls. Check if the rear wall clearance protection component is present at its location (if provided with the product). If the component is not available, or if it is lost or fallen, position the product so that at least 5 cm clearance shall be left between the rear surface of the product and the wall of the room. The clearance at the rear is important for efficient operation of the product.




4.2 Adjusting the stands

If the product is not in balanced position, adjust the front adjustable stands by rotating right or left.



4 Installation

4.3 Power connection

	WARNING: Do not use extension or multi sockets in power connection.
	WARNING: Damaged power cable must be replaced by Authorized Service.
	When placing two coolers in adjacent position, leave at least 4 cm distance between the two units.

- Our firm will not assume responsibility for any damages due to usage without earthing and power connection in compliance with national regulations.
- The power cable plug must be easily accessible after installation.
- Do not use multi-group plug with or without extension cable between the wall socket and the refrigerator.

Hot Surface Warning!

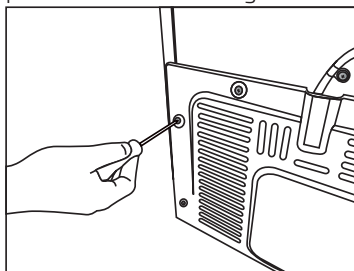
Side walls of your product is equipped with refrigerant pipes to improve the cooling system. Refrigerant with high temperatures may flow through these areas, resulting in hot surfaces on the side walls. This is normal and does not need any servicing. Please pay attention while touching these areas.



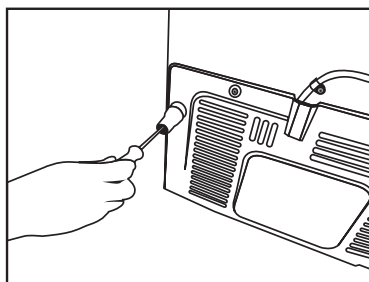
4.4 Attaching the plastic wedges

Use the plastic wedges in the provided with the product to provide sufficient space for air circulation between the product and the wall.

1. To attach the wedges, remove the screws on the product and use the screws provided with the wedges.



2. Attach 2 plastic wedges on the ventilation cover shown as j in the figure.




5

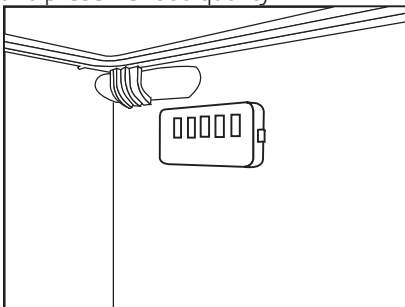
Preparation

 Read the "Safety Instructions" section first!

5.1 What to do for energy saving

 Connecting the product to electronic energy-saving systems is harmful, as it may damage the product.

- For a freestanding appliance; 'this refrigerating appliance is not intended to be used as a built-in appliance';
- Do not keep the refrigerator doors open for long periods.
- Do not place hot food or beverages into the refrigerator.
- Do not overfill the refrigerator; blocking the internal air flow will reduce cooling capacity.
- In order to store the maximum amount of food into the cooler compartment of your refrigerator, you should take out the upper drawers and place it onto the glass rack. The declared energy consumption of your refrigerator was determined by taking out the cooler, ice tray and upper drawers in a way that will enable maximum storage. Using the below drawer when storing is strongly recommended. Energy saving function should be activated for best energy consumption.
- You should not block the airflow by putting food in front of the cooler fan. A space of minimum 3cm must be left in front of the protective fan wire when placing food.
- Depending on the product's features; defrosting frozen foods in the cooler compartment will ensure energy saving and preserve food quality.




- Food should be stored using the drawers in the cooler compartment in order to ensure energy saving and protect food in better conditions.
- Food packages should not be in direct contact with the heat sensor located in the cooler compartment. If they are in contact with the sensor, energy consumption of the appliance might increase.
- Make sure the foods are not in contact with the cooler compartment temperature sensor described below.
- Since hot and humid air will not directly penetrate into your product when the doors are not opened, your product will optimize itself in conditions sufficient to protect your food. Functions and components such as compressor, fan, heater, defrost, lighting, display and so on will operate according to the needs to consume minimum energy under these circumstances.


5.2 First Use

Before using your refrigerator, make sure the necessary preparations are made in line with the instructions in "Safety and environment instructions" and "Installation" sections.

- Keep the product running with no food inside for 6 and do not open the door, unless absolutely necessary.

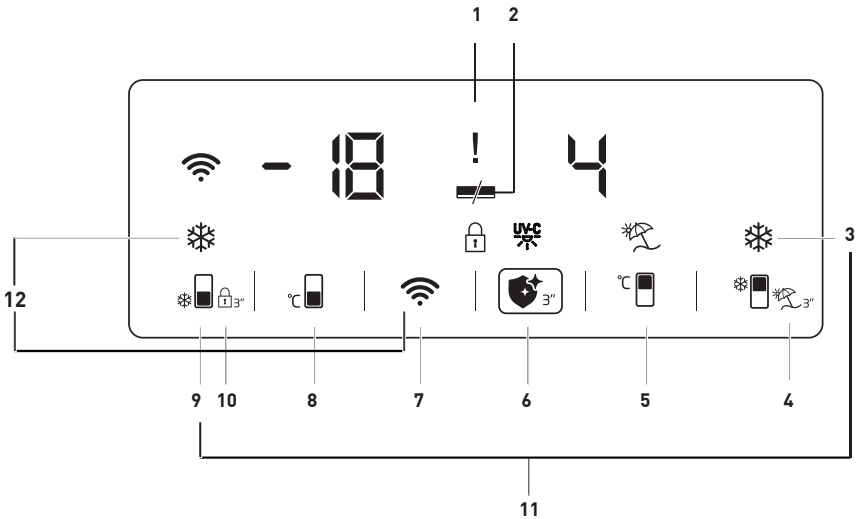
 A sound will be heard when the compressor is engaged. It is normal to hear sound even when the compressor is inactive, due to the compressed liquids and gasses in the cooling system.

 Front edges of the product might heat up. This is normal. These areas are designed to warm up in order to prevent condensation.

 In some models indicator panel turns off automatically 5 minutes after the door closes. It will be reactivated when the door is open or any button is pressed.

6 Operation of the product

⚠ Read the "Safety Instructions" section first!




1. Fault condition indicator
2. Energy saving (display off) indicator
3. Quick cooling key
4. Vacation function key
5. Cooling compartment temperature setting key
6. Hygiene function key
7. Wireless key
8. Freezing compartment temperature setting key
9. Quick freezing key
10. Key lock
11. Temperature unit toggling key
12. Key for resetting wireless connection settings



***optional:** Pictures given in this manual are given as example figures and they may not be exactly the same as your product. If your product does not comprise the relevant parts, the information pertains to other models.


Using the product

1. Fault condition indicator

This indicator () shall be active when your refrigerator cannot perform adequate cooling or in case of any sensor error. When this indicator is active, "E" shall be displayed on the Freezing Compartment temperature indicator and figures such as 1,2,3... shall be displayed on the Cooling compartment temperature indicator. These figures provide information to the authorized service on the error that has occurred.


Exclamation mark may be displayed when you load warm food to the freezing compartment or keep the door open for a long period of time. This is not a fault, this warning shall be removed when the food is cooled.

2. Energy saving (display off) indicator

Energy saving function is enabled automatically and the energy saving symbol is displayed when the door of the product is not opened or closed for some period of time. ()



When the energy saving function is active, all symbols on the screen other than the energy saving symbol shall be turned off. When the energy saving function is active, pressing any key or opening the door shall deactivate the energy saving function and the symbols on the screen shall return to normal. Energy saving function is a factory installed function, it is not possible to deactivate it.

3. Quick cooling key

When the quick cooling function is on, the quick cooling indicator shall light up () and the cooling compartment temperature indicator shall display the value 1. Press the Quick cooling key again to cancel this function. Quick cooling indicator shall turn off and normal settings shall be restored. Quick cooling function shall be automatically cancelled after 1 hours, unless cancelled by the user. To cool a large amount of fresh food,


press the quick cooling key before placing the food in the cooling compartment.

4. Vacation function key



Press the button () for 3 seconds to activate the vacation function, and the vacation mode indicator () shall be turned on. When the vacation function is activated, "- -" shall be displayed on the cooling compartment temperature indicator and no active cooling operation shall be performed on the cooling compartment. You shall not keep your food in the cooling compartment when this function is activated. Other compartments shall be continued to be cooled as per the temperatures set for them.


Press the **vacation function** key again to cancel this function.

5. Cooling compartment temperature setting key

The temperature of the cooling compartment may be set to 8,7,6,5,4,3,2 and 1 respectively when this key is pressed. ()

6. Hygiene function key

Press the button () for 3 seconds to activate the hygiene function, then the hygiene function indicator () shall be turned on. Do not open the door of your product when the hygiene function is activated. If the door of the product is opened while the hygiene function is activated, the hygiene operation shall be stopped until the door is closed. The product shall give an audible warning and end the operation when the hygiene operation is completed. Keep the hygiene function key pressed for 3 seconds to end the hygiene operation before its time set.

If the exclamation mark () is displayed together with the hygiene symbol when you enable the hygiene function, this means that the hygiene lamps are about to expire. Please call the service.

Using the product

7. Wireless key (*optional)

When the key is pressed for a long time (3 seconds), the initialization of the product to the home network shall be started. The wireless network symbol (📶) shall flash with an interval of 0.5 seconds while the connection is established.

When the connection to the home network is successful,

the wireless network symbol shall be illuminated continuously.

When the initial connection is established, you may activate/deactivate the connection with a short press on this key.

The network you have established connection with shall be remembered and the connection shall be established again when the product is turned off and on.

The wireless network symbol shall flash with short intervals (of 0.2 seconds) until the connection is established.

The wireless network symbol shall be illuminated continuously when the connection is active. Check your modem/connection settings if the connection cannot be established for a while.

HomeWhiz application is used as the connection interface. The steps for connection are described in the HomeWhiz QUICK INSTALLATION GUIDE provided with the product. You may refer to the troubleshooting section for the answers to the basic questions.

8. Freezing compartment temperature setting key

This allows temperature setting for the freezing compartment. The temperature of the freezing compartment may be set to -18, -19, -20, -21, -22, -23 and -24 respectively when the (📏) key is pressed.

9. Quick freezing key

Press key no. (9) for quick freezing, and the quick freezing (❄️) indicator shall be activated.

When the quick freeze function is turned on, the quick freeze indicator shall light up and the freezer compartment temperature indicator shall display the value -27. Press

the quick freeze key (❄️) again to cancel this function. Quick freeze indicator shall turn off and return to normal setting. Quick freeze function shall be automatically cancelled after 32 hours, unless cancelled by the user. To freeze a large amount of fresh food, press the quick freeze key before placing the food in the freezer compartment.

10. Key lock

Press the button (🔒) for 3 seconds. The key lock symbol (🔒) shall be activated and the key lock mode shall be activated. The keys cannot be operated when key lock mode is active. For 3 seconds, press the button (🔒). The key lock shall be deactivated. You may use the key lock feature when you want to prevent changes to the temperature setting of the refrigerator.

11. Temperature unit toggling key

When you press the Quick Cooling (❄️) and Quick Freezing (❄️) keys for 3 seconds, you may switch between Fahrenheit and Celsius temperature units.

12. Key for resetting wireless connection settings

When you press the Quick Freezing (❄️) and the wireless network (📶) keys for 3 seconds simultaneously, the wireless connection settings shall be reset.

Using the product

6.1 Blue light/HarvestFresh

*May not be available in all models

For the blue light,

Fruits and vegetables stored in the crispers that are illuminated with a blue light continue their photosynthesis by means of the wavelength effect of blue light and thus preserve their vitamin content.

For HarvestFresh,

Fruits and vegetables stored in crispers illuminated with the HarvestFresh technology preserve their vitamins for a longer time thanks to the blue, green, red lights and dark cycles, which simulate a day cycle.

If you open the door of the refrigerator during the dark period of the HarvestFresh technology, the refrigerator will automatically detect this and enable the blue-green or red light to illuminate the crisper for your convenience. After you have closed the door of the refrigerator, the dark period will continue, representing the night time in a day cycle.

6.2 Hygiene Compartment

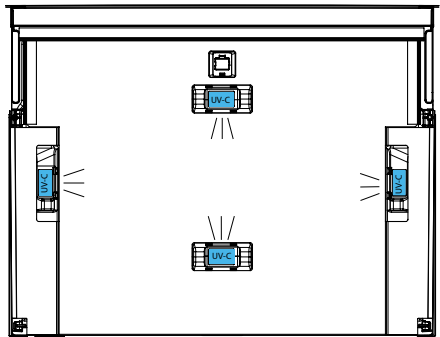
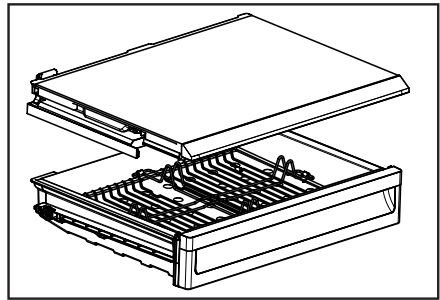
*This feature is optional

1. The UV-C hygiene feature shall not be activated when the wire rack and sheet metal drawer provided inside the hygiene compartment are not present inside the compartment.
2. Activating the hygiene feature when the sheet metal drawer is not present in the hygiene compartment causes deformation of the plastic drawer underneath.
3. Do not try to remove the glass located above the hygiene compartment by applying force.
4. Do not touch, cause impact or apply force on the UV-C fluorescent lamps positioned on the bottom surface of the glass shelf of the hygiene compartment.

5. Do not attempt to remove the glass shelf of the hygiene compartment for your safety. Removal of the rack shall cause disconnection of the electrical components.

6. The light you see when you open the hygiene compartment is not UV-C light. It is the LED lighting.

7. Wipe the metal drawer and the metal sheet under the tray with a damp cloth only.

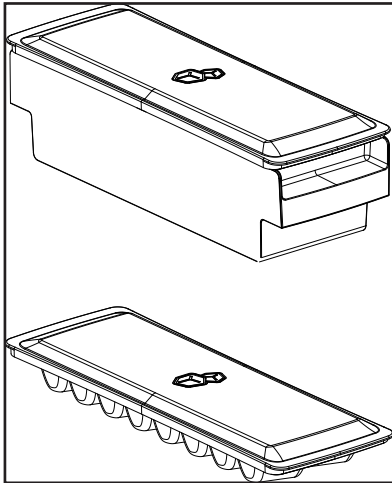


Using the product

6.3 Ice bucket

***May not be available in all models**

- Take the ice bucket from the freezer compartment.
- Fill the ice bucket with water.
- Place the ice bucket into the freezer compartment.
- The ice will be ready after approximately two hours. Take the ice bucket from the freezer compartment and bend it slightly over the holder that you are going to serve. Ice will easily pour into the serving holder.



6.4 Eggholder

You can put the eggholder on the door or body rack of your choice. If you decide to put it on the body rack, it is recommended to prefer the shelves below as they are colder.

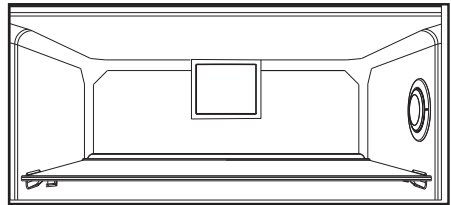


Do not put the eggholder into the freezer compartment.

6.5 Fan

Fan was designed to distribute circulate the cold air inside your refrigerator homogeneously. Operating time of the fan might vary depending the features of your product.

While in some products fan only operates with compressor, in others control system determines the operating time based on the need for cooling.



6.6 Vegetable bin

***May not be available in all models**

Product's vegetable bin is designed to keep vegetables fresh by preserving humidity. For this purpose, the overall cold air circulation is intensified in the vegetable bin.

6.7 Zero degree compartment

***May not be available in all models**

Use this compartment to keep delicatessen at lower temperatures or meat products for immediate consumption.

Zero degree compartment is the coolest place where foods such as dairy products, meat, fish and chicken can be stored in ideal storage conditions. Vegetables and/or fruits should not be stored in this compartment.

Using the product

6.8 Moving door rack

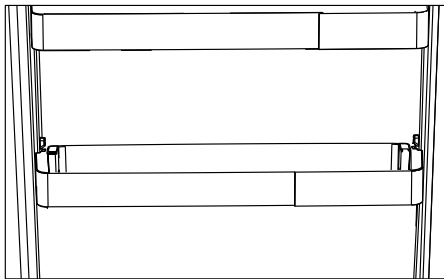
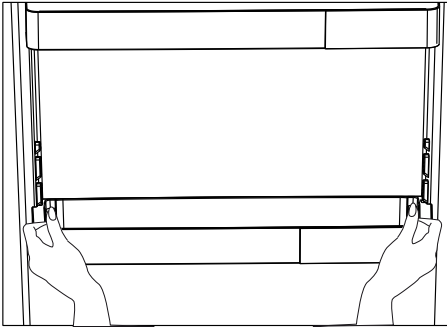
***May not be available in all models**

Moving door rack can be fixed in 3 different positions.

In order to move the rack, push the buttons on the side evenly. Rack will be movable.

Move the rack up or down.

When the rack is in the position that you want, release the buttons. Rack will be fixed again in the position where you have released the buttons.

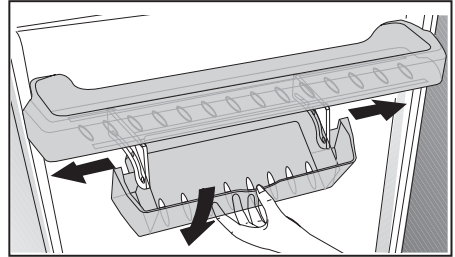


6.9 Sliding storage box

***May not be available in all models**

This accessory has been designed to increase the usage volume of the door racks.

Thanks to its ability to move sideways, it enables you to easily place long bottle, jar or boxes that you put in the bottle rack below.



6.10 Moisture controlled vegetable bin

***May not be available in all models**

With moisture control feature, moisture rates of vegetables and fruits are kept under control and ensures a longer freshness period for foods.

It is recommended to store leafed vegetables such as lettuce and spinach and similar vegetables prone to moisture loss not on their roots but in horizontal position into the vegetable bin as much as possible.

When placing the vegetables, place heavy and hard vegetables at the bottom and light and soft ones on the top, taking into account the specific weights of vegetables.

Do not leave vegetables in the vegetable bin in plastic bags. Leaving them in plastic bags causes vegetables to rot in a short time. In situations where contact with other vegetables is not preferred, use packaging materials such as paper that has a certain porosity in terms of hygiene.

Do not put fruits that have a high ethylene gas production such as pear, apricot, peach and particularly apple in the same vegetable bin with other vegetables and fruits. The ethylene gas coming out of

Using the product

these fruits might cause other vegetables and fruits to mature faster and rot in a shorter period of time.

6.11 Deodoriser Module (FreshGuard)

*May not be available in all models

The deodoriser module quickly eliminates the bad smells in your refrigerator before they permeate the surfaces. Thanks to this module, which is placed on the ceiling of the fresh food compartment, the bad odours dissolve while the air is actively being passed on the odour filter, then the air that has been cleaned by the filter is re-emitted to the fresh food compartment. This way, the unwanted odours that may emerge during the storage of foods in the refrigerator are eliminated before they permeate the surfaces.

This is achieved thanks to the fan, LED and the odour filter integrated into the module. In daily use, the deodoriser module will turn on automatically on a periodic basis. To maintain efficient performance, it is recommended to have the filter in the deodoriser module by the authorised service provider every 5 years. Due to the fan integrated into the module, the noise you will hear during operation is normal. If you open the door of the fresh food compartment while the module is active, the fan will pause temporarily and resume where it has left off after some time the door is closed again. In case of power failure, the deodoriser module will resume where it has left off in the total operation duration once the power is back.

Info: It is recommended to store aromatic foods (such as cheese, olives and delicatessen foods) in their packaging and sealed to avoid bad odours that may result when smells of various foods get mixed. Besides, it is recommended to take spoiled foods out of the refrigerator quickly to prevent the other foods from getting spoiled and avoid bad odours.

6.12 Automatic ice machine

*May not be available in all models

Automatic ice machine enables you to easily make ice in your refrigerator. In order to obtain ice from the ice machine, take out the water tank in the cooler compartment, fill it with water and fix it back.

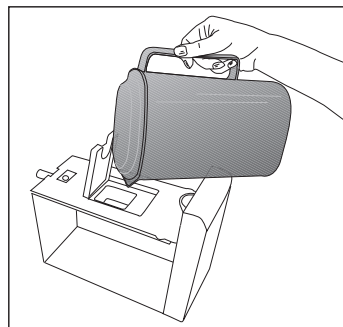
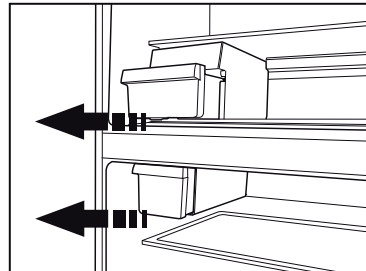
First ice will be ready in about 2 hours in the ice machine drawer in the cooler compartment.

After placing the full water tank, you can obtain about 60-70 cubes of ice until it is fully empty.

If the water in the tank has waited for 2-3 weeks, it should be changed.



In products with automatic ice machine, you might hear a sound when pouring the ice. This sound is normal and is not a sign of failure.



Using the product

6.13 Icematic and ice storage container

***May not be available in all models**

Using the Icematic

Fill the Icematic with water and place it into its seat. Your ice will be ready approximately in two hours. Do not remove the Icematic from its seating to take ice.

Turn the knobs on the ice reservoirs clockwise by 90 degrees.

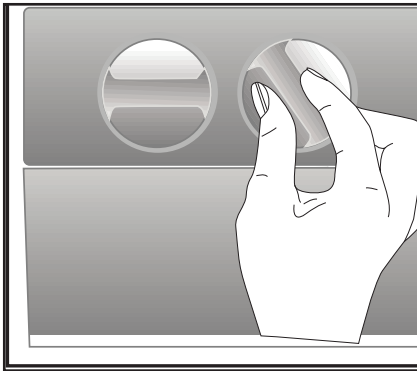
Ice cubes in the reservoirs will fall down into the ice storage container below.

You may take out the ice storage container and serve the ice cubes.

If you wish, you may keep the ice cubes in the ice storage container.

Ice storage container

Ice storage container is only intended for accumulating the ice cubes. Do not put water in it. Otherwise, it will break.



6.14 Using the water dispenser

***May not be available in all models**

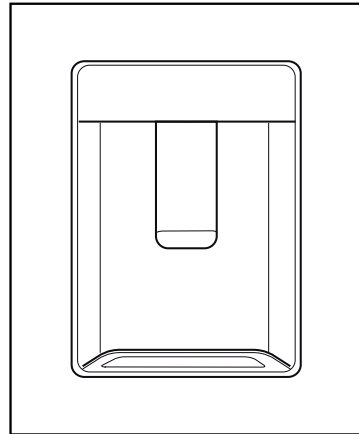


It is normal for the first few glasses of water taken from the dispenser to be warm.

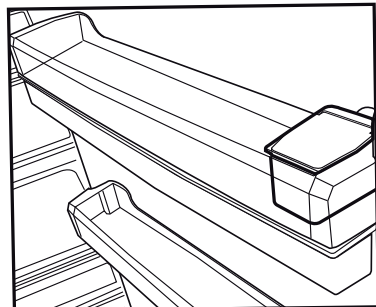


If the water dispenser is not used for a long period of time, dispose of first few glasses of water to obtain fresh water.

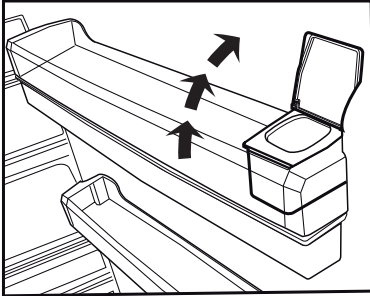
1. Push in the lever of the water dispenser with your glass. If you are using a soft plastic cup, pushing the lever with your hand will be easier.



2. After filling the cup up to the level you want, release the lever.



Using the product

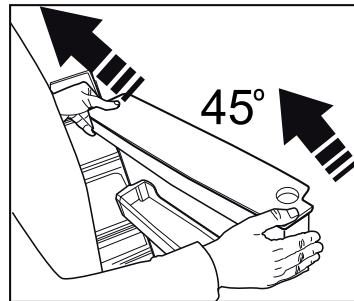
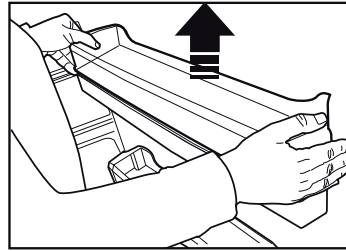
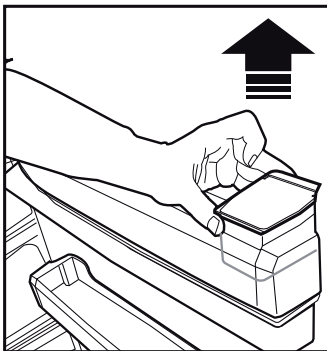


- i** Please note, how much water flows from the dispenser depends on how far you depress the lever. As the level of water in your cup / glass rises, gently reduce the amount of pressure on the lever to avoid overflow. If you slightly press the arm, the water will drip; this is quite normal and not a failure.

6.15 Filling the water dispenser's tank

Water tank filling reservoir is located inside the door rack.

1. Open the cover of the tank.
2. Fill the tank with fresh drinking water.
3. Close the cover.



- i** Do not fill the water tank with any other liquid except for water such as fruit juices, carbonated beverages or alcoholic drinks which are not suitable to use in the water dispenser. Water dispenser will be irreparably damaged if these kinds of liquids are used. Warranty does not cover such usages. Some chemical substances and additives contained in these kinds of drinks/liquids may damage the water tank.

- i** Use clean drinking water only.

- i** Capacity of the water tank is 3 litres; do not overfill.

Using the product

6.16 Cleaning the water tank

1. Remove the water filling reservoir inside the door rack.
2. Remove the door rack by holding from both sides.
3. Grab the water tank from both sides and remove it with an angle of 45°C.
4. Remove the cover of the water tank and clean the tank.

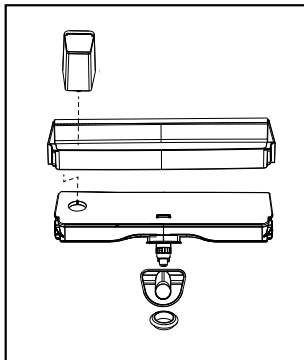
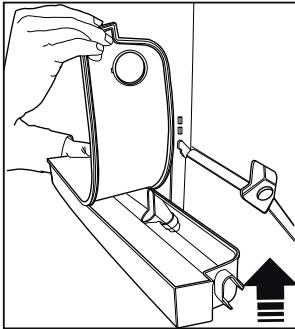


Components of the water tank and water dispenser should not be washed in dishwasher.

6.17 Drip tray

Water that dripped while using the water dispenser accumulates in the spillage tray. Remove the plastic filter as shown in the figure.

With a clean and dry cloth, remove the water that has accumulated.



6.18 HerbBox/HerbFresh

*May not be available in all models

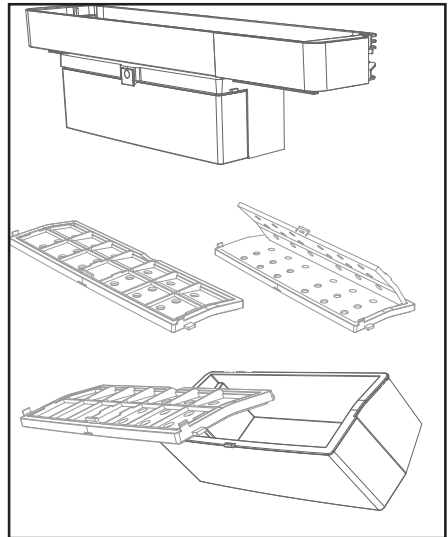
Remove the film container from HerbBox/HerbFresh+

Take the film out of the bag and put it into the film container as shown in the image.

Seal the container again and replace it into HerbBox/HerbFresh+ unit.

HerbBox-HerbFresh+ sections are especially ideal for storage of various herbs that are supposed to be kept in delicate conditions. You can store your unbagged herbs (parsley, dill, etc.) in this section horizontally and keep them fresh for a much longer period.

The film shall be replaced in every six months.

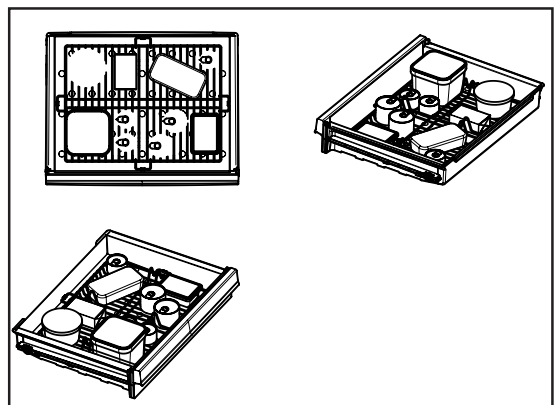


Troubleshooting

6.19 Operation recommendations for the Hygiene Compartment:

*This feature is optional

- While putting the food in this compartment for the purposes of hygienization of the food surface, always put your meat, chicken, fish, milk and dairy products in the compartment by keeping them in their packaging.
- Placing any product other than food in this compartment for hygiene purposes is definitely not suitable.
- If you put the food in the hygiene compartment without removing them from their grocery bag, hygiene shall be provided for the surface of the bag only, and the food packages shall not receive light. Thus, you shall remove the food products from the grocery bag while placing them.
- It is adequate to apply hygiene procedure to the same food only once, and it is not suitable to apply the procedure more than once.
- If the procedure shall not be repeated for other food when the hygiene procedure is completed, we recommend you to store only delicatessen and breakfast food in this compartment. It is not recommended to store vegetables and fruits for a long time in this compartment as the hygiene compartment is colder than other parts of the refrigerator.
- Before activating the hygiene function from the display control panel, it is recommended to put the food previously stored in the hygiene compartment in another area of the refrigerator temporarily. When the hygiene procedure is active, it is recommended to keep the products to be rendered hygienic for the first time only inside the compartment. When the hygiene procedure is completed, you may move the food you have removed back to the compartment.
- For an effective hygiene function, products shall be placed by leaving a distance between them and ensuring that they do not block the light.
- Make sure that food is not placed on each other before activating the hygiene feature.



Using the product

6.20 Deodoriser Module

(FreshGuard)

***May not be available in all models**

The deodoriser module quickly eliminates the bad smells in your refrigerator before they permeate the surfaces. Thanks to this module, which is placed on the ceiling of the fresh food compartment, the bad odours dissolve while the air is actively being passed on the odour filter, then the air that has been cleaned by the filter is re-emitted to the fresh food compartment. This way, the unwanted odours that may emerge during the storage of foods in the refrigerator are eliminated before they permeate the surfaces.

This is achieved thanks to the fan, LED and the odour filter integrated into the module. In daily use, the deodoriser module will turn on automatically on a periodic basis. To maintain efficient performance, it is recommended to have the filter in the deodoriser module by the authorised service provider every 5 years. Due to the fan integrated into the module, the noise you will hear during operation is normal. If you open the door of the fresh food compartment while the module is active, the fan will pause temporarily and resume where it has left off after some time the door is closed again. In case of power failure, the deodoriser module will resume where it has left off in the total operation duration once the power is back.

Info: It is recommended to store aromatic foods (such as cheese, olives and delicatessen foods) in their packaging and sealed to avoid bad odours that may result when smells of various foods get mixed. Besides, it is recommended to take spoiled foods out of the refrigerator quickly to prevent the other foods from getting spoiled and avoid bad odours.

Using the product

6.21 Freezing fresh food

- To preserve food quality, the food items placed in the freezer compartment must be frozen as quickly as possible, use the rapid freezing for this.
- Freezing the food items when fresh will extend the storage time in the freezer compartment.
- Pack the food items in air-tight packs and seal tightly.
- Make sure the food items are packed before putting in the freezer. Use freezer holders, tinfoil and damp-proof paper, plastic bag or similar packaging materials instead of traditional packaging paper.



Ice in the freezing compartment thaws automatically.

- Mark each food pack by writing the date on the package before freezing. This will allow you to determine the freshness of each pack every time the freezer is opened. Keep the earlier food items in the front to ensure they are used first.
- Frozen food items must be used immediately after defrosting and should not be frozen again.
- Do not free large quantities of food at once.

6.22 Recommendations for storing frozen foods

The compartment must be set to at least -18°C .

1. Place the food items in the freezer as quickly as possible to avoid defrosting.
2. Before freezing, check the "Expiry Date" on the package to make sure it is not expired.
3. Make sure the food's packaging is not damaged.

Freezer Compartment Temperature Setting	Cooler Compartment Temperature Setting	Details
-18°C	4°C	This is the default, recommended setting.
$-20, -22$ or -24°C	4°C	These settings are recommended for ambient temperatures exceeding 30°C .
Quick Freeze	4°C	Use when you want to freeze your food in a short time. When the process ends, the product will regain its position.
-18°C or colder	2°C	Use these settings if you believe the cooler compartment is not cold enough due to ambient temperature or frequently opening the door.

Using the product

6.23 Deep freezer details

As per the IEC 62552 standards, the freezer must have the capacity to freeze 4,5 kg of food items at -18°C or lower temperatures in 24 hours for each 100 litres of freezer compartment volume.

Food items can only be preserved for extended periods at or below temperature of -18°C.

You can keep the foods fresh for months (in deep freezer at or below temperatures of 18°C).

The food items to be frozen must not contact the already-frozen food inside to avoid partial defrosting.

Boil the vegetables and filter the water to extend the frozen storage time. Place the food in air-tight packages after filtering and place in the freezer. Bananas, tomatoes, lettuce, celery, boiled eggs, potatoes and similar food items should not be frozen. In case this food rots, only nutritional values and eating qualities will be negatively affected. A rotting threatening human health is not in question.

6.24 Placing the food

Freezer compartment shelves	Various frozen goods including meat, fish, ice cream, vegetables etc.
Cooler compartment shelves	Food items inside pots, capped plate and capped cases, eggs (in capped case)
Cooler compartment door shelves	Small and packed food or beverages
Vegetable bin	Fruits and vegetables
Fresh food compartment	Delicatessen (breakfast food, meat products to be consumed in short notice)

6.25 Door open alert

***May not be available in all models**

An audible alert will be heard if the product's door remains open for at least 1 minute. The audible alert will stop when the door is closed or any button on the display (if available) is pressed.

Door open alert is indicated to the user both audibly and visually. Interior lighting will turn off if the warning continues for 10 min.

6.26 Changing the opening direction of the door

***May not be available in all models**

You can change the direction of opening of your refrigerator depending on the location where you use it. When you need this, consult the closest Authorized Service.

The explanation above is a general statement. You should check the warning tag located inside the product package about the changeability of direction of the door.

6.27 Interior light

***May not be available in all models**

Interior light uses a LED type lamp.

Contact the authorized service for any problems with this lamp.

Lamp(s) used in this appliance cannot be used for house lighting. Intended use of this lamp is to help the user place food into the refrigerator / freezer safely and comfortably.

 Read the "Safety Instructions" section first!

Service life of the product will extend and frequently encountered problems will decrease if the product is cleaned periodically.



WARNING: Switch off the product before cleaning.



WARNING: It is recommended to clean the condenser every six months using gloves. You must not use vacuum cleaners.

- Never use gasoline, benzene or similar substances for cleaning purposes.
- Never use any sharp abrasive instruments, soap, household cleaners, detergent or wax polish for cleaning.
- Dissolve one teaspoon of carbonate in half liter of water. Soak a cloth in the solution and wring it thoroughly. Wipe the interior of the refrigerator with this cloth and the dry thoroughly.
- Make sure that no water enters the lamp housing or other electrical parts.
- Wipe the metal drawer and the metal sheet under the tray with a damp cloth only.
- If you will not use the refrigerator for a long time, unplug it, remove all food inside, clean it and leave the door ajar.
- Check regularly that the door gaskets are clean. If not, clean them.
- Take out all items in the product to remove the door and body shelves.
- Remove the door shelves by pulling them up. Slide the shelves downwards to re-install them after cleaning.
- Never use chloric cleaning agents or water to clean outer surfaces or chrome-coated parts of the product. Chlorine causes abrasion on such metal surfaces.
- For non-No Frost products, water drops and frosting up to a fingerbreadth occur on the rear wall of the Fridge compartment. Do not clean it; never apply oil or similar agents on it.
- Only use slightly damp microfiber cloths to clean the outer surface of the product. Sponges and other types of cleaning cloths may scratch the surface.

7.1 Avoiding Bad Odours

Materials that may cause odour are not used in the production of our refrigerators. However, odour may be emitted if foods are stored improperly or if the inner surface of the product is not cleaned as required. Please consider the following to avoid this problem:

- It is important that the refrigerator is kept clean. Food residuals, stains, etc. can cause odour. For this reason, clean your refrigerator with carbonate solved in water every 15 days. Never use detergents or soap.
- Keep your foods in closed vessels. Microorganisms emitted from vessels without a cover may cause unpleasant odours.
- Never keep expired or spoiled foods in your refrigerator.

7.2 Protection of plastic surfaces

Do not put liquid oils or oil-cooked meals in your refrigerator in unsealed containers as they damage the plastic surfaces of your refrigerator. If oil is spilled or smeared onto the plastic surfaces, clean and rinse the relevant part of the surface with warm water immediately.

7.3 Cleaning the Inner Surface

To clean the inner surfaces and all removable parts, wash them with a mild solution comprising soap, water and carbonate. Rinse and dry thoroughly. Prevent the water from contacting the lighting means and control panel.



ATTENTION:

Do not use vinegar, rubbing alcohol or other alcohol-based cleaning agents on any of the inner surfaces.

7.4 Stainless Steel Outer Surfaces

Use a stainless steel cleaning agent that is non-abrasive and apply it with a lint-free, soft cloth. For polishing, wipe the surface softly with a damp microfiber cloth and use dry wash-leather. Always follow the strands of the stainless steel.

7.5 Cleaning Products with Glass Doors

Remove the protection foil on the glass.

There is a coating on the surface of the glass. This coating minimises stain formation and ensures that stains and dirt are cleaned easily. Glasses that are not protected by a coating might be exposed to permanent bonding of organic or inorganic, air or waterborne pollutants such as limescale, mineral salts, unburned hydrocarbons, metal oxides and silicones, which lead to stains and physical damage in a short time. Despite regular washing, the glass becomes very hard to keep clean, though not impossible. As a result, the clarity and good appearance of the glass reduces. Hard and abrasive cleaning compounds and methods increase these defects even further and accelerate the deterioration process.

*Non-alkali, non-abrasive and water-based cleaning products must be used for routine cleaning procedures.

For the coating to have long service life, alkali or abrasive substances must not be used during cleaning processes.

These glasses were subject to a tempering process to increase their impact and breakage resistance.

As an additional safety measure, there is a safety film on the back surfaces of the glasses to ensure that they will not harm the environment in case of breakage.

8 Troubleshooting

Please review this list before calling the service. This will save you time and money. This list contains frequently encountered problems that are not results of faulty workmanship or material use. Your product may not have some of the features described here.

The refrigerator is not operating.

- It may not be plugged in properly.
>>> Plug in the product properly.
- The fuse of the socket to which your refrigerator is connected or the main fuse may have blown. >>> Check the fuse.

Condensation on the side wall of the fridge compartment (MULTI ZONE, COOL CONTROL and FLEXI ZONE).

- The door may have been opened/closed frequently. >>> Do not open/close the refrigerator door frequently.
- The environment may be too humid.
>>> Do not install the refrigerator at locations with a very high level of humidity.
- Foods containing liquid may have been placed into the refrigerator in vessels without covers. >>> Do not place foods containing liquid into the refrigerator in unsealed vessels.
- Door of the refrigerator may have been left ajar. >>> Do not keep the doors of your refrigerator open for a long time.
- The thermostat may have been set to a very cold level. >>> Set the thermostat to an appropriate level.

The compressor is not operating.

- Protective thermal of the compressor will blow out during sudden power failures or plug-out plug-ins as the refrigerant pressure in the cooling system of the refrigerator has not been balanced yet. The refrigerator will start running approximately after 6 minutes. Please call the Authorised Service Provider if the refrigerator does not start at the end of this period.
- The freezer is in defrosting cycle.
>>> This is normal for a refrigerator that performs full-automatic defrosting. Defrosting cycle is performed periodically.
- The refrigerator may not be plugged in. >>> Make sure that the plug fits the socket.
- Temperature settings may be incorrect.
>>> Select the correct temperature value.
- Possible power failure. >>> The refrigerator will start to operate normally when power restores.

The operation noise increases when the refrigerator is running.

- Operating performance of the refrigerator may vary based on the ambient temperature changes. This is normal and not a fault.

Troubleshooting

The fridge is running frequently or for a long time.

- Your new product may be bigger than the previous one. Larger refrigerators operate for a longer period of time.
- The room temperature may be high. >>> It is normal that the product operates for longer periods in hot environments.
- The refrigerator may have just been plugged in or loaded with food. >>> It takes the product longer to reach the set temperature when it has just been plugged in or loaded with food. This is normal.
- Large amounts of hot food may have been placed into the refrigerator recently. >>> Do not place hot foods into the refrigerator.
- The doors may have been opened frequently or left ajar for a long time. >>> The warm air that enters the refrigerator causes it to operate for a longer period of time. Do not open the doors frequently.
- Freezer or fridge compartment door may have been left ajar. >>> Check if the doors are closed completely.
- The appliance may be set to a very low temperature. >>> Set the refrigerator temperature to a warmer degree and wait until the product reaches this temperature.
- Door seal of the fridge or freezer compartment may be soiled, worn out, broken or not properly seated. >>> Clean or replace the seal. Damaged/broken seal causes the refrigerator to run for a longer period of time to maintain the current temperature.

Fridge temperature is adequate but the freezer temperature is very low.

- The freezer compartment temperature may be set to a very low value. >>> Set the freezer compartment temperature to a higher value and check.

Freezer temperature is adequate but the fridge temperature is very low.

- The fridge temperature is adjusted to a very low value. >>> Adjust the fridge temperature to a higher value and check.

Food kept in the fridge compartment drawers is frozen.

- The fridge compartment temperature may be set to a very high value. >>> Set the fridge compartment temperature to a lower value and check.

Temperature in the fridge or freezer is very high.

- The fridge compartment temperature may be set to a very high value. >>> Fridge compartment temperature setting has an effect on the temperature of the freezer. Change the temperature of the fridge or freezer compartment until the fridge or freezer compartment temperature reaches an adequate level.
- The doors may have been opened frequently or left ajar for a long time. >>> Do not open the doors frequently.
- The door may have been left ajar. >>> Close the door completely.
- The refrigerator may have been just plugged in or loaded with food. >>> This is normal. It takes the product longer to reach the set temperature when it has just been plugged in or loaded with food.
- Large amounts of hot food may have been placed into the refrigerator recently. >>> Do not place hot foods into the refrigerator.

Vibration or noise.

- The floor may not be stable or level. >>> If the refrigerator shakes when moved slightly, adjust the feed to balance it. Make sure that the floor is level and capable of carrying the refrigerator.
- Objects placed onto the refrigerator may cause noise. >>> Remove the objects on the refrigerator.

There are noises coming from the refrigerator like liquid spilling or spraying.

- Liquid and gas flows occur in accordance with the operating principles of the refrigerator. >>> This is normal and not a fault.

Troubleshooting

Whistle is heard from the refrigerator.

- There are fans that are used to cool the refrigerator. This is normal and not a fault.

Damp accumulates on the inner walls of refrigerator.

- Hot and humid weather increases icing and condensation. This is normal and not a fault.
- The doors may have been opened frequently or left ajar for a long time.
>>>Do not open the doors frequently. Close the doors, if open.
- The door may have been left ajar.
>>>Close the door completely.

Humidity occurs on the outer surface of the refrigerator or between the doors.

- Air might be humid. This is quite normal in humid weathers. >>>Condensation will disappear when the humidity level decreases.
- There might be external condensation at the section between two doors of the refrigerator if you use your product rarely. This is normal. Condensation will disappear upon frequent use.

There is a bad odour inside the refrigerator.

- No regular cleaning may have been performed. Clean the inside of the refrigerator with a sponge, lukewarm water or carbonated water.
- Some vessels or packaging materials may cause the odour. >>>Use another vessel, or packaging materials from another brand.
- Foods may have been placed into the refrigerator in vessels without covers.
>>>Store the foods in closed vessels. Microorganisms emitted from vessels without a cover may cause unpleasant odours.
- Take out expired or spoiled foods from the refrigerator.

The door cannot be closed.

- Food packages may be preventing the door from closing. >>> Re-locate the packages that are obstructing the door.
- The refrigerator may be unstable on the floor. >>>Adjust the refrigerator feet as required to keep the refrigerator in balance.
- The floor may not be level or solid.
>>>Make sure that the floor is level and capable of carrying the refrigerator.

Crispers are stuck.

- Foods may be touching the upper wall of the crisper. >>>Re-organise the foods in the crisper.

If The Surface Of The Product Is Hot.

- High temperatures may be observed between the two doors, on the side panels and at the rear grill while the product is operating. This is normal and does not require service maintenance!

Fan keeps running when the door is open.

- The fan may keep running when the door of the freezer is open.



WARNING: If you cannot eliminate the problem although you follow the instructions in this section, consult your dealer or the Authorised Service Provider. Never attempt to repair a malfunctioned product.

DISCLAIMER / WARNING

Some (simple) failures can be adequately handled by the end-user without any safety issue or unsafe use arising, provided that they are carried out within the limits and in accordance with the following instructions (see the "Self-Repair" section).

Therefore, unless otherwise authorized in the "Self-Repair" section below, repairs shall be addressed to registered professional repairers in order to avoid safety issues. A registered professional repairer is a professional repairer that has been granted access to the instructions and spare parts list of this product by the manufacturer according to the methods described in legislative acts pursuant to Directive 2009/125/EC.

However, only the service agent (i.e. authorized professional repairers) that you can reach through the phone number given in the user manual/warranty card or through your authorized dealer may provide service under the guarantee terms. Therefore, please be advised that repairs by professional repairers (who are not authorized by Beko) shall void the guarantee.

Self-Repair

Self-repair can be done by the end-user with regard to the following spare parts: door handles, door hinges, trays, baskets and door gaskets (an updated list is also available in support.beko.com as of 1st March 2021).

Moreover, to ensure product safety and to prevent risk of serious injury, the mentioned self-repair shall be done following the instructions in the user manual for self-repair or which are available in support.beko.com. For your safety, unplug the product before attempting any self-repair.

Repair and repair attempts by end-users for parts not included in such list and/or not following the instructions in the user manuals for self-repair or which are available in support.beko.com, might give raise to safety issues not attributable to Beko, and will void the warranty of the product.

Therefore, it is highly recommended that end-users refrain from the attempt to carry out repairs falling outside the mentioned list of spare parts, contacting in such cases authorized professional repairers or registered professional repairers. On the contrary, such attempts by end-users may cause safety issues and damage the product and subsequently cause fire, flood, electrocution and serious personal injury to occur.

By way of example, but not limited to, the following repairs must be addressed to authorized professional repairers or registered professional repairers: compressor, cooling circuit, main board, inverter board, display board, etc.

The manufacturer/seller cannot be held liable in any case where end-users do not comply with the above.

The spare part availability of the refrigerator that you purchased is 10 years. During this period, original spare parts will be available to operate the refrigerator properly. The minimum duration of guarantee of the refrigerator that you purchased is 24 months.

This product is equipped with a lighting source of the "G" energy class.

The lighting source in this product shall only be replaced by professional repairers.

Packaging sorting information

Please scan the QR code which places on the outer packaging of the product to find all the information relating to the packaging and how to manage the packaging waste.

Cher client,
Veuillez lire ce manuel avant d'utiliser l'appareil.

Nous vous remercions d'avoir choisi ce produit. Nous aimerions que vous obteniez une efficacité optimale de ce produit de haute qualité qui a été fabriqué avec une technologie de pointe. À cette fin, lisez attentivement ce manuel et toute autre documentation fournie avant d'utiliser le produit et conservez-les comme référence. Tenez compte de toutes les informations et de tous les avertissements figurant dans le manuel d'utilisation. De cette façon, vous vous protégez, vous et votre produit, contre les dangers qui peuvent survenir.

Conservez le manuel d'utilisation. En cas de revente de l'appareil, veuillez également joindre la documentation fournie.

Les symboles suivants sont utilisés dans le manuel d'utilisation :







 Il s'agit d'un danger qui peut entraîner la mort ou des blessures.

AVERTISSEMENT Un danger qui peut causer des dommages matériels au produit ou à son environnement

 Informations importantes ou conseils utiles sur le fonctionnement.

 Lisez le manuel d'utilisation.

 Risque de rayonnement UV-C

 INFORMATIONS	
 ENERG 	
<small>SUPPLIER'S NAME</small>	<small>MODEL IDENTIFIER</small> → (*)
	


Vous pouvez accéder aux informations relatives au modèle telles que sauvegardées dans la base de données des produits en entrant le site internet suivant et en recherchant l'identifiant de votre modèle (*) qui se trouve sur la vignette énergie

<https://eprel.ec.europa.eu/>


1 Consignes de sécurité	4	6.5. Ventilateur	24
⚠ 1.1. Utilisation prévue	4	6.6. Bac à légumes	24
⚠ 1.3. Sécurité électrique	5	6.7. Compartiment zéro degré	24
⚠ 1.4. Sécurité des transports	5	6.8. Balconnet de porte amovible	25
⚠ 1.5. Sécurité d'installation	5	6.9. Boîte de stockage coulissante	25
⚠ 1.6. Sécurité opérationnelle	7	6.10. Bac à légumes à humidité contrôlée.....	26
⚠ 1.7. Sécurité de maintenance et de nettoyage.....	9	6.11. Module de désodorisation.....	26
⚠ 1.8. HomeWhiz	9	6.12. Machine à glace automatique ...	27
⚠ 1.9. Éclairage	9	6.13. Distributeur et récipient de conservation de glaçons.....	28
⚠ 1.10. Sécurité des rayonnements UV-C.....	10	(dans certains modèles)	28
⚠ 1.11. Fiche technique relative au Wifi et au Bluetooth.....	11	6.14. Distributeur d'eau	29
2 D'environnement sécurité	12	6.15. Utilisation du distributeur.....	29
3 Votre réfrigérateur	13	6.16. Nettoyer le réservoir d'eau	31
4 Installation	14	6.17. Bac à eau	31
4.1 Lieu idéal d'installation	14	6.18. Congélation des produits frais ...	32
4.2 Fixation des cales en plastique ...	15	6.19. Recommandations relatives à la conservation des aliments congelés	33
4.3 Réglage des pieds	15	6.20. Informations relatives au congélateur.....	33
4.4 Branchement électrique	15	6.21. Disposition des denrées	34
5 Préparation	17	6.22. Alerte ouverture de porte.....	34
5.1 Moyens d'économiser l'énergie	17	6.23. Inversion de la direction d'ouverture de la porte	34
5.2 Première utilisation.....	18	6.24. Éclairage interne	34
6 Fonctionnement du produit	19	6.25. Recommandations pour le fonctionnement du compartiment hygiène :	35
6.1. HarvestFresh	22	7 Entretien et nettoyage	36
6.2. Compartiment HygieneShield	23	7.1 Prévention des mauvaises odeurs.	36
6.3. Bac à glaçons	24	7.2 Protection des surfaces en plastique.	37
6.4. Support d'œufs.....	24	7.3 Nettoyage de la surface intérieure	37
		7.4 Surfaces extérieures en acier inoxydable	37
		7.5 Nettoyage d'appareils avec portes en verre	37
		7 Entretien et nettoyage	37
		8 Dépannage	38


1 Consignes de sécurité

- Cette section contient des consignes de sécurité qui vous aideront à vous protéger contre les risques de dommages corporels ou matériels.
- Notre société n'est pas responsable des dommages qui peuvent survenir lorsque ces instructions ne sont pas suivies.

 Les opérations d'installation et de réparation sont toujours effectuées par le fabricant, un agent de service agréé ou une personne qualifiée désignée par l'importateur.

 N'utilisez que des pièces et accessoires d'origine.

 Les pièces de rechange d'origine seront disponibles jusqu'à 10 ans après la date d'achat de l'appareil.

 Ne pas réparer ou remplacer une partie du produit, sauf si cela est expressément spécifié dans le manuel d'utilisation.

 N'apportez aucune modification technique au produit.

1.1. Utilisation prévue

- Le présent produit ne peut être utilisé à des fins commerciales et ne doit pas être utilisé hors de son usage prévu.

Ce produit est destiné à être utilisé dans les maisons et les lieux intérieurs.

Par exemple :

- Cuisines du personnel dans les magasins, bureaux et autres environnements de travail,
- Exploitations agricoles,
- Zones utilisées par les clients dans les hôtels, motels et autres types d'hébergement,
- Hôtels de type Bed & Breakfast,, pensionnats,

- Applications telles que la restauration et la vente au détail.

Évitez d'utiliser ce produit en extérieur, sur un bateau, un balcon ou une terrasse. Ne pas exposer le produit à la pluie, à la neige, au soleil ou au vent. Le risque d'incendie est bien présent !

1.2. Sécurité des enfants, des personnes vulnérables et des animaux domestiques

- Cet appareil peut être utilisé par des enfants âgés d'au moins 8 ans et par des personnes ayant des capacités physiques, sensorielles ou mentales réduites ou dénuées d'expérience ou de connaissance, s'ils (si elles) sont correctement surveillé(es) ou si des instructions relatives à l'utilisation de l'appareil en toute sécurité leur ont été données et si les risques encourus ont été appréhendés. Les enfants ne doivent pas jouer avec l'appareil. Le nettoyage et l'entretien par l'utilisateur de doivent pas être effectués par des enfants sans surveillance.
- Les produits électriques sont dangereux pour les enfants et les animaux domestiques. Les enfants et les animaux ne doivent pas jouer avec, grimper ou entrer dans le produit.
- Le nettoyage et l'entretien des utilisateurs sont interdits aux enfants, sauf s'ils sont surveillés par quelqu'un.
- Gardez les matériaux d'emballage hors de portée des enfants. Le risque de blessure et d'étouffement est bien présent !
- Avant de se débarrasser du produit ancien ou obsolète :
 1. Débranchez le produit en le saisissant par la prise.
 2. Coupez le câble d'alimentation et retirez-

Consignes de sécurité

le de l'appareil.

3. Ne retirez pas les étagères ou les tiroirs afin qu'il soit plus difficile pour les enfants d'entrer dans le produit.

4. Enlever les portes.

5. Gardez le produit de manière à ce qu'il ne bascule pas.

6. Ne laissez pas les enfants jouer avec l'ancien produit.

- Ne jetez jamais le produit au feu, cela pourrait entraîner une explosion !
- S'il y a un verrou sur la porte du produit, la clé doit être gardée hors de la portée des enfants.

1.3. Sécurité électrique

- Le produit doit être débranché pendant les procédures d'installation, d'entretien, de nettoyage, de réparation et de déplacement.
- Si le câble d'alimentation est endommagé, il doit être remplacé par une personne qualifiée désignée par le fabricant, l'agent de service autorisé ou l'importateur afin d'éviter tout danger potentiel.
- Ne comprimez pas le câble d'alimentation sous ou derrière le produit. Ne placez pas d'objets lourds sur le câble d'alimentation. Le câble d'alimentation ne doit pas être trop plié, pincé ou entrer en contact avec une source de chaleur.
- N'utilisez pas de rallonges, de multiprises ou d'adaptateurs pour faire fonctionner le produit.
- Les multiprises ou les sources d'alimentation portables peuvent surchauffer et provoquer un incendie. Par conséquent, ne gardez aucune prise multiple derrière ou près du produit.

- La prise doit être facilement accessible. En cas d'impossibilité, l'installation électrique à laquelle le produit est connecté doit comporter un dispositif (tel qu'un fusible, un interrupteur, un disjoncteur, etc.) conforme à la réglementation électrique et qui déconnecte tous les pôles du réseau.
- Il ne faut pas toucher la prise de courant avec les mains mouillées.
- Ne Pas retirer la prise de courant en tirant sur le câble d'alimentation

1.4. Sécurité des transports

- Le produit est lourd ; ne le déplacez pas seul.
- Ne tenez pas sa porte lorsque vous déplacez le produit.
- Assurez-vous de ne pas endommager le système de refroidissement ou la tuyauterie pendant le transport. Si la tuyauterie est endommagée, n'utilisez pas le produit et appelez l'agent de service agréé.

1.5. Sécurité d'installation

- Adressez-vous à l'agent de service agréé pour l'installation du produit. Pour que le produit soit prêt à l'emploi, vérifiez les informations contenues dans le manuel de l'utilisateur pour vous assurer que les installations d'électricité et d'eau sont adaptées. En cas contraire, appelez un électricien et un plombier qualifiés pour prendre les dispositions nécessaires. Dans le cas contraire, il y a risque de choc électrique, d'incendie, de problèmes avec le produit ou de

Consignes de sécurité

blessures !

- Avant de procéder à l'installation, vérifiez si le produit présente des défauts. Si le produit est endommagé, ne le faites pas installer.
 - Déposez le produit sur une surface propre, plane et solide et équilibrez-le à l'aide de pieds réglables. Dans le cas contraire, le produit peut se renverser et provoquer des blessures.
 - Il faut que le lieu d'installation soit sec et bien ventilé. Il ne faut pas placer de tapis, de moquettes ou de couvertures similaires sous le produit. Le manque de ventilation fait courir un risque d'incendie !
 - Il ne faut pas couvrir ou bloquer les ouvertures de ventilation. Dans le cas contraire, la consommation d'énergie augmente et votre produit risque d'être endommagé.
 - Il ne faut pas que le produit soit connecté à des systèmes d'alimentation tels que les alimentations solaires. Dans le cas contraire, votre produit risque d'être endommagé par des changements de tension soudains !
 - Plus un réfrigérateur contient de réfrigérant, plus l'emplacement d'installation doit être grand. Si le lieu d'installation est trop petit, un mélange inflammable de réfrigérant et d'air s'accumulera en cas de fuite de réfrigérant dans le système de refroidissement. L'espace requis pour 8 gr de réfrigérant est de 1 m³ minimum La quantité de réfrigérant dans votre produit est indiquée sur l'étiquette de type.
 - Il ne faut pas installer le produit dans des endroits exposés à la lumière directe du soleil et il faut le tenir éloigné des sources de chaleur telles que les plaques de cuisson, les radiateurs, etc.
- S'il est inévitable d'installer le produit à proximité d'une source de chaleur, une plaque isolante appropriée doit être utilisée entre les deux et les distances minimales suivantes doivent être respectées par rapport à la source de chaleur :
- Distance minimale de 30 cm des sources de chaleur telles que les plaques de cuisson, les fours, les appareils de chauffage ou les poêles,
 - Minimum 5 cm des fours électriques.
- La classe de protection de votre produit est de type I. Branchez le produit dans une prise de terre conforme aux valeurs de tension, de courant et de fréquence indiquées sur la plaque signalétique du produit. La prise doit être équipée d'un disjoncteur de 10 A - 16 A. Notre société n'est pas responsable des dommages qui pourraient survenir lorsque le produit est utilisé sans mise à la terre et sans connexion électrique conformément aux réglementations locales et nationales.
 - Le produit ne doit pas être branché pendant l'installation. Dans le cas contraire, il y a risque de choc électrique et de blessure !
 - Il ne faut pas brancher le produit dans des prises qui sont desserrées, disloquées, cassées, sales, graisseuses ou qui risquent d'entrer en contact avec de l'eau.
 - Faites passer le câble d'alimentation et les tuyaux (le cas échéant) du produit de manière à ce qu'ils ne risquent pas de

Consignes de sécurité

- trébucher.
- L'exposition des pièces sous tension ou du câble d'alimentation à l'humidité peut provoquer un court-circuit. Par conséquent, n'installez pas le produit dans des endroits tels que les garages ou les buanderies où l'humidité est élevée ou l'eau peut éclabousser. Si le réfrigérateur est mouillé par de l'eau, débranchez-le et appelez l'agent de service agréé.
- Ne connectez jamais votre réfrigérateur à des appareils à économie d'énergie. Ces systèmes sont nocifs pour votre produit.
- Il ne faut pas placer ou utiliser d'appareils électriques à l'intérieur du réfrigérateur/congélateur profond, sauf si le fabricant le recommande.
- Veillez à ne pas vous coincer les mains ou toute autre partie de votre corps dans les pièces mobiles à l'intérieur du réfrigérateur. Faites attention à ne pas serrer vos doigts entre la porte et le réfrigérateur. Soyez prudent lorsque vous ouvrez et fermez la porte, surtout s'il y a des enfants autour.
- Ne mangez jamais de crème glacée, de glaçons ou d'aliments surgelés juste après les avoir sortis du réfrigérateur. Le risque d'engelures est bien présent !

1.6. Sécurité opérationnelle

- Il ne faut jamais utiliser de solvants chimiques sur le produit. Cela pourrait entraîner une explosion !
- Au cas où le produit fonctionnerait mal, débranchez-le et ne le faites pas fonctionner tant qu'il n'a pas été réparé par le service après-vente agréé. Il y a un risque de choc électrique !
- Il ne faut pas placer de sources de flamme (bougies allumées, cigarettes, etc.) sur ou à proximité du produit.
- Ne montez pas sur le produit. Le risque de tomber et de se blesser est bien présent !
- Il ne faut pas endommager les tuyaux du système de refroidissement avec des objets pointus ou pénétrants. Le fluide frigorigène qui peut sortir lorsque les tuyaux, les extensions de tuyaux ou les revêtements de surface sont percés provoque des irritations de la peau et des lésions oculaires.
- Il faut éviter de toucher les parois intérieures ou les parties métalliques du congélateur ou les aliments qui y sont stockés lorsque vous avez les mains mouillées. Le risque d'engelures est bien présent !
- Il ne faut pas placer dans le compartiment congélateur des boîtes ou des bouteilles contenant des boissons gazeuses ou des liquides congelables. Les boîtes et les bouteilles peuvent éclater. Le risque de blessures et de dommages matériels est bien présent !
- Il ne faut pas placer ou utiliser de sprays inflammables, de matériaux inflammables, de glace sèche, de substances chimiques ou de matériaux thermosensibles similaires à proximité du réfrigérateur. Le risque d'incendie et d'explosion est bien présent !
- Il ne faut pas stocker dans votre produit des matières explosives qui contiennent des matières

Consignes de sécurité

- inflammables, comme les bombes aérosols.
- Il ne faut pas placer des récipients remplis de liquide sur le produit. Les éclaboussures d'eau sur une partie électrique peuvent provoquer un choc électrique ou un risque d'incendie.
 - Ce produit n'est pas destiné à conserver des médicaments, du plasma sanguin, des préparations de laboratoire ou des substances et produits médicaux similaires soumis à la directive sur les produits médicaux.
 - Le fait d'utiliser le produit contre sa destination peut entraîner la détérioration ou l'altération des produits stockés à l'intérieur de celui-ci.
 - Il faut éviter de regarder cette lumière avec des outils optiques car votre réfrigérateur est équipé d'une lumière bleue. Il ne faut pas fixer directement la lampe LED UV pendant une longue période. La lumière ultraviolette peut provoquer une fatigue oculaire.
 - Il ne faut pas surcharger le produit. Des objets dans le réfrigérateur peuvent tomber lorsque la porte est ouverte, provoquant des blessures ou des dommages. Des problèmes similaires peuvent survenir si un objet est placé sur le produit.
 - Afin d'éviter les blessures, assurez-vous d'avoir nettoyé toute la glace et l'eau qui ont pu tomber ou éclabousser le sol.
 - Changez la position des Balconnets /porte-bouteilles sur la porte de votre réfrigérateur uniquement lorsqu'ils sont vides. Le risque de blessure est bien présent !
 - Il ne faut pas placer d'objets qui peuvent tomber ou basculer sur le produit. Ces objets peuvent tomber lors de l'ouverture de la porte et provoquer des blessures et / ou des dommages matériels.
 - Il ne faut pas frapper ou exercer une force excessive sur les surfaces vitrées. Le verre brisé peut provoquer des blessures et / ou des dommages matériels.
 - Le système de refroidissement de votre produit contient du réfrigérant R600a : Le type de réfrigérant utilisé dans le produit est indiqué sur l'étiquette type. Ce réfrigérant est inflammable. Par conséquent, faites attention à ne pas endommager le système de refroidissement ou la tuyauterie pendant l'utilisation du produit. Si la tuyauterie est endommagée :
 - Il ne faut pas toucher le produit ni le câble d'alimentation,
 - Tenez le produit à l'écart des sources dangereuses qui pourraient provoquer un incendie du produit
 - Aérez la zone où se trouve le produit. Il ne faut pas utiliser de ventilateurs.
 - Appelez l'agent de service autorisé.
 - Si le produit est endommagé et que vous voyez une fuite de réfrigérant, veuillez vous éloigner du réfrigérant. Le réfrigérant peut provoquer des gelures en cas de contact avec la peau.

Consignes de sécurité

Pour les produits avec distributeur d'eau / machine à glaçons

- N'utilisez que de l'eau potable. Il ne faut pas remplir le réservoir d'eau avec des liquides - tels que des jus de fruits, du lait, des boissons gazeuses ou des boissons alcoolisées - qui ne conviennent pas à l'utilisation dans le distributeur d'eau.
- Le risque pour la santé et la sécurité est bien présent !
- Il ne faut pas laisser les enfants jouer avec le distributeur d'eau ou la machine à glace (Icematic) afin d'éviter les accidents ou les blessures.
- Il ne faut pas insérer les doigts ou d'autres objets dans le trou du distributeur d'eau, le canal d'eau ou le récipient de la machine à glace. Le risque de blessure ou de dommage matériel est bien présent !

⚠ 1.7. Sécurité de maintenance et de nettoyage

- Il ne faut pas tirer sur la poignée de la porte si vous devez déplacer le produit pour le nettoyer. En cas de force excessive exercée sur la poignée, celle-ci peut se briser et causer des blessures.
- Il ne faut pas vaporiser ou verser de l'eau sur ou à l'intérieur du produit pour le nettoyer. Le risque d'incendie et de choc électrique est bien présent !

- Il ne faut pas utiliser d'outils tranchants ou abrasifs pour nettoyer le produit. Il ne faut pas utiliser de produits d'entretien ménager, de détergent, de gaz, d'essence, de diluant, d'alcool, de vernis, etc.
- Utilisez uniquement des produits de nettoyage et d'entretien à l'intérieur du produit qui ne sont pas nocifs pour les aliments.
- Il ne faut jamais utiliser de la vapeur ou des nettoyeurs à vapeur pour nettoyer ou décongeler le produit. La vapeur entre en contact avec les pièces sous tension de votre réfrigérateur, provoquant un court-circuit ou un choc électrique !
- Assurez-vous qu'aucune eau ne pénètre dans les circuits électroniques ou les éléments d'éclairage du produit.
- Utilisez un chiffon propre et sec pour essuyer les matières étrangères ou la poussière sur les broches de la fiche. Il ne faut pas utiliser un chiffon humide ou mouillé pour nettoyer la prise. Le risque d'incendie et de choc électrique est bien présent !

⚠ 1.8. HomeWhiz

- Quand vous faites fonctionner votre produit par l'application HomeWhiz, il vous faut respecter les avertissements de sécurité même lorsque vous vous éloignez du produit. Vous devez également suivre les avertissements de l'application.

⚠ 1.9. Éclairage

- Appelez le service autorisé lorsqu'il est nécessaire de remplacer la LED / ampoule utilisée pour l'éclairage.

Consignes de sécurité

1.10. Sécurité des rayonnements UV-C

- Il ne faut pas retirer le verre de protection de la lampe UV-C.
- Il ne faut pas faire fonctionner le produit sans verre de protection de la lampe UV-C.
- Ce produit contient une lampe émettant des rayons UV-C. Il ne faut pas regarder directement dans la source de lumière.
- Lorsque vous nettoyez le compartiment contenant la lampe UV-C, retirez la fiche de la prise de courant.
- Il ne faut en aucun cas utiliser un produit dont la vitre de protection est endommagée.
- Désactivez la fonction UV-C à partir du panneau de commande de l'écran tout en remplaçant la lampe UV-C avec l'aide d'un service autorisé.
- Il ne faut jamais retirer l'étiquette « Danger dû aux rayonnements ultraviolets » du compartiment d'hygiène qui contient les lampes UV-C.
- Le fait d'utiliser le produit en dehors de son usage prévu ou d'endommager le verre de protection de la lampe UV-C ou son environnement peut entraîner un rayonnement UV-C dangereux. Le rayonnement UV-C peut causer des lésions aux yeux et à la peau, même à faible dose ! Il ne faut pas utiliser un produit endommagé !
- En cas de clignotement du symbole UV-C lors de l'activation de la fonction d'hygiène, cela indique que la demi-vie des

lampes est atteinte et que leur efficacité est réduite. Nous vous recommandons de remplacer les lampes UV-C lorsque vous voyez cet avertissement. Les lampes UV-C sont remplacées avec le plateau dans lequel elles sont contenues. L'achat et l'installation du plateau UV-C sont effectués par les services autorisés.



AVERTISSEMENT : Le rayonnement UV-C est nocif pour les yeux et la peau. N'utilisez pas de lampes UV-C en dehors du produit !



AVERTISSEMENT : Les lampes UV-C ne peuvent pas être remplacées par l'utilisateur. Demandez le soutien du service autorisé à l'expiration de la durée de vie des lampes UV-C !

Consignes de sécurité

1.11. Fiche technique relative au Wifi et au Bluetooth

Bande de Fréquence :	2,4 GHz (Wi-Fi ou Bluetooth opérationnel)
Puissance maximale de transmission :	< 100 mW (Wi-Fi ou Bluetooth opérationnel)
Informations sur le logiciel :	Quartz_WiFi.XXX

Déclaration CE de conformité :

Arçelik A.Ş. déclare par la présente que cet appareil est conforme à la directive 2014/53/EU.

Le texte intégral de la déclaration de conformité de l'EU est disponible à l'adresse Internet suivante :

Produits, de : support.beko.com

La période de support des mises à jour logicielles liées à la cybersécurité définie pour le produit est la période de garantie du produit. Passé ce délai, les mises à jour logicielles liées à la cybersécurité ne sont pas garanties.

2 D'environnement sécurité

2.1 Conformité avec la directive DEEE et mise au rebut des déchets :

Ce produit est conforme à la directive DEEE (2012/19/UE) de l'Union européenne). Ce produit porte un symbole de classification pour la mise au rebut des équipements électriques et électroniques (DEEE).



Ce symbole indique que ce produit ne doit pas être jeté avec les déchets ménagers à la fin de sa vie utile. Les appareils usagés doivent être retournés au point

de collecte officiel destiné au recyclage des appareils électriques et électroniques. Pour trouver ces systèmes de collecte, veuillez contacter les autorités locales ou le détaillant auprès duquel vous avez acheté le produit. Chaque ménage joue un rôle important dans la récupération et le recyclage des appareils ménagers usagés. L'élimination appropriée des appareils usagés aide à prévenir les conséquences négatives potentielles pour l'environnement et la santé humaine.

2.2 Conformité avec la directive LdSD :

L'appareil que vous avez acheté est conforme à la directive LdSD (2011/65/UE) de l'Union européenne. Il ne comporte pas les matériels dangereux et interdits mentionnés dans la directive.

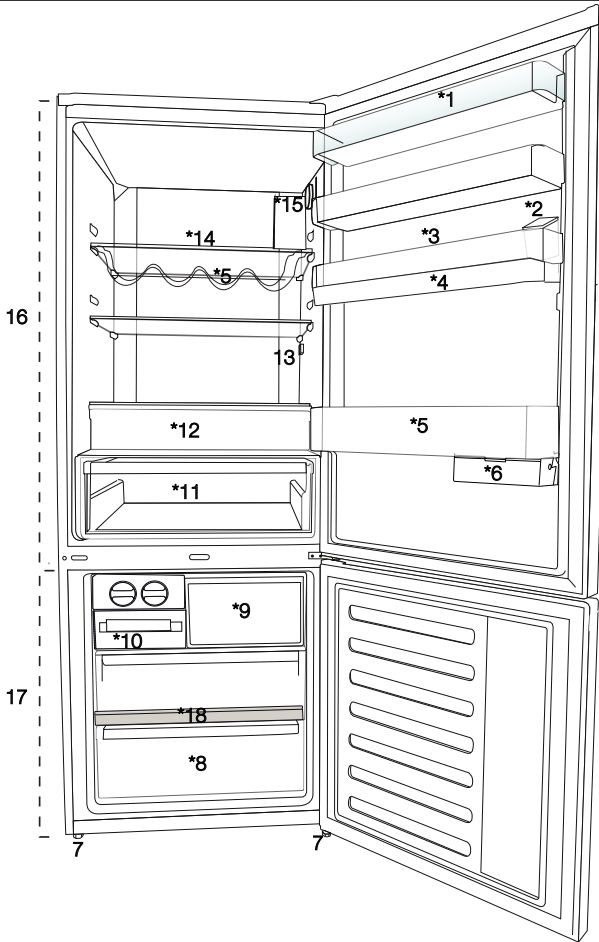
2.3 Information sur l'emballage



L'emballage du produit est composé de matériaux recyclables, conformément à notre réglementation nationale.

Ne jetez pas les éléments d'emballage avec les déchets domestiques et autres déchets. Déposez-les dans un des points de collecte d'éléments d'emballage que vous indiquera l'autorité locale dont vous dépendez.

3 Votre réfrigérateur



- | | |
|---|--|
| 1. Balconnet de porte du compartiment réfrigéré | 10. Icémétique |
| 2. Réservoir d'eau | 11. Bac à légumes |
| 3. Porte-œuf | 12. Compartiment HygieneShield (lampes UV-C) |
| 4. Réservoir d'eau | 13. Éclairage intérieur |
| 5. Balconnet porte bouteilles | 14. Étagère en verre du compartiment réfrigéré |
| 6. Boîte de rangement coulissante | 15. Bouton de réglage de température |
| 7. Pieds réglables | 16. Compartiment réfrigérateur |
| 8. Compartiment de congélation | 17. Compartiment congélateur |
| 9. Compartiment de congélation rapide | |



***En option :** Les images présentées dans ce manuel sont fournies à titre indicatif et elles peuvent ne pas correspondre exactement à votre appareil. Si votre appareil ne dispose pas des parties citées, alors l'information s'applique à d'autres modèles.

4 Installation

 A lisez d'abord la section « Consignes de sécurité » !

4.1 Lieu idéal d'installation

Contactez le service agréé pour l'installation de votre réfrigérateur. Pour préparer l'installation du réfrigérateur, lisez attentivement les instructions du manuel d'utilisation et assurez-vous que les équipements électriques et d'approvisionnement d'eau sont installés convenablement. Si non, contactez un électricien et un plombier pour effectuer les réparations nécessaires.

	AVERTISSEMENT : Le fabricant ne sera pas tenu responsable en cas de problèmes causés par des travaux effectués par des personnes non autorisées.
	AVERTISSEMENT : Débranchez le câble d'alimentation du réfrigérateur pendant l'installation. Le non-respect de cette consigne peut entraîner la mort ou des blessures graves !
	AVERTISSEMENT : Si le cadre de la porte est trop étroit pour laisser passer l'appareil, retirez la porte et faites passer l'appareil sur les côtés ; si cela ne fonctionne pas, contactez le service agréé.

- Placez l'appareil sur une surface plane pour éviter les vibrations.
- Placez le produit à 30 cm du chauffage, de la cuisinière et des autres sources de chaleur similaires et à au moins 5 cm des fours électriques.
- N'exposez pas le produit directement à lumière du soleil et ne le laissez pas dans des environnements humides.

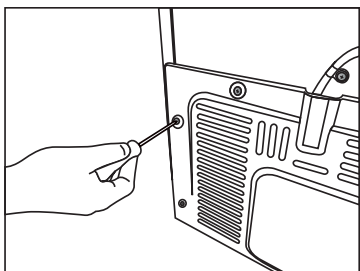
- Le bon fonctionnement de votre réfrigérateur nécessite la bonne circulation de l'air.
- Si le réfrigérateur est placé dans un encastrement mural, assurez-vous de laisser un espace d'au moins 5 cm avec le plafond et le mur.
- Ne placez pas le réfrigérateur dans des environnements avec des températures inférieures à -5 °C.
- Votre produit nécessite une circulation d'air adéquate pour pouvoir fonctionner efficacement. S'il est placé dans une alcôve, n'oubliez pas de laisser un espace d'au moins 5 cm entre l'appareil, le plafond, la paroi arrière et les parois latérales.
- S'il est placé dans une alcôve, n'oubliez pas de laisser un espace d'au moins 5 cm entre l'appareil, le plafond, la paroi arrière et les parois latérales. Vérifiez que l'élément de protection d'espace de la façade arrière est présent à son emplacement (au cas où il est fourni avec l'appareil). Si l'élément n'est pas disponible, perdu ou tombé, positionnez l'appareil de manière à laisser un espace d'au moins 5 cm entre la surface arrière de l'appareil et les murs de la pièce. L'espace prévu à l'arrière est important pour le fonctionnement efficace de l'appareil.

Installation

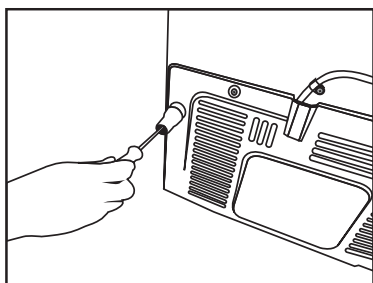
4.2 Fixation des cales en plastique

Utilisez les cales en plastiques fournies avec le réfrigérateur pour créer une circulation d'air suffisante entre le réfrigérateur et le mur.

1. Pour fixer les cales, retirez les vis du réfrigérateur et utilisez celles fournies avec les cales,

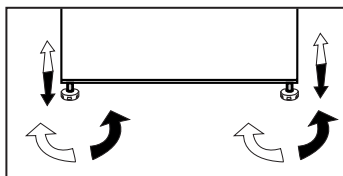


2. Fixez 2 cales en plastique sur le couvercle de ventilation tel qu'illustré par l'image.



4.3 Réglage des pieds

Si le réfrigérateur n'est pas équilibré, réglez les pieds avant en les tournant vers la gauche ou la droite.



4.4 Branchement électrique

	AVERTISSEMENT : Ne branchez pas le réfrigérateur sur une rallonge ou une multiprise.
	AVERTISSEMENT : Les câbles d'alimentation endommagés doivent être remplacés par le service agréé.
	Lorsque deux réfrigérateurs sont installés côte à côte, ils doivent être séparés par au moins 4 cm.

- Notre entreprise ne sera pas tenue responsable de tout dommage résultant de l'utilisation de l'appareil sans prise de mise à la terre ou branchement électrique conforme à la norme nationale en vigueur.
- Gardez la fiche du câble d'alimentation à portée de main après l'installation.
- N'utilisez pas de multiprise avec ou sans câble d'extension entre la prise murale et le réfrigérateur.



AVERTISSEMENT :Relatif à la surface chaude

Les parois latérales de votre appareil sont équipées de conduits frigorifiques visant à améliorer le système de refroidissement. Le réfrigérant porté à des températures élevées peut jaillir à travers ces zones, entraînant ainsi le réchauffement des parois latérales. Ce phénomène est normal et ne nécessite aucun entretien. Soyez prudent au moment de toucher à ces zones.

5 Préparation

⚠ A lisez d'abord la section « Consignes de sécurité » !

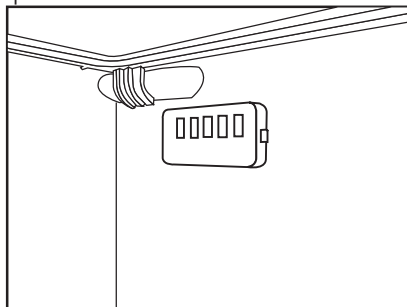
5.1 Moyens d'économiser l'énergie



Il est dangereux de connecter l'appareil aux systèmes électroniques d'économie d'énergie, ils pourraient l'endommager.

- Pour un appareil amovible, 'cet appareil de réfrigération n'est pas conçu pour être utilisé comme un appareil à encastrer'.
- Ne laissez pas la porte du réfrigérateur ouverte longtemps.
- Ne conservez pas des aliments ou des boissons chaudes dans le réfrigérateur.
- Ne surchargez pas le réfrigérateur, l'obstruction du flux d'air interne réduira la capacité de réfrigération.
- Pour stocker une quantité maximale d'aliments dans le compartiment réfrigérateur, retirez les tiroirs supérieurs et placez-les sur l'étagère pour verres. La consommation énergétique définie de votre réfrigérateur est déterminée lorsque vous retirez le refroidisseur, le bac à glaçons et les tiroirs supérieurs d'une manière qui permettra un chargement maximal. Il est fortement recommandé d'utiliser le tiroir inférieur lors du chargement. Activez la fonction Économie d'énergie pour une meilleure consommation énergétique.
- Évitez de bloquer le flux d'air en plaçant les aliments devant le ventilateur du refroidisseur. Laissez un espace de 3 cm devant la grille de protection du ventilateur lors du chargement des aliments.

- Selon les caractéristiques de l'appareil, le dégivrage des aliments congelés dans le compartiment réfrigérateur assurera l'économie d'énergie et la préservation de la qualité des aliments.



- Placez les aliments sur les clayettes à l'intérieur du compartiment réfrigérateur afin de réaliser des économies d'énergie et de conserver les aliments dans un meilleur environnement.
- Veillez à ce que les emballages d'aliments ne soient pas en contact direct avec le capteur de chaleur situé dans le compartiment réfrigérateur. Dans le cas contraire, la consommation énergétique de votre appareil pourrait augmenter.
- Veuillez-vous assurer que les aliments ne sont pas en contact direct avec le capteur de température du compartiment réfrigérateur décrit ci-après.

5.2 Première utilisation

Avant d'utiliser votre réfrigérateur, assurez-vous que les installations nécessaires sont conformes aux instructions des sections « Instructions en matière de sécurité et d'environnement » et « Installation ».

- Laissez l'appareil vide en marche pendant 6 heures, et ne l'ouvrez pas sauf en cas de nécessité absolue.



Un son retentit à l'activation du compresseur. Il est également normal d'entendre ce son lorsque le compresseur est inactif, en raison des liquides et des gaz comprimés présents dans le système de réfrigération.



Les bords avant du réfrigérateur peuvent chauffer. Ce phénomène est normal. Ces parties doivent en principe être chaudes afin d'éviter la condensation.

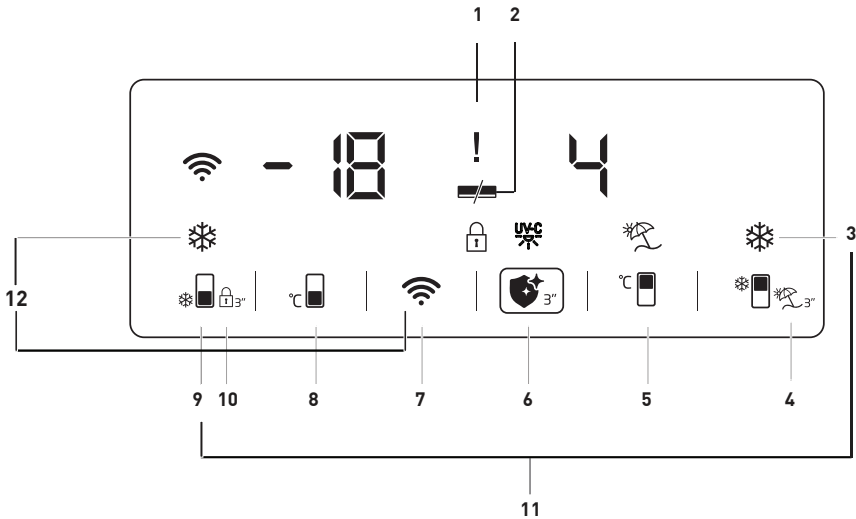


Dans certains modèles, le panneau indicateur se met automatiquement en veilleuse 5 minutes après la fermeture de la porte. Ce panneau s'active à nouveau lorsque la porte est ouverte ou lorsqu'on appuie sur un bouton.

Comme l'air chaud et humide ne pénètre pas directement dans votre produit lorsque les portes ne sont pas ouvertes, votre produit optimisera son fonctionnement en fonction des conditions pour protéger vos aliments. Les fonctions et les composants tels que le compresseur, le ventilateur, le chauffage, le dégivrage, l'éclairage, l'affichage, etc. fonctionneront en fonction des besoins pour consommer un minimum d'énergie dans de telles circonstances

6 Fonctionnement du produit

⚠ A lisez d'abord la section « Consignes de sécurité » !




1. Indicateur de condition de défaut
2. Témoin d'économie d'énergie (affichage éteint)
3. Mode refroidissement rapide
4. Mode vacances
5. Touche de réglage de la température du réfrigérateur
6. Témoin de la fonction hygiène
7. Activation/ désactivation Wifi
8. Touche de réglage de la température du congélateur
9. Mode décongélation rapide
10. Verrouillage des commandes
11. Clé de commutation de l'unité de température
12. Clé pour la réinitialisation des paramètres de connexion sans fil

Peut ne pas être applicable pour tous les modèles




***Facultatif :** Les chiffres présentés dans ce guide sont à titre indicatif et peuvent ne pas correspondre à votre appareil. Si votre appareil ne dispose pas des parties citées, alors l'information s'applique à d'autres modèles.

1. Indicateur de condition de défaut

Cet indicateur () doit être activé lorsque votre réfrigérateur ne peut pas assurer un refroidissement adéquat ou en cas d'erreur de capteur. Pendant que cet indicateur est actif, « E » est affiché sur l'indicateur de température du compartiment congélation et des chiffres tels que 1,2,3... sont affichés sur l'indicateur de température du compartiment réfrigération. Ces chiffres fournissent des informations au service autorisé sur l'erreur qui s'est produite.

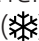
Un point d'exclamation peut être affiché lorsque vous chargez des aliments chauds dans le compartiment de congélation ou que vous gardez la porte ouverte pendant une longue période. Il ne s'agit pas d'un défaut, cet avertissement doit être retiré lorsque les aliments sont refroidis.

2. Témoin d'économie d'énergie (affichage éteint)



La fonction d'économie d'énergie est activée automatiquement et le symbole d'économie d'énergie est affiché lorsque la porte du produit n'est pas ouverte ou fermée pendant un certain temps()

Lorsque la fonction d'économie d'énergie est active, tous les symboles sur l'écran autres que le symbole d'économie d'énergie doivent être désactivés. Une fois que la fonction d'économie d'énergie est activée, le fait d'appuyer sur une touche ou d'ouvrir la porte désactive la fonction d'économie d'énergie et les symboles sur l'écran reviennent à la normale. La fonction d'économie d'énergie est une fonction installée en usine, il n'est pas possible de la désactiver.

3. Mode refroidissement rapide


Une fois que la fonction de refroidissement rapide est activée, l'indicateur de refroidissement rapide doit s'allumer () et l'indicateur de température du compartiment de refroidissement doit afficher la valeur 1. Appuyez à nouveau sur la touche Refroidissement rapide pour annuler cette fonction. Le témoin de refroidissement rapide s'éteint et les réglages normaux sont rétablis. La fonction de refroidissement rapide est automatiquement annulée après 1 heure, sauf si elle est annulée par l'utilisateur. Pour refroidir une grande quantité d'aliments frais, appuyez sur la touche de refroidissement rapide avant de placer les aliments dans le compartiment de refroidissement.

4. Mode fonction vacances



Appuyez sur le bouton () pendant 3 secondes pour activer la fonction vacances, et le voyant du mode vacances () s'allume. Une fois que la fonction vacances est activée, « - - » doit être affiché sur l'indicateur de température du compartiment de refroidissement et aucune opération de refroidissement active ne doit être effectuée sur le compartiment de refroidissement. Vous ne devez pas conserver vos aliments dans le compartiment réfrigéré lorsque cette fonction est activée. Les autres compartiments doivent continuer à être refroidis selon les températures fixées pour eux. Appuyez à nouveau sur la touche de fonction « **Vacances** » pour annuler cette fonction.


6 Fonctionnement du produit

5. Touche de réglage de la température du réfrigérateur


La température du compartiment de refroidissement peut être réglée sur 8, 7, 6, 5, 4, 3, 2 et 1 respectivement lorsque cette touche est enfoncée. ()

6. Témoin de la fonction hygiène

Appuyez sur le bouton () pendant 3 secondes pour activer la fonction hygiène, puis l'indicateur de la fonction hygiène () doit être activé. Évitez d'ouvrir la porte de votre produit lorsque la fonction hygiène est activée. En cas d'ouverture de la porte du produit alors que la fonction hygiène est activée, l'opération d'hygiène est arrêtée jusqu'à ce que la porte soit fermée. Le produit doit donner un avertissement sonore et mettre fin à l'opération lorsque l'opération d'hygiène est terminée. Il suffit de maintenir la touche de fonction hygiène enfoncée pendant 3 secondes pour mettre fin à l'opération d'hygiène avant l'heure prévue.

Le fait que le point d'exclamation () soit affiché avec le symbole d'hygiène lorsque vous activez la fonction d'hygiène signifie que les lampes d'hygiène sont sur le point d'expirer. Veuillez appeler le service.

7. Activation/ désactivation Wifi

Il suffit d'appuyer longuement sur la touche (3 secondes) pour lancer l'initialisation du produit au réseau domestique. Le symbole du réseau sans fil () clignote avec un intervalle de 0,5 seconde pendant que la connexion est établie.

Lorsque la connexion au réseau domestique est réussie, le symbole du réseau sans fil doit être allumé en continu.

Lorsque la connexion initiale est établie, vous pouvez activer/désactiver la connexion en appuyant brièvement sur


Le réseau avec lequel vous avez établi la connexion est mémorisé et la connexion est établie à nouveau lorsque le produit est éteint et allumé.

Le symbole du réseau sans fil doit clignoter à de courts intervalles (de 0,2 seconde) jusqu'à ce que la connexion soit établie.



Le symbole du réseau sans fil doit être allumé en permanence lorsque la connexion est active. Vérifiez les paramètres de votre modem/connexion si la connexion ne peut être établie pendant un certain temps.

L'application HomeWhiz est utilisée comme interface de connexion. Pour connaître les étapes de connexion, consultez le GUIDE D'INSTALLATION RAPIDE de HomeWhiz fourni avec le produit. Vous pouvez vous référer à la section de dépannage pour les réponses aux questions de base.

8. Touche de réglage de la température du congélateur

Cela permet de régler la température du compartiment de congélation. La température du compartiment de congélation peut être réglée respectivement à -18, -19, -20, -21, -22, -23 et -24 lorsque la touche () est enfoncée.

9. Mode congélation rapide

Appuyez sur la touche n°. (9) pour la congélation rapide, et l'indicateur de congélation rapide () sera activé. Une fois la fonction de congélation rapide activée, l'indicateur de congélation rapide doit s'allumer et l'indicateur de température du compartiment congélateur doit afficher la valeur -27. Appuyez à nouveau sur la touche d'arrêt rapide () pour annuler cette fonction. Le témoin de congélation rapide s'éteint et revient au réglage normal. Une fois la

6 Fonctionnement du produit

fonction de gel rapide activée, elle est automatiquement annulée au bout de 32 heures, sauf si l'utilisateur l'annule. Pour congeler une grande partie d'aliments frais, appuyez sur la touche de congélation rapide, avant de mettre les aliments dans le compartiment congélateur.

10. Verrouillage des commandes

Appuyez sur le bouton (🔒) pendant 3 secondes. Le symbole de verrouillage des touches (🔒) doit être activé et le mode de verrouillage des touches doit être activé. Les touches ne peuvent pas être utilisées lorsque le mode de verrouillage des touches est activé. Pendant 3 secondes, appuyez sur le bouton (🔒). Le verrouillage des touches doit être désactivé. Vous pouvez utiliser la fonction de verrouillage des touches lorsque vous souhaitez empêcher toute modification du réglage de la température du réfrigérateur.

11. Clé de commutation de l'unité de température

Il suffit d'appuyer sur les touches de refroidissement rapide (*❄️) et de congélation rapide (*🧊) pendant 3 secondes pour passer de l'unité de température Fahrenheit à l'unité de température Celsius.

12. Clé pour la réinitialisation des paramètres de connexion sans fil

Lorsque vous appuyez simultanément sur les touches de congélation rapide (*🧊) et de réseau sans fil (📶) pendant 3 secondes, les paramètres de connexion sans fil sont réinitialisés.

6.1. HarvestFresh

***Peut ne pas être disponible sur tous les modèles**

À propos de HarvestFresh,

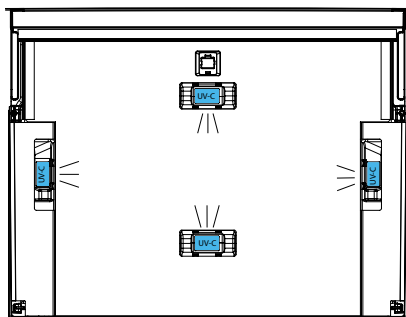
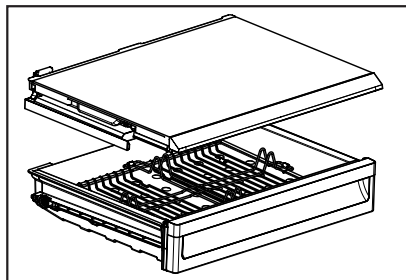
Les fruits et légumes conservés dans les bacs à légumes éclairés par la technologie HarvestFresh conservent leurs vitamines plus longtemps grâce aux lumières bleues, vertes, rouges et aux cycles d'obscurité, qui simulent un cycle de jour.

Si vous ouvrez la porte du réfrigérateur lorsque la technologie HarvestFresh a activé la période d'obscurité, le réfrigérateur le détectera automatiquement et activera la lumière bleue, verte ou rouge afin d'éclairer le bac à légumes à votre convenance. Une fois que vous avez fermé la porte du réfrigérateur, la période d'obscurité se poursuit, représentant ainsi la nuit dans un cycle de jour.

6.2. Compartiment HygieneShield

*Cette fonction est facultative

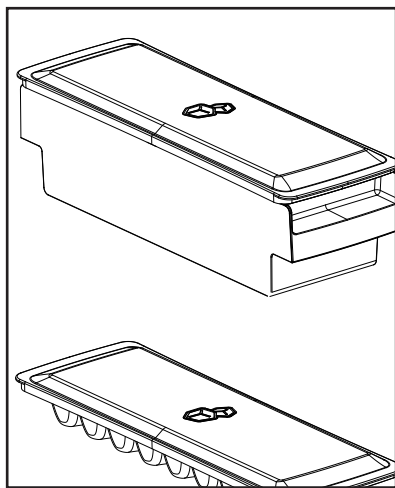
1. Le dispositif d'hygiène UV-C ne doit pas être activé lorsque la grille métallique et le tiroir en tôle prévus à l'intérieur du compartiment d'hygiène ne sont pas présents à l'intérieur du compartiment.
2. Le fait d'activer la fonction d'hygiène lorsque le tiroir en tôle n'est pas présent dans le compartiment d'hygiène provoque la déformation du tiroir en plastique situé en dessous.
3. Il ne faut pas essayer de retirer le verre situé au-dessus du compartiment d'hygiène en forçant.
4. Évitez de toucher, de provoquer un choc ou d'appliquer une force sur les lampes fluorescentes UV-C placées sur la surface inférieure de l'étagère en verre du compartiment d'hygiène.
5. Pour votre sécurité, n'essayez pas de retirer la tablette en verre du compartiment d'hygiène. Le retrait du rack entraînera la déconnexion des composants électriques.
6. La lumière que vous voyez lorsque vous ouvrez le compartiment d'hygiène n'est pas une lumière UV-C. C'est l'éclairage LED.
7. Pour le nettoyage, essayez le compartiment hygiène avec un chiffon humide uniquement.



6.3. Bac à glaçons

(En option)

- Retirez le bac du compartiment congélateur.
- Remplissez-le d'eau.
- Remplacez le bac dans le compartiment congélateur.
- Les glaçons seront prêts après environ deux heures. Retirez le bac à glace du compartiment congélateur et tordez-le légèrement au-dessus du support dans lequel vous souhaitez servir les glaçons. Les glaçons se verseront donc facilement dans le support dans lequel vous souhaitez les servir.



6.4. Support d'œufs

Vous pouvez placer le support d'œufs sur la porte ou l'étagère de votre choix. Si vous décidez de le placer sur l'étagère, il est recommandé de le placer sur les étagères inférieures car elles sont plus froides.

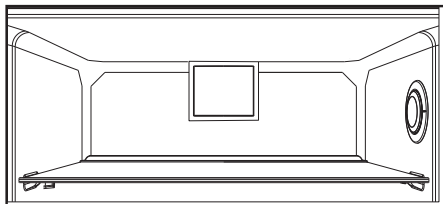


Évitez de placer le support d'œufs dans le compartiment congélateur.

6.5. Ventilateur

Le ventilateur a été conçu pour faire circuler de manière homogène l'air froid à l'intérieur de votre réfrigérateur. La durée de fonctionnement du ventilateur varie en fonction des propriétés de votre appareil.

Dans certains réfrigérateurs, le ventilateur fonctionne uniquement avec le compresseur, dans d'autres systèmes de commande, il permet de déterminer la durée de fonctionnement basée sur le besoin de refroidissement.



6.6. Bac à légumes

(En option)

Le bac à légumes du réfrigérateur est conçu pour conserver les légumes frais en préservant l'humidité. Pour cela, la circulation de la totalité de l'air froid est intensifiée dans le bac à légumes.

6.7. Compartiment zéro degré

(En option)

Utilisez ce compartiment pour conserver de l'épicerie fine à des températures faibles, ou des produits carnés destinés à une consommation immédiate.

Le compartiment Zéro degré est l'endroit le plus froid où vous pouvez conserver les aliments tels que les produits laitiers, la viande, le poisson et la volaille dans des conditions idéales. Les légumes et/ou fruits ne doivent pas être conservés dans ce compartiment.

6 Fonctionnement du produit

6.8. Balconnet de porte amovible

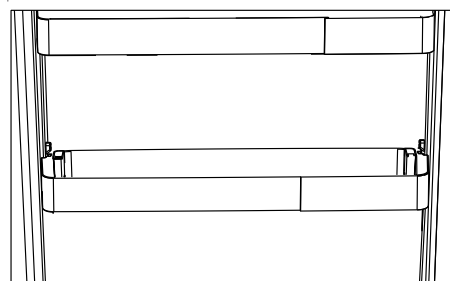
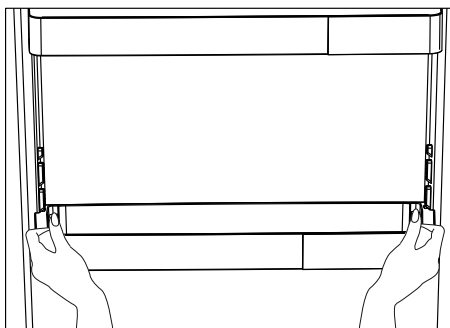
(En option)

Le balconnet de porte amovible peut être fixé de 3 manières différentes.

Pour déplacer le balconnet, appuyez uniformément sur les boutons situés sur le côté. Ainsi, le balconnet est amovible.

Déplacez le balconnet vers le haut ou vers le bas.

Une fois que ce dernier se trouve dans la position de votre choix, relâchez les boutons. Assurez-vous que le balconnet est fixé à nouveau à la position initiale.

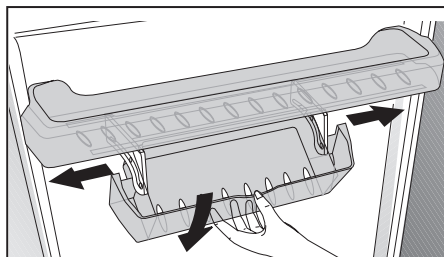


6.9. Boîte de stockage coulissante

(En option)

Cet accessoire a été conçu dans le but de renforcer les capacités des balconnets de porte.

Grâce à sa capacité à se déplacer latéralement, elle vous permet de disposer facilement de longues bouteilles, des bocaux ou des boîtes que vous placez dans le range-bouteilles inférieur.



6.10. Bac à légumes à humidité contrôlée

(En option)

Grâce à la fonction de contrôle de l'humidité, la quantité d'humidité de légumes et de fruits est maintenue sous contrôle. Cette fonction assure également une période de fraîcheur prolongée pour les aliments.

Il est recommandé de ne pas conserver les légumes à feuilles vertes, tels que les feuilles de laitue, les épinards, ainsi que les légumes similaires générant une perte d'humidité, sur leurs racines, mais en position horizontale dans le bac à légumes, autant que possible.

Lorsque vous stockez les légumes, placez les légumes lourds et durs au fond du bac et les légumes légers et doux au-dessus, en tenant compte des poids spécifiques de légumes.

Ne placez pas les légumes dans le bac à légumes lorsqu'ils sont encore dans les sacs en plastique. Lorsque vous les laissez dans les sacs en plastique, ces légumes pourrissent en un laps de temps. En cas de mélange de légumes non recommandé, utilisez des matériaux d'emballage tels que le papier qui possède une certaine porosité en termes d'hygiène.

Évitez de placer des fruits qui ont une production de gaz à haute teneur en éthylène tels que la poire, l'abricot, la pêche et en particulier la pomme dans le même bac à légumes que d'autres légumes et fruits. Le gaz d'éthylène provenant de ces fruits pourrait accélérer la maturité d'autres légumes et fruits qui pourraient pourrir en un laps de temps.

6.11. Module de désodorisation

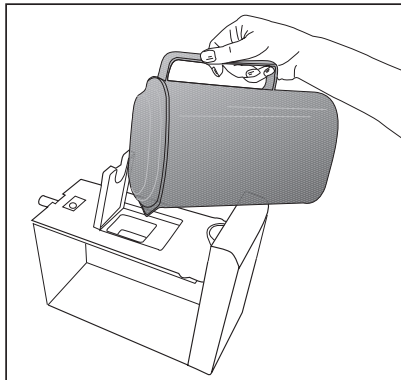
(FreshGuard) *en option

Le module de désodorisation élimine rapidement les mauvaises odeurs dans votre réfrigérateur avant qu'elles ne pénètrent dans les surfaces. Grâce à ce module placé sur le plafond du compartiment des aliments frais, les mauvaises odeurs se dissolvent pendant que l'air circule de manière active sur le filtre anti-odeurs, puis l'air qui a été nettoyé par le filtre est réintroduit dans le compartiment des aliments frais. De cette façon, les odeurs indésirables qui peuvent apparaître lors de la conservation des aliments dans le réfrigérateur sont éliminées avant qu'elles ne pénètrent dans les surfaces.

Cela grâce au ventilateur, à la LED et au filtre anti-odeurs intégré dans le module. Utilisé au quotidien, le module de désodorisation s'allume automatiquement sur une base périodique. Pour assurer un fonctionnement efficace, il est recommandé de faire changer le filtre placé dans le module de désodorisation par le prestataire de service agréé tous les 5 ans. Le bruit que vous entendez pendant le fonctionnement est normal et dû au ventilateur intégré dans le module. Si vous ouvrez la porte du compartiment d'aliments frais pendant que le module est actif, le ventilateur se met temporairement en pause et reprend là où il s'était arrêté quelques secondes après la fermeture de la porte. En cas de panne de courant, le module de désodorisation reprend là où il s'est arrêté une fois le courant

Utilisation de l'appareil

Info : Il est recommandé de conserver les aliments aromatiques (tels que les fromages, les olives et les plats de charcuterie) dans leur emballage et scellés pour éviter les mauvaises odeurs qui peuvent se produire lorsque les odeurs de divers aliments se mélangent. En outre, il est recommandé de sortir rapidement les aliments avariés du réfrigérateur pour éviter que les autres aliments ne se détériorent et éviter les mauvaises odeurs.



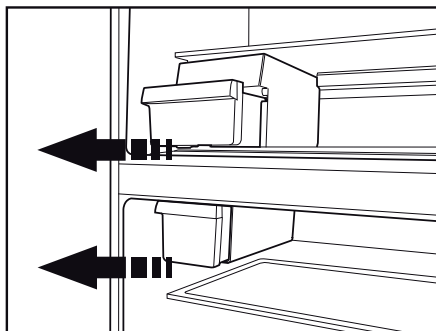
6.12. Machine à glace automatique

(En option)

La machine à glace automatique vous permet de faire facilement des glaçons dans votre réfrigérateur. Pour obtenir des glaçons à partir de la machine à glace, retirez le réservoir d'eau du compartiment réfrigérateur, remplissez-le d'eau et replacez-le. Les premiers glaçons seront prêts dans environ 2 heures dans le tiroir à glace situé dans le compartiment réfrigérateur.

Après avoir placé le réservoir rempli, vous pouvez obtenir environ 60 à 70 cubes de glace jusqu'à ce qu'il soit entièrement vide.

Si l'eau contenue dans le réservoir date de 2 à 3 semaines, veuillez la remplacer.



Dans les réfrigérateurs équipés de machine à glace automatique, vous pourriez entendre un son lorsque vous versez la glace. Ce phénomène est tout à fait normal et ne constitue nullement un signe de dysfonctionnement.

Utilisation de l'appareil

6.13. Distributeur et récipient de conservation de glaçons

(dans certains modèles)

Utilisation du distributeur

Remplissez le distributeur de glaçons avec de l'eau et remettez-le à sa place. Vos glaçons seront prêts dans environ deux heures. Ne pas retirer le distributeur de glaçons de son logement pour prendre de la glace.

Tournez les molettes des réservoirs à glaçons dans le sens des aiguilles d'une montre, de manière à former un angle de 90 degrés.

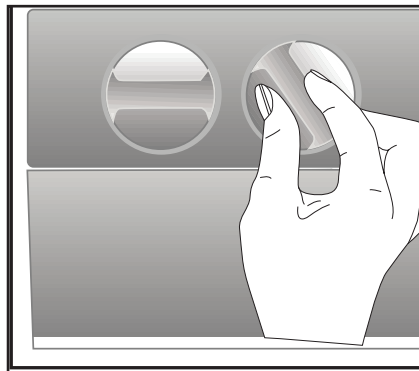
Les glaçons contenus dans les réservoirs tomberont dans le récipient de conservation de glaçons situé en dessous.

Vous pouvez alors sortir le récipient de conservation de glaçons et servir les glaçons.

Si vous le désirez, vous pouvez laisser les glaçons dans leur récipient de conservation.

Récipient de conservation de glaçons

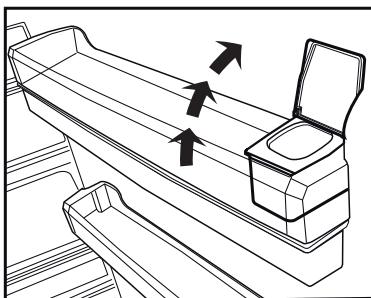
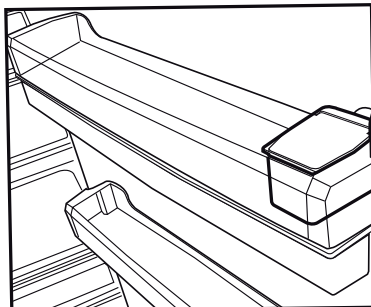
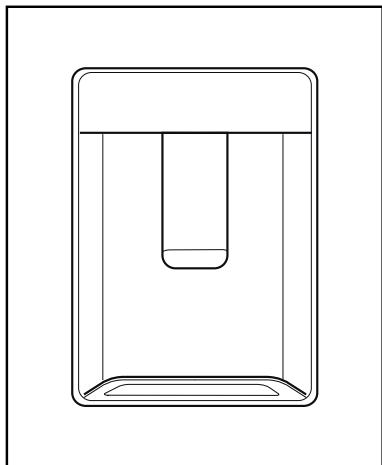
Le récipient de conservation de glaçons sert simplement à accumuler les glaçons. Ne versez pas d'eau à l'intérieur. Cela peut le casser.



6.14. Distributeur d'eau

*en option

Cette fontaine est très important pour obtenir de l'eau fraîche sans avoir à ouvrir la porte de votre réfrigérateur. Comme vous n'aurez pas à ouvrir fréquemment la porte de votre réfrigérateur, cela vous permettra d'économiser de l'énergie.



doucement la quantité de pression du bouton pour éviter tout risque de débordement. Si vous appuyez légèrement sur le bouton, l'eau s'écoulera ; ce phénomène est tout à fait normal et n'est pas un dysfonctionnement.

6.15. Utilisation du distributeur

Appuyez sur le bouton de la fontaine avec votre verre. La fontaine cessera de fonctionner lorsque vous aurez relâché le bouton.

Pendant le fonctionnement de la fontaine, vous pouvez obtenir une quantité maximale en appuyant à fond sur le bouton. N'oubliez pas que la quantité de liquide obtenue est fonction du degré d'appui que vous exercez sur le bouton.

A mesure que le niveau d'eau de votre tasse / verre augmente, réduisez

Remplir le réservoir d'eau

Le réservoir d'approvisionnement en eau se trouve dans le balconnet de la porte. Vous pouvez ouvrir le couvercle du réservoir et remplir celui-ci d'eau potable. Refermez ensuite le couvercle.

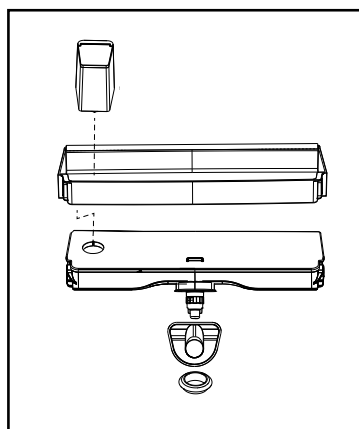
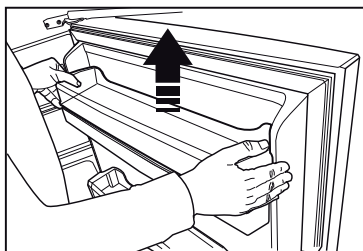
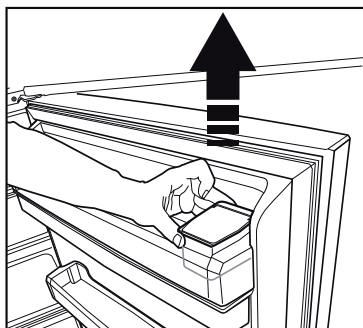
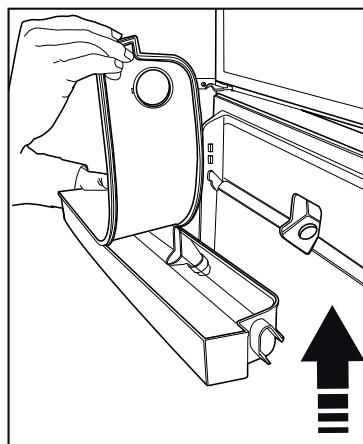
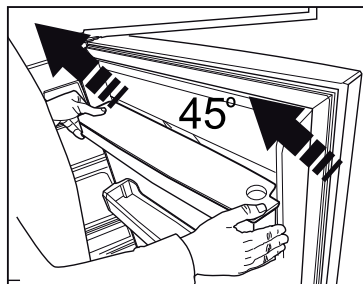
Avertissement !

- Ne remplissez pas le réservoir avec un liquide autre que de l'eau des boissons gazeuses, alcooliques, jus de fruits ou autres ne sont pas adaptés pour être utilisés avec le distributeur d'eau. Si de tels

Utilisation de l'appareil

liquides sont utilisés, le distributeur connaîtra un dysfonctionnement et peut être profondément endommagé. La garantie ne couvre pas de telles utilisations. Certaines substances chimiques et certains additifs contenus dans de telles boissons / breuvages peuvent également endommager le réservoir d'eau.

- Utilisez uniquement de l'eau potable propre.
- La capacité du réservoir est de 3 litres; ne dépassez pas la limite.
- Appuyez sur le bouton de la fontaine avec votre verre. Si vous utilisez une tasse jetable, poussez le bouton avec vos doigts à partir de l'arrière de la tasse.



6.16. Nettoyer le réservoir d'eau

- Retirez le réservoir d'approvisionnement en eau du balconnet de la porte.
- Retirez le balconnet de la porte en le tenant par les deux côtés.
- Tenez le réservoir par ses deux côtés et retirez-le selon un angle de 45 degrés.
- Retirez le couvercle afin de nettoyer le réservoir.

Important :

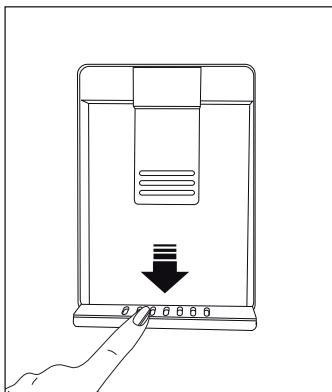
Le réservoir d'eau et les composants du distributeur d'eau ne peuvent pas être passés au lave-vaisselle.

6.17. Bac à eau


L'eau qui s'écoule lors de l'utilisation du distributeur d'eau s'accumule dans le bac de dégivrage.

Retirez la crépine en plastique comme sur le schéma.

Essuyez l'excédent d'eau à l'aide d'un chiffon propre et sec.



6.18. Congélation des produits frais

- Pour conserver la qualité des aliments, les denrées placées dans le compartiment congélateur doivent être congelées le plus rapidement possible, à l'aide de la fonction de congélation rapide.
 - Le fait de congeler les denrées à l'état frais prolongera la durée de conservation dans le compartiment congélateur.
 - Emballez les aliments dans des emballages sous vide et scellez-les correctement.
 - Assurez-vous que les aliments sont emballés avant de les placer dans le congélateur. Utilisez des récipients pour congélateur, du papier aluminium et du papier résistant à l'humidité, des sacs en plastique ou du matériel d'emballage similaire au lieu d'un papier d'emballage ordinaire.
-  La glace contenue dans le compartiment congélateur dégèle automatiquement.
- Marquez chaque emballage en y écrivant la date avant de le placer au congélateur. Ceci vous permettra de déterminer la fraîcheur de chaque paquet lors des ouvertures du congélateur. Mettez les aliments les plus anciens à l'avant pour vous assurer qu'ils sont utilisés en premier.
 - Les aliments congelés doivent être utilisés immédiatement après le dégivrage et ne doivent pas être congelés à nouveau.
 - Ne retirez pas de grandes quantités d'aliments au même moment.

Utilisation de l'appareil

Réglage de la température du compartiment congélateur	Réglage de la température du compartiment réfrigérateur	Détails
-18°C	4°C	Ceci est le paramètre par défaut recommandé.
-20,-22 ou -24°C	4°C	Ces réglages sont recommandés pour des températures ambiantes excédant 30 °C.
Congélation rapide	4°C	Cet indicateur est utilisé lorsque vous souhaitez congeler vos aliments pendant une courte période. Une fois le processus terminé, l'appareil retourne à son réglage initial.
Inférieure ou égale à -18°C	2°C	Utilisez ces réglages si vous estimez que le compartiment réfrigérateur n'est pas assez frais à cause de la température ambiante ou de l'ouverture fréquente de la porte.

6.19. Recommandations relatives à la conservation des aliments congelés

Le compartiment doit être réglé à -18 °C minimum.

1. Placez les aliments dans le congélateur le plus rapidement possible pour éviter leur dégivrage.
2. Avant de les faire dégivrer, vérifiez la « date d'expiration » sur l'emballage pour vous assurer de l'état des aliments.
3. Assurez-vous que l'emballage de l'aliment n'est pas endommagé.

6.20. Informations relatives au congélateur

Selon la norme CEI 62552, le congélateur doit être doté d'une capacité de congélation des aliments de 4,5 kg à une température inférieure ou égale à -18 °C en 24 heures pour chaque 100 litres du volume du compartiment congélateur. Les aliments peuvent être préservés pour des périodes prolongées uniquement à des températures inférieures ou égales à -18 °C.

Vous pouvez garder les aliments frais pendant des mois (dans le congélateur à des températures inférieures ou égales à 18 °C).

Les aliments à congeler ne doivent pas être en contact avec ceux déjà congelés pour éviter un dégivrage partiel.

Faites bouillir les légumes et filtrer l'eau pour prolonger la durée de conservation à l'état congelé. Placez les aliments dans des

Utilisation de l'appareil

conditionnements hermétiques après filtrage et placez-les dans le congélateur. Les bananes, les tomates, les feuilles de laitue, le céleri, les oeufs durs, les pommes de terre et les aliments similaires ne doivent pas être congelés. Lorsque les aliments pourrissent, seules les valeurs nutritionnelles et les qualités alimentaires sont négativement affectées. Il ne s'agit pas d'un aliment détérioré susceptible de constituer un danger pour la santé humaine.

6.21. Disposition des denrées

Étagères du compartiment congélateur	Vous pouvez congeler différents aliments comme de la viande, du poisson, des crèmes glacées, des légumes, etc.
Étagères du compartiment réfrigérateur	Les aliments contenus dans des casseroles, des plats couverts, des gamelles et les œufs (dans des gamelles)
Balconnets de la porte du compartiment réfrigérateur	Aliments emballés et de petite taille ou des boissons
Bac à légumes	Fruits et légumes
Compartiment des aliments frais	Épicerie fine (aliments pour petit déjeuner, produits carnés à consommer à court terme)

6.22. Alerte ouverture de porte

(En option)

Un signal sonore est émis si la porte de l'appareil reste ouverte pendant au moins 1 minute. Le signal sonore s'arrête à la fermeture de la porte ou lorsqu'on appuie sur bouton de l'écran (si disponible).

Ce signal destiné à l'utilisateur est à la fois audible et visuel. Le voyant intérieur s'allume si le signal d'avertissement est émis pendant 10 minutes.

6.23. Inversion de la direction d'ouverture de la porte

Vous pouvez inverser le sens d'ouverture de votre réfrigérateur, en fonction de son emplacement. Lorsque vous souhaitez effectuer cette opération, contactez le service agréé le plus proche.

L'explication ci-dessus est une déclaration générale. Veuillez vérifier l'étiquette d'avertissement située à l'intérieur de l'emballage de votre appareil, au sujet de l'inversion de la direction de la porte.

6.24. Éclairage interne

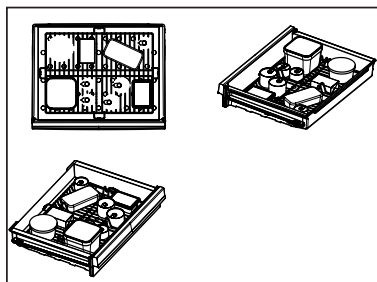
L'éclairage interne utilise une lampe de type DEL. Contactez le service agréé pour tout problème lié à cette lampe.

N'utilisez pas l'ampoule de cet appareil pour l'éclairage des maisons. Cette ampoule a été conçue pour permettre à l'utilisateur de placer les aliments dans le réfrigérateur / congélateur en toute sécurité et confortablement.

6.25. Recommandations pour le fonctionnement du compartiment hygiène :

*Cette fonction est facultative

- Alors que vous placez les aliments dans ce compartiment dans un but d'hygiénisation de la surface des aliments, placez toujours votre viande, votre poulet, votre poisson, votre lait et vos produits laitiers dans le compartiment en les conservant dans leur emballage primaire d'origine ou sous un film plastique transparent.
 - Le placement de tout produit autre qu'une denrée alimentaire dans ce compartiment à des fins d'hygiène n'est absolument pas approprié.
 - Si vous mettez dans le compartiment Hygiène des aliments sans les retirer de leur sac de course, alors la désinfection sera effective uniquement à la surface du sac et pas sur les emballages primaires des produits. Il faut donc retirer les produits alimentaires du sac de course tout en les plaçant dans le compartiment.
 - Un seul cycle de désinfection suffit à la même denrée alimentaire : il n'est pas nécessaire d'appliquer la procédure plus d'une fois.
 - Lorsque la fonction d'hygiène n'est pas utilisée, nous vous recommandons de ne stocker dans ce compartiment que des produits de charcuterie et des aliments pour le petit déjeuner. Dans le cas des légumes et des fruits, il est déconseillé de les conserver longtemps dans ce compartiment car le compartiment hygiène est plus froid que les autres parties du réfrigérateur.
- Il est recommandé, avant d'activer la fonction d'hygiène à partir du panneau de commande de l'écran d'enlever tous les aliments préalablement stockés dans ce compartiment pour n'y placer que des produits à désinfecter. Le cycle de désinfection durera 40 minutes. Lorsque vous ouvrez la porte de votre réfrigérateur alors que le compartiment Hygiène est actif, alors le cycle s'arrêtera automatiquement pour reprendre ensuite.
 - Une fois la procédure d'hygiène terminée, vous pouvez replacer les aliments que vous avez retirés dans le compartiment.
 - Afin d'assurer une fonction d'hygiène efficace, les produits doivent être placés en laissant une distance entre eux et en veillant à ce qu'ils ne bloquent pas la lumière.
 - Veillez à ce que les aliments ne soient pas placés les uns sur les autres avant d'activer la fonction d'hygiène.



7 Entretien et nettoyage

 A Lisez d'abord la section « Consignes de sécurité » !

Nettoyez régulièrement l'appareil afin de prolonger sa durée de vie et réduire les problèmes fréquemment rencontrés.



AVERTISSEMENT : Éteignez l'appareil avant de le nettoyer.



AVERTISSEMENT : Il est recommandé de nettoyer le condenseur tous les six mois avec des gants. Vous ne devez pas utiliser d'aspirateur.

- N'utilisez jamais d'essence, de benzène ou de matériaux similaires pour le nettoyage.
- N'utilisez jamais d'ustensiles abrasifs tranchants, de savon, de produit de nettoyage domestique, de détergent et de cirage pour effectuer le nettoyage.
- Dissolvez une cuillerée à café de carbonate dans un demi-litre d'eau. Trempez un chiffon dans cette solution et essorez-le complètement. Nettoyez soigneusement l'intérieur du réfrigérateur avec ce chiffon et séchez ensuite à l'aide d'un chiffon sec.
- Nettoyez la plaque métallique sous le tiroir en métal et la table uniquement avec un chiffon humide et sec.
- Ne laissez pas de l'eau pénétrer dans le logement de lampe ou dans toute autre pièce électrique.
- Si vous n'utilisez pas le réfrigérateur pendant une période prolongée, débranchez-le, retirez-y tous les aliments, nettoyez-le et laissez la porte entrouverte.
- Vérifiez régulièrement que les joints des portes sont propres. Si tel n'est pas le cas, nettoyez-les.
- Retirez tous les aliments de l'appareil avant de retirer la porte et les étagères.

- Retirez les balconnets en les tirant vers le haut. Faites glisser les balconnets vers le bas pour les réinstaller après le nettoyage.
- N'utilisez jamais de produits de nettoyage chlorés ou d'eau pour nettoyer les surfaces extérieures ou les parties du produit recouvertes de chrome. Le chlore entraîne l'abrasion de ces surfaces métalliques.
- Pour des appareils qui ne sont pas de la marque No Frost, des gouttes d'eau et une couche de givre pouvant atteindre la largeur d'un doigt se forment sur la paroi arrière du compartiment réfrigérateur. Ne les nettoyez pas et évitez d'y utiliser de l'huile ou des produits similaires.
- Utilisez uniquement des tissus en microfibres légèrement mouillés pour nettoyer la surface externe de l'appareil. Les éponges et autres tissus de nettoyage sont susceptibles de rayer la surface.

7.1 Prévention des mauvaises odeurs

Les matériaux susceptibles d'être à l'origine d'une odeur ne sont pas utilisés dans la fabrication de nos réfrigérateurs. Toutefois, des odeurs peuvent se dégager si les aliments sont mal rangés ou si la surface interne de l'appareil n'est pas nettoyée comme il se doit. Veuillez tenir compte des points suivants pour éviter ce problème :

- Il est important de garder le réfrigérateur propre. Les résidus d'aliments, les taches, etc. peuvent être à l'origine des odeurs. Pour cette raison, nettoyez votre réfrigérateur avec du carbonate dissout dans de l'eau tous les 15 jours. N'utilisez jamais de détergent ou de savon.

7 Entretien et nettoyage

- Conservez vos aliments dans des récipients fermés. Les micro-organismes émis par les récipients sans couvercle peuvent provoquer des odeurs désagréables.
- Ne gardez jamais les aliments périmés ou abîmés dans votre réfrigérateur.

7.2 Protection des surfaces en plastique.

Ne placez pas d'huiles ou de plats huileux dans le réfrigérateur dans des récipients non fermés, car les graisses peuvent endommager les surfaces en plastique du réfrigérateur. Si de l'huile est répandue ou étalée sur les surfaces en plastique, nettoyez et rincez immédiatement la partie concernée de la surface à l'eau tiède.

7.3 Nettoyage de la surface intérieure

Pour nettoyer les surfaces intérieures et toutes les parties amovibles, lavez-les avec une solution douce contenant du savon, de l'eau et du carbonate. Rincez et séchez complètement. Empêchez l'eau de toucher les dispositifs d'éclairage et le panneau de commande.

ATTENTION :



N'utilisez pas de vinaigre, d'alcool à friction ou d'autres produits de nettoyage à base d'alcool sur les surfaces intérieures.

7.4 Surfaces extérieures en acier inoxydable

Utilisez un produit de nettoyage en acier inoxydable non abrasif et appliquez-le avec un chiffon doux et non pelucheux. Pour le polissage, essuyez avec douceur la surface avec un chiffon humide en microfibras et utilisez du cuir sec. Suivez toujours les fils d'acier inoxydable.

7.5 Nettoyage d'appareils avec portes en verre

Enlevez le film protecteur qui recouvre la vitre.

Il y a un revêtement sur la surface de la vitre. Ce revêtement minimise la formation de taches et garantit un nettoyage facile des taches et des salissures. Les vitres non protégées par un tel revêtement peuvent être exposées à un colmatage persistant de polluants transportés par l'eau ou par l'air et d'origine organique ou inorganique comme le calcaire, les sels minéraux, les hydrocarbures non brûlés, les oxydes métalliques et les silicones qui peuvent facilement et rapidement former des taches ou entraîner ainsi des dégâts matériels. Malgré un lavage régulier, la vitre devient très difficile à nettoyer, mais reste nettoyable. En conséquence, la clarté et la bonne apparence du verre en pâtit. Les composés et méthodes de nettoyage durs et abrasifs augmentent encore ces défauts et accélèrent le processus de détérioration.

*Les produits de nettoyage non alcalins, non abrasifs et à base d'eau doivent être utilisés pour les procédures de nettoyage usuelles.

Pour que le revêtement ait une longue durée de vie, les substances alcalines ou abrasives ne doivent pas être utilisées lors des opérations de nettoyage.

Ces vitres ont été soumises à un processus de trempe pour augmenter leur résistance aux chocs et à la rupture. Comme mesure de sécurité supplémentaire, les surfaces arrière des verres sont recouvertes d'un film de sécurité pour s'assurer qu'ils ne nuisent pas à l'environnement en cas de rupture.

Vérifiez la liste suivante avant de contacter le service après-vente. Cela vous permet de gagner du temps et de l'argent. Cette liste contient les problèmes fréquemment rencontrés qui ne sont pas le résultat d'un défaut de fabrication ou d'une mauvaise utilisation des matériaux. Il se peut que votre appareil ne présente pas certaines des caractéristiques décrites ici.

Le réfrigérateur ne fonctionne pas.

- Il peut ne pas être branché comme il se doit. >>> Branchez l'appareil correctement.
- Le fusible de la prise à laquelle votre réfrigérateur est branché ou le fusible principal a peut-être sauté. >>> Vérifiez le fusible.

Condensation sur la paroi intérieure du compartiment réfrigérateur. (MULTI ZONE, COOL CONTROL et FLEXI ZONE).

- La porte peut avoir été ouverte/ fermée fréquemment. Évitez d'ouvrir/ de fermer la porte du réfrigérateur fréquemment.
- L'environnement peut être trop humide. >>> N'installez pas le réfrigérateur à des endroits très humides.
- Les aliments contenant du liquide peuvent avoir été placés au réfrigérateur dans des récipients sans couvercle. >>> Assurez-vous que des aliments contenant du liquide rangés dans des récipients non fermés ne soient pas placés dans le réfrigérateur.
- La porte du réfrigérateur peut avoir été laissée entrouverte. >>> Ne gardez pas longtemps les portes de votre réfrigérateur ouvertes.
- Le thermostat peut avoir été réglé à un niveau très froid. >>> Réglez le thermostat à un niveau approprié.

Le compresseur ne fonctionne pas.

- Le dispositif de protection thermique du compresseur sautera en cas de coupures soudaines du courant ou de débranchement intempestif, en effet la pression du liquide réfrigérant du système de refroidissement ne sera pas équilibrée. Le réfrigérateur recommence à fonctionner normalement après 6 minutes environ. Si le réfrigérateur ne démarre pas à la fin de cette période, veuillez appeler le prestataire de services agréé.
- Le congélateur est en mode dégivrage. >>> Ceci est normal pour un réfrigérateur qui effectue le dégivrage entièrement automatique. Le cycle de dégivrage est effectué périodiquement.
- Le réfrigérateur ne doit pas être branché. >>> Assurez-vous que la fiche est bien insérée dans la prise.
- Les réglages de température peuvent être incorrects. >>> Sélectionnez la valeur de température correcte.
- Panne de courant possible. >>> Le réfrigérateur commence à fonctionner normalement une fois que l'alimentation est rétablie.

Le niveau sonore augmente lorsque le réfrigérateur est en marche.

- Les performances de fonctionnement du réfrigérateur peuvent varier en fonction des variations de température ambiante. Cela est normal et n'est pas un défaut.

Le réfrigérateur fonctionne fréquemment ou pendant de longues périodes.

Dépannage

- Votre nouveau réfrigérateur est peut-être plus grand que l'ancien. Les grands réfrigérateurs durent plus longtemps.
- La température de la pièce est probablement élevée. >>> Il est normal que l'appareil fonctionne plus longtemps dans des environnements chauds.
- Il se peut que le réfrigérateur ait été branché ou chargé d'aliments. >>> Il faut plus de temps à l'appareil pour atteindre la température réglée lorsqu'il vient d'être branché ou chargé. Ce phénomène est normal.
- De grandes quantités d'aliments chauds ont peut-être été mises au réfrigérateur récemment. >>> Ne placez pas les aliments chauds dans le réfrigérateur.
- Les portes peuvent avoir été ouvertes fréquemment ou laissées entrouvertes depuis longtemps. >>> L'air chaud qui pénètre dans le réfrigérateur le fait fonctionner plus longtemps. N'ouvrez pas les portes fréquemment.
- Les portes des compartiments congélateur et réfrigérateur ont été laissées entrouvertes. >>> Assurez-vous que les portes sont bien fermées.
- L'appareil peut être réglé à une température très basse. >>> Réglez la température du réfrigérateur à un degré plus chaud et patientez que l'appareil atteigne ce niveau de température.
- Le joint de porte du réfrigérateur ou du compartiment congélateur peut être sale, usé, brisé ou mal fixé. >>> Nettoyez ou remplacez le joint. Tout joint endommagé/brisé fait fonctionner le réfrigérateur pendant une période de temps plus longue afin de conserver la température actuelle.
- La température du compartiment réfrigérateur peut être réglée à une température très élevée. >>> Le réglage du compartiment réfrigérant a un effet sur la température du congélateur. Modifiez la température du réfrigérateur ou du compartiment congélateur jusqu'à ce que la température du réfrigérateur ou du compartiment congélateur atteigne un niveau adéquat.
- Les portes peuvent avoir été ouvertes fréquemment ou laissées entrouvertes depuis longtemps. >>> N'ouvrez pas les portes fréquemment.
- La porte a peut-être été laissée entrouverte. >>> Fermez complètement la porte.
- Le réfrigérateur était peut-être tout simplement branché ou chargé d'aliment. >>> Ce phénomène est normal. Il faut plus de temps à l'appareil pour atteindre la température réglée lorsqu'il vient d'être branché ou chargé.
- De grandes quantités d'aliments chauds ont peut-être été mises au réfrigérateur récemment. >>> Ne placez pas les aliments chauds dans le réfrigérateur.

Vibrations ou bruits.

- Le plancher peut ne pas être stable ou de niveau. >>> Si le réfrigérateur vibre légèrement, ajustez l'alimentation pour l'équilibrer. Assurez-vous que le sol est de niveau et capable de supporter le poids du réfrigérateur.
- Les objets placés sur le réfrigérateur peuvent causer du bruit. >>> Retirez tout objet placé sur le réfrigérateur.

Le réfrigérateur produit des bruits semblables à de l'eau qui coule ou à la pulvérisation d'un liquide.

- Les écoulements de liquide et de gaz surviennent conformément aux principes de fonctionnement du réfrigérateur. >>> Ce phénomène est normal et n'est pas considéré comme un défaut.

Dépannage

La température du réfrigérateur est adéquate, mais la température du congélateur est très basse.

- La température du compartiment congélateur peut être réglée à une valeur très basse. >>> Réglez la température du compartiment congélateur à une valeur supérieure et vérifiez.

La température du congélateur est adéquate, mais la température du réfrigérateur est très basse.

- Le réfrigérateur est réglé à une température très basse. >>> Réglez la température du réfrigérateur à un degré supérieur et vérifiez.

Les denrées conservées dans les tiroirs du compartiment de réfrigération sont congelées.

- La température du compartiment réfrigérateur peut être réglée à une valeur très élevée. >>> Réglez la température du compartiment réfrigérateur à une valeur inférieure et vérifiez.

La température dans le réfrigérateur ou le congélateur est très élevée.

Le réfrigérateur émet un sifflement.

- Votre appareil est doté de ventilateurs qui servent à le refroidir. Cela est normal et n'est pas un défaut.

L'humidité s'accumule sur les parois intérieures du réfrigérateur.

- Un temps chaud et humide augmente la formation de givre et de condensation. Cela est normal et n'est pas un défaut.
- Les portes peuvent avoir été ouvertes fréquemment ou laissées entrouvertes depuis longtemps. >>> N'ouvrez pas les portes fréquemment. Fermez les portes, si elles sont ouvertes.
- La porte a peut-être été laissée entrouverte. >>> Fermez complètement la porte.

L'humidité est présente sur la surface extérieure du réfrigérateur ou entre les portes.

- L'air peut être humide. C'est tout à fait normal par temps humide. >>> La condensation disparaît une fois que le taux d'humidité diminue.
- L'espace présent entre deux portes du réfrigérateur peut présenter de l'humidité si vous utilisez rarement votre appareil. Ce phénomène est normal. Cette humidité disparaît en cas d'utilisation fréquente du réfrigérateur.

Dépannage

L'intérieur du réfrigérateur dégage une mauvaise odeur.

- L'appareil n'a peut-être pas été nettoyé régulièrement. Nettoyez l'intérieur du réfrigérateur avec une éponge, de l'eau tiède ou de l'eau gazeuse.
- Certains récipients ou matériaux d'emballage peuvent provoquer des odeurs. >>> Utilisez un autre récipient ou du matériel d'emballage d'une autre marque.
- Les aliments peuvent avoir été mis au réfrigérateur dans des récipients sans couvercle. >>> Conservez les aliments dans des récipients fermés. Les micro-organismes émis par les récipients sans couvercle peuvent provoquer des odeurs désagréables.
- Sortez les aliments périmés ou abîmés du réfrigérateur.

Il est impossible de fermer la porte.

- Des récipients peuvent empêcher la porte de se fermer. >>> Repérez les emballages qui obstruent la porte.
- Le réfrigérateur peut être instable sur le sol. >>> Ajustez les pieds du réfrigérateur au besoin pour le garder en équilibre.
- Le plancher peut ne pas être de niveau ou solide. >>> Assurez-vous que le plancher est de niveau et qu'il peut supporter le poids du réfrigérateur..

Les bacs à légumes sont coincés.

- Les aliments peuvent toucher la paroi supérieure du bac à légumes. >>> Réorganisez les aliments dans le bac à légumes.

Si la surface de l'appareil est chaude

Vous pouvez observer une élévation de la température entre les deux portes, sur les panneaux latéraux et au niveau de la grille arrière pendant le fonctionnement de l'appareil. Ce phénomène est normal et ne nécessite aucune opération d'entretien !

Le ventilateur continue de fonctionner lorsque la porte est ouverte.

Le ventilateur peut continuer de fonctionner lorsque la porte du congélateur est ouverte.



AVERTISSEMENT : Si vous ne parvenez pas à résoudre le problème même après avoir suivi les instructions données dans cette section, contactez votre revendeur ou le prestataire de services agréé. N'essayez jamais de réparer un appareil défectueux.

CLAUSE DE NON-RESPONSABILITÉ / AVERTISSEMENT

Il est possible de remédier à certaines défaillances (simples) de manière adéquate par l'utilisateur final sans qu'il y ait de problème de sécurité ou d'utilisation dangereuse, à condition qu'elles soient effectuées dans les limites et conformément aux instructions suivantes (voir la section « Auto-réparation »).

Dès lors, sauf autorisation contraire dans la section « Auto-réparation » ci-dessous, les réparations doivent être adressées à des réparateurs professionnels agréés afin d'éviter les problèmes de sécurité.

Un réparateur professionnel agréé est un réparateur professionnel à qui le fabricant a donné accès aux instructions et à la liste des pièces détachées de ce produit selon les méthodes décrites dans les actes législatifs en application de la directive 2009/125/CE.

Par contre, tel que mentionné dans le manuel d'utilisation/carte de garantie, seul l'agent de service (c'est-à-dire les réparateurs professionnels agréés) que vous pouvez joindre au numéro de téléphone indiqué dans le manuel d'utilisation/carte de garantie ou par l'intermédiaire de votre revendeur agréé peut fournir un service dans le cadre des conditions de garantie. Par conséquent, veuillez noter que les réparations effectuées Beko par des réparateurs professionnels (qui ne sont pas autorisés par) annuleront la garantie.

Auto-réparation

L'utilisateur final peut lui-même réparer les pièces de rechange ci-après : poignées de porte, charnières de porte, plateaux, paniers et joints de porte (une liste mise à jour est également disponible à l'adresse support.beko.com au 1er mars 2021).

En outre, pour garantir la sécurité du produit et éviter tout risque de blessure

grave, l'autoréparation mentionnée doit être effectuée en suivant les instructions du manuel d'utilisation pour l'autoréparation ou qui sont disponibles dans support.beko.com. Pour votre sécurité, débranchez le produit avant de tenter toute autoréparation.

Les réparations et tentatives de réparation par les utilisateurs finaux pour les pièces ne figurant pas dans cette liste et/ou ne suivant pas les instructions des manuels d'utilisation pour l'autoréparation ou qui sont disponibles dans support.beko.com, pourrait donner lieu à des problèmes de sécurité non imputables à Beko, et annulera la garantie du produit.

Il est donc fortement recommandé aux utilisateurs finaux de s'abstenir de tenter d'effectuer des réparations ne figurant pas sur la liste des pièces de rechange mentionnée, en s'adressant dans ce cas à des réparateurs professionnels autorisés ou à des réparateurs professionnels agréés.

Au contraire, de telles tentatives de la part des utilisateurs finaux peuvent causer des problèmes de sécurité et endommager le produit et, par la suite, provoquer un incendie, une inondation, une électrocution et des blessures corporelles graves.

Sans être exhaustives, les réparations suivantes par exemple doivent être effectuées par des personnes qualifiées : les réparateurs professionnels ou les réparateurs professionnels agréés : compresseur, circuit de refroidissement, carte mère, carte de convertisseur, carte d'affichage, etc.

Le fabricant/vendeur ne peut être tenu responsable dans tous les cas où les utilisateurs finaux ne se conforment pas à ce qui précède.

La disponibilité des pièces de rechange du réfrigérateur que vous avez acheté est de 10 ans.

Pendant cette période, des pièces de rechange originales seront disponibles pour faire fonctionner correctement le réfrigérateur.

La durée minimale de garantie du réfrigérateur que vous avez acheté est de 24 mois.

Cet appareil est doté d'une source d'éclairage de classe énergétique "G".

Seuls des réparateurs qualifiés sont autorisés à procéder au remplacement de la source d'éclairage de cet appareil.



FR

Cet appareil
et ses accessoires
se recyclent

REPRISE
À LA LIVRAISON



OU

À DÉPOSER
EN MAGASIN



OU

À DÉPOSER
EN DÉCHÈTERIE



Points de collecte sur www.quefairedemesdechets.fr
Privilégiez la réparation ou le don de votre appareil !



FR

ÉLÉMENT(S)
PAPIER



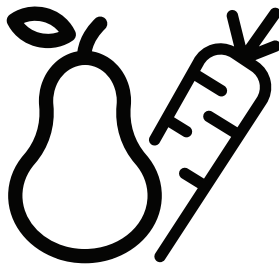


Kühlschrank/Gefrierschrank

Bedienungsanleitung

Frigorifero

Manuale utente



RCNE560E40ZLXPUN

DE / IT



RECYCELTES UND
RECYCELBARES PAPIER



CARTA RICICLATA E
RICICLABILE


Lieber Kunde,
Bitte lesen Sie dieses Handbuch, bevor Sie das Produkt verwenden.

Vielen Dank, dass Sie sich für dieses Produkt entschieden haben. Wir möchten, dass Sie mit diesem hochwertigen Produkt, das mit modernster Technologie hergestellt wurde, die optimale Effizienz erzielen. Lesen Sie dazu dieses Handbuch und alle anderen mitgelieferten Dokumentationen sorgfältig durch, bevor Sie das Produkt verwenden, und bewahren Sie sie als Referenz auf.


Beachten Sie alle Informationen und Warnungen im Benutzerhandbuch. Auf diese Weise schützen Sie sich und Ihr Produkt vor den Gefahren, die auftreten können.

Bewahren Sie das Benutzerhandbuch auf. Fügen Sie diese Anleitung dem Gerät bei, wenn Sie sie an eine andere Person übergeben.

In dieser Betriebsanleitung werden folgende Symbole verwendet:





 Gefahr, die zum Tod oder zu Verletzungen führen kann.

HINWEIS Eine Gefahr, die zu Materialschäden am Produkt oder seiner Umgebung führen kann

 Wichtige Informationen oder nützliche Tipps zur Bedienung.

 Lesen Sie die Bedienungsanleitung.

 Gefahr von UV-C-Strahlung

 ANGABEN	
 ENERGY 	Die Modellinformationen, wie sie in der Produktdatenbank gespeichert sind, können durch Eingabe der folgenden Webseite und Suche nach Ihrer Modellkennung (*) auf dem Energiekett erreicht werden. https://eprel.ec.europa.eu/
<small>SUPPLIER'S NAME</small> A 	

1 Sicherheitsanweisungen 3

- ⚠ 1.1 Bestimmungsgemäße Verwendung. 3
- ⚠ 1.2. Sicherheit für Kinder, schutzbedürftige Personen und Haustiere. 3
- ⚠ 1.3. Elektrische Sicherheit 4
- ⚠ 1.4 . Sicherheit beim Transport. 4
- ⚠ 1.5. Sicherheit bei der Installation. 4
- ⚠ 1.6.Sicherheit bei der Benutzung 5
- ⚠ 1.7.Sicherheit bei der Wartung und Pflege7
- ⚠ 1.8.HomeWhiz 7
- ⚠ 1.9.Beleuchtung 8
- ⚠ 1.10. UV-C Strahlenschutz 8
- ⚠ 1.11.Technische Informationen zu WLAN + Bluetooth 9

2 Informationen zur Entsorgung 10

- 2.1 Ihre Pflichten als Endnutzer 10
- 2.2 Einhaltung der RoHS-Richtlinie: 10
- 2.3 Hinweise zum Recycling 10
- 2.4 Rücknahmepflichten der Vertreiber . . . 10

3 Ihr Kühlschrank 12

4 Installation 13

- 4.1. Der richtige Aufstellungsort. 13
- 4.2. Kunststoffkeile anbringen 13
- 4.3. Füße einstellen 14
- 4.4. Stromanschluss. 14

5 Vorbereitungen 15

- 5.1 Maßnahmen zum Energiesparen. 15
- 5.2 Erste Inbetriebnahme 15

6 Bedienung des Produktes 17

- 6.1. Blaues Licht/HarvestFresh 20
- 6.2. Hygienefach 21
- 6.3. Eisbehälter. 22
- 6.4. Eierhalter 22
- 6.5. Lüfter 22
- 6.6. Gemüsefach. 22
- 6.7. 0-Grad-Fach 22

- 6.8. Bewegliche Türablage 23
- 6.9. Verschiebbarer Vorratsbehälter 23
- 6.10. HerbBox/HerbFresh 23
- 6.11. Feuchtigkeitskontrolliertes Gemüsefach. 24
- 6.12. Automatischer Eisbereiter 24
- 6.13. Eisbereiter und Eisbehälter. 25
- 6.14. Wasserspender 26
- 6.15. So benutzen Sie den Wasserspender 26
- 6.16. Wassertank reinigen 27
- 6.17. Tropfschale. 28
- 6.18. Frische Lebensmittel tiefkühlen. 29
- 6.19. Empfehlungen zur Lagerung gefrorener Lebensmittel. 29
- 6.20. Hinweise zum Tiefkühlbereich 30
- 6.21. Lebensmittel einlagern. 30
- 6.22. Tür-offen-Alarm 30
- 6.23. Wechseln des Türanschlags 30
- 6.24. Innenbeleuchtung 30
- 6.25. Betriebsempfehlungen für das Hygienefach: 31

7 Wartung und Reinigung 32

- 7.1 Unangenehme Gerüche verhindern. . . . 32
- 7.2 Kunststoffflächen schützen 33
- 7.3 Innenfläche reinigen 33
- 7.4 Edelstahl-Außenflächen 33
- 7.5 Produkte mit Glastüren reinigen 33

7 Reinigung und Pflege 33

8 Problemlösung 34

1 Sicherheitsanweisungen

- Dieser Abschnitt enthält Sicherheitshinweise, die zum Schutz vor Personen- oder Sachschäden beitragen.
- Unser Unternehmen haftet nicht für Schäden, die entstehen können, wenn diese Anweisungen nicht befolgt werden.

⚠ Ein Installations- und Reparaturverfahren muss immer vom Hersteller, autorisierten Servicemitarbeiter oder einer vom Importeur angegebenen qualifizierten Person durchgeführt werden.

⚠ Verwenden Sie nur Originalteile und Zubehör.

⚠ Reparieren oder ersetzen Sie keine Teile des Produkts, es sei denn, dies ist ausdrücklich in der Bedienungsanleitung angegeben.

⚠ Nehmen Sie keine technischen Änderungen am Produkt vor.

⚠ 1.1 Bestimmungsgemäße Verwendung

- Dieses Produkt ist nicht für den gewerblichen Gebrauch geeignet und darf nicht außerhalb seines Verwendungszwecks verwendet werden.

Dieses Produkt ist für den Einsatz in Häusern und Innenräumen konzipiert.

Zum Beispiel:

- Personalküchen in Geschäften, Büros und anderen Arbeitsumgebungen,
- Bauernhäuser,
- Bereiche, die von Kunden in Hotels, Motels und anderen Arten von Unterkünften genutzt werden,
- Bed & Breakfast Hotels, Pensionen,
- Catering und ähnliche Anwendungen außerhalb des Einzelhandels.

Dieses Produkt darf nicht im Freien mit oder ohne Zelt wie Booten, Balkonen oder Terrassen verwendet werden. Setzen Sie das Produkt weder Regen noch Schnee, Sonne oder Wind aus.

Es besteht Brandgefahr!

⚠ 1.2. Sicherheit für Kinder, schutzbedürftige Personen und Haustiere

- Dieses Produkt kann von Kindern ab 8 Jahren und von Personen mit eingeschränkten körperlichen, sensorischen oder geistigen Fähigkeiten oder ohne Erfahrung und Wissen verwendet werden, sofern sie in Bezug auf die sichere Verwendung des Produkts und die damit verbundenen Risiken beaufsichtigt oder geschult werden
- Kinder im Alter von 3 bis 8 Jahren dürfen Kühlgeräte be- und entladen.
- Elektrische Produkte sind gefährlich für Kinder und Haustiere. Kinder und Haustiere dürfen nicht mit dem Produkt spielen, klettern oder es betreten.
- Reinigung und Benutzerwartung sollten nicht von Kindern durchgeführt werden, es sei denn, sie werden von jemandem beaufsichtigt.
- Halten Sie Verpackungsmaterialien von Kindern fern. Es besteht Verletzungs- und Erstickungsgefahr!
- Vor der Entsorgung des alten oder veralteten Produkts:
 1. Ziehen Sie den Stecker aus der Steckdose.
 2. Schneiden Sie das Netzkabel ab und ziehen Sie es zusammen mit dem Stecker aus dem Gerät
 3. Entfernen Sie nicht die Regale oder Schubladen, damit Kinder das Produkt nur schwer betreten können.
 4. Entfernen Sie die Türen.
 5. Bewahren Sie das Produkt so auf, dass es nicht umkippt.
 6. Lassen Sie Kinder nicht mit dem alten Produkt spielen.
- Werfen Sie das Gerät niemals zur Entsorgung ins Feuer. Es besteht Explosionsgefahr!
- Wenn sich an der Tür des Produkts ein Schloss befindet, sollte der Schlüssel außerhalb der Reichweite von Kindern aufbewahrt werden.

Sicherheitsanweisungen

1.3. Elektrische Sicherheit

- Das Produkt muss während der Installation, Wartung, Reinigung, Reparatur und des Transports vom Stromnetz getrennt werden.
- Wenn das Netzkabel beschädigt ist, muss es von einer vom Hersteller, autorisierten Servicemitarbeiter oder Importeur angegebenen qualifizierten Person ersetzt werden, um mögliche Gefahren zu vermeiden.
- Drücken Sie das Netzkabel nicht unter oder hinter das Produkt. Stellen Sie keine schwere Gegenstände auf das Netzkabel. Das Netzkabel darf nicht übermäßig gebogen, eingeklemmt oder mit einer Wärmequelle in Kontakt gebracht werden.
- Verwenden Sie keine Verlängerungskabel, Mehrfachbuchsen oder Adapter, um das Produkt zu betreiben.
- Tragbare Mehrfachsteckdosen oder tragbare Stromquellen können überhitzen und einen Brand verursachen. Bewahren Sie daher keine Mehrfachsteckdosen hinter oder in der Nähe des Produkts auf.
- Der Stecker muss leicht zugänglich sein. Ist dies nicht möglich, muss die elektrische Installation, an die das Produkt angeschlossen ist, ein Gerät (z. B. eine Sicherung, einen Schalter, einen Leistungsschalter usw.) enthalten, das den elektrischen Vorschriften entspricht und alle Pole vom Netz trennt.
- Berühren Sie den Netzstecker nicht mit nassen Händen.
- Entfernen Sie den Stecker aus der Steckdose, indem Sie den Stecker und nicht das Kabel greifen.

1.4. Sicherheit beim Transport

- Produkt ist schwer; Bewegen Sie es nicht alleine.
- Halten Sie die Tür nicht fest, wenn Sie das Produkt bewegen.
- Achten Sie darauf, das Kühlsystem oder die Rohrleitungen während des Transports nicht zu beschädigen. Wenn die Rohrleitungen beschädigt sind, betreiben Sie das Produkt nicht und wenden Sie sich an den autorisierten Kundendienst.

1.5. Sicherheit bei der Installation

- Wenden Sie sich zur Installation des Produkts an den autorisierten Kundendienst. Um das Produkt einsatzbereit zu machen, überprüfen Sie die Informationen in der Bedienungsanleitung, um sicherzustellen, dass die Strom- und Wasserinstallationen geeignet sind. Wenn dies nicht der Fall ist, wenden Sie sich an einen qualifizierten Elektriker und Installateur, um die erforderlichen Vorkehrungen zu treffen. Andernfalls besteht die Gefahr eines Stromschlags, eines Brandes, von Problemen mit dem Produkt oder von Verletzungen!
- Überprüfen Sie vor der Installation, ob das Produkt Mängel aufweist. Wenn das Produkt beschädigt ist, lassen Sie es nicht installieren.
- Stellen Sie das Produkt auf eine saubere, flache und feste Oberfläche und balancieren Sie es mit verstellbaren Füßen aus. Andernfalls kann das Produkt umkippen und Verletzungen verursachen.
- Der Installationsort muss trocken und gut belüftet sein. Legen Sie keine Teppiche oder ähnliche Bezüge unter das Produkt. Unzureichende Belüftung verursacht Brandgefahr!
- Belüftungsöffnungen nicht abdecken oder blockieren. Andernfalls steigt der Stromverbrauch und Ihr Produkt kann beschädigt werden.

Sicherheitsanweisungen

- Das Produkt darf nicht an Versorgungssysteme wie Solarstromversorgungen angeschlossen werden. Andernfalls kann Ihr Produkt durch plötzliche Spannungsänderungen beschädigt werden!
- Je mehr Kältemittel ein Kühlschrank enthält, desto größer muss der Installationsort zu klein ist, sammeln sich bei Kältemittelleckagen im Kühlsystem brennbares Kältemittel und Luftgemisch an. Der erforderliche Platz für jeweils 8 g Kältemittel beträgt mindestens 1 m³. Die Menge an Kältemittel in Ihrem Produkt ist auf dem Typenschild angegeben.
- Das Produkt darf nicht an Orten installiert werden, die direktem Sonnenlicht ausgesetzt sind, und darf nicht von Wärmequellen wie Kochfeldern, Heizkörpern usw. ferngehalten werden.

Wenn es unvermeidlich ist, das Produkt in der Nähe einer Wärmequelle zu installieren, muss dazwischen eine geeignete Isolierplatte eingesetzt werden und die folgenden Mindestabstände zur Wärmequelle müssen eingehalten werden:

- Mindestens 30 cm von Wärmequellen wie Kochfeldern, Öfen, Heizgeräten oder Heizöfen entfernt;

- Mindestens 5 cm von Elektroöfen entfernt.

- Die Schutzklasse Ihres Produkts ist Typ I. Stecken Sie das Produkt in eine geerdete Steckdose, die den auf dem Typenschild des Produkts angegebenen Spannungs-, Strom- und Frequenzwerten entspricht. Die Steckdose muss mit einem 10 A - 16 A Leistungsschalter ausgestattet sein. Unser Unternehmen haftet nicht für Schäden, die entstehen, wenn das Produkt ohne Erdung und elektrischen Anschluss gemäß den örtlichen und nationalen Vorschriften verwendet wird.

- Das Produkt darf während der Installation nicht eingesteckt werden. Andernfalls besteht die Gefahr eines Stromschlags und von Verletzungen!
- Stecken Sie das Produkt nicht in Steckdosen, die lose, verrutscht, zerbrochen, verschmutzt, fettig sind oder es besteht die Gefahr des Kontakts mit Wasser.
- Verlegen Sie das Netzkabel und die Schläuche (falls vorhanden) des Produkts so, dass keine Stolpergefahr besteht.
- Wenn die stromführenden Teile oder das Netzkabel Feuchtigkeit ausgesetzt werden, kann dies zu einem Kurzschluss führen. Installieren Sie das Produkt daher nicht an Orten wie Garagen oder Waschküchen, an denen die Luftfeuchtigkeit hoch ist oder Wasser spritzen kann. Wenn der Kühlschrank nass wird, ziehen Sie den Netzstecker und rufen Sie den autorisierten Kundendienst an.
- Schließen Sie Ihren Kühlschrank niemals an Energiespargeräte an. Solche Systeme sind schädlich für Ihr Produkt.

1.6. Sicherheit bei der Benutzung

- Verwenden Sie niemals chemische Lösungsmittel für das Produkt. Es besteht Explosionsgefahr!
- Wenn das Produkt fehlerhaft funktioniert, ziehen Sie den Netzstecker und benutzen Sie es erst, wenn es vom autorisierten Kundendienst repariert wurde. Es besteht die Gefahr eines Stromschlags!
- Stellen Sie keine Flammenquellen (brennende Kerzen, Zigaretten usw.) auf oder in der Nähe des Produkts auf.
- Nicht auf das Gerät klettern. Es besteht Sturz- und Verletzungsgefahr!
- Beschädigen Sie die Rohre des Kühlsystems nicht mit scharfen oder eindringenden Gegenständen. Das Kältemittel, das beim Durchstechen der Kältemittelleitungen,

Sicherheitsanweisungen

- Rohrverlängerungen oder Oberflächenbeschichtungen austreten kann, verursacht Hautreizungen und Augenverletzungen.
- Stellen Sie elektrische Geräte nicht in den Kühlschrank / Tiefkühlschrank, es sei denn, dies wird vom Hersteller empfohlen.
 - Achten Sie darauf, dass Sie Ihre Hände oder andere Körperteile nicht in den beweglichen Teilen des Kühlschranks einklemmen. Achten Sie darauf, dass Sie Ihre Finger nicht zwischen Tür und Kühlschrank drücken. Seien Sie vorsichtig beim Öffnen und Schließen der Tür, insbesondere wenn Kinder in der Nähe sind.
 - Essen Sie niemals Eis, Eiswürfel oder Tiefkühlkost direkt nach dem Herausnehmen aus dem Kühlschrank. Es besteht Erfrierungsgefahr!
 - Wenn Ihre Hände nass sind, berühren Sie nicht die Innenwände oder Metallteile des Gefrierschranks oder die darin gelagerten Lebensmittel. Es besteht Erfrierungsgefahr!
 - Stellen Sie keine Dosen oder Flaschen mit kohlenensäurehaltigen Getränken oder gefrierbaren Flüssigkeiten in das Gefrierfach. Dosen und Flaschen können platzen. Es besteht die Gefahr von Verletzungen und Sachschäden!
 - Stellen oder verwenden Sie keine brennbaren Sprays, brennbaren Materialien, Trockeneis, chemische Substanzen oder ähnliche wärmeempfindliche Materialien in der Nähe des Kühlschranks. Es besteht Brand- und Explosionsgefahr!
 - Lagern Sie keine explosiven Materialien, die brennbaren Materialien, wie Aerosoldosen enthalten, in Ihrem Produkt.
 - Stellen Sie keine mit Flüssigkeit gefüllten Behälter auf das Produkt. Das Spritzen von Wasser auf ein elektrisches Teil kann einen elektrischen Schlag oder die Brandgefahr verursachen.
 - Dieses Produkt ist nicht zur Aufbewahrung von Arzneimitteln, Blutplasma, Laborpräparaten oder ähnlichen medizinischen Substanzen und Produkten bestimmt, die der Richtlinie über Medizinprodukte unterliegen.
 - Die Verwendung des Produkts gegen den beabsichtigten Zweck kann dazu führen, dass sich die darin gelagerten Produkte verschlechtern oder verderben.
 - Wenn Ihr Kühlschrank mit blauem Licht ausgestattet ist, betrachten Sie dieses Licht nicht mit optischen Geräten. Starren Sie die UV-LED-Lampe nicht lange direkt an. Ultraviolettes Licht kann die Augen belasten.
 - Das Gerät nicht überlasten. Gegenstände im Kühlschrank können beim Öffnen der Tür herunterfallen und Verletzungen oder Schäden verursachen. Ähnliche Probleme können auftreten, wenn ein Gegenstand auf das Produkt gelegt wird.
 - Stellen Sie zur Vermeidung von Verletzungen sicher, dass Sie das gesamte Eis und Wasser gereinigt haben, das möglicherweise auf den Boden gefallen oder gespritzt ist.
 - Ändern Sie die Position der Regale / Flaschenhalter an der Tür Ihres Kühlschranks nur, wenn sie leer sind. Es besteht Verletzungsgefahr!
 - Stellen Sie keine Gegenstände auf das Produkt, die herunterfallen oder umkippen können. Solche Gegenstände können beim Öffnen der Tür herunterfallen und Verletzungen und / oder Sachschäden verursachen.
 - Schlagen Sie nicht auf Glasoberflächen und üben Sie keine übermäßige Kraft auf diese aus. Glasscherben können zu Verletzungen und / oder Materialschäden führen.
 - Das Kühlsystem Ihres Produkts enthält Kältemittel R600a: Die Art des im Produkt verwendeten Kältemittels ist auf dem Typenschild angege-

Sicherheitsanweisungen

ben. Dieses Kältemittel ist brennbar. Achten Sie daher darauf, das Kühlsystem oder die Rohrleitungen während des Betriebs nicht zu beschädigen. Wenn die Rohrleitung beschädigt ist:

- Berühren Sie nicht das Produkt oder das Netzkabel.
- Halten Sie potenzielle Brandquellen fern, die zur Entzündung führen können.
- Lüften Sie den Bereich, in dem sich das Produkt befindet. Keine Lüfter verwenden.
- Rufen Sie den autorisierten Kundendienst an.
- Wenn das Produkt beschädigt ist und Kältemittel austritt, halten Sie sich bitte vom Kältemittel fern. Kältemittel kann bei Hautkontakt Erfrierungen verursachen.

Für Produkte mit Wasserspender / Eismaschine

- Verwenden Sie nur Trinkwasser. Füllen Sie den Wassertank nicht mit Flüssigkeiten wie Fruchtsaft, Milch, kohlenensäurehaltigen Getränken oder alkoholischen Getränken, die nicht für die Verwendung im Wasserspender geeignet sind.
- Es besteht das Risiko für Gesundheit und Sicherheit!
- Lassen Sie Kinder nicht mit dem Wasserspender oder der Eismaschine (Icematic) spielen, um Unfälle oder Verletzungen zu vermeiden.
- Führen Sie Ihre Finger oder andere Gegenstände nicht in das Loch des Wasserspenders, den Wasserkanal oder den Behälter der Eismaschine ein. Es besteht die Gefahr von Verletzungen und Sachschäden!

1.7. Sicherheit bei der Wartung und Pflege

- Ziehen Sie nicht am Türgriff, wenn Sie das Produkt zu Reinigungszwecken bewegen müssen. Der Griff kann brechen und Verletzungen verursachen, wenn Sie übermäßige Kraft auf ihn ausüben.
- Sprühen oder gießen Sie zu Reinigungszwecken kein Wasser auf oder in das Produkt. Es besteht Brand- und Stromschlaggefahr!
- Verwenden Sie zum Reinigen des Produkts keine scharfen oder abrasiven Werkzeuge. Verwenden Sie keine Haushaltsreiniger, Reinigungsmittel, Gas, Benzin, Verdünner, Alkohol, Firnis usw.
- Verwenden Sie im Produkt nur Reinigungs- und Wartungsprodukte, die für Lebensmittel nicht schädlich sind.
- Verwenden Sie niemals Dampf oder dampfunterstützte Reinigungsmittel, um das Produkt zu reinigen oder abzutauen. Dampf kommt mit den stromführenden Teilen in Ihrem Kühlschrank in Kontakt und verursacht Kurzschluss oder Stromschlag!
- Stellen Sie sicher, dass kein Wasser in die elektronischen Schaltkreise oder Beleuchtungselemente des Produkts gelangt.
- Wischen Sie die Fremdkörper oder den Staub auf den Stiften des Steckers mit einem sauberen und trockenen Tuch ab. Verwenden Sie zum Reinigen des Steckers kein nasses oder feuchtes Tuch. Es besteht Brand- und Stromschlaggefahr!

1.8. HomeWhiz

- Wenn Sie Ihr Produkt über die HomeWhiz-App bedienen, müssen Sie die Sicherheitswarnungen beachten, auch wenn Sie nicht am Produkt sind. Sie müssen auch die Warnungen in der App befolgen.

Sicherheitsanweisungen

1.9. Beleuchtung



- Wenden Sie sich an den autorisierten Kundendienst, wenn die für die Beleuchtung verwendete LED / Lampe ausgetauscht werden muss.

1.10. UV-C Strahlenschutz

- Entfernen Sie nicht das UV-C-Lampenschutzglas.
- Betreiben Sie das Produkt nicht ohne UV-C-Lampenschutzglas!
- Dieses Produkt enthält eine Lampe, die UV-Strahlen aussendet. Schauen Sie nicht direkt in die Lichtquelle.
- Ziehen Sie den Stecker aus der Fassung, wenn Sie das Fach mit der UV-C-Lampe reinigen.
- Verwenden Sie unter keinen Umständen ein Produkt, das das Schutzglas beschädigt.
- Deaktivieren Sie die UV-C-Funktion auf dem Bedienfeld des Displays, während Sie die UV-C-Lampe mit Hilfe eines autorisierten Dienstes austauschen.
- Entfernen Sie niemals das Etikett „Gefahr durch ultraviolette Strahlung“ auf dem Hygienefach, in dem sich die UV-C-Lampen befinden.
- Die Verwendung des Produkts außerhalb seines Verwendungszwecks oder eine Beschädigung des UV-C-Lampenschutzglases oder der Umgebung kann gefährliche UV-C-Strahlung verursachen. UV-C-Strahlung kann bereits in geringen Dosen Augen und Haut verletzen! Benutzen Sie kein beschädigtes Produkt!
- Wenn das UV-C-Symbol zu blinken beginnt, wenn die Hygienefunktion aktiviert ist, bedeutet dies, dass die Halbwertszeit der Lampen erreicht

wurde und dass ihre Wirksamkeit verringert ist. Wir empfehlen Ihnen, die UV-C-Lampen auszutauschen, wenn Sie diese Warnung bemerken. UV-C-Lampen werden zusammen mit dem Tablett ausgetauscht, in dem sie enthalten sind. Die Beschaffung und Installation des UV-C-Tabletts erfolgt über die autorisierten Dienste.



	WARNUNG: UV-C-Strahlung ist schädlich für Augen und Haut. Verwenden Sie keine UV-C-Lampen aus dem Produkt!
	WARNUNG: UV-C-Lampen dürfen vom Benutzer nicht ausgetauscht werden. Bitten Sie den autorisierten Kundendienst um Unterstützung, wenn die Lebensdauer der UV-C-Lampen abläuft !

Sicherheitsanweisungen

1.11. Technische Informationen zu WLAN + Bluetooth

Frequenzband:	2,4 GHz (WLAN oder Bluetooth betriebsbereit)
max. Übertragungsleistung:	< 100 mW (WLAN oder Bluetooth betriebsbereit)
Software-Informationen:	Quartz_WiFi. XXX

Konformitätserklärung für CE:

Arcelik A.Ş. erklärt hiermit, dass dieses Gerät der Richtlinie 2014/53/EU entspricht.

Der vollständige Text der EU-Konformitätserklärung ist unter folgender Internetadresse abrufbar:

Produkte, Von: support.beko.com

Der definierte Supportzeitraum für Softwareupdates im Zusammenhang mit der Cybersicherheit des Produkts ist der Garantiezeitraum des Produkts. Nach diesem Zeitraum werden Cybersicherheits-bezogene Software-Updates nicht garantiert.

2.1 Ihre Pflichten als Endnutzer



Dieses Elektro- bzw. Elektronikgerät ist mit einer durchgestrichenen Abfalltonne auf Rädern gekennzeichnet. Das Gerät darf deshalb nur getrennt vom

unsortierten Siedlungsabfall gesammelt und zurückgenommen werden. Es darf somit nicht in den Hausmüll gegeben werden. Das Gerät kann z.B. bei einer kommunalen Sammelstelle oder ggf. bei einem Vertreiber (siehe unten zu deren Rücknahmepflichten in Deutschland) abgegeben werden.

Das gilt auch für alle Bauteile, Unterbaugruppen und Verbrauchsmaterialien des zu entsorgenden Altgeräts.

Bevor das Altgerät entsorgt werden darf, müssen alle Altbatterien und Altakkumulatoren vom Altgerät getrennt werden, die nicht vom Altgerät umschlossen sind. Das gleiche gilt für Lampen, die zerstörungsfrei aus dem Altgerät entnommen werden können. Der Endnutzer ist zudem selbst dafür verantwortlich, personenbezogene Daten auf dem Altgerät zu löschen.

2.2 Einhaltung der RoHS-Richtlinie:

Das von Ihnen gekaufte Gerät entspricht der RoHS-Richtlinie der EU (2011/65/EU). Es enthält keinerlei Materialien, die gemäß der Richtlinie als schädlich oder verboten gelten.

2.3 Hinweise zum Recycling



Helfen Sie mit, alle Materialien zu recyceln, die mit diesem Symbol gekennzeichnet sind. Entsorgen Sie solche Materialien, insbesondere

Verpackungen, nicht im Hausmüll, sondern über die bereitgestellten Recyclingbehälter oder die entsprechenden örtlichen Sammelsysteme.

Recyceln Sie zum Umwelt- und Gesundheitsschutz elektrische und elektronische Geräte.

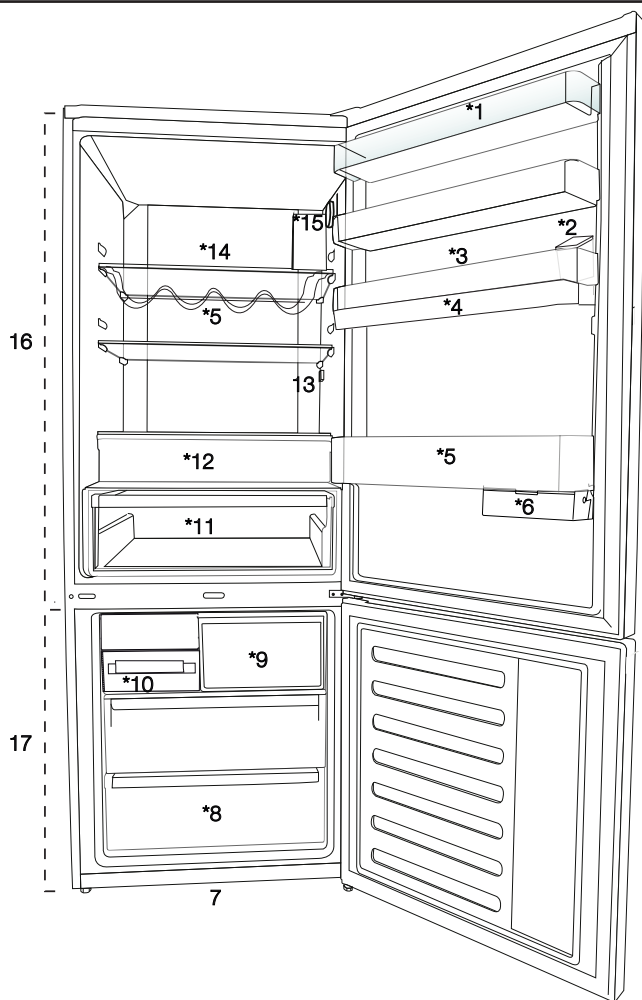
2.4 Rücknahmepflichten der Vertreiber

Wer auf mindestens 400 m² Verkaufsfläche Elektro- und Elektronikgeräte vertreibt oder diese gewerblich an Endnutzer abgibt, ist verpflichtet, bei Abgabe eines neuen Gerätes, ein Altgerät des Endnutzers der gleichen Geräteart, das im Wesentlichen die gleichen Funktionen wie das neue Gerät erfüllt, am Ort der Abgabe oder in unmittelbarer Nähe, unentgeltlich zurückzunehmen. Das gilt auch für Vertreiber von Lebensmitteln mit einer Gesamtverkaufsfläche von mindestens 800 m², die mehrmals im Kalenderjahr oder dauerhaft Elektro- und Elektronikgeräte anbieten und auf dem Markt bereitstellen. Solche Vertreiber müssen zudem auf Verlangen des Endnutzers Altgeräte, die in keiner äußeren Abmessung größer als 25 cm sind, (kleine Elektrogeräte) im Einzelhandelsgeschäft oder in unmittelbarer Nähe hierzu unentgeltlich zurückzunehmen; die Rücknahme darf in diesem Fall nicht an den Kauf eines Elektro- oder Elektronikgerätes verknüpft, kann aber auf drei Altgeräte pro Geräteart beschränkt werden.

Ort der Abgabe ist auch der private Haushalt, wenn das neue Elektro- oder Elektronikgerät dorthin geliefert wird; in diesem Fall ist die Abholung des Altgerätes für den Endnutzer kostenlos.

Die vorstehenden Pflichten gelten auch für den Vertrieb unter Verwendung von Fernkommunikationsmitteln, wenn die Vertreiber Lager- und Versandflächen für Elektro- und Elektronikgeräte bzw. Gesamtlager und Versandflächen für Lebensmittel beinhalten, die den oben genannten Verkaufsflächen entsprechen.

Die unentgeltliche Abholung von Elektro- und Elektronikgeräten ist dann aber auf Wärmeüberträger (z.B. Kühlschrank), Bildschirme, Monitore und Geräte, die Bildschirme mit einer Oberfläche von mehr als 100 cm² enthalten und Geräte beschränkt, bei denen mindestens eine der äußeren Abmessungen mehr als 50 cm beträgt. Für alle übrigen Elektro- und Elektronikgeräte muss der Vertreiber geeignete Rückgabemöglichkeiten in zumutbarer Entfernung zum jeweiligen Endnutzer gewährleisten; das gilt auch für kleine Elektrogeräte (s.o.), die der Endnutzer zurückgeben möchte, ohne ein neues Gerät zu erwerben.



- | | |
|--|---|
| <ol style="list-style-type: none"> 1. Türeinschub im Frischfach 2. Wasserspendertank 3. Eierhalter 4. Wassertank 5. Flaschenablage 6. Schiebebehälter 7. Verstellbare Füße 8. Tiefgefrierfach 9. Schnellgefrierfach 10. Icematic | <ol style="list-style-type: none"> *11. Gemüsefach *12. Hygienefach (UV-C-Lampen) *13. Innenbeleuchtung *14. Glaszwischenboden für Kühlschrankfach *15. Taste zur Temperatureinstellung 16. Frischfach 17. Gefrierfach |
|--|---|

Trifft möglicherweise nicht auf alle Modelle zu



*** Optional:** Die Abbildungen in dieser Anleitung dienen lediglich der Veranschaulichung und müssen nicht absolut exakt mit Ihrem Produkt übereinstimmen. Falls Ihr Produkt nicht über die entsprechenden Teile verfügt, betreffen die Informationen andere Modelle.

⚠ Lesen Sie zuerst den Abschnitt „Sicherheitshinweise“!

4.1. Der richtige Aufstellungsort

Wenden Sie sich zur Aufstellung des Gerätes an den autorisierten Kundendienst. Bereiten Sie das Gerät auf die Aufstellung vor, indem Sie die Informationen in der Bedienungsanleitung beachten und sicherstellen, dass Strom- und Wasseranschlüsse wie erforderlich vorhanden sind. Falls nicht, wenden Sie sich zum Nachrüsten an einen Elektriker oder Klempner.

⚠	WARNUNG: Der Hersteller haftet nicht für jegliche Schäden, die durch Arbeiten entstanden sind, die nicht von autorisierten Personen durchgeführt wurden.
⚠	WARNUNG: Bei der Aufstellung muss das Gerät vollständig vom Stromnetz getrennt sein. Andernfalls drohen ernsthafte oder sogar tödliche Verletzungen!
⚠	WARNUNG: Falls das Gerät nicht durch die Tür passt, entfernen Sie die Gerätetür und drehen Sie das Gerät auf die Seite; falls es dennoch nicht passt, wenden Sie sich an den autorisierten Kundendienst.

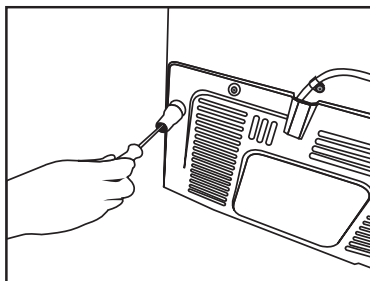
- Stellen Sie das Gerät auf einem flachen Untergrund auf, damit es weder wackelt noch kippt.
- Stellen Sie das Gerät mindestens 30 cm von Heizungen, Öfen und ähnlichen Wärmequellen auf; halten Sie einen Mindestabstand von 5 cm zu elektrischen Öfen ein.
- Setzen Sie das Gerät keinem direkten Sonnenlicht und keinen feuchten Umgebungen aus.
- Damit das Gerät effizient arbeitet, ist eine angemessene Luftzirkulation erforderlich.
- Falls Sie das Gerät in einer Nische aufstellen, achten Sie darauf, dass mindestens 5 cm zur Decke und zu den Wänden frei bleiben.
- Stellen Sie das Gerät nicht in Umgebungen mit Temperaturen unter -5 °C auf.

- Ihr Produkt benötigt eine ausreichende Luftzirkulation, um effizient zu funktionieren. Wenn das Produkt in eine Nische gestellt wird, denken Sie daran, mindestens 5 cm Abstand zwischen dem Produkt und der Decke, der Rückwand und den Seitenwänden zu lassen.
- Wenn das Produkt in eine Nische gestellt wird, denken Sie daran, mindestens 5 cm Abstand zwischen dem Produkt und der Decke, der Rückwand und den Seitenwänden zu lassen. Prüfen Sie, ob die Rückwand-Abstandsschutzkomponente an ihrem Standort vorhanden ist (falls mit dem Produkt geliefert). Wenn die Komponente nicht verfügbar ist oder verloren geht oder heruntergefallen ist, positionieren Sie das Produkt so, dass zwischen der Rückseite des Produkts und der Wand des Raums mindestens 5 cm Abstand verbleiben. Der Freiraum an der Rückseite ist wichtig für den effizienten Betrieb des Produkts.

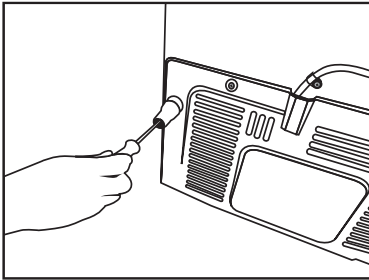
4.2. Kunststoffkeile anbringen

Sorgen Sie zur Gewährleistung einer angemessenen Luftzirkulation mit Hilfe der mitgelieferten Kunststoffkeile für genügend Platz zwischen dem Gerät und der Wand.

1. Zur Befestigung der Keile entfernen Sie die Schrauben am Produkt und verwenden die mit den Keilen gelieferten Schrauben.

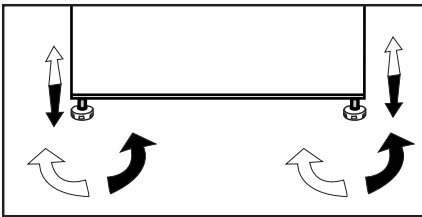


2. Befestigen Sie die beiden Kunststoffkeile wie in der Abbildung gezeigt an der Abdeckung der Belüftungsöffnungen.



4.3. FüÙe einstellen

Falls das Produkt nicht exakt in Waage steht, passen Sie die vorderen einstellbaren FüÙe durch Drehen nach rechts oder links an.



4.4. Stromanschluss

	WARNUNG: Verwenden Sie keine Mehrfachsteckdosen oder Verlängerungskabel.
	WARNUNG: Beschädigte Netzkabel müssen vom autorisierten Kundendienst ausgetauscht werden.
	Wenn Sie zwei Kühlgeräte nebeneinander aufstellen, halten Sie einen Mindestabstand von 4 cm zwischen den Geräten ein.

- Unser Unternehmen haftet nicht für jegliche Schäden, die durch eine Inbetriebnahme ohne Erdung oder einen nicht mit nationalen Richtlinien übereinstimmenden Stromanschluss verursacht werden.

- Der Netzstecker muss nach der Installation frei zugänglich bleiben.
- Verwenden Sie zwischen Steckdose und Kühlschrank keine Mehrfachsteckdose mit oder ohne Verlängerungskabel.
- Ihr Produkt benötigt eine ausreichende Luftzirkulation, um effizient zu funktionieren. Wenn das Produkt in eine Nische gestellt wird, denken Sie daran, mindestens 5 cm Abstand zwischen dem Produkt und der Decke, der Rückwand und den Seitenwänden zu lassen.
- Wenn das Produkt in eine Nische gestellt wird, denken Sie daran, mindestens 5 cm Abstand zwischen dem Produkt und der Decke, der Rückwand und den Seitenwänden zu lassen. Prüfen Sie, ob die Rückwand-Abstandsschutzkomponente an ihrem Standort vorhanden ist (falls mit dem Produkt geliefert). Wenn die Komponente nicht verfügbar ist oder verloren geht oder heruntergefallen ist, positionieren Sie das Produkt so, dass zwischen der Rückseite des Produkts und der Wand des Raums mindestens 5 cm Abstand verbleiben. Der Freiraum an der Rückseite ist wichtig für den effizienten Betrieb des Produkts.

Achtung: Warnung vor heißen Oberflächen
Die Seitenwände Ihres Geräts sind mit Kühlmittelleitungen für ein verbessertes Kühlsystem ausgestattet.
Kühlmittel mit hohen Temperaturen können in diesen Bereichen der Seitenwände fließen.
Das ist normal und erfordert keinerlei Reparatur oder Wartung.
Bitte seien Sie vorsichtig, wenn Sie diese Bereiche berühren.



5 Vorbereitungen

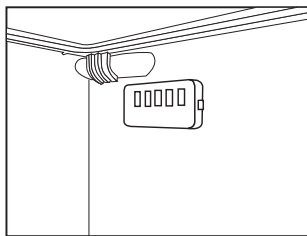
⚠ Lesen Sie zuerst den Abschnitt „Sicherheitshinweise“!

5.1 Maßnahmen zum Energiesparen



Der Anschluss des Gerätes an Energiesparsysteme birgt Risiken, da Schäden am Gerät auftreten können.

- Für ein freistehendes Gerät; „Dieses Kühlgerät darf nicht als Einbaugerät verwendet werden.“
- Gerätetüren nicht längere Zeit offen stehen lassen.
- Keine warmen oder gar heißen Lebensmittel oder Getränke in den Kühlschrank geben.
- Kühlschrank nicht überladen; wird der interne Luftstrom blockiert, verringert sich die Kühlkapazität.
- Damit Sie die maximale Menge Lebensmittel im Kühlbereich Ihres Kühlschranks einlagern können, sollten Sie die oberen Schubladen herausnehmen und auf die Glasablage stellen. Der angegebene Energieverbrauch Ihres Kühlschranks wurde ohne Kühlbereich, Eisablage und obere Schubladen zur Erzielung maximalen Stauraums ermittelt. Beim Einlagern wird die Verwendung der unteren Schublade dringend empfohlen. Für optimalen Energieverbrauch sollte die Energiesparfunktion aktiviert werden.
- Platzieren Sie Lebensmittel nicht vor dem Lüfter, damit die Luftzirkulation nicht blockiert wird. Halten Sie beim Verstauen von Lebensmitteln einen Mindestabstand von 3 cm vor dem Schutzgitter des Lüfters ein.
- Je nach Produktmerkmalen können Sie durch Auftauen gefrorener Lebensmittel im Kühlbereich Energie sparen und die Qualität der Lebensmittel bewahren.
- Lebensmittel sollten zur Gewährleistung eines geringen Energieverbrauchs und zum Schutz der Lebensmittel unter besseren Bedingungen in den Schubladen im Kühlbereich verstaut werden.



- Verpackte Lebensmittel sollten den Wärmesensor im Kühlfach nicht berühren. Andernfalls kann sich der Energieverbrauch des Gerätes erhöhen.
- Achten Sie darauf, dass Lebensmittel nicht den nachstehend beschriebenen Temperatursensor im Kühlbereich berühren.
- Da bei geöffneten Türen heiße und feuchte Luft nicht direkt in Ihr Produkt eindringt, optimiert sich Ihr Produkt unter ausreichenden Bedingungen zum Schutz Ihrer Lebensmittel. Funktionen und Komponenten wie Kompressor, Gebläse, Heizgerät, Abtaufunktion, Beleuchtung, Anzeige usw. arbeiten entsprechend den Anforderungen, um unter diesen Bedingungen minimale Energie zu verbrauchen.

5.2 Erste Inbetriebnahme

Stellen Sie vor Inbetriebnahme Ihres Kühlschranks sicher, dass die erforderlichen Vorbereitungen entsprechend den Anweisungen in den Abschnitten „Hinweise zu Sicherheit und Umwelt“ und „Installation“ getroffen wurden.

- Lassen Sie den Kühlschrank etwa 6 Stunden lang leer arbeiten; verzichten Sie in dieser Zeit möglichst vollständig auf das Öffnen der Türen.



Beim Anspringen des Kompressors sind Geräusche zu hören. Es ist normal, dass das Gerät auch bei inaktivem Kompressor Geräusche macht; diese werden durch komprimierte Flüssigkeiten und Gase im Kühlsystem verursacht.



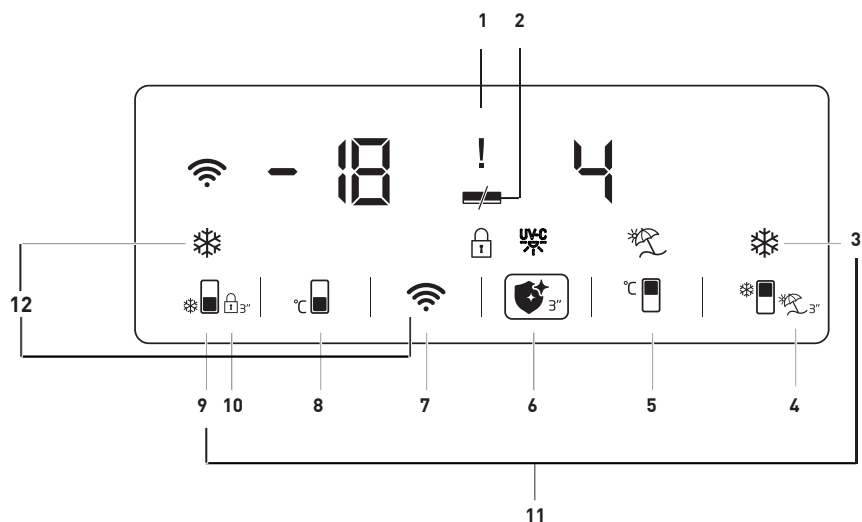
Die Vorderkanten des Kühlschranks können sich etwas erwärmen. Dies ist völlig normal. Diese Bereiche wärmen sich etwas auf, damit sich kein Kondenswasser bildet.



Bei einigen Modellen verdunkelt sich das Anzeigefeld automatisch 5 Minuten nach Schließen der Tür. Beim Öffnen der Tür oder bei Betätigung einer Taste wird es wieder aktiviert.

6 Bedienung des Produktes

⚠ Lesen Sie zuerst den Abschnitt „Sicherheitshinweise“!



1. Fehlerzustandsanzeige
2. Energiesparanzeige (Anzeige aus)
3. Schnellkühltaste
4. Taste für Urlaubsfunktion
5. Temperatureinstellungstaste für das Kühlfach
6. Hygienefunktionstaste
7. Kabellose Taste
8. Temperatureinstellungstaste für das Gefrierfach
9. Schnellgefriertaste
10. Tastensperre
11. Umschalttaste für Temperatureinheit
12. Taste zum Zurücksetzen der Einstellungen für die kabellose Verbindung


Möglicherweise nicht in allen Modellen anwendbar



***Optional:** Die Abbildungen in dieser Bedienungsanleitung sind als Entwürfe gedacht und passen möglicherweise nicht perfekt zu Ihrem Produkt. Wenn Ihr Produkt nicht die relevanten Teile enthält, beziehen sich die Informationen auf andere Modelle.


Produkt verwenden

1. Fehlerzustandsanzeige

Diese Anzeige () muss aktiv sein, wenn Ihr Kühlschrank keine ausreichende Kühlung durchführen kann oder wenn ein Sensorfehler vorliegt. Wenn diese Anzeige aktiv ist, muss „E“ auf der Temperaturanzeige des Gefrierfachs und Zahlen wie 1,2,3... auf der Temperaturanzeige des Kühlfachs angezeigt werden. Diese Zahlen geben dem autorisierten Dienst Auskunft über den aufgetretenen Fehler.


Das Ausrufezeichen kann angezeigt werden, wenn Sie warme Lebensmittel in das Gefrierfach laden oder die Tür längere Zeit offen halten. Dies ist kein Fehler. Diese Warnung wird erlischen, wenn die Lebensmittel abgekühlt sind.

2. Energiesparanzeige (Anzeige aus)

Die Energiesparfunktion wird automatisch aktiviert und das Energiesparsymbol wird angezeigt, wenn die Tür des Produkts längere Zeit nicht geöffnet oder geschlossen wird. ()



Wenn die Energiesparfunktion aktiv ist, müssen alle Symbole auf dem Bildschirm außer dem Energiesparsymbol deaktiviert sein. Wenn Sie bei aktivierter Energiesparfunktion eine andere Taste drücken oder die Tür öffnen, stellt sich diese Funktion aus und die Symbole auf dem Bildschirm werden wieder normal. Die Energiesparfunktion ist eine werkseitig installierte Funktion, die nicht deaktiviert werden kann.

3. Schnellkühltaste

Wenn die Schnellkühlfunktion eingeschaltet ist, leuchtet die Schnellkühlungsanzeige auf () und die Temperaturanzeige für das Frischefach zeigt den Wert 1 an. Drücken Sie die Schnellkühltaste erneut, um diese Funktion auszuschalten. Die Schnellkühlungsanzeige erlischt und die normalen Einstellungen müssen wiederhergestellt werden. Die Schnellkühlfunktion schaltet sich automatisch nach 1 Stunde allein aus, sofern der Nutzer sie nicht bereits vorher


deaktiviert hat. Um eine große Menge an frischen Lebensmitteln zu kühlen, drücken Sie die Schnellkühlungstaste, bevor Sie die Lebensmittel in das Frischefach legen.

4. Taste für Urlaubsfunktion



Drücken Sie die Taste () 3 Sekunden lang, um die Urlaubsfunktion zu aktivieren, und die Urlaubsmodusanzeige () muss eingeschaltet sein. Wenn die Urlaubsfunktion aktiviert ist, muss "- -" auf der Temperaturanzeige des Kühlraums angezeigt werden und es darf kein aktiver Kühlvorgang am Kühlraum durchgeführt werden. Sie dürfen Ihre Lebensmittel nicht im Kühlfach aufbewahren, wenn diese Funktion aktiviert ist. Andere Abteile sind weiterhin gemäß den für sie festgelegten Temperaturen abzukühlen.

Drücken Sie die **Urlaubsfunktionstastetaste** erneut, um diese Funktion auszuschalten.


5. Temperatureinstellungstaste für das Kühlfach

Die Temperatur des Kühlraums kann auf 8,7,6,5,4,3,2 bzw. 1 eingestellt werden, wenn diese Taste hintereinander gedrückt wird. ()


6. Hygienefunktionstaste

Drücken Sie die Taste () 3 Sekunden lang, um die Hygienefunktion zu aktivieren, und die Hygienefunktionsanzeige () muss eingeschaltet sein. Öffnen Sie die Tür Ihres Produkts nicht, wenn die Hygienefunktion aktiviert ist. Wird die Tür des Produkts geöffnet, während die Hygienefunktion aktiviert ist, muss der Hygienevorgang gestoppt werden, bis die Tür geschlossen wird. Das Produkt wird eine akustische Warnung abgeben und den Vorgang beenden, wenn der Hygienevorgang abgeschlossen ist. Halten Sie die Hygienefunktionstaste 3 Sekunden lang gedrückt, um den Hygienevorgang vor Ablauf der festgelegten Zeit zu beenden.

Produkt verwenden

Wenn das Ausrufezeichen () zusammen mit dem Hygienesymbol angezeigt wird, wenn Sie die Hygienefunktion aktivieren, bedeutet dies, dass die Hygienelampen bald ablaufen. Bitte rufen Sie den Kundendienst an.

7. Kabellose Taste (*optional)

Wenn die Taste längere Zeit (3 Sekunden) gedrückt wird, muss die Initialisierung des Produkts im Heimnetzwerk gestartet werden. Das drahtlose Netzwerksymbol () muss im Abstand von 0,5 Sekunden blinken, während die Verbindung hergestellt wird.

Wenn die Verbindung zum Heimnetzwerk erfolgreich hergestellt wurde, wird das Symbol für das drahtlose Netzwerk kontinuierlich leuchten.

Wenn die erste Verbindung hergestellt ist, können Sie die Verbindung durch kurzes Drücken dieser Taste aktivieren/deaktivieren.


Das Netzwerk, mit dem Sie eine Verbindung hergestellt haben, wird gespeichert und die Verbindung wird erneut hergestellt, wenn das Produkt aus- und eingeschaltet wird.

Das Symbol für das drahtlose Netzwerk muss in kurzen Abständen (von 0,2 Sekunden) blinken, bis die Verbindung hergestellt ist.

Das drahtlose Netzwerksymbol wird ständig leuchten, wenn die Verbindung aktiv ist. Überprüfen Sie Ihre Modem-/Verbindungseinstellungen, wenn die Verbindung für eine Weile nicht hergestellt werden kann.


Die HomeWhiz-Anwendung wird als Verbindungsschnittstelle verwendet. Die Schritte zum Anschließen sind in der mit dem Produkt gelieferten HomeWhiz SCHNELLINSTALLATIONSANLEITUNG beschrieben. Die Antworten auf die grundlegenden Fragen finden Sie im Abschnitt zur Fehlerbehebung.

8. Temperatureinstellungstaste für das Gefrierfach

Dies ermöglicht die Temperatureinstellung für das Gefrierfach. Die Temperatur des Kühlraums kann auf -18, -19, -20, -21, -22, -23 bzw. -24 eingestellt werden, wenn diese ()-Taste hintereinander gedrückt wird.


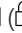
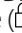
9. Schnellgefrier Taste

Drücken Sie die Taste Nr. (9) für schnelles Einfrieren, und die Anzeige für schnelles Einfrieren () wird aktiviert sein.

Wenn die Schnellgefrierfunktion eingeschaltet ist, leuchtet die Schnellgefrieranzeige auf, und die Temperaturanzeige für das Gefrierfach zeigt den Wert -27 an. Drücken Sie die Schnellkühltaste erneut () , um diese Funktion auszuschalten.



Die Schnellgefrieranzeige schaltet sich dann aus und zeigt wieder die üblichen Einstellungen an. Die Schnellgefrierfunktion schaltet sich automatisch nach 32 Stunde allein aus, sofern der Nutzer sie nicht bereits vorher deaktiviert hat. Um eine große Menge an frischen Lebensmitteln einzufrieren, drücken Sie die Schnellgefrier Taste, bevor Sie die Lebensmittel in das Gefrierfach legen.

10. Tastensperre



Drücken Sie die Taste () 3 Sekunden lang. Das Tastensperrsymbol () erlischt und der Tastatursperrmodus wird abgestellt. Die Tasten können nicht bedient werden, wenn der Tastatursperrmodus aktiv ist. Drücken Sie 3 Sekunden lang die Taste () . Die Tastensperre muss deaktiviert sein. Sie können die Tastensperrtastenfunktion verwenden, wenn Sie verhindern möchten, dass die Temperatureinstellung des Kühlschranks geändert werden kann

Produkt verwenden

11. Umschalttaste für Temperatureinheit

Wenn Sie die Tasten Schnellkühlen () und Schnellfrieren () 3 Sekunden lang drücken, können Sie zwischen den Temperatureinheiten Fahrenheit und Celsius wechseln.

12. Taste zum Zurücksetzen der Einstellungen für die kabellose Verbindung

Wenn Sie gleichzeitig 3 Sekunden lang die Tasten Schnellfrieren () und drahtloses Netzwerk () drücken, werden die Einstellungen für die Drahtlosverbindung zurückgesetzt.

6.1. Blaues Licht/HarvestFresh

*Möglicherweise nicht in allen Modellen verfügbar

Für das blaue Licht,

Obst und Gemüse, die im Gemüsefach gelagert werden, das mit blaues Licht beleuchtet wird, setzen ihre Photosynthese durch den Wellenlängeneffekt des blauen Lichts fort und bewahren so ihren Vitamingehalt.

Für HarvestFresh,

Obst und Gemüse, im Gemüsefach gelagert werden, das mit der HarvestFresh-Technologie beleuchtet wird, bewahren ihren Vitamingehalt länger dank der blauen, grünen, roten Lichter und dunklen Zyklen, die einen Tageszyklus simulieren.

Wenn Sie die Kühlschranktür während der Dunkelumschaltzeit der HarvestFresh-Technologie öffnen, erkennt der Kühlschrank dies automatisch und ermöglicht es dem blaugrünen oder roten Licht, das Gemüsefach für Ihre Bequemlichkeit zu beleuchten. Nachdem Sie die Kühlschranktür geschlossen haben, wird die Dunkelumschaltzeit fortgesetzt, was die Nachtzeit in einem Tageszyklus darstellt.

Produkt verwenden

6.2. Hygienefach

*Diese Funktion ist optional

1. Die UV-C-Hygienefunktion darf nicht aktiviert werden, wenn der im Hygienefach vorgesehene Rost und die Blechschublade nicht im Fach vorhanden sind.

2. Das Aktivieren der Hygienefunktion, wenn sich die Blechschublade nicht im Hygienefach befindet, führt zu einer Verformung der darunter liegenden Kunststoffschublade.

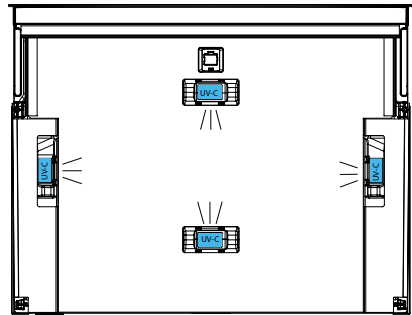
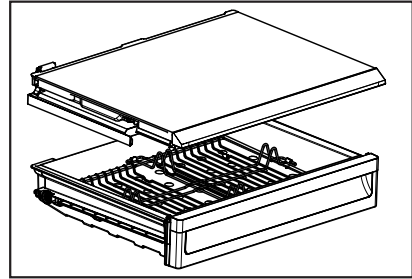
3. Versuchen Sie nicht, das Glas über dem Hygienefach mit Gewalt zu entfernen.

4. Berühren Sie die UV-C-Leuchtstofflampen auf der Unterseite des Glasregals des Hygienefachs nicht, verursachen Sie keinen Aufprall und üben Sie keine Kraft auf sie aus.

5. Versuchen Sie zu Ihrer Sicherheit nicht, das Glasregal des Hygienefachs zu entfernen. Das Entfernen des Gestells wird zum Trennen der elektrischen Komponenten führen.

6. Das Licht, das Sie beim Öffnen des Hygienefachs sehen, ist kein UV-C-Licht. Es ist die LED-Beleuchtung.

7. Wischen Sie die Metallschublade und das Blech unter dem Tablett nur mit einem feuchten Tuch ab.

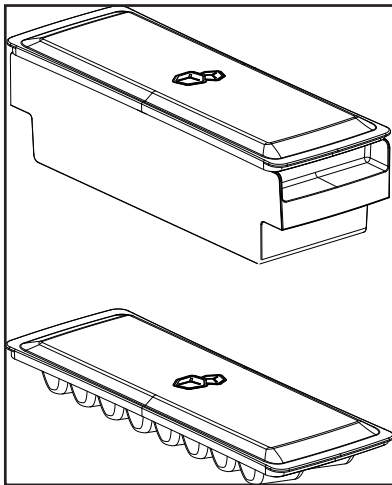


Produkt verwenden

6.3. Eisbehälter

(optional)

- Nehmen Sie den Eisbehälter aus dem Tiefkühlbereich.
- Füllen Sie den Eisbehälter mit Trinkwasser.
- Geben Sie den Eisbehälter in den Tiefkühlbereich.
- Das Eis ist nach etwa zwei Stunden fertig. Nehmen Sie den Eisbehälter aus dem Tiefkühlbereich und biegen Sie ihn leicht über dem Gefäß, das Sie servieren möchten. Das Eis gelangt in den Behälter.



6.4. Eierhalter

Sie können den Eierhalter in der Tür oder auf der Ablage Ihrer Wahl platzieren. Falls Sie sich für die Ablagen entscheiden, sollten Sie tiefer gelegene Ablagen wählen, da es dort kühler ist.

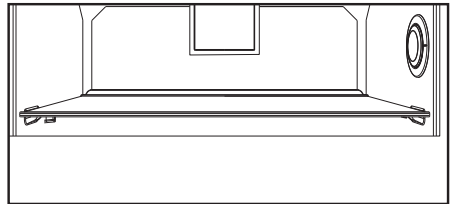


Geben Sie den Eierhalter nicht in den Tiefkühlbereich.

6.5. Lüfter

Der Lüfter wurde dazu entwickelt, die kalte Luft im Inneren Ihres Kühlschranks gleichmäßig zu verteilen. Je nach Modell und Bedarf arbeitet der Lüfter auf unterschiedliche Weise.

Während der Lüfter in einigen Produkten nur mit einem Kompressor arbeitet, ermittelt in anderen Modellen ein Kontrollsystem die Betriebszeit basierend auf den Kühlanforderungen.



6.6. Gemüsefach

(optional)

Das Gemüsefach des Produktes ist darauf ausgelegt, Gemüse durch Bewahren der Feuchtigkeit frisch zu halten. Aus diesem Grund wird die Gesamtzirkulation kalter Luft im Gemüsefach intensiviert.

6.7. 0-Grad-Fach

(optional)

Bewahren Sie in diesem Bereich Feinkost bei geringeren Temperaturen oder schnell verderbliche Fleischprodukte auf.

Das 0-Grad-Fach ist der kälteste Bereich, in dem Sie Lebensmittel, wie Milchprodukte, Fleisch, Fisch und Geflügel, bei idealen Lagerungsbedingungen aufbewahren können. Gemüse und/oder Obst gehören nicht in dieses Fach.

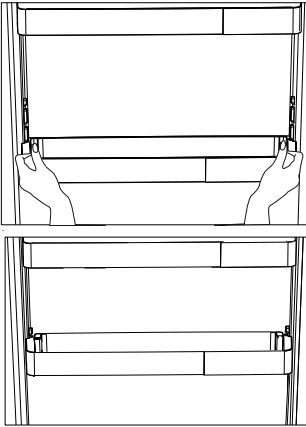
Produkt verwenden

6.8. Bewegliche Türablage

(optional)

Die bewegliche Türablage kann in 3 verschiedenen Positionen fixiert werden. Zum Bewegen der Ablage drücken Sie die Tasten an der Seite gleichmäßig. Die Ablage wird beweglich. Bewegen Sie die Ablage nach oben oder unten.

Wenn sich die Ablage in der gewünschten Position befindet, lassen Sie die Tasten los. Die Ablage wird wieder in der Position fixiert, in der Sie die Tasten losgelassen haben.

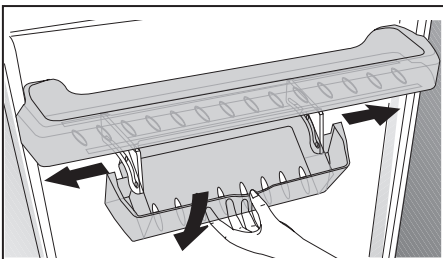


6.9. Verschiebbarer Vorratsbehälter

(optional)

Dieses Zubehör ist so konstruiert, dass das Volumen der Türablagen vergrößert wird.

Dank seiner Fähigkeit zur Seitwärtsbewegung können Sie mühelos lange Flaschen, Gläser oder Kartons im Flaschenhalter darunter verstauen.



6.10. HerbBox/HerbFresh

Das Foliengehäuse vom HerbBox/HerbFresh+ entfernen.

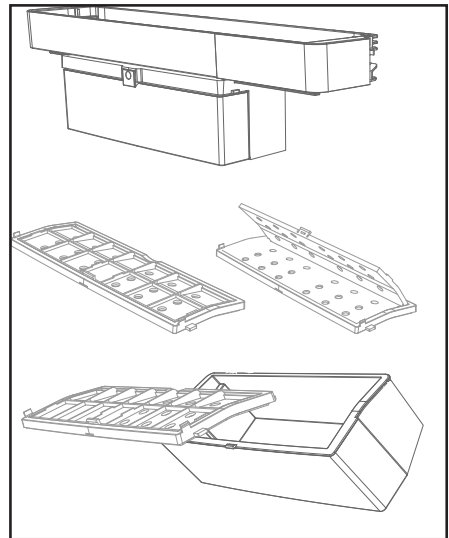
Nehmen Sie die Folie aus dem Beutel und legen Sie es wie auf der Abbildung angezeigt in das Foliengehäuse.

Schließen Sie das Gehäuse und legen Sie es wieder in die HerbBox/HerbFresh+.

Die HerbBox-HerbFresh+ Fächer sind besonders ideal für Kräuter, die in empfindlichen Bedingungen aufbewahrt werden müssen.

Ihr Grünzeug (Petersilie, Dill, usw.), das aus seinem Beutel ausgepackt wurde, können Sie in diesem Fach in horizontaler Position länger frisch aufbewahren.

Die Schicht wird alle sechs Monate ausgetauscht.



Produkt verwenden

6.11. Feuchtigkeitskontrolliertes Gemüsefach

(optional)

Dank der Feuchtigkeitsregelung bleibt der Feuchtigkeitsgehalt von Gemüse und Obst unter Kontrolle, die Lebensmittel bleiben länger frisch.

Es wird empfohlen, Blattgemüse, wie Salat, Spinat und dergleichen, das zu Feuchtigkeitsverlust neigt, nicht auf den Wurzeln, sondern nach Möglichkeit in horizontaler Position im Gemüsefach aufzubewahren.

Beim Einlagern von Gemüse platzieren Sie schweres, hartes Gemüse im unteren Bereich und leichtes, weiches Gemüse darüber; achten Sie auf das jeweilige Gewicht der Lebensmittel.

Lassen Sie Gemüse nicht in Plastikbeuteln im Gemüsefach. Bleibt das Gemüse in Plastikbeuteln, kann es in kurzer Zeit verderben. Falls Kontakt mit anderem Gemüse vermieden werden soll, sollten Sie Verpackungsmaterialien wie Papier verwenden, die eine bestimmte Durchlässigkeit in Sachen Hygiene aufweisen.

Geben Sie Obst mit einer hohen Ethylenfreisetzung, wie Birnen, Aprikosen, Pfirsiche und bestimmte Apfelsorten, nicht mit anderem Obst und Gemüse in das Gemüsefach. Das von solchen Früchten freigesetzte Ethylen kann dazu führen, dass anderes Obst und Gemüse in kurzer Zeit reift und verdirbt.

6.12. Automatischer Eisbereiter

(optional)

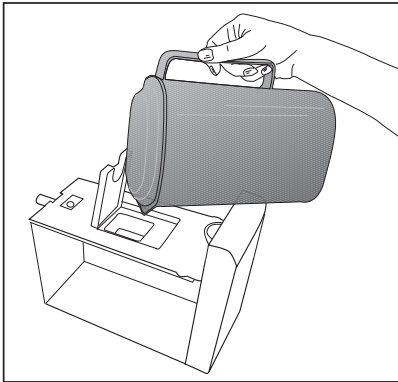
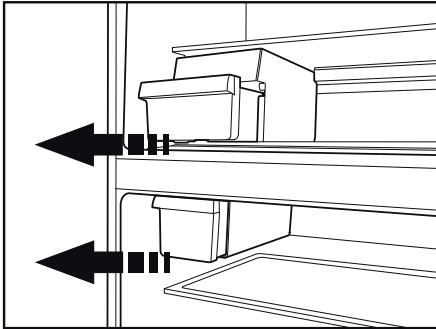
Der automatische Eisbereiter ermöglicht Ihnen die einfache Bereitung von Eis in Ihrem Kühlschrank. Damit Sie Eis vom Eisbereiter erhalten, nehmen Sie den Wassertank aus dem Kühlbereich, füllen ihn mit Wasser und setzen ihn wieder ein. Nach etwa zwei Stunden liegen die ersten Eiswürfel in der Eisbereiter-Schublade im Kühlbereich für Sie bereit.

Nach Einsetzen des vollen Wassertanks erhalten Sie 60 bis 70 Eiswürfel, bis er vollständig leer ist.

Wenn das Wasser 2 bis 3 Wochen im Tank war, sollte es ausgewechselt werden.



In Produkten mit automatischem Eisbereiter hören Sie möglicherweise einen Ton beim Ausgießen von Eis. Dieser Ton ist völlig normal und keine Zeichen für einen Fehler.



6.13. Eisbereiter und Eisbehälter

(optional)

Eisbereiter verwenden

Füllen Sie den Eisbereiter mit Wasser, setzen Sie ihn in seine Halterung. Ihr Eis ist nach etwa zwei Stunden fertig. Zum Entnehmen des Eises nehmen Sie den Eisbereiter nicht heraus.

Drehen Sie die Knöpfe daran um 90 ° im Uhrzeigersinn.

Die Eiswürfel fallen in den darunter liegenden Eiswürfelbehälter.

Sie können den Eisbehälter zum Servieren der Eiswürfel herausnehmen.

Wenn Sie möchten, können Sie das Eis auch im Eisbehälter aufbewahren.

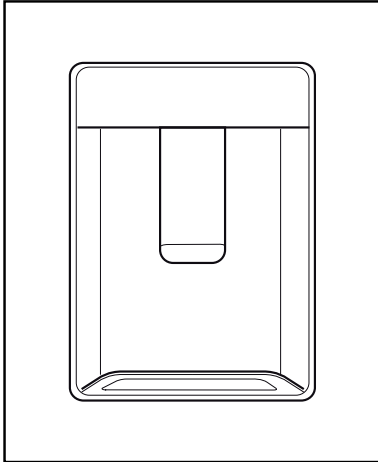
Eisbehälter

Der Eisbehälter dient ausschließlich zum Sammeln der Eiswürfel. Füllen Sie kein Wasser ein. Der Behälter wird sonst platzen.

Produkt verwenden

6.14. Wasserspender (bei bestimmten Modellen)

Der Wasserspender ist eine praktische Einrichtung, mit der Sie kühles Wasser zapfen können, ohne dabei die Tür Ihres Kühlschranks öffnen zu müssen. Da Sie die Tür des Gerätes nicht häufig öffnen müssen, sparen Sie eine Menge Energie.



6.15. So benutzen Sie den Wasserspender

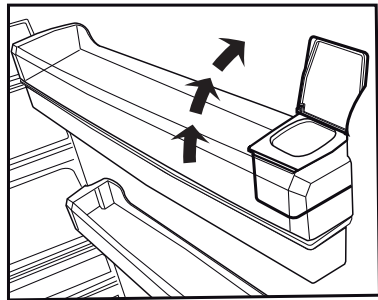
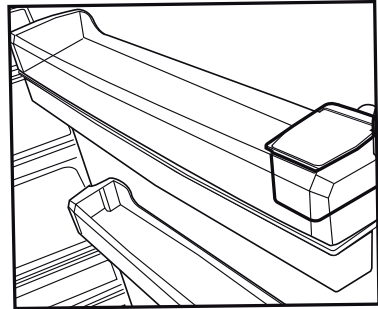
Drücken Sie mit dem Glas gegen den Hebel des Wasserspenders. Die Wasserausgabe stoppt, sobald der Hebel losgelassen wird.

Den schnellsten Durchfluss erreichen Sie, wenn Sie den Hebel komplett eindrücken. Denken Sie daran, dass die Stärke des Wasserdurchflusses davon abhängt, wie weit der Hebel eingedrückt wird.

Geben Sie den Hebel langsam wieder frei, sobald das Glas fast vollständig gefüllt ist, damit nichts überläuft. Das Wasser tritt nur tropfenweise aus, wenn Sie den Hebel nur leicht betätigen; dies ist völlig normal.

Wasserbehälter füllen

Der Wassertank befindet sich an der Innenseite der Türablage. Öffnen Sie die Abdeckung des Behälters, füllen Sie Trinkwasser ein. Schließen Sie anschließend den Deckel.



Warnung!

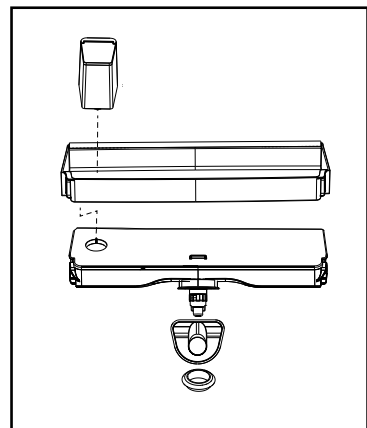
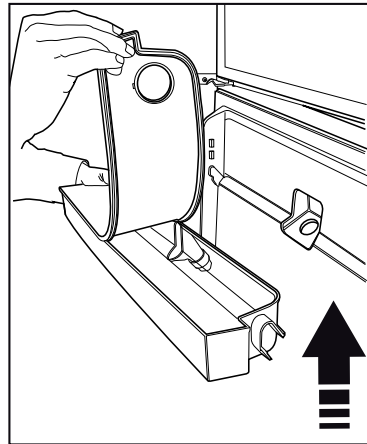
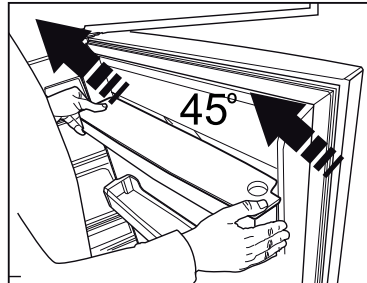
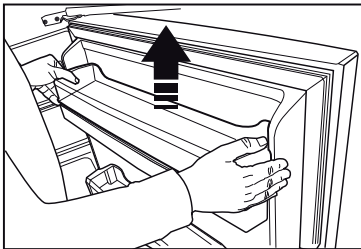
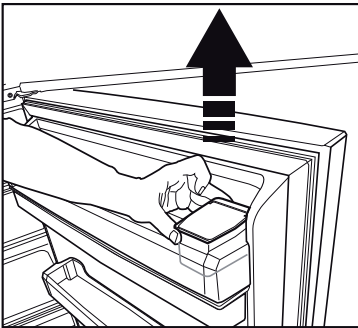
- Füllen Sie den Wassertank nur mit sauberem Trinkwasser, nicht mit anderen Flüssigkeiten gleich welcher Art. Falls andere Flüssigkeiten eingefüllt werden, kann der Wasserspender irreparabel beschädigt werden. Solche Beschädigungen werden nicht durch die Garantie abgedeckt. Viele Flüssigkeiten und Getränke enthalten Zusätze, die das Material des Wassertanks angreifen können.
- Nutzen Sie ausschließlich klares Trinkwasser.
- Die Kapazität des Wassertanks beträgt 3 Liter; füllen Sie nicht mehr hinein.

Produkt verwenden

- Drücken Sie mit einem haltbaren Glas gegen den Hebel des Wasserspenders. Falls Sie Einwegbecher verwenden, betätigen Sie den Hebel mit dem Finger.

6.16. Wassertank reinigen

- Entfernen Sie den Füllbehälter auf der Innenseite der Türablage.
- Entfernen Sie die Türablage, indem Sie diese an beiden Seiten greifen.



Produkt verwenden

- Greifen Sie den Wassertank an beiden Seiten und entfernen ihn in einem Winkel von 45 °C.
- Öffnen Sie die Abdeckung und reinigen den Wassertank.

Wichtig:

Die Komponenten des Wasserspenders und des Wassertanks sollten nicht in der Spülmaschine gereinigt werden.

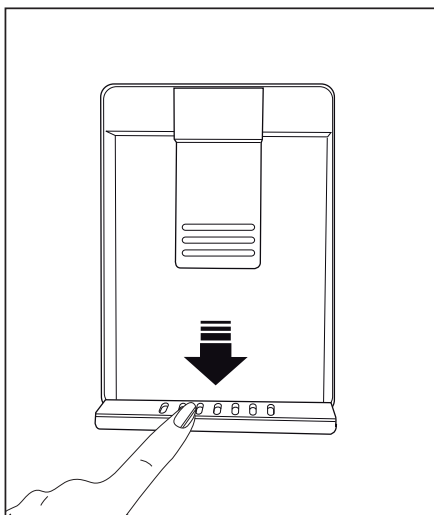
6.17. Tropfschale

Wasser, das bei der Nutzung des Wasserspenders heruntertropft, sammelt sich in der Tropfschale.

Nehmen Sie das Kunststoffsieb wie in der Abbildung gezeigt heraus.

Entfernen Sie angesammeltes Wasser mit einem sauberen, trockenen Tuch.

Achtung: Nur an Trinkwasserleitungen anschließen.



Produkt verwenden

6.18. Frische Lebensmittel tiefkühlen

- Zur Gewährleistung der Lebensmittelqualität müssen im Tiefkühlbereich gelagerte Lebensmittel so schnell wie möglich eingefroren werden; nutzen Sie dazu die Schnellgefrierfunktion.
- Das Einfrieren frischer Lebensmittel verlängert die Aufbewahrungsdauer im Tiefkühlbereich.
- Verpacken Sie Lebensmittel in sicher verschlossenen luftdichten Behältern.
- Stellen Sie sicher, dass die Lebensmittel verpackt sind, bevor Sie sie in den Tiefkühlbereich geben. Verwenden Sie statt herkömmlichen Packpapiers tiefkühlgeeignete Behälter, Alufolie und feuchtigkeitsbeständiges Papier, Plastikbeutel oder ähnliche Verpackungsmaterialien.



Eis im Tiefkühlbereich taut automatisch.

- Beschriften Sie die Behälter vor dem Einfrieren mit dem Datum. Dadurch können Sie beim Öffnen des Tiefkühlbereichs stets die Frische der verpackten Lebensmittel prüfen. Bewahren Sie ältere Lebensmittel weiter vorne auf, damit sie zuerst verbraucht werden.
- Gefrorene Lebensmittel müssen unmittelbar nach dem Auftauen verbraucht und dürfen nicht wieder eingefroren werden.
- Frieren Sie nicht zu große Mengen auf einmal ein.

6.19. Empfehlungen zur Lagerung gefrorener Lebensmittel

Der Bereich muss auf mindestens -18 °C eingestellt sein.

1. Geben Sie Lebensmittel so schnell wie möglich in den Tiefkühlbereich, damit sie nicht auftauen.
2. Prüfen Sie vor dem Einfrieren, ob das Verfallsdatum auf der Verpackung bereits abgelaufen ist.
3. Stellen Sie sicher, dass die Lebensmittelverpackung nicht beschädigt ist.

Tiefkühlbereich temperatureinstellung	Kühlbereich temperatureinstellung	Details
-18 °C	4 °C	Dies ist die allgemein empfohlene Einstellung.
-20 °C, -22 °C oder -24 °C	4 °C	Diese Einstellungen empfehlen wir bei Umgebungstemperaturen über 30 °C.
Schnellgefrieren	4 °C	Diese Funktion nutzen Sie zum Einfrieren von Lebensmitteln in kurzer Zeit. Wenn der Vorgang endet, nimmt das Produkt wieder seine Position ein.
-18 °C und kälter	2 °C	Nutzen Sie diese Einstellungen, falls Sie meinen, dass der Kühlbereich aufgrund der Umgebungstemperatur oder zu häufigen Öffnens und Schließens der Tür nicht kalt genug wird.

Produkt verwenden

6.20. Hinweise zum Tiefkühlbereich

Gemäß den Standards IEC 62552 muss der Tiefkühlbereich über die Kapazität verfügen, 4,5 kg Lebensmittel bei -18 °C oder geringeren Temperaturen je 100 Liter Volumen des Tiefkühlbereichs in 24 Stunden einzufrieren.

Lebensmittel können nur bei Temperaturen von -18 °C und darunter längere Zeit aufbewahrt werden.

Sie können Lebensmittel monatelang frisch halten (im Tiefkühlbereich bei oder unter 18 °C).

Lebensmittel, die eingefroren werden sollen, dürfen keine bereits eingefrorenen Lebensmittel berühren, da diese andernfalls antauen könnten.

Gekochtes Gemüse und gefiltertes Wasser können länger im Tiefkühlbereich aufbewahrt werden. Geben Sie die Lebensmittel nach dem Filtern in luftdichten Verpackungen in den Tiefkühlbereich. Bananen, Tomaten, Salat, Sellerie, gekochte Eier, Kartoffeln und ähnliche Lebensmittel sollten nicht eingefroren werden. Falls diese Lebensmittel verderben, werden nur Nährwert und Geschmack negativ beeinträchtigt. Es besteht keine Gefahr für die menschliche Gesundheit.

6.21. Lebensmittel einlagern

Tiefkühlbereich-Ablagen	Unterschiedliche gefrorene Lebensmittel wie Fleisch, Fisch, Speiseeis, Gemüse etc.
Kühlbereich-Ablagen	Lebensmittel in Töpfen, auf abgedeckten Tellern und in bedeckten Behältern, Eier (in abgedecktem Behälter)
Kühlbereich-Türablagen	Kleine und verpackte Lebensmittel oder Getränke
Gemüsefach	Obst und Gemüse
Frischlebensmittelbereich	Feinkost (Frühstücksprodukte, schnell verderbliche Fleischprodukte)

6.22. Tür-offen-Alarm (optional)

Wenn die Gerätetür mindestens 1 Minute offen bleibt, wird ein akustischer Alarm ausgegeben. Dieser akustische Alarm verstummt, sobald Sie die Tür schließen oder eine beliebige Taste am Display (sofern vorhanden) drücken.

Der Tür-offen-Alarm wird sowohl akustisch als auch visuell ausgegeben. Die Innenbeleuchtung schaltet sich aus, wenn die Warnung 10 Minuten lang anhält.

6.23. Wechseln des Türanschlags

Sie können den Türanschlag Ihres Kühlschranks je nach Aufstellungsort wechseln. Wenden Sie sich in diesem Fall an den autorisierten Kundendienst in Ihrer Nähe.

Die obige Erklärung ist allgemeiner Natur. Sie sollten das Warnschild in der Produktverpackung auf Möglichkeit zum Wechseln des Türanschlags prüfen.

6.24. Innenbeleuchtung

Die Innenbeleuchtung nutzt eine LED-Lampe. Wenden Sie sich bei jeglichen Problemen mit dieser Lampe an den autorisierten Kundendienst.

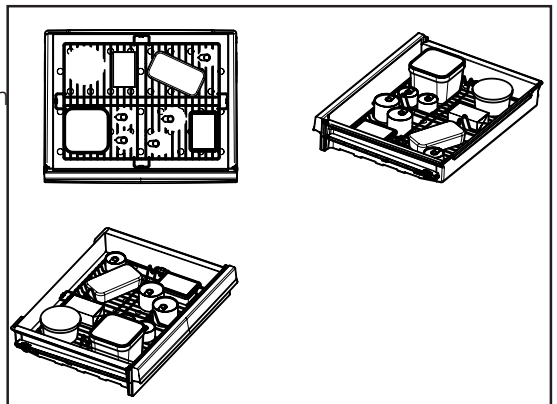
Die in diesem Gerät verwendete(n) Lampe(n) können nicht zur Raumbelichtung verwendet werden. Der vorgesehene Zweck dieser Lampe dient dem sicheren und komfortablen Einlagern von Lebensmitteln im Kühl- / Tiefkühlbereich.

Produkt verwenden

6.25. Betriebsempfehlungen für das Hygienefach:



*Diese Funktion ist optional

- Während Sie die Lebensmittel zum Zwecke der Hygenisierung der Lebensmitteloberfläche in dieses Fach legen, legen Sie Ihre Fleisch-, Hühner-, Fisch-, Milch- und Milchprodukte immer in das Fach, indem Sie sie in ihrer Verpackung aufbewahren.
 - Es ist definitiv nicht geeignet, andere Produkte als Lebensmittel aus hygienischen Gründen in dieses Fach zu legen.
 - Wenn Sie die Lebensmittel in das Hygienefach legen, ohne sie aus der Einkaufstüte zu nehmen, wird nur für die Oberfläche der Tasche Hygiene gewährleistet, und die Lebensmittelverpackungen dürfen kein Licht erhalten. Daher müssen Sie die Lebensmittel beim Einlegen aus der Einkaufstüte entnommen werden.
 - Es ist ausreichend, das Hygieneverfahren nur einmal auf dasselbe Lebensmittel anzuwenden, und es ist nicht geeignet, das Verfahren mehrmals anzuwenden.
 - Wenn der Vorgang nach Abschluss des Hygienevorgangs für andere Lebensmittel nicht wiederholt werden soll, empfehlen wir Ihnen, nur Feinkost- und Frühstücksnahrungsmittel in diesem Fach aufzubewahren. Es wird nicht empfohlen, Gemüse und Obst längere Zeit in diesem Fach aufzubewahren, da das Hygienefach kälter ist als andere Teile des Kühlschranks.
- Vor dem Aktivieren der Hygienefunktion über das Display-Bedienfeld wird empfohlen, die zuvor im Hygienefach gelagerten Lebensmittel vorübergehend in einem anderen Bereich des Kühlschranks abzulegen. Wenn das Hygieneverfahren aktiv ist, wird empfohlen, die zu hygienisierenden Produkte zum ersten Mal nur im Fach aufzubewahren. Wenn der Hygienevorgang abgeschlossen ist, können Sie die entnommenen Lebensmittel wieder in das Fach zurückbringen.
 - Für eine wirksame Hygienefunktion müssen Produkte so platziert werden, dass ein Abstand zwischen ihnen verbleibt und sichergestellt wird, dass sie das Licht nicht blockieren.
 - Stellen Sie sicher, dass keine Lebensmittel aufeinander gelegt werden, bevor Sie die Hygienefunktion aktivieren.



⚠ Lesen Sie zuerst den Abschnitt „Sicherheitshinweise“!

Die Einsatzdauer des Produktes verlängert sich und häufige Probleme lassen nach, wenn das Produkt regelmäßig gereinigt wird.

	WARNUNG: Schalten Sie das Gerät ab, bevor Sie es reinigen.
	WARNUNG: Es wird empfohlen, den Kondensator alle sechs Monate mit Handschuhen zu reinigen. Sie dürfen keine Staubsauger verwenden.

- Verwenden Sie zu Reinigungszwecken niemals Benzin oder ähnliche Substanzen.
- Verwenden Sie zur Reinigung niemals scharfe Gegenstände, Seife, Haushaltsreiniger, Waschmittel oder Wachspolituren.
- Lösen Sie einen Teelöffel Natron in einem halben Liter Wasser auf. Tränken Sie ein Tuch mit der Lösung, wringen Sie das Tuch gut aus. Waschen Sie die Innenflächen des Kühlschranks gründlich mit diesem Tuch ab; anschließend gut trocknen.
- Achten Sie darauf, dass kein Wasser in das Lampengehäuse oder in andere elektrische Komponenten eindringt.
- Wischen Sie das Metallblech unter der Metallschublade und dem Tisch nur mit einem feucht-trockenen Tuch ab.
- Falls Sie den Kühlschrank längere Zeit nicht benutzen, ziehen Sie den Netzstecker, nehmen sämtliche Lebensmittel heraus, reinigen das Gerät und lassen die Tür offen stehen.
- Prüfen Sie die Türdichtungen regelmäßig auf Sauberkeit. Bei Bedarf reinigen.
- Nehmen Sie zum Entfernen der Tür- und Gehäuseablagen alle Gegenstände aus dem Produkt heraus.
- Ziehen Sie die Türablagen nach oben heraus. Setzen Sie die Ablagen nach der Reinigung wieder ein, indem Sie sie nach unten schieben.

- Reinigen Sie Außenflächen und verchromte Teile des Produktes niemals mit chlorhaltigen Reinigern oder Wasser. Chlor greift Metalloberflächen an.
- Bei Geräten ohne No-Frost-Einrichtung können Wassertropfen entstehen und sich mit der Zeit bis zu fingerbreite Eisschichten an Rückwand und Seiten des Tiefkühlfachs bilden. Niemals reinigen; niemals Öl oder andere Substanzen aufbringen.
- Verwenden Sie nur ein leicht angefeuchtetes Mikrofasertuch zum Reinigen der Geräteaußenflächen. Scheuerschwämme oder grobe Reinigungstücher könnten die Oberflächen verkratzen.

7.1 Unangenehme Gerüche verhindern

Bei der Herstellung Ihres Kühlschranks wurde darauf geachtet, dass keine Materialien verwendet werden, die unangenehme Gerüche verursachen können. Allerdings können Gerüche abgesondert werden, wenn Lebensmittel falsch aufbewahrt werden oder die Innenseite des Gerätes nicht wie erforderlich gereinigt wird. Dieses Problem können Sie mit folgenden Hinweisen vermeiden:

- Es ist wichtig, das Kühlschranksauber zu halten. Lebensmittelreste, Verschmutzungen usw. können Gerüche verursachen. Reinigen Sie den Kühlschrank daher alle 15 Tage mit etwas in Wasser aufgelöstem Natron. Verzichten Sie grundsätzlich auf Reinigungsmittel und Seifen.
- Bewahren Sie Ihre Lebensmittel in geschlossenen Behältern auf. Mikroorganismen aus Behältern ohne Deckel können unangenehme Gerüche verursachen.

7 Reinigung und Pflege

- Bewahren Sie keine abgelaufenen oder verdorbenen Lebensmittel in Ihrem Kühlschrank auf.

7.2 Kunststoffflächen schützen

Geben Sie keine Öle oder stark fetthaltige Speisen offen in Ihren Kühlschrank – dadurch können die Kunststoffflächen angegriffen werden. Sollten Kunststoffteile einmal mit Öl in Berührung kommen, reinigen Sie die entsprechenden Stellen möglichst sofort mit warmem Wasser.

7.3 Innenfläche reinigen

Reinigen Sie die Innenflächen und alle herausnehmbaren Teile mit einer milden Lösung aus Seife, Wasser und Karbonat. Gründlich abspülen und abtrocknen. Achten Sie darauf, dass Wasser nicht mit Leuchtmitteln und Bedienfeld in Berührung kommt.

ACHTUNG:



Reinigen Sie die Innenflächen nicht mit Essig, Reinigungsalkohol oder anderen alkoholbasierten Reinigern.

7.4 Edelstahl-Außenflächen

Verwenden Sie einen nicht scheuernden Edelstahl-Reiniger und tragen Sie ihn auf ein fusselfreies, weiches Tuch auf. Zum Polieren wischen Sie die Oberfläche vorsichtig mit einem feuchten Mikrofaser Tuch und einem trockenen Fensterleder ab. Folgen Sie immer den Strängen des Edelstahls.

7.5 Produkte mit Glastüren reinigen

Entfernen Sie die Schutzfolie von den Scheiben.

Die Oberfläche der Scheiben ist beschichtet. Diese Beschichtung minimiert Fleckenbildung und sorgt dafür, dass sich Flecken und Schmutz leicht entfernen lassen. Auf Scheiben, die nicht durch eine Beschichtung geschützt sind, können sich dauerhaft organische oder anorganische in Luft oder Wasser befindliche Verunreinigungen, wie Kalk, Mineralsalze, unverbrannte Kohlenwasserstoffe,

Metalloxide und Silikone, ablagern, die innerhalb kurzer Zeit zu Flecken und Materialschäden führen. Trotz regelmäßiger Reinigung lässt sich das Glas nur mit großer Mühe sauber halten. Dadurch lassen Klarheit und Aussehen der Scheiben nach. Aggressive und scheuernde Reinigungsmittel und Methoden verstärken diese Mängel weiter und beschleunigen den Verschleiß.

*Verwenden Sie zur regelmäßigen Reinigung Mittel auf Wasserbasis, die weder alkalisch noch scheuernd sind.

Damit die Beschichtung lange hält, dürfen während der Reinigung keine alkalischen oder scheuernden Substanzen zum Einsatz kommen.

Die Scheiben wurden zur Erhöhung ihrer Stoß- und Bruchfestigkeit gehärtet.

Als zusätzliche Sicherheitsmaßnahme befindet sich auf der Rückseite der Scheiben eine Sicherheitsfolie, damit das Glas keine Schäden im Umfeld anrichtet, falls es bricht.

Bitte arbeiten Sie diese Liste durch, bevor Sie sich an den Kundendienst wenden. Das kann Ihnen Zeit und Geld sparen. Diese Liste enthält häufig aufgetretene Probleme, die nicht auf Material- oder Verarbeitungsfehler zurückzuführen sind. Nicht alle hier beschriebenen Funktionen sind bei jedem Modell verfügbar.

Der Kühlschrank schaltet sich nicht ein.

- Möglicherweise ist er nicht richtig angeschlossen. >>> Schließen Sie das Gerät richtig an.
- Die entsprechende Haussicherung ist herausgesprungen oder durchgebrannt. >>> Prüfen Sie die Sicherung.

Kondensation an den Seitenwänden des Kühlbereiches (Multizone, Kühlkontrolle und FlexiZone).

- Die Tür wurde häufig geöffnet/geschlossen. >>> Verzichten Sie auf häufiges Öffnen/Schließen der Kühlschranktür.
- Die Umgebung könnte zu feucht sein. >>> Installieren Sie das Kühlschrank nicht an sehr feuchten Orten.
- Lebensmittel mit hohem Feuchtigkeitsgehalt wurden in Behältern ohne Deckel in den Kühlschrank gegeben. >>> Geben Sie Lebensmittel mit hohem Feuchtigkeitsgehalt nicht in offenen Behältern in den Kühlschrank.
- Die Kühlschranktür steht offen. >>> Halten Sie die Kühlschranktüren nur möglichst kurz geöffnet.
- Das Thermostat wurde auf eine sehr niedrige Temperatur eingestellt. >>> Stellen Sie das Thermostat auf einen geeigneten Wert ein.

Der Kompressor arbeitet nicht.

- Eine Schutzschaltung stoppt den Kompressor bei kurzzeitigen Unterbrechungen der Stromversorgung und wenn das Gerät zu oft und schnell ein- und ausgeschaltet wird, um eine Überdruck des Kühlmittels im System zu vermeiden. Der Kühlschrank beginnt nach etwa sechs Minuten wieder zu arbeiten. Bitte wenden Sie sich an den autorisierten Kundendienst, falls Ihr Kühlschrank nach Ablauf dieser Zeit nicht wieder zu arbeiten beginnt.
- Das Kühlgerät wird abgetaut. >>> Dies ist bei einem Kühlschrank mit vollautomatischem Abtauen völlig normal. Das Gerät wird regelmäßig abgetaut.
- Der Kühlschrank ist nicht angeschlossen. >>> Achten Sie darauf, dass der Stecker in die Steckdose passt.
- Die Temperatureinstellungen stimmen nicht. >>> Wählen Sie den richtigen Temperaturwert.
- Es liegt ein Stromausfall vor. >>> Der Kühlschrank setzt seinen Betrieb fort, wenn die Stromversorgung wiederhergestellt ist.

Das Betriebsgeräusch nimmt zu, wenn der Kühlschrank arbeitet.

- Das Leistungsverhalten des Kühlgerätes kann sich je nach Umgebungstemperatur ändern. Dies ist völlig normal und keine Fehlfunktion.

Der Kühlschrank arbeitet sehr intensiv oder über eine sehr lange Zeit.

Problemlösung

- Ihr neues Gerät ist vielleicht etwas größer als sein Vorgänger. Große Kühlgeräte arbeiten oft längere Zeit.
- Die Umgebungstemperatur ist eventuell sehr hoch. >>> Bei hohen Umgebungstemperaturen arbeitet das Gerät etwas länger.
- Der Kühlschrank wurde erst vor Kurzem in Betrieb genommen oder mit Lebensmitteln gefüllt. >>> Wenn das Gerät erst vor Kurzem in Betrieb genommen oder mit Lebensmitteln gefüllt wurde, dauert es etwas länger, bis die eingestellte Temperatur erreicht ist. Dies ist völlig normal.
- Kurz zuvor wurden größere Mengen warmer Speisen in den Kühlschrank gestellt. >>> Geben Sie keine warmen oder gar heißen Speisen in den Kühlschrank.
- Die Türen wurden häufig geöffnet oder längere Zeit nicht richtig geschlossen. >>> Der Kühlschrank muss länger arbeiten, weil warme Luft in den Innenraum eingedrungen ist. Vermeiden Sie häufiges Öffnen der Türen.
- Die Tür des Kühl- oder Tiefkühlbereichs war nur angelehnt. >>> Vergewissern Sie sich, dass die Türen richtig geschlossen wurden.
- Die Kühlschranktemperatur ist sehr niedrig eingestellt. >>> Stellen Sie die Kühlschranktemperatur höher ein. Warten Sie dann ab, bis diese Temperatur erreicht ist.
- Die Türdichtungen von Kühl- oder Gefrierbereich sind verschmutzt, verschlissen, beschädigt oder sitzen nicht richtig. >>> Reinigen oder ersetzen Sie die Dichtung. Beschädigte oder defekte Dichtungen führen dazu, dass der Kühlschrank länger arbeiten muss, um die Temperatur halten zu können.

Die Temperatur im Kühlbereich ist angemessen, während Temperatur im Tiefkühlbereich sehr niedrig ist.

- Die Tiefkühlbereichtemperatur ist sehr niedrig eingestellt. >>> Tiefkühlbereichtemperatur höher einstellen, Temperatur nach einer Weile prüfen.

Die Temperatur im Tiefkühlbereich ist angemessen, während die Temperatur im Kühlbereich sehr niedrig ist.

- Die Kühltemperatur ist sehr niedrig eingestellt. >>> Stellen Sie die Kühltemperatur wärmer ein, prüfen Sie die Temperatur nach einer Weile.

Im Kühlbereich gelagerte Lebensmittel frieren ein.

- Die Kühlbereichtemperatur ist sehr hoch eingestellt. >>> Kühlbereichtemperatur niedriger einstellen, Temperatur nach einer Weile prüfen.

Die Temperatur im Kühl- oder Tiefkühlbereich ist sehr hoch.

- Die Kühlbereichtemperatur ist sehr hoch eingestellt. >>> Die Kühlbereichtemperatur wirkt sich auf die Temperatur des Tiefkühlbereichs aus. Stellen Sie den Kühl- oder Tiefkühlbereich auf eine geeignete Temperatur ein.
- Türen wurden häufig geöffnet oder längere Zeit nicht richtig geschlossen. >>> Verzichten Sie auf häufiges Öffnen der Türen.
- Die Tür wurde eventuell nicht richtig geschlossen. >>> Tür richtig schließen.
- Der Kühlschrank wurde erst vor Kurzem in Betrieb genommen oder mit Lebensmitteln gefüllt. >>> Dies ist normal. Wenn das Gerät erst vor Kurzem in Betrieb genommen oder mit Lebensmitteln gefüllt wurde, dauert es etwas länger, bis die eingestellte Temperatur erreicht ist.
- Kurz zuvor wurden größere Mengen warmer Speisen in den Kühlschrank gestellt. >>> Geben Sie keine warmen oder gar heißen Speisen in den Kühlschrank.

Vibrationen oder Betriebsgeräusche.

Problemlösung

- Der Boden ist nicht stabil oder gerade. >>> Falls der Kühlschrank bei Bewegung leicht wackelt, richten Sie ihn mit den Füßen aus. Achten Sie darauf, dass der Boden eben ist und das Gewicht des Kühlschranks problemlos tragen kann.
- Gegenstände, die auf dem Kühlschrank abgestellt wurden, können Geräusche verursachen. >>> Nehmen Sie die Gegenstände herunter.

Fließ- oder Spritzgeräusche sind zu hören.

- Aus technischen Gründen bewegen sich Flüssigkeiten und Gase innerhalb des Gerätes. >>> Dies ist völlig normal und keine Fehlfunktion.

Der Kühlschrank pfeift.

- Im Inneren befinden sich Gebläse zum Kühlen des Gerätes. Dies ist völlig normal und keine Fehlfunktion.

Feuchtigkeit an den Kühlschrankinnenflächen.

- Bei heißen und feuchten Wetterlagen treten verstärkt Eisbildung und Kondensation auf. Dies ist völlig normal und keine Fehlfunktion.
- Türen wurden häufig geöffnet oder längere Zeit nicht richtig geschlossen. >>> Verzichten Sie auf häufiges Öffnen der Türen. Schließen Sie die Türen, falls sie offen sind.
- Eine Tür wurde eventuell nicht richtig geschlossen. >>> Tür richtig schließen.

Feuchtigkeit sammelt sich an der Außenseite des Kühlschranks oder an den Türen an.

- Hohe Luftfeuchtigkeit. Dies ist bei feuchtem Wetter völlig normal. >>> Die Kondensation verschwindet, wenn der Feuchtigkeitsgehalt abnimmt.
- Externer Feuchtigkeitsniederschlag im Bereich zwischen den beiden Türen des Kühlschranks, wenn das Gerät selten benutzt wird. Dies ist völlig normal. Der Feuchtigkeitsniederschlag verschwindet bei häufiger Verwendung.

Unangenehmer Geruch im Kühlschrank.

- Das Gerät wurde nicht regelmäßig gereinigt. Reinigen Sie das Innere des Kühlschranks mit einem Schwamm, den Sie mit lauwarmem oder kohlenensäurehaltigem Wasser angefeuchtet haben.
- Einige Behälter oder Verpackungsmaterialien können Gerüche verursachen. >>> Andere Behälter und Verpackungsmaterialien bzw. Produkte anderer Hersteller verwenden.
- Lebensmittel wurden in Behältern ohne Deckel in den Kühlschrank gegeben. >>> Lebensmittel in geschlossenen Behältern aufbewahren. Mikroorganismen aus Behältern ohne Deckel können unangenehme Gerüche verursachen.
- Nehmen Sie abgelaufene oder verdorbene Lebensmittel aus dem Kühlschrank.

Die Tür kann nicht geschlossen werden.

- Lebensmittelpackungen verhindern ein vollständiges Schließen der Tür. >>> Entfernen Sie die Verpackungen, welche die Tür blockieren.
- Der Kühlschrank hat keinen stabilen Stand. >>> Passen Sie die Kühlschrankfüße so an, dass der Kühlschrank in Waage ist.
- Der Boden ist nicht eben oder nicht stabil genug. >>> Achten Sie darauf, dass der Boden eben ist und das Gewicht des Kühlschranks problemlos tragen kann.

Das Gemüsefach klemmt.

- Lebensmittel könnten die obere Wand des Gemüsefachs berühren. >>> Verteilen Sie die Lebensmittel im Gemüsefach anders.

Wenn die Geräteoberfläche heiß ist.

Die Bereiche zwischen den beiden Türen, an den Seitenflächen und hinten am Grill können im Betrieb sehr heiß werden. Dies ist völlig normal und weist nicht auf eine Fehlfunktion hin.

Gebläse läuft weiter, wenn die Tür geöffnet wird.

Es ist normal, dass das Gebläse weiterläuft, wenn die Tür des Tiefkühlbereichs geöffnet wird.



WARNUNG: Falls sich ein Problem nicht mit den Hinweisen in diesem Abschnitt lösen lassen sollte, wenden Sie sich bitte an Ihren Händler oder an den autorisierten Kundendienst. Versuchen Sie niemals, ein fehlerhaftes Produkt selbst zu reparieren.

HAFTUNGSAUSSCHLUSS / WARNUNG

Einige (einfache) Fehler können vom Endbenutzer angemessen behandelt werden, ohne dass Sicherheitsprobleme oder unsichere Verwendung auftreten, sofern sie innerhalb der Grenzen und gemäß den folgenden Anweisungen ausgeführt werden (siehe Abschnitt „Selbstreparatur“).

Sofern im Abschnitt „Selbstreparatur“ unten nichts anderes autorisiert ist, sind Reparaturen an registrierte professionelle Reparaturtechniker zu richten, um Sicherheitsprobleme zu vermeiden. Ein registrierter professioneller Reparaturbetrieb ist ein professioneller Reparaturtechniker, dem vom Hersteller Zugang zu den Anweisungen und der Ersatzteilliste dieses Produkts gemäß den in den Rechtsakten entsprechend der Richtlinie 2009/125/EG beschriebenen Methoden gewährt wurde.

Allerdings kann nur der Dienstleister (d.h. autorisierte professionelle Reparaturtechniker), den Sie über die in der Bedienungsanleitung/Garantiekarte angegebene Telefonnummer oder über Ihren autorisierten Händler erreichen können, einen Service gemäß den Garantiebedingungen anbieten. Bitte beachten Sie daher, dass Reparaturen durch professionelle Reparaturtechniker (die nicht von Bekoautorisiert sind) zum Erlischen der Garantie führen.

Selbstreparatur

Die Selbstreparatur kann vom Endbenutzer in Bezug auf folgende Ersatzteile durchgeführt werden: Dichtungen, Filter, Türscharniere, Körbe, Propeller, Kunststoffzubehör usw. (eine aktualisierte Liste ist ab dem 1. März 2021 ebenfalls in support.beko.com verfügbar).

Um die Produktsicherheit zu gewährleisten und das Risiko schwerer Verletzungen zu vermeiden, muss die erwähnte Selbstreparatur gemäß den Anweisungen im Benutzerhandbuch zur Selbstreparatur durchgeführt werden, die unter

support.beko.com verfügbar sind. Ziehen Sie zu Ihrer Sicherheit den Stecker aus der Steckdose, bevor Sie eine Selbstreparatur durchführen.

Reparatur- und Reparaturversuche von Endbenutzern für Teile, die nicht in dieser Liste enthalten sind und/oder die Anweisungen in den Benutzerhandbüchern zur Selbstreparatur nicht befolgen oder die auf support.beko.com verfügbar sind, können zu Sicherheitsproblemen führen, die nicht auf Bekozurückzuführen sind, und führt zum Erlöschen der Garantie des Produkts.

Deshalb wird dringend empfohlen, dass Endbenutzer nicht versuchen, Reparaturen durchzuführen, die außerhalb der genannten Ersatzteilliste liegen, und sich in solchen Fällen an autorisierte professionelle Reparaturtechniker oder registrierte professionelle Reparaturtechniker wenden. Ansonsten können solche Versuche von Endbenutzern Sicherheitsprobleme verursachen und das Produkt beschädigen und anschließend Brand, Überschwemmungen, Stromschläge und schwere Personenschäden verursachen.

Beispielsweise müssen, ohne darauf beschränkt zu sein, die folgenden Reparaturen an autorisierte professionelle Reparaturtechniker oder registrierte professionelle Reparaturtechniker gerichtet werden: Kompressor, Kühlkreislauf, Hauptplatine, Wechselrichterplatine, Anzeigetafel usw.

Der Hersteller/Verkäufer kann in keinem Fall haftbar gemacht werden, in dem Endbenutzer die oben genannten Bestimmungen nicht einhalten.

Die Ersatzteilverfügbarkeit des von Ihnen gekauften Kühlschranks beträgt 10 Jahre. Während dieser Zeit stehen Originalersatzteile zur Verfügung, um den Kühlschrank ordnungsgemäß zu betreiben.

Die Mindestgarantiedauer für den von Ihnen gekauften Kühlschrank beträgt 24 Monate.

Dieses Produkt ist mit einer Lichtquelle der
Energieklasse „G“ ausgestattet.
Die Lichtquelle in diesem Produkt darf nur
von professionellen Reparaturtechnikern
ersetzt werden.

Gentile Cliente,
cortesemente leggi il presente manuale prima di iniziare ad usare il prodotto.

Ti ringraziamo per aver scelto questo prodotto. Vorremmo che il prodotto, che è stato realizzato con la tecnologia più avanzata, ti possa offrire l'efficienza ottimale. Per questo, prima di utilizzare il prodotto leggi attentamente questo manuale e qualsiasi altra documentazione fornita e conservali per riferimenti futuri.

Presta particolare attenzione alle informazioni e alle avvertenze contenute nel manuale utente. In questo modo proteggerai te stesso e il tuo prodotto da possibili pericoli.

Conserva il manuale utente. Se dovessi consegnare il prodotto a qualcun altro, non dimenticare di includere questa guida.

Nella guida utente sono utilizzati i seguenti simboli:


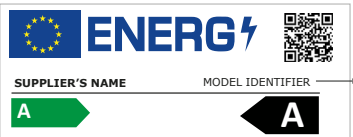
 pericolo che potrebbe causare morte o lesioni.

AVVISO Un pericolo che potrebbe causare danni materiali al prodotto o all'ambiente circostante

 Informazioni importanti o suggerimenti utili relativamente al funzionamento.

 Leggi il manuale utente.

 Rischio di radiazioni UV-C

 INFORMAZIONI	
	Le informazioni sul modello memorizzate nella banca dati dei prodotti possono essere consultate sul seguente sito web, cercando l'identificativo del modello (*) presente sull'etichetta energetica. https://eprel.ec.europa.eu/

1 Istruzioni di sicurezza 3

-  1.1. Uso preposto 3
-  1.2. Sicurezza per bambini, persone diversamente abili e animali domestici 3
-  1.3. Sicurezza elettrica 4
-  1.4. Sicurezza nel trasporto 4
-  1.5. Sicurezza nell'installazione 4
-  1.6. Sicurezza nelle operazioni 6
-  1.7. Sicurezza nella manutenzione e pulizia 8
-  1.8. HomeWhiz 8
-  1.9. Illuminazione 8
-  1.10. Sicurezza contro le radiazioni UV-C 8
-  1.11. Informazioni tecniche per Wi-Fi + Bluetooth 9

2 Istruzioni ambiente 10

3 Frigorifero 11

4 Installazione 12

- 4.1. Luogo idoneo per l'installazione 12
- 4.2. Prima di avviare il frigorifero 13
- 4.3. Collegamenti elettrici 13
- 4.4. Regolazione dei piedini 13

5 Preparazione 14

- 5.1 Cose da fare ai fini del risparmio energetico 14
- 5.2 Uso iniziale 14

6 Funzionamento del prodotto 15

- 6.1. Luce blu/HarvestFresh 19
- 6.2. Scomparto igiene 20

- 6.3. Secchiello del ghiaccio 21
(Questa funzione è opzionale). 21
- 6.4. Scomparto per le uova 21
- 6.5. Ventola 21
- 6.6. Cestino per verdure 21
(Questa funzione è opzionale). 21
- 6.7. Scomparto zero gradi 21
(Questa funzione è opzionale). 21
- 6.8. Ripiano mobile sportello 22
- 6.9. Scomparto scorrevole per la conservazione 22
(Questa funzione è opzionale). 22
- 6.10. Cestino per verdure a umidità controllata . 23
(Questa funzione è opzionale). 23
- 6.11. Modulo deodorizzatore 23
- 6.12. Macchina del ghiaccio automatica 24
(Questa funzione è opzionale). 24
- 6.13. Icematic e contenitore per conservare il ghiaccio 25
(Questa funzione è opzionale) 25
- 6.14. Erogatore d'acqua 25
- 6.15. Uso dell'erogatore d'acqua 25
- 6.16. Pulizia del serbatoio dell'acqua 27
- 6.17. Vaschetta per l'acqua 27
- 6.18. HerbBox/HerbFresh 28
- 6.19. Consigli per conservare alimenti surgelati 29
- 6.20. Dettagli congelatore 29
- 6.21. Posizionamento degli alimenti 30
- 6.22. Avvertenza sportello aperto 30
- 6.23. Cambiare la lampadina di illuminazione . . 30
- 6.24. Raccomandazioni per l'uso dello scomparto igienizzazione: 31


7 Pulizia e manutenzione 32


- 7.1 Evitare i cattivi odori 32
- 7.2 Protezione delle superfici in plastica 32


8 Risoluzione dei problemi 33

1 Istruzioni di sicurezza

- Questa sezione contiene istruzioni di sicurezza che aiutano a proteggersi da rischi di lesioni personali o danni alle cose.
- La nostra azienda non è responsabile per danni che possono verificarsi se queste istruzioni non vengono seguite.

 Le procedure di installazione e riparazione devono sempre essere eseguite dal produttore, dal servizio assistenza autorizzato o da una persona qualificata e specificata dall'importatore.

 Utilizzare solo parti e accessori originali.

 Non riparare o sostituire alcuna parte del prodotto, se non espressamente specificato nel manuale d'uso.

 Non apportare modifiche tecniche al prodotto.

1.1. Uso preposto

- Questo prodotto non è adatto all'uso commerciale e non deve essere utilizzato al di fuori dell'uso preposto.

Il prodotto è progettato per l'uso in case e ambienti interni.

Ad esempio:

- Cucine per il personale in negozi, uffici e altri ambienti di lavoro,
- Fattorie,
- Aree utilizzate dai clienti in hotel, motel e altri tipi di alloggio,
- Alberghi di tipo bed & breakfast, pensioni,
- Catering e applicazioni simili che non prevedano la vendita al dettaglio.

Questo prodotto non deve essere utilizzato all'aperto con o senza tenda

sopra di esso, come su barche, balconi o terrazze. Non esporre il prodotto a pioggia, neve, sole o vento.

Rischio di incendio!

1.2. Sicurezza per bambini, persone diversamente abili e animali domestici

- Questo prodotto può essere utilizzato da bambini a partire dagli 8 anni e da persone con limitate capacità fisiche, sensoriali o mentali o con scarsa esperienza e conoscenze, a condizione che siano sorvegliati o addestrati sull'uso sicuro del prodotto e conoscano i rischi che il suo utilizzo comporta.
- I bambini di età compresa tra i 3 e gli 8 anni possono inserire e togliere i prodotti da refrigerare.
- I prodotti elettrici sono pericolosi per i bambini e gli animali domestici. I bambini e gli animali domestici non devono giocare con, arrampicarsi su o entrare nel prodotto.
- La pulizia e la manutenzione da parte dell'utente non devono essere effettuate da bambini, a meno che non siano sorvegliati da qualcuno.
- Tenere i materiali di imballaggio lontano dalla portata dei bambini. Rischio di lesioni e di soffocamento!
- Prima di smaltire un prodotto vecchio o obsoleto:
 1. Scollegare il prodotto afferrando la spina.
 2. Tagliare il cavo di alimentazione e rimuoverlo dall'apparecchio insieme alla spina
 3. Non rimuovere i ripiani o i cassetti, in modo che sia più difficile per i bambini entrare nel prodotto.
 4. Rimuovere gli sportelli.

Istruzioni di sicurezza

5. Tenere il prodotto in modo che non si ribalti.

6. Non permettere ai bambini di giocare con il vecchio prodotto.

- Non gettare mai il prodotto nel fuoco per smaltirlo. Rischio di esplosione!
- Se sulla porta del prodotto è presente una serratura, la chiave deve essere tenuta fuori dalla portata dei bambini.

1.3. Sicurezza elettrica

- Il prodotto deve essere scollegato durante le procedure di installazione, manutenzione, pulizia, riparazione e spostamento.
- Se il cavo di alimentazione è danneggiato, deve essere sostituito da una persona qualificata e specificata dal produttore, dal servizio assistenza autorizzato o da un importatore, al fine di evitare potenziali pericoli.
- Non schiacciare il cavo di alimentazione sotto o dietro il prodotto. Non appoggiare oggetti pesanti sul cavo di alimentazione. Il cavo di alimentazione non deve essere piegato eccessivamente, non deve essere schiacciato e non deve venire a contatto con una qualsiasi fonte di calore.
- Non utilizzare prolunghe, multiple o adattatori per far funzionare il prodotto.
- Le multiple o le fonti di alimentazione portatili possono surriscaldarsi e causare incendi. Pertanto, non tenere le multiple dietro o vicino al prodotto.
- La spina deve essere facilmente accessibile. Nel caso non sia possibile, l'impianto elettrico a cui è collegato il prodotto deve

contenere un dispositivo (come un fusibile, un interruttore, un salvavita, ecc.) che sia conforme alle norme elettriche e che scolleghi tutti i poli dalla rete.

- Non toccare la spina di alimentazione con le mani bagnate.
- Togliere la spina dalla presa, afferrando la spina e non il cavo.

1.4. Sicurezza nel trasporto

- Il prodotto è pesante, non spostarlo da soli.
- Non tenerne lo sportello, quando si sposta il prodotto.
- Fare attenzione a non danneggiare il sistema di raffreddamento o le tubazioni durante il trasporto. Se le tubazioni sono danneggiate, non accendere il prodotto e contattare il servizio di assistenza autorizzato.

1.5. Sicurezza nell'installazione

- Contattare il servizio di assistenza autorizzato per l'installazione del prodotto. Per rendere il prodotto pronto per l'utilizzo, consultare le informazioni contenute nel manuale d'uso, per assicurarsi che gli impianti elettrici e idrici siano adatti. In caso contrario, chiamare un elettricista e un idraulico qualificati, per ottenere le necessarie disposizioni. Se non ci si rivolge a un aiuto professionale, vi è il rischio di scosse elettriche, incendi, problemi con il prodotto o lesioni!
- Prima dell'installazione, controllare se il prodotto presenta difetti. Se il prodotto è danneggiato, non farlo installare.

Istruzioni di sicurezza

- Posizionare il prodotto su una superficie pulita, piana e solida e bilanciarlo con piedini regolabili. In caso contrario, il prodotto potrebbe ribaltarsi e causare lesioni.
- Il luogo di installazione deve essere asciutto e ben ventilato. Non collocare tappeti, moquette o rivestimenti simili sotto al prodotto. Una ventilazione insufficiente è rischio di incendio!
- Non coprire o bloccare le aperture adibite alla ventilazione. In caso contrario, il consumo di energia elettrica aumenta e il prodotto potrebbe danneggiarsi.
- Il prodotto non deve essere collegato a sistemi di alimentazione come alimentatori solari. In caso contrario, il prodotto potrebbe danneggiarsi a causa di improvvisi cambiamenti di tensione!
- Più refrigerante contiene un frigorifero, più grande deve essere il luogo di installazione. Se il luogo scelto per l'installazione è troppo piccolo, il refrigerante infiammabile e la miscela di aria si accumulano in caso di perdite di refrigerante nel sistema di raffreddamento. Lo spazio necessario per ogni 8 gr di refrigerante è di almeno 1 m³. La quantità di refrigerante nel prodotto è indicata sulla targhetta di identificazione.
- Il prodotto non deve essere installato in luoghi esposti alla luce diretta del sole e deve essere tenuto lontano da fonti di calore come piani cottura, radiatori, ecc.

Se si deve installare il prodotto in prossimità di una fonte di calore, è necessario utilizzare un'adeguata piastra di isolamento e mantenere le

seguenti distanze minime dalla fonte di calore:

- Almeno 30 cm di distanza da fonti di calore come piani di cottura, forni, radiatori o stufe,
- Minimo 5 cm di distanza dai forni elettrici.
- La classe di protezione del prodotto è di tipo I. Inserire il prodotto in una presa con messa a terra che sia conforme ai valori di tensione, corrente e frequenza indicati sulla targhetta del prodotto. La presa deve essere dotata di un interruttore automatico da 10 A - 16 A. La nostra azienda non sarà responsabile per eventuali danni che si verificheranno qualora il prodotto venga utilizzato senza messa a terra e collegamento elettrico in conformità con le normative locali e nazionali.
- Il prodotto non deve essere collegato alla rete elettrica durante l'installazione. In caso contrario, sussiste il rischio di scosse elettriche e di lesioni!
- Non inserire il prodotto in prese che siano allentate, smontate, rotte, sporche, grasse o che presentino il rischio di entrare in contatto con l'acqua.
- Posizionare il cavo di alimentazione e i tubi flessibili (se presenti) del prodotto in modo che non causino il rischio di inciamparvi dentro.
- L'esposizione all'umidità delle parti sotto tensione o del cavo di alimentazione può causare un corto circuito. Pertanto, non installare il prodotto in luoghi come garage o lavanderie, dove l'umidità è elevata o l'acqua può schizzare.

Istruzioni di sicurezza

Se il frigorifero si bagna d'acqua, scollegarlo e chiamare il servizio di assistenza autorizzato.

- Non collegare mai il frigorifero a dispositivi di risparmio energetico. Tali sistemi sono dannosi per il prodotto.

1.6. Sicurezza nelle operazioni

- Non utilizzare mai solventi chimici sul prodotto. Rischio di esplosione!
- In caso di malfunzionamento del prodotto, scollegarlo e non utilizzarlo, fino a quando non viene riparato dal servizio di assistenza autorizzato. Rischio di scosse elettriche!
- Non collocare fonti di fiamma (candele accese, sigarette, ecc.) sul prodotto o nelle sue vicinanze.
- Non salire sul prodotto. Rischio di caduta e di ferite!
- Non danneggiare i tubi del sistema di raffreddamento con oggetti appuntiti o affilati. Il refrigerante che potrebbe fuoriuscire quando i tubi del refrigerante, le prolunghe dei tubi o i rivestimenti superficiali vengono perforati provoca irritazioni cutanee e lesioni agli occhi.
- A meno che non sia raccomandato dal produttore, non collocare o utilizzare dispositivi elettrici all'interno del frigorifero/ congelatore.
- Fare attenzione a non incastrare le mani o qualsiasi altra parte del corpo nelle parti mobili all'interno del frigorifero. Fare attenzione a non schiacciare le dita tra lo sportello e il frigorifero. Fare attenzione nell'aprire e chiudere lo sportello, in particolare in presenza di bambini.
- Non mangiare mai gelati, cubetti di ghiaccio o cibi surgelati subito dopo averli tolti dal frigorifero. Rischio di congelamento!
- Se si hanno le mani bagnate, non toccare le pareti interne o le parti metalliche del freezer o gli alimenti in esso conservati. Rischio di congelamento!
- Non collocare nel congelatore barattoli o bottiglie che contengono bevande gassate o liquidi che possano congelarsi. Lattine e bottiglie possono scoppiare. Rischio di lesioni e danni materiali!
- Non collocare o utilizzare spray infiammabili, materiali infiammabili, ghiaccio secco, sostanze chimiche o materiali simili sensibili al calore vicino al frigorifero. Rischio di incendio e di esplosione!
- Non conservare nel prodotto materiali esplosivi che contengono materiali infiammabili, come le bombolette spray.
- Non collocare sul prodotto contenitori pieni di liquido. Gli spruzzi d'acqua su una parte elettrica possono causare scosse elettriche o generare un incendio.
- Questo prodotto non è destinato alla conservazione di medicinali, plasma sanguigno, preparati di laboratorio o sostanze mediche simili e prodotti soggetti alla direttiva sui prodotti medici.
- L'uso del prodotto diversamente da quanto preposto può causare il deterioramento o la scadenza dei prodotti conservati al suo interno.

Istruzioni di sicurezza

- Se il frigorifero è dotato di luce blu, non guardare la luce con strumenti ottici. Non fissare direttamente la lampada UV LED per lungo tempo. La luce ultravioletta può causare affaticamento agli occhi.
- Non sovraccaricare il prodotto. Gli oggetti nel frigorifero possono cadere quando si apre lo sportello, causando lesioni o danni. Problemi simili possono verificarsi se un qualsiasi oggetto viene posizionato sul prodotto.
- Per evitare lesioni, assicurarsi di aver pulito tutto il ghiaccio e l'acqua che potrebbero essere caduti o schizzati sul pavimento.
- Modificate la posizione dei ripiani/portabottiglie sullo sportello del frigorifero solo da vuoti. Rischio di lesioni!
- Non collocare oggetti che possono cadere/ribaltarsi sul prodotto. Tali oggetti possono cadere quando lo sportello è aperto e causare lesioni e/o danni materiali.
- Non colpire o esercitare una forza eccessiva sulle superfici in vetro. Il vetro rotto può causare lesioni e/o danni materiali.
- Il sistema di raffreddamento del prodotto contiene refrigerante R600a: Il tipo di refrigerante utilizzato nel prodotto è indicato sulla targhetta di identificazione. Questo refrigerante è infiammabile. Pertanto, fare attenzione a non danneggiare il sistema di raffreddamento o le tubazioni mentre il prodotto è in uso. Se le tubazioni sono danneggiate:
 - Non toccare il prodotto o il cavo di alimentazione,

- Tenere lontano da potenziali fonti infiammabili, che possono far incendiare il prodotto.
- Ventilare l'area in cui si trova il prodotto. Non utilizzare ventilatori.
- Contattare il servizio di assistenza autorizzato.

Se il prodotto è danneggiato e si nota una perdita di refrigerante, stare lontani dal refrigerante. Il refrigerante può causare congelamento in caso di contatto con la pelle.

Per prodotti con erogatore d'acqua/macchina per ghiaccio

- Utilizzare solo acqua potabile. Non riempire il serbatoio dell'acqua con liquidi, come succhi di frutta, latte, bevande gassate o bevande alcoliche, poiché non adatti all'uso nell'erogatore d'acqua.
- Rischio per la salute e la sicurezza!
- Non permettere ai bambini di giocare con l'erogatore d'acqua o con la macchina del ghiaccio (Icematic), per evitare incidenti o lesioni.
- Non inserire le dita o altri oggetti nel foro dell'erogatore d'acqua, nel canale dell'acqua o nel contenitore della macchina per il ghiaccio. Rischio di lesioni o danni materiali!

Istruzioni di sicurezza

1.7. Sicurezza nella manutenzione e pulizia

- Non tirare la maniglia dello sportello se è necessario spostare il prodotto per la pulizia. La maniglia può rompersi e causare lesioni, se si esercita una forza eccessiva su di essa.
- Non spruzzare o versare acqua sopra o all'interno del prodotto durante la pulizia. Rischio di incendio e di scosse elettriche!
- Non utilizzare utensili affilati o abrasivi per la pulizia del prodotto. Non utilizzare prodotti per la pulizia della casa, detersivi, gas, benzina, diluente, alcool, vernici, ecc.
- Utilizzare all'interno dell'elettrodomestico solo prodotti per la pulizia e la manutenzione che non siano nocivi per gli alimenti.
- Non utilizzare mai detersivi a vapore per pulire o sbrinare il prodotto. Il vapore entra a contatto con le parti sotto tensione del frigorifero, causando cortocircuiti o scosse elettriche!
- Assicurarsi che non entri acqua nei circuiti elettronici o negli elementi preposti all'illuminazione del prodotto.
- Utilizzare un panno pulito e asciutto per pulire i materiali estranei o la polvere sui perni della spina. Non utilizzare un panno umido o bagnato per pulire la spina. Rischio di incendio e di scosse elettriche!

1.8. HomeWhiz

- Se si utilizza il prodotto tramite l'app HomeWhiz, è necessario osservare le avvertenze di sicurezza anche quando si è lontani dal prodotto. È inoltre necessario seguire le avvertenze nell'app.

1.9. Illuminazione

- Contattare il servizio di assistenza autorizzato ove sia necessario sostituire il LED/la lampadina utilizzata per l'illuminazione.

1.10. Sicurezza contro le radiazioni UV-C

- Non rimuovere il vetro di protezione della lampada UV-C.
- Non utilizzare il prodotto senza il vetro di protezione della lampada UV-C.
- Questo prodotto contiene una lampada che emette raggi UV-C. Non guardare direttamente nella sorgente luminosa.
- Quando si pulisce lo scomparto contenente la lampada UV-C, staccare la spina dalla presa.
- Non utilizzare in nessun caso un prodotto con danni al vetro di protezione.
- Mentre si sostituisce la lampada UV-C con l'aiuto di un servizio autorizzato, disattivare la funzione UV-C dal pannello di controllo del display.
- Non rimuovere mai l'etichetta "Pericolo da radiazioni ultraviolette" sullo scomparto di igienizzazione che contiene le lampade UV-C.

Istruzioni di sicurezza

- L'uso del prodotto al di fuori dell'uso previsto o il danneggiamento del vetro di protezione della lampada UV-C o dell'ambiente circostante potrebbero provocare pericolose radiazioni UV-C. Le radiazioni UV-C potrebbero causare lesioni agli occhi e alla pelle anche a basse dosi! Non mettere in funzione un prodotto danneggiato!
- Se il simbolo UV-C inizia a lampeggiare quando si attiva la funzione di igiene, ciò indica che è stata raggiunta l'emivita delle lampade e che la loro efficacia è ridotta. Consigliamo di sostituire le lampade UV-C se si dovesse notare questa avvertenza. Le lampade UV-C vengono sostituite insieme al vassoio in cui sono contenute. L'acquisto e l'installazione del vassoio UV-C dovranno essere effettuati tramite i servizi assistenza autorizzati.



AVVERTENZA: Le radiazioni UV-C sono nocive per gli occhi e la pelle. Non utilizzare le lampade UV-C se non con il prodotto!



AVVERTENZA: Le lampade UV-C non possono essere sostituite dall'utente. Alla scadenza della durata di vita delle lampade UV-C, chiedere il supporto del servizio di assistenza autorizzato !

1.11. Informazioni tecniche per Wi-Fi + Bluetooth

Banda di frequenza:	2.4GHz (Wi-fi o Bluetooth operativo)
Potenza max di trasmissione:	< 100mW (Wi-fi o Bluetooth operativo)
Informazioni sul software:	Quartz_WiFi.XXX

Dichiarazione di conformità per CE: Arçelik A.Ş. dichiara che questo apparecchio è conforme alla direttiva 2014/53/EU.

Il testo completo della dichiarazione di conformità EU è disponibile al seguente indirizzo internet:

Prodotti, Da:support.beko.com

Il periodo di supporto per l'aggiornamento del software relativo alla sicurezza informatica definito del prodotto è il periodo di garanzia del prodotto. Dopo questo periodo, gli aggiornamenti software relativi alla sicurezza informatica non sono garantiti.

2 Istruzioni ambiente

2.1 Conformità alla direttiva WEEE e allo smaltimento dei rifiuti:

Questo apparecchio è conforme alla Direttiva UE WEEE (2012/19/EU). Questo apparecchio riporta il simbolo di classificazione per i rifiuti delle apparecchiature elettriche ed elettroniche (WEEE).



Questo simbolo indica che questo prodotto non deve essere smaltito con altri rifiuti domestici al termine della sua vita utile. Il dispositivo usato

deve essere portato a un punto di raccolta ufficiale per il riciclaggio di dispositivi elettrici ed elettronici. Per individuare questi punti di raccolta, contattare le proprie autorità locali oppure il rivenditore presso cui è stato acquistato il prodotto. Ciascuna famiglia ha un ruolo importante nel recupero e riciclaggio di vecchi apparecchi. Lo smaltimento appropriato degli apparecchi usati aiuta a prevenire potenziali conseguenze negative per l'ambiente e la salute umana.

2.2 Conformità alla Direttiva RoHS:

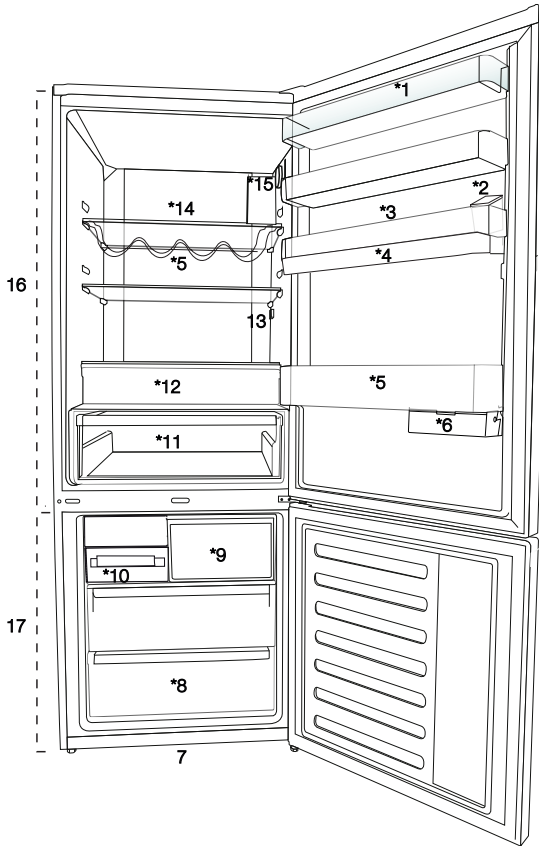
L'apparecchio acquistato è conforme alla Direttiva UE RoHS (2011/65/EU). Non contiene materiali pericolosi o proibiti specificati nella Direttiva.

2.3 Informazioni di imballaggio



L'imballaggio del prodotto è fatto di materiali riciclabili in conformità con la normativa nazionale. Non smaltire i materiali di imballaggio con i rifiuti domestici o altri rifiuti. Portarli ai punti di raccolta per materiali di imballaggio previsti dalle autorità locali.

3 Frigorifero



1. Ripiano della porta dello scomparto raffreddatore
2. Serbatoio dell'acqua
3. Scomparto uova
4. Serbatoio dell'acqua
5. Ripiano per bottiglie
6. Scatola di conservazione scorrevole
7. Gambe regolabili
8. Scomparto congelatore a lungo termine
9. Scomparto congelamento rapido
10. Macchina del ghiaccio
11. Crisper
12. Scomparto igienizzazione (lampade UV-C)
13. Luce interna
14. Ripiano in vetro dello scomparto raffreddatore
15. Tasto impostazione temperatura
16. Scomparto raffreddatore
17. Scomparto congelatore



*Opzionale: Le figure in questo manuale utente sono schematiche, e potrebbero non corrispondere esattamente al prodotto. Qualora il prodotto non contenga le parti descritte, l'informazione riguarda altri modelli.

4 Installazione

 Leggere anzitutto la sezione "Istruzioni di sicurezza"

4.1. Luogo idoneo per l'installazione

Rivolgersi al Servizio Autorizzato per l'installazione del prodotto. Per rendere il prodotto pronto per essere installato, confrontare le informazioni nella guida dell'utente e accertarsi che i servizi elettrici e idrici siano presenti. In caso contrario contattare un elettricista e un idraulico per rendere questi servizi conformi ai requisiti.

	AVVERTENZA: Il produttore non si assume nessuna responsabilità per gli eventuali danni causati dagli interventi eseguiti da personale non autorizzato.
	AVVERTENZA: Il cavo di alimentazione del prodotto deve essere scollegato in fase di utilizzo. Il mancato rispetto di queste istruzioni potrebbe provocare morte o altre gravi lesioni!
	AVVERTENZA: Qualora la porta sia troppo stretta per consentire il passaggio del prodotto, togliere la porta e ruotarla; qualora ciò non funzioni, contattare il servizio autorizzato.

	AVVERTENZA: Avvertenza superficie calda Le pareti laterali del prodotto sono dotate di tubi refrigeranti per migliorare il sistema di raffreddamento. Il refrigerante a temperature elevate potrebbe scorrere in queste aree, causando così superfici calde sulle pareti laterali. Non si tratta di un'anomalia di funzionamento e non sono necessari interventi di manutenzione. Fare attenzione quando si toccano queste aree
--	---

- Non esporre il prodotto alla luce solare diretta o conservare in ambienti umidi.
- Il prodotto richiede una circolazione adeguata dell'aria per funzionare in modo efficace. Qual'ora il prodotto venga posizionato in un padiglione estivo, ricordare di lasciare una distanza di almeno 5 cm fra il prodotto, il soffitto, e le pareti.
- Non installare il prodotto in ambienti con temperature inferiori ai 5°.
- Il prodotto necessita di adeguata ventilazione per un funzionamento efficiente. Se in prodotto viene collocato in una alcova, lasciare almeno 5 cm di spazio tra il prodotto, il soffitto, i muri laterali e il muro retrostante.
- Se in prodotto viene collocato in una alcova, lasciare almeno 5 cm di spazio tra il prodotto, il soffitto, i muri laterali e il muro retrostante. Controllare se il componente di protezione della parete posteriore è presente e nel suo alloggio (se fornito con il prodotto). Se il componente non è disponibile, o se è stato smarrito o è caduto, posizionare il prodotto in modo tale da lasciare almeno 5 cm di spazio libero tra il retro del prodotto e le pareti del locale. Lo spazio libero nella parte posteriore è importante per il funzionamento efficiente del prodotto.

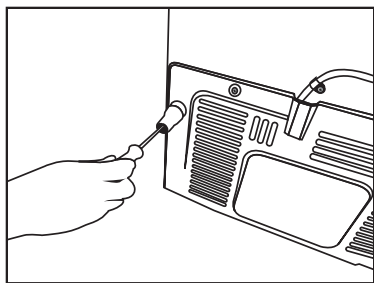
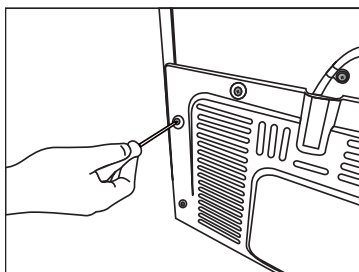
- Collocare il prodotto su una superficie piana per evitare le vibrazioni.
- Collocare il prodotto ad almeno a 30 cm dal termosifone, dalla stufa e da altre fonti di calore e ad almeno 5 cm da eventuali forni elettrici.

Installazione

4.2. Prima di avviare il frigorifero

Controllare quanto segue prima di utilizzare il frigorifero:

1. Montare i 2 cunei in plastica come illustrato sotto. I cunei in plastica servono a mantenere la distanza che assicura la circolazione dell'aria tra frigorifero e parete. (L'immagine è creata per illustrare e



non è identica all'apparecchio).

2. Pulire la parte interna del frigorifero come consigliato nella sezione "Manutenzione e pulizia".

3. Collegare la spina del frigorifero alla presa elettrica. Quando lo sportello del frigorifero è aperto, la lampadina interna si accende.

4. Quando il compressore comincia a funzionare, si sente

un rumore. I liquidi e i gas sigillati nel sistema refrigerante possono produrre dei rumori, anche se il compressore non è in funzione; questo è abbastanza normale.

5. I bordi anteriori del frigorifero possono essere tiepidi. Questo è normale. Queste zone sono progettate per essere tiepide per evitare la condensazione.

4.3. Collegamenti elettrici

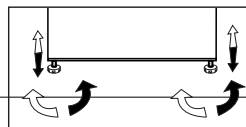
Collegare il frigorifero ad una presa di messa a terra protetta da un fusibile della capacità appropriata.

Importante:


- Il collegamento deve essere conforme ai regolamenti nazionali.
- La spina elettrica deve essere facilmente accessibile dopo l'installazione.
- La sicurezza elettrica del frigorifero è garantita unicamente se il sistema di messa a terra dell'apparecchiatura è conforme agli standard.
- La tensione dichiarata sull'etichetta che si trova nel lato interno a sinistra dell'apparecchio deve essere pari alla tensione di rete

4.4. Regolazione dei piedini

Se il frigorifero non è in equilibrio: è possibile bilanciare il frigorifero ruotando i piedini anteriori come illustrato in figura. L'angolo in cui i piedini sono più bassi quando girati in direzione della freccia nera e rialzati quando girati in direzione opposta. Un aiuto per sollevare leggermente il frigorifero faciliterà tale processo.



5 Preparazione

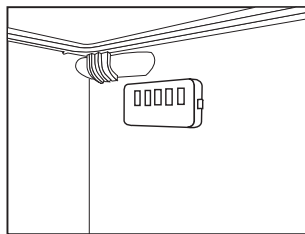
 Leggere anzitutto la sezione "Istruzioni di sicurezza"!

5.1 Cose da fare ai fini del risparmio energetico



La connessione dell'apparecchio a sistemi elettronici di risparmio energetico è rischiosa poiché potrebbe provocare danni all'apparecchio.

- Per apparecchio indipendente; "questo apparecchio refrigerante non è destinato a essere utilizzato come apparecchio da incasso.
- Non lasciare lo sportello del frigorifero aperto per lunghi periodi.
- Non mettere alimenti o bevande caldi nel frigorifero.
- Non sovraccaricare il frigorifero; il blocco del flusso interno dell'aria riduce la capacità di raffreddamento.
- Per conservare la quantità massima di alimenti nello scomparto Cooler del frigorifero, bisogna estrarre i cassetti superiori e metterli sul ripiano di vetro. Il consumo energetico dichiarato per il frigorifero è stato stabilito estraendo lo scomparto Cooler, il vassoio del ghiaccio e i cassetti superiori in modo da consentire la conservazione massima. L'uso del cassetto inferiore è fortemente raccomandato. La funzione di risparmio energetico deve essere attivata per un migliore consumo energetico.
- Non bisogna bloccare il flusso dell'aria mettendo gli alimenti davanti alla ventola del Cooler. Uno spazio di almeno 3 cm deve essere lasciato davanti alla griglia della ventola protettiva quando si posizionano gli alimenti.
- A seconda delle caratteristiche dell'apparecchio, scongelare nello scomparto Cooler gli alimenti congelati assicura risparmio energetico e conserva la qualità degli alimenti.
- Gli alimenti devono essere conservati nei cassetti dello scomparto Cooler per assicurare risparmio energetico e proteggere gli alimenti in condizioni migliori.
- Le confezioni con gli alimenti non devono essere a contatto diretto con il sensore di calore che si trova nello scomparto Cooler. Se sono in contatto con il sensore, il consumo energetico dell'apparecchio potrebbe aumentare.



- Assicurarsi che gli alimenti non siano in contatto con il sensore della temperatura dello scomparto Cooler descritto sotto.

5.2 Uso iniziale

Prima di utilizzare il frigorifero, assicurarsi di eseguire le preparazioni necessarie in linea con le istruzioni delle sezioni "Istruzioni per sicurezza e ambiente" e "Installazione".

- Tenere l'apparecchio in funzione senza alimenti all'interno per 6 ore e non aprire lo sportello, a meno che non sia assolutamente necessario.



Si sente un suono quando il compressore si innesca. È normale sentire il suono anche quando il compressore non è attivo, a causa dei liquidi e dei gas compressi nel sistema di refrigerazione.



I bordi anteriori dell'apparecchio potrebbero riscaldarsi. Questo è normale. Il riscaldamento di queste parti è concepito per impedire la condensa.

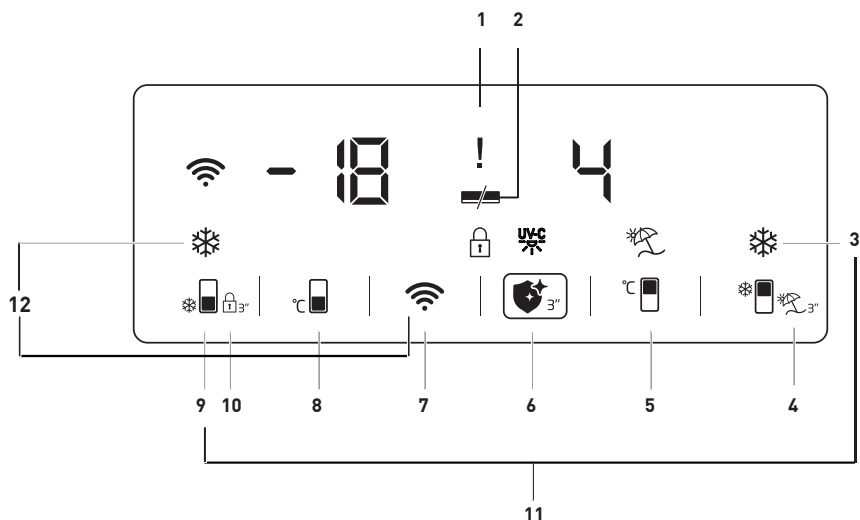


In alcuni modelli il pannello indicato si spegne automaticamente 5 minuti dopo la chiusura dello sportello. Si riattiva quando lo sportello viene aperto o se viene premuto un pulsante.

- Poiché l'aria calda e umida non penetra direttamente nel prodotto quando le porte non sono aperte, il prodotto si ottimizza in condizioni sufficienti a proteggere il cibo. Funzioni e componenti quali compressore, ventola, caloriferi, sbrinamento, illuminazione, display e via dicendo funzionano secondo necessità per consumare il minimo di energia in tali circostanze.

6 Funzionamento del prodotto

⚠ Leggere anzitutto la sezione "Istruzioni di sicurezza"!



1. Indicatore di condizione di guasto
2. Indicatore della funzione di risparmio energetico (display off)
3. Tasto di raffreddamento rapido
4. Tasto funzione vacanza
5. Tasto di impostazione della temperatura dello scomparto raffreddatore
6. Tasto funzione igienizzazione
7. Tasto wireless
8. Tasto di impostazione della temperatura dello scomparto congelatore
9. Tasto di congelamento rapido
10. Blocco tasti
11. Tasto di commutazione dell'unità di temperatura
12. Tasto per il ripristino delle impostazioni della connessione wireless

Potrebbe non essere disponibile in tutti i modelli



***Opzionale:** I dati in questo manuale devono essere intesi come bozze, e potrebbero non essere perfettamente corrispondenti a questo prodotto. Qualora il prodotto non contenga le parti descritte, l'informazione riguarda altri modelli.

Utilizzo del frigorifero

1. Indicatore di condizione di guasto

Questo indicatore () sarà attivo quando il frigorifero non è in grado di eseguire un raffreddamento adeguato o in caso di errore del sensore. Quando questo indicatore è attivo, la lettera "E" sarà visualizzata sull'indicatore della temperatura dello scomparto di congelamento e cifre come 1,2,3... Saranno visualizzate sull'indicatore della temperatura dello scomparto di raffreddamento. Queste cifre forniscono informazioni al servizio autorizzato sull'errore verificatosi.

Quando si carica cibo caldo nello scomparto di congelamento o si tiene aperta la porta per un lungo periodo di tempo potrebbe visualizzarsi un punto esclamativo. Non si tratta di un guasto, questa avvertenza dovrà essere rimossa quando il cibo viene raffreddato.


2. Indicatore della funzione di risparmio energetico (display off)

Quando la porta del prodotto non viene aperta o chiusa per un certo periodo di tempo, la funzione di risparmio energetico viene attivata automaticamente e viene visualizzato il simbolo di risparmio energetico. (—)



Quando la funzione di risparmio energetico è attiva, tutti i simboli sul display, ad eccezione del simbolo del risparmio energetico, saranno spenti. Quando la funzione di risparmio energetico è attiva, la pressione di qualsiasi tasto o l'apertura della porta

disattiverà la funzione di risparmio energetico e i simboli del display torneranno ai livelli normali. La funzione di risparmio energetico è una funzione installata in fabbrica e non è possibile disattivarla.

3. Tasto di raffreddamento rapido

Quando la funzione di congelamento rapido è attiva, l'indicatore di congelamento rapido si accenderà () e quello della temperatura dello scomparto di raffreddamento visualizzerà 1. Per annullare questa funzione premere nuovamente il tasto di raffreddamento rapido. L'indicatore di raffreddamento rapido si spegnerà e verranno ripristinate le impostazioni normali. La funzione di raffreddamento rapido verrà annullata automaticamente dopo 1 ora, a meno che non venga annullata dall'utente. Per raffreddare una grande quantità di cibo fresco, premere il tasto di raffreddamento rapido prima di posizionare gli alimenti nello scomparto di raffreddamento.


4. Tasto funzione vacanza

Per attivare la funzione vacanza premere il pulsante () per 3 secondi e l'indicatore della modalità vacanza () si accenderà. Quando la funzione vacanza è attiva, sull'indicatore di temperatura dello scomparto di raffreddamento comparirà "- -" e non avverrà nessun raffreddamento attivo nello scomparto di raffreddamento. Quando questa funzione è attivata, nello scomparto di raffreddamento non dovranno conservarsi alimenti. Gli altri scomparti dovranno continuare ad essere raffreddati secondo le temperature per essi stabilite.




Utilizzo del frigorifero

Per annullare **questa** funzione, **premere** nuovamente il tasto della funzione vacanza.

5. Tasto di impostazione della temperatura dello scomparto raffreddatore


Quando si preme questo tasto, a temperatura dello scomparto di raffreddamento potrebbe essere impostata rispettivamente su 8,7,6,5,4,3,2 e 1. (°C )

6. Tasto funzione igienizzazione

Per attivare la funzione igienizzazione, premere il pulsante () per 3 secondi e l'indicatore della funzione di igiene () si accenderà. Non aprire la porta del prodotto quando la funzione igienizzazione è attivata. Se la porta del prodotto viene aperta mentre è attivata la funzione di igienizzazione, l'operazione di igiene dovrà essere interrotta fino alla chiusura della porta. Il prodotto darà un segnale di avvertimento sonoro e terminerà l'operazione quando l'igienizzazione sarà completata. Per terminare l'igienizzazione prima del tempo impostato, tenere premuto il tasto funzione igiene per 3 secondi. Se quando si attiva la funzione di igienizzazione, insieme al simbolo di igiene viene visualizzato il punto esclamativo () , significa che le lampade per l'igienizzazione stanno per esaurirsi. Si prega di chiamare il servizio assistenza.

7. Tasto wireless (*facoltativo)

La pressione lunga di questo tasto (3 secondi), attiverà l'inizializzazione del prodotto verso la rete domestica.

Mentre viene stabilita la connessione, lampeggerà il simbolo della rete wireless () con un intervallo di 0,5 secondi.

Quando la connessione alla rete domestica viene completata con successo, il simbolo della rete wireless sarà illuminato in modo continuo.

Una volta stabilita la connessione iniziale, è possibile attivare/ disattivare la connessione con una breve pressione di questo tasto.

La rete con cui si è stabilita la connessione verrà ricordata e la connessione verrà ripristinata quando il prodotto sarà spento e poi di nuovo acceso.


Il simbolo della connessione wireless lampeggerà brevemente (a intervalli di 0,2 sec.) fino a quando non verrà stabilita la connessione.

Quando la connessione sarà attiva, il simbolo della rete wireless si illuminerà in modo continuo. Se la connessione non può essere stabilita per un certo periodo di tempo, controllare le impostazioni del proprio modem/connessione.



L'app HomeWhiz viene utilizzata come interfaccia di connessione. Le fasi di connessione sono descritte nella GUIDA DI INSTALLAZIONE RAPIDA HomeWhiz fornita col prodotto. Per le risposte alle domande più comuni, si può fare riferimento alla sezione di risoluzione dei problemi.

Utilizzo del frigorifero



8. Tasto di impostazione della temperatura dello scomparto congelatore


Questo tasto consente di impostare la temperatura dello scomparto congelatore. Quando si preme questo tasto (), la temperatura dello scomparto di raffreddamento potrebbe essere impostata rispettivamente su -18,-19,-20,-21,-22, -23 e -24.

9. Tasto di congelamento rapido



Per il congelamento rapido, premere il tasto n. (9) e l'indicatore del congelamento rapido () si attiverà. Quando la funzione di congelamento rapido è attivata, l'indicatore di congelamento rapido si accenderà e quello della temperatura dello scomparto di congelamento visualizzerà il valore -27. Per annullare questa funzione, premere nuovamente il tasto di congelamento rapido (). L'indicatore di congelamento rapido si spegnerà e si ritornerà alle normali impostazioni. La funzione di congelamento rapido verrà annullata automaticamente dopo 32 ore, a meno che non venga annullata dall'utente. Per congelare grandi quantitativi di alimenti freschi, premere il tasto di congelamento rapido prima di collocare gli alimenti all'interno dello scomparto congelatore.

10. Blocco tasti



Premere il tasto () per 3 secondi. Il simbolo del blocco tasti () deve essere attivato e la modalità di blocco tasti deve essere attivata. I tasti non possono essere azionati quando la modalità di blocco tasti è attiva. Per 3

secondi, premere il tasto (). Il blocco tasti sarà disattivato. È possibile utilizzare la funzione di blocco tasti quando si desidera evitare modifiche all'impostazione della temperatura del frigorifero.

11. Tasto di commutazione dell'unità di temperatura

Quando si premono i tasti di Raffreddamento rapido () e Congelamento rapido () per 3 secondi, si può passare dall'unità di temperatura Fahrenheit a quella Celsius.

12. Tasto per il ripristino delle impostazioni della connessione wireless

Quando si preme il tasto Congelamento rapido () e quello della rete wireless () per 3 secondi contemporaneamente, saranno ripristinate le impostazioni della connessione wireless.

Utilizzo del frigorifero

6.1. Luce blu/HarvestFresh

***Non disponibile con tutti i modelli**

Per la luce blu,

Frutta e verdura conservate nei cassetti illuminati con luce blu continuano la loro fotosintesi grazie all'effetto della lunghezza d'onda della luce blu e conservano così il loro contenuto di vitamine.

Per HarvestFresh,

Frutta e verdura conservate in cassetti illuminati con la tecnologia HarvestFresh conservano le loro vitamine più a lungo grazie alle luci blu, verdi, rosse e ai cicli di buio che simulano il ciclo della giornata.

Aperto la porta del frigorifero durante il periodo di buio della tecnologia HarvestFresh, il frigorifero fa una rilevazione automatica e permette alla luce blu-verde o rossa di illuminare il cassetto per la propria comodità. Dopo aver chiuso lo sportello del frigorifero, il periodo di buio continuerà, come fosse il periodo notturno in un ciclo diurno.

Utilizzo del frigorifero

6.2. Scomparto igiene

*Questa funzione è facoltativa

1. La funzione di igienizzazione UV-C non dovrà essere attivata quando la rastrelliera e il cassetto in lamiera forniti all'interno dello scomparto igiene non sono presenti all'interno dello scomparto stesso.

2. L'attivazione della funzione di igiene quando il cassetto in lamiera non è presente nel scomparto igienizzazione provoca la deformazione del cassetto in plastica sottostante.

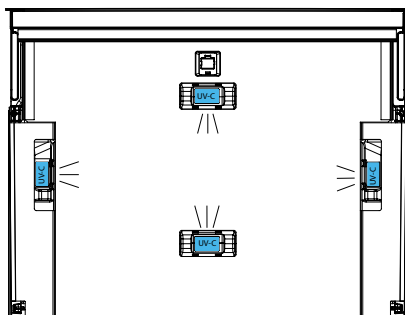
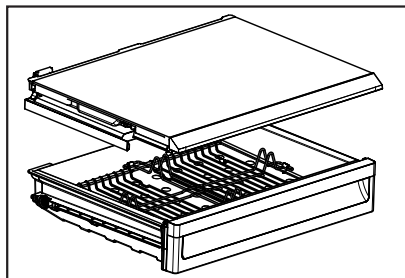
3. Non tentare di rimuovere il vetro situato sopra lo scomparto per l'igienizzazione applicando forza.

4. Non toccare, causare impatti o applicare forza sulle lampade fluorescenti UV-C posizionate sulla superficie inferiore del ripiano in vetro dello scomparto di igiene.

5. Non tentare di rimuovere il ripiano in vetro dello scomparto igienizzazione. La rimozione della rastrelliera causerà lo scollegamento dei componenti elettrici.

6. La luce che si vede quando si apre lo scomparto igiene non è luce UV-C. È l'illuminazione a LED.

7. Pulire il cassetto in metallo e la lamiera sotto il vassoio solo con un panno umido.

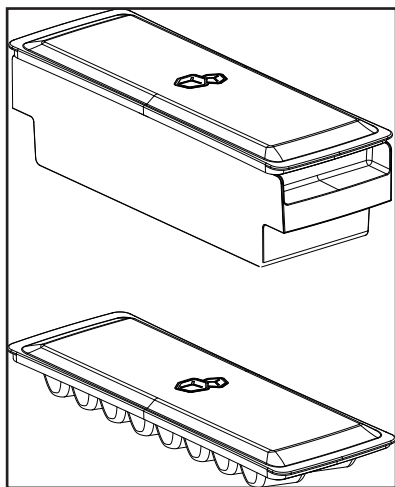


Utilizzo del frigorifero

6.3. Secchiello del ghiaccio

(Questa funzione è opzionale)

- Estrarre il secchiello del ghiaccio dallo scomparto freezer.
- Riempire di acqua il secchiello del ghiaccio.
- Mettere il secchiello del ghiaccio nello scomparto freezer.
- Il ghiaccio sarà pronto dopo due ore circa. Estrarre il secchiello del ghiaccio dallo scomparto freezer e piegarlo delicatamente sul contenitore in cui sarà servito il ghiaccio. Il ghiaccio si versa facilmente nel contenitore.



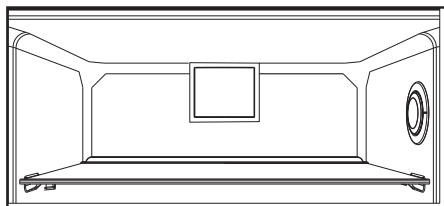
6.4. Scomparto per le uova

È possibile installare il porta uova sul ripiano desiderato della porta o del corpo. Non porre mai il porta uova nello scomparto del freezer

6.5. Ventola

La ventola è stata concepita per garantire la circolazione dell'aria fredda all'interno del frigorifero in modo omogeneo. Il tempo di funzionamento della ventola potrebbe variare a seconda delle caratteristiche dell'apparecchio.

Se in alcuni apparecchi la ventola funziona solo con il compressore, in altri il sistema di controllo determina il tempo di funzionamento sulla base dell'esigenza di raffreddamento.



6.6. Cestino per verdure

(Questa funzione è opzionale)

- Il cestino per verdure dell'apparecchio è concepito per mantenere le verdure fresche, conservando l'umidità. A questo scopo, la circolazione complessiva dell'aria fredda è più intensa nel cestino delle verdure.

6.7. Scomparto zero gradi

(Questa funzione è opzionale)

Usare questo scomparto per conservare i prodotti di gastronomia a temperatura inferiore o la carne per il consumo immediato.

Lo scomparto zero gradi è la parte più fredda in cui conservare a condizioni ideali alimenti come prodotti caseari, carne, pesce e pollo. Verdura e/o frutta non devono essere conservate in questo scomparto.

Utilizzo del frigorifero

6.8. Ripiano mobile sportello

(Questa funzione è opzionale)

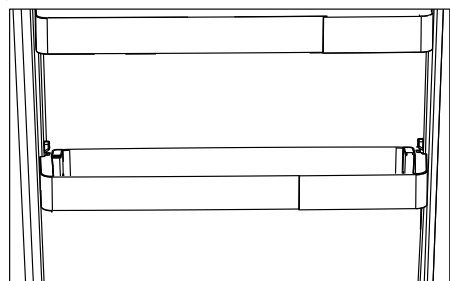
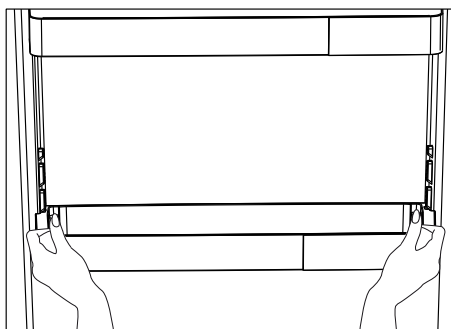
Il ripiano mobile dello sportello può essere fissato in 3 diverse posizioni.

Per spostare il ripiano, premere in modo uniforme i pulsanti ai lati. Il ripiano può essere spostato.

Spostare il ripiano verso l'alto o verso il basso.

Quando il ripiano è nella posizione desiderata, rilasciare i pulsanti.

Il ripiano si fissa di nuovo nella posizione in cui sono stati rilasciati i pulsanti.

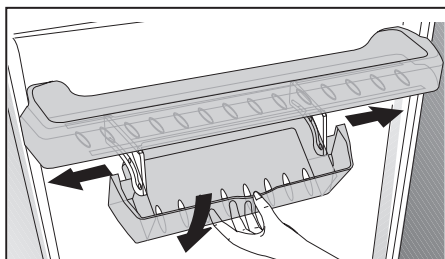


6.9. Scomparto scorrevole per la conservazione

(Questa funzione è opzionale)

Questo accessorio è progettato per accrescere il volume dei ripiani dello sportello.

Grazie alla sua capacità di spostarsi lateralmente, consente di posizionare facilmente bottiglie lunghe, barattoli o contenitori che vengono posti nella rastrelliera per bottiglie sotto.



Utilizzo del frigorifero

6.10. Cestino per verdure a umidità controllata

(Questa funzione è opzionale)

Con la funzione di controllo dell'umidità, i tassi di umidità di verdura e frutta sono tenuti sotto controllo e assicurano un periodo di freschezza più lungo per gli alimenti.

Si raccomanda di conservare le verdure a foglia come lattuga e spinaci e verdure simili che rischiano la perdita di umidità non sulle radici ma in posizione orizzontale nel cestino per le verdure, per quanto possibile.

Quando si posizionano le verdure, mettere le verdure pesanti e dure sul fondo e quelle leggere e morbide sopra, tenendo conto del peso specifico delle verdure.

Non lasciare le verdure nel cestino nei sacchetti di plastica.

Lasciarle nei sacchetti di plastica provoca in breve tempo il deterioramento delle verdure. In situazioni in cui non si consiglia il contatto con le altre verdure, utilizzare materiali di imballaggio come carta con una certa porosità per motivi di igiene.

Non mettere frutta con elevata emissione di gas etilene come pere, albicocche, pesche e in particolare mele nello stesso cestino di verdure con altra verdura e frutta. Il gas etilene che fuoriesce da questi frutti potrebbe provocare all'altra frutta e verdura una maturazione e un deterioramento più veloci.

6.11. Modulo deodorizzatore

(FreshGuard) *optional

Il modulo deodorizzatore elimina in un istante i cattivi odori dal frigorifero prima che penetrino nelle superfici. Grazie a questo modulo, il quale viene collocato sul soffitto dello scomparto per alimenti freschi, i cattivi odori si dissolvono mentre l'aria viene fatta passare attivamente sul filtro anti-odore, quindi l'aria che è stata purificata dal filtro viene reimpressa nello scomparto per alimenti freschi. In questo modo, gli odori indesiderati che potrebbero sprigionarsi durante la conservazione degli alimenti nel frigorifero vengono eliminati prima che possano penetrare nelle superfici.

Ciò si ottiene grazie alla ventola, al LED e al filtro anti-odore integrato all'interno del modulo. Durante l'uso quotidiano, il modulo deodorizzatore si attiverà automaticamente a intervalli regolari. Per mantenere prestazioni efficienti, si consiglia la sostituzione del filtro nel modulo deodorizzatore da parte del fornitore del servizio autorizzato ogni 5 anni. A causa della ventola integrata nel modulo, il rumore che si avvertirà durante il funzionamento è del tutto normale. Se si apre la porta dello scomparto per alimenti freschi mentre il modulo è attivo, la ventola si bloccherà temporaneamente e riprenderà a funzionare dal punto in cui si era fermata una volta trascorso un determinato tempo dopo aver richiuso la porta. In caso di interruzione di

Utilizzo del frigorifero

corrente, il modulo deodorizzatore riprenderà a funzionare dal punto in cui si era fermato nella durata di funzionamento completa una volta ripristinata la corrente.

Informazioni: Si consiglia di conservare gli alimenti aromatici (come formaggio, olive e salumi) nella relativa confezione e sigillarli per evitare cattivi odori che potrebbero sprigionarsi quando odori di vari alimenti si mescolano tra loro. Si consiglia inoltre di togliere il più in fretta possibile dal frigorifero alimenti avariati per impedire che gli altri alimenti vadano a male ed evitare cattivi odori.

6.12. Macchina del ghiaccio automatica

(Questa funzione è opzionale)

La macchina del ghiaccio automatica consente di preparare facilmente il ghiaccio nel frigorifero. Per ottenere ghiaccio dalla macchina, estrarre il serbatoio dell'acqua nello scomparto Cooler, riempirlo con acqua e riposizionarlo.

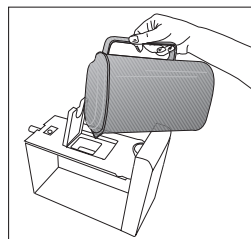
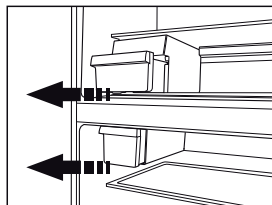
Il primo ghiaccio sarà pronto in circa 2 ore nel cassetto della macchina che si trova nello scomparto Cooler.

Dopo aver posizionato il serbatoio pieno dell'acqua, si possono ottenere circa 60-70 cubetti di ghiaccio finché non si svuota del tutto.

Se l'acqua è nel serbatoio da 2-3 settimane, deve essere cambiata.



Nei prodotti dotati di macchina del ghiaccio automatica, si potrebbe sentire un suono quando si versa il ghiaccio. Questo suono è normale e non è un segno di guasto.



Utilizzo del frigorifero

6.13. Icematic e contenitore per conservare il ghiaccio

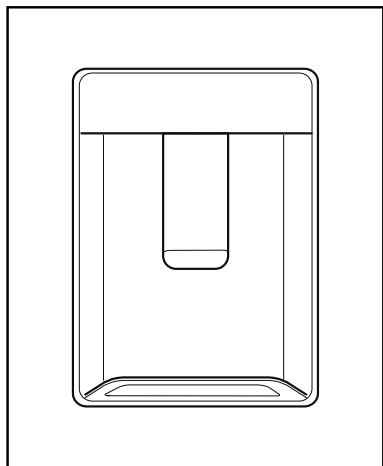
Uso di Icematic

(Questa funzione è opzionale)

* Riempire Icematic con acqua e metterlo in sede. Il ghiaccio sarà pronto in due ore circa. Non rimuovere l'Icematic dalla sua sede per prendere il ghiaccio.

* Ruotare le manopole in senso orario per 90 gradi.

I cubetti di ghiaccio cadono nel contenitore per la conservazione del ghiaccio sotto.



* È possibile estrarre il contenitore per la conservazione del ghiaccio e servire i cubetti.

* Se lo si desidera, è possibile lasciare i cubetti nel contenitore per la conservazione del ghiaccio.

Contenitore per la conservazione del ghiaccio

Il contenitore per la conservazione del ghiaccio ha solo lo scopo di conservare i cubetti di ghiaccio. Non inserirvi dell'acqua, Altrimenti si romperà.

6.14. Erogatore d'acqua (in alcuni modelli)

L'erogatore dell'acqua è una funzione molto utile per ottenere acqua fredda senza aprire lo sportello del frigorifero. Dal momento che non bisogna aprire con frequenza lo sportello del frigorifero, si risparmia energia.

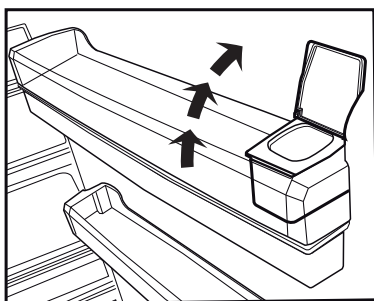
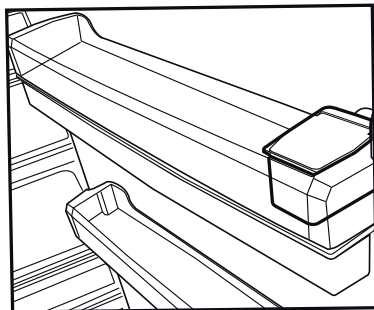
6.15. Uso dell'erogatore d'acqua

Premere il braccio dell'erogatore d'acqua col bicchiere. L'erogatore smette di erogare quando viene rilasciato il braccio.

Quando si usa l'erogatore dell'acqua, il flusso massimo può essere ottenuto premendo completamente il braccio. Ricordare che la quantità del flusso dall'erogatore è soggetta al livello di pressione sul braccio.

Quando il livello dell'acqua nel bicchiere/nel contenitore aumenta, diminuire leggermente la pressione sul braccio per evitare traboccamento. Se si preme delicatamente il braccio,

Utilizzo del frigorifero



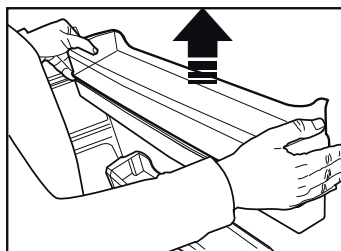
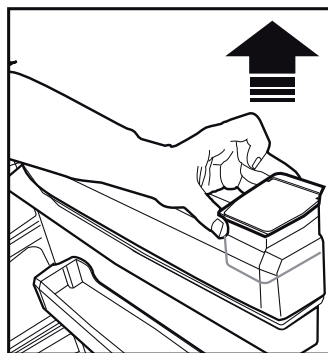
l'acqua gocciola; questo è normale e non è un guasto.

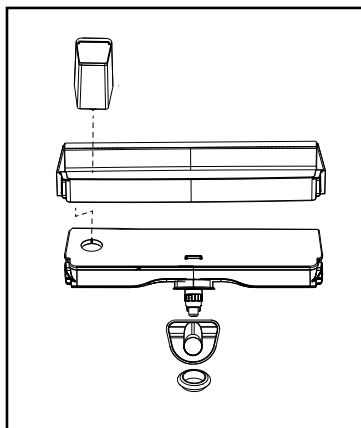
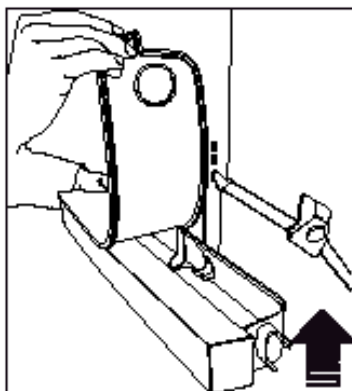
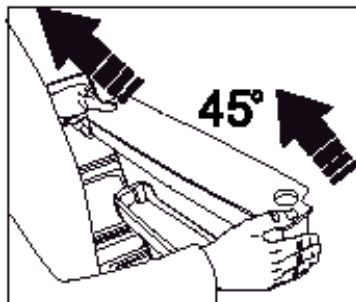
Riempimento del serbatoio dell'erogatore d'acqua

Il serbatoio per il riempimento dell'acqua si trova all'interno della rastrelliera dello sportello. Aprire il coperchio del serbatoio e riempire di acqua potabile pulita. E poi chiudere il coperchio.

Avvertenza!

- Non riempire il serbatoio d'acqua con liquidi diversi dall'acqua, come succhi di frutta, bevande gassate o bevande alcoliche che non sono adatte per essere usate nell'erogatore d'acqua. L'erogatore d'acqua si danneggerebbe in modo irreparabile a causa dell'uso di questi liquidi. La garanzia non copre tali usi. Alcune sostanze chimiche e alcuni additivi contenuti in questo tipo di bevande/liquidi possono danneggiare il materiale del serbatoio d'acqua.
- Usare solo acqua potabile pulita e pura.
- La capacità del serbatoio dell'acqua è 3 litri; non riempire oltre.
- Premere il braccio dell'erogatore d'acqua con un bicchiere rigido. Se si usano bicchieri di plastica usa e getta, spingere il braccio con le dita da dietro il bicchiere.





6.16. Pulizia del serbatoio dell'acqua

- Rimuovere il serbatoio di riempimento dell'acqua dalla rastrelliera interna dello sportello.
- Rimuovere la rastrelliera tenendo da entrambi i lati.
- Afferrare il serbatoio dell'acqua da entrambi i lati e rimuoverlo con un angolo di 45°C.
- Pulire il serbatoio dell'acqua rimuovendone il coperchio.

Importante:

I componenti del serbatoio dell'acqua e dell'erogatore dell'acqua non devono essere lavati in lavastoviglie.

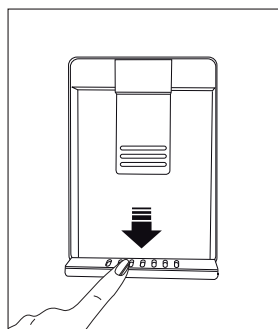
6.17. Vaschetta per l'acqua

L'acqua che sgocciola durante l'uso dell'erogatore si accumula nell'apposita vaschetta.

Estrarre la vaschetta in plastica come mostrato nella figura.

Con un panno asciutto e pulito, rimuovere l'acqua accumulata.

ATTENZIONE: Collegare solo ad una linea di acqua potabile.



Utilizzo del frigorifero

6.18. HerbBox/HerbFresh

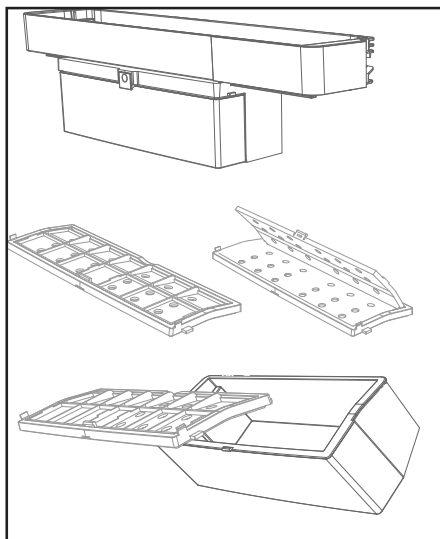
Togliere la custodia della pellicola dal HerbBox/HerbFresh+.

Togliere la pellicola dal sacchetto e inserirla nella custodia della pellicola come indicato in figura.

Chiudere la custodia e inserirla nuovamente nell'unità HerbBox/HerbFresh+.

Gli scomparti di HerbBox-HerbFresh+ sono ideali per la conservazione erbe aromatiche per quelle che devono essere conservate in condizioni sensibili. Potete conservare fresche le vostre verdure (prezzemolo, aneto, ecc) che avete tolto dal loro sacchetto in questo scomparto in posizione orizzontale per un periodo più lungo.

La pellicola deve essere sostituita ogni sei mesi.



Utilizzo del frigorifero

Impostazione Comparto Congelatore	Impostazione Comparto Frigorifero	Descrizioni
-18°C	4°C	Questa è l'impostazione predefinita è consigliata.
-20,-22 o -24°C	4°C	Queste impostazioni sono consigliate per temperature ambiente che superano i 30°C.
Congelamento rapido	4°C	Servirsi di questa opzione per congelare alimenti in un breve lasso di tempo; il dispositivo tornerà alle impostazioni precedenti al termine del processo.
-18°C o inferiore	2°C	Servirsi di queste impostazioni qualora si ritenga che lo scomparto frigorifero non sia abbastanza freddo a causa della temperatura ambiente o a causa delle frequenti aperture della porta.

6.19. Consigli per conservare alimenti surgelati

Lo scomparto deve essere impostato a una temperatura minima di -18°C.

1. Collocare gli alimenti all'interno del congelatore quanto più rapidamente possibile per evitare che si scongelino.
2. Prima del congelamento, verificare la "data di scadenza" sulla confezione per accertarsi del fatto che il prodotto non sia scaduto.
3. Accertarsi che la confezione dell'alimento non sia danneggiata.

6.20. Dettagli congelatore

Conformemente agli standard IEC 62552, il congelatore deve avere la capacità di congelare 4,5 chili di alimenti a una temperatura di -18°C o inferiore, in 24 ore, per ogni 100 l di volume di scomparto di congelamento. Gli alimenti possono essere preservati solo per lunghi periodi di tempo a temperature uguali o inferiori a -18°. Sarà possibile conservare gli alimenti freschi per mesi, all'interno del

congelatore a temperature uguali o inferiori a -18°).

Gli alimenti da congelare non devono entrare in contatto con gli altri alimenti già congelati all'interno del congelatore, per evitare uno scongelamento parziale.

Bollire le verdure filtrare l'acqua per estendere il tempo di conservazione congelato. Collocare gli alimenti in sacchetti ermetici, dopo aver eseguito il filtraggio e il posizionamento all'interno del congelatore. Banane, pomodori, lattuga, sedano, uova bollite, patate e altri alimenti simili non dovrebbero essere congelati. Congelando questi alimenti se ne ridurrà il valore nutrizionale e la qualità alimentare; i prodotti si potrebbero inoltre rovinare, il che causa problemi a livello di salute.

Utilizzo del frigorifero

6.21. Posizionamento degli alimenti

Ripiani dello scomparto congelatore	Vari alimenti congelati quali ad esempio carne, pesce, gelato, verdura, eccetera.
Ripiani dello scomparto frigorifero	Alimenti all'interno di pentole, vassoi e contenitori, uova, all'interno di una confezione
Ripiani della porta scomparto frigorifero	Piccoli alimenti o bevande
Cassetto verdura	Frutta e verdura
Scomparto alimenti freschi	Prodotti gastronomici, ad esempio colazione, carne da consumare a breve

6.22. Avvertenza sportello aperto

(Questa funzione è opzionale)

Un segnale di avvertenza audio viene emesso quando lo sportello dell'apparecchio viene lasciato aperto per almeno 1 minuto. Questa avvertenza scompare quando lo sportello viene chiuso o se viene premuto uno dei pulsanti del display (se presenti).

6.23. Cambiare la lampadina di illuminazione

Per cambiare lampadina/LED utilizzati per illuminare il frigorifero, rivolgersi al Servizio Assistenza Autorizzato. La lampada (le lampade) usata (usate) nell'apparecchiatura non è (sono) adatta (adatte) per l'illuminazione domestica. L'obiettivo previsto per questa lampada è quello di assistere l'utente in fase di posizionamento degli alimenti all'interno del frigorifero / congelatore in modo sicuro e comodo.

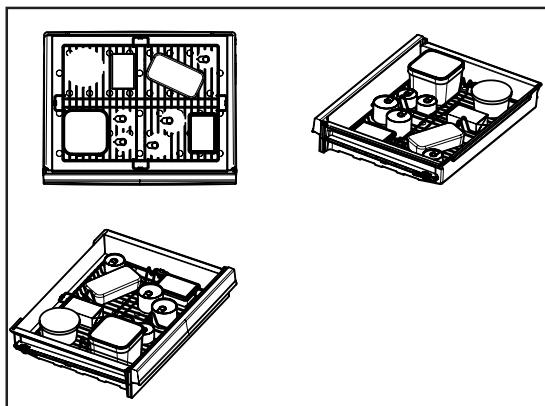
Utilizzo del frigorifero

6.24. Raccomandazioni per l'uso dello scomparto igienizzazione:


*Questa funzione è facoltativa

- Mentre si sistemano gli alimenti in questo scomparto per l'igienizzazione della superficie degli alimenti stessi, mettere sempre la carne, il pollo, il pesce, il latte e i latticini nello scomparto tenendoli nelle loro confezioni.
- L'inserimento in questo scomparto di un qualsiasi prodotto diverso dagli alimenti per scopi igienici non è assolutamente indicato.
- Se si mettono gli alimenti nello scomparto igienizzazione senza toglierli dal sacchetto della spesa, l'igienizzazione sarà garantita solo per la superficie del sacchetto e le confezioni degli alimenti non riceveranno la luce necessaria. Per questo, quando si sistemano gli alimenti bisogna rimuoverli dal sacchetto della spesa.
- Si consiglia di applicare la procedura d'igienizzazione allo stesso alimento una sola volta.
- Se la procedura di igienizzazione è stata completata e non deve essere ripetuta per altri alimenti, si consiglia di conservare in questo scomparto solo salumi e alimenti per la prima colazione. Si sconsiglia di conservare per lungo tempo verdura e frutta in questo scomparto, poiché è più freddo di altre parti del frigorifero.
- Prima di attivare la funzione igienizzazione dal pannello di controllo del display, si consiglia di collocare temporaneamente gli alimenti precedentemente conservati nello scomparto igienizzazione in un'altra parte del frigorifero. Quando la procedura di igienizzazione è attiva, si raccomanda di mantenere i prodotti da igienizzare per la prima volta solo all'interno dello scomparto. Una volta completata la procedura di igiene, sarà possibile spostare gli alimenti precedentemente rimossi nello scomparto.

- Per un'efficace funzione di igienizzazione, i prodotti dovranno essere sistemati lasciando una distanza tra di loro e assicurando che non blocchino il passaggio della luce.
- Prima di attivare la funzione di igienizzazione, assicurarsi che gli alimenti non siano posizionati l'uno sull'altro.



7 Pulizia e manutenzione

 Leggere anzitutto la sezione "Istruzioni di sicurezza"!

Pulendo il prodotto a intervalli regolari sarà possibile prolungare la durata di vita.



AVVERTENZA: Scollegare il frigorifero dalla corrente prima di eseguire la pulizia.

- Non usare strumenti appuntiti e abrasivi, sapone, materiali per pulire la casa, detersivi, gas, gasolio, vernice e sostanze simili per gli interventi di pulizia.
- Per i prodotti non-No Frost, si verifica la formazione di gocce di acqua e ghiaccio fino allo spessore di un dito sulla parete posteriore dello scomparto frigo. Non pulire; non applicare mai olio né agenti simili.
- Utilizzare solo panni umidi in microfibra per pulire la superficie esterna del prodotto. Spugne e altri tipi di panni per la pulizia possono graffiare la superficie.
- Pulire la parte metallica sotto il cassetto in metallo e il piano solo con un panno asciutto o semi umido.
- Sciogliere un cucchiaino di bicarbonato in acqua. Ammorbidire un panno in acqua, quindi strizzarlo. Pulire il dispositivo con questo panno, quindi asciugare completamente.
- Fare attenzione a tenere lontana l'acqua dalla copertura delle lampade dalle altre componenti elettriche.
- Pulire la porta con un panno bagnato. Togliere tutti gli elementi all'interno per staccare la porta ed i ripiani del telaio. Sollevare i ripiani della porta verso l'alto per poterli rimuovere. Pulire e asciugare i ripiani, poi fissare nuovamente in posizione facendo scorrere da sopra.

- Non usare cloro cronica o prodotti detersivi sulla superficie esterna del dispositivo e sulle componenti rivestite in cromo del prodotto. Il cloro provoca ruggine su queste superfici metalliche.

7.1 Evitare i cattivi odori

Il prodotto è stato realizzato senza materiali che emettono cattivi odori. Cosservare tuttavia gli alimenti in sezioni non adeguate e pulire le superfici interne in modo non consono potrebbe provocare cattivi odori.

A tal fine consigliamo di pulire l'interno con acqua gassata ogni 15 giorni.

- Tenere gli alimenti in contenitori sigillati. I microrganismi potrebbero fuoriuscire dagli alimenti non sigillati causando così cattivi odori.
- Non conservare alimenti scaduti e marci all'interno del frigorifero.
- Non usare strumenti affilati e abrasivi o sapone, agenti detersivi domestici, detersivi, gasolio, benzene, cera, ecc., altrimenti le indicazioni sulle parti in plastica si toglieranno e si verificherà deformazione. Usare acqua tiepida e un panno morbido unicamente per le operazioni di pulizia e asciugatura.

7.2 Protezione delle superfici in plastica

L'olio rovesciato sulle superfici in plastica potrebbe danneggiare la superficie, e deve essere pulito immediatamente servendosi di acqua tiepida.

8 Risoluzione dei problemi

Controllare questo elenco prima di contattare l'assistenza clienti. Questa operazione vi consentirà di risparmiare soldi. Questo elenco contiene i problemi più frequenti che non a livello di manodopera o materiali. Alcune funzioni qui indicate potrebbero non essere valide per il vostro prodotto.

Il frigorifero non funziona.

- La presa di corrente non è stata inserita correttamente. >>> Spingerla fino a inserirla completamente nella presa.
- Il fusibile collegato alla presa che alimenta il prodotto, oppure il fusibile principale, è bruciato. >>> Controllare i fusibili.

Condensa sulla parete laterale dello scomparto frigorifero (MULTI ZONE, COOL, CONTROL e FLEXI ZONE).

- La porta viene aperta troppo spesso >>> Fare attenzione a non aprire eccessivamente la porta del dispositivo.
- L'ambiente è troppo umido. >>> Non installare il prodotto in ambienti umidi.
- Gli alimenti che contengono liquidi vengono conservati in contenitori non sigillati. >>> Tenere gli alimenti in contenitori sigillati.
- La porta viene lasciata aperta. >>> Non tenere aperte a lungo le porte del frigorifero.
- Il termostato è impostato su una temperatura troppo bassa. >>> Impostare il termostato su una temperatura adeguata.

Il compressore non funziona.

- In caso di improvviso black out, o nel caso in cui la spina venga tolta e poi reinserita, la pressione del gas nel sistema di raffreddamento del dispositivo non è equilibrata, il che fa scattare la protezione termica del compressore. Il dispositivo si riavvierà dopo circa 6 minuti. Qualora il prodotto non si riavvia dopo questo periodo, contattare l'assistenza.
- La modalità di scongelamento è attiva. >>> Si tratta di una condizione normale per un frigorifero con funzione di sbrinamento completamente automatica. Lo sbrinamento avviene a intervalli periodici.
- Il prodotto non è collegato. >>> Verificare che il cavo di alimentazione sia collegato.
- L'impostazione di temperatura non è corretta. >>> Selezionare l'impostazione di temperatura adeguata.
- Assenza di corrente. >>> Il prodotto continuerà a funzionare normalmente quando viene ripristinata la corrente elettrica.

Il rumore di funzionamento del frigorifero aumenta col passare del tempo.

- Le prestazioni operative del prodotto possono variare a seconda delle variazioni di temperatura ambiente. Questa non è un'anomalia di funzionamento.

Il frigorifero funziona troppo spesso o troppo lungo.

Risoluzione dei problemi

- Il nuovo prodotto potrebbe essere più grande di quello precedente. I prodotti più grandi funzioneranno più a lungo.
- La temperatura ambiente potrebbe essere alta. >>> Il prodotto funzionerà normalmente per lunghi periodi di tempo con temperature superiori.
- Il prodotto potrebbe essere stato di recente collegato alla corrente, oppure al suo interno potrebbero essere stati recentemente aggiunti vari alimenti. >>> Allo prodotto servirà più tempo per raggiungere la temperatura impostata, se collegato di recente, oppure nel caso in cui vengano collocati nuovi elementi al suo interno, Non si tratta di un'anomalia.
- Forse di recente sono state introdotte nel frigorifero grandi quantità di alimenti caldi. >>> Non mettere alimenti caldi direttamente dentro al frigorifero.
- Le porte sono state aperte frequentemente o tenute aperte a lungo. >>> L'aria calda che si muove all'interno provocherà un funzionamento più lungo. Non aprire le porte con troppa frequenza.
- Le porte del congelatore o del frigorifero potrebbero essere socchiusi. >>> Controllare che le porte siano totalmente chiuse.
- Il prodotto potrebbe essere impostato su una temperatura troppo bassa, >>> Impostare la temperatura su un livello più alto e attendere che il prodotto raggiunga la temperatura desiderata.
- La rondella della porta del frigorifero del congelatore potrebbe essere sporca, usurata, rotta o non correttamente configurata, >>> Pulire e sostituire la rondella. Le rondelle consumate e usurate faranno funzionare il prodotto più a lungo per conservare la temperatura attuale.
- La temperatura dello scomparto congelatore è impostata su un livello molto basso, >>> Impostare la temperatura dello scomparto congelatore su un livello più alto, quindi eseguire un controllo.

La temperatura del frigorifero è molto bassa, ma la temperatura del congelatore è corretta.

- La temperatura dello scomparto frigorifero è impostata su un livello molto basso, >>> Impostare la temperatura dello scomparto frigorifero su un livello più alto, quindi eseguire un controllo.

Gli alimenti conservati nei cassetti dello scomparto frigorifero sono congelati.

- La temperatura dello scomparto frigorifero è impostata su un livello molto basso, >>> Impostare la temperatura dello scomparto congelatore su un livello più alto, quindi eseguire un controllo.

La temperatura nel vano frigorifero e congelatore è troppo alta.

La temperatura del congelatore è molto bassa, ma la temperatura del frigorifero è corretta.

Risoluzione dei problemi

- La temperatura dello scomparto frigorifero è impostata su un livello molto alto, >>> L'impostazione della temperatura dello scomparto frigorifero influenza la temperatura dello scomparto del congelatore. Modificare la temperatura dello scomparto congelatore o frigorifero e attendere che tutti gli scomparti interessati raggiungano il livello di temperatura impostata.
- Le porte sono state aperte frequentemente o tenute aperte a lungo. >>> Non aprire le porte con troppa frequenza.
- La porta potrebbe essere socchiusa. >>> Chiudere completamente la porta.
- Il prodotto potrebbe essere stato di recente collegato alla corrente, oppure al suo interno potrebbero essere stati recentemente aggiunti vari alimenti. >>> Al prodotto servirà più tempo per raggiungere la temperatura impostata, se collegato di recente, oppure nel caso in cui vengano collocati nuovi elementi al suo interno.
- Di recente sono state introdotte nel frigorifero grandi quantità di alimenti caldi. >>> Non mettere alimenti caldi direttamente dentro al frigorifero.

Vibrazioni o rumore.

- Il pavimento non è in piano o resistente. >>> Se il prodotto vibra, quando viene spostato lentamente, regolare i supporti per equilibrare il prodotto. Verificare inoltre che la superficie di appoggio sia sufficientemente resistente per supportarne il peso.
- Gli eventuali oggetti collocati sul prodotto potrebbero essere fonte di rumore. >>> Togliere gli eventuali elementi collocati sul prodotto.

Il prodotto emette rumori, come ad esempio liquido che scorre, spruzzo, eccetera

- I principi operativi del prodotto prevedono la presenza di flussi di liquidi e flussi di gas. >>> Questa non è un'anomalia di funzionamento.

C'è un rumore, simile a un soffio, che proviene dal prodotto.

- Il prodotto si serve di una ventola per il processo di raffreddamento. Questa non è un'anomalia di funzionamento.

Si è formata condensa sulle pareti interne del dispositivo.

- Le condizioni meteo calde o umide aumentano la formazione di ghiaccio e di condensa. Questa non è un'anomalia di funzionamento.
- Le porte sono state aperte frequentemente o tenute aperte a lungo. >>> Non aprire le porte con troppa frequenza; se la porta è aperta, chiuderla.
- La porta potrebbe essere socchiusa. >>> Chiudere completamente la porta.

Si è formata condensa sulla superficie esterna del dispositivo o fra le porte.

- Le condizioni ambientali potrebbero essere umide, e ciò è normale. >>> La condensa si dissipa quando l'umidità viene ridotta.

Risoluzione dei problemi

L'interno emette cattivi odori.

- Il prodotto non viene pulito regolarmente. >>> Pulire la superficie interna a intervalli regolari servendosi di spugna, acqua tiepida, e acqua gassata.
- Alcuni contenitori e imballaggi potrebbero emettere cattivi odori. >>> Servirsi di imballaggi che non emettano cattivi odori.
- Gli alimenti sono stati collocati all'interno di contenitori non sigillati. >>> Tenere gli alimenti in contenitori sigillati. I microrganismi potrebbero fuoriuscire dagli alimenti non sigillati causando così cattivi odori.
- Rimuovere gli eventuali alimenti scaduti o rovinati dal dispositivo.

La porta non si chiude correttamente.

- Le confezioni di cibo potrebbero bloccare la porta. >>> Trovare una nuova posizione per gli alimenti che bloccano le porte.
- Il prodotto non è in posizione verticale, appoggiato per terra. >>> Regolare i supporti per l'equilibrio del prodotto.
- Il pavimento non è in piano o resistente. >>> Verificare che la superficie di appoggio sia sufficientemente resistente per supportarne il peso.

Il cassetto verdura si è inceppato.

- Gli alimenti potrebbero entrare in contatto con la sezione superiore cassetto. >>> Ri-organizzare gli alimenti nel cassetto.

Se La Superficie Del Prodotto È Bollente.

- Quando il prodotto è in funzione, possono essere osservate alte temperature tra i due sportelli, sui pannelli laterali e sul grill posteriore. . Ciò è normale e non richiede manutenzione!



AVVERTENZA: Qualora il problema persista dopo aver seguito le istruzioni contenute in questa selezione, contattare il proprio fornitore oppure un Servizio Autorizzato. Evitare in ogni caso di riparare il prodotto.

DISCLAIMER / AVVERTENZE

Alcuni guasti (semplici) possono essere adeguatamente gestiti dall'utente finale senza che sorgano problemi di sicurezza o utilizzi non sicuri, a condizione che vengano eseguiti entro i limiti e in conformità con le seguenti istruzioni (vedere la sezione "Riparazione fai da te").

Pertanto, salvo diversa autorizzazione nella sezione di seguito "Riparazione fai da te", le riparazioni devono essere indirizzate a manutentori professionisti registrati al fine di evitare problemi di sicurezza. Un manutentore professionista registrato è un manutentore professionista a cui è stato concesso l'accesso alle istruzioni e all'elenco dei pezzi di ricambio di questo prodotto dal produttore secondo le modalità descritte negli atti legislativi ai sensi della Direttiva 2009/125/CE.

Tuttavia, solo l'agente dell'assistenza (ovvero i manutentori professionisti autorizzati) che è possibile contattare tramite il numero di telefono indicato nel manuale dell'utente / scheda di garanzia o tramite il rivenditore autorizzato che può fornire assistenza in base ai termini di garanzia. Pertanto, si prega di notare che le riparazioni da parte di manutentori professionisti (non autorizzati da Beko) invaliderà la garanzia.

Riparazione fai da te

La riparazione fai da te può essere eseguita dall'utente finale per quanto riguarda i seguenti pezzi di ricambio: maniglie delle porte, cerniere delle porte, vassoi, cestelli e guarnizioni delle porte (un elenco aggiornato è

disponibile anche su support.beko.com dal 1° marzo 2021)

Inoltre, per garantire la sicurezza del prodotto e per prevenire il rischio di lesioni gravi, la suddetta riparazione fai da te deve essere eseguita seguendo le istruzioni nel manuale utente per la riparazione fai da te o disponibili in support.beko.com Per la propria sicurezza, scollegare il prodotto prima di tentare qualsiasi riparazione fai da te.

Tentativi di riparazione e riparazione da parte degli utenti finali per parti non incluse in tale elenco e/o che non seguono le istruzioni nei manuali utente per la riparazione fai da te o che sono disponibili in support.beko.com, potrebbe dar luogo a problemi di sicurezza non imputabili a Beko e invaliderà la garanzia del prodotto.

Pertanto, si raccomanda vivamente agli utenti finali di astenersi dal tentativo di eseguire riparazioni che non rientrano nell'elenco dei pezzi di ricambio menzionato, contattando in tali casi manutentori professionisti autorizzati o manutentori professionisti registrati. Altrimenti, tali tentativi da parte degli utenti finali possono causare problemi di sicurezza e danneggiare il prodotto e conseguentemente causare incendi, inondazioni, elettrocuzione e gravi lesioni personali.

A titolo esemplificativo, ma non esaustivo, le seguenti riparazioni devono essere indirizzate ai manutentori professionisti autorizzati o manutentori professionisti registrati: compressore, circuito frigorifero, scheda principale, scheda inverter, scheda display ecc.

Il produttore/venditore non può essere ritenuto responsabile in ogni caso in cui gli utenti finali non rispettano quanto sopra.

La disponibilità dei pezzi di ricambio frigorifero che hai acquistato è di 10 anni.

Durante questo periodo saranno disponibili ricambi originali per il corretto funzionamento frigorifero.

La durata minima della garanzia del frigorifero acquistato è di 24 mesi.

Questo prodotto è dotato di una sorgente di illuminazione con classe energetica "G".

La sorgente di illuminazione nel prodotto dovrà essere sostituita solo da professionisti nel campo della riparazione.

Informazioni sulla classificazione dell'imballaggi

Scansiona il Qrcode che si trova sull'imballo del prodotto per trovare tutte le informazioni relative all'imballo e come gestirne il suo corretto smaltimento.

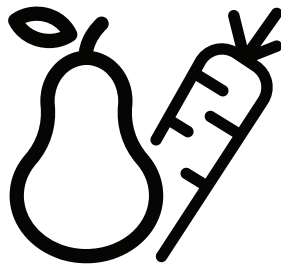
beko

Refrigerador

Manual del usuario

Frigider

Manual de instrucțiuni



RCNE560E40ZLXPHUN

ES / RO



PAPEL RECICLADO Y
RECICLABLE



HĂRTIE RECICLATĂ ȘI
RECICLABILĂ

58 5379 0000/AN

3/8

Estimado cliente:

Por favor, lea este manual antes de usar el producto.

Gracias por elegir este producto. Nos gustaría que usted alcanzara la eficiencia óptima de este producto de alta calidad que fue fabricado utilizando la tecnología más avanzada. A tal fin, antes de utilizar el producto, lea detenidamente este manual y cualquier otra documentación que se le facilite y consérvela como referencia.

Preste atención a toda la información así como a las advertencias contenidas en el manual de usuario. Esto le permitirá protegerse a sí mismo y a su producto contra los peligros que puedan surgir.

Guarde el manual de usuario. En caso de entregar el producto a otra persona, incluya esta guía con la unidad.

Los siguientes símbolos se utilizan en la guía del usuario:



 Peligro que puede provocar la muerte o lesiones.

AVISO Un peligro que puede provocar daños materiales al producto o a su alrededor







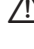



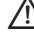
 Información importante o sugerencias prácticas de funcionamiento.

 Lea el manual de usuario.

 Riesgo de radiación UV-C

 INFORMACIÓN	
 ENERGY SUPPLIER'S NAME: A MODEL IDENTIFIER: A (*)	La información del modelo, tal como está almacenada en la base de datos de productos, puede ser consultada en la página web siguiente introduciendo el identificador del modelo (*) que se encuentra en la etiqueta de clasificación energética. https://eprel.ec.europa.eu/

1-Instrucciones de seguridad 3

-  1.1. Uso previsto3
-  1.2. Seguridad para niños, personas vulnerables y mascotas3
-  1.3. Seguridad eléctrica4
-  1.4. Seguridad en el transporte4
-  1.5. Seguridad en la instalación4
-  1.6. Seguridad durante el funcionamiento .5
-  1.7. Seguridad en la limpieza y el mantenimiento7
-  1.8. HomeWhiz.....8
-  1.9. Iluminación8
-  1.10. Seguridad de radiación UV-C.....8
-  1.11. Información técnica para Wifi + Bluetooth9

2 Instrucciones el medio ambiente 10

3 Familiarizarse con el electrodoméstico 11

4 Instalación 12

- 4.1. Lugar adecuado para la instalación 12
- 4.2. Instalación de las cuñas de plástico..... 13
- 4.3 Ajuste de los pies..... 13
- 4.4 Conexión eléctrica..... 13

5 Preparación 14

- 5.1. Consejos para el ahorro de energía 14
- 5.2. Uso inicial..... 15

6 Funcionamiento de producto 16

- 6.1. Blue light/HarvestFresh..... 20
- 6.2. Compartimiento de Higiene..... 21
- 6.3. Mover el estante de la puerta..... 22
- 6.4. Contenedor de almacenamiento deslizable 22
- 6.5. Módulo desodorante 23
- 6.6. Cubitera 24
- 6.7. Luz azul..... 24
- 6.8. HerbBox/HerbFresh (Cajón para hierbas/ Hierbas frescas) 24
- 6.9. Huevera 24
- 6.10. Uso del segundo cajón de frutas y verduras;..... 25
- 6.11. Ventilador 25
- 6.12. Cajón de frutas y verduras 25
- 6.13. Compartimiento de enfriamiento 25
- 6.14. Icematic automático 26
- 6.15. Compartimiento para verduras con control de humedad..... 26
- 6.16. Icematic y caja de almacenamiento de hielo..... 27
- 6.17. Uso del dispensador de agua 27
- 6.18. Uso del dispensador de agua 28
- 6.19. Llenar el depósito del dispensador de agua..... 29
- 6.20. Limpieza del depósito de agua 29
- 6.21. Bandeja de goteo 30
- 6.22. Congelación de alimentos frescos 31
- 6.23. Recomendaciones para la conservación de alimentos congelados 32
- 6.24. Información sobre la congelación..... 32
- 6.25. Colocar los alimentos..... 32
- 6.26. Aviso de puerta abierta 33
- 6.27. Cambio de la dirección de apertura de la puerta..... 33
- 6.28. Lámpara de iluminación..... 33
- 6.29. Recomendaciones de operación para Compartimiento de Higiene: 34


7 Mantenimiento y limpieza 35

- 7.1. Cómo evitar malos olores..... 35
- 7.2. Protección de las superficies de plástico . 35
- 7.3. Vidrios de las puertas 36


8 Resolución de problemas 37


1 Instrucciones de seguridad

- Esta sección contiene instrucciones de seguridad que ayudarán a protegerse contra los riesgos de lesiones personales o daños a la propiedad.
- Nuestra empresa no se hará responsable de ningún daño que pudiera derivarse del incumplimiento de estas instrucciones.

 Los procedimientos de instalación y reparación los deberá realizar siempre el fabricante, el servicio técnico autorizado o la persona autorizada que indique el importador.

 Utilizar únicamente piezas y accesorios originales.

 No reparar ni sustituir ninguna pieza del aparato, salvo que así lo indique expresamente el manual de usuario.

 No realizar ninguna modificación técnica en el aparato.

1.1. Uso previsto

- Este aparato no es apto para su uso comercial, por lo que no debe utilizarse para fines distintos de los previstos.

Este aparato está diseñado para utilizarse en viviendas y espacios interiores.

Por ejemplo:

- Áreas de cocina para el personal en tiendas, oficinas y otros entornos de trabajo;
- Granjas,
- Áreas utilizadas por los clientes en hoteles, moteles y otros tipos de alojamiento,
- Hoteles tipo Bed&Breakfast, pensiones,
- Aplicaciones de hostelería y actividades no comerciales similares.

Este aparato no se debe utilizar al aire libre, ya sea con o sin carpa o toldo encima, como en barcos, balcones o terrazas. No exponer el aparato a la lluvia, la nieve, el sol o el viento.

Hay peligro de incendio.

1.2. Seguridad para niños, personas vulnerables y mascotas

- Los niños de 8 años o más y las personas con capacidades físicas, sensoriales o mentales limitadas o que carecen de experiencia y conocimientos, podrán utilizar este aparato siempre que se les vigile o se les enseñe a utilizarlo de manera segura, así como los riesgos que conlleva.
- Los niños de entre 3 y 8 años podrán introducir y sacar productos refrigerados.
- Los artículos eléctricos son peligrosos para los niños y las mascotas. Los niños y las mascotas no deberán jugar, subirse a, ni meterse dentro del aparato.
- Los niños no deberán realizar la limpieza ni el mantenimiento, salvo que estén vigilados por alguien.
- Mantener el embalaje lejos del alcance de los niños. Hay riesgo de lesiones o de ahogamiento.
- Antes de deshacerse de cualquier aparato viejo u obsoleto:
 1. Desenchufarlo de la toma de corriente, cogiendo el cable por la clavija del enchufe.
 2. Cortar el cable de corriente y quitarlo del aparato junto con su clavija de enchufe
 3. No quitar los estantes ni los cajones, así será más difícil que los niños entren dentro.

Instrucciones de seguridad

4. Quitar las puertas.
 5. Guardarlo de forma que no vuelque.
 6. No permitir que los niños jueguen con el aparato viejo.
- En ningún caso se deberá arrojar al fuego para su desecho. Hay riesgo de explosión.
 - En caso de que el aparato tenga cerradura, deberá mantenerse la llave fuera del alcance de los niños.

1.3. Seguridad eléctrica

- Durante la instalación, el mantenimiento, la limpieza, la reparación y la mudanza, el aparato deberá estar desenchufado.
- En caso de que el cable de corriente esté dañado, éste lo deberá sustituir una persona autorizada expresamente por el fabricante, el servicio técnico autorizado o el importador, a fin de evitar posibles peligros.
- No apretar el cable de corriente ni por debajo ni por detrás del aparato. No colocar objetos pesados sobre el cable de corriente. El cable no debe estar excesivamente doblado, pellizcado ni entrar en contacto con ninguna fuente de calor.
- No utilizar alargadores, enchufes múltiples ni adaptadores para hacer funcionar el aparato.
- Los mismos podrían sobrecalentarse y provocar un incendio. Por tanto, no guardar ningún dispositivo de este tipo ni detrás ni cerca del aparato.
- El enchufe debe estar fácilmente accesible. Si esto no es posible, la instalación eléctrica a la que se conecta el producto debe contener un dispositivo (como un fusible, un interruptor, un disyuntor, etc.) que se ajuste a la normativa eléctrica y que desconecte todos los polos de la red.
- No tocar el cable con las manos mojadas.

- Retire el enchufe de la toma de corriente agarrándolo por la clavija y no por el cable.

1.4. Seguridad en el transporte

- El artículo es pesado, no lo mueva solo.
- Al moverlo, hay que evitar sujetarlo por la puerta.
- Durante el transporte, cuidado con no dañar el sistema de refrigeración ni las tuberías. Durante el transporte, cuidado con no dañar el sistema de refrigeración ni las tuberías. Si éstas presentasen cualquier tipo de daño, no utilizar el aparato y llamar al servicio técnico autorizado.

1.5. Seguridad en la instalación

- Llamar al servicio técnico autorizado para la instalación del aparato. Para que el aparato esté listo para su uso, comprobar la información del manual de instrucciones para asegurarse de que las instalaciones de electricidad y agua son las adecuadas. En caso contrario, llamar a un electricista y a un fontanero especializados a fin de que realicen los arreglos necesarios. De otro modo, existe el riesgo de descargas eléctricas, incendios, problemas con el aparato o lesiones.
- Comprobar que el aparato no tenga ningún defecto antes de su instalación. En caso de que así sea, no debe instalarse.
- Colocar el aparato sobre una superficie limpia, plana y sólida y equilibrarlo con las patas ajustables. De lo contrario, el aparato podría volcarse y causar lesiones.
- El lugar de instalación debe ser seco y bien ventilado. No colocar debajo del aparato ninguna alfombra, tapete ni

Instrucciones de seguridad

cubierta similar. Una ventilación deficiente supone riesgo de incendio.

- No tapar ni bloquear las rejillas de ventilación. De lo contrario, el consumo eléctrico aumenta y el aparato podría averiarse.
- No se debe conectar el aparato a sistemas de suministro eléctrico como el de la energía solar. De lo contrario, se podría averiar a causa de los cambios repentinos de voltaje.
- Cuanto mayor sea el volumen de refrigerante de un frigorífico, mayor debe ser el lugar de instalación. Si el lugar de instalación es demasiado pequeño, el refrigerante inflamable y la mezcla de aire se acumularán en caso de fuga de refrigerante en el sistema de refrigeración. El espacio mínimo necesario para cada 8 gr de refrigerante es de 1 m³. En la etiqueta de tipo se indica la cantidad de refrigerante del aparato.
- No se debe instalar el aparato en lugares expuestos a la luz solar directa, debiendo mantenerlo alejado de fuentes de calor como quemadores, radiadores, etc.

Si es inevitable instalar el producto cerca de una fuente de calor, se debe utilizar una placa aislante adecuada entre ellas y se deben mantener las siguientes distancias mínimas a la fuente de calor:

- A un mínimo de 30 cm de distancia de fuentes de calor como hornos, calentadores o estufas,
- A un mínimo de 5 cm de distancia de los hornos eléctricos.
- La clase de protección del aparato es el Tipo I. Enchúfelo en un zócalo con toma a tierra que se ajuste a los valores de voltaje, corriente y frecuencia indicados en la etiqueta de tipo del aparato. El enchufe debe estar equipado con un disyuntor de 10 A - 16 A. Nuestra empresa no será responsable de los daños que se produzcan cuando

el producto se utilice sin toma a tierra y sin conexión eléctrica, de acuerdo con la normativa local y nacional.

- El aparato no debe estar enchufado durante la instalación. De otra forma, existe el riesgo de una descarga eléctrica y lesiones.
- No enchufar el aparato en tomas que estén sueltas, descolocadas, rotas, sucias o grasientas, o que supongan un riesgo de entrar en contacto con el agua.
- Canalizar el cable de corriente y las mangueras del aparato (si las hubiera), de forma que no supongan un riesgo de tropiezo.
- La exposición de las partes con corriente o del cable de corriente a la humedad puede causar un cortocircuito. Por lo tanto, no instalar el aparato en lugares como garajes o lavanderías donde la humedad sea alta o el agua pueda salpicar. Si el frigorífico se moja con agua, desenchúfelo y llame al servicio técnico autorizado.
- No conectar nunca el frigorífico a ningún dispositivo de ahorro de energía. Estos podrían ser dañinos para el mismo.

1.6. Seguridad durante el funcionamiento

- No utilizar nunca disolventes químicos en el aparato. Hay riesgo de explosión.
- Si el aparato no funciona bien, desenchúfelo y no lo utilice hasta que sea reparado por el servicio técnico autorizado. Existe un riesgo de descarga eléctrica.
- No poner sobre el aparato, ni cerca del mismo, ninguna fuente de llama, como velas encendidas o cigarrillos, entre otras cosas.
- No subir encima del aparato. Existe el riesgo de caerse y lesionarse.

Instrucciones de seguridad

- No dañar las tuberías de refrigeración con objetos afilados ni punzantes. El refrigerante que puede salir cuando se perforan las tuberías, las extensiones de éstas o los revestimientos de la superficie, causa irritaciones en la piel y lesiones en los ojos.
- No colocar ni utilizar dispositivos eléctricos en el interior de la nevera ni del congelador, salvo que lo recomiende el fabricante.
- Procurar no atrapar las manos ni ninguna otra parte del cuerpo en las partes móviles del interior del frigorífico. Cuidado con no estrujarse los dedos entre la puerta y el frigorífico. Cuidado al abrir y cerrar la puerta, sobre todo si hay niños alrededor.
- No comer nunca helado, cubitos de hielo o comida congelada justo después de sacarlos de la nevera. Existe el riesgo de quemaduras por congelación.
- Si las manos están mojadas, no tocar las paredes interiores ni las piezas metálicas del congelador ni los alimentos almacenados en él. Existe el riesgo de quemaduras por congelación.
- No meter en el congelador latas ni botellas que contengan bebidas gaseosas o líquidos congelables. Podrían explotar. Hay riesgo de lesiones o de daños materiales.
- No colocar cerca del frigorífico ni utilizar aerosoles inflamables, materiales inflamables, hielo seco, sustancias químicas o materiales similares sensibles al calor. Hay riesgo de explosión o de incendios.
- No guardar en el aparato ningún material explosivo que contenga materiales inflamables, como latas de aerosol.
- No colocar recipientes llenos de líquido sobre el aparato. Salpicar agua en una pieza eléctrica puede causar una descarga eléctrica o el riesgo de incendio.
- Este aparato no está diseñado para almacenar medicamentos, plasma sanguíneo, preparados de laboratorio ni otras sustancias y productos médicos similares sujetos a la Directiva sobre productos médicos.
- Un uso del aparato diferente al previsto puede hacer que los productos almacenados en su interior se deterioren o se echen a perder.
- Si el frigorífico está equipado con luz azul, no la mire con instrumentos ópticos. No mirar directamente a la luz LED UV durante mucho tiempo. La misma podría causar fatiga ocular.
- Evitar sobrecargar el frigorífico. El contenido del frigorífico puede caer al abrir la puerta, causando lesiones o daños. Pueden surgir problemas similares si se coloca algún objeto sobre el producto.
- Para evitar lesiones, asegurarse de haber limpiado todo el hielo y el agua que pueda haber caído o salpicado en el suelo.
- Cambiar la posición de los estantes y portabotellas en la puerta del frigorífico sólo cuando estén vacíos. Existe el riesgo de lesiones.
- No colocar objetos que puedan caerse o volcarse sobre el aparato. Éstos podrían caerse al abrir la puerta y causar lesiones y/o daños materiales.
- No golpear ni ejercer una fuerza excesiva sobre las superficies de vidrio. Los cristales rotos pueden causar lesiones y/o daños materiales.
- El sistema de refrigeración del aparato contiene refrigerante R600a: En la etiqueta de tipo se indica el tipo de refrigerante del aparato. El refrigerante es inflamable. Por tanto, cuidado con no dañar el sistema de refrigeración ni las tuberías con el

Instrucciones de seguridad

aparato funcionando. Si las tuberías están dañadas:

- No tocar el aparato ni el cable de corriente,
 - Mantener alejadas las posibles fuentes de fuego que puedan hacer que el aparato se incendie.
 - Ventilar la zona donde se encuentre el aparato. No usar ventiladores.
 - Llamar al servicio técnico autorizado.
- Si el aparato está estropeado y ve una fuga de refrigerante, por favor, aléjese del refrigerante. Podría causar quemaduras por contacto con la piel.

Para artículos con dispensadores de agua o máquinas de hielo

- Utilizar únicamente agua potable. No llenar el depósito de agua con ningún líquido, como zumo de fruta, leche, bebidas gaseosas o alcohólicas, que no sean aptos para su uso en el dispensador de agua.
- Hay riesgos para la salud y la seguridad.
- Para evitar accidentes o lesiones, impedir que los niños jueguen con el dispensador de agua o la máquina de hielo (Icematic).
- No meter los dedos ni ninguna otra cosa en el orificio del dispensador de agua, en el canal de agua ni en el contenedor de la máquina de hielo. Hay riesgo de lesiones o de daños materiales.

1.7. Seguridad en la limpieza y el mantenimiento

- No tirar del mango de la puerta si necesita mover el aparato para limpiarlo. Este se podría romper y causar lesiones al ejercer fuerza excesiva sobre el mismo.
- No rociar ni verter agua sobre ni dentro del aparato para su limpieza. Existe el riesgo de incendios y de electrocución.
- No utilizar herramientas afiladas ni abrasivas para limpiar el aparato. No utilizar ningún limpiador, detergente, gasolina, diluyente, alcohol, barniz, ni ningún otro producto de limpieza similar.
- Utilizar únicamente productos de limpieza y mantenimiento en el interior

Instrucciones de seguridad

del producto que no sean perjudiciales para los alimentos.

- No utilizar nunca vapor ni limpiadores a vapor para limpiar o descongelar el aparato. El vapor entra en contacto con las partes en tensión del frigorífico, provocando un cortocircuito o una descarga eléctrica.
- Asegurarse de que no entre agua en los circuitos electrónicos ni en los elementos de iluminación del aparato.
- Utilizar un paño limpio y seco para limpiar los materiales extraños o el polvo de las clavijas del enchufe. No utilizar ningún paño húmedo ni mojado para limpiar el enchufe. Existe el riesgo de incendios y de electrocución.

1.8. HomeWhiz

- Al utilizar el aparato a través de la aplicación HomeWhiz, se deben respetar las advertencias de seguridad, incluso cuando se esté lejos del aparato. También deberá respetar las advertencias en la aplicación.

1.9. Iluminación

- Cuando sea necesario cambiar el LED/la bombilla utilizada para la iluminación, llamar al servicio técnico autorizado.

1.10. Seguridad de radiación UV-C

- No retire el cristal de protección de lámpara UV-C.
- No opere el producto sin el cristal de protección de lámpara UV-C.
- Este producto incluye una lámpara que irradia rayos UV-C. No mire a la fuente de luz de forma directa.

- Durante la limpieza del compartimiento que alberga la lámpara UV-C, desenchufe el cable de la toma.
- No utilice un producto cuyo cristal de protección esté dañado en ningún caso.
- Desactive la función UV-C desde el panel de control de pantalla al sustituir la lámpara UV-C con la ayuda de un servicio autorizado.
- Bajo ningún concepto quite la etiqueta de "Riesgo de Radiación Ultravioleta" que se encuentra en el compartimiento de higiene que alberga lámparas UV-C.
- Utilizar el producto fuera de su uso previsto o dañar el cristal de protección de lámpara UV-C o sus alrededores podría resultar en la emisión de una radiación UV-C peligrosa. La radiación UV-C, incluso en dosis bajas, puede provocar lesiones en los ojos y la piel. ¡No opere productos dañados!
- En caso de que el símbolo UV-C comience a parpadear al activar la función de higiene, esto indica que se ha alcanzado la vida media de las lámparas y que su eficacia se ha reducido. Le aconsejamos sustituir las lámparas UV-C cuando observe esta advertencia. Las lámparas UV-C se sustituyen junto con la bandeja en la que se encuentran. La adquisición e instalación de la bandeja de UV-C se efectuará a través de los servicios autorizados.



Instrucciones de seguridad

	ADVERTENCIA: La radiación UV-C es nociva para los ojos y la piel. ¡No utilice lámparas UV-C fuera del producto!
	ADVERTENCIA: No se permite que las lámparas UV-C se sustituyan por el usuario. ¡Al acabar la vida útil de las lámparas UV-C solicite el apoyo del servicio técnico autorizado!

1.11. Información técnica para Wifi + Bluetooth

Banda de frecuencia:	2,4GHz (Wi-fi o bluetooth operativo)
Max. Potencia de transmisión:	< 100mW (Wi-fi o bluetooth operativo)
Información sobre el software:	Quartz_WiFi.XXX

Declaración de conformidad para la CE:

Arçelik A.Ş. declara por la presente que este aparato cumple con la Directiva 2014/53/EU.

El texto completo de la declaración de conformidad de la EU está disponible en la siguiente dirección de Internet:

Productos, De: support.beko.com

El período de soporte de actualización de software relacionado con la ciberseguridad definido del producto es el período de garantía del producto.

Después de este período, no se garantizan las actualizaciones de software relacionadas con la seguridad cibernética.

2 Instrucciones el medio ambiente

2.1 Conformidad con la normativa WEEE y eliminación del aparato al final de su vida útil:

Este producto es conforme con la directiva de la UE sobre residuos de aparatos eléctricos y electrónicos (WEEE) (2012/19/UE). Este producto incorpora el símbolo de la clasificación selectiva para los residuos de aparatos eléctricos y electrónicos (WEEE).



Este símbolo indica que este producto no debe eliminarse con otros desechos domésticos al final de su vida útil. El dispositivo usado debe ser devuelto al punto de recogida oficial para el reciclaje de los dispositivos eléctricos y electrónicos. Para encontrar estos sistemas de recogida, por favor, póngase en contacto con las autoridades locales o con el distribuidor donde se compró el producto. Cada hogar desempeña un papel importante en la recuperación y el reciclaje de los aparatos antiguos. La eliminación adecuada de los aparatos usados ayuda a prevenir las posibles consecuencias negativas para el medio ambiente y la salud humana.

2.2 Cumplimiento de la directiva RoHS:

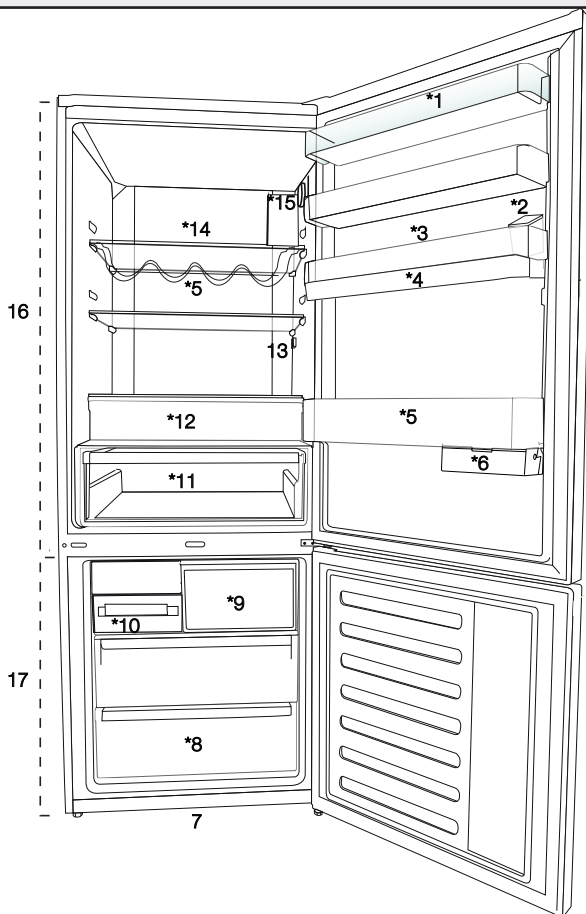
El producto que ha adquirido es conforme con la directiva de la UE sobre la restricción de sustancias peligrosas (RoHS) (2011/65/UE). No contiene ninguno de los materiales nocivos o prohibidos especificados en la directiva.

2.3 Información de embalaje



El embalaje del producto está fabricado con material reciclable de acuerdo con las normativas nacionales sobre medio ambiente. No se deshaga del material de embalaje ni de los desechos domésticos o de otro tipo. Llévelos a los puntos de recogida de material de embalaje designados por las autoridades locales.


3 Familiarizarse con el electrodoméstico



1. Estante de puerta de compartimento refrigerado
2. Depósito del dispensador de agua
3. Porta Huevos
4. Depósito de Agua
5. Estante de Botella
6. Caja deslizante de almacenamiento
7. Patas ajustables
8. Compartimento de congelador
9. Compartimento de congelación rápida
10. Icematic
11. Cajón de frutas y verduras
12. Compartimento de Higiene (Lámparas UV-C)
13. Luz interna
14. Estante de vidrio de compartimento refrigerado
15. Botón de ajuste de temperatura
16. Enfriador
17. Compartimento de congelador



Las ilustraciones de este manual se proporcionan a modo de ejemplo y podrían no corresponderse exactamente con su aparato. Si determinadas partes no están presentes en el aparato que usted ha adquirido, indica que la figura corresponde a otro modelo.

 ¡Primero lea la sección de "Instrucciones de Seguridad"!

4.1. Lugar adecuado para la instalación

Contacte con un Servicio Técnico autorizado para la instalación del aparato. Para tener el aparato a punto para la instalación, vea la información en la guía de usuario y asegúrese de que las herramientas eléctricas y de agua sean las adecuadas. Si no lo son, llame a un electricista y a un fontanero para que hagan las modificaciones necesarias.

	ADVERTENCIA: El fabricante no se responsabiliza de ningún daño causado por el trabajo llevado a cabo por personas no autorizadas.
	ADVERTENCIA: El aparato debe estar desenchufado durante la instalación. ¡No hacerlo podría causar la muerte o lesiones graves!
	ADVERTENCIA: Si la extensión de la puerta es demasiado estrecha para permitir el paso del aparato, retire la puerta y gire el aparato de lado; si esto no funciona, contacte con el servicio técnico autorizado.

- Coloque el aparato sobre una superficie lisa para evitar sacudidas.
- Instale el aparato a una distancia no inferior de 30 cm de radiadores, estufas y fuentes de calor similares y una distancia no inferior a 5 cm de cualquier horno eléctrico.
- No exponga el aparato directamente a la luz solar en ambientes húmedos.
- El producto requiere una circulación de aire adecuada para funcionar de manera eficiente.
- Si va a colocar el aparato en un hueco de la pared, no olvide dejar una distancia mínima de 5 cm con respecto al techo y las paredes.
- No instale el aparato en ambientes con una temperatura por debajo de -5°C .

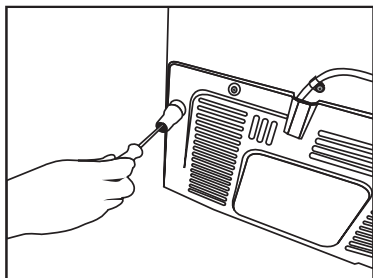
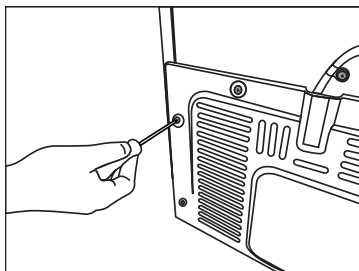
- Su producto requiere una circulación de aire adecuada para funcionar eficientemente. Si el producto va a ser colocado en un hueco, recuerde dejar al menos 5 cm de espacio entre el producto y el techo, la pared trasera y las paredes laterales.
- Si el producto va a ser colocado en un hueco, recuerde dejar al menos 5 cm de espacio entre el producto y el techo, la pared trasera y las paredes laterales. Compruebe si el componente de protección de la parte trasera se encuentra colocado en su lugar (en caso de ser suministrado con el producto). Si el componente no está disponible, o si se pierde o se cae, coloque el producto de manera que quede un espacio libre, de al menos 5 cm, entre la superficie trasera del producto y la pared de la habitación. El espacio libre en la parte trasera es importante para el funcionamiento eficiente del producto.

Instalación

4.2. Instalación de las cuñas de plástico

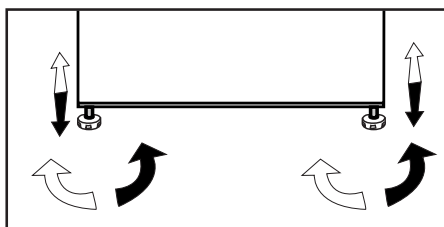
Use las cuñas de plástico incluidas con el aparato para que haya suficiente espacio para la circulación de aire entre el producto y el techo.

1. Para ello, retire los tornillos del aparato y utilice los tornillos que encontrará en la bolsa de las cuñas.



4.3 Ajuste de los pies

Si el aparato no queda equilibrado tras su instalación, ajuste los pies frontales girándolos de la derecha a la izquierda.



4.4 Conexión eléctrica



ADVERTENCIA: No utilice cables de extensión ni ladrones para realizar la conexión eléctrica.



ADVERTENCIA: Deje en manos de un servicio técnico autorizado la sustitución de un cable de alimentación dañado.



En caso de que vaya a instalar dos frigoríficos uno al lado del otro, debe dejar una separación no inferior a 4 cm entre ellos.

- Nuestra empresa no se hará responsable de daños provocados por el uso del aparato sin una toma de tierra conforme a las normativas nacionales.
- Tras la instalación, el enchufe del cable de alimentación debe quedar al alcance de la mano.
- No use cables de extensión ni múltiples tomacorrientes sin cable entre el aparato y la toma de pared.



Advertencia de superficie caliente
Las paredes laterales de su producto están equipadas con tubos de refrigerante para mejorar el sistema de refrigeración. El refrigerante con altas temperaturas puede fluir a través de estas áreas, lo que resulta en superficies calientes en las paredes laterales. Esto es normal y no necesita ningún mantenimiento. Por favor, tenga cuidado al tocar estas áreas.

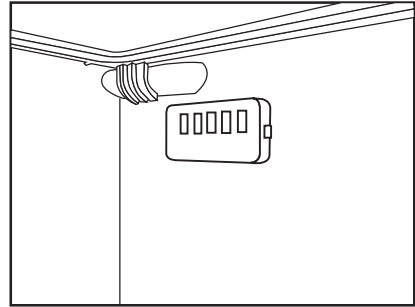
⚠ ¡Primero lea la sección de "Instrucciones de Seguridad"!

5.1. Consejos para el ahorro de energía



El aparato podría sufrir daños si se conecta a sistemas de ahorro de energía, por lo que es arriesgado.

- Para uso no empotrado: "este aparato de refrigeración no está destinado a ser utilizado como electrodoméstico empotrado.
- No deje las puertas del frigorífico abiertas durante periodos largos de tiempo.
- No introduzca alimentos o bebidas calientes en el frigorífico.
- No sobrecargue el frigorífico, pues se reducirá la capacidad de enfriamiento si se obstaculiza la circulación del aire en el interior.
- Para poder almacenar la máxima cantidad de alimentos en el compartimento del congelador, debe retirar el icematic, ubicado allí y que puede ser retirado con la mano. El volumen neto y el consumo energético especificados en la placa de datos del frigorífico se miden y se prueban retirando el frigorífico. No retire los estantes de dentro del compartimento del congelador de la puerta del compartimento del congelador. Úselos siempre, pues facilitan el uso del aparato y ayudan al consumo energético eficiente.
- No bloquee el flujo de aire colocando alimentos a los lados del ventilador del compartimento del congelador. Deje una distancia mínima de 3 cm a los lados de las paredes de la cobertura de protección del ventilador.
- Use siempre los canastos/ cajones que se suministran con el compartimento del congelador para obtener un menor consumo de energía y mejores condiciones de almacenamiento.
- El contacto de los alimentos con el sensor de temperatura en el compartimento congelador puede elevar el consumo de energía del electrodoméstico. Por lo tanto, se debe evitar todo contacto con el/los sensor/es.
- Según las características del electrodoméstico, descongele alimentos congelados en el compartimento del frigorífico para obtener un ahorro energético y conservar la calidad de los alimentos.
- No deje que los alimentos entren en contacto con el sensor de temperatura del compartimento del frigorífico que aparece en la imagen de más arriba.
- Puesto que el aire caliente y húmedo no penetra directamente en su producto cuando las puertas no están abiertas, su producto se optimiza en condiciones suficientes para proteger sus alimentos. Las funciones y componentes como el compresor, ventilador, calentador, descongelador, iluminación, pantalla, etc. funcionarán de acuerdo con las necesidades de consumo mínimo de energía en estas circunstancias



5.2. Uso inicial

Antes de empezar a utilizar el frigorífico, compruebe que se hayan realizado todas las preparaciones indicadas en las secciones "Instrucciones importantes sobre seguridad" e "Instalación".

- Mantenga el aparato en funcionamiento durante 6 horas sin alimentos en su interior y no abra la puerta si no es estrictamente necesario.



Se oye un ruido cada vez que el compresor se pone en funcionamiento. Los líquidos y los gases contenidos en el sistema de refrigeración pueden también generar ruidos, incluso aunque el compresor no esté funcionando, lo cual es normal.



Es posible que las aristas delanteras del aparato se noten calientes al tacto. Esto es normal. Estas zonas deben permanecer calientes para evitar la condensación.

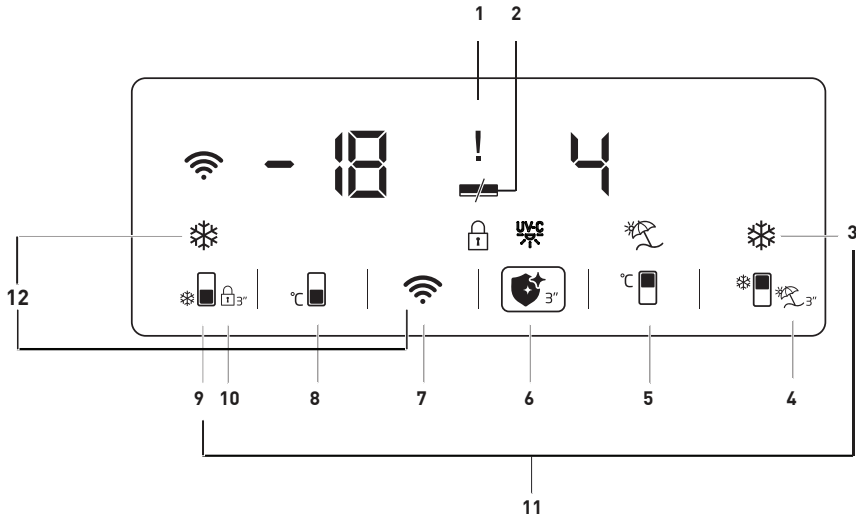


En algunos modelos, el panel de instrumentos se apaga automáticamente 5 minutos después de que la puerta se haya cerrado. Se reactivará cuando la puerta se abra o cuando se pulse cualquier tecla.

- Já que o ar quente e húmido não irá penetrar diretamente o seu produto enquanto as portas não estiverem abertas, o seu produto irá otimizar-se por si próprio para possuir condições suficientes para proteger os seus alimentos. As funções e os componentes como o compressor, a ventoinha, o aquecedor, o descongelador, a iluminação, o visor, entre outros, funcionarão de acordo com as necessidades para o consumo mínimo de energia nestas circunstâncias.

6 Funcionamiento de producto

⚠ ¡Primero lea la sección de "Instrucciones de Seguridad"!



1. Indicador de condición de falla
2. Indicador de ahorro energético (pantalla apagada)
3. Botón de refrigeración rápida
4. Botón de función de vacaciones
5. Botón de ajuste de temperatura del compartimento de refrigeración
6. Botón de función de higiene
7. Botón de conexión inalámbrica
8. Botón de ajuste de temperatura de compartimento congelador
9. Botón de congelación rápida
10. Bloqueo de botones
11. Botón para cambiar la unidad de temperatura
12. Botón para reiniciar los ajustes de conexión inalámbrica

Puede no estar disponible en todos los modelos




Las ilustraciones de este manual se proporcionan a modo de ejemplo y podrían no corresponderse exactamente con su aparato. Si determinadas partes no están presentes en el aparato que usted ha adquirido, indica que la figura corresponde a otro modelo.

Funcionamiento del aparato

1. Indicador de condición de falla


Cuando su refrigerador no pueda realizar una refrigeración adecuada o en caso de un error en el sensor, este indicador () se activará. Al activar este indicador, se mostrará "E" en el indicador de temperatura del Compartimento de Congelación y cifras como 1,2,3... se mostrarán en el indicador de temperatura del compartimento de Refrigeración. Estas cifras le informan al servicio autorizado sobre el error producido. Es posible que se muestre un signo de exclamación al cargar alimentos calientes en el compartimento de congelación o al mantener la puerta abierta durante un largo período de tiempo. Este no es un fallo, esta advertencia desaparecerá cuando los alimentos se enfríen.

2. Indicador de ahorro energético (pantalla apagada)



Cuando la puerta del producto no está abierta o está cerrada durante algún tiempo, la función de ahorro de energía se activa automáticamente y se muestra el símbolo de ahorro de energía. ()

Al activar esta función, se apagarán todos los símbolos de la pantalla, excepto el de ahorro energético. Cuando la función de ahorro de energía está activada, al pulsar cualquier botón o abrir la puerta se desactivará la función de ahorro de energía y los símbolos de pantalla volverán a la normalidad. La función de ahorro de energía es una función instalada de fábrica, no es posible desactivarla.

3. Botón de refrigeración rápida


Cuando la función de enfriamiento rápido está activada, el indicador de enfriamiento rápido se iluminará () y el indicador de temperatura del compartimento de enfriamiento mostrará el valor 1. Con el fin de cancelar esta función, pulse otra vez el botón de enfriamiento rápido. El indicador de enfriamiento rápido se apagará y los ajustes normales se restablecerán. La función de enfriamiento rápido se cancelará automáticamente después de 1 hora, a menos que sea cancelada por el usuario. Para enfriar una gran cantidad de alimentos frescos, pulse el botón de enfriamiento rápido antes de colocar los alimentos en el compartimento de refrigeración.

4. Botón de función de vacaciones


A fin de activar la función de vacaciones pulse el botón () durante 3 segundos, el indicador del modo de vacaciones () se encenderá. Cuando se activa la función de vacaciones, en el indicador de temperatura del compartimento de refrigeración aparecerá "- -" y no se realizará ninguna operación de refrigeración activa en el compartimento de refrigeración. Cuando esta función esté activada, no podrá guardar la comida en el compartimento de refrigeración. Otros compartimentos continuarán enfriándose según las temperaturas establecidas para ellos. Pulse el botón de función de **vacaciones de nuevo** para cancelar esta función.


Funcionamiento del aparato


5. Botón de ajuste de temperatura del compartimento de refrigeración

Es posible ajustar la temperatura del compartimento de refrigeración a 8,7,6,5,4,3,2 y 1 respectivamente pulsando este botón. ()


6. Botón de función de higiene

A fin de activar la función de higiene, pulse el botón () durante 3 segundos, luego el indicador de la función de higiene

() se encenderá. Cuando la función de higiene esté activada, no abra la puerta de su producto. En caso de que la puerta del producto se abra mientras la función de higiene está activada, la operación de higiene se detendrá hasta que la puerta se cierre. Al completarse la operación de higiene, el producto emitirá una advertencia sonora y terminará la operación. Para finalizar la operación de higiene antes del tiempo establecido, mantenga pulsado el botón de la función de higiene durante 3 segundos.

En caso de que se muestre el signo de exclamación () junto con el símbolo de higiene, esto significa que las lámparas de higiene están a punto de expirar. Por favor, llame al servicio técnico.

7. Botón de conexión inalámbrica (*opcional)

Al pulsar el botón prolongadamente (3 segundos), se comenzará la inicialización del producto en la red doméstica. Mientras se establece la conexión, el símbolo de la red inalámbrica () parpadeará con un

intervalo de 0,5 segundos.

Una vez que la conexión a la red doméstica se haya establecido con éxito, el símbolo de la red inalámbrica se iluminará constantemente.

Una vez que se establezca la conexión inicial, podrá activar/desactivar la conexión pulsando este botón brevemente.

La red con la cual usted ha establecido la conexión será recordada y la conexión se establecerá nuevamente cuando el producto se apague y se encienda.


El símbolo de red inalámbrica parpadeará con intervalos cortos (de 0,2 segundos) hasta que se establezca la conexión.

El símbolo de red inalámbrica se iluminará

constantemente cuando la conexión esté activa. Verifique la configuración de su módem/conexión en caso de que no se pueda establecer la conexión durante un tiempo.

La aplicación HomeWhiz se utiliza como interfaz de conexión. Los pasos de conexión se proporcionan en la GUÍA DE INSTALACIÓN RÁPIDA de HomeWhiz que acompaña al producto. Encontrará las respuestas a las preguntas básicas en la sección de solución de problemas.

8. Botón de ajuste de temperatura de compartimento congelador

Esto posibilita el ajuste de la temperatura para el compartimento de congelación. Es posible ajustar la temperatura del compartimento de congelación a -18,-19,-20,-21, -22, -23 y -24 respectivamente pulsando el botón ().

Funcionamiento del aparato

9. Botón de congelación rápida

Para congelación rápida pulse el botón nº (9), se activará el indicador (*❏) de congelación rápida.

Cuando la función de congelación rápida está activada, el indicador de congelación rápida se iluminará y el indicador de temperatura del compartimento de congelación mostrará el valor -27. Con el fin de cancelar esta función, pulse otra vez el botón (*❏) de congelación rápida. El indicador de Quick Freeze/ Congelación Rápida se apagará y volverá a la configuración normal. La función de congelación rápida se cancelará automáticamente después de 32 hora, a menos que sea cancelada por el usuario. Para congelar una gran cantidad de alimentos frescos, pulse el botón de congelación rápida antes de colocar los alimentos en el congelador.

10. Bloqueo de botones

Pulse el botón (🔒) durante 3 segundos. El símbolo de bloqueo de botones (🔒) se activará y el modo de bloqueo de botones se activará. Cuando el bloqueo de botones está activado, no se pueden utilizar los botones. Durante 3 segundos pulse el botón (🔒). El bloqueo de botones se desactivará. Puede utilizar la función bloqueo de botones si quiere evitar cambios en los ajustes de temperatura del frigorífico.

11. Botón para cambiar la unidad de temperatura

Al pulsar los botones de Enfriamiento Rápido (*❏) y Congelación Rápida (*❏) durante 3 segundos, puede cambiar entre las unidades de temperatura Fahrenheit y Celcius.

12. Botón para reiniciar los ajustes de conexión inalámbrica

Al pulsar simultáneamente durante 3 segundos los botones de Congelación Rápida (*❏) y de red inalámbrica (📶) se restablecerán los ajustes de la conexión inalámbrica.

Funcionamiento del aparato

6.1. Blue light/ HarvestFresh

***Puede no estar disponible en todos los modelos**

Para Blue light,

Las frutas y verduras almacenadas en los cajones que se iluminan con una luz azul continúan su fotosíntesis gracias al efecto de longitud de onda de la luz azul y así preservarán su contenido vitamínico.

Para HarvestFresh,

Las frutas y verduras almacenadas en los cajones iluminados con la tecnología HarvestFresh conservan sus vitaminas durante más tiempo gracias a los ciclos de luces azules, verdes, rojas y oscuras, que simulan un ciclo diurno.

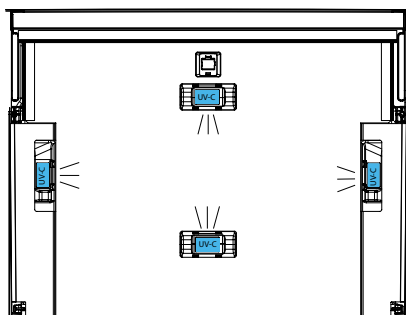
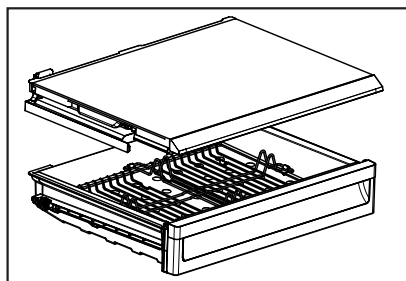
Si abre la puerta del refrigerador mientras que el ciclo de luz oscura de HarvestFresh está funcionando, el refrigerador lo detectará automáticamente y permitirá que la luz azul, verde o roja ilumine el cajón para su mayor comodidad. Después de cerrar la puerta del refrigerador, el ciclo oscuro se reanudará, para así completar el ciclo diurno natural.

Funcionamiento del aparato

6.2. Compartimiento de Higiene

*Esta función es opcional

1. La función de higiene UV-C no se activará cuando el estante de alambre y el cajón de lámina metálica proporcionados dentro del compartimiento de higiene no estén presentes en el interior del mismo.
2. Activar la función de higiene cuando el cajón de lámina metálica no está presente en el compartimiento de higiene causa la deformación del cajón de plástico que está debajo.
3. No intente retirar por la fuerza el cristal ubicado sobre el compartimiento de la higiene.
4. No toque, cause impactos o aplique fuerza a las lámparas fluorescentes UV-C colocadas en la superficie inferior del estante de vidrio del compartimiento de higiene.
5. Para su seguridad no trate de quitar el estante de vidrio del compartimiento de higiene. Quitar el estante causará la desconexión de los componentes eléctricos.
6. La luz que usted ve cuando abre el compartimiento de la higiene no es luz UV-C. Es la iluminación LED.
7. Limpie el cajón de metal y la lámina metálica debajo de la bandeja solamente con un paño húmedo.



Funcionamiento del aparato

6.3. Mover el estante de la puerta

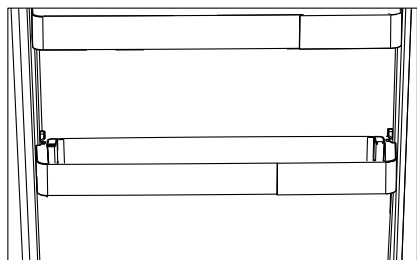
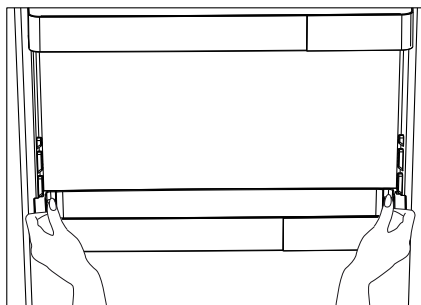
(Característica opcional)

La estantería móvil de la puerta puede fijarse en 3 posiciones diferentes.

Pulse los botones que se muestran a los lados de la misma manera para mover la estantería. La estantería debe ser móvil.

Mueva el estante hacia arriba o hacia abajo.

Suelte los botones cuando la estantería esté en la posición deseada. Debe fijar la estantería en la posición donde suelte los botones.

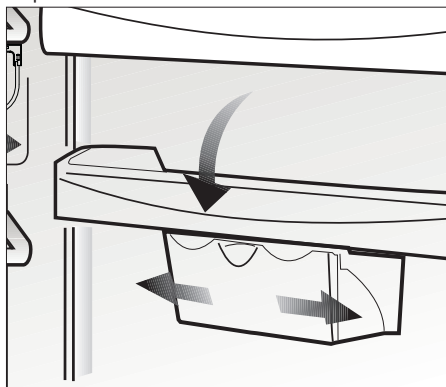


6.4. Contenedor de almacenamiento deslizante

(Característica opcional)

Este accesorio está diseñado para incrementar el volumen útil de los estantes de las puertas.

Le permite colocar con facilidad las botellas, jarras y conservas de mayor altura en el botellero inferior gracias a su capacidad para desplazarse a izquierda o derecha.



Funcionamiento del aparato

6.5. Módulo desodorante

(FreshGuard) *opcional

El módulo de desodorización elimina rápidamente los malos olores de su frigorífico antes de que penetren en las superficies. Gracias a este módulo, que se coloca en el techo del compartimento de alimentos frescos, los malos olores se disuelven mientras el aire pasa activamente por el filtro de olores y, a continuación, el aire que ha sido limpiado por el filtro vuelve a salir al compartimento de alimentos frescos. De esta manera, los olores no deseados que pueden surgir durante el almacenamiento de los alimentos en el frigorífico se eliminan antes de que penetren en las superficies.

Esto se consigue gracias al ventilador, al LED y al filtro de olores integrado en el módulo. En el uso diario, el módulo de desodorización se encenderá automáticamente de forma periódica. Para mantener un rendimiento eficiente, se recomienda que el proveedor de servicios autorizado coloque el filtro en el módulo de desodorización cada 5 años. Debido al ventilador integrado en el módulo, se oye normalmente el ruido durante el funcionamiento. Si abre la puerta del compartimento de alimentos frescos mientras el módulo está activo, el ventilador se detendrá temporalmente y se reanudará en el punto en el que se detuvo al cabo de algún tiempo una vez cerrada la puerta nuevamente.

En caso de fallo de alimentación, el módulo de desodorización se reiniciará en el punto en el que se haya interrumpido en la duración total de funcionamiento una vez que se restablezca la alimentación.

Info: Se recomienda almacenar los alimentos aromáticos (como quesos, aceitunas y alimentos selectos) en sus envases y sellados para evitar los malos olores que pueden resultar al mezclarse los olores de diversos alimentos. Además, se recomienda sacar los alimentos en mal estado del frigorífico rápidamente para evitar que los demás alimentos se estropeen, así como los malos olores.

Funcionamiento del aparato

6.6. Cubitera

*opcional

- Retire la cubitera del compartimento congelador.
- Llene la cubitera con agua.
- Coloque la cubitera en el compartimento congelador.
- El hielo estará listo en unas dos horas aproximadamente. Retire la cubitera del compartimento congelador y dóblelo ligeramente encima de la bandeja donde lo vaya a servir. El hielo se verterá fácilmente en la bandeja para servir..

6.7. Luz azul

(Característica opcional)

Este accesorio está diseñado para incrementar el volumen útil de los estantes de las puertas.

Le permite colocar con facilidad las botellas, jarras y conservas de mayor altura en el botellero inferior gracias a su capacidad para desplazarse a izquierda o derecha.

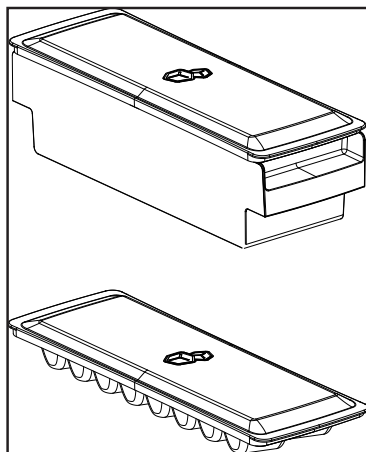
6.8. HerbBox/ HerbFresh (Cajón para hierbas/ Hierbas frescas)

Retire el contenedor de película plástica del HerbBox/HerbFresh+ Saque la película plástica de la bolsa y póngala en el recipiente para la película plástica como se muestra en la imagen.

Vuelva a sellar el recipiente y vuelva a colocarlo en la unidad HerbBox/HerbFresh+.

Las secciones del HerbBox-HerbFresh+ son especialmente ideales para el almacenamiento de diversas hierbas que deben mantenerse en condiciones delicadas. Usted puede almacenar sus hierbas sin empaque (perejil, eneldo, etc) en esta sección horizontalmente y mantenerlas frescas durante un período mucho más largo.

La película deberá ser sustituida cada seis meses.



6.9. Huevera

Puede instalar la huevera en la puerta o el estante que desee. Si va a colocarlo en los estantes del cuerpo, se recomienda usar los estantes inferiores más fríos.



No ponga la huevera en el compartimento congelador

Funcionamiento del aparato

6.10. Uso del segundo cajón de frutas y verduras;

Figura 1.

Como se muestra en la figura, hay 2 topes en el segundo cajón de frutas y verduras del modelo K70560.

Figura 2.

El segundo cajón de frutas y verduras se asemeja al de la figura 2 al cerrarse.

Figura 3.

Con la puerta abierta 90°, tire del segundo cajón de frutas y verdura hasta el primer tope, tal y como se muestra en la figura 3.

En el caso de que el cajón esté más abierto, en primer lugar, abra la puerta por lo menos 135°. A continuación, como se muestra en la figura 4, levante el segundo cajón de frutas y verdura durante unos 5 mm de modo que quede desbloqueado del primer tope.

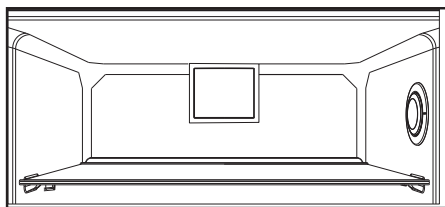


Figura 4.

Después de la elevación, tire del segundo cajón de frutas y verduras hasta el segundo tope, tal y como se muestra en la Figura 5.

Figura 5.

6.11. Ventilador

El ventilador turbo está diseñado para garantizar una distribución y circulación homogéneas del aire frío en el interior del su frigorífico. El tiempo de funcionamiento puede variar según las propiedades del electrodoméstico. En algunos modelos, el ventilador funciona únicamente cuando lo hace el compresor, mientras que en otros el sistema de control determina su tiempo de funcionamiento de acuerdo con las necesidades de enfriamiento.

6.12. Cajón de frutas y verduras

El cajón de frutas y verduras de su aparato está especialmente diseñado para mantener la frescura de sus vegetales sin que pierdan su humedad. Con este fin, alrededor del cajón de frutas y verduras se intensifica la circulación de aire frío.

6.13. Compartimento de enfriamiento

(Característica opcional)

Use este compartimento para almacenar delicatessen que deban almacenarse a temperaturas más bajas o productos cárnicos que vaya a consumir dentro de poco tiempo. El compartimento refrigerador es el lugar más frío del frigorífico, donde podrá almacenar productos lácteos, carnes, pescado y carne de ave de corral en las mejores condiciones. No almacene frutas ni verduras en este compartimento.

Funcionamiento del aparato

6.14. Icematic automático

(Característica opcional)

El Icematic automático le permite fabricar hielo en el frigorífico fácilmente. Retire el depósito del agua del compartimento frigorífico, llénelo de agua y vuélvalo a colocar para obtener hielo del sistema Icematic.

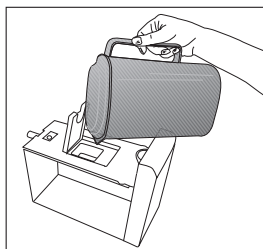
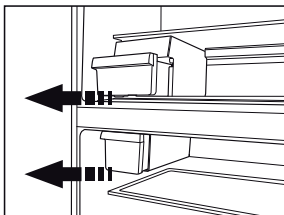
Los primeros cubitos estarán disponibles al cabo de unas dos horas en la cubitera del sistema Icematic ubicada en el compartimento congelador.

Si llena por completo el depósito de agua, podrá obtener aproximadamente entre 60 y 70 cubitos de hielo.

Cambie el agua del depósito de agua si ha estado allí durante 2-3 semanas.



Para los productos que tienen el Icematic automático, se puede oír cuando se esté formando el hielo. Este sonido es normal y en ningún caso indica un fallo.



6.15. Compartimento para verduras con control de humedad

(FreSHelf)

(Característica opcional)

Los niveles de humedad de las frutas y de las verduras se mantienen bajo control con la función del cajón de frutas y verduras con control de humedad y se garantiza que los alimentos se mantengan frescos por más tiempo.

Le recomendamos colocar las verduras de hoja, tales como lechuga, espinaca y aquellas hortalizas sensibles a la pérdida de humedad, en posición horizontal en la medida de lo posible, dentro del cajón, no sobre sus raíces en posición vertical.

Mientras se guardan las frutas y verduras, tenga en cuenta su peso específico. Las frutas y verduras más duras y pesadas deben colocarse en el fondo del cajón y aquellas más blandas y livianas deben ubicarse arriba.

Nunca deje las hortalizas dentro del cajón de frutas y verduras en sus bolsas. Si las hortalizas se dejan dentro de sus bolsas, se descompondrán en un breve período de tiempo. En caso de que no desee que las frutas y verduras estén en contacto entre sí por cuestiones de higiene, utilice un papel perforado, espuma u otros materiales de embalaje similares en lugar de una bolsa. No coloque juntos peras, albaricoques, melocotones, etc. y manzanas, en particular, en el mismo cajón que otras frutas y verduras, ya que tienen un alto nivel de generación de gas etileno. El gas etileno emitido por estas frutas puede ocasionar que las otras frutas maduren más rápido y se echen a perder en poco tiempo.

Funcionamiento del aparato

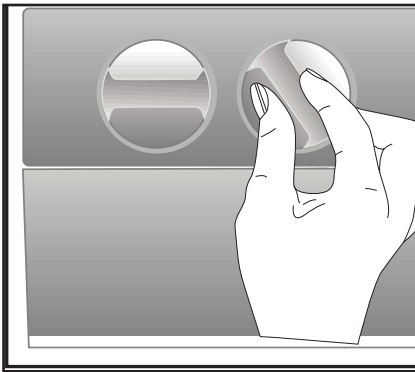
6.16. Icematic y caja de almacenamiento de hielo

(Opcional)

Llene el icematic con agua y póngalo en marcha. El hielo estará listo después de aproximadamente dos horas. No retire la icematic para tomar el hielo.

Gire los botones de las cámaras de hielo a mano derecha al 90°, el hielo caerá en la caja de almacenamiento de hielo de abajo. A continuación, puede quitar la caja de almacenamiento de hielo y servir el hielo.

i La caja de almacenamiento del hielo está destinada para el almacenamiento de hielo solamente. No llene con agua. Si lo hace, hará que se rompa.



6.17. Uso del dispensador de agua

*opcional

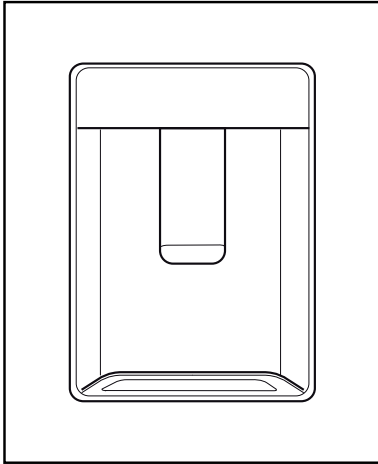
i Es normal que los primeros vasos de agua servidos por el dispensador estén calientes.

i Si no se usa el dispensador de agua durante un periodo de tiempo prolongado, no consuma los primeros vasos de agua.

1. Presione la palanca del dispensador de agua con el vaso. Si está usando un vaso blando de plástico, le será más fácil empujar la palanca con la mano.
2. Una vez haya llenado el vaso hasta el nivel que desee, suelte la palanca.

i Tenga en cuenta que el caudal de agua que suministra el dispensador depende del recorrido de la palanca. A medida que el nivel del agua en su copa o vaso llegue al borde, reduzca suavemente la presión ejercida sobre la palanca con el fin de evitar el rebosamiento. Si presiona la palanca levemente el agua goteará, es bastante normal, no se trata de un fallo.

Funcionamiento del aparato



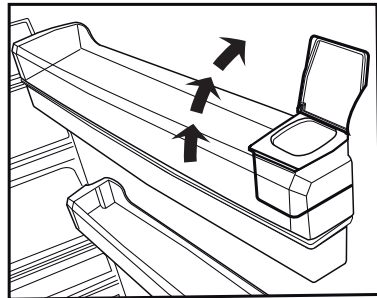
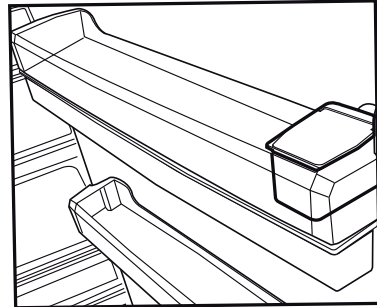
6.18. Uso del dispensador de agua

***opcional**

i Es normal que los primeros vasos de agua servidos por el dispensador estén calientes.

i Si no se usa el dispensador de agua durante un periodo de tiempo prolongado, no consuma los primeros vasos de agua.

1. Presione la palanca del dispensador de agua con el vaso. Si está usando un vaso blando de plástico, le será más fácil empujar la palanca con la mano.
2. Una vez haya llenado el vaso hasta el nivel que desee, suelte la palanca.



i Tenga en cuenta que el caudal de agua que suministra el dispensador depende del recorrido de la palanca. A medida que el nivel del agua en su copa o vaso llegue al borde, reduzca suavemente la presión ejercida sobre la palanca con el fin de evitar el rebosamiento. Si presiona la palanca levemente el agua goteará, es bastante normal, no se trata de un fallo.

Funcionamiento del aparato

6.19. Llenar el depósito del dispensador de agua

El depósito de agua se encuentra dentro de la bandeja de la puerta.

1. Abra la tapa del depósito.
2. Llene el depósito con agua potable.
3. Cierre la cubierta.



No vierta en el depósito de agua ningún otro líquido que no sea agua; la bebidas tales como los zumos de frutas, bebidas carbonatadas o bebidas alcohólicas no son adecuadas para el dispensador de agua. El dispensador de agua quedará dañado de forma irreparable si se utilizan dichos líquidos. La garantía no cubre estos usos. Algunas sustancias químicas y aditivos que contienen esos tipos de bebidas/líquidos pueden dañar el depósito de agua.



Utilice únicamente agua potable limpia.



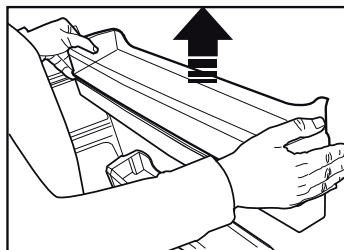
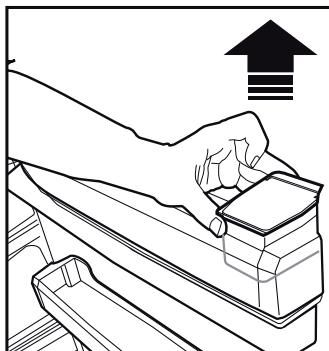
La capacidad del depósito de agua es de 3 litros, no lo llene excesivamente.

6.20. Limpieza del depósito de agua

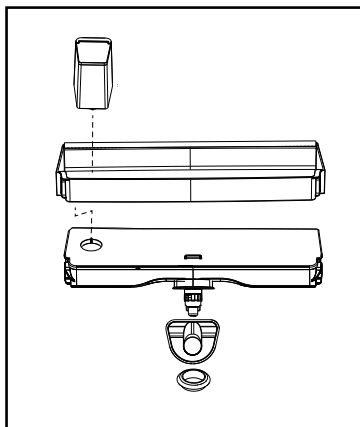
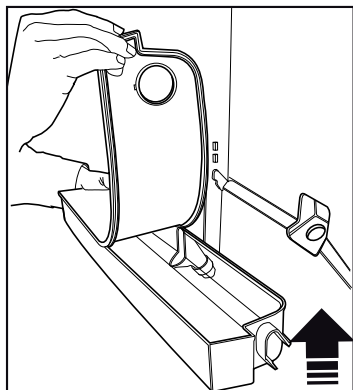
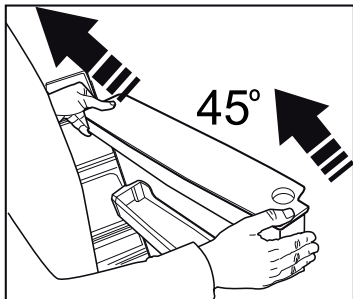
1. Retire el depósito de llenado de agua del interior de la rejilla de la puerta.
2. Retire la rejilla de la puerta sujetando por ambos lados.
3. Sujete el depósito de agua por ambos lados y retírelo en un ángulo de 45°C.
4. Retire la tapa del depósito y limpie el depósito.



Los componentes del depósito de agua y del dispensador de agua no deben lavarse en el lavavajillas.



Funcionamiento del aparato

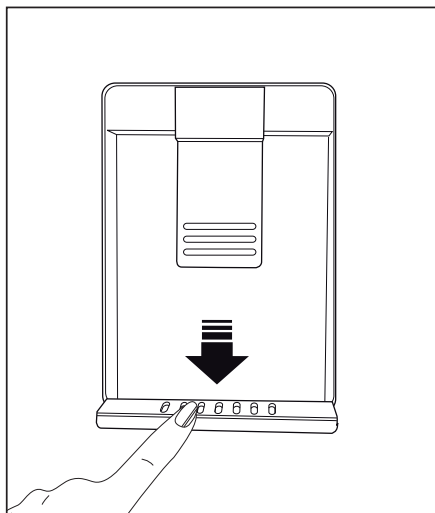


6.21. Bandeja de goteo

El agua que gotea durante el uso del dispensador de agua se acumula en la bandeja de derramamiento.

Retire el filtro de plástico tal y como se muestra en la figura.

Enjuague el agua acumulada con un trapo limpio y seco.



Funcionamiento del aparato

6.22. Congelación de alimentos frescos

- Para preservar la calidad de los alimentos, debe congelarlos tan pronto como sea posible cuando los coloque en el compartimento congelador. Utilice la función de congelación rápida para esta finalidad.
- Puede guardar los alimentos durante más tiempo en el compartimento congelador cuando los congele cuando estén frescos.
- Envuelva los alimentos que vaya a congelar y cierre el envase para que quede hermético.
- Asegúrese de envolver bien los alimentos antes de colocarlos en el congelador. Use contenedores para congelador, láminas y papeles antihumedad, bolsas de plástico y otros materiales de embalaje en vez de papeles de embalaje tradicionales.

- Etiquete cada paquete de alimentos con la fecha antes de congelarlos. De esta manera, podrá distinguir el frescor de cada paquete de alimentos cada vez que abra el congelador. Guarde los alimentos congelados en la parte frontal del compartimento para asegurar que se consuman primero.



El compartimento del congelador se deshuela de manera automática.

- Consuma inmediatamente los alimentos recién descongelados, y no los vuelva a congelar.
- No congele cantidades demasiado grandes de una sola vez.

Ajuste del compartimento congelador	Ajuste del compartimento frigorífico	Comentarios
-18°C/4°F	4°C/40°F	Estos son los valores de uso recomendados.
-20/-4°F,-22/-6°F o -24°C/-11°F	4°C/40°F	Se recomiendan estos valores cuando la temperatura ambiente rebase los 30 °C.
Congelación rápida	4°C/40°F	Se utiliza para congelar los alimentos rápidamente. El aparato volverá a su modo de funcionamiento previo una vez finalizado el proceso.
-18°C/4°F o más frío	2°C/37°F	Utilice estos ajustes si cree que el compartimento frigorífico no está suficientemente frío debido a las altas temperaturas ambientales o por la frecuente apertura y cierre de la puerta.

Funcionamiento del aparato

6.23. Recomendaciones para la conservación de alimentos congelados

El compartimento no debe estar a más de -18°C .

1. Coloque los paquetes de alimentos congelados en el congelador lo antes posible tras su compra sin dejar que se descongelen.
2. Compruebe si las fechas de consumo preferente y caducidad de los envases han vencido o no antes de congelarlos.
3. Asegúrese de que el envase de comida no esté dañado.

6.24. Información sobre la congelación

Los alimentos sólo pueden conservarse durante periodos prolongados de tiempo a temperaturas de -18°C o menos.

Los alimentos frescos pueden conservarse durante muchos meses en el congelador a temperaturas de -18°C o menos.

6.25. Colocar los alimentos

Estantes del compartimento congelador	Alimentos congelados diversos tales como carnes, pescados, helados, verduras, etc.
Estantes del compartimento frigorífico	Alimentos en cazuelas, platos cubiertos y recipientes cerrados, huevos (en recipientes cerrados)
Estantes de la puerta del compartimento frigorífico	Alimentos o bebidas en envases pequeños
Cajón de frutas y verduras	Verduras y frutas

No deje que los alimentos entren en contacto con alimentos previamente congelados, con el fin de evitar que éstos puedan descongelarse parcialmente.

Hierva las verduras y drene el agua para almacenarla durante más tiempo ya que estarán congeladas. Después de descargar el agua, colóquelos en paquetes herméticos y colóquelos dentro del congelador. Alimentos tales como plátanos, tomates, lechuga, huevos duros y patatas hervidas saladas no son aptas para la congelación. Cuando estos alimentos estén congelados, su valor nutricional y sabor pueden verse afectados negativamente. Esto podría crear un riesgo para la salud humana.

Funcionamiento del aparato

Compartimento de alimentos frescos	Las delicatessen (comida de desayuno, productos cárnicos que vayan a consumirse en poco tiempo)
------------------------------------	---

6.26. Aviso de puerta abierta

(Característica opcional)

El frigorífico emitirá una señal acústica de aviso cuando la puerta del aparato permanezca abierta más de un 1 minuto. Esta advertencia quedará silenciada cuando se cierre la puerta o se pulse cualquiera de los botones de la pantalla (si los hay).

La advertencia de puerta abierta se da tanto en forma visual como acústica. Si la advertencia prosigue durante 10 minutos, las luces interiores se apagarán.

6.27. Cambio de la dirección de apertura de la puerta

Puede cambiar la dirección de apertura de la puerta de su frigorífico en función del lugar en donde lo use. Si es necesario, por favor, llame al servicio técnico más cercano.

La descripción anterior es una información acerca del cambio de la dirección de la puerta, deberá consultar la etiqueta de advertencia del lado interior de la puerta.

6.28. Lámpara de iluminación

Las luces LED se usan como lámparas de iluminación. Contacte con un servicio técnico autorizado en caso de que haya algún problema con este tipo de luz.

La(s) luz(es) usadas en este aparato no son aptas para la iluminación de las habitaciones del hogar. El fin previsto de la luz es ayudar al usuario a colocar alimentos en el frigorífico/congelador de una manera segura y cómoda.

Funcionamiento del aparato

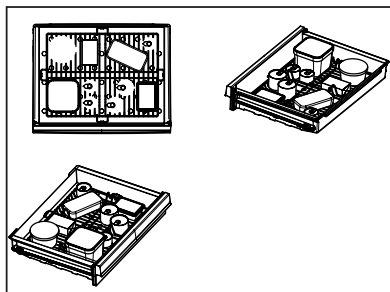
6.29. Recomendaciones de operación para Compartimento de Higiene:

*Esta función es opcional


- Al colocar los alimentos en este compartimento con el fin de higienizar la superficie de los mismos, ponga siempre la carne, el pollo, el pescado, la leche y los productos lácteos en el compartimento manteniéndolos en sus envases.
- Poner otros productos que no sean alimentos en este compartimento por razones de higiene no es conveniente de ninguna manera.
- En caso de poner los alimentos en el compartimento de higiene sin retirarlos de la bolsa de la compra, la higiene se realizará sólo en la superficie de la bolsa, y los paquetes de alimentos no recibirán luz. Así que, antes de colocar los productos alimenticios debe sacarlos de la bolsa de la compra.
- Es suficiente aplicar el procedimiento de higiene a un mismo alimento una sola vez, y no es adecuado aplicar el procedimiento más de una vez.
- Si el procedimiento no se repetirá para otros alimentos una vez completado el procedimiento de higiene, le recomendamos que guarde en este compartimento sólo los alimentos de delicatessen y de desayuno. Puesto que el compartimento de higiene suele estar más frío que otras partes del

refrigerador, no es aconsejable guardar las verduras y las frutas durante mucho tiempo en este compartimento.

- Antes de activar la función de higiene desde el panel de control de la pantalla, es aconsejable colocar los alimentos previamente almacenados en el compartimento de higiene en otra zona de refrigerador de forma temporal. Se recomienda mantener los productos que se van a higienizar por primera vez sólo en el interior del compartimento cuando el procedimiento de higiene esté activo. Una vez completado el procedimiento de higiene, puede volver a colocar en el compartimento los alimentos que ha retirado.
- Con el fin de que la función de higiene sea eficaz, los productos se colocarán dejando una distancia entre ellos y asegurándose de que no bloqueen la luz.
- Antes de activar la función de higiene compruebe que los alimentos no se colocan unos encima de otros.



7 Mantenimiento y limpieza

 ¡Primero lea la sección de "Instrucciones de Seguridad"! La vida útil del aparato aumentará si lo limpia regularmente.

 **ADVERTENCIA:** Desenchufe primero el aparato antes de limpiarlo.

- No utilice nunca para la limpieza herramientas afiladas o abrasivas, jabones, limpiadores domésticos, detergentes ni ceras abrillantadoras.
- Disuelva una cucharadita de bicarbonato en medio cuarto de agua. Empape un trapo en la solución y escúrralo totalmente. Limpie el interior del aparato con este paño y luego séquelo totalmente.
- Asegúrese de que no penetre agua en el alojamiento de la lámpara ni otros elementos eléctricos.
- Solo limpie la lámina de metal que está debajo del cajón de metal y la mesa utilizando paño húmedo y seco.
- Utilice un paño húmedo para limpiar la puerta. Para retirar la puerta y los estantes, retire todos sus contenidos. Retire los estantes de la puerta tirando de ellos hacia arriba. Tras limpiarlos, deslícelos de arriba hacia abajo para su colocación.
- Nunca use agentes de limpieza o agua que contengan cloro para limpiar las superficies exteriores y los cromados del producto, ya que el cloro corroe dichas superficies metálicas.
- No use herramientas afiladas o abrasivas, jabón, agentes de limpieza domésticos detergentes, queroseno, gasolina, barniz, etc. para eliminar las huellas dactilares de las piezas de plástico. Use agua tibia un un paño suave para limpiarlo, y luego séquelo.

7.1. Cómo evitar malos olores

Nuestros electrodomésticos no se fabrican con materiales que puedan producir olores. Sin embargo, una conservación inadecuada de los alimentos y la falta de limpieza de la superficie interior del electrodoméstico pueden dar lugar a un problema de olores.

Por lo tanto, limpie el frigorífico con bicarbonato disuelto en agua cada 15 días.

- Conserve los alimentos en recipientes cerrados. Los microorganismos que proliferan en los envases no cubiertos pueden causar malos olores.
- Retire del frigorífico los alimentos cuya fecha de caducidad haya vencido y estén en mal estado.

7.2. Protección de las superficies de plástico

Límpielos con agua caliente inmediatamente, puesto que el aceite podría dañar las superficies de plástico.

Mantenimiento y limpieza

7.3. Vidrios de las puertas

Retire la lámina protectora de los vidrios.

Hay una capa que reduce al mínimo la formación de manchas y ayuda a eliminarlas con facilidad, así como la suciedad que pueda depositarse.

Los vidrios que no disponen de este recubrimiento de protección pueden verse sometidos a la acción persistente de sustancias orgánicas o inorgánicas presentes en el aire o el agua como por ejemplo cal, sales minerales, hidrocarburos sin quemar, óxidos de metal y siliconas que pueden causar con facilidad y rapidez manchas o daños materiales. Resulta muy difícil mantener el vidrio siempre limpio, a pesar de la limpieza regular. En consecuencia, el aspecto y la transparencia del vidrio se deteriora. Los métodos y productos de limpieza fuertes y corrosivos intensificarán estos efectos y acelerarán el proceso de deterioro.

Limpie siempre los vidrios con productos de limpieza con base acuosa que no sean alcalinos ni corrosivos.

Utilice siempre productos no alcalinos ni corrosivos para la limpieza, a fin de prolongar al máximo la vida útil de este recubrimiento.

Son vidrios templados para incrementar su resistencia frente a impactos y roturas.

La superficie posterior de los vidrios cuenta con una película de seguridad que evita que cause daños a los objetos circundantes en caso de rotura.

8 Resolución de problemas

Consulte la siguiente lista antes de llamar al servicio técnico. Si lo hace podrá ahorrar tiempo y dinero. La lista incluye las quejas más comunes que no tienen relación con un problema de fabricación ni con el material usado. Puede que ciertas características mencionadas aquí no sean de aplicación a este aparato.

El frigorífico no funciona.

- El enchufe de alimentación no está colocada correctamente. >>> Enchúfelo para colocarlo correctamente en la toma de alimentación.
- El fusible conectado a la toma de corriente del aparato o el fusible principal están fundidos. >>> Compruebe los fusibles.

Condensación en la pared lateral del compartimento frigorífico (MULTIZONA, CONTROL DE FRÍO y FLEXI ZONA).

- El ambiente es demasiado frío. >> No instale el aparato en ambientes con una temperatura por debajo de -5°C .
- La puerta se abre con demasiada frecuencia >>> Intente no abrir la puerta tan a menudo.
- El ambiente es demasiado húmedo. >> No instale el aparato en ambientes demasiado húmedos.
- Los alimentos que contengan líquidos están guardados en recipientes no sellados. >>> Guarde los alimentos que contengan líquidos en recipientes sellados.
- La puerta del aparato se ha dejado abierta. >>> No deje la puerta del aparato abierta durante mucho tiempo.
- El termostato está ajustado a un nivel muy bajo. >>> Ajuste el termostato a una temperatura adecuado.

El compresor no funciona.

- En caso de que haya un apagón repentino o de desenchufar el cable y enchufarlo de nuevo, la presión de gas del sistema de refrigeración del aparato no estará equilibrada, lo que accionará la protección térmica del compresor. El aparato se reiniciará aproximadamente al cabo de 6 minutos. Si el aparato no se reinicia después de este período, contacte con el servicio técnico.
- La descongelación está todavía activo. >>> Esto es normal en un congelador con descongelación automática. La descongelación se realiza periódicamente.
- El aparato no está enchufado. >>> Asegúrese de que el cable de alimentación está enchufado.
- El ajuste de temperatura es incorrecto. >>> Seleccione el ajuste de temperatura adecuado.
- Se ha cortado el suministro eléctrico. >>> El aparato seguirá funcionando con normalidad una vez que el suministro se haya restablecido.

El ruido de funcionamiento del frigorífico aumenta durante su uso.

- Tales valores variarán en función de las fluctuaciones de la temperatura ambiente. Esto es perfectamente normal, y no constituye una avería.

El frigorífico está mucho tiempo funcionando o se enciende con demasiada frecuencia.

Resolución de problemas

- Puede que su nuevo aparato sea más grande que el que tenía anteriormente. Los aparatos más grandes funcionarán durante más tiempo.
- Puede que la temperatura ambiente sea alta. >>> El aparato funcionará normalmente durante largos períodos de tiempo con una temperatura ambiente más alta.
- Puede que el aparato se haya enchufado recientemente o que se haya colocado un nuevo alimento en su interior. >>> El aparato tardará más en alcanzar la temperatura cuando haya sido enchufado recientemente o cuando se coloque un nuevo alimento en su interior. Esto es normal.
- Puede que se haya colocado grandes cantidades de alimentos calientes en el aparato. >>> No coloque alimentos calientes en el aparato.
- Las puertas se han abierto demasiado a menudo o se dejan abiertas durante largos períodos de tiempo. >>> El aire circulante en el interior hará que el aparato funcione durante más tiempo. No abra las puertas con demasiada frecuencia.
- Puede que el congelador o la la puerta del congelador esté entreabierta. >>> Compruebe que las puertas estén totalmente cerrados.
- Puede que el aparato esté configurado con una temperatura demasiado baja. >>> Fije la temperatura a un grado más alto y espere a que el aparato alcance la temperatura establecida.
- Es posible que la junta de la puerta del compartimento frigorífico o congelador esté sucia, desgastada, rota o no asentada correctamente. >>> Limpie o sustituya la junta. Una junta de puerta rota / dañada hará que el aparato funcione durante más tiempo para preservar la temperatura actual.

La temperatura del frigorífico es muy baja, pero la del congelador es adecuada.

- La temperatura del compartimento congelador está fijada a un grado muy bajo. >>> Fíjela a un grado más alto y compruébelo de nuevo.

La temperatura del frigorífico es muy baja, mientras que la del congelador es adecuada.

- La temperatura del compartimento congelador está fijada a un grado muy bajo. >>> Fíjela a un grado más alto y compruébelo de nuevo.

Los alimentos depositados en los cajones del compartimento frigorífico están congelados.

- La temperatura del compartimento congelador está fijada a un grado muy bajo. >>> Fíjela a un grado más alto y compruébelo de nuevo.

La temperatura del congelador o del frigorífico es demasiado alta.

Resolución de problemas

- La temperatura del compartimento congelador está fijada a un grado muy bajo. >>> La temperatura del compartimento refrigerador incide en la temperatura del compartimento congelador. Cambie las temperaturas del frigorífico o el congelador y espere hasta que la temperatura de los compartimentos correspondientes estén a un nivel adecuado.
- Las puertas se han abierto demasiado a menudo o se dejan abiertas durante largos períodos de tiempo. >>> No abra las puertas con demasiada frecuencia.
- Puede que la puerta esté entreabierta. >>> Cierre la puerta totalmente.
- Puede que el aparato se haya enchufado recientemente o que se haya colocado un nuevo alimento en su interior. >>> Esto es normal. El aparato tardará más en alcanzar la temperatura cuando haya sido enchufado recientemente o cuando se coloque un nuevo alimento en su interior.
- Puede que se haya colocado grandes cantidades de alimentos calientes en el aparato. >>> No coloque alimentos calientes en el aparato.

Sacudidas o ruidos.

- El suelo no está nivelado o estable. >>> Si el aparato vibra, ajuste los pies para equilibrarlo. Compruebe además que el suelo sea lo suficientemente firme para soportar el aparato.
- Cualquier elemento colocado en el aparato puede provocar ruidos >>> Retire cualquier elemento colocado en el producto.

El aparato emite ruido del líquido en circulación, pulverización, etc.

- Los líquidos y gases fluyen en función de los principios de funcionamiento del frigorífico. >>> Esto es normal y no es una avería.

El aparato emite un ruido de sople de viento.

- El aparato usa un ventilador para el proceso de refrigeración. Esto es perfectamente normal, y no constituye una avería.

Hay condensación en las paredes internas del aparato.

- El tiempo cálido y húmedo favorece la formación de hielo y la condensación. Esto es perfectamente normal, y no constituye una avería.
- Las puertas se han abierto demasiado a menudo o se dejan abiertas durante largos períodos de tiempo. >>> No abra las puertas con demasiada frecuencia. Si las abre, ciérrelas.
- Puede que la puerta esté entreabierta. >>> Cierre la puerta totalmente.

Hay condensación en el exterior del aparato o entre sus puertas.

- Puede que haya humedad en el aire; es algo bastante normal en climas húmedos. >>> Cuando el grado de humedad descienda, la condensación desaparecerá.

Resolución de problemas

El interior huele mal.

- El producto no se limpia regularmente. >>> Limpie el interior regularmente con una esponja, agua caliente y bicarbonato.
- Ciertos recipientes y materiales de embalaje pueden causar mal olor. >>> Utilice recipientes y materiales de embalaje libres de malos olores.
- Los alimentos están guardados en recipientes no sellados. >>> Guarde los alimentos en recipientes sellados. Los microorganismos pueden propagarse fuera de los recipientes de alimentos y causar olores desagradables.
- Retire cualquier alimentos caducado o descompuesto del aparato.

La puerta no cierra.

- Puede que los paquetes de comida estén bloqueando la puerta. >>> Recoloque los elementos que estén bloqueando la puerta.
- El aparato no está colocado en el suelo en una posición totalmente vertical. >>> Ajuste los soportes para equilibrar el aparato.
- El suelo no está equilibrado o no es sólido. >>> Compruebe además que el suelo esté nivelado y que sea capaz de soportar el peso del frigorífico.

El cajón de las verduras está atascado.

- Puede que los alimentos estén en contacto con la sección superior del cajón. >>> Reorganice los alimentos del cajón.



ADVERTENCIA: Si el problema persiste después de seguir las instrucciones en este apartado, contacte con un distribuidor o con el servicio técnico autorizado. No intente reparar el aparato.

EXENCIÓN DE RESPONSABILIDADES / ADVERTENCIA

Es posible que algunas fallas (simples) sean tratadas de manera adecuada por el usuario final sin que se plantee ningún problema de seguridad o uso no seguro, siempre y cuando se lleven a cabo dentro de los límites y de conformidad con las siguientes instrucciones (véase la sección "Autorreparación").

En consecuencia, siempre y cuando no se autorice lo contrario en la sección "Autorreparación" que se encuentra a continuación, las reparaciones deben ser dirigidas a los reparadores profesionales registrados para evitar problemas de seguridad. Se considera un reparador profesional registrado el que ha tenido acceso a las instrucciones y a la lista de piezas de repuesto de este producto por parte del fabricante de acuerdo con los métodos descritos en los actos legislativos en virtud de la Directiva 2009/125/CE.

No obstante, según las condiciones de la garantía, sólo el agente de servicio (por ejemplo, los reparadores profesionales autorizados) al que puede llamar utilizando el número de teléfono que figura en el manual de usuario/ tarjeta de garantía o bien a través de su distribuidor autorizado puede prestar servicio. Por consiguiente, por favor, tenga en cuenta que las reparaciones realizadas por reparadores profesionales (no autorizados por Beko) anularán la garantía.

Autorreparación

El usuario final puede realizar la reparación por su cuenta con respecto a las siguientes piezas de repuesto: manijas de puertas, bisagras de puertas, bandejas, cestas y juntas de puertas (una lista actualizada también estará disponible en support.beko.com

a partir del 1 de Marzo de 2021).

Por otra parte, con el fin de garantizar la seguridad del producto y prevenir el riesgo

de lesiones graves, la autorreparación citada se llevará a cabo siguiendo las instrucciones del manual de usuario para la autorreparación o las que están disponibles en support.beko.com Para su seguridad, desenchufe el producto antes de intentar cualquier autorreparación.

La reparación y los intentos de reparación por parte de los usuarios finales de piezas no incluidas en dicha lista y/o no seguir las instrucciones contenidas en los manuales de usuario para la autorreparación o que están disponibles en support.beko.com, podrían causar problemas de seguridad no atribuibles a Beko, y anularían la garantía del producto.

Por ello, es muy recomendable que los usuarios finales se abstengan de intentar realizar las reparaciones que estén fuera de la lista de piezas de repuesto mencionada, comunicándose en tales casos con los reparadores profesionales autorizados o con los reparadores profesionales registrados. Al contrario, dichos intentos por parte de los usuarios finales pueden provocar problemas de seguridad y dañar el producto y, en consecuencia, provocar incendios, inundaciones, electrocución y lesiones personales graves.

Con carácter ejemplar, pero no limitado a ello, las siguientes reparaciones deben dirigirse a los autorizados reparadores profesionales o reparadores profesionales registrados: compresor, circuito de refrigeración, placa principal, tablero del inversor, tablero de la pantalla, etc.

En caso de que los usuarios finales no cumplan con lo anterior, el fabricante/ vendedor no podrá ser considerado responsable.

La disponibilidad de piezas de repuesto del refrigerador que ha adquirido es de 10 años. Durante este período, las piezas de repuesto

originales estarán disponibles para el funcionamiento apropiado del refrigerador.

La duración mínima de la garantía del refrigerador que ha comprado es de 24 meses.

“Este producto está equipado con una fuente de iluminación de la clase energética “G”.

La fuente de iluminación de este producto sólo debe ser sustituida por reparadores profesionales.

Stimate client,

Vă rugăm să citiți acest manual înainte de a utiliza produsul.

Vă mulțumim că ați ales acest produs. Am dori să obțineți eficiența optimă din acest produs de înaltă calitate care a fost fabricat cu tehnologie de ultimă generație. Pentru a face acest lucru, citiți cu atenție acest manual și orice alte documente furnizate, înainte de a utiliza produsul și păstrați-l ca referință.

Respectați toate informațiile și avertismentele din manualul de utilizare. În acest fel, vă veți proteja pe dumneavoastră și produsul dumneavoastră împotriva pericolelor care pot apărea.

Păstrați manualul de utilizare. Includeți acest ghid împreună cu unitatea dacă o predați altcuiva.

Acest manual de utilizare conține următoarele simboluri:



Pericol care poate duce la deces sau vătămare.

NOTIFICARE Un pericol care poate provoca daune materiale produsului sau mediului său înconjurător






Informații importante sau sfaturi utile privind funcționarea.



Citiți manualul de utilizare.




Risc de radiații UV-C

 INFORMAȚII	
 ENERGY SUPPLIER'S NAME: A MODEL IDENTIFIER: A	 Informațiile despre model, care sunt stocate în baza de date a produselor, pot fi obținute prin accesarea următorului site web și căutarea identificatorului dvs. de model (*) aflat pe eticheta energetică. https://eprel.ec.europa.eu/


1 Instrucțiuni privind siguranța	4	6 Utilizarea produsului	18
 1.1.Utilizarea prevăzută	4	6.1. Blue Light/HarvestFresh	21
 1.2.Siguranța copiilor, a persoanelor vulnerabile și a animalelor de companie	4	6.2. Compartimentul de igienă	22
 1.3.Siguranța electrică	5	6.3. Recipientul pentru gheață	23
 1.4.Siguranța privind transportul	5	6.4. Suport de ouă	23
 1.5.Siguranța privind instalarea	6	6.5. Ventilator	23
 1.6.Siguranța în funcționare	7	6.6. Compartiment de legume	23
 1.7. Întreținerea și curățarea în condiții de siguranță	9	6.7. Compartiment de zero grade	23
 1.8. HomeWhiz	10	6.8. Raft de ușa mobil	24
 1.9. Iluminarea	10	6.9. Cutii de stocare glisante	24
 1.10.Siguranța radiațiilor UV-C.	10	6.10. Modul de dezodorizare	24
 1.11.Informații tehnice pentru Wifi + Bluetooth	11	6.11. Controlul umidității în compartimentul de legume	25
2 Instrucțiuni siguranța mediul	12	6.12. Aparat automat de gheață	26
2.1 Conformitate cu Directiva WEEE și depozitarea la deșeurile a produsului uzat:	12	6.13. Aparatul Icematic și recipientul de depozitare a gheții.	27
2.2 Conformitate cu Directiva RoHS:	12	6.14. Dozatorul de apă	27
2.3 Informații despre ambalaj	12	6.15. Utilizarea dozatorului de apă	27
3 Frigider	13	6.16. Curățarea rezervorului de apă	29
4 Instalarea	14	6.18. HerbBox/HerbFresh	30
4.1. Locul corect pentru montare	14	6.17. Tava pentru apă	30
4.2. Montarea distanțierelor din plastic	15	6.19. Congelarea alimentelor proaspete.	31
4.3 Ajustarea picioarelor	15	6.20. Recomandări pentru depozitarea alimentelor congelate	31
4.4 Conexiunea electrică	15	6.21. Detalii despre congelator	32
5 Pregătirea	16	6.22. Introducerea alimentelor	32
5.1. Sfaturi pentru economisirea energiei	16	6.23. Alarmă de ușa deschisă	32
5.2. Prima utilizare	16	6.24. Schimbarea direcției de deschidere a ușii	32
		6.25. Bec interior	33
		6.26 Recomandări de folosire pentru Compartimentul de Igienă:	33
		7 Întreținerea și curățarea	34
		7.1 Evitarea mirosurilor urât mirositoare	34
		7.2 Protejarea suprafețelor din plastic	34
		7.3 Geamuri din sticlă	34
		8 Depanare	36


1 Instrucțiuni privind siguranța

- Această secțiune conține instrucțiuni de siguranță care vă vor ajuta să vă protejați împotriva riscurilor de vătămare corporală sau deteriorare a bunurilor.
- Compania noastră nu va fi responsabilă pentru daunele care pot surveni ca urmare a nerespectării acestor instrucțiuni.

 Procedurile de instalare și reparare trebuie să fie întotdeauna efectuate de producător, de agentul de service autorizat sau de o persoană calificată specificată de importator.

 Utilizați numai piese și accesorii originale.

 Nu reparați sau înlocuiți nicio piesă a produsului decât dacă este specificat în mod expres în manualul de utilizare.

 Nu efectuați modificări tehnice asupra produsului

1.1. Utilizarea prevăzută

- Acest produs nu este adecvat pentru utilizare comercială și nu trebuie utilizat în alte scopuri decât cele prevăzute.

Acest produs este proiectat pentru a fi utilizat în case și spații închise.

De exemplu:

- Bucătării de personal din magazine, birouri și alte medii de lucru,
- Gospodării agricole,
- Zone utilizate de clienți în hoteluri, moteluri și alte tipuri de cazare,
- Hoteluri de tip cazare și mic dejun, pensiuni,
- Catering și aplicații similare de non-retail.

Acest produs nu trebuie utilizat în exterior cu sau fără un cort deasupra, cum ar fi în bărci, pe balcoane sau terase. Nu expuneți produsul la ploaie, zăpadă, soare sau vânt.

Există riscul de incendiu!

1.2. Siguranța copiilor, a persoanelor vulnerabile și a animalelor de companie

- Acest produs poate fi utilizat de către copii cu vârsta minimă de 8 ani și de către persoane cu capacități fizice, senzoriale sau mentale reduse sau care nu au experiență și cunoștințe despre produs, cu condiția să fie supravegheați sau instruiți cu privire la utilizarea în siguranță a produsului și la riscurile pe care le implică acesta.
- Copiii cu vârsta cuprinsă între 3 și 8 ani li se permite să încarce și să descarce produse pentru răcire.
- Produsele electrice sunt periculoase pentru copii și animale de companie. Copiii și animalele de companie nu trebuie să se joace cu produsul, nici să se urce pe produs sau să intre în acesta.
- Operațiunile de curățare și de întreținere realizate de utilizator nu vor fi făcute de copii, cu excepția cazului în care aceștia sunt supravegheați de cineva.
- Nu lăsați ambalajele la îndemâna copiilor. Există riscul de vătămare și sufocare!
- Înainte de a elimina produsul vechi sau depășit:
 1. Scoateți produsul din priză ținând de ștecher.

Instrucțiuni privind siguranța

2. Tăiați cablul de alimentare și scoateți-l din aparat împreună cu ștecherul.

3. Nu scoateți rafturile sau sertarele astfel încât să fie mai greu pentru copii să intre în produs.

4. Demontați ușile.

5. Păstrați produsul astfel încât să nu se răstoarne.

6. Nu permiteți copiilor să se joace cu produsul vechi.

- Nu aruncați niciodată produsul în foc în vederea eliminării. Există riscul de explozie!
- În cazul în care există o blocare pentru ușa produsului, cheia trebuie să fie ținută departe de accesul copiilor.

1.3. Siguranța electrică

- Produsul trebuie scos din priză în timpul procedurilor de instalare, întreținere, curățare, reparare și deplasare.
- În cazul în care cablul de alimentare este deteriorat, acesta trebuie înlocuit de producător, reprezentantul său de service sau de importator pentru a evita orice pericol.
- Nu strângeți cablul de alimentare sub sau în spatele produsului. Nu plasați obiecte grele pe cablul de alimentare. Cablul de alimentare nu trebuie să fie îndoit excesiv, ciupit sau să intre în contact cu nicio sursă de căldură.
- Nu utilizați prelungitoare, prize multiple sau adaptoare pentru a pune în funcțiune produsul.

- Prizele multiple portabile sau sursele de alimentare portabile se pot supraîncălzi și pot cauza incendiu. Prin urmare, nu păstrați nicio priză multiplă în spatele sau în apropierea produsului.
- Cablul de alimentare trebuie să fie ușor accesibil. Dacă acest lucru nu este posibil, instalația electrică la care este conectat produsul trebuie să aibă un dispozitiv (cum ar fi o siguranță, un comutator, un disjunctiv etc.) care să fie conform cu reglementările electrice și care să deconecteze toți polii de la rețea.
- Nu atingeți cablul de alimentare cu mâinile ude.
- Scoateți cablul din priză ținând de ștecher și nu trăgând de cablu.

1.4. Siguranța privind transportul

- Produsul este greu; nu-l deplasați singur.
- Nu țineți de ușă în timpul deplasării produsului.
- Fiți atenți să nu deteriorați sistemul de răcire sau conductele în timpul transportului. Dacă tubulatura este deteriorată, nu puneți în funcțiune produsul și contactați agentul de service autorizat.

Instrucțiuni privind siguranța



1.5. Siguranța privind instalarea

- Sunați agentul de service autorizat pentru instalarea produsului. Pentru ca produsul să fie gata de utilizare, verificați informațiile din manualul de utilizare pentru a vă asigura că instalațiile electrice și de apă sunt corespunzătoare. Dacă acestea nu sunt corespunzătoare, apălați la un electrician și instalator calificați pentru a vă efectua remedierile necesare. În caz contrar, există riscul de șoc electric, incendiu, probleme cu produsul sau vătămare!
 - Înainte de instalare, verificați dacă produsul prezintă defecte. Dacă produsul este deteriorat, nu îl instalați.
 - Așezați produsul pe o suprafață curată, plană și solidă și echilibrați-l din picioarele reglabile. În caz contrar, produsul se poate răsturna și poate cauza răni.
 - Locul de instalare trebuie să fie uscat și bine ventilat. Nu puneți covorașe, mochete sau alte acoperitoare sub produs. Ventilația insuficientă cauzează risc de incendiu!
 - Nu acoperiți sau blocați orificiile de ventilație. În caz contrar, consumul de energie crește, iar produsul dvs. se poate deteriora.
 - Produsul nu trebuie să fie conectat la sisteme de alimentare, cum ar fi sursele de alimentare cu energie solară. În caz contrar, produsul dvs. se poate deteriora din cauza modificărilor bruște de tensiune!
 - Cu cât mai mult agent frigorific conține un frigider, cu atât mai mare trebuie să fie locația de instalare. Dacă locația de instalare este prea mică, se vor acumula agent frigorific inflamabil și amestec de aer în cazul scurgerii de agent frigorific în sistemul de răcire. Spațiul necesar pentru fiecare 8 grame de agent frigorific este de minimum 1 m³. Cantitatea de agent frigorific din produsul dvs. este indicată pe Eticheta de tip.
 - Produsul nu trebuie instalat în locuri expuse direct la lumina solară și trebuie ținut departe de surse de căldură, cum ar fi plite, radiatoare etc.
- Dacă este inevitabilă instalarea produsului în apropierea unei surse de căldură, trebuie utilizată o placă de izolare despărțitoare adecvată, precum și următoarele distanțe minime față de sursa de căldură:
- Minimum 30 cm distanță față de surse de căldură, cum ar fi plite încinse, cuptoare, unități de încălzire sau sobe,
 - Minimum 5 cm distanță față de cuptoarele electrice.
- Clasa de protecție a produsului dvs. este Tipul I. Conectați produsul la o priză cu împământare care corespunde valorilor tensiunii, curentului și frecvenței indicate pe eticheta de tip a produsului. Priza trebuie să fie echipată cu un întrerupător de circuit de 10 A – 16 A. Compania noastră nu va fi responsabilă pentru daunele care

Instrucțiuni privind siguranța

vor surveni atunci când produsul este utilizat fără împământare și conexiune electrică în conformitate cu reglementările locale și naționale.

- Produsul nu trebuie conectat în timpul instalării. În caz contrar, există riscul de șoc electric și de vătămare!
- Nu conectați produsul la prize slăbite, dislocate, sparte, murdare, unsoase sau care prezintă riscul de a intra în contact cu apa.
- Amplasați cablul de alimentare și furtunurile (dacă există) produsului astfel încât să nu provoace riscul de împiedicare.
- Expunerea componentelor sub tensiune sau a cablului de alimentare la umiditate poate cauza scurtcircuit. Prin urmare, nu instalați produsul în locuri precum garaje sau spălătorii unde umiditatea este ridicată sau apa poate stropi. Dacă frigiderul se udă cu apă, deconectați-l și apelați agentul de service autorizat.
- Nu conectați niciodată frigiderul la dispozitive de economisire a energiei. Astfel de sisteme sunt dăunătoare pentru produsul dvs.

1.6. Siguranța în funcționare

- Nu utilizați niciodată solvenți chimici pe produs. Există riscul de explozie!
- Dacă produsul funcționează defectuos, deconectați-l și nu îl utilizați până când nu este reparat de către agentul de service autorizat. Există riscul de electrocutare!

- Nu puneți surse de flacără (lumânări aprinse, țigări etc.) pe sau în apropierea produsului.
- Nu vă urcați pe produs. Există risc de cădere și de rănire!
- Nu deteriorați conductele circuitului de răcire cu obiecte ascuțite sau penetrante. Agentul frigorific care poate să iasă în momentul găuririi conductelor cu agent frigorific, a extensiilor de conducte sau a straturilor de suprafață, provoacă iritații ale pielii și leziuni ale ochilor.
- Dacă nu este recomandat de producător, nu așezați și nu utilizați dispozitive electrice în interiorul frigiderului/ congelatorului.
- Aveți grijă să nu vă prindeți mâinile sau orice altă parte a corpului în piesele în mișcare din interiorul frigiderului. Aveți grijă să nu vă prindeți degetele între ușă și frigider. Aveți grijă când deschideți și închideți ușa, în special dacă sunt copii în jurul acesteia.
- Nu mâncați niciodată înghețată, cuburi de gheață sau alimente congelate imediat după scoaterea lor din frigider. Există riscul de degerătură!
- Dacă aveți mâinile ude, nu atingeți pereții interiori sau părțile metalice ale congelatorului sau alimentele depozitate în acesta. Există riscul de degerătură!
- Nu așezați cutii metalice sau sticle care conțin băuturi gazoase sau lichide congelabile în compartimentul congelator. Cutiile sau sticlele pot exploda. Există

Instrucțiuni privind siguranța

riscul de vătămare și pagube materiale!

- Nu amplasați sau utilizați pulverizatoare inflamabile, materiale inflamabile, gheață uscată, substanțe chimice sau materiale sensibile la căldură similare în apropierea frigiderului. Există riscul de incendiu și de explozie!
 - Nu depozitați în produs materiale explozive care conțin materiale inflamabile, cum ar fi aerosoli.
 - Nu amplasați recipiente umplute cu lichid pe produs. Stropirea cu apă a unei componente electrice poate provoca șocuri electrice sau risc de incendiu.
 - Acest produs nu este destinat depozitării medicamentelor, plasmei sangvine, preparatelor de laborator sau a altor substanțe medicale similare și a produselor care fac obiectul Directivei privind Produsele medicale.
 - Neutilizarea produsului în funcție de destinația sa poate cauza deteriorarea sau alterarea produselor depozitate în interiorul acestuia.
 - Dacă frigiderul este dotat cu lumină albastră, nu priviți această lumină cu instrumente optice. Nu priviți direct și îndelung lampa cu LED-uri UV. Lumina ultravioletă vă poate stresa ochii.
 - Nu supraîncărcați produsul. Obiectele din frigider pot cădea când ușa se deschide, cauzând accidente sau deteriorări.
- Probleme similare pot apărea în cazul în care un obiect este plasat pe produs.
- Pentru a evita răniurile, asigurați-vă că ați curățat toată gheața și apa care ar fi putut stropi podeaua sau ar fi căzut pe aceasta.
 - Schimbați poziția rafturilor/ suporturilor pentru biberoane de pe ușa frigiderului numai când sunt goale. Există riscul de vătămare!
 - Nu așezați obiecte care pot cădea/ răsturna pe produs. Astfel de obiecte pot cădea când ușa este deschisă și pot provoca răniuri și/ sau pagube materiale.
 - Nu loviți și nu exercitați forță excesivă asupra suprafețelor de sticlă. Sticla spartă poate provoca răniuri și/ sau pagube materiale.
 - Sistemul de răcire a produsului dvs. conține agent frigorific R600a: Tipul de agent frigorific utilizat în produs este indicat pe Eticheta de tip. Acest agent frigorific este inflamabil. Prin urmare, fiți atenți să nu deteriorați sistemul de răcire sau conductele în timpul transportului. Dacă conductele sunt deteriorate:
 - Nu atingeți produsul sau cablul de alimentare,
 - Păstrați la distanță sursele potențiale de incendiu care ar putea provoca incendiu.
 - Ventilați zona în care se află produsul. Nu utilizați ventilatoare.
 - Apelați agentul de service autorizat.

Instrucțiuni privind siguranța

- Dacă produsul este deteriorat și observați scurgeri de agent frigorific, depărtați-vă de agentul frigorific. Agentul frigorific poate provoca degerături în cazul contactului cu pielea.

Pentru produsele prevăzute cu dozator de apă/aparat de gheață

- Utilizați numai apă potabilă. Nu umpleți rezervorul cu lichide, cum ar fi suc de fructe, lapte, băuturi gazoase sau băuturi alcoolice, care nu sunt adecvate utilizării în dozator.
- Există riscuri la adresa sănătății și siguranței!
- Nu permiteți copiilor să se joace cu dozatorul de apă sau cu aparatul de gheață (Icematic) pentru a preveni accidentele sau răniurile.
- Nu introduceți degetele sau alte obiecte în orificiul dozatorului de apă, canalului de apă sau recipientul aparatului de gheață. Există riscul de vătămare sau pagube materiale!



1.7. Întreținerea și curățarea în condiții de siguranță

- Dacă trebuie să mutați produsul pentru curăț, nu trageți de mânerul ușii. Mânerul poate să se rupă și să provoace răniuri dacă exercitați forță excesivă asupra acestuia.
- Pentru curățare, nu pulverizați sau nu turnați apă pe sau în interiorul produsului. Există riscul de incendiu și electrocutare!
- Nu folosiți instrumente ascuțite atunci când curățați produsul. Nu utilizați produse de curățare de uz casnic, detergent, gaz, benzină, diluant, alcool, lac etc.
- În interiorul produsului, utilizați numai produse de curățare și întreținere care nu sunt dăunătoare pentru alimente.
- Nu utilizați niciodată abur sau agenți de curățare cu abur pentru a curăța sau dezgheța produsul. Aburul intră în contact cu piesele sub tensiune din frigider, cauzând scurtcircuit sau electrocutare!
- Asigurați-vă că nu pătrunde apă în circuitele electronice sau în elementele de iluminare ale produsului.
- Ștergeți cu o lavetă curată materiile străine sau praful de pe pini cablului. Nu folosiți o cârpă umedă pentru a curăța cablul. Există riscul de incendiu și electrocutare!

Instrucțiuni privind siguranța

1.8. HomeWhiz

- Când utilizați produsul prin intermediul aplicației HomeWhiz, trebuie să respectați avertismentele de siguranță chiar și atunci când sunteți departe de produs. De asemenea, trebuie să urmați avertismentele din aplicație.

1.9. Iluminarea



- Contactați service-ul autorizat atunci când este necesar să înlocuiți LED-ul/becul utilizat pentru iluminare.

1.10. Siguranța radiațiilor UV-C

- Nu demontați sticla de protecție a lămpii UV-C.
- Nu utilizați produsul fără sticla de protecție a lămpii UV-C.
- Acest produs conține o lampă care emite raze UV-C. Nu priviți direct în sursa de lumină.
- La curățarea compartimentului care conține lampa UV-C, scoateți ștecherul din priză.
- Nu utilizați în nici un caz un produs al cărui geam de protecție este deteriorat.
- Dezactivați funcția UV-C prin intermediul afișajului panoului de comandă când înlocuiți lampa UV-C cu ajutorul unui service autorizat.
- Nu scoateți niciodată eticheta „Pericol, radiații ultraviolete” de pe compartimentul de igienă care conține lămpile UV-C.

- Utilizarea produsului în alte scopuri decât scopul intenționat sa sau deteriorarea geamului de protecție a lămpii UV-C sau zonei din jurul acestuia poate rezulta într-un nivel periculos de radiații UV-C. Radiațiile UV-C pot provoca vătămarea ochilor și a pielii, chiar și în doze mici! Nu folosiți produsul dacă acesta este defect!
- Dacă simbolul UV-C începe să lumineze intermitent atunci când funcția de igienă este activată, acest lucru indică faptul că s-a atins timpul de înjumătățire al lămpilor, iar eficiența lor este redusă. Recomandăm să înlocuiți lămpile UV-C atunci când observați acest avertisment. Lămpile UV-C sunt înlocuite împreună cu tava în care acestea se află. Achiziționarea și instalarea tăvii UV-C trebuie efectuată prin intermediul serviciilor autorizate.



	AVERTISMENT: Radiațiile UV sunt nocive pentru ochi și piele. Nu utilizați lămpile UV-C în afara aparatului!
	AVERTISMENT: Nu este permisă înlocuirea lămpilor UV-C de către utilizator. Cereți sprijinul unui service autorizat la expirarea duratei de viață a lămpi UV-C!

Instrucțiuni privind siguranța

1.11. Informații tehnice pentru Wifi + Bluetooth

Banda de frecvență:	2.4GHz (operațional Wi-fi sau Bluetooth)
Putere maximă de transmisie:	< 100mW (operațional Wi-fi sau Bluetooth)
Informații despre software:	Quartz_WiFi.XXX

Declarația de conformitate CE:

Prin prezenta Arçelik A.Ş. declară că acest aparat este în conformitate cu Directiva 2014/53/EU.

Textul integral al Declarației de conformitate EU este disponibil la următoarea adresă de internet:

Produse, De la: support.beko.com

Perioada de asistență pentru actualizarea software-ului legată de securitatea cibernetică definită a produsului este perioada de garanție a produsului. După această perioadă, actualizările de software legate de securitatea cibernetică nu sunt garantate.

2 Instrucțiuni siguranța mediul

2.1 Conformitate cu Directiva WEEE și depozitarea la deșeurile a produsului uzat:

Acest produs respectă Directiva UE WEEE (2012/19/UE). Produsul este marcat cu un simbol de clasificare pentru deșeurile electrice și electronice (WEEE).



Acest simbol indică faptul că produsul nu trebuie eliminat cu alte deșeurile menajere la finalul perioadei de utilizare. Dispozitivele utilizate trebuie returnate la punctul special de reciclare de dispozitive

electrice și electronice. Pentru a găsi aceste sisteme de colectare contactați autoritățile locale sau distribuitorul de la care a fost achiziționat produsul. Fiecare gospodărie are un rol important în recuperarea și reciclarea electrocasnicelor vechi. Eliminarea corespunzătoare a electrocasnicelor utilizate ajută la prevenirea posibilelor consecințe negative pentru mediu și sănătatea umană.

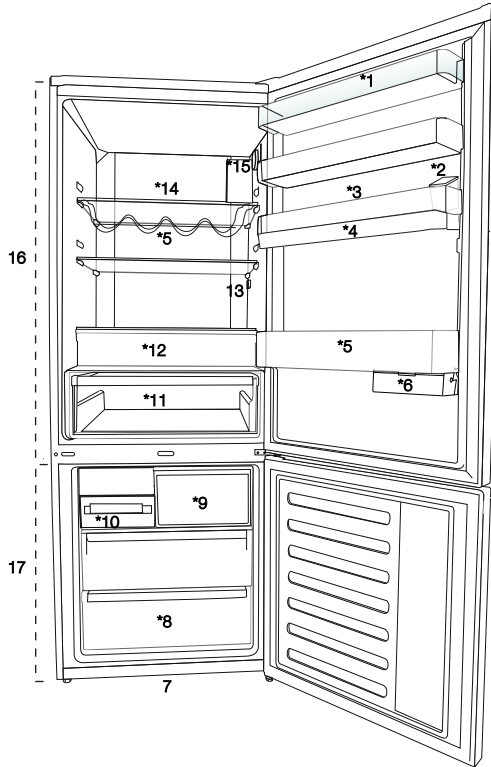
2.2 Conformitate cu Directiva RoHS:

Produsul pe care l-ați achiziționat respectă Directiva UE RoHS (2011/65/UE). Nu conține materiale dăunătoare și interzise specificate în Directivă.

2.3 Informații despre ambalaj



Ambalajul produsului este fabricat din materiale reciclabile conform Legislației Naționale. Ambalajele nu trebuie aruncate împreună cu gunoierul menajer sau alt tip. Duceți-le la punctele de colectare destinate ambalajelor amenajate de către autoritățile locale



1. Raftul ușii compartimentului de răcire

2. Rezervorul dozatorului de apă

3. Suport pentru ouă

4. Rezervorul de apă

5. Raft pentru sticle

6. Sertar glisant pentru depozitare

7. Picioare ajustabile

8. Compartimentul congelatorului

9. Compartiment congelare rapidă

10. Icematic

11. Secțiunea pentru legume și fructe

12. Compartiment igienic (lămpi UV- C)

13. Lampă interioară

14. Raftul de sticlă al compartimentului de răcire

15. Butonul de reglare a temperaturii

16. Compartiment frigider

17. Compartiment congelator



*Opțional: Imaginile din acest manual de utilizare sunt schematice și este posibil să nu fie identice cu produsul dumneavoastră. Informațiile pentru componentele care nu există în dotarea produsului achiziționat de dumneavoastră se aplică pentru alte modele.

 Citiți mai întâi secțiunea „Instrucțiuni de siguranță”!

4.1. Locul corect pentru montare

Pentru montarea produsului, contactați service-ul autorizat. Pentru pregătirea produsului pentru montare, consultați informațiile din ghidul de utilizare și asigurați-vă că conexiunile electrice și de apă sunt corespunzătoare. Dacă nu, apelați la un electrician și instalator pentru a face aceste conexiuni corespunzătoare.

	AVERTISMENT: Producătorul nu își va asuma răspunderea pentru orice pagube rezultate din activitatea efectuată de către persoane neautorizate.
	AVERTISMENT: În timpul montării produsului, cablul de alimentare trebuie să fie deconectat. Nerespectarea acestui lucru poate cauza decesul sau vătămări grave!
	AVERTISMENT: Dacă lățimea ușii este prea mică pentru ca produsul să treacă prin aceasta, scoateți ușa și rotiți produsul pe o parte; dacă nici acest lucru nu funcționează, contactați service-ul autorizat.

- Plasați produsul pe o suprafață dreaptă pentru evitarea vibrațiilor.
- Plasați produsul la o distanță de cel puțin 30 cm de radiator, plită sau surse similare de căldură și la ce puțin 5 cm de cuptoare electrice.
- Nu expuneți produsul la razele solare directe sau mențineți-l în medii umede.

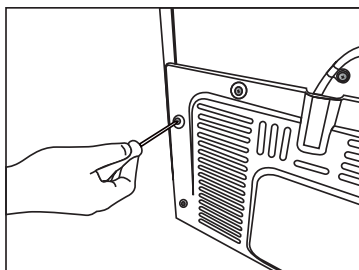
- Pentru funcționarea eficientă a produsului acesta necesită o circulare a aerului corespunzătoare.
- Dacă produsul va fi montat într-un chioșc, amintiți-vă să lăsați cel puțin 5 cm distanță între produs, tavan și pereți.
- Nu montați produsul în medii cu temperaturi sub -5°C.
- Produsul dvs. necesită o circulație adecvată a aerului pentru a funcționa eficient. Dacă produsul va fi plasat într-o nișă, nu uitați să lăsați o distanță de cel puțin 5 cm între produs și tavan, peretele din spate și pereții laterali.
- Dacă produsul va fi plasat într-o nișă, nu uitați să lăsați o distanță de cel puțin 5 cm între produs și tavan, peretele din spate și pereții laterali. Verificați dacă elementul de protecție a spațiului la peretele din spate se află în locația sa (dacă este furnizat împreună cu produsul). Dacă elementul nu este disponibil sau dacă este pierdut sau căzut, poziționați produsul astfel încât să rămână o distanță de cel puțin 5 cm între suprafața din spate a produsului și pereții camerei. Spațiul din spate este important pentru funcționarea eficientă a produsului.

Instalarea

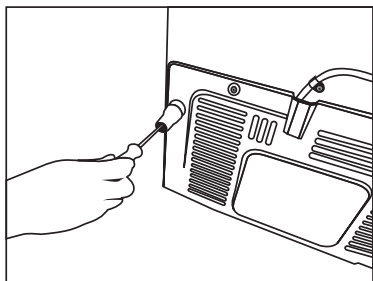
4.2. Montarea distanțierelor din plastic

Utilizați distanțierile din plastic furnizate împreună cu produsul pentru a furniza o distanță suficientă pentru circulația aerului între produs și perete.

1. Pentru montarea distanțierilor, scoateți șuruburile de pe produs și utilizați șuruburile furnizate împreună cu distanțierele.

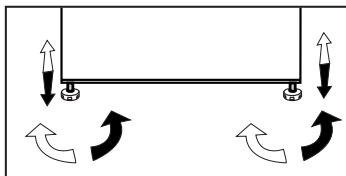


2. Introduceți cei 2 distanțieri din plastic pe protecția sistemului de ventilare, conform figurii de mai jos.



4.3 Ajustarea picioarelor

Dacă produsul nu se află în poziție de echilibru, reglați picioarele frontale prin rotirea acestora în partea stângă sau dreaptă.



4.4 Conexiunea electrică



AVERTISMENT: Nu utilizați prelungitoare sau prize multiple în conexiunea electrică.



AVERTISMENT: Cablul de alimentare avariata trebuie să fie înlocuit de către un service autorizat.



Atunci când plasați două frigideră în poziții adiacente, lăsați o distanță de cel puțin 4 cm între acestea.

- Compania noastră nu își va asuma răspunderea pentru orice pagube rezultate din utilizarea fără împământare și conexiune electrică neconformă cu regulamentele naționale.
- Ștecherul cablului de alimentare trebuie să fie ușor accesibil după instalare.
- Nu utilizați ștechere multiple cu sau fără prelungitoare între priza de perete și frigider.



Avertisment suprafață fierbinte
Pereții laterali ai produsului sunt echipați cu țevi de refrigerare pentru a ameliora sistemul de răcire. Agentul frigorific cu temperaturi înalte poate curge prin aceste zone, rezultând suprafețe fierbinți pe pereții laterali. Este normal și nu este nevoie de reparații. Fiți atenți în timp ce atingeți aceste zone.

⚠️ Citiți mai întâi secțiunea „Instrucțiuni de siguranță”!

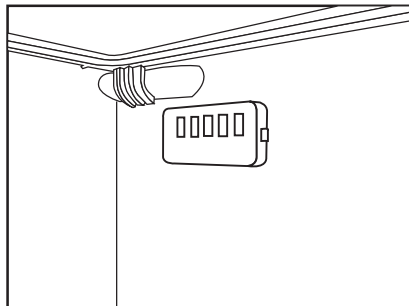
5.1. Sfaturi pentru economisirea energiei



Conectați produsul la sistemele de economisire a energiei electrice este periculoasă și poate cauza avariarea produsului.

- Pentru un aparat autonom; „acest aparat frigorific nu este destinat utilizării ca aparat încorporat. Nu mențineți ușile frigiderului deschise pentru perioade lungi de timp.
- Nu introduceți alimente calde sau băuturi în frigider.
- Nu supraîncărcați frigiderul; blocarea curentului intern de aer va reduce capacitatea de răcire.
- Pentru depozitarea cantității maxime de alimente în compartimentul de congelare al frigiderului, dumneavoastră trebuie să scoateți sertarele superioare și să introduceți raftul din sticlă. Consumul de energie declarat al frigiderului dumneavoastră a fost determinat prin scoaterea compartimentului de congelare, tăvii de gheață și a sertarelor superioare pentru a permite depozitarea maximă. În momentul depozitării, este recomandat utilizarea sertarului inferior. Funcția de economisire a energiei trebuie să fie activată pentru cel mai bun consum de energie.
- Nu trebuie să blocați debitul de aer prin introducerea alimentelor în fața ventilatorului congelatorului. În momentul introducerii alimentelor, un spațiu de minim 3 cm trebuie să fie lăsat în fața grilajului de protecție al ventilatorului.
- Depinzând de caracteristicile produsului; dezghețarea alimentelor congelate în compartimentul de congelare va asigura economisire de energie și va menține calitatea alimentelor.
- Alimentele trebuie să fie depozitate utilizând sertarele din compartimentul congelatorului pentru a se asigura economisirea energiei și protejarea acestora în condiții mai bune.

- Ambalajele alimentelor nu trebuie să fie în contact direct cu senzorul de căldură localizat în congelator. Dacă acestea se află în contact cu senzorul, consumul de energie al produsului ar putea crește.



- Asigurați-vă că alimentele nu se află în contact cu senzorul de temperatură al compartimentului congelatorului descris mai jos.

5.2. Prima utilizare

Înainte de a utiliza frigiderul, asigurați-vă că operațiunile necesare de pregătire respectă instrucțiunile aflate în secțiunile ”Instrucțiuni de siguranță și mediu” și ”Montaj”:

- Mențineți funcționarea produsului fără alimente timp de 6 ore și nu deschideți ușa, doar dacă este absolut necesar.



Un sunet va fi auzit atunci când compresorul este angrenat. Atunci când compresorul este inactiv este normal să auziți acest sunet, datorită lichidelor și gazelor compresibile aflate în sistemul de răcire.



Marginile frontale ale produsului se pot încălzi. Acest fenomen este normal. Aceste zone sunt proiectate să se încălzească pentru prevenirea condensării.



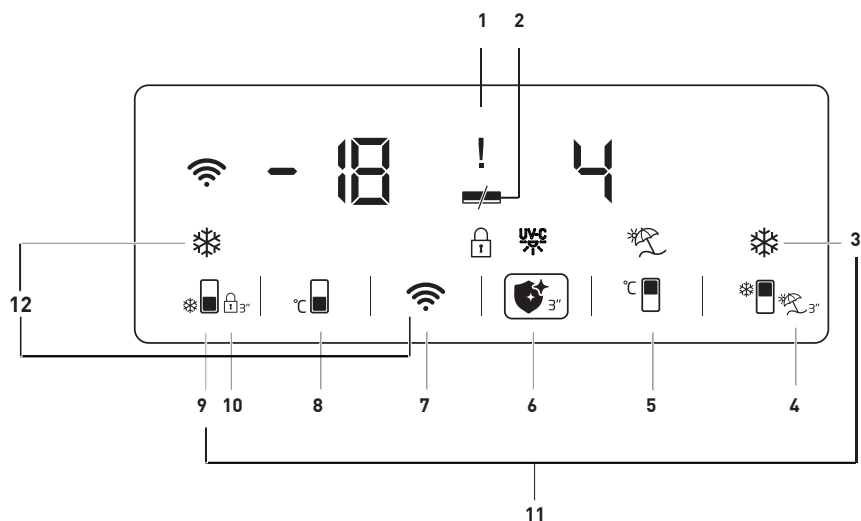
La unele modele, panoul cu instrumente se oprește după 5 minute după ce ușa a fost închisă. Acesta va fi reactivat atunci când ușa a fost deschisă sau când o tastă este apăsată.

Utilizarea produsului

- Deoarece aerul fierbinte și umed nu pătrunde direct în produs atunci când ușile nu sunt deschise, acesta se va auto-optimizeza pentru a vă proteja alimentele. Funcțiile și componentele cum ar fi compresorul, ventilatorul, încălzitorul, dezghețarea, iluminarea, afișajul etc vor funcționa conform necesității unui consum minim de energie în aceste condiții.

6 Utilizarea produsului

⚠ Citiți mai întâi secțiunea „Instrucțiuni de siguranță”!



1. Indicator de stare de eroare
2. Indicator de economisire a energiei (afișaj oprit)
3. Tastă de răcire rapidă
4. Tastă funcție vacanță
5. Tasta de setare a temperaturii compartimentului de răcire
6. Tasta funcției igienice
7. Tasta wireless
8. Tasta de setare a temperaturii compartimentului de congelare
9. Tasta de congelare rapidă
10. Blocarea tastelor
11. Tasta de comutare a unității de temperatură
12. Tastă pentru resetarea setărilor conexiunii wireless


Este posibil să nu fie aplicabil pentru toate modelele



*Opțional: Imaginile din acest manual de utilizare sunt schematice și este posibil să nu fie identice cu produsul dvs. Informațiile pentru componentele care nu există în dotarea produsului achiziționat de dvs. se aplică pentru alte modele.

Utilizarea produsului

1. Indicator de stare de eroare

Acest indicator () trebuie să fie activ atunci când frigiderul nu poate efectua o răcire adecvată sau în cazul unei erori a senzorului. Când acest indicator este activ, „E” se afișează pe indicatorul de temperatură al compartimentului de congelare, iar valori precum 1,2,3... se afișează pe indicatorul de temperatură al compartimentului de răcire. Aceste cifre furnizează informații serviciului autorizat cu privire la eroarea care a apărut.


Semnul exclamării poate fi afișat atunci când încărcați alimente calde în compartimentul de congelare sau păstrați ușa deschisă pentru o perioadă lungă de timp. Aceasta nu este o defecțiune, acest avertisment dispare atunci când alimentul s-a răcit.

2. Indicator de economisire a energiei (afișaj oprit)



Funcția de economisire a energiei este activată automat și simbolul de economisire a energiei este afișat atunci când ușa produsului nu este deschisă sau închisă pentru o anumită perioadă de timp. () Atunci când este activă funcția de economisire a energiei, toate simbolurile de pe ecran, altele decât simbolul de economisire a energiei, trebuie dezactivate. Când funcția de economisire a energiei este activă, dacă apăsați orice tastă sau dacă deschideți ușa, funcția de economisire a energiei se va dezactiva și simbolurile de pe ecran vor reveni

la normal. Funcția de economisire a energiei este o funcție instalată din fabrică, dezactivarea acesteia nu este posibilă.

3. Tastă de răcire rapidă


Când funcția de răcire rapidă este activată, indicatorul de răcire rapidă se aprinde () și indicatorul de temperatură al compartimentului de răcire afișează valoarea 1. Apăsați din nou tasta de Răcire rapidă pentru a anula funcția. Indicatorul de Răcire rapidă se va dezactiva și va reveni la setările sale normale. Funcția de răcire rapidă se va anula automat după 1 oră, cu excepția cazului în care este anulată de utilizator. Pentru a răci cantități mari de alimente proaspete, apăsați tasta de răcire rapidă înainte de a introduce alimente în compartimentul de răcire.

4. Tastă funcție vacanță



Apăsați butonul () timp de 3 secunde pentru a activa funcția de vacanță; indicatorul modului de vacanță () se aprinde. Atunci când este activată o funcție de vacanță, mesajul “- -” este afișat pe indicatorul de temperatură al compartimentului de răcire și nu este efectuată nicio răcire activă în compartimentul de răcire. Nu este recomandat să țineți alimente în compartimentul de răcire atunci când această funcție este activată. Alte compartimente vor continua să fie răcite conform temperaturii setate pentru acestea. Apăsați din nou tasta funcției de **vacanță** pentru a anula funcția.


Utilizarea produsului

5. Tasta de setare a temperaturii compartimentului de răcire


Temperatura din compartimentul de răcire poate fi setată la 8, 7, 6, 5, 4, 3, 2 și respectiv 1 prin apăsarea acestei taste. ()

6. Tasta funcției igienice

Apăsați butonul () timp de 3 secunde pentru a activa funcția igienică, apoi indicatorul funcției igienice () se aprinde. Vă sfătuim să nu deschideți ușa produsului atunci când funcția de igienă este activată. Dacă ușa produsului este deschisă atunci când funcția de igienă este activă, operațiunea de igienizare va fi oprită până când ușa va fi închisă. Atunci când operațiunea de igienizare este finalizată, aparatul electrocasnic va indica încheierea operațiunii printr-un avertisment sonor. Țineți apăsată tasta funcției igienice timp de 3 secunde pentru a opri operațiunea de igienizare înainte de timpul programat.

Dacă se afișează semnul exclamării () împreună cu simbolul de igienizare, când activați funcția de igienizare, acest lucru indică faptul că lămpile urmează să expire. Vă rugăm contactați service-ul.

7. Tasta wireless (*opțional)

La apăsarea lungă (3 secunde) a tastei pornește inițializarea produsului în rețeaua domiciliului. Simbolul conexiunii wireless () luminează intermitent la intervale de 0.5 secunde până când este stabilită conexiunea.

Când conexiunea la rețeaua de domiciliu s-a efectuat cu succes, simbolul rețelei wireless luminează în mod continuu.


Când este stabilită conexiunea inițială, puteți activa/dezactiva conexiunea cu o apăsare scurtă pe această tastă.

Rețeaua cu ați stabilit conexiunea va fi memorată și conexiunea se va restabili, atunci când produsul este oprit și pornit.

Simbolul rețelei wireless va lumina intermitent la intervale de 0,2 secunde până când este stabilită conexiunea.

Simbolul rețelei wireless va lumina continuu când conexiunea este activă. Verificați setările modemului/ conexiunii dacă conexiunea nu poate fi stabilită o perioadă mai lungă de timp. Aplicația HomeWhiz este folosită ca interfață de conectare. Pașii de conectare sunt descriși în GHIDUL DE INSTALARE RAPIDĂ HomeWhiz care însoțește produsul. Pentru răspunsuri la întrebări de bază puteți consulta secțiunea Depanare.

8. Tasta de setare a temperaturii compartimentului de congelare

Aceasta permite setarea temperaturii pentru compartimentul de congelare. Când este apăsată această tastă (), temperatura din compartimentul de congelare poate fi setată la -18, -19, -20, -21, -22, -23, respectiv -24.

Utilizarea produsului

9. Tasta de congelare rapidă

Apăsați tasta nr. (9) pentru congelare rapidă; indicatorul de congelare rapidă (❄️) se va activa.

La activarea funcției de congelare rapidă, indicatorul de congelare rapidă se aprinde și indicatorul temperaturii compartimentului de congelare afișează valoarea -27. Apăsați din nou tasta de congelare rapidă (❄️) pentru a anula funcția. Indicatorul de Congelare Rapidă se va dezactiva și va reveni la setările sale normale. Dacă nu este anulată de utilizator, funcția de congelare rapidă se anulează automat după 32 de ore. Pentru a congela o cantitate mare de alimente proaspete, apăsați tasta de congelare rapidă înainte de a introduce alimentele în compartimentul congelatorului.

10. Blocarea tastelor

Țineți apăsat butonul (🔒) timp de 3 secunde. Simbolul de blocare a tastelor (🔒) se va aprinde și modul de blocare a tastelor se va activa. Când modul de blocare a tastelor este activ, tastele nu pot fi utilizate. Țineți apăsat butonul (🔒) timp de 3 secunde. Blocarea tastelor va fi dezactivată. Puteți utiliza funcția de blocare a tastelor dacă doriți să împiedicați schimbarea setării de temperatură a frigiderului.

11. Tasta de comutare a unității de temperatură

Apăsând tastele de Răcire Rapidă (❄️) și Congelare Rapidă (❄️), puteți comuta între unitățile de temperatură Fahrenheit și Celsius.

12. Tastă pentru resetarea setărilor conexiunii wireless

Apăsând tastele de Congelare Rapidă (❄️) și rețea wireless (📶) timp de 3 secunde resetați setările conexiunii wireless.

6.1. Blue Light/ HarvestFresh

***Este posibil să nu fie disponibil pentru toate modelele**

Pentru Blue Light,

Frucele și legumele păstrate în compartimentele pentru legume și iluminate cu lumină albastră își continuă fotosinteza prin efectul frecvenței luminii albastre și, astfel, își păstrează conținutul de vitamine.

Pentru HarvestFresh,

Frucele și legumele păstrate în compartimentele pentru legume și iluminate prin tehnologia HarvestFresh își păstrează vitaminele pentru o perioadă mai lungă datorită luminilor albastră, verde, roșie și a ciclurilor de lumină-întuneric care simulează un ciclu de zi.

Dacă deschideți ușa frigiderului în timpul perioadei de întuneric a tehnologiei HarvestFresh, frigiderul va detecta automat acest lucru și va permite luminii albastre-verzi sau a celei roșii să ilumineze mai bine compartimentul pentru confortul dvs. După ce ați închis ușa frigiderului, perioada de întuneric va continua, reprezentând timpul de noapte într-un ciclu de zi.

6.2. Compartimentul de igienă

*** Această funcție este opțională**

1. Funcția de igienă UV-C nu trebuie activată atunci când grilajul de sârmă și sertarul de tablă metalică din compartimentul de igienă nu se află în compartiment.

2. Activarea funcției de igienă când sertarul de tablă nu este prezent în compartimentul de igienă poate provoca deformarea raftului de plastic aflat dedesubtul acestuia.

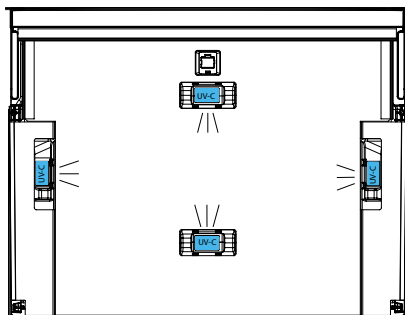
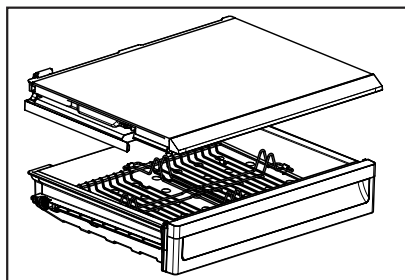
3. Nu încercați să îndepărtați forțat geamul de deasupra compartimentului de igienă.

4. Nu atingeți, loviți sau forțați lămpile fluorescente UV-C amplasate pe suprafața inferioară a raftului de sticlă al compartimentului de igienă.

5. Pentru siguranța dumneavoastră, nu încercați să demontați raftul de sticlă al compartimentului de igienă. Demontarea grătarului va provoca deconectarea componentelor electrice.

6. Lumina vizibilă la deschiderea compartimentului de igienă nu este lumină UV-C. Aceasta este iluminare cu LED-uri.

7. Ștergeți sertarul metalic și tabla de dedesubtul tăvii folosind doar o lavetă umedă.

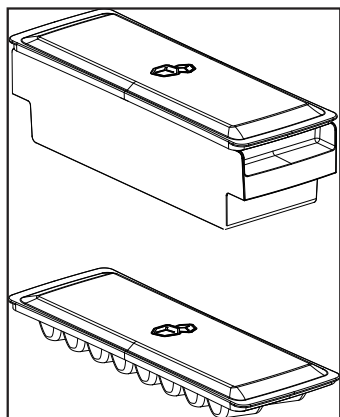


Utilizarea produsului

6.3. Recipientul pentru gheață

(Opțional)

- Luați recipientul pentru gheață din compartimentul congelator.
- Umpleți recipientul pentru gheață cu apă.
- Plasați recipientul pentru gheață în compartimentul congelator.
- Gheața va fi gata după aproximativ două ore. Luați recipientul pentru gheață din compartimentul congelatorului și înclinați-l ușor peste suportul pe care-l veți servi. Gheața va curge ușor în suportul de servire.



6.4. Suport de ouă

Dumneavoastră puteți plasa suportul de ouă pe ușa sau rafturile corpului. Dacă dumneavoastră decideți să plasați suportul pe rafturi, este recomandat să-l montați pe rafturile de jos deoarece sunt mai reci.

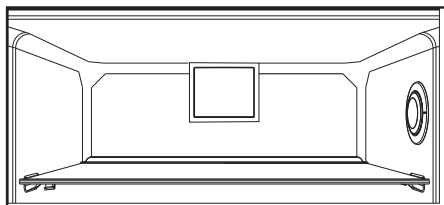


Nu plasați suportul pentru ouă în compartimentul congelatorului.

6.5. Ventilator

Ventilatorul a fost proiectat să distribuie și să circule și să distribuie omogen aerul rece în interiorul frigiderului. Durata de funcționare a ventilatorului poate varia în funcție de caracteristicile produsului dumneavoastră.

În timp ce la unele produse, ventilatorul funcționează doar cu compresor, în altele sistemul de control determină durata de funcționare bazată pe nevoia de răcire.



6.6. Compartiment de legume

(Opțional)

Compartimentul de legume al produsului este proiectat să mențină legumele proaspete prin păstrarea umidității. În acest scop, circulația totală a aerului rece este intensificată în compartimentul de legume.

6.7. Compartiment de zero grade

(Opțional)

Utilizați acest compartiment să mențineți alimentele delicate la temperaturi mai scăzute sau produse din carne pentru consum imediat. Compartimentul de zero grade este cel mai rece compartiment unde alimentele cum ar fi produse lactate, carne pește și pui pot fi depozitate în condiții ideale de depozitare. Fructele și/sau legumele nu trebuie depozitate în acest compartiment.

6.8. Raft de uşă mobil

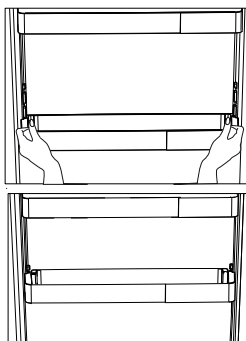
(Opțional)

Raftul de uşă mobil poate fi fixat în 3 poziții diferite.

Pentru a muta raftul, apăsați ușor butoanele de pe margini. Raftul va fi mobil.

Mutați raftul sus sau jos.

Atunci când raftul se află în poziția pe care o doriți, eliberați butoanele. Raftul va fi fixat în poziția acolo unde eliberați butoanele.

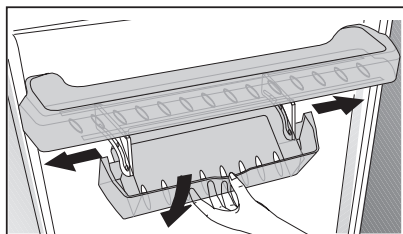


6.9. Cutii de stocare glisante

(Opțional)

Acest accesoriu este proiectat pentru a crește volumul utilizabil ale rafturilor din uşă.

Datorită abilității sale de a fi mutate lateral, acestea vă permit să plasați sticle cu gât lung, borcane sau cutii care dumneavoastră le introduceți în raftul pentru sticle de mai jos.



6.10. Modul de dezodorizare

(FreshGuard) *opțional

Modulul de dezodorizare elimină rapid mirosurile neplăcute din frigider, înainte de a pătrunde în suprafețe. Mulțumită acestui modul care este amplasat în partea superioară a compartimentului pentru alimente proaspete, mirosurile neplăcute se dizolvă în timpul trecerii active a aerului prin filtrul de miros, apoi aerul curățat este retrimis în compartimentul de alimente proaspete. În acest mod, mirosurile nedorite care pot să apară pe parcursul depozitării alimentelor în frigider sunt eliminate înainte de a pătrunde în suprafețe.

Acest lucru este realizat datorită ventilatorului, LED-ului și filtrului de miros integrate în modul. În folosirea zilnică, modulul de dezodorizare se va activa automat în mod periodic. Pentru a menține performanța eficientă, este recomandat să aveți amplasat filtrul în modulul de dezodorizare de către furnizorul de service autorizat la fiecare 5 ani. Datorită ventilatorului integrat în modul, sunetul pe care îl veți auzi în timpul utilizării este normal. Dacă deschideți ușa compartimentului de alimente proaspete în timp ce modulul este activ, ventilatorul se va întrerupe temporar și va reporni de unde a rămas, după ce ușa este închisă din nou. În cazul unei pene de curent, modulul de dezodorizare va reporni de unde a rămas în perioada totală a operațiunii odată ce revine curentul electric.

Utilizarea produsului

Info: Este recomandat să depozitați alimentele aromate (precum brânza, măslinile și delicatesele) în ambalajele lor și etanșate, pentru a evita mirosurile neplăcute care pot să rezulte din amestecul acestora. În plus, se recomandă eliminarea rapidă a alimentelor stricate din frigider, pentru a preveni stricarea și a altor alimente și pentru a evita mirosurile neplăcute.

6.11. Controlul umidității în compartimentul de legume

(Opțional)

Cu caracteristica de control a umidității, coeficientul de umiditate a legumelor și fructelor este ținut sub control și asigură o perioadă mai lungă de prospețime pentru alimente. Pe cât posibil, este recomandat să depozitați legume cu frunze cum ar fi salata verde și spanacul și legume asemănătoare predispuse la pierdere de umezeală nu pe rădăcinile lor ci într-o poziție orizontală în interiorul compartimentului de legume.

Atunci când amplasați legumele, amplasați legumele tari și grele în partea inferioară și cele ușoare și moi în partea superioară, ținând cont de greutatea specifică ale acestora.

Nu lăsați legumele aflate în compartimentul de legume în ambalaje. Lăsarea acestora în pungi de plastic vor cauza descompunerea legumelor într-o perioadă mai scurtă de timp. În termeni de igienă și în situații unde contactul cu alte legume nu este preferat, utilizați materiale de ambalare cum ar fi hârtia care deține o anumită porozitate.

Utilizarea produsului

Nu introduceți fructe care au o producție ridicată de gaz etilic cum ar fi perele, caisele, piersicile și merele în același compartiment de legume împreună cu alte legume și fructe. Emiterea gazului etilic din aceste fructe poate cauza ca celelalte fructe și legume să se maturizeze mai rapid și să se descompună într-o perioadă mai scurtă de timp.

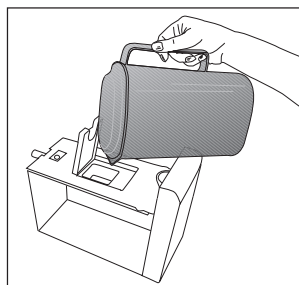
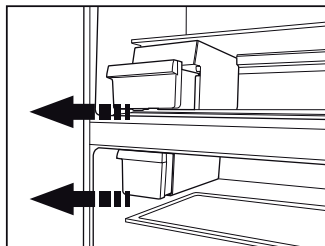
6.12. Aparat automat de gheață

(Opțional)

Aparatul automat de gheață vă permite să creați gheață ușor în frigiderul dumneavoastră. Pentru a obține gheață din aparatul de gheață, scoateți rezervorul de apă din compartimentul congelatorului, umpleți-l cu apă și fixați-l înapoi. Primele cuburi de gheață vor fi pregătite în aproximativ 2 ore în sertarul aparatului de gheață localizat în compartimentul congelatorului. După fixarea unui rezervor plin de apă, dumneavoastră puteți obține aproximativ 60-70 cuburi de gheață până când este golit complet. Dacă apa din rezervor a stat timp de 2-3 săptămâni, aceasta trebuie înlocuită.



În produse cu aparat automat de gheață, dumneavoastră veți putea auzi un sunet atunci când gheața cade. Acest sunet este normal și nu reprezintă un semn de avarie.



6.13. Aparatul Icematic și recipientul de depozitare a gheții

***opțional**

Utilizarea aparatului Icematic

Umpleți aparatul Icematic cu apă și amplasați-l în suportul său. În aproximativ două ore, gheața va fi gata. Nu demontați aparatul Icematic din suport pentru a lua gheață.

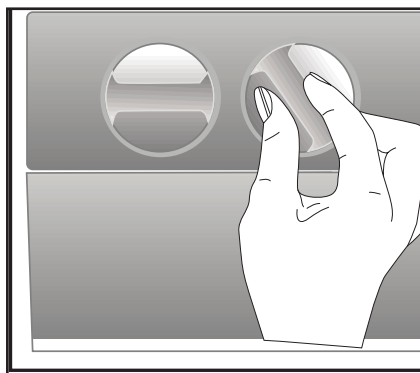
Rotiți butoanele de pe rezervoarele de gheață în sens orar cu 90 de grade. Cuburile de gheață din rezervoare vor cădea în recipientul pentru gheață de dedesubt.

Puteți scoate recipientul pentru a servi cuburile de gheață.

Dacă doriți, puteți păstra cuburile de gheață în recipient.

Recipient de depozitare a gheții

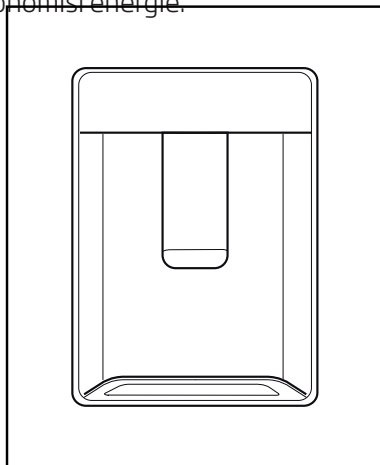
Recipientul pentru gheață este destinat doar păstrării cuburilor de gheață. Nu turnați apă în acesta. În caz contrar, se va rupe.



6.14. Dozatorul de apă

***opțional**

Dozatorul de apă este o funcție foarte utilă bazată pe ideea de asigurare a accesului la apă rece fără a deschide ușa frigiderului. Nefiind necesară deschiderea frecventă a ușii, veți economisi energie.



6.15. Utilizarea dozatorului de apă

Apăsați pe brațul dozatorului de apă cu paharul. După ce eliberați brațul, dozatorul se va opri.

Atunci când utilizați dozatorul de apă, debitul maxim poate fi obținut prin acționarea completă a brațului.

Rețineți faptul că respectiva cantitate de apă dozată din dozator depinde de gradul de acționare a brațului.

Atunci când nivel de apă din paharul/recipientul dumneavoastră crește, reduceți ușor presiunea de la nivelul brațului pentru a preveni revărsarea apei. Dacă apăsați ușor pe braț, apa va curge sub formă de picături; acesta este un lucru normal și nu este o defecțiune.

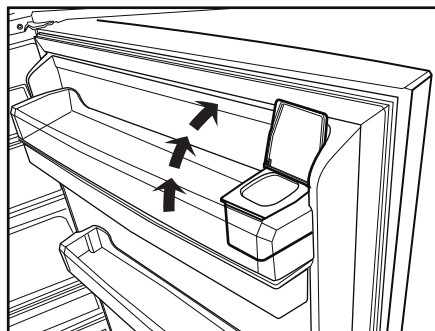
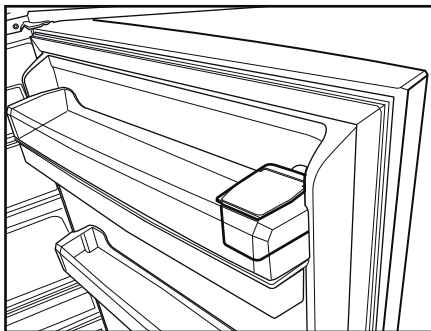
Utilizarea produsului

Umplerea rezervorului dozatorului de apă

Recipientul de umplere a rezervorului de apă se află în interiorul raftului de pe ușă. Puteți deschide capacul recipientului și îl puteți umple cu apă potabilă. Ulterior, închideți capacul.

Avertisment!

- Nu umpleți rezervorul de apă cu niciun alt lichid decât apă, precum sucuri de fructe, lapte, băuturi carbogazoase sau băuturi alcoolice care nu sunt potrivite pentru a fi utilizate într-un dozator de apă. Dozatorul de apă este deteriorat iremediabil dacă folosiți astfel de lichide. Garanția nu acoperă astfel de utilizări necorespunzătoare. Unele substanțe chimice și aditivi incluși în aceste tipuri de băuturi/lichide pot afecta rezervorul de apă și materialele din care este realizat.
- Utilizați numai apă potabilă proaspătă.
- Capacitatea rezervorului de apă este de 3 litri; nu umpleți în exces.
- Apăsăți pe brațul dozatorului de apă cu un pahar din material rigid. Dacă utilizați pahare din plastic de unică folosință, apăsați cu degetele dumneavoastră pe brațul din spatele paharului.



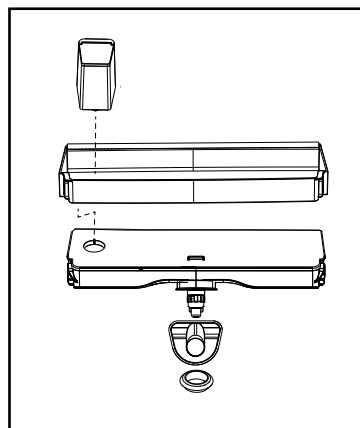
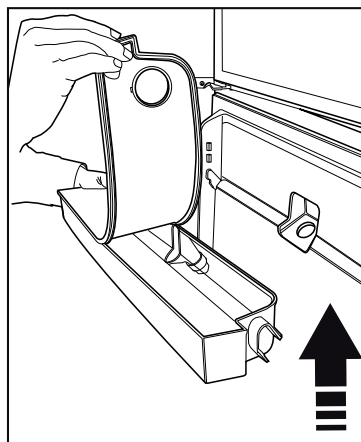
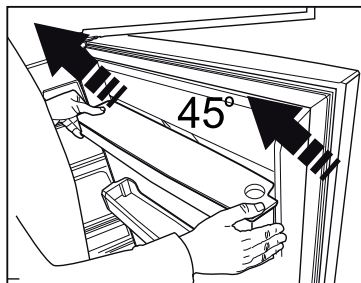
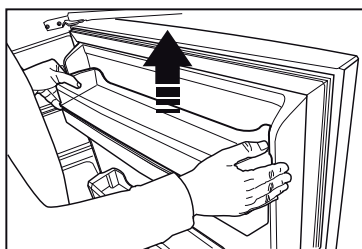
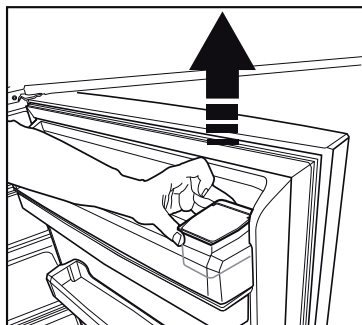
Utilizarea produsului

6.16. Curățarea rezervorului de apă

- Demontați rezervorul de umplere cu apă din raftul de pe ușă.
- Demontați raftul de pe ușă prinzându-l de ambele părți.
- Prindeți rezervorul de apă din ambele părți și demontați-l la un unghi de 45°C.
- Curățați rezervorul de apă demontându-i capacul.

Important:

Componentele rezervorului de apă și ale dozatorului de apă nu trebuie spălate în mașina de spălat vase.

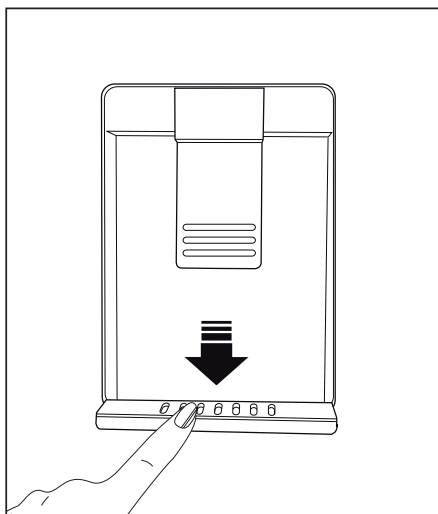


Utilizarea produsului

6.17. Tava pentru apă

Picăturile de apă care se scurg la utilizarea dozatorului de apă se acumulează în tava pentru scurgeri. Scoateți sita din plastic conform celor indicate în figură.

Cu o lavetă curată și uscată, îndepărtați apa care s-a acumulat.



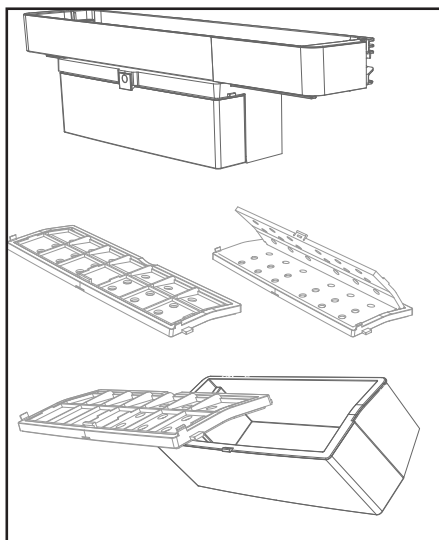
6.18. HerbBox/HerbFresh

Îndepărtați containerul filmului din HerbBox/HerbFresh+

Scoateți filmul din pungă și puneți-l în container precum în imagine.

Închideți din nou containerul și înlocuiți-l în unitatea HerbBox/HerbFresh+.

Secțiunile HerbBox-HerbFresh+ sunt ideale pentru stocarea diverselor mirodenii care trebuie ținute în condiții delicate. Puteți stoca mirodeniile nedepozitate (pătrunjel, mărar etc.) în această secțiune orizontală și mențineți-le proaspete pentru o perioadă mai lungă. Filmul trebuie schimbat odata la 6 luni.



Utilizarea produsului

6.19. Congelarea alimentelor proaspete

- Pentru menținerea calității alimentelor, alimentele plasate în compartimentul frigiderului trebuie să fie congelate cât mai repede posibil, utilizați congelarea rapidă pentru acest lucru.
- Congelarea alimentelor atunci când sunt proaspete va extinde timpul de depozitare în compartimentul frigiderului.
- Ambalați alimentele în ambalaje etanșe și sigilați-le.
- Asigurați-vă că alimentele sunt ambalate înainte de a le introduce în congelator. Utilizați compartimente congelatorului, folii de aluminiu și hârtii higrofuge, pungi din plastic sau alte materiale de ambalare în locul hârtiei tradiționale de ambalaj.



Gheața din compartimentul congelatorului se dezgheață în mod automat.

- Marcați fiecare ambalaj prin înscrisurarea datei pe ambalaj înainte de congelare. Acest lucru vă va permite să determinați proșpețimea fiecărui ambalaj de fiecare dată când frigiderul este deschis. Mențineți alimentele depozitate anterior în față pentru a vă asigura că sunt utilizate primele.
- Alimentele congelate trebuie să fie utilizate imediat după decongelare și nu trebuie recongelate.
- Nu congelați simultan cantități mari de alimente.

6.20. Recomandări pentru depozitarea alimentelor congelate

Compartimentul trebuie să fie setat la cel puțin -18°C.

1. Introduceți alimentele în congelator cât de repede puteți pentru evitarea decongelării.
2. Înainte de congelare, verificați "Data de expirare" de pe ambalaj și asigurați-vă că nu este expirat.
3. Asigurați-vă că ambalajul alimentelor nu este avariata.

Setare temperatură compartiment congelator	Setare temperatură compartiment frigider	Detalii
-18°C	4°C	Aceasta este setarea normală recomandată.
-20, -22 sau -24°C	4°C	Aceste setări sunt recomandate când temperatura ambientală depășește 30°C.
Congelare rapidă	4°C	Folosiți atunci când doriți să congelați alimentele într-o perioadă scurtă de timp. Atunci când procesul se finalizează, produsul se va întoarce la setarea anterioară.
-18°C sau mai rece	2°C	Utilizați aceste setări dacă credeți că congelatorul nu este destul de rece datorită temperaturii ambientale sau deschiderii frecvente a ușii.

Utilizarea produsului

6.21. Detalii despre congelator

Conform standardelor IEC 62552, frigiderul trebuie să aibă capacitatea să congeleze o cantitate de 4,5 kg de alimente la o temperatură de -18°C sau mai mică în 24 de ore pentru fiecare 100 de litri din volumul frigiderului.

Alimentele pot fi menținute pentru perioade mari de timp la o temperatură de -18°C sau mai scăzută.

Dumneavoastră puteți menține alimentele proaspete luni de zile (în congelator la sau temperaturi de 18°C).

Pentru evitarea decongelării parțiale, alimentele care urmează a fi congelate nu trebuie să vină în contact cu alimentele deja congelate din interior.

Fierbeți legumele și filtrați apa pentru a mări timpul de congelare. După filtrarea apei, plasați alimentele în ambalaje etanșe și introduceți-le în frigider. Bananele, roșiile, salata verde, țelina, ouăle fierte, cartofii sau alte tipuri de alimente nu trebuie să fie congelate. În cazul în care acest tip de aliment se descompune, doar valorile nutriționale și calitățile gustative vor fi afectate într-un mod negativ. Un aliment descompus pune în pericol sănătatea persoanei respective.

6.22. Introducerea alimentelor

Rafturi congelator	Diverse alimente congelate, cum ar fi carne, pește, înghețată, legume etc.
Rafturi compartiment congelator	Alimente din interiorul oalelor, farfurii acoperite și cutii acoperite, ouă (în cofraje acoperite)
Rafturi ușa compartiment congelator	Alimente mici și împachetate sau băuturi
Compartiment de legume	Fructe și legume

Compartiment de alimente proaspete	Alimentele delicate (alimente pentru mic dejun, produse din carne care vor fi consumate într-o perioadă scurtă)
------------------------------------	---

6.23. Alarmă de ușa deschisă

(Opțional)

O alertă sonoră va fi auzită dacă ușa produsului rămâne deschisă cel puțin 1 minut. Alerta sonoră se va opri atunci când ușa este închisă sau un alt buton de pe afișaj (dacă este disponibil) este apăsat.

Alarma de ușa deschisă este emisă către utilizator în mod vizual și acustic. Iluminarea interioară va porni dacă alarma continuă timp de 10 minute.

6.24. Schimbarea direcției de deschidere a ușii

Dumneavoastră puteți schimba direcția de deschidere a ușii bazându-vă pe locația unde îl utilizați. Atunci când aveți nevoie de acest lucru, consultați cel mai apropiat service autorizat.

Explicația de mai sus reprezintă o afirmație generală. Dumneavoastră trebuie să verificați eticheta de avertisment localizată în interiorul ambalajului produsului în legătură cu schimbarea direcției ușii.

Utilizarea produsului

6.25. Bec interior

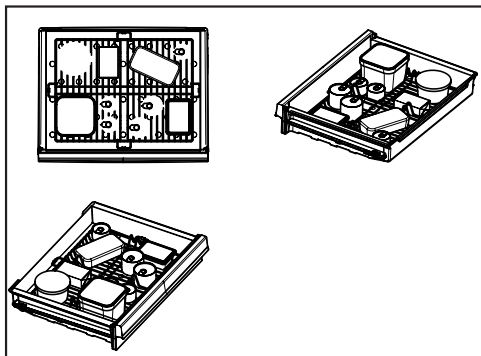
Becul interior utilizează o lampă de tip LED: Contactați service-ul autorizat pentru orice problemă în legătură cu această lampă. Lampa(ile) utilizate în acest produs nu pot fi utilizate pentru iluminat casnic. Utilizarea destinată a acestei lămpi este de a ajuta utilizatorul să introducă alimente în frigider / congelator în siguranță și confortabil.

6.26 Recomandări de folosire pentru Compartimentul de Igienă:

* Această funcție este opțională

- Când așezați alimente în acest compartiment în scopul igienizării suprafeței alimentelor, așezați întotdeauna carnea, puiul, peștele, laptele și produsele lactate în compartiment în ambalajele lor.
- Nu este indicată așezarea în acest compartiment a unor produse altele decât alimentele.
- Dacă așezați în compartimentul de igienă alimente fără a le scoate din sacoșă de cumpărături, doar suprafața sacoșei va fi igienizată deoarece ambalajele alimentelor nu vor fi atinse de lumină. De aceea, scoateți produsele alimentare din punga de cumpărături înainte de a le așeza.
- Procedura de igienizare poate fi aplicată aceluiași produs alimentar o singură dată, nefiind recomandată aplicarea repetată a procedurii.
- Dacă la finalizarea procedurii de igienizare nu veți repeta procedura pentru alte alimente, se recomandă ca în acest compartiment să depozitați doar mezeluri și alimente destinate consumului la micul dejun. Depozitarea pe termen lung în acest compartiment a fructelor și legumelor nu este recomandată deoarece compartimentul igienic este mai rece decât alte zone ale frigiderului.

- Înainte de a activa funcția de igienizare prin intermediul afișajului panoului de control, se recomandă mutarea temporară a alimentelor depozitate în compartimentul de igienizare într-o altă zonă a frigiderului. Când procedura de igienizare este activă se recomandă să așezați doar în acest compartiment produsele care vor fi igienizate prima dată. La încheierea procedurii de igienizare puteți pune înapoi în compartiment alimentele scoase mai devreme.
- Pentru o funcție de igienizare eficientă, produsele se vor așeza lăsând spațiu între ele și asigurându-vă că acestea nu blochează lumina.
- Înainte de activarea funcției de igienizare, asigurați-vă că alimentele nu sunt așezate unele peste altele.



⚠️ Citiți mai întâi secțiunea „Instrucțiuni de siguranță”!

Durata de viață a produsului este mărită dacă este curățat în mod regulat.



AVERTISMENT: Înainte de curățare decuplați mai întâi produsul.

- Nu utilizați niciodată instrumente ascuțite sau abrazive, săpun, substanțe de curățare, detergenți sau ceară de lustruire pentru curățare.
- Dizolvați o linguriță de carbonat în jumătate de litru de apă. Înmuiați un material textil în soluție și stoarceți-o bine. Ștergeți interiorul produsului cu acest material textil și uscați-l.
- Asigurați-vă că nu intră apă în carcasa lămpii și în alte componente electrice.
- Ștergeți folia de metal de sub sertarul de metal doar cu o cârpă umedă.
- Curățați ușa cu un material textil umed. Pentru scoaterea ușii și rafturilor din ușă, scoateți toate conținuturile. Scoteți rafturile din ușă prin mișcarea lor în partea superioară. După curățare, pentru montare glisați-le din partea superioară către partea inferioară.
- Nu folosiți niciodată substanțe de curățare cu clor sau apă cu clor pentru curățarea suprafețelor exterioare și a suprafețelor cromate ale produsului. Clorul provoacă coroziunea acestor suprafețe metalice.
- Nu utilizați instrumente ascuțite, abrazive, săpunuri, agenți de curățare de uz casnic, detergenți, kerosen, benzină, lac etc. pentru a preveni eliminarea și deformarea modelelor de pe partea din plastic. Pentru curățare, utilizați apă caldută și un

material textil moale și apoi ștergeți-l până ce se usucă.

7.1 Evitarea mirosurilor urât mirositoare

Materialele care pot cauza miros urât nu sunt utilizate în producerea produselor noastre. Totuși, datorită condițiilor nepotrivite de depozitare a alimentelor și curățarea suprafeței interioare a aparatului cum este solicitat.

Așadar, curățați congelatorul cu carbonat dizolvat în apă după fiecare 15 zile.

- Mențineți alimentele în recipiente închise. Microorganismele care se răspândesc din recipiente deschise pot cauza mirosuri urâte.
- Nu țineți niciodată alimente care au expirat sau sunt alterate în frigider.

7.2 Protejarea suprafețelor din plastic

Curățați cu apă caldută imediat deoarece uleiul poate cauza avarierea suprafețelor atunci când este turnat pe suprafețe din plastic.

7.3 Geamuri din sticlă

Scoateți folia de protecție de pe geamuri. Pe suprafața geamurilor este aplicat un film de protecție. Acest film de protecție minimizează acumularea petelor și vă ajută să scoateți petele posibile și murdăria ușor. Ușile care nu sunt protejate de un asemenea film pot fi supuse la aderarea persistentă a compușilor organici și anorganici bazați pe aer sau apă cum ar fi depunerea de calcar, sărurile minerale, hidrocarburi neare, oxizi metalici și silicați care pot cauza ușor și rapid pete și avarii materiale. Menținerea geamurilor curate devine prea dificilă în ciuda curățării regulate. Prin urmare, claritatea și

transparența geamului se deteriorează. Metode de curățare puternice și corozive și compuși vor intensifica aceste defecte și accelerează procesul de deteriorare.

Produse de curățare bazate pe apă care nu sunt alcaline și corozive trebuie să fie utilizate în scopul curățării regulate.

Materialele non-alcaline și non-corozive pot fi utilizat pentru curățare pentru ca durata de viață al acestui film să fie extinsă pentru o perioadă mai mare de timp.

Geamurile sunt călite pentru a crește durabilitatea împotriva impacturilor și spargerii.

De asemenea, o peliculă de siguranță este aplicată pe suprafețele posterioare pentru o măsură de siguranță suplimentară pentru a se preveni provocarea avariilor în timpul spargerii.

*Alcalii reprezintă o bază care formează ioni de hidroxid (OH^-) atunci când este dizolvată în apă.

Li (Litiu), Na (Sodiu), K (Potasiu) Rb (Rubidiu), Cs (Cesiu) și metale artificiale și radioactive Fr (Frensiu) sunt denumite METALE ALICALINE.

Înainte de a apela la service, citiți această listă. Puteți economisi timp și bani. Această listă include probleme frecvente care nu sunt provocate de defecte de material sau de manoperă. Este posibil ca unele funcții descrise aici să nu se aplice pentru produsul dvs.

Frigiderul nu funcționează.

- Ștecărul nu este introdus corect în priză. >>> *Introduceți ștecherul în priză.*
- Siguranța prizei la care este conectat frigiderul sau siguranța principală este arsă. >>> *Verificați siguranțele.*

Condensperetele lateral al compartimentului frigiderului (MULTIZONE, COOL CONTROL și FLEXI ZONE).

- Deschidere frecventă a ușii >>> *Aveți grijă să nu deschideți ușa frigiderului prea frecvent.*
- Mediu foarte umed. >>> *Nu instalați produsul în medii umede.*
- Alimentele lichide sunt păstrate în recipiente deschise. >>> *Păstrați alimentele lichide în recipiente închise.*
- Ușa frigiderului este întredeschisă. >>> *Nu lăsați ușa frigiderului deschisă perioade îndelungate de timp.*
- Termostatul este setat la o temperatură prea scăzută. >>> *Setați termostatul la o temperatură adecvată.*

Compresorul nu funcționează.

- Sistemul de protecție termică a compresorului se va activa în cazul penelor de curent sau în cazul deconectării și reconectării la priză, întrucât presiunea din sistemul de răcire nu este încă echilibrată. Frigiderul va porni după circa 6 minute. Contactați un centru de service dacă frigiderul nu pornește după această perioadă.
- Frigiderul este în modul de dezghețare. >>> *Acest mod este normal pentru un frigider cu dezghețare automată. Ciclul de dezghețare are loc periodic.*
- Frigiderul nu este conectat la priză. >>> *Asigurați-vă că ștecărul este introdus corect în priză.*
- Reglarea temperaturii nu este corectă. >>> *Selectați temperatura adecvată.*
- Pană de curent. >>> *Frigiderul va continua să funcționeze normal după ce curentul revine.*

În timpul funcționării frigiderului, zgomotul devine mai intens.

- Modul de funcționare a frigiderului se poate modifica în funcție de condițiile ambientale. Acesta este un fenomen normal și nu reprezintă o defecțiune.

Frigiderul pornește des sau funcționează perioade îndelungate de timp.

Depanare

- Este posibil ca noul frigider să fie mai mare decât cel vechi. Frigiderele mari funcționează perioade îndelungate de timp.
- Este posibil ca temperatura din încăperea să fie ridicată. >>> *De regulă, frigiderul funcționează perioade îndelungate de timp la temperaturi ridicate în încăperea.*
- Este posibil ca frigiderul să fi fost conectat recent la priză sau să fi fost umplut recent cu alimente. >>> *Dacă frigiderul a fost conectat recent la priză sau a fost umplut cu alimente, va dura mai mult până frigiderul va atinge temperatura setată. Acest lucru este normal.*
- Este posibil ca în frigider să fi fost introduse recent cantități mari de alimente calde. >>> *Nu introduceți alimente calde în frigider.*
- Este posibil ca ușile să fi fost deschise frecvent sau lăsate întredeschise mai mult timp. >>> *Aerul cald care pătrunde în frigider determină funcționarea pe perioade mai îndelungate de timp. Deschideți mai rar ușile.*
- Este posibil ca ușa congelatorului sau frigiderului să fi fost lăsată întredeschisă. >>> *Verificați dacă ușile sunt închise corect.*
- Ați selectat o temperatură foarte joasă. >>> *Selectați o temperatură mai ridicată și așteptați ca aceasta să fie atinsă.*
- Este posibil ca garnitura ușii frigiderului sau congelatorului să fie murdară, uzată, ruptă sau poziționată incorect. >>> *Curățați sau înlocuiți garnitura. Garniturile deteriorate/defecte determină funcționarea pe perioade îndelungate de timp a frigiderului pentru a se asigura temperatura corectă.*

Temperatura congelatorului este foarte joasă, iar temperatura frigiderului este adecvată.

- Ați selectat o temperatură foarte joasă a congelatorului. >>> *Selectați o temperatură mai ridicată a congelatorului și verificați din nou.*

Temperatura frigiderului este foarte joasă, iar temperatura congelatorului este adecvată.

- Ați selectat o temperatură foarte joasă a frigiderului. >>> *Selectați o temperatură mai ridicată a frigiderului și verificați din nou.*

Alimentele din sertarele frigiderului îngheață.

- Ați selectat o temperatură foarte joasă a frigiderului. >>> *Selectați o temperatură mai ridicată a congelatorului și verificați din nou.*

Temperatura din frigider sau congelator este foarte mare.

- Ați selectat o temperatură foarte mare a frigiderului. >>> *Temperatura setată pentru frigider afectează temperatura congelatorului. Modificați temperatura frigiderului sau congelatorului până când temperatura din frigider sau congelator ajunge la un nivel adecvat.*
- Este posibil ca ușile să fi fost deschise frecvent sau lăsate întredeschise mai mult timp. >>> *Deschideți mai rar ușile.*
- Este posibil ca ușa să fie întredeschisă. >>> *Închideți complet ușa.*
- Este posibil ca frigiderul să fi fost conectat recent la priză sau să fi fost umplut recent cu alimente. >>> *Acest lucru este normal. Dacă frigiderul a fost conectat recent la priză sau a fost umplut cu alimente, va dura mai mult până frigiderul va atinge temperatura setată.*
- Este posibil ca în frigider să fi fost introduse recent cantități mari de alimente calde. >>> *Nu introduceți alimente calde în frigider.*

Vibrații sau zgomot.

- Podeaua este denivelată sau instabilă. >>> *Dacă frigiderul se clatină când este împins ușor, reglați picioarele pentru a echilibra frigiderul. De asemenea, asigurați-vă că podeaua este suficient de stabilă și poate susține frigiderul.*
- Zgomotul poate fi provocat de obiectele amplasate pe frigider. >>> *Aceste obiecte trebuie îndepărtate de pe frigider.*

Depanare

Frigiderulemitezgomoteasemănătoarecurgerii sau pulverizării lichidelor etc.

- Funcționarea frigiderului se bazează pe circulația gazelor și lichidelor. >>> *Acesta este un fenomen normal și nu reprezintă o defecțiune.*

Frigiderulemiteunzgomotsimilarcușuieratul vântului.

- Frigiderul este prevăzut cu un ventilator pentru răcire. Acesta este un fenomen normal și nu reprezintă o defecțiune.

Condens pe pereții interiori ai frigiderului.

- Mediile calde și umede favorizează formarea gheții și condensului. Acesta este un fenomen normal și nu reprezintă o defecțiune.
- Este posibil ca ușile să fi fost deschise frecvent sau lăsate întredeschise mai mult timp. >>> *Deschideți mai rar ușile; dacă ușa este deschisă, închideți-o.*
- Este posibil ca ușa să fie întredeschisă. >>> *Închideți complet ușa.*

Condens în exteriorul frigiderului sau între uși.

- Este posibil ca mediul să fie umed. Acest fenomen este normal în medii umede. >>> *La reducerea umidității, condensul va dispărea.*

Mirosuri neplăcute în frigider.

- Frigiderul nu este curățat periodic. >>> *Curățați periodic interiorul frigiderului folosind un burete, apă caldă și carbonată.*
- Este posibil ca mirosul să fie cauzat de anumite recipiente și ambalaje. >>> *Folosiiți un recipient sau un ambalaj care nu prezintă mirosuri neplăcute.*
- Alimentele au fost puse în recipiente deschise. >>> *Păstrați alimentele în recipiente închise. Alimentele neetanșate corespunzător pot răspândi microorganisme și se pot acumula mirosuri neplăcute.*
- Aruncați toate alimentele expirate sau alterate din frigider.

Ușa nu se închide.

- Este posibil ca alimentele să împiedice închiderea ușii. >>> *Mutați alimentele care împiedică închiderea ușii.*
- Este posibil ca frigiderul să fie înclinat. >>> *Reglați picioarele de pentru a echilibra frigiderul.*
- Podeaua este denivelată sau instabilă. >>> *Asigurați-vă că podeaua este plană și suficient de stabilă pentru a putea susține frigiderul.*

Compartimentul pentru legume este blocat.

- Este posibil ca alimentele să atingă partea superioară a sertarului. >>> *Rearanjați alimentele în sertar.*



AVERTISMENT: Dacă problema persistă după ce ați urmat instrucțiunile din acest capitol, contactați distribuitorul dvs. sau un centru de service autorizat. Nu încercați să reparați produsul.

MESAJ / AVERTISMENT

Unele defecte (simple) pot fi tratate în mod adecvat de către utilizatorul final fără nicio problemă de siguranță sau utilizare nesigură, cu condiția să fie efectuate în limitele și în conformitate cu următoarele instrucțiuni (vezi secțiunea "Autoreparare").

Astfel, cu excepția cazului în care secțiunea "Autoreparare" de mai jos autorizează altă acțiune, reparațiile trebuie efectuate de reparatori profesioniști pentru a evita problemele de siguranță. Un reparator profesionist are acces la instrucțiuni și la lista cu piese de rezervă pentru acest produs de la producător, potrivit metodele descrise în actele legislative care urmează Directiva 2009/125/EC.

Cu toate acestea, doar agentul de service (adică reparatorii profesioniști autorizați) pe care îl puteți contacta cu ajutorul numărului de telefon oferit în manualul de utilizare/certificatul de garanție sau dealerul dvs. autorizat poate oferi service în termenii garanției. Prin urmare, nu uitați că reparațiile efectuate de reparatori profesioniști care nu sunt autorizați de Beko) vor antrena pierderea garanției.

Autorepararea

Reparațiile pot fi făcute de utilizatorul final doar în ceea ce privește următoarele piese: mânerul ușilor, balamalele ușilor, tăvile, coșurile și garniturile ușilor (este disponibilă o listă actualizată pe support.beko.com începând cu data de 1 martie 2021).

Mai mult, pentru siguranța produsului și pentru evitarea accidentărilor, autorepararea menționată va fi efectuată urmând instrucțiunile din manualul de utilizare sau care sunt disponibile în support.beko.com. Pentru siguranța dvs., scoateți produsul din priză înainte să încercați autorepararea.

Reparațiile și încercările de reparație făcute de utilizatorii finali pentru piese care nu sunt incluse într-o astfel de listă și/sau nu urmează instrucțiunile din manualele de utilizare pentru autoreparare sau care sunt disponibile în support.beko.com, pot duce la probleme de siguranță care nu sunt atribuibile Beko, și vor anula garanția produsului.

Prin urmare, este recomandat ca utilizatorii finali să se abțină de la a încerca să efectueze reparații care ies din lista menționată cu piese de schimb, contactând în aceste cazuri reparatori profesioniști sau reparatori autorizați. Din contră, astfel de încercări efectuate de utilizatorii finali pot duce la probleme de siguranță și avariarea produsului sau iscarea unui incendiu, a unei inundatii, a electrocutării și a accidentărilor grave.

Spre exemplu, dar fără a se limita la, următoarele reparații trebuie adresate către service-uri profesionale autorizate sau înregistrate: compresoare, circuite de răcire, panoul principal, placa invertor, panoul de afișaj etc.

Producătorul/vânzătorul nu răspund în niciun caz dacă utilizatorii finali nu se conformează celor de mai sus.

Disponibilitatea de piese de schimb pentru frigiderul pe care ați cumpărat-o este de 10 ani.

În această perioadă, piesele de schimb originale vor fi disponibile pentru operarea adecvată a frigiderului.

Durata minimă a garanției pentru frigiderul pe care l-ați achiziționat este de 24 de luni.

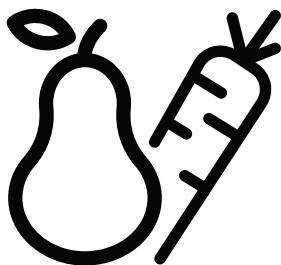
Acest produs este echipat cu o sursă de iluminare din clasa energetică „G”

Sursa de iluminare a acestui produs trebuie înlocuită numai de către reparatori profesioniști

beko

Koelkast
Gebruiksaanwijzing

Hladnjak
Korisnički priručnik



RCNE560E40ZLXPUN

NL / HR



GERECYCLED &
RECYCLEBAAR PAPIER



REKILIRANI I
REKILAZNI PAPIR

58 5379 0000/AN

4/8

Beste klant,
Lees deze handleiding voor u het product gebruikt.

Hartelijk dank voor uw keuze van ons product. Wij willen dat u kunt genieten van een optimale efficiëntie van dit hoogwaardige product dat is vervaardigd met de nieuwste technologische snufjes. Lees hiervoor deze handleiding en alle andere documentatie zorgvuldig voor u het product in gebruik neemt en bewaar het voor eventuele raadpleging.

U moet alle informatie en waarschuwingen omvat in deze handleiding naleven. Zo beschermt u zichzelf en uw product tegen eventuele gevaren.

Bewaar de handleiding. U moet deze handleiding meegeven met het apparaat als u het aan iemand anders doorgeeft.

De volgende symbolen worden gebruikt in de handleiding:



Gevaar dat fataal kan aflopen of resulteren in letsels.

OPMERKING Een gevaar dat materiële schade kan veroorzaken aan het product of de omgeving







Belangrijke informatie en nuttige tips bij het gebruik.



Lees de handleiding.




Risico van UV-C straling


 INFORMATIE	
 SUPPLIER'S NAME MODEL IDENTIFIER (*)  	De informatie van het model zoals opgeslagen in de product-databank is toegankelijk op de onderstaande website. Zoek uw model identificatie (*) vermeld op het energielabel. https://eprel.ec.europa.eu/


1	Veiligheidsinstructies	3	6.9. IJsvak	20
	1.1 Beoogd gebruik	3	6.10. Ontgeurdermodule	20
	1.2 - Veiligheid voor kinderen, kwetsbare personen en huisdieren	3	6.11. Groentevak met vochtigheidsregeling	21
	1.3 Elektrische veiligheid	4	6.12. Automatische ijsmachine	21
	1.4 Veiligheid tijdens het transport	4	6.13. Icematic en ijsvak container	22
	1.5 Veiligheid tijdens de installatie	4	6.14. Het gebruik van de waterdispenser	22
	1.6 Veiligheid tijdens de werking	5	6.15. Het reservoir van de dispenser opvullen met water	23
	1.7 Veiligheid tijdens het onderhoud en de reiniging	7	6.16. Het waterreservoir schoonmaken	24
	1.8 HomeWhiz	7	6.17. Druppelvanger	24
	1.9 Verlichting	7	6.18. HerbBox/HerbFresh	25
	1.10 UV-C straling veiligheid	7	6.19. Verse etenswaren invriezen	26
	1.11 Technische informatie over Bluetooth + wifi .	8	6.20. Aanbevelingen voor het opslaan van ingevroren etenswaren	26
2	Omgevingsinstructies	9	6.21. Informatie over de diepvriezer	27
2.1	Voldoet aan de WEEE-richtlijn en de richtlijnen voor afvoeren van het restproduct:	9	6.22. De etenswaren plaatsen	27
2.2	Voldoet aan RoHS-richtlijn:	9	6.23. Deur open alarm	27
2.3	Verpakkingsinformatie	9	6.24. De openingsrichting van de deur wijzigen	27
3	Uw koelkast	10	6.25. Interne verlichting	27
4	Installatie	11	6.26. Bediening aanbevelingen voor het hygiënevak: .	28
4.1.	Correcte plaats voor de installatie	11	7	Zorg en reiniging
4.2.	De plastic spieën bevestigen	11	7.1	Onaangename geurtjes vermijden
4.3	De voetjes aanpassen	12	7.2	Bescherming van plastic oppervlakkane
4.4	Stroomaansluiting	12	7.3	De binnenzijde reinigen
5	Vorbereiding	13	7	Zorg en reiniging
5.1.	Wat u kunt doen om energie te besparen	13	7.4	Roestvrij stalen externe oppervlakten
5.2.	Eerste gebruik	13	7.5	Reinigingsproducten glazen deuren
6	Bediening van het product	14	8	Probleemoplossing
6.1.	Blauw licht/HarvestFresh	17	8	1
6.2.	Hygiënevak	18		
6.3.	IJsemmer	19		
6.4.	Eihouder	19		
6.5.	Ventilator	19		
6.6.	Groentevak	19		
6.7.	Nul-graden compartiment	19		
6.8.	Bewegend deurrek	20		

1 Veiligheidsinstructies

- Dit hoofdstuk bevat veiligheidsinstructies die u zullen helpen u te beschermen tegen risico's van persoonlijke letsels of materiële schade.
- Ons bedrijf kan niet aansprakelijk worden geteld voor schade die wordt veroorzaakt als deze instructies niet worden nageleefd.

 De installatie- en reparatieprocedures moeten altijd worden uitgevoerd door de fabrikant, de geautoriseerde service agent of een gekwalificeerde persoon gespecificeerd door de importeur.

 Gebruik uitsluitend originele onderdelen en accessoires.

 U mag geen onderdeel van het product repareren of vervangen tenzij dit expliciet wordt vermeld in de handleiding.

 U mag geen technische wijzigingen uitvoeren aan het product.

1.1 Beoogd gebruik

- Dit product is niet geschikt voor commercieel gebruik en het mag enkel worden gebruikt voor het beoogde gebruik.

Dit product is uitsluitend ontworpen voor gebruik in huizen en overdekte ruimten.

Bijvoorbeeld:

- Personeelskeukens in winkels, kantoren en andere werkomgevingen,
- Boerderijen,
- Ruimten die worden gebruikt door klanten in hotels, motels en andere verblijfplaatsen,
- Bed&breakfast type hotels, guesthouses,
- Catering en gelijkaardige niet-detailhandel toepassingen.

Dit product mag niet buiten worden gebruikt met of zonder een tent boven het product zoals op een boot, balkon of terras. U mag het product niet blootstellen aan regen, sneeuw, zon of wind.

Er bestaat een risico van brand.

1.2 - Veiligheid voor kinderen, kwetsbare personen en huisdieren

- Dit product mag worden gebruikt door kinderen van 8 jaar en ouder en door personen met een beperkt fysiek, gevoelsmatig of mentaal vermogen of die een gebrek hebben aan ervaring en kennis op voorwaarde dat ze onder toezicht staan of worden opgeleid in het veilige gebruik van het product en de geassocieerde risico's
- Kinderen van 3 tot 8 jaar oud mogen koelapparatuur laden en lossen.
- Elektrische producten zijn gevaarlijk voor kinderen en huisdieren. Kinderen en huisdieren mogen niet spelen met, klimmen op of binnendringen in het product.
- De reiniging en het onderhoud door de gebruiker mogen niet worden uitgevoerd door kinderen tenzij ze onder toezicht staan.
- Houd de verpakking uit de buurt van kinderen. Er bestaat een risico van brand en verstikking!
- Voor u het oude of verouderde product weggooit:
 1. Verwijder de stekker van het product uit het stopcontact door te trekken aan de stekker.
 2. Snijd het netsnoer door en verwijder het van het apparaat bij de stekker.
 3. Verwijder de laden of schuiven niet zodat het moeilijker is voor kinderen binnen te dringen in het product.
 4. Verwijder de deuren.
 5. Houd het product zodanig dat het niet kan kantelen.
 6. Laat kinderen niet spelen met het oude product.
- Gooi het product nooit in het vuur voor u het weggooit. Er bestaat een risico van ontploffingen.
- De deur van het product is voorzien van een slot. De sleutel van dit slot moet buiten het bereik van kinderen worden bewaard.

Veiligheidsinstructies



1.3 Elektrische veiligheid

- De stekker van het product moet worden verwijderd uit het stopcontact tijdens de installatie, het onderhoud, de reiniging, reparaties en wanneer het product wordt verhuisd.
- Als het netsnoer is beschadigd, moet het worden vervangen door een gekwalificeerde persoon gespecificeerd door de fabrikant, de geautoriseerde service agent of de importeur om potentiële gevaren te vermijden.
- Het netsnoer mag niet worden geklemd onder of achter het product. Plaats geen zware voorwerpen op het netsnoer. Het netsnoer mag niet overmatig worden gebogen of gekneld en het mag niet in contact komen met een warmtebron.
- Gebruik geen verlengsnoeren, multi-stopcontacten of adapters om het product te bedienen.
- Draagbare multi-stopcontacten of draagbare voedingen kunnen oververhitten en brand veroorzaken. Om die reden mag u geen multi-stopcontacten achter of in de buurt van het product houden.
- De stekker moet gemakkelijk toegankelijk zijn. Als dit niet mogelijk is, moet de elektrische installatie waarmee het product is verbonden een apparaat bevatten (bijv. een zekering, schakelaar, stroomonderbreker, etc.) dat conform is met de elektrische voorschriften en dat alle polen loskoppelt van het elektrisch net.
- Raak de stekker niet aan met natte handen.
- Verwijder de stekker uit het stopcontact bij de stekker en niet het snoer.



1.4 Veiligheid tijdens het

transport

- Het product is zwaar. U mag het niet alleen verplaatsen.
- Houd het product niet bij de deur wanneer u het verplaatst.
- Zorg ervoor dat u het koelsysteem of de leidingen niet beschadigt tijdens het transport. Als de leidingen zijn beschadigd, mag u het product niet gebruiken en moet u beroep doen op de geautoriseerde service agent.



1.5 Veiligheid tijdens de installatie

- Bel de geautoriseerde service agent voor de installatie van het product. Controleer de informatie in de handleiding om zeker te zijn dat de toevoer van elektriciteit en water correct is geïnstalleerd om het product klaar te maken voor gebruik. Zo niet moet u een gekwalificeerde elektricien en loodgieter aanspreken om de nodige werkzaamheden uit te voeren. Zo niet bestaat er een risico van elektrische schokken, brand, problemen met het product of persoonlijke letsels!
- Inspecteer het product op defecten voorafgaand aan de installatie. Als het product is beschadigd, mag u het niet installeren.
- Plaats het product op een schoon, vlak en stevig oppervlak en balanceer het met de verstelbare poten. Zo niet kan het product kantelen en letsels veroorzaken.
- De installatielocatie moet droog en goed geventileerd zijn. Plaats geen tapijten of gelijkaardige vloerkleden onder het product. Een ontoereikende ventilatie kan brandrisico veroorzaken!
- U mag de ventilatieopeningen niet afdekken of blokkeren. Zo niet kan het energieverbruik verhogen en kan uw product worden beschadigd.
- Het product moet worden verbonden met de toevoersystemen zoals zonne-energie-installaties. Zo niet kan uw product worden beschadigd door plotse wijzigingen in de spanning!

Veiligheidsinstructies

- Hoe meer koelmiddel wordt toegevoegd aan een koelkast, hoe groter de installatielocatie moet zijn. Als de installatielocatie te klein is, kunnen het brandbare koelmiddel en luchtmengsel verzamelen in het geval van een lek van het koelmiddel in koelsystemen. De vereiste ruimte voor elke 8 gr koelmiddel is minimum 1 m³. De hoeveelheid koelmiddel in uw product staat vermeld op het typeplaatje.
- Het product mag niet worden geïnstalleerd op plaatsen die zijn blootgesteld aan direct zonlicht en het moet uit de buurt worden gehouden van warmtebronnen zoals branders, radiatoren, etc.

Als het onvermijdelijk is het product te installeren in de buurt van een warmtebron moet een geschikte isolatieplaat worden gebruikt en de volgende minimumafstanden van de warmtebron moeten worden gerespecteerd:

- Minimum 30 cm verwijderd van warmtebronnen zoals branders, ovens, verwarmingseenheden of fornuizen,
- Minimum 5 cm verwijderd van elektrische ovens.

- De beschermingsklasse van uw product is Type I. Voer het product in een geaard stopcontact met de correcte spanning, stroom en frequentiewaarden zoals vermeld op het typeplaatje van het product. Het stopcontact moet zijn voorzien van een 10 A - 16 A stroomonderbreker. Ons bedrijf kan niet aansprakelijk worden gehouden voor schade die wordt veroorzaakt als het product wordt gebruikt zonder aarding en elektrische verbinding in overeenstemming met de lokale en nationale regelgeving.
- De stekker van het product moet zijn losgekoppeld tijdens de installatie. Zo niet bestaat er een risico van elektrische schokken en letsels!

- U mag de stekker van het product niet in stopcontacten voeren die los zitten, verplaatst zijn, stuk, vuil of vettig zijn of als het risico bestaat dat ze in contact komen met water.
- Leid het netsnoer en de leidingen (indien aanwezig) van het product zodanig dat niemand er over kan struikelen.
- Als de onderdelen die onder stroom staan of het netsnoer worden blootgesteld aan vocht kan dit kortsluitingen veroorzaken. Om die reden mag u het product niet installeren in plaatsen zoals garages of wasruimten met een hoge vochtigheidsgraad of waar water kan spatten. Als de koelkast nat wordt, moet u de stekker verwijderen uit het stopcontact en de geautoriseerde service agent bellen.
- U mag uw koelkast nooit aansluiten op energiebesparende apparaten. Dergelijke systemen zijn schadelijk voor uw product.



1.6 Veiligheid tijdens de werking

- Gebruik nooit chemische oplosmiddelen op het product. Er bestaat een risico van ontploffingen!
- Als het product defecten vertoont, moet u de stekker verwijderen uit het stopcontact en mag u het niet gebruiken tot het is gerepareerd door de geautoriseerde service agent. Er bestaat een risico van elektrische schokken!
- Plaats geen vlammenbronnen (brandende kaarsen, sigaretten, etc.) op of in de buurt van het product.
- U mag niet klimmen op het product. Er bestaat een risico dat u valt en zich zou kwetsen!
- U mag de leidingen van het koelsysteem niet beschadigen met scherpe of penetrerende voorwerpen. Het koelmiddel dat kan lekken als de koelmiddelleidingen, buisverlengingen of coatings worden doorboord, veroorzaakt huidirritaties en oogletsels.

Veiligheidsinstructies

- Tenzij dit wordt aanbevolen door de fabrikant mag u geen elektrische apparaten in de koelkast/diepvriezer plaatsen of gebruiken.
- Wees voorzichtig uw handen of een ander lichaamsdeel niet te klemmen in de bewegende onderdelen van de koelkast. Zorg er voor dat uw vingers niet geklemd raken tussen de deur en de koelkast. Wees voorzichtig wanneer u de deur opent en sluit, in het bijzonder als er kinderen in de buurt zijn.
- Eet nooit roomijs, ijsblokjes of ingevroren etenswaren onmiddellijk nadat u ze uit de koelkast hebt verwijderd. Er bestaat een risico van vriesbrandwonden!
- Als uw handen nat zijn, mag u de interne wanden of metalen onderdelen van de diepvriezer of de opgeslagen etenswaren niet aanraken. Er bestaat een risico van vriesbrandwonden!
- Plaats geen blikjes of flessen met koolzuurhoudende drankjes of invriesbare vloeistoffen in het vriesvak. De blikjes en flessen kunnen barsten. Er bestaat een risico van letsels en materiële schade!
- Plaats geen brandbare sprays, brandbaar materiaal, droog ijs, chemische stoffen of gelijkaardig warmtegevoelig materiaal in de buurt van de koelkast. Er bestaat een risico van brand en ontploffingen!
- U mag geen explosief materiaal opbergen in uw product dat brandbaar materiaal bevat, zoals aerosol kannen.
- Plaats geen containers met vloeistof in het product. Waterspatten op een elektrisch onderdeel kunnen elektrische schokken of brand veroorzaken.
- Dit product is niet bedoeld om medicatie, bloedplasma, laboratoria bereidingen of gelijkaardige medische stoffen en producten te bewaren die onderhevig zijn aan de Richtlijn voor Medische producten.
- Als het product wordt gebruikt voor andere dan de beoogde doeleinden kan dit de producten in de koelkast doen verslechteren of bederven.
- Als uw koelkast is uitgerust met een blauwe lamp mag u niet naar deze lamp staren met optisch gereedschap. U mag niet langdurig rechtstreeks naar de UV LED lamp kijken. Ultraviolet licht kan de ogen vermoeien.
- U mag het product niet overbelasten. Voorwerpen in de koelkast kunnen vallen wanneer de deur wordt geopend en dit kan letsels of schade veroorzaken. Gelijkaardige problemen kunnen ook optreden als er een voorwerp op het product is geplaatst.
- Om letsels te vermijden, moet u ervoor zorgen dat u al het ijs en water hebt verwijderd dat op de vloer kan zijn gevallen of gespat.
- Verander de positie van de laden/flessenrekken op de deur van uw koelkast enkel als ze leeg zijn. Er bestaat een risico van persoonlijke letsels!
- Plaats geen voorwerpen die kunnen vallen/kantelen op het product. Dergelijke voorwerpen kunnen vallen wanneer de deur wordt geopend en letsels en/of materiële schade veroorzaken.
- U mag niet te hard slaan op de glazen oppervlakken. Gebroken glas kan letsels en/of materiële schade veroorzaken.
- Het koelsysteem van uw product bevat R600a koelmiddel: Het type koelmiddel in uw product staat vermeld op het typeplaatje. Dit koelmiddel is brandbaar. Zorg er dus voor dat u het koelsysteem of de leidingen niet beschadigt wanneer het product wordt gebruikt. Als de leidingen zijn beschadigd:
 - Raak het product of het netsnoer niet aan,
 - Uit de buurt houden van potentiële bronnen van brand die het product in brand kunnen doen schieten.

Veiligheidsinstructies

- Ventileer de ruimte waar het product is geplaatst. Gebruik geen ventilatoren.
- Bel de geautoriseerde service agent.
- Als het product is beschadigd en u stelt vast dat het koelmiddel lekt, moet u uit de buurt blijven van het koelmiddel. Het koelmiddel kan vriesbrandwonden veroorzaken als het in contact komt met de huid.

Voor producten met een Waterdispenser/IJsmachine

- Gebruik uitsluitend drinkwater. Vul het waterreservoir niet met andere vloeistoffen - zoals vruchtensappen, melk, koolzuurhoudende drankjes of alcoholische drankjes - die niet geschikt voor gebruik in de waterdispenser.
- Er bestaat een risico voor de veiligheid en de gezondheid!
- Laat kinderen nooit spelen met de waterdispenser of ijsmachine (Icematic) om ongelukken of letsels te voorkomen.
- Voer uw vingers of andere voorwerpen niet in de opening van de waterdispenser, de waterleiding of de ijsmachine container. Er bestaat een risico van letsels en materiële schade!

1.7 Veiligheid tijdens het onderhoud en de reiniging

- Trek niet aan het handvat van de deur als u het product moet verplaatsen tijdens het reinigen. Het handvat kan breken en letsels veroorzaken als u er te veel kracht op uitoefent.
- Verstuif of giet geen water op of in het product om het te reinigen. Er bestaat een risico van brand en elektrische schokken!
- Gebruik geen scherpe of schurende middelen om het product te reinigen. Gebruik geen huishoudelijke reinigingsproducten, oplosmiddelen, gas, benzine, verdunner, alcohol, vernis, etc.

- Gebruik enkel reinigings- en onderhoudsproducten in het product dit onschadelijk zijn voor etenswaren.
- Gebruik nooit stoomreinigers om het product te reinigen of te ontdoeien. De stoom komt in contact met de onderdelen die onder spanning staan in uw koelkast en dit kan kortsluitingen of elektrische schokken veroorzaken!
- Zorg ervoor dat er geen water kan binnendringen in de elektronische circuits of de verlichting van het product.
- Gebruik een schone en droge doek om vreemd materiaal of stof te verwijderen van de pinnen van de stekker. Gebruik geen natte of vochtige doek om de stekker te reinigen. Er bestaat een risico van brand en elektrische schokken!



1.8 HomeWhiz

- Wanneer u uw product bedient via de HomeWhiz app moet u de veiligheidswaarschuwingen naleven, zelfs als u niet in de buurt bent van het product. U moet ook de waarschuwingen in de app naleven.



1.9 Verlichting

- Bel de geautoriseerde dienst als u de LED/lamp moet vervangen die worden gebruikt voor de verlichting.



1.10 UV-C straling veiligheid

- Verwijder het UV-C lamp veiligheidsglas niet.
- Gebruik het product niet zonder het UV-C lamp veiligheidsglas.
- Dit product heeft een lamp die UV-C stralen afgeeft. Kijk nooit rechtstreeks in de lichtbron.
- Verwijder de stekker uit het stopcontact wanneer u het vak met de UV-C lamp wilt reinigen.
- Gebruik een product nooit als u schade vaststelt aan het veiligheidsglas.

Veiligheidsinstructies

- Schakel de UV-C functie uit van het weergave bedieningspaneel wanneer u de UV-C lamp vervangt met de hulp van een geautoriseerde service.
- Verwijder nooit het "Ultraviolet Radiation Hazard" (Ultraviolet stralingsgevaar) etiket van het hygiënevak dat de UV-C lampen bevat.
- Het gebruik van het product buiten het beoogde gebruik of schade aan de UV-C lamp veiligheidsglas of de omgeving kan resulteren in gevaarlijke UV-C straling. UV-C straling kan letsels aan de ogen en de huid veroorzaken, zelfs bij lage doses! U mag nooit een beschadigd product gebruiken!
- Als het UV-C symbool begint te knipperen wanneer de hygiënefunctie is ingeschakeld, wijst dit er op dat de halfwaardetijd van de lampen is bereikt en dat hun doeltreffendheid is verminderd. Wij raden aan de UV-C lampen te vervangen als u deze waarschuwing observeert. UV-C lampen worden vervangen samen met de lade waarin ze zijn bevat. De aankoop en installatie van de UV-C lade moet worden uitgevoerd via de geautoriseerde diensten.



	WAARSCHUWING! UV-C straling is schadelijk voor de ogen en de huid. Gebruik nooit UV-C lampen buiten het product!
	WAARSCHUWING! UV-C lampen zijn mogen niet worden vervangen door de gebruiker. Vraag bijstand van de geautoriseerde service wanneer de UV-C lampen zijn verstrekten!

1.11 Technische informatie over Bluetooth + wifi

Frequentieband:	2.4GHz (Wifi of bluetooth-functie)
Max. zendvermogen:	< 100mW (Wifi of bluetooth-functie)
Software details:	Quartz_WiFi.XXX

EG-verklaring van overeenstemming

Arçelik A.Ş. verklaart hierbij dat dit apparaat conform is met de 2014/53/EU richtlijn.

De volledige tekst van de EU verklaring van overeenstemming is beschikbaar op de volgende website:

Producten, het adres: support.beko.com

De gedefinieerde ondersteuningsperiode voor software-updates voor cyberbeveiliging van het product is de garantieperiode van het product. Na deze periode zijn cyberbeveiligingsgerelateerde software-updates niet gegarandeerd.

2 Omgevingsinstructies

2.1 Voldoet aan de WEEE-richtlijn en de richtlijnen voor afvoeren van het restproduct:

Dit product voldoet aan de EU-richtlijn WEEE (2012/19/EU). Dit product is voorzien van een classificatiesymbool voor afvalsortering van elektrische en elektronische apparatuur (WEEE).



Dit symbool geeft aan dat dit product niet met ander huishoudelijk afval mag worden weggegooid aan het einde van zijn levensduur. Het gebruikte apparaat moet worden ingeleverd bij het officiële inzamelingspunt voor recycling van elektrische en elektronische apparaten. Voor de locatie van deze inzamelingspunten neemt u contact op met de plaatselijke gemeente of winkelier waar u het product heeft gekocht. Ieder huishouden heeft een belangrijke rol in de herwinning en recycling van oude apparaten. Correcte verwijdering van gebruikte apparaten helpt potentiële negatieve consequenties voor het milieu en de gezondheid van de mens te voorkomen.

2.2 Voldoet aan RoHS-richtlijn:

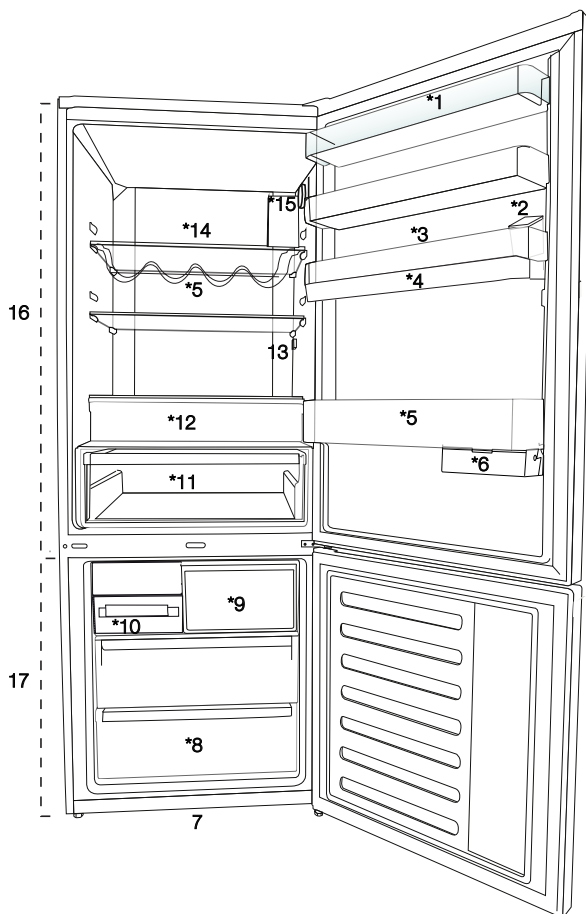
Het door u aangekochte product voldoet aan de EU-richtlijn RoHS (2011/65/EU). Het bevat geen schadelijke en verboden materialen die in deze richtlijn zijn opgenomen.

2.3 Verpakkingsinformatie



Het verpakkingsmateriaal van het product is vervaardigd uit gerecyclede materialen overeenkomstig onze nationale regelgeving. Gooi het verpakkingsmateriaal niet weg met het huishoudelijk of ander afval. Breng het naar een door de gemeente aangewezen verzamelpunt voor verpakkingsmateriaal.

3 Uw koelkast



1. Koelvak deurlade
2. Waterfonteinreservoir
3. Eierhouder
4. Waterreservoir
5. Flessenlade
6. IJsvak
7. Instelbare voetjes
8. Vriesvak
9. Snel vriesvak
10. Icematic
11. Groentelade
12. Hygiënevak (UV- C lampen)
13. Interne verlichting
14. Koelvak glazen lade
15. Temperatuur instelling knop
16. Koelvak
17. Vriesvak

Is mogelijk niet beschikbaar in alle modellen



***optioneel:** Foto's in deze handleiding dienen enkel als voorbeeld en zijn mogelijk niet exact hetzelfde als uw product. Als de betrokken vakken niet aanwezig zijn in uw product verwijst de informatie naar andere modellen.

4 Installatie

⚠ Lees eerst het hoofdstuk "Veiligheidsinstructies"!

4.1. Correcte plaats voor de installatie

Neem contact op met de Geautoriseerde Dienst voor de installatie van het product. Om het product voor te bereiden voor de installatie kunt u de informatie raadplegen in de handleiding en ervoor zorgen dat de elektrische en watervoorzieningen correct zijn uitgevoerd. Zo niet moet u een elektricien en loodgieter aanspreken om de voorzieningen correct uit te voeren.

⚠	WAARSCHUWING: De fabrikant aanvaardt geen verantwoordelijkheid voor eventuele schade veroorzaakt door werkzaamheden die worden uitgevoerd door niet-geautoriseerde personen.
⚠	WAARSCHUWING: Het netsnoer van het product moet uit het stopcontact worden verwijderd tijdens de installatie. Zo niet kan dit fataal aflopen of resulteren in ernstige letsels!
⚠	WAARSCHUWING: Als de deuropening te nauw is om het product door te laten, moet u de deur verwijderen en het product zijdelings draaien; als dit niet werkt, kunt u contact opnemen met de geautoriseerde dienst.

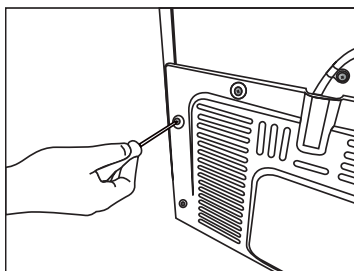
- Plaats het product op een vlakke ondergrond om trillingen te vermijden.
- Plaats het product minimum 30 cm verwijderd van de radiator, het fornuis en gelijkaardige warmtebronnen en minimum 5 cm van elektrische ovens.
- U mag het product niet blootstellen aan direct zonlicht en u mag het niet bewaren in een vochtige omgeving.
- Het product vereist voldoende luchtcirculatie voor een efficiënte werking.
- Als het product in een muurholte wordt geplaatst, mag u niet vergeten minimum 5 cm tussenruimte te laten tussen het product en het plafond en de muren.
- Installeer het product niet in omgevingen met temperaturen van minder dan -5°C.
- Dit product vereist een goede luchtcirculatie om efficiënt te kunnen werken. Als het product in een muurnis wordt geplaatst, moet u ten minste 5 cm tussenruimte laten tussen het product en het plafond, de achterwand en de muren.
- Als het product in een muurnis wordt geplaatst, moet u ten minste 5 cm tussenruimte laten tussen het product en het plafond, de achterwand

en de muren. Controleer of het tussenruimte beveiligingsonderdeel met de muur achteraan aanwezig is (indien geleverd met het product). Als dit onderdeel niet beschikbaar is, of als het verloren is gegaan of gevallen, moet u het product zodanig positioneren dat er ten minste 5 cm tussenruimte is tussen het product en de muren van de kamer. De tussenruimte achteraan is belangrijk voor de efficiënte werking van het product.

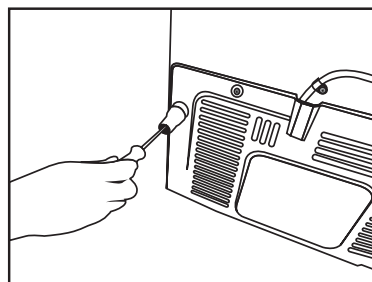
4.2. De plastic spieën bevestigen

Gebruik de plastic spieën die worden geleverd met het product om voldoende ruimte te laten voor de luchtcirculatie tussen het product en de muur.

1. Om de spieën te bevestigen, verwijdert u de schroeven van het product en gebruikt u de schroeven die worden geleverd met de spieën.



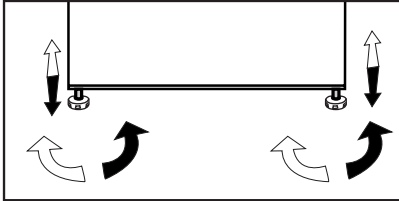
2. Bevestig 2 plastic spieën op het ventilatiedeksel zoals aangetoond in de afbeelding.



Installatie

4.3 De voetjes aanpassen

Als het product niet correct gebalanceerd is, moet u de instelbare voeten vooraan naar links of rechtst draaien.



4.4 Stroomaansluiting

	WAARSCHUWING: Gebruik geen verlengsnoer of meervoudige stopcontacten voor de stroomverbinding.
	WAARSCHUWING: Een beschadigd netsnoer moet worden vervangen door een Geautoriseerde Dienst.
	Als u twee koelers naast elkaar plaatst, moet u minimum 4 cm afstand laten tussen beide toestellen.

- Ons bedrijf aanvaardt geen verantwoordelijkheid voor eventuele schade door het gebruik zonder aarding en stroomverbinding conform de nationale wetgeving.
- De netstekker moet gemakkelijk toegankelijk blijven na de installatie.
- Gebruik geen multi-groep stekker met of zonder verlengsnoer tussen het stopcontact en de koelkast.

	Waarschuwing voor heet oppervlak! De zijwanden van uw product zijn uitgerust met koelmiddelleidingen om het koelsysteem te verbeteren. Koelmiddel met hoge temperaturen kunnen door deze zones stromen en dit kan resulteren in warme oppervlakken op deze wanden. Dit is normaal en vereist geen onderhoud. Let op wanneer u deze zones aanraakt.
--	---

5 Voorbereiding

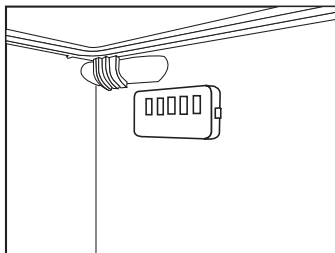
⚠ Lees eerst het hoofdstuk "Veiligheidsinstructies"!

5.1. Wat u kunt doen om energie te besparen

⚠ Het product verbinden met elektronische energiebesparende systemen is schadelijk want het kan uw product beschadigen.

- Voor een vrijstaand apparaat; "dit koelend apparaat is niet bedoeld voor gebruik als een ingebouwd apparaat";.
- Houd de deur van de koelkast niet te lang open.
- Plaats geen warme dranken in de koelkast.
- U mag de koelkast niet te veel opvullen; als u de interne luchtcirculatie blokkeert, vermindert het koelvermogen.
- Om een maximale hoeveelheid etenswaren op te slaan in het koelvak van uw koelkast kunt u de bovenste laden verwijderen en ze op het glazen rek plaatsen. Het vermelde energieverbruik van uw koelkast werd bepaald door het koelvak, ijslade en bovenste laden te verwijderen op een wijze die een optimale bewaring toelaat. Het is aangeraden de onderste lade te gebruiken om etenswaren te bewaren. De energiebesparingsfunctie moet worden ingeschakeld voor een optimaal energieverbruik.
- U mag de luchtstroom niet blokkeren door etenswaren voor de ventilator te plaatsen. U moet minimum 3cm vrij laten voor het rooster van de ventilator wanneer u etenswaren in de koelkast plaatst.
- Afhankelijk van de kenmerken van het product; ingevroren etenswaren ontdooien in het koelvak resulteert in energiebesparing en bewaart de kwaliteit van de etenswaren.
- Etenswaren moeten worden bewaard op de laden in het koelvak om energie te besparen en etenswaren in betere omstandigheden te beschermen.
- Pakketten met etenswaren mogen niet in direct contact staan met de warmtesensor in het koelvak. Als ze in contact staan met de sensor kan het energieverbruik van het apparaat stijgen.
- Zorg ervoor dat de etenswaren niet in contact komen met de hieronder beschreven temperatuursensor van het koelvak.




- Aangezien warme en vochtige lucht niet direct in uw product doordringt als de deuren niet geopend zijn, zal uw product zichzelf optimaliseren in omstandigheden die voldoende zijn om uw voedsel te beschermen. Functies en onderdelen zoals een compressor, ventilator, verwarmers, ontdooien, verlichting, display enzovoort zullen werken volgens de behoeften om in deze omstandigheden een minimum aan energie te verbruiken.



5.2. Eerste gebruik

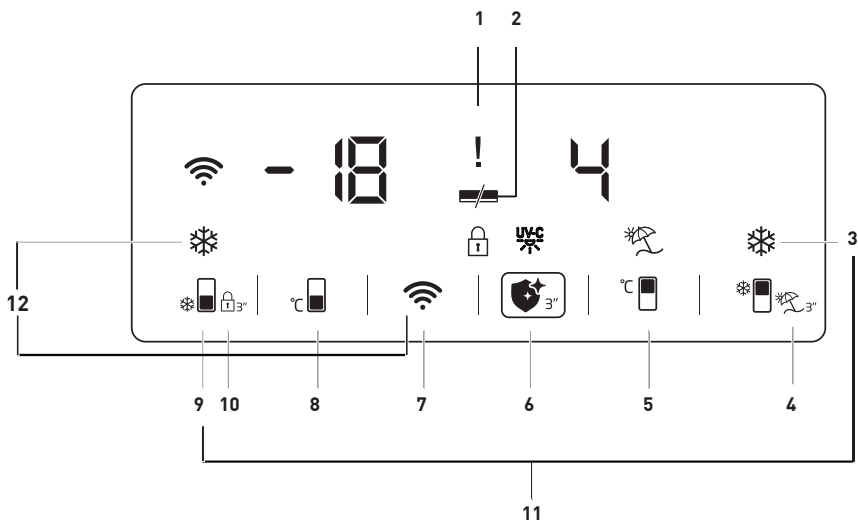
Voor u de koelkast in gebruik neemt, moet u ervoor zorgen dat u de nodige voorbereidingen treft in overeenstemming met de instructies vermeld in de "Veiligheids- en omgevingsinstructies" en "Installatie" secties.

- Schakel het product in zonder etenswaren en laat het werken gedurende 6 uur. Open de deur niet tenzij absoluut noodzakelijk.

	Een geluidssignaal weerklinkt wanneer de compressor wordt ingeschakeld. Het is normaal dat u geluid hoort, zelfs als de compressor niet ingeschakeld is, omwille van de perslucht en gassen in het koelsysteem.
	De voorste randen van het apparaat kunnen opwarmen. Dit is normaal. Deze zones zijn ontworpen om op te warmen en condensatie te vermijden.
	In sommige modellen schakelt het indicatorpaneel automatisch uit 5 minuten nadat de deur sluit. Ze wordt opnieuw ingeschakeld wanneer de deur geopend wordt of een toets ingedrukt wordt.

6 Bediening van het product

⚠ Lees eerst het hoofdstuk "Veiligheidsinstructies"!



1. Foutconditie indicator
2. Energiebesparing (scherm uit) indicator
3. Snel koelen toets
4. Vakantie functietoets
5. Koelvak temperatuurstelling toets
6. Hygiëne functietoets
7. Draadloze verbindingstoets
8. Vriesvak temperatuurstelling toets
9. Snel vriezen toets
10. Toetsenvergrendeling
11. Temperatuureenheid schakeltoets
12. Toets om de instellingen van de draadloze verbinding opnieuw in te stellen


Is mogelijk niet toepasselijk op alle modellen



***Optioneel:** De afbeeldingen in deze handleiding zijn bedoeld als schetsen en het is mogelijk dat ze niet perfect overeenstemmen met uw product. Als de betrokken vakken niet aanwezig zijn in uw product verwijst de informatie naar andere modellen.


Het gebruik van het product

1. Foutconditie indicator

Deze indicator () schakelt in als uw koelkast onvoldoende koelt of in het geval van een sensorfout. Als deze indicator inschakelt, verschijnt "E" op de vriesvak temperatuurindicator en cijfers zoals "1, 2, 3, ..." verschijnen op de koelvak temperatuurindicator. Deze cijfers bieden informatie aan de geautoriseerde service over de opgetreden fout.


Het uitroepteken kan verschijnen als u warme etenswaren in het vriesvak hebt geplaatst of als de deur langdurig wordt geopend. Dit is geen fout; deze waarschuwing verdwijnt wanneer de etenswaren afkoelen.

2. Energiebesparing (scherm uit) indicator

De energiebesparingsfunctie schakelt automatisch in en het energiebesparingssymbool verschijnt wanneer de deur van het product niet wordt geopend of gesloten gedurende een bepaalde periode. ()

Wanneer de energiebesparingsfunctie is ingeschakeld, schakelen alle symbolen op het scherm uit, behalve het energiebesparingssymbool. Als u, wanneer de energiebesparingsfunctie ingeschakeld is, een knop indrukt of de deur opent, schakelt de energiebesparingsfunctie uit en de symbolen op het scherm keren terug naar normaal. De energiebesparingsfunctie is een functie die in de fabriek wordt ingesteld en kan niet worden uitgeschakeld.

3. Snel koelen toets

Als de snel koelen functie is ingeschakeld, licht de snel koelen indicator op () en de temperatuurindicator van het koelvak geeft de waarde 1 weer. Druk opnieuw op de Snel koelen toets om deze functie te annuleren. De Snel koelen indicator schakelt uit en de normale instellingen worden hersteld. De snel koelen functie wordt automatisch geannuleerd na 1 uur tenzij de gebruiker ze annuleert. Als u een grote hoeveelheid verse etenswaren


moet koelen, drukt u op de snel koelen knop voor u etenswaren in het koelvak plaatst.

4. Vakantie functietoets

Druk de () knop in gedurende 3 seconden om de vakantiefunctie in te schakelen en de vakantiemodus indicator () schakelt in. Wanneer de vakantiefunctie ingeschakeld is, verschijnt "- -" op de temperatuurindicator van het koelvak en er wordt geen actieve afkoeling uitgevoerd in het koelvak. Het is niet aanbevolen etenswaren te bewaren in het koelvak wanneer deze functie is ingeschakeld. Andere vakken blijven afkoelen op basis van de ingestelde temperatuur.

Druk opnieuw op de **Vakantiefunctieknop** om deze functie te annuleren.

5. Koelvak temperatuurinstelling toets

De temperatuur van het koelvak kan worden ingesteld op 8,7,6,5,4,3,2 en 1 respectievelijk als deze toets is ingedrukt. ()

6. Hygiëne functietoets

Druk de () knop in gedurende 3 seconden om de hygiënefunctie en daarna de hygiënefunctie indicator in te schakelen. () schakelt in. Open de deur van uw product niet wanneer de hygiënefunctie is ingeschakeld. Als de deur van het product is geopend wanneer de hygiënefunctie is ingeschakeld, moet de hygiënewerking worden gestopt tot de deur is gesloten. Het product geeft een alarmsignaal weer en het stopt de bewerking aan het einde van de hygiënebewerking. Houd de hygiënefunctietoets gedurende 3 seconden ingedrukt om de hygiënebewerking te stoppen voor de ingestelde tijdsduur.

Als het uitroepteken () verschijnt samen met het hygiënesymbool wanneer u de hygiënefunctie inschakelt, betekent dit dat de hygiënelampen op het punt staan te verslijten. Bel de service.

Het gebruik van het product

7. Draadloze verbindingstoets (*op-tioneel)

Wanneer de knop gedurende een lange periode (3 seconden) wordt ingedrukt, wordt de initialisatie van het product naar het thuisnetwerk gestart. Het draadloze netwerksymbool (📶) knippert met een interval van 0,5 seconden terwijl de verbinding tot stand is gebracht.

Wanneer de verbinding met het thuisnetwerk is tot stand gebracht, blijft het draadloze netwerksymbool ononderbroken branden.

Wanneer de initiële verbinding tot stand is gebracht, kunt u de verbinding in/uitschakelen door deze toets kort in te drukken.

Het netwerk waarmee u een verbinding tot stand hebt gebracht, wordt herinnerd en de verbinding wordt opnieuw tot stand gebracht wanneer het product wordt uit- en opnieuw ingeschakeld.

Het draadloze netwerksymbool knippert met korte intervallen van (0,2 seconden) terwijl de verbinding tot stand wordt gebracht.

Het draadloze netwerksymbool begint ononderbroken te branden wanneer de verbinding actief is. Controleer de instellingen van uw modem/verbinding als de verbinding niet tot stand kan worden gebracht.

De HomeWhiz app wordt gebruikt als de interface van de verbinding. De verbidingsstappen zijn beschreven in de HomeWhiz SNELLE INSTALLATIEGIDS die wordt geleverd met het product. U kunt het Probleemoplossen hoofdstuk raadplegen voor antwoorden op een aantal elementaire vragen.

8. Vriesvak temperatuurinstelling toets

Dit biedt de mogelijkheid de temperatuur in te stellen voor het vriesvak. De temperatuur van het vriesvak kan worden ingesteld op -18, -19, -20, -21, -22, -23 en -24 respectievelijk als de (❄️) toets is ingedrukt.

9. Snel vriezen toets

Druk op toets nr. (9) voor snel invriezen en de snel invriezen (❄️) indicator wordt ingeschakeld.

Wanneer de snel invriezen functie is ingeschakeld, begint de snel vriezen indicator te branden en de temperatuurindicator van het vriesvak geeft de waarde -27 weer. Druk opnieuw op de Snel invriezen (❄️) toets om deze functie te annuleren. De Snel invriezen indicator schakelt uit en keert terug naar de normale instellingen. De Snel invriezen functie wordt automatisch geannuleerd na 32 uur tenzij de gebruiker ze annuleert. Als u een grote hoeveelheid verse etenswaren moet invriezen, drukt u op de Snel invriezen toets voor u etenswaren in het vriesvak plaatst.

10. Toetsenvergrendeling

Druk op de knop (🔒) gedurende 3 seconden. Het toetsenvergrendeling symbool (🔒) licht op en de toetsenvergrendeling modus wordt ingeschakeld. De toetsen kunnen niet worden gebruikt wanneer de toetsvergrendeling is ingeschakeld. Druk gedurende 3 seconden op de knop (🔒). De toetsenvergrendeling wordt uitgeschakeld. U kunt de toetsenvergrendeling functie gebruiken als u wilt beletten dat er wijzigingen worden aangebracht in de temperatuurinstelling van de koelkast.

11. Temperatuureenheid schakeltoets

Als u de Snel koelen (❄️) en Snel invriezen (❄️) toetsen gedurende 3 seconden indrukt, kunt u schakelen tussen de Fahrenheit en Celsius temperatuureenheden.

Het gebruik van het product

12. Toets om de instellingen van de draadloze verbinding opnieuw in te stellen

Als u de Snel invriezen (❄️📱) en de draadloze netwerk (📶) toetsen gelijktijdig indrukt gedurende 3 seconden worden de draadloze verbindinginstellingen opnieuw ingesteld.

6.1. Blauw licht/HarvestFresh

***Is mogelijk niet beschikbaar op alle modellen**

Voor het blauwe licht,

Bij fruit en groenten die zijn opgeslagen in de crisper-laden en die worden verlicht met een blauw licht blijft de fotosynthese doorlopen omwille van het golflengte-effect van het blauwe licht en zo behouden zij hun vitamine-inhoud.

Voor HarvestFresh,

Groenten en fruit die zijn opgeslagen in de crisper-laden en die worden verlicht met de HarvestFresh technologie behouden hun vitamines gedurende een langere periode dankzij de blauwe, groene, rode lichten en donkere cycli die een dagcyclus simuleren.

Als u de deur van de koelkast opent tijdens de donkere periode van de HarvestFresh technologie zal de koelkast dit automatisch detecteren en de blauw-groene of rode licht inschakelen om de crisper-lade naar wens te verlichten. Nadat u de deur van de koelkast hebt gesloten, loopt de donkere periode door en dit staat voor de nacht tijdens een dagcyclus

Het gebruik van het product

6.2. Hygiënevak

*Deze functie is optioneel

1. De UV-C hygiënefunctie wordt niet ingeschakeld wanneer het draadrooster en bladmetalen lade in het hygiënevak niet aanwezig zijn in het vak.

2. De hygiënefunctie inschakelen wanneer de bladmetalen lade niet is aangebracht in het hygiënevak veroorzaakt vervormingen van de onderliggende plastic lade.

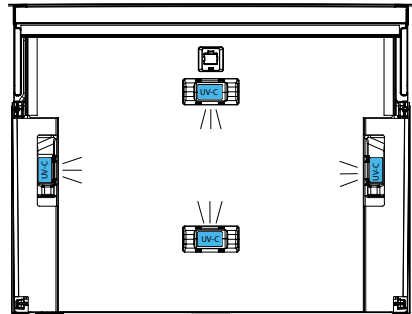
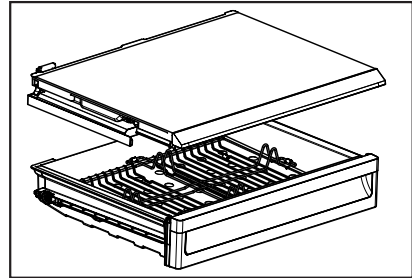
3. Probeer het glas niet te verwijderen boven het hygiënevak door kracht uit te oefenen.

4. U mag de UV-C fluorescerende lampen niet aanraken, impact veroorzaken of kracht uitoefenen die op de bodem van de glazen lade van het hygiënevak is geplaatst.

5. Probeer het glas van het hygiënevak niet te verwijderen uit veiligheidsoverwegingen. Als u het rek verwijderd, worden de elektrische onderdelen losgekoppeld.

6. Het licht dat u ziet wanneer u het hygiënevak opent, is geen UV-C licht. Dit is LED licht.

7. Neem de metalen lade en het bladmetaal onder de lade enkel af met een vochtige doek.



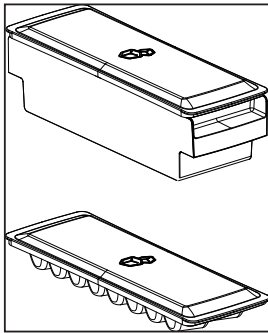
Het gebruik van het product

6.3. IJsemmer

*optioneel

- Verwijder de ijsemmer uit het vriesvak.
- Vul de ijsemmer met water.
- Plaats de ijsemmer in het vriesvak.

Het ijs is klaar na ongeveer twee uur. Verwijder de ijsemmer uit het vriesvak en buig hem lichtjes over de houder die u zult opdienen. IJs kan gemakkelijk in de service houder worden gegoten.



6.4. Eihouder

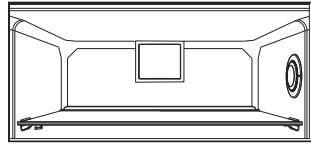
U kunt de eihouder in de deur of het rek in de koelkast plaatsen. Als u hem in het rek van de koelkast plaatst, is het aanbevolen de onderste laden te gebruiken aangezien deze koeler zijn.



Plaats de eihouder niet in het vriesvak.

6.5. Ventilator

De ventilator is ontworpen om koude lucht te laten circuleren in uw koelkast. De werkduur van de ventilator kan variëren naargelang de functies van uw product. Hoewel in sommige producten de ventilator slechts werkt met de compressor, bepaalt het controlesysteem in andere producten de werkduur op basis van de koelvereisten.



6.6. Groentevak

*optioneel

Het groentevak van de koelkast is ontworpen om groenten vers te houden door de vochtigheid te bewaren. Om die reden wordt de algemene koude luchtcirculatie verhoogd in het groentevak.

6.7. Nul-graden compartiment

*optioneel

Gebruik dit compartiment om delicatessen te bewaren bij lagere temperaturen of vleeswaren voor onmiddellijk gebruik. Het nul-graden compartiment is de koelste plaats waar etenswaren zoals zuivelproducten, vlees, vis en kip kunnen worden bewaard in ideale bewaaromstandigheden. Groenten en/of fruit mogen niet worden bewaard in dit compartiment.

Het gebruik van het product

6.8. Bewegend deurrek

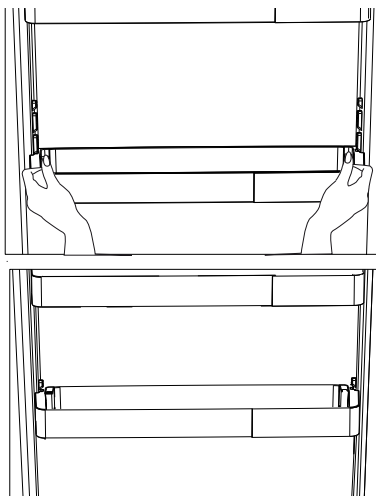
*optioneel

Het bewegende deurrek kan worden bevestigd in 3 posities.

Om het rek te verplaatsen, drukt u op de knoppen aan de zijkant. Het rek is verplaatsbaar.

Verplaats het rek omhoog of omlaag.

Nadat u het rek in de gewenste positie hebt geplaatst, laat u de knoppen los. Het rek wordt opnieuw bevestigd in de positie waar u de knoppen hebt losgelaten.

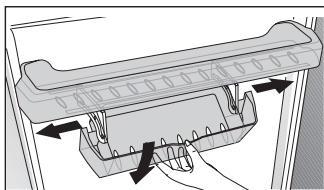


6.9. Ijsvak

*optioneel

Dit accessoire werd ontworpen om het gebruiksvolume van het deurvak te vergroten.

Dankzij het vermogen zijwaarts te schuiven, kunt u gemakkelijk een lange fles, container of doos plaatsen die u in het flessenrek had geplaatst.



6.10. Ontgeurdermodule

(FreshGuard) *optioneel

De ontgeurdermodule verwijdert de onaangename geurtjes in uw koelkast snel voor ze doordringen in de oppervlakken. Dankzij deze module, die is aangebracht op het plafond van het verse etenswaren compartiment, lossen de onaangename geurtjes snel op terwijl de lucht actief door het geurfilter wordt gestroomd. Daarna wordt de lucht die is gereinigd door het filter opnieuw in het verse etenswaren compartiment geblazen. Zo kunnen onaangename geurtjes die optreden tijdens het bewaren van de voedingsmiddelen in de koelkast worden verwijderd voor ze doordringen in de oppervlakken.

Dit is mogelijk dankzij de ventilator, LED en de geurfilter in de module.

Tijdens het dagelijkse gebruik wordt de ontgeurdermodule automatisch periodiek ingeschakeld. Voor een efficiënte prestatie is het aanbevolen het filter van de ontgeurdermodule elke 5 jaar te laten vervangen door de geautoriseerde leverancier. Omwille van het feit dat de ventilator is ingebouwd in de module is het lawaai dat u hoort tijdens de werking normaal. Als u de deur van het verse etenswaren compartiment opent terwijl de module actief is, zal de ventilator tijdelijk pauzeren en hervatten nadat de deur een tijdje is gesloten gebleven. In het geval van een stroomuitval zal de ontgeurdermodule hervatten voor de volledige tijdsduur zodra de stroom terugkeert.

Informatie: Het wordt aanbevolen aromatische voedingsmiddelen (zoals kaas, olijven en delicatessen voedingsmiddelen) in hun verpakking en afgedicht te bewaren om onaangename geurtjes te vermijden die het resultaat kunnen zijn wanneer de geuren van verschillende voedingsmiddelen worden vermengd. Het wordt bovendien aanbevolen bedorven voedingsmiddelen snel uit de koelkast te verwijderen om te

Het gebruik van het product

voorkomen dat andere voedingsmiddelen bederven en om onaangename geurtjes te vermijden.

6.11. Groentevak met vochtigheidsregeling

*optioneel

Met de vochtigheidscontrolefunctie wordt de vochtigheidsgraad van groenten en fruit onder controle gehouden en dit garandeert langer verse etenswaren. Het is aanbevolen bladgroenten zoals sla en spinazie en gelijkaardige groenten die vocht kunnen verliezen niet op hun wortels te leggen maar zo veel mogelijk in een horizontale positie in het groentevak. Wanneer u groenten in het vak plaatst, moet u de zware en harde groeten onderaan leggen en de lichte en zachte groenten bovenaan, rekening houdend met de specifieke gewichten van de groenten.

Laat geen groenten in het groentevak in een plastic zak. Als u ze in een plastic zak laat, kunnen ze snel bederven. In situaties waar contact met andere groenten niet wenselijk is, kunt u verpakkingsmateriaal gebruiken, zoals papier, met een zekere porositeit voor hygiënische redenen.

Plaats geen fruit die veel ethyleengas produceren zoals peren, abrikozen, perziken en in het bijzonder appels in hetzelfde groentevak met andere groenten en fruit. Het ethyleengas dat ontsnapt uit dit fruit kan ertoe leiden dat groenten en fruit sneller rijpen en bederven.

6.12. Automatische ijsmachine

*optioneel

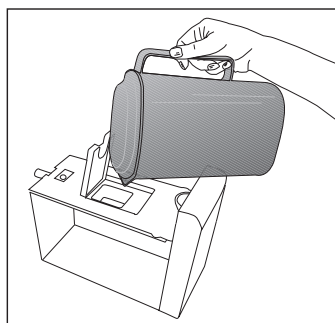
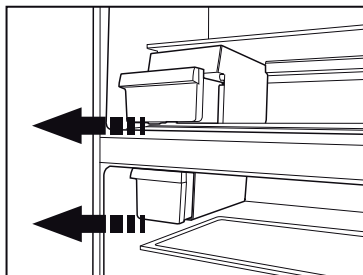
De automatische ijsmachine biedt u de mogelijkheid gemakkelijk ijs te maken in uw koelkast. Om ijs te maken in de ijsmachine verwijdert u het waterreservoir uit het koelvak. Vul het met water en voer het opnieuw in. Het eerste ijs is klaar na ongeveer 2 uur in de ijsmachinelade van het koelvak.

Nadat u de volle waterreservoir hebt aangebracht, kunt u ongeveer 60-70 ijsblokjes maken tot het volledig vol is.

Als het water in het reservoir gedurende 2-3 weken blijft, moet u het vervangen.



In producten met automatisch ijsmachine is het mogelijk dat u lawaai hoort wanneer u het ijs uitgiet. Dit geluid is normaal en is geen teken van een defect.



Het gebruik van het product

6.13. Icematic en ijsvak container

*optioneel

Gebruik de Icematic.

Vul de Icematic met water en plaats het in de zitting. Uw ijs is klaar na ongeveer twee uur. Verwijder de Icematic om ijsblokjes te nemen.

Draai aan de knoppen op de ijsreservoirs 90° in wijzerzin.

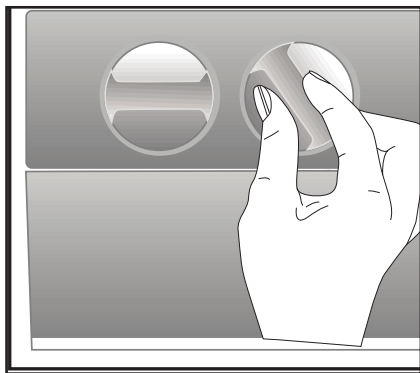
Ijsblokjes in de reservoirs vallen naar beneden in de ijsvak container.

Daarna kunt u het ijsvak verwijderen en het ijs gebruiken.

Als u wilt, kunt u de ijsblokjes in de ijsvak container bewaren.

Ijsvak container

De ijsvak container is enkel bedoeld om de ijsblokjes te verzamelen. Plaats er geen water in. Zo niet kan het breken.



6.14. Het gebruik van de waterdispenser

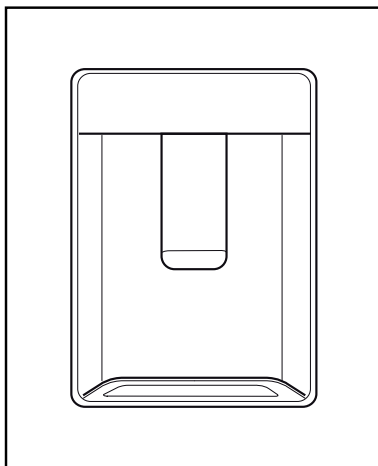
*optioneel



De eerste paar glazen water van de waterdispenser zijn gewoonlijk warm.

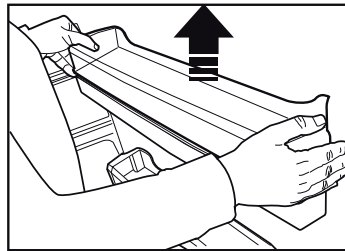
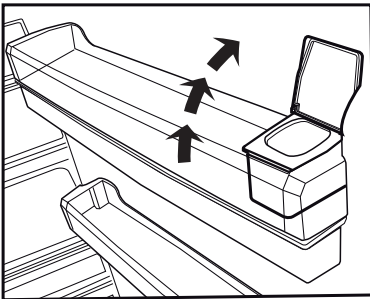
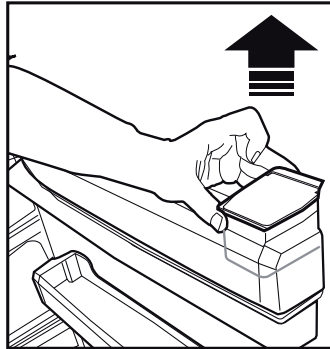
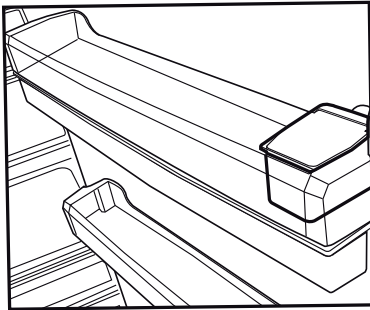


Als de waterdispenser gedurende een lange periode niet wordt gebruikt, moet u de eerste paar glazen water weggooien om zuiver water te verkrijgen.

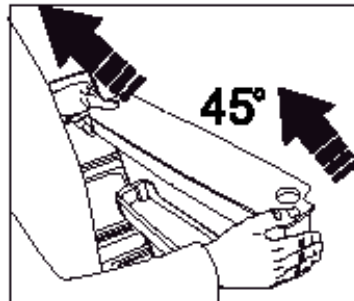


1. Duw het hendel van de waterdispenser in met uw glas. Als u een zachte plastic kop gebruikt, is het gemakkelijk het hendel in te drukken met de hand.
2. Nadat u de kop hebt opgevuld tot het gewenste niveau, laat u het hendel los.

Het gebruik van het product



Merk op dat de hoeveelheid water die uit de dispenser stroomt, afhangt van hoe ver u het hendel indrukt. Naarmate het waterniveau in uw kop / glas stijgt, moet u de druk op het hendel verminderen om overstromingen te voorkomen. Als u de arm licht indrukt, zal het water druppelen; dit is normaal en geen defect.

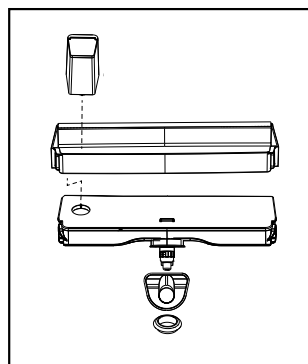
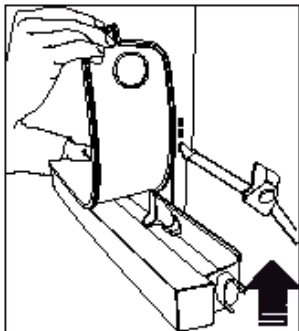


6.15. Het reservoir van de dispenser opvullen met water

Het waterreservoir bevindt zich in het deurrek.

1. Open het deksel van het reservoir.
2. Vul het reservoir met vers drinkwater.
3. Sluit het deksel.

Het gebruik van het product



Vul het waterreservoir niet op met andere vloeistoffen dan water zoals fruitsap, koolzuurhoudende dranken of alcoholische dranken die niet geschikt zijn voor gebruik in de waterdispenser. De waterdispenser zal onherroepelijk worden beschadigd als deze soorten vloeistoffen worden gebruikt. De garantie dekt dergelijke schade niet. Sommige chemische stoffen en additieven in dit soort dranken/vloeistoffen kunnen het waterreservoir beschadigen.



Gebruik enkel zuiver drinkwater.



De capaciteit van het waterreservoir is 3 liter; vul niet veel water bij.

6.16. Het waterreservoir schoonmaken

1. Verwijder het waterreservoir in de het deurrek.
2. Verwijder het deurrek door het vast te nemen met beide handen.
3. Neem het waterreservoir vast aan beide zijden en verwijder het in een hoek van 45°
4. Verwijder het deksel van het reservoir en reinig het.



Onderdelen van het reservoir en de waterdispenser mogen niet worden gewassen in de vaatwasser.

6.17. Druppelvanger

Druppelend water tijdens het gebruik van de waterdispenser accumuleert in het druppelbakje.

Verwijder het plastic filter zoals weergegeven in de afbeelding.

Verwijder het geaccumuleerde water met een schone en droge doek.

Het gebruik van het product

6.18. HerbBox/HerbFresh

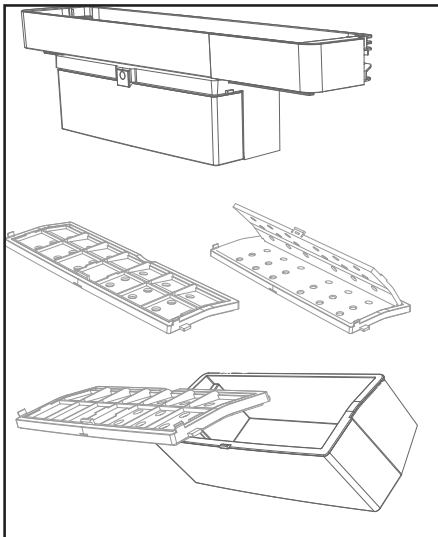
Verwijder de folie van de HerbBox/
HerbFresh+

Verwijder de folie uit de tas en plaats hem
op de container zoals weergegeven in de
afbeelding.

Sluit de container opnieuw en vervang
hem in het HerbBox/HerbFresh+
apparaat.

De HerbBox-HerbFresh+ secties zijn
ideaal voor de opslag van uiteenlopende
kruiden die in delicate omstandigheden
moeten worden bewaard. U kunt uw
kruiden (peterselie, dille, etc.) horizontaal
opslaan in deze sectie zonder ze in zakjes
te plaatsen en u kunt ze veel langer
bewaren.

De folie moet elke zes maanden worden
vervangen.



Het gebruik van het product

6.19. Verse etenswaren invriezen

- Om de kwaliteit van de etenswaren te bewaren, moeten de etenswaren die in het vriesvak worden geplaatst zo snel mogelijk worden ingevroren. Gebruik hiervoor de snel vriezen functie.
- Etenswaren invriezen wanneer ze vers zijn, verlengt de opslagduur in het vriesvak.
- Verpak de etenswaren in luchtdichte verpakkingen en sluit stevig af.
- Zorg ervoor dat de etenswaren verpakt zijn voor u ze in de diepvriezer plaatst. Gebruik diepvriezer containers, tinfoolie en vochtbestendig papier, plastic zakken of gelijkaardige verpakkingsmaterialen in de plaats van het traditionele verpakkingspapier.



Ijs in het vriesvak dooit automatisch.

- Markeer iedere verpakking met de datum voor u het invriest. Zo kunt u de versheid van iedere verpakking bepalen wanneer u de diepvriezer opent. Bewaar de oudere etenswaren vooraan zodat u ze eerst gebruikt.

- Ingevroren etenswaren moet onmiddellijk na het ontdooien worden gebruikt en mogen niet opnieuw worden ingevroren.
- Verwijder geen grote hoeveelheden in een keer uit de diepvriezer.

6.20. Aanbevelingen voor het opslaan van ingevroren etenswaren

Het compartiment moet op minimum -18°C worden ingesteld.

1. Plaats de etenswaren zo snel mogelijk in de diepvriezer om ontdooien te vermijden.
2. Voor u invriest, moet u de "Ten minste houdbaar tot" datum op de verpakking om zeker te zijn dat ze niet verstreken zijn.
3. Zorg ervoor dat de verpakking van de etenswaren niet beschadigd is.

Vriesvak temperatuurstelling	Koelvak temperatuurstelling	Details
-18°C	4°C	Dit is de standaard, aanbevolen instelling.
$-20, -22$ of -24°C	4°C	Deze instellingen worden aanbevolen bij omgevingstemperaturen van hoger dan 30°C .
Snel invriezen	4°C	Gebruik deze functie wanneer u etenswaren op korte tijd wilt invriezen. Wanneer het proces eindigt, keert het product terug naar de vorige stand.
-18°C of kouder	2°C	Gebruik deze instellingen als u vindt dat het koelvak niet koud genoeg is omwille van de omgevingstemperatuur of het regelmatig openen van de deur.

Het gebruik van het product

6.21. Informatie over de diepvriezer

Conform de IEC 62552 normen moet de diepvriezer 4,5 kg etenswaren kunnen invriezen bij -18°C of lagere temperaturen in 24 uur voor iedere 100 liter vriesvak volume.

Etenswaren kunnen enkel gedurende langere perioden worden bewaard bij een temperatuur van -18°C of lager.

U kunt etenswaren maanden lang vers houden (in de diepvriezer bij een temperatuur van 18°C of lager).

De in te vriezen etenswaren mogen niet in contact komen met reeds ingevroren etenswaren om gedeeltelijk ontdooien te vermijden.

Kook de groenten en filter het water om de ingevroren bewaartijd te verlengen. Plaats de etenswaren in luchtdichte verpakkingen na het filteren en plaats ze in het vriesvak. Bananen, tomaten, sla, selderie, gekookte eieren, aardappelen en gelijkaardige etenswaren mogen nooit worden ingevroren. Als de etenswaren bederven, worden enkel de voedingswaarden en de kwaliteit negatief beïnvloed. Bederving die de gezondheid in gevaar brengt is niet aan de orde.

6.22. De etenswaren plaatsen

Diepvriezer deurvakken	Uiteenlopende ingevroren etenswaren zoals vlees, vis, ijscrème, groenten, etc.
Koelvak deurvakken	Etenswaren in potten, afgedekte platen en containers, eieren (in een afgedekte container)
Koelvak deurvakken	Kleine en verpakte etenswaren of dranken
Groentevak	Fruit en groenten
Verse etenswaren compartiment	Delicatessen (ontbijt etenswaren, vleesproducten die op korte termijn worden verbruikt)

6.23. Deur open alarm (Optioneel)

Een hoorbaar alarm weerklinkt als de deur van het product langer dan 1 minuut open blijft. Het hoorbare alarm stopt wanneer de deur wordt gesloten of wanneer een knop op het scherm (indien beschikbaar) wordt ingedrukt.

Het deur open alarm wordt aangegeven aan de gebruiker met een hoorbaar en zichtbaar signaal. De interne verlichting schakelt uit als de waarschuwing 10 minuten aanhoudt.

6.24. De openingsrichting van de deur wijzigen.

U kunt de openingsrichting van de deur van uw koelkast omkeren naargelang de locatie waar u ze wilt gebruiken. Raadpleeg hiervoor uw dichtstbijzijnde Geautoriseerde service.

De bovenstaande verklaring is een algemene verklaring. U moet de waarschuwing op de binnenzijde van de verpakking van het pakket controleren met betrekking tot de omkering van de deur.

6.25. Interne verlichting

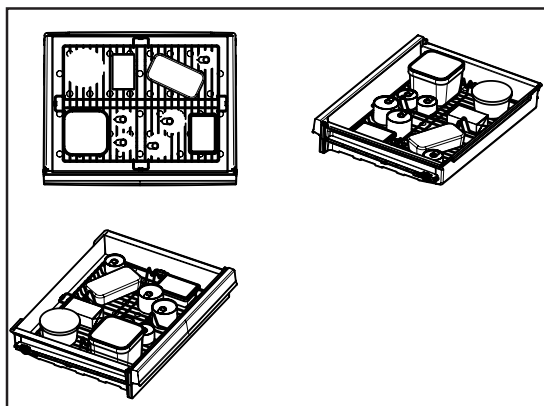
De interne verlichting gebruikt een LED-type lamp. Neem contact op met de geautoriseerde dienst als er problemen zijn met deze lamp. De lamp(en) in dit apparaat mogen niet worden gebruikt voor de verlichting van uw huis. Het beoogde gebruik van deze lamp is de gebruiker te helpen etenswaren veilig en comfortabel in de koelkast/diepvriezer te plaatsen.


Het gebruik van het product

6.26. Bediening aanbevelingen voor het hygiënevak:

*Deze functie is optioneel

- Wanneer u de etenswaren in dit vak plaatst om ze hygiënisch te maken, moet u uw vlees, kip, vis, melk en zuivelproducten in het vak plaatsen in hun verpakking.
 - Andere producten dan etenswaren in dit vak plaatsen voor hygiëne-redenen is zeker niet geschikt.
 - Als u de etenswaren in het hygiënevak plaatst zonder ze uit de winkeltas te halen, zal de hygiënefunctie enkel werken op het oppervlak van de tas en de etenswaren zullen geen licht ontvangen. U moet de etenswaren dus eerst uit de winkeltas verwijderen voor u ze in het vak plaatst.
 - De hygiëneprocedure mag slechts één maal worden toegepast op dezelfde etenswaren en de procedure mag niet meer dan een maal worden uitgevoerd.
 - Als de procedure niet wordt herhaald voor andere etenswaren aan het einde van de hygiëneprocedure raden wij aan enkel delicatessen en ontbijt etenswaren te bewaren in dit vak. Het is niet raadzaam groenten en fruit langdurig te bewaren in dit vak aangezien het hygiënevak kouder is dan de andere delen van de koelkast.
- Voor u de hygiënefunctie inschakelt op het weergave bedieningspaneel is het raadzaam de etenswaren die in het hygiënevak werden bewaard tijdelijk in een andere locatie in de koelkast te bewaren. Als de hygiënefunctie is ingeschakeld, is het raadzaam de producten die hygiënisch moeten worden gemaakt eerst enkel in dit vak te bewaren. Aan het einde van de hygiënische procedure kunt u de etenswaren die u hebt verwijderd terugplaatsen in het vak.
 - Voor de goede werking van de hygiënefunctie moeten de producten worden geplaatst door onderling afstand te laten en het licht niet te blokkeren.
 - Zorg ervoor dat de etenswaren niet op elkaar worden gestapeld voor de hygiënefunctie inschakelt.



 Lees eerst het hoofdstuk "Veiligheidsinstructies"!

De levensduur van het product wordt verlengd en vaak voorkomende problemen zullen verminderen als het product regelmatig wordt gereinigd.

	WAARSCHUWING: Schakel het product uit voor de reiniging.
	WAARSCHUWING: Het is aanbevolen de condensator elke zes maanden te reinigen met handschoenen. U mag geen stofzuiger gebruiken.

- Gebruik geen benzine, benzeen of gelijkaardige stoffen om te reinigen.
- Gebruik nooit scherpe instrumenten, zeep, huishoudelijke reinigingsmiddelen, oplosmiddel of was voor het reinigen.
- Los een theelepel koolzuurzout op in een halve liter water. Dompel een doek in de oplossing en wring de doek goed uit. Wrijf de binnenzijde van de koelkast af met deze doek en droog grondig.
- Zorg ervoor dat er geen water in de behuizing van de lamp of andere elektrische onderdelen doordringt.
- Neem het metalen blad onder de metalen lade enkel af met een licht vochtige doek.
- Als u de koelkast niet zult gebruiken gedurende een lange periode moet u de stekker verwijderen, alle voedingsmiddelen verwijderen, de koelkast reinigen en de deur op een kier laten.
- Controleer regelmatig of de pakkingen schoon zijn. Zo niet moet u ze reinigen.
- Verwijder alle items uit het product om de deur en de laden te verwijderen.
- Verwijder de laden uit de deur door ze omhoog te trekken. Schuif de laden omlaag en breng ze opnieuw aan na de reiniging.
- Gebruik geen chloorhoudende middelen of water om de externe oppervlakken of verchromde onderdelen te reinigen van het product. Chloor veroorzaakt een schurende werking op dergelijke metalen oppervlakken.
- Met betrekking tot geen-No Frost producten druppelt water en vorst op de achterwand van het koelvak. Reinig dit

niet; breng olie of een gelijkaardig middel aan.

- Gebruik enkel licht vochtige microvezel doeken om de buitenzijde van het product te reinigen. Sponzen en andere soorten reinigingsdoeken kunnen het oppervlak krassen.

7.1 Onaangename geurtjes vermijden

Er wordt geen materiaal dat geurtjes kan veroorzaken gebruikt in de productie van onze koelkasten. Hoewel, deze geurtjes kunnen worden afgegeven van voedingsmiddelen die op incorrecte wijze worden bewaard of als het interne oppervlak van het product niet is gereinigd zoals vereist. Neem het volgende in overweging om dit probleem te voorkomen:

- Het is belangrijk dat de koelkast schoon wordt gehouden. Voedselresten, vlekken, etc. kunnen geurtjes veroorzaken. Om die reden moet u uw koelkast elke 15 dagen reinigen met carbonaat in water. Gebruik nooit oplosmiddelen of zeep.
- Bewaar uw etenswaren in gesloten containers. Micro-organismen van de containers zonder een deksel kunnen onaangename geurtjes veroorzaken.
- Bewaar nooit vervallen of bedorven etenswaren in uw koelkast.

7.2 Bescherming van plastic oppervlakkane.

Plaats geen vloeibare oliën of olie-bereide maaltijden in uw koelkast in containers zonder deksel want deze beschadigen de plastic oppervlakkane van uw koelkast. Als er olie wordt gemorst of gesmeerd op de plastic oppervlakken moet u het relevante onderdeel van het oppervlak onmiddellijk reinigen en spoelen met warm water.

7.3 De binnenzijde reinigen

Was de interne oppervlakken en alle verwijderbare onderdelen met een zachte oplossing van zeep, water en carbonaat. Grondig spoelen en drogen. Zorg ervoor

dat er geen water in contact komt met de verlichting en het bedieningspaneel.

**OPGELET:**

Gebruik geen azijn, ontsmettingsalcohol of andere alcohol-gebaseerde middelen op de interne oppervlakken.

7.4 Roestvrij stalen externe oppervlakten

Gebruik een roestvrij stalen reinigingsmiddel die niet schuurt en breng het aan met een pluisvrije, zachte doek. Om het oppervlak te polijsten, wrijft u zacht met een vochtige microvezel doek en gebruikt u een droog leren zeem. Volg altijd de richting van het roestvrij staal.

7.5 Reinigingsproducten glazen deuren

Verwijder de beschermende folie van het glas.

Er is een coating aangebracht op het glas. Deze coating vermindert het vormen van vlekken en zorgt ervoor dat vlekken en vuil gemakkelijk kunnen worden gereinigd.

Glas dat niet wordt beschermd met een coating kan worden blootgesteld aan permanente verbindingen van organische of anorganische, lucht- of watergedragen verontreinigingen zoals kalk, minerale zouten, niet verbrande koolwaterstoffen, metaaloxiden en silocone die leiden tot vlekken en fysieke schade op korte tijd. Ondanks regelmatige reinigingen is het mogelijk het glas te reinigen, hoewel niet onmogelijk. Als resultaat vermindert de helderheid en het mooie uiterlijk van het glas. Harde en schurende samenstellingen en methoden verhogen deze defecten nog meer en versnellen de aantasting.

*Niet-alkalische, niet-schurende en watergebaseerde reinigingsproducten moeten worden gebruikt voor de uitvoering van reinigingsprocedures.

Om de levensduur van de coating te verlengen, mogen geen alkalische of schurende stoffen worden gebruikt tijdens de reiniging.

Deze glazen oppervlakken zijn onderhevig aan een hardingsproces om hun weerstand tegen impact en glasbreuk te verbeteren.

Als bijkomende veiligheidsmaatregel is er een veiligheidsfolie aangebracht op de achterzijde van het glas om zeker te zijn dat de omgeving niet wordt beschadigd als het breekt

8 Probleemoplossing

Controleer deze lijst voor u de dienst belt. Dit kan u zowel tijd als geld besparen. Deze lijst bevat vaak voorkomende problemen die niet het resultaat zijn van defect vakmanschap of gebruik van materiaal. Het is mogelijk dat uw apparaat bepaalde functies niet bevat die hier beschreven worden.

De koelkast werkt niet.

- De stekker is mogelijk niet correct ingevoerd. >>>Voer de stekker correct in.
- De zekering van het stopcontact waarop uw koelkast is aangesloten of de hoofdzekering is mogelijk gesprongen. >>>Controleer de zekering.

Condensatie op de zijwand van het koelvak (MULTI ZONE, COOL CONTROL en FLEXI ZONE).

- De deur is mogelijk regelmatig geopend/gesloten. >>>Open de deur van de koelkast niet te vaak.
- De omgeving is mogelijk te vochtig. >>>Installeer de koelkast niet in een ruimte met een hoge vochtigheidsgraad.
- Er zijn mogelijk voedingsmiddelen met vloeistof in de koelkast geplaatst in containers zonder deksel. >>>Plaats geen voedingsmiddelen met vloeistof in de koelkast in containers zonder deksel.
- De deur van de koelkast is mogelijk op een kier gelaten. >>>Laat de deuren van uw koelkast niet langdurig open staan.
- De thermostaat is mogelijk ingesteld op een heel koud niveau. >>>Stel de thermostaat in op een gepast niveau.

De compressor werkt niet.

- De thermische bescherming van de compressor kan springen tijdens plotse stroomuitvalven of er kan een plug-out plug-in optreden als de druk van het koelmiddel in het koelsysteem niet in evenwicht is. De koelkast begint te werken na ca. 6 minuten. Neem contact op met de Geautoriseerde leverancier als de koelkast niet start aan het einde van deze periode.
- De diepvriezer in in de ontdooicyclus geschakeld. >>>Dit is normaal voor een koelkast die een volautomatische ontdoing uitvoert. De ontdooicyclus wordt periodiek uitgevoerd.
- De stekker van de koelkast is mogelijk niet in het stopcontact gevoerd. >>>Zorg ervoor dat de stekker correct in het stopcontact zit.
- De temperatuurinstellingen zijn mogelijk incorrect. >>>Selecteer de correcte temperatuurwaarde.
- Mogelijke stroomuitval. >>>De koelkast begint normaal te werken wanneer de stroom hervat.

Het lawaai tijdens de werking is luider wanneer de koelkast werkt.

- De prestaties van de koelkast kunnen variëren naargelang de omgevingstemperatuur wijzigt. Dit is normaal en is geen defect.

De koelkast schakelt regelmatig of langdurig in.

- Uw nieuwe product is mogelijk groter dan uw vorige. Grotere koelkasten werken langer.
- De temperatuur in de ruimte kan hoog zijn. >>> Het is normaal dat het product langer werkt in warme omgevingen.
- De stekker van de koelkast is mogelijk niet ingevoerd of de koelkast is mogelijk niet geladen met voedingsmiddelen. >>>Het duurt langer voor het product om de ingestelde temperatuur te bereiken als de stekker net is ingevoerd of het net is geladen met voedingsmiddelen. Dit is normaal.
- Er zijn onlangs mogelijk grote hoeveelheden warme voedingsmiddelen in koelkast geplaatst. >>>Plaats geen warme etenswaren in de koelkast.
- De deuren worden mogelijk vaak geopend of langdurig op een kier gelaten. >>>De warme lucht die in de koelkast stroomt, doet de koelkast langer werken. Open de deur van de koelkast niet te vaak.
- De deur van het vries- of koelvak is mogelijk op een kier gelaten. >>> Controleer of de deuren volledig zijn gesloten.
- Het apparaat is mogelijk ingesteld op een heel lage temperatuur. >>> Stel een hogere temperatuur in in de koelkast en wacht tot het product deze temperatuur bereikt.
- De deurafdichting van het koel- of vriesvak is mogelijk vuil, versleten, stuk of niet correct aangebracht. >>> Reinig of vervang de afdichting. Beschadigde/defecte afdichtingen resulteren in een langere werking van de koelkast om de huidige temperatuur te handhaven.

De temperatuur van de koelkast volstaat maar de temperatuur van de diepvriezer is heel laag.

- De temperatuur van het vriesvak is mogelijk ingesteld op een heel lage temperatuur. >>> Stel de temperatuur van het vriesvak hoger in en controleer.

De temperatuur van de diepvriezer volstaat maar de temperatuur van de koelkast is heel laag.

Probleemoplossing

- De temperatuur van de koelkast is ingesteld op een lage waarde. >>> Stel de temperatuur van de koelkast hoger in en controleer.

Voedingsmiddelen in de laden van het koelvak zijn bevroren.

- De temperatuur van het koelvak is mogelijk ingesteld op een heel hoge temperatuur. >>> Stel de temperatuur van het koelvak lager in en controleer.

De temperatuur in de koelkast of diepvriezer is heel hoog.

- De temperatuur van het koelvak is mogelijk ingesteld op een heel hoge temperatuur. >>> De temperatuurinstelling van het koelvak heeft een effect op de temperatuur van de diepvriezer. Wijzig de temperatuur van het koel- of vriesvak tot de temperatuur van het koel- of vriesvak een toereikend niveau bereikt.
- De deuren worden mogelijk vaak geopend of langdurig op een kier gelaten. >>>Open de deur van de koelkast niet te vaak.
- De deur is mogelijk op een kier gelaten. >>>Sluit de deur volledig.
- De stekker van de koelkast is mogelijk net ingevoerd of de koelkast is mogelijk net geladen met voedingsmiddelen. >>>Dit is normaal. Het duurt langer voor het product om de ingestelde temperatuur te bereiken als de stekker net is ingevoerd of het net is geladen met voedingsmiddelen.
- Er zijn onlangs mogelijk grote hoeveelheden warme voedingsmiddelen in koelkast geplaatst. >>>Plaats geen warme etenswaren in de koelkast.

Trillingen of lawaai.

- De vloer is mogelijk niet waterpas of stevig. >>>Als de koelkast schudt wanneer ze een beetje wordt verplaatst. Pas de toevoer aan om ze te balanceren. Zorg ervoor dat de vloer waterpas is en dat hij de koelkast kan dragen.
- Voorwerpen die op de koelkast worden geplaatst, kunnen lawaai maken. >>>Verwijder de voorwerpen op de koelkast.

Het geluid van spattend of verstuivende vloeistof komt uit de koelkast.

- De stroom van vloeistof en gas verloopt in overeenstemming met de operationele principes van de koelkast. >>>Dit is normaal en is geen defect.

Er is een fluitend lawaai van de koelkast.

- Er zijn ventilatoren die worden gebruikt om de koelkast te koelen. Dit is normaal en is geen defect.

Vocht accumuleert op de interne wanden van de koelkast.

- Warm en vochtig weer verhoogt ijsvorming en condensatie. Dit is normaal en is geen defect.
- De deuren worden mogelijk vaak geopend of langdurig op een kier gelaten. >>>Open de deur van de koelkast niet te vaak. Sluit de deur als deze open staat.
- De deur is mogelijk op een kier gelaten. >>>Sluit de deur volledig.

Er is vocht aanwezig op de buitenzijde van de koelkast of tussen de deuren.

- De lucht is mogelijk vochtig. Dit is normaal bij vochtig weer. >>>Condensatie verschijnt wanneer de vochtigheidsgraad stijgt.
- Er is mogelijke externe condensatie op de sectie tussen beide deuren van de koelkast als u uw product zelden gebruikt. Dit is normaal. De condensatie verdwijnt na regelmatig gebruik.

Er is een onaangename geur in de koelkast.

- De koelkast wordt niet regelmatig gereinigd. Reinig de binnenzijde van de koelkast met een spons, lauw water of koolzuurhoudend water.
- Sommige containers of verpakkingsmaterialen kunnen deze geur veroorzaken. >>>Gebruik een andere container of verpakkingsmateriaal van een ander merk.
- Voedingsmiddelen die in de koelkast zijn geplaatst in containers zonder deksel. >>>Bewaar de etenswaren in gesloten containers. Micro-organismen van de containers zonder een deksel kunnen onaangename geurtjes veroorzaken.
- Verwijder de vervallen of bedorven voedingsmiddelen uit de koelkast.

Probleemoplossing

De deur kan niet worden gesloten.

- Voedselverpakking kan het sluiten van de deur beletten. >>> Verplaats de verpakkingen die de deur blokkeren.
- De koelkast staat mogelijk niet stabiel op de vloer. >>> Pas de voeten van de koelkast aan tot de koelkast in balans staat.
- De vloer is mogelijk niet waterpas of stevig. >>> Zorg ervoor dat de vloer waterpas is en dat hij de koelkast kan dragen.

De crispers zitten vast.

- Het is mogelijk dat voedingsmiddelen de bovenzijde van de crisper aanraken. >>> Herschik de voedingsmiddelen in de crisper.

Als het oppervlak van het product warm is.

Hoge temperaturen kunnen worden vastgesteld tussen beide deuren, op de zijpanelen en op het rooster achteraan terwijl het product is ingeschakeld. Dit is normaal en vereist geen interventie van het onderhoudspersoneel!

De ventilator blijft draaien wanneer de deur is geopend.

De ventilator blijft mogelijk draaien terwijl de deur van de diepvriezer is geopend.



WAARSCHUWING: Als het probleem niet kunt oplossen hoewel u de instructies hebt gevolgd in dit hoofdstuk, kunt u uw verdeler of de geautoriseerde leverancier raadplegen. Probeer nooit zelf een defect product te repareren.

DISCLAIMER / WAARSCHUWING

Sommige (eenvoudige) defecten kunnen correct worden behandeld door de eindgebruiker zonder dat dit aanleiding geeft tot veiligheidsproblemen of een onveilig gebruik, op voorwaarde dat ze worden uitgevoerd binnen de limieten en in overeenstemming met de volgende instructies (zie het hoofdstuk "Zelf-reparatie").

Om die reden, tenzij anderzijds toegelaten in het onderstaande hoofdstuk "Zelf-reparatie", moeten reparaties worden uitgevoerd door geregistreerde professionele monteurs om veiligheidsproblemen te voorkomen. Een geregistreerde professionele monteur is een professionele monteur die toegang heeft gekregen tot de instructies en de lijst met reserveonderdelen van dit product door de fabrikant, in overeenstemming met de methoden beschreven in wetsbesluiten in overeenstemming met Richtlijn 2009/125/EC.

Hoewel, de onderhouds- en reparatiewerken in het kader van de garantievoorwaarden mogen uitsluitend worden uitgevoerd door de gespecialiseerd vertegenwoordiger (m.a.w. geautoriseerde professionele monteurs) die u kunt bereiken via het telefoonnummer vermeld in de gebruikshandleiding/garantiekaart of via uw geautoriseerde verdeler. Om die reden zullen reparaties die worden uitgevoerd door professionele monteurs (die niet zijn geautoriseerd door Beko) de garantie nietig verklaren.

Zelf-reparatie

De eindgebruiker kan de volgende reserveonderdelen zelf repareren: deur handgrepen, deur scharnieren, laden, manden en deurpakkingen (een bijgewerkte lijst is ook beschikbaar op support.beko.com op 1 maart 2021).

Bovendien, om de veiligheid van het product te garanderen en het risico van ernstig letsel te voorkomen, moet de vermelde zelf-reparatie worden uitgevoerd in overeenstemming met de instructies in de handleiding voor zelf-reparatie of die beschikbaar is in support.beko.com. Uit veiligheidsoverwegingen moet u de stekker van

het product loskoppelen voor u een zelf-reparatie probeert uit te voeren.

Reparaties en pogingen tot reparatie door eindgebruikers van onderdelen die niet zijn omvat in deze lijst en/of waarbij de instructies in de handleiding voor zelf-reparatie of die beschikbaar zijn in support.beko.com niet worden nageleefd, kunnen resulteren in veiligheidsproblemen die niet kunnen worden toegewezen aan Beko Beko en deze zullen de garantie van het product nietig verklaren.

Om die reden raden wij ten stelligste af dat eindgebruikers op eigen houtje reparaties proberen uit te voeren die buiten de vermelde lijst van reserveonderdelen vallen en in dergelijke situaties beroep doen op een geautoriseerde professionele monteur of geregistreerde professionele monteurs. Dergelijke pogingen van eindgebruikers kunnen daarentegen veiligheidsproblemen en schade aan het product veroorzaken en resulteren in brand, overstromingen, elektrische schokken en ernstig persoonlijk letsel.

Als voorbeeld, maar niet beperkt tot, de volgende reparaties moeten worden uitgevoerd door geautoriseerde professionele servicemonteurs of geregistreerde professionele monteurs: compressor, koelcircuit, moederbord, omzetter bord, weergavebord, etc.

De fabrikant/verkoper kan niet aansprakelijk worden gesteld wanneer eindgebruikers de bovenstaande instructies niet naleven.

De beschikbaarheid van de reserveonderdelen van de koelkast die u hebt gekocht is 10 jaar. Tijdens deze periode zijn de originele reserveonderdelen beschikbaar voor de correcte werking van uw koelkast.

De minimale duur van de garantie van de koelkast die u hebt gekocht, is 24 maanden.

Dit product is uitgerust met een lichtbron van de "G"-energieklasse.

De lichtbron in dit product mag enkel worden vervangen door professionele reparateurs.

Poštovani korisniče,
Prije postavljanja uređaja pročitajte priručnik.

Zahvaljujemo na odabiru ovog proizvoda. Želimo postići optimalnu učinkovitost ovog visokokvalitetnog proizvoda koji je proizveden primjenom najmodernije tehnologije. Zbog toga pažljivo pročitajte ovaj priručnik i ostalu priloženu dokumentaciju prije upotrebe proizvoda i čuvajte ih za buduću upotrebu.


Pridržavajte se svih upozorenja i informacija u korisničkom priručniku. Na taj način zaštitit ćete sebe i proizvod od oštećenja koja mogu nastati.

Čuvajte korisnički priručnik. Ovaj priručnik pridodaje uređaju ako ćete ga nekome ustupiti.

U ovom korisničkom priručniku korišteni su sljedeći simboli:






 Opasnost koja može rezultirati smrću ili ozljedom.

NAPOMENA Opasnost koja može izazvati materijalnu štetu na proizvodu ili u okruženju

 Važne informacija i korisni savjeti o upotrebi.

 Pročitajte korisnički priručnik.

 Opasnost od UV-C zračenja

 PODACI	
 SUPPLIER'S NAME 	 MODEL IDENTIFIER  (*)
Podaci o modelu pohranjeni u bazi podataka o proizvodu mogu se dobiti unosom sledeće mrežne stranice i pretragom po identifikacionom broju vašeg modela (*) koji se nalazi na oznaci potrošnje električne energije. https://eprel.ec.europa.eu/	

1 Sigurnosne upute 3

- ⚠ 1.1. Namjena 3
- ⚠ 1.2. Sigurnost djece, ugroženih osoba i kućnih ljubimaca 3
- ⚠ 1.3. Električna sigurnost 4
- ⚠ 1.4. Sigurni transport 4
- ⚠ 1.5. Sigurna instalacija 4
- ⚠ 1.6. Sigurno rukovanje 5
- ⚠ 1.7. Sigurno održavanje i čišćenje 7
- ⚠ 1.8. HomeWhiz 7
- ⚠ 1.9. Rasvjeta 8
- ⚠ 1.10. Zaštita od UV-C zračenja 8
- ⚠ 1.11. Tehničke informacije za Wifi + Bluetooth 9

2 Upute za i očuvanje okoliša 10

3 Vaš uređaj 11

4 Postavljanje 12

- 4.1. Odgovarajuće mjesto za postavljanje 12
- 4.2. Postavljanje plastičnih klinova . 12
- 4.3. Podešavanje nožica 13
- 4.4. Električni priključak 13

5 Priprema 14

- 5.1 Radnje za uštedu energije 14
- 5.2 Početna upotreba 15

6 Rukovanje proizvodom 16

- 6.1. Plavo svjetlo/HarvestFresh 19
- 6.2. Odjeljak higijene 20
- 6.3. spremnik za led 21
- 6.4. Držač za jaja 21

- 6.5. Ventilator 21
- 6.6. Odjeljak za povrće 21
- 6.7. Odjeljak za hlađenje 21
- 6.8. Pokretna polica na vratima 22
- 6.9. Klizni spremnik za pohranu 22
- 6.10. Plavo svjetlo 22
- 6.11. Odjeljak za povrće s kontrolom vlage 23
- 6.12. Automatski ledomat 23
- 6.13. Opis i čišćenje filtra za neugodne mirise 24
- 6.14. HerbBox/HerbFresh. 24
- 6.15. Uporaba raspršivača za vodu. . 25
- 6.16. Uporaba raspršivača za vodu .. 25
- 6.17. Punjenje spremnika aparata za vodu. 26
- 6.18. Čišćenje spremnika za vodu ... 27
- 6.19. Podloška za kapanje. 28
- 6.20. Zamrzavanje svježe hrane. 29
- 6.21. Preporuke za čuvanje zamrznute hrane. 30
- 6.22. Podaci o dubokom zamrzavanju 30
- 6.23. Stavlanje hrane. 30
- 6.24. Upozorenje o otvorenim vratima 31
- 6.25. Promjena smjera otvaranja vrata 31
- 6.26. Lampa za osvjetljenje. 31
- 6.27. Preporuke za upotrebu odjeljka higijene: 32

7 Čišćenje i održavanje 33

- 7.1 Izbjegavanje neugodnih mirisa .. 33
- 7.2 Zaštita plastičnih površina 34
- 7.3 Stakla na vratima 34

8 Rješavanje problema 35

1 Sigurnosne upute

- Ovaj dio sadrži sigurnosne upute koje će vam pomoći u zaštiti od opasnosti od tjelesnih ozljeda ili oštećenja imovine.
- Naša tvrtka neće biti odgovorna za oštećenja koja mogu nastati ako se ne pridržavate ovih uputa.

! Postupak instalacije i popravka uvijek mora obaviti proizvođač, ovlašteni servis ili kvalificirana osoba koju određuje uvoznik.

! Samo originalni dijelovi i pribor.

! Ne popravljajte i ne zamjenjujte niti jedan dio proizvoda osim ako to nije izričito navedeno u korisničkom priručniku.

! Ne obavljajte nikakve tehničke promjene na proizvodu.

! 1.1. Namjena

- Ovaj proizvod nije prikladan za komercijalnu primjenu i mora se koristiti samo za ono zašto je namijenjen.

Ovaj proizvod namijenjen je upotrebi u kućama i zatvorenim prostorima.

Na primjer:

- u kuhinjama za osoblje u robnim kućama, uredima ili drugim radnim prostorima;

- na farmama,
- prostori koje koriste korisnici u hotelima, motelima i drugim vrstama smještaja,

- hoteli, pansioni koji nude noćenje i doručak,

- usluge opskrbe hranom i pićem i slične nemaloprodajne primjene.

Ovaj proizvod ne smije se koristiti na otvorenom s ili bez tende poput brodova, balkona ili terasa. Ne izlažite proizvod kiši, snijegu, suncu ili vjetru.

Postoji opasnost od požara!

! 1.2. Sigurnost djece, ugroženih osoba i kućnih ljubimaca

- Djeca starija od 8 godina i ljudi sa smanjenim tjelesnim, psihičkim, senzornim i mentalnim sposobnostima, kao i neupućene ili neiskusne osobe, mogu koristiti ovaj proizvod ako su pod nadzorom i ako su upućeni u sigurnu uporabu uređaja, kao i povezanu opasnosti.
- Djeca od 3 do 8 godina mogu stavljati i uzimati proizvode iz hladnjaka.
- Električni proizvodi su opasni za djecu i kućne ljubimce. Djeca i kućni ljubimci ne smiju se igrati, penjati ili ulaziti u proizvod.
- Djeca ne smije obavljati čišćenje i korisničko održavanje osim ako nisu pod nadzorom.
- Ambalažni materijal držite podalje od djece. Postoji opasnost od gušenja!
- Prije zbrinjavanja starog ili istrošenog proizvoda:
 1. Isključite proizvod iz strujne utičnice tako da rukom uhvatite utikač.
 2. Prerežite strujni kabel i uklonite ga s uređaja zajedno s utikačem.
 3. Ne uklanjajte police ili ladice i tako otežajte djeci ulazak u proizvod.
 4. Uklonite vrata.
 5. Proizvod držite tako da se ne može prevrnuti.
 6. Ne dozvolite djeci igranje sa starim proizvodom.
- Nikad ne bacajte proizvod u vatru. Postoji opasnost od eksplozije!
- Ako na vratima proizvoda postoji brava tada ključ trebate držati izvan dohvata djece.

Sigurnosne upute

1.3. Električna sigurnost

- Tijekom postupaka instalacije, održavanja, čišćenja, popravka i pomicanja uređaj treba biti isključen iz strujne utičnice.
- Ako je strujni kabel oštećen mora ga zamijeniti kvalificirana osoba koju je odredio proizvođač, ovlaštenu servisera ili uvoznika kako bi se izbjegle moguće opasnosti.
- Ne gnječite strujni kabel ispod ili iza proizvoda. Ne stavljajte teške predmete na strujni kabel. Strujni kabel se ne smije pretjerano savijati, gnječiti ili doći u kontakt s izvorom topline.
- Za rad proizvoda ne koristite produžne kabele, priključke s više utičnica ili adaptere.
- Prijenosni priključci s više utičnica ili prijenosni izvori napajanja mogu izazvati pregrijavanje i požar. Stoga, ne držite priključke s više utičnica iza ili pored proizvoda.
- Utikač mora biti lako dostupan. Ako ovo nije moguće, električna instalacija na koju je proizvod spojen mora sadržavati uređaj (poput osigurača, sklopke, fid sklopke, itd.) koji je usklađen s električnim propisima i odspaja sve polove s mreže.
- Strujni utikač ne dirajte mokrim rukama.
- Uklonite utikač iz zidne utičnice povlačenjem utikača, a ne kabela.

1.4. Sigurni transport

- Proizvod je težak, stoga ga ne pomičite sami.
- Prilikom pomicanja proizvoda ne držite ga za vrata.

- Pripazite da tijekom transporta ne oštetite rashladni sustav ili cijevi. Ako su cijevi oštećene ne rukujte proizvodom i nazovite ovlaštenu servis.

1.5. Sigurna instalacija

- Za instalaciju proizvoda nazovite ovlaštenu servis. U vezi pripreme proizvoda za upotrebu provjerite informacije u korisničkom priručniku i osigurajte odgovarajuće električne i vodovodne instalacije. Ako one ne odgovaraju nazovite kvalificiranog električara i vodoinstalatera koji će obaviti potrebne preinake. U protivnom, postoji opasnost od strujnog udara, požara, problema s proizvodom ili ozljeda!
- Prije instalacije, provjerite proizvod i utvrdite je li oštećen. Ako je proizvod oštećen nemojte ga instalirati.
- Proizvod postavite na čistu, ravnu i čvrstu površinu i uravnotežite ga pomoću prilagodljivih nožica. U protivnom, proizvod se može prevrnuti i izazvati ozljede.
- Mjesto instalacije mora biti suho i dobro prozračeno. Ne stavljajte tepihe, sagove ili slične podne obloge ispod proizvoda. Nedovoljna prozračenost stvara opasnost od požara!
- Ne prekrivajte ili ne blokirajte ventilacijske otvore. U protivnom, povećava se potrošnja struje i vaš se uređaj može oštetiti.
- Proizvod se ne smije priključiti na opskrbne sustave poput solarnih opskrbnih sustava. U protivnom, proizvod se može oštetiti zbog naglih promjena napona!

Sigurnosne upute

- Što hladnjak sadrži više rashladnog sredstva to veće treba biti mjesto instalacije. Ako je mjesto instalacije premalo zapaljiva smjesa rashladnog sredstva i zraka nakupit će se u slučaju istjecanja rashladnog sredstva u rashladni sustav. Potreban prostor za svakih 8 gr rashladnog sredstva je minimalno 1 m³. Količina rashladnog sredstva u proizvodu naznačena je na nazivnoj pločici.
- Proizvod se ne smije instalirati na mjestima izloženim izravnom sunčevom svjetlu i mora se držati podalje izvora topline poput ploča za kuhanje, radijatora, itd.

Ako je neophodno instalirati proizvod blizu izvora topline tada se između mora koristiti odgovarajuća izolacijska ploča te se moraju zadržati sljedeći minimalni razmaci između proizvoda i izvora topline:

- minimalno 30 cm razmaka od izvora topline poput ploča za kuhanje, pećnica, grijalica ili štednjaka,

- minimalno 5 cm razmaka od električnih pećnica.

- Razred zaštite proizvoda je I. Uključite proizvod u uzemljenu zidnu utičnicu odgovarajućeg napona, jakosti i frekvencije struje u skladu s navedenim na nazivnoj pločici proizvoda. Zidna utičnica mora biti opremljena strujnom sklopkom od 10 A - 16 A. Naša tvrtka neće biti odgovorna za nikakvu štetu nastalu ako se proizvod koristi bez uzemljenja i električnog priključka koji treba biti u skladu s lokalnim i državnim propisima.
- Proizvod se ne smije uključiti u zidnu utičnicu tijekom instalacije. U protivnom, postoji opasnost od strujnog udara i ozljeda!
- Ne uključujte proizvod u utičnice koje su olabavljene, pomaknute, oštećene, nečiste, masne ili ako postoji opasnost od dodira s vodom.
- Strujni kabel i crijeva (ako postoje) proizvoda postavite tako da ne predstavljaju opasnost od zapinjanja.
- Izlaganje dijelova pod naponom ili strujnog kabela vlazi može izazvati kratki spoj. Stoga, ne instalirajte proizvod na mjestima poput garaža ili prostorija za pranje i sušenje rublja s visokim postotkom vlage ili gdje voda može prskati. Ako hladnjak počne stvarati vodu tada ga isključite iz strujne utičnice i pozovite ovlaštenu servis.
- Nikad ne spajajte hladnjak na uređaje za uštedu energije. Takvi sustavi mogu oštetiti proizvod.

1.6. Sigurno rukovanje

- Na proizvodu nikad ne koristite kemijska otapala. Postoji opasnost od eksplozije!
- Ako se uređaj pokvari isključite ga iz strujne utičnice i ne rukujte njime dok ga ne popravi ovlaštenu servis. Postoji opasnost od strujnog udara!
- Izvore plamena (zapaljene svijeće, cigarete, itd.) ne ostavljajte na proizvodu ili u njegovoj blizini.
- Ne penjite se na proizvod. Postoji opasnost od pada i ozljeda!
- Ne oštećujte cijevi rashladnog sustava s oštrim predmetima ili predmetima koji mogu prodrijeti u uređaj. Rashladno sredstvo koje može isticati kada se probuše cijevi rashladnog sredstva, proizvođači

Sigurnosne upute

- cijevi ili površinski premaz može izazvati nadraženost kože ili ozljede oka.
- Osim ako to nije preporučio proizvođač ne postavljajte ili ne koristite električne uređaje unutar hladnjaka/zamrzivača.
 - Pripazite i nemojte zgnječiti svoje ruke ili druge dijelove tijela s pomičnim dijelovima unutar hladnjaka. Pripazite i nemojte prignječiti svoje prste između vrata i hladnjaka. Pripazite prilikom otvaranja i zatvaranja vrata, posebno ako su djeca u blizini.
 - Nikad ne jedite sladoled, kockice leda ili zamrznutu hranu odmah nakon vađenja iz hladnjaka. Postoji opasnost od ozeblina!
 - Kada su vam ruke mokre ne dirajte unutarnje stijenke ili metalne dijelove zamrzivača ili hranu koja se nalazi u njemu. Postoji opasnost od ozeblina!
 - U odjeljak zamrzivača ne stavljajte limenke ili boce s gaziranim pićima ili pjenušavim tekućinama. Limenke i boce mogu prsnuti. Postoji opasnost od ozljede i materijalne štete!
 - Ne stavljajte i ne koristite zapaljive sprejeve, zapaljive materijale, suhi led, kemijske tvari ili slične lako zapaljive materijale u blizini hladnjaka. Postoji opasnost od požara i eksplozije!
 - U proizvodu ne ostavljajte eksplozivne materijale koji sadrže zapaljive materijale poput, limenki aerosola.
 - Na proizvod ne stavljajte posude napunjene tekućinom. Voda koja prska po električnim dijelovima može izazvati strujni udar ili požar.
 - Ovaj proizvod nije namijenjen za čuvanje lijekova, krvne plazme, laboratorijskih pripravaka ili sličnih medicinskih tvari i proizvoda koje podliježu Direktivi o medicinskim proizvodima.
 - Korištenje proizvoda protivno njegovoj namijeni može izazvati kvarenje ili propadanje proizvoda koji se u njemu čuvaju.
 - Ako je vaš hladnjak opremljen plavim svjetlom ne gledajte u ovo svjetlo s optičkim pomagalima. Ne gledajte izravno u UV LED svjetlo duže vrijeme. Ultraljubičasto svjetlo može izazvati zamor oka.
 - Ne preopterećujte proizvod. Predmeti u hladnjaku mogu pasti kada se vrata otvore i izazvati ozljede ili oštećenje. Slični problemi mogu se pojaviti ako se predmet stavi na proizvod.
 - Izbjegnite ozljede i pripazite jeste li očistili sav led i vodu koji mogu pasti ili se proliti po podu.
 - Položaj policica/držača boca na vratima hladnjaka mijenjajte samo kada su prazni. Postoji opasnost od ozljede!
 - Ne postavljajte predmete koji mogu pasti/prevrnuti se na proizvod. Takvi predmeti mogu pasti kada se vrata otvore i izazvati ozljede i/ili materijalnu štetu.
 - Ne udarajte i ne primjenjujte pretjeranu silu na staklenim površinama. Slomljeno staklo može izazvati ozljede i/ili materijalnu štetu.
 - Rashladni sustav vašeg proizvoda sadrži rashladno sredstvo R600a. Vrsta rashladnog sredstva korištenog u ovom proizvodu navedena je na nazivnoj pločici. Ovo rashladno sredstvo je zapaljivo.

Sigurnosne upute

Stoga, pripazite i nemojte oštetiti rashladni sustav ili cijevi kada se proizvod koristi. Ako se cijevi oštete:

- ne dirajte proizvod ili strujni kabel,
 - držite podalje moguće izvore požara koji mogu izazvati zapaljenje proizvoda.
 - prozračite prostor u kojem se proizvod nalazi. Ne koristite ventilatore.
 - pozovite ovlaštenu servis.
- Ako je proizvod oštećen i vidite kako ističe rashladno sredstvo tada se držite dalje od hladnjaka. U slučaju dodira s kožom rashladno sredstvo može izazvati ozeblinu.

Za proizvode sa spremnikom za vodu/ledomatom

- Koristite samo pitku vodu. Ne punite spremnik za vodu s bilo kakvim tekućinama - poput voćnog soka, mlijeka, gaziranih pića ili alkoholnih pića - oni nisu prikladni za upotrebu u spremniku za vodu.
- Postoji opasnost za zdravlje i sigurnost!
- Ne dozvolite djeci da se igraju sa spremnikom za vodu ili ledomatom (Icematic) i tako spriječite nezgode ili ozljede.
- Ne gurajte prste ili druge predmete u otvor spremnika za vodu, prolaze za vodu ili spremnik ledomata. Postoji opasnost od ozljede ili materijalne štete!

1.7. Sigurno održavanje i čišćenje

- Ne vucite ručku na vratima ako trebate pomaknuti proizvod zbog čišćenja. Ručka može puknuti i izazvati ozljede ako primijenite pretjeranu silu.
- Ne prskajte i ne ulijevajte vodu na ili u unutrašnjost proizvoda zbog čišćenja. Postoji opasnost od požara i strujnog udara!
- Ne koristite oštre ili abrazivne alate kada čistite proizvod. Ne koristite proizvode za čišćenje namijenjene kućanstvima, deterdžente, plin, benzin, razrjeđivač, alkohol, lak, itd.
- Unutar proizvoda koristite samo one proizvode za čišćenje i održavanje koja ne štete hrani.
- Nikad ne koristite paru ili parne čistače za čišćenje ili odmrzavanje proizvoda. Para dolazi u kontakt s dijelovima pod naponom hladnjaka i izaziva kratki spoj ili strujni udar!
- Pripazite da u strujne krugove ili rasvjetne dijelove proizvoda ne ulazi voda.
- Koristite čistu i suhu krpu za brisanje stranih materijala ili prašine s vrhova utikača. Za čišćenje utikača ne koristite vlažnu ili mokru krpu. Postoji opasnost od požara i strujnog udara!

1.8. HomeWhiz

- Kada rukujete proizvodom koristeći se aplikacijom HomeWhiz morate se pridržavati sigurnosnih upozorenja čak i kad niste u blizini proizvoda. Također se trebate pridržavati i upozorenja u aplikaciji.

Sigurnosne upute

1.9. Rasvjeta

- Ako trebate zamijeniti LED svjetlo/žaruljicu koja se koristi za rasvjetu nazovite ovlaštenu servis.

1.10. Zaštita od UV-C zračenja

- Ne uklanjajte zaštitno staklo UV-C svjetiljke.
- Ne rukujte uređajem bez zaštitnog stakla UV-C svjetiljke.
- Ovaj proizvod sadrži svjetiljku koja emitira UV-C zrake. Ne gledajte izravno u izvor svjetla.
- Prilikom čišćenja odjeljka koji sadrži UV-C svjetiljku iskopčajte utikač iz strujne utičnice.
- Ni u kojem slučaju ne koristite proizvod ako je oštećeno zaštitno staklo.
- Na zaslonu upravljačke ploče deaktivirajte funkciju UV-C kada mijenjate UV-C svjetiljku uz pomoć ovlaštenog servisa.
- Nikad ne uklanjajte naljepnicu „Opasnost od ultraljubičastog zračenja“ na higijenskom odjeljku koji sadrži UV-C svjetiljke.
- Korištenje proizvoda u svrhe za koje nije namijenjen ili oštećenje zaštitnog stakla UV-C svjetiljke ili njegovog okruženja može rezultirati opasnim UV-C zračenjem. UV-C zračenje može izazvati ozljede očiju i kože čak i u malim dozama! Ne koristite oštećeni proizvod!
- Ako UV-C simbol počne treperiti kada je aktivirana funkcija higijena to znači da je prošla polovica vijeka trajanja svjetiljke te da je njena učinkovitost smanjena.

Preporučujemo zamjenu UV-C svjetiljke kada primijetite ovo upozorenje. UV-C svjetiljka mijenja se zajedno s ladicom u kojoj se nalazi. Nabavu i instalaciju UV-C ladice treba obaviti ovlaštenu servis.



UPOZORENJE: UV-C zračenje je štetno za oči i kožu. UV-C svjetiljke ne koristite izvan proizvoda!



UPOZORENJE: UV-C svjetiljke ne smije zamijeniti korisnik. Potražite pomoć od ovlaštenog servisa kada istekne vijek trajanja UV-C svjetiljke !

Sigurnosne upute

1.11. Tehničke informacije za Wifi + Bluetooth

Frekvencijski pojas:	2,4 GHz (Wi-Fi ili Bluetooth rade)
Maks. snaga prijena:	< 100 mW (Wi-Fi ili Bluetooth rade)
Informacije o softveru:	Quartz_WiFi.XXX

CE izjava o sukladnosti:

Arçelik A.Ş. ovime izjavljuje da je ovaj uređaj u skladu s Direktivom 2014/53/EU.

Potpuni tekst EU izjave o sukladnosti dostupan je na sljedećoj internetskoj adresi: Proizvodi, od: support.beko.com

Definirano razdoblje podrške za ažuriranje softvera povezanog s kibernetičkom sigurnošću za proizvod je jamstveno razdoblje za proizvod.

Nakon tog razdoblja, ažuriranja softvera vezana uz kibernetičku sigurnost nisu zajamčena.

2 Upute za i očuvanje okoliša

2.1 Usklađenost s Direktivom o električnom i elektroničkom opremom (WEEE) i zbrinjavanju otpada:

Ovaj proizvod usklađen je s EU Direktivom WEEE (2012/19/EU). Ovaj proizvod nosi klasifikacijsku oznaku za električni i elektronski otpad (WEEE).



Ovaj simbol označava da se ovaj proizvod ne smije odlagati zajedno s ostalim kućanskim otpadom na kraju njegovog radnog vijeka. Rabljeni uređaj mora se vratiti na službeno sabirno mjesto za re-

cikliranje električnih i elektroničkih uređaja. Da biste pronašli te sustave za prikupljanje, obratite se lokalnim vlastima ili prodavaču gdje je proizvod kupljen. Svako kućanstvo igra važnu ulogu u uporabi i recikliranju starih uređaja. Odgovarajuće odlaganje iskorištenog aparata pomaže u sprečavanju mogućih negativnih posljedica za okoliš i ljudsko zdravlje.

2.2 Usklađenost s Direktivom o zabrani uporabe određenih opasnih tvari u električnoj i elektroničkoj opremi (RoHS):

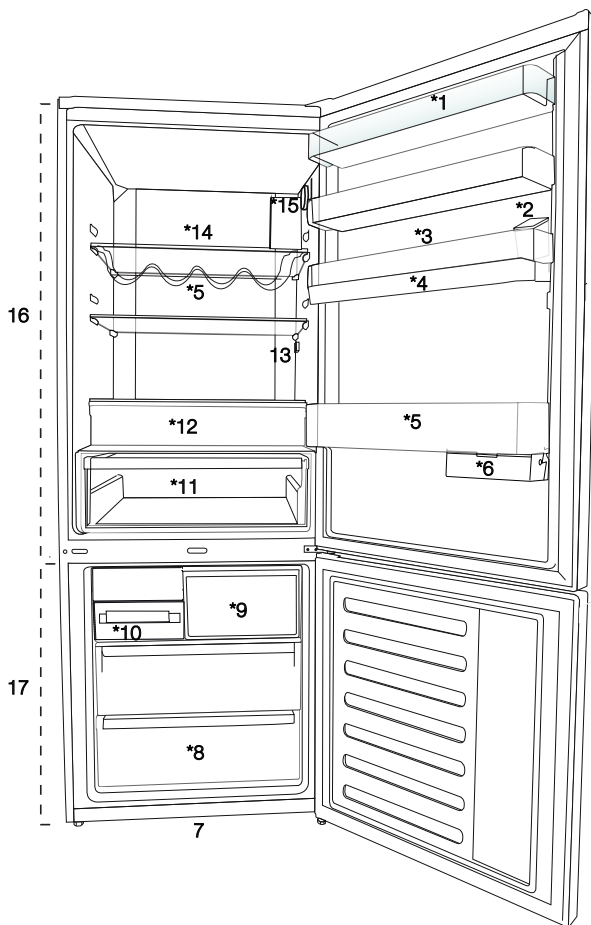
Proizvod koji ste kupili usklađen je s EU Direktivom RoHS (2011/65/EU). Ne sadrži štetne i zabranjene materijale navedene u Direktivi.

2.3 Informacije o pakiranju



Ambalaža proizvoda izrađena je od materijala koji se mogu reciklirati u skladu s nacionalnim zakonodavstvom. Nemojte odlagati ambalažu zajedno s kućanskim ili ostalim otpadom. Odnosite ih na odlagališta za ambalažu koja je odredilo lokalno zakonodavstvo.

3 Vaš uređaj



1. Polica na vratima odjeljka hladnjaka
2. Spremnik dozatora za vodu
3. Držač za jaja
4. Spremnik za vodu
5. Polica za boce
6. Klizna ladica
7. Podesive nožice
8. Odjeljak dubokog zamrzavanja
9. Odjeljak brzog zamrzavanja
10. Ledomat
11. Posuda za povrće
12. Higijenski odjeljak (UV-C svjetiljke)
13. Unutarnje osvjetljenje
14. Staklena polica odjeljka hladnjaka
15. Gumb podešavanja temperature
16. Odjeljak hladnjaka
17. Odjeljak zamrzivača



***opciono:** Ilustracije u ovom korisničkom priručniku dane su kao primjer i možda neće u potpunosti odgovarati modelu. Ako proizvod kojeg ste kupili ne sadrži određene dijelove to znači kako se ilustracija odnosi na druge modele.

⚠ Prvo pročitajte „Sigurnosne upute“!

4.1. Odgovarajuće mjesto za postavljanje

Za postavljanje proizvoda obratite se ovlaštenom servisu. Da biste proizvod pripremili za upotrebu, pogledajte informacije u korisničkom priručniku i provjerite jesu li električne i vodovodne instalacije ispravne. Ako nisu, pozovite ovlaštenog električara i tehničara koji će obaviti potrebne prilagodbe.

⚠	UPOZORENJE: Proizvođač ne odgovara za oštećenja koja mogu nastati nakon postupaka koje izvedu neovlaštene osobe.
⚠	UPOZORENJE: Proizvod ne smije biti priključen na napajanje tijekom postavljanja. U suprotnom postoji opasnost od smrti ili ozbiljne ozljede!
⚠	UPOZORENJE: Ako razmak vrata u prostoriji u kojoj ćete postaviti proizvod nije toliko širok da bi proizvod mogao proći kroz njega, uklonite vrata i provucite proizvod kroz vrata tako da ga okrenete postrance; ako to ne funkcionira, pozovite ovlaštenu servis.

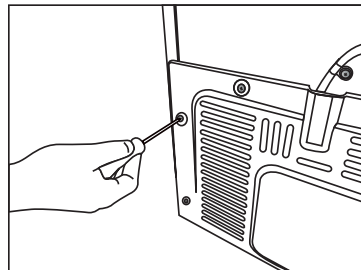
- Proizvod postavite na ravnu površinu poda kako biste spriječili nagle udarce.
- Postavite proizvod najmanje 30 cm od izvora topline kao što su plamenici, grijalice i štednjaci i najmanje 5 cm dalje od električnih pećnica.
- Proizvod ne smije biti izložen izravnoj sunčevoj svjetlosti i vlazi.
- Kako bi se postigao učinkovit rad, oko vašeg proizvoda mora postojati odgovarajuća ventilacija. Ako se proizvod treba postaviti u otvor u zidu, osigurajte udaljenost od najmanje 5 cm od plafona i bočnih zidova.
- Proizvod nemojte postavljati na mjesta na kojima temperatura pada ispod -5 °C.

- Vaš proizvod zahtijeva adekvatnu cirkulaciju zraka da bi efikasno funkcionirao. Ako će proizvod biti smješten u niši, ne zaboravite ostaviti najmanje 5 cm razmaka između proizvoda, stropa, zida sa stražnje strane i zidova s bočnih strana.
- Ako će proizvod biti smješten u niši, ne zaboravite ostaviti najmanje 5 cm razmaka između proizvoda, stropa, zida sa stražnje strane i zidova s bočnih strana. Provjerite da li se zaštitna komponenta za razmak sa stražnje strane nalazi na predviđenom mjestu (ako je isporučena uz proizvod). Ako komponenta nije dostupna ili se izgubi ili spadne, postavite proizvod tako da između stražnje površine proizvoda i zidova prostorije bude najmanje 5 cm razmaka. Razmak sa stražnje strane važan je za učinkovit rad proizvoda.

4.2. Postavljanje plastičnih klinova

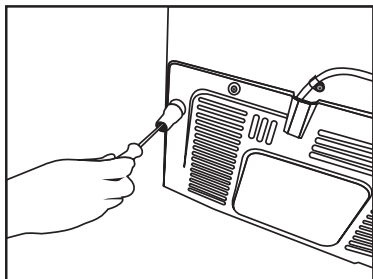
Plastični klinovi isporučeni s proizvodom upotrebljavaju se za stvaranje razmaka koji osigurava dovoljan protok zraka između proizvoda i stražnjeg zida.

1. Za postavljanje klinova uklonite vijke na proizvodu i upotrijebite vijke isporučene uz klinove.



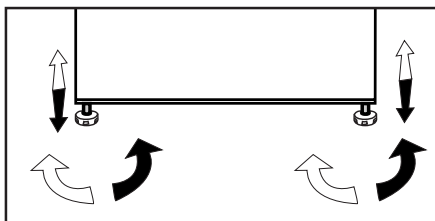
Postavljanje

2. Umetnite dva plastična klina u poklopac stražnje ventilacije kako je prikazano na slici.



4.3 Podešavanje nožica

Ako proizvod nakon postavljanja nije uravnotežen, podesite prednje nožice tako da ih zakrenete udesno ili ulijevo.



4.4 Električni priključak

	UPOZORENJE: Nemojte upotrebljavati produžne kabele ili višestruke utičnice za spajanje proizvoda na izvor napajanja.
	UPOZORENJE: Oštećeni kabel napajanja mora zamijeniti ovlaštenu električar.
	Ako se dva hladnjaka moraju postaviti jedan do drugog, između njih treba postojati razmak od najmanje 4 cm.

- Naša tvrtka u skladu s nacionalnim propisima nije odgovorna za bilo kakva oštećenja koja će nastati ako se proizvod upotrebljava bez uzemljenja i električnih veza.
- Utikač naponskog kabela mora biti lako dostupan nakon instalacije.
- Ne postavljajte produžne kabele ili višestruke utičnice bez kabela između proizvoda i zidne utičnice.

	Pozor: vruća površina Bočne stijenke proizvoda opremljene su rashladnim cijevima radi poboljšanja rashladnog sustava. Rashladno sredstvo visoke temperature može prolaziti ovim dijelovima što može rezultirati vrućim površinama bočnih stijenki. To je normalno i ne zahtjeva servisiranje. Molimo, budite pažljivi kada dirate ove dijelove.
--	---

5 Priprema

⚠ Prvo pročitajte „Sigurnosne upute“!

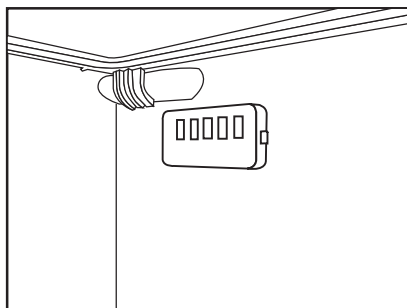
5.1 Radnje za uštedu energije



Spajanje uređaja na sustave za uštedu električne energije riskantno je jer može uzrokovati oštećenje proizvoda.

- Za samostojeći uređaj; „Ovaj rashladni uređaj nije predviđen da se koristi kao ugradni uređaj“;.
- Ne ostavljajte vrata vašeg hladnjaka otvorena dulje vrijeme.
- Ne stavljajte toplu hranu ili pića u hladnjak.
- Nemojte prepuniti hladnjak, mogućnost hlađenja smanjuje se kada je otežan protok zraka unutar hladnjaka.
- Kako biste mogli pohraniti najveću moguću količinu hrane u odjeljak za zamrzavanje, potrebno je ukloniti ledomat koji se nalazi u odjeljku za zamrzavanje i koji se lako može ručno ukloniti. Vrijednosti neto volumena i potrošnje energije koje su naznačene na pločici s podacima o energiji hladnjaka izmjerene su i testirane s uklonjenim ledomatom. Nemojte uklanjati police u odjeljku zamrzivača, kao ni one na vratima odjeljka zamrzivača. Te police uvijek moraju biti u upotrebi jer omogućuju jednostavnu upotrebu i učinkovitost u potrošnji energije.
- Tok zraka ne smije se prekidati postavljanjem hrane na stranice ventilatora odjeljka zamrzivača. Potrebna je udaljenost od najmanje 3 cm na stranama zaštitnog poklopca ventilatora.
- Košare/ladice u odjeljku za hlađenje uvijek se moraju upotrebljavati za nisku potrošnju energije i za bolje uvjete pohrane.

- Kontakt hrane sa senzorom temperature u odjeljku zamrzivača može povećati potrošnju energije uređaja. Stoga je potrebno izbjegavati bilo kakav kontakt sa senzorom (ili senzorima).
- Ovisno o značajkama proizvoda, odmrzavanje smrznute hrane u odjeljku hladnjaka uštedit će energiju te sačuvati kvalitetu hrane.



- Nemojte dopustiti da hrana dođe u kontakt s temperaturnim senzorom odjeljka hladnjaka prikazanim na slici u nastavku.
- Budući da vrući i vlažni zrak ne prodire u vaš proizvod kada vrata nisu otvorena, vaš će se proizvod optimizirati u uvjetima dostatnim za zaštitu vaše hrane. Funkcije i sastavni dijelovi kao kompresor, ventilator, grijač, odmrzivač, svijetlo, zaslon i tako dalje radit će sukladno potrebama za potrošnju minimalne energije pod ovim okolnostima

5.2 Početna upotreba

Prije upotrebe hladnjaka provjerite jesu li provedene sve pripreme u skladu s uputama u dijelovima „Uputstva za sigurnost i okoliš“ i „Postavljanje“.

- Pustite da proizvod radi 6 sati bez hrane i ne otvarajte vrata ako to nije potrebno.



Čut ćete buku kad kompresor počne raditi. Tekućine i plinovi zabrtvljeni u rashladnom sustavu također mogu stvarati buku, čak i kad kompresor ne radi i to je potpuno normalno.



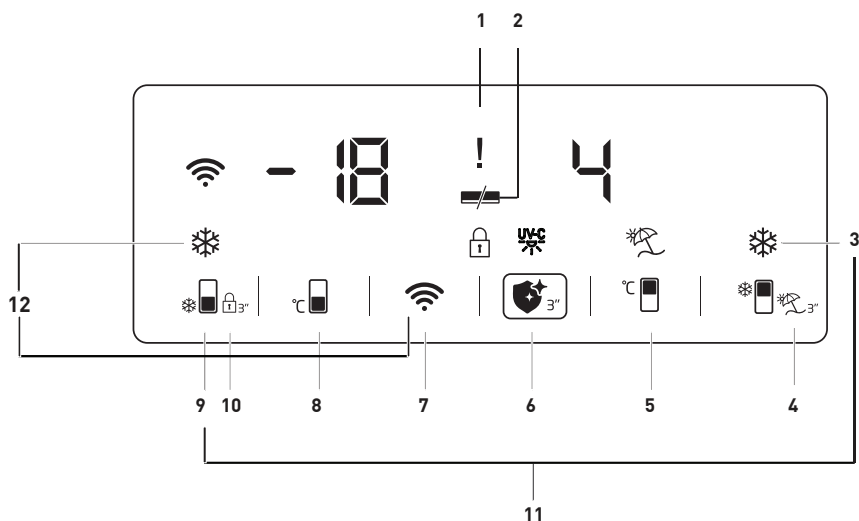
Prednji krajevi proizvoda mogu biti topli na opip. To je normalno. Ova područja su napravljena da budu topla da bi se se izbjegla kondenzacija.



Kod nekih modela ploča s instrumentima automatski se isključuje 5 minuta nakon zatvaranja vrata. Ponovno će se uključiti kada se vrata otvore ili se pritisne bilo koja tipka.

6 Rukovanje proizvodom

⚠ Prvo pročitajte „Sigurnosne upute“!



1. Pokazatelj statusa kvara
2. Pokazatelj uštede energije (zaslon isključen)
3. Gumb brzog hlađenja
4. Indikator funkcije odmora
5. Gumb podešavanja temperature odjeljka hladnjaka
6. Gumb funkcije higijene
7. Gumb bežičnog povezivanja
8. Gumb podešavanja temperature odjeljka zamrzivača
9. Gumb brzog zamrzavanja
10. Zaključavanje
11. Gumb prebacivanja jedinice temperature
12. Gumb za ponovno podešavanje postavki bežičnog povezivanja


Možda se ne odnosi na sve modele



***Dodatno:** Slike u uputama za upotrebu namijenjene su kao skice i možda ne odgovaraju savršeno vašem proizvodu. Ako vaš proizvod ne sadrži određene dijelove tada se informacije odnose na druge modele.


Rukovanje uređajem

1. Pokazatelj statusa kvara


Ovaj pokazatelj () bit će aktivan kada hladnjak ne može obavljati odgovarajuće hlađenje ili u slučaju bilo koje pogreške senzora. Kada je ovaj pokazatelj aktivan na pokazatelju temperature odjeljka zamrzivača pokazat će se „E“, a brojevi poput 1, 2, 3... prikazat će se na pokazatelju temperature odjeljka hladnjaka. Ove brojke daju informacije ovlaštenom servisu o pogreškama do kojih je došlo.

Znak uskličnika može se prikazati kada stavite toplu hranu u odjeljak zamrzivača ili ako su vrata otvorena duže vrijeme. Ovo nije znak kvara; ovo upozorenje će nestati kada se namirnice ohlade.



2. Pokazatelj uštede energije (zaslon isključen)

Funkcija uštede energije automatski je uključena, a simbol uštede energije prikazuje se kada vrata proizvoda nisu otvorena ili zatvorena duže vremena. () Kada je aktivna funkcija uštede energije tada će se isključiti svi drugi simboli na zaslonu osim simbola uštede energije. Kada je funkcija uštede energije aktivna pritiskom na bilo koji gumb ili otvaranjem vrata deaktivirat će se funkcija uštede energije i indikatori zaslona vratiti će se u normalu. Funkcija uštede energije je tvornički ugrađena funkcija i nije je moguće deaktivirati.

3. Gumb brzog hlađenja


Kada se uključi funkcija brzog hlađenja, zasvijetliti će indikator brzog hlađenja () a pokazatelj temperature odjeljka hladnjaka prikazati će vrijednost 1. Ponovno pritisnite gumb brzog hlađenja i poništite ovu funkciju. Pokazatelj brzog hlađenja isključit će se i vratit će se normalne postavke. Funkcija brzog hlađenja automatski će se poništiti nakon 1 sata, osim ako ga korisnik ne poništi. Za hlađenje velike količine svježih hrane pritisnite gumb brzog hlađenja prije nego što stavite hranu u odjeljak hladnjaka.

4. Indikator funkcije odmora

Pritisnite gumb () na 3 sekunde za aktiviranje funkcije odmora, a pokazatelj načina rada odmora () će se uključiti. Kada je funkcija odmor aktivirana "- -" prikazuje se na pokazatelju temperature odjeljka hladnjaka te odjeljak hladnjaka ne hladi. Kada je aktivirana ova funkcija ne biste trebali držati namirnice u odjeljku hladnjaka. Ostali odjeljci i dalje će se hladiti u skladu s podešenim temperaturama.

Ponovno pritisnite gumb funkcije **odmora** i poništite ovu funkciju.

5. Gumb podešavanja temperature odjeljka hladnjaka

Kada se pritisne ovaj gumb temperatura odjeljka hladnjaka podešena je na 8, 7, 6, 5, 4, 3, 2 i 1. ()

6. Gumb funkcije higijene

Pritisnite gumb () na 3 sekunde za aktiviranje funkcije higijene, a pokazatelj funkcije higijena () će se uključiti. Ne otvarajte vrata

Rukovanje uređajem

proizvoda kada je aktivirana funkcija higijene. Ako se vrata proizvoda otvore kada je aktivirana funkcija higijene tada će se zaustaviti način rada higijene dok se vrata ne zatvore. Proizvod će emitirati zvučni signal na kraju rada kada se završi način rada higijene. Držite pritisnut gumb higijene na 3 sekunde i prekinite način rada higijene prije zadanog vremena.

Ako se prikaže uskliknik (⚠) zajedno sa simbolom higijene kada aktivirate funkciju higijene to znači da će vijek trajanja higijenske svjetiljke brzo isteći. Nazovite servis.

7. Gumb bežičnog povezivanja (* dodatno)

Kada se gumb pritisne duže vrijeme (3 sekunde) pokrenut će se povezivanje proizvoda na kućnu mrežu. Simbol bežične mreže (📶) treperit će u intervalima od 0,5 sekundi kada se veza uspostavi.

Kada je uspješno uspostavljena veza s kućnom mrežom, tada će simbol bežične mreže neprekidno svijetliti.

Kada je početna veza uspostavljena možete aktivirati/deaktivirati vezu kratkim pritiskom na taj gumb.

Vaša mreža je uspostavila vezu koja će se memorirati i ona će se ponovno uspostaviti kada se proizvod isključi i uključi.

Simbol bežične mreže treperit će u kratkim intervalima (od 0,2 sekundi) kada se veza uspostavi.

Simbol bežične mreže

neprekidno će svijetliti kada je veza aktivna. Provjerite postavke modema/veze ako se veza ne može nakratko uspostaviti.

Aplikacija HomeWhiz koristi se kao sučelje povezivanja. Koraci povezivanja opisani su u KRATKIM UPUTAMA ZA INSTALACIJU aplikacije HomeWhiz koje su isporučene s proizvodom. Možete pogledati dio rješavanje problema za odgovore na osnovna pitanja.

8. Gumb podešavanja temperature odjeljka zamrzivača

Ovo omogućuje postavke temperature za odjeljak zamrzivača. Temperatura odjeljka zamrzivača može se podesiti na -18, -19, -20, -21, -22, -23 i -24 kada se pritisne gumb (📱).

9. Gumb brzog zamrzavanja

Za brzo zamrzavanje pritisnite gumb broj (9) tada će se aktivirati pokazatelj brzog zamrzavanja (📱).

Kada je uključena funkcija brzog zamrzavanja tada će zasvijetliti pokazatelj brzog zamrzavanja, a pokazatelj temperature odjeljka zamrzivača prikazat će -27. Za poništavanje ove funkcije ponovno pritisnite gumb brzog zamrzavanja (📱). Pokazatelj brzog zamrzavanja isključit će se i vratiti na normalne postavke. Funkcija brzog zamrzavanja automatski će se poništiti nakon 32 sata, osim ako ga korisnik ne poništi. Za zamrzavanje velike količine svježe hrane pritisnite gumb brzog zamrzavanja prije nego što namirnice stavite u odjeljak zamrzivača.

Rukovanje uređajem

10. Zaključavanje

Pritisnite gumb (🔒) i držite ga 3 sekunde. Aktivirat će se simbol lokota (🔒) i način zaključavanja. Gumbi neće raditi kada je aktivan način zaključavanja. Pritisnite gumb (🔒) i držite ga 3 sekunde. Zaključavanje gumba će se deaktivirati. Značajku zaključavanje tipke možete upotrijebiti kada želite spriječiti promjene postavke temperature hladnjaka.

11. Gumb prebacivanja jedinice temperature

Kada pritisnete gumb brzog hlađenja (❄️📱) i brzog zamrzavanja (❄️📱) na 3 sekunde tada možete prebacivati između mjernih jedinica temperature Fahrenheita i Celzijusa.

12. Gumb za ponovno podešavanje postavki bežičnog povezivanja

Kad istovremene pritisnete gumb brzog zamrzavanja (❄️📱) i bežične mreže (📶) na 3 sekunde tada će se resetirati postavke bežičnog povezivanja.

6.1. Plavo svjetlo/ HarvestFresh

***Možda nije dostupno kod svih modela**

Za plavo svjetlo,

Voće i povrće pohranjeno u odjeljcima za voće i povrće osvjetljenim plavim svjetlom nastavlja da vrši fotosintezu pomoću efekta valnih duljina plave svjetlosti i na taj način sadržaj vitamina u njima ostaje sačuvan.

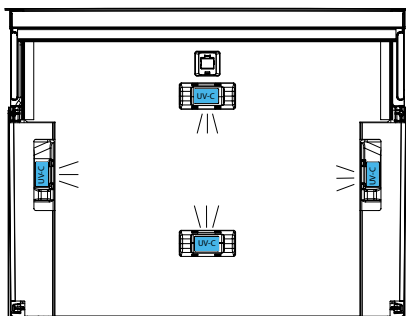
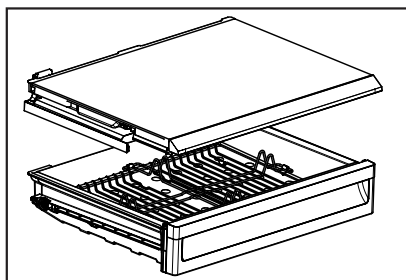
Za HarvestFresh,

Voće i povrće pohranjeno u odjeljcima za voće i povrće osvjetljenim tehnologijom HarvestFresh duže će održati vitamine u sebi zahvaljujući plavim, zelenim, crvenim svjetlima i ciklusima mraka, koji simuliraju dnevni ciklus. Ako otvorite vrata hladnjaka tokom perioda mraka HarvestFresh tehnologije, hladnjak će to automatski otkriti i omogućiti da plavo-zeleno ili crveno svjetlo osvjetle odjeljke za voće i povrće, radi vaše ugodnosti. Nakon što zatvorite vrata hladnjaka, period mraka će se nastaviti, predstavljajući period noći tokom dnevnog ciklusa.

6.2. Odjeljak higijene

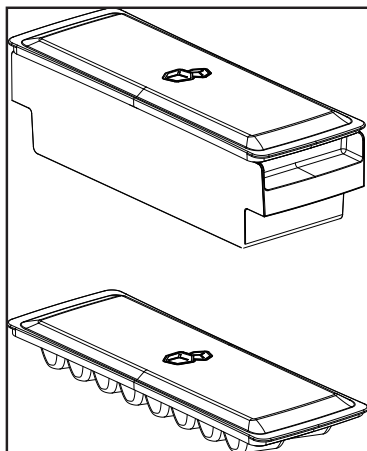
* Ovo je dodatna funkcija

1. UV-C higijenska funkcija neće se aktivirati kada se u odjeljku higijena ne nalaze žičana rešetka i metalna ladica koji su isporučeni unutar odjeljka.
2. Aktiviranje funkcije higijena ako se u odjeljku higijene ne nalazi metalna ladica izazvat će deformaciju plastične ladice koja se nalazi ispod.
3. Ne pokušavajte na silu ukloniti staklo koje se nalazi ispod odjeljka higijene.
4. Ne dirajte, ne udarajte i ne primjenjujte silu na UV-C fluorescentne svjetiljke koje se nalaze na donjoj površini staklene police odjeljka higijene.
5. Ne pokušavajte na silu ukloniti staklenu полицu odjeljka higijene zbog vaše sigurnosti. Uklanjanje rešetke izazvat će odspajanje električne komponente.
6. Svjetlo koje vidite kada otvorite odjeljak higijene nije UV-C svjetlo. To je LED svjetlo.
7. Metalnu ladicu i metalni list ispod plitice obrišite samo vlažnom krpom.



6.3. spremnik za led

- Uklonite spremnik za led iz odjeljka zamrzavanja.
- Ispunite spremnik za led vodom.
- Postavite spremnik za led u odjeljak zamrzavanja. Led je spreman nakon dva sata.
- Uklonite spremnik za led iz odjeljka zamrzavanja i postavite ga preko posude za serviranje. Kockice leda jednostavno će pasti u posudu za serviranje.



6.4. Držać za jaja

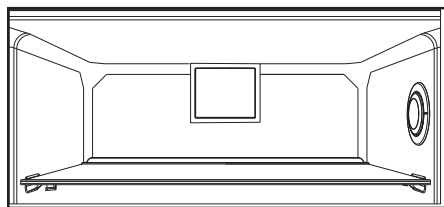
Možete instalirati držać za jaja na željenu policu vrata ili kućišta. U slučaju postavljanja na policu kućišta, preporučuju se donje hladnije police.



Nikada ne držite držać za jaja u odjeljku zamrzivača

6.5. Ventilator

Ventilator je napravljen da bi se osigurala homogena distribucija i protok hladnog zraka u vašem hladnjaku. Vrijeme rada ventilatora može se razlikovati ovisno o značajkama proizvoda. Iako ventilator radi samo s kompresorom kod nekih proizvoda, kontrolni sustav određuje vrijeme rada kod nekih proizvoda u skladu sa zahtjevima hlađenja.



6.6. Odjeljak za povrće

Odjeljak za povrće vašeg hladnjaka napravljen je posebno tako da vaše povrće održava svježim, a da ne izgubi svoju vlagu. U tu svrhu se protok zraka vrši oko odjeljka za povrće općenito.

6.7. Odjeljak za hlađenje

(Ova je funkcija neobavezna)

Koristite se ovim odjeljkom da biste pohranili delikatese koje je potrebno pohraniti na nižim temperaturama ili mesne proizvode koje ćete konzumirati u kratkom roku.

Odjeljak za hlađenje najhladnije je mjesto u hladnjaku gdje možete držati mliječne proizvode, meso, ribu i perad u idealnim uvjetima pohrane. U ovom se odjeljku ne smije pohranjivati voće i povrće.

Rukovanje uređajem

6.8. Pokretna polica na vratima

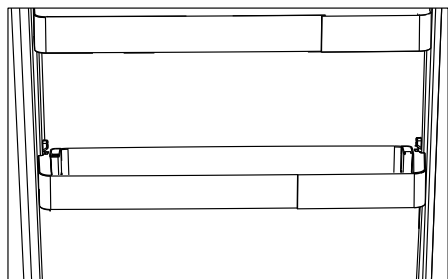
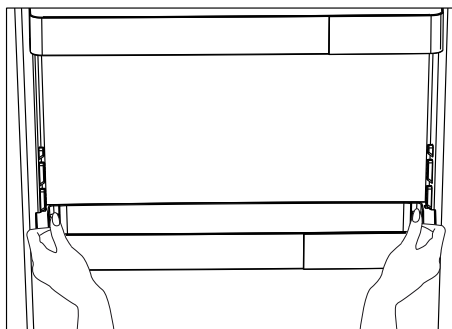
(Ova je funkcija neobavezna)

Pokretna polica na vratima može se fiksirati na 3 različita položaja.

Istom jačinom pritisnite tipke prikazane postrance da biste pomaknuli policu. Polica će se moći pomaknuti.

Pomaknite policu prema gore ili prema dolje.

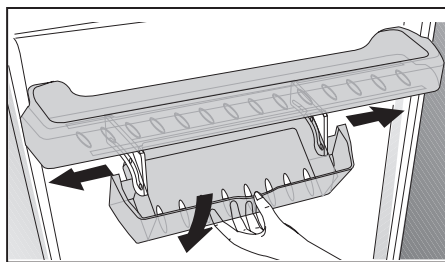
Kada polica dođe u željeni položaj, otpustite tipke. Polica će se fiksirati na položaju na kojem ste otpustili tipke.



6.9. Klizni spremnik za pohranu

(Ova je funkcija neobavezna)

Ovaj dodatak je napravljen da bi se povećao korisni volumen polica vrata. On omogućava lako postavljanje visokih boca, staklenki i konzervi na donju policu za boce zahvaljujući mogućnosti pomicanja ulijevo ili udesno.



6.10. Plavo svjetlo

(Ova je funkcija neobavezna)

Ovaj dodatak je napravljen da bi se povećao korisni volumen polica vrata. On omogućava lako postavljanje visokih boca, staklenki i konzervi na donju policu za boce zahvaljujući mogućnosti pomicanja ulijevo ili udesno.

6.11. Odjeljak za povrće s kontrolom vlage

(Polica za svježinu)

(Ova je funkcija neobavezna)

S pomoću značajke odjeljka za povrće s kontrolom vlage razina vlage voća i povrća održava se pod kontrolom i osigurava se da hrana dulje ostane svježa.

Preporučujemo da lisnato povrće poput zelene salate, špinata i povrća koje je osjetljivo na gubitak vlage postavite koliko god je više moguće u vodoravan položaj unutar odjeljka, kako njihovo korijenje ne bi bilo u okomitom položaju.

Prilikom postavljanja povrća, potrebno je uzeti u obzir specifičnu gravitaciju povrća. Teško i tvrdo povrće potrebno je postaviti na dno odjeljka, a lagano i meko povrće na vrh.

Povrće unutar odjeljka nikada nemojte ostaviti u njihovim vrećicama. Ako povrće ostavite u vrećicama, brže će istrunuti. U slučaju da se iz higijenskih razloga ne preporučuje kontakt s drugim povrćem, koristite se perforiranim papirom ili drugim sličnim materijalom za pakiranje umjesto vrećicom.

Kruške, marelice, breskve itd., a posebno jabuke koje imaju veliku razinu stvaranja etilena, nemojte stavljati u isti odjeljak s drugim voćem i povrćem. Etilen koji ovo voće stvara može uzrokovati brže dozrijevanje i truljenje ostalog voća.

6.12. Automatski ledomat

(Ova je funkcija neobavezna)

Automatski ledomat omogućuje vam jednostavnu izradu leda u hladnjaku. Izvadite spremnik za vodu u odjeljku hladnjaka, napunite ga vodom i vratite nazad da biste iz ledomata dobili led.

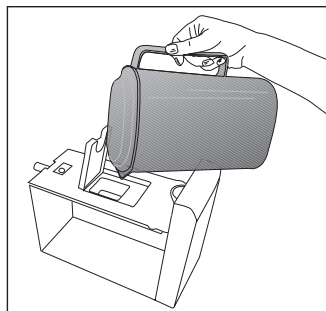
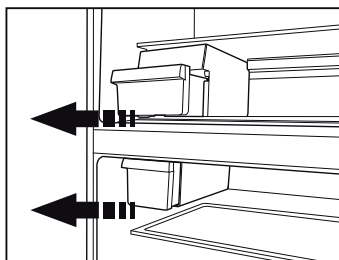
Prve kockice leda će biti spremne za otprilike 2 sata u ladici ledomata koja se nalazi u odjeljku hladnjaka.

Ako koristite cijeli spremnik za vodu, moći ćete dobiti otprilike 60-70 kockica leda.

Promijenite vodu u spremniku ako je stajala oko 2-3 tjedna.



Za proizvode koji imaju automatski ledomat, tijekom izrade leda možda će se čuti zvukovi. To je normalno i ne znači da postoji pogreška.



6.13. Opis i čišćenje filtra za neugodne mirise

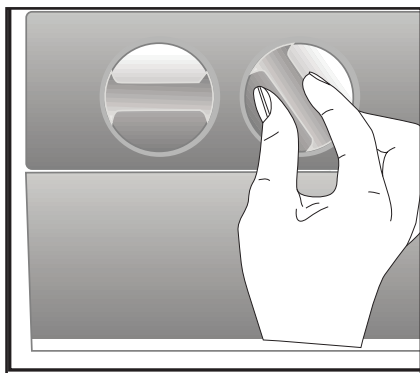
(Ova je funkcija neobavezna)

Filtar za neugodne mirise sprečava nakupljanje neugodnih mirisa u proizvodu.

1. Povucite poklopac u koji je montiran filtari za neugodne mirise prema dolje s obzirom na prednji dio i uklonite ga kako je prikazano.
2. Ostavite filtari pod sunčevom svjetlošću jedan dan. Filtari će se za to vrijeme očistiti.
3. Postavite filtari nazad na mjesto.



Filtari za neugodne mirise se mora čistiti jednom godišnje.



6.14. HerbBox/HerbFresh

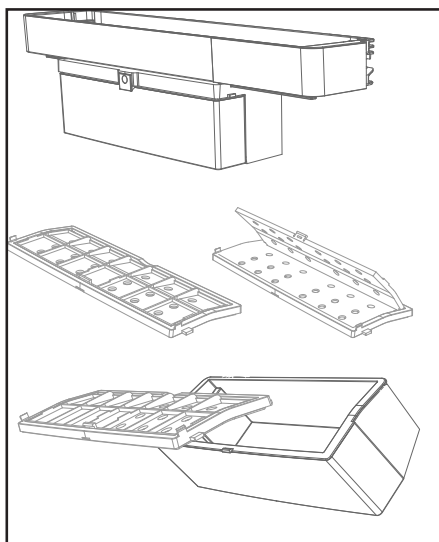
Uklonite prozirni spremnik s dijela HerbBox/HerbFresh+

Izvadite foliju iz vrećice i stavite je na prozirni spremnik na način prikazan na slici.

Ponovno zatvorite spremnik i vratite ga na mjesto u dijelu namijenjenom za HerbBox/HerbFresh+.



Dio HerbBox/HerbFresh+ posebno je namijenjen za čuvanje različitih začinske biljke koje se trebaju čuvati u posebnim uvjetima. Začinske biljke koje ne čuvate u vrećicama (peršin, kopar, itd.) možete čuvati u vodoravnom položaju u ovom dijelu i dugo vremena ih održati svježima.

Film će se zamijeniti svakih šest mjeseci.




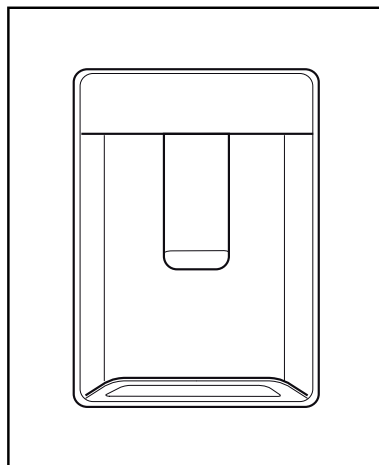
6.15. Uporaba raspršivača za vodu

***neobavezno**

	Normalno je da će prvih nekoliko čaša vode uzetih s raspršivača biti toplo.
	Ako se aparat za vodu ne upotrebljava duže vrijeme, prolijte prvih nekoliko čaša vode da biste dobili čistu vodu.



1. Gurnite prema unutra polugu spremnika za vodu pomoću vaše čaše. Ako upotrebljavate mekanu plastičnu čašu, bit će jednostavnije gurnuti polugu rukom.
2. Kada se čaša napuni do razine koju želite, otpustite polugu.

	Imajte na umu da koliko vode teče iz spremnika ovisi o tome koliko duboko pritisnete polugu. Kako razina vode u vašoj šalici/čaši raste, polako smanjite pritisak na polugu da biste spriječili prelijevanje. Ako lagano pritisnete ručicu, voda će kapati; to je normalno i nije kvar.
---	---

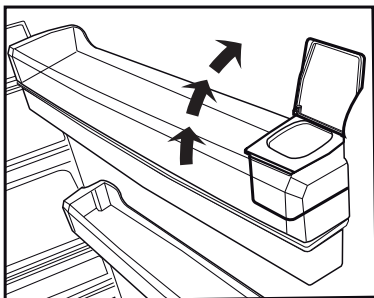
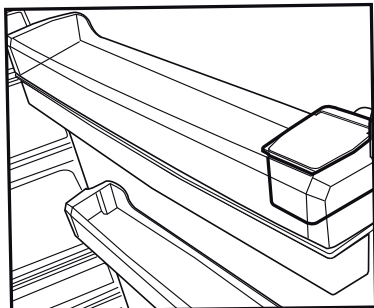


6.16. Uporaba raspršivača za vodu

***neobavezno**

	Normalno je da će prvih nekoliko čaša vode uzetih s raspršivača biti toplo.
	Ako se aparat za vodu ne upotrebljava duže vrijeme, prolijte prvih nekoliko čaša vode da biste dobili čistu vodu.

1. Gurnite prema unutra polugu spremnika za vodu pomoću vaše čaše. Ako upotrebljavate mekanu plastičnu čašu, bit će jednostavnije gurnuti polugu rukom.
2. Kada se čaša napuni do razine koju želite, otpustite polugu.



Imajte na umu da koliko vode teče iz spremnika ovisi o tome koliko duboko pritisnete polugu. Kako razina vode u vašoj šalici/ čaši raste, polako smanjujte pritisak na polugu da biste spriječili prelijevanje. Ako lagano pritisnete ručicu, voda će kapati; to je normalno i nije kvar.

6.17. Punjenje spremnika aparata za vodu

Spremnik za vodu se nalazi unutar police vrata.

1. Otvorite poklopac spremnika.
2. Napunite spremnik svježom pitkom vodom.
3. Zatvorite čep.



Nemojte puniti spremnik bilo kojom tekućinom osim vode, kao što su voćni sokovi, gazirana pića ili alkoholna pića koja nisu podesna za uporabu s pipom za vodu. Pipa za vodu će se pokvariti do nepopravljivosti ako se koriste te vrste tekućina. Jamstvo ne pokriva takvu uporabu. Neke kemijske tvari i aditivi koji su sadržani u toj vrsti pića/tekućina mogu oštetiti materijal spremnika za vodu.



Upotrebljavajte samo čistu pitku vodu.



Kapacitet spremnika za vodu je 3 litre; nemojte prepuniti.

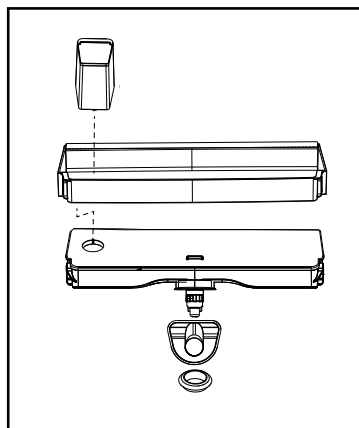
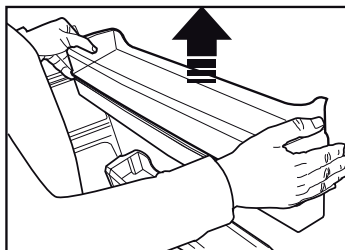
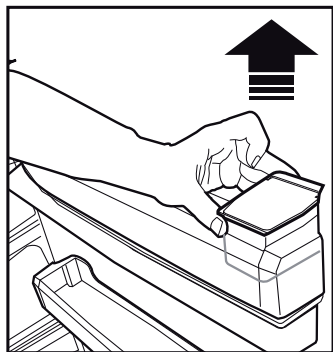
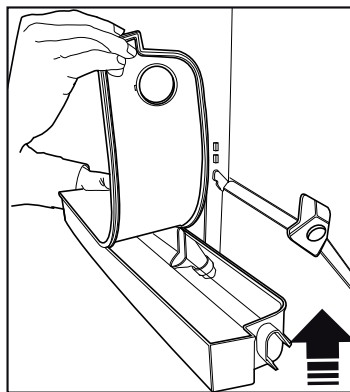
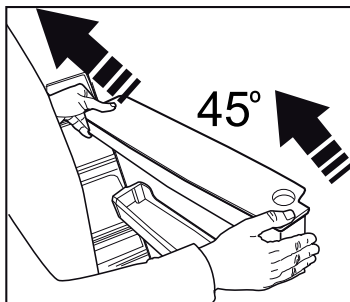
Rukovanje uređajem

6.18. Čišćenje spremnika za vodu

1. Izvadite spremnik za vodu unutar police vrata.
2. Uklonite policu na vratima tako da je držite s obje strane.
3. Uхватите spremnik za vodu s obje strane i uklonite ga s kutom od 45°C.
4. Otvorite poklopac spremnika za vodu i očistite spremnik.



Dijelovi spremnika za vodu i pipe za vodu se ne smiju prati u perilici.

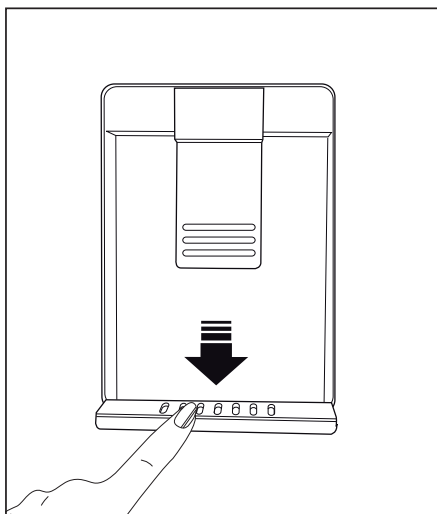


6.19. Podloška za kapanje

Voda koja kapa tijekom uporabe pipe za vodu se sakuplja u podloški.

Izvadite plastični filter kako je prikazano na slici.

Uklonite nakupljenu vodu čistom i suhom krpom.



6.20. Zamrzavanje svježe hrane

- Kako bi se sačuvala kvaliteta hrane, hrana će se zamrznuti što je brže moguće nakon stavljanja u hladnjak; u tu svrhu upotrebite funkciju brzog zamrzavanja.
- Ako hranu zamrznete dok je svježija, možete je dulje pohraniti u odjeljku za zamrzavanje.
- Zapakirajte hranu za zamrzavanje i zatvorite pakiranje tako da onemogućite ulazak zraka.
- Prije stavljanja hrane u zamrzivač, obavezno je zapakirajte. Umjesto tradicionalnog papira, upotrebite spremnike za zamrzivač, folije i papire otporne na vlagu, plastične vrećice i ostalu ambalažu.
- Na svakom pakiranju hrane naznačite datum prije zamrzavanja. Na taj ćete način moći razlikovati svježinu pojedinih paketa hrane svaki put kada otvorite zamrzivač. Hranu koja je ranije zamrznuta postavite u prednji dio zamrzivača da biste je mogli prvu iskoristiti.



Pretinac za zamrzavanje automatski odmrzava.

- Smrznutom se hranom koristite odmah nakon odmrzavanja, ona se ne smije ponovno zamrzavati.
- Nemojte zamrzavati prevelike količine istodobno.

Postavka odjeljka zamrzivača	Postavka odjeljka hladnjaka	Napomene
-18 °C	4 °C	To je normalna preporučena postavka.
- 20, - 22 ili -24°C	4 °C	Ove postavke su preporučene kad sobna temperatura prelazi 30°C.
Brzo zamrzavanje	4 °C	Koristite kad želite zamrznuti svoju hranu u kratkom vremenu. Vaš će se proizvod vratiti u prethodni način rada kad postupak bude gotov.
-18 °C ili hladnije	2 °C	Upotrebite ovu postavku ako mislite da odjeljak nije dovoljno hladan zbog tople okoline ili čestog otvaranja i zatvaranja vrata.

6.21. Preporuke za čuvanje zamrznute hrane

Odjeljak se mora postaviti na najmanje -18 °C.

1. Pakiranja stavite u zamrzivač što prije nakon kupnje, prije nego što se odmrznu.
2. Provjerite je li rok upotrebe istekao.
3. Provjerite da ambalaža hrane nije oštećena.

6.22. Podaci o dubokom zamrzavanju

Prema normi IEC 62552, proizvod zamrzava najmanje 4,5 kg hrane na sobnoj temperaturi od 25 °C do -18 °C ili niže unutar 24 sata za svakih 100 litara mase u zamrzivaču.

Moguće je hranu sačuvati na duže vrijeme samo na temperaturi od -18 °C ili nižoj.

Mjesecima možete održavati hranu svježom (pri temperaturi od -18 °C ili nižoj u dubokom zamrzavanju).

Hrana za zamrzavanje ne smije doći u dodir s prethodno smrznutom hranom kako bi se spriječilo djelomično odmrzavanje.

Skuhajte povrće i iscijedite njihovu vodu ako povrće zamrzavate na dulje vrijeme. Nakon što iscijedite vodu, stavite ga u vakumiranu ambalažu i zatim u zamrzivač. Hrana poput banana, rajčica, zelene salate, celera, kuhanih jaja, krumpira nije prikladna za zamrzavanje. Zamrzavanje takve hrane negativno će utjecati na njihovu hranjivu vrijednost i okus. Hrana ne smije biti pokvarena kako ne bi uzrokovala rizik za ljudsko zdravlje.

6.23. Stavljanje hrane

Police odjeljka zamrzivača	Različita zamrznuta hrana kao što je meso, riba, sladoled, povrće itd.
Police odjeljka hladnjaka	Hrana u loncima, pokrivenim tanjurima i zatvorenim posudama, jaja (u zatvorenom pakiranju)
Police vrata odjeljka hladnjaka	Mala i zapakirana hrana ili pića
Odjeljak za povrće	Povrće i voće
Odjeljak za svježu hranu	Delikatese (hrana za doručak, mesni proizvodi koji se brzo konzumiraju)

6.24. Upozorenje o otvorenim vratima

(Ova je funkcija neobavezna)

Upozorenje o otvorenim vratima korisniku se pruža vizualno i zvučno. Ako upozorenje potraje 10 minuta, unutrašnja će se svjetla isključiti.

6.25. Promjena smjera otvaranja vrata

Smjer otvaranja vrata može se promijeniti u skladu s mjestom na kojem ćete ga upotrebljavati. Ako je potrebno, obratite se najbližem ovlaštenom servisu.

Gornji je opis općenit. Za informacije o promjeni smjera otvaranja vrata pogledajte naljepnicu upozorenja na unutrašnjoj strani vrata.

6.26. Lampa za osvjetljenje

Za osvjetljenje se upotrebljavaju LED lampe. U slučaju bilo kakvih problema, obratite se ovlaštenom servisu. Žaruljica (ili žaruljice) u ovom uređaju nije prikladna za osvjetljivanje prostorija kućanstva. Namjena ove žaruljice jest pomoći korisniku da namirnice stavi u hladnjak/zamrzivač na siguran i ugodan način.

Rukovanje uređajem

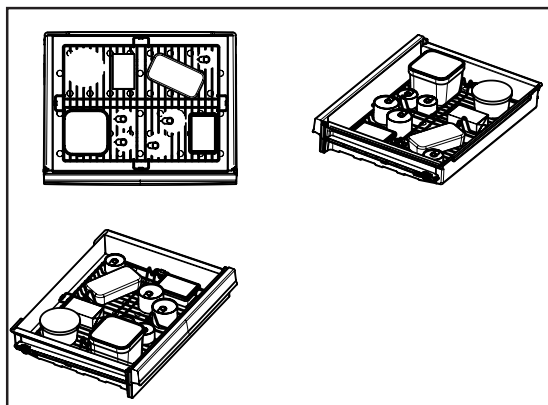
6.27. Preporuke za upotrebu odjeljka higijene:

* Ovo je dodatna funkcija

- Kada stavljate namirnice u odjeljak kako bi se dezinficirala površina hrane tada meso, piletinu, ribu, mlijeko i mliječne proizvode uvijek stavljajte u njihovom pakiranju.
- Nije prikladno stavljati proizvode koji nisu hrana u odjeljak u higijenske svrhe.
- Ako stavite namirnice u odjeljak higijene a da ih niste izvadili iz vrećice za namirnice tada će se dezinfekcija obaviti samo na površini vrećice, a pakiranje namirnice neće primiti svjetlo. Stoga, izvadite namirnice iz vrećice za namirnice kada ih stavljate u odjeljak.
- Prikladno je primijeniti postupak dezinfekcije na jednu namirnicu samo jednom te nije prikladno obavljati postupak više od jednom.
- Kako se postupak ne smije ponavljati za druge namirnice kada se postupak završi preporučujemo vam da u ovom odjeljku držite samo poslastice i hranu koju jedete za doručak. Ne preporučuje se čuvati voće i povrće duže vrijeme u ovom odjeljku jer je odjeljak higijene hladniji od ostalih dijelova hladnjaka.
- Prije aktiviranja funkcije higijene sa zaslona upravljačke ploče preporučujemo da hranu koju ste prethodno čuvali u odjeljku higijene privremeno stavite u drugi

dio hladnjaka. Kada je postupak dezinfekcije aktivan preporučuje se proizvode koje smatrate da treba dezinficirati prvi put čuvati samo unutar odjeljka. Kada se završi postupak dezinficiranja tada hranu koju ste izvadili iz odjeljak možete ponovno vratiti u njega.

- Za učinkovitu funkciju higijene (dezinfekcije) proizvode treba staviti tako da između njih postoji razmak te paziti da ne blokiraju svjetlo.
- Pazite i ne stavljajte namirnice jednu na drugu prije aktiviranja funkcije higijene.



7 Čišćenje i održavanje

 Prvo pročitajte „Sigurnosne upute“!

Radni vijek proizvoda se produžuje te se smanjuje broj učestalih problema ako ga se čisti u redovitim vremenskim razmacima.



UPOZORENJE: Prije čišćenja isključite uređaj iz strujne utičnice.

- Nikad za čišćenje ne koristite benzin, benzen ili slične tvari.
- Za čišćenje nikad ne koristite oštre i abrazivne alate, sapun, sredstva za čišćenje kućanstva, deterdžente i vosak za poliranje.
- Rastopite jednu čajnu žličicu sode bikarbone u pola litre vode. Umočite krpu u tu otopinu i dobro je iscijedite. S njom pobrišite unutarnji dio uređaja i dobro ga osušite.
- Obrišite metalni lim ispod metalne ladice i stola samo malo navlaženom krpom.
- Pripazite da voda ne uđe u kućište žaruljice i druge električne dijelove.
- Ako uređaj nećete koristiti duže vremena, isključite ga iz strujne utičnice, izvadite namirnice iz njega, očistite ga i ostavite vrata odškrinuta.
- Redovito provjeravajte čistoću gume na vratima. Ako nije čista očistite je.
- Za skidanje vrata i polica unutar hladnjaka prvo izvadite njihov sadržaj.
- Police na vratima uklonite povlačenjem. Nakon čišćenja, vratite ih na mjesto počevši od vrha prema dnu.
- Nikad ne koristite sredstva za čišćenje koja sadrže klor za čišćenje unutarnjeg dijela hladnjaka i njegovih kromiranih dijelova. Klor može izazvati koroziju na metalnim površinama.

7.1 Izbjegavanje neugodnih mirisa

Materijali koji mogu stvoriti mirise ne koriste se u proizvodnji naših proizvoda. Međutim, zbog neispravnih uvjeta čuvanja namirnica i ako se unutarnji dio uređaja ne čisti kako treba to može izazvati probleme s mirisima. Pripazite na sljedeće i izbjegnite ovaj problem:

- Važno je održavati uređaj čistim. Ostaci namirnica, mrlje i sl. mogu izazvati stvaranje mirisa. Stoga, čistite hladnjak sa sodom bikarbonom rastopljenom u vodi svakih 15 dana. Nikad ne koristite deterdžente ili sapun.
- Držite namirnice u zatvorenim posudama. Mikroorganizmi koji se šire iz nezatvorenih posuda mogu izazvati stvaranje neugodnih mirisa.
- U hladnjaku nikad ne držite namirnice kojima je istekao rok trajanja, jer se mogu pokvariti.

7.2 Zaštita plastičnih površina

U hladnjak nikad ne stavljajte tekuća ulja/masti ili jela kuhana na ulju/masti u nezatvorenim posudama jer mogu oštetiti njegove plastične površine. Ako se ulje/mast prolije ili razmaže po plastičnim površinama, odmah očistite i dobro isperite taj dio površine s toplom vodom.

7.3 Stakla na vratima

Uklonite zaštitnu foliju na staklima. Na površini stakla je premaz. Ovaj premaz smanjuje nakupljanje mrlja i pridonosi lakšem uklanjanju mogućih mrlja i prljavštine. Stakla koja nisu zaštićena takvim premazom mogu biti izložena konstantnom vezivanju organske ili anorganske prljavštine zasnovane na zraku ili vodi, kao što su kamenac, mineralne soli, neizgoreni ugljikohidrati, oksidi metala i silikoni koji mogu lako i brzo uzrokovati mrlje ili materijalna oštećenja. Održavanje stakla čistim postaje preteško unatoč redovitom čišćenju. Zbog toga propada izgled i prozirnost stakla. Oštri i korozivni načini čišćenja i spojevi će pojačati te nedostatke i ubrzati postupak propadanja.

Za redovito čišćenje se trebaju koristiti proizvodi za čišćenje zasnovani na vodi koji nisu alkalni i korozivni.

Za čišćenje se moraju koristiti nealkalni i nekorozivni materijali, tako da vijek trajanja ovog premaza traje dugo.

Ova stakla su temperirana da bi se povećala trajnost od udaraca i loma. sigurnosni premaz se također primjenjuje na stražnje površine kao dodatna sigurnosna mjera da bi se spriječilo oštećenje okoline u slučaju loma.

* Alkali su lužine koje tvore ionske hidrokside (OH^-) kad se otope u vodi. Li (litij), Na (natrij), K (kalij) Rb (rubidij), Cs (cezij) i umjetni i radioaktivni Fr (fancij) metali se zovu ALKALNI METALI.

8 Rješavanje problema

Molimo, pogledajte ovaj popis prije upućivanja poziva ovlaštenom servisu. To vam može uštedjeti vrijeme i novac. Ovaj popis uključuje česte problema koji nisu nastali zbog neispravnog rada ili kvara hladnjaka. Neke od opisanih funkcija možda ne postoje kod vašeg modela hladnjaka.

Uređaj ne radi.

- Utikač nije ispravno umetnut u utičnicu. >>> **Ispravno umetnite utikač u utičnicu.**
- Pregorio je osigurač utičnice u koju je uključen hladnjak ili je pregorio glavni osigurač. >>> **Provjerite osigurač.**

Vlaga na bočnim stjenkama odjeljka hladnjaka (MULTIZONA, UPRAVLJANJE RASHLAĐIVANJEM I FLEKSI ZONA).

- Temperatura okruženja je jako niska. >>> **Ne postavljajte hladnjak u prostorije gdje temperatura pada ispod 10 .**
- Vrata se često otvaraju. >>> **Ne otvarajte i ne zatvarajte učestalo vrata hladnjaka.**
- Okruženje je jako vlažno. >>> **Ne postavljajte hladnjak u prostorije s velikom vlagom.**
- Namirnice koje sadrže tekućinu čuvaju se u otvorenim posudama. >>> **Namirnice koje sadrže tekućinu čuvajte u zatvorenim posudama.**
- Vrata su odškrinuta. >>> **Ne ostavljajte vrata hladnjaka otvorena dugo vremena.**
- Termostat je podešen na jako hladnu razinu. >>> **Podesite termostat na odgovarajuću razinu.**

Kompresor ne radi

- Zaštitni termički osigurač kompresora će se blokirati tijekom iznenadnog nestanka struje ili isključivanja i uključivanja strujnog utikača jer tlak rashladnog sredstva u rashladnom sustavu uređaja nije bio balansiran. Uređaj će početi s radom nakon približno 6 minuta. Molimo, nazovite osoblje ovlaštenog servisa ako uređaj ne počne s radom nakon tog vremena.
- Hladnjak je u ciklusu odmrzavanja. >>> **To je normalno za hladnjake s automatskih odmrzavanjem. Ciklus odmrzavanja odvijaju se periodično.**
- Uređaj nije uključen u strujnu utičnicu. >>> **Provjerite je li strujni utikač dobro priključen na utičnicu.**
- Postavke temperature nisu dobro podešene. >>> **Odaberite odgovarajuću vrijednost temperature.**
- Došlo je do nestanka struje. >>> **Kada se el. energije ponovo uspostavi uređaj počinje normalno raditi.**

Zvuk koji uređaj proizvodi pojačava se kada uređaj radi.

- Radne performanse uređaja mogu se mijenjati uslijed promjena u temperaturi okruženja. To je normalno i ne predstavlja kvar.

Uređaj radi često ili dugo vremena.

Rješavanje problema

- Novi proizvod je možda širi od prijašnjeg. Veći uređaji rade dulje vremena.
- Sobna temperatura je možda previsoka. >>> **Normalno je da proizvod radi dulje vrijeme u toplom okruženju.**
- Uređaj je možda tek nedavno uključen u struju utičnicu ili u njemu ima mnogo namirnica. >>> **Kada je hladnjak nedavno uključen u strujnu utičnicu ili ako u njem ima mnogo namirnica tada će mu trebati dulje vremena za postizanje podešene temperature. To je normalno.**
- Možda su nedavno u hladnjak stavljene vruće namirnice. >>> **Ne stavljajte u hladnjak vruće namirnice.**
- Vrata se možda učestalo otvaraju ili su ostavljena odškrinuta duže vrijeme. >>> **Topli zrak koji je ušao u hladnjak utječe na dulji rad hladnjaka. Ne otvarajte često vrata hladnjaka.**
- Možda su vrata odjeljka zamrzivača ili hladnjaka ostavljena odškrinuta. >>> **Provjerite jesu li vrata dobro zatvorena.**
- Uređaj je podešen na vrlo nisku temperaturu. >>> **Podesite temperaturu hladnjaka na viši stupanj i pričekajte dok se temperatura ne postigne.**
- Brtva na vratima hladnjaka ili zamrzivača je prljava, istrošena, potrgana ili nepravilno stavljena. >>> **Očistite i zamijenite brtvu. Oštećena/pokidana brtva (guma) na vratima uređaja utječe na produljenje vremena rada uređaja radi održavanja podešene temperature.**

Temperatura zamrzivača je jako niska dok je temperatura hladnjaka dobra.

- Temperatura zamrzivača je podešena na vrlo nisku vrijednost. >>> **Podesite temperaturu zamrzivača na veću vrijednost i provjerite.**

Temperatura hladnjaka je jako niska dok je temperatura zamrzivača

- Temperatura hladnjaka je podešena na vrlo nisku vrijednost. >>> **Podesite temperaturu hladnjaka na veću vrijednost i provjerite.**

Namirnice koje se čuvaju u ladicama odjeljka hladnjaka su zamrznute.

- Temperatura hladnjaka je podešena na vrlo visoku vrijednost. >>> **Podesite temperaturu hladnjaka na nižu vrijednost i provjerite.**

Temperatura hladnjaka ili zamrzivača je jako visoka.

- Temperatura hladnjaka je podešena na vrlo visoku vrijednost. >>> **Postavke temperature odjeljka hladnjaka utječu na temperaturu zamrzivača. Promijenite temperaturu hladnjaka ili zamrzivača i pričekajte dok odgovarajući odjeljci ne postignu željenu temperaturu.**
- Vrata se učestalo otvaraju ili su ostavljena odškrinuta duže vrijeme. >>> **Ne otvarajte često vrata.**
- Vrata su odškrinuta. >>> **Dobro zatvorite vrata.**
- Uređaj je možda tek nedavno uključen u struju utičnicu ili u njemu ima mnogo namirnica. >>> **To je normalno. Kada je uređaj nedavno uključen u strujnu utičnicu ili ako u njem ima mnogo namirnica tada će mu trebati dulje vremena za postizanje podešene temperature.**
- Možda su nedavno u hladnjak stavljene vruće namirnice. >>> **Ne stavljajte u hladnjak vruće namirnice.**

Vibracija ili buka.

Rješavanje problema

- Pod nije ravan ili stabilan. >>> Ako se proizvod klima kada se lagano dodirne uravnotežite ga podešavanjem nožica. Također, vodite računa o tome da je pod dovoljno čvrst i ravan da može izdržati težinu proizvoda.
- Predmeti koji se stave na hladnjak mogu izazvati buku. >>> Uklonite predmete s hladnjaka.

Iz uređaja se čuju zvukovi poput protoka tekućine, prskanja, itd.

- Protok tekućina i plinova odvija se u skladu s radim principima proizvoda. >>> To je normalno i ne predstavlja kvar.

Iz uređaja se čuje zvuk sličan puhanu vjetra.

- Ventilatori se koriste za hlađenje uređaja. To je normalno i ne predstavlja kvar.

Kondenzacija na unutarnjim stjenkama uređaja.

- Vruće i vlažno vrijeme povećava stvaranje leda i vlage. To je normalno i ne predstavlja kvar.
- Vrata se učestalo otvaraju ili su ostavljena odškrinuta duže vrijeme. >>> Ne otvarajte često vrata, zatvorite ih ako su otvorena.
- Vrata su odškrinuta. >>> Dobro zatvorite vrata.

Vlaga nastaje na vanjskim stjenkama uređaja ili između vrata.

- Možda je zrak vlažan; to je normalno ako je vrijeme sparno. >>> Kad u zraku ima manje vlage, kondenzacija nestaje.

Neugodan miris u hladnjaku.

- Hladnjak se ne čisti redovito. >>> Redovito čistite unutarnji dio uređaja sa spužvom, mlakom vodom i sodom bikarbonom rastopljenom u vodi.
- Neke posude ili materijali za pakiranje mogu stvoriti neugodni miris. >>> Koristite posude ili materijal za pakiranje različitih proizvođača.
- Namirnice se čuvaju u otvorenim posudama. >>> Držite namirnice u zatvorenim posudama. Mikroorganizmi koji se šire iz nezatvorenih posuda mogu izazvati stvaranje neugodnih mirisa.
- Iz hladnjaka uklonite namirnice kojima je istekao rok trajanja, jer se mogu pokvariti.

Vrata se ne zatvaraju.

- Ambalaža u kojoj su namirnice sprječava zatvaranje vrata. >>> Premjestite ambalažu koja sprječava zatvaranje vrata.
- Hladnjak ne stoji ravno na podu. >>> Podesite nožice i uravnotežite uređaj.
- Pod nije ravan ili čvrst. >>> Također, vodite računa o tome da je pod dovoljno čvrst i ravan da može izdržati težinu proizvoda.

Posude za povrće su se zaglavile.

- Namirnice dotiču vrh ladice. >>> Razmjestite namirnice u ladici.



UPOZORENJE: Ako se problem ne može riješiti unatoč tome što ste se pridržavali uputa u ovom odjeljku posavjetujte se s trgovcem ili osobljem ovlaštenog servisa. Ne pokušavajte sami popraviti neispravni proizvod.

ODRICANJE OD ODGOVORNOSTI / UPOZORENJE

Neke (jednostavne) kvarove može riješiti sam krajnji korisnik bez ikakvih sigurnosnih problema ili opasnosti koje mogu iskrsnuti uz uvjet da je to obavljeno u granicama i u skladu sa sljedećim uputama (pogledajte dio „Samopomoć“).

Stoga, osim ako nije drukčije određeno u donjem dijelu „Samopomoći“ popravke trebaju obaviti registrirani stručni servisi kako bi se izbjegli problemi sa sigurnosti. Registrirani stručni servis je stručni servis kojem je proizvođač odobrio pristup uputama i popisu rezervnih dijelova za ovaj proizvod u skladu s metodama opisanim u zakonskim aktima u skladu s Direktivom 2009/125/EC.

Međutim, samo servisni zastupnik (tj. ovlaštteni stručni servisi) kojeg možete kontaktirati na telefonski broj naveden u korisničkom priručniku/jamstvenom listu ili ovlaštteni zastupnik mogu obaviti servis u skladu s uvjetima jamstva. Stoga, upozoravamo vas kako će popravci koje su obavili stručni servisi (koje nije ovlastila tvrtka Beko) poništiti jamstvo.

Samopomoć

Samopopravak može obaviti krajnji korisnik za sljedeće zamjenjive dijelove: ručke na vratima, šarke vrata, ladice, košare i brtva na vratima (ažurirani popis dostupan je na support.beko.com od 01. ožujka 2021.)

Pored toga, kako bi se osigurala sigurnost proizvoda i spriječila opasnost od teških ozljeda, spomenuta samopomoć treba se obaviti pridržavajući se uputa u korisničkom priručniku za samopomoć ili onih dostupnih na support.beko.com. Zbog vaše sigurnosti, isključite proizvod iz strujne mreže prije početka obavljanja bilo kakve samopomoći.

Popravak i pokušaj popravka koje obavljaju krajnji korisnici za dijelove koji nisu uključeni na popis i/ili ako se ne pridržavaju uputa u korisničkom priručniku ili onih dostupnih na support.beko.com, mogu izazvati sigurnosne probleme koji se ne mogu pripisati Beko te koji će poništiti jamstvo proizvoda.

Stoga, izričito se preporučuje da se krajnji korisnici suzdrže od pokušaja popravka koji ne uključuje spomenuti popis rezervnih dijelova te da u tom slučaju kontaktiraju ovlaštene stručne servise ili registrirane stručne servise. U suprotnom, takvi pokušaji koje poduzmu krajnji korisnici mogu izazvati sigurnosne probleme i oštetiti proizvod te posljedično izazvati požar, poplavu, smrt zbog strujnog udara i teške tjelesne ozljede.

Na primjer, ali se ne ograničavajući na to, sljedeće popravke moraju obaviti ovlaštteni profesionalni servisi ili registrirani profesionalni servisi: kompresor, rashladni sklop, matična ploča, inverter ploča, ploča zaslona, itd.

Proizvođač/prodavač neće se smatrati odgovornim u slučaju da krajnji korisnici ne poštuju gore navedeno.

Dostupnost rezervnih dijelova za hladnjaka koju ste kupili je 10 godina.

Tijekom ovog razdoblja originalni rezervni dijelovi bit će dostupni za ispravan rad hladnjaka.

Minimalno trajanje jamstva hladnjaka kojeg ste kupili je 24 mjeseca.

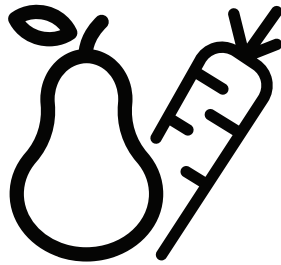
Ovaj proizvod opremljen je izvorom osvjetljenja energetske klase „G“.

Izvor osvjetljenja u ovom proizvodu smiju zamijeniti samo stručni serviseri.

be**ko**

Hladilnik
Navodila za uporabo

Холодильник
морозильник



RCNE560E40ZLXPHUN

SL / RU



RECIKLIRANI PAPIR in
PAPIR ZA RECIKLIRANJE



ПЕРЕРАБОТАННАЯ И
ПЕРЕРАБАТЫВАЕМАЯ
БУМАГА

58 5379 0000/AN

5/8

Dragi uporabnik,

Prosimo, da pred uporabo izdelka preberete ta priročnik.

Zahvaljujemo se vam za izbiro tega izdelka. Radi bi, da dosežete optimalno učinkovitost tega visokokakovostnega izdelka, ki je bil izdelan z najsodobnejšo tehnologijo. Če želite to narediti, pred uporabo izdelka natančno preberite ta priročnik in vso drugo dokumentacijo, ki ste jo dobili, in ga hranite kot referenco. Upoštevajte vse informacije in opozorila v uporabniškem priročniku. Tako boste zaščitili sebe in svoj izdelek pred nevarnostmi, ki se lahko pojavijo.

Shranite uporabniški priročnik. Če to enoto daste nekemu drugemu, vključite še ta priročnik.

V priročniku so uporabljeni naslednji simboli:



Nevarnost, ki lahko povzroči smrt ali poškodbe.

OBVESTILO Nevarnost, ki lahko povzroči materialno škodo na izdelku ali njegovi okolici




Pomembne informacije ali koristni nasveti o delovanju.



Preberite uporabniški priročnik.




Nevarnost sevanja UV-C

i INFORMACIJE	
 SUPPLIER'S NAME: A (green arrow) MODEL IDENTIFIER: A (black arrow) (*)	Do informacij o modelu, ki so shranjene v zbirki podatkov o izdelkih, lahko pridete tako, da obiščete naslednje spletno mesto in poiščete identifikator modela (*), ki je naveden na energijski nalepki. https://eprel.ec.europa.eu/


1 Varnostna navodila	3	6 Upravljanje izdelka	15
 1.1. Predvidena uporaba	3	6.1. Modra svetloba/HarvestFresh	18
 1.2. Varnost otrok, ranljivih oseb in domačih živali	3	6.2. Predel za ohranjanje higiene	19
 1.3. Električna varnost	4	6.3. Vedro za led	20
 1.4. Varnost pri premikanju	4	6.4. Nosilec za jajca	20
 1.5. Varnost pri namestitvi	4	6.5. Ventilator	20
 1.6. Varnost med delovanjem	6	6.6. Posoda za zelenjavo	21
 1.7. Varnost pri vzdrževanju in čiščenju	8	6.7. Zamrzovalni predel	21
 1.8. HomeWhiz	8	6.8. Premikajoča vratna polica	21
 1.9. Osvetlitev	8	6.9. Drseče škatle za shrambo	22
 1.10. Varnost pred sevanjem UV-C	8	6.10. HerbBox/HerbFresh	22
 1.11. Tehnične informacije za Wifi + Bluetooth9		6.11. Posoda za zelenjavo z uravnavanjem vlage 23	23
2 Okoljska navodila	10	6.12. Modul z osvežilcem zraka	23
3 Hladilnik	11	6.13. Samodejna naprava za led	24
4 Namestitev	12	6.14. Ledomat in posoda za shranjevanje ledu	25
4.1. Ustrezno mesto za namestitev	12	6.15. Točaj vode	25
4.2. Pritrditev plastičnih klinov	12	6.16. Uporaba vodne pipe	25
4.3 Prilagoditev stojal	13	6.17. Čiščenje posode za vodo	27
4.4 Električna povezava	13	6.18. Pladenj za vodo	27
5 Priprava	14	6.19. Zamrzovanje svežih živil	28
5.1. Kako prihraniti z energijo	14	6.20. Priporočila za shranjevanje zamrznjenih živil28	28
5.2. Prva uporaba	14	6.21. Podrobnosti globokega zamrzovanja	29
		6.22. Postavitev živil	29
		6.23. Opozorilo za odprta vrata	29
		6.24. Spreminjanje smeri odpiranja vrat	29
		6.25. Notranja luč	29
		6.26. Priporočila za uporabo predela za ohranjanje higiene:	30
		7 Vzdrževanje in čiščenje	31
		7.1 Izogibanje neprijetnim vonjavam	31
		7.2 Zaščita plastičnih površin	31
		7.3 Steklo vrat	31
		8. Odpravljanje motenj	32


1 Varnostna navodila

- V tem razdelku so navedena varnostna navodila, ki vam bodo pomagala zagotoviti zaščito pred nevarnostmi telesnih poškodb ali materialne škode.
- Naše podjetje ne odgovarja za škodo, ki lahko nastane zaradi neupoštevanja teh navodil.

 Namestititev in popravilo mora vedno izvesti proizvajalec, pooblaščen servisler ali usposobljena oseba, ki jo določi uvoznik.

 Uporabljajte samo originalne dele in dodatke.

 Ne izvajajte popravil ali zamenjave nobenega dela aparata, razen če je to izrecno navedeno v navodilih za uporabo.

 Na aparatu ni dovoljeno izvajati nobenih tehničnih prilagoditev.

1.1. Predvidena uporaba

- Ta aparat ni primeren za komercialno uporabo. Dovoljeno ga je uporabljati samo v predviden namen.

Aparat je zasnovan za uporabo v hišah in zaprtih prostorih.

Primeri uporabe:

- kuhinje za osebje v trgovinah, pisarnah in drugih delovnih okoljih;
- kmetije;
- prostori v hotelih, motelih in drugih namestitvenih objektih, ki jih uporabljajo stranke;
- hoteli, ki ponujajo nočitev z zajtrkom, gostišča;
- priprava in dostava hrane ter podobne neprodajne dejavnosti.

Aparata ni dovoljeno uporabljati na prostem, ne glede na to, ali je pod streho ali ne, na primer na plovilih, balkonih ali terasah. Aparat ne sme biti izpostavljen dežju, snegu, soncu ali vetru.

Obstaja nevarnost požara!

1.2. Varnost otrok, ranljivih oseb in domačih živali

- Otroci, stari 8 let ali več, in osebe z omejenimi fizičnimi, senzoričnimi ali duševnimi zmožnostmi ali s premalo izkušnjami in znanja lahko uporabljajo ta aparat, če jih kdo nadzira ali seznanj z varno uporabo aparata in nevarnostmi, ki so povezane z uporabo aparata.
- Otroci, stari od 3 do 8 let, lahko postavljajo hrano v hladilni aparat in jo jemljejo iz njega.
- Električni aparati so nevarni za otroke in domače živali. Otroci in domače živali se ne smejo igrati z aparatom, plezati nanj ali vstopati vanj.
- Otroci ne smejo čistiti in vzdrževati aparata, razen če so nadzorovani.
- Embalažni material hranite zunaj dosega otrok. Obstaja nevarnost telesnih poškodb in zadržitev!
- Preden zavržete star ali odslužen aparat:
 1. Odklopite aparat tako, da primete za vtič.
 2. Prerežite napajalni kabel in ga odstranite z aparata skupaj z vtičem.
 3. Ne odstranjujte polic ali predalov, da otrokom otežite vstop v aparat.
 4. Odstranite vrata.
 5. Aparat naj bo postavljen tako, da se ne more prevrniti.
 6. Ne dovolite, da bi se otroci igrali s starim aparatom.

Varnostna navodila

- Aparata ne odstranjujte s sežiganjem. Obstaja nevarnost eksplozije!
- Če so vrata aparata opremljena s ključavnico, hranite ključ zunaj dosega otrok.

1.3. Električna varnost

- Med nameščanjem, vzdrževanjem, čiščenjem, popraviljem in premikanjem mora biti aparat odklopljen.
- Če je napajalni kabel poškodovan, ga mora zamenjati usposobljena oseba, ki jo določi proizvajalec, pooblaščen servisier ali uvoznik, da se izognete morebitni nevarnosti.
- Ne potiskajte napajalnega kabla pod aparat ali za aparat. Ne postavljajte težkih predmetov na napajalni kabel. Izogibajte se prekomernemu zvijanju ali stiskanju napajalnega kabla in preprečite stik kabla z virom toplote.
- Za delovanje aparata ne uporabljajte podaljška, razdelilnika ali adapterja.
- Prenosni razdelilniki ali prenosni napajalniki se lahko pregrejejo in povzročijo požar, zato ne nameščajte razdelilnika za aparat ali v njegovo bližino.
- Vtič mora biti preprosto dostopen. Če to ni mogoče, mora električna napeljava, na katero je priklopljen aparat, vključevati napravo (npr. varovalko, stikalo, odklopnik itd.), ki je skladna s predpisi za električno opremo in odklopi vse pole z omrežja.

- Ne dotikajte se napajalnega vtiča z mokrimi rokami.
- Odstranite vtič iz vtičnice tako, da primete vtič in ne kabla.

1.4. Varnost pri premikanju

- Aparat je težek, zato ga ne premikajte sami.
- Aparata med premikanjem ne držite za vrata.
- Pazite, da med premikanjem aparata ne poškodujete hladilnega sistema in cevi. Če so cevi poškodovane, ne uporabljajte aparata in pokličite pooblaščenega servisierja.

1.5. Varnost pri namestitvi

- Za namestitev aparata se obrnite na pooblaščenega servisierja. Pripravite aparat za uporabo tako, da preberete informacije v navodilih za uporabo ter poskrbite za ustrezno električno in vodovodno napeljavo. Če ustrezna napeljava ni na voljo, pokličite usposobljenega električarja ali vodovodarja, da uredi potrebne dovode. V nasprotnem primeru lahko pride do električnega udara, požara, težav z aparatom ali telesnih poškodb.
- Pred namestitvijo preverite, ali so na aparatu kakršne koli napake. Če je aparat poškodovan, ga ne nameščajte.
- Postavite aparat na čisto, ravno in trdo površino ter ga izravnajte z nastavljivimi nogami.

Varnostna navodila

V nasprotnem primeru se lahko aparat prevrne in povzroči telesne poškodbe.

- Prostor namestitve mora biti suh in dobro prezračevan. Pod aparatom ne sme biti preprog, tekačev ali podobnih prekrival. Nezadostno prezračevanje povzroči nevarnost požara.
- Ne zapirajte ali pokrivajte prezračevalnih odprtin, saj pride do povečanja porabe energije ali morda celo do poškodb aparata.
- Ne priklopljajte aparata na napajalne sisteme, kot so sončni napajalniki, saj lahko zaradi nenadnih sprememb napetosti pride do poškodb aparata.
- Večja kot je količina hladilnega sredstva v hladilniku, v večjem prostoru mora biti hladilnik nameščen. Če je prostor namestitve premajhen, lahko v primeru uhajanja hladilnega sredstva iz hladilnega sistema pride do kopičenja mešanice vnetljivega hladilnega sredstva in zraka. Zahtevani prostor za vsakih 8 gramov hladilnega sredstva je najmanj 1 m³. Količina hladilnega sredstva v aparatu je navedena na tipski ploščici.
- Aparat ne sme biti nameščen na mestih, ki so izpostavljena neposredni sončni svetlobi, in ne sme biti v bližini virov toplote, kot so kuhalne plošče, radiatorji itd. Če se ne morete izogniti namestitvi aparata blizu vira toplote, vmes namestite ustrezno izolacijsko ploščo

in upoštevajte naslednje najmanjše oddaljenosti od vira toplote:

- najmanj 30 cm od virov toplote, kot so kuhalne plošče, pečice, grelne enote ali peči;
- najmanj 5 cm od električnih pečic.
- Vaš aparat ima razred zaščite I. Aparat priklopite v ozemljeno vtičnico, ki je skladna z vrednostmi napetosti, toka in frekvence, ki so navedene na tipski ploščici aparata. Vtičnica mora biti opremljena z odklopnikom, ki ima zmogljivost 10–16 A. Naše podjetje ne odgovarja za poškodbe, ki nastanejo zaradi uporabe aparata z ozemljitvijo in električnimi napeljavami, ki niso skladne z lokalnimi in nacionalnimi predpisi.
- Aparat ne sme biti priklopljen med nameščanjem. V nasprotnem primeru obstaja nevarnost električnega udara in telesnih poškodb.
- Aparata ne priklopljajte v zrahljane, zlomljene, umazane ali mastne vtičnice, v vtičnice, ki so se snele z ležišča, ali v vtičnice, pri katerih obstaja nevarnost stika z vodo.
- Napeljite napajalni kabel in cevi (če so na voljo) aparata tako, da ne predstavljajo nevarnosti spotaknitve.
- Če so deli pod napetostjo ali napajalni kabel izpostavljeni vlagi, lahko pride do kratkega stika. Aparata zato ne nameščajte v prostore z visoko vlažnostjo ali nevarnostjo škropljenja vode, kot so garaže ali pralnice. Če se hladilnik zmoči z vodo, ga odklopite

Varnostna navodila

in pokličite pooblaščenega serviserja.

- Ne priklaplajte hladilnika na naprave za varčevanje z energijo. Takšni sistemi so škodljivi za aparat.

1.6. Varnost med delovanjem

- Ne uporabljajte kemičnih topil na aparatu. Obstaja nevarnost eksplozije!
- V primeru okvare odklopite aparat in ga ne uporabljajte, dokler ga ne popravi pooblaščen servisier. Obstaja nevarnost električnega udara!
- Ne postavljajte virov plamena (npr. prižganih sveč, cigaret itd.) na aparat ali v njegovo bližino.
- Ne vzpenjajte se na aparat. Obstaja nevarnost padca in telesnih poškodb!
- Ne poškodujte cevi hladilnega sistema z ostrimi ali koničastimi predmeti. Hladilno sredstvo, ki se lahko razprši v primeru predrtja cevi za hladilno sredstvo, podaljškov cevi ali površinskih prevlek, povzroči draženje kože in poškodbe oči.
- Ne postavljajte električnih naprav v hladilnike/globoke zamrzovalnike, razen če to priporoča proizvajalec.
- Pazite, da ne zagozdite rok ali katerega koli drugega dela telesa med premične dele v hladilniku. Pazite, da si ne pripravite prstov med hladilnik in njegova vrata. Bodite previdni pri odpiranju in zapiranju vrat, zlasti če so v bližini otroci.
- Ne jejte sladoleda, ledenih kock ali zamrznjene hrane takoj po odstranitvi iz hladilnika. Obstaja nevarnost ozeblin!
- Ne dotikajte se notranjih sten, kovinskih delov zamrzovalnika ali hrane v aparatu z mokrimi rokami. Obstaja nevarnost ozeblin!
- V zamrzovalni del ne postavljajte pločevink ali steklenic, v katerih so gazirane pijače ali tekočine, ki lahko zmrznejo. Pločevinke in steklenice lahko počijo. Obstaja nevarnost telesnih poškodb in materialne škode!
- V bližini hladilnika ne uporabljajte ali shranjujte vnetljivih razpršil, vnetljivih snovi, suhega ledu, kemičnih snovi ali podobnih materialov, občutljivih na toploto. Obstaja nevarnost požara in eksplozije!
- V aparatu ne shranjujte eksplozivnih predmetov, ki vsebujejo vnetljive snovi, kot so razpršilne pločevinke.
- Na aparat ne postavljajte posod, napolnjenih s tekočino. Škropljenje vode po električnem delu lahko povzroči električni udar ali nevarnost požara.
- Ta aparat ni namenjen shranjevanju zdravil, krvne plazme, laboratorijskih pripravkov ali podobnih medicinskih snovi in izdelkov, za katere velja direktiva o medicinskih proizvodih.
- Če se aparat ne uporablja v skladu s predvidenim namenom, se lahko pokvarijo izdelki, ki se hranijo v aparatu.

Varnostna navodila

- Če je hladilnik opremljen z modro lučko, ne glejte v to lučko z optičnimi napravami. Ne glejte dlje časa neposredno v UV/LED-lučko. Ultravijolična svetloba lahko povzroči naprezanje oči.
- Ne preobremenite aparata. Predmeti v hladilniku lahko padejo, ko odprete vrata, kar lahko povzroči telesne poškodbe ali materialno škodo. Do podobnih težav lahko pride pri postavljanju predmetov na aparat.
- Poskrbite, da ste s tal odstranili ves led ali vodo, da preprečite telesne poškodbe.
- Police/stojala za steklenice v vratih hladilnika lahko predstavljate samo, ko so police/stojala prazna. Obstaja nevarnost telesnih poškodb!
- Na aparat ne postavljajte predmetov, ki lahko padejo oz. se prevrnejo. Ti predmeti lahko padejo med odpiranjem vrat ter povzročijo telesne poškodbe in/ali materialno škodo.
- Ne udarjajte po steklenih površinah oz. ne pritiskajte premočno na njih. Zlomljeno steklo lahko povzroči telesne poškodbe in/ali materialno škodo.
- Hladilni sistem aparata vsebuje hladilno sredstvo R600a. Vrsta hladilnega sredstva, ki se uporablja v aparatu, je navedena na tipski ploščici. To hladilno sredstvo je vnetljivo, zato pazite, da med uporabo aparata ne poškodujete hladilnega sistema ali cevi. Če so cevi poškodovane:
 - Ne dotikajte se aparata ali napajalnega kabla.
 - Odmaknite možne vire ognja, ki lahko povzročijo vžig aparata.
 - Prezračite območje, na katerem je nameščen aparat. Ne uporabljajte ventilatorjev.
 - Pokličite pooblaščenega serviserja.
- Če je aparat poškodovan in opazite uhajanje hladilnega sredstva, se ne približujte hladilnemu sredstvu. Hladilno sredstvo lahko ob stiku s kožo povzroči ozeblino.

Aparati z vodomatom ali ledomatom

- Uporabljajte samo pitno vodo. Ne napolnite posode za vodo s tekočinami, ki niso primerne za uporabo v vodomatu, npr. s sadnim sokom, mlekom, gaziranimi pijačami ali alkoholnimi pijačami.
- Obstaja nevarnost za zdravje in varnost!
- Ne dovolite, da bi se otroci igrali z vodomatom ali ledomatom, saj lahko pride do nesreč ali telesnih poškodb.
- Ne vstavljajte prstov ali drugih predmetov v odprtino vodomata, kanal za vodo ali posodo ledomata. Obstaja nevarnost telesnih poškodb ali materialne škode!

1.7. Varnost pri vzdrževanju in čiščenju

- Če želite premakniti aparat zaradi čiščenja, ne vlecite za ročaj na vratih. S prekomerno silo lahko zlomite ročaj, kar lahko povzroči telesne poškodbe.
- Ne čistite aparata z razprševanjem ali vlivanjem vode po aparatu ali njegovi notranjosti. Obstaja nevarnost požara in električnega udara!
- Za čiščenje aparata ne uporabljajte ostrega ali abrazivnega orodja. Ne uporabljajte gospodinjskih čistil, detergentov, goriva, bencina, razredčila, alkohola, laka itd.
- V notranjosti aparata uporabljajte samo sredstva za čiščenje in vzdrževanje, ki niso škodljiva za hrano.
- Za čiščenje ali odmrzovanje aparata ne uporabljajte čistilnikov, ki delujejo na paro ali s pomočjo pare. Para pride v stik z deli hladilnika, ki so pod napetostjo, kar povzroči kratki stik ali električni udar.
- Pazite, da osvetlitev aparata ali elektronska vezja ne pridejo v stik z vodo.
- S čisto in suho krpo obrišite prah ali tujo snov na polih vtiča. Za čiščenje vtiča ne uporabljajte mokre ali vlažne krpe. Obstaja nevarnost požara in električnega udara!

1.8. HomeWhiz

- Ko upravljate aparat prek aplikacije HomeWhiz, upoštevajte varnostna opozorila tudi, ko niste v bližini aparata. Upoštevajte tudi opozorila v aplikaciji.

1.9. Osvetlitev

- Če je treba zamenjati lučko LED/žarnico, ki se uporablja za osvetlitev, se obrnite na pooblaščen servis.

1.10. Varnost pred sevanjem UV-C

- Ne odstranjujte zaščitnega stekla lučke UV-C.
- Izdelka ne uporabljajte brez zaščitnega stekla lučke UV-C.
- Ta izdelek vsebuje lučko, ki seva UV-C žarke. Ne glejte neposredno v lučko.
- Med čiščenjem prostora z lučke UV-C izvlecite vtič iz vtičnice.
- V nobenem primeru ne uporabljajte izdelka, ki ima poškodovano zaščitno steklo.
- Med zamenjavo lučke UV-C s pomočjo pooblaščenega servisa onemogočite funkcijo UV-C na upravljalni plošči zaslona.
- Nikoli ne odstranjujte nalepke "Nevarnost ultravijoličnega sevanja" na predelu, v katerem so lučke UV-C.
- Uporaba izdelka zunaj mej predvidene uporabe ali poškodba zaščitnega stekla lučke UV-C ali njenega ohišja lahko povzroči nevarno UV-C sevanje. UV-C sevanje lahko že pri majhnih

Varnostna navodila

odmerkih poškoduje oči in kožo!
Ne uporabljajte poškodovanega izdelka!

- Če simbol UV-C začne utripati, ko je aktivirana funkcija za higiensko zaščito, to pomeni, da je dosežena razpolovna doba svetilk in da je njihova učinkovitost zmanjšana. Priporočamo vam, da zamenjate UV-C žarnice, ko opazite to opozorilo. UV-C žarnice se zamenjajo skupaj s pladnjem, v katerem so. Nabava in namestitev pladnja UV-C se izvede prek pooblaščenih servisov.



	OPOZORILO: UV-C sevanje škoduje očem in koži. Ne uporabljajte žarnic UV-C izven izdelka !
	OPOZORILO: Uporabnik ne sme sam zamenjati UV-C žarnic. Prosite za podporo pooblaščenega servisa, ko se izteče življenjska doba UV-C žarnic !

1.11. Tehnične informacije za Wifi + Bluetooth

Frekvenčni pas:	2,4 GHz (deluje Wi-fi ali bluetooth)
Maks. moč prenosa:	< 100 mW (deluje Wi-fi ali bluetooth)
Informacije o programski opremi:	Quartz_WiFi.XXX

Izjava o skladnosti za CE:

Arçelik A.Ş. s tem izjavlja, da je ta naprava skladna z Direktivo 2014/53/EU.

Celotno besedilo EU izjave o skladnosti je na voljo na naslednjem spletnem naslovu:

Izdelki, od: support.beko.com

Določeno obdobje podpore za posodobitev programske opreme, povezano s kibernetско varnostjo za izdelek, je garancijska doba izdelka. Po tem obdobju posodobitve programske opreme, povezane s kibernetско varnostjo, niso zagotovljene.«

2 Okoljska navodila

2.1 Skladnost z direktivo OEE0 in odstranjevanjem odpadnih izdelkov:

Izdelek je v skladu z direktivo EU OEE0 (2012/19/EU). Izdelek vsebuje simbol za razvrstitev odpadne električne in elektronske opreme (OEE0).



Ta simbol označuje, da ta izdelek ne sme biti odložen skupaj z ostalimi gospodinjskimi odpadki po poteku roka trajanja. Uporabljeno napravo je treba vrniti v pooblaščen zbirni center za reciklažo električnih in elektronskih naprav. Več o zbirnih sistemih lahko najdete, če kontaktirate vaše lokalne oblasti ali distributerje od katerih ste nakupili vaš izdelek. Vsako gospodinjstvo igra pomembno vlogo v prenovi in reciklaži stare naprave. Ustrezno odlaganje uporabljene naprave pomaga pri varstvu pred morebitnimi negativnimi vplivi na okoljevarstvo in zdravje človeka.

2.2 Skladnost z direktivo RoHS:

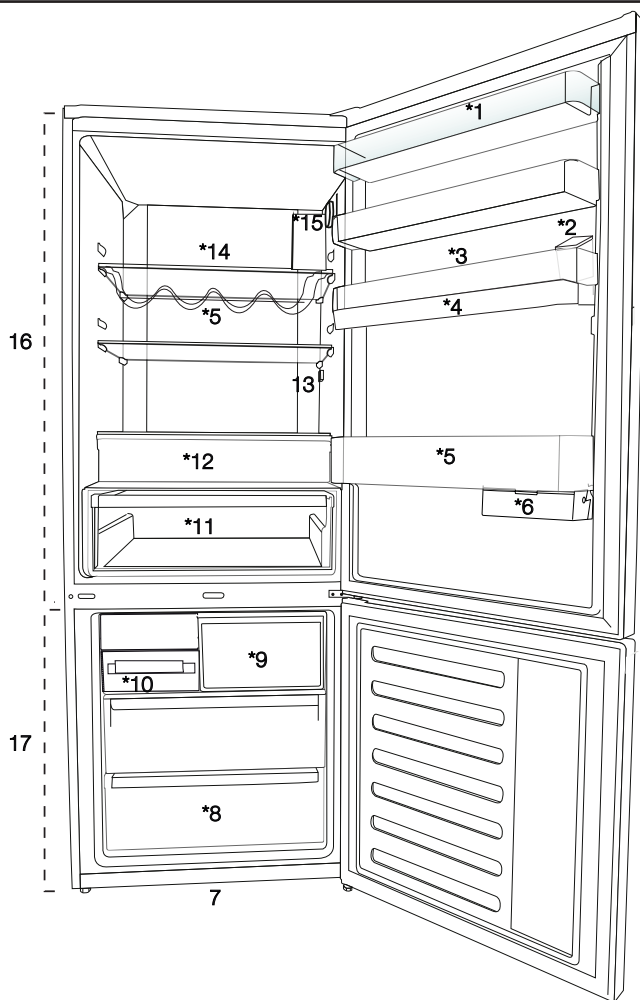
Izdelek, ki ste ga kupili, je v skladu z direktivo EU RoHS (2011/65/EU). Ne vsebuje škodljivih in prepovedanih materialov, ki so navedeni v direktivi.

2.3 Podatki o embalaži



Embalaža izdelka je izdelan iz materiala, ki ga je mogoče reciklirati, v skladu z našimi nacionalnimi okoljskimi predpisi. Embalažnega materiala ne odlagajte skupaj z gospodinjskimi ali drugimi odpadki. Odnosite ga na zbirna mesta za embalažni material, ki so jih določile lokalne oblasti.

3 Hladilnik



- | | |
|-----------------------------------|---|
| 1. Police vrat predela hladilnika | 10. Ledomat |
| 2. Rezervoar za vodno fontano | 11. Predal za zelenjavo |
| 3. Prostor za jaja | 12. Predel za ohranjanje higiene (lučka UV-C) |
| 4. Rezervoar za vodo | 13. Notranja lučka |
| 5. Polica za steklenice | 14. Steklena polica |
| 6. Predalček na vratih | 15. Gumb za nastavitev temperature |
| 7. Nastavljive noge | 16. Hladilnik |
| 8. Prostor za globoko zamrzovanje | 17. Zamrzovalnik |
| 9. Predal za hitro zamrzovanje | |






***izbirno:** Slike v tem priročniku so podane kot primer in morda niso popolnoma enake kot izdelek. Če vaš izdelek ne vključuje ustreznih delov, se podatki nanašajo na druge modele.

4 Namestitev

⚠ Najprej preberite poglavje
»Varnostna navodila«!

4.1. Ustrezno mesto za namestitev

Za namestitev izdelka se obrnite na pooblaščen servis. Če želite pripraviti izdelek na namestitev, glejte informacije v uporabniškem priročniku in se prepričajte, da so električne in vodovodne storitve ustrezne. Če ne, pokličite električarja in vodovodarja, da uredita potrebne napeljave.

	OPOZORILO: Proizvajalec ne prevzema odgovornosti za škodo, ki je posledica del, ki so jih izvedle nepooblaščen osebe.
	OPOZORILO: Med nameščanjem mora biti napajalni kabel izdelka izključen. Neupoštevanje tega lahko povzroči smrt ali resne poškodbe!
	OPOZORILO: Če je razpon vrat preozek za hrano, odstranite vrata in obrnite izdelek na stran; če to ne deluje, se obrnite na pooblaščen servis.

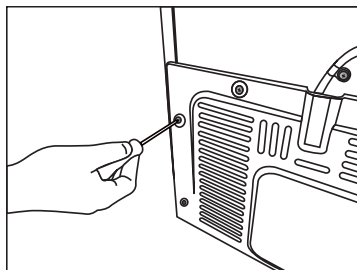
- Izdelek postavite na ravno površino, da ne pride do vibracij.
- Izdelek morate namestiti vsaj 30 cm od grelnika, štedilnika in podobnih virov toplote in vsaj 5 cm od električnih peči.
- Izdelka ne postavljajte pod neposredno sončno svetlobo in v vlažna okolja.
- Izdelek za učinkovito delovanje rabi zadostno kroženje zraka.
- Če bo izdelek nameščen v nišo, ne pozabite, da pustite razdaljo vsaj 5 cm med izdelkom in stropom ter stenami.
- Naprave ne nameščajte v okoljih s temperaturo nižjo od -5°C .
- Za učinkovito delovanje tega izdelka je potrebno zadostno kroženje zraka. Če bo izdelek nameščen v nišo, pustite vsaj 5 cm prostora med izdelkom ter stropom, zadnjo steno in stranskima stenama.
- Če bo izdelek nameščen v nišo, pustite vsaj 5 cm prostora med izdelkom ter stropom, zadnjo steno in stranskima stenama. Preverite, ali

stene (če je priložen izdelku). Če del ni na voljo ali pa je izgubljen oziroma uničen, namestite izdelek tako, da je z zadnjo stranjo od stene prostora oddaljen vsaj 5 cm. Odmik na zadnji strani je pomemben za učinkovito delovanje izdelka.

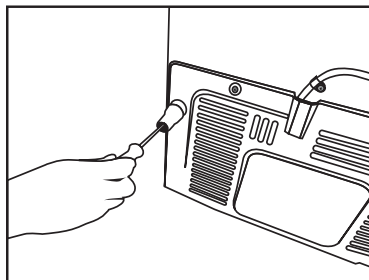
4.2. Pritrditev plastičnih klinov

Uporabite plastične kline, ki so priloženi izdelku, da omogočite dovolj prostora za kroženje zraka med izdelkom in steno.

1. Za pritrditev klinov odstranite vijake na izdelku in uporabite vijake, ki so dobavljeni skupaj s klini.



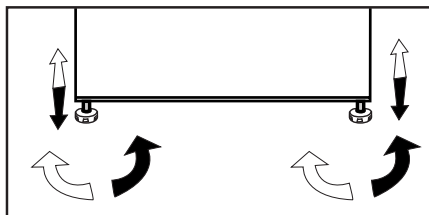
2. Pritrdite 2 plastična klina na pokrov prezračevanja, kot prikazuje slika.



Namestititev

4.3 Prilagoditev stojal

Če izdelek ni uravnotežen, prilagodite nastavljiva stojala z obračanjem v desno ali levo.



4.4 Električna povezava

	OPOZORILO: Pri električni povezavi ne uporabljajte podaljškov ali več vtičnic.
	OPOZORILO: Poškodovan napajalni kabel lahko zamenja le pooblaščen servis.
	Če hladilnik postavite ob drug hladilnik, naj bo razdalja med njima vsaj 4 cm.

- Naše podjetje ne prevzema odgovornosti za škodo, ki nastane zaradi uporabe ozemljitve in električne povezave, ki ni v skladu z državnimi predpisi.
- Vtič napajalnega kabla naj bo po namestitvi lahko dostopen.
- Med vtičnico in hladilnikom ne uporabljajte več vtičev z ali brez podaljška.

	Opozorilo za vročo površino Bočne stene izdelka so zaradi izboljšanja hladilnega sistema opremljene s hladilnimi cevmi. Po teh delih se lahko pretaka hladilno sredstvo z visoko temperaturo, zaradi česar se lahko bočne stene zelo segrejejo. To je običajno in ni razlog za servisiranje. Bodite previdni pri dotikanju teh površin.
--	--

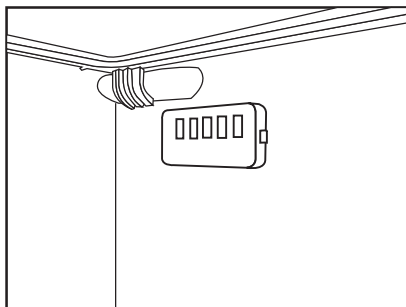
⚠ Najprej preberite poglavje
»Varnostna navodila«!

5.1. Kako prihraniti z energijo



Priključitev naprave na sisteme varčevanja električne energije je nevarno, saj lahko poškodujejo napravo.

- Za samostoječi aparat; »ta hladilni aparat ni namenjen za uporabo kot vgradni aparat«;
- Ne puščajte vrat hladilnika odprtih dlje časa.
- V napravo ne nalagajte vročih živil in pijač.
- Ne naložite v hladilnik preveč stvari; z blokiranjem notranjega pretoka zraka zmanjšate učinkovitost hlajenja.
- Da bi v hladilni predel vašega hladilnika shranili čim večjo količino hrane, odstranite zgornje police in jo položite na stekleno polico. Označena poraba energije vašega hladilnika je bila določena z odstranjenim hladilnikom, pladnjem za led in zgornjimi predali, da bi omogočili največjo zmogljivost shranjevanja. Močno priporočamo uporabo spodnje police za shranjevanje. Za najboljšo porabo energije je treba vklopiti funkcijo za varčevanje z energijo.
- Hrane ne postavljajte pred ventilator hladilnika, saj tako blokirate pretok zraka. Hrano položite vsaj 3 cm od zaščitne žice ventilatorja.
- Glede na lastnosti izdelka; z odtajanjem zamrznjene hrane v predelu hladilnika boste zagotovili varčevanje z energijo in ohranili kakovost živil.
- Hrano shranite z uporabo polic v predelu hladilnika, da zagotovite varčevanje z energijo in ohranite živila v boljšem stanju.
- Paketi hrane ne smejo biti v neposrednem stiku s senzorji toplote, ki se nahajajo v predelu hladilnika. Če so v stiku s senzorji, se lahko poraba energije naprave poveča.
- Pazite, da živila niso v stiku s senzorjem temperature predela hladilnika, kot je opisano spodaj.



5.2. Prva uporaba

Pred prvo uporabo hladilnika, poskrbite, da so vse priprave izvedene v skladu z navodili v razdelkih »Varnostna in okoljska navodila« in »Namestitve«.

- Naj izdelek deluje brez hrane 6 ur in ne odpirajte vrat, razen če je res nujno potrebno.



Ko kompresor prične delovati, boste zaslišali zvok. Zvoki so povsem običajni, tudi ko kompresor ne deluje, zaradi stisnjenih tekočin in plinov v hladilnem sistemu.



Sprednji robovi izdelka se lahko segrejejo. To je običajno. Ti predeli so oblikovani, da se segrejejo in preprečijo kondenzacijo.

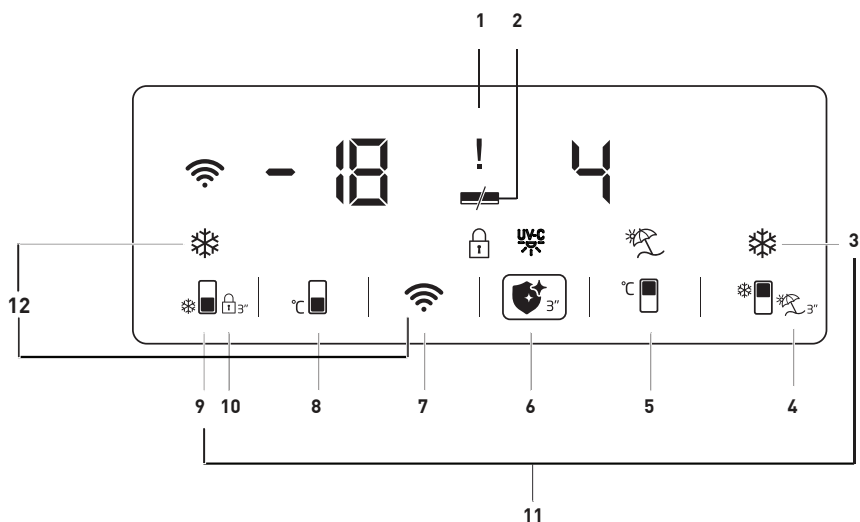


Pri nekaterih modelih se indikatorska tabla samodejno izklopi 5 minut po tem, ko zaprete vrata. Aktivirala se bo, ko se vrata odprejo ali pritisnete kateri koli gumb.

- Ker vroč in vlažen zrak ne bo neposredno prodril v vaš izdelek, ko vrata niso odprta, se bo vaš izdelek optimiziral v pogojih, ki zadostujejo za zaščito vaše hrane. Pri tej funkciji za varčevanje z energijo bodo funkcije in sestavni deli, kot so kompresor, ventilator, grelnik, odmrzovanje, osvetlitev, zaslon in tako naprej, delovali v skladu s potrebami za čim manjšo porabo energije v teh okoliščinah, pri čemer bo ohranjena svežost vaših živil.

6 Upravljanje izdelka

⚠ Najprej preberite poglavje »Varnostna navodila«!



1. Kazalnik stanja napak
2. Kazalnik varčevanja z energijo (zaslon izključen)
3. Tipka za hitro hlajenje
4. Tipke za funkcijo za počitnice
5. Tipka za nastavitev temperature hladilnega prostora
6. Tipka za funkcijo ohranjanja higiene
7. Tipka za brezžično povezavo
8. Tipka za nastavitev temperature zamrzovalnega prostora
9. Tipka za hitro zamrzovanje
10. Tipka za zaklepanje tipk
11. Tipka za vklop temperature
12. Ključ za ponastavitev nastavitve brezžične povezave


Mogoče ne bo veljalo za vse modele



***izbirno:** Slike v tem priročniku so podane kot primer in morda niso popolnoma enake kot izdelek. Če vaš izdelek ne vključuje ustreznih delov, se podatki nanašajo na druge modele.

Uporaba izdelka

1. Kazalnik stanja napak

Kazalnik () mora biti aktiven, kadar hladilnik ne more primerno hladiti ali v primeru napake senzorja. Ko je ta kazalnik aktiven, se na kazalniku temperature zamrzovalnika prikaže "E", na kazalniku temperature hladilnika pa se prikažejo številke, kot so 1,2,3... Te številke zagotavljajo informacije pooblaščenemu servisu o napaki, ki se je zgodila.


Ko v zamrzovalnik naložite toplo hrano ali dlje časa držite vrata odprta, se lahko prikaže klicaj. To ni napaka, to opozorilo se odstrani, ko se hrana ohladi.

2. Kazalnik varčevanja z energijo (zaslon izključen)

Funkcija Varčevanje z energijo se samodejno omogoči in simbol varčevanja z energijo se prikaže, če se vrata izdelka nekaj časa ne odpirajo ali zapirajo. (—)

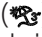

Ko je funkcija Varčevanje z energijo aktivna, se izključijo vsi simboli na zaslonu, razen simbola za varčevanje z energijo. Ko je funkcija Varčevanje z energijo aktivna, s pritiskom katere koli tipke ali odpiranjem vrat funkcijo Varčevanje z energijo deaktivirate in simboli na zaslonu se vrnejo v normalno stanje. Funkcija Varčevanje z energijo je tovarniško nameščena funkcija, zato je ni mogoče izključiti.

3. Tipka za hitro hlajenje

Ko je vklopljena funkcija hitrega hlajenja, zasveti kazalnik hitrega hlajenja () , kazalnik temperature hladilnega prostora pa prikazuje vrednost 1. Za preklic te funkcije znova pritisnite tipko za hitro


hlajenje. Kazalnik hitrega hlajenja se izklopi in obnovijo se normalne nastavitve. Funkcija hitrega hlajenja se samodejno prekliče po 1 uri, razen če jo uporabnik prekliče prej. Če želite ohladiti večjo količino sveže hrane, pritisnite tipko za hitro hlajenje, preden jo postavite v hladilni prostor.

4. Tipke za funkcijo za počitnice


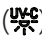
Držite tipko () za 3 sekunde, da aktivirate funkcijo Počitnice, in vključite se kazalnik () načina počitnic. Ko je funkcija Počitnice aktivirana, se na kazalniku temperature hladilnika prikaže "- -", v hladilniku pa se ne izvaja aktivno hlajenje. Ko je ta funkcija aktivirana, hrane ne smete hraniti v hladilniku. Drugi predeli se še naprej hladijo glede na temperature, določeno zanje.

Za preklic te funkcije znova pritisnite tipko **funkcije Počitnice**.

5. Tipka za nastavitev temperature hladilnega prostora

S pritiskom na to tipko se lahko temperatura hladilnika nastavi na 8,7,6,5,4,3,2 oziroma 1. ()

6. Tipka za funkcijo ohranjanja higiene

Držite tipko () za aktiviranje funkcije za ohranjanje higiene 3 sekunde, nato se vklopi kazalnik funkcije za ohranjanje higiene () . Ko je aktivirana funkcija za ohranjanje higiene, ne odpirajte vrat izdelka. Če se vrata izdelka odprejo, ko je funkcija za ohranjanje higiene aktivirana, se ohranjanje higiene ustavi, dokler se vrata ne zaprejo. Ko je funkcija za ohranjanje higiene končana, boste zaslišali zvočno

Uporaba izdelka

opozorilo in postopek se konča. Če želite končati postopek ohranjanja higiene pred nastavljenim časom, držite tipko funkcije za ohranjanje higiene 3 sekunde.

Če je, ko aktivirate funkcijo za ohranjanje higiene, skupaj s simbolom higiena prikazan tudi klicaj (⚠️) pomeni, da bodo lučke za ohranjanje higiene iztekle. Pokličite servis.

7. Funkcija za brezžično povezavo (*izbirno)

Če pridržite tipko dlje časa (3 sekunde), se začne povezovanje izdelka v domače omrežje. Medtem, ko se vzpostavlja povezava, simbol za brezžično omrežje (📶) utripa v intervalih po 0.5 sekund.

Ko je povezava z domačim omrežjem uspešna,

simbol brezžičnega omrežja neprekinjeno sveti.

Ko je vzpostavljena prva povezava, jo lahko s kratkim pritiskom na to tipko aktivirate/deaktivirate.

Omrežje, s katerim ste vzpostavili povezavo, se shrani in povezava se znova vzpostavi, ko izdelek izklopite in vklopite.

Dokler se povezava ne vzpostavi, simbol za brezžično omrežje utripa v kratkih intervalih (po 0.2 sekundi).

Simbol brezžičnega omrežja neprekinjeno sveti, ko je povezava aktivna. Če povezave nekaj časa ni mogoče vzpostaviti, preverite nastavitve modema/povezave.

Kot vmesnik povezave se uporablja aplikacija HomeWhiz. Koraki za povezavo so opisani v PRIROČNIKU

ZA HITRO NAMESTITEV HomeWhiz, ki je priložen izdelku. Odgovore na splošna vprašanja najdete v poglavju Odpravljanje težav.

8. Tipka za nastavitev temperature zamrzovalnega prostora

To omogoča nastavitev temperature za zamrzovalnik. S pritiskom na tipko (❄️) se lahko temperaturo zamrzovalnika nastavi na -18, -19, -20, -21, -22, -23 in -24.

9. Tipka za hitro zamrzovanje

Za hitro zamrzovanje pritisnite tipko št. (9) in kazalnik za hitro zamrzovanje (❄️) bo aktiviran.

Ko je vklopljena funkcija hitrega zamrzovanja, zasveti kazalnik hitrega zamrzovanja, kazalnik temperature zamrzovalnika pa prikazuje vrednost -27. Za preklic te funkcije znova pritisnite tipko za hitro zamrzovanje (❄️). Kazalnik hitrega zamrzovanja se izklopi in vrne v normalno nastavitve. Funkcija hitrega zamrzovanja se samodejno prekliče po 32 urah, razen če jo uporabnik prekliče prej. Če želite zamrzniti večjo količino sveže hrane, pritisnite tipko za hitro zamrzovanje, preden jo postavite v zamrzovalnik.

10. Tipka za zaklepanje tipk

Za 3 sekunde pritisnite gumb (🔒). Aktivirata se simbol zaklepanja tipk (🔒) in način zaklepanja tipk. Tipk ni mogoče upravljati, ko je aktiven način zaklepanja tipk. Za 3 sekunde pritisnite gumb (🔒). Zaklepanje tipk je deaktivirano. Funkcijo za zaklepanje tipk lahko uporabite, če želite preprečiti spreminjanje nastavitve temperature hladilnika.

Uporaba izdelka

11. Tipka za vklop temperature

Ko za 3 sekunde pridržite tipki za hitro hlajenje (☼📱) in hitro zamrzovanje (☼📱), lahko preklapljate med temperaturnimi enotami Fahrenheita in Celzija.

12. Ključ za ponastavitev nastavitve brezžične povezave

Za 3 sekunde istočasno pridržite tipki za hitro hlajenje (☼📱) in brezžično omrežje (☼📶) in nastavitve brezžične povezave se ponastavijo.

6.1. Modra svetloba/ HarvestFresh

***Morda ni na voljo pri vseh modelih**

Modra svetloba:

V sadju in zelenjavi, shranjeni v predalih Crisper in osvetljeni z modro svetlobo, se zaradi učinka valovne dolžine modre svetlobe nadaljuje proces fotosinteze, zato se ohrani vsebnost vitaminov.

HarvestFresh:

V sadju in zelenjavi, shranjeni v predalih Crisper in osvetljeni s tehnologijo HarvestFresh, se vitamini ohranijo dlje časa zaradi modre, zelene in rdeče svetlobe ter temnih ciklov, ki posnemajo dnevni cikel. Če odprete vrata hladilnika v temnem ciklu tehnologije HarvestFresh, hladilnik to samodejno zazna in za lažjo uporabo osvetli predal Crisper z modro-zeleno ali rdečo svetlobo. Ko zaprete vrata hladilnika, se nadaljuje temni cikel, ki predstavlja nočni čas dnevnega cikla.

6.2. Predel za ohranjanje higijene

*Ta funkcija je izbirna

1. Funkcija za ohranjanje higijene UV-C se ne sme aktivirati, če žične mreže in kovinskega predala, namenjenega za predel za ohranjanje higijeno, ni v njem.

2. Aktiviranje funkcije za ohranjanje higijene, ko kovinski predal ni v predelu za ohranjanje higijene, povzroči deformacijo plastičnega predala spodaj.

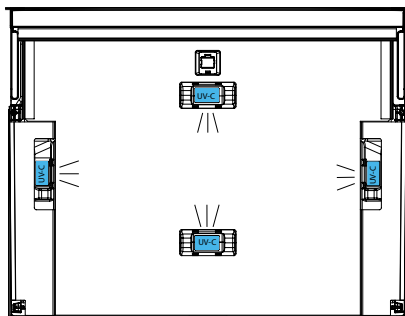
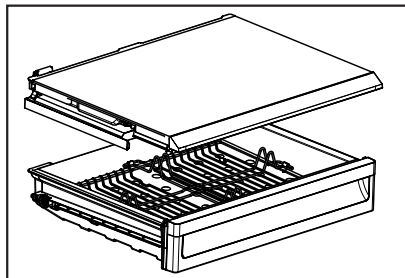
3. Ne poskušajte odstraniti stekla nad predelom za ohranjanje higijene z uporabo sile.

4. Ne dotikajte se, ne udarjajte in ne izvajajte pritisk na fluorescenčne lučke UV-C, nameščene na spodnji površini steklene police predela za ohranjanje higijene.

5. Zaradi vaše varnosti ne poskušajte odstraniti steklene police predela za ohranjanje higijene. Odstranitev mreže povzroči odklop električnih komponent.

6. Lučka, ki jo vidite, ko odprete predel za ohranjanje higijene, ni UV-C lučka. To je LED osvetlitev.

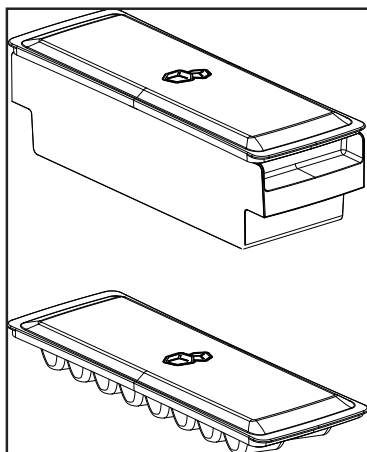
7. Kovinski predal in mrežo obrišite samo z vlažno krpo.



Uporaba izdelka

6.3. Vedro za led (izbirno)

- Vzemite vedro za led iz predela zamrzovalnika.
- Napolnite vedro za led z vodo.
- Postavite vedro za led v predela zamrzovalnika.
- Led bo pripravljen približno v dveh urah. Vzemite vedro za led iz predela zamrzovalnika in rahlo nagnite čez držalo, ki ga boste postregli. Led se bo samodejno preliil v držalo za serviranje.



6.4. Nosilec za jajca

Nosilec za jajca lahko namestite na vrata ali polico po izbiri. Če se odločite, da ga boste postavili na polico trupa, je priporočljivo uporabiti spodnje police, saj so hladnejše.

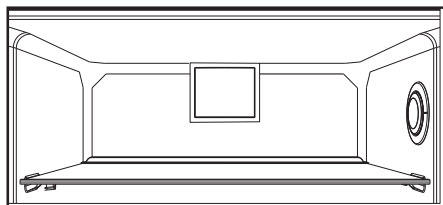


Nosilca za jajca ne postavljajte v predel zamrzovalnika.

6.5. Ventilator

Ventilator je oblikovan, da enakomerno razporeja kroženje hladnega zraka znotraj hladilnika. Čas delovanja ventilatorja se lahko razlikuje glede na lastnosti naprave.

Pri nekaterih izdelkih ventilator deluje le s kompresorjem, pri drugih pa kontrolni sistem določa čas delovanja glede na potrebo po hlajenju.



Uporaba izdelka

6.6. Posoda za zelenjavo (izbirno)

Posoda za zelenjavo je narejen, da ohranja vlago in ohranja zelenjavo svežo. V ta namen se celotno kroženje mrzlega zraka v posodi za zelenjavo okrepi.

6.7. Zamrzovalni predel (izbirno)

Ta predel uporabljajte za shranjevanje delikates pri nizkih temperaturah ali mesnih izdelkov, ki jih boste takoj porabili.

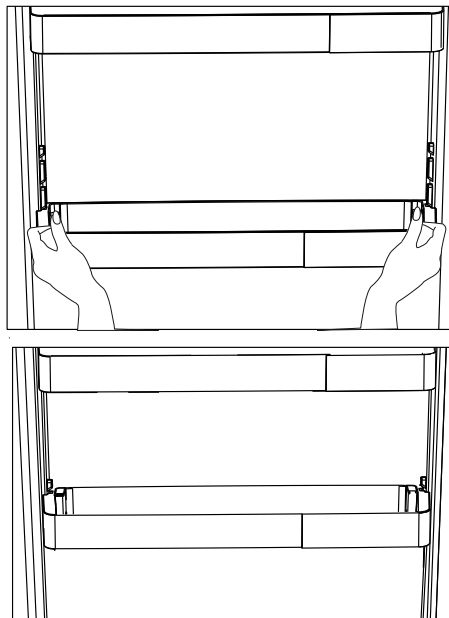
Zamrzovalni predel je najhladnejše mesto, kjer lahko shranite živila kot so mlečni izdelki, meso, ribe in piščanec, v idealnih pogojih shranjevanja. Ta predel ni primeren za shranjevanje zelenjave in/ali sadja.

6.8. Premikajoča vratna polica (izbirno)

Premikajoča vratna polica se lahko pritrdi na 3 različne položaje.

Če želite premakniti polico, enakomerno pritisnite gumbe na straneh. Polica se tako odstrani. Pomaknite polico gor ali dol.

Ko je polica v zelenem položaju, sprostite gumbe. Polica bo ponovno pritrjena v položaju, kjer ste spustili gumbe.



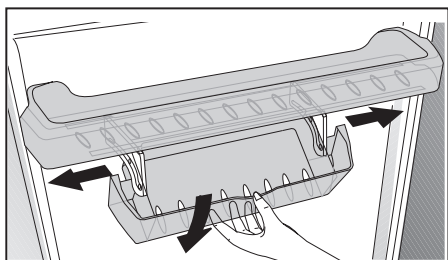
Uporaba izdelka

6.9. Drseče škatle za shrambo

(izbirno)

Dodatek je oblikovan z namenom povečati uporabno prostornino polic na vratih.

Ker se lahko premakne na stran, omogoča enostavno nameščanje dolgih steklenic, kozarcev ali škatel, ki jih postavite spodnje stojalo za steklenice.



6.10. HerbBox/HerbFresh

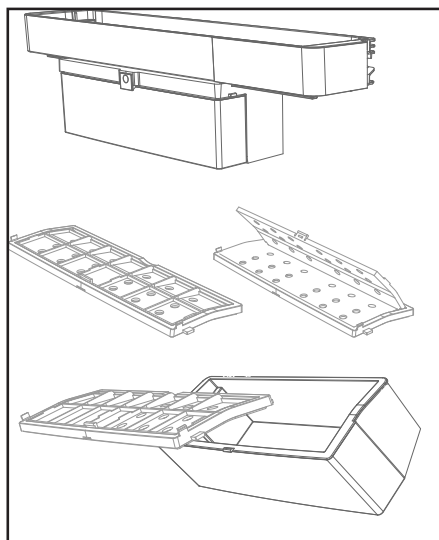
Iz škatle HerbBox/HerbFresh+ odstranite posodico s folijo.

Vzemite folijo iz vrečke in jo položite v posodico, kot je prikazano na sliki.

Znova zaprite posodo in jo vstavite v enoto HerbBox/HerbFresh+.

Razdelki HerbBox-HerbFresh+ so idealni zlasti za shranjevanje različnih zelišč, ki jih je treba hraniti pod posebnimi pogoji. V tem razdelku lahko v vodoravni legi hranite vašo zelišča, ki niso v vrečkah (peteršilj, koper in podobno), ter jih ohranite dalj časa sveže.

Zamenjajte film vsakih šest mesecev.



6.11. Posoda za zelenjavo z uravnavanjem vlage (izbirno)

Funkcija uravnavanja vlage ohranjata stopnje vlage zelenjave in sadja pod nadzorom in zagotovi hrano dlje časa svežo.

Listnato zelenjavo, kot je zelena solata, špināča in podobna zelenjava, ki je podvržena izgubi vlage, shranjujte v vodoravnem položaju v posodi za zelenjavo in ne na koreninah.

Ko nalagata zelenjavo, položite težjo in trdo zelenjavo na dno, lahko in mehko pa na vrh, pri tem pa upoštevajte specifične teže zelenjave.

Zelenjave ne pustite v posodi za zelenjavo v plastičnih vrečkah. Če jo pustite v plastičnih vrečkah, zelenjava hitreje zgrije. V situacijah, kjer ni dobro, da se različne vrste zelenjave stikajo med seboj, uporabite pakirni material, kot je papir, ki ima določeno poroznost v smislu higiene.

Sadja, ki ima proizvodnjo z visoko vsebnostjo etilena, kot so hruške, marelice, breskve in predvsem jabolka, v isto posodo za zelenjavo z drugo zelenjavo in sadjem. Etilen, ki prihaja iz tega sadja, lahko povzroči, da druga zelenjava in sadje hitreje dozori in zgrije.

6.12. Modul z osvežilcem zraka (FreshGuard) *izbirno

Modul z osvežilcem zraka hitro odstrani neprijetne vonjave v hladilniku, preden prežamejo

površine. S tem modulom, ki je nameščen na strop predala za sveža živila, se bodo slabe vonjave razblinile, zrak bo prešel v filter za odpravo neprijetnih vonjav, ta pa bo zrak poslal nazaj v predal za sveža živila. Tako bodo odstranjene neprijetne vonjave, ki se pojavijo med shranjevanjem živil v hladilniku, preden prežamejo površine.

To omogočajo ventilator, dioda in filter za svež zrak, ki je vgrajen v modulu. Modul z osvežilcem zraka se bo samodejno vklopil v intervalih. Če želite ohraniti učinkovito delovanje modula z osvežilcem zraka, vam priporočamo, da filter v modulu vsakih 5 let zamenja pooblaščen serviser. Hrup, ki ga slišite med delovanjem modula je zaradi vgrajenega ventilatorja normalen. Če odprete vrata predala za sveža živila, medtem ko modul deluje, se bo ventilator začasno ustavil, ter se ponovno vklopil in deloval naprej, ko vrata zaprete. V primeru izpada električnega toka bo modul z osvežilcem zraka po ponovni vzpostavitvi napajanja nadaljeval z delovanjem od točke, na kateri se je ustavil.

Informacije: Priporočamo, da aromatična živila (kot so sir, olive, delikatese) hranite zaprta v njihovi embalaži, da se izognete slabim vonjavam, ki se lahko pojavijo, kadar se mešajo vonjave različnih živil. Poleg tega priporočamo, da pokvarjena živila hitro odstranite iz hladilnika, da preprečite kvarjenje drugih živil in se izognete slabim vonjavam.

Uporaba izdelka

6.13. Samodejna naprava za led (izbirno)

Samodejna naprava za led omogoča enostavno izdelavo ledu v vašem hladilniku. Če želite dobiti led iz naprave za led, odstranite rezervoar za vodo iz predela hladilnika, ga napolnite z vodo in ga pritrдите nazaj na mesto.

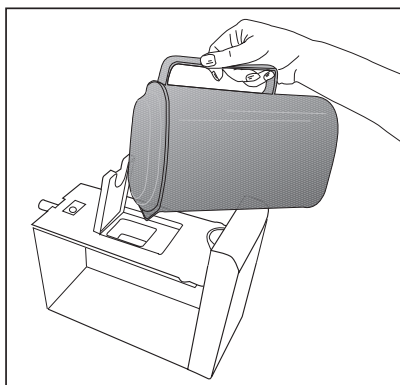
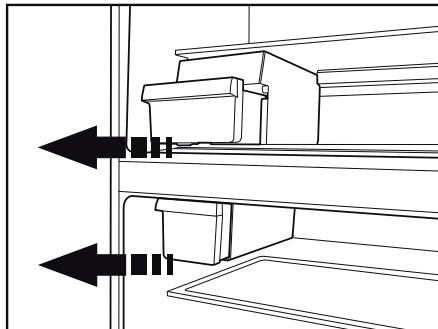
Prvi led bo pripravljen v ok. 2 urah v predali naprave za led v predelu hladilnika.

Ko namestite polni rezervoar za vodo, lahko dobite ok. 60-70 kock ledu, dokler ni popolnoma prazen.

Če je voda v rezervoarju stala 2-3 tedne, jo je treba zamenjati.



Pri izdelkih s samodejno napravo za led boste med vlivanjem ledu morda slišali zvok. Ta zvok je običajen in ni napaka.



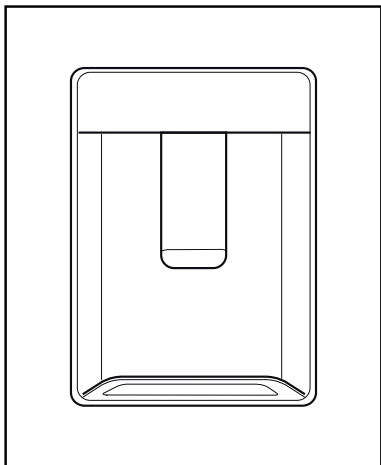
Uporaba izdelka

6.14. Ledomat in posoda za shranjevanje ledu

***izbirno**

Uporaba ledomata

Ledomat napolnite z vodo in ga postavite na ustrezno mesto. Led bo pripravljen približno v dveh urah. Ledomata ne odstranjajte iz svojega mesta, da bi vzeli led.



Gumbe na njem zavrtite v smeri urinega kazalca za 90 stopinj. Kocke ledu v zbiralnikih bodo padle v posodo za shranjevanje ledu spodaj. Posodo za shranjevanje ledu lahko izvlečete in postrežete kocke ledu. Če želite, lahko kocke ledu hranite v posodi za shranjevanje ledu.

Posoda za shranjevanje ledu

Posoda za shranjevanje ledu je namenjena le zadrževanju kock ledu. V posodo ne vlivajte vode, saj se lahko zlomi.

6.15. Točaj vode

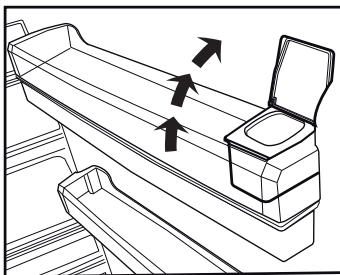
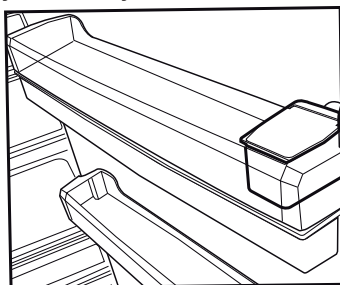
(pri nekaterih modelih)

Točaj vode je zelo uporabna naprava, ki omogoča natakanje hladne vode brez odpiranja vrat hladilnika. Ker vam ne bo treba pogosto odpirati vrat hladilnika, boste prihranili energijo.

6.16. Uporaba vodne pipe

S kozarcem potisnite ročico točaja vode. Ko pritisk na ročico popustite, bo točaj vode prenehal delovati. Med natakanjem vode lahko dosežete največji pretok s pritiskom na ročico do konca. Ne pozabite, da je pretok vode iz točaja odvisen od sile, s katero pritisnete na ročico.

Medtem ko gladina vode v kozarcu/posodi narašča, malce popustite pritisk, da se voda ne prelije. Pri zelo nežnem pritisku na ročico bo voda samo kapljala; to je normalno in ni motnja delovanja.



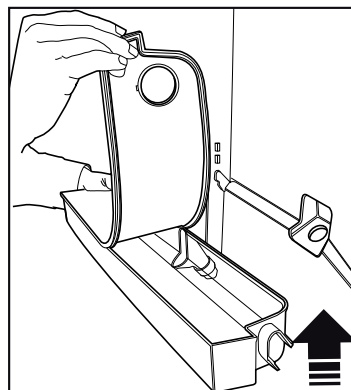
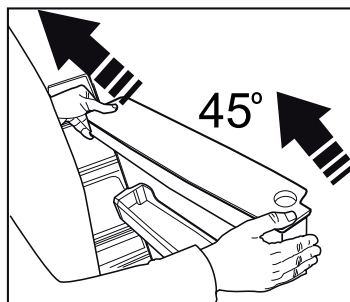
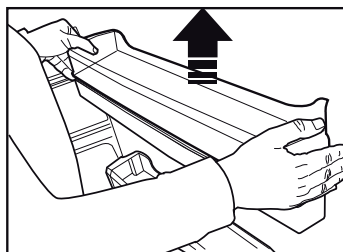
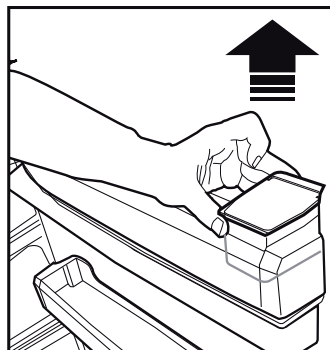
Uporaba izdelka

Polnjenje posode točaja vode

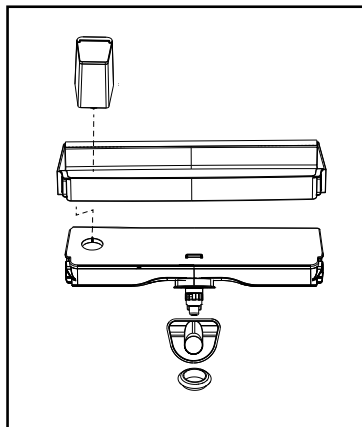
Polnilna posodica za vodo se nahaja v notranjosti regala vrat. Odprite pokrov posode in jo napolnite s čisto pitno vodo. Nato pokrov zaprite.

Pozor!

- Posodo za vodo polnite le z vodo in ne s katero koli drugo tekočino, kot so sadni sokovi, gazirane pijače ali alkoholne pijače, ki niso primerne za uporabo v točaju vode. Pri uporabi teh tekočin bo točaj vode nepopravljivo poškodovan. Garancija take uporabe ne krije. Nekateri kemični snovi in aditivi, vsebovani v teh vrstah pijač / tekočin lahko posodo za vodo poškodujejo.



Uporaba izdelka



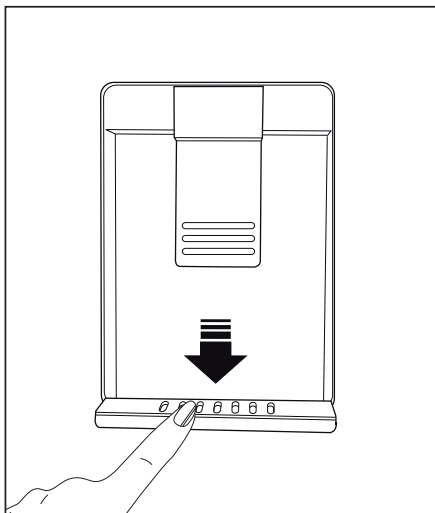
- Uporabljajte samo čisto in svežo pitno vodo.
- Prostornina posode za vodo znaša 3 litre; ne napolnite preveč.
- S kozarcem potisnite ročico točaja vode. Če uporabljate plastične kozarce za enkratno uporabo, potisnite ročico s prsti za kozarcem.

6.17. Čiščenje posode za vodo

- Odstranite posodo za polnjenje vode v notranjosti regala na vratih.
- Odstranite regal vrat, tako da ga primete na obeh straneh.
- Primite posodo za vodo na obeh straneh in jo odstranite pod kotom 45 °C.
- Posodo za vodo očistite z odstranitvijo pokrova.

Pomembno:

Sestavni deli posode za vodo in točaja vode se ne smejo prati v pomivalnem stroju.



6.18. Pladenj za vodo

Voda, ki kaplja pri uporabi točaja vode, se nabira v pladenj za vodo.

Plastični pladenj odstranite, kot je prikazano na sliki.

S čisto in suho krpo obrišite razlito vodo.

POZOR: Priključite samo na napeljavo s pitno vodo.

Uporaba izdelka

6.19. Zamrzovanje svežih živil

- Če želite ohraniti kakovost živil, morate živila, ki jih postavite v predel zamrzovalnika, čim hitreje zamrzniti; za to uporabite hitro zamrzovanje.
- Zamrzovanje sveže hrane podaljša čas shranjevanja v predelu zamrzovalnika.
- Zapakirajte živila v nepredušne pakete in jih tesno zaprite.
- Pazite, da so živila zapakirana, preden jih postavite v zamrzovalnik. Uporabite držala zamrzovalnika, folijo in papir, ki je odporen na vlago, plastične vrečke ali podobni pakirni material, namesto običajnega papirja.



Led v predelu zamrzovalnika se samodejno odtaja.

- Pred pakete s hrano zamrznete jih označite z datumom. Tako boste lahko določili svežino posameznega paketa vsakič, ko odprete zamrzovalnik. Hranite starejša živila spredaj, da jih tako uporabite najprej.
- Zamrznjena živila je treba porabiti takoj ko se odtalijo in se ne smejo ponovno zamrzniti.
- Ne zamrzujte velike količine živil naenkrat.

6.20. Priporočila za shranjevanje zamrznjenih živil

Predel mora biti nastavljen vsaj na -18°C .

1. Živila nemudoma postavite v zamrzovalnik, da se ne odtalijo.
2. Pred zamrzovanjem, preverite »datum izteka roka« na embalaži, da se ne prepričajte, da se ni izdelek.
3. Preverite, da embalaža živil ni poškodovana.

Nastavitev temperature zamrzovalnega dela	Nastavitev temperature hladilnega dela	Podrobnosti
-18°C	4°C	To je privzeta in priporočena nastavitev.
$-20, -22$ ali -24°C	4°C	Te nastavitve so priporočene za temperature okolja, ki presegajo 30°C .
Funkcija hitrega zamrzovanja	4°C	Uporabite, ko želite zamrzniti hrano v kratkem času. Ko se postopek konča, izdelek ponovno pridobi svoj položaj.
-18°C ali hladneje	2°C	Te nastavitve uporabite, če mislite, da predel hladilnika ni dovolj hladen zaradi temperature okolja ali pogostega odpiranja vrat.

Uporaba izdelka

6.21. Podrobnosti globokega zamrzovanja

Po standardih IEC 62552 mora imeti zamrzovalnik zmogljivost, da zamrzne 4,5 kg hrane pri -18°C ali nižji temperaturi v 24 urah na vsakih 100 litrov volumna predela zamrzovalnika.

Živila lahko dlje časa hranite samo pri ali pod temperaturo -18°C.

Hrano lahko tako ohranite svežo več mesecev (v globoke zamrzovalniku pri ali pod temperaturo -18°C).

Hrana, ki jo nameravate zamrzniti, se ne sme dotikati že zamrznjene hrane, da ne pride do delnega odtajanja.

Zavrite zelenjavo in prefiltrirajte vodo, da podaljšate čas shranjevanja zamrznjenih živil. Živila najprej filtrirajte, nato pa jih dajte v nepredušne pakete in postavite v zamrzovalnik. Banan, paradižnika, zelene solate, zelene, kuhanih jajc, krompirja in podobnih živil se ne sme zamrzovati. V primeru, da ta hrana zgine, bo to negativno vpliva na prehranske vrednosti in kakovost. Gnitje, ki ogroža človeško življenje, ni vprašljivo.

6.22. Postavitev živil

Police zamrzovalnega dela	Različne vrste živil, vključno z mesom, ribami, sladoledom, zelenjavo itd.
Police predel hladilnika	Živila v loncih, zaprtih krožnikih in zaprtih ovojih, jajca (v zaprtem ovoju)
Police na vratih hladilnega dela	Manjša in pakirana živila ali pijače
Posoda za zelenjavo	Sadje in zelenjava
Predel za sveža živila	Delikatese (hrana za zajtrk, mesni izdelki, ki jih boste porabili v kratkem času)

6.23. Opozorilo za odprta vrata (izbirno)

Če vrata naprave ostanejo odprta vsaj 1 minute, boste zaslišali zvočni alarm. Zvočni alarm ugasne, ko zaprete vrata ali pritisnete katerokoli tipko na prikazovalniku (če je na voljo).

Opozorilo za odprta vrata uporabnik sliši in vidi. Notranja razsvetljava ugasne, če se opozorilo nadaljuje 10 minut.

6.24. Spreminjanje smeri odpiranja vrat

Smer odpiranja vrat vašega hladilnika lahko spremenite glede na lokacijo, kjer ga uporabljate. Ko to rabite, se obrnite na najbližji pooblaščen servis. Razlaga zgoraj je samo splošna izjava. Preverite opozorilno oznako, ki se nahaja znotraj embalaže izdelka, glede spreminjanja smeri odpiranja vrat.

6.25. Notranja luč

Notranja luč uporablja luč tipa LED. Za težave s to lučjo se obrnite na pooblaščen servis.

Luč(i), ki je(so) uporabljena(-e) v tej napravi, ni mogoče uporabiti za hišno razsvetljavo. Namenska uporaba te luči je, da uporabnik varno in udobno postavi hrano v hladilnik/zamrzovalnik.

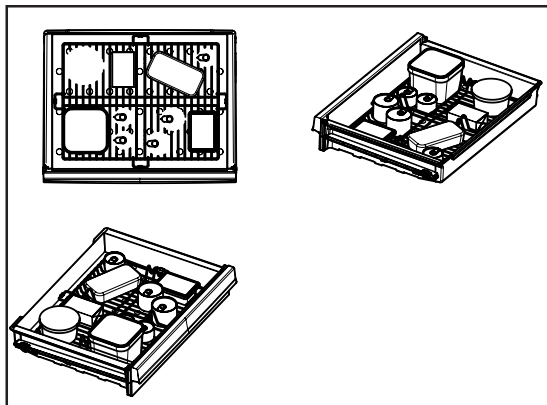
Uporaba izdelka

6.26. Priporočila za uporabo predela za ohranjanje higiene:

*Ta funkcija je izbirna

- Ko hrano postavite v ta predel, z namenom, da ohranite higieno hrane, meso, piščanca, ribe, mleko in mlečne izdelke vedno položite v originalni embalaži.
- Postavljanje izdelkov, ki niso hrana, v ta predel za ohranjanje higiene, ni priporočljivo.
- Če hrano postavite v predel za ohranjanje higiene, ne da bi jo odstranili iz vrečke z živili, bo higiena zagotovljena samo na površini vrečke, lučke ne dosežejo paketov živil v vrečki. Zato morate hrano dati iz vrečke.
- Primerno je uporabiti predel za ohranjanje higiene za isto hrano samo enkrat in ni primerno, da se postopek večkrat ponovi.
- Če po končanem postopku higiene, postopka ne ponovite še za druga živila, vam priporočamo, da v tem predalčku shranite samo delikateso in hrano za zajtrk. V tem predelu ni priporočljivo dolgo hraniti zelenjave in sadja, saj je higienski prostor hladnejši od ostalih delov hladilnika.
- Preden aktivirate funkcijo za ohranjanje higiene z upravljalne plošče zaslona, je priporočljivo, da hrano, ki ste jo prej shranili v tem predelu, začasno postavite na drug prostor v hladilniku. Ko je postopek za ohranjanje higiene aktiven, je priporočljivo, da so izdelki prvič higiensko obdelani samo v tem predalu. Ko je postopek za ohranjanje higiene končan, lahko hrano, ki ste jo odstranili, postavite nazaj v ta predal.

- Za učinkovito funkcijo ohranjanja higiene morajo biti izdelki nameščeni tako, da med njimi ostane razdalja in se zagotovi, da ne ovirajo lučke.
- Preden aktivirate funkcijo ohranjanja higiene, se prepričajte, da hrana ni postavljena ena na drugo.



⚠ Najprej preberite poglavje

»Varnostna navodila«!

Ob rednem čiščenju naprave se njena življenjska doba podaljša.



OPOZORILO: Pred začetkom čiščenja hladilnika, ga izključite iz napajanja.

- Za čiščenje ne uporabljajte ostrih abrazivnih predmetov, mila, gospodinjskih čistil, čistilnih sredstev in loščila.
- Raztopite eno žličko karbonata v pol litra vode. V to raztopino pomočite krpo in jo temeljito ožemite. S to krpo obrišite notranjost naprave in temeljito posušite.
- Obrišite pločevino pod kovinskim predalom in ploščo samo z vlažno krpo.
- Preprečite, da bi ohišje luči in ostali električni predmeti prišli v stik z vodo.
- Vrata očistite z vlažno krpo. Če želite odstraniti vrata in police, jih popolnoma spraznite. Police na vratih odstranite tako, da jih pomaknete navzgor. Po čiščenju ji namestite tako, da ji zdrsnete od zgoraj navzdol.
- Za čiščenje zunanjih površin in kromiranih delov izdelka ne uporabljajte čistilnih sredstev ali klorirane vode. Klor povzroči korozijo na kovinskih površinah.
- Ne uporabljajte ostrih, abrazivnih orodij, gospodinjskih čistil, čistilnih sredstev, kerozina, olja, loščila itd., da preprečite odstranjevanje in deformacijo odtisov na plastičnem delu. Za čiščenje uporabite mlačno vodo in mehko krpo ter do suhega obrišite.

7.1 Izogibanje neprijetnim vonjavam

V proizvodnji naših naprav ne uporabljamo materialov, ki povzročajo vonj. Vendar pa nepravilno shranjevanje živil in pomanjkljivo čiščenje notranjosti naprave lahko povzroči neprijetne vonjave.

Zato vsakih 15 dni čistite hladilnik s karbonatom, raztopljenim v vodi.

- Živila shranjujte v zaprtih posodah. Mikroorganizmi, ki prihajajo iz nepokritih posod, lahko povzročijo neprijetne vonjave.
- V hladilniku ne hranite pokvarjenih živil ali živil s pretečenim rokom.

7.2 Zaščita plastičnih površin

Nemudoma očistite s toplo vodo, saj lahko olje poškoduje plastično površino.

7.3 Steklo vrat

Odstranite zaščitno folijo s stekla.

Na površini stekla je premaz. Ta premaz zmanjša nabiranje madežev in pomaga pri lažjem odstranjevanju madežev in umazanije. Steklo, ki ni zaščiteno s takšnim premazom, je lahko predmet trajne vezave zraka ali organske ali anorganske umazanije, na osnovi vode, kot je vodni kamen, mineralne soli, nezgorelih ogljikovodikov, kovinskih oksidov in silikonov, ki lahko enostavno in hitro povzročijo madeže ali materialno škodo. Ohranjanje čistega stekla postane pretežno, kljub rednemu čiščenju. Posledično se poslabšata videz in prosojnost stekla. Grobe in korozivne metode in spojine čiščenja povečajo te napake in pospešijo proces poslabšanja. Za redno čiščenje uporabite izdelke, na osnovi vode, ki niso alkalni in jedki.

Za čiščenje uporabite nealkalne in nekorozivne materiali in tako podaljšate življenjsko dobo tega premaza.

Steklo vrat je kaljeno za večjo odpornost proti udarcem in zlomu.

Zadnja površina stekla pa je prevlečena z zaščitnim filmom kot dodatni varnosti ukrep, ki preprečuje, da bi steklo ob zlomu povzročilo škodo okolici.

* Alkalij je baza, ki tvori hidroksilne ione (OH⁻), ko jo raztopimo v vodi.

Li (Litij), Na (Natrij), K (Kalij) Rb (Rubidij), Cs (Cezij) in umetne in radioaktivne Fr (Fan-sium) kovine se imenujejo ALKALJSKE KOVINE.

Preverite ta seznam, preden se obrnete na servisno službo. S tem boste prihranili čas in denar. Ta seznam vključuje pogoste pritožbe, ki niso povezane z nestrokovno izdelavo ali materiali. Nekatere funkcije, ki so omenjene, morda ne veljajo za vašo napravo.

Hladilnik ne deluje.

- Napajalni kabel ni v celoti vključen v vtičnico. >>> Priključite ga v celoti, da se vsede v vtičnico.
- Pregorela je glavna varovalka ali pa varovalka priključena na vtičnico, ki napaja napravo. >>> Preverite varovalke.

Kondenzacija na stranski steni predela hladilnika (MULTI CONA, COOL, NADZOR in FLEXI CONA).

- Vrata se prepogosto odpirajo. >>> Pazite, da ne boste odpirali vrat naprave prepogosto.
- Okolje je preveč vlažno. >>> Ne nameščajte naprave v vlažnih okoljih.
- Živila, ki vsebujejo tekočine, so shranjena v nezaprthi posodah. >>> Naj bodo živila, ki vsebujejo tekočine, v zaprtih posodah.
- Vrata naprave so ostala odprta. >>> Vrata naprave ne imejte odprta predolgo časa.
- Termostat je nastavljen na prenizko temperaturo. >>> Nastavite termostat na primerno temperaturo.

Kompresor ne deluje.

- V primeru nenadnega izpada električne energije ali izvlačenega vtiča ter nato ponovnega vklopa, tlak plina v hladilnem sistemu naprave ni uravnotežen, kar sproži termično zaščito kompresorja. Naprava se bo ponovno zagnala po približno 6 minutah. Če se naprava ne zažene ponovno po tem času, se obrnite na servis.
- Odtajanje je vključeno. >>> To je normalno za popolnoma samodejno odtajanje naprave. Odtajanje se izvaja v rednih časovnih presledkih.
- Naprava ni prikjučena. >>> Prepričajte se, da je napajalni kabel priklučen.
- Nastavitev temperature je napačna. >>> Izberite nastavitev na primerno temperaturo.
- Napajanja ni. >>> Naprava bo še naprej normalno delovala, ko se bo vrnilo napajanje.

Obratovalni hrup hladilnika se povečuje, medtem ko je v uporabi.

- Delovna intenzivnost naprave se lahko razlikuje, odvisno od nihanja temperature okolice. To je normalno in ne gre za okvaro.

Hladilnik teče prepogosto ali predolgo.

- Nova naprava je lahko večja od prejšnje. Večje naprave bodo delovale več časa.
- Sobna temperatura je lahko visoka. >>> Naprava običajno deluje več časa pri visoki sobni temperaturi.
- Naprava je lahko bila pred kratkim prikjučena na električno omrežje ali pa se novo živo nahaja v notranjosti. >>> Naprava bo zahtevala več časa, da doseže nastavljeno temperaturo, če je bila pred kratkim prikjučena na električno omrežje ali pa se nahaja v notranjosti novo živo. To je normalno.
- Velike količine tople hrane so bili morda pred kratkim dane v napravo. >>> Ne postavljajte tople hrane v napravo.
- Vrata so se pogosto odprla ali bila odprta daljše obdobje. >>> Topel zrak, ki se giblje znotraj povzroči, da naprava več časa deluje. Ne odpirajte vrat prepogosto.
- Vrata zamrzovalne skrinje ali hladilnika so lahko samo priprta. >>> Preverite, če so vrata popolnoma zaprta.
- Naprava je nastavljena na prenizko temperaturo. >>> Nastavite temperaturo na višjo stopnjo in počakajte, da naprava doseže nastavljeno temperaturo.
- Podložka vrat hladilnika ali zamrzovalnika je morda umazana, obrabljena, počena ali ni pravilno vstavljena. >>> Očistite jih ali zamenjajte podložko. Poškodovana oz. raztrgana podložka vrat bo povzročila, da naprava deluje več časa, da ohrani trenutno temperaturo.

Temperatura zamrzovalnika je zelo nizka, vendar je temperatura hladilnika primerna.

- Termostat zamrzovalnika je nastavljen na zelo nizko temperaturo. >>> Nastavite temperaturo predela zamrzovalnika na višjo stopnjo in še enkrat preverite.

Temperatura hladilnika je zelo nizka, vendar je temperatura zamrzovalnika primerna.

Oodpravljanje težav

- Termostat hladilnika je nastavljen na zelo nizko temperaturo. >>> Nastavite temperaturo predela hladilnika na višjo stopnjo in še enkrat preverite.

Živilski izdelki hranjeni v predalih hladilnika so zamrznjeni.

- Termostat hladilnika je nastavljen na zelo nizko temperaturo. >>> Nastavite temperaturo predela zamrzovalnika na višjo stopnjo in še enkrat preverite.

Temperatura hladilnika ali zamrzovalnika je previsoka.

- Termostat hladilnika je nastavljen na zelo visoko stopnjo. >>> Nastavitev temperature v predelu hladilnika vpliva na temperaturo predela zamrzovalnika. Spremenite temperaturo hladilnika ali zamrzovalnika in počakajte, da ustrezni predeli dosežejo nastavljeno temperaturo raven.

- Vrata so se pogosto odpirala ali bila odprta daljše obdobje. >>> Ne odpirajte vrat prepogosto.
- Vrata so lahko samo priprta. >>> Popolnoma zaprite vrata.
- Naprava je lahko bila pred kratkim priključena na električno omrežje ali pa se novo živilo nahaja v notranjosti. >>> To je normalno. Naprava bo zahtevala več časa, da doseže nastavljeno temperaturo, če je bila pred kratkim priključena na električno omrežje ali pa se nahaja v notranjosti novo živilo.
- Velike količine tople hrane so bili morda pred kratkim dane v napravo. >>> Ne postavljajte tople hrane v napravo.

Tresenje ali hrup.

- Tla niso ravna ali gladka. >>> Če se naprava trese, ko jo počasi premikate, prilagodite nogice za uravnoteženje naprave. Prav tako poskrbite, da so tla dovolj trdna, da nosijo napravo.
- Vsi predmeti, ki so dani na napravo lahko povzročijo hrup. >>> Odstranite vse predmete, ki so postavljeni na napravo.

Naprava proizvaja hrup pretoka tekočine, pršenja ipd.

- Principi delovanja naprave vključujejo tokove tekočin in plinov. >>> To je normalno in ne gre za okvaro.

Sliši se zvok podoben vetriču, ki prihaja iz naprave.

- Naprava uporablja ventilator za postopek hlajenja. To je normalno in ne gre za okvaro.

Nabira se kondenzacija na notranjih stenah naprave.

- Vroče ali vlažno vreme bo povečalo nabiranje ledu in kondenzacije. To je normalno in ne gre za okvaro.
- Vrata so se pogosto odprla ali bila odprta daljše obdobje. >>> Ne odpirajte vrat prepogosto; če so odprta, zaprite vrata.
- Vrata so lahko samo priprta. >>> Popolnoma zaprite vrata.

Nabira se kondenzacija na zunanjih stenah naprave ali med vrati.

- Prostor je lahko vlažen, kar je povsem normalno v vlažnem vremenu. >>> Kondenzacija se bo umaknila, ko se vlažnost zmanjša.

Notranjost ima neprijetne vonjave.

- Naprava se ne čisti redno. >>> Redno čistite notranjost z uporabo gobice, tople vode in vode s sodo.
- Nekatere posodice in embalažni materiali lahko povzročijo neprijeten vonj. >>> Uporabite posodice in embalažne materiale brez neprijetnega vonja.
- Živila so se hranila v nezaprtih posodah. >>> Hranite živila v zaprtih posodah. Mikroorganizmi se lahko širijo iz nezaprtih hrane in povzročijo vonjave.
- Odstranite vsa pretekla ali pokvarjena živila iz naprave.

Vrata se ne zapirajo.

- Embalaža živil lahko ovira vrata. >>> Premaknite vse predmete, ki ovirajo vrata.
- Naprava ne stoji v popolnem pokončnem položaju glede na tla. >>> Prilagodite nogice za uravnoteženje naprave.
- Tla niso ravna ali gladka. >>> Poskrbite, da so tla v ravnini in dovolj trdna, da nosijo napravo.

Posoda za zelenjavo se je zataknila.

- Živilski izdelki so lahko v stiku z zgornjim delom predala. >>> Premestite kose hrane v predalu.

Oodpravljanje težav



OPOZORILO: Če težave ne odpravite po sledenju navodilom v tem poglavju, se obrnite na prodajalca ali pooblaščen servis. Ne poskušajte sami popraviti naprave.

ZAVRNITEV ODGOVORNOSTI / OPOZO- RILO

Nekatere (enostavne) napake lahko končni uporabnik ustrezno popravi, ne da bi prišlo do kakršnih koli varnostnih težav ali nevarne uporabe, pod pogojem, da so izvedene v mejah in v skladu z naslednjimi navodili (glejte poglavje "Samopopravila").

Če ni drugače dovoljeno v spodnjem poglavju "Samopopravila", bodo vsa popravila naslovljena na registriranega pooblaščenega serviserja, da se izognemo varnostnim težavam. Registrirani pooblaščen serviser je poklicni serviser, ki mu je proizvajalec odobril dostop do navodil in seznama nadomestnih delov tega izdelka v skladu z metodami, opisanimi v zakonodajnih aktih v skladu z Direktivo 2009/125/ES.

Vendar lahko samo servisni agent (tj. pooblaščen poklicni serviserji), do katerega lahko pridete prek telefonske številke, navedene v uporabniškem priročniku/garancijskem listu ali prek pooblaščenega prodajalca, opravlja storitve v skladu z garancijskimi pogoji. Zato vas prosimo, da upoštevate, da za popravila, ki jih izvajajo poklicni serviserji (ki niso pooblaščen s strani Beko) ne bo veljala garancija.

Samopopravila

Končni uporabnik lahko sam izvede popravilo v zvezi z naslednjimi rezervnimi deli: vratni ročaji, vratni tečaji, pladnji, košare in vratna tesnila (posodobljen seznam je na voljo tudi na spletnem mestu support.beko.com od 1. marca 2021).

Poleg tega je treba za zagotovitev varnosti izdelka in za preprečitev nevarnosti resnih poškodb omenjeno samopopravilo opraviti po navodilih v uporabniškem priročniku za samopopravilo ali v navodilih, ki so na

voljo na support.beko.com Zaradi lastne varnosti izdelek izključite iz električnega omrežja, preden se lotite kakršnega koli samopopravljanja.

Popravila in poskusi popraviljanja končnih uporabnikov za dele, ki niso vključeni na tak seznam in/ali ne upoštevajo navodil v uporabniških priročnikih za samopopravilo ali so na voljo na support.beko.com, lahko sprožijo vprašanja varnosti, ki jih ni mogoče pripisati Beko, in garancija za ta izdelek ne velja.

Zato je zelo priporočljivo, da se končni uporabniki vzdržijo poskusov popravil, ki ne spadajo v omenjeni seznam rezervnih delov, in se v takšnih primerih obrnejo na pooblaščen poklicni serviserje ali registrirani poklicni serviser. Nasprotno, takšni poskusi končnih uporabnikov lahko povzročijo varnostne težave in poškodujejo izdelek ter posledično povzročijo požar, poplavo, električni udar in resne telesne poškodbe.

Primeri popravil, za katere se je treba obrniti na pooblaščen ali registrirane poklicne serviserje, so med drugim naslednji: kompresor, hladilni krogotok, matična plošča, inverterska plošča, plošča zasloni itd.

Proizvajalec/prodajalec ni odgovoren v primeru, ko končni uporabniki ne upoštevajo zgoraj navedenega.

Razpoložljivost rezervnih delov hladilnik, ki ste ga kupili, je 10 let.

V tem obdobju bodo na voljo originalni nadomestni deli za pravilno delovanje hladilnik.

Hladilnik, ki ste ga kupili, ima najmanj 24-mesečno garancijo.

Ta izdelek je opremljen z svetlobnim virom energijskega razreda "G".

Svetlobni vir v tem izdelku lahko zamenjajo samo poklicni serviserji.


Уважаемый покупатель,
Изучите данное руководство перед началом эксплуатации изделия.

Благодарим за приобретение этой продукции. Мы хотим, чтобы вы добились оптимальной эффективности от этого высококачественного продукта, который был произведен с использованием новейших технологий. Для этого внимательно прочтите это руководство и любую другую документацию, предоставленную перед использованием продукта, и сохраните ее в качестве справки.


Обратите внимание на всю информацию и предупреждения в руководстве пользователя. Таким образом вы защитите себя и свой продукт от возможных опасностей.


Сохраните руководство пользователя. Приложите это руководство к устройству, если вы передадите его кому-то другому.

В руководстве пользователя используются следующие символы:






 Опасность, которая может привести к смерти или травме.

ПРИМЕЧАНИЕ Опасность, которая может вызвать материальный ущерб продукту или его окружению

 Важная информация или полезные советы по эксплуатации.

 Прочитайте руководство пользователя.


 Риск УФ-С излучения


 ИНФОРМАЦИЯ	
 ENERGY SUPPLIER'S NAME:  MODEL IDENTIFIER:   (*)	Для доступа к информации о модели в базе данных воспользуйтесь следующим веб-сайтом и произведите поиск по идентификатору модели (*), указанному на маркировке энергоэффективности. https://eprel.ec.europa.eu/


1 Инструкции по технике безопасности	4	6 Работа продукта	17
⚠ 1.1 Целевое использование	4	6.1. Синяя подсветка/Технология HarvestFresh	20
⚠ 1.2 - Безопасность для детей, уязвимых лиц и домашних животных	4	6.2. Отсек для гигиены	21
⚠ 1.3 - Электрическая безопасность	5	6.3. Емкость для льда	22
⚠ 1.4 - Безопасность при транспортировке	5	6.4. Держатель для яиц	22
⚠ 1.5 - Безопасность при установке	5	6.5. Вентилятор	22
⚠ 1.6- Безопасность при эксплуатации	6	6.6. Емкость для овощей	23
⚠ 1.7- Безопасность при проведении технического обслуживания и очистки	8	6.7. Нулевая камера	23
⚠ 1.8- HomeWhiz	9	6.8. Выдвижной контейнер для хранения	23
⚠ 1.9- Освещение	9	6.9. Подвижная дверная полка	24
⚠ 1.10 - Безопасность УФ-С излучения	9	6.10. HerbBox/HerbFresh	24
⚠ 1.11. Техническая информация по Wi-Fi + Bluetooth	10	6.11. Сосуд для овощей с регулируемой влажностью	25
2 Указания охране окружающей среды	11	6.12. Автоматический льдогенератор	25
3 Приобретенный холодильник	12	6.13. Льдогенератор «Icematic» и контейнер для хранения льда	26
4 Установка	13	6.14. Дозатор для воды	26
4.1. Выбор правильного места для установки	13	6.15. Очистка бака для воды	28
4.2. Установка пластиковых клиньев	13	6.16. Поддон для воды	29
4.3 Регулировка стоек	14	6.17. Замораживание свежих продуктов	30
4.4 Подключение к электросети	14	6.18. Рекомендации для хранения замороженных продуктов	30
5 Подготовка	15	6.19. Детальное описание процесса глубокого замораживания	31
5.1. Как экономить электроэнергию	15	6.20. Размещение продуктов	31
5 Подготовка	16	6.21. Сигнал открытой двери	31
5.2. Первое включение	16	6.22. Изменение направления открытия дверцы	31
		6.23. Внутреннее освещение	31
		6.24. Рекомендации по эксплуатации гигиенического отсека:	32
		7 Уход и чистка	33
		7.1 Как избежать неприятных запахов	33
		7.2 Защита пластиковых поверхностей	33
		7.3 Стеклоочистители дверок	33
		7 Уход и чистка	34
		8 Поиск и устранение неисправностей	35


1 Инструкции по технике безопасности

- В данном разделе содержатся инструкции по технике безопасности, которые помогут защититься от риска получения травмы или повреждения имущества.
- Наша компания не несет ответственности за ущерб, который может возникнуть при несоблюдении данных инструкций.

 Установку и ремонт может выполнять только производитель, авторизованный сервисный центр или квалифицированное лицо, указанное импортером.

 Используйте только оригинальные запчасти и принадлежности.

 Не выполняйте ремонт или замену какой-либо части изделия, если это не указано прямо в руководстве пользователя.

 Не вносите никаких технических изменений в изделие.

1.1 Целевое использование

- Данное изделие не подходит для коммерческого применения и не должно использоваться не по назначению.

Данный продукт предназначен для использования в домах и помещениях.

Например:

- Кухни для персонала в магазинах, офисах и других рабочих местах,
 - Жилые дома на ферме,
 - Зоны, используемые клиентами в гостиницах, отелях и других местах проживания,
 - Гостиницы типа «постель и завтрак», пансионаты,
 - Применение в местах общественного питания и аналогичных не розничных точках.
- Данное изделие нельзя использовать на открытом воздухе с палаткой над ним или без нее, например, на лодках, балконах или террасах. Не подвергайте изделие воздействию дождя, снега, солнца или ветра. Существует риск возникновения пожара!

1.2 - Безопасность для детей, уязвимых лиц и домашних животных

- Дети старше 8 лет и лица с ограниченными физическими, сенсорными или умственными способностями или недостатком опыта и знаний, могут пользоваться этим изделием только под присмотром или после получения указаний по безопасному использованию изделия и связанным с ним рискам.
- Детям в возрасте от 3 до 8 лет разрешается складывать и вынимать продукты из холодильника.
- Электрические изделия представляют опасность для детей и домашних животных. Детям и домашним животным запрещено играть, взбираться или заходить внутрь изделия.
- Детям запрещается выполнять очистку и обслуживание, если они не находятся под чьим-либо присмотром.
- Храните упаковочные материалы в недоступном для детей месте. Существует опасность травмы и удушья!
- Перед утилизацией старого или устаревшего изделия:
 1. Отключите изделие от сети с помощью вилки.
 2. Отрежьте кабель питания и выньте его из прибора вместе с вилкой
 3. Не вынимайте полки или ящики, чтобы дети не смогли зайти внутрь изделия.
 4. Снимите дверцы.
 5. Держите изделие таким образом, чтобы оно не опрокинулось.
 6. Не позволяйте детям играть со старым изделием.
- Никогда не бросайте изделие в огонь для утилизации. Существует опасность взрыва!
- При наличии замка на дверце изделия ключ следует хранить в недоступном для детей месте.

Указания по безопасности

1.3 - Электрическая безопасность

- Во время установки, обслуживания, очистки, ремонта и перемещения изделие должно быть отключено от сети.
- Во избежание потенциальных опасностей замену поврежденного кабеля питания должен производить квалифицированный специалист, указанный производителем, авторизованный сервисный центр или импортер.
- Не сдавливайте кабель питания под изделием или за ним. Не кладите тяжелые предметы на кабель питания. Кабель питания не должен быть слишком сильно изогнут, защемлен или соприкасаться с любым источником тепла.
- Не используйте удлинители, многорозеточные переходники или адаптеры для включения изделия.
- Портативные многорозеточные переходники или переносные источники питания могут перегреться и стать причиной пожара. Поэтому не держите многорозеточные переходники за изделием или рядом с ним.
- Штекер должен быть легко доступен. Если это невозможно, на электрическом оборудовании, к которому подключено изделие, должно быть установлено устройство (например, предохранитель, выключатель, прерыватель цепи и т. п.), которое соответствует электрическим нормам и отсоединяет все полюса от сети.
- Не дотрагивайтесь до штепсельной вилки мокрыми руками.
- Вынимайте вилку из розетки, взявшись за вилку, а не за кабель.

1.4 - Безопасность при транспортировке

- Изделие тяжелое; не двигайте его в одиночку.
- Не держитесь за дверцу при перемещении изделия.
- Будьте внимательны, чтобы во время транспортировки не повредить систему охлаждения или трубопровод. Если трубопровод поврежден, не включайте изделие и обратитесь в авторизованный сервисный центр.

1.5 - Безопасность при установке

- Обратитесь в авторизованный сервисный центр по поводу установки изделия. Для подготовки изделия к использованию проверьте информацию в руководстве пользователя и убедитесь в соответствии электрических и водопроводных систем. Если они не соответствуют, вызовите квалифицированного электрика или сантехника для принятия необходимых мер. В противном случае существует опасность поражения электрическим током, пожара, проблем с изделием или травмы!
- Перед установкой проверьте изделие на наличие каких-либо дефектов. Если изделие имеет признаки повреждения, не выполняйте его установку.
- Установите изделие на чистую, ровную и прочную поверхность и выровняйте его положение при помощи регулируемых ножек. В противном случае изделие может опрокинуться и стать причиной травм.
- Место установки должно быть сухим и хорошо проветриваемым. Не кладите под изделие ковры, коврики или подобные покрытия. Недостаточная вентиляция приводит к риску возникновения пожара!

Указания по безопасности

- Не закрывайте и не блокируйте вентиляционные отверстия. В противном случае возрастает потребление энергии, ваше изделие может быть повреждено.
- Нельзя подключать изделие к таким системам электроснабжения, как солнечные источники питания. В противном случае изделие может быть повреждено в результате внезапного изменения напряжения!
- Чем больше хладагента в холодильнике, тем больше должно быть место установки. При недостаточном месте установки горючая смесь хладагента и воздуха скапливается в результате утечки хладагента в систему охлаждения. Требуемое пространство на каждые 8 г хладагента составляет минимум 1 м³. Объем хладагента изделия указан на паспортной табличке.
- Запрещается устанавливать изделие в местах, подверженных воздействию прямых солнечных лучей, а также вблизи таких источников тепла, как варочные панели, радиаторы и т. п.

Если нельзя избежать установки изделия рядом с источником тепла, необходимо использовать подходящую изоляционную пластину и соблюдать следующие минимальные расстояния до источника тепла:

- Минимум 30 см от таких источников тепла, как варочные панели, духовки, нагревательные приборы или печи,

- Минимум 5 см от электрических печей.

- Класс защиты вашего изделия - Тип I. Подключите изделие к заземленной розетке, которая соответствует значениям напряжения, тока и частоты, указанным на паспортной табличке изделия. Розетка должна быть оборудована автоматическим выключателем 10 А – 16 А. Наша

компания не несет ответственности за любые убытки, возникающие в результате использования изделия без заземления и электрического подключения в соответствии с местными и национальными положениями.

- Изделие не должно быть подключено во время установки. В противном случае существует опасность поражения электрическим током и получения травмы!
- Не подключайте изделие к незакрепленной, смещенной, неисправной, грязной или замазанной розетке. Исключите риск контакта с водой.
- Проложите кабель питания и шланги (если есть) изделия таким образом, чтобы не создавать риск спотыкания.
- Воздействие влаги на детали под напряжением или кабель питания может привести к короткому замыканию. Поэтому не устанавливайте изделие в местах с высокой влажностью, где возможно разбрызгивание воды, например, гаражи или прачечные. При намокании холодильника отключите его от сети и позвоните в авторизованный сервисный центр.
- Не подключайте холодильник к энергосберегающим устройствам. Такие системы не безопасны для вашего изделия.



1.6- Безопасность при эксплуатации

- Не используйте для изделия химические растворители. Существует опасность взрыва!
- Если изделие неисправно, отключите его от сети и не эксплуатируйте до завершения ремонта авторизованным сервисным центром. Существует

Указания по безопасности

- опасность поражения электрическим током!
- Не оставляйте источники возгорания (зажженные свечи, сигареты и т. п.) на изделии или рядом с ним.
- Не взбирайтесь на изделие. Существует опасность падения и получения травмы!
- Не повредите трубки системы охлаждения острыми предметами. Хладагент, выходящий при проколе трубок хладагента, удлинителей трубок или поверхностного покрытия, вызывает раздражение кожи и травмы глаз.
- Кроме случаев, рекомендованных производителем, не устанавливайте и не используйте электрические приборы внутри холодильника/морозильной камеры.
- Соблюдайте осторожность, чтобы не защемить руки или любую другую часть тела в движущихся деталях внутри холодильника. Будьте внимательны, чтобы не зажать пальцы между дверцей и холодильником. Будьте осторожны при открытии и закрытии дверцы, особенно если рядом находятся дети.
- Не ешьте мороженое, кубики льда или замороженные продукты сразу же после их извлечения из холодильника. Существует риск обморожения!
- Не дотрагивайтесь мокрыми руками до внутренних стенок или металлических частей морозильной камеры и хранящихся в них продуктов. Существует риск обморожения!
- Не кладите в морозильную камеру банки или бутылки с газированными напитками или замораживаемыми жидкостями. Банки и бутылки могут лопнуть. Существует риск получения травмы и материального ущерба!
- Не размещайте и не используйте рядом с холодильником легковоспламеняющиеся аэрозоли, горючие материалы, сухой лед, химические вещества или подобные термочувствительные материалы. Существует опасность пожара и взрыва!
- Не храните внутри взрывоопасные материалы, содержащие легковоспламеняющиеся вещества, например, аэрозольные баллончики.
- Не ставьте наполненные жидкостью емкости на изделие. При попадании водяных брызг на электрические детали возможно поражение электрическим током или возникновение пожара.
- Данное устройство не предназначено для хранения лекарств, плазмы крови, лабораторных препаратов или подобных медицинских веществ и продуктов, подпадающих под действие Директивы о медицинских изделиях.
- Использование изделия не по назначению может привести к повреждению или порче находящихся в нем продуктов.
- Если холодильник оснащен лампой синего света, не смотрите на нее с помощью оптических приспособлений. Не смотрите прямо на УФ светодиодную лампу в течение длительного времени. Ультрафиолетовый свет может вызвать перенапряжение глаз.
- Не перегружайте изделие. При открытии дверцы предметы в холодильнике могут упасть, что может привести к травме или повреждению. Аналогичные проблемы могут возникнуть, если на изделие поместить какой-либо предмет.

Указания по безопасности

- Во избежание травм, убедитесь, что вы удалили весь лед и воду, которые могли упасть или брызнуть на пол.
- Меняйте положение полок / подставок для бутылок на дверце холодильника только когда они пустые. Риск получения травмы!
- Не кладите на изделие предметы, которые могут упасть/опрокинуться. Такие предметы могут упасть при открытии дверцы и стать причиной травм и/или материального ущерба.
- Не ударяйте и не прилагайте чрезмерных усилий к стеклянным поверхностям. Разбитое стекло может стать причиной травм и/или материального ущерба.
- В системе охлаждения вашего изделия содержится хладагент R600a: Тип используемого в изделии хладагента указан на паспортной табличке. Данный хладагент огнеопасен. Поэтому будьте внимательны, чтобы в процессе использования изделия не повредить систему охлаждения или трубопровод. В случае повреждения трубопровода:
 - Не дотрагивайтесь до изделия или кабеля питания,
 - Держите подальше потенциальные источники пламени, которые могут вызвать возгорание изделия.
 - Проветривайте помещение, где находится изделие. Не используйте вентиляторы.
 - Позвоните в авторизованный сервисный центр.
- Если изделие повреждено и вы видите течь хладагента, держитесь подальше от хладагента. При попадании на кожу хладагент может вызвать обморожение.

Изделия с диспенсером для воды / льдогенератором

- Используйте только питьевую воду. Не заливайте в резервуар для воды другие жидкости, например, фруктовые соки, молоко, газированные или алкогольные напитки, которые не подходят для использования в диспенсере для воды.
- Риск для здоровья и безопасности!
- Во избежание несчастных случаев или травм не позволяйте детям играть с диспенсером для воды или льдогенератором (Icematic).
- Не вставляйте пальцы или другие предметы в отверстие диспенсера для воды, в канал для воды или в контейнер льдогенератора. Риск получения травмы или материального ущерба!



1.7- Безопасность при проведении технического обслуживания и очистки

- Не тяните за дверную ручку, если необходимо переместить изделие для очистки. Ручка может сломаться, если приложить к ней чрезмерную силу, и стать причиной травм.
- В целях очистки не распыляйте и не лейте воду на изделие или внутри него. Существует опасность пожара и поражения электрическим током!
- Не используйте острые или абразивные инструменты при очистке изделия. Не используйте бытовые чистящие вещества, моющие средства, газ, бензин, разбавитель, спирт, лак и т. п.

Указания по безопасности

- Используйте только те средства для очистки и ухода, которые не вредны для пищевых продуктов.
- Не используйте пар или паровые очистители для очищения или размораживания изделия. Соприкасаясь с токоведущими частями холодильника, пар может вызвать короткое замыкание или поражение электрическим током!
- Убедитесь, что вода не попадает на электронные цепи или осветительные элементы изделия.
- Используйте чистую и сухую ткань для удаления посторонних предметов или пыли со штырей штепсельной вилки. Не используйте мокрую или влажную ткань для очистки вилки. Существует опасность пожара и поражения электрическим током!

1.8- HomeWhiz

- При управлении изделием через приложение HomeWhiz необходимо соблюдать меры предосторожности, даже если вы находитесь вдали от изделия. Необходимо также следовать предупреждениям в приложении.

1.9- Освещение

- Обратитесь в авторизованный сервисный центр, в случае необходимости замены светодиода/ лампы освещения.



1.10 - Безопасность УФ-С излучения

- Не снимайте защитное стекло УФ- лампы.
- Не эксплуатируйте изделие без защитного стекла для УФ-лампы.
- В этом продукте есть лампа, излучающая УФ-лучи. Не смотрите прямо на источник света.

- При чистке отсека с УФ-лампой вытащите вилку из розетки.
- Ни при каких обстоятельствах не используйте продукт с повреждением защитного стекла.
- Отключите функцию УФ-С с панели управления дисплеем при замене УФ-С лампы с помощью авторизованного сервисного центра.
- Никогда не удаляйте этикетку «Опасность ультрафиолетового излучения» с гигиенического отсека, в котором находятся УФ-лампы.
- Использование продукта не по назначению или повреждение защитного стекла УФ-лампы или окружающей его среды может привести к опасному УФ-излучению. УФ-С излучение может вызвать повреждение глаз и кожи даже в малых дозах! Не используйте поврежденный продукт!
- Если символ УФ-С начинает мигать при активации функции гигиены, это означает, что период полураспада ламп был достигнут и их эффективность снизилась. Мы рекомендуем вам заменить УФ-лампы, если вы заметили это предупреждение. Лампы УФ-С заменяются вместе с поддоном, в котором они содержатся. Приобретение и установка поддона УФ-С должны выполняться через авторизованные службы.



Указания по безопасности

	ПРЕДУПРЕЖДЕНИЕ: УФ-излучение опасно для глаз и кожи. Не используйте лампы УФ-С вне продукта!
	ПРЕДУПРЕЖДЕНИЕ: Пользователь не должен заменять УФ-лампы. Обратитесь за поддержкой в авторизованный сервисный центр по истечении срока службы УФ-ламп!

1.11. Техническая информация по Wi-Fi + Bluetooth

Частотный диапазон:	2,4 ГГц (функционирует по Wi-Fi или Bluetooth)
Макс. мощность передачи:	< 100 мВт (функционирует по Wi-Fi или Bluetooth)
Информация о ПО:	Quartz_WiFi.XXX

Заявление о соответствии для CE:

Компания Arçelik A.Ş. настоящим заявляет, что данный прибор соответствует Директиве 2014/53/EU.

Полный текст декларации о соответствии EU доступен на следующей странице:

Продукция, откуда: support.beko.com

Определенный период поддержки обновлений программного обеспечения, связанного с кибербезопасностью, является гарантийным сроком продукта.

По истечении этого периода обновления программного обеспечения, связанные с кибербезопасностью, не гарантируются.

2 Указания охране окружающей среды

2.1 Соответствие Директиве ЕС об утилизации электрического и электронного оборудования (WEEE) и утилизация вышедшего из употребления оборудования:

Данное изделие соответствует Директиве ЕС об утилизации электрического и электронного оборудования (2012/19/EU). Данное изделие имеет маркировку, указывающую на утилизацию его как электрического и электронного оборудования (WEEE).



Это изделие произведено из высококачественных деталей и материалов, которые подлежат повторному использованию и переработке.

Поэтому не выбрасывайте изделие с обычными бытовыми отходами после завершения его эксплуатации. Его следует сдать в соответствующий центр по утилизации электрического и электронного оборудования. О местонахождении таких центров вы можете узнать в местных органах власти.

2.2 Соответствие Директиве ЕС об ограничении содержания вредных веществ (RoHS):

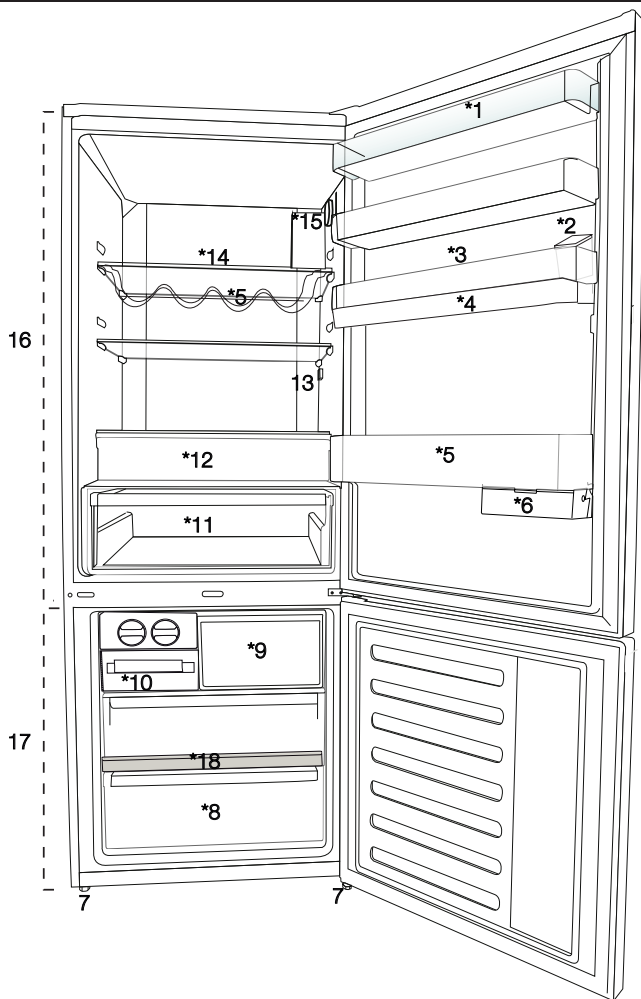
Приобретенное вами изделие соответствует Директиве ЕС о правилах ограничения содержания вредных веществ (2011/65/EU). Оно не содержит вредных и запрещенных материалов, указанных в Директиве.

2.3 Информация об упаковке



Упаковка прибора изготовлена из вторичного сырья, в соответствии с нашими государственными законами об охране окружающей среды. Не выбрасывайте упаковочные материалы вместе с бытовыми или другими отходами. Отнесите их в пункты приема упаковочных материалов, утвержденные местными органами власти.

3 Приобретенный холодильник




1. Полка в дверце холодильной камеры
2. Резервуар для впрыска воды
3. Держатель яиц
4. Водосборник
5. Полка для бутылок
6. Выдвижной контейнер для хранения
7. Регулируемые ножки
8. Камера глубокого замораживания
9. Камера быстрого замораживания
10. Льдогенератор Icematic
11. Ящик для фруктов и овощей
12. Отсек гигиены (УФ-С лампы)
13. Внутреннее освещение
14. Стеклопанельная полка в дверце холодильной камеры
15. Кнопка настройки температуры
16. Холодильное отделение
17. Морозильная камера



***В ЗАВИСИМОСТИ ОТ МОДЕЛИ:** Изображения, приведенные в настоящем руководстве, предоставлены в качестве примеров изображений и могут полностью не соответствовать приобретенному изделию. Если в вашем устройстве отсутствуют указанные компоненты, информация относится к другим моделям.

4 Установка

 Сначала прочтите раздел «Инструкции по технике безопасности»!

4.1. Выбор правильного места для установки

Для установки устройства обратитесь в авторизованную сервисную службу.

Для подготовки устройства к установке ознакомьтесь с руководством по эксплуатации и убедитесь, что к месту установки подведены необходимые коммуникации – электричество и вода. При отсутствии таковых обратитесь к электрику и водопроводчику для подведения необходимых коммуникаций.



ВНИМАНИЕ: Производитель не несет ответственности за любые повреждения, возникшие в результате выполнения работ лицами, которые не имеют на это разрешения.



ВНИМАНИЕ: При установке кабель питания устройства должен быть отключен от электросети. Невыполнение этого указания может привести к смерти или серьезному травматизму.



ВНИМАНИЕ: Если пролет двери слишком узкий для прохождения устройства, следует снять дверь и вносить холодильник боком; при невозможности выполнить это действие обратитесь в авторизованную сервисную службу.

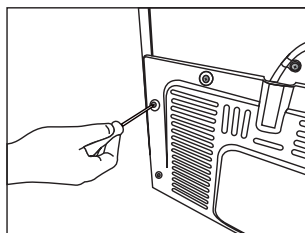
- Во избежание вибрации устройство следует устанавливать на плоской поверхности.
- Холодильник должен стоять не ближе 30 см от нагревательного прибора, газовой печи и подобных источников тепла, а также не ближе 5 см от электродуховок.
- Устройство не должно подвергаться воздействию прямых солнечных лучей или находиться во влажной среде.
- Для правильной работы устройства необходимо обеспечить достаточную циркуляцию воздуха.
- Если устройство предстоит установить в нише, расстояние от холодильника до стен и потолка должно быть не менее 5 см.

- Не устанавливайте устройство в среде с температурой ниже -5°C .
- Для эффективной работы вашего изделия необходима достаточная циркуляция воздуха. При установке изделия в нише необходимо обеспечить зазор не менее 5 см между изделием, потолком, задней и боковыми стенами.
- При установке изделия в нише необходимо обеспечить зазор не менее 5 см между изделием, потолком, задней и боковыми стенами. Убедитесь, что защитный элемент зазора у задней стены установлен в предназначенное для него место (если он входит в комплектацию изделия). Если элемент отсутствует, утерян или отломан, изделие необходимо устанавливать таким образом, чтобы между его задней поверхностью и стеной помещения оставался зазор не менее 5 см. Зазор у задней стены необходим для эффективной работы изделия.

4.2. Установка пластиковых клиньев

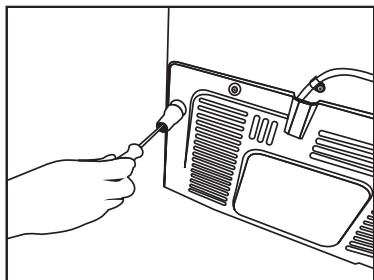
Чтобы обеспечить достаточно пространства для циркуляции воздуха между устройством и стеной, следует использовать пластиковые клинья.

1. Чтобы присоединить клинья, извлеките винты из устройства, и используйте винты, идущие в комплекте с клиньями.



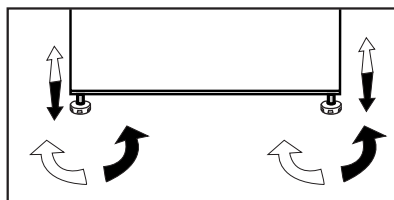
Установка

2. Присоедините два пластиковых клина к вентиляционной крышке, как показано на рисунке.



4.3 Регулировка стоек

Если продукт находится в неуравновешенном состоянии, следует отрегулировать стойки путем вращения их вправо и влево.



4.4 Подключение к электросети



ВНИМАНИЕ: При подключении устройства к электросети запрещается использовать удлинители или многорозеточные переходники.




ВНИМАНИЕ: Поврежденный кабель питания заменяет авторизованная сервисная служба. При установке двух холодильников рядом, расстояние между двумя устройствами должно быть не менее 4 см.



- Наша компания не несет ответственности за какие-либо повреждения, возникшие в результате использования устройства без заземления и невыполнения национальных норм при подключении холодильника к электросети.
- После установки устройства к кабелю питания должен быть обеспечен легкий доступ.
- Холодильник следует подключить к заземленному гнезду с напряжением 220-240 В/50 Гц. В вилке должен быть установлен предохранитель на 10-16 А.
- Между розеткой на стене и холодильником запрещается использовать многоконтактный переходник с удлинительным кабелем или без него.



Предупреждение о наличии горячей поверхности
Боковые стенки изделия оснащены трубопроводами хладагента для улучшения работы системы охлаждения. При высокой температуре хладагент может протекать через данные места, resulting в результате чего боковые стенки сильно нагреваются. Это нормальное явление, и обслуживание в этом случае не требуется. Пожалуйста, соблюдайте осторожность при прикосновении к данным участкам.

 Сначала прочтите раздел «Инструкции по технике безопасности»!

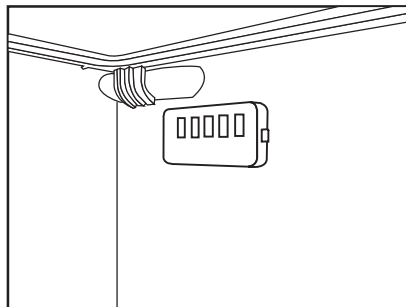
5.1. Как экономить электроэнергию



Не рекомендуется подключать устройство к энергосберегающим системам, поскольку это может привести к его поломке.

- Не держите дверцы холодильника открытыми на протяжении длительного времени.
- Не ставьте горячую еду или напитки в холодильник.
- Не перегружайте холодильник - затруднение внутреннего воздухооборота снизит его охлаждающую способность.
- Для обеспечения хранения максимального объема продуктов в холодильной камере холодильника, необходимо извлечь верхние ящики и разместить продукты на стеклянной полке. Гарантированный уровень энергопотребления холодильника обеспечивается при извлечении охлаждающей камеры, формы для льда и верхних ящиков и, таким образом, освобождении максимального пространства для хранения продуктов. Настоятельно рекомендуется использовать нижний ящик для хранения продуктов. Для обеспечения оптимального уровня энергопотребления необходимо включить режим энергосбережения.
- Не храните продукты перед вентилятором камеры охлаждения. При размещении продуктов необходимо оставить расстояние не менее 3 см перед защитным проводом вентилятора.
- В зависимости от характеристик устройства, размораживание пищевых продуктов в холодильной камере обеспечит экономии электроэнергии и сохранит качество продуктов.
- Для обеспечения экономии энергии и лучших условий хранения продуктов используйте ящики холодильной камеры.

- Следует обеспечить, чтобы пакеты с продуктами не касались датчика температуры, расположенного в холодильной камере. В случае, если они касаются датчика, уровень потребления энергии устройством может возрасти.
- Следите, чтобы продукты не прикасались к датчику температуры холодильной камеры, описанному ниже.



5.2. Первое включение

Перед тем, как использовать холодильник, убедитесь, что все подготовительные работы выполнены в соответствии с рекомендациями в разделах «Инструкции по охране труда и окружающей среды» и «Установка».

- Включите устройство и оставьте работать в течение 6 часов. Не кладите в него еду и не открывайте дверцу без крайней необходимости.



При включении компрессора вы услышите звук. В нормальном режиме работы звук слышен, даже когда компрессор не работает — это связано с наличием жидкостей и газов в системе охлаждения.



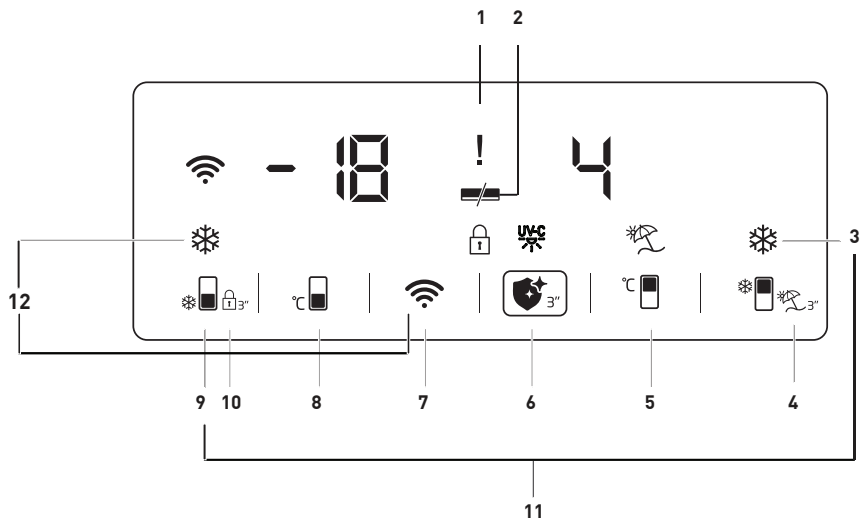
Торцы изделия могут нагреваться. Это нормальное состояние. Они специально подогреваются, чтобы предотвратить образование конденсата.



В некоторых моделях индикаторная панель автоматически выключается через 5 минут после закрытия дверцы. Она включается снова при открытии дверцы или нажатии любой кнопки.

6 Работа продукта

 Сначала прочтите раздел «Инструкции по технике безопасности»!



1. Индикатор состояния неисправности
2. Индикатор энергосбережения (дисплей выключен)
3. Кнопка Быстрого охлаждения
4. Кнопка функции «Отпуск»
5. Кнопка регулировки температуры холодильной камеры
6. Кнопка функции Гигиена
7. Кнопка Беспроводного подключения
8. Кнопка регулировки температуры морозильной камеры
9. Кнопка Быстрого замораживания
10. Блокировка кнопок
11. Клавиша переключения единиц температуры
12. Клавиша для сброса настроек беспроводного подключения


Доступно не для всех моделей



***Опционально:** Рисунки в данном руководстве по эксплуатации могут не полностью соответствовать характеристикам вашего устройства. Если в вашем устройстве нет соответствующих деталей, информация относится к другим моделям.


Эксплуатация устройства

1. Индикатор состояния неисправности

Этот индикатор () будет активен, когда ваш холодильник не может обеспечить надлежащее охлаждение или в случае какой-либо ошибки датчика. Когда этот индикатор активен, на индикаторе температуры морозильной камеры отображается «E», а на индикаторе температуры охлаждающей камеры должны отображаться такие цифры, как 1,2,3... Эти цифры предоставляют авторизованному сервису информацию о возникшей ошибке.

Восклицательный знак может отображаться, когда вы загружаете теплые продукты в морозильную камеру или оставляете дверцу открытой в течение длительного периода времени. Это не является неисправностью, это предупреждение будет удалено, когда продукты остынут.

2. Индикатор энергосбережения (дисплей выключен)

Функция энергосбережения включается автоматически, и символ энергосбережения отображается, если дверца продукта не открывается или не закрывается в течение некоторого периода времени. ()

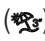

После включения режима энергосбережения все значки, кроме значка энергосбережения, погаснут. Когда функция энергосбережения активна, нажатие любой кнопки или открытие двери деактивируют функцию энергосбережения, и символы на экране возвращаются в нормальное состояние. Функция энергосбережения устанавливается на заводе и не может быть отключена.

3. Кнопка Быстрого охлаждения


Когда функция быстрого охлаждения включена, индикатор быстрого охлаждения

должен светиться () , а индикатор температуры охлаждающего отделения должен показывать значение 1. Чтобы отменить эту функцию, снова нажмите кнопку быстрого охлаждения. Индикатор быстрого охлаждения погаснет, и восстановятся нормальные настройки. Функция быстрого охлаждения автоматически отменяется через 1 час, если она не отменена пользователем. Чтобы охладить большое количество свежих продуктов, нажмите кнопку быстрого охлаждения перед помещением продуктов в охлаждающее отделение.

4. Кнопка функции «Отпуск»



Нажмите кнопку () на 3 секунды, чтобы активировать функцию отпуска, при этом загорится индикатор режима отпуска () . Когда активирована функция отпуска, на индикаторе температуры охлаждающего отделения должно отображаться «- -», и в охлаждающем отделении не должно выполняться никаких активных операций охлаждения. Когда эта функция активирована, вы не должны хранить продукты в холодильном отделении. Остальные отсеки должны продолжать охлаждаться в соответствии с установленными для них температурами. Чтобы отменить эту функцию, снова нажмите кнопку **функции отпуска**.


5. Кнопка регулировки температуры холодильной камеры

При нажатии этой кнопки температура охлаждающего отделения может быть установлена на 8,7,6,5,4,3,2 и 1 соответственно. ()


Эксплуатация устройства

6. Кнопка функции Гигиена

Нажмите кнопку  в течение 3 секунд, чтобы активировать функцию гигиены, после чего загорится индикатор функции гигиены . Не открывайте дверцу изделия, когда активирована функция гигиены. Если дверца продукта открывается при активированной функции гигиены, операция гигиены должна быть остановлена до тех пор, пока дверца не будет закрыта. Изделие должно подавать звуковое предупреждение и прекращать работу по завершении гигиенической операции. Удерживайте кнопку функции гигиены нажатой в течение 3 секунд, чтобы завершить операцию гигиены раньше установленного времени.

Если восклицательный знак  отображается вместе с символом гигиены при включении функции гигиены, это означает, что срок действия гигиенических ламп скоро истечет. Пожалуйста, позвоните в сервис.

7. Кнопка Беспроводного подключения (*опционально)

При длительном нажатии клавиши (3 секунды) начнется инициализация продукта в домашней сети. Символ беспроводной сети  будет мигать с интервалом 0,5 секунды, пока соединение будет установлено.

После успешного подключения к домашней сети символ беспроводной сети должен светиться постоянно.

Когда начальное соединение установлено, вы можете активировать/деактивировать соединение коротким нажатием на эту кнопку.

Сеть, к которой вы установили соединение, будет запомнена, и


соединение будет установлено снова при выключении и включении продукта.

Символ беспроводной сети будет мигать с короткими интервалами (0,2 секунды), пока соединение не будет установлено.


Символ беспроводной сети будет светиться постоянно, когда соединение активно. Проверьте настройки модема/подключения, если подключение не удастся установить в течение некоторого времени.


Приложение HomeWhiz используется в качестве интерфейса подключения. Действия по подключению описаны в РУКОВОДСТВЕ ПО БЫСТРОЙ УСТАНОВКЕ HomeWhiz, прилагаемом к продукту. Вы можете обратиться к разделу устранения неполадок, чтобы получить ответы на основные вопросы.

8. Кнопка регулировки температуры морозильной камеры

Это позволяет установить температуру в морозильной камере. Температура морозильной камеры может быть установлена на -18, -19, -20, -21, -22, -23 и -24 соответственно, когда нажата кнопка .

9. Кнопка Быстрого замораживания

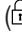
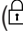

Нажмите клавишу № (9) для быстрого замораживания, и должен быть активирован индикатор быстрого замораживания .

При включении функции быстрого замораживания загорается индикатор быстрого замораживания, а на индикаторе температуры морозильной камеры должно отображаться значение -27. Чтобы отменить эту функцию, снова нажмите кнопку быстрого замораживания . Индикатор быстрой заморозки выключится и вернется к стандартным настройкам.



Эксплуатация устройства

Функция быстрого замораживания автоматически отменяется через 32 час, если она не отменена пользователем. Чтобы заморозить большое количество свежих продуктов, нажмите кнопку быстрого замораживания перед помещением продуктов в морозильную камеру.



10. Блокировка кнопок

Нажмите кнопку  в течение 3 секунд. Значок блокировки кнопок  должен быть активирован, и должен быть активирован режим блокировки кнопок. Кнопки не работают, когда активен режим блокировки кнопок. На 3 секунды нажмите кнопку . Блокировка кнопок должна быть отключена. Вы можете использовать функцию блокировки кнопок, если хотите предотвратить изменение настройки температуры холодильника.

11. Клавиша переключения единиц температуры

Нажимая кнопки быстрого охлаждения  и быстрого замораживания  в течение 3 секунд, вы можете переключаться между единицами измерения температуры по Фаренгейту и Цельсию.

12. Клавиша для сброса настроек беспроводного подключения

При одновременном нажатии клавиш быстрого замораживания  и беспроводной сети  в течение 3 секунд настройки беспроводного подключения будут сброшены.

6.1. Синяя подсветка/ Технология HarvestFresh

*Доступно не для всех моделей

О синей подсветке

Фрукты и овощи, хранящиеся в контейнерах холодильника в секции с синей подсветкой, продолжают фотосинтезировать благодаря эффекту световой волны, возникающему под воздействием синего света, и сохраняют витамины.

О технологии HarvestFresh

Фрукты и овощи, хранящиеся в контейнерах холодильника в секции с освещением по технологии HarvestFresh, сохраняют витамины дольше, поскольку чередование синего, зеленого и красного освещения и периодов темноты имитирует суточный цикл.

При открывании дверцы в момент, когда функцией HarvestFresh включен период темноты, в холодильнике автоматически включается подсветка синевато-зеленого или красного цвета для освещения контейнеров. После закрытия дверцы холодильника в нем вновь будет включен период темноты, имитирующий ночь в суточном цикле.

Эксплуатация устройства

6.2. Отсек для гигиены

* Эта функция опциональна

1. Функция гигиены УФ-С не должна активироваться, если решетка и выдвижной ящик из листового металла, расположенные внутри гигиенического отсека, не находятся внутри отсека.

2. Активация функции гигиены, когда выдвижной ящик из листового металла отсутствует в гигиеническом отделении, вызывает деформацию пластмассового ящика под ним.

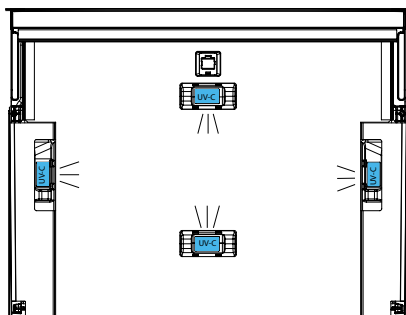
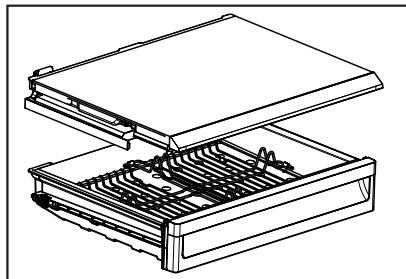
3. Не пытайтесь снять стекло, расположенное над гигиеническим отсеком, применяя силу.

4. Не касайтесь, не ударяйте и не применяйте силу к люминесцентным лампам УФ-С, расположенным на нижней поверхности стеклянной полки гигиенического отсека.

5. В целях безопасности не пытайтесь снимать стеклянную полку гигиенического отсека. Снятие полки приведет к отключению электрических компонентов.

6. Свет, который вы видите, когда открываете гигиенический отсек, не является УФ-светом. Это светодиодное освещение.

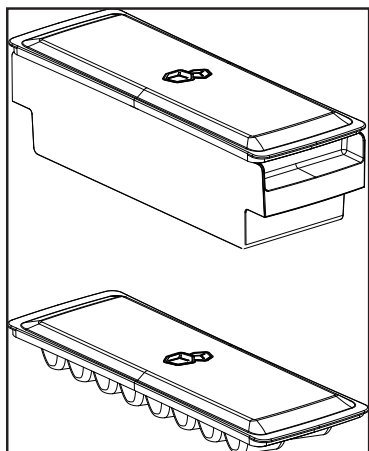
7. Протирайте металлический ящик и металлический лист под лотком только влажной тканью.



Эксплуатация устройства

6.3. Емкость для льда (в зависимости от модели)

- Вытяните емкость для льда из морозильной камеры.
- Заполните емкость для льда водой.
- Поставьте емкость для льда в морозильную камеру.
- Лед будет готов примерно через два часа. Вытяните емкость для льда из морозильной камеры и слегка согните ее над посудиной, которую вы собираетесь наполнить льдом. Лед без труда пересыплется в наполняемую емкость.



6.4. Держатель для яиц

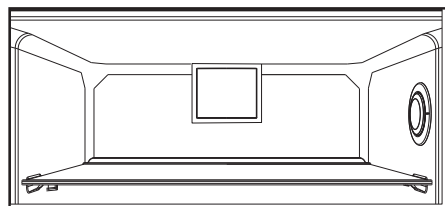
По вашему выбору держатель для яиц можно разместить в двери или на решетчатой подставке. Если вы решили разместить его на решетчатой подставке, для поддержания более низкой температуры хранения рекомендуется выбирать нижние полки.



Не ставьте держатель для яиц в морозильную камеру.

6.5. Вентилятор

Вентилятор предназначен для однородного распространения циркулирующего холодного воздуха внутри холодильника. Время работы вентилятора может изменяться в зависимости от конкретных характеристик приобретенного изделия. В то время, как в некоторых моделях вентилятор включается только вместе с компрессором, в других - время его включения определяется системой управления на основании необходимости охлаждения.



6.6. Емкость для овощей

(в зависимости от модели)

Емкость для овощей, которая используется в изделеии, предназначена для содержания овощей свежими путем сохранения в них содержания влаги. С этой целью усиливается общая циркуляция холодного воздуха в сосуде для овощей.

6.7. Нулевая камера

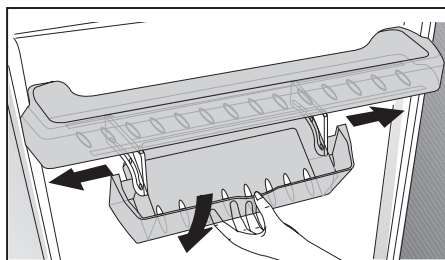
(в зависимости от модели)

Используйте этот отсек для хранения гастрономических продуктов при более низких температурах или мясных продуктов, предназначенных для немедленного потребления. Нулевая камера является наиболее холодным местом, где в идеальных условиях могут храниться такие виды продуктов, как молочные продукты, мясо, рыба и курица. Эта камера не подходит для хранения овощей и/или фруктов.

6.8. Выдвижной контейнер для хранения

(в зависимости от модели)

Данное вспомогательное приспособление предназначено для увеличения используемого объема дверных полок. Благодаря способности контейнера перемещаться в боковом направлении, в нем можно легко размещать длинные бутылки, банки или контейнеры, хранящиеся на полке для бутылок, расположенной ниже.



Эксплуатация устройства

6.9. Подвижная дверная полка (в зависимости от модели)

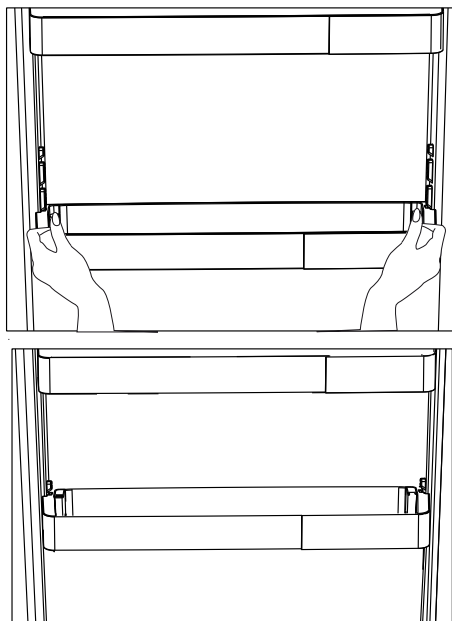
Подвижная дверная полка может быть установлена в 3 различных положениях.

С целью перемещения полки равномерно нажмите кнопки на боковой поверхности. После этого полку можно перемещать.

Переместите полку вверх либо вниз.

После того, как полка установится в желаемое положение, отпустите кнопки.

Полка зафиксируется в положении, в котором она находилась в тот момент, когда вы отпустили кнопки.



6.10. HerbBox/HerbFresh

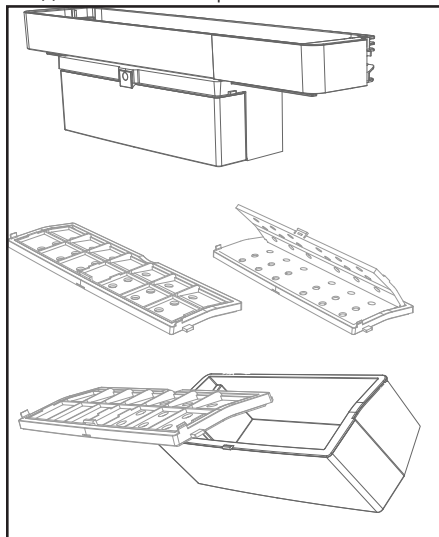
Снимите с HerbBox/HerbFresh+ коробку для пленки.

Извлеките пленку из пакета и поместите ее в коробку для пленки, как показано на рисунке.

Снова плотно закройте коробку и поместите ее в устройство HerbBox/HerbFresh+.

Секции HerbBox-HerbFresh+ особенно идеально подходят для хранения различных трав, которые необходимо хранить в деликатных условиях. Вы можете хранить в этой секции травы без пакета (петрушку, укроп и т.д.) в горизонтальном положении и сохранять их свежими намного дольше.

Замена пленки должна производиться каждые шесть месяцев.



Эксплуатация устройства

6.11. Сосуд для овощей с регулируемой влажностью (в зависимости от модели)

В режиме регулирования влажности уровни насыщенности овощей и фруктов влагой находятся под контролем, чем обеспечивается более длительный срок свежести продуктов, хранящихся в холодильнике.

Рекомендуется, по возможности, сохранять листовые овощи, например, салат, шпинат и подобные им виды овощей, которые быстро теряют влагу, не в вертикальном положении корнями вниз, а в горизонтальном положении в сосуде для овощей.

При размещении овощей учитывайте конкретный вес каждого из видов: тяжелые и твердые овощи кладите на дно сосуда, а легкие и мягкие — сверху.

Не размещайте в сосуде для овощей запакованные в полиэтилен овощи. В случае хранения овощей в полиэтиленовых пакетах они очень быстро загнивают. В ситуациях, когда следует избегать контакта с другими овощами, используйте такие упаковочные материалы, как бумага, отличающаяся определенной проницаемостью, что удовлетворительно с точки зрения гигиены.

Не храните фрукты, которые выделяют газ с высоким содержанием этилена, например, груши, абрикосы, персики и особенно яблоки, в одном сосуде для овощей вместе с другими видами овощей и фруктов. Газ этилен, выделяемый этими фруктами, может вызвать ускоренное созревание других овощей и фруктов и их загнивание в течение более короткого периода времени.

6.12. Автоматический льдогенератор

(в зависимости от модели)

Автоматический льдогенератор позволяет легко и просто делать лед в холодильнике. Для того, чтобы получить лед с помощью льдогенератора, вытащите емкость для воды из холодильной камеры, заполнить ее водой и вставьте на место.

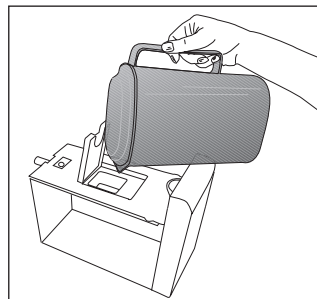
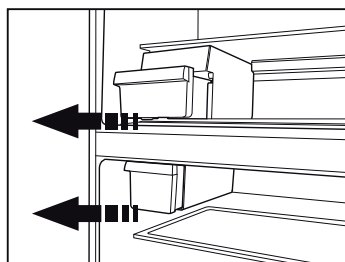
Первые кубики льда в ящике льдогенератора, расположенном в морозильной камере, образуются приблизительно через 2 часа.

В период времени от размещения полной емкости для воды и до ее полного опорожнения образуется около 60-70 кубиков льда.

Если вода в емкости для воды хранится в течение 2-3 недель, ее следует заменить.



В изделиях с автоматическим льдогенератором слышен звук падающего льда. Этот звук является нормальным и не свидетельствует о неисправности.



Эксплуатация устройства

6.13. Льдогенератор «Icematic» и контейнер для хранения льда

*в зависимости от модели

Использование льдогенератора «Icematic»

Наполните льдогенератор «Icematic» водой и поместите его на место. Лед будет готов приблизительно через два часа. Для того, чтобы вытащить лед, не вынимайте льдогенератор «Icematic» из его посадочного места.

Поверните ручки на емкостях для льда по часовой стрелке на 90 градусов.

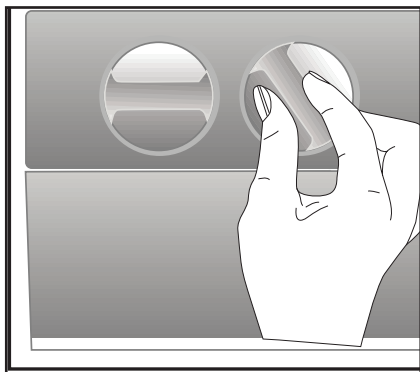
Кубики льда ссыплются в контейнер для хранения льда, расположенный ниже.

Чтобы использовать кубики льда, вытащите контейнер для хранения льда.

При желании можно хранить кубики льда в контейнере для хранения льда.

Контейнер для хранения льда

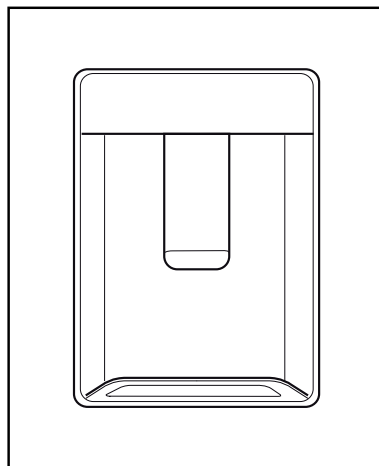
Контейнер для хранения льда предназначен только для накопления кубиков льда. Не наливайте в него воду. В противном случае он треснет.



6.14. Дозатор для воды

(в некоторых моделях)

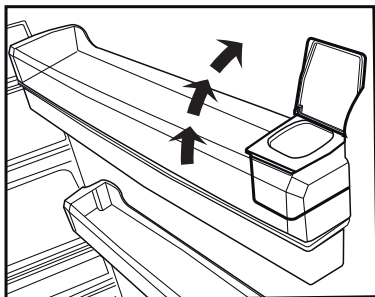
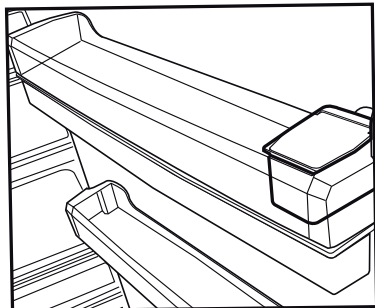
Раздатчик охлажденной воды – очень полезное устройство, позволяющее получать охлажденную воду без открывания дверцы холодильника. Поскольку дверцы холодильника будут открываться реже, это поможет сэкономить энергию.



Пользование краном подачи воды

Нажмите на рычаг раздатчика охлажденной воды стаканом. Раздатчик прекратит работать, как только вы освободите рычаг. Максимальный поток достигается нажатием на рычаг до упора. Помните, что сила потока из раздатчика охлажденной воды зависит от силы давления на рычаг. По мере заполнения чашки/стакана постепенно уменьшайте степень нажатия рычага, чтобы избежать переливания воды. Если нажать на рычаг несильно, вода будет течь каплями; это вполне нормально и не является признаком неисправности.

Эксплуатация устройства



Заполнение бака раздатчика охлажденной воды

Емкость заполнения бака для воды находится в дверной полке. Откройте крышку емкости для воды и наполните емкость чистой питьевой водой. Затем закройте крышку.

Внимание!

• Не заливаете в бак для воды никаких иных жидкостей, кроме питьевой воды. Такие жидкости, как фруктовые соки, газированные и спиртные напитки, не годятся для использования в раздатчике охлажденной воды. Использование подобных жидкостей приведет к неисправности раздатчика охлажденной воды и может вывести его из строя без возможности ремонта. Гарантия на повреждение, вызванные подобным использованием, не распространяется.

Некоторые химические компоненты или добавки в таких напитках могут вступить в реакцию и разрушать материал бака для воды.

- Используйте только свежую чистую питьевую воду.
- Емкость бака для воды 3 литра. Не переполняйте его.
- Нажмите на рычаг раздатчика охлажденной воды стаканом. При использовании мягкого одноразового стаканчика нажмите на рычаг пальцами за стаканчиком.

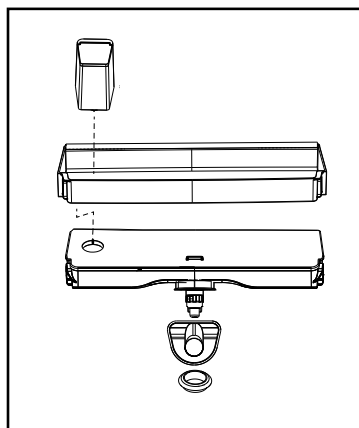
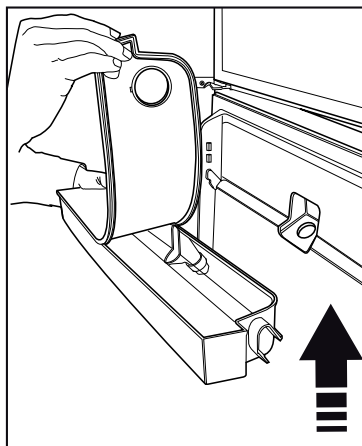
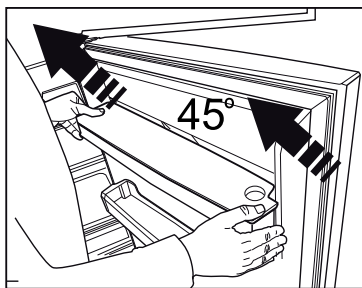
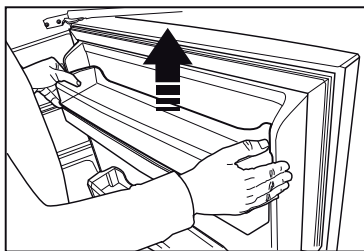
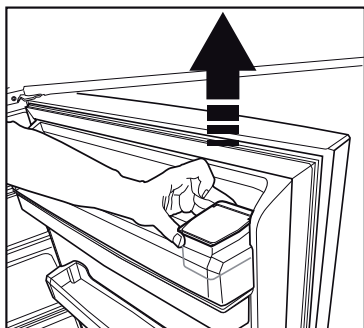
Эксплуатация устройства

6.15. Очистка бака для воды

- Выньте емкость заполнения бака для воды, находящуюся в дверной полке.
- Снимите дверную полку, держа ее с двух сторон.
- Возьмитесь за бак для воды с двух сторон и выньте его под углом 45°С.
- Снимите крышку с бака и очистите его.

Важное замечание

Компоненты бака для воды и раздатчика охлажденной воды не предназначены для мытья в посудомоечной машине.



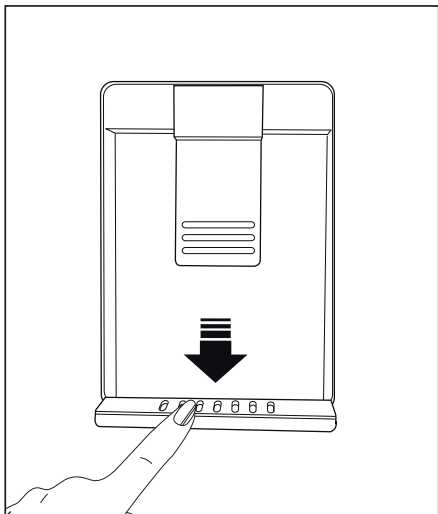
Эксплуатация устройства

6.16. Поддон для воды

Вода, проливающаяся во время использования раздатчика охлажденной воды, собирается в поддоне для сбора воды. Достаньте пластиковый фильтр, как показано на рисунке.

Удалите собравшуюся воду чистой сухой тканью.

ВНИМАНИЕ! Подключать только к линии подачи питьевой воды.



Эксплуатация устройства

6.17. Замораживание свежих продуктов

- Для сохранения качества продуктов питания, размещенных в морозильной камере, их необходимо замораживать как можно быстрее; используйте для этого быстрая заморозка.
- Замораживание продуктов питания в свежем состоянии продлит срок их хранения в морозильной камере.
- Упаковывайте продукты питания в герметичные упаковки и плотно закрывайте их.
- Прежде чем положить продукты питания в морозильную камеру, убедитесь, что они упакованы. Вместо традиционной упаковочной бумаги используйте контейнеры для замораживания, фольгу и влагозащищенные бумажные упаковочные материалы, пластиковые пакеты или подобные упаковочные материалы.



Лед, образующийся в морозильной камере, автоматически растапливается.

- Перед замораживанием укажите на каждом упакованном продукте питания дату замораживания. Это позволит

Вам определять свежесть содержимого каждой упаковки всякий раз, когда вы будете открывать морозильную камеру. Храните ближе к дверце те продукты, которые были заморожены раньше, чтобы использовать их в первую очередь.

- Замороженные продукты питания необходимо использовать сразу после размораживания. Не замораживайте их повторно.
- Не размораживайте большое количество пищи за один раз.

6.18. Рекомендации для хранения замороженных продуктов

Температура отсека должна быть установлена как минимум на -18°C .

1. Поместите продукты питания в морозильную камеру как можно быстрее, чтобы избежать размораживания.
2. Перед замораживанием проверьте срок годности на упаковке, чтобы убедиться, что он не истек
3. Убедитесь, что упаковка продуктов не повреждена.

Регулировка температуры морозильной камеры	Регулировка температуры морозильной камеры	Детальное описание
-18°C	4°C	Эта настройка является рекомендованной настройкой по умолчанию.
$-20, -22$ или -24°C	4°C	Данные настройки рекомендуются в случае, когда внешняя температура превышает 30°C .
Быстрое замораживание	4°C	Используется в случае, если вы хотите заморозить продукты в течение короткого промежутка времени. После окончания этого процесса восстанавливаются предыдущие установленные значения.
-18°C или ниже	2°C	Используйте данные настройки, если полагаете, что температура в холодильной камере недостаточно низкая в связи с внешней температурой или частым открыванием дверцы.

Эксплуатация устройства

6.19. Детальное описание процесса глубокого замораживания

В соответствии со стандартами МЭК 62552, морозильная камера должна иметь способность замораживать 4,5 кг продуктов питания на каждые 100 литров объема при температуре -8 °С или при более низких температурах в течение 24 часов.

Продовольственные товары можно хранить в течение длительных периодов времени исключительно при температуре в -18 °С и ниже.

Можно хранить продукты свежими в течение нескольких месяцев (в низкотемпературной морозильной камере при температуре не выше -18 °С).

Чтобы избежать частичного размораживания, еще не замороженные пищевые продукты не должны прикасаться к уже замороженным продуктам внутри устройства.

Чтобы продлить срок хранения в замороженном состоянии, отварите овощи и отфильтруйте воду. После фильтрации заверните пищу в воздухо непроницаемую упаковку и поместите в морозильную камеру. Не следует замораживать бананы, помидоры, салат-латук, сельдерей, отварные яйца, картошку и подобные пищевые продукты. В случае, если эти продукты поражены гнилью, негативное воздействие испытывают питательная ценность и вкусовые качества продуктов. Не вызывает сомнения, что употребление гнилых продуктов угрожает здоровью человека.

6.20. Размещение продуктов

Полки морозильной камеры	Различные замороженные товары, включая мясо, рыбу, мороженое, овощи и т.п.
Полки холодильной камеры	Пищевые продукты в кастрюлях, накрытых крышками тарелках и упаковках с крышками, яйца (в упаковке с крышкой)
Полки на дверце холодильной камеры	Небольшие и упакованные пищевые продукты и напитки

Емкость для овощей

Фрукты и овощи

Отделение для свежих продуктов

Холодные закуски (хлопья, мясные продукты скорого употребления)

6.21. Сигнал открытой двери (в зависимости от модели)

Если дверца изделия открыта в течение 1 минуты, запускается звуковой сигнал. Чтобы отключить звуковой сигнал, закройте дверь или нажмите на любую кнопку на дисплее (если он имеется).

Предупреждение пользователю относительно открытой дверцы подается как в звуковом, так и в визуальном виде. Если предупреждение подается в течение 10 минут, внутреннее освещение выключается.

6.22. Изменение направления открытия дверцы

Можно изменять направление открытия дверцы холодильника в зависимости от места его установки с целью использования. В случае необходимости обратитесь в ближайший авторизованный сервисный центр.

Приведенное выше пояснение имеет общий характер. С информацией о возможности изменения направления открытия дверцы можно ознакомиться на предупредительной бирке, расположенной внутри упаковки изделия.

6.23. Внутреннее освещение

Внутреннее освещение обеспечивается посредством лампы светодиодного типа. В случае возникновения проблем с этой лампой обратитесь в авторизованную сервисную службу.

Лампы, используемые в этом устройстве, не подходят для освещения помещений. Эти лампы предназначены для того, чтобы пользователь мог безопасно и комфортно размещать продукты в холодильнике/морозильнике.

6.24. Рекомендации по эксплуатации

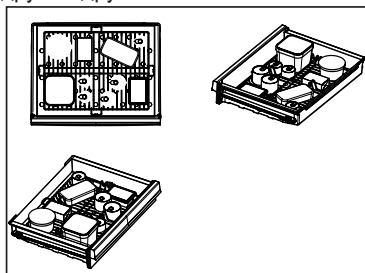
гигиенического отсека:

* Эта функция опциональна

- Помещая продукты в это отделение с целью гигиенизации поверхности продуктов, всегда кладите в него мясо, курицу, рыбу, молоко и молочные продукты, храня их в упаковке.
- Размещение любых продуктов, кроме продуктов питания, в этом отсеке в целях гигиены определено не подходит.
- Если вы кладете продукты в гигиенический отсек, не вынимая их из продуктового пакета, гигиена должна быть обеспечена только на поверхности пакета, а продуктами не будут получать свет. Таким образом, вы должны вынимать продукты из продуктового пакета при их укладке.
- Адекватно применять гигиеническую процедуру к одной и той же пище только один раз, нельзя применять процедуру более одного раза.
- Если процедура не должна повторяться для других продуктов после завершения гигиенической процедуры, мы рекомендуем хранить в этом отделении только деликатесы и продукты для завтрака. Не рекомендуется хранить овощи и фрукты в этом отделении в течение длительного времени, так как в гигиеническом отделении холоднее, чем в других частях холодильника.
- Перед включением функции гигиены с панели управления с дисплеем рекомендуется временно поместить продукты, ранее хранившиеся в гигиеническом отделении, в другое место холодильника. Когда гигиеническая процедура активна, рекомендуется хранить продукты, которые будут впервые подвергнуты гигиенической обработке, только в отсеке. Когда гигиеническая процедура будет завершена, вы можете

переместить извлеченные продукты обратно в отделение.

- Для обеспечения эффективной гигиены продукты следует размещать, оставляя между ними расстояние и следя за тем, чтобы они не загромождали свет.
- Перед включением функции гигиены убедитесь, что продукты не положены друг на друга.




Замена лампочки

Для замены лампочки освещения холодильника обратитесь в авторизованный сервисный центр.


Лампа (-ы), используемая (-ые) в данном изделии, не подходит (-ят) для бытового освещения помещений. Данная лампа предназначена для освещения при размещении пользователем продуктов питания в холодильной/морозильной камере, обеспечивая безопасность и удобство.

Лампы, используемые в этом приборе, должны выдерживать экстремальные физические условия, например, температуру ниже 20 °С.

- Этот продукт оснащен источником освещения энергетического класса "G".
- Источник освещения в этом продукте должны заменять только профессиональные мастера.

 Сначала прочтите раздел «Инструкции по технике безопасности»!

При регулярной чистке срок службы изделия увеличивается.

 **ВНИМАНИЕ:** Перед чисткой холодильника прежде всего отключите его от сети.

- Запрещается использовать для чистки острые и абразивные инструменты, мыло, бытовые чистящие средства, моющие и полирующие средства.
- Растворите одну чайную ложку углекислой соды в пол-литре воды. Намочите ткань в растворе и тщательно ее отожмите. Протрите внутреннюю часть устройства этой тканью и тщательно высушите.
- Убедитесь, что вода не попала в корпус лампы и другие электрические элементы.
- Протирайте металлический лист под металлическим ящиком и столом только влажной сухой тканью.
- Протрите дверцу влажной тканью. Чтобы снять дверцу и полки корпуса, удалите все их содержимое. Вытащите дверные полки, перемещая их вверх. Чтобы установить их после чистки, вдвиньте их в направлении сверху вниз.
- Запрещается использовать моющие средства или водный раствор хлора для очистки внешних поверхностей и компонентов изделия с хромовым покрытием. Хлор вызывает коррозию таких металлических поверхностей.
- Чтобы предотвратить удаление и деформацию изображений на пластиковом компоненте, не используйте острые, абразивные инструменты, мыло, бытовые чистящие средства, моющие средства, керосин, мазут, лак и т. д. Выполните чистку с помощью теплой воды и мягкой ткани, а затем вытрите насухо.

7.1 Как избежать неприятных запахов

Вызывающие запах материалы не используются в производстве наших устройств. Тем не менее, как неправильные условия хранения продуктов, так и отсутствие необходимой очистки внутренней поверхности устройства, может привести к возникновению проблемы, вызванной запахом.

Поэтому каждые 15 дней холодильник необходимо чистить водным раствором углекислой соды.

- Храните продукты в закрытых контейнерах. Микроорганизмы, распространяющиеся из незакрытых контейнеров, могут вызвать неприятные запахи.
- Запрещается хранить в холодильнике испортившиеся продукты с истекшим сроком годности.

7.2 Защита пластиковых поверхностей

Очищайте масло теплой водой немедленно, так как загрязнение маслом может привести к повреждению пластиковых поверхностей, на которые оно пролилось.

7.3 Стеклопанные поверхности дверок

Снимите защитную пленку со стекол.

На стеклопанные поверхности нанесено покрытие. Такое покрытие снижает до минимума вероятность образования пятен и помогает легко удалять образовавшиеся пятна и грязь. Стеклопанные поверхности, не защищенные таким покрытием, могут подвергнуться воздействию стойких воздушных или водяных соединений на основе органического или неорганического осадка грязи, например, накипи, минеральных солей, несгоревших углеводородов, оксидов и кремнийсодержащих соединений, способных легко и быстро стать причиной образования пятен или нанести материальный ущерб. Содержание таких стекол в чистом состоянии вызывает необычные затруднения, несмотря на регулярную чистку.

Следовательно, внешний вид и прозрачность стекла ухудшается. Методы очистки с помощью агрессивных и коррозионно-активных средств усугубляют такие дефекты и ускоряют процесс износа.

Для целей регулярной чистки должны применяться не щелочные и не коррозионно-активные средства на водной основе.

Чтобы максимально продлить срок службы указанных покрытий, запрещается использование для чистки щелочных и коррозионно-активных средств.

Стекланные поверхности выполнены из закаленного стекла с целью увеличения их устойчивости к ударам и трещинам.

В качестве дополнительной меры безопасности на их задние поверхности нанесена укрепляющая пленка с целью предотвращения причинения вреда окружающему пространству в случае повреждения поверхностей.

*Щелочь является основанием, образующим гидроксид-ионы (ОН-) при растворении в воде.

Такие металлы, как Li (литий), Na (натрий), K (калий), Rb (рубидий), Cs (цезий), а также искусственный и радиоактивный Fr (франций), называются ЩЕЛОЧНЫМИ МЕТАЛЛАМИ.

Прежде чем обращаться в сервисный центр, ознакомьтесь с данным разделом. Это поможет вам сэкономить ваше время и деньги. В этом списке описаны наиболее частые жалобы, не относящиеся к браку производства или материалов. Некоторые упомянутые ниже функции могут быть не применимы к вашей модели.

Холодильник не работает.

- Вилка недостаточно прочно зафиксирована. >>> *Воткните ее так, чтобы он полностью вошел в розетку.*
- Перегорел предохранитель, соединяющийся с питающей продукт розеткой или основной предохранитель. >>> *Проверьте предохранителя.*

Образование конденсата на боковой стенке холодильной камеры (MULTI ZONE, COOL, CONTROL и FLEXI ZONE).

- Дверца открывается слишком часто >>> *Старайтесь не открывать дверцу устройства слишком часто.*
- Слишком влажно. >>> *Не устанавливайте устройство в среде с высокой влажностью.*
- Пищевые продукты, содержащие жидкости, хранятся в незакрытых упаковках. >>> *Храните содержащие жидкости продукты в закрытых упаковках.*
- Дверца устройства оставлена открытой. >>> *Не оставляйте дверцу устройства открытой надолго.*
- Термостат установлен на слишком низкую температуру. >>> *Установите термостат на надлежащую температуру.*

Не работает компрессор.

- В случае внезапного отключения электропитания или вытаскивания, а затем включения вилки обратно в розетку давление газа в холодильной системе устройства разбалансируется, это вызывает включение теплового предохранителя компрессора. Устройство перезапустится примерно через 6 минут. Если устройство не перезапустилось по истечении этого времени, обратитесь в сервисную службу.
- Включена разморозка. >>> *Это стандартная установка для полностью автоматического размораживающего устройства. Разморозка проводится периодически.*
- Вилка устройства не включена в розетку. >>> *Убедитесь, что шнур электропитания включен в розетку.*
- Неверная установка температуры. >>> *Выберите подходящие настройки температуры.*
- Отключено электропитание. >>> *Устройство заработает в стандартном режиме, как только будет возобновлено электропитание.*

Звук работающего холодильника в ходе работы становится громче.

- Рабочие характеристики устройства могут меняться в зависимости от изменений температуры окружающей среды. Это нормально и не является поломкой.

Холодильник течет слишком часто или слишком долго.

Поиск и устранение неисправностей

- Новый холодильник может быть больше предыдущего. Большие холодильники текут дольше.
- Комнатная температура может быть высокой. >>> При более высокой температуре холодильник обычно течет более длительные периоды времени.
- Холодильник недавно подключен или внутрь помещен новый пищевой продукт. >>> Когда холодильник недавно подключен или внутрь помещен новый продукт, для достижения установленной температуры требуется больше времени. Это нормально.
- Возможно, в холодильник недавно поместили большое количество горячей пищи. >>> Не помещайте в холодильник горячую пищу.
- Дверцы открывались часто или оставались открытыми длительные периоды времени. >>> Попадание внутрь теплого воздуха приведет к тому, что холодильник течет дольше. Не открывайте дверцы слишком часто.
- Дверца морозильной или холодильной камеры может быть неплотно закрыта. >>> Убедитесь, что дверцы плотно закрыты.
- Устройство может быть установлено на слишком низкую температуру. >>> Установите холодильник на более высокий показатель и дождитесь, когда он достигнет исправленной температуры.
- Шайба дверцы холодильной или морозильной камеры может быть загрязнена, изношена, сломана или не установлена должным образом. >>> Очистите или замените шайбу. Поврежденная/порванная шайба может привести к тому, что устройство будет течь дольше, чтобы сохранить текущую температуру.

Температура морозильной камеры очень низкая, но температура холодильной камеры правильная.

- Температура морозильной камеры установлена на очень низкий уровень. >>> *Установите температуру морозильной камеры на более высокий уровень и проверьте заново.*

Температура холодильной камеры очень низкая, но температура морозильной камеры правильная.

- Температура холодильной камеры установлена на очень низкий уровень. >>> *Установите температуру холодильной камеры на более высокий уровень и проверьте заново.*

Пищевые продукты, содержащиеся на полках холодильной камеры, заморожены.

- Температура холодильной камеры установлена на очень низкий уровень. >>> Установите температуру морозильной камеры на более высокий уровень и проверьте заново.

Слишком высокая температура в холодильной или морозильной камере.

Поиск и устранение неисправностей

- Температура холодильной камеры установлена на очень высокий уровень. >>> *Настройки температуры холодильной камеры влияют на температуру в морозильной камере. Измените температуру в холодильной или морозильной камере и дождитесь, когда в соответствующей камере будет достигнута новая температура.*
- Дверцы открывались часто или оставались открытыми длительные периоды времени. >>> *Не открывайте дверцы слишком часто.*
- Дверца закрыта неплотно. >>> *Закройте дверцу плотно.*
- Холодильник недавно подключен или внутрь помещен новый пищевой продукт. >>> *Это нормально. Когда устройство недавно подключено или внутрь помещен новый продукт, для достижения установленной температуры требуется больше времени.*
- Возможно, в холодильник недавно поместили большое количество горячей пищи. >>> *Не помещайте в устройство горячую пищу.*

Тряска или шум.

- Поверхность пола неровная или неустойчивая. >>> *Если устройство трясется при медленном перемещении, отрегулируйте стойки для выравнивания устройства. Также проверьте, достаточно ли устойчива поверхность для размещения на ней устройства.*
- Размещение любых предметов на холодильнике может вызвать шум. >>> *Уберите любые предметы с устройства.*

Холодильник издает звуки текущей воды, распыления и т.п.

- Принципы работы устройства включают в себя потоки воды и газа. >>> Это нормально и не является поломкой.

Из холодильника слышен звук, похожий на порывы ветра.

- Устройство использует для процесса охлаждения вентилятор. Это нормально и не является поломкой.

На внутренних стенках холодильника образовывается конденсат.

- Жаркая или влажная погода провоцирует обледенение и конденсацию. Это нормально и не является поломкой.
- Дверцы открывались часто или оставались открытыми длительные периоды времени. >>> Не открывайте дверцы слишком часто; если открыли, закройте.
- Дверца закрыта неплотно. >>> Закройте дверцу плотно.

На внешней стороне устройства или между дверцами образовывается конденсат.

Поиск и устранение неисправностей

- Погода окружающей среды может быть влажной, это вполне нормально при влажной погоде. >>> Конденсат исчезнет, когда снизится влажность.
- Пищевые продукты могут задевать верхнюю часть ящика. >>> Переложите пищевые продукты в ящике.

Внутри плохо пахнет.

- Устройство не очищается регулярно. >>> Регулярно очищайте внутри устройства губкой, теплой и сатурированной водой.
- Некоторые виды материалов, из которых состоят контейнеры и упаковки, могут давать запах. >>> Используйте контейнеры и упаковки из не пахнущих материалов.
- Продукты были помещены в незакрывающиеся контейнеры. >>> Храните продукты в закрытых контейнерах. Из незакрытых пищевых продуктов могут выделяться микроорганизмы, вызывающие неприятные запахи.
- Убирайте испорченные или продукты с истекшим сроком хранения из холодильника.

Дверца не закрывается.

- Упаковки с продуктами могут мешать закрытию дверцы. >>> Переместите предметы, блокирующие дверцу.
- Устройство не стоит на поверхности строго вертикально. Отрегулируйте стойки для балансировки холодильника.
- Поверхность пола неровная или неустойчивая. >>> Проверьте, достаточно ли ровна и устойчива поверхность для размещения на ней холодильника.

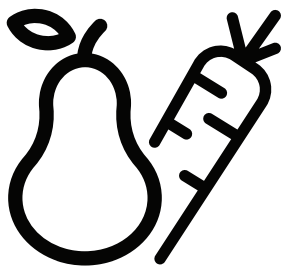
Емкость для овощей застрял.



ПРЕДУПРЕЖДЕНИЕ: Если после следования инструкциям этого раздела проблема не решена, свяжитесь с вашим поставщиком или авторизованной сервисной службой. Не пытайтесь починить устройство самостоятельно.

beko

Chłodziarka
Instrukcja użytkowania
Замрзнувач
Упатство за корисникот



RCNE560E40ZLXPUN

PL / MK



PAPIER Z RECYKLINGU I
NADAJĄCY SIĘ DO POWTÓRNEGO
PRZETWORZENIA



PÄRSTRÄDÄTS UN
PÄRSTRÄDÄJAMS PÄPIRS

58 5379 0000/AN

6/8

Drogi kliencie,
Przed użyciem produktu dokładnie przeczytaj instrukcję obsługi.

Dziękujemy za wybranie produktu. Chcielibyśmy, abyś mógł wykorzystać optymalną wydajność tego wysokiej jakości produktu, który został wykonany przy użyciu najnowocześniejszej technologii. Aby to zrobić, przeczytaj uważnie niniejszą instrukcję i wszelkie inne dokumenty dostarczone z produktem, przed jego użyciem i zachowaj je.

Przestrzegaj wszystkich informacji i ostrzeżeń zawartych w instrukcji obsługi. W ten sposób zabezpieczysz siebie i swój produkt przed zagrożeniami, które mogą wystąpić.

Zachowaj instrukcję obsługi. W przypadku sprzedaży produktu należy dołączyć do niego instrukcję obsługi.

W tej instrukcji obsługi są używane następujące symbole:







 Zagrożenie, które może spowodować śmierć lub obrażenia.

UWAGA Zagrożenie, które może spowodować uszkodzenie produktu lub jego otoczenia

 Ważne informacje lub przydatne wskazówki dotyczące obsługi.

 Przeczytaj instrukcję obsługi.

 Ryzyko promieniowania UV-C


 INFORMACJE	
 ENERG 	
SUPPLIER'S NAME	MODEL IDENTIFIER (*)
	
<p>Informacje o modelu zapisane w bazie danych produktów można uzyskać, wchodząc na następującą stronę internetową i wyszukując identyfikator modelu (*) znajdujący się na etykiecie efektywności energetycznej.</p> <p>https://eprel.ec.europa.eu/</p>	


1 Instrukcje bezpieczeństwa	3	6 Działanie produktu	17
 1.1. Zastosowanie	3	6.1. Niebieskie światło/Harvest Fresh	20
 1.2. Bezpieczeństwo dzieci, osób wymagających szczególnego traktowania i zwierząt domowych	3	6.2. Komora higieny	21
 1.3. Bezpieczeństwo elektryczne	4	6.3. Pojemnik na lód	22
 1.4. Bezpieczeństwo transportu	4	6.4. Pojemnik na jajka	22
 1.5. Bezpieczeństwo podczas instalacji	5	6.5. Wentylator	22
 1.6. Bezpieczeństwo podczas użytkowania	6	6.6. Pojemnik na warzywa	22
 1.7. Bezpieczeństwo podczas konserwacji i czyszczenia	8	6.7. Komora o temperaturze zero	22
 1.8. HomeWhiz	8	6.8. Użycie drugiego pojemnika na świeże warzywa.	23
 1.9. Oświetlenie	9	6.9. Ruchomy stelaż na drzwiach	24
 1.10. Bezpieczeństwo dotyczące promieniowania UV-C.	9	6.10. Pojemnik przesuwany	24
 1.11. Informacje techniczne dotyczące Wifi + Bluetooth.	10	6.11. Pochłaniacz zapachów	24
2 Instrukcje środowiska	11	6.12. Pojemnik na warzywa z kontrolą wilgotności	25
2.1. Zgodność z dyrektywą WEEE i usuwanie odpadów:	11	6.13. Automatyczna maszyna do lodu	26
2.2. Zgodność z dyrektywą RoHS:	11	6.14. Kostkarka do lodu Icematic i pojemnik na lód	27
2.3. Informacje o opakowaniu	11	6.15. Korzystanie z dozownika wody	27
3 Oto Twoja chłodziarka	12	6.16. Napełnianie zbiornika dozownika wodą	28
4 Instalacja	13	6.17. Czyszczenie zbiornika na wodę	30
4.1. Odpowiednie miejsce na instalację.	13	6.18. Tacka na krople	30
4.2. Regulacja nóżek	13	6.19. Zamrażanie żywności świeżej	31
4.3. Połączenie elektryczne	14	6.20. Przechowywanie żywności mrożonej.	31
4.4. Zakładanie klinów plastikowych	14	6.21. Informacje o komorze głębokiego zamrażania	31
5 Przygotowanie	15	6.22. Rozmieszczenie żywności.	32
5.1. Co zrobić, aby oszczędzać energię.	15	6.23. Alarm o otwartych drzwiach	32
5.2. Pierwsze uruchomienie	16	6.24. Zmiana kierunku otwierania drzwi.	32
		6.25. Oświetlenie wewnętrzne.	32
		6.26. Zalecenia dotyczące obsługi komory higieny:	33
		7 Konserwacja i czyszczenie	34
		7.1. Jak unikać nieprzyjemnych zapachów	34
		7.2. Jak zabezpieczać powierzchnie plastikowe.	34
		7.3. Szkło w drzwiach	34
		8 Rozwiązywanie problemów	36


1 Instrukcje bezpieczeństwa


- Ta część zawiera instrukcje bezpieczeństwa, które pomogą zabezpieczyć się przed ryzykiem obrażeń ciała lub szkód materialnych.

- Nasza firma nie ponosi odpowiedzialności za szkody, które mogą powstać w przypadku nieprzestrzegania instrukcji.

 Procedury instalacji i naprawy muszą być zawsze wykonywane przez producenta, autoryzowanego przedstawiciela serwisu lub wykwalifikowaną osobę wskazaną przez importera.

 Używaj tylko oryginalnych części i akcesoriów.

 Oryginalne części zamienne będą dostępne przez 10 lat od daty zakupu produktu.

 Nie naprawiaj ani nie wymieniaj żadnej części produktu, chyba że jest to wyraźnie określone w instrukcji obsługi.

 Nie wprowadzaj żadnych zmian technicznych w produkcie.

1.1. Zastosowanie

- Ten produkt nie nadaje się do użytku komercyjnego i należy go używać zgodnie z jego przeznaczeniem. Ten produkt jest przeznaczony do stosowania w domach i pomieszczeniach.

Na przykład:

- Kuchnie dla personelu w sklepach, biurach i innych środowiskach pracy,
- Gospodarstwach agroturystycznych,
- Obszarach wykorzystywanych przez klientów w hotelach, motelach i innych rodzajach zakwaterowania,

- Hotelach typu bed&breakfast, pensjonatach,

- Cateringach i podobnych zastosowaniach niekomercyjnych.

Ten produkt nie powinien być używany na zewnątrz z lub bez namiotu nad nim, takiego jak łódki, balkony lub tarasy. Nie wystawiaj produktu na działanie deszczu, śniegu, słońca lub wiatru.

Istnieje ryzyko pożaru!

1.2. Bezpieczeństwo dzieci, osób wymagających szczególnego traktowania i zwierząt domowych

- Ten produkt może być używany przez dzieci w wieku 8 lat i starsze oraz przez osoby o ograniczonych zdolnościach fizycznych, sensorycznych lub umysłowych lub nieposiadających doświadczenia i wiedzy, pod warunkiem, że są nadzorowane lub przeszkolone w zakresie bezpiecznego użytkowania produktu i związanego z nim ryzyka.

- Dzieci w wieku od 3 do 8 lat mogą wkładać i wyciągać produkty chłodnicze.

- Produkty elektryczne są niebezpieczne dla dzieci i zwierząt domowych. Dzieci i zwierzęta nie mogą bawić się, wchodzić na produkt ani do niego.

- Dzieci nie powinny wykonywać czyszczenia i konserwacji urządzenia, chyba że są one nadzorowane przez kogoś.

- Trzymaj materiały opakowaniowe poza zasięgiem dzieci. Istnieje ryzyko obrażeń i uduszenia!

- Przed wyrzuceniem starego lub przestarzałego produktu:

Instrukcje bezpieczeństwa

1. Odłącz produkt, chwytając za wtyczkę.

2. Przetnij kabel zasilający i wyjmij go z urządzenia wraz z wtyczką

3. Nie wyjmuj półek ani szuflad, aby dzieciom trudniej było wejść do produktu.

4. Zdejmij drzwi.

5. Produkt należy przechowywać w taki sposób, aby się nie przewrócił.

6. Nie pozwalaj dzieciom bawić się starym produktem.

- Nigdy nie wrzucaj produktu do ognia w celu utylizacji. Istnieje ryzyko wybuchu!

- Jeśli na drzwiach produktu znajduje się zamek, klucz należy przechowywać w miejscu niedostępnym dla dzieci.

1.3. Bezpieczeństwo elektryczne

- Produkt musi być odłączony od zasilania podczas instalacji, konserwacji, czyszczenia, naprawy i przenoszenia.

- Jeśli kabel zasilający jest uszkodzony, musi go wymienić wykwalifikowana osoba wskazana przez producenta, autoryzowanego przedstawiciela serwisu lub importera, aby uniknąć potencjalnych zagrożeń.

- Nie ściskaj kabla zasilającego pod ani za produktem. Nie kładź ciężkich przedmiotów na kablu zasilającym. Kabel zasilający nie może być nadmiernie zgięty, ściśnięty ani zetknięty z żadnym źródłem ciepła.

- Do obsługi produktu nie należy używać przedłużaczy, gniazd wielozadaniowych ani adapterów.
- Przenośne gniazodka elektryczne lub przenośne źródła zasilania mogą się przegrzać i spowodować pożar. Dlatego nie należy trzymać wielu gniazdek za lub w pobliżu produktu.
- Wtyczka musi być łatwo dostępna. Jeśli nie jest to możliwe, instalacja elektryczna, do której podłączony jest produkt, musi zawierać urządzenie (takie jak bezpiecznik, wyłącznik, wyłącznik itp.), które jest zgodne z przepisami elektrycznymi i odłącza wszystkie bieguny od sieci.
- Nie dotykaj wtyczki mokrymi rękami.
- Wyjmij wtyczkę z gniazdka, chwytając za wtyczkę, a nie za kabel.

1.4. Bezpieczeństwo transportu

- Produkt jest ciężki; nie przenoś go sam.
- Podczas przenoszenia produktu nie trzymaj za drzwiczki.
- Uważaj, aby nie uszkodzić układu chłodzenia lub przewodów rurowych podczas transportu. Jeśli przewody rurowe są uszkodzone, nie należy obsługiwać produktu i wezwać autoryzowanego przedstawiciela serwisu.

Instrukcje bezpieczeństwa

1.5. Bezpieczeństwo podczas instalacji

- Skontaktuj się z autoryzowanym agentem serwisowym w celu instalacji produktu. Aby przygotować produkt do użycia, sprawdź informacje w instrukcji obsługi, aby upewnić się, że instalacje elektryczne i wodne są odpowiednie. Jeśli nie są, skontaktuj się z wykwalifikowanym elektrykiem i hydraulikiem, aby dokonać niezbędnych ustaleń. W przeciwnym razie istnieje ryzyko porażenia prądem, pożaru, problemów z produktem lub obrażeń!
 - Przed instalacją sprawdź, czy produkt nie ma żadnych wad. Jeśli produkt jest uszkodzony, nie należy go instalować.
 - Umieść produkt na czystej, płaskiej i solidnej powierzchni i wyważ go za pomocą regulowanych nóżek. W przeciwnym razie produkt może się przewrócić i spowodować obrażenia.
 - Miejsce instalacji musi być suche i dobrze wentylowane. Nie umieszczaj dywanów, chodników lub podobnych pod produktem. Niewystarczająca wentylacja powoduje ryzyko pożaru!
 - Nie zakrywaj ani nie blokuj otworów wentylacyjnych. W przeciwnym razie zużycie energii wzrośnie, a produkt może ulec uszkodzeniu.
 - Produktu nie wolno podłączać do systemów zasilania, takich jak źródła energii słonecznej. W przeciwnym razie produkt może ulec uszkodzeniu na skutek nagłych zmian napięcia!

- Im więcej czynnika chłodniczego zawiera lodówka, tym większe musi być miejsce instalacji. Jeśli miejsce instalacji jest zbyt małe, w przypadku wycieku czynnika chłodniczego w układzie chłodzenia gromadzi się łatwopalny czynnik chłodniczy i mieszanka powietrza. Wymagana przestrzeń na każde 8 g czynnika chłodniczego wynosi minimum 1 m³. Ilość czynnika chłodniczego w produkcie jest podana na etykiecie typu.

- Produktu nie wolno instalować w miejscach narażonych na bezpośrednie działanie promieni słonecznych i należy go trzymać z dala od źródeł ciepła, takich jak płyty grzejne, grzejniki itp. Jeśli nie da się zainstalować produktu w pobliżu źródła ciepła, należy zastosować odpowiednią płytę izolacyjną pomiędzy nimi i zachować następujące minimalne odległości do źródła ciepła:

- Co najmniej 30 cm od źródeł ciepła, takich jak płyty grzejne, piekarniki, urządzenia grzewcze lub piece,
- Minimum 5 cm od piekarników elektrycznych.

- Klasa ochrony Twojego produktu to Typ I. Podłącz produkt do uziemionego gniazda, które odpowiada wartościom napięcia, prądu i częstotliwości podanym na etykiecie typu produktu. Gniazdko musi być wyposażone w wyłącznik automatyczny 10 A - 16 A. Nasza firma nie ponosi odpowiedzialności za jakiegokolwiek szkody powstałe podczas użytkowania produktu bez uziemienia i podłączenia

Instrukcje bezpieczeństwa

elektrycznego zgodnie z lokalnymi i krajowymi przepisami.

- Produkt nie może być podłączony podczas instalacji. W przeciwnym razie istnieje ryzyko porażenia prądem i obrażeń!
- Nie podłączaj produktu do gniazd, które są luźne, zwichnięte, złamane, brudne, tłuste lub narażone na kontakt z wodą.
- Poprowadź kabel zasilający i węże (jeśli występują) produktu w taki sposób, aby nie powodowały ryzyka potknięcia się.
- Wystawienie części pod napięciem lub kabla zasilającego na działanie wilgoci może spowodować zwarcie. Dlatego nie należy instalować produktu w miejscach takich jak garaże lub pralnie, w których wilgotność jest wysoka lub woda może pryskać. Jeśli lodówka zostanie zamoczona wodą, odłącz ją od zasilania i skontaktuj się z autoryzowanym serwisem.
- Nigdy nie podłączaj lodówki do urządzeń oszczędzających energię. Takie systemy są szkodliwe dla twojego produktu.

1.6. Bezpieczeństwo podczas użytkowania

- Nigdy nie używaj rozpuszczalników chemicznych na produkcie. Istnieje ryzyko wybuchu!
- Jeśli produkt działa wadliwie, odłącz go od zasilania i nie uruchamiaj go, dopóki nie zostanie naprawiony przez autoryzowanego przedstawiciela serwisu. Istnieje ryzyko porażenia prądem!
- Nie umieszczaj źródeł ognia (zapalonych świec, papierosów itp.) na produkcie lub w jego pobliżu.
- Nie wchodzić na produkt. Istnieje ryzyko upadku i odniesienia obrażeń!
- Nie uszkadzaj rur układu chłodzenia ostrymi lub penetrującymi przedmiotami. Czynniki chłodnicze, który może wydostać się po przebicium rur czynnika chłodniczego, przedłużeń rur lub powłok powierzchniowych, powoduje podrażnienia skóry i obrażenia oczu.
- O ile nie jest to zalecane przez producenta, nie należy umieszczać ani używać urządzeń elektrycznych wewnątrz lodówki/zamrażarki.
- Uważaj, aby nie przytrzasnąć dłoni ani żadnej innej części ciała ruchomym częściom lodówki. Uważaj, aby nie przycisnąć palców między drzwiami a lodówką. Zachowaj ostrożność podczas otwierania i zamykania drzwi, szczególnie jeśli w pobliżu znajdują się dzieci.
- Nigdy nie jedz lodów, kostek lodu ani mrożonek zaraz po wyjęciu ich z lodówki. Istnieje ryzyko odmrożenia!
- Kiedy masz mokre ręce, nie dotykaj wewnętrznych ścianek, metalowych części zamrażarki ani przechowywanych w niej potraw. Istnieje ryzyko odmrożenia!
- Nie umieszczaj puszek lub butelek zawierających napoje gazowane lub płyny do zamrażania w komorze zamrażarki. Puszki i butelki mogą pęknąć. Istnieje ryzyko obrażeń i szkód materialnych!

Instrukcje bezpieczeństwa

- Nie umieszczaj ani nie używaj łatwopalnych aerozoli, łatwopalnych materiałów, suchego lodu, substancji chemicznych lub podobnych wrażliwych na ciepło materiałów w pobliżu lodówki. Istnieje ryzyko pożaru i wybuchu!
- Nie przechowuj w swoim urządzeniu materiałów wybuchowych zawierających materiały łatwopalne, takie jak puszki aerosolowe.
- Nie umieszczaj pojemników wypełnionych płynem na produkcie. Rozpryskiwanie wody na część elektryczną może spowodować porażenie prądem lub ryzyko pożaru.
- Ten produkt nie jest przeznaczony do przechowywania leków, osocza krwi, preparatów laboratoryjnych lub podobnych substancji medycznych i produktów podlegających dyrektywie w sprawie produktów medycznych.
- Używanie produktu niezgodnie z jego przeznaczeniem może spowodować uszkodzenie lub zepsucie przechowywanych w nim produktów.
- Jeśli Twoja lodówka jest wyposażona w niebieskie światło, nie patrz na to światło za pomocą narzędzi optycznych. Nie patrz się bezpośrednio w lampę UV LED. Światło ultrafioletowe może powodować zmęczenie oczu.
- Nie przeciążaj produktu. Przedmioty w lodówce mogą spaść po otwarciu drzwi, powodując obrażenia lub uszkodzenia. Podobne problemy mogą pojawić się, jeśli jakkolwiek przedmiot zostanie umieszczony na produkcie.
- Aby uniknąć obrażeń, upewnij się, że wyczyściłeś cały lód i wodę, które mogły spaść lub rozpryskiwać się na podłodze.
- Zmień położenie półek / uchwytów na butelki w drzwiach lodówki tylko wtedy, gdy są puste. Istnieje ryzyko obrażeń!
- Nie kładź na produkcie przedmiotów, które mogą spaść / przewrócić się. Przedmioty takie mogą spaść, gdy drzwi są otwarte, powodując obrażenia i / lub szkody materialne.
- Nie uderzaj ani nie wywieraj nadmiernej siły na szklane powierzchnie. Rozbite szkło może spowodować obrażenia i / lub szkody materialne.
- Układ chłodzenia twojego produktu zawiera czynnik chłodniczy R600a: Rodzaj czynnika chłodniczego zastosowanego w produkcie jest wskazany na etykiecie typu. Ten czynnik chłodniczy jest łatwopalny. Dlatego należy uważać, aby nie uszkodzić układu chłodzenia lub przewodów rurowych podczas korzystania z produktu. Jeśli przewody rurowe są uszkodzone:
 - Nie dotykaj produktu ani kabla zasilającego,
 - Trzymaj się z dala od potencjalnych źródeł ognia, które mogą spowodować zapalenie się produktu.
 - Przewietrz miejsce, w którym znajduje się produkt. Nie używaj wentylatorów.
 - Zadzwoń do autoryzowanego przedstawiciela serwisu.

Instrukcje bezpieczeństwa

- Jeśli produkt jest uszkodzony i zobaczysz wyciek czynnika chłodniczego, trzymaj się od niego z dala. Czynnik chłodniczy może powodować odmrożenia w przypadku kontaktu ze skórą.

Do produktów z dozownikiem wody/maszyną do lodu

- Używaj tylko wody pitnej. Nie napełniaj zbiornika wody płynami, takimi jak sok owocowy, mleko, napoje gazowane lub napoje alkoholowe, które nie nadają się do użycia w dozowniku wody.
- Istnieje ryzyko dla zdrowia i bezpieczeństwa!
- Nie pozwalaj dzieciom bawić się dystrybutorem wody lub automatem do lodu (Icematic), aby uniknąć wypadków lub obrażeń.
- Nie wkładaj palców ani innych przedmiotów do otworu dozownika wody, kanału wody lub pojemnika na maszynę do lodu. Istnieje ryzyko obrażeń lub szkód materialnych!

1.7. Bezpieczeństwo podczas konserwacji i czyszczenia

- Nie ciągnij za uchwyt drzwi, jeśli chcesz przenieść produkt w celu wyczyszczenia. Uchwyt może pęknąć i spowodować obrażenia, jeśli wywierzysz na niego nadmierną siłę.

- Nie należy rozpylać ani wylewać wody na produkt ani do środka w celu czyszczenia. Istnieje ryzyko pożaru i porażenia prądem!
- Do czyszczenia produktu nie używaj ostrych ani szorstkich narzędzi. Nie używaj domowych środków czyszczących, detergentów, gazu, benzyny, rozcieńczalników, alkoholu, lakierów itp.
- Używaj tylko środków czyszczących i konserwujących wewnątrz produktu, które nie są szkodliwe dla żywności.
- Nigdy nie używaj pary lub środków wspomagających parę do czyszczenia lub rozmrażania produktu. Para ma kontakt z częściami pod napięciem w lodówce, powodując zwarcie lub porażenie prądem!
- Upewnij się, że woda nie przedostaje się do obwodów elektronicznych ani elementów oświetleniowych produktu.
- Za pomocą czystej i suchej szmatki wytrzyj ciała obce lub kurz z kołków wtyczki. Nie używaj mokrej lub wilgotnej szmatki do czyszczenia wtyczki. Istnieje ryzyko pożaru i porażenia prądem!

1.8. HomeWhiz

- Podczas obsługi produktu za pośrednictwem aplikacji HomeWhiz należy przestrzegać ostrzeżeń dotyczących bezpieczeństwa, nawet gdy jesteś z dala od produktu. Musisz także przestrzegać ostrzeżeń zawartych w aplikacji.

Instrukcje bezpieczeństwa

1.9. Oświetlenie



• Skontaktuj się z autoryzowanym serwisem, gdy konieczna jest wymiana diody LED/żarówki używanej do oświetlenia.

1.10. Bezpieczeństwo dotyczące promieniowania UV-C

- Nie usuwać szkła ochronnego lampy UV-C.
- Nie używać produktu bez szyby chroniącej lampę UV-C.
- Urządzenie zawiera lampę emitującą promienie UV-C. Nie wolno patrzeć bezpośrednio w źródło światła.
- Podczas czyszczenia komory, gdzie znajduje się lampa UV-C należy wyciągnąć wtyczkę z gniazdka.
- Pod żadnym pozorem nie wolno używać urządzenia, jeśli szkło ochronne jest uszkodzone.
- Przed wymianą lampy UV-C z pomocą autoryzowanego serwisu należy wyłączyć funkcję UV-C na wyświetlaczu panelu sterowania.
- Nie wolno usuwać etykiety „Zagrożenie promieniowaniem ultrafioletowym” znajdującej się w komorze higieny z lampą UV-C.
- Korzystanie z produktu niezgodnie z jego przeznaczeniem lub uszkodzenie szyby ochronnej lampy UV-C lub jej otoczenia może spowodować niebezpieczne promieniowanie UV-C. Promieniowanie UV-C, nawet w małych dawkach, może spowodować obrażenia oczu i skóry! Nie należy używać uszkodzonego produktu!

- Jeśli symbol UV-C zaczyna migać po włączeniu funkcji higieny, oznacza to, że osiągnięto okres półżywności lamp i że ich skuteczność jest mniejsza. W przypadku przestrzegania tego ostrzeżenia zalecamy wymianę lamp UV-C. Lampy UV-C wymienia się wraz z tacą, na której się znajdują. Zakupu i montażu tacy UV-C należy dokonać za pośrednictwem autoryzowanych serwisów.



	OSTRZEŻENIE: Promieniowanie UV-C jest szkodliwe dla oczu i skóry. Nie używać lamp UV-C poza urządzeniem !
	OSTRZEŻENIE: Użytkownik nie może wymieniać lamp UV-C. Gdy skończy się żywotność lamp UV-C, poproś o pomoc autoryzowany serwis !

Instrukcje bezpieczeństwa

1.11. Informacje techniczne dotyczące Wifi + Bluetooth

Pasma częstotliwości:	2,4GHz (Działa z Wi-fi lub Bluetooth)
Max. moc transmisji:	< 100 mW (Działa z Wi-fi lub Bluetooth)
Informacje dotyczące oprogramowania:	Quartz_WiFi.XXX

Deklaracja zgodności CE:

Arcelik A.Ş. oświadcza, że niniejsze urządzenie jest zgodne z Dyrektywą 2014/53/UE.

Pełny tekst deklaracji zgodności EU jest dostępny na stronie:

Pochodzenie produktów: support.beko.com

Zdefiniowany okres wsparcia aktualizacji oprogramowania związanego z cyberbezpieczeństwem dla produktu jest okresem gwarancji produktu. Po tym okresie aktualizacje oprogramowania związanego z cyberbezpieczeństwem nie są gwarantowane.

2 Instrukcje środowiska

2.1. Zgodność z dyrektywą WEEE i usuwanie odpadów:

Niniejszy wyrób jest zgodny z dyrektywą Parlamentu Europejskiego i Rady (2012/19/WE). Wyrób ten oznaczony jest symbolem klasyfikacji zużytych urządzeń elektrycznych i elektronicznych (WEEE).



Ten symbol oznacza, że sprzęt nie może być umieszczany łącznie z innymi odpadami gospodarstwa domowego po okresie jego użytkowania.

Zużyte urządzenie należy oddać do specjalnego punktu zbiórki zużytego sprzętu elektrycznego i elektronicznego w celu utylizacji. Aby uzyskać informacje o punktach zbiórki w swojej okolicy należy skontaktować się z lokalnymi władzami lub punktem sprzedaży tego produktu. Gospodarstwo domowe spełnia ważną rolę w przyczynianiu się do ponownego użycia i odzysku zużytego sprzętu. Odpowiednie postępowanie ze zużytym sprzętem zapobiega potencjalnym negatywnym konsekwencjom dla środowiska naturalnego i ludzkiego zdrowia.

2.2. Zgodność z dyrektywą RoHS:

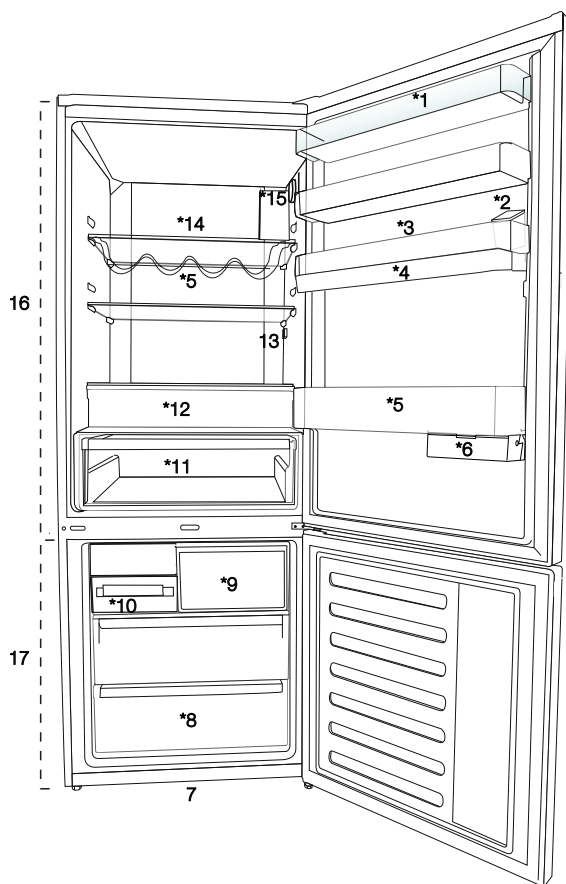
Niniejszy wyrób jest zgodny z dyrektywą Parlamentu Europejskiego i Rady RoHS (Ograniczenie użycia substancji niebezpiecznych) (2011/65/WE). Nie zawiera szkodliwych i zakazanych materiałów, podanych w tej dyrektywie.

2.3. Informacje o opakowaniu



Opakowanie tego wyrobu wykonano z materiałów nadających się do recyklingu, zgodnie z naszym ustawodawstwem krajowym. Nie wyrzucaj materiałów opakowaniowych do śmieci wraz z innymi odpadkami domowymi. Oddaj je w jednym z wyznaczonych przez władze lokalne punktów zbiórki materiałów opakowaniowych.

3 Oto Twoja chłodziarka




1. Półka na drzwiach komory chłodziarki
2. Zbiornik wodotrysku
3. Pojemnik na jajka
4. Zbiornik na wodę
5. Półka na butelki
6. Przesuwany schowek
7. Regulowane nogi
8. Komora głębokiego mrożenia
9. Komora szybkiego zamrażania
10. Automat do lodu
11. Pojemnik na świeże owoce i warzywa
12. Komora higieny (lampy UV-C)
13. Oświetlenie wewnętrzne
14. Szklana półka komory zamrażarki
15. Przycisk regulacji temperatury
16. Komora chłodziarki
17. Komora zamrażarki

Funkcja nie jest dostępna w niektórych modelach



*Opcjonalne: Rysunki w tej instrukcji obsługi są tylko szkicowe i mogą nie odpowiadać dokładnie posiadanemu produktowi. Jeśli posiadany produkt nie zawiera odpowiednich części, informacje dotyczą innych modeli.

4 Instalacja

 Przed użyciem urządzenia należy przeczytać rozdział „Instrukcje bezpieczeństwa”!

4.1. Odpowiednie miejsce na instalację

W sprawie instalacji produktu skontaktuj się z autoryzowanym serwisem. Aby przygotować produkt do instalacji, zapoznaj się z informacjami w instrukcji użytkownika i sprawdź, czy zasilanie elektryczne i dopływ wody są zgodne z wymaganiami. Jeśli nie, skontaktuj się z elektrykiem i hydraulikiem, aby dokonać stosownych zmian.



OSTRZEŻENIE: Producent nie bierze żadnej odpowiedzialności za szkody spowodowane pracami wykonywanymi przez osoby nieupoważnione.



OSTRZEŻENIE: Podczas instalacji kabel zasilający produktu musi być odłączony od sieci. W przeciwnym razie może to skutkować śmiercią lub poważnymi obrażeniami!



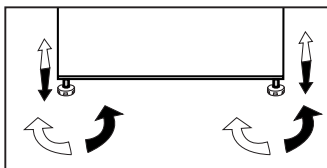
OSTRZEŻENIE: Jeśli drzwi są zbyt wąskie, aby przenieść przez nie produkt, zdejmij jego drzwiczki i obróć go na bok; jeśli to nie pomoże, skontaktuj się z autoryzowanym serwisem.

- Aby uniknąć wibracji, chłodziarkę należy ustawić na równej powierzchni.
- Zainstaluj produkty co najmniej 30 cm od podgrzewacza, piecyka i podobnych źródeł ciepła, oraz co najmniej 5 cm od kuchenek elektrycznych.
- Nie narażaj produktu na bezpośrednie działanie promieni słonecznych ani nie trzymaj go w wilgotnym otoczeniu.
- Produkt wymaga odpowiedniej cyrkulacji powietrza, aby działać wydajnie.

- Jeśli chłodziarka ma stać we wnęce w ścianie, należy zwrócić uwagę, aby pozostawić co najmniej 5 cm odstępu od sufitu i ścian.
- Nie instaluj chłodziarki w miejscu, gdzie temperatura spada poniżej -5°C .
- Produkt wymaga odpowiedniej cyrkulacji powietrza, aby mógł działać skutecznie. Jeśli produkt zostanie umieszczony we wnęce, pamiętaj o pozostawieniu co najmniej 5 cm odstępu między produktem a sufitem, ścianą tylną i ścianami bocznymi.
- Jeśli produkt zostanie umieszczony we wnęce, pamiętaj o pozostawieniu co najmniej 5 cm odstępu między produktem a sufitem, ścianą tylną i ścianami bocznymi. Sprawdź, czy element zabezpieczający tylną ścianę znajduje się na swoim miejscu (jeśli został dostarczany z produktem). Jeśli element nie jest dostępny lub został zgubiony, lub upadł, ustaw produkt w taki sposób, aby pozostawić przynajmniej 5 cm odstępu między przestrzenią za produktem a ścianami. Odstęp z tyłu jest ważny dla efektywnego działania produktu.




4.2. Regulacja nóżek

Jeśli produkt nie jest ustawiony równo, wyreguluj przednie regulowane nóżki, obracając je w prawo lub w lewo.



Instalacja

4.3. Połączenie elektryczne

	OSTRZEŻENIE: Do podłączenia zasilania nie używaj przedłużacza ani wtyczki wielokrotnej.
	OSTRZEŻENIE: Wymianę uszkodzonego przewodu zasilającego należy zlecić autoryzowanemu serwisowi.
	W przypadku umieszczenia dwóch chłodziarek obok siebie należy zostawić między nimi odstęp przynajmniej 4 cm.

- Nasza firma nie bierze odpowiedzialności za jakiegokolwiek szkody powstałe na skutek używania bez uziemienia i korzystania z połączenia elektrycznego niezgodnego z przepisami krajowymi.
- Po instalacji wtyczka zasilania musi być łatwo dostępna.
- Nie używaj wtyczki wielokrotnej bez przedłużacza ani z nim do połączenia gniazdka w ścianie z chłodziarką.

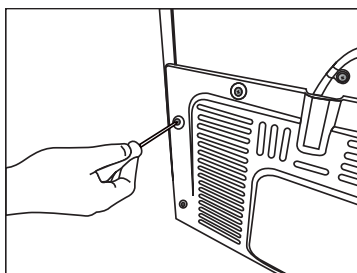


Ostrzeżenie o gorącej powierzchni
W bocznych ściankach produktu poprowadzone są przewody z chłodziwem dla poprawy systemu chłodzenia. Czynnik chłodniczy w wysokich temperaturach może przepływać przez te obszary, co może bardzo rozgrzać powierzchnie ścianek bocznych. Jest to normalne i nie wymaga żadnego serwisowania. Proszę zachować ostrożność podczas dotykania tych obszarów.

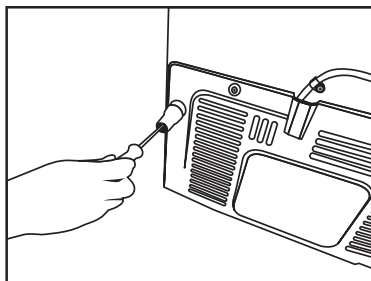
4.4. Zakładanie klinów plastikowych

Użyj klinów plastikowych dostarczonych wraz z produktem, aby zapewnić wystarczająco dużo miejsca na cyrkulację powietrza między produktem a ścianą.

1. Aby założyć kliny, wyjmij śruby z produktu i użyj śrub dostarczonych w tej samej torebce, co kliny.



2. Włóż 2 plastikowe kliny w tylną płytę wentylacyjną, jak pokazano na rysunku.



5 Przygotowanie

! Przed użyciem urządzenia należy przeczytać rozdział „Instrukcje bezpieczeństwa”!

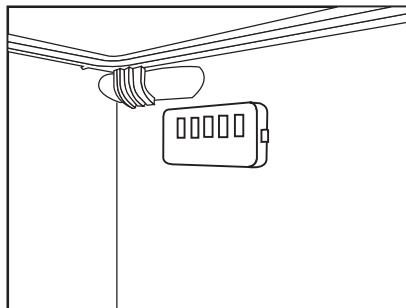
5.1. Co zrobić, aby oszczędzać energię



Podłączanie produktu do elektronicznych systemów oszczędzania energii jest niebezpieczne, ponieważ może uszkodzić produkt.

- W przypadku urządzenia wolnostojącego; „Urządzenie chłodnicze nie jest przeznaczone do stosowania jako urządzenie wbudowane”;
- Nie trzymaj chłodziarki otwartej przez dłuższy czas.
- Nie wkładaj gorącej żywności ani napojów do chłodziarki.
- Nie przepelniaj chłodziarki; zablokowanie wewnętrznego przepływu powietrza zmniejsza wydajność chłodzenia.
- Aby przechowywać maksymalną możliwą ilość żywności w komorze chłodzenia chłodziarki, należy wyjąć górne szuflady i umieścić żywność na półkach szklanych. Deklarowane zużycie energii chłodziarki zostało określone przy wyjęciu komory chłodzenia, tacki na lód i górnych szuflad w sposób, który umożliwia przechowywanie maksymalnej ilości żywności. Korzystanie z dolnej szuflady do przechowywania jest zdecydowanie zalecane. Należy włączyć funkcję oszczędzania energii w celu zoptymalizowania jej zużycia.
- Nie należy blokować przepływu powietrza, umieszczając żywność przed wentylatorem. Wkładając żywność, należy zachować minimum 3 cm odstępu od osłony wentylatora.

- W zależności od funkcji produktu; rozmrażanie zamrożonej żywności w komorze chłodzenia zapewni oszczędność energii i zachowanie jakości produktów spożywczych.
- Żywność należy przechowywać w szufladach w komorze chłodzenia, aby zapewnić oszczędność energii i lepsze warunki przechowywania.



- Pojemniki z żywnością nie powinny stykać się bezpośrednio z czujnikiem temperatury umieszczonym w komorze chłodzenia. Jeśli stykają się one z czujnikiem, zużycie energii przez urządzenie może wzrosnąć.
- Upewnij się, że żywność nie styka się z czujnikiem temperatury komory chłodzenia opisanym poniżej.
- Ponieważ gorące i wilgotne powietrze nie będzie miało bezpośredniego dostępu do Twojego produktu kiedy drzwi będą zamknięte, produkt dokona samodzielnej optymalizacji w warunkach wystarczających do ochrony Twojej żywności. W takich okolicznościach, funkcje i komponenty, takie jak kompresor, wentylator, podgrzewacz, rozmrażanie, oświetlenie, wyświetlacz itp. będą działały w taki sposób, aby zużywać minimalną potrzebną ilość energii.

5.2. Pierwsze uruchomienie

Przed użyciem chłodziarki wykonaj odpowiednie przygotowania zgodnie z instrukcjami w sekcjach „Instrukcje dotyczące bezpieczeństwa i ochrony środowiska” i „Instalacja”.

- Zostaw produkt włączony bez żywności w środku na 6 godzin i nie otwieraj drzwi, jeśli nie jest to absolutnie konieczne.



Gdy zaczyna działać sprężarka, rozlega się dźwięk. Nawet jeśli sprężarka jest wyłączona, dźwięki są normalne z powodu skompresowanych cieczy i gazów w systemie chłodzenia.



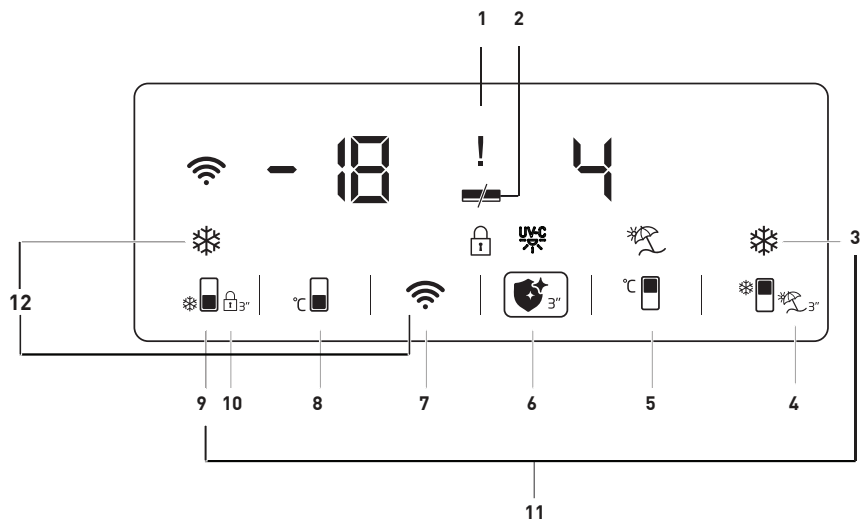
Przednie krawędzie produktu mogą się nagrzewać. Jest to całkiem normalne. Te obszary zostały zaprojektowane, aby się nagrzewać w celu zapobiegnięcia kondensacji.



W niektórych modelach panel wskaźników wyłącza się automatycznie po 5 minutach od zamknięcia drzwi. Włącza się on ponownie w momencie otwarcia drzwi lub naciśnięcia dowolnego przycisku.

6 Działanie produktu

⚠ Przed użyciem urządzenia należy przeczytać rozdział „Instrukcje bezpieczeństwa”!



1. Wskaźnik stanu błędu
2. Wskaźnik funkcji oszczędzania energii (wyłączenie wyświetlacza):
3. Przycisk szybkiego chłodzenia
4. Przycisk funkcji Wakacji
5. Przycisk regulacji temperatury komory chłodziarki
6. Przycisk funkcji Higieny
7. Przycisk sieci bezprzewodowej
8. Przycisk regulacji temperatury komory zamrażarki
9. Przycisk funkcji szybkiego zamrażania
10. Blokada przycisków
11. Przycisk zmiany jednostki temperatury
12. Przycisk resetowania ustawień połączenia bezprzewodowego


Funkcja nie jest dostępna w niektórych modelach



***Opcjonalne:** Liczby w instrukcji obsługi są przykładowe i mogą nie odpowiadać posiadanemu modelowi. Jeśli posiadany produkt nie zawiera odpowiednich części, informacje dotyczą innych modeli.

Korzystanie z produktu

1. Wskaźnik stanu błędu

Ten wskaźnik () będzie aktywny, gdy chłodziarka nie może zapewnić odpowiedniego chłodzenia lub w przypadku jakiegokolwiek błędu czujnika. Gdy wskaźnik jest aktywny, na wskaźniku temperatury komory zamrażania wyświetla się „E”, a na wskaźniku temperatury komory chłodniczej wyświetlane są liczby 1, 2, 3... Liczby te dostarczają autoryzowanemu serwisowi informacji na temat zaistniałego błędu.


Wykrzyknik może zostać wyświetlony po włożeniu żywności do komory zamrażarki lub pozostawieniu otwartych drzwi przez dłuższy czas. To nie jest usterka, ostrzeżenie zniknie po ostygnięciu potrawy.

2. Wskaźnik funkcji oszczędzania energii (wyłączenie wyświetlacza):



Funkcja oszczędzania energii włącza się automatycznie, a symbol oszczędzania energii pojawia się na ekranie, gdy drzwi urządzenia nie są otwierane lub zamykane przez pewien czas. (—)

Gdy funkcja oszczędzania energii jest aktywna, wszystkie symbole na wyświetlaczu, oprócz symbolu oszczędzania energii, wyłączą się. Gdy funkcja oszczędzania energii jest aktywna, naciśnięcie dowolnego przycisku lub otwarcie drzwi spowoduje jej wyłączenie i symbole na wyświetlaczu powrócą do normalnego stanu. Funkcja oszczędzania energii jest funkcją zainstalowaną fabrycznie i nie można jej wyłączyć.

3. Przycisk szybkiego chłodzenia


Gdy jest włączona funkcja szybkiego chłodzenia, zapali się wskaźnik szybkiego chłodzenia () i wskaźnik temperatury komory chłodzenia będzie wskazywał wartość 1. Ponowne naciśnięcie przycisku szybkiego chłodzenia wyłączy tę funkcję. Wskaźnik szybkiego chłodzenia wyłączy się i należy przywrócić normalne ustawienia. Funkcja szybkiego chłodzenia zostanie automatycznie wyłączona po 1 godzinach, jeśli nie zostanie anulowana przez użytkownika. Aby schłodzić dużą ilość świeżej żywności, naciśnij przycisk szybkiego chłodzenia przed umieszczeniem żywności w komorze chłodzenia.

4. Przycisk funkcji Wakacji

Naciśnij przycisk () przez 3 sekundy, aby włączyć funkcję wakacji, a wskaźnik trybu wakacji () powinien się włączyć. Gdy funkcja wakacji jest aktywna, „-” zostanie wyświetlone na wskaźniku temperatury chłodziarki i aktywne chłodzenie komory chłodziarki nie będzie działać. Gdy ta funkcja jest aktywna, nie wolno przechowywać żywności w komorze chłodzenia. Pozostałe komory należy dalej chłodzić zgodnie z ustawionymi dla nich temperaturami.

Ponowne **naciśnięcie przycisku wakacji wyłączy tę funkcję.**

5. Przycisk regulacji temperatury komory chłodziarki

Temperaturę przedziału chłodzącego można ustawić odpowiednio na 8,7,6,5,4,3,2 i 1 po naciśnięciu przycisku. ()

Korzystanie z produktu

6. Przycisk funkcji Higieny

Naciśnij przycisk (🧼) przez 3 sekundy, aby włączyć funkcję higieny, a wskaźnik trybu higieny

(🧼) powinien się włączyć. Jeśli włączona jest funkcja higieny nie należy otwierać drzwi produktu. Jeżeli drzwi produktu zostaną otwarte, gdy funkcja higieny jest aktywna, funkcja ta powinna wyłączyć się do czasu ponownego zamknięcia drzwi. Urządzenie powinno wydać ostrzeżenie dźwiękowe i zakończyć pracę po zakończeniu czynności higienicznej. Aby zakończyć operację higieny przed ustawionym czasem, przytrzymaj przycisk funkcji higieny przez 3 sekundy.

Jeśli po włączeniu funkcji higieny na wyświetlaczu wraz z symbolem higieny pojawi się wykrzyknik (⚠️), oznacza to, że lampy niedługo stracą właściwości higieniczne. Skontaktuj się z serwisem.

7. Przycisk sieci bezprzewodowej (*opcja)

Długie naciśnięcie klawisza (3 sekundy) powoduje rozpoczęcie połączenia produktu do sieci domowej. Podczas nawiązywania połączenia symbol sieci bezprzewodowej (📶) będzie migał z przerwami co 0,5 sekundy.

Po pomyślnym nawiązaniu połączenia z siecią domową

symbol sieci bezprzewodowej powinien świecić się w sposób ciągły.

Po nawiązaniu połączenia możesz je włączyć/wyłączyć naciśnięciem przycisku.

Sieć, z którą urządzenie nawiąże połączenie, zostanie zapamiętana

i połączenie zostanie nawiązane ponownie po wyłączeniu i włączeniu produktu.

Podczas nawiązywania połączenia symbol sieci bezprzewodowej będzie migał z przerwami co 0,2 sekundy.

Gdy połączenie jest aktywne, symbol sieci bezprzewodowej powinien świecić się w sposób ciągły. Jeśli nie można nawiązać połączenia przez chwilę, sprawdź ustawienia modemu/połączenia

Aplikacja HomeWhiz służy jako interfejs połączenia. Kroki połączenia opisano w HomeWhiz INSTRUKCJA SZYBKIEJ INSTALACJI dostarczonej z produktem. Odpowiedzi na podstawowe pytania można znaleźć w rozdziale Rozwiązywanie problemów.

8. Przycisk regulacji temperatury komory zamrażalki

Pozwala to na ustawienie temperatury w komorze zamrażania. Temperaturę przedziału zamrażania można ustawić odpowiednio na -18, -19, -20, -21, -22, -23 i -24 po naciśnięciu przycisku (🌡️).

9. Przycisk funkcji szybkiego zamrażania

Naciśnij przycisk (9) do szybkiego zamrażania, a wskaźnik szybkiego zamrażania (❄️) powinien być włączony.

Gdy jest włączona funkcja szybkiego zamrażania, zapali się wskaźnik szybkiego zamrażania i wskaźnik temperatury komory zamrażania będzie wskazywał wartość -27. Ponowne naciśnięcie przycisku szybkiego zamrażania (❄️) wyłączy tę

Korzystanie z produktu

funkcję. Przycisk szybkiego zamrażania zgaśnie i wróci do normalnych ustawień. Funkcja szybkiego zamrażania zostanie automatycznie wyłączona po 32 godzinach, jeśli nie zostanie anulowana przez użytkownika. Aby zamrozić dużą ilość świeżej żywności, naciśnij przycisk szybkiego zamrażania przed umieszczeniem żywności w komorze zamrażania.

10. Blokada przycisków

Naciśnij przycisk (🔒) przez 3 sekundy. Symbol blokady przycisków (🔒) zacznie się świecić, a blokada przycisków zostanie włączona. Jeśli blokada przycisków jest aktywna przycisk nie działa. Naciśnij przycisk (🔒) przez 3 sekundy. Blokady klawiatury zostanie wyłączona. Aby zapobiec zmianie ustawienia temperatury chłodziarki, należy nacisnąć przycisk blokady przycisków.

11. Przycisk zmiany jednostki temperatury

Naciśnij i przytrzymaj klawisze Szybkiego chłodzenia (*📱) i Szybkiego zamrażania (*📱) przez 3 sekundy, aby przełączać między stopniami Fahrenheita i Celsjusza.

12. Przycisk resetowania ustawień połączenia bezprzewodowego

Po jednoczesnym naciśnięciu przycisków Szybkie zamrażanie

(*📱) i sieci bezprzewodowej

(*📶) przez 3 sekundy, ustawienia połączenia bezprzewodowego zostaną zresetowane.

6.1. Niebieskie światło/ Harvest Fresh

* Funkcja nie jest dostępna w niektórych modelach

W przypadku niebieskiego światła,

owoce i warzywa przechowywane w pojemnikach oświetlonych niebieskim światłem dalej wytwarzają fotosyntezę. Dzieje się tak dzięki efektowi długości fali niebieskiego światła, a tym samym zachowują one witaminy.

W przypadku Harvest Fresh,

owoce i warzywa przechowywane w pojemnikach oświetlonych technologią Harvest Fresh dłużej zachowują witaminy. Dzieje się tak dzięki cyklom niebieskiego, zielonego, czerwonego światła oraz ciemności, które symulują cykl dzienny. Jeśli otworzysz drzwi lodówki podczas ciemnego cyklu technologii Harvest Fresh, lodówka automatycznie to wykryje i umożliwi niebiesko-zielone lub czerwone światło, aby podświetlić pojemnik na warzywa. Po zamknięciu drzwi lodówki cykl ciemności będzie kontynuowany, symulując noc w cyklu dziennym.

Korzystanie z produktu

6.2. Komora higieny

* Funkcja jest opcjonalna

1. Funkcja higieny UV-C nie powinna być aktywowana, gdy ruszt i metalowa szuflada znajdująca się wewnątrz komory higieny są poza komorą.

2. Aktywacja funkcji higieny, gdy metalowej szuflady nie ma w komorze higieny, powoduje odkształcenie znajdującej się pod nią szuflady z tworzywa sztucznego.

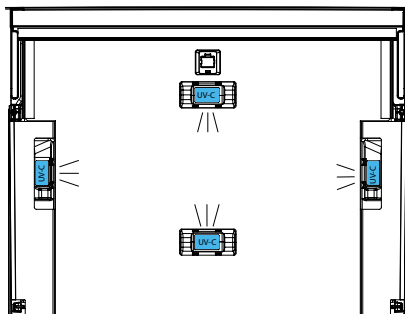
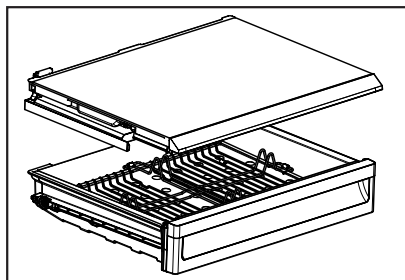
3. Szyby znajdujące się nad przegrodą higieny nie próbuj usuwać siłą.

4. Nie dotykać, nie uderzać ani nie przykładać siły do świetlówek UV-C umieszczonych na dolnej powierzchni szklanej półki komory higieny.

5. Dla własnego bezpieczeństwa nie próbuj wyjmować szklanej półki z komory higieny. Usunięcie listwy zębatej spowoduje odłączenie elementów elektrycznych.

6. Światło, które widzisz po otwarciu komory higieny, nie jest światłem UV-C. Jest to oświetlenie LED.

7. Wytrzymaj metalową szufladę i blachę pod tacą tylko wilgotną szmatką.

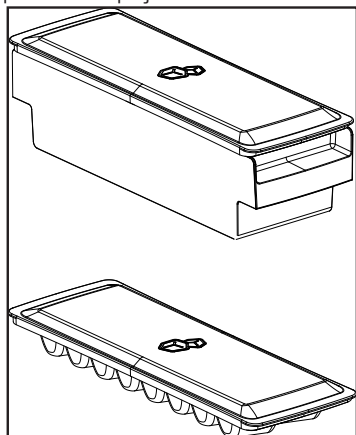


Korzystanie z produktu

6.3. Pojemnik na lód

(Opcja)

- Wyjmij pojemnik na lód z komory zamrażalnika.
- Wypełnij pojemnik na lód wodą.
- Włóż pojemnik na lód do komory zamrażalnika.
- Lód będzie gotowy za ok. dwie godziny. Wyjmij pojemnik na lód z komory zamrażalnika i zegnij go lekko nad pojemnikiem, w którym zamierzasz go podać. Lód łatwo wypadnie do pojemnika.



6.4. Pojemnik na jajka

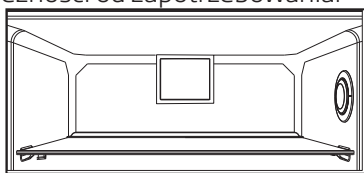
Pojemnik na jajka możesz umieścić na drzwiach lub w głównej komorze. Jeśli zdecydujesz się go umieścić w głównej komorze, zaleca się korzystanie z dolnych półek, ponieważ jest tam chłodniej.



Nie wkładaj pojemnika na jajka do komory zamrażalnika.

6.5. Wentylator

Wentylator został zaprojektowany, aby równomiernie rozprowadzać chłodne powietrze we wnętrzu chłodziarki. Czas działania wentylatora może się różnić w zależności od własności chłodziarki. W niektórych chłodziarkach wentylator działa tylko wtedy, kiedy sprężarka, w innych system sterowania określa czas działania w zależności od zapotrzebowania.



6.6. Pojemnik na warzywa

(Opcja)

Pojemnik na warzywa został zaprojektowany, aby utrzymać świeżość warzyw poprzez zachowanie wilgotności. W tym celu ogólna cyrkulacja zimnego powietrza jest intensywniejsza w tym pojemniku.

6.7. Komora o temperaturze zero

(Opcja)

Używaj tej komory, aby przechowywać delikatesy w niższych temperaturach lub produkty mięsne do szybkiego spożycia.

Komora o temperaturze zero to najchłodniejsze miejsce, gdzie możesz przechowywać artykuły spożywcze takie jak nabiał, mięso, ryby i drób w idealnych warunkach. W tej komorze nie należy przechowywać warzyw ani owoców.

Korzystanie z produktu

6.8. Użycie drugiego pojemnika na świeże warzywa.



Rysunek 1.

Jak pokazano na rysunku, w drugim komorze na świeże warzywa w modelu K70560 znajdują się 2 blokady.



Rysunek 2.

Zamknięty drugi pojemnik na świeże warzywa wygląda tak, jak pokazano na rysunku 2.



Rysunek 3.

Przy otwartych pod kątem 90° drzwiach wysunąć drugi pojemnik na świeże warzywa do pierwszej blokady, jak pokazano na rysunku 3.



W przypadku większego wysunięcia szuflady należy najpierw otworzyć drzwi przynajmniej pod kątem 135°. Następnie, jak pokazano na rysunku 4, podnieść drugi pojemnik na świeże warzywa na ok. 5 mm, aby zwolnić pierwszą blokadę.



Rysunek 4.

Po podniesieniu wysunąć drugą szufladę do drugiej blokady, jak pokazano na rysunku 5.

Rysunek 5.

Korzystanie z produktu

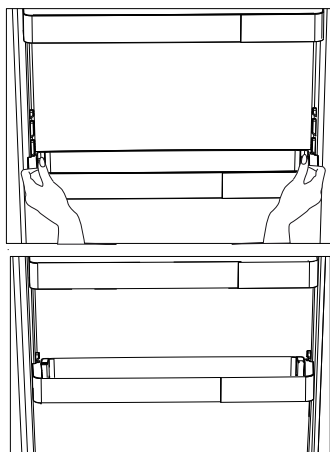
6.9. Ruchomy stelaż na drzwiach

(Opcja)

Ruchomy stelaż na drzwiach można zamocować w 3 różnych pozycjach. Aby przesunąć stelaż, naciśnij jednocześnie przyciski z boku. Stelaż można przesunąć.

Przesuń stelaż w górę lub w dół.

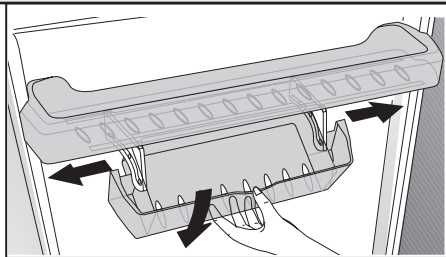
Kiedy stelaż znajdzie się w żądanej pozycji, zwolnij przyciski. Stelaż zostanie zamocowany w pozycji, w jakiej zwolnisz przyciski.



6.10. Pojemnik przesuwany

(Opcja)

Ten element wyposażenia został zaprojektowany, aby zwiększyć używalność stelaży na drzwiach. Dzięki możliwości przesuwania na boki, ułatwia on ułożenie długiej butelki, słoika lub pudełka, które wkładasz w uchwyt na butelki poniżej.



6.11. Pochłaniacz zapachów

(FreshGuard) * opcja

Pochłaniacz zapachów błyskawicznie usuwa z lodówki nieprzyjemne zapachy, zanim przenikną do powierzchni. Urządzenie znajduje się na suficie komory na świeżą żywność. Dzięki niemu nieprzyjemne zapachy zostają zneutralizowane podczas aktywnego przepływu powietrza przez filtr zapachowy. Po oczyszczeniu powietrze wraca do komory na świeżą żywność. Dzięki temu nieprzyjemne zapachy pochodzące z żywności przechowywanej w lodówce zostają usunięte, zanim przenikną do powierzchni.

Jest to możliwe dzięki wentylatorowi, diodzie LED oraz filtrowi zapachowemu - wszystkie te elementy stanowią integralną część pochłaniacza zapachów. Podczas codziennego użytkowania pochłaniacz zapachów okresowo włącza się automatycznie. Aby zapewnić skuteczne działanie wyrobu, zaleca się wymianę filtra zapachowego przez autoryzowany serwis co 5 lat. Ponieważ pochłaniacz zapachów jest wyposażony w wentylator, podczas pracy emituje hałas - jest to normalne zjawisko.

Korzystanie z produktu

W przypadku gdy drzwi komory na świeżą żywność zostaną otwarte podczas pracy pochłaniacza, wentylator wstrzyma działanie, a po zamknięciu drzwi wznowi pracę po pewnym czasie. W przypadku awarii zasilania pochłaniacz wznowi pracę po przywróceniu zasilania na tym samym etapie cyklu działania, na którym została ona przerwana.

Informacja: Zaleca się przechowywanie żywności o silnym zapachu (takiej jak sery, oliwki i wyroby garmażeryjne) w zamkniętym opakowaniu, aby uniknąć nieprzyjemnej woni powstałej na skutek wymieszania zapachów różnych produktów. Ponadto zaleca się szybkie wyjmowanie z lodówki zepsutych produktów, aby zapobiec nieprzyjemnym zapachom oraz zepsuciu innych artykułów.

6.12. Pojemnik na warzywa z kontrolą wilgotności

(Opcja)

Funkcja kontroli wilgotności umożliwia zachowanie odpowiedniej wilgotności warzyw i owoców oraz zapewnia dłuższą świeżość żywności. Zaleca się w miarę możliwości przechowywanie w pojemniku warzyw liściastych, jak sałata, szpinak itp. w pozycji poziomej, a nie opartych o korzeń, ze względu na utratę wilgotności.

Układając warzywa, ciężkie i twarde należy układać na dole, a lekkie i miękkie na górze, biorąc pod uwagę konkretną wagę warzyw.

Nie zostawiać w pojemniku warzyw w plastikowych torebkach. Zostawienie ich w plastikowej torebce spowoduje, że szybko zgniją. W sytuacjach, kiedy styczność z innymi warzywami jest niezalecana, używaj materiałów opakowaniowych takich jak papier, które mają pewną porowatość pozwalającą zachować higienę.

Nie wkładaj owoców, które wydzielają dużo gazowego etylenu, jak gruszki, morele, brzoskwinie, a przede wszystkim jabłka, do tego samego pojemnika na warzywa, co inne warzywa i owoce. Gazowy etylen wydobywający się z tych owoców może spowodować szybsze dojrzewanie i gnicie pozostałych warzyw i owoców.

Korzystanie z produktu

6.13. Automatyczna maszyna do lodu

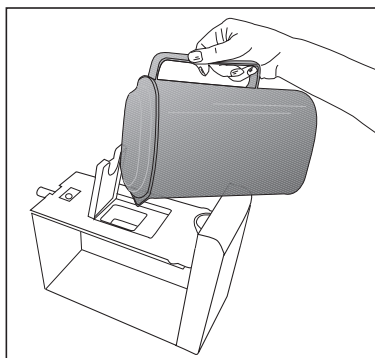
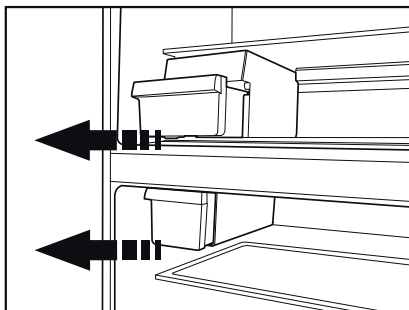
(Opcja)

Automatyczna maszyna do lodu umożliwia łatwe wytwarzanie lodu w chłodziarce. Aby wytworzyć lód za pomocą maszyny do lodu, wyjmij zbiornik wody z komory chłodzenia, napełnij go wodą i włóż z powrotem. Pierwszy lód powstanie po dwóch godzinach w szufladzie na lód znajdującej się w komorze chłodzenia. Po włożeniu pełnego zbiornika wody możesz uzyskać z niego 60-70 kostek lodu.

Jeśli woda w zbiorniku stała przez 2-3 tygodnie, należy ją wymienić.



W przypadku produktów z automatyczną maszyną do lodu możesz słyszeć dźwięk podczas wysypywania lodu. Jest to zupełnie normalne i nie świadczy o awarii.



Korzystanie z produktu

6.14. Kostkarka do lodu Icematic i pojemnik na lód

*opcja

Obsługa kostkarki do lodu Icematic

Napełnij Icematic wodą i włóż do obudowy. Lód będzie gotowy za ok. dwie godziny. Nie wyjmuj Icematic z obudowy, aby wyjąć lód.

Obróć pokrętła na zbiornikach lodu zgodnie z ruchem wskazówek zegara o 90 stopni.

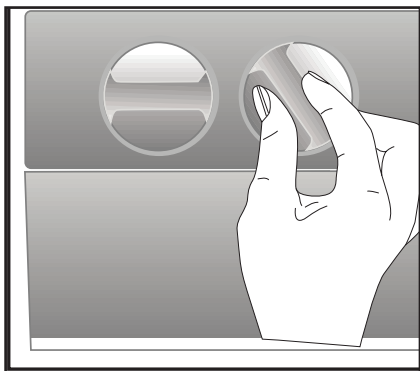
Kostki lodu w zbiornikach wypadną do pojemnika na lód pod nimi.

Teraz możesz wyjąć pojemnik na lód i podać kostki lodu.

Jeśli chcesz, możesz trzymać kostki lodu w tym pojemniku.

Pojemnik na lód

Pojemnik na lód służy wyłącznie do gromadzenia kostek lodu. Nie wlewaj do niego wody. W przeciwnym razie ulegnie uszkodzeniu.



6.15. Korzystanie z dozownika wody

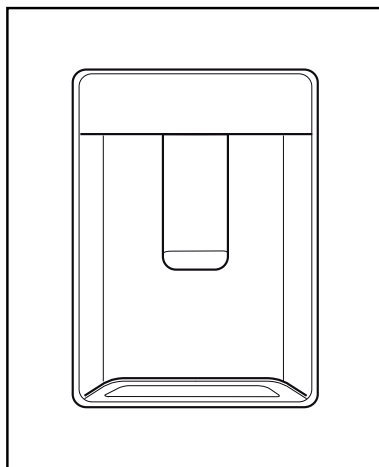
*opcja

i Pierwsze kilka szklanek wody z dozownika mogą być ciepłe i jest to całkiem normalne.

i Jeżeli dozownika wody nie używa się przez dłuższy czas, wylewa się pierwsze kilka szklanek wody, aby uzyskać wodę świeżą.

1. Naciśnij szklanką dźwignię dozownika wody. Jeśli korzystasz z miękkiego plastikowego kubka, naciśnięcie dźwigni ręką będzie łatwiejsze.

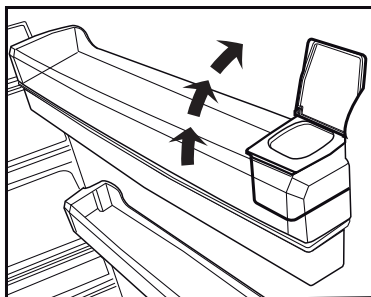
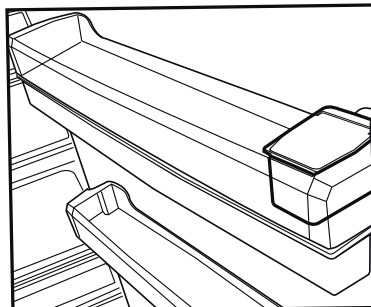
2. Po napełnieniu kubka dożądanego poziomu puść dźwignię.



Korzystanie z produktu



Prosimy zwrócić uwagę, że ilość wody wypływającej z dozownika zależy od tego, jak bardzo wciśnięto dźwignię. W miarę jak podnosi się poziom wody w kubku lub szklance delikatnie zmniejszaj nacisk na dźwignię, aby uniknąć przelania się wody. Jeśli lekko nacisnąć ramię, woda kapie, co jest całkiem normalne i nie świadczy o awarii.



6.16. Napełnianie zbiornika dozownika wodą

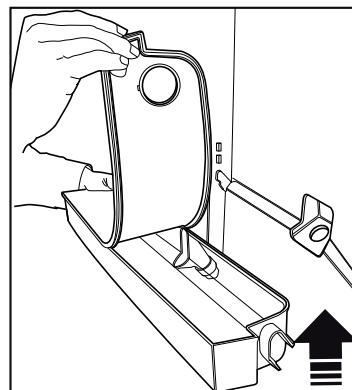
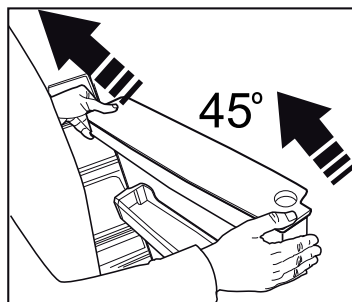
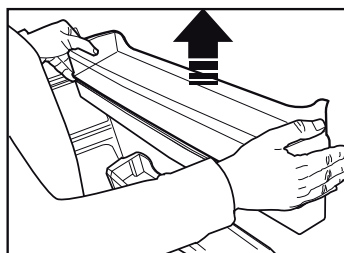
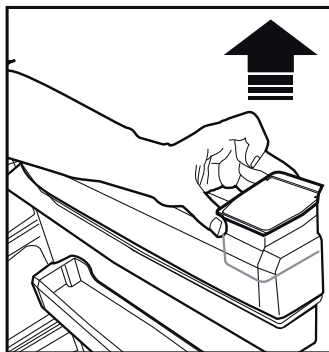
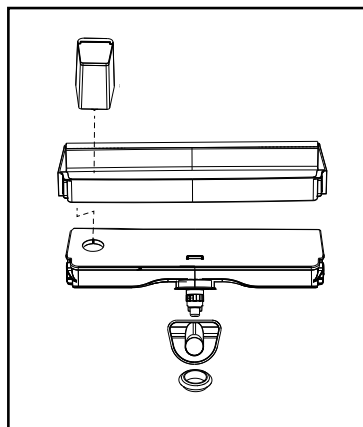
Zbiornik wody mieści się w stelażu na drzwiach.

1. Otwórz pokrywę zbiornika.
2. Napełnij zbiornik świeżą wodą pitną.
3. Zamknij pokrywkę.

Korzystanie z produktu

i Nie napełniaj zbiornika na wodę innym płynem niż woda, np. sokiem owocowym, napojem gazowanym, czy napojem alkoholowym, które nie nadają się do stosowania w zbiorniku na wodę. Użycie płynu tego rodzaju spowoduje trwałe uszkodzenie dozownika. Użytkowania takiego nie obejmuje gwarancja. Pewne zawarte w takich płynach substancje chemiczne i dodatki mogą uszkodzić zbiornik na wodę.

i Używaj tylko świeżej, czystej wody pitnej.



Korzystanie z produktu

i Pojemność zbiornika na wodę wynosi 3 litry, nie należy jej przekraczać.

6.17. Czyszczenie zbiornika na wodę

1. Wyjmij zbiornik na wodę ze stelaża na drzwiach.
2. Wyjmij stelaż na drzwiach, trzymając go z obu stron.
3. Chwyć zbiornik na wodę z obu stron i wyjmij go pod kątem 45°C.
4. Zdejmij pokrywę zbiornika na wodę i wyczyść go.

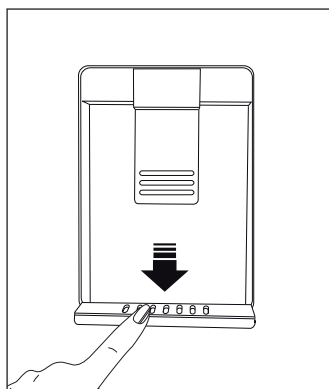
i Elementów zbiornika i dozownika nie należy myć w zmywarkach do naczyń.

6.18. Tacka na krople

Woda, która kapie przy korzystaniu z dozownika zbiera się w tacce na krople.

Wyjmij plastikowy filtr tak jak pokazano na rysunku.

Wytrzyj zebraną wodę za pomocą czystej i suchej ściereczki.



HerbBox/HerbFresh

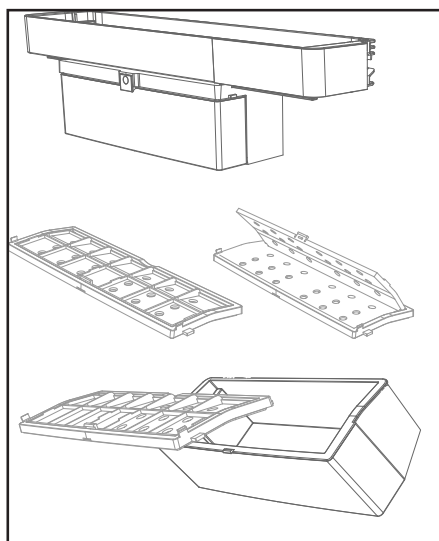
Wyjmij woreczek foliowy z pojemnika HerbBox/HerbFresh+.

Wyjmij folię z woreczka i włóż do ją do osłony tak, jak pokazano na ilustracji. Zamknij pojemnik i umieść go w części HerbBox/HerbFresh+.

HerbBox/HerbFresh+ jest idealne do przechowywania różnorodnych, delikatnych ziół, wymagających odpowiednich warunków.

W pojemniku tym możesz przechowywać na poziomo zioła wyjęte z opakowań (pietruska, koperek, itp.), co zapewni im świeżość przez znacznie dłuższy okres.

Folię należy wymieniać co pół roku.



Korzystanie z produktu

6.19. Zamrażanie żywności świeżej

- Aby zachować jakość żywności, produkty spożywcze włożone do komory zamrażalnika powinny zostać zamrożone jak najszybciej. W tym celu użyj funkcji szybkiego zamrażania.
- Zamrażanie świeżych produktów spożywczych przedłuży ich czas przechowywania w komorze zamrażalnika.
- Zapakuj produkty spożywcze w hermetyczne opakowania i dobrze zamknij.
- Sprawdź, czy produkty są zapakowane przed włożeniem ich do zamrażalnika. Użyj pojemników do zamrażalnika, folii aluminiowej, papieru pergaminowego, woreczków plastikowych lub podobnych materiałów opakowaniowych zamiast tradycyjnego papieru do pakowania.



Lód w komorze zamrażania jest rozmrażany automatycznie.

- Oznacz każde opakowanie przed zamrożeniem, pisząc na nim datę. Pozwoli Ci to określić świeżość każdego opakowania za każdym otwarciem zamrażalnika. Przechowuj wcześniej włożone produkty spożywcze z przodu, aby zostały użyte pierwsze.
- Zamrożone produkty należy zużyć zaraz po rozmrożeniu i nie wolno ich zamrażać ponownie.
- Nie należy zamrażać dużych ilości żywności na raz.

Regulacja temperatury w komorze zamrażalnika.	Regulacja temperatury w komorze chłodzenia.	Informacje
-18°C	4°C	To domyślne, zalecane ustawienie.
-20, -22 lub -24°C	4°C	Te ustawienia są zalecane, jeśli temperatura otoczenia przekracza 30°C.
Quick Freeze	4°C	Funkcji tej używa się do szybkiego zamrażania żywności. Kiedy ten proces się zakończy, chłodziarka wróci do poprzedniego ustawienia.
-18°C lub zimniej	2°C	Użyj tych ustawień, jeśli uważasz, że w komorze chłodzenia nie jest dostatecznie zimno z powodu temperatury otoczenia lub częstego otwierania drzwiczek.

6.20. Przechowywanie żywności mrożonej

Temperatura komory musi być ustawiona na co najmniej -18°C.

1. Zamrożone produkty należy wkładać do zamrażalnika możliwie jak najszybciej, aby uniknąć rozmrożenia.
2. Przed zamrożeniem sprawdź datę ważności na opakowaniu, aby mieć pewność, że jest ona aktualna.

3. Sprawdź, że opakowanie żywności nie jest uszkodzone.

6.21. Informacje o komorze głębokiego zamrażania

Zgodnie ze standardem IEC 62552 zamrażalnik musi mieć zdolność zamrożenia 4,5 kg żywności w temperaturze -18°C lub niższej w ciągu 24 godzin na każde 100 litrów objętości komory zamrażalnika.

Korzystanie z produktu

Produkty spożywcze można przechowywać przez dłuższy czas tylko w temperaturze -18°C lub niższej.

Możesz zachować świeżość żywności przez kilka miesięcy (w komorze głębokiego zamrażania w temperaturze -18°C lub niższej).

Produkty spożywcze, które mają zostać zamrożone, nie mogą się stykać z już zamrożonymi produktami, aby uniknąć ich częściowego rozmrożenia.

Ugotuj warzywa i filtruj wodę, aby przedłużyć czas przechowywania. Umieść żywność w hermetycznych opakowaniach po filtrowaniu i umieść w zamrażalniku. Banany, pomidory, sałata, seler, gotowane jajka, ziemniaki i podobne artykuły nie powinny być zamrażane. Jeśli te artykuły zepsują się, wpłynie to negatywnie tylko na wartości odżywcze i smak. Zepsucie zagrażające zdrowiu ludzkiemu nie wchodzi w grę.

6.22. Rozmieszczenie żywności

Półki w komorze zamrażalnika	Różne mrożonki, np. mięso, ryby, lody, warzywa itp.
Półki komory chłodzenia	Produkty spożywcze w garnkach, na przykrytych talerzach, zamkniętych pudełkach, jajka (w zamkniętym pudełku)
Półki na drzwiach komory chłodzenia	Małe i zapakowane produkty spożywcze oraz napoje
Pojemnik na warzywa	Owoce i warzywa
Komora na żywność świeżą	Delikatesy (produkty śniadaniowe, produkty mięsne do szybkiego spożycia)

6.23. Alarm o otwartych drzwiach

(Opcja)

Jeśli drzwi chłodziarki będą otwarte przez co najmniej minutę, rozlegnie się słyszalny alarm. Alarm ten wyłączy się po zamknięciu drzwi lub naciśnięciu dowolnego przycisku na wyświetlaczu (jeśli dostępny).

Alarm o otwartych drzwiach jest prezentowany użytkownikowi słyszalnie i wizualnie. Oświetlenie wewnętrzne wyłączy się, jeśli ostrzeżenie będzie trwało 10 min.

6.24. Zmiana kierunku otwierania drzwi

Możesz zmienić kierunek otwierania chłodziarki, w zależności od miejsca użytkowania. Jeśli musisz to zrobić, skontaktuj się z najbliższym autoryzowanym serwisem.

Powyższe wyjaśnienie to stwierdzenie ogólne. Aby uzyskać informacje o możliwości zmiany kierunku otwierania drzwi, sprawdź etykietę ostrzegawczą wewnątrz opakowania produktu.

6.25. Oświetlenie wewnętrzne

Oświetlenie wewnętrzne korzysta z lampek typu LED. W przypadku problemów z lampką skontaktuj się z autoryzowanym serwisem.

Lampek używanych w tym urządzeniu nie można użyć do oświetlania domu. Zgodnie z przeznaczeniem użycie tej lampki to pomoc użytkownikowi w bezpiecznym i wygodnym umieszczeniu żywności w chłodziarce/zamrażalniku.

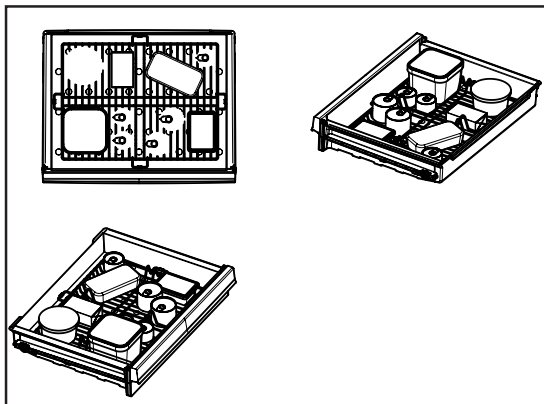
Korzystanie z produktu


6.26. Zalecenia dotyczące obsługi komory higieny:

* Funkcja jest opcjonalna

- Umieszczając żywność w tej komorze w celu higieny powierzchni żywności, zawsze umieszczaj mięso, kurczaka, ryby, mleko i nabiał w opakowaniu.
- Ze względów higienicznych nie należy w tej komorze umieszczać produktów innych niż żywność.
- Jeśli żywność zostanie umieszczona w komorze higieny bez wyjmowania jej z torby na zakupy, należy zapewnić higienę tylko dla powierzchni torby, a opakowania, w której znajduje się żywność nie mogą być oświetlone. Dlatego podczas umieszczania produktów w komorze należy wyjąć je z torby na zakupy.
- Procedurę higieniczną należy zastosować tylko raz do tego samego pokarmu i nie zaleca się stosowania jej więcej niż jeden raz.
- Jeżeli po zakończeniu procedury higieny nie można powtórzyć tej procedury dla innej żywności, zalecamy przechowywanie w tej komorze wyłącznie produktów delikatesowych i śniadaniowych. Nie zaleca się przechowywania warzyw i owoców przez długi czas w tej komorze, ponieważ w komorze higieny jest niższa niż w innych częściach chłodziarki temperatura.

- Przed włączeniem funkcji higieny za pomocą panelu sterowania zaleca się tymczasowe umieszczenie żywności przechowywanej wcześniej w komorze higieny w innej części chłodziarki. Gdy procedura higieny jest aktywna, zaleca się, aby produkty, które mają być higieniczne, po raz pierwszy były przechowywane tylko w komorze. Po zakończeniu procedury higieny można umieścić wyjętą żywność z powrotem w komorze.
- Dla skutecznego działania funkcji higieny, produkty należy umieszczać zachowując odstęp między nimi i upewniając się, że nie blokują światła.
- Przed włączeniem funkcji higieny upewnij się, że żywność nie jest umieszczana jedna na drugiej.



 Przed użyciem urządzenia należy przeczytać rozdział „Instrukcje bezpieczeństwa”!

Czas eksploatacji urządzenia wydłuża się, jeśli jest ono regularnie czyszczone.



OSTRZEŻENIE: Przed czyszczeniem chłodziarki odłącz ją od prądu.

- Do czyszczenia nie wolno stosować żadnych ostrych ani szorstkich narzędzi, mydła, domowych środków czystości, detergentów, ani wosku do polerowania.
- Rozpuść łyżeczkę węglanu w pół litrze wody. Namoczyć ściereczkę w roztworze i dokładnie ją wyjmij. Przetrzyj wnętrze chłodziarki tą ściereczką i dokładnie wytrzyj do sucha.
- Dbaj, aby do obudowy lampki i innych urządzeń elektrycznych nie dostała się woda.
- Wyczyść drzwi wilgotną ściereczką. Aby wyjąć półki z drzwi i wnętrza chłodziarki, opróżnij je z całej zawartości. Wyjmij półki z drzwi, przesuwając je w górę. Po oczyszczeniu, wsuń je od góry do dołu, aby włożyć na miejsce.
- Do czyszczenia powierzchni zewnętrznych i chromowanych części produktu nie należy używać ani środków czyszczących, ani wody z zawartością chloru. Chlor powoduje korozję takich powierzchni metalowych.
- Nie używaj ostrych ani szorstkich narzędzi, mydła, domowych środków czystości, detergentów, nafty, oleju napędowego, lakieru itp., aby zapobiec odpadnięciu i odkształceniu plastikowych części. Do czyszczenia użyj letniej wody i miękkiej ściereczki, a następnie wytrzyj do sucha.

7.1. Jak unikać nieprzyjemnych zapachów

Do wyrobu chłodziarek nie używa się materiałów powodujące zapachy. Jednak w wyniku niewłaściwego przechowywania żywności i nieczyszczenia wnętrza chłodziarki mogą powstawać nieprzyjemne zapachy. A zatem co 15 dni czyść chłodziarkę roztworem węglanu w wodzie.

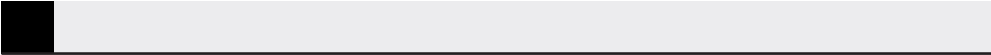
- Żywność przechowuje się w zamkniętych pojemnikach. Wydostające się z odkrytych pojemników mikroorganizmy mogą powodować nieprzyjemne zapachy.
- W chłodziarce nie wolno przechowywać żywności zepsutej ani takiej, której termin przydatności do spożycia upłynął.

7.2. Jak zabezpieczyć powierzchnie plastikowe.

Wymyć od razu ciepłą wodą, ponieważ olej może spowodować uszkodzenie plastikowej powierzchni.

7.3. Szkło w drzwiach

Zdejmij folię ochronną ze szkła. Na powierzchni szkła znajduje się pokrycie. To pokrycie ogranicza możliwość powstawania plam i ułatwia usuwanie ewentualnych plam i zabrudzeń. Szkło niechronione takim pokryciem może ulec trwałemu zabrudzeniu organicznymi lub nieorganicznymi związkami opartymi na powietrzu lub wodzie, jak kamień, sole mineralne, niespalone węglowodory, tlenki metali i silikony, które łatwo i szybko powodują powstanie plam i szkody materialne. Utrzymanie szkła w czystości staje się zbyt trudne pomimo regularnego czyszczenia. W konsekwencji pogarsza się wygląd i zmniejsza przezroczystość szkła. Ostre i szorstkie metody i środki czyszczące



zwiększą te problemy i przyspieszą proces niszczenia.

Należy używać niezasadowych i łagodnych środków czyszczących opartych na wodzie.

Do czyszczenia należy używać niezasadowych i łagodnych środków czyszczących, aby wydłużyć trwałość tej powłoki.

Szkło to hartuje się, aby zwiększyć odporność na uderzenie i pęknięcie.

Na jego tylne powierzchnie nakłada się także folie ochronne jako dodatkowe zabezpieczenie w celu zapobieżenia szkodom w otoczeniu w przypadku jego potłuczenia.

* Zasady to podstawa do tworzenia jonów wodorotlenku (OH^-) po rozpuszczeniu w wodzie.

Li (lit), Na (sód), K (potas) Rb (rubid), Cs (cez) oraz sztuczny i radioaktywny Fr (frans) są nazywane METALAMI ALKALICZNYMI.

Przed skontaktowaniem się z serwisem należy sprawdzić tę listę. Umożliwi to zaoszczędzenie czasu i pieniędzy. Ta lista zawiera często spotykane problemy niezwiązane z wadami jakości wykonania lub materiałów. Pewne wymienione tutaj funkcje mogą nie dotyczyć posiadanego produktu.

Lodówka nie działa.

- Wtyk zasilania nie jest włożony do końca. >>> Dociśnij go do końca w gniazdku.
- Bezpiecznik podłączony do gniazda zasilającego produkt lub bezpiecznik główny jest przepalony. >>> Sprawdź bezpieczniki.

Kondensacja na bocznej ścianie komory chłodziarki (WIELOSTREFOWE, CHŁODZENIE, KONTROLA I STREFA ELASTYCZNA).

- Drzwi są za często otwierane >>> Należy pamiętać, aby nie otwierać drzwi produktu za często.
- Środowisko jest za wilgotne. >>> Produktu nie należy instalować w wilgotnych środowiskach.
- Żywność zawierająca płyny jest przechowywana w nieszczelnych opakowaniach. >>> Żywność zawierająca płyny należy przechowywać w zamkniętych opakowaniach.
- Drzwi produktu pozostały otwarte. >>> Nie wolno pozostawiać otwartych drzwi produktu przez długi czas.
- Termostat jest ustawiony na za niską temperaturę. >>> Ustaw termostat na odpowiednią temperaturę.

Sprężarka nie działa.

- W przypadku nagłej awarii zasilania lub wyciągnięcia kabla zasilającego z gniazda i podłączenia go z powrotem ciśnienie gazu w układzie chłodzenia produktu jest niezrównoważone, co wyzwała zabezpieczenie termiczne sprężarki. Produkt ponownie się uruchomi po około 6 minutach. Jeśli produkt nie uruchomi się po tym czasie, skontaktuj się z serwisem.
- Odmrażanie jest aktywne. >>> To jest normalne w przypadku produktu z całkowicie zautomatyzowanym odmrażaniem. Odmrażanie odbywa się okresowo.
- Produkt nie jest podłączony. >>> Upewnij się, że kabel zasilania jest podłączony.
- Nastawa temperatury jest niepoprawna. >>> Wybierz poprawną nastawę temperatury.
- Brak zasilania. >>> Po przywróceniu zasilania produkt będzie kontynuował normalną pracę.

Hałas pracy lodówki zwiększa się podczas używania.

- Wydajność robocza produktu może się zmieniać w zależności od zmian temperatury otoczenia. To jest sytuacja normalna, a nie awaria.

Lodówka włącza się za często lub na zbyt długo.

Rozwiązywanie problemów

- Nowy produkt może być większy niż poprzedni. Większe produkty pracują dłużej.
- Temperatura w pomieszczeniu może być wysoka. >>> Produkt będzie normalnie działał przed dłuższy czas przy wyższej temperaturze w pomieszczeniu.
- Produkt mógł zostać niedawno podłączony lub do środka została włożona nowa porcja żywności. >>> Produkt będzie potrzebował więcej czasu na osiągnięcie ustawionej temperatury, jeśli został niedawno podłączony lub do środka została włożona nowa porcja żywności. To jest normalne.
- Do produktu włożono ostatnio dużą ilość gorącej żywności. >>> Do produktu nie wolno wkładać gorącej żywności.
- Drzwi były często otwierane lub były otwarte przez dłuższy czas. >>> Ciepłe powietrze przedostające się do środka spowoduje wydłużenie pracy produktu. Nie należy za często otwierać drzwi.
- Drzwi zamrażarki lub chłodziarki mogą być uchylone. >>> Sprawdź, czy drzwi są całkowicie zamknięte.
- Produkt może mieć ustawioną za niską temperaturę. >>> Ustaw wyższą temperaturę i poczekaj aż produkt ją osiągnie.
- Uszczelka drzwi chłodziarki lub zamrażarki może być zabrudzona, zużyta, uszkodzona lub niepoprawnie ułożona. >>> Oczyszczyć lub wymieść uszczelkę. Uszkodzona/podarta uszczelka drzwi spowoduje wydłużenie działania produktu w celu utrzymania bieżącej temperatury.

Temperatura zamrażarki jest bardzo niska, ale temperatura chłodziarki jest odpowiednia.

- Temperatura komory zamrażarki jest ustawiona bardzo nisko. >>> Ustaw wyższą temperaturę komory zamrażarki i sprawdź ponownie.

Temperatura chłodziarki jest bardzo niska, ale temperatura zamrażarki jest odpowiednia.

- Temperatura komory chłodziarki jest ustawiona bardzo nisko. >>> Ustaw wyższą temperaturę komory chłodziarki i sprawdź ponownie.

Żywność przechowywana w szufladach komory chłodziarki jest zamrożona.

- Temperatura komory chłodziarki jest ustawiona bardzo nisko. >>> Ustaw wyższą temperaturę komory zamrażarki i sprawdź ponownie.

Temperatura chłodziarki lub zamrażarki jest za wysoka.

Rozwiązywanie problemów

- Temperatura komory chłodziarki jest ustawiona bardzo wysoko.
>>> Nastawa temperatury komory chłodziarki wpływa na temperaturę komory zamrażarki. Zmień temperaturę komory chłodziarki lub zamrażarki i poczekaj aż odpowiednia komora osiągnie ustawiony poziom temperatury.
- Drzwi były często otwierane lub były otwarte przez dłuższy czas. >>> Nie należy za często otwierać drzwi.
- Drzwi mogą być uchylone. >>> Całkowicie zamknij drzwi.
- Produkt mógł zostać niedawno podłączony lub do środka została włożona nowa porcja żywności.
>>> To jest normalne. Produkt będzie potrzebował więcej czasu na osiągnięcie ustawionej temperatury, jeśli został niedawno podłączony lub do środka została włożona nowa porcja żywności.
- Do produktu włożono ostatnio dużą ilość gorącej żywności. >>> Do produktu nie wolno wkładać gorącej żywności.

Wstrząsy lub hałas.

- Podłoże nie jest poziome lub wytrzymałe. >>> Jeśli produkt się kołysze podczas powolnego przemieszczania, wyreguluj nóżki w celu zrównoważenia produktu. Upewnij się też, że podłoże jest wystarczająco wytrzymałe i uniesie produkt.
- Wszelkie przedmioty umieszczone na produkcie mogą powodować hałas.
>>> Zdejmij wszelkie przedmioty umieszczone na produkcie.

Produkt wytwarza dźwięki przepływającego płynu, rozpryskiwania itd.

- Zasada działania produktu obejmuje przepływy płynu i gazu.
>>> To jest sytuacja normalna, a nie awaria.

Z produktu słychać odgłos dmuchającego wiatru.

- Produkt używa wentylatora w procesie chłodzenia. To jest sytuacja normalna, a nie awaria.

Na wewnętrznych ściankach produktu występuje kondensacja.

- Gorąca lub zimna pogoda zwiększy zalodzenie i kondensację. To jest sytuacja normalna, a nie awaria.
- Drzwi były często otwierane lub były otwarte przez dłuższy czas. >>> Nie należy otwierać drzwi za często, a jeśli są otwarte należy je zamknąć.
- Drzwi mogą być uchylone. >>> Całkowicie zamknij drzwi.

Na powierzchni zewnętrznej lub między drzwiami produktu występuje kondensacja.

- Pogoda może być wilgotna i to zjawisko jest normalne w takich warunkach. >>> Po zmniejszeniu wilgotności kondensacja zniknie.

Rozwiązywanie problemów

Nieprzyjemny zapach we wnętrzu.

- Produkt nie jest regularnie czyszczony. >>> Czyść wnętrze regularnie za pomocą gąbki, ciepłej wody i wody z węglanem.
- Niektóre pojemniki i opakowania mogą wywoływać nieprzyjemne zapachy. >>> Należy używać pojemników i opakowań z materiałów niewydzielających zapachów.
- Żywność została umieszczona w nieszczelnych opakowaniach. >>> Żywność należy przechowywać w zamkniętych opakowaniach. Drobnoustroje mogą się rozprzestrzeniać z niezamkniętych opakowań i powodować nieprzyjemne zapachy.
- Z produktu należy usunąć wszelką przeterminowaną i zepsutą żywność.

Drzwi się nie zamykają.

- Opakowania żywności mogą blokować drzwi. >>> Przesuń przedmioty blokujące drzwi.
- Produkt nie stoi całkowicie pionowo na ziemi. >>> Wyreguluj nóżki, aby zrównoważyć produkt.
- Podłoże nie jest poziome lub wytrzymałe. >>> Upewnij się, że podłoże jest poziome i wystarczająco wytrzymałe oraz uniesie produkt.

Zaciął się pojemnik na warzywa.

- Żywność może się stykać z górną częścią szuflady. >>> Zmień ułożenie żywności w szufladzie.

Jeśli powierzchnia produktu jest gorąca.

- Podczas pracy produktu obszar między drzwiczkami, panele boczne i tylny ruszt mogą osiągać wysoką temperaturę. Jest to normalne zjawisko i nie oznacza konieczności dokonywania naprawy!



OSTRZEŻENIE: Jeśli problem nie zniknie po wykonaniu instrukcji podanych w tym rozdziale, skontaktuj się ze sprzedawcą lub autoryzowanym serwisem. Nie próbuj naprawiać produktu.

Gwarancja jakości

Twój produkt marki BEKO posiada gwarancję jakości udzieloną przez Beko S.A z siedzibą w Warszawie ul. Puławska 366, 02-819 Warszawa (dalej Gwarant). Gwarancja jakości udzielana jest wyłącznie na produkty marki BEKO wprowadzane do obrotu na terytorium Rzeczypospolitej Polskiej przez Gwaranta. Termin gwarancji wynosi 24 miesiące od daty zakupu produktu. Oświadczenie gwarancyjne określające warunki gwarancji znajdziesz na stronie internetowej **www.beko.pl** w sekcji serwis.

Warunkiem wykonywania uprawnień z gwarancji jest przedstawienie dowodu zakupu produktu lub zarejestrowanie produktu na stronie **www.beko.pl w sekcji serwis .**

Zarejestruj swój produkt.

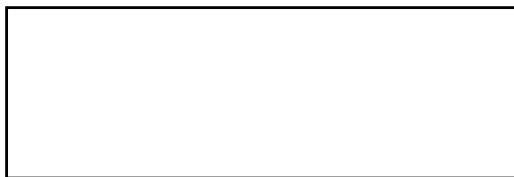
Załącz konto oraz zarejestruj teraz swój produkt marki BEKO objęty gwarancją na naszej stronie internetowej **www.beko.pl** w sekcji serwis. Dzięki temu nie będziesz musiał się martwić w sytuacji gdy zgubisz dowód zakupu. Ponadto będziesz miał możliwość otrzymania oświadczenia gwarancyjnego w postaci „cyfrowej karty gwarancyjnej”.

Obsługa klienta – infolinia 22 250 14 14

W celu zgłoszenia reklamacji lub usterki produktu marki BEKO prosimy o kontakt telefoniczny z infolinią . Nasi konsultanci pomogą ci rozwiązać problem lub skierują do właściwego serwisu BEKO.

Infolinia czynna jest 7 dni w tygodniu od 8.00 do 20:00.

* Koszt połączenia jak za połączenie lokalne (z telefonu stacjonarnego) lub według stawek operatora sieci komórkowej.



Podpis i pieczęć instalatora (z numerem uprawnienia) w przypadku montażu urządzeń gazowych lub płyt i piekarników elektrycznych

Aby otrzymać więcej informacji dotyczących serwisu BEKO np. gdzie kupić części zamienne lub akcesoria należy odwiedzić stronę internetową **www.beko.pl i wybrać zakładkę serwis.**

ZASTRZEŻENIE/OSTRZEŻENIE

Niektóre (proste) awarie mogą być naprawione przez użytkownika końcowego bez obawy przed niebezpieczeństwem lub wynikającym z tego niebezpiecznego użytkownika, pod warunkiem, że naprawy zostaną wykonane w określonych granicach i zgodnie z następującymi instrukcjami (patrz rozdział „Samodzielna naprawa”).

Dlatego, o ile nie określono inaczej w rozdziale "Samodzielna naprawa", naprawy powinny być zlecane do profesjonalnych warsztatów w celu uniknięcia problemów związanych z bezpieczeństwem. Zarejestrowany profesjonalny podmiot zajmujący się naprawami to profesjonalny warsztat, któremu producent przyznał dostęp do instrukcji i wykazu części zamiennych produktu zgodnie z metodami opisanymi w aktach ustawodawczych zgodnie z dyrektywą 2009/125/WE.

Jednak tylko przedstawiciel serwisu (tj. autoryzowane profesjonalne warsztaty), z którym można skontaktować się pod numerem telefonu podanym w instrukcji obsługi/karcie gwarancyjnej lub za pośrednictwem autoryzowanego sprzedawcy, może świadczyć usługi na warunkach gwarancji. W związku z tym należy pamiętać, że naprawy wykonywane przez profesjonalne warsztaty (nieautoryzowane przez Beko) powodują utratę gwarancji.

Samodzielna naprawa

Użytkownik końcowy może samodzielnie naprawić następujące części zamienne: klamki, zawiasy drzwi, tace, kosze i uszczelki drzwi (zaktualizowana lista jest również dostępna na support.beko.com od 1 marca 2021).

Ponadto, aby zapewnić bezpieczeństwo produktu i zapobiec ryzyku poważnych

obrażeń, samodzielną naprawę należy wykonać zgodnie ze wskazówkami zawartymi w instrukcji obsługi w rozdziale "Samodzielna naprawa" lub dostępnymi w support.beko.com Dla własnego bezpieczeństwa, przed samodzielną naprawą, odłącz urządzenie od zasilania.

Naprawy i próby naprawy dokonywane przez użytkowników końcowych w przypadku części niewymienionych na liście i/lub nieprzestrzeganie wskazówek zawartych w rozdziale „Samodzielna naprawa” lub dostępnych w support.beko.com, mogą stanowić zagrożenie, którego nie można przypisać do Beko, oraz spowodują utratę gwarancji.

W związku z tym zdecydowanie zaleca się, aby użytkownicy końcowi powstrzymali się od podejmowania prób wykonywania napraw spoza wymienionego wykazu części zamiennych, kontaktując się w takich przypadkach z autoryzowanymi warsztatami lub profesjonalnymi warsztatami. Samodzielne próby naprawy mogą stwarzać zagrożenie i uszkodzić urządzenie, a następnie spowodować pożar, powódź, porażenie prądem i poważne obrażenia ciała.

Na przykład, ale nie tylko, następujące naprawy muszą zostać zlecone w autoryzowanych warsztatach lub zarejestrowanych profesjonalnych warsztatach: sprężarka, obwód chłodzenia, płyta główna, płyta falownika, tablica wyświetlacza itp.

Producent/sprzedawca nie ponosi odpowiedzialności w przypadku gdy użytkownik nie stosuje się do zaleceń.

Dostępność części zamiennych do zakupionej lodówki wynosi 10 lat. Przez ten czas dostępne będą oryginalne części zamienne do prawidłowej eksploatacji lodówki. Minimalny okres gwarancji na zakupioną lodówkę wynosi 24 miesiące.

Почитуван кориснику,

Ве молиме, прочитајте го ова упатство пред да го користите производот.

Ви благодариме што го избравте овој производ. Би сакале добро да Ви користи овој фрижидер, кој е изработен со висок квалитет и според најнова технологија. Затоа внимателно прочитајте го ова упатство за употреба и другите приложени документи пред да го користите фрижидерот и чувајте ги во случај да Ви затребаат.

Следете ги сите информации и придржувајте се за сите предупредувања дадени во ова упатство.

Така ќе се заштитите себеси и производот од опасностите што би можеле да настанат.

Чувајте го упатството за употреба. Ако му го дадете фрижидерот на некој друг, дајте му го и ова упатство за употреба.

Во упатството се користат следниве симболи:



Опасност што може да води до смрт или повреда.

ВНИМАНИЕ Опасност што може да предизвика материјална штета на производот или во неговата непосредна околина





Важни информации и корисни совети за користењето на фрижидерот.



Прочитајте го упатството за употреба.



Ризик од UVC зрачење

ИНФОРМИИ	
 ENERGY 	Информациите за моделот се чуваат во базата на податоци и до нив можете да стигнете ако одите на следнава веб-локација и да го побарате идентификаторот на вашиот модел (*) кој се наоѓа на налепницата за енергија.
SUPPLIER'S NAME A	MODEL IDENTIFIER (*) A
https://eprel.ec.europa.eu/	

1 Упатства за безбедност	3	6.8.Подвижна рамка на вратата	21
 1.1 Цел на употреба	3	6.9.Лизгачка кутија за складирање	21
 1.2 Безбедност на деца, ранливи личности и миленици.	3	6.10.Корпа за зеленчук со контрола на влажност.	22
 1.3 Безбедност во однос на струјата	4	6.11.Автоматска машина за мраз	22
 1.4 Безбедност при ракување	4	6.12.Ледомат и сад за чување мраз	23
 1.5 Безбедност при инсталација	4	6.13.Користење на чешмата за вода.	23
 1.6 Безбедност при работењето	5	6.14.Полнење на резервоарот на чешмата за вода.	24
 1.7 Безбедност при одржување и чистење.	7	6.15. Чистење на водниот резервоар	25
 1.8 HomeWhiz.	7	6.17.Кутија за зачини/Свежи зачини (HerbBox/HerbFresh)	26
 1.9 Осветлување	7	6.16.Послужавник за капење	26
 1.10- Безбедност од UVC зрачење	8	6.18.Замрзнување свежа храна.	27
2 Упатства за животната средина	9	6.19.Препораки за чување на смрзната храна.	27
2.2 Усогласеност со Директивата за рестрикција на опасни супстанции (RoHS).	9	6.20.Детали за за длабоко замрзнување	28
2.3 Информации за пакувањето	9	6.21.Ставање на храната	28
3 Вашиот фрижидер	10	6.22.Предупредување за отворена врата.	28
4 Инсталација	11	6.23.Менување на насоката на отворање на вратата	28
4.1.Вистинско место за инсталирање	11	6.24.Внатрешно светло	29
4.2.Прицврстување на пластичните делови	11	6.25 Препораки за употреба на одделот за дезинфекција:.	30
4.3.Приспособување на садот	12	7 Одржување и чистење	31
4.4.Поврзување во струја.	12	7.1.Избегнување на лоши мириси.	31
5 Подготовка	13	7.2.Заштита на пластичните површини	31
5.1.Што да правите за заштеда на енергија	13	7.3.Стаклото на вратата	31
5.2.Прва употреба.	14	8 Решавање проблеми	33
6 Користење на производот	15		
6.1.Сино светло/HarvestFresh (Тазе набрано)	18		
6.2 Оддел за дезинфекција	19		
6.3.Кофа за мраз.	20		
6.4.Сад на јајца	20		
6.5.Вентилатор	20		
6.6.Корпа за зеленчуци	20		
*по избор	20		
6.7.Корпата за млечни производи(за чување на ладно)	20		

1 Упатства за безбедност

- Во овој дел се дадени упатства за безбедност потребни за спречување на ризик од повреда и материјална штета.
- Нашата компанија нема да преземе одговорност за штетите кои можат да настанат ако не се почитуваат овие упатства.

! Инсталирањето и поправањето секогаш треба да ги прави овластен сервис.

! Секогаш користете оригинални резервни делови и додатоци.

! Оригиналните резервни делови ќе ги имате 10 години по датумот на купување на производот.

! Не поправајте и не заменувајте дел од производот освен ако тоа не е јасно наведено во упатството за употреба.

! Не правете никакви измени на производот.

! 1.1 Цел на употреба

- Производот не е соодветен за комерцијална употреба и не смее да се користи за други цели од наменетата.

Производот не е наменет за користење во интериери, како на пример домаќинства и слично.

На пример:

- во кујните за персоналот во продавници, канцеларии и други работни средини,
- во фарми,
- во делови од хотели, мотели и други слични објекти кои ги користат клиентите,
- во хостели или слични средини,
- за кејтеринг и слични немалопродажни примени.

Овој производ не треба да се користи на отворени или во затворени надворешни средини како што се бродови, балкони или тераси. Изложувањето на производот на дожд, снег, сончева светлина или ветар може да претставува ризик од електричен инцидент.

! 1.2 Безбедност на деца, ранливи личности и миленици

- Овој уред може да го користат деца од 8-годишна возраст и лица со намалени физички, сензорни или ментални капацитети или лица кои немаат искуство и знаење, под услов да имаат надзор или упатства во врска со користењето на уредот безбедно и да ги разбираат вклучените опасности.
- Дозволен е деца на возраст од 3 до 8 години да вадат и ставаат храна од/во производот за разладување.
- Електричните производи се опасни за деца и за миленици. Децата и домашните миленици не смеат да си играат со производот, да се качуваат или да влегуваат во него.
- Чистењето и одржувањето од страна на корисникот не треба да го прават деца освен ако некој не ги надгледува.
- Чувајте ги материјалите од пакувањето настрана од деца. Постои ризик од повреда и од гушење.
- Пред да ги фрлате старите производи кои нема повеќе да се користат:

1. Извадете го кабелот од главниот извор на струја.
2. Отстранете го кабелот и тргнете го од уредот заедно со штекерот.
3. Не вадете ги преградите и фиоките од производот за да не можат децата да влегуваат во уредот.
4. Отстранете ги вратите.
5. Складирајте го производот во исправена положба.
6. Не дозволувајте деца да си играат со стариот производ.
 - Кога го фрлате, не уништувајте го производот со горење. Постои ризик од експлозија.
 - Ако има брава на вратата на производот, чувајте го клучот подалеку од дофат на деца.

Безбедност и упатства за животната средина

1.3 Безбедност во однос на струјата

- Производот не смее да се вклучува во штекер за време на инсталација, одржување, чистење, поправка и транспортни активности.
- Ако кабелот е оштетен, треба да го замени овластен сервис за да се избегнат можните ризици.
- Не пикајте го кабелот под производот или на задниот дел од производот. Не ставајте тешки предмети на кабелот. Кабелот за напојување не треба да биде свиткан, згмечен и да дојде во контакт со извор на топлина.
- Не користете продолжен кабел, мулти-приклучница или адаптер за производот.
- Мобилните мулти-приклучници или други слични електрични производи можат да се прегреат и да предизвикаат пожар. Затоа, не користете мулти-приклучница зад или во близина на производот.
- Штекерот треба да е лесно достапен. Ако тоа не е можно, треба да се инсталира механизам кој е во согласност со соодветните закони за струја, а кој ги исклучува сите терминали од главниот извор на струја (осигурувач, прекинувач, главен прекинувач итн.
- Не допирајте го штекерот со мокри раце.
- Кога го исклучувате апаратот, не држете го кабелот, туку штекерот.

1.4 Безбедност при ракување

- Овој производ е тежок, не ракувајте сами со него.
- Не држете го производот за врата додека ракувате со производот.
- При ракување со производот, внимавајте да не го оштетите системот за разладување и цевките. Не работете

со производот ако се оштетени цевките и контактирајте овластен сервис.

1.5 Безбедност при инсталација

- Контактирајте го овластениот сервис за инсталирање на производот. За да го подготвите производот за инсталирање, погледнете ги информациите во упатството за употреба и проверете дали електричниот и водниот систем се како што треба. Доколку инсталацијата не е соодветна, јавете се на квалификуван електричар и водоводџија за да ги направат потребните аранжмани. Во спротивно, може да дојде со струен удар, пожар, проблеми со производот или повреди.
- Пред да го инсталирате, проверете дали производот е оштетен. Не инсталирајте го производот ако е оштетен.
- Ставете го производот на рамна и цврста површина и израмнете го со приспособливи ногалки. Инаку, фрижидерот би можел да се преврти и да предизвика повреди.
- Производот треба да се инсталира во сува и вентилирана средина. Не ставајте килими, черги или слични подни прекривки под производот. Тоа може да претставува ризик од пожар поради несоодветна вентилација!
- Не блокирајте или прекривајте ги дупките за вентилација. Инаку, може да се зголеми потрошувачката на струја и да дојде до оштетување на производот.
- Не поврзувајте го производот со системи за електрична енергија, како што се соларните електрични системи. Инаку, може да дојде до оштетување на производот поради нагли волтажни флукуации!

Безбедност и упатства за животната средина

- Колку повеќе агенс за разладување содржи фрижидерот, толку поголем треба да биде просторот во кој е инсталиран. Во многу мали соби, може да се создаде мешавина на гас и на воздух во случај да има истекување на гас во системот за ладење. Волумен од најмалку 1 m³ е потребен за секои 8 грама агенс за разладување. Количината на агенсот за разладување достапен во вашиот производ е наведен во етикетата за видот.
- Местото на кое се инсталира производот не треба да е изложено на директна сончева светлина и не треба да биде во близина на извор на топлина, како што се шпорети, радијатори итн.

Ако мора да се инсталира производот во близина на извор на светлина, користете соодветна плоча за изолација, а минималното растојание од изворот на топлина треба да биде како што е наведено подолу.

- Најмалку на растојание од 30 сантиметри од извори на топлина како што се шпорети, единици за затоплување и загревање итн.

- Најмалку на растојание од 5 сантиметри од електрични шпорети.

- Вашиот производ има I класа на заштита. Приклучете го производот во заземјен штекер кој е во согласност со волтажата, електричната струја и фреквенциите наведени во етикетата за видот. Излезот на штекерот е опремен со осигурувач со ранг од 10 A - 16 A. Нашата компанија не одговара за штетите кои настануваат поради ракување со производот без обезбедување на заземјувањето и електричните поврзувања направени според локалните или националните прописи.

- Електричниот кабел на производот мора да е исклучен за време на инсталирањето. Инаку, постои ризик од струен удар и повреда!
- Не приклучувајте го производот во разклатени, скршени, валкани, замастени приклучници излезени од своите места или приклучници кај кои има ризик да дојдат во допир со вода.
- Ставете ги кабелот и цревата на производот (ако се достапни) така што нема да претставуваат ризик од сопнување.
- Ако навлезе влага во деловите со струја или во кабелот, може да дојде со краток спој. Затоа, не користете го производот во влажни средини или во области каде што може да дојде до прскање на вода (на пример гаража, просторија за перење, итн.) Ако фрижидерот е мокар, извадете го штекерот и контактирајте овластен сервис.
- Не поврзувајте го фрижидерот со уреди за заштеда на струја. Таквите системи се штетни за производот.

1.6 Безбедност при работењето

- Не користете хемиски растворувачи на производот. Тие материјали можат да претставуваат ризик од експлозија.
- Во случај да се расипе производот, извадете го штекерот и не работете со него додека не го поправи овластен сервис. Може да дојде до струен удар!
- Не ставајте извор на пламен (на пример свеќи, цигари итн.) на производот или во негова близина.
- Не качувајте се на производот. Постои ризик да паднете и да се повредите!
- Не ги оштетувајте ги цевките на системот за разладување со остри и пенетрирачки предмети. Агенсот за разладување кој прска од дупнатите цевки, спојките на цевки или од горниот слој на површината може да ја иритира кожата и да ги повреди очите.

Безбедност и упатства за животната средина

- Не ставајте и не ракувајте со електрични уреди во фрижидерите/фрижидерите за длабоко замрзнување освен ако тоа не го препорачува производителот.
- Внимавајте да не фатете дел од рацете или телото во некој од подвижните делови во производот. Внимавајте да не ви се фатат прстите меѓу фрижидерот и вратата. Внимавајте при отворање или затворање на вратата кога има деца во близина.
- Не ставајте сладолед, коцки мраз или замрзната храна со устата веднаш штом ќе ги извадите од фрижидерот за длабоко замрзнување. Има ризик од смрзнатина!
- Не допирајте ги внатрешните сидови, металните делови од фрижидерот или храната која се чува во фрижидерот со мокри раце. Има ризик од смрзнатина!
- Не ставајте лименки газирани сок или лименки и шишиња и течности кои би можеле да се замрзнат во одделот за длабоко замрзнување. Лименките или шишињата можат да експлодираат. Има ризик од повреда и материјална штета!
- Не користете и не ставајте материјали кои се чувствителни на температура, како што се запаливите спрејеви, запаливите објекти, сувиот мраз или други хемиски агенси во близина на фрижидерот. Има ризик од пожар и експлозија!
- Не чувајте експлозивни материјали како што се лименки со аеросол со запаливи материјали во производот.
- Не ставајте лименки кои содржат течности врз производот. Прскањето на вода на електричен дел може да претставува ризик од струен удар или пожар.
- Производот не е наменет за чување и разладување лекови, крвна плазма, лабораториски препарати или слични материјали и производи кои се регулирани со Директивата за медицински производи.
- Ако производот не се користи за тоа што е наменет, тоа може да предизвика штета или да доведе до распаѓање на работите кои се чуваат во него.
- Ако во вашиот фрижидер има сина светлина, не го гледајте ова светло со оптички уреди. Не гледајте директно во УВ ЛЕД-светлото долго време. Ултравioletовите зраци можат да ги оптоварат очите.
- Не полнете го производот со повеќе храна отколку што собира. Може да дојде до повреда или оштета ако содржината на фрижидерот падне кога ќе се отвори вратата. Слични проблеми може да настанат кога ќе се стави предмет врз производот.
- Проверете дали сте отстраниле мраз или вода кои можеби паднале на подот за да спречите да дојде до повреда.
- Менувајте ги локациите на рафтовите/рафтовите за шишињата само кога тие се празнин. Има опасност од физика повреда!
- Не ставајте предмети кои можат да паднат/да се превртат врз производот. Тие предмети може да паднат додека се отвора или затвора вратата и да предизвикаат повреди и/или материјални штети.
- Не удирајте ги или применувајте преголем притисок на стаклените површини. Скршеното стакло може да предизвика повреди и/или материјална штета.

Безбедност и упатства за животната средина

- Системот за разладување во вашиот производ содржи разладувачки агенс R600a. Видот агенс за разладување кој се користи во производот е наведен на етикетата за видот. Овој гас е запалив. Затоа, при ракување со производот, внимавajte да не го оштетите системот за разладување и цевките. Во случај на повреда на цевките:
 - Не допирајте ги производот или кабелот,
 - држете го производот понастрана од потенцијални извори на оган што може да предизвика производот да се запали, просторија за вентилирање кадед што може да се стави производот. Не користете вентилатор.
 - Контактирајте со овластен сервис.
- Ако производот е оштетен и забележите теќење на гас, ве молиме, држете се настрана од гасот. Гасот може да предизвика смрзнатина ако дојде во контакт со кожата.

1.7 Безбедност при оддржување и чистење

- Не влечете ја рачката на вратата ако го поместувате производот за чистење. Рачката може да предизвика повреди ако се тегне премногу силно.
- Не чистете го производот со шприцање или полевање вода врз производот и во производот. Има ризик од струен удар или пожар.
- Не користете остри или абразивни алатки за да го чистите производот. Не користете материјали како што се средства за чистење во домаќинството, детергенти, гас, бензин, алкохол, восок итн.
- Користете само средства за чистење и за оддржување кои не се штетни за храната.

- Не користете пареа или средства за чистење во облик на пареа за чистење на фрижидерот и за топење на мразот внатре. Пареата навлегува во деловите на фрижидерот со струја и предизвикува краток спој или струен удар!
- Внимавajte водата дад не допре до електронските кола или осветлувањето на производот.
- Користете чиста, сува крпа за да ја избришете прашината или тугите честички на врвовите на штекерите. Не користете мокра или влажна крпа за да го чистите штекерот. Инаку, постои ризик да настане пожар или да дојде до струен удар.

1.8 HomeWhiz

(Може да не се применува кај сите модели)

- Следете ги безбедносните предупредувања дури и кога сте подалеку од производот и ракувате со него со апликацијата HomeWhiz. Исто така, внимавajte на предупредувањата во апликацијата.

1.9 Осветлување

(Може да не се применува кај сите модели)

- Контактирајте со овластен сервис за замена на ЛЕД/сијаличката за осветлување.

Безбедност и упатства за животната средина

1.10 Безбедност од UVC зрачење

- Не го вадете заштитното стакло на UVC сијалицата за дезинфекција.
- Не го користете фрижидерот без заштитното стакло на UVC сијалицата.
- Овој производ има сијалица што емитува UVC зраци. Не гледајте директно во изворот на светлина.
- Додека го чистите одделот во кој се наоѓа UVC сијалицата, извадете го приклучокот од штекерот.
- Во никој случај не користете сијалица која има некакво оштетување на заштитното стакло.
- Деактивирајте ја UVC функцијата преку контролната табла додека претставник од овластениот сервис ја заменува UVC сијалицата.
- Не ја вадете етикетата “Ultraviolet Radiation Hazard” (Опасност од ултравиолетово зрачење) што е залепена во одделот за дезинфекција каде што се наоѓаат UVC сијалиците.
- Ако производот се користи за нешто друго освен за она што е наменет или ако е оштетено заштитното стакло на UVC сијалицата или површините околу неа, може да дојде до опасно UVC зрачење. UVC зрачењето може да предизвика повреди на очите и кожата дури и во мали дози! Не користете оштетена сијалица!
- Ако UVC симболот почне да трепка кога е активирана функцијата за дезинфекција, тоа значи дека сијалиците имаат уште половина век на траење и затоа нивната ефикасност е намалена. Ви препорачуваме кога ќе го видите ова предупредување да ги замените UVC сијалиците. UVC

сијалиците треба да се заменат заедно со подлогата во која е вградени.

Набавката и монтирањето на UVC подлогата треба да се изврши преку овластениот сервис.



ПРЕДУПРЕДУВАЊЕ: UVC зрачењето е штетно за очите и кожата. Не ги користете UVC сијалиците кога се извадени од производот !



ПРЕДУПРЕДУВАЊЕ: UVC сијалиците не смее да ги заменува корисникот. Јавете се во овластениот сервис кога векот на траење на UVC сијалиците ќе истече !

1.11 Технички информации за WiFi + Bluetooth

Опсег на фреквенцијата:	2.4GHz (со употреба на Wi-fi или bluetooth)
Максимална моќ на пренос:	< 100mW (со употреба на Wi-fi или bluetooth)
Информации за софтверот:	Quartz_WiFi.XXX

Декларација за сообразност за CE:

Arçelik A.Ş. со ова изјавува дека овој апарат е во согласност со Директивата 2014/53/EU.

Целосниот текст на Декларацијата за сообразност на EU е достапен на следната интернет адреса:

Производи, од: support.beko.com

Дефинираниот период на поддршка за ажурирање на софтверот поврзан со сајбер-безбедноста на производот е гарантниот период на производот. По овој период, ажурирањата на софтверот поврзани со сајбер безбедноста не се загарантирани.

2 Упатства за животната средина

2.1 Усогласеност со Директивата за отпадна електрична и електронска опрема и фрлање на отпадниот производ:

Овој производ е во согласност со Директивата на ЕУ за отпадна електрична и електронска опрема (2012/19/EU). Овој производ има симбол за класификација за отпадна електрична и електронска опрема (Директивата за отпадна електрична и електронска опрема).



Овој симбол означува дека овој производ не треба да се фрла со другиот домашен отпад на крајот на неговиот работен век. Користениот уред мора да се однесе до официјална точка за собирање за рециклирање на електрични и електронски уреди. За да ги најдете овие системи за собирање, ве молиме, контактирајте со своите локални власти или со продавачот кај кој сте го купиле производот. Секое домаќинство има важна улога во собирањето и рециклирањето стари уреди. Соодветното фрлање на користениот уред помага да се спречат потенцијалните негативни последици по околината и по човечкото здравје.

2.2 Усогласеност со Директивата за рестрикција на опасни супстанции (RoHS)

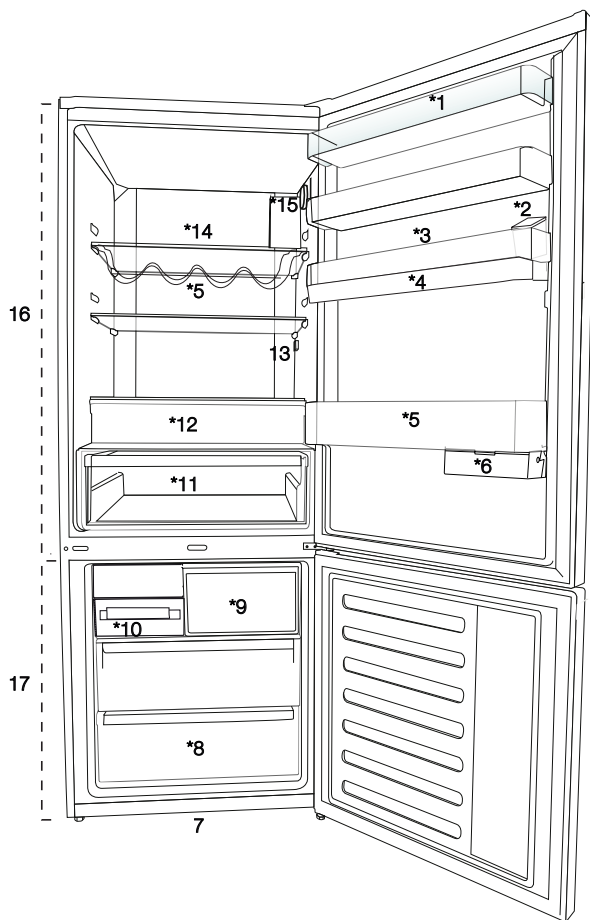
Производот што го купивте е во согласност со Директивата за рестрикција на опасни супстанции (RoHS) на ЕУ (2011/65/EU). Не содржи штетни или забранети материјали наведени во Директивата.

2.3 Информации за пакувањето



Материјалите од пакувањето на овој производ се произведени од рециклирачки материјали во согласност со нашите државни регулативи за заштита на животната средина. Не ги фрлајте материјалите од амбалажата заедно со отпадот од домаќинството или со друг отпад. Однесете ги во пунктот за собирање материјали за пакување определени од локалните власти.

3 Вашиот фрижидер



1. Полица на вратата на одделот за ладење
2. Резервоар за автоматската пумпа за вода
3. Преграда за јајца
4. Резервоар за вода
5. Преграда за шишиња
6. Лизгачка кутија за складирање
7. Приспособливи ногалки
8. Комора за длабоко замрзнување
9. Оддел за брзо замрзнување
10. Ледомат
11. Пластична корпа за свежа храна
12. Оддел за дезинфекција (UVC сијалици)
13. Внатрешно светло
14. Стаклена полица на вратата на одделот за ладење
15. Копче за приспособување на температурата
16. Оддел за ладење
17. Комора за замрзнување






***по избор:** Сликите во овој прирачник се дадени како слики за пример и може да не се исти како вашиот производ. Ако вашиот производ не ги содржи релевантните делови, информациите се однесуваат на други модели.

! Најнапред прочитајте го делот „Упатства за безбедноста“!

4.1. Вистинско место за инсталирање

Контактирајте го овластениот сервис за инсталирање на производот. За да го подготвите производот за инсталирање, погледнете ги информациите во упатството за употреба и проверете дали електричните и водните уреди се како што треба. Ако не се, повикајте електричар и водоводџија да ги наместата уредите како што треба.

	<p>ПРЕДУПРЕДУВАЊЕ: Производителот не презема никаква одговорност за каква било штета предизвикана со работата која ја изведуваат неовластени лица.</p>
	<p>ПРЕДУПРЕДУВАЊЕ: Електричниот кабел на производот мора да е исклучен за време на инсталирањето. Ако не го направите тоа, може да дојде со смрт или сериозни повреди!</p>
	<p>ПРЕДУПРЕДУВАЊЕ: Ако ширината на вратата е премногу тесна за да помине производот, озвадете ја вратата и свртете го производот странично; ако ова не функционира, контактирајте овластен сервис.</p>

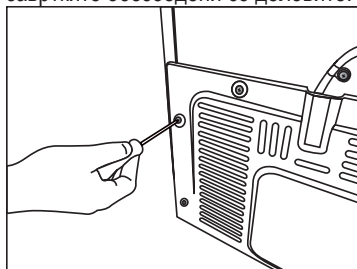
- Ставете го производот на рамна површина за да нема вибрации.
- Ставете го производот најмалку 30 см подалеку од грејачот, шпоретот и слични извори на топлина и најмалку 5 см од електрични рерни.
- Не изложувајте го производот на директна сончева светлина и не го чувајте во влажна средина.
- На производот му треба соодветна воздушна циркулација за да функционира ефикасно.
- Ако производот се става во вдлабнатина во сидот, не заборавајте да оставите растојание од најмалку 5 см помеѓу производот и плафонот и сидовите.

- Не инсталирајте го производот во средина во која температурите се под -5°C .
- За да функционира ефикасно, на овој производ му треба соодветна циркулација на воздух. Ако го сместувате производот во ниша, оставете најмалку 5 сантиметри простор помеѓу производот, плафонот и сидовите.
- Ако го сместувате производот во ниша, оставете најмалку 5 сантиметри простор помеѓу производот, плафонот и сидовите. Проверете дали заштитната компонента за обезбедување оддалеченост од сид е на своето место (ако е доставена со производот). Ако компонентата не е достапна или ако се изгубила/паднала, ставете го производот така што ќе има најмалку 5 сантиметри меѓу производот и сидовите на собата. Растојанието на задниот дел е важно за ефикасното работење на производот.

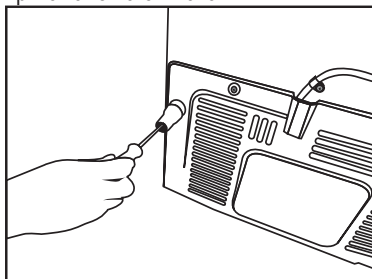
4.2. Прицврстување на пластичните делови

Со пластините делови дадени со производот за да обезбедите доволно простор за воздушна циркулација помеѓу производот и сидот.

1. Да да ги прикачите деловите, извадете ги завртките на производот и користете ги завртките обезбедени со деловите.

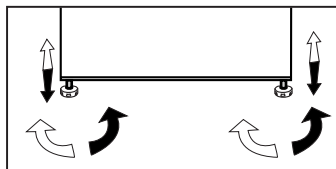


2. Прикачете 2 пластични делови на поклопецот на вентилацијата, како што е прикажано на сликата.



4.3.Приспобување на садот

Ако производот не е во балансирана позиција, приспособете ги предните приспособливи држачи со ротирање десно или лево.



4.4.Поврзување во струја



ПРЕДУПРЕДУВАЊЕ: Не користете продолжителни или повеќе штекери при поврзување во струја.



ПРЕДУПРЕДУВАЊЕ: Оштетениот струен кабел мора да го замени овластениот сервис.



Кога ставате два ладилника еден наспроти друг, оставете најмалку 4 см растојание помеѓу двете единици.

- Нашата фирма не може да преземе одговорност за оштетувања поради користење без заземјување и електрична врска во согласност со националните регулативи.
- Приклучокот на кабелот за струја мора да е лесно достапен по инсталирањето.
- Поврзете го фрижидерот во заземјен штекер со волтажа од 220-240V/50 Hz. Приклучокот мора да е 10-16A осигурувач.
- Не користете групни штекери со или без продолжен кабел помеѓу ѕидниот штекер и фрижидерот.



Предупредување за врела содржина!
Во страничните ѕидови на производот има цевки за разладување што го подобруваат системот за ладење. Разладувачка течност со високи температури може да тече низ овие овие области, правејќи ги деловите на страничните ѕидови врели. Ова е нормално и нема потреба да се поправа. Ве молиме, внимавајте кога ги допирате овие области.

! Најнапред прочитајте го делот „Упатства за безбедноста“!

5.1.Што да правите за заштеда на енергија

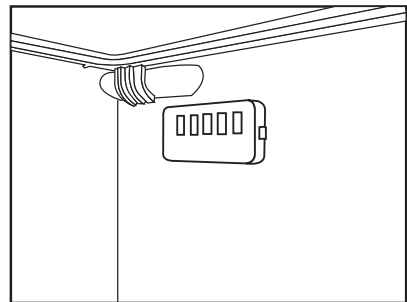


Поврзувањето на производот за електронски системи за заштеда на енергија е штетно, може да го оштети производот.

- Самостоен уред; „овој фрижидер не е наменет да се користи како уред за вградување“;
- Не држете ги вратите на фрижидерот отворени долго време.
- Не ставајте топла храна или пијалаци во фрижидерот.
- Не преполнувајте го фрижидерот , блокирањето на интерниот проток на воздух ќе го намали капацитетот на ладење.
- За да се чува максимална количина на храна во одделеот за ладење на фрижидерот, треба да ги извадите горните фиоки и да ја ставите на стаклениот рафт. Наведената потрошувачка на струја на вашиот фрижидер беше определена со вадење на ладилникот, послужавникот за мраз и горните фиоки за да се овозможи максимално складирање. Строго се препорачува да се користи долната фиока при чување. Треба да се активира функцијата за заштеда на енергија за најдобра потрошувачка на енергија.
- Не треба да го блокирате протокот на воздух со ставање на храна пред вентилаторот на ладилникот. Простор од најмалку 3 см мора да се остави пред заштитната жица на вентилаторот кога ја ставате храната.
- Во зависност од карактеристиките на производот; одмрзнувањето на замрзната храна во одделот за ладење ќе обезбеди заштеда на енергија и зачувување на квалитетот на храната.
- Храната треба да се чува со фиоките во одделот за ладење за да се обезбеди

заштеда на енергијата и да се заштити храната во подобри услови.

- Пакувањата храна не треба да бидат во директен контакт со топлинскио сензор лоциран во одделот за ладење. Ако тие се во контакт со сензорот, може да се зголеми енергетската потрошувачка на уредот.
- Проверете храната да не е во контакт со температурниот сензор на одделот за ладење опишан подолу.
- Бидејќи топлиот и влажен воздух директно не навлегуваат во вашиот производ кога вратите не се отворени, вашиот производ ќе се оптимизира во услови доволни за заштита на вашата храна. Во оваа функција за зачувување енергија, функциите и составните делови како компресор, вентилатор, грејач, замрзнувач, осветлување, дисплеј ќе работат и други, ќе работат во согласност со потребите за трошење минимална електрична енергија и истовремено вашата храна ќе биде свежа.



5 Подготовка

5.2. Прва употреба

Пред да го користите фрижидерот, проверете дали се направени потребните подготовки според упатствата во деловите „Упатства за безбедноста и за средината“ и „Инсталација“.

- Производот нека работи без храна во него 6 часа и не отворајте ја вратата, освен ако не е баш неопходно.



Ќе се слушне звук кога работи компресорот. Нормално е да се слуша звук дури и компресорот е неактивен, поради компримираните течности и гасови во системот за ладење.

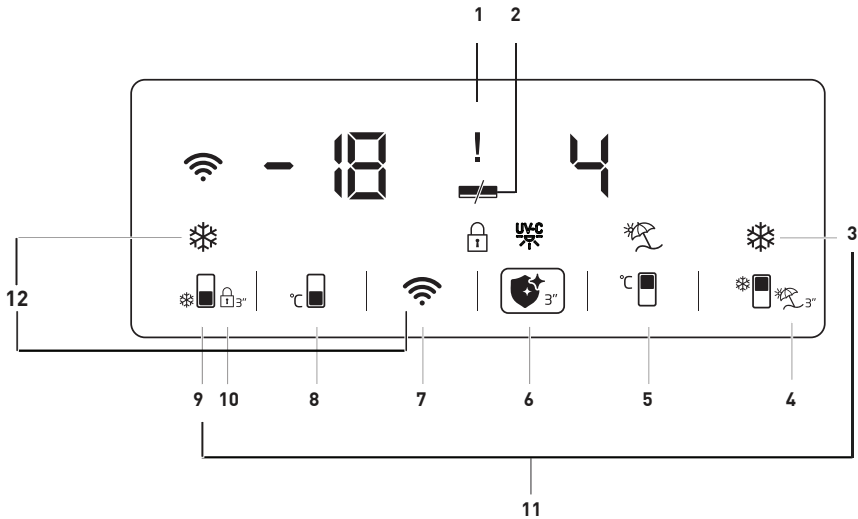


Може да се загреат предните рабови на производот. Ова е нормално. Овие области се дизајнирани да се загреат за да се спречи кондензирање.



Во некои модели, плочата со панели автоматски се исклучува 5 минути откако ќе се затвори вратата. Ќе се реактивира кога ќе се отвори вратата или ќе се притисне кое било копче.

! Најнапред прочитајте го делот „Упатства за безбедноста“!




1. Индикатор за дефектна состојба
2. Индикатор за заштеда на енергија (исклучен дисплеј)
3. Копче за брзо ладење
4. Индикатор за функцијата „годишен одмор“
5. Копче за поставување на температурата во одделот за ладење
6. Копче за функцијата за дезинфекција
7. Копче за безжично поврзување
8. Копче за поставување на температурата во комората за замрзнување
9. Копче за брзо замрзнување
10. Заклучување
11. Копче за менување на температурната единица
12. Копче за ресетирање на поставките за безжично поврзување

Може да не е достапен кај сите модели



***По избор:** Сликите во ова упатство за употреба се сметаат за нацрт и може да не одговараат најдобро на производот. Ако вашиот производ не ги содржи релевантните делови, информациите се однесуваат на други модели.

1. Индикатор за дефектна состојба


Овој индикатор () ќе се активира кога фрижидерот не може да постигне соодветно ладење или во случај на некоја грешка со сензорот. Кога ќе се активира овој индикатор, на индикаторот за температура на комората за замрзнување ќе се појави "E", а на индикаторот за температура на одделот за ладење ќе се покажат броевите 1, 2, 3... Овие броеви му посочуваат на овластениот сервис каква грешка настанала.

Може да се појави извичник ако ставите топла храна во комората за замрзнување или ако ја оставите вратата отворена подолго време. Тоа не значи дека има дефект, а предупредувањето ќе исчезне кога храната ќе се олади.

2. Индикатор за заштеда на енергија (исклучен дисплеј)



Функцијата за заштеда на енергија се активира автоматски и се појавува симболот за заштеда на енергија ако вратата на фрижидерот не била отворена или затворена извесно време. (—) Кога е активирана функцијата за заштеда на енергија, сите симболи на екранот ќе се исклучат, освен симболот за заштеда на енергија. Кога е активирана функцијата за заштеда на енергија, со притискање на кое било копче или со отворање на вратата ќе се деактивира функцијата за заштеда на енергија и тогаш на дисплејот ќе се вратат вообичаените сигнали. Функцијата за заштеда на енергија е фабрички програмирана и не може да се деактивира.

3. Копче за брзо ладење

Кога е вклучена функцијата за брзо ладење, индикаторот за брзо ладење ќе се осветли () и индикаторот за


температурата на одделот за ладење ќе ја покаже вредноста 1. Повторно притиснете го копчето за брзо ладење за да ја поништите оваа функција. Индикаторот за брзо ладење ќе се исклучи и повторно ќе се вратат вообичаените поставки. Функцијата за брзо ладење автоматски ќе се поништи по 1 час, освен ако не ја поништи корисникот. За да оладите поголемо количество свежа храна, притиснете го копчето за брзо ладење пред да ја ставите храната во одделот за ладење.

4. Индикатор за функцијата „годишен одмор“


Држете го притиснато 3 секунди ова копче () за да ја активирате функцијата „годишен одмор“ и тогаш ќе се вклучи индикаторот за режимот за годишен одмор (). Кога е активирана функцијата „годишен одмор“, на индикаторот за температура на одделот за ладење ќе се појави "- -" и одделот за ладење нема активно да лади. Кога е активирана оваа функција, не треба да чувате храна во одделот за ладење. Другите оддели ќе продолжат да ладат според поставените температури.

Повторно притиснете го копчето за функцијата „годишен одмор“ за да ја поништите оваа функција.



5. Копче за поставување на температурата во одделот за ладење


Со притискање на ова копче, температурата во одделот за ладење може да се постави на 8, 7, 6, 5, 4, 3, 2 и 1. ()

6. Копче за функцијата за дезинфекција

Држете го ова копче () притиснато 3 секунди за да ја активирате функцијата за дезинфекција, и тогаш индикаторот за функцијата за дезинфекција


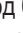
Користење на производот

() ќе се вклучи. Не ја отворајте вратата на фрижидерот кога е активирана функцијата за дезинфекција. Ако ја отворите вратата на фрижидерот додека е активирана функцијата за дезинфекција, процесот на дезинфицирање ќе биде прекинат  додека не ја затворите вратата. Кога ќе заврши процесот на дезинфицирање, ќе се слушне звучен сигнал и постапката ќе се прекине. Држете го притиснато 3 секунди копчето за функцијата за дезинфекција за да го прекинете процесот предвреме.

Ако на дисплејот се појави извешник () заедно со симболот за дезинфекција кога ќе ја активирате оваа функција, тоа значи дека сијалиците за дезинфекција само што не прегореле. Јавете се во овластениот сервис.

7. Копче за безжично поврзување (*по желба)

Кога копчето е притиснато подолго време (3 секунди), ќе почне поврзувањето на фрижидерот со домашната мрежа.


Симболот за безжично поврзување () ќе трепка на интервали од 0,5 секунди  додека не се воспостави конекцијата.

Кога ќе се постигне успешна конекција со домашната мрежа,

симболот за безжично поврзување постојано ќе свети.

Кога ќе се воспостави конекција, може да ја активирате/деактивирате конекцијата со кратко притискање на ова копче.

Мрежата со која сте ја воспоставиле конекцијата ќе биде меморирана и конекцијата повторно ќе биде воспоставена откако ќе го исклучите и вклучите фрижидерот.


Симболот за безжично поврзување брзо ќе трепка (на 0,2 секунди)  додека не се воспостави конекцијата.

Кога конекцијата е активна,

симболот за безжично поврзување постојано ќе биде осветлен. Ако извесно време не може да воспоставите конекција, проверете ги поставките за конектирање на Вашиот модем.

Како интерфејс за конектирање треба да се користи апликацијата HomeWhiz. Чекорите за инсталирање се опишани во БРЗ ВОДИЧ ЗА ИНСТАЛИРАЊЕ на HomeWhiz што е доставен заедно со производот. Одговор на некои основни прашања може да најдете во делот за решавање проблеми.


8. Копче за поставување на температурата во комората за замрзнување

Ова копче овозможува да се постави температурата на комората за замрзнување. Со притискање на копчето () температурата на комората за замрзнување може да се постави на -18, -19, -20, -21, -22, -23 и -24 степени Целзиусови.

9. Копче за брзо замрзнување




Притиснете го копчето бр. (9) за брзо замрзнување, и тогаш ќе се активира индикаторот за брзо замрзнување

().



Кога е вклучена функцијата за брзо замрзнување, индикаторот за брзо замрзнување ќе се осветли и температурата на комората за замрзнување ќе биде на вредноста -27 степени Целзиусови. Повторно притиснете го копчето за брзо замрзнување () за да ја поништите оваа функција. Индикаторот за брзо замрзнување ќе се исклучи и фрижидерот ќе се врати на вообичаените поставки. Функцијата за брзо замрзнување автоматски ќе се поништи по 32 часа, освен ако не ја поништи корисникот. За

да замрзнете поголемо количество свежа храна, притиснете го копчето за брзо смрзнување пред да ја ставите храната во комората за замрзнување.



10. Заклучување

Држете го притиснато копчето  3 секунди. Ќе се вклучи симболот за заклучување  и ќе се активира режимот за заклучување. Копчињата нема да функционираат ако е активен овој режим. Држете го притиснато копчето  3 секунди. Заклучувањето ќе биде деактивирано. Може да ја користите функцијата за заклучување доколку сакате да спречите да се менува поставката на температурата на фрижидерот.

11. Копче за менување на температурната единица

Ако ги држите притиснати 3 секунди копчињата за брзо ладење  и брзо замрзнување , може да ги смените температурните единици од Фаренхајтови во Целзиусови.

12. Копче за ресетирање на поставките за безжично поврзување

Ако ги држите притиснати 3 секунди копчињата за брзо замрзнување  и безжично поврзување , поставките за безжично поврзување ќе бидат ресетирани.

6.1. Сино светло/HarvestFresh (Тазе набрано)

***Може да не е достапно кај сите модели**

За синото светло

Овошјето и зеленчукот складирани во кутиите за свеж зеленчук кои се осветлени со сина светлина ја продолжуваат својата фотосинтеза со помош на ефектот за бранова должина на сино светло и така ги задржуваат своите витамини.

За HarvestFresh,

Овошјето и зеленчукот складирани во кутии за свеж зеленчук со технологијата HarvestFresh ги задржуваат своите витамини подолго време благодарение на циклусите со сино, зелено, црвено светло и темнина, кои го симулираат дневниот циклус.

Ако ја отворите вратата на фрижидерот во текот на темниот период на технологијата HarvestFresh, фрижидерот автоматски ќе го детектира и активира синозеленото или црвеното светло за да ја осветли кутијата за свежи производи по ваша желба. Откако ќе ја затворите вратата на фрижидерот, ќе продолжи темниот период, претставувајќи го вечерниот циклус од дневниот циклус.

6.2 Оддел за дезинфекција

*Оваа карактеристика е по избор

1. Функцијата за UVC дезинфекција нема да се активира ако од одделот за дезинфекција се извадени жичената решетка и лимената фиока.

2. Ако се активира функцијата за дезинфекција додека од одделот за дезинфекција е извадена лимената фиока, ќе дојде до деформации на пластичната фиока одоздола.

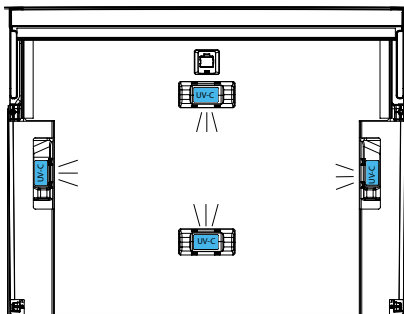
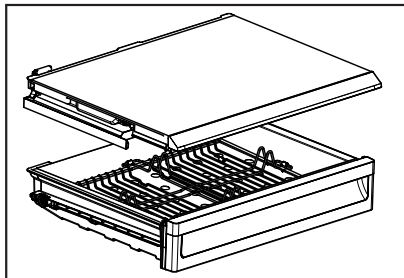
3. Не се обидувајте сосила да го извадите стаклото над одделот за дезинфекција.

4. Не ги допирајте, не ги потчукнувајте и не применувајте сила врз UVC флуоресцентните сијалици што се на долната површина на стаклената полица во одделот за дезинфекција.

5. Од безбедносни причини, не се обидувајте да ја извадите стаклената полица од одделот за дезинфекција. Ако се извади полицата, може да дојде до прекин на работата на електричните компоненти.

6. Светлото што го гледате кога ќе го отворите одделот за дезинфекција не е UVC светлина. Тоа се LED сијаличките.

7. Металната фиока и лимената плоча под подлогата бришете ги само со влажна крпа.



6.3.Кофа за мраз

***по избор:**

- Земете ја кофата за мраз од одделот за замрзнување.
- Наполнете ја кофата со мраз со вода.
- Земете ја кофата за мраз во одделот за замрзнување.
- Мразот ќе биде готов после околу два часа. Земете ја кофата со мраз од одделот за замрзнување и свиткајте ја малку преку садот што ќе го сервираате. Мразот лесно ќе се пренесе во садот за сервирање.

6.4.Сад на јајца

Може да ставите сад за јајца Ако решите да го ставите на рафто на телото, се препорачува да ги користите полиците подолу бидејќи се постудени.

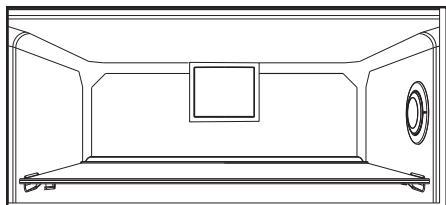


Не ставајте го садот за јајца во одделот за замрзнување.

6.5.Вентилатор

Вентилаторот е дизајниран за да дистрибуира студен воздух во фрижидерот хомогено. Работното време на вентилаторот може да се менува во зависност од карактеристиките на Вашиот производ.

Додека во некои производи вентилаторот функционира само со компресот, во други, контролниот систем го определува работното време во зависност од потребата за ладење.



6.6.Корпа за зеленчуци

***по избор**

Корпата за зеленчуци на производот е дизајнирана да ги држи зеленчуците свежи со задржување на влажноста. За таа цел, целосното циркулирање на студениот воздух е засилено во корпата со зеленчуци.

6.7.Корпата за млечни производи(за чување на ладно)

Обезбедува пониска температура во самата преграда на фрижидерот. Користете ја оваа корпа за да чувате деликатеси (салами, кобасици, млечни производи итн.) за кои е потребна пониска температура или за ставање производи од месо, пилешко или риба кратко пред да се сервираат. Во оваа корпа немојте да чувате овошје и зеленчук.

6.8. Подвижна рамка на вратата

***по избор**

Подвижната рамка на вратата може да се намести во 3 различни позиции.

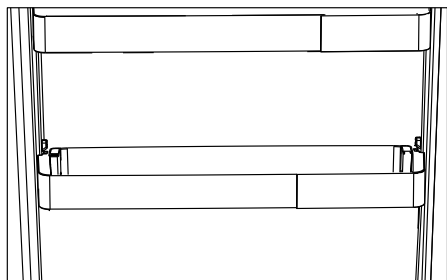
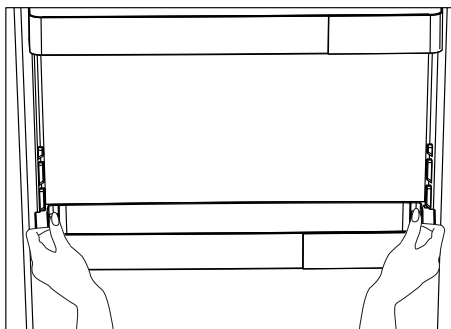
За да ја поместите рамката, притиснете ги рамномерно копчињата на страната.

Ќе може да ја поместите рамката.

Движете ја рамката нагоре или надолу.

Кога рамката е во позицијата што ја посакувате, пуштете ги копчињата.

Рамката ќе се фиксира повторно во позицијата каде што сте ги пуштиле копчињата.

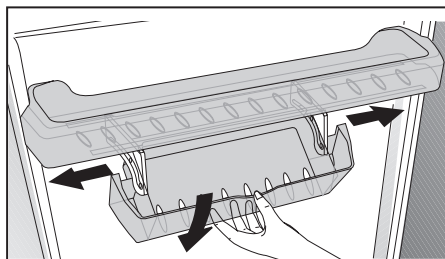


6.9. Лизгачка кутија за складирање

***по избор**

Овој додаток е дизајниран за да ја зголеми површината на рафтовите на вратата.

Благодарение на можноста за движење странично, може лесно да ставите високо шише, тегла или кутии што се ставаат на рафтоот за шишиња подолу.



6.10. Корпа за зеленчук со контрола на влажност

*по избор

Со опцијата за контрола на влагата, степенот на влажност на зеленчуците и овошјата се контролира и овозможува поголем период на свежина за храната.

Се препорачува да не се складираат лиснати зеленчуци, како марула и спанаќ и слични зеленчуци склони на губење на влага, на корењата, туку во хоризонтална положба во корпата за зеленчуци што е можно повеќе.

Кога ги ставате зеленчуците, ставете ги тешките и тврди зеленчуци на дното, а лесните и меките горе, имајќи ја предвид специфичната тежина на зеленчуците.

Не оставајте ги зеленчуците во корпата за зеленчуци во пластични кеси. Ако ги оставите во пластични кеси, зеленчуците ќе скапат за кусо време. Во ситуации во кои не се препорачува контакт со други зеленчуци, користете материјали за пакување како хартија што има одредена порозност, во смисла на хигиената.

Не ставајте овошје кое произведува голема количина на етиленски гас, како што се крушата, кајсијата, праската и особено јаболката, во истата корпа за зеленчуци со други зеленчуци и овошја. Етиленот што доаѓа од овие овошја може да предизвика други зеленчуци и овошја да созреат побрзо и да скапат побрзо.

6.11. Автоматска машина за мраз

*по избор

Со автоматската машина за мраз може лесно да правите мраз во фрижидерот. За да добиете мраз од машината за мраз, извадете го резервоарот за вода во одделот за ладење, наполнете го со вода и вратете го на место.

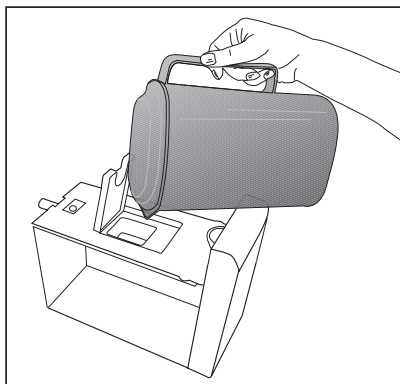
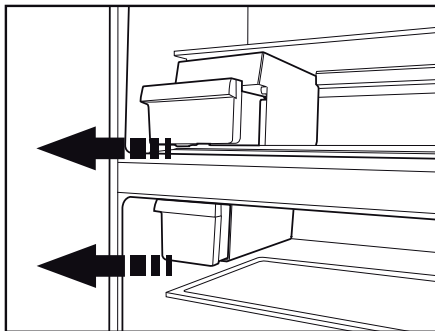
Првиот мраз ќе биде готов за два часа во фиоката на машината за мраз во одделот за ладење.

По ставање на полниот воден резервоар, може да добиете околу 60-70 коцки мраз додека не се испразни целосно.

Ако водата стоела во резервоарот 2-3 седмици, треба да се смени.



Во производи со автоматска машина за лед, може да слушнете звук кога ставате мраз. Овој звук е нормален и не е знак на неправилно работење.



6.12. Ледомат и сад за чување мраз

*по избор

Користење на ледоматот

Наполнете го ледоматот со вода и ставете го на лежиштето. Мразот ќе биде готов за околу два часа. Не го вадете ледоматот од лежиштето за да земете мраз.

Свртете ги рачките на резервоарот на мраз во правец на движење на стрелките на часовникот за 90 степени.

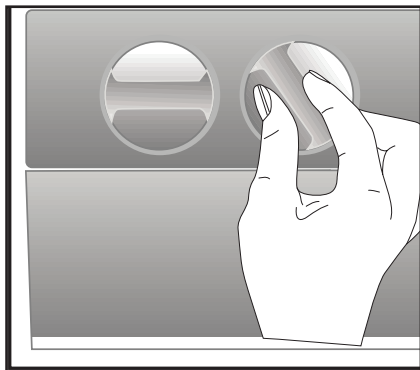
Коцките мраз во резервоарите ќе паднат во садот за чување на мраз под нив.

Може да го извадите садот за чување на мраз и да ги сервираате коцките мраз.

Ако сакате, може да ги чувате коцките мраз во садот за чување мраз.



Сад за чување мраз

Садот за чување мраз е наменет само за акумулирање на коцки мраз. Не ставајте вода во него. Инаку ќе се скрши.

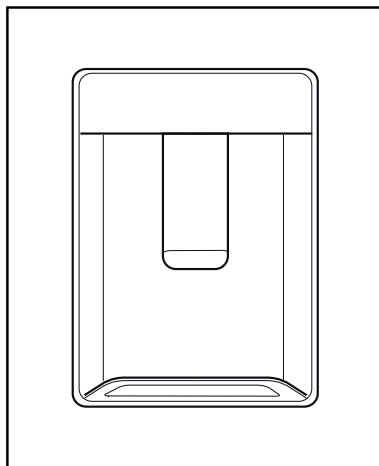


6.13. Користење на чешмата за вода

*по избор

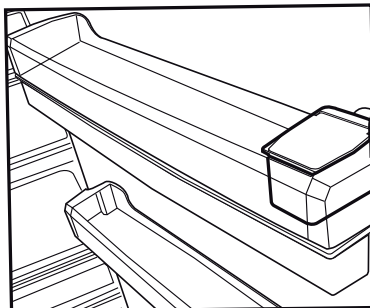
	Нормално е првите неколку чаши вода од чешмата за вода да бидат топли.
	Ако чешмата за вода не се користи долго време, фрлете ги првите неколку чаши вода за да добиете чиста вода.

1. Притиснете ја рачката на чешмата за вода со чашата. Ако користите чаша од мека пластика, притискањето на рачката со раката ќе биде полесно.
2. Откако ќе ја наполните чашата до нивото што го сакате, опуштете ја рачката.





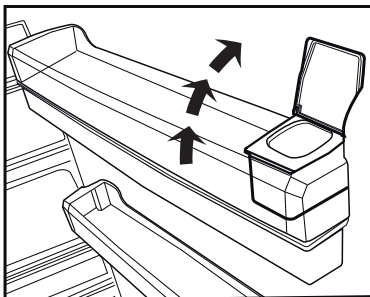
Ве молиме, имајте предвид, колку вода тече од чешмата зависи од тоа колку сте ја притиснале рачката. Како што нивото на водата во шолјата/чашата расте, нежно намалете го притисокот на рачката за да не претече. Ако малку ја притиснете дршката, ќе тече вода; ова е доста нормално и не е неправилно работење.



6.14. Полнење на резервоарот на чешмата за вода

Резервоарот за полнење на садот за вода е лоциран во рамката на вратата.

1. Отворете го капакот на резервоарот.
2. Наполнете го резервоарот со свежа вода за пиење.
3. Затворете го капакот.



Не полнете го резервоарот со вода со друга течност освен со вода како што се овошни сокови, газирани или алкохолни пијалаци што не се соодветни за чешмата за вода. Чешмата за вода ќе биде трајно оштетена ако се користат овие видов течност. Гаранцијата не покрива такво користење. Некои хемиски супстанции и адитиви содржани во овој вид пијалаци/течности може да го повредат резервоарот за вода.



Користете само вода за пиење.



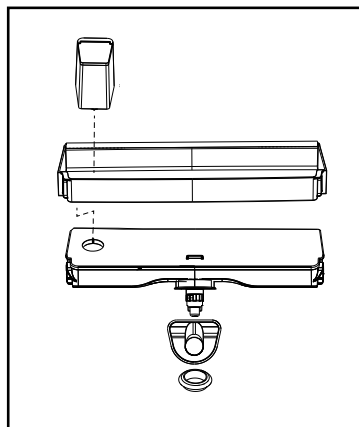
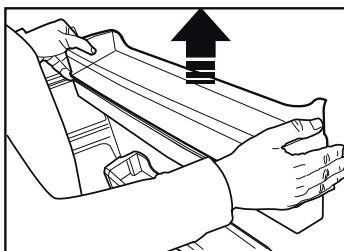
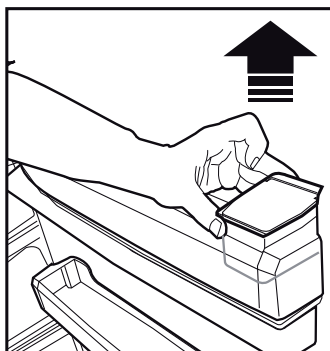
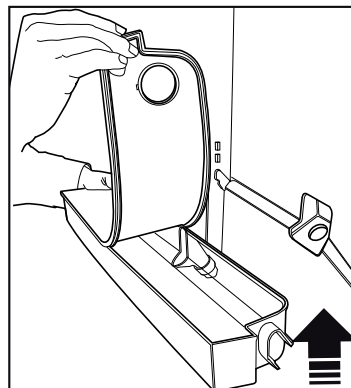
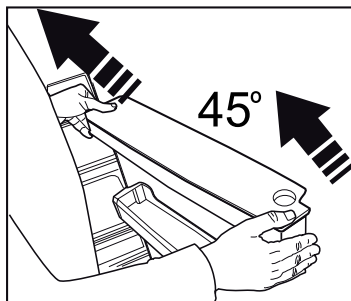
Капацитеот на водниот резервоар е 3 литри; не преполнувајте.

6.15. Чистење на водниот резервоар

1. Извадете го резервоарот за полнење вода на полицата на вратата.
2. Тргнете ја рамката на вратата држејќи ја за двете страни.
3. Грабнете го водниот резервоар од двете страни и тргнете го под агол од 45°C.
4. Тргнете го капакот на водниот резервоар и исчистете го резервоарот.



Компонентите на водниот резервоар и водната чешма не треба да се мијат во мапината за миење садови.

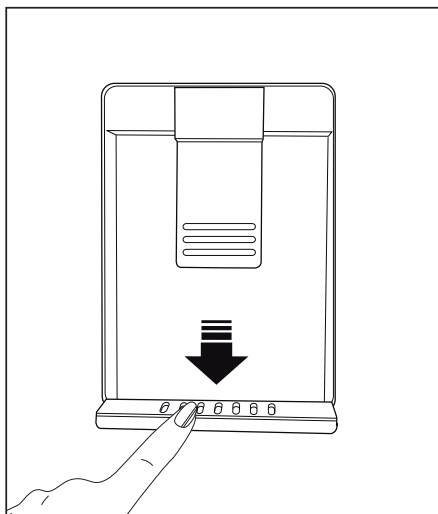


6.16.Послужавник за капење

Водата што тече додека ја користите чешмата за вода се акумулира во послужавникот за течење.

Тргнете го пластичниот филтер како што е покажано на сликата.

Со чиста и сува крпа, тргнете ја водата што се акумулирала.



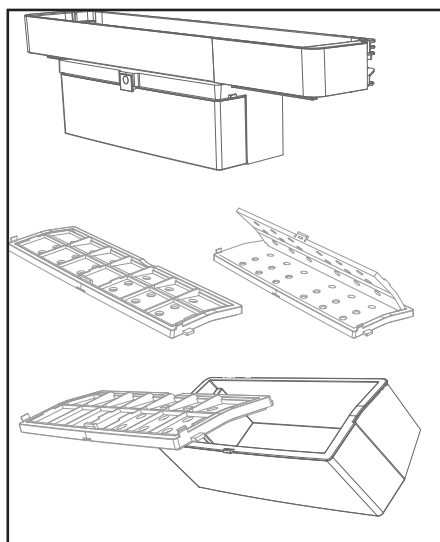
6.17.Кутија за зачини/Свежи зачини (HerbBox/HerbFresh)

Отстранете го садот со филм од кутијата за зачини/свежи зачини+ Извадете го филмот од кутијата и ставете го во садот за филм како што е прикажано на сликата.

Затворете го повторно садот и вратете го во кутијата за зачини/ свежи зачини+.

Кутиите за зачини/свежи зачини се особено добри оддели за чување разни зачини што се поделикатни. Во нив неисечканите зачини (магданос, копар и сл.) се чуваат во хоризонтална положба и многу подолго остануваат свежи.

Филмот се менува на шест месеци.



6.18.Замрзнување свежа храна

- За да го зачувате квалитетот на храната, храната ставена во одделот за замрзнување мора да се замрзне што може побрзо, користете брзо замрзнување за ова.
- Замрзнувањето на храна кога е свежа ќе го продолжи времето на чување во одделот за замрзнување.
- Спакувајте ја храната во садови без воздух и затворете ја цврсто.
- Проверете дали храната е спакувана пред да ја ставите во замрзнувачот. Користете држачи за замрзнување, алуминиум и хартија која не се влажни, пластични кеси или слични материјали за покување наместо традиционална хартија за пакување.



Мразот во одделот за замрзнување се топи автоматски.

- Означете го секое пакување со храна со датум пред замрзнување. Така ќе

може да ја одредите свежината на секое пакување секојпат кога ќе го отворите замрзнувачот. Чувајте ја порано ставената храна напред за да се осигурите дека ќе се искористи прва.

- Замрзнатата храна мора да се искористи веднаш по одмрзнување и не треба да се замрзнува повторно.
- Не замрзнувајте одеднаш големи количини храна.

6.19.Препораки за чување на смрзната храна

Одделот мора да биде ставен на најмалку -18°C .

1. Ставете ја храната во замрзнувачот најбрзо што можете да за избегнете одмрзнување.
2. Пред замрзнување, проверете го датумот на истекување на пакувањето за да проверите дека не е истечен.
3. Проверете дали пакувањето на храната не е оштетено.

Поставување на температурата во одделот за замрзнување	Поставување на температурата во одделот за ладење	Детали
-18°C	4°C	Ова е стандардната, препорачана поставка.
$-20, -22$ или -24°C	4°C	Овие поставки се препорачуваат за амбиентални температури над 30°C .
Брзо замрзнување	4°C	Користете го кога сакате за кусо време да ја замрзнете храната. Кога ќе заврши процесот, производот ќе се врати на позицијата.
-18°C или постудено	2°C	Користете го овие поставки ако мислите дека одделот за ладење не е доволно студен поради амбиенталната температура или честото отворање на вратата.

6.20. Детали за за длабоко замрзнување

Според стандардите на IEC 62552, замрзнувачот мора да има капацитет за замрзнување на 4,5 кг храна или смалете ја температурата во 24 часа за секои 100 литри на површината на замрзнувачот. Храната може само да се чува подолги периоди на или под температура од -18°C . Може да ја чувате храната свежа со месеци (во замрзнувачот на или под температура од 18°C).

Храната што се замрзнува не смее да ја допре веќе замрзнатата храна внатре за да се избегне делумно одмрзнување. Сварете ги зеленчуците и филтирајте ја водата за да го продолжите времето на чување. Ставете ја храната во вакумирани пакувања по филтирање и ставете ги во фрижидерот. Банани, домати, марула, целер, варени јајца, компири и слична храна не треба да се смрзнува. Ако оваа храна скапе, само хранливите вредности и вкусот ќе бидат влошени. Не станува збор за скапување опасно за здравјето на луѓето.

6.21. Ставање на храната

Рафтови во одделот на замрзнувачот	Некои видови замрзната храна, вклучувајќи месо, риби, сладолед, зеленчук итн.
Рафтови во одделот на замрзнувачот	Храната во тенџериња, затворени садови и затворени пакувања, јајца (во затворени пакувања)
Рафт на вратата на одделот за ладење	Мали и пакувани храна и пијалаци
Корпа за зеленчуци	Овошје и зеленчук

Оддел за свежа храна	Деликатесна храна (храна за доручек, месни производи што треба да се исконсумираат за кусо време)
----------------------	---

6.22. Предупредување за отворена врата (По избор)

Звучно предупредување ќе се слушне ако вратата на производот остане отворена најмалку една минута. Аудио предупредувањето ќе прекине кога вратата е затворена или некое копче на екранот (ако е достапно) е притиснато. Предупредувањето за отворена врата е и звучно и визуелно. Интерното светло ќе се исклучи ако предупредување продолжи 10 минути.

6.23. Менување на насоката на отворање на вратата

Може да ја смените насоката на отворање на фрижидерот во зависност од локацијата на која го употребувате. Кога ви треба тоа, консултирајте се со најблиската овластена служба.

Објаснувањето погоре е општа изјава. Треба да ја проверите предупредувачката етикета лоцирана во пакувањето на производот за променливоста на насоката на вратата.

6.24. Внатрешно светло

Внатрешното светло користи ЛЕД-сијалици. Контактирајте го овластениот сервис за какви било проблеми со оваа сијалица.

Сијалицата/сијалиците користени во овој уред не може да се користат за домашно осветлување. Намената употреба на оваа сијалица е да му помогне на корисникот да ја стави храната во фрижидерот/замрзнувачот безбедно и удобно.

Менување на светилката за осветлување

Повикајте овластен сервисер за да ја смените светилката што служи за осветлување на ладилникот.

Сијалицата што се користи во овој уред не служи за осветлување на соби во домот.

Намената на сијалицата е да му помогне на корисникот да ја стави храната во фрижидерот безбедно и удобно.

Сијалиците што се користат во овој производ треба да ги издржуваат екстремните физички услови, како што се температурите под -20°C .

Овој производ е опремен со извор на осветлување од енергетската класа „G“.

Изворот на осветлување во овој производ треба да го замени само стручен сервисер.

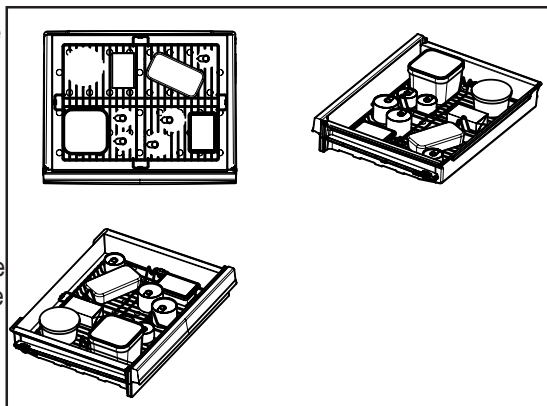
6.25 Препораки за употреба на одделот за дезинфекција:

*Оваа карактеристика е по избор

- Кога ги ставате намирниците во овој оддел за да ја дезинфицирате нивната површина, секогаш ставајте ги месото, пилешкото, рибата, млекото и млечните производи во нивното пакување.
- Воопшто не е препорачливо во овој оддел да дезинфицирате и други работи освен прехранбени намирници.
- Ако во одделот за дезинфекција ги ставате намирниците без да ги извадите од кесата, ќе биде дезинфицирана само површината на кесата и светлината нема да допре до пакувањата на намирниците. Затоа, намирниците треба да ги извадите од кесата пред да ги ставите во одделот за дезинфекција.
- Постапката за дезинфекција треба да ја примените само еднаш и не е добро да ја повторните повеќе пати на истите намирници.
- Ако не ја повторувате постапката и за други намирници откако веќе сте извршиле дезинфекција, препорачуваме во овој оддел да чувате само деликатеси и намирници за појадок. Не е препорачливо во овој оддел да складирате зеленчук и овошје подолго време бидејќи одделот за дезинфекција е поладен од другите делови на фрижидерот.
- Пред да ја активирате функцијата за дезинфекција од контролната табла, препорачливо е намирниците што претходно сте ги чувале во одделот за дезинфекција привремено да ги ставите во друг оддел на фрижидерот. Додека е активна постапката за дезинфицирање, препорачливо е во овој оддел да ги ставите само намирниците што треба да се дезинфицираат за прв пат. Кога ќе заврши постапката на

дезинфицирање, може да ги вратите во одделот намирниците што претходно сте ги преместиле од него.

- За ефикасно дезинфицирање, намирниците треба да се ставаат на извесно меѓусебно растојание и при тоа не треба да ја блокираат светлината.
- Не ги ставајте намирниците една врз друга пред да ја активирате функцијата за дезинфекција.



Векот на траење на производот се продолжува ако се чисти редовно



ПРЕДУПРЕДУВАЊЕ: Прво извадете го кабелот од струја пред да го чистите фрижидерот.

- Никогаш не користете остри или абразивни алатки, сапун, средства за чистење во домаќинството, детергенти и восочен полир за чистење.
- Растворете една малечка лажича сода бикарбона на половина литар вода. Накиснете крпа со растворот и исцедете ја темелно. Избришете ја внатрешноста на уредот со оваа крпа и исушете ја темелно.
- Проверете да не влегува вода во куќиштето на сијалицата и другите електрични предмети.
- Исчистете ја вратата со влажна крпа. За да извадите вратата и рафовите на телото, извадете ја сета содржина. Извадете ги рафовите со движење нагоре. По листењето, излизгајте ги од горе до долу за да ги инсталирате.
- Никогаш не користете средства за чистење или вода што содржи хлор за да ги чистите надворешните површини и деловите обложени со хром на производот. Хлорот предизвикува корозија на такви метални површини.
- Не користете, остри алатки, сапун, средства за чистење, детергенти, керозин, нафта, лак итн., за да спречите вадење или деформирање на написите на пластичниот дел. Користете млека вода и мека крпа за чистење и потоа и исушете.

7.1.Избегнување на лоши мириси

Во производството на нашите уреди не се користени материјали што може да предизвикаат мирис. Сепак поради несоодветните услови за лување храна и нечистењето на внатрешната површина на уредот како што треба, може да се појави проблем со мирисот.

Затоа, чистете го фрижидерот со вода со растворена сода секои 15 дена.

- Чувајте ја храната во затворени садови. Микроорганизмите што се шират од непокриените садови може да предизвикаат непријатни мириси.
- Во фрижидерот никогаш не чувајте храна што има истечен датум на користење и што е расипана.

7.2.Заштита на пластичните површини

Исчистете ги веднаш со топла вода бидејќи маслото може да ги оштети површините ако се стави на пластика.

7.3.Стаклото на вратата

Извадете ја заштитната фолија од стаклата. Има облога на површината на стаклата. Оваа површина го минимизира наталожувањето и помага да се отстраната можните дамки и нечистотија. Стаклата што не се заштитени со таков слој може да се предмет на постојано поврзување на нечистотија од воздух или вода, како што се варовникот, минералните соли, неизгорените јаглеводороди, металните оксиди и силиконите што може лесно и брзо да предизвикаат дамки или оштетување на материјалот. Одржувањето на стаклото чисто станува тешко и покрај редовното чистење. Поради тоа, изгледот и транспарентноста на стаклото се влошуваат. Грубите и корозивните методи за чистење и соединенија ги интензивираат овие дефекти и го забрзуваат процесот на распаѓање.

Производите за чистење врз база на вода што не се лакални и корозивни мора да се користат за редовно чистење.

Неалкалните и некорозивните метеријали мора да се користат за чистење за да може облогата да трае подолго време.

Овие стакла се термички обработени за да се зголеми нивната издржливост против удари и кршење. Безбедносен филм исто така се применува на нивната површина како дополнителна мерка на безбедност за да се спречи да предизвикаат оштетување во средината ако се скршат.

*Алкалите се база што формира хидроксидни јони (OH^-) кога ќе се раствори во вода.

Li (литиум), Na (натриум), K (калиумот) Rb (рубидиумот), Cs (цезиумот) и вештачките и радиоактивни Fr (Fap-sium) метали се наречени АЛКАЛНИ МЕТАЛИ.

Проверете го списокот пред да повикате сервис. Ќе ви заштеди време и пари. Овој список ги опфаќа честите поплаки што не произлегуваат од неправилна работа или употреба на материјали. Одредени спомнати одлики може да не се однесуваат на вашиот производ.

Ако ладилникот не работи.

- Приклучокот за струја не е наместен убаво. >>> Приклучете го убаво да влезе во штекерот.
- Осигурувачот за штекерот што обезбедува струја за производот или главниот осигурувач се прегорени. >>> Проверете ги осигурувачите.

Се јавува кондензација на страничните ѕидови во одделот на ладилникот (ПОВЕЌЕНАМЕНСКА ЗОНА, КОНТРОЛА НА ЛАДЕЊЕТО И ФЛЕКСИБИЛНА ЗОНА).

- Средината е многу студена. >>> Не поставувајте го производот во средина каде што температурата се спушта под -5 °C.
- Вратата се отвора многу често >>> Внимавајте да не ја отворате вратата многу често.
- Има многу влага во средината. >>> Не поставувајте го производот во средина со влага.
- Течната храна се чува во садови без капак. >>> Чувајте ја течната храна во затворени садови.
- Вратата на производот е оставена отворена. >>> Не оставајте ја вратата отворена долго.
- Термостатот е поставен на ниска температура. >>> Поставете го термостатот на соодветната температура.

Компресорот не работи.

- Ако снеса струја или ако го извлечете приклучокот од штекерот и потоа повторно го приклучите, притисокот на гасот во системот за ладење на производот нема да биде рамномерен што предизвикува вклучување на термичката заштита на компресорот. Производот ќе се рестартира по околу 6 минути. Повикајте сервисер ако производот не се рестартира по овој период.
- Вклучено е одмрзнувањето. >>> Ова е нормално за целосно автоматизиран процес на одмрзнување. Одмрзнувањето се извршува периодично.
- Производот не е вклучен. >>> Проверете дали кабелот за струја е вклучен.
- Поставката за температура не е точна. >>> Изберете соодветна поставка за температурата.
- Нема струја. >>> Производот ќе продолжи да работи кога ќе дојде струја.

Буката од работата на ладилникот се зголемува додека работи.

- Работата на производот може да се разликува во зависност од промените на температурата во средината. Тоа е нормално и не е грешка.

Ладилникот работи многу често или многу долго.

Решавање на проблеми

- Новиот производ веројатно е поголем од претходниот. Поголемите производи работат подолго.
- Температурата во просторијата е висока. >>> Производот нормално ќе работи подолго ако има висока температура во просторијата.
- Производот бил приклучен неодамна или ставена е нова храна. >>> На производот му треба повеќе време да ја достигне поставената температура кога е вклучен неодамна или ако се стави нова храна во него. Тоа е сосема нормално.
- Ставена е поголема количина врела храна во производот. >>> Не ставајте врела храна во ладилникот.
- Вратите се отвораат често или биле оставени отворени подолго. >>> Топлиот воздух влегува внатре и затоа производот работи подолго. Не отворајте ги вратите многу често.
- Вратата на ладилникот или замрзнувачот е оставена подотворена. >>> Проверете дали вратите се убаво затворени.
- Производот е поставен на многу ниска температура. >>> Поставете на повисока температура и почекајте производот да ја достигне прилагодената температура.
- Гумата на врата од ладилникот или замрзнувачот е валкана, изабена, искршена или не е правилно наместена. >>> Исчистете или заменете ја гумата. Оштетената / искината гума на вратата предизвикува долга работа на производот за да ја одржува поставената температура.

Температурата во замрзнувачот е многу ниска додека температурата во ладилникот е задоволителна.

- Температурата во одделот на замрзнувачот е поставена многу ниско. >>> Поставете повисока температура за одделот на замрзнувачот и проверете одново.

Температурата во ладилникот е многу ниска додека температурата во замрзнувачот е задоволителна.

- Температурата во одделот на ладилникот е поставена многу ниско. >>> Поставете повисока температура за одделот на замрзнувачот и проверете одново.

Храната што се чува во ладилникот е замрзната.

- Температурата во одделот на ладилникот е поставена многу ниско. >>> Поставете повисока температура за одделот на замрзнувачот и проверете одново.

Температурата во ладилникот или замрзнувачот е многу висока.

- Температурата во одделот на ладилникот е поставена многу високо. >>> Поставката за температурата во одделот на ладилникот влијае врз температурата во одделот на замрзнувачот. Почекајте температурата во соодветниот оддел да го достигне потребното ниво така што ќе ја смените температурата во одделите за ладилникот или замрзнувачот.
- Вратите се отвораат често или биле оставени отворени подолго. >>> Не отворајте ги вратите многу често.
- Вратата е оставена подотворена. >>> Затворете ја вратата убаво.
- Производот бил приклучен неодамна или ставена е нова храна. >>> Ова е нормално. На производот му треба повеќе време да ја достигне поставената температура кога е вклучен неодамна или ако се стави нова храна во него.
- Ставена е поголема количина врела храна во производот. >>> Не ставајте врела храна во ладилникот.

Тресење или бучава.

Решавање на проблеми

- Подот не е рамен или издржлив. >>> Ако производот се тресе кога ќе го помрднете малку, прилагодете ги ногарките за да го порамните. Проверете и дали подот е доволно издржлив да го носи производот.
- Работите ставени врз производот предизвикуваат бучава. >>> Тргнете ги работите што сте ги ставиле врз него.

Производот испушта звуци на течење, прскање и сл.

- Работните принципи на производот вклучуваат течење на течност и гас. >>> Тоа е нормално и не е грешка.

Звук на ветер се слуша од производот.

- Производот користи вентилатор во процесот на ладење. Тоа е нормално и не е грешка.

Има кондензација на внатрешните ѕидови на производот.

- Врела и влажна клима го зголемува создавањето мраз и кондензација. Тоа е нормално и не е грешка.
- Вратите се отвораат често или биле оставени отворени подолго. >>> Не отворајте ги вратите многу често. Ако се отворени, затворете ги.
- Вратата е оставена подотворена. >>> Затворете ја вратата убаво.

Има кондензација по надворешноста на производот или меѓу вратите.

- Климата во средината е влажна. Ова е нормално за влажна клима. >>> Кондензацијата ќе исчезне кога ќе се намали влагата.

Внатрешноста мириса лошо.

- Производот не се чисти редовно. >>> Редовно чистете ја внатрешноста со сунѓер и топла вода со сода бикарбона.
- Одредени држачи и материјали за пакување создаваат миризби. >>> Користете држачи и материјали за пакување што не содржат миризби.
- Храната се чува во садови без капак. >>> Чувајте ја храната во затворени садови. Може да се развијат микроорганизми кај храната што не се чува во затворен сад со што се создава лоша миризба. Отстранете ја храната со истечен рок или расипаната храна од производот.

Вратата не се затвора.

- Пакувањето на храната ја блокира вратата. >>> Преместете ги работите што ги блокираат вратите.
- Производот не е поставен во целосно исправена положба на подот. >>> Прилагодете ги ногарките за да го порамните.
- Подот не е рамен или издржлив. >>> Проверете дали подот е рамен и доволно издржлив да го носи производот.

Корпата за зеленчук е преполна.

- Храната се допира до горната секција во фиоката. >>> Разместете ја храната во фиоката.

Ако површината на производот е жешка

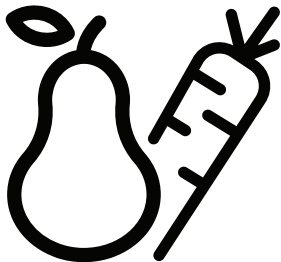
- Може да се појават високи температури помеѓу двете вратички, на страничните панели и кај задниот грил додека производот е вклучен. Тоа е нормално и нема потреба за поправка!



ПРЕДУПРЕДУВАЊЕ: Ако проблемот опстојува и откако сте ги примениле сите упатства во ова поглавје, контактирајте со продавачот или овластен сервис. Не обидувајте се да го поправите апаратот.

beko

Diepvriezer
Упутства за кориснике
Frigorifer
Manuali i perdoruesit



RCNE560E40ZLXPUN

SB / SQ



RECIKLIRANI PAPIR I
PAPIR ZA RECIKLAŽU



LETËR E RICKLUAR DHE
E RICKLUESHME

58 5379 0000/AN

7/8

Poštovani korisnici,
Pre upotrebe proizvoda, pročitajte ovaj priručnik.

Hvala što ste izabrali ovaj proizvod. Želimo da postignete optimalnu efikasnost ovog visokokvalitetnog proizvoda koji je proizveden uz primenu vrhunske tehnologije. Da biste to postigli, pažljivo pročitajte ovaj priručnik i svu drugu dokumentaciju koja je data pre upotrebe proizvoda i sačuvajte istu za naknadnu referencu.

Obratite pažnju na sve informacije i upozorenja u uputstvu za upotrebu. Na taj način ćete zaštititi sebe i svoj proizvod od opasnosti koje mogu nastati.

Sačuvajte uputstvo za upotrebu. Ne odvajajte ovaj vodič od jedinice ako želite da je predate nekom drugom licu.

Sledeći simboli se koriste u uputstvu za korisnike:





 Opasnost koja može za rezultat imati smrt ili ozledu.

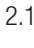
NOTICE Opasnost koja može prouzrokovati materijalnu štetu na proizvodu ili okolini

 Važne informacije i korisni saveti u vezi sa upotrebom.

 Pročitajte uputstvo za upotrebu


 Rizik od UV-C zračenja

 PODACI	
 SUPPLIER'S NAME:  MODEL IDENTIFIER:  (*)	Podaci o modelu sačuvani u bazi podataka o proizvodu mogu se dobiti unosom sledeće internet stranice i pretragom po identifikacionom broju vašeg modela (*) koji se nalazi na oznaci potrošnje električne energije. https://eprel.ec.europa.eu/


1 Bezbednosna uputstva	3	6 Rad proizvoda	15
 1.1 Namena	3	6.1. Plavo svetlo/HarvestFresh.	18
 1.2 Sigurnost dece, ugroženih osoba i kućnih ljubimaca.	3	6.2. Odeljak za higijenski tretman	18
 1.3 Zaštita od električne energije	4	6.3. Fioka za led	19
 1.4 Bezbednost pri radu	4	6.4. Držać za jaja	19
 1.5 Bezbednost pri ugradnji	4	6.5. Ventilator.	20
 1.6 Bezbednost pri radu.	5	6.6. Korpa za povrće	20
 1.7 Bezbednost pri održavanju i čišćenju.	7	6.7. Posuda (u hladnjaku) frižidera	20
 1.8 HomeWhiz.	7	6.8. Pokretna polica na vratima	21
 1.9 Osvetljenje.	7	6.9. Klizna kutija za odlaganje	21
 1.10 Bezbednost od UV-C zračenja	7	6.10. Posuda za povrće sa kontrolom vlažnosti	22
 1.11 Tehničke informacije za Wifi + Bluetooth	8	6.11. Automatska mašina za led	22
2 Uputstva za zaštitu životne sredine	9	6.12. Icematic i posuda za čuvanje leda	23
2.1 Usaglašenost sa WEEE direktivom i odlaganje otpada:	9	6.13. Korišćenje automata za vodu	23
2.2 Usklađenost sa RoHS Direktivom	9	6.14. Punjenje rezervoara automata vodom.	24
2.3 Informacije o pakovanju.	9	6.15. Čišćenje rezervoara za vodu	25
3 Vaš frižider	10	6.16. Posuda za sakupljanje vode.	26
4 Instalacija	11	6.17. Zamrzavanje sveže hrane	27
4.1. Pravo mesto za instalaciju	11	6.18. Preporuke za čuvanje smrznute hrane	27
4.2. Postavljanje plastičnih klinova	11	6.19. Informacije o zamrzivaču.	28
4.3. Podešavanje podnožja	11	6.20. Stavljanje hrane	28
4.4. Priključivanje napajanja	12	6.21. Upozorenje na otvorena vrata	28
5 Priprema	13	6.22. Promena smera otvaranja vrata	28
5.1. Šta možete uraditi da biste uštedeli energiju	13	6.23. Unutrašnje osvetljenje	28
5.2. Prvo upotreba.	14	6.24. Preporuke za rad higijenskog odeljka:	29
		7 Održavanje i čišćenje	30
		7.1. Izbegavajte neprijatne mirise	30
		7.2. Zaštita plastičnih površina	30
		7.3. Stakla na vratima	30
		8 Rešavanje problema	31


1 Bezbednosna uputstva

- Ovaj deo sadrži uputstva o bezbednosti koja su neophodna za sprečavanje rizika od fizičkih povreda i materijalnih šteta.
- Naša kompanija ne snosi odgovornost za štetu koja može nastati ako se ova uputstva ne poštuju

 Postupke instalacije i popravke uvek mora obavljati ovlašćeni servis.

 Uvek koristite isključivo originalne rezervne delove i dodatke.

 Originalni rezervni delovi će biti obezbeđeni za narednih 10 godina od datuma kupovine proizvoda.

 Nemojte popravljati ili menjati nijedan dio proizvoda, osim ako to nije izričito navedeno u uputstvu za upotrebu.

 Ne izvodite nikakve tehničke modifikacije na proizvodu.

1.1 Namena

- Ovaj proizvod nije namenjen za komercijalnu upotrebu i ne sme se koristiti van predviđene namene.

Ovaj je proizvod namenjen za rad u zatvorenom prostoru, kao što su domaćinstva ili slično.

Na primer:

- u kuhinjama zaposlenih prodavnica, kancelarija i drugih radnih okruženja,
- u seoskim kućama,
- u jedinicama hotela, motela ili drugih odmarališta koje kupci koriste,
- u hostelima ili sličnim okruženjima,
- u uslugama dostave pripremljene hrane i slične primene koje ne spadaju u maloprodaju.

Ovi proizvodi se ne smeju koristiti u otvorenim ili zatvorenim spoljašnjim okruženjima kao što su plovila, balkoni ili terase. Izlaganje proizvoda kiši, snegu, suncu i vetru će izazvati rizik od požara.

1.2 Sigurnost dece, ugroženih osoba i kućnih ljubimaca

- Ovaj uređaj mogu koristiti deca od 8 godina i starija, i osobe sa ograničenim fizičkim, čulnim ili mentalnim sposobnostima, osobe koje nemaju dovoljno znanja ili iskustva ako su pod nadzorom ili su im data uputstva koja se tiču upotrebe uređaja na siguran način proizvoda i opasnosti koje uključuju.
- Deca između 3 i 8 godina smeju stavljati u i vaditi hranu iz hladnijeg proizvoda.
- Električni proizvodi su opasni za decu i kućne ljubimce. Deca i kućni ljubimci ne smeju se igrati, penjati se ili ulaziti u proizvod.
- Deca nikada ne smeju da čiste i održavaju uređaj, sem ako se nalaze pod nadzorom odrasle osobe.
- Materijale za pakovanje držite dalje od dece. Opasnost od ozlede i gušenja.
- Pre odlaganja starih proizvoda koji se više ne smeju koristiti:
 1. Isključite mrežni kabal iz utičnice.
 2. Odrežite kabal za napajanje i izvadite ga iz uređaja zajedno sa utikačem.
 3. Ne uklanjajte stalke i ladice iz proizvoda kako biste sprečili da deca uđu u uređaj.
 4. Uklonite vrata.
 5. Postavite proizvod tako da ne može da se prevrne.
 6. Nemojte dopustiti deci da se igraju sa starim proizvodom.
 - Ne odlažite proizvod tako što ćete ga spaljivati. Opasnost od eksplozije.
 - Ako je na vratima proizvoda dostupna brava, ključ držite van dohvata dece.

Uputstva o bezbednosti i zaštiti životne sredine

1.3 Zaštita od električne energije

- Proizvod ne sme biti uključen u utičnicu tokom ugradnje, održavanja, čišćenja, popravke i transporta.
- Ako je kabal za napajanje oštećen, zamenite ga isključivo ovlašćeni servis kako bi se izbegao bilo kakav rizik koji se može pojaviti.
- Ne stavljajte kabal za napajanje ispod proizvoda ili na zadnju stranu proizvoda. Ne stavljajte teške predmete na kabal za napajanje. Kabl za napajanje ne treba da se savija, prelama i ne sme da dođe u kontakt sa bilo kojim izvorom toplote.

Za upravljanje proizvodom ne koristite produžni kabal, višestruku priključnicu ili adapter.

Prenosne višestruke utičnice ili prenosni izvori napajanja mogu se pregrijati i uzrokovati požar. Prema tome, nemojte držati višestruku priključnicu iza ili u blizini proizvoda.

Utičač mora biti lako dostupan. Ako to nije moguće, na električnoj instalaciji biće dostupan mehanizam koji ispunjava zakone o električnoj energiji i koji isključuje sve priključke iz mreže (osigurač, prekidač, glavni prekidač itd.).

Ne dodirujte utičač vlažnim rukama!

Kad isključujete uređaj, ne držite kabal za napajanje, već utičač.

1.4 Bezbednost pri radu

- Ovaj je proizvod težak, nemojte sami sa njim postupati.
- Ne držite proizvod preko njegovih vrata dok rukujete proizvodom.
- Pazite da pri rukovanju s proizvodom ne oštetite rashladni sistem i cevi. Ne koristite proizvod ako su cevi oštećene i obratite se ovlašćenom servisu.

1.5 Bezbednost pri ugradnji

- Kontaktirajte ovlašćeni servis za instalaciju proizvoda. Da biste proizvod pripremili za instalaciju, pogledajte informacije u korisničkom priručniku i pobrinite se da su snabdevanje struje i vode u skladu sa zahtevima. Ako instalacija nije odgovarajuća, pozovite električara i vodoinstalatera da bi oni postavili instalaciju po potrebi. U protivnom mogu se dogoditi električni udari, požari, problemi s proizvodom ili ozlede.
- Pre instaliranja proverite ima li oštećenja na proizvodu. Nemojte da instalirate uređaj ako je oštećen.
- Postavite proizvod na ravnu i tvrdu površinu i uravnotežite ga s podesivim nogama. U suprotnom, hladnjak se može prevrnuti i prouzrokovati ozlede.
- Proizvod mora biti instaliran u suvom i provetrenom okruženju. Ne držite tepihe, prostirače ili slične podne zastore ispod proizvoda. To može uzrokovati opasnost od požara zbog neadekvatne ventilacije!
- Ne blokirajte i ne prekrivajte ventilacione otvore. U suprotnom, potrošnja električne energije se može povećati i može doći do oštećenja proizvoda.
- Ne spajajte proizvod na izvore napajanja poput solarnih napajanja. U suprotnom može doći do oštećenja vašeg proizvoda kao rezultat naglih oscilacija napona!
- Što više rashladnog sredstva sadrži hladnjak, veća će mu biti i prostorija za ugradnju. U vrlo malim prostorijama može doći do zapaljive smese plina i vazduha u slučaju curenja plina iz rashladnog sistema. Za svakih 8 grama rashladnog sredstva potrebno je najmanje 1 m³ zapremine. Količina rashladnog sredstva dostupnog u vašem proizvodu navedena je u tipskoj nalepnici.

Uputstva o bezbednosti i zaštiti životne sredine

- Mesto instalacije proizvoda ne sme biti izloženo direktnim sunčevim zracima i ne sme biti u blizini izvora topline poput peći, radijatora itd.

Ako ne možete izbeći ugradnju proizvoda u blizini izvora toplote, upotrebite odgovarajuću izolacijsku ploču, a minimalna udaljenost do izvora toplote biće kako je navedeno u nastavku.

- Najmanje 30 cm udaljen od izvora toplote kao što su peći, grijalice i grijači itd.,
- I udaljen najmanje 5 cm od električnih peći.
- Vaš proizvod ima klasu zaštite I. Uključite proizvod u uzemljenu utičnicu koja odgovara vrednostima napona, struje i frekvencije navedene na tipskoj nalepnici. Utičnica mora biti opremljena osiguračem jačine 10 A - 16 A. Naša kompanija nije odgovorna za štetu koja nastane kao rezultat rada proizvoda bez osiguravanja uzemljenja i električnih veza izvedenih u skladu s lokalnim ili nacionalnim propisima.
- Kabl za napajanje proizvoda mora da se isključi iz struje tokom instalacije. U suprotnom može doći do opasnosti od električnog udara i ozleda!
- Ne stavljajte proizvod u olabavljene, slomljene, prljave, masne utičnice ili utičnice koje su ispale iz svog ležišta ili utičnice s rizikom od dodira s vodom.
- Postavite kabal za napajanje i kablove (ako su dostupni) proizvoda tako da ne uzrokuju opasnost od saplitanja.
- Prodiranje vlage u delove pod naponom ili na kabal za napajanje može prouzrokovati kratki spoj. Stoga, nemojte koristiti proizvod u vlažnim okruženjima ili na mestima gde može prskati voda (npr. garaža, prionica rublja itd.) Ako je hladnjak vlažan od vode, isključite ga sa napajanja i obratite se ovlašćenom servisu.

- Ne priključujte svoj hladnjak na uređaje za uštedu energije. Ovi sistemi su štetni za proizvod.

1.6 Bezbednost pri radu

- Na proizvodu nemojte koristiti hemijske rastvore. Ovi materijali nose opasnost od eksplozije.
- U slučaju kvara proizvoda, isključite ga sa napajanja i nemojte ga stavljati u režim rada dok ga ovlašćeni servis ne popravi. Postoji opasnost od električnog udara!
- Ne stavljajte izvor plamena (npr. sveće, cigarete, itd.) na proizvod ili u njegovoj blizini.
- Ne penjite se na proizvod. Rizik od pada i povreda!
- Nemojte oštetiti cevi rashladnog sistema koristeći oštre i probojne alate. Rashladno sredstvo koje se prska u slučaju probijanja gasovoda, produžetaka cevi ili prevlaka gornje površine može prouzrokovati iritaciju kože i povrede očiju.
- Ne stavljajte i ne upotrebljavajte električne uređaje unutar frižidera/dubinskog zamrzivača, osim ako to ne preporuči proizvođač.
- Nemojte gurati bilo koji deo ruke ili tela u bilo koji od pokretnih delova unutar proizvoda. Vodite računa da sprečite zaglavljivanje prstiju između frižidera i njegovih vrata. Budite oprezni dok otvarate ili zatvarate vrata ako u blizini ima dece.

Uputstva o bezbednosti i zaštiti životne sredine

- Ne stavljajte sladoled, kockice leda ili smrznutu hranu u usta čim ih izvadite iz zamrzivača. Rizik od promrzlina!
- Ne dirajte unutrašnje zidove, metalne delove zamrzivača ili hranu čuvanu u frižideru mokrim rukama. Rizik od promrzlina!
- Ne stavljajte limenke sa sodom ili limenke i boce u kojima se nalazi tečnost koja može biti smrznuta u odeljak za zamrzavanje. Limenke ili boce mogu eksplodirati. Opasnost od ozlede i materijalne štete!
- Ne koristite i ne stavljajte materijale osetljive na temperaturu kao što su zapaljivi sprejevi, zapaljivi predmeti, suvi led ili druga hemijska sredstva u blizini frižidera. Opasnost od požara i eksplozije!
- Ne skladištite unutar proizvoda eksplozivne materije poput aerosola u zapaljivim materijalima.
- Ne stavljajte limenke s tečnošću preko proizvoda. Prskanje vodom električnog dela može prouzrokovati opasnost od strujnog udara ili požara.
- Ovaj proizvod nije namenjen skladištenju i hlađenju lekova, krvne plazme, laboratorijskih preparata ili sličnih materijala i proizvoda koji podliježu Direktivi o medicinskim proizvodima.
- Ako se proizvod koristi suprotno predviđenoj nameni, može prouzrokovati oštećenje ili pogoršanje proizvoda koji se drže u unutrašnjosti.
- Ako je vaš frižider opremljen plavom svetlošću, nemojte gledati ovo svetlo optičkim uređajima. Ne gledajte direktno u UV LED svetlo tokom dugog vremenskog perioda. Ultraljubičasti zraci mogu uzrokovati naprezanje očiju.
- Ne punitre proizvod onom količinom hrane koja nadmašuje njegov kapacitet. Do povreda ili oštećenja može doći ako sadržaj iz frižidera padne prilikom otvaranja vrata. Slični problemi mogu se pojaviti kada se predmet stavi preko proizvoda.
- Osigurajte da ste uklonili sav led ili vodu koja je možda pala na pod kako biste sprečili ozlede.
- Promenite mesto za stalke/ stalke za boce na vratima vašeg hladnjaka isključivo kada su stalci prazni. Opasnost od telesne povrede!
- Ne stavljajte predmete koji mogu pasti/prevrnuti se na proizvod. Ti predmeti mogu pasti tokom otvaranja ili zatvaranja vrata i uzrokovati ozlede i/ili materijalne štete.
- Ne udarajte i ne vršite preveliki pritisak na staklene površine. Slomljeno staklo može prouzrokovati ozlede i/ili materijalne štete.
- Sisitem za hlađenje u vašem proizvodu sadrži rashladno sredstvo R600a. Vrsta rashladnog sredstva koje se koristi u proizvodu navedena je na tipskoj nalepnici. Ovaj plin je zapaljiv. Stoga, pazite da pri radu proizvoda ne oštetite rashladni sistem i cevi. U slučaju oštećenja cevi;

Uputstva o bezbednosti i zaštiti životne sredine

- ne dirajte proizvod niti kabal za napajanje,
- Držite proizvod dalje od potencijalnih izvora vatre koji mogu prouzrokovati da se proizvod zapali.

- proventrite područje na kojem se proizvod nalazi. Ne koristite ventilator.

- Obratite se ovlašćenom servisu.

- Ako je proizvod oštećen i primetite curenje plina, držite se podalje od plina. Plin može uzrokovati promrzline ako dođe u kontakt s vašom kožom.

1.7 Bezbednost pri održavanju i čišćenju

- Ne povlačite za ručku na vratima ako proizvod pomičete radi čišćenja. Ručka može uzrokovati ozlede ako se povuče previše jako.
- Ne čistite proizvod raspršivanjem ili nalivanjem vode na proizvod i unutar proizvoda. Opasnost od strujnog udara i požara.
- Za čišćenje proizvoda ne koristite oštre ili abrazivne alate. Ne koristite materijale kao što su sredstva za čišćenje u domaćinstvu, deterdženti, plin, benzin, alkohol, vosak itd.
- Unutar proizvoda koristite isključivo sredstva za čišćenje i održavanje koja nisu štetna za hranu.
- Nemojte koristiti paru ili sredstva za čišćenje parom za čišćenje proizvoda i topljenje leda u njemu. Para dolazi u kontakt sa dostupnim područjima u vašem hladnjaku i izaziva kratki spoj ili strujni udar!

- Vodite računa da voda bude udaljena od elektro-kola ili osvetljenja proizvoda.
- Upotrebite čistu suhu krpu za brisanje prašine ili stranih materijala za vrhove utikača. Za čišćenje utikača nemojte koristiti mokri ili vlažni komad tkanine. U suprotnom može doći do opasnosti od požara ili strujnog udara.

1.8 HomeWhiz

(Možda nije dostupno kod svih modela)

- Sledite sigurnosna upozorenja čak i ako ste udaljeni od proizvoda dok rukujete proizvodom putem HomeWhiz aplikacije. Takođe, obratite pažnju na upozorenja u aplikaciji.

1.9 Osvetljenje

(Možda nije dostupno kod svih modela)

- Kada hoćete da zamenite LED/sijalicu za osvetljenje, obratite se ovlašćenom servisu.

1.10 Bezbednost od UV-C zračenja

- Ne uklanjajte zaštitno staklo UV-C lampe.
- Ne upotrebljavajte proizvod bez zaštitnog stakla na UV-C lampi!
- Uređaj sadrži lampu koja emituje UV-C zrake. Ne gledajte direktno u izvor svetlosti.
- Pri čišćenju odeljka u kome se nalazi UV-C lampica, izvucite utikač iz utičnice.
- Ni u kom slučaju ne koristite proizvod koji oštećuje zaštitno staklo.
- Uz pomoć ovlašćenog servisa, onemogućite UV-C funkciju sa kontrolne table ekrana dok menjate UV-C lampu.
- Nikada ne uklanjajte nalepnicu „Opasnost od ultraljubičastog zračenja“ na higijenskom

Uputstva o bezbednosti i zaštiti životne sredine

- odeljku koji sadrži UV-C lampe.
- Korišćenje proizvoda izvan predviđene upotrebe ili oštećenje zaštitnog stakla UV-C lampe ili okoline može dovesti do opasnog UV-C zračenja. UV-C zračenje može oštetiti oči i kožu čak i u malim količinama! Ne koristite oštećen proizvod!
 - Ako simbol UV-C počne da treperi kada se aktivira funkcija higijenskog tretmana, to znači da je dostignuto pola životnog vijeka lampi i da je njihova efikasnost smanjena na pola. Preporučujemo vam da zamenite UV-C lampe kada primetite ovo upozorenje. UV-C lampe se menaju zajedno sa ležištem u kojem se nalaze. Nabavku i ugradnju UV-C ležišta treba da obavi ovlašćeni servis.



	UPOZORENJE: UV-C zračenje štetno je za oči i kožu. Nemojte koristiti UV-C lampe van proizvoda !
	UPOZORENJE: Nije dozvoljeno da korisnik menja UV-C lampe. Zatražite podršku ovlašćenog servisa kada istekne vek trajanja UV-C lampi!

1.11 Tehničke informacije za Wifi + Bluetooth

Frekvencijski opseg:	2,4 GHz (Wi-Fi ili bluetooth operativni)
Maks. snaga prenosa:	< 100mV (Wi-Fi ili bluetooth operativni)
Informacije o softveru:	Quartz_WiFi.XXX

Izjava o usaglašenosti za CE:

Arcelik A.S. ovim izjavljuje da je ovaj uređaj u skladu sa Direktivom 2014/53/EU.

Kompletan tekst EU izjave o usaglašenosti dostupan je na sledećoj internet adresi:

Proizvodi, od: support.beko.com

Definirani period podrške za ažuriranje softvera za kibernetičku sigurnost za proizvod je garantni period za proizvod. Nakon ovog perioda, ažuriranja softvera za kibernetičku sigurnost nisu zagarantovana..

2 Uputstva za zaštitu životne sredine

2.1 Usaglašenost sa WEEE direktivom i odlaganje otpada:

Ovaj proizvod je usaglašen sa WEEE direktivom Evropske unije (2012/19/EU). Ovaj proizvod nosi simbol klasifikacije za odlaganje električne i elektronske opreme (WEEE).



Ovaj simbol označava da se ovaj proizvod ne sme odlagati zajedno s ostalim kućnim otpadom na kraju njegovog radnog veka. Iskorišćeni uređaj mora se vratiti u službeno zbirno

mesto za recikliranje električnih i elektronskih uređaja. Da biste pronašli ove sisteme za prikupljanje, obratite se lokalnim vlastima ili prodavcu gde je proizvod kupljen. Svako domaćinstvo igra važnu ulogu u obnavljanju i recikliranju starog aparata. Odgovarajuće odlaganje korišćenog uređaja pomaže u sprečavanju potencijalnih negativnih posledica po životnu sredinu i zdravlje ljudi.

2.2 Usklađenost sa RoHS Direktivom

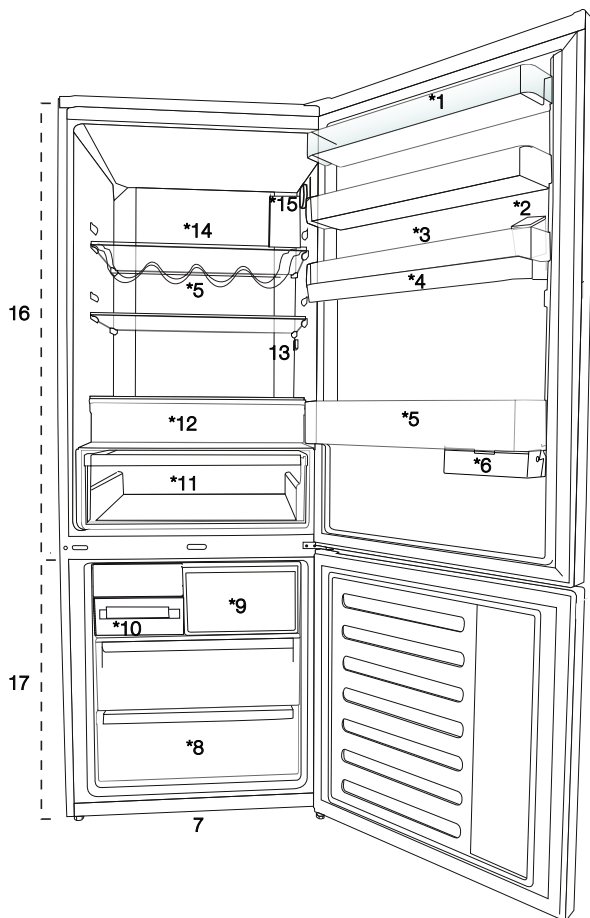
Proizvod koji ste kupili u saglasnosti je sa RoHS Direktivom Evropske unije (2011/65/EU). On ne sadrži štetne i zabranjene materijale navedene u Direktivi.

2.3 Informacije o pakovanju



Ambalažni materijali ovog proizvoda su napravljeni od materijala koji mogu da se recikliraju u skladu sa nacionalnim propisima o zaštiti životne sredine. Ne bacajte materijal pakovanja zajedno sa kućnim ili drugim otpadom. Onesite ih do sabirnih centara za ambalažu koji su određeni od strane lokalnih vlasti.

3 Vaš frižider



1. Polica na vratima odeljka frižidera
 2. Rezervoar za vodu za dozatorom cvode
 3. Držač za jaja
 4. Rezervoar za vodu
 5. Polica za boce
 6. Klizna kutija za odlaganje
 7. Podesive nožice
 8. Odeljak za duboko zamrzavanje
 9. Odeljak za brzo zamrzavanje
 10. Aparat za izradu leda
 11. Odeljak za voće i povrće
 12. Odeljak za higijenski tretman (UV-C lampe)
 13. Unutrašnje osvetljenje
 14. Staklena polica odeljka frižidera
 15. Dugme za prilagođavanje temperature
 16. Frižider
 17. Zamrzivač
- *Možda nije dostupno kod svih modela**



***opciono:** Slike date u ovom uputstvu služe samo kao primeri i ne moraju biti potpuno iste kao vaš proizvod. Ako vaš proizvod ne sadrži delove na koje se te slike odnose, informacije se odnose na druge modele.

4 Instalacija

! Prvo pročitajte odeljak „Bezbednosna uputstva“!

4.1. Pravo mesto za instalaciju

Obratite se ovlašćenom servisu za instalaciju proizvoda. Da biste proizvod pripremili za instalaciju, pogledajte informacije u uputstvu za upotrebu i proverite da li postoje potrebne električne i vodovodne instalacije. Ako ne postoje, pozovite električara i vodoinstalatera da bi ih postavili po potrebi.



UPOZORENJE: Proizvođač ne preuzima odgovornost za bilo kakvu štetu nastalu usled radova koje su obavile neovlašćene osobe.



UPOZORENJE: Kabl za napajanje proizvoda mora da se isključi iz struje tokom instalacije. Ako to ne učinite, može doći do smrti ili teških povreda!



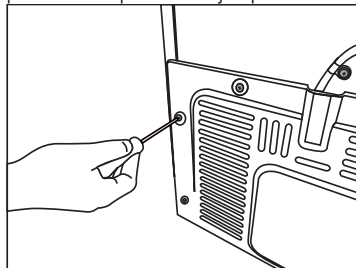
UPOZORENJE: Ako je raspon kućnih vrata nedovoljan da se proizvod unese kroz njih, uklonite vrata sa proizvoda i okrenite proizvod na stranu, a ako ni taj način ne odgovara, kontaktirajte ovlašćeni servis.

- Proizvod postavite na ravnu površinu da biste izbegli vibracije.
- Proizvod postavite na udaljenosti od najmanje 30 cm od grejalice, šporeta i sličnih izvora toplote i najmanje 5 cm od električnih rerni.
- Proizvod ne izlažite direktnoj sunčevoj svetlosti niti ga držite u vlažnom okruženju..
- Da bi efikasno funkcionisao, proizvod zahteva odgovarajuću cirkulaciju vazduha.
- Ako proizvod treba da se postavi u udubljenje u zidu, zapamtite da treba da ostavite najmanje 5 cm slobodnog prostora između proizvoda i plafona i zidova.
- Proizvod ne instalirajte u okruženjima sa temperaturom manjom od -5°C .

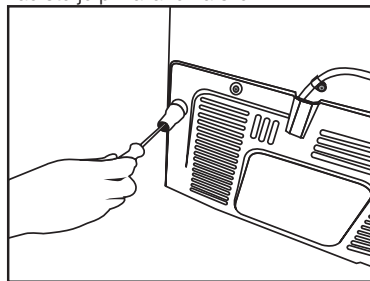
4.2. Postavljanje plastičnih klinova

Koristite priložene plastične klinove uz ovaj proizvod da biste obezbedili dovoljno prostora za cirkulaciju vazduha između uređaja i zida.

1. Da biste priključili klinove, uklonite vijke sa proizvoda i upotrebite vijke priložene uz klinove.

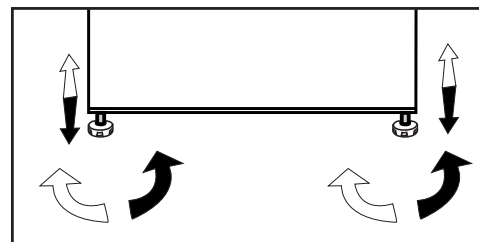


2. Pričvrstite 2 plastična klina za poklopac ventilatora kao što je prikazano na slici.






4.3. Podešavanje podnožja

Ako uređaj nije izbalansiran, postavite prednje podesive stope okretanjem udesno ili ulivo.




Instalacija

4.4.Priključivanje napajanja

	UPOZORENJE: Ne povezujte produžni kabl sa jednom ili više utičnica sa priključkom za napajanje.
	UPOZORENJE: Oštećeni kabl za napajanje mora biti zamenjen od strane ovlašćenog servisa.
	Prilikom postavljanja dva frižidera jedan pored drugog, ostaviti najmanje 4 cm rastojanja između njih.

- Naša kompanija ne preuzima odgovornost za bilo kakvu štetu zbog upotrebe bez uzemljenja i bez priključka u skladu sa nacionalnim propisima.
- Napojni kabl mora biti lako dostupan nakon instalacije.
- Povežite frižider na uzemljenu utičnicu koja ima napon od 220-240V/50 Hz. Utikač mora imati osigurač od 10-16A.
- Ne koristite razvodni utikač, sa ili bez produžnog kabla, između zidne utičnice i frižidera.

	<p>Upozorenje na vruću površinu!</p> <p>Na bočnim zidovima vašeg proizvoda nalaze cevi rashladnog sredstva koje poboljšavaju rashladni sistem. Kroz ove oblasti može da teče rashladno sredstvo na visokim temperaturama, što dovodi do vrućih površina na bočnim zidovima. Ovo je normalno i nije potrebno servisiranje. Vodite računa kada dodirujete ove oblasti.</p>
--	--

! Prvo pročitajte odeljak „Bezbednosna uputstva“!

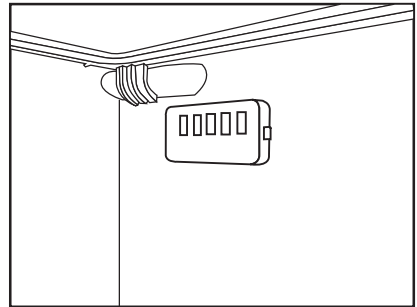
5.1. Šta možete uraditi da biste uštedeli energiju



Povezivanje proizvoda na elektronske sisteme za uštedu energije je štetno, jer to može oštetiti proizvod.

- Za samostojeći uređaj; „Ovaj rashladni uređaj nije predviđen da se koristi kao ugradni uređaj“.
- Ne ostavljati vrata frižidera otvorena duži vremenski period.
- Ne ostavljajte toplu hranu ili pića u frižider.
- Nemojte prepuniti frižider; blokiranje unutrašnjeg protoka vazduha smanjiće kapacitet hlađenja.
- Da biste skladištili maksimalnu količinu hrane u odeljak za hlađenje vašeg frižidera, treba da izvadite gornje fioke i stavite hranu na staklenu policu. Utvrđena potrošnja električne energije vašeg frižidera je određena kada su izvađeni odeljak za hlađenje, posuda za led i gornje fioke da bi se obezbedio maksimalni prostor za skladištenje. Prilikom skladištenja, preporučuje se korišćenje donje fioke. Funkcija štednje energije treba da se aktivira da bi se obezbedila najbolja potrošnja energije.
- Ne smete da blokirate protok vazduha stavljanjem hrane ispred ventilatora frižidera. Prilikom stavljanja hrane, ispred zaštitne rešetke ventilatora treba da se ostavi prostor od najmanje 3 cm.
- U zavisnosti od karakteristika proizvoda; odmrzavanje zamrznute hrane u odeljku frižidera će obezbediti uštedu energije i očuvati kvalitet hrane.
- Hrana treba da se stavlja na fioke u odeljku frižidera da bi se obezbedila ušteda energije i hrana zaštitila u boljim uslovima.
- Paketi hrane ne treba da dolaze u direktan dodir sa senzorom toplote smeštenim u odeljku frižidera. Ukoliko oni dođu u dodir sa senzorom, potrošnja energije uređaja može da se poveća.

- Pobrinite se da namirnice nisu u kontaktu sa senzorom temperature frižidera koji je opisan u nastavku.
- U slučaju da postoji više opcija, staklene police moraju biti postavljene tako da izlazi za vazduh na zadnjem zidu ne budu blokirani, i po mogućnosti da izlazi za vazduh budu ispod staklene police. Ova kombinacija može doprineti u poboljšanju raspodele vazduha i energetske efikasnosti.
- Posuda (u hladnjaku) frižidera“ obezbeđuje nižu temperaturu u odeljku frižidera. Koristite ovu posudu za čuvanje delikatesnih proizvoda (salame, kobasice, mlečni proizvodi i sl.) kojima je potrebna niža temperatura skladištenja, ili proizvode od mesa, piletine ili ribe koje nameravate ubrzo koristiti. Ne skladištite voće i povrće u ovoj posudi.



5.2.Prvo upotreba

Pre korišćenja frižidera, proverite da li su obavljene sve neophodne pripreme u skladu sa uputstvima u odeljcima „Bezbednosna uputstva i zaštita životne sredine“ i „Instalacija“.

- Ostavite proizvod da radi bez hrane 6 sati i nemojte otvarati vrata, ukoliko to nije apsolutno neophodno.



Kada kompresor počinje da radi čuće se zvuk. Zvuk se normalno čuje čak i kada kompresor ne radi zbog komprimovane tečnosti i gasova u sistem hlađenja.



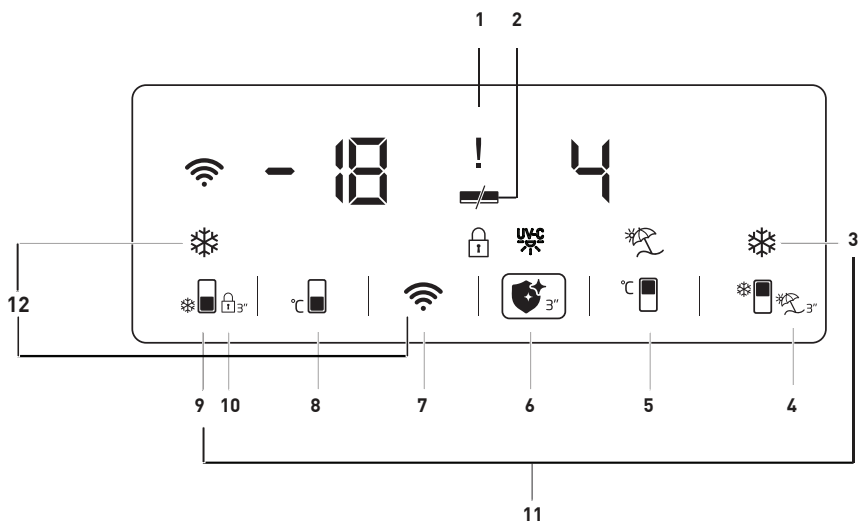
Prednje ivice proizvoda mogu da se zagreju. To je normalno. Ovi delovi su dizajnirani da bi se zagrevali kako bi se sprečila kondenzacija.



Na nekim modelima, panel sa indikatorima se isključuje automatski 5 minuta nakon što se vrata zatvore. Ona će se ponovo aktivirati kada se otvore vrata ili se pritisne bilo koje dugme.

6 Rad proizvoda

! Prvo pročitajte odeljak „Bezbednosna uputstva“!



1. Indikator stanja kvara
2. Indikator štednje energije (ekran je isključen)
3. Dugme za brzo hlađenje
4. Dugme za funkciju za odmor
5. Taster za podešavanje temperature rashladnog odeljka
6. Dugme za higijensku funkciju
7. Taster za bežičnu vezu
8. Taster za podešavanje temperature odeljka zamrzivača
9. Taster za brzo zamrzavanje
10. Zaključavanje tastera
11. Taster za prebacivanje jedinice temperature
12. Taster za resetovanje postavki bežične veze


Možda nije dostupno kod svih modela




* **Opcionalno:** Slike u ovom uputstvu su dati kao šeme i mogu da ne odgovaraju u potpunosti vašem proizvodu. Ako vaš proizvod ne sadrži delove na koje se te slike odnose, informacije se odnose na druge modele.

Upotreba proizvoda

1. Indikator stanja kvara


Ovaj indikator () će biti aktivan kada vaš frižider ne može da se adekvatno hladi ili u slučaju greške senzora. Kada je ovaj indikator aktivan, „E“ će biti prikazano na indikatoru temperature zamrzivača, a brojke poput 1, 2, 3... na indikatoru temperature odeljka za hlađenje. Ove brojke pružaju informacije ovlaštenom servisu o grešci koja se dogodila. Znak uzvika može se prikazati kada unesete toplu hranu u zamrzivač ili držite vrata otvorena duže vrijeme. To nije greška, ovo upozorenje skloniće se kad se hrana ohladi.

2. Indikator štednje energije (ekran je isključen)

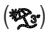

Funkcija uštede energije automatski se omogućava i simbol štednje energije prikazuje se kada se vrata proizvoda neko vreme ne otvaraju ili ne zatvaraju. ()

Kada se aktivira funkcija štednje energije, svi simboli na ekranu osim simbola štednje energije će se ugasiti. Kada je funkcija za štednju energije aktivna, pritiskom na bilo koju tipku ili otvaranje vrata će deaktivirati funkciju za štednju energije i signali na ekranu će se vratiti u normalu. Funkcija štednje energije je fabrički instalirana funkcija, pa je nije moguće deaktivirati.

3. Dugme za brzo hlađenje


Kada je uključena funkcija brzog hlađenja, indikator brzog hlađenja svetli () dok indikator temperature odeljka zamrzivača prikazuje vrednost 1. Pritisnite tipku za brzo zamrzavanje ponovo da biste otkazali ovu funkciju. Indikator brzog zamrzavanja će se isključiti i biće vraćena redovna podešavanja. Funkcija brzog hlađenja će se automatski otkazati nakon 1 sata, osim ako nije otkazana od strane korisnika. Za hlađenje velike količine sveže hrane, pritisnite dugme za brzo hlađenje pre stavljanja hrane u odeljak frižidera.

4. Dugme za funkciju za odmor



Pritisnite dugme () na 3 sekunde da biste aktivirali funkciju odmora, a indikator načina odmora () biće uključen. Kada se aktivira funkcija za odmor, „-“ se prikazuje na indikatoru temperature odeljka frižidera i u odeljku frižidera se ne obavlja aktivno hlađenje. Ne treba čuvati hranu u odeljku frižidera kada je aktivirana ova funkcija. Hlađenje drugih odeljaka će se nastaviti u skladu sa njihovom podešenom temperaturom.


Pritisnite taster **funkcije odmora** ponovo da biste otkazali ovu funkciju.

5. Taster za podešavanje temperature rashladnog odeljka


Temperatura rashladnog prostora može se podesiti na 8, 7, 6, 5, 4, 3, 2 odnosno 1 kada se pritisne ovaj taster. ()

6. Dugme za higijensku funkciju

Pritisnite dugme () 3 sekunde da biste aktivirali higijensku funkciju, a zatim indikator higijenske funkcije () će biti uključeno. Ne otvarajte vrata proizvoda kada je aktivirana higijenska funkcija. Ako se vrata proizvoda otvore dok je aktivirana higijenska funkcija, higijenski postupak će se zaustaviti dok se vrata ne zatvore. Proizvod će dati zvučno upozorenje i završiti operaciju kada se higijenski postupak završi. Držite taster za higijensku funkciju pritisnutim 3 sekunde da biste završili higijenski postupak pre vremena koje je postavljeno.

Ako se uzvičnik () prikazuje zajedno sa simbolom za higijenu kada omogućite higijensku funkciju, to znači da će korisni vek higijenskih lampi uskoro isteći. Pozovite službu.

7. Taster za bežičnu vezu (*opcionally)

Kada se taster pritisne duže vreme (3 sekunde), započinje inicijalizacija proizvoda u mrežu vašeg domaćinstva. Simbol bežične mreže () će treptati u intervalu od 0,5

Upotreba proizvoda

sekundi za vreme uspostavljanja veze.

Kada se veza sa mrežom domaćinstva uspešno uspostavi,

simbol bežične mreže mora svetliti neprekidno.

Kada se uspostavi početna veza, možete je aktivirati/deaktivirati kratkim pritiskom na ovaj taster.

Mreža sa kojom ste uspostavili vezu pamtiće se i veza će se ponovo uspostaviti kada se proizvod isključi i uključi.

Simbol bežične veze će treptati u kratkim intervalima (u intervalima od 0,2 sekunde) dok se veza ne uspostavi.


Simbol bežične mreže će

neprekidno svetli kada je veza aktivna.


Proverite postavke modema/veze ako veza neko vreme ne može da se uspostavi.


Aplikacija HomeWhiz koristi se kao interfejs za povezivanje. Koraci povezivanja opisani su u SAŽETOM VODIČU ZA INSTALACIJU aplikacije HomeWhiz koji se isporučuje uz proizvod. Odgovore na osnovna pitanja potražite u odeljku za rešavanje problema.

8. Taster za podešavanje temperature odeljka zamrzivača

Ovo omogućava podešavanje temperature za zamrzivač. Temperatura odeljka za zamrzavanje može se podesiti na -18, -19, -20, -21, -22, -23 odnosno -24 kada se pritisne taster ().

9. Taster za brzo zamrzavanje


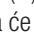

Pritisnite taster br. (9) za brzo zamrzavanje, i aktiviraće se indikator brzog zamrzavanja ().

Kada je uključena funkcija brzog zamrzavanja, indikator brzog zamrzavanja svetli dok indikator temperature zamrzivača prikazuje Vrednost -27. Pritisnite tipku za brzo zamrzavanje () ponovo da biste otkazali ovu funkciju.



Pokazatelj za brzo zamrzavanje će se isključiti i vratiti u normalne postavke. Funkcija brzog

zamrzavanja će se automatski isključiti nakon 32 sata, osim ako nije ranije otkazana od strane korisnika. Da biste zamrzli veliku količinu sveže hrane, pritisnite taster brzog zamrzavanja pre stavljanja hrane u zamrzivač.



10. Zaključavanje tastera

Pritisnite dugme () 3 sekunde. Simbol za zaključavanje tastera () će se upaliti i režim zaključavanja tastera će se aktivirati. Tipke se ne mogu koristiti kada je režim zaključavanja tipki aktiviran. Pritisnite taster () 3 sekunde. Režim zaključavanja tastera će se deaktivirati. Funkciju zaključavanja tastera možete upotrebiti ako želite da sprečite promenu podešavanja temperature frižidera.

11. Taster za prebacivanje jedinice temperature

Kada pritisnete tastere za brzo hlađenje () i brzo zamrzavanje () 3 sekunde, imaćete mogućnost da prebacujete između Fahrenheit-ovih i Celzijusovih temperaturnih jedinica.

12. Taster za resetovanje postavki bežične veze

Kada pritisnete tastere za Brzo zamrzavanje () i za bežičnu mrežu () 3 sekunde istovremeno, podešavanja bežične veze će se resetovati.

Upotreba proizvoda

6.1. Plavo svetlo/HarvestFresh

*Možda nije dostupno kod svih modela

Za plavo svetlo,

Voće i povrće koje se čuva u odeljcima za voće i povrće osvetljenim plavim svetlom nastavljaju da vrše fotosintezu pomoću efekta talasnih dužina plave svetlosti i na taj način sadržaj vitamina u njima ostaje sačuvan.

Za HarvestFresh,

Voće i povrće koje se čuva u odeljcima za voće i povrće osvetljenim tehnologijom HarvestFresh duže će održati vitamine u sebi zahvaljujući plavim, zelenim, crvenim svetlima i ciklusima mraka, koji simuliraju dnevni ciklus. Ako otvorite vrata frižidera tokom perioda mraka HarvestFresh tehnologije, frižider će to automatski detektovati i omogućiti da plavo, zeleno ili crveno svetlo osvetle odeljke za voće i povrće, kako bi vam bilo ugodnije. Nakon što zatvorite vrata frižidera, period mraka će se nastaviti, predstavljajući period noći tokom dnevnog ciklusa.

6.2. Odeljak za higijenski tretman

*Ova funkcija je opcionalna

1. Karakteristika Higijenskog postupka sa UV-C zracima se neće aktivirati kada rešetka i limena ladica koji se nalaze u higijenskom odeljku nisu postavljeni u odeljku.

2. Aktiviranje higijenske funkcije kada limena ladica nije postavljena u higijenskom odeljku uzrokuje deformaciju plastične fiok postavljene ispod.

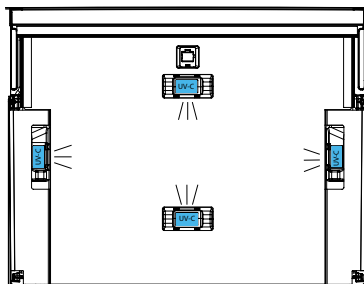
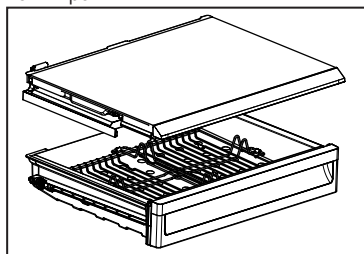
3. Ne pokušavajte da uklonite staklo iznad higijenskog odeljka na silu.

4. Ne dodirujte, ne udarajte i ne primenjujte silu na UV-C fluorescentne lampe postavljene na donjoj površini staklene police higijenskog odeljka.

5. Ne pokušavajte da uklonite staklenu policu iz higijenskog odeljka zbog vaše bezbednosti. Uklanjanje rešetke prouzrokuje odvajanje električnih komponenata.

6. Svetlo koje vidite kada otvorite higijenski odeljak nije UV-C svetlo. To je LED osvetljenje.

7. Čistite metalnu fioku i lim ispod ležišta samo vlažnom krpom.



Upotreba proizvoda

6.3. Fioka za led

* Opcionalno

- Izvadite fioku za led iz odeljka zamrzivača.
- Napunite fioku za led vodom.
- Vratite fioku za led u odeljak zamrzivača.
- Led će biti spreman nakon otprilike dva sata. Izvadite fioku za led iz odeljka zamrzivača i lagano je nagnite preko držača koji ćete servirati. Led će se jednostavno presipati u držač za serviranje.

6.4. Držač za jaja

Držač za jaja možete po izboru da stavite na policu na vratima ili policu u frižideru. Ako odlučite da ga stavite na policu u frižideru, preporučuje se da za to izaberete donje police pošto su one hladnije.



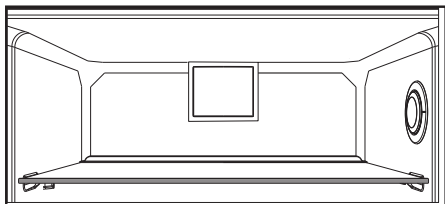
Ne stavljajte držač za jaja u odeljak zamrzivača.

Upotreba proizvoda

6.5. Ventilator

Ventilator je dizajniran da ravnomerno cirkuliše hladan vazduh u frižideru. Vreme rada ventilatora može da varira u zavisnosti od funkcija vašeg proizvoda.

Dok u nekim proizvodima ventilator radi samo sa kompresorom, u drugim kontrolni sistem određuje vreme rada na osnovu potrebe sa hlađenjem.



6.6. Korpa za povrće

* Opcionalno

Korpa za povrće proizvoda je projektovana tako da povrće održava svežim tako što će zadržati vlažnost. Zbog toga će se ukupna cirkulacija hladnog vazduha povećati u korpi za povrće.

6.7. Posuda (u hladnjaku) frižidera

Obezbeđuje nižu temperaturu u odeljku frižidera. Koristite ovu posudu za čuvanje delikatesnih proizvoda (salame, kobasice, mlečni proizvodi i sl.) kojima je potrebna niža temperatura skladištenja, ili proizvode od mesa, piletine ili ribe koje nameravate ubrzo koristiti. Ne skladištite voće i povrće u ovoj posudi.

HerbBox/HerbFresh

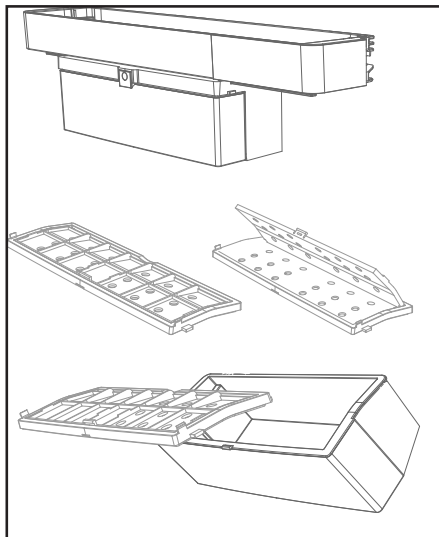
Izvadite posudu za foliju iz HerbBox/HerbFresh+ kutije

Izvadite foliju iz kesice i stavite je u posudu za foliju na način prikazan na slici.

Ponovo zatvorite posudu i vratite je u HerbBox/HerbFresh+ kutiju.

HerbBox-HerbFresh+ odeljci su naročito prikladni za čuvanje različitog bilja treba da se čuva u delikatnim uslovima. U ovom odeljku bilje koje se ne nalazi u kesici (peršun, mirođija, itd.) možete čuvati u horizontalnom položaju i održavati ga svežim mnogo duži vremenski period.

Sloj se zamenjuje na šest meseci.



Upotreba proizvoda

6.8. Pokretna polica na vratima

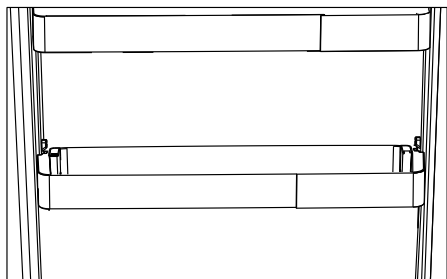
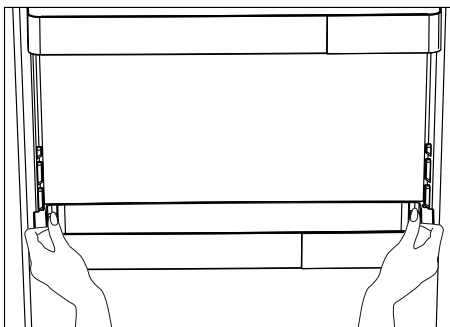
* Opcionalno

Pokretna polica na vratima može da se fiksira u 3 različita položaja.

Da biste pomerili policu, istovremeno pritisnite dugmad na bočnim stranama. Polica će moći da se pomera.

Pomerite policu nagore ili nadole.

Kada se polica nalazi u željenom položaju, pustite dugmad. Polica će se ponovo fiksirati u položaju u kome oslobodite dugmad.

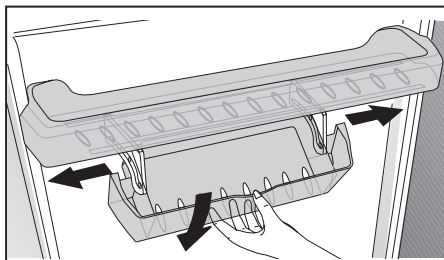


6.9. Klizna kutija za odlaganje

* Opcionalno

Ova dodatna oprema je predviđena da poveća korisnu zapreminu policna na vratima.

Zahvaljujući njenoj sposobnosti da se pomera bočno, ona vam omogućava da jednostavno stavite dugačku bocu, teglu ili kutije koje stavljate na donji stalak za boce.



Upotreba proizvoda

6.10. Posuda za povrće sa kontrolom vlažnosti

* Opcionalno

Sa funkcijom kontrole vlažnosti, nivoi vlažnosti voća i povrća se drže pod kontrolom i obezbeđuje se duži period vlažnosti hrane.

Preporučuje se da se lisnato povrće, kao što je zelena salata, spanać i slično povrće sklono gubitku vlažnosti u posudi za povrće čuva u što horizontalnijem položaju a ne postavljeno na koren.

Prilikom postavljanja povrća, teško i tvrdo povrće stavite na dno a meko na vrh, uzimajući u obzir specifične težine povrća.

Ne ostavljajte povrće u posudi za povrće u plastičnim kesama. Ostavljanje u plastičnim kesama dovodi do toga da povrće brzo istruli. U situacijama kada kontakt sa drugim vrstama povrća nije poželjan, koristite materijal za pakovanje kao što je papir koji ima određenu poroznost u pogledu higijene.

Na stavljanje voća koje ima visoku proizvodnju etilena, kao što su kruška, kajsija, breskva, a naročito jabuka, u istu posudu za povrće sa drugim povrćem i voćem. Etilen koji izlazi iz ovog voća može da dovede do bržeg zrenja i truljenja drugog voća i povrća.

6.11. Automatska mašina za led

* Opcionalno

Automatska mašina za led vam omogućava da brže pravite led u frižideru. Da bi se dobio led iz mašine za led, izvadite rezervoar za vodu iz odeljka frižidera, napunite vodom i vratite ga nazad.

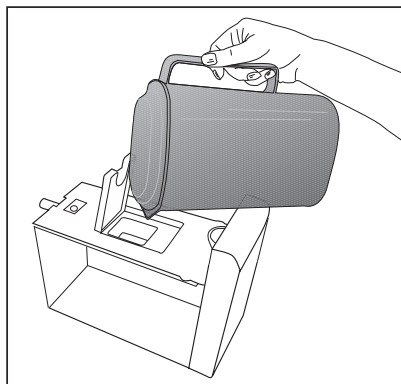
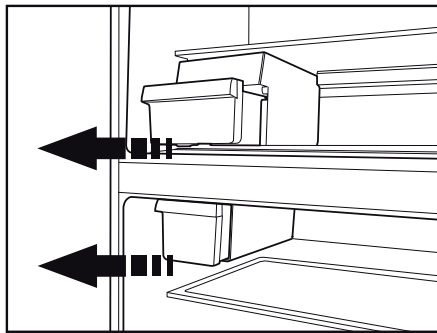
Prvi led će biti sprema za oko 2 sata u fioci mapine za led u odeljku frižidera.

Nakon što stavite pun rezervoar za vodu, možete dobiti oko 60-70 kocki leda dok se on potpuno ne isprazni.

Ako voda u rezervoaru stoji 2-3 nedelje, ona treba da se promeni.



Na proizvodima sa automatskom mašinom za led, može se čuti zvuk prilikom sipanja proizvoda. Ovaj zvuk je normalan i ne označava kvar.



Upotreba proizvoda

6.12. Icematic i posuda za čuvanje leda

* Opcionalno

Korišćenje odeljka Icematic

Napunite Icematic vodom i postavite ga na mesto. Led će biti spreman nakon otprilike dva sata. Za vađenje leda, ne skidajte Icematic sa njegovog mesta.

Okrenite dugmad na rezervoarima za led za 90 stepeni u smeru kretanja kazaljke na satu.

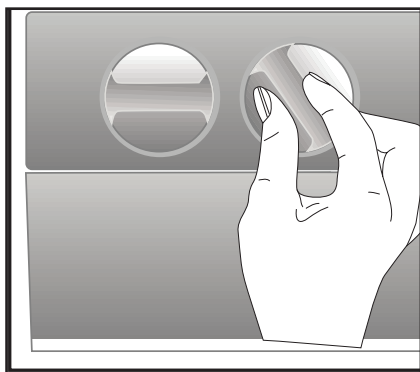
Kocke leda u rezervoarima će pasti u donju posudu za čuvanje leda

Možete izvaditi posudu za čuvanje leda i servirati kocke leda.

Ako želite, možete čuvati kocke leda u posudi za čuvanje leda.

Posuda za čuvanje leda

Posuda za čuvanje leda je namenjena samo za sakupljanje kocki leda. Ne stavljajte vodu u nju. U suprotnom, ona će se polomiti.



6.13. Korišćenje automata za vodu

* Opcionalno



Normalno je da prvih nekoliko čaša vode sipanih iz automata za vodu budu tople.

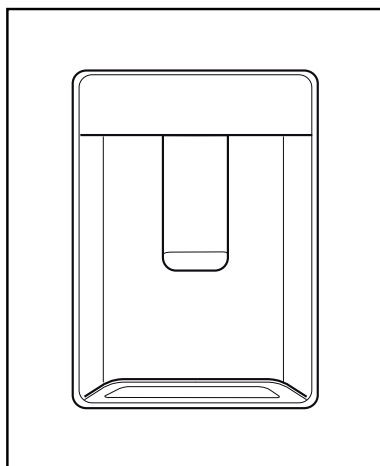


Ako se aparat za vodu ne koristi duži vremenski period, prosipajte prvih nekoliko čaša da biste dobili svežu vodu.

1. Čašom gurnite ručicu rezervoara za vodu. Ako koristite meku plastičnu čašu, jednostavnije je da ručicu gurnete rukom.
2. Nakon punjenja čaše do željenog nivoa, pustite ručicu.



Imajte na umu da protok vode iz automata zavisi od toga koliko jako pritisnete ručicu. Kako nivo vode u plastičnoj/staklenoj čaši raste, lagano smanjite količinu pritiska na polugu da biste izbegli da se ona prepuni. Ako lagano pritisnete ručicu, voda će da kaplje; ovo je sasvim normalno i nije kvar.



Upotreba proizvoda

6.14. Punjenje rezervoara automata vodom

Rezervoar za vodu koji se dopunjuje se nalazi na polici na vratima.

1. Otvorite poklopac rezervoara.
2. Napunite rezervoar svežom vodom za piće.
3. Zatvorite poklopac.



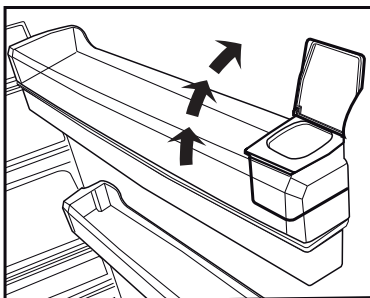
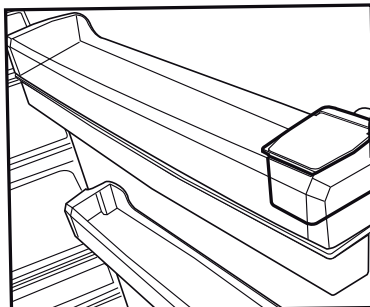
Rezervoar za vodu ne punite drugim tečnostima, kao što su voćni sokovi, gazirana pića ili alkoholna pića koja nisu pogodna za korišćenje u aparatu za vodu. Aparat za vodu će biti nepopravljivo oštećen ukoliko se koriste ovakve vrste tečnosti. Garancija ne pokriva takve načine korišćenja. Neke hemijske supstance i aditivi koji se nalaze u ovim vrstama pića/tečnosti mogu da oštete rezervoar za vodu.



Koristite samo svežu vodu za piće.



Kapacitet rezervoara za vodu je 3 litra, nemojte ga prepunjavati.



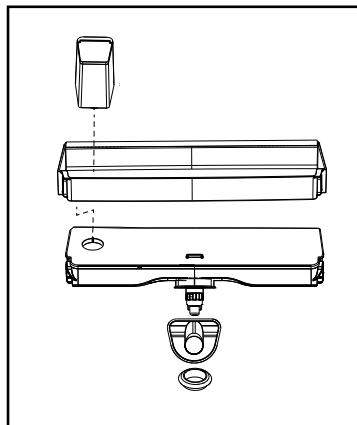
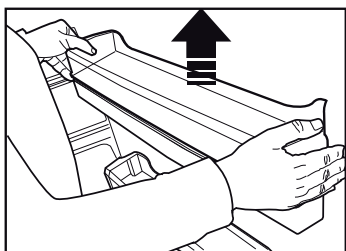
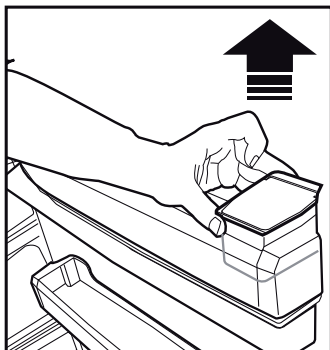
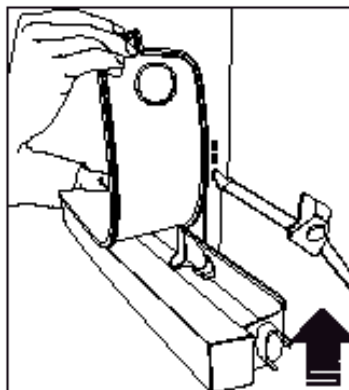
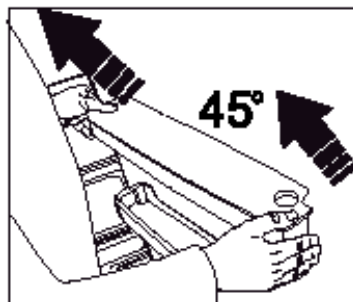
Upotreba proizvoda

6.15. Čišćenje rezervoara za vodu

1. Skinite rezervoar za punjenje vode sa police na vratima.
2. Skinite policu na vratima tako što ćete je držati sa obe strane.
3. Uхватite rezervoar za vodu sa obe strane i skinite ga tako što ćete ga okrenuti za 45°C.
4. Skinite poklopac rezervoara za vodu i očistite rezervoar.



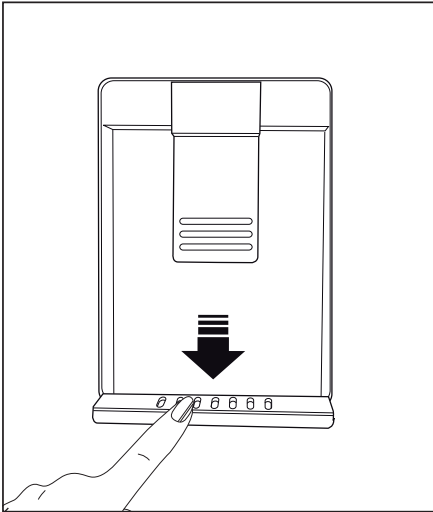
Komponente rezervoara za vodu i aparata za vodu ne treba da se peru u mašini za pranje sudova.



Upotreba proizvoda

6.16. Posuda za sakupljanje vode

Voda koja kaplje tokom korišćenja aparata za vodu se sakuplja u posudi za sakupljanje vode. Skinite plastični filter na način prikazan na slici. Nagomilanu vodu pokupite čistom suvom krpom.



Upotreba proizvoda

6.17. Zamrzavanje sveže hrane

- Da bi se kvalitet hrane u zamrzivaču očuvao, ona se mora zamrznuti što je brže moguće i za ovo možete koristiti brzo zamrzavanje.
- Zamrzavanje hrane kada je sveža će produžiti vreme skladištenja u zamrzivaču.
- Hranu zapakujte u hermetički zatvorene pakete i zalepite.
- Pobrinite se da hrana bude zapakovana pre stavljanja u zamrzivač. Koristite posude za zamrzavanje, staniol i voodootporni papir, plastične kese ili sličnu ambalažu umesto tradicionalne papirne ambalaže.



Led u odeljku zamrzivača se automatski topi.

- Pre zamrzavanja označite svaki paket hrane ispisivanjem datuma na pakovanju. To će vam omogućiti da utvrdite svežinu svakog paketa kadgod otvorite zamrzivač. Hranu koju ste ranije stavili prebacite u prednji deo zamrzivača da biste je ranije upotrebili.
- Smrznuta hrana se mora iskoristiti odmah nakon odmrzavanja i ne treba je ponovno zamrzavati.
- Ne zamrzavati velike količine hrane odjednom.

6.18. Preporuke za čuvanje smrznute hrane

Odeljak mora biti postavljen na najmanje -18 °C.

1. Stavite hranu u zamrzivač što je moguće pre da bi se izbeglo otapanje.
2. Pre zamrzavanja, proverite „Rok trajanja“ na pakovanju da biste proverili da li je istekao.
3. Proverite da li je pakovanje hrane oštećeno.

Podešavanje temperature odeljka zamrzivača	Podešavanje temperature odeljka frižidera	Detalji
-18°C	4°C	Ovo je podrazumevano, preporučeno podešavanje.
-20, -22 ili -24°C	4°C	Ova podešavanja se preporučuju za ambijentalne temperature koje premašuju 30°C.
Brzo zamrzavanje	4°C	Koristite kada želite da zamrznete hranu u kratkom vremenskom periodu. Kada se ovaj proces završi, proizvod će povratiti svoj položaj.
-18 °C ili hladniji	2°C	Koristite ova podešavanja ako smatrate da odeljak frižidera nije dovoljno hladan zbog ambijentalne temperature ili čestog otvaranja vrata.

Upotreba proizvoda

6.19. Informacije o zamrzivaču

Prema standardima IEC 62552, zamrzivač mora imati sposobnost da zamrzne 4,5 kg prehrambenih artikala na -18°C ili niže temperature u roku od 24 sata na svakih 100 litara zapremine zamrzivača.

Hrana se može sačuvati u dužem periodu samo na ili ispod temperature od -18°C .

Svežina hrane se može održati mesecima (u zamrzivaču na ili ispod temperature od 18°C). Hrana koja se zamrzava ne sme da dodiruje već smrznutu hranu da bi se izbeglo parcijalno odmrzavanje.

Povrće treba skuvati i filtrirati vodu da bi se produžilo vreme skladištenja u smrznutom stanju. Nakon filtriranja, hranu zatvorite u hermetičke pakete i odložite u zamrzivač. Banane, paradajz, zelena salata, celer, kuvana jaja, krompir i slične prehrambene artikle ne treba zamrzavati. Ukoliko ova hrana istruli, to će negativno uticati samo na nutritivne vrednosti i kvalitet ishrane. Truljenje neće imati negativan uticaj na zdravlje ljudi.

6.20. Stavljanje hrane

Police odeljka zamrzivača	Razne smrznute hrane, uključujući meso, ribu, sladoled, povrće itd.
Police odeljka frižidera	Hrana u loncima, pokrivena tanjirima i u zatvorenim kutijama, jaja (u slučaju da su u zatvorenoj kutiji)
Police na vratima odeljka za hlađenje	Manja i upakovana hrana ili pića
Korpa za povrće	Voće i povrće
Odjeljak za svežu hranu	Delikatesi (hrana za doručak, proizvodi od mesa koji se konzumiraju u kratkom roku)

6.21. Upozorenje na otvorena vrata (Opcionalno)

Zvučno upozorenje će se čuti ako vrata proizvoda ostanu otvorena duže od 1 minuta. Zvučno upozorenje će se zaustaviti kada su vrata zatvorena ili se pritisne bilo koje dugme na ekranu (ako je dostupno).

Upozorenje na otvorena vrata će se označiti i zvučno i vizuelno. Unutrašnje osvetljenje će se isključiti ako upozorenje potraje još 10 minuta.

6.22. Promena smera otvaranja vrata

Smer otvaranja vrata frižidera možete promeniti u zavisnosti od lokacije na kojoj ga koristite. Kada vam ovo bude potrebno, kontaktirajte najbliži ovlašćeni servis.

Objašnjenje u nastavku je opšta izjava. Treba da proverite oznaku upozorenja koja se nalazi u ambalaži proizvoda o mogućnosti promene smera otvaranja vrata.

6.23. Unutrašnje osvetljenje

Unutrašnje osvetljenje koristi lampice tipa LED. Kontaktirajte ovlašćeni servis u slučaju problema sa ovom lampicom.

Lampica(e) korišćena(e) u ovom uređaju ne mogu da se koriste za kućno osvetljenje. Namena ove lampice je da pomogne korisniku da bezbedno i praktično stavi hranu u frižider/zamrzivač.

Ovaj proizvod je opremljen izvorom osvetljenja energetske klase „G“.

Izvor osvetljenja u ovom proizvodu mogu zameniti samo stručni serviseri.

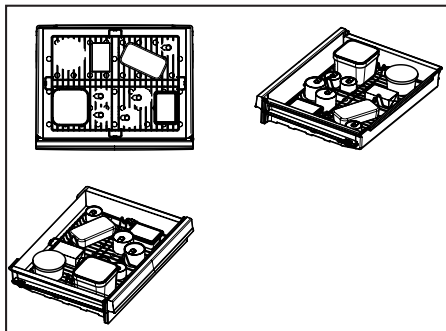
Upotreba proizvoda

6.24. Preporuke za rad higijenskog odeljka:

*Ova funkcija je opcionalna

- Dok hranu stavljate u ovaj odeljak radi higijenzacije površine hrane, mesa, piletine, ribe, mleka i mlečnih proizvoda uvek stavljajte u odeljak sa njihovom ambalažom.
- Stavljanje bilo kog proizvoda osim hrane u ovaj odeljak u higijenske svrhe apsolutno nije pogodno.
- Ako hranu stavite u odeljak za higijenski tretman, a da je niste izvadili iz cegeza/kese za trgovinu, higijenski postupak će tretirati samo površinu cegeza/kese, a pakovanja sa hranom primati zrake svetla. Stoga, potrebno je da izvaditi prehrambene proizvode iz cegeza/kese sa namirnicama dok ih postavljate u ovaj odeljak.
- Adekvatno je primeniti higijenski postupak na istoj hrani samo jednom, a nije pogodno primenjivati postupak više puta.
- Ako postupak ne želite da ponovite na ostaloj hrani kada se higijenski postupak završi, preporučujemo vam da u ovom odeljku skladištite samo delikatesne proizvode i hranu za doručak. Ne preporučuje se dugo držanje povrća i voća u ovom odeljku jer je higijenski odeljak hladniji od ostalih delova frižidera.
- Pre aktiviranja higijenske funkcije sa kontrolne table ekrana, preporučuje se da hranu koja je prethodno čuvana u higijenskom odeljku stavite privremeno na neko drugo mesto frižideru. Kada je higijenski postupak aktivan, preporučuje se da u odeljak stavite isključivo proizvode koje treba tretirati higijenskim postupkom prvi put. Kada se higijenski postupak završi, hranu koju ste uklonili možete vratiti u odeljak.

- Radi efikasne higijenske funkcije, proizvodi se postavljaju tako da se ostavlja razmak između njih i tako da ne blokiraju svetlost.
- Vodite računa da hrana nije stavljena jedna na drugu pre aktiviranja higijenske funkcije.



Vek trajanja proizvoda se povećava ako se on redovno čisti



UPOZORENJE: Pre čišćenja, frižider prvo isključite iz struje.

- Za čišćenje nikada ne koristite oštre i abrazivne alate, sapun, sredstva za čišćenje u domaćinstvu, deterdžent i vosak za poliranje.
- Rastvorite jednu kašiku karbonata u pola litra vode. Krpu natopite rastvorom i temeljno je iscedite. Ovom krpom izbrišite unutrašnjost uređaja i temeljno isperite.
- Vodite računa da voda ne uđe u kućište lampe i druge električne komponente.
- Vrata očistite vlažnom krpom. Da biste skinuli police na vratima i u frižideru, prvo sklonite sve što se nalazi na njima. Police na vratima skinite tako što ćete ih povući nagore. Nakon čišćenja, gurnite ih odozgo nadole da biste ih postavili.
- Nikada ne koristite sredstva za čišćenje niti vodu koja sadrži hlor za čišćenje spoljašnjih površina i delova proizvoda obloženih hromom. Hlor izaziva koroziju na takvim metalnim površinama.
- Ne koristite oštra, abrazivna sredstva, sapun, sredstva za čišćenje u domaćinstvu, kerozin, mazut, lak, itd. da biste sprečili skidanje i deformaciju štampe na plastičnim delovima. Za čišćenje koristite mlaku vodu i meku krpu, a zatim osušite brisanjem.

7.1. Izbegavajte neprijatne mirise

Materijali koji mogu da izazovu neprijatne mirise nisu korišćeni u proizvodnji naših uređaja. Međutim, zbog neodgovarajućih uslova čuvanja hrane i neredovnog čišćenja unutrašnje površine uređaja, može se razviti problem sa neprijatnim mirisima.

Stoga, čistite frižider karbonatom rastvorenim u vodi na svakih 15 dana.

- Hranu čuvajte u zatvorenim posudama. Mikroorganizmi koji se šire iz nezatvorenih posuda mogu da prouzrokuju neprijatne mirise.

- Hranu sa isteklim rokom trajanja i pokvarenu hranu nikada ne čuvajte u frižideru.

7.2. Zaštita plastičnih površina

Ruke odmah isperite vodom pošto ulje može da izazove oštećenja površine kada se sipa na plastične površine.

7.3. Stakla na vratima

Skinite zaštitnu foliju sa stakala

Skinite oblogu sa površine stakala. Ova obloga smanjuje nagomilavanje mrlja i pomaže u jednostavnom uklanjanju mogućih mrlja i prljavštine. Stakla koja nisu zaštićena takvom oblogom mogu biti podložna upornom vezivanju vazduha ili vode na osnovu organske ili neorganske prljavštine kao što je kamenac, mineralne soli, nesagoreli ugljovodoni, oksidi metala i silikoni koji mogu jednostavno i brzo da izazovu mrlje ili oštećenje materijala. Održavanje stakala čistim postaje suviše teško uprkos redovnom čišćenju. Kao posledica toga, izgled i providnost stakla se pogoršava. Agresivne i korozivne metode čišćenja i jedinjenja će povećati ova oštećenja i ubrzati proces propadanja.

Sredstva za čišćenje na bazi vode koja nisu alkalna i korozivna moraju da se koriste u svrhe redovnog čišćenja.

Za čišćenje moraju da se koriste materijali koji nisu alkalni i nisu korozivni tako da vek trajanja ove obloge traje duže.

Ovo staklo je ojačano da bi se povećala njegova izdržljivost na uticaje i pucanje. Bezbednosna folija se takođe nanosi na zadnje površine kao dodatna bezbednosna mera da bi se sprečilo da ona izazovu oštećenja na okolnim predmetima ukoliko puknu.

*Alkali su baze koje formiraju jone hidroksida (OH⁻) kada se rastvaraju u vodi.

Metali Li (litijum), Na (natrijum), K (kalijum) Rb (rubidijum), Cs (cezijum) i veštački i radioaktivni Fr (francijum) se nazivaju ALKALNI METALI.

8 Rješavanje problema

Provjerite ovu listu prije kontaktiranja servisa. Na taj način ćete uštedjeti vreme i novac. Ova lista uključuje česte pritužbe koje se ne odnose na neispravne izradu ili materijale. Određene navedene odlike mogu se ne odnositi na vaš proizvod.

Frizider ne radi.

- Utikač nije u potpunosti utaknut. >>> *Uključite ga u potpunosti u utičnicu.*
- Osigurač povezani na šteker koji napaja proizvod ili glavni osigurač je eksplodirao. >>> *Provjerite osigurače.*

Kondenzacija na bočnom zidu hladnjaka (MULTI ZONA, HLADNO, KONTROLA i FLEXI ZONA).

- Okruženje je previše hladno. >>> *Ne postavljajte proizvod u sredinama s temperaturama ispod -5°C .*
- Vrata su se otvorila prečesto >>> *Pazite da ne otvorati vrata proizvoda prečesto.*
- Okruženje je previše vlažno. >>> *Ne postavljati proizvod u vlažnim sredinama.*
- Hrana koja sadrži tekućine se čuvaju u otvorenim posuđem. >>> *Držite hranu koja sadrži tekućine zatvorenu.*
- Vrata proizvoda je ostala otvoreno. >>> *Nemojte držati vrata proizvoda otvorene tokom dugih perioda.*
- Termostat je podešen na suviše niske temperature. >>> *Podesite termostat na odgovarajuću temperaturu.*

Kompresor ne radi.

- U slučaju iznenadnog nestanka struje ili povlačenjem utikača i onda vraćanja, pritisak gasova u sistemu hlađenja proizvoda nije izbalansiran i to pokreće termičku zaštitu kompresora. Proizvod će se ponovo pokrenuti nakon oko 6 minuta. Ako proizvod se nije ponovo pokrenuo nakon tog perioda, kontaktirajte servis.
- Odmrzavanje je aktivno. >>> *To je normalno za potpuno automatsko odmrzavanje proizvoda. Odmrzavanje se obavlja periodično.*
- Proizvod nije priključen >>> *Pobrinite se da je napajanje priključeno*
- Postavka temperature je pogrešna. >>> *Odaberite odgovarajuću postavku temperature.*
- Nestalo je struje. >>> *Proizvod će nastaviti normalno raditi kada struja opet dođe.*

Radna buka frižidera se povećava dok je u upotrebi.

- Operativni performanse proizvoda može se razlikovati ovisno o varijacije temperature okoline. To je normalno i ne predstavlja kvar.

Frizider radi prečesto ili predugo.

Rešavanje problema

- Novi proizvod može biti veći od prethodnog. Veći proizvodi će duže raditi.
- Sobna temperatura može biti visoka. >>> *Proizvod će normalno raditi za duže periode kod višu temperaturu sobe.*
- Proizvod je možda nedavno uključen ili nove hrane su unutra. >>> *Proizvodu će trebati više vremena da dostigne zadanu temperaturu kada je nedavno uključen ili kada ima novih hrana unutra. To je normalno.*
- Velike količine tople hrane možda su nedavno postavljene u proizvod. >>> *Ne stavljajte toplu hranu u proizvod.*
- Vrata su se otvorila često ili su bila otvorena dužeg vremena. >>> *Topli zrak koji se kreće unutar će izazvati da proizvod više radi. Ne otvarajte vrata prečesto.*
- Vrata zamrzivača ili hladnjaka mogu biti odškrinuta. >>> *Provjerite da li su vrata potpuno zatvorena.*
- Proizvod možda je postavljen na prenisku temperaturu. >>> *Postavite temperaturu na viši stupanj i čekati da dođe do podešenu temperaturu.*
- Gumica vrata hladnjak ili zamrzivača možda je prljava, istrošen, slomljena ili nije pravilno postavljena. >>> *Očistite ili zamijenite gumicu. Oštećena / pocepana gumica vrata će uzrokovati da proizvod radi duži period za očuvanje trenutne temperature.*

Temperatura zamrzivača je veoma niska, ali je temperatura hladnjaka adekvatna.

- Temperatura odjeljka Zamrzivač je postavljena na vrlo niskim stepenom. >>> *Podesite temperaturu zamrzivača na viši stupanj i provjerite još jednom.*

Temperatura hladnjaka je vrlo niska, ali temperatura zamrzivača je adekvatna.

- Temperatura hladnjaka je postavljena na vrlo nizak stupanj. >>> *Postavite temperatura hladnjaka na viši stupanj i provjerite još jednom.*

Hrana koja je u hladnjaku je zamrznula.

- Temperatura hladnjaka je postavljena na vrlo nizak stupanj. >>> *Podesite temperaturu zamrzivača na viši stupanj i provjerite još jednom.*

Temperatura u hladnjaku ili zamrzivaču je previsoka.

- Temperatura hladnjaka je postavljena na vrlo visoki stupanj. >>> *Postavka temperature hladnjaka utječe na temperaturu zamrzivača. Promijenite temperature hladnjaka ili zamrzivača i sačekajte da relevantne pregrade dostigne podešeni nivo temperature.*
- Vrata su se otvorila često ili su bila otvorena dužeg vremena. >>> *Ne otvarajte vrata prečesto.*
- Vrata mogu biti odškrinuta. >>> *Potpuno zatvorite vrata.*
- Proizvod je možda nedavno uključen ili nove hrane su unutra. >>> *To je normalno. Proizvodu će trebati više vremena da dostigne zadanu temperaturu kada je nedavno uključen ili kada ima novih hrana unutra.*
- Velike količine tople hrane možda su nedavno postavljene u proizvod. >>> *Ne stavljajte toplu hranu u proizvod.*

Drhtanje ili buke.

- Tlo nije ravno ili izdržljivo. >>> *Ako se proizvod tresе kada se polako pomiče, prilagoditi nogare za uravnoteženje proizvoda. Također pazite da je tlo dovoljno izdržljivo da nosi proizvod.*
- Svi predmeti na proizvodu mogu izazvati buku. >>> *Uklonite sve predmete koje se nalaze na proizvodu.*

Proizvod daje buku kao kad tečnost teče, prskanje itd.

- Operativni principi proizvoda uključuju tokovi tečnosti i gasova. >>> *To je normalno i ne predstavlja kvar.*

Čuje se zvuk vetra koji dolazi iz proizvoda.

- Proizvod koristi ventilator za proces hlađenja. To je normalno i ne predstavlja kvar.

Postoji kondenzacije na unutrašnjim zidovima proizvoda.

Rešavanje problema

- Vruće ili vlažno vremenu će povećati zaleđivanje i kondenzacije. To je normalno i ne predstavlja kvar.
- Vrata su se otvarala često ili su bila otvorena dužeg vremena. >>> *Ne otvarajte vrata prečesto, ako su otvorena, zatvorite ih.*
- Vrata mogu biti odškrinuta. >>> *Do kraja zatvorite vrata.*



UPOZORENJE: Ako problem i dalje postoji nakon što ste slijedeli upute u ovom poglavlju, obratite se prodavcu ili ovlaštenom servisu. Nemojte pokušavati popraviti proizvod.

Postoji kondenzacije na vanjske površine proizvoda ili između vrata.

- Spoljni vazduh može biti vlažan, to je sasvim normalno u vlažnom vremenu. >>> *Kondenzacija će nestati kada se vlažnost smanjuje.*

Unutrašnjost smrdi.

- Proizvod se redovno ne čiste. >>> *Redovno čistite unutrašnjost pomoću spužve, toplom vodom i gaziranom vodom.*
- Pojedini držači i materijale za pakovanje mogu izazvati mirise. >>> *Koristite držače i materijale za pakovanje bez mirisa.*
- Hrane su bili smješteni u otvorenim posuđem. >>> *Držite hranu u zatvorenim posuđem. Mikroorganizmi mogu se proširiti od nezapečaćenih prehrambenih artikala i izazvati loši miris.*
- Uklonite iz proizvoda sve hrane kojima je istekao rok ili su pokvarene.

Vrata se ne zatvaraju.

- Paketi hrane može blokiraju vrata. >>> *Relocirajte stvari koji blokiraju vrata.*
- Proizvod ne stoji u potpuno uspravnom položaju. >>> *Podesite nogare za uravnoteženje proizvoda.*
- Tlo nije ravno ili izdržljivo. >>> *Pobrinite se da je tlo ravno i dovoljno izdržljivo da nosi proizvoda.*

Korpa za povrća je zaglavljena.

- Hrana može biti u kontaktu sa gornjem delu ladice. >>> *Reorganizovati prehrambenih artikala u ladici.*

I nderuar klient,
Lexoni këtë manual para se të përdorni produktin.

Ju falënderojmë që zgjodhët këtë produkt. Dëshirojmë që të arrini efikasitetin maksimal nga ky produkt i cilësisë së lartë i cili është prodhuar me teknologjinë më të përparuar. Për ta bërë këtë, para se ta përdorni këtë produkt lexoni me kujdes këtë manual dhe çdo dokument tjetër shoqërues dhe ruajini për t'iu referuar në të ardhmen.

Kushtojuni vëmendje të gjitha informacioneve dhe paralajmërimeve në manualin e përdorimit. Në këtë mënyrë do të mbroini veten dhe produktin tuaj nga rreziqet që mund të ndodhin.

Ruajeni manualin e përdorimit. Nëse ia jepni këtë pajisje dikujt tjetër, jepini edhe këtë udhëzues bashkë me pajisjen.

Në këtë manual përdorimi janë përdorur simbolet vijuese:



 Rrezik që mund të çojë në vdekje ose lëndim.

VINI RE Një rrezik që mund të shkaktojë dëme materiale ndaj produktit ose ambientit përreth

 Informacione të rëndësishme ose këshilla të dobishme për përdorimin.

 Lexojeni manualin e përdorimit.

 Rrezik rrezatimi UV-C

 INFORMACIONE	
 <p>ENERGY</p> <p>SUPPLIER'S NAME: A</p> <p>MODEL IDENTIFIER: A</p>	<p>Informacionet e modelit të ruajtura në bazën e të dhënave të produktit mund të arrihen duke hyrë në faqen e mëposhtme të internetit dhe duke kërkuar për identifikuesin e modelit tuaj (*) që gjendet në etiketën e energjisë.</p> <p>https://eprel.ec.europa.eu/</p>

1 Udhëzimet për sigurinë	3	6.3. Kova e akullit	19
 1.1 Qëllimi i përdorimit	3	6.4. Mbajtësja e vezëve	19
 1.2 Siguria e fëmijëve, personave të cenusëshëm dhe kafshëve shtëpiake	3	6.5. Ventilatori	19
 1.3 Siguria elektrike	4	6.6. Koshi i perimeve	20
 1.4 Siguria gjatë manovrimit	4	6.7. Ndarja e bulmetit (ruajtja e ftohtë)	20
 1.5 Siguria gjatë montimit	4	6.8. Rafti i lëvizshëm i derës	20
 1.6 Siguria funksionale	6	6.9. Kutia e ruajtjes me rrëshqitje	21
 1.7 Siguria gjatë mirëmbajtjes dhe pastrimit	7	6.10. HerbBox/HerbFresh	21
 1.8 HomeWhiz	8	6.11. Koshi i perimeve me lagështi të kontrolluar	22
 1.9 Ndrçimi	8	6.12. Aparati autoantik i akullit	22
 1.10- Siguria ndaj rrezatimit UV-C	8	6.13. Icematic dhe kontejneri i ruajtjes së akullit	23
2 Udhëzimet për mjedisin	10	6.14. Përdorimi i aparatit të ujit	23
2.1 Përputhja me direktivën WEEE dhe hedhja e produktit të përdorur:	10	6.15. Mbushja e depozitës së aparatit të ujit	24
2.2 Përputhja me direktivën RoHS	10	6.16. Pastrimi i depozitës së ujit	25
2.3 Informacione për paketimin	10	6.17. Tabakaja e derdhjes	26
3 Frigoriferi juaj	11	6.18. Ngrirja e ushqimeve të freskëta	27
4 Instalimi	12	6.19. Rekomandimet për ruajtjen e ushqimeve të ngrira	27
4.1. Vendi i duhur për montimin	12	6.20. Detajet për ngrirjen e thellë	28
4.2. Vendosja e kunjave plastike	12	6.21. Vendosja e ushqimeve	28
4.3. Rregullimi i mbështetëseve	13	6.22. Sinjalizimi i hapjes së derës	28
4.4. Lidhja elektrike	13	6.23. Ndryshimi i drejtimit të hapjes së derës	28
5 Përgatitja	14	6.24. Drita e brendshme	28
5.1. Çfarë të bëni për kursimin e energjisë	14	6.25. Rekomandime për operacionet e ndarjes së higjienës:	29
5.2. Përdorimi për herë të parë	14	7 Mirëmbajtja dhe pastrimi	30
6 Përdorimi i produktit	15	7.1. Shmangia e aromave të këqija	30
6.1. Drita blu/HarvestFresh	18	7.2. Mbrojtja e sipërfaqeve plastike	30
6.2. Ndarja e higjienës	18	7.3. Xhamat e derës	30
		8 Zgjidhja e problemeve	31

1 Udhëzimet për sigurinë

- Ky paragraf përfshin udhëzime për sigurinë të nevojshme për të parandaluar rrezikun e lëndimeve personale dhe të dëmeve materiale.
- Kompania jonë nuk do të jetë përgjegjëse për dëmtimet që mund të ndodhin nëse nuk respektohen këto udhëzime.

! Veprimet e montimit dhe të riparimit duhet të kryhen gjithmonë nga shërbimi i autorizuar.

! Përdorni gjithmonë pjesë këmbimi dhe aksesorë origjinalë.

! Pjesët origjinale të këmbimit do të ofrohen për 10 vite, pas datës së blerjes së produktit.

! Mos riparoni dhe mos zëvendësoni asnjë pjesë të produktit nëse nuk është specifikuar qartësisht në manualin e përdorimit.

! Mos bëni ndonjë modifikim në produkt.

! 1.1 Qëllimi i përdorimit

- Ky produkt nuk është planifikuar për përdorim tregtar dhe nuk duhet të përdoret jashtë sferës së përdorimit të synuar.

Ky produkt është planifikuar për përdorim në ambiente të brendshme, si p.sh. shtëpi ose ambiente të ngjashme.

Për shembull;

- Në kuzhinat e personelit në dyqane, zyra dhe ambiente të tjera pune,
- Në shtëpi në ferma,
- Në njësi hotelesh, motelesh ose objekte të tjera pushimi që përdoren nga klientët,
- Në hostele ose ambiente të ngjashme,
- Në shërbimet e kateringut dhe përdorime të ngjashme jotregtare.

Ky produkt nuk duhet të përdoret në ambiente të jashtme të hapura ose të mbyllura, si p.sh. në anije, ballkone ose tarraca. Ekspozimi i produktit ndaj shiut, borës, dritës së diellit dhe erës mund të shkaktojë rrezik zjarri.

! 1.2 Siguria e fëmijëve, personave të cenushtëm dhe kafshëve shtëpiake

- Ky produkt mund të përdoret nga fëmijët e moshës 8 vjeç e lart dhe nga personat me aftësi të reduktuara fizike, ndijore ose mendore apo me mungesë eksperience dhe njohurish, nëse janë nën mbikëqyrje ose janë udhëzuar për përdorimin e pajisjes në një mënyrë të sigurt, si dhe për rreziqet e përfshira.
- Fëmijët e moshës 3 deri në 8 vjeç lejohen të vendosin dhe të nxjerrin ushqime nga produkti i ftohësit.
- Produktet elektrike janë të rrezikshme për fëmijët dhe kafshët shtëpiake. Fëmijët dhe kafshët shtëpiake nuk duhet të luajnë me produktin, të ngjiten mbi të ose të hyjnë në të.
- Pastrimi dhe mirëmbajtja nga përdoruesi nuk duhet të kryhen nga fëmijët përveç rastit kur po i mbikëqyr dikush.
- Mbajini materialet e paketimit larg fëmijëve. Rrezik lëndimi dhe mbytjeje.
- Para se t'i hidhni produktet e vjetra që nuk do të përdoren më:

1. Shkëputeni kordonin elektrik nga priza në mur.

2. Priteni kordonin elektrik dhe hiqeni nga pajisja bashkë me spinën.

3. Mos i hiqni raftet dhe sirtarët nga produkti për të parandaluar hyrjen e fëmijëve brenda në pajisje.

4. Hiqni dyert.

5. Vendoseni produktin në mënyrë që të mos rrëzohet.

6. Mos i lejoni fëmijët të luajnë me produktin e hedhur.

- Mos e asgjësoni produktin duke i vënë zjarrin. Rrezik shpërthimi.

Udhëzimet për sigurinë dhe mjedisin

- Nëse ka një kyç te dera e produktit, mbajeni çelësin larg fëmijëve.

1.3 Siguria elektrike

- Produkti nuk duhet të vihet në prizë gjatë operacioneve të montimit, mirëmbajtjes, pastrimit, riparimit dhe transportit.
- Nëse kordoni elektrik dëmtohet, ai duhet të zëvendësohet vetëm nga shërbimi i autorizuar për të shmangur çdo rrezik që mund të ndodhë.
- Mos e futni kordonin elektrik poshtë produktit ose në pjesën e pasme të produktit. Mos vendosni objekte të rënda mbi kordonin elektrik. Kordoni elektrik nuk duhet lakuar ose shtypur dhe nuk duhet të vihet në kontakt me ndonjë burim nxehtësie.
- Mos përdorni një kordon zgjatues, me shumë priza ose një adaptor për përdorimin e produktit.
- Pajisjet me priza portative ose burimet elektrike portative mund të shkaktojnë mbinxehje dhe zjarr. Për këtë arsye, mos mbani një kordon me shumë priza prapa ose në afërsi të produktit.
- Spina duhet të jetë lehtësisht e arritshme. Nëse kjo gjë nuk është e mundur, në instalimin elektrik duhet të ketë një mekanizëm që është në përputhje me legjislacionin për energjinë elektrike dhe që i shkëput të gjitha terminalet nga rrjeti elektrik (siguresë, automat, automat kryesor etj.)

- Mos e prekni spinën me duar të lagura.
- Kur e hiqni pajisjen nga priza, mos e kapni te kordoni elektrik, por te spina.

1.4 Siguria gjatë manovrimit

- Ky produkt është i rëndë, mos e manovroni vetëm.
- Mos e mbani produktin nga dera gjatë manovrimit të produktit.
- Tregoni kujdes që të mos e dëmtoni sistemin e ftohjes dhe tubat gjatë manovrimit të produktit. Mos e përdorni produktin nëse tubat janë të dëmtuar dhe kontaktoni me shërbimin e autorizuar.

1.5 Siguria gjatë montimit

- Kontaktoni me Shërbimin e autorizuar për montimin e produktit. Për ta përgatitur produktin për montim, shikoni informacionet në manualin e përdorimit dhe sigurohuni që shërbimet elektrike dhe të ujit të jenë siç kërkohet. Nëse montimi nuk është i përshtatshëm, thirrni një elektrikist dhe hidraulik që të bëjnë rregullimet e nevojshme. Në rast të kundërt, mund të ndodhin goditje elektrike, zjarr, probleme me produktin ose lëndime personale.
- Kontrolloni për çdo dëmtim në produkt para montimit të tij. Mos e montoni produktin nëse është i dëmtuar.
- Vendoseni produktin në një sipërfaqe të fortë dhe të sheshtë dhe nivelojeni me anë të këmbëve

Udhëzimet për sigurinë dhe mjedisin

të rregullueshme. Në rast të kundërt, frigoriferi mund të përmbysset dhe të shkaktojë lëndime personale.

- Produkti duhet të montohet në një ambient të thatë dhe të ajrosur. Mos mbani tapete, qilima ose mbulesa të ngjashme nën produkt. Kjo mund të shkaktojë rrezik zjarri si rezultat i një ajrosjeje të papërshtatshme!
- Mos i bllokoni ose mbuloni vrimat e ajrimit. Në rast të kundërt, konsumi i energjisë mund të rritet dhe mund të ndodhin dëmtime të produktit tuaj.
- Mos e lidhni produktin me sistemet e furnizimit me energji si ato të energjisë diellore. Në rast të kundërt, mund të ndodhin dëmtime të produktit tuaj si rezultat i lëkundjeve të menjëhershme të voltazhit!
- Sa më shumë lëng ftohës të ketë në një frigorifer, aq më e madhe duhet të jetë dhoma e montimit. Në dhoma shumë të vogla, në rast të një rrjedhjeje të gazit në sistemin e ftohjes mund të shfaqet një përzierje e djegshme e gazit me ajrin. Për çdo 8 gramë lëng ftohës kërkohet të paktën 1 m³ vëllim. Sasia e lëngut ftohës të disponueshëm në produktin tuaj është e specifikuar në etiketën e tipit të produktit.
- Vendi i montimit të produktit nuk duhet të jetë i ekspozuar ndaj dritës së drejtpërdrejtë të diellit dhe nuk duhet të jetë në afërsi të burimeve të nxehtësisë si furrat, radiatorët etj.

Nëse nuk mund ta parandaloni montimin e produktit në afërsi të një burimi nxehtësie, duhet të përdorni një pllakë të përshtatshme izolimi dhe distanca minimale me burimin e nxehtësisë duhet të jetë siç specifikohet më poshtë.

- Të paktën 30 cm larg nga burimet e nxehtësisë si furrat, njësitë ngrohëse dhe kaloriferët etj.

- Dhe të paktën 5 cm larg nga furrat elektrike.

- Produkti juaj ka klasën e mbrojtjes I. Vendoseni produktin në një prizë me tokëzim që është në përputhje me vlerat e voltazhit, rrymës elektrike dhe frekuencës të specifikuara në etiketën e tipit të produktit. Priza duhet të jetë e pajisur me një siguresë me masë 10 A - 16 A. Kompania jonë nuk do të jetë përgjegjëse për dëmtimet që do të shkaktohen si rezultat i përdorimit të produktit pa u siguruar që lidhjet elektrike dhe të tokëzimit të jenë kryer sipas rregulloreve lokale ose kombëtare.
- Kablloja elektrike e produktit duhet të hiqet nga priza gjatë montimit. Në rast të kundërt, ekziston rreziku i goditjeve elektrike dhe i lëndimeve personale!
- Mos e vendosni produktin në priza të liruara, të thyera, të papastra, me yndyrë, në priza që kanë dalë nga vendi ose priza që rrezikojnë të bien në kontakt me ujin.
- Vendosini kordonin elektrik dhe tubat e produktit (nëse ka) në mënyrë të tillë që të mos paraqesin rrezik për t'u penguar.

Udhëzimet për sigurinë dhe mjedisin

- Depërtimi i lagështisë te pjesët që kanë elektricitet ose te kordoni elektrik mund të shkaktojë qark të shkurtër. Për këtë arsye, mos e përdorni produktin në ambiente me lagështi ose në zona ku mund të ketë spërkatje uji (p.sh. garazhe, dhoma për larjen e rrobave etj.). Nëse frigoriferi laget me ujë, hiqeni nga priza dhe kontaktoni me shërbimin e autorizuar.
- Mos e lidhni frigoriferin me pajisje për kursimin e energjisë. Këto sisteme janë të dëmshme për produktin.

1.6 Siguria funksionale

- Mos përdorni hollues kimikë mbi produkt. Këto materiale përbëjnë rrezik shpërthimi.
- Në rast defekti të produktit, hiqeni nga priza dhe mos e përdorni deri sa të riparohet nga shërbimi i autorizuar. Ekziston rreziku i goditjes elektrike!
- Mos vendosni një burim flakësh (p.sh. qirinj, cigare etj.) mbi produkt ose në afërsi të tij.
- Mos qëndroni mbi produkt. Rrezik rrëzimi dhe lëndimi personal!
- Mos shkaktoni dëmtime të tubave të sistemit të ftohjes me mjete të mprehta ose shpuese. Lëngu ftohës që del në rast se shpohen tubat e gazit, tubat zgjatues ose veshjet e sipërme të sipërfaqes mund të shkaktojë acarim të lëkurës dhe lëndime të syve.
- Mos i vendosni dhe mos i përdorni pajisjet elektrike brenda në frigoriferë/ngrirës përveçse kur këshillohet nga prodhuesi.
- Mos kapni pjesë të duarve ose trupit me pjesët e lëvizshme brenda në produkt. Kini kujdes që të parandaloni kapjen e gishtave mes frigoriferit dhe derës së tij. Kini kujdes gjatë hapjes ose mbylljes së derës nëse ka fëmijë përreth.
- Mos e futni në gojë akulloren, kubat e akullit ose ushqimet e ngrira menjëherë pasi i nxirrni nga ngrirësi. Rrezik djegie nga akulli!
- Mos i prekni muret e brendshme, pjesët metalike të ngrirësit ose ushqimet e vendosura brenda në frigorifer me duar të lagura. Rrezik djegie nga akulli!
- Mos vendosni kanaçe me pije me gaz ose kanaçe dhe shishe që kanë lëngje që mund të ngrijnë në ndarjen e ngrirësit. Kanaçet ose shishet mund të shpërthejnë. Rrezik lëndimi personal ose dëmtimi material!
- Mos përdorni ose vendosni materiale të ndjeshme ndaj temperaturës si spërkatës të djegshëm, objekte të djegshme, akull të thatë ose agjentë të tjerë kimikë në afërsi të frigoriferit. Rrezik zjarri dhe shpërthimi!
- Mos mbani materiale shpërthyes si kanaçe me presion me materiale të djegshme brenda në produkt.
- Mos vendosni kanaçe me lëngje mbi produkt. Spërkatja e ujit në një pjesë elektrike mund të shkaktojë rrezik nga goditjet elektrike ose zjarri.

Udhëzimet për sigurinë dhe mjedisin

- Ky produkt nuk është planifikuar për ruajtjen dhe ftohjen e barnave, plazmës së gjakut, preparateve laboratorike ose materialeve dhe produkteve të ngjashme që janë objekt i Direktivës për produktet mjekësore.
- Nëse produkti përdoret ndryshe nga qëllimi i planifikuar, ai mund të shkaktojë përkeqësim ose dëmtim të produkteve të mbajtura në të.
- Nëse frigoriferi juaj është i pajisur me një dritë blu, mos e shikoni këtë dritë me pajisje optike. Mos shikoni drejtpërdrejt te drita LED ultravjollcë për një kohë të gjatë. Rrezet ultravjollcë mund të shkaktojnë sforcim të syrit.
- Mos e mbushini produktin me më shumë ushqime nga sa është kapaciteti i tij. Mund të ndodhin dëmtime ose lëndime personale nëse artikujt në frigorifer bien kur hapni derën. Mund të ndodhin probleme të ngjashme kur një objekt vendoset mbi produkt.
- Sigurohuni që të largoni akullin ose ujin që mund të bjerë në dysheme për të parandaluar lëndimet personale.
- Ndryshoni vendet e rafteve/rafteve të shisheve në derën e frigoriferit vetëm kur raftet janë bosh. Rrezik për lëndime fizike!
- Mos vendosni objekte që mund të bien/të përmbysen mbi produkt. Këto objekte mund të bien kur hapni ose mbyllni derën dhe të shkaktojnë lëndime personale dhe/ose dëmtime materiale.
- Mos goditni ose ushtroni shumë presion mbi sipërfaqet e xhamit. Xhami i thyer mund të shkaktojë lëndime personale dhe/ose dëmtime materiale.
- Sistemi ftohës në produktin tuaj përmban lëng ftohës R600a. Lloji i lëngut ftohës të përdorur në produkt specifikohet në etiketën e tipit të produktit. Ky gaz është i djegshëm. Për këtë arsye, kini kujdes që të mos e dëmtoni sistemin e ftohjes dhe tubat gjatë përdorimit të produktit. Në rast të dëmtimit të tubave;
 - mos e prekni pajisjen ose kabllon elektrike,
 - mbajeni produktin larg nga burimet e mundshme të zjarrit që mund të shkaktojnë zjarr në produkt.
 - ajrosni zonën ku është vendosur produkti. Mos përdorni një ventilator.
 - Kontaktoni me shërbimin e autorizuar.
- Nëse produkti dëmtohet dhe vini re rrjedhje gazi, qëndroni larg nga gazi. Gazi mund të shkaktojë djegie nëse bie në kontakt me lëkurën.

1.7 Siguria gjatë mirëmbajtjes dhe pastrimit

- Mos e tërhiqni produktin nga doreza e derës nëse duhet ta lëvizni produktin për të pastruar. Doreza mund të shkaktojë lëndime personale nëse e tërhiqni shumë fort.
- Mos e pastroni produktin duke spërkatur ujë ose duke hedhur ujë mbi produkt dhe brenda në produkt. Rrezik për goditje elektrike dhe zjarr.
- Mos përdorni mjete të mprehta ose gërryese për pastrimin e

Udhëzimet për sigurinë dhe mjedisin

produktit. Mos përdorni materiale si p.sh. substanca pastrimi shtëpiake, detergjentë, gaz, benzinë, alkool, dyllë etj.

- Përdorni vetëm substanca pastrimi dhe mirëmbajtjeje që nuk janë të dëmshme për ushqimet brenda në produkt.
- Mos përdorni avull ose materiale pastrimi me avull për pastrimin e produktit dhe për shkrirjen e akullit brenda. Avulli bie në kontakt me zonat me elektricitet në frigorifer dhe shkakton qark të shkurtër ose goditje elektrike!
- Tregoni kujdes që të mos lejoni ujin të qarqet elektrike ose dritat e produktit.
- Përdorni një pecetë të pastër dhe të thatë për të fshirë pluhurat ose materialet e huaja në kunjat e spinës. Mos përdorni një pecetë të njomë ose të lagur për pastrimin e spinës. Në rast të kundërt, mund të ketë rrezik për goditje elektrike ose zjarr.

1.8 HomeWhiz

(Mund të mos jetë e zbatueshme për të gjitha modelet)

- Ndiqni paralajmërimet e sigurisë edhe nëse jeni larg nga produkti kur e përdorni produktin nëpërmjet aplikacionit HomeWhiz. Tregoni vëmendje po ashtu për paralajmërimet në aplikacion.

1.9 Ndryçimi

(Mund të mos jetë e zbatueshme për të gjitha modelet)

- Kontaktoni me shërbimin e autorizuar kur duhet të zëvendësoni dritën LED/llambën e përdorur për ndryçimin.

1.10 Siguria ndaj rrezatimit UV-C

- Mos hiqni xhamin mbrojtës të llambës UV-C.
- Mos e përdorni produktin pa xhamin mbrojtës të llambës UV-C.
- Ky produkt përmban një llambë që rrezaton rreze UV-C. Mos shihni drejtpërdrejt të burimi i dritës.
- Kur pastroni ndarjen që përmban llambën UV-C, hiqeni spinën nga priza.
- Mos përdorni në asnjë rrethanë një produkt që ka ndonjë dëmtim në xhamin mbrojtës.
- Çaktivizojeni veçorinë UV-C nga paneli i kontrollit të ekranit kur zëvendësoni llambën UV-C me ndihmën e një shërbimi të autorizuar.
- Kurrë mos e hiqni etiketën “Rrezik rrezatimi ultravjollcë” në ndarjen e higjienës që përmban llambat UV-C.
- Përdorimi i produktit jashtë përdorimit të synuar ose dëmtimi i xhamit mbrojtës të llambës UV-C ose i ambientit përreth mund të çojë në rrezatim të rrezikshëm UV-C. Rrezatimi UV-C mund të shkaktojë dëmtime në sy dhe lëkurë edhe në doza të ulëta! Mos përdorni një produkt të dëmtuar!
- Nëse simboli UV-C fillon të pulsojë kur aktivizohet funksioni i higjienës, kjo tregon se jetëgjatësia e llambave ka arritur gjysmën e saj dhe se efikasiteti i tyre është reduktuar. Rekomandojmë t'i ndërtoni llambat UV-C kur vëreni këtë paralajmërim. Llambat UV-C ndërrohen bashkë me

Udhëzimet për sigurinë dhe mjedisin

mbajtësen në të cilën gjenden. Gjetja dhe montimi i mbajtëses së UV-C duhet të kryhet nga shërbimet e autorizuara.



Periudha e përcaktuar e mbështetjes së azhurnimit të softuerit të lidhur me sigurinë kibernetike të produktit është periudha e garancisë së produktit. Pas kësaj periudhe, azhurnimet e programeve të lidhura me sigurinë kibernetike nuk janë të garantuara.

	KUJDES: Rrezatimi UV-C është i dëmshëm për sytë dhe lëkurën. Mos i përdorni llambat UV-C jashtë produktit !
	KUJDES: Llambat UV-C nuk lejohet të ndërrohen nga përdoruesi. Kërkoni ndihmën e shërbimit të autorizuar kur skadon jetëgjatësia e llambave UV-C !

1.11 Informacionet teknike për Wifi + Bluetooth

Brezi i frekuencës:	2,4 GHz (funksionale me Wi-Fi ose Bluetooth)
Fuqia maksimale e transmetimit:	< 100 mW (funksionale me Wi-Fi ose Bluetooth)
Informacionet e softuerit:	Quartz_WiFi.XXX

Deklarata e përputhshmërisë për KE-në:

Arçelik A.Ş. deklaron këtu se kjo pajisje është në përputhje me Direktivën 2014/53/EU.

Teksti i plotë i deklaratës së përputhshmërisë për EU-në është i disponueshëm në adresën e mëposhtme të internetit:

Produktet nga: support.beko.com

2 Udhëzimet për mjedisin

2.1 Përputhja me direktivën WEEE dhe hedhja e produktit të përdorur:

Ky produkt është në përputhje me Direktivën evropiane WEEE (2012/19/EU). Ky produkt ka një simbol klasifikimi për pajisjet elektrike dhe elektronike të përdorura (WEEE).



Ky simbol tregon se ky produkt nuk duhet të hidhet me mbeturina të tjera shtëpiake në fund të jetëgjatësisë së shërbimit. Pajisjet e përdorura duhet të kthehen te pika zyrtare e grumbullimit

për riciklimin e pajisjeve elektrike dhe elektronike. Për t'i gjetur këto sisteme grumbullimi, kontaktoni me autoritetet lokale ose shitësin ku e keni blerë produktin. Çdo shtëpi ka një rol të rëndësishëm në rikuperimin dhe riciklimin e pajisjeve të vjetra. Hedhja në mënyrën e duhur e pajisjes së përdorur ndihmon në parandalimin e pasojave të mundshme negative për mjedisin dhe shëndetin e njerëzve.

2.2 Përputhja me direktivën RoHS

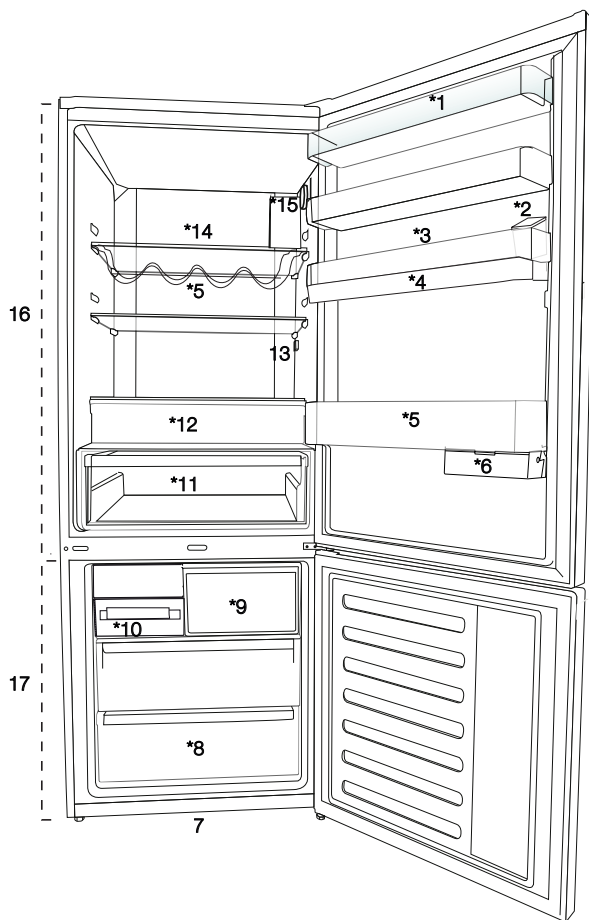
Produkti që keni blerë është në përputhje me direktivën RoHS të BE-së (2011/65/EU). Ai nuk përmban materiale të dëmshme dhe të ndaluara të specifikuara në Direktivë.

2.3 Informacione për paketimin



Materialet e paketimit të produktit janë prodhuar nga materiale të riciklueshme në përputhje me Rregulloret tona kombëtare për mjedisin. Mos i hidhni materialet e paketimit bashkë me mbeturinat familjare ose mbeturinat e tjera. Çojini ato te pikat e grumbullimit për materialet e paketimit të përcaktuara nga autoritetet lokale.

3 Frigoriferi juaj



1. Rafti i derës së ndarjes së ftohësit
2. Depozita e shpërndarësit të ujit
3. Mbjajtësja e vezëve
4. Depozita e ujit
5. Rafti i shisheve
6. Kutia e ruajtjes me rrëshqitje
7. Këmbët e rregullueshme
8. Ndarja e ngrirësit të thellë
9. Ndarja për ngrirjen e shpejtë
10. Prodhuesi i akullit
11. Koshi i perimeve
12. Ndarja e higjienës (llambat UV- C)
13. Drita e brendshme
14. Rafti prej xhami i ndarjes së ftohësit
15. Butoni i rregullimit të temperaturës
16. Ndarja e ftohësit
17. Ndarja e ngrirësit

***Mund të mos jetë e zbatueshme për të gjitha modelet**






***opsionale:** Fotografitë e dhëna në këtë manual janë figura për shembull dhe mund të mos jenë me saktësi të njëjta si produkti juaj. Nëse produkti juaj nuk i përfshin pjesët përkatëse, informacionet kanë lidhje me modele të tjera.

! Lexoni në fillim pjesën “Udhëzimet për sigurinë”!

4.1. Vendi i duhur për montimin

Kontaktoni me Shërbimin e autorizuar për montimin e produktit. Për ta përgatitur produktin për montim, shikoni informacionet në udhëzuesin e përdorimit dhe sigurohuni që shërbimet elektrike dhe të ujit të jenë siç kërkohet. Nëse jo, telefononi elektrikist dhe një hidraulik për të organizuar shërbimet sipas nevojës.

	KUJDES: Prodhuesi nuk mban asnjë përgjegjësi për çdo dëmtim të kryer nga punët e kryera nga persona të paautorizuar.
	KUJDES: Kabloja elektrike e produktit duhet të hiqet nga priza gjatë montimit. Mosrespektimi i kësaj mund të shkaktojë vdekje ose lëndime të rënda!
	KUJDES: Nëse hapësira e derës është shumë e ngushtë për kalimin e produktit, hiqeni derën dhe kthejeni produktin në anë; nëse kjo nuk funksionon, kontaktoni me shërbimin e autorizuar.

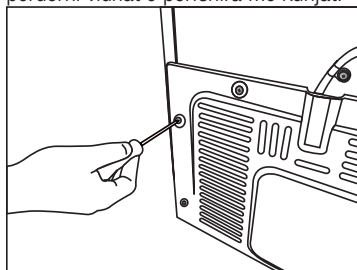
- Vendoseni produktin në një sipërfaqe të rrafshët për të shmangur dridhjet.
- Vendoseni produktin të paktën 30 cm larg nga ngrohësi, soba ose burime të ngjashme të nxehtësisë dhe të paktën 5 cm larg nga furrat elektrike.
- Mos e ekspozoni produktin ndaj dritës së drejtpërdrejtë të diellit dhe mos e mbani në ambiente me lagështi.
- Produkti kërkon një qarkullim të përshtatshëm të ajrit për të funksionuar me efektivitet.
- Nëse produkti do të vendoset në një vend të futur, mos harroni të lini të paktën 5 cm distancë mes produktit dhe tavanit dhe mureve.
- Mos e montoni produktin në mjedise me temperatura nën -5°C .
- Produkti juaj kërkon një qarkullim të përshtatshëm të ajrit për të funksionuar me efikasitet. Nëse produkti do të vendoset në një vend të futur, mos harroni të lini të paktën 5 cm hapësirë mes produktit dhe tavanit, murit të pasmë dhe mureve anësore.

- Nëse produkti do të vendoset në një vend të futur, mos harroni të lini të paktën 5 cm hapësirë mes produktit dhe tavanit, murit të pasmë dhe mureve anësore. Kontrolloni nëse elementi mbrojtës i pasmë për distancën me murin është i pranishëm në vendin përkatës (nëse është i përfshirë me produktin). Nëse elementi nuk është i disponueshëm ose nuk humbet apo bie, vendoseni produktin në mënyrë që të lini të paktën 5 cm hapësirë mes sipërfaqes së pasme të produktit dhe murit të dhomës. Hapësira në pjesën e pasme është e rëndësishme për një funksionim efikas të produktit.

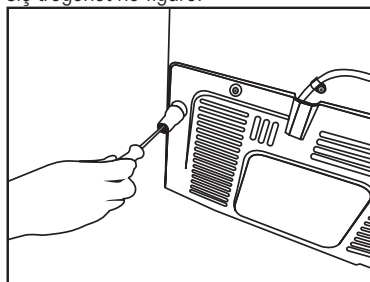
4.2. Vendosja e kunjave plastike

Përdorni kunjat plastike të përfshira me produktin për të siguruar një hapësirë të mjaftueshme për qarkullimin e ajrit midis produktit dhe murit.

1. Për të vendosur kunjat, hiqni vidhat në produkt dhe përdorni vidhat e përfshira me kunjat.



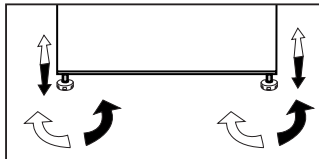
2. Vendosni 2 kunjat plastike në kapakun e ventilimit siç tregohet në figurë.



Instalimi

4.3.Rregullimi i mbështetëseve

Nëse produkti nuk është në ekuilibër, rregulloni mbështetëset e përparme të rregullueshme duke i rrotulluar ato djathtas ose majtas.



Paralajmërim për sipërfaqe të nxehtë!
Muret anësore të produktit tuaj janë të pajisura me tuba me lëng ftohës për përmirësimin e sistemit të ftohjes. Në këto zona mund të qarkullojë lëngu ftohës me temperatura të larta, duke sjellë nxehjen e sipërfaqeve në muret anësore. Kjo është normale dhe nuk ka nevojë për shërbim. Tregoni kujdes kur prekni këto zona.

4.4.Lidhja elektrike

	KUJDES: Mos përdorni zgjatues ose priza të shumëfishta në lidhjen elektrike.
	KUJDES: Kabloja e dëmtuar elektrike duhet të zëvendësohet nga Shërbimi i autorizuar.
	Kur vendosni dy ftohës në pozicion ngjitur me njëri-tjetrin, lini të paktën 4 cm distancë midis dy njësisve.

- Kompania jonë nuk do të mbajë përgjegjësi për asnjë dëmtim të shkaktuar nga përdorimi pa lidhjen e tokëzimit dhe pa lidhjen elektrike në përputhje me rregulloret kombëtare.
- Spina e kordonit elektrik duhet të jetë lehtësisht e arritshme pas montimit.
- Lidhni frigoriferin me një prizë me tokëzim me voltazh 220-240V/50 Hz. Spina duhet të përfshijë një siguresë 10-16A.
- Mos përdorni spina të grupuara me ose pa kablo zgjatuese midis prizës së murit dhe frigoriferit.

! Lexoni në fillim pjesën “Udhëzimet për sigurinë”!

5.1. Çfarë të bëni për kursimin e energjisë



Lidhja e produktit me sistemet elektronike të kursimit të energjisë është e dëmshme, dhe kjo mund të dëmtojë produktin.

- Për një pajisje kolonë; “ky frigorifer nuk është planifikuar të përdoret si pajisje inkaso.
- Mos i mbani dyert e frigoriferit të hapura për periudha të gjata.
- Mos vendosni ushqime ose pije të nxehta në frigorifer.
- Mos e mbushni shumë frigoriferin; bllokimi i rrjedhës së brendshme të ajrit do të ulë kapacitetin e ftohjes.
- Për të ruajtur sasinë maksimale të ushqimeve në ndarjen e ftohësit të frigoriferit tuaj, duhet të hiqni sirtarët e sipërm dhe t'i vendosni ushqimet në raftin e xhamit. Konsumi i deklaruar i energjisë për frigoriferin tuaj është përcaktuar duke hequr ftohësin, tabakanë e akullit dhe sirtarët e sipërm në mënyrë që të sigurohet ruajtja maksimale e ushqimeve. Rekomandohet shumë që të përdorni sirtarin e poshtëm kur ruani ushqimet. Për konsumin më të mirë të energjisë, duhet të aktivizoni funksionin e kursimit të energjisë.
- Nuk duhet ta bllokoni qarkullimin e ajrit duke vendosur ushqime përpara ventilatorit të ftohësit. Kur vendosni ushqimet, duhet të lini një hapësirë minimumi 3 cm përpara telit mbrojtës të ventilatorit.
- Në varësi të veçorive të produktit, shkrrirja e ushqimeve të ngrira në ndarjen e ftohtë do të sigurojë kursimin e energjisë dhe do të ruajë cilësinë e ushqimeve.
- Ushqimet duhet të ruhen me anë të sirtarëve në ndarjen e ftohësit për të siguruar kursimin e energjisë dhe për mbrojtjen e ushqimeve në kushte më të mira.
- Paketimet e ushqimeve nuk duhet të jenë në kontakt të drejtpërdrejtë me sensorin e nxehtësisë që ndodhet në ndarjen e ftohësit. Nëse janë në kontakt me sensorin, konsumi i energjisë së pajisjes tuaj mund të rritet.

- Sigurohuni që ushqimet të mos jenë në kontakt me sensorin e temperaturës së ndarjes së

- Duke qenë se ajri dhe lagështia nuk do të depërtojnë direkt në produkt kur dyert nuk janë të hapura, produkti juaj do të optimalizohet në kushte të mjaftueshme për ta mbrojtur ushqimin. Në këtë funksion të kursimit të energjisë, funksionet dhe komponentet si kompresori, ventilatori, ngrohësi, shkrrirja, ndriçimi, ekrani etj. do të punojnë sipas nevojave për të konsumuar minimumin e energjisë, ndërkohë që ruhet freskia e ushqimeve tuaja.
- Në rastin e opsioneve të shumëfishta, raftet prej xhami duhen vendosur në mënyrë që daljet e ajrit në pjesën e pasme të mos bllokohen, preferohet që daljet e ajrit të mbeten nën raftin prej xhami. Ky kombinim mund të ndihmojë në përmirësimin e shpërndarjes së ajrit dhe të efikasitetit të energjisë.

5.2. Përdorimi për herë të parë

Para se ta përdorni frigoriferin, sigurohuni që të bëni përgatitjet e duhura në përputhje me udhëzimet në paragrafët “Udhëzimet për sigurinë dhe mjedisin” dhe “Montimi”.

- Mbajeni produktin në punë pa ushqime në të për 6 orë dhe mos e hapni derën, nëse nuk është shumë e domosdoshme.



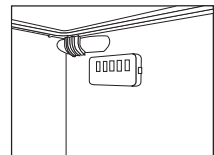
Kur të aktivizohet kompresori do të dëgjoni një tingull. Është normale të dëgjoni tingull kur kompresori nuk është aktiv, për shkak të lëngjeve dhe gazeve të ngjeshura në sistemin e ftohjes.



Anët e përparme të produktit mund të ngrohen. Kjo është normale. Këto zona janë të projektuara që të ngrohen për të parandaluar kondensimin.

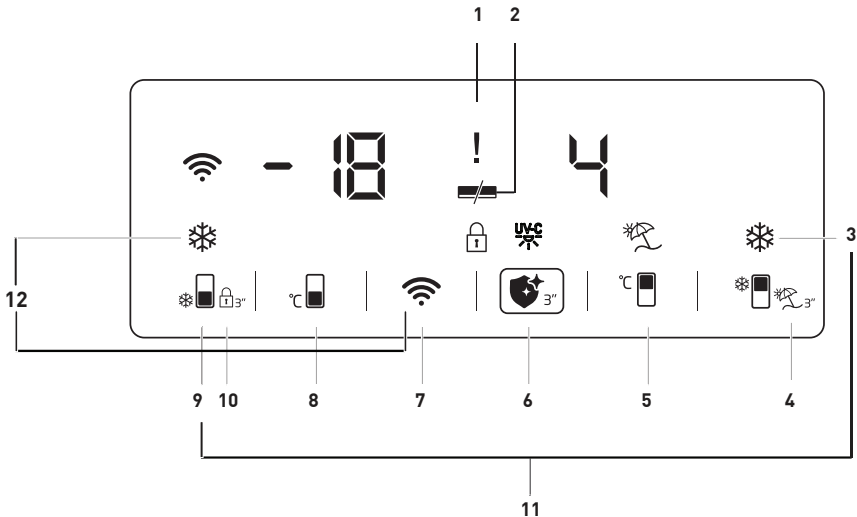


Në disa modele, paneli i treguesve fiket automatikisht 5 minuta pas mbylljes së derës. Ai do të riaktivizohet kur të hapet dera ose kur të shtypet një buton.





Lexoni në fillim pjesën “Udhëzimet për sigurinë”!



1. Treguesi i gjendjes me defekt
2. Treguesi i kursimit të energjisë (ekrani joaktiv)
3. Butoni i ftohjes së shpejtë
4. Butoni i funksionit të pushimeve
5. Butoni i caktimit të temperaturës së ndarjes së ftohësit
6. Butoni i funksionit të higjienës
7. Butoni i lidhjes pa tel
8. Butoni i caktimit të temperaturës së ndarjes së ngrirësit
9. Butoni i ngrirjes së shpejtë
10. Kycja e butonave
11. Butoni i ndërrimit të njësisë së temperaturës
12. Butoni për rivendosjen e parametrave të lidhjes pa tel


Mund të mos jetë e zbatueshme për të gjitha modelet



***Opsional:** Shifrat në këtë manual përdorimi janë të përdorura si modele dhe mund të mos përputhen saktësisht me produktin tuaj. Nëse produkti juaj nuk i përfshin pjesët përkatëse, informacionet kanë lidhje me modele të tjera.

Përdorimi i produktit

1. Treguesi i gjendjes me defekt


Ky tregues  duhet të jetë aktiv kur frigoriferi nuk mund të kryejë ftohje siç duhet ose në rast të ndonjë gabimi të sensorit. Kur ky tregues është aktiv, në treguesin e temperaturës së ndarjes së ngrirësit duhet të shfaqet simboli "E" dhe në treguesin e temperaturës së ndarjes së ftohësit duhet të shfaqen shifra të tilla si 1,2,3... Këto shifra i japin informacione shërbimit të autorizuar për gabimin që ka ndodhur.

Mund të shfaqet pikëçuditja kur vendosni ushqim të ngrohtë në ndarjen e ngrirësit ose e mbani derën hapur për një periudhë të gjatë. Ky nuk është defekt, ky paralajmërim do të hiqet kur ushqimi të ftohet.

2. Treguesi i kursimit të energjisë (ekrani joaktiv)



Funksioni i kursimit të energjisë aktivizohet automatikisht dhe simboli i kursimit të energjisë shfaqet kur dera e produktit nuk hapet ose mbyllet për njëfarë periudhe. (—) Kur funksioni i kursimit të energjisë është aktiv, të gjitha simbolet në ekran përveç simbolit të kursimit të energjisë do të fiken. Kur funksioni i kursimit të energjisë është aktiv, shtypja e një butoni ose hapja e derës do të çaktivizojë funksionin e kursimit të energjisë dhe sinjalet në ekran do të kthehen në normale. Funksioni i kursimit të energjisë është një funksion i montuar në fabrikë dhe nuk mund të çaktivizohet.

3. Butoni i ftohjes së shpejtë

Kur aktivizohet funksioni i ftohjes së shpejtë, treguesi i ftohjes së shpejtë do të ndizet ) dhe treguesi i temperaturës së ndarjes së ftohësit do të tregojë vlerën 1. Shtypni përsëri butonin e ftohjes së shpejtë për ta anuluar këtë funksion. Treguesi i ftohjes së shpejtë do të fiket dhe do të rivendosen parametrat normale.


Funksioni i ftohjes së shpejtë do të anulohet automatikisht pas 1 ore, nëse nuk anulohet nga përdoruesi. Për të ftohur një sasi të madhe ushqimesh të freskëta, shtypni butonin e ftohjes së shpejtë para se të vendosni ushqimet në ndarjen e ftohësit.

4. Butoni i funksionit të pushimeve



Shtypni këtë buton  për 3 sekonda për të aktivizuar funksionin e pushimeve dhe treguesi i modalitetit të pushimeve  do të aktivizohet. Kur aktivizohet funksioni i pushimeve, në treguesin e temperaturës së ndarjes së ftohësit shfaqet simboli "- -" dhe në ndarjen e ftohësit nuk kryhet asnjë operacion i ftohjes aktive. Nuk duhet t'i mbani ushqimet në ndarjen e ftohësit kur ky funksion është i aktivizuar. Ndarjet e tjera do të vazhdojnë të ftohen sipas temperaturave të tyre të përcaktuara.

Shtypni përsëri butonin e funksionit të pushimeve për ta anuluar këtë funksion.

5. Butoni i caktimit të temperaturës së ndarjes së ftohësit

Shtypja e këtij butoni do të bëjë që temperatura e ndarjes së ftohësit të mund të caktohet përkatësisht në 8,7,6,5,4,3,2 dhe 1 gradë. ()

6. Butoni i funksionit të higjienës

Shtypni butonin  për 3 sekonda për të aktivizuar funksionin e higjienës dhe treguesi i funksionit të higjienës  do të aktivizohet. Mos e hapni derën e produktit kur funksioni i higjienës është i aktivizuar. Nëse dera e produktit hapet kur funksioni i higjienës është i aktivizuar, operacioni i higjienës do të ndalojë derisa të mbyllet dera. Produkti do të nxjerrë një paralajmërim zanor dhe do të përfundojë operacionin kur operacioni i higjienës të ketë mbaruar. Mbajeni shtypur për 3 sekonda

Përdorimi i produktit

butonin e funksionit të higjienës për të përfunduar operacionin e higjienës para kohës së caktuar.

Nëse pikëçuditja (⚠️) shfaqet bashkë me simbolin e higjienës kur aktivizoni funksionin e higjienës, kjo do të thotë që llambat e higjienës po skadojnë. Telefononi shërbimin.

7. Butoni i lidhjes pa tel (*opsionale)

Kur butoni shtypet për një periudhë të gjatë (3 sekonda), në produkt nis aktivizimi i rrjetit të shtëpisë. Simboli i rrjetit pa tel (📶) do të pulsojë me intervale prej 0,5 sekondash ndërsa vendoset lidhja.

Kur të arrihet lidhja me rrjetin e shtëpisë, simboli i rrjetit pa tel do të ndriçojë vazhdimisht.

Kur të vendoset lidhja fillestare, mund ta aktivizoni/çaktivizoni lidhjen duke shtypur shkurtimisht këtë buton.

Rrjeti me të cilin keni vendosur lidhjen do të kujtohet dhe lidhja do të vendoset përsëri kur produkti të fiket dhe të ndizet.

Simboli i rrjetit pa tel do të pulsojë shkurtimisht në intervale (prej 0,2 sekondash) derisa të vendoset lidhja.

Simboli i rrjetit pa tel do të ndizet në mënyrë të vazhdueshme kur lidhja është aktive. Nëse lidhja nuk mund të vendoset për një periudhë të gjatë, kontrolloni parametrat e modemit/lidhjes tuaj.

Aplikacioni HomeWhiz përdoret si ndërfaqe e lidhjes. Hapat e lidhjes përshkruhen në UDHËZUESIN E INSTALIMIT TË SHPEJTË TË HomeWhiz që shoqëron produktin. Për përgjigjet e pyetjeve kryesore mund t'i referoheni pjesës së zgjidhjes së problemeve.

8. Butoni i caktimit të temperaturës së ndarjes së ngrirësit

Ky lejon caktimin e temperaturës për ndarjen e ngrirësit. Kur shtypet butoni (🌡️) temperatura e ndarjes së ngrirësit mund të caktohet

përkatesisht në -18, -19, -20, -21, -22, -23 dhe -24 gradë.

9. Butoni i ngrirjes së shpejtë

Shtypni butonin nr. (9) për ngrirjen e shpejtë dhe treguesi i ngrirjes së shpejtë (❄️) do të aktivizohet.

Kur aktivizohet funksioni i ngrirjes së shpejtë, treguesi i ngrirjes së shpejtë do të ndizet dhe treguesi i temperaturës së ndarjes së ngrirësit do të tregojë vlerën -27. Shtypni përsëri butonin e ngrirjes së shpejtë (❄️) për ta anuluar këtë funksion. Treguesi i ngrirjes së shpejtë do të çaktivizohet dhe do të kthehet në parametrin normal. Funksioni i ngrirjes së shpejtë do të anulohet automatikisht pas 32 orësh, nëse nuk anulohet nga përdoruesi. Për të ngrirë një sasi të madhe ushqimesh të freskëta, shtypni butonin e ngrirjes së shpejtë para se të vendosni ushqimet në ndarjen e ngrirësit.

10. Kycja e butonave

Shtypni butonin (🔑) për 3 sekonda. Simboli i kyçjes së butonave (🔑) do të ndriçohet dhe do të aktivizohet modaliteti i kyçjes së butonave. Butonat nuk mund të funksionojnë kur modaliteti i kyçjes së butonave është aktiv. Për 3 sekonda, shtypni butonin(🔑). Kyçja e butonave do të çaktivizohet. Mund ta përdorni veçorinë e kyçjes së butonave kur doni të parandaloni ndryshime në parametrin e temperaturës së frigoriferit.

11. Butoni i ndërrimit të njësisë së temperaturës

Kur shtypni butonat Ftohje e shpejtë (❄️) dhe Ngrirje e shpejtë (❄️) për 3 sekonda mund të kaloni midis njësisë të temperaturës Fahrenheit dhe Celsius.

Përdorimi i produktit

12. Butoni për rivendosjen e parametrave të lidhjes pa tel

Kur shtypni njëkohësisht butonat Ngrirja e shpejtë

() dhe rrjeti pa tel () për 3 sekonda, do të rivendosen parametrat e lidhjes pa tel.

6.1. Drita blu/HarvestFresh

***Mund të mos jetë e disponueshme në të gjitha modelet**

Për dritën blu,

Frutat dhe perimet e ruajtura në ndarëset e perimeve që ndriçohen me një dritë blu vazhdojnë fotosintezën nëpërmjet efektit të gjatësisë së valëve të dritës blu dhe ruajnë kështu përmbajtjen e vitaminave.

Për HarvestFresh,

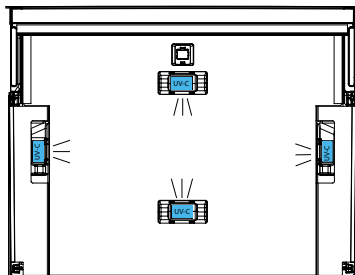
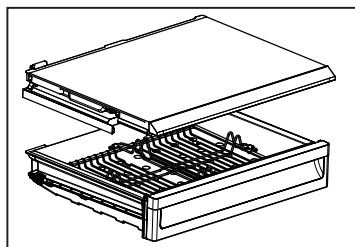
Frutat dhe perimet e ruajtura në ndarëset e perimeve që ndriçohen me teknologjinë HarvestFresh i ruajnë vitaminat për një kohë më të gjatë falë dritave blu, jeshile dhe të kuqe dhe cikleve të errësirës, të cilat simulojnë ciklin e një dite.

Nëse e hapni derën e frigoriferit gjatë periudhës së errësirës së teknologjisë HarvestFresh, frigoriferi do ta zbulojë automatikisht këtë dhe do të aktivizojë dritën blu-jeshile ose të kuqe për ndriçimin e ndarësës së perimeve për lehtësinë tuaj. Pasi ta keni mbyllur derën e frigoriferit, periudha e errësirës do të vazhdojë duke përfaqësuar kohën e natës në ciklin e një dite.

6.2. Ndarja e higjienës

*** Kjo veçori është opsionale**

1. Veçoria e higjienës UV-C nuk duhet aktivizuar kur skara dhe sirtari metalik që përmban ndarja e higjienës nuk ndodhen brenda ndarjes.
2. Aktivizimi i veçorisë së higjienës kur sirtari metalik nuk ndodhet në ndarjen e higjienës mund të shkaktojë deformimin e sirtarit plastik që ndodhet nën të.
3. Mos u përpini të hiqni xhamin që ndodhet mbi ndarjen e higjienës duke ushtruar forcë.
4. Mos prekni, shkaktoni goditje ose ushtroni forcë mbi llambat fluoeshente UV-C të vendosura në sipërfaqen e poshtme të raftit prej xhami të ndarjes së higjienës.
5. Mos u përpini të hiqni raftin prej xhami të ndarjes së higjienës për sigurinë tuaj. Heqja e raftit do të shkaktojë shpëputje të pjesëve elektrike.
6. Drita që shihni kur hapni ndarjen e higjienës nuk është dritë UV-C. Ajo është drita LED.
7. Fshijeni sirtarin metalik dhe fletën metalike poshtë tabakasë vetëm me leckë të njomë.



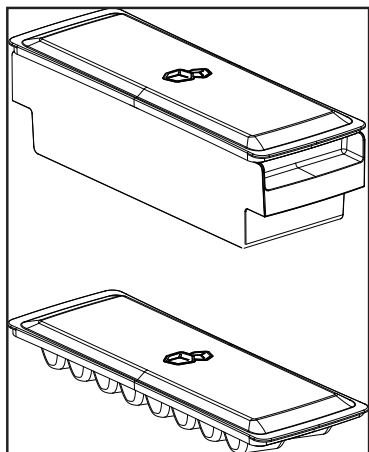
Përdorimi i produktit

6.3. Kova e akullit

*opsionale

- Hiqni kovën e akullit nga ndarja e ngrirësit.
- Mbusheni kovën e akullit me ujë.
- Vendoseni kovën e akullit në ndarjen e ngrirësit.
- Akulli do të jetë gati pas afro dy orësh.

Merrni kovën e akullit nga ndarja e ngrirësit dhe përkuleni lehtë mbi enën ku do ta shërbeni. Akulli do të derdhet me lehtësi në enën e përdorimit.



6.4. Mbajtësja e vezëve

Mbajtësen e vezëve mund ta vendosni te dera ose në një raft të trupit sipas dëshirës. Nëse vendosni ta mbani në një raft të trupit, rekomandohet të zgjidhni më mirë raftet poshtë pasi janë më të ftohta.

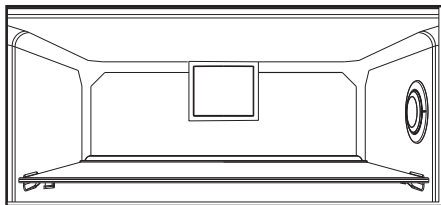


Mos e vendosni mbajtësen e vezëve në ndarjen e ngrirësit.

6.5. Ventilatori

Ventilatori është projektuar për të qarkulluar ajrin e ftohtë brenda frigoriferit në mënyrë të njëtrajtshme. Koha e përdorimit të ventilatorit mund të ndryshojë në varësi të veçorive të produktit tuaj.

Ndërkohë që në disa produkte ventilatori punon me kompresorin, në produkte të tjera koha e përdorimit përcaktohet nga sistemi i kontrollit bazuar në nevojën për ftohje.



Përdorimi i produktit

6.6. Koshi i perimeve

*opsionale

Koshi i perimeve i produktit është i projektuar për t'i ruajtur perimet e freskëta, duke ruajtur lagështinë. Për këtë qëllim, qarkullimi i përgjithshëm i ajrit të ftohtë është më i lartë në koshin e perimeve.

6.7. Ndarja e bulmetit (ruajtja e ftohtë)

Siguron një temperaturë më të ulët se ndarja e frigoriferit. Përdoreni këtë ndarje për të ruajtur ushqime gastronomike (sallam, suxhukë, produkte bulmeti etj.) që kërkojnë një temperaturë më të ulët ose mish, mish pule ose peshk për konsum të menjëhershëm. Mos ruani fruta dhe perime në këtë ndarje

6.8. Rafti i lëvizshëm i derës

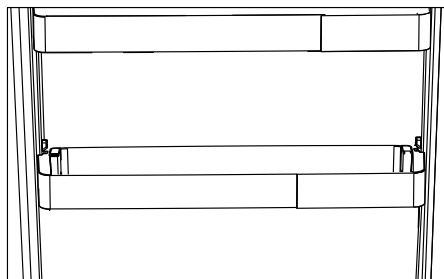
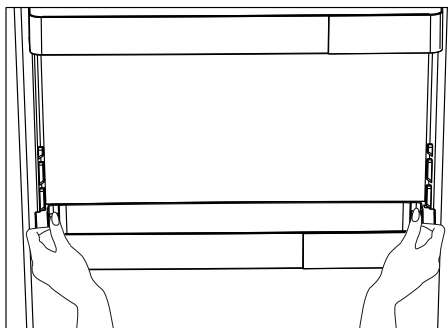
*opsionale

Rafti i lëvizshëm i derës mund të fiksohet në 3 pozicione të ndryshme.

Për ta lëvizur raftin, shtypni njëkohësisht butonat në anë. Rafti do të mund të lëvizet.

Zhvendoseni raftin lart ose poshtë.

Kur rafti të jetë në pozicionin që dëshironi, lëshoni butonat. Rafti do të fiksohet në pozicionin ku keni lëshuar butonat.



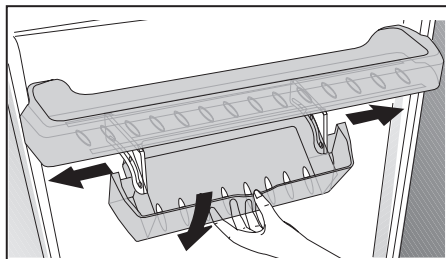
Përdorimi i produktit

6.9. Kutia e ruajtjes me rrëshqitje

*opsionale

Ky aksesori është projektuar për të rritur vëllimin e përdorimit të rafteve të derës.

Falë aftësisë së tij për të lëvizur në anë, ai bën të mundur që të vendosni me lehtësi shishe, kavanozë ose kuti të gjata në raftin e shisheve më poshtë.



6.10. HerbBox/HerbFresh

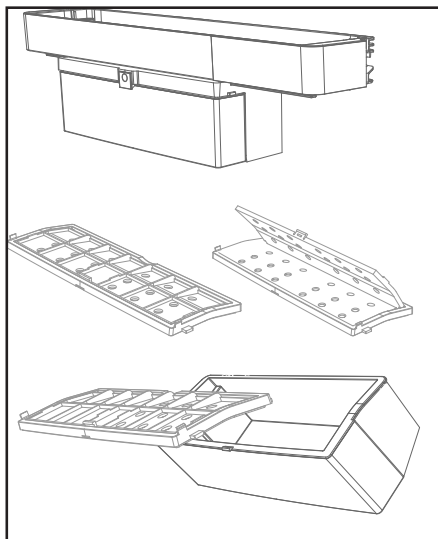
Hiqni kontejnerin me film nga HerbBox/HerbFresh+

Hiqni filmin nga qesja dhe vendoseni në kontejnerin me film si në imazh.

Mbylleni përsëri kontejnerin dhe vendoseni përsëri në njësinë HerbBox/HerbFresh+.

Ndarjet HerbBox-HerbFresh+ janë më shumë ideale për ruajtjen e erëzave të ndryshme që pritet të mbahen në kushte delikate. Mund t'i ruani erëzat pa qese (majdanoz, kopër, etj.) në këtë ndarje në mënyrë horizontale dhe t'i mbani të freskëta për një kohë më të gjatë.

Filmi duhet të ndërrohet çdo gjashtë muaj.



Përdorimi i produktit

6.11.Koshi i perimeve me lagështi të kontrolluar

*opsionale

Me veçorinë e kontrollit të lagështisë, nivelet e lagështisë së perimeve dhe frutave mbahen nën kontroll dhe kjo siguron një freski më të gjatë për ushqimet.

Rekomandohet që perimet me gjethe, si sallata, spinaqi dhe perimet e ngjashme që humbasin lagështi, t'i ruani sa më shumë në pozicion horizontal dhe jo mbi rrënjët e tyre në koshin e perimeve.

Kur vendosni perimet, vendosni perimet e forta dhe të rënda në fund dhe perimet e buta dhe të lehta sipër, duke pasur parasysh peshat specifike të perimeve.

Mos i lini perimet në qese plastike në koshin e perimeve. Nëse i lini në qese plastike, kjo bën që perimet të kalben për një kohë të shkurtër. Në rastet kur nuk preferoni kontaktin me perimet e tjera, përdorni materiale paketimi, si letër, që ka një depërtueshmëri të caktuar në kuadër të higjienës.

Mos i vendosni frutat që krijojnë shumë gaz etileni, si dardhat, kajsitë, pjeshkat dhe sidomos mollët, në të njëjtin kosh perimesh me perime dhe fruta të tjera. Gazi i etilenit që del nga këto fruta mund të bëjë që perimet dhe frutat e tjera të piqen më shpejt dhe të kalben në një periudhë të shkurtër.

6.12.Aparati autoamtik i akullit

*opsionale

Aparati automatik i akullit bën të mundur që të prodhoni me lehtësi akull në frigoriferin tuaj. Për të marrë akull nga aparati i akullit, nxirri depozitën e ujit nga ndarja e ftohësit, mbusheni me ujë dhe vendoseni përsëri.

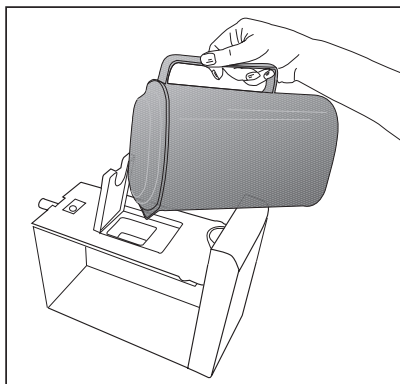
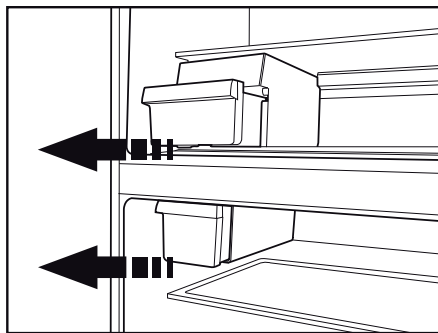
Kubat e parë të akullit do të jenë gati për afro 2 orë në sirtarin e aparatit të akullit në ndarjen e ftohësit.

Pas vendosjes së depozitës së mbushur të ujit, mund të merrni rreth 60-70 kuba akulli deri sa ajo të boshatiset plotësisht.

Nëse uji në depozitë ka qëndruar për 2-3 javë, ai duhet të ndërrohet.



Në produktet me një aparat automatik akulli, mund të dëgjoni një zhurmë kur nxirri akullin. Kjo zhurmë është normale dhe nuk është shenjë defekti.



Përdorimi i produktit

6.13. Icematic dhe kontejneri i ruajtjes së akullit

*opsionale

Përdorimi i Icematic

Mbusheni Icematic me ujë dhe vendoseni në vendin përkatës. Akulli do të jetë gati për afro dy orë. Mos e hiqni Icematic nga vendi i tij për të marrë akullin.

Rrotulloni dorezat në rezervuarët e akullit në drejtim orar me 90 gradë.

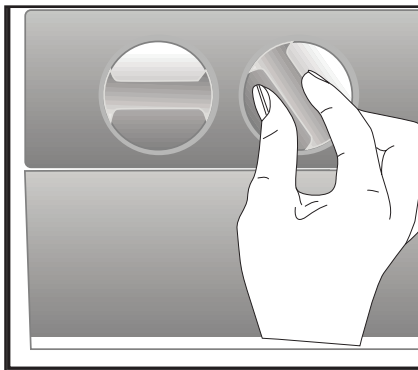
Kubat e akullit në rezervuarë do të bien në kontejnerin e ruajtjes së akullit poshtë.

Mund ta nxirri kontejnerin e ruajtjes së akullit dhe t'i përdorni kubat e akullit.

Nëse dëshironi, mund t'i mbani kubat e akullit në kontejnerin e ruajtjes së akullit.



Kontejneri i ruajtjes së akullit

Kontejneri i ruajtjes së akullit është vetëm për grumbullimin e kubave të akullit. Mos hidhni ujë në të. Në rast të kundërt, ai do të thyhet.




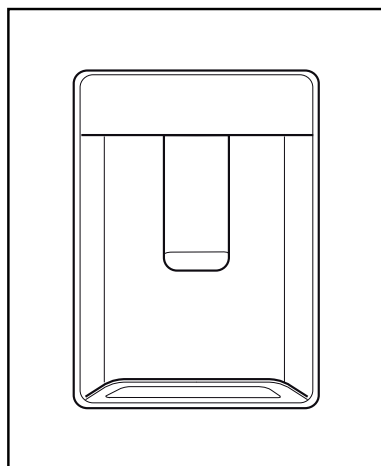
6.14. Përdorimi i aparatit të ujit

*opsionale

	Është normale që në fillim disa gota me ujë nga aparati të jenë të ngrohta.
	Nëse aparati i ujit nuk përdoret për një kohë të gjatë, hidhni poshtë gotat e para me ujë për të marrë ujë të pastër.

1. Shtyjeni levën e aparatit të ujit me gotë. Nëse po përdorni një gotë plastike të butë, mund të jetë më e lehtë ta shtyni levën me dorë.
2. Pasi ta mbushni gotën në nivelin e dëshiruar, lëshojeni levën.

	Kini parasysh se sasia e ujit që rrjedh nga aparati varet nga sa e shtypni levën. Me rritjen e nivelit të ujit në gotë, uleni lehtë presionin e ushtruar mbi levë për të shmangur derdhjen e ujit. Nëse e shtypni pak krahun, do të derdhet ujë; kjo është normale dhe nuk është një defekt.
---	--



Përdorimi i produktit

6.15. Mbushja e depozitës së aparatit të ujit

Rezervuari i mbushjes së depozitës së ujit ndodhet brenda raftit të derës.

1. Hapni kapakun e depozitës.
2. Mbusheni depozitën me ujë të pijshëm të freskët.
3. Mbylleni kapakun.



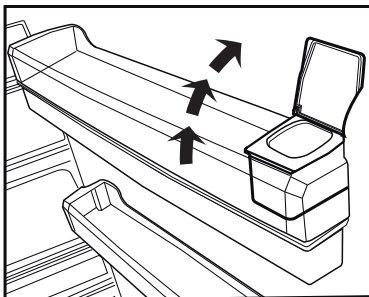
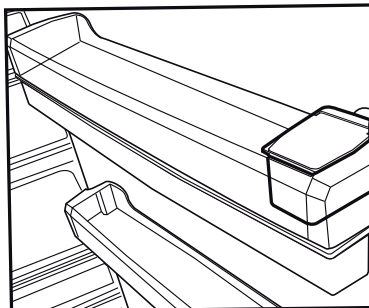
Mos e mbushni depozitën e ujit me lëngje të tjera, përveç ujit, si lëngje frutash, pije me gaz ose pije alkoolike që nuk janë të përshtatshme për t'u përdorur në aparatit e ujit. Aparati i ujit do të dëmtohet në mënyrë të pariparueshme nëse përdoren këto lëngje. Garancia nuk i mbulon përdorime të tilla. Disa substanca kimike dhe substanca të shtuara në këto lloj pijesh/lëngjesh mund të dëmtojnë depozitën e ujit.



Përdorni vetëm ujë të pastër dhe të pijshëm.



Kapaciteti i depozitës së ujit është 3 litra; mos e mbushni më shumë.



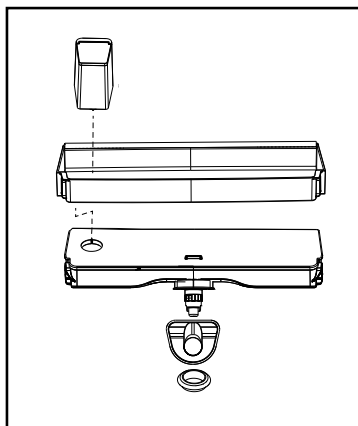
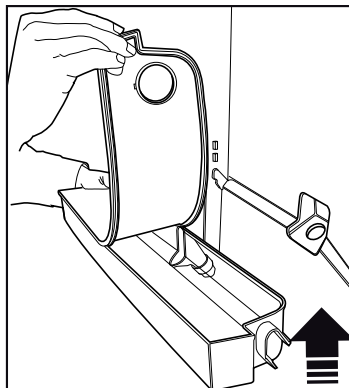
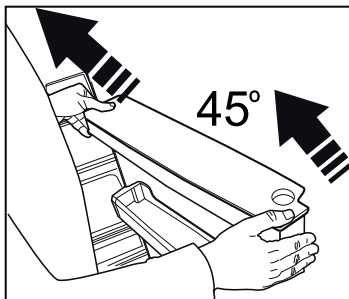
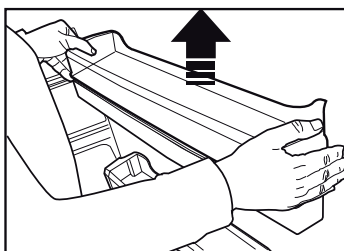
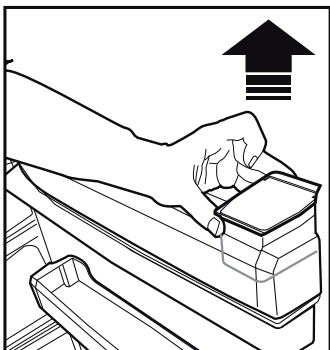
Përdorimi i produktit

6.16.Pastrimi i depozitës së ujit

1. Hiqni rezervuarin e mbushjes së ujit brenda raftit të derës.
2. Hiqni raftin e derës duke e mbajtur nga të dyja anët.
3. Kopeni depozitën e ujit nga të dyja anët dhe hiqni me një kënd 45°.
4. Hiqni kapakun e depozitës së ujit dhe pastroni depozitën.



Pjesët e depozitës së ujit dhe të aparatit të ujit nuk duhet të lahen në lavastovilje.



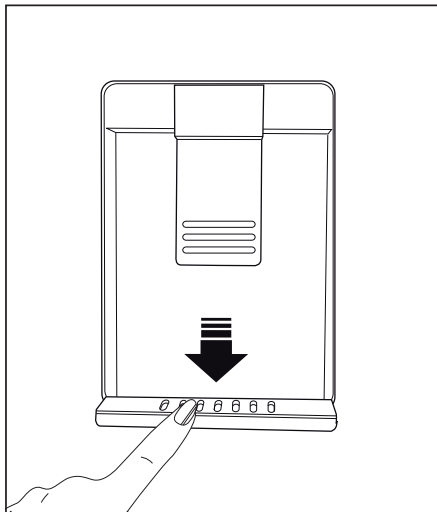
Përdorimi i produktit

6.17.Tabakaja e derdhjes

Uji që derdhet gjatë përdorimit të aparatit të ujit grumbullohet në tavën e derdhjes.

Hiqni filtrin plastik siç tregohet në figurë.

Hiqni ujin e grumbulluar me një rrobë të pastër e të thatë.



Përdorimi i produktit

6.18.Ngrirja e ushqimeve të freskëta

- Për të ruajtur cilësinë e ushqimeve, artikujt ushqimorë të vendosur në ndarjen e ngrirësit duhet të ngrijnë sa më shpejt të jetë e mundur - përdorni ngrirjen e shpejtë për këtë gjë.
- Ngrirja e ushqimeve kur janë të freskëta do të zgjasë kohën e ruajtjes së tyre në ndarjen e ngrirësit.
- Paketojini ushqimet në pako të izoluara nga ajri dhe mbyllini mirë.
- Sigurohuni që ushqimet të jenë të paketuara para se t'i vendosni në ngrirës. Përdorni mbajtëse për ngrirësin, letër alumini, letër kundër lagështisë, qese plastike ose paketime të ngjashme në vend të letrës tradicionale të paketimit.



Akulli në ndarjen e ngrirjes shkrihet automatikisht.

- Shënojeni çdo pako ushqimesh duke shënuar datën në paketim para se t'i ngrini. Kjo do t'ju lejojë të përcaktoni freskinë e

secilës pako sa herë që hapni ngrirësin. Mbajini përpara ushqimet më të vjetra për të garantuar që do të përdoren të parat.

- Ushqimet e ngrira duhet të përdoren menjëherë pas shkrires dhe nuk duhet të ngrijnë përsëri.
- Mos shkrihi sasi shumë të mëdha ushqimesh në të njëjtën kohë.

6.19.Rekomandimet për ruajtjen e ushqimeve të ngrira

Ndarja duhet të caktohet të paktën në -18°C.

1. Vendosini ushqimet në ngrirës sa më shpejt të jetë e mundur për të shmangur shkriren e tyre.
2. Para se t'i ngrini, kontrolloni "Datën e skadimit" paketim për t'u siguruar që nuk kanë skaduar.
3. Sigurohuni që paketimi i ushqimit nuk është i dëmtuar.

Përcaktimi i temperaturës së ndarjes së ngrirësit	Përcaktimi i temperaturës së ndarjes së ftohësit	Detajat
-18°C	4°C	Ky është parametri i paracaktuar i rekomanduar.
-20,-22 ose -24°C	4°C	Këta parametra rekomandohen kur temperaturat e ambientit kalojnë 30°C.
Ngrirja e shpejtë	4°C	Përdoreni kur dëshironi të ngrini ushqimet për një kohë të shkurtër. Kur të mbarojë procesi, produkti do të rikthehet në pozicionin e tij.
-18°C ose më i ftohtë	2°C	Përdorni këta parametra nëse besoni se ndarja e ftohësit nuk është e ftohtë sa duhet për shkak të temperaturës së ambientit ose nga hapja e shpeshtë e derës.

Përdorimi i produktit

6.20. Detajet për ngrirjen e thellë

Sipas standardeve IEC 62552, ngrirësi duhet të ketë kapacitetin për të ngrirë 4,5 kg ushqime në -18°C ose në temperatura më të ulët në 24 orë për çdo 100 litra vëllim të ndarjes së ngrirësit.

Ushqimet mund të ruhen për periudha të gjata vetëm në -18°C ose në temperaturë më të ulët.

Mund t'i mbani ushqimet të freskëta për muaj të tërë (në grirje të thellë ose në temperatura nën -18°C).

Ushqimet që do të ngrini nuk duhet të bien në kontakt me ushqimet e ngrira në brendësi për të shmangur shkrijen e pjesshme.

Ziejini perimet dhe filtrojeni ujin për të zgjatur kohën e ruajtjes në ngrirje. Vendosini ushqimet në paketime të izoluar nga ajri pas filtrimit dhe vendosini në ngrirës. Bananet, domatet, sallata, selinoja, vezët e ziera, patatet dhe ushqime të tjera të ngjashme nuk duhet të ngrihen. Në rast se këto ushqime kalben, kjo do të ketë ndikim negativ vetëm në vlerat ushqimore dhe cilësitë e shijeve. Kalbja nuk do të jetë një rrezik për shëndetin njerëzor.

6.21. Vendosja e ushqimeve

Raftet e ndarjes së ngrirësit	Ushqimet e ndryshme të ngrira si mishi, peshku, akullorja, perimet, etj.
Raftet e ndarjes së ftohësit	Ushqimet në vazo, pjata e mbuluara dhe kuti me kapak, vezë (në kuti me kapak)
Raftet e derës së ndarjes së ftohësit	Pije dhe ushqime të vogla të paketuara
Koshi i perimeve	Frutat dhe perimet
Ndarja e ushqimeve të freskëta	Ushqimet delikate (ushqimet për mëngjes, produktet e mishit që do të konsumohen së shpejti)

6.22. Sinjalizimi i hapjes së derës

(Opsionale)

Do të dëgjoni një sinjalizim zanor nëse dera e produktit qëndron e hapur për të paktën 1 minutë. Sinjalizimi zanor do të ndalojë kur dera është e mbyllur ose kur shtypet një buton në ekran (nëse ka).

Sinjalizimi për derën e hapur bëhet në mënyrë zanore dhe vizuale për përdoruesin. Drita e brendshme do të çaktivizohet nëse paralajmërimi vazhdon për 10 minuta.

6.23. Ndryshimi i drejtimit të hapjes së derës

Mund ta ndryshoni drejtimin e hapjes së frigoriferit në varësi të vendit ku e përdorni. Kur të keni nevojë të bëni këtë, këshillohuni me shërbimin e autorizuar më të afërt.

Shpjegimi i mësipërm është një prezantim i përgjithshëm. Duhet të kontrolloni etiketën e paralajmërimit që ndodhet brenda paketimit të produktit mbi mundësinë e ndryshimit të drejtimit të derës.

6.24. Drita e brendshme

Drita e brendshme përdor një llambë të tipit LED. Kontaktoni me shërbimin e autorizuar për çdo problem me këtë llambë.

Llamba(t) e përdorur në këtë pajisje nuk mund të përdoret për ndriçimin e shtëpisë. Qëllimi i përdorimit të kësaj llambe është të ndihmojë përdoruesin të vendosë ushqime në frigorifer / ngrirës në mënyrë të sigurt dhe me lehtësi.

Ky produkt është i pajisur me një burim ndriçimi të klasës energjetike "G".

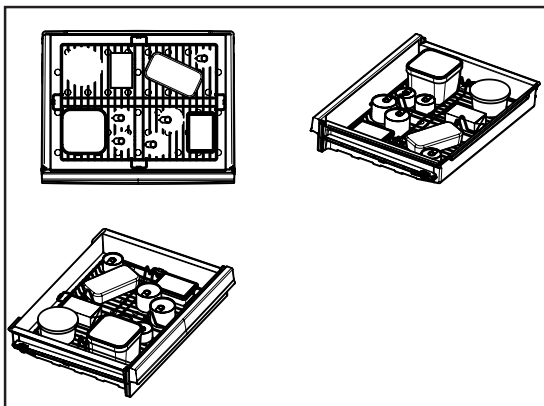
Burimi i ndriçimit në këtë produkt duhet të zëvendësohet vetëm nga riparues profesionistë.

Përdorimi i produktit

6.25.Rekomandime për operacionet e ndarjes së higjienës:

* Kjo veçori është opsionale

- Kur vendosni ushqime në këtë ndarje për të higjienizuar sipërfaqen e ushqimeve, vendosini gjithmonë mishin, pulën, peshkun, qumështin dhe produktet e bulmetit në ndarje duke i mbajtur në paketimin e tyre.
- Vendosja e ndonjë produkti tjetër përveç ushqimeve në këtë ndarje për qëllime të higjienës nuk është fare e përshtatshme.
- Nëse vendosni ushqime në ndarjen e higjienës pa i hequr nga qesja e tyre ushqimore, higjiena do të sigurohet vetëm për sipërfaqen e qeses dhe paketimet e ushqimeve nuk do të marrin dritë. Prandaj, duhet t'i hiqni produktet ushqimore nga qesja ushqimore kur t'i vendosni brenda.
- Është e përshtatshme të aplikohet procedura e higjienës në të njëjtin ushqim vetëm një herë dhe nuk është e përshtatshme të aplikohet kjo procedurë më shumë se një herë.
- Nëse procedura nuk do të përsëritet për ushqime të tjera kur procedura e higjienës ka mbaruar, rekomandojmë të ruani në këtë ndarje vetëm ushqime të gatshme dhe ushqimet e mëngjesit. Nuk rekomandohet të ruani në këtë ndarje perime dhe fruta për një kohë të gjatë, sepse ndarja e higjienës është më e ftohtë se pjesët e tjera të frigoriferit.
- Para se të aktivizoni funksionin e higjienës nga paneli i kontrollit, rekomandohet që ushqimet e ruajtura më parë në ndarjen e higjienës të vihen përkohësisht në një zonë tjetër të frigoriferit. Kur procedura e higjienës është aktive, rekomandohet që produktet që të do të bëhen higjienike për herë të parë të mbahen vetëm brenda ndarjes. Kur procedura e higjienës të ketë mbaruar, mund ta zhvendosni përsëri në ndarje ushqimin që keni hequr.
- Për një funksion efikas të higjienës, produktet duhen vendosur duke lënë një distancë midis tyre dhe duke u siguruar që të mos bllokojnë dritën.
- Sigurohuni që ushqimet të mos vendosen sipër njëri-tjetrit para se të aktivizoni veçorinë e higjienës.





Lexoni në fillim pjesën “Udhëzimet për sigurinë”!

Jetëgjatësia e produktit rritet nëse ai pastrohet rregullisht



KUJDES: Në fillim hiqeni produktin nga priza para se ta pastroni.

- Mos përdorni asnjëherë mjete të mprehta dhe gërryese, sapun, pastrues shtëpiak, detergjente dhe shkëlqyes me dyllë për pastrimin.
- Tretni një lugë çaji me karbonat në një gjysmë litri ujë. Lagni një rrobë me këtë solucion dhe shtrydheni mirë. Fshini pjesën e brendshme të pajisjes me këtë rrobë dhe thajeni mirë.
- Sigurohuni që uji të mos hyjë te struktura e llambës dhe elementet e tjera elektrike.
- Pastroni derën me një rrobë të njomë. Për të hequr raftet e derës dhe të trupit të pajisjes, hiqni të gjitha përmbajtjet e tyre. Hiqni raftet e derës duke i lëvizur lart. Pas pastrimit, rrëshqitini nga lart poshtë për t'i montuar.
- Mos përdorni asnjëherë substanca ose ujë me klor për të pastruar sipërfaqet e jashtme dhe pjesët me veshje kromi të produktit. Klorigjështet shkakton gërryerjen e sipërfaqeve të tilla metalike.
- Mos përdorni mjete të mprehta, gërryese, sapun, substanca pastrimi të shtëpisë, detergjente, vajguri, kaburant, vaj, bojë etj. për të parandaluar heqjen dhe deformimin e printimeve në pjesët plastike. Përdorni ujë të vakët dhe një pecetë të butë për pastrimin dhe më pas thajeni duke e fshirë.

7.1.Shmangia e aromave të këqija

Për prodhimin e pajisjeve tona nuk përdoren materiale që mund të shkaktojnë aroma. Sidoqoftë, për shkak të kushteve të papërshtatshme të ruajtjes së ushqimeve dhe mospastrimit të sipërfaqes së brendshme të pajisjes si duhet mund të shfaqet problemi i aromave të këqija.

Për këtë arsye, pastrojeni frigoriferin me karbonat të tretur në ujë çdo 15 ditë.

- Mbajini ushqimet në kontejnerë të mbyllur. Mikroorganizmat që përhapen nga kontejnerët e pambuluar mund të shkaktojnë aroma të pakëndshme.

- Mos mbani asnjëherë ushqime të prishura dhe me data të skaduar në frigorifer.

7.2.Mbrojtja e sipërfaqeve plastike

Pastroni menjëherë me ujë të ngrohtë pasi vaji mund të shkaktojë dëmtim në sipërfaqe kur bie mbi sipërfaqet plastike.

7.3.Xhamat e derës

Hiqni fletën mbrojtëse të xhamave.

Në sipërfaqen e xhamave ka një shtresë. Kjo shtresë minimizon grumbullimin e njollave dhe ndihmon në heqjen e njollave dhe papastërtive me lehtësi. Xhamat që nuk janë të mbrojtura me një veshje të tillë mund të jenë objekt i grumbullimit të papastërtive organike ose joorganike me bazë uji ose ajri si smërçi, kripëra minerale, hidrokarbure të padjegura, okside metali dhe silikonë që mund të shkaktojnë njolla ose dëmtime të materialeve me shpejtësi dhe me lehtësi. Pastrimi i vazhdueshëm i xhamit bëhet i vështirë, pavarësisht pastrimit të rregullt. Si pasojë, pamja dhe tejdukshmëria e xhamit do të përkeqësohet. Substancat dhe metodat e pastrimit të ashpra dhe gërryese do t'i përkeqësojnë këto defekte dhe do ta shpejtojnë këtë proces.

Për pastrimin e rregullt duhet të përdoren produkte pastrimi me bazë uji që nuk janë alkaline dhe gërryese.

Për pastrimin duhet të përdoren materiale jo alkaline dhe jo gërryese në mënyrë që jetëgjatësia e kësaj veshjeje të zgjasë për një kohë të gjatë.

Këta xhama janë të temperuar, për të rritur qëndrueshmërinë e tyre ndaj goditjeve dhe thyerjes. Në sipërfaqet e tyre të pasme është vendosur po ashtu një fletë sigurie si një masë shtesë sigurie për të parandaluar dëmtimet e ambientit rrethues në rast se thyhen.

*Alkali është një bazë që krijon jone hidroksidi (OH) kur tretet në ujë.

Li (litiumi), Na (natriumi), K (kaliumi) Rb (rubidiumi), Cs (ceziuimi) dhe metalet artificiale dhe radioaktive Fr (fansioni) quhen METALE ALKALINE.

Kontrolloni këtë listë para se të kontaktoni me servisin. Kjo do t'ju kursejë kohë dhe para. Kjo listë përfshin ankesat e shpeshta që nuk janë të lidhura me defekte të prodhimit ose të materialeve. Disa veçori të përmendura këtu mund të mos jenë të vlefshme për produktin tuaj.

Frigoferi nuk punon.

- Spina elektrike nuk është vendosur mirë. >>> Shtyjeni që të jetë e vendosur mirë në prizë.
- Siguresa e lidhur me prizën e produktit ose siguresa kryesore mund të jetë e djegur. >>> Kontrolloni siguresat.

Kondensim në faqen anësore të ndarjes së ftohësit (pjesameshëmëzona, ftohësi, kontrolli dhe zona fleksibël)

- Mjedisi është shumë i lagësht. >>> Mos e montoni produktin në mjedise me lagështi.
- Ushqimet e lëngshme mbahen në mbajtëse të paizoluara. >>> Mbajini ushqimet e lëngshme në mbajtëse të izoluara.
- Dera e produktit është lënë e hapur. >>> Mos e mbani derën e frigoferit të hapur për periudha të gjata.
- Temperatura e termostatit është shumë e ulët. >>> Vendoseni termostatit në temperaturën e duhur

Kompresori nuk punon.

- Në rast se ndërprerjeve të energjisë ose heqjes dhe rivendosjes së spinës, presioni i gazit në sistemin e ftohjes së produktit nuk është i ekuilibruar dhe kjo aktivizon mbrojtjen termik të kompresorit. Produkti do të rifillojë punën pas afro 6 minutash. Nëse produkti nuk rifillon punën pas kësaj periudhe, kontaktoni me servisin.
- Shkrirja është aktive. >>> Kjo është normale për një produkt me shkrirje automatike. Shkrirja kryhet periodikisht.
- Produkti nuk është në prizë. >>> Sigurohuni që kordoni elektrik të jetë në prizë.
- Përcaktimi i temperaturës nuk i gabuar. >>> Zgjidhni përcaktimin e përshtatshëm të temperaturës.
- Nuk ka energji elektrike. >>> Produkti do të vazhdojë të punojë si normalisht pas rikthimit të energjisë

Zhurra e përdorimit të frigoferit rritet gjatë punës.

- Rendimenti i përdorimit të frigoferit mund të ndryshojë në varësi të ndryshimeve të temperaturës së ambientit. Kjo është normale dhe nuk është një defekt.
- Frigoferi punon shumë shpesh dhe për një kohë të gjatë.
- Produkti i ri mund të jetë më i madh se produkti i mëparshëm. Produktet e mëdha do të punojnë për periudha më të gjata.
- Temperatura e dhomës mund të jetë shumë e lartë. >>> Produkti do të punojë normalisht për periudha më të gjata në temperatura më të larta të dhomës.
- Produkti mund të jetë vënë në prizë së fundi ose mund të jenë vendosur ushqime të tjera në të. >>> Produkti do të kërkojë më shumë kohë për të arritur temperaturën e caktuar kur vendoset në prizë së fundi ose kur vendosen ushqime të reja. Kjo është normale.
- Sasi të mëdha ushqimesh të nxehta mund të jenë vendosur në produkt së fundi. >>> Mos vendosni ushqime të nxehta te produkti.
- Dyert janë hapur shpesh ose janë mbajtur të hapura për periudha të gjata. >>> Ajri i ngrohtë që lëviz brenda do të bëjë që produkti të punojë më gjatë. Mos i hapni shumë shpesh dyert.
- Dera e ngrirësit ose e ftohësit mund të jetë pak e hapur. >>> Kontrolloni që dyert të jenë të mbyllura mirë.
- Produkti mund të jetë vendosur në temperaturë shumë të ulët. >>> Vendoseni temperaturën pak më lart dhe prisni që produkti të arrijë temperaturën e rregulluar.
- Rondelja e derës së ftohësit ose ngrirësit mund të jetë e pistë, e konsumuar, e thyer ose jo në vendin e duhur. >>> Pastroni ose ndërtoni rondelen. Rondelet e dëmtuara/të konsumuara të derës do të bëjnë që produkti të punojë për periudha më të gjata për të ruajtur temperaturën aktuale.

Zgjidhja e problemeve

Zgjidhja e problemeve

- Temperatura e ndarjes së ngrirësit është vendosur shumë e ulët. >>> Ngrijeni pak temperaturën e ndarjes së ngrirësit dhe kontrollojeni përsëri.
- Temperatura e ftohësit është shumë e ulët, por temperatura e ngrirësit është e përshtatshme.
- Temperatura e ndarjes së ftohësit është vendosur shumë e ulët. >>> Ngrijeni pak temperaturën e ndarjes së ngrirësit dhe kontrollojeni përsëri.
- Ushqimet në raftet e ndarjes së ftohësit janë të ngrira
- Temperatura e ndarjes së ftohësit është vendosur shumë e ulët. >>> Ngrijeni pak temperaturën e ndarjes së ngrirësit dhe kontrollojeni përsëri.
- Temperatura në ftohës ose në ngrirës është shumë e lartë.
- Temperatura e ndarjes së ftohësit është vendosur shumë e lartë. >>> Përcaktimi i temperaturës së ndarjes së ftohësit ka ndikim në temperaturën në ndarjen e ngrirësit. Prisni deri sa temperatura e pjesëve përkatëse të arrijë një nivel të mjaftueshëm duke e ndryshuar temperaturën e ndarjes së ftohësit ose të ngrirësit.
- Dyert janë hapur shpesh ose janë mbajtur të hapura për periudha të gjata. >>> Mos i hapni shumë shpesh dyert.
- Dera mund të jetë pak e hapur. >>> Mbylleni plotësisht derën.
- Produkti mund të jetë vënë në prizë së fundi ose mund të jenë vendosur ushqime të tjera në të. >>> Kjo është normale. Produkti do të kërkojë më shumë kohë për të arritur temperaturën e caktuar kur vendoset në prizë së fundi ose kur vendosen ushqime të reja.
- Sasi të mëdha ushqimesh të nxehta mund të jenë vendosur në produkt së fundi. >>> Mos vendosni ushqime të nxehta te produkti.
- Dyshemeja nuk është në nivel ose e qëndrueshme. >>> Nëse produkti tundet kur e lëvizni ngadalë, rregulloni mbështetëset për ta sjellë produktin në ekuilibër. Sigurohuni po ashtu që dyshemeja të jetë mjaft e fortë për të mbajtur produktin.
- Artikujt e vendosur në produkt mund të shkaktojnë zhurmë. >>> Hiqni artikujt e vendosur në produkt.
- Produkti bën zhurma si rrjedhje lëngjesh, spërkatje, etj.
- Parimet e funksionimit të produktit përfshijnë rrjedhjen e lëngjeve dhe të gazeve. >>> Kjo është normale dhe nuk është një defekt.
- Ka zhurmë sikur fryn erë nga produkti.
- Produkti përdor një ventilator për procesin e ftohjes. Kjo është normale dhe nuk është një defekt.
- Ka kondensim në muret e brendshme të produktit.
- Moti i nxehtë ose i lagësht do të rrisë krijimin e akullit dhe të kondensimit. Kjo është normale dhe nuk është një defekt.
- Dyert janë hapur shpesh ose janë mbajtur të hapura për periudha të gjata. >>> Mos i hapni shumë
- shpesh dyert - nëse është e hapur, mbylleni derën.
- Dera mund të jetë pak e hapur. >>> Mbylleni plotësisht derën.
- Ka kondensim në pjesën e jashtme të produktit ose midis dyerve.
- Moti në ambient mund të ketë lagështi, kjo është normale në një mot të lagësht. >>> Kondensimi
- do të largohet kur të ulet lagështia.
- Pjesa e brendshme ka aromë të keqe.

Zgjidhja e problemeve

Dridhje ose zhurmë.

Zgjidhja e problemeve

- Produkti nuk është pastruar rregullisht. >>> Pastroni pjesën e brendshme rregullisht me një sfungjer, ujë të ngrohtë dhe ujë me sodë.
- Disa mbajtëse dhe materiale paketimi mund të shkaktojnë aroma. >>> Përdorni mbajtëse dhe materiale paketimi pa aroma.
- Ushqimet janë vendosur në mbajtëse të paizoluara. >>> Mbajini ushqimet në mbajtëse të izoluara. Mikroorganizmat mund të përhapen nga ushqimet e paizoluara dhe të shkaktojnë aroma të këqija. Hiqni ushqimet e skaduara ose të prishura nga produkti.

Dera nuk mbyllet.

- Paketimet e ushqimeve mund të bllokojnë derën. >>> Zhvendosni artikujt që bllokojnë dyert.
- Produkti nuk qëndron drejt vertikalisht në dysheme. >>> Rregulloni mbështetëset për ekuilibrimin e produktit.
- Dyshemeja nuk është në nivel ose e qëndrueshme. >>> Sigurohuni që dyshemeja të jetë në nivel dhe mjaft e fortë për të mbajtur produktin.

Koshi i perimeve është bllokuar.

- Ushqimet mund të jenë në kontakt me pjesën e sipërme të raftit. >>> Sistemoni përsëri ushqimet në raft.

Nëse Sipërfaqja E Produktit Është E Nxehtë

- Mund të vërehen temperatura të larta midis dy dyerve, në panelet anësore dhe në grilën e pasme ndërsa produkti është në punë. Kjo është normale dhe nuk kërkon shërbim mirëmbajtjeje! Bëni kujdes kur prekni këto zona.

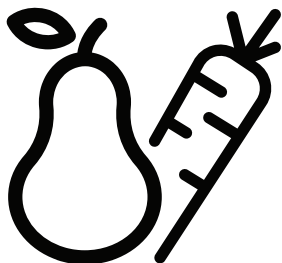


KUJDES: Nëse problemi përsëritet pasi të ndiqni udhëzimet në këtë paragraf, kontaktoni me shitësin ose me një servis të autorizuar. Mos u përpiqni ta riparoni produktin.

beko

Frīžider

Uputstvo za upotrebu



RCNE560E40ZLXPUN

B0 /

CE



RECIKLIRANI I
RECIKLABILNI PAPIR

58 5379 0000/AN

8/8

Poštovani korisnici,
Prije uporabe proizvoda, pročitajte ovaj priručnik.

Hvala na odabiru ovog proizvoda. Želimo da postignete optimalnu efikasnost ovog visokokvalitetnog proizvoda koji je proizveden uz primjenu vrhunske tehnologije. Da biste to postigli, pažljivo pročitajte ovaj priručnik i svu drugu dokumentaciju koja je data prije uporabe proizvoda i sačuvajte istu za naknadnu referencu. Slijedite sva upozorenja i informacije iz korisničkog priručnika. Na taj ćete način zaštititi sebe i svoj proizvod od opasnosti koje se mogu pojaviti. Sačuvajte uputstvo za upotrebu. Ne odvajajte ovaj priručnik od jedinice ako želite da je predate nekom drugom licu.

Sljedeći simboli se koriste u korisničkim vodiču:






 Opasnost koja može za rezultat imati smrt ili ozljedu.

OBAVIJEST Opasnost koja može prouzrokovati materijalnu štetu na proizvodu ili okolini

 Važne informacije ili korisni savjeti o radu.

 Pročitajte korisnički priručnik.


 Opasnost od UV-C zračenja

 PODACI	
	
<small>SUPPLIER'S NAME</small> 	<small>MODEL IDENTIFIER (*)</small> 
<small>Podaci o modelu pohranjeni u bazi podataka o proizvodu mogu se dobiti unosom sledeće mrežne stranice i pretragom po identifikacionom broju vašeg modela (*) koji se nalazi na oznaci potrošnje električne energije.</small>	
<small>https://eprel.ec.europa.eu/</small>	


1 Sigurnosne upute	3	6 Rad uređaja	15
 1.1 Predviđena namjena	3	6.1. Odjeljak za higijenski postupak	18
 1.2 Sigurnost djece, ugroženih osoba i kućnih ljubimaca	3	6.2.Plavo svjetlo/HarvestFresh	19
 1.3 Zaštita od električne energije	4	6.3.Fioka za led	19
 1.4 Sigurnost pri rukovanju.	4	6.4.Držač za jaja.	19
 1.5 Sigurnost pri ugradnji.	4	6.5.Ventilator	20
 1.6 Sigurnost pri radu	5	6.6. Kutija za povrće	20
 1.7 Sigurnost pri održavanju i čišćenju	7	6.7.Odjeljak za mliječne proizvode (hladno spremište)	20
 1.8 HomeWhiz.	8	6.8.Klizna kutija za odlaganje	20
 1.9 Osvjetljenje	8	6.9.Pokretna polica na vratima	21
 1.10 Sigurnost od UV-C zračenja	8	6.10.Posuda za povrće sa kontrolom vlažnosti	22
 1.1.Tehničke informacije za Wifi + Bluetooth	9	6.11.Automatska mašina za led	22
2 Upute za zaštitu životne sredine	10	6.12.Icematic i posuda za čuvanje leda	23
2.1 Usklađenost s direktivom WEEE i Odlaganjem otpadnog proizvoda:	10	6.13.Korištenje automata za vodu	23
2.2 Usklađenost sa RoHS direktivom:	10	6.14.Punjenje rezervoara automata vodom.	24
2.3 Informacija o ambalaži.	10	6.15. Čišćenje rezervoara za vodu	24
3 Vaš hladnjak	11	6.16.Posuda za kapanje	25
4 Instalacija	12	6.16 Zamrzavanje svježe hrane	27
4.1.Odgovarajuće mjesto za instalaciju.	12	6.17 Preporuke za skladištenje smrznute hrane	27
4.2.Postavljanje plastičnih klinova	12	6.18.Detalji zamrzivača za duboko zamrzavanje	28
4.3.Podešavanje postolja.	13	6.19.Stavljanje hrane	28
4.4.Priključak za napajanje	13	6.20.Upozorenje na otvorena vrata.	28
5 Priprema	14	6.21.Promjena smjera otvaranja vrata	28
5.1.Što učiniti za uštedu energije	14	6.22.Unutrašnje osvjetljenje.	28
5.2.Prvo korištenje	14	6.23 Preporuke za rad higijenskog odjeljka:	29
7 Održavanje i čišćenje	30	7 Održavanje i čišćenje	30
7.1.Izbjegavajte neugodne mirise	30	7.1.Izbjegavajte neugodne mirise	30
7.2.Zaštita plastičnih površina	30	7.2.Zaštita plastičnih površina	30
7.3.Stakla na vratima	30	7.3.Stakla na vratima	30
8 Rješavanje problema	31	8 Rješavanje problema	31


1 Sigurnosne upute

- Ovo poglavlje sadrži sigurnosne upute potrebne da bi spriječili rizik od fizičke ozljede i materijalne štete.
- Naša kompanija ne snosi odgovornost za štetu koja može nastati ako se ove upute ne poštuju.

 Radove na ugradnji i popravke uvijek mora obavljati ovlaštenu servis.

 Uvijek koristite originalne rezervne djelove i dodatke.

 Originalni rezervni djelovi će biti obezbijedjeni za narednih 10 godina od datuma kupovine proizvoda.

 Ne popravljajte niti mijenjajte nijedan dio proizvoda, osim ako to nije izričito navedeno u korisničkom priručniku.

 Ne vršite nikakve tehničke modifikacije na proizvodu.

1.1 Predviđena namjena

- Ovaj proizvod nije namijenjen za komercijalnu uporabu i ne smije se koristiti izvan predviđene namjene.

Ovaj je proizvod namijenjen za rad u zatvorenom prostoru, kao što su domaćinstva ili slično.

Na primjer;

- u kuhinjama za osoblje prodavnica, kancelarija i drugih radnih okruženja,
- u seoskim kućama,
- u jedinicama hotela, motela ili drugih odmarališta koje kupci koriste,
- u hostelima ili sličnim okruženjima,
- za dostavu pripremljene hrane i slične primjene koje ne spadaju u maloprodaju.

Ovaj se proizvod ne smije koristiti u otvorenim ili zatvorenim vanjskim okruženjima kao što su plovila, balkoni ili terase. Izlaganje proizvoda kiši, snijegu, suncu i vjetru će izazvati rizik od požara.

1.2 Sigurnost djece, ugroženih osoba i kućnih ljubimaca

- Ovaj uređaj mogu koristiti djeca od 8 godina i starija, i osobe sa ograničenim fizičkim, čulnim ili mentalnim sposobnostima, osobe koje nemaju dovoljno znanja ili iskustva ako su pod nadzorom ili su im date upute koje se tiču upotrebe uređaja na siguran način proizvoda i opasnosti koje uključuju.
- Djeca između 3 i 8 godina smiju stavljati u i vaditi hranu iz hladnijeg proizvoda.
- Električni proizvodi su opasni za djecu i kućne ljubimce. Djeca i kućni ljubimci ne smiju se igrati, penjati se ili ulaziti u proizvod.
- Djeca nikada ne smiju da čiste i održavaju uređaj, sem ako se nalaze pod nadzorom odrasle osobe.
- Materije za pakiranje držite dalje od djece. Opasnost od ozljede i gušenja.
- Prije odlaganja starih proizvoda koji se više ne smiju koristiti:
 1. Isključite mrežni kabel iz utičnice.
 2. Odrežite kabel za napajanje i izvadite ga iz uređaja zajedno sa utikačem.
 3. Ne uklanjajte stalke i ladice iz proizvoda kako biste spriječili da djeca uđu u uređaj.
 4. Uklonite vrata.
 5. Pohranite proizvod tako da ne može da se prevrne.
 6. Ne dopuštajte djeci da se igraju sa starim proizvodom.
- Ne odlažite proizvod tako što ćete ga spaljivati. Opasnost od eksplozije.
- Ako na vratima proizvoda postoji brava, ključ čuvajte van domašaja djece.

Sigurnosne upute i upute o zaštiti okoliša

1.3 Zaštita od električne energije

- Proizvod ne smije biti uključen u utičnicu tokom ugradnje, održavanja, čišćenja, popravka i prijevoza.
- Ako je kabel za napajanje oštećen, zamijenit će ga samo ovlašteni servis kako bi se izbjegao bilo kakav rizik koji se može pojaviti.
- Ne stavljajte kabl za napajanje ispod proizvoda ili na stražnju stranu proizvoda. Ne stavljajte teške predmete na kabel za napajanje. Kabel za napajanje ne treba da se savija, prelama i ne smije da dođe u kontakt sa bilo kojim izvorom toplote.
- Za upravljanje proizvodom ne koristite produžni kabel, višestruku priključnicu ili adapter.
- Prijenosne višestruke utičnice ili prijenosni izvori napajanja mogu se pregrijati i uzrokovati požar. Prema tome, nemojte držati višestruku priključnicu iza ili u blizini proizvoda.
- Utikač mora biti lako dostupan. Ako to nije moguće, na električnoj instalaciji bit će dostupan mehanizam koji ispunjava zakone o električnoj energiji i koji isključuje sve priključke iz mreže (osigurač, prekidač, glavni prekidač itd.).
- Ne dodirujte utikač mokrim rukama.
- Prilikom isključivanja uređaja, ne držite kabel za napajanje, već utikač.

1.4 Sigurnost pri rukovanju

- Ovaj je proizvod težak, nemojte sami sa njim postupati.
- Ne držite proizvod za vrata prilikom rukovanja proizvodom.
- Pazite da pri rukovanju proizvodom ne oštetite rashladni sistem i cijevi. Ne koristite proizvod ako su cijevi oštećene i obratite se ovlaštenom servisu.

1.5 Sigurnost pri ugradnji

- Za ugradnju proizvoda kontaktirajte ovlašteni servis. Da biste proizvod pripremili za ugradnju, pogledajte informacije u korisničkom priručniku i pobrinite se da su snabdijevanje struje i vode u skladu sa zahtjevima. Ako instalacija nije odgovarajuća, pozovite električara i vodoinstalatera da prilagode instalacije po potrebi. U suprotnom može doći do električnih udara, požara, problema u radu proizvoda ili ozljeda.
- Prije instaliranja provjerite ima li oštećenja na proizvodu. Nemojte instalirati proizvod ako je oštećen.
- Stavite proizvod na ravnu i tvrdu površinu i iznivelišite ga pomoću podesivog postolja. U suprotnom, hladnjak se može prevrnuti i prouzrokovati ozljede.
- Proizvod mora biti instaliran u suhom i ventiliranom okruženju. Ne držite tepihe, prostirače ili slične podne zastore ispod proizvoda. To može uzrokovati opasnost od požara zbog neadekvatne ventilacije!

Sigurnosne upute i upute o zaštiti okoliša

- Ne blokirajte i ne prekrivajte ventilacijske otvore. U suprotnom, potrošnja električne energije se može povećati i može doći do oštećenja proizvoda.
- Ne spajajte proizvod na sustave napajanja poput solarnih napajanja. U suprotnom može doći do oštećenja vašeg proizvoda kao rezultat naglih oscilacija napona!
- Što više rashladnog sredstva sadrži hladnjak, veća će mu biti i prostorija za ugradnju. U vrlo malim prostorijama može doći do zapaljive smjese plina i zraka u slučaju curenja plina u rashladnom sustavu. Za svakih 8 grama rashladnog sredstva potrebno je najmanje 1 m³ zapremine. Količina rashladnog sredstva dostupnog u vašem proizvodu navedena je u tipskoj naljepnici.
- Mjesto instalacije proizvoda ne smije biti izloženo izravnim sunčevim zrakama i ne smije biti u blizini izvora topline poput peći, radijatora itd.

Ako ne možete spriječiti ugradnju proizvoda u blizini izvora topline, upotrijebite odgovarajuću izolacijsku ploču, a minimalna udaljenost do izvora topline bit će kako je navedeno u nastavku.

- Najmanje 30 cm udaljen od izvora topline kao što su peći, grijalice i grijači itd.,
- I udaljen najmanje 5 cm od električnih peći.

- Vaš proizvod ima klasu zaštite I. Uključite proizvod u uzemljenu utičnicu koja odgovara vrijednostima napona, struje i frekvencije navedene na tipskoj naljepnici. Utičnica mora biti

opremljena osiguračem jačine 10 A - 16 A. Naša kompanija nije odgovorna za štetu koja nastane kao rezultat rada proizvoda bez osiguravanja uzemljenja i električnih veza izvedenih u skladu s lokalnim ili nacionalnim propisima.

- Kabel za napajanje proizvoda mora biti isključen iz struje tijekom instalacije. U suprotnom može doći do opasnosti od električnog udara i ozljeda!
- Ne stavljajte proizvod u olabavljene, slomljene, prljave, masne utičnice ili utičnice koje su ispale iz svog ležišta ili utičnice s rizikom od dodira s vodom.
- Postavite kabel za napajanje i kabele (ako su dostupni) proizvoda tako da ne uzrokuju opasnost od saplitanja.
- Prodiranje vlage u dijelove pod naponom ili na kabl za napajanje može prouzrokovati kratki spoj. Stoga, nemojte koristiti proizvod u vlažnim okruženjima ili na mjestima gdje prskati voda (npr. garaža, praonica rublja itd.) Ako je hladnjak vlažan od vode, isključite ga sa napajanja i obratite se ovlaštenom servisu.
- Ne priključujte svoj hladnjak na uređaje za uštedu energije. Ovi sustavi su štetni za proizvod.

1.6 Sigurnost pri radu

- Na proizvodu nemojte koristiti kemijska otapala. Ovi materijali sadrže opasnost od eksplozije.
- U slučaju kvara proizvoda, isključite ga sa napajanja i nemojte ga stavljati u režim rada dok ga

Sigurnosne upute i upute o zaštiti okoliša

- ovlašteni servis ne popravi. Postoji opasnost od električnog udara!
- Ne stavljajte izvor plamena (npr. svijeće, cigarete, itd.) na proizvod ili u njegovu blizinu.
- Ne penjite se na proizvod. Rizik od pada i povreda!
- Nemojte oštetiti cijevi rashladnog sustava koristeći oštre i probojne alate. Rashladno sredstvo koje se prska u slučaju probijanja gasovoda, produžetaka cijevi ili prevlaka gornje površine može prouzrokovati iritaciju kože i povrede očiju.
- Ne stavljajte i ne upotrebljavajte električne uređaje unutar hladnjaka/dubinskog zamrzivača, osim ako to ne preporuči proizvođač.
- Nemojte gurati bilo koji dio ruke ili tijela u bilo koji od pokretnih dijelova unutar proizvoda. Vodite računa da spriječite zaglavljivanje prstiju između hladnjaka i njegovih vrata. Budite oprezni dok otvarate ili zatvarate vrata ako u blizini ima djece.
- Ne stavljajte sladoled, kockice leda ili smrznutu hranu u usta čim ih izvadite iz zamrzivača. Rizik od promrzlina!
- Ne dirajte unutrašnje zidove, metalne dijelove zamrzivača ili hranu čuvanu u hladnjaku mokrim rukama. Rizik od promrzlina!
- Ne stavljajte limenke sa sodom ili limenke i boce u kojima se nalazi tekućina koja može biti smrznuta u odjeljak za zamrzavanje. Limenke ili boce mogu eksplodirati. Opasnost od ozljede i materijalne štete!
- Ne koristite i ne stavljajte materijale osjetljive na temperaturu kao što su zapaljivi sprejevi, zapaljivi predmeti, suvi led ili druga hemijska sredstva u blizini hladnjaka. Opasnost od požara i eksplozije!
- Ne skladištite eksplozivne materije poput aerosola u zapaljivim materijalima.
- Ne stavljajte limenke s tekućinom preko proizvoda. Prskanje vodom električnog dijela može prouzrokovati opasnost od strujnog udara ili požara.
- Ovaj proizvod nije namijenjen skladištenju i hlađenju lijekova, krvne plazme, laboratorijskih preparata ili sličnih materijala i proizvoda koji podliježu Direktivi o medicinskim proizvodima.
- Ako se proizvod koristi suprotno predviđenoj namjeni, može prouzrokovati oštećenje ili pogoršanje proizvoda koji se drže u unutrašnjosti.
- Ako je vaš hladnjak opremljen plavom svjetlošću, nemojte gledati ovo svjetlo optičkim uređajima. Ne zurite direktno u UV LED svjetlo tokom dugog vremenskog perioda Ultraljubičaste zrake mogu uzrokovati naprezanje očiju.

Sigurnosne upute i upute o zaštiti okoliša

- Ne puniti proizvod onom količinom hrane koja nadmašuje njegov kapacitet. Do povreda ili oštećenja može doći ako sadržaj iz hladnjaka padne prilikom otvaranja vrata. Slični problemi mogu se pojaviti kada se predmet stavi preko proizvoda.
 - Osigurajte da ste uklonili sav led ili vodu koja je možda pala na pod kako biste spriječili ozljede.
 - Promijenite mjesto za stalke/ stalke za boce na vratima vašeg hladnjaka isključivo kada su stalci prazni. Opasnost od fizičkih ozljeda!
 - Ne stavljajte predmete koji mogu pasti/prevrnuti se na proizvod. Ti predmeti mogu pasti tijekom otvaranja ili zatvaranja vrata i uzrokovati ozljede i/ili materijalne štete.
 - Ne udarajte i ne vršite preveliki pritisak na staklene površine. Slomljeno staklo može prouzrokovati ozljede i/ili materijalne štete.
 - Sustav za hlađenje u vašem proizvodu sadrži rashladno sredstvo R600a. Vrsta rashladnog sredstva koja se koristi u proizvodu navedena je na naljepnici tipa. Ovaj plin je zapaljiv. Stoga, pazite da pri radu proizvoda ne oštetite rashladni sistem i cijevi. U slučaju oštećenja cijevi;
 - ne dirajte proizvod niti kabel za napajanje,
 - Držite proizvod dalje od potencijalnih izvora vatre koji mogu prouzrokovati da se proizvod zapali.
 - prozračite područje na kojem se proizvod nalazi. Ne koristite ventilator.
 - Obratite se ovlaštenom servisu.
 - Ako je proizvod oštećen i primijetite curenje plina, držite se podalje od plina. Plin može uzrokovati promrzline ako dođe u kontakt s vašom kožom.
- ### 1.7 Sigurnost pri održavanju i čišćenju
- Ne povlačite za ručku na vratima ako proizvod pomičete radi čišćenja. Ručka može uzrokovati ozljede ako se povuče previše jako.
 - Ne čistite proizvod raspršivanjem ili nalivanjem vode na proizvod i unutar proizvoda. Opasnost od strujnog udara i požara.
 - Za čišćenje proizvoda ne koristite oštre ili abrazivne alate. Ne koristite materijale kao što su sredstva za čišćenje u domaćinstvu, deterdženti, plin, benzin, alkohol, vosak itd.
 - Unutar proizvoda koristite isključivo sredstva za čišćenje i održavanje koja nisu štetna za hranu.
 - Nemojte koristiti paru ili sredstva za čišćenje parom za čišćenje proizvoda i topljenje leda u njemu. Para dolazi u kontakt sa dostupnim područjima u vašem hladnjaku i izaziva kratki spoj ili strujni udar!
 - Vodite računa da voda bude udaljena od elektro-kola ili osvjetljenja proizvoda.
 - Upotrijebite čistu suhu krpu za brisanje prašine ili stranih materijala za vrhove utikača. Za

Sigurnosne upute i upute o zaštiti okoliša

Čišćenje utikača nemojte koristiti mokri ili vlažni komad tkanine. U suprotnom može doći do opasnosti od požara ili strujnog udara.

1.8 HomeWhiz

(Možda nije dostupno kod svih modela)

- Slijedite sigurnosna upozorenja čak i ako ste udaljeni od proizvoda dok rukujete proizvodom putem HomeWhiz aplikacije. Također, obratite pažnju na upozorenja u aplikaciji.

1.9 Osvjetljenje

(Možda nije dostupno kod svih modela)

- Kada hoćete da zamijenite LED/ sijalicu za osvjetljenje, obratite se ovlaštenom servisu.

1.10 Sigurnost od UV-C zračenja

- Ne uklanjajte zaštitno staklo UV-C lampe.
- Ne upotrebljavajte proizvod bez zaštitnog stakla na UV-C lampi!
- Uređaj sadrži lampu koja emitira UV-C zrake. Ne gledajte direktno u izvor svjetlosti.
- Pri čišćenju odjeljka u kojem se nalazi UV-C lampica, izvucite utikač iz utičnice.
- Ni u kom slučaju nemojte koristiti proizvod ako ima bilo kakvih oštećenja na zaštitnom staklu.
- Onemogućite UV-C funkciju s kontrolne ploče ekrana dok mijenjate UV-C lampu uz pomoć ovlaštenog servisa.
- Nikada ne uklanjajte naljepnicu „Opasnost od ultraljubičastog zračenja“ na higijenskom odjeljku koji sadrži UV-C lampe.
- Korišćenje proizvoda izvan njegove namjene ili oštećenje zaštitnog stakla UV-C lampe ili dijela oko nje može rezultirati opasnim

UV-C zračenjem. UV-C zračenje može izazvati povrede na očima i koži čak i u malim količinama! Nemojte koristiti oštećeni proizvod!

- Ako simbol UV-C počne treptati kada se aktivira higijenska funkcija, to znači da je postignuta polovina korisnog vijeka lampi i da je njihova učinkovitost smanjena na pola. Preporučujemo vam da zamijenite UV-C lampe kada uočite ovo upozorenje. UV-C lampe zamjenjuju se zajedno s ladicom u kojoj se nalaze. Nabavka i ugradnja UV-C ladice trebaju se obaviti preko ovlaštenih servisa.



	UPOZORENJE: UV-C zračenje štetno je za oči i kožu. Ne koristite UV-C lampe izvan proizvoda!
	UPOZORENJE: Korisnik ne smije vršiti zamjenu UV-C lampi. Zatražite podršku ovlaštenog servisa kada istekne korisni vijek UV-C lampi!

1.1. Tehničke informacije za Wifi + Bluetooth

Frekvencijski opseg:	2,4 GHz (Wi-fi ili bluetooth operativni)
Maks. snaga prijenosa:	< 100mW (Wi-fi ili bluetooth operativni)
Informacije o softveru:	Quartz_WiFi.XXX

Deklaracija o usklađenosti za CE:

Arçelik A.Ş. ovime izjavljuje da je ovaj uređaj u skladu s Direktivom 2014/53/EU.

Kompletan tekst EU izjave o usaglašenosti dostupan je na sledećoj internet adresi:

Proizvodi, od: support.beko.com

Definirani period podrške za ažuriranje softvera za kibernetičku sigurnost za proizvod je garantni period za proizvod. Nakon ovog perioda, ažuriranja softvera za kibernetičku sigurnost nisu zagarantovana.

2 Upute za zaštitu životne sredine

2.1 Usklađenost s direktivom WEEE i Odlaganjem otpadnog proizvoda:

Ovaj proizvod je usklađen s Direktivom EU WEEE (2012/19/EU). Ovaj proizvod nosi simbol klasifikacije za odlaganje električne i elektronske opreme (WEEE).



Ovaj simbol označava da ovaj proizvod ne treba odlagati sa ostalim otpadom iz domaćinstva na kraju vijeka upotrebe.

Korišćeni uređaj mora se vratiti u službeno zbirno mjesto za recikliranje električnih i elektronskih uređaja. Da biste pronašli ove sisteme za prikupljanje, obratite se lokalnim nadležnim organima ili prodavaču kod kojeg je proizvod kupljen. Svako domaćinstvo igra važnu ulogu u obnavljanju i recikliranju starog aparata. Odgovarajuće odlaganje korišćenog aparata pomaže u sprječavanju potencijalnih negativnih posljedica po životnu sredinu i zdravlje ljudi.

2.2 Usklađenost sa RoHS direktivom:

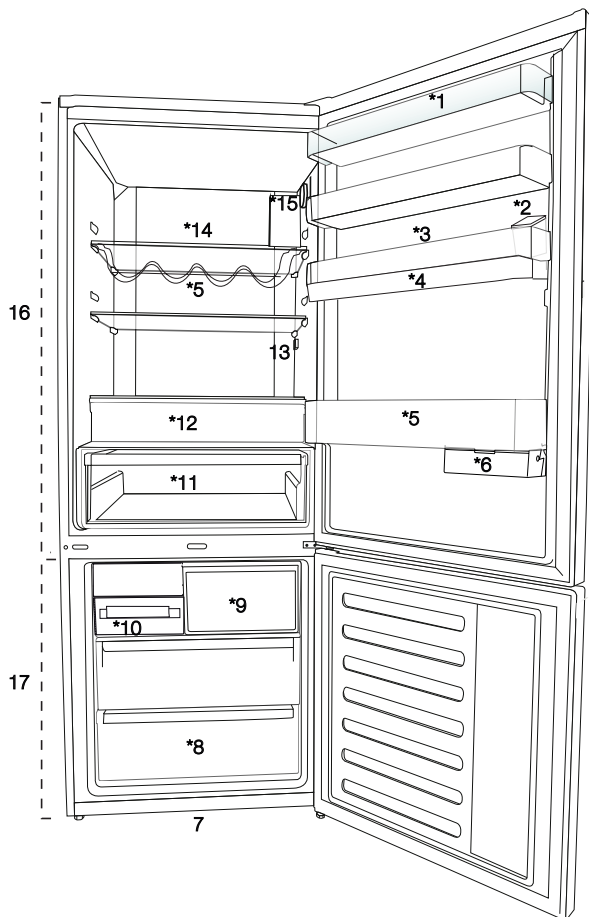
Proizvod koji ste kupili je usklađen s Direktivom EU RoHS (2011/65/EU). On ne sadrži štetne i zabranjene materijale navedene u Direktivi.

2.3 Informacija o ambalaži



Ambalaža proizvoda je proizvedena od sekundarnih sirovina u skladu s našim nacionalnim propisima za zaštitu okoliša. Ne bacajte ambalažu sa kućnim ili drugim otpadom. Odnosite je do sabirnih centara za ambalažu koje su odredile lokalne vlasti.

3 Vaš hladnjak



1. Polica na vratima odjeljka za hlađenje
2. Rezervoar za vodu za točilicu vode
3. Držač jaja
4. Rezervoar za vodu
5. Polica za boce
6. Klizna kutija za odlaganje
7. Podesive nožice
8. Odjeljak za duboko zamrzavanje
9. Odjeljak za brzo smrzavanje
10. Icematic
11. Odjeljak za voće i povrće
12. Odjeljak za higijenski postupak (UV-C lampe)
13. Unutrašnje osvjetljenje
14. Staklena polica odjeljka za hlađenje
15. Tipka za podešavanje temperature
16. Odjeljak hladnjaka
17. Zamrzivač




Možda nije dostupno kod svih modela



***opcionalno:** Slike date u ovom priručniku služe samo kao primjeri i ne moraju biti potpuno iste kao vaš proizvod. Ako vaš proizvod ne sadrži odgovarajuće dijelove, informacije se odnose na druge modele.

4.1. Odgovarajuće mjesto za instalaciju

Kontaktirajte ovlaštenu servis za instalaciju proizvoda. Da biste proizvod pripremili za instalaciju, pogledajte informacije u korisničkom vodiču i pobrinite se da su snabdijevanje struje i vode u skladu sa zahtjevima. Ako nisu, nazovite električara i vodoinstalatera da bi ih postavili po potrebi.

	UPOZORENJE: Proizvođač ne preuzima odgovornost za bilo kakvu štetu nastalu radom koji je obavila neovlaštena osoba.
	UPOZORENJE: Kabel za napajanje proizvoda mora biti isključen iz struje tijekom instalacije. Ako to ne učinite, može doći do smrti ili teških povreda!
	UPOZORENJE: Ako je raspon vrata preuzak da proizvod prođe, skinite vrata i okrenite proizvod u stranu, a ako i to ne uspe, kontaktirajte ovlaštenu servis.

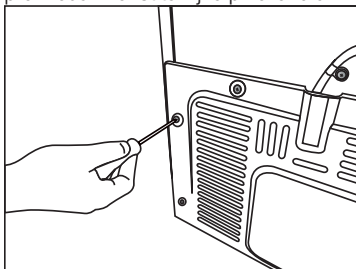
- Stavite proizvod na ravnu površinu kako bi izbjegli vibracije.
- Postavite proizvoda najmanje 30 cm od grijalice, peći i sličnih izvora topline i najmanje 5 cm od električnih peći.
- Ne izlažite proizvod direktnoj sunčevoj svjetlosti ili ne držite ga u vlažnom okruženju.
- Proizvod zahtijeva adekvatnu cirkulaciju zraka da bi efikasno funkcionirao.
- Ako proizvod treba da se stavi u nišu, ne zaboravite da ostavite najmanje 5 cm udaljenosti između uređaja i plafona i zidova.
- Ne postavljajte proizvod u okruženjima s temperaturama ispod -5°C.
- Vaš proizvod zahtijeva adekvatnu cirkulaciju zraka da bi efikasno funkcionirao. Ako će proizvod biti smješten u niši, ne zaboravite ostaviti najmanje 5 cm razmaka između proizvoda i stropa, zida sa stražnje strane i zidova s bočnih strana.

- Ako će proizvod biti smješten u niši, ne zaboravite ostaviti najmanje 5 cm razmaka između proizvoda i stropa, zida sa stražnje strane i zidova s bočnih strana. Provjerite da li se zaštitna komponenta za razmak sa stražnje strane nalazi na predviđenom mjestu (ako je isporučena uz proizvod). Ako komponenta nije dostupna ili se izgubi ili spadne, postavite proizvod tako da između stražnje površine proizvoda i zidova prostorije bude najmanje 5 cm razmaka. Razmak sa stražnje strane važan je za učinkovit rad proizvoda.

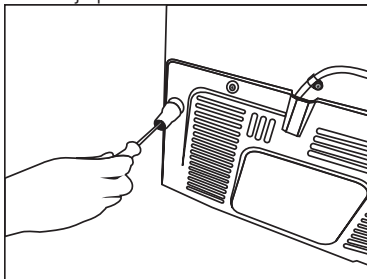
4.2. Postavljanje plastičnih klinova

Koristite plastične klinove priložene uz ovaj proizvod da osigurate dovoljno prostora za cirkulaciju zraka između uređaja i zida.

1. Da biste priključili klinove, uklonite vijke na proizvodu i koristite vijke priložene uz klinove.



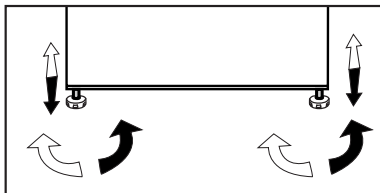
2. Pričvrstite 2 plastična klina na poklopac ventilacije kao što je prikazano na slici.



Instalacija

4.3. Podešavanje postolja

Ako proizvod nije u uravnoteženom položaju, podesite prednja podesiva postolja okretanjem na desno ili lijevo.



Upozorenje na vruću površinu!

Na bočnim zidovima vašeg proizvoda ce nalaze cijevi rashladnog sredstva koje poboljšavaju rashladni sistem. Kroz ove oblasti može da teče rashladno sredstvo na visokim temperaturama, što rezultira vrućim površinama na bočnim zidovima. Ovo je normalno i nije potrebno servisiranje. Vodite računa kada dodirujete ove oblasti.



4.4. Priključak za napajanje

	UPOZORENJE: Ne koristite produžni kabel ili kabel sa više utičnica na priključku za napajanje.
	UPOZORENJE: Oštećeni kabel za napajanje mora da zamijeni ovlašteni servis.
	Prilikom postavljanja dva hladnjaka jedan pored drugog, ostavite najmanje 4 cm prostora između dvije jedinice.

- Naša firma ne preuzima odgovornost za bilo kakvu štetu zbog korištenja bez uzemljenja i bez priključka za napajanje u skladu sa nacionalnim propisima.
- Napojni kabel mora biti lako dostupan nakon instalacije.
- Povežite hladnjak na uzemljenu utičnicu sa naponom od 220-240 V/50 Hz. Utikač mora sadržati osigurač od 10-16A.
- Ne koristite utikač sa više grupa sa ili bez produžnog kabla između zidne utičnice i hladnjaka.

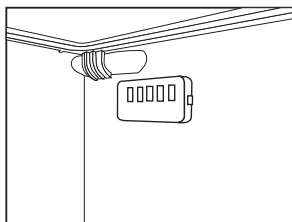
5.1. Što učiniti za uštedu energije



Povezivanje proizvoda na elektronske sisteme za štednju energije je štetno jer to može oštetiti proizvod.

- Za samostojeći uređaj; „Ovaj rashladni uređaj nije predviđen da se koristi kao ugradni uređaj“.
- Ne držite vrata hladnjaka otvorena duže vrijeme.
- Ne stavljajte toplu hranu ili pića u hladnjak.
- Nemojte prepuniti hladnjak; blokiranje unutrašnjeg protoka zraka će smanjiti kapacitet hlađenja.
- Kako biste stavili maksimalnu količinu hrane u odjeljak za hlađenje vašeg hladnjaka, treba da izvadite gornje fioke i stavite hranu na staklenu policu. Utvrđena potrošnja električne energije vašeg hladnjaka je određena kada su izvađeni odjeljak za hlađenje, posuda za led i gornje fioke kako bi se obezbjedilo maksimalni prostor za skladištenje. Prilikom skladištenja, preporučuje se korištenje donje fioke. Funkcija štednje energije treba da se aktivira da bi se obezbijedila najbolja potrošnja energije.
- Ne smete da blokirate protok zraka stavljanjem hrane ispred ventilatora hladnjaka. Prilikom stavljanja hrane, ispred zaštitne rešetke ventilatora treba se ostaviti prostor od najmanje 3 cm.
- Ovisno o karakteristikama proizvoda; odmrzavanje smrznute hrane u odjeljku hladnjaka će osigurati uštedu energije i očuvanje kvaliteta hrane.
- Hrana treba da se stavlja u fioke u odjeljku hladnjaka kako bi se osigurala štednja energije i hrana zaštitila u boljim uslovima.
- Paketi hrane ne treba da dolaze u direktan dodir sa senzorom toplote smještenim u odjeljku hladnjaka. Ako oni dođu u dodir sa senzorom, potrošnja energije uređaja se može povećati.
- Pobrinite se da namirnice ne budu u kontaktu sa senzorom temperature hladnjaka opisanog u nastavku.

- U slučaju da postoji više opcija, staklene police moraju biti postavljene tako da izlazi za zrak na zadnjem zidu ne budu začepljeni, po mogućnosti da izlazi za zrak budu ispod staklene police. Takva kombinacija može pomoći u poboljšanju raspodjele zraka i energetske efikasnosti.
- Budući da vrući i vlažni zrak ne prodire u vaš proizvod kada vrata nisu otvorena, vaš će se proizvod optimizirati u uvjetima dovoljnim za zaštitu vaše hrane. Uz ovu funkciju za uštedu energije, funkcije i sastavni dijelovi kao kompresor, ventilator, grijač, odmrzivač, svijetlo, ekran i tako dalje će raditi u skladu sa potrebama za potrošnju minimalne energije pod ovim okolnostima, uz očuvanje svježine vaše hrane.



5.2. Prvo korištenje

Prije upotrebe hladnjaka, pobrinite se da su potrebne pripreme obavljene u skladu sa uputstvima u odjeljcima „Sigurnosne upute i upute o zaštiti okoliša“ i „Instalacija“.

- Pustite proizvod radi bez hrane 6 sati i ne otvarajte vrata ukoliko to nije apsolutno neophodno.



Zvuk će se čuti kada kompresor počigne da radi. Normalno je da se čuje zvuk čak i kada je kompresor neaktivan, zbog komprimiranih tekućina i plinova u sistemu hlađenja.



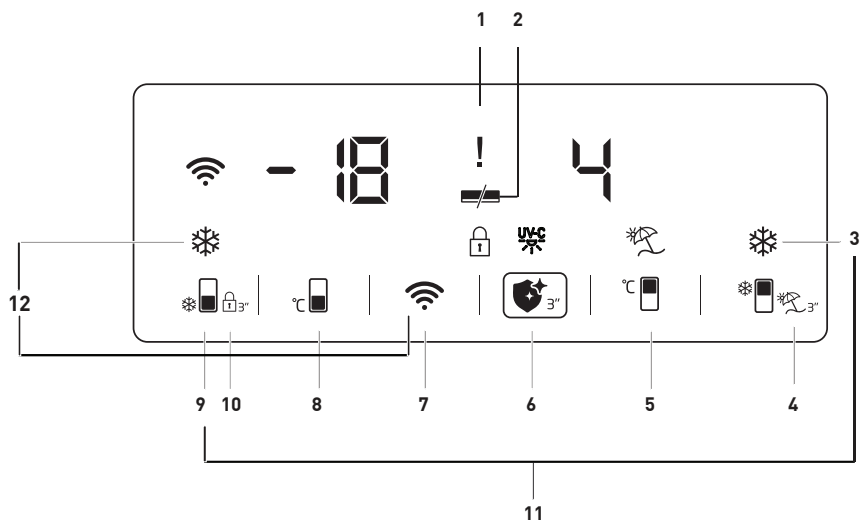
Prednje ivice proizvoda mogu da se zagriju. To je normalno. Ova područja su dizajnirana za zagrijavanje kako bi se spriječila kondenzacija.



Na nekim modelima, panel indikatora se isključuje automatski 5 minuta nakon što se vrata zatvore. On će se ponovno aktivirati kada se otvore vrata ili se pritisne bilo koja tipka.

6 Rad uređaja

 Prvo pročitajte odjeljak "Sigurnosne upute"!



1. Indikator stanja kvara
2. Indikator uštede energije (prikaz isključen)
3. Tipka za brzo hlađenje
4. Funkcijska tipka za odmor
5. Tipka za podešavanje temperature prostora za hlađenje
6. Tipka za higijensku funkciju
7. Tipka za bežičnu vezu
8. Tipka za podešavanje temperature u odjeljku zamrzivača
9. Tipka za brzo zamrzavanje
10. Zaključavanje tastera
11. Tipka za prebacivanje jedinice temperature
12. Tipka za poništavanje postavki bežične veze


***Možda nije dostupno kod svih modela**



*** Opcionalno:** Slike u ovom uputstvu služe kao skice i možda neće savršeno odgovarati vašem proizvodu. Ako vaš proizvod ne sadrži odgovarajuće dijelove, informacije se odnose na druge modele.

Korištenje proizvoda

1. Indikator stanja kvara

Ovaj indikator () će biti aktivan kada vaš hladnjak ne bude mogao da se adekvatno hladi ili u slučaju greške senzora. Dok je ovaj indikator aktivan, „E“ će biti prikazano na indikatoru temperature odjeljka zamrzivača, brojeke 1, 2, 3 ... bit će prikazane na indikatoru temperature rashladnog odjeljka. Ove brojeke pružaju informacije ovlaštenom servisu o grešci koja se dogodila.


Znak uzvika može se prikazati kada unesete toplu hranu u zamrzivač ili držite vrata otvorena dulje vrijeme. To nije greška, ovo upozorenje uklonit će se kad se hrana ohladi.

2. Indikator uštede energije (prikaz isključen)

Funkcija uštede energije automatski se omogućava i simbol uštede energije prikazuje se kada se vrata proizvoda neko vrijeme ne otvaraju ili ne zatvaraju. (—)



Kad je aktivna funkcija uštede energije, isključuju se svi simboli na zaslonu, osim simbola za uštedu energije. Kada je aktivna funkcija uštede energije, pritiskom bilo koje tipke ili otvaranjem vrata deaktivirat će se funkcija uštede energije i signali na zaslonu će se vratiti u normalu. Funkcija uštede energije je tvornički instalirana funkcija i nije je moguće deaktivirati.

3. Tipka za brzo hlađenje


Kad je uključena funkcija brzog hlađenja, indikator brzog hlađenja svijetli () a indikator temperature odjeljka za hlađenje prikazuje vrijednost 1. Pritisnite tipku za brzo zamrzavanje ponovo da biste otkazali ovu funkciju. Indikator brzog zamrzavanja će se isključiti i postavke će se vratiti na redovne. Funkcija brzog hlađenja automatski će se isključiti nakon 1 sata, osim ako je korisnik ne otkáže ranije. Da biste rashladili veliku količinu svježih hrane, pritisnite dugme za brzo hlađenje

prije nego što stavite hranu u odjeljak za hlađenje.



4. Funkcijska tipka za odmor


Pritisnite tipku () 3 sekunde da aktivirate funkciju odmora, a indikator načina odmora () bit će uključen. Kada je funkcija odmora aktivirana, na indikatoru temperature rashladnog prostora prikazat će se "- -", a na rashladnom odjeljku neće se izvoditi aktivna operacija hlađenja. Ne preporučuje se čuvanje hrane u odjeljku hladnjaka kada je aktivirana ova funkcija. Ostali odjeljci i dalje će se hladiti prema temperaturama postavljenim za njih. Pritisnite tipku za **funkciju odmora** ponovo da biste otkazali ovu funkciju.

5. Tipka za podešavanje temperature prostora za hlađenje

Temperatura rashladnog prostora može se podesiti na 8, 7, 6, 5, 4, 3, 2 odnosno 1 kada se pritisne ova tipka. ()

6. Tipka za higijensku funkciju

Pritisnite tipku () 3 sekunde da aktivirate higijensku funkciju, a zatim će indikator higijenske funkcije () biti uključen. Ne otvarajte vrata proizvoda kada je aktivirana higijenska funkcija. Ako se vrata proizvoda otvore dok je aktivirana higijenska funkcija, higijenski postupak se zaustavlja sve dok se vrata ne zatvore. Proizvod će dati zvučno upozorenje i završiti postupak kada se higijenski postupak završi. Držite pritisnutu funkcijsku tipku za higijensku funkciju 3 sekunde da biste završili higijenski postupak prije predviđenog vremena.

Ako se uzvičnik () prikazuje zajedno sa higijenskim simbolom kada omogućite higijensku funkciju, to znači da će korisni vijek higijenskih lampi uskoro isteci. Pozovite servis.

Korištenje proizvoda

7. Tipka za bežičnu vezu (*opcionalno)

Kad se tipka pritisne dulje vrijeme (3 sekunde), započet će inicijalizacija proizvoda u kućnu mrežu. Simbol bežične mreže (📶) treptati će u intervalu od 0,5 sekundi dok se uspostavi veza.

Kada je veza sa kućnom mrežom uspješno uspostavljena, simbol bežične mreže mora svijetliti neprekidno.

Kada se uspostavi početna veza, možete je aktivirati/deaktivirati kratkim pritiskom na ovu tipku.

Mreža s kojom ste uspostavili vezu pamtiće se i veza će se uspostaviti ponovo kada se proizvod isključi i uključi.

Simbol bežične veze će treptati brzo u kratkim intervalima (od 0,2 sekunde) dok se veza ne uspostavi.

Simbol bežične mreže mora neprekidno da svijetli kada je veza aktivna. Provjerite postavke modema/veze ako se veza neko vrijeme ne može uspostaviti.

Aplikacija HomeWhiz koristi se kao sučelje za povezivanje. Koraci za povezivanje opisani su u SAŽETOM VODIČU ZA INSTALACIJU aplikacije HomeWhiz koji ste dobili uz proizvod. Odgovore na osnovna pitanja potražite u odjeljku za rješavanje problema.

8. Tipka za podešavanje temperature u odjeljku zamrzivača

Ona omogućava podešavanje temperature u odjeljku zamrzivača. Temperatura odjeljka za zamrzavanje može se podesiti na -18, -19, -20, -21, -22, -23 i -24, kada se pritisne tipka (❄️).

9. Tipka za brzo zamrzavanje

Pritisnite taster br. (9) za brzo zamrzavanje, i aktivirat će se indikator brzog zamrzavanja (❄️📺). Kad je uključena funkcija brzog zamrzavanja, indikator brzog hlađenja svijetli a indikator temperature odjeljka za zamrzavanja prikazuje vrijednost -27. Pritisnite tipku za brzo zamrzavanje (❄️📺) ponovo da biste otkazali ovu funkciju. Indikator brzog zamrzavanja će se isključiti i vratiti u normalnu postavku. Funkcija brzog zamrzavanja automatski će se isključiti nakon 32 sata, osim ako je korisnik ne otkaže ranije. Da biste zamrznuli veliku količinu svježih hrane, pritisnite dugme za brzo zamrzavanje prije nego što stavite hranu u odjeljak za zamrzavanje.

10. Zaključavanje tastera

Pritisnite tipku (🔒) 3 sekunde. Aktivirat će se simbol zaključavanja tipki (🔒) i aktivirati način zaključavanja tipki. Tipke se ne mogu koristiti kada je zaključavanje tipki aktivirano. Pritisnite tipku (🔒) 3 sekunde. Zaključavanje tipki će se deaktivirati. Funkciju zaključavanja tipki možete upotrijebiti ako želite da spriječite promjenu podešavanja temperature hladnjaka.

11. Tipka za prebacivanje jedinice temperature

Kada pritisnete tipke za brzo hlađenje (❄️📺) i brzo zamrzavanje (❄️📺) tijekom 3 sekunde, možete prebacivati između Fahrenheit-ovih i Celzijevih jedinica temperature.

12. Tipka za poništavanje postavki bežične veze

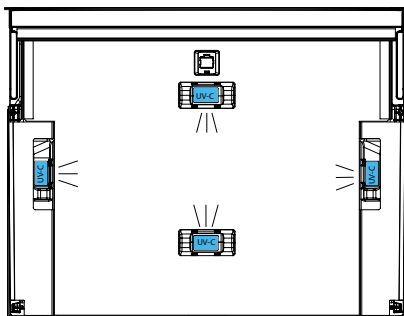
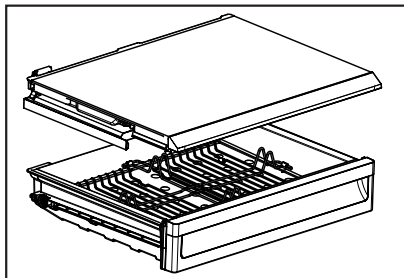
Kada pritisnete tipke za brzo zamrzavanje (❄️📺) i za bežičnu mrežu (📶) tijekom 3 sekunde istovremeno, postavke bežične veze će se resetirati.

Korištenje proizvoda

6.1. Odjeljak za higijenski postupak

***Ova značajka je opcionalna**

1. Higijenska svojstva UV-C neće se aktivirati kada rešetka i ladica od lima koji se nalaze u higijenskom odjeljku nisu u odjeljku.
2. Aktiviranje higijenske funkcije kada ladica od lima nije prisutna u higijenskom odjeljku uzrokuje deformaciju plastične ladice ispod.
3. Ne pokušavajte ukloniti staklo iznad higijenskog prostora primjenom sile.
4. Ne dodirujte, ne izazivajte udar ili ne primjenjujte silu na UV-C fluorescentne lampe postavljene na donjoj površini staklene police higijenskog prostora.
5. Zbog svoje sigurnosti ne pokušavajte ukloniti staklenu полицu higijenskog odjeljka. Uklanjanje stakla prouzrokovat će odspajanje električnih komponenta.
6. Svjetlo koje vidite kada otvorite higijenski odjeljak nije UV-C svjetlo. To je LED rasvjeta.
7. Brišite metalnu ladicu i lim ispod ladice samo vlažnom krpom.



Korištenje proizvoda

6.2.Plavo svjetlo/HarvestFresh

***Možda nije dostupno kod svih modela**

Za plavo svjetlo,

Voće i povrće pohranjeno u odjeljcima za voće i povrće osvijetljenim plavim svjetlom nastavlja da vrši fotosintezu pomoću efekta valnih duljina plave svjetlosti i na taj način sadržaj vitamina u njima ostaje sačuvan.

Za HarvestFresh,

Voće i povrće pohranjeno u odjeljcima za voće i povrće osvijetljenim tehnologijom HarvestFresh duže će održati vitamine u sebi zahvaljujući plavim, zelenim, crvenim svjetlima i ciklusima mraka, koji simuliraju dnevni ciklus. Ako otvorite vrata hladnjaka tokom perioda mraka tehnologije HarvestFresh, hladnjak će to automatski registrovati i omogućiti da plavo, zeleno ili crveno svjetlo osvijetle odjeljke za voće i povrće, radi vaše ugodnosti. Nakon što zatvorite vrata hladnjaka, period mraka će se nastaviti, predstavljajući period noći tokom dnevnog ciklusa.

6.3.Fioka za led

*** Opcionalno**

- Izvadite fioku za led iz odjeljka zamrzivača.
- Napunite fioku za led vodom.
- Vratite fioku za led u odjeljak zamrzivača.
- Led će biti spreman nakon otprilike dva sata. Izvadite fioku za led iz odjeljka zamrzivača i lagano je nagnite preko držača koji ćete servirati. Led će se jednostavno presipati u držač za serviranje.

6.4.Držač za jaja

Držač za jaja možete po izboru staviti na policu na vratima ili policu u hladnjaku. Ako odlučite da ga stavite na policu u hladnjaku, preporučuje se da za to odaberete donje police pošto su one hladnije.



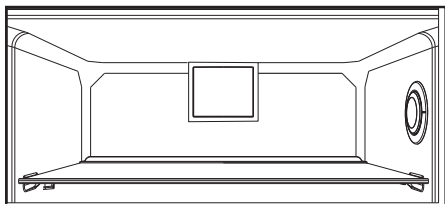
Ne stavljajte držač za jaja u odjeljak zamrzivača.

Korištenje proizvoda

6.5. Ventilator

Ventilator je dizajniran da ravnomjerno cirkulira hladan vazduh u hladnjaku. Vrijeme rada ventilatora može da varira ovisno o funkcijama vašeg proizvoda.

Dok u nekim proizvodima ventilator radi samo sa kompresorom, u drugim kontrolni sistem određuje vrijeme rada na osnovu potrebe za hlađenjem.



6.6. Kutija za povrće

* Opcionalno

Kutija za povrće proizvoda je dizajnirana da povrće održi svježim zadržavajući vlagu. Za tu svrhu, ukupna cirkulacija hladnog zraka je povećana u kutiji za povrće.

6.7. Odjeljak za mliječne proizvode (hladno spremište)

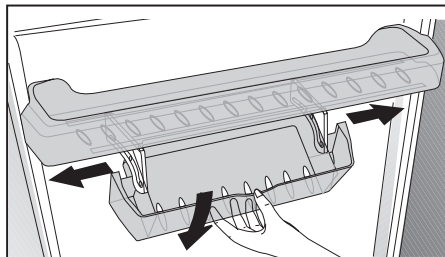
Daje nižu temperaturu nego u odjeljku hladnjaka. Ovaj odjeljak koristite za čuvanje delikatesa (salama, kobasica, mliječnih proizvoda itd.) koje zahtijevaju nižu temperaturu čuvanja ili mesa, piletine ili ribljih proizvoda za neposrednu konzumaciju. Voće i povrće nemojte držati u ovom odjeljku.

6.8. Klizna kutija za odlaganje

* Opcionalno

Ova dodatna oprema je predviđena da povećava korisnu zapreminu polica na vratima.

Zahvaljujući njenoj sposobnosti da se pomjera bočno, ona vam omogućuje da jednostavno stavite dugačku bocu, teglu ili kutije koje stavljate na donji stalak za boce.



6.9. Pokretna polica na vratima

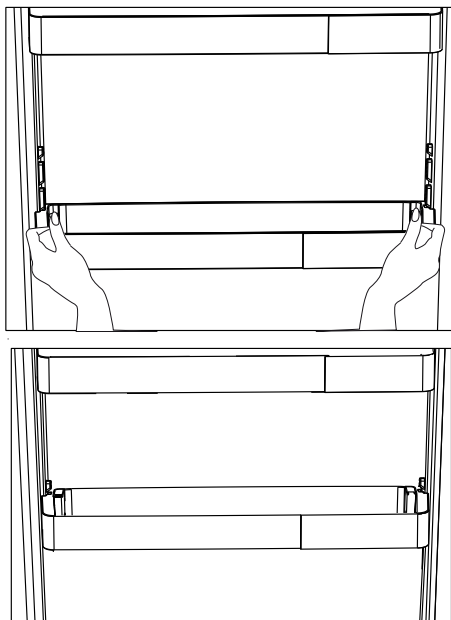
* Opcionalno

Pokretna polica na vratima se može fiksirati u 3 različita položaja.

Za pomjeranje police, istovremeno pritisnite tipke na bočnim stranama. Polica će moći da se pomjera.

Pomjerite policu gore ili dolje.

Kada se polica nalazi u željenom položaju, pustite tipke. Polica će se ponovno fiksirati u položaju u kome oslobodite tipke.



HerbBox/HerbFresh

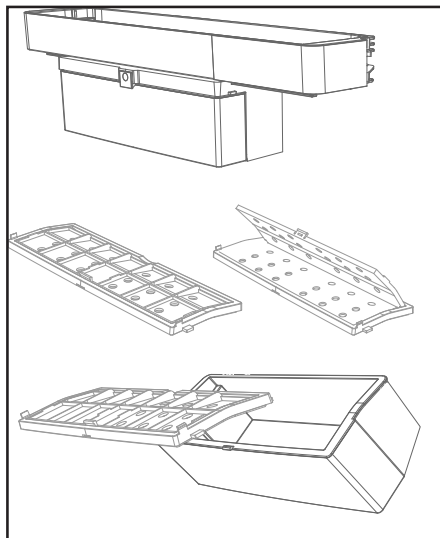
Izvadite posudu za foliju iz HerbBox/HerbFresh+ kutije

Izvadite foliju iz vrećice i stavite je u posudu za foliju kao što je prikazano na slici.

Ponovo zatvorite posudu i vratite je u HerbBox/HerbFresh+ kutiju.

HerbBox-HerbFresh+ odjeljci su naročito pogodni za čuvanje različitog bilja koje bi se trebalo čuvati u delikatnim uvjetima. U ovom odjeljku bilje koje se ne nalazi u vrećici (peršun, mirođija, itd.) možete čuvati u horizontalnom položaju i održavati ga svežim mnogo duži vremenski period.

Slaj se zamjenjuje na šest mjeseci.



Korištenje proizvoda

6.10. Posuda za povrće sa kontrolom vlažnosti

* Opcionalno

S funkcijom kontrole vlažnosti, nivoi vlažnosti voća i povrća se drže pod kontrolom i obezbjeđuje se duži period vlažnosti hrane.

Preporučuje se da se lisnato povrće, kao što je zelena salata, špinat i slično povrće sklono gubitku vlažnosti u posudi za povrće čuva u što horizontalnijem položaju a ne postavljeno na korijen.

Prilikom postavljanja povrća, teško i tvrdo povrće stavite na dno a meko na vrh, uzimajući u obzir specifične težine povrća.

Ne ostavljajte povrće u posudi za povrće u plastičnim vrećicama. Ostavljanje u plastičnim vrećicama dovodi do toga da povrće brzo istruli. U situacijama kada kontakt sa drugim vrstama povrća nije poželjan, koristite materijal za pakiranje kao što je papir koji ima određenu poroznost u pogledu higijene.

Nemojte stavljati voće koje ima visoku proizvodnju etilena, kao što su kruška, kajsija, breskva, a naročito jabuka, u istu posudu za povrće sa drugim povrćem i voćem. Etilen koji izlazi iz ovog voća može da dovede do bržeg sazrijevanja i truljenja drugog voća i povrća.

6.11. Automatska mašina za led

* Opcionalno

Automatska mašina za led vam omogućuje da brže pravite led u hladnjaku. Da bi se dobio led iz mašine za led, izvadite rezervoar za vodu iz odjeljka hladnjaka, napunite vodom i vratite ga nazad.

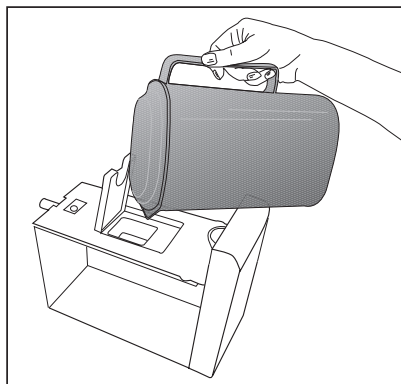
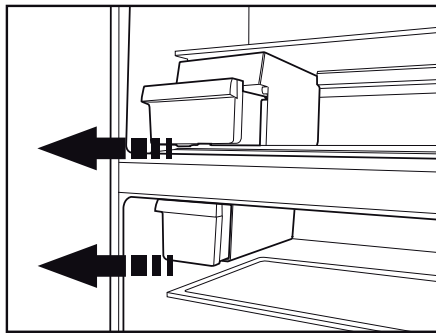
Prvi led će biti spreman za oko 2 sata u fioci mašine za led u odjeljku hladnjaka.

Kada stavite pun rezervoar za vodu, možete dobiti oko 60-70 kocki leda dok se on potpuno ne isprazni.

Ako voda u rezervoaru stoji 2-3 sedmice, ona treba da se promjeni.



Na proizvodima sa automatskom mašinom za led, može se čuti zvuk prilikom sipanja proizvoda. Ovaj zvuk je normalan i ne označava kvar.



Korištenje proizvoda

6.12. Icematic i posuda za čuvanje leda

* Opcionalno

Korištenje odjeljka Icematic

Napunite Icematic vodom i postavite ga na mjesto. Led će biti spreman nakon otprilike dva sata. Za vađenje leda, ne skidajte Icematic sa njegovog mjesta.

Okrenite tipke na rezervoarima za led za 90 stupnjeva u smjeru kretanja kazaljke na satu.

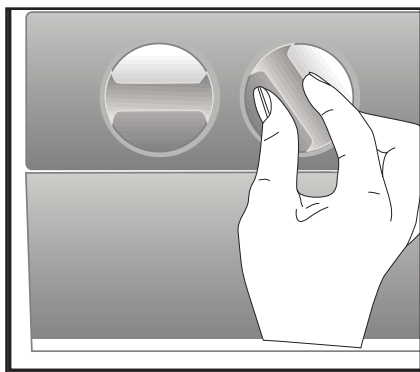
Kocke leda u rezervoarima će pasti u donju posudu za čuvanje leda.

Tada možete izvaditi posudu za čuvanje leda i poslužiti led.

Ako želite, možete čuvati kocke leda u posudi za čuvanje leda.

Posuda za čuvanje leda

Posuda za čuvanje leda je namijenjena samo za sakupljanje kocki leda. Ne stavljajte vodu u nju. U protivnom, ona će se polomiti.



6.13. Korištenje automata za vodu

* Opcionalno



Normalno je da prvih nekoliko čaša vode sipanih iz automata za vodu budu tople.

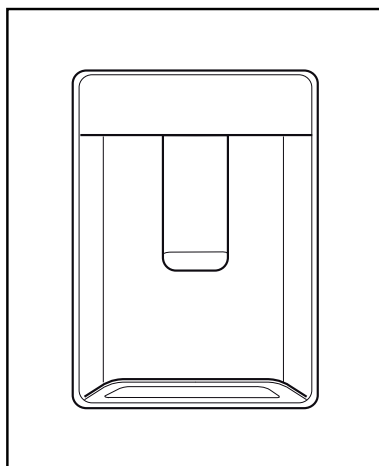


Ako se aparat za vodu ne koristi duže vrijeme, prosipajte prvih nekoliko čaša da biste dobili svježju vodu.

1. Čašom gurnite ručicu rezervoara za vodu. Ako koristite meku plastičnu čašu, jednostavnije je da ručicu gurnete rukom.
2. Nakon punjenja čaše do željenog nivoa, pustite ručicu.



Imajte na umu da protok vode iz automata ovisi o tome koliko jako pritisnete ručicu. Kako nivo vode u plastičnoj/staklenoj čaši raste, lagano smanjite količinu pritiska na polugu kako biste izbjegli da se ona prepuni. Ako lagano pritisnete ručicu, voda će da kaplje; ovo je sasvim normalno i nije kvar.



Korištenje proizvoda

6.14. Punjenje rezervoara automata vodom

Rezervoar za vodu koji se dopunjuje se nalazi na polici na vratima.

1. Otvorite poklopac rezervoara.
2. Napunite rezervoar svježom vodom za piće.
3. Zatvorite poklopac.



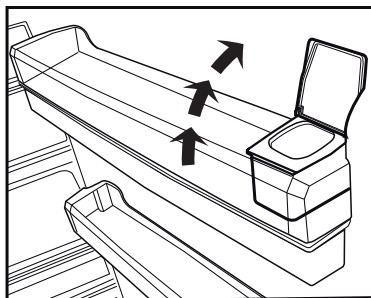
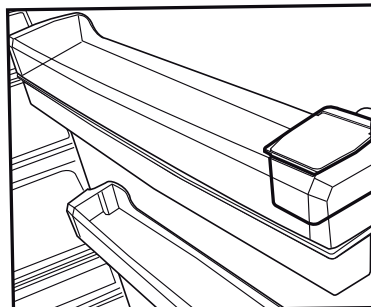
Rezervoar za vodu ne punitite drugim tekućinama, kao što su voćni sokovi, gazirana pića ili alkoholna pića koja nisu pogodna za korištenje u aparatu za vodu. Aparat za vodu će biti nepopravljivo oštećen ukoliko se koriste ovakve vrste tekućina. Garancija ne pokriva takve načine korištenja. Neke kemijske supstance i aditivi koji se nalaze u ovim vrstama pića/tekućina mogu da oštete rezervoar za vodu.



Koristite samo čistu vodu za piće.



Kapacitet rezervoara za vodu je 3 litra, nemojte ga prepunjavati.



6.15. Čišćenje rezervoara za vodu

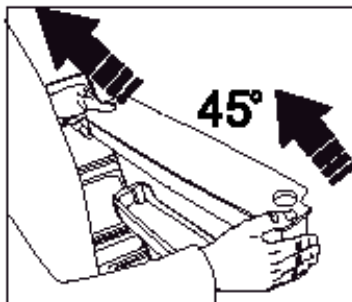
1. Uklonite rezervoar za punjenje vode sa police na vratima.

Korištenje proizvoda

2. Skinite policu sa vratima tako što ćete je držati sa obje strane.
3. Uхватite rezervoar za vodu sa obje strane i skinite ga tako što ćete ga okrenuti za 45°C.
4. Skinite poklopac rezervoara za vodu i očistite rezervoar.

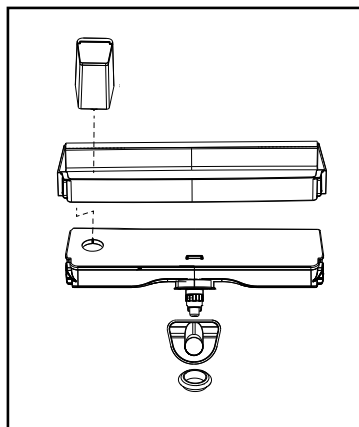
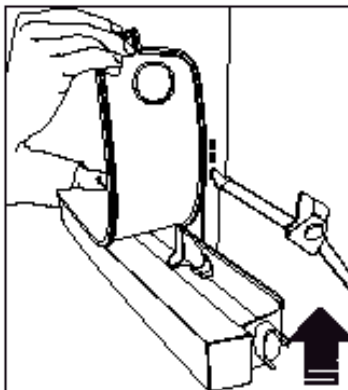
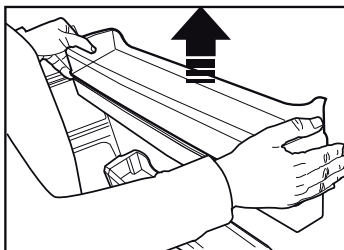
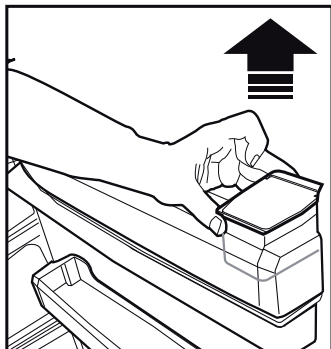


Komponente rezervoara za vodu i aparata za vodu ne treba prati u mašini za pranje posuđa.



6.16. Posuda za kapanje

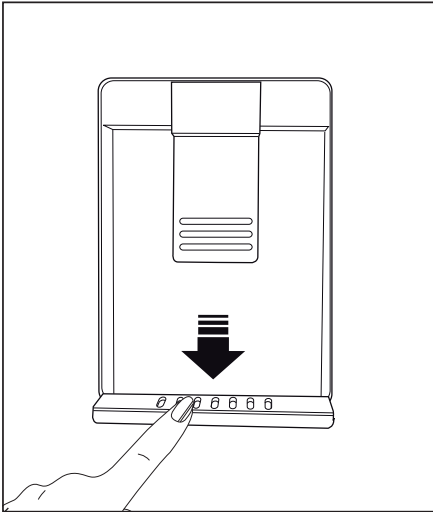
Voda koja kaplje tokom korištenja aparata za vodu se sakuplja u posudi za sakupljanje vode.



Korištenje proizvoda

Skinite plastični filter kao što je prikazano na slici.

Sakupljenu vodu pokupite čistom suhom krpom.



Korištenje proizvoda

6.16 Zamrzavanje svježe hrane

- Za očuvanje kvaliteta hrane, hrana stavljena u odjeljak zamrzivača se mora zamrznuti što je brže moguće, za ovo možete koristiti brzo zamrzavanje.
- Zamrzavanje hrane kada je svježija će produžiti vrijeme skladištenja u zamrzivaču.
- Spakujte hranu u hermetički zatvorene pakete i čvrsto je zapečatite.
- Pobrinite se da hrana bude upakovana prije stavljanja u zamrzivač. Koristite posude za zamrzavanje, staniol i voodoporni papir, plastične vreće ili sličnu ambalažu umjesto tradicionalne papirne ambalaže.



Led u odjeljku zamrzivača se automatski topi.

- Označite svaki paket hrane pisanjem datuma na pakovanju prije zamrzavanja.

To će vam omogućiti da utvrdite svježinu svakog paketa svaki put kad se zamrzivač otvori. Hranu koju ste ranije stavili prebacite u prednji dio zamrzivača da biste je ranije upotrebili.

- Smrznuta hrana se mora iskoristiti odmah nakon odmrzavanja i ne treba je ponovno zamrzavati.
- Ne zamrzavajte velike količine hrane odjednom.

6.17 Preporuke za skladištenje smrznute hrane

Odjeljak mora biti postavljen na najmanje -18 °C.

1. Stavite hranu u zamrzivač što je brže moguće da bi se izbjeglo otapanje.
2. Prije zamrzavanja, provjerite „Rok trajanja“ na pakovanju kako biste bili sigurni da nije istekao.
3. Pobrinite se da pakovanje hrane nije oštećeno.

Podešavanje temperature odjeljka zamrzivača	Podešavanje temperature odjeljka hladnjaka	Detalji
-18°C	4°C	Ovo je podrazumijevano, preporučeno podešavanje.
-20, -22 ili -24°C	4°C	Ova podešavanja se preporučuju za temperature okoline veće od 30°C.
Brzo zamrzavanje	4°C	Koristite kada želite da zamrznete hranu u kratkom vremenskom periodu. Kada se ovaj proces završi, proizvod će povratiti svoj položaj.
-18 °C ili hladniji	2°C	Koristite ova podešavanja ako smatrate da odjeljak hladnjaka nije dovoljno hladan zbog temperature okoline ili čestog otvaranja vrata.

Korištenje proizvoda

6.18. Detalji zamrzivača za duboko zamrzavanje

Prema standardima IEC 62552, zamrzivač mora imati sposobnost da zamrzne 4,5 kg prehrambenih artikala na -18 °C ili niže temperature u roku od 24 sata na svakih 100 litara zapremine zamrzivača.

Hrana se može čuvati duži period samo na temperaturi od -18 °C ili nižoj.

Svežina hrane se može održati mjesecima (u zamrzivaču na temperaturi od 18 °C ili nižoj).

Hrana za zamrzavanje ne smije dodirivati već smrznutu hranu kako bi se izbjeglo parcijalno odmrzavanje.

Skuhajte povrće i filtrirajte vodu da produžite vremena skladištenja u smrznutom stanju. Stavite hranu u hermetičke pakete nakon filtriranja i stavite je u zamrzivač. Banane, paradajz, zelena salata, celer, kuhana jaja, krumpir i slične prehrambene artikle ne treba zamrzavati. Ako ova hrana istruli, to će negativno uticati samo na nutritivne vrijednosti i kvalitet ishrane. Truljenje neće imati negativan utjecaj na zdravlje ljudi.

6.19. Stavljanje hrane

Police odjeljka zamrzivača	Razne vrste smrznute hrane, uključujući meso, ribu, sladoled, povrće itd
Police odjeljka za hlađenje	Hrana u loncima, pokrivena tanjirima i u zatvorenim kutijama, jaja (u slučaju da su u zatvorenoj kutiji)
Police na vratima odjeljka za hlađenje	Mala i upakovana hrana ili pića
Kutija za povrće	Voće i povrće

Odjeljak za svježu hranu	Delikatesi (hrana za doručak, proizvodi od mesa koji se konzumiraju u kratkom roku)
--------------------------	---

6.20. Upozorenje na otvorena vrata (Opcionalno)

Zvučno upozorenje će se čuti ako vrata proizvoda ostanu otvorena duže od 1 minuta. Zvučno upozorenje će se zaustaviti kada se vrata zatvore ili se pritisne bilo koja tipka na ekranu (ako je dostupno).

Upozorenje na otvorena vrata označit će se i zvučno i vizualno. Unutrašnje osvjetljenje će se isključiti ako upozorenje potraje još 10 minuta.

6.21. Promjena smjera otvaranja vrata

Smjer otvaranja vrata hladnjaka možete promijeniti ovisno o lokaciji na kojoj ga koristite. Kada vam ovo bude potrebno, kontaktirajte najbliži ovlašteni servis.

Objašnjenje iznad je opšta izjava. Treba da provjerite oznaku upozorenja koja se nalazi u ambalaži proizvoda o mogućnosti promjene smjera otvaranja vrata.

6.22. Unutrašnje osvjetljenje

Unutrašnje osvjetljenje koristi lampe LED tipa. Kontaktirajte ovlašteni servis u slučaju problema sa ovom lampom.

Lampica(e) korištena(e) u ovom uređaju ne mogu se koristiti za kućno osvjetljenje. Namjena ove lampice je da pomogne korisniku da sigurno i praktično stavi hranu u hladnjak/zamrzivač.

Ovaj je proizvod opremljen izvorom osvjetljenja Aenergetskog razreda „G”.

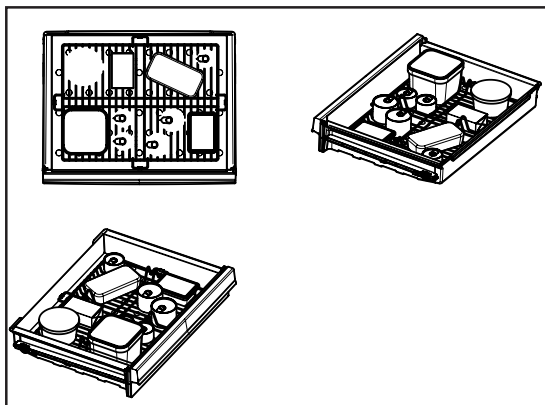
Izvor osvjetljenja u ovom proizvodu mogu zamijeniti samo stručni serviseri.

Korištenje proizvoda

6.23 Preporuke za rad higijenskog odjeljka:

*Ova značajka je opcionalna

- Dok hranu stavljate u ovaj odjeljak za potrebe higijenzacije površine hrane, mesa, peradi, ribe, mlijeka i mliječnih proizvoda uvijek stavljajte u odjeljak držeći ih u njihovoj ambalaži.
- Stavljanje bilo kojeg proizvoda osim hrane u ovaj odjeljak u higijenske svrhe definitivno nije prikladno.
- Ako hranu stavite u higijenski odjeljak, a da je niste izvadili iz torbe s namirnicama, higijena će biti osigurana samo na površini torbe, a pakiranja s hranom neće biti tretirana svjetlošću. Stoga ćete izvaditi prehrambene proizvode iz torbe za namirnice dok ih stavljate.
- Prikladno je primijeniti higijenski postupak na istu hranu samo jednom, a nije prikladno primijeniti postupak više puta.
- Ako ne želite da postupak ponovite za drugu hranu nakon završetka higijenskog postupka, preporučujemo vam da u ovaj pretinac skladištite samo delikatesne proizvode i hranu za doručak. Ne preporučuje se dugo skladištenje povrća i voća u ovom odjeljku jer je higijenski odjeljak hladniji od ostalih dijelova hladnjaka.
- Prije aktiviranja higijenske funkcije sa kontrolne table ekrana, preporučuje se da hranu koja je prethodno bila smještena u higijenski odjeljak privremeno odložite u drugi dio hladnjaka. Kada je postupak higijene aktivan, preporučuje se da proizvodi prvi put budu higijenski održavani samo u odjeljku. Kada je higijenski postupak završen, hranu koju ste uklonili možete vratiti u odjeljak.
- Radi učinkovite higijenske funkcije, proizvodi se postavljaju tako da se između njih ostavi razmak i da ne blokiraju svjetlost.
- Prije aktiviranja higijenske funkcije osigurajte da hrana nije stavljena jedna na drugu.



Vijek trajanja proizvoda se povećava ako se on redovito čisti



UPOZORENJE: Prije čišćenja, hladnjak prvo isključite iz struje.

- Za čišćenje nikada nemojte koristiti oštre i abrazivne alate, sapun, sredstva za čišćenje u domaćinstvu, deterdžent i vosak za poliranje.
- Rastvorite jednu kašičicu karbonata u pola litre vode. Krpu natopite rastvorom i temeljito je iscijedite. Ovom krpom obrišite unutrašnjost uređaja i temeljito isperite.
- Vodite računa da voda ne uđe u kućište lampe i druge električne komponente.
- Očistite vrata vlažnom krpom. Za skidanje polica na vratima i u hladnjaku, prvo sklonite sve što se nalazi na njima. Police na vratima skinite tako što ćete ih povući nagore. Nakon čišćenja, gurnite ih odozgo na dolje da biste ih postavili.
- Nikada nemojte koristiti sredstva za čišćenje niti vodu koja sadrži klor za čišćenje spoljnih površina i dijelova proizvoda obloženih hromom. Klor izaziva koroziju na takvim metalnim površinama.
- Ne koristite oštra, abrazivna sredstva, sapun, sredstva za čišćenje u domaćinstvu, kerozin, lož ulje, lak, itd. da biste spriječili skidanje i deformaciju štampe na plastičnim dijelovima. Za čišćenje koristite mlaku vodu i meku krpu, potom osušite brisanjem.

7.1. Izbjegavajte neugodne mirise

Materijali koji mogu da izazovu neugodne mirise nisu korišteni u proizvodnji naših uređaja. Međutim, zbog neodgovarajućih uslova čuvanja hrane i neredovnog čišćenja unutrašnje površine uređaja, može se razviti problem sa neugodnim mirisima. Stoga, hladnjak čistite karbonatom rastvorenim u vodi na svakih 15 dana.

- Hranu čuvajte u zatvorenim posudama. Mikroorganizmi koji se šire iz nezatvorenih posuda mogu da prouzrokuju neugodne mirise.

- Hranu sa isteklim rokom trajanja i pokvarenu hranu nikada ne čuvajte u hladnjaku.

7.2. Zaštita plastičnih površina

Ruke odmah isperite vodom pošto ulje može da izazove oštećenja površine kada se sipa na plastične površine.

7.3. Stakla na vratima

Skinite zaštitnu foliju sa stakala.

Skinite oblogu sa površine stakala. Ova obloga smanjuje nagomilavanje mrlja i pomaže u lakom uklanjanju mogućih mrlja i prljavštine. Stakla koja nisu zaštićena takvom oblogom mogu biti podložna upornom vezivanju zraka ili vode na osnovu organske ili neorganske prljavštine kao što je kamenac, mineralne soli, nesagorijeli ugljovodonici, oksidi metala i silikoni koji mogu lako i brzo izazvati mrlje ili oštećenje materijala. Održavanje stakala čistim postaje suviše teško usprkos redovitom čišćenju. Kao posljedica toga, izgled i providnost stakla se pogoršava. Agresivne i korozivne metode čišćenja i jedinjenja će povećati ova oštećenja i ubrzati proces propadanja.

Sredstva za čišćenje na bazi vode koja nisu alkalna i korozivna se moraju koristiti u svrhe redovitog čišćenja.

Za čišćenje se moraju koristiti materijali koji nisu alkalni i nisu korozivni tako da se produži vijek trajanja ove obloge.

Ovo staklo je ojačano kako bi se povećala njegova izdržljivost na utjecaje i pucanje. Sigurnosna folija se također nanosi na stražnje površine kao dodatna sigurnosna mjera da bi se spriječilo da ona izazovu oštećenja na okolnim predmetima ukoliko puknu.

*Alkali su baze koje formiraju jone hidroksida (OH⁻) kada se rastvaraju u vodi.

Metali Li (litij), Na (natrij), K (kalij) Rb (rubidij), Cs (cezij) i vještački i radioaktivni Fr (francij) nazivaju se ALKALNI METALI.

8 Rješavanje problema

Provjerite ovu listu prije kontaktiranja servisa. Na taj način ćete uštedjeti vrijeme i novac. Ova lista uključuje česte pritužbe koje se ne odnose na neispravne izradu ili materijale. Određene navedene odlike mogu se ne odnositi na vaš proizvod.

Frizider ne radi.

- Utikač nije u potpunosti utaknut. >>> *Uključite ga u potpunosti u utičnicu.*
- Osigurač povezani na šteker koji napaja proizvod ili glavni osigurač je eksplodirao. >>> *Provjerite osigurače.*

Kondenzacija na bočnom zidu hladnjaka (MULTI ZONA, HLADNO, KONTROLA i FLEXI ZONa).

- Vrata su se otvorila prečesto >>> *Pazite da ne otvorati vrata proizvoda prečesto.*
- Okruženje je previše vlažno. >>> *Ne postavljati proizvod u vlažnim sredinama.*
- Hrana koja sadrži tekućine se čuvaju u otvorenim posuđem. >>> *Držite hranu koja sadrži tekućine zatvorenu.*
- Vrata proizvoda je ostala otvoreno. >>> *Nemojte držati vrata proizvoda otvorene tokom dugih perioda.*
- Termostat je podešen na suviše niske temperature. >>> *Podesite termostat na odgovarajuću temperaturu.*

Kompresor ne radi.

- U slučaju iznenadnog nestanka struje ili povlačenjem utikača i onda vraćanja, pritisak plina u sistemu hlađenja proizvoda nije izbalansiran i to pokreće termičku zaštitu kompresora. Proizvod će se ponovo pokrenuti nakon oko 6 minuta. Ako proizvod se nije ponovo pokrenuo nakon tog perioda, kontaktirajte servis.
- Odmrzavanje je aktivno. >>> *To je normalno za potpuno automatsko odmrzavanje proizvoda. Odmrzavanje se obavlja periodično.*
- Proizvod nije priključen >>> *Pobrinite se da je napajanje priključeno*
- Postavka temperature je pogrešna. >>> *Odaberite odgovarajuću postavku temperature.*
- Nestalo je struje. >>> *Proizvod će nastaviti normalno raditi kada struja opet dođe.*

Radna buka frižidera se povećava dok je u upotrebi.

- Operativni performanse proizvoda može se razlikovati ovisno o varijacije temperature okoline. To je normalno i ne predstavlja kvar.

Rješavanje problema

Frižider radi prečesto ili predugo.

- Novi proizvod može biti veći od prethodnog. Veći proizvodi će duže raditi.
- Sobna temperatura može biti visoka. >>> *Proizvod će normalno raditi za duže periode kod višu temperaturu sobe.*
- Proizvod je možda nedavno uključen ili nove hrane su unutra. >>> *Proizvodu će trebati više vremena da dostigne zadanu temperaturu kada je nedavno uključen ili kada ima novih hrana unutra. To je normalno.*
- Velike količine tople hrane možda su nedavno postavljeni u proizvod. >>> *Ne stavljajte toplu hranu u proizvod.*
- Vrata su se otvorila često ili su bila otvorena dužeg vremena. >>> *Topli zrak koji se kreće unutar će izazvati da proizvod više radi. Ne otvarajte vrata prečesto.*
- Vrata zamrzivača ili hladnjaka mogu biti odškrinuta. >>> *Provjerite da li su vrata potpuno zatvorena.*
- Proizvod možda je postavljen na prenisku temperaturu. >>> *Postavite temperaturu na viši stupanj i čekati da dođe do podešenu temperaturu.*
- Gumica vrata hladnjak ili zamrzivača možda je prljava, istrošen, slomljena ili nije pravilno postavljena. >>> *Očistite ili zamijenite gumicu. Oštećena / pocepana gumica vrata će uzrokovati da proizvod radi duži period za očuvanje trenutne temperature.*

Temperatura zamrzivača je veoma niska, ali je temperatura hladnjaka adekvatna.

- Temperatura odjeljka Zamrzivač je postavljena na vrlo niskim stepenom. >>> *Podesite temperaturu zamrzivača na viši stupanj i provjerite još jednom.*

Temperatura hladnjaka je vrlo niska, ali temperatura zamrzivača je adekvatna.

- Temperatura hladnjaka je postavljena na vrlo nizak stupanj. >>> *Postavite temperatura hladnjaka na viši stupanj i provjerite još jednom.*

Hrana koja je u hladnjaku je zamrznuła.

- Temperatura hladnjaka je postavljena na vrlo nizak stupanj. >>> *Podesite temperaturu zamrzivača na viši stupanj i provjerite još jednom.*

Temperatura u hladnjaku ili zamrzivaču je previsoka.

- Temperatura hladnjaka je postavljena na vrlo visoki stupanj. >>> *Postavka temperature hladnjaka utječe na temperaturu zamrzivača. Promijenite temperature hladnjaka ili zamrzivača i sačekajte da relevantne pregrade dostigne podešeni nivo temperature.*
- Vrata su se otvorila često ili su bila otvorena dužeg vremena. >>> *Ne otvarajte vrata prečesto.*
- Vrata mogu biti odškrinuta. >>> *Potpuno zatvorite vrata.*
- Proizvod je možda nedavno uključen ili nove hrane su unutra. >>> *To je normalno. Proizvodu će trebati više vremena da dostigne zadanu temperaturu kada je nedavno uključen ili kada ima novih hrana unutra.*
- Velike količine tople hrane možda su nedavno postavljeni u proizvod. >>> *Ne stavljajte toplu hranu u proizvod.*

Drhtanje ili buke.

- Tlo nije ravno ili izdržljivo. >>> *Ako se proizvod tresе kada se polako pomiče, prilagoditi nogare za uravnoteženje proizvoda. Također pazite da je tlo dovoljno izdržljivo da nosi proizvoda.*
- Svi predmeti na proizvodu mogu izazvati buku. >>> *Uklonite sve predmete koje se nalaze na proizvodu.*

Rješavanje problema

Proizvod daje buku kao kad tekućine teče, prskanje itd.

- Operativni principi proizvoda uključuju tokovi tekućina i plina. >>> *To je normalno i ne predstavlja kvar.*

Ima zvuk vjetra koji puše koji dolazi iz proizvoda.

- Proizvod koristi ventilator za proces hlađenja. To je normalno i ne predstavlja kvar.

Postoji kondenzacije na unutrašnjim zidovima proizvoda.

- Vruće ili vlažno vremenu će povećati zaleđivanje i kondenzacije. To je normalno i ne predstavlja kvar.
- Vrata su se otvorila često ili su bila otvorena dužeg vremena. >>> *Ne otvarajte vrata prečesto, ako su otvorena, zatvorite vrata.*
- Vrata mogu biti odškrinuta. >>> *Potpuno zatvorite vrata.*

Postoji kondenzacije na vanjske površine proizvoda ili između vrata.

- Spoljašni vazduh može biti vlažan, to je sasvim normalno u vlažnom vremenu. >>> *Kondenzacija će nestati kada se smanjuje vlažnost.*

Unutrašnjost smrdi.

- Proizvod se redovno ne čiste. >>> *Redovno čistite unutrašnjost pomoću spužve, toplom vodom i gaziranom vodom.*
- Pojedini držači i materijale za pakovanje mogu izazvati mirise. >>> *Koristite držače i materijale za pakovanje bez mirisa.*
- Hrane su bili smješteni u otvorenim posuđem. >>> *Držite hranu u zatvorenim posuđem. Mikroorganizmi mogu se proširiti od nezapečaćenih prehrambenih artikala i izazvati loši miris.*
- Uklonite iz proizvoda sve hrane kojima je istekao rok ili su pokvarene.

Vrata se ne zatvaraju.

- Paketi hrane može blokiraju vrata. >>> *Relocirajte stvari koji blokiraju vrata.*
- Proizvod ne stoji u potpuno uspravnom položaju. >>> *Podesite nogare za uravnoteženje proizvoda.*
- Tlo nije ravno ili izdržljivo. >>> *Pobrinite se da je tlo ravno i dovoljno izdržljivo da nosi proizvoda.*

Kutija za povrća je zaglavljena.

- Hrana može biti u kontaktu sa gornjem dijelu ladice. >>> *Reorganizovati prehrambenih artikala u ladici.*



UPOZORENJE: Ako problem i dalje postoji nakon što ste slijedeli upute u ovom poglavlju, obratite se prodavcu ili ovlaštenom servisu. Nemojte pokušavati popraviti proizvod.