



Refrigerator - Freezer

Instruction of use

Frigorifer - Ngrirës

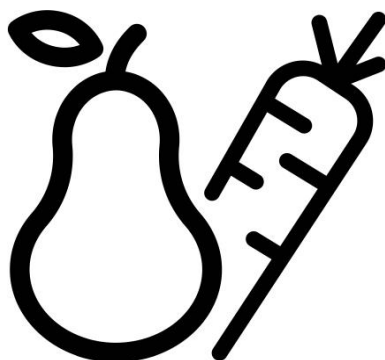
Udhëzimi i përdorimit

Хладилник - Фризер

Инструкции за употреба

Холодильник - Морозильна

Інструкція з експлуатації



RCNA366K30W

EN-SQ-BG-UA

Please read this user manual first!

Dear Customer,

We hope that your product, which has been produced in modern plants and checked under the most meticulous quality control procedures, will provide you an effective service.

Therefore, read this entire user manual carefully before using the product and keep it as a reference. If you handover the product to someone else, give the user manual as well.




The user manual will help you use the product in a fast and safe way.

- Read the manual before installing and operating the product.
- Make sure you read the safety instructions.
- Keep the manual in an easily accessible place as you may need it later.
- Read the other documents given with the product.

Remember that this user manual is also applicable for several other models. Differences between models will be identified in the manual.

Explanation of symbols

Throughout this user manual the following symbols are used:

-  Important information or useful tips.
-  Warning against dangerous conditions for life and property.
-  Warning against electric voltage.



WARNING!

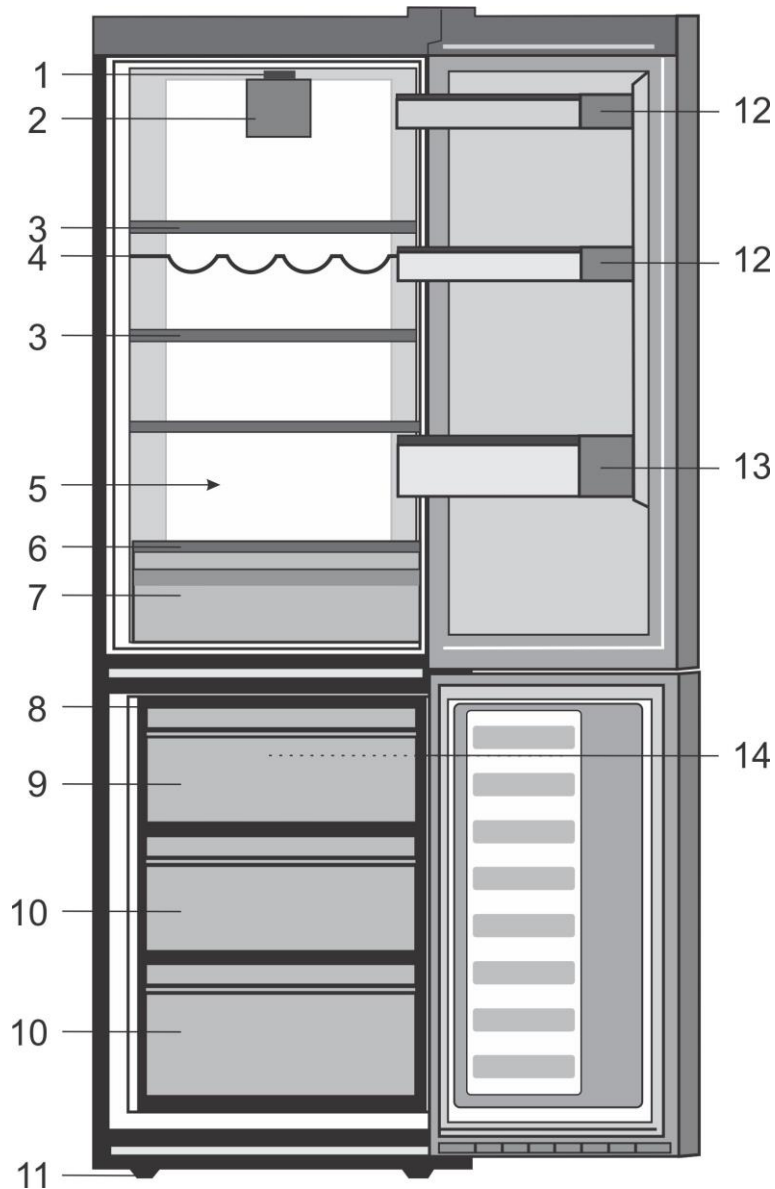
In order to ensure a normal operation of your refrigerating appliance, which uses a completely environmentally friendly refrigerant the R600a (flammable only under certain conditions) you must observe the following rules:

- ♦ Do not hinder the free circulation of the air around the appliance.
- ♦ Do not use mechanical devices in order to accelerate the defrosting, others than the ones recommended by the manufacturer.
- ♦ Do not destroy the refrigerating circuit.
- ♦ Do not use electric appliances inside the food keeping compartment, other than those that might have been recommended by the manufacturer.

CONTENTS

<u>1 Your refrigerator</u>	<u>3</u>	<u>4 Preparation</u>	<u>10</u>
<u>2 Important Safety Warnings</u>	<u>4</u>	<u>5 Using your refrigerator</u>	<u>11</u>
Intended use.....	4	Thermostat setting button.....	11
General safety.....	4	Dual cooling system	11
For products with a water dispenser.....	6	Reversing the doors	12
Child safety.....	6	Freezing fresh food.....	13
Compliance with the WEEE Regulation and Disposing of the Waste Product.....	6	Recommendations for preservation of frozen food.....	14
Package information.....	7	Defrosting.....	14
HCA warning.....	7	Placing the food.....	14
Things to be done for energy saving.....	7	Deep-freeze information.....	15
<u>3 Installation</u>	<u>8</u>	Recommendations for the fresh food compartment.....	15
Points to be paid attention to when the relocation of the refrigerator.....	8	<u>6 Maintenance and cleaning</u>	<u>16</u>
Before you start the refrigerator,.....	8	Protection of plastic surfaces	16
Electrical connection.....	8	<u>7 Troubleshooting</u>	<u>17</u>
Disposing of the packaging.....	8		
Disposing of your old refrigerator.....	9		
Placing and Installation.....	9		
Changing the illumination lamp	9		
Adjusting the legs.....	9		

1 Your refrigerator



- | | |
|-------------------------------------|---|
| 1. Setting knob and interior light | 10. Compartments for frozen foods keeping |
| 2. Fresh Food fan | 11. Adjustable front feet |
| 3. Adjustable Cabinet shelves | 12. Shelf for jars |
| 4. Wine bottles support | 13. Shelf for bottles |
| 5. 0° Zone | 14. Freezer fan |
| 6. Cover glass | |
| 7. Salad crispers | |
| 8. Ice tray | |
| 9. Compartment for quickly freezing | |

i Figures that take place in this instruction manual are schematic and may not correspond exactly with your product. If the subject parts are not included in the product you have purchased, then it is valid for other models.

2 Important Safety Warnings

Please review the following information. Failure to observe this information may cause injuries or material damage. Otherwise, all warranty and reliability commitments will become invalid.

Original Spare parts will be provided for 10 years, following the product purchasing date.

Intended use

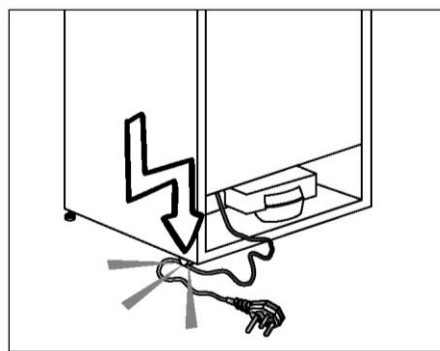
This product is intended to be used

- indoors and in closed areas such as homes;
- in closed working environments such as stores and offices;
- in closed accommodation areas such as farm houses, hotels, pensions.
- It should not be used outdoors.

General safety

- When you want to dispose/scrap the product, we recommend you to consult the authorized service in order to learn the required information and authorized bodies.
- Consult your authorized service for all your questions and problems related to the refrigerator. Do not intervene or let someone intervene to the refrigerator without notifying the authorised services.
- For products with a freezer compartment; Do not eat cone ice cream and ice cubes immediately after you take them out of the freezer compartment! (This may cause frostbite in your mouth.)
- For products with a freezer compartment; Do not put bottled and canned liquid beverages in the freezer compartment. Otherwise, these may burst.
- Do not touch frozen food by hand; they may stick to your hand.
- Unplug your refrigerator before cleaning or defrosting.
- Vapor and vaporized cleaning materials should never be used in cleaning and defrosting processes of your refrigerator. In such cases, the vapor may get in contact with the electrical parts and cause short circuit or electric shock.
- Never use the parts on your refrigerator such as the door as a means of support or step.
- Do not use electrical devices inside the refrigerator.
- Do not damage the parts, where the refrigerant is circulating, with drilling or cutting tools. The refrigerant that might blow out when the gas channels of the evaporator, pipe extensions or surface coatings are punctured causes skin irritations and eye injuries.
- Do not cover or block the ventilation holes on your refrigerator with any material.
- Electrical devices must be repaired by only authorised persons. Repairs performed by incompetent persons create a risk for the user.

- In case of any failure or during a maintenance or repair work, disconnect your refrigerator's mains supply by either turning off the relevant fuse or unplugging your appliance.
- Do not pull by the cable when pulling off the plug.
- Place the beverage with higher proofs tightly closed and vertically.
- Never store spray cans containing flammable and explosive substances in the refrigerator.
- Do not use mechanical devices or other means to accelerate the defrosting process, other than those recommended by the manufacturer.
- This product is not intended to be used by persons with physical, sensory or mental disorders or unlearned or inexperienced people (including children) unless they are attended by a person who will be responsible for their safety or who will instruct them accordingly for use of the product.
- Do not operate a damaged refrigerator. Consult with the service agent if you have any concerns.
- Electrical safety of your refrigerator shall be guaranteed only if the earth system in your house complies with standards.
- Exposing the product to rain, snow, sun and wind is dangerous with respect to electrical safety.
- Contact authorized service when there is a power cable damage to avoid danger.
- Never plug the refrigerator into the wall outlet during installation. Otherwise, risk of death or serious injury may arise.
- This refrigerator is intended for only storing food items. It must not be used for any other purpose.
- Label of technical specifications is located on the left wall inside the refrigerator.
- Never connect your refrigerator to electricity-saving systems; they may damage the refrigerator.
- If there is a blue light on the refrigerator, do not look at the blue light with optical tools.
- For manually controlled refrigerators, wait for at least 5 minutes to start the refrigerator after power failure.
- This operation manual should be handed in to the new owner of the product when it is given to others.
- Avoid causing damage on power cable when transporting the refrigerator. Bending cable may cause fire. Never place heavy objects on power cable.
- Do not touch the plug with wet hands when plugging the product.



- Do not plug the refrigerator if the wall outlet is loose.
- Water should not be sprayed on inner or outer parts of the product for safety purposes.

- Do not spray substances containing inflammable gases such as propane gas near the refrigerator to avoid fire and explosion risk.
- Never place containers filled with water on top of the refrigerator; in the event of spillages, this may cause electric shock or fire.
- Do not overload the refrigerator with food. If overloaded, the food items may fall down and hurt you and damage refrigerator when you open the door.
- Never place objects on top of the refrigerator; otherwise, these objects may fall down when you open or close the refrigerator's door.
- As they require a precise temperature, vaccines, heat-sensitive medicine and scientific materials and etc. should not be kept in the refrigerator.
- If not to be used for a long time, refrigerator should be unplugged. A possible problem in power cable may cause fire.
- The plug's tip should be cleaned regularly with a dry cloth; otherwise, it may cause fire.
- Refrigerator may move if adjustable legs are not properly secured on the floor. Properly securing adjustable legs on the floor can prevent the refrigerator to move.
- When carrying the refrigerator, do not hold it from door handle. Otherwise, it may be snapped.
- When you have to place your product next to another refrigerator or freezer, the distance between devices should be at least 8cm. Otherwise, adjacent side walls may be humidified.

For products with a water dispenser;

Pressure of water mains should be minimum 1 bar. Pressure of water mains should be maximum 8 bars.


- Use only potable water.

Child safety

- If the door has a lock, the key should be kept away from reach of children.
- Children must be supervised to prevent them from tampering with the product.

Compliance with the WEEE Regulation and Disposing of the Waste Product



The symbol  on the product or on packaging indicates that this product may not be treated as household waste. Instead it shall be handed over to the applicable collection point for the recycling of electrical and electronic equipment. By ensuring this product is disposed of correctly, you will help prevent potential negative consequences for the environment and human health, which could otherwise be caused by inappropriate waste handling of this product. For more detailed information about recycling of this product, please contact your local city office, your household waste disposal service or the shop where you purchased the product.

Package information

Packaging materials of the product are manufactured from recyclable materials in accordance with our National Environment Regulations. Do not dispose of the packaging materials together with the domestic or other wastes. Take them to the packaging material collection points designated by the local authorities.

Do not forget...

Any recycled substance is an indispensable matter for nature and our national asset wealth.

If you want to contribute to the reevaluation of the packaging materials, you can consult to your environmentalist organizations or the municipalities where you are located.

HCA warning


If your product's cooling system contains R600a:

This gas is flammable. Therefore, pay attention to not damaging the cooling system and piping during usage and transportation. In the event of damage, keep your product away from potential fire sources that can cause the product catch a fire and ventilate the room in which the unit is placed.

Type of gas used in the product is stated in the type label which is on the left wall inside the refrigerator.

Never throw the product in fire for disposal.

Things to be done for energy Saving

- Do not leave the doors of your refrigerator open for a long time.
 - Do not put hot food or drinks in your refrigerator.
 - Do not overload your refrigerator so that the air circulation inside of it is not prevented.
 - Do not install your refrigerator under direct sunlight or near heat emitting appliances such as ovens, dishwashers or radiators. Keep your refrigerator at least 30 cm away from heat emitting sources and at least 5 cm from electrical ovens.
 - Pay attention to keep your food in closed containers.
 - For products with a freezer compartment; You can store maximum amount of food items in the freezer when you remove the shelf or drawer of the freezer. Energy consumption value stated for your refrigerator has been determined by removing freezer shelf or drawer and under maximum load. There is no harm to use a shelf or drawer according to the shapes and size of food to be frozen.
 - Thawing frozen food in fridge compartment will both provide energy saving and preserve the food quality.
-  In case the information which are given in the user manual are not taken into account, manufacturer will not assume any liability for this.

3 Installation

Points to be paid attention to when the relocation of the refrigerator

1. Your refrigerator should be unplugged. Before transportation of your refrigerator, it should be emptied and cleaned.
2. Before it is re-packaged, shelves, accessories, crisper, etc. inside your refrigerator should be fixed with adhesive tape and secured against impacts. Package should be bound with a thick tape or sound ropes and the transportation rules on the package should be strictly observed.
3. Original packaging and foam materials should be kept for future transportations or moving.

Before you start the refrigerator,

Check the following before you start to use your refrigerator:

1. Clean the interior of the refrigerator as recommended in the "Maintenance and cleaning" section.
2. Connect the plug of the refrigerator to the wall socket. When the fridge door is opened, fridge internal lamp will turn on.
3. When the compressor starts to operate, a sound will be heard. The liquid and gases sealed within the refrigeration system may also give rise to noise, even if the compressor is not running and this is quite normal.
4. Front edges of the refrigerator may feel warm. This is normal. These areas are designed to be warm to avoid condensation.


Electrical connection

Connect your product to a grounded socket which is being protected by a fuse with the appropriate capacity.

Important:

The connection must be in compliance with national regulations.

- The power plug must be easily accessible after installation.
- Electrical safety of your refrigerator shall be guaranteed only if the earth system in your house complies with standards.
- The voltage stated on the label located at left inner side of your product should be equal to your network voltage.
- **Extension cables and multi plugs must not be used for connection.**

 A damaged power cable must be replaced by a qualified electrician.

 Product must not be operated before it is repaired! There is the risk of electric shock!

Disposing of the packaging

The packing materials may be dangerous for children. Keep the packing materials out of the reach of children or dispose of them by classifying them in accordance with the waste instructions stated by your local authorities. Do not throw away with regular house waste, throw away on packaging pick up spots designated by the local authorities.

The packing of your refrigerator is produced from recyclable materials.

Disposing of your old Refrigerator

Dispose of your old refrigerator without giving any harm to the environment.

- You may consult your authorized dealer or waste collection center of your municipality about the disposal of your refrigerator.

Before disposing of your refrigerator, cut out the electric plug and, if there are any locks on the door, make them inoperable in order to protect children against any danger.

Placing and Installation

⚠ If the entrance door of the room where the refrigerator will be installed is not wide enough for the refrigerator to pass through, then call the authorized service to have them remove the doors of your refrigerator and pass it sideways through the door.

1. Install your refrigerator to a place that allows ease of use.
2. Keep your refrigerator away from heat sources, humid places and direct sunlight.
3. There must be appropriate air ventilation around your refrigerator in order to achieve an efficient operation. If the refrigerator is to be placed in a recess in the wall, there must be at least 5 cm distance with the ceiling and at least 5 cm with the wall. Do not place your product on the materials such as rug or carpet.
4. Place your refrigerator on an even floor surface to prevent jolts.

Changing the illumination Lamp

To change the Bulb/LED used for illumination of your refrigerator, call your Authorized Service.

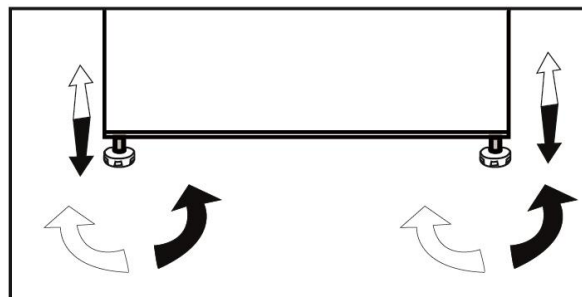
The lamp(s) used in this appliance is not suitable for household room illumination. The intended purpose of this lamp is to assist the user to place foodstuffs in the refrigerator/freezer in a safe and comfortable way.

The lamps used in this appliance have to withstand extreme physical conditions such as temperatures below -20°C .

Adjusting the legs

If your refrigerator is unbalanced;

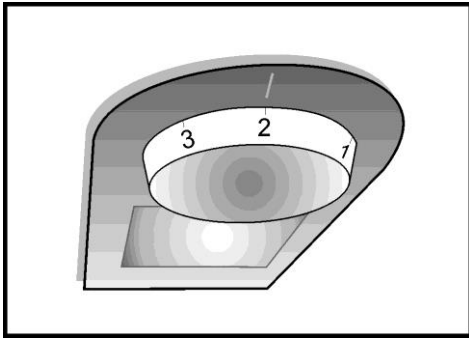
You can balance your refrigerator by turning its front legs as illustrated in the figure. The corner where the leg exists is lowered when you turn in the direction of black arrow and raised when you turn in the opposite direction. Taking help from someone to slightly lift the refrigerator will facilitate this process.



4 Preparation

- Your refrigerator should be installed at least 30 cm away from heat sources such as hobs, ovens, central heater and stoves and at least 5 cm away from electrical ovens and should not be located under direct sunlight.
- The ambient temperature of the room where you install your refrigerator should at least be 10°C. Operating your refrigerator under cooler conditions is not recommended with regard to its efficiency.
- Please make sure that the interior of your refrigerator is cleaned thoroughly.
- If two refrigerators are to be installed side by side, there should be at least 2 cm distance between them.
- When you operate your refrigerator for the first time, please observe the following instructions during the initial six hours.
- The door should not be opened frequently.
- It must be operated empty without any food in it.
- Do not unplug your refrigerator. If a power failure occurs out of your control, please see the warnings in the “Recommended solutions for the problems” section.
- Original packaging and foam materials should be kept for future transportations or moving.

5 Using your refrigerator



Thermostat setting button

The interior temperature of your refrigerator changes for the following reasons;

- Seasonal temperatures,
- Frequent opening of the door and leaving the door open for long periods,
- Food put into the refrigerator without cooling down to the room temperature,
- The location of the refrigerator in the room (e.g. exposing to sunlight).
- You may adjust the varying interior temperature due to such reasons by using the thermostat.

Operating temperatures are controlled by the thermostat knob and may be set at any position between 0 and 5 (the coldest position).

The average temperature inside the fridge should be around +5°C (+41°F). Therefore adjust the thermostat to obtain the desired temperature. Some sections of the fridge may be cooler or warmer (such as salad crisper and top part of the cabinet) which is quite normal. We recommend that you check the temperature periodically with a thermometer to ensure that the cabinet is kept to this temperature. Frequent door openings cause internal temperatures to rise, so it is advisable to close the door as soon as possible after use.

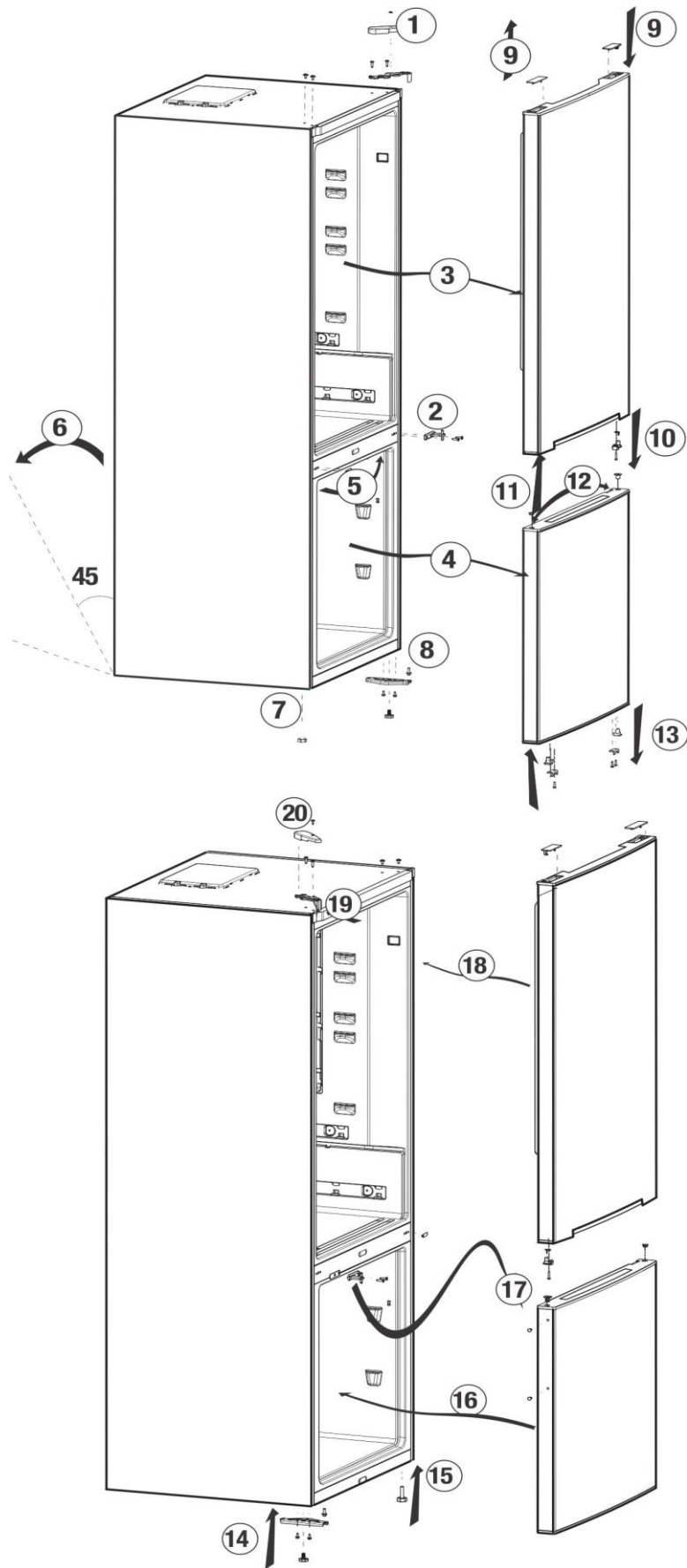
Dual cooling system:

Your refrigerator is equipped with two separate cooling systems to cool the fresh food compartment and freezer compartment. Thus, air in the fresh food compartment and freezer compartment do not get mixed.

Thanks to these two separate cooling systems, cooling speed is much higher than other refrigerators. Odors in the compartments do not get mixed. Also additional power saving is provided since the defrosting is performed individually.

Reversing the doors

Proceed in numerical order



Freezing fresh food

- Wrap or cover the food before placing them in the refrigerator.
- Hot food must cool down to the room temperature before putting them in the refrigerator.
- The foodstuff that you want to freeze must be fresh and in good quality.
- Foodstuff must be divided into portions according to the family's daily or meal based consumption needs.
- Foodstuff must be packaged in an airtight manner to prevent them from drying even if they are going to be kept for a short time.
- Materials to be used for packagings must be resistant to cold and humidity and they must be airtight. The packaging material of the food must be at a sufficient thickness and durability. Otherwise the food hardened due to freezing may puncture the packaging. It is important for the packaging to be closed securely for safe storage of the food.
- Frozen food must be used immediately after they are thawed and they should never be re-frozen.
- Placing warm food into the freezer compartment causes the cooling system to operate continuously until the food is frozen solid.
- Please observe the following instructions to obtain the best results.
 1. Do not freeze too large quantities of food at one time. The quality of the food is best preserved when it is frozen right through to the core as quickly as possible.

2. Take special care not to mix already frozen food and fresh food.
3. Make sure raw foods are not in contact with cooked foods in the fridge.
4. Maximum frozen food storage volume is achieved without using the drawers provided in the freezer compartment. Energy consumption of your appliance is declared while the freezer compartment is fully loaded on shelves without the use of the drawers.
5. It is recommended that you place foodstuffs on top shelf of freezer for initial freezing.

Freezer Compartment Setting	Fridge Compartment Setting	Explanations
-18°C	4°C	This is the normal recommended setting.
-20, -22 or -24°C	4°C	These settings are recommended when the ambient temperature exceeds 30°C.
Quick Freeze	4°C	Use when you wish to freeze your food in a short time. It is recommended to be used to maintain the quality of meat and fish products.
-18°C or colder	2°C	If you think that your fridge compartment is not cold enough because of the hot conditions or frequent opening and closing of the door.
-18°C or colder	Quick Fridge	You can use it when your fridge compartment is overloaded or if you wish to cool down your food rapidly. It is recommended that you activate quick fridge function 4-8 hours before placing the food.

Recommendations for preservation of frozen food

- Pre-packed commercially frozen food should be stored in accordance with the frozen food manufacturer's instructions in a frozen food storage compartment.
- To ensure that the high quality supplied by the frozen food manufacturer and the food retailer is maintained, following points should be noted:
 1. Put packages in the freezer as quickly as possible after purchase.
 2. Ensure that contents of the package are labeled and dated.
 3. Do not exceed "Use By", "Best Before" dates on the packaging.

Defrosting

The freezer compartment defrosts automatically.

Placing the food

Freezer compartment shelves	Various frozen food such as meat, fish, ice cream, vegetables and etc.
Egg holder	Egg
Fridge compartment shelves	Food in pans, covered plates and closed containers
Fridge compartment door shelves	Small and packaged food or drinks (such as milk, fruit juice and beer)
Crisper	Vegetables and fruits
Fresh zone compartment	Delicatessen products (cheese, butter, salami and etc.)

Deep-freeze information

Food must be frozen as rapidly as possible when they are put in the freezer in order to keep them in good quality.

The TSE norm requires (according to certain measurement conditions) the refrigerator to freeze at least 4.5 kg of foodstuff at 32°C ambient temperature to -18°C or lower within 24 hours for every 100-liters of freezer volume.

It is possible to preserve the food for a long time only at -18°C or lower temperatures.

You can keep the freshness of food for many months (at -18°C or lower temperatures in the deep freeze).

WARNING!

- Foodstuff must be divided into portions according to the family's daily or meal based consumption needs.
- Foodstuff must be packaged in an airtight manner to prevent them from drying even if they are going to be kept for a short time.

Materials necessary for packaging:

- Cold resistant adhesive tape
- Self-adhesive label
- Rubber rings
- Pen

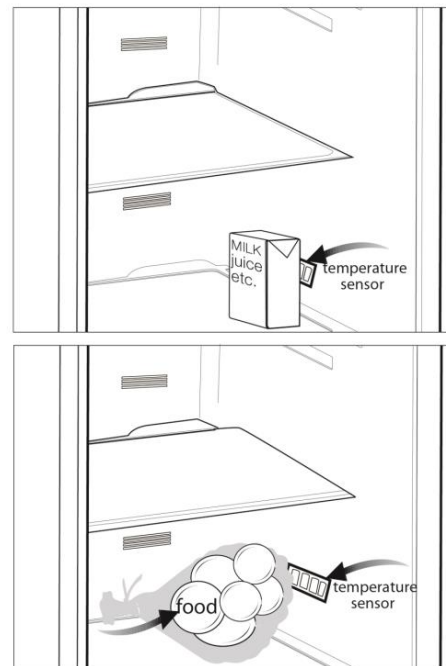
Materials to be used for packaging the foodstuff must be tear-proof and resistant to cold, humidity, dour, oils and acids.

Foodstuff to be frozen should not be allowed to come in contact with the previously frozen items to prevent their partial thawing. Thawed out food must be consumed and must not be frozen again.

Recommendations for the fresh food compartment

***optional**

- Do not allow the food to touch the temperature sensor in fresh food compartment. To allow the fresh food compartment keep its ideal storage temperature, sensor must not be hindered by food.
- Do not place hot foods in the product.



6 Maintenance and cleaning

- ⚠ Never use gasoline, benzene or similar substances for cleaning purposes.
- ⚠ We recommend that you unplug the appliance before cleaning.
- ⚠ Never use any sharp abrasive instrument, soap, household cleaner, detergent and wax polish for cleaning.
- ℹ Use lukewarm water to clean the cabinet of your refrigerator and wipe it dry.
- ℹ Use a damp cloth wrung out in a solution of one teaspoon of bicarbonate of soda to one pint of water to clean the interior and wipe it dry.
- ⚠ Make sure that no water enters the lamp housing and other electrical items.
- ⚠ If your refrigerator is not going to be used for a long period of time, unplug the power cable, remove all food, clean it and leave the door ajar.
- ℹ Check door seals regularly to ensure they are clean and free from food particles.
- ⚠ To remove door racks, remove all the contents and then simply push the door rack upwards from the base.
- ⚠ Never use cleaning agents or water that contain chlorine to clean the outer surfaces and chromium coated parts of the product. Chlorine causes corrosion on such metal surfaces.

Protection of plastic surfaces

- ℹ Do not put the liquid oils or oil-cooked meals in your refrigerator in unsealed containers as they damage the plastic surfaces of your refrigerator. In case of spilling or smearing oil on the plastic surfaces, clean and rinse the relevant part of the surface at once with warm water.

7 Troubleshooting

Please review this list before calling the service. It will save your time and money. This list includes frequent complaints that are not arising from defective workmanship or material usage. Some of the features described here may not exist in your product.

The refrigerator does not operate.

- The plug is not inserted into the socket correctly. >>>Insert the plug into the socket securely.
- The fuse of the socket which your refrigerator is connected to or the main fuse have blown out. >>>Check the fuse.

Condensation on the side wall of the fridge compartment (MULTIZONE, COOL CONTROL and FLEXI ZONE).

- Ambient is very cold. >>>Do not install the refrigerator in places where the temperature falls below 10°C.
- Door has been opened frequently. >>>Do not open and close the door of refrigerator frequently.
- Ambient is very humid. >>>Do not install your refrigerator into highly humid places.
- Food containing liquid is stored in open containers. >>>Do not store food with liquid content in open containers.
- Door of the refrigerator is left ajar. >>>Close the door of the refrigerator.
- Thermostat is set to a very cold level. >>>Set the thermostat to a suitable level.

Compressor is not running

- Protective thermic of the compressor will blow out during sudden power failures or plug-out plug-ins as the refrigerant pressure in the cooling system of the refrigerator has not been balanced yet. The refrigerator will start running approximately after 6 minutes. Please call the service if the refrigerator does not startup at the end of this period.
- The fridge is in defrost cycle. >>>This is normal for a full-automatically defrosting refrigerator. Defrosting cycle occurs periodically.
- The refrigerator is not plugged into the socket. >>>Make sure that the plug is fit into the socket.
- Temperature settings are not made correctly. >>>Select the suitable temperature value.
- There is a power outage. >>>Refrigerator returns to normal operation when the power restores.

The operation noise increases when the refrigerator is running.

- The operating performance of the refrigerator may change due to the changes in the ambient temperature. It is normal and not a fault.

The refrigerator is running frequently or for a long time.

- New product may be wider than the previous one. Larger refrigerators operate for a longer period of time.
- The room temperature may be high. >>>It is normal that the product operates for longer periods in hot ambient.
- The refrigerator might be plugged in recently or might be loaded with food. >>>When the refrigerator is plugged in or loaded with food recently, it will take longer for it to attain the set temperature. This is normal.
- Large amounts of hot food might be put in the refrigerator recently. >>>Do not put hot food into the refrigerator.
- Doors might be opened frequently or left ajar for a long time. >>>The warm air that has entered into the refrigerator causes the refrigerator to run for longer periods. Do not open the doors frequently.
- Freezer or fridge compartment door might be left ajar. >>>Check if the doors are closed completely.
- The refrigerator is adjusted to a very low temperature. >>>Adjust the refrigerator temperature to a warmer degree and wait until the temperature is achieved.
- Door seal of the fridge or freezer may be soiled, worn out, broken or not properly seated. >>>Clean or replace the seal. Damaged/broken seal causes the refrigerator to run for a longer period of time in order to maintain the current temperature.

Freezer temperature is very low while the fridge temperature is sufficient.

- The freezer temperature is adjusted to a very low value. >>>Adjust the freezer temperature to a warmer degree and check.

Fridge temperature is very low while the freezer temperature is sufficient.

- The fridge temperature is adjusted to a very low value. >>>Adjust the fridge temperature to a warmer degree and check.

Food kept in the fridge compartment drawers is frozen.

- The fridge temperature is adjusted to a very high value. >>>Adjust the fridge temperature to a lower value and check.

Temperature in the fridge or freezer is very high.

- The fridge temperature is adjusted to a very high value. >>>Fridge compartment temperature setting has an effect on the temperature of the freezer. Change the temperatures of the fridge or freezer and wait until the relevant compartments attain a sufficient temperature.
- Doors are opened frequently or left ajar for a long time. >>>Do not open the doors frequently.
- Door is ajar. >>>Close the door completely.
- The refrigerator is plugged in or loaded with food recently. >>>This is normal. When the refrigerator is plugged in or loaded with food recently, it will take longer for it to attain the set temperature.
- Large amounts of hot food might be put in the refrigerator recently. >>>Do not put hot food into the refrigerator.

Vibrations or noise.
<ul style="list-style-type: none"> • The floor is not level or stable. >>> If the refrigerator rocks when moved slowly, balance it by adjusting its feet. Also make sure that the floor is strong enough to carry the refrigerator, and level. • The items put onto the refrigerator may cause noise. >>>Remove the items on top of the refrigerator.
There are noises coming from the refrigerator like liquid flowing, spraying, etc.
<ul style="list-style-type: none"> • Liquid and gas flows occur in accordance with the operating principles of your refrigerator. It is normal and not a fault.
Whistle comes from the refrigerator.
<ul style="list-style-type: none"> • Fans are used in order to cool the refrigerator. It is normal and not a fault.
Condensation on the inner walls of refrigerator.
<ul style="list-style-type: none"> • Hot and humid weather increases icing and condensation. It is normal and not a fault. • Doors are opened frequently or left ajar for a long time. >>>Do not open the doors frequently. Close them if they are open. • Door is ajar. >>>Close the door completely.
Humidity occurs on the outside of the refrigerator or between the doors.
<ul style="list-style-type: none"> • There might be humidity in the air; this is quite normal in humid weather. When the humidity is less, condensation will disappear.
Bad odour inside the refrigerator.
<ul style="list-style-type: none"> • No regular cleaning is performed. >>>Clean the inside of the refrigerator regularly with a sponge, lukewarm water or carbonate dissolved in water. • Some containers or package materials may cause the smell. >>>Use a different container or different brand packaging material. • Food is put into the refrigerator in uncovered containers. >>>Keep the food in closed containers. Microorganisms spreading out from uncovered containers can cause unpleasant odours. • Remove the foods that have expired best before dates and spoiled from the refrigerator.
The door is not closing.
<ul style="list-style-type: none"> • Food packages are preventing the door from closing. >>>Replace the packages that are obstructing the door. • The refrigerator is not completely even on the floor. >>>Adjust the feet to balance the refrigerator. • The floor is not level or strong. >>>Make sure that the floor is level and capable to carry the refrigerator.
Crispers are stuck.
<ul style="list-style-type: none"> • The food is touching the ceiling of the drawer. >>>Rearrange food in the drawer.

Ju lutem lexoni këtë manual më parë.

I nderuar klient,

Shpresojmë që produkti juaj, i cili është prodhuar në fabrika moderne dhe është kontrolluar nën procedurat më të rrepta të kontrollit të cilësisë, do t'ju ofrojë një shërbim të efektshëm.

Prandaj, lexoni të gjithë këtë manual me kujdes para se ta përdorni këtë produkt dhe ruajeni si referencë. Nëse ia dorëzoni produktin dikujt tjetër, jepini gjithashtu edhe këtë manual.

Manuali i përdoruesit do t'ju ndihmojë ta përdorni produktin shpejt dhe në mënyrë të sigurt.

- Lexoni manualin para se të instaloni dhe përdorni produktin.
- Sigurohuni që t'i lexoni udhëzimet e sigurisë.
- Mbajeni manualin në një vend që ta arrini merrni me lehtësi pasi mund t'ju duhet më vonë.
- Lexoni dokumentet e tjera të dhëna me produktin.

Mos harroni që ky manual përdoruesi vlen gjithashtu edhe për disa modele të tjera. Ndryshimet midis modeleve do të tregohen në manual.

Shpjegim i simboleve

Gjatë këtij manuali përdoruesi janë përdorur simbolet e mëposhtme:

- 📖 Informacione të rëndësishme ose këshilla të dobishme.
- ⚠️ Paralajmërim kundrejt situatave të rrezikshme për jetën dhe pronën.
- ⚡ Paralajmërim kundrejt tensionit elektrik.



PARALAJMËRIM!

Për të siguruar një punim normal të pajisjes ngrirëse e cila përdor një gas ftohës R600a komplet të padëmshëm për mjedisin (merr flakë vetëm në kushte të caktuara), duhet të zbatoni rregullat e mëposhtme:

- Mos pengoni qarkullimin e lirë të ajrit përreth pajisjes.
- Mos përdorni mjete mekanike për të përshpejtuar shkrirjen përveç atyre të rekomanduara nga prodhuesi.
- Mos e prishni qarkun ftohës.
- Mos përdorni pajisje elektrike të parekomanduara nga prodhuesi brenda dhomëzës për mbajtjen e ushqimeve

PËRMBAJTJA

1 Frigoriferi juaj **3**

2 Paralajmërime të Rëndësishme

Sigurie **4**

Përdorimi i synuar.....	4
Siguria e përgjithshme.....	4
Për produktet me dispenser uji	6
Siguria për fëmijët.....	6
Pajtueshmëria me Rregulloren WEEE dhe Hedhja e Produkteve Mbeturina ..	6
Informacione për paketimin.....	7
Paralajmërim HCA.....	7
Gjërat që mund të bëhen për kursimin e energjisë	7

3 Instalimi **8**

Pikat të cilave u duhen kushtuar vëmendje kur zhvendosni frigoriferin.....	8
Para se ta vini frigoriferin në punë.....	8
Lidhja elektrike.....	8
Hedhja e paketimit.....	8
Hedhja e frigoriferit të vjetër	9
Vendosja dhe Instalimi.....	9
Ndërrimi i llambës	9
Rregullimi i këmbëve	9

4 Përgatitja **10**

5 Përdorimi i frigoriferit Tuaj **11**

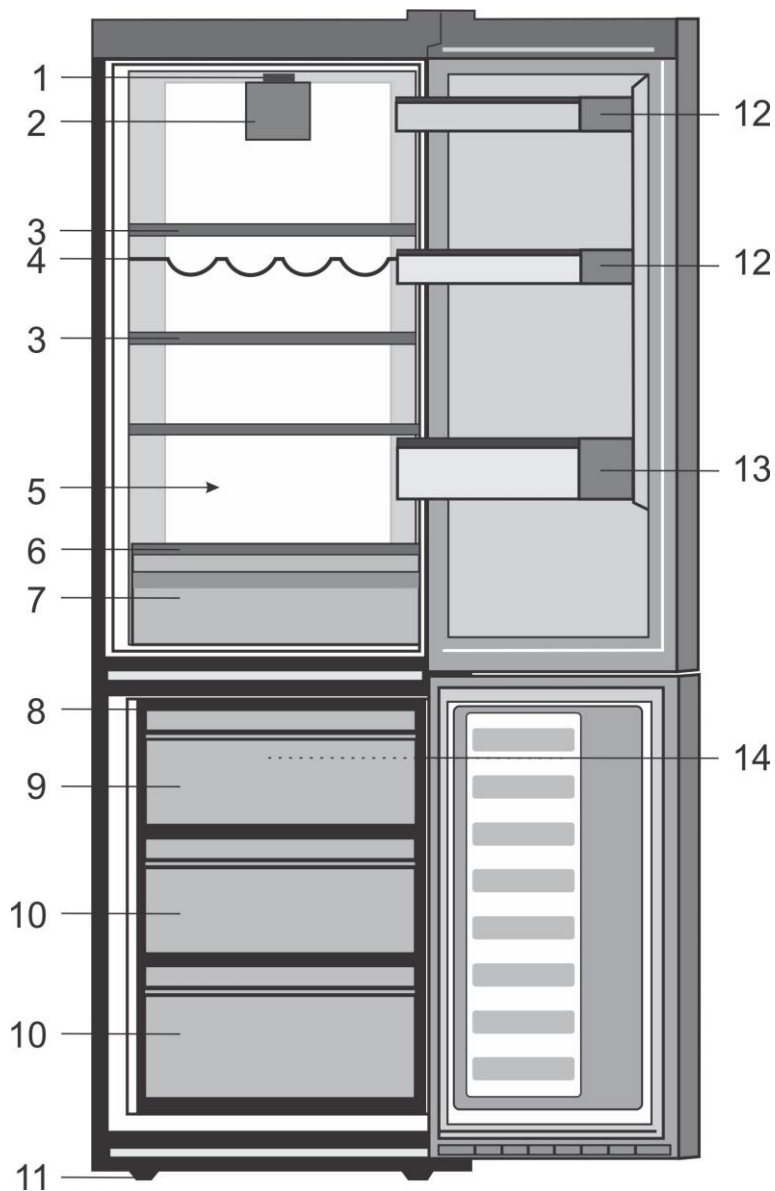
Butoni i konfigurimit të termostatit.....	11
Sistemi dysh i ftohjes	11
Përbysur dyert	12
Ngrirja e ushqimeve të freskëta.....	13
Rekomandime për ruajtjen e ushqimeve të ngrira.....	14
Shkrirja	14
Vendosja e ushqimit	14
Informacione për ngrirjen e thellë	15
Rekomandime për Ndarje	15

6 Mirëmbajtja dhe pastrimi **16**

Mbrojtja e sipërfaqeve plastike.....	16
--------------------------------------	----

7 Zgjidhja e problemeve **17**

1 Frigoriferi juaj



1. Termostati dhe kutia e llambës
2. Dritë e brendshme
3. Raftet e regullueshme të pjesës kryesore
4. Mbështetje për shishet e verës
5. 0° Zona
6. Kapaku i krisperit
7. Krisperi
8. Tabakaja e akullit
9. Pjesa për ngrirjen e shpejtë
10. Ndarja për ngrirjen e shpejtë
11. Këmbët e para të rregullueshme
12. Raft për vazo
13. Raft për shishe
14. Ventilatori i ngrirësit

i Figurat që ndodhen në këtë manual janë skematike dhe mund të mos korrespondojnë saktësisht me produktin tuaj. Nëse pjesët e subjektit nuk janë përfshirë në produktin që keni blerë, atëherë është vlejshme të keni parasysh modele të tjera.

Ju lutem shikoni informacionet e mëposhtme. Nëse nuk i përmbaheni këtyre informacioneve mund të shkaktohen lëndime ose dëmtime materiale. Përndryshe, të gjitha angazhimet e garancisë dhe besueshmërisë do të bëhen të pavlefshme.

Pjesët origjinale të ndërrimit do të ofrohen për 10 vite, pas datës së blerjes së produktit.

Përdorimi i synuar

Ky produkt është synuar që të përdoret

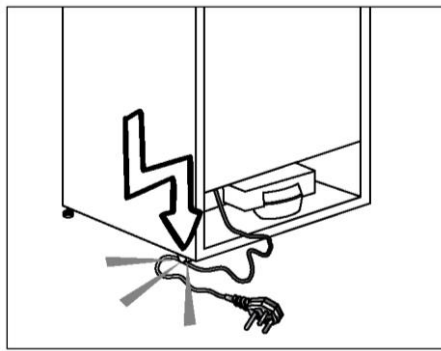
- brenda dhe në ambiente të mbyllura si për shembull në shtëpi;
- në ambiente pune të mbyllura si për shembull dyqane dhe zyra;
- në vende akomodimi të mbyllura si për shembull në shtëpi fermash, hotele, shtëpi me qera.
- Nuk duhet të përdoret jashtë.

Siguria e përgjithshme

- Kur doni ta hidhni/çoni produktin për skrap, rekomandojmë që të konsultoheni me shërbimin e autorizuar me qëllim që të mësoni informacionet që duhen dhe organet e autorizuar.
- Konsultohuni me shërbimin e autorizuar për të gjitha pyetjet dhe problemet që lidhen me frigoriferin tuaj. Mos ndërhyri ose mos lejoni asnjë që të ndërhyjë në frigorifer pa njoftuar shërbimet e autorizuar.
- Për produktet me një ndarje ngrirësi; Mos hani kone akulloresh dhe kuba akulli menjëherë pasi i keni nxjerrë nga ndarja e ngrirësit! (Kjo mund të shkaktojë kafshim ngrice në gojë.)

- Për produktet me ndarje ngrirësi; Mos vendosni pije në shishe dhe kanaçe në ndarjen e ngrirësit. Përndryshe ato mund të çahen.
- Mos i prekni ushqimet e ngrira me dorë; ato mund t'ju ngjiten në dorë.
- Hiqeni frigoriferin nga priza para se ta pastroni ose shkrini.
- Avulli dhe materialet e pastrimit që avullojnë nuk duhet të përdoren asnjëherë në pastrim dhe proceset e shkrirjes të frigoriferit. Në këto raste, avulli mund të bjerë në kontakt me pjesët elektrike dhe të shkaktojë qark të shkurtër ose goditje elektrike.
- Mos e përdorni asnjëherë si mjet për t'u mbështetur ose si shkallë derën ose pjesët e frigoriferit.
- Mos përdorni pajisje elektrike brenda frigoriferit.
- Mos i dëmtoni pjesët, ku qarkullon lëngu ftohës, me mjete shpimi ose prerjeje. Lëngu ftohës që mund të dalë kur shpohen kanalet e evaporatorit, zgjatimeve të tubit ose shtresave të sipërfaqes shkakton irritime në lëkurë dhe dëmtime në sy.
- Mos i mbuloni ose bllokoni vrimat e ventilimit në frigorifer me asnjë lloj materiali.
- Pajisjet elektrike duhet të riparohen vetëm nga persona të autorizuar. Riparimet e bëra nga persona jo kompetentë krijojnë rreziqe për përdoruesin.

- Në rast të ndonjë defekti ose gjatë një pune mirëmbajtjeje ose riparimi, shkëputeni frigoriferin nga korrenti qoftë duke fikur siguresën përkatëse ose duke e hequr pajisjen nga priza.
- Mos e tërhiqni kabllin kur tërhiqni spinën.
- Vendosini pijet e larta të mbyllura fort dhe në pozicion vertikal.
- Mos vendosni i asnjëherë kanaçe me spërkatje që përmbajnë substanca të djegshme dhe shpërthyese në frigorifer.
- Mos përdorni pajisje mekanike ose mjete të tjera për të përshpejtuar procesin e shkrirjes, përveç atyre të rekomanduara nga prodhuesi.
- Ky produkt nuk është synuar të përdoret nga persona me çrregullime fizike, ndjesore ose mendore apo nga njerëz që nuk janë mësuar ose pa përvojë (përfshirë fëmijët) përveç nëse mbikëqyren nga një person i cili do të jetë përgjegjës për sigurinë e tyre ose që do t'i udhëzojë mirë për përdorimin e produktit.
- Mos e vini në punë një frigorifer të dëmtuar. Konsultohuni me agjentin e shërbimit nëse keni ndonjë merak.
- Siguria elektrike e frigoriferit tuaj do të garantohet vetëm nëse sistemi i tokëzimit në shtëpinë tuaj përputhet me standardet.
- Ekspozimi ndaj shiut, borës, diellit dhe erës është i rrezikshëm në lidhje me sigurinë elektrike.
- Kontaktoni shërbimin e autorizuar kur ka një dëmtim të kabllit të energjisë për të shmangur rrezikun.
- Asnjëherë mos e vini frigoriferin në prizë gjatë instalimit. Përndryshe, mund të shkaktohet vdekje ose lëndime serioze.
- Ky frigorifer është synuar vetëm për të mbajtur ushqime. Nuk duhet të përdoret për asnjë qëllim tjetër.
- Etiketa e të dhënave teknike ndodhet në murin e majtë brenda frigoriferit.
- Asnjëherë mos e lidhni frigoriferin me sistemet e kursimit të energjisë; ato mund ta dëmtojnë frigoriferin.
- Nëse ka një dritë blu mbi frigorifer, mos e shikoni dritën blu me mjete optike.
- Për frigoriferët me kontroll manual, prisni të paktën 5 minuta para se ta vini frigoriferin në punë pas një ndërperje energjie.
- Ky manual përdorimi duhet t'i jepet pronarit të ri të produktit kur i jepet të tjerëve.
- Bëni kujdes të mos e dëmtoni kabllin e energjisë kur transportoni frigoriferin. Përkulja e kabllit mund të shkaktojë zjarr. Mos vendosni objekte të rënda mbi kabllin e energjisë.
- Mos e preni spinën me duar të lagura kur e hiqni produktin nga priza.



- Mos e vendosni frigoriferin nëse priza në mur është e lirë.
- Nuk duhet të spërkatet ujë në pjesët e brendshme ose të jashtme të produktit për arsye sigurie.

- Mos spërkatni substanca që përmbajnë gazra të djegshme si për shembull gaz propan pranë frigoriferit për të shmangur rrezikun e zjarrit dhe shpërthimit.
- Mos vendosni asnjëherë enë të mbushura me ujë mbi frigorifer; në rast spërkatjesh kjo mund të shkaktojë goditje elektrike ose zjarr.
- Mos e mbingarkoni frigoriferin me ushqime. Nëse ngarkohet tepër, ushqimet mund të bien dhe t'ju lëndojnë dhe të dëmtojnë frigoriferin kur hapni derën.
- Mos vendosni asnjëherë objekte mbi frigorifer; përndryshe, këto objekte mund të bien kur hapni ose mbyllni derën e frigoriferit.
- Meqenëse kërkojnë një temperaturë shumë të saktë, vaksinat, ilaçet të ndjeshme ndaj nxehtësisë dhe materialet shkencore, etj. nuk duhet të mbahen në frigorifer.
- Nëse nuk do të përdoret për një kohë të gjatë, frigoriferi duhet të hiqet nga priza. Një problem i mundshëm në kabllin e energjisë mund të shkaktojë zjarr.
- Koka e spinës duhet të pastrohen rregullisht me një leckë të thatë; përndryshe mund të shkaktojë zjarr.
- Frigoriferi mund të lëvizë nëse këmbët e rregullueshme nuk janë siguruar mirë mbi dysheme. Sigurimi mirë i këmbëve të rregullueshme mbi dysheme mund të mos lejojë që frigoriferi të lëvizë.
- Kur lëvizni frigoriferin, mos e kapni nga doreza e derës. Përndryshe, mund të thyhet.
- Kur duhet ta lëvizni produktin pas një frigoriferi ose ngrirësi tjetër, distanca midis pajisjeve duhet të jetë të paktën 8 cm. Përndryshe, muret anësore pranë mund të krijojnë lagështi.

- Për produktet me dispenser uji; Presioni i linjës të ujit duhet të jetë minimumi 1 bar. Presioni i linjës të ujit duhet të jetë maksimumi 8 bar.
- Përdorni vetëm ujë të pijshëm.

Siguria për fëmijët

- Nëse dera ka një kyç, çelësi duhet të mbahet larg fëmijëve.
- Fëmijët duhet të mbikëqyren për të mos lejuar që të ngacmojnë produktin.

Pajtueshmëria me Rregulloren WEEE dhe Hedhja e Produkteve Mbeturina

Ky produkt nuk mbulon materialet e dëmshme dhe të ndaluara të treguara në "Rregullorja për Kontrollin e Mbetjeve të Pajisjeve Elektrike dhe Elektronike" të lëshuar nga T.R. Ministria e Mjedisit dhe Planifikimit të Qytetit. Pajtohet me Rregulloren WEEE.



Ky produkt është prodhuar me pjesë dhe materiale të cilësisë të lartë të cilat mund të ripërdoren dhe janë të përshtatshme për riciklim.

Prandaj, mos e hidhni produktin së bashku me mbeturinat e zakonshme të shtëpisë në fund të jetëgjatësisë së tij. Çojeni në një pikë grumbullimi për riciklimin e pajisjeve elektrike dhe elektronike. Ju lutem konsultohuni me autoritetet lokale për të mësuar pikën më të afërt të grumbullimit. Ndihamoni në mbrojtjen e mjedisit dhe burimeve natyrore duke i ricikluar produktet e përdorura. Për sigurinë e fëmijëve, priteni kabllin e energjisë dhe thyejeni mekanizmin e kyçjes të derës, nëse ka, kështu do të jetë jo-funksional para se ta hidhni produktin.

Informacione të paketimit

Materialet e paketimit të produktit janë prodhuar nga materiale të riciklueshme në përputhje me Rregullat Kombëtare për Mjedisin. Mos i hidhni materialet e paketimit së bashku me mbeturinat e tjera ose ato shtëpiake. Çojini në pikat e grumbullimit të materialeve të paketimit të caktuara nga autoritetet lokale. Mos harroni...

Çdo substancë e ricikluar është një çështje e domosdoshme për natyrën dhe pasuritë tona kombëtare.

Nëse doni të kontribuoni në ri-vlerësimin e materialeve të paketimit, mund të konsultoheni me organizatat ambientaliste ose komunat ku ndodheni.

Paralajmërim HCA

Nëse sistemi i ftohjes të produktit tuaj përmban R600a:


Ky gaz është i djegshëm. Prandaj, bëni kujdes të mos dëmtoni sistemin e ftohjes dhe tubacionet gjatë përdorimit dhe transportit. Në rast dëmtimi, mbajeni produktin larg nga substancat e dëmshme të zjarrit të cilat mund të bëjnë që këto produkte të marrin zjarr dhe ajroseni dhomën në të cilën është vendosur njësia. Injoroni këtë paralajmërim nëse sistemi i ftohjes të produktit tuaj përmban R134a.

Lloji i gazit i përdorur në produkt është treguar në etiketën e tipit e cila ndodhet në murin e majtë brenda frigoriferit.

Asnjëherë mos e hidhni produktin në zjarr për ta hedhur.

Gjërat që mund të bëhen për kursimin e energjisë

- Mos i lini dyert e frigoriferit të hapura për një kohë të gjatë.
- Mos vendosni ushqime ose pije të nxehta brenda frigoriferit.
- Mos e mbingarkoni frigoriferin në mënyrë që të mos pengohet qarkullimi i ajrit brenda frigoriferit.
- Mos e instaloni frigoriferin nën dritën direkte të diellit ose pranë pajisjeve që çlirojnë nxehtësi si për shembull furrat, lavastoviljet ose radiatorët. Mbajeni frigoriferin të paktën 30cm larg burimeve që lëshojnë nxehtësi dhe të paktën 5cm nga furrat elektrike.
- Bëni kujdes që ta mbani ushqimin në enë të mbyllura.
- Për produktet me një ndarje ngrirësi; Mund të mbani më shumë ushqime në ngrirës kur e hiqni raftin ose sirtarin e ngrirësit. Vlera e konsumit të energjisë e treguar për frigoriferin tuaj është përcaktuar duke hequr raftin ose sirtarin e ngrirësit dhe nën ngarkesë maksimale. Nuk ka asnjë problem të përdorni një raft ose sirtar sipas formave dhe madhësisë që ushqimeve që do të ngrihen.
- Shkrijra e ushqimeve në ndarjen e frigoriferit do të sigurojë kursim energjie dhe do të ruajë cilësinë e ushqimit.

 Në rastin se nuk merren parasysh informacionet që janë dhënë në këtë manual përdoruesi, prodhuesi nuk do të mbajë asnjë përgjegjësi për këtë.

Pikat të cilave u duhen kushtuar vëmendje kur zhvendosni frigoriferin

1. Frigoriferi juaj duhet të hiqet nga priza. Para se të transportoni frigoriferin, duhet të zbrazet dhe të pastrohet.
2. Para se të ripaketohet, raftet, aksesoret, krisperi, etj. brenda frigoriferit duhet të fiksohen me ngjitës dhe të sigurohen nga goditjet. Paketimi duhet të lidhet me një ngjitës të trashë ose litarë të shtrënguar dhe duhet të zbatohen me përpikëri rregullat e transportit mbi paketim.
3. Paketimi dhe materialet e shkumës origjinale duhet të ruhen për transport ose lëvizje në të ardhmen.

Para se ta vini frigoriferin në punë,

Kontrolloni të mëposhtmet para se ta vini në punë se përdorni frigoriferin tuaj:

1. Pastrojeni pjesën e brendshme të frigoriferit siç rekomandohet në pjesën "Mirëmbajtja dhe pastrimi".
2. Futeni spinën e frigoriferit në prizën në mur. Kur hapet dera e frigoriferit, llamba e brendshme do të ndizet.
3. Kur fillon të punojë kompresori, do të dëgjohet një tingull. Lëngu dhe gazrat e izoluar brenda sistemit të ftohjes mund të krijojnë zhurma, edhe nëse kompresori nuk është në punë dhe kjo është normale.
4. Anët e para të frigoriferit mund të ndihen të ngrohta. Kjo është normale. Këto zona janë bërë posaçërisht që të jenë të ngrohta për të shmangur kondensimin.

Lidhja elektrike

Lidheni produktin tuaj me një prizë të tokëzuar e cila mbrohet nga një siguresë me kapacitetin e duhur. E rëndësishme: Lidhja duhet të jetë në përputhje me rregullat kombëtare.

- Spina e korrentit duhet të jetë e arritshme me lehtësi pas instalimit.
- Siguria elektrike e frigoriferit tuaj do të garantohet vetëm nëse sistemi i tokëzimit në shtëpinë tuaj përputhet me standardet.
- Tensioni që tregohet në etiketën që ndodhet në anën e brendshme të produktit tuaj duhet të jetë i njëjtë me tensionin e rrjetit.
- **Nuk duhet të përdoren kablllo zgjatimi dhe multi priza për lidhjen.**

⚠ Një dëmtim në kabllin e energjisë duhet të ndërrohet nga një elektrikist i kualifikuar.

⚠ Produkti nuk duhet të vihet në punë para se të riparohet! Ekziston rreziku i goditjes elektrike!

Hedhja e paketimit

Materialet e paketimit mund të jenë të rrezikshme për fëmijët. Mbajini materialet e paketimit larg fëmijëve ose hidhini duke i klasifikuar sipas udhëzimeve për mbeturinat të treguara nga autoritetet vendase. Mos i hidhni së bashku me mbeturinat e zakonshme shtëpiake, hidhini në pikat e caktuara nga autoritetet vendase. Paketimi i frigoriferit tuaj është prodhuar prej materialesh të riciklueshme.

Hedhja e frigoriferit të vjetër

Hidheni frigoriferin tuaj të vjetër pa dëmtuar mjedisin.

- Mund të konsultoheni me shitësin e autorizuar ose qendrën e grumbullimit të mbeturinave të bashkisë tuaj për hedhjen e frigoriferit.

Para se ta hidhni frigoriferin, priteni spinën elektrike dhe, nëse ka ndonjë kyç në derë, bëjini të papërdorshme me qëllim që të mbronin fëmijët nga ndonjë rrezik.

Vendosja dhe Instalimi

⚠ Nëse dera e hyrjes të dhomës ku do të instalohet frigoriferi nuk është e gjerë mjaftueshëm që të kalojë frigoriferi, atëherë thërrisni shërbimin e autorizuar që ata të heqin dyert e frigoriferit dhe kalojeni anash përmes derës.

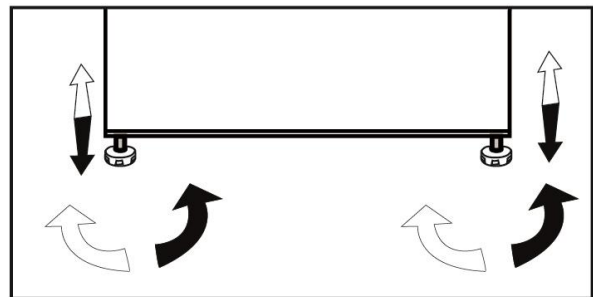
1. Montojeni frigoriferin në një vend që përdoret me lehtësi.
2. Mbajeni frigoriferin larg burimeve të nxehtësisë, vendeve të lagështa dhe dritës direkte të diellit.
3. Duhet të ketë ventilim të mjaftueshëm me qëllim që frigoriferi të punojë me efektshmëri. Nëse frigoriferi do të vendoset në një pjesë të futur në mur, duhet të ketë një distancë të paktën 5 cm nga tavani dhe të paktën 5 cm nga muri. Mos e vendosni produktin tuaj mbi materiale si për shembull tapet ose qilim.
4. Vendoseni frigoriferin mbi një sipërfaqe të sheshtë për të parandaluar lëkundjet.

Ndërrimi i llambës

Për të ndërruar një Llambë/LED që përdoret për ndriçimin e frigoriferit tuaj, telefononi Shërbimin e Autorizuar. Llamba(t) e përdorur në këtë pajisje nuk është e përshtatshme për ndriçimin e dhomave të shtëpisë. Qëllimi i kësaj llambe është të ndihmojë përdoruesin të vendosë ushqime në frigorifer/ngrirës në një mënyrë të sigurt dhe të lehtë. Llambat e përdorura në këtë pajisje duhet t'i rezistojnë kushteve fizike ekstreme si temperaturat nën -20°C .

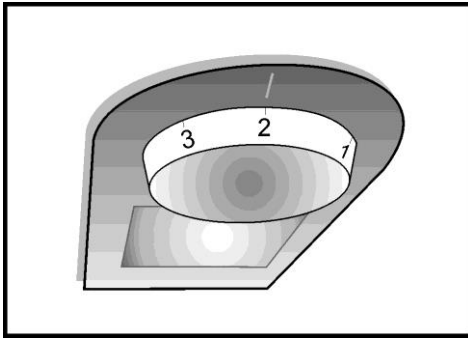
Rregullimi i këmbëve

Nëse frigoriferi juaj nuk është në nivel; Mund ta vendosni frigoriferin në nivel duke rrotulluar këmbët e para siç tregohet në figurë. Cepi ku ndodhet këmba ulet kur e rrotulloni në drejtim të shigjetës të zezë dhe ngrihet kur e rrotulloni në drejtim të kundërt. Marrja e ndihmës nga dikush për ta ngritur pak frigoriferin do ta bëjë më të lehtë këtë proces.



4 Përgatitja

- Frigoriferi juaj duhet të montohet të paktën 30 cm larg burimeve të nxehtësisë si sobat, furrat, ngrohjet qendrore dhe stofat dhe të paktën 5 cm larg nga furrat elektrike dhe nuk duhet të vendoset nën dritën direkte të diellit.
- Ju lutem sigurohuni që pjesa e brendshme e frigorifeirt të pastrohet plotësisht.
- Nëse do të montohen dy pajisje ftohjeje njëri pas tjetrit, duhet të ketë një distancë të paktën 2 cm midis tyre.
- Kur e vini frigoriferin në punë për herë të parë, ju lutem përmbajuni udhëzimeve të mëposhtme gjatë gjashtë orëve të para.
- Dera e tij nuk duhet të hapet shpesh.
- Duhet të vihet në punë bosh pa vendosur ushqime në të.
- Mos e hiqni frigoriferin nga priza. Nëse ndodh një ndërprerje energjie që nuk e keni ju në dorë, ju lutem shikoni paralajmërimet në pjesën “Zgjidhjet e rekomanduara për problemet”.
- Paketim origjinal dhe shkumë materialet duhet të mbahen për të ardhmen transportit ose lëvizjes.



Butoni i konfigurimit të termostatit

Temperatura e brendshme e frigoriferit tuaj ndryshon për arsyet e mëposhtme;

- Temperaturat sezonale,
- Hapja e shpeshtë e derës dhe lënia e derës hapur për periudha të gjata,
- Ushqimet që vendosen në frigorifer pa u ftohur në temperaturë ambiente,
- Vendndodhja e frigoriferit në dhomë (p.sh. ekspozimi në dritën e diellit).
- Mund ta rregulloni temperaturën e brendshme që ndryshon për shkak të këtyre arsyeve duke përdorur termostatit. Numrat rrotull butonit të termostatit tregojnë shkallët e ftohjes.
- Nëse temperatura e ambientit është më e lartë se 32°C, rrotulloni butonin e termostatit në pozicionin maksimal.
- Nëse temperatura e ambientit është më e ulët se 25°C, rrotulloni butonin e termostatit në pozicionin minimal.

Sistemi dysh i ftohjes:

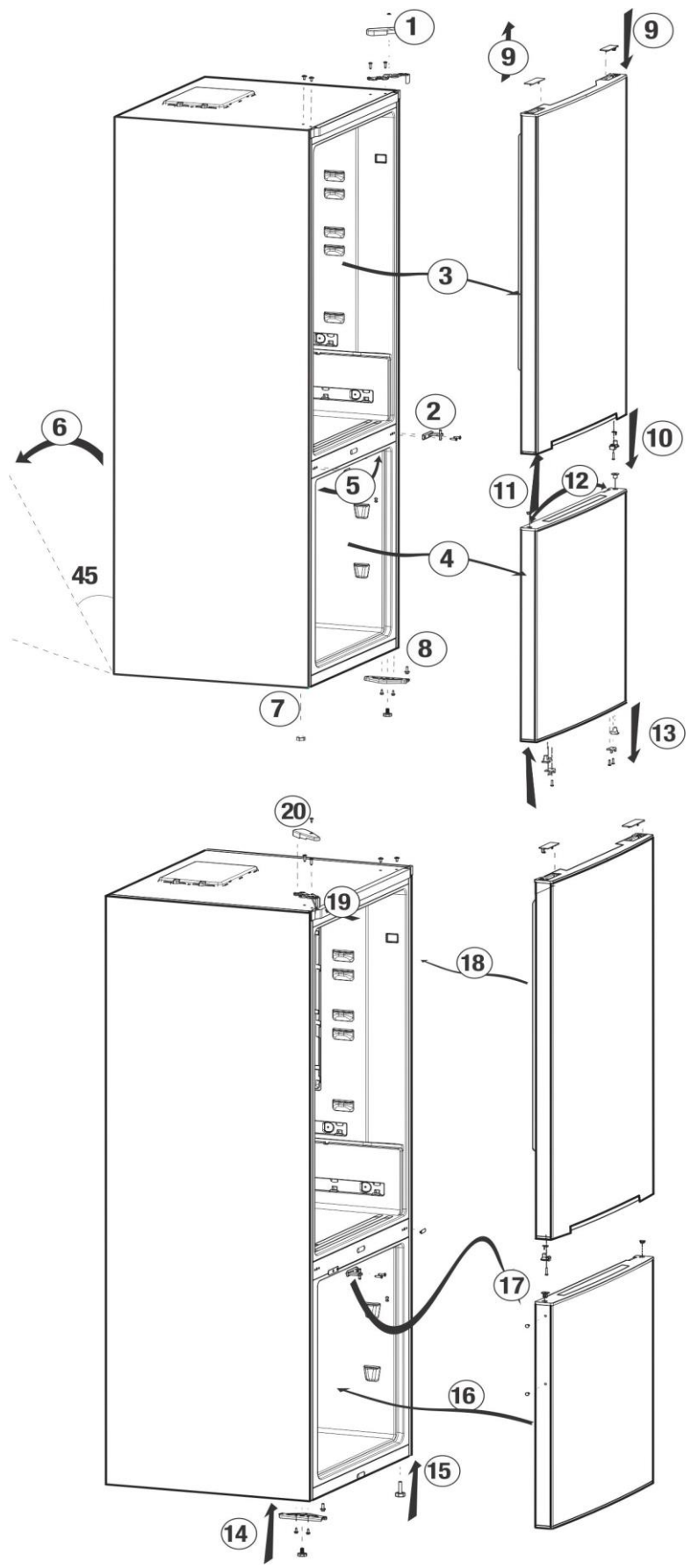
Frigoriferi juaj është i pajisur me dy sisteme të veçanta ftohjeje për të ftohur pjesën e ushqimeve të freskëta dhe pjesën e ngrirësit. Kështu ajri në pjesën e ushqimeve të freskëta dhe ai në pjesën e ngrirësit nuk përzihen.

Falë këtyre dy sistemeve të veçanta të ftohjes, shpejtësia e ftohjes është shumë më e madhe se e frigoriferëve të tjerë.

Erërat në dy dhomat e frigoriferit nuk përzihen. Gjithashtu sigurohet më shumë kursim energjie pasi shkrirja bëhet veç e veç.

Përmbysur dyert

Të vazhdojë në mënyrë numerike




Ngrirja e ushqimeve të freskëta

- Preferohet që t'i mbështillni ose mbuloni ushqimet para se t'i vendosni në frigorifer.
 - Ushqimet e nxehta duhet të ftohen në temperaturë ambiente para se të vendosen në frigorifer.
 - Ushqimet që doni të ngrini duhet të jenë të freskëta dhe me cilësi të mirë.
 - Ushqimet duhet të ndahen në racione sipas nevojave ditore të familjes ose në bazë të konsumit për vakt.
 - Ushqimet duhet të jenë të paketuara dhe në mënyrë të izoluar për të mos lejuar tharjen e tyre edhe nëse do të mbahen për kohë të shkurtër.
 - Materialet që do të përdoren për ngrirjen e ushqimeve duhet të mos grisen lehtë dhe rezistente ndaj të ftohtit, lagështisë, erës, vajrave dhe acideve dhe duhet të jenë gjithashtu izoluese. Për më tepër, ato duhet të jenë të mbyllura mirë dhe të jenë bërë prej materialeve të përdorshme lehtë të cilat janë të përshtatshme për përdorim në ngrirje të thellë.
 - Ushqimet e ngrira duhet të përdoren menjëherë pasi të jenë shkrirë dhe nuk duhet të ngrihen përsëri asnjëherë.
 - Ju lutem ndiqni udhëzimet e mëposhtme për të arritur rezultatet më të mira.
- 1.** Mos ngrini sasi shumë të mëdha ushqimi njëherësh. Cilësia e ushqimit ruhet më mirë kur ngrihet deri në qendër të tij sa më shpejt të jetë e mundur.
 - 2.** Vendosja e ushqimeve të ngrohta në pjesën e ngrirësit bën që sistemi i ftohjes të punojë vazhdimisht derisa ushqimi të ngrijë plotësisht.
 - 3.** Bëni kujdes të veçantë që të mos përzieni ushqimet tashmë të ngrira me ushqimet e freskëta.

Siperfaqja e ngrirjes mjedis	Ndarja frigoriferike mjedis	Shpjegime
-18°C	4°C	Ky është përcaktimi normal i rekomanduar.
-20, -22 ose-24°C	4°C	Këto cilësime rekomandohen kur temperatura e ambientit tejkalon 30°C.
Freeze e Shpejte	4°C	Përdorni kur dëshironi të ngrini ushqimin tuaj në një kohë të shkurtër. Nëse rekomandohet të përdoret për të ruajtur cilësinë e mishit dhe produkteve të peshkut.
-18°C ose më të ftohtë	2°C	Nëse mendoni se ndarësja e frigoriferit nuk është mjaft e ftohtë për shkak të kushteve të nxehta ose hapjes dhe mbylljes së shpeshta të derës.
-18°C ose më të ftohtë	Frigorifer i Shpejte	Mund ta përdorni kur ndarja e frigoriferit është e mbingarkuar ose nëse dëshironi të qetësoni shpejt ushqimin tuaj. Rekomandohet që të aktivizoni funksionin e shpejtë frigorifer 4-8 orë përpara vendosjes së ushqimit.

Rekomandime për ruajtjen e ushqimeve të ngrira

Ushqimet e ngrira në dyqan duhet të mbahen në përputhje me udhëzimet e prodhuesit të ushqimeve të ngrira për një  (4 yje) ndarjen e mbajtjes të ushqimeve të ngrira.

- Për të garantuar që të ruhet cilësia e lartë e arritur nga prodhuesi i ushqimeve të ngrira dhe shitësi i ushqimeve duhet të mbahen mend të mëposhtmet:

1. Vendosni pakot në ngrirës sa më shpejt të jetë e mundur pas blerjes.
2. Sigurohuni që enët të jenë me etiketë dhe datë.
3. Mos i kaloni datat «Të përdoret deri», «Më mirë para» në ambalazh.

Shkrirja

Ndarësja e frigoriferit shkrihet automatikisht.

Vendosja e ushqimit

Raftet e ngrirësve	Ushqime të ndryshme të ngrira të tilla si mish, peshk, akullore, perime etj.
Mbajtësi i vezës	vezë
Raftet e frigoriferit	Ushqimi në pans, pllaka të mbuluara dhe kontejnerë të mbyllur
Raftet e derës së frigoriferit	Ushqime dhe pije të vogla dhe të paketuara (si qumësht, lëng frutash dhe birra)
Brishtësia	Perimet dhe frutat
Ndarje e zonës së freskët	Produktet e shijshme (djathë, gjalpë, sallam etj)

Informacione për ngrirjen e thellë

Ushqimet duhet të ngrihen sa më shpejt të jetë e mundur kur vendosen në frigorifer me qëllim që të mbahen në cilësi të mirë.

Norma TSE kërkon (sipas disa kushteve të caktuara të matjes) që frigoriferi të ngrijë të paktën 4,5 kg ushqime në temperaturë ambienti 32°C deri -18°C ose më poshtë brenda 24 orësh për çdo 100-litra volum të ngrirësit.

Është e mundur që të mbahen ushqimet për kohë të gjatë vetëm në temperatura -18°C ose më të ulëta.

Mund ta ruani freskinë e ushqimeve për shumë muaj (në temperatura -18°C ose më të ulëta në ngrirjen e thellë).

PARALAJMËRIM! ⚠

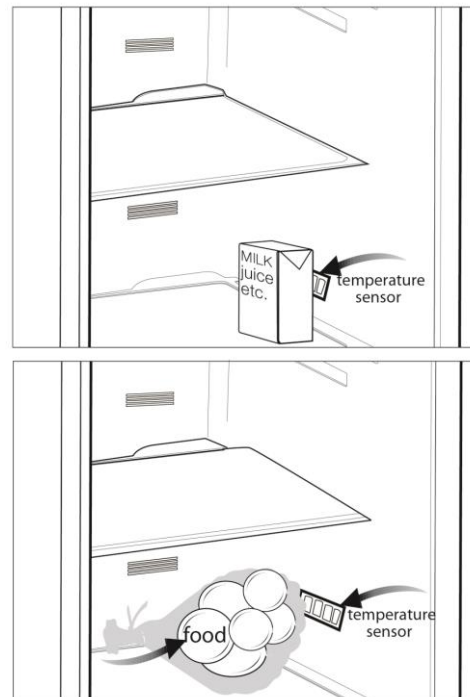
- Ushqimet duhet të ndahen në racione sipas nevojave ditore të familjes ose në bazë të konsumit për vakt.
- Ushqimet duhet të jenë të paketuara Në mënyrë të izoluar për të mos lejuar tharjen e tyre edhe nëse do të mbahen për kohë të shkurtër.
- Materialet e nevojshme për paketim:
- Ngjites adeviz rezistent ndaj të ftohtit
- Etiketë adezive
- Unaza gome
- Laps











Materialet që do të përdoren për paketimin e ushqimeve duhet të mos grisen lehtë dhe rezistente ndaj të ftohtit, lagështisë, erës, vajrave dhe acideve. Ushqimet që do të ngrihen nuk duhet të lejohen të bien në kontakt me gjërat e ngrira më parë për të parandaluar shkrirjen e tyre pjesërisht. Ushqimet e ngrira duhet të përdoren menjëherë pasi të jenë shkrirë dhe nuk duhet të ngrihen përsëri asnjëherë.

Rekomandime për ndarje e ushqimit të freskët


* fakultativ

- Mos lejoni që ushqimi të prekë sensorin e temperaturës në ushqim të freskët ndarje. Të lejoni ushqimin e freskët ndarësja ruan ruajtjen e saj ideale temperatura, sensor nuk duhet të jetë penguar nga ushqimi.
- Mos vendosni ushqime të nxehta në produkt.



-  Asnjëherë mos përdorni asnjëherë benzinë, benzen ose substanca të ngjashme për të pastruar.
-  Rekomandojmë që ta hiqni pajisjen nga priza para se ta pastroni.
-  Asnjëherë mos përdorni asnjëherë mjete të mprehta, sapun, pastrues shtëpiak, detergjent dhe dyll lustrues për pastrim.
-  Përdorni ujë të ngrohtë për të pastruar kabinën e frigoriferit dhe thajeni me leckë.
-  Përdorni një leckë të njomë të shtrydhur në një solucion me një lugë çaji bikarbonat sode në një pintë uji për të pastruar pjesën e brendshme dhe thajeni me leckë.
-  Sigurohuni që të mos hyjë ujë në kasën e llambës dhe në pjesët e tjera elektrike.
-  Nëse frigoriferi juaj nuk do të përdoret për një kohë të gjatë, hiqeni kabllin e korrentit, hiqni të gjitha ushqimet, pastrojeni dhe lëreni derën pak të hapur.
-  Kontrolloni gominat e dyerve për t'u siguruar që të jenë të pastra dhe pa grimva ushqimesh.
-  Për të hequr raftet e derës, hiqni të gjitha gjërat në to dhe thjesht shtyjeni raftin e derës lart nga baza.
-  Asnjëherë mos përdorni asnjëherë agjentë pastrimi ose ujë që përmban klor për të pastruar sipërfaqet e jashtme dhe pjesët e lyer me krom të produktit. Klori shkakton gërryerje mbi sipërfaqet metalike.

Mbrojtja e sipërfaqeve plastike

-  Mos vendosni vajra të lëngshme ose ushqime të gatuar me vaj në frigorifer në enë të pambyllura pasi ato mund të dëmtojnë sipërfaqet plastike të frigoriferit tuaj. Në rast të spërkatjes ose derdhjes të vajti mbi sipërfaqet plastike, pastrojeni dhe shpëlajeni pjesën përkatëse të sipërfaqes menjëherë me ujë të ngrohtë.

7 Zgjidhja e problemeve

Ju lutem shikoni këtë listë para se të thërrisni shërbimin. Do t'ju kursejë kohë dhe para. Kjo listë përmban ankesat e shpeshta që nuk lindin nga defektet e prodhimit ose përdorimi i materialeve. Disa nga karakteristikat të përshkruar këtu mundësisht nuk ekzistojnë në prodhimin juaj.

Frigoriferi nuk punon.

- Spina nuk është futur mirë në prizë. >>>Vendoseni spinën mirë në prizë.
- Siguresa e prizës në të cilën është lidhur frigoriferi juaj ose siguresa kryesore mund të kenë rënë. >>>Kontrolloni siguresën.

Kondensim në muret anësore të ndarjes të frigoriferit (MULTIZONE, COOL CONTROL dhe FLEXI ZONE).

- Ambienti është shumë i ftohtë. >>>Mos e montoni frigoriferin në vende ku temperatura bie nën 10 °C.
- Dera është hapur shpesh. >>>Mos e hapni dhe mbyllni derën e frigoriferit shpesh.
- Ambienti është shumë i lagësht. >>>Mos e instaloni frigoriferin në vende me shumë lagështi.
- Ushqime që kanë lëngje janë vendosur në enë të hapura. >>>Mos e vendosni ushqimin me përmbajtje të lëngshme në enë të hapura.
- Dera e frigoriferit është lënë pak hapur. >>>Mbylleni derën e frigoriferit.
- Termostati është vendosur në një nivel shumë të ftohtë. >>>Vendoseni termostatin në një nivel të përshtatshëm.

Kompresori nuk punon.

- Mbrojtja termike e kompresorit do të fryhet gjatë ndërprerjeve të papritura të energjisë ose heqjes dhe vënies në prizë pasi presioni i lëngut ftohës në sistemin e ftohjes të frigoriferit nuk është balancuar akoma. Frigoriferi do të fillojë të punojë për rreth 6 minuta. Ju lutem thërrisni shërbimin nëse frigoriferi nuk ndizet në fund të kësaj periudhe.
- Frigoriferi është në ciklin e shkrirjes. >>>Kjo është normale për një shkrirje të plotë automatike të frigoriferit. Cikli i shkrirjes ndodh rregullisht.
- Frigoriferi nuk është futur në prizë. >>>Sigurohuni që spina është futur në prizë.
- Parametrat e temperaturës nuk janë bërë mirë. >>>Zgjidhni vlerën e duhur të temperaturës.
- Ka një ndërprerje energjie. >>>Frigoriferi kthehet në punimin normal kur kthehet energjia.

Zhurma e punimit rritet kur frigoriferi është në punë.

- Performanca e punimit të frigoriferit mund të ndryshojë për shkak të ndryshimeve në temperaturën e ambientit. Kjo është normale dhe nuk është

Frigoriferi punon shpesh për një kohë të gjatë.

- Produkti i ri mund të jetë më i gjerë se ai i mëparshmi. Frigoriferët më të mëdhenj punojnë për një kohë më të gjatë.
- Temperatura e dhomës mund të jetë e lartë. >>>Është normale që produkti të punojë për periudha më të gjata në ambient të ngrohtë.
- Frigoriferi mund të jetë vënë në prizë së fundi ose mund të jetë i mbushur me ushqime. >>>Kur frigoriferi vihet në prizë ose është mbushur së fundi me ushqime, do të kërkojë më shumë kohë që të arrijë temperaturën e caktuar. Kjo është normale.
- Sasi të mëdha ushqimesh të nxehta mund të jenë vendosur në frigorifer së fundi. >>>Mos vendosni ushqime të nxehta në frigorifer.
- Dyert mund të hapen shpesh ose të lihen pak hapur për një kohë të gjatë. >>>Ajri i ngrohtë që ka hyrë në frigorifer bën që frigoriferi të punojë për periudha më të gjata. Mos i hapni dyert shpesh.
- Dera e ndarjes të frigoriferit ose ngrirësit mund të jetë lënë pak hapur. >>>Kontrolloni nëse dyert janë mbyllur plotësisht.
- Frigoriferi është rregulluar në një temperaturë shumë të ulët. >>>Rregulloni temperaturën e frigoriferit në një gradë më të ngrohtë dhe prisni derisa të arrihet temperatura.
- Gomina e derës të frigoriferit ose ngrirësit mund të jetë ndotur, konsumuar, çarë ose të mos jetë izoluar mirë. >>>Pastroni ose ndërroni gominën. Gominat e dëmtuara/çara bëjnë që frigoriferi të punojë më gjatë për të ruajtur temperaturën aktuale.

Temperatura e ngrirësit është shumë e ulët ndërsa temperatura e frigoriferit është e mjaftueshme.

- Temperatura e ngrirësit është rregulluar në një vlerë shumë të ulët. >>>Rregulloni temperaturën e ngrirësit në një gradë më të ngrohtë dhe kontrolloni.

Temperatura e frigoriferit është shumë e ulët ndërsa temperatura e ngrirësit është e mjaftueshme.

- Temperatura e frigoriferit është rregulluar në një vlerë shumë të lartë. >>>Rregulloni temperaturën e frigoriferit në një vlerë më të ulët dhe kontrolloni.

Ushqimet që mbahen në sirtarët e ndarjes të frigoriferit kanë ngrirë.

- Temperatura e frigoriferit është rregulluar në një vlerë shumë të lartë. >>>Rregulloni temperaturën e frigoriferit në një vlerë më të ulët dhe kontrolloni.

Temperatura në frigorifer ose ngrirës është shumë e lartë.

- Temperatura e frigoriferit është rregulluar në një vlerë shumë të lartë. >>>Konfigurimi i temperaturës të ndarjes të frigoriferit ka një efekt në temperaturën e ngrirësit. Ndryshoni temperaturat e frigoriferit ose ngrirësit dhe prisni derisa ndarjet përkatëse të arrijnë temperaturën e mjaftueshme.
- Dyert hapen shpesh ose janë lënë hapur për një kohë të gjatë. >>>Mos i hapni dyert shpesh.
- Dera është pak hapur. >>>Mbylleni derën plotësisht.
- Frigoriferi është vënë në prizë ose është mbushur me ushqime së fundi. >>>Kjo është normale. Kur frigoriferi vihet në prizë ose është mbushur së fundi me ushqime, do të kërkojë më shumë kohë që të arrijë temperaturën e caktuar.
- Sasi të mëdha ushqimesh të nxehta mund të jenë vendosur në frigorifer së fundi. >>>Mos vendosni ushqime të nxehta në frigorifer.

Dridhje ose zhurmë.
<ul style="list-style-type: none"> • Dyshemeja nuk është në nivel ose është e paqëndrueshme. >>> Nëse frigoriferi tundet kur lëvizet ngadalë, balancojeni duke i rregulluar këmbët. Gjithashtu sigurohuni që dyshemeja të jetë e fortë mjaft për të mbajtur frigoriferin, dhe të jetë në nivel. • Sendet që vendosni në frigorifer mund të shkaktojnë zhurmë. >>>Hiqni sendet që janë sipër frigoriferit.
Ka zhurma që vijnë nga frigoriferi si për shembull rrjedhje lëngjesh,
<ul style="list-style-type: none"> • Rrjedha e lëngut dhe gazit është sipas parimeve të punimit të frigoriferit tuaj. Kjo është normale dhe nuk është defekt.
Bilbil vjen nga frigorifer
<ul style="list-style-type: none"> • Përdoren ventilatorë për të ftohur frigoriferin. Kjo është normale dhe nuk është defekt.
Kondensim në muret e brendshme të frigoriferit.
<ul style="list-style-type: none"> • Moti i ngrohtë dhe i lagësht rrit akullin dhe kondensimin. Kjo është normale dhe nuk është defekt. • Dyert hapen shpesh ose janë lënë hapur për një kohë të gjatë. >>>Mos i hapni dyert shpesh. Mbyllini nëse janë hapur. • Dera është pak hapur. >>>Mbylleni derën plotësisht.
Ndodh lagështi nga jashtë frigoriferit ose midis dyerve.
<ul style="list-style-type: none"> • Mund të ketë lagështi në ajër; kjo është normale në mot me lagështi. Kur lagështia është më e ulët, do të shfaqet kondensimi.
Erë e keqe brenda frigoriferit.
<ul style="list-style-type: none"> • Nuk është bërë pastrimi rregullisht. >>>Pastroni pjesën e brendshme të frigoriferit rregullisht me një sfungjer, ujë të ngrohtë ose karbonat të tretur në ujë. • Disa enë ose materiale paketimi mund të shkaktojnë erë. >>>Përdorni enë të tjera ose materiale paketimi të një marke tjetër. • Ushqimi vendoset në frigorifer në enë të pambuluara. >>>Mbajeni ushqimin në enë të mbyllura. Mikroorganizmat që përhapen nga enët e pambuluara mund të shkaktojnë erëra të pakëndshme. • Hiqni ushqimet që u ka kaluar data e skadencës dhe që janë prishur nga frigoriferi.
Dera nuk mbyllet.
<ul style="list-style-type: none"> • Paketimet e ushqimeve nuk lejojnë derën të mbyllet. >>>Lëvizni paketimet që pengojnë derën. • Frigoriferi nuk është plotësisht shesh mbi dysheme. >>>Rregulloni këmbët për të balancuar frigoriferin. • Dyshemeja nuk është në nivel ose nuk është e fortë. >>>Sigurohuni që dyshemeja është në nivel dhe është në gjendje të mbajë frigoriferin.
Krisperët kanë ngecur.
<ul style="list-style-type: none"> • Ushqimi prek tavanin e sirtarit. >>>Rivendosni ushqimet në sirtar.

Моля, първо да прочетете това ръководство!

Уважаеми клиенти,

Надяваме се, че вашият продукт, произведен в съвременни фабрики и проверен при най-стриктни процедури за контрол на качеството, ще ви осигури ефективна работа.

Ето защо, преди да използвате продукта, прочетете цялото ръководство за употреба внимателно и го запазете за справка в бъдеще. Ако предоставяте продукта на някой друг, дайте му и ръководството за употреба.

Това ръководство ще ви помогне да използвате уреда по най-бърз и безопасен начин.

- Прочетете ръководството преди да монтирате и да работите с уреда.
- Уверете се, че сте прочели инструкциите за безопасност.
- Пазете ръководството на лесно достъпно място, тъй като може да ви потрябва на по-късен етап.
- Прочетете и останалите документи, предоставени ви с продукта.

Помнете, че това ръководство за употреба може да се отнася за няколко модела. Разликите между моделите са посочени в ръководството.

Легенда на символите

В ръководството са използвани следните символи:

- ⓘ Важна информация или полезни съвети за употреба.
- ⚠ Предупреждения при опасност за живота или имуществото.
- ⚡ Предупреждения за електрическо напрежение.



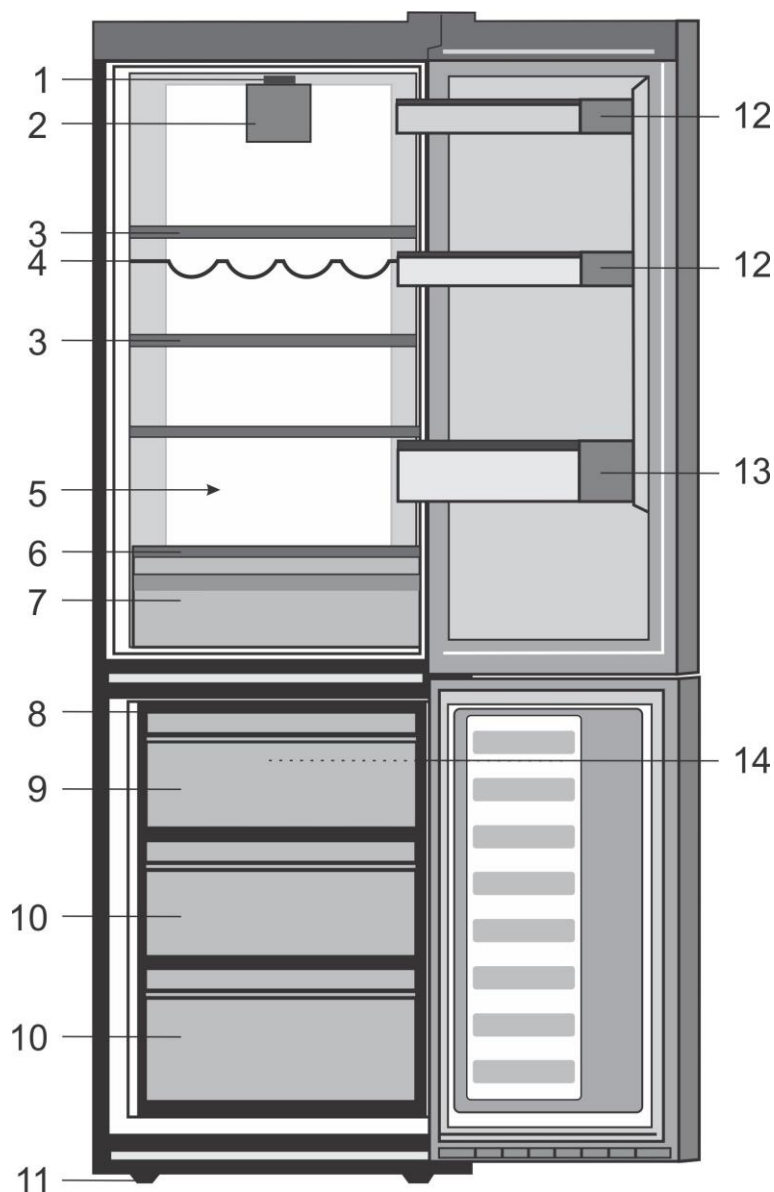
ВНИМАНИЕ!

Вашият апарат съдържа хладилна течност R 600a (запалим само при определени условия) газ от естествен произход който е силно съвместим със изискванията за опазване на околната среда. За да осигурите нормална работа на Вашият уред моля спазвайте следните правила:

- Осигурете нормална вентилация на уреда.
- Не използвайте механични устройства за размразяване на уреда, освен тези препоръчни от производителя.
- Не наранявайте хладилната верига.
- Не използвайте електрически уреди вътре в апарата.

<u>1 Вашият хладилник</u>	<u>3</u>	<u>4 Подготовка</u>	<u>10</u>
<u>2 Важни предупреждения относно безопасността</u>	<u>4</u>	<u>5 Употреба на вашия хладилник</u>	<u>11</u>
Предназначение	4	Бутон за настройка на термостата .	11
Обща безопасност	4	Двойно охладителна система	11
За продукт с воден диспенсер	6	Обръщане на вратите	12
Защита от деца	6	Замразяване на пресни продукти...	13
Съвместимост с Директивата за изхвърляне на отпадъчни продукти ..	6	Препоръки за съхранение на замразени храни	14
Информация за опаковъчните материали	7	Размразяване	14
Предупреждение на Агенцията по здравеопазване	7	Поставянето на храната	14
Каво да направите, за да пестите енергия.....	7	Препоръки за съхранение	15
<u>3 Мотаж</u>	<u>8</u>	Препоръки за отделението	15
Неща, на които да обърнете внимание, когато местите хладилника.....	8	<u>6 Поддръжка и почистване</u>	<u>16</u>
Преди да пуснете хладилника.....	8	Предпазване на пластмасовите повърхности	16
Електрическо свързване	8	<u>7 Отстраняване на проблеми</u>	<u>17</u>
Изхвърляне на опаковъчните материали	8		
Изхвърляне на стария ви хладилник	9		
Поставяне и монтиране	9		
Подмяна на осветителната лампа	9		
Регулиране на крачетата	9		

1 Вашият хладилник



1. Настройка на селектора и вътрешното осветление
2. Вентилатор за прясна храна
3. Регулируеми рафтове за корпуса
4. Рафт за вино
5. 0° Зона
6. Отделение 0/3° C
7. Контейнери за салати
8. Подложка за тавичката за лед и тавичка за лед
9. Отделение за бързо замразяване
10. Отделения за съхранение на замразени храни
11. Регулируеми предни крачета
12. Рафт за буркани
13. Рафт за бутилки
14. Вентилатор на фризера

i Фигурите, в настоящето ръководство за употреба, са схематични и може да не отговарят точно на вашия уред. Ако споменатите части липсват във вашия уред, то те важат за други модели.

Моля, прегледайте следната информация. Неспазването на тази информация може да доведе до наранявания или материални щети. В противен случай всякаква гаранция и отговорност стават невалидни. Животът на вашия продукт е 10 години. През този период, за да работи правилно продуктът, ще се предлагат оригинални резервни части.

Предназначение

Този продукт е предназначен да се използва в закрити помещения, като например къщи;

- в затворена работна среда като например магазин и офиси;
- в затворени сгради за настаняване на хора, като например вили, хотели, пансиони.
- Той не бива да се използва навън.

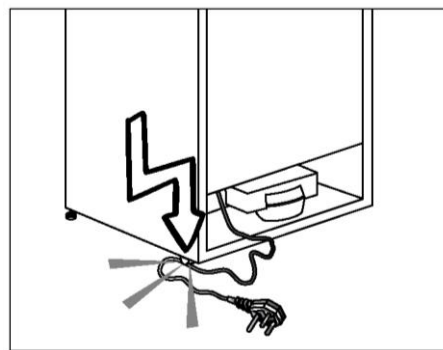
Обща безопасност

- Когато решите да изхвърлите продукта, препоръчваме да се консултирате с оторизирания сервиз за да получите нужната информация за това, както и с оторизираните власти.
- Консултирайте се с оторизирания сервиз по всякакви въпроси и проблеми, свързани с хладилника. Не се опитвайте да поправяте сами или да позволявате друг да прави това без да предупредите оторизирания сервиз.
- За продукти с фризерно отделение; Не яжте сладолед или кубчета лед веднага след като ги извадите от фризерното отделение! (Това може да доведе до измръзване в устата ви.)
- За продукти с фризерно отделение; Не поставяйте бутилирани или консервирани течности във фризерното отделение. В противен случай те може да се пръснат.

- Не пипайте замразената храна с ръце; тя може да се залепи за ръката ви.
- Изключете хладилника от контакта преди почистване или размразяване.
- Не бива никога да използвате пара и парни почистващи материали при почистването и разлеждането на хладилника. Парата може да влезе в контакт с електрическите части и да предизвика късо съединение или токов удар.
- Никога не използвайте частите на хладилника, като например вратата за подпора или за стъпване.
- Не използвайте електрически уреди вътре в хладилника.
- Не повреждайте частите, където циркулира охладителя с пробивни или режещи инструменти. Евентуалното изтичане на охладител при пробиване на каналите на изпарителя, удълженията на тръбата или покритието върху повърхността може да предизвика раздразнения на кожата или нараняване на очите.
- Не покривайте и не блокирайте с предмети вентилационните отвори на хладилника.
- Електрическите устройства трябва да се ремонтират само от оторизирани лица. Ремонтът, извършен от некомпетентно лице може да създаде риск за потребителя.
- В случай на каквато и да е повреда или по време на поддръжка и ремонт, изключете хладилника от електрическото захранване, като изключите съответния предпазител или извадите щепсела от контакта.
- Не дърпайте за кабела когато искате да извадите щепсела от контакта.
- Високоградусови спиртни напитки трябва да се поставят в хладилника само вертикално и плътно затворени.

- Никога не съхранявайте спрейове съдържащи възпламеними или експлозивни вещества в хладилника.
- Не използвайте механични устройства или други средства, за да ускорите процеса на размразяване, освен посочените от производителя.
- Този уред не е предназначен за употреба от лица с физически, сензорни или умствени разстройства или лица без опит и познания (включително деца), освен ако те не са наблюдавани или инструктирани относно употребата на уреда от отговорно за безопасността им лице.
- Не използвайте хладилника ако е повреден. Ако имате някакви съмнения, се обърнете към сервизния агент.
- Електрическата безопасност на хладилника е гарантирана само ако заземяването на ел. инсталация в дома ви отговаря на съответните стандарти.
- Излагането на продукта на дъжд, сняг, слънце и вятър представлява опасност от електрическа гледна точка.
- Свържете се с оторизирания сервиз при повреда в захранващия кабел за да избегнете всякакъв риск.
- Никога не включвайте хладилника в контакта по време на инсталация. В противен случай съществува риск за живота или от сериозно нараняване.
- Тзи хладилник е предназначен само за съхранение на хранителни продукти. Той не бива да се ползва за никакви други цели.
- Етикетът с технически спецификации е разположен върху лявата вътрешна стена на хладилника.
- Никога не свързвайте хладилника с енергоспестяващи системи; те могат да повредят хладилника.

- Ако на хладилника има синя светлина, не разглеждайте синята светлина с оптически устройства.
- За ръчно контролирани хладилници, изчакайте поне 5 минути за да рестартирате хладилника след прекъсване в захранването.
- Това упътване за употреба трябва да се предаде на новия собственик ако уредът бъде продаден на други лица.
- Внимавайте да не повредите захранващия кабел при транспортирането на хладилника. Огъването на кабела може да доведе до пожар. Никога не поставяйте тежки предмети върху захранващия кабел.
- Не пипайте щепсела с мокри ръце когато включвате уреда в контакта.



- Не включвайте хладилника в разхлабени контакти.
- По причини на безопасността по външността или вътрешността на уреда не бива да се пръска директно вода.
- Не пръскайте субстанции, съдържащи възпламеними газове от рода на пропан газ в близост до хладилника за да избегнете риска от пожар и експлозия.
- Никога не поставяйте съдове, пълни с вода върху хладилника, тъй като това може да доведе до токов удар или пожар.

- Не препълвайте хладилника с прекалено много хранителни продукти. Ако е препълнен, хранителните продукти може да паднат и да ви наранят или да повредят хладилника при отваряне на вратата.
- Никога не поставяйте предмети върху хладилника; в противен случай те може да изпаднат при отварянето и затварянето на вратата на хладилника.
- Тъй като се нуждаят от точно определена температура на съхранение (ваксини, температурно-зависими лекарства, научни материали, и др.) не бива да се държат в хладилника.
- Ако не бъде използван дълго време, хладилникът трябва да бъде изключен от контакта. Възможно е неизправност в захранващия кабел да доведе до пожар.
- Накрайникът на щепсела трябва да бъде редовно почистван със сух парцал за да се избегне риска от пожар.
- Хладилникът може да мърда ако регулируемите крачета не са стабилно закрепени на пода. Стабилното закрепване на регулируемите крачета на пода може да предпази хладилника от мърдане.
- При преместването на хладилника, не го хващайте за дръжката на вратата. В противен случай тя може да се откъсне.
- Ако се налага да поставите уреда до друг хладилник или фризер, разстоянието между двата уреда трябва да е поне 8см. В противен случай прилежащите странични стени може да се навлажнят

За продукт с воден разпределител;

- Налягането на водата трябва да е поне 1 бар. Налягането на водата трябва да е под 8 бара.
- Използвайте само питейна вода.

Защита от деца

- Ако на вратата е поставена ключалка, ключът трябва да се държи далеч от достъпа на деца.
- Децата трябва да бъдат надзиравани за да се избегне играене с уреда.

Съвместимост с Директивата за изхвърляне на отпадъчни продукти



Символът върху продукта или опаковката означава, че продуктът не бива да се третира като битов отпадък. Вместо това трябва да се предаде в цъответния център за рециклиране на електрически и електронни уреди. Изхвърляйки този продукт по правилен начин, вие спомагате за предотвратяване на потенциални негативни последици за околната среда и човешкото здраве, които биха били причинени от неправилното изхвърляне на този продукт. За повече информация относно рециклирането на този продукт, моля обърнете се към местните власти, службата за събиране на битови отпадъци или магазина, където сте закупили продукта.

Информация за опаковъчните материали

Опаковъчните материали на продукта са произведени от рециклируеми материали съгласно нашите национални наредби за опазване на околната среда. Не изхвърляйте опаковъчните материали заедно с битовите и други отпадъци. Занесете ги в пунктовете за събиране на опаковъчни материали, определени от местните власти.

Не забравяйте...

Всяка рециклиране на материал е много важно за природата и нашето национално богатство.

Ако искате да допринесете за намаляването на цените на опаковъчните материали, можете да се консултирате с вашата организация по опазване на околната среда или общината, на чиято територия живеете.

Предупреждение на Агенцията по здравеопазване

Ак охлаждащата система на уреда ви съдържа R600a:

Този газ е запалим. Затова внимавайте да не повредите охладителната система и тръбите при употреба и транспорт. В случай на повреда, дръжте продукта далеч от потенциални източници на огън, което може да доведе до подпалването на уреда и проветрявайте стаята, където се намира той.

Типът газ, използван в продукта, е обозначен на страничната табелка с данни върху вътрешната лява страна на хладилника.

Никога не изхвърляйте уреда в огън.

Неща, които да направите с цел пестене на енергия

- Не оставяйте вратите на хладилника отворени за дълго. Не прибирайте горещи храни и напитки в хладилника.
 - Не препълвайте хладилника за да не се затруднява въздушната циркулация вътре в него.
 - Не инсталирайте хладилника под пряка слънчева светлина или в близост до уреди, излъчващи топлина, като фурни, съдомиялни машини или радиатори. Хладилникът ви трябва да се инсталира поне на 30 см разстояние от топлинни източници и на поне 5 см от електрически фурни.
 - Дръжте храната в затворени контейнери.
 - Можете да заредите максимално количество храна във фризерното отделение на хладилника, като извадите чекмеджетата на отделението. Декларирана стойност на енергийната консумация на хладилника е определена при фризер с извадени чекмеджета. Няма никаква опасност да използвате рафт или чекмедже в зависимост от формата и размера на хранителните продукти които замразявате.
 - Разлеждането на замразена храна в хладилника ще осигури както пестене на енергия, така и ще запази качеството на хранителните продукти.
- ❗ Вътрешността на хладилника ви трябва да се почиства изцяло.
- ⚠ В случай, че информацията, която я дадена в инструкцията за употреба, не е взета под внимание, производителят не поема никаква отговорност.

Неща, на които да обърнете внимание, когато местите хладилника

1. Вашият хладилник трябва да се изключи. Преди транспортиране на вашия хладилник, той трябва да бъде изпразнен и почистен.
2. Преди да бъде опакован отново, рафтовете, аксесоарите, разделителите и др във вашия хладилник трябва да се фиксират с лепенки и да се осигурят срещу въздействия. Пакетът трябва да бъде завързан с дебела лента или стабилни въжета и правилата за транспортиране, написани на опаковката, трябва да се спазват стриктно.
3. Оригиналната опаковка и изолиращи материали трябва да се запазят за бъдещо транспортиране или преместване.

Преди да пуснете хладилника,

Преди да започнете да използвате вашия хладилник, проверете следното:

1. Почистете вътрешността на хладилника, както е препоръчано в раздел "Поддръжка и почистване".
2. Включете щепсела на хладилника в контакта. Когато вратата на хладилника е отворена, вътрешната лампичка на хладилника ще свети.
3. Когато започне да работи компресорът, ще се чува звук. Нормално е течността и газовете в охладителната система да издават шум, дори компресорът да не работи.
4. Предните ъгли на хладилника може да са топли на пипане. Това е нормално. Тези части са проектирани да бъдат топли с цел избягване на кондензацията.


Електрическо свързване


Свържете хладилника към заземен контакт, който се предпазва от бушон с подходящ капацитет.

Важно:

Свързването трябва да бъде направено в съответствие с наредбите в страната.

- Щепселът трябва да е лесно достъпен след монтажа.
- Електрическата безопасност на хладилника е гарантирана само ако заземяването на ел. инсталация в дома ви отговаря на съответните стандарти.
- Мощността, дадена на етикета, който се намира на лявата вътрешна част на вашия уред, трябва да бъде равна на мощността на вашата мрежа.
- **При свързването не бива да се ползват удължители и разклонители.**

 Ако кабелът е повреден, той трябва да се подмени от квалифициран техник.

 Нетрябвадасеработи с продукта, преди той да бъде заменен! Съществува опасност от токов удар!

Изхвърляне на опаковъчните материали

Опаковъчните материали може да представляват опасност за децата. Дръжте опаковъчните материали далеч от достъпа на деца или ги изхвърлете разделно, в съответствие с указанията за изхвърляне на отпадъци на вашите местни власти. Не ги изхвърляйте заедно с вашите битови отпадъци, изхвърлете опаковъчните материали на местата, посочени от местните власти.

Опаковката на вашия хладилник е изработена от рециклируеми материали.

Изхвърляне на стария ви хладилник

Изхвърлете стария си уред така, че да не навредите на околната среда.

- Може да се консултирате с оторизирания търговец или центъра за събиране на отпадъци във вашата община относно изхвърлянето на хладилника ви.

Преди да изхвърлите хладилника ви, отрежете кабела и, ако вратата е със заключалки, ги направете неизползваеми, така, че да предпазите децата от всякакви евентуални рискове.

Поставяне и монтиране

⚠ Ако вратата на стаята, където ще инсталирате хладилника, не е достатъчно широка, за да мине уредът през нея, се обадете в оторизиран сервиз, за да свалят вратите на хладилника и го вкарайте странично през вратата.

1. Инсталирайте хладилника на място, където може лесно да се ползва.
2. Дръжте хладилника далеч от топлинни източници, задушни места и пряка слънчева светлина.
3. Трябва да осигурите добра вентилация около хладилника за да може той да работи ефективно. Ако ще монтирате хладилника в ниша в стената, трябва да има поне 5 см разстояние от тавана и стената. Не поставяйте уреда върху черги, килими и пр.
4. Поставете хладилника върху равна подова повърхност за да се избегне клатене на уреда.

Подмяна на осветителната лампичка

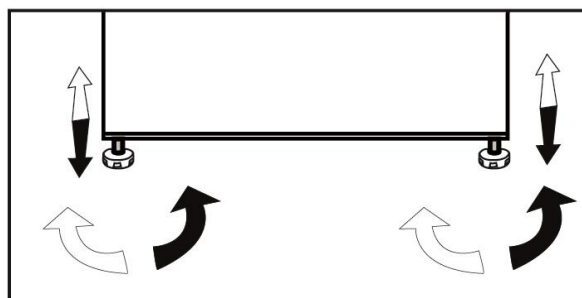
За да подмените лампичката/LED в хладилника, моля, обадете се в оторизирания сервиз.

Лампата(ите) в този уред не са подходящи за осветление в битови помещения. Предназначението на тази лампа е да помага на потребителя да оставя хранителни продукти в хладилника/фризера по безопасен и удобен начин.

Лампите, използвани в този уред, трябва да издържат на екстремни физически условия като температура под -20°C .

Регулиране на крачетата

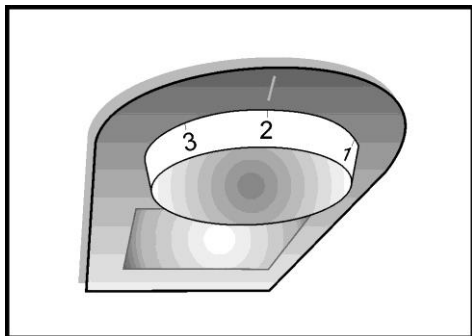
Ако хладилникът ви не е балансиран; Може да балансирате вашия хладилник, като завъртите предните крачета, както е показано на илюстрацията. Ъгълът, където е крака се понижава при завъртане по посока на черната стрелка и се увеличава при завъртане в обратната посока. Процесът се улеснява ако някой ви помогне като повдигне леко



4 Подготовка

- Хладилникът ви трябва да се инсталира поне на 30 см разстояние от топлинни източници като котлони, фурни, централно парно, на поне 5 см от електрически печки и не трябва да се излага на пряка слънчева светлина.
- Проверете дали вътрешността на хладилника е почистена изцяло.
- Ако два хладилника се инсталират един до друг, трябва да има поне 2 см разстояние помежду им.
- Когато използвате хладилника за първи път, следвайте следните указания през първите 6 часа.
- Вратата не бива да се отваря често.
- Хладилникът трябва да работи празен, без храна в него.
- Не изключвайте хладилника от щепсела. Ако има прекъсване на захранването, което не можете да контролирате, моля прочетете предупрежденията в раздел “Възможни решения на възникнали проблеми”.
- Този уред е проектиран да работи на температури на средата до 43°C (110°F).

5 Употреба на хладилника ви



Бутон за настройка на термостата

Вътрешната температура на хладилника се променя поради следните причини;

- Сезонни температури,
- Често отваряне на вратата и оставянето и за дълго отворена.
- Поставянето на храна, която не е охладена до стайна температура,
- Мястото на хладилника в стаята (напр. излагане на слънце).
- С помощта на термостата може да нагласяте вътрешната температура спрямо тези обстоятелства. Номерата около термостатния бутон показват градусите на охлаждане.

Работната температура се контролира от селектора на настройките.

Настройките могат да се правят от 1 до макс 5, като макс е най-студената позиция.

Средната температура в хладилника да не е по-висока от +5°C (+41°F).

Препоръчваме ви да проверите температурата с точен термометър за да се уверите, че отделенията за съхранение са поддържани на желаната температура.

Помнете, че при всяко отваряне на вратата, от фризера излиза студен въздух и вътрешната температура се повишава. Затова никога не оставяйте вратата отворена и я затваряйте веднага след като внесете или извадите храна.

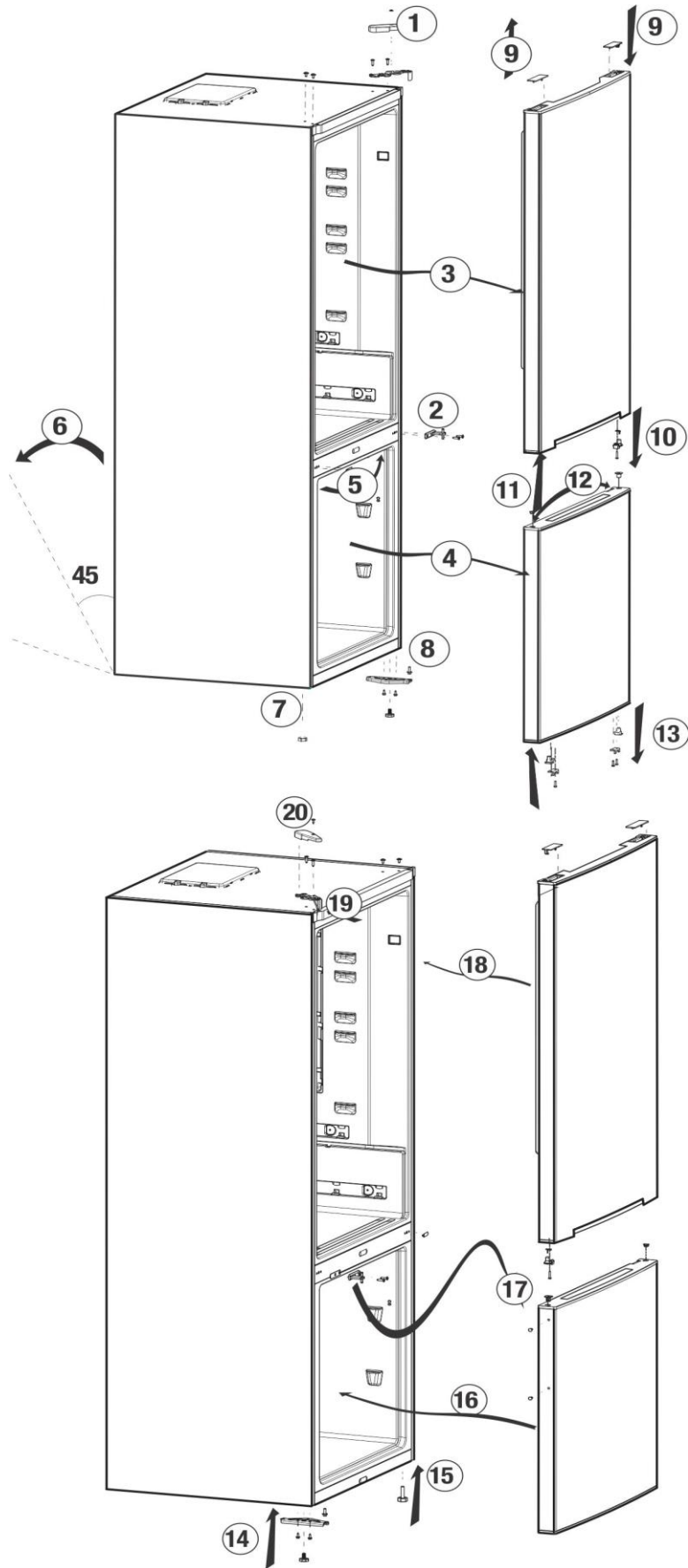
Двойно охладителна система

Хладилникът ви е оборудван с две отделни охладителни системи, които охлаждат отделението за пресни храни и отделението на фризера. По този начин въздухът в отделението за пресни храни и във фризерното отделение не се смесват.

Благодарение на тези две отделни системи за охлаждане, скоростта на охлаждане е много по-висока в сравнение с други хладилници. Миризмите в отделенията не се смесват. Това осигурява и допълнителна икономия на енергия тъй като разлеждането се извършва поотделно.

Обръщане на вратите

Процедирайте по следния начин



Замразяване на пресни продукти

- За предпочитане е храните да се увият или покриват преди поставянето им в хладилника.
- Горещата храна трябва да се остави да изстине до стайна температура преди да я приберете в хладилника.
- Хранителните продукти, които желаете да замразите, трябва да са пресни и с добро качество.
- Хранителните продукти трябва да се разделят на части съобразно дневните или порционните нужди на семейството.
- Хранителните продукти трябва да се опаковат херметично, за да се предпазят от изсушаване дори и при краткотрайно съхранение.
- Материалите, които се използват за опаковка, трябва да са издръжливи на късане, студ, влага, миризма, мазнини и киселини, а също така херметизиращи. Освен това, те трябва да са добре затворени и направени от лесно-използваеми материали, подходящи за дълбоко замразяване.
- Замразените храни трябва да се употребяват веднага след размразяване и никога да не се замразяват повторно.
- Спазвайте следните инструкции за постигане на най-добри резултати.
 - 1.** Не замразявайте прекомерно големи количества храна наведнъж. Качеството на храната се запазва най-добре, когато тя може да се замрази изцяло, възможно най-бързо.
 - 2.** Внимавайте да не смесите вече замразените храни с пресни.
 - 3.** Уверете се, че суровите храни не са включени контакт с варени храни в хладилника.

4. Максималният обем замразена храна се постига като чекмеджетата и капакът на горния рафт във фризерното отделение не се използват. Разходът на енергия на уреда е измерен при напълно зареден фризер без използване на чекмеджетата и горния капак.

5. Препоръчително е да поставяте хранителни продукти върху горния рафт на фризера за първоначално замразяване.

Фризерно отделение Регулиране	Хладилно отделение Регулиране	Обяснения
-18 или	4°C	Това е препоръчителната нормална настройка.
-20°C -22 или -24°C	4°C	Тези настройки се препоръчват когато външната температура превишава 30°C.
Бързо замразяване	4°C	Използвайте когато искате бързо да замразите храна. Хладилникът се връща в предишния режим при завършване на процеса.
-18°C или по-студено	2°C	Ако намирате, че хладилното отделение не е достатъчно студено заради топлите температурни условия или честото отваряне и затваряне на вратата.
-18°C или по-студено	Бързо охлаждане	Може да го използвате когато хладилното отделение е препълнено или желаете да охладите храната по-бързо. Препоръчително е да активирате функцията 4-8 часа преди да поставите храната.

Препоръки за съхраняване на замразени храни

- Предварително опаковани в търговската замразени храни трябва да се съхранява съответствие с инструкциите на производителя на замразени храни в замразен отделение за съхранение на хранителни продукти.

- За да се осигури високо качество доставени от производителя на замразени храни и търговец на дребно на храни се поддържа, трябва да се отбележи следното:

1. Поставете пакети във фризера като възможно най-бързо след покупката.
2. Уверете се, че съдържанието на пакета са етикетирани и дата.
3. Да не се превишава "Използване С", "Най-добър Преди" дати върху опаковката

Размразяване

Отделението за фризер размразява автоматично.

Поставянето на храната

Фризерно отделение рафтове	Разни замразени храни като месо, риба, сладолед, зеленчуци и т.н.
Поставка за яйца	яйце
Хладилно отделение рафтове	Храни в тави, покрити плочи и затворени съдове
рафтове Хладилно отделение врати	Малък и пакетирани храна или напитки (като мляко, плодов сок и бира)
отчетливи	Зеленчуците и плодовете
Fresh отделение зона	Деликатеси продукти (сирене, масло, салам и т.н.)

Препоръки за съхранение на замразени храни

Предварително замразените промишлени хранителни продукти трябва да се съхраняват според указанията на производителя за

*** **** (4-звездно) отделение за съхранение на замразени храни.

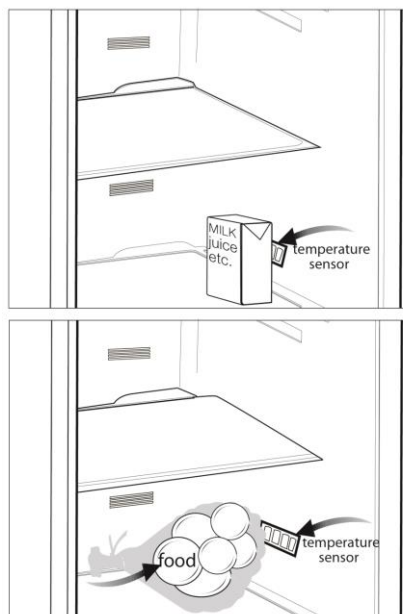
• За да сте сигурни, че високото качество, осигурено от производителя и търговеца, ще бъде запазено, трябва да помните следното:

1. Прибирайте пакетите във фризера, възможно най-бързо след покупката им.
2. Проверете дали съдържанието им е с етикет и дата на производство.
3. Не превишавайте срока на годност, посочен на опаковката.

Препоръки за отделението за отделение за пресни храни

*опция

- Не позволявайте храната да докосва температурния сензор в отделението за свежи храни. За да позволите на отделението за свежи храни да запази идеалната си температура за охлаждане, сензорът не трябва да е закрит от храната.
- Не слагайте гореща храна в уреда.



⚠ Никога не използвайте газ, бензин или подобни вещества за почистване на уреда.

⚠ Препоръчваме ви, да изключите уреда от контакта преди почистване.

⚠ Никога не използвайте за почистване остри или абразивни материали сапун, домакински препарати, перилни препарати или полир.

i Използвайте хладка вода, за да почистите корпуса на хладилника, и подсушете.

i Използвайте влажна кърпа, натопена в разтвор от една супена лъжица сода бикарбонат в половин литър вода, за да почистите вътрешността, и подсушете.

⚠ Убедете се, че не влизаво да в гнездото на лампичката и другите електрически елементи.

⚠ Ако вашият хладилник няма да се използва дълго време, извадете захранващия кабел от щепсела, извадете всичката храна, почистете хладилника и оставете вратата откритата.

i Редовно проверявайте уплътненията на вратата, за да сте сигурни, че са чисти и че по тях няма хранителни остатъци.

⚠ За да свалите рафт от вратата, извадете всички продукти и го бутнете нагоре от основата му.

⚠ Никога не използвайте почистващи препарати или вода със съдържание на хлор за почистване на външните повърхности и хромираните части на продукта.

Предпазване на пластмасовите повърхности

i Не слагайте течни мазнини или готвени в мазнина ястия в хладилника освен в затворен контейнер, тъй като те повреждат пластмасовите повърхности на хладилника. В случай на разливане или омазване на пластмасовите повърхности с мазнина, почистете и изплакнете съответната част от повърхността с топла вода.

7 Отстраняване на проблеми

Моля, прегледайте този списък преди да се обадите в сервиза. Това ще ви спести време и пари. Този списък съдържа проблеми, които не са в резултат на дефектно производство или лоша употреба на материали. Някои от описаните тук характеристики може да не са налични на вашия продукт.

Хладилникът не работи

- Щепселът не е включен в контакта правилно. >>>Включете безопасно щепсела в контакта.
- Може да е изгорял предпазителът на контакта, към който е свързан хладилника или главният предпазител. >>>Проверете предпазителя.

Кондензация по странияната стена на хладилното отделение (МУЛТИЗОНА, КОНТРОЛ НА ОХЛАЖДАНЕТО и FLEXI ZONE).

- Температурата на средата е много ниска. >>>Не монтирайте хладилника на места, в които температурата пада под 10°C.
- Вратата е отворена често. >>>Не отваряйте и затваряйте вратите на хладилника често.
- В средата има висока влажност. >>> Не монтирайте хладилника в среда с висока влажност.
- Течната храна се съхранява в контейнери без капак. >>>Не съхранявайте течна храна в контейнери без капак.
- Вратата на хладилника е оставена откритата. >>>Затворете вратата на хладилника.
- Термостатът е настроен на много ниска температура. >>>Настройте термостата на подходяща температура.

Компресорът не работи

- Защитният термостат на компресора се изключва при внезапно прекъсване в захранването или при включване и изключване от контакта тъй като налягането на охладителя в охладителната система на хладилника все още не е уравновесен. Хладилникът ще започне да работи след около 6 минути. Ако след този период от време хладилникът не почне да работи, се свържете със сервиза.
- Хладилникът е в цикъл на размразяване. >>>Това е нормално за напълно автоматично размразяващ се хладилник. Цикълът на размразяване се задейства периодично.
- Хладилникът не е включен в контакта. >>>Уверете се, че щепселът пасва на контакта.
- Температурните настройки не са зададени правилно. >>>Изберете правилни температурни настройки.
- Налице е прекъсване на захранването. >>> Хладилникът се връща към нормален режим на работа, когато захранването се възстанови.

Работният шум се увеличава когато хладилникът работи.

- Оперативните характеристики на хладилника ви може да се променят в зависимост от промените на околната температура. Това е нормално и не е повреда.

Хладилникът работи често или продължително време

- Новият ви хладилник може да е по-широк от предишния. Големите хладилници работят по-дълго време.
- Температурата в стаята може да е висока.>>>Нормално е, уредът да работи по-дълго време, когато се намира в по-топла среда.
- Хладилникът може скоро да е включен в контакта или в него да има прекалено много храна. >>>Когато хладилникът наскоро е включен в контакта или в него има много храна, отнема по-дълго време достигането на зададената температура. Това е нормално.
- Възможно е наскоро да сте поставили голямо количество топла храна в хладилника. >>>Не поставяйте топла храна в хладилника.
- Вратите може да са били отворяни често или оставени открити за дълго време.>>>Топлият въздух, проникнал в хладилника, го кара да работи за по-продължителни периоди Не отваряйте вратите често.
- Вратата на хладилника или фризера може да е оставена откритата.>>> Проверете дали вратите са напълно затворени.
- Хладилникът е настроен на много ниска температура.>>>Настройте хладилника на по-висок градус и изчакайте докато достигне температурата.
- Уплътнението на вратата на хладилника или фризера може да е замърсено, износено, повредено или неправилно поставено. >>>Почистете или подменете уплътнението. Повреденото уплътнение кара хладилника да работи по-продължително време за да поддържа температурата.

Температурата във фризера е много ниска, докато температурата в хладилника е задоволителна.

- Фризерът е настроен на много ниска температура. >>>Настройте температурата на фризера на по-висока температура и проверете.

Температурата в хладилника е много ниска, докато температурата във фризера е задоволителна.

- Хладилникът е настроен на много ниска температура. >>>Настройте температурата на хладилника на по-висока и проверете.

Хранителните продукти, съхранявани в чекмеджетата на хладилното отделение са замръзнали.

- Хладилникът е настроен на много висока температура. >>>Настройте температурата на хладилника на по-ниска и проверете.

Температурата в хладилника или фризера е много висока.

- Хладилникът е настроен на много висока температура. >>>Настройката на хладилника оказва влияние върху температурата във фризера. Променете температурата на хладилника и фризера и изчакайте, докато съответните отделения достигнат до задоволителна температура.
- Вратите може да са били отворяни често или оставени открити за дълго време. >>>Не отваряйте често вратите.
- Вратата е откритата. >>>Затворете вратата напълно.
- Хладилникът наскоро е включен в контакта или в него има много храна. >>>Това е нормално. Когато хладилникът наскоро е включен в контакта или в него има много храна, отнема по-дълго време достигането на зададената температура.
- Възможно е наскоро да сте поставили голямо количество топла храна в хладилника. >>>Не поставяйте топла храна в хладилника.

Вибрации или шум.

- Подът не е равен и стабилен.>>>Ако хладилникът се тресе, когато се мести бавно, балансирайте го като регулирате крачетата. Уверете се, че подът е достатъчно здрав и равен и може да издържи хладилника и нивото.
- Предметите, поставени върху хладилника, могат да вдигат шум.>>>Премахнете предметите, които сте поставили върху хладилника.

От хладилника се чуват шумове, като от разливане на течност или спрей.

- Потокът на течност и газ е в съответствие с оперативните принципи на вашия хладилник. Това е нормално и не е повреда.

От хладилника се чува свирене

- Вентилаторите се използват за охлаждане на хладилника. Това е нормално и не е повреда.

Кондензация по вътрешните страни на хладилника.

- Топлият и влажен климат повишават размразяването и кондензацията. Това е нормално и не е повреда.
- Вратите може да са били отворени често или оставени открити за дълго време. >>>Не отваряйте често вратите. Затворете ги, ако са отворени.
- Вратата е откритата. >>>Затворете вратата напълно.

Отвън на хладилника или между вратите се събира влага.

- Възможно е въздухът да е влажен; това е нормално при влажен климат. Когато влажността във въздуха намалее, кондензираната вода ще изчезне.

Лоша миризма в хладилника.

- Не се извършва редовно почистване. >>>Почиствайте редовно вътрешността на хладилника с гъба, хладка или газирана вода.
- Някои контейнери или опаковъчни материали може да пропускат миризма.>>>Използвайте различен контейнер или различна марка материали за опаковане.
- Храната е поставена в хладилника в контейнери без капак. >>>Съхранявайте храната в затворени контейнери. Микроорганизмите излизаци от непокрытите контейнери могат да причинят неприятна миризма.
- Премахнете храните с изтекъл срок на годност и развалените храни от хладилника.

Вратата не се затваря.

- Опаковките с храна пречат на вратата да се затвори.>>> Преместете пакетите, които пречат на вратата.
- Хладилникът не е изправен напълно върху пода. >>>Регулирайте крачетата, за да балансира хладилника.
- Подът не е равен или издръжлив. >>>Уверете се, че подът е равен, издръжлив и способен да издържи хладилника.

Контейнерите за запазване на свежестта са заклещени.

- Храната може да докосва горната част на чекмеджето. >>>Подредете отново храната в чекмеджето.

Спочатку прочитайте цю інструкцію!

Шановний покупцю!

Сподіваємося, що цей пристрій, виготовлений на сучасних підприємствах і перевірений за допомогою найприскіпливіших процедур контролю якості, ефективно слугуватиме вам у побуті.

Для цього просимо уважно прочитати цю інструкцію до кінця, перш ніж користуватися холодильником, і зберегти її в довідкових цілях. Якщо ви передаєте холодильник іншому користувачеві, передайте йому також інструкцію користувача.




Інструкція користувача допоможе вам користуватися пристроєм у швидкий і безпечний спосіб.

- Прочитайте інструкцію, перш ніж встановлювати холодильник і користуватися ним.
- Обов'язково прочитайте правила техніки безпеки.
- Зберігайте інструкцію в легкодоступному місці, оскільки вона може знадобитися вам пізніше.
- Прочитайте також інші документи, що постачаються разом із холодильником.

Пам'ятайте, що цю інструкцію також можна застосовувати до деяких інших моделей. Відмінності між моделями будуть визначені в інструкції.

Пояснення символів

У цій інструкції користувача використовуються наступні символи:

-  Важлива інформація або корисні поради.
-  Попередження про небезпечні ситуації для життя та майна.
-  Попередження про електричну напругу.



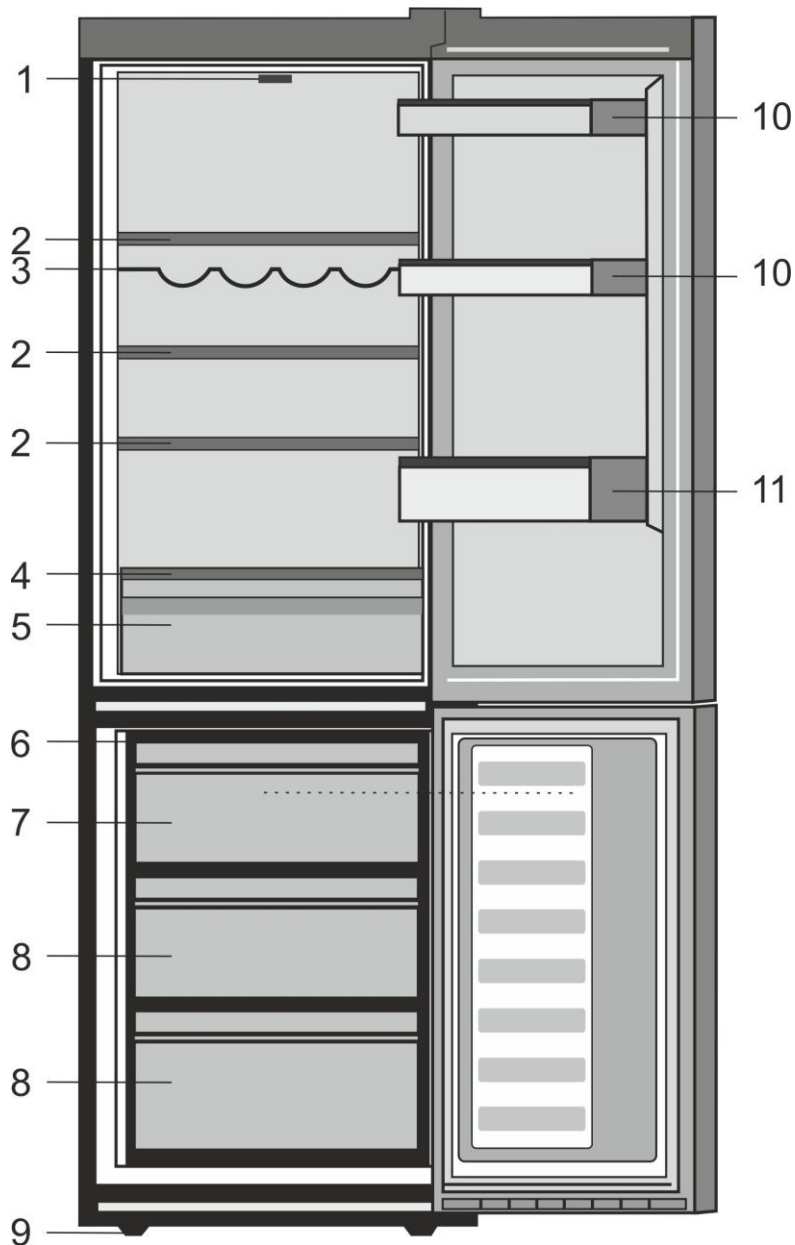
ПОПЕРЕДЖЕННЯ!

Для забезпечення нормальної роботи вашого холодильника, в якому застосовується екологічно чистий охолоджувач R600a, що займається тільки за певних умов, слід дотримуватися таких правил:

- Не перешкоджайте вільній циркуляції повітря навколо приладу.
- Не застосовуйте для прискорення розморожування механічні пристрої, крім рекомендованих виробником.
- Не пошкоджуйте контур охолодження.
- Не використовуйте всередині відділення для продуктів електричні прилади, крім рекомендованих виробником.

<u>1</u>	<u>Опис холодильника</u>	<u>3</u>	<u>4</u>	<u>Підготовка</u>	<u>10</u>
<u>2</u>	<u>Важливі вказівки з техніки безпеки</u>	<u>4</u>	<u>5</u>	<u>Використання холодильника</u>	<u>11</u>
	Застосування за призначенням	4		Кнопка регулювання термостата....	11
	Загальні правила техніки безпеки	4		Подвійна система охолодження	11
	Для пристроїв із дозатором води	6		Перенавішування дверцят	12
	Безпека дітей	6		Заморожування свіжих продуктів ...	13
	Відповідність нормам і правилам щодо відпрацьованого електричного й електронного обладнання (норма WEEE) та утилізація відходів	6		Рекомендації для збереження	14
	Інформація про упаковку	7		Розморожування	14
	Попередження НСА	7		Розміщення їжі	14
	Як заощадити електроенергію	7		Інформація про глибоке заморожування	15
				Рекомендації щодо відділення	15
<u>3</u>	<u>Встановлення</u>	<u>8</u>	<u>6</u>	<u>Обслуговування та чищення</u>	<u>16</u>
	Що слід врахувати під час пересування холодильника	8		Захист пластикових поверхонь	16
	Перед увімкненням холодильника.....	8	<u>7</u>	<u>Усунення несправностей</u>	<u>17</u>
	Підключення до електромережі	8			
	Утилізація упаковки	8			
	Утилізація вашого старого Холодильника	9			
	Розміщення та встановлення	9			
	Заміна лампочки освітлення	9			
	Регулювання ніжок	9			

1 Опис холодильника



- | | |
|--|---|
| 1. Ручка налаштування і внутрішнє освітлення | 9. Відділення для швидкого заморозування |
| 2. Свіжий вентилятор їжі | 10. Відділення швидкого заморозування |
| 3. Знімні полиці відділення | 11. Відділення для зберігання заморожених продуктів |
| 4. Підтримуються пляшки вина | 12. Полиці для банок |
| 5. 0° Зона | 13. Полиця для пляшок |
| 6. Захисне скло | 14. Морозильник вентилятор |
| 7. Салатні чіпси | |
| 8. Лоток для льоду | |

i Ілюстрації в цьому посібнику є схематичними і можуть відрізнятися від певної моделі виробу. Якщо до комплектації моделі, яку ви придбали, не входять вказані деталі, вони призначені для інших моделей.

Ознайомтеся з наведеною нижче інформацією.

Ігнорування цієї інформації може призвести до травмування чи матеріальних збитків.

В такому разі гарантія і будь-які зобов'язання виробника стосовно надійної роботи пристрою будуть анульовані.

Оригінальні запасні частини будуть постачатися протягом 10 років з моменту придбання виробу.

Застосування за призначенням

- Цей пристрій призначено для використання в закритих приміщеннях, таких як житлові будинки;
- у закритих робочих приміщеннях, наприклад, у магазинах чи офісах;
- у закритих жилих приміщеннях, наприклад, у замських будинках, готелях, пансіонатах.
- Його не можна використовувати поза приміщенням.

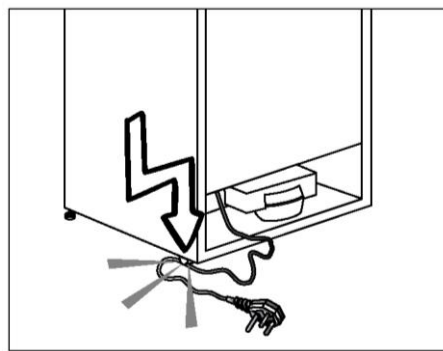
Загальні правила техніки безпеки

- Якщо ви хочете утилізувати/ліквідувати виріб, рекомендуємо звернутися до уповноваженої сервісної служби для отримання необхідної інформації та компетентних органів.
- З усіма питаннями та проблемами стосовно холодильника звертайтеся до уповноваженої сервісної служби. Без повідомлення уповноваженої сервісної служби не втручайтеся в роботу холодильника й не дозволяйте робити це іншим.
- Для пристроїв з морозильним відділенням: не їжте морозиво та кубики льоду одразу після виймання їх з морозильного відділення! (Це може викликати обмороження ротової порожнини.)

- Для пристроїв з морозильним відділенням: не ставте рідкі напої в пляшках чи банках до морозильного відділення. Вони можуть лопнути.
- Не торкайтеся руками заморожених продуктів, оскільки вони можуть примерзнути до шкіри.
- Перед чисткою чи розморожуванням від'єднуйте холодильник від електромережі.
- Не використовуйте пару та засоби для чищення, які можуть випаруватися, для чищення та розморожування вашого холодильника. У такому випадку пара може потрапити на електричні частини та викликати коротке замикання чи удар електричним струмом.
- Не використовуйте дверцята й подібні частини холодильника як підставку чи опору.
- Не використовуйте електричні прилади всередині холодильника.
- Не допускайте пошкодження частин, у яких циркулює холодоагент, ріжучими чи свердловальними інструментами. Холодоагент може з'явитися із випаровувача, на трубопроводі чи на покриттях і викликати подразнення шкіри чи ураження очей.
- Не накривайте й не закупорюйте нічим вентиляційні отвори вашого холодильника.
- Ремонт електроприладів мають виконувати тільки кваліфіковані фахівці. Ремонт, виконаний недосвідченими особами, може спричинити ризик для користувача.

- У випадку несправностей, під час обслуговування чи ремонту вимкніть холодильник, вимкнувши відповідний запобіжник чи вийнявши з розетки шнур живлення.
- Для від'єднання від мережі не тягніть за кабель.
- Міцні напої слід зберігати щільно закритими й у вертикальному положенні.
- Суворо заборонено зберігати в холодильнику аерозолі з горючими чи вибухонебезпечними речовинами.
- Не застосовуйте механічні пристрої або інші засоби, крім рекомендованих виробником, для прискорення розмороження.
- Цей електроприлад не призначений для використання особами (у тому числі дітьми) з обмеженими фізичними, сенсорними або розумовими можливостями чи з браком досвіду і знань, якщо вони не перебувають під наглядом або не пройшли інструктаж щодо користування пристроєм від відповідальної за їхню безпеку особи.
- Не використовуйте несправний холодильник. У разі виникнення запитань звертайтеся до кваліфікованого фахівця.
- Електрична безпека може гарантуватися лише в тому випадку, якщо система заземлення у вашому будинку відповідає чинним стандартам.
- Вплив на пристрій дощу, снігу, сонця та вітру небезпечний з точки зору електробезпеки.
- Зверніться до сервісної служби, якщо пошкоджено шнур живлення, щоб уникнути небезпеки.
- Не вмикайте холодильник в розетку під час його встановлення. Існує ризик смертельного випадку або серйозних ушкоджень.

- Цей холодильник призначений лише для зберігання харчових продуктів. Його не слід використовувати з будь-якою іншою метою.
- Табличка з описом технічних характеристик виробу розташована ліворуч на внутрішній стінці холодильника.
- Не підключайте холодильник до електронних систем енергозбереження, оскільки це може призвести до несправності виробу.
- Якщо в холодильнику є синє підсвічування, не дивіться на нього через оптичні пристрої.
- У разі відключення холодильників із ручним управлінням від мережі електроживлення зачекайте щонайменше 5 хвилин, перш ніж підключати живлення.
- У разі продажу виробу цю інструкцію з експлуатації слід передати новому власнику.
- Під час транспортування холодильника не пошкоджуйте шнур живлення. Згинання шнура живлення може спричинити пожежу. Не ставте на шнур живлення важкі речі.
- Під'єднуючи холодильник до електромережі, не торкайтеся штепсельної вилки вологими руками.



- Не підключайте холодильник до незакріпленої стінної розетки електромережі.
- Із міркувань безпеки не допускайте потрапляння води на зовнішні або внутрішні частини холодильника.

- Не розбризкуйте поряд із холодильником вогнебезпечні матеріали, такі як газ пропан, через ризик пожежі та вибуху.
- Не ставте посуд з водою на холодильник, оскільки проливання може призвести до ураження електричним струмом або пожежі.
- Не завантажуйте у пристрій забагато їжі. Якщо холодильник перевантажено, продукти можуть випасти під час відчинення дверцят і травмувати вас чи пошкодити холодильник.
- Не кладіть предмети на холодильник, оскільки вони можуть впасти під час відчинення або зачинення дверцят.
- У холодильнику не можна зберігати речовини, що вимагають певних температурних умов (вакцини, термочутливі медикаменти, наукові матеріали тощо).
- Холодильник слід від'єднати від електромережі, якщо він не буде використовуватися протягом тривалого часу. Можливі несправності шнура живлення можуть призвести до пожежі.
- Необхідно регулярно очищати кінці вилки шнура живлення сухою тканиною; недотримання цієї вимоги може стати причиною пожежі.
- Холодильник може переміщатися, якщо регульовані ніжки не зафіксовано на підлозі. Фіксація регульованих ніжок на підлозі може запобігти його переміщенню.
- Під час переміщення холодильника не тримайте його за ручку, Бо вона може зламатися.
- У разі встановлення холодильника відстань між ним й іншим холодильником чи морозильником має становити щонайменше 8 см. В іншому разі бічні стінки, що прилягають, зволожуватимуться.

Для пристроїв із дозатором води:


- Тиск у водогінній лінії не має бути нижчим за 1 бар. Тиск у водогінній лінії не повинен перевищувати 8 бар.
- Використовуйте лише питну воду.

Безпека дітей

- Якщо на дверцятах є замок, тримайте ключ у місці, недосяжному для дітей.
- Слід наглядати за дітьми та не дозволяти їм псувати пристрій.

Відповідність нормам і правилам щодо відпрацьованого електричного та електронного обладнання (норма WEEE) і утилізація відходів



Символ  на виробі чи упаковці вказує, що цей прилад не слід утилізувати з побутовими відходами. Натомість його слід здати на відповідний пункт збору для утилізації електричного та електронного обладнання. Правильна утилізація виробу допоможе попередити можливі негативні наслідки для екології та здоров'я людей, які можуть виникнути внаслідок неналежного перероблення пристрою. За більш докладною інформацією щодо утилізації цього виробу зверніться до місцевої адміністрації, служби утилізації побутових відходів або до магазину, в якому був придбаний прилад.

Інформація про упаковку

Упаковка цього приладу виготовлена з матеріалів, які підлягають повторній переробці згідно з національними нормами й правилами щодо охорони довкілля. Не утилізуйте пакувальні матеріали разом із побутовими та іншими відходами. Їх слід здати в один з пунктів збору пакувальних матеріалів, визначених місцевими органами влади.

Пам'ятайте...

Повторне використання матеріалів надзвичайно важливе для природи та наших національних ресурсів.

Якщо ви бажаєте посприяти повторному використанню матеріалів упаковки, ви можете отримати більше інформації від органів охорони довкілля або від органів місцевої влади.

Попередження НСА

Якщо система охолодження вашого пристрою містить R600a:


цей газ займистий. Тому будьте уважні, не допускайте пошкодження системи охолодження та труб під час використання і транспортування. У випадку пошкодження пристрою зберігайте його подалі від потенційного джерела займання та провітрюйте приміщення, в якому знаходиться пристрій.

Тип газу, що використовується пристроєм, вказаний на паспортній табличці, розташованій ліворуч на внутрішній стінці холодильника.

Не спалюйте пристрій з метою утилізації.

Як заощадити електроенергію

- Не залишайте дверцята холодильника відчиненими протягом тривалого часу.
- Не завантажуйте у холодильник гарячі продукти та напої.
- Не перевантажуйте холодильник, щоб не заважати циркуляції повітря всередині.
- Не встановлюйте холодильник під прямим сонячним промінням чи поблизу джерела тепла, наприклад, плити, посудомийної машини чи радіатора опалення. Холодильник слід встановити на відстані щонайменше 30 см від джерел тепла та не менше 5 см від електричних плит.
- Слідкуйте за тим, щоб продукти зберігалися у закритих контейнерах.
- Для пристроїв із морозильним відділенням: у морозильне відділення холодильника можна завантажити максимальну кількість продуктів, якщо дістати з нього полицю чи висувний контейнер. Указане в технічних характеристиках енергоспоживання холодильника визначено за умови, що полиця чи ящик морозильного відділення вийняті, й у нього завантажено максимально можливу кількість продуктів. Полицю чи висувний контейнер можна використовувати відповідно до форми й розміру продуктів для заморожування.
- Розморожування заморожених продуктів у холодильному відділенні забезпечить економію електроенергії та збереження якості продуктів.

 У випадку, якщо інформація є Дані в посібнику користувача не є Враховуючи, виробник буде не бере на себе ніякої відповідальності за це.

Що слід врахувати під час пересування холодильника

1. Холодильник слід від'єднати від електромережі. Перед транспортуванням холодильника його необхідно спорожнити й очистити.
2. Перед пакуванням полиці, контейнер для овочів і фруктів та інші приналежності всередині холодильника необхідно зафіксувати клейкою стрічкою та захистити від струсів. Упаковка повинна бути перев'язана товстою стрічкою або міцними мотузками; також необхідно дотримуватися правил транспортування, надрукованих на упаковці.
3. Оригінальну упаковку та плівку слід зберегти для транспортування чи переміщення холодильника в майбутньому.

Перед увімкненням холодильника

Перед початком експлуатації холодильника переконайтеся, що:

1. Вимийте внутрішню частину холодильника, як рекомендовано в розділі «Обслуговування й чищення».
2. Вставте штепсельну вилку холодильника до настінної розетки. Якщо дверцята холодильника відкриті, вмикається внутрішня лампа.
3. Під час запуску компресора буде чути шум. Рідина та газу всередині холодильної системи також можуть створювати шум, навіть якщо компресор не працює, що є цілком нормальним явищем.
4. Передні кромки холодильника можуть бути теплими на дотик. Це нормально. Ці області мають нагріватися, щоб уникнути конденсації.

Підключення до електромережі

Підключіть холодильник до заземленої розетки, захищеної плавким запобіжником відповідної потужності.

Важливе зауваження:

Підключення має відповідати національним нормам і правилам.

- Після встановлення холодильника має бути забезпечений легкий доступ до штепселя шнура живлення.
- Електрична безпека може гарантуватися лише в тому випадку, якщо система заземлення у вашому будинку відповідає чинним стандартам.
- Напруга, вказана на табличці, що розташована всередині приладу з лівого боку, має відповідати напрузі вашої електромережі.
- **Для підключення не слід використовувати подовжувачі та мережеві фільтри.**

⚠ У разі пошкодження шнура живлення його заміну має здійснювати кваліфікований електрик.

⚠ Забороняється користуватися холодильником, доки його не буде відремонтовано! Існує небезпека ураження електричним струмом!

Утилізація упаковки

Пакувальні матеріали можуть становити небезпеку для дітей. Зберігайте пакувальні матеріали у недоступному для дітей місці, або утилізуйте їх, розсортувавши відповідно до інструкцій з утилізації відходів, наданих місцевими органами влади. Не викидайте їх разом із побутовими відходами, здайте їх на пункт збору пакувальних матеріалів, визначений місцевими органами влади.

Упаковка вашого холодильника вироблена з матеріалів, що можуть бути використані повторно.

Утилізація вашого старого холодильника

Утилізуйте старий холодильник, не завдаючи шкоди довкіллю.

- З питань щодо утилізації холодильника ви можете звернутися до пункту збору відходів вашого населеного пункту.

Перед утилізацією холодильника відріжте штепсель шнура, а також виведіть з ладу замки (якщо такі існують) дверцят, щоб захистити дітей від небезпеки зачинення всередині.

Розміщення та встановлення

⚠ Якщо двері приміщення, в якому буде встановлено холодильник, недостатньо широкі, зверніться до сервісної служби; її співробітники допоможуть зняти двері з холодильника та пронести його боком.

1. Встановлюйте холодильник у місці, зручному для його використання.
2. Холодильник має знаходитися в місці, віддаленому від джерела тепла, впливу підвищеної вологості та прямих сонячних променів.
3. Для ефективнішої роботи необхідно забезпечити належну вентиляцію навколо холодильника. Якщо холодильник встановлюється в ніші стіни, мінімальна відстань має бути 5 см до стелі та 5 см до стіни. Не встановлюйте виріб на килими, килимові покриття та інші подібні поверхні.
4. Холодильник має стояти на рівній поверхні, щоб не виникало трясіння.

Заміна лампочки освітлення

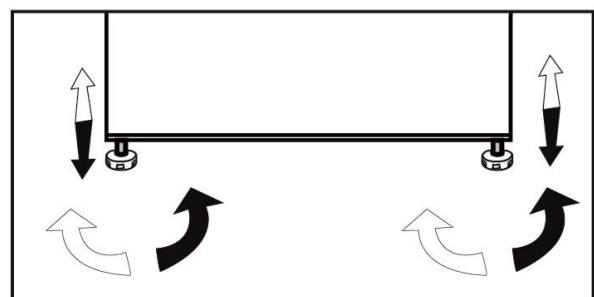
Для заміни лампи/світлодіодного індикатора освітлення холодильника зверніться до авторизованого сервісного центру.

Лампа (лампи), використовувана в цьому пристрої, непридатна для домашнього освітлення. Вона призначена для того, щоб полегшити користувачеві безпечно й зручне розміщення харчових продуктів у холодильному/морозильному відділенні.

Лампи, що використовуються у цьому пристрої, повинні витримувати важкі умови експлуатації, такі як температура нижче $-20\text{ }^{\circ}\text{C}$.

Регулювання ніжок

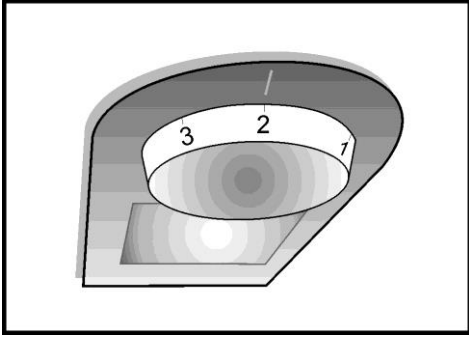
Якщо холодильник не збалансовано; Ви можете збалансувати холодильник, обертаючи його передні ніжки, як показано на малюнку. Кут холодильника, в якому знаходиться ніжка, опускатиметься, якщо повертати в напрямку чорної стрілки, і підійматиметься, якщо повертати у зворотному напрямку. Якщо хтось допоможе трохи підняти холодильник, це полегшить процес.



4 Підготовка

- Ваш холодильник слід встановити щонайменше на відстані 30 см від джерел тепла, таких як газові конфорки, плити, батареї центрального опалення й печі, та щонайменше 5 см від електричних плит, у місці, куди не потрапляє пряме сонячне світло.
- Температура повітря в приміщенні, де ви встановлюєте холодильник, має бути не менше 10°C. Використовувати холодильник при нижчій температурі не рекомендується у зв'язку з його незначною ефективністю в таких умовах.
- Переконайтеся в тому, що всередині холодильник ретельно вимитий.
- Якщо два холодильники встановлюються поряд, між ними має бути відстань не менше 2 см.
- Під час першого увімкнення холодильника дотримуйтеся вказаних інструкцій протягом перших шести годин роботи.
- Не відчиняйте часто дверцята.
- Холодильник мусить працювати порожнім, без продуктів усередині.
- Не відключайте холодильник від електромережі. Якщо сталося порушення електропостачання, див. застереження у розділі "Рекомендації з вирішення проблем".
- Оригінальну упаковку та плівку слід зберегти для транспортування чи переміщення холодильника в майбутньому.

5 Використання холодильника



Кнопка регулювання термостата

Температура всередині холодильника змінюється з наступних причин:

- сезонні коливання температури;
- часте відчинення дверцят або залишання їх відчиненими впродовж тривалого часу;
- розміщення в холодильнику продуктів, без попереднього охолодження до кімнатної температури;
- розміщення холодильника в приміщенні (наприклад, під променями світла).
- Ви можете регулювати зміни внутрішньої температури, внаслідок таких причин, за допомогою термостата.

Робочі температури регулюються за допомогою ручки термостата та можуть встановлюватися в будь-яке положення від 0 до 5 (положення найбільшого холоду).

Середня температура всередині морозильного відділення повинна становити приблизно +5 °C (+41 °F).

З огляду на це, відрегулюйте термостат для отримання необхідної температури. Деякі сектори морозильного відділення можуть бути холоднішими або теплішими (наприклад, відділення для зелені та верхня частина відділення), що є цілком нормальним явищем. Ми рекомендуємо періодично перевіряти температуру за допомогою термометра, щоб переконатись, що у відділенні зберігається необхідна температура.

Часте відчинення дверцят може спричинити підвищення внутрішньої температури, тому рекомендується, після використання холодильника, якомога швидше зачиняти їх.

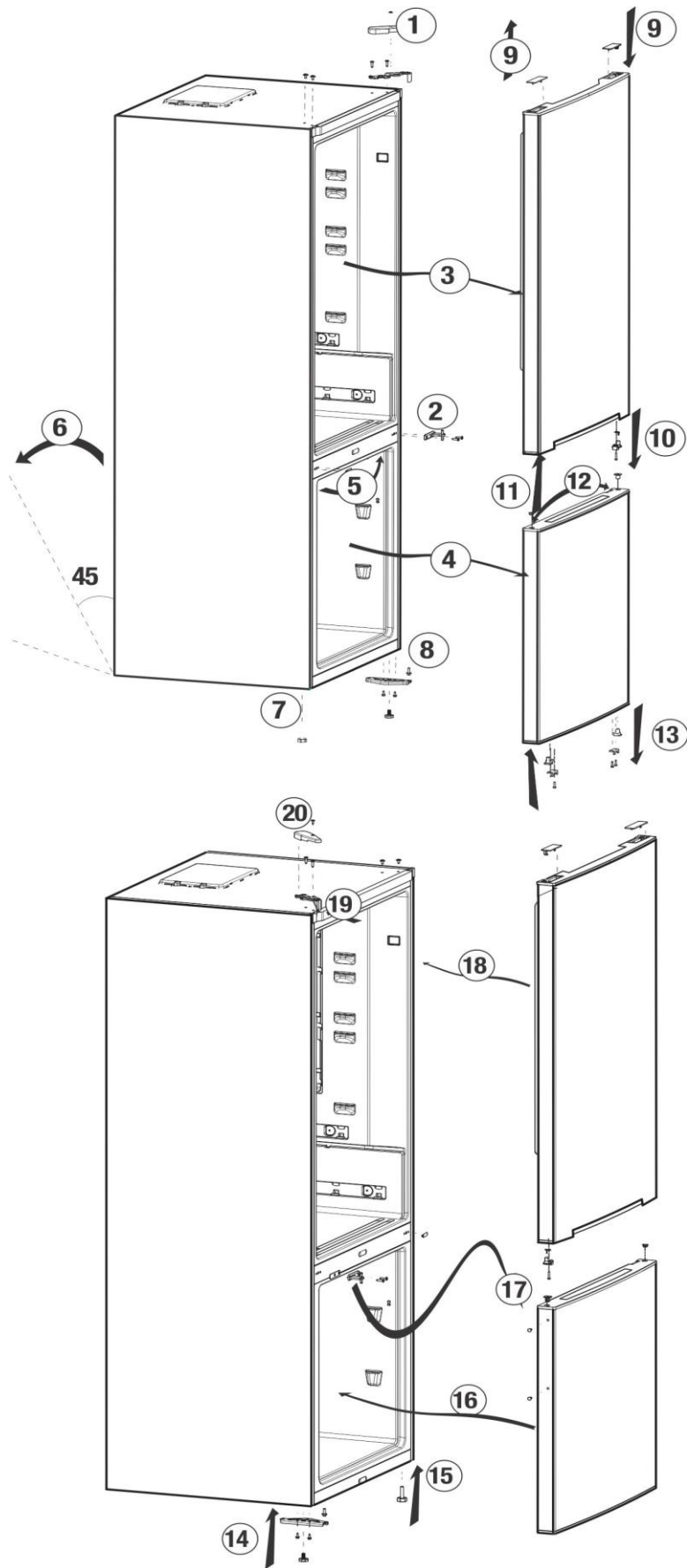
Подвійна система охолодження

Холодильник оснащений двома окремими системами охолодження - для відділення свіжих продуктів і морозильного відділення. Таким чином повітря з відділення для свіжих продуктів не змішується з повітрям у морозильному відділенні.

Завдяки використанню двох окремих систем охолодження швидкість охолодження в цьому холодильнику набагато вища, ніж в інших холодильниках. Запахи у відділеннях не змішуються. Крім того, забезпечується економія електроенергії, оскільки розморожування відбувається окремо.

Перенавішування дверцят

Виконайте дії в послідовності, вказаній на схемі.



Заморожування свіжих продуктів

- Загорніть або накрийте продукти, перш ніж завантажувати їх у холодильник.
- Перш ніж класти гарячі продукти у холодильник, дайте їм охолонути до кімнатної температури.
- Заморожувані продукти мають бути свіжими та якісними.
- Продукти слід розділити на порції відповідно до щоденних потреб родини або до використання для приготування страв.
- Продукти мають бути герметично упаковані для запобігання висиханню, навіть якщо зберігати їх заплановано недовго.
- Матеріали для упаковки мають бути стійкими до холоду і вологості, а також герметичними. Матеріали для упаковки їжі мають бути достатньо товстими та міцними. В протилежному випадку їжа, що стала твердою через замерзання, може проколоти упаковку. Для безпечного зберігання їжі важливо, щоб упаковку було щільно закрито.
- Заморожені продукти слід використати одразу після відтанення, і не слід заморожувати їх знову.
- Розміщення теплих продуктів у морозильному відділенні примушує компресор холодильника працювати безперервно, до повного заморожування продуктів.
- Для досягнення найкращих результатів дотримуйтеся наведених нижче вказівок.

1. Не заморожуйте одночасно надто велику кількість продуктів. Якість продуктів підтримується найкращим чином, якщо вони глибоко та якнайшвидше промерзають.
2. Зверніть особливу увагу на те, що не можна змішувати вже заморожені та свіжі продукти.
3. Переконайтесь, що сирі продукти не контактують із приготовленою їжею в холодильнику.
4. Щоб у максимальній мірі використовувати простір морозильної камери для зберігання продуктів, слід виїняти з неї висувні контейнери. Дані про енергоспоживання холодильника наведені для умов, коли полиці морозильної камери повністю завантажені без використання ящиків. Дротова полиця внизу морозильної камери необхідна для досягнення найкращої енергоефективності.
5. Для початкового заморожування рекомендується класти продукти на верхню полицю морозильного відділення.

Морозильна камера Налаштування	Холодильний відсік Налаштування	Пояснення
-18°C	4°C	Це нормальний рекомендований параметр.
-20, -22 or -24°C	4°C	Ці параметри рекомендовані, коли температура навколишнього середовища перевищує 30°C.
Швидкий заморозок	4°C	Використовуйте, коли ви хочете заморозити їжу за короткий час. Якщо рекомендується використовувати для підтримки якості м'яса та рибної продукції.
-18°C або холодніше	2°C	Якщо ви думаєте, що ваш відділення для холодильника недостатньо холодне через гарячі умови або часте відкриття та зачинення дверей.
-18°C або холодніше	Швидкий заморозок	Ви можете використовувати його, коли ваш відділення для холодильника перевантажено, або якщо ви хочете швидко охолодити їжу. Рекомендується активувати функцію швидкого холодильника через 4-8 годин перед розміщенням їжі.

Рекомендації для збереження заморожених продуктів

- Заморожені комерчески заморожені продукти повинні зберігатися у відповідності до інструкцій виробників заморожених продуктів у відділеннях для зберігання заморожених продуктів.
- Щоб забезпечити високу якість що поставляється виробником заморожених продуктів та роздрібною торгівлі продуктами харчування, слід зазначити наступні моменти:
 1. Покладіть упаковки в морозильник як можна швидше після покупки.
 2. Переконайтеся, що вміст упаковки позначені і датовані.
 3. Do not exceed "Use By", "Best Before" dates on the packaging.

Розморожування

Морозильна камера розморожується автоматично.

Розміщення їжі

Полиці морозильної камери	Різні заморожені продукти, такі як м'ясо, риба, морозиво, овочі та ін.
Держатель яєць	Яйце
Полиці відсіків для холодильника	Харчування в сковорідках, криті тарілки та закриті контейнери
Полиці дверей холодильника	Мала та упакована їжа або напої (такі як молоко, фруктові соки та пиво)
Криспер	Овочі та фрукти
Свіжий відсік зони	Делікатеси (сир, масло, саямі і т. Д.)

Інформація про глибоке заморожування

Продукти, розміщені в холодильнику, мають бути заморожені якомога швидше, щоб зберегти їх у гарній якості.

Норми TSE вимагають (відповідно до деяких умов), щоб холодильник міг заморозити не менш ніж 4,5 кг продуктів за умов температури повітря 32°C до температури -18 °C і нижче за 24 години на кожні 100 літрів об'єму холодильника.

Продукти можна зберігати тривалий час тільки при температурі -18°C і нижче.

Ви можете зберігати продукти свіжими протягом багатьох місяців (за температури -18 °C і нижче в умовах глибокого заморожування).

ПОПЕРЕДЖЕННЯ! ⚠

- Продукти слід розділити на порції відповідно до щоденних потреб родини або до використання для приготування страв.
- Продукти мають бути герметично упаковані для запобігання висиханню, навіть якщо зберігати їх заплановано недовго.

Матеріали, необхідні для пакування:

- Холодостійка клейка стрічка
- Етикетка з клейкою поверхнею
- Гумові кільця
- Авторучка

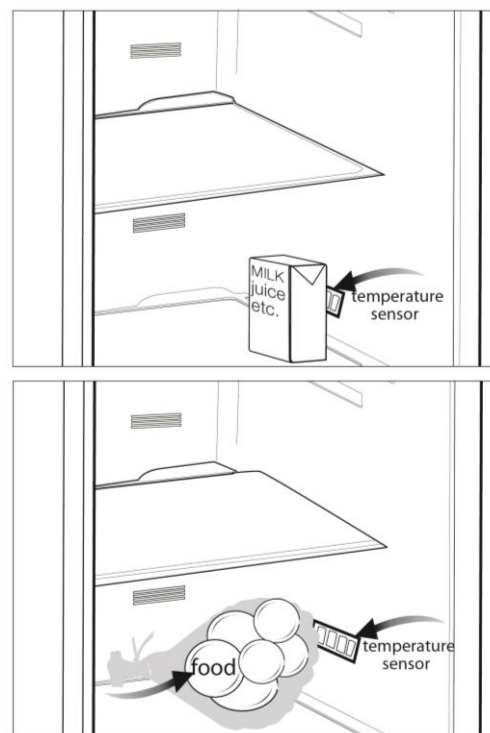
Матеріали для упаковки продуктів мають бути міцними та стійкими до холоду, вологості, запаху, олій і кислот.

Продукти, призначені для заморожування, не повинні торкатися вже заморожених продуктів, щоб запобігти їх частковому таненню. Розморожені продукти необхідно вжити в їжу, їх не можна заморожувати повторно.

Рекомендації щодо відділення свіжих продуктів

*опція

- Не допускайте, щоб продукти торкалися датчика температури у відділенні свіжих продуктів. Щоб підтримувати у відділенні свіжих продуктів ідеальну температуру для зберігання, продукти не повинні заважати датчику.
- Не кладіть у холодильник гарячі продукти.



- ⚠ Не використовуйте бензин чи подібні матеріали для чищення.
- ⚠ Перед виконанням чищення рекомендуємо від'єднати холодильник від електромережі.
- ⚠ Заборонено використовувати для чистки гострі абразивні інструменти, мило, засоби для видалення плям, миючі засоби та поліролі на основі воску.
- ℹ Промийте шафу холодильника ледь теплою водою та витріть насухо.
- ℹ Для мийки відділень усередині холодильника користуйтеся ганчіркою, змоченою у розчині, який складається з чайної ложки питної соди на півлітра води, потім витріть їх насухо.
- ⚠ Слідкуйте, щоб вода не потрапила до корпусу лампочки та в інші електричні прилади.
- ⚠ Якщо прилад не буде використовуватися протягом тривалого часу, вимкніть його з електромережі, звільніть від усіх продуктів, протріть і залиште дверцята відчиненими.
- ℹ Регулярно перевіряйте, чи не забруднений шматочками їжі ущільнювач на дверях.
- ⚠ Для зняття лотка у дверях розвантажте його, а потім просто підштовхніть угору.
- ⚠ У жодному разі не використовуйте засобів для чищення чи води, які містять хлор, для чищення зовнішніх поверхонь або хромованих деталей виробу. Хлор викликає корозію таких металевих поверхонь.

Захист пластикових поверхонь

ℹ Не зберігайте рідкі олії чи продукти з додаванням олії в холодильнику у відкритому вигляді чи негерметичній упаковці, оскільки вони можуть зіпсувати пластикові поверхні холодильника. У разі потрапляння олії на пластикову поверхню витріть і очистіть цю частину поверхні теплою водою.

7 Усунення несправностей

Перш ніж звертатися до сервісної служби, ознайомтеся з цим списком. Це допоможе вам заощадити час і гроші. Цей перелік містить найчастіші несправності, які не викликані неякісним виробництвом і матеріалами. Деякі з наведених функцій можуть бути відсутні у вашому виробі.

Холодильник не працює.

- Штепсель не вставлено до розетки, як слід. >>> Надійно вставте штепсель до розетки.
- Перегорів плавкий запобіжник розетки, до якої підключено холодильник, або запобіжник електромережі. >>> Перевірте запобіжник.

Конденсація на боковій стінці холодильного відділення (MULTI ZONE, COOL CONTROL і FLEXI ZONE).

- Надто низька навколишня температура. >>> Не встановлюйте холодильник у місцях, де температура падає нижче 10°C.
- Часто відчинялися дверцята. >>> Не відчиняйте і не зачиняйте дверцята холодильника надто часто.
- Дуже вологе навколишнє середовище. >>> Не встановлюйте холодильник у місцях з підвищеною вологістю.
- Продукти, які містять рідину, зберігаються у відкритих контейнерах. >>> Не зберігайте продукти, які містять рідину, у відкритих контейнерах.
- Дверцята холодильника залишені відчиненими. >>> Зачиняйте дверцята холодильника.
- Термостат встановлено на дуже низьку температуру. >>> Налаштуйте термостат на відповідну температуру.

Компресор не працює

- Термозахист компресора може вийти з ладу в результаті несподіваного збою енергопостачання чи вимкнення-увімкнення, оскільки тиск холодоагенту в системі охолодження не встиг збалансуватися. Холодильник почне працювати приблизно через 6 хвилин. Якщо після закінчення цього періоду холодильник не запрацює, зверніться до сервісної служби.
- Холодильник перебуває у стані розморожування. >>> Для холодильника, що розморожується автоматично, це цілком нормально. Цикл розморожування відбувається періодично.
- Холодильник не під'єднано до розетки електромережі. >>> Переконайтеся, що штепсель вставлено до розетки.
- Неправильно налаштовано температуру. >>> Виберіть відповідний температурний режим.
- Відсутність електроживлення. >>> Холодильник відновить нормальну роботу після відновлення енергопостачання.

Рівень робочого шуму зростає під час роботи холодильника.

- Робочі характеристики холодильника можуть змінюватися залежно від змін температури навколишнього середовища. Це цілком нормально і не свідчить про несправність.

Холодильник вмикається надто часто або працює надто довго.

- Ваш новий холодильник може бути ширшим за попередній. Великі холодильники працюють протягом тривалішого часу.
- Зависока температура в приміщенні. >>> Це нормально, якщо холодильник працює довше в умовах підвищеної навколишньої температури.
- Холодильник міг бути щойно увімкнений або завантажений продуктами. >>> Якщо холодильник був щойно увімкнений або завантажений продуктами, знадобиться більше часу, щоб він досяг встановленої температури. Це нормально.
- Можливо, холодильник був щойно завантажений великою кількістю гарячих продуктів. >>> Не завантажуйте до холодильника гарячі продукти.
- Можливо, дверцята часто відчинялися або були залишені відчиненими протягом тривалого часу. >>> Тепле повітря, яке потрапило до холодильника, спричиняє його роботу більш тривалими періодами. Не відчиняйте дверцята занадто часто.
- Можливо, були залишені відчиненими дверцята холодильного або морозильного відділення. >>> Перевірте, щоб дверцята були щільно зачинені.
- Холодильник відрегульовано на дуже низьку температуру. >>> Відрегулюйте температуру холодильного відділення на вище значення і зачекайте, поки не буде досягнута потрібна температура.
- Ущільнювач дверцят холодильного або морозильного відділення може бути забруднений, зношений, розірваний або неправильно встановлений. >>> Ущільнювач треба почистити чи замінити. Пошкоджене/розірване ущільнення змушує холодильник працювати довше для того, щоб підтримувати поточну температуру.

Температура морозильного відділення надто низька, тоді як температура холодильного відділення достатня.

- Морозильне відділення відрегульовано на дуже низьку температуру. >>> Відрегулюйте температуру морозильного відділення на вище значення та перевірте роботу.

Температура холодильного відділення надто низька, тоді як температура морозильного відділення достатня.

- Холодильне відділення відрегульоване на дуже низьку температуру. >>> Відрегулюйте температуру холодильного відділення на вище значення та перевірте роботу.

Продукти, які зберігаються в холодильному відділенні, заморожуються.

- Холодильне відділення відрегульоване на дуже високу температуру. >>> Відрегулюйте температуру холодильного відділення на нижче значення та перевірте роботу.

Температура в холодильному або морозильному відділенні занадто висока.

- Холодильник відрегульовано на дуже високу температуру. >>> Налаштування температури холодильного відділення впливає на температуру морозильного відділення. Змініть температурні налаштування холодильного або морозильного відділення і почекайте, доки у відповідних відділеннях не буде досягнуто потрібної температури.
- Дверцята часто відчинялися або були залишені відчиненими протягом тривалого часу. >>> Не відчиняйте дверцята надто часто.
- Дверцята відчинені. >>> Повністю закрийте дверцята.
- Холодильник щойно увімкнений або завантажений продуктами. >>> Це нормально. Якщо холодильник був щойно увімкнений або завантажений продуктами, знадобиться більше часу, щоб він досяг встановленої температури.
- Можливо, холодильник був щойно завантажений великою кількістю гарячих продуктів. >>> Не завантажуйте до холодильника гарячі продукти.

Вібрації або шум.
<p>Підлога нерівна або нестійка. >>> Якщо холодильник трясеться і повільно зсувається, його необхідно врівноважити, регулюючи ніжки. Переконайтеся також, що підлога достатньо рівна і міцна, щоб витримати вагу холодильника.</p> <ul style="list-style-type: none"> • Шум може бути спричинений предметами, поставленими на холодильник. >>> Зніміть предмети з холодильника.
З холодильника лунає шум, наче ллється чи розбризкується рідина.
<ul style="list-style-type: none"> • Рідини й гази циркулюють у системі холодильника відповідно до принципу його роботи. Це цілком нормально і не свідчить про несправність.
Із холодильника лунає свист.
<ul style="list-style-type: none"> • Для охолодження холодильника використовуються вентилятори. Це цілком нормально і не свідчить про несправність.
Конденсат на внутрішніх стінках холодильника.
<ul style="list-style-type: none"> • Спекотна й волога погода сприяє утворенню льоду та конденсату. Це цілком нормально і не свідчить про несправність. • Дверцята часто відчинялися або були залишені відчиненими протягом тривалого часу. >>> Не відчиняйте дверцята надто часто. Зачиніть їх, якщо вони відчинені. • Дверцята відчинені. >>> Повністю закрийте дверцята.
Поява вологи на зовнішній поверхні холодильника або між дверцятами.
<ul style="list-style-type: none"> • У повітрі може міститися волога; за вологої погоди це цілком нормально. Коли волога зменшиться, конденсація зникне.
Неприємний запах всередині холодильника.
<ul style="list-style-type: none"> • Не виконується регулярне чищення. >>> Регулярно витирайте холодильник всередині губкою, змоченою у ледь теплій воді або в розчині питної соди. • Окремі матеріали контейнерів або упаковок можуть бути джерелом запаху. >>> Використовуйте контейнери й упаковку з інших матеріалів. • До холодильника завантажені продукти у відкритих контейнерах. >>> Зберігайте продукти в закритих контейнерах. Мікроорганізми, які потрапляють у повітря з відкритих контейнерів, можуть викликати неприємні запахи. • Видаліть з холодильника зіпсовані продукти, термін зберігання яких закінчився.
Дверцята не зачиняються.
<ul style="list-style-type: none"> • Упаковки продуктів можуть заважати зачиненню дверцят. >>> Пересуньте упаковки, які заважають зачиненню дверцят. • Холодильник стоїть недостатньо рівно на підлозі. >>> Відрегулюйте ніжки, щоб урівноважити холодильник. • Нерівна чи неміцна підлога. >>> Переконайтеся, що підлога рівна і може витримати вагу холодильника.
Контейнери застрягли.
<ul style="list-style-type: none"> • Продукти торкаються верхньої частини контейнера. >>> Перекладіть продукти в контейнері.

