



Built-in Hob

User Manual

Ugradni plamenik

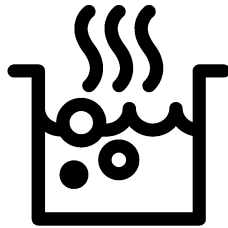
Korisnički priručnik

Плоча за вградување

Упатство за корисникот

Ugradbena ploča za kuhanje

Uputstvo za upotrebu



HIC 64101 X

EN / SB / MK / BS

185.9101.89/R.AF/22.09.2020/2-1

7756188333

Please read this user manual first!

Dear Customer,

Thank you for purchasing this Beko product. We hope that you get the best results from your product which has been manufactured with high quality and state-of-the-art technology. Therefore, please read this entire user manual and all other accompanying documents carefully before using the product and keep it as a reference for future use. If you handover the product to someone else, give the user manual as well. Follow all warnings and information in the user manual.

Remember that this user manual is also applicable for several other models. Differences between models will be identified in the manual.

Explanation of symbols

Throughout this user manual the following symbols are used:



Important information or useful hints about usage.



Warning of hazardous situations with regard to life and property.



Warning of electric shock.



Warning of risk of fire.



Warning of hot surfaces.



Arçelik A.Ş.
Karaağaç caddesi No:2-6
34445 Sütlüce/Istanbul/TURKEY

Made in TURKEY

This product was manufactured using the latest technology in environmentally friendly conditions.

TABLE OF CONTENTS

1 Important instructions and warnings for safety and environment 4

General safety.....	4
Electrical safety.....	5
Product safety.....	5
Intended use.....	7
Safety for children.....	7
Disposing of the old product.....	8
Package information.....	8

2 General information 9

Overview.....	9
Technical specifications.....	10

3 Installation 11

Before installation.....	11
Installation and connection.....	12
Future Transportation.....	14

4 Preparation 15

Tips for saving energy.....	15
Initial use.....	15
First cleaning of the appliance.....	15

5 How to use the hob 16

General information about cooking.....	16
Using the hobs.....	17

6 Maintenance and care 19

General information.....	19
Cleaning the hob.....	19
Cleaning the control panel.....	20

7 Troubleshooting 21

1 Important instructions and warnings for safety and environment

This section contains safety instructions that will help protect from risk of personal injury or property damage. Failure to follow these instructions shall void any warranty.

General safety

- This appliance can be used by children aged from 8 years and above and persons with reduced physical, sensory or mental capabilities or lack of experience and knowledge if they have been given supervision or instruction concerning use of the appliance in a safe way and understand the hazards involved.

Children shall not play with the appliance. Cleaning and user maintenance shall not be made by children without supervision.

- The appliance is not to be used by persons (including children) with reduced physical, sensory or mental capabilities, or lack of experience and knowledge,

unless they have been given supervision or instruction.

Children should be supervised and ensure they do not play with the appliance

- If the product is handed over to someone else for personal use or second-hand use purposes, the user manual, product labels and other relevant documents and parts should be also given.
- Installation and repair procedures must always be performed by Authorised Service Agents. The manufacturer shall not be held responsible for damages arising from procedures carried out by unauthorised persons which may also void the warranty. Before installation, read the instructions carefully.
- Do not operate the product if it is defective or has any visible damage.
- Ensure that the product function knobs are switched off after every use.

Electrical safety

- If the product has a failure, it should not be operated unless it is repaired by an Authorised Service Agent. There is the risk of electric shock!
- Only connect the product to a grounded outlet/line with the voltage and protection as specified in the “Technical specifications”. Have the grounding installation made by a qualified electrician while using the product with or without a transformer. Our company shall not be liable for any problems arising due to the product not being earthed in accordance with the local regulations.
- Never wash the product by spreading or pouring water onto it! There is the risk of electric shock!
- The product must be disconnected during installation, maintenance, cleaning and repairing procedures.
- If the power connection cable for the product is damaged, it must be replaced by the manufacturer, its service agent or similarly qualified persons in order to avoid a hazard.
- Only use the connection cable specified in the “Technical specifications”.
- The appliance must be installed so that it can be completely disconnected from the mains supply. The separation must be provided by a switch built into the fixed electrical installation, according to construction regulations.
- Any work on electrical equipment and systems should only be carried out by authorised and qualified persons.
- In case of any damage, switch off the product and disconnect it from the mains. To do this, turn off the fuse at home.
- Make sure that fuse rating is compatible with the product.

Product safety

- **WARNING:** The appliance and its accessible parts become hot during use. Care should be taken to avoid touching heating elements. Children less than 8 years of age shall be kept away

unless continuously supervised.

- Never use the product when your judgment or coordination is impaired by the use of alcohol and/or drugs.
- Be careful when using alcoholic drinks in your dishes. Alcohol evaporates at high temperatures and may cause fire since it can ignite when it comes into contact with hot surfaces.
- Do not place any flammable materials close to the product as the sides may become hot during use.
- Keep all ventilation slots clear of obstructions.
- Do not use steam cleaners to clean the appliance as this may cause an electric shock.
- **WARNING:** Unattended cooking on a hob with fat or oil can be dangerous and may result in fire. NEVER try to extinguish a fire with water, but switch off the appliance and then cover flame e.g. with a lid or a fire blanket.
- **CAUTION:** The cooking process has to be supervised. A short term cooking process has to be supervised continuously.
- **WARNING:** Danger of fire: Do not store items on the cooking surfaces.
- **WARNING:** If the surface is cracked, switch off the appliance to avoid the possibility of electric shock.
- In case of hotplate glass breakage : Immediately shut off all burners and any electrical heating element and isolate the appliance from the power supply. Do not touch the appliance surface. Do not use the appliance.
- The appliance is not intended to be operated by means of an external timer or separate remote-control system.
- Vapour pressure that build up due to the moisture on the hob surface or at the bottom of the pot can cause the pot to move. Therefore, make sure that the oven surface and bottom of the pots are always dry.
- **WARNING:** Use only hob guards designed by the manufacturer of the cooking appliance or indicated by the manufacturer of the appliance in the instructions

for use as suitable or hob guards incorporated in the appliance. The use of inappropriate guards can cause accidents.

Prevention against possible fire risk!

- Ensure all electrical connections are secure and tight to prevent risk of arcing.
- Do not use damaged cables or extension cables.
- Ensure liquid or moisture is not accessible to the electrical connection point.

Intended use

- This product is designed for domestic use. Commercial use will void the guarantee.
- **CAUTION:** This appliance is for cooking purposes only. It must not be used for other purposes, for example room heating.
- The manufacturer shall not be liable for any damage caused by improper use or handling errors.

Safety for children

- **WARNING:** Accessible parts may become hot during use. Young children should be kept away.

- The packaging materials will be dangerous for children. Keep the packaging materials away from children. Please dispose of all parts of the packaging according to environmental standards.
- Electrical products are dangerous to children. Keep children away from the product when it is operating and do not allow them to play with the product.
- Do not place any items above the appliance that children may reach for.

Disposing of the old product

Compliance with the WEEE Directive and Disposing of the Waste Product:



This product complies with EU WEEE Directive (2012/19/EU). This product bears a classification symbol for waste electrical and electronic equipment (WEEE).

This product has been manufactured with high quality parts and materials which can be reused and are suitable for recycling. Do not dispose of the waste product with normal domestic and other wastes at the end of its service life. Take it to the collection center for the recycling of electrical and electronic

equipment. Please consult your local authorities to learn about these collection centers.

Compliance with RoHS Directive:

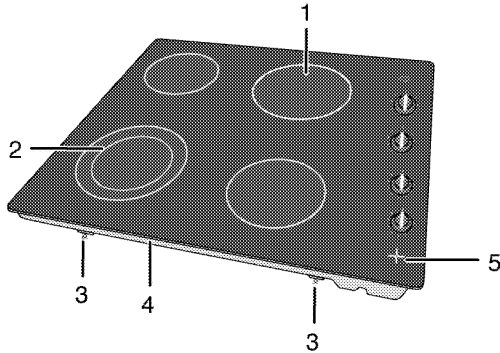
The product you have purchased complies with EU RoHS Directive (2011/65/EU). It does not contain harmful and prohibited materials specified in the Directive.

Package information

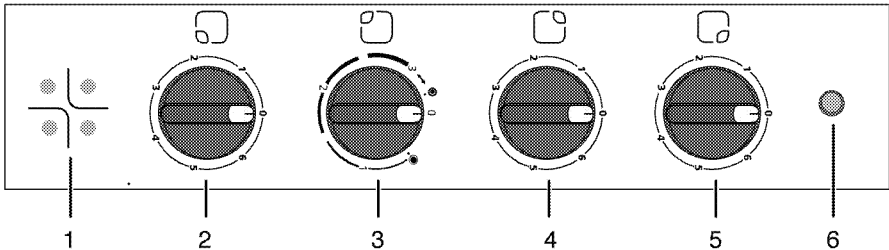
- Packaging materials of the product are manufactured from recyclable materials in accordance with our National Environment Regulations. Do not dispose of the packaging materials together with the domestic or other wastes. Take them to the packaging material collection points designated by the local authorities.

2 General information

Overview



- | | |
|--------------------------------|---|
| 1 Single-circuit cooking plate | 4 Base cover |
| 2 Dual-circuit cooking plate | 5 Hob hot (Residual heat) indicator light |
| 3 Assembly clamp | |



- | | |
|---|---|
| 1 Hob hot (Residual heat) indicator light | 5 Single-circuit cooking plate Rear right |
| 2 Single-circuit cooking plate Front right | 6 Warning lamp |
| 3 Dual-circuit cooking plate Front left | |
| 4 Single-circuit cooking plate Rear left | |

Technical specifications

Voltage / frequency	220-240 V/380-415V 2N ~ 50 Hz
Total power consumption	5800 W
Cable type / section	min.H05V2V2-F 3 x 2,5 mm ² /5 x 1,5 mm ²
External dimensions (height / width / depth)	71 mm/580 mm/510 mm
Installation dimensions (width / depth)	560 mm/490 mm
Burners	
Front right	Single-circuit cooking plate
Dimension	140 mm
Power	1200 W
Front left	Dual-circuit cooking plate
Dimension	120/180 mm
Power	700/1700 W
Rear left	Single-circuit cooking plate
Dimension	140 mm
Power	1200 W
Rear right	Single-circuit cooking plate
Dimension	180 mm
Power	1700 W

i Technical specifications may be changed without prior notice to improve the quality of the product.

i Figures in this manual are schematic and may not exactly match your product.

i Values stated on the product labels or in the documentation accompanying it are obtained in laboratory conditions in accordance with relevant standards. Depending on operational and environmental conditions of the product, these values may vary.

3 Installation

Product must be installed by a qualified person in accordance with the regulations in force. The manufacturer shall not be held responsible for damages arising from procedures carried out by unauthorized persons which may also void the warranty.

i Preparation of location and electrical installation for the product is under customer's responsibility.

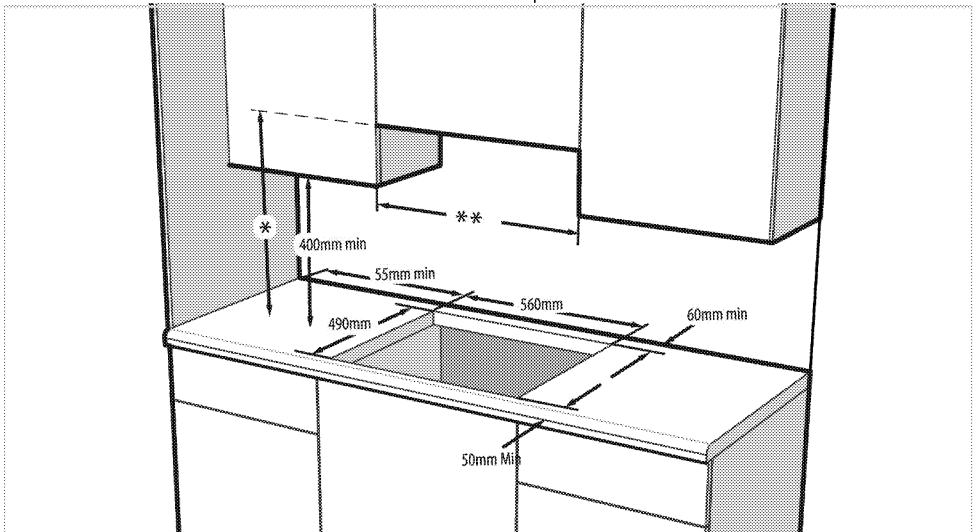
! The product must be installed in accordance with all local electrical regulations.

! Prior to installation, visually check if the product has any defects on it. If so, do not have it installed. Damaged products cause risks for your safety.

Before installation

The hob is designed for installation into commercially available work tops. A safety distance must be left between the appliance and the kitchen walls and furniture. See figure (values in mm).

- It can also be used in a free standing position. Allow a minimum distance of 750 mm above the hob surface.
- (*) If a cooker hood is to be installed above the cooker, refer to cooker hood manufacturer' instructions regarding installation height (min 650 mm)
- Remove packaging materials and transport locks.
- Surfaces, synthetic laminates and adhesives used must be heat resistant (100 °C minimum).
- The worktop must be aligned and fixed horizontally.
- Cut aperture for the hob in worktop as per installation dimensions.




* Minimum height to extractor as recommend in extractor instruction manual

** Minimum distance between cabinetry must be equal to width of hob


Installation and connection

- The product must be installed in accordance with all local gas and electrical regulations.


 Do not install the hob on places with sharp edges or corners. There is the risk of breakage to the glass ceramic surface!

Electrical connection

Connect the product to a grounded outlet/line protected by a miniature circuit breaker of suitable capacity as stated in the "Technical specifications" table. Have the grounding installation made by a qualified electrician while using the product with or without a transformer. Our company shall not be liable for any damages that will arise due to using the product without a grounding installation in accordance with the local regulations.

 The product must be connected to the mains supply only by an authorised and qualified person. The product's warranty period starts only after correct installation.


Manufacturer shall not be held responsible for damages arising from procedures carried out by unauthorised persons.

 The power cable must not be clamped, bent or trapped or come into contact with hot parts of the product.


A damaged power cable must be replaced by a qualified electrician. Otherwise, there is risk of electric shock, short circuit or fire!

- Connection must comply with national regulations.

- The mains supply data must correspond to the data specified on the type label of the product. Type label is at the rear housing of the product.
- Power cable of your product must comply with the values in "Technical specifications" table.

 Before starting any work on the electrical installation, disconnect the product from the mains supply. There is the risk of electric shock!

Connecting the power cable

 While performing the wiring, you must apply with the national/local electrical regulations and must use the appropriate socket outlet/line and plug for oven. In case of the product's power limits are out of current carrying capability of plug and socket outlet/line, the product must be connected through fixed electrical installation directly without using plug and socket outlet/line.

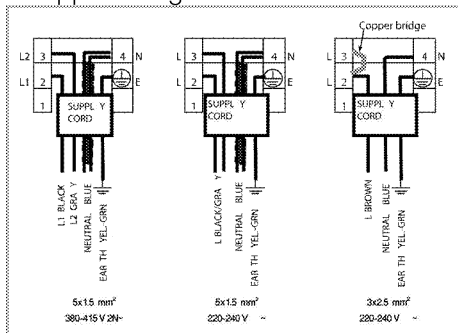
1. If a power cable is not supplied together with your product, a power cable with a minimum requirement as stated in the Technical specifications table (*Technical specifications, page 10*) in accordance with the electrical installation at your home must be connected to your product by following the instructions in the cable diagram.

If it is not possible to disconnect all poles in the supply power, a disconnection unit with at least 3 mm contact clearance (fuses, line safety switches, contactors) must be connected and all the poles of this disconnection unit must be adjacent to (not above) the product in accordance

with IEE directives. Failure to obey this instruction may cause operational problems and invalidate the product warranty.

i Additional protection by a residual current circuit breaker is recommended.

2. Open the terminal block cover with a screwdriver.
3. Insert the power cable through the cable clamp below the terminal and secure it to the main body with the integrated screw on cable clamping component.
4. Connect the cables according to the supplied diagram.

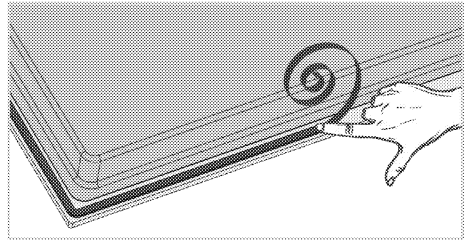


5. After completing the wire connections, close the terminal block cover.
6. Route the power cable so that it will not come into contact with the product and get squeezed between the product and the wall.

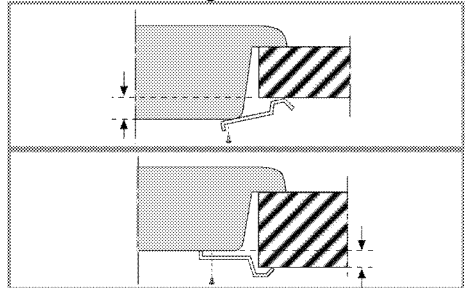
i Power cable must not be longer than 2 m because of safety reasons.

Installing the product

1. Turning the hob upside down, place it on a flat surface.
2. When installing the hob, apply the sealing gasket, which was provided in the packaging, around the hob as shown in the following picture, ensuring that it remains 1 to 2 mm inside from the outer edge of the glass.

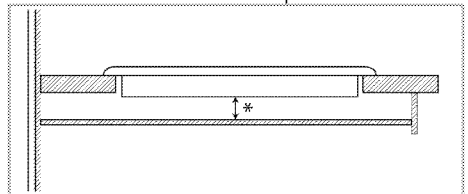


3. Place the hob on the counter and align it.
4. Using the installation clamps secure the hob by fitting through the holes on the lower casing.



i When installing the hob onto a cabinet, a shelf must be installed in order to separate the cabinet from the hob as illustrated in the above figure. This is not required when installing onto a built-under oven.

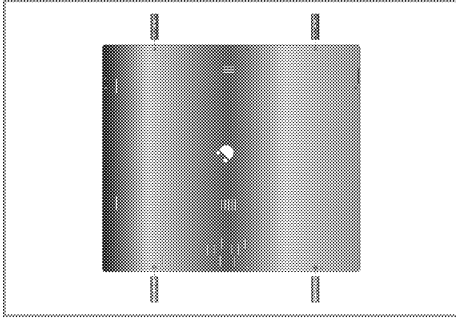
For example, if it is possible to touch the bottom of the product since it is installed onto a drawer, this section must be covered with a wooden plate.



* min. 15 mm

Rear view (connection holes)

i Location of the connection holes shown in the below figure are schematic, may vary depending on the product model. Fix them according to connection holes on your product.



! Making connections to different holes is not a good practice in terms of safety since it can damage the gas and electrical system.

! There are gas and electrical components contained within this hob, therefore when fitting the mounting springs/clamps only attach the supplied fixings to the connection holes shown in this manual. Failure to observe this advice may lead to life and property safety

Final check

1. Operate the product.
2. Check the functions.

Future Transportation

- Keep the product's original carton and transport the product in it. Follow the instructions on the carton. If you do not have the original carton, pack the product in bubble wrap or thick cardboard and tape it securely.
- i** Check the general appearance of your product for any damages that might have occurred during transportation.

4 Preparation

Tips for saving energy

The following information will help you to use your appliance in an ecological way, and to save energy:

- Defrost frozen dishes before cooking them.
- Use pots/pans with cover for cooking. If there is no cover, energy consumption may increase 4 times.
- Select the burner which is suitable for the bottom size of the pot to be used. Always select the correct pot size for your dishes. Larger pots require more energy.
- Pay attention to use flat bottom pots when cooking with electric hobs. Pots with thick bottom will provide a better heat conduction. You can obtain energy savings up to 1/3.
- Vessels and pots must be compatible with the cooking zones. Bottom of the vessels or pots must not be smaller than the hotplate.
- Keep the cooking zones and bottom of the pots clean. Dirt will decrease

the heat conduction between the cooking zone and bottom of the pot.

- For long cookings, turn off the cooking zone 5 or 10 minutes before the end of cooking time. You can obtain energy savings up to 20% by using the residual heat.

Initial use

First cleaning of the appliance

i The surface might get damaged by some detergents or cleaning materials.

Do not use aggressive detergents, cleaning powders/creams or any sharp objects during cleaning.

Do not use harsh abrasive cleaners or sharp metal scrapers to clean the oven door glass since they can scratch the surface, which may result in shattering of the glass.

1. Remove all packaging materials.
2. Wipe the surfaces of the appliance with a damp cloth or sponge and dry with a cloth.

5 How to use the hob

General information about cooking



Never fill the pan with oil more than one third of it. Do not leave the hob unattended when heating oil. Overheated oils bring risk of fire. **Never attempt to extinguish a possible fire with water!**

When oil catches fire, cover it with a fire blanket or damp cloth. Turn off the hob if it is safe to do so and call the fire department.

- Before frying foods, always dry them well and gently place into the hot oil. Ensure complete thawing of frozen foods before frying.
- Do not cover the vessel you use when heating oil.
- Place the pans and saucepans in a manner so that their handles are not over the hob to prevent heating of the handles. Do not place unbalanced and easily tilting vessels on the hob.
- Do not place empty vessels and saucepans on cooking zones that are switched on. They might get damaged.
- Operating a cooking zone without a vessel or saucepan on it will cause damage to the product. Turn off the cooking zones after the cooking is complete.
- As the surface of the product can be hot, do not put plastic and aluminum vessels on it. Clean any melted such materials on the surface immediately. Such vessels should not be used to keep foods either.
- Use flat bottomed saucepans or vessels only.

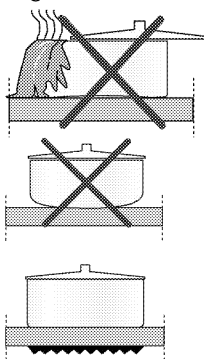
- Put appropriate amount of food in saucepans and pans. Thus, you will not have to make any unnecessary cleaning by preventing the dishes from overflowing.

Do not put covers of saucepans or pans on cooking zones.

Place the saucepans in a manner so that they are centered on the cooking zone. When you want to move the saucepan onto another cooking zone, lift and place it onto the cooking zone you want instead of sliding it.

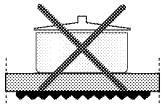
Tips about glass ceramic hobs

- Glass ceramic surface is heatproof and is not affected by big temperature differences.
- Do not use the glass ceramic surface as a place of storage or as a cutting board.
- Use only the saucepans and pans with machined bottoms. Sharp edges create scratches on the surface.
- Do not use aluminum vessels and saucepans. Aluminum damages the glass ceramic surface.



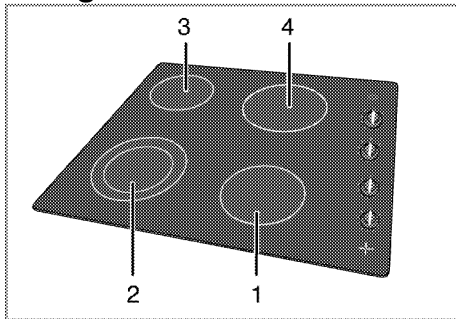
Spills may damage the glass ceramic surface and cause fire.

Do not use vessels with concave or convex bottoms. Use only the saucepans and pans with flat bottoms. They ensure easier heat transfer.



If the diameter of the saucepan is too small, energy will be wasted.

Using the hobs



- 1 Single-circuit cooking plate 14-16 cm
- 2 Dual-circuit cooking plate 12-14/18-20 cm
- 3 Single-circuit cooking plate 14-16 cm
- 4 Single-circuit cooking plate 18-20 cm is list of advised diameter of pots to be used on related burners.

! Do not allow any object to drop on the hob. Even small objects such as a saltshaker may damage the hob.

Do not use cracked hobs. Water may leak through these cracks and cause short circuit.

In case of any kind of damage on the surface (eg., visible cracks), switch off the product immediately to minimize the risk of electric shock.

Glass ceramic hob is equipped with an operation light and a hot zone warning indicator.

Hot zone warning indicator indicates the status of the active zone and it remains lit after the plate is turned off. Flickering

of the hot zone warning indicator is not a failure.



Depending on the usage, the hob surface may cool down at varying periods of time. Hob surface may be hot even if the indicator lamps are not illuminated. Make sure that the surface is cooled down before touching. Otherwise, you might burn your hand!



Quick heating glass-ceramic hobs emit a bright light when they are switched on. Do not stare at the bright light.

Turning on the ceramic plates

The hob control knobs are used for operating the plates. To obtain the desired cooking power, turn the hob control knobs to the corresponding level.

Cookin g level	1	2 – 3	4 – 6
	warmin g	stewing, simmerin g	cooking , roasting , boiling

Cookin g level	1	2	3
	warmin g	stewing, simmerin g	cooking , roasting , boiling

Turning off the ceramic plates

Turn the plate knob to OFF (upper) position.

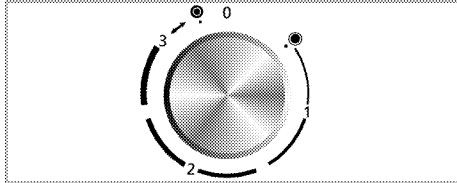
Using multi-segmented cooking zones

Multi-segmented cooking zones allows to cook with different size of saucepans

on the same cooking zone. When these cooking zones are activated, first the inward cooking zone turns on.

1. To change the active cooking zone diameter, turn the control knob clockwise.

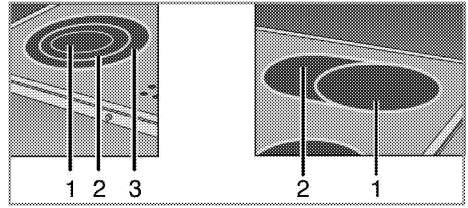
2. A "click" will be heard as soon as the hotplate radius changes.



Turning off multi-segment cooking zones

1. Turn the knob counter clockwise to OFF (upper) position to turn off the

oven. All segments of the cooking zone are turned off.



- 1 Position 1
- 2 Position 2
- 3 Position 3

i Position 2 and 3 of the multi-segment cooking zones do not operate independently.

6 Maintenance and care

General information

Service life of the product will extend and the possibility of problems will decrease if the product is cleaned at regular intervals.



Disconnect the product from mains supply before starting maintenance and cleaning works. There is the risk of electric shock!



Allow the product to cool down before you clean it.

Hot surfaces may cause burns!

- Clean the product thoroughly after each use. In this way it will be possible to remove cooking residues more easily, thus avoiding these from burning the next time the appliance is used.
- No special cleaning agents are required for cleaning the product. Use warm water with washing liquid, a soft cloth or sponge to clean the product and wipe it with a dry cloth.
- Always ensure any excess liquid is thoroughly wiped off after cleaning and any spillage is immediately wiped dry.
- Do not use cleaning agents that contain acid or chloride to clean the stainless or inox surfaces and the handle. Use a soft cloth with a liquid detergent (not abrasive) to wipe those parts clean, paying attention to sweep in one direction.



The surface might get damaged by some detergents or cleaning materials.

Do not use aggressive detergents, cleaning powders/creams or any sharp objects during cleaning.

Do not use harsh abrasive cleaners or sharp metal scrapers to clean the oven door glass since they can scratch the surface, which may result in shattering of the glass.



Do not use steam cleaners to clean the appliance as this may cause an electric shock.

Cleaning the hob

Glass ceramic surface

Wipe the glass ceramic surface (vitreoceramic) with cold water, paying attention to leave no residual cleaning agents, and dry with a soft clothing. Residues may cause damage on the glass ceramic surface when using the hob for the next time.

Dried residues on the glass ceramic surface (vitreoceramic) should under no circumstances be scraped with hook blades, steel wool or similar tools.

Remove calcium stains (yellow stains) with commercially available lime remover or a small amount of lime remover such as vinegar or lemon juice.

If the surface is heavily soiled, apply the cleaning agent on a sponge and wait until it is absorbed well. Then, clean the surface of the hob with a damp cloth.

i Sugar-based foods such as thick cream and syrup must be cleaned promptly without waiting the surface to cool down. Otherwise, glass ceramic surface may get damaged permanently.

Slight color fading may occur on coatings or other surfaces in time. This does not affect the operation of the product.

Color fading and stains on the glass ceramic surface is a normal condition, and not a defect.

Cleaning the control panel

Clean the control panel and knobs with a damp cloth and wipe them dry.

i If your product is equipped with buttons/knobs do not remove the control buttons/knobs to clean the control panel.
Control panel may get damaged!

7 Troubleshooting

Product emits metal noises while heating and cooling.

- When the metal parts are heated, they may expand and cause noise. >>> *This is not a fault.*

Product does not operate.

- The mains fuse is defective or has tripped. >>> *Check fuses in the fuse box. If necessary, replace or reset them.*
- Product is not plugged into the (grounded) socket. >>> *Check the plug connection.*



Consult the Authorised Service Agent or technician with licence or the dealer where you have purchased the product if you can not remedy the trouble although you have implemented the instructions in this section. Never attempt to repair a defective product yourself.

Arcelik A.S.

Karaağaç Caddesi No:2-6 Sütluçe, 34445, Turkey

Made in TURKEY

Importer in Russia: «BEKO LLC»

Address: Selskaya street, 49, Fedorovskoe village, Pershinskoe rural settlement, Kirzhach district, Vladimir region, Russian Federation 601021

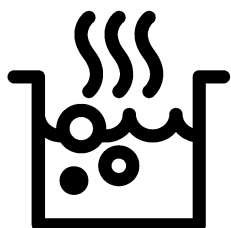
The manufacture date is included in the serial number of a product specified on rating label, which is located on a product, namely: first two figures of serial number indicate the year of manufacture, and last two – the month. For example, "10-100001-05» indicates that the product was produced in May, 2010.

You can ask for certification number from our Call Center 8-800-200-23-56 The manufacturer reserves the right for making changes in modification, design and specification of an electric device.



Ugradni plamenik

Korisnički priručnik



SB

Molimo da prvo pročitate ovo uputstvo!

Poštovani korisniče,

zahvaljujemo na izboru Beko proizvoda. Nadamo se da ćete na najbolji mogući način iskoristiti Vaš proizvod, koji je napravljen sa visokim kvalitetom i vrhunskom tehnologijom. Stoga, molimo da pročitate ovo celo korisničko uputstvo i sva prateća dokumenta pažljivo pre korišćenja proizvoda i čuvajte ih kao podsetnik za buduću upotrebu. Ako ovaj proizvod predate trećem licu, priložite i ovo korisničko uputstvo. Pratite sva upozorenja i informacije iz korisničkog uputstva.

Imajte na umu da ovo korisničko uputstvo može da se primeni i na nekoliko drugih modela. Razlike između modela će biti naznačene u priručniku.

Objašnjenje simbola

U ovom korisničkom uputstvu su korišćeni sledeći simboli:



Važne informacije ili korisni saveti u vezi sa korišćenjem.



Upozorenje za situacije koje su opasne po život i imovinu.



Upozorenje za električni udar.



Upozorenje za opasnost od požara.



Upozorenje za vrelе površine.



Arçelik A.Ş.

Karaağaç caddesi No:2-6
34445 Sütlüce/Istanbul/TURKEY

Made in TURKEY

**1 Važna uputstva i upozorenja
za bezbednost i okruženje 4**

Opšta bezbednost.....	4
Bezbednost električnih proizvoda	4
Bezbednost proizvoda.....	5
Namena	7
Bezbednost dece.....	7
Odlaganje dotrajalog proizvoda u otpad	7
Odlaganje ambalažnog materijala	8

2 Opšte informacije 9

Pregled.....	9
Tehničke specifikacije	10

3 Instalacija 11

Pre instalacije.....	11
Instalacija i povezivanje	12
Odlaganje dotrajalog proizvoda u otpad ..	14

4 Pripreme 15

Saveti za uštedu energije.....	15
Prva upotreba	15
Prvo čišćenje proizvoda.....	15

**5 Kako koristiti ploču za
kuvanje 16**

Opšte informacije o kuvanju.....	16
Korišćenje ploča za kuvanje.....	17

6 Održavanje i nega 19

Opšte informacije.....	19
Čišćenje ploče za kuvanje	19
Čišćenje komandne table	20

7 Otklanjanje kvarova 21

1 Važna uputstva i upozorenja za bezbednost i okruženje

Ovaj odeljak sadrži sigurnosna uputstva koja će vam pomoći da se zaštitite od opasnosti povreda i oštećenja imovine. Neuspešno praćenje ovih uputstava će poništiti garanciju.

Opšta bezbednoš

- Ovaj uređaj mogu koristiti deca starija od 8 godina i osobe sa smanjenim fizičkim, senzornim ili mentalnim sposobnostima ili kojima nedostaju iskustvo i znanje, ako su pod nadzorom ili su dobili uputstva u vezi sa bezbednom upotrebom uređaja i razumeju uključene opasnosti. Deca se ne smeju igrati sa uređajem. Deca ne smeju čistiti ili održavati uređaj bez nadzora.
- Ovaj uređaj nije namenjen za upotrebu od strane osoba (uključujući decu) sa smanjenim fizičkim, senzornim ili mentalnim sposobnostima ili nedostatkom iskustva i znanja, osim ako su pod nadzorom ili su im data uputstva. Deca koja su pod nadzorom ne smeju se igrati uređajem.

- Ako se proizvod ustupi drugoj osobi za ličnu upotrebu ili kao polovan proizvod, potrebno je takođe proslediti korisnički priručnik, etikete proizvoda i druge relevantne dokumente i delove.
- Instalaciju i popravke smeju da vrše samo ovlašćeni serviseri. Proizvođač neće snositi odgovornost za štete koje nastanu zbog postupaka koje su obavile neovlašćene osobe, što takođe može poništiti garanciju. Pre instalacije, pažljivo pročitajte uputstva.
- Ne uključujte proizvod ako je u kvaru ili ima vidljivo oštećenje.
- Prekontrolišite da li su funkcijski tasteri na proizvodu isključeni nakon svake upotrebe.

Bezbednoš **električnih proizvoda**

- Ako je proizvod neispravan, ne treba da se koristi dok ga ne popravi ovlašćeni serviser. Postoji opasnost od električnog udara!
- Proizvod povežite samo na uzemljenu utičnicu/vod sa

naponom i zaštitom navedenim u „Tehničkim specifikacijama“. Uzemljenje instalacije mora da obavi kvalifikovani električar u slučaju da se proizvod koristi sa ili bez transformatora. Naša kompanija neće biti odgovorna ni za kakve probleme koji nastanu zbog korišćenja proizvoda sa neuzemljenom instalacijom u skladu sa lokalnim propisima.

- Nikada ne perite proizvod prskanjem ili sipanjem vode na njega! Postoji opasnost od električnog udara!
- Proizvod mora da bude isključen za vreme instalacije, održavanja, čišćenja i popravke.
- Ako je priključni kabl za napajanje proizvoda oštećen, mora da ga zameni proizvođač, njegov serviser ili odgovarajuće kvalifikovano lice kako bi se izbegle opasnosti.
- Koristite samo priključni kabl naveden u „Tehničkim specifikacijama“.
- Aparat mora da se instalira tako da može potpuno da se isključi sa mreže. Razdvajanje mora da bude obezbeđeno ili

putem mrežnog utikača ili putem prekidača ugrađenog u fiksnu električnu instalaciju u skladu sa građevinskim propisima.

- Sve radove na električnoj opremi i sistemima treba da vrše samo ovlašćena kvalifikovana lica.
- U slučaju oštećenja, isključite proizvod i odvojite od električne mreže. Da biste to uradili, isključite osigurač u domaćinstvu.
- Uverite se da je jačina osigurača kompatibilna sa ovim proizvodom.

Bezbednost proizvoda

- **UPOZORENJE:** Uređaj i njegovi pristupačni delovi se zagrevaju tokom upotrebe. Budite pažljivi da biste izbegli dodirivanje vrućih elemenata. Decu mlađu od 8 godina treba udaljiti osim u slučaju da ih neprekidno nadgledate.
- Nikad ne koristite proizvod u slučaju oslabljenog rasuđivanja ili koordinacije pod uticajem konzumiranja alkohola i/ili lekova.
- Budite pažljivi kada koristite alkoholna pića u vašem posuđu. Alkohol na visokim

temperaturama isparava i može da prouzrokuje požar jer se može upaliti ako dođe u kontakt sa vrućim površinama.

- Ne stavljajte nikakav zapaljivi materijal blizu proizvoda, jer njegove stranice mogu da se zagrevaju u toku upotrebe.
- Održavajte čistoću svih ventilacionih otvora.
- Ne koristite paročistače za čišćenje uređaja da ne biste izazvali električni udar.
- **UPOZORENJE:** Kuvanje na ringli sa zagrejanom masti ili uljem može biti opasno i dovesti do požara. NIKADA ne pokušavajte da gasite vatru vodom, već isključite uređaj, a zatim pokrijte plamen tj., pokrijte ga poklopcem ili protivpožarnim ćebetom.
- **PAŽNJA:** Proces kuvanja mora da bude pod nadzorom. Kratkotrajni proces kuvanja mora neprekidno da bude pod nadzorom.
- **UPOZORENJE:** Opasnost od požara: Nemojte držati predmete na površinama za kuvanje.
- **UPOZORENJE:** Ako je površina naprsla, isključite

uređaj da biste izbegli mogućnost električnog udara.

- U slučaju da se staklo ploče za kuvanje polomi: Odmah isključite sve gorionike i sve električne grejne elemente i izolujte uređaj od napajanja. Nemojte da dodirujete površinu uređaja. Nemojte da koristite uređaj.
- Ovaj aparat nije predviđen da se upravlja putem eksternog tajmera ili posebnog sistema daljinskog upravljača.
- Pritisak pare koji se može stvoriti zbog vlage na površini ploče za kuvanje ili na dnu šerpe može da izazove pomeranje šerpe. Zbog toga treba da se uverite da su površina rerne i dna šerpi uvek suve.
- **UPOZORENJE:** Koristite samo štitnike ploče za kuvanje koje je dizajnirao proizvođač aparata za kuvanje ili koje je proizvođač aparata odredio kao pogodne u uputstvu za upotrebu, ili štitnike ploče za kuvanje koje sadrži aparat. Upotreba neodgovarajućih štitnika može izazvati nezgode.

Za pouzdanost proizvoda od požara:

- Uverite se da je utikač dobro umetnut u utičnicu kako ne bi izazvao varnice.
- Ne koristite oštećen, isečen ili produžni kabl, osim originalnog kabla.
- Pobrinite se da na utičnici na koju je priključen proizvod nema ni vlage ni tečnosti.

Namena

- Ovaj proizvod je namenjen za kućnu upotrebu. Komercijalna upotreba nije dozvoljena.
- **PAŽNJA:** Ovaj aparat služi samo za kuvanje. On ne sme da se koristi za druge svrhe, na primer za grejanje prostora.
- Proizvođač neće biti odgovoran ni za kakve štete koje su nastale kao posledica nenamenske upotrebe ili pogrešnog rukovanja.

Bezbednost dece

- **UPOZORENJE:** Pristupačni delovi mogu da se zagreju za vreme upotrebe. Decu treba udaljiti.
- Materijali za pakovanje su opasni za decu. Ambalažne materijale držite van domašaja dece. Molimo da

sve delove ambalaže odložite u otpad u skladu sa ekološkim standardima.

- Električni proizvodi su opasni za decu. Udaljite decu od proizvoda kada je uključen i nemojte im dozvoliti da se igraju sa proizvodom.
- Iznad uređaja ne stavljajte predmete koje bi deca mogla da dohvate.

Odlaganje dotrajalog proizvoda u otpad

Usaglašenost sa WEEE direktivom i odlaganje otpada:



Ovaj proizvod je usaglašen sa WEEE direktivom Evropske Unije (2012/19/EU). Ovaj proizvod nosi znak klasifikacije za električni i elektronski otpad (WEEE). Ovaj proizvod je proizveden od visoko kvalitetnih delova i materijala koji se mogu ponovo koristiti i pogodni su za reciklažu. Nemojte odlagati proizvod u otpad sa običnim kućnim otpadom i drugim otpadima na kraju veka trajanja. Odložite ga u centar za sakupljanje i reciklažu električnog i elektronskog otpada. Konsultujte se sa svojim lokalnim vlastima da biste saznali o ovim centrima za sakupljanje otpada.

Usaglašenost sa RoHS direktivom:

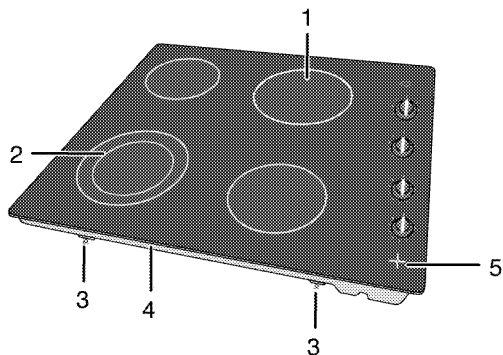
Proizvod koji ste kupili u saglasnosti je sa RoHS direktivom Evropske Unije (2011/65/EU). On ne sadrži štetne i zabranjene materijale navedene u direktivi.

Odlaganje ambalažnog materijala

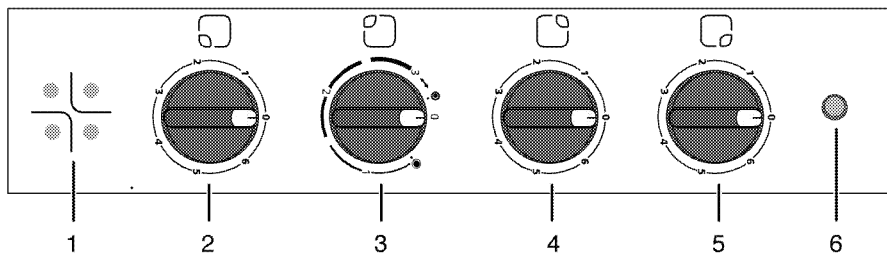
- Ambalažni materijali su opasni po decu. Ambalažni materijal čuvajte na bezbednom mestu, van domašaja dece. Ambalažni materijali za ovaj proizvod su proizvedeni od materijala koji se mogu reciklirati. Odložite ih pravilno i sortirajte u skladu sa uputstvima za recikliranje otpada. Ne odlažite ih sa običnim kućnim otpadom.

2 Opšte informacije

Pregled



- | | |
|-------------------------------------|--|
| 1 Ploča za kuvanje sa jednim krugom | 4 Poklopac osnove |
| 2 Ploča za kuvanje sa dva kruga | 5 Signalna lampica za vruću ploču za kuvanje |
| 3 Montažna stega | |



- | | |
|---|---|
| 1 Signalna lampica za vruću ploču za kuvanje | 4 Ploča za kuvanje sa jednim krugom
Pozadi levo |
| 2 Ploča za kuvanje sa jednim krugom
Napred desno | 5 Ploča za kuvanje sa jednim krugom
Pozadi desno |
| 3 Ploča za kuvanje sa dva kruga
Napred levo | 6 Lampica za upozorenje |

Tehničke specifikacije

Napon/frekvencija	220-240 V/380-415V 2N ~ 50 Hz
Ukupna potrošnja energije	5800 W
Tip kabla / poprečni presek	min.H05V2V2-F 3 x 2,5 mm ² / 5 x 1,5 mm ²
Spoljne dimenzije (visina/širina/dubina)	71 mm/580 mm/510 mm
Ugradne dimenzije (širina/dubina)	560 mm/490 mm
Gorionici	
Napred desno	Ploča za kuvanje sa jednim krugom
Dimenzije	140 mm
Snaga	1200 W
Napred levo	Ploča za kuvanje sa dva kruga
Dimenzije	120/180 mm
Snaga	700/1700 W
Pozadi levo	Ploča za kuvanje sa jednim krugom
Dimenzije	140 mm
Snaga	1200 W
Pozadi desno	Ploča za kuvanje sa jednim krugom
Dimenzije	180 mm
Snaga	1700 W

i Tehničke specifikacije se mogu izmeniti bez prethodnog obaveštenja da bi se poboljšao kvalitet proizvoda.

i Slike koje su date u ovom uputstvu za upotrebu su samo ilustrativne i možda se neće u potpunosti poklapati sa vašim proizvodom.

i Vrednosti, koje su navedene na oznakama proizvoda ili u drugoj dokumentaciji koju ste dobili uz proizvod, dobijene su pod laboratorijskim uslovima u skladu sa odgovarajućim standardima. U zavisnosti od radnih uslova i uslova okruženja proizvoda, ove vrednosti se mogu razlikovati.

3 Instalacija

Proizvod mora da instalira kvalifikovano lice u skladu sa važećim propisima. U suprotnom, garancija neće važiti. Proizvođač neće biti odgovoran za štete koje nastanu zbog postupaka koje su obavile neovlašćene osobe i može da poništi garanciju.

i Priprema lokacije i električne instalacije za proizvod su odgovornost kupca.

! Ovaj proizvod mora da se instalira u skladu sa svim lokalnim propisima za gasne i/ili električne instalacije.

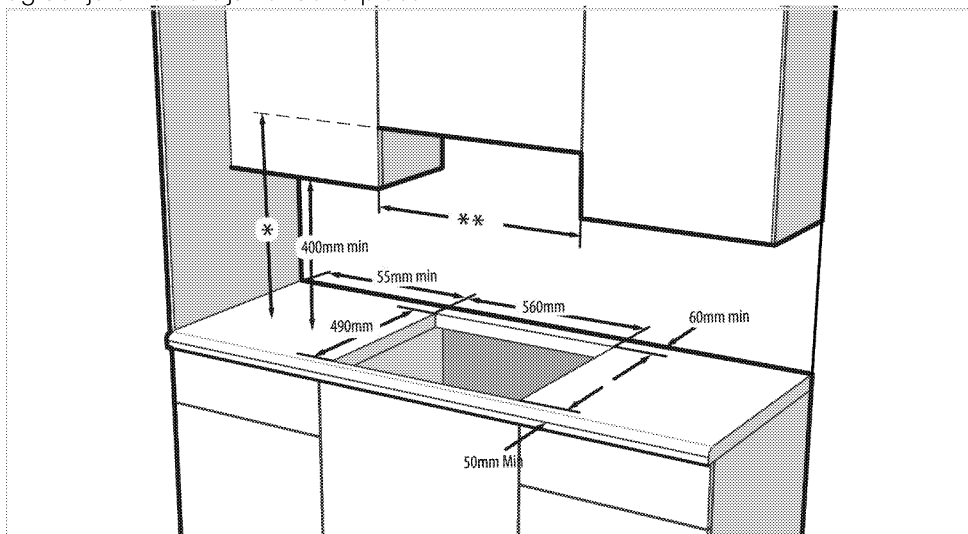
! Pre instalacije vizuelno proverite da li na proizvodu postoje bilo kakva oštećenja. Ako ustanovite oštećenja, nemojte ga instalirati. Oštećeni proizvodi predstavljaju opasnost po vašu bezbednost.

Pre instalacije

Ploča za kuvanje je projektovana za ugradnju u komercijalnu radnu ploču.

Između aparata i zidova kućišta i nameštaja mora da se ostavi bezbedan razmak. Pogledajte sliku (vrednosti su u mm).

- Može se koristiti i u slobodno stojećem položaju. Obezbedite minimalni razmak od 750mm iznad površine ploče za kuvanje.
- (*) Ako se kuhinjski aspirator montira iznad šporeta, pogledajte uputstvo proizvođača aspiratora u vezi sa visinom instalacije (min. 650 mm)
- Uklonite ambalažne materijale i transportne blokade.
- Površine, sintetički laminati i lepkovi moraju da budu otporni na toplotu (minimalno 100 °C).
- Radna ploča mora da bude nivelisana i učvršćena horizontalno.
- Isecite otvor za ploču za kuvanje u površini radne ploče prema ugradnim dimenzijama.



- * Minimalna visina do aspiratora prema preporuci navedenoj u uputstvu za upotrebu aspiratora
- ** Minimalno rastojanje između ormarića mora da bude širina ploče za kuvanje

Instalacija i povezivanje

- Uređaj se može instalirati i povezati samo u skladu sa propisanim pravilima za instalaciju.

i Ne postavljajte ploču za kuvanje na mesta sa oštrim ivicama ili uglovima.
Postoji opasnost od loma staklokeramičke površine!

Električno povezivanje

Povežite proizvod sa uzemljenom utičnicom koja je zaštićena minijaturnim prekidačem odgovarajućeg kapaciteta kao što je navedeno u tabeli „Tehničke specifikacije”. Angažujte kvalifikovanog električara da obavi povezivanje sa uzemljenom instalacijom dok koristite proizvod sa ili bez transformatora. Naša kompanija nije odgovorna ni za kakvu štetu koja će proisteći zbog korišćenja proizvoda bez uzemljene instalacije u skladu sa lokalnim propisima.

! Na gasnu mrežu proizvod sme da priključi samo ovlašćeno kvalifikovano lice. Garantni rok za proizvod počinje samo nakon pravilne instalacije.
Proizvođač neće biti odgovoran za štetu koje nastanu zbog postupaka koje su obavile neovlašćene osobe.

! Električni kabl za napajanje ne sme da se priklešti, savije ili prignježi ili da dođe u dodir sa vrućim delovima proizvoda.
Oštećeni kabl za napajanje mora da zameni kvalifikovani električar. U suprotnom, postoji opasnost od električnog udara, kratkog spoja ili požara!

- Povezivanje mora da se izvede u skladu sa nacionalnim propisima.
- Podaci o mrežnom napajanju moraju da odgovaraju podacima koji su navedeni na tipskoj pločici proizvoda. Tipska pločica se nalazi na zadnjem delu kućišta proizvoda.
- Kabl za napajanje vašeg proizvoda mora da bude u skladu sa vrednostima u tabeli „Tehničke specifikacije”.

! Pre radova na električnoj instalaciji isključite proizvod iz struje.
Postoji opasnost od električnog udara!

Povezivanje kabla za napajanje

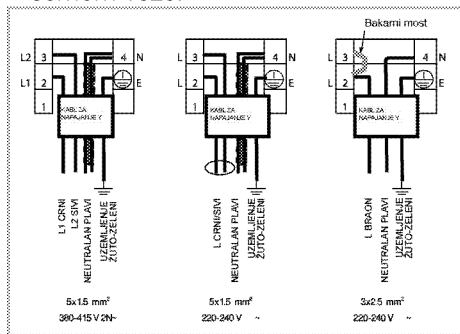
i Tokom povezivanja žica morate da poštujuete nacionalne/lokalne propise o struji i morate da koristite odgovarajuću utičnicu i utikač za renu. U slučaju da ograničenja napajanja uređaja premašuju nominalne vrednosti struje za utikač i utičnicu, proizvod mora da se poveže preko fiksne električne instalacije direktno bez korišćenja utikača i utičnice.

1. Ako kabl za napajanje nije isporučen sa proizvodom, kabl za napajanje koji ćete vi izabrati iz tabele (*Tehničke specifikacije, strana 10*) u skladu sa električnim instalacijama u vašem domu, mora biti povezan na proizvod na osnovu šeme.

Ukoliko nije moguće isključiti napajanje preko svih izvoda (polova), rastavni uređaj sa najmanje 3 mm zazora kontakta (osigurači, fazni sigurnosni prekidači, kontaktori) moraju da se povežu, a svi polovi ovog rastavnog uređaja moraju da budu u blizini proizvoda (ne iznad) u skladu sa IEE smernicama. Nepridržavanje ovog uputstva može da dovede do problema u radu i poništavanja garancije za proizvod.

i Preporučuje se dodatna zaštita putem FID sklopke za zaštitu od struje greške.

2. Otvorite poklopac priključne kutije pomoću odvijača.
3. Provucite napojni kabl kroz kablovsku stezaljku ispod terminala i učvrstite ga na glavno telo zavrtnjem pomoću zatezača kabla.
4. Povežite kablove u skladu sa datom šemom veze.



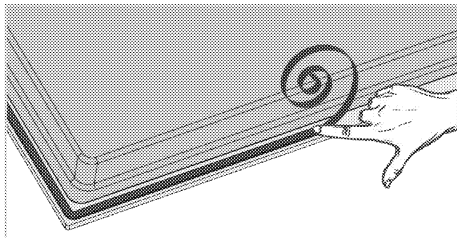
5. Nakon povezivanja žica, zatvorite poklopac priključne kutije.
6. Postavite kabl za napajanje tako da nema kontakt sa proizvodom i ne bude priklješten između proizvoda i zida.

i Kabl za napajanje ne sme biti duži od 2 m iz sigurnosnih razloga.

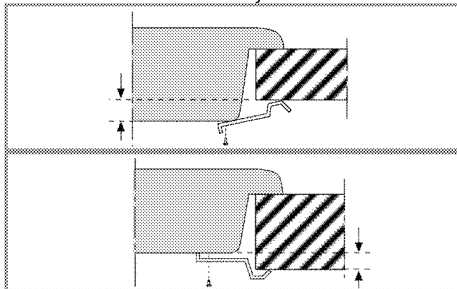
Instalacija proizvoda

1. Okrenite ploču za kuvanje naopačke i postavite na ravnu površinu.
2. Prilikom instalacije ploče, postavite zaptivku koja je priložena u pakovanju

oko ploče kao što je prikazano na sledećoj slici tako da ostane 1 mm do 2 mm ka unutra od spoljašnje ivice stakla.

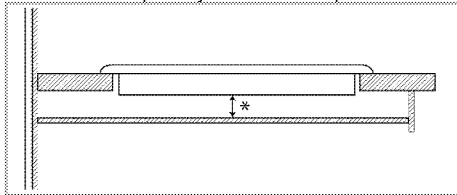


3. Postavite ploču za kuvanje na radnu ploču i poravnajte je.
4. Korišćenjem instalacionih stezaljki učvrstite ploču za kuvanje postavljajući ih kroz otvore u donjem delu kućišta.



i Prilikom instaliranja ploče za kuvanje na ormarić mora da se instalira polica kako bi se ormarić odvojio od ploče za kuvanje, kao što je ilustrirano na gornjoj slici. To se ne zahteva kada je instalirane iznad ugradne reme.

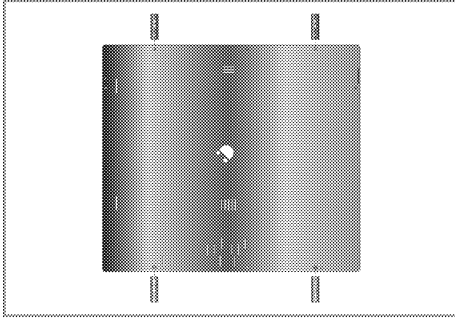
Proizvod se može dodirnuti odozdo zašto što je instaliran na fioci, ovaj deo mora da se pokrije drvenom pločom.



* min. 15 mm

Zadnja strana (rupe za povezivanje)

- i** Lokacije priključnih rupa koje su prikazane na slici u nastavku su šematske i mogu se razlikovati u zavisnosti od modela proizvoda. Pričvrstite ih u skladu s priključnim rupama na vašem proizvodu.



- !** Povezivanje u drugačije otvore nije dobra praksa s obzirom na sigurnost, jer može da dođe do oštećenja gasnog i električnog sistema.



Ploča za kuvanje sadrži delove koji rade na gas i struju. Iz tog razloga, ploču za kuvanje treba fiksirati za radnu ploču isključivo preko otvora za fiksiranje, koristeći isključivo elemente za pričvršćivanje i zavrtnje koji su priloženi i na način koji je naveden u priručniku. U suprotnom, predstavljaće opasnost po život i svojinu.

Finalna provera

1. Rukujte proizvodom.
2. Proverite sve električne funkcije.

Odlaganje dotrajalog proizvoda u otpad

- Sačuvajte originalnu ambalažnu kutiju ovog proizvoda i transportujte proizvod u njoj. Pratite uputstva na kutiji. Ako nemate originalnu ambalažnu kutiju, proizvod upakujte u foliju za pakovanje sa vazдушnim mehurićima ili deblji karton i dobro zalepite.



Proverite opšti izgled svog proizvoda da biste pronašli eventualna oštećenja koja su mogla nastati za vreme transporta.

4 Pripreme

Saveti za uštedu energije


Sledeće informacije će vam pomoći da vaš uređaj koristite na ekološki način i štedite energiju:

- Odmrznite smrznuta jela pre pečenja.
- Za kuvanje koristite šerpe i tiganje sa poklopcem. Ako se ne stavi poklopac, potrošnja energije može biti 4 puta veća.
- Izaberite gorionik koji odgovara veličini dna šerpe koja će biti korišćena. Uvek birajte pravilnu veličinu šerpe za svoje jelo. Veće šerpe zahtevaju više energije.
- Koristite šerpe sa ravnim dnom kada kuvate na električnim ringlama. Šerpe sa debelim dnom obezbeđuju bolju toplotnu provodnost. Možete da uštedite do 1/3 energije.
- Posude i šerpe moraju da odgovaraju zonama za kuvanje. Dno posuda ili šerpe ne sme biti manje od ringle.

- Održavajte čistoću zona za kuvanje i dna šerpi. Nečistoće će smanjiti provođenje toplote između zone za kuvanje i dna šerpe.
- U slučaju dužeg kuvanja, isključite zonu za kuvanje 5 ili 10 minuta pre završetka vremena kuvanja. Možete da uštedite do 20% energije korišćenjem preostale toplote.

Prva upotreba

Prvo čišćenje proizvoda

-  Prilikom upotrebe nekih deterdženata ili sredstava za čišćenje mogla bi da se ošteti površina. Ne koristite agresivne deterdžente, praškove/tečnosti za čišćenje ili oštre predmete tokom čišćenja.

1. Uklonite sve ambalažne materijale.
2. Obrišite površine proizvoda vlažnom krpom ili sunđerom i osušite ga krpom.

5 Kako koristiti ploču za kuvanje

Opšte informacije o kuvanju



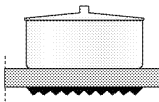
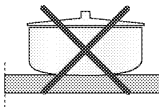
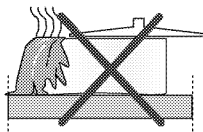
Nikad punitе posudu uljem više od jedne trećine. Ne ostavljajte ploču za kuvanje bez nadzora kada zagrevate ulje. Pregrejano ulje predstavlja opasnost od požara. **Nikada ne pokušavajte da eventualnu vatru gasite vodom!** Ako se ulje zapali, pokrijte ga protivpožarnim ćebetom ili vlažnom krpom. Isključite ploču za kuvanje, ako se to može bezbedno uraditi i pozovite vatrogasce.

- Pre prženja hrane, uvek je dobro osušite i pažljivo spustite u vrelo ulje. Postarajte se da namirnice budu potpuno odmrznute pre prženja.
- Ne poklapajte posudu koju koristite kada zagrevate ulje.
- Postavite lonce i šerpe na način da njihove ručice ne budu iznad ploče za kuvanje kako biste sprečili njihovo zagrevanje. Ne stavljajte na ploču za kuvanje nestabilne posude ili one koje se mogu lako prevrnuti.
- Ne stavljajte prazne posude i šerpe na zone za kuvanje koje su uključene. Mogu da se oštete.
- Rad zone za kuvanje bez posude ili šerpe na njoj izazvaće oštećenje uređaja. Isključite zone za kuvanje nakon što je kuvanje završeno.
- Kako površina uređaja može biti vruća, ne stavljajte na nju plastične ili aluminijumske posude. Odmah očistite sve takve otopljene materijale sa površine. Takve posude ne bi trebalo koristiti ni za držanje hrane.

- Koristite samo šerpe ili posude sa ravnim dnom.
- U šerpe i lonce stavljajte odgovarajuću količinu hrane. Tako ćete sprečiti nepotrebno čišćenje zbog preliivanja. Ne stavljajte poklopce za šerpe i lonce na zone za kuvanje. Postavite šerpe na način da budu u centru zone za kuvanje. Kada želite da premestite šerpu na drugu zonu za kuvanje, podignite je i stavite na zonu za kuvanje koju želite umesto da je povlačite po površini.

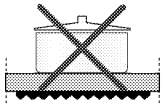
Saveti za staklokeramičke ploče za kuvanje

- Staklokeramička površina je otporna na toplotu i na nju ne utiču velike temperaturne razlike.
- Ne koristite staklokeramičku površinu kao mesto za čuvanje ili kao dasku za sečenje hrane.
- Koristite samo šerpe i lonce sa obrađenim dnom. Oštre ivice mogu izgubiti površinu.
- Ne koristite aluminijumske posude i šerpe. Aluminijum oštećuje staklokeramičku površinu.



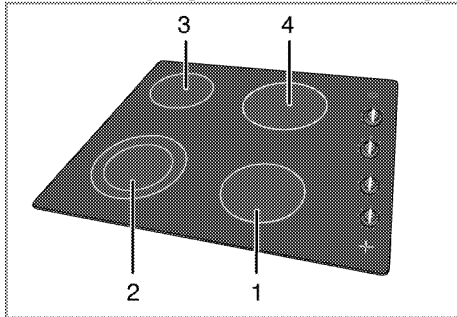
Prolivanja hrane mogu oštetiti staklokeramičku površinu i izazvati požar.

Nemojte koristiti posude sa konkavnim ili konveksnim dnom. Koristite samo šerpe i lonce sa ravnim dnom. Oni obezbeđuju lakši prenos toplote.



Ako je prečnik šerpe suviše mali, nepotrebno će se izgubiti energija.

Korišćenje ploča za kuvanje



- 1 Ploča za kuvanje sa jednim krugom 14-16 cm
- 2 Ploča za kuvanje sa dva kruga 12-14/18-20 cm
- 3 Ploča za kuvanje sa jednim krugom 14-16 cm
- 4 Ploča za kuvanje sa jednim krugom 18-20 cm je lista preporučenih prečnika šerpi koje mogu da se koriste na odgovarajućim ringlama.

! Pazite da na ploču za kuvanje ne padne neki predmet. Čak i mali predmeti, npr. slanik, mogu da oštete ploču za kuvanje. Ne koristite naprsu ploču za kuvanje. Voda može ući u naprsline i prouzrokovati kratak spoj. U slučaju bilo kakvog oštećenja površine (npr. vidljive naprsline), odmah isključite proizvod da biste smanjili opasnost od električnog udara.

Staklokeramička ploča za kuvanje je opremljena svetlom za rad i signalnom lampicom upozorenja za vruću zonu. Signalna lampica upozorenja za vruću zonu označava status aktivne zone i

ostaje upaljena nakon što je ringla isključena. Treperenje signalne lampice upozorenja za vruću zonu ne predstavlja kvar.



U zavisnosti od korišćenja, površina ploče za kuvanje može se ohladiti nakon različitih vremenskih intervala. Površina ploče za kuvanje može biti vruća čak i ako lampice indikatora ne svetle. Vodite računa da se površina ohladi pre nego što je dodirnete. U suprotnom, može doći do opekotina na rukama!



Brzozagrevajuće ringle staklokeramičke ploče za kuvanje se osvetljavaju kada se uključe. Ne gledajte u jaku svetlost.

Uključivanje keramičkih ringli

Dugme za podešavanje toplote se koristi za upravljanje ringlom. Da biste dobili željenu toplotu, dugme za podešavanje toplote ringle okrenite na odgovarajuću jačinu.

Jačina kuvanja	1	2 — 3	4 — 6
	zagrevanje	dinstanje, ključanje	kuvanje, prženje, kuvanje

Jačina kuvanja	1	2	3
	zagrevanje	dinstanje, ključanje	kuvanje, prženje, kuvanje

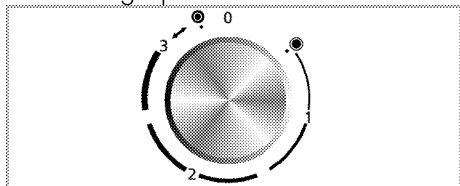
Isključivanje keramičkih ringli

Okrenite dugme za ringlu u položaj „ISKLJUČENO“ (gore).

Upotreba ringli sa više zona za kuvanje

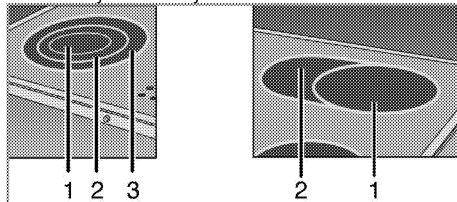
Ringle sa više zona za kuvanje omogućavaju vam da kuvate u šerpama različite veličine na istoj ringli. Kada su ove zone za kuvanje aktivirane, najpre se uključuje unutrašnja zona.

1. Da biste promenili prečnik aktivne zone za kuvanje, okrenite dugme u smeru kretanja kazaljke na satu.
2. Čuće se "klik" čim se prečnik grejne zone ringle promeni.



Isključivanje ringle sa više zona za kuvanje

1. Okrenite dugme u suprotnom smeru od kretanja kazaljke na satu do položaja "ISKLJUČENO" (gore) da biste isključili rernu. Svi segmenti zone za kuvanje su isključeni.



- 1 Položaj 1
- 2 Položaj 2
- 3 Položaj 3

i Položaji 2 i 3 za ringle sa više zona za kuvanje ne rade nezavisno.

6 Održavanje i nega

Opšte informacije

Servisni vek trajanja ovog proizvoda će se produžiti i učestali problemi će se smanjiti ako se uređaj redovno čisti.



Isključite proizvod iz struje pre nego što započnete radove održavanja i čišćenje. Postoji opasnost od električnog udara!



Pre čišćenja sačekajte da se proizvod ohladi. Vruće površine mogu da prouzrokuju opekotine!

- Temeljno očistite uređaj posle svake upotrebe. Na taj način će biti moguće lakše ukloniti ostatke od kuvanja i izbeći njihovo obgorevanje pri sledećoj upotrebi uređaja.
- Za čišćenje nisu potrebna specijalna sredstva za čišćenje. Koristite toplu vodu i tečnost za pranje, meku tkaninu ili sunđer za čišćenje uređaja i obrišite ga suvom tkaninom.
- Uvek se pobrinite da višak tečnosti nakon čišćenja bude temeljno obrisano i prosipana tečnost odmah uklonjena brisanjem.
- Nemojte koristiti sredstva za čišćenje koja sadrže kiselinu ili hlorid za čišćenje nerđajućih ili inox površina i ručice. Koristite mekanu tkaninu sa tečnim deterdžentom (ne abrazivnim) za brisanje tih delova, vodeći računa da brišete u jednom smeru.



Prilikom upotrebe nekih deterdženata ili sredstava za čišćenje mogla bi da se ošteti površina. Ne koristite agresivne deterdžente, praškove/tečnosti za čišćenje ili oštre predmete tokom čišćenja.



Ne koristite paročistače za čišćenje uređaja da ne biste izazvali električni udar.

Čišćenje ploče za kuvanje

Staklokeramička površina

Obrišite staklokeramičku površinu (vitrokeramičku površinu) hladnom vodom, obraćajući pažnju da ne ostavljate zaostala sredstva za čišćenje, i osušite mekom krpom. Ostaci mogu oštetiti staklokeramičku površinu prilikom sledećeg korišćenja ploče za kuvanje. Osušene ostatke na staklokeramičkoj površini (vitrokeramičkoj površini) ne bi nikako trebalo strugati noževima, čeličnom vunom ili sličnim alatima. Uklonite tragove kamenca (žute mrlje) komercijalno dostupnim sredstvom za skidanje kamenca ili malom količinom sredstva za skidanje kamenca kao što je sirće ili sok od limuna. Ako je površina jako zaprljana, nanesite sredstvo za čišćenje na sunđer i sačekajte da dobro upije. Zatim vlažnom tkaninom očistite površinu ploče za kuvanje.




Slatka hrana, kao što su kremovi i sirupi, mora se odmah očistiti i ne sme se čekati da se površina ohladi. U suprotnom, može doći do trajnog oštećenja staklokeramičke površine.

Vremenom može doći do blagog bleđenja boje na zaštitnom sloju i drugim površinama. Ovo ne utiče na rad uređaja. Bleđenje boje i mrlje na staklokeramičkoj površini su normalna pojava, a ne oštećenje.

Čišćenje komandne table

Komandnu tablu i obrtnu dugmad očistite vlažnom krpom i osušite brisanjem.

 Ako je vaš proizvod opremljen tasterima/dugmadi, ne uklanjajte kontrolnu dugmad radi čišćenja komandne table. Komandna tabla može da se oštetiti!

7 Otklanjanje kvarova

Proizvod emituje metalni zvuk (buka) tokom grejanja i hlađenja.

- Kada se zagrevaju metalni delovi, može doći do njihovog širenja i izvešnog šuma. >>> *To nije kvar.*

Proizvod ne radi.

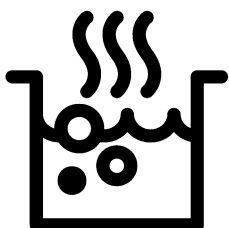
- Osigurač napajanja je pregoreo ili je reagovao. >>> *Proverite osigurače u kutiji sa osiguračima. Ako je potrebno, zamenite ih ili ih resetujte.*
- Proizvod nije priključen na (uzemljenu) utičnicu. >>> *Proverite utikač.*

i Posavetujte se sa ovlašćenim serviserom ili distributerom na mestu kupovine proizvoda ukoliko ne možete da rešite problem i pored primene navedenih uputstava. Nikad ne pokušavajte sami da popravite neispravan proizvod.



Плоча за вградување

Упатство за корисникот



МК

Прочитајте го ова упатство прво!

Почитуван потрошувачу,

Ви благодариме што избравте производ на Веко. Се надеваме дека производот ќе ви служи најдобро за намената за која е произведен со висок квалитет и со врвна технологија. Затоа, внимателно прочитајте ги целото упатство за корисникот и сите други придружни документи пред да го користите производот и зачувајте го за идни осврти. Ако го давате производот на некој друг, дајте му го и упатството за употреба. Следете ги сите предупредувања и информации во ова упатство за корисникот. Запомнете дека ова упатство може да е исто и за неколку други модели. Разликите меѓу моделите ќе бидат посочени во упатството.

Објаснување на симболите

Следните симболи се употребени во ова упатство за употреба:



Важни информации или корисни совети за употреба.



Предупредувања за опасни ситуации во однос на животот и имотот.



Предупредување за електричен удар.



Предупредување за ризик од оган.



Предупредување за врели површини.



Arçelik A.Ş.
Karaağaç caddesi No:2-6
34445 Sütlüce/Istanbul/TURKEY
Made in TURKEY

<u>1</u>	<u>Важни упатства и предупредувања за безбедноста и за животната средина</u>	<u>4</u>
	Општа безбедност	4
	Електрична безбедност	5
	Безбедност на производот	6
	Наменета употреба	7
	Безбедност за децата.....	8
	Фрлање на стариот производ.....	8
	Фрлање на материјалот за пакување....	9
<u>2</u>	<u>Општи информации</u>	<u>10</u>
	Преглед	10
	Технички спецификации	11
<u>3</u>	<u>Инсталација</u>	<u>12</u>
	Пред поставување.....	12
	Поставување и поврзување.....	13
	Фрлање на стариот производ.....	16
<u>4</u>	<u>Подготовка</u>	<u>17</u>
	Совети за штедење енергија	17
	Првична употреба	17
	Прво чистење на производот.....	17
<u>5</u>	<u>Како Се Користи Плочата</u>	<u>18</u>
	Општи информации за готвењето	18
	Употреба на плочата	19
<u>6</u>	<u>Одржување и грижа</u>	<u>21</u>
	Општи информации	21
	Чистење на плочата.....	21
	Чистење на контролниот панел	22
<u>7</u>	<u>Решавање проблеми</u>	<u>23</u>

1 Важни упатства и предупредувања за безбедноста и за животната средина

Ова поглавје содржи безбедносни упатства што ќе ви помогнат да се заштитите од ризик за лична повреда или оштетување на имотот. Непочитувањето на овие упатства ја поништува гаранцијата.

Општа безбедност

- овој уред може да го користат деца што имаат барем 8 години и лица со намалена физичка, чувствителна или ментална способност или со недостаток на искуство или познавања само ако не се под надзор или ако им се дадат упатства за употреба на апаратот за да може да го користат на безбеден начин и само ако ги разбрале сите опасности.

Децата не смее да си играат со апаратот.

Чистењето и одржувањето не смеат да го прават деца без надзор.

- Уредот не е наменет да го користат лица (вклучително и деца) со

намалена физичка, сензорна или ментална способност или со недостаток на искуство или познавања, освен ако не се под надзор или ако им се дадат упатства. Децата под надзор не смее да си играат со уредот.

- Доколку производот се дава на некој друг за лична употреба или за повторна употреба (на старо), тој се дава заедно со прирачникот за користење, ознаките на производот и другите релевантни документи и делови.
- Поставувањето и поправката мора да ги изведе овластен сервисер. Производителот нема да се смета за одговорен за оштетувања што се појавиле заради постапки што ги извеле неовластени лица и истото може да ја поништи гаранцијата. Внимателно прочитајте го упатството пред поставување.

- Не вклучувајте го производот ако е расипан или има видливо оштетување.
- Проверете дали регулаторите за функциите на производот се исклучени по секоја употреба.

Електрична безбедност

- Ако производот има дефект, не треба да се вклучува освен ако не бил поправен во Овластен сервис. Постои ризик од струен удар!
 - Поврзете го производот само за штекер/линија со заземјување со напон и заштита како што е наведено во „Технички спецификации“.
- Инсталацијата за заземјувањето треба да ја направи квалификуван електричар ако го користите производот со или без трансформатор. Нашата компанија нема да биде одговорна за какви било проблеми што ќе се случат заради тоа што производот не бил заземјен во согласност со локалните регулативи.

- Никогаш не мијте го производот со истурање или прскање вода по него! Постои ризик од струен удар!
- Производот мора да се исклучи од струја за време на поставување, одржување, чистење или поправка.
- Ако кабелот за напојување на производот е оштетен, мора да биде заменет од страна на производителот, овластениот сервисер или слично квалификувано лице за да се избегне опасност од секаков вид.
- Користете само кабел за поврзување посочен во „Технички спецификации“.
- Производот мора да се постави на начин којшто ќе овозможува комплетно исклучување со струја. Разделникот мора да постави кај главниот приклучок или како прекинувач вграден во фиксната електрична инсталација во согласност со регулативите за градба.
- Секоја работа на електричната опрема и на системите смее да ја

изведува само овластено и квалификувано лице.

- Во случај на оштетување, исклучете ја рерната и исклучете ја од довод на ел. напојување. За да го направите ова, исклучете ги осигурувачите дома.
- Проверете дали номиналната вредност на осигурувачот е компатибилна со производот.

Безбедност на производот

• **ПРЕДУПРЕДУВАЊЕ:**

Уредот и достапните делови стануваат врели во текот на употребата.

Треба да внимавате децата да не ги допираат врелите елементи. Децата помали од 8 години треба да се држат настрана освен ако не сте под надзор.

- Не користете го производот кога резонирањето или координацијата се попречени од употреба на алкохол и/или лекаства.
- Внимавајте кога користите алкохолни пијалаци во јадењата. Алкохолот испарува на високи

температури и може да предизвика оган бидејќи ќе се запали кога ќе дојде во контакт со врели површини.

- Проверете дали има запаливи материјали близу до производот бидејќи страните стануваат врели при употреба.
- Оставете ги сите отвори за вентилација слободни и без препреки.
- Не користете чистачи на пареа за да го исчистите апаратот бидејќи тие може да предизвикаат електричен удар.
- **ПРЕДУПРЕДУВАЊЕ:** Готвење на плотна со маст или масло и без надзор може да биде опасно и да предизвика пожар. НИКОГАШ не обидувајте се да го изгаснете огнот со вода, туку исклучете го апаратот и потоа покријте го пламенот, на пр. со капак или противпожарно ќебе.
- **ВНИМАНИЕ:** Процесот на готвење треба да се надгледува. Краткорочниот процес на готвење треба да се надгледува постојано.

- **ПРЕДУПРЕДУВАЊЕ:**

Опасност од пожар: Не ставајте предмети на површините за готвење.

- **ПРЕДУПРЕДУВАЊЕ:**

Ако површината е напукната, исклучете го апаратот за да ја избегнете можноста од електричен удар.

- Ако се скрши стаклената плоча: Веднаш исклучете ги сите горилници и сите делови што се напојуваат со ел. струја и изолирајте го производот од струја. Не допирајте ја површината на производот. Не користете го производот..

- Уредот не е наменет да се контролира со надворешен тајмер или со засебен систем за далечинска контрола.

- Притисокот на пареата што се појавува заради влагата на површината на плотната или на дното на тенџерето може да предизвикаат движење на тенџерето. Затоа, проверете дали површината на рерната и дното на тенџерињата се секогаш суви.

- **ПРЕДУПРЕДУВАЊЕ:**

Користете само заштити за плочата што ги дизајнирал или ги препорачува производителот на шпоретот во упатството за употреба како соодветна заштита. Употребата на несоодветна заштита може да доведе до несреќи.

За да обезбедите апаратот да не предизвика пожар:

- Проверете дали приклучокот соодветствува со штекерот и не предизвикува искрење,
- Не користете оштетен, пресечен или продолжен кабел. Користете го само оригиналниот кабел,
- Проверете дали има течност или влага во штекерот каде што е приклучен производот,

Наменета употреба

- Овој производ е наменет за домашна употреба. Не е дозволена комерцијална употреба.
- **ВНИМАНИЕ:** Овој апарат е наменет само за готвење. Не смее да се користи за други намени, на Пример

за загревање на просторија.

- Производителот нема да биде одговорен за каква било штета што ќе биде предизвикана од неправилна употреба или ракување.

Безбедност за децата

- **ПРЕДУПРЕДУВАЊЕ:**

Достапните делови стануваат врели во текот на употребата. Децата треба да се држат настрана.

- Материјалите за пакување се опасни за децата. Држете ги материјалите за пакување настрана од децата. Фрлете ги сите делови на пакувањето во согласност со стандардите за животна средина.
- Електричните производите се опасни за децата. Држете ги децата подалеку од производот кога тој работи и не дозволувајте им да си играат со него.
- Не ставајте никакви предмети врз апаратот што може да ги дофатат децата.

Фрлање на стариот производ

Усогласување со Директивата за фрлање на електронска и електрична опрема и за одлагање на отпадот:



Овој отпад е усогласен со Директивата на ЕУ за фрлање на електронска и електрична опрема (2012/19/EU). Овој производ го носи симболот за класификација на отпадот од електрична и електронска опрема (WEEE). Овој производ е произведен со многу квалитетни делови и материјали коишто може да се користат одново и се соодветни за рециклирање. Не фрлајте го производот со нормалниот домашен отпад и со друг отпад кога веќе нема да го користите. Однесете го во собирен центар за рециклирање на електрична и електронска опрема. Консултирајте се со овластените тела во општината за да дознаете каде има собирни центри.

Усогласување со Директивата за ограничување на опасните материји:

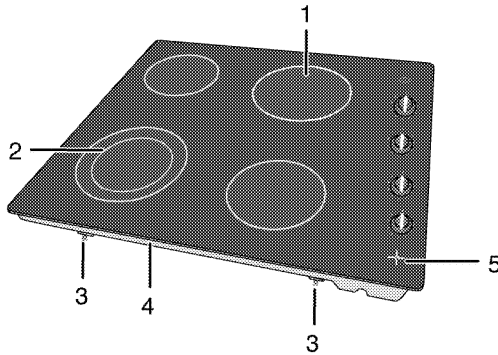
Производот што го купивте е усогласен со отпад е усогласен со Директивата за ограничување на опасните материји (2011/65/EU). Не содржи штетни и забранети материјали коишто се наведени во Директивата.

Фрлање на материјалот за пакување

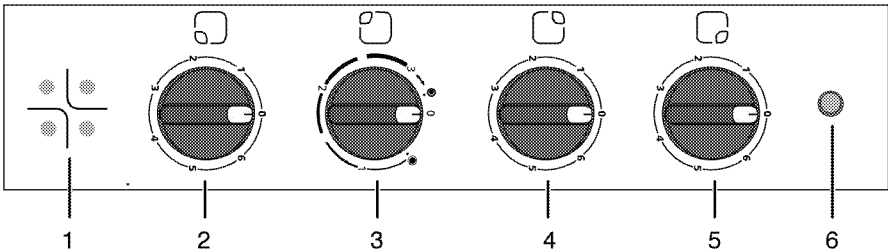
- Материјалот од пакувањето е опасен за децата. Чувајте го на безбедно место и подалеку од дофат на деца. Пакувањето на производот е произведен од рециклирачки материјал. Фрлете го правилно и сортирајте го во согласност со упатствата за рециклирање отпад. Не фрлајте го со домашниот отпад.

2 Општи информации

Преглед



- | | |
|----------------------------------|---|
| 1 Плотна за готвење со еден круг | 4 Капак за основата |
| 2 Рингла за готвење со два круга | 5 Светилка на индикаторот за
врела плоча |
| 3 Стегач за составување | |



- | | |
|--|--|
| 1 Светилка на индикаторот за
врела плоча | 4 Плотна за готвење со еден круг
Позади лево |
| 2 Плотна за готвење со еден круг
Напред десно | 5 Плотна за готвење со еден круг
Позади десно |
| 3 Рингла за готвење со два круга
Напред лево | 6 Предупредувачка светилка |

Технички спецификации

Напон / фреквенција	220-240 V/380-415V 2N ~ 50 Hz
Вкупна потрошувачка на ел. енергија	5800 W
Вид кабел / секција	мин.H05V2V2-F 3 x 2,5 мм. ² / 5 x 1,5 мм. ²
Надворешни димензии (височина / широчина / длабочина)	71 мм./580 мм./510 мм.
Димензии за инсталација (широчина / длабочина)	560 мм./490 мм.
Горилници	
Напред десно	Плотна за готвење со еден круг
Димензија	140 мм.
Напојување	1200 W
Напред лево	Рингла за готвење со два круга
Димензија	120/180 мм.
Напојување	700/1700 W
Позади лево	Плотна за готвење со еден круг
Димензија	140 мм.
Напојување	1200 W
Позади десно	Плотна за готвење со еден круг
Димензија	180 мм.
Напојување	1700 W

i Техничките спецификации може да се менуваат без претходно известување со цел да се подобри квалитетот на производот.

i Сликите во ова упатство се шематски и можеби нема да соодветствуваат со вашиот производ.

i Вредностите што се дадени на табличките на производителите или во придружната документација се добиени во лабораториски услови во согласност со соодветните стандарди. Овие вредности може да варираат во зависност од работните и средишните услови за производот.

3 Инсталација

Производот мора да го инсталира квалификувано лице во согласност во регулативите за ел.

Производителот нема да се смета за одговорен за оштетувања што се појавиле заради постапки што ги извеле неовластени лица.

i Производот мора да го постави квалификувано лице во согласност со важечките регулативи. Во спротивно, гаранцијата ќе се поништи. Подготовката на локацијата и електричната инсталација за производот е одговорност на потрошувачот.

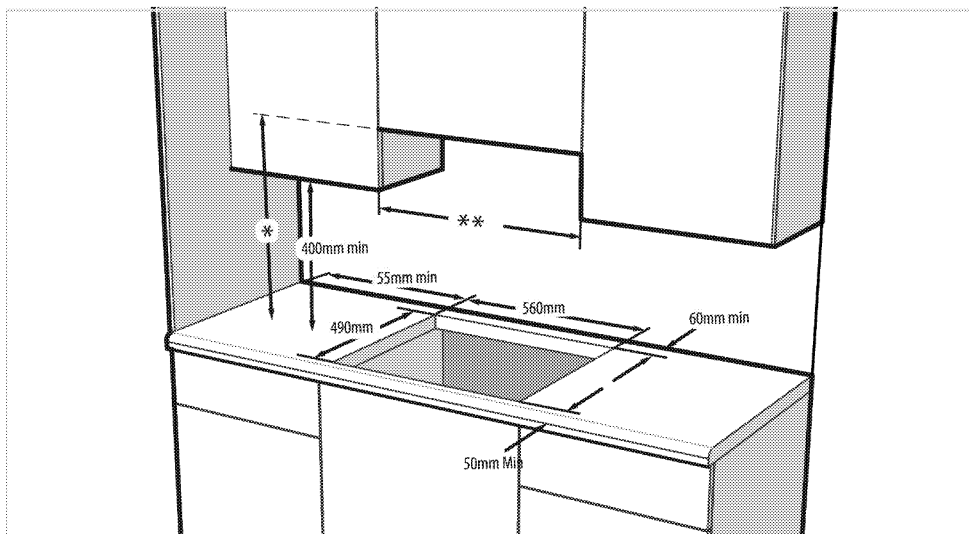
! Производот мора да се постави во согласност со локалните закони за плин и напојување со ел. енергија.

! Пред поставување, проверете го производот визуелно за да видите дали има оштетувања. Ако има, не поставувајте го. Оштетените производи предизвикуваат безбедносен ризик.

Пред поставување

Плочата е дизајнирана за поставување на комерцијална работна површина. Безбедносно растојание мора да се остави меѓу апаратот и сидовите и елементите во кујната. Погледнете ја сликата (вредности во мм.).

- Може да се користи и самостојно поставен. Оставете минимално растојание од 750 мм над површината на плочата.
- (*) Ако се поставува аспиратор над шпоретот, погледнете ги упатствата на производителот за аспираторот во однос на висината за поставување (минимум 650 мм).
- Тргнете ги материјалот за пакување и транспортните брави.
- Површините, синтетичките ламинати и плочките мора да бидат отпорни на топлина (минимум 100 °C).
- Работната површина мора да биде порамнета и фиксирана хоризонтално.
- Отворете отвор за плочата во работната површина според димензиите за поставување.



- * Минимална висина за вентилација како што е препорачано во упатството за употреба на механичкиот аспиратор
- ** Минималното растојание меѓу кабинетите мора да биде еднакво на ширината на плочата

Поставување и поврзување

- Производот смее да се постави и поврзе само во согласност со статутарните правила за поставување.

i Не инсталирајте ја плоча на места со остри рабови или агли.
Постои ризик од кршење на стаклената керамичка површина!


Електрично поврзување

Поврзете го производот за заземјен штекер / довод на струја којшто е обезбеден со минијатурен автоматски осигурувач со соодветен капацитет како што е посочено во табелата „Технички спецификации“. Инсталацијата за заземјувањето треба да ја направи квалификуван


електричар ако го користите производот со или без трансформатор. Нашата компанија нема да биде одговорна за какви било оштетувања што ќе се случат заради употреба на производот без инсталација со заземјување во согласност со локалните регулативи.




Производот мора да се поврзе со систем за дистрибуција на струја само од страна на овластено квалификувано лице. Гарантниот производ на производот започнува по правилно вклучување. Производителот нема да се смета за одговорен за оштетување што се појавило заради постапки што ги извеле неовластени лица.

 Кабелот за напојување не смее да се прикештува, превиткува или притиснува или да се допира со врелите делови на апаратот. Оштетениот кабел за напојување мора да се замени од страна на квалификуван електричар. Инаку, постои ризик од електричен удар, краток спој или пожар со непрофесионални поправки!

- Поврзувањето мора да биде усогласено со државните регулативи.
- Податоците за довод на ел. енергија мора да соодветствуваат со податоците што се дадени на плочката со номинални вредности на апаратот. Плочката со номинални вредности е позади, на куќиштето на производот.
- Кабелот за напојување за производот мора да е усогласен со вредностите во табелата „Технички спецификации“.

 Пред започнување на каква било работа со електричната инсталација, исклучете го апаратот од довод на ел. енергија. Постои ризик од струен удар!

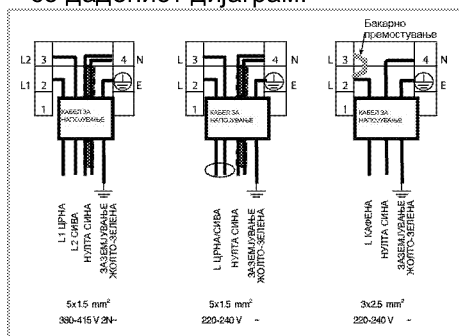
Поврзување на кабелот за напојување

 Додека се поврзуваат жиците, мора сè да биде во согласност со националните/локалните регулативи за електрика и мора да се употребуваат соодветните штекери/линии и приклучоци за рерна. Во случај кога моќноста на производот е ограничена на помала вредност од капацитетот на приклучокот и штекерот/линијата да пренесуваат струја, мора производот да се поврзе преку фиксна електрична инсталација директно без да се употребува приклучок и штекер/линија.

1. **Ако кабелот за напојување не се доставува заедно со производот**, кабелот што ќе го изберете од табелата во согласност со електричната инсталација во вашиот дома, мора да се поврзе со производот следејќи ги упатствата во дијаграмот за каблите. *Технички спецификации, страница 11*
Ако не е можно да се исклучат сите полови во кабелот, мора да се поврзе уред за исклучување со најмалку од 3 мм. зазор меѓу контактите (осигурувачи, безбедносни прекинувачи, контакти) и сите полови во овој уред за исклучување мора да во опсегот на (не повеќе) овој уред во согласност со регулативите на Европската унија. Непочитувањето на ова упатство може да предизвика проблеми во работата и да ја поништи гаранцијата за производот.

i Се препорачува дополнителна заштита од преостаната струја во прекинувачот на колото.

- Отворете го капакот на блокот со терминали со шрафцигер.
- Вметнете го кабелот во штипката за кабелот под терминалот и обезбедете ја за телото со шрафот што веќе се наоѓа на компонентата за прифаќање на кабелот.
- Поврзете ги каблите во согласност со дадениот дијаграм.

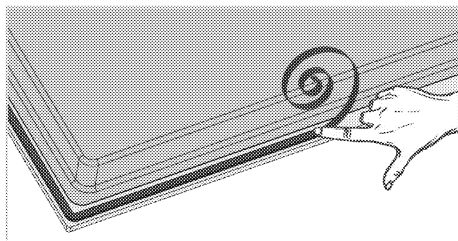


- Ставете го капакот на терминалниот блок по завршување на комплетирањето на жиците.
- Насочете го кабелот за напојување така што тој нема да има контакт со производот и нема да биде стиснат меѓу производот и сидот.

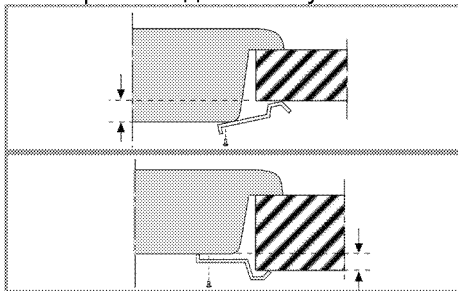
i Кабелот за напојување не смее да биде подолг од 2 м. од безбедносни причини.

Инсталација на производот

- Ставете ја плочата на рамна површина превртувајќи ја.
- Кога ја монтирате плотната, ставете ја заптивката околу плотната што доаѓа во пакувањето како што е прикажано на следната слика и погрижете се да биде 1 до 2 mm навнатре во однос на надворешниот раб на стаклото.

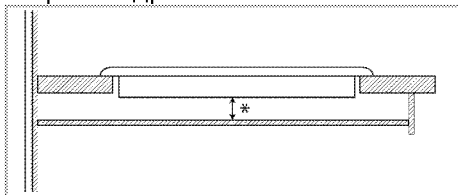


- Поставете ја плочата врз работната површина и порамнете ја.
- Со помош на стегалките за поставување обезбедете ја плочата со поставување низ отворите на долното куќиште.



i Кога поставувате плоча врз елемент, мора да се постави рамка со цела да се оддели елементот од плочата како што е посочено на сликата погоре. Ова не е потребно кога се поставува врз вградена рерна.

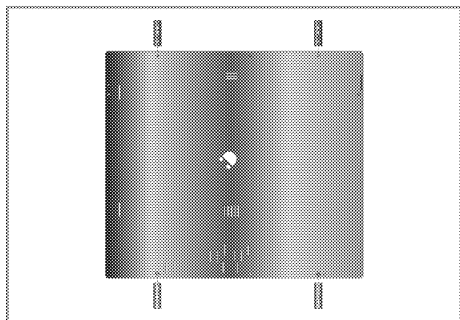
На пример, ако е можно да се допре долната страна на производот откако ќе се инсталира врз елементот, овој дел мора да се покрие со дрвена плоча.



* мин. 15 мм.

Заден изглед (отвори за поврзување)

i Локациите на дупките за поврзување прикажани на сликата подолу се шематски, можат да варираат во зависност од моделот на производот. Средете ги според дупките за поврзување на вашиот производ.



! Поврзување за различни отвори не е добра работа во услови на безбедност, бидејќи со тоа може да се оштетат плинскиот и електричниот систем.

! Плочата има компоненти што работат на плин или струја. Затоа, плочата треба да се фиксира само на работна површина преку дупките за фиксирање, користејќи ги само доставените елементи и шrafoви за обезбедување и како што е посочено во упатството. Во спротивно, ќе претставува опасност по животот и имотот.

Конечна проверка

- 1.Работете со производот.
- 2.Проверете ги функциите.

Фрлање на стариот производ

- Чувајте го оригиналното пакување и транспортирајте го производот во него. Следете ги упатствата на пакувањето. Ако немате оригинално пакување, спакувајте го производот во меуреста пластична опаковка или тврд картон и залепете го со селотејп цврсто.

i Проверете го општиот изглед на производот за да видите дали има оштетувања што настанале при транспортот.

4 Подготовка

Совети за штедење енергија


Следните совети ќе ви помогнат да го користите производот на еколошки начин и да штедите енергија:

- Одмрзнете ги замрзнатите јадења пред да ги готвите.
- Користете тенџериња / тави со капаци за готвење. Ако нема капак, потрошувачката на енергија се зголемува за 4 пати.
- Изберете го горилникот што е соодветен за долната страна на тенџерето што го користите. Секогаш избирајте ја точната големина на тенџерињата за јадењата. Поголемите тенџериња бараат повеќе енергија.
- Избирајте тенџериња со рамни дна кога готвите на електрична плотна. Тенџериња со дебело дно обезбедуваат подобра искористеност на топлината. Може да постигнете енергетска заштеда до 1/3.
- Садовите и тенџерињата мора да се компатибилни со зоните за готвење. Дното на садовите или тенџерињата не смее да биде помало од плотната.

- Одржувајте ги зоните за готвење и дното на тенџерињата чисти. Нечистотијата ја зголемува потрошувачката на топлина меѓу зоната за готвење и дното на тенџерето.
- За долго готвење, исклучете ја зоната за готвење 5 или 10 минути пред истекување на времето за готвење. Може да постигнете енергетска заштеда до 20% со користење на преостанатата топлина.

Првична употреба

Прво чистење на производот

-  Површината може да се оштети со детергенти и средства за чистење. Не користете агресивни средства за чистење, прашок за чистење / течности или остри предмети при чистењето.

1. Извадете го целиот материјал за пакување.
2. Избришете ги површините на производот со влажна крпа или сунѓер и исушете ги со крпа.

5 Како Се Користи Плочата

Општи информации за готвењето



Никогаш не полнете го садот за готвење со масло повеќе од една третина. Не оставајте ја плочата без надзор кога загревате масло. Прегреаното масло претставува ризик од оган. **Никогаш не обидувајте се да изгаснете можниот оган со вода!** Ако маслото се запали, покријте го со противпожарно ќебе или влажна крпа. Исклучете ја плочата ако е безбедно и повикајте противпожарна служба.

- Пред да пржите храна, секогаш исушете ја добро и внимателно ставете ја во врелото масло. Обезбедете комплетно растопување на замрзнатата храна пред пржењето.
- Не покривајте го садот што го користите за загревање масло.
- Поставете ги тавите и тенџерињата така што рачките нема да ја прекриваат плочата за да се спречи нивно загревање. Не ставајте нерамни и садови што се клатат врз плочата.
- Не ставајте празни тави и тенџериња на вклучени зони за готвење. Може да се оштетат.
- Вклучување зона за готвење без сад или тава врз неа ќе предизвика оштетување на производот. Исклучете ги зоните за готвење откако ќе завршите со готвење.
- Не ставајте пластични и алуминиумски садови врз

површината бидејќи истата може да стане врела.

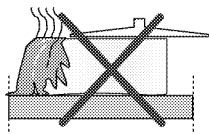
Веднаш исчистете ги сите стопени материјали врз површината.

Таквите садови не смее да се користат ниту за чување храна.

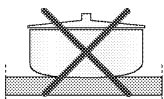
- Користете само садови и тави со рамна површина.
- Ставете соодветна количина храна во тавите и тенџерињата. Така, нема да има потреба од непотребно чистење ако спречите излевање на садовите. Не ставајте капаци на тавите или тенџерињата на зоните за готвење. Ставете ги тавите во центарот на зоната за готвење. Ако сакате да поместите тава на друга зона за готвење, подигнете ја и ставете ја врз саканата зона за готвење наместо да ја влечете.

Совети за стакло-керамички плочи

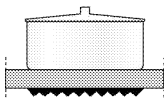
- Стакло-керамичката површина е отпорна на топлина и не е повлијаена од големи температурни разлики.
- Не користете ја стакло-керамичката површина како место за складирање ниту како плоча за сечење.
- Користете само тави и тенџериња со машински обработени дна. Острите рабови може да предизвикаат гребаници на површината.
- Не користете алуминиумски садови и тави. Алуминиумот ја оштетува стакло-керамичка плоча.



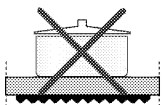
Истекувањата може да ја оштетат стакло-керамичката плоча и да предизвикаат пожар.



Не користете садови со испакнати или вдлабнати дна.

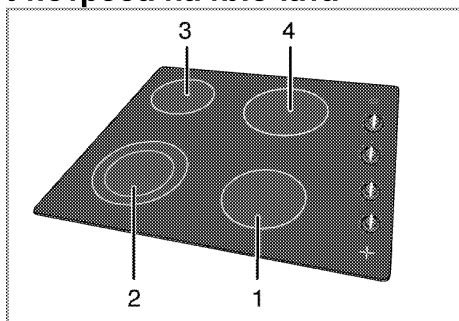


Користете само тави и тенџериња со рамни дна. Тие обезбедуваат полесно распределување на топлината.



Залудно ќе се троши енергија ако дијаметарот на тавата е многу мал.

Употреба на плочата



- 1 Плотна за готвење со еден круг 14-16 цм.
- 2 Рингла за готвење со два круга 12-14/18-20 цм.
- 3 Плотна за готвење со еден круг 14-16 цм.

- 4 Плотна за готвење со еден круг 18-20 цм. е список со препорачани дијаметри на садови за готвење што треба да се користат со соодветни горилници.



Не дозволувајте да паѓаат предмети врз плочата. Дури и мали предмети, како што е соларникот, може да ја оштетат плочата.

Не употребувајте напукнати плочи. Водата може да навлезе во пукнатините и да предизвика краток спој. Во случај на какво било оштетување на површината (на пр. видливи пукнатини), исклучете го производот веднаш за да се намали ризикот од електричен удар.

Стаклено-керамичката плоча е опремена со сијаличка за работа и со индикатор за предупредување за врела зона.

Предупредувачкиот индикатор за врела зона го посочува статусот на активната зона и свети дури и кога ќе се исклучи плочата. Трепкањето на предупредувачкиот индикатор за врела зона не е дефект.



Во зависност од употребата, времето потребно за површината на ринглата да се олади е различно. Површината на ринглата може да е топла иако не свети индикаторот. Проверете дали површината е оладена пред да ја допрете, во спротивно, може да си ја изгорите раката!

i Стаклено-керамичките плочи што се загреваат бргу, емитуваат силна светлина кога ќе се вклучат. Не гледајте во светлината.

Вклучување на керамичките плочи

Регулаторите за контрола на плочата се користат за работа со зоните. За да го добиете саканото ниво за готвење, свртете го регулаторот за контрола на зоната на соодветното ниво.

Ниво на готвење	1	2 — 3	4 — 6
	греење	динстање, готвење	варење, печење, вриење

Ниво на готвење	1	2	3
	греење	динстање, готвење	варење, печење, вриење

Исклучување на керамичките плочи

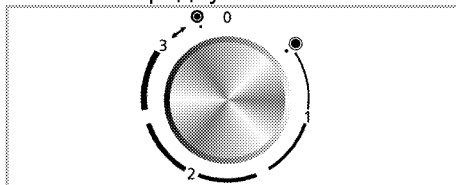
Свртете го регулаторот за зоната во позиција за ИСКЛУЧЕНО (нагоре).

Употреба на зони со повеќе сегменти за готвење

Зоните со повеќе сегменти за готвење дозволуваат да готвите со различни големини на тави во иста

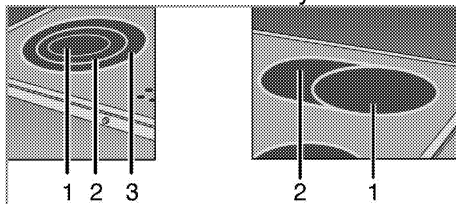
зона. Кога ќе се активираат овие зони за готвење, прво се вклучува внатрешната зона за готвење.

1. За да го смените активниот дијаметар за готвење, свртете го регулаторот во правецот на стрелките на часовникот.
2. Ќе слушнете „кликнување“ што ќе се смени радиусот на зоната.



Исклучување на зоните за готвење со повеќе сегменти

1. Свртете го регулаторот обратно од стрелките на часовникот во позиција за ИСКЛУЧЕНОСТ (нагоре) за да го исклучите шпоретот. Сите сегменти на зоната за готвење ќе се исклучат.



- 1 Позиција 1
- 2 Позиција 2
- 3 Позиција 3

i Позициите 2 и 3 и зоната со повеќе сегменти не работата независно.

6 Одржување и грижа

Општи информации

Векот на траење ќе се продолжи, а честите проблеми ќе се намалат ако производот се чисти редовно.



Исклучете го производот од довод на ел. енергија пред одржување и чистење.
Постои ризик од струен удар!



Оставете апаратот да се излади пред чистење.
Врелите површини предизвикуваат изгореници!

- Чистете го производот темелно по секоја употреба. На тој начин остатоците од готвење ќе се отстранат полесно и ќе се избегне нивно горење при следниот пат на вклучување на апаратот.
- Не се потребни специјални средства за чистење за производот. Користете топла вода со средство за миене, мека крпа или сунѓер за чистење на производот и избришете со сува крпа.
- Секогаш избришете ја прекумерната течност темелно по чистењето, а секое претекување мора веднаш да се избрише.
- Не користете средства за чистење што содржат киселина или хлорид за чистење на површините од не`рѓосувачки челик или од инокс, како и рачките. Користете мека крпа со течен детергент (но не абразив) за да ги исчистите овие површини обрнувајќи внимание да бришете во еден правец.



Површината може да се оштети со детергенти и средства за чистење.
Не користете агресивни средства за чистење, прашок за чистење / течности или остри предмети при чистењето.



Не користете чистачи на параа за да го исчистите апаратот бидејќи тие може да предизвикаат електричен удар.

Чистење на плочата

Стаклено-керамичка плоча

Избришете ја стаклено-керамичката површина (витрокерамика) со студена вода внимавајќи да не оставите средство за чистење и исушете со мека крпа. Остатоците од средството може да ја оштетат стаклено-керамичката плоча кога ќе ја користите следниот пат.
Исушените средства на стаклено-керамичката плоча (витрокерамика) во ниеден случај не смее да се гребат со нож, челична жица или слични алатки.
Отстранете ги флеките од калциум (жолти дамки) со комерцијално средство за отстранување бигор или со мала количина на отстранувач на бигор како што се оцет или сок од лимон.
Ако површината е многу нечиста, ставете средство за чистење на сунѓер и почекајте да апсорбира убаво. Потоа, исчистете ја површината на плочата со влажна крпа.

i Храната што содржи шеќер како што се густиот крем и сирупи мора да се исчисти веднаш без да се чека да се излади површината. Во спротивно, стаклено-керамичката плоча ќе се оштети трајно.

Може да дојде до делумно бледнеење на бојата на површината или на другите делови со текот на времето. Ова не влијае врз работата на производот.

Бледнеењето на бојата и дамките на стаклено-керамичката плоча се

нормална состојба и не претставуваат дефект.

Чистење на контролниот панел

Исчистете ги контролниот панел и регулаторите со влажна крпа и избришете ги со сува.

i Не отстранувајте ги контролните копчиња/регулатори за да го исчистите контролниот панел. Контролниот панел може да се оштети!

7 Решавање проблеми

Производот емитува звук на метал при загревање и ладење.

- Кога ќе се загрејат металните делови, тие може да се прошират и да предизвикаат бука. >>> *Ова не е грешка.*

Производот не работи.

- Осигурувачот за ел. напојување е расипан или паднал. >>> *Проверете ги осигурувачите во кутијата. Ако е неопходно, заменете ги или активирајте ги одново.*
- Производот не е приклучен во (заземјен) штекер. >>> *Проверете го поврзувањето на приклучокот.*

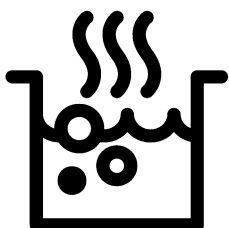


Консултирајте се со овластен агент за сервисирање или со застапникот од каде што сте го купиле производот ако не можете сами да го решите проблемот иако сте ги примениле упатствата во ова поглавје. Никогаш не обидувајте се сами да го поправате расипаниот уред.



Ugradbena ploča za kuhanje

Uputstvo za upotrebu



Molimo prvo pročitajte ovaj priručnik za korisnika!

Poštovani Korisniče,

Hvala vam što ste izabrali Beko proizvod. Nadamo se da ćete uživati u najboljim rezultatima vašeg proizvoda koji je proizveden pomoću najmodernije tehnologije visoke kvalitete. Stoga, molimo vas pažljivo pročitajte ovaj cijeli priručnik za korisnika i sve druge prateće dokumente prije upotrebe proizvoda i čuvajte ih kao referencu za buduću upotrebu. Ako uručite ovaj proizvod nekom drugom, također mu/joj predajte i ovaj priručnik za korisnika. Slijedite sva upozorenja i informacije u ovom priručniku za korisnika.

Zapamtite da se ovaj priručnik za korisnika može primijeniti i za nekoliko drugih modela. Razlike između modela će biti identifikovane u ovim uputstvima.

Pojašnjenje simbola

Sljedeći simboli su korišteni u ovom priručniku za korisnika:



Važne informacije ili korisni savjeti za upotrebu.



Upozorenje za opasne situacije po pitanju života i imovine.



Upozorenje u vezi elektro šoka.



Upozorenje u vezi rizika od požara.



Upozorenje na vruće površine.



Arçelik A.Ş.
Karaağaç caddesi No:2-6
34445 Sütlüce/Istanbul/TURKEY
Made in TURKEY

**1 Važna uputstva i upozorenja
za sigurnost i okoliš 4**

Opće mjere sigurnosti.....	4
Električna sigurnost	4
Sigurnost proizvoda.....	5
Predviđena upotreba	7
Sigurnost za djecu.....	7
Odlaganje starog proizvoda.....	7
Odlaganje materijala za pakovanje	8

2 Opće informacije 9

Pregled.....	9
Tehničke specifikacije	10

3 Instalacija 11

Prije instalacije.....	11
Instalacija i povezivanje	12
Odlaganje starog proizvoda.....	14

4 Priprema 15

Savjeti za uštedu energije	15
Prva upotreba	15
Prvo čišćenje uređaja	15

**5 Kako koristiti ploču za
kuhanje 16**

Opšte informacije o kuhanju	16
Upotreba ploče za kuhanje.....	17

6 Održavanje i njega 19

Opšte informacije.....	19
Čišćenje ploče za kuhanje.	19
Čišćenje kontrolne ploče	20

7 Rješavanje problema 21

1 Važna uputstva i upozorenja za sigurnost i okoliš

Ovaj odjeljak sadrži sigurnosna uputstva koja će vam pomoći da se zaštitite od rizika od lične povrede ili oštećenja imovine. Ne pridržavanje ovih uputstava će poništiti svaku garanciju.

Opće mjere sigurnosti

- Ovaj uređaj mogu koristiti djeca dobi od 8 godina i starija kao i osobe sa reduciranim fizičkim, čulnim ili mentalnim sposobnostima ili sa nedostatkom iskustva i znanja ukoliko im je obezbijeđen nadzor ili uputstvo u vezi upotrebe uređaja na bezbjedan način i razumijevanja opasnosti koje mogu biti uključene.
Djeca se ne smiju igrati sa uređajem. Djeca bez nadzora ne smiju obavljati radnje oko čišćenja i održavanja.
- Uređaj nije namijenjen za upotrebu od strane osoba (uključujući djecu) sa smanjenim fizičkim, osjetilnim ili mentalnim sposobnostima ili s nedostatkom iskustva i znanja, osim ako su pod nadzorom ili ako su instruirani po pitanju upotrebe uređaja.

Djeca koju nadgledate ne smiju se igrati s uređajem.

- Ako je proizvod uručen nekom drugom za ličnu upotrebu ili da se koristi kao rabljeni proizvod, takođe treba uručiti priručnik za korisnika, oznake proizvoda i druge relevantne dokumente kao i dijelove proizvoda .
- Postupke ugradnje i opravke uvijek moraju izvoditi ovlašteni serviseri. Proizvođač se neće držati odgovornim za oštećenja nastala usljed procedura koje su izvodile neovlaštene osobe što takođe može prouzrokovati da garancija bude nevažeća. Prije ugradnje, pažljivo pročitajte uputstva.
- Nemojte koristiti uređaj ukoliko je u kvaru ili ako na njemu ima vidljivih oštećenja.
- Uvjerite se da su funkcijske tipke proizvoda isključene nakon svake upotrebe.

Električna sigurnost

- Ukoliko proizvod ima grešku, ne bi trebalo njim rukovati dok se greška ne popravi od strane zastupnika iz

ovlaštenog servisa. Postoji rizik od elektro šoka!

- Proizvod spojite samo na uzemljeni izlaz/vod s naponom i zaštitu kao što je specificirano u odjeljku "Tehničke specifikacije". Neka uzemljenje izvrši kvalifikovani električar dok se proizvod koristi sa ili bez transformatora. Naša kompanija neće biti odgovorna za bilo kakve probleme nastale zbog toga što proizvod nije bio uzemljen u skladu sa lokalnim regulativama.
- Nikada ne perite proizvod poljevanjem ili posipanjem vode po njemu! Postoji rizik od elektro šoka!
- Proizvod mora biti iskopčan za vrijeme ugradnje, održavanja, čišćenja i popravke.
- Ako je napojni kabal za priključivanje proizvoda oštećen, isti se mora zamijeniti od strane proizvođača, njegovog zastupnika ili sličnih kvalifikovanih osoba da bi se izbjegli neželjeni rizici.
- Koristite samo kabal za priključivanje koji je specificiran u odjeljku "Tehničke specifikacije".

- Uređaj mora biti ugrađen tako da se može u potpunosti iskopčati sa mreže. Separacija mora biti obezbijedena bilo pomoću glavnog utikača, bilo pomoću sklopke ugrađene u fiksnu električnu instalaciju, u skladu sa konstrukcionim propisima.
- Sve radove na električnoj opremi i sistemima trebaju izvoditi samo ovlaštene i kvalificirane osobe.
- U slučaju bilo kakvog oštećenja, isključite uređaj i iskopčajte ga sa napajanja. Da biste ovo uradili, isključite osigurač u kući.
- Provjerite da je jačina osigurača kompatibilna sa vašim proizvodom.

Sigurnost proizvoda

- **UPOZORENJE:** Uređaj i njegovi dostupni dijelovi postaju vrela za vrijeme upotrebe. Potrebno je voditi računa da bi se izbjeglo dodirivanje grijanih elemenata. Djecu mlađu od 8 godina treba držati dalje od uređaja ukoliko nisu pod stalnim nadzorom.
- Osobe čije su prosudbe ili koordinacija smanjene pod

uticajem alkohola i/ili droga ne smiju koristiti uređaj.

- Budite oprezni kada koristite alkoholna pića u vašem posuđu. Alkohol isparava na visokim temperaturama i može izazvati požar jer se zapali kada stupi u kontakt sa vrućim površinama.
- Nemojte stavljati nikakve zapaljive materijale u blizini proizvoda jer i bočne strane mogu postati vruće tokom upotrebe.
- Držite sve otvore za ventilaciju očišćenim od prepreka.
- Nemojte koristiti čistače na paru da čistite uređaj jer bi to moglo prouzrokovati strujni udar.
- **UPOZORENJE:** Kuhanje bez nadzora na ploči za kuhanje sa masnoćom ili uljem može biti opasno i može izazvati požar. NIKADA ne pokušavajte gasiti vatru vodom, nego isključite uređaj i potom pokrijte plamen sa, npr. poklopcem ili dekom.
- **OPREZ:** Proces kuhanja se mora nadgledati. Kratkotrajni proces kuhanja se mora neprestano nadgledati.
- **UPOZORENJE:** Opasnost od požara: Nemojte ostavljati

stvari na površinama za kuhanje.

- **UPOZORENJE:** Ako je površina napuknuta, isključite uređaj kako biste izbjegli mogućnost strujnog udara.
- U slučaju napuknuća stakla na ploči za kuhanje: Odmah zatvorite sve gorionike i sve električne grijaće elemente i isključite napajanje na uređaju. Nemojte dodirivati površine na uređaju. Nemojte koristiti uređaj.
- Uređaj nije namijenjen za rukovanje sredstvima nekog eksternog programatora ili posebnog sistema daljinskog upravljača.
- Pritisak isparavanja koji nastaje usljed vlažnosti na površini ploče za kuhanje ili na dnu posude može prouzrokovati pomjeranje posude. Stoga, vodite računa da je površina pećnice i dno posuda uvijek suho.
- **UPOZORENJE:** Koristite samo štitnike ploče za kuhanje dizajnirane od strane proizvođača uređaja za kuhanje ili one koji su naznačeni od strane proizvođača uređaja u uputstvima za

upotrebu kao pogodne za štitnike ploče za kuhanje, ugrađene u uređaj. Korištenje neadekvatnih štitnika može prouzrokovati nezgode.

Za sigurnost od požara na proizvodu;

- Provjerite da li utikač odgovara utičnici kao i to da ne uzrokuje iskrenje.
- Ne upotrebljavajte oštećen ili sječen ili produžni kabal osim originalnog kabla.
- Budite sigurni da tečnost ili vlaga na utičnici ne dospiju u proizvod preko utikača.

Predviđena upotreba

- Ovaj proizvod je dizajniran za upotrebu u domaćinstvu. Komercijalna upotreba nije dopuštena.
- **OPREZ:** Ovaj uređaj je samo za kuhanje. On se ne smije koristiti u druge svrhe, na primjer grijanje prostorije.
- Proizvođač nije odgovoran za bilo kakve štete uzrokovane nepropisnim korištenjem ili greškama pri rukovanju.

Sigurnost za djecu

- **UPOZORENJE:** Pristupačni dijelovi mogu postati vrući tokom upotrebe. Malu djecu treba držati dalje od uređaja.

- Ambalažni materijali mogu predstavljati opasnost za djecu. Držite ambalažne materijale dalje od dohvata djece. Molimo odložite sve dijelove pakovanja i skladu sa ekološkim propisima.
- Električni proizvodi predstavljaju opasnost za djecu. Držite djecu dalje od proizvoda kada je on u funkciji i nemojte dozvoliti djeci da se igraju s tim proizvodom.
- Ne ostavljajte iznad uređaja bilo kakve predmete koje djeca mogu dosegnuti.

Odlaganje starog proizvoda

Usklađenost sa WEEE Direktivom i odlaganje otpadnog proizvoda:



Ovaj proizvod je u skladu sa EU WEEE Direktivom (2012/19/EU). Ovaj proizvod posjeduje klasifikacijski simbol za otpadnu električnu i elektroničku opremu (WEEE).

Ovaj proizvod je proizveden od visoko kvalitetnih dijelova koji se mogu ponovo upotrijebiti i koji su pogodni za recikliranje. Nemojte odlagati otpadni proizvod s običnim kućnim i drugim otpadima čiji je vijeka trajanja prošao. Odnosite taj otpad na odlagalište za reciklažu električne i elektroničke opreme. Molimo vas posavjetujte se sa lokalnim institucijama da saznate gdje se nalaze ova odlagališta.

Uskladenost sa RoHS Direktivom:

Proizvod koji ste kupili je u skladu sa EU RoHS Direktivom (2011/65/EU). On ne sadrži nikakve štetne i zabranjene materijale specificirane u ovoj Direktivi.

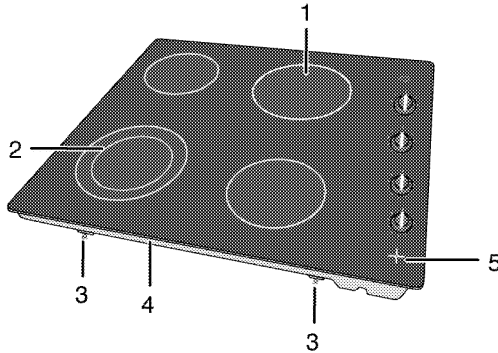
Odlaganje materijala za pakovanje

- Materijal za pakovanje predstavlja opasnost po djecu. Čuvajte materijal

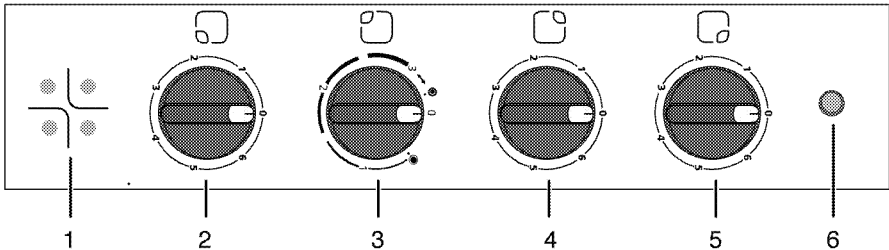
za pakovanje na sigurnom mjestu van dohvata djece. Materijali za pakovanje ovog proizvoda napravljeni su od reciklirajućeg materijala. Pravilno ih odložite i sortirajte ih u skladu sa uputstvima za reciklažu otpada. Nemojte ih odlagati zajedno sa običnim kućnim otpadom.

2 Opće informacije

Pregled



- | | |
|------------------------------------|--|
| 1 Ploča za kuhanje sa jednim kolom | 4 Poklopac dna |
| 2 Ploča za kuhanje sa dva kola | 5 Svjetlo koje pokazuje toplinu ploče za kuhanje |
| 3 Spojnica za sklapanje | |



- | | |
|--|--|
| 1 Svjetlo koje pokazuje toplinu ploče za kuhanje | 4 Ploča za kuhanje sa jednim kolom Stražnji lijevi |
| 2 Ploča za kuhanje sa jednim kolom Prednji desni | 5 Ploča za kuhanje sa jednim kolom Stražnji desni |
| 3 Ploča za kuhanje sa dva kola Prednji lijevi | 6 Lampica upozorenja |

Tehničke specifikacije

Napon/frekvencija	220-240 V/380-415V 2N ~ 50 Hz
Ukupna potrošnja električne energije	5800 W
Vrsta kabla/poprečni presjek	min.H05V2V2-F 3 x 2,5 mm ² /5 x 1,5 mm ²
Vanjske dimenzije (visina/širina/dubina)	71 mm/580 mm/510 mm
Dimenzije za ugradnju (širina/dubina)	560 mm/490 mm
Gorionici	
Prednji desni	Ploča za kuhanje sa jednim kolom
Dimenzije	140 mm
Snaga	1200 W
Prednji lijevi	Ploča za kuhanje sa dva kola
Dimenzije	120/180 mm
Snaga	700/1700 W
Stražnji lijevi	Ploča za kuhanje sa jednim kolom
Dimenzije	140 mm
Snaga	1200 W
Stražnji desni	Ploča za kuhanje sa jednim kolom
Dimenzije	180 mm
Snaga	1700 W

- i** Tehničke specifikacije su podložne izmjenama bez prethodne obavijesti kako bi se poboljšao kvalitet uređaja.
- i** Slike u ovom priručniku su shematske i moguće je da se ne podudaraju tačno s vašim uređajem.

- i** vrijednosti prikazane na naljepnicama uređaja ili u priloženoj dokumentaciji postignute su u laboratorijskim uvjetima u skladu sa relevantnim standardima. Ovisno o uvjetima okoline i rada uređaja, ove vrijednosti mogu varirati.

3 Instalacija

Proizvod mora biti ugrađen od strane ovlaštene osobe u skladu sa propisima koji su na snazi. U suprotnom, garancija će postati nevažeća. Proizvođač se neće držati odgovornim za oštećenja nastala usljed procedura koje su izvodile neovlaštene osobe i garancija može biti nevažeća.

i Priprema lokacije i elektro instalacije za ovaj proizvod je u nadležnosti korisnika.

! Prilikom instalacije, uređaj mora biti spojen u skladu sa svim lokalnim propisima o plinskim i/ili električnim instalacijama.

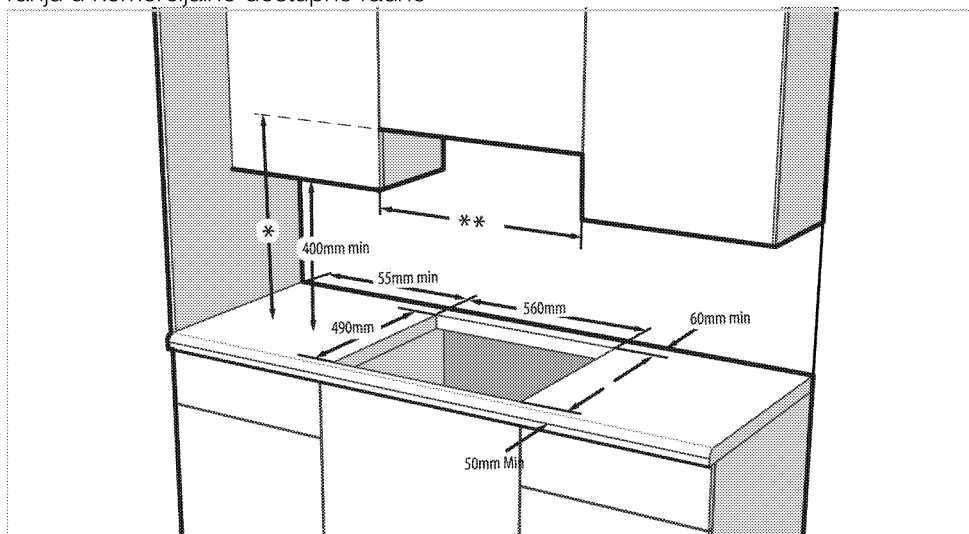
! Prije instalacije, izvršiti vizuelno provjeru da li na proizvodu ima bilo kakvih nedostataka. Ako da, nemojte vršiti instalaciju. Oštećeni proizvodi predstavljaju rizik za vašu sigurnost.

površine. Između uređaja i kuhinjskih zidova i namještaja mora se ostaviti dovoljno prostora radi sigurnosti. Pogledati sliku (mjere u mm).

- Može se koristiti i kao samostojeći uređaj. Omogućite minimalnu razdaljinu od 750 mm iznad površine ploče za kuhanje.
- (*) Kada je potrebno ugraditi kuhinjsku napu iznad štednjaka, pogledajte priložena uputstva od proizvođača kuhinjske nape za pravilno određivanje visine ugradnje (min 650 mm).
- Skinite materijale korištene za pakovanje i transportne graničnike.
- Površine, sintetički laminati i ljepila moraju biti otporna na toplotu (minimalno 100 °C).
- Radna površina mora biti poravnata i učvršćena u horizontalnom položaju.
- Isijecite prorez za ploču za kuhanje na radnoj površini, prema dimenzijama za instaliranje.

Prije instalacije

Ploča za kuhanje namijenjena je instaliranju u komercijalno dostupne radne



- * Minimalna visina do izvlačača kao što je preporučeno u priručniku za izvlačače
- ** Minimalna udaljenost između ormarića mora biti jednaka širini ploče za kuhanje

Instalacija i povezivanje

- Proizvod se isključivo može instalirati i priključiti u skladu sa statutarnim pravilima instalacije.

i Nemojte postavljati ploču za kuhanje na mjestima sa oštrim ivicama ili uglovima. Postoji rizik od lomljenja za staklo keramičku površinu!

Električno spajanje

Priključite proizvod na uzemljenu utičnicu/vod koji su zaštićeni minijaturnom automatskom sklopkom odgovarajućeg kapaciteta kao što je navedeno u tabeli "Tehničke specifikacije". Neka uzemljenje uradi kvalifikovani električar dok se proizvod koristi sa ili bez transformatora. Naša kompanija neće biti odgovorna za bilo kakva oštećenja koja mogu nastati zbog korištenja proizvoda bez uzemljenja u skladu s lokalnim propisima.

! Uređaj mora biti spojen na napojnu mrežu samo od strane ovlaštene i kvalifikovane osobe. Period garancije za proizvod počinje samo nakon ispravno izvršene instalacije. Proizvođač se neće držati odgovornim za oštećenja nastala usljed procedura koje su izvodile neovlaštene osobe.

! Kabal za napajanje se ne smije pritiskati, savijati ili gnječiti, niti doći u kontakt sa vrućim dijelovima na proizvodu.

Oštećeni kabal za napajanje se mora zamijeniti od strane kvalifikovanog električara. U suprotnom, postoji rizik od elektro šoka, kratkog spoja ili požara!

- Pri spajanju mora se pridržavati državnih propisa.
- Podaci napojnog voda moraju odgovarati podacima navedenim na etiketi o tipu proizvoda. Etiketa o tipu nalazi se na stražnjem dijelu kućišta proizvoda.
- Napojni kabal vašeg proizvoda se mora slagati sa vrijednostima iz tabele "Tehničke specifikacije".

! Prije započinjanja bilo kakvog rada na električnim instalacijama, iskopčajte uređaj iz napajanja. Postoji rizik od elektro šoka!

Spajanje napojnog kabla

i Dok obavljate spajanje žica, morate se pridržavati nacionalnih/lokalnih propisa o električnoj energiji i morate koristiti odgovarajuću utičnicu/vod i utikač za pećnicu. U slučaju da su energetska ograničenja proizvoda izvan trenutnog kapaciteta nosivosti utikača i utičnice/voda, proizvod se mora spojiti direktno preko fiksne električne instalacije, bez korištenja utikača i utičnice/voda.

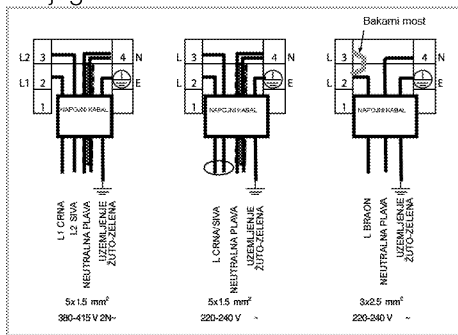
1. Ako napojni kabal nije isporučen uz vaš proizvod, napojni kabal koji odaberete iz tabele (*Tehničke specifikacije, Stranica 10*) u skladu sa elektro instalacijama u vašem domu mora biti spo-

jen na vaš proizvod sljedeći uputstva u dijagramu kablova.

Nije moguće prekinuti sve polove u izvoru napajanja, jedinica prekida s minimalno 3 mm kontaktnog zazora (osigurači, prekidači linijske sigurnosti, kontaktori) mora biti spojena i svi polovi ove jedinice prekida moraju biti u blizini (ne iznad) proizvoda u skladu sa IEE direktivama. Ne pokoravanje ovim uputstvima može prouzrokovati probleme u radu i učiniti nevažećom garanciju za proizvod.

i Preporučuje se dodatna zaštita putem prekidača strujnog kola zaostale električne energije.

- Otvorite odvijačem poklopac priključnog bloka.
- Umetnite napojni kabal kroz obujmicu za kabal ispod priključka i pričvrstite ga na glavno tijelo s integrisanim vijkom na komponenti obujmice za kabal.
- Povežite kablove prema priloženom dijagramu.



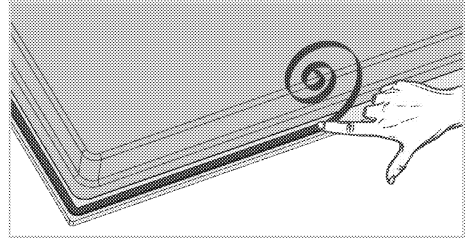
- Nakon što ste završili spajanje žica, zatvorite poklopac priključnog bloka.
- Vodite napojni kabal tako da ne dođe u kontakt s proizvodom i da ne bude prignječen između proizvoda i zida.

i Napojni kabal ne smije biti duži od 2 m iz sigurnosnih razloga.

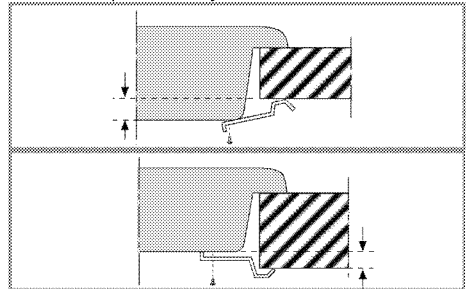
Instalacija proizvoda

- Okrećući ploču za kuhanje na drugu stranu, postavite je na ravnu površinu.

- Prilikom ugradnje ploče za kuhanje, oko ploče za kuhanje postavite brtvu za zaptivanje koja je isporučena u pakiranju kao što je prikazano na sljedećoj slici i uvjerite se da ona ostaje 1 do 2 mm u unutrašnjosti od vanjskog ruba stakla.

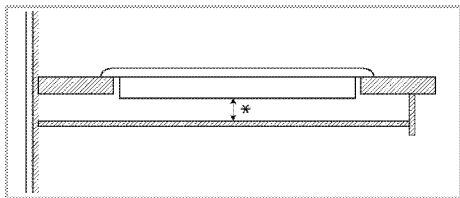


- Postavite ploču za kuhanje na pult i poravnajte je.
- Koristeći instalacione spojnice osigurajte ploču za kuhanje podešavanjem kroz rupe s donje strane.



- i** Kada instalirate ploču za kuhanje na kabinet, mora se ugraditi polica da biste razdvojili kabinet od ploče za kuhanje kao što je prikazano na slici gore. Ovo se ne zahtijeva kada se instalira na ugradbenu pećnicu.

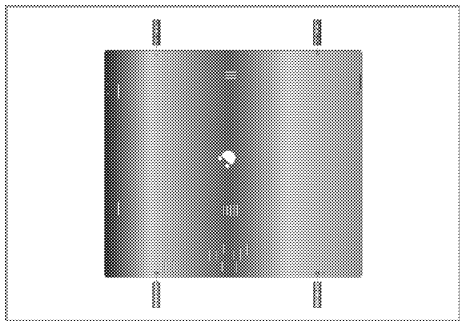
Na primjer, ako je moguće dotaketi dno proizvoda jer je instaliran na ladici, ova sekcija mora biti pokrivena drvenom pločom.



* min. 15 mm

Pogled odstraga (rupe za povezivanje)

i Položaj rupa za spajanje prikazan na donjoj slici je šematski, može se razlikovati u zavisnosti od modela proizvoda. Fiksirajte ih u skladu sa rupama za spajanje na vašem proizvodu.



! Spajanje na drugačije rupe nije dobro u pogledu sigurnosti jer može doći do oštećenja na plinskom ili električnom sistemu.



Ploča za kuhanje sadrži komponente koje rade na plin i struju. Iz tog razloga ploča za kuhanje bi trebala biti pričvršćena na pult samo kroz rupice za pričvršćivanje, koristeći samo osiguravajuće elemente i vijke koji su isporučeni i kao što je naznačeno u ovom priručniku. U suprotnom, to će predstavljati opasnost za bezbjednost po život i imovinu.

Završna provjera

1. Rukovanje proizvodom.
2. Provjerite funkcije.

Odlaganje starog proizvoda.

- Sačuvajte originalnu kutiju u koju je proizvod bio upakovan i transportujte proizvod u istoj. Slijedite uputstva na kutiji. Ukoliko nemate originalnu kutiju, upakujte proizvod u zaštitnu foliju sa zračnim mjehurićima ili debelu kartonsku ambalažu i čvrsto omotajte ljepljivom trakom.



Provjerite generalno izgled vašeg proizvoda radi bilo kakvih oštećenja koja su se mogla desiti tokom transporta.

4 Priprema

Savjeti za uštedu energije

Sljedeće informacije će vam pomoći da koristite vaš uređaj na ekološki način i da štedite energiju:


- Odmrznite zamrznuta jela prije kuhanja.
- Koristite šerpe/tave sa poklopcima za kuhanje. Ukoliko nema poklopca, potrošnja energije se može uvećati 4 puta.
- Odaberite gorionik koji je prikladan za veličinu dna posude koju ćete koristiti za kuhanje. Uvijek odaberite ispravno veličinu posude za spremanje vaših jela. Veće posude zahtijevaju više energije.
- Vodite računa o tome da koristite posude sa ravnim dnom kada kuhate na električnoj ploči za kuhanje. Posude sa debelim dnom će omogućiti bolju provodljivost toplote. Možete postići uštedu energije i do 1/3.
- Posude za kuhanje moraju biti kompatibilne sa zonama kuhanja. Dno posu-

de ne smije biti manje nego što je kolo na kojem će se kuhati.

- Održavajte zone kuhanja i dna posuda čistim. Prljavština će umanjiti provodljivost toplote između zona kuhanja i dna posude.
- Za duža kuhanja, isključite zonu kuhanja 5 ili 10 minuta prije isteka vremena kuhanja. Možete postići uštedu energije i do 20% koristeći preostalu toplotu.

Prva upotreba

Prvo čišćenje uređaja

-  Neki deterdženti i materijali za čišćenje mogu izazvati oštećenja na površini. Nemojte koristiti agresivne deterdžente, praškove/kreme za čišćenje ili bilo kakve oštre predmete dok čistite.

1. Uklonite sve materijale korištene za pakovanje
2. Obrišite površine uređaja vlažnom krpom ili spužvom i posušite krpom.

5 Kako koristiti ploču za kuhanje

Opšte informacije o kuhanju



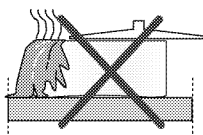
Nikada nemojte puniti tavu uljem više od jedne trećine. Ne ostavljajte ploču za kuhanje bez nadzora kada se zagrijava ulje. Pregrijano ulje predstavlja rizik od požara. **Nikada nemojte pokušavati gasiti moguću požar vodom!** Kada je ulje zahvaćeno vatrom, pokrijte ga protivpožarnim ćebetom ili vlažnom krpom. Isključite ploču za kuhanje ako je bezbjedno da se to uradi i pozovite vatrogasnu službu.

- Prije prženja hrane, uvijek ju dobro posušite i nježno stavite u vrelo ulje. Osigurajte da se smrznuta hrana u potpunosti otopi prije prženja.
- Nemojte pokrivati posude koje koristite kada zagrijavate ulje.
- Postavite tave i duboke tave na način da njihove ručke ne budu iznad ringle kako biste spriječili grijanje ručki. Nemojte stavljati na ringle posude koje nisu balansirane i koje se lako naginju.
- Ne stavljajte prazne posude i duboke tave na zone kuhanja koje su uključene. Mogle bi se oštetiti.
- Ako uključite zone kuhanja da rade bez posude ili duboke tave na njima to može prouzrokovati oštećenja na proizvodu. Isključite zone kuhanja nakon završetka kuhanja.
- Obzirom da površine na proizvodu mogu biti vruće, ne stavljajte plastične i aluminijske posude na njih. Odmah očistite svaku otopinu od tih materijala sa površine. Takve posude se ne bi trebale koristiti niti za čuvanje hrane.

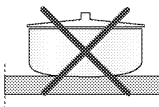
- Koristite tave ili drugo posuđe samo sa ravnim dnom.
- Stavite odgovarajuću količinu hrane u duboke tave ili drugo posuđe. Stoga nećete trebati činiti bilo kakva nepotrebna čišćenja jer ćete time spriječiti da jela kipe van. Ne stavljajte poklopce tava ili drugog posuđa na zone kuhanja. Stavite tave tako da su one centrirane na zoni kuhanja. Kada želite premjestiti posudu na drugu zonu kuhanja, podignite je i postavite na zonu kuhanja koju odaberete, nemojte je vući po površini.

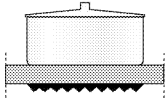
Savjeti za staklokeramičke ploče za kuhanje

- Staklokeramička površina je otporna na toplotu i velike temperaturne razlike ne utiču na nju.
- Nemojte koristiti staklokeramičku površinu kao mjesto za skladištenje ili kao ploču za rezanje.
- Koristite samo tave i drugo posuđe sa mašinski obrađenim dnom. Oštre ivice izazivaju ogrebotine na površini.
- Nemojte koristiti aluminijske posude i tave. Aluminij oštećuje staklokeramičku površinu.

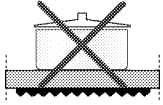


Prosipanje može oštetiti staklokeramičku površinu i prouzrokovati požar. Nemojte koristiti posude sa izbočenim ili udubljenim dnom.



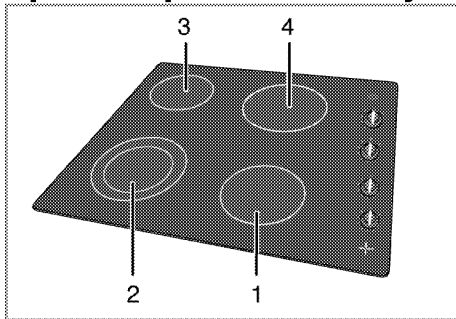


Koristite samo tave i drugo posuđe sa ravnim dnom. One osiguravaju lakši prenos toplote.



Ako je prečnik duboke tave premal, energija će se rasipati.

Upotreba ploče za kuhanje



- 1 Ploča za kuhanje sa jednim kolom 14-16 cm
- 2 Ploča za kuhanje sa dva kola 12-14/18-20 cm
- 3 Ploča za kuhanje sa jednim kolom 14-16 cm
- 4 Ploča za kuhanje sa jednim kolom 18-20 cm je popis predloženih prečnika posuda koje treba koristiti na odgovarajućim grionicima.



Ne dozvolite da bilo kakvi predmeti padnu na ploču za kuhanje. Čak i mali predmeti kao što je solnica mogu oštetiti ploču za kuhanje.

Nemojte koristiti napuknutu ploču za kuhanje. Voda može prolaziti kroz te pukotine i prouzrokovati kratak spoj.

U slučaju bilo kakve vrste oštećenja na površini (npr. vidljive pukotine), odmah isključite uređaj da biste minimizirali rizik od elektro šoka.

Staklokeramička ploča za kuhanje je opremljena sa radnim svjetlom i indikatorom upozorenja za vruću zonu. Indikator upozorenja za vruću zonu naznačava status aktivne zone i ostaje svijetli nakon što se ploča isključi. Svjetlucanje indikatora upozorenja vruće zone nije greška.



Ovisno o upotrebi, površina ploče za kuhanje može se ohladiti u različitim vremenskim intervalima. Površina ploče za kuhanje može biti vruća čak i ako lampice indikatora ne svijetle. Vodite računa da se površina ohladi prije nego je dodimete. U suprotnom, mogla bi vam izazvati opekotine!



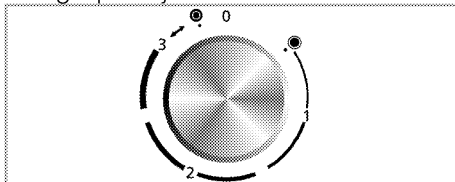
Brzogrjuće staklokeramičke ploče za kuhanje emitiraju jako svjetlo kada su uključene. Nemojte zuriti u jarko svjetlo.

Uključivanje keramičkih ploča

Kontrolne sklopke na ploči za kuhanje koriste se za uključivanje/isključivanje ringli. Za postizanje željene snage kuhanja, okrenite odgovarajuće sklopke na ploči za kuhanje u odgovarajući položaj.

Jačina kuhanja	1	2 – 3	4 – 6
	zagrijavanje	pirjanje, krčkanje	kuhanje, prženje, vrenje

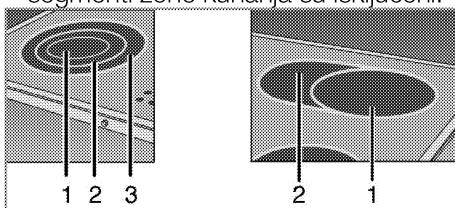
1. Da bi se promijenio prečnik aktivne zone kuhanja, treba okrenuti upravljačku tipku u smjeru kazaljke na satu.
2. Čuti će se zvuk "klik" čim se radijus ringle promijeni.



Isključivanje više-segmentnih zona kuhanja

1. Okrenite tipku brojača u smjeru kazaljke na satu u položaj OFF (isključeno) (prema gore) da isključite pećnicu. Svi segmenti zone kuhanja su isključeni.

Jačina kuhanja	1	2	3
	zagrijavanje	pirjanje, krčkanje	kuhanje, prženje, vrenje



Isključivanje keramičkih ploča

Okrenite tipku ploče na OFF (gornji) položaj.

Upotreba više-segmentiranih zona kuhanja

Više-segmentirane zone kuhanja omogućavaju kuhanje s različitim veličinama dubokih tava na istoj zoni kuhanja. Kada se ove zone kuhanja aktiviraju, prvo se pali unutrašnja zona kuhanja.

- 1 Položaj 1
- 2 Položaj 2
- 3 Položaj 3

i Položaj 2 i 3 više-segmentiranih zona kuhanja ne rade samostalno.

6 Održavanje i njega

Opšte informacije

Životni vijek proizvoda će biti produžen, a učestali problemi će se smanjiti ukoliko se proizvod čisti u redovnim intervalima.



Isključite uređaj s glavnog napajanja prije započinjanja aktivnosti oko održavanja i čišćenja. Postoji rizik od elektro šoka!



Sačekajte da se uređaj ohladi prije čišćenja. Vruće površine mogu izazvati opekotine!

- Očistite temeljito proizvod nakon svake upotrebe. Na taj način će biti moguće lakše uklanjanje ostataka kuhanja, te oni neće gorjeti prilikom narednog korištenja uređaja.
- Za čišćenje uređaja nisu potrebna posebna sredstva za čišćenje. Koristite toplu vodu s tečnošću za pranje, mekanu krpu ili spužvu da očistite proizvod i zatim ga prebrišite suhom krpom.
- Uvijek osigurajte da bilo kakav višak tečnosti bude temeljito obrisan nakon čišćenja i sve što je proljeveno da se odmah posuši brisanjem.
- Nemojte koristiti sredstva za čišćenje koja sadrže kiseline ili hlorid da biste čistili površine od nehrđajućeg materijala ili od inoksa niti za čišćenje ručke. Koristite mekanu krpu sa tečnim deterdžentom (ne abrazivnim) da prebrišete te dijelove, obratite pažnju da brišete u jednom smjeru.



Neki deterdženti i materijali za čišćenje mogu izazvati oštećenja na površini. Nemojte koristiti agresivne deterdžente, praškove/kreme za čišćenje ili bilo kakve oštre predmete dok čistite.



Nemojte koristiti čistače na paru da čistite uređaj jer bi to moglo prouzrokovati strujni udar.

Čišćenje ploče za kuhanje.

Staklo-keramička površina

Obrišite staklo-keramičku površinu (vitrokeramika) hladnom vodom, obraćajući pažnju da ne ostavljate ostatke sredstva za čišćenje, a potom osušite mekanom krpom. Ostaci mogu prouzrokovati oštećenja na staklo keramičkoj površini kada se ploča koristi prilikom slijedećeg kuhanja.

Osušene ostatke na staklo-keramičkoj površini (vitrokeramika) ni pod kakvim okolnostima ne bi trebalo strugati oštrim predmetima, čeličnom vunom ili sličnim alatima.

Odstranite mrlje od kalcija (žute mrlje) pomoću komercijalno dostupnih odstranjivača vapna ili manjom količinom odstranjivača vapna poput octa ili soka od limuna.

Ako je površina jako zaprljana, nanesite sredstvo za čišćenje na spužvu i sačekajte da se dobro upije. Zatim očistite površinu ploče za kuhanje vlažnom krpom.

i Hrana na bazi šećera kao što su jake kreme i sirupi mora se odmah očistiti, bez čekanja da se površina ohladi. U protivnom, staklo-keramička površina se može trajno oštetiti.

Blago blijedenje boje se može pojaviti na premazima ili drugim površinama tokom vremena. Ovo ne utiče na rad proizvoda. Blijedenje boje i mrlje na staklo keramičkoj površini je normalna pojava, nije greška.

Čišćenje kontrolne ploče

Očistite kontrolnu ploču i kontrolne tipke vlažnom krpom te ih potom osušite.

i Ako je proizvod opremljen dugmadima/tipkama, nemojte uklanjati kontrolnu dugmad da čistite kontrolnu tablu. Kontrolna tabla bi se mogla oštetiti!

7 Rješavanje problema

Proizvod odašilje metalne zvukove dok se zagrijava i hladi.

- Kada se metalni dijelovi zagrijavaju, mogu se širiti i praviti zvukove. >>> *Nije riječ o kvaru.*

Proizvod ne radi.

- Osigurač napajanja je pokvaren ili je pregorio. >>> *Provjerite osigurače u kutiji s osiguračima. Ako je potrebno, zamijenite ih ili vratite u početni položaj.*
- Proizvod nije uključen u (uzemljen) utičnicu. >>> *Provjerite utikač na kablu.*



Ukoliko ne možete ukloniti problem čak iako ste implementirali uputstva iz ovog odjeljka, posavjetujte se sa ovlaštenim serviserom ili trgovcem kod kojeg ste kupili vaš proizvod. Nikada ne pokušavajte sami popravljati neispravan proizvod.

