

Compact Smoothie Maker

User Manual



TBP 7354 X

EN | DE | FR | TR | ES | PL | IT

01M-8838023200-4917-02

beko

Please read this user manual first!

Dear Customers,

Thank you for selecting an Beko product. We hope that you get the best results from your product which has been manufactured with high quality and state-of-the-art technology. Therefore, please read this entire user manual and all other accompanying documents carefully before using the product and keep it as a reference for future use. If you handover the product to someone else, give the user manual as well. Follow all warnings and information in the user manual.


Meanings of the symbols

Following symbols are used in the various section of this manual:

	Important information and useful hints about usage.
--	---

	WARNING: Warnings for dangerous situations concerning the safety of life and property.
--	---

	Materials are intended to be in contact with food.
--	--

	Do not immerse the appliance, power cord or power plug in water or in other liquids.
--	--

	Protection class against electric shock.
--	--



This product has been produced in environmentally-friendly, state-of-the-art facilities.

Complies with the WEEE Directive.



It does not contain PCB.
Made in P.R.C.

CONTENTS

ENGLISH	4-14
DEUTSCH	15-27
FRANÇAIS	28-39
TÜRKÇE	40-50
ESPAÑOL	51-64
POLSKI	65-80
ITALIANO	81-93

1

Important instructions for safety and environment

Please read this instruction manual thoroughly prior to using this appliance! Follow all safety instructions in order to avoid damage due to improper use!

Keep the instruction manual for future reference. Should this appliance be given to a third party, this instruction manual must also be handed over.

- This appliance is intended for private domestic use only and is not suitable for professional-catering purposes. It should not be used for commercial use.
- The blades are very sharp! Handle the sharp blades with utmost care, especially during removing and cleaning, in order to avoid injuries follow all instructions.
- Check if the mains voltage on the rating label corresponds to your local mains supply. The only way to disconnect the appliance from the mains is to pull the plug from the wall socket.
- For additional protection, this appliance should be connected to a household current fault protection circuit breaker of no more than 30 mA. Consult an electrician for advice.
- Do not immerse the motor housing, power cord, or power plug in water or any other liquids. Do not hold it under running water. Only the lid and the plastic jug can be cleaned safely with water and washing-up liquid in the dishwasher.

1

Important instructions for safety and environment

- Disconnect the power plug after using the appliance, before cleaning the appliance or leaving the room and if a fault occurs. Do not disconnect the plug by pulling on the cord.
- Do not squeeze or bend the power cord and do not rub it on sharp edges in order to prevent any damage.
- Keep the power cord away from hot surfaces and open flame.
- Do not use an extension cord with the appliance.
- Never use the appliance if the power cord or the appliance is damaged.
- Do not dismantle the appliance under any circumstances. No warranty claims are accepted for damage caused by improper handling.
- This appliance shall not be used by children. Keep the appliance and its cord out of reach of children.
- Children shall not play with the appliance.
- The appliance should not be used by the following persons, including children: those with limited physical, sensory or mental capabilities and also those with a lack of experience and knowledge. This does not apply to the latter if they were instructed in the use of the appliance or if they use it under the supervision of a person responsible for their safety.
- Children should always be supervised to ensure that they do not play with the appliance.
- This appliance cannot be used by children.

1

Important instructions for safety and environment

- Do not leave the appliance unattended while it is in use. Extreme caution is advised when the appliance is being used near children and people with limited physical, sensory or mental capabilities.
- Before using the appliance for the first time, clean all parts which come into contact with food carefully. Please see details in the "Cleaning and Care" section.
- Never operate or place any part of this appliance on or near hot surfaces such as a gas burner, hotplate or heated oven.
- Do not use the appliance for anything other than its intended use.
- Never use the appliance in or near to combustible or inflammable places and materials.
- Operate the appliance only with the delivered parts.
- Do not use the appliance with damp or wet hands.
- Never place the appliance, attachments, power cord or plug on hot surfaces such as gas or electric burners or hot oven surfaces and never use it with hot liquids or food. Let hot food and liquids cool down to min. 80°C or less, before using the appliance.
- Always use the appliance on a stable, flat, clean, dry and non-slip surface.
- Make sure that there is no danger that the power cord could be accidentally pulled or that someone could trip over it when the appliance is in use.
- Position the appliance in such a way that the plug is always accessible.

1

Important instructions for safety and environment

- The blade unit is very sharp! Handle the blade unit with utmost care, especially during cleaning, in order to avoid injuries.
 - Do not use the appliance if the blade unit is damaged or shows signs of wear.
- Never clean the appliance with your bare hands.
- Never try to use the appliance without the lid.
 - Do not attempt to remove the lid until the blades have completely stopped.
 - A spatula may be used to remove the ingredients from the plastic jug. The appliance must be switched off before doing this.
 - Never operate the appliance for longer than necessary for processing the food.
- Remove bones and stones from food to prevent the blade unit and the appliance from being damaged.
 - This appliance is only intended for short periods of use and should only be in continuous use for maximum 1 minute. After use, let the appliance cool down sufficiently.
 - Do not crush ice cubes.
 - Switch off the appliance and disconnect from supply before changing accessories or approaching parts that move in use.

1

Important instructions for safety and environment

1.1 Compliance with the WEEE Directive and disposal of waste products



This product does not include harmful and prohibited materials specified in the "Regulation for Supervision of the Waste Electric and Electronic Appliances" issued by the Ministry of Environment and Urban Planning. Complies with the WEEE Regulation. This appliance has been manufactured with high quality parts and materials which can be reused and are suitable for recycling. Therefore, do not dispose the appliance with normal domestic waste at the end of its service life. Take it to a collection point for the recycling of electrical and electronic equipment. Ask the local authority in your area for these collection points. Help protect the environment and natural resources by recycling used products.

1.2 Package information



Package of the product is made of recyclable materials in accordance with our national legislation. Do not dispose of the packaging materials together with the domestic or other wastes. Take them to the packaging material collection points designated by the local authorities.

1.3 Things to do for energy saving

Cut the solid food into small pieces before placing them in the appliance as stated in the user manual. Follow the other instructions and times specified in the manual. Select low speed levels if suitable for the food to be prepared. Switch off and unplug the appliance after using it.

2 Compact Smoothie Maker

2.1 Overview



1. Jug (x2)
2. Chopping blade
3. Motor housing
4. Slow speed button "I"
5. High speed button "II"
6. Non-slip feet
7. Cable reeler
8. Lid

2.2 Technical data

Power supply: 220-240 V~, 50/60 Hz

Power: 350 W

Technical and design modifications reserved.

The values which are declared in the markings affixed on your appliance or the other printed documents supplied with it represent the values which were obtained in the laboratories pursuant to the pertinent standards. These values may vary according to the usage of the appliance and ambient conditions.

3 Operation

3.1 Preparation



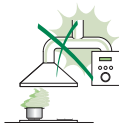
WARNING: Switch off the appliance and disconnect from supply before changing accessories or approaching parts that move in use.

1. Remove all packaging and stickers materials and dispose of them according to the applicable legal regulations.
2. Take the entire unit of the motor housing (3) and place it on a level surface, e.g. on the kitchen counter.



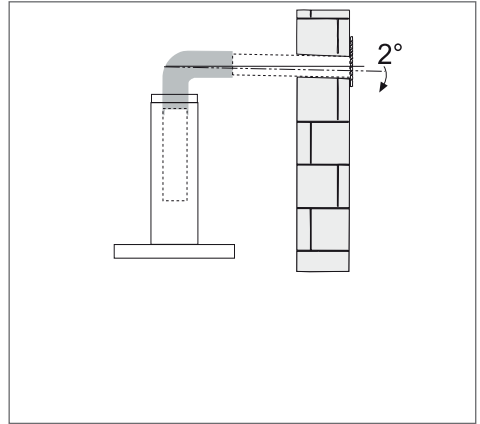
WARNING: The blade (2) unit is very sharp! Handle the blade unit with utmost care, especially during cleaning, in order to avoid injuries.

3. Clean all parts, with the exception of the motor housing (3) as described in "Cleaning and Care".
4. Then re-assemble the jug blender in the reverse order.
5. Insert the chopping blade (2) unit onto the jug (1) by rotating it clockwise. You can see the "lock" arrow direction at the bottom of the chopping blade (2) unit.



6. Place the jug (1) onto the motor housing (3). Lock the jug clockwise according to the "lock" arrow on the motor housing (3).

7. To release the jug (1), turn it to anti-clockwise direction.



Make sure that the notches on the bottom of the jug (1) fit those in the motor housing (3).

8. Before using the appliance cut the food into small pieces.

3.2 Blending

1. Place the device on an even and dry surface. The non-slip feet (6) ensure the stability of the appliance.
2. Make sure that the power cord is disconnected from the power supply.
3. Remove the jug (1) from the motor housing (3); to do this, turn the jug in an anti-clockwise direction and lift it upwards; Turn of the chopping blade (2) and turn clockwise.
4. Now put the ingredients to be blended in the jug (1). The ingredients should only be about 2-5 cm long.



Add water or milk to ensure the jug blender functions smoothly.

3 Operation



Mix 3 units of hard food and 2 units of water in order to have a smooth jug blender experience (i.e: 60 gr hard food 40 ml water).



WARNING: Do not put or blend hot food or liquids in the jug (1). If you process soup, make sure that the liquid temperature does not exceed 40°C.



WARNING: Never let the jug blender operate while empty (without food).



WARNING: Never let the jug blender operate without the jug on the motor housing (3).

5. Close the reservoir with the cutter blade (2).
6. Place the reservoir onto the motor unit in an upright position in such a way that the cutter blade (2) is facing down.



WARNING: Never move or turn the jug after it is properly seated in the place.

7. Connect the power plug to a suitable power outlet.
8. Press the required cutting speed (4) or (5).



To operate the blender at the low speed (4), turn the control dial (9) to "1".



To mix at a high speed (5), press the speed regulator to "II".



WARNING: Never run the blender for longer than 1 minute, otherwise it would overheat.



WARNING: After running the appliance for 1 minute, let it cool down before using it again.



WARNING: Be sure the motor is switched off and has completely stopped before removing the jug (1) from the motor housing (3).



WARNING: Do not place any utensil (scraper, fork, etc.) in the jug (1) while blender is operating.

9. Pull the power plug out of the power outlet.
10. Remove the jug (1) from the motor housing (3) ; to do this, turn the jug (1) in an anti-clockwise direction.
11. Remove the chopping blade (2) by turning it counterclockwise and attach the jar lid (8) onto the jug (1).

3.3 Maximum quantities and processing time

- See table with maximum quantities and processing time.

Ingredi-ents	Maximum quantities	Processing time
Fruits	100 - 200 g	20 - 30 Se-conds
Fruit juice	100-200 g Fruit + Water (optional)	20 - 30 Se-conds
Milkshake	100 g Fruit + 300 ml Milk	20 - 30 Se-conds

3.4 Tips for blending

- When blending solid food, such as raw vegetables, cooked or uncooked meat and fruits always cut them into no larger than 2-5 cm pieces before placing them into the jug (1). Blend no more than 2 cups of these food at a time. This will speed the blending process and reduce wear on the blending blades.
- Always place liquid ingredients in the jug (1) first, unless a recipe specifically states otherwise.
- To blend beverages, place all ingredients in the jug (1) at the same time.
- Avoid overblending. Usually, you will need to blend for a few seconds.
- Overblending may cause food to become mushy.

4 Information

4.1 Cleaning and care



WARNING: Never use petrol solvents, abrasive cleaners, metal objects or hard brushes to clean the appliance.



WARNING: The blades (2) of the cutter unit are very sharp! Handle the blades with utmost care in order to avoid injuries.



WARNING: Never clean the appliance with your bare hands.



WARNING: Clean the jug blender after each use. Do not let any food remnants harden on and inside the jug blender. This will make it more difficult to clean it later.



WARNING: Do not use boiling water. The blade (2) assembly bearings have been designed with a lifetime lubricant; exposure to boiling water may damage these bearings and shorten the life of the blender.

1. Turn the appliance off and disconnect it from wall socket.
2. Allow the appliance to cool down.
3. Remove the jug (1) from the motor housing (3). Rinse with water to remove any large food particles that may have accumulated in the jug.
4. Replace the jug (1) on the motor housing (3).
5. Place 1 to 1½ cups warm water with some drops of mild cleanser into the jug (1) and switch to speed "II" (5) for a few seconds. Remove the jug (1) from the motor housing (3) and rinse with water. Repeat as necessary.



Do not immerse the motorized base or blade unit in liquid, or place them in the dishwasher. Only the lid (8) and the jug (1) may be immersed and placed in the dishwasher.

6. Use a damp soft cloth and some mild cleanser to clean the exterior of the appliance.
7. Wipe the motor housing (3), Chopping blade (2) and lid (8) with a lint free cloth before the next usage.

4.2 Storage

- If you do not plan to use the appliance for a long period of time, please store it carefully.
- Make sure the appliance is unplugged, cooled down and completely dry.
- Do not wrap the power cord around the appliance.
- Store it in a cool, dry place.
- Make sure the appliance is always kept out of the reach of children.

4.3 Handling and transportation

- During handling and transportation, carry the appliance in its original packaging. The packaging of the appliance protects it against physical damages.
- Do not place heavy loads on the appliance or the packaging. The appliance may be damaged.
- Dropping the appliance will render it non-operational or cause permanent damage.

Bitte lesen Sie zuerst diese Anleitung!


Sehr geehrte Kundin, sehr geehrter Kunde,

Vielen Dank, dass Sie sich für ein Beko-Produkt entschieden haben. Wir hoffen, dass Sie mit diesem Produkt, das mit den höchsten Qualitätsanforderungen und der modernsten Technologie hergestellt wurde, beste Ergebnisse erzielen. Bitte lesen Sie die gesamte Bedienungsanleitung und alle anderen Begleitdokumente aufmerksam, bevor Sie das Produkt verwenden; bewahren Sie sie zum künftigen Nachschlagen sicher auf. Wenn Sie das Produkt an einen Dritten weitergeben, händigen Sie bitte auch diese Anleitung aus. Befolgen Sie alle Warnhinweise und Informationen in dieser Anleitung.

Symbole

Folgende Symbole werden in den verschiedenen Abschnitten dieser Anleitung verwendet:

	Wichtige Informationen und nützliche Tipps in Bezug auf die Verwendung.
--	---

	WARNUNG: Warnhinweise zu gefährlichen Situationen im Hinblick auf die Sicherheit von Leib, Leben und Eigentum.
--	---

	Für den Kontakt mit Lebensmitteln geeignet.
---	---

	Gerät, Netzkabel sowie Netzstecker nicht in Wasser oder andere Flüssigkeiten tauchen.
--	---

	Schutzklasse gegen Stromschlag
---	--------------------------------



Dieses Produkt wurde in umweltfreundlichen, hochmodernen Einrichtungen hergestellt

Das Gerät erfüllt die Vorgaben der WEEE-Richtlinie.



Es enthält kein PCB.
Hergestellt in: P.R.C.

Wichtige Anweisungen zu Sicherheit und Umwelt

Lesen Sie diese Bedienungsanleitung sorgfältig, bevor Sie das Gerät benutzen! Befolgen Sie alle Sicherheitshinweise, um Schäden wegen falscher Benutzung zu vermeiden!

Bewahren Sie die Bedienungsanleitung zum späteren Nachschlagen auf. Sollte das Gerät an Dritte weitergegeben werden, muss diese Bedienungsanleitung ebenfalls mit ausgehändigt werden.

- Dieses Gerät ist nur für den privaten Gebrauch im Haushalt bestimmt.
- Die Klingen sind sehr scharf! Bei der Handhabung scharfer Klingen ist zur Vermeidung von Verletzungen äußerste Vorsicht geboten, vor allem beim Entfernen und Reinigen.

- Prüfen, ob die Netzspannung auf dem Typenschild mit der lokalen Versorgungsspannung übereinstimmt. Die einzige Möglichkeit, das Gerät von der Stromversorgung zu trennen, ist den Netzstecker zu ziehen.
- Falls nicht vorhanden, wird als zusätzlicher Schutz die Installation einer Fehlerstrom-Schutzeinrichtung (RCD) mit einem Bemessungsauslösestrom von nicht mehr als 30 mA empfohlen. Fragen Sie einen Elektriker.
- Gerät, Netzkabel sowie Motorgehäuse nicht in Wasser oder andere Flüssigkeiten tauchen. Nicht unter fließendes Wasser halten. Nur Deckel und Plastikbehälter können mit Wasser und Reinigungsmittel gereinigt werden.

1

Wichtige Anweisungen zu Sicherheit und Umwelt

- Netzstecker immer aus der Steckdose ziehen; nach der Benutzung des Gerätes, vor der Reinigung des Gerätes, bevor der Raum verlassen wird oder wenn ein Fehler auftritt. Netzstecker nicht am Kabel aus der Steckdose ziehen.
- Schäden am Netzkabel vermeiden, nicht quetschen, knicken oder über scharfe Kanten ziehen.
- Netzkabel von heißen Oberflächen und offenem Feuer fernhalten.
- Gerät nicht mit einem Verlängerungskabel benutzen.
- Gerät niemals benutzen, wenn das Netzkabel oder das Gerät selbst beschädigt ist.
- Gerät unter keinen Umständen öffnen. Für Schäden aufgrund von falscher Benutzung wird keine Haftung übernommen.
- Gerät und Netzkabel immer von Kindern fernhalten.
- Dieses Gerät kann von Personen mit eingeschränkten körperlichen, sensorischen oder mentalen Fähigkeiten oder ohne spezielles Wissen oder Erfahrung verwendet werden, sofern sie beaufsichtigt werden oder die Anweisungen zum sicheren Umgang mit dem Produkt und dessen potenzielle Gefahren verstehen. Kinder dürfen nicht mit dem Gerät spielen.
- Reinigungs- und Wartungsarbeiten dürfen nicht von Kindern ausgeführt werden.
- Dieses Gerät darf nicht von Kindern benutzt werden.
- Gerät während der Benutzung nicht unbeaufsichtigt lassen. Vorsicht, wenn das Gerät in der Nähe von Kindern und Personen mit eingeschränkten physischen, sensorischen oder mentalen Fähigkeiten benutzt wird.

1

Wichtige Anweisungen zu Sicherheit und Umwelt

- Vor dem Gebrauch sorgfältig alle Teile, die mit Lebensmitteln in Kontakt kommen, reinigen. Siehe dazu Abschnitt „Reinigung und Pflege“.
- Gerät und dessen Zubehör niemals auf oder in der Nähe von heißen Oberflächen wie Gasbrennern, Kochplatten oder heißen Öfen betreiben oder platzieren.
- Das Gerät nicht für Zwecke benutzen, für die es nicht bestimmt ist.
- Gerät niemals an oder in der Nähe von Stellen benutzen, an denen sich leicht brennbare oder gar explosive Materialien befinden.
- Gerät, Zubehör, Netzkabel oder Stecker niemals auf heißen Oberflächen, wie Gas- oder Elektroherden bzw. heißen Ofenoberflächen, abstellen; Gerät niemals mit heißen Lebensmitteln verwenden.
- Lebensmittel vor dem Einsatz des Gerätes auf 80 °C oder weniger abkühlen lassen.
- Durch heiße Lebensmittel im Gerät kann Dampf austreten. Vorsicht.
- Gerät ausschließlich mit den mitgelieferten Teilen betreiben.
- Gerät nie mit feuchten oder nassen Händen benutzen.
- Gerät immer auf eine stabile, ebene, saubere, trockene und rutschfeste Oberfläche stellen.
- Anschlusskabel so verlegen, dass ein unbeabsichtigtes Ziehen daran bzw. ein Darüberstolpern nicht möglich ist.
- Gerät so aufstellen, dass der Netzstecker immer zugänglich ist.

Wichtige Anweisungen zu Sicherheit und Umwelt

- Die Klingenvorrichtung ist sehr scharf! Bei der Handhabung der Klingenvorrichtung ist zur Vermeidung von Verletzungen äußerste Vorsicht geboten, vor allem beim Reinigen.
- Gerät nicht nutzen, falls die Klingenvorrichtung beschädigt ist oder Verschleißerscheinungen aufweist.
- Gerät niemals mit bloßen Händen reinigen.
- Niemals versuchen, das Gerät ohne Deckel zu verwenden.
- Nicht versuchen, den Deckel zu entfernen, bis die Klingen zu einem vollständigen Stillstand gekommen sind.
- Zutaten können mit einem Löffel aus dem Plastikbehälter entfernt werden. Das Gerät muss zuvor ausgeschaltet werden.
- Gerät niemals länger verwenden als zur Zubereitung der Lebensmittel erforderlich.
- Knochen und Steine zur Vermeidung von Schäden an Klingenvorrichtung und Gerät aus Lebensmitteln entfernen.
- Dieses Gerät dient nur kurzzeitigen Einsätzen und sollte maximal 1 Minute in Folge benutzt werden. Gerät nach dem Einsatz ausreichend abkühlen lassen.
- Keine Eiswürfel mit dem Gerät zerkleinern.
- Gerät vor dem Wechsel oder dem Entfernen von Teilen, die während der Benutzung in Bewegung sind, ausschalten und von der Stromversorgung trennen.

1

Wichtige Anweisungen zu Sicherheit und Umwelt

1.1 Entsorgung von Altgeräten:

Dieses Produkt erfüllt die Vorgaben der EU-WEEE-Direktive (2012/19/EU). Das Produkt wurde mit einem Klassifizierungssymbol für elektrische und elektronische Altgeräte (WEEE) gekennzeichnet.



Dieses Gerät wurde aus hochwertigen Materialien hergestellt, die wiederverwendet und recycelt werden können. Entsorgen Sie das Gerät am Ende seiner Einsatzzeit nicht mit dem regulären Hausmüll;

geben Sie es stattdessen bei einer Sammelstelle zur Wiederverwertung von elektrischen und elektronischen Altgeräten ab. Ihre Stadtverwaltung informiert Sie gerne über geeignete Sammelstellen in Ihrer Nähe.

1.2 Einhaltung von RoHS-Vorgaben:

Das von Ihnen erworbene Produkt erfüllt die Vorgaben der EU-RoHS Direktive (2011/65/EU). Es enthält keine in der Direktive angegebenen gefährlichen und unzulässigen Materialien.

1.3 Informationen zur Verpackung



Die Verpackung des Produkts wurde gemäß unserer nationalen Gesetzgebung aus recyclingfähigen Materialien hergestellt. Entsorgen Sie die Verpackungsmaterialien nicht mit dem Hausmüll oder anderem Müll. Bringen Sie sie zu einer von der Stadtverwaltung bereitgestellten Sammelstelle für Verpackungsmaterial.

2 Kompakt Smoothie Mixers

2.1 Übersicht



1. Behälter (x2)
2. Klinge
3. Motorgehäuse
4. Geschwindigkeit "I"
5. Geschwindigkeit "II"
6. Rutschfeste Füße
7. Kabelaufwicklung
8. Deckel

2.2 Technische Daten

Spannung: 220-240 V~, 50/60 Hz

Leistung: 350 W

Technische und optische Änderungen vorbehalten

The values which are declared in the markings affixed on your appliance or the other printed documents supplied with it represent the values which were obtained in the laboratories pursuant to the pertinent standards. These values may vary according to the usage of the appliance and ambient conditions.

3 Betrieb

3.1 Vorbereitung



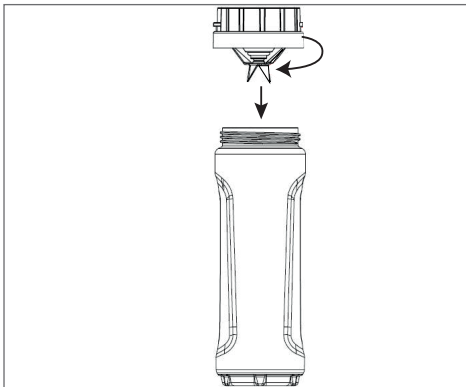
WARNUNG: Gerät vor dem Wechsel oder dem Entfernen von Teilen, die während der Benutzung in Bewegung sind, ausschalten und von der Stromversorgung trennen.

1. Alle Verpackungsmaterialien und Aufkleber entfernen und diese entsprechend den gesetzlichen Vorschriften entsorgen.
2. Das Motorgehäuse (3) nehmen und auf einen ebenen Untergrund, z. B. eine Arbeitsplatte, stellen.

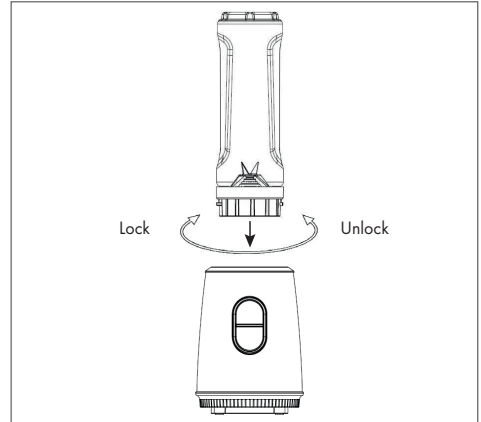


WARNUNG: Die Klingenvorrichtung ist sehr scharf! Bei der Handhabung der Klingenvorrichtung ist zur Vermeidung von Verletzungen äußerste Vorsicht geboten, vor allem beim Reinigen.

3. Alle Teile mit Ausnahme des Motorgehäuses (3) wie im Abschnitt „Reinigung und Pflege“ beschrieben reinigen.
4. Dann den Smoothie Mixer in umgekehrter Reihenfolge wieder montieren.
5. Stecken Sie die Klingeneinheit (2) durch Drehen im Uhrzeigersinn auf den Behälter (1). Die Pfeilrichtung zum Sperren finden Sie an der Unterseite der Klingeneinheit (2).



6. Platzieren Sie den Behälter (1) auf dem Motorgehäuse (3). Verriegeln Sie den Behälter (1) im Uhrzeigersinn entsprechend dem „Sperren“-Pfeil an Motorgehäuse (3).
7. Drehen Sie Behälter (1) zum Lösen gegen den Uhrzeigersinn.



Stellen Sie sicher, dass die Kerben an der unteren Seite des Behälters (1) den entsprechenden im Motorgehäuse (3) gegenüberliegen.

8. Lebensmittel vor Einsatz des Gerätes in kleine Stücke schneiden.

3.2 Mixen

1. Gerät auf einen ebenen, trockenen Untergrund stellen. Die rutschfesten Füße (6) gewährleisten die Stabilität des Gerätes.
2. Sicherstellen, dass das Netzkabel aus der Steckdose gezogen ist.
3. Behälter (1) vom Motorgehäuse (3) entfernen; dazu Behälter (1) gegen den Uhrzeigersinn drehen und nach oben abheben; Deckel (8) öffnen.
4. Zu vermischende Zutaten in den Behälter (1) geben. Die Zutaten sollten nur ca. 2 bis 5 cm lang sein.

3 Betrieb



Zur Sicherstellung eines reibungslosen Mixbetriebs Wasser oder Milch hinzugeben.



Zur Erzielung guter Ergebnisse 3 Einheiten harter Zutaten und 2 Einheiten Wasser vermischen (d. h. 60 g harte Zutaten zu 40 ml Wasser)



WARNING: Keine heißen Lebensmittel oder Flüssigkeiten in den Behälter (1) geben bzw. vermischen. Bei der Verarbeitung von Suppen sicherstellen, dass die Temperatur der Flüssigkeit 40 °C nicht überschreitet.



WARNING: Gerät niemals leer (ohne Lebensmittel) in Betrieb nehmen.



WARNING: Gerät niemals ohne Behälter (1) am Motorgehäuse (3) in Betrieb nehmen.

- Schließen Sie Behälter (1) mit der Klinge (2).
- Platzieren Sie Behälter (1) aufrecht auf der Motoreinheit (3), sodass die Klinge (2) nach unten zeigt.



WARNING: Behälter (1) nicht mehr bewegen oder drehen, nachdem er richtig platziert ist.

- Netzkabel an eine geeignete Steckdose anschließen.
- Die gewünschte Schneidgeschwindigkeit (4) oder (5) drücken.



Zum Betreiben des Mixers bei geringer Geschwindigkeit die Geschwindigkeitsregulierung (4) auf "I" drücken.



Zum Vermischen mit höherer Geschwindigkeit die Geschwindigkeitsregulierung (5) auf "II" drücken.



WARNING: Mixer niemals länger als 1 Minute benutzen; andernfalls droht eine Überhitzung.



WARNING: Bei einem Betrieb von mehr als 1 Minute vor erneuter Nutzung abkühlen lassen.



WARNING: Vor Entfernen des Behälters (1) vom Motorgehäuse (3) sicherstellen, dass der Motor ausgeschaltet und zum vollständigen Stillstand gekommen ist.



WARNING: Während des Betriebs keine Utensilien (Schaber, Gabel etc.) in den Behälter (1) stecken.

- Netzstecker aus der Steckdose ziehen.
- Behälter (1) von Motorgehäuse (3) entfernen; Behälter (1) dazu gegen den Uhrzeigersinn drehen.
- Entfernen Sie Klinge (2) durch Drehen gegen den Uhrzeigersinn und bringen Sie Deckel (8) an Behälter (1) an.

3.3 Maximalmengen und Verarbeitungszeit

- Siehe Tabelle mit Maximalmengen und Verarbeitungszeit.

Zutaten	Maximalmenge	Verarbeitungszeit
Früchte	100 - 200 g	20 - 30 Sekunden
Fruchtsaft	100 - 200 g Früchte + Wasser (optional)	20 - 30 Sekunden
Milchshake	100 g Obst + 300 ml Milch	20 - 30 Sekunden

3.4 Tipps zum Mixen

- Beim Mixen fester Lebensmittel, wie z. B. rohem Gemüse, gekochtem oder ungekochtem Fleisch und Obst Zutaten vor der Eingabe in den Behälter (1) immer in nicht mehr als 2 bis 5 cm große Stücke zerkleinern. Nicht mehr als 2 Tassen derartiger Zutaten gleichzeitig mixen. Dies beschleunigt das Mixen und reduziert den Verschleiß der Klingen.
- Immer zuerst flüssige Zutaten in den Behälter (1) geben, sofern nicht explizit anders im Rezept angegeben.
- Zum Vermischen von Getränken alle Zutaten gleichzeitig in den Behälter (1) geben.
- Übermäßiges Mischen meiden. Normalerweise sind wenige Sekunden erforderlich.
- Übermäßiges Vermischen kann die Lebensmittel breiig machen.

4 Information

4.1 Reinigung und Pflege



WARNING: Zur Reinigung des Gerätes niemals Benzin, Lösungsmittel, Scheuermittel oder harte Bürsten verwenden.



WARNING: Die Klingen (2) sind sehr scharf! Klingen zur Vermeidung von Verletzungen besonders vorsichtig handhaben.



WARNING: Gerät niemals mit bloßen Händen reinigen.



WARNING: Gerät nach jedem Einsatz reinigen. Darauf achten, dass keine Lebensmittelreste am oder im Gerät antrocknen. Andernfalls kann dies später die Reinigung erschweren.



WARNING: Kein kochendes Wasser verwenden. Die Klingenmontagelager sind mit einer Lebensdauerschmierung versehen; kochendes Wasser kann diese Lager beschädigen und die Lebenszeit des Mixers verkürzen.

1. Gerät ausschalten und Netzstecker aus der Steckdose ziehen.
2. Gerät abkühlen lassen.
3. Behälter (1) vom Motorgehäuse (3) entfernen. Zum Entfernen großer Speisereste, die sich möglicherweise im Behälter (1) angesammelt haben, mit Wasser ausspülen.
4. Behälter (1) wieder am Motorgehäuse (3) anbringen.
5. 1 bis 1 ½ Tassen warmes Wasser mit einigen Tropfen mildem Reinigungsmittel in den Behälter (1) geben und Geschwindigkeit einige Sekunden auf hohe Geschwindigkeit (5) einstellen. Behälter (1) vom Motorgehäuse (3) entfernen und mit Wasser ausspülen. Bei Bedarf wiederholen.



Motorisierte Basis und Klingenvorrichtung (2) nicht in Flüssigkeiten eintauchen oder im Geschirrspüler reinigen. Nur Deckel (8) und Behälter (1) können in Flüssigkeiten getaucht und im Geschirrspüler gereinigt werden.

6. Außenflächen des Gerätes mit einem weichen, feuchten Tuch und einem sanften Reinigungsmittel reinigen.
7. Motorgehäuse (3), Klingenvorrichtung (2) und Deckel (8) vor der nächsten Benutzung mit einem fusselfreien Tuch abwischen.

4.2 Lagerung

- Wenn das Gerät längere Zeit nicht benutzt wird, sollte es sorgfältig aufbewahrt werden.
- Darauf achten, dass der Netzstecker gezogen wird und das Gerät komplett trocken ist.
- Netzkabel nicht um das Gerät, sondern unter die Basis wickeln.
- Kühl und trocken lagern.
- Das Gerät sollte sich immer außerhalb der Reichweite von Kindern befinden.

4.3 Handhabung und Transport

- Transportieren Sie das Gerät in seiner Originalverpackung. Die Verpackung schützt das Gerät vor Sachschäden.
- Legen Sie keine schweren Gegenstände auf dem Gerät oder der Verpackung ab. Andernfalls könnte das Gerät beschädigt werden.
- Falls das Gerät herunterfällt, ist es möglicherweise nicht mehr funktionsfähig oder weist dauerhafte Schäden auf.

5 Garantie

Vertriebsniederlassung Österreich für Beko Kleingeräte:

Elektra Bregenz AG
Pfarrgasse 77
A-1230, Wien

<http://at.beko.com/>



Sehr geehrter Kunde!

Vielen Dank, dass Sie sich für ein Qualitätsprodukt von Beko entschieden haben!

Unsere Geräte werden nach den neuesten technischen Erkenntnissen entwickelt, produziert und geprüft.

Sollte trotzdem eine Störung auftreten, so bitten wir Sie, sich mit Ihrem **Fachhändler** bzw. mit der Verkaufsstelle in Verbindung zu setzen.

Gewährleistungsansprüche können **nicht direkt bei Beko** geltend gemacht werden! Behalten Sie deshalb immer Ihre Verkaufsquittung als Beleg.

Wir danken Ihnen, für Ihr Vertrauen und wünschen Ihnen viel Freude mit Ihrem neuen Produkt!

Avant toute chose, veuillez lire ce manuel d'utilisation !

Chers clients,

Merci d'avoir choisi les produits Beko. Nous espérons que ce produit, fabriqué dans des installations modernes et soumis à un processus de contrôle qualité rigoureux, vous offre les meilleures performances possibles. C'est pourquoi nous vous recommandons, avant d'utiliser ce produit, de lire attentivement ce manuel et tous les autres documents fournis et de les conserver soigneusement pour toute consultation future. Si vous confiez le produit à quelqu'un d'autre, n'oubliez pas de lui remettre également le manuel d'utilisation. Veuillez à bien respecter les consignes et les instructions figurant dans le manuel d'utilisation.


Signification des symboles

Les symboles suivants sont repris tout au long de ce manuel :

	Informations importantes et conseils utiles sur l'utilisation de l'appareil.
--	--

	ATTENTION : Avertissement sur les situations dangereuses concernant la sécurité des biens et des personnes.
--	--

	Ces substances sont supposées entrer en contact avec les aliments.
---	--

	N'immergez pas l'appareil, le câble d'alimentation ou la fiche d'alimentation électrique dans de l'eau ou tout autre liquide.
--	---

	Classe de protection contre les chocs électriques
---	---



Ce produit a été fabriqué dans des usines écologiques et modernes.

1 Sécurité et installation

- Veuillez lire attentivement le présent manuel d'utilisation avant d'utiliser cet appareil! Respectez toutes les consignes de sécurité pour éviter des dommages dus à une mauvaise utilisation!
- Conservez le manuel d'utilisation car vous pourriez en avoir besoin ultérieurement. Au cas où cet appareil change de propriétaire, remettez également le manuel d'utilisation au nouveau bénéficiaire.
- Le présent appareil est destiné à un usage domestique privé uniquement.
 - Les lames sont très coupantes! Manipulez les lames coupantes avec le plus grand soin pour éviter de vous blesser, surtout lorsque vous les enlevez de l'appareil pour les nettoyer.
 - Assurez-vous que la tension de secteur figurant sur la plaque signalétique correspond à votre alimentation secteur locale. Le seul moyen de déconnecter l'appareil de l'alimentation est de retirer la fiche d'alimentation électrique de la prise de courant murale.
 - Pour plus de protection, l'appareil doit également être branché à un dispositif de courant résiduel domestique d'une valeur nominale ne dépassant pas 30 mA. Demandez conseil à votre électricien.
 - N'immergez pas l'unité moteur, le câble d'alimentation ou la prise d'alimentation électrique dans de l'eau ou tout autre liquide. Ne maintenez pas l'appareil sous l'eau courante. Seuls le couvercle et le récipient plastique peuvent être nettoyés en toute sécurité à l'eau et au liquide vaisselle dans le lave-vaisselle.

1 Sécurité et installation

- Débranchez la prise d'alimentation après avoir utilisé l'appareil, avant de le nettoyer, avant de quitter la pièce ou si un problème se produit. Évitez de débrancher l'appareil en tirant sur le câble.
- Ne pincez ou ne courbez pas le cordon d'alimentation et ne le laissez pas frotter contre des bords saillants pour éviter de l'endommager.
- Éloignez-le des surfaces brûlantes et des flammes nues.
- N'utilisez pas de cordon prolongateur avec l'appareil.
- N'utilisez jamais l'appareil si le câble d'alimentation ou l'appareil lui-même est endommagé.
- N'ouvrez en aucun cas l'appareil. Aucune réclamation au titre de la garantie ne sera acceptée pour les dégâts résultants d'une manipulation incorrecte.
- Veuillez toujours garder l'appareil ainsi que son cordon d'alimentation hors de portée des enfants âgés de moins de 8 ans.
- Cet appareil peut être utilisé par les personnes dont les capacités physiques, sensorielles ou mentales sont réduites ou qui manquent d'expérience et de connaissances, à condition qu'elles soient supervisées ou qu'elles aient reçu les consignes concernant l'utilisation sûre de l'appareil et assimilé les dangers encourus. Les enfants ne doivent pas jouer avec l'appareil.
- Les travaux d'entretien et de nettoyage ne doivent pas être effectués par des enfants.
- Cet appareil ne peut pas être utilisé par les enfants.

1 Sécurité et installation

- Ne laissez pas l'appareil sans surveillance lorsque vous l'utilisez. Nous vous recommandons la plus grande prudence lorsque l'appareil est utilisé à proximité d'enfants et de personnes présentant des capacités physiques, sensorielles ou mentales limitées.
- Avant la première utilisation de l'appareil, nettoyez soigneusement tous les éléments qui seront en contact avec les aliments. Reportez-vous aux renseignements fournis dans la rubrique « Nettoyage et entretien ».
- Ne faites jamais fonctionner, ni n'installez aucun composant de cet appareil au-dessus ou à proximité de surfaces chaudes comme celles du brûleur à gaz, de la plaque chauffante ou du four chaud.
- N'utilisez pas l'appareil pour un autre usage que celui pour lequel il a été prévu.
- Ne jamais utiliser l'appareil à proximité de combustibles, de matières ou de lieux inflammables.
- Faites fonctionner l'appareil uniquement avec les éléments fournis.
- Évitez d'utiliser l'appareil avec des mains mouillées ou humides.
- Utilisez toujours l'appareil sur une surface stable, plate, propre, sèche et non glissante.
- Assurez-vous qu'il n'y a aucun danger de tension accidentelle sur le câble d'alimentation ou que quelqu'un puisse se prendre les pieds dedans lorsque l'appareil est en marche.
- Placez l'appareil de manière à ce que la prise soit toujours accessible.

1 Sécurité et installation

- Ses lames sont très coupantes. Manipulez les lames de l'appareil avec le plus grand soin pour éviter de vous blesser, surtout lorsque vous les enlevez de l'appareil pour les nettoyer.
- N'utilisez pas l'appareil si les lames sont endommagées ou affichent des signes d'usure.
- Ne nettoyez jamais l'appareil avec vos mains nues.
- Ne jamais essayer d'utiliser l'appareil sans son couvercle.
- N'essayez pas d'enlever le couvercle si les lames n'ont pas complètement arrêté de tourner.
- Vous pouvez utiliser la spatule pour extraire les ingrédients du récipient plastique. Pour ce faire, l'appareil doit être éteint.
- N'allumez jamais l'appareil plus longtemps que nécessaire pour le traitement des aliments.
- Retirez les os et les cailloux des aliments pour éviter d'endommager les lames et l'appareil.
- Cet appareil n'est conçu que pour des courtes durées d'utilisation et doit être utilisé en continu pendant maximum de une minute. Après utilisation, laissez l'appareil rafraîchir suffisamment.
- Éteignez l'appareil et débranchez-le du secteur avant d'en changer les accessoires ou d'approcher les pièces en fonctionnement.

1 Sécurité et installation

1.1 Conformité avec la directive DEEE et mise au rebut des déchets :

Ce produit est conforme à la directive DEEE (2012/19/UE) de l'Union européenne). Ce produit porte un symbole de classification pour la mise au rebut des équipements électriques et électroniques (DEEE).



Le présent produit a été fabriqué avec des pièces et du matériel de qualité supérieure susceptibles d'être réutilisés et adaptés au recyclage. Par conséquent, nous vous conseillons de ne pas

le mettre au rebut avec les ordures ménagères et d'autres déchets à la fin de sa durée de vie. Au contraire, rendez-vous dans un point de collecte pour le recyclage de tout matériel électrique et électronique. Veuillez vous rapprocher des autorités de votre localité pour plus d'informations concernant le point de collecte le plus proche.

1.2 Conformité avec la directive LdSD :

L'appareil que vous avez acheté est conforme à la directive LdSD (2011/65/UE) de l'Union européenne. Il ne comporte pas les matériels dangereux et interdits mentionnés dans la directive.

1.3 Information sur l'emballage



L'emballage du produit est composé de matériaux recyclables, conformément à notre réglementation nationale. Ne jetez pas les éléments d'emballage avec

les déchets domestiques et autres déchets. Déposez-les dans un des points de collecte d'éléments d'emballage que vous indiquera l'autorité locale dont vous dépendez.

2 Compact Smoothie Maker

2.1 Vue d'ensemble



2 Compact Smoothie Maker

1. Récipient (x2)
2. Lame du hachoir
3. Logement du moteur
4. Bouton « Faible vitesse I »
5. Bouton « Vitesse élevée II »
6. Pieds antidérapants
7. Bobine de câble
8. Couvercle

2.2 Données techniques

Alimentation : 220-240 V~, 50/60 Hz

Puissance : 350 W

Modifications relatives à la technique et à la conception réservées.

The values which are declared in the markings affixed on your appliance or the other printed documents supplied with it represent the values which were obtained in the laboratories pursuant to the pertinent standards. These values may vary according to the usage of the appliance and ambient conditions.

3 Fonctionnement

3.1 Préparation



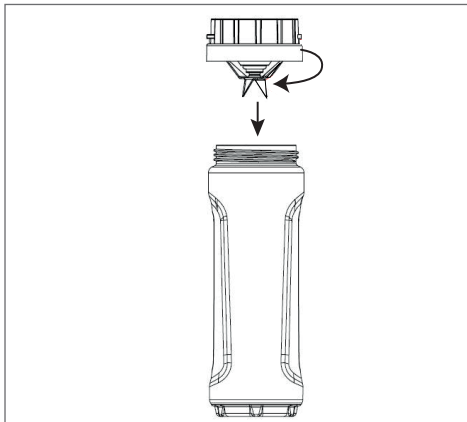
ATTENTION : Éteignez l'appareil et débranchez-le du secteur avant d'en changer les accessoires ou d'approcher les pièces en fonctionnement.

1. Retirez les emballages et autocollants avant de les jeter selon les lois en vigueur.
2. Enlevez l'unité entière de l'emplacement du moteur (3) et placez-le sur une surface plane, par exemple un plan de travail de cuisine.

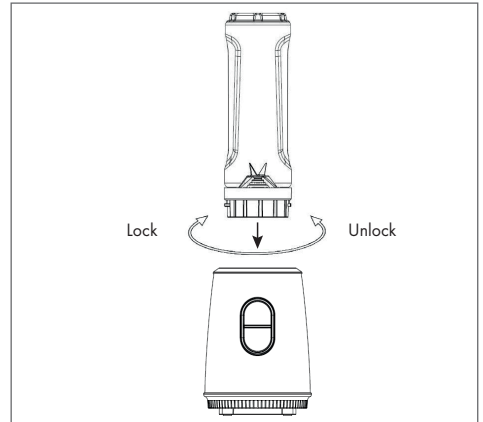


ATTENTION : Car, les lames sont très coupantes. Manipulez les lames de l'appareil avec le plus grand soin pour éviter de vous blesser, surtout lorsque vous les enlevez de l'appareil pour les nettoyer.

3. Nettoyez tous les composants, à l'exception de l'emplacement du moteur (3), comme décrit dans "Nettoyage et entretien".
4. Réassemblez ensuite le blender dans l'ordre inverse.
5. Insérez l'unité de lame de hachoir (2) dans le bol mélangeur en la faisant tourner dans le sens horaire. Le sens de la flèche marquée « Lock » se trouve dans la partie inférieure de l'unité de lame de hachoir (2).



6. Introduisez le bol mélangeur (1) dans le boîtier du moteur (3). Verrouillez le bol mélangeur (1) dans le sens horaire selon l'indication de la flèche marquée « Lock » sur le boîtier du moteur (3).
7. Pour retirer le bol mélangeur (1), tournez-le dans le sens antihoraire.



Veillez à ce que les encoches qui se trouvent sous récipient (1) épousent les contours de celles qui sont situées dans le bloc moteur (3).

8. Coupez les aliments en petits morceaux avant d'utiliser l'appareil.

3.2 Mixage

1. Placez l'appareil sur une surface sèche et égale. Les pieds anti-dérapants (6) assurent la stabilité de l'appareil.
2. Assurez-vous que le câble d'alimentation est déconnecté de la pris.
3. Ôter le récipient (1) du logement du moteur (3); pour ce faire, tourner le récipient (1) dans le sens antihoraire et le tirer vers le haut; ouvrir le lame du hachoir (2).

3 Fonctionnement

4. Mettez maintenant les ingrédients à mixer dans récipient (1). Les ingrédients doivent être d'environ 2-5 cm de long.



Ajoutez de l'eau ou du lait pour garantir que le blender fonctionne en douceur.



Mélangez 3 unités d'aliments durs et 2 unités d'eau, afin que le mixage se passe sans anicroches. (ex. : 60 g d'aliments durs et 40 ml d'eau)



ATTENTION: Ne mettez pas ni ne mixez d'aliments chauds ou liquides dans récipient (1). Si vous traitez de la soupe, veillez à ce que la température du liquide n'excède pas 40°C.



ATTENTION: Ne laissez jamais le blender fonctionner à vide (sans nourriture).



ATTENTION: Ne laissez jamais fonctionner le mixer sans que récipient (1) soit placé sur l'unité moteur (3).

5. Fermez le bol mélangeur (1) avec la lame du hachoir (2).

6. Placez le bol mélangeur (1) dans le boîtier du moteur (3) en position verticale de sorte que la lame du hachoir (2) soit tournée vers le bas.



ATTENTION: Ne tournez jamais ni de faites tourner récipient (1) une fois qu'il est bien inséré à sa place.

7. Branchez la prise à une source d'alimentation adaptée.

8. Appuyer sur la vitesse de coupe souhaitée (4) ou (5).



Pour faire fonctionner le blender à faible vitesse, tournez la commande (4) sur "I".



Pour mélanger à haute vitesse, appuyer sur le régulateur de vitesse (5) jusqu'à "II".



ATTENTION: Ne faites jamais fonctionner le blender pendant plus de une minute, sinon il connaîtra une surchauffe.



ATTENTION: Après l'avoir fait fonctionner pendant une minute, laissez l'appareil se refroidir avant de l'utiliser à nouveau.



ATTENTION: Veillez à ce que le moteur soit éteint et complètement à l'arrêt avant de sortir récipient (1) du bloc moteur (3).



ATTENTION: Ne placez aucun ustensile (grattoir, fourchette, etc.) dans récipient (1) pendant que fonctionne le blender.

9. Débranchez le câble de la prise.

10. Ôter le récipient (1) du logement du moteur (3); pour y parvenir tourner le récipient (1) dans le sens anti-horaire.

11. Enlevez la lame du hachoir (2) en la tournant dans le sens antihoraire. Fixez ensuite le couvercle du bocal (8) sur le bol mélangeur (1).

3 Fonctionnement

3.4 Quantités maximales et durée de traitement

- Pour les quantités maximales et la durée de traitement, se reporter au tableau.

Ingrédient	Quantité maximale	Durée de traitement
Fruits	100 à 200 g	20 - 30 Secondes
Jus de fruit	100 à 200 g Fruit de + Eau (en option)	20 - 30 Secondes
Lait frappé	100 g Fruit de + Lait de 300 ml	20 - 30 Secondes

3.5 Conseils pour le mixage

- Lorsque vous écrasez des aliments solides comme des légumes crus, la viande crue ou cuite et les fruits, coupez-les toujours en morceaux longs de 2 à 5 cm avant de les mettre dans récipient (1). N'écrasez pas plus de 2 verres de ces aliments à la fois. Cette précaution vise à accélérer le processus de mixage et à réduire les risques d'usure des lames.
- Pensez toujours à mettre les ingrédients liquides d'abord dans récipient (1), à moins qu'une recette n'exige expressément de procéder autrement.
- Pour écraser des boissons, mettez d'abord tous les ingrédients dans récipient (1).
- Éviter tout mixage excessif. En général, il suffit de mixer pendant quelques secondes.
- Un mixage excessif peut transformer les aliments en bouillie.

4 Informations

4.1 Nettoyage et entretien



ATTENTION: N'utilisez jamais d'essence, de solvants ou de nettoyants abrasifs, d'objets métalliques ou de brosses dures pour nettoyer l'appareil.



ATTENTION: Les lames de l'unité coupante sont très tranchantes! Manipulez-les avec le plus grand soin, pour éviter de vous blesser.



ATTENTION: Ne nettoyez jamais l'appareil avec vos mains nues.



ATTENTION: Nettoyez le blender après chaque utilisation. Ne laissez pas de restes de nourritures durcir sur ou à l'intérieur du blender. Cela le rendra plus difficile à nettoyer après.



ATTENTION: N'utilisez pas de l'eau chaude. Les roulements du bloc de lames ont été fabriqués avec un lubrifiant à vie ; toute exposition à de l'eau chaude peut endommager ces roulements et réduire la durée de vie du blender.

1. Éteignez l'appareil et débranchez le câble d'alimentation de la prise murale.
2. Laissez refroidir l'appareil.
3. Retirez récipient (1) du bloc moteur (3). Rincez à l'eau afin de retirer les grosses particules d'aliments accumulées dans récipient (1).
4. Remplacez récipient (1) sur le bloc moteur (3).
5. Placez 1 verre à 1 ½ d'eau tiède avec quelques gouttes de détergent doux dans récipient (1) et passez à la vitesse "I" pendant quelques secondes. Retirez récipient (1) du bloc moteur (3) et rincez-le à l'eau. Au besoin, reprenez cette procédure.



Évitez de plonger le socle contenant le moteur ou les lames dans un liquide ou de les placer dans le lave-vaisselle. Seuls le couvercle (8) et récipient (1) peuvent être immergés et introduits dans le lave-vaisselle.

6. Utilisez un chiffon doux et humide pour nettoyer la partie externe de l'appareil.
7. Essuyez le logement du moteur (3), lame du hachoir (2) et le couvercle (8) à l'aide d'un chiffon libre, avant le prochain usage.

4.2 Rangement

1. Veuillez conserver soigneusement votre appareil si vous ne comptez pas l'utiliser pendant une période prolongée.
2. Veillez également à ce qu'il soit débranché et entièrement sec.
3. Évitez d'entourer le câble d'alimentation autour de l'appareil. Enrouler le cordon d'alimentation sous le bloc moteur.
4. Conservez-le dans un endroit frais et sec.
5. Assurez-vous de tenir l'appareil hors de portée des enfants.

4.3 Manipulation et transport

- Pendant la manipulation et le transport, portez toujours l'appareil dans son emballage d'origine. L'emballage de l'appareil le protège des dommages physiques.
- Ne placez pas de charge lourde sur l'appareil ou sur l'emballage. Cela pourrait l'endommager.
- Toute chute de l'appareil peut le rendre non opérationnel ou l'endommager de façon permanente.

Lütfen önce bu kılavuzu okuyun!

Değerli Müşterimiz,

Beko ürününü tercih ettiğiniz için teşekkür ederiz. Yüksek kalite ve teknoloji ile üretilmiş olan ürününüzün size en iyi verimi sunmasını istiyoruz. Bunun için, bu kılavuzun tamamını ve verilen diğer belgeleri ürünü kullanmadan önce dikkatle okuyun ve bir başvuru kaynağı olarak saklayın. Ürünü başka birisine vererseniz, kullanma kılavuzunu da birlikte verin. Kullanma kılavuzunda belirtilen tüm bilgi ve uyarıları dikkate alarak talimatlara uyun.


Sembollerin anlamları

Bu kullanma kılavuzunun çeşitli kısımlarında aşağıdaki semboller kullanılmıştır:

	Cihazın kullanımıyla ilgili önemli bilgiler ve faydalı tavsiyeler.
--	--

	UYARI: Can ve mal güvenliğiyle ilgili tehlikeli durumlar konusunda uyarılar.
--	---

	Gıda ile temasa uygundur.
---	---------------------------

	Cihazı, elektrik kablosunu veya elektrik fişini suya ya da diğer sıvılara batırmayın.
--	---

	Elektrik çarpmasına karşı koruma sınıfı.
---	--



Bu ürün, çevreye saygılı modern tesislerde doğaya zarar vermeden üretilmiştir.

1 Önemli güvenlik ve çevre talimatları

Bu bölümde, yaralanma ya da maddi hasar tehlikelerini önlemeye yardımcı olacak güvenlik talimatları yer almaktadır.

Bu talimatlara uyulmaması halinde her türlü garanti geçersiz hale gelir.

1.1 Genel güvenlik

- Bu cihaz özel, ev kullanımı için tasarlanmıştır.
- Bıçaklar oldukça keskindir! Yaralanmaları önlemek için özellikle taşıma veya temizlik işlemi esnasında keskin bıçakı dikkatli şekilde tutun.
- Tip plakası üzerinde belirtilen şebeke geriliminin yerel şebeke gerilimiyle uyumlu olup olmadığını kontrol edin. Cihazın elektrik bağlantısını kesmenin tek yolu fişini duvardaki prizden çıkarmaktır.
- Bu cihaz, ilave koruma için azami 30 mA'lık ev tipi bir kaçak akım koruma sigortasına bağlanmış olmalıdır. Öneri için bir elektrik teknisyenine danışın.

- Motor ünitesini, elektrik kablosunu veya elektrik fişini suya ya da diğer sıvılara batırmayın. Suyun altına tutmayın. Sadece kapak ve plastik haznesi suyla ve bulaşık makinesinde bulaşık deterjanıyla güvenli bir şekilde temizlenebilir.
- Cihazı kullandıktan sonra, temizlemeden önce veya odadan çıkarken ve bir arıza olduğunda fişini çıkartın. Cihazın fişini kablosundan çekerek çıkarmayın.
- Zarar görmemesi için elektrik kablosunu sıkıştırıp bükmeyin ve keskin köşelere sürtmeyin.
- Kabloyu sıcak yüzeylerden ve açık alevden uzak tutun.
- Cihazla birlikte bir uzatma kablosu kullanmayın.
- Elektrik kablosu veya cihaz hasarlıysa cihazı asla kullanmayın.

1 Önemli güvenlik ve çevre talimatları

- Kesinlikle cihazı parçalarına ayırmayın. Hatalı kullanımın neden olduğu hasar için hiçbir garanti talebi kabul edilmez.
- Cihaz ve kablosunu her zaman çocukların ulaşamayacağı bir yerde muhafaza edin.
- Cihazın kısıtlı fiziksel, duyuşal, zihinsel kapasiteye sahip olan ya da bilgi ve deneyime sahip olmayan kişiler tarafından kullanılabilmesi için gözetim altında olmaları veya cihazın güvenli kullanımı ile ilgili talimatları ve tehlikeleri anlamaları gerekir.
- Bu cihaz çocuklar tarafından kullanılamaz.
- Temizlik ve kullanıcı bakım işlemleri çocuklar tarafından yapılmamalıdır.
- Kullanımda olduđu zaman cihazı gözetimsiz bırakmayın. Cihaz çocukların ve sınırlı fiziksel, duyuşal ya da zihinsel kapasiteye sahip insanların yakınında kullanıldığında son derece dikkatli olunması tavsiye edilir.
- Cihazı ilk kez kullanmadan önce gıdalarla temas eden tüm parçaları dikkatli şekilde temizleyin. Lütfen “Temizlik ve Bakım” bölümündeki ayrıntılara bakın.
- Asla cihazın herhangi bir parçasını gazlı ocak, elektrikli ocak veya ısınmış fırın gibi sıcak yüzlerin üzerinde veya yanında çalıştırmayın veya bunların üstüne koymayın.
- Cihazı, kullanım amacının dışında hiçbir amaç için kullanmayın.
- Cihazı asla parlayıcı veya yanıcı ortamların ve maddelerin bulunduğu yerde veya yakınında kullanmayın.

1 Önemli güvenlik ve çevre talimatları

- Cihazı sadece beraberinde verilen parçalarıyla birlikte çalıştırın.
- Cihazı elleriniz ıslak veya nemliyken kullanmayın.
- Cihazı daima dengeli, düz, temiz, kuru ve kaymayan bir yüzey üzerinde kullanın.
- Cihazın kullanımı esnasında elektrik kablosunun yanlışlıkla çekilmesi veya birinin kabloya takılma tehlikesinin olmadığından emin olun.
- Cihazı, elektrik fişine her zaman ulaşılabilir şekilde yerleştirin.
- Bıçak ünitesi çok keskindir! Yaralanmaları önlemek için özellikle temizlik işlemi esnasında bıçak ünitesini dikkatli bir şekilde tutun.
- Bıçak ünitesi hasar görmüşse veya aşınma belirtileri mevcutsa cihazı kullanmayın.
- Asla cihazı çıplak ellerle temizlemeyin.
- Cihazı kapağı olmadan asla kullanmaya çalışmayın.
- Bıçaklar tamamen durmadan önce kapağı çıkarmayı kesinlikle denemeyin.
- Plastik haznedeki artıkları çıkarmak için bir spatula kullanılabilir. Bunu yapmadan önce cihaz kapatılmalıdır.
- Cihazı asla yiyeceği işlemden geçirmek için gerekenden daha uzun süre çalıştırmayın.
- Bıçak ünitesi ve cihazın zarar görmesini önlemek için gıdalardan kemikleri ve çekirdekleri çıkarın.
- Bu cihaz, kısa süreli kullanımlar için tasarlanmıştır ve kesintisiz olarak en fazla 1 dakika çalıştırılmalıdır. Kullandıktan sonra cihazın yeterli derecede soğumasını bekleyin.
- Cihazla buz küplerini kırmayın.
- Aksesuarları değiştirmeden veya kullanım halinde hareket eden parçalara yaklaşmadan önce cihazı kapatın ve fişini prizden çekin.

1 Önemli güvenlik ve çevre talimatları

1.2 AEEE yönetmeliğine uyum ve atık ürünün elden çıkarılması



Bu ürün, T.C. Çevre ve Şehircilik Bakanlığı tarafından yayımlanan "Atık Elektrikli ve Elektronik Eşyaların Kontrolü Yönetmeliği"nde belirtilen zararlı ve yasaklı maddeleri içermez. AEEE

Yönetmeliğine uygundur. Bu ürün, geri dönüşümlü ve tekrar kullanılabilir nitelikteki yüksek kaliteli parça ve malzemelerden üretilmiştir. Bu nedenle, ürünü, hizmet ömrünün sonunda evsel veya diğer atıklarla birlikte atmayın. Elektrikli ve elektronik cihazların geri dönüşümü için bir toplama noktasına götürün. Bu toplama noktalarını bölgenizdeki yerel yönetime sorun. Kullanılmış ürünleri geri kazanıma vererek çevrenin ve doğal kaynakların korunmasına yardımcı olun.

1.3 Ambalaj bilgisi



Ürünün ambalajı, Ulusal Mevzuatımız gereği geri dönüştürülebilir malzemelerden üretilmiştir. Ambalaj atığını evsel veya diğer atıklarla birlikte atmayın, yerel otoritenin belirttiği ambalaj toplama noktalarına atın.

1.4 Enerji tasarrufu için yapılması gerekenler

Katı gıdaları cihaza eklemeyen önce, kılavuzda belirtildiği gibi küçük parçalar halinde kesin. Kılavuzda belirtilen diğer talimatlara ve sürelere uyun. Hazırlanacak gıda için uygunsa düşük hız kademelerini seçin. Kullanımdan sonra cihazı kapatın ve fişini prizden çekin.

2 Blenderınız

2.1 Genel bakış



2 Blenderınız

1. Hazne (x2)
2. Parçalama bıçağı
3. Motor gövdesi
4. Yavaş hız düğmesi I
5. Yüksek hız düğmesi II
6. Kaymaz taban
7. Kablo sarma yeri
8. Kapak

2.2 Teknik veriler

Gerilim: 220 - 240V~, 50/60 Hz

Güç: 350 W

Teknik ve tasarım değişiklikleri yapma hakkı saklıdır.

Ürününüz üzerinde bulunan işaretlemelerde veya ürünle birlikte verilen diğer basılı dökümanlarda beyan edilen değerler, ilgili standartlara göre laboratuvar ortamında elde edilen değerlerdir. Bu değerler, ürünün kullanım ve ortam şartlarına göre değişebilir.

3 Kullanım

3.1 Hazırlık



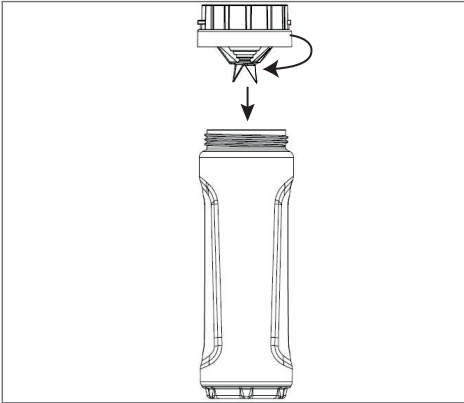
UYARI: Aksesuarları değiştirmeden veya kullanım halinde hareket eden parçalara yaklaşımadan önce cihazı kapatın ve fişini prizden çekin.

1. Tüm ambalaj ve etiket malzemelerini çıkarın ve yürürlükteki yasal düzenlemelere uygun olarak atın.
2. Cihazın tamamını motor gövdesinden (3) çıkarın ve mutfak tezgahı gibi düz bir zemine koyun.

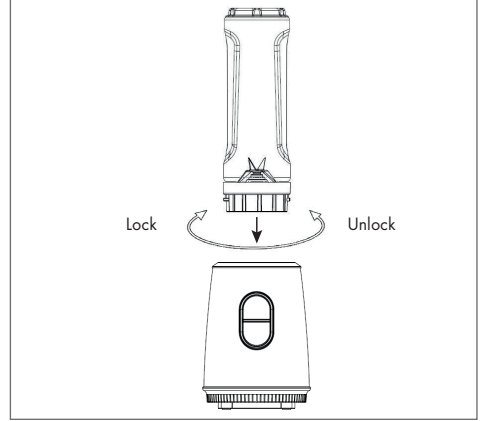


UYARI: Bıçak ünitesi (2) çok keskindir! Yaralanmaları önlemek için özellikle temizlik işlemi esnasında bıçak ünitesini dikkatli bir şekilde tutun.

3. "Temizlik ve Bakım" bölümünde tarif edildiği şekilde motor gövdesi (3) haricindeki tüm parçaları temizleyin.
4. Şimdi de işlemleri tersinden uygulayarak hazneli blender'ın parçalarını birleştirin.
5. Parçalama bıçağını (2) saat yönünde çevirerek hazneye (1) takın. Parçalama bıçağının (2) altında kilitleme yönünü gösteren ok işaretini görebilirsiniz.



6. Hazneyi (1) motor gövdesi (3) üzerine yerleştirin. Hazneyi (1) motor gövdesi (3) üzerinde bulunan kilitlemeyi gösteren ok yönünde (saat yönünde) çevirerek kitleyin.
7. Hazneyi (1), çıkarmak için saat yönünün tersine çevirin.



Haznenin (1) altındaki çentiklerin motor ünitesinin (3) içindekilerle iç içe gelmesine dikkat edin.

8. Cihazı kullanmadan önce gıdaları küçük parçalar halinde kesin.

3.2 Karıştırma

1. Cihazı düz ve kuru bir zemine koyun. Kaydırmaz ayaklar (6) cihazın dengede durmasını sağlar.
2. Cihazın elektrik kablosunun prizden çıkarıldığından emin olun.
3. Hazneyi (1) motor gövdesinden (3) çıkartın; bunu yapmak için Hazneyi (1) saat yönünün tersine çevirip yukarı doğru kaldırın, parçalama bıçağını (2) saat yönünün tersine çevirin ve açın.
4. Şimdi karıştırılacak olan malzemeleri Haznenin (1) içerisine koyun. Malzemeler en fazla 2-5 cm uzunluğunda olmalıdır.

3 Kullanım



Hazneli blender'ın sorunsuz çalışmasını sağlamak için su veya malzeme-ye göre süt ekleyin.



Sarsıntısız bir hazneli blender deneyimi için 3 ölçek sert gıdaya 2 ölçek su ilave edin. (yani: 60 gr sert gıda için 40 ml su)



UYARI: Hazneye (1) sıcak gıda veya sıvı koymayın veya hazne- de bu tür yiyecekler karıştırmayın. Çorba işleyecekseniz sıvı sıcaklığının 40°C'yi geçmediğinden emin olun.



UYARI: Hazneli blender'ı asla içi boş (yiyecek olmadan) çalıştırmayın.



UYARI: Hazne (1) motor ünitesi (3) üzerinde değilse hazneli blender'ı kesinlikle çalıştırmayın.

- Hazneyi (1), parçalama bıçağı (2) ile kapatın.
- Hazneyi (1), parçalama bıçağı (2) aşağı gelecek bir şekilde motor ünitesinin (3) üzerine dik bir şekilde yerleştirin.



UYARI: Hazneyi (1) düzgün bir şekilde oturtuktan sonra kesinlikle hareket ettirmeyin veya çevirmeyin.

- Elektrik fişini uygun bir elektrik prizine takın.
- Gereken kesme devri düğmesine (4) veya (5) basın.



Blenderi düşük hızda çalıştırmak için yavaş hız düğmesine (4) "I"e basın.



Yüksek hızda karıştırmak için yüksek hız düğmesine (5) "II"e basın.



UYARI: Blenderi asla 1 dakikadan uzun bir süre çalıştırmayın, aksi takdirde aşırı ısınır.



UYARI: Cihaz 1 dakika boyunca çalıştıktan sonra tekrar kullanmadan önce soğumasını bekleyin.



UYARI: Hazneyi (1) motor ünitesinden (3) çıkarmadan önce cihazın kapalı olduğundan ve motorun tamamen durduğundan emin olun.



UYARI: Blender çalışırken hazneye (1) mutfak aletlerini (kazıyıcı, çatal, vb) yerleştirmeyin.

- Elektrik fişini prizden çekin.
- Hazneyi (1) motor bölmesinden (3) çıkartın; bu işlemi hazneyi (1) saat yönünün tersine döndürerek gerçekleştirin.
- Parçalama bıçağı (2) saat yönünün tersine çevirerek açın ve kavanoz kapağını (8), hazneye takın (1).

3.3 Maksimum miktarlar ve işlem süresi

- Maksimum miktarlar ve işlem süresiyle ilgili tabloya bakın.

Malzeme	Maksimum miktar	İşlem Süresi
Meyveler	100 - 200 g	20-30 Saniye
Meyve suyu	100-200g Meyve + Su (İsteğe bağlı)	20-30 Saniye
Milkshake	100g Obst + 300ml Süt	20-30 Saniye

3.4 Karıştırma için ipuçları

- Çiğ sebzeler, pişmiş veya pişmemiş etler ve meyveler gibi katı gıdaları karıştırırken hazneye (1) yerleştirmeden önce bunları her zaman için 2-5 cm boyutunda parçalar halinde kesin. Bu gıdaları tek seferde 2 ölçekten fazla karıştırmayın. Bu şekilde karıştırma işlemi hızlanır ve blender bıçaklarındaki aşınma azalır.
- Aksi yemek tarifinde açıkça belirtilmedikçe her zaman hazneye (1) önce sıvı malzemeyi ekleyin.
- İçecek karıştırmak için tüm malzemeyi hazneye (1) aynı anda ekleyin.
- Aşırı karıştırmaktan kaçının. Genellikle bir kaç saniye karıştırmanız yeterli olacaktır.
- Aşırı karıştırma yiyecekleri pelte haline getirir.

4 Temizlik ve bakım

4.1 Temizleme ve bakım



UYARI: Cihazı temizlemek için kesinlikle benzin, solventler, aşındırıcı temizleyiciler, metal nesnelere veya sert fırçalar kullanmayın.



UYARI: Parçalama bıçakları (2) keskindir! Yaralanmaları önlemek için bıçakları dikkatli şekilde tutun.



UYARI: Asla cihazı çıplak ellerle temizlemeyin.



UYARI: Her kullanım sonrasında hazneli blender'ı temizleyin. Herhangi bir yiyecek artığının blender'ın üzerinde veya içerisinde donmasına/katılaşmasına izin vermeyin. Daha sonra temizlemesi daha zor olacaktır.



UYARI: Kaynar su kullanmayın. Bıçak grubunun yataklarında ömür boyu dayanacak bir yağlama özelliği bulunmaktadır; kaynar su kullanmak bu yataklara zarar verip blenderin ömrünü kısaltabilir.

1. Cihazı kapatın ve fişini prizden çıkartın.
2. Cihazın soğumasını bekleyin.
3. Hazneyi (1) motor ünitesinden (3) çıkarın. Haznede birikebilecek büyük gıda artıklarını temizlemek için suyla durulayın.
4. Hazneyi (1) motor ünitesine (3) geri yerleştirin.
5. Hazneye (1) 1 ila 1 ½ ölçek ılık su ve birkaç damla yumuşak deterjan ekleyin ve birkaç saniyelikğine "II" (5) hızında çalıştırın. Hazneyi motor ünitesinden çıkartın ve suyla durulayın. Gerekliyse tekrar edin.



Motorlu taban ünitesini veya parçalama bıçağı (2) su veya sıvı içine daldırmayın veya bulaşık makinesinde yıkamayın. Sadece kavanoz kapağı (8) ve haznesi (1) suya daldırılabilir ve bulaşık makinesinde yıkanabilir.

6. Cihazın dış kısmını temizlemek için nemli ve yumuşak bir bez ve az miktarda yumuşak bir temizleme maddesi kullanın.
7. Cihazı bir sonraki kullanımdan önce blender tabanını, bıçağını (2) lif bırakmayan bir bezle silin.

4.2 Saklama

- Cihazı uzun süre kullanmayı düşünmüyorsanız, dikkatli bir şekilde saklayın.
- Cihazı kaldırmadan önce fişini prizden çekin.
- Cihazı serin ve kuru bir yerde saklayın.
- Cihazı ve kablosunu, çocukların ulaşamayacağı bir yerde muhafaza edin.

4.3 Taşıma ve nakliye

- Taşıma ve nakliye sırasında cihazı orijinal ambalajı ile birlikte taşıyın. Cihazın ambalajı, cihazı fiziksel hasarlara karşı koruyacaktır.
- Cihazın veya ambalajının üzerine ağır cisimler koymayın. Cihaz zarar görebilir.
- Cihazın düşürülmesi durumunda cihaz çalışmayabilir veya kalıcı hasar oluşabilir.


Por favor, ¡lea este manual de usuario primero!


Estimados clientes,

Gracias por escoger un producto Beko. Esperamos que obtenga los mejores resultados de nuestro producto, que ha sido fabricado con gran calidad y con tecnología de vanguardia. Por tanto, le aconsejamos que lea este manual de usuario con atención y todos los demás documentos adjuntos antes de utilizar el aparato y que lo guarde para futuras consultas. Si va a entregar este aparato a otra persona, proporciónese también el manual del usuario. Siga todas las advertencias e instrucciones incluidas en este manual de usuario.

Significado de los símbolos

Los símbolos siguientes se usan en las diversas secciones del presente manual:

	Información importante y consejos útiles sobre su uso.
--	--

	ADVERTENCIA: Advertencias de situaciones peligrosas sobre la seguridad de las personas y la propiedad.
--	---

	Los materiales están diseñados para estar en contacto con la comida.
--	--

	No sumerja el aparato, el cable eléctrico o el enchufe en agua ni en ningún otro líquido.
--	---

	Cristal de protección contra descargas eléctricas.
---	--



Este aparato ha sido fabricado en unas instalaciones respetuosas con el medio ambiente y en instalaciones de vanguardia.

Cumple con la Directiva RAEE.



No contiene policlorobifenilos (PCV).
País de origen: P.R.C.

Instrucciones importantes para la seguridad y el medio ambiente

Lea este manual de instrucciones detenidamente antes de utilizar el aparato. Siga todas las instrucciones de seguridad para evitar daños debidos a un uso indebido.

Guarde el manual de instrucciones como referencia para el futuro. Si le entrega el aparato a un tercero, incluya también el presente manual de instrucciones.

- Este aparato está diseñado exclusivamente para uso doméstico.
- Las cuchillas están muy afiladas. Para evitar lesiones, manéjelas con el máximo cuidado, sobre todo cuando las retire y las limpie.
- Compruebe que la tensión indicada en la placa de datos se corresponda con la de la red de alimentación de su domicilio. La única manera de desconectar el aparato de la red de alimentación eléctrica consiste en desenchufarlo de la toma de la pared.
- Para una mayor protección, conecte el aparato intercalando un fusible diferencial doméstico cuya corriente de disparo sea de 30 mA como máximo. Consulte a un electricista.
- No sumerja el alojamiento del motor, el cable eléctrico o el enchufe en agua ni en ningún otro líquido. Tampoco ponga dichos elementos bajo un chorro de agua. Solo la tapa y el contenedor plástico pueden lavarse sin problemas con agua y jabón en el lavavajillas.

1

Instrucciones importantes para la seguridad y el medio ambiente

- Desconecte el cable de corriente tras utilizar el aparato, antes de limpiarlo, antes de salir de la estancia en la que se encuentre o en caso de avería. No desconecte el enchufe tirando del cable.
- No aplaste ni doble el cable de alimentación, ni deje que roce en bordes afilados para evitar cualquier daño.
- Mantenga el cable de corriente alejado de superficies calientes y llamas abiertas.
- No utilice cables alargadores para conectar el aparato.
- No utilice jamás el aparato si observa daños en él o en el cable de corriente.
- No desmonte el aparato bajo ninguna circunstancia. No se admitirá reclamación de garantía alguna por daños causados por un manejo inadecuado.
- Mantenga siempre el electrodoméstico y el cable fuera del alcance de los niños.
- Cet appareil peut être utilisé par les personnes dont les capacités physiques, sensorielles ou mentales sont réduites ou qui manquent d'expérience et de connaissances, à condition qu'elles soient supervisées ou qu'elles aient reçu les consignes concernant l'utilisation sûre de l'appareil et assimilé les dangers encourus. Les enfants ne doivent pas jouer avec l'appareil.
- Les travaux d'entretien et de nettoyage ne doivent pas être effectués par des enfants.
- Cet appareil ne peut pas être utilisé par les enfants.

Instrucciones importantes para la seguridad y el medio ambiente

- Nunca deje el aparato desatendido mientras esté enchufado. Se recomienda la máxima precaución cuando utilice el aparato cerca de niños o personas con sus capacidades psíquicas, sensoriales o físicas limitadas.
- Antes de utilizar el aparato por primera vez, limpie bien todas las piezas que entren en contacto con los alimentos. Consulte la sección „Limpieza y cuidados“.
- No utilice este aparato ni coloque ninguna de sus piezas sobre superficies calientes tales como quemadores de gas, placas u hornos calientes, o cerca de ellas.
- No utilice el aparato para otros fines distintos de su uso previsto.
- No utilice el aparato en lugares con materiales u objetos combustibles o inflamables, o cerca de ellos.
- Nunca deje el aparato, sus accesorios, el cable de alimentación o el enchufe sobre superficies calientes tales como quemadores de gas o eléctricos o sobre superficies de horno calientes, y nunca lo use con alimentos calientes. Antes de usar el aparato, deje que los alimentos calientes se enfríen por debajo de los 80 °C como mínimo.
- Utilice el aparato solo con las piezas suministradas.
- No utilice el aparato con las manos mojadas o húmedas.
- Utilice el aparato sobre una superficie estable, plana, limpia y no deslizante.
- Asegúrese de que no exista peligro de que pueda tirarse accidentalmente del cable de corriente o de que alguien tropiece con él mientras el aparato esté en uso.

1

Instrucciones importantes para la seguridad y el medio ambiente

- Coloque siempre el aparato de forma que el enchufe quede a mano.
- La unidad de cuchillas está muy afilada. Para evitar lesiones, manéjela con el máximo cuidado, sobre todo durante la limpieza.
- No utilice el aparato si observa daños o signos de desgaste en la unidad de cuchillas.
- No limpie el aparato con las manos desnudas.
- Nunca trate de usar el aparato sin la tapa.
- No trate de retirar la tapa hasta que las cuchillas se hayan detenido completamente.
- Utilice siempre una espátula para retirar el contenido del contenedor plástico. Antes asegúrese de que el aparato esté apagado.
- No utilice el aparato durante más tiempo del necesario para la preparación de los alimentos.
- Retire las pipas y los huesos de los alimentos para evitar dañar la unidad de cuchillas y el propio aparato.
- Este aparato solo debe usarse durante periodos breves. No lo use de forma continua durante más de un minuto. Tras el uso, deje que el aparato se enfríe lo suficiente.
- Apague el aparato y desconéctelo de la alimentación antes de cambiar los accesorios o manipular alguna de las piezas en movimiento.

1

Instrucciones importantes para la seguridad y el medio ambiente

1.1 Conformidad con la normativa WEEE y eliminación del aparato al final de su vida útil:

Este producto es conforme con la directiva de la UE sobre residuos de aparatos eléctricos y electrónicos (WEEE) (2012/19/UE). Este producto incorpora el símbolo de la clasificación selectiva para los residuos de aparatos eléctricos y electrónicos (WEEE).



Este aparato se ha fabricado con piezas y materiales de primera calidad, que pueden ser reutilizados y son aptos para el reciclado. No se deshaga del producto junto con sus los residuos domésticos normales y de otros tipos al final de su vida útil. Llévelo a un centro de reciclaje de dispositivos eléctricos y electrónicos. Solicite a las autoridades locales información acerca de dichos centros de recogida.

1.2 Cumplimiento de la directiva RoHS:

El producto que ha adquirido es conforme con la directiva de la UE sobre la restricción de sustancias peligrosas (RoHS) (2011/65/UE). No contiene ninguno de los materiales nocivos o prohibidos especificados en la directiva.

1.3 Información de embalaje



El embalaje del producto está fabricado con material reciclable de acuerdo con las normativas nacionales sobre medio ambiente. No se deshaga del material de embalaje ni de los desechos domésticos o de otro tipo. Llévelos a los puntos de recogida de material de embalaje designados por las autoridades locales.

2 Compacto del fabricante del Smoothie

2.1 Información general



1. Contenedor (x2)
2. Cuchilla
3. Alojamiento del motor
4. Botón de baja velocidad I
5. Botón de alta velocidad II
6. Pies antideslizantes
7. Carrete del cable
8. Cubierta

2.2 Datos técnicos

Voltaje: 220-240 V~, 50/60 Hz

Consumo de potencia: 350 W

Queda reservado el derecho a realizar modificaciones técnicas y de diseño.

Los valores declarados en las etiquetas adosadas al aparato o indicados en los demás documentos impresos suministrados junto con él representan los valores obtenidos en los laboratorios de acuerdo con los estándares pertinentes. Estos valores pueden variar según el uso que se haga del aparato y de las condiciones ambientales.

3 Funcionamiento

3.1 Preparación



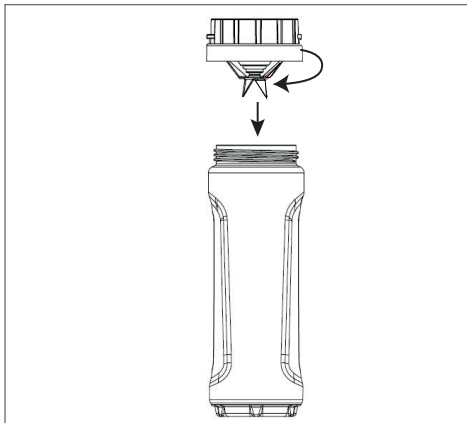
ADVERTENCIA: Apague el aparato y desconéctelo de la alimentación antes de cambiar los accesorios o manipular alguna de las piezas en movimiento.

1. Retire todos los materiales de embalaje y las etiquetas adhesivas, y deshágase de ellos según la legislación vigente al respecto.
2. Extraiga la unidad del alojamiento del motor (3) y colóquela sobre una superficie plana, por ejemplo la encimera de la cocina.

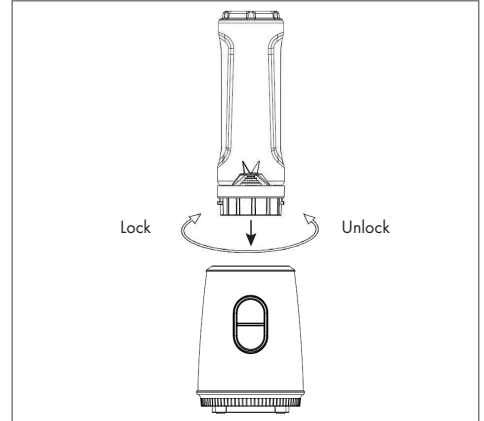


ADVERTENCIA: Coloque el aparato en una superficie uniforme y seca. Los pies antideslizantes (6) garantizan la estabilidad del aparato.

3. Limpie todas las piezas, con la excepción del alojamiento del motor (3), según se explica en la sección "Limpieza y cuidados".
4. A continuación, vuelva a montar la batidora de vaso siguiendo los pasos en orden inverso.
5. Introduzca la cuchilla de corte (2) en la jarra (1) girándola en el sentido de las agujas del reloj. Puede ver la dirección de la flecha de «fijación» en la parte inferior de la unidad de corte (2).



6. Coloque la jarra (1) en la carcasa de motor (3). Fije la jarra (1) en el sentido de las agujas del reloj según la flecha de «fijación» de la carcasa de motor (3).
7. Para soltar la jarra (1), gírela en dirección contraria a las agujas del reloj.



Asegúrese de que las muescas del fondo del vaso (1) coincidan con las del alojamiento del motor (3).

8. Corte los alimentos en trozos pequeños antes de usar el aparato.

3.2 Mezcla

1. Coloque el aparato en una superficie uniforme y seca. Los pies antideslizantes (6) garantizan la estabilidad del aparato.
2. Asegúrese de que el cable de corriente no esté conectado.
3. Elimine el contenedor (1) del alojamiento del motor (3); para hacerlo, gire el contenedor (1) en sentido antihorario y levante; abra la cuchilla (2).

3 Funcionamiento

4. A continuación, deposite en el contenedor (1) los ingredientes que desee batir. Los ingredientes deben alcanzar únicamente una altura de entre 2 y 5 cm aproximadamente.



Añada agua o leche para asegurarse de que la batidora de vaso obtenga unos resultados óptimos.



Mezcle 3 partes de alimentos sólidos y 2 partes de agua para obtener resultados homogéneos. (p. ej.: 60 g de alimentos sólidos y 40 ml de agua)



ADVERTENCIA: No deposite ni bata alimentos (sólidos o líquidos) calientes en el contenedor (1). Si está preparando sopa, asegúrese de que la temperatura del líquido no rebase los 40 °C.



ADVERTENCIA: No ponga en funcionamiento la batidora de vaso si este está vacío (sin alimentos),



ADVERTENCIA: No ponga en funcionamiento la batidora de vaso si el contenedor (1) no está colocado sobre el alojamiento del motor (3).

5. Cierre la reserva (1) con la cuchilla de corte (2).

6. Coloque la reserva (1) en la unidad de motor (3) en posición vertical de manera que la cuchilla de corte (2) quede hacia abajo.



ADVERTENCIA: Jamás desplace o haga girar el contenedor (1) una vez esté correctamente asentado en su sitio.

7. Conecte el enchufe a una toma de corriente adecuada.

8. Pulse la velocidad de cortado necesaria (4) o (5).



Para usar la batidora a velocidad lenta, sitúe el mando de control (4) en la posición "I".



Para mezclar a una alta velocidad, pulse el regulador de velocidad (5) en "II".



ADVERTENCIA: Jamás haga funcionar la batidora de forma continua durante más de 1 minuto, de lo contrario se recalientará.



ADVERTENCIA: Si usa el aparato durante más de 1 minuto, deje que se enfríe antes de volver a utilizarlo.



ADVERTENCIA: Asegúrese de que el motor esté apagado y se haya detenido por completo antes de retirar el contenedor (1) del alojamiento del motor (3).



ADVERTENCIA: No coloque ningún utensilio (rascador, tenedor, etc.) en el vaso de cristal mientras la batidora esté en funcionamiento.

9. Retire el enchufe de la toma de corriente.

10. Quite el contenedor (1) del alojamiento del motor (3); para hacerlo, gire el contenedor (1) en sentido antihorario.

11. Gire la cuchilla de corte (2) en el sentido contrario a las agujas del reloj para retirarla y fije la tapa de la jarra (8) en la jarra (1).

3 Funcionamiento

3.3 Cantidades máximas y tiempo de preparación

- Vea la tabla con las cantidades máximas y el tiempo de preparación.

Ingrediente	Cantidad máxima	Tiempo de preparación
Frutas	100 - 200 g de fruta + agua (opcional)	20 - 30 Segundos
Zumo de fruta	100 - 200 g de fruta + agua (opcional)	20 - 30 Segundos
Batido	100 g de fruta + 300 ml de leche	20 - 30 Segundos

3.4 Tipos de batido

- Cuando bata alimentos sólidos, como por ejemplo verduras crudas, carnes crudas o cocinadas y fruta, córtelos siempre en trozos de entre 2 y 5 cm como máximo antes de depositarlos en el contenedor (1). Bata el equivalente a 2 tazas de alimentos por vez como máximo. De esta manera acortará el proceso y reducirá el desgaste de las cuchillas (2).
- Vierta los ingredientes líquidos siempre en primer lugar, a no ser que esté preparando una receta que indique lo contrario.
- Para batir bebidas, vierta todos los ingredientes en el contenedor (1) al mismo tiempo.
- Evite batir en exceso. Lo habitual es que basten unos segundos.
- Un batido excesivo hará que la mezcla final quede pastosa.

4 Información

4.1 Limpieza y cuidados



ADVERTENCIA: No utilice petróleo, disolventes, limpiadores abrasivos, objetos metálicos o cepillos duros para limpiar el aparato.



ADVERTENCIA: Las cuchillas (2) de la unidad de cuchillas están muy afiladas. Para evitar lesiones, manéjelas con el máximo cuidado.



ADVERTENCIA: No limpie el aparato con las manos desnudas.



ADVERTENCIA: Lave la batidora de vaso tras cada uso. No deje que los restos de los alimentos se sequen en el interior de la batidora de vaso, ya que serán más difíciles de eliminar después.



ADVERTENCIA: No utilice agua hirviendo. Los cojinetes del conjunto de cuchillas (2) han sido diseñados con un lubricante que dura toda su vida útil; la exposición al agua hirviendo dañará estos cojinetes y acortarán la vida útil de la batidora.

1. Apague el aparato y desconéctelo de la toma de corriente de la pared.
2. Deje que el aparato se enfríe.
3. Retire el contenedor (1) de la unidad del motor (3). Enjuague con agua para retirar los restos de alimentos que hayan podido quedar en el contenedor (1).
4. Vuelva a colocar el contenedor (1) en la unidad del motor (3).

5. Vierta entre 1 y 1 ½ tazas de agua caliente con algunas gotas de limpiador suave en el contenedor (1) y ponga la batidora en la velocidad "II" (5) durante unos segundos. Retire el contenedor del alojamiento del motor (3) y enjuáguelo con agua. Repita el proceso en caso necesario.



No sumerja la base con el motor o la unidad de cuchillas (2) en líquidos ni las lave en el lavavajillas. Solo la tapa (8) y el contenedor (1) pueden lavarse en el lavavajillas y sumergirse en agua sin problemas.

6. Utilice un trapo húmedo con un poco de producto de limpieza suave para limpiar el exterior del aparato.
7. Pase un paño sin pelusa por la base de la batidora, la unidad de corte y la tapa (8) antes del siguiente uso.

4.2 Almacenaje

- Si no va a utilizar el aparato durante un periodo prolongado de tiempo, guárdelo cuidadosamente.
- Asegúrese de que el aparato esté desenchufado, frío y completamente seco.
- No enrolle el cable de corriente alrededor del aparato. Enrolle el cable de alimentación bajo la base.
- Guarde el aparato en un lugar fresco y seco.
- Asegúrese de que el aparato quede en todo momento fuera del alcance de los niños.

4.3 Manejo y transporte

- Durante el manejo y el transporte, lleve el aparato en su embalaje original. El embalaje del aparato lo protege de daños físicos.
- No coloque cargas pesadas en el aparato o en el embalaje. El aparato podría dañarse.
- Dejar caer el aparato causará que éste no funcione o causará un daño permanente.



**Contacto para asistencia técnica:
902 877 665 / 932 992 581**

CONDICIONES DE GARANTIA - ESPAÑA

El presente certificado cubre la garantía de reparación de su electrodoméstico durante dos años, a partir de la fecha de venta, contra todo defecto de funcionamiento proveniente de fabricación o materiales; o de sustitución del aparato, salvo que una de estas opciones resulte imposible o desproporcionada respecto de la otra. Cuando usted detecte un defecto o anomalía en el aparato contacte de forma inmediata con nosotros, un plazo de dos meses es el límite para informarnos de la falta de conformidad. El cargo de desplazamiento está incluido en la reparación, excepto para pequeños electrodomésticos que pueden ser transportados al taller del servicio oficial de la marca. En caso de sustitución, el plazo de garantía se suspende y el nuevo aparato mantendrá el periodo de vigencia del aparato sustituido, y como mínimo 6 meses de garantía.

La presente garantía sólo será válida si se presenta factura, ticket de compra o el albarán de entrega del producto correspondiente si éste fuera posterior a la fecha de factura. La presente garantía es válida en el territorio español y portugués para los aparatos distribuidos por Beko Electronics España S.L.. La garantía sólo tendrá validez sobre el primer comprador o adquirente del producto. La garantía será válida para aparatos adecuados a las condiciones climáticas y medioambientales en que estén ubicados.

EXCLUSIONES DE LA GARANTIA

El coste de la reparación será a cargo del usuario en los siguientes casos:

- Los aparatos utilizados para uso profesional o no exclusivamente doméstico, en establecimientos públicos, industriales o comerciales.
- Los aparatos desmontados o manipulados por personas ajenas a los servicios técnicos expresamente autorizados.
- Las instalaciones, transporte, sustitución de aparatos, puestas en marcha, cambio de sentido de puertas.
- Intervenciones de mantenimiento o de información sobre el uso de los aparatos.
- Cambio de inyectores en aparatos de gas.
- Las averías provocadas por falta de mantenimiento o limpieza o aquellas provocadas por un uso indebido, sobrecarga, abandono o de manera no conforme a las instrucciones de uso o de instalación de los aparatos.
- Las averías producidas por causas fortuitas, siniestros de fuerza mayor o derivados de instalación incorrecta y en general, averías por causas ajenas al propio aparato.
- Las averías provocadas por conexiones que puedan presentar fluctuaciones, irregularidades o falta de uniformidad en el suministro, por ejemplo: suministro de agua impulsado por grupos de presión, energía solar, energía eólica, generadores eléctricos, u otro tipo de suministro no normalizado.
- La sustitución de materiales rotos o deteriorados por desgaste o uso normal del aparato tales como juntas, plásticos, gomas, correas, cristales, escobillas, bombillas, asas, tiradores, tapas de quemadores, filtros, rejillas, ánodos de sacrificio (magnesio o similares) de calentadores o calderas, etc.
- Los aparatos que presenten oxidación, o daños por corrosión en esmaltes o pinturas, que puedan ser provocados por efectos químicos o electroquímicos del agua o cualquier otra sustancia, o aceleradas por circunstancias ambientales o climáticas no propicias.
- Defectos estéticos en serigrafía o pintura.
- Los daños de transporte o manipulación, golpes, etc.
- Los aparatos deben instalarse de forma accesible para su reparación, debiendo asumir el usuario los costes necesarios para el acceso al aparato para su reparación y sustitución.

La presente garantía no afecta a los derechos de que dispone el consumidor conforme a lo previsto en el Real Decreto 1/2007, de 16 de noviembre, por el que se aprueba el texto refundido de la Ley General para la Defensa de los Consumidores y Usuarios y otras leyes complementarias, y la Ley 3/2014 que la modifica.

El Servicio Oficial de Asistencia Técnica resolverá cualquier incidencia que pudiera precisar su electrodoméstico siempre que el aparato esté instalado de forma accesible.

Para asegurarse que su electrodoméstico va a ser intervenido por un técnico oficial autorizado, rogamos solicite el carnet avalado por ANFEL (Asociación Nacional de Fabricantes de Electrodomésticos) a nuestros técnicos.

Las marcas BEKO, ALTUS, ARDEM, BLOMBERG, NORTLINE y GRUNDIG se distribuyen por Beko Electronics España S.L.

DATOS APARATO (a rellenar por el Distribuidor):

Titular:		Sello Establecimiento:
Modelo:	Núm. serie:	
Establecimiento:	Fecha de compra:	

El garante e importador de su electrodoméstico es: BEKO ELECTRONICS ESPAÑA S.L. Calle Provenza nº 388 3º Barcelona 08025, España. El producto ha sido fabricado por ARÇELIK A.S (Arçelik A.S.Sütlüce Karagaç Cad. No:2-6 34445 Beyoğlu, Istanbul, Turkey).

Conózanos mejor en nuestra página: www.beko.es. Conserve este documento, es importante para usted.



**Contacte a assistência técnica:
00351 225191300/
00351 225191309**

CONDIÇÕES DE GARANTIA - PORTUGAL

Este certificado cobre a garantia de reparação do seu eletrodoméstico por dois anos a contar da data de compra, contra defeitos de funcionamento provenientes do fabrico ou dos materiais; ou de substituição do dispositivo, a menos que uma dessas opções seja impossível ou desproporcionada em relação à outra. Quando detetar um defeito ou anomalia no aparelho entre imediatamente em contacto connosco, existe um prazo limite de dois meses para nos informar sobre a falta de conformidade. O valor da deslocação está incluído na reparação, com exceção de pequenos aparelhos que podem ser transportados para a oficina do serviço oficial da marca. Em caso de substituição, o período de garantia fica suspenso e o aparelho irá manter o prazo de validade do aparelho substituído e no mínimo 6 meses de garantia.

Esta garantia só será válida se a fatura, recibo de venda ou a entrega do produto em questão for posterior à data da fatura. Esta garantia é válida em território espanhol e português para aparelhos distribuído pela Beko Electronics Espanha SL. A garantia só é válida para o primeiro comprador ou adquirente do produto. A garantia é válida para dispositivos adaptados às condições climáticas e ambientais em que se situam.

EXCLUSÕES DA GARANTIA

O custo da reparação será pago pelo utilizador nos seguintes casos:

- Aparelhos utilizados para uso profissional ou não exclusivamente doméstico, em estabelecimentos comerciais, industriais ou públicos.
- O equipamento desmontado ou adulterado por alguém que não seja expressamente autorizado pelos serviços técnicos.
- A instalação, transporte, substituição de equipamento, colocação em funcionamento, alteração do sentido das portas.
- Intervenções de manutenção ou informações sobre a utilização dos aparelhos.
- Alteração de injetores em aparelhos a gás.
- As avarias causadas pela falta de manutenção ou limpeza, ou aquelas causadas por um uso inadequado, sobrecarga, abandono ou de forma a não respeitar as instruções de uso ou instalação dos aparelhos.
- As avarias provocadas por causas acidentais, sinistros de força maior ou resultantes de instalação inadequada e em geral, avarias por razões não relacionadas com o produto.
- As avarias causadas por ligações que podem apresentar flutuações, irregularidades ou falta de uniformidade no fornecimento, por exemplo: abastecimento de água, impulsionado por pressão, energia solar, energia eólica, geradores de energia elétrica ou outro tipo de fornecimento não-padrão.
- Os materiais quebrados ou danificados por desgaste ou uso normal do aparelho tais como juntas, plásticos, borracha, correias, vidros, pincéis, lâmpadas, asas, puxadores, tampas de queimadores, filtros, grades, etc.
- Os aparelhos que apresentem oxidação, ou danos por corrosão em esmaltes ou tintas, que possam ter sido causados por efeitos químicos ou eletroquímicos da água ou de qualquer outra substância, ou aceleradas por circunstâncias ambientais ou climáticas não propícias.
- Defeitos estéticos em serigrafia ou pintura.
- Os danos causados por transporte ou manuseio, colisões, etc.
- Os aparelhos devem ser instalados de forma acessível em caso de reparação e o utilizador deve assumir os custos necessários para aceder ao aparelho para reparação e substituição.

As marcas BEKO, ALTUS, ARDEM, BLOMBERG, NORTLINE e GRUNDIG são distribuídas por Beko Electronics Espanha S.L.

DADOS DO APARELHO (a ser preenchido pelo Distribuidor):

Detentor:		Carimbo do estabelecimento:
Modelo:	N.º série:	
Estabelecimento:	Data de compra:	

O fiador e o importador do seu eletrodoméstico é: BEKO ELECTRONICS ESPAÑA S.L. Calle Provenza nº 388 3º Barcelona 08025, Espana. O produto foi fabricado por ARÇELIK A.S (Arçelik A.S.Sütlüce Karaağaç Cad. No:2-6 34445 Beyoğlu, İstanbul, Turquia).

Conheça-nos melhor na nossa página: www.beko.es. Conserve este documento, é importante para si.

Proszę najpierw przeczytać instrukcję obsługi.

Szanowni Klienci!


Dziękujemy za wybranie produktu firmy Beko. Mamy nadzieję, że wyrób ten, wyprodukowany przy użyciu najnowszych technologii wysokiej jakości, okaże się w najwyższym stopniu zadowalający. Przed użyciem urządzenia należy uważnie przeczytać całą instrukcję obsługi oraz towarzyszące jej dokumenty i zachować ją do wglądu na przyszłość. Przekazując wyrób innemu użytkownikowi, proszę oddać mu również niniejszą instrukcję. Proszę przestrzegać wszystkich ostrzeżeń i informacji w tej instrukcji obsługi.


Znaczenie symboli


W niniejszej instrukcji stosuje się następujące symbole:

	Ważne informacje i przydatne wskazówki dotyczące użytkowania.
--	---

	OSTRZEŻENIE: Ostrzeżenia dotyczące sytuacji zagrażających bezpieczeństwu, życiu i mieniu.
--	--

	Materiały te przeznaczone są do kontaktu z żywnością.
--	---

	Urządzenia ani przewodu zasilania nie wolno zanurzać w wodzie lub w innym płynie.
--	---

	Klasa ochrony przed porażeniem elektrycznym.
---	--



Urządzenie zostało wyprodukowane w bezpiecznych dla środowiska, nowoczesnych zakładach.

Wyrób zgodny z Dyrektywą WEEE.



Nie zawiera bifenyli polichlorowanych (PCB).
Kraj pochodzenia: P.R.C..

1 Bezpieczeństwo i Ustawienie

Przed użyciem tego urządzenia prosimy uważnie przeczytać tę instrukcję obsługi! Prosimy przestrzegać wszystkich instrukcji zachowania bezpieczeństwa, aby uniknąć szkód z powodu nieprawidłowego użytkowania!

Instrukcję tę należy zachować do wglądu w przyszłości. Przy przekazaniu tego urządzenia komuś innemu należy przekazać także tę instrukcję.

- Urządzenie to przeznaczone jest do użytku domowego.
- Ostrza są bardzo ostre! Aby uniknąć obrażeń należy zachować ostrożność w czasie obsługi urządzenia, szczególnie podczas ich wyjmowania i czyszczenia.
- Sprawdź, czy napięcie na tabliczce znamionowej jest takie samo, jak w sieci w Twoim domu. Jedynym sposobem odłączenia tego urządzenia od zasilania jest wyjęcie wtyczki z gniazdka.

- Dodatkową ochronę zapewni podłączenie urządzenia do domowego wyłącznika z bezpiecznikiem o znamionowym prądzie zwarciovym nie większym niż 30 mA. Należy skorzystać z pomocy elektryka.
- Obudowy silnika, przewodu zasilania ani wtyczki nie wolno zanurzać w wodzie ani w innym płynie. Nie trzymaj tego pod bieżącą wodą. Tylko pokrywkę i szklany dzbanek można bezpiecznie zmywać wodą i płynem do mycia naczyń w zmywarce.
- Po zakończeniu użytkowania tego urządzenia, przed jego czyszczeniem, przed wyjściem z pokoju, lub w razie awarii wyjmij wtyczkę z gniazdka. Nie wolno wypinać z gniazda ciągnąc za przewód zasilający.
- Aby zapobiec uszkodzeniu przewodu zasilania nie wolno dopuścić do jego ściskania, zginania ani ocierania o ostre krawędzie.

1 Bezpieczeństwo i Ustawienie

- Trzymaj przewód zasilający z dala od gorących powierzchni i otwartego ognia.
- Nie używaj przedłużaczy razem z tym urządzeniem.
- Urządzenia tego nie wolno używać, jeśli przewód zasilający lub ono samo są uszkodzone.
- Sprzęty gospodarstwa domowego firmy GRUNDIG spełniają obowiązujące normy bezpieczeństwa, a zatem jeśli urządzenie lub przewód zasilający ulegną uszkodzeniu, należy je naprawić lub wymienić w autoryzowanym serwisie, aby uniknąć wszelkich zagrożeń. Błędna lub niefachowa naprawa może powodować zagrożenie dla użytkowników.
- W żadnym przypadku nie wolno demontować tego urządzenia. Gwarancja na urządzenie nie obejmuje uszkodzeń spowodowanych nieprawidłowym obchodzeniem się z nim.
- Urządzenie to i jego przewód należy trzymać z dala od dzieci młodszych niż 8 lat.
- Urządzenia nie powinny używać następujące osoby, w tym dzieci: osoby o ograniczonych możliwościach fizycznych, zmysłowych lub umysłowych, a także bez odpowiedniego doświadczenia i wiedzy. Nie dotyczy to tych ostatnich, jeśli zostaną poinstruowane co do użytkowania urządzenia lub jeśli używają go pod nadzorem osoby odpowiedzialnej za ich bezpieczeństwo.
- Należy zawsze uważać na dzieci, aby nie bawiły się urządzeniem.
- Urządzenie nie powinno być obsługiwane przez dzieci.

1 Bezpieczeństwo i Ustawienie

- Nigdy nie kłaść urządzenia, przystawek, przewodu zasilającego ani wtyczki na gorących powierzchniach, np. na palnikach gazowych, elektrycznych lub płytach kuchennych. Nigdy nie używać ich do gorących płynów lub żywności. Zanim użyjesz gorącej żywności lub płynów w urządzeniu musisz je schłodzić do co najmniej 80°C.
- Nie pozostawiaj urządzenia bez dozoru, gdy jest używane. Zaleca się nadzwyczajną ostrożność, gdy w pobliżu tego urządzenia, kiedy się z niego korzysta, są dzieci lub osoby fizycznie, zmysłowo lub umysłowo niepełnosprawne.
- Przed pierwszym użyciem tego urządzenia starannie oczyść wszystkie części, które stykają się z żywnością. Szczegóły znajdziesz w rozdziale „Czyszczenie i konserwacja”.
- Nie należy używać tego ekspresu, ani stawiać żadnej jego części na gorących powierzchniach, takich jak palniki gazowe, płytki grzejne, czy nagrany piekarnik, ani w pobliżu nich.
- Nie używaj tego urządzenia do celów niezgodnych z jego przeznaczeniem.
- Nigdy nie wolno używać tego urządzenia w pobliżu przedmiotów ani materiałów łatwopalnych i palnych.
- Razem z ekspresem można stosować wyłącznie dostarczone z nim części.
- Nie wolno dotykać urządzenia mokrymi lub wilgotnymi dłońmi.
- Zawsze używać urządzenie na stabilnej, płaskiej, czystej i nieśliskiej powierzchni.

1 Bezpieczeństwo i Ustawienie

- Zadbaj, aby podczas używania tego urządzenia nie doszło do przypadkowego wypięcia przewodu zasilania ani potknięcia się o niego.
- Urządzenie ustawiać tak, aby zawsze był możliwy dostęp do niego.
- Ostrze jest bardzo ostre! Aby uniknąć obrażeń należy zachować ostrożność w czasie obsługi zespołu ostrza, szczególnie podczas czyszczenia.
- Urządzenia tego nie wolno używać, jeśli ostrze jest uszkodzone lub ma oznaki zużycia.
- Nigdy nie czyścić urządzenia gołymi rękami.
- Nie próbuj używać tego urządzenia bez pokrywki.
- Nie próbuj zdejmować pokrywki, dopóki łopatki nie zatrzymają się całkowicie.
- Składniki ze szklanego dzbanka można wyjmować szpatułką. Przedtem trzeba wyłączyć urządzenie.
- Nie używaj tego urządzenia dłużej, niż jest to niezbędne do sporządzenia potrawy.
- Z owoców należy wyjmować twarde części i pestki, aby nie uszkodzić ostrza i urządzenia.
- Urządzenie jest przeznaczone do pracy przez krótki czas i można je uruchamiać maksymalnie na jedną minutę ciągłej pracy. Po użyciu należy pozostawić urządzenie do ochłodzenia.
- Wyłączaj urządzenie i odłączaj je od sieci przed wymianą akcesoriów i dotykiem części, które poruszają się przy jego pracy.

1 Bezpieczeństwo i Ustawienie

1.1 Zgodność z dyrektywą WEEE i usuwanie odpadów:



Niniejszy wyrób jest zgodny z dyrektywą Parlamentu Europejskiego i Rady (2012/19/WE). Wyrób ten oznaczony jest symbolem klasyfikacji zużytych urządzeń elektrycznych i elektronicznych (WEEE).

PWyrób ten wykonano z części i materiałów wysokiej jakości, które mogą być odzyskane i użyte jako surowce wtórne. Po zakończeniu użytkowania nie należy pozbywać się go razem z innymi odpadkami domowymi. Należy przekazać go do punktu zbiórki urządzeń elektrycznych i elektronicznych na surowce wtórne. Aby dowiedzieć się, gdzie jest najbliższy taki punkt, prosimy skonsultować się z władzami lokalnymi.

1.2 Zgodność z dyrektywą RoHS:

Niniejszy wyrób jest zgodny z dyrektywą Parlamentu Europejskiego i Rady RoHS (Ograniczenie użycia substancji niebezpiecznych) (2011/65/WE). Nie zawiera szkodliwych i zakazanych materiałów, podanych w tej dyrektywie.

1.3 Informacje o opakowaniu



Opakowanie tego wyrobu wykonano z materiałów nadających się do recyklingu, zgodnie z naszym ustawodawstwem krajowym. Nie wyrzucaj materiałów opakowaniowych do śmieci wraz z innymi odpadkami domowymi. Oddaj je w jednym z wyznaczonych przez władze lokalne punktów zbiórki materiałów opakowaniowych.

2 Kompaktowa Smoothie Maker

2.1 Opis ogólny



2 Kompaktowa Smoothie Maker

1. Pojemnik (x2)
2. Ostrze siekania
3. Obudowa silnika
4. Przycisk niskiej prędkości I
5. Przycisk wysokiej prędkości II
6. Stopka antypoślizgowa
7. Rolka na kabel
8. Pokrywka

2.2 Dane techniczne

Zasilanie: 220-240 V~, 50/60 Hz

Moc: 350 W

Zastrzega się prawo do wprowadzania modyfikacji konstrukcji i danych technicznych.


Wartości podane w oznaczeniach umieszczonych na tym urządzeniu lub w innych dostarczanych wraz z nim materiałach drukowanych uzyskano w warunkach laboratoryjnych zgodnie z obowiązującymi normami. Wartości te mogą się różnić w zależności od użytkowania urządzenia i warunków w jego otoczeniu.

3 Obsługa

3.1 Przygotowanie



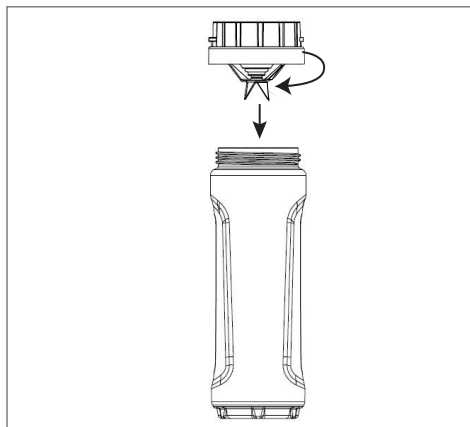
OSTROŻNIE : Wyłączaj urządzenie i odłączaj je od sieci przed wymianą akcesoriów i dotykiem części, które poruszają się przy jego pracy.

1. Zdejmij całe opakowanie oraz naklejki i wyrzuć je zgodnie z obowiązującymi przepisami prawa.
2. Wymij całe urządzenie z obudowy silnika  i postaw je na równej powierzchni, np. na blacie kuchennym

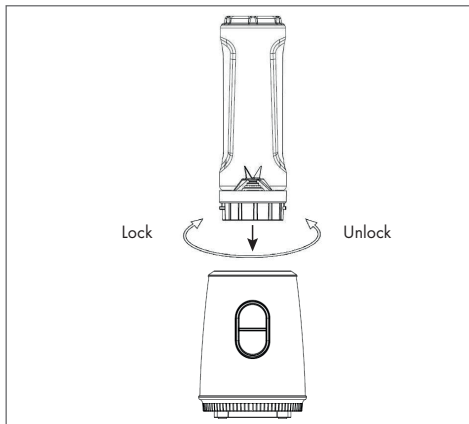


OSTROŻNIE : Ostrze jest bardzo ostre! Aby uniknąć obrażeń należy zachować ostrożność w czasie obsługi zespołu ostrza, szczególnie podczas czyszczenia.

3. Wyczyścić wszystkie części, z wyjątkiem obudowy silnika (3), jak to opisano w części „Czyszczenie i konserwacja”.
4. Następnie, w odwrotnej kolejności, ponownie złożź blender dzbankowy.
5. Zamontuj moduł ostrza (2) w dzbanku (1), obracając go w prawą stronę. W dolnej części modułu ostrza (2) znajduje się strzałka z oznaczeniem „lock” wskazująca kierunek montażu.



6. Umieść dzbanek (1) na obudowie silnika (3). Zablokuj dzbanek (1), obracając go w prawo, zgodnie ze strzałką z oznaczeniem „lock” na obudowie silnika (3).
7. Aby zdemontować dzbanek (1), należy obrócić go w lewą stronę.



Upewnij się, że nacięcia w dnie pojemnik (1) pasują do korbów w obudowie silnika.

8. Przed włożeniem produktów do blendera należy je pokroić na małe cząstki.

3.2 Blendowanie

1. Umieścić urządzenie na równej i suchej powierzchni. Nóżki antypoślizgowe (6) zapewnią stabilność urządzenia.
2. Przed włożeniem produktów do szklanego dzbanka należy sprawdzić.
3. Usunąć pojemnik (1) z obudowy silnika (3); aby to zrobić, obróć pojemnik (1) w kierunku przeciwnym do ruchu wskazówek zegara i podnieś w górę; otwórz pokrywę.
4. Do pojemnik (1) włożyć składniki. Powinny mieć maksymalną długość około 2 - 5 cm.

3 Obsługa



Dodać wody lub mleko, aby blender pracował bez zakłóceń.



Wymieszaj 3 części stałej żywności z 2 częściami wody, aby miksowanie przebiegało gładko. tzn. 60 g stałej żywności, 40 ml wody)



OSTROŻNIE: Do pojemnik (1) nie wolno wkładać ani w nim miksować gorących produktów, czy płynów. Jeśli przygotujesz zupę, upewnij się, że temperatura płynu nie przekracza 40 °C.



OSTROŻNIE: Nigdy nie wolno używać pustego blendera dzbankowego (bez produktów).



OSTROŻNIE: Nie uruchamiaj blendera, jeśli szklany dzban (1) nie stoi na podstawie z napędem.

5. Zamknij pojemnik (1), nakrywając go modułem ostrza (2).
6. Ustaw pojemnik (1) na obudowie silnika (3) w pozycji stojącej. Moduł ostrza (2) powinien być skierowany w dół.



OSTROŻNIE: Gdy pojemnik (1) jest już prawidłowo ustawiony w swoim miejscu nie przesuwaj go ani nie obracaj.

7. Wpiąć wtyczkę przewodu zasilania do gniazdka zasilania.
8. Wybierz wymaganą prędkość cięcia (4) lub (5).



Aby używać blendera przy niskich obrotach (4), obróć tarczę regulacji na "I".



Aby korzystać z wysokiej prędkości, ustaw regulator prędkości (5) na "II".



OSTROŻNIE: Nie uruchamiaj blendera na dłużej niż 1 minutę, w przeciwnym razie się przegrzeje.



OSTROŻNIE: Po 1 minucie pracy blendera odczekać przed ponownym użyciem, aż ostygnie.



OSTROŻNIE: Przed zdjęciem szklanego pojemnik (1) z obudowy silnika upewnij się, że silnik został wyłączony (3).



OSTROŻNIE: W trakcie pracy blendera nie wkładaj żadnych przyrządów (skrobaczki, widelca, itp.) do pojemnik (1) szklanego.

9. Wyciągnąć wtyczkę z gniazdka ściennego.
10. Zdejmij pojemnik (1) z obudowy silnika (3); aby to zrobić, obróć pojemnik (1) w kierunku przeciwnym do ruchu wskazówek zegara.
11. Wyjmij ostrze siekania (2) obracając je przeciwnie do kierunku ruchu wskazówek zegara i załóż pokrywkę (8) na pojemnik (1).

3.3 Maksymalne ilości i czas obróbki

- Patrz tabela z maksymalnymi ilościami i czasem obróbki.

Składnik	Maksymalna ilość	Czas obróbki
Owoce	100 - 200 g	20 - 30 Sekunden
Sok owo- cowy	100 - 200 g Owoców + Woda (opcjonalnie)	20 - 30 Sekund
Szejk mleczny	100 g Owoców + 300 ml Mleka	20 - 30 Sekund

3.4 Wskazówki miksowania

- Przeznaczoną do mieszania żywności stałą, taką jak surowe warzywa, mięso gotowane lub surowe oraz owoce, przed włożeniem do szklanego pojemnik (1) pokrój na kawałki nie większe niż 2-5 cm. Mieszaj na raz nie więcej niż 2 kubki takich produktów. Przyspieszy to proces mieszania i zmniejszy zużycie ostrzy mieszających.
- O ile przepis nie stanowi inaczej, zawsze najpierw nalewaj do pojemnik (1) szklanego składniki płynne.
- Aby mieszać napoje, wlewaj do pojemnik (1) szklanego wszystkie składniki w tym samym czasie.
- Unikaj nadmiernego wymieszania. Zwykle wystarcza kilka sekund miksowania.
- Nadmierne wymieszanie sprawia, że potrawa staje się papkowata.

4.1 Nettoyage et entretien



OSTROŻNIE: Do czyszczenia ekspresu nie wolno używać benzyny, rozpuszczalników ani szorstkich proszków do czyszczenia, przedmiotów metalowych ani twardych szczotek.



OSTROŻNIE: Ostrza blendera są bardzo ostre! Aby się nie skaleczyć, obchodź się z nimi bardzo ostrożnie.



OSTROŻNIE: Nigdy nie czyścić urządzenia gołymi rękami.



OSTROŻNIE: Po każdym użyciu należy czyścić blender. Nie wolno dopuścić do stwardnienia w blenderze dzbankowym jakichkolwiek resztek żywności. Utrudni to późniejsze czyszczenie urządzenia.



OSTROŻNIE: Nie używaj wrzątku. Łożyska zespołu ostrza zaopatrzone w permanentne smarowanie; kontakt z wrzącą wodą może je uszkodzić i skrócić żywotność blendera.

1. Wyłącz czajnik i wyjmij wtyczkę z gniazdka.
2. Pozostaw urządzenie do wystygnięcia.
3. Zdejmij szklany pojemnik (1) z obudowy silnika (3). Przemyj wodą aby usunąć wszelkie duże cząstki żywności, które zebrały się w pojemnik (1) szklanym.
4. Postaw szklany dzbanek z powrotem (1) na obudowie silnika (3).
5. Do dzbanka szklanego nalej 1 do 1 ½ szklanki ciepłej wody z kilkoma kroplami łagodnego środka czyszczącego i na kilka sekund załącz blender na prędkość "II". Zdejmij pojemnik (1) szklany z obudowy silnika i wypłucz wodą. W razie potrzeby powtórz te czynności.



Nie zanurzaj obudowy silnika ani zespołu ostrza w żadnym płynie, ani nie wkładaj ich do zmywarki. Zanurzać i wkładać do zmywarki można tylko pokrywkę (8) i szklany pojemnik (1).

6. Urządzenie na zewnątrz wyczyść miękką, wilgotną ściereczką i delikatnym środkiem do mycia.
7. Przed następnym użyciem wytrzyj podstawę blendera (3), zespół ostrza (1) i pokrywkę (8) gładką ściereczką.

4.2 Przechowywanie

Jeśli jest planowane nieużywanie tego urządzenia przez dłuższy czas, należy starannie je przechować. Upewnić się, czy urządzenie jest odłączone od zasilania i zupełnie suche.

Przechowuj toster w chłodnym i suchym miejscu. Urządzenie to należy chronić przed dostępem dzieci.

4.3 Przenoszenie i transport

- Urządzenie należy przenosić i transportować w oryginalnym opakowaniu. Zabezpiecza ono urządzenie przed fizycznymi uszkodzeniami.
- Nie wolno umieszczać ciężkich ładunków na urządzeniu lub opakowaniu. Może to spowodować uszkodzenie żelazka parowego.
- Upuszczenie żelazka może spowodować jego awarię lub trwałe uszkodzenie.

Warunki gwarancji Beko S.A- (małe urządzenia AGD)

BEKO spółka akcyjna z siedzibą w Warszawie (02-819), przy ulicy Puławskiej 366, wpisana do rejestru przedsiębiorców prowadzonego przez Sąd Rejonowy dla m.st. Warszawy w Warszawie, XIII Wydział Gospodarczy Krajowego Rejestru Sądowego, pod numerem: 0000078147 (dalej: „BEKO”) udziela gwarancji jakości (dalej: „Gwarancja”) na wprowadzone przez BEKO do obrotu na terenie Polski produkty marki BEKO (dalej: „Urządzenia”) osobom, które nabyły te produkty („Użytkownik”) na następujących warunkach:

I. ZAKRES OCHRONY.

1. BEKO gwarantuje, że Urządzenie zakupione przez Użytkownika jest wolne od wad produkcyjnych lub materiałowych, powstałych z przyczyn tkwiących w tym Urządzeniu (dalej: „Wada”), które ujawnią się w ciągu terminu określonego w części II. niniejszych Warunków Gwarancji (dalej: „Okres Gwarancyjny”).
2. W razie ujawnienia się Wady Produktu w trakcie Okresu Gwarancyjnego, zostanie ona usunięta na koszt BEKO w sposób uzależniony od właściwości wady, na zasadach i w zakresie określonym w niniejszych Warunkach Gwarancji.
3. BEKO zobowiązuje się do usunięcia Wady poprzez dokonanie nieodpłatnej naprawy lub wymiany Urządzenia, bądź też reklamacja zgłoszona na podstawie niniejszych Warunków Gwarancji zostanie rozpoznana w inny sposób uzgodniony przez BEKO i Użytkownika.
4. Udzielona gwarancja jest ważna na terytorium Rzeczypospolitej Polskiej.

II. CZAS TRWANIA GWARANCJI.

1. Okres Gwarancyjny wynosi 24 miesiące licząc od daty zakupu Urządzenia przez pierwszego Użytkownika, z zastrzeżeniem wynikającym z punktu 2 poniżej.
2. Udzielona gwarancja nie obejmuje Urządzeń zakupionych później niż 36 miesięcy licząc od daty produkcji Urządzenia zgodnie z numerem seryjnym znajdującym się na tabliczce znamionowej Urządzenia.

III. PROCEDURA ZGŁOSZENIA REKLAMACYJNEGO.

1. Wady Urządzenia ujawnione w Okresie Gwarancyjnym będą usuwane pod warunkiem przedstawienia przez Użytkownika dowodu zakupu tego Urządzenia zawierającego oznaczenia niezbędne do jego identyfikacji (model, datę zakupu).
2. Uprawnienia wynikające z niniejszych Warunków Gwarancji mogą być zrealizowane przez Użytkownika wyłącznie w Autoryzowanych Punktach Serwisowych BEKO (dalej: „Serwis”) po uprzednim dokonaniu zgłoszenia na Infolinii BEKO pod numerem telefonu: 62 766 77 70. Lista wszystkich lokalizacji Serwisu dostępna jest na stronie internetowej BEKO www.beko.pl
3. Urządzenie powinno być odpowiednio zapakowane i zabezpieczone przez Użytkownika na czas transportu do punktu serwisowego Beko.
4. Urządzenie do zabudowy meblowej powinno być udostępnione do naprawy przez Użytkownika lub Sprzedawcę w sposób umożliwiający przystąpienie do jego naprawy przez pracowników Serwisu Beko.
5. Wady Urządzenia będą usunięte w terminie 21 dni od daty zgłoszenia Wady na Infolinii BEKO.
6. Jeżeli część zamienna wymieniana w ramach uprawnień wynikających z niniejszych Warunków Gwarancji Urządzenia jest sprowadzana z zagranicy, termin naprawy, o którym mowa w punkcie 5 powyżej, może ulec wydłużeniu jednak, nie więcej niż do 30 dni licząc odpowiednio od daty zgłoszenia Wady na Infolinii BEKO. BEKO zastrzega, że w wyjątkowych przypadkach, gdy Wada nie wpływa na funkcjonowanie Urządzenia, dopuszczalne jest przekroczenie terminu 30 dni opisanego w zdaniu poprzedzającym. Informacje o spodziewanych terminach napraw dostępne są na Infolinii BEKO pod numerem 62 766 77 70.
7. Po usunięciu Wady, Urządzenie zostanie dostarczone Użytkownikowi na koszt BEKO.

IV. WYŁĄCZENIA.

1. Warunkiem skorzystania z niniejszych Warunków Gwarancji jest:
 - a. użytkowanie Urządzenia zgodnie z Instrukcją Obsługi dołączoną do tego Urządzenia i jego przeznaczeniem, jak również odpowiednie czyszczenie i konserwację Urządzenia;

- b. użytkowanie w warunkach indywidualnego gospodarstwa domowego. Urządzenie nie jest używane do celów prowadzenia działalności gospodarczej lub w zastosowaniach eksploatacji masowej, w szczególności w gastronomicznej działalności hoteli, restauracji i innych obiektów turystyczno-rekreacyjnych lub zbiorowego żywienia.
 - c. stosowanie osprzętu zalecanego przez producenta;
 - d. brak ingerencji w Urządzenie przez osoby do tego nieupoważnione;
 - e. brak ingerencji w tabliczkę znamionową z numerem seryjnym Urządzenia.
2. Udzielona przez Beko Gwarancja nie obejmuje:
- a. wad powstałych z przyczyn innych niż tkwiące w Urządzeniu;
 - b. czynności przewidzianych w Instrukcji Obsługi, do wykonania których zobowiązany jest Użytkownik Urządzenia we własnym zakresie i na swój koszt, w tym: instruktażu dotyczącego obsługi Urządzenia, instalacji oraz regulacji urządzenia.
 - c. usterek powstałych w wyniku nieprawidłowego lub niewłaściwego użytkowania, niedbalstwa, przypadkowego uszkodzenia Urządzenia, nieodpowiedniego napięcia prądu lub dokonania jakichkolwiek zmian, które mają wpływ na niewłaściwe działanie Urządzenia, i które naprawiane były przez osoby nieupoważnione, używania instalacji niezgodnych z odpowiednimi Polskimi Normami i innych niż wymienione w Instrukcji Obsługi Urządzenia;
 - d. uszkodzeń mechanicznych, termicznych, chemicznych, korozji, innych uszkodzeń spowodowanych działaniem lub zaniedbaniem Użytkownika lub powstałych na skutek działania sił zewnętrznych (do których zalicza się w szczególności wyładowania atmosferyczne, skoki napięcia, wszystkiego rodzaju awarie domowej instalacji wodno-kanalizacyjnej, itp.), a także powstałych na skutek przedostania się zanieczyszczeń lub ciał obcych do Urządzenia.
 - e. zakamienienia (proces odkamieniania musi być przeprowadzany zgodnie z instrukcją obsługi z użyciem odpowiednich środków czyszczących)
 - f. elementów ze szkła, plastiku oraz porcelany;
 - g. odbarwień Urządzenia lub poszczególnych jego części;
 - h. usterek powstałych w wyniku niewłaściwego montażu Urządzenia w zabudowie meblowej, niezgodnego z Instrukcją Obsługi Urządzenia lub innymi wytycznymi dotyczącymi montażu sprzętu w zabudowie meblowej określonymi przez Producenta;

- i. usterek powstałych na skutek przechowywania i użytkowania Urządzenia w warunkach, które są niezgodne z normalnymi warunkami domowymi określonymi wymaganiami powszechnie obowiązujących przepisów prawa i odpowiednich Polskich Norm.

V. POZOSTAŁE POSTANOWIENIA.

Niniejsze warunki gwarancji mają zastosowanie do Urządzeń zakupionych od dnia 25.12.2014 r. Gwarant oświadcza, że niniejsza Gwarancja jest udzielana Użytkownikowi dodatkowo i nie wyłącza, nie ogranicza ani nie zawiesza uprawnień Użytkownika wynikających z przepisów o rękojmi za wady rzeczy sprzedanej na podstawie Kodeksu cywilnego.

Si prega di leggere questo manuale prima dell'uso!

Gentile Cliente,

Grazie per aver scelto un prodotto Beko. Ci auguriamo che riesca ad ottenere i risultati migliori da questo prodotto, realizzato con tecnologia all'avanguardia e di alta qualità. Pertanto, prima di utilizzare il prodotto, la preghiamo di leggere con attenzione e per intero il presente manuale e ogni altro documento allegato, conservandoli come riferimento per impieghi futuri. Nel caso cedesse il prodotto ad altre persone, consegni loro anche queste istruzioni. Segua tutte le avvertenze e le informazioni riportate nel manuale utente.

Significato dei simboli

I seguenti simboli sono utilizzati in diverse sezioni del presente manuale:

	Informazioni importanti e suggerimenti utili sull'utilizzo.
	AVVERTENZA: Avvisi in merito a situazioni pericolose per la sicurezza di persone e cose.
	I materiali sono concepiti per entrare a contatto con alimenti.
	Non immergere l'apparecchio, il cavo di alimentazione o la spina elettrica in acqua o altri liquidi.
	Classe di protezione dalle scosse elettriche.



Questo prodotto è stato realizzato in impianti all'avanguardia e rispettosi dell'ambiente.

Conforme alla Direttiva RAEE.



Non contiene PCB.
Prodotto nella R.P.C.

Leggere questo manuale di istruzioni completamente prima di usare questo apparecchio! Seguire tutte le istruzioni di sicurezza per evitare danni dovuti all'uso non corretto!

Conservare il manuale di istruzioni per riferimento futuro. Se questo apparecchio viene dato a terzi, bisogna consegnare anche questo manuale di istruzioni.

- Questo apparecchio è concepito solo per uso domestico privato e non è adatto a scopi di catering professionale. Non deve essere usato per uso commerciale.
- Le lame sono molto taglienti! Maneggiare le lame taglienti con la massima attenzione, soprattutto nella rimozione e nella pulizia; al fine di evitare lesioni, rispettare tutte le istruzioni.

- Controllare che la tensione di rete sull'etichetta informativa corrisponda alla fornitura elettrica locale. L'unico modo per scollegare l'apparecchio dalla rete è tirare via la spina dalla presa elettrica.
- Come protezione aggiuntiva, questo apparecchio deve essere collegato ad un interruttore domestico di protezione dalle correnti di guasto con una tensione non superiore a 30 mA. Consultare un elettricista per assistenza.
- Non immergere l'alloggiamento del motore, il cavo di alimentazione o la spina elettrica in acqua o in altri liquidi. Non tenerlo sotto acqua corrente. Solo il coperchio e la brocca di plastica possono essere puliti in modo sicuro con acqua e detersivo liquido in lavastoviglie.

- Scollegare la spina di alimentazione dopo aver usato l'apparecchio, prima di pulirlo o prima di uscire dalla stanza e in caso di guasto. Non scollegare la spina tirando il cavo.
- Per evitare di danneggiare il cavo di alimentazione, non schiacciarlo, piegarlo né sfregarlo su superfici taglienti.
- Tenere il cavo di alimentazione lontano da superfici calde e fiamme libere.
- Non usare una prolunga con l'apparecchio.
- L'apparecchio non deve essere usato se questo o il cavo di alimentazione sono danneggiati.
- Gli elettrodomestici GRUNDIG sono conformi a tutti gli standard sulla sicurezza, pertanto se l'apparecchio o il cavo di alimentazione sono danneggiati, devono essere riparati o sostituiti da un centro assistenza autorizzato per evitare danni. Lavori di riparazione errati o non autorizzati possono provocare danni e rischi per l'utente.
- Non smontare il dispositivo, in nessun caso. Non saranno accettate richieste di garanzia per danni provocati da gestione non corretta.
- L'apparecchio non deve essere usato dai bambini. Tenere l'apparecchio e il cavo sempre fuori dalla portata dei bambini.
- I bambini non devono giocare con l'apparecchio.

- L'apparecchio non deve essere usato dalle persone che seguono, comprese i bambini: persone con capacità fisiche, psichiche o sensoriali ridotte e persone che non hanno acquisito familiarità con l'uso dell'apparecchio e che non conoscono il suo funzionamento. Questo non si applica alle ultime persone menzionate se ricevono istruzioni sull'uso dell'apparecchio o se lo usano con la supervisione di una persona responsabile della loro sicurezza.
- I bambini devono sempre essere controllati per assicurarsi che non giochino con l'apparecchio.
- L'apparecchio non può essere usato dai bambini.
- Non lasciare mai l'apparecchio privo di supervisione quando è in uso. Si consiglia attenzione estrema quando l'apparecchio viene usato vicino a bambini e persone con capacità fisiche, sensoriali o mentali ridotte.
- Prima di usare l'apparecchio per la prima volta, pulire attentamente tutte le parti che entrano in contatto con gli alimenti. Vedere i dettagli nella sezione "Pulizia e manutenzione".
- Non usare mai l'apparecchio né mettere alcuna parte dello stesso su o vicino a superfici calde come bruciatori a gas, piastra calda o forni riscaldati.
- Non usare l'apparecchio per scopi diversi da quello previsto.
- Non usare mai l'apparecchio vicino a sostanze combustibili né in luoghi con materiali e mobili infiammabili.

Istruzioni importanti per la sicurezza e l'ambiente

- Utilizzare l'apparecchio solo con le parti in dotazione.
- Non usare mai l'apparecchio con mani umide o bagnate.
- Non mettere mai apparecchio, accessori, cavo di alimentazione o spina su superfici calde come bruciatori a gas o elettrici o superfici calde del forno e non usare mai con liquidi o alimenti caldi. Lasciare che alimenti e liquidi caldi si raffreddino fino a minimo 80°C o meno, prima di usare l'apparecchio.
- Usare sempre l'apparecchio su una superficie stabile, piatta, pulita, asciutta e anti-scivolo.
- Assicurarsi che non ci sia il rischio che il cavo di alimentazione possa essere tirato accidentalmente o che qualcuno possa passare sullo stesso quando l'apparecchio è in uso.
- Posizionare l'apparecchio in modo tale che la spina sia sempre accessibile.
- La lama è molto tagliente! Maneggiare l'unità lama con la massima attenzione, soprattutto durante la pulizia, per evitare lesioni.
- Non usare l'apparecchio se l'unità lama è danneggiata o mostra segni di usura.
- Non pulire mai l'apparecchio a mani nude.
- Non cercare mai di utilizzare l'apparecchio senza il coperchio.
- Non cercare di rimuovere il coperchio finché le lame non sono completamente ferme.
- Si può usare una spatola per rimuovere gli ingredienti dalla brocca di plastica. L'apparecchio deve essere spento per fare ciò.

Istruzioni importanti per la sicurezza e l'ambiente

- Non utilizzare l'apparecchio per un tempo superiore a quello necessario alla preparazione degli alimenti.
- Rimuovere ossa e pietre dagli alimenti per evitare che l'unità lama e l'apparecchio si danneggino.
- Questo apparecchio deve essere usato solo per brevi periodi e deve essere usato in modo continuo solo per un massimo di 1 minuto. Dopo l'uso, lasciar raffreddare sufficientemente l'apparecchio.
- Non tritare cubetti di ghiaccio.
- Spegner e scollegare dall'alimentazione prima di cambiare gli accessori o di avvicinarsi alle parti in movimento.

1.1 Conformità con la direttiva RAEE e lo smaltimento dei rifiuti



Questo prodotto non contiene materiali dannosi e proibiti specificati nel "Regolamento per la supervisione dei rifiuti elettrici ed elettronici" emanato dal Ministero dell'Ambiente e della

Pianificazione Urbana. Conforme alla normativa RAEE. Il presente prodotto è stato realizzato con componenti e materiali di alta qualità che possono essere riutilizzati e che risultano adatti al riciclaggio. Pertanto, non smaltire il prodotto fra i normali rifiuti domestici alla fine del suo ciclo di vita. Portarlo presso un punto di raccolta per il riciclaggio di apparecchiature elettriche ed elettroniche. Rivolgersi all'autorità locale per i punti di raccolta. Si contribuisce a proteggere l'ambiente e le risorse naturali riciclando i prodotti usati.

1.2 Informazioni di imballaggio



L'imballaggio del prodotto è realizzato in materiali riciclabili in accordo alla normativa statale. Non smaltire i materiali di imballaggio con i rifiuti domestici o altri

rifiuti. Portarli ai punti di raccolta per materiali di imballaggio previsti dalle autorità locali.

1.3 Che cosa fare per il risparmio energetico

Tagliare i cibi solidi in pezzi piccoli prima di metterli nell'apparecchio, come descritto nel manuale utente. Seguire le altre istruzioni e i tempi specificati nel manuale. Selezionare livelli di bassa velocità se idonei agli alimenti da preparare. Spegner e scollegare l'apparecchio dopo averlo utilizzato.

2 Frullatore a immersione con brocca

2.1 Panoramica



1. Brocca (x2)
2. Lama per tritare
3. Alloggiamento motore
4. Pulsante bassa velocità "I"
5. Pulsante alta velocità "II"
6. Piedini antiscivolo
7. Bobina cavo
8. Coperchio

2.2 Dati tecnici

Alimentazione: 220-240 V~, 50/60 Hz

Potenza: 350 W

Modifiche agli aspetti tecnici e progettuali riservate.

3 Funzionamento

3.1 Preparazione



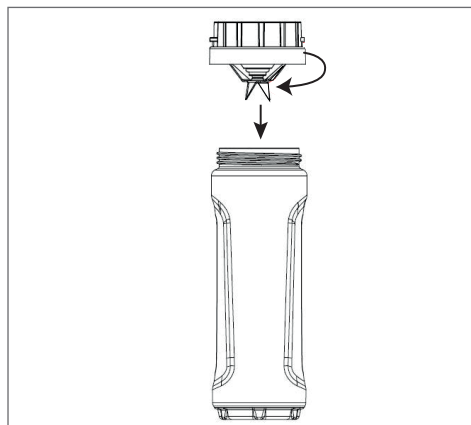
AVVERTENZA: Spegner e scollegare l'apparecchio e scollegare dall'alimentazione prima di cambiare gli accessori o di avvicinarsi alle parti in movimento.

1. Rimuovere tutti i materiali di imballaggio e gli adesivi e smaltirli secondo i regolamenti legali applicabili.
2. Estrarre l'intera unità dall'alloggiamento motore (3) e metterla su una superficie piana, per es. il ripiano della cucina.

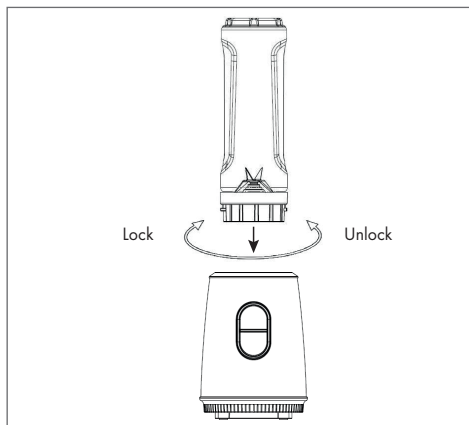


AVVERTENZA: La lama è molto tagliente! Maneggiare l'unità lama con la massima attenzione, soprattutto durante la pulizia, per evitare lesioni.

3. Pulire tutte le parti, tranne l'alloggiamento del motore (3), come descritto in "Pulizia e manutenzione".
4. Poi montare nuovamente il frullatore, nell'ordine inverso.
5. Inserire la lama per tritare (2) nella brocca (1) ruotandola in senso orario. Si può vedere la freccia di "blocco" sul fondo dell'unità con la lama per tritare (2).



6. Mettere la brocca (1) sull'alloggiamento motore (3). Bloccare la brocca in senso orario secondo la freccia di "blocco" sull'alloggiamento del motore.
7. Per rilasciare la brocca (1), ruotarla in senso antiorario.



Assicurarsi che le tacche sul fondo della brocca (1) si adattino a quelle dell'alloggiamento del motore.

8. Prima di usare l'apparecchio, tagliare gli alimenti in piccoli pezzi.

3 Funzionamento

3.2 Frullare

1. Mettere il dispositivo su una superficie uniforme e asciutta. I piedini antiscivolo (6) assicurano la stabilità dell'apparecchio.
2. Assicurarsi che il cavo di alimentazione sia scollegato dall'alimentazione.
3. Rimuovere la brocca (1) dall'alloggiamento del motore; per farlo, ruotare la brocca in senso antiorario e sollevarla; ruotare la lama per tritare (2) in senso orario.
4. Ora mettere gli ingredienti da frullare nella brocca (1). Gli ingredienti devono essere lunghi solo circa 2-5 cm.



Aggiungere acqua o latte per assicurare che il frullatore funzioni senza problemi.



Mescolare 3 unità di alimenti solidi e 2 unità di acqua per avere un frullato dalla consistenza ottimale.
(per es.: 60 gr di alimenti solidi e 40 ml di acqua)



AVVERTENZA: Non mettere né frullare alimenti o liquidi caldi nella brocca (1). Se si frulla una zuppa, assicurarsi che la temperatura del liquido non superi i 40°C.



AVVERTENZA: Non lasciare mai funzionare il frullatore se vuoto (senza alimenti).



AVVERTENZA: Non lasciare mai in azione il frullatore senza la brocca (1) sull'unità motore.

5. Chiudere il serbatoio con la lama di taglio.
6. Mettere il serbatoio sull'unità motore in posizione verticale in modo tale che la lama di taglio sia rivolta verso il basso.



AVVERTENZA: Non spostare né ruotare la brocca (1) dopo averla posizionata in modo corretto.

7. Collegare la spina elettrica ad una presa elettrica adatta.

8. Premere la velocità di taglio richiesta (4) o (5).



Per azionare il frullatore a bassa velocità, portare il quadrante di controllo (4) su "I".



Per mescolare ad alta velocità (5), premere il regolatore di velocità a "II".



AVVERTENZA: Non azionare mai il frullatore per più di 1 minuto, altrimenti si surriscalda.



AVVERTENZA: Dopo aver azionato il frullatore per 1 minuto, lasciarlo raffreddare prima di utilizzarlo ancora.



AVVERTENZA: Fare attenzione: il motore deve essere spento e completamente freddo prima di rimuovere la brocca (1) dall'alloggiamento del motore (3).



AVVERTENZA: Non mettere alcun utensile (raschietto, forchetta, ecc.) nella brocca (1) mentre il frullatore è in uso.

9. Estrarre la spina di alimentazione dalla presa elettrica.
10. Rimuovere la brocca (1) dall'alloggiamento del motore (3); per farlo, ruotare la brocca (1) in senso antiorario.
11. Rimuovere la lama per tritare (2) ruotandola in senso antiorario e fissare il coperchio della brocca (8).

3 Funzionamento

3.3 Quantità massime e tempi di lavorazione

- Vedere la tabella con le quantità massime e i tempi di lavorazione.

Ingredienti	Quantità massime	Tempi di preparazione
Frutta	100 - 200 g	20 - 30 secondi
Succo di frutta	100-200 g frutta + acqua (opzionale)	20 - 30 secondi
Milk-shake	100 g frutta + 300 ml latte	20 - 30 secondi

3.4 Suggerimenti per frullare

- Quando si frullano alimenti solidi, come verdure crude, carne cotta o cruda e frutta, tagliare sempre in pezzi non più grandi di 2-5 cm prima di metterli nella brocca (1). Frullare non più di 2 tazze alla volta di questi alimenti. Questo rende più veloce il processo e riduce l'usura delle lame del frullatore.
- Mettere sempre gli ingredienti liquidi per primi nella brocca (1), a meno che la ricetta non richieda specificamente di fare diversamente.
- Per frullare bevande, mettere tutti gli ingredienti contemporaneamente nella brocca (1).
- Evitare di frullare troppo. Di solito basta frullare per pochi secondi.
- Frullare troppo rende gli alimenti troppo morbidi.

4 Informazioni

4.1 Pulizia e manutenzione



AVVERTENZA: Non utilizzare mai benzina, agenti di pulizia abrasivi, oggetti metallici o spazzole dure per pulire l'apparecchio.



AVVERTENZA: Le lame dell'unità di taglio sono molto taglienti! Maneggiare le lame con la massima attenzione per evitare lesioni.



AVVERTENZA: Non pulire mai l'apparecchio a mani nude.



AVVERTENZA: Pulire il frullatore dopo ogni uso. Non lasciare che residui di alimenti si induriscano sul frullatore e all'interno di esso. Questo rende più difficile pulire dopo.



AVVERTENZA: Non usare acqua bollente. I cuscinetti del gruppo lame sono stati concepiti con un lubrificante perenne; esporli ad acqua bollente può danneggiare questi cuscinetti e ridurre la vita del frullatore.

1. Spegner l'apparecchio e scollegare il cavo di alimentazione dalla presa elettrica.
2. Lasciar raffreddare l'apparecchio.
3. Rimuovere la brocca (1) dall'alloggiamento del motore (3). Sciacquare con acqua per rimuovere i resti grossi di alimenti che potrebbero essersi accumulati nella brocca.
4. Riposizionare la brocca (1) dall'alloggiamento del motore (3).
5. Mettere 1 tazza e mezza di acqua calda con poche gocce di detergente delicato nella brocca (1) e accendere a velocità "II" (5) per pochi secondi. Rimuovere la brocca (1) dall'alloggiamento del motore (3) e sciacquare con acqua. Ripetere secondo necessità.



Non immergere la base con il motore o le lame nei liquidi né metterle in lavastoviglie. Solo il coperchio e la brocca (8) possono essere immersi e posti in lavastoviglie.

6. Usare un panno umido morbido e del detergente delicato per pulire la parte esterna dell'apparecchio.
7. Pulire l'alloggiamento del motore (3), la lama per tritare (2) e il coperchio (8) con un panno privo di pelucchi prima dell'uso successivo.

4.2 Conservazione

- Se non si intende utilizzare la macchina per un periodo prolungato, riporla con cura.
- Assicurarsi che il dispositivo sia scollegato e completamente asciutto.
- Conservare il dispositivo in un luogo fresco e asciutto.
- Assicurarsi che si mantenga fuori dalla portata dei bambini.

4.3 Movimentazione e trasporto

- Per la movimentazione e il trasporto del dispositivo, riporlo all'interno del suo imballaggio originale. L'imballo lo proteggerà contro eventuali danni materiali.
- Non posizionare carichi pesanti sul dispositivo o il suo imballaggio. Potrebbe danneggiarsi.
- Un'eventuale caduta del dispositivo potrebbe renderlo non funzionante o provocare dei danni permanenti.



CERTIFICATO DI GARANZIA

La presente garanzia commerciale si intende aggiuntiva e non sostitutiva di ogni altro diritto di cui gode il consumatore, intendendo per consumatore esclusivamente colui che utilizza il bene per scopi estranei all'attività imprenditoriale o professionale eventualmente svolta e pertanto per uso domestico/privato, e in particolare non pregiudica in alcun modo i diritti del consumatore stabiliti dal Dlgs 206/05. BEKO Italy S.r.l. in conformità alla facoltà prevista dalla legge, offre al consumatore una garanzia commerciale aggiuntiva, nei termini e nei modi di seguito indicati.

Questo certificato non deve essere spedito per la convalida. E' valido e operante solo se conservato assieme alla ricevuta fiscale o altro documento reso fiscalmente obbligatorio.

Condizioni di Garanzia

1. BEKO Italy S.r.l. garantisce l'apparecchio per un periodo di 2 anni dalla data di acquisto (12 mesi se acquistato con fattura di vendita e non con scontrino fiscale).
2. La garanzia è valida esclusivamente sul territorio italiano compresa la Repubblica di San Marino e la città del Vaticano e deve essere comprovata da scontrino fiscale o fattura, che riporti il nominativo del Rivenditore, la data di acquisto dell'apparecchio nonché gli estremi i identificativi dello stesso (tipo, modello).
3. Per garanzia s'intende la sostituzione o riparazione gratuita delle parti componenti l'apparecchio che sono risultate difettose all'origine, per vizi di fabbricazione.
4. L'utente decade dai dritti di garanzia se non denuncia il difetto di conformità entro 2 mesi dalla scoperta dello stesso.
5. Diritto di Chiamata: gratuita per i primi 12 mesi di garanzia, a pagamento per gli altri 12 mesi nel caso l'utente non sia in grado di provare che il difetto sia dovuto a vizio di conformità del prodotto.
6. Manodopera e ricambi gratuiti per i 24 mesi del periodo di garanzia.
7. L'intervento di riparazione viene effettuato presso il centro di assistenza reperibile presso il call centre e sul sito www.beko.it, fatto salvo i casi di impossibilità oggettiva o di forza maggiore.
8. La riparazione o sostituzione dei componenti o dell'apparecchio stesso, non estendono la durata della garanzia.
9. Tutte le parti asportabili e tutte le parti estetiche, non sono coperte da garanzia.
10. Tutti i materiali soggetti ad usura non sono coperti da garanzia a meno che venga dimostrata la difettosità risalente a vizio di fabbricazione delle stesse.
11. La BEKO Italy S.r.l. declina ogni responsabilità per eventuali danni che possano derivare, direttamente od indirettamente, a persone e cose come conseguenza del mancato rispetto delle istruzioni tutte, incluse nell'apposito Manuale per l'uso dell'apparecchio allegato a ciascuno apparecchio, da parte dell'utente ed in particolar modo per quanto concerne le avvertenze relative alla installazione, all'uso ed alla manutenzione dell'apparecchio stesso.
12. La garanzia non diventa operante e l'assistenza sarà effettuata totalmente a pagamento nei seguenti casi:
 - a. Danni dovuti al trasporto o alla movimentazione delle merci.
 - b. Interventi di installazione e montaggio, così come l'errata connessione o errata erogazione dalle reti di alimentazione, mancanza di allacciamento alla presa di terra.
 - c. Installazione errata, imperfetta o incompleta, per incapacità d'uso da parte dell'Utente, se mancano gli spazi necessari ad operare attorno ai prodotti, per eccessiva o scarsa temperatura dell'ambiente,.
 - d. Interventi nei quali non è stato riscontrato il difetto lamentato, o per generici problemi di funzionamento causati da errata impressione del cliente
 - e. Danni causati da agenti atmosferici (fulmini, terremoti, incendi, alluvioni, ecc.)
 - f. Se il numero di matricola risulta asportato, cancellato o manomesso.
 - g. Riparazioni, modifiche o manomissioni effettuate da persone non autorizzate dal produttore o comunque per cause non dipendenti dal prodotto. Per guasti dovuti a mancanza di regolare manutenzione (pulizia e manutenzione del prodotto,).
 - h. Mancanza dei documenti fiscali o se gli stessi risultano contraffatti o non inerenti al prodotto.
 - i. L'uso improprio dell'apparecchio, non di tipo domestico o diverso da quanto stabilito dal produttore, fa decadere il dritto alla Garanzia.
 - j. Per tutte le circostanze esterne che non siano riconducibili a difetti di fabbricazione dell'elettrodomestico.
 - k. Si intendono a pagamento anche tutti gli eventuali trasporti necessari per lo svolgimento degli interventi legati ai casi citati.

Il Servizio Assistenza di BEKO Italy S.r.l. è l'unico autorizzato a riparare i prodotti a marchio BEKO. Per ogni controversia è competente il foro di Milano.

Durante e dopo il periodo di garanzia, vi consigliamo di rivolgervi sempre ai nostri centri di assistenza autorizzati. Per contattare il Centro di Assistenza Tecnica Autorizzato operante nella sua zona chiami il numero unico per l'Italia:

02.03.03

Prima di contattare l'assistenza tecnica, al fine di agevolare la gestione della chiamata, è necessario avere a portata di mano il modello del prodotto e il documento fiscale di acquisto.

