

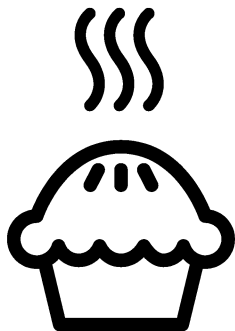


Oven

User Manual

Фурна

Ръководство за употреба



FSE64010DSS

EN / BG

285.3038.64/R.AE/19.06.2020

7757287855

Please read this user manual first!

Dear Customer,

Thank you for purchasing this Beko product. We hope that you get the best results from your product which has been manufactured with high quality and state-of-the-art technology. Therefore, please read this entire user manual and all other accompanying documents carefully before using the product and keep it as a reference for future use. If you handover the product to someone else, give the user manual as well. Follow all warnings and information in the user manual.

Remember that this user manual is also applicable for several other models. Differences between models will be identified in the manual.

Explanation of symbols

Throughout this user manual the following symbols are used:



Important information or useful hints about usage.



Warning of hazardous situations with regard to life and property.



Warning of electric shock.



Warning of risk of fire.



Warning of hot surfaces.



Arçelik A.Ş.
Karaağaç caddesi No:2-6
34445 Söğütözü/İstanbul/TURKEY
Made in TURKEY

This product was manufactured using the latest technology in environmentally friendly conditions.

TABLE OF CONTENTS

1 Important instructions and warnings for safety and environment 4

General safety	4
Safety when working with gas	5
Electrical safety.....	6
Product safety	7
Intended use	10
Safety for children.....	10
Disposing of the old product	11
Package information	11

2 General information 12

Overview	12
Package contents.....	13
Technical specifications	14
Injector table.....	15

3 Installation 16

Before installation	16
Installation and connection	18
Future Transportation.....	23

4 Preparation 24

Tips for saving energy	24
Initial use	24
First cleaning of the appliance	24

Initial heating.....	24
----------------------	----

5 How to use the hob 26

General information about cooking ...	26
Using the hobs	26

6 How to operate the oven 28

General information on baking, roasting and grilling	28
How to operate the electric oven	29
Operating modes.....	29
Cooking times table	30
How to operate the grill	32
Cooking times table for grilling	32

7 Maintenance and care 33

General information.....	33
Cleaning the hob.....	33
Cleaning the control panel.....	34
Cleaning the oven	34
Removing the oven door	35
Removing the door inner glass	36
Replacing the oven lamp	36

8 Troubleshooting 38

1 Important instructions and warnings for safety and environment

This section contains safety instructions that will help protect from risk of personal injury or property damage. Failure to follow these instructions shall void any warranty.

General safety

- This appliance can be used by children aged from 8 years and above and persons with reduced physical, sensory or mental capabilities or lack of experience and knowledge if they have been given supervision or instruction concerning use of the appliance in a safe way and understand the hazards involved.

Children shall not play with the appliance. Cleaning and user maintenance shall not be made by children without supervision.

- The appliance is not to be used by persons (including children) with reduced physical, sensory or mental capabilities, or lack of experience and knowledge,

unless they have been given supervision or instruction.

Children should be supervised and ensure they do not play with the appliance

- If the product is handed over to someone else for personal use or second-hand use purposes, the user manual, product labels and other relevant documents and parts should be also given.
- Never place the product on a carpet-covered floor. Otherwise, lack of airflow beneath the product will cause electrical parts to overheat. This will cause problems with your product.
- Installation and repair procedures must always be performed by Authorised Service Agents. The manufacturer shall not be held responsible for damages arising from procedures carried out by unauthorised persons which may also void the warranty. Before installation, read the instructions carefully.

- Do not operate the product if it is defective or has any visible damage.
- Ensure that the product function knobs are switched off after every use.

Safety when working with gas

- Any works on gas equipment and systems may only be carried out by authorised qualified persons who are Gas Safe registered.
- Prior to the installation, ensure that the local distribution conditions (nature of the gas and gas pressure) and the adjustment of the appliance are compatible.
- This appliance is not connected to a combustion products or evacuation device. It shall be installed and connected in accordance with current installation regulations. Particular attention shall be given to the relevant requirements regarding ventilation; See *Before installation*, page 16
- **CAUTION:** The use of gas cooking appliance results in the production of heat and moisture in the room in which

it is installed. Ensure that the kitchen is well ventilated: keep natural ventilation holes open or install a mechanical ventilation device (mechanical extractor hood). Prolonged intensive use of the appliance may call for additional ventilation, for example increasing the level of the mechanical ventilation where present.

- Gas appliances and systems must be regularly checked for proper functioning. Regulator, hose and its clamp must be checked regularly and replaced within the periods recommended by its manufacturer or when necessary.
- Clean the gas burners regularly. The flames should be blue and burn evenly.
- This product should be used in a room which incorporates a properly adjusted and functioning Carbon Monoxide sensor. Make sure the Carbon Monoxide sensor works properly and is maintained frequently. Carbon Monoxide sensor should be installed maximum

2 meters away from the product.

- Good combustion is required in gas appliances. In case of incomplete combustion, carbon monoxide (CO) might develop. Carbon monoxide is a colourless, odourless and very toxic gas, which has a lethal effect even in very small doses.
- Request information about gas emergency telephone numbers and safety measures in case of gas smell from you local gas provider.

What to do when you smell gas

- Do not use open flame or do not smoke. Do not operate any electrical buttons (e.g. lamp button, door bell and etc.) Do not use fixed or mobile phones. Risk of explosion and toxication!
- Open doors and windows.
- Turn off all valves on gas appliances and gas meter at the main control valve, unless it's in a confined space or cellar.
- Check all tubes and connections for tightness. If

you still smell gas leave the property.

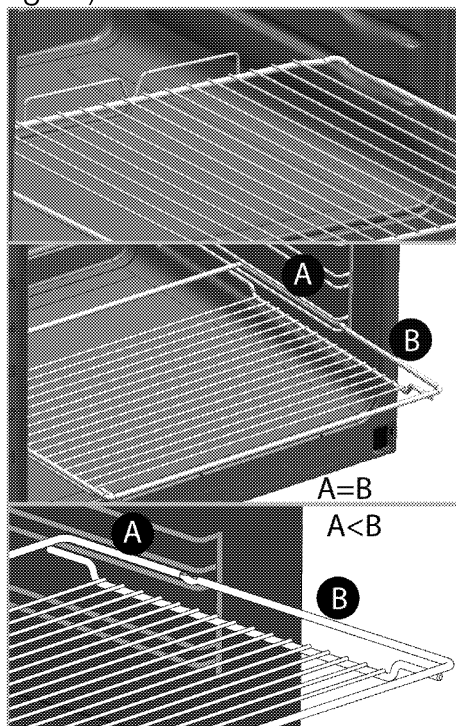
- Warn the neighbours.
- Call the fire-brigade. Use a telephone outside the house.
- Do not re-enter the property until you are told it is safe to do so.

Electrical safety

- If the product has a failure, it should not be operated unless it is repaired by an Authorised Service Agent. There is the risk of electric shock!
- Only connect the product to a grounded outlet/line with the voltage and protection as specified in the “Technical specifications”. Have the grounding installation made by a qualified electrician while using the product with or without a transformer. Our company shall not be liable for any problems arising due to the product not being earthed in accordance with the local regulations.
- Never wash the product by spreading or pouring water onto it! There is the risk of electric shock!

- The product must be disconnected during installation, maintenance, cleaning and repairing procedures.
 - If the power connection cable for the product is damaged, it must be replaced by the manufacturer, its service agent or similarly qualified persons in order to avoid a hazard.
 - The appliance must be installed so that it can be completely disconnected from the mains supply. The separation must be provided by a switch built into the fixed electrical installation, according to construction regulations.
 - Rear surface of the oven gets hot when it is in use. Make sure that the gas/electrical connection does not contact with the rear surface; otherwise, connections can get damaged.
 - Do not trap the mains cable between the oven door and frame and do not route it over hot surfaces. Otherwise, cable insulation may melt and cause fire as a result of short circuit.
 - Any work on electrical equipment and systems should only be carried out by authorised and qualified persons.
 - In case of any damage, switch off the product and disconnect it from the mains. To do this, turn off the fuse at home.
 - Make sure that fuse rating is compatible with the product.
- Product safety**
- **WARNING:** The appliance and its accessible parts become hot during use. Care should be taken to avoid touching heating elements. Children less than 8 years of age shall be kept away unless continuously supervised.
 - Never use the product when your judgment or coordination is impaired by the use of alcohol and/or drugs.
 - Be careful when using alcoholic drinks in your dishes. Alcohol evaporates at high temperatures and may cause fire since it can ignite when it comes into contact with hot surfaces.

- Food Poisoning Hazard: Do not let food sit in oven for more than 1 hour before or after cooking. Doing so can result in food poisoning or sickness.
 - Do not place any flammable materials close to the product as the sides may become hot during use.
 - During use the appliances becomes hot. Care should be taken to avoid touching heating elements inside the oven.
 - Keep all ventilation slots clear of obstructions.
 - Do not heat closed tins and glass jars in the oven. The pressure that would build-up in the tin/jar may cause it to burst.
 - Do not place baking trays, dishes or aluminium foil directly onto the bottom of the oven. The heat accumulation might damage the bottom of the oven.
 - Do not use harsh abrasive cleaners or sharp metal scrapers to clean the oven door glass since they can scratch the surface, which may result in shattering of the glass.
- Do not use steam cleaners to clean the appliance as this may cause an electric shock.
 - **(Varies depending on the product model.)**
Placing the wire shelf and tray onto the wire racks properly
It is important to place the wire shelf and/or tray onto the rack properly. Slide the wire shelf or tray between 2 rails and make sure that it is balanced before placing food on it (Please see the following figure).



- Do not use the product if the front door glass is removed or cracked.
 - Always use heat resistant oven gloves when putting in or removing dishes into/from the hot oven.
 - Place the baking paper into the cooking pot or on to the oven accessory (tray, wire grill etc) together with the food and then insert all into the preheated oven. Remove the excess parts of the baking paper overflowing from the accessory or the pot in order to prevent the risk of touching the oven's heating elements. Never use the baking paper in an operating temperature higher than the indicated value for the baking paper. Do not place the baking paper directly on the base of the oven.
 - **WARNING:** Ensure that power cord of the appliance is unplugged or circuit breaker is switched off before replacing the lamp to avoid the possibility of electric shock.
 - Do not close the top cover before the hotplates or burners cool down.
- Wipe the top cover dry before opening it in order to avoid water leakage to the rear and inner sections of the oven.
- The appliance must not be installed behind a decorative door in order to avoid overheating.
 - Product must be placed directly on the floor. It must not be placed onto a base or a pedestal.
 - **WARNING:** Unattended cooking on a hob with fat or oil can be dangerous and may result in fire. NEVER try to extinguish a fire with water, but switch off the appliance and then cover flame e.g. with a lid or a fire blanket.
 - **CAUTION:** The cooking process has to be supervised. A short term cooking process has to be supervised continuously.
 - **WARNING:** Danger of fire: Do not store items on the cooking surfaces.
 - The appliance is not intended to be operated by means of an external timer or separate remote-control system.
 - **WARNING:** Use only hob guards designed by the

manufacturer of the cooking appliance or indicated by the manufacturer of the appliance in the instructions for use as suitable or hob guards incorporated in the appliance. The use of inappropriate guards can cause accidents.

Prevention against possible fire risk!

- Ensure all electrical connections are secure and tight to prevent risk of arcing.
- Do not use damaged cables or extension cables.
- Ensure liquid or moisture is not accessible to the electrical connection point.
- To prevent gas leakage ensure that the gas connection is sound.

Intended use

- This product is designed for domestic use. Commercial use will void the guarantee.
- **CAUTION:** This appliance is for cooking purposes only. It must not be used for other purposes, for example room heating.
- This product should not be used for warming the plates under the grill, drying towels,

dish cloths etc. by hanging them on the oven door handles. This product should also not be used for room heating purposes.

- The manufacturer shall not be liable for any damage caused by improper use or handling errors.
- The oven can be used for defrosting, baking, roasting and grilling food.

Safety for children

- **WARNING:** Accessible parts may become hot during use. Young children should be kept away.
- The packaging materials will be dangerous for children. Keep the packaging materials away from children. Please dispose of all parts of the packaging according to environmental standards.
- Electrical and/or gas products are dangerous to children. Keep children away from the product when it is operating and do not allow them to play with the product.
- Do not place any items above the appliance that children may reach for.

- When the door is open, do not load any heavy object on it and do not allow children to sit on it. It may overturn or door hinges may get damaged.

Disposing of the old product

Compliance with the WEEE Directive and Disposing of the Waste Product:



This product complies with EU WEEE Directive (2012/19/EU). This product bears a classification symbol for waste electrical and electronic equipment (WEEE).

This product has been manufactured with high quality parts and materials which can be reused and are suitable for recycling. Do not dispose of the waste

product with normal domestic and other wastes at the end of its service life. Take it to the collection center for the recycling of electrical and electronic equipment. Please consult your local authorities to learn about these collection centers.

Compliance with RoHS Directive:

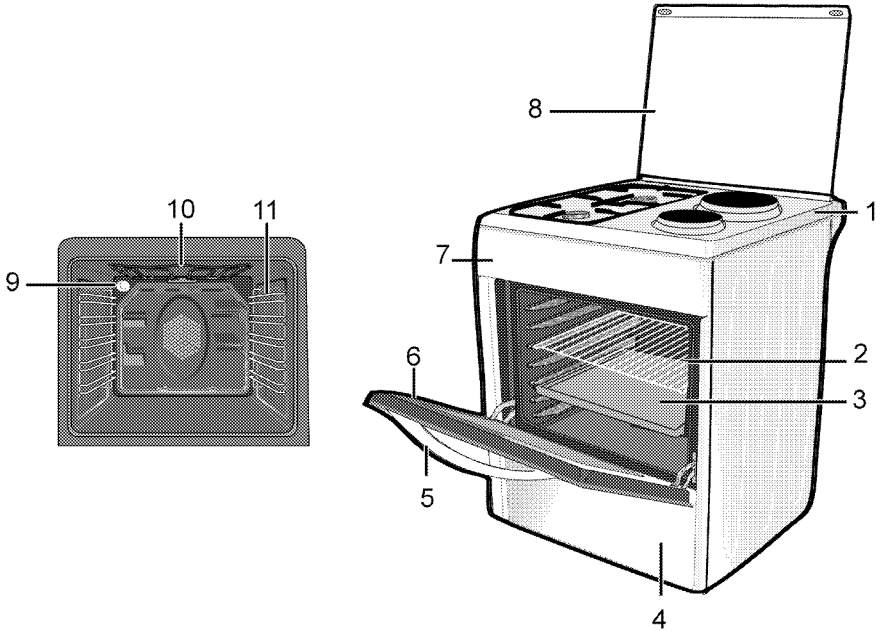
The product you have purchased complies with EU RoHS Directive (2011/65/EU). It does not contain harmful and prohibited materials specified in the Directive.

Package information

- Packaging materials of the product are manufactured from recyclable materials in accordance with our National Environment Regulations. Do not dispose of the packaging materials together with the domestic or other wastes. Take them to the packaging material collection points designated by the local authorities.

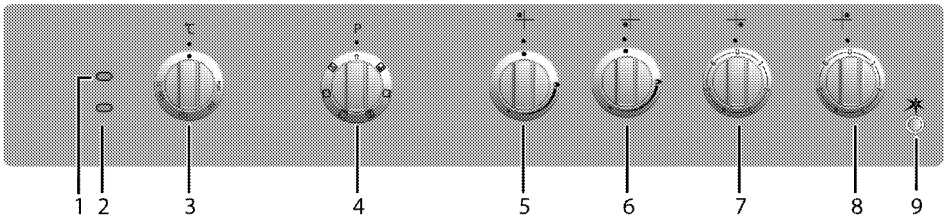
2 General information

Overview



- 1 Burner plate
- 2 Wire shelf
- 3 Tray
- 4 Lower part
- 5 Handle
- 6 Front door

- 7 Control panel
- 8 Top lid
- 9 Lamp
- 10 Grill heating element
- 11 Shelf positions



- 1 Warning lamp
- 2 Thermostat lamp
- 3 Thermostat knob
- 4 Function knob
- 5 Rapid burner Rear left
- 6 Auxiliary burner Front left

- 7 Hotplate Front right
- 8 Hotplate Rear right
- 9 Ignition button

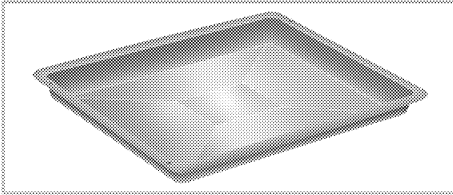
Package contents

i Accessories supplied can vary depending on the product model. Not every accessory described in the user manual may exist on your product.

1. User manual

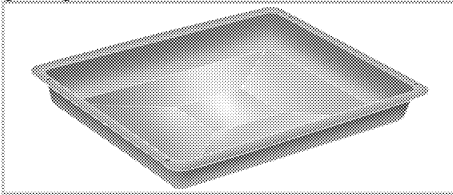
2. Standard tray

Used for pastries, frozen foods and big roasts.



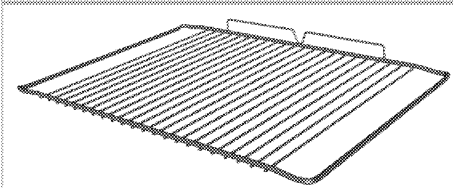
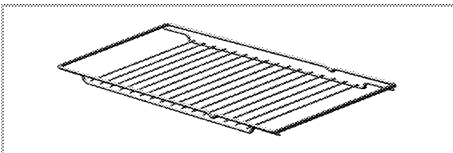
3. Deep tray

Used for pastries, large roasts, juicy dishes, and for collecting the fat while grilling.



4. Wire grill

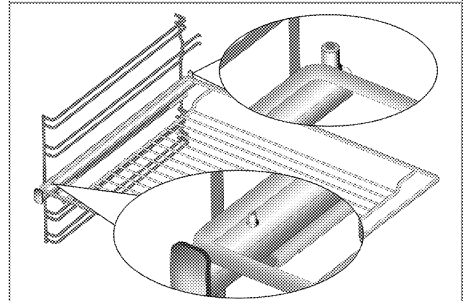
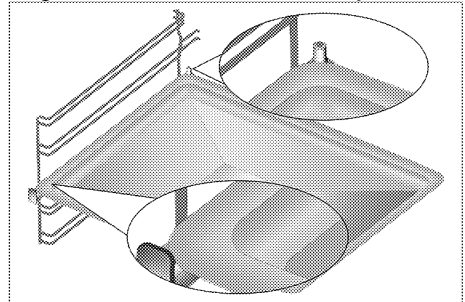
Used for roasting and for placing the food to be baked, roasted or cooked in casserole dishes to the desired rack.



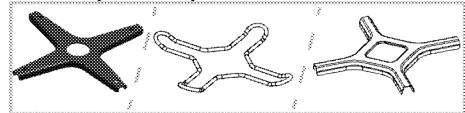
5. Placing the wire shelf and tray onto the telescopic racks properly (This feature is optional. It may not exist on your product.)

Telescopic racks allow you to install and remove the trays and wire shelf easily.

When using the tray and wire shelf with telescopic racks, make sure that the pins at the rear section of the telescopic rack stands against the edges of the wire shelf and tray.



6. Coffee pot adaptor




Used for coffee pots.


Technical specifications


GENERAL	
External dimensions (height / width / depth)	850 mm/600 mm/600 mm
Voltage / frequency	220-240 V ~ 50 Hz
Total power consumption	5.4 kW
Cable type / section	min.H05VV-FG 3 x 2,5 mm ²
Category of gas product	I 3B/P
Gas type / pressure	LPG G 30/28-30 mbar
Total gas consumption	3.9 kW
HOB	
Burners	
Rear left	Rapid burner
Power	2.9 kW
Front left	Auxiliary burner
Power	1 kW
Front right	Hotplate
Dimension	145 mm
Power	1000 W
Rear right	Hotplate
Dimension	180 mm
Power	2000 W
OVEN/GRILL	
Main oven	Fan assisted
Inner lamp	15–25 W
Grill power consumption	2.2 kW

Basics: Information on the energy label of electrical ovens is given in accordance with the EN 60350-1 / IEC 60350-1 standard. Those values are determined under standard load with bottom-top heater or fan assisted heating (if any) functions.

Energy efficiency class is determined in accordance with the following prioritization depending on whether the relevant functions exist on the product or not. 1-Cooking with eco-fan, 2- Turbo slow cooking, 3- Turbo cooking, 4- Fan assisted bottom/top heating, 5-Top and bottom heating.

 Technical specifications may be changed without prior notice to improve the quality of the product.

 Figures in this manual are schematic and may not exactly match your product.

 Values stated on the product labels or in the documentation accompanying it are obtained in laboratory conditions in accordance with relevant standards. Depending on operational and environmental conditions of the product, these values may vary.

Injector table

Position hob zone	2.9 kW	1 kW
Gas type / Gas pressure	Rear left	Front left
G 30/28-30 mbar	87	50

3 Installation

Product must be installed by a qualified person in accordance with the regulations in force. The manufacturer shall not be held responsible for damages arising from procedures carried out by unauthorized persons which may also void the warranty.

i Preparation of location and electrical and gas installation for the product is under customer's responsibility.

! The product must be installed in accordance with all local gas and/or electrical regulations.

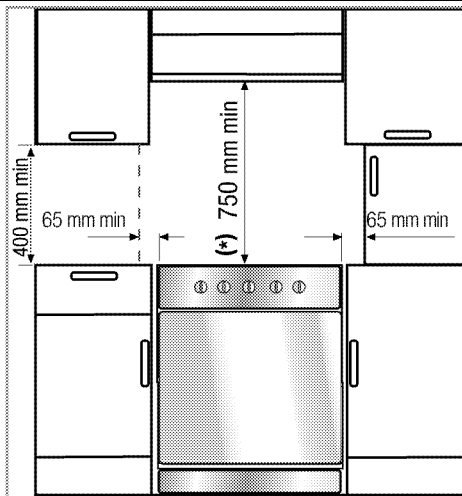
! Prior to installation, visually check if the product has any defects on it. If so, do not have it installed. Damaged products cause risks for your safety.

Before installation

To ensure that critical air gaps are maintained under the appliance, we recommend that this appliance is mounted on a solid base and that the feet do not sink into any carpet or soft flooring.

The kitchen floor must be able to carry the weight of the appliance plus the additional weight of cookware and bakeware and food.

If the range is placed on a base, measures have to be taken to prevent the appliance slipping from the base. The appliances must not be installed behind a decorative door in order to avoid overheating.



- It can be used with cabinets on either side but in order to have a minimum distance of 400mm above hotplate level allow a side clearance of 65mm between the appliance and any wall, partition or tall cupboard.
- It can also be used in a free standing position. Allow a minimum distance of 750 mm above the hob surface.
- (*) If a cooker hood is to be installed above the cooker, refer to cooker hood manufacturer' instructions regarding installation height (min 650 mm).
- The appliance corresponds to device class 1, i.e. it may be placed with the rear and **one** side to kitchen walls, kitchen furniture or equipment of any size. The kitchen furniture or equipment on the **other** side may only be of the same size or smaller.
- Any kitchen furniture next to the appliance must be heat-resistant (100 °C min.).

i LP Gas Only

Don't install this appliance in a room below ground level unless it is oven to ground level on at least one side.

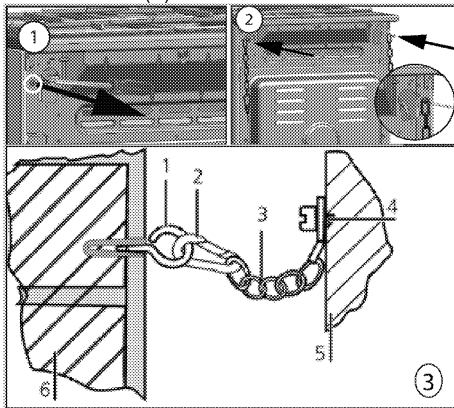
Failure to install appliances correctly is dangerous and could result in prosecution.

Safety chain

If your product has 2 safety chains;

The appliance must be secured against overbalancing by using the supplied two safety chains on your oven.

Fasten hook (1) by using a proper peg to the kitchen wall (6) and connect safety chain (3) to the hook via the locking mechanism (2).

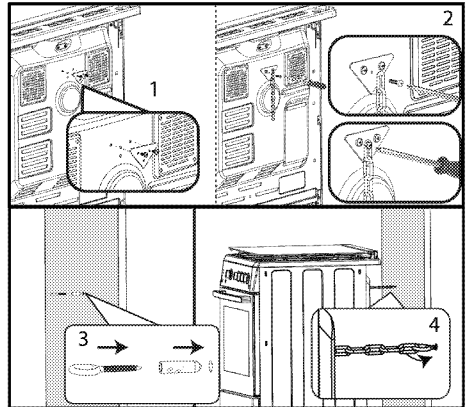


- 1 Stability hook
- 2 Locking mechanism
- 3 Safety chain (supplied and mounted to oven)
- 4 Firmly fix chain to cooker rear
- 5 Rear of cooker
- 6 Kitchen wall

If your product has 1 safety chain;

The appliance must be secured against overbalancing by using the supplied one safety chain on your oven.

Follow below steps in the picture to secure the safety chain to your product.



- i** Stability chain to be as short as practicable to avoid oven tilting forward and diagonal to avoid oven side tilting.

Cooker stability chain for cookers is not designed with bracket engagement slot.

Room ventilation

All rooms require an openable window, or equivalent, and some rooms will require a permanent vent as well. The air for combustion is taken from the room air and the exhaust gases are emitted directly into the room. Good ventilation is essential for safe operation of your appliance.

Rooms with doors and/or windows which open directly to the outer environment

The doors and/or windows that open directly to the outer environment must have a total ventilation opening of the dimensions specified in the table below which is based on the total gas power of the appliance (total gas power consumption of the appliance is shown in the technical specification table of this user manual). If the doors and/or windows do not have a total ventilation opening corresponding to the total gas consumption of the appliance as specified in the table below, then there must definitely be an additional fixed

ventilation opening in the room to ensure that the total minimum ventilation requirements for the total gas consumption of the appliance is achieved. The fixed ventilation opening can include openings for existing airbricks, extraction hood ducting opening dimension etc.

Total gas consumption (kW)	min. Ventilation opening (cm ²)
0-2	100
2-3	120
3-4	175
4-6	300
6-8	400
8-10	500
10-11.5	600
11.5-13	700
13-15.5	800
15.5-17	900
17-19	1000
19-24	1250

Rooms that do not have openable doors and/or windows that open directly to the outer environment

If the room where the appliance is installed does not have a door and/or a window that opens directly to the outer environment, other products shall be sought that definitely provide a fixed nonadjustable and non-closable ventilation opening which meets the total minimum ventilation opening requirements for the total gas consumption of the appliance as indicated in the above table. Also the appropriate building regulations advise should be followed.

Where a room or internal space contains more than one gas appliance, additional ventilation area shall be provided on top of the requirement given in the table above. Size of additional ventilation area

shall be appropriate to regulations of other gas appliances.

There should also be a minimum clearance of 10mm on the bottom edge of the door that opens to the inner environment in the room where the appliance is installed. You must ensure that items such as carpets and other floorcoverings etc., do not affect the clearance when the door is closed.

The cooker may be located in a kitchen, kitchen/diner or a bed-sitting room, but not in a room containing a bath or a shower. The cooker must not be installed in a bed-sitting room of less than 20m³.

Do not install this appliance in a room below ground level unless it is open to ground level on at least one side.

Installation and connection

Product can only be installed and connected in accordance with the statutory installation rules.

i Do not install the product next to refrigerators or freezers. The heat emitted by the product will increase the energy consumption of cooling appliances.

- Carry the product with at least two persons.
- Product must be placed directly on the floor. It must not be placed onto a base or a pedestal.

i Do not use the door and/or handle to carry or move the product. The door, handle or hinges get damaged.

Electrical connection

Connect the product to a grounded outlet/line protected by a miniature circuit breaker of suitable capacity as stated in the "Technical specifications" table. Have the grounding installation made by a qualified electrician while

using the product with or without a transformer. Our company shall not be liable for any damages that will arise due to using the product without a grounding installation in accordance with the local regulations.

! The product must be connected to the mains supply only by an authorised and qualified person. The product's warranty period starts only after correct installation. Manufacturer shall not be held responsible for damages arising from procedures carried out by unauthorised persons.

! The power cable must not be clamped, bent or trapped or come into contact with hot parts of the product. A damaged power cable must be replaced by a qualified electrician. Otherwise, there is risk of electric shock, short circuit or fire!

The mains supply data must correspond to the data specified on the type label of the product. The rating plate is either seen when the door or the lower cover is opened or it is located at the rear wall of the unit depending on the unit type. Power cable of your product must comply with the values in "Technical specifications" table.

! Before starting any work on the electrical installation, disconnect the product from the mains supply. There is the risk of electric shock!

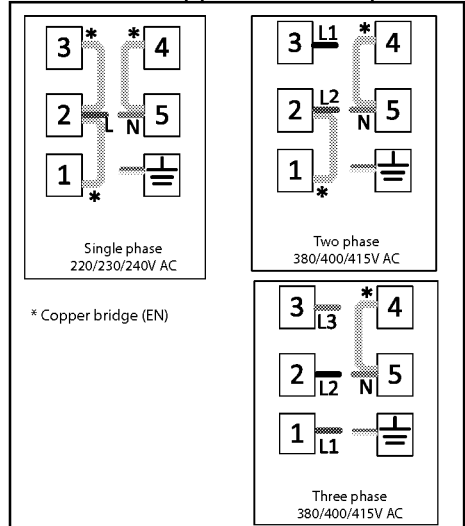
Connecting the power cable

i While performing the wiring, you must apply with the national/local electrical regulations and must use the appropriate socket outlet/line and plug for oven. In case of the product's power limits are out of current carrying capability of plug and socket outlet/line, the product must be connected through fixed electrical installation directly without using plug and socket outlet/line.

1. If it is not possible to disconnect all poles in the supply power, a disconnection unit with at least 3 mm contact clearance (fuses, line safety switches, contactors) must be connected and all the poles of this disconnection unit must be adjacent to (not above) the product in accordance with IEE directives. Failure to obey this instruction may cause operational problems and invalidate the product warranty.


Additional protection by a residual current circuit breaker is recommended.

If a cable is supplied with the product:



2. For single-phase

connection, connect as identified below:

- Brown cable = L (Phase)
- Blue cable = N (Neutral)
- Green/yellow cable = (E)  (Ground)

Gas connection



Product can be connected to gas supply system only by an authorised and qualified person or technician with licence.

Risk of explosion or toxication due to unprofessional repairs!

Manufacturer shall not be held responsible for damages arising from procedures carried out by unauthorised or unlicensed persons.



Before starting any work on the gas installation, disconnect the gas supply.

There is the risk of explosion!

- Gas adjustment conditions and values are stated on labels (or on type label).
- Procure the plastic gas hose and installation clamp before making the gas connection. Inner diameter of the plastic gas hose must be max. 10 mm and its length must be max. 150 cm.



Your product is equipped for liquefied petroleum gas (LPG).

Connecting the gas hose

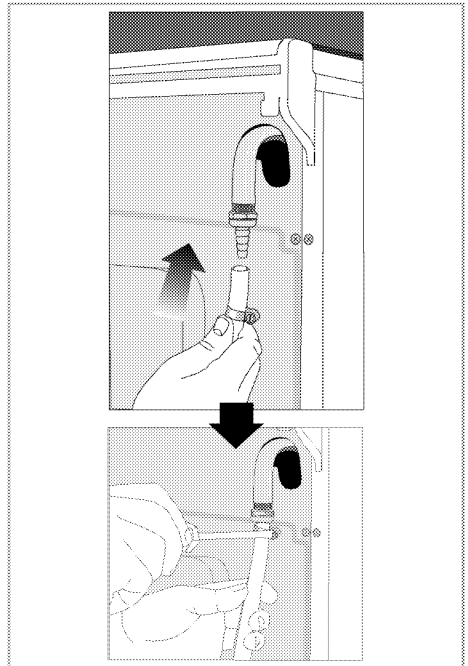
- Gas connection of your product will be performed by the authorised service.
- Have your product connected in a way that it will be close to the gas connection and not gas leakage will exist.
- Fit the installation clamp onto one end of the hose. Soak the hose end fitted with clamp into boiling water for one minute to soften it.

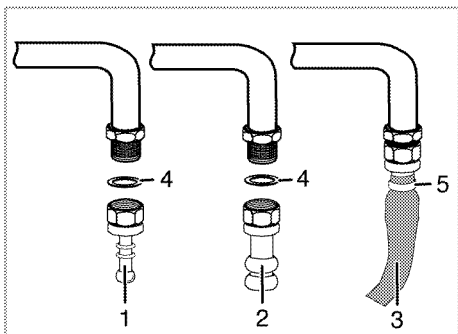
- Slip the softened end of the hose completely onto the sharp hose tip of your product. Finally, tighten the clamp completely with a screwdriver.
- Repeat the same procedure for the other end of the hose and complete the gas regulator connection.
- Never forget to make the gas leakage control.
- If you need to use your product later with a different type of gas, you must consult the authorised service for the related conversion procedure.



Risk of explosion and suffocation!

Do not keep LPG cylinders in home.

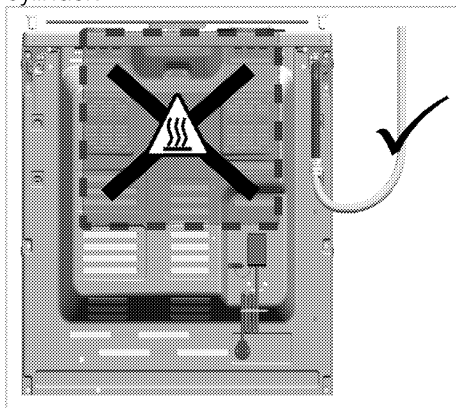




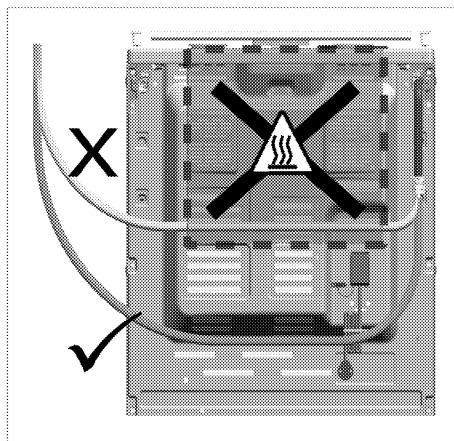
- 1 Hose tip-LPG
- 2 Hose tip-NG
- 3 Safety hose
- 4 O-ring (gasket)
- 5 Clamp

If your product has only one gas outlet;

- Before connecting the gas hose, make sure that the gas hose outlet at the back of the product is on the same side of the product as the LPG cylinder.

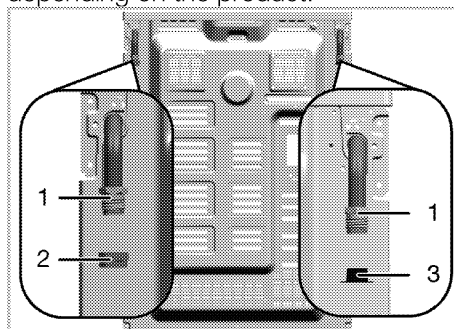


- If the gas hose outlet and the LPG cylinder do not face on the same side, make sure that the hose does not pass through the hot area when connecting it.



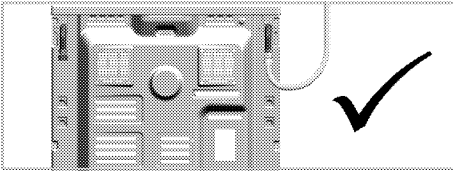
If your product has two gas outlets;

- One of the two outlets is sealed with a blind plug and the other one with a plastic plug. Locations of the blind plug and plastic plug may be different depending on the product.

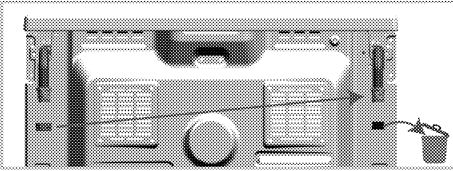


- 1 Gas hose outlet
- 2 Blind plug
- 3 Plastic plug

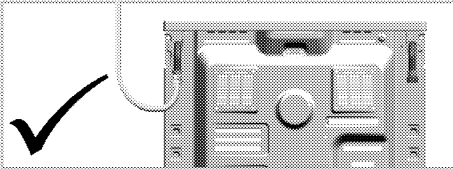
- Before gas connection, make sure that the LPG cylinder and the gas hose outlet of the product to be connected to the gas is on the same side.
- If the LPG cylinder and the gas hose outlet sealed with plastic plug face on the same side, make the gas connection as shown in the figure below.



- If the LPG cylinder and the gas hose sealed with blind plug face on the same side, remove and dispose the plastic plug. Take out the blind plug and close the gas hose outlet where gas connection will not be made with a new (unused) sealing gasket.




- Make the gas connection as shown in the figure below on the gas hose outlet near the LPG cylinder.




Risk of fire:


If you do not make the connection according to the instructions below, there will be the risk of gas leakage and fire. **Our company cannot be held responsible for damages resulting from this.**

- Gas connection must be made by the authorised service provider only.
- Gas connection of the product must definitely be made through the gas hose outlet near the LPG cylinder.
- Plastic plug must be disposed, and the gas hose outlet that will not be used must be sealed with the blind plug.
- When closing the gas hose outlet that will not be used, you must definitely use a new and unused sealing gasket.

 The flexible gas hose must be connected in a way that it does not contact the moving parts around it and is not trapped when the moving parts are travelling. (e.g. drawers). Besides, it should not be placed in spaces where it might get squeezed.

 The gas hose must not be clamped, bent or trapped or come into contact with hot parts of the product. There is the risk of explosion due to damaged gas hose.

Leakage check at the connection point


- Make sure that all knobs on the product are turned off. Make sure that the gas supply is open. Prepare soapy foam and apply it onto the connection point of the hose for gas leakage control.
- Soapy part will froth if there is a gas leakage. In this case, inspect the gas connection once again.
- **If your product has two gas hose outlets**, make sure that the unused gas outlet is sealed with a blind plug. Prepare soapy foam and apply it onto the connection point of the blind plug to check for gas leaks. Soapy part will froth if there is a gas leakage. In this case, inspect the blind plug connection again.
- Instead of soap, you can use commercially available sprays for gas leak check.
-  Never use a match or lighter to make the gas leakage control.
- Push the product towards the kitchen wall.
- **Adjusting the feet of oven**

Vibrations during use may cause cooking vessels to move. This dangerous situation can be avoided if the product is level and balanced.

For your own safety please ensure the product is level by adjusting the four feet at the bottom by turning left or right and align level with the work top.

Final check

1. Reconnect the product to the mains.
2. Check electrical functions.
3. Open gas supply.
4. Check gas installations for secure fitting and tightness.
5. Ignite burners and check appearance of the flame.


 Flame must be blue and have a regular shape. If the flame is yellowish, check if the burner cap is seated securely or clean the burner.


Future Transportation

- Keep the product's original carton and transport the product in it. Follow the

instructions on the carton. If you do not have the original carton, pack the product in bubble wrap or thick cardboard and tape it securely.

- To prevent the wire grill and tray inside the oven from damaging the oven door, place a strip of cardboard onto the inside of the oven door that lines up with the position of the trays. Tape the oven door to the side walls.
- Secure the caps and pan supports with adhesive tape.
- Do not use the door or handle to lift or move the product.

 Do not place any objects onto the product and move it in upright position.

 Check the general appearance of your product for any damages that might have occurred during transportation.

4 Preparation

Tips for saving energy

The following information will help you to use your appliance in an ecological way, and to save energy:

- Use dark coloured or enamel coated cookware in the oven since the heat transmission will be better.
- While cooking your dishes, perform a preheating operation if it is advised in the user manual or cooking instructions.
- Do not open the door of the oven frequently during cooking.
- Try to cook more than one dish in the oven at the same time whenever possible. You can cook by placing two cooking vessels onto the wire shelf.
- Cook more than one dish one after another. The oven will already be hot.
- You can save energy by switching off your oven a few minutes before the end of the cooking time. Do not open the oven door.
- Defrost frozen dishes before cooking them.
- Use pots/pans with cover for cooking. If there is no cover, energy consumption may increase 4 times.
- Select the burner which is suitable for the bottom size of the pot to be used. Always select the correct pot size for your dishes. Larger pots require more energy.
- Pay attention to use flat bottom pots when cooking with electric hobs. Pots with thick bottom will provide a better heat conduction. You can obtain energy savings up to 1/3.
- Vessels and pots must be compatible with the hotplates. Bottom of the vessels or pots must not be smaller than the hotplate.

- Keep the hotplates and bottom of the pots clean. Dirt will decrease the heat conduction between the hotplate and bottom of the pot.
- For long cookings, turn off the hotplate 5 or 10 minutes before the end of cooking time. You can obtain energy savings up to 20% by using the residual heat.

Initial use

First cleaning of the appliance



The surface might get damaged by some detergents or cleaning materials.

Do not use aggressive detergents, cleaning powders/creams or any sharp objects during cleaning.

Do not use harsh abrasive cleaners or sharp metal scrapers to clean the oven door glass since they can scratch the surface, which may result in shattering of the glass.

1. Remove all packaging materials.
2. Wipe the surfaces of the appliance with a damp cloth or sponge and dry with a cloth.

Initial heating

Heat up the product for about 30 minutes and then switch it off. Thus, any production residues or layers will be burnt off and removed.



Hot surfaces cause burns!

Product may be hot when it is in use. Never touch the hot burners, inner sections of the oven, heaters and etc. Keep children away. Always use heat resistant oven gloves when putting in or removing dishes into/from the hot oven.

Electric oven

1. Take all baking trays and the wire grill out of the oven.
2. Close the oven door.
3. Select Static position.
4. Select the highest grill power; See *How to operate the electric oven, page 29*.
5. Operate the oven for about 30 minutes.
6. Turn off your oven; See *How to operate the electric oven, page 29*

Grill oven

1. Take all baking trays and the wire grill out of the oven.
2. Close the oven door.
3. Select the highest grill power; see *How to operate the grill, page 32*.
4. Operate the grill about 15 minutes.

5. Turn off your grill; see *How to operate the grill, page 32*

Hot plate

1. Any production residues or conservation layers must be burnt before the first use. Operate the hotplate at middle temperature level for 8 minutes without any vessel on it. No pots or containers should be placed onto the hotplate during this procedure.

i Smoke and smell may emit for a couple of hours during the initial operation. This is quite normal. Ensure that the room is well ventilated to remove the smoke and smell. Avoid directly inhaling the smoke and the smell that emits.

5 How to use the hob

General information about cooking



Never fill the pan with oil more than one third of it. Do not leave the hob unattended when heating oil. Overheated oils bring risk of fire. **Never attempt to extinguish a possible fire with water!**

When oil catches fire, cover it with a fire blanket or damp cloth. Turn off the hob if it is safe to do so and call the fire department.

- Before frying foods, always dry them well and gently place into the hot oil. Ensure complete thawing of frozen foods before frying.
- Do not cover the vessel you use when heating oil.
- Place the pans and saucepans in a manner so that their handles are not over the hob to prevent heating of the handles. Do not place unbalanced and easily tilting vessels on the hob.
- Do not place empty vessels and saucepans on cooking zones that are switched on. They might get damaged.
- Operating a cooking zone without a vessel or saucepan on it will cause damage to the product. Turn off the cooking zones after the cooking is complete.
- As the surface of the product can be hot, do not put plastic and aluminum vessels on it. Such vessels should not be used to keep foods either.
- Use flat bottomed saucepans or vessels only.
- Put appropriate amount of food in saucepans and pans. Thus, you will

not have to make any unnecessary cleaning by preventing the dishes from overflowing.

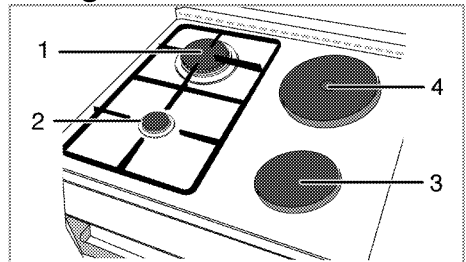
Do not put covers of saucepans or pans on cooking zones.

Place the saucepans in a manner so that they are centered on the cooking zone. When you want to move the saucepan onto another cooking zone, lift and place it onto the cooking zone you want instead of sliding it.

Gas cooking

- Size of the vessel and the flame must match each other. Adjust the gas flames so that they will not extend the bottom of the vessel and center the vessel on saucepan carrier.

Using the hobs



- 1 Rapid burner 22-24 cm
- 2 Auxiliary burner 12-18 cm
- 3 Hotplate 14-16 cm
- 4 Hotplate 18-20 cm is list of advised diameter of pots to be used on related burners.



Do not use cooking pans beyond the dimension limits given above. Using larger pans causes risk of carbon monoxide poisoning, overheating of adjacent surfaces and control knobs. Using smaller pans causes your risk of being burned by the flame.

Large flame symbol indicates the highest cooking power and small flame symbol indicates the lowest cooking power. In turned off position (top), gas is not supplied to the burners.

Igniting the gas burners



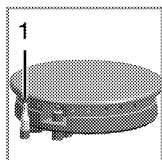
Gas burners are ignited with ignition buttons.

1. Keep burner knob pressed.
2. Turn it counter clockwise to large flame symbol.
3. Press and release the ignition button. Repeat the procedure until the released gas is ignited.
4. Adjust it to the desired cooking power.

Turning off the gas burners

Turn the keep warm zone knob to off (upper) position.

Gas shut off safety system (in models with thermic component)



As a counter measure against blow out due to fluid overflows at burners, safety mechanism trips and shuts off the gas.

1. Gas shut off safety
 - Push the knob inwards and turn it counter clockwise to ignite.
 - After the gas ignites, keep the knob pressed for 3-5 seconds more to engage the safety system.
 - If the gas does not ignite after you press and release the knob, repeat the

same procedure by keeping the knob pressed for 15 seconds.



Release the button if the burner is not ignited within 15 seconds. Wait at least 1 minute before trying again. There is the risk of gas accumulation and explosion!

Using hotplates

Hotplate knobs can be turned in both directions in a way that will provide temperature control in steps.



If the hob is equipped with hotplates featuring Booster function, relevant hotplate will be marked with a red dot.

Overheating protection

Hotplates that have a power above 1000 W are equipped with an overheating protection. Overheating protection decreases the power of the hotplate in following cases:

- There is no vessel or saucepan on the hotplate.
- There is an empty vessel or saucepan on the hotplate.
- The bottom of the vessel or saucepan is not flat.

Turning on the hotplates

Use hotplate knobs to operate the hotplates. Move the hotplate knobs to the relevant level in order to obtain the desired cooking level.

Cooking level	1	2 – 3	4 – 6
	warm g	stewing, simmering g	cooking , roasting , boiling

Turning off the hotplates

Turn the hotplate knob to OFF (upper) position.

6 How to operate the oven

General information on baking, roasting and grilling



Hot surfaces cause burns! Product may be hot when it is in use. Never touch the hot burners, inner sections of the oven, heaters and etc. Keep children away. Always use heat resistant oven gloves when putting in or removing dishes into/from the hot oven.



Be careful when opening the oven door as steam may escape. Exiting steam can scald your hands, face and/or eyes.

Tips for baking

- Use non-sticky coated appropriate metal plates or aluminum vessels or heat-resistant silicone moulds.
- Make best use of the space on the rack.
- Place the baking mould in the middle of the shelf.
- Select the correct rack position before turning the oven or grill on. Do not change the rack position when the oven is hot.
- Keep the oven door closed.

Tips for roasting

- Treating whole chicken, turkey and large piece of meat with dressings such as lemon juice and black pepper before cooking will increase the cooking performance.
- It takes about 15 to 30 minutes longer to roast meat with bones when compared to roasting the same size of meat without bones.
- Each centimeter of meat thickness requires approximately 4 to 5 minutes of cooking time.

- Let meat rest in the oven for about 10 minutes after the cooking time is over. The juice is better distributed all over the roast and does not run out when the meat is cut.
- Fish should be placed on the middle or lower rack in a heat-resistant plate.

Tips for grilling

When meat, fish and poultry are grilled, they quickly get brown, have a nice crust and do not get dry. Flat pieces, meat skewers and sausages are particularly suited for grilling as are vegetables with high water content such as tomatoes and onions.

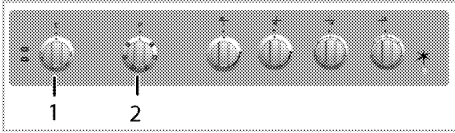
- Distribute the pieces to be grilled on the wire shelf or in the baking tray with wire shelf in such a way that the space covered does not exceed the size of the heater.
- Slide the wire shelf or baking tray with grill into the desired level in the oven. If you are grilling on the wire shelf, slide the baking tray to the lower rack to collect fats. The baking tray to be slid must be of a size that covers the whole grilling area. This tray might not be provided with the product. Add some water in the baking tray for easy cleaning.



Foods that are not suitable for grilling carry the risk of fire. Only grill food which is suitable for intensive grilling heat. Do not place the food too far in the back of the grill. This is the hottest area and fatty food may catch fire.

How to operate the electric oven

Select temperature and operating mode



- 1 Thermostat knob
 - 2 Function knob
1. Set the Function knob to the desired operating mode.
 2. Set the Temperature knob to the desired temperature.

» Oven heats up to the adjusted temperature and maintains it. During heating, temperature lamp stays on.

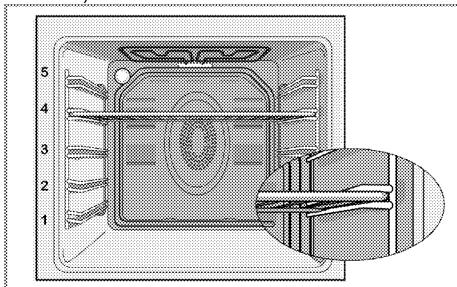
Switching off the electric oven

Turn the function knob and temperature knob to off (upper) position.

Rack positions (For models with wire shelf)

It is important to place the wire shelf onto the side rack correctly. Wire shelf must be inserted between the side racks as illustrated in the figure.

Do not let the wire shelf stand against the rear wall of the oven. Slide your wire shelf to the front section of the rack and settle it with the help of the door in order to obtain a good grill performance. (Varies depending on the product model.)



Operating modes

The order of operating modes shown here may be different from the arrangement on your product.

Top and bottom heating



Top and bottom heating are in operation. Food is heated simultaneously from the top and bottom. For example, it is suitable for cakes, pastries, or cakes and casseroles in baking moulds. Cook with one tray only.

Bottom heating



Only bottom heating is in operation. It is suitable for pizza and for subsequent browning of food from the bottom.

This function must be used for easy steam cleaning as well.

Fan supported bottom/top heating



Top heating, bottom heating plus fan (in the rear wall) are in operation. Hot air is evenly distributed throughout the oven rapidly by means of the fan. Cook with one tray only.

Full grill



Large grill at the ceiling of the oven is in operation. It is suitable for grilling large amount of meat.

- Put big or medium-sized portions in correct rack position under the grill heater for grilling.
- Turn the food after half of the grilling time.

Grill+Fan



Grilling effect is not as strong as in Full Grill

- Put small or medium-sized portions in correct shelf position under the grill heater for grilling.
- Turn the food after half of the grilling time.

Booster



This function is used to heat the oven rapidly; it is not suitable for cooking food.

- Select the desired temperature after selecting this function. Temperature light turns on and oven is heated.
- Light turns off after the heating process is completed. Now select the desired function to cook your food.

Cooking times table

i The timings in this chart are meant as a guide. Timings may vary due to temperature of food, thickness, type and your own preference of cooking.

Baking and roasting





i 1st rack of the oven is the **bottom** rack.

Dish	Cooking level number	Accessory to use	Operating mode	Rack position	Temperature (°C)	Cooking time (approx. in min.)
Cakes in tray	One level	Standard tray*		3	180	25 ... 30
Cakes in mould	One level	Cake mold on wire grill**		2	180	40 ... 50
Small cakes	One level	Standard tray*		3	160	25 ... 35
Sponge cake	One level	Round springform pan with a diameter of 26 cm on wire grill**		3	160	25 ... 35
Cookies	One level	Pastry tray*		3	180	25 ... 30
Dough pastry	One level	Standard tray*		2	200	30 ... 40
Rich pastry	One level	Standard tray*		2	200	25 ... 35
Leaven	One level	Standard tray*		2	200	35 ... 45
Lasagna	One level	Glass/metal rectangular pan on wire grill**		2 - 3	200	30 ... 40
Pizza	One level	Standard tray*		2	200 ... 220	15 ... 20
Beef steak (whole) / Roast	One level	Standard tray*		3	25 min. 250/max, then 180 ... 190	100 ... 120
Leg of Lamb (casserole)	One level	Standard tray*		3	25 min. 220 then 180 ... 190	70 ... 90
Roasted chicken (1,8-2 kg)	One level	Standard tray*		2	15 min. 250/max, then 180 ... 190	60 ... 80
Turkey (5.5 kg)	One level	Standard tray*		1	25 min. 250/max, then 180 ... 190	150 ... 210
Fish	One level	Standard tray*		3	200	20 ... 30

Dish	Cooking level number	Accessory to use	Operating mode	Rack position	Temperature (°C)	Cooking time (approx. in min.)
It is suggested to perform preheating for all foods.						
* These accessories may not supplied with the product.						
** These accessories are not supplied with the product. They are commercially available accessories.						

Cooking table for test meals

Meals in this cooking table are prepared according to EN 60350-1 to make it easier for control institutes to test the product.

Dish	Cooking level number	Accessory to use	Operating mode	Rack position	Temperature (°C)	Cooking time (approx. in min.)
Shortbread	One level	Standard tray*		3	140	20 ... 30
Small cakes	One level	Standard tray*		3	160	25 ... 35
Sponge cake	One level	Round springform pan with a diameter of 26 cm on wire grill**		3	160	25 ... 35
Apple pie	One level	Round black metal dish with a diameter of 20 cm on wire grill**		2	180	50 ... 60
It is suggested to perform preheating for all foods.						
* These accessories may not supplied with the product.						
** These accessories are not supplied with the product. They are commercially available accessories.						

Tips for baking cake

- If the cake is too dry, increase the temperature by 10°C and decrease the cooking time.
- If the cake is wet, use less liquid or lower the temperature by 10°C.
- If the cake is too dark on top, place it on a lower rack, lower the temperature and increase the cooking time.
- If cooked well on the inside but sticky on the outside use less liquid, lower the temperature and increase the cooking time.

Tips for baking pastry

- If the pastry is too dry, increase the temperature by 10°C and decrease the cooking time. Dampen the layers of dough with a sauce composed of milk, oil, egg and yoghurt.
- If the pastry takes too long to bake, pay care that the thickness of the pastry you have prepared does not exceed the depth of the tray.

- If the upper side of the pastry gets browned, but the lower part is not cooked, make sure that the amount of sauce you have used for the pastry is not too much at the bottom of the pastry. Try to scatter the sauce equally between the dough layers and on the top of pastry for an even browning.

i Cook the pastry in accordance with the mode and temperature given in the cooking table. If the bottom part is still not browned enough, place it on one lower rack next time.

Tips for cooking vegetables

- If the vegetable dish runs out of juice and gets too dry, cook it in a pan with a lid instead of a tray. Closed vessels will preserve the juice of the dish.
- If a vegetable dish does not get cooked, boil the vegetables beforehand or prepare them like canned food and put in the oven.

How to operate the grill



Close oven door during grilling.
Hot surfaces may cause burns!

Switching on the grill

1. Turn the Function knob to the desired grill symbol.
2. Then, select the desired grilling temperature.
3. If required, perform a preheating of about 5 minutes.
» Temperature light turns on.

Cooking times table for grilling

Grilling with electric grill

Food	Accessory to use	Rack position	Recommended temperature (°C)**	Cooking time (approx. in min.)
Fish	Wire grill	4...5	250/max	20...25 min. #
Sliced chicken	Wire grill	4...5	250/max	25...35 min.
Lamb chops	Wire grill	4...5	250/max	20...25 min.
Roast beef	Wire grill	4...5	250/max	25...30 min. #
Veal chops	Wire grill	4...5	250/max	25...30 min. #
Toast bread*	Wire grill	4	250/max	1...3 min.

depending on thickness

*Preheat for 5 minutes

**If the grill temperature of your product cannot be adjusted, the grill will work at the recommended temperature.

Meals in this cooking table are prepared according to EN 60350-1 to make it easier for control institutes to test the product.

Food	Accessory to use	Rack position	Temperature (°C)	Cooking time (approx. in min.)
Toast bread	Wire grill	4	250/max	1...3 min.
Meatballs (beef) - 12 pieces	Wire grill	4	250/max	25...35 min.

Turn the food after 2/3 of the total grilling time.

It is suggested to perform 5 minutes preheating for all foods broiling.

Switching off the grill

1. Turn the Function knob to Off (top) position.



Foods that are not suitable for grilling carry the risk of fire.
Only grill food which is suitable for intensive grilling heat.
Do not place the food too far in the back of the grill. This is the hottest area and fatty food may catch fire.

7 Maintenance and care

General information

Service life of the product will extend and the possibility of problems will decrease if the product is cleaned at regular intervals.



Disconnect the product from mains supply before starting maintenance and cleaning works. There is the risk of electric shock!



Allow the product to cool down before you clean it. Hot surfaces may cause burns!

- Clean the product thoroughly after each use. In this way it will be possible to remove cooking residues more easily, thus avoiding these from burning the next time the appliance is used.
- No special cleaning agents are required for cleaning the product. Use warm water with washing liquid, a soft cloth or sponge to clean the product and wipe it with a dry cloth.
- Always ensure any excess liquid is thoroughly wiped off after cleaning and any spillage is immediately wiped dry.
- Do not use cleaning agents that contain acid or chloride to clean the stainless or inox surfaces and the handle. Use a soft cloth with a liquid detergent (not abrasive) to wipe those parts clean, paying attention to sweep in one direction.
- **(This feature is optional. It may not exist on your product.)**

Do not use solid metal scrapers or abrasive cleaning materials to clean the glass cover. Glass surface can get damaged.



The surface might get damaged by some detergents or cleaning materials.

Do not use aggressive detergents, cleaning powders/creams or any sharp objects during cleaning. Do not use harsh abrasive cleaners or sharp metal scrapers to clean the oven door glass since they can scratch the surface, which may result in shattering of the glass.



Do not use steam cleaners to clean the appliance as this may cause an electric shock.

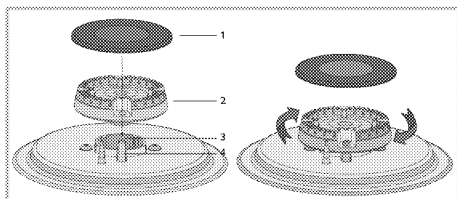
Cleaning the hob

Cleaning the burner

1. Remove the saucepan carriers from the hob.
 2. Remove all removable parts of the burner and clean only by hand with sponge, some detergent and hot water.
 3. Clean the non-removable parts of the burner with a wet cloth.
 4. Clean the plug and thermal element (in models with ignition and thermal element) with a slightly moist cloth. Afterwards, dry with a clean cloth. Make sure that flame holes and plug are totally dry.
- Otherwise, no spark occurs at the end of ignition.
5. When placing the pan supports, pay attention to place the pan supports so that the burners are centered.

Assembling the burner parts

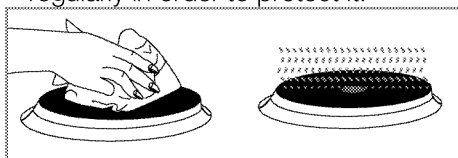
After cleaning the burner, place the parts as shown below.



- 1 Burner cap
 - 2 Burner head
 - 3 Burner chamber
 - 4 Spark plug (in products with igniter)
1. Place the burner head ensuring that it passes through the burner spark plug (4). Turn the burner head right and left to make sure that it is seated in the burner chamber.
 2. Place the burner cap on the burner head.

Electric hobs

1. Turn off the hotplates and wait until they cool down.
2. If necessary, clean the hotplates with a cleaning agent (you can obtain cleaners/softeners from specialty stores).
3. Warm only for a few minutes after cleaning in order to have their top section dried.
4. Apply a thin layer of machine oil onto the top surface of the hotplate regularly in order to protect it.



Cleaning the control panel

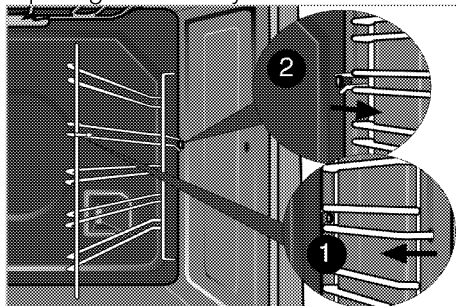
Clean the control panel and knobs with a damp cloth and wipe them dry.

- i** If your product is equipped with buttons/knobs do not remove the control buttons/knobs to clean the control panel.
Control panel may get damaged!

Cleaning the oven

To clean the side wall (Varies depending on the product model.)
(This feature is optional. It may not exist on your product.)

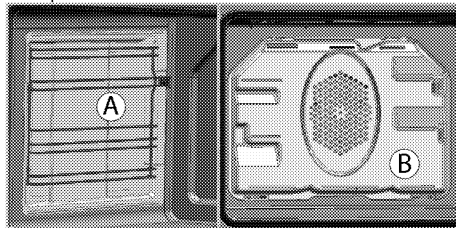
1. Remove the front section of the side rack by pulling it in the opposite direction of the side wall.
2. Remove the side rack completely by pulling it towards you.



Catalytic walls

(This feature is optional. It may not exist on your product.)

The inner side walls (A) and/or the rear wall (B) of your product may be coated with catalytic enamel. Catalytic walls have a light matte colour and a porous surface. Catalytic walls of the oven should not be cleaned. Thanks to their perforated structure, catalytic surfaces absorb grease and once the surface is filled with grease, they start to shine. In this case, it is recommended to replace the parts.

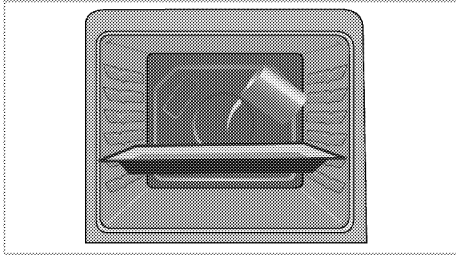


Easy Steam Cleaning

It ensures easy cleaning because the dirt (having waited not for too long) is

softened with the steam that forms inside the oven and the water drops condensing on the inner surfaces of the oven.

1. Remove all accessories inside the oven.
2. Pour 500 ml of water into the oven tray and place the tray at the 2nd rack of the oven.



3. Set the oven to easy steam cleaning mode and run at 100°C for 25 minutes.
4. Open the door and wipe the inner surfaces of the oven with a damp sponge or cloth.
5. Use warm water with washing liquid, a soft cloth or sponge to clean the persistent dirt and wipe it with a dry cloth.

i During the easy steam cleaning mode, water that is placed in the tray to soften lightly formed residues/dirt within the oven cavity will evaporate and condense in the oven cavity and inner glass of the oven door, therefore water may drip when the oven door is opened. Wipe away the condensation as soon as the oven door is opened.

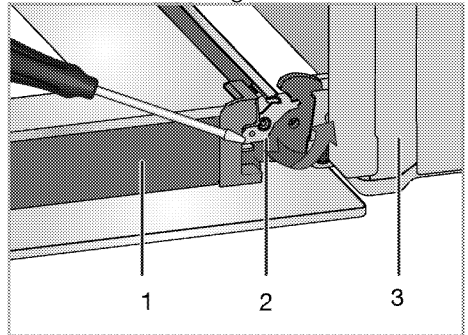
Clean oven door

To clean the oven door, use warm water with washing liquid, a soft cloth or sponge to clean the product and wipe it with a dry cloth.

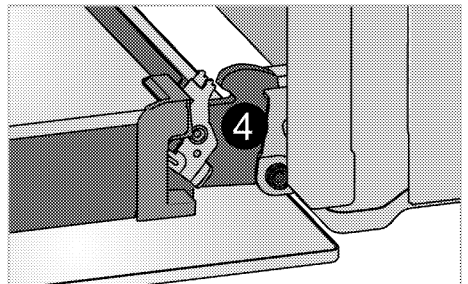
i Don't use any harsh abrasive cleaners or sharp metal scrapers for cleaning the oven door. They could scratch the surface and destroy the glass.

Removing the oven door

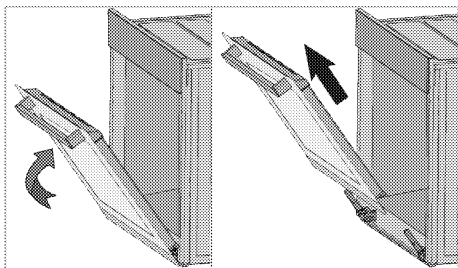
1. Open the front door (1).
2. Open the clips at the hinge housing (2) on the right and left hand sides of the front door by pressing them down as illustrated in the figure.



- 1 Door
- 2 Hinge lock(closed position)
- 3 Oven
- 4 Hinge lock(open position)



3. Move the front door to half-way.



4. Remove the front door by pulling it upwards to release it from the right and left hinges.

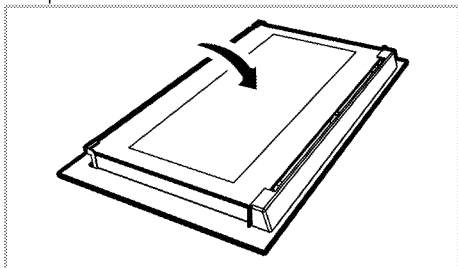
i Steps carried out during removing process should be performed in reverse order to install the door. Do not forget to close the clips at the hinge housing when reinstalling the door.

Removing the door inner glass

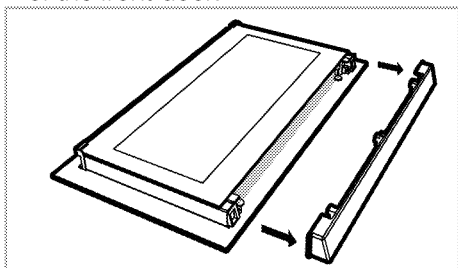
(This feature is optional. It may not exist on your product.)

The inner glass panel of the oven door can be removed for cleaning.

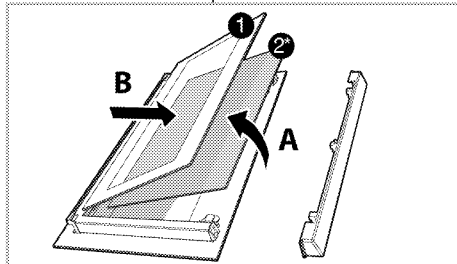
1. Open the oven door.



2. Pull towards yourself and remove the plastic part installed to upper section of the front door.



3. As illustrated in figure, raise the innermost glass panel (1) slightly in direction **A** and pull it out in direction **B**.



- 1 Innermost glass panel
- 2* Inner glass panel (This may not exist on your product.)

4. If your product is equipped with an inner glass panel; repeat the same procedure to remove the inner glass panel (2).
5. The first step to regroup the door is reinstalling inner glass panel (2). Place the chamfered corner of the glass panel so that it will rest in the chamfered corner of the plastic slot. (If your product is equipped with an inner glass panel). Inner glass panel (2) must be installed into the plastic slot close the innermost glass panel (1).
6. When installing the innermost glass panel (1), make sure that the printed side of the panel faces towards the inner glass panel. It is important to seat lower corner of innermost glass panel (1) into the lower plastic slot.
7. Push the plastic part towards the frame until you hear a "click".

Replacing the oven lamp

! Before replacing the oven lamp, make sure that the product is disconnected from mains and cooled down in order to avoid the risk of an electrical shock. Hot surfaces may cause burns!

i In this oven, an incandescent lamp with a power of less than 40 W, a height of less than 60 mm, a diameter of less than 30 mm or a halogen lamp with socket type G9, a power of less than 60 W is used. The lamps are suitable for operation at temperatures above 300 °C. Oven lamps can be obtained from Authorised Service Agents or technician with licence.

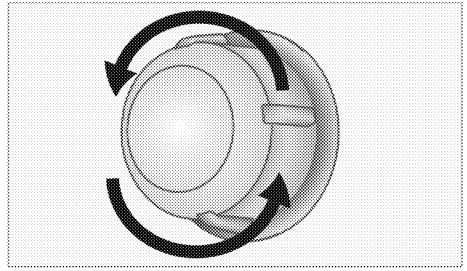
i Position of lamp might vary from the figure.

i The lamp used in this appliance is not suitable for household room illumination. The intended purpose of this lamp is to assist the user to see foodstuffs.

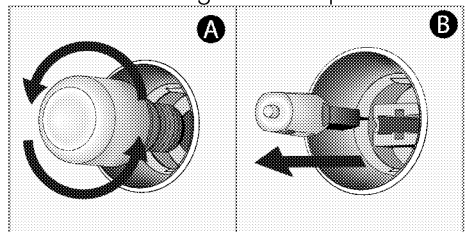
i The lamps used in this appliance have to withstand extreme physical conditions such as temperatures above 50 °C.

If your oven is equipped with a round lamp:

1. Disconnect the product from mains.
2. Turn the glass cover counter clockwise to remove it.



3. If your oven lamp is of type (A) shown in the figure below, remove it by rotating as shown and replace it. If it is of type (B), pull and remove it as shown in the figure and replace it.



4. Install the glass cover.

8 Troubleshooting

Oven emits steam when it is in use.

- It is normal that steam escapes during operation. >>> *This is not a fault.*

Product emits metal noises while heating and cooling.

- When the metal parts are heated, they may expand and cause noise. >>> *This is not a fault.*

Product does not operate.

- The mains fuse is defective or has tripped. >>> *Check fuses in the fuse box. If necessary, replace or reset them.*
- Product is not plugged into the (grounded) socket. >>> *Check the plug connection.*

Oven light does not work.

- Oven lamp is defective. >>> *Replace oven lamp.*
- Power is cut. >>> *Check if there is power. Check the fuses in the fuse box. If necessary, replace or reset the fuses.*

Oven does not heat.

- Might not be set to a certain cooking function and/or temperature. >>> *Set the oven to a certain cooking function and/or temperature.*
- Power is cut. >>> *Check if there is power. Check the fuses in the fuse box. If necessary, replace or reset the fuses.*

There is no ignition spark.

- No current. >>> *Check fuses in the fuse box.*

There is no gas.

- Main gas valve is closed. >>> *Open gas valve.*
- Gas pipe is bent. >>> *Install gas pipe properly.*

Burners are not burning properly or at all.

- Burners are dirty. >>> *Clean burner components.*
- Burners are wet. >>> *Dry the burner components.*
- Burner cap is not mounted safely. >>> *Mount the burner cap properly.*
- Gas valve is closed. >>> *Open gas valve.*
- Gas cylinder is empty (when using LPG). >>> *Replace gas cylinder.*



Consult the Authorised Service Agent or technician with licence or the dealer where you have purchased the product if you can not remedy the trouble although you have implemented the instructions in this section. Never attempt to repair a defective product yourself.

beko

Фурна **Ръководство за употреба**



BG

Моля, първо прочетете това ръководство за употреба.

Уважаеми купувачо,

Благодарим ви, че избрахте продукта на фирмата Веко. Надяваме се, че ще получите възможно най-добри резултати от използването на продукта ни, произведен по най-висококачествени и модерни технологии. Затова ви молим да прочетете това ръководство за употреба и всичката го съпътстваща документация внимателно преди да използвате уреда, а след това ги запазете за справка в бъдеще. Ако преотстъпите продукта на друг потребител, то го предайте заедно с ръководството за употреба. Следвайте всички указания и информация в ръководството за употреба.

Помнете, че това ръководство за употреба може да е за няколко модела уреда. Разликите между моделите са уточнени в ръководството.

Обяснение на символите

В това ръководство са използвани следните символи:



Важна информация или полезни съвети за употреба.



Предупреждение за риск за живота или имуществото.



Предупреждение за токов удар.



Предупреждение за риск от пожар.



Предупреждение за гореща повърхност.



Arçelik A.Ş.
Karaağaç caddesi No:2-6
34445 Sütlüce/İstanbul/TURKEY
Made in TURKEY

ТАБЛИЦА НА СЪДЪРЖАНИЕТО

1 Важни указания и предупреждения за безопасност и опазване на околната среда 4

Обща безопасност	4
Безопасност при работа с газ.....	5
Електрическа безопасност	7
Безопасност при използването на продукта	8
Предвидена употреба	11
Безопасност за децата	11
Изхвърляне на остарелия продукт	12
Изхвърляне на опаковъчните материали	12

2 Основна информация 13

Общ преглед	13
Съдържание на пакета	14
Технически спецификации.....	15
Инжекторна плоча.....	16

3 Монтаж 17

Преди монтажа	17
Инсталация и свързване.....	20
Бъдещо транспортиране	25

4 Подготовка 26

Съвети за спестяване на енергия	26
Първо ползване	26

Първоначално почистване на уреда	26
Първоначално загряване	26

5 Как да работите с котлона 28

Обща информация за готвенето ..	28
Използване на котлоните.....	28

6 Как да работите с фурната31

Основна информация за готвене, печене и грила.....	31
Как да работите с електрическата фурна.....	32
Режими на работа	32
Таблица с времето за готвене	33
Как да работите с грила	35
Готварска плоча за печене	36

7 Поддържане и грижа 37

Обща информация.....	37
Почистване на котлона	37
Почистване на контролния панел.	38
Почистване на фурната	38
Сваляне на вратата на фурната...39	
Сваляне на вътрешното стъкло на вратата	40
Подмяна на лампата във фурната	41

8 Отстраняване на повреди 43

1 Важни указания и предупреждения за безопасност и опазване на околната среда

Този раздел съдържа указания за безопасност, които ще ви помогнат да избегнете риска от нараняване или повреда. Неспазването на тези указания прави всякакви гаранции невалидни.

Обща безопасност

- Уредът може да бъде ползват от деца на 8 и повече години и от лица с понижени физически, сензорни и умствени способности или такива без опит и познания, ако те са надзиравани или инструктирани относно употребата на уреда по безопасен начин и са наясно със свързаните с това рискове. Децата не бива да си играят с уреда. Почистването и потребителската поддръжка не бива да бъдат извършвани от деца без надзор.
- Този уред не е предназначен за употреба от лица (включително деца) с намалени

физически, сензорни или умствени способности, както и от такива без опит и знания, освен ако не са наблюдавани и инструктирани за използването на уреда. Децата трябва да се наблюдават, за да не си играят с уреда.

- Ако продуктът е даден на някой друг за лична употреба или употреба втора ръка, ръководството за употреба, етикетите на продуктите и другите, отнасящи се за него документи и части трябва също да се предоставят с него.
- Никога не поставяйте продукта върху покрит с килим под. В шротивен случай, ипсата на въздух под уреда може да доведе до прегряване на електрическите части. Това ще доведе до проблеми с уреда.
- Монтажът и ремонтът на уреда трябва винаги да се извършва от представители на

оторизирания сервиз. Производителят не носи отговорност за щети, причинени от поправка извършена от неоторизирани лица, в който случай гаранцията може да стане невалидна. Преди монтажа прочетете внимателно всички инструкции.

- Не използвайте продукта ако даде дефект или е видимо повреден.
- След всяко ползване проверявайте дали функционалните копчета са изключени.

Безопасност при работа с газ

- Всяка манипулация по газовите съоръжения и системи може да се извършва само от квалифицирани лица.
- Преди монтирането се уверете, че са спазени изискванията на местното разпределение (тип газ и налягане на газта), както и че настройките на уреда са съвместими.
- Уредът не е свързан към устройство за евакуация на горивните продукти. То

се монтира и свързва в съответствие с действащите инсталационни наредби. Особено внимание трябва да се обърне на съответните изисквания към вентилацията; Виж *Преди монтажа, стр. 17*

- **ВНИМАНИЕ:** Употребата на газови готварски уреди води до нагриване, влага и възпламеними продукти в стаята, в която са монтирани. Кухнята ви трябва да е с добра вентилация: особено по време на употреба на уреда: отворете естествените вентилационни отвори или монтирайте механично вентилационно устройство (абсорбатор). Продължителната интензивна работа на уреда може да доведе до необходимостта от допълнителна вентилация, затова увеличете степенята на механичното вентилационно устройство, ако има такова.
- Газовите уреди и системи трябва редовно да бъдат проверявани дали

функционират правилно. Регулаторът, маркучът и скбата трябва да бъдат проверявани редовно и подменяни в сроковете, препоръчани от производителя или когато е необходимо.

- Редовно почиствайте газовите горелки. Пламъкът трябва да е син и да гори равномерно.
- Този продукт трябва да се използва в помещение, в което има добре регулиран и функциониращ датчик за въглероден окис. Уверете се, че сензорът за въглероден монооксид работи правилно и се обслужва често. Сензорът за въглероден монооксид трябва да се монтира на максимум 2 метра от продукта.
- При газовите уреди е необходимо добро изгаряне. В случай на непълно изгаряне, въглеродният окис (CO) може да се разнесе. Въглеродният окис е силно токсичен газ без цвят и миризма, който има

смъртоносен ефект дори и в много малки количества.

- Изискайте от вашия доставчик на газ необходимите мерки на безопасност и спешни телефонни номера в случай на обгазяване.
- Какво да правите в случай, че подушвате газ
- Не палете открит огън и не пушете. Не използвайте никакви електрически бутони (напр. бутон на лампа, звънец и т.н.) Не използвайте мобилен или стационарен телефон. Риск от експлозия и интоксикация!
 - Затворете всички вентили на газовите уреди и газомерите.
 - Отворете вратите и прозорците.
 - Проверете дали всички тръби и връзки за здраво стегнати. Ако все още подушвате газ напуснете дома си.
 - Предупредете съседите.
 - Обадете се на пожарната. Използвайте телефон извън дома.
 - Не въвеждайте стойността повторно преди да

получите потвърждение, че може да го направите.

Електрическа безопасност

- Ако продуктът е повреден, той не бива да се ползва преди да бъде поправен в оторизирания сервиз. Съществува риск от токов удар!

- Свързвайте уреда само към заземен контакт с мощност и защита, посочени в "Технически спецификации" Заземяването трябва да се направи от квалифициран електротехник, като продуктът се ползва със или без трансформатор. Фирмата ни не носи отговорност за проблеми, произтичащи от неправилно заземяване на уреда.

- Никога не мийте продукта като го поливате или пръскате в вода! Съществува риск от токов удар!

- Продуктът трябва да е изключен по време на монтаж, поддръжка, почистване и ремонт.

- Ако захранващият кабел на уреда е повреден, трябва да се поправи от производителя, негов сервизен представител или квалифициран техник с цел да се избегне всякакъв риск.
- Уредът трябва да е монтиран така, че да може напълно да се изключи от мрежата. Разделянето трябва да се осигурява или от щепсел, или от превключвател, монтиран във фиксираната електрическа инсталация, съгласно строителните наредби.
- По време на употреба, задната част на фурната се загрява. Проверете дали газовата/електрическата инсталация не са в контакт със задната повърхност; в противен случай свързките може да се повредят.
- Не заклещвайте захранващия кабел между вратата на фурната и рамката и не го прекарвайте над нагорещените повърхности. В противен случай изолацията на

кабела може да се стопи и да предизвика пожар в следствие на късо съединение.

- Всяка манипулация по електрическите съоръжения и системи може да се извършва само от оторизирани и квалифицирани лица.
- В случай на каквато и да е повреда, изключете продукта и го изключете от захранването. За да направите това, изключете бушона вкъщи.
- Проверете дали напрежението на бушона е съвместимо с продукта.

Безопасност при използването на продукта

- **ПРЕДУПРЕЖДЕНИЕ:** Уредът и досегаемите му части се нагреват при употреба. Трябва да се внимава да не се докосват нагрятите елементи. Децата под 8-годишна възраст трябва да се държат далеч от уреда освен ако не са надзиравани постоянно.
- Никога не използвайте продукта ако сте под влиянието на алкохол

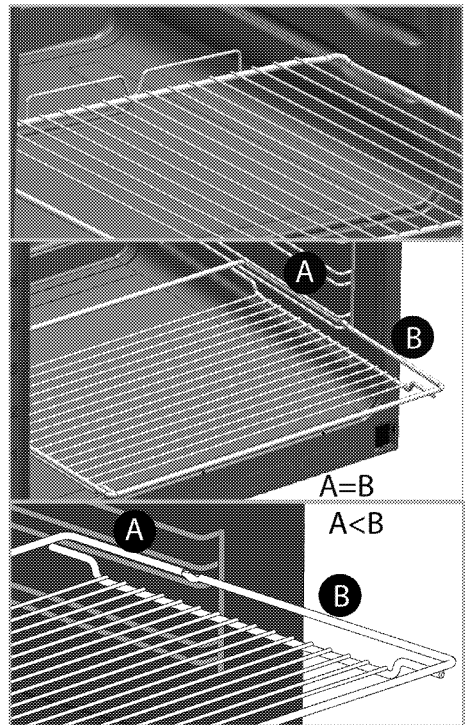
и/или други опияняващи вещества.

- Внимавайте, когато в съдовете си имате алкохолни напитки. Алкохолът се изпарява при високи температури и може да предизвика пожар при възпламеняване от допира с горещата повърхност.
- Не поставяйте никакви леснозапалими материали в близост до продукта, тъй като може да се нагорещи отстрани по време на употреба.
- Уредът се нагрива по време на употреба. Трябва да се внимава да не се докосват нагревателите вътре във фурната.
- Дръжте всички вентилационни отвори отпушени.
- Не загрявайте затворени консерви и стъклени буркани във фурната. Налягането, което ще възникне в консервата/буркана, може да доведе до пукането му.
- Не поставяйте тави за печене, съдове или алуминиево фолио директно върху дъното на

фурната. Акумулирането на топлина може да повреди дъното на фурната.

- Не използвайте груби абразивни или метални стъргалки за почистване на стъклената врата на фурната тъй като те могат да издраскат повърхността, което от своя страна да доведе до счупване на стъклото.
- Не използвайте парочистачки за почистване на уреда, тъй като това може да предизвика токов удар.
- (Варира в зависимост от модела на уреда.)

Правилно поставяне на телената скара и тава върху етажерката. Важно е да поставите теления рафт и/или тавата правилно на етажерката. Плъзнете теления рафт или тавата между двете релси и се уверете, че са балансирани преди да поставите храна отгоре (Моля, вижте следващата фигура).



- Не използвайте продукта ако предното стъкло е извадено или напукано.
- Винаги използвайте термоустойчиви ръкавици при поставяне или изваждане на ястия в/от горещата фурна.
- Поставете хартията за печене в съда за готвене или върху аксесоара на фурната (тава, скара и т.н.) заедно с храната и след това поставете всичко в предварително загрята фурна. Премахнете излишните части на

- хартията за печене, които се показват от съда или от аксесоара, за да се предотврати рискът от допир до нагревателните елементи на фурната. Никога не използвайте хартия за печене в работна температура по-висока от посочената стойност когато използвате на хартия за печене. Не поставяйте хартия за печене директно върху дъното на фурната.
- **ПРЕДУПРЕЖДЕНИЕ:** Уверете се, че охранващият кабел на уреда или прекъсвачът са изключени, преди да смените лампата, за да се избегне риска от токов удар.
 - Не пускайте капака преди котлоните и горелките да са се охладили. Подсушете горния капак преди да го отворите за да избегнете изтичане на вода в задната част и вътрешността на фурната.
 - За да се предотврати прекомерно нагриване, уредът не трябва да се инсталира зад декоративна врата.
 - Уредът трябва да се постави направо върху пода. Не трябва да се поставя върху основа или пиедестал.
 - **ПРЕДУПРЕЖДЕНИЕ:** Безнадзорно готвене с мазнина върху котлона е опасно и може да доведе до пожар. НИКОГА не се опитвайте да изгасите възникнал пожар с водаю вместо това изключете уреда и покрийте пламъка с капак или противопожарно одеало.
 - **ВНИМАНИЕ:** Процесът на готвене трябва да се наблюдава. Процес на готвене с кратка продължителност трябва да се наблюдава непрекъснато.
 - **ПРЕДУПРЕЖДЕНИЕ:** Опасност от пожар: Не съхранявайте никакви предмети върху готварските повърхности.
 - Уредът не е предназначен за работа чрез управление от външен таймер или отделно дистанционно управление.
 - **ПРЕДУПРЕЖДЕНИЕ:** Използвайте само предпазители за котлони,

проектирани от производителя на готварския уред или такива, които са указани от производителя в инструкциите за употреба на уреда, или предпазители, вградени в уреда. Употребата на неподходящи предпазители за деца може да доведе до злополука.

За надежността на пламъка на продукта;

- Щепселът трябва да е наместен в контакта, така че да не излизат искри.
- Не използвайте повреден, срязан или удължен кабелю използвайте само оригиналния кабел на уреда.
- Щепселът не бива да се включва в контакта ако е намокрен или влажен.
- Газовата инсталация трябва да е направена правилно за да не се стигне до изтичане на газ.

Предвидена употреба

- Този продукт е предвиден за битова употреба. Употребата му за

търговски цели не е допустима.

- **ВНИМАНИЕ:** Този уред е предназначен само за готварски цели. Той не бива да се използва за други цели, като Например отопляване на стаята.
- Продуктът не бива да се ползва за затопляне на чинии под грила, сушене на кърпи, ръкохватки и др. върху дръжките, за сушене или за отопление.
- Производителят не носи отговорност за щети, причинени от неправилна употреба.
- Фурната може да се използва за размразяване и печене на храна.

Безопасност за децата

- **ПРЕДУПРЕЖДЕНИЕ:** Външните части на уреда може да се нагорещат при употреба. Малките деца трябва да се държат далеч от уреда.
- Опаковъчните материали са опасни за децата. Дръжте далеч от децата опаковъчните материали. Изхвърлете всички части от опаковката по природосъобразен начин.

- Електрическите и/или газови уреди са опасни за децата. Дръжте децата далеч от уреда по време на работа и не им позволявайте да си играят с него.
- Не поставяйте върху уреда предмети, които децата може да опитат да достигнат.
- Когато вратата е отворена, не оставяйте никакви тежки предмети върху нея и не позволявайте децата да седат върху нея. Вратата може да се извърне или пантите ѝ да се повредят.

Изхвърляне на остарелия продукт

Съвместимост с WEEE Директива за изхвърляне на отпадъчни продукти:



Продуктът отговаря на изискванията на директивата на ЕС за изхвърляне на отпадъчни продукти (2012/19/EU). Този продукт носи класификационен символ за отпадъчно електрическо и електронно оборудване (WEEE).

Продуктът е произведен от висококачествени части и материали, които могат да се използват повторно и са подходящи за рециклиране. Не изхвърляйте уреда заедно с обикновените битови и други отпадъци в края на оперативния му живот. Занесете го в събирателния център за рециклиране на електронно и електрическо оборудване. Обърнете се към местните власти за повече подробности относно тези събирателни центрове.

Съвместимост с директивата за ограничаване на употребата на определени опасни вещества:

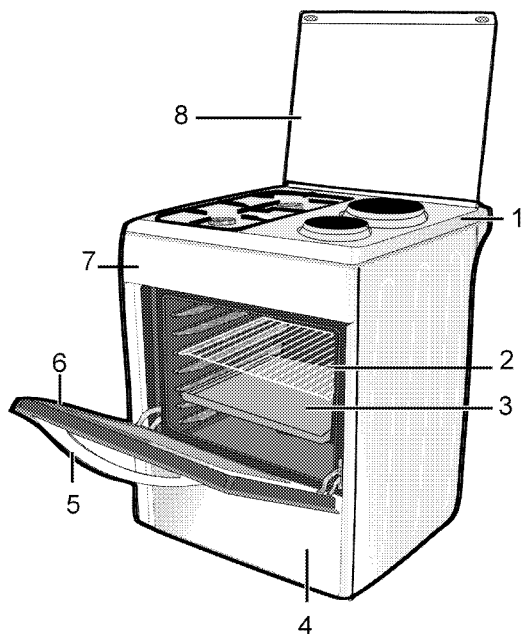
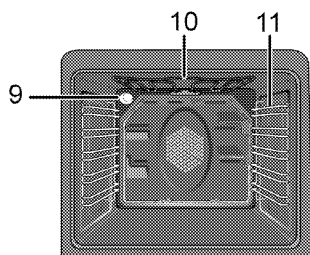
Закупеният от вас продукт отговаря на изискванията на директивата за ограничаване на употребата на определени опасни вещества на ЕС (2011/65/EU). Той не съдържа никой от вредните и забранени материали, описани в Директивата.

Изхвърляне на опаковъчните материали

- Опаковъчните материали са опасни за децата. Дръжте опаковъчните материали на безопасно място, извън достъпа на деца. Опаковъчните материали на продукта са изработени от преработваеми материали. Изхвърлете ги по подходящ начин и сортирайте в съответствие с указанията за рециклиране на отпадъци. Не ги изхвърляйте с нормалните битови отпадъци.

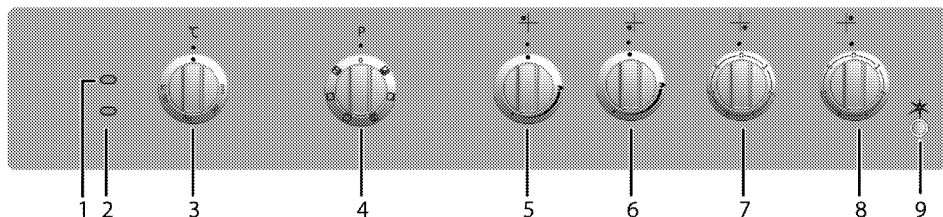
2 Основна информация

Общ преглед



- 1 Плоча на котлон
- 2 Метална скара
- 3 Тава
- 4 Долна част
- 5 Дръжка
- 6 Предна врата

- 7 Контролен панел
- 8 Горен капак
- 9 Лампа
- 10 Нагревател на грила
- 11 Положения на скарата



- 1 Предупредителна лампа
- 2 Лампа на термостата
- 3 Селектор за термостата
- 4 Селектор за функциите
- 5 Бързонагриващ котлон Заден ляв

- 6 Помощен котлон Преден ляв
- 7 Електрически котлон Преден десен
- 8 Електрически котлон Заден десен
- 9 Възпламеняващ бутон

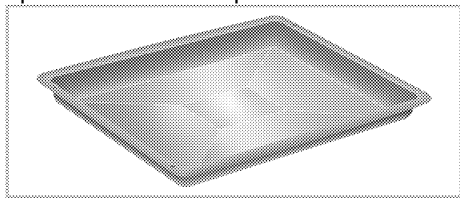
Съдържание на пакета

i Предоставените аксесоари могат да варират, в зависимост от модела. Вашият продукт може да не е снабден с всички принадлежности, описани в ръководството.

1. Ръководство за употреба

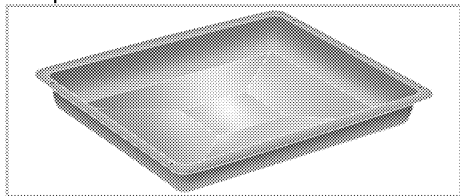
2. Стандартна тава

Използва се за баници, замразени храни и големи парчета месо.



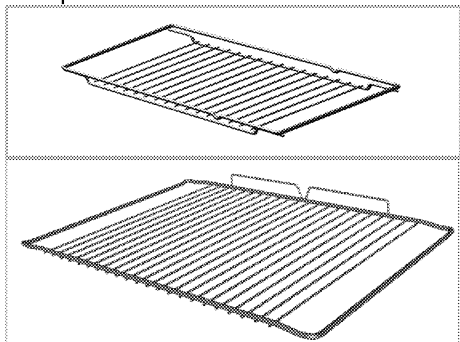
3. Дълбока тава

Използва се за баници, големи парчета месо, сочни ястия и за събиране на мазнината при печене на грил.



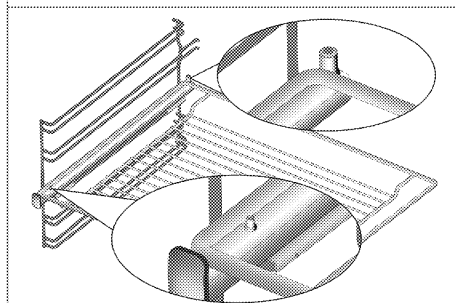
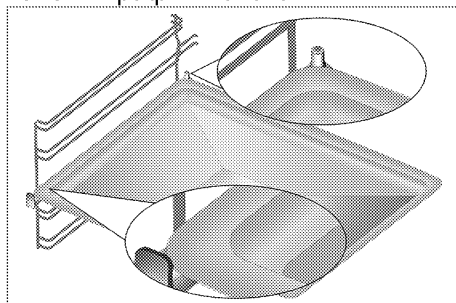
4. Телена скара

Използва се за печене и поставяне на храна, която ще се пече в касерол на желанния етаж.

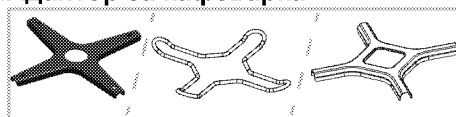


5. Правилно поставяне на теления рафт и тава върху телескопичната етажерка. (Тази опция е по избор. Може да не се предлага за Вашия продукт.)

Телескопичната етажерка ви позволява лесно да монтирате и сваляте тавите и теления рафт. Когато използвате тавата и теления рафт с телескопичната етажерка, проверете дали щифтовете в задната част на телескопичната етажерка са застанали срещу краищата на теления рафт и тавата.



6. Адаптор за кафеварка



Използва се за канички за кафе.

Технически спецификации

ОБЩА ИНФОРМАЦИЯ	
Външни размери (височина/ширина/дълбочина)	850 мм/600 мм/600 мм
Волтаж/честота	220-240 V ~ 50 Hz
Обща консумация на енергия	5.4 kW
Кабел тип/сечение	мин. H05VV-FG 3 x 2,5 мм ²
Категория газов продукт	I 3B/P
Вид газ/налягане	LPG G 30/28-30 мбара
Обща газова консумация	3.9 kW
ПЛОТ	
Горелки	
Заден ляв	Бързонагреващ котлон
Мощност	2.9 kW
Преден ляв	Помощен котлон
Мощност	1 kW
Преден десен	Електрически котлон
Размер	145 мм
Мощност	1000 W
Заден десен	Електрически котлон
Размер	180 мм
Мощност	2000 W
ФУРНА/ГРИЛ	
Основна фурна	С помощта на вентилатор
Вътрешна лампа	15–25 W
Енергийна консумация на грила	2.2 kW

Базови данни: Информацията върху енергийния етикет на електрическите фурни е дадена в съответствие със стандарт EN 60350-1 / IEC 60350-1. Тези стойности са определени при стандартно натоварване с използване на функции долен-горен нагревател или вентилаторно нагряване (ако има такива).

Класът енергийна ефективност се определя съгласно следните приоритети в зависимост от това дали съответните функции са налични в продукта или не. 1-Готвене с еко вентилатор, 2- Турбо бавно готвене, 3- Турбо готвене, 4- Вентилаторно горно/долно нагряване, 5-Горно и долно нагряване.



Техническите спецификации може да бъдат променени без предупреждение с цел подобряване качеството на продукта.



Фигурите в това ръководство са схематични и може да не съвпадат точно с вашия продукт.



Стойностите посочени върху етикетите на продукта или в прддрузителната документация са получени в лабораторни условия при спазване на съответните стандарти. Тези стойности може да варират в зависимост от условията на работа и околната среда на продукта.

Инжекторна плоча

Позиция на котлонната зона	2.9 kW	1 kW
Вид газ/ Газово налягане	Заден ляв	Преден ляв
G 30/28-30 мбара	87	50

3 Монтаж

Продуктът трябва да се монтира от квалифициран специалист в съответствие с текущите законови разпоредби. В противен случай гаранцията става невалидна. Производителят не носи отговорност за щети, причинени от поправка извършена от неоторизирани лица, в който случай гаранцията може да стане нева.

i Подготовката на мястото и свързването на електричеството и газа за продукта са отговорност на клиента.

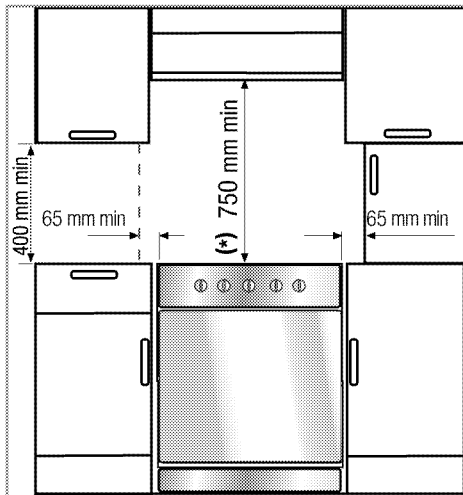
! Уредът трябва да бъде монтиран в съответствие с всички местни наредби относно газовите и/или електрически уреди.

! Преди монтажа, разгледайте продукта за видими дефекти. Ако има такива, то не го монтирайте. Повредените продукти водят до риск за безопасността.

Преди монтажа

С цел обезопасяване на жизненоважните въздушни отвори отдолу на уреда, препоръчваме уредът да се монтира върху здрава основа, а крачетата да не потъват в килим или друг вид меко покритие на пода.

Кухненският под трябва да е способен да издържа теглото на уреда, плюс допълнителното тегло на съдовете за готвене и храната.



- Може да се използва с шкафови и от двете страни, но за да се осигури минимално разстояние от 400 мм над нивото на нагриващата плоча оставете разстояние от 65 мм от страни, между уреда и стени, прегради или високи шкафови.
- Може да се използва и в свободно положение. Оставете минимално разстояние от 750 мм над повърхността на котлоните.
- (*) Ако над печката ще бъде монтиран абсорбатор, направете справка с указанията на производителя за височината на монтиране (мин 650 мм).
- Уредът отговаря на устройство от клас 1, т.е. може да се постави със задната и **една** от страничните части към стените в кухнята, кухненските шкафови или оборудване с всякакъв размер. Кухненските мебели или оборудване от **другата** страна трябва да е със същия или с по-малък размер.

- Всяка мебелировка, разположена до уреда трябва да бъде топлоустойчива (100 °C мин.).

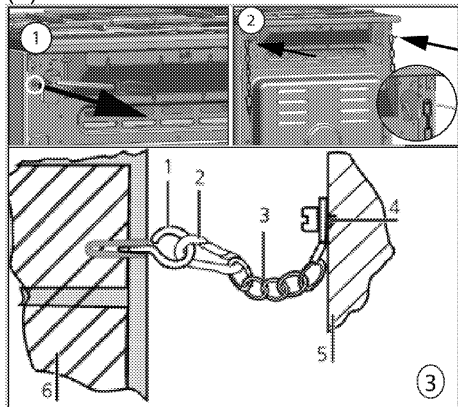
i Само LP газ

Не монтирайте уреда в стая под нивото на земята, освен ако не е отворена към нивото на земята поне от една страна. Неправилният монтаж на уреда представлява опасност за живота и може да доведе до подвеждане под съдебна отговорност.

Обезопасителна верига **Ако вашият продукт има 2** **предпазни вериги;**

Уредът трябва да се обезопаси срещу свръхбалансиране с помощта на двете вериги, доставени с фурната.

Закачете куката на кухненската стена (1) като използвате подходящ дюбел (6) и свържете обезопасителната верига (3) към куката чрез заключващия механизъм (2).



- 1 Стабилизираща кука
- 2 Заключващ механизъм
- 3 Обезопасителна верига
- 4 Закачете веригата стабилно към задната част на печката

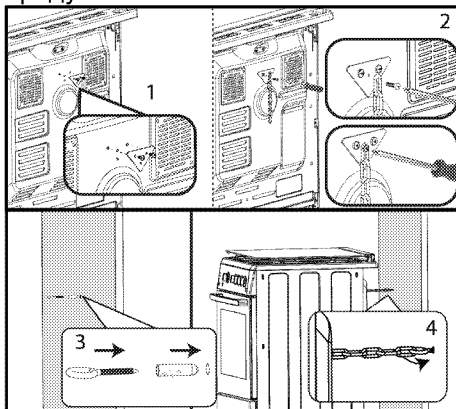
5 Задна част на печката

6 Стена в кухнята

Ако вашият продукт има 1 **предпазна верига;**

Уредът трябва да бъде защитен от пренатоварване с помощта на веригата за безопасност във фурната.

Следвайте стъпките по-долу от илюстрацията, за да закрепите предпазната верига към вашия продукт.



i Поддържащата верига трябва да е възможно най-къса за да се избегне накланянето на фурната напред и разположена по диагонал за да се избегне накланянето на фурната настрани.

Поддържащата верига за готварски печки не е проектирана с отвор за скоби.

Стайна вентилация

Всички помещения трябва да разполагат с прозорец, който да може да се отваря, а някои помещения изискват и постоянна вентилация. Въздухът за горене се взема от въздуха в помещението и изгорелите газове се отделят директно в помещението. Добрата

вентилация е важна за безопасната работа на уреда.

Стаи с врати и/или прозорци, които се отварят директно към външната среда

Вратите и/или прозорците, които се отварят директно към външната среда, трябва да имат общо вентилационен отвор с размери, определени на базата на общата газова мощност на уреда (общото потребление на електроенергия от уреда е показано в таблицата с техническите спецификации на това ръководство за потребителя). Ако вратите и/или прозорците нямат общо вентилационен отвор с размери, определени на базата на общата газова мощност на уреда, както е указано в таблицата по-долу, тогава определено трябва да има допълнителен фиксиран вентилационен отвор в помещението, за да се гарантира, че са постигнати общите минимални изисквания за вентилация за общото потребление на газ от уреда. Фиксираният вентилационен отвор може да включва отвори за съществуващи въздушни блокове, размери на отвори на комини за извличане и т.н.

Обща газова консумация (kW)	мин. вентилационен отвор (cm ²)
17-19	1000
19-24	1250

Стаи с врати и/или прозорци, които не се отварят директно към външната среда

Ако помещението, в което е инсталиран уреда, не разполага с врата и/или прозорец, които се отварят директно към външна среда, трябва да се търсят други продукти, които определено осигуряват фиксиран ненастройваем и неотваряем вентилационен отвор, който отговаря на минималните изисквания за минимален вентилационен отвор за общия разход на газ на уреда, както е посочено в горната таблица. Също така следва да се спазват съответните строителни разпоредби. Когато в помещение или във вътрешно пространство има повече от един газов уред, в допълнение към изискването, дадено в горната таблица, трябва да се предвиди допълнителна вентилационна площ. Размерът на допълнителната вентилационна площ трябва да съответства на разпоредбите за другите газови уреди.

В помещението, където е инсталиран продукта, трябва също да има най-малко 10 mm разстояние от долния край на вратата, която се отваря към вътрешна среда. Трябва да се уверите, че предмети, като килими и други подови покрития и т.н., не се отразяват на свободното пространство, когато вратата е затворена.

Печката може да се разположи в кухня, кухня/трапезария или във всекидневна, но не и в помещение с

Обща газова консумация (kW)	мин. вентилационен отвор (cm ²)
0-2	100
2-3	120
3-4	175
4-6	300
6-8	400
8-10	500
10-11,5	600
11,5-13	700
13-15,5	800
15,5-17	900

вана или душ. Печката не бива да се монтира в дневна с размери под 20м3.

Не монтирайте уреда в стая под нивото на земята, освен ако не е отворена към нивото на земята поне от една страна.

Инсталация и свързване

Уредът трябва да бъде инсталиран и свързан в съответствие с установените правила за монтажа.

i Не монтирайте уреда до хладилници и фризери. Топлината, излъчвана от уреда, ще повиши консумацията на електроенергия на охлаждащите тела.

- Уредът трябва да бъде пренесен от най-малко двама души.
- Уредът трябва да се постави на право върху пода. Не трябва да се поставя върху основа или пиедестал.

i Не хващайте за вратата или дръжката при пренасяне на уреда. Това поврежда вратата, дръжката и пантите.

Свързване към електричеството

Свържете продукта към заземен електрически контакт чрез миниатюрен верижен прекъсвач с подходящ капацитет, както е посочено в таблицата „Технически спецификации“. Заземяването трябва да се направи от квалифициран електротехник, като продуктът се използва със или без трансформатор. Фирмата не носи отговорност за щети, причинени от употребата на продукта без направено заземяване на инсталацията в съответствие с местните разпоредби.

! Уредът трябва да бъде свързан към електрическата мрежа от оторизирано и квалифицирано лице. Периодът на гаранцията на уреда започва едва след правилен монтаж. Производителят не носи отговорност за щети, причинени от поправка извършена от неоторизирани лица.

! Захранващият кабел не бива да се защитава, прегъва или да допира горещите части на уреда. Повреденият захранващ кабел трябва да се замени от квалифициран електротехник. В противен случай съществува риск от токов удар, късо съединение или пожар!

Данните на захранването трябва да отговарят на данните, описани върху етикета на уреда. В зависимост от вида на уреда информационната табелка може да се види, когато вратата или долния капак са отворени, както и на задната част на уреда.

Захранващият кабел на уреда трябва да отговаря на стойностите в таблица "Технически спецификации".

! Преди да започнете каквато и да е работа по електрическата инсталация, изключете уреда от захранването. Съществува риск от токов удар!

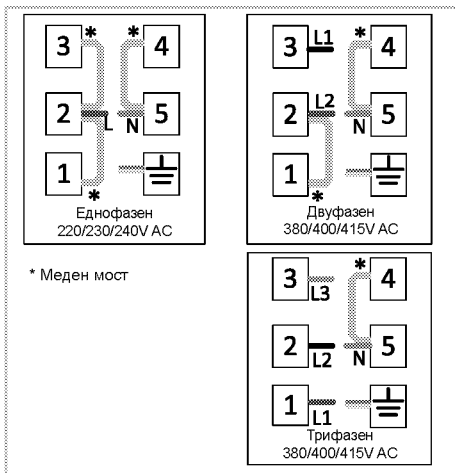
Свързване на захранващия кабел

i При окабеляване е необходимо да прилагате националните/местни разпоредби и да използвате подходящи контакти и щепсели за фурната. В случай, че ограниченията за продукта са извън възможностите на щепсела и контакта, продуктът трябва да се свърже с фиксирана електрическа връзка директно, без да се използва щепсел и контакт.

1. Не може да разкачите всички полюси на електрозахранването, трябва да свържете дисконектор с поне 3 мм контактното разстояние (бушони, обезопасяващи прекъсвачи, контактори) и всички полюси на дисконектора трябва да са близо до (не над) уреда в съответствие с директивите на ИЕЕ. Неспазването на тези указания може да доведе до проблеми в работата на уреда, както и да направят гаранцията му невалидна.

Препоръчва се допълнителна защита чрез прекъсвач на остатъчния ток.

Ако с продукта е доставен кабел:



2. За еднофазна връзка, свържете както е показано по-долу:

- Кафяв кабел = L (Фаза)
- Син кабел = N (Нула)
- Зелен/жълт кабел = (E) (заземен)

Свързване на газта

! Свързването на уреда към газоподаващата система трябва да бъде извършено от оторизирано и квалифицирано лице. Непрофесионалният ремонт може да доведе до риск от експлозия или интоксикация! Производителят не носи отговорност за щети, причинени от поправка извършена от неоторизирани лица.

! Преди да започнете каквато и да е работа по газовата инсталация, прекъснете газоподаването. Съществува риск от експлозия!

- Условиата и стойностите за регулиране на газта са посочени върху табелките с данни (или йонните табелки).

- Преди да направите газовата връзка, осигурете пластмасовия маркуч за газ и монтажната скоба. Вътрешния диаметър на пластмасовия маркуч за газ трябва да бъде най-много 10 мм, а дължината най-много 150 см.

i Уредът е пригоден за ползване с пропан-бутан (LPG).

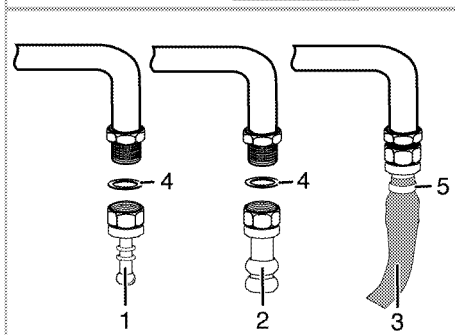
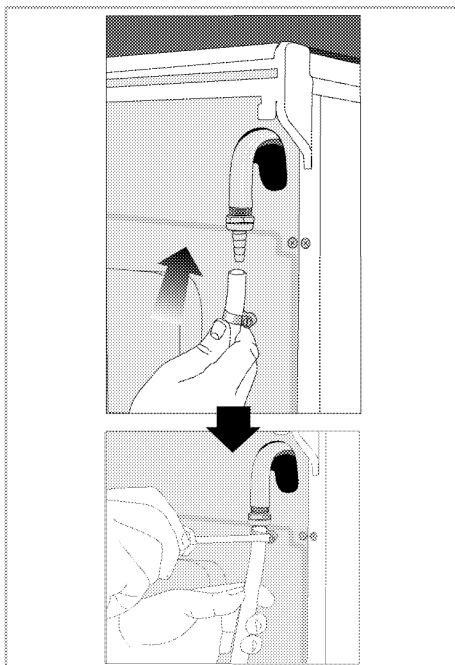
Свързване на газовия маркуч

- Газовата връзка с вашия продукт ще бъде направена от специализиран сервис.
- Свържете уреда си така, че да е близо до газовата свързка и да се избегне изтичане на газ.
- Поставете монтажната скоба на единия край на маркуча. Потопете края на маркуча, снабден със скоби, в кипяща вода за една минута, за да омекне.
- Поставете омекотения край на маркуча плътно в края на острия накрайник за маркуч на уреда. Накрая стегнете докрай скобата с отвертка.
- Повторете цялата процедура и за другия край на маркуча и приключете свързването на газовия регулатор.
- Винаги проверявайте за изтичане на газ.
- Ако в последствие трябва да използвате уреда с различен вид газ, трябва да се свържете специализиран сервис за съответната процедура по свързване.



Риск от експлозия и задушаване!

Не дръжте LPG цилиндри у дома си.

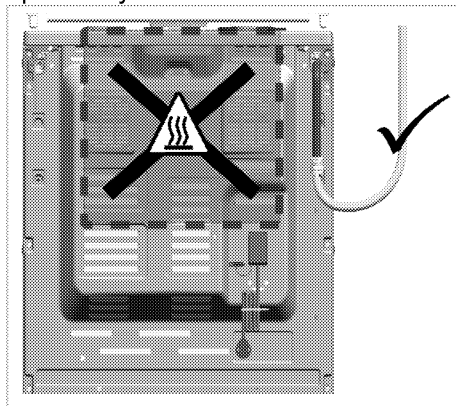


- 1 Накрайник на маркуча - LPG
- 2 Накрайник на маркуча – природна газ
- 3 Обезопасителна тръба
- 4 Гумен пръстен (уплътнение)
- 5 Скоба

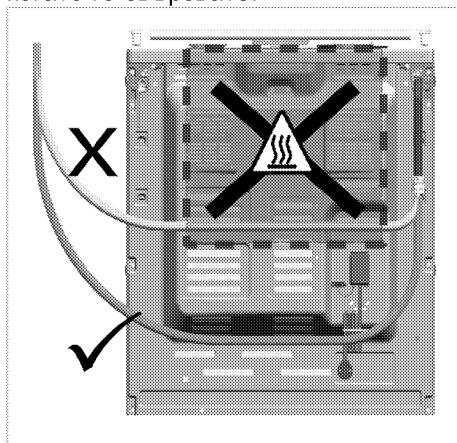
Ако вашият продукт има само един изход за газ;

- Преди да свържете маркуча за газ, уверете се, че изходът за маркуча за газ, разположен на гърба на продукта, е от същата страна на

продукта като цилиндърът за газ пропан/бутан.

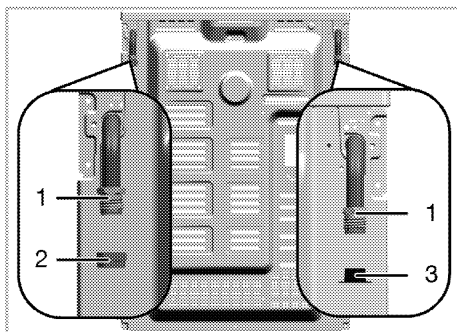


- Ако изходът на маркуча за газ и цилиндърът за пропан-бутан не са разположени към една и съща страна, уверете се, че маркучът не преминава през горещата зона, когато го свързвате.



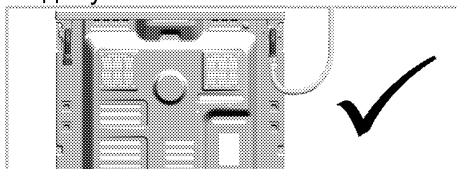
Ако вашият продукт има два изхода за газ;

- Един от двата изхода е запечатан с дюбел, а другият с пластмасова запушалка. Местоположенията на дюбела и пластмасовата запушалка може да са различни в зависимост от продукта.

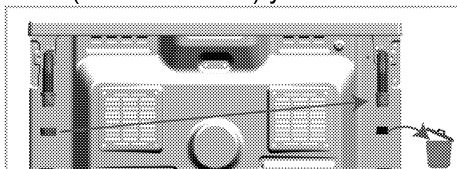


- 1 Изход на маркуч за газ
- 2 Дюбел
- 3 Пластмасова запушалка

- Преди да свържете газта се уверете, че LPG цилиндърът и изходът на маркуча за газ на продукта са свързани към газта от една и съща страна..
- Ако LPG цилиндърът и изходът на маркуча за газ са уплътнени с пластмасова запушалка от същата страна, се уверете че свързването на газта съответства на фигурата по-долу.

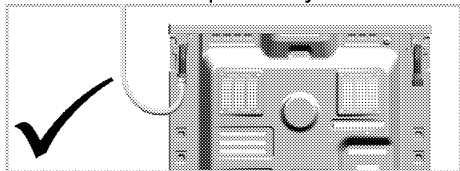


- Ако LPG цилиндърът и маркучът за газ са уплътнени със запушалка от същата страна, отстранете и изхвърлете пластмасовата запушалка. Извадете дюбела и затворете изхода за маркуча за газ, където няма да се свързва газ, с ново (неизползвано) уплътнение.



- Направете газовата връзка, както е показано на фигурата по-долу, на

изхода на маркуча за газ, близо до вентила за газ пропан/бутан.



Опасност от пожар:

Ако не направите връзките в съответствие с посочените по-долу инструкции, има риск от течове и пожар. **Нашата компания не носи отговорност за щети, произтичащи от неизпълнение на инструкциите при свързване.**

- Газовата връзка трябва да бъде направена само от специализиран сервис.
- Газовото свързване на продукта определено трябва да се осъществи чрез изхода за маркуча за газ, близо до цилиндъра за газ пропан/бутан.
- Трябва да се постави пластмасовата запушалка и изходът за маркуч, който няма да се използва, трябва да бъде запечатан с дюбел.
- При запечатване на изхода за маркуч за газ, който няма да бъде използван, с дюбел, определено трябва да използвате ново и неизползвано уплътнение.



Гъвкавият газов маркуч трябва да бъде свързан по начин, така че да не се допира до движещите се елементи около него и да не се удря при движение на движещите се елементи. (вкл. чекмеджета). Освен това, не трябва да се поставя в пространства, където може да се притисне.



Захранващият маркуч на газта не бива да се защипва, прегъва или да допира горещите части на уреда. Повреденият маркуч на газта може да доведе до риск от експлозия.

Контролиране на изтичането при свързката

- Уверете се, че всички копчета на уреда са изключени. Проверете дали газовата бутилка е отворена. За да проверите дали изтича газ, пригответе сапунена пяна и я нанесете в свързващата точка на маркуча.
- Ако има изтичане на газ, насапунисаната част ще започне да се пени. В този случай проверете още веднъж газовите свързки.
- **Ако вашият продукт има два изхода за газ**, уверете се, че неизползваният изход е запечатан с дюбел. За да проверите дали изтича газ, пригответе сапунена пяна и я нанесете върху дюбела на маркуча. Ако има изтичане на газ, насапунисаната част ще започне да се пени. В този случай проверете още веднъж дюбела на газовата свързка.
- Вместо сапун, за да проверявате за течове, можете да използвате специален спрей, който се продава в магазините.
- **i** Никога не използвайте кибрит или запалка за да проверите дали има изтичане на газ.
- Бутнете уреда към кухненската стена.
- **Регулиране на крачетата на фурната**
Вибрациите по време на употреба може да доведат до клатене на

готварските съдове. Тези рискови ситуации може да се избегнат с правилно нивелиране и балансиране на уреда. С оглед на вашата собствена безопасност се уверете, че уредът е нивелиран като регулирате четирите крачета отдолу като ги завъртите наляво или надясно и ги подравните с работния плот.

Финална проверка

- 1.Свържете уреда отново към захранването.
- 2.Проверете електрическите функции.
- 3.Включете газовото захранване.
- 4.Проверете дали газовата инсталация е сигурно монтирана и стегната.
- 5.Запалете горелките и проверете вида на пламъка.

i Пламъкът трябва да има син цвят и правилна форма. Ако пламъкът е жълтеникав, проверете дали капачката на горелката е поставена правилно и почистете горелката.

Бъдещо транспортиране

- Запазете оригиналния кашон на продукта и го пренесяйте в него. Следвайте указанията върху кашона. Ако не сте запазили оригиналния кашон, опаковайте уреда в найлон с мехурчета и го залепете плътно.
 - За да предпазите телената скара и тавата да не повредят вратата, поставете картонена лента от вътрешната част на вратата, така че да се изравни с положението на тавите. Залепете вратата на фурната към страничните стени.
 - Обезопасете капачките и поставките за съдове с самозалепваща се лента.
 - Не хващайте за вратата или дръжката при пренасяне на уреда.
- i** Не поставяйте никакви предмети върху продукта и го пренесяйте в изправено положение.
- i** Огледайте продукта отвън за евентуални повреди при пренасянето.

4 Подготовка

Съвети за спестяване на енергия

Следващата информация ще ви помогнат да използвате електроуредата по екологичен начин и да спестявате електроенергия:

- Използвайте тъмно оцветени и емайлирани покрития на съдовете за печене, тъй като те предават по-добре топлината.
- Ако в ръководството за употреба или в рецептата се препоръчва да извършите операцията подгръване докато приготвяте ястията си, тогава я направете.
- Не отваряйте често вратата на фурната по време на готвене.
- Ако е възможно пригответе едновременно повече от едно ястие във фурната. Може да готвите като поставите два съда върху телената скара.
- Пригответе повече ястия едно след друго. Фурната вече ще е нагорещена.
- Можете да спестите енергия като изключите фурната няколко минути преди края на времето за готвене. Не отваряйте вратата на фурната.
- Размразете замразените храни преди да ги сготвите.
- За готвене използвайте съдове с капацитет. Ако готвите без капак, консумацията на енергия се увеличава до 4 пъти.
- Изберете горелката, която е най-подходяща за размера на дъното на съда, който използвате. Винаги избирайте подходящия размер тенджерата за яденето, което ще пригответе. По-големите тенджери харчат повече енергия.

- При готвене на електрически котлони дъното на съдовете трябва да е равно. Тенджерите с дебело дъно осигуряват по-добър топлообмен. Може да спестите до 1/3 електроенергия.
- Съдовете и тенджерите, които използвате, трябва да са съвместими с котлоните. Дъното на съдовете или тенджерите трябва да е по-малко от котлона.
- Поддържайте котлоните и дъното на тенджерите чисти. Наслажденията от мръсотия намаляват проводимостта между котлона и дъното на тенджерата.
- При по продължително готвене, изключете котлона 5-10 минути преди края на времето за готвене. Може да спестите до 20% електроенергия при ползване на остатъчната топлина.

Първо ползване

Първоначално почистване на уреда

- i** Повърхността може да се повреди от някои почистващи препарати и материали. Не използвайте агресивни почистващи препарати, прахообразни/кремообразни препарати или остри предмети при почистването.

1. Премахнете всички опаковъчни материали.
2. С мокър парцал или гъба забършете всички повърхности и подсушете.

Първоначално загряване

Загрейте уреда за около 30 минути и след това го изключете. По този начин всякакви утайки и наслаждания,

останали от процеса на производство, ще бъдат премахнати.



Горещите повърхности могат да причинят изгаряния! Уредът може да е горещ по време на употреба. Никога не пипайте горещите горелки, вътрешните части на фурната, загряващите елементи и т.н. Дръжте децата надалеч. Винаги използвайте термоустойчиви ръкавици при поставяне или изваждане на ястия в/от горещата фурна.

Електрическа фурна

1. Извадете от фурната всички тави и телената скара.
2. Затворете вратата на фурната.
3. Изберете позиция "Статично".
4. Изберете най-високата мощност на грила; Виж *Как да работите с електрическата фурна, стр. 32*
5. Пуснете фурната за около 30 минути.
6. Изключете фурната; Виж *Как да работите с електрическата фурна, стр. 32*

Грил-фурна

1. Извадете от фурната всички тави и телената скара.

2. Затворете вратата на фурната.
3. Изберете най-високата мощност на грила; виж *Как да работите с грила, стр. 35*
4. Пуснете фурната за около 15 минути.
5. Изключете грила; виж *Как да работите с грила, стр. 35*

Котлон

1. Всички остатъци или предпазни слоеве трябва да се изгорят преди първата употреба. Пуснете котлона на средна температура за 8 минути без никакви съдове отгоре. През време на тази процедура върху котлона не бива да се поставят никакви тенджери или други съдове.



По време на първата употреба за няколко часа могат да възникнат дим и миризма. Това е съвсем нормално. Стаята трябва да е с добра вентилация за да се премахне пушека и миризмата. Избягвайте директно вдишване на излизания пушек и миризма.

5 Как да работите с котлона

Обща информация за готвенето



Никога не пълнете тигана с олио над 1/3 от обема му. Не оставяйте котлона без наблюдение когато нагривате олио.

Пренагрятата мазнина води до риск от пожар. **Никога не опитвайте да потушите евентуално възникнал пожар с вода!** Ако олиот се подпали, го покрийте с противопожарно одеало или влажен парцал..

Изключете котлона ако това не представлява опасност и се обадете в пожарната.

- Преди пържене на хранителни продукти, винаги ги подсушавайте добре и ги поставяйте внимателно в нагорещената мазнина. Замразените храни трябва да се размразят напълно преди пържене.
- Не покривайте съда в който загревате олио.
- Поставяйте тиганите и тенджерите по такъв начин, че дръжките им да не изложени на горещината от котлона. Не поставяйте небалансирани и лесно накланящи се съдове върху котлона.
- Не поставяйте празни съдове и тенджери във включените зони за готвене. Това може да ги повреди.
- Пускането на зона за готвене без поставяне на съд или тенджера отгоре ще повреди уреда. Изключете зоните за готвене след приключване на готвенето.
- Не поставяйте пластмасови и алуминиеви съдове върху уреда

тъй като повърхността му може да бъде нагорещена.

Тези съдове не бива да се използват и за съхранение на храна.

- Използвайте само тенджери и съдове с плоско дъно.
- Поставяйте съразмерно количество ядене в тенджерите и тиганите. По този начин ще си спестите излишното чистене на преляло ядене.

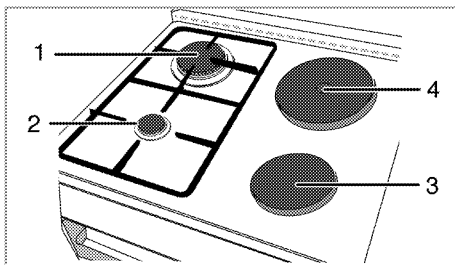
Не поставяйте капациите на тенджерите и тиганите в зоните за готвене.

Поставяйте тенджерите така, че да са центрирани върху зоните за готвене. Ако желаете да преместите тенджерата върху друга зона за готвене, я повдигнете и преместете вместо да я плъзгате.

Готвене на газ

- Размерът на съда и на пламъка трябва да са съразмерни. Регулирайте пламъка така, че да не надвишава дъното на съда и центрирайте съда добре върху поставките за тенджери.

Използване на котлоните



- 1 Бързонагриващ котлон 22-24 см
- 2 Помощен котлон 12-18 см
- 3 Електрически котлон 14-16 см

- 4 Електрически котлон 18-20 см е списък на препоръчителните диаметри на съдовете, които следва да бъдат използвани със съответните котлони.



Не използвайте тенджери за готвене извън границите на размерите, дадени по-горе. Използването на по-големи тигани създава риск от отравяне с въглероден окис, прегряване на съседните повърхности и контролните копчета. Използването на по-малки тигани създава риск от изгаряне от пламъка.

Символът с голям пламък обозначава най-високата степен на готвене, а символът с малък пламък обозначава най-ниската степен. В най-горната (изключена) позиция, горелките не се снабдяват с газ.

Запалване на газовите горелки



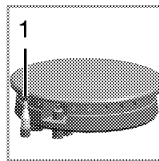
Газовите горелки се запалват с копчетата за запалване.

1. Дръжте копчето на горелката натиснато.
2. Завъртете обратно на часовниковата стрелка към символа с голям пламък.
3. Натиснете и отпуснете копчето за запалване. Повторете процедурата докато газта се възпламени.
4. Настройте желаната степен за готвене.

Изключване на газовите горелки

Завъртете копчето на зоната за поддържане на яденето топло нагоре към позиция изключено.

Защитна система за изключване на газоподаването (при модели с термален елемент)



1. Система за защита на газоподаването

Като предпазна мярка срещу изтичане на газ поради преливане на течност върху котлоните, защитният механизъм се изключва и спира газоподаването.

- Бутнете копчето навътре и го завъртете обратно на часовниковата стрелка за да запалите котлона.
- След като газта се запали, задръжте копчето натиснато 3-5 секунди за да активирате защитната система.
- Ако газта не се запали след като натиснете и задръжте копчето, повторете процедурата като задръжте копчето натиснато 15 секунди.



Освободете бутона ако горелката не се запали в рамките на 15 секунди. Изчакайте поне 1 минута преди да опитате отново. Съществува риск от акумулиране на газ и експлозия!

Използване на котлоните

Копчетата на котлоните може да се въртят в двете посоки осигурявайки температурен контрол на степените.



Ако котлонът е оборудван с функция бързо загряване, съответният котлон ще бъде маркиран с червена точка.

Защита от прегряване

Котлоните с мощност над 1000 W са оборудвани с защита от прегряване. Защитата от прегряване понижава мощността на котлона в следните случаи:

- Върху котлона няма поставена тенджера или друг съд.
- Върху котлона е поставена празна тенджера или друг съд.
- Дъното на съда или тенджерата не е плоско.

Включване на котлоните

Използвайте копчетата на котлоните за да ги пуснете. Завъртете копчетата на котлоните на

съответното ниво за да го активирате.


Ниво на готвене	1	2 — 3	4 — 6
	загряване	задушаване, къкрене	готвене, печене, варене


Изключване на котлоните

Завъртете копчето на котлона на най-горната позиция (изключено).

6 Как да работите с фурната

Основна информация за готвене, печене и грила

 Горещите повърхности могат да причинят изгаряния! Уредът може да е горещ по време на употреба. Никога не пипайте горещите горелки, вътрешните части на фурната, загриващите елементи и т.н. Дръжте децата надалеч. Винаги използвайте термоустойчиви ръкавици при поставяне или изваждане на ястия в/от горещата фурна.

 Внимавайте при отваряне на вратата, възможно е бълване на гореща пара. Излизащата пара може да опари ръцете, лицето и/или очите ви.

Съвети при печене

- Използвайте подходящи метални съдове с незалепващо покритие, алуминиеви контейнери или топлоустойчиви силиконови формички.
- Използвайте възможно най-добре пространството върху поставката.
- Поставете формата за печене по средата на рафта.
- Преди да пуснете фурната или грила, изберете правилната позиция на рафта. Не променяйте позицията на рафта докато фурната е гореща.
- Дръжте вратата на фурната затворена.

Съвети за изпичане

- Обработването на пилета, пуйки и едри парчета месо с лимонов сол, черен пипер и други подобни

преди готвенето подобряват печенето.

- Печенето на месо с костите отнема около 15 до 30 минути повече отколкото същото количество обезкостено месо.
- Всеки сантиметър от дебелината на месото отнема приблизително 4 до 5 минути печене.
- Оставете месото във фурната за около 10 минути след като го пригответе. Сокът се разпределя по-добре по цялото печено месо и не потича, когато го разрязвате.
- Рибата трябва да се постави в средата на долния рафт в термоустойчив съд.

Съвети за запичане

Когато месото, рибата или пилешкото се запичат, те бързо потъмняват, имат хубава коричка и не се изсушават. Пържоли, шишчета и наденички са особено подходящи за печене на грил, както и зеленчуци с високо водно съдържание като напр. домати и лук.

- Разпределете парчетата, които ще печете върху теления грил или в тавата за печене с теления грил като заетото пространство не бива да ревишава размера на нагревателя.
- Плъзнете теления рафт или тавата с грила на желаното ниво на фурната. Ако печете на грил върху теления рафт, плъзнете тавата на долния рафт, за да събира мазнината. Тавата за печене, която трябва да се плъзне, трябва да бъде с размер, който покрива цялата площ за печене. Тази тава може да не се доставя с продукта. За по-лесно почистване, добавете вода в тавата за мазнината.

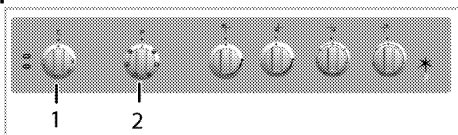


Неподходящи за печене на грил храни водят до опасност от пожар. За печене на грил използвайте само храна, която е подходяща за излагане на интензивно печене.

Не поставяйте храната много навътре в задната част на грила. Това е най-горещият сектор и мазната храна може да се възпламени.

Как да работите с електрическата фурна

Избор на температура и режим на работа



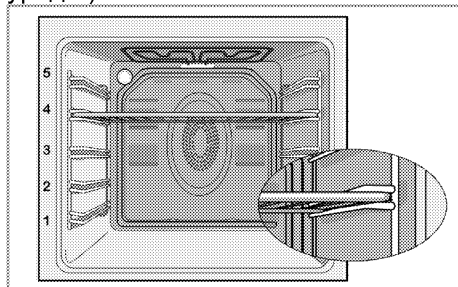
- 1 Селектор за термостата
 - 2 Селектор за функциите
1. Настройте копчето за функциите на желания режим на работа.
 2. Настройте копчето за температурата на желаната температура.
- » Фурната се загрева до настроената температура и я поддържа. През време на нагряването, лампата на температурата остава включена.

Изключване на електрическата фурна

Завъртете копчетата за функциите и термостата в изключена позиция (горе).

Важно е да поставите правилно телената скара върху телената решетка. Телената скара трябва да бъде поставена между телените редове както е показано на фигурата. Не оставяйте телената скара да се обляга на задната стена на фурната.

Плъзнете телената скара в предната част на рафта и я закрепете с помощта на вратата за да получите добри резултати от печенето на грил. (Варира в зависимост от модела на уреда.)



Режими на работа

Показаният тук ред на оперативните режими може да се различава от подредбата върху вашия уред.

Горен и долен нагревател



Горният и долен нагревател работят. Яденето се загрева едновременно отгоре и отдолу. Например е подходящо за кексове, баници или кексове и касероли във форми за печене. Печете само една тава.

Долно нагряване



Работи само долното нагряване. Подходящо е за пица и за постепенно запичане на ястието отдолу.

Тази функция трябва да се използва и за лесно парно почистване.

Долно/горно нагряване с вентилатор



Горното и долното нагряване плюс вентилатора (на задната стена) работят. Горещият въздух се разпределя бързо из цялата фурна с помощта на вентилатора. Печете само една тава.

Цял грил



Големият грил на тавана на фурната работи. Подходящ е за препичане на големи количества месо.

- За запичане, поставете среден или голям размер порции на правилно позиционирания рафт, под нагревателя на грила.
- Обърнете храната, след като изтече половината от времето за запичане.

Грил+вентилатор



Ефектът от печенето на грил не е толкова осезаем като при пълния грил.

- За запичане, поставете малък или среден размер порции на правилно позиционирания рафт, под нагревателя на грила.
- Обърнете храната, след като изтече половината от времето за запичане.

Предварително замяване



Тази функция се използва за по-бързо замяване на фурната; тя не е подходяща за печене на ястия.

- Изберете желаната температура след избиране на тази функция. Лампичката на температурата светва, а фурната се замява.
- Лампичката изгасва след като процесът по замяване приключи. Сега изберете желаната функция за да пригответе ястието.

Таблица с времето за готвене

- **i** Времетраенето в тази таблица са с ориентиловъчна цел. В действителност времетраенето може да варира в зависимост от храната, дебелината, типа и предпочитанията ви на готвене.

Печене и запичане

i Първото ниво на фурната е долното.

Ястие	Брой тава	Принадлежности за употреба	Режим на работа	Позиция на рафта	Температура (°C)	Време на готвене (приблиз. в мин.)
Кексове в тава	Една тава	Стандартна тава*		3	180	25 ... 30
Кексове във форма	Една тава	Форма за кекс върху телена скара**		2	180	40 ... 50
Малки кекчета	Една тава	Стандартна тава*		3	160	25 ... 35
Пандишпан	Една тава	Кръгла тава с отделящо се дъно с диаметър 26 см върху телена скара**		3	160	25 ... 35
Сладки	Една тава	Тава за сладки*		3	180	25 ... 30
Тесто за сладки	Една тава	Стандартна тава*		2	200	30 ... 40
Мазна баница	Една тава	Стандартна тава*		2	200	25 ... 35
Мая	Една тава	Стандартна тава*		2	200	35 ... 45
Лазаня	Една тава	Стъклена/метална правоъгълна тава върху телена скара**		2 - 3	200	30 ... 40
Пица	Една тава	Стандартна тава*		2	200 ... 220	15 ... 20
Бифтек (цял) / Печено	Една тава	Стандартна тава*		3	25 мин. 250/max, тогава 180 ... 190	100 ... 120
Пилешки бут (касерол)	Една тава	Стандартна тава*		3	25 мин. 220 тогава 180 ... 190	70 ... 90
Печено пиле (1,8-2 кг)	Една тава	Стандартна тава*		2	15 мин. 250/max, тогава 180 ... 190	60 ... 80
Пуйка (5,5 кг)	Една тава	Стандартна тава*		1	25 мин. 250/max, тогава 180 ... 190	150 ... 210
Риба	Една тава	Стандартна тава*		3	200	20 ... 30

Препоръчва се да правите предварително загреване за всякакъв вид храни.



* Тези принадлежности може да не се доставят с продукта.

** Тези принадлежности не се доставят с продукта. Те са принадлежности, предлагачи се в търговската мрежа.

Таблица за готвене за готвене за тестови ястия

Ястията в тази таблица за готвене са приготвени в съответствие с EN 60350-1, за да е по-лесно за контролните органи да тестват продукта.

Ястие	Брой тава	Принадлежности за употреба	Режим на работа	Позиция на рафта	Температура (°C)	Време на готвене (приблиз. в мин.)
Сладкиш от маслено тесто	Една тава	Стандартна тава*		3	140	20 ... 30
Малки кекчета	Една тава	Стандартна тава*		3	160	25 ... 35

Ястие	Брой тава	Принадлежности за употреба	Режим на работа	Позиция на рафта	Температура (°C)	Време на готвене (приблиз. в мин.)
Пандишпан	Една тава	Кръгла тава с отделящо се дъно с диаметър 26 см върху телена скара**		3	160	25 ... 35
Ябълков пай	Една тава	Кръгла чиния от черен метал с диаметър 20 см върху телена скара**		2	180	50 ... 60

Препоръчва се да правите предварително загреване за всякакъв вид храни.

* Тези принадлежности може да не се доставят с продукта.

** Тези принадлежности не се доставят с продукта. Те са принадлежности, предлагащи се в търговската мрежа.


Съвети при печене на кекс

- Ако кексът е твърде сух, увеличете температурата с около 10°C и намалете времето на готвене.
- Ако кексът е влажен, използвайте по-малко течност или намалете температурата с 10°C.
- Ако кексът потъмнее твърде много отгоре, го поставете на по-долен рафт, намалете температурата и увеличете времето на готвене.
- Ако е добре опечен отвърте, но лепне отвън, използвайте по-малко течност, намалете температурата и увеличете времето на готвене.

Съвети при печене на баница

- Ако баницата е твърде суха, увеличете температурата с около 10°C и намалете времето на готвене. Напоете слоевете тесто със сос направен от мляко, олио, яйца и кисело мляко.
- Ако баницата се пече твърде дълго, внимавайте дебелината на баницата, която сте приготвили да не надвишава дълбочината на тавата.
- Ако баницата почернее отгоре, а отдолу е недопечена, трябва да внимавате да не използвате твърде много сос в долната част на баницата. Опитайте да разпределите равномерно соса


между и върху слоевете на баницата за развомерно изпичане.

-  Печете баницата съгласно режима и температурата, посочени в таблицата за готвене. Ако долната част все още не е изпечена достатъчно, я поставете един рафт по-надолу във фурната следващия път.

Съвети за приготвяне на зеленчуци

- Ако зеленчуковите ястия останат без течност и станат твърде сухи, то ги пригответе в тиган с капак вместо в тава следващия път. Затворените съдове запазват сока на ястието.
- Ако зеленчуковите ястия не се изпичат добре, ги сварете предварително или ги подгответе като консервирана храна и след това поставете във фурната.

Как да работите с грила

-  По време на печенето затворете вратата на фурната. Горещите повърхности могат да причинят изгаряния!

Включване на грила

1. Завъртете копчето за функциите до желания символ грил.
2. След това изберете желаната температура за печене на грил.

3. При необходимост, извършете предварително загряване за 5 минути.

» Лампичката за температурата светва.

Изключване на грила

1. Завъртете функционалното копче в изключена позиция (горе).



Неподходящи за печене на грил храни водят до опасност от пожар. За печене на грил използвайте само храна, която е подходяща за излагане на интензивно печене. Не поставяйте храната много навътре в задната част на грила. Това е най-горещият сектор и мазната храна може да се възпламени.

Готварска плоча за печене

Печене с електрически грил

Храна	Принадлежности за употреба	Позиция на рафта	Препоръчителна температура (°C)**	Време на печене (приблизително)
Риба	Телена скара	4...5	250/max	20...25 мин. *
Нарязано пиле	Телена скара	4...5	250/max	25...35 мин.
Агнешки котлет	Телена скара	4...5	250/max	20...25 мин.
Говеждо печено	Телена скара	4...5	250/max	25...30 мин. *
Телешки котлети	Телена скара	4...5	250/max	25...30 мин. *
Тостер *	Телена скара	4	250/max	1...3 мин.

* в зависимост от дебелината

*Затоплете предварително за 5 минути.

**Ако температурата на решетката на вашия продукт не може да се регулира, решетката ще работи на препоръчаната температура.

Ястията в тази таблица за готвене са приготвени в съответствие с EN 60350-1, за да е по-лесно за контролните органи да тестват продукта.

Храна	Принадлежности за употреба	Позиция на рафта	Температура (°C)	Време на готвене (приблиз. в мин.)
Печен хляб	Телена скара	4	250/max	1...3 мин.
Кюфтета (говеждо) - 12 парчета	Телена скара	4	250/max	25...35 мин.

Обърнете храната след изтичане на 2/3 от общото време на печене на скара.

Препоръчва се да правите предварително загряване за всякакъв вид храни за около 5 минути.

7 Поддържане и грижа

Обща информация

Оперативният живот на уреда ще се удължи, а често срещаните проблеми ще намалееят ако уредът се почиства редовно.



Изключете уреда от захранването при почистване и поддръжка.

Съществува риск от токов удар!



Преди да почистите уреда, го оставете да изстине.

Горещите повърхности могат да причинят изгаряния!

- След всяко ползване почиствайте уреда добре. По този начин всякакви остатъци от готвенето се почистват по-лесно и се избягва изгарянето им при следващото ползване на уреда.
- За почистването на уреда не са необходими специални почистващи препарати. Използвайте хладка вода и измивен препарат, мек парцал или гъба за почистване на фурната и я забършете със сух парцал.
- Внимавайте излишната вода да бъде добре подсушена след почистването, а всякакви разляти течности незабавно да бъдат подсушавани.
- **(Тази опция е по избор. Може да не се предлага за Вашия продукт.)** Не използвайте почистващи вещества, съдържащи киселина или хлор за почистване на неръждаемото покритие и дръжката. Използвайте мек парцал с течен препарат (неабразивен) за да забършете тези части, като

внимавате да забърсвате в една посока.

- Не използвайте твърди метални четки и абразивни почистващи материали за да почистите стъкления капак. Това може да повреди стъклената повърхност.
- i** Повърхността може да се повреди от някои почистващи препарати и материали. Не използвайте агресивни почистващи препарати, прахообразни/кремообразни препарати или остри предмети при почистването.
- i** Не използвайте парочистачки за почистване на уреда, тъй като това може да предизвика токов удар.

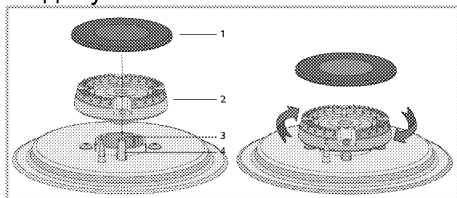
Почистване на котлона

Оsak gözü temizliği

1. Извадете носачите за тенджери от котлона.
 2. Отстранете всички подвижни части от горелката и почистете само на ръка с гъба, малко почистващ препарат и гореща вода.
 3. Почистете неподвижните части на горелката с мокра кърпа.
 4. Почистете щепсела и термичните елементи (при моделите със запалване и термичен елемент) с леко навлажнена кърпа. След това, изсушете с чиста кърпа. Уверете се, че отворите за пламък и щепсела са напълно сухи.
- В противен случай в края на запалването няма да бъде произведена искра.
5. При поставяне на горните грилове, внимавайте да поставите носачите за тенджери така, че горелките да останат в центъра им.

Сглобяване на частите на горелката

След почистване на горелката, поставете частите както е показано по-долу.

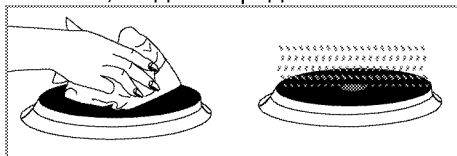


- 1 Капачка на горелката
- 2 Глава на горелката
- 3 . Камера на горелката
- 4 Запушалка на искрата (продукти със запалител)

1. Поставете главата на горелката като се уверите, че преминава през запушалката на искрата на горелката (4). Завъртете главата на горелката на дясно и на ляво, за да се уверите, че е прилегла в камерата на горелката.
2. Поставете капачката на горелката на главата на горелката.

Електрически котлони

1. Изключете котлоните и изчакайте да изстинат напълно.
2. При необходимост почистете плочите с почистващ препарат (можете да намерите почистващи препарати/омекотители в специализираните магазини).
3. След почистване пуснете котлона за няколко минути за да се подсуши отгоре.
4. Периодично намазвайте горната повърхност на плочата с машинно масло, за да го предпазите.



Почистване на контролния панел

Почистете контролния панел и копчетата с влажен парцал и подсушете.

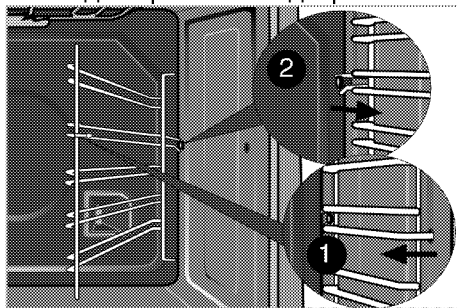
- i** Ако върху вашия продукт има бутони/копчета, не ги сваляйте копчетата за да почистите контролния панел. Това може да повреди контролния панел!

Почистване на фурната

За почистване на страничната стена (Варира в зависимост от модела на уреда.)

(Тази опция е по избор. Може да не се предлага за Вашия продукт.)

1. Свалете предната част на страничната решетка като я издърпате в посока обратна на страничната стена.
2. Издърпайте към вас за да извадите решетката докрай.

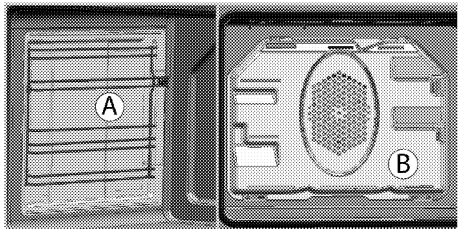


Каталитичен емайл

(Тази опция е по избор. Може да не се предлага за Вашия продукт.)

Вътрешните странични стени (А) и/или задната стена (В) на Вашия продукт могат да бъдат покрити с каталитичен емайл. Каталитични стени имат лек матов цвят и шуплеста повърхност. Каталитичните стени на фурната не бива да се чистят. Благодарение на тяхната перфорирана структура,

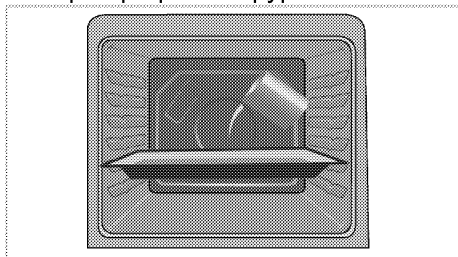
каталитичните повърхности поглъщат мазнина и когато повърхността се запълни с мазнина, започват да блестят. В този случай е препоръчително да замените частите.



Лесно парно почистване

Осигурява лесно почистване тъй като мръсотията (която не е преседяла твърде дълго) се омекотява от парата, образувана във фурната и от капките вода кондензирани по вътрешните ѝ повърхности.

1. Извадете всички принадлежности от фурната.
2. Налейте 500 мл вода в тавата на фурната и поставете тавата на втория рафт във фурната.



3. Определете фурната до лесен начин за почистване с пара и тичам при 100 ° C в продължение на 25 минути.
4. Отворете вратата и забършете вътрешната повърхност на фурната с влажна гъба или парцал.
5. Използвайте хладка вода и измивен препарат, мек парцал или гъба за почистване на упоритите

замърсявания и забършете със сух парцал.

- i** По време на режима за лесно почистване с пара, водата, която е поставена в тавичка, за да омекоти леко образуваните остатъци / мръсотия в кухнята на фурната, ще се изпари и кондензира в кухнята на фурната и вътрешната страна на стъкло на вратата, поради което вода може да капе, когато вратата на фурната се отвори. Забършете конденза веднага щом вратата на фурната се отвори.

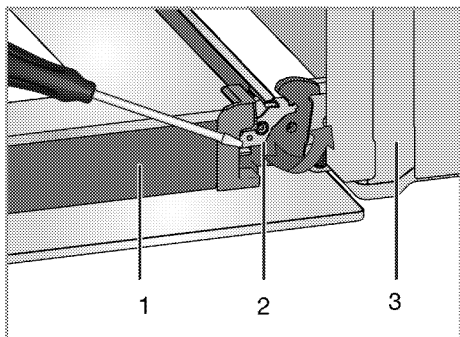
Почистване на вратата на фурната

За почистване на вратата на фурната, използвайте хладка вода и измивен препарат, мек парцал или гъба за почистване на уреда и после забършете със сух парцал.

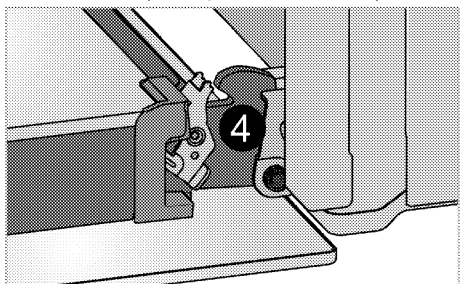
- i** Не използвайте никакви груби абразивни почистващи материали или остри метални стъргалки за почистване на вратата на фурната. Те може да издраскат повърхността и да повредят стъклото.

Сваляне на вратата на фурната

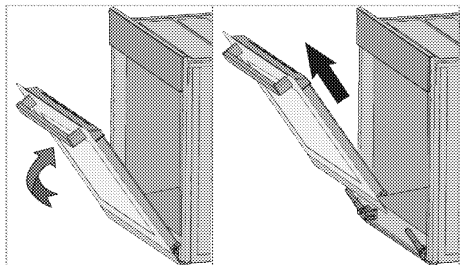
1. Отворете предната врата (1).
2. Отворете скобите върху гнездата на пантите (2) отляво и отдясно на предната врата, като ги натиснете надолу по илюстрирания на фигурата начин.



- 1 Врата
- 2 Заклучване на пантата(затворена позиция)
- 3 Фурна
- 4 Заклучване на пантата(отворена позиция)



- 3.Преместете предната врата до половината.



- 4.Премахнете предната врата като я издърпате нагоре, докато се освободи от лявата и дясната панта.

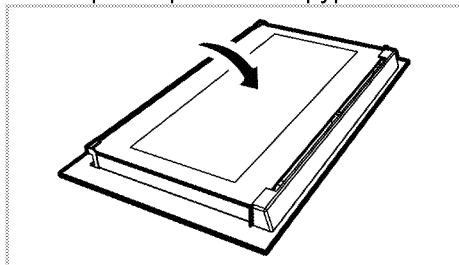
i Стъпките, изпълнени при свалянето на вратата се извършват в обратен ред за да я монтирате. Не забравяйте да затворите скобите върху гнездото на пантата, когато поставяте вратата отново.

Сваляне на вътрешното стъкло на вратата

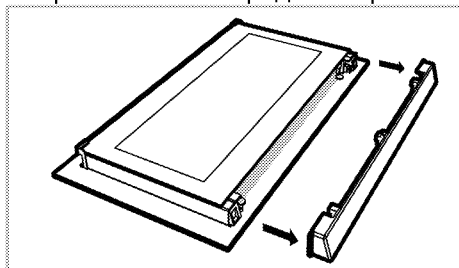
(Тази опция е по избор. Може да не се предлага за Вашия продукт.)

Вътрешния стъклен панел на вратата на фурната може да се маха за почистване.

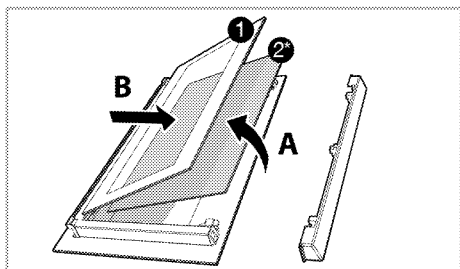
- 1.Отворете вратата на фурната.



- 2.Издърпайте към себе си и свалете пластмасовата част, монтирана в горната част на предната врата.



- 3.Както е показано на фигурата, повдигнете най-вътрешния стъклен панел (1) леко по посока на **A** и издърпайте по посока на **B**.



Подмяна на лампата във фурната

! Преди да подмените лампата във фурната, уредът трябва да е изключен от захранването и охладен за да се избегне риск от токов удар. Горещите повърхности могат да причинят изгаряния!

i В тази фурна се използва лампа с нажежаема жичка с мощност по -малка от 40 W, височина по -малка от 60 mm, диаметър по -малък от 30 mm или халогенна лампа с цокъл тип G9, мощност по -малка от 60 W Лампите са подходящи за работа при температури над 300 ° C. Лампите за фурни могат да бъдат получени от оторизиран сервизен агент или техник с лиценз.

i Позицията на лампата може да се различава от фигурата.

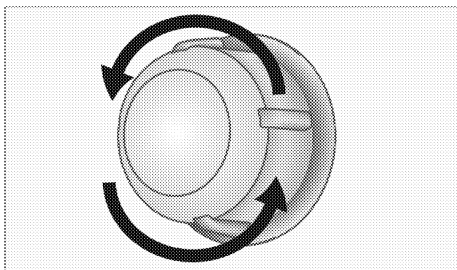
i Лампата, която се използва в този уред не е подходящ за осветление на битови стая.. Предназначението на тази лампа е да помогне на потребителя да види храните.

i Лампите използвани в този уред, трябва да издържат на екстремни физически условия като температура над 50°C.

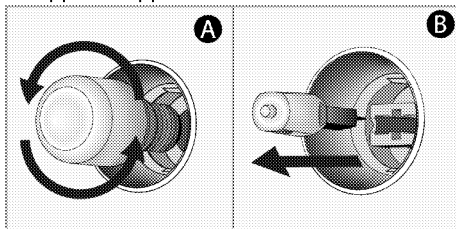
Ако фурната ви е оборудвана с кръгла лампа:

- 1.Изключете уреда от захранването.
- 2.Завъртете стъкления капак обратно на часовниковата стрелка за да го свалите.

- 1 Най-вътрешен стъклен панел
- 2* Вътрешен стъклен панел (Може да не се предлага за Вашия продукт.)
- 4.Ако вашият уред е оборудван с вътрешен стъклен панел (2) ; Повторете същата процедура за да свалите вътрешния стъклен панел (2).
- 5.Първата стъпка по сглобяването на вратата е да монтирате обратно вътрешния стъклен панел (2). Поставете скосения ръб на стъкления панел така, че да легне в скосения ръб на пластмасовия процеп (Ако вашият уред е оборудван с вътрешен стъклен панел). Вътрешният стъклен панел (2) трябва да бъде монтиран в пластмасовия процеп в близост до най-вътрешния стъклен панел (1).
- 6.При монтирането на най-вътрешния стъклен панел (1), страната от която са надписите върху панела трябва да гледа към вътрешния стъклен панел. Много е важно да загнездите долния ръб на най-вътрешен стъклен (1) панел в долния пластмасов прорез.
- 7.Бутнете пластмасовата част към рамката докато чуете прищракване.



така както е показано на фигурата, и да я подмените.



3. Ако лампата на вашата фурна е от тип (А), показан на фигурата по-долу, можете да я свалите като я въртите така както е показано, и да я подмените. Ако тя е от тип (В), можете да я издърпате и извадите,

4. Монтирайте обратно стъкления капак.

8 Отстраняване на повреди

Фурната изпуска пара при употреба.

- Нормално е да излиза пара по време на работа. >>> *Това не е повреда.*

Уредът издава металически звуци при загряване и охлаждане.

- Когато металните части се загряват, може да се разширят и да предизвикат шум. >>> *Това не е повреда.*

Уредът не работи.

- Бушонът е дефектен или се е изключил. >>> *Проверете предпазителите в електрическата кутия. Ако е необходимо ги сменете или ги пренастройте.*
- Уредът не е включен в (заземен) контакт. >>> *Проверете контакта.*

Лампата във фурната не работи.

- Лампата на фурната е дефектна. >>> *Подменете лампата на фурната.*
- Токът е спрял. >>> *Проверете има ли ток. Проверете предпазителите в електрическата кутия. Ако е необходимо ги сменете или ги пренастройте.*

Фурната не се загрява.

- Няма настрони функция и/или температура. >>> *Настройте функцията и температурата с копчето за функциите и/или копчето за температурата.*
- Токът е спрял. >>> *Проверете има ли ток. Проверете предпазителите в електрическата кутия. Ако е необходимо ги сменете или ги пренастройте.*

Липсва възпламеняващ пламък.

- Няма такава. >>> *Проверете предпазителите в електрическата кутия.*

Няма газ.

- Основният кран на газта е затворен. >>> *Отворете крана на газта.*
- Газовата тръба е наклонена. >>> *Монтирайте добре газовата тръба.*

Горелките не горят както трябва.

- Горелките са мръсни. >>> *Почистете частите на горелката.*
- Горелките са мокри. >>> *Подсушете частите на горелката.*
- Капачката на горелката не е добре монтирана. >>> *Монтирайте добре капачката на горелката.*
- Кранът за газта е затворен. >>> *Отворете крана на газта.*
- Газовият цилиндър е празен (при използване на LPG). >>> *Подменете газовия цилиндър.*



Ако въпреки, че сте изпълнили указанията от този раздел не можете да решите проблема, се консултирайте с представител на оторизирания сервиз или магазина, от който сте закупили уреда. Нкога не се опитвайте сами да поправите неизправния уред.

