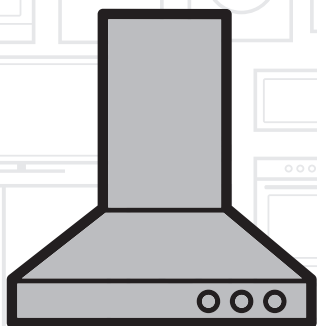


Hood

User manual



HNT 62210 B | HNT 62340 B

EN | PL | CS | ET | BG |

01M-8850083200-5118-02
01M-8807493200-5118-02

beko

Please read this user manual first!

Dear Customer,

Thank you for preferring a Beko product. We hope that you get the best results from your product which has been manufactured with high quality and state-of-the-art technology. Therefore, please read this entire user manual and all other accompanying documents carefully before using the product and keep it as a reference for future use. If you handover the product to someone else, give the user manual as well. Follow all warnings and information in the user manual.

Remember that this user manual is also applicable for several other models. Differences between models are explicitly described in the manual.

Meanings of Symbols

Following symbols are used in various sections of this manual:



Important information and useful hints about usage.



WARNING: Warnings against dangerous situations concerning the security of life and property.



Warning for electric shock.



This product has been manufactured in environmental friendly modern plants without giving any harm to the nature.

CONTENTS

ENGLISH	04-15
POLSKI	16-28
ČESKY	29-41
EESTI	42-54
БЪЛГАРСКИ	55-68

This section contains safety instructions that will help protect from risk of personal injury or property damage. Failure to follow these instructions invalidates the granted warranty.

1.1 General safety

- Always have the installation and repairing procedures carried out by the Authorised Service Agent. Manufacturing firm shall not be held responsible for damages that may be caused by unauthorised persons.
- This appliance is not intended for use by persons (including children) with reduced physical, sensory or mental capabilities, or lack of experience and knowledge. Children should be supervised to ensure that they do not play with the appliance.

1.1.1 Electrical safety

- Always unplug the appliance from the mains supply during installation, maintenance, cleaning and repair operations.

- If the power cable is faulty, it should be replaced by a qualified person certified by the manufacturer, after-sales service or similar (preferably an electrician) or a person described by the importer.
- Operating voltage is 220 to 240 volts.
- If the appliance has a failure, it should not be operated unless it is repaired by the Authorised Service Agent. There is the risk of electric shock!
- Do not route power cable close to hobs. Otherwise power cable may cause fire since it melts down easily.
- Never plug the hood before installation is completed.
- In order to obtain the best performance, external conductor must not be longer than 4 m. It must not contain more than 2 perpendicular (90°) angles and its diameter must be min. Ø120 mm.
- Disconnect the appliance from mains before any intervention to the internal parts of the appliance.
- Use the appliance with a grounded outlet only.

1.1.2 Product safety

- You can use a pipe with a diameter of 120 mm or 150 mm on the flue connection of the hood.
- Do not make connections to the flues connected with stoves, exhaust shafts or flues with rising flames. Observe the rules set by authorities on the discharge of exhaust air.
- The height between the lower surface of the hood and upper surface of the stove/oven should not be less than 65 cm for hobs.
- Do not operate the hood without aluminium filters and do not remove the filters while it is operated.
- Never touch the hood's lamps after they are operated for a long time. Hot lamps may burn your hand.
- Avoid large flames beneath the product.
Otherwise, particles on oil filter may ignite and lead to a fire.
- Turn on the hobs after placing pans or pots on it. Otherwise, rising heat may deform certain parts of your product.
- Turn off the hobs before taking away pans or pots.
- Avoid inflammable materials under the hood.
- Oil may ignite while frying foods. Therefore, be careful about cloths and curtains.
- Never leave the cooker unattended when frying foods; otherwise hot oil may cause fire.
- There is the risk of fire if your hood is not cleaned in the specified periods.
- Be extremely careful and wear gloves when cleaning the hood.
- We advise you to operate the appliance a few minutes before starting to cook in order to increase the suction power. Thus, you will have a continuous and stable suction power when the vapours arise.
- Operate your hood for 15 minutes more after the end of cooking or frying in order to remove the smell and cooking vapour in the kitchen.
- When the hood is in use, especially together with gas cookers, make sure that environment is ventilated with clean air.

- Pay attention not to connect the appliance to flues used by non-electrical devices. (E.g.: heater flue).
- Simultaneous and smooth operation of the hood and another device that requires air is only possible when a low pressure of 4 Pa (0.04 mbar) is reached, and thus reabsorption of the gas is avoided. This can only be achieved by means of air coming from uncovered openings (door, window, ventilation openings or other technical measures).
- This appliance can be used by children who are at the age of 8 or above and by the people who have limited physical, sensory or mental capacity or who do not have knowledge and experience, as long as they are supervised with regard to safe use of the product or they are instructed accordingly and understand the risks of using the product. Children should not play with the appliance.
- **WARNING:** Accessible parts of the hood may become hot when used with a cooking appliance.

Pay utmost attention to provide sufficient air flow. A flue that provides air ingress/egress is not enough for this purpose.

1.1.3 Children's safety

- Packaging materials are dangerous to children. Keep packaging materials in a safe place out of the reach of children.
- Electrical appliances are dangerous to children. Keep children away from the product. Do not allow children to play with the appliance.
- The manufacturer shall not be liable for any damage caused by improper use or handling.
- Service life of your appliance is 10 years. This is the period required for availability of spare parts for proper functioning of the product.
- **WARNING:** Failure to fix the screws in accordance with the instructions provided in the manual may lead to electrical hazards.

1.2 Intended use

- This appliance is intended for domestic use. It is not suitable for commercial use and it must not be used out of its intended use.

1

Important safety and environmental instructions

1.3 Compliance with the WEEE Directive and disposing of the waste products



This product complies with the EU WEEE Directive (2012/19/EU). This product bears a classification symbol for waste electrical and electronic equipment (WEEE).

This symbol indicates that this product shall not be disposed with other household wastes at the end of its service life. Used device must be returned to official collection point for recycling of electrical and electronic devices. To find these collection systems please contact to your local authorities or retailer where the product was purchased. Each household performs important role in recovering and recycling of old appliance. Appropriate disposal of used appliance helps prevent potential negative consequences for the environment and human health.

1.4 Compliance with the RoHS Directive:

The product you have purchased complies with the EU RoHS Directive (2011/65/EU). It does not contain harmful or prohibited materials specified in the Directive.

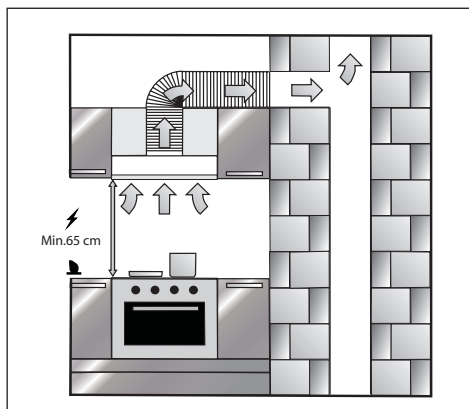
1.5 Packaging information



Package of the product is made of recyclable materials in accordance with our National Legislation. Do not dispose of the packaging materials together with domestic or other wastes. Take them to a packaging material collection points designated by local authorities.

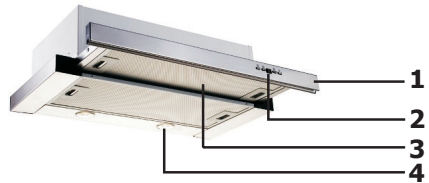
1.6 Position of the hood

Install the hood beneath the cupboard. When the hood is installed, there must be at least 65 cm clearance with the product and cookers.

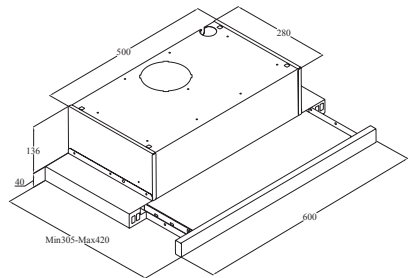
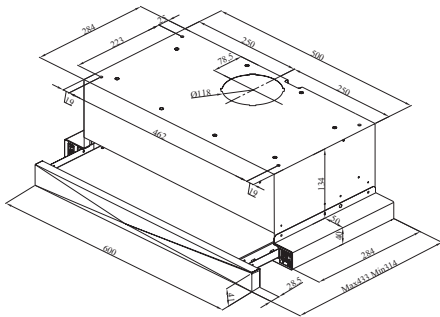


2 Technical illustration

2.1 Overview



1. Front panel
2. Switch
3. Filter
4. Lighting



3 Installation of the hood

This installation manual covers all models indicated on the cover page.

3.1 Boring the hanger holes

Drill the holes indicated on the installation template with A, B, C, D using a $\varnothing 4$ mm drill bit. **Fig. 2**

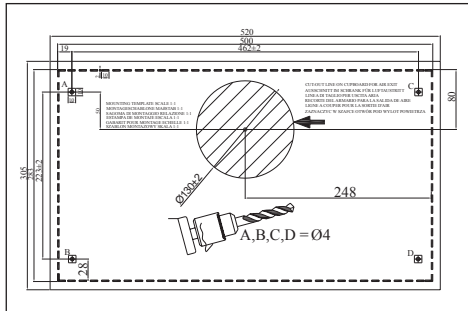


Fig. 2

Use the supplied 4 x 40 screws to fix the product to the cupboard at A, B, C, D holes. When the slider set moves, the front panel should not scrape off the cupboard door. **Fig. 3**

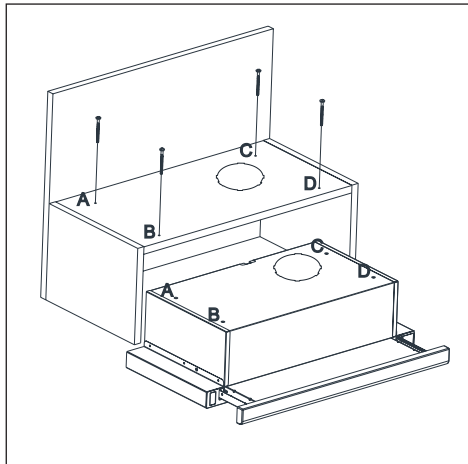


Fig. 3

Place the provided plastic flue at the flue output on the product. Rotate the plastic flue in clockwise direction. **Fig. 4**

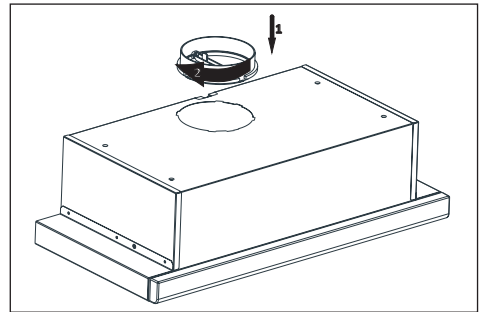


Fig. 4

Install the flexible aluminium flue on the plastic flue. Place the other tip of the flue into the flue hole. **Fig. 5**

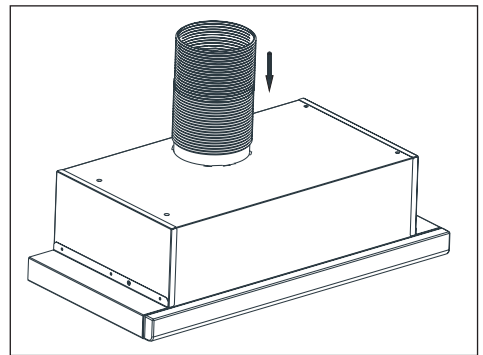


Fig. 5



WARNING: As the bends and elbows at the aluminium flue will cause decrease in the air suction power, using these must be avoided as much as possible.

3 Installation of the hood

3.2 Functions of the hood

The hood can be operated in kitchens with and without flue.

3.3. Usage with flue

In usage with flue connection, hood must be connected to a flue that will discharge the air outside. Ensure that the pipework connected to flue follows the shortest possible route to obtain best efficiency from your hood. The product is manufactured at the factory for usage with flue.



WARNING: The hood outlet must not be connected to air channels that include other smoke.

4 Usage with or without carbon filter

4.1 Functions of the hood

The hood can be operated in kitchens with and without flue.

4.2 Active carbon filter

An active carbon filter should be used in flueless environments for filtering and supplying the air back inside. Active carbon should be supplied from the service or your dealer.

4.3 Usage with carbon filter

Your product can be operated with carbon filter.

As the carbon filter is used in a kitchen that does not have a flue outlet, it should be replaced with a new one every 3 to 5 months depending on usage. Carbon filter should never be washed. In any case, the oil filters should be attached to the product regardless of using a carbon filter or not. Do not use your product without a filter.

4.4 Carbon filter replacement



De-energise the appliance before replacing the carbon filter. To install the carbon filter in its place, align the chamfers on the motor housing and then rotate in the clockwise direction. Rotate in counter-clockwise direction to remove.



WARNING: Aluminium filters can be washed in a dishwasher. The aluminium filters may alter in colour after several washes. This is normal and does not require the replacement of the filters.

4.5 Efficient ventilation

For an efficient ventilation in the kitchen, the outward windows of the kitchen should be kept closed. Operate the hood and the hob at the same time to create air flow. This will positively affect the suction power.

After completing the cooking, let the appliance operate for a while to remove the remaining odours and steams.



Care must be taken when the appliance is used with devices that use air and fuel (e.g. heaters, water heaters that operate on gas, diesel fuel, coal or wood). This is because it may decrease combustion as the hood discharges air into the room atmosphere.

This is not valid for use without flues.

5 Handling the hood

There is a multi-position switch on the hood to control the speed settings. For the best performance against heavy steams and odours, we recommend the high speed setting. The motor operates after the slider set is opened and stops when closed (this is optional).

The operation of the product should be initiated just a couple of minutes before starting the cooking process and kept in operation until all odour and steam are removed from the environment.

5.1 Spd rocker switch (HNT 62210 B)

Lamp button



To turn on the product lamp put the switch in lamp position. The slider set should be in pulled position in order to turn on the lamp.

1st and 2nd speed switch.



Put the switch in up position to operate the product in the 1st speed and in down position to operate in the 2nd speed.

3. Speed switch



Put the switch in down position to operate the product in the 3rd speed.

5.2 Spd digital switch (HNT 62340 B)

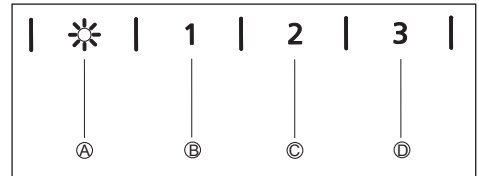


Fig. 6

(A): Light On/Off key

(B): 1st level

(C): 2nd level

(D): 3rd level

5.3 Digital electronic control with 3 levels

(A) Light On/Off key: You can illuminate the cooking area by pressing this key.

(B) key: You can start your hood at speed level 1 by pressing this key.

When you press this key again to switch off the appliance, speed level indication on the display disappears.

(C) key: You can start your hood at speed level 2 by pressing this key.

When you press this key again to switch off the appliance, speed level indication on the display disappears.

(D) key: You can start your hood at speed level 3 by pressing this key.

When you press this key again to switch off the appliance, speed level indication on the display disappears.

5 Handling the hood

Auto-stop in 15 min:

This appliance is equipped with an Auto-Stop function which allows the appliance to ventilate the room for an additional period of time in order to remove the unpleasant odour and vapour in the room after the cooking is over. Appliance stops automatically after a certain period of time.

To enable the Auto-stop function, press any of the speed level keys (B, C, D) on the control for longer than 2 seconds. A timer with 15 minutes will be activated.

If you press the same speed level key while the Auto-stop function is enabled, function will be disabled and the appliance will stop.

If you select a different speed level this function will be disabled.

If you want your appliance to stop automatically, you must enable the Auto-stop function again.

Periodic cleaning of metal filters:

Filters must be cleaned about every 60 hours of operation or 4 weeks depending on the frequency of usage.

5.4 Energy efficient usage:

- When operating the hood, adjust the speed level according to the odour and vapour intensity in order to prevent unnecessary power consumption.
- Use low speeds in normal conditions (1-2), and high speed (3) when smell and vapours are intensified.
- Lamps on the hood are intended for illuminating the cooking zone.
- Using them to illuminate the ambient/kitchen will result in unnecessary power consumption and inadequate illumination.

5.5 Handling the hood.

- Hood is equipped with a motor having various speed settings.
- For a better performance, we advise you to use low speeds in normal conditions, and high speeds when smell and vapours are intensified.
- You can start the hood by pressing the desired speed level key. (B, C, D)
- You can illuminate the cooking area by pressing the light key. (A);

6 Cleaning and maintenance

6.1 Maintenance

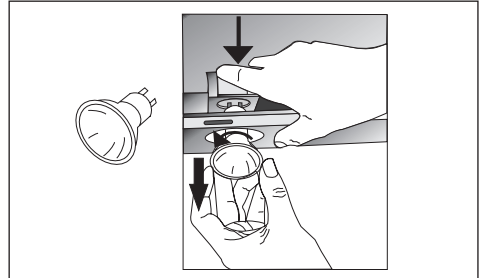
- Unplug and disconnect the product before any maintenance and cleaning operation.
- Aluminium cartridge filter collects the dust and oil particles in the air.
- Wash the metal filter once a month with hot water and soap or in dishwasher if possible (60 degrees).
- Press the spring catch on the tip to dislodge the aluminium cartridge filter. After cleaning, let it dry well before reinstalling.
- The exterior surface of the hood should be wiped clean with a cloth damped with soap and water or alcohol.
- Do not let the electronic parts get in touch with water or similar substances.
- INOX cleaning and maintenance products found in the market will prolong the life of your product.



WARNING: Aluminium filters can be washed in a dishwasher. The aluminium filters may alter in colour after several washes. This is normal and does not require the replacement of the filters.

6.2 Replacement of LED lamp

To replace the LED lamps, press the rear holder section of the lamp downwards and pull out the lamp towards the bottom direction and slightly rotate in a counter clockwise direction to remove it.



6.3 Troubleshooting

Before calling the service:

Ensure that the product is plugged in and the electrical fuse of the installation is intact. Do not attempt any action that may harm the product. Before contacting the service check the product as per Table 1. If the problem persists contact your dealer or the authorised service.

6 Cleaning and maintenance

	Check the power connection. Mains voltage should be 220–240 V, the hood should be connected to a grounded plug.	Check the motor switch. (Motor switch should be in On position.)	Check the lamp switch. (Motor switch should be in On position.)	Check the aluminium filter. (Aluminium cartridge filter should be washed once a month under normal conditions.)	Check the lamps. (The lamps should be in good condition.)	Check the air exhaust flue. (The air exhaust flue must be open.)	Check the carbon filter. (For the products with carbon filter, the filter should be replaced once in 3 months.)
Hood is not operating.	✓	✓					
Lighting does not operate.	✓		✓		✓		
Hood air suction is weak.				✓		✓	✓
Does not exhaust air (in flueless environments)				✓			✓

Proszę najpierw przeczytać tę instrukcję obsługi!

Droży Klienci,

Dziękujemy za wybór wyrobu marki Beko. Mamy nadzieję, że wyrób ten, wyprodukowany przy użyciu wysokiej jakości najnowszej technologii, okaże się w najwyższym stopniu zadowolający. Przed użyciem urządzenia należy uważnie przeczytać całą instrukcję obsługi oraz towarzyszące jej dokumenty i zachować ją do wglądu na przyszłość. Przekazując wyrób innemu użytkownikowi, proszę oddać mu również niniejszą instrukcję. Proszę przestrzegać wszystkich ostrzeżeń i informacji z tej instrukcji obsługi.

Proszę pamiętać, że instrukcja ta odnosi się także do kilku innych modeli. Różnice pomiędzy nimi są wyraźnie opisane w tej instrukcji.

Znaczenie symboli

W niniejszej instrukcji stosuje się następujące symbole:



Ważne informacje i przydatne wskazówki dotyczące użytkowania.



OSTRZEŻENIE: Ostrzeżenia dotyczące sytuacji zagrażających bezpieczeństwu, życiu i mieniu.



Ostrzeżenie przed porażeniem prądem.



Urządzenie zostało wyprodukowane w nowoczesnych, bezpiecznych dla środowiska zakładach bez wpływu na przyrodę.

Rozdział ten zawiera instrukcje zachowania bezpieczeństwa, które pomogą chronić się przed zagrożeniem obrażeniami ciała lub uszkodzonymi w mieniu. Nieprzestrzeganie tych instrukcji unieważnia udzieloną gwarancję.

1.1 Bezpieczeństwo: Zasady ogólne

- Wszystkie prace montażowe i naprawy należy powierzać Autoryzowanemu Agentowi Serwisowemu. Producent nie odpowiada za szkody, które mogą być spowodowane przez osoby nieupoważnione.
- Urządzenie to nie jest przeznaczone do użytku przez osoby (w tym dzieci) o ograniczonej sprawności fizycznej, czuciowej i psychicznej, niedoświadczone i nieumiejętne. Należy zawsze uważać na dzieci, aby nie bawiły się tym urządzeniem.

1.1.1 Bezpieczeństwo: Elektryczność

- Zawsze odłączaj okap od sieci na czas montażu, konserwacji, czyszczenia i napraw.

- Jeśli przewód zasilający jest uszkodzony, jego wymianę należy powierzyć osobie o uznanych przez producenta kwalifikacjach, personelowi serwisu posprzedażnego lub podobnego (najlepiej elektrykowi) lub osobie wskazanej przez importera.
- Napięcie zasilania 220 do 240 voltów.
- W razie awarii okapu nie należy go używać dopóki nie zostanie naprawiony przez Autoryzowanego Agenta Serwisowego. Zagrożenie porażeniem prądem elektrycznym!
- Nie prowadź przewodu zasilającego w pobliżu kuchenki. Grozi to pożarem od przewodu zasilającego, bo jego izolacja łatwo się topi.
- Nie wkładaj wtyczki przewodu zasilającego do gniazdka przed ukończeniem montażu okapu.
- Najlepiej działają przewody zewnętrzny nie dłuższe niż 4 m. Może skręcać pod kątem prostym nie więcej niż 2 razy, a jego średnica musi być co najmniej $\varnothing 120$ mm.
- Przed każdą interwencją wewnątrz okapu wyjmuj wtyczkę z gniazdka.

- Używaj okapu tylko, jeśli przyłączony jest do gniazdka z uziemieniem.

1.1.2 Bezpieczeństwo: Wyrób

- Wylot okapu można przyłączyć do przewodu kominowego rurą o średnicy 120 mm lub 150 mm.
- Nie wolno przyłączać się do przewodów kominowych połączonych z kuchenkami, szybów wylotowych, ani przewodów kominowych, w których palą się płomienie. Przestrzegaj urzędowych zasad zrzutu powietrza wylotowego.
- Pomiędzy dolną powierzchnią okapu a górną powierzchnią kuchenki powinien być odstęp co najmniej 65 cm.
- Nie używaj okapu bez filtrów aluminiowych i nie wyjmuj ich, gdy okap działa.
- Nie dotykaj lamp okapu, jeśli paliły się przez dłuższy czas. Można poparzyć dłonie taką gorącą lampą.
- Wystrzegaj się obfitych płomieni pod okapem.

Grozi to zapaleniem się cząstek na filtrze oleju, co może spowodować pożar.

- Kuchenkę włączaj dopiero po postawieniu na niej garnków lub patelni. W przeciwnym razie niektóre części okapu mogą się odkształcać w miarę nagrzewania się.
- Wyłączaj kuchenkę zanim zdejmiesz z niej garnki i patelnie.
- Wystrzegaj się materiałów łatwopalnych pod okapem.
- Podczas smażenia potraw może się zapalić olej. Dlatego należy uważać na tkaniny i zasłony.
- Nie wolno pozostawiać kuchenki bez nadzoru, gdy smażą się na niej potrawy, bo grozi to zapaleniem się oleju i pożarem.
- Jeśli nie czyści się okapu z określoną częstotliwością, podnosi to zagrożenie pożarem.
- Podczas czyszczenia okapu zachowaj szczególną ostrożność i noś rękawice.
- Zalecamy uruchamianie okapu na kilka minut przed rozpoczęciem gotowania, aby nabrał mocy ssania. Dzięki temu, gdy zaczną się opary, ssanie będzie ciągłe i stabilne.

- Nie wyłączaj okapu przez 15 minut po zakończeniu gotowania lub smażenia, aby usunąć z kuchni zapach oparów gotowania.
- Gdy okap działa, zwłaszcza jeśli działa nad kuchenką gazową, upewnij się, że pomieszczenie to jest wentylowane czystym powietrzem.
- Zwróć uwagę, aby nie przyłączać okapu do przewodów kominiowych używanych przez urządzenia nielektryczne. (Np.: przewód spalinowy grzejnika).
- Właściwa praca okapu równocześnie z innym urządzeniem, które wymaga powietrza, możliwa jest tylko przy niskim ciśnieniu 4 Pa (0,04 mbar), przy którym unika się zwrotnego wchłaniania gazu. Można to osiągnąć tylko przy dopływie powietrza przez nieosłonięte otwory (drzwi, okna, otwory wentylacyjne lub innych środków techniczne).

Zwracaj szczególną uwagę na zapewnienie wystarczającego przepływu powietrza. Do tego celu nie wystarczy przewód kominowy, którym dopływa/ odpływa powietrze.

1.1.3 Bezpieczeństwo: Dzieci

- Materiały opakowaniowe są niebezpieczne dla dzieci. Należy trzymać je w bezpiecznym miejscu, poza zasięgiem dzieci.
- Urządzenie elektryczne są niebezpieczne dla dzieci. Trzymaj dzieci z dala od tego okapu. Nie pozwalaj dzieciom bawić się nim.
- Urządzenia tego mogą używać dzieci w wieku 8 lat lub starsze oraz osoby niepełnosprawne fizycznie, sensorycznie lub umysłowo, lub nieumiejętne i niedoświadczone, pod warunkiem, że ktoś nadzoruje ich użytkowanie pod względem bezpieczeństwa, lub zostały odpowiednio poinstruowane i zdają sobie sprawę z zagrożeń przy jego użytkowaniu. Dzieci nie powinny bawić się tym urządzeniem.
- **OSTRZEŻENIE:** Jeśli jest to okap nad kuchnią, jego wystające części mogą się nagrzewać.

1.2 Przeznaczenie

- Urządzenie to przeznaczone jest do użytku domowego. Nie nadaje się do zastosowań komercyjnych i nie należy go używać niezgodnie z

Ważne instrukcje dotyczące bezpieczeństwa i ochrony środowiska naturalnego

przeznaczeniem.

- Producent nie ponosi odpowiedzialności za szkody spowodowane niewłaściwym użytkowaniem lub transportem.
- Okres używalności tego okapu wynosi 10 lat. Jest to okres, w którym do nabycia będą części zamienne do utrzymania prawidłowego działania okapu.
- **OSTRZEŻENIE:** Zaniedbanie przykręcenia śrub zgodnie ze wskazaniami w tej instrukcji może zagrażać porażeniem elektrycznych.

1.3 Zgodność z dyrektywą WEEE i pozbywanie się zużytych wyrobów



Wyrób ten zgodny jest z dyrektywą WEEE Unii Europejskiej (2012/19/UE). Wyrób ten oznaczony jest symbolem klasyfikacyjnym dla zużytego sprzętu elektrycznego i elektronicznego (WEEE).

Ten symbol oznacza, że sprzęt nie może być umieszczany łącznie z innymi odpadami gospodarstwa domowego po okresie jego użytkowania. Zużyte urządzenie należy oddać do specjalnego punktu zbiórki zużytego sprzętu elektrycznego i elektronicznego w celu utylizacji. Aby uzyskać informacje o punktach zbiórki w swojej okolicy należy skontaktować się z lokalnymi władzami lub punktem sprzedaży tego produktu. Gospodarstwo domowe spełnia ważną rolę w przyczynianiu się do ponownego użycia i odzysku zużytego sprzętu. Odpowiednie postępowanie ze zużyтым

sprzętem zapobiega potencjalnym negatywnym konsekwencjom dla środowiska naturalnego i ludzkiego zdrowia.

1.4 Zgodność z dyrektywą RoHS:

Wyrób ten jest zgodny z dyrektywą RoHS Unii Europejskiej (2011 /65 / UE). Nie zawiera wskazanych w tej dyrektywie materiałów szkodliwych i zakazanych.

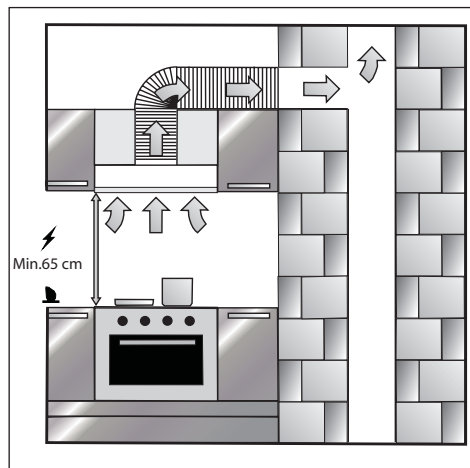
1.5 Informacje o opakowaniu



Opakowanie tego wyrobu wykonano z materiałów nadających się do recyklingu, zgodnie z naszym ustawodawstwem krajowym. Nie wyrzucaj materiałów opakowaniowych do śmieci wraz z innymi odpadkami domowymi. Oddaj je w jednym z wyznaczonych przez władze lokalne punktów zbiórki materiałów opakowaniowych.

1.5 Położenie okapu

Montaż okapu pod szafką kuchenną. Po montażu okapu odstęp pomiędzy produktem a kuchenką powinien wynosić co najmniej 65 cm.

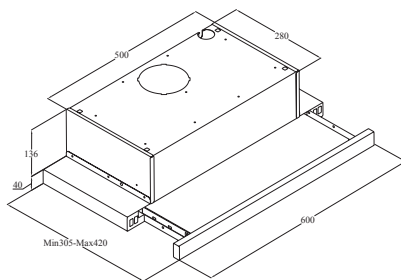
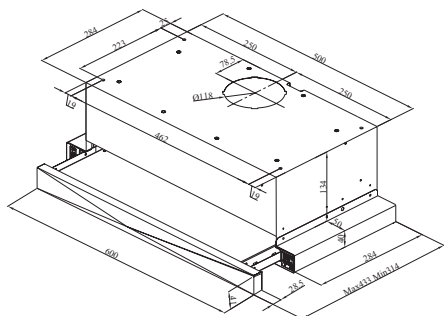


2 Rysunki techniczne

2.1 Opis ogólny



- 1 Panel przedni
- 2 Przełącznik
- 3 Filtr
- 4 Oświetlenie

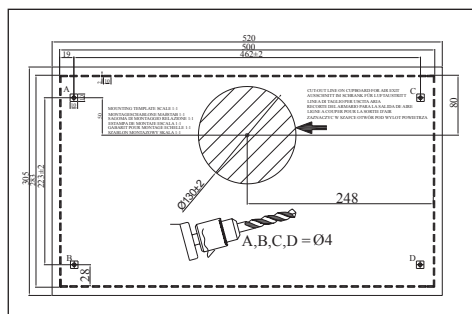


3 Instalacja okapu

Niniejsza instrukcja instalacji obejmuje wszystkie modele wskazane na stronie tytułowej.

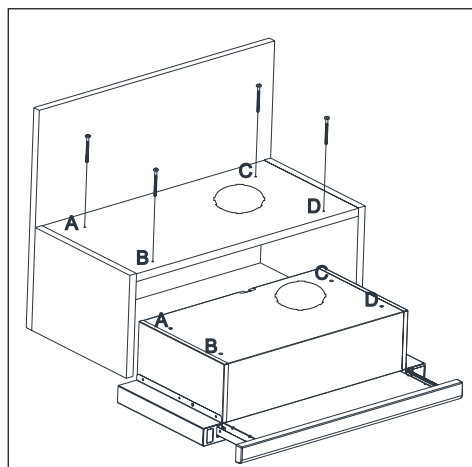
3.1 Wiercenie otworów na wieszaki

Wywierć otwory wskazane na szablonie instalacji jako A, B, C, D, stosując wiertło $\varnothing 4$ mm. **Rys. 2**



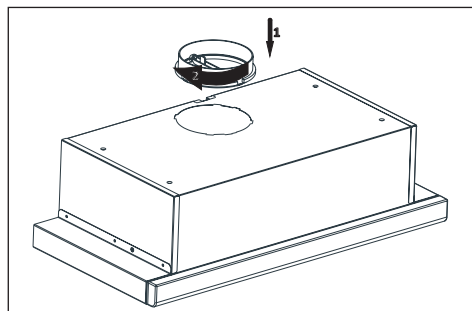
Rys. 2

Użyj dostarczonych śrub 4 x 40 do przymocowania okapu do szafki w otworach A, B, C, D. Gdy zestaw suwaka się porusza, panel przedni nie powinien drapać drzwi szafki. **Rys. 3**



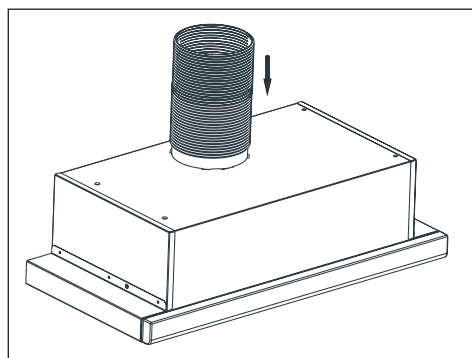
Rys. 3

Dostarczony wraz z okapem plastikowy przewód do odprowadzania spalin załóż na wylot okapu. Obróć plastikowy przewód spalinowy w kierunku zgodnym z ruchem wskazówek zegara. **Rys. 4**



Rys. 4

Na plastikowy przewód spalinowy załóż aluminiowy przewód spalinowy. Włóż drugi koniec tego przewodu w otwór odprowadzania spalin. **Rys. 5**



Rys. 5

3 Instalacja okapu



OSTRZEŻENIE: Ponieważ łuki i kolanka w aluminiowym przewodzie spalinowym osłabiają ciąg powietrza, należy ich w miarę możliwości unikać.

3.2 Funkcje okapu

Okapu można używać w kuchni z przewodem kominowym i bez niego.

3.3. Użytkowanie z przewodem kominowym

Przy użytkowaniu z odprowadzeniem spalin do przewodu kominowego okap musi być połączony z przewodem, którym będzie się odprowadzać powietrze na zewnątrz. Aby uzyskać najlepszą wydajność okapu, upewnij się, że przewód łączący z kominem biegnie najkrótszą drogą. Okap ten jest fabrycznie przystosowany do użytkowania przy połączeniu z przewodem kominowym.



OSTRZEŻENIE: Wylotu okapu nie wolno przyłączać do kanałów powietrznych, które odprowadzają jakiś inny dym.

4 Użytkowanie z filtrem węglowym lub bez niego

4.1 Funkcje okapu

Okapu można używać w kuchni z przewodem kominowym i bez niego.

4.2 Filtr z węglem aktywnym

Filtra z węglem aktywnym należy używać do filtrowania i odprowadzania powietrza z powrotem do wnętrza w środowiskach pozbawionych spalin. Węgiel aktywny dostarcza serwis lub sprzedawca.

4.3 Użytkowanie z filtrem węglowym

Okap ten może być używany z filtrem węglowym. Ponieważ filtr węglowy jest używany w kuchni, która nie ma wylotu spalin, należy go wymieniać na nowy co 3 lub 5 miesięcy, w zależności od stopnia zużycia. Filtra węglowego myć nie należy. W każdym przypadku okap należy wyposażyć w filtry olejowe, niezależnie od tego, czy używa się filtra węglowego, czy nie. Nie używaj urządzenia bez filtra.

4.4 Wymiana filtra z węglem aktywnym



Przed wymianą filtra węglowego wyłącz urządzenie. Aby założyć filtr węglowy, wyrównaj skosy na obudowie silnika, a następnie obróć ją w kierunku ruchu wskazówek. Aby wyjąć filtr, obróć ją w przeciwnym kierunku.



OSTRZEŻENIE: Filtry aluminiowe można czyścić w zmywarce do naczyń. Po kilku zmywaniach filtry aluminiowe mogą zmienić kolor. Jest to normalne i nie wymaga wymiany filtrów.

4.5 Odpowiednia wentylacja

Aby odpowiednio wentylować kuchnię, należy zamknąć w niej prowadzące na zewnątrz okna. Aby wzbudzić przepływ powietrza, należy używać okapu równocześnie z kuchenką. Przyczyni się to do zwiększenia ciągu.

Po zakończeniu gotowania, pozostawiaj okap czynny przez chwilę, aby usunąć pozostałe zapachy i opary.



Trzeba zachować ostrożność, gdy okapu używa się wraz z urządzeniami, w których wykorzystuje się powietrze i paliwo (np. grzejniki, podgrzewacze wody, które działają na gaz, olej napędowy, węgiel lub drewno). A to dlatego, że może to osłabić spalanie, ponieważ okap odprowadza powietrze do wnętrza pomieszczenia.

Nie dotyczy to okapów użytkowanych bez połączenia z przewodem kominowym.

5 Obchodzenia się z okapem

Do nastawiania ciągu służy wielopozycyjny przełącznik na okapie. Aby uzyskać najlepszą wydajność odprowadzania uporczywych woni i oparów, zalecamy ustawienie szybkiego ciągu. Silnik rusza po otwarciu zestawu suwaka i zatrzymuje się po jego zamknięciu (jest to opcjonalne).

Ciąg w okapie należy uruchamiać na kilka minut przed rozpoczęciem gotowania i utrzymywać do czasu, aż do usunięcia z kuchni wszystkich zapachów i oparów.

5.1 Przełącznik kołkowy Spd (HNT 62210 B)

Przycisk lampki



Aby włączyć lampkę okapu przełącznik kołkowy w położenie lampki. Aby włączyć lampkę, należy przeciągnąć zestaw suwaka.

Przełącznik prędkości 1. i 2.



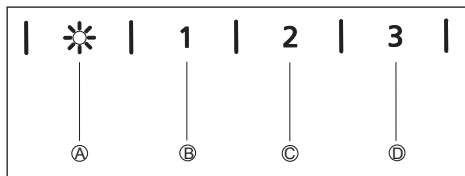
Aby okap pracował z prędkością 1., ustaw przełącznik w pozycji górnej, a z prędkością 2. w pozycji dolnej.

3. Przełącznik prędkości



Aby okap pracował z prędkością 3., ustaw przełącznik w pozycji w dolnej.

5.2 Spd Djt Anahtar (HNT 62340 B)



Şekil 6

(A): Wył./zał. oświetlenia

(B): 1. poziom

(C): 2. poziom

(D): 3. poziom

5.3 Elektroniczne, cyfrowe sterowanie 3-poziomowe

(A) **Wył./zał. oświetlenia:** Za naciśnięciem tego przycisku oświetla się kuchenkę.

(B) **przycisk:** Za naciśnięciem tego przycisku uruchamia się okap z prędkością na poziomie 1.

Po ponownym naciśnięciu tego przycisku, aby wyłączyć okap, wskaźnik poziomu prędkości zniknie z wyświetlacza.

(C) **przycisk:** Za naciśnięciem tego przycisku uruchamia się okap z prędkością na poziomie 2.

Po ponownym naciśnięciu tego przycisku, aby wyłączyć okap, wskaźnik poziomu prędkości zniknie z wyświetlacza.

(D) **przycisk:** Za naciśnięciem tego przycisku uruchamia się okap z prędkością na poziomie 3.

Po ponownym naciśnięciu tego przycisku, aby wyłączyć okap, wskaźnik poziomu prędkości zniknie z wyświetlacza.

5 Obchodzenia się z okapem

Auto-stop za 15 min.:

Urządzenie to wyposażone jest w funkcję Auto-Stop, która umożliwia mu wentylację pomieszczenia przez dodatkowy czas w celu usunięcia z kuchni nieprzyjemnego zapachu i oparów po ukończeniu gotowania. Urządzenie to zatrzyma się automatycznie po upływie określonego czasu.

Aby załączyć funkcję Auto-stop, naciśnij jeden z klawiszy poziomu prędkości (B, C, D) i przytrzymaj ponad 2 sekundy. Uruchomi się 15-minutowy zegar.

Jeśli naciśnie się ten sam przycisk poziomu prędkości przy załączonej funkcji Auto-stop, funkcja zostanie wyłączona, a urządzenie zatrzyma się.

Jeśli wybierze się inny poziom prędkości, funkcja ta zostanie wyłączona.

Jeśli chcesz, aby okap wyłączał się automatycznie, musisz ponownie załączyć funkcję Auto-stop.

Okresowe czyszczenie filtrów metalowych:

Filtry trzeba czyścić co ok. 60 godzin pracy, lub 4 tygodnie, w zależności od częstotliwości użytkowania.

5.4 Użytkowanie energooszczędne:

- Podczas pracy okapu, aby uniknąć niepotrzebnego zużycia energii, reguluj poziom prędkości.
- Stosuj niskie prędkości w normalnych warunkach (1-2), a wysokie (3), kiedy zapach i opary się nasilają.
- Lampy na okapie służą do oświetlenia kuchenki.
- Wykorzystywanie ich do oświetlenia otoczenia / kuchni powoduje niepotrzebne zużycie energii oraz niedostateczne oświetlenie.

5.5 Obchodzenie się z okapem.

- Okap wyposażony jest w silnik z różnymi ustawieniami prędkości.
- Aby uzyskać lepsze wyniki zalecamy stosować niskie prędkości w warunkach normalnych, a wysokich gdy zapach i opary się nasilają.
- Okap można uruchomić naciskając odpowiedni przycisk poziomu prędkości. (B,C,D)
- Można oświetlić kuchenkę naciskając przycisk oświetlenia. (A):

6 Czyszczenie i konserwacja

6.1 Konserwacja

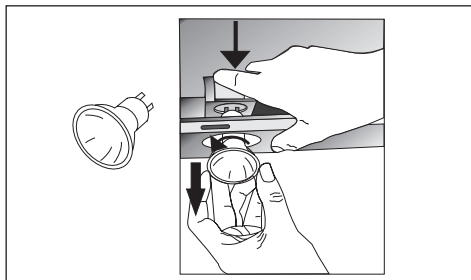
- Przed jakąkolwiek konserwacją i czyszczeniem a należy wyjąć wtyczkę okapu z gniazdka elektrycznego.
- Aluminiowy wkład filtracyjny zbiera cząstki pyłu i oleju z powietrza.
- Myj filtr metalowy raz w miesiącu ciepłą wodą i mydłem lub w zmywarce, jeśli to możliwe (60 stopni).
- Naciśnij zacpek sprężyny na końcu, aby wyjąć aluminiowy wkład filtracyjny. Po oczyszczeniu, a przed założeniem go, trzeba odczekać aż dobrze wyschnie.
- Zewnętrzną powierzchnię okapu należy przetrzeć do czysta szmatką zwilżoną wodą z mydłem lub alkoholem.
- Nie dopuszczaj, aby części elektroniczne stykały się z wodą lub podobnymi substancjami.
- Dostępne na rynku środki do czyszczenia i konserwacji stali nierdzewnej przedłużą trwałość okapu.



OSTRZEŻENIE: Filtry aluminiowe można myć w zmywarce do naczyń. Filtry aluminiowe mogą zmienić kolor po kilku zmywaniach. Jest to normalne i nie wymaga wymiany filtrów.

6.2 Wymiana lampki LED

Aby wymienić lampki LED, naciśnij tylną część uchwyty lampki w dół i wyciągnij lampkę w kierunku do dołu i lekko obrócić w kierunku przeciwnym do ruchu wskazówek zegara, aby ją wyjąć.



6.3 Rozwiązywanie problemów

Zanim wezwiesz serwis:

Upewnij się, że wtyczka okapu jest włączona do gniazdka elektrycznego i nie przepalił się/ nie wyłączył bezpiecznik instalacji elektrycznej. Nie próbuj robić niczego, co mogłoby uszkodzić okap. Przed skontaktowaniem się z serwisem należy sprawdzić okap według Tabeli 1. Jeśli problem nie ustąpił, skontaktuj się ze sprzedawcą lub autoryzowanym serwisem.

6 Czyszczenie i konserwacja

	Sprawdź podłączenie do zasilania. Napięcie w sieci powinno wynosić 220-240 V, urządzenie powinno być podłączone do uziemionego gniazdka.	Sprawdź przełącznik silnika. (Powinien być w pozycji On (Wł.))	Sprawdź przełącznik lampki. (Powinien być w pozycji On (Wł.))	Sprawdź filtr aluminiowy. (W normalnych okolicznościach kasetę aluminiową należy myć raz w miesiącu.)	Sprawdź lampki. (Lampki powinny być w dobrym stanie).	Sprawdź wylot powietrza przewodu kominowego. (Wylot spalin musi być otwarty.)	Sprawdź filtr węglowy. (W urządzeniach z filtrem węglowym w normalnych okolicznościach należy wymieniać go co kwartał.)
Okap nie działa.	✓	✓					
Oświetlenie nie działa.	✓		✓		✓		
Ciąg powietrza w okapie jest słaby.				✓		✓	✓
Spaliny nie są odprowadzane (bez przyłączenia do przewodu kominowego)				✓			✓

Nejprve si přečtěte tento návod!

Vážený zákazníku,

děkujeme, že jste si vybral výrobek značky Beko. Doufáme, že s tímto výrobkem, který byl vyroben s využitím vysoce kvalitní a moderní technologie, dosáhnete těch nejlepších výsledků. Proto si před použitím produktu pečlivě přečtěte celý návod k použití a jakékoli doplňující dokumenty, a uchovejte je pro budoucí použití. Pokud výrobek předáte další osobě, rovněž jí předejte návod k použití. Dodržte veškerá varování a informace uvedené v návodu k použití.

Nezapomeňte, že tento návod se může vztahovat i k několika jiným modelům. Rozdíly mezi modely jsou v návodu výslovně popsány.

Význam symbolů

V různých částech tohoto návodu k použití jsou použity následující symboly:



Důležité informace a užitečné tipy k použití.



VAROVÁNÍ: Varování před nebezpečnými situacemi týkajícími se ohrožení života a majetku.



Varování před úrazem elektrickým proudem.



Tento výrobek byl vyroben v ekologicky šetrných a moderních zařízeních bez poškození přírody.

Tento oddíl obsahuje bezpečnostní pokyny, které pomohou s ochranou před úrazy osob nebo poškozením majetku. Nedodržení těchto pokynů zruší platnost záruky.

1.1 Bezpečnost: Obecná pravidla

- Instalaci a opravy vždy svěřte pracovníkům autorizovaného servisu. Výrobce nenes zodpovědnost za škody, které mohou způsobit jím neautorizované osoby.
- Toto zařízení není určeno pro použití osobami (včetně dětí) s omezenými fyzickými, vjemovými nebo mentálními schopnostmi, nebo osobami, které nemají dostatek zkušeností, ani znalostí. Na děti je třeba dohlížet, aby se zajistilo, že si se spotřebičem nehrají.

1.1.1 Bezpečnost: Elektrická

- Během instalace, údržby, čištění a opravy vždy odpojte výrobek od sítě.

- Je-li napájecí kabel vadný, musí být vyměněn kvalifikovanou osobou certifikovanou výrobcem, poprodejním servisem apod. (nejlépe elektrikářem) nebo osobou určenou dovozcem.
- Provozní napětí je 220 až 240 voltů.
- Pokud dojde k poruše zařízení, nemělo by se používat, dokud je neopraví pracovník autorizovaného servisu. Existuje nebezpečí úrazu elektrickým proudem!
- Neved'te napájecí kabel v blízkosti varné desky. Napájecí kabel by se mohl vznítit, jelikož se snadno roztaví.
- Nikdy nezapojujte digestoř před dokončením instalace.
- Chcete-li dosáhnout optimálního výsledku, nesmí být vnější vývod delší než 4 m. Nesmí obsahovat více než 2 kolmé úhly a jeho průměr musí být nejméně $\varnothing 120$ mm.
- Spotřebič odpojte od napájení před jakoukoli prací na vnitřních součástkách spotřebiče.
- Spotřebič zapojujte pouze do uzemněné zásuvky.

1.1.2 Bezpečnost: Výrobek

- Pro připojení odvodu digestoře můžete použít trubku o průměru 120 nebo 150 mm.
- Nepoužívejte připojení k odvodu využívaná sporáky, odvětrací šachty nebo odvody se stoupajícími plameny. Dodržujte pravidla stanovená úřady pro odvod odpadního vzduchu.
- Vzdálenost mezi spodní plochou digestoře a horní plochou sporáku/trouby by neměla být menší než 65 cm v případě varných desek
- Nikdy se nedotýkejte světel digestoře po dlouhodobém použití. Horké žárovky vás mohou popálit.
- Vyvarujte se používání prudkých plamenů pod výrobkem.
Jinak by se mohly částice na olejovém filtru vznítit a způsobit požár.
- Zapněte digestoř poté, co na sporák postavíte pánve či hrnce. Jinak by stoupající teplota mohla poškodit některé součásti vašeho výrobku.
- Digestoř vypněte, než pánve nebo hrnce odeberete.
- Pod digestoř neumísťujte hořlavé materiály.
- Olej se může vznítit během smažení. Dávejte pozor na používání hadříků a závěsů.
- Při smažení nikdy nenechávejte sporák bez dozoru; jinak může dojít ke vznícení horkého oleje.
- Abyste předešli riziku požáru, čistěte digestoř ve stanovených intervalech.
- Dávejte velký pozor a používejte rukavice při čištění digestoře.
- Doporučujeme vám zapnout spotřebič pár minut před začátkem vaření, čímž zvýšíte sací výkon. Jakmile začne stoupat pára, budete již mít k dispozici stálý a stabilní sací výkon.
- Digestoř nechte v provozu 15 minut po konci vaření nebo pečení, abyste odstranili zápach z vaření a z kuchyně.

- Když digestoř používáte, zejména společně s plynovými sporáky, zkontrolujte, zda je v místnosti zajištěno odvětrávání.
- Dávejte pozor, abyste nepřipojili spotřebič k odvodům používaným neelektrickými zařízeními. (Např.: odvod od topení).
- Současný a bezproblémový provoz digestoře a dalšího zařízení, které využívá vzduch, je možné pouze je-li dosaženo nízkého tlaku 4 Pa (0.04 mbar) a tak se zabrání opětovnému vstřebání plynu. Toho lze dosáhnout pouze pomocí vzduchu vycházejícího z nezakrytých otvorů (dveře, okno, větrací otvory nebo jiná technická opatření).
Velkou péči věnujte zajištění dostatečného průtoku vzduchu. K tomuto účelu nestačí průduch, který poskytuje průnik/východ vzduchu.

1.1.3 Bezpečnost: Děti

- Obalové materiály představují pro děti nebezpečí. Obalové materiály uchovejte ho mimo dosah dětí.
- Elektrické spotřebiče představují nebezpečí pro děti. Udržujte děti mimo dosah výrobku. Děti si nesmí se spotřebičem hrát.
- Tento spotřebič mohou použít děti starší 8 let a lidé s omezenými fyzickými, sensorickými nebo duševními schopnostmi nebo které nemají dostatečné znalosti a zkušenosti, pokud na ně a bezpečné použití produktu dospělá osoba nebo jsou-li poučení o rizicích souvisejících s použitím produktu. Děti si nesmí se spotřebičem hrát.
- **VAROVÁNÍ:** Přístupné součástky digestoře se mohou při použití s vařičem zahřát.

1.2 Zamýšlené použití

- Tento spotřebič je určen jen pro domácí použití. Není vhodný pro komerční použití a nesmí se používat jinak, než je stanovené zamýšlené použití.
- Výrobce nenese odpovědnost za žádné škody plynoucí z nesprávného použití či manipulace.
- Životnost vašeho spotřebiče činí 10 let. Jde o období nutné pro dostupnost náhradních dílů nutných pro provoz výrobku.
- **VAROVÁNÍ:** Instalace šroubů v rozporu s pokyny uvedenými v tomto návodu může vést k úrazu elektrickým proudem.

1.3 Shoda se směrnicí OEEZ a likvidace výrobku



Tento výrobek splňuje požadavky směrnice OEEZ (2012/19/EU). Tento výrobek je označen symbolem pro třídění elektrického a elektronického odpadu (OEEZ).

Tento symbol znamená, že příslušný produkt na konci jeho životnosti nesmí být likvidován spolu s jiným domácím odpadem. Použité zařízení musíte odnést do oficiální sběrný pro recyklaci elektrických a elektronických zařízení. Obratě se na místní úřady nebo na prodejce, u kterého jste si zařízení zakoupili, a informujte se o umístění sběrných zařízení. Každá domácnost hraje důležitou roli ve sběru a recyklaci starých zařízení. Správná likvidace starého zařízení pomáhá předejít možným negativním následkům pro životní prostředí a lidské zdraví.

1.4 Dodržování směrnice RoHS:

Výrobek, který jste zakoupili, splňuje požadavky směrnice EU RoHS (2011/65/EU). Neobsahuje škodlivé ani zakázané materiály specifikované ve směrnici.

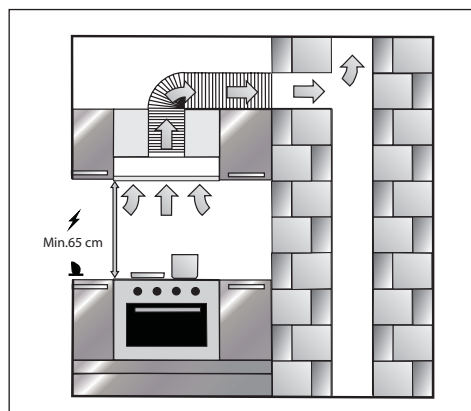
1.5 Informace o obalu



Obal výrobku je vyroben z recyklovatelných materiálů, v souladu s naší národní legislativou. Obalové materiály nelikvidujte s domácím nebo jiným druhem odpadu. Odvezte je na sběrné místo balícího materiálu, které má pověření místních orgánů.

1.6 Umístění digestoře

Digestoř umístěte pod kuchyňskou linku. Při instalaci digestoře zajistěte vzdálenost minimálně 65 cm od sporáku.

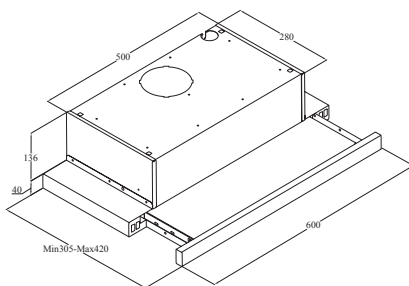
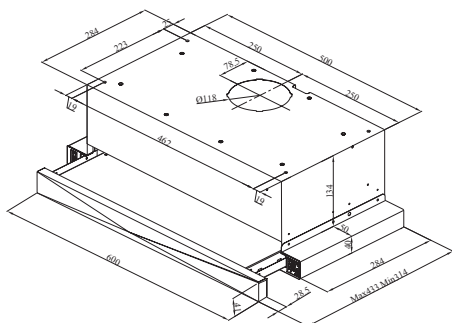


2 Technický výkres

2.1 Přehled



- 1 Přední panel
- 2 Přepínač
- 3 Filtr
- 4 Osvětlení

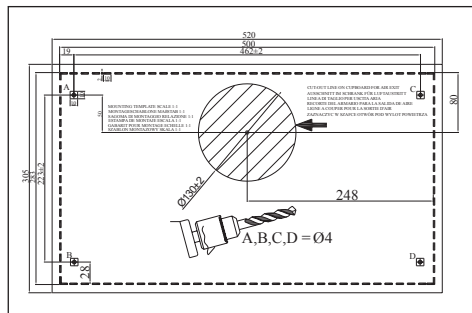


3 Instalace digestoře

Tento návod k instalaci je určen pro všechny modely uvedené na titulní straně.

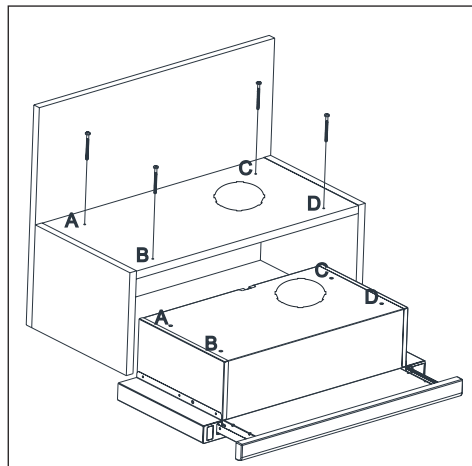
3.1 Vrtání otvorů pro zavěšení

Vyvrtejte otvory označené na instalační šabloně písmeny A, B, C, D vrtákem s $\varnothing 4$ mm. **Obr. 2**



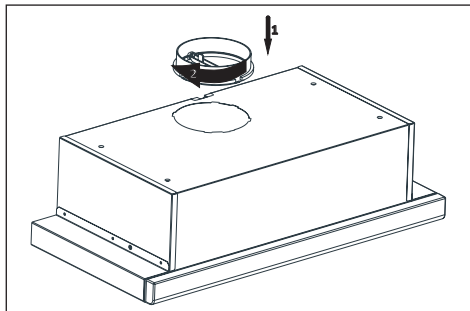
Obr. 2

K instalaci výrobku na kuchyňskou linku v otvorech A, B, C, D použijte dodávané šrouby 4 x 40. Při posunu výsuvného mechanismu nesmí přední panel dřít o dvířka kuchyňské linky. **Obr. 3**



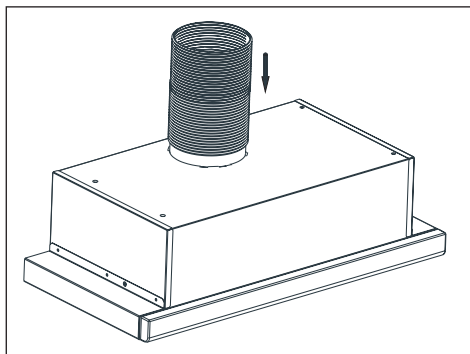
Obr. 3

Dodávaný plastový kouřovod nasadíte na vývod výrobku. Plastovým kouřovodem otáčejte ve směru hodinových ručiček. **Obr. 4**



Obr. 4

Na plastový kouřovod instalujte pružný hliníkový kouřovod. Vývod kouřovodu umístěte do odtahu. **Obr. 5**



Obr. 5



VAROVÁNÍ: Jelikož ohyby a kolena na hliníkovém kouřovodu způsobí pokles sacího výkonu, používejte je co možná nejméně.

3 Instalace digestoře

3.2 Funkce digestoře

Digestoř lze používat v kuchyních s kouřovodem i bez kouřovodu.

3.3. Použití s kouřovodem

Při použití s napojením na kouřovod musí být digestoř připojena ke kouřovodu, který odvede vzduch ven. Dbejte, aby trubka připojená ke kouřovodu byla co nejkratší s cílem zajistit maximální účinnost vaší digestoře. V továrně se výrobek vyrábí pro použití s kouřovodem.



VAROVÁNÍ: Vývod digestoře nesmí být připojen ke vzduchovodům, do kterých je vyveden jiný kouř.

4 Použití s uhlíkovým filtrem nebo bez uhlíkového filtru

4.1 Funkce digestoře

Digestoř lze používat v kuchyních s kouřovodem i bez kouřovodu.

4.2 Aktivní uhlíkový filtr

V prostorách bez kouřovodu použijte aktivní uhlíkový filtr k filtrování a zpětnému přívodu vzduchu. Dodávku aktivního karbonového filtru zajistí váš prodejce.

4.3 Použití s uhlíkovým filtrem

Váš výrobek lze provozovat s uhlíkovým filtrem.

Jelikož se uhlíkový filtr používá v kuchyni, ve které není kouřovod, musí se vyměnit za nový každé 3 až 5 měsíců v závislosti na použití. Uhlíkový filtr nikdy nemyjte. V každém případě musí být ve výrobku instalovány olejové filtry, bez ohledu na použití uhlíkového filtru. Výrobek bez filtru nepoužívejte.

4.4 Výměna uhlíkového filtru



Před výměnou uhlíkového filtru spotřebič vypněte. Při instalaci uhlíkového filtru vyrovnejte zkosené hrany na krytu motoru, a pak jím otáčejte ve směru hodinových ručiček. Při vyjímání otáčejte proti směru hodinových ručiček.



VAROVÁNÍ: Hliníkové filtry lze mýt v myčce na nádobí. Hliníkové filtry mohou po několika umytích změnit barvu. Je to normální a není nutná výměna filtrů.

4.5 Účinné větrání

K zajištění účinného větrání v kuchyni musí být venkovní okna v kuchyni zavřená. Digestoř a varnou desku spouštějte současně, aby se vytvořil proud vzduchu. Pozitivně to ovlivní sací výkon.

Po skončení vaření nechte spotřebič ještě chvíli v provozu, aby se odstranily zbývající zápachy a páry.



Dbejte opatrnosti při použití přístroje se zařízeními, která využívají vzduch a palivo (např. ohřívače, ohřívače vody na plyn, naftu, uhlí nebo dřevo). Jelikož digestoř odvádí vzduch do atmosféry v místnosti, může dojít ke zhoršení spalování.

To neplatí v případě použití s kouřovodem.

5 Obsluha digestoře

Na digestoři je vícepolohový přepínač, kterým se reguluje rychlost. Pro nejlepší výkon proti těžkým páram a zápachům doporučujeme nastavení s vysokou rychlostí. Motor pracuje po otevření výsuvného mechanismu a zastaví se při zavření (volitelné).

Provoz výrobku by měl být zahájen několik minut před začátkem vaření a ukončen až po odstranění veškerých zápachů a páry z okolního prostředí.

5.1 Kolébkový přepínač rychlosti (HNT 62210 B)

Tlačítko osvětlení



Pro zapnutí osvětlení přepněte přepínač do polohy osvětlení. Osvětlení lze zapnout pouze, když je výsuvný mechanismus vysunutý.

Přepínač 1. a 2. rychlosti.



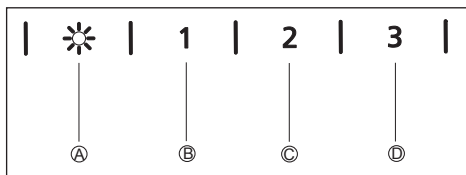
1. rychlost spotřebiče nastavíte přepnutím přepínače nahoru, 2. rychlost přepnutím dolů.

3. Přepínač rychlosti



3. rychlost spotřebiče nastavíte přepnutím přepínače dolů.

5.2 Digitální přepínač rychlosti (HNT 62340 B)



Obr. 6

(A): Tlačítko zapnutí/vypnutí osvětlení

(B): Tlačítko 1. úrovně

(C): Tlačítko 2. úrovně

(D): Tlačítko 3. úrovně

5.3 Digitální elektronické ovládání se 3 úrovněmi

Tlačítko zapnutí/vypnutí osvětlení

(A): Osvětlení varné plochy zapnete tímto tlačítkem.

Tlačítko (B): Digestoř můžete spustit na rychlost 1 stiskem tohoto tlačítka.

Dalším stiskem tohoto tlačítka můžete digestoř vypnout, údaje o rychlosti na displeji se vypnou.

Tlačítko (C): Digestoř můžete spustit na rychlost 2 stiskem tohoto tlačítka.

Dalším stiskem tohoto tlačítka můžete digestoř vypnout, údaje o rychlosti na displeji se vypnou.

Tlačítko (D): Digestoř můžete spustit na rychlost 3 stiskem tohoto tlačítka.

Dalším stiskem tohoto tlačítka můžete digestoř vypnout, údaje o rychlosti na displeji se vypnou.

Automatické vypnutí za 15 min:

Tento spotřebič je vybaven funkcí automatického vypnutí, která umožní odvětrat místnost další dobu, abyste odstranili nepříjemný zápach a páru z místnosti po konci vaření. Spotřebič se automaticky zastaví po určité době.

Chcete-li funkci automatického vypnutí vypnout, stiskněte libovolné tlačítko úrovně rychlosti (B, C, D) na ovladači déle než na 2 sekundy. Aktivuje se časovač na 15 minut.

Pokud stisknete totéž tlačítko úrovně rychlosti, zatímco je zapnuta funkce automatického zastavení, funkce se vypne a spotřebič se zastaví.

Zvolíte-li odlišnou úroveň rychlosti, tato funkce se vypne.

Pokud chcete, aby se spotřebič automaticky vypnul, musíte funkci automatického zastavení znovu zapnout.

Pravidelné čištění kovových filtrů:

Filtry je nutno čistit přibližně každých 60 hodin provozu nebo každé 4 týdny podle četnosti používání.

5.4 Úsporné použití:

- Při používání digestoře upravte rychlost podle intenzity zápalu a páry, abyste předešli zbytečné spotřebě energie.
- Používejte nízkou rychlost v běžných podmínkách (1-2), vysokou rychlost (3) při intenzivním zápalu a páře.
- Světla na digestoři mají za cíl osvětlit varnou oblast.
- Pokud je budete používat k osvětlení okolí/kuchyně, dojde ke zbytečnému nárůstu spotřeby energie a nevhodnému osvětlení.

5.5 Obsluha digestoře.

- Digestoř je vybavena motorem s různými hodnotami rychlosti.
- Pro lepší účinnost doporučujeme používat nízkou rychlost v běžných podmínkách, vysokou rychlost při intenzivním zápalu a páře.
- Digestoř můžete spustit stiskem tlačítka požadované úrovně rychlosti. (B, C, D)
- Varnou plochu můžete osvětlit tlačítkem osvětlení. (A):

6.1 Údržba

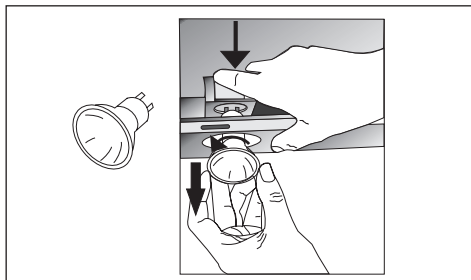
- Před jakoukoliv údržbou výrobek vypněte a odpojte od sítě.
- Hliníkový filtr s vložkou zachycuje prachové a olejové částice ze vzduchu.
- Kovový filtr umyjte jednou za měsíc vodou a mýdlem nebo případně v myčce na nádobí (při 60 °C).
- Stisknutím odpružené západky na konci uvolníte hliníkový filtr s vložkou. Po vyčištění jej nechte před instalací dobře vyschnout.
- Vnější povrch digestoře čistěte hadrem namočeným v mýdlové vodě nebo alkoholu.
- Dbejte, aby elektronické součásti nepřišly do styku s vodou a podobnými látkami.
- Na trhu dostupné přípravky značky INOX pro čištění a údržbu prodlouží životnost výrobku.



VAROVÁNÍ: Hliníkové filtry lze mýt v myčce na nádobí. Hliníkové filtry mohou po několika umytích změnit barvu. Je to normální a není nutná výměna filtrů.

6.2 Výměna LED žárovky

Chcete-li vyměnit LED žárovku, stlačte zadní část držáku žárovky dolů, vytáhněte žárovku směrem dolů a mírným otočením proti směru hodinových ručiček ji vyjměte.



6.3 Řešení problémů

Než zavoláte do servisu:

Zkontrolujte, zda je výrobek zapojený do sítě a elektrická pojistka neporušená. Nedělejte nic, co by mohlo výrobek poškodit. Dříve, než se obrátíte na servis, zkontrolujte výrobek podle tabulky 1. Pokud problém přetrvává, obraťte se na svého prodejce nebo autorizovaný servis.

6 Čištění a údržba

	Zkontrolujte připojení do sítě. (Napětí sítě musí být 220-240 V, digestoř musí být připojena k uzemněné zásuvce.)	Zkontrolujte přepínač motoru. (Motor by měl být v poloze zapnuto.)	Zkontrolujte přepínač osvětlení. (Motor by měl být v poloze zapnuto.)	Zkontrolujte hliníkový filtr. (Hliníkový filtr s vložkou se musí za běžných podmínek umýt jednou za měsíc.)	Zkontrolujte žárovky. (Žárovky musí být v dobrém stavu.)	Zkontrolujte kouřovod. (Kouřovod musí být otevřený.)	Zkontrolujte uhlíkový filtr. (U výrobků s uhlíkovým filtrem se musí filtr vyměnit jednou za 3 měsíce.)
Digestoř nefunguje.	✓	✓					
Osvětlení nefunguje.	✓		✓		✓		
Sání vzduchu je slabé.				✓		✓	✓
Neodvádějte vzduch (v prostředí bez kouřovodu)				✓			✓

Palun lugege esmalt kasutusjuhendit!

Lugupeetud klient!

Aitäh, et otsustasite Beko toote kasuks. Loodetavasti jääte selle kaasaegse tehnoloogia järgi valmistatud kvaliteetse toote tööga rahule. Selleks tutvuge enne toote kasutamist hoolikalt kasutusjuhendi ja kõigi kaasasolevate dokumentidega ja hoidke need alles. Kui annate toote üle uuele omanikule, pange kaasa ka kasutusjuhend. Järgige kõiki kasutusjuhendis toodud hoiatusi ja juhiseid.

Võtke arvesse, et see kasutusjuhend kehtib ka mitme muu mudeli jaoks. Mudelitevahelised erinevused tuuakse juhendis välja.

Sümbolite selgitus

Selles juhendis kasutatavad sümbolid on järgmised.



Oluline teave või kasulikud nõuanded.



Elu ja varaga seotud ohtlike olukordade hoiatus.



Hoiatus elektrilöögi kohta.



See toote tootmiseks kasutati uusimat tehnoloogiat keskkonnasõbralikes tingimustes.

Käesolev jaotis sisaldab ohutusjuhiseid, mis aitavad teil vältida kehavigastusi ja varalist kahju. Nende juhiste eiramisel kaotab antud garantii kehtivuse.

1.1 Üldine ohutus

- Jätke paigaldus ja remont alati volitatud hooldustehniku hooldeks. Tootja ei vastuta volitamata isikute poolt põhjustatud kahjustuste eest.
- Seda seadet ei tohi kasutada isikud (sh lapsed), kellel on piiratud füüsilised, sensoorsed või vaimsed võimed või puudulikud kogemused ja teadmised. Lapsi tuleks valvata, et nad seadmega ei mängiks.

1.1.1 Elektriohutus

- Enne paigaldus-, hooldus-, puhastus- ja parandustööde alustamist lahutage seade alati vooluvõrgust.
- Kui toitekaabel on purunenud või defektne, tuleb see lasta välja vahetada tootja poolt tunnustatud kvalifitseeritud spetsialistil, müügijärgse hooldusteenuse pakkujal või samaväärsel isikul (eelistatavalt elektrikul) või importija määratletud isikul.

- Tööpinge on 220–240 V.
- Kui seade läheb rikki, ei tohi seda kasutada enne, kui volitatud hooldustehnik on rikke kõrvaldanud. Elektrilöögi oht!
- Hoidke toitejuhe pliidiplaatidest eemal. Toitejuhe võib põhjustada tulekahju, sest see sulab kergesti.
- Ärge lülitage õhupuhastit sisse enne, kui paigaldamine on lõpule viidud.
- Parimate tööomaduste tagamiseks ei tohi väline suitsutoru olla pikem kui 4 meetrit. Selles ei tohi olla rohkem kui 2 täisnurka (90°) ja läbimõõt peab olema vähemalt 120 mm.
- Enne seadme siseosade käsitlemist lahutage seade vooluvõrgust.
- Kasutage seadet ainult koos maandatud pistikupesaga.

1.1.2 Toote ohutu kasutamine

- Õhupuhasti suitsutoruühenduse tegemiseks võib kasutada 120 mm või 150 mm läbimõõduga toru.

- Ärge ühendage ahjudega ühendatud suitsutorudega, väljalaskeskanalite ega suitsutorudega, millesse ulatuvad leegid. Järgige ametiasutuste kehtestatud heitõhu väljalaskmist käsitlevaid eeskirju.
- Õhupuhasti alumise pinna ja pliidi/ahju pealmise pinna vahelise ala kõrgus peab pliidiplaatide puhul olema vähemalt 65 cm.
- Ärge kasutage õhupuhastit ilma alumiiniumfiltriteta ega eemaldage filtreid kasutamise ajal.
- Ärge puudutage õhupuhasti lampe, kui need on pikka aega töötanud. Lambid võivad olla tulised ja teie kätt kõrvetada.
- Vältige suurt leeki otse seadme all. Muidu võivad õlipüüduuri osakesed süttida ja põhjustada tulekahju.
- Lülitage pliidiplaat sisse alles pärast seda, kui olete panni või poti sellele asetanud. Muidu võib tõusev kuumus seadme osi deformeerida.
- Lülitage pliidiplaat välja enne panni või poti eemaldamist.
- Ärge kasutage õhupuhasti all kergestisüttivaid materjale.
- Õli võib toidu praadimisel süttida. Olge rõivaste ja kardinatega ettevaatlik.
- Ärge jätke pliiti toidu praadimisel järelevalveta, sest kuum õli võib põhjustada tulekahju.
- Kui õhupuhastit ei puhastata ettenähtud ajal, võib tekkida tulekahju oht.
- Olge õhupuhasti puhastamisel eriti ettevaatlik ja kandke kindaid.
- Soovitame seadme lülitada sisse mõned minutid enne toiduvalmistamise alustamist, et lasta imemisvõimsusel suureneda. Nii on toiduvalmistamise aurude tõusmisel tagatud pidev ja stabiilne imemisvõimsus.
- Laske õhupuhastil töötada 15 minutit pärast küpsetamise või praadimise lõpetamist, et eemaldada köögist lõhnad ja toiduvalmistamise aurud.
- Õhupuhasti kasutamisel (eriti koos gaasipliidiga) veenduge, et ruumi ventileeritaks puhta õhuga.
- Ärge ühendage seadet õhupuhastitega, mida kasutavad mitteelektrilised seadmed (nt kamina suitsutoru).

- Õhupuhasti ja muu õhku vajava seadme samaaegne ja sujuv kasutamine on võimalik ainult juhul, kui saavutatakse madal rõhk 4 Pa (0,04 mbar) ja välditakse see läbi gaasi tagasiimendumist. See saavutatakse ainult juhul, kui õhk tuleb katmata avadest (uks, aken, ventilatsioonivaia või muud tehnilised meetmed). Pöörake suurt tähelepanu piisava õhuvoolu tagamisele. Suitsutoru, mis tagab lihtsalt õhu sisenemise/väljumise, pole selleks otstarbeks piisav.
- Lapsed alates 8. eluaastast ja füüsilise, sensoorse või vaimupuudega isikud, samuti puudulike teadmiste ja kogemustega isikud tohivad seadet kasutada tingimusel, et nad teevad seda järelevalve all või neile on selgitatud seadme ohutut kasutamist ning nad mõistavad seadme kasutamisega seotud ohte. Lapsed ei tohi seadmega mängida.
- **ETTEVAATUST!** Ligipääsetavad osad võivad küpsetusseadme kasutamisel kuumeneda.

1.1.3 Laste ohutus

- Pakkematerjalid on lastele ohtlikud. Hoidke pakkematerjale ohutus kohas, kust lapsed neid kätte ei saa.
- Elektriseadmed on lastele ohtlikud. Hoidke lapsed tootest eemal. Ärge lubage lastel seadmega mängida.

1.2 Ettenähtud otstarve

- Seade on ettenähtud kasutamiseks ainult kodus majapidamises. See ei sobi komertskasutuseks ja seda ei tohi kasutada muuks kui ettenähtud otstarbeks.
- Tootja ei võta mingit vastutust väära kasutamise või käsitlemise tagajärjel tekkinud kahjude eest.
- Toote eluiga on 10 aastat. See on aeg, mille jooksul peavad saadaval olema toote nõuetekohaseks toimimiseks vajalikud varuosad.

- **HOIATUS!** Kui kruvide paigaldamisel eiratakse juhendis esitatud juhiseid, võib tekkida elektrilöögi oht.

1.3 WEEE direktiivi täitmine ja romuseadme kõrvaldamine:



Seade vastab Euroopa Liidu WEEE direktiivile (2012/19/EL). Seadmel on elektri- ja elektroonikaseadmete jäätmete (WEEE) liigiti kogumise tähis.

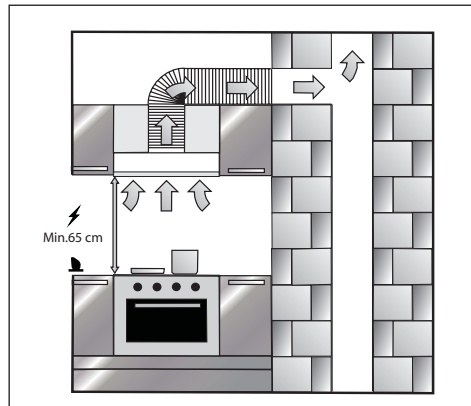
See sümbol tähendab, et toodet ei tohi kasuliku tööea lõpus koos muude olmejäätmetega kõrvaldada. Kasutatud seadmed tuleb viia ametlikku kogumisse Elektri- ja elektroonikaseadmete ringlussevõtuks. Palun võtke ühendust kohaliku omavalitsuse või edasimüüjaga, kellelt te Masina ostsite, ja uurige kogumispunktide asukohta. Igal majapidamisel on oluline roll vanade seadmete kogumisel ja ringlussevõtul. Nõuetekohane kõrvaldamine vana seade aitab vältida võimalikke negatiivseid tagajärgi keskkonnale ja inimeste tervisele.

1.4 RoHS-direktiivi täitmine:

Seade vastab Euroopa Liidu RoHS-direktiivile (2011/65/EL). See ei sisalda direktiivis mainitud kahjulikke ja keelatud materjale.

1.5 Õhupuhasti asend

Paigaldage õhupuhasti kapi alla. Kui õhupuhasti on paigaldatud, peab toote ja pliidi vahele jääma vähemalt 65 cm vaba ruumi.

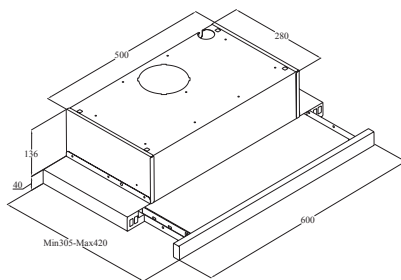
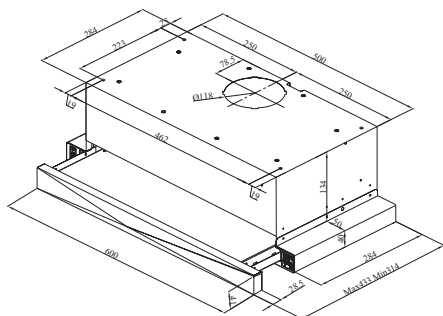


2 Tehniline illustratsioon

2.1 Ülevaade



1. Esipaneel
2. Lüliti
3. Filter
4. Valgustus

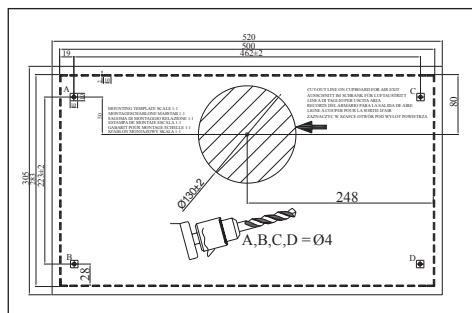


3 Õhupuhasti paigaldamine

See paigaldusjuhend kehtib kõigi esikaanel nimeetatud mudelite kohta.

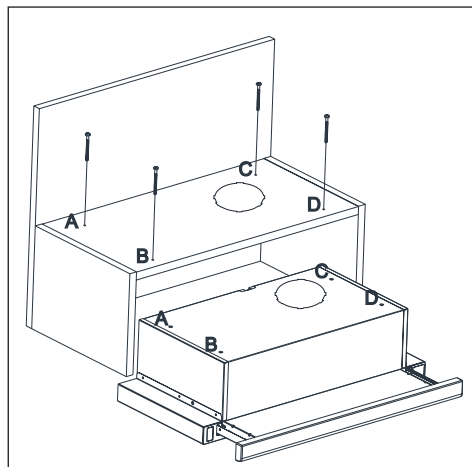
3.1 Riputusaukude puurimine

Puurige Ø4 mm puuriga paigaldusmallil näidatud augud A, B, C ja D. **Joonis 2**



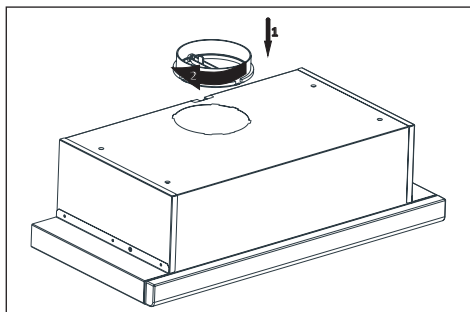
Joonis 2

Kinnitage toode kaasasolevate 4 x 40 kruvidega läbi aukude A, B, C ja D kapi külge. Liugurkomplekti liigutamisel ei tohi esipaneel kraapida kapi ust. **Joonis 3**



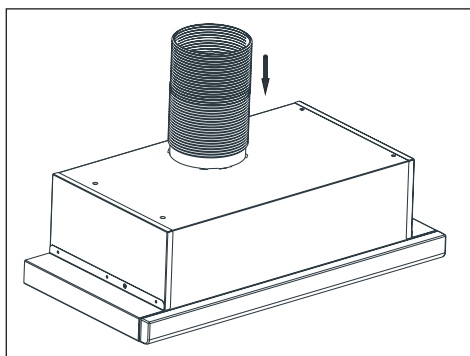
Joonis 3

Paigutage kaasasolev plastikust suitsutoru seadme suitsutoru äratõmbevasse. Pöörake plastikust suitsutoru päripäeva. **Joonis 4**



Joonis 4

Paigaldage painduv alumiiniumist suitsutoru plastikust suitsutoru otsa. Suitsutoru teine ots asetage lõõriavasse. **Joonis 5**



Joonis 5



HOIATUS! Kuna alumiiniumist suitsutoru pöörangud ja nurgad vähendavad toru imemisjõudlust, tuleb neid kasutada võimalikult vähe.

3 Õhupuhasti paigaldamine

3.2 Õhupuhasti funktsioonid

Õhupuhastit saab kasutada nii suitsueemalduslõõriga kui ka ilma suitsueemalduslõõrita kööki-des.

3.3. Kasutamine koos suitsutoruga

Kui õhupuhastit kasutatakse koos suitsutoruga, peab seade olema ühendatud lõõriga, mille kaudu väljatõmmatav õhk eemaldatakse. Veenduge, et suitsutoru külge ühendatud torustik läbib võimalikult lühikese tee, sest siis on tagatud teie õhupuhasti maksimaalne tõhusus. Toode on tehases valmistatud suitsutoruga kasutamiseks.



HOIATUS! Õhupuhasti äratõmmet ei tohi ühendada õhukanalitega, milles liigub ka muud suitsu.

4 Kasutamine söefiltriga või ilma selleta

4.1 Õhupuhasti funktsioonid

Õhupuhastit saab kasutada nii suitsueemalduslõõriga kui ka ilma suitsueemalduslõõrita kööki-des.

4.2 Aktiivsöefilter

Ilma suitsueemaldustoruta keskkonnas tuleks kasutada aktiivsöefiltrit, mis filtreerib õhu enne ruumi tagasi suunamist. Aktiivsüsi tuleks hankida teenindusest või seadme edasimüüjalt.

4.3 Kasutamine aktiivsöefiltriga

Teie seadet saab kasutada koos aktiivsöefiltriga.

Kuna aktiivsöefiltrit kasutatakse köögis, kus puudub suitsueemaldus, tuleks see iga 3 - 5 kuu tagant välja vahetada, olenevalt kasutamise ti-hedusest. Söefiltrit ei tohi kunagi pesta. Õlifiltrid tuleb igal juhul toote külge ühendada, olenemata sellest, kas söefiltrit kasutatakse või mitte. Ärge kasutage oma seadet ilma filtrita.

4.4 Söefiltri vahetamine



Enne söefiltri vahetamist lülitage seadme toitevool välja. Söefiltri oma kohale paigutamiseks seadke sooned mootori korpusel vastaku-ti ja seejärel pöörake päripäeva. Eemaldamiseks pöörake vastupäe-va.



HOIATUS! Alumiiniumfiltreid saab pesta nõudepesumasinas. Mitme pesu järel võivad alumiiniumfiltrid värvi muuta. See on tavapärane ega tähenda, et filtrid tuleks välja vahe-tada.

4.5 Tõhus ventilatsioon

Köögis tõhusa ventilatsiooni tagamiseks tu-leks köögi õue avanevad aknad suletuna hoida. Õhuvoolu loomiseks käivitage õhupuhasti ja pliidi-plaat samal ajal. See aitab tagada hea imemis-jõudluse.

Pärast toiduvalmistamise lõppu laske seadmel veel natuke aega töötada, et viimased lõhnad ja aur eemaldada.



Juhul kui seadet kasutatakse koos teiste seadmetega, mis kasutavad õhku ja kütust (nt gaasil, diiselmootoril, süselaadil või veeboileril), tuleb olla ettevaatlik. Seda seepärast, et õhupuhasti võib õhku toakeskkonda suunates põlemistingimusi halvendada.

Ilma suitsulõõrita kasutamisel seda probleemi ei esine.

5 Õhupuhasti käsitsemine

Õhupuhastil on mitme asendiga lüliti, mille abil saab seadistada kiirust. Tõhusaima töö tagamiseks soovitate tugevate aurude ja lõhnade korral kasutada kõige suuremat kiirust. Mootor käivitub liugurkomplekti avamisel ja seiskub selle sulgemisel (see on valikuline funktsioon).

Seade tuleks käivitada mõni minut enne toiduvalmistamise algust ja tööle jätta kuni keskkonnast on eemaldatud kõik lõhnad ja aur.

5.1 Spd kiiklüliti (HNT 62210 B)

Lambi nupp



Seadme lambi süütamiseks lülitage nupp sisse. Lambi süütamiseks peab liugurkomplekt olema välja tõmmatud.

1. ja 2. kiiruse lüliti.



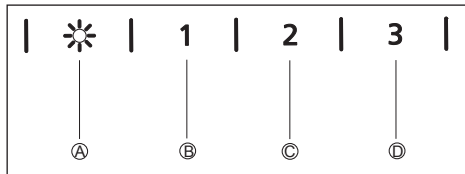
Käitamaks seadet 1. kiirusel seadke lüliti ülemisse asendisse, 2. kiiruse jaoks valige alumine asend.

3. Kiiruse lüliti



3. kiiruse valimiseks seadke lüliti alumisse asendisse.

5.2 Spd digitaalne lüliti (HNT 62340 B)



Joonis 6

(A): Valgustuse sisse- ja väljalülitamise klahv

(B): 1. tase

(C): 2. tase

(D): 3. tase

5.3 Kolme tasemega digitaalne elektrooniline juhtelement

(A) Valgustuse sisse- ja väljalülitamise klahv: Toiduvalmistamisala valgustamiseks vajutage seda klahvi.

(B) klahv: Selle nupu vajutamisega saate õhupuhasti tööle panna esimesel kiirusetasemel.

Kui vajutate seda klahvi uuesti seadme väljalülitamiseks, kaob infokuvalt kiirusetaseme tähis.

(C) klahv: Selle nupu vajutamisega saate õhupuhasti tööle panna teisel kiirusetasemel.

Kui vajutate seda klahvi uuesti seadme väljalülitamiseks, kaob infokuvalt kiirusetaseme tähis.

(D) klahv: Selle nupu vajutamisega saate õhupuhasti tööle panna kolmandal kiirusetasemel.

Kui vajutate seda klahvi uuesti seadme väljalülitamiseks, kaob infokuvalt kiirusetaseme tähis.

5 Õhupuhasti käsitsemine

Automaatne peatumine 15 minuti pärast

See seade on varustatud funktsiooniga Auto-Stop, mis võimaldab seadmel ruumi ventileerida täiendava aja jooksul, et pärast toiduvalmistamist eemaldada ruumist ebameeldivad lõhnad ja aur. Seade peatub automaatselt kindla ajavahemiku järel.

Funktsiooni Auto-stop lubamiseks vajutage juhtpaneelil mis tahes kiirusetaseme klahvi (B, C, D) kauem kui 2 sekundit. Taimer aktiveeritakse 15 minutiks.

Kui vajutate sama kiirusetaseme klahvi, kui funktsioon Auto-stop on lubatud, keelatakse funktsioon ja seade peatub.

Kui valite muu kiirustaseme, siis see funktsioon keelatakse.

Kui soovite, et seade peatuks automaatselt, peate funktsiooni Auto-stop uuesti lubama.

Metallfiltrite puhastamine

Filtreid peab puhastama iga 60 töötundi järel või iga nelja nädala tagant, olenevalt kasutuse sagedusest.

5.4 Energiatõhus kasutamine

- Mittevajaliku energiatarbimise vältimiseks reguleerige õhupuhasti kasutamise ajal kiirusetaset vastavalt lõhna ja auru intensiivsusele.
- Soovitame tavatingimustes kasutada väiksemaid kiirusi (1-2) ja eriti tugevate toidulõhnade ja -aurude eemaldamiseks suuremat kiirust (3).
- Õhupuhastil oleval tuled on ette nähtud toiduvalmistamisala valgustamiseks.
- Nende kasutamine ruumi/köögi valgustamiseks toob kaasa mittevajaliku energiatarbimise ja ebapiisava valgustuse.

5.5 Õhupuhasti käsitsemine

- Õhupuhasti on varustatud erinevate kiiruseseadetega mootoriga.
- Parima jõudluse huvides soovitame tavatingimustes kasutada väiksemaid kiirusi ja eriti tugevate toidulõhnade eemaldamiseks suuremaid kiirusi.
- Õhupuhasti käivitamiseks vajutage soovitud kiirusetaseme klahvi. (B, C, D)
- Toiduvalmistamisala valgustamiseks vajutage valgusklahvi. (A);

6 Puhastamine ja hooldus

6.1 Hooldus

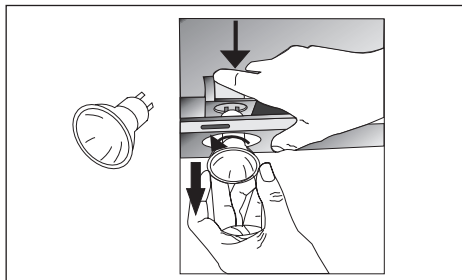
- Enne igasuguseid hooldus- või puhastustöid tuleb seade välja lülitada ja vooluvõrgust lahti ühendada.
- Alumiiniumkassetfilter kogub õhus leiduvat tolmu ja osakesi.
- Peske seda metallfiltrit kord kuus kuuma vee ja seebiga või võimaluse korral nõudepesumasinas (60 kraadi juures).
- Alumiiniumkassetfilteri eemaldamiseks vajutage selle otsal asuvat vedrukinnitust. Kui olete puhastamise lõpetanud, laske sel enne tagasi paigaldamist korralikult ära kuivada.
- Õhupuhasti välispinda tuleks puhastada seebi-vee või alkoholiga niisutatud lapiga.
- Vältige elektroonikadetailide kokkupuutumist vee või sarnaste ainetega.
- Kaubandusvõrgus saada olevad INOX puhastus- ja hooldusseadmed pikendavad teie seadme eluiga.



HOIATUS! Alumiiniumfiltreid saab pesta nõudepesumasinas. Mitme pesu järel võivad alumiiniumfiltrid värvi muuta. See on tavapärane ega tähenda, et filtrid tuleks välja vahetada.

6.2 LED lambi vahetamine

LED lampide vahetamiseks vajutage lambi hoidiku tagumist osa allapoole ja tõmmake lamp allapoole välja ning pöörake seda kätte saamiseks veidi vastupäeva



6.3 Tõrkeotsing

Enne teenindusse helistamist:

Veenduge, et seade on vooluvõrku ühendatud ja vooluringi kaitse on terve. Ärge sooritage tegevusi, mis võivad seadet kahjustada. Enne teeninduse poole pöördumist kontrollige seade Tabeli 1 abiga üle. Kui probleem ei lahene, võtke ühendust edasimüüja või volitatud teenindusega.

6 Puhastamine ja hooldus

	Kontrollige toiteühendust. Toitepinge peab olema 220–240 V, õhupuhasti peab olema ühendatud maandatud pistikusse.	Kontrollige mootori lülitit. (Mootori lülitit peab olema sisse lülitatud.)	Kontrollige lambi lülitit. (Mootori lülitit peab olema sisse lülitatud.)	Kontrollige alumiiniumfiltrit. (Alumiiniumkassetfiltrit tuleb tavatingimustes kord kuus pesta.)	Kontrollige tulesid. (Tuled peavad olema heas seisukorras.)	Kontrollige õhu eemaldustoru. (Õhu eemaldustoru peab olema avatud.)	Kontrollige söefiltrit. (Söefiltrit kasutatavate seadmete puhul tuleb filter välja vahetada kord kolme kuu jooksul.)
Õhupuhasti ei tööta.	✓	✓					
Valgustus ei tööta.	✓		✓		✓		
Õhupuhasti imemisvõime on väike.				✓		✓	✓
Õhu väljutamist ei toimu (ilma suitsutoruta kasutamisel)				✓			✓

Моля, първо прочетете ръководството за употреба!

Уважаеми клиенти,

Благодарим Ви, че избрахте продукт на „Беко“. Надяваме се да получите отлични резултати от нашия продукт, произведен от висококачествени материали по най-модерна технология. Затова преди да преминете към употребата на уреда, Ви молим, първо да прочетете цялото ръководство за употреба, както и другата придружаваща документация и да ги запазите за справка в бъдеще. Ако продуктът смени собственика си в бъдеще, то предайте и ръководството за употреба заедно с уреда. Следвайте всички предупреждения и указания от ръководството за употреба.

Не забравяйте, че това ръководство за употреба важи за няколко различни модела. Разликите между моделите са описани подробно в ръководството.

Значение на символите

В различните раздели на ръководството са използвани следните символи:



Важна информация и полезни съвети при употреба.



ПРЕДУПРЕЖДЕНИЕ: Предупреждения срещу опасни ситуации относно здравето и собствеността.



Предупреждение за опасност от токов удар.



Продуктът е произведен в екологични, съвременни съоръжения, които не вредят на природата.

Този раздел съдържа инструкции за безопасност, които ще ви помогнат да се защитите от риск от нараняване или повреди на собствеността. Неспазването на инструкциите прави предоставената гаранция невалидна.

1.1 Обща безопасност

- Монтажът и ремонтите трябва да се извършват от упълномощен сервизен агент. Фирмата производител няма да носи отговорност за причинени от неупълномощени лица щети.
 - Уредът не е предназначен за използване от лица (включително деца) с намалени физически, сензорни или умствени възможности или такива, които нямат опит или познания. Децата трябва да се наблюдават, за да се гарантира, че няма да играят с уреда.
- ### 1.1.1 Електрическа безопасност
- Винаги изключвайте уреда от захранването по време на монтаж, поддръжка, почистване и ремонт.
 - При повреди в захранващия кабел е необходимо той да бъде сменен от квалифицирано лице, упълномощено от производителя, отдела за обслужване след продажбата или други подобни лица (за предпочитане електротехници) или посочените от вносителя лица.
 - Работното напрежение е 220 до 240 волта.
 - Ако уредът е повреден, не трябва да се използва, освен ако не бъде ремонтиран от упълномощен сервизен агент. Съществува риск от токов удар!
 - Не прокарвайте захранващия кабел в близост до котлони. В противен случай кабелът може да причини пожар, тъй като е възможно да се стопи лесно.
 - Никога не включвайте абсорбатора преди да е завършил монтажа.
 - За най-добра ефективност външният проводник не трябва да бъде по-дълъг от 4 m. Необходимо е да прави повече от 2 перпендикулярни (90°) ъгъла и диаметърът му трябва да бъде минимум $\varnothing 120$ mm.

- Изключете уреда от захранването преди работа по вътрешните части.
- Използвайте уреда само със заземени контакти.

1.1.2 Безопасност на продукта

- Можете да използвате тръба с диаметър 120 mm или 150 mm върху връзката на димоотвода към абсорбатора.
- Не правете връзки към димоотводи, свързани с готварски печки, вентилационни шахти или димоотводи с издигащи се пламъци. Спазвайте правилата за изпускане в атмосферата.
- Височина между долната повърхност качулки и горната повърхност на плочата/фурната трябва да бъде не по-малко от 65 см, за работни места.
- Не работете с абсорбатора без поставени алуминиеви филтри и не отстранявайте филтрите по време на работа.
- Никога не докосвайте лампите на абсорбатора, ако са работили продължително време. Горещите лампи може да причинят изгаряния.
- Избягвайте високи пламъци под продукта.
В противен случай частиците на масления филтър могат да се запалят и да причинят пожар.
- Включвайте котлоните след като поставите върху тях тенджерата или тиган. В противен случай издигащата се топлина може да деформира определени части на продукта.
- Изключвайте котлоните преди да отстраните от тях тенджерите или тиганите.
- Избягвайте да поставяте възпламеними материали под абсорбатора.
- При пържене на храни е възможно олиото да се запали. Следователно внимавайте за дрехите и завесите.
- Никога не оставяйте готварската печка без наблюдение, когато пържите; в противен случай горещото олио може да причини пожар.
- Съществува риск от пожар, ако абсорбаторът не се почиства в посочените периоди.
- Бъдете изключително

внимателни и носете ръкавици, когато почиствате абсорбатора.

- Препоръчваме да включите уреда за няколко минути преди да започнете да готвите, за да увеличите смукателната му мощ. По този начин ще създадете продължителна и стабилна смукателна мощ при възникване на пари.
- Оставете абсорбатора да работи 15 минути след края на готвенето или пърженето, за да отстраните миризмите и парите от кухнята.
- Когато използвате абсорбатора, особено с газови печки, се уверете, че средата се вентилира с чист въздух.
- Обърнете внимание да не свързвате уреда към димоотводи, използвани от неелектрически уреди. (Т.е. димоотводи за нагревателни печки).
- Едновременното безпроблемно използване на абсорбатора с друг уред, изискващ въздух, е възможно само при ниско налягане от 4 Pa (0.04 mbar), при което се избягва повторното абсорбиране на газове. Това

може да се постигне само при постъпване на въздух от непокрити отвори (врати, прозорци, вентилационни отвори или други технически приспособления).

Особено важно е да осигурите достатъчен въздушен поток. Димоотвод, който осигурява достъп/отвеждане на въздух не е достатъчен за тази цел.

1.1.3 Безопасност за децата

- Опаковъчните материали са опасни за децата. Пазете опаковъчните материали на безопасно място, далеч от обсега на деца.
- Електрическите уреди са опасни за децата. Пазете децата от продукта. Не позволявайте на децата да играят с уреда.
- Уредът може да се използва от деца, които са на възраст над 8 години и от лица с ограничени физически, сензорни или умствени възможности, или които нямат познания и опит, ако те бъдат наблюдавани по отношение на безопасното му използване или са

инструктирани и разбират рисковете от използването на продукта. Децата не трябва да играят с уреда.

- **ПРЕДУПРЕЖДЕНИЕ:** Достъпните части на абсорбатора могат да се нагорещат ако се използват заедно с уред за готвене.

1.2 Предназначение

- Уредът е предназначен само за битова употреба. Не е подходящ за комерсиална употреба и не трябва да се използва за цели извън предназначението му.
- Производителят не носи отговорност за щети, причинени от неправилно използване или поддържане.
- Експлоатационният живот на уреда е 10 години. Това е и периодът на предлагане на резервни части за правилно функциониране на продукта.
- **ПРЕДУПРЕЖДЕНИЕ:** Ако не фиксирате винтовете в съответствие с инструкциите в настоящото ръководство, са възможни свързани с електричеството рискове.

1.3 Съответствие с директивата WEEE и Изхвърляне на отпадъчните продукти⁵



Уредът съответства на европейската директива WEEE (2012/19/EC). Продуктът носи символ за класификация за отпадъчно електрическо или електронно оборудване (WEEE).

Този символ показва, че продуктът не бива да се изхвърля с друга несортирана битова смет в края на полезния си живот. Използваният уред трябва да се върне в оторизиран пункт за рециклиране на електрически и електронни уреди. За да откриете тези пунктове за събиране, моля обърнете се към местния орган на реда или търговецът, от който е закупен продуктът. Всяко домакинство изпълнява важна роля в събирането и рециклирането на използвани уреди. Правилното изхвърляне на използвани уреди спомага за предотвратяването на потенциални негативни последици върху околната среда и човешкото здраве.

1.4 Съответствие с директивата RoHS:

Закупеният от Вас продукт съответства на европейската Директива RoHS (2011/65/EC). Не съдържа описаните в директивата вредни и забранени материали.

1.5 Информация за опаковката

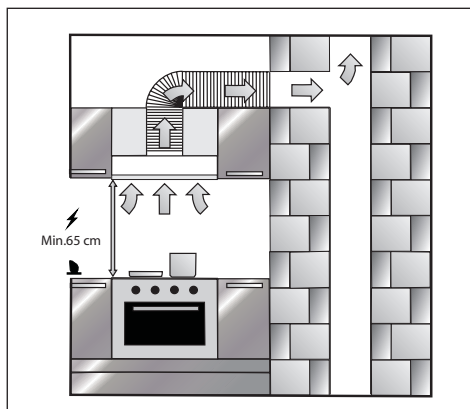


Опаковката на продукта е изготвена от подлежащи на рециклиране материали в съответствие с националното ни законодателство. Не изхвърляйте опаковъчните материали заедно с битовите и други отпадъци. Отнесете ги в център за

събиране на опаковъчни материали, посочен от местните власти.

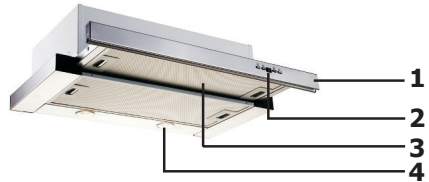
1.6 Поставяне на абсорбатора

Монтаж на абсорбатори под проверите кухня. След монтаж на корниз разликата между продукта и печката трябва да бъде не по-малко от 65 виж

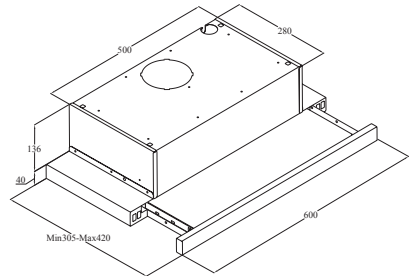
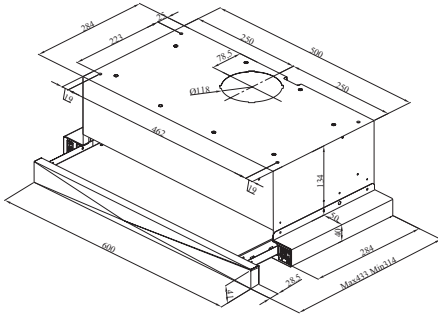


2 Техническа илюстрация

2.1 Преглед



1. Преден панел
2. Прекъсвач
3. Филтър
4. Осветление

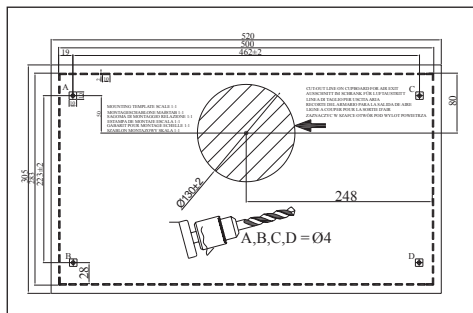


3 Монтаж на абсорбатора

Този наръчник за монтаж включва всички модели, посочени на заглавната страница.

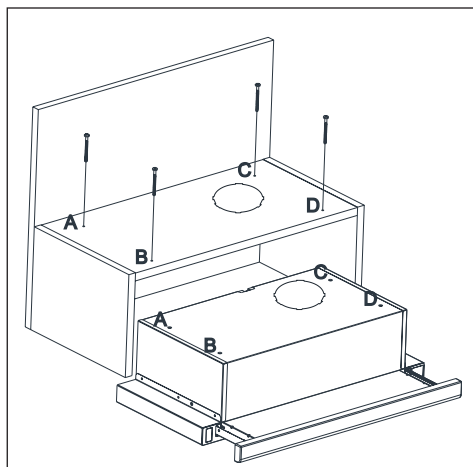
3.1 Пробиване на дупките за окачване

Пробийте дупките, указани в образеца за монтаж с А, В, С, D, използвайки бормашина с $\varnothing 4$ mm. **Фиг. 2**



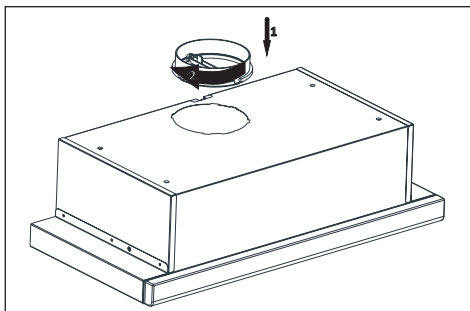
Фиг. 2

Използвайте осигурените в комплекта 4 x 40 винта, за да фиксирате продукта към шкафа в дупките А, В, С, D. При движение на плъзгащият се механизъм, предният панел не трябва да одрасква вратичката на шкафа. **Фиг. 3**



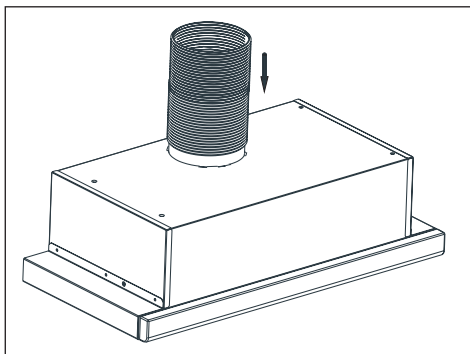
Фиг. 3

Поставете осигурения в комплекта пластмасов димоотвод в предназначения за това изход на продукта. Завъртете пластмасовия димоотвод в посока по часовниковата стрелка. **Фиг. 4**



Фиг. 4

Монтирайте гъвкавия алуминиев димоотвод върху пластмасовия димоотвод. Поставете другия връх на димоотвода в дупката за димоотвод. **Фиг. 5**



Фиг. 5

ПРЕДУПРЕЖДЕНИЕ: Тъй като извивките и колената на алуминиевия димоотвод ще доведат до спад в смукателната мощ, използването им трябва да се избягва доколкото е възможно.



3.2 Функции на абсорбатора

Абсорбаторът може да работи в кухни с и без димоотвод.

3.3. Използване с димоотвод

При използване с връзка за димоотвод, абсорбаторът трябва да бъде свързан към димоотвод, който ще извежда въздуха навън. Уверете се, че тръбите, свързани към димоотвода, са прокарани по възможно най-краткия път, за да се извлече оптимална ефективност на абсорбатора. Продуктът е фабрично произведен за употреба с димоотвод.



ПРЕДУПРЕЖДЕНИЕ: Изходът за абсорбатора не трябва да е свързан с въздухопроводи, в които се извежда друг дим.

4 Използване с или без въглероден филтър

4.1 Функции на абсорбатора

Абсорбаторът може да работи в кухни с и без димоотвод.

4.2 Филтър с активен въглен

При липса на димоотводи трябва да се използва филтър с активен въглен за филтриране и връщане на въздуха обратно в помещението. Активният въглен трябва да бъде осигурен от сервис или от Вашия представител.

4.3 Използване с въглероден филтър

Вашият продукт може да работи с въглероден филтър.

Тъй като въглеродният филтър се използва в кухни без извод за димоотвод, той трябва да бъде сменян с нов на всеки 3 до 5 месеца, в зависимост от честотата на употреба. Въглеродните филтри никога не се мият. При всеки случай, продуктът трябва да разполага с маслени филтри, независимо дали използва въглероден филтър или не. Не използвайте Вашия продукт без филтър.

4.4 Смяна на въглеродния филтър



Изключете уреда от електрическата мрежа преди да подмените въглеродния филтър. За да монтирате въглеродния филтър, подравнете жлебовете на корпуса на мотора и след това завъртете в посока по часовниковата стрелка. Завъртете в посока обратно на часовниковата стрелка, за да го отстраните.



ПРЕДУПРЕЖДЕНИЕ :

Алуминиевите филтри могат да се мият в съдомиялна машина. Алуминиевите филтри могат да променят цвета си след няколко измивания. Това е нормално и не изисква подмяна на филтрите.

4.5 Ефективна вентилация

За постигане на ефективна вентилация на кухнята, външните прозорци на помещението трябва да са затворени. Работете с абсорбатора и котлоните едновременно, за да създадете въздушен поток. Това ще повлияе положително смукателната сила.

След приключване на готвенето, оставете уредът да работи известно време, за да отстрани остатъчните миризми и пари.



Трябва да сте внимателни при използване на уреда с устройства, които работят с въздух или гориво (като нагреватели, водонагреватели, работещи с газ, дизелово гориво, въглища или дърва). Това се дължи на факта, че е възможно намаляване на горенето, тъй като абсорбаторът извежда въздуха от помещението. Това не важи за употреба без димоотводи.

5 Боравене с абсорбатора

Върху абсорбатора има прекъсвач с много позиции за управление на настройките на скоростта. За най-добра ефективност при силни пари и миризми, препоръчваме настройката за висока скорост. Моторът започва да работи след като плъзгачът бъде отворен и спира при затварянето му (това е по избор).

Работата на продукта трябва да започне само няколко минути преди началото на процеса на готвене и да продължи докато миризмите и парите бъдат изведени от помещението.

5.1 Прекъсвач Spd rocker (HNT 62210 B)

Бутон на лампите



За да включите лампата на продукта, поставете прекъсвача в съответната позиция. Плъзгачът трябва да е изтеглен, за да се включи лампата.

Прекъсвач за 1-ва и 2-ра скорост.



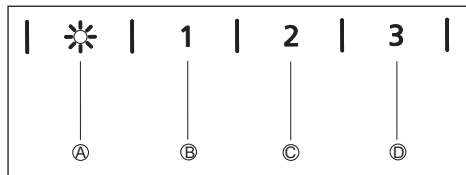
Поставете прекъсвача в позиция нагоре за работа на продукта на 1-ва скорост и в позиция надолу за работа на 2-ра скорост.

3. Прекъсвач за скоростта



Поставете прекъсвача в позиция надолу за работа на 3-та скорост.

5.2 Дигитален прекъсвач Spd (HNT 62340 B)



Фиг. 6

- (A): Бутон за вкл./изкл. на осветлението
- (B): 1-во ниво
- (C): 2-ро ниво
- (D): 3-то ниво

5.3 Дигитално електронно управление с 3 нива

(A) Бутон за вкл./изкл. на осветлението: Можете да осветите зоната за готвене чрез натискане на този бутон.

(B) бутон: С натискането на този бутон, можете да включите Вашия абсорбатор да работи със скорост на 1-то ниво.

Когато натиснете бутона отново, за да изключите уреда, индикаторът за нивото на скорост ще изчезне от дисплея.

(C) бутон: С натискането на този бутон, можете да включите Вашия абсорбатор да работи със скорост на 2-то ниво.

Когато натиснете бутона отново, за да изключите уреда, индикаторът за нивото на скорост ще изчезне от дисплея.

(D) бутон: С натискането на този бутон, можете да включите Вашия абсорбатор да работи със скорост на 3-то ниво.

Когато натиснете бутона отново, за да изключите уреда, индикаторът за нивото на скорост ще изчезне от дисплея.

Автоматично спиране след 15 мин.:

Този уред е оборудван с функция за автоматично спиране, която му позволява да вентилира помещението за допълнителен период от време, за да отстрани неприятните миризми и изпарения след приключване на готвенето. След определен период от време, уредът спира работа автоматично.

За да включите функцията за автоматично спиране, натиснете някой от бутоните за ниво на скорост (B, C, D) върху контролния панел, за повече от 2 секунди. Ще се активира таймер за обратно отброяване на 15 минути.

Ако натиснете същия бутон за ниво на скоростта, докато функцията за автоматично спиране е активирана, функцията ще бъде деактивирана и уредът ще спре.

Ако изберете друг бутон за ниво на скоростта, функцията ще бъде деактивирана.

Ако искате Вашия уред да спира работа автоматично, трябва да активирате отново функцията за автоматично спиране.

Периодично почистване на металните филтри:

Филтрите трябва да се почистват на всеки 60 часа работа или на 4 седмици в зависимост от честотата на използване.

5.4 Енергийно ефективна употреба:

- По време на работа на абсорбатора регулирайте нивата на скорост според интензивността на миризмите и парите, за да предотвратите нежелана енергоконсумация.
- Използвайте ниски скорости (1 - 2) при нормални условия и високи скорости (3) при голяма интензивност на миризмите и парите.

- Лампите на абсорбатора са предназначени за осветяване на зоната за готвене.
- Използването им за осветление на кухнята ще доведе до нежелана енергоконсумация и неадекватно осветление.

5.5 Боравене с абсорбатора.

- Абсорбаторът е оборудван с двигател с различни настройки на скорост.
- За подобряване на работата ви съветваме да използвате ниски скорости при обикновени условия и високи скорости при интензивни миризми и пари.
- Можете да стартирате абсорбатора като натиснете бутон за желаното ниво за скорост. (B, C, D)
- Можете да осветите зоната за готвене чрез натискане на бутона за осветление. (A):

6.1 Поддръжка

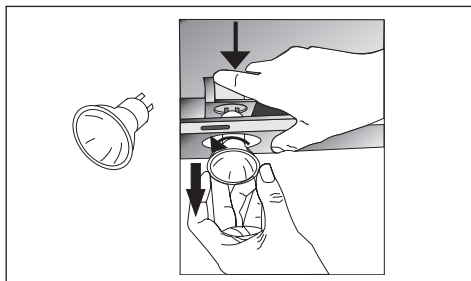
- Изключете продукта от мрежата преди извършване на поддръжка и почистване.
- Филтърът с алуминиева касета събира праха и маслените частици във въздуха.
- Измивайте металния филтър един път месечно с гореща вода и сапун или ако е възможно в съдомиялна машина (60 градуса).
- Натиснете пружината на върха, за да освободите касетата на алуминиевия филтър. След почистването, оставете филтъра са изсъхне преди да го поставите отново.
- Външната повърхност на абсорбатора трябва да бъде почиствана с кърпа, напоена със сапун и вода или алкохол.
- Не позволявайте електронните части да влязат в контакт с вода или подобни субстанции.
- Наличните на пазара продукти за почистване и поддръжка на инокс ще удължат живота на Вашия продукт.



ПРЕДУПРЕЖДЕНИЕ :
Алуминиевите филтри могат да се мият в съдомиялна машина. Алуминиевите филтри могат да променят цвета си след няколко измивания. Това е нормално и не изисква подмяна на филтрите.

6.2 Смяна на светодиодната лампа

За да смените светодиодните лампи, натиснете задната част на държача на лампата надолу и изтеглете лампата в посока надолу, завъртайки леко в посока обратно на часовниковата стрелка, за да я отстраните.



6.3 Отстраняване на проблеми

Преди да се свържете със сервиза:

Уверете се, че продуктът е включен и че електрическият предпазител на инсталацията не е повреден. Не правете нищо, което би могло да увреди продукта. Преди да се свържете със сервиза, направете проверка на продукта според Таблица 1. Ако проблемът остане, свържете се с Вашия представител или упълномощен сервиз.

6 Поддръжка и почистване

		Проверете свързването на захранването. Напрежението на захранващата мрежа трябва да е 220–240 волта, а абсорбаторът трябва да е свързан към заземен контакт.		Проверете прекъсвача на мотора. (Прекъсвачът на мотора трябва да е в позиция „Вкл.“.)		Проверете прекъсвача на осветлението. (Прекъсвачът на мотора трябва да е в позиция „Вкл.“.)		Проверете алуминиевия филтър. (Касетата на алуминиевия филтър трябва да се почиства един път месечно при нормални обстоятелства.)		Проверете осветлението. (Лампите трябва да са в добро състояние.)		Проверете димоотвода за извеждане на въздуха. (Димоотводът за извеждане на въздуха трябва да е отворен.)		Проверете въглеродния филтър (При продуктите в въглероден филтър, последният трябва да бъде сменен на всеки 3 месеца.)
Абсорбаторът не работи.	✓	✓												
Осветлението не работи.	✓		✓			✓								
Засмукването на въздух от абсорбатора е слабо.							✓				✓			✓
Не извежда въздух (при липса на димоотводи)							✓							✓

