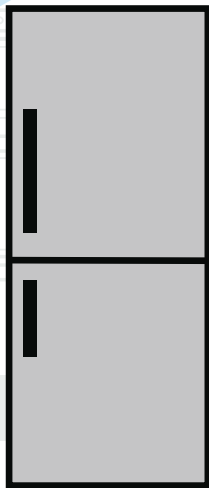


Refrigerator Ledusskapis Šaldytuvas Külmik Ладилник

Instruction of use
Lietošanas instrukcija
Naudojimo instrukcija
Kasutusjuhend
Упатство за употреба



BCSA285K3S

EN | LV | LT | ET | MK

beko

Please read this manual first!

Dear Customer,

We hope that your product, which has been produced in modern plants and checked under the most meticulous quality control procedures, will provide you an effective service.

For this, we recommend you to carefully read the entire manual of your product before using it and keep it at hand for future references.




This manual

- Will help you use your appliance in a fast and safe way.
- Read the manual before installing and operating your product.
- Follow the instructions, especially those for safety.
- Keep the manual in an easily accessible place as you may need it later.
- Besides, read also the other documents provided with your product.

Please note that this manual may be valid for other models as well.

Symbols and their descriptions

This instruction manual contains the following symbols:

-  Important information or useful usage tips.
-  Warning against dangerous conditions for life and property.
-  Warning against electric voltage.



WARNING!

In order to ensure a normal operation of your refrigerating appliance, which uses a completely environmentally friendly refrigerant the R600a (flammable only under certain conditions) you must observe the following rules:

- Do not hinder the free circulation of the air around the appliance.
- Do not use mechanical devices in order to accelerate the defrosting, others than the ones recommended by the manufacturer.
- Do not destroy the refrigerating circuit.
- Do not use electric appliances inside the food keeping compartment, other than those that might have been recommended by the manufacturer.

Recycling



This product is supplied with the selective sorting symbol for waste electrical and electronic equipment (WEEE). This means that this product must be handled pursuant to European Directive 2002/96/EC in order to be recycled or dismantled to minimise its impact on the environment. For further information, please contact your local or regional authorities.

Electronic products not included in the selective sorting process are potentially dangerous for the environment and human health due to the presence of hazardous substances.

CONTENTS

1 Your refrigerator **3**

2 Important Safety Warnings **4**

Intended use	4
General safety.....	4
For products with a water dispenser....	6
Child safety.....	6
HCA Warning	6
Things to be done for energy saving ..	6

3 Installation **7**

Points to be considered when re-transporting your refrigerator	7
Before operating your refrigerator	7
Electric connection	7
Disposing of the packaging	7
Disposing of your old refrigerator	8
Placing and Installation	8
Replacing the interior light bulb	8

4 Preparation **9**

Reversing the doors	10
---------------------------	----

5 Using your refrigerator **11**

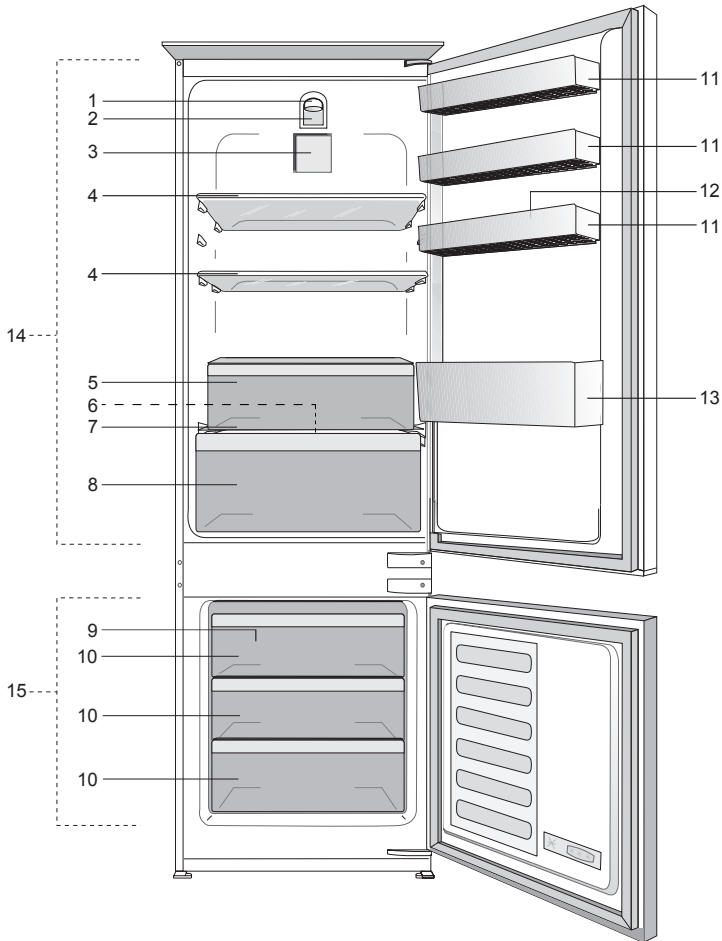
Thermostat setting button.....	11
Defrost	11

6 Maintenance and cleaning **13**

Protection of plastic surfaces	13
--------------------------------------	----

7 Recommended solutions for the problems **14**

1 Your refrigerator



- | | |
|--|---------------------------------|
| 1) Thermostat knob | 9) Ice bank |
| 2) Lamp housing | 10) Freezer compartment drawers |
| 3) Fresh food fan | 11) Adjustable door shelves |
| 4) Movable shelves | 12) Egg compartment |
| 5) Biofresh compartment | 13) Bottle shelf |
| 6) Defrost water collection channel - drain tube | 14) Fridge compartment |
| 7) Crisper cover | 15) Freezer compartment |
| 8) Crisper | |

i Figures that take place in this instruction manual are schematic and may not correspond exactly with your product. If the subject parts are not included in the product you have purchased, then it is valid for other models.

2 Important Safety Warnings

Please review the following information. Failure to observe this information may cause injuries or material damage. Otherwise, all warranty and reliability commitments will become invalid.

Original Spare parts will be provided for 10 years, following the product purchasing date.

Intended use

This product is intended to be used:

- indoors and in closed areas such as homes;
- in closed working environments such as stores and offices;
- in closed accommodation areas such as farm houses, hotels, pensions.
- This product should not be used outdoors.

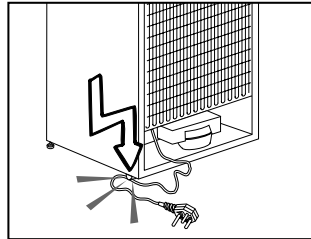
General safety

- When you want to dispose/scrap the product, we recommend you to consult the authorized service in order to learn the required information and authorized bodies.
- Consult your authorized service for all your questions and problems related to the refrigerator. Do not intervene or let someone intervene to the refrigerator without notifying the authorised services.
- For products with a freezer compartment; Do not eat cone ice cream and ice cubes immediately after you take them out of the freezer compartment! (This may cause frostbite in your mouth.)

- For products with a freezer compartment; Do not put bottled and canned liquid beverages in the freezer compartment. Otherwise, these may burst.
- Do not touch frozen food by hand; they may stick to your hand.
- Unplug your refrigerator before cleaning or defrosting.
- Vapor and vaporized cleaning materials should never be used in cleaning and defrosting processes of your refrigerator. In such cases, the vapor may get in contact with the electrical parts and cause short circuit or electric shock.
- Never use the parts on your refrigerator such as the door as a means of support or step.
- Do not use electrical devices inside the refrigerator.
- Do not damage the parts, where the refrigerant is circulating, with drilling or cutting tools. The refrigerant that might blow out when the gas channels of the evaporator, pipe extensions or surface coatings are punctured causes skin irritations and eye injuries.
- Do not cover or block the ventilation holes on your refrigerator with any material.
- Electrical devices must be repaired by only authorised persons. Repairs performed by incompetent persons create a risk for the user.
- In case of any failure or during a maintenance or repair work, disconnect your refrigerator's mains supply by either turning off the relevant fuse or unplugging your appliance.

- Do not pull by the cable when pulling off the plug.
- Place the beverage with higher proofs tightly closed and vertically.
- Never store spray cans containing flammable and explosive substances in the refrigerator.
- Do not use mechanical devices or other means to accelerate the defrosting process, other than those recommended by the manufacturer.
- This product is not intended to be used by persons with physical, sensory or mental disorders or unlearned or inexperienced people (including children) unless they are attended by a person who will be responsible for their safety or who will instruct them accordingly for use of the product.
- Do not operate a damaged refrigerator. Consult with the service agent if you have any concerns.
- Electrical safety of your refrigerator shall be guaranteed only if the earth system in your house complies with standards.
- Exposing the product to rain, snow, sun and wind is dangerous with respect to electrical safety.
- Contact authorized service when there is a power cable damage to avoid danger.
- Never plug the refrigerator into the wall outlet during installation. Otherwise, risk of death or serious injury may arise.
- This refrigerator is intended for only storing food items. It must not be used for any other purpose.
- Label of technical specifications is located on the left wall inside the refrigerator.
- Never connect your refrigerator to electricity-saving systems; they may damage the refrigerator.
- If there is a blue light on the refrigerator, do not look at the blue light with optical tools.

- For manually controlled refrigerators, wait for at least 5 minutes to start the refrigerator after power failure.
- This operation manual should be handed in to the new owner of the product when it is given to others.
- Avoid causing damage on power cable when transporting the refrigerator. Bending cable may cause fire. Never place heavy objects on power cable. Do not touch the plug with wet hands when plugging the product.



- Do not plug the refrigerator if the wall outlet is loose.
- Water should not be sprayed directly on inner or outer parts of the product for safety purposes.
- Do not spray substances containing inflammable gases such as propane gas near the refrigerator to avoid fire and explosion risk.
- Never place containers filled with water on top of the refrigerator, otherwise this may cause electric shock or fire.
- Do not overload your refrigerator with excessive amounts of food. If overloaded, the food items may fall down and hurt you and damage refrigerator when you open the door.
- Never place objects on top of the refrigerator; otherwise, these objects may fall down when you open or close the refrigerator's door.
- As they require a precise temperature, vaccines, heat-sensitive medicine and scientific materials and etc. should not be kept in the refrigerator.

- If not to be used for a long time, refrigerator should be unplugged. A possible problem in power cable may cause fire.
- The plug's tip should be regularly cleaned; otherwise, it may cause fire.
- The plug's tip should be cleaned regularly with a dry cloth; otherwise, it may cause fire.
- Refrigerator may move if adjustable legs are not properly secured on the floor. Properly securing adjustable legs on the floor can prevent the refrigerator to move.
- When carrying the refrigerator, do not hold it from door handle. Otherwise, it may be snapped.
- When you have to place your product next to another refrigerator or freezer, the distance between devices should be at least 8 cm. Otherwise, adjacent side walls may be humidified.

For products with a water dispenser

- Pressure of water mains should be minimum 1 bar. Pressure of water mains should be maximum 8 bars.
- Use only potable water.

Child safety

- If the door has a lock, the key should be kept away from reach of children.
- Children must be supervised to prevent them from tampering with the product.

HCA Warning If your product's cooling system contains R600a:

This gas is flammable. Therefore, pay attention to not damaging the cooling system and piping during usage and transportation. In the event of damage, keep your product away from potential fire sources that can cause the product catch a fire and ventilate the room in which the unit is placed.

Ignore this warning if your product's cooling system contains R134a.

Type of gas used in the product is stated in the type plate which is on the left wall inside the refrigerator. Never throw the product in fire for disposal.

Things to be done for energy saving

- Do not leave the doors of your refrigerator open for a long time.
- Do not put hot food or drinks in your refrigerator.
- Do not overload your refrigerator so that the air circulation inside of it is not prevented.
- Do not install your refrigerator under direct sunlight or near heat emitting appliances such as ovens, dishwashers or radiators.
- Pay attention to keep your food in closed containers.
- For products with a freezer compartment; You can store maximum amount of food items in the freezer when you remove the shelf or drawer of the freezer. Energy consumption value stated for your refrigerator has been determined by removing freezer shelf or drawer and under maximum load. There is no harm to use a shelf or drawer according to the shapes and size of food to be frozen.
- Thawing frozen food in fridge compartment will both provide energy saving and preserve the food quality.

3 Installation

⚠ Please remember that the manufacturer shall not be held liable if the information given in the instruction manual is not observed.

Points to be considered when re-transporting your refrigerator

1. Your refrigerator must be emptied and cleaned prior to any transportation.
2. Shelves, accessories, crisper and etc. in your refrigerator must be fastened securely by adhesive tape against any jolt before repackaging.
3. Packaging must be tied with thick tapes and strong ropes and the rules of transportation printed on the package must be followed.

Please do not forget...

Every recycled material is an indispensable source for the nature and for our national resources. If you wish to contribute to recycling the packaging materials, you can get further information from the environmental bodies or local authorities.

Before operating your refrigerator

Before starting to use your refrigerator check the following:

1. Is the interior of the refrigerator dry and can the air circulate freely in the rear of it?
2. Clean the interior of the refrigerator as recommended in the "Maintenance and cleaning" section.
3. Plug the refrigerator into the wall outlet. When the fridge door is open, the fridge compartment interior light will come on.

4. You will hear a noise as the compressor starts up. The liquid and gases sealed within the refrigeration system may also give rise to noise, even if the compressor is not running and this is quite normal.

5. Front edges of the refrigerator may feel warm. This is normal. These areas are designed to be warm to avoid condensation

Electric connection

Connect your product to a grounded socket which is being protected by a fuse with the appropriate capacity. Important:

- The connection must be in compliance with national regulations.
- The power cable plug must be easily accessible after installation.
- The specified voltage must be equal to your mains voltage.
- Extension cables and multiway plugs must not be used for connection.

⚠ A damaged power cable must be replaced by a qualified electrician.

⚠ Product must not be operated before it is repaired! There is danger of electric shock!

Disposing of the packaging

The packing materials may be dangerous for children. Keep the packing materials out of the reach of children or dispose of them by classifying them in accordance with the waste instructions. Do not dispose of them along with the normal household waste.

The packing of your refrigerator is produced from recyclable materials.

Disposing of your old refrigerator

Dispose of your old refrigerator without giving any harm to the environment.

- You may consult your authorised dealer or waste collection center of your municipality about the disposal of your refrigerator.

Before disposing of your refrigerator, cut out the electric plug and, if there are any locks on the door, make them inoperable in order to protect children against any danger.

Placing and Installation

⚠ If the entrance door of the room where the refrigerator will be installed is not wide enough for the refrigerator to pass through, then call the authorised service to have them remove the doors of your refrigerator and pass it sideways through the door.

1. Install your refrigerator to a place that allows ease of use.
2. Keep your refrigerator away from heat sources, humid places and direct sunlight.
3. There must be appropriate air ventilation around your refrigerator in order to achieve an efficient operation. If the refrigerator is to be placed in a recess in the wall, there must be at least 5 cm distance with the ceiling and at least 5 cm with the wall. If the floor is covered with a carpet, your product must be elevated 2,5 cm from the floor.
4. Place your refrigerator on an even floor surface to prevent jolts.
5. Do not keep your refrigerator in ambient temperatures under 10°C.

Replacing the interior light bulb

To change the Bulb/LED used for illumination of your refrigerator, call your Authorised Service.

The lamp(s) used in this appliance is not suitable for household room illumination. The intended purpose of this lamp is to assist the user to place foodstuffs in the refrigerator/freezer in a safe and comfortable way.

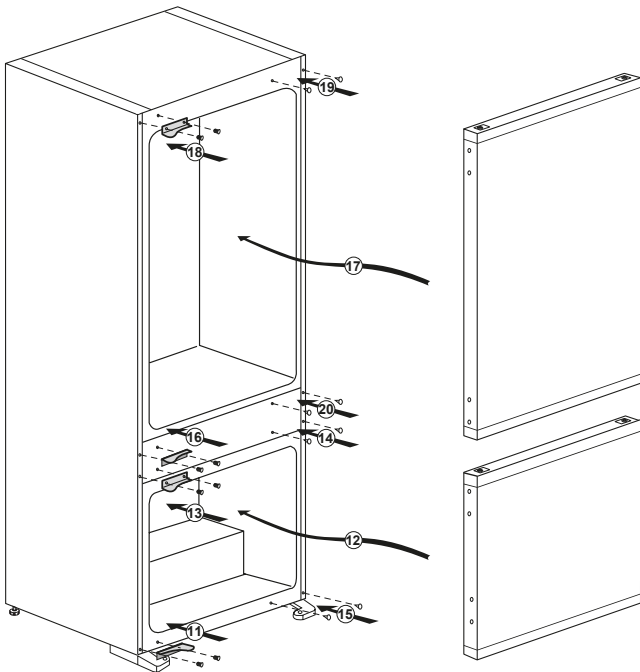
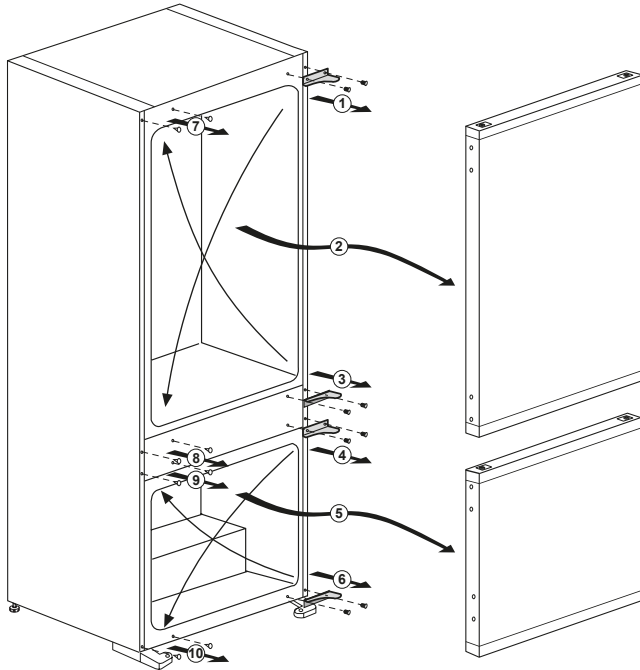
The lamps used in this appliance have to withstand extreme physical conditions such as temperatures below -20°C.

4 Preparation

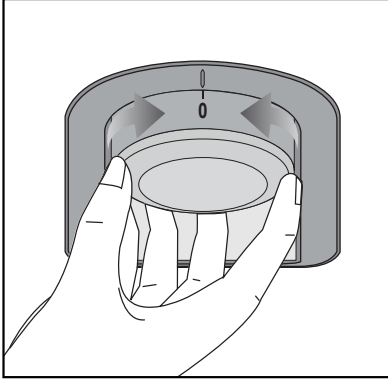
- i** Your refrigerator should be installed at least 30 cm away from heat sources such as hobs, ovens, central heater and stoves and at least 5 cm away from electrical ovens and should not be located under direct sunlight.
- i** The ambient temperature of the room where you install your refrigerator should at least be 10°C. Operating your refrigerator under cooler conditions than this is not recommended with regard to its efficiency.
- i** Please make sure that the interior of your refrigerator is cleaned thoroughly.
- i** If two refrigerators are to be installed side by side, there should be at least 2 cm distance between them.
- i** When you operate your refrigerator for the first time, please observe the following instructions during the initial six hours.
 - The door should not be opened frequently.
 - It must be operated empty without any food in it.
 - Do not unplug your refrigerator. If a power failure occurs out of your control, please see the warnings in the “Recommended solutions for the problems” section.
- i** Original packaging and foam materials should be kept for future transportations or moving.

Reversing the doors

Proceed in numerical order.



5 Using your refrigerator



Thermostat setting button

The interior temperature of your refrigerator changes for the following reasons:

- Seasonal temperatures.
- Frequent opening of the door and leaving the door open for long periods.
- Food put into the refrigerator without cooling down to the room temperature.
- The location of the refrigerator in the room (e.g. exposing to sunlight).
- You may adjust the varying interior temperature due to such reasons by using the thermostat. Numbers around the thermostat button indicates the cooling degrees.
- If the ambient temperature is higher than 32°C, turn the thermostat button to maximum position.
- If the ambient temperature is lower than 25°C, turn the thermostat button to minimum position.

Defrost

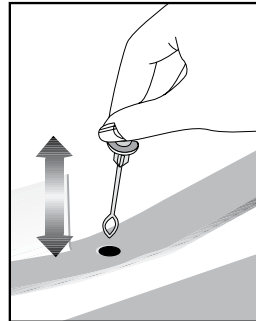
A) Fridge compartment

Fridge compartment performs full-automatic defrosting.

Water drops and a frosting up to 7-8 mm can occur on the inner rear wall of the fridge compartment while your refrigerator cools down. Such formation is normal as a result of the cooling system.

The frost formation is defrosted by performing automatic defrosting with certain intervals thanks to the automatic defrosting system of the rear wall. User is not required to scrape the frost or remove the water drops. Water resulting from the defrosting passes from the water collection groove and flows into the evaporator through the drain pipe and evaporates here by itself.

Check regularly to see if the drain pipe is clogged or not and clear it with the stick in the hole when necessary.



B) Freezer compartment

Deep freezer compartment does not perform automatic defrosting in order to prevent decaying of the frozen food. Defrosting is very straightforward and without mess, thanks to a special defrost collection basin.

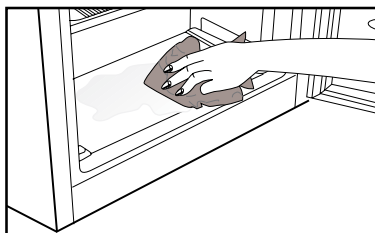
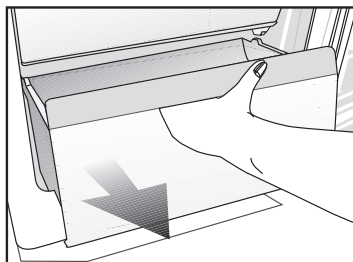
Defrost twice a year or when a frost layer of around 7 (1/4") mm has formed. To start the defrosting procedure, switch off the appliance at the socket outlet and pull out the mains plug. All food should be wrapped in several layers of newspaper and stored in a cool place (e.g. fridge or larder). Containers of warm water may be placed carefully in the freezer to speed up the defrosting. Do not use pointed or sharp-edged objects, such as knives or forks to remove the frost.

Never use hair dryers, electrical heaters or other such electrical appliances for defrosting.

Sponge out the defrost water collected in the bottom of the freezer compartment.

After defrosting, dry the interior thoroughly.

Insert the plug into the wall socket and switch on the electricity supply.



6 Maintenance and cleaning

- ⚠ Never use gasoline, benzene or similar substances for cleaning purposes.
- ⚠ We recommend that you unplug the appliance before cleaning.
- ⚠ Never use any sharp abrasive instrument, soap, household cleaner, detergent and wax polish for cleaning.
- ℹ Use lukewarm water to clean the cabinet of your refrigerator and wipe it dry.
- ℹ Use a damp cloth wrung out in a solution of one teaspoon of bicarbonate of soda to one pint of water to clean the interior and wipe it dry.
- ⚠ Make sure that no water enters the lamp housing and other electrical items.
- ⚠ If your refrigerator is not going to be used for a long period of time, unplug the power cable, remove all food, clean it and leave the door ajar.
- ℹ Check door seals regularly to ensure they are clean and free from food particles.
- ⚠ To remove door racks, remove all the contents and then simply push the door rack upwards from the base.

Protection of plastic surfaces

- ℹ Do not put the liquid oils or oil-cooked meals in your refrigerator in unsealed containers as they damage the plastic surfaces of your refrigerator. In case of spilling or smearing oil on the plastic surfaces, clean and rinse the relevant part of the surface at once with warm water.

7 Recommended solutions for the problems

Please review this list before calling the service. It might save you time and money. This list includes frequent complaints that are not arising from defective workmanship or material usage. Some of the features described here may not exist in your product.

The refrigerator does not operate.
<ul style="list-style-type: none">• Is the refrigerator properly plugged in? Insert the plug to the wall socket.• Is the fuse of the socket which your refrigerator is connected to or the main fuse blown out? Check the fuse.
Condensation on the side wall of the fridge compartment (MULTIZONE, COOL CONTROL and FLEXI ZONE).
<ul style="list-style-type: none">• Very cold ambient conditions. Frequent opening and closing of the door. Highly humid ambient conditions. Storage of food containing liquid in open containers. Leaving the door ajar. Switching the thermostat to a colder degree.• Decreasing the time the door left open or using it less frequently.• Covering the food stored in open containers with a suitable material.• Wipe the condensation using a dry cloth and check if it persists.
Compressor is not running.
<ul style="list-style-type: none">• Protective thermic of the compressor will blow out during sudden power failures or plug-out plug-ins as the refrigerant pressure in the cooling system of the refrigerator has not been balanced yet. Your refrigerator will start running approximately after 6 minutes. Please call the service if the refrigerator does not startup at the end of this period.• The fridge is in defrost cycle. This is normal for a full-automatically defrosting refrigerator. Defrosting cycle occurs periodically.• Your refrigerator is not plugged into the socket. Make sure that the plug is properly fit into the socket.• Are the temperature adjustments correctly made?• Power might be cut off.

The fridge is running frequently or for a long time.

- Your new product may be wider than the previous one. This is quite normal. Large refrigerators operate for a longer period of time.
- The ambient room temperature may be high. This is quite normal.
- The refrigerator might have been plugged in recently or might have been loaded with food. Cooling down of the refrigerator completely may last for a couple of hours longer.
- Large amounts of hot food might have been put in the refrigerator recently. Hot food causes longer running of the refrigerator until they reach the safe storage temperature.
- Doors might have been opened frequently or left ajar for a long time. The warm air that has entered into the refrigerator causes the refrigerator to run for longer periods. Open the doors less frequently.
- Freezer or fridge compartment door might have been left ajar. Check if the doors are tightly closed.
- The refrigerator is adjusted to a very low temperature. Adjust the refrigerator temperature to a warmer degree and wait until the temperature is achieved.
- Door seal of the fridge or freezer may be soiled, worn out, broken or not properly seated. Clean or replace the seal. Damaged/broken seal causes the refrigerator to run for a longer period of time in order to maintain the current temperature.

Freezer temperature is very low while the fridge temperature is sufficient.

- The freezer temperature is adjusted to a very low temperature. Adjust the freezer temperature to a warmer degree and check.

Fridge temperature is very low while the freezer temperature is sufficient.

- The fridge temperature might have been adjusted to a very low temperature. Adjust the fridge temperature to a warmer degree and check.

Food kept in the fridge compartment drawers are freezing.

- The fridge temperature might have been adjusted to a very low temperature. Adjust the fridge temperature to a warmer degree and check.

Temperature in the fridge or freezer is very high.

- The fridge temperature might have been adjusted to a very high degree. Fridge adjustment has an effect on the temperature of the freezer. Change the temperature of the fridge or freezer until the fridge or freezer temperature reaches to a sufficient level.
- Doors might have been opened frequently or left ajar for a long time; open them less frequently.
- Door might have been left ajar; close the door completely.
- Large amount of hot food might have been put in the refrigerator recently. Wait until the fridge or freezer reaches the desired temperature.
- The refrigerator might have been plugged in recently. Cooling down of the refrigerator completely takes time.

The operation noise increases when the refrigerator is running.
<ul style="list-style-type: none"> The operating performance of the refrigerator may change due to the changes in the ambient temperature. It is normal and not a fault.
Vibrations or noise.
<ul style="list-style-type: none"> The floor is not even or it is weak. The refrigerator rocks when moved slowly. Make sure that the floor is strong enough to carry the refrigerator, and level. The noise may be caused by the items put onto the refrigerator. Items on top of the refrigerator should be removed.
There are noises coming from the refrigerator like liquid spilling or spraying.
<ul style="list-style-type: none"> Liquid and gas flows happen in accordance with the operating principles of your refrigerator. It is normal and not a fault.
There is a noise like wind blowing.
<ul style="list-style-type: none"> Fans are used in order to cool the refrigerator. It is normal and not a fault.
Condensation on the inner walls of refrigerator.
<ul style="list-style-type: none"> Hot and humid weather increases icing and condensation. It is normal and not a fault. Doors might have been left ajar; make sure that the doors are closed fully. Doors might have been opened frequently or left ajar for a long time; open them less frequently.
Humidity occurs on the outside of the refrigerator or between the doors.
<ul style="list-style-type: none"> There might be humidity in the air; this is quite normal in humid weather. When the humidity is less, condensation will disappear.
Bad odour inside the refrigerator.
<ul style="list-style-type: none"> Inside of the refrigerator must be cleaned. Clean the inside of the refrigerator with a sponge, lukewarm water or carbonated water. Some containers or package materials might cause the smell. Use a different container or different brand packaging material.
The door is not closing.
<ul style="list-style-type: none"> Food packages may prevent the door's closing. Replace the packages that are obstructing the door. The refrigerator is not completely upright on the floor and rocking when slightly moved. Adjust the elevation screws. The floor is not level or strong. Make sure that the floor is level and capable to carry the refrigerator.
Crispers are stuck.
<ul style="list-style-type: none"> The food might be touching the ceiling of the drawer. Rearrange food in the drawer.

Lūdzu, vispirms izlasiet šo rokasgrāmatu!

Cienījamais pircēj!

Ceram, ka jūsu produkts, kas ražots modernās rūpnīcās un pārbaudīts ļoti pedantiskas kvalitātes kontroles procedūras laikā, nodrošinās efektīvu darbību.

Tādēļ mēs vēlētos ieteikt pirms produkta izmantošanas rūpīgi izlasīt visu rokasgrāmatu un turēt to ērti pieejamā vietā, lai vienmēr varētu tajā ieskatīties.

Šī rokasgrāmata

- Palīdzēs ātri un droši lietot iekārtu.
- Izlasiet šo rokasgrāmatu pirms produkta uzstādīšanas un izmantošanas.
- Ievērojiet norādījumus, it īpaši tos, kas saistīti ar drošību.
- Turiet šo rokasgrāmatu viegli pieejamā vietā, jo jums tā var būt nepieciešama vēlāk.
- Izlasiet arī citus kopā ar produktu saņemtos dokumentus.

Lūdzu, atcerieties, ka šī rokasgrāmata var attiekties arī uz citiem modeļiem.

Simboli un to apraksti

Šajā rokasgrāmatā redzami šādi simboli:

- ❗ Svarīga informācija vai noderīgi padomi par izmantošanu.
- ⚠ Brīdinājums par dzīvībai un īpašumam bīstamiem apstākļiem.
- ⚡ Brīdinājums par elektrisko spriegumu.



UZMANĪBU!

Lai garantētu jūsu sasaldēšanas iekārtas (kura izmanto viedei nekaitīgu dzesēšanas vielu R600a – uzliesmojošs tikai pie noteiktiem apstākļiem), ir nepieciešams ievērot sekojošo:

- Netrauciet gaisa cirkulācijai ap iekārtu.
- Neizmantojiet nekādas mehāniskās iekārtas atkausēšanas paātrināšanai.
- Nesabojājiet dzesēšanas ķēdi.
- Nodalījumā pārtikas produktu glabāšanai neizmantojiet nekādas mehāniskās iekārtas, ja ražotājs to neiesaka.

Pārstrādi



Šis produkts ir marķēts ar elektronisko un elektrisko iekārtu atkritumu (EEAI) selektīvās šķirošanas simbolu.

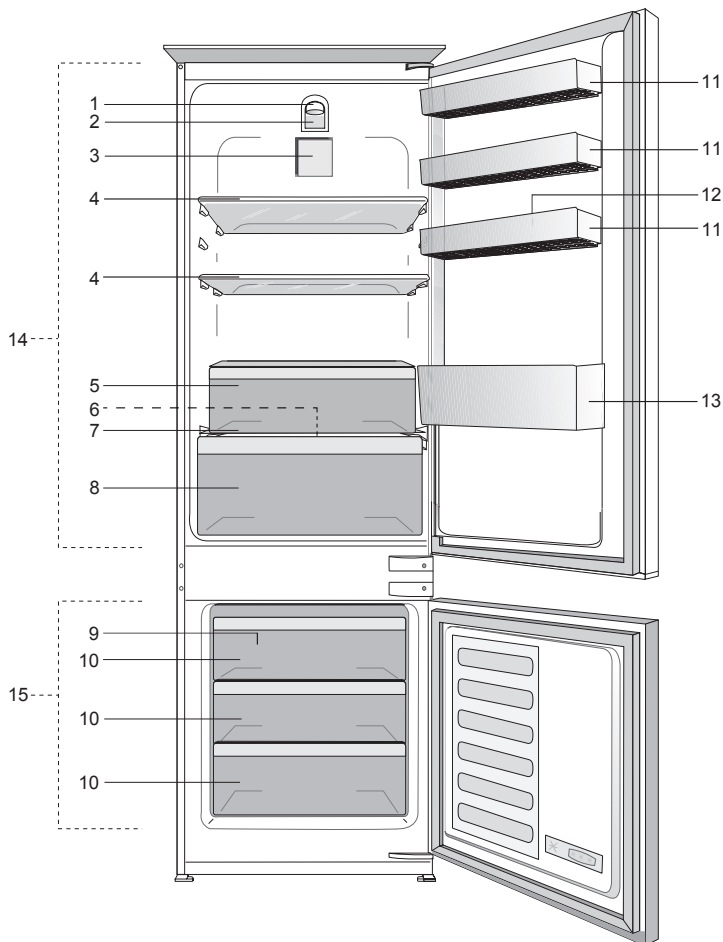
Tas nozīmē, ka ar produktu jārikojas atbilstoši Eiropas direktīvai 2002/96/EK, lai iekārta tiktu atkārtoti pārstrādāta un izjaukta pēc iespējas samazinot tās negatīvo ietekmi uz apkārtējo vidi. Lai saņemtu sīkāku informāciju, lūdzu, sazinieties ar vietējām vai reģionālajām varas iestādēm.

Elektronikas produkti, kas nav iekļauti selektīvajā šķirošanas procesā, ir potenciāli bīstami viedei un cilvēku veselībai, jo satur bīstamas vielas.

SATURS

1 Jūsu ledusskapis	3	4 Sagatavošana	10
2 Svarīgi brīdinājumi par drošību	4	5 Ledusskapja izmantošana	11
Paredzētā lietošana	4	Termostata iestatīšanas poga	11
Vispārējā drošība.....	4	Atlaidināšana	11
Piezīme par iekārtām ar ūdens automātu;.....	6	6 Apkope un tīrīšana	13
Bērnu drošība.....	6	Plastmasas virsmu aizsargāšana	13
Brīdinājums par HCA	6	7 Ieteicamie problēmu risinājumi	14
Kas darāms, lai ietaupītu enerģiju	6		
3 Uzstādīšana	7		
Lietas, kas jāapsver, atkārtoti pārvietojot ledusskapi	7		
Pirms ledusskapja izmantošanas	7		
Pievienošana elektrotīklam.....	7		
Atbrīvošanās no iepakojuma	8		
Atbrīvošanās no vecā ledusskapja	8		
Novietošana un uzstādīšana	8		
Apgaismojuma lampas nomaiņa.....	8		
Durvju ievietošana otrādi.....	9		

1 Jūsu ledusskapis



- | | |
|--|----------------------------------|
| 1. Termostata pārslēgs | 8. Augļu nodalījums |
| 2. Lampas korpuss | 9. Ledus paplāte |
| 3. Svaigās pārtikas nodalījuma ventilators | 10. Saldētās pārtikas nodalījums |
| 4. Pārvietojami plaukti | 11. Regulējami durvju plaukti |
| 5. Zero grāds nodalījums | 12. Olu nodalījums |
| 6. Atlaidinātā ledus ūdens savākšanas kanāls - noliekšanas caurule | 13. Pudeļu u plaukts |
| 7. Atvilktnu vāciņi | 14. Ledusskapja nodalījums |
| | 15. Saldēšanas kamera |

i Attēli šajā instrukciju rokasgrāmatā ir shematiski un var precīzi neatbilst jūsu iekārtai. Ja attiecīgās daļas nav iekļautas jūsu iegādātās iekārtas komplektācijā, tad tās attiecas uz citiem modeļiem.

2 Svarīgi brīdinājumi par drošību

Lūdzu, iepazīstieties ar šo informāciju. Šīs informācijas neievērošana var kļūt par cēloni traumām vai materiālajiem bojājumiem. Tā rezultātā visas garantijas un saistības par iekārtas drošību zaudēs spēku.

Oriģinālās rezerves daļas tiks nodrošinātas 10 gadus, sākot ar produkta iegādes datumu.

Paredzētā lietošana

Šī iekārta ir paredzēta lietošanai:

- iekštelpās un norobežotās vietās, piemēram, mājās;
 - slēgtā darba vidē, piemēram, veikalos un birojos;
 - norobežotās apmešanās vietās, piemēram, fermās, viesnīcās un pansijās.
- Šo iekārtu nevajadzētu izmantot ārpus telpām.

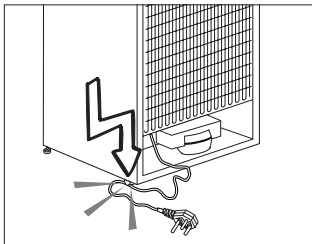
Vispārējā drošība

- Ja vēlaties atbrīvoties no šī izstrādājuma vai to pārstrādāt, mēs iesakām konsultēties ar pilnvarotu apkalpošanas centru, lai uzzinātu nepieciešamo informāciju un atrastu pilnvarotas organizācijas.
- Sazinieties ar pilnvarotu apkalpošanas centru saistībā ar visiem jautājumiem un problēmām attiecībā uz ledusskapi. Neveiciet ledusskapja remontu vai modifikāciju un neļaujiet to darīt citiem, neinformējot pilnvarotus pakalpojuma sniedzējus.
- Piezīme par iekārtām ar saldēšanas kameru: neēdiet saldējumu un ledus gabaliņus tūlīt pēc izņemšanas no saldēšanas kameras! (Tas var izraisīt mutēs apsaldēšanu.)
- Piezīme par iekārtām ar saldēšanas kameru: neievietojiet šķidrus, pudelēs vai skārdenēs esošus dzērienus saldēšanas kamerā. Tie var saplīst.

- Nepieskarieties sasaldētām ēdienam ar rokām, jo tas var pie tām pielipt.
- Pirms atļaidināšanas vai tīrīšanas atvienojiet ledusskapi no barošanas avota.
- Ledusskapja tīrīšanas un atļaidināšanas laikā nevajadzētu izmantot tvaiku un izgarojošus tīrīšanas līdzekļus. Šādos gadījumos garaiņi var piekļūt elektriskajām daļām un radīt īssavienojumu vai elektriskās strāvas triecienu.
- Nekad neizmantojiet ledusskapja daļas, piemēram, durvis, kā atbalstu vai pakāpienu.
- Neizmantojiet elektriskās iekārtas ledusskapja iekšpusē.
- Neurbiet un nezāģējiet daļas, kurās cirkulē dzesēšanas šķidrums. Dzesēšanas šķidrums, kas var izplūst, kad iztvaices aparāta gāzes kanāli, cauruļvadu pagarinājumi vai virsmas apvalki tiek pārplēsti, izraisa ādas iekaisumus un acu traumas.
- Ar nekādiem materiāliem neaizklājiet un nenobloķējiet ledusskapja ventilācijas atveres.
- Elektroiekārtu remontu drīkst veikt tikai pilnvarotas personas. Labošana, ko veikušas nekompetentas personas, rada risku lietotājam.
- Bojājuma vai apkopes un labošanas darbu laikā atvienojiet ledusskapja strāvas padevi, atvienojot attiecīgo drošinātāju vai iekārtas spraudkontakta.
- Atvienojot spraudkontakta, to nevelciet aiz vada.
- Stipros alkoholiskos dzērienus turiet cieši noslēgtus un vertikāli.
- Nekādā gadījumā neglabājiet ledusskapī aerosolus, kuru sastāvā ir viegli uzliesmojošas un sprādzienbīstamas vielas.

- Neizmantojiet mehāniskas ierīces vai citus līdzekļus, lai paātrinātu atlaidināšanas procesu, ja vien tos nav ieteicis ražotājs.
- Šī iekārta nav paredzēta, lai to izmantotu personas ar fiziskajiem, garīgajiem un uztveres traucējumiem vai cilvēki bez pieredzes un zināšanām (tostarp bērni), ja vien viņus neuzrauga persona, kas ir atbildīga par viņu drošību vai sniedz norādījumus par iekārtas izmantošanu.
- Neizmantojiet bojātu ledusskapi. Ja jums rodas kaut kādas bažas, sazinieties ar apkalpošanas pārstāvi.
- Ledusskapja elektrodrošība var tikt garantēta tikai tad, ja iezemējuma sistēma jūsu mājā atbilst standartiem.
- Iekārtas pakļaušana lietus, sniega, saules un vēja iedarbībai apdraud elektrodrošību.
- Ja spēka kabelis ir bojāts, lai izvairītos no briesmām, sazinieties ar pilnvarotu apkalpošanas centru.
- Uzstādīšanas laikā nekādā gadījumā neievietojiet spraudkontakta sienas kontaktligzdā. Pretējā gadījumā var rasties nāves draudi vai nopietnas traumas risks.
- Šis ledusskapis ir paredzēts tikai pārtikas uzglabāšanai. To nevajadzētu izmantot nekādam citam mērķim.
- Uzīme ar izstrādājuma tehniskajiem datiem atrodas ledusskapja iekšpusē pa kreisi.
- Nekādā gadījumā nepievienojiet ledusskapi pie elektrības taupīšanas sistēmas, jo tas var sabojāt ledusskapi.
- Ja ledusskapim ir zils gaismas indikators, neskatieties uz to caur optiskām ierīcēm.
- Ja ledusskapji ir manuāli vadāmi, tad pirms to pārstartēšanas pēc elektropadeves traucējumiem ir jāpagaida vismaz 5 minūtes.
- Ja ledusskapis tiek atdots kādam citam, arī šī lietošanas rokasgrāmata ir jāatdod jaunajam īpašniekam.

- Ledusskapja transportēšanas laikā izvairieties no spēka kabeļa bojājumiem. Kabeļa saliekšana var izraisīt ugunsgrēku. Nekādā gadījumā nelieciet uz spēka kabeļa smagus priekšmetus. Pievienojot iekārtu barošanas avotam, nepieskarieties spraudkontakta ar slāpām rokām.



- Nepievienojiet ledusskapi vaļīgai sienas kontaktligzdai.
- Drošības apsvērumu dēļ izvairieties no ledusskapja iekšējo un ārējo daļu apšļakstīšanas ar ūdeni.
- Lai izvairītos no ugunsgrēka un sprādziena riska, ledusskapja tuvumā neizsmidziniet vielas, kuru sastāvā ir viegli uzliesmojušas gāzes, piemēram, propāna gāze.
- Nekādā gadījumā nelieciet uz ledusskapja virsmas traukus ar ūdeni, jo tas var izraisīt elektriskās strāvas triecienu vai ugunsgrēku.
- Nepārslogojiet ledusskapi ar pārāk lielu pārtikas daudzumu. Ja ledusskapis ir pārāk pilns, tad, atverot durvis, pārtika var izkrist no ledusskapja, radot kaitējumu jums vai iekārtai. Nekādā gadījumā nelieciet priekšmetus uz ledusskapja virsmas, jo ledusskapja durvju atvēršanas vai aizvēršanas laikā tie var nokrist.
- Ledusskapī nedrīkst turēt vakcīnas, temperatūras jutīgus medikamentus un zinātniskiem pētījumiem paredzētus materiālus, jo tiem ir nepieciešama noteikta uzglabāšanas temperatūra.
- Ja ledusskapis netiks ilgstoši izmantots, tas jāatvieno no barošanas avota. Spēka kabeļa bojājuma gadījumā var sākties ugunsgrēks.

- Spraudkontakta dakšas ir regulāri jātīra, jo pretējā gadījumā var sākties ugunsgrēks.
- Spraudņa gals ir regulāri jātīra ar sausu drāniņu. Ja to nedarīsiet, tas var kļūt par ugunsgrēka cēloni.
- Ja regulējamās kājiņas nav pareizi nostiprinātas uz grīdas, tad ledusskapis var kustēties. Regulējamo kājiņu pareiza nostiprināšana uz grīdas var novērst ledusskapja kustēšanos.
- Nesot ledusskapi, neturiet to aiz durvju roktura. Pretējā gadījumā tas var nolūzt.
- Novietojot iekārtu līdzās citam ledusskapim vai saldētavai, starp šīm iekārtām ir jābūt vismaz 8 cm attālumam. Pretējā gadījumā uz līdzās esošajām sienām var kondensēties mitrums.

Piezīme par iekārtām ar ūdens automātu

Ūdensvada minimālais spiediens drīkst būt 1 bārs. Ūdensvada maksimālais spiediens drīkst būt 8 bāri.

- Izmantojiet tikai dzeramo ūdeni.

Bērnu drošība

- Ja durvis ir slēdzamas, tad atslēga jāglabā bērniem nepieejamā vietā.
- Jāuzrauga, lai bērni nespēlētos ar iekārtu.

Brīdinājums par HCA Ja iekārtas dzesēšanas sistēma satur R600a

Šī gāze ir viegli uzliesmojoša. Tādēļ pievērsiet uzmanību tam, lai izmantošanas un transportēšanas laikā dzesēšanas sistēma un cauruļvadi netiktu bojāti. Bojājuma gadījumā neturiet iekārtu potenciālu uguns avotu tuvumā, jo tas var izraisīt iekārtas aizdegšanos, un vēdiniet telpu, kurā novietota iekārta.

Neņemiet vērā šo brīdinājumu, ja iekārtai ir dzesēšanas sistēma, kas satur R134a.

Iekārtā izmantotais gāzes tips ir norādīts uz specifikācijas plāksnītes ledusskapja iekšpuses kreisajā pusē. Nekādā gadījumā neatbrīvojieties no iekārtas, to sadedzinot.

Kas darāms, lai ietaupītu enerģiju

- Neturiet ledusskapja durvis ilgstoši atvērtas.
- Neievietojiet ledusskapī karstu pārtiku vai dzērienus.
- Nepārpildiet ledusskapi, lai netiktu traucēta gaisa cirkulācija tā iekšpusē.
- Nenovietojiet ledusskapi tiešā saules gaismā vai karstumu izstarojošu iekārtu, piemēram, krāsns, trauku mazgājamās iekārtas vai radiatoru, tuvumā.
- Pievērsiet uzmanību tam, lai pārtika atrastos aizvērtos traukos.
- Piezīme par iekārtām ar saldēšanas kameru. Saldēšanas kamerā varat saglabāt maksimālo ēdiena daudzumu, izņemot no tās plauktu vai atvilktni. Norādītā saldēšanas kameras enerģijas patēriņa vērtība ir noteikta iekārtai ar izņemtu plauktu vai atvilktni un maksimālo noslodzi. Nepastāv nekāds risks, izmantojot plauktu vai atvilktni atbilstoši sasaldējamās pārtikas formai un izmēram.
- Sasaldētās pārtikas atļaidināšana ledusskapja nodalījumā gan ietaupīs elektroenerģiju, gan saglabās pārtikas kvalitāti.

3 Uzstādīšana

⚠ Lūdzu ņemiet vērā, ka ražotājs neuzņemas atbildību, ja instrukciju rokasgrāmatā iekļautā informācija netiek ievērota.

Lietas, kas jāapsver, atkārtoti pārvietojot ledusskapi

1. Jūsu ledusskapim pirms jebkuras transportēšanas ir jābūt iztukšotam un iztīrītam.
2. Ledusskapja plauktiem, piederumiem, atvilktnēm utt. pirms atkārtotas iepakšanas ir jābūt cieši nostiprinātiem ar līmlenti, lai tos nodrošinātu pret jebkādiem triecieniem.
3. Iepakojumam ir jābūt cieši nostiprinātam ar virvēm un līmlentēm, un jāievēro uz iepakojuma norādītie transportēšanas noteikumi.

Lūdzu, neaizmirstiet...

Ikviens pārstrādātais materiāls ir svarīgs avots dabai un mūsu nacionālajiem resursiem. Ja jūs vēlaties nodot iepakojuma materiālu otrreizējai pārstrādei, papildu informāciju varat iegūt no vides aizsardzības organizācijām vai vietējās varas pārstāvjiem.

Pirms ledusskapja izmantošanas

Pirms ledusskapja ieslēgšanas pārbaudiet šādas lietas.

1. Vai ledusskapja iekšpuse ir tīra un gaiss tā aizmugurē var brīvi cirkulēt?
2. Iztīriet ledusskapja iekšpusi, kā ieteikts sadaļā "Apkope un tīrīšana".

3. Pievienojiet ledusskapi sienas kontaktligzdai. Kad ledusskapja durvis tiks atvērtas, tad iedegsies ledusskapja nodalījuma iekšējais apgaismojums.
4. Būs dzirdams troksnis, jo kompresors sāks darbību. Troksni var radīt arī šķidrums un gāzes, kas atrodas dzesēšanas sistēmā, pat tad, ja kompresors nedarbojas, un tas ir normāli.
5. Ledusskapja priekšējās malas var būt siltas. Tas ir normāli. Šīm vietām ir jābūt siltām, lai izvairītos no kondensācijas.

Pievienošana elektrotīklam

Pievienojiet iekārtu iezemētai kontaktligzdai, kas aizsargāta ar atbilstošas jaudas drošinātāju. Svarīgi!

- Savienojumam jāatbilst nacionālajiem noteikumiem.
- Pēc uzstādīšanas spēka kabeļa spraudkontaktam jābūt viegli pieejamam.
- Norādītajam spriegumam jāatbilst jūsu elektrotīkla spriegumam.
- Savienošanai nedrīkst tikt izmantoti pagarinātāji vai sadalītāji.

⚠ Bojātu elektrisko kabeli jānomaina kvalificētam elektriķim.

⚠ Iekārtu nedrīkst izmantot, kamēr tā nav salabota! Pastāv elektriskās strāvas trieciena risks!

Atbrīvošanās no iepakojuma

Iepakojuma materiāli var būt bīstami bērniem. Glabājiet iepakojuma materiālus bērniem nepieejamā vietā vai atbrīvojieties no tiem atbilstoši noteikumiem par atkritumu apglabāšanu un pārstrādi. Tos nedrīkst izmest kopā ar parastiem sadzīves atkritumiem. Ledusskapja iepakojums ir izgatavots no otrreizēji pārstrādājamiem materiāliem.

Atbrīvošanās no vecā ledusskapja

Atbrīvojieties no vecās iekārtas tā, lai netiktu nodarīts kaitējums videi.

- Par atbrīvošanos no ledusskapja varat konsultēties ar pilnvarotu izplatītāju vai vietējās pašvaldības atkritumu savākšanas centru.

Pirms atbrīvošanās no ledusskapja, nogrieziet spraudkontakta un, ja uz durvīm ir slēdzenes, padariet tās neizmantojamas, lai pasargātu bērnus no jebkādām briesmām.

Novietošana un uzstādīšana

△ Ja ledusskapja uzstādīšanas telpā durvis ir par šauru, lai ledusskapi pa tām ievietotu, sazinieties ar pilnvarotu pakalpojuma sniedzēju, lai izņemtu ledusskapja durvis un ievietotu ledusskapi pa durvīm sāniski.

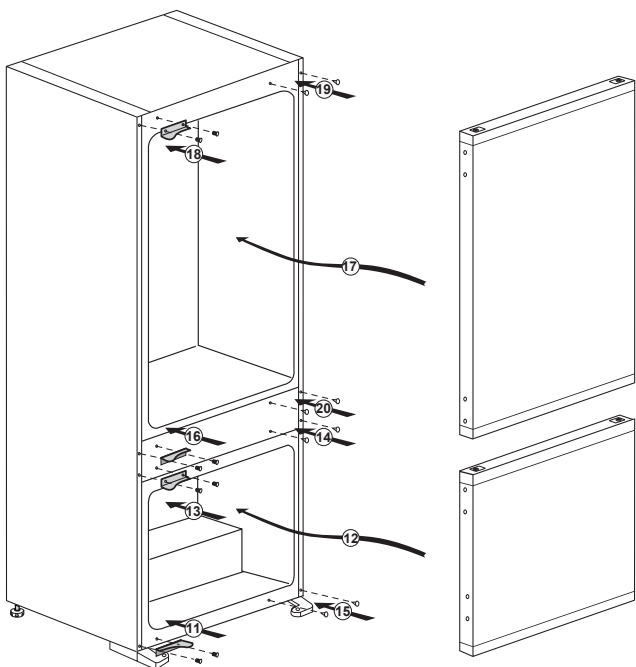
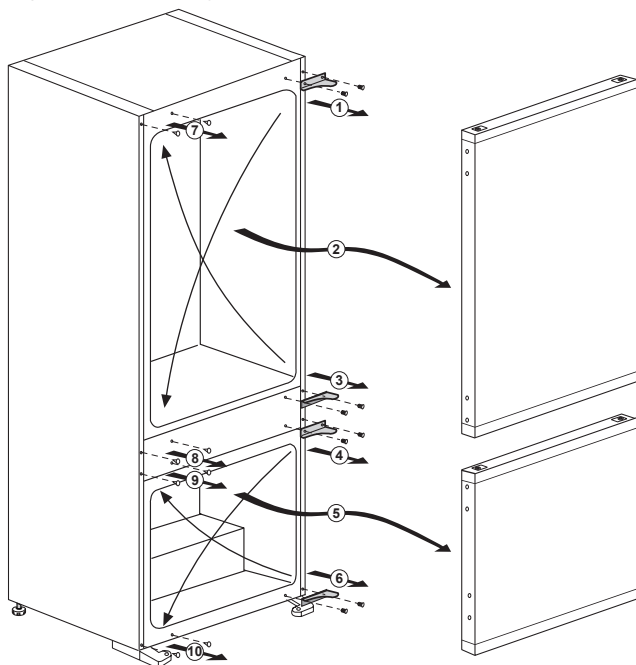
1. Uzstādiet ledusskapi vietā, kurā to iespējams viegli izmantot.
2. Neturiet ledusskapi karstuma avota tuvumā, mitrās vietās un tiešā saules gaismā.
3. Lai nodrošinātu efektīvu darbību, apkārt ledusskapim ir jābūt pietiekamai ventilācijai. Ja ledusskapis ir jāievieto sienas nišā, jābūt vismaz 5 cm attālumam no griestiem un 5 cm attālumam no sienas. Ja grīda ir klāta ar paklāju, iekārtai jāatrodas vismaz 2,5 cm virs grīdas.
4. Novietojiet ledusskapi uz līdzenas grīdas virsmas, lai izvairītos no vibrācijas.
5. Neturiet ledusskapi vietās, kur ārējās vides temperatūra ir zemāka par 10°C.

Apaismojuma lampas nomaiņa

Lai nomainītu ledusskapja apgaismojuma lampu, lūdzu, sazinieties ar pilnvarotu pakalpojuma sniedzēju. Prietaise naudojamos lempu nēra skirtos kambarij apšvietimui namj saļygomis. Šios lempu nēra pagelbēti naudotojui saugiai ir patogiai sudēti maisto produktus j šaldytuvā ar šaldikļi. Šiame prietaise naudojamos lempos turi atlaikyti ekstremalias saļygas, pavyzdžiui, žemesnē nei -20°C temperatūrā.

Durvju ievietošana otrādi

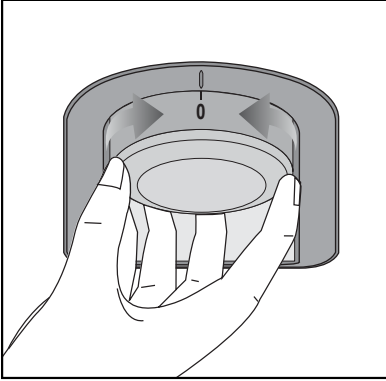
Rīkojieties ar cipariem norādītajā secībā.



4 Sagatavošana

- Ledusskapis ir uzstādāms vismaz 30 cm attālumā no karstuma avotiem, piemēram, radiatoriem, sildītājiem, centrāl apkures un krāsnīm, un vismaz 5 cm attālumā no elektriskajām krāsnīm, un to nedrīkst novietot tiešā saules gaismā.
- Ledusskapja uzstādīšanas istabas temperatūrai ir jābūt vismaz 10°C. Ledusskapja darbināšana vēsākos apstākļos nav ieteicama saistībā ar tā efektivitāti.
- Lūdzu, pārliecinieties, ka ledusskapja iekšpuse ir rūpīgi iztīrīta.
- Ja ir jāuzstāda divi blakus esoši ledusskapji, starp tiem jānodrošina vismaz 2 cm atstarpe.
- Kad ledusskapis tiek iedarbināts pirmo reizi, lūdzu, ievērojiet šīs instrukcijas pirmo sešu darbības stundu laikā.
 - Durvis nevajadzētu atvērt pārāk bieži.
 - Darbināšanu vajadzētu veikt bez ievietotas pārtikas.
 - Neatvienojiet ledusskapi no strāvas avota. Elektroapgādes traucējumu gadījumā, lūdzu, skatiet brīdinājumus nodaļā “Ieteicamie problēmu risinājumi”.
- Oriģinālo iepakojumu un putuplastu vajadzētu saglabāt transportēšanai vai pārvietošanai nākotnē.

5 Ledusskapja izmantošana



Termostata iestatišanas poga

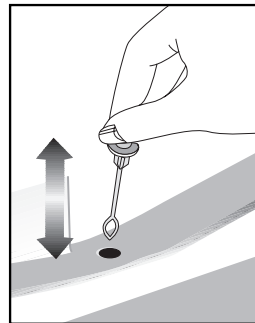
Jūsu ledusskapja iekšējā temperatūra mainās šādu iemeslu dēļ:

- sezonālās temperatūras izmaiņas;
- bieža ledusskapja durvju atvēršana un ilgstoša atvērtu durvju atstāšana;
- pārtikas ievietošana ledusskapī bez atdzesēšanas līdz istabas temperatūrai;
- ledusskapja atrašanās vieta telpā (piem, tiešā saules gaismā);
- Šo iemeslu dēļ varat ar termostata palīdzību iestatīt dažādas iekšējās temperatūras. Skaitļi, kas atrodas apkārt termostata pogai, norāda atdzesēšanas pakāpi.
- Ja ārējās vides temperatūra ir augstāka par 32°C, tad novietojiet termostata pogu maksimālās saldēšanas stāvoklī.
- Ja ārējās vides temperatūra ir zemāka par 25°C, tad novietojiet termostata pogu minimālās saldēšanas stāvoklī.

Atlaidināšana

A) Ledusskapja nodalījums

Ledusskapja nodalījumā tiek izpildīta pilnīgi automātiska atlaidināšana. Ledusskapja atdzišanas laikā uz ledusskapja nodalījuma iekšējās aizmugurējās sienas var rasties ūdens lāsītes un 7-8 mm bieža sarmas kārtā. Tas ir normāls dzesēšanas sistēmas darbības rezultāts. Pateicoties automātiskajai atlaidināšanas sistēmai, kas atrodas uz aizmugurējās sienas, ik pēc zināma laika intervāla šī sarmas kārtā tiek atlaidināta ar automātiskās atlaidināšanas funkcijas palīdzību. Lietotājam nav nepieciešams noskrāpēt sarmu un noslaucīt ūdens lāsītes. Ūdens, kas radies atlaidināšanas rezultātā, no ūdens savākšanas renes pa noliešanas cauruli ieplūst iztvaikotājā un iztvaiko. Regulāri pārbaudiet, vai noliešanas caurule nav aizsprostota, un, kad nepieciešams, ar stienīti iztīriet tās caurumu.



B) Saldēšanas kamera

Lai izvairītos no saldētās pārtikas sabojāšanās, dziļās saldēšanas kamerā automātiskā atlaidināšana nenotiek.

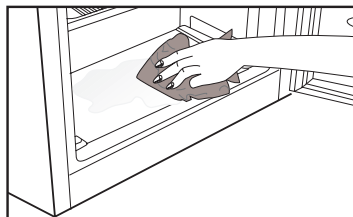
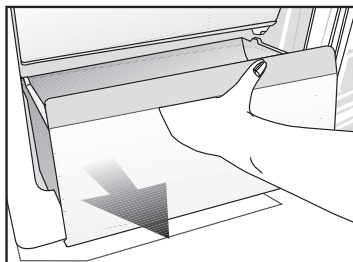
Pateicoties īpašajai atlaidinātā ledus ūdens tvertnei, atlaidināšana ir ļoti viegla un vienkārša.

Atlaidiniet divas reizes gadā vai tad, kad izveidojusies aptuveni 7 (1/4") mm bieža sarmas kārtā. Lai sāktu atlaidināšanu, izslēdziet iekārtas strāvas l igzdas slēdzi un atvienojiet no tās spraudkontakta. Visai pārtikai jātiek ietītai vairākās laikrakstu kārtās un uzglabātai vēsā vietā (piem., ledusskapī vai pieliekamajā).

Lai paātrinātu atlaidināšanu, ledusskapī var tikt uzmanīgi ievietotas tvertnes ar siltu ūdeni. Sarmas noņemšanai neizmantojiet smailus vai asmalainus objektus, teiksim, nažus vai dakšiņas.

Nekādā gadījumā atlaidināšanai neizmantojiet fēnus, elektriskos sildītājus vai citas līdzīgas elektriskās ierīces. Izslaukiet ūdeni, kas atlaidināšanas rezultātā sakrājies saldēšanas kameras apakšā. Pēc atlaidināšanas rūpīgi izslaukiet iekšpusi.

Ievietojiet spraudkontakta sienas kontaktgizdā un ieslēdziet barošanas avotu.



6 Apkope un tīršana

- ⚠ Nēkad tīršanas nolūkiem neizmantojiet gazoliņu, benzīnu vai līdzīgas vielas.
- ⚠ Mēs iesakām iekārtu pirms tīršanas atvienot no strāvas avota.
- Nēkad neizmantojiet asus abrazīvus instrumentus, ziepes, mājsaimniecības tīršanas līdzekļus, mazgāšanas līdzekļus un pulējamo vasku, lai veiktu tīršanu.
- Izmantojiet remdenu ūdeni, lai iztīrītu ledusskapja korpusu, un noslaukiet to sausu.
- Izmantojiet mīkstu audumu, kas samitrināts šķīdumā, kas sastāv no vienas tējkarotes sodas un 0,57 l ūdens, lai iztīrītu iekšpusi, un tad noslaukiet to sausu.
- Pievērsiet uzmanību tam, lai ūdens neieklātu lampas ietvarā un citās elektriskās iekārtās.
- Ja ledusskapis netiek izmantots ilgāku laiku, atvienojiet spēka kabeli, izņemiet visu pārtiku, iztīriet to un atstājiet durvis pusvīrus.
- Regulāri pārbaudiet durvju blīvējumu, lai pārliecinātos, ka tas ir tīrs un tajā nav sakrājušās pārtikas daļiņas.

- Lai izņemtu durvju plauktus, izņemiet visu saturu un tad paceliet plauktus no apakšpuses uz augšu.
- Iekārtas ārējo virsmu un hromēto daļu tīršanai nēkad neizmantojiet tīršanas līdzekļus vai ūdeni, kura sastāvā ir hlors. Hlors rada šādu metāla virsmu koroziju.

Plastmasas virsmu aizsargāšana

- Nelieciet uz ledusskapja šķidras eļļas vai eļļā gatavotus ēdienus nenoslēgtos traukos, jo tie bojā ledusskapja plastmasas virsmas. Ja uz plastmasas virsmām izlīst vai izsmērējas eļļa, uzreiz notīriet un ar siltu ūdeni noskalojiet attiecīgo vietu.

7 Ieteicamie problēmu risinājumi

Lūdzu, pārskatiet šo sarakstu pirms sazināšanās ar apkopes centru. Tas var ietaupīt jūsu laiku un naudu. Šajā sarakstā ietvertas bieži sastopamas problēmas, kas nav saistītas ar defektīvu ražojumu vai defektīva materiāla izmantošanu. Jūsu izstrādājumam var nebūt visas šeit aprakstītās funkcijas.

Ledusskapis nedarbojas.

- Vai ledusskapis ir pareizi pievienots strāvas avotam? Ievietojiet spraudkontakta sienas kontaktligzdā.
- Vai nav izdedzis drošinātājs kontaktligzdai, kurai pievienots ledusskapis, vai arī izsists galvenais drošinātājs? Pārbaudiet drošinātāju.

Kondensācija uz ledusskapja nodalījuma sānu sienas. (MULTI ZONE, COOL CONTROL un FLEXI ZONE).

- Ļoti zemā ārējā temperatūra. Bieža durvju atvēršana un aizvēršana. Ļoti liels mitrums apkārtējā telpā. Tiek atvērtos traukos uzglabāta pārtika, kas satur šķidrumu. Durvis atstātas pusvīrus.
- Termostata iestatīšana zemākai temperatūrai.
- Samaziniet laiku, kad durvis tiek turētas atvērtas, vai retāk izmantojiet ledusskapi.
- Pārtikas, kas tiek glabāta atvērtos traukos, pārklāšana ar piemērotu materiālu.
- Noslaukiet kondensātu ar sausu audumu un pārbaudiet, vai tas saglabājas.

Kompresors nedarbojas.

- Kompresora termiskā aizsardzība atslēgsies pēkšņu elektroapgādes traucējumu gadījumā vai arī pieslēgšanas-atslēgšanas laikā, jo dzesēšanas šķidrums ledusskapja dzesēšanas sistēmā nebūs sabalansēts.
- Ledusskapis sāks darboties pēc aptuveni 6 minūtēm. Lūdzu, sazinieties ar apkopes centru, ja ledusskapis nesāk darboties pēc šī laika perioda paišanas.
- Ledusskapis izpilda atkausēšanas ciklu. Tas ir normāli ledusskapim, kas veic pilnīgi automātisku atlaidināšanu. Atlaidināšanas cikls periodiski atkārtojas.
- Ledusskapis nav pievienots kontaktligzdai. Pārbaudiet, vai spraudkontakts ir cieši iesprausts sienas kontaktligzdā.
- Vai temperatūras noregulēšana ir veikta pareizi? Noticis strāvas padeves pārrāvums. Saņemieties ar savu elektroenerģijas piegādātāju.

Ledusskapis darbojas bieži vai ilgu laiku.
<ul style="list-style-type: none"> • Iespējams jaunais ledusskapis ir platāks par iepriekšējo. Tas ir visai normāli. Lieli ledusskapji darbojas ilgāku laika periodu. • Apkārtējā istabas temperatūra var būt augsta. Tas ir visai normāli. • Iespējams ledusskapis ir nesen ieslēgts vai tajā nesen ievietota pārtika. Ledusskapja pilnīga atdzesēšana var notikt pāris stundas ilgāk. • Nesen ledusskapī ievietots liels daudzums karsta ēdiena. Karsts ēdiens izraisa ilgāku ledusskapja darbību, līdz tiek sasniegta droša uzglabāšanas temperatūra. • Iespējams durvis tiek bieži atvērtas vai ilgstoši atstātas pusvīrus. Siltais gaiss, kas iekļūst ledusskapī, liek tam darboties ilgāku laiku. Atveriet durvis retāk. • Iespējams ledusskapja nodalījuma durvis atstātas pusvīrus. Pārbaudiet, vai durvis ir cieši aizvērtas. • Ledusskapis ir noregulēts ļoti zemai temperatūrai. Iestatiet augstāku ledusskapja temperatūru un gaidiet, līdz šī temperatūra tiek sasniegta. • Ledusskapja vai saldēšanas kameras durvju blīvējums var būt netīrs, nodilis, ieplīsis vai nepareizi novietots. Notīriet vai nomainiet blīvējumu. Bojāts/ieplīsis blīvējums liek ledusskapim darboties ilgāku laiku, lai saglabātu esošo temperatūru.
Saldēšanas kameras temperatūra ir ļoti zema, bet ledusskapja temperatūra ir apmierinoša.
<ul style="list-style-type: none"> • Saldētāja temperatūra ir noregulēta ļoti zemai temperatūrai. Iestatiet augstāku saldētāja temperatūru un pārbaudiet.
Ledusskapja temperatūra ir ļoti zema, bet saldēšanas kameras temperatūra ir apmierinoša.
<ul style="list-style-type: none"> • Ledusskapja temperatūra ir noregulēta ļoti zemai temperatūrai. Iestatiet augstāku ledusskapja temperatūru un pārbaudiet.
Pārtika, kas atrodas ledusskapja nodalījuma atvilktnēs, sasalst.
<ul style="list-style-type: none"> • Ledusskapja temperatūra ir noregulēta ļoti zemai temperatūrai. Iestatiet augstāku ledusskapja temperatūru un pārbaudiet.
Ledusskapja vai saldēšanas kameras temperatūra ir ļoti augsta.
<ul style="list-style-type: none"> • Noregulēta ļoti augsta ledusskapja temperatūra. Ledusskapja temperatūra ietekmē saldēšanas kameras temperatūru. Mainiet ledusskapja vai saldētāja temperatūru, līdz saldētāja vai ledusskapja temperatūra sasniedz pietiekošu līmeni. • Durvis atstātas pusvīrus. Kārtīgi aizveriet durvis. • Nesen ledusskapī ievietots liels daudzums karsta ēdiena. Gaidiet, līdz ledusskapis vai saldētājs sasniedz vēlamu temperatūru. • Ledusskapis var būt nesen ieslēgts. Ledusskapja pilnīga atdzesēšana prasa laiku tā izmēra dēļ.

No ledusskapja atskan skaņas, kas līdzīgas mehāniskā pulksteņa tikšķēšanai.
<ul style="list-style-type: none"> Šis troksnis nāk no ledusskapja elektromagnētiskā vārsta. Elektromagnētiskais vārsts nodrošina dzesēšanas šķidrums plūšanu cauri nodalījumam un var tikt noregulēts atbilstoši dzesēšanas vai saldēšanas temperatūrai un dzesēšanas funkciju veikšanai. Tas ir normāli un nav defekts.
Darbības troksnis palielinās, kad ledusskapis darbojas.
<ul style="list-style-type: none"> Ledusskapja darbības veiktspējas raksturlielumi var mainīties atkarībā no ārējās temperatūras izmaiņām. Tas ir normāli un nav defekts.
Vibrācijas vai trokšņi.
<ul style="list-style-type: none"> Grīda nav līdzena vai tā ir ļodzīga. Ledusskapis līgojas, ja tas tiek lēni pakustināts. Pārļiecinieties, ka grīda atrodas vienā līmenī, tā ir izturīga un spēj noturēt ledusskapja svaru. Iespējams troksni rada uz ledusskapja noliktās lietas. Tādas lietas jānoņem no ledusskapja virsmas.
Atskan trokšņi, kas atgādina šķidrums izlīšanu vai izšķāšanos.
<ul style="list-style-type: none"> Atbilstoši ledusskapja darbības principiem tajā plūst šķidrums un gāze. Tas ir normāli un nav defekts.
Atskan troksnis, kas atgādina vēja pūšanu.
<ul style="list-style-type: none"> Tiek izmantoti gaisa aktivizētāji (ventilatori), lai ledusskapis tiktu efektīvāk atdzesēts. Tas ir normāli un nav defekts.
Kondensācija uz ledusskapja iekšējām sienām.
<ul style="list-style-type: none"> Karsti un mitri laika apstākļi palielina ledus un kondensāta veidošanos. Tas ir normāli un nav defekts. Durvis tiek turētas pusvīrus. Pārļiecinieties, ka durvis ir cieši aizvērtas. Iespējams durvis tikušas ļoti bieži atvērtas vai turētas atvērtas ilgu laiku. Atveriet durvis retāk.
Ledusskapja ārpusē vai starp durvīm rodas mitrums.
<ul style="list-style-type: none"> Iespējams ir mitri laika apstākļi. Tas ir normāli mitros laika apstākļos. Kad mitrums būs mazāks, kondensāts izzudīs.
Slikta smaka ledusskapī.
<ul style="list-style-type: none"> Ledusskapja iekšpuse ir jāiztīra. Iztīriet ledusskapja iekšpusi ar sūkli, siltu ūdeni vai gāzētu ūdeni. Iespējams smaku izraisa daži konteineri vai iepakojuma materiāli. Izmantojiet citus konteinerus vai citas markas iepakojuma materiālu.
Durvis neizveras.
<ul style="list-style-type: none"> Pārtikas iepakojums var neļaut durvīm aizvērties. Pārvietojiet pakas, kas traucē durvīm. Iespējams ledusskapis neatrodas pilnīgi vertikāli uz grīdas un tas līgojas, kad tiek nedaudz pakustināts. Noregulējiet pacelšanas skrūves. Grīda nav vienā līmenī vai pietiekami izturīga. Pārļiecinieties, ka grīda atrodas vienā līmenī un spēj noturēt ledusskapi.
Augļu nodalījuma atvilktnes ir iesprūdušas.
<ul style="list-style-type: none"> Iespējams pārtika pieskaras atvilktnes griestiem. Pārkārtojiet atvilktnē esošo pārtiku.

Pirmiausia įdėmiai perskaitykite šį vadovą!

Gerbiamas pirkėjų,

Mes tikimės, kad mūsų gaminy, kuris buvo sukurtas moderniose gamylose ir kruopščiai patikrintas pagal griežtus kokybės kontrolės reikalavimus, veiksmingai ir ilgai jums tarnaus.

Todėl mes rekomenduojame jums prieš naudojimą atidžiai perskaityti visą šio gaminio vartotojo vadovą ir išsaugoti jį, kad galėtumėte pasinaudoti juo ateityje.

Šis vadovas

- Padės jums greitai ir saugiai naudoti šį buitinį prietaisą.
- Prieš sumontuodami ir pradėdami naudoti šį gaminį, perskaitykite šį vadovą.
- Vadovaukitės nurodymais, ypač nurodymais dėl saugos.
- Laikykite šį vadovą lengvai pasiekiamoje vietoje, nes juo dar gali tekti pasinaudoti.
- Taip pat perskaitykite ir kitus su šiuo gaminiu pateiktus dokumentus.

Atkreipkite dėmesį, kad šis vadovas gali galioti ir kitiems modeliams.

Ženkli ir jų aprašymas

Šioje naudojimo instrukcijoje panaudoti tokie ženklai:

- ⓘ Svarbi informacija arba naudingi patarimai dėl naudojimo.
- ⚠ Įspėjimas dėl sveikatai pavojingų arba žalos turtui galinčių padaryti sąlygų.
- ⚠ Įspėjimas dėl elektros įtampos.

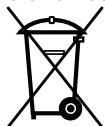


DĖMESIO!

Norėdami užtikrinti normalų šio šaldymo prietaiso, kuriame naudojama visiškai aplinkai žalos nedaranti šaldymo medžiaga R600a (degi esant tik tam tikroms aplinkos sąlygoms), veikimą, privalote vadovautis šiomis taisyklėmis:

- Nesutrikdysite laisvos oro cirkuliacijos aplink prietaisą.
- Norėdami pagreitinti atšildymo procesą, nenaudokite kitokių, nei gamintojų rekomenduojamų mechaninių priemonių.
- Nesugadinkite šaldymo linijos.
- Buitinio prietaiso maisto saugojimo skyriuose nenaudokite elektrinių prietaisų, nebent juos rekomenduotų gamintojas.

Perdirbimas



Šis produktas pateikiamas kartu su selektyvaus rūšiavimo simbolis atliekų elektros ir elektroninės įrangos atliekų (WEEE).

Tai reiškia, kad šis produktas turi būti tvarkomas pagal Europos Direktyvą 2002/96/EC, kad būtų perdirbama ar išmontuoti kuo labiau sumažintų jos poveikį aplinkai. Dėl išsamesnės informacijos, prašome susisiekti su vietiniu ar regioniniu autoritetu.

Elektroniniai produktai, nepriskirti prie atrankinio rūšiavimo procesą yra potencialiai pavojingos aplinkai ir žmonių sveikatai dėl to, kad buvimo pavojingos medžiagos.

TURINYS

1 Šaldytuvas 3

2 Svarbūs įspėjimai dėl saugos 4

Naudojimo paskirtis 4

Bendrieji saugos reikalavimai 4

Gaminiam su vandens dalytuvu;..... 6

Vaikų sauga..... 6

HCA įspėjimas

Jeigu gaminyje įrengta aušinimo sistema, kurioje naudojama R600a..... 6

Nepaisykite šio įspėjimo, jeigu gaminyje įrengta aušinimo sistema, kurioje naudojama R134a 6

Ką reikia daryti, norint sutaupyti energijos..... 6

3 Įrengimas 7

Į ką reikia atsižvelgti vežant šį šaldytuvą 7

Prieš pradėdant naudoti šaldytuvą..... 7

Elektros prijungimas..... 7

Pakuotės išmetimas 8

Seno šaldytuvo išmetimas 8

Pastatymas ir instaliacija 8

lekšėjā apgaismojuma spuldzes nomaiņa 8

Durų perstatymas,..... 9

4 Paruošimas 10

5 Šaldytuvo naudojimas 11

Temperatūros nustatymo rankenėlė..... 11

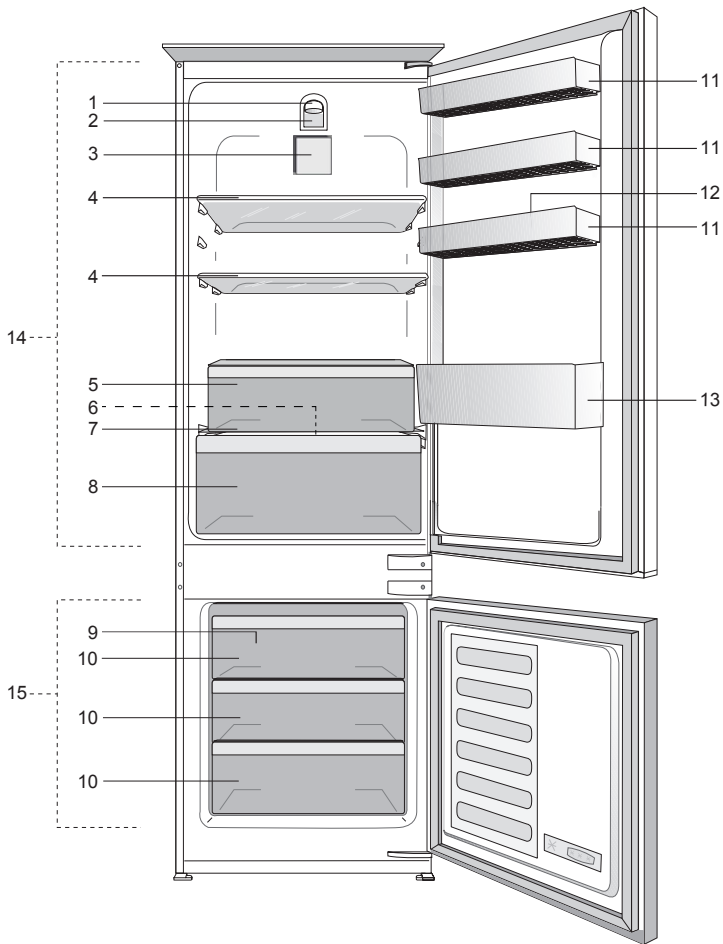
Atšildykite 11

6 Techninė priežiūra ir valymas 13

Plastikinių paviršių apsauga 13

7 Rekomenduojami problemų sprendimo būdai 14

1 Šaldytuvas



1. Temperatūros nustatymo rankenėlė
2. Vidaus apšvietimas
3. Šviežių maisto produktų šaldymo ventiliatorius
4. Reguliuojamos lentynos
5. Nulio laipsnių skyrius
6. Atšildyto vandens surinkimo kanalas - drenažo vamzdelis
7. Daržovių ir vaisių stalčiaus dangtis
8. Daržovių ir vaisių stalčiaus
9. Ledo surinkimo lentyna
10. Skyriai užšaldytiems maisto produktams laikyti
11. Pritaikomos durų lentynos
12. Kiaušinių dėklas
13. Butelių lentyna
14. Šaldytuvo skyrius
15. Šaldiklio skyrius

❗ Šiame eksploataavimo vadove pateikti paveikslėliai yra orientacinio pobūdžio; gali būti, kad jie tiksliai nevaizduoja jūsų turimo gaminio. Jei jūsų turimame gaminyje nėra aprašomų dalių, tai reiškia, jog tai taikoma kitiems modeliams.

2 Svarbūs įspėjimai dėl saugos

Prašome atidžiai perskaityti toliau pateiktą informaciją. Nepaisant šios informacijos, galima susižaloti arba padaryti žalos turtui. Tuomet nebegalios jokia garantija ir gamintojo įsipareigojimai.

Originalios atsarginės dalys tiekiamos 10 metų nuo gaminio įsigijimo dienos.

Naudojimo paskirtis

Šis gaminys skirtas naudoti:

- patalpose ir uždaroje vietose, pavyzdžiui, namuose;
 - uždaroje darbo aplinkoje, pavyzdžiui, parduotuvėse ir biuruose;
 - uždaroje apgyvendinimo vietose, pavyzdžiui, ūkininkų gyvenamuosiuose namuose, viešbučiuose, pensionuose.
- Šio gaminio negalima naudoti lauke.

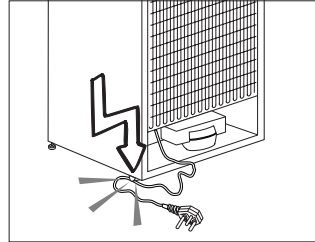
Bendrieji saugos reikalavimai

- Kai šį gaminį norėsite išmesti arba atiduoti į metalo laužą, rekomenduojama pasikonsultuoti su įgaliotomis tarnybomis ir institucijomis, kad sužinotumėte reikiamą informaciją.
- Jei kyla klausimų apie šaldytuvą arba atsiranda problemų, pasikonsultuokite su įgaliotais aptarnavimo specialistais. Šaldytuvo neardykite ir niekam neleiskite to daryti; tai galima daryti tik apie tai pranešus įgaliotiems aptarnavimo specialistams.
- Gaminiams su šaldiklio kamera; Ledų ir ledo kubelių nevalgykite vos juos išėmę į šaldiklio kameros! (Galite nušalti burną.)

- Gaminiams su šaldiklio kamera; Į šaldiklio kamerą nedėkite butelių ir skardinių su gėrimais. Jie gali sprogti.
- Užšaldytų maisto produktų nelieskite rankomis – jie gali prilipti prie rankų.
- Prieš valydami arba atšildydami šaldytuvą, atjunkite jį nuo elektros tinklo.
- Šaldytuvui valyti ir šerkšnei šalinti negalima naudoti garų ir garinių valomųjų medžiagų. Garai gali pasiekti elektrines dalis ir sukelti trumpą jungimą arba elektros smūgį.
- Šaldytuvo dalių, pavyzdžiui, nuo spyrio apsaugančios plokštės arba durelių, nenaudokite kaip atramos ar laiptelio.
- Šaldytuvo viduje nenaudokite elektros prietaisų.
- Žiūrėkite, kad gręžimo ar pjovimo įrankiais nepažeistumėte dalių, kuriose cirkuliuoja aušinamasis skystis. Iš pradurtų garintuvo dujų kanalų, vamzdžių ilgutuvų arba paviršiaus dangų ištryškęs aušinamasis skystis gali suezrinti odą ir pažeisti akis.
- Jokiomis medžiagomis neuždenkite ir neužkimškite šaldytuvo ventiliacinių angų.
- Elektrinius prietaisus privalo taisyti tik įgaliotieji asmenys. Jei remontą vykdys nekompetentingi asmenys, naudotojui gali kilti pavojus.
- Įvykus trikdžiai, taip pat techninės priežiūros arba remonto metu šaldytuvui atjunkite elektros maitinimą – arba išsukite atitinkamą saugiklį, arba ištraukite prietaiso laido kištuką.
- Netraukite laikydami už laido – traukite laikydami už kištuko.
- Stiprius alkoholinius gėrimus stipriai užkimškite ir laikykite vertikaliaje padėtyje.
- Šaldytuve niekada nelaikykite flakonų su degiomis ir sprogiomis medžiagomis.

- Norėdami paspartinti atitirpinimo procesą, nenaudokite jokių mechaninių prietaisų ar kitų priemonių, išskyrus gamintojo rekomenduojamas.
- Šis buitinis prietaisas nėra skirtas naudoti asmenims (įskaitant vaikus) su fiziniais, jutimo ar protiniais sutrikimais arba asmenims, kurie turi nepakankamai patirties ir žinių naudoti šį prietaisą, nebent juos tinkamai prižiūrėtų (arba nurodytų, kaip naudoti šį buitinį prietaisą) už jų saugą atsakingas asmuo.
- Nenaudokite sugedusio šaldytuvo. Jeigu dėl ko nors nerimaujate, pasikonsultuokite su techninio aptarnavimo specialistais.
- Šaldytuvo elektros sauga garantuojama tik tuo atveju, jei jūsų name įrengta žemėnimo sistema atitinka standartus.
- Gaminį statyti vietoje, neapsaugotoje nuo lietaus, sniego, saulės ir vėjo, pavojinga elektros saugos požiūriu.
- Jeigu maitinimo kabelis būtų pažeistas, susisiekiate su įgaliotuoju techninio aptarnavimo centru, kad išvengtumėte pavojaus.
- Įrengimo metu draudžiama šaldytuvo maitinimo laidą kištuką įkišti į sieninį lizdą – galite žūti arba patirti rimtą traumą.
- Šis šaldytuvus skirtas tik maisto produktams laikyti. Prietaiso negalima naudoti kitai paskirčiai.
- Etiketė, kurioje nurodomi techniniai gaminio duomenys, pritvirtinta vidinėje kairėje šaldytuvo pusėje.
- Niekada neįjunkite šio šaldytuvo į elektros energijos taupymo sistemas; jos gali sugadinti šaldytuvą.
- Jeigu šaldytuve įrengta mėlyna kontrolinė lemputė, nežiūrėkite į mėlyną šviesą pro optinius prietaisus.
- Jeigu naudojate rankiniu būdu valdomą šaldytuvą, nutrūkus elektros tiekimui, prieš vėl jį įjungdami, palaukite bent 5 minutes.

- Atidavus šį gaminį kitiems, naujam gaminio savininkui reikia atiduoti ir šią naudojimo instrukciją.
- Gabendami šaldytuvą, stenkitės nepažeisti maitinimo kabelio. Sulenktas kabelis gali sukelti gaisrą. Ant maitinimo kabelio niekada nestatykite sunkių daiktų. Jungdami gaminį į maitinimo tinklą, nelieskite kištuko drėgnomis rankomis.



- Neįjunkite šaldytuvo, jeigu sieninis lizdas yra atsilaisvinęs.
- Saugumo sumetimais nepukškite vandens tiesiai ant vidinių arba išorinių šio gaminio dalių.
- Nepurškite šalia šaldytuvo degių medžiagų, pavyzdžiui, propano dujų ir pan., nes kyla gaisro ir sprogimo pavojus.
- Nestatykite ant šaldytuvo indų su vandeniu, nes gali kilti elektros smūgis arba gaisras.
- Neprikraukite į šaldytuvą per daug maisto produktų. Pridėjus per daug maisto produktų, atidarant arba uždarant šaldytuvo duris, jie gali išskristi ir sužeisti. Niekada nestatykite ant šaldytuvo daiktų, nes atidarius arba uždarius šaldytuvo dureles, jie gali nukristi.
- Šaldytuve negalima laikyti medžiagų, kurioms saugoti reikia tikslios temperatūros, pavyzdžiui, vakcinų, temperatūrai jautrių vaistų, mokslinių tyrimų medžiagų ir pan.

- Jeigu šaldytuvo ilgai nenaudojate, būtinai atjunkite jį nuo maitinimo tinklo. Dėl galimo maitinimo kabelio pažeidimo gali kilti gaisras.
- Elektros kištuką reikia reguliariai nuvalyti, kitaip jis gali sukelti gaisrą.
- Elektros kištuką reikia reguliariai valyti sausu skudurėliu, kitaip gali kilti gaisras.
- Jeigu reguliuojamos kojelės netvirtai remsis į grindis, šaldytuvus gali judėti. Pareguliuokite reguliuojamas kojeles, kad jos tinkamai remtųsi į grindis ir šaldytuvus nejudėtų.
- Nešdami šaldytuvą, nelaikykite jo už durų rankenos. Kitaip ji gali nulūžti.
- Jeigu šį gaminį reikia statyti prie kito šaldytuvo arba šaldiklio, tarp prietaisų būtina palikti bent 8 cm tarpą. Kitaip gretimos šoninės sienelės gali pradėti rasoti.

Gaminiams su vandens dalytuvu

Slėgis vandentiekio vamzdyje turi būti ne mažesnis nei 1 baras. Slėgis vandentiekio vamzdyje turi būti ne didesnis nei 8 barai.

- Naudokite tik geriamąjį vandenį.

Vaikų sauga

- Jeigu durelės rakinamos spyna, laikykite raktą vaikams nepasiekiamoje vietoje.
- Privaloma prižiūrėti mažus vaikus, kad jie nežaistų su šiuo buitiniu prietaisu.

HCA įspėjimas Jeigu gaminyje įrengta aušinimo sistema, kurioje naudojama R600a:

Šios dujos lengvai užsiliepsnoja. Todėl būkite atsargūs, kad eksploataavimo ir transportavimo metu nepažeistumėte aušinimo sistemos ir vamzdžių.

Pažeidimo atveju, saugokite gaminį nuo galimų liepsnos šaltinių, nuo kurių gaminys galėtų užsidegti, ir vėdinkite patalpą, kurioje stovi šis prietaisas.

Nepaisykite šio įspėjimo, jeigu gaminyje įrengta aušinimo sistema, kurioje naudojama R134a.


Gaminyje naudojamų dujų rūšis nurodyta techninių gaminio duomenų etiketėje, kuri yra pritvirtinta vidinėje kairėje šaldytuvo pusėje.

Niekuomet nedeginkite šio buitinio

Ką reikia daryti, norint sutaupyti energijos

- Nelaikykite šaldytuvo durelių atidarytų ilgą laiką.
- Į šaldytuvą nedėkite karšo maisto arba gėrimų.
- Į šaldytuvą nedėkite pernelyg daug maisto produktų, kad nebūtų kliudoma viduje cirkuliuoti orui.
- Šaldytuvo nestatykite vietoje, kur šviečia tiesioginiai saulės spinduliai arba arti šilumą skleidžiančių prietaisų, pavyzdžiui, orkaitių, indaplovių arba radiatorių.
- Maisto produktus laikykite uždaruose induose.
- Gaminiuose su šaldymo kamera; išėmę šaldiklio lentyną arba stalčių, šaldiklio kameroje galite laikyti maksimalų produktų kiekį. Paskelbtosios šaldytuvo energijos sąnaudos nustatytos išėmus šaldiklio kameros lentyną arba ištraukus stalčių ir sudėjus maksimalų leistiną produktų kiekį. Ant lentynos arba stalčiuje galima saugiai laikyti užšaldyti skirtus produktus, atsižvelgiant į jų formą ir dydį.
- Atšildant šaldytus maisto produktus šaldytuvo skyriuje, bus ir taupoma energija, ir išsaugoma maisto kokybė.

3 Įrengimas

 Prašom atkreipti dėmesį, kad gamintojas neprisiima atsakomybės, jei bus nepaisoma šiame eksploatavimo vadove pateiktos informacijos.

Į ką reikia atsižvelgti vežant šį šaldytuvą

1. Prieš šaldytuvą transportuojant, jį reikia ištuštinti ir išvalyti.
2. Prieš šaldytuvą supakuojant, jame esančias lentynas, papildomas dalis, daržovių dėtuves ir kt. būtina sutvirtinti lipnia juosta, kad šios dalys nesikratytų.
3. Pakuotės medžiagas būtina sutvirtinti storomis juostomis ir tvirtomis virvėmis; būtina paisyti ant pakuotės pateiktų transportavimo instrukcijų.

Atminkite...

Visų medžiagų perdirbimas turi didelės įtakos tausojant gamtos ir mūsų šalies išteklius.

Jei pakavimo medžiagas norite atiduoti perdirbti, kreipkitės į aplinkosaugos institucijas arba vietos valdžios įstaigas, kur jums bus suteikta daugiau informacijos.

Prieš pradėdami naudoti šaldytuvą

Prieš pradėdami naudoti buitinį prietaisą, patikrinkite, ar:

1. Šaldytuvo vidus yra sausas, o galinėje dalyje oras laisvai cirkuliuoja?
2. Vidų valykite vadovaudamiesi nurodymais, pateiktais skyriuje „Techninė priežiūra ir valymas“.


3. Įkiškite šaldytuvo elektros kištuką į sieninį lizdą. Atidarius šaldytuvo dureles, užsidega vidinis apšvietimas.
4. Pradėjus veikti kompresoriui, išgirsite nestiprius garsus. Ar kompresorius veikia, ar ne, šaldytuvo sistemoje hermetiškai uždarytas skystis ir dujos taip pat gali kelti silpnus garsus – tai visiškai normalu.
5. Priekiniai šaldytuvo kraštai gali įšilti. Tai normalu. Šios vietos turi būti šiltos tam, kad nesusidarytų kondensacija.


Elektros prijungimas

Prijunkite gaminį prie įžeminto lizdo su tinkamos kategorijos saugikliu.

Svarbu

- Elektros prijungimą būtina atlikti atsižvelgiant į savo šalies reglamentus.
- Atlikus elektros instaliaciją, maitinimo laido kištukas turi būti lengvai pasiekiamas.
- Nurodytas įtampos stiprumas turi būti toks pat, kaip ir maitinimo tinklo įtampos stiprumas.
- Prijungimui negalima naudoti ilginimo laidų ir daugiaskylių kištukų.

 Pažeistą maitinimo laidą privalo pakeisti kvalifikuotas elektrikas.

 Negalima naudoti buitinio prietaiso, kol nebus pataisytas jo laidas! Kyla elektros smūgio pavojus!

Pakuotės išmetimas

Pakavimo medžiagos gali kelti pavojų vaikams. Laikykite pakavimo medžiagas vaikams nepasiekiamoje vietoje arba išmeskite jas, išrūšiuodami pagal atliekų rūšiavimo nurodymus. Neišmeskite pakavimo medžiagų kartu su kitomis buitinėmis atliekomis.

Šaldytuvo pakavimo medžiagos yra pagamintos iš pakartotinai panaudojamų medžiagų.

Seno šaldytuvo išmetimas

Seną šaldytuvą išmeskite taip, kad nebūtų daroma žala aplinkai.

- Kaip išmesti šį šaldytuvą, galite sužinoti iš savo įgaliotojo pardavimo atstovo arba savo savivaldybės atliekų surinkimo punkte.

Prieš išmesdami šaldytuvą, nupjaukite elektros kištuką ir, jei duryi turi kokių nors užraktų, sugadinkite juos, kad nekiltų pavojų vaikams.

Pastatymas ir instaliacija

⚠ Jei patalpos, kurioje bus įrengiamas šaldytuvas, įėjimas nėra pakankamai platus, kad pro jį būtų galima įnešti šaldytuvą, iškvieskite įgaliotus aptarnavimo darbuotojus, kad jie nuimtų šaldytuvo dureles ir jį pro įėjimą įneštų šonu.

1. Šaldytuvą įrenkite tokioje vietoje, kur jį būtų lengva eksploatuoti.
2. Šaldytuvą statykite atokiai nuo šilumos šaltinių, drėgnų vietų ir tiesioginių saulės spindulių.

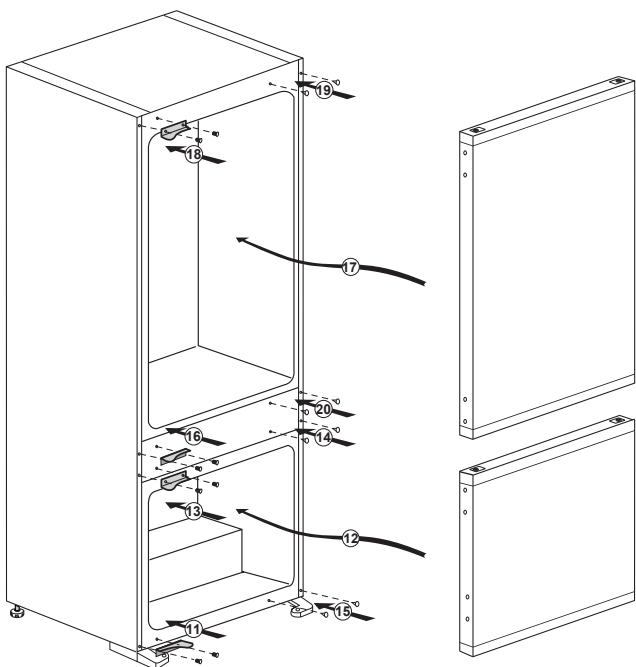
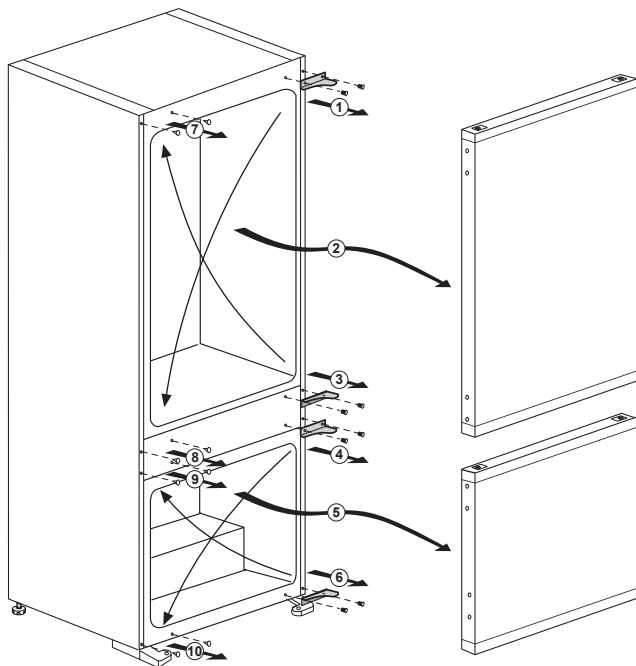
3. Tam, kad šaldytuvas efektyviai veiktų, aplink jį turi būti tinkama oro ventiliacija. Jei šaldytuvą reikia statyti sienos nišoje, nuo šaldytuvo iki lubų ir iki sienų turi būti mažiausiai 5 cm tarpas. Jei ant grindų patiestas kilimas, šį gaminį virš grindų būtina pakelti 2,5 cm.
4. Tam, kad nekiltų vibracija, šaldytuvą statykite ant lygaus grindų paviršiaus.
5. Šaldytuvo nestatykite patalpoje, kurioje aplinkos temperatūra žemesnė negu 10°C.

Iekšējā apgaismojuma spuldzes nomaiņa

Jei reikia pakeisti šaldytuvo apšvietimo lempuķi, susisiekite su artimiausia įgaliotaja tehninio aptarnavimo tarnyba. Šajā ierīcē izmantotā lampa nav piemērota istabu apgaismojumam. Šīs lampas mērķis ir padarīt pārtikas produktu ievietošanu ledusskapī/saldētavā drošu un ērtu. Šajā ierīcē izmantotajām lampām ir jāspēj funkcionēt ekstrēmās fiziskos apstākļos, piemēram, temperatūrā, kas nepārsniedz -20°C.

Durų perstatymas

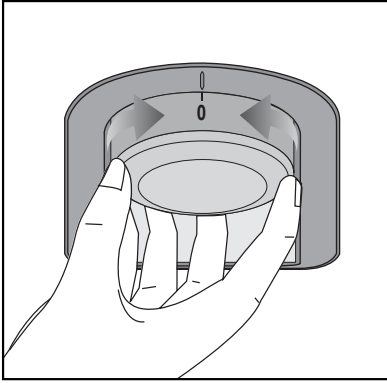
Veiksnius atlikite paeiliui pagal numerį.



4 Paruošimas

- i** Šaldytuvą reikia įrengti mažiausiai 30 cm atstumu nuo šilumos šaltinių, pavyzdžiui, viryklės viršaus, orkaitių, centrinio šildymo radiatorių bei virklių, ir mažiausiai 5 cm atstumu nuo elektrinių orkaitių; nestatykite jo tiesioginiuose saulės spinduliuose.
- i** Patalpos, kur įrengiamas šaldytuvas, aplinkos temperatūra turi būti ne žemesnė negu 10°C. Šaldytuvo nerekomenduojama eksploatuoti esant žemesnei temperatūrai, nes jo veikimo efektyvumas taps prastesnis.
- i** Rūpinkitės šaldytuvo vidaus švara.
- i** Jei du šaldytuvai įrengiami vienas šalia kito, tarp jų turi būti mažiausiai 2 cm atstumas.
- i** Šaldytuvą pradėję eksploatuoti pirmą kartą, pirmąsias šešias valandas prašom paisyti tokių instrukcijų:
 - Nedarinėkite dažnai durelių.
 - Šiuo periodu šaldytuve turi nebūti maisto produktų.
 - Neišjunkite šaldytuvo iš maitinimo tinklo. Jei nutrūktų elektros tiekimas, žr. skyriuje „Rekomenduojami problemų sprendimo būdai“ pateiktus įspėjimus.
- i** Originalias pakuotės medžiagas ir pustpalstį derėtų saugoti ateičiai, jei šaldytuvą prireiktų transportuoti arba perkelti.

5 Šaldytuvo naudojimas



Temperatūros nustatymo rankenėlė

Šaldytuvo vidaus temperatūra pasikeičia dėl šių priežasčių:

- sezoninės temperatūros;
- ilgam laikui tarpui palikus atidarytas šaldytuvo duris;
- dedant maistą į šaldytuvą prieš tai neatvėsinus jo iki kambario temperatūros;
- dėl šaldytuvo vietos patalpoje (pvz., pastačius jį ten, kur jį veikia tiesioginiai saulės spinduliai);
- Galite pareguliuoti dėl tokių priežasčių pakeistą vidaus temperatūros parinkimo rankenėlės nuostatą, naudodami termostatą. Aplink šią rankenėlę esantys skaičiai parodo šaldymo laipsnius.
- Jeigu aplinkos temperatūra yra didesnė nei 32°C, nustatykite termostato rankenėlę į maksimalią padėtį.
- Jeigu aplinkos temperatūra yra žemesnė nei 25°C, nustatykite termostato rankenėlę į minimalią padėtį.

Atšildykite

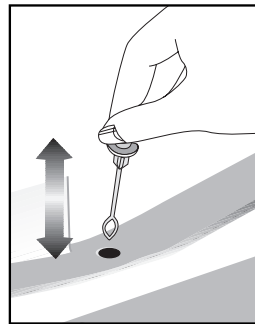
A) Šaldytuvo skyrius

Šaldytuvo skyrius atšyla visiškai automatiškai.

Šaldytuvui vėstant, ant vidinės galinės šaldytuvo skyriaus sienelės gali susidaryti vandens lašų ir 7-8 mm šerkšnas. Tai normalus aušinimo sistemos reiškinys. Susidaręs šerkšnas atšildomas automatinio atšildymo metu, kurį tam tikrais intervalais atlieka galinės sienelės atšildymo sistema. Vartotojui nereikia grandyti šerkšno arba šalinti vandens lašelių.

Vanduo, susidaręs atšildymo metu, teka vandens surinkimo grioveliu ir pro išleidimo vamzdelį suteka į garintuvą bei savaime išgaruoja.

Reguliariai tikrinkite, ar išleidimo vamzdelis nėra užkištas ir, kai reikia, išvalykite jį, naudodami pagaliuką.



B) Šaldiklio kame

Šaldiklio skyrius automatiškai neatšildomas, kad nesugestų jame laikomi užšaldyti maisto produktai.

Atšaldymo procesas yra labai paprastas: naudojant ypatingą atšildyto vandens surinkimo indą, jis vyksta labai tvarkingai.

Atšildykite šaldytuvą dukart per metus arba tuomet, kai susidarys maždaug 7 mm (1/4 col.) šerkšno sluoksnis.

Norėdami pradėti atšildymo procesą, išjunkite buitinio prietaiso jungiklį ir ištraukite jo kištuką iš elektros lizdo. Visus maisto produktus suvyniokite į keletą laikraščio sluoksnių ir padėkite į vėsią vietą (pvz., į šaldytuvą arba sandėliuką). Norint pagreitinti atšildymo procesą, šaldiklyje galima atsargiai pastatyti indų su šiltu vandeniu.

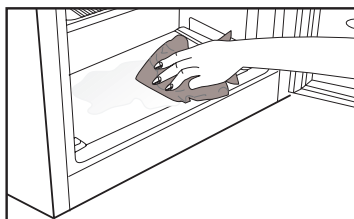
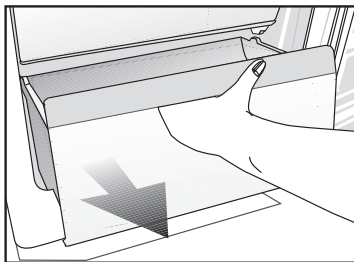
Užšalusiems lašeliams pašalinti nenaudokite smailių daiktų arba daiktų su aštriais galais, pvz., peilių arba šakučių.

Atšildymui niekada nenaudokite plaukų džiovintuvų, elektrinių šildytuvų arba kitokių panašių elektrinių buitinių prietaisų.

Šaldiklio skyriaus apačioje susikaupusį atšilusį vandenį sugerkite kempine.

Prietaisui atšilus, kruopščiai nusausinkite jo vidų.

Įkiškite kištuką į sienoje esantį elektros lizdą ir įjunkite buitinio prietaiso jungiklį.



6 Techninė priežiūra ir valymas

- ⚠ Valymui niekada nenaudokite benzino, benzolo arba panašių medžiagų.
- ⚠ Prieš valymą rekomenduojama išjungti buitinį prietaisą iš maitinimo tinklo.
- ℹ Valymui niekada nenaudokite aštrių abrazyvinių įrankių, muilo, buitinio valiklio, skalbimo priemonių ar vaško poliravimui.
- ℹ Buitinio prietaiso skyrių nuvalykite drungnu vandeniu, o po to sausai iššluostykite.
- ℹ Šaldytuvo vidui valyti naudokite drėgną nuspauštą skudurėlį, sudrėkintą tirpale, pagamintame ištirpinus vieną arbatinį šaukštelį sodos (bikarbonato) vienoje pintoje (0,57 litro) vandens; po to sausai iššluostykite.
- ⚠ Žiūrėkite, kad į lemputės korpusą ir kitus elektros elementus nepatektų vandens.
- ⚠ Jeigu ketinate ilgam nenaudoti buitinio prietaiso, išjunkite jį ir išimkite visą maistą, išvalykite jį ir palikite dureles pravertas.
- ℹ Reguliariai patikrinkite, ar durelių tarpikliai yra švarūs ir ant jų nėra maisto dalelių.
- ℹ Norėdami ištraukti durelių lentynas, išimkite visus daiktus ir po to paprasčiausiai patraukite durelių lentyną į viršų nuo pagrindo.

- ℹ Valydami išorinius prietaiso paviršius bei chromu padengtas dalis, niekada nenaudokite valymo medžiagų ar vandens su chloru. Chloras sukelia tokių metalinių paviršių koroziją.

Plastikinių paviršių apsauga

- ℹ Į šaldytuvą nedėkite skysto aliejaus ar aliejuje virto maisto neuždarytuose induose, nes tokie produktai pažeis šaldytuvo plastikinius paviršius. Jei aliejus išsilieja ant plastikinių paviršių arba juos sutepa, užterštą vietą iš karto nuvalykite ir nuplaukite šiltu vandeniu.

7 Rekomenduojami problemų sprendimo būdai

Prieš kreipdamiesi į aptarnavimo tarnybą, prašom peržiūrėti šį sąrašą. Taip sutaupysite laiko ir pinigų. Šiame sąrašė pateikiamos dažniausiai pasitaikančios problemos, kurios nėra susijusios su pagaminimo arba naudojamų medžiagų broku. Kai kurių čia aprašytų funkcijų jūsų įsigytame gaminyje gali nebūti.

Šaldytuvas neveikia.
<ul style="list-style-type: none">• Ar tinkamai įkištas šaldytuvo laido kištukas? Įkiškite kištuką į sieninį lizdą.• Ar neperdegė lizdo, į kurį yra įjungtas šaldytuvas, saugiklis arba maitinimo tinklo saugiklis? Patikrinkite saugiklį.
Kondensacija ant šaldytuvo skyriaus šoninių sienų. (MULTI ZONE, COOL CONTROL ir FLEXI ZONE).
<ul style="list-style-type: none">• Labai žema aplinkos temperatūra. Dažnai atidaromos ir uždaromos durelės. Didelis aplinkos drėgnumas. Neuždarytuose induose laikomi skysti maisto produktai. Durelės buvo paliktos atidarytos.• Nustatykite žemesnę termostato temperatūrą.• Trumpiau laikykite dureles atviras arba jas rečiau darinėkite.• Tinkamomis medžiagomis uždenkite atviruose induose laikomus maisto produktus.• Susidariusius lašelius nuvalykite sausu skudurėliu ir patikrinkite, ar jie vėl susidaro.
Neveikia kompresorius.
<ul style="list-style-type: none">• Įvykus staigiam energijos tiekimo pertrūkiui, iššoks kompresoriaus terminis saugiklis, arba, jei šaldytuvo slėgis aušinamojoje sistemoje nesubalansuotas, įsijungia išjungiklis.• Šaldytuvas pradės veikti maždaug po 6 minučių. Jei praėjus šiam periodui šaldytuvas neįsijungia, kreipkitės į aptarnavimo tarnybą.• Vyksta aldytuvo atsildymo ciklas. Tai normalus visikai automatinio atsildymo aldytuvo veikimas. Atsildymo ciklas vyksta periodikai.• Šaldytuvo laido kištukas neįkištas į lizdą. Patikrinkite, ar kištukas gerai įkištas į sieninį lizdą.• Ar nustatyta teisinga temperatūra? Įvyko energijos tiekimo pertrūkis. Kreipkitės į elektros tiekimo įmonę.

Šaldytuvas dažnai įsijungia arba ilgą laiką veikia.

- Gali būti, kad jūsų naujasis šaldytuvas platesnis už ankstesnįjį. Tai visiškai normalu. Dideli šaldytuvai veikia ilgesnį laiką.
- Gali būti, kad patalpoje yra aukšta temperatūra. Tai visiškai normalu.
- Gali būti, kad šaldytuvas neseniai prijungtas arba į jį neseniai sudėta maisto produktų. Visiškas šaldytuvo atvėsimas gali trukti pora valandų ilgiau.
- Gali būti, kad į šaldytuvą neseniai įdėta daug karštų maisto produktų. Įdėjus karštų maisto produktų, šaldytuvas veikia ilgiau, t.y. tol, kol produktai atvėsinami iki saugaus laikymo temperatūros.
- Gali būti, kad buvo dažnai atidarinėjamos durelės arba jos buvo ilgą laiką paliktos atidarytos. Į šaldytuvą pateko šilto oro, todėl šaldytuvas ilgiau veikia. Rečiau atidarinėkite dureles.
- Gali būti, kad šaldiklio arba šaldytuvo skyriaus durelės buvo paliktos atidarytos. Patikrinkite, ar gerai uždarėte dureles.
- Šaldytuve nustatyta labai žema temperatūra. Nustatykite aukštesnę šaldytuvo temperatūrą ir palaukite, kol ši temperatūra bus pasiekta.
- Gali būti, kad užsiteršė, susidėvėjo, buvo pažeistas arba blogai priglunda šaldytuvo arba šaldiklio durelių tarpiklis. Tarpiklį nuvalykite arba pakeiskite. Dėl pažeisto tarpiklio šaldytuvas ilgiau veikia, kad būtų palaikoma esama temperatūra.

Šaldiklio temperatūra labai žema, tačiau šaldytuvo skyriaus temperatūra normali.

- Šaldiklyje nustatyta labai žema temperatūra. Nustatykite aukštesnę šaldiklio temperatūrą ir patikrinkite.

Šaldytuvo temperatūra labai žema, tačiau šaldiklio skyriaus temperatūra normali.

- Šaldytuve nustatyta labai žema temperatūra. Nustatykite aukštesnę šaldytuvo temperatūrą ir patikrinkite.

Šaldytuvo skyriaus stalčiuose laikomi maisto produktai sušąla.

- Šaldytuve nustatyta labai žema temperatūra. Nustatykite aukštesnę šaldytuvo temperatūrą ir patikrinkite.

Temperatūra šaldytuve arba šaldiklyje labai aukšta.

- Šaldytuve nustatyta labai aukšta temperatūra. Šaldytuvo temperatūros nuostata daro poveikį šaldiklio temperatūrai. Nustatykite tokią šaldytuvo arba šaldiklio temperatūrą, kad ji būtų reikiamo lygio.
- Gali būti, kad durelės paliktos atidarytos. Dureles gerai uždarykite.
- Gali būti, kad į šaldytuvą neseniai įdėta daug karštų maisto produktų. Palaukite, kol šaldytuve arba šaldiklyje bus pasiekta norima temperatūra.
- Gali būti, kad šaldytuvas neseniai buvo prijungtas. Šaldytuvas yra didelis, todėl jis visiškai atvėsta praėjus tam tikram laikui.

Iš šaldytuvo sklinda garsai, primenantys mechaninio laikrodžio sekundžių tiksėjimą.
<ul style="list-style-type: none"> Šį garsą skleidžia šaldytuvo solenoidinis vožtuvas. Solenoidinio vožtuvo funkcija - užtikrinti, kad šaldytuvo skyriuje cirkuliuotų aušinimo skystis; šis vožtuvas leidžia nustatyti aušinimą arba šaldymą bei vykdyti aušinimo funkcijas. Tai visiškai normalu ir nėra gedimas.
Šaldytuvui pradėjus veikti, jis veikia triukšmingai.
<ul style="list-style-type: none"> Šio šaldytuvo darbo našumo savybės gali kisti, priklausomai nuo aplinkos temperatūros pokyčių. Tai normalu ir nėra gedimas.
Vibracija arba triukmas.
<ul style="list-style-type: none"> Nelygios arba silpnos grindys. Šaldytuvą lėtai judinamas linguoja. Grindys turi būti lygios, pakankamai tvirtos, kad išlaikytų šaldytuvą. Triukšmą gali kelti ant šaldytuvo sudėti daiktai. Tokius daiktus reikėtų nuimti nuo šaldytuvo viršaus.
Garsai, panašūs į skysčio ištekėjimą arba purškimą.
<ul style="list-style-type: none"> Šaldytuvą veikia jo viduje cirkuliuojant skysčio ir dujų srautams. Tai normalu ir nėra gedimas.
Girdimas garsas, kyg vėjas pūstų.
<ul style="list-style-type: none"> Norint, kad šaldytuvą veiksmingai šaldytų, jame naudojami oro srauto aktyvuliai (ventiliatoriai). Tai normalu ir nėra gedimas.
Kondensacija ant vidinių šaldytuvo sienų.
<ul style="list-style-type: none"> Apledėjimas ir kondensacija didėja esant karštam ir drėgnam orui. Tai normalu ir nėra gedimas. Atidarytos durelės. Patikrinkite, ar visiškai uždarėte šaldytuvo duris. Gali būti, kad durelės buvo dažnai darinėjamos arba jos ilgą laiką buvo paliktos atidarytos. Rečiau atidarinkite dureles.
Ant šaldytuvo išorės arba tarp durelių susidaro drėgmės.
<ul style="list-style-type: none"> Gali būti, kad oras labai drėgnas. Esant drėgnam orui tai visiškai normalu. Sumažėjus drėgnumui, kondensacija nesusidarys.
Šaldytuve sklinda prastas kvapas.
<ul style="list-style-type: none"> Reikia išvalyti šaldytuvo vidų. Šaldytuvo vidų išvalykite naudodami kempinę, šiltą arba prisotintą angliarūgštės vandenį. Gali būti, kad kvapą išskiria kai kurie indai arba pakuotės medžiagos. Naudokite kitą indą arba kitokios rūšies pakavimo medžiagą.
Durelės neužsidaro.
<ul style="list-style-type: none"> Gali būti, kad durims neleidžia užsidaryti maisto produktų pakuotės. Pakuotes, kurios trukdo durelėms užsidaryti, padėkite į kitą vietą. Gali būti, kad šaldytuvą nelygiai stovi ant grindų, todėl nesmarkiai jį stumtelėjus, jis gali judėti. Sureguliuokite aukščio reguliavimo varžtus. Nelygios arba netvirtos grindys. Grindys turi būti lygios ir pakankamai tvirtos, kad išlaikytų šaldytuvą.
Užstringa stalčiai.
<ul style="list-style-type: none"> Gali būti, kad maisto produktai liečia stalčiaus stogą. Pertvarkykite stalčiuje esančius maisto produktus.

Palun lugege esmalt juhendit!

Kallis klient,

Me loodame, et teie toode, mis on toodetud moodsates tehastes ja kontrollitud kõige põhjalikumate kvaliteedikontrolli protseduuridega, teenib teid hästi.

Selleks soovitame teil põhjalikult kogu tootejuhendi läbi lugeda enne toote kasutamist ja hoida see ka tulevikuks käepärast.

See juhend

- Aitab teil oma seadet kasutada kiirelt ja ohutult.
- Lugege juhendit enne seadme paigaldamist ja kasutamist.
- Järgige juhiseid, eriti ohutusteamalisi.
- Hoidke juhendit kättesaadavas kohas, kuna te võite seda ka hiljem vajada.
- Lisaks lugege ka teisi tootega kaasas olevaid dokumente.

Palun pange tähele, et see juhend võib kehtida ka teiste mudelite kohta.

Sümbolid ja nende kirjeldused

See kasutusjuhend sisaldab järgnevaid sümboleid:

 Oluline teave või kasulikud näpunäited.

 Hoiatus elule ja varale ohtlike tingimuste eest.

 Hoiatus elektripinge eest.



HOIATUS!

Et külmutusseade, mis kasutab igati keskkonnasõbralikku külmutusagensit R600a (tuleohtlik ainult teataval tingimustel), töötaks normaalselt, peate järgima järgmisi eeskirju:

- Ärge blokeerige õhu vaba ringlust seadme ümbruses.
- Ärge püüdke sulamist kiirendada mehaaniliste abivahenditega, mida tootja ei ole soovitanud.
- Ärge kahjustage külmutusagensikontuuri.
- Ärge kasutage toiduainete hoiukambrites elektriseadmeid, mida tootja ei ole soovitanud.

Ümbertöötlemine



Seadmel on elektri- ja elektroonikaseadmete jäätmete (WEEE) selektiivse sorteerimise sümbol.

See tähendab, et toodet tuleb käidelda vastavalt Euroopa Liidu direktiivile 2002/96/EÜ, et see keskkonnamõjude vähendamiseks ümber töödeldaks või lammutataks. Lisateabe saamiseks võtke ühendust kohalike või regionaalsete ametivõimudega.

Selektiivse sorteerimise alla mitte käivad elektroonikaseadmed kujutavad potentsiaalset ohtu keskkonnale ja inimeste tervisele, kuna sisaldavad ohtlikke aineid.

SISUKORD

1 Teie külmik **3**

2 Olulised hoiatused ohutuse tagamiseks **4**

Kasutusotstarve.....	4
Üldohutus	4
Veedosaatoriga toodete puhul	6
Laste ohutuse tagamine	6
Ohuhoiatus.....	6
Mida saab teha energia säästmiseks..	6

3 Paigaldamine **7**

Mida pidada meeles külmiku hilisemal transportimisel	7
Enne külmiku kasutamist	7
Elektriühendus.....	7
Pakendi utiliseerimine	7
Vana külmiku utiliseerimine	7
Asukoha valik ja paigaldamine	8
Sisemise lambipirni vahetamine.....	8

4 Ettevalmistus **8**

Ustepööramine.....	9
--------------------	---

5 Külmiku kasutamine **10**

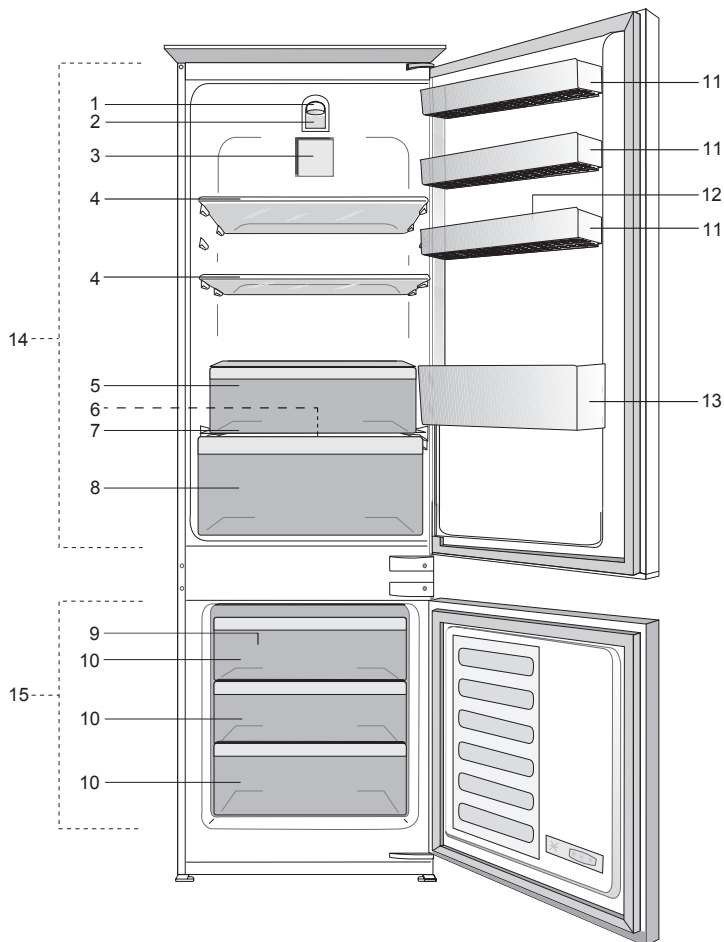
Termostaadi seadistusnupp.....	10
Sulatamine	10

6 Hooldus ja puhastamine **12**

Plastpindade kaitse	12
---------------------------	----

7 Soovituslikud lahendused probleemidele **13**

1 Teie külmik



- | | |
|---|---|
| 1. Temperatuurinupp | 8. Juurviljasahtel |
| 2. Valgustuslamp | 9. Jäänõu |
| 3. Jahutuskambri ventilaator | 10. Sügavkülmutatud toiduainete kambrid |
| 4. Jahutuskambri riulid | 11. Reguleeritavad siseriulid |
| 5. Null Temperatuuriga kamber | 12. Munarest |
| 6. Jäite vee kogumise kanal - nõruta toru | 13. Pudeliiriul |
| 7. Juurvilja kasti kate | 14. Jahekambri |
| | 15. Sügavkülmkambri |

1 Kasutusjuhendis esinevad joonised on skemaatilised ja ei pruugi täpselt vastata teie tootele. Kui kõnealused osad ei ole teie soetatud tootega kaasas, kehtib see teiste mudelite kohta.

2 Olulised hoiatused ohutuse tagamiseks

Palun tutvuge alljärgneva teabega.

Selle teabe eiramine võib põhjustada vigastusi või materiaalset kahju.

Vastasel korral muutuvad kõik garantiid ja töökindluse tagatised kehtetuks.

Originaalvaruosad on saadaval 10 aasta jooksul seadme valmistamisest.

Kasutusotstarve

Toode on mõeldud kasutamiseks:

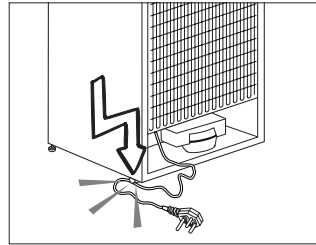
- tubades ja siseruumides: nt kodudes;
- suletud töökeskkonnas: nt kauplustes ja kontorites;
- kinnistes majutuspiirkondades: nt talumajad, hotellid, pansionaadid.
- Toodet ei tohiks kasutada välitingimustes.

Üldohutus

- Kui soovite toote utiliseerida või vanametalli saata, soovitame teil vajaliku teabe ja volitatud asutuste leidmiseks konsulteerida volitatud teenindusega.
- Kõigi külmikuga seotud küsimuste ja probleemide osas konsulteerige volitatud teenindusega. Ärge tegutsege külmiku kallal ega laske kellelgi teisel seda teha ilma volitatud teenindust teavitamata.
- Külmutuskambriga toodete puhul: ärge sööge jäätist ja jääkuubikuid kohe pärast sügavkülmikust väljavõtmist! (See võib tekitada suus külmaville).
- Külmutuskambriga toodete puhul: ärge pange pudelisse ja purki villitud jooke sügavkülmikusse. Vastasel juhul võivad nad lõhkeda.
- Ärge puudutage külmutatud toiduaineid palja käega; need võivad käe külge kinni jääda.
- Enne puhastamist või sulatamist eemaldage külmik vooluvõrgust.
- Külmiku puhastamiseks ja sulatamiseks ei tohi kunagi kasutada auru ning pihustatavaid puhastusvahendeid. Sellistel juhtudel võib aur sattuda kontakti elektriosadega ja põhjustada lühise või elektrilöögi.
- Ärge kunagi kasutage külmiku osasid (nt uks) toetus - või astumispinnana.
- Ärge kasutage külmiku sees elektriseadmeid.
- Ärge vigastage puurimis- või lõikeriistadega külmiku osi, kus ringleb külmutusaine. Aurustaja, torupikenduste või pinnakattevahendite augustamisel välja lenduda võib külmutusaine põhjustab nahaärritust ja silmakahjustusi.
- Ärge katke ega blokeerige külmiku ventilatsioonivavasid.
- Elektriseadmeid võivad parandada ainult volitatud isikud. Ebakompetentsete isikute tehtud parandused võivad olla kasutajale ohtlikud.
- Rikke, hooldus- või parandustöö korral ühendage külmik vooluvõrgust lahti kas vastava kaitsme väljalülitamise või pistiku lahtiühendamise teel.
- Pistiku lahtiühendamisel ärge tõmmake juhtmest.
- Hoidke kõrgema alkoholisisaldusega pudeleid kindlalt suletuna vertikaalses asendis.

- Ärge hoidke külmikus aerosoolpakendeid tule- ja plahvatusohtlike ainetega.
- Ärge kasutage sulatusprotsessi kiirendamiseks mehaanilisi seadmeid ega muid vahendeid peale tootja soovitatute.
- Toode ei ole mõeldud kasutamiseks piiratud füüsiliste, sensoorsete või vaimsete võimetega, samuti puudulike kogemuste ja teadmistega isikute (sealhulgas laste) poolt, välja arvatud nende turvalisuse eest vastutava isiku juuresolekul ja juhendamisel.
- Ärge kasutage vigastatud külmikut. Probleemide korral pidage nõu volitatud teenindusega.
- Teie külmiku elektriline ohutus on tagatud ainult siis, kui teie maja maandussüsteem vastab standarditele.
- Toote kokkupuutumine vihma, lume, päikese ja tuulega on elektriohutuse seisukohast ohtlik.
- Et vältida ohtliku olukorra teket, pöörduge toitejuhtme vigastuse korral volitatud teenindusse.
- Paigalduse ajal ärge ühendage külmikut seinakontakti. Vastasel korral võib tekkida surma või raske vigastuse oht.
- See külmik on mõeldud ainult toidu hoiustamiseks. Seda ei tohi kasutada teistel eesmärkidel.
- Tehniliste andmete silt paikneb külmiku sees vasakpoolsel seinal.
- Ärge kunagi ühendage külmikut energiasäästusüsteemiga – see võib külmikut kahjustada.
- Kui külmikul on sinine valgustus, ärge vaadage seda valgust läbi optiliste seadmete.

- Käsitsi juhitavate külmikute puhul oodake pärast voolukatkestust vähemalt 5 minutit, enne kui külmiku sisse lülitate.
- Omanikuvahetuse puhul tuleks kasutusjuhend edasi anda külmiku järgmisele omanikule.
- Külmiku transportimisel vältige toitejuhtme kahjustamist. Toitejuhtme painutamise tagajärjel võib tekkida tulekahju. Toitejuhtme peale ei tohi kunagi asetada raskeid esemeid. Ärge ühendage pistikut seinakontakti märgade kätega.



- Ärge ühendage külmikut logiseva seinakontaktiga.
- Ohutuse huvides ei tohi pritsida vett otse külmiku sisemistele või välimistele osadele.
- Tulekahju ja plahvatusohtu vältimiseks ärge pihustage külmiku lähedal kergestisüttivaid aineid (nt propaangaas).
- Ärge asetage külmiku peale veega täidetud esemeid, kuna see võib põhjustada elektrilöögi või tulekahju.
- Ärge pange külmikusse liiga suurt kogust toitu. Liiga täis pandud külmikust võivad toidud ukse avamisel välja kukkuda ning teid ennast või külmikut kahjustada. Ärge asetage külmiku peale esemeid, kuna need võivad külmiku ukse avamisel või sulgemisel alla kukkuda.

- Külmikus ei tohi hoida vaktsiine, temperatuuritundlikke ravimeid, teaduslikke aineid jne, mis nõuavad kindlaid temperatuuritingimusi.
- Kui külmkappi pole kavas pikemat aega kasutada, tõmmake pistik kontaktist välja. Toitejuhtme võimalik defekt võib põhjustada tulekahju.
- Elektripistiku otsa tuleks regulaarselt puhastada, vastasel juhul võib see põhjustada tulekahju.
- Elektripistiku otsa tuleks kuiva lapiga regulaarselt puhastada, vastasel juhul võib see põhjustada tulekahju.
- Kui reguleeritavad jalad ei ole kindlalt vastu põrandat, võib külmik paigast nihkuda. Et vältida külmiku nihkumist, tuleks reguleeritavad jalad põrandal korralikult fikseerida.
- Külmikut teisaldades ärge hoidke kinni uksekäepidemest. Vastasel korral võib see puruneda.
- Kui peate toote paigaldama teise külmiku või sügavkülmiku kõrvale, peab seadmete vahele jääma vähemalt 8 cm vaba ruumi. Vastasel juhul võivad külgseinad niiskeks muutuda.

Veedosaatoriga toodete puhul

- Veesurve torustikus ei tohi olla madalam kui 1 bar. Veesurve torustikus ei tohi olla kõrgem kui 8 bar.
- Kasutage ainult joogikõlblikku vett.

Laste ohutuse tagamine

- Kui uksele on lukk, tuleks võtit hoida väljaspool laste käeulatus.
- Hoidke lastel silma peal, et nad ei saaks seadmega mängida.

Ohuhoiatus

Kui teie toote jahutussüsteem sisaldab ainet R600a:

See gaas on tuleohtlik. Seega olge ettevaatlik, et mitte kasutuse ja transpordi ajal jahutussüsteemi ning torustikku vigastada. Vigastuse korral hoidke toodet eemal potentsiaalsetest tuleallikatest, mis selle süüdata võiksid, ja ventileerige ruumi, milles seade asub.

See hoiatus ei puuduta teid, kui teie toote jahutussüsteem sisaldab ainet R134a.

Tootes kasutatava gaasi tüüp on kirjas andmesildil, mis paikneb külmiku sees vasakpoolsel seinal.

Ärge kunagi seadet põletage.

Mida saab teha energia säästmiseks

- Ärge hoidke oma külmiku uksi pikalt lahti.
- Ärge pange külmikusse kuuma toitu- jookke.
- Ärge laadige külmikut liiga täis, et õhk saaks vabalt ringelda.
- Ärge paigaldage oma külmikut otsese päikesevalguse kätte või kuumust kiirgavate seadmete lähedale (nt ahjud, nõudepesumasinaid või radiaatorid).
- Hoidke toitu suletud nõudes.
- Külmutuskambriga toodete puhul: et külmutuskamber mahutaks võimalikult palju, võite eemaldada riili või sahtli. Külmiku energiakulu ametlik väärtus on saadud maksimaalse täituvuse juures, kui külmutuskambri riilil või sahtel on eemaldatud. Riilil või sahtlit võib vabalt kasutada vastavalt külmutatavate toiduainete kujule ja suurusele.
- Külmutatud toidu sulatamine jahutuskambris võimaldab säästa energiat ning ühtlasi säilitada toidu kvaliteeti.

3 Paigaldamine

- ⚠️ Palun jätke meelde, et tootja vabaneb vastutusest, kui selles kasutusjuhendis antud teavet arvesse ei võeta.

Mida pidada meeles külmiku hilisemal transportimisel

1. Külmik tuleb enne igasugust liigutamist tühjendada ja puhastada.
2. Riivlid, lisaseadmed, köögiviljasahtel jms tuleb teibi abil enne uuesti pakendamist raputuste kaitseks kindlalt kinnitada.
3. Pakend tuleb siduda paksu teibi ja tugevate köite abil ning tuleb järgida pakendile trükitud transpordireegleid.

Palun ärge unustage...

Iga ümbertöödeldud ese on hädavajalik abi loodusele ja meie loodusressurssidele. Kui soovite panustada pakkematerjalide ümbertöötlemisse, saate lisateavet keskkonnakaitseasutustest või kohalike võimuorganite käest.

Enne külmiku kasutamist

Enne külmiku kasutama hakkamist kontrollige järgmist:

1. Kas külmiku sisemus on kuiv ja kas õhk saab selle tagaosas vabalt liikuda?
2. Puhastage külmiku sisemus, nagu soovitatud peatükis "**Hooldus ja puhastamine**".
3. Ühendage külmik seinakontakti. Kui külmiku uks on avatud, läheb jahutuskambri tuli põlema.
4. Kompresori käivitumisega kaasneb müra. Jahutussüsteemis olev vedelik ja gaasid võivad samuti müra tekitada, seda isegi juhul kui kompressor ei tööta – see on täiesti normaalne.

5. Külmiku esiservad võivad tunduda soojad. See on täiesti normaalne nähtus. Need alad peavad olema soojad, et vältida kondensaadi teket.

Elektriühendus

Ühendage seade maandatud pistikupessa, mida kaitseb sobiva nimivoolutugevusega kaitse.

NB!

- Ühendus peab vastama riiklikele nõuetele.
- Toitejuhe peab olema pärast paigaldust kergesti ligipääsetav.
- Ettenähtud pinge peab vastama teie vooluvõrgu pingele.
- Ühendamiseks ei tohi kasutada pikendusjuhtmeid ja harupistikuid.

⚠️ Kahjustatud toitejuhe tuleb lasta välja vahetada kvalifitseeritud elektrikul.

⚠️ Toodet ei tohi enne selle parandamist kasutada! Elektrilöögi oht!

Pakendi utiliseerimine

Pakkematerjalid võivad olla lastele ohtlikud. Hoidke pakkematerjale lastele kättesaamatus kohas või utiliseerige need, sorteerides need vastavalt jäätmekäitlusjuhiste. Ärge visake neid ära koos majapidamisjätmetega. Teie külmiku pakend on toodetud ümbertöödeldavatest materjalidest.

Vana külmiku utiliseerimine

Utiliseerige oma vana seade keskkonda kahjustamata.

- Külmiku utiliseerimise osas võite nõu pidada volitatud edasimüüjaga või oma haldusüksuse jäätmekäitluskeskusega.
- Enne külmiku utiliseerimist ühendage lahti elektrikistik ja kui uksele on lukke, muutke need kasutuskõlbmatuks, et kaitsta lapsi ohtude eest.

Asukoha valik ja paigaldamine

⚠ Kui külmik ei mahu läbi ukse ruumi, kuhu soovite seda paigaldada, pöörduge volitatud teenindusse. Tehnik saab külmiku ukseid eemaldada, nii et see mahub küllili läbi ukseava.

1. Paigaldage külmik kohta, kus seda on kerge kasutada.
2. Hoidke külmikut eemal soojusallikatest, niisketest kohtadest ja otsesest päikesevalgusest.
3. Külmiku tõhusa töö tagamiseks peab selle ümbruses toimuma piisav õhuringlus. Kui kavatsete paigutada külmiku seiniorva, peab see jääma laest ja seintest vähemalt 5 cm kaugusele. Kui põrand on kaetud vaibaga, tuleb toode tõsta põrandast 2,5 cm kõrgusele.
4. Põrutuste vältimiseks asetage külmik ühetasasele pörandapinnale.
5. Ärge hoidke külmikut ruumis, mille temperatuur on alla 10°C.

Sisemise lambipirni vahetamine

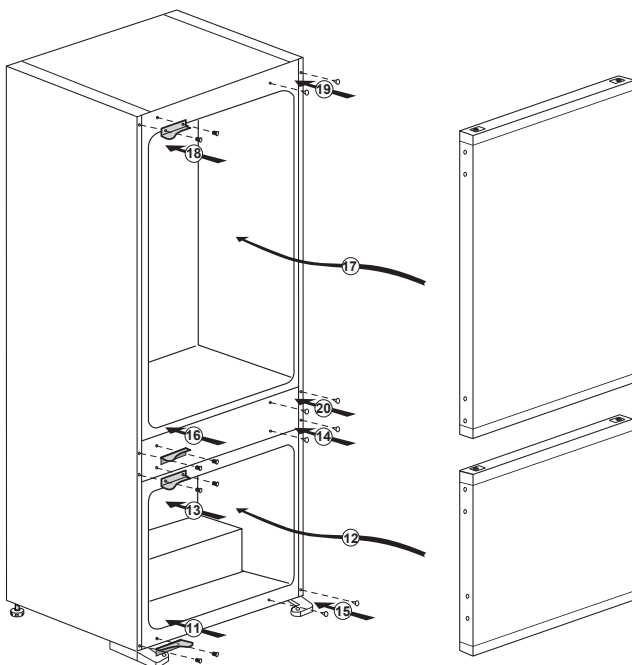
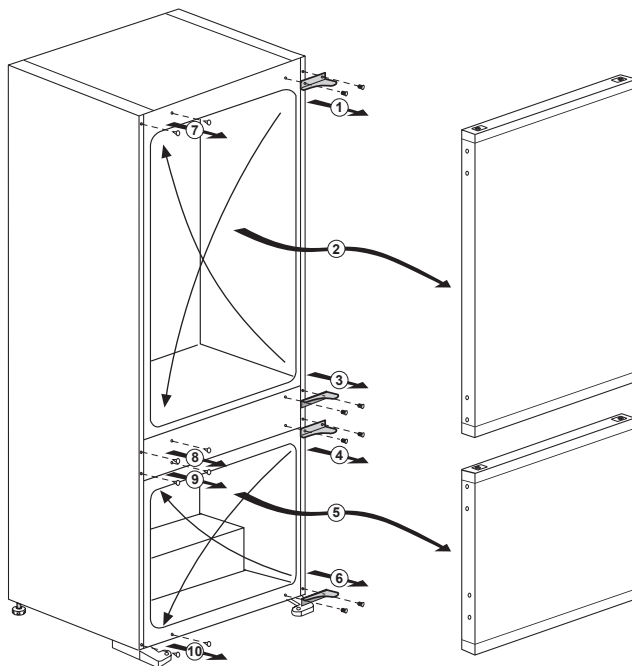
Külmiku sisevalgusti pirni vahetamiseks pöörduge volitatud teenindusse. Lamp/lambid, mida selles seades kasutatakse, ei sobi kodumajapidamise siseruumide valgustamiseks. Selle lambi sihtotstarbeks, on aidata kasutajal paigutada toiduaineid külmikusse/ sügavkülmikusse ohutult ja mugavalt. Las lámparas utilizadas en este electrodoméstico deben soportar unas condiciones físicas extremas como temperaturas inferiores a -20°C.

4 Ettevalmistus

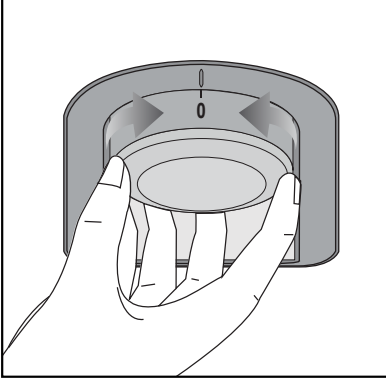
- Teie külmik tuleks paigaldada vähemalt 30 cm kaugusele kuumusallikatest nagu pliidirauad, ahjud, keskküttesüsteem ja pliidid, ning vähemalt 5 cm kaugusele elektriahjudest. Samuti ei tohiks see asuda otsese päikesevalguse käes.
- Külmiku paigaldamiseks kasutatava ruumi temperatuur peaks olema vähemalt 10°C. Jahedamates tingimustes külmiku kasutamine ei ole tõhususe vähenemise tõttu soovitatav.
- Palun veenduge, et külmiku sisemus on korralikult puhastatud.
- Kui kaks külmikut paigaldatakse kõrvuti, peaks nende vahele jääma vähemalt 2 cm ruumi.
- Kui kasutate külmikut esimest korda, järgige palun esimese kuue tunni jooksul järgnevat juhiseid.
- Ust ei tohiks sagedasti avada.
- See peab töötama tühjalt, ilma et toitu sees oleks.
- Ärge ühendage külmikut vooluvõrgust lahti. Kui tekib teist sõltumatu voolukatkestus, vaadake palun hoiatusi "**Soovituslikud lahendused probleemidele**" peatükis.
- Originaalpakend ja vahtmaterjal tuleks alles jätta juhuks, kui tulevikus on vaja külmikut liigutada või kolida.

Uste pööramine

Jätkake numbrilises järjestuses.



5 Külmiku kasutamine



Termostaadi seadistusnupp

Külmiku sisetemperatuur muutub järgmistel põhjustel:

- Hooajalised temperatuurikõikumised.
- Ukse sage avamine ning selle lahtijätmine pikaks ajaks.
- Toatemperatuurile jahtumata toidu panemine külmikusse.
- Külmiku asukoht ruumis (nt otsese päikesevalguse käes).
- Selliste tegurite tõttu varieeruvat sisetemperatuuri võite reguleerida termostaadi abil. Termostaadinupu ümber asuvad numbrid näitavad jahutustasemeid.
- Kui ümbritsev temperatuur on üle 32°C, keerake termostaadi nupp maksimaalsesse asendisse.
- Kui ümbritsev temperatuur on alla 25°C, keerake termostaadi nupp minimaalsesse asendisse.

Sulatamine

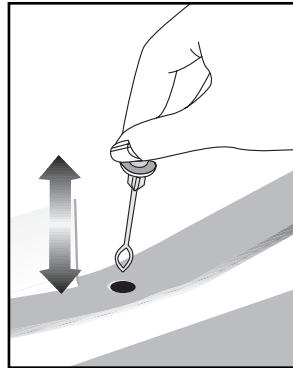
A) Jahutuskamber

Jahutuskambril on täisautomaatne sulatusrežiim.

Külmiku jahtumise ajal võib jahutuskambri tagumisel siseseinal esineda veetilku ja kuni

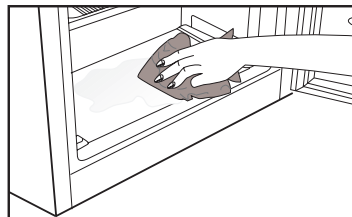
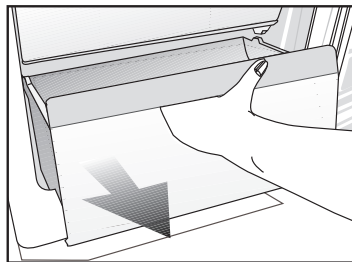
7–8 mm paksust jääd. See on jahutussüsteemi töö tavapärane kõrvalnäht. Tänu tagumise seina automaatsele sulatussüsteemile sulatatakse jääkiht kindlate intervallide tagant ära. Kasutaja ei pea jääd kraapima ega veetilku eemaldama. Sulatusel tekkinud vesi liigub veekogumissoonde, voolab mööda äravoolutoru aurustajasse ja aurustub seal.

Kontrollige regulaarselt, ega äravoolutoru pole ummistunud, ja vajadusel puhastage seda vardaga



B) Külmutuskamber

Sügav Külmutus Kambris ei ole automaatset sulatust, et vältida külmutatud toidu riknemist. Sulatamine on väga lihtne ja puhas tänu spetsiaalsele sulatusvee kogumise nõule. Sulatage külmikut kaks korda aastas või kui on tekkinud umbes 7 (1/4") mm jääkiht. Sulatusprotseduuri alustamiseks lülitage seade pistiku juurest välja ning eemaldage juhe seinakontaktist. Kogu toit tuleks pakkida mitmekihiliselt ajalehtedesse ja panna hoiule jahedasse kohta (nt külmik või sahv). Külmutuskambrisse võib ettevaatlikult asetada anumad sooja veega, et kiirendada sulamist. Ärge kasutage jää eemaldamiseks teravaid või terava servaga esemeid nagu noad või kahvlid. Ärge kunagi kasutage sulatamiseks fööni, soojapuhurit või teisi sarnaseid elektriseadmeid. Eemaldage käsnauga külmutuskambri põhja kogunenud sulatusvesi. Pärast sulatamist kuivatage sisemus korralikult. Torgake pistik seinakontakti ja lülitage elektrivarustus sisse.



6 Hooldus ja puhastamine

⚠ Ärge kunagi kasutage puhastamiseks bensiini, benseeni või sarnaseid aineid.

⚠ Me soovime seadme enne puhastamist vooluvõrgust lahti ühendada.

ℹ Ärge kunagi kasutage puhastamiseks teravat abrasiivset riista, seepi, majapidamise puhastusvahendit, lahust või vaha.

ℹ Kasutage külmkambri puhastamiseks leiget vett ning pärast kuivatage see.

ℹ Kasutage sisemuse puhastamiseks lappi, mida on niisutatud lahuses teelusikatäis söögisoodat poole liitri vee kohta, seejärel pühkige kuivaks.

⚠ Veenduge, et vett ei satuks lambikorpusesse ja teistesse elektriosadesse.

⚠ Kui te ei plaani külmikut pikka aega kasutada, ühendage lahti toitejuhe, eemaldage toit, puhastage kamber ja jätke uks praokile.

ℹ Kontrollige uksetihendeid regulaarselt, veendumaks et need on puhtad ja toiduosakestest vabad.

ℹ Ukseraamide eemaldamiseks eemaldage nende sisu ja seejärel lihtsalt lükake raam ülespoole pesast välja.

ℹ Ärge kasutage seadme välispindade ja kroomitud osade puhastamiseks kloori sisaldavat vett ega puhastusaineid. Kloor põhjustab metallpindade korrodeerumist.

Plastpindade kaitse

- Ärge pange õlisid või õlis küpsetatud toitu külmikusse lahtistes nõudes, kuna need kahjustavad külmiku plastpindasid. Kui plastpindadele satub õli, puhastage ja loputage vastavat osa koheselt sooja veega.

7 Soovituslikud lahendused probleemidele

Palun vaadake see nimekiri enne läbi, kui teenindusse helistate. See võib aidata säästa aega ja raha. See nimekiri sisaldab sagedasemaid kaebusi, mis ei ole põhjustatud vigase töö või materjalikasutuse tõttu. Mõned siinkirjeldatud funktsioonid võivad teie tootel puududa.

Külmik ei tööta.
<ul style="list-style-type: none">• Kas külmik on korralikult pistikupessa ühendatud? Sisestage pistik seinakontakti.• Kas külmiku ühendamiseks kasutatava pesa kaitse või peakaitse on läbi põlenud? Kontrollige kaitset.
Kondensvesi külmiku külmkambri külgsseinale. (MULTI ZONE, COOL CONTROL ja FLEXI ZONE).
<ul style="list-style-type: none">• Ümbritsev keskkond on väga külm. Sagedane ukse avamine ja sulgemine. Ümbritsev keskkond on väga niiske. Hoiustatava toidu hulgas on avatud mahutites vedelikke. Ukse praokile jätmine.• Termostaadi külmemale temperatuurile lülitamine.• Ukse lahtioluaja vähendamine või selle harvem kasutamine.• Avatud nõudes hoitava toidu katmine sobiva esemega.• Pühkige kondensvesi kuiva lapiga ära ja vaadake, kas see tekib uuesti.
Kompressor ei tööta.
<ul style="list-style-type: none">• Kompressori kaitsetermostaat lülitub välja ootamatute voolukatkestuste või kiirete sisse- või väljalülituste puhul, kuna külmutusaine surve külmiku jahutussüsteemis ei ole veel tasakaalustunud.• Külmik hakkab tööle umbes kuue minuti pärast. Kui külmik pärast seda tööle ei hakka, helistage palun teenindusse.• Külmik on sulatustsüklis. See on täisautomaatse sulatusega külmiku puhul tavaline. Sulatustsüklil toimub perioodiliselt.• Külmik ei ole pistikupessa ühendatud. Veenduge, et pistik on kindlalt seinakontakti sisestatud.• Kas temperatuuriseadistused on tehtud õigesti? Voolu ei ole. Helistage oma elektritarnijale.
Külmik töötab sagedasti või pikka aega.
<ul style="list-style-type: none">• Teie uus seade võib olla laiem kui eelmine. See on täiesti normaalne nähtus. Suured külmikud töötavad pikemat aega järjest.• Ümbritseva ruumi temperatuur võib olla kõrge. See on täiesti normaalne nähtus.• Külmik võib olla hiljuti vooluvõrku ühendatud või toitu täis laaditud. Külmiku täielik mahajahtumine võib võtta mõne tunni kauem.• Külmikusse võib olla hiljuti pandud suur kogus kuuma toitu. Kuuma toidu tõttu kestab külmiku tööperiood kauem, et saavutada ohutu hoiustamistemperatuur.• Võimalik, et uksi on liiga tihti avatud või on need pikaks ajaks praokile jäetud. Külmikusse sisenenud soe õhk põhjustab külmiku pikema tööperioodi. Avage uksi harvemini.• Külmutus- või jahutuskambri uks võib olla praokile jäetud. Kontrollige, kas ukсед on korralikult kinni.• Külmik on seatud väga madalale temperatuurile. Seadke külmik kõrgemale temperatuurile ja oodake, kuni see saavutatakse.• Külmiku või sügavkülmiku uksetihend võib olla määrdunud, kulunud, katki või lahti. Puhastage või asendage tihend. Kahjustatud/katkine tihend sunnib külmikut töötama kauem aega järjest, et hoida ettenähtud temperatuuri.
Sügavkülmiku temperatuur on väga madal, samas kui külmiku temperatuur on piisav.
<ul style="list-style-type: none">• Sügavkülmiku temperatuur on seadistatud väga madalale. Seadke sügavkülmiku temperatuur soojemale tasemele ja kontrollige uuesti.
Külmiku temperatuur on väga madal, samas kui sügavkülmiku temperatuur on piisav.
<ul style="list-style-type: none">• Külmiku temperatuur on seadistatud väga madalale. Seadke külmiku temperatuur soojemale tasemele ja kontrollige uuesti.

Külmiku sahtlites hoitav toit kipub jäätuma.
<ul style="list-style-type: none"> Külmiku temperatuur on seadistatud väga madalale. Seadke külmiku temperatuur soojemale tasemele ja kontrollige uuesti.
Temperatuur külmikus või sügavkülmikus on väga kõrge.
<ul style="list-style-type: none"> Külmiku temperatuur on seadistatud väga kõrgele. Külmiku seadistus mõjutab ka sügavkülmiku temperatuuri. Muutke külmiku või sügavkülmiku temperatuuri, kuni see jõuab piisava tasemeni. Uks võib olla praokile jäetud. Sulgege uks täielikult. Külmikusse võib olla hiljuti pandud suur kogus kuuma toitu. Oodake, kuni külmik või sügavkülmik jõuab soovitud temperatuurini. Külmik võib olla alles hiljuti vooluvõrku ühendatud. Külmiku täielik jahtumine võtab suuruse tõttu aega.
Külmikust kostab kella tiksumisega sarnanevat heli.
<ul style="list-style-type: none"> Seda heli tekitab külmiku solenoidklapp. Solenoidklapi ülesanne on tagada jahutamine ja jahutusaine liikumine läbi jahutuskambri, mida saab reguleerida jahutus- või külmutusrežiimile. See on normaalne ning tegu ei ole rikkega.
Töömüra suureneb, kui külmik töötab.
<ul style="list-style-type: none"> Külmiku tööjõudlusomadused võivad muutuda sõltuvalt ümbritsevast temperatuurist. See on normaalne ning tegu ei ole rikkega.
Vibratsioon või müra.
<ul style="list-style-type: none"> Põrand ei ole tasane või on nõrk. Külmik kõigub, kui seda aeglaselt lükata. Veenduge, et põrand on tasane, tugev ja sobib külmiku toetamiseks. Müra võivad põhjustada külmikule asetatud esemed. Sellised esemed tuleks külmiku pealt eemaldada.
On kuulda vedeliku voolamise või pihustamise hääli.
<ul style="list-style-type: none"> Vedeliku ja gaasi liikumine toimuvad vastavalt teie külmiku tööpõhimõttele. See on normaalne ning tegu ei ole rikkega.
On kuulda tuule puhumise sarnast hääli.
<ul style="list-style-type: none"> Külmiku tõhusamaks jahutamiseks kasutatakse õhuliigutajaid (ventilaatoreid). See on normaalne ning tegu ei ole rikkega.
Kondensvesi külmiku siseseintel.
<ul style="list-style-type: none"> Kuum ja niiske ilm suurendab jäätumist ja kondensatsiooni. See on normaalne ning tegu ei ole rikkega. Uksed on praokil. Veenduge, et uksed on täielikult suletud. Uksi võib olla väga tihti avatud või on nad pikaks ajaks lahti jäetud. Avage ust harvemini.
Külmiku välisküljlele või uste vahele tekib niiskus.
<ul style="list-style-type: none"> Ilm võib olla niiske. See on niiske ilmaga täiesti normaalne. Kui niiskust on vähem, kaob ka kondensatsioon.
Halb lõhn külmiku sees.
<ul style="list-style-type: none"> Külmiku sisemust peab puhastama. Puhastage külmiku sisemust käsna, sooja vee või gaseeritud veega. Lõhna võivad põhjustada mõned nõud või pakkematerjalid. Kasutage teist nõu või erinevat marki pakkematerjali.
Uks(ed) ei sulgu.
<ul style="list-style-type: none"> Toidupakendid võivad takistada ukse sulgumist. Asendage pakendid, mis ust takistavad. Külmik ei paikne ilmselt põrandal täiesti vertikaalselt ja võib kergel liigutamisel kõikuda. Seadistage tasakaalustuskruvisid. Põrand ei ole tasane või tugev. Veenduge, et põrand on tasane ja sobib külmiku toetamiseks.
Sahtlid on kinni kiilunud.
<ul style="list-style-type: none"> Toit võib puutuda vastu sahtli lage. Seadke toit sahtlis ümber.

Прочитајте го ова упатство прво!

Почитуван кориснику,

Се надеваме дека овој производ којшто е произведен во модерна фабрика и проверен според многу прецизни процедури за проверка на квалитетот, ќе ви овозможи ефективна услуга.




Затоа, препорачуваме внимателно да го прочитате целото упатство за производот пред употреба и да го чувате при рака за идни осврти.

Ова упатство

- Ќе ви помогне да го користите апаратот на брз и безбеден начин.
- Прочитајте го упатството пред да го поставите и вклучите производот.
- Следете ги упатствата, особено оние за безбедноста.
- Чувајте го упатството на лесно достапно место зашто може да ви притреба подоцна.
- Покрај тоа, прочитајте ги и другите документи што се доставуваат со производот. Имајте предвид дека ова упатство важи и за други модели.

Симболи и нивно значење

Ова упатство со инструкции ги содржи следниве симболи:

-  Важни информации или корисни совети за употреба.
-  Предупредувања за опасни состојби по животот и имотот.
-  Предупредување за електричниот напон.



ПРЕДУПРЕДУВАЊЕ!

Со цел да се обезбеди нормално функционирање на уредот, кој користи целосно еколошки разладувач (фреон) R 600a (запалив само под одредени услови), морате да се придржувате кон следните правила:

- Немојте да ја попречувате слободната циркулација на воздухот околу уредот.
- Немојте да употребувате механички предмети за да го забрзате процесот на одмрзнување. Користете ги само оние кои се препорачани од производителот.
- Немојте да го оштетувате разладното коло.
- Не употребувајте електрични апарати внатре во уредот. Користете ги само оние кои се препорачани од производителот.

Рециклирање



Овој производ се испорачува со симболот за селективно за сортирање отпад од електрична и електронска опрема (WEEE).

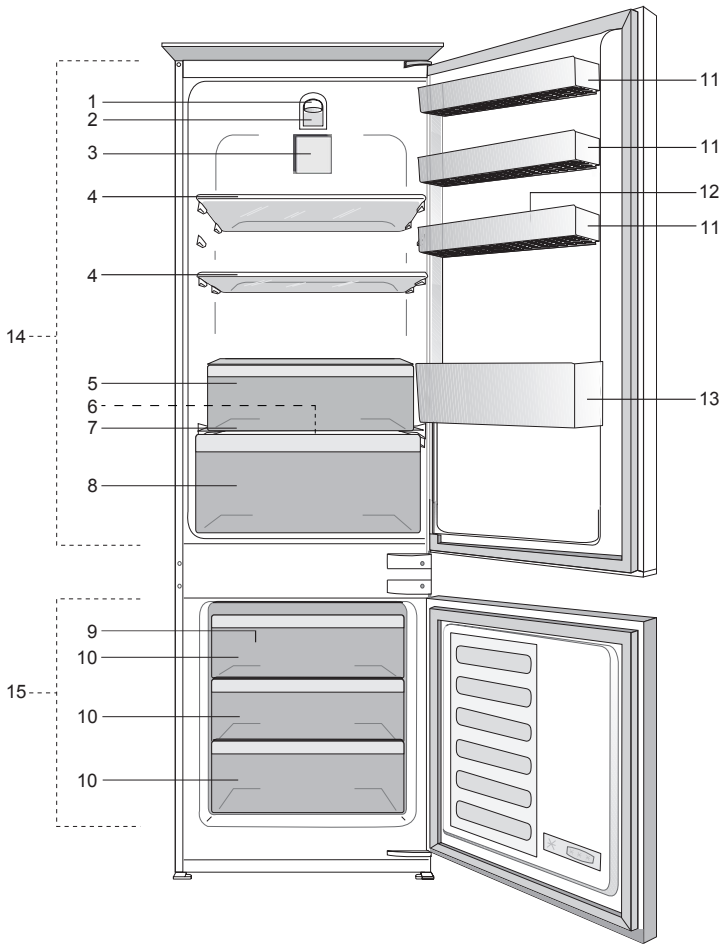
Тоа значи дека овој производ мора да се постапува во согласност со Европската директива 2002/96/ЕС со цел да се рециклира или затворена за да се минимизира неговото влијание врз околината. За повеќе информации, ве молиме контактирајте го вашиот локален или регионален органи.

Електронски производи кои не се вклучени во процесот на селективно сортирање се потенцијално опасни за животната средина и здравјето на луѓето се должи на присуството на опасни материи.

СОДРЖИНА

1 Вашиот ладилник	3	4 Подготовка	8
		Преместување на вратите	9
2 Важни безбедносни предупредувања	4	5 Употреба на ладилникот	10
Наменета употреба	4	Регулатор за поставување на температурата.....	10
Општа безбедност	4	Одмрзнување	10
Кај производи со диспензер за вода	6		
Безбедност за деца	6	6 Одржување и чистење	11
НСА-Предупредување	6	Заштита на пластичните површини.....	11
Работи што треба да ги направите за штедење енергија	6		
3 Поставување	7	7 Препорачани решенија за проблемите	12
Работи што треба да се имаат во предвид кога го транспортирате ладилникот	7		
Пред вклучување на ладилникот.....	7		
Електрично поврзување	7		
Фрлање на пакувањето	7		
Фрлање на стариот ладилник	8		
Поставување и поврзување	8		
Замена на внатрешната светилка за осветлување	8		

1 Вашиот ладилник



1. Регулатор за поставување на температурата

2. Внатрешна светилка

3. Вентилатор за свежа храна

4. Прилагодливи полици

5. Оддел со нула температура

6. Канал за собирање на одмрзнатата вода - цевка за испуштање

7. Капак на кутијата за чување зеленчук

8. Кутија за чување зеленчук

9. Потпора за садот за мраз и сад за мраз

10. Оддели за чување на замрзната храна

11. Прилагодливи полици на вратата

12. Тацна за јајца

13. Полица за шишиња

14. Оддел на ладилникот

15. Оддел на замрзнувачот

i Сликите што се прикажани во ова упатство за употреба се шематски и може да не соодветствуваат точно со производот. Ако деловите од поглавјето не се вклучени во производот што сте го купиле, тогаш тие важат за други модели.

2 Важни безбедносни предупредувања

Прочитајте ги следните информации. Непочитувањето на овие информации може да предизвика повреда или материјална штета. И гаранцијата и заложбите за доверливост нема да бидат важечки.

Оригиналните резервни делови ќе ги добивате 10 години по датумот кога е набавен производот.

Наменета употреба

Овој производ е наменет да се користи:

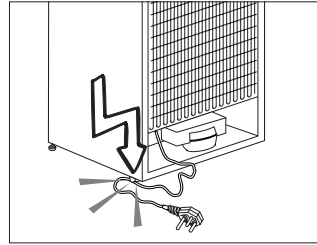
- во затворени простории како што се домови,
- во затворени работни средини како што се продавници и канцеларии,
- во затворени простории за сместување како што се објекти на селскиот туризам, хотели, пансиони.
- Овој производ не смее да се користи на отворено.

Општа безбедност

- Ви препорачуваме да се консултирате со локалниот авторизиран сервис и со овластените институции за да ги добиете неопходните информации кога ќе сакате да го фрлите /одложите производот.
- Консултирајте се со овластен сервис за сите прашања и проблеми поврзани со ладилникот. Не интервенирајте ниту не пуштајте друг да интервенира на ладилникот без да го известите овластениот сервисер.
- За производите од одделот на замрзнувачот. Не јадејте сладолед во корнет или коцки мраз веднаш по вадење од одделот за замрзнување! (Може да предизвикате смрзнатини на устата.)
- За производите во одделот на замрзнувачот - Не ставајте пијалаци во шише или конзерва во одделот на замрзнувачот. Инаку, тие може да пукнат.
- Не допирајте ја замрзната храна со рака, може да ви се залепи за раката.

- Исклучете го ладилникот од струја пред чистење или одмрзнување.
- Испарувачи и материјали за чистење што испаруваат не смее никогаш да се користат за чистење и за процесот на одмрзнување на ладилникот. Во тие случаи, испарувањето може да дојде во контакт со електричните делови и да предизвика краток спој или електричен удар.
- Никогаш не користете делови од ладилникот како што е вратата за потпора или расчекор.
- Не користете електрични уреди во внатрешноста на ладилникот.
- Не штетувајте ги деловите каде што циркулира фреонот со дупчалки или алатки за сечење. Фреонот може да прсне и може да предизвика иритација на кожата и повреда на очите кога ќе се дупнат каналите за испарувањата, продолжетеците на цевките или површинските премази.
- Не покривајте ги или не блокирајте ги отворите за вентилација на ладилникот со каков било материјал.
- Електричните делови мора да ги поправи само овластено лице. Поправките што ги извршиле некомпетентни лица може да предизвикаат ризик за корисникот.
- Во случај на грешка при работа или во текот на одржување или поправка, исклучете го ладилникот од довод на ел. енергија со тоа што ќе го извадите соодветниот осигурувач или ќе го извлечете кабелот.
- Не влечете го кабелот кога го вадите приклучокот.
- Поставете ги пијалациите со повисоки затворувачи вертикално и убаво затворени.
- Никогаш не чувајте конзерви под притисок што содржат запаливи и експлозивни супстанции во ладилникот.
- Не користете механички уреди или други средства за забрзување на процесот на одмрзнување, освен оние што ги препорачува производителот.

- Овој производ не е наменет да го користат лица со намалени физички, сетилни или ментални способности или необучени или неискусни лица (вклучително и деца), освен ако не се под надзор на лице кое е одговорно за нивната безбедност или кое ќе ги научи како да го користат производот правилно.
- Не вклучувајте оштетен ладилник. Консултирајте се со сервисер ако се сомневате на дефект.
- Електричната безбедност на ладилникот е гарантирана само кога системот за заземјување во домот е усогласен со стандардите.
- Изложување на производот на дожд, снег, сонце и ветер е опасно во однос на електричната безбедност.
- Контакттирајте овластен сервисер кога е оштетен кабелот за струја за да избегнете опасност.
- Никогаш не вклучувајте го ладилникот на сиден приклучок за време на поставувањето. Инаку, може да има ризик од смрт или сериозна повреда.
- Овој ладилник е наменет само за чување на храна. Не смее да се користи за други намени.
- Етикетата со техничките спецификации се наоѓа на левиот сид во ладилникот.
- Никогаш не поврзувајте го ладилникот за системи за штедење струја. Може да го оштетат ладилникот.
- Ако има сина светилка на ладилникот, не гледајте во неа со оптички уреди.
- Почекајте најмалку 5 минути за да го вклучите ладилникот откако снемало струја кај ладилниците што се контролираат рачно.
- Ова упатство за работа треба да се предаде на новиот сопственик на производот ако го дадете на други.
- Избегнувајте да предизвикувате оштетувања на кабелот за напојување кога го транспортирате ладилникот. Превитканиот кабел може да предизвика пожар. Никогаш не ставајте тешки предмети врз кабелот за струја. Не допирајте го приклучокот со мокри раце кога го приклучувате производот.



- Не приклучувајте го ладилникот ако штекерот е разлабавен.
- Вода не смее да се прска директно на внатрешните и надворешните делови на производот од безбедносни причини.
- Не прскајте разни средства што содржат запаливи гасови како што е пропанот близу до ладилникот за да избегнете ризик од пожар и експлозија.
- Никогаш не ставајте садови со вода врз ладилникот. Во спротивно, може да предизвикаат електричен удар или пожар.
- Не преполнувајте го ладилникот со прекумерна количина храна. Ако го преполните, храната може да падне и да ве повреди и да го оштети ладилникот кога ја отворате вратата. Никогаш не ставајте предмети врз ладилникот. Во спротивно, овие предмети може да паднат кога ја отворате или затворате вратата на ладилникот.
- Вакцините, лековите што се осетливи на топлина, истражувачките материјали и слично не смее да се чуваат во ладилникот бидејќи бараат прецизна температура.
- Ладилникот треба да се исклучи од струја ако не се користи долго време. Можен проблем со кабелот може да предизвика пожар.
- Клемите на приклучокот треба да се чистат редовно. Во спротивно, може да предизвикаат пожар.
- Клемите на приклучокот треба да се чистат редовно со сува крпа. Во спротивно, може да предизвикаат пожар.
- Ладилникот може да се мрда ако прилагодливите ногарки не се правилно поставени на подот. Ладилникот нема да се мрда со правилно обезбедување на прилагодливите ногарки на подот.

- Не држете го ладилникот за рачката на вратата кога го транспортирате. Во спротивно, може да се скрши.
- Кога треба да го поставите производот до друг ладилник или замрзнувач, растојанието меѓу нив треба да биде најмалку 8 цм. Во спротивно, соседните сидови може да фатат влага.

Кај производи со диспензер за вода

- Притисокот на доводот на водата мора да биде минимум 1 бар. Притисокот на доводот на водата мора да биде максимум 8 бари.
- Користете само вода за пиење.

Безбедност за деца

- Ако вратата има брава, клучот треба да се чува далеку од дофатот на децата.
- Децата мора да се надгледуваат за да се спречи тие да си играат со ладилникот.

НСА-Предупредување

Ако системот за разладување на производот содржи R600a:

Овој гас е запалив. Затоа треба са се обрне внимание да не се оштетуваат системот за ладење и цевководите при употреба и транспорт. Во случај на оштетување, чувајте го производот настрана од можни извори на оган што може да предизвикаат негово палење и вентилирајте ја просторијата каде што е сместен.


Игнорирајте го ова предупредување ако системот за ладење на производот содржи R134a.

Типот на гас што се користи во производот е посочен на плочката на левиот сид во ладилникот. Никогаш не фрлајте го производот во оган.

Работи што треба да ги направите за штедење енергија

- Не држете ги вратите на ладилникот отворени подолг период.
- Не ставајте топли пијалаци или храна во ладилникот.
- Не преоптоварувајте го ладилникот со што ќе се попречи циркулацијата на воздухот во внатрешноста.
- Не поставувајте го ладилникот под директна сончева светлина или близу до уреди што зрачат топлина како што се печка, машина за миење садови или радијатори.
- Внимавајте храната да ја чувате во затворени садови.
- За производи со оддел за замрзнување - Може да чувате максимална количина храна во замрзнувачот ако ја извадите полицата или фиоката од замрзнувачот. Посочената вредност за потрошувачката на струја за ладилникот е одредена со извадени полица или фиоки и под максимално оптоварување. Нема штета ако се користи полица или фиока во согласност со облиците или големината на храната што треба да се замрзне.
- Ако ја одмрзнувате замрзната храна во одделот на ладилникот, ќе заштедите струја и ќе го зачувате квалитетот на храната.

3 Поставување

 Имајте предвид дека производителот нема да биде одговорен ако не се почитуваат информациите коишто се дадени во упатството за работа.

Работи што треба да се имаат во предвид кога го транспортирате ладилникот

1. Ладилникот мора да се испразни и исчисти пред каков било транспорт.
2. Полиците, дополнителната опрема, фиоките и сл. во ладилникот мора безбедно да се зацврстат со лента за лепење за да се спречи нишање пред повторно пакување.
3. Пакувањето мора да се зацврсти со дебели ленти и цврсти јажиња, а правилата што се отпечатени на пакувањето мора да се почитуваат.

Не заборавајте...

Секој рециклирачки материјал е неопходен извор за природата и за нашите природни ресурси. Ако сакате да придонесете при рециклирање на материјалите за пакување, може да добиете повеќе информации од овластените лица за животна средина или од локалната власт.

Пред вклучување на ладилникот

Пред да почнете да го употребувате ладилникот, проверете го следново:


1. Дали е внатрешноста на ладилникот сува и дали може воздухот да циркулира слободно од задната страна?
2. Исчистете ја внатрешноста на ладилникот како што е препорачано во поглавјето „Одржување и чистење“.
3. Вклучете во ладилникот во приклучок за струја. Кога вратата ќе се отвори, соодветното внатрешно осветлување на ладилникот ќе се вклучи.


4. Ќе слушнете бучава кога ќе се вклучи компресорот. Течноста и гасовите затворени во системот на ладилникот ја зголемуваат бучавата, без оглед дали компресорот е вклучен или не, тоа е сосема нормално.
5. Предните рабови на ладилникот може да се малку топли. Тоа е сосема нормално. Овие области се дизајнирани да бидат топли за да се спречи кондензација.

Електрично поврзување

Поврзете го производот во заземјен штекер што е заштитен со осигурувач со соодветен капацитет. Важно:

- Поврзувањето мора да биде усогласено со државните регулативи.
- Приклучокот на кабелот за напојување мора да биде лесно достапен по приклучувањето.
- Посочениот напон мора да биде еднаков на напонот на напојувањето.
- Не смее да се користат продолжни кабли и приклучоци со повеќе влезови.

 Квалификуван електричар мора да го замени оштетениот кабел за напојување.

 Производот не смее да работи пред да се поправи! Постои ризик од електричен удар!

Фрлање на пакувањето

Материјалот за пакување е опасен за децата. Чувајте го материјалот за пакување подалеку од дофат на децата или фрлете го класифицирајќи го во согласност со упатствата за фрлање отпад. Не фрлајте го заедно со редовниот домашен отпад. Пакувањето на ладилникот е произведено од рециклирачки материјали.

Фрлање на стариот ладилник

Фрлете го стариот ладилник без да направите штета за животната средина.

- Консултирајте се со овластениот застапник или со центар за собирање отпад во вашата општина за тоа како да го фрлите ладилникот.

Пред да го фрлите ладилникот, исечете го кабелот за напојување и, ако има брави на вратата, искршете ги за да ги заштитите децата од каква било опасност.

Поставување и поврзување

△ Ако влезната врата на просторијата каде што треба да се смести ладилникот не е доволно широка за да може тој да помине, тогаш повикајте го овластениот сервис да ги извади вратите на ладилникот и тогаш, поминете го ладилникот низ вратата странично.

ЕПоставете го ладилникот на место. Кое овозможува лесна употреба.

ГПоставете го ладилникот подалеку од извори на топлина, влажни места или директна сончева светлина.

НМора да има соодветна воздушна вентилација околу ладилникот со цел да се постигне ефикасна работа. Ако ладилникот треба да се постави во влабнатина во сидот, тогаш мора да има најмалку 5 цм. растојание од аванот и најмалку 5 цм од сидот. Ако на подот има килим, ладилникот мора да е подигнат од подот за 2,5 цм.

ИПоставете го ладилникот на рамни подови за да се спречи нишање.

ЅНе чувајте го ладилникот во простории со амбиентална температура под 10°C.

Замена на внатрешната светилка за осветлување

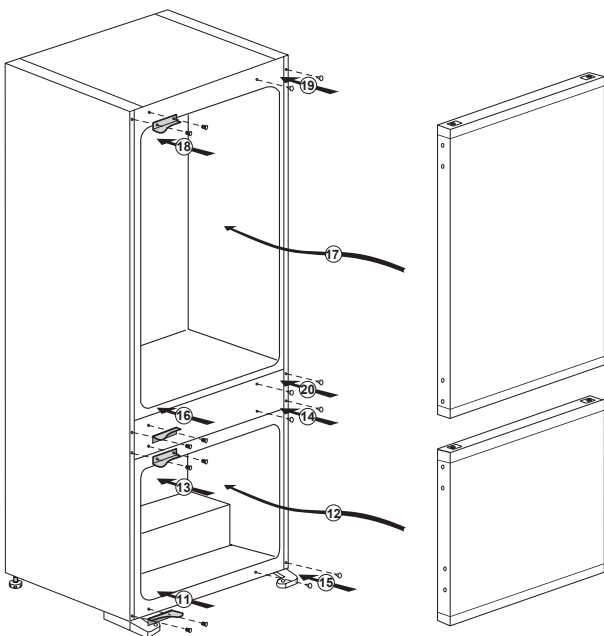
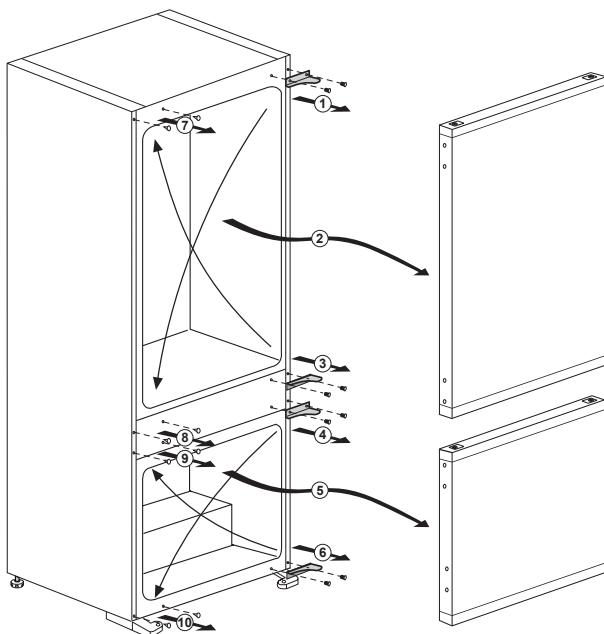
Повикајте овластен сервисер за да ја смените светилката што служи за осветлување на ладилникот. Сијалицата што се користи во овој уред не служи за осветлување на соби во домот. Намената на сијалицата е да му помогне на корисникот да ја стави храната во фрижидерот безбедно и удобно. Сијалиците што се користат во овој производ треба да ги издржуваат екстремните физички услови, како што се температурите под -20°C.

4 Подготовка

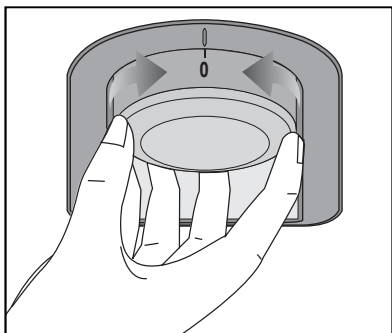
- И Ладилникот треба да се постави на најмалку 30 цм. оддалеченост од извори на топлина, како што се шпорети, рерни, централно греење и печки и на најмалку 5 цм. оддалеченост од електрични печки и не смее да се изложува на директна сончева светлина.
- И Амбиенталната температура во просторијата каде што ќе го поставите ладилникот мора да биде најмалку 10°C. Не се препорачува работа на ладилникот под уреди за ладење затоа што ја попречува неговата ефикасност.
- И Исчистете ја внатрешноста на ладилникот темелно.
- И Ако треба да се постават два ладилника еден до друг, тогаш треба да има најмалку 2 цм. растојание меѓу нив.
- И Кога ќе го вклучите ладилникот за првпат, почитувајте ги следните упатства во текот на првите шест часа.
 - Врата не треба да се отвора често.
 - Мора да се вклучи празен, без храна во него.
 - Не исклучувајте го ладилникот од струја. Ако снема струја, видете ги предупредувањата во поглавјето „Препорачани решенија за проблемите“.
- И Оригинаалното пакување и материјалите од пена треба да се чуваат за евентуален иден транспорт или преместување.

Преместување на вратите

Постапете по нумеричкиот редослед.



5 Употреба на ладилникот



Регулатор за поставување на температурата

Внатрешната температура на ладилникот се менува од следните причини:

- Сезонски температури.
- Често отворање на врата со тоа што се остава отворена подолго време.
- Храната што се става во ладилникот не е изладена на собна температура.
- Локацијата на ладилникот во просторијата (на пр. изложеност на сончева светлина).
- Може да ја прилагодувате променливата внатрешна температура од различни причини со помош на термостатот. Броевите околу копчето термостатот ги прикажуваат степените за ладење.
- Свртете го копчето на термостатот на максималната позиција ако амбиенталната температура е повисока од 32°C.
- Свртете го копчето на термостатот на минималната позиција ако амбиенталната температура е пониска од 25°C.

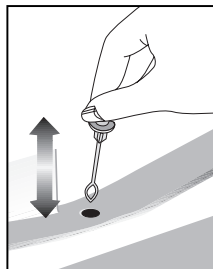
Одмрзнување

А) Оддел на ладилникот

Одделот на ладилникот извршува целосно автоматизирано одмрзнување.

Водата капе и може да се појави мраз од 7-8 мм. на внатрешниот заден ѕид во ладилникот кога тој лади. Таквите формации се нормални како резултат на системот за разладување. Формацијата на мраз ќе се одмрзне автоматски на одредени интервали благодарение на системот за автоматизирано одмрзнување на задниот ѕид. Нема потреба од гребење на мразот или од собирање на водените капки. Водата што е производ на одмрзнувањето минува нив одводот за собирање вода и истекува во испарувачот преку одводната цевка и тука испарува.

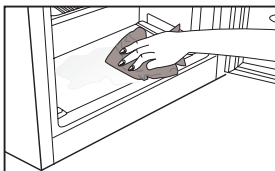
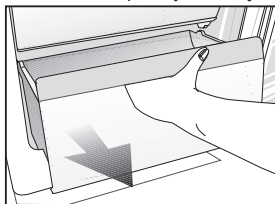
Проверувајте ја редовно одводната цевка за да видите дали е запушена или не и исчистете ја со стапче во отворот ако е неопходно.



Б) Оддел на замрзнувачот

Одделот за длабоко замрзнување не извршува автоматизирано одмрзнување за да се спречи расипување на замрзнатата храна. Одмрзнувањето е многу лесно и без растурање благодарение на специјалниот сад за собирање на одмрзната вода.

Одмрзнувајте двапати годишно или кога ќе се формира слој од мраз од околу 7 мм (1/4 инчи). За да ја започнете постапката на одмрзнување, исклучете го напојувањето и извадете го приклучокот. Сета храна треба да се завитка во неколку слоја весници и да се стави на ладно место (на пр. ладилник или шпајз). Садови со топла вода може да се стават во замрзнувачот за да се забрза одмрзнувањето. Не користете остри предмети како ножеви и виљушки за да го извадите мразот. Не користете никогаш фен за коса, електрични греалки или други слични апарати за одмрзнување. Соберете ја одмрзнатата вода на дното од одделот на замрзнувачот со сунѓер. По одмрзнување, исушете ја внатрешноста темелно. Ставете го приклучокот во штекер и пуштете ја струјата.



6 Одржување и чистење

- ⚠ Никогаш не користете бензин, нафта или слични средства за чистење.
- ⚠ Препорачуваме да го исклучите апаратот пред чистење.
- ℹ Никогаш не користете груби абразивни инструменти, сапун, домашни средства за чистење, детергент и средство за полирање за чистење.
- ℹ Користете топла вода за чистење на внатрешноста на апаратот и избришете за да се исуши.
- ℹ Користете влажна и добро исцедена крпа потопена во раствор од една лажичка сода бикарбонат и една чаша вода за чистење на внатрешноста, а потоа избришете за да се исуши.
- ⚠ Внимавајте да не навлезе вода во кукиштето на осветлувањето или во другите електрични делови.
- ⚠ Ако апаратот нема да се користи подолго време, исклучете го, извадете ја храната, исчистете го и оставате ја вратата полуотворена.
- ℹ Проверувајте ја редовно гумата на вратата која треба да биде чиста и без остатоци од храна.
- ℹ За да ги извадите полиците на вратата, извадете ја целата содржина и потоа едноставно притиснете ја полицата нагоре од лежиштето.

- ℹ Никогаш не користете средства за чистење или вода што содржат хлор за да ги исчистите надворешните површини и деловите обложени со хром на производот. Хлорот предизвикува корозија на таквите метални површини.

Заштита на пластичните површини

- ℹ Не ставајте течни масла или храна зготвена со масло во незатворени садови во ладилникот бидејќи тие може да ги оштетат пластичните површини на ладилникот. Во случај на истурање или размачкување масло врз пластичните површини, исчистете го и исплакнете го дадениот дел на површината веднаш со топла вода.

7 Препорачани решенија за проблемите

Прочитајте го овој список пред да повикате сервис. Ќе ви заштеди време и пари. Овој список ги опфаќа честите поплаки што не произлегуваат од неправилна работа или употреба на материјали. Некои од одликите што се опишани тука веројатно не постојат кај вашиот производ.

Ладилникот не работи.

- Дали ладилникот е правилно приклучен? Приклучете го во штекер.
- Дали осигурувачот на приклучокот на којшто е поврзан ладилникот или главниот осигурувач се прегорени? Проверете го осигурувачот.

Се јавува кондензација на страничните ѕидови во одделот на ладилникот (ПОВЕЌЕНАМЕНСКА ЗОНА, КОНТРОЛА НА ЛАДЕЊЕТО И ФЛЕКСИБИЛНА ЗОНА).

- Многу студени амбиентални услови. Често отворање и затворање на вратата. Амбиентални услови со многу влага. Складирана храна што содржи течност во отворени ѕидови. Вратата е оставена подотворена. Префрлете го термостатот на поладен степен.
- Намалете го времето за оставена отворена врата или користете ја поретко.
- Затворете ја храната што ја чувате во отворени ѕидови со соодветен материјал.
- Избришете ја кондензацијата со сува крпа и проверете дали повторно ќе се појави.

Компресорот не се вклучува.

- Заштитната термика на компресорот ќе престане да работи при ненадеен прекин на ел. енергија или ќе го прекине ел. напојување бидејќи притисокот на ладилникот во системот за ладење сè уште не е избалансиран. Ладилникот ќе продолжи со работа по приближно 6 минути. Повикајте го сервисот ако ладилникот не се вклучи по истекување на овој период.
- Ладилникот е во циклус на одмрзнување. Ова е нормално за целосно автоматизиран процес на одмрзнување кај ладилникот. Циклусот на одмрзнување започнува периодично.
- Ладилникот не е приклучен во штекер. Проверете дали приклучокот е правилно поставен во штекерот.
- Дали прилагодувањето на температурата е правилно направено?
- Можеби нема струја.

<p>Ладилникот често или долго работи.</p> <ul style="list-style-type: none"> • Новиот ладилник веројатно е поширок од претходниот. Тоа е сосема нормално. Големите ладилници работат подолг период. • Амбиенталната температура во просторијата е висока. Тоа е сосема нормално. • Ладилникот веројатно е приклучен неодамна или можеби е преоптоварен со храна. Комплетното разладување на ладилникот може да потрае неколку часа подолго. • Веројатно е ставена голема количина врела храна во ладилникот неодамна. Врелата храна предизвикува подолг период на работа на ладилникот сè додека не се постигне безбедна температура на складирање. • Вратите веројатно биле често отворани или оставени подотворени долг период. Топлиот воздух што навлегол во ладилникот предизвикува тој да работи подолг период. Отворајте ги вратите поретко. • Вратите на одделите на ладилникот или замрзнувачот веројатно биле оставени подотворени. Проверете дали вратите се добро затворени. • Ладилникот е прилагоден на многу ниска температура. Прилагодете ја температурата во ладилникот на повисок степен и почекајте додека не се постигне температурата. • Гумата на вратата од ладилникот или замрзнувачот е нечиста, истрошена, искината или не е правилно поставена. Исчистете ја или заменете ја гумата. Оштетена / искината гума предизвикува ладилникот да работи подолг период за да ја одржува тековната температура.
<p>Температурата во замрзнувачот е многу ниска додека температурата во ладилникот е задоволителна.</p>
<ul style="list-style-type: none"> • Температурата во замрзнувачот е прилагодена на многу ниска температура. Прилагодете ја температурата во замрзнувачот на повисок степен и проверете.
<p>Температурата во ладилникот е многу ниска додека температурата во замрзнувачот е задоволителна.</p>
<ul style="list-style-type: none"> • Температурата во ладилникот е прилагодена на многу ниска температура. Прилагодете ја температурата во ладилникот на повисок степен и проверете.
<p>Храната што се чува во фиоките на ладилникот се замрзнува.</p>
<ul style="list-style-type: none"> • Температурата во ладилникот е прилагодена на многу ниска температура. Прилагодете ја температурата во ладилникот на повисок степен и проверете.
<p>Температурата во ладилникот или замрзнувачот е многу висока.</p>
<ul style="list-style-type: none"> • Температурата во ладилникот е прилагодена на многу висок степен. Прилагодувањето во ладилникот влијае врз температурата во замрзнувачот. Сменете ја температурата во ладилникот или замрзнувачот додека истата не постигне задоволително ниво. • Вратите веројатно биле често отворани или оставени подотворени долг период. Отворајте ги поретко. • Вратата била оставена подотворена. Затворете ја вратата убаво. • Веројатно е ставена голема количина врела храна во ладилникот неодамна. Почекајте додека ладилникот или замрзнувачот не ја постигнат саканата температура. • Ладилникот веројатно бил приклучен неодамна. Целосно разладување на ладилникот трае подолго.

Бучавата при работа се зголемува кога работи ладилникот.
<ul style="list-style-type: none"> Работата на ладилникот се менува соодветно со промените во амбиенталната температура. Тоа е нормално и не е грешка.
Вибрации или бучава.
<ul style="list-style-type: none"> Подот не е рамен или е многу слаб. Ладилникот се ниша кога ќе се помести малку. Проверете дали подот е доволно цврст и може да го држи ладилникот и дали е рамен. Бучавата може да се предизвикува и од работите што се ставени врз ладилникот. Тие предмети треба да се тргнат од ладилникот.
Има бучава што доаѓа од ладилникот и наликува на истурање вода или шиштење.
<ul style="list-style-type: none"> Течните и гасните звуци се случуваат заради работните принципи на ладилникот. Тоа е нормално и не е грешка.
Има бучава како да дува ветер.
<ul style="list-style-type: none"> Се користат вентилатори за да може да се излади ладилникот. Тоа е нормално и не е грешка.
Има кондензација на внатрешните ѕидови на ладилникот.
<ul style="list-style-type: none"> Врела и влажна клима го зголемува создавањето мраз и кондензација. Тоа е нормално и не е грешка. Вратите биле оставени подотворени. Проверувајте дали вратите се затворени убаво. Вратите веројатно биле често отворани или оставени подотворени долг период. Отворајте ги поретко.
Влага се појавува на надворешноста на ладилникот или меѓу вратите.
<ul style="list-style-type: none"> Веројатно има влажност во воздухот. Ова е сосема нормално во временски услови со влага. Кога ќе се намали влагата, ќе исчезне и кондензацијата.
Има лоша миризма во ладилникот.
<ul style="list-style-type: none"> Внатрешноста на ладилникот мора да се исчисти. Исчистете ја внатрешноста на ладилникот со сунѓер, топла вода или карбонизирана вода. Некои садови или материјали за пакување веројатно го предизвикуваат мирисот. Употребете друг сад или материјал за пакување од друг производител.
Вратата не се затвора.
<ul style="list-style-type: none"> Спакуваната храна може да го попречува затворањето на вратите. Преместете ја спакуваната храна што ја попречува вратата. Ладилникот не е поставен целосно вертикално на подот и се ниша кога малку ќе се потурне. Прилагодете ги шрафовите за подигнување. Подот не е рамен или цврст. Проверете дали подот е рамен и може да го држи ладилникот.
Фиоките се заглавени.
<ul style="list-style-type: none"> Храната веројатно го допира плафонот на фиоката. Прераспределете ја храната во фиоката.



www.beko.com

4578336342/AD
EN, LV, LT, ET, MK