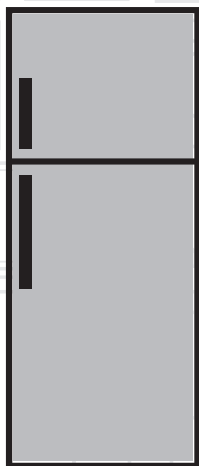


# Refrigerator

User manual



DN163123  
DN163223  
DN163233  
DN163233S

DN161620  
DN161602W  
DN153720DX

EN | AR |

**beko**

## **Please read this manual first!**

Dear Customer,

We hope that your product, which has been produced in modern plants and checked under the most meticulous quality control procedures, will provide you an effective service.

For this, we recommend you to carefully read the entire manual of your product before using it and keep it at hand for future references.

## **This manual**

- Will help you use your appliance in a fast and safe way.
- Read the manual before installing and operating your product.
- Follow the instructions, especially those for safety.
- Keep the manual in an easily accessible place as you may need it later.
- Besides, read also the other documents provided with your product.

Please note that this manual may be valid for other models as well.

## **Symbols and their descriptions**

This instruction manual contains the following symbols:



Important information or useful usage tips.



Warning against dangerous conditions for life and property.



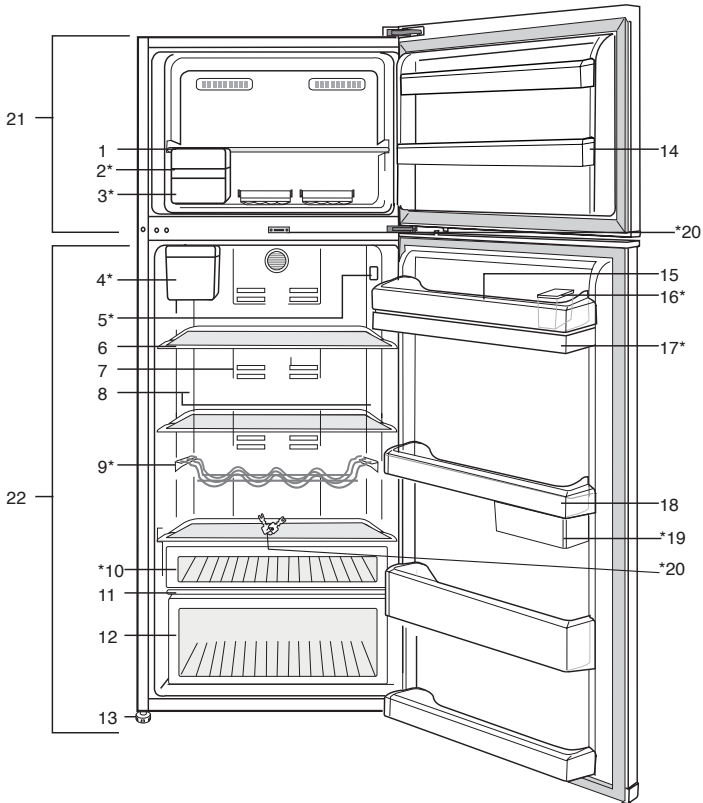
Warning against electric voltage.

## CONTENTS

---

<b>1 The refrigerator</b>	<b>3</b>	<b>4 Preparation</b>	<b>11</b>
<b>2 Important Safety Warnings</b>	<b>4</b>	<b>5 Using your refrigerator</b>	<b>12</b>
Intended use .....	4	Indicator Panel.....	12
General safety .....	4	Door Open Warning.....	15
For products with a .....	7	Freezing fresh food .....	16
water dispenser;.....	7	Recommendations for preservation of frozen food .....	17
Child safety.....	7	Placing the food .....	17
Compliance with WEEE Directive and Disposing of the Waste Product: .....	7	Deep-freeze information .....	18
Package information.....	7	Description and cleaning of odor filter: .....	19
HC warning .....	8	Egg holder.....	19
Things to be done for energy saving ..	8	Water Dispenser.....	20
Recommenations for freshfood compartment.....	8	Rotary storage container .....	22
<b>3 Installation</b>	<b>9</b>	Blue light .....	23
Points to be considered when re-transporting your refrigerator .....	9	Auto Icematic .....	23
Before operating your refrigerator .....	9	Icematic and ice storage container ..	24
Changing the illumination lamp .....	9	<b>6 Maintenance and cleaning</b>	<b>25</b>
Adjusting the legs .....	10	Protection of plastic surfaces .....	25
Electric connection .....	10	<b>7. Troubleshooting</b>	<b>26</b>
Disposing of the packaging .....	10		
Disposing of your old refrigerator .....	10		
Placing and Installation .....	10		

# 1 The refrigerator



- |                                  |   |
|----------------------------------|---|
| 1. Freezer compartment shelf     | 13. Adjustable legs                       |
| 2. Auto Icematic                 | 14. Freezer compartment door racks        |
| 3. Ice storage container         | 15. Egg holder                            |
| 4. Auto Icematic water tank      | 16. Water dispenser filling container     |
| 5. Temperature setting indicator | 17. Water dispenser tank                  |
| 6. Adjustable glass shelves      | 18. Fridge compartment door shelves       |
| 7. Odor filter                   | 19. Sliding and rotary storage containers |
| 8. Illumination lens             | 20. Key                                   |
| 9. Bottle shelf                  | 21. Freezer compartment                   |
| 10. Snack compartment            | 22. Fridge compartment                    |
| 11. Crisper cover                |   |
| 12. Crisper                      |   |
- \*OPTIONAL**

**I** Figures that take place in this instruction manual are schematic and may not correspond exactly with your product. If the subject parts are not included in the product you have purchased, then it is valid for other models.

## 2 Important Safety Warnings

Please review the following information. Failure to observe this information may cause injuries or material damage. Otherwise, all warranty and reliability commitments will become invalid.

Original spare parts will be provided for 10 years, following the product purchasing date.

### Intended use

This product is intended to be used

- indoors and in closed areas such as homes;
- in closed working environments such as stores and offices;
- in closed accommodation areas such as farm houses, hotels, pensions.
- It should not be used outdoors.

### General safety

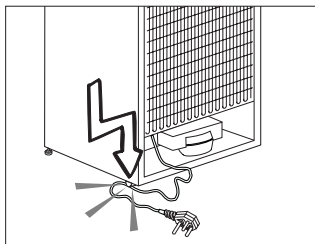
- When you want to dispose/ scrap the product, we recommend you to consult the authorized service in order to learn the required information and authorized bodies.
- Consult your authorized service for all your questions and problems related to the refrigerator. Do not intervene or let someone intervene to the refrigerator without notifying the authorised services.
- For products with a freezer compartment; Do not eat cone ice cream and ice cubes

immediately after you take them out of the freezer compartment! (This may cause frostbite in your mouth.)

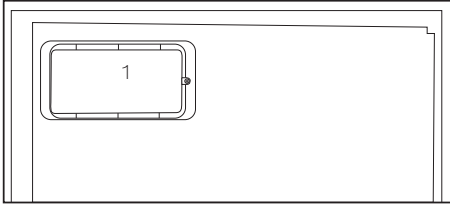
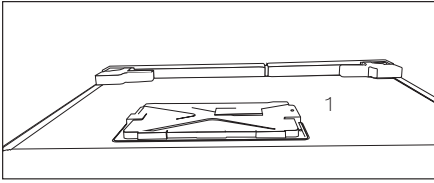
- For products with a freezer compartment; Do not put bottled and canned liquid beverages in the freezer compartment. Otherwise, these may burst.
- Do not touch frozen food by hand; they may stick to your hand.
- Unplug your refrigerator before cleaning or defrosting.
- Vapor and vaporized cleaning materials should never be used in cleaning and defrosting processes of your refrigerator. In such cases, the vapor may get in contact with the electrical parts and cause short circuit or electric shock.
- Never use the parts on your refrigerator such as the door as a means of support or step.
- Do not use electrical devices inside the refrigerator.
- Do not damage the parts, where the refrigerant is circulating, with drilling or cutting tools. The refrigerant that might blow out when the gas channels of the evaporator, pipe extensions or surface coatings are punctured causes skin irritations and eye injuries.
- Do not cover or block the ventilation holes on your refrigerator with any material.

- Electrical devices must be repaired by only authorised persons. Repairs performed by incompetent persons create a risk for the user.
- In case of any failure or during a maintenance or repair work, disconnect your refrigerator's mains supply by either turning off the relevant fuse or unplugging your appliance.
- Do not pull by the cable when pulling off the plug.
- Ensure highly alcoholic beverages are stored securely with the lid fastened and placed upright.
- Never store spray cans containing flammable and explosive substances in the refrigerator.
- Do not use mechanical devices or other means to accelerate the defrosting process, other than those recommended by the manufacturer.
- This product is not intended to be used by persons with physical, sensory or mental disorders or unlearned or inexperienced people (including children) unless they are attended by a person who will be responsible for their safety or who will instruct them accordingly for use of the product
- Do not operate a damaged refrigerator. Consult with the service agent if you have any concerns.
- Electrical safety of your refrigerator shall be guaranteed only if the earth system in your house complies with standards.
- Exposing the product to rain, snow, sun and wind is dangerous with respect to electrical safety.
- Contact authorized service when there is a power cable damage to avoid danger.
- Never plug the refrigerator into the wall outlet during installation. Otherwise, risk of death or serious injury may arise.
- This refrigerator is intended for only storing food items. It must not be used for any other purpose.
- Label of technical specifications is located on the left wall inside the refrigerator.
- Never connect your refrigerator to electricity-saving systems; they may damage the refrigerator.
- If there is a blue light on the refrigerator, do not look at the blue light with optical tools.
- For manually controlled refrigerators, wait for at least 5 minutes to start the refrigerator after power failure.
- This operation manual should be handed in to the new owner of the product when it is given to others.
- Avoid causing damage on power cable when transporting the refrigerator. Bending cable

may cause fire. Never place heavy objects on power cable. Do not touch the plug with wet hands when plugging the product



- Do not plug the refrigerator if the wall outlet is loose.
- Water should not be sprayed on inner or outer parts of the product for safety purposes.
- Do not spray substances containing inflammable gases such as propane gas near the refrigerator to avoid fire and explosion risk.
- Never place containers filled with water on top of the refrigerator; in the event of spillages, this may cause electric shock or fire.
- Do not overload the refrigerator with food. If overloaded, the food items may fall down and hurt you and damage refrigerator when you open the door.
- Never place objects on top of the refrigerator; otherwise, these objects may fall down when you open or close the refrigerator's door.
- As they require a precise temperature, vaccines, heat-sensitive medicine and scientific materials and etc. should not be kept in the refrigerator.
- If not to be used for a long time, refrigerator should be unplugged. A possible problem in power cable may cause fire.
- The plug's tip should be cleaned regularly with a dry cloth; otherwise, it may cause fire.
- Refrigerator may move if adjustable legs are not properly secured on the floor. Properly securing adjustable legs on the floor can prevent the refrigerator to move.
- When carrying the refrigerator, do not hold it from door handle. Otherwise, it may be snapped.
- When you have to place your product next to another refrigerator or freezer, the distance between devices should be at least 8cm. Otherwise, adjacent side walls may be humidified.
- The product shall never be used while the compartment which is located at the top or back of your product and in which electronic boards are available (electronic board box cover) (1) is open.



**For products with a  
water dispenser;**

- Pressure for cold water inlet shall be maximum 90 psi (6.2 bar). If your water pressure exceeds 80 psi (5.5 bar), use a pressure limiting valve in your mains system. If you do not know how to check your water pressure, ask for the help of a professional plumber.
- If there is risk of water hammer effect in your installation, always use a water hammer prevention equipment in your installation. Consult Professional plumbers if you are not sure that there is no water hammer effect in your installation.
- Do not install on the hot water inlet. Take precautions against the risk of freezing of the hoses. Water temperature operating

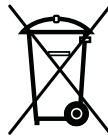
interval shall be 33°F (0.6°C) minimum and 100°F (38°C) maximum.

- Use only potable water.

**Child safety**

- If the door has a lock, the key should be kept away from reach of children.
- Children must be supervised to prevent them from tampering with the product.

**Compliance with WEEE Directive and Disposing of the Waste Product:**



This product complies with EU WEEE Directive (2012/19/EU). This product bears a classification symbol for waste electrical and electronic equipment (WEEE).

This product has been manufactured with high quality parts and materials which can be reused and are suitable for recycling. Therefore, do not dispose the product with normal domestic waste at the end of its service life. Take it to a collection point for the recycling of electrical and electronic equipment. Please consult your local authorities to learn the nearest collection point. Help protect the environment and natural resources by recycling used products. For children's safety, cut the power cable and break the locking mechanism of the door, if any, so that it will be non-functional before disposing of the product.

**Package information**

Packaging materials of the product are manufactured from recyclable materials in accordance with our National Environment Regulations. Do not dispose



of the packaging materials together with the domestic or other wastes. Take them to the packaging material collection points designated by the local authorities.

### Do not forget...

Any recycled substance is an indispensable matter for nature and our national asset wealth.

If you want to contribute to the re-evaluation of the packaging materials, you can consult to your environmentalist organizations or the municipalities where you are located.

## HC warning

### If your product's cooling system contains R600a:

This gas is flammable. Therefore, pay attention to not damaging the cooling system and piping during usage and transportation. In the event of damage, keep your product away from potential fire sources that can cause the product catch a fire and ventilate the room in which the unit is placed.

### Ignore this warning if your product's cooling system contains R134a.

Type of gas used in the product is stated in the type label which is on the left wall inside the refrigerator.

Never throw the product in fire for disposal.

## Things to be done for energy saving

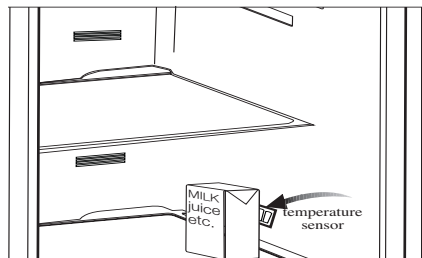
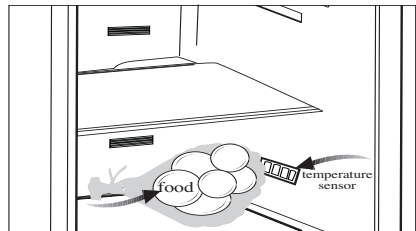
- Do not leave the doors of your refrigerator open for a long time.
- Do not put hot food or drinks in your refrigerator.
- Do not overload your refrigerator so that the air circulation inside of it is not prevented.
- Do not install your refrigerator under direct sunlight or near heat emitting appliances such as ovens, dishwashers or radiators. Keep your refrigerator at least 30cm away from heat emitting sources and at least 5cm from electrical ovens.

- Pay attention to keep your food in closed containers.
- For products with a freezer compartment; You can store maximum amount of food items in the freezer when you remove the shelf or drawer of the freezer. Energy consumption value stated for your refrigerator has been determined by removing freezer shelf or drawer and under maximum load. There is no harm to use a shelf or drawer according to the shapes and size of food to be frozen.
- Thawing frozen food in fridge compartment will both provide energy saving and preserve the food quality.


## Reccomendations for freshfood compartment

### \* OPTIONAL

- Please do not let any foodstuff to come to contact with the temperature sensor in freshfood compartment. In order to maintain freshfood compartment at ideal storage temperature, the sensor must not be blocked by fodstuffs.
- Do not place hot foodstuff in your appliance.



### 3 Installation

 Please remember that the manufacturer shall not be held liable if the information given in the instruction manual is not observed.

#### Points to be considered when re-transporting your refrigerator

1. Your refrigerator must be emptied and cleaned prior to any transportation.
2. Shelves, accessories, crisper and etc. in your refrigerator must be fastened securely by adhesive tape against any jolt before repackaging.
3. Packaging must be tied with thick tapes and strong ropes and the rules of transportation printed on the package must be followed.

#### Please do not forget...

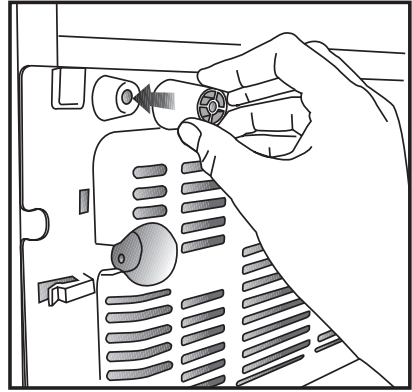
Every recycled material is an indispensable source for the nature and for our national resources.

If you wish to contribute to recycling the packaging materials, you can get further information from the environmental bodies or local authorities.

#### Before operating your refrigerator

Before starting to use your refrigerator check the following:

1. Is the interior of the refrigerator dry and can the air circulate freely in the rear of it?
2. Please install the 2 plastic wedges as illustrated in the figure. Plastic wedges will provide the required distance between your refrigerator and the wall in order to allow the air circulation. (The illustrated figure is only an example and does not match exactly with your product.)



3. Clean the interior of the refrigerator as recommended in the “Maintenance and cleaning” section.
4. Plug the refrigerator into the wall outlet. When the fridge door is open, the fridge compartment interior light will come on.
5. You will hear a noise as the compressor starts up. The liquid and gases sealed within the refrigeration system may also give rise to noise, even if the compressor is not running and this is quite normal.
6. Front edges of the refrigerator may feel warm. This is normal. These areas are designed to be warm to avoid condensation.

#### Changing the illumination lamp

To change the Bulb/LED used for illumination of your refrigerator, call your AuthorisedService.

The lamp(s) used in this appliance is not suitable for household room illumination. The intended purpose of this lamp is to assist the user to place foodstuffs in the refrigerator/freezer in a safe and comfortable way. The lamps used in this appliance have to withstand extreme physical conditions such as temperatures below -20 °C. (only chest and upright freezer)

## Electric connection

Connect your product to a grounded socket which is being protected by a fuse with the appropriate capacity.

Important:

- The connection must be in compliance with national regulations.
- The power cable plug must be easily accessible after installation.
- The specified voltage must be equal to your mains voltage.
- Extension cables and multiway plugs must not be used for connection.

⚠ A damaged power cable must be replaced by a qualified electrician.

⚠ Product must not be operated before it is repaired! There is danger of electric shock!

## Disposing of the packaging

The packing materials may be dangerous for children. Keep the packing materials out of the reach of children or dispose them of by classifying them in accordance with the waste instructions. Do not dispose them of along with the normal household waste.

The packing of your refrigerator is produced from recyclable materials.

## Disposing of your old refrigerator

Dispose of your old refrigerator without giving any harm to the environment.

- You may consult your authorised dealer or waste collection center of your municipality about the disposal of your refrigerator.

Before disposing of your refrigerator, cut out the electric plug and, if there are any locks on the door, make them inoperable in order to protect children against any danger.

## Placing and Installation

⚠ If the entrance door of the room where the refrigerator will be installed is not wide enough for the refrigerator to pass through, then call the authorised service to have them remove the doors of your refrigerator and pass it sideways through the door.

1. Install your refrigerator to a place that allows ease of use.

2. Keep your refrigerator away from heat sources, humid places and direct sunlight.

3. There must be appropriate air ventilation around your refrigerator in order to achieve an efficient operation. If the refrigerator is to be placed in a recess in the wall, there must be at least 5 cm distance with the ceiling and at least 5 cm with the wall. If the floor is covered with a carpet, your product must be elevated 2.5 cm from the floor.

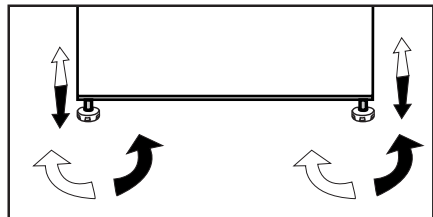
4. Place your refrigerator on an even floor surface to prevent jolts.

5. Do not keep your refrigerator in ambient temperatures under 10°C.

## Adjusting the legs

If your refrigerator is unbalanced;

You can balance your refrigerator by turning the front legs of it as illustrated in the figure. The corner where the leg exists is lowered when you turn in the direction of black arrow and raised when you turn in the opposite direction. Taking help from someone to slightly lift the refrigerator will facilitate this process.



## 4 Preparation

---

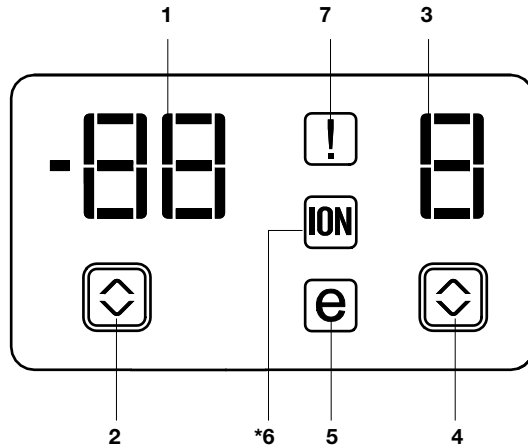
- Your refrigerator should be installed at least 30 cm away from heat sources such as hobs, ovens, central heater and stoves and at least 5 cm away from electrical ovens and should not be located under direct sunlight.
- The ambient temperature of the room where you install your refrigerator should at least be 10°C. Operating your refrigerator under cooler conditions is not recommended with regard to its efficiency.
- Please make sure that the interior of your refrigerator is cleaned thoroughly.
- If two refrigerators are to be installed side by side, there should be at least 2 cm distance between them.
- When you operate your refrigerator for the first time, please observe the following instructions during the initial six hours.
- The door should not be opened frequently.
- It must be operated empty without any food in it.
- Do not unplug your refrigerator. If a power failure occurs out of your control, please see the warnings in the “Recommended solutions for the problems” section.
- Original packaging and foam materials should be kept for future transportations or moving.
- The baskets/drawers that are provided with the chill compartment must always be in use for low energy consumption and for better storage conditions.
- Food contact with the temperature sensor in the freezer compartment may increase energy consumption of the appliance. Thus any contact with the sensor(s) must be avoided.
- In some models, the instrument panel automatically turns off 5 minutes after the door has closed. It will be reactivated when the door has opened or pressed on any key.
- Due to temperature change as a result of opening/closing the product door during operation, condensation on the door/body shelves and the glass containers is normal

## 5 Using your refrigerator

### Indicator Panel

Indicator panels may vary depending on your product's model.

Indicator panel aids in using your refrigerator with its audio and visual functions.



**1.** Freezer Compartment Temperature Indicator

**2.** Error Status Indicator

**3.** Fridge Compartment Temperature Indicator

**4.** Fridge Compartment Temperature Setting Button

**5.** Economy Mode Indicator

**6.** Ioniser Indicator

**7.** Freezer Compartment Temperature Setting Button

#### **1. Freezer Compartment Temperature Indicator**

It indicates the temperature set for Freezer compartment.

#### **2. Error Status Indicator**

If your refrigerator does not cool adequately or if there is a sensor failure, this indicator will be activated. When this indicator is active, Freezer Compartment Temperature indicator will display "e" and Fridge Compartment Temperature Indicator will display numbers such as "1,2,3...". These numbers on the indicator provides information about the error to the service personnel.

#### **3. Fridge Compartment Temperature Indicator**

Indicates the temperature set for Fridge compartment.

#### **4. Fridge Compartment Temperature Setting Button**

Press this button to set the temperature of the fridge compartment to 8, 6, 4, 2, 8... respectively. Press this button to set the desired temperature for the fridge compartment.

#### **5. Economy Mode Indicator**

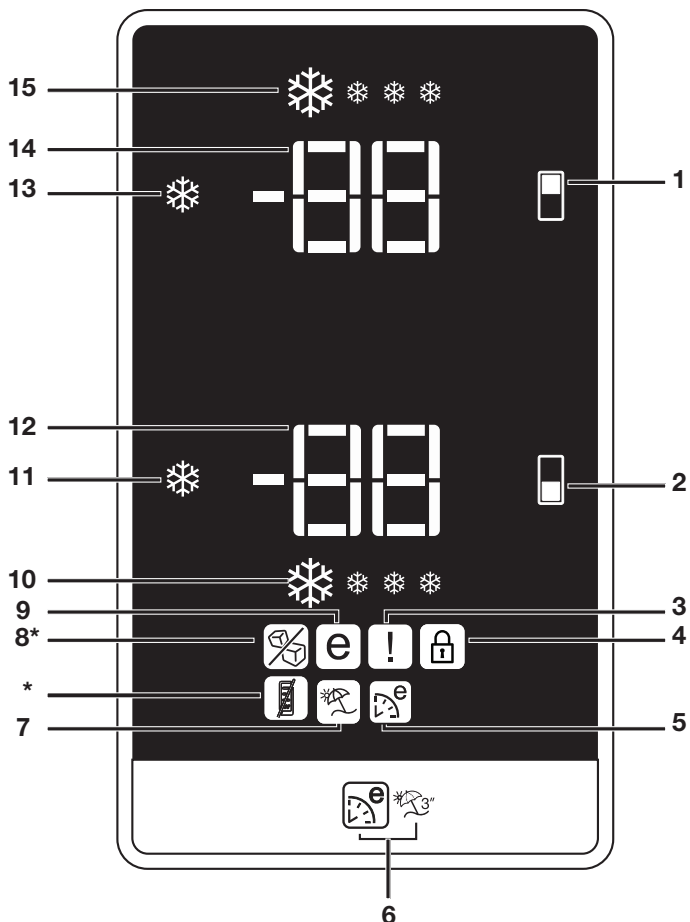
Indicates that the refrigerator is running in energy-efficient mode.

#### **6. Ioniser Indicator**

Indicator light lights up continuously. This light indicates that your refrigerator is protected against the bacteria.

#### **7. Freezer Compartment Temperature Setting Button**

Press this button to set the temperature of the freezer compartment to -18, -20, -22, -24, -18... respectively. Press this button to set the desired temperature for the freezer compartment.



- |  |   |
|--|---|
| <ul style="list-style-type: none"> <li>1. Freezer compartment setting / Icematic on-off button</li> <li>2. Fridge compartment setting button</li> <li>3. Error status indicator</li> <li>4. Key lock indicator</li> <li>5. Eco Extra Function indicator</li> <li>6. Eco Extra/Vacation Button</li> <li>7. Vacation function indicator</li> <li>8. Icematic off indicator (*in some models)</li> <li>9. Economic usage indicator</li> </ul> | <ul style="list-style-type: none"> <li>10. Quick fridge function indicator</li> <li>11. Quick fridge function button</li> <li>12. Fridge compartment temperature setting indicator</li> <li>13. Quick freeze function button</li> <li>14. Freezer compartment temperature setting indicator</li> <li>15. Quick freeze function indicator</li> </ul> |
|--|---|

**ⓘ** Figures that take place in this instruction manual are schematic and may not correspond exactly with your product. If the subject parts are not included in the product you have purchased, then it is valid for other models.

## **1. Freezer Compartment Setting / Icematic On-Off Button**

This function allows you to make the freezer compartment temperature setting. Press this button to set the temperature of the freezer compartment to -18, -20, -22 and -24 respectively.

To stop ice formation, press Icematic on-off button for 3 seconds. Water flow from water tank will stop when this function is selected. However, ice made previously can be taken from the Icematic. To restart ice formation, press Icematic on-off button for 3 seconds.

## **2. Fridge Compartment Setting Button**

This function allows you to make the fridge compartment temperature setting. Press this button to set the temperature of the fridge compartment to 8, 6, 4, 2 respectively.

## **3. Error Status Indicator**

If your refrigerator does not cool adequately or if there is a sensor failure, this indicator will be activated. When this indicator is active, Freezer Compartment Temperature indicator will display "E" and Fridge Compartment Temperature Indicator will display numbers such as "1,2,3...". These numbers on the indicator provides information about the error to the service personnel.

When you place hot food into the freezer compartment or if you leave the door open for a long time, exclamation mark can illuminate for some time. This is not a failure; this warning will disappear when the food cools down.

## **4. Key Lock Indicator**

Use this function if you do not want your refrigerator temperature setting changed. Press Fridge compartment setting button and Freezer compartment setting button simultaneously for a long time (3 sec) to activate this function.

## **5. Eco Extra Function Indicator**

It indicates that the Eco-Extra function is active.

If this function is active, your refrigerator will automatically detect the least usage periods and energy-efficient cooling will be performed during those times. Economy indicator will be active while energy-efficient cooling is performed.

Press the relevant button again to deactivate this function.

## **6. Eco Extra/Vacation Button**

Press this button briefly to activate the Eco Extra function. Press and hold this button for 3 sec. to activate the Vacation function. Press this button again to deactivate the selected function.

## **7. Vacation Function Indicator**

Indicates that the vacation function is active. If this function is active, "- -" appears on the indicator of the fridge compartment and no cooling is performed in the fridge compartment. Other compartments will be cooled in accordance with the temperature set for them.

Press the relevant button again to deactivate this function.

## 8. Ice Off indicator

Icematic will not run when the indicator of this function is active. See Item 1 to enable the Icematic.

## 9. Economy Mode Indicator

Indicates that the refrigerator is running in energy-efficient mode. Freezer Compartment temperature

This indicator will be active if the function is set to -18 or the energy efficient cooling is being performed due to Eco-Extra function.

## 10. Quick Fridge Indicator

This icon flashes in an animated style when the Quick Fridge function is active.

## 11. Quick Fridge Function

When you press the Quick Fridge button, the temperature of the compartment will be colder than the adjusted values.

This function can be used for food placed in the fridge compartment and required to be cooled down rapidly.

If you want to cool large amounts of fresh food, it is recommended to active this feature before putting the food into the fridge.

Quick Fridge indicator turns on when the Quick Fridge function is on. To cancel this function press Quick Fridge button again.

If you do not cancel it, Quick Fridge will cancel itself automatically after 4 hours or when the fridge compartment reaches to the required temperature.

This function is not recalled when power restores after a power failure.

## 12. Fridge Compartment Temperature Setting Indicator

Indicates the temperature set for the Fridge Compartment.

## 13. Freezer Compartment Temperature Setting Indicator

Indicates the temperature set for the Freezer Compartment.

## 14. Quick Freeze Function

Quick Freeze indicator turns on when the Quick Freeze function is active. To cancel this function press Quick Freeze button again. Quick Freeze indicator will turn off and return to its normal settings. If you do not cancel it, Quick Freeze will cancel itself automatically after 8 hours or when the freezer compartment reaches to the required temperature.

If you want to freeze large amounts of fresh food, press the Quick Freeze button before putting the food into the freezer compartment.

If you press the Quick Freeze button repeatedly with short intervals, the electronic circuit protection will be activated and the compressor will not start up immediately.

This function is not recalled when power restores after a power failure.

## 15. Quick Freeze Indicator

This icon flashes in an animated style when the Quick Freeze function is active.

## Door Open Warning

**(This feature may vary depending on the door of the product and may not exist in some models.)**

A audio warning signal will be given when the door of your product is left open for at least 1 minute. This warning will be muted when the door is closed or any of the display buttons (if any) are pressed.



## Freezing fresh food

- Wrap or cover the food before placing them in the refrigerator.
  - Hot food must cool down to the room temperature before putting them in the refrigerator.
  - The foodstuff that you want to freeze must be fresh and in good quality.
  - Foodstuff must be divided into portions according to the family's daily or meal based consumption needs.
  - The foodstuff must be packaged in an airtight manner to prevent them from drying even if they are going to be kept for a short time.
  - Materials to be used for packaging must be tear-proof and resistant to cold, humidity, odor, oils and acids and they must also be airtight. Moreover, they must be well closed and they must be made from easy-to-use materials that are suitable for deep freeze usage.
- Frozen food must be used immediately after they are thawed and they should never be re-frozen.
  - Please observe the following instructions to obtain the best results.
    1. Do not freeze too large quantities of food at one time. The quality of the food is best preserved when it is frozen right through to the core as quickly as possible.
    2. Placing warm food into the freezer compartment causes the cooling system to operate continuously until the food is frozen solid.
    3. Take special care not to mix already frozen food and fresh food.

Freezer Compartment Setting	Fridge Compartment Setting	Explanations
-18°C	4°C	This is the normal recommended setting.
-20,-22 or -24°C	4°C	These settings are recommended when the ambient temperature exceeds 30°C.
Quick Freeze	4°C	Use when you wish to freeze your food in a short time. Your refrigerator will return to its previous mode when the process is over.
-18°C or colder	2°C	If you think that your fridge compartment is not cold enough because of the hot conditions or frequent opening and closing of the door.
-18°C or colder	Quick Fridge	You can use it when your fridge compartment is overloaded or if you wish to cool down your food rapidly. It is recommended that you activate quick fridge function 4-8 hours before placing the food.

## Recommendations for preservation of frozen food

- Prepacked commercially frozen food should be stored in accordance with the frozen food manufacturer's instructions for a **\*\*\*\*** (4 star) frozen food storage compartment.
- To ensure that the high quality achieved by the frozen food manufacturer and the food retailer is maintained, the following should be remembered:
  1. Put packages in the freezer as quickly as possible after purchase.
  2. Ensure that contents are labeled and dated.
  3. Do not exceed "Use By", "Best Before" dates on the packaging.

### Defrosting

The freezer compartment defrosts automatically.

## Placing the food

Freezer compartment shelves	Various frozen food such as meat, fish, ice cream, vegetables and etc.
Egg holder	Egg
Fridge compartment shelves	Food in pans, covered plates and closed containers
Fridge compartment door shelves	Small and packaged food or drinks (such as milk, fruit juice and beer)
Crisper	Vegetables and fruits
Freshzone compartment	Delicatessen products (cheese, butter, salami and etc.)

## Deep-freeze information

Food must be frozen as rapidly as possible when they are put in a refrigerator in order to keep them in good quality.

It is possible to keep the food for a long time only at  $-18^{\circ}\text{C}$  or lower temperatures.

You can keep the freshness of food for many months (at  $-18^{\circ}\text{C}$  or lower temperatures in the deep freeze).

### **WARNING!**

- Foodstuff must be divided into portions according to the family's daily or meal based consumption needs.

- Foodstuff must be packaged in an airtight manner to prevent them from drying even if they are going to be kept for a short time.

Materials necessary for packaging:

- Cold resistant adhesive tape
- Self adhesive label
- Rubber rings
- Pen

Materials to be used for packaging the foodstuff must be tear-proof and resistant to cold, humidity, odor, oils and acids.

Foodstuff to be frozen should not be allowed to come in contact with the previously frozen items to prevent their partial thawing.

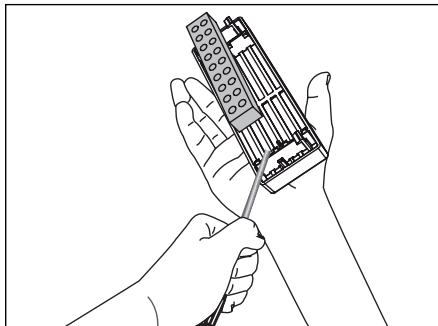
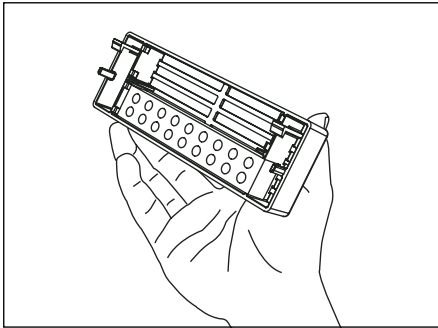
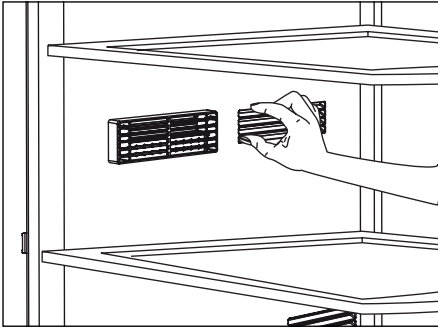
Frozen food must be used immediately after they are thawed and they should never be re-frozen.

## Description and cleaning of odor filter:

Odor filter prevents unpleasant odor build-up in your refrigerator.

Pull the cover, into which the odor filter is installed, downwards and remove as illustrated. Leave the filter under sunlight for one day. Filter will be cleaned during this time. Install the filter back to its place.

Odor filter must be cleaned once in a year.



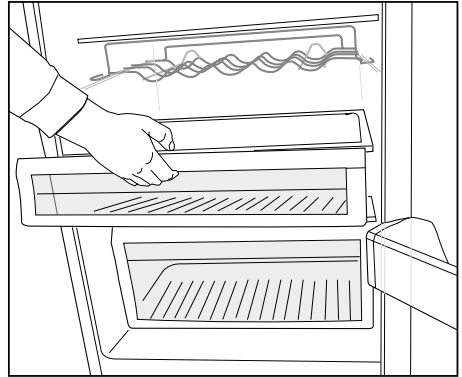
## Snack compartments

Use these compartments for your food which you want store at a temperature a few degrees below the fridge compartment.

You can increase the inner volume of your refrigerator by removing any of the snack compartments.

1. Pull the compartment towards yourself until it rests and stops against the stopper.
2. Lift the front section and pull towards yourself to remove the compartment from its seating.

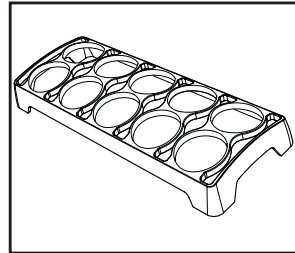
**i** You can place the food, that you want to freeze, in these compartments in order to prepare them for freezing.



## Egg holder

You can install the egg holder to the desired door or body shelf.

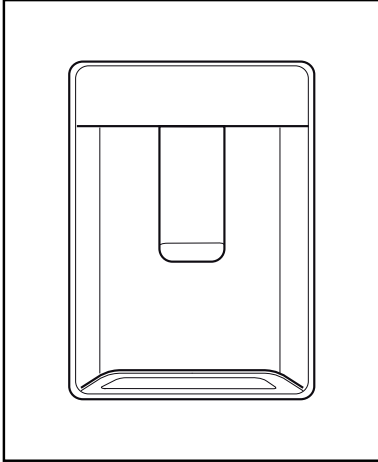
Never store the egg holder in the freezer compartment



# Water Dispenser

## (in some models)

Water dispenser is a very useful feature based on reaching cold water without opening the door of your refrigerator. As you will not have to open your refrigerator door frequently, you will have saved energy.



### Using the water spring

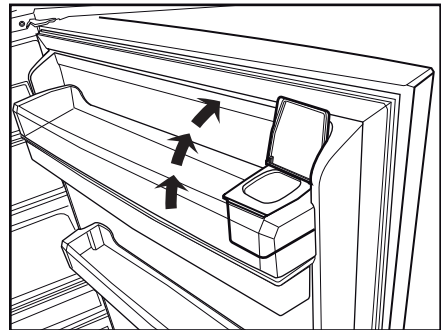
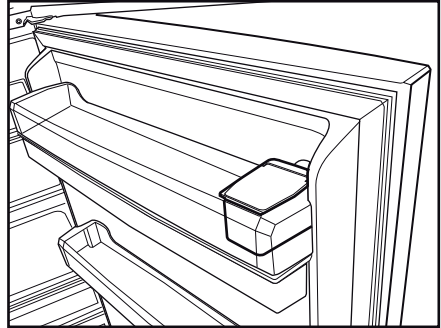
Push the arm of the water dispenser with your glass. The dispenser will cease operating once you release the arm.

When operating the water dispenser, maximum flow can be obtained by pressing the arm fully. Please remember that the amount of flow from the dispenser is subject to the degree you press the arm.

As the level of the water in your glass/container rises, slightly lessen the pressure on the arm to prevent the overspill. If you slightly press the arm, the water will drop; this is quite normal and not a failure.

### Filling the water dispenser water tank

Water tank filling reservoir is located inside the door rack. Open the reservoir cover and fill in clean potable water. And then, close the lid.



### Warning!

- Do not fill the water tank with any other liquid except for water such as fruit juices, carbonated beverages or alcoholic drinks which are not suitable to use in the water dispenser. Water dispenser will be irreparably damaged if these kinds of liquids are used. Warranty does not cover such usages. Some chemical substances and additives contained in these kinds of drinks/liquids may damage the water tank material.

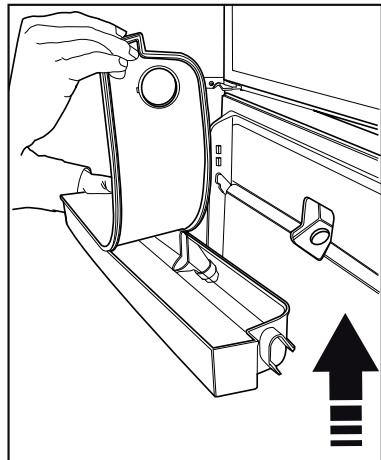
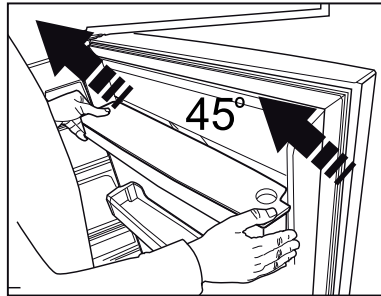
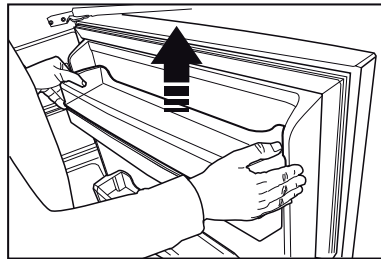
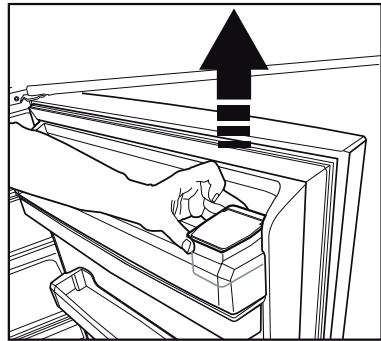
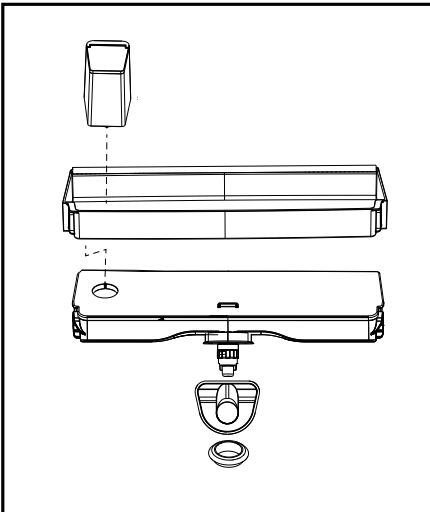
- Use clean and pure potable water only.
- Capacity of the water tank is 3 liters; do not overfill.
- Push the arm of the water dispenser with a rigid glass. If you are using disposable plastic glasses, push the arm with your fingers from behind the glass.

**Cleaning the water tank**

- Remove the water filling reservoir inside the door rack.
- Remove the door rack by holding from both sides.
- Grab the water tank from both sides and remove it with an angle of 45°.
- Clean the water tank by removing its lid.

**Important:**

Components of the water tank and water dispenser should not be washed in dishwasher.



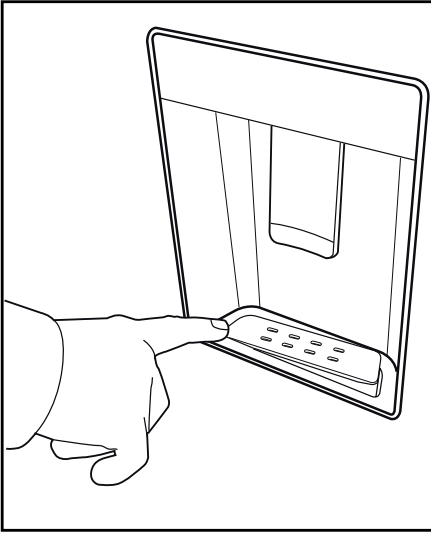
## Water tray

Water that dripped while using the water dispenser accumulates in the spillage tray.

Take out the plastic strainer as shown in the figure.

With a clean and dry cloth, remove the water that has accumulated

**CAUTION:** Connect only to a potable water line.



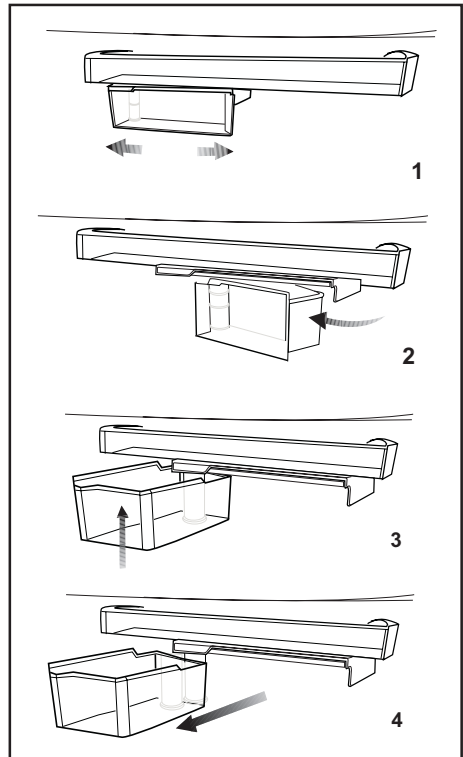
## Rotary storage container

(in some models)

Sliding body shelf can be moved to left or right in order to allow you place long bottles, jars or boxes to a lower shelf (Fig. 1)

You can reach the food that you have placed into the shelf by grabbing and turning it from its right edge (Fig.2).

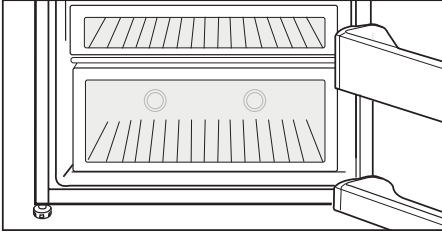
When you want to load or remove it to clean, turn it by 90 degrees, raise it up and pull towards yourself (Fig. 3-4).



## Blue light

(in some models)

Foodstuff stored in the crispers that are enlightened with a blue light continue their photosynthesis by means of the wavelength effect of blue light and thus, preserve their freshness and increase their vitamin content.



## Auto Icematic

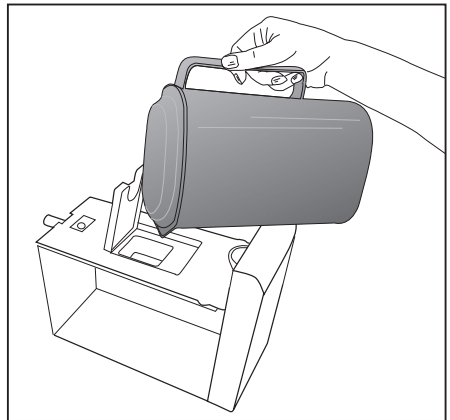
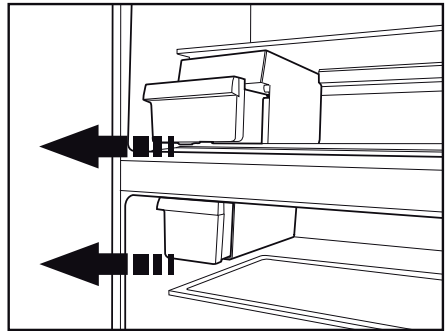
(in some models)

Auto Icematic system allows you to obtain ice from the refrigerator easily. Remove the water tank in the fridge compartment, fill it with water and install it back to obtain ice from the Icematic.

First ice cubes will be ready in approximately 2 hours in the Icematic drawer located in the freezer compartment..

If you fill the water tank completely, you will be able to obtain approximately 60-70 ice cubes.

Change the water in water tank if it has waited around 2-3 weeks.





## Icematic and ice storage container

**\*May not be available in all models**

### Using the Icematic

Fill the Icematic with water and place it into its seat. Your ice will be ready approximately in two hours. Do not remove the Icematic from its seating to take ice.

Turn the knobs on the ice reservoirs clockwise by 90 degrees.

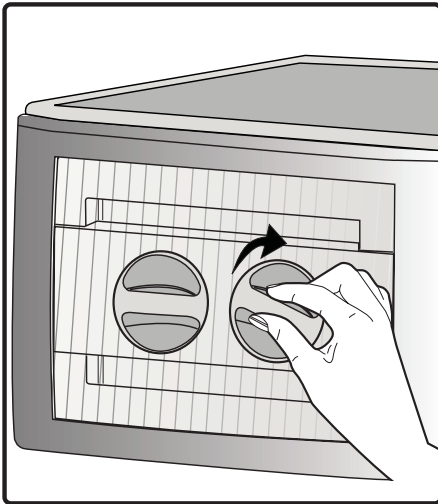
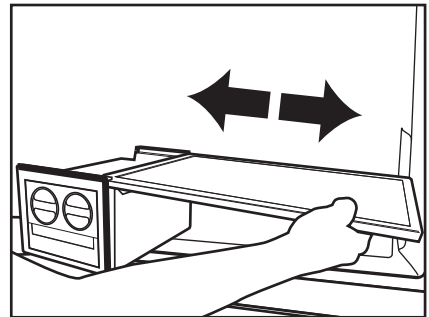
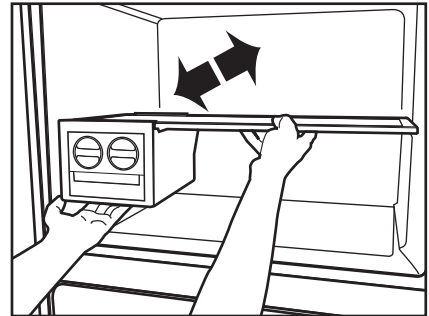
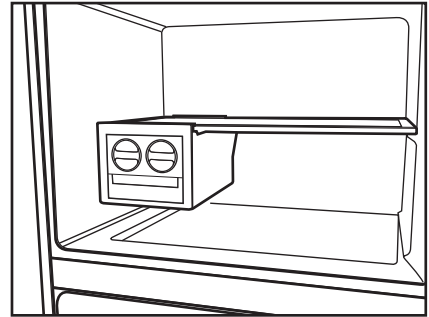
Ice cubes in the reservoirs will fall down into the ice storage container below.

You may take out the ice storage container and serve the ice cubes.

If you wish, you may keep the ice cubes in the ice storage container.

### Ice storage container

Ice storage container is only intended for accumulating the ice cubes. Do not put water in it. Otherwise, it will break.



## 6 Maintenance and cleaning

---

- ⚠ Never use gasoline, benzene or similar substances for cleaning purposes.
- ⚠ We recommend that you unplug the appliance before cleaning.
- ⚠ Never use any sharp abrasive instrument, soap, household cleaner, detergent and wax polish for cleaning.
- ℹ Use lukewarm water to clean the cabinet of your refrigerator and wipe it dry.
- ℹ Use a damp cloth wrung out in a solution of one teaspoon of bicarbonate of soda to one pint of water to clean the interior and wipe it dry.
- ⚠ Make sure that no water enters the lamp housing and other electrical items.
- ⚠ If your refrigerator is not going to be used for a long period of time, unplug the power cable, remove all food, clean it and leave the door ajar.
- ℹ Check door seals regularly to ensure they are clean and free from food particles.
- ⚠ To remove door racks, remove all the contents and then simply push the door rack upwards from the base.
- ⚠ Never use cleaning agents or water that contain chlorine to clean the outer surfaces and chromium coated parts of the product. Chlorine causes corrosion on such metal surfaces.
- ⚠ Do not use sharp, abrasive tools, soap, household cleaning agents, detergents, kerosene, fuel oil, varnish etc. to prevent removal and deformation of the prints on the plastic part. Use lukewarm water and a soft cloth for cleaning and then wipe it dry.

### Protection of plastic surfaces

- ℹ Do not put the liquid oils or oil-cooked meals in your refrigerator in unsealed containers as they damage the plastic surfaces of your refrigerator. In case of spilling or smearing oil on the plastic surfaces, clean and rinse the relevant part of the surface at once with warm water.

Check this list before contacting the service. Doing so will save you time and money. This list includes frequent complaints that are not related to faulty workmanship or materials. Certain features mentioned herein may not apply to your product.

### The refrigerator is not working.

- The power plug is not fully settled. >>> Plug it in to settle completely into the socket.
- The fuse connected to the socket powering the product or the main fuse is blown. >>> Check the fuses.

### Condensation on the side wall of the cooler compartment (MULTI ZONE, COOL, CONTROL and FLEXI ZONE).

- The door is opened too frequently >>> Take care not to open the product's door too frequently.
- The environment is too humid. >>> Do not install the product in humid environments.
- Foods containing liquids are kept in unsealed holders. >>> Keep the foods containing liquids in sealed holders.
- The product's door is left open. >>> Do not keep the product's door open for long periods.
- The thermostat is set to too low temperature. >>> Set the thermostat to appropriate temperature.

### Compressor is not working.

- In case of sudden power failure or pulling the power plug off and putting back on, the gas pressure in the product's cooling system is not balanced, which triggers the compressor thermic safeguard. The product will restart after approximately 6 minutes. If the product does not restart after this period, contact the service.
- Defrosting is active. >>> This is normal for a fully-automatic defrosting product. The defrosting is carried out periodically.

- The product is not plugged in. >>> Make sure the power cord is plugged in.
- The temperature setting is incorrect. >>> Select the appropriate temperature setting.
- The power is out. >>> The product will continue to operate normally once the power is restored.

### The refrigerator's operating noise is increasing while in use.

- The product's operating performance may vary depending on the ambient temperature variations. This is normal and not a malfunction.

### The refrigerator runs too often or for too long.

- The new product may be larger than the previous one. Larger products will run for longer periods.
- The room temperature may be high. >>> The product will normally run for long periods in higher room temperature.
- The product may have been recently plugged in or a new food item is placed inside. >>> The product will take longer to reach the set temperature when recently plugged in or a new food item is placed inside. This is normal.
- Large quantities of hot food may have been recently placed into the product. >>> Do not place hot food into the product.
- The doors were opened frequently or kept open for long periods. >>> The warm air moving inside will cause the product to run longer. Do not open the doors too frequently.

- The freezer or cooler door may be ajar. >>> Check that the doors are fully closed.
- The product may be set to temperature too low. >>> Set the temperature to a higher degree and wait for the product to reach the adjusted temperature.
- The cooler or freezer door washer may be dirty, worn out, broken or not properly settled. >>> Clean or replace the washer. Damaged / torn door washer will cause the product to run for longer periods to preserve the current temperature.

**The freezer temperature is very low, but the cooler temperature is adequate.**

- The freezer compartment temperature is set to a very low degree. >>> Set the freezer compartment temperature to a higher degree and check again.

**The cooler temperature is very low, but the freezer temperature is adequate.**

- The cooler compartment temperature is set to a very low degree. >>> Set the freezer compartment temperature to a higher degree and check again.

**The food items kept in cooler compartment drawers are frozen.**

- The cooler compartment temperature is set to a very low degree. >>> Set the freezer compartment temperature to a higher degree and check again.

**The temperature in the cooler or the freezer is too high.**

- The cooler compartment temperature is set to a very high degree. >>> Temperature setting of the cooler compartment has an effect on the temperature in the freezer compartment. Wait until the temperature of relevant parts reach the sufficient level by changing the temperature of cooler or freezer compartments.

- The doors were opened frequently or kept open for long periods. >>> Do not open the doors too frequently.
- The door may be ajar. >>> Fully close the door.
- The product may have been recently plugged in or a new food item is placed inside. >>> This is normal. The product will take longer to reach the set temperature when recently plugged in or a new food item is placed inside.
- Large quantities of hot food may have been recently placed into the product. >>> Do not place hot food into the product.

**Shaking or noise.**

- The ground is not level or durable. >>> If the product is shaking when moved slowly, adjust the stands to balance the product. Also make sure the ground is sufficiently durable to bear the product.
- Any items placed on the product may cause noise. >>> Remove any items placed on the product.

**The product is making noise of liquid flowing, spraying etc.**

- The product's operating principles involve liquid and gas flows. >>> This is normal and not a malfunction.

**There is sound of wind blowing coming from the product.**

- The product uses a fan for the cooling process. This is normal and not a malfunction.

**There is condensation on the product's internal walls.**

- Hot or humid weather will increase icing and condensation. This is normal and not a malfunction.
- The doors were opened frequently or kept open for long periods. >>> Do not open the doors too frequently; if open, close the door.

- The door may be ajar. >>> Fully close the door.

**There is condensation on the product's exterior or between the doors.**

- The ambient weather may be humid, this is quite normal in humid weather. >>> The condensation will dissipate when the humidity is reduced.

**The interior smells bad.**

- The product is not cleaned regularly. >>> Clean the interior regularly using sponge, warm water and carbonated water.
- Certain holders and packaging materials may cause odour. >>> Use holders and packaging materials without free of odour.
- The foods were placed in unsealed holders. >>> Keep the foods in sealed holders. Micro-organisms may spread out of unsealed food items and cause malodour. Remove any expired or spoilt foods from the product.

**The door is not closing.**

- Food packages may be blocking the door. >>> Relocate any items blocking the doors.
- The product is not standing in full upright position on the ground. >>> Adjust the stands to balance the product.
- The ground is not level or durable. >>> Make sure the ground is level and sufficiently durable to bear the product.

**The vegetable bin is jammed.**

- The food items may be in contact with the upper section of the drawer. >>> Reorganize the food items in the drawer.

**If The Surface Of The Product Is Hot.**

- High temperatures may be observed between the two doors, on the side panels and at the rear grill while the product is operating. This is normal and does not require service maintenance! Be careful when touching these areas.



**WARNING:**

If the problem persists after following the instructions in this section, contact your vendor or an Authorised Service. Do not try to repair the product.

<ul style="list-style-type: none"> <li>• يجب تنظيف الجزء الداخلي من الثلاجة. نظف داخل الثلاجة بقطعة أسفنجية وماء دافئ أو ماء مكرين.</li> <li>• قد تتسبب بعض الأوعية أو مواد التعبئة في هذه الرائحة. استخدم وعاء مختلف أو مواد تعبئة مختلفة.</li> </ul>	<ul style="list-style-type: none"> <li>• تم ضبط الثلاجة على درجة حرارة عالية جدًا. يؤثر ضبط الثلاجة على درجة حرارة الفريزر. غير درجة حرارة الثلاجة أو الفريزر حتى تصل إلى مستوى مناسب.</li> <li>• قد يكون الباب مفتوح جزئيًا. أغلق الباب تمامًا.</li> <li>• قد تكون هناك كميات كبيرة من الطعام الساخن تم وضعها في الثلاجة مؤخرًا. انتظر حتى تصل الثلاجة أو الفريزر إلى درجة الحرارة المطلوبة.</li> <li>• تم توصيل الثلاجة بالكهرباء مؤخرًا. فتبريد الثلاجة تمامًا يستغرق وقتًا بسبب الحجم.</li> </ul>
<p>الباب (الأبواب) لا يغلق.</p>	<p>تشبه الضوضاء الناتجة عن الثلاجة صوت الثواني الذي تصدره ساعة.</p>
<ul style="list-style-type: none"> <li>• عبوات الطعام قد تمنع إغلاق الباب. غير وضع عبوات الطعام التي تعيق الباب.</li> <li>• الثلاجة ليست عموديًا تمامًا على الأرض وقد تهتز عند تحريكها قليلًا لضبط مسامير الارتفاع.</li> <li>• الأرض ليست مستوية أو قوية. تأكد من أن الأرض مستوية وتحمل الثلاجة.</li> </ul>	<ul style="list-style-type: none"> <li>• تصدر هذه الضوضاء من صمام اللولبي للثلاجة. يعمل هذا الصمام بغرض ضمان تبريد المسار عبر الصندوق والذي يمكن ضبطه على درجات حرارة التبريد أو التجميد. كما أنه يقوم بوظائف التبريد. وهذا أمر طبيعي وليس عيبًا.</li> </ul>
<p>الأدراج عالقة.</p>	<p>ترتفع ضوضاء التشغيل عند تشغيل الثلاجة.</p>
<ul style="list-style-type: none"> <li>• قد يكون الطعام ملامسًا لسقف الدرج. أعد ترتيب الطعام في الدرج.</li> </ul>	<ul style="list-style-type: none"> <li>• قد تتغير سمات أداء الثلاجة تبعًا للتغيرات في درجة الحرارة المحيطة بالثلاجة. وهذا طبيعي ولا يعد ذلك عيبًا.</li> </ul>
<p>إذا كان سطح المنتج ساخنًا</p>	<p>اهتزازات أو ضوضاء.</p>
<ul style="list-style-type: none"> <li>• قد يلاحظ ارتفاع درجات الحرارة بين البابين، وعلى الألواح الجانبية والشواية الخلفية أثناء تشغيل المنتج. وهذا طبيعي ولا يعد ذلك عيبًا يتطلب الصيانة. كن حذرًا عند لمس هذه الأماكن.</li> </ul>	<ul style="list-style-type: none"> <li>• الأرض ليست مستوية أو ليست صلبة. تهتز الثلاجة عند تحريكها ببطء. تأكد من أن الأرض مستوية وقوية وتحمل الثلاجة.</li> <li>• قد يصدر صوت من الأشياء الموضوعة على الثلاجة يجب إزالة هذه الأشياء من على سطح الثلاجة.</li> </ul>
<p>الأدراج عالقة.</p>	<p>تصدر ضوضاء مثل صوت انسكاب سائل أو رشه.</p>
<ul style="list-style-type: none"> <li>• قد يلاحظ ارتفاع درجات الحرارة بين البابين، وعلى الألواح الجانبية والشواية الخلفية أثناء تشغيل المنتج. وهذا طبيعي ولا يعد ذلك عيبًا يتطلب الصيانة. كن حذرًا عند لمس هذه الأماكن.</li> </ul>	<ul style="list-style-type: none"> <li>• تناسب السوائل والغازات وفقًا لقواعد تشغيل الثلاجة. وهذا طبيعي ولا يعد ذلك عيبًا.</li> </ul>
<p>الأدراج عالقة.</p>	<p>تحدث ضوضاء شبيهة بصفيح الرياح.</p>
<ul style="list-style-type: none"> <li>• قد يلاحظ ارتفاع درجات الحرارة بين البابين، وعلى الألواح الجانبية والشواية الخلفية أثناء تشغيل المنتج. وهذا طبيعي ولا يعد ذلك عيبًا يتطلب الصيانة. كن حذرًا عند لمس هذه الأماكن.</li> </ul>	<ul style="list-style-type: none"> <li>• تستخدم منشطات الهواء (المراوح) للسماح للثلاجة بالتبريد بشكل فعال. وهذا طبيعي ولا يعد ذلك عيبًا.</li> </ul>
<p>الأدراج عالقة.</p>	<p>تكتف في الحوائط الداخلية للثلاجة.</p>
<ul style="list-style-type: none"> <li>• يزيد الطفس الحار والرطب من التلجيج والتكثف. وهذا طبيعي ولا يعد ذلك عيبًا.</li> <li>• الأبواب مفتوحة جزئيًا. تأكد أن الأبواب مغلقة تمامًا.</li> <li>• قد تكون الأبواب مفتوحة بصورة متكررة جدًا أو قد تكون متروكة مفتوحة لفترة طويلة. افتح الأبواب بتكرار أقل.</li> </ul>	<ul style="list-style-type: none"> <li>• تحدث الرطوبة في الإطار الخارجي للثلاجة أو بين الأبواب.</li> </ul>
<p>الأدراج عالقة.</p>	<ul style="list-style-type: none"> <li>• قد يكون الطفس رطبًا. هذا شيء طبيعي جدًا في الأجواء الرطبة. وعندما تكون الرطوبة أقل، يختفي التكثف.</li> </ul>
<p>الأدراج عالقة.</p>	<p>توجد رائحة كريهة داخل الثلاجة.</p>

يرجى مراجعة هذه القائمة قبل الاتصال بمركز الخدمة. فقد يوفر عليك وقتًا ومالًا. تشمل هذه القائمة الشكاوى التي لم تنتج عن عيوب صناعة أو المواد المستخدمة. قد لا تتوافر بعض الميزات الواردة في هذا الدليل في المنتج الخاص بك.

<ul style="list-style-type: none"> <li>• قد تكون الثلاجة الجديدة أكبر من القديمة. هذا شيء طبيعي تمامًا. الثلاجات الكبيرة تعمل لفترات أطول.</li> <li>• قد تكون درجة الحرارة المحيطة عالية. وهذا أمر طبيعي جدا.</li> <li>• الثلاجة متصلة بالكهرباء منذ قليل أو مليئة بالطعام. قد يستمر تبريد الثلاجة كلبية لساعات أطول.</li> <li>• قد تكون هناك كميات كبيرة من الطعام الساخن تم وضعها في الثلاجة مؤخرًا. يتسبب الطعام الساخن في تشغيل الثلاجة حتى يصل إلى درجة حرارة التخزين الآمنة.</li> <li>• قد تكون الأبواب مفتوحة بصورة متكررة أو مفتوحة جزئيًا لفترات طويلة. يتسبب الهواء الساخن الذي دخل الثلاجة في تشغيل الثلاجة لفترة أطول. افتح الأبواب عددًا أقل من المرات.</li> <li>• قد يكون باب صندوق الفريزر أو الثلاجة مفتوح جزئيًا. تأكد أن الأبواب مغلقة تمامًا.</li> <li>• تم ضبط الثلاجة على درجة باردة جدًا. اضبط درجة حرارة الفريزر على درجة أعلى وانتظر حتى تصل إلى درجة الحرارة المطلوبة.</li> <li>• قد يكون عازل باب الثلاجة أو الفريزر متسخًا أو باليًا أو متهتكًا أو مثبت بطريقة غير صحيحة. نظف العازل أو استبدله. لأن العازل التالف أو المتهتك يتسبب في أن تعمل الثلاجة لفترات أطول للحفاظ على درجة الحرارة الحالية.</li> </ul>
<p>درجة حرارة الفريزر منخفضة جدًا بينما درجة حرارة الثلاجة غير كافية.</p>
<ul style="list-style-type: none"> <li>• تم ضبط الفريزر على درجة باردة جدًا. اضبط درجة حرارة الفريزر على درجة أعلى ثم تأكد ثانية.</li> </ul>
<p>درجة حرارة الثلاجة منخفضة جدًا بينما درجة حرارة الفريزر غير كافية.</p>
<ul style="list-style-type: none"> <li>• تم ضبط الثلاجة على درجة باردة جدًا. اضبط درجة حرارة الثلاجة على درجة أعلى ثم تحقق ثانية.</li> </ul>
<p>تجمد الطعام المحفوظ في أدراج صندوق الثلاجة.</p>
<ul style="list-style-type: none"> <li>• تم ضبط الثلاجة على درجة باردة جدًا. اضبط درجة حرارة الثلاجة على درجة أعلى ثم تحقق ثانية.</li> </ul>
<p>درجة حرارة الثلاجة أو الفريزر عالية جدًا.</p>

<p>الثلاجة لا تعمل</p>
<ul style="list-style-type: none"> <li>• هل الثلاجة متصلة بالتيار الكهربائي؟ توصيل القابس بمنفذ الكهرباء بالحائط.</li> <li>• هل احترق منصهر القابس المتصلة به الثلاجة أو المنصهر الرئيسي؟ افحص المنصهر.</li> </ul>
<p>تكثف في جانب صندوق الثلاجة. (المنطقة المتعددة التحكم في التبريد. والمنطقة المرنة)</p>
<ul style="list-style-type: none"> <li>• الظروف المحيطة باردة جدًا. فتح الأبواب وغلغها بشكل متكرر. الظروف المحيطة عالية الرطوبة. تخزين طعام يحتوي على سائل في أوعية مفتوحة. ترك الباب مفتوح جزئيًا.</li> <li>• تغيير وضع الترموستات إلى الدرجة أكثر برودة.</li> <li>• تقليل الوقت الذي ترك الباب فيه مفتوحًا أو استخدامه بصورة أقل.</li> <li>• تغطية الطعام المخزن في حاويات مفتوحة بمادة مناسبة.</li> <li>• مسح التكثف بقطعة قماش جافة والتحقق من بقائه.</li> </ul>
<p>جهاز ضغط الهواء لا يعمل</p>
<ul style="list-style-type: none"> <li>• سينصهر العازل الحراري لجهاز ضغط الهواء أثناء الانقطاع المفاجئ للتيار الكهربائي أو توصيل قابس الثلاجة بالتيار الكهربائي أو فصله. لأن ضغط الثلاجة في نظام تبريد الثلاجة لم يتوازن بعد.</li> <li>• ستبدأ الثلاجة في العمل بعد 6 دقائق تقريبًا. يرجى الاتصال بمركز الصيانة إذا لم تبدأ الثلاجة في العمل بعد انتهاء هذه المدة.</li> <li>• الثلاجة في دورة إزالة الثلج. هذا أمر عادي لكل الثلاجات الأوتوماتيكية التي تزيل الثلج. تحدث عملية إزالة الثلج دوريًا.</li> <li>• الثلاجة غير متصلة بالقابس. تأكد أن القابس موضوع بإحكام في مقبس الحائط.</li> <li>• هل تم ضبط درجة الحرارة بشكل صحيح؟ انقطع التيار الكهربائي. اتصل بشركة الكهرباء.</li> </ul>
<p>تعمل الثلاجة بصورة متكررة أو لوقت طويل.</p>

- ⚠️ تأكد من عدم دخول المياه إلى مبيت المصباح وغيره من العناصر الكهربائية.
- ⚠️ إذا كانت الثلاجة لن تستعمل لفترة زمنية طويلة، فافصل كابل التيار الكهربائي ثم أفرغ جميع الأطعمة ثم نظفها واترك الباب مفتوح جزئياً.
- ⚠️ قم بفحص عوازل التسريب في الباب بانتظام للتأكد من سلامتها وخلوها من جزيئات الطعام.
- ⚠️ لإزالة أرفف الباب، أخرج جميع المحتويات ثم ادفع رف الباب لأعلى بعيداً عن القاعدة.
- ⚠️ لا تستخدم أبداً مواد التنظيف أو المياه التي تحتوي على الكلورين لتنظيف الأسطح الخارجية والأجزاء المطلية بالكروم من المنتج. فالكلورين يتسبب في تآكل هذه الأسطح المعدنية.
- ⚠️ لا تستخدم الأدوات الحادة والكاشطة أو الصابون، أو مواد التنظيف المنزلية، المنظفات، البنزين، الشمع، الخ، وإلا ستزول الأختام على الأجزاء البلاستيكية ويحدث تشوه. استخدم ماء فاتر أو قماشة ناعمة للتنظيف والتجفيف.
- ⚠️ لا تستخدم الجازولين أو البنزين أو أي مواد مشابهة لأغراض التنظيف.
- ⚠️ نوصي بفصل الجهاز عن التيار الكهربائي قبل تنظيفه.
- ⚠️ لا تستخدم أبداً أي مواد كاشطة أو صابون أو منظفات منزلية أو منظفات غسيل أو شمع التلميع عند التنظيف.
- ⚠️ في غير المنتجات التي تمنع تكون الثلج (No Frost)، يتساقط الماء ويمكن أن يتراكم الثلج بمقدار يصل إلى عرض الإصبع على الجدار الخلفي الداخلي لصندوق الثلجة. لا تنظفه، ولا تستعمل مطلقاً النفط أو عوامل مماثلة عليه.
- ⚠️ استخدم فقط قطعة قماش من الأنسجة دقيقة رطبة قليلاً لتنظيف السطح الخارجي للمنتج. قد يخدش الإسفنج والأنواع الأخرى من أقمشة التنظيف سطح المنتج.
- ⚠️ استخدم المياه الفاترة لتنظيف صندوق الثلجة ثم امسحه ليجف.
- ⚠️ استخدم قطعة من القماش الملتوية والرطبة مع ماء ملعقة شاي من بيكربونات الصودا مضافة لجالون من الماء لتنظيف الداخل ثم يجف.

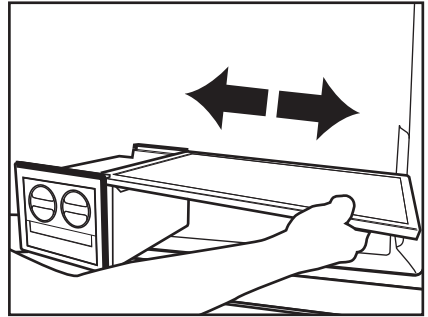
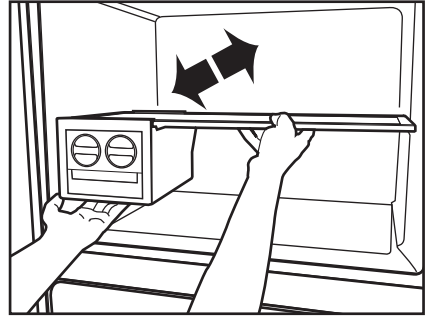
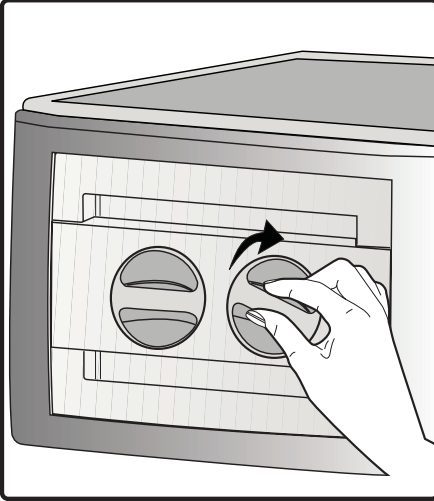
### حماية الأسطح البلاستيكية

- ⚠️ لا تضع زيوتاً سائلة أو وجبات مطبوخة بالزيت في الثلجة في علب غير معزولة، إذ قد تتسبب في تلف الأسطح البلاستيكية للثلجة. في حالة انسكاب زيت أو تسربه على الأسطح البلاستيكية، نظف هذا الجزء واشطفه فوراً بماء دافئ.



## وحدة صنع الثلج وصندوق تخزين الثلج

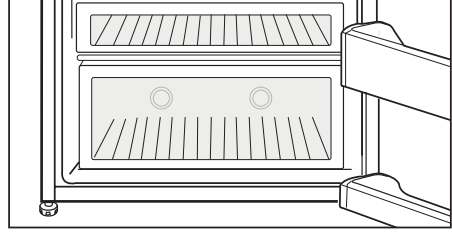
استخدام وحدة صنع الثلج  
أملء جهاز عمل الثلج بالمياه وضعه في  
مكانه. سيتم إعداد الثلج في حوالي ساعتين  
تقريباً. لا تخرج صندوق الثلج من مكانه  
لإخراج الثلج.  
أدر المقابض باتجاه عقارب الساعة كما هو  
موضح في الشكل.  
ستسقط مكعبات الثلج في خزان الثلج أدناه.  
يمكن إخراج خزان الثلج وتقديم مكعبات  
الثلج.  
يمكن الاحتفاظ بمكعبات الثلج في خزان  
الثلج إذا أردت.  
صندوق تخزين الثلج  
فخزان الثلج مخصص فقط لتجميع مكعبات  
الثلج. لا تضع ماء فيه. وإلا فيكسر.



## مصباح أزرق

(في بعض الموديلات)

يحتفظ الطعام المخزن في الأدراج المضاءة باللون الأزرق بطازجته عن طريق تأثير طول الموجة للضوء الأزرق وبالتالي يحتفظ بطازجته ويزيد من محتويات البروتين.



## التجميد التلقائي

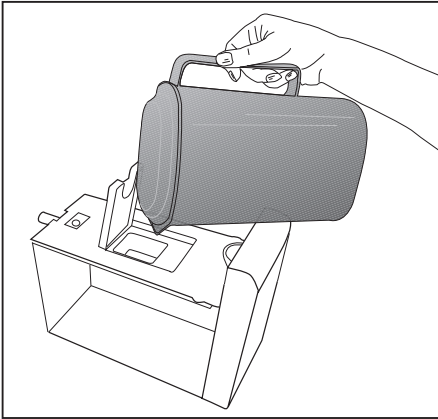
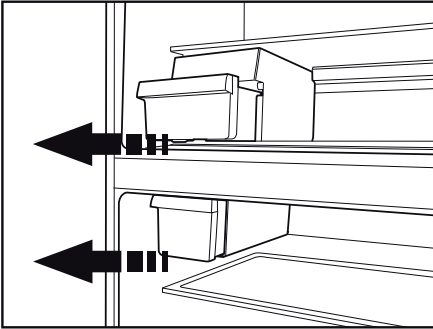
(في بعض الموديلات)

يسمح نظام التجميد التلقائي لك بالحصول على الثلج من الثلجة بسهولة. قم بإزالة خزان المياه في مقصورة الثلجة، واملأه بالمياه وقم بتركيبه مرة أخرى للحصول على الثلجة من درج الثلج.

ستكون أول مكعبات ثلجية جاهزة في خلال ساعتين تقريباً في درج الثلج الموجود في مقصورة الفريزر.

إذا ملئت خزان المياه بالكامل، ستستطيع الحصول على حوالي 60-70 مكعب ثلجي.

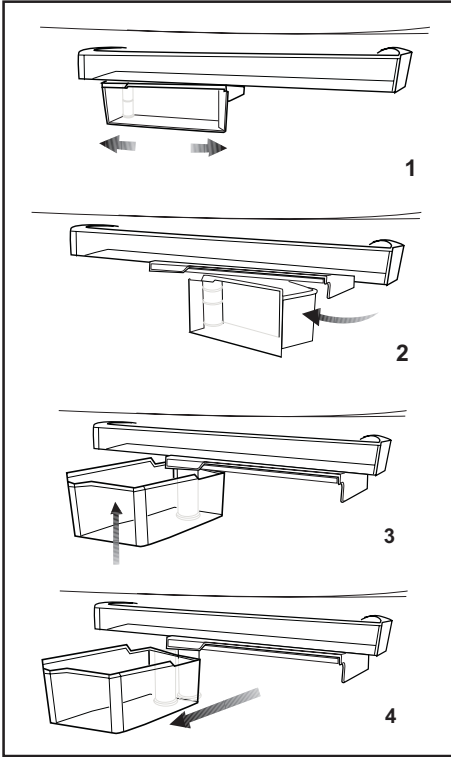
قم بتغيير المياه في خزان المياه إذا ظلت هناك لمدة 2-3 أسابيع.



## صندوق التخزين الدوار

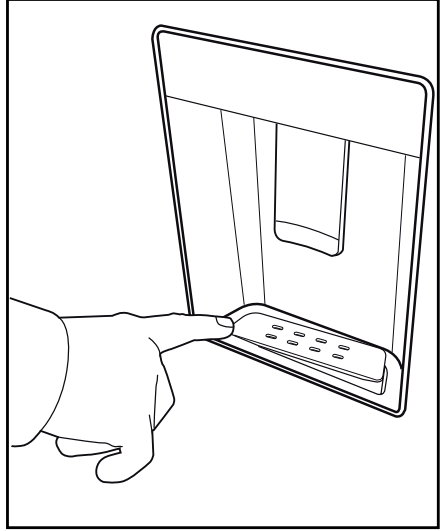
(في بعض الموديلات)

يمكن تحريك الرف المائل لليسار أو لليمين للسماح بوضع زجاجات طويلة أو العلب أو الصناديق في رف سفلي (الشكل 1).  
يمكن الوصول إلى الطعام الذي وضعته في الرف من خلال جذبته وتدويره من حافته اليمنى (الشكل 2).  
عندما تريد تحميله أو إخراجه لتنظيفه، أدبه بمقدار 90 درجة وارفعه واجذبه تجاهك (الشكل 3-4).



درج المياه  
المياه التي تتساقط أثناء استخدام موزع المياه تتجمع في درج المياه.

اسحب المصفاة البلاستيكية كما يظهر في الشكل.  
بقطعة قماش نظيفة وجافة، قم بإزالة المياه التي تراكمت تنبيه: قم بتوصيل خط مياه شرب نقية فقط.



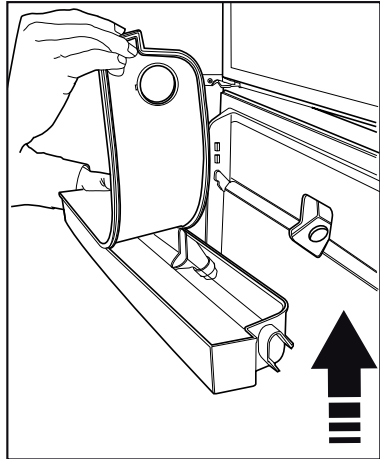
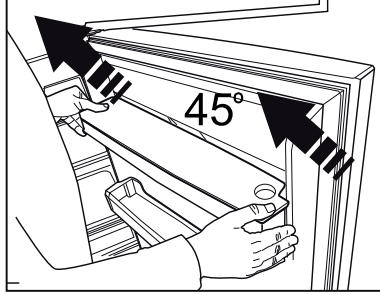
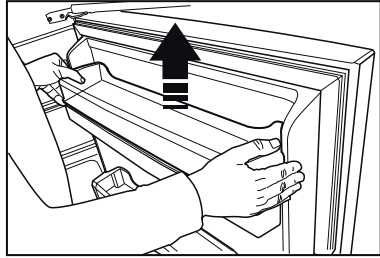
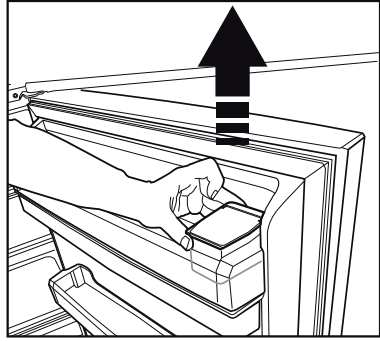
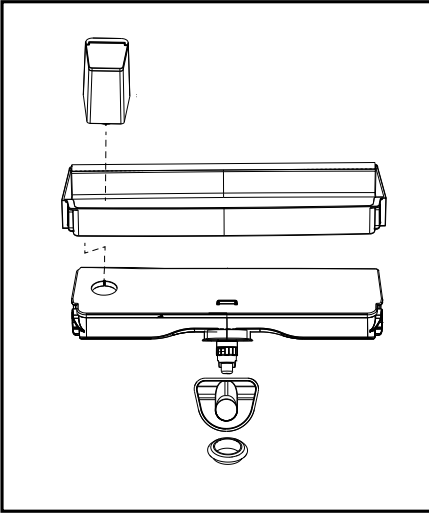
- استخدم فقط مياه شرب نقية ونظيفة.
- سعة خزان المياه 3 لتر ، لا تملأه على نحو مفرط.
- اضغط على مزلاج صنبور الماء بالكوب. إذا كنت تستخدم أكواب بلاستيكية، فاضغط على المزلاج بأصابعك من خلف الكوب.

#### تنظيف خزان المياه

- قم بفك صهريج تعبئة المياه داخل رف الباب.
- قم بفك رف الباب بإمساكه من كلا الجانبين.
- امسك خزان المياه من كلا الجانبين وقم بفكه بزاوية 45 درجة
- قم بتنظيف خزان المياه بفك غطاؤه.

#### هام:

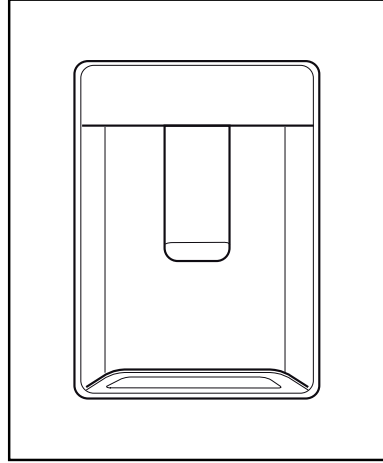
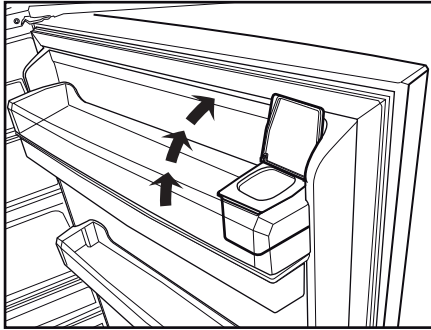
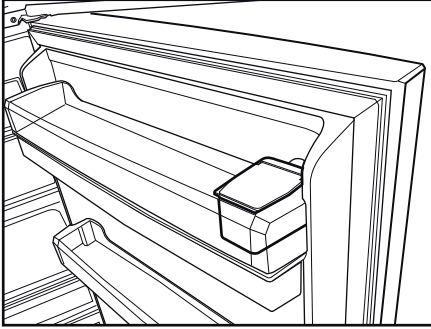
يجب ألا يتم غسل أجزاء خزان المياه وموزع المياه في غسلية الأطباق.



## وحدة توزيع المياه

### (في بعض الموديلات)

يعتبر موزع المياه ميزة مفيدة للحصول على ماء بارد بدون فتح باب الثلاجة. ولأنه لن تضطر إلى فتح باب الثلاجة بصورة متكررة، فسوف تقلل من استهلاك الطاقة للطاقة.



### استخدام صنبور الماء

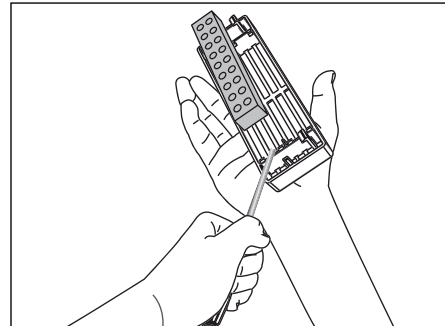
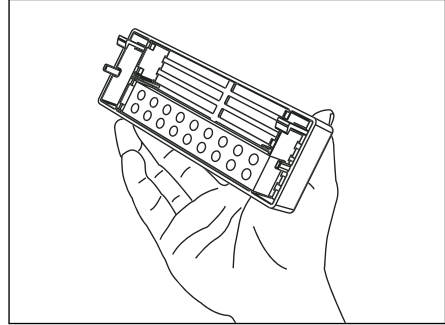
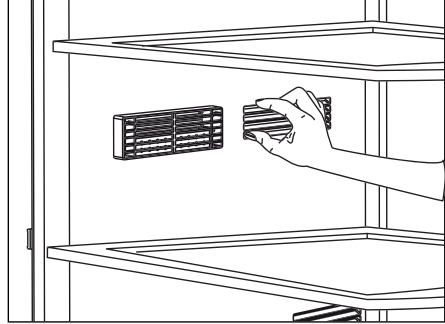
اضغط على مزلاج صنبور الماء بالكوب. سيتوقف موزع المياه عن العمل بمجرد أن تحرر الذراع. عند تشغيل موزع المياه، يتم الحصول على أقصى تدفق للمياه بالضغط الكامل على المزلاج. تذكر أن كمية تدفق المياه من موزع المياه يخضع لدرجة الضغط على الذراع. وكلما ارتفع مستوى المياه في الكوب / الكأس، خفف كمية الضغط على المزلاج لتجنب زيادة التدفق. إذا ضغطت برفق على الذراع، سيقطر الماء، وهذا أمر طبيعي وليس عيباً.

### تحذير!

- لا تملأ خزان المياه بأي سائل آخر غير مياه الشرب والمشروبات مثل عصائر الفاكهة والمشروبات الغازية، أما المشروبات الكحولية فغير مناسبة للاستخدام في موزع المياه. سيتلف موزع المياه بشكل لا يمكن إصلاحه إذا تم استخدام هذا النوع من السوائل. ولا يشمل الضمان هذا النوع من الاستخدامات فبعض المواد الكيماوية والإضافات الموجودة في هذه السوائل/المشروبات قد تتلف مواد خزان المياه.

## وصف فلتر الروائح وتنظيفه:

يمنع فلتر الروائح تراكم الروائح الكريهة داخل الثلاجة. اجذب الغطاء المركب فيه فلتر الروائح لأسفل وأخرجه كما هو موضح في الشكل. اترك الفلتر معرضاً لأشعة الشمس لمدة يوم واحد. سيتم تنظيف الفلتر خلال هذه المدة الزمنية. قم بتركيب الفلتر مرة أخرى في مكانه. يجب تنظيف فلتر الروائح مرة كل عام.



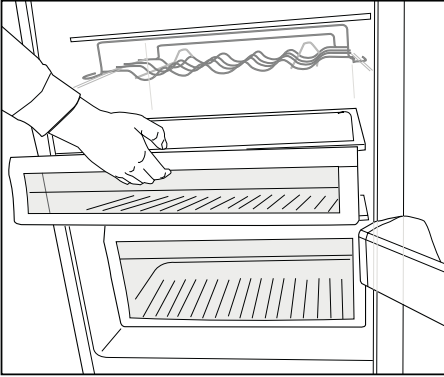
## أدراج الوجبات الخفيفة

استخدم هذه المقصورات لأطعمتك التي ترغب في تخزينها في درجة حرارة لدرجات أقل قليلاً من مقصورة الثلاجة.

يمكن زيادة الحجم الداخلي للثلاجة بإخراج أي من صناديق الوجبات الخفيفة.

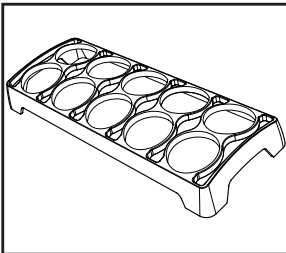
1. اجذب الصندوق تجاهك حتى يوقفه الحاجز.
2. ارفع القسم الأمامي واسحبه نحوك لإزالة المقصورة من مكانها.

يمكنك وضع الطعام الذي تريد تجميده لإعداده ليتجمد في هذه الصناديق لإعدادها للتجميد.



## حامل البيض

يمكن تركيب حامل البيض بالباب المطلوب أو رف الجسم. لا تخزن حامل البيض في مقصورة الفريزر أبداً.



## معلومات التجميد العميق

يجب تجميد الطعام بأسرع ما يمكن عند وضعه في الثلاجة للحفاظ على جودته.

**⚠ تحذير!**

- يجب تقسيم الأطعمة إلى أجزاء طبقاً للاستهلاك اليومي للعائلة أو الوجبة اليومية.
- يجب تغليف الأطعمة بطريقة محكمة لمنع جفاف أي منها إذا كانت ستُحفظ لوقت قصير.
- المواد الضرورية للتعبئة.
- شريط لاصق مقاوم للبرد
- شريط لاصق ذاتي

## • حلقات مطاطية

### • قلم

يجب أن تكون المواد المزمع استخدامها لتعبئة الطعام مقاومة للقطع وللبرد والرطوبة والزيوت والأحماض.

يجب عدم ملامسة الأطعمة المزمع تجميدها للمواد المذابة سابقاً لمنع الإذابة الجزئية.

يجب استخدام الطعام المجمد مباشرة بعد إذابته، كما يجب عدم إعادة تجميده مطلقاً.

## وضع الطعام

## توصيات المحافظة على الأطعمة المجمدة

- \* يجب حفظ الأطعمة المجمدة التجارية مسبقة التعبئة وفقاً لإرشادات مصنع الطعام المجمد بالنسبة لصندوق حفظ الطعام المجمد \*\*\* \* (4 نجوم).
- لضمان المحافظة على أفضل جودة لدى جهة تصنيع الطعام المجمد والبناع؛ يجب تذكر ما يلي:
  1. توضع العبوات في الفريزر بأسرع ما يمكن بعد الشراء.
  2. تأكد من أن المحتويات ملصقة على العبوة ومدون عليها التاريخ.
  3. يجب عدم تجاوز تاريخ 'استخدام حتى' أو 'يفضل قبل' على العبوة.
- إزالة الثلج  
يقوم تجويف الفريزر بإزالة الثلج بشكل تلقائي.

أرفف صندوق الفريزر	طعام مجمد متنوع مثل اللحم والسمك والأيس كريم والخضروات إلخ.
حامل البيض	البيض
أرفف صندوق التلاجة	الطعام في معلبات وأطباق مغطاة وعلب مغلقة.
أرفف باب صندوق التلاجة	طعام قليل أو مغلف أو مشروبات (مثل اللبن وعصائر الفواكه)
درج	الخضروات والفاكهة
مقصورة منطقة الطعام الطازج	منتجات الأطعمة المعلبة (الجبن والزبد والسلامي... إلخ.)



- يجب تبريد الطعام الساخن إلى درجة حرارة الغرفة قبل وضعه في الثلاجة.
  - يجب أن يكون الطعام المراد تجميده جيداً وطازجاً.
  - يجب تقسيم الأطعمة إلى أجزاء طبقاً للاستهلاك اليومي للعائلة أو الوجبة اليومية.
  - \* يجب تعبئة الأطعمة بطريقة محكمة لمنع جفاف أي منها إذا كانت ستُحفظ لوقت قصير.
  - يجب أن تكون المواد المستخدمة في التعبئة ضد القطع ومقاومة للبرد والرطوبة والرائحة والزيوت والأحماض كما يجب أن تكون محكمة الهواء. وبالإضافة إلى ذلك، يجب أن تكون هذه المواد مغلقة ومصنوعة من مواد سهلة الاستخدام ومناسبة للاستخدام في الفريزر.
  - يجب استخدام الطعام المجمد مباشرة بعد إذابته، كما يجب عدم إعادة تجميده مطلقاً.
  - يرجى إتباع التعليمات الآتية للحصول على أفضل النتائج.
1. \* لا تقم بتجميد كميات كبيرة من الطعام مرة واحدة في نفس الوقت. يتم الاحتفاظ بجودة الطعام بشكل أفضل عند تجميده بطريقة صحيحة بالكامل في أسرع وقت ممكن.
  2. يتسبب وضع الطعام دافئ في تجويف الفريزر إلى عمل نظام التبريد باستمرار حتى يتم تجميد الطعام وجعله صلباً.
  3. توخ الحذر جيداً لعدم خلط الأطعمة المجمدة فعلياً بالأطعمة الطازجة.

إعداد مقصورة الفريزر	إعداد مقصورة الثلاجة	توضيحات
18- درجة مئوية	4 درجة مئوية	هذا هو الضبط الموصى به بشكل طبيعي.
20 أو 22- أو 24- درجة مئوية	4 درجة مئوية	هذه هي إعدادات الضبط الموصى بها عندما تتجاوز درجة الحرارة المحيطة 30 درجة مئوية.
التجميد السريع	4 درجة مئوية	استخدم هذا عندما ترغب في تجميد الطعام في وقت قصير. سترجع الثلاجة إلى وضعها السابق عندما تنتهي هذه العملية.
18- درجة مئوية أو أقل	2 درجة مئوية	إذا اعتقدت أن مقصورة الثلاجة غير باردة بدرجة كافية بسبب الظروف الساخنة أو الفتح المتكرر للأبواب أو إغلاقها، فيمكن الضبط على هذه القيم.
18- درجة مئوية أو أقل	التبريد السريع	يمكن استخدامها عندما يكون صندوق الثلاجة ذا حمل زائد أو عندما ترغب في تبريد الطعام بسرعة. يوصى بتنشيط وظيفة التبريد السريع من 4 إلى 8 ساعات قبل وضع الطعام فيها.

### 8. مؤشر إيقاف تكوين الثلج

لن يعمل التجميد عندما يكون مؤشر هذه الوظيفة قيد التشغيل. أنظر العنصر 1 لتفعيل التجميد.

### 9. مؤشر الوضع الاقتصادي

يوضح أن التلاجة تعمل باستخدام وضع موفر للطاقة. درجة حرارة مقصورة الفريزر يكون هذا المؤشر نشط إذا تم ضبط الوظيفة على درجة حرارة 18 أو كانت وظيفة التبريد الموفرة للطاقة تعمل نتيجة لوظيفة Eco-Extra.

### 10. مؤشر التبريد السريع

يومض هذا الرمز بشكل مجسم عند تنشيط وظيفة التبريد السريع.

### 11. وظيفة التبريد السريع

عند الضغط على زر التبريد السريع "Quick

Fridge"، تصبح درجة حرارة الصندوق أبرد من القيم المضبوطة.

يمكن استخدام هذه الوظيفة للطعام الموضوع في مقصورة التلاجة والمطلوب تجميده بسرعة.

إذا أردت تبريد كمية كبيرة من الطعام الطازج، يوصى بتنشيط هذه الميزة قبل وضع الطعام في التلاجة.

يتم تشغيل مؤشر التجميد السريع عند تشغيل وظيفة التجميد السريع. لإلغاء هذا الوظيفة، اضغط على زر

Quick Fridge مرة أخرى.

إذا لم يتم إلغاؤها، ستلغي وظيفة التثليج السريع نفسها تلقائياً بعد مرور 4 ساعات أو عندما تصل درجة حرارة مقصورة التلاجة إلى الدرجة المطلوبة.

لن يتم استدعاء هذه الوظيفة عندما يتم استعادة التيار الكهربائي بعد انقطاعه.

### 12. مؤشر ضبط درجة حرارة مقصورة التلاجة

يبين درجة الحرارة المضبوطة لمقصورة التلاجة.

### 13. مؤشر ضبط درجة حرارة مقصورة الفريزر

يبين درجة الحرارة المضبوطة مقصورة الفريزر.

### 14. وظيفة التجميد السريع

يتم تشغيل مؤشر التجميد السريع عند تشغيل وظيفة

التجميد السريع. لإلغاء هذا الوظيفة، اضغط على زر

Quick Freeze مرة أخرى. ينطفئ مؤشر التجميد

السريع وتعود الإعدادات إلى الوضع الطبيعي. إذا لم يتم

إلغاؤها، ستلغي وظيفة التجميد السريع نفسها تلقائياً بعد

مرور 8 ساعات أو عندما تصل درجة حرارة صندوق

الفريزر إلى الدرجة المطلوبة.

إذا أردت تجميد كمية كبيرة من الطعام الطازج، يرجى

الضغط على زر Quick Freeze 24 ساعة قبل وضع

الطعام في صندوق الفريزر.

إذا ضغطت على زر QuickFreeze (التجميد السريع)

بشكل متكرر لفترات قصيرة، سيتم تنشيط حماية الدائرة

الإلكترونية ولن يبدأ تشغيل الضاغط فوراً.

لن يتم استدعاء هذه الوظيفة عندما يتم استعادة التيار

الكهربي بعد انقطاعه.

### 15. مؤشر التجميد السريع

يومض هذا الرمز بشكل مجسم عند تنشيط وظيفة التجميد

السريع.

## تحذير فتح الباب

(قد تختلف هذه الخاصية وفقاً لباي المنتج وقد لا

تكون موجودة في بعض الموديلات.)

يتم سماح صوت تحذير عندما يكون باب مقصورة التلاجة

مفتوحاً لمدة 1 دقيقة على الأقل. سيترقف هذا التحذير عندما

يتم إغلاق الباب أو تم الضغط على أيّاً من مفاتيح العرض

(إن وجدت).

#### 1. إعداد صندوق الفريزر / مفتاح تشغيل إيقاف التجميد

تسمح لك هذه الوظيفة بضبط درجة حرارة صندوق الفريزر. اضغط على هذا الزر لضبط درجة حرارة صندوق الفريزر على 18- و20- و22- و24- بالترتيب. لإيقاف تكوين الثلج؛ اضغط على نفس الزر لمدة 3 ثوانٍ. سيتوقف تدفق المياه من خزان المياه عندما يتم اختيار هذه الوظيفة. ومع ذلك؛ يمكن إخراج الثلج الموجود من وحدة التوزيع. لإيقاف تكوين الثلج؛ اضغط على نفس الزر لمدة 3 ثوانٍ.

#### 2. زر ضبط درجة حرارة مقصورة الثلجة

تسمح لك هذه الوظيفة بضبط درجة حرارة مقصورة الثلجة. اضغط على هذا الزر لضبط درجة حرارة صندوق الثلجة على 18- و20- و22- و24- ... بالترتيب.

#### 3. مؤشر حالة الخطأ

إذا لم نَقم الثلجة بالتبريد بالشكل الكافي أو إذا أخفق المستشعر، يتم تنشيط هذا المؤشر. عندما يتم تنشيط هذا المؤشر، يعرض مؤشر درجة حرارة مقصورة الفريزر "E" ويعرض مؤشر درجة حرارة صندوق الثلجة أرقامًا مثل "1" و"2" و"3" ... توفر تلك الأرقام الموجودة على المؤشر معلومات حول الخطأ بالنسبة لموظفين الخدمة. عندما تضع طعام ساخن في مقصورة الفريز، أو إذا تركت الباب مفتوحاً لفترة طويلة، فستومض علامة تعجب لبعض الوقت. هذا ليس خطأ، فهذا التنبيه سيختفي عندما يبرد الطعام.

#### 4. مؤشر قفل المفاتيح

استخدم تلك الوظيفة إذا كنت لا تريد تغيير ضبط درجة حرارة الثلجة. اضغط على زر التبريد السريع و زر ضبط درجة حرارة صندوق التخزين متعدد المناطق معاً لمدة 3 ثواني لتنشيط تلك الخاصية.

#### 5. مؤشر وظيفة Eco Extra

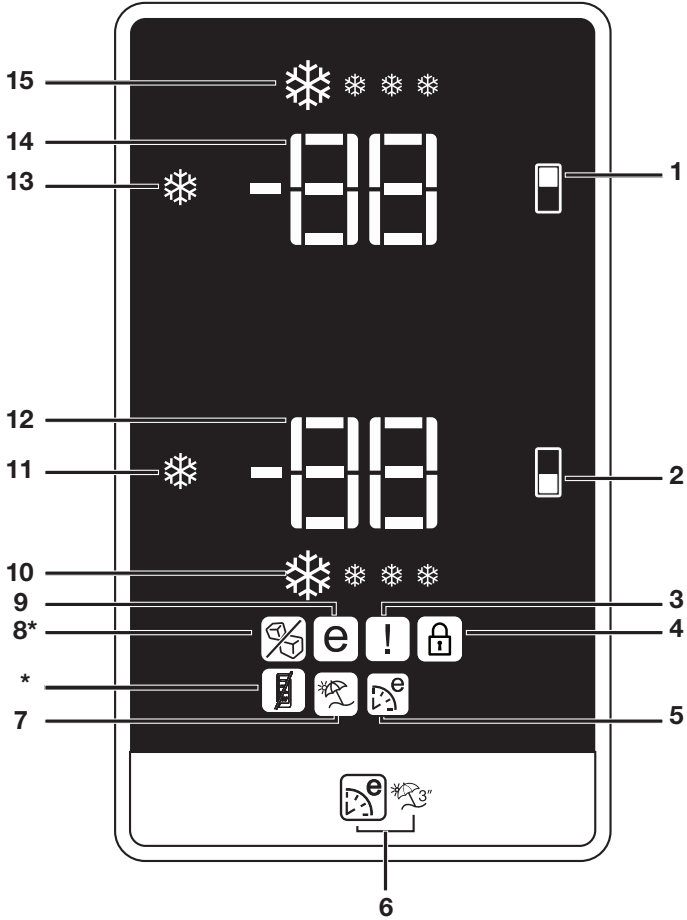
يوضح أن وظيفة Eco Extra في وضع نشط. في حالة تنشيط هذه الوظيفة، ستكتشف ثلاجتك تلقائيًا أقل فترات الاستخدام وستعمل وظيفة التبريد الموفرة للطاقة خلال تلك الفترات. سيتم تنشيط مؤشر الاقتصاد أثناء عمل وظيفة التبريد الموفرة للطاقة. اضغط على الزر المخصص مرة أخرى لإلغاء تنشيط هذه الوظيفة.

#### 6. زر التوفير الإضافي/الإجازة

اضغط على هذا الزر لفترة قصيرة لتنشيط وظيفة التوفير الإضافي. اضغط باستمرار على هذا الزر لمدة 3 ثوانٍ لتنشيط وظيفة الإجازة. اضغط على هذا الزر لإلغاء تنشيط الوظيفة المحدده.

#### 7. مؤشر وظيفة الإجازة

يوضح أن وظيفة الإجازة في وضع نشط. إذا كانت تلك الوظيفة نشطة، فسيظهر " - " على مؤشر صندوق الثلجة ولن تظهر أي علامات تبريد في صندوق الثلجة. يتم تبريد المقصورات الأخرى بالتوافق مع درجة الحرارة التي تم ضبطها لهم. اضغط على الزر المخصص مرة أخرى لإلغاء تنشيط هذه الوظيفة.

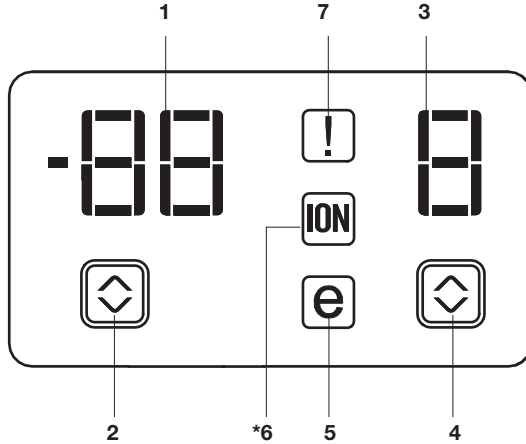


- |  |    |                                    |     |
|--|----|------------------------------------|-----|
| إعداد صندوق الفريزر / مفتاح تشغيل إيقاف لتجميد | 1. | مؤشر استخدام الاقتصادي             | 9.  |
| زر ضبط درجة حرارة مقصورة الثلجة                | 2. | مؤشر وظيفة التبريد السريعة         | 10. |
| مؤشر حالة الخطأ                                | 3. | زر التبريد السريع "Quick fridge"   | 11. |
| مؤشر تأمين المفاتيح                            | 4. | مؤشر ضبط درجة حرارة الثلجة         | 12. |
| مؤشر وظيفة Eco Extra                           | 5. | زر التجميد السريع "Quick freeze"   | 13. |
| زر التوفير الإضافي/الإجازة                     | 6. | مؤشر ضبط درجة حرارة مقصورة الفريزر | 14. |
| مؤشر وظيفة الإجازة                             | 7. | مؤشر وظيفة التجميد السريع          | 15. |
| مؤشر إيقاف التجميد (في بعض الموديلات)          | 8. |                                    |     |

ⓐ الأشكال الواردة في دليل التعليمات هذا هي رسومات بيانية وقد لا تتطابق تمامًا مع المنتج. إذا لم تكن هذه القطع واردة في هذا الجهاز الذي اشتريته، فإنها مناسبة لأنواع أخرى.

قد تختلف لوحات المؤشر وفقاً لموديل المنتج الخاص بك.

تساعد لوحة المؤشر في استخدام الثلاجة بواسطة وظائفها المسموعة والمرئية.



1. مؤشر درجة حرارة صندوق الفريزر
  2. مؤشر حالة الخطأ
  3. مؤشر درجة حرارة صندوق الثلاجة
  4. زر ضبط درجة حرارة صندوق الثلاجة
  5. مؤشر الوضع الاقتصادي
  6. مؤشر التأيين
  7. زر ضبط درجة حرارة صندوق الفريزر
1. مؤشر درجة حرارة صندوق الفريزر
  2. مؤشر حالة الخطأ
- إذا لم تقم الثلاجة بالتبريد بالشكل الكافي أو إذا أخفق المستشعر، يتم تنشيط هذا المؤشر. عندما يتم تنشيط هذا المؤشر، يعرض مؤشر درجة حرارة صندوق الفريزر "E" ويعرض مؤشر درجة حرارة صندوق الثلاجة أرقامًا مثل "1" و"2" و"3". توفر تلك الأرقام الموجودة على المؤشر معلومات حول الخطأ بالنسبة لموظفين الخدمة.
3. مؤشر درجة حرارة صندوق الثلاجة
  4. زر ضبط درجة حرارة صندوق الثلاجة
  5. مؤشر الوضع الاقتصادي
  6. مؤشر التأيين
  7. زر ضبط درجة حرارة صندوق الفريزر
- يوضح درجة الحرارة المضبوطة لصندوق الثلاجة. اضغط على هذا الزر لضبط درجة حرارة صندوق الثلاجة على 8 و6 و2 و8... بالترتيب. اضغط على هذا الزر لضبط درجة الحرارة المرغوبة لصندوق الثلاجة.
- يوضح أن الثلاجة تعمل باستخدام وضع موفر للطاقة.
- يضيء المصباح باستمرار. يشير هذا المصباح إلى أن الثلاجة محمية من البكتريا.
- اضغط على هذا الزر لضبط درجة حرارة صندوق الفريزر على -18 و-20 و-22 و-24 و-18... بالترتيب. اضغط على هذا الزر لضبط درجة الحرارة المرغوبة لصندوق الفريزر.

- 1** يجب تركيب الثلاجة على بعد 30 سم على الأقل من مصادر الحرارة مثل المواقد والأفران والسخان المركزي والمواقد وعلى بعد 5 سم على الأقل من الأفران الكهربائية ويجب عدم وضعها في ضوء الشمس المباشر.
- 2** يجب أن تكون درجة الحرارة المحيطة للغرفة التي تضع فيها الثلاجة 10 درجة مئوية على الأقل. ولا يُوصى بتشغيل الثلاجة في ظروف درجة حرارة أقل من ذلك تحقيقًا لكفائها.
- 3** يُرجى التأكد من تنظيف الثلاجة من الداخل بعناية.
- 4** إذا كنت بصدد تركيب ثلاجتين جنبًا إلى جنب، فيجب المباشرة بينهما بمسافة 2 سم على الأقل.
- 5** عند تشغيل الثلاجة للمرة الأولى، يُرجى مراعاة التعليمات التالية أثناء الساعات الستة الأولى.
- يجب عدم فتح الباب بصورة متكررة.
  - يجب تشغيلها وهي خاوية بدون أي أطعمة داخلها.
  - لا تنزع قابس التيار الكهربائي للثلاجة. إذا توقف التيار الكهربائي رغبًا عنك، فيرجى قراءة التحذيرات الواردة في قسم "حلول مقترحة للمشكلات".
- 6** يجب استخدام السلال/الجوارير التي تزود مع حجرة التبريد دائما لتقليل استهلاك الطاقة ومن أجل ظروف تخزين أفضل.
- 7** إن احتكاك الطعام مع مجس درجة الحرارة في حجرة المجمد قد يزيد من استهلاك الطاقة في الجهاز. لذا يجب تجنب الاحتكاك مع المجس.
- 8** يجب الحفاظ على العبوة الأصلية ومواد التغليف المصاحبة لأغراض النقل المستقبلي أو الانتقال.
- 9** في بعض الموديلات، تتوقف لوحة الأدوات 5 دقائق بعد إغلاق الباب. سيتم إعادة تفعيلها عند فتح الباب أو الضغط على أي مفتاح.
- 10** نظرا لتغير درجات الحرارة نتيجة لفتح / إغلاق باب الجهاز أثناء العملية، فالتكثيف على الباب / والرفوف والعبوات الزجاجية أمر طبيعي

## التوصيل الكهربائي

صل المنتج بمنفذ توصيل أرضي محمي بمنصهر ذي سعة مناسبة.  
هام:

- يجب أن يتوافق التوصيل مع اللوائح الوطنية.
- يجب أن يكون قابس كابل التيار في مكان يسهل الوصول إليه بعد التركيب.
- يجب أن تكون الفولتية المقررة مساوية لفولتية منفذ التيار الرئيسي.
- يجب عدم استخدام الوصلات الكهربائية والمقابس متعددة المسالك للتوصيل.
- ⚠ يجب يتم استبدال كابل التيار التالف بواسطة فني الكهرباء المعتمد.
- ⚠ يجب ألا يتم تشغيل المنتج قبل إصلاحه! حيث يوجد خطر يكمن في التعرض لصدمة كهربائية!

## التخلص من عبوة المنتج

قد تكون مواد التغليف خطرة على الأطفال. احتفظ بمواد التغليف بعيداً عن متناول الأطفال أو تخلص منها بتصنيفها وفقاً لتعليمات التخلص من المخلفات. لا تتخلص منها مع مخلفات المنزل العادية.  
يتم تصنيع حزمة تعبئة الثلجة من مواد قابلة لإعادة التدوير.

## التخلص من الثلجة القديمة

- تخلص من الجهاز القديم دون إحداث أي ضرر بالبيئة.
  - يمكنك استشارة الوكيل المعتمد لديك أو مركز تجميع النفايات بمدينتك حول التخلص من الثلجة القديمة.
- قبل التخلص من الثلجة، اقطع القابس الكهربائي، وفي حالة وجود أي أفعال على باب الثلجة، اجعلها غير قابلة للتشغيل لحماية الأطفال من أي خطر.

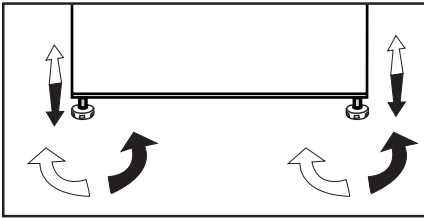
## الوضع والتركيب

⚠ إذا كان باب الحجره التي ستوضع بها الثلجة ضيق بدرجة لا تسمح بمرور الثلجة من خلاله، فاتصل بمركز الصيانة المعتمد لإزالة أبواب الثلجة وتمريرها وهي مائلة من الباب.

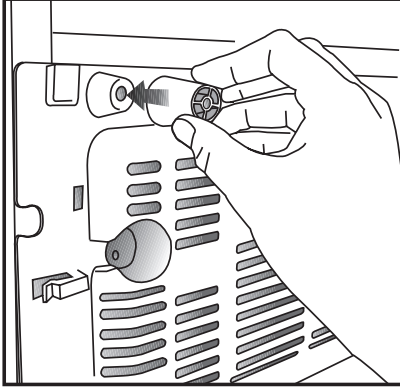
1. ركب الثلجة في مكان يسمح بسهولة الاستخدام.
2. ضع الثلجة بعيداً عن مصادر الحرارة والمناطق الرطبة وأشعة الشمس المباشرة.
3. يجب أن تتوفر التهوية المناسبة حول الثلجة للحصول على تشغيل يتسم بالكفاءة. إذا كانت الثلجة ستوضع في تجويف داخل الحائط، فيجب أن يكون يترك 5 سم على الأقل بينها وبين السقف و 5 سم على الأقل بينها وبين الحائط. إذا كانت الأرضية مغطاة بسجادة، فيجب رفع الجهاز 2.5 سم على الأقل عن الأرض.
4. ضع الثلجة على سطح مستو لمنع الحركة المفاجئة.
5. لا تضع الثلجة في درجات حرارة محيطية نقل عن 10 درجة مئوية.

## ضبط أقدام الثلجة

إذا كانت الثلجة غير متزنة؛ يمكن ضبط اتزان الثلجة بتدوير الأقدام الأمامية كما هو موضح بالشكل. يتم خفض الركن الموجود به القدم عند التدوير باتجاه السهم الأسود ويرتفع عند التدوير في الاتجاه المعاكس. ستساعد الاستعانة بشخص آخر في رفع الثلجة قليلاً في إنجاز هذه العملية.



2. يرجى تركيب إسفينين بلاستيكيين كما هو موضح في الشكل التوضيحي. سيوفر هذان الإسفينان المسافة المطلوبة بين الثلاجة والحائط، مما سيسمح بتدوير الهواء. (الشكل الموضح ما هو إلا مثال ولا يطابق المنتج بشكل تام.)



3. نظف الجزء الداخلي للثلاجة كما هو موصى به في قسم "الصيانة والتنظيف".

4. قم بتوصيل القابس بمنفذ الكهرباء بالحائط عند فتح باب الثلاجة، سيضيء مصباح مقصورة الثلاجة الداخلي.

5. سوف تسمع ضوضاء عند بدء عمل جهاز ضغط الهواء. تؤدي السوائل والغازات المتسربة من جهاز الثلاجة إلى إحداث ضوضاء، حتى إن كان جهاز ضغط الهواء لا يعمل وهذا أمر طبيعي.

6. قد يكون ملمس الحواف الأمامية للثلاجة دافئاً. هذا شيء طبيعي. حيث تم تصميم هذه المناطق حتى تكون دافئة تجنباً للتكثف.

⚠ يرجى تذكر أن المصنّع لن يتحمل أي مسؤولية في حالة عدم اتباع المعلومات الواردة في دليل التعليمات.

### نقاط يجب مراعاتها عند نقل الثلاجة

1. يجب إفراغ الثلاجة وتنظيفها قبل أي عملية نقل.
2. يجب تثبيت الأرفف والملحقات والأدراج وخلافه في الثلاجة بإحكام بشرط لاصق ضد الارتجاج قبل إعادة تعبئتها بالعبوة.
3. يجب إحكام العبوة بأشرطة لاصقة سميكة وحبال قوية، كما يجب إتباع تعليمات النقل المطبوعة على العبوة.

يرجى ألا تنسى...

يجب عدم التخلص من أية مواد قابلة لإعادة التدوير حفاظاً على الطبيعة والموارد القومية. إذا رغبت في المساهمة في إعادة تدوير مواد التعبئة، يمكنك الحصول على معلومات إضافية من الهيئات البيئية أو السلطات المحلية.

### قبل تشغيل الثلاجة

قبل البدء في استخدام الثلاجة، تحقق مما يلي:  
1. هل الجزء الداخلي للثلاجة جاف، وهل الهواء يدور بحرية في الجزء الخلفي؟

### تغيير مصباح الإضاءة

لتغيير المصباح/مصباح الإضاءة الخلفية (LED) المستخدم في إضاءة الثلاجة، يرجى الاتصال بمركز الصيانة المعتمد.

**المصباح (المصابيح) المستخدمة في هذا الجهاز غير مناسبة للإضاءة في الغرف المنزلية. الغرض الأساسي لهذا المصباح هو مساعدة المستخدم لوضع أدوات الطعام في الثلاجة/المجمّد بطريقة سهلة وآمنة**  
المصابيح المستخدمة في هذا الجهاز لها قدرة تحمل تتمثل في درجات الحرارة أقل من 20- درجة مئوية.



## التوافق مع توجيهات RoHS:

يتوافق المنتج الذي قمت بشرائه مع توجيهات RoHS للاتحاد الأوروبي (EU/2011/65). لا يحتوي على مواد ضارة أو محظورة مشار إليها في التوجيهات.

والخاص بالثلاجة تم تحديده أثناء إخراج الرف والدرج من الفريزر وتحميله بالحد الأقصى للحمولة. ولا توجد خطورة من استخدام الرف أو الدرج وفقاً للأشكال وأحجام الأطعمة المطلوب تجميدها.

- إذابة الطعام المجمد في مقصورة الثلاجة ستوفر الطاقة وتحفظ جودة الطعام.

## بيانات التغليف

تم تصنيع مواد التغليف الخاصة بهذا المنتج من مواد قابلة لإعادة التصنيع وفقاً للوائح البيئية المحلية الخاصة بنا. لا تتخلص من مواد التغليف مع النفايات المنزلية أو النفايات الأخرى. بل تخلص منها في نقاط تجميع مواد التغليف المعينة من قبل السلطات المحلية.

لا تتسى...

يجب عدم التخلص من أية مواد قابلة لإعادة التدوير حفاظاً على الطبيعة وثروة الموارد القومية. إذا كانت تريد أن تشارك في إعادة تقييم مواد التعبئة، يمكنك استشارة منظمات البيئة أو المجالس البلدية التي بجوارك.

## تحذير الحرارة والتبريد والتهوية (HC)

إذا كان المنتج مزوداً بنظام تبريد يحتوي على R600a: هذا الغاز قابل للاشتعال. ولذا، يجب توخي الحذر حتى لا يتم إتلاف نظام التبريد والأنابيب أثناء الاستخدام والنقل. في حالة التلف، لا تتخلص من المنتج بإلقائه في النيران، واحتفظ به بعيداً عن مصادر النيران المحتملة والتي يمكن أن تتسبب في نشوب النيران بالمنتج واحرص على تهوية الحجرة التي تحتفظ بالمنتج فيها.

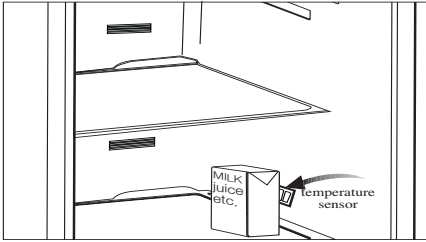
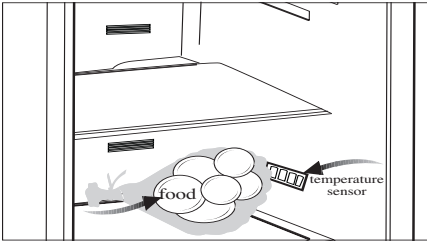
إذا كان المنتج مزوداً بنظام تبريد يحتوي على R134a: نوع الغاز المستخدم في هذا المنتج مذكور على ملصق النوع الموجودة على الجانب الأيسر الداخلي للثلاجة. لا تتخلص من المنتج مطلقاً بإلقائه في النيران.

## أشياء يجب عملها لتوفير الطاقة

- لا تترك أبواب الثلاجة مفتوحة لفترة طويلة.
- لا تضع الأطعمة أو الخضروات الساخنة في الثلاجة.
- لا تزيد حمل الثلاجة بحيث لا تمنع دورة الهواء داخلها.
- لا تترك الثلاجة تحت أشعة الشمس المباشرة أو بالقرب من أجهزة تنبعث من حرارة مثل الفرن أو غسل الأطباق أو المشع. يجب وضع الثلاجة على بعد 30 سم على الأقل من مصادر الحرارة المنبعثة وعلى الأقل 5 سم من المواد الكهربائية.
- يجب وضع الطعام في علب مغلقة.
- بالنسبة للمنتجات المزودة بمقصورة فريزر، يمكنك تخزين الحد الأقصى من كمية الطعام في الفريزر عندما تقوم بإخراج الرفوف أو الأدراج منه. استهلاك الطاقة المذكورة

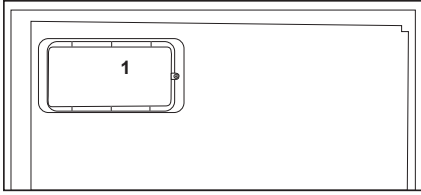
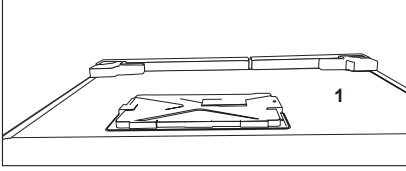
## توصيات لمقصورة الطعام الطازج يرايخدا \*

- يرجى عدم ترك أي أغذية تصل إلى مستشعر درجة الحرارة في مقصورة الطعام الطازج. وللحفاظ على مقصورة الطعام الطازج في درجة حرارة التخزين المثالية، لا يجب تغطية المستشعر بأية أغذية.
- لا تقم بوضع طعام ساخن في الجهاز الخاص بك.



يحتوي ألواح الإلكترونيات مطبوعة في الداخل  
مفتوحاً (غطاء)

- وح الدائرة الإلكترونية المطبوعة (1).



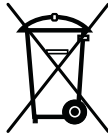
### تأمين سلامة الأطفال

- إذا كان الباب مزوداً بقلب، فينبغي الاحتفاظ بالمفتاح بعيداً عن متناول الأطفال.
- يجب رقابة الأطفال حتى لا يعثبوا بالمنتج.

### متوافق مع تشريعات WEEE في التخلص من المنتجات التالفة.

هذا الجهاز لا يحتوي على مواد مؤذية أو محرمة من تلك المشار إليها في "تشريعات الرقابة على نفايات الأجهزة الكهربائية والإلكترونية" المصدرة من وزارة البيئة وتخطيط المدن التركية. متوافق مع تشريعات WEEE.

تم تصنيع هذا الجهاز بأجزاء ومواد عالية الجودة يمكن إعادة استخدامها وهي مناسبة لإعادة التدوير. وعلى ذلك، لا تتخلص من الجهاز مع النفايات المنزلية العادية في نهاية فترة حياته. عليك أخذه إلى نقطة التجميع لإعادة تدوير المعدات الكهربائية والإلكترونية. يرجى



التشاور مع السلطات المحلية لمعرفة أقرب نقطة تجميع. ساعد في حماية البيئة والموارد الطبيعية عبر إعادة تدوير المنتجات المستخدمة. لسلامة الأطفال، اقطع كابل الطاقة واكسر آلية القفل للباب، إن وجدت، حتى لا يمكن استخدامها قبل التخلص من الجهاز.

البروبين بالقرب من الثلجة بسبب مخاطر نشوب النيران والانفجار.

- لا تضع أشياء مملوئة بالماء أعلى الثلجة، ففي حالة إنسكابها، فقد تؤدي إلى صدمة كهربائية أو نشوب حريق.
- لا تزيد من حمولة الثلجة بالأطعمة. إذا كانت الثلجة بها حمل زائد، فقد يسقط الطعام ويصيبك وينتف الثلجة عند فتح الباب.
- لا تضع أشياء ثقيلة أعلى الثلجة حيث قد تقع عند فتح باب الثلجة أو غلقه.
- ينبغي عدم حفظ المنتجات التي تحتاج إلى تحكم دقيق في درجات الحرارة (الأمصال أو الأدوية ذات الحساسية للحرارة أو المواد العلمية أو ما شابه) في الثلجة.
- إذا لن يتم استخدام الثلجة لفترة طويلة، فيجب فصلها عن التيار الكهربائي. قد تتسبب أي مشكلة في عزل الكابل في نشوب حريق.
- من الممكن أن تتحرك الثلجة إذا لم يتم تثبيتها بإحكام على الأرض. يمكن للأقدام القابلة للضبط المثبتة بإحكام على الأرض أن تثبت الثلجة في مكانها ولا تتحرك.
- عند حمل الثلجة، لا تمسكها من مقبض الباب. وإلا فيكسر.
- يجب أن يكون ضغط مدخل الماء البارد 90psi كحد أقصى (6.2 بار). إذا تجاوز ضغط الماء (5.5 80 psi بار)، استخدم صمام حد الضغط في نظامك الرئيسي. إذا كنت لا تعلم كيف تفحص ضغط الماء الخاص بك، اطلب المساعدة من سمكري متخصص.
- إذا ظهر خطر تأثير الطرق المائي أثناء التركيب، استخدم معدات منع الطرق المائي في التركيب دائماً. استشر سمكري متخصص إن لم تكن متأكدًا من عدم وجود تأثير للطرق المائي في التركيب.
- لا تركبه على مدخل الماء الساخن. يجب أخذ الحيطة من خطر تجمد الخراطيم. يجب أن تكون درجة حرارة الماء 33 ف (0.6 م) كحد أدنى و100 ف (38 م) كحد أقصى.
- لا تستخدم الجهاز إذا كان القسم الموجود على سطح الجهاز أو على ظهره الذي

الشمس والرياح يمثل خطورة فيما يتعلق  
بالسلامة الكهربائية.  
اتصل بفني خدمة مؤهل في حالة وجود تلف  
بكابلات الطاقة لتجنب المخاطر .

لا تقم بتوصيل التلاجة بمنفذ الحائط أبدًا أثناء  
عملية التركيب. وإلا، فهناك خطر أن تلقى  
مصراعك أو تلحق بك إصابة خطيرة.

تم تصميم هذه التلاجة فقط لحفظ الطعام.  
يجب ألا تستخدم لأية أغراض أخرى.

يوجد ملصق التصنيف الذي يحتوي على  
المواصفات الفنية للمنتج في الجزء الأيسر  
الداخلي للتلاجة.

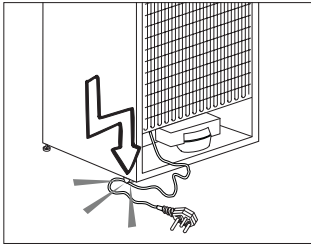
لا تصل التلاجة بأي نظم إلكترونية لتوفير  
الطاقة فقد يتلف المنتج.

إذا كانت التلاجة بها لون أزرق، فلا تنظر  
إلى اللون الأزرق من خلال أجهزة بصرية.  
إذا كان هناك ضوء أزرق على التلاجة،  
لا تنظر إليه بالعين المجردة أو بالأدوات  
البصرية لفترة طويلة.

ينبغي تسليم دليل التشغيل هذا إلى المالك  
الجديد للتلاجة عند بيعها للآخرين.

تجنب تلف كابلات الطاقة أثناء نقل التلاجة. قد  
يتسبب الكابلات المثبتة في نشوب حريق. لا  
تضع أي أشياء ثقيلة على كابلات الطاقة.

لا تقم بلمس القابض بأيدي مبتلة عند توصيل  
قابض التلاجة.



تصل التلاجة إذا كان منفذ التيار الكهربائي  
غير محكم.

ينبغي عدم نثر الماء على الأجزاء الداخلية أو  
الخارجية للتلاجة لوعي السلامة.

لا تثرش مواد قابلة للاشتعال مثل غاز

بأدوات حفر أو قطع. فقد ينفجر المبرد عند  
ثقب قنوات الغاز أو المبخر أو وصلات  
الأنابيب أو طلاءات السطح، وقد يتسبب ذلك  
في حدوث اعتلال للجلد وإصابات للعين.

لا تغط فتحات تهوية التلاجة أو تسدها بأي  
مواد.

يجب إجراء الإصلاحات بواسطة شخص  
مؤهل فقط. فعمليات الإصلاح التي يقوم بها  
أشخاص غير مؤهلين قد تمثل خطورة على  
المستخدم.

في حالة وقوع أي عطل أو أثناء أي عملية  
صيانة أو أعمال إصلاح، افصل التلاجة  
عن مصدر التيار الكهربائي الرئيسي إما  
بإغلاق المنصهر المعني أو بزرع قابض التيار  
الكهربائي الخاص بالجهاز.

لا تجذب الكابل - بل اجذب من المقبس.

تحقق من أن المشروبات الكحولية مخزنة  
بشكل آمن، محكمة الإغلاق و في وضع  
رأسي.

يجب عدم الاحتفاظ في التلاجة بالمواد  
القابلة للاشتعال أو المنتجات التي تحتوي  
على غازات قابلة للاشتعال (مثل الإسبراي)  
وكذلك المواد القابلة للانفجار.

يجب عدم استخدام أدوات ميكانيكية أو  
أية وسائل أخرى للتسريع من عملية إزالة  
التجميد، بخلاف الأدوات التي توصي بها  
الجهة المصنعة.

هذا الجهاز غير مُعد للاستخدام بواسطة  
الأفراد (بما في ذلك الأطفال) ذوي القدرات  
الجسمانية والحسية والذهنية المحدودة، أو  
الأفراد الذين يفتقون للخبرة والمعرفة ما  
لم يتم الإشراف عليهم أو إعطائهم تعليمات  
استخدام الجهاز بواسطة شخص مسئول عن  
سلامتهم أو الشخص الذي سيقوم بإعطائهم  
التعليمات الخاصة باستخدام المنتج.

لا تقم بتشغيل التلاجة وهي تالفة. استشر  
مركز الصيانة إذا لديك أي شك.

يمكن ضمان السلامة الكهربائية للتلاجة فقط  
إذا كان نظام التوصيل الأرضي في منزلك  
يتوافق مع المعايير.

إن تعريض الجهاز للأمطار و الثلج و

- مناطق كادر الطبخ في المتاجر والمكاتب وبيئات العمل الأخرى؛
- المزارع و النزلاء في الفنادق وفنادق الطرق والبيئات السكنية المماثلة؛ أماكن المبيت والإفطار؛
- أماكن المبيت والإفطار؛
- عمليات التموين والتطبيقات المماثلة في غير محلات التجزئة.

- يرجى فحص المعلومات التالية. ربما يؤدي الإخفاق في اتباع هذه المعلومات إلى إصابات أو تلف للممتلكات. ومن ثم، قد تصبح كل التزامات الفعالية والضمان غير سارية.
- سيتم توفير قطع غيار أصلية لمدة 10 أعوامًا، بعد تاريخ الشراء المنتج.

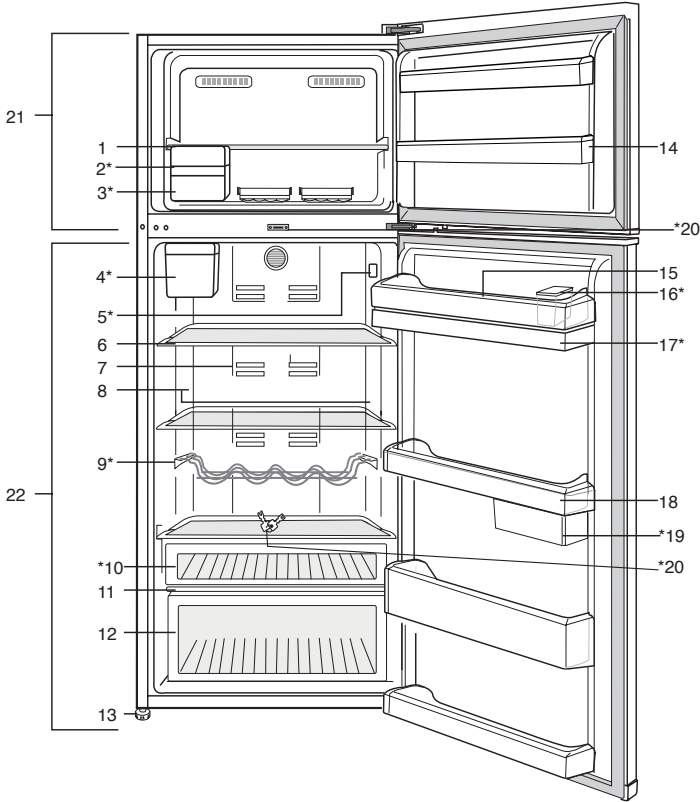
## الغرض المخصص

## السلامة العامة

- إذا أردت التخلص من الجهاز، فيوصى باستشارة مركز الصيانة المعتمد لمعرفة المعلومات المطلوبة والهيئات المعتمدة.
- استشر مركز الصيانة المعتمد حول كل الاستفسارات والمشكلات المتعلقة بالثلاجة. لا تتدخل ولا تدع أحدًا يتدخل في صيانة الجهاز دون إخبار مراكز الصيانة المعتمدة.
- بالنسبة للمنتجات المزودة بمقصورة فريزر، لا تأكل بسكويت الأيس كريم ومكعبات الثلج مباشرة بعد إخراجها من صندوق الفريزر. (فقد يسبب هذا لسعة صقيع داخل فمك.)
- بالنسبة للمنتجات المزودة بمقصورة فريزر، لا تضع المشروبات الساخنة المعلبة أو الموضوعات في زجاجات في صندوق الفريزر. وإلا، فقد تنفجر.
- لا تلمس الطعام المجمد باليد، فقد يلتصق بيدك.
- افصل قليب التيار الكهربائي قبل تنظيف الثلاجة أو إزالة الثلج.
- لا يجب استخدام البخار أو مواد التنظيف بالبخار أبدًا في تنظيف أو عمليات إزالة الثلج من الثلاجة. ففي مثل هذه الحالة، قد يتفاعل البخار مع القطع الكهربائية ويؤدي إلى قطع التيار الكهربائي أو وقوع صدمة كهربائية.
- لا تستخدم مطلقًا قطع الثلجة، مثل الباب كوسيلة دعم أو للوقوف عليه.
- لا تستخدم أي أجهزة كهربائية داخل الثلاجة.
- لا تتلف الأجزاء حيث يتم تدوير الهواء البارد

تحذير: حافظ على فتحات التهوية في تجويف الجهاز أو في البنية المدمجة خالية من الانسداد.	⚠
تحذير: لا تستخدم الأجهزة الميكانيكية أو الوسائل الأخرى لتسريع عملية إزالة الصقيع. غير تلك التي يوصي بها المصنع.	⚠
تحذير: لا تتلف الدائرة الكهربائية لمادة التبريد.	⚠
تحذير: لا تستخدم الأجهزة الكهربائية في حجرة المؤن في الجهاز إلا إذا كانت من النوع الذي يوصي بها المصنع.	⚠
تحذير: لا تقم بتخزين المواد المتفجرة مثل علب الهباء الجوي مع الوقود قابل للاشتعال في هذا الجهاز	⚠

هذا الجهاز مصمم للاستخدام المنزلي والتطبيقات المماثلة مثل



- |    |                                 |    |                            |
|----|---------------------------------|----|----------------------------|
| 1  | رف صندوق الفريزر                | 12 | درج                        |
| 2  | التجميد التلقائي                | 13 | أقدام قابلة للضبط          |
| 3  | رف تخزين الثلج                  | 14 | أرفف باب صندوق الفريزر     |
| 4  | خزان المياه ذو التجميد التلقائي | 15 | حامل البيض                 |
| 5  | مؤشر إعدادات درجة الحرارة       | 16 | حاوية تعبئة موزع المياه    |
| 6  | أرفف زجاجية قابلة للضبط         | 17 | خزان توزيع المياه          |
| 7  | فلتر الروائح                    | 18 | أرفف باب صندوق الثلاجة     |
| 8  | عدسات الإضاءة                   | 19 | حاويات تخزين دوارة ومنزلقة |
| 9  | رف الزجاجات                     | 20 | حائقمه                     |
| 10 | أدراج الوجبات الخفيفة           | 21 | مقصورة الفريزر             |
| 11 | غطاء الدرج                      | 22 | مقصورة الثلاجة             |

## \* اختياري

④ الأشكال الواردة في دليل التعليمات هذا هي رسومات بيانية وقد لا تتطابق تماماً مع المنتج. إذا لم تكن هذه القطع واردة في هذا الجهاز الذي اشتريته، فإنها مناسبة لأنواع أخرى.

<b>11</b>	<b>5 استخدام الثلاجة</b>	<b>3</b>	<b>1 الثلاجة</b>
11.....	لوحة المؤشر	<b>4</b>	<b>2 تحذيرات السلامة المهمة</b>
14.....	تحذير فتح الباب	4.....	الغرض المخصص
16.....	توصيات المحافظة على الأطعمة المجمدة	4.....	السلامة العامة
16.....	وضع الطعام	6.....	تأمين سلامة الأطفال
17.....	معلومات التجميد العميق	متوافق مع تشريعات WEEE في التخلص من	المنتجات التالفة
18.....	حامل البيض	6.....	التوافق مع توجيهات RoHS:
18.....	وصف فلتر الروائح وتنظيفه:	7.....	بيانات التغليف
19.....	وحدة توزيع المياه	7.....	تحذير الحرارة والتبريد والتهوية (HC)
21.....	صندوق التخزين الدوار	7.....	أشياء يجب عملها لتوفير الطاقة
22.....	التجميد التلقائي	7.....	توصيات لمقصورة الطعام الطازج
22.....	مصباح أزرق	<b>8</b>	<b>3 التركيب</b>
23.....	وحدة صنع الثلج وصندوق تخزين الثلج	8.....	نقاط يجب مراعاتها عند نقل الثلاجة
<b>24</b>	<b>6 الصيانة والتنظيف</b>	8.....	قبل تشغيل الثلاجة
24.....	حماية الأسطح البلاستيكية	8.....	تغيير مصباح الإضاءة
<b>25</b>	<b>7 حلول مقترحة للمشكلات</b>	9.....	التوصيل الكهربائي
		9.....	التخلص من عبوة المنتج
		9.....	التخلص من الثلاجة القديمة
		9.....	الوضع والتركيب
		9.....	ضبط أقدام الثلاجة
		<b>10</b>	<b>4 الإعداد</b>




## يرجى قراءة هذا الدليل أولاً!

عميلنا العزيز،  
نأمل أن هذا المنتج والذي تم إنتاجه في مصانع حديثة وفحصه بإجراءات صارمة لرقابة الجودة سيقدّم لكم خدمة فعّالة. ولذلك فنحن نوصي بقراءة هذا الدليل بالكامل بعناية قبل استخدامه وحفظه للرجوع إليه في المستقبل.

### هذا الدليل

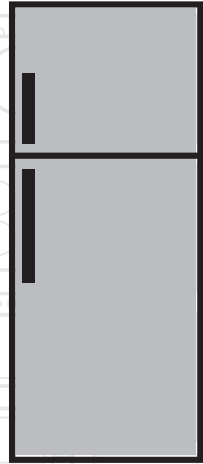
- سيساعدك على استخدام الجهاز بسرعة وبطريقة مأمونة.
- يرجى قراءة هذا الدليل قبل تركيب المنتج وتشغيله.
- يرجى اتباع الإرشادات، خاصةً تلك المتعلقة بالسلامة.
- احتفظ بهذا الدليل في مكان يسهل الوصول إليه عند الحاجة إليه في المستقبل.
- وبالإضافة إلى ذلك، يرجى قراءة المستندات الأخرى المرفقة مع المنتج.
- يرجى ملاحظة أن هذا الدليل قد يكون صالحاً لأنواع أخرى أيضاً.

### الرموز ومعانيها.

- يحتوي دليل التعليمات هذا على الرموز التالية.
- معلومات مهمة أو تلميحات استخدام مفيدة. 
  - التحذير ضد الظروف الخطرة على الحياة والممتلكات. 
  - تحذير ضد الفولتية الكهربائية. 

# الثلاجة

## دليل المستخدم



AR |

**beko**





57 1272 0100/AK  
EN-AR



[www.beko.com](http://www.beko.com)