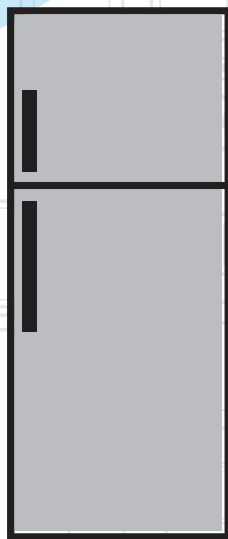


# Refrigerator

User manual



DN167123  
DN167223  
DN167223X  
DN167233W

DN167233X  
DN168220X  
DN168120  
DN160200DX

EN | AR |

**beko**

## **Please read this user manual first!**

Dear Customer,

We hope that your product, which has been produced in modern plants and checked under the most meticulous quality control procedures, will provide you an effective service.

Therefore, read this entire user manual carefully before using the product and keep it as a reference. If you handover the product to someone else, give the user manual as well.

### **The user manual will help you use the product in a fast and safe way.**

- Read the manual before installing and operating the product.
- Make sure you read the safety instructions.
- Keep the manual in an easily accessible place as you may need it later.
- Read the other documents given with the product.

Remember that this user manual is also applicable for several other models. Differences between models will be identified in the manual.

### **Explanation of symbols**

**Throughout this user manual the following symbols are used:**

 Important information or useful tips.

 Warning against dangerous conditions for life and property.

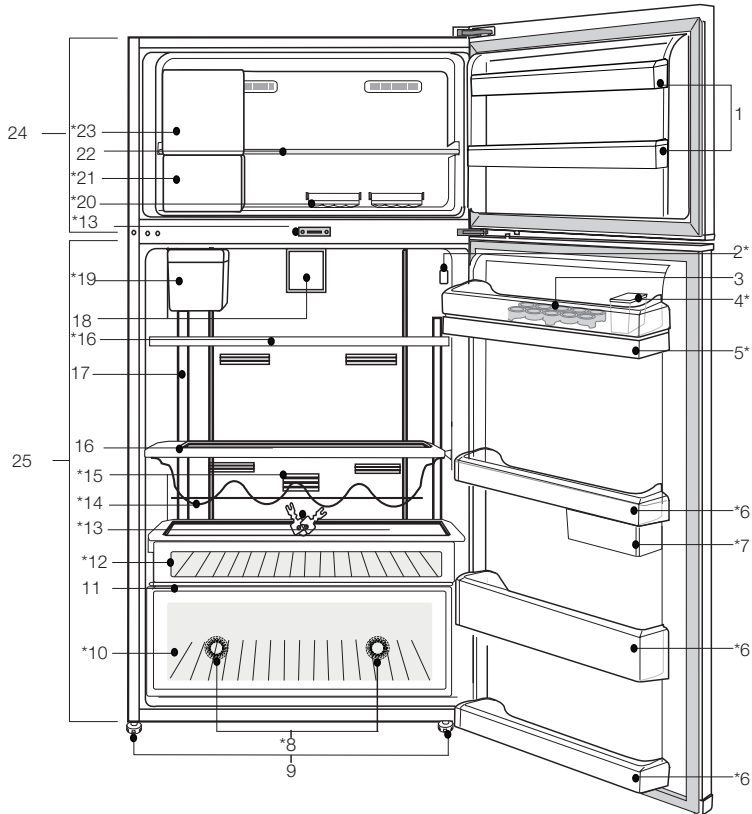
 Warning against electric voltage.

## CONTENTS

---

<b>1 Your Refrigerator</b>	<b>3</b>	<b>4 Preparation</b>	<b>12</b>
<b>2 Important Safety Warnings</b>	<b>4</b>	<b>5 Using your refrigerator</b>	<b>13</b>
Intended use .....	4	Indicator Panel.....	13
General safety .....	4	Temperature setting button.....	24
For products with a .....	7	Setting the temperature of your refrigerator.....	24
water dispenser;.....	7	Dual cooling system .....	24
Child safety.....	7	Recommendations for preservation of frozen food .....	25
Compliance with WEEE Directive and Disposing of the Waste Product: .....	7	Defrosting.....	25
Package information.....	7	Placing the food .....	25
HC warning .....	8	Deep-freeze information .....	26
Things to be done for energy saving ..	8	Egg section .....	26
Recommendations for the fresh food compartment.....	8	Description and cleaning of odor filter .....	27
<b>3 Installation</b>	<b>9</b>	Water Dispenser .....	28
Points to be paid attention to when the relocation of the refrigerator .....	9	Blue light .....	30
Electrical connection.....	9	Sliding storage container .....	30
Disposing of the packaging .....	10	Rotary storage container .....	31
Disposing of your old refrigerator .....	10	Auto Icematic .....	32
Placing and Installation .....	10	Icematic and ice storage container ..	33
Adjusting the legs .....	11	Making ice.....	34
Changing the illumination lamp .....	11	Humidity-controlled crisper (Ever Fresh) .....	34
Door Open Warning.....	11	Ice-cream machine.....	35
		<b>6 Maintenance and cleaning</b>	<b>37</b>
		Protection of plastic surfaces .....	37
		<b>7. Troubleshooting</b>	<b>38</b>

# 1 Your Refrigerator



- |   |   |
|---|---|
| <ul style="list-style-type: none"> <li>1. Door shelves of the freezer compartment</li> <li>2. Temperature setting indicator</li> <li>3. Egg section</li> <li>4. Water dispenser filling tank</li> <li>5. Water dispenser reservoir</li> <li>6. Door shelves of fridge compartment</li> <li>7. Sliding and rotary storage containers</li> <li>8. Blue light</li> <li>9. Adjustable legs</li> <li>10. Crisper</li> <li>11. Crisper cover</li> <li>12. Breakfast compartment</li> <li>13. Key</li> </ul> | <ul style="list-style-type: none"> <li>14. Bottle shelf</li> <li>15. Odor filter</li> <li>16. Glass shelves of fridge compartment</li> <li>17. Illumination glass</li> <li>18. Impeller</li> <li>19. Automatic Icematic water tank</li> <li>20. Icebox</li> <li>21. Ice storage container</li> <li>22. Freezer compartment glass shelf</li> <li>23. Ice-cream making machine / Quick Freeze compartment</li> <li>24. Freezer compartment</li> <li>25. Fridge compartment</li> </ul> |
|---|---|

**\*optional**

**i** Figures in this user manual are schematic and may not correspond exactly to your product. If the subject parts are not included in the product you have purchased, then it is valid for other models.

## 2 Important Safety Warnings

Please review the following information. Failure to observe this information may cause injuries or material damage. Otherwise, all warranty and reliability commitments will become invalid.

Original spare parts will be provided for 10 years, following the product purchasing date.

### Intended use

This product is intended to be used

- indoors and in closed areas such as homes;
- in closed working environments such as stores and offices;
- in closed accommodation areas such as farm houses, hotels, pensions.
- It should not be used outdoors.

### General safety

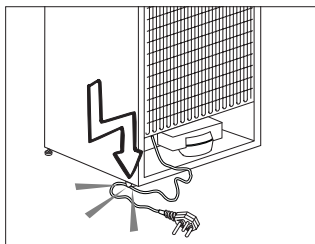
- When you want to dispose/ scrap the product, we recommend you to consult the authorized service in order to learn the required information and authorized bodies.
- Consult your authorized service for all your questions and problems related to the refrigerator. Do not intervene or let someone intervene to the refrigerator without notifying the authorised services.
- For products with a freezer compartment; Do not eat cone ice cream and ice cubes immediately after you take them

out of the freezer compartment! (This may cause frostbite in your mouth.)

- For products with a freezer compartment; Do not put bottled and canned liquid beverages in the freezer compartment. Otherwise, these may burst.
- Do not touch frozen food by hand; they may stick to your hand.
- Unplug your refrigerator before cleaning or defrosting.
- Vapor and vaporized cleaning materials should never be used in cleaning and defrosting processes of your refrigerator. In such cases, the vapor may get in contact with the electrical parts and cause short circuit or electric shock.
- Never use the parts on your refrigerator such as the door as a means of support or step.
- Do not use electrical devices inside the refrigerator.
- Do not damage the parts, where the refrigerant is circulating, with drilling or cutting tools. The refrigerant that might blow out when the gas channels of the evaporator, pipe extensions or surface coatings are punctured causes skin irritations and eye injuries.
- Do not cover or block the ventilation holes on your refrigerator with any material.

- Electrical devices must be repaired by only authorised persons. Repairs performed by incompetent persons create a risk for the user.
- In case of any failure or during a maintenance or repair work, disconnect your refrigerator's mains supply by either turning off the relevant fuse or unplugging your appliance.
- Do not pull by the cable when pulling off the plug.
- Ensure highly alcoholic beverages are stored securely with the lid fastened and placed upright.
- Never store spray cans containing flammable and explosive substances in the refrigerator.
- Do not use mechanical devices or other means to accelerate the defrosting process, other than those recommended by the manufacturer.
- This product is not intended to be used by persons with physical, sensory or mental disorders or unlearned or inexperienced people (including children) unless they are attended by a person who will be responsible for their safety or who will instruct them accordingly for use of the product
- Do not operate a damaged refrigerator. Consult with the service agent if you have any concerns.
- Electrical safety of your refrigerator shall be guaranteed only if the earth system in your house complies with standards.
- Exposing the product to rain, snow, sun and wind is dangerous with respect to electrical safety.
- Contact authorized service when there is a power cable damage to avoid danger.
- Never plug the refrigerator into the wall outlet during installation. Otherwise, risk of death or serious injury may arise.
- This refrigerator is intended for only storing food items. It must not be used for any other purpose.
- Label of technical specifications is located on the left wall inside the refrigerator.
- Never connect your refrigerator to electricity-saving systems; they may damage the refrigerator.
- If there is a blue light on the refrigerator, do not look at the blue light with optical tools.
- For manually controlled refrigerators, wait for at least 5 minutes to start the refrigerator after power failure.
- This operation manual should be handed in to the new owner of the product when it is given to others.
- Avoid causing damage on power cable when transporting the refrigerator. Bending cable

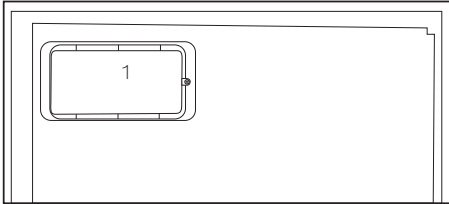
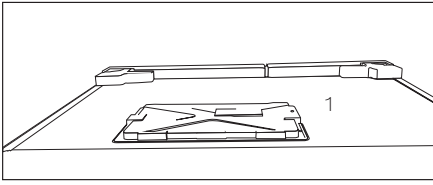
may cause fire. Never place heavy objects on power cable. Do not touch the plug with wet hands when plugging the product



- Do not plug the refrigerator if the wall outlet is loose.
- Water should not be sprayed on inner or outer parts of the product for safety purposes.
- Do not spray substances containing inflammable gases such as propane gas near the refrigerator to avoid fire and explosion risk.
- Never place containers filled with water on top of the refrigerator; in the event of spillages, this may cause electric shock or fire.
- Do not overload the refrigerator with food. If overloaded, the food items may fall down and hurt you and damage refrigerator when you open the door.
- Never place objects on top of the refrigerator; otherwise, these objects may fall down when you open or close the refrigerator's door.
- As they require a precise temperature, vaccines, heat-

sensitive medicine and scientific materials and etc. should not be kept in the refrigerator.

- If not to be used for a long time, refrigerator should be unplugged. A possible problem in power cable may cause fire.
- The plug's tip should be cleaned regularly with a dry cloth; otherwise, it may cause fire.
- Refrigerator may move if adjustable legs are not properly secured on the floor. Properly securing adjustable legs on the floor can prevent the refrigerator to move.
- When carrying the refrigerator, do not hold it from door handle. Otherwise, it may be snapped.
- When you have to place your product next to another refrigerator or freezer, the distance between devices should be at least 8cm. Otherwise, adjacent side walls may be humidified.
- The product shall never be used while the compartment which is located at the top or back of your product and in which electronic boards are available (electronic board box cover) (1) is open.



**For products with a  
water dispenser;**

- Pressure for cold water inlet shall be maximum 90 psi (6.2 bar). If your water pressure exceeds 80 psi (5.5 bar), use a pressure limiting valve in your mains system. If you do not know how to check your water pressure, ask for the help of a professional plumber.
- If there is risk of water hammer effect in your installation, always use a water hammer prevention equipment in your installation. Consult Professional plumbers if you are not sure that there is no water hammer effect in your installation.
- Do not install on the hot water inlet. Take precautions against the risk of freezing of the hoses. Water temperature operating

interval shall be 33°F (0.6°C) minimum and 100°F (38°C) maximum.

- Use only potable water.

**Child safety**

- If the door has a lock, the key should be kept away from reach of children.
- Children must be supervised to prevent them from tampering with the product.

**Compliance with WEEE Directive and Disposing of the Waste Product:**



This product complies with EU WEEE Directive (2012/19/EU). This product bears a classification symbol for waste electrical and electronic equipment (WEEE).

This product has been manufactured with high quality parts and materials which can be reused and are suitable for recycling. Therefore, do not dispose the product with normal domestic waste at the end of its service life. Take it to a collection point for the recycling of electrical and electronic equipment. Please consult your local authorities to learn the nearest collection point. Help protect the environment and natural resources by recycling used products. For children's safety, cut the power cable and break the locking mechanism of the door, if any, so that it will be non-functional before disposing of the product.

**Package information**

Packaging materials of the product are manufactured from recyclable materials in accordance with our National Environment Regulations. Do not dispose of the



packaging materials together with the domestic or other wastes. Take them to the packaging material collection points designated by the local authorities.

### **Do not forget...**

Any recycled substance is an indispensable matter for nature and our national asset wealth.

If you want to contribute to the re-evaluation of the packaging materials, you can consult to your environmentalist organizations or the municipalities where you are located.

## **HC warning**

### **If your product's cooling system contains R600a:**

This gas is flammable. Therefore, pay attention to not damaging the cooling system and piping during usage and transportation. In the event of damage, keep your product away from potential fire sources that can cause the product catch a fire and ventilate the room in which the unit is placed.

### **Ignore this warning if your product's cooling system contains R134a.**

Type of gas used in the product is stated in the type label which is on the left wall inside the refrigerator.

Never throw the product in fire for disposal.

## **Things to be done for energy saving**

- Do not leave the doors of your refrigerator open for a long time.
- Do not put hot food or drinks in your refrigerator.
- Do not overload your refrigerator so that the air circulation inside of it is not prevented.
- Do not install your refrigerator under direct sunlight or near heat emitting appliances such as ovens, dishwashers or radiators. Keep your refrigerator at least 30cm away from heat emitting sources and at least 5cm from electrical ovens.
- Pay attention to keep your food in closed containers.

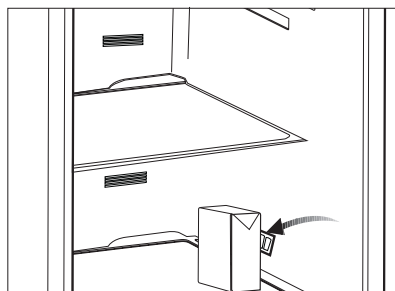
- For products with a freezer compartment; You can store maximum amount of food items in the freezer when you remove the shelf or drawer of the freezer. Energy consumption value stated for your refrigerator has been determined by removing freezer shelf or drawer and under maximum load. There is no harm to use a shelf or drawer according to the shapes and size of food to be frozen.
- Thawing frozen food in fridge compartment will both provide energy saving and preserve the food quality.

## **Recommendations for the fresh food compartment**

### **\*May not be available in all models**

Do not allow the food to touch the temperature sensor in fresh food compartment. To allow the fresh food compartment keep its ideal storage temperature, sensor must not be hindered by food.

Do not place hot foods in the product.



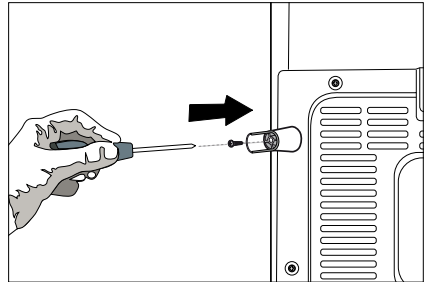
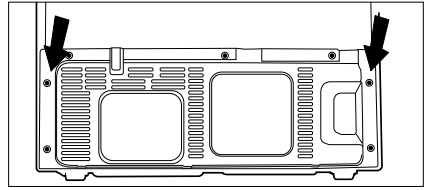
### 3 Installation

⚠ In case the information which are given in the user manual are not taken into account, manufacturer will not assume any liability for this.

#### Points to be paid attention to when the relocation of the refrigerator

1. Your refrigerator should be unplugged. Before transportation of your refrigerator, it should be emptied and cleaned.
2. Before it is re-packaged, shelves, accessories, crisper, etc. inside your refrigerator should be fixed with adhesive tape and secured against impacts. Package should be bound with a thick tape or sound ropes and the transportation rules on the package should be strictly observed.
3. Original packaging and foam materials should be kept for future transportations or moving.  
Before you start the refrigerator,  
**Check the following before you start to use your refrigerator:**

1. Attach 2 plastic wedges as illustrated below. Plastic wedges are intended to keep the distance which will ensure the air circulation between your refrigerator and the wall. (The picture is drawn up as a representation and it is not identical with your product.)
2. Clean the interior of the refrigerator as recommended in the "Maintenance and cleaning" section.
3. Connect the plug of the refrigerator to the wall socket. When the fridge door is opened, fridge internal lamp will turn on.



4. When the compressor starts to operate, a sound will be heard. The liquid and gases sealed within the refrigeration system may also give rise to noise, even if the compressor is not running and this is quite normal.
5. Front edges of the refrigerator may feel warm. This is normal. These areas are designed to be warm to avoid condensation.

#### Electrical connection


Connect your product to a grounded socket which is being protected by a fuse with the appropriate capacity.


##### Important:

The connection must be in compliance with national regulations.

- The power plug must be easily accessible after installation.
- Electrical safety of your refrigerator shall be guaranteed only if the earth system in your house complies with standards.
- The voltage stated on the label located at left inner side of your product should be equal to your network voltage.

- Extension cables and multi plugs must not be used for connection.

 A damaged power cable must be replaced by a qualified electrician.

 Product must not be operated before it is repaired! There is the risk of electric shock!

## Disposing of the packaging

The packing materials may be dangerous for children. Keep the packing materials out of the reach of children or dispose of them by classifying them in accordance with the waste instructions stated by your local authorities. Do not throw away with regular house waste, throw away on packaging pick up spots designated by the local authorities.

The packing of your refrigerator is produced from recyclable materials.


## Disposing of your old refrigerator

Dispose of your old refrigerator without giving any harm to the environment.

- You may consult your authorized dealer or waste collection center of your municipality about the disposal of your refrigerator.

Before disposing of your refrigerator, cut out the electric plug and, if there are any locks on the door, make them inoperable in order to protect children against any danger.

## Placing and Installation

 If the entrance door of the room where the refrigerator will be installed is not wide enough for the refrigerator to pass through, then call the authorized service to have them remove the doors of your refrigerator and pass it sideways through the door.

**1.** Install your refrigerator to a place that allows ease of use.

**2.** Keep your refrigerator away from heat sources, humid places and direct sunlight.

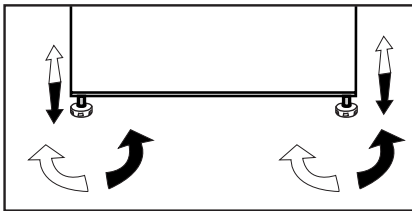
**3.** There must be appropriate air ventilation around your refrigerator in order to achieve an efficient operation. If the refrigerator is to be placed in a recess in the wall, there must be at least 5 cm distance with the ceiling and at least 5 cm with the wall. Do not place your product on the materials such as rug or carpet.

**4.** Place your refrigerator on an even floor surface to prevent jolts.

## Adjusting the legs

If your refrigerator is unbalanced;

You can balance your refrigerator by turning its front legs as illustrated in the figure. The corner where the leg exists is lowered when you turn in the direction of black arrow and raised when you turn in the opposite direction. Taking help from someone to slightly lift the refrigerator will facilitate this process.



## Changing the illumination lamp

To change the Bulb/LED used for illumination of your refrigerator, call your AuthorisedService.

The lamp(s) used in this appliance is not suitable for household room illumination. The intended purpose of this lamp is to assist the user to place foodstuffs in the refrigerator/freezer in a safe and comfortable way. The lamps used in this appliance have to withstand extreme physical conditions such as temperatures below  $-20^{\circ}\text{C}$ .

(only chest and upright freezer)

## Door Open Warning

### **\*May not be available in all models**

An audio warning signal will be given when the door of your product is left open for at least 1 minute. This warning will be muted when the door is closed or any of the display buttons (if any) are pressed.

## 4 Preparation

---

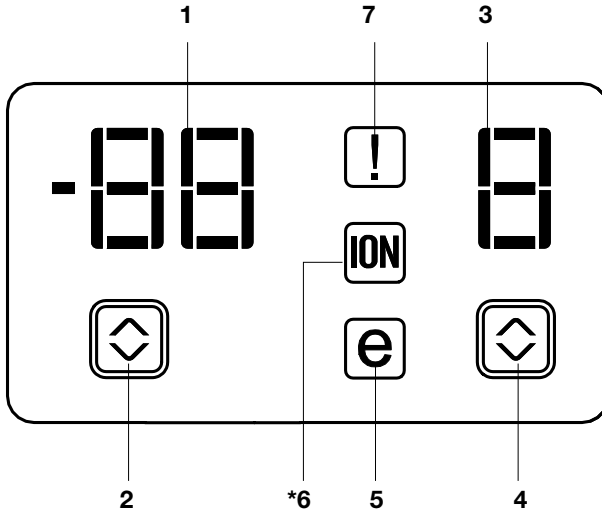
- Your cooler/freezer should be installed at least 30 cm away from heat sources such as hobs, ovens, central heater and stoves and at least 5 cm away from electrical ovens and should not be located under direct sunlight.
- Please make sure that the interior of your cooler/freezer is cleaned thoroughly.
- If two coolers are to be installed side by side, there should be at least 2 cm distance between them.
- When you operate your cooler/freezer for the first time, please observe the following instructions during the initial six hours.
- Its door should not be opened frequently.
- It must be operated empty without placing any food in it.
- Do not unplug your cooler/freezer. If a power failure occurs out of your control, please see the warnings in the “Recommended solutions for the problems” section.
- The baskets/drawers that are provided with the chill compartment must always be in use for low energy consumption and for better storage conditions.
- Food contact with the temperature sensor in the freezer compartment may increase energy consumption of the appliance. Thus any contact with the sensor(s) must be avoided.
- This product has been designed to function at ambient temperatures up to 43 °C (90 SDgrF). Even if the ambient temperature falls to -15 °C, frozen food in the freezer does not thaw thanks to its Advanced Electronic Temperature Control System. For the first installation, the product should NOT be placed under low ambient temperatures. This is because the freezer cannot go down to standard operation temperature. When reaching continuous operation, the product can be moved to another place. Thus, later you can place your product in the garage or an unheated room without the concern of causing frozen food to get rotten. However, it is likely that above mentioned low temperatures may cause the freezing of the food in the fridge compartment; thus, please consume the food items in the fridge in a controlled way as needed. When ambient temperature goes back to normal, you may change button setting according to your need.
- If the ambient temperature is below 0°C, the food in fridge compartment will freeze. Therefore, we recommend not using the fridge compartment in such low ambient temperatures. You may continue to use the freezer compartment as usual.
- In some models, the instrument panel automatically turns off 5 minutes after the door has closed. It will be reactivated when the door has opened or pressed on any key.
- Due to temperature change as a result of opening/closing the product door during operation, condensation on the door/body shelves and the glass containers is normal.

## 5 Using your refrigerator

### Indicator Panel

Indicator panels may vary depending on your product's model.

The Indicator panel aids in using your refrigerator with its audio and visual functions.  
**(in some models)**



1. Freezer Compartment Temperature Setting Indicator
2. Freezer Compartment Temperature Setting Button
3. Fridge Compartment Temperature Setting Indicator
4. Fridge Compartment Temperature Setting Button
5. Economy Mode Indicator
6. Ionizer Indicator
7. Error Status Indicator

**\*optional**

**i** Figures in this user manual are schematic and may not correspond exactly to your product. If the subject parts are not included in the product you have purchased, then it is valid for other models.

### **1. Freezer Compartment Temperature Setting Indicator**

Indicates the temperature set for freezer compartment.

### **2. Freezer Compartment Temperature Setting Button**

Press this button to set the temperature of the freezer compartment to -18, -20, -22, -24, -18... respectively. Press this button to set the desired temperature for the freezer compartment.

### **3. Fridge Compartment Temperature Setting Indicator**

Indicates the temperature set for Fridge compartment.

### **4. Fridge Compartment Temperature Setting Button**

Press this button to set the temperature of the fridge compartment to 8, 6, 4, 2, 8... respectively. Press this button to set the desired temperature for the fridge compartment.

### **5. Economy Mode Indicator**

Indicates that the refrigerator is running in energy-efficient mode.

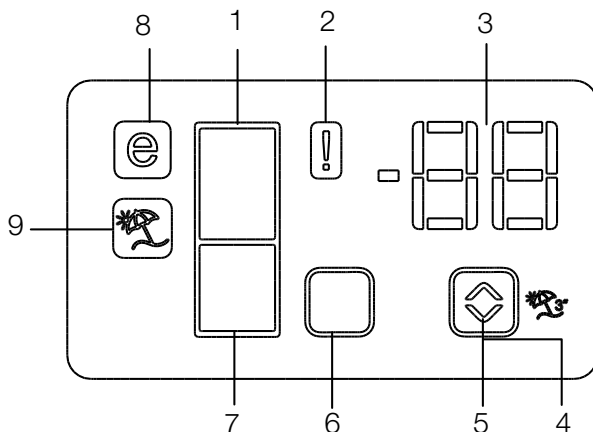
### **6- Ionizer Indicator**

Indicator light lights up continuously. This light indicates that your refrigerator is protected against the bacteria.

### **7. Error Status Indicator**

If your refrigerator does not cool adequately or if there is a sensor failure, this indicator will be activated. When this indicator is active, Freezer Compartment Temperature indicator will display "e" and Fridge Compartment Temperature Indicator will display numbers such as "1,2,3...". These numbers on the indicator provide information about the error to the service personnel.

Indicator panels may vary depending on the model of your product.  
Audial and visual functions of the indicator panel will assist in using the product.



1. Cooler compartment indicator
2. Error status indicator
3. Temperature indicator
4. Vacation function button
5. Temperature adjustment button
6. Compartment selection button
7. Cooler compartment indicator
8. Economy mode indicator
9. Vacation function indicator

**\*optional**

**i** Figures in this user manual are schematic and may not correspond exactly to your product. If the subject parts are not included in the product you have purchased, then it is valid for other models.



### 1. Cooler compartment indicator

The freezer compartment light will turn on when adjusting the cooler compartment temperature.

### 2. Error status indicator

This sensor will activate if the refrigerator is not cooling adequately or in case of sensor fault. When this indicator is active, the freezer compartment temperature indicator will display "E" and the cooler compartment temperature indicator will display "1, 2, 3..." etc. numbers.

The numbers on the indicator serve to inform the service personnel about the fault.



### 3. Temperature indicator

Indicates the temperature of the freezer and cooler compartments.

### 4. Vacation function button

To activate this function, press and hold the Vacation button for 3 seconds. When the Vacation function is active, the cooler compartment temperature indicator displays the inscription "- -" and no cooling process will be active in the cooling compartment.

This function is not suitable to keep food in the cooler compartment. Other compartments will remain cooled with the respective temperature set for each compartment.

Push the vacation function button again to cancel this function.

### 5. Temperature adjustment button

Respective compartment's temperature varies in -24°C..... -18°C and 8°C...1°C ranges.

### 6. Compartment selection button

Use the refrigerator compartment selection button to toggle between the cooler and freezer compartments.

### 7. Cooler compartment indicator

The cooler compartment light will turn on when adjusting the cooler compartment temperature.

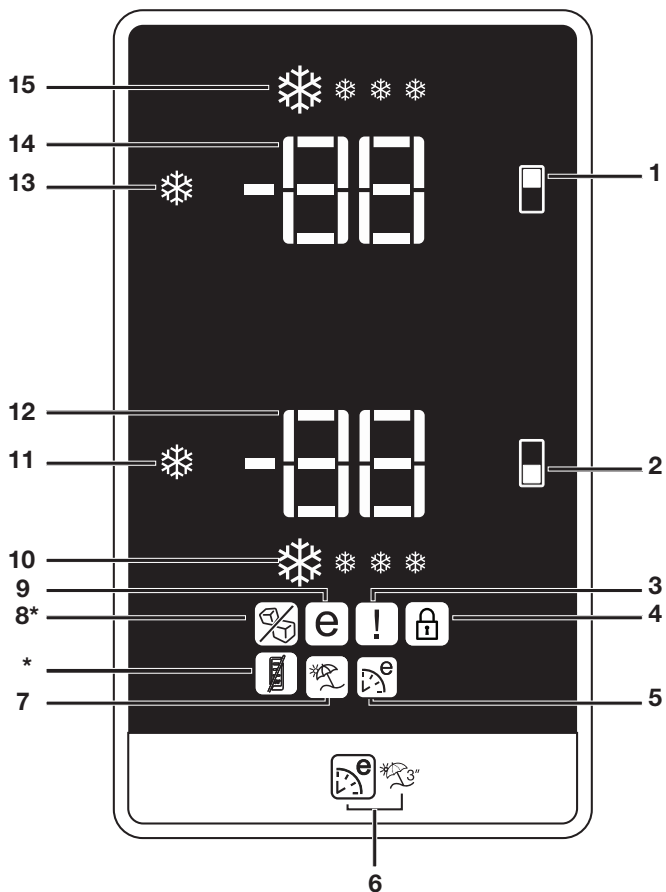
### 8. Economy mode indicator

Indicates the refrigerator is running on energy-saving mode. This indicator will be active when the temperature in the freezer compartment is set to -18°C.

### 9. Vacation function indicator

Indicates the vacation function is active.





- |   |  |
|---|--|
| <p>1. Freezer Compartment Temperature Setting Button</p> <p>2. Fridge Compartment Temperature Setting Button</p> <p>3. Error Status Indicator</p> <p>4. Key Lock indicator</p> <p>5. Eco Extra Function Indicator</p> <p>6. Eco Extra / Vacation Button</p> <p>7. Vacation Function Indicator</p> <p>8. Energy saving function (display off)</p> <p>9. Icematic Off Indicator (*in some models)</p> | <p>10. Economic Usage Indicator</p> <p>11. Quick Fridge Function Indicator</p> <p>12. Quick Fridge Function Button</p> <p>13. Fridge Compartment Temperature Setting Indicator</p> <p>14. Quick Freeze Function Button Icematic On-Off Button (3")</p> <p>15. Freezer Compartment Temperature Setting Indicator</p> <p>16. Quick Freeze Function Indicator</p> <p><b>*optional</b></p> |
|---|--|

**i** Figures in this user manual are schematic and may not correspond exactly to your product. If the subject parts are not included in the product you have purchased, then it is valid for other models.

## **1. Freezer Compartment Temperature Setting Button**

This function allows you to set the temperature of freezer compartment. Press this button to set the temperature of the freezer compartment to -18, -19, -20, -21, -22, -23 and -24, respectively.

## **2. Fridge Compartment Temperature Setting Button**

function allows you to set the fridge compartment's temperature. Press this button to set the temperature of the fridge compartment to 8, 7, 6, 5, 4, 3, 2 degrees, respectively.

## **3. Error Status Indicator**

If your refrigerator does not cool adequately or if there is a sensor failure, this indicator will be activated. When this indicator is active, Freezer Compartment Temperature indicator will display "E" and Fridge Compartment Temperature Indicator will display numbers such as "1,2,3...". These numbers on the indicator provide information about the error to the service personnel.

When you place hot food into the freezer compartment or if you leave the door open for a long time, exclamation mark can illuminate for some time. This is not a failure; this warning will disappear when the food cools down.

## **4. Key Lock Indicator**

Use this function if you do not want your refrigerator temperature setting changed. Press Fridge compartment temperature setting button and Freezer compartment temperature setting button simultaneously for a long time (3 sec) to activate this function.

## **5. Eco Extra Function Indicator**

It indicates that the Eco-Extra function is active.

If this function is active, your refrigerator will automatically detect the least usage periods and energy-efficient cooling will be performed during those times. Economy indicator will be active while energy-efficient cooling is performed.

Press the relevant button again to deactivate this function.

## **6. Eco Extra/Vacation Button**

Press this button briefly to activate the Eco Extra function. Press and hold this button for 3 sec. to activate the Vacation function. Press this button again to deactivate the selected function.

## **7. Vacation Function Indicator**

Indicates that the vacation function is active. If this function is active, "- -" appears on the indicator of the fridge compartment and no cooling is performed in the fridge compartment. Other compartments will continue to be cooled in accordance with the temperature set for them.

Press the relevant button again to deactivate this function.

## **8. Energy saving function (display off)**

If the product doors are kept closed for a long time energy saving function is automatically activated and energy saving symbol is illuminated. When energy saving function is activated, all symbols on the display other than energy saving symbol will turn off. When the Energy Saving function is activated, if any button is pressed or the door is opened, energy saving function will be canceled and the symbols on display will return to normal.

Energy saving function is activated during delivery from factory and cannot be canceled.

## **9. Icematic Off Indicator**

Icematic will not run when the indicator of this function is active.

To activate the ice off function, you need to press and hold the quick freeze button for 3 seconds.

## **10. Economic Usage Indicator**

Indicates that the refrigerator is running in energy-efficient mode. This indicator will be active if the Freezer Compartment temperature is set to -18 or the energy efficient cooling is being performed due to Eco-Extra function.

### **11. Quick Fridge Function Indicator**

This symbol flashes in an animated style when the Quick Fridge function is active.

### **12. Quick Fridge Function Button**

When you press the Quick Fridge button, the temperature of the compartment will be colder than the adjusted values.

This function can be used for food placed in the fridge compartment and required to be cooled down rapidly.

If you want to cool large amounts of fresh food, it is recommended to activate this feature before putting the food into the fridge.

Quick Fridge indicator turns on when the Quick Fridge function is on. To cancel this function, press Quick Fridge button again.

If you do not cancel it, Quick Fridge will cancel itself automatically after 4 hours or when the fridge compartment reaches to the required temperature.

This function is not recalled when power restores after a power failure.

### **13. Fridge Compartment Temperature Setting Indicator**

Indicates the temperature set for the Fridge Compartment.

### **14. Quick Freeze Function Button Icematic On-Off Button (3")**

Indicates the temperature set for the Freezer Compartment.

To stop ice formation, press Icematic on-off button for 3 seconds. Water flow from water tank will stop when this function is selected. However, ice made previously can be taken from the Icematic. To restart ice formation, press Icematic on-off button for 3 seconds.

### **15. Freezer Compartment Temperature Setting Indicator**

Fast Freeze indicator turns on when the Fast Freeze function is active. To cancel this function, press Fast Freeze button again. Quick Freeze indicator will turn off and return to its normal settings. If you do not cancel it, Fast Freeze will cancel itself automatically after 8 hours or when the freezer compartment reaches to the required temperature.

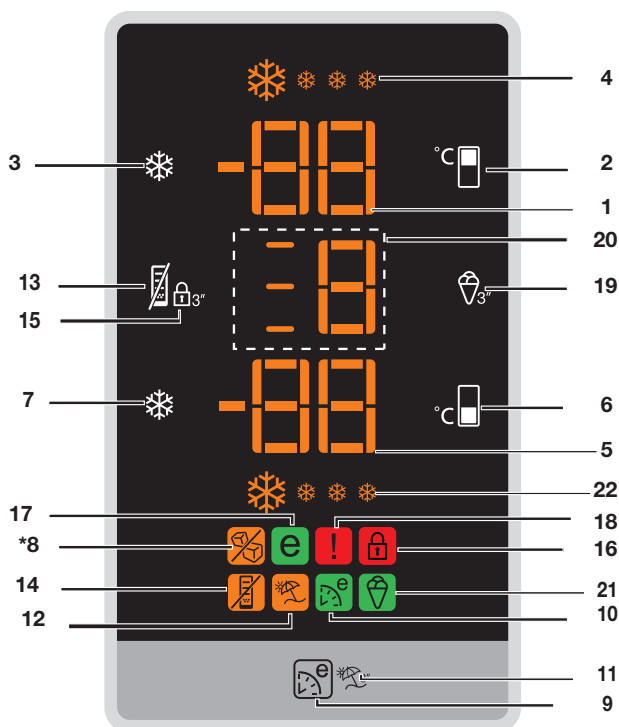
If you want to freeze large amounts of fresh food, press the Fast Freeze button before putting the food into the freezer compartment.

If you press the Fast Freeze button repeatedly with short intervals, the electronic circuit protection will be activated and the compressor will not start up immediately.

This function is not recalled when power restores after a power failure.

### **16. Quick Freeze Function Indicator**

This symbol flashes in an animated style when the Fast Freeze function is active.



- |   |  |
|---|--|
| <ul style="list-style-type: none"> <li>1. Freezer Compartment Temperature Setting Indicator</li> <li>2. Freezer Compartment Temperature Setting Function</li> <li>3. Quick Freeze Function Button Icematic On-Off Button (3")</li> <li>4. Quick Freeze Function Indicator</li> <li>5. Fridge Compartment Temperature Setting Indicator</li> <li>6. Fridge Compartment Temperature Setting Function</li> <li>7. Quick Fridge Function Button</li> <li>8. Icematic Off Indicator (*in some models)</li> <li>9. Eco-Fuzzy (Special Economic Usage) Function</li> <li>10. Eco-Fuzzy (Special Economic Usage) Indicator</li> </ul> | <ul style="list-style-type: none"> <li>11. Vacation Function</li> <li>12. Vacation Function Indicator</li> <li>13. Energy Efficiency Function</li> <li>14. Energy Efficiency Indicator</li> <li>15. Key Lock Function</li> <li>16. Key Lock indicator</li> <li>17. Economic Usage Indicator</li> <li>18. High Temperature/Error Warning Indicator</li> <li>19. Ice Cream Mode Selection Function</li> <li>20. Ice Cream Mode Selection Indicator</li> <li>21. Ice Cream Indicator</li> <li>22. Quick Fridge Indicator</li> </ul> <p><b>*optional</b></p> |
|---|--|

**i** Figures in this user manual are schematic and may not correspond exactly to your product. If the subject parts are not included in the product you have purchased, then it is valid for other models.

### **1. Freezer Compartment Temperature Indicator**

Indicates the temperature set for Freezer Compartment.

### **2. Freezer Compartment Temperature Setting Function**

This function allows you to set the temperature of freezer compartment. Press this button to set the temperature of the freezer compartment to -18, -19, -20, -21, -22, -23 and -24, respectively.

### **3. Quick Freeze Function Button Icematic On-Off Button (3")**

Quick Freeze indicator is illuminated when the Quick Freeze function is active. To cancel this function, press Quick Freeze button again. Quick Freeze indicator will turn off and return to its normal settings. If you do not cancel it, Quick Freeze will cancel itself automatically after 4 hours or when the freezer compartment reaches the required temperature. If you want to freeze large amounts of fresh food, press the Quick Freeze button before putting the food into the freezer compartment. If you press the Quick Freeze button repeatedly with short intervals, the electronic circuit protection will be activated and the compressor will not start up immediately. This function is not recalled when power restores after a power failure!

### **4. Quick Freeze Function Indicator**

This symbol flashes in an animated style when the Quick Freeze function is active.

### **5. Fridge Compartment Temperature Setting Indicator**

Indicates the temperature set for the Fridge Compartment.

### **6. Fridge Compartment Temperature Setting Function**

function allows you to set the fridge compartment's temperature. Press this button to set the temperature of the fridge

compartment to 8, 7, 6, 5, 4, 3, 2 degrees, respectively.

### **7. Quick Fridge Function Button**

When you press the Quick Fridge button, the temperature of the compartment will be colder than the adjusted values. This function can be used for food required to be cooled down rapidly in the fridge compartment. If you want to cool large amounts of fresh food, it is recommended to activate this function before putting the food into the fridge. Quick Fridge indicator is illuminated when the Quick Fridge function is active. To cancel this function, press Quick Fridge button again. Quick Fridge indicator will turn off and return to its normal settings. If you do not cancel it, Quick Fridge function will cancel itself automatically after 2 hours or when the fridge compartment reaches the required temperature.

This function is not recalled when power restores after a power failure.

### **8. Icematic Off Indicator**

Icematic will not run when the indicator of this function is active.

To activate the ice off function, you need to press and hold the quick freeze button for 3 seconds.

### **9. Eco-Fuzzy (Special Economic Usage) Function**

When you press Eco-Fuzzy button, Eco Fuzzy Function will be activated and Eco-Fuzzy Indicator will illuminate. Refrigerator will start operating in the most economic mode at least 6 hours later and the economic usage indicator will turn on when the function is active. To deactivate the Eco Fuzzy function, You need to press on the Eco-Fuzzy button again.

### **10. Eco-Fuzzy (Special Economic Usage) Indicator**

This symbol illuminates when the Eco-Fuzzy Function is active.

### **11. Vacation Function**

Press and hold Eco Fuzzy button for 3 seconds to activate Vacation Function and illuminate Vacation Indicator. The cooling of Fridge Compartment is stopped and temperature of Fridge Compartment is fixed to 15 degrees to prevent bad odors. When this function is active, Fridge Compartment Temperature Indicator will not display the temperature. To deactivate Vacation Function, press and hold Eco-Fuzzy button for 3 seconds.

### **12. Vacation Function Indicator**

This indicator illuminates when Vacation Function is active.

### **13. Energy Saving Function**

When you press Energy Efficiency button, Energy Efficiency Function will be activated and Energy Efficiency Indicator will illuminate. When Energy Efficiency Function is active, all indicators, except for Energy Efficiency Indicator, will turn off. This function will be deactivated when any button is pressed or door is opened; display indicators will return normal settings and Energy Efficiency Indicator will stay illuminated. If you do not press any button or open the door within 5 minutes when Energy Efficiency Indicator is still illuminated, Energy Efficiency Function will be activated again and display indicators will turn off. If you press Energy Efficiency button when the function is not active but the indicator is still illuminated, this will deactivate Energy Efficiency function and turn off Energy Efficiency Indicator.

### **14. Energy Saving Indicator**

This indicator illuminates when Energy Efficiency Function is selected.

### **15. Key Lock Function**

When you press and hold Key Lock button for 3 seconds, Key Lock Function will be activated and Key Lock Indicator will illuminate. No button will operate when this function is active. Press and hold Key Lock button for 3 seconds again to deactivate this function.

### **16. Key Lock Indicator**

This indicator will illuminate when Key Lock Function is active.

### **17. Economic Usage Indicator**

Economic Usage Indicator turns on when the Freezer Compartment is set to  $-18^{\circ}\text{C}$ . When Quick Freeze or Quick Fridge is selected, Economic Usage Indicator will not illuminate.

### **18. High Temperature/Error Warning Indicator**

This light illuminates during high temperature failures and error warnings.

### **19. Ice Cream Mode Selection Function**

When the Ice Cream button is pressed for 3 seconds; it will flash.

If this button is not pressed again in 30 seconds, display will return to its previous view, Ice Cream mode selection indicators will turn off.

With every short press of the Ice Cream button, the number will increase by one.

When the Ice Cream button is pressed again for 3 seconds, Ice Cream symbol on the display will turn on again. Thus, Ice Cream mode is selected and the number will turn on solid while the symbols on the left side will illuminate with animations.

When the Ice Cream process is completed, the symbols start to flash and an audio warning is given. All Ice Cream symbols will turn off after this 5-minute warning.

Just press the Ice Cream button briefly to terminate the audio warning; Ice Cream buttons will turn off too.

If the Ice Cream button is pressed briefly when the Ice Cream process is in progress, no change will take place on the display.



When the Ice Cream Function is active, if a power cut occurs and then power is resumed again, Ice Cream process will be maintained from where it is interrupted.

If the Ice Cream function is tried to be activated when the freezer compartment is at a temperature higher than  $-10^{\circ}\text{C}$ , 'E' and the warning symbol on the display will flash for 30 seconds. If the user presses the Ice Cream function selection button briefly (for 3 seconds), display will return to its normal Ice Cream view, Ice Cream symbol and warning symbol will turn off.

## **20. Ice Cream Mode Selection Function**

It shows the set Ice Cream mode.

## **21. Ice Cream Indicator**

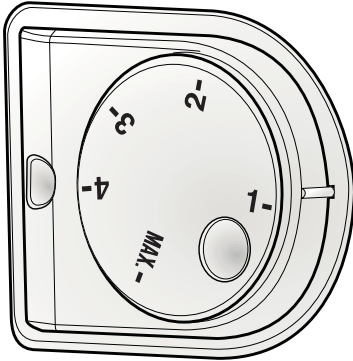
It turns on when the Ice Cream mode is activated.

## **22. Quick Fridge Indicator**

This symbol flashes in an animated style when the Quick Fridge function is active.



\*Optional



## Dual cooling system

Your refrigerator is equipped with two separate cooling systems to cool the fresh food compartment and freezer compartment. Thus, air in the fresh food compartment and freezer compartment do not get mixed. Thanks to these two separate cooling systems, cooling speed is much higher than other refrigerators. Odors in the compartments do not get mixed. Also additional power saving is provided since the automatic defrosting is performed individually.

### Temperature setting button

Temperature Setting button allows you to make the temperature setting of your refrigerator.

### Setting the temperature of your refrigerator

The overall temperature setting of your refrigerator is made by means of the temperature setting button on the right wall of the fridge compartment. This button has 5 different temperature setting position. Select the position suitable to your needs.

Level number 1 shows when the fridge is at its hottest and the max position shows its coldest setting.

- Hot food must cool down to the room temperature before putting them in the refrigerator.
- The foodstuff that you want to freeze must be fresh and in good quality.
- Foodstuff must be divided into portions according to the family's daily or meal based consumption needs.
- Foodstuff must be packaged in an airtight manner to prevent them from drying even if they are going to be kept for a short time.
- Materials to be used for packagings must be resistant to cold and humidity and they must be airtight. The packaging material of the food must be at a sufficient thickness and durability. Otherwise the food hardened due to freezing may puncture the packaging. It is important for the packaging to be closed securely for safe storage of the food.

**ⓘ** Figures in this user manual are schematic and may not correspond exactly to your product. If the subject parts are not included in the product you have purchased, then it is valid for other models.

- Frozen food must be used immediately after they are thawed and they should never be re-frozen.
  - Please observe the following instructions to obtain the best results.
1. If the fridge has a quick freeze function, activate the quick freeze function when you want to freeze the food.

2. Do not freeze too large quantities of food at one time. The quality of the food is best preserved when it is frozen right through to the core as quickly as possible.
3. Take special care not to mix already frozen food and fresh food.
4. Make sure raw foods are not in contact with cooked foods in the fridge.

Freezer Compartment Setting	Fridge Compartment Setting	Remarks
-18°C	4°C	This is the normal recommended setting.
-20, -22 or -24°C	4°C	These settings are recommended when the ambient temperature exceeds 30°C.
Quick Freeze	4°C	Use when you wish to freeze your food in a short time. It is recommended to be used to maintain the quality of meat and fish products.
-18°C or colder	2°C	If you think that your fridge compartment is not cold enough because of the hot conditions or frequent opening and closing of the door.
-18°C or colder	Quick Fridge	You can use it when your fridge compartment is overloaded or if you wish to cool down your food rapidly. It is recommended that you activate the quick freeze function 4-8 hours before placing the food.

## Recommendations for preservation of frozen food

- Pre-packed commercially frozen food should be stored in accordance with the frozen food manufacturer's instructions in a frozen food storage compartment.
- To ensure that the high quality supplied by the frozen food manufacturer and the food retailer is maintained, following points should be noted:
  1. Put packages in the freezer as quickly as possible after purchase.
  2. Ensure that contents of the package are labeled and dated.

3. Do not exceed "Use By", "Best Before" dates on the packaging.

## Defrosting

The freezer compartment defrosts automatically.

## Placing the food

Freezer compartment shelves	Various frozen food such as meat, fish, ice cream, vegetables and etc.
Egg section	Egg

Fridge compartment shelves	Food in pans, covered plates and closed containers
Door shelves of fridge compartment	Small and packaged food and drinks (such as milk, fruit juice and beer)
Crisper	Vegetables and fruits
Freshzone compartment	Delicatessen products (cheese, butter, salami and etc.)

## Deep-freeze information

Food must be frozen as rapidly as possible when they are put in the freezer in order to keep them in good quality.

It is possible to preserve the food for a long time only at  $-18^{\circ}\text{C}$  or lower temperatures.

You can keep the freshness of food for many months (at  $-18^{\circ}\text{C}$  or lower temperatures in the deep freeze).

### WARNING! ⚠

- Foodstuff must be divided into portions according to the family's daily or meal based consumption needs.
- Foodstuff must be packaged in an airtight manner to prevent them from drying even if they are going to be kept for a short time.

Materials necessary for packaging:

- Cold resistant adhesive tape
- Self-adhesive label
- Rubber rings
- Pen

Materials to be used for packaging the foodstuff must be tear-proof and resistant to cold, humidity, dour, oils and acids.

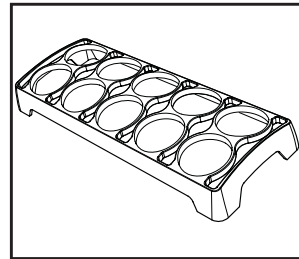
Foodstuff to be frozen should not be allowed to come in contact with the previously frozen items to prevent their partial thawing. Thawed out food must be consumed and must not be frozen again.

## Egg section

You can place the egg section in any of the door shelves. If it is going to be placed in the body, the lower shelves are recommended due them being cooler.

Never store eggs in the freezer compartment.

Avoid direct contact between eggs and other foods.



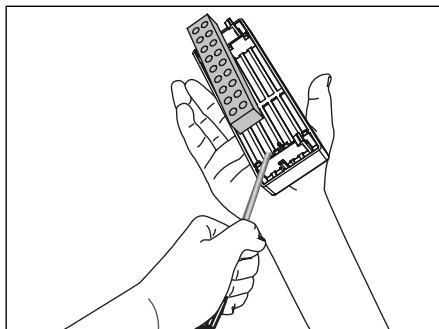
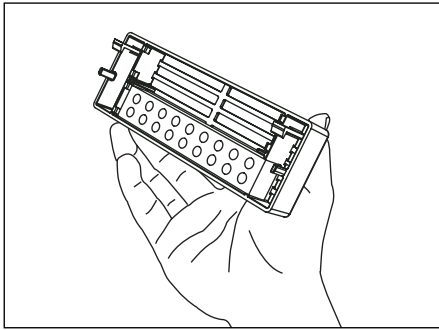
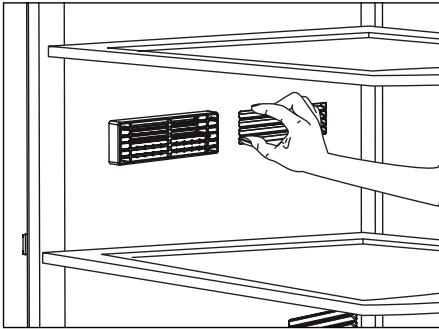
## Description and cleaning of odor filter

**\*May not be available in all models**

Odor filter prevents unpleasant odor build-up in your refrigerator.

Pull the cover into which the odor filter is installed downwards from the front section and remove as illustrated. Leave the filter under sunlight for one day. Filter will be cleaned during this time. Install the filter back to its place.

Odor filter must be cleaned once in a year.

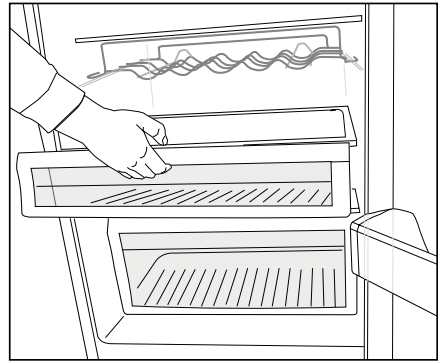


## Breakfast Compartment

Because products such as fish, red meat, chicken meat, and dairy products such as cheese, yoghurt and milk need to be kept in an ambient a few degrees cooler than the fridge compartment, it is recommended to store these goods in the breakfast compartment. It is not recommended to place fruit and vegetables in the breakfast compartment. Especially tomatoes, eggplants, zucchinis, cucumbers and lemons are sensitive to the cold. They should not be stored in the breakfast compartment.

You can increase the inner volume of your refrigerator by removing the breakfast compartment.

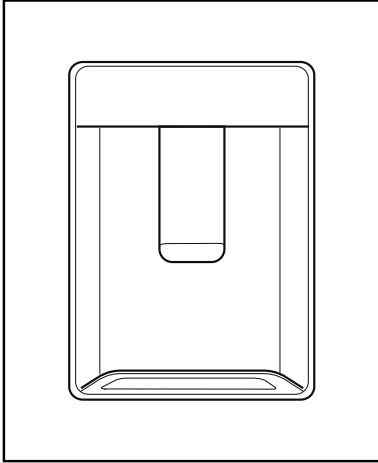
1. Pull the compartment towards yourself until it rests and stops against the stopper.
2. Lift the front section and pull towards yourself to remove the compartment from its seating.



# Water Dispenser

## \*optional

Water dispenser is a very useful feature based on reaching cold water without opening the door of your refrigerator. As you will not have to open your refrigerator door frequently, you will have saved energy.



### Using the water dispenser

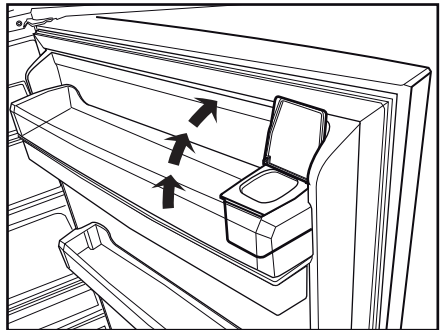
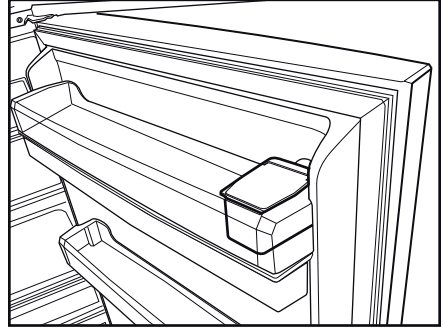
Push the arm of the water dispenser with your glass. The dispenser will cease operating once you release the arm.

When operating the water dispenser, maximum flow can be obtained by pressing the arm fully. Please remember that the amount of flow from the dispenser is subject to the degree you press the arm.

As the level of the water in your glass/ container rises, slightly lessen the pressure on the arm to prevent the overspill. If you slightly press the arm, the water will drip; this is quite normal and not a failure.

### Filling the water dispenser's tank

Water tank filling reservoir is located inside the door rack. You can open the reservoir cover and fill it with potable water. And then, close the lid.



### Warning!

- Do not fill the water tank with any liquid other than water, such as fruit juices, milk, carbonated beverages or alcoholic drinks which are not suitable to use in the water dispenser. Water dispenser will be irreparably damaged if these kinds of liquids are used. Warranty does not cover such usages. Some chemical substances and additives contained in these kinds of drinks/liquids may damage the water tank and its materials.

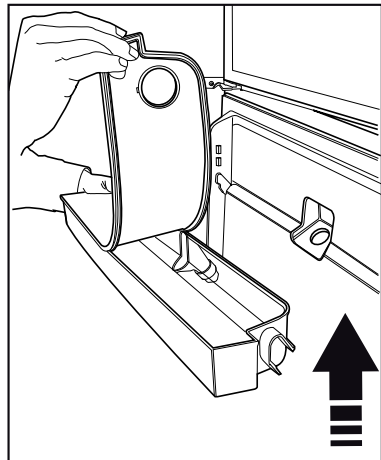
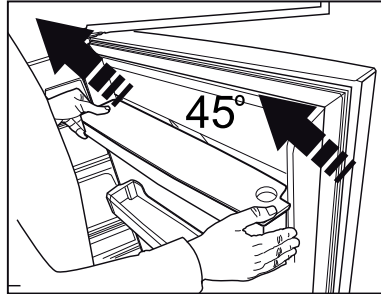
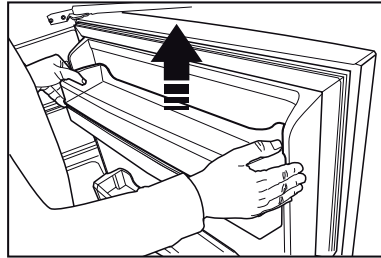
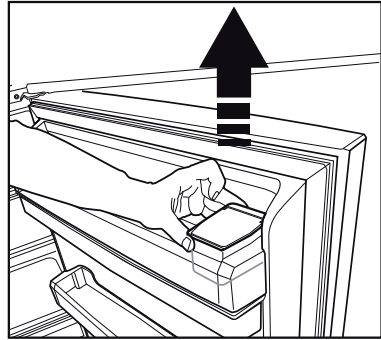
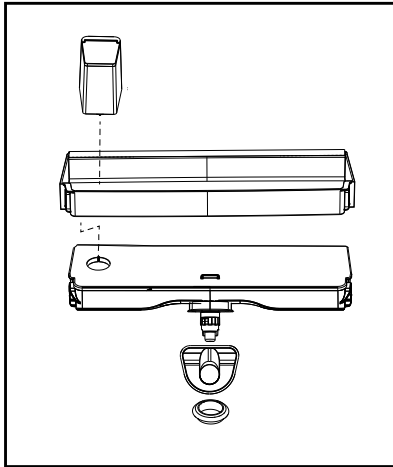
- Use clean drinking water only.
- Capacity of the water tank is 3 liters; do not overfill.
- Push the arm of the water dispenser with a rigid glass. If you are using disposable plastic glasses, push the arm with your fingers from behind the glass.

### Cleaning the water tank

- Remove the water filling reservoir inside the door rack.
- Remove the door rack by holding from both sides.
- Grab the water tank from both sides and remove it with an angle of 45°C.
- Clean the water tank by removing its lid.

### Important:

Components of the water tank and water dispenser should not be washed in dishwasher.

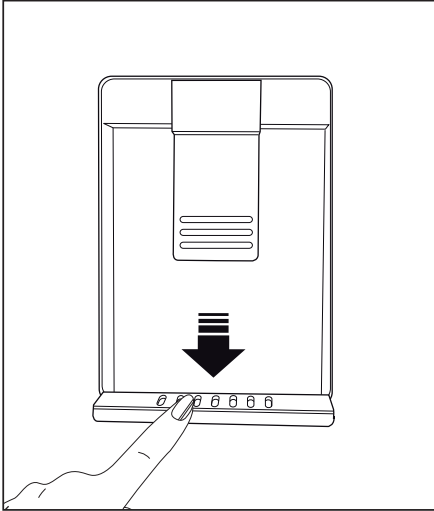


## Water tray

Water that dripped while using the water dispenser accumulates in the spillage tray.

Take out the plastic strainer as shown in the figure.

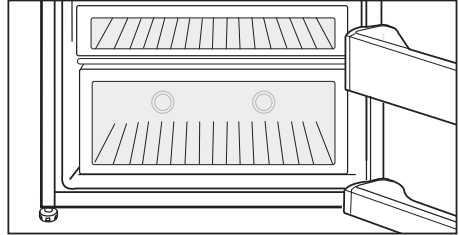
With a clean and dry cloth, remove the water that has accumulated.



## Blue light

**\*May not be available in all models**

Foodstuff stored in the crispers that are enlightened with a blue light continue their photosynthesis by means of the wavelength effect of blue light and thus, preserve their freshness and increase their vitamin content.

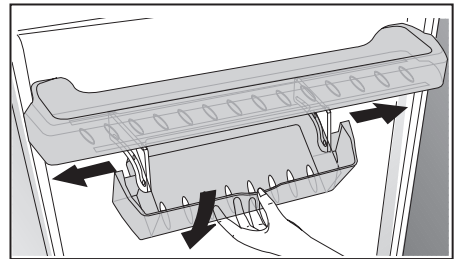


## Sliding storage container

**\*optional**

This accessory is designed to increase the usage volume of the door shelves. It allows you to easily place the tall bottles, jars and tins to the lower bottle shelf thanks to its ability to move right or left.

(The illustrated figure is only an example and does not match exactly with your product.)



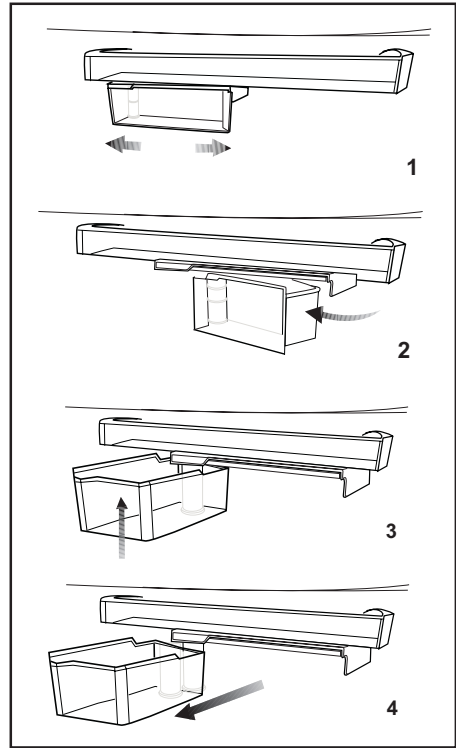
## Rotary storage container

### (in some models)

Sliding body shelf can be moved to left or right in order to allow you place the tall bottles, jars or boxes to the lower shelf (Fig. 1)

You can reach the food that you have placed into the shelf by grabbing and turning it from its right edge (Fig.2).

When you want to load or remove it to clean, turn it by 90 degrees, raise it up and pull towards yourself (Fig. 3-4).





## Auto Icematic

### \*optional

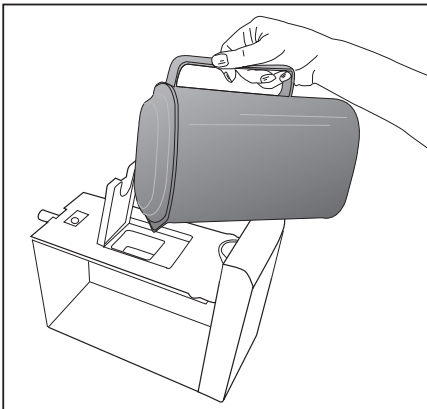
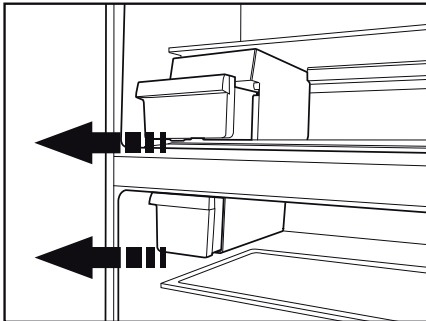
The Auto Icematic allows you to make ice in the fridge easily. Remove the water tank in the fridge compartment, fill it with water and install it back to obtain ice from the Icematic.

First ice cubes will be ready in approximately 2 hours in the Icematic drawer located in the freezer compartment.

If you fill the water tank completely, you will be able to obtain approximately 60-70 ice cubes.

Change the water in water tank if it has waited around 2-3 weeks.

**Note:** For the products having automatic Icematic, sound may be heard during ice pouring. This sound is normal and does not signal any error.



## Icematic and ice storage container

**\*May not be available in all models**

### Using the Icematic

Fill the Icematic with water and place it into its seat. Your ice will be ready approximately in two hours. Do not remove the Icematic from its seating to take ice.

Turn the knobs on the ice reservoirs clockwise by 90 degrees.

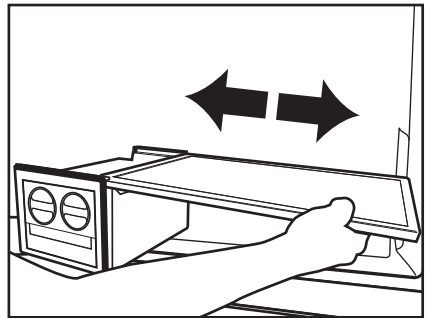
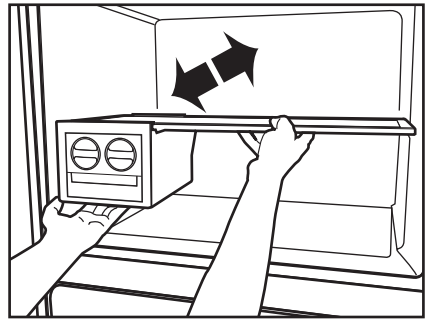
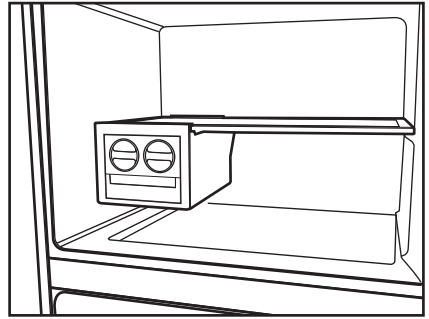
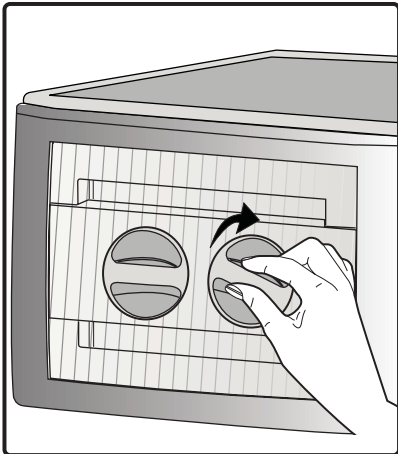
Ice cubes in the reservoirs will fall down into the ice storage container below.

You may take out the ice storage container and serve the ice cubes.

If you wish, you may keep the ice cubes in the ice storage container.

### Ice storage container

Ice storage container is only intended for accumulating the ice cubes. Do not put water in it. Otherwise, it will break.

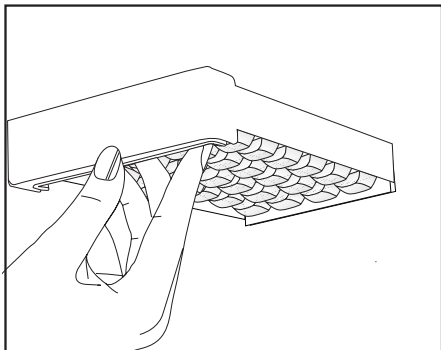


## Making ice

### \*optional

Fill the ice container with water and place it into the freezer compartment. Your ice will be ready approximately in two hours.

You can remove the ice in the ice container by removing it from the freezer and twisting it.



## Humidity-controlled crisper (Ever Fresh)

### \*optional

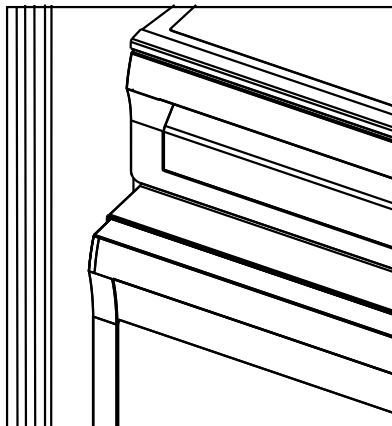
Humidity rates of the vegetables and fruit are kept under control with the feature of humidity-controlled crisper and the food is ensured to stay fresh for longer.

Never leave the vegetables inside the crisper in their bags. If the vegetables are left inside their bags, this will cause them to decompose in a short period of time. When a high level of humidity is set, your vegetables keep their humidity content and can be preserved for a reasonable period of time without needing to leave them inside their bags. In case contacting with other vegetables is not preferred for hygiene concerns, use a perforated paper, foam and other similar packaging materials instead of a bag.

While the vegetables are being placed, specific gravity of the vegetables should be taken into consideration. Heavy and hard vegetables should be put at the bottom of the crisper and the lightweight and soft vegetables should be placed over.

Do not place together the pear, apricot, peach, etc. and apple in particular which have a high level of generation of ethylene gas in the same crisper with the other vegetables and fruit. The ethylene gas which is emitted by these fruit may cause the other fruit to ripen faster and decompose in a shorter time.

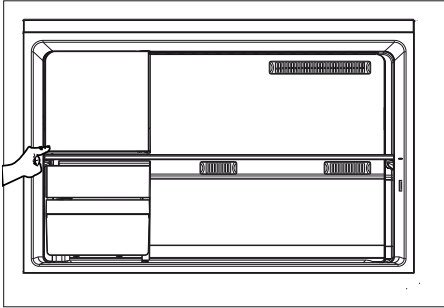
Do not take the crisper main body out of the refrigerator apart from the drawers unless you have to, and call for technical service if necessary. Before removing the crisper main body from its place, wipe and clean it with a wet piece of cloth.



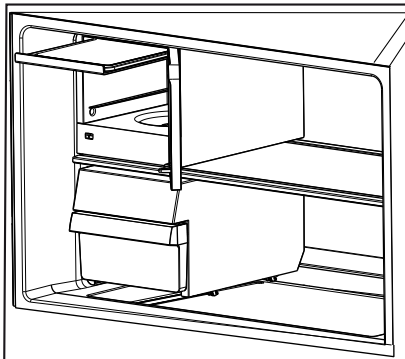
## Ice-cream machine

### \*optional

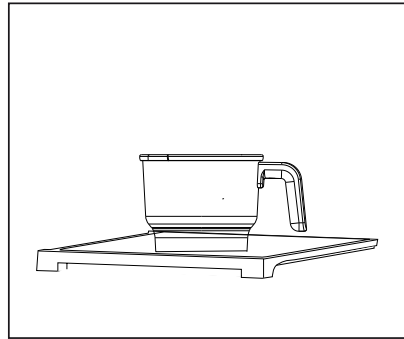
- Open the freezer compartment of the refrigerator,
- Push and release open the cover of the ice-cream making compartment in the freezer compartment,



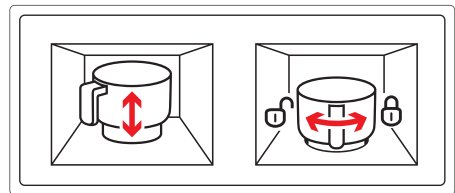
- Place the fresh freeze tray inside the base cover and slide it into the highest shelf inside the compartment,

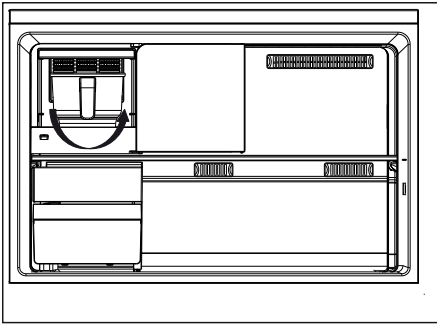


- Take the ice-cream mix which is cooled to room temperature to the ice-cream making container,



- The ice-cream mix which will be placed in the ice cream boxes must not exceed the amount stated in the ice cream recipes. If more ice cream mix is placed in the boxes than indicated in the recipe, it will overflow.
- Place the container into the housing at the bottom of the compartment towards the left side.
- Turn the container to the right side and lock it into its place.





- Close the cover of the ice-making compartment, push and release to lock it.
- Close the door of the freezer compartment.
- i** You can determine the ice cream mode from the ice cream recipe book.
- i** Set the ice cream mode depending on the ice cream type from the display on the door.
- i** Do not wash the ice cream making container in the dishwasher.
- i** During the ice cream making process, the fridge, depending on the current working conditions, will work with a slight noise for a while.

## 6 Maintenance and cleaning

---

- ⚠ Never use gasoline, benzene or similar substances for cleaning purposes.
- ⚠ We recommend that you unplug the appliance before cleaning.
- ⚠ Never use any sharp abrasive instrument, soap, household cleaner, detergent and wax polish for cleaning.
- ℹ Use lukewarm water to clean the cabinet of your refrigerator and wipe it dry.
- ℹ Use a damp cloth wrung out in a solution of one teaspoon of bicarbonate of soda into one pint of water to clean the interior and wipe it dry.
- ⚠ Make sure that no water enters the lamp housing and other electrical items.
- ⚠ If your refrigerator is not going to be used for a long period of time, unplug the power cable, remove all food, clean it and leave the door ajar.
- ℹ Check door seals regularly to ensure they are clean and free from food particles.
- ⚠ To remove door racks, remove all the contents and then simply push the door rack upwards from the base.
- ⚠ Never use cleaning agents or water that contain chlorine to clean the outer surfaces and chromium coated parts of the product. Chlorine causes corrosion on such metal surfaces.

- ⚠ Do not use sharp, abrasive tools, soap, household cleaning agents, detergents, kerosene, fuel oil, varnish etc. to prevent removal and deformation of the prints on the plastic part. Use lukewarm water and a soft cloth for cleaning and then wipe it dry.

### Protection of plastic surfaces

- ℹ Do not put the liquid oils or oil-cooked meals in your refrigerator in unsealed containers as they damage the plastic surfaces of your refrigerator. In case of spilling or smearing oil on the plastic surfaces, clean and rinse the relevant part of the surface at once with warm water.

Check this list before contacting the service. Doing so will save you time and money. This list includes frequent complaints that are not related to faulty workmanship or materials. Certain features mentioned herein may not apply to your product.

### The refrigerator is not working.

- The power plug is not fully settled. >>> Plug it in to settle completely into the socket.
- The fuse connected to the socket powering the product or the main fuse is blown. >>> Check the fuses.
- The product is not plugged in. >>> Make sure the power cord is plugged in.
- The temperature setting is incorrect. >>> Select the appropriate temperature setting.

### Condensation on the side wall of the cooler compartment (MULTI ZONE, COOL, CONTROL and FLEXI ZONE).

- The door is opened too frequently >>> Take care not to open the product's door too frequently.
- The environment is too humid. >>> Do not install the product in humid environments.
- Foods containing liquids are kept in unsealed holders. >>> Keep the foods containing liquids in sealed holders.
- The product's door is left open. >>> Do not keep the product's door open for long periods.
- The thermostat is set to too low temperature. >>> Set the thermostat to appropriate temperature.

### Compressor is not working.

- In case of sudden power failure or pulling the power plug off and putting back on, the gas pressure in the product's cooling system is not balanced, which triggers the compressor thermic safeguard. The product will restart after approximately 6 minutes. If the product does not restart after this period, contact the service.
- Defrosting is active. >>> This is normal for a fully-automatic defrosting product. The defrosting is carried out periodically.

- The power is out. >>> The product will continue to operate normally once the power is restored.

### The refrigerator's operating noise is increasing while in use.

- The product's operating performance may vary depending on the ambient temperature variations. This is normal and not a malfunction.

### The refrigerator runs too often or for too long.

- The new product may be larger than the previous one. Larger products will run for longer periods.
- The room temperature may be high. >>> The product will normally run for long periods in higher room temperature.
- The product may have been recently plugged in or a new food item is placed inside. >>> The product will take longer to reach the set temperature when recently plugged in or a new food item is placed inside. This is normal.
- Large quantities of hot food may have been recently placed into the product. >>> Do not place hot food into the product.
- The doors were opened frequently or kept open for long periods. >>> The warm air moving inside will cause the product to run longer. Do not open the doors too frequently.

- The freezer or cooler door may be ajar. >>> Check that the doors are fully closed.
- The product may be set to temperature too low. >>> Set the temperature to a higher degree and wait for the product to reach the adjusted temperature.
- The cooler or freezer door washer may be dirty, worn out, broken or not properly settled. >>> Clean or replace the washer. Damaged / torn door washer will cause the product to run for longer periods to preserve the current temperature.

**The freezer temperature is very low, but the cooler temperature is adequate.**

- The freezer compartment temperature is set to a very low degree. >>> Set the freezer compartment temperature to a higher degree and check again.

**The cooler temperature is very low, but the freezer temperature is adequate.**

- The cooler compartment temperature is set to a very low degree. >>> Set the freezer compartment temperature to a higher degree and check again.

**The food items kept in cooler compartment drawers are frozen.**

- The cooler compartment temperature is set to a very low degree. >>> Set the freezer compartment temperature to a higher degree and check again.

**The temperature in the cooler or the freezer is too high.**

- The cooler compartment temperature is set to a very high degree. >>> Temperature setting of the cooler compartment has an effect on the temperature in the freezer compartment. Wait until the temperature of relevant parts reach the sufficient level by changing the temperature of cooler or freezer compartments.

- The doors were opened frequently or kept open for long periods. >>> Do not open the doors too frequently.
- The door may be ajar. >>> Fully close the door.
- The product may have been recently plugged in or a new food item is placed inside. >>> This is normal. The product will take longer to reach the set temperature when recently plugged in or a new food item is placed inside.
- Large quantities of hot food may have been recently placed into the product. >>> Do not place hot food into the product.

**Shaking or noise.**

- The ground is not level or durable. >>> If the product is shaking when moved slowly, adjust the stands to balance the product. Also make sure the ground is sufficiently durable to bear the product.
- Any items placed on the product may cause noise. >>> Remove any items placed on the product.

**The product is making noise of liquid flowing, spraying etc.**

- The product's operating principles involve liquid and gas flows. >>> This is normal and not a malfunction.

**There is sound of wind blowing coming from the product.**

- The product uses a fan for the cooling process. This is normal and not a malfunction.

**There is condensation on the product's internal walls.**

- Hot or humid weather will increase icing and condensation. This is normal and not a malfunction.
- The doors were opened frequently or kept open for long periods. >>> Do not open the doors too frequently; if open, close the door.



- The door may be ajar. >>> Fully close the door.

**There is condensation on the product's exterior or between the doors.**

- The ambient weather may be humid, this is quite normal in humid weather. >>> The condensation will dissipate when the humidity is reduced.

**The interior smells bad.**

- The product is not cleaned regularly. >>> Clean the interior regularly using sponge, warm water and carbonated water.
- Certain holders and packaging materials may cause odour. >>> Use holders and packaging materials without free of odour.
- The foods were placed in unsealed holders. >>> Keep the foods in sealed holders. Micro-organisms may spread out of unsealed food items and cause malodour. Remove any expired or spoilt foods from the product.

**The door is not closing.**

- Food packages may be blocking the door. >>> Relocate any items blocking the doors.
- The product is not standing in full upright position on the ground. >>> Adjust the stands to balance the product.
- The ground is not level or durable. >>> Make sure the ground is level and sufficiently durable to bear the product.

**The vegetable bin is jammed.**

- The food items may be in contact with the upper section of the drawer. >>> Reorganize the food items in the drawer.

**If The Surface Of The Product Is Hot.**

- High temperatures may be observed between the two doors, on the side panels and at the rear grill while the product is operating. This is normal and does not require service maintenance! Be careful when touching these areas.



**WARNING:**

If the problem persists after following the instructions in this section, contact your vendor or an Authorised Service. Do not try to repair the product.

<ul style="list-style-type: none"> <li>• يجب تنظيف الجزء الداخلي من النلاجة. نظف داخل النلاجة بقطعة أسفنجية وماء دافئ أو ماء مكربن.</li> <li>• قد تتسبب بعض الأوعية أو مواد التعبئة في هذه الرائحة. استخدم وعاء مختلف أو مواد تعبئة مختلفة.</li> </ul>	<ul style="list-style-type: none"> <li>• تم ضبط النلاجة على درجة حرارة عالية جدًا. يؤثر ضبط النلاجة على درجة حرارة الفريزر. غير درجة حرارة النلاجة أو الفريزر حتى تصل إلى مستوى مناسب.</li> <li>• قد يكون الباب مفتوح جزئيًا. أغلق الباب تمامًا.</li> <li>• قد تكون هناك كميات كبيرة من الطعام الساخن تم وضعها في النلاجة مؤخرًا. انتظر حتى تصل النلاجة أو الفريزر إلى درجة الحرارة المطلوبة.</li> <li>• تم توصيل النلاجة بالكهرباء مؤخرًا. فتبريد النلاجة تمامًا يستغرق وقتًا بسبب الحجم.</li> </ul>
<b>الباب (الأبواب) لا يغلق.</b>	
<ul style="list-style-type: none"> <li>• عبوات الطعام قد تمنع إغلاق الباب. غير وضع عبوات الطعام التي تعيق الباب.</li> <li>• النلاجة ليست عموديًا تمامًا على الأرض وقد تهتز عند تحريكها قليلًا لضبط مسامير الارتفاع.</li> <li>• الأرض ليست مستوية أو قوية. تأكد من أن الأرض مستوية وتحمل النلاجة.</li> </ul>	<p>تشبه الضوضاء الناتجة عن النلاجة صوت الثواني الذي تصدره ساعة.</p>
<b>الأدراج عالقة.</b>	
<ul style="list-style-type: none"> <li>• قد يكون الطعام ملامسًا لسقف الدرج. أعد ترتيب الطعام في الدرج.</li> </ul>	<ul style="list-style-type: none"> <li>• تصدر هذه الضوضاء من صمام اللولبي للنلاجة. يعمل هذا الصمام بغرض ضمان تبريد المسار عبر الصندوق والذي يمكن ضبطه على درجات حرارة التبريد أو التجميد. كما أنه يقوم بوظائف التبريد. وهذا أمر طبيعي وليس عيبًا.</li> </ul>
<b>إذا كان سطح المنتج ساخنًا</b>	
<ul style="list-style-type: none"> <li>• قد يلاحظ ارتفاع درجات الحرارة بين البابين، وعلى الألواح الجانبية والشواية الخلفية أثناء تشغيل المنتج. وهذا طبيعي ولا يعد ذلك عيبًا يتطلب الصيانة. كن حذرًا عند لمس هذه الأماكن.</li> </ul>	<p>ترتفع ضوضاء التشغيل عند تشغيل النلاجة.</p>
<b>قد تتغير سمات أداء النلاجة تبعًا للتغيرات في درجة الحرارة المحيطة بالنلاجة. وهذا طبيعي ولا يعد ذلك عيبًا.</b>	
<b>اهتزازات أو ضوضاء.</b>	
<ul style="list-style-type: none"> <li>• الأرض ليست مستوية أو ليست صلبة. تهتز النلاجة عند تحريكها ببطء. تأكد من أن الأرض مستوية وقوية وتحمل النلاجة.</li> <li>• قد يصدر صوت من الأشياء الموضوعة على النلاجة يجب إزالة هذه الأشياء من على سطح النلاجة.</li> </ul>	<p>تصدر ضوضاء مثل صوت انسكاب سائل أو رشه.</p>
<b>تنساب السوائل والغازات وفقًا لقواعد تشغيل النلاجة. وهذا طبيعي ولا يعد ذلك عيبًا.</b>	
<b>تحدث ضوضاء شبيهة بصفير الرياح.</b>	
<ul style="list-style-type: none"> <li>• تستخدم منشطات الهواء (المرآح) للسماح للنلاجة بالتبريد بشكل فعال. وهذا طبيعي ولا يعد ذلك عيبًا.</li> </ul>	<p>تكاثر في الحوائط الداخلية للنلاجة.</p>
<b>تكاثر في الحوائط الداخلية للنلاجة.</b>	
<ul style="list-style-type: none"> <li>• يزيد الطقس الحار والرطب من التلجيج والتكاثر. وهذا طبيعي ولا يعد ذلك عيبًا.</li> <li>• الأبواب مفتوحة جزئيًا. تأكد أن الأبواب مغلقة تمامًا.</li> <li>• قد تكون الأبواب مفتوحة بصورة متكررة جدًا أو قد تكون متروكة مفتوحة لفترة طويلة. افتح الأبواب بتكرار أقل.</li> </ul>	<p>تحدث الرطوبة في الإطار الخارجي للنلاجة أو بين الأبواب.</p>
<b>تحدث الرطوبة في الإطار الخارجي للنلاجة أو بين الأبواب.</b>	
<ul style="list-style-type: none"> <li>• قد يكون الطقس رطبًا. هذا شئ طبيعي جدًا في الأجواء الرطبة. وعندما تكون الرطوبة أقل؛ يختفي التكثف. توجد رائحة كريهة داخل النلاجة.</li> </ul>	<ul style="list-style-type: none"> <li>• قد يكون الطقس رطبًا. هذا شئ طبيعي جدًا في الأجواء الرطبة. وعندما تكون الرطوبة أقل؛ يختفي التكثف. توجد رائحة كريهة داخل النلاجة.</li> </ul>

## 7 حلول مقترحة للمشكلات

يرجى مراجعة هذه القائمة قبل الاتصال بمركز الخدمة. فقد يوفر عليك وقتًا ومالًا. تشمل هذه القائمة الشكاوى التي لم تنتج عن عيوب صناعة أو المواد المستخدمة. قد لا تتوافر بعض الميزات الواردة في هذا الدليل في المنتج الخاص بك.

<ul style="list-style-type: none"> <li>• قد تكون الثلاجة الجديدة أكبر من القديمة. هذا شيء طبيعي تمامًا. الثلاجات الكبيرة تعمل لفترات أطول.</li> <li>• قد تكون درجة الحرارة المحيطة عالية. وهذا أمر طبيعي جدًا.</li> <li>• الثلاجة متصلة بالكهرباء منذ قليل أو مليئة بالطعام. قد يستمر تبريد الثلاجة كلياً لساعات أطول.</li> </ul>	<p><b>الثلاجة لا تعمل</b></p> <ul style="list-style-type: none"> <li>• هل الثلاجة متصلة بالتيار الكهربائي؟ توصيل القابس بمنفذ الكهرباء بالحائط.</li> <li>• هل احترق منصهر القابس المتصلة به الثلاجة أو المنصهر الرئيسي؟ افحص المنصهر.</li> </ul>
<ul style="list-style-type: none"> <li>• قد تكون هناك كميات كبيرة من الطعام الساخن تم وضعها في الثلاجة مؤخراً. يتسبب الطعام الساخن في تشغيل الثلاجة حتى يصل إلى درجة حرارة التخزين الآمنة.</li> <li>• قد تكون الأبواب مفتوحة بصورة متكررة أو مفتوحة جزئياً لفترة طويلة. يتسبب الهواء الساخن الذي يدخل الثلاجة في تشغيل الثلاجة لفترة أطول. افتح الأبواب عدداً أقل من المرات.</li> <li>• قد يكون باب صندوق الفريزر أو الثلاجة مفتوح جزئياً. تأكد أن الأبواب مغلقة تماماً.</li> </ul>	<p><b>تكثف في جانب صندوق الثلاجة. (المنطقة المتعددة التحكم في التبريد. والمنطقة المرنة)</b></p> <ul style="list-style-type: none"> <li>• الظروف المحيطة باردة جداً. فتح الأبواب وغلقتها بشكل متكرر. الظروف المحيطة عالية الرطوبة. تخزين طعام يحتوي على سائل في أوعية مفتوحة. ترك الباب مفتوح جزئياً.</li> <li>• تغيير وضع الترموستات إلى الدرجة أكثر برودة.</li> <li>• تقليل الوقت الذي ترك الباب فيه مفتوحاً أو استخدامه بصورة أقل.</li> <li>• تغطية الطعام المخزن في حاويات مفتوحة بمادة مناسبة.</li> <li>• مسح التكثف بقطعة قماش جافة والتحقق من بقائه.</li> </ul>
<ul style="list-style-type: none"> <li>• قد يكون عازل باب الثلاجة أو الفريزر متسخاً أو بالياً أو متهتكاً أو مثبت بطريقة غير صحيحة. نظف العازل أو استبدله. لأن العازل التالف أو المتهتك يتسبب في أن تعمل الثلاجة لفترات أطول للحفاظ على درجة الحرارة الحالية.</li> </ul>	<p><b>جهاز ضغط الهواء لا يعمل</b></p> <ul style="list-style-type: none"> <li>• سينصهر العازل الحراري لجهاز ضغط الهواء أثناء الانقطاع المفاجئ للتيار الكهربائي أو توصيل قابس الثلاجة بالتيار الكهربائي أو فصله. لأن ضغط الثلاجة في نظام تبريد الثلاجة لم يتوازن بعد.</li> </ul>
<p>درجة حرارة الفريزر منخفضة جداً بينما درجة حرارة الثلاجة غير كافية.</p>	<ul style="list-style-type: none"> <li>• ستبدأ الثلاجة في العمل بعد 6 دقائق تقريباً. يرجى الاتصال بمركز الصيانة إذا لم تبدأ الثلاجة في العمل بعد انتهاء هذه المدة.</li> </ul>
<ul style="list-style-type: none"> <li>• تم ضبط الفريزر على درجة باردة جداً. اضبط درجة حرارة الفريزر على درجة أعلى ثم تأكد ثانية.</li> </ul>	<ul style="list-style-type: none"> <li>• الثلاجة في دورة إزالة الثلج. هذا أمر عادي لكل الثلاجات الأوتوماتيكية التي تزيل الثلج. تحدث عملية إزالة الثلج دورياً.</li> </ul>
<p>درجة حرارة الثلاجة منخفضة جداً بينما درجة حرارة الفريزر غير كافية.</p>	<ul style="list-style-type: none"> <li>• الثلاجة غير متصلة بالقابس. تأكد أن القابس موضوع بإحكام في مقبس الحائط.</li> </ul>
<ul style="list-style-type: none"> <li>• تم ضبط الثلاجة على درجة باردة جداً. اضبط درجة حرارة الثلاجة على درجة أعلى ثم تحقق ثانية.</li> </ul>	<ul style="list-style-type: none"> <li>• هل تم ضبط درجة الحرارة بشكل صحيح؟ انقطاع التيار الكهربائي. اتصل بشركة الكهرباء.</li> </ul>
<p>تجمد الطعام المحفوظ في أدرج صندوق الثلاجة.</p>	<p>تعمل الثلاجة بصورة متكررة أو لوقت طويل.</p>
<ul style="list-style-type: none"> <li>• تم ضبط الثلاجة على درجة باردة جداً. اضبط درجة حرارة الثلاجة على درجة أعلى ثم تحقق ثانية.</li> <li>• درجة حرارة الثلاجة أو الفريزر عالية جداً.</li> </ul>	

❗ لا تستخدم أبداً مواد التنظيف أو المياه التي تحتوي على الكلورين لتنظيف الأسطح الخارجية والأجزاء المطلوبة بالكروم من المنتج. فالكلورين يتسبب في تآكل هذه الأسطح المعدنية.

❗ لا تستخدم الأدوات الحادة والكاشطة أو الصابون، أو مواد التنظيف المنزلية، المنظفات، البنزين، الشمع، الخ، وإلا ستزول الأختام على الأجزاء البلاستيكية ويحدث تشوه. استخدم ماء فاتر أو قماشاً ناعماً للتنظيف والتجفيف.

### حماية الأسطح البلاستيكية

❗ لا تضع زيوتاً سائلة أو وجبات مطبوخة بالزيت في الثلاجة في علب غير معزولة، إذ قد تتسبب في تلف الأسطح البلاستيكية للثلاجة. في حالة انسكاب زيت أو تسريه على الأسطح البلاستيكية، نظف هذا الجزء واشطفه فوراً بماء دافئ.

❗ لا تستخدم الجازولين أو البنزين أو أي مواد مشابهة لأغراض التنظيف.

❗ نوصي بفصل الجهاز عن التيار الكهربائي قبل تنظيفه.

❗ لا تستخدم أبداً أي مواد كاشطة أو صابون أو منظفات منزلية أو منظفات غسيل أو شمع التلميع عند التنظيف.

❗ في غير المنتجات التي تمنع تكون الثلج (No Frost)، يتساقط الماء ويمكن أن يتراكم بمقدار يصل إلى عرض الإصبع على الجدار الخلفي الداخلي لصندوق الثلاجة. لا تنظفه، ولا تستعمل مطلقاً النفط أو عوامل مماثلة عليه.

❗ استخدم فقط قطعة قماش من الأنسجة دقيقة رطبة قليلاً لتنظيف السطح الخارجي للمنتج. قد يخدش الإسفنج والأنواع الأخرى من أقمشة التنظيف سطح المنتج.

❗ استخدم المياه الفاترة لتنظيف صندوق الثلاجة ثم امسحه ليحفظ.

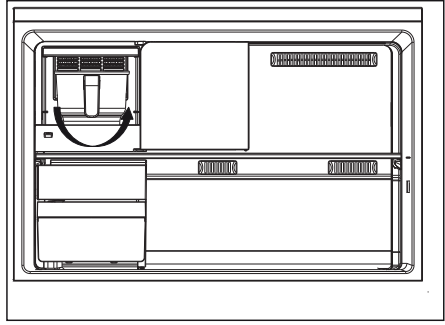
❗ استخدم قطعة من القماش الملتوية والرطبة مع ماء ملعقة شاي من بيكربونات الصودا مضافة لجالون من الماء لتنظيف الداخل ثم يجفف.

❗ تأكد من عدم دخول المياه إلى مبيت المصباح وغيره من العناصر الكهربائية.

❗ إذا كانت الثلاجة لن تستعمل لفترة ممتدة طويلة، فافصل كابل التيار الكهربائي ثم أفرغ جميع الأطعمة ثم نظفها واترك الباب مفتوح جزئياً.

❗ قم بفحص عوازل التسريب في الباب بانتظام للتأكد من سلامتها وخلوها من جزيئات الطعام.

❗ لإزالة أرفف الباب، أخرج جميع المحتويات ثم ادفع رف الباب لأعلى بعيداً عن القاعدة.

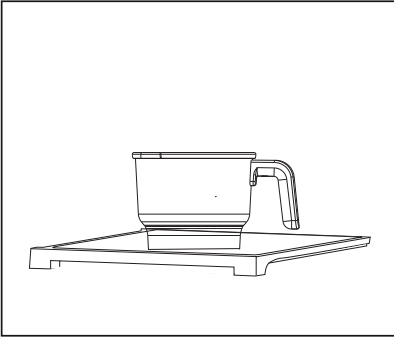


- أألق غطاء مقصورة صنع الأيس كريم، ادفعها ثم اتركها لتحكم إغلاقها.
- أألق باب مقصورة الفريزر.
- ❗ يمكنك أن تحدد وضع الأيس كريم من كتاب وصفات الأيس كريم.
- ❗ اضبط وضع الأيس كريم بناءً على نوع الأيس كريم من الشاشة التي على الباب.
- ❗ لا تغسل حاوية صنع الأيس كريم في غسالة الصحون.
- ❗ أثناء عملية صنع الأيس كريم، ستقوم التلاجة بعمل بعض الضوضاء لبعض الوقت بناءً على حالة التشغيل الحالية.

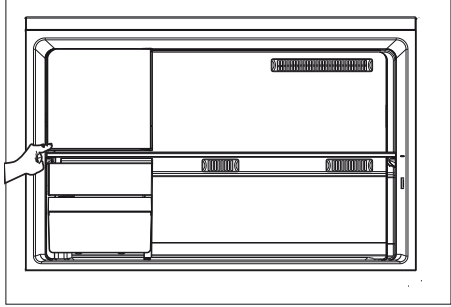
## جهاز الأيس كريم

(اختياري)

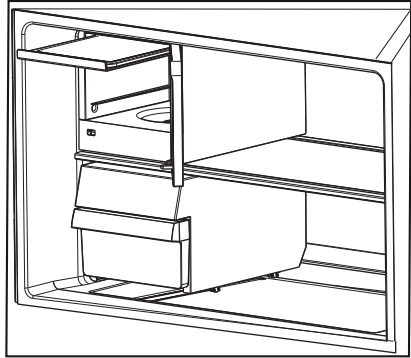
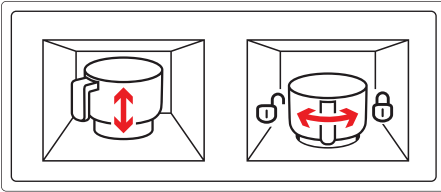
- افتح مقصورة الفريزر للتلاجة.
- ادفع واترك فتحة غطاء مقصورة صنع الأيس كريم في مقصورة الفريزر.



- خليط الأيس كريم الذي سيوضع في صناديق الأيس كريم لا يجب أن يزيد قدره عن القدر المحدد في الوصفة. إذا تم وضع خليط أيس كريم في الصناديق بقدر أكبر عن الموضح بالوصفة، سيفيض من الصناديق.
- ضع الحاوية في بيتها أسفل المقصورة ناحية الجانب الأيسر.
- أدر الحاوية ناحية الجانب الأيمن وأغلقها في مكانها.



- ضع صندوق التجميد النقي داخل غطاء القاعدة وادرجه في أعلى رف في المقصورة.



- ضع خليط الأيس كريم الذي برد لدرجة حرارة الغرفة في حاوية صنع الأيس كريم.

## عمل مكعبات الثلج

(اختياري)

املا جهاز عمل الثلج بالمياه وضعه في مقصورة الفريزر. سيتم إعداد الثلج في حوالي ساعتين تقريباً. يمكنك إزالة الثلج من جهاز عمل الثلج من خلال إزالته من الفريزر ثم لف وعاء الثلج.

## درج التحكم بالرطوبة (دائماً طازج).

(اختياري)

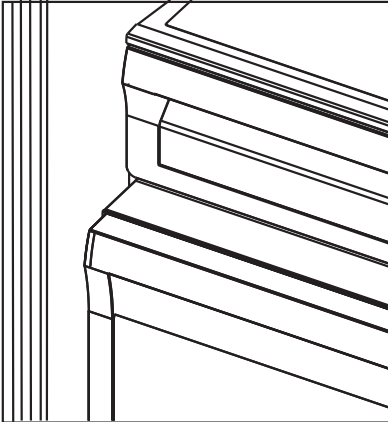
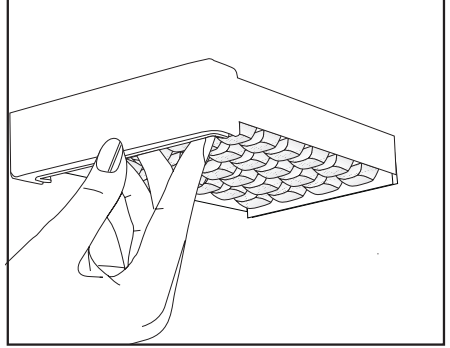
مع خاصية درج التحكم بالرطوبة تظل معدلات الرطوبة للخضروات والفواكه تحت التحكم ويظل الطعام طازج لمدة أطول.

ضع الخضروات الورقية مثل الخس والسبانخ والخضروات الحساسة لفقدان الرطوبة في وضع أفقي قدر الإمكان في الدرج وليس على جذورها وبوضع رأسي.

لا تترك الخضروات أبداً داخل الدرج في أكياسها. إذا تراكمت الخضروات في أكياسها، سبب هذا في تحللها في فترة قصيرة. عند الضبط على مستوى عالي من الرطوبة، ستحتفظ خضرواتك بمحتوياتها من الرطوبة ويمكن حفظها لفترة معقولة من الوقت دون الحاجة لوضعها في أكياسها. في حالة تلامس الخضروات ببعضها وهو أمر غير صحي، استخدم ورق مثقوب أو الفوم أو أي مادة أخرى مشابهة من مواد التغليف بدلاً من الأكياس.

أثناء وضع الخضروات يجب أن نأخذ في الاعتبار أن نضعها بوضع جاذبية معين. الخضروات الثقيلة والصلبة يجب وضعها في أسفل الدرج والخضروات الخفيفة والناعمة يجب أن توضع بالأعلى.

لا تضع الكمثرى والمشمش والخوخ وغيرها معاً في نفس الدرج مع الخضار والفواكه الأخرى، وعلى وجه الخصوص التفاح والذي به مستوى عال من توليد غاز الإيثيلين. غاز الإيثيلين الذي ينبعث من هذه الفاكهة قد يتسبب في نضج الفاكهة الأخرى بشكل أسرع والتحلل في وقت أقل.



## وحدة صنع الثلج وصندوق تخزين الثلج

(اختياري)

استخدام وحدة صنع الثلج

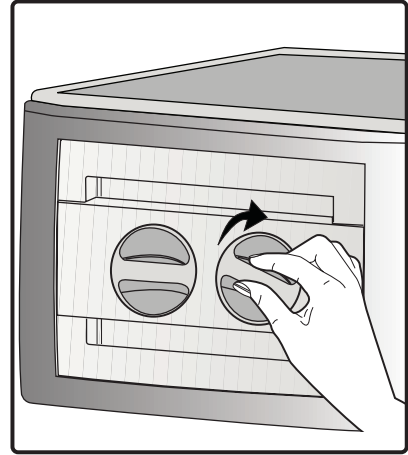
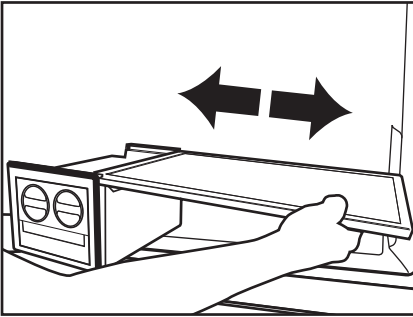
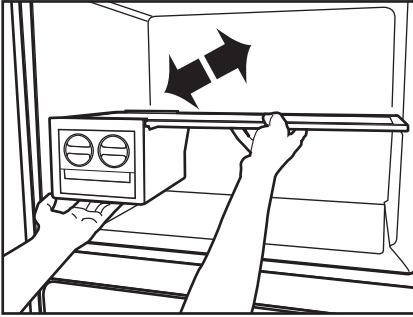
- أملء جهاز عمل الثلج بالمياه وضعه في مكانه. سيتم إعداد الثلج في حوالي ساعتين تقريبًا. لا تخرج صندوق الثلج من مكانه لإخراج الثلج.
  - أدر المقابض في صهريرج الثلج باتجاه عقارب الساعة 90 درجة.
- ستسقط مكعبات الثلج التي في الصهريرج إلى خزان الثلج أدناه.

يمكن إخراج خزان الثلج وتقديم مكعبات الثلج.

يمكن الاحتفاظ بمكعبات الثلج في خزان الثلج إذا أردت.

رف تخزين الثلج

فخزان الثلج مخصص فقط لتجميع مكعبات الثلج. لا تضع ماء فيه. وإلا فينكسر.



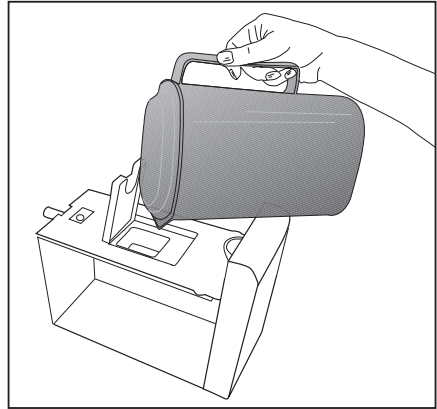
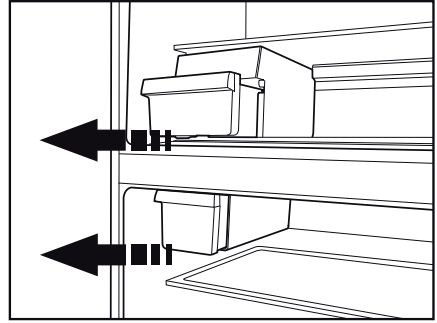


## التجميد التلقائي

(اختياري)

تسمح لك خاصية تكوين الثلج الأوتوماتيكية بصنع الثلج في الثلاجة بسهولة. قم بإزالة خزان المياه في مقصورة الثلاجة، واملأه بالمياه وقم بتكبيبه مرة أخرى للحصول على الثلجة من درج الثلج. ستكون أول مكعبات ثلجية جاهزة في خلال ساعتين تقريباً في درج الثلج الموجود في مقصورة الفريزر. إذا ملئت خزان المياه بالكامل، ستستطيع الحصول على حوالي 60-70 مكعب ثلجي. قم بتغيير المياه في خزان المياه إذا ظلت هناك لمدة 2-3 أسابيع.

**ملاحظة:** للمنتجات التي بها خاصية تكوين الثلج الأوتوماتيكية، قد تسمع صوتاً أثناء صب الثلج. هذا الصوت صوتاً طبيعياً وليس علامة لوجود خطأ بالمنتج.



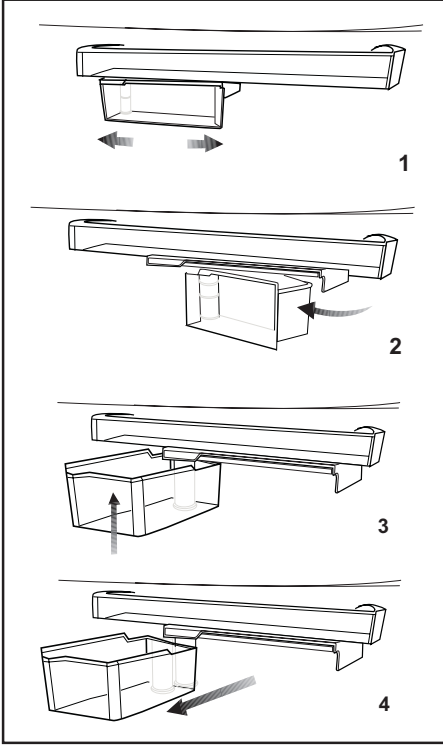
## صندوق التخزين الدوار

(في بعض الموديلات)

يمكن تحريك الرف المائل لليساار أو لليمين للسماح  
بوضع زجاجات طويلة أو العلب أو الصناديق في رف  
سفلي (الشكل 1).

يمكن الوصول إلى الطعام الذي وضعته في الرف من  
خلال جذبه وتدويره من حافظه اليمنى (الشكل 2).

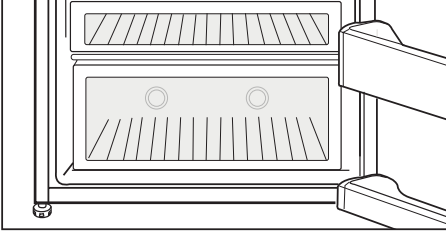
عندما تريد تحميله أو إخراجَه لتنظيفه، أدِّره بمقدار 90  
درجة وارفعه واجذبه تجاهك (الشكل 3-4).



## مصباح أزرق

(اختياري)

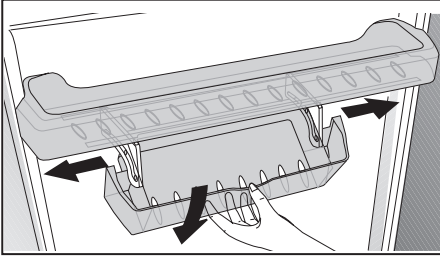
يحتفظ الطعام المخزن في الأدرج المضاءة باللون الأزرق بطازجته عن طريق تأثير طول الموجة للضوء الأزرق وبالتالي يحتفظ بطازجته ويزيد من محتويات البروتين.



## صناديق التخزين المائية

(اختياري)

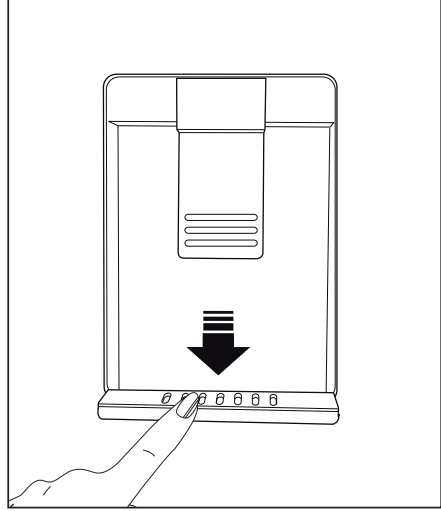
تم تصميم هذا الملحق للاستفادة من حجم أرفف الباب بشكل أكثر كفاءة. فهو يسمح لك بوضع الزجاجات الطويلة والمرطبات والعلب في صف الزجاجات السفلي بفضل قدرته على الحركة لليمين أو اليسار. (الشكل الموضح ما هو إلا مثال ولا يطابق بشكل تام المنتج.)

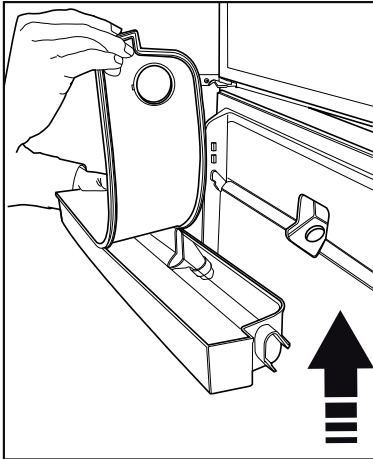
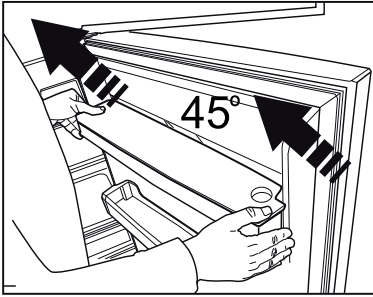
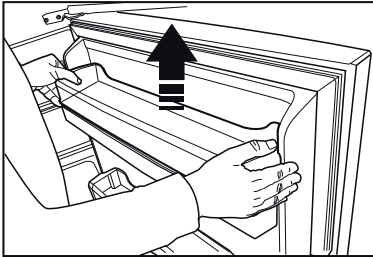
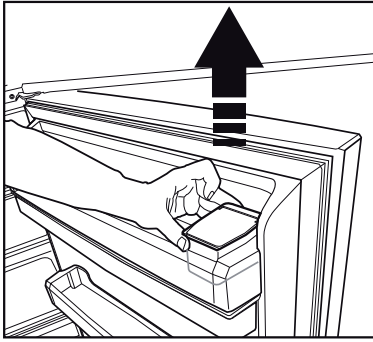


## درج المياه

المياه التي تتساقط أثناء استخدام موزع المياه تتجمع في درج المياه.

اسحب المصفاة البلاستيكية كما يظهر في الشكل. بقطعة قماش نظيفة وجافة، قم بإزالة المياه التي تراكمت.





• استخدم مياه الشرب النظيفة فقط.

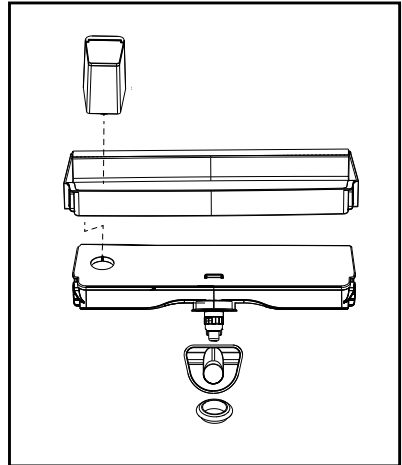
- سعة خزان المياه 3 لتر ، لا تملأه على نحو مفرط.
- اضغط على مزلاج صنوبر الماء بالكوب. إذا كنت تستخدم أكواب بلاستيكية، فاضغط على المزلاج بأصابعك من خلف الكوب.

#### تنظيف خزان المياه

- قم بفك صهريج تعبئة المياه داخل رف الباب.
- قم بفك رف الباب بإمساكه من كلا الجانبين.
- امسك خزان المياه من كلا الجانبين وقم بفكه بزاوية 45درجتهنوية.
- قم بتنظيف خزان المياه بفك غطاؤه.

#### هام:

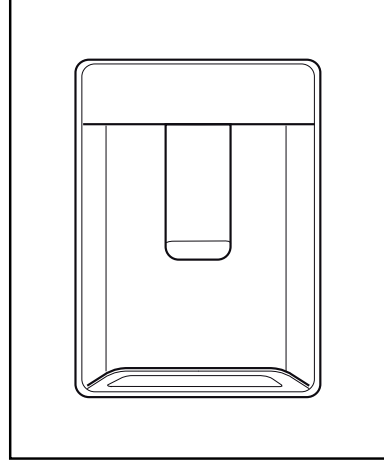
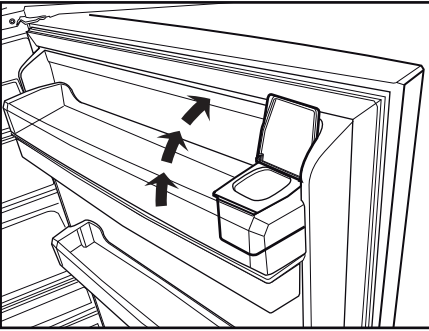
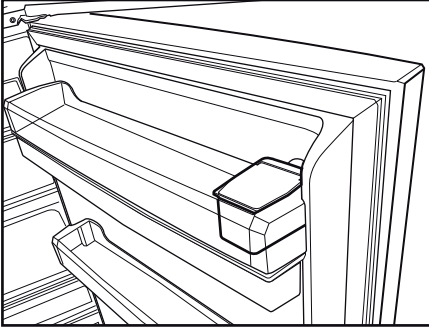
يجب ألا يتم غسل أجزاء خزان المياه وموزع المياه في غسله الأطباق.



## وحدة توزيع المياه

(اختياري)

يعتبر موزع المياه ميزة مفيدة للحصول على ماء بارد بدون فتح باب الثلاجة. ولأنه لن تضطر إلى فتح باب الثلاجة بصورة متكررة، فسوف تقلل من استهلاك الثلاجة للطاقة.



### استخدام وحدة توزيع المياه

اضغط على مزلاج صنوبر الماء بالكوب. سيتوقف موزع المياه عن العمل بمجرد أن تحرر الذراع.

عند تشغيل موزع المياه، يتم الحصول على أقصى تدفق للمياه بالضغط الكامل على المزلاج. تذكر أن كمية تدفق المياه من موزع المياه يخضع لدرجة الضغط على الذراع. وكلما ارتفع مستوى المياه في الكوب / الكأس، خفف كمية الضغط على المزلاج لتجنب زيادة التدفق. إذا ضغطت برفق على الذراع، سيقطر الماء، وهذا أمر طبيعي وليس عيباً.

### ملئ خزان توزيع المياه

يوجد صهريج ملئ خزان المياه بداخل رف الباب. يمكنك فتح غطاء الصهريج وملئه بمياه شرب نظيفة. وبعدها، أغلق الغطاء.

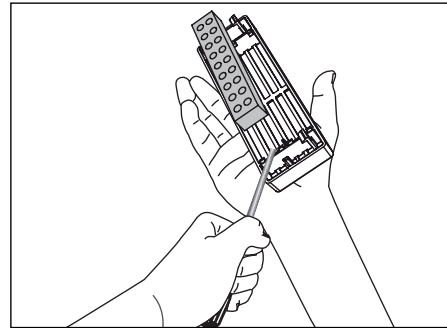
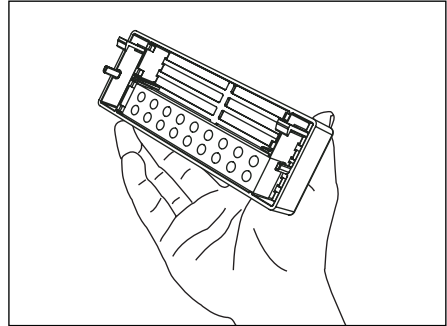
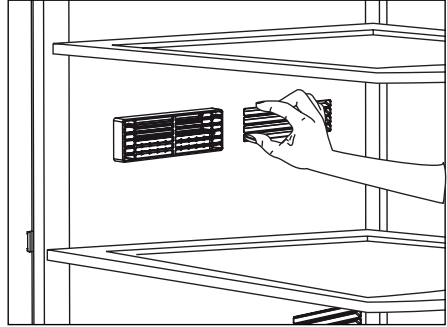
### تحذير!

• لا تملأ خزان المياه بأي سائل آخر غير مياه الشرب مثل عصائر الفاكهة والألبان والمشروبات الغازية، أو المشروبات الكحولية والتي من غير المناسبة استخدامها في موزع المياه. سيتلف موزع المياه بشكل لا يمكن إصلاحه إذا تم استخدام هذا النوع من السوائل. ولا يشمل الضمان هذا النوع من الاستخدامات فبعض المواد الكيميائية والإضافات الموجودة في هذه السوائل/المشروبات قد تتلف خزان المياه ومكوناته.

## وصف فلتر الروائح وتنظيفه:

يمنع فلتر الروائح تراكم الروائح الكريهة داخل الثلاجة. اجذب الغطاء المركب فيه فلتر الروائح لأسفل من الجزء الأمامي وأخرجه كما هو موضح في الشكل. اترك الفلتر معرضاً لأشعة الشمس لمدة يوم واحد. سيتم تنظيف الفلتر خلال هذه المدة الزمنية. قم بتركيب الفلتر مرة أخرى في مكانه.

يجب تنظيف فلتر الروائح مرة كل عام.

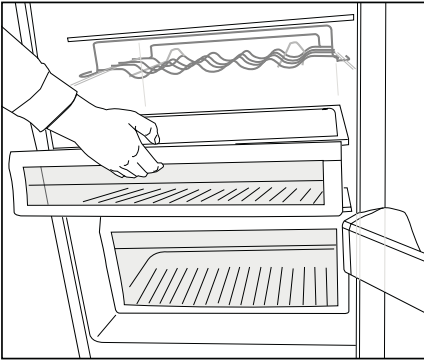


## مقصورة الإفطار

لأن المنتجات مثل السمك واللحوم الحمراء ولحوم الدواجن ومنتجات الألبان مثل الجبن والزبادي واللبن يجب أن تحفظ في مكان أكثر برودة بدرجات قليلة عن مقصورة التلاجة، يوصى بحفظ هذه السلع في مقصورة الإفطار. لا يوصى بوضع الفواكه والخضروات في مقصورة الإفطار. وبالأخص الطماطم والباذنجان والكوسا والخيار والليمون حيث أنها منتجات حساسة للبرودة. لا يجب حفظها في مقصورة الإفطار.

يمكن زيادة الحجم الداخلي للتلاجة بإزالة مقصورة الإفطار.

1. اجنب الصندوق تجاهك حتى يوقفه الحاجز.
2. ارفع القسم الأمامي واسحبه نحوك لإزالة المقصورة من مكانها.



## إزالة الثلج

يقوم تجويف الفريزر بإزالة الثلج بشكل تلقائي.

## وضع الطعام

إذا كانت ستُحفظ لوقت قصير.

- المواد الضرورية للتعبئة.
- شريط لاصق مقاوم للبرد
- شريط لاصق ذاتي
- حلقات مطاطية
- قلم

يجب أن تكون المواد المزمع استخدامها لتعبئة الطعام مقاومة للقطع وللبرد والرطوبة والزيوت والأحماض. يجب عدم ملامسة الأطعمة المزمع تجميدها للمواد المذابة سابقاً لمنع الإذابة الجزئية. يجب استهلاك الطعام الذي تم فك تجميده ولا يجب إعادته للتجميد مرة أخرى.

## الجزء الخاص بالبيض

يمكنك وضع الجزء الخاص بالبيض في أي جزء من أرفف الباب. إذا كنت ستضعها في الجسم، يوصى بوضعها في الأرفف المنخفضة حيث أنها أكثر برودة. لا تخزن البيض أبداً في مقصورة الفريزر. تجنب التلامس المباشر بين البيض والطعام الآخر.

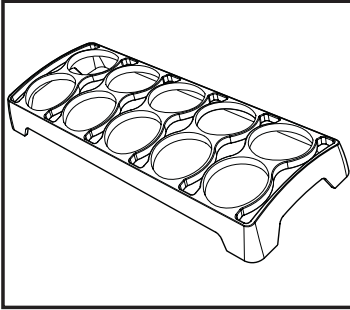
أرفف صندوق الفريزر	طعام مجمد متنوع مثل اللحم والسمك والأيس كريم والخضروات إلخ.
الجزء الخاص بالبيض	البيض
أرفف صندوق الثلجة	الطعام في معلبات وأطباق مغطاة وعلب مغلقة.
أرفف باب مقصورة الثلجة	طعام القليل أو المغلف أو المشروبات (مثل اللبن وعصائر الفواكه)
درج	الخضروات والفاكهة
مقصورة منطقة الطعام الطازج	منتجات الأطعمة المعلبة (الجبن والزبد والسلامي... إلخ).

## معلومات التجميد العميق

يجب تجميد الطعام بأسرع ما يمكن عند وضعه في الفريزر للحفاظ على جودته. يمكن الحفاظ على الطعام لفترة أطول فقط عند درجة حرارة 18- درجة مئوية أو درجات حرارة أقل. يمكن الحفاظ على طازجة الطعام لشهور عديدة (عند درجة حرارة 18- أو أقل في الديب فريزر).

### تحذير !

- يجب تقسيم الأطعمة إلى أجزاء طبقاً للاستهلاك اليومي للعائلة أو الوجبة اليومية.
- يجب تغليف الأطعمة بطريقة محكمة لمنع جفاف أي منها



- يرجى اتباع التعليمات الآتية للحصول على أفضل النتائج.
- 1. يوجد في الثلجة وظيفة التجميد السريع، قم بتنشيطها عندما تحتاج لتجميد الطعام.
- 2. لا تقم بتجميد كميات كبيرة من الطعام مرة واحدة في نفس الوقت. يتم الاحتفاظ بجودة الطعام بشكل أفضل عند تجميده بطريقة صحيحة بالكامل في أسرع وقت ممكن.
- 3. توخ الحذر جيداً لعدم خلط الأطعمة المجمدة فعلياً بالأطعمة الطازجة.
- 4. تأكد من عدم ملامسة الأطعمة النينة للأطعمة المطبوخة في الثلجة.

ملاحظات	إعداد مقصورة الثلجة	إعداد مقصورة الفريزر
هذا هو الضبط الموصى به بشكل طبيعي.	4درجة مئوية	18- درجة مئوية
هذه هي إعدادات الضبط الموصى بها عندما تتجاوز درجة الحرارة المحيطة 30 درجة مئوية.	4درجة مئوية	20، -22 أو -24 درجة مئوية
استخدم هذا عندما ترغب في تجميد الطعام في وقت قصير. يوصى باستخدامها للحفاظ على جودة منتجات اللحوم والأسماك.	4درجة مئوية	التجميد السريع
إذا اعتقدت أن مقصورة الثلجة غير بارد بدرجة كافية بسبب الظروف الساخنة أو الفتح المتكرر للأبواب أو إغلاقها، فيمكن الضبط على هذه القيم.	2درجة مئوية	18- درجة مئوية أو أقل
يمكن استخدامها عندما يكون صندوق الثلجة ذا حمل زائد أو عندما ترغب في تبريد الطعام بسرعة. يوصى بتنشيط وظيفة التجميد السريع من 4 - 8 ساعات قبل وضع الطعام فيها.	التبريد السريع	18- درجة مئوية أو أقل

## توصيات المحافظة على الأطعمة المجمدة

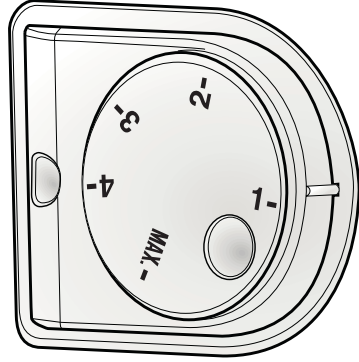
1. توضع العبوات في الفريزر بأسرع ما يمكن بعد الشراء.
  2. تأكد من وضع الملصقات على محتويات العبوة وتحديد التاريخ.
  3. يجب عدم تجاوز تاريخ 'استخدام حتى' أو 'يفضل قبل' على العبوة.
- يجب حفظ الأطعمة التجارية المجمدة مسيقة التعبئة وفقاً لإرشادات المصنع للطعام المجمد في مقصورة حفظ الطعام المجمد.
  - لضمان المحافظة على أفضل جودة لدى مصنع الطعام المجمد والبائع؛ يجب اتباع النقاط التالية:



## نظام التبريد المزدوج

الثلاجة مزودة بنظامي تبريد منفصلين لتبريد مقصورة الطعام الطازج مقصورة الفريزر. وبالتالي فإن الهواء في مقصورة الطعام الطازج مقصورة الفريزر لا يختلطان. وذلك لأن نظامي التبريد المنفصلين أفضل بكثير من الثلاجات الأخرى. كما أن الراحة داخل الصندوقين لا تختلط أيضاً. كما أن هناك أيضاً ميزة توفير الطاقة الإضافية، نظراً لأن عمليات إزالة التجميد التلقائية مستقلة.

- يجب تقسيم الأطعمة إلى أجزاء طبقاً للاستهلاك اليومي للعائلة أو الوجبة اليومية.
- يجب تغليف الأطعمة بطريقة محكمة لمنع جفاف أي منها إذا كانت ستُحفظ لوقت قصير.
- يجب أن تكون المواد المستخدمة في التعبئة مقاومة للبرد والرطوبة والرائحة كما يجب أن تكون محكمة الغلق. المواد المستخدمة في تعبئة الطعام يجب أن تكون سمكية وذات قوة تحمل كافية. وإلا فإن المواد الغذائية التي تتصلب نتيجة التجميد قد تتقرب هذا التغليف. فمن المهم في التعبئة الإغلاق الجيد للتخزين الآمن للمواد الغذائية.
- يجب استخدام الطعام المجمد مباشرة بعد إذابته، كما يجب عدم إعادة تجميده مطلقاً.



## زر ضبط درجة الحرارة

يسمح لك زر ضبط درجة الحرارة بضبط درجة الحرارة للثلاجة.

## ضبط درجة حرارة الثلاجة.

يتم الضبط العام لدرجة حرارة الثلاجة، المكونة من صندوق الثلاجة وصندوق الفريزر بواسطة زر ضبط درجة الحرارة الموجود أعلى الرف العلوي لصندوق الثلاجة. يوجد بهذا الزر 5 أوضاع ضبط درجة حرارة مختلفة. اختر الوضع المناسب لحاجاتك. المستوى رقم 1 يوضح ضبط الثلاجة عند أسخن وضع، والوضع الأقصى يوضح ضبط الثلاجة عند أبرد وضع.

④ الأشكال الواردة في دليل التعليمات هذا هي رسومات بيانية وقد لا تتطابق تماماً مع المنتج. إذا لم تكن هذه القطع واردة في هذا الجهاز الذي اشتريته، فإنها مناسبة لأنواع أخرى.



تنشيط وظيفة فاعلية الطاقة مرة أخرى وستنطفئ مؤشرات العرض. إذا ضغط على زر فاعلية الطاقة عندما تكون الوظيفة غير نشطة ولكن المؤشر مضيء، سيقوم هذا بإلغاء وظيفة فاعلية الطاقة وسينطفئ مؤشر فاعلية الطاقة.

#### 14. مؤشر حفظ الطاقة

يضيء هذا الرمز عند اختيار وظيفة فاعلية الطاقة.

#### 15. وظيفة قفل المفتاح

عند الضغط واستمرار الضغط على زر قفل المفاتيح "Key Lock" لمدة 3 ثوان سيتم تنشيط وظيفة قفل المفاتيح وسيضيء مؤشر قفل المفاتيح. لن يعمل أي زر عندما تكون هذه الوظيفة نشطة. لإلغاء هذه الوظيفة اضغط على زر قفل المفاتيح لمدة 3 ثوانٍ.

#### 16. مؤشر قفل المفاتيح

يضيء هذا الرمز عند تنشيط وظيفة قفل المفاتيح.

#### 17. مؤشر الاستخدام الاقتصادي

يتم تشغيل مؤشر الاستخدام الاقتصادي عند ضبط صندوق حرارة الفريزر على 18-درجة مئوية. عند اختيار التبريد السريع أو التجميد السريع، لن يضيء مؤشر الاستخدام الاقتصادي.

#### 18. مؤشر درجة الحرارة المرتفعة / التحذير بوقوع خطأ

يضيء هذا المصباح في حالة أخطأ درجة الحرارة المرتفعة والتحذير بوقوع أخطاء.

#### 19. وظيفة اختيار وضع الآيس كريم

سيومض زر الآيس كريم عند الضغط عليه لمدة 3 ثوانٍ. إذا لم يتم الضغط على هذا الزر مرة أخرى خلال 30 ثانية، سيعود العرض إلى الوضع السابق، وستتوقف مؤشرات اختيار وضع الآيس كريم. مع كل ضغط قصيرة على زر الآيس كريم، سيزداد العدد واحد لكل ضغطة.

عند الضغط مرة أخرى على زر الآيس كريم لمدة 3 ثوانٍ، سيعمل رمز الآيس كريم على الشاشة مرة أخرى. وهكذا، باختيار وضع الآيس كريم سيتحول العدد لحالة التجمد بينما ستضيء الرموز التي على الجانب الأيسر مع الرسوم المتحركة.

عند إتمام عملية الآيس كريم، ستبدأ الرموز بالوميض وسيحدث صوت تحذيري. ستنطفئ كل رموز الآيس كريم بعد مرور الخمس دقائق تحذير.

اضغط ضغطاً خفيفاً على زر الآيس كريم لإنهاء التحذير الصوتي، وسيتم إيقاف أزرار الآيس كريم أيضاً. إذا تم الضغط على زر الآيس كريم ضغطاً خفيفاً وعملية الآيس كريم في تقدم، لن يحدث شيئاً على الشاشة.

عندما تكون وظيفة الآيس كريم نشطة، إذا حدث انقطاع في التيار الكهربائي ثم عاد مرة أخرى، ستعود عملية الآيس كريم من حيث توقفت.

إذا تمت المحاولة في تنشيط وظيفة الآيس كريم عندما يكون الفريزر على درجة حرارة أعلى من 10- درجة مئوية، سيومض الرمز "E" ورمز التحذير على الشاشة لمدة 30 ثانية. إذا ضغط المستخدم على زر اختيار وظيفة الآيس كريم ضغطاً خفيفاً (لمدة 3 ثوانٍ)، ستعود الشاشة إلى الوضع الطبيعي للآيس كريم، وستتوقف رمز الآيس كريم ورمز التحذير عن العمل.

#### 20. وظيفة اختيار وضع الآيس كريم

تظهر وضع إعداد الآيس كريم.

#### 21. مؤشر الآيس كريم

تعمل عندما يكون وضع الآيس كريم نشط.

#### 22. مؤشر التبريد السريع

يومض هذا الرمز بشكل مجسم عند تنشيط وظيفة التبريد السريع.

لم يتم إغائها، ستلغي وظيفة التثليج السريع نفسها تلقائياً بعد مرور ساعتان أو عندما تصل درجة حرارة مقصورة الثلجة إلى الدرجة المطلوبة.

لن يتم استدعاء هذه الوظيفة عندما يتم استعادة التيار الكهربائي بعد انقطاعه.

#### 8. مؤشر إيقاف تكوين الثلج

لن يعمل التجميد عندما يكون مؤشر هذه الوظيفة قيد التشغيل.

لتشغيل وظيفة تعطيل تكوين الثلج، قم بالضغط على زر التجميد السريع لمدة 3 ثوانٍ.

#### 9. وظيفة Eco-Fuzzy (استخدام اقتصادي خاص)

عند الضغط على زر Eco-Fuzzy (الاستخدام الاقتصادي)، سيتم تنشيط وظيفة Eco-Fuzzy وسيضيء مؤشر Eco-Fuzzy. سيبدأ تشغيل الثلجة في أقصى وضع اقتصادي بعد مرور 6 ساعات تقريباً وسيتم تشغيل مؤشر الاستخدام الاقتصادي عند تنشيط هذه الوظيفة. لإلغاء تنشيط وظيفة Eco-Fuzzy، قم بالضغط على زر Eco-Fuzzy مرة أخرى.

#### 10. مؤشر وظيفة Eco-Fuzzy (استخدام اقتصادي خاص)

يضيء هذا الرمز عند تنشيط وظيفة Eco-Fuzzy (الاستخدام الاقتصادي).

#### 11. وظيفة الأجازات

اضغط واستمر بالضغط على Eco-Fuzzy (الاستخدام الاقتصادي) لمدة 3 ثوانٍ لتفعيل وظيفة الأجازة وسيضيء مؤشر الأجازة. يتوقف تبريد مقصورة الثلجة ودرجة حرارة مقصورة الثلجة يثبت عند 15 درجة لمنع الروائح الكريهة. عند تنشيط هذه الوظيفة، لن يعرض مؤشر درجة حرارة مقصورة الثلجة درجة الحرارة. لإلغاء تنشيط وظيفة الأجازة، اضغط واستمر بالضغط على زر Eco-Fuzzy (الاستخدام الاقتصادي) لمدة 3 ثوانٍ.

#### 12. مؤشر وظيفة الإجازة

يضيء هذا الرمز عند تنشيط وظيفة الإجازة.

#### 13. وظيفة توفير الطاقة

عند الضغط على زر فاعلية الطاقة، سيتم تنشيط وظيفة فاعلية الطاقة وسيضيء مؤشر فاعلية الطاقة. عندما تكون وظيفة فاعلية الطاقة نشطة، ستطفيء كل المؤشرات، باستثناء مؤشر فاعلية الطاقة. سيتم إلغاء هذه الوظيفة عند الضغط على أي زر أو عند فتح الباب، ستعود مؤشرات العرض للوضع الطبيعي وسيظل مؤشر فاعلية الطاقة مضيء. إذا لم تضغط على أي زر أو لم تفتح الباب خلال 5 دقائق عندما يكون مؤشر فاعلية الطاقة مضيء، سيتم

1. مؤشر درجة حرارة صندوق الفريزر  
يوضح درجة الحرارة المضبوطة لصندوق الفريزر.

#### 2. وظيفة ضبط درجة حرارة صندوق الفريزر

تسمح لك هذه الوظيفة بضبط درجة حرارة مقصورة الفريزر. اضغط على هذا الزر لضبط درجة حرارة مقصورة الفريزر على 18- و20- و19- و24- بالترتيب.

#### 3. زر التجميد السريع "Quick freeze" مفتاح تشغيل-إيقاف التجميد ("3")

يضيء مؤشر التجميد السريع عند تنشيط وظيفة التجميد السريع. لإلغاء هذا الوظيفة، اضغط على زر Quick Freeze مرة أخرى. ينطفئ مؤشر التجميد السريع وتعود الإعدادات إلى الوضع الطبيعي. إذا لم يتم إغائها، ستلغي وظيفة التجميد السريع نفسها تلقائياً بعد مرور 4 ساعات أو عندما تصل درجة حرارة صندوق الفريزر إلى الدرجة المطلوبة. إذا أردت تجميد كمية كبيرة من الطعام الطازج، يرجى الضغط على زر Quick Freeze 24 ساعة قبل وضع الطعام في صندوق الفريزر. إذا ضغطت على زر Quick Freeze (التجميد السريع) بشكل متكرر لفترات قصيرة، سيتم تنشيط حماية الدائرة الإلكترونية ولن يبدأ تشغيل الضاغط فوراً. لن يتم استدعاء هذه الوظيفة عندما يتم استعادة التيار الكهربائي بعد انقطاعه!

#### 4. مؤشر وظيفة التجميد السريع

يوميض هذا الرمز بشكل مجسم عند تنشيط وظيفة التجميد السريع.

#### 5. مؤشر ضبط درجة حرارة مقصورة الثلجة

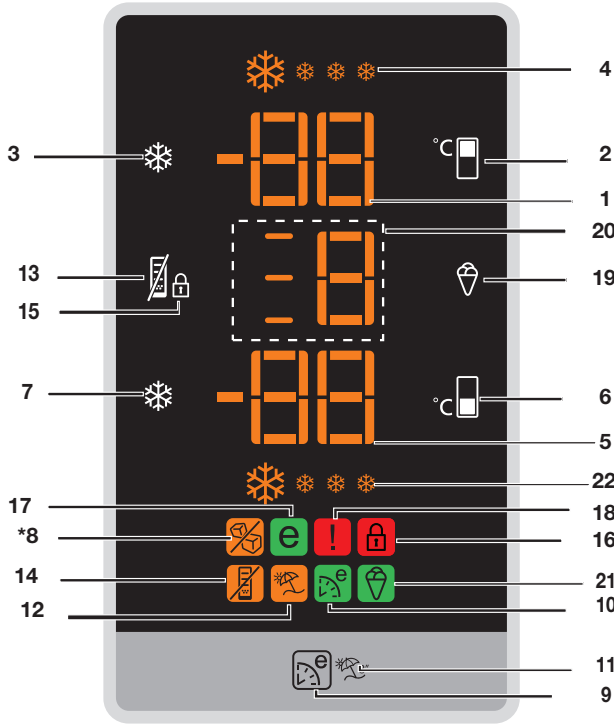
يبين درجة الحرارة المضبوطة لمقصورة الثلجة.

#### 6. وظيفة ضبط درجة حرارة صندوق الثلجة

تسمح لك هذه الوظيفة بضبط درجة حرارة مقصورة الثلجة. اضغط على هذا الزر لضبط درجة حرارة مقصورة الثلجة على 8، 7، 6، 5، 4، 3، درجة درجة الترتيب.

#### 7. زر التبريد السريع "Quick fridge"

عند الضغط على زر التبريد السريع "Quick Fridge"، تصبح درجة حرارة الصندوق أبرد من القيم المضبوطة. هذه الوظيفة يمكن استخدامها لتسريع تبريد الطعام في مقصورة الثلجة. إذا أردت تبريد كمية كبيرة من الطعام الطازج، يوصى بتنشيط هذه الميزة قبل وضع الطعام في الثلجة. يضيء مؤشر التبريد السريع عند تنشيط وظيفة التبريد السريع. لإلغاء هذا الوظيفة، اضغط على زر التبريد السريع Quick Fridge مرة أخرى. ينطفئ مؤشر التثليج السريع وتعود الإعدادات إلى الوضع الطبيعي. إذا



1. زريرفلا تروصقم ترارحةجرد طبضدر شوم
  2. وظيفة ضبط درجة حرارة صندوق الفريزر
  3. زر التجميد السريع "Quick freeze" مفتاح تشغيل- إيقاف التجميد ("3")
  4. مؤشر وظيفة التجميد السريع
  5. مؤشر ضبط درجة حرارة مقصورة الثلجة
  6. وظيفة ضبط درجة حرارة صندوق الثلجة
  7. زر التبريد السريع "Quick fridge"
  8. مؤشر إيقاف التجميد (\*في بعض الموديلات)
  9. وظيفة Eco-Fuzzy (استخدام اقتصادي خاص)
  10. مؤشر وظيفة Eco-Fuzzy (استخدام اقتصادي خاص)
  11. وظيفة الأجازات
  12. مؤشر وظيفة الإجازة
  13. وظيفة فاعلية الطاقة
  14. وظيفة فاعلية الطاقة
  15. وظيفة قفل المفتاح
  16. مؤشر تأمين المفاتيح
  17. مؤشر الاستخدام الاقتصادي
  18. مؤشر درجة الحرارة المرتفعة / التحذير بوقوع خطأ
  19. وظيفة اختيار وضع الأيس كريم
  20. مؤشر اختيار وضع الأيس كريم
  21. مؤشر الأيس كريم
  22. مؤشر التبريد السريع
- (اختياري)

❗ الأشكال الواردة في دليل التعليمات هذا هي رسومات بيانية وقد لا تتطابق تماماً مع المنتج. إذا لم تكن هذه القطع واردة في هذا الجهاز الذي اشتريته، فإنها مناسبة لأنواع أخرى.

إذا أردت تبريد كمية كبيرة من الطعام الطازج، يوصى بتنشيط هذه الميزة قبل وضع الطعام في التلاجة. يتم تشغيل مؤشر التجميد السريع عند تشغيل وظيفة التجميد السريع. لإلغاء هذا الوظيفة، اضغط على زر التبريد السريع Quick Freeze مرة أخرى. إذا لم يتم إلغاؤها، ستلغي وظيفة التثليج السريع نفسها تلقائياً بعد مرور 4 ساعات أو عندما تصل درجة حرارة مقصورة التلاجة إلى الدرجة المطلوبة. لن يتم استدعاء هذه الوظيفة عندما يتم استعادة التيار الكهربائي بعد انقطاعه.

### 13. مؤشر ضبط درجة حرارة مقصورة التلاجة

يبين درجة الحرارة المضبوطة لمقصورة التلاجة.

### 14. زر التجميد السريع "Quick freeze" مفتاح تشغيل-إيقاف التجميد ("3")

يبين درجة الحرارة المضبوطة مقصورة الفريزر. لإيقاف تكوين الثلج؛ اضغط على نفس الزر لمدة 3 ثوانٍ. سيتوقف تدفق المياه من خزان المياه عندما يتم اختيار هذه الوظيفة. ومع ذلك؛ يمكن إخراج الثلج الموجود من وحدة التوزيع. لإيقاف تكوين الثلج؛ اضغط على نفس الزر لمدة 3 ثوانٍ.

### 15. مؤشر ضبط درجة حرارة مقصورة الفريزر

يتم تشغيل مؤشر التجميد السريع عند تشغيل وظيفة التجميد السريع. لإلغاء هذا الوظيفة، اضغط على زر التجميد السريع مرة أخرى. ينطفئ مؤشر التجميد السريع وتعود الإعدادات إلى الوضع الطبيعي. إذا لم يتم إلغاؤها، ستلغي وظيفة التجميد السريع نفسها تلقائياً بعد مرور 8 ساعات أو عندما تصل درجة حرارة صندوق الفريزر إلى الدرجة المطلوبة.

إذا أردت تجميد كمية كبيرة من الطعام الطازج، يرجى الضغط على زر التجميد السريع ساعة قبل وضع الطعام في صندوق الفريزر.

إذا ضغطت على زر QuickFreeze (التجميد السريع) بشكل متكرر لفترات قصيرة، سيتم تنشيط حماية الدائرة الإلكترونية ولن يبدأ تشغيل الضاغط فوراً. لن يتم استدعاء هذه الوظيفة عندما يتم استعادة التيار الكهربائي بعد انقطاعه.

### 16. مؤشر وظيفة التجميد السريع

يوضح هذا الرمز بشكل مجسم عند تنشيط وظيفة التجميد السريع.

## 1. زر ضبط درجة حرارة صندوق الفريزر

تسمح لك هذه الوظيفة بضبط درجة حرارة مقصورة الفريزر. اضغط على هذا الزر لضبط درجة حرارة مقصورة الفريزر على 18- و20- و19- و24- بالترتيب.

## 2. زر ضبط درجة حرارة صندوق الثلاجة

تسمح لك هذه الوظيفة بضبط درجة حرارة مقصورة الثلاجة. اضغط على هذا الزر لضبط درجة حرارة مقصورة الثلاجة على 8، 7، 6، 5، 4، 3، 2 درجة على الترتيب.

## 3. مؤشر حالة الخطأ

إذا لم تقم الثلاجة بالتبريد بالشكل الكافي أو إذا أخفق المستشعر، يتم تنشيط هذا المؤشر. عندما يتم تنشيط هذا المؤشر، يعرض مؤشر درجة حرارة مقصورة الفريزر "E" ويعرض مؤشر درجة حرارة صندوق الثلاجة أرقاماً مثل "1" و"2" و"3"... توفر تلك الأرقام الموجودة على المؤشر معلومات حول الخطأ بالنسبة لموظفين الخدمة. عندما تضع طعام ساخن في مقصورة الفريزر، أو إذا تركت الباب مفتوحاً لفترة طويلة، فستومض علامة تعجب لبعض الوقت. هذا ليس خطأ، فهذا التنبيه سيختفي عندما يبرد الطعام.

## 4. مؤشر قفل المفاتيح

استخدم تلك الوظيفة إذا كنت لا تريد تغيير ضبط درجة حرارة الثلاجة. اضغط على زر ضبط درجة حرارة صندوق الثلاجة وزر ضبط درجة حرارة صندوق الفريزر في وقت واحد لمدة 3 ثواني لتنشيط تلك الخاصية.

## 5. مؤشر وظيفة Eco Extra

يوضح أن وظيفة Eco Extra في وضع نشط. في حالة تنشيط هذه الوظيفة، سنكتشف ثلاجتك تلقائياً أقل فترات الاستخدام وستعمل وظيفة التبريد الموفرة للطاقة خلال تلك الفترات. سيتم تنشيط مؤشر الاقتصاد أثناء عمل وظيفة التبريد الموفرة للطاقة. اضغط على الزر المخصص مرة أخرى لإلغاء تنشيط هذه الوظيفة.

## 6. زر التوفير الإضافي/الإجازة

اضغط على هذا الزر لفترة قصيرة لتنشيط وظيفة التوفير الإضافي. اضغط باستمرار على هذا الزر لمدة 3 ثوانٍ لتنشيط وظيفة الإجازة. اضغط على هذا الزر لإلغاء تنشيط الوظيفة المحددة.

## 7. مؤشر وظيفة الإجازة

يوضح أن وظيفة الإجازة في وضع نشط. إذا كانت تلك الوظيفة نشطة، فسيظهر "-" على مؤشر صندوق الثلاجة ولن تظهر أي علامات تبريد في صندوق الثلاجة. سيتم تبريد المقصورات الأخرى بالتوافق مع درجة الحرارة التي تم ضبطها لهم. اضغط على الزر المخصص مرة أخرى لإلغاء تنشيط هذه الوظيفة.

## 8. وظيفة توفير الطاقة (الشاشة مطفأة)

يتم تشغيل وظيفة توفير الطاقة تلقائياً ويتم تفعيل رمز و توفير الطاقة في حال ظلت ابواب الثلاجة مفتوحة لفترة طويلة.

عند تفعيل وظيفة توفير الطاقة، فسوف تنطفئ كل الرموز في الشاشة ما عدا رمز توفير الطاقة. عندما تكون وظيفة توفر الطاقة مفعلة، فعند الضغط على أي زر أو فتح الباب، سيتم إلغاء وظيفة توفير الطاقة وسوف ترجع الرموز على الشاشة إلى الوضع الطبيعي.

يتم تنشيط وظيفة توفير الطاقة أثناء التسليم من

## 9. مؤشر إيقاف تكوين الثلج

لن يعمل التجميد عندما يكون مؤشر هذه الوظيفة قيد التنفيل.

لتشغيل وظيفة تعطيل تكوين الثلج، قم بالضغط على زر التجميد السريع لمدة 3 ثوانٍ.

## 10. مؤشر الاستخدام الاقتصادي

يوضح أن الثلاجة تعمل باستخدام وضع موفر للطاقة. يكون هذا المؤشر نشطاً إذا تم ضبط الوظيفة على درجة حرارة 18- درجة مئوية أو كانت وظيفة التبريد الموفرة للطاقة تعمل نتيجة لوظيفة التوفير الإضافي.

## 11. مؤشر وظيفة التبريد السريعة

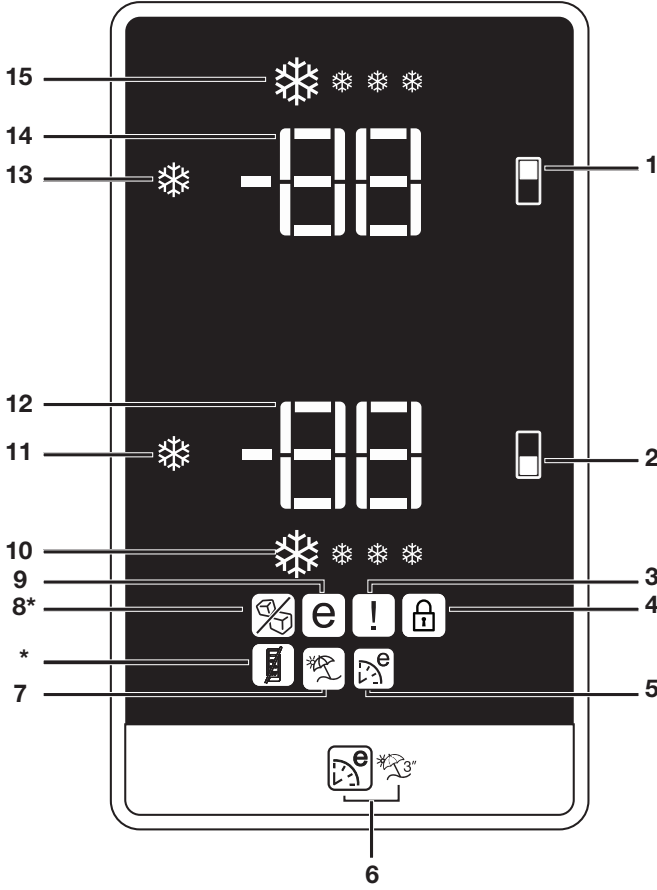
يوضح هذا الرمز بشكل مجسم عند تنشيط وظيفة التبريد السريع.

## 12. زر التبريد السريع "Quick fridge"

عند الضغط على زر التبريد السريع "Quick

Fridge"، تصبح درجة حرارة الصندوق أبرد من القيم المضبوطة.

يمكن استخدام هذه الوظيفة لطعام الموضوع في مقصورة الثلاجة والمطلوب تجميده بسرعة.



1. زر ضبط درجة حرارة صندوق الفريزر
2. زر ضبط درجة حرارة صندوق التلاجة
3. مؤشر حالة الخطأ
4. مؤشر تأمين المفاتيح
5. مؤشر وظيفة الإضافة/الإجازة Eco Extra
6. زر التوفير الإضافي/الإجازة
7. مؤشر وظيفة الإجازة
8. (تأطمة/تساشلا) بمقاطار يفو تتهيطو
9. مؤشر إيقاف التجميد (\*في بعض الموديلات)
10. مؤشر الاستخدام الاقتصادي
11. مؤشر وظيفة التبريد السريعة
12. زر التبريد السريع "Quick fridge"
13. مؤشر ضبط درجة حرارة مقصورة التلاجة
14. زر التجميد السريع "Quick freeze" مفتاح تشغيل-إيقاف التجميد ("3")
15. مؤشر ضبط درجة حرارة مقصورة الفريزر
16. مؤشر وظيفة التجميد السريع

### (اختياري)

❗ الأشكال الواردة في دليل التعليمات هذا هي رسومات بيانية وقد لا تتطابق تمامًا مع المنتج. إذا لم تكن هذه القطع واردة في هذا الجهاز الذي اشتريته، فإنها مناسبة لأنواع أخرى.

**1. مؤشر حجرة المبرد**  
يعمل ضوء حجرة المجمد عند تعديل درجة حرارة حجرة المبرد.

**2. مؤشر حالة الخطأ**  
ينشط هذا المجس إذا كانت الثلاجة لا تبرد بشكل كاف أو في حال خلل المجس. عندما يكون هذا المؤشر نشطا، يعرض مؤشر درجة حرارة حجرة المجمد "E" ويعرض مؤشر درجة حرارة حجرة المبرد أرقام "1، 2، 3..." الخ  
تهدف هذه الأرقام إلى إبلاغ كادر الخدمة عن الخلل.  
(ⓘ)

**3. مؤشر درجة الحرارة**  
يشير إلى درجة حرارة حجرتي المجمد والمبرد.

**4. زر وظيفة الإجازة**  
لتفعيل هذه الوظيفة، اضغط باستمرار على زر الإجازة لمدة 3 ثواني. عندما تكون وظيفة الإجازة نشطة، يعرض مؤشر درجة حرارة حجرة المبرد الرسم "-" ولن يتم تنشيط أي عملية تبريد في حجرة التبريد.  
هذه الوظيفة غير مناسبة لحفظ الطعام في حجرة المبرد. تبقى الحجرات الأخرى باردة مع ضبط درجة الحرارة الملائمة لكل حجرة.  
اضغط على زر وظيفة الإجازة ثانية لإلغاء هذه الوظيفة. (ⓘ)

**5. زر تعديل درجة الحرارة**  
تتباين درجة حرارة كل غرفة بين -24 ، -18 و 8 إلى 1 درجة مئوية. (⊞)

**6. زر اختيار الحجرة**  
استخدم زر اختيار حجرة الثلاجة للتبديل بين حجرتي المبرد والمجمد. (□)

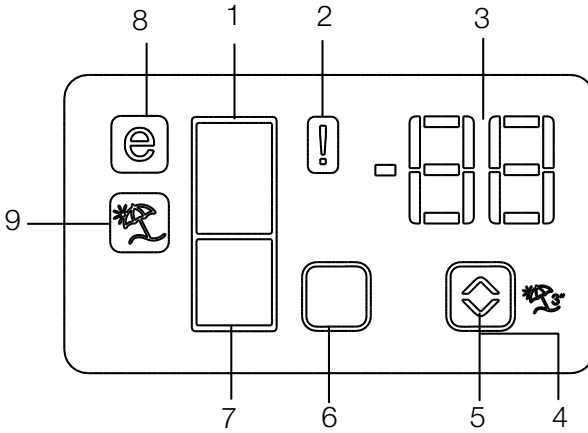
**7. مؤشر حجرة المبرد**  
يعمل ضوء حجرة المبرد عند تعديل درجة حرارة حجرة المبرد.

**8. مؤشر الوضع الاقتصادي**  
يشير إلى أن الثلاجة تعمل في وضع توفير الطاقة. يكون هذا المؤشر نشطا عند ضبط درجة حرارة حجرة المبرد على 18- مئوية. (⊗)

**9. مؤشر وظيفة الإجازة**  
يشير إلى أن وظيفة الإجازة نشطة. (⊞)



قد تتباين ألواح المؤشرات بناء على موديل جهازك.  
ستساعدك الوظائف الصوتية والبصرية للوحة المؤشرات على استخدام الثلاجة.

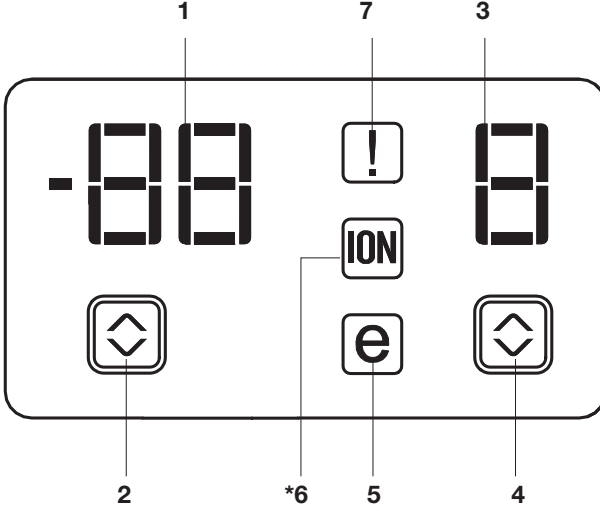


1. مؤشر حجرة المبرد
  2. مؤشر حالة الخطأ
  3. مؤشر درجة الحرارة
  4. زر وظيفة الإجازة
  5. زر تعديل درجة الحرارة
  6. زر اختيار الحجرة
  7. مؤشر حجرة المبرد
  8. مؤشر الوضع الاقتصادي
  9. مؤشر وظيفة الإجازة
- \*اختياري

- 1. مؤشر ضبط درجة حرارة مقصورة الفريزر**  
يوضح درجة الحرارة المضبوطة لصندوق الفريزر.
- 2. زر ضبط درجة حرارة صندوق الفريزر**  
اضغط على هذا الزر لضبط درجة حرارة صندوق الفريزر على -18 و-20 و-22 و-24 و-18 ... بالترتيب. اضغط على هذا الزر لضبط درجة الحرارة المرغوبة لصندوق الفريزر.
- 3. مؤشر ضبط درجة حرارة مقصورة الثلجة**  
يوضح درجة الحرارة المضبوطة لصندوق الثلجة.
- 4. زر ضبط درجة حرارة صندوق الثلجة**  
اضغط على هذا الزر لضبط درجة حرارة صندوق الثلجة على 8 و6 و2 و8 ... بالترتيب. اضغط على هذا الزر لضبط درجة الحرارة المرغوبة لصندوق الثلجة.
- 5. مؤشر الوضع الاقتصادي**  
يوضح أن الثلجة تعمل باستخدام وضع موفر للطاقة.
- 6- مؤشر وحدة التأين**  
يضيء المصباح باستمرار. يشير هذا المصباح إلى أن الثلجة محمية من البكتريا.
- 7. مؤشر حالة الخطأ**  
إذا لم تقم الثلجة بالتبريد بالشكل الكافي أو إذا أخفق المستشعر، يتم تنشيط هذا المؤشر. عندما يتم تنشيط هذا المؤشر، يعرض مؤشر درجة حرارة صندوق الفريزر "E" ويعرض مؤشر درجة حرارة صندوق الثلجة أرقامًا مثل "1 و2 و3...". توفر تلك الأرقام الموجودة على المؤشر معلومات حول الخطأ بالنسبة لموظفين الخدمة.

### لوحة المؤشر

قد تختلف لوحات المؤشر وفقاً لموديل المنتج الخاص بك.  
تساعد لوحة المؤشر في استخدام الثلاجة بواسطة وظائفها المسموعة والمرئية.  
(في بعض الموديلات)



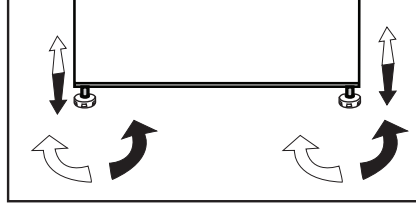
1. مؤشر ضبط درجة حرارة مقصورة الفريزر
2. زر ضبط درجة حرارة صندوق الفريزر
3. مؤشر ضبط درجة حرارة مقصورة الثلاجة
4. زر ضبط درجة حرارة صندوق الثلاجة
5. مؤشر الوضع الاقتصادي
6. مؤشر وحدة التأيين
7. مؤشر حالة الخطأ  
(اختياري)

④ الأشكال الواردة في دليل التعليمات هذا هي رسومات بيانية وقد لا تتطابق تماماً مع المنتج. إذا لم تكن هذه القطع واردة في هذا الجهاز الذي اشتريته، فإنها مناسبة لأنواع أخرى.

- يجب تركيب الثلّاجة على بعد 30 سم متر على الأقل من مصادر الحرارة مثل الأفران والسخان المركزي والموافد وعلى بعد 5 سم متر على الأقل من الأفران الكهربائية ويجب عدم وضعها في ضوء الشمس المباشر.
- تأكد من نظافة الثلّاجة من الداخل بالكامل.
- إذا كنت بصدد تركيب مبردين جنبًا إلى جنب، يجب المباعرة بينهما بمسافة 2 سم على الأقل.
- عند تشغيل الثلّاجة للمرة الأولى، يرجى مراعاة التعليمات التالية أثناء الساعات الستة الأولى.
- يجب عدم فتح الباب بصورة متكررة.
- يجب تشغيلها وهي خاوية بدون وضع أي أطعمة داخلها.
- لا تنزع قابس التيار الكهربائي للثلّاجة. إذا توقف التيار الكهربائي رغبًا عنك، فيرجى قراءة التحذيرات الواردة في قسم "حلول مقترحة للمشكلات".
- هذا المنتج صمم ليعمل تحت درجات حرارة محيطية تصل إلى 43 ° مئوية (90 فهرنهايت). حتى إذا انخفضت درجة الحرارة المحيطية إلى 15- ° مئوية، فإن الطعام المجمد في الفريزر لا يذوب بفضل النظام الإلكتروني المتقدم للتحكم بالحرارة. لأول تركيب، لا ينبغي وضع المنتج تحت درجات حرارة محيطية منخفضة ذلك بسبب أن الفريزر لا يمكنه أن ينخفض عن درجات حرارة التشغيل المعيارية. عند الوصول لتشغيل مستمر، يمكن تحريك المنتج إلى مكان آخر. وبالتالي، يمكنك فيما بعد وضع منتجك في الجراج أو غرفة غير مدفأة بدون قلق من التسبب في تجمد الطعام حتى يفسد. ومع ذلك، فمن المحتمل أن تتسبب درجات الحرارة المنخفضة المذكورة أعلاه في تجميد الطعام في مقصورة الثلّاجة، ولذلك يرجى استهلاك الأطعمة في الثلّاجة بطريقة مخططة على قدر الحاجة. عندما تعود درجات الحرارة المحيطية إلى الطبيعية، يمكنك تغيير إعدادات المفتاح وفقاً لحاجتك.
- إذا انخفضت درجة الحرارة المحيطية إلى أدنى من 0° مئوية، فسيتجمد الطعام في مقصورة الثلّاجة. وبالتالي، ننصح بعدم استخدام مقصورة الثلّاجة بمثل هذه الدرجات من درجات الحرارة المنخفضة المحيطية. ويمكنك الاستمرار باستخدام مقصورة الفريزر كالمعتاد.
- في بعض الموديلات، تتوقف لوحة الأدوات 5 دقائق بعد إغلاق الباب. سيتم إعادة تفعيلها عند فتح الباب أو الضغط على أي مفتاح.

## ضبط أقدام الثلاجة

إذا كانت الثلاجة غير متزنة؛ يمكن ضبط اتزان الثلاجة بتدوير الأقدام الأمامية كما هو موضح بالشكل. يتم خفض الركن الموجود به القدم عند التدوير باتجاه السهم الأسود ويرتفع عند التدوير في الاتجاه المعاكس. ستساعد الاستعانة بشخص آخر في رفع الثلاجة قليلاً في إنجاز هذه العملية.



## تغيير مصباح الإضاءة

لتغيير المصباح/مصباح الإضاءة الخلفية (LED) المستخدم في إضاءة الثلاجة، يرجى الاتصال بمركز الصيانة المعتمد.

**المصباح (المصابيح) المستخدمة في هذا**

**الجهاز غير مناسبة للإضاءة في الغرف**

**المنزلية. الغرض الأساسي لهذا المصباح هو**

**مساعدة المستخدم لوضع أدوات الطعام في**

**الثلاجة/المجمّد بطريقة سهلة وآمنة**

**المصابيح المستخدمة في هذا الجهاز لها قدرة**

**تحمل تتمثل في درجات الحرارة أقل من 20-**

**درجة مئوية.**

**تحذير فتح الباب**

**(هذه الخاصية اختيارية)**

يتم سماع صوت تحذير عندما يكون باب مقصورة الثلاجة مفتوحاً لمدة 1 دقيقة على الأقل. سيتوقف هذا التحذير عندما يتم إغلاق الباب أو تم الضغط على أيّ من مفاتيح العرض (إن وجدت).

- يجب عدم استخدام الوصلات الكهربائية والمقابس متعددة المسالك للتوصيل.

⚠ يجب أن يتم استبدال كابل التيار التالف بواسطة فني الكهرباء المعتمد.

⚠ يجب ألا يتم تشغيل المنتج قبل إصلاحه! حيث يوجد خطر يكمن في التعرض لصدمة كهربائية!

## التخلص من عبوة المنتج

قد تكون مواد التغليف خطرة على الأطفال. احتفظ بمواد التغليف بعيداً عن متناول الأطفال أو تخلص منها بتصنيفها وفقاً لتعليمات التخلص من المخلفات المحددة من السلطات المحلية. لا تتخلص من المخلفات مع مخلفات المنزل العادية، قم بالتخلص منها من خلال نقاط التقاط مواد التعبئة والتغليف المحددة من السلطات المحلية. يتم تصنيع حزمة تعبئة الثلجة من مواد قابلة لإعادة التدوير.

## التخلص من الثلجة القديمة

تخلص من الجهاز القديم دون إحداث أي ضرر بالبيئة.

- يمكنك استشارة الوكيل المعتمد لديك أو مركز تجميع النفايات بمدينتك حول التخلص من الثلجة القديمة.

قبل التخلص من الثلجة، اقطع القابس الكهربائي، وفي حالة وجود أي أقفال على باب الثلجة، اجعلها غير قابلة للتشغيل لحماية الأطفال من أي خطر.

## الوضع والتركيب

⚠ إذا كان باب الحجرة التي ستوضع بها الثلجة ضيق بدرجة لا تسمح بمرور الثلجة من خلاله، فاتصل بمركز الصيانة المعتمد لإزالة أبواب الثلجة وتمريرها وهي مائلة من الباب.

1. ركب الثلجة في مكان يسمح بسهولة الاستخدام.

2. ضع الثلجة بعيداً عن مصادر الحرارة والمناطق الرطبة وأشعة الشمس المباشرة.

3. يجب أن تتوفر التهوية المناسبة حول الثلجة للحصول على تشغيل يتسم بالكفاءة. إذا كانت الثلجة ستوضع في تجويف داخل الحائط، فيجب أن يكون يتترك 5 سم على الأقل بينها وبين السقف و 5 سم على الأقل بينها وبين الحائط. لا تضع ثلاجتك على مواد مثل السجاد أو الموكيت.

4. ضع الثلجة على سطح مستو لمنع الحركة المفاجئة.

⚠ في حالة عدم الأخذ بالمعلومات الواردة بدليل المستخدم في الإعتبار، لا يتحمل المصنع أي مسؤولية نتيجة لهذا.

#### نقاط يجب الإهتمام بها عند التلاجة.

1. يجب نزع القابض. قبل نقل التلاجة بالموصلات يجب تفرغها وتنظيفها.

2. قبل إعادة تعيينتها، يجب تثبيت الأرفف والملحقات والدرج... إلخ، داخل التلاجة بشرط لاصق وتأمينها ضد الصدمات. يجب لف عبوة التلاجة بشرط سميك أو بحبال سليمة ويجب الالتزام بقواعد نقل عبوة التلاجة بصرامة.

3. يجب الحفاظ على العبوة الأصلية و مواد التغليف المصاحبة لأغراض النقل المستقبلية أو الانتقال.

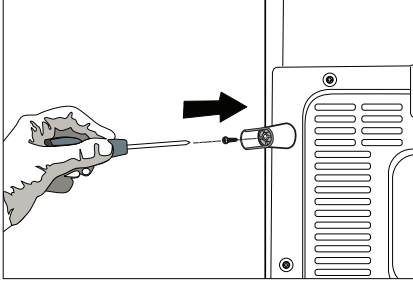
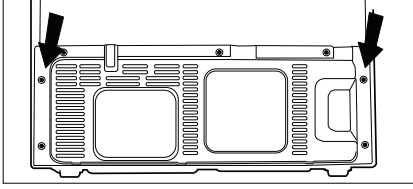
#### قبل بدأ تشغيل التلاجة،

تحقق من التالي قبل بدأ تشغيل التلاجة:

1. أرفق الأسفاين البلاستيكية كما هو موضح أدناه. يتم استخدام الأسفاين البلاستيكية للحفاظ على وجود مسافة والتي ستؤكد على تدوير الهواء بين التلاجة والحائط. (وضعت هذه الصورة كوصف تصويري ولا تتطابق بالكامل مع المنتج الخاص بك.)

2. نظف الجزء الداخلي للتلاجة كما هو موصى به في قسم "الصيانة والتنظيف".

3. قم بتوصيل قابس التلاجة مع مقبس الحائط. عند فتح باب التلاجة، سيضيء المصباح الداخلي.



4. عندما يبدأ المكثف بالعمل، ستسمع صوتًا. قد تؤدي السوائل والغازات المتسربة من جهاز التلاجة إلى إحداث ضوضاء، حتى إن كان جهاز ضغط الهواء لا يعمل وهذا أمر طبيعي.

5. قد يكون ملمس الحواف الأمامية للتلاجة دافئًا. هذا شيء طبيعي. حيث تم تصميم هذه المناطق حتى تكون دافئة تجنبًا للتكثف.

#### التوصيل الكهربائي

صل المنتج بمنفذ توصيل أرضي محمي بمنصهر ذي سعة مناسبة.  
هام:

- يجب أن يتوافق التوصيل مع اللوائح الوطنية.
- يجب أن يكون قابس التيار في مكان يسهل الوصول إليه بعد التركيب.

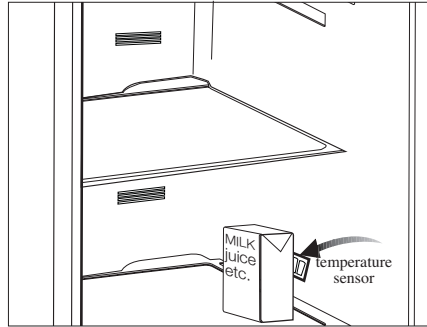
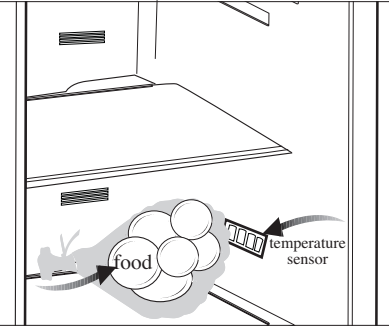
- يمكن ضمان السلامة الكهربائية للتلاجة فقط إذا كان نظام التوصيل الأرضي في منزلك يتوافق مع المعايير.
- جهد التيار الكهربائي المذكور على الملصق الموجود على الجانب الداخلي الأيسر من المنتج يجب أن يكون مساويًا لجهد الشبكة لديك.

- بالنسبة للمنتجات المزودة بمقصورة فريزر، يمكنك تخزين الحد الأقصى من كمية الطعام في الفريزر عندما تقوم بإخراج الرفوف أو الأدراج منه. استهلاك الطاقة المذكورة والخاص بالتلاجة تم تحديده أثناء إخراج الرف والدرج من الفريزر وتحمله بالحد الأقصى للحمولة. ولا توجد خطورة من استخدام الرف أو الدرج وفقاً للأشكال وأحجام الأطعمة المطلوب تجميدها.
- إضاءة الطعام المجمد في مقصورة التلاجة ستوفر الطاقة وتحفظ جودة الطعام.

## توصيات لصندوق الأطعمة الطازجة

### (اختياري)

- لا تجعل الطعام يلامس مستشعر درجة الحرارة داخل صندوق الأطعمة الطازجة. حتى يحتفظ صندوق الأطعمة الطازجة بدرجة الحرارة المثالية، يجب أن لا تعيق الأطعمة المستشعر.
- لا تضع الأطعمة الساخنة داخل المنتج.



- المنتجات المستخدمة. لسلامة الأطفال، اقطع كابل الطاقة واكسر آلية القفل للباب، إن وجدت، حتى لا يمكن استخدامها قبل التخلص من الجهاز.

## التوافق مع توجيهات RoHS:

- يتوافق المنتج الذي قمت بشرائه مع توجيهات RoHS للاتحاد الأوروبي (EU/2011/65). لا يحتوي على مواد ضارة أو محظورة مشار إليها في التوجيهات.

## بيانات التغليف

تم تصنيع مواد التغليف الخاصة بهذا المنتج من مواد قابلة لإعادة التصنيع وفقاً للوائح البيئية المحلية الخاصة بنا. لا تتخلص من مواد التغليف مع النفايات المنزلية أو النفايات الأخرى. بل تخلص منها في نقاط تجميع مواد التغليف المعينة من قبل السلطات المحلية.

لا تنسى...

- يجب عدم التخلص من أية مواد قابلة لإعادة التدوير حفاظاً على الطبيعة وثروة الموارد القومية.
- إذا كانت تريد أن تشارك في إعادة تقييم مواد التعبئة، يمكنك استشارة منظمات البيئة أو المجالس البلدية التي بجوارك.

## تحذير الحرارة والتبريد والتهوية (HC)

إذا كان المنتج مزوداً بنظام تبريد يحتوي على R600a: هذا الغاز قابل للاشتعال. ولذا، يجب توخي الحذر حتى لا يتم إتلاف نظام التبريد والأنابيب أثناء الاستخدام والنقل. في حالة التلف، لا تتخلص من المنتج بإلقائه في النيران، واحتفظ به بعيداً عن مصادر النيران المحتملة والتي يمكن أن تتسبب في نشوب النيران بالمنتج واحرص على تهوية الحجرة التي تحتفظ بالمنتج فيها.

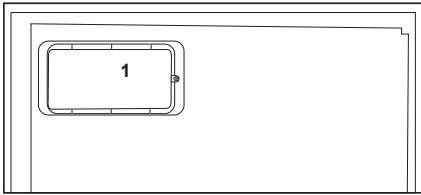
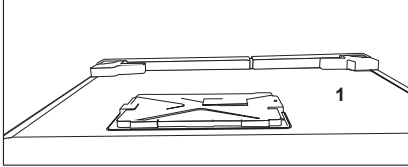
إذا كان المنتج مزوداً بنظام تبريد يحتوي على R134a: نوع الغاز المستخدم في هذا المنتج مذكور على ملصق النوع الموجودة على الجانب الأيسر الداخلي للتلاجة. لا تتخلص من المنتج مطلقاً بإلقائه في النيران.

## أشياء يجب عملها لتوفير الطاقة

- لا تترك أبواب التلاجة مفتوحة لفترة طويلة.
- لا تضع الأطعمة أو الخضروات الساخنة في التلاجة.
- لا تبريد حمل التلاجة بحيث لا تمنع دورة الهواء داخلها.
- لا تترك التلاجة تحت أشعة الشمس المباشرة أو بالقرب من أجهزة تنبعت من حرارة مثل الفرن أو غسالة الأطباق أو المشع. يجب وضع التلاجة على بعد 30 سم على الأقل من مصادر الحرارة المنبعثة وعلى الأقل 5 سم من المواقد الكهربائية.
- يجب وضع الطعام في علب مغلقة.



- كحد أدنى و100 ف (38 م) كحد أقصى.
- لا تستخدم الجهاز إذا كان القسم الموجود على سطح الجهاز أو على ظهره الذي يحوي ألواح إلكترونية مطبوعة في الداخل مفتوحاً (غطاء
- وح الدائرة الإلكترونية المطبوعة) (1).



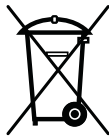
### تأمين سلامة الأطفال

- إذا كان الباب مزوداً بقلع، فينبغي الاحتفاظ بالمفتاح بعيداً عن متناول الأطفال.
- يجب رقابة الأطفال حتى لا يعبتوا بالمنتج.

### متوافق مع تشريعات WEEE في التخلص من المنتجات التالفة.

هذا الجهاز لا يحتوي على مواد مؤذية أو محرمة من تلك المشار إليها في "تشريعات الرقابة على نفايات الأجهزة الكهربائية والإلكترونية" المصدرة من وزارة البيئة وتخطيط المدن التركية. متوافق مع تشريعات WEEE.

تم تصنيع هذا الجهاز بأجزاء ومواد عالية الجودة يمكن إعادة استخدامها وهي مناسبة لإعادة التدوير. وعلى ذلك، لا تتخلص من الجهاز مع النفايات المنزلية العادية في نهاية فترة حياته. عليك أخذه إلى نقطة التجميع لإعادة تدوير المعدات الكهربائية والإلكترونية. يرجى



التشاور مع السلطات المحلية لمعرفة أقرب نقطة تجميع. ساعد في حماية البيئة والموارد الطبيعية عبر إعادة تدوير

- ينبغي عدم نثر الماء على الأجزاء الداخلية أو الخارجية للثلاجة لنوعي السلامة.
- لا ترش مواد قابلة للاشتعال مثل غاز البروبين بالقرب من الثلاجة بسبب مخاطر نشوب النيران والانفجار.
- لا تضع أشياء مملوئة بالماء أعلى الثلاجة، ففي حالة إنسكابها، فقد تؤدي إلى صدمة كهربية أو نشوب حريق.
- لا تزيد من حمولة الثلاجة بالأطعمة. إذا كانت الثلاجة بها حمل زائد، فقد يسقط الطعام ويصيبك ويتلف الثلاجة عند فتح الباب.
- لا تضع أشياء ثقيلة أعلى الثلاجة حيث قد تقع عند فتح باب الثلاجة أو غلقه.
- ينبغي عدم حفظ المنتجات التي تحتاج إلى تحكم دقيق في درجات الحرارة (الأمصال أو الأدوية ذات الحساسية للحرارة أو المواد العلمية أو ما شابه) في الثلاجة.
- إذا لن يتم استخدام الثلاجة لفترة طويلة، فيجب فصلها عن التيار الكهربائي. قد تتسبب أي مشكلة في عزل الكابل في نشوب حريق.
- من الممكن أن تتحرك الثلاجة إذا لم يتم تثبيتها بإحكام على الأرض. يمكن للأقدام القابلة للضبط المثبتة بإحكام على الأرض أن تثبت الثلاجة في مكانها ولا تتحرك.
- عند حمل الثلاجة، لا تمسكها من مقبض الباب. وإلا فيكسر.
- يجب أن يكون ضغط مدخل الماء البارد 90psi كحد أقصى (6.2 بار). إذا تجاوز ضغط الماء (5.5 80 psi بار)، استخدم صمام حد الضغط في نظامك الرئيسي.
- إذا كنت لا تعلم كيف تفحص ضغط الماء الخاص بك، اطلب المساعدة من سمكري متخصص.
- إذا ظهر خطر تأثير الطرق المائي أثناء التركيب، استخدم معدات منع الطرق المائي في التركيب دائماً. استشر سمكري متخصص إن لم تكن متأكدًا من عدم وجود تأثير للطرق المائي في التركيب.
- لا تركبه على مدخل الماء الساخن. يجب أخذ الحيطة من خطر تجمد الخرطوم. يجب أن تكون درجة حرارة الماء 33 ف (0.6 م)

إذا كان نظام التوصيل الأرضي في منزلك يتوافق مع المعايير.

إن تعريض الجهاز للأمطار و الثلج و الشمس و الرياح يمثل خطورة فيما يتعلق بالسلامة الكهربائية.

اتصل بفني خدمة مؤهل في حالة وجود تلف بكابلات الطاقة لتجنب المخاطر.

لا تقم بتوصيل التلاجة بمنفذ الحائط أبداً أثناء عملية التركيب. وإلا، فهناك خطر أن تلقى مصراعك أو تلتحق بك إصابة خطيرة.

تم تصميم هذه التلاجة فقط لحفظ الطعام. يجب ألا تستخدم لأية أغراض أخرى.

يوجد ملصق التصنيف الذي يحتوي على المواصفات الفنية للمنتج في الجزء الأيسر الداخلي للتلاجة.

لا تصل التلاجة بأي نظم إلكترونية لتوفير الطاقة فقد يتلف المنتج.

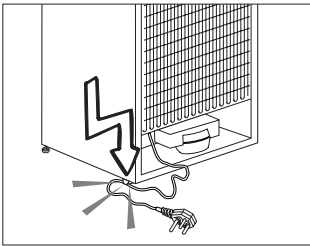
إذا كانت التلاجة بها لون أزرق، فلا تنظر إلى اللون الأزرق من خلال أجهزة بصرية.

إذا كان هناك ضوء أزرق على التلاجة، لا تنظر إليه بالعين المجردة أو بالأدوات البصرية لفترة طويلة.

ينبغي تسليم دليل التشغيل هذا إلى المالك الجديد للتلاجة عند بيعها للآخرين.

تجنب تلف كابلات الطاقة أثناء نقل التلاجة. قد يتسبب الكابلات المثني في نشوب حريق. لا تضع أي أشياء ثقيلة على كابلات الطاقة.

لا نعلم بلمس القابس بأيدي مبتلة عند توصيل قابس التلاجة.



تصل التلاجة إذا كان منفذ التيار الكهربائي غير محكم.

كوسيلة دعم أو للوقوف عليه.

لا تستخدم أي أجهزة كهربائية داخل التلاجة.

لا تتلف الأجزاء حيث يتم تدوير الهواء البارد بأدوات حفر أو قطع. فقد ينفجر المبرد عند ثقب قنوات الغاز أو المبخر أو وصلات

الأنابيب أو طلاءات السطح، وقد يتسبب ذلك في حدوث اعتلال للجلد وإصابات للعين.

لا تغط فتحات تهوية التلاجة أو تسدها بأي مواد.

يجب إجراء الإصلاحات بواسطة شخص مؤهل فقط. فعمليات الإصلاح التي يقوم بها أشخاص غير مؤهلين قد تمثل خطورة على المستخدم.

في حالة وقوع أي عطل أو أثناء أي عملية صيانة أو أعمال إصلاح، افصل التلاجة عن مصدر التيار الكهربائي الرئيسي إما بإغلاق المنصهر المعني أو بنزع قابس التيار الكهربائي الخاص بالجهاز.

لا تجذب الكابل - بل اجذب من المقبس.

تحقق من أن المشروبات الكحولية مخزنة بشكل آمن، محكمة الإغلاق و في وضع رأسي.

يجب عدم الاحتفاظ في التلاجة بالمواد القابلة للاشتعال أو المنتجات التي تحتوي على غازات قابلة للاشتعال (مثل الإسبراي) وكذلك المواد القابلة للانفجار.

يجب عدم استخدام أدوات ميكانيكية أو أية وسائل أخرى للتسريع من عملية إزالة التجميد، بخلاف الأدوات التي توصي بها الجهة المصنعة.

هذا الجهاز غير مُعد للاستخدام بواسطة الأفراد (بما في ذلك الأطفال) ذوي القدرات الجسدية والحسية والذهنية المحدودة، أو الأفراد الذين يفتقرون للخبرة والمعرفة ما لم يتم الإشراف عليهم أو إعطائهم تعليمات استخدام الجهاز بواسطة شخص مسؤول عن سلامتهم أو الشخص الذي سيقوم بإعطائهم التعليمات الخاصة باستخدام المنتج.

لا تقم بتشغيل التلاجة وهي تالفة. استشر مركز الصيانة إذا لديك أي شك.

يمكن ضمان السلامة الكهربائية للتلاجة فقط

هذا الجهاز مصمم للاستخدام المنزلي والتطبيقات المماثلة مثل

- مناطق كادر الطبخ في المتاجر والمكاتب وبيئات العمل الأخرى؛
- المزارع و النزلاء في الفنادق وفنادق الطرق والبيئات السكنية المماثلة؛ أماكن المبيت والإفطار؛

- أماكن المبيت والإفطار؛
- عمليات التموين والتطبيقات المماثلة في غير محلات التجزئة.

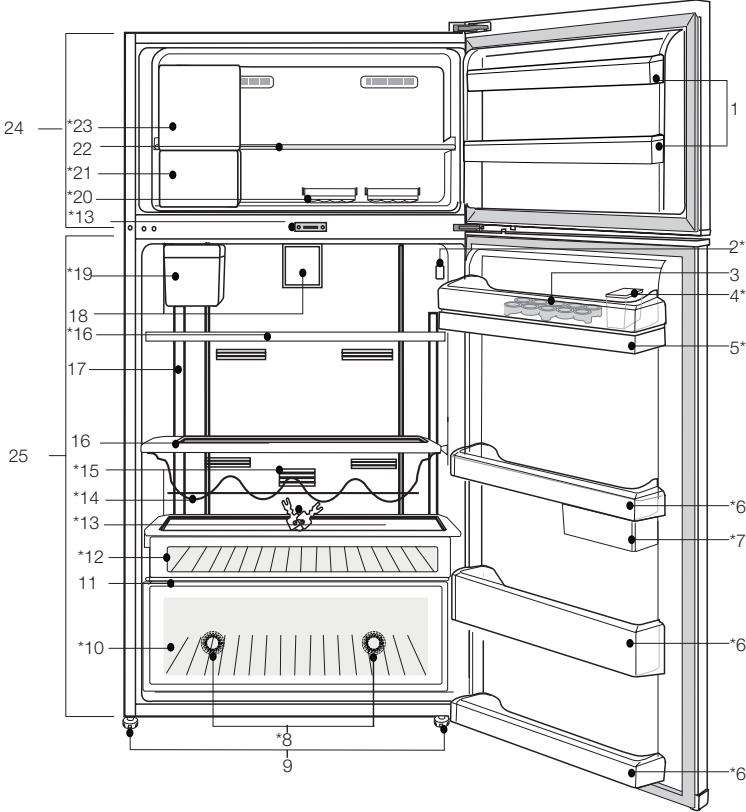
### السلامة العامة

- إذا أردت التخلص من الجهاز، فيوصى باستشارة مركز الصيانة المعتمد لمعرفة المعلومات المطلوبة والهيئات المعتمدة.
- استشر مركز الصيانة المعتمد حول كل الاستفسارات والمشكلات المتعلقة بالثلاجة. لا تتدخل ولا تدع أحدًا يتدخل في صيانة الجهاز دون إخبار مراكز الصيانة المعتمدة.
- بالنسبة للمنتجات المزودة بمقصورة فريزر، لا تأكل بسكويت الأيس كريم ومكعبات الثلج مباشرة بعد إخراجها من صندوق الفريزر. (فقد يسبب هذا لسعة صقيع داخل فمك.)
- بالنسبة للمنتجات المزودة بمقصورة فريزر، لا تضع المشروبات الساخنة المغلية أو الموضوع في زجاجات في صندوق الفريزر. وإلا، فقد تنفجر.
- لا تلمس الطعام المجمد باليد، فقد يلتصق بيدك.
- افصل قليب التيار الكهربائي قبل تنظيف الثلاجة أو إزالة الثلج.
- لا يجب استخدام البخار أو مواد التنظيف بالبخار أبدًا في تنظيف أو عمليات إزالة الثلج من الثلاجة. ففي مثل هذه الحالة، قد يتفاعل البخار مع القطع الكهربائية ويؤدي إلى قطع التيار الكهربائي أو وقوع صدمة كهربائية.
- لا تستخدم مطلقًا قطع الثلجة، مثل الباب

- يرجى فحص المعلومات التالية. ربما يؤدي الإخفاق في اتباع هذه المعلومات إلى إصابات أو تلف للممتلكات. ومن ثم، قد تصبح كل التزامات الفعالية والضمان غير سارية.
- سيتم توفير قطع غيار أصلية لمدة 10 أعوامًا، بعد تاريخ الشراء المنتج.

### الغرض المخصص

تحذير: حافظ على فتحات التهوية في تجويف الجهاز أو في البنية المدمجة خالية من الانسداد.	⚠
تحذير: لا تستخدم الأجهزة الميكانيكية أو الوسائل الأخرى لتسريع عملية إزالة الصقيع. غير تلك التي يوصي بها المصنع.	⚠
تحذير: لا تلتف الدائرة الكهربائية لمادة التبريد.	⚠
تحذير: لا تستخدم الأجهزة الكهربائية في حجرة المؤن في الجهاز إلا إذا كانت من النوع الذي يوصي بها المصنع.	⚠
تحذير: لا تقيم بتخزين المواد المتفجرة مثل علب الهباء الجوي مع بالوقود قابل للاشتعال في هذا الجهاز	⚠



- |   |                               |
|---|-------------------------------|
| 14. رف الزجاجات                                 | 1. ارفف باب مقصورة الفريزر    |
| 15. فلتر الروائح                                | 2. مؤشر إعدادات درجة الحرارة  |
| 16. ارفف زجاجية لمقصورة الثلاجة                 | 3. الجزء الخاص بالبيض         |
| 17. زجاج الإضاءة                                | 4. خزان تعبئة موزع المياه     |
| 18. مروحة                                       | 5. صهريج توزيع المياه         |
| 19. خزان المياه نو التجميد التلقائي             | 6. ارفف باب مقصورة الثلاجة    |
| 20. صندوق الثلج                                 | 7. حاويات تخزين دوارة ومنزلقة |
| 21. رف تخزين الثلج                              | 8. مصباح أزرق                 |
| 22. رف صندوق الفريزر الزجاجي                    | 9. أقدام قابلة للضبط          |
| 23. جهاز صنع الآيس كريم / مقصورة التجميد السريع | 10. درج                       |
| 24. مقصورة الفريزر                              | 11. غطاء الدرج                |
| 25. مقصورة الثلاجة                              | 12. مقصورة الإفطار            |
| (اختياري)                                       | 13. مفتاح                     |

① الأشكال الواردة في دليل التعليمات هذا هي رسومات بيانية وقد لا تتطابق تماماً مع المنتج. إذا لم تكن هذه القطع واردة في هذا الجهاز الذي اشتريته، فإنها مناسبة لأنواع أخرى.

**1 ثلاجتك****3****5 استخدام ثلاجتك****12**

- لوحة المؤشر ..... 12
- زر ضبط درجة الحرارة ..... 22
- ضبط درجة حرارة الثلاجة ..... 22
- نظام التبريد المزدوج ..... 22
- توصيات المحافظة على الأطعمة المجمدة ..... 23
- الجزء الخاص بالبيض ..... 24
- إزالة الثلج ..... 24
- وضع الطعام ..... 24
- معلومات التجميد العميق ..... 24
- وصف فلتر الروائح وتنظيفه ..... 25
- وحدة توزيع المياه ..... 26
- مصباح أزرق ..... 28
- صناديق التخزين المائلة ..... 28
- صندوق التخزين الدوار ..... 29
- التجميد التلقائي ..... 30
- وحدة صنع الثلج وصندوق تخزين الثلج ..... 31
- عمل مكعبات الثلج ..... 32
- درج التحكم بالرطوبة (دائمًا طازج) ..... 32
- جهاز الأيس كريم ..... 33

**6 الصيانة والتنظيف****35**

- حماية الأسطح البلاستيكية ..... 35

**7 حلول مقترحة للمشكلات****36****2 تحذيرات السلامة المهمة****4**

- الغرض المخصص ..... 4
- السلامة العامة ..... 4
- تأمين سلامة الأطفال ..... 6
- متوافق مع تشريعات WEEE في التخلص من  
المنتجات التالفة ..... 6
- التوافق مع توجيهات RoHS: ..... 7
- بيانات التغليف ..... 7
- تحذير الحرارة والتبريد والتهوية (HC) ..... 7
- أشياء يجب عملها لتوفير الطاقة ..... 7
- توصيات لصندوق الأطعمة الطازجة ..... 7

**3 التركيب****8**

- نقاط يجب الإهتمام بها عند الثلاجة ..... 8
- قبل بدأ تشغيل الثلاجة، ..... 8
- التوصيل الكهربائي ..... 8
- التخلص من عبوة المنتج ..... 9
- التخلص من الثلاجة القديمة ..... 9
- الوضع والتركيب ..... 9
- ضبط أقدام الثلاجة ..... 10
- تغيير مصباح الإضاءة ..... 10
- تحذير فتح الباب ..... 10

**4 الإعداد****11**

## يرجى قراءة دليل المستخدم هذا أولاً!

عملينا العزيز،

نأمل أن هذا المنتج والذي تم إنتاجه في مصانع حديثة وفحصه بإجراءات صارمة لرقابة الجودة سيقدّم لكم خدمة فعّالة. لذا، اقرأ دليل المستخدم بالكامل بعناية قبل استخدام المنتج واحتفظ به كمرجع. إذا قمت بإعطاء المنتج لشخص آخر، فقم بإعطائه دليل المستخدم كذلك.

- سيساعدك على استخدام المنتج بسرعة وبطريقة مأمونة.
  - يرجى قراءة هذا الدليل قبل تركيب المنتج وتشغيله.
  - تأكّد من قراءة تعليمات السلامة.
  - احتفظ بهذا الدليل في مكان يسهل الوصول إليه عند الحاجة إليه في المستقبل.
  - اقرأ المستندات الأخرى المرفقة مع المنتج.
- تذكر أن دليل المستخدم هذا ينطبق على العديد من الموديلات الأخرى. سوف يتم تحديد الاختلافات بين الموديلات في هذا الدليل.

### شرح الرموز

يتم استخدام الرموز التالية في هذا الدليل:

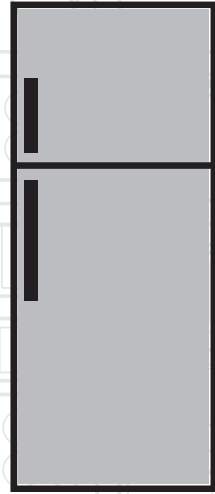
❗ معلومات هامة وتلميحات مفيدة.

⚠ التحذير ضد الظروف الخطرة على الحياة والممتلكات.

⚡ تحذير ضد الفولتية الكهربائية.

# الثلجة

## دليل المستخدم



AR

**beko**



57 3057 0000/AN

EN-AR



[www.beko.com](http://www.beko.com)