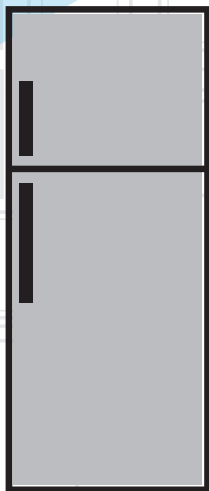


Refrigerator

الثلاجة



RDNE430K12S
RDNE500E12DS
RDNE505E10ZGB
RDNE535E12DPT

RDNE455K21B
RDNE455K21S
RDNE448K21B
RDNE430K12B

RDNE448K21S
RDNE420K21PX

EN | AR |

beko

Please read this user manual first!

Dear Customer,

We hope that your product, which has been produced in modern plants and checked under the most meticulous quality control procedures, will provide you an effective service.

Therefore, read this entire user manual carefully before using the product and keep it as a reference. If you handover the product to someone else, give the user manual as well.

The user manual will help you use the product in a fast and safe way.

- Read the manual before installing and operating the product.
- Make sure you read the safety instructions.
- Keep the manual in an easily accessible place as you may need it later.
- Read the other documents given with the product.

Remember that this user manual is also applicable for several other models. Differences between models will be identified in the manual.

Explanation of symbols

Throughout this user manual the following symbols are used:





	Important information or useful hints.
	Risk of injury and damage to the property.
	Risk of electric shock.
	Packaging materials of the product are manufactured from recyclable materials in accordance with our National Environment Regulations.

Contents

1. Safety and environment instructions	3	5.7. Twist Ice - matic	23
1.1. General safety	3	5.8. Ice container	24
1.1.1 HC warning	5	5.9. Egg holder	24
1.1.2 For models with water dispenser	5	5.10. Fan	24
1.2. Intended use	5	5.11. Crisper	24
1.3. Child safety	5	5.12. Chiller compartment	24
1.4. Compliance with WEEE Directive and Disposing of the Waste Product	6	5.13. Moving door shelf	25
1.5. Compliance with RoHS Directive	6	5.14. Sliding storage container	25
1.6. Package information	6	5.15. Blue light	25
2 Your appliance	7	5.16. Humidity controlled crisper	26
3 Installation	8	5.17. Auto Icematic	26
3.1. Appropriate installation location	8	5.18. Description and cleaning of odor filter	27
3.2. Installing the plastic wedges	8	5.19. Using the water dispenser	28
3.3. Adjusting the feet	9	5.20. Using the water dispenser	28
3.4. Electrical connection	9	5.21. Filling the water dispenser's tank	29
3.5. Reversing the doors	10	5.22. Cleaning the water tank	30
3.6. Reversing the doors	11	5.23. Drip tray	31
4 Preparation	12	5.24. Freezing fresh food	32
4.1. Things to be done for energy saving	12	5.25. Recommendations for preserving the frozen food	33
4.2. Initial use	12	5.26. Deep-freeze information	33
5 Operating the product	13	5.27. Placing the food	33
5.1. Temperature setting button	13	5.28. Door open warning	33
5.2. Fast freeze	13	5.29. Changing the door opening direction	34
5.3. Vacation function	14	5.30. Illumination lamp	34
5.4. Indicator panel	15	6 Maintenance and cleaning	35
5.5. Indicator panel	17	6.1. Avoiding bad odors	35
5.6. HerbBox/HerbFresh	22	6.2. Protecting the plastic surfaces	35
		6.3. Door Glasses	35
		7. Troubleshooting	36

This section provides the safety instructions necessary to prevent the risk of injury and material damage. Failure to observe these instructions will invalidate all types of product warranty.

Intended use

	<p>WARNING: Keep ventilation openings, in the appliance enclosure or in the built-in structure, clear of obstruction.</p>
	<p>WARNING: Do not use mechanical devices or other means to accelerate the defrosting process, other than those recommended by the manufacturer.</p>
	<p>WARNING: Do not damage the refrigerant circuit.</p>
	<p>WARNING: Do not use electrical appliances inside the food storage compartments of the appliance, unless they are of the type recommended by the manufacturer.</p>

This appliance is intended to be used in household and similar applications such as

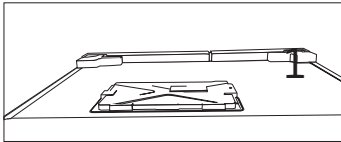
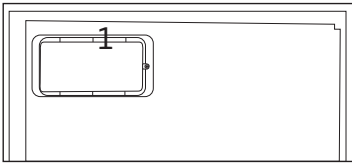
- staff kitchen areas in shops, offices and other working environments;

- farm houses and by clients in hotels, motels and other residential type environments;
- bed and breakfast type environments;
- catering and similar non-retail applications.

1.1. General safety

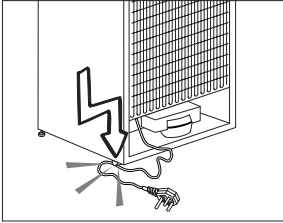
- This product should not be used by persons with physical, sensory and mental disabilities, without sufficient knowledge and experience or by children. The device can only be used by such persons under supervision and instruction of a person responsible for their safety. Children should not be allowed to play with this device.
- In case of malfunction, unplug the device.
- After unplugging, wait at least 5 minutes before plugging in again.
- Unplug the product when not in use.
- Do not touch the plug with wet hands! Do not pull the cable to plug off, always hold the plug.
- Do not plug in the refrigerator if the socket is loose.
- Unplug the product during installation, maintenance, cleaning and repair.
- If the product will not be used for a while, unplug the product and remove any food inside.
- Do not use the product when the compartment with circuit cards located on the upper back part of the product (electrical card box cover) (1) is open.

Instructions for safety and environment



- Do not use steam or steamed cleaning materials for cleaning the refrigerator and melting the ice inside. Steam may contact the electrified areas and cause short circuit or electric shock!
- Do not wash the product by spraying or pouring water on it! Danger of electric shock!
- In case of malfunction, do not use the product, as it may cause electric shock. Contact the authorised service before doing anything.
- Plug the product into an earthed socket. Earthing must be done by a qualified electrician.
- If the product has LED type lighting, contact the authorised service for replacing or in case of any problem.
- Do not touch frozen food with wet hands! It may adhere to your hands!
- Do not place liquids in bottles and cans into the freezer compartment. They may explode.
- Place liquids in upright position after tightly closing the lid.
- Do not spray flammable substances near the product, as it may burn or explode.
- Do not keep flammable materials and products with flammable gas (sprays, etc.) in the refrigerator.
- Do not place containers holding liquids on top of the product. Splashing water on an electrified part may cause electric shock and risk of fire.
- Exposing the product to rain, snow, sunlight and wind will cause electrical danger. When relocating the product, do not pull by holding the door handle. The handle may come off.
- Take care to avoid trapping any part of your hands or body in any of the moving parts inside the product.
- Do not step or lean on the door, drawers and similar parts of the refrigerator. This will cause the product to fall down and cause damage to the parts.
- Take care not to trap the power cable.

Instructions for safety and environment



1.1.1 HC warning

If the product comprises a cooling system using R600a gas, take care to avoid damaging the cooling system and its pipe while using and moving the product. This gas is flammable. If the cooling system is damaged, keep the product away from sources of fire and ventilate the room immediately.



1.1.2 For models with water dispenser

- Pressure for cold water inlet shall be maximum 90 psi (620 kPa). If your water pressure exceeds 80 psi (550 kPa), use a pressure limiting valve in your mains system. If you do not know how to check your water pressure, ask for the help of a professional plumber.
- If there is risk of water hammer effect in your installation, always use a water hammer prevention equipment in your installation. Consult

Professional plumbers if you are not sure that there is no water hammer effect in your installation.

- Do not install on the hot water inlet. Take precautions against the risk of freezing of the hoses. Water temperature operating interval shall be 33°F (0.6°C) minimum and 100°F (38°C) maximum.
- Use drinking water only.

1.2. Intended use

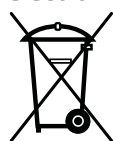
- This product is designed for home use. It is not intended for commercial use.
 - The product should be used to store food and beverages only.
 - Do not keep sensitive products requiring controlled temperatures (vaccines, heat sensitive medication, medical supplies, etc.) in the refrigerator.
 - The manufacturer assumes no responsibility for any damage due to misuse or mishandling.
 - Original spare parts will be provided for 10 years, following the product purchasing date.
- ## 1.3. Child safety
- Keep packaging materials out of children's reach.
 - Do not allow the children to play with the product.

Instructions for safety and environment

- If the product's door comprises a lock, keep the key out of children's reach.

1.4. Compliance with WEEE Directive and Disposing of the Waste Product

This product complies with EU WEEE Directive (2012/19/EU). This product bears a classification symbol for waste electrical and electronic equipment (WEEE).



This product has been manufactured with high quality parts and materials which can be reused and are suitable for recycling.

Do not dispose of the waste product with normal

domestic and other wastes at the end of its service life. Take it to the collection center for the recycling of electrical and electronic equipment. Please consult your local authorities to learn about these collection centers.

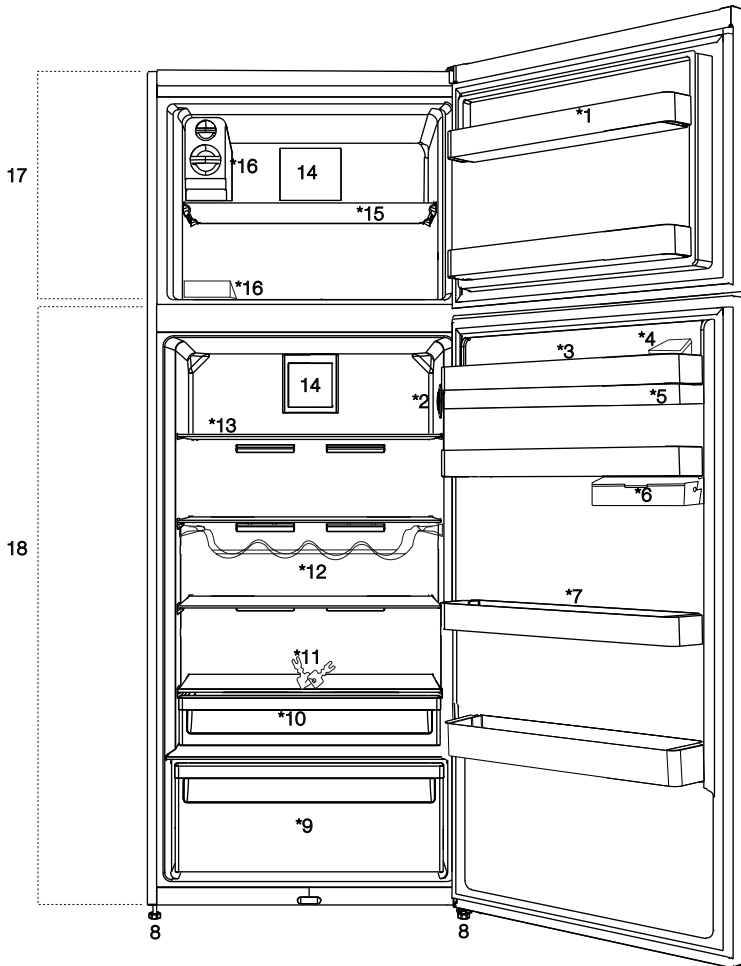
1.5. Compliance with RoHS Directive

- This product complies with EU WEEE Directive (2011/65/EU). It does not contain harmful and prohibited materials specified in the Directive.

1.6. Package information

Packaging materials of the product are manufactured from recyclable materials in accordance with our National Environment Regulations. Do not dispose of the packaging materials together with the domestic or other wastes. Take them to the packaging material collection points designated by the local authorities.

2 Your appliance



1. Fridge - compartment door shelf
2. Temperature setting button
3. Water dispenser filling tank
4. Egg section
5. Water dispenser reservoir
6. Storage container under the door shelf
7. Moving door shelf
8. Adjustable feet
9. Crisper
10. Chiller compartment
11. Lock and key
12. Bottle shelf
13. Fridge - compartment glass shelf
14. Fan
15. Freezer compartment shelf
16. Icebox / Ice-making compartment
17. Freezer compartment
18. Fridge compartment



***optional:** Figures in this user manual are given as an example and may not match the product exactly. If the relevant parts are not available in the product you purchased, the figure applies to other models.

3.1. Appropriate installation location

Contact an Authorized Service for the installation of the product. In order to prepare the product for use, refer the information in the user manual and ensure that electrical installation and water installation are appropriate. If not, call a qualified electrician and technician to have any necessary arrangements carried out.



WARNING: Manufacturer shall not be held liable for damages that may arise from procedures carried out by unauthorized persons.



WARNING: Product must not be plugged in during installation. Otherwise, there is the risk of death or serious injury!



WARNING: If the door clearance of the room where the product shall be placed is so tight to prevent passing of the product, remove the door of the room and pass the product through the door by turning it to its side; if this does not work, contact the authorized service.

- Place the product on an even floor surface to prevent jolts.
- Install the product at least 30 cm away from heat sources such as hobs, heater cores and stoves and at least 5 cm away from electrical ovens.
- Product must not be subjected to direct sun light and kept in humid places.
- Appropriate air ventilation must be provided around your product in order to achieve an efficient operation. If the product is to be placed in a recess in the wall, pay attention to leave at least 5 cm distance with the ceiling and side walls.

- Do not install the product in places where the temperature falls below -5°C .

3.2. Installing the plastic wedges

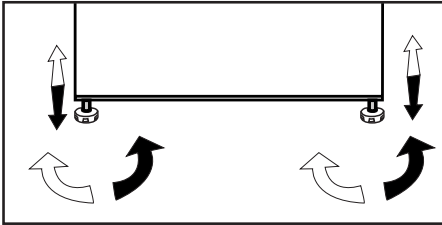
Plastic wedges supplied with the product are used to create the distance for the air circulation between the product and the rear wall.

1. To install the wedges, remove the screws on the product and use the screws supplied together with the wedges.
2. Insert the 2 plastic wedges onto the rear ventilation cover as illustrated in the figure.

Installation

3.3. Adjusting the feet

If the product stands unbalanced after installation, adjust the feet on the front by rotating them to the right or left.



Hot Surface Warning!
Side walls of your product is equipped with refrigerant pipes to improve the cooling system. Refrigerant with high temperatures may flow through these areas, resulting in hot surfaces on the side walls. This is normal and does not need any servicing. Please pay attention while touching these areas.

3.4. Electrical connection



WARNING: Do not make connections via extension cables or multi-plugs.



WARNING: Damaged power cable must be replaced by the Authorized Service Agent.



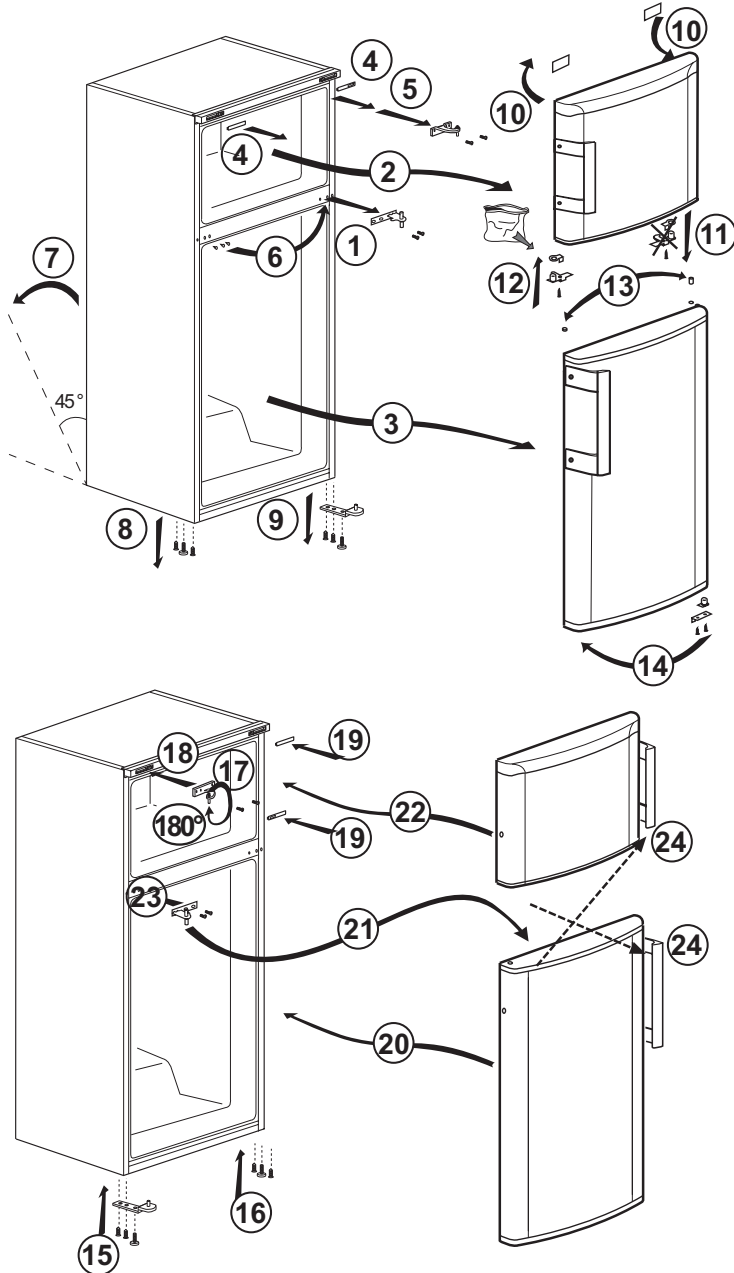
If two coolers are to be installed side by side, there should be at least 4 cm distance between them.

- Our company shall not be liable for any damages that will arise when the product is used without grounding and electrical connection in accordance with the national regulations.
- Power cable plug must be within easy reach after installation.
- Do not extension cords or cordless multiple outlets between your product and the wall outlet.

Installation

3.5.Reversing the doors

Proceed in numerical order .



4

Preparation

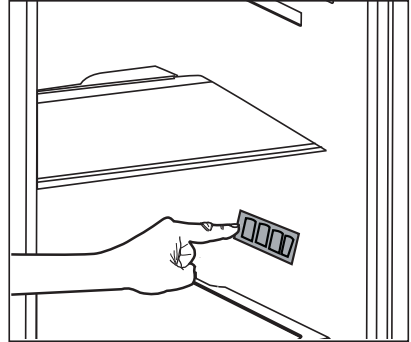
4.1. Things to be done for energy saving



Connecting the product to electric energy saving systems is risky as it may cause damage on the product.

- Do not leave the doors of your refrigerator open for a long time.
- Do not put hot food or drinks in your refrigerator.
- Do not overload the refrigerator, cooling capacity will fall when the air circulation inside is hindered.
- In order to store maximum amount of food in the freezer compartment, the icematic, available in the freezer compartment and easily removable by hand, shall be taken out. Net volume and energy consumption values declared on the power data plate of your refrigerator are measured and tested by removing the icematic. Do not remove the shelves inside the freezer compartment and on the door of freezer compartment shall not be removed and they shall always be used they provide ease of use and efficiency in energy consumption.
- Airflow should not be blocked by placing foods on the sides of the freezer compartment fan. A minimum distance of 3 cm shall be provided on the sides of protective fan cover.
- The baskets/drawers that are provided with the chill compartment must always be in use for low energy consumption and for better storage conditions.
- Food contact with the temperature sensor in the freezer compartment may increase energy consumption of the appliance. Thus any contact with the sensor(s) must be avoided.

- Depending on the features of your product, thawing frozen food in fridge compartment will both provide energy saving and preserve the food quality.



- Do not allow contact of the food with the fridge compartment temperature sensor shown in the figure below.

4.2. Initial use

Before starting to use your refrigerator, ensure that all preparations are made in accordance with the instructions in sections "Instructions for safety and environment" and "Installation".

- Run the product without putting any food for 6 hours and do not open its door unless certainly required.



You will hear a noise when the compressor starts up. The liquids and gases sealed within the refrigeration system may also give rise to noise, even if the compressor is not running and this is quite normal.



Front edges of the product may feel warm. This is normal. These areas are designed to be warm to avoid condensation.



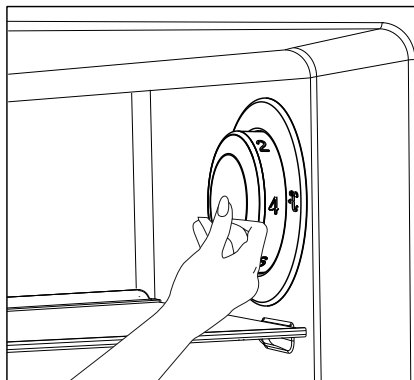
In some models, the instrument panel automatically turns off 5 minutes after the door has closed. It will be reactivated when the door has opened or pressed on any key.

5 Operating the product

5.1. Temperature setting button

The interior temperature of your refrigerator changes for the following reasons;

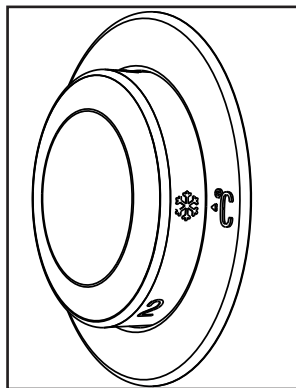
- Seasonal temperatures,
- Frequent opening of the door and leaving the door open for long periods,
- Food put into the refrigerator without cooling down to the room temperature,
- The location of the refrigerator in the room (e.g. exposing to sunlight),
- You may adjust the varying interior temperature due to such reasons by using the setting button.
- The numbers around the control knob indicate the temperature values in "°C".
- If the ambient temperature is 25°C, we recommend you to use the temperature control knob of your refrigerator at 4°C. This value may be increased or decreased as required in other ambient temperatures.



5.2. Fast freeze

If large amounts of fresh food are going to be frozen, adjust the temperature control knob to (❄️) max. 24 hours before putting the fresh food in the fast freeze compartment.

It is strongly recommended to keep the knob at this position at least 24 hours to freeze maximum amount of fresh food declared as freezing capacity. Take special care not to mix frozen food and fresh food.



***Optional:** Figures in this user manual are schematic and may not match the product exactly. If the subject parts are not included in the product you have purchased, then those parts are valid for other models.

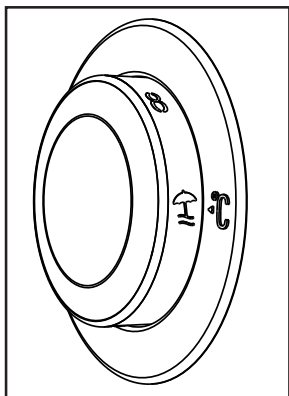
Operating the product

Remember to turn the temperature control knob back to its previous position once food has frozen.

5.3. Vacation function

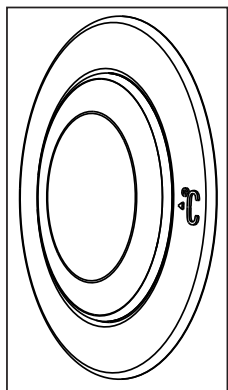
If the doors of the product are not opened for 12 hours after the temperature control knob is switched to the hottest position, then the vacation function will be activated automatically.

- When the setting operation is completed, you may press the temperature control knob and have it hidden.



To cancel the function, change the knob setting.

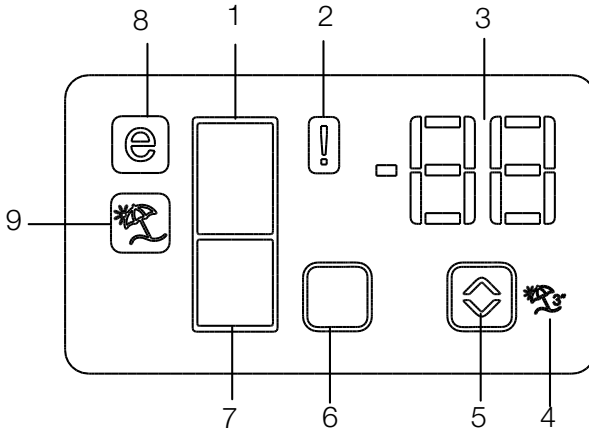
It is not recommended to store food in cooler compartment when the vacation function is active.



Operating the product

5.4. Indicator panel

Indicator panels may vary according to the product model. Audio - visual functions on the indicator panel helps you in using your product.



1. Fridge Compartment Indicator
2. Error status indicator
3. Temperature indicator
4. Vacation function button
5. Temperature setting button
6. Compartment selection button
7. Freezer compartment indicator
8. Economy mode indicator
9. Vacation function indicator

***optional**



***Optional:** Figures in this user manual are schematic and may not match the product exactly. If the subject parts are not included in the product you have purchased, then those parts are valid for other models.

Operating the product

1. Fridge compartment indicator

Fridge compartment light is illuminated while the fridge compartment temperature is set.

2. Error status indicator

If your refrigerator does not perform enough cooling or in case of a sensor fault, this indicator is activated.

When this indicator is activated, "E" is displayed on the freezer compartment temperature indicator, and numbers such as "1,2,3..." are displayed on the fridge compartment temperature indicator. These numbers on the indicator inform service personnel about the error.

3. Temperature indicator

Indicates freezer, fridge compartment temperature.

4. Vacation function button

Press on Vacation Button for 3 seconds to activate this function. When the vacation function is activated, "- -" is displayed on the fridge compartment temperature indicator and no active cooling is performed on the fridge compartment. It is not suitable to keep the food in the fridge compartment when this function is activated. Other compartments shall be continued to be cooled as per their set temperature.

To cancel this function press **Vacation** button again.

5. Temperature setting button

Changes the temperature of the relevant compartment between -24°C... -18°C and 8°C...1°C.

6. Compartment selection button

Selection button: Press compartment selection button to switch between fridge and freezer compartments.

7. Freezer compartment indicator

Fridge compartment light is illuminated while the freezer compartment temperature is set.

8. Economy mode indicator

Indicates that the refrigerator operates in energy saving mode. This display shall be activated if the freezer compartment temperature is set to -18°C.

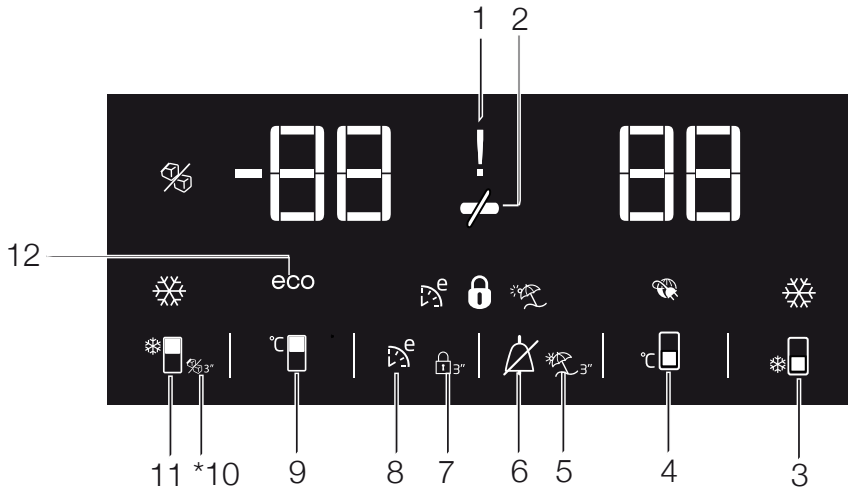
9. Vacation function indicator

Indicates that vacation is activated.

Operating the product

5.5. Indicator panel

Indicator panel allows you to set the temperature and control the other functions related to the product without opening the door of the product. Just press the inscriptions on relevant buttons for function settings.



1. Power failure/High temperature / error warning indicator

This indicator (1) illuminates during power failure, high temperature failures and error warnings. During sustained power failures, the highest temperature that the freezer compartment reaches will flash on the digital display. After checking the food located in the freezer compartment (2) press the alarm off button to clear the warning.

2. Energy saving function (display off):

If the product doors are kept closed for a long time energy saving function is automatically activated and energy saving symbol is illuminated. (3)

When energy saving function is activated, all symbols on the display other than energy saving symbol will turn off. When the Energy Saving function is activated, if any button is pressed or the door is opened, energy saving function will be canceled and the symbols on display will return to normal.



***Optional:** Figures in this user manual are schematic and may not match the product exactly. If the subject parts are not included in the product you have purchased, then those parts are valid for other models.

Operating the product

Energy saving function is activated during delivery from factory and cannot be canceled.

3. Quick fridge function

The button has two functions. To activate or deactivate the quick cool function press it briefly. Quick Cool indicator will turn off and the product will return to its normal settings. (●📱)



Use quick cooling function when you want to quickly cool the food placed in the fridge compartment. If you want to cool large amounts of fresh food, activate this function before putting the food into the product.



If you do not cancel it, quick cooling will cancel itself automatically after 8 hours or when the fridge compartment reaches to the required temperature.



If you press the quick cooling button repeatedly with short intervals, the electronic circuit protection will be activated and the compressor will not start up immediately.



This function is not recalled when power restores after a power failure.

4. Fridge compartment temperature setting button

Press this button to set the temperature of the fridge compartment to 8, 7, 6, 5, 4, 3, 2, 8... respectively. Press this button to set the fridge compartment temperature to the desired value. (●📱)

5. Vacation Function

In order to activate vacation function, press the this button (☀️) for 3 seconds, and the vacation mode indicator (☀️) will be activated. When the vacation function is activated, "--" is displayed on the fridge compartment temperature indicator and no active cooling is performed on the fridge compartment. It is not suitable to keep the food in the fridge compartment when this function is activated. Other compartments shall be continued to be cooled as per their set temperature.

To cancel this function press **Vacation function** button again.

6. Alarm off warning:

In case of power failure/high temperature alarm, after checking the food located in the freezer compartment press the alarm off button (🔇) to clear the warning.


7. Key lock

Press key lock button (🔒) simultaneously for 3 seconds. Key lock symbol (🔒) will light up and key lock mode will be activated. Buttons will not function if the Key lock mode is active. Press key lock button simultaneously for 3 seconds again. Key lock symbol will turn off and the key lock mode will be exited.

Press the **key lock** button if you want to prevent changing of the temperature setting of the refrigerator (🔒).


Operating the product

8. Eco fuzzy


Press and hold eco fuzzy button for 1 seconds to activate eco fuzzy function. Refrigerator will start operating in the most economic mode at least 6 hours later and the economic usage indicator will turn on when the function is active (). Press and hold eco fuzzy function button for 3 seconds to deactivate eco fuzzy function.

This indicator is illuminated after 6 hours when eco fuzzy is activated.

9. Freezer compartment temperature setting button

Press this button to set the temperature of the freezer compartment to -18,-19,-20,-21,-22,-23,-24,-18... respectively. Press this button to set the freezer compartment temperature to the desired value. ()


10. Icematic off indicator

Indicates whether the icematic is on or off. () If On, then the icematic is not operating. To operate the icematic again press and hold the On-Off button for 3 seconds.



Water flow from water tank will stop when this function is selected. However, ice made previously can be taken from the icematic.

11. Quick freeze function button/ icematic on-off button

Press this button to activate or deactivate the quick freezing function. When you activate the function, the freezer compartment will be cooled to a temperature lower than the set value. ()

To turn on and off the icematic press and hold it for 3 seconds.



Use the quick freeze function when you want to quickly freeze the food placed in fridge compartment. If you want to freeze large amounts of fresh food, activate this function before putting the food into the product.




If you do not cancel it, Quick Freeze will cancel itself automatically after 4 hours or when the fridge compartment reaches to the required temperature.



This function is not recalled when power restores after a power failure.

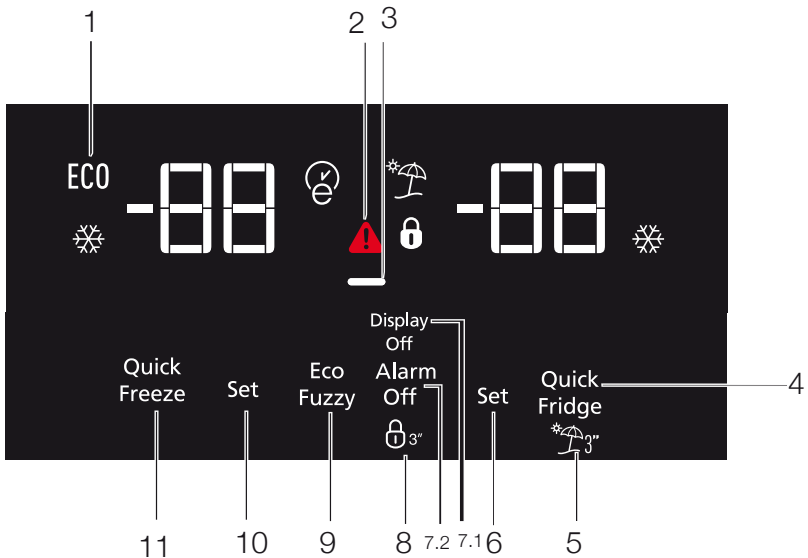
12. Economic usage indicator

Indicates that the product is running in energy-efficient mode. () This indicator will be active if the Freezer Compartment temperature is set to -18 or the energy efficient cooling is being performed due to Eco-Extra function.



Economic usage indicator is turned off when quick cooling or quick freeze functions are selected.

Operating the product



1. Economy

This symbol is illuminated when the freezer compartment is set to -18°C as the most economical setting value (ECO). Economy indicator is turned off when quick cooling or quick freeze functions are selected.

2. High temperature / error warning indicator

This indicator (⚠) illuminates during high temperature failures and error warnings.

3. Energy saving function (display off):

If the product doors are kept closed for a long time energy saving function is automatically activated and energy saving symbol is illuminated. When energy saving function is activated, all symbols on the display other than energy saving symbol will turn off. When the Energy Saving function is activated, if any button is pressed or the door is opened, energy saving function will be canceled and the symbols on display will return to normal.

Energy saving function is activated during delivery from factory and cannot be canceled.



***Optional:** Figures in this user manual are schematic and may not match the product exactly. If the subject parts are not included in the product you have purchased, then those parts are valid for other models.

Operating the product

4. Quick cool

Quick cooling indicator (❄️) is illuminated when quick cooling function is activated and fridge compartment temperature indicator value is displayed as 1. To cancel this function press Quick cooling button again. Quick cooling indicator will turn off and refrigerator will return to its normal settings. Quick cooling function is canceled automatically in 1 hour if you do not cancel it before. If you want to cool large amounts of fresh food, press the Quick cooling button before putting the food into the fridge compartment.

5. Vacation function

In order to activate vacation function, press the button no. (4) (🔒) for 3 seconds, and the vacation mode indicator activates. When the vacation function is activated, "- -" is displayed on the fridge compartment temperature indicator and no active cooling is performed on the fridge compartment. It is not suitable to keep the food in the fridge compartment when this function is activated. Other compartments shall be continued to be cooled as per their set temperature.

To cancel this function press **Vacation function** button again.

6. Fridge compartment temperature setting

When the button no. (5) is pressed, you may set the temperature of the fridge compartment to 8,7,6,5,4,3,2 and 1 respectively (📺).

7. 1 Energy saving function (display off)

Energy saving symbol (⏻) is illuminated and Energy saving function is activated when you press this button (⏻). When energy saving function is activated, all symbols on the display other than energy saving symbol will turn off. When the Energy Saving function is activated, if any button is pressed or the door is opened, energy saving function will be canceled and the symbols on display will return to normal. Energy saving symbol is turned off and energy saving function is deactivated when you press this button (⏻) again.

7. 2 Alarm off warning


In case of power failure/high temperature alarm, after checking the food located in the freezer compartment press the alarm off button to clear the warning.

8. Key lock

Press key lock button (🔒) simultaneously for 3 seconds. Key lock symbol (🔒) will light up and key lock mode will be activated. Buttons will not function if the Key lock mode is active. Press key lock button simultaneously for 3 seconds again. Key lock symbol will turn off and the key lock mode will be exited. Press the **key lock** button if you want to prevent changing of the temperature setting of the refrigerator (🔒).

Operating the product

9. Eco fuzzy


Press and hold eco fuzzy button for 1 seconds to activate eco fuzzy function. Refrigerator will start operating in the most economic mode at least 6 hours later and the economic usage indicator will turn on when the function is active (). Press and hold eco fuzzy function button for 3 seconds to deactivate eco fuzzy function.


This indicator is illuminated after 6 hours when eco fuzzy is activated.

10. Freezer compartment temperature setting

Temperature setting for freezer compartment is performed here. When button no. 9 is pressed, you may set the temperature of the freezer compartment to -18, -19, -20, -21, -22, -23 and -24 respectively.

11. Fast freeze

Press button no. (10) for fast freeze operation, quick freeze indicator () shall be activated.

Quick freeze indicator is illuminated when quick freeze function is activated and fridge compartment temperature indicator is displayed as -27. To cancel this function press quick freeze button () again. Quick freeze indicator will turn off and refrigerator will return to its normal settings. Quick freeze function is canceled automatically in 24 hour if you do not cancel it before. If you want to freeze large amounts of fresh food, press the quick freeze button before putting the food into the freezer compartment.

5.6. HerbBox/HerbFresh

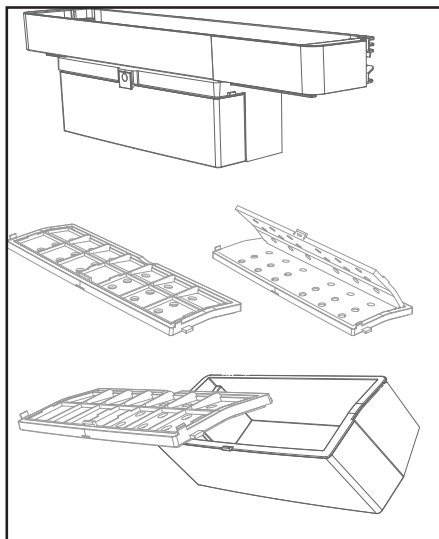
Remove the film container from HerbBox/HerbFresh+

Take the film out of the bag and put it into the film container as shown in the image.

Seal the container again and replace it into HerbBox/HerbFresh+ unit.

HerbBox-HerbFresh+ sections are especially ideal for storage of various herbs that are supposed to be kept in delicate conditions. You can store your unbagged herbs (parsley, dill, etc.) in this section horizontally and keep them fresh for a much longer period.

The film shall be replaced in every six months.

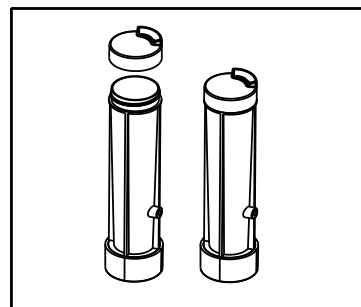
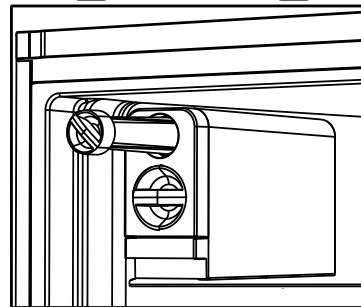
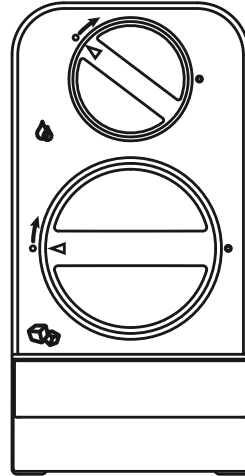


Operating the product

5.7. Twist Ice - matic

(This feature is optional)

- Remove the water tank by rotating it to the left.
- Open the water tank cover by turning it and add water to the water tank up to the lower part of the water tank cover.
- Place the water tank on its place as shown in the figure after adding water and have it seated by rotating it on the direction of the arrow. Water shall be poured down to the icebank.
- When ice has formed, rotate icebank knob in the direction of the arrow to allow that the ice is dropped down to the ice drawer.
- Take the ice cubes by pulling ice drawer out.
- Pull the front face towards you in order to wash the icebank, and put it on the slides on the interior area and push it to its place in order to replace it.
- Pull the twist icematic unit towards you in order to remove the unit, and put it on the slides on the ceiling and push it to its place in order to replace it.



Operating the product

5.8. Ice container

- Remove the ice container from the freezer compartment.
- Fill the ice container with water.
- Place the ice container in the freezer compartment. About two hours later, the ice is ready.
- Remove the ice container from the freezer compartment and bend it over the service plate. Ice cubes will easily fall down to the service plate.

5.9. Egg holder

You can install the egg holder to the desired door or body shelf. If it will be placed on body shelves than the lower cooler shelves are recommended.

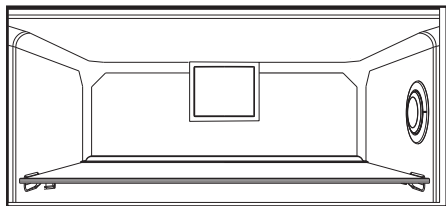


Never place the egg holder in the freezer compartment

5.10. Fan

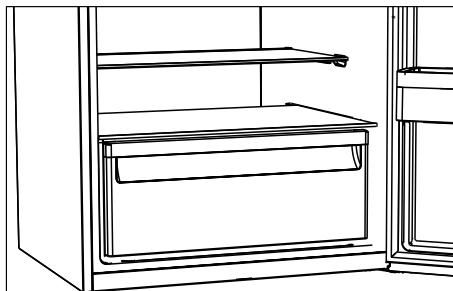
Fan is designed to ensure homogeneous distribution and circulation of the cold air inside your refrigerator. Operation time of the fan may vary depending on the properties of your product.

While the fan works only with the compressor in some products, the control system determines its operation time in some products in accordance with the cooling requirement.



5.11. Crisper

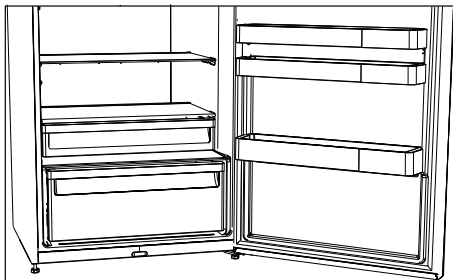
Crisper of the product is designed specially to keep the vegetables fresh without losing their humidity. For this purpose, cool air circulation is intensified around the crisper in general.



5.12. Chiller compartment

(This feature is optional)

Use this compartment to store delicatessen that shall be stored in a lower temperature or meat products that you will consume in a short time. Chiller compartment is the coolest place in your refrigerator where you can keep dairy products, meat, fish and poultry under ideal storage conditions. Fruits and vegetables should not be stored in this compartment.



Operating the product

5.13. Moving door shelf

(This feature is optional)

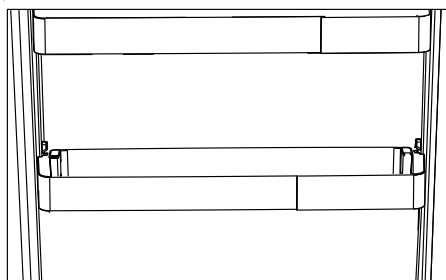
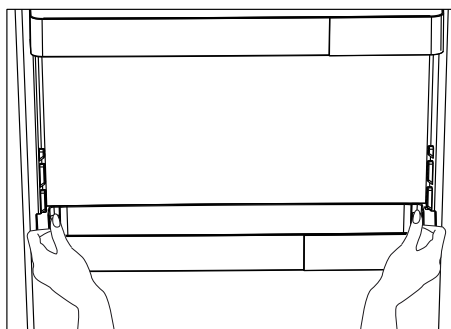
Moving door shelf may be fixed in 3 different positions.

Press the buttons shown in the sides at the same amount in order to move the shelf. Shelf shall be movable.

Move the shelf up or down.

Release the buttons when you have the shelf in the desired position.

Shelf shall be fixed on the position where you release the buttons.

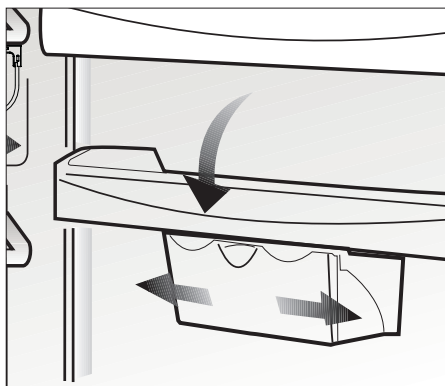


5.14. Sliding storage container

(This feature is optional)

This accessory is designed to increase the usable volume of the door shelves.

It allows you to easily place the tall bottles, jars and tins to the lower bottle shelf thanks to its ability to move right or left.



5.15. Blue light

(This feature is optional)

This accessory is designed to increase the usable volume of the door shelves.

It allows you to easily place the tall bottles, jars and tins to the lower bottle shelf thanks to its ability to move right or left.

Operating the product

5.16. Humidity controlled crisper

(FreSHelf)

(This feature is optional)

Humidity rates of the vegetables and fruit are kept under control with the feature of humidity-controlled crisper and the food is ensured to stay fresh for longer.

We recommend you to place the leafy vegetables such as lettuce, spinach and the vegetables which are sensitive to humidity loss, in a horizontal manner as much as possible inside the crisper, not on their roots in a vertical position.

While the vegetables are being placed, specific gravity of the vegetables should be taken into consideration. Heavy and hard vegetables should be put at the bottom of the crisper and the lightweight and soft vegetables should be placed over.

Never leave the vegetables inside the crisper in their bags. If the vegetables are left inside their bags, this will cause them to decompose in a short period of time. In case contacting with other vegetables is not preferred for hygiene concerns, use a perforated paper and other similar packaging materials instead of a bag.

Do not place together the pear, apricot, peach, etc. and apple in particular which have a high level of generation of ethylene gas in the same crisper with the other vegetables and fruit. The ethylene gas which is emitted by these fruit may cause the other fruit to ripen faster and decompose in a shorter time.

5.17. Auto Icematic

(This feature is optional)

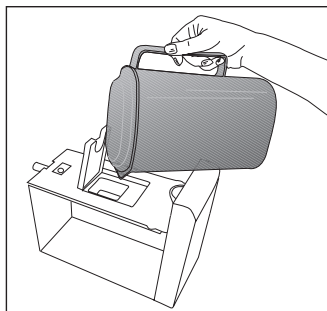
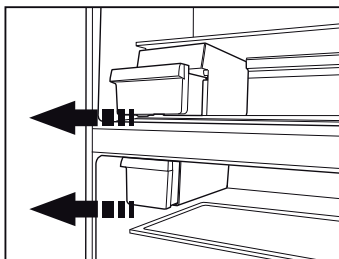
The Auto Icematic allows you to make ice in the fridge easily. Remove the water tank in the fridge compartment, fill it with water and install it back to obtain ice from the Icematic.

First ice cubes will be ready in approximately 2 hours in the Icematic drawer located in the freezer compartment.

If you fill the water tank completely, you will be able to obtain approximately 60-70 ice cubes. Change the water in water tank if it has waited around 2-3 weeks.



For the products having automatic Icematic, sound may be heard during ice pouring. This sound is normal and does not signal any error.



Operating the product

5.18. Description and cleaning of odor filter

(This feature is optional)

Odor filter prevents unpleasant odor build-up in your product.

1. Pull the cover into which the odor filter is installed downwards from the front section and remove as illustrated.
2. Leave the filter under sunlight for one day. Filter will be cleaned during this time.
3. Install the filter back to its place.



Odor filter must be cleaned once in a year.

Operating the product

5.19. Using the water dispenser

***optional**



It is normal for the first few glasses of water taken from the dispenser to be warm.

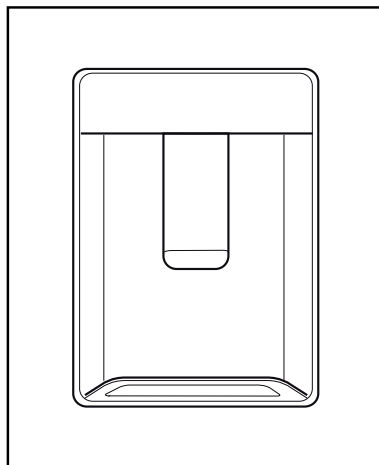


If the water dispenser is not used for a long period of time, dispose of first few glasses of water to obtain fresh water.

1. Push in the lever of the water dispenser with your glass. If you are using a soft plastic cup, pushing the lever with your hand will be easier.
2. After filling the cup up to the level you want, release the lever.



Please note, how much water flows from the dispenser depends on how far you depress the lever. As the level of water in your cup / glass rises, gently reduce the amount of pressure on the lever to avoid overflow. If you slightly press the arm, the water will drip; this is quite normal and not a failure.



5.20. Using the water dispenser

***optional**



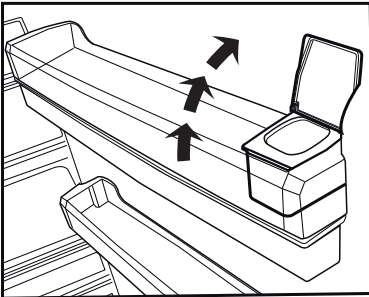
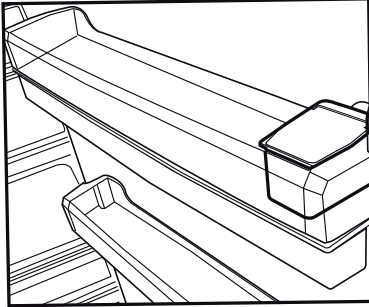
It is normal for the first few glasses of water taken from the dispenser to be warm.



If the water dispenser is not used for a long period of time, dispose of first few glasses of water to obtain fresh water.

1. Push in the lever of the water dispenser with your glass. If you are using a soft plastic cup, pushing the lever with your hand will be easier.
2. After filling the cup up to the level you want, release the lever.

Operating the product



Please note, how much water flows from the dispenser depends on how far you depress the lever. As the level of water in your cup / glass rises, gently reduce the amount of pressure on the lever to avoid overflow. If you slightly press the arm, the water will drip; this is quite normal and not a failure.

5.21. Filling the water dispenser's tank

Water tank filling reservoir is located inside the door rack.

1. Open the cover of the tank.
2. Fill the tank with fresh drinking water.
3. Close the cover.



Do not fill the water tank with any other liquid except for water such as fruit juices, carbonated beverages or alcoholic drinks which are not suitable to use in the water dispenser. Water dispenser will be irreparably damaged if these kinds of liquids are used. Warranty does not cover such usages. Some chemical substances and additives contained in these kinds of drinks/liquids may damage the water tank.



Use clean drinking water only.



Capacity of the water tank is 3 litres; do not overfill.

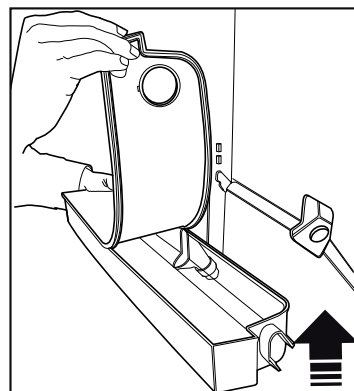
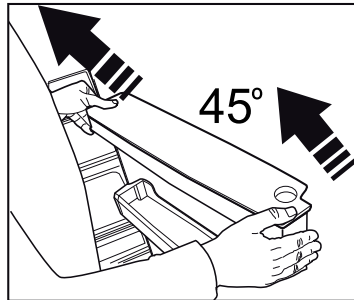
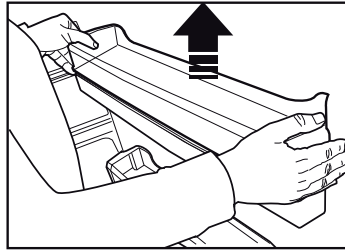
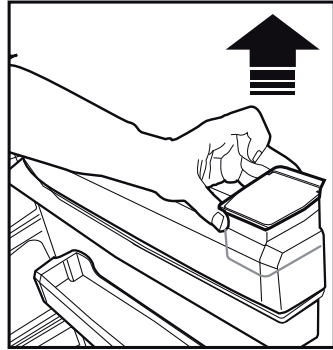
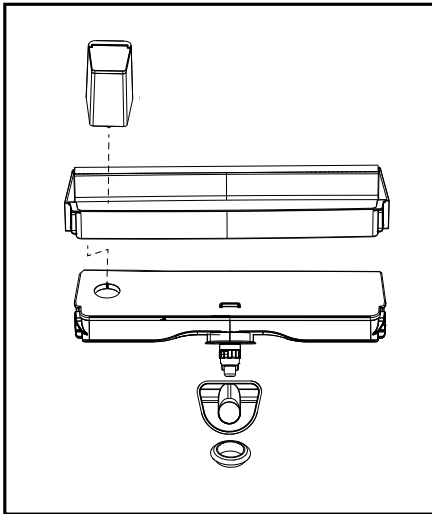
Operating the product

5.22. Cleaning the water tank

1. Remove the water filling reservoir inside the door rack.
2. Remove the door rack by holding from both sides.
3. Grab the water tank from both sides and remove it with an angle of 45°C.
4. Remove the cover of the water tank and clean the tank.



Components of the water tank and water dispenser should not be washed in dishwasher.



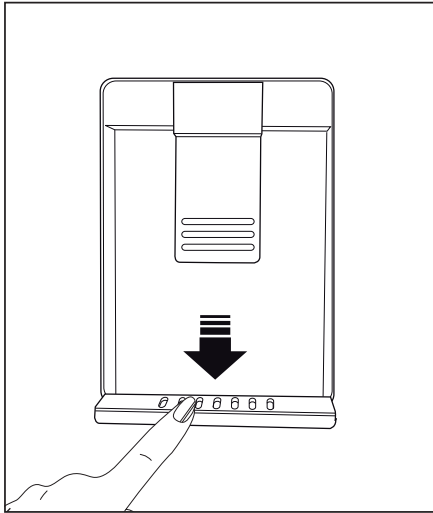
Operating the product

5.23. Drip tray

Water that dripped while using the water dispenser accumulates in the spillage tray.

Remove the plastic filter as shown in the figure.

With a clean and dry cloth, remove the water that has accumulated.



Operating the product

5.24. Freezing fresh food

- In order to preserve the quality of the food, it shall be frozen as quickly as possible when it is placed in the freezer compartment, use the fast freezing feature for this purpose.
- You may store the food longer in freezer compartment when you freeze them while they are fresh.
- Pack the food to be frozen and close the packing so that it would not allow entrance of air.
- Ensure that you pack your food before putting them in the freezer. Use freezer containers, foils and moisture-proof papers, plastic bags and other packing materials instead of traditional packing papers.
- Label each pack of food by adding the date before freezing. You may distinguish the freshness of each food pack in this way when you open your freezer each time. Store the food frozen before in the front side of compartment to ensure that they are used first.



The freezer compartment defrosts automatically.

- Frozen food must be used immediately after they are thawed and they should not be re-frozen.
- Do not freeze too large quantities of food at one time.

Freezer Compartment Setting	Fridge compartment Setting	Remarks
-18°C	4°C	This is the normal recommended setting.
-20,-22 or -24°C	4°C	These settings are recommended when the ambient temperature exceeds 30°C.
Quick Freeze	4°C	Use when you wish to freeze your food in a short time. Your product will return to its previous mode when the process is over.
-18°C or colder	2°C	Use these settings if you think that your fridge compartment is not cold enough because of the hot ambient conditions or frequent opening and closing of the door.

Operating the product

5.25. Recommendations for preserving the frozen food

Compartment shall be set to -18°C at least.

1. Put packages in the freezer as quickly as possible after purchase without allowing the to thaw.
2. Check whether the "Use By" and "Best Before" dates on the packaging are expired or not before freezing it.
3. Ensure that the package of the food is not damaged.

5.26. Deep-freeze information

According to IEC 62552 standards, the product shall freeze at least 4.5 kg of food at 25°C ambient temperature to -18°C or lower within 24 hours for every 100-litres of freezer volume.

It is possible to preserve the food for a long time only at -18°C or lower temperatures.

You can keep the freshness of food for many months (at -18°C or lower temperatures in the deep freeze).

Foods to be frozen should not be allowed to come in contact with the previously frozen items to prevent them from getting thawed partially.

Boil the vegetables and drain their water in order to store vegetables for a longer time as frozen. After draining their water, put them in air-proof packages and place them inside the freezer. Food such as bananas, tomatoes, lettuce, celery, boiled eggs, potatoes are not suitable for freezing. When these foods are frozen, only their nutritional value and taste shall be affected negatively. They shall not be spoiled so that they would create a risk for human health.

5.27. Placing the food

Freezer compartment shelves	Various frozen food such as meat, fish, ice cream, vegetables and etc.
Refrigerator compartment shelves	Food in pans, covered plates and closed containers, eggs (in closed container)
Door shelves of fridge compartment	Small and packaged food or beverage
Crisper	Vegetables and fruits
Fresh zone compartment	Delicatessen (breakfast food, meat products that shall be consumed in a short time)

5.28. Door open warning

(This feature is optional)

Door open warning is given to user both visually and acoustically. If the warning continues for 10 minutes, interior lights will be turned off.

Operating the product

5.29. Changing the door opening direction

Door opening direction of your refrigerator can be changed according to the place you are using it. If this is necessary, please call your nearest Authorized Service.

Above description is a general expression. For information on changing the opening direction of the door, you must refer to the warning label located on the inner side of the door.

5.30. Illumination lamp

LED lamps are used as illumination lamps. Contact authorized service in case of any problem with this type of light.

The lamp(s) used in this appliance is not suitable for household room illumination. The intended purpose of this lamp is to assist the user to place foodstuffs in the refrigerator/freezer in a safe and comfortable way.

Service life of the product is increase if it is regularly cleaned



WARNING: First unplug the product before cleaning your refrigerator.

- Never use any sharp and abrasive tools, soap, household cleaners, detergent and wax polish for cleaning.
- Dissolve one teaspoon of carbonate in half liter of water. Soak a cloth with the solution and wrung it thoroughly. Wipe the interior of the appliance with this cloth and the dry thoroughly.
- Make sure that no water enters the lamp housing and other electrical items.
- Clean the door with a damp cloth. To remove door and body shelves, remove all of its contents. Remove door shelves by moving them upwards. After cleaning, slide them from top to bottom to install.
- Never use cleaning agents or water that contain chlorine to clean the outer surfaces and chromium coated parts of the product. Chlorine causes corrosion on such metal surfaces.

6.1. Avoiding bad odors

Materials that may cause odor are not used in the production of our appliances. However, due to inappropriate food preserving conditions and not cleaning the inner surface of the appliance as required can bring forth the problem of odor.

Therefore, clean the refrigerator with carbonate dissolved in water every 15 days.

- Keep the food in closed containers. Microorganisms spreading out from uncovered containers can cause unpleasant odors.
- Never keep the food that have expired best before dates and spoiled in the refrigerator.

6.2. Protecting the plastic surfaces

Clean with arm water immediately as the oil may cause damage on the surface when it is poured on plastic surfaces.

6.3. Door Glasses

Remove the protective foil on the glasses. There is a coating on the surface of the glasses. This coating minimizes the stain build-up and helps to remove the possible stains and dirt easily. Glasses that are not protected with such a coating may be subject to persistent binding of air or water based organic or inorganic dirt such as limescale, mineral salts, unburned hydrocarbons, metal oxides and silicones that can easily and quickly cause stains or material damage. Keeping the glass clean becomes too difficult despite the regular cleaning. Consequently, the appearance and the transparency of the glass deteriorates. Harsh and corrosive cleaning methods and compounds will intensify these defects and speed up the deterioration process.

Water-based cleaning products that are not alkaline and corrosive must be used for regular cleaning purposes.

Non-alkaline and non-corrosive materials must be used for cleaning so that the service life of this coating lasts for a long time.

These glasses are tempered to increase their durability against impacts and breaking.

A safety film is also applied to their rear surfaces as an extra safety measure in order to prevent them from causing damage to their surrounding in case of a breakage.

*Alkali is a base that forms hydroxide ions (OH⁻) when it is dissolved in water.

Li (Lithium), Na (Sodium), K (Potassium) Rb (Rubidium), Cs (Cesium) and artificial and radioactive Fr (Frenium) metals are called ALKALI METALS.

Check this list before contacting the service. Doing so will save you time and money. This list includes frequent complaints that are not related to faulty workmanship or materials. Certain features mentioned herein may not apply to your product.

The refrigerator is not working.

- The power plug is not fully settled. >>> Plug it in to settle completely into the socket.
- The fuse connected to the socket powering the product or the main fuse is blown. >>> Check the fuses.

Condensation on the side wall of the cooler compartment (MULTI ZONE, COOL, CONTROL and FLEXI ZONE).

- The door is opened too frequently >>> Take care not to open the product's door too frequently.
- The environment is too humid. >>> Do not install the product in humid environments.
- Foods containing liquids are kept in unsealed holders. >>> Keep the foods containing liquids in sealed holders.
- The product's door is left open. >>> Do not keep the product's door open for long periods.
- The thermostat is set to too low temperature. >>> Set the thermostat to appropriate temperature.

Compressor is not working.

- In case of sudden power failure or pulling the power plug off and putting back on, the gas pressure in the product's cooling system is not balanced, which triggers the compressor thermic safeguard. The product will restart after approximately 6 minutes. If the product does not restart after this period, contact the service.
- Defrosting is active. >>> This is normal for a fully-automatic defrosting product. The defrosting is carried out periodically.
- The product is not plugged in. >>> Make sure the power cord is plugged in.
- The temperature setting is incorrect. >>> Select the appropriate temperature setting.

- The power is out. >>> The product will continue to operate normally once the power is restored.

The refrigerator's operating noise is increasing while in use.

- The product's operating performance may vary depending on the ambient temperature variations. This is normal and not a malfunction.

The refrigerator runs too often or for too long.

- The new product may be larger than the previous one. Larger products will run for longer periods.
- The room temperature may be high. >>> The product will normally run for long periods in higher room temperature.
- The product may have been recently plugged in or a new food item is placed inside. >>> The product will take longer to reach the set temperature when recently plugged in or a new food item is placed inside. This is normal.
- Large quantities of hot food may have been recently placed into the product. >>> Do not place hot food into the product.
- The doors were opened frequently or kept open for long periods. >>> The warm air moving inside will cause the product to run longer. Do not open the doors too frequently.
- The freezer or cooler door may be ajar. >>> Check that the doors are fully closed.
- The product may be set to temperature too low. >>> Set the temperature to a higher degree and wait for the product to reach the adjusted temperature.
- The cooler or freezer door washer may be dirty, worn out, broken or not properly settled. >>> Clean or replace the washer. Damaged / torn door washer will cause the product to run for longer periods to preserve the current temperature.

The freezer temperature is very low, but the cooler temperature is adequate.

- The freezer compartment temperature is set to a very low degree. >>> Set the freezer compartment temperature to a higher degree and check again.

Troubleshooting

The cooler temperature is very low, but the freezer temperature is adequate.

- The cooler compartment temperature is set to a very low degree. >>> Set the freezer compartment temperature to a higher degree and check again.

The food items kept in cooler compartment drawers are frozen.

- The cooler compartment temperature is set to a very low degree. >>> Set the freezer compartment temperature to a higher degree and check again.

The temperature in the cooler or the freezer is too high.

- The cooler compartment temperature is set to a very high degree. >>> Temperature setting of the cooler compartment has an effect on the temperature in the freezer compartment. Wait until the temperature of relevant parts reach the sufficient level by changing the temperature of cooler or freezer compartments.
- The doors were opened frequently or kept open for long periods. >>> Do not open the doors too frequently.
- The door may be ajar. >>> Fully close the door.
- The product may have been recently plugged in or a new food item is placed inside. >>> This is normal. The product will take longer to reach the set temperature when recently plugged in or a new food item is placed inside.
- Large quantities of hot food may have been recently placed into the product. >>> Do not place hot food into the product.

Shaking or noise.

- The ground is not level or durable. >>> If the product is shaking when moved slowly, adjust the stands to balance the product. Also make sure the ground is sufficiently durable to bear the product.
- Any items placed on the product may cause noise. >>> Remove any items placed on the product.

The product is making noise of liquid flowing, spraying etc.

- The product's operating principles involve liquid and gas flows. >>> This is normal and not a malfunction.

There is sound of wind blowing coming from the product.

- The product uses a fan for the cooling process. This is normal and not a malfunction.

There is condensation on the product's internal walls.

- Hot or humid weather will increase icing and condensation. This is normal and not a malfunction.
- The doors were opened frequently or kept open for long periods. >>> Do not open the doors too frequently; if open, close the door.
- The door may be ajar. >>> Fully close the door.

There is condensation on the product's exterior or between the doors.

- The ambient weather may be humid, this is quite normal in humid weather. >>> The condensation will dissipate when the humidity is reduced.

The interior smells bad.

- The product is not cleaned regularly. >>> Clean the interior regularly using sponge, warm water and carbonated water.
- Certain holders and packaging materials may cause odour. >>> Use holders and packaging materials without free of odour.
- The foods were placed in unsealed holders. >>> Keep the foods in sealed holders. Micro-organisms may spread out of unsealed food items and cause malodour. Remove any expired or spoilt foods from the product.

The door is not closing.

- Food packages may be blocking the door. >>> Relocate any items blocking the doors.
- The product is not standing in full upright position on the ground. >>> Adjust the stands to balance the product.
- The ground is not level or durable. >>> Make sure the ground is level and sufficiently durable to bear the product.

Troubleshooting

The vegetable bin is jammed.

- The food items may be in contact with the upper section of the drawer. >>> Reorganize the food items in the drawer.

If The Surface Of The Product Is Hot.

- High temperatures may be observed between the two doors, on the side panels and at the rear grill while the product is operating. This is normal and does not require service maintenance! Be careful when touching these areas.



WARNING:

If the problem persists after following the instructions in this section, contact your vendor or an Authorised Service. Do not try to repair the product.

- تم ضبط درجة حرارة حجرة المبرد على درجة عالية جدا. << يؤثر إعداد درجة حرارة حجرة المبرد على درجة حرارة حجرة المجمد. قم بتغيير درجة حرارة حجرة المبرد أو المجمد وانتظر حتى تصل الحجرات إلى مستوى درجة الحرارة المرغوبة.
- تم فتح الأبواب كثيرا أو تركت مفتوحة لفترات طويلة. << لا تفتح الأبواب كثيرا.
- ربما يكون الباب مواربا. << أغلق الباب كليا.
- ربما تم توصيل الجهاز بالكهرباء مؤخرا أو تم وضع صنف طعام جديد داخله. << هذا أمر طبيعي. يستغرق الجهاز فترة أطول لبلوغ درجة الحرارة المعنية عند توصيله بالكهرباء حديثا أو عند وضع صنف طعام جديد داخله.

الباب لا يغلق.

- ربما تم وضع كميات كبيرة من الطعام الساخن في الجهاز مؤخرا. << لا تضع الطعام الساخن داخل الجهاز.
- تسد أغلفة الطعام الباب أحيانا. << غير مكان الأطعمة التي تسد الأبواب.
- لا يقف الجهاز بوضع رأسي كامل على الأرض. << اضبط القواعد لموازنة الجهاز.
- الأرض غير مستوية أو متينة. << تأكد أن الأرض مستوية ومتينة لدرجة تحمل الجهاز.

سلة الخضار عالقة.

- ربما تلامس الأطعمة الجزء العلوي من الجارور. << أعد ترتيب الأطعمة في الجارور.

إذا كان سطح المنتج ساخناً

- قد يلاحظ ارتفاع درجات الحرارة بين البابين، وعلى الألواح الجانبية والشواية الخلفية أثناء تشغيل المنتج. وهذا طبيعي ولا يعد ذلك عيباً يتطلب الصيانة. كن حذراً عند لمس هذه الأماكن.

تحذير: إن استمرت المشكلة بعد اتباع تعليمات هذا القسم، اتصل بالبايع أو بمركز خدمة معتمد. لا تحاول إصلاح الجهاز.



الاهتزاز أو الضجيج.

- الأرض غير مستوية أو متينة. << إذا كان الجهاز يهتز عند تحريكه ببطء، اضبط القواعد لموازنة الجهاز. تأكد أن الأرض متينة لدرجة تحمل الجهاز.
- قد تحدث أية مواد موضوعة على الجهاز ضجيجا. << قم بإزالة أية مواد وضعت على الجهاز.

يصدر الجهاز ضجيجا يشبه تدفق السوائل، أو الرش، الخ.

- يتخلل مبادئ تشغيل الجهاز تدفق السائل والغاز. << هذا أمر طبيعي ولا يعتبر عطلا.

هناك صوت كهبوب الرياح يأتي من الجهاز.

- يستخدم الجهاز مروحة في عملية التبريد. هذا أمر طبيعي ولا يعتبر عطلا.

هناك تكاثف على الجدران الداخلية للجهاز.

- يزيد الطقس الحار أو الرطب من تشكل الصقيع والتكاثف. هذا أمر طبيعي ولا يعتبر عطلا.
- تم فتح الأبواب كثيرا أو تركت مفتوحة لفترات طويلة. << لا تفتح الأبواب كثيرا؛ إذا كانت مفتوحة، أغلقها.

ربما يكون الباب مواربا. << أغلق الباب كليا.

هناك تكاثف على السطح الخارجي للجهاز أو بين الأبواب.

- ربما يكون جو المكان رطبا، وهذا أمر طبيعي في الجو الرطب. << سيتبدد التكاثف عندما تقل الرطوبة.

رائحة الجزء الداخلي سيئة.

نم. بتباصلا زكرم لاصتلا لبقه تمناقلا مدهنم ققحت
ىواكشلا تمناقلا مدهنم مضتت. لاملاو تقولا ريفوت لكلا نأش
ق يطنن لا فقا. داوملا واطعناصلا بويعد تطبتر ملا ريغ
لكن زهاجى لىءانه فرؤكذم تنعيم تامسد

الثلاجة لا تعمل.

- قاس الطاقة غير مستقر كثيرا. <<< ادفعه بحيث يستقر في المقبس كثيرا.
- الصمام الموصول بالمقبس الذي يزود الجهاز بالطاقة أو الصمام الرئيسي تالف. <<< افحص الصمامات.

هناك تكاتف على جانب جدار حجرة المبرد (المنطقة المتعددة، منطقة التبريد، التحكم والمنطقة المرنة).

- المكان بارد جدا. <<< لا تضع الجهاز في أماكن تقل فيها درجة الحرارة عن 5- درجة مئوية.
- يتم فتح الباب كثيرا <<< تجنب فتح باب الثلاجة كثيرا.
- المكان رطب جدا. <<< لا تضع الجهاز في أماكن رطبة.
- الأطعمة المحتوية على سوائل تحفظ في مستويات غير محكمة الإغلاق. <<< احتفظ بالأطعمة المحتوية على سوائل في مستويات محكمة الإغلاق.
- ترك الباب مفتوحا. <<< لا تدع أبواب الثلاجة مفتوحة لفترات طويلة.
- تم ضبط الثيرموستات على درجات متدنية جدا. <<< اضبط الثيرموستات على درجة حرارة مناسبة.

الضاغط لا يعمل.

- في حال حدوث انقطاع مفاجئ في التيار الكهربائي أو سحب قاس الطاقة وإعادة مرة أخرى، يصبح ضغط الغاز في نظام تبريد الجهاز غير متوازن، مما يفعل الواقي الحراري للضاغط. يعمل المنتج من جديد بعد 6 دقائق تقريبا. إذا لم يعمل الجهاز بعد هذه الفترة، اتصل بمركز الصيانة.
- إزالة الجليد غير نشطة. <<< هذا أمر طبيعي في جهاز مقاوم للصفيق تلقائيا. تتم إزالة الجليد دوريا.
- الجهاز غير موصول بالكهرباء. <<< تأكد أن سلك الطاقة موصول بالكهرباء.
- إعداد درجة الحرارة غير صحيح. <<< اختر إعدادا صحيحا لدرجة الحرارة.
- لا يوجد تيار كهربائي. <<< يستمر الجهاز بالعمل بشكل طبيعي حال عودة الطاقة.

يزداد ضجيج تشغيل الثلاجة أثناء الاستعمال.

- وقد يتباين أداء عمل الجهاز بناء على تغيرات درجة حرارة المكان. هذا أمر طبيعي ولا يعتبر عطلا.
- تعمل الثلاجة لفترة زمنية طويلة.

- ربما يكون المنتج الجديد أكبر من المنتج السابق. تعمل الأجهزة الأكبر فترات زمنية أطول.
- ربما تكون درجة حرارة الغرفة عالية. <<< يعمل الجهاز فترات طويلة في درجات الحرارة العالية.
- ربما تم توصيل الجهاز بالكهرباء مؤخرا أو تم وضع صنف طعام جديد داخله. <<< يستغرق الجهاز فترة أطول لبلوغ درجة الحرارة المعينة عند توصيله بالكهرباء حديثا أو عند وضع صنف طعام جديد داخله. هذا أمر طبيعي.
- ربما تم وضع كميات كبيرة من الطعام الساخن في الجهاز مؤخرا. <<< لا تضع الطعام الساخن داخل الجهاز.

- تم فتح الأبواب كثيرا أو تركت مفتوحة لفترات طويلة. <<< يتسبب الهواء الساخن المتحرك في الدخال في عمل الجهاز فترة أطول. لا تفتح الأبواب كثيرا.
- ربما يكون باب المجمد أو المبرد مواربا. <<< تأكد أن الأبواب مغلقة كثيرا.
- ربما يكون الجهاز مضبوط على درجة حرارة متدنية جدا. <<< اضبط درجة الحرارة على درجة أعلى وانتظر حتى يصل الجهاز إلى درجة الحرارة المرغوبة.
- ربما تكون فلكة باب المبرد أو المجمد متسخة، أو مهترنة أو مكسورة أو غير مستقرة <<< نظف أو استبدل الفلكة. تتسبب فلكة الباب التالفة/المهترنة في عمل الجهاز لفترات طويلة للحفاظ على درجة الحرارة الحالية.

درجة حرارة المجمد منخفضة جدا، لكن درجة حرارة المبرد ملائمة.

- تم ضبط درجة حرارة حجرة المجمد على درجة متدنية جدا. <<< اضبط درجة حرارة حجرة المجمد على درجة أعلى وافحص مرة أخرى.

درجة حرارة المبرد منخفضة جدا، لكن درجة حرارة المجمد ملائمة.

- تم ضبط درجة حرارة حجرة المبرد على درجة متدنية جدا. <<< اضبط درجة حرارة حجرة المبرد على درجة أعلى وافحص مرة أخرى.

الأطعمة المحفوظة في جوارير حجرة المبرد متجمدة.

- تم ضبط درجة حرارة حجرة المبرد على درجة متدنية جدا. <<< اضبط درجة حرارة حجرة المجمد على درجة أعلى وافحص مرة أخرى.

درجة الحرارة في المبرد أو المجمد عالية جدا.

- ينبغي عدم الاحتفاظ بالأطعمة منتهية الصلاحية والأطعمة الفاسدة في الثلاجة.

6.1. حماية الأسطح البلاستيكية

قم بتنظيفها على الفور بالماء لأن الزيوت قد تتسبب في تلف الأسطح في حالة انسكابها على الأسطح البلاستيكية.

6.2. زجاج الباب

قم بإزالة رقاقة الحماية عن الزجاج.

توجد طبقة على سطح الزجاج. هذه الطبقة تقلل تراكم البقع وتساعد في إزالة البقع والأتساخات التي قد تتعرض لها بسهولة. الزجاج غير المحمي بتلك الطبقة يمكن أن يتعرض لآتساخات عنيدة ذات قاعدة هوائية أو مائية، مثل الترسبات الجيرية والأملاح المعدنية والأكاسيد المعدنية والسيليكون، وهي مواد يمكن أن تتسبب بسرعة وبسهولة في ظهور بقع وأضرار على السطح. من الصعب للغاية الحفاظ على نظافة الزجاج رغم التنظيف المنتظم. ولذلك، يتدهور شكل وشفافية الزجاج. طرق التنظيف العنيفة والمركبات الضارة تزيد من التأثيرات السلبية وتجعل بعملية تدهور مظهر الزجاج.

يحب استخدام منتجات تنظيف بقاعدة مائية غير قلوية وغير ضارة لأغراض التنظيف المنتظم. ويحب استخدام خامات غير قلوية وغير ضارة للتنظيف لإطالة العمر الافتراضي لهذه الطبقة حتى تستمر لفترة طويلة.

الزجاج صلب لزيادة متانته ضد الصدمات والكسر. يتم أيضاً وضع غشاء أمان على الأسطح الخلفية كإجراء أمان إضافي لمنعها من التسبب في تلف ما يحيط بها في حالة الكسر.

*القلويات عبارة عن قاعدة تُكون أيونات هيدروكسيد (OH⁻) عند إذابتها في الماء.

المواد Li (ليثيوم) و Na (صوديوم) و K (البوتاسيوم) و Rb (الروبيديوم) و Cs (السيوميوم) والمعادن الاصطناعية والإشعاعية Fr (الفانزيوم) تسمى معادن قلوية.

يتم إطالة العمر الافتراضي للجهاز في حالة تنظيفه بانتظام.

تحذير: فصل الثلاجة أولاً عن الكهرباء قبل التنظيف.



- لا تستخدم أبداً الأدوات الحادة وكاشطة، والصابون، والمنظفات المنزلية، ومنظفات غسيل أو شمع التلميع عند التنظيف.
- قم بإذابة مقدار ملعقة شاي من الكربون في نصف لتر ماء. انقع قطع قماش في المحلول واعصرها بعناية. امسح الجزء الخارجي من الثلاجة باستخدام هذه القماشة وجفف الثلاجة بعناية.
- تأكد من عدم دخول المياه إلى مبيت المصباح وغيره من العناصر الكهربائية.
- قم بتنظيف الباب بقطعة قماش مبللة. لإزالة الباب وأرفف الجسم، عليك إزالة جميع محتوياتها.
- قم بإزالة أرفف الباب قبل التحريك لأعلى. بعد التنظيف، مررهم من الأعلى للأسفل للتركيب.
- لا تستخدم أبداً مواد التنظيف أو المياه التي تحتوي على الكلورين لتنظيف الأسطح الخارجية والأجزاء المطلية بالكروم من المنتج. فالكلورين يتسبب في تآكل هذه الأسطح المعدنية.

تجنب الروائح الكريهة

لم يتم استخدام المواد التي قد تنتج روائح عند تصنيع منتجاتنا. إلا أنه قد تصادف مشكلة انبعاث روائح بسبب الأحوال غير المناسبة لحفظ الطعام وعدم تنظيف السطح الداخلي للثلاجة كما هو مطلوب.

لذلك، قم بتنظيف الثلاجة بكميات مذابة في الماء كل 15 يوماً.

- يجب حفظ الأطعمة في أوعية مغطاة. حيث قد تتسبب الكائنات الدقيقة الصادرة عن الأطعمة غير المغطاة في انبعاث روائح كريهة.

5.30. تغيير اتجاه فتحة الباب

يمكن تغيير اتجاه فتحة باب الثلاجة طبقاً لمكان الاستخدام. إذا كان ذلك ضرورياً، فيرجى الاتصال بأقرب مركز صيانة معتمد لديك. الوصف أعلاه هو تعبير عام للمعلومات بشأن تغيير اتجاه فتح الباب، ينبغي عليك الرجوع إلى ملصق التحذير الموجود على الجانب الداخلي في الباب.

5.31. مصباح الإضاءة

تُستخدم لمبات LED كلمبات إضاءة. اتصل بمركز خدمة معتمد في حالة وجود مشكلة مع هذا النوع من الإضاءة.

المصباح (المصابيح) المستخدمة في هذا الجهاز غير مناسبة للإضاءة في الغرف المنزلية. الغرض الأساسي لهذا المصباح هو مساعدة المستخدم لوضع أدوات الطعام في الثلاجة/المجمد بطريقة سهلة وأمنة

قم بغلي الخضروات وتصفيتها من الماء لحفظها لفترة أطول وهي متجمدة. بعد تصفية مياه الخضروات، ضعها في أغلفة محكمة ضد تسريب الهواء ثم ضعها في الفريزر. بعض الأطعمة مثل الموز والطماطم والخس والكرفس والبيض المسلوق والبطاطس غير مناسبة للتجميد. عند تجميد هذه الأطعمة، فإن قيمتها الغذائية ومذاقها يتأثران بشكل سلبي. ولا يجوز إتلافها حتى لا تمثل خطورة على صحة الأشخاص.

5.28. وضع الطعام

أرفف مقصورة الفريزر	طعام مجمد متنوع مثل اللحم والسّمك والأيس كريم والخضروات إلخ.
أرفف مقصورة الثلاجة	الطعام في معلبات وأطباق مغطاة وعلب مغلقة، بيض (في عبوات مغلقة).
أرفف باب مقصورة الثلاجة	طعام قليل أو مغلف أو مشروبات
مقصورة الطعام الطازج	الخضروات والفاكهة
درج المنطقة الطازجة	الأطعمة الحساسة (طعام الإفطار، اللحوم التي يجب استهلاكها خلال فترة قصيرة)

5.29. تحذير فتح الباب

(هذه الخاصية اختيارية)

يُسمع صوت تحذير عندما يكون باب صندوق الفريزر أو الثلاجة مفتوحاً لفترة زمنية معينة.. سيصمت هذا الصوت عند الضغط على أي زر على المؤشر أو عندما يتم إغلاق الباب.

يتم تنبيه المستخدم بأن الباب مفتوح بتحذير صوتي ومرئي. في حال استمرار التحذير لمدة 10 دقائق تغلق الإضاءة الداخلية.

5.25. تجميد الأطعمة الطازجة

- للحفاظ على جودة الأطعمة، فيجب تجميدها بأسرع ما يمكن عند وضعها في صندوق الفريزر، واستخدام خاصية التجميد السريع لهذا الغرض.
- ويمكنك تخزين الأطعمة لفترة أطول في صندوق الفريزر عند تجميدها وهي طازجة.
- قم بتغليف الأطعمة المطلوب تجميدها وأغلق الأغطية بحيث لا تسمح بدخول الهواء.
- تأكد من تغليف الأطعمة قبل وضعها في الفريزر. استخدم أوعية مناسبة للفريزر ورقائق وورق مقاوم للرطوبة وأكياس بلاستيكية وغيرها من خامات التغليف بدلاً من أوراق التغليف العادية.
- قم بتمييز كل عبوة من خلال وضع تاريخ التجميد عليها. يمكنك التفريق بين درجة طزاجة كل عبوة من عبوات الطعام بهذه الطريقة عندما تفتح الفريزر في كل مرة. قم بتخزين الطعام المجمد السابق في الجانب الأمامي من الصندوق لضمان استهلاكه أولاً.
- يجب استهلاك الطعام المجمد مباشرة بعد إذابته، كما يجب عدم إعادة تجميده.
- لا تقم بتجميد كميات كبيرة من الطعام مرة واحدة في نفس الوقت.

5.26. توصيات المحافظة

على الأطعمة المجمدة

- يجب ضبط الصندوق على درجة حرارة 18°C - م على الأقل.
- توضع العبوات في الفريزر بأسرع ما يمكن بعد الشراء دون تركها حتى يذوب عنها التجمد.
- تفحص ما إذا تم تجاوز تواريخ "يستخدم بحلول" و "صالح حتى" على العبوة أم لا قبل التجميد.
- تأكد أن أغلفة الأطعمة غير تالفة.

5.27. معلومات عن التجميد

- تبعاً لمواصفات IEC 62552، يمكن للجهاز تجميد 4.5 كجم من الطعام عند درجة حرارة 25 درجة مئوية إلى 18- درجة مئوية أو أقل في خلال 24 ساعة لكل 100 لتر من حجم الفريزر.
- يمكن الحفاظ على الطعام لفترة أطول فقط عند درجة حرارة 18- درجة مئوية أو درجات حرارة أقل.
- يمكنك الحفاظ على طعام طازج لشهور عديدة (عند درجة حرارة 18°C - مئوية أو أقل في الدبب فريزر).
- يجب عدم ملامسة الأطعمة المزمع تجميدها للمواد المذابة سابقاً لمنع الإذابة الجزئية.

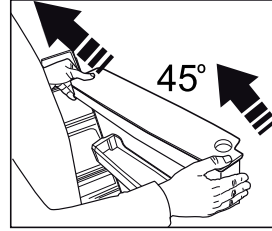
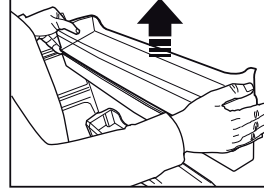
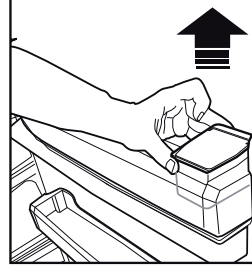
يقوم تجويف الفريزر بإزالة الثلج بشكل تلقائي.



ملاحظات	إعداد صندوق التبريد	إعداد صندوق الفريزر
هذا هو الضبط الموصى به بشكل طبيعي.	4 درجات مئوية	18- درجة مئوية
هذه هي إعدادات الضبط الموصى بها عندما تتجاوز درجة الحرارة المحيطة 30 درجة مئوية.	4 درجات مئوية	- 20 أو -22 - 24- درجة مئوية
استخدم هذا عندما ترغب في تجميد الطعام في وقت قصير. سترجع الثلجة إلى وضعها السابق عندما تنتهي هذه العملية.	4 درجات مئوية	التجميد السريع
استخدم هذه الإعدادات إذا اعتقدت أن مقصورة الثلجة غير باردة بدرجة كافية بسبب الظروف المحيطة الساخنة أو الفتح المتكرر للأبواب أو إغلاقها، فيمكن الضبط على هذه القيم.	2 درجة مئوية	18- درجة مئوية أو أقل

5.22. تعبئة خزان توزيع المياه

1. يوجد صهريج ملئ خزان المياه بداخل رف الباب.
2. قم بتعبئة الخزان بمياه شرب نقية.
3. أغلق الغطاء.



• لا تملأ خزان المياه بأى سائل آخر غير مياه الشرب والمشروبات مثل عصائر الفاكهة والمشروبات الغازية، أما المشروبات الكحولية فغير مناسبة للاستخدام في موزع المياه. سيتلف موزع المياه بشكل لا يمكن إصلاحه إذا تم استخدام هذا النوع من السوائل. ولا يشمل الضمان هذا النوع من الاستخدامات فبعض المواد الكيماوية والإضافات الموجودة في هذه السوائل/ المشروبات قد تتلف مواد خزان المياه.



استخدم مياه الشرب النظيفة فقط.

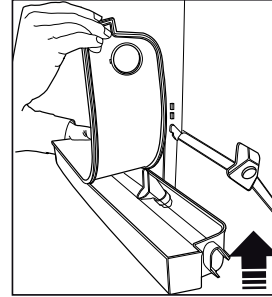


سعة خزان المياه 3 لتر، لا تملأه على نحو مفرط.



5.23. تنظيف خزان المياه

1. قم بفك صهريج تعبئة المياه داخل رف الباب.
2. قم بفك رف الباب بامساكه من كلا الجانبين.
3. امسك خزان المياه من كلا الجانبين و قم بفكه بزاوية 45 درجة .
4. قم بإزالة غطاء خزان المياه وتنظيف الخزان.

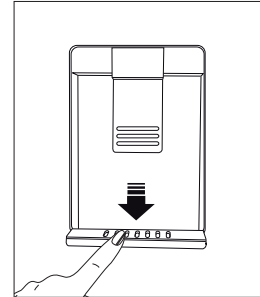


يجب ألا يتم غسل أجزاء خزان المياه وموزع المياه في غسالة الأطباق.



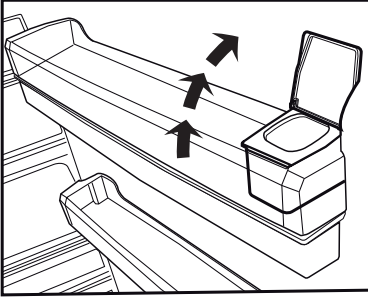
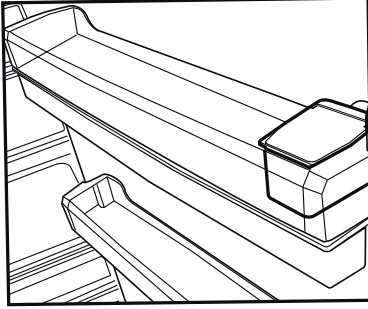
5.24. درج المياه

المياه التي تتساقط أثناء استخدام موزع المياه تتجمع في درج المياه. اسحب الفلتر البلاستيكي كما يظهر في الشكل. بقطعة قماش نظيفة وجافة، قم بإزالة المياه التي تراكمت.



5.21 استخدام موزع المياه

*اختياري



من الطبيعي أن تكون أكواب المياه القليلة الأولى المأخوذة من وحدة التوزيع دافئة.



إذا لم يتم استخدام موزع المياه لفترة طويلة، فتخلص من أكواب المياه الأولى التي تحصل عليها من الماء العذب.



1. اضغط على مزلاج صنوبر الماء بالكوب. إذا كنت تستخدم كوب بلاستيكي ضعيف، فدفع الصنوبر بيديك سيكون أسهل.
2. بعد تعبئة الكوب حتى المستوى الذي تريد، قم بتحرير الصنوبر.

يرجي ملاحظة أن كمية تدفق المياه تعتمد على مدى وكلما ارتفع مستوى المياه في الكوب / الكأس، خفف كمية الضغط على المزلاج لتجنب زيادة التدفق. إذا ضغطت برفق على الذراع، سيقطر الماء، وهذا أمر طبيعي وليس عيباً.



5.18. وصف فلتر الروائح وتنظيفه:

* اختياري

يمنع فلتر الروائح تراكم الروائح الكريهة داخل الثلاجة. اجذب الغطاء، الذي يتم فيه تركيب فلتر الروائح، لأسفل وأخرجه كما هو موضح في الشكل. اترك الفلتر تحت أشعة الشمس لمدة يوم. سيتم تنظيف الفلتر أثناء ذلك الوقت. قم بتركيب الفلتر في مكانه مرة أخرى. يجب تنظيف فلتر الروائح مرة كل عام.

يرجى ملاحظة أن كمية تدفق المياه تعتمد على مدى وكلما ارتفع مستوى المياه في الكوب / الكأس، خفف كمية الضغط على المزلاج لتجنب زيادة التدفق. إذا ضغطت برفق على الذراع، سيقطر الماء، وهذا أمر طبيعي وليس عيباً.

**5.20. وحدة صنع الثلج****وصندوق تخزين الثلج**

* اختياري

استخدام وحدة صنع الثلج

- أملء جهاز عمل الثلج بالمياه وضعه في مكانه. سيتم إعداد الثلج في حوالي ساعتين تقريباً. لا تخرج صندوق الثلج من مكانه لإخراج الثلج.
- أدر المقابض في صهريج الثلج باتجاه عقارب الساعة 90 درجة.
- سنسقط مكعبات الثلج التي في المقصورة إلى خزان الثلج أدناه.
- يمكن إخراج خزان الثلج وتقديم مكعبات الثلج.
- يمكن الاحتفاظ بمكعبات الثلج في خزان الثلج إذا أردت.

رف تخزين الثلج

فخزان الثلج مخصص فقط لتجميع مكعبات الثلج. لا تضع ماء فيه. وإلا فينكسر.

5.19. استخدام موزع المياه

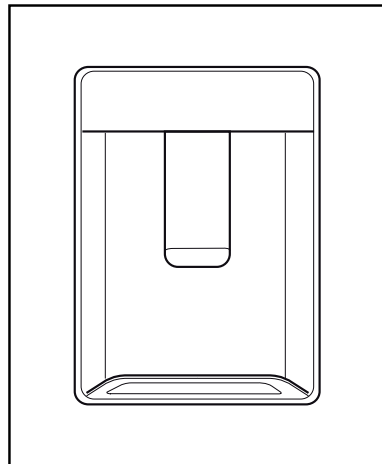
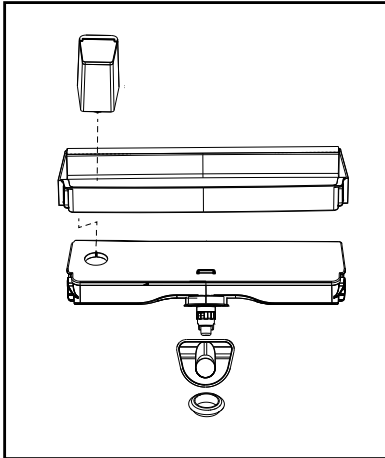
* اختياري

من الطبيعي أن تكون أكواب المياه القليلة الأولى المأخوذة من وحدة التوزيع دافئة.

إذا لم يتم استخدام موزع المياه لفترة طويلة، فتخلص من أكواب المياه الأولى التي تحصل عليها من الماء العذب.



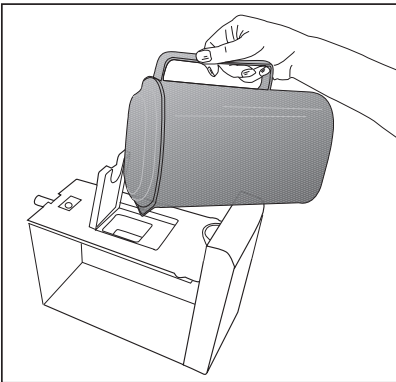
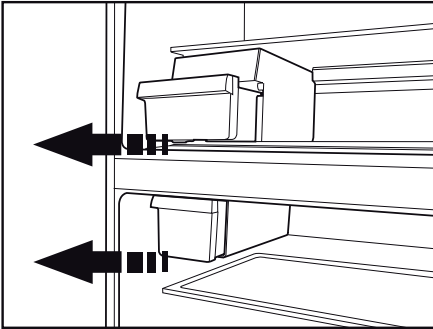
1. اضغط على مزلاج صنوبر الماء بالكوب. إذا كنت تستخدم كوب بلاستيكي ضعيف، فدفع الصنوبر بيديك سيكون أسهل.
2. بعد تعبئة الكوب حتى المستوى الذي تريد، قم بتحرير الصنوبر.



5.17 خاصية تكوين الثلج الأوتوماتيكية (هذه الخاصية اختيارية)

تسمح لك خاصية تكوين الثلج الأوتوماتيكية بصنع الثلج في الثلاجة بسهولة. قم بإزالة خزان المياه في مقصورة الثلاجة، واملاه بالمياه وقم بتركيبه مرة أخرى للحصول على الثلج من درج الثلج. ستكون أول مكعبات ثلجية جاهزة في خلال ساعتين تقريباً في درج الثلج الموجود في مقصورة الفريزر. إذا ملئت خزان المياه بالكامل، ستستطيع الحصول على حوالي 60-70 مكعب ثلجي. قم بتغيير المياه في خزان المياه إذا ظلت هناك لمدة 2-3 أسابيع.

للمنتجات التي بها خاصية تكوين الثلج الأوتوماتيكية، قد تسمع صوتاً أثناء صب الثلج. هذا الصوت صوتاً طبيعياً وليس علامة لوجود خطأ بالمنتج.



5.16 مقصورة الطعام الطازج المحكومة من حيث الرطوبة

(FreShelf)

(هذه الخاصية اختيارية)

مع خاصية درج التحكم بالرطوبة تظل معدلات الرطوبة للخضروات والفواكه تحت التحكم ويظل الطعام طازج لمدة أطول.

ننصحك بوضع الخضروات الورقية مثل الخس والسبانخ والخضروات الحساسة لفقدان الرطوبة في وضع أفقي قدر الإمكان في الدرج وليس على جذورها وبوضع رأسي.

أثناء وضع الخضروات يجب أن تأخذ في الاعتبار أن نضعها بوضع جاذبية معين. الخضروات الثقيلة والصلبة يجب وضعها في أسفل الدرج والخضروات الخفيفة والناعمة يجب أن توضع بالأعلى.

لا تترك الخضروات أبداً داخل الدرج في أكياسها. إذا تركت الخضروات في أكياسها، سيتسبب هذا في تحللها في فترة قصيرة. في حالة تلامس الخضروات ببعضها وهو أمر غير صحي، استخدم ورق مثقوب أو أي مادة أخرى مشابهة من مواد التغليف بدلاً من الأكياس.

لا تضع الكمثرى والمشمش والخوخ وغيرها معاً في نفس الدرج مع الخضار والفواكه الأخرى، وعلى وجه الخصوص التفاح والذي به مستوى عال من توليد غاز الإيثيلين. غاز الإيثيلين الذي ينبعث من هذه الفاكهة قد يتسبب في نضج الفاكهة الأخرى بشكل أسرع والتحلل في وقت أقل.

5.13. تحريك رف الباب

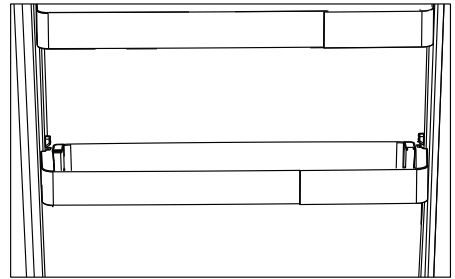
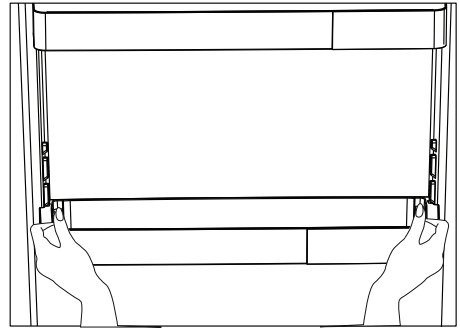
(هذه الخاصية اختيارية)

يمكن تثبيت رف الباب المتحرك على 3 مواضع مختلفة.

اضغط الأزرار الموضحة في الجوانب في نفس الوقت لتحريك الرف. يجب أن يكون الرف قابلاً للحركة.

حرك الرف لأعلى أو لأسفل.

اترك الأزرار عند ضبط الرف في الوضع المرغوب. يجب تثبيت الرف على الوضع عند ترك الأزرار.

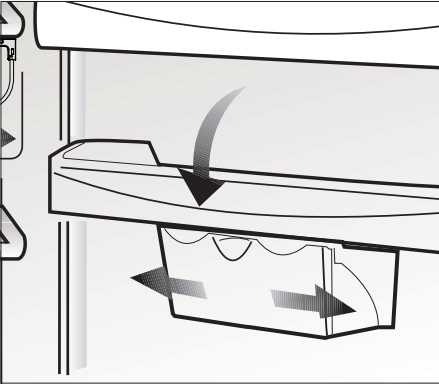


5.14. مقصورات التخزين المائلة

(هذه الخاصية اختيارية)

تم تصميم هذا الملحق للاستفادة من حجم أرفف الباب بشكل أكثر كفاءة.

فهو يسمح لك بوضع الزجاجات الطويلة والمرطبات والعلب في صف الزجاجات السفلي بفضل قدرته على الحركة لليمين أو اليسار.



5.15. مصباح أزرق

(هذه الخاصية اختيارية)

تم تصميم هذا الملحق للاستفادة من حجم أرفف الباب بشكل أكثر كفاءة.

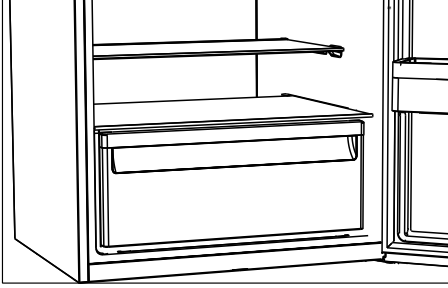
فهو يسمح لك بوضع الزجاجات الطويلة والمرطبات والعلب في صف الزجاجات السفلي بفضل قدرته على الحركة لليمين أو اليسار.

5.9 حامل البيض

يمكن تركيب حامل البيض بالباب المطلوب أو رف الجسم. إذا كان سيتم وضعه على أرفف الجسم فعنها يوصى بالأرفف ذات أقل تبريد.

5.11 مقصورة الطعام الطازج

صممت مقصورة الطعام الطازج بالتلاجة خصيصاً بحيث تحتفظ بالخضروات طازجة دون فقدان رطوبتها. لهذا الغرض، تكون دورة الهواء البارد مكثفة حول الدرج بوجه عام.



لا تضع حامل البيض في مقصورة الفريزر أبداً.



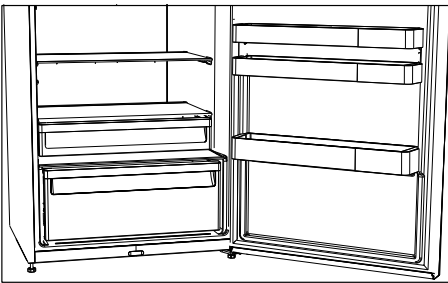
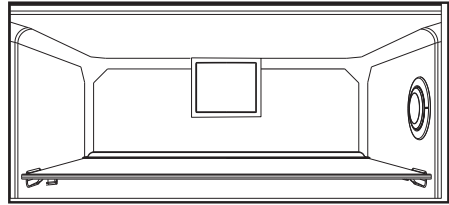
5.10 المروحة

تم تصميم المروحة لضمان التوزيع المتناسق وتدوير الهواء في بشكل متناغم داخل التلاجة. وقد تختلف فترة تشغيل المروحة حسب خصائص جهازك. أثناء تشغيل المروحة فقط مع الضاغط في بعض المنتجات، يحدد نظام التحكم وقت التشغيل في بعض المنتجات وفقاً لمتطلبات التبريد.

5.12 حيز التبريد

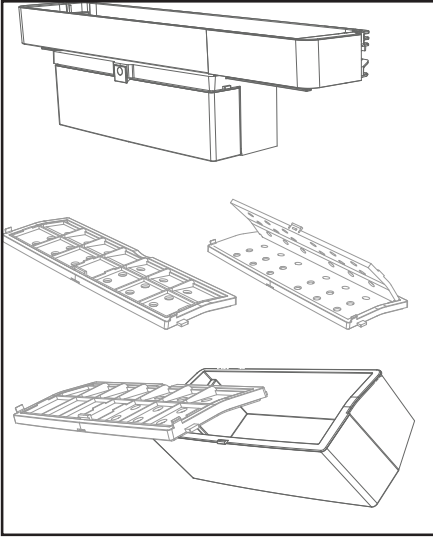
(هذه الخاصية اختيارية)

استخدم هذا الحيز لتخزين الأطعمة الحساسة التي يجب حفظها في درجة حرارة منخفضة أو منتجات اللحوم التي ترغب في استهلاكها خلال فترة قصيرة. مقصورة التبريد هي أبرد مكان في تلاجتك، حيث يمكنك الاحتفاظ بمنتجات الألبان، واللحوم، والأسماك، والدواجن في ظروف التخزين المثالية. لا ينبغي تخزين الفواكه في هذه المقصورة.



5.8. منتج الأعشاب HerbBox/ HerbFresh

انزع مستوعب الشريط عن HerbBox/
+HerbFresh
أخرج الشريط من الكيس وضعه في مستوعب الشريط
كما توضح الصورة.
سد المستوعب بإحكام مرة أخرى وأعدّه إلى وحدة
+HerbBox/HerbFresh
تعتبر أجزاء HerbBox/HerbFresh + مثالية
لتخزين مختلف أنواع الأعشاب المفترض أن تحفظ
في ظروف خاصة.
يمكنك تخزين أعشابك غير المحفوظة في أكياس
(البقدونس، الشبت، الخ) في هذا الجزء أفقياً والحفاظ
على نضارتها أطول فترة ممكنة.
يتم استبدال الفيلم في كل ستة الشهور.

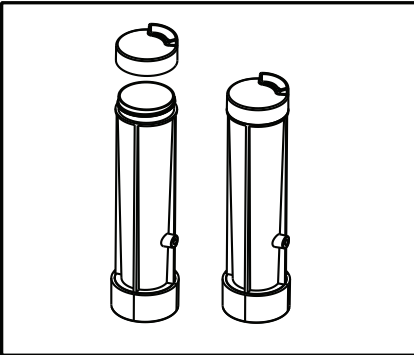
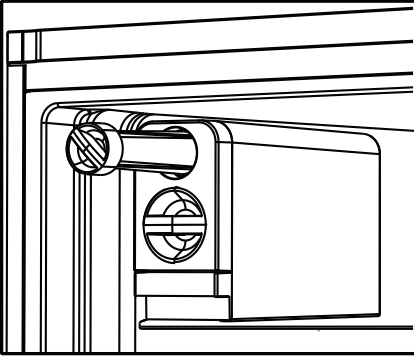
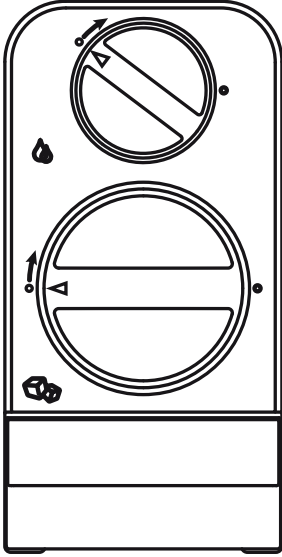


5.7. حاوية الثلج

- قم بإزالة حاوية الثلج من مقصورة الفريزر.
- قم بتعبئة حاوية الثلج بالمياه.
- ضع حاوية الثلج في مقصورة الفريزر. وبعد ساعتين، سيكون الثلج جاهزاً.
- قم بإزالة حاوية الثلج من مقصورة الفريزر وقم بثنيتها على لوحة الخدمة. ستسقط مكعبات الثلج بسهولة في لوحة الخدمة.

5.6 الثلج - جهاز عمل الثلج (هذه الخاصية اختيارية)

- اخلع خزان الماء من خلال تدويره لليسار.
- افتح غطاء خزان الماء من خلال تدويره وأضف الماء إلى خزان الماء حتى الجزء السفلي من غطاء خزان الماء.
- ضع خزان الماء في موضعه كما هو موضح في الشكل بعد إضافة الماء، وقم بتثبيتته من خلال تدويره في اتجاه السهم. يجب صب الماء لأسفل على قاعدة الثلج.
- بعد أن يتكون الثلج، أدر مقبض قاعدة الثلج في اتجاه السهم للسماح للثلج بالسقوط في درج الثلج.
- استخرج مكعبات الثلج من خلال سحب درج الثلج للخارج.
- اسحب الواجهة الأمامية تجاهك لغسل قاعدة الثلج، ثم ضعها على القضبان الانزلاقية على النطاق الداخلي واضغطها في موضعها لتركيبها في مكانها.
- اسحب وحدة إعداد الثلج تجاهك لإزالة الوحدة، ثم ضعها على القضبان الانزلاقية على النطاق العلوي واضغطها في موضعها لتركيبها في مكانها.



اضغط على زر **key lock** (قفل المفتاح) إذا أردت منع تغيير إعدادات درجة الحرارة الخاصة بالثلاجة (Ⓜ).

9. الاستخدام الاقتصادي

اضغط واستمر بالضغط على زر **eco fuzzy** (الاستخدام الاقتصادي) لمدة ثانية واحدة لتفعيل وظيفة الاستخدام الاقتصادي. سيبدأ تشغيل الثلاجة في أقصى وضع اقتصادي بعد مرور 6 ساعات تقريباً وسيتم تشغيل مؤشر الاستخدام الاقتصادي عند تنشيط الوظيفة (Ⓜ). اضغط واستمر بالضغط على زر وظيفة **eco fuzzy** (الاستخدام الاقتصادي) لمدة 3 ثوانٍ لإيقاف فعالية وظيفة الاستخدام الاقتصادي. يضيء هذا المؤشر بعد 6 عند تفعيل وظيفة الاستخدام الاقتصادي.

10. ضبط درجة حرارة صندوق الفريزر

يتم ضبط درجة حرارة صندوق الفريزر من هنا. عند الضغط على الزر رقم 9، يمكنك ضبط درجة حرارة صندوق الفريزر على 18- و 19- و 20- و 21- و 22- و 23- و 24- بالتتابع.

11. التجميد السريع

اضغط على الزر رقم (10) لتشغيل التجميد السريع، ويتم تفعيل مؤشر التجميد السريع (Ⓜ).

يضيء مؤشر التجميد السريع عند تفعيل وظيفة التجميد السريع ويظهر مؤشر درجة حرارة مقصورة التبريد بقيمة 27-. لإلغاء هذه الوظيفة، اضغط على زر التجميد السريع (Ⓜ) مرة أخرى. ينطفئ مؤشر التجميد السريع وتعود الثلاجة إلى إعداداتها العادية. يتم إلغاء وظيفة التجميد السريع أوتوماتيكياً خلال ساعة واحدة إذا لم تقم بإلغائها قبل ذلك. إذا كنت ترغب في تجميد كميات كبيرة من الطعام الطازج، فاضغط على زر **quick freeze** (التجميد السريع) قبل وضع الطعام في صندوق التجميد.

Quick cooling (التبريد السريع) قبل وضع الطعام في صندوق التبريد.

5. وظيفة الأجازات

لتفعيل وظيفة الأجازات، اضغط على الزر رقم (4) (Ⓜ) لمدة 3 ثوانٍ، فيتم تفعيل مؤشر وضع الأجازات. عند تنشيط وظيفة الأجازات، تظهر العلامة "-" على مؤشر درجة حرارة مقصورة الثلاجة ولا يتم التبريد داخل مقصورة الثلاجة. في هذه الوظيفة، من غير المناسب الاحتفاظ بالطعام في مقصورة الثلاجة عند تفعيلها. ستستمر المقصورات الأخرى في البرودة وفقاً لدرجات الحرارة المضبوطة لها.

لإلغاء هذا الوظيفة، اضغط على زر **Vacation** (وظيفة الأجازات) مرة أخرى.

6. ضبط درجة حرارة مقصورة التبريد

عند الضغط على الزر رقم (5)، يمكنك ضبط درجة حرارة مقصورة التبريد على 8 و 7 و 6 و 5 و 4 و 3 و 2 و 1 بالتتابع (Ⓜ).

7.1 وظيفة توفير الطاقة (الشاشة مطفأة)

يضيء رمز توفير الطاقة (Ⓜ) ويتم تفعيل وظيفة توفير الطاقة عندما تضغط على هذا الزر (Ⓜ). إذا تم تفعيل وظيفة توفير الطاقة، يتم إيقاف جميع الرموز على الشاشة بخلاف رمز الطاقة. عند تنشيط وضع توفير الطاقة، إذا تم الضغط على زر أو إذا تم فتح الباب، يتم إلغاء وضع توفير الطاقة وستعود كل الرموز على الشاشة للوضع الطبيعي. ينطفئ رمز توفير الطاقة ويتم إيقاف فعالية وظيفة توفير الطاقة عندما تضغط على هذا الزر (Ⓜ) مرة أخرى.

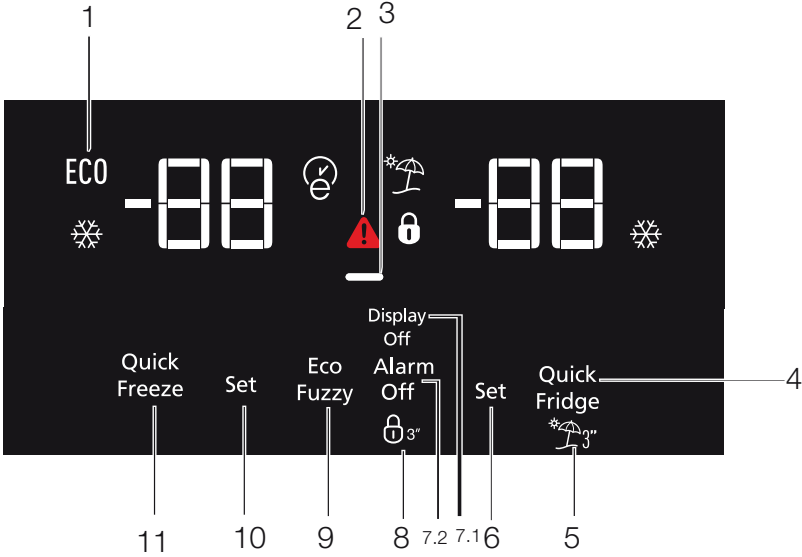
7.2 إلغاء التحذير:

في حال إنقطاع التيار الكهربائي/ تحذير من درجة الحرارة المرتفعة، بعد التحقق من الطعام الموجود في مقصورة الثلاجة اضغط على زر الانذار لمسح التحذير.

8. قفل المفتاح

اضغط على زر قفل المفتاح (Ⓜ) في نفس الوقت لمدة 3 ثوانٍ. رمز قفل المفتاح

(Ⓜ) يضيء ويتم تفعيل وضع قفل المفتاح. لن تعمل الأزرار إذا كان وضع قفل المفتاح نشطاً. اضغط على زر قفل المفتاح في نفس الوقت لمدة 3 ثوانٍ. ينطفئ زر قفل المفتاح ويتم الخروج من وضع قفل المفتاح.



1. التوفير

عند تفعيل وظيفة توفير الطاقة، فسوف تنطفئ كل الرموز في الشاشة ما عدا رمز توفير الطاقة. عندما تكون وظيفة توفر الطاقة مفعلة، فعند الضغط على أي زر أو فتح الباب، سيتم إلغاء وظيفة توفير الطاقة وسوف ترجع الرموز على الشاشة إلى الوضع الطبيعي.

يتم تنشيط وظيفة توفير الطاقة أثناء التسليم من المصنع ولا يمكن أن تلغى.

4. التبريد السريع

يضيء مؤشر التبريد السريع (❄️) عند تفعيل وظيفة التبريد السريع وتظهر قيمة مؤشر درجة حرارة مقصورة الثلجة بقيمة 1. لإلغاء هذه الوظيفة، اضغط زر التبريد السريع مرة أخرى. ينطفئ مؤشر التبريد السريع وتعود الثلجة إلى إعداداتها العادية. يتم إلغاء وظيفة التبريد السريع أوتوماتيكياً خلال ساعة واحدة إذا لم تقم بإلغائها قبل ذلك. إذا أردت تبريد كمية كبيرة من الطعام الطازج يرجى الضغط على زر

يضيء هذا الرمز عند ضبط مقصورة الفريزر على 18- درجة مئوية والتي هي أقصى إعداد للتوفير (ECO). يتوقف الاستخدام الاقتصادي عند تحديد وظائف التبريد السريع أو التجميد السريع.

2. انقطاع الكهرباء/مؤشر درجة الحرارة المرتفعة / التحذير بوقوع خطأ

يضيء المؤشر في حالة أعطال درجة الحرارة المرتفعة، انقطاع الكهرباء والتحذير بوقوع أخطاء. أثناء فترة قصور الطاقة المستديم فإن أعلى درجة حرارة تصل إليها غرفة المجمد سوف تومض على الشاشة الرقمية. بعد التحقق من الطعام الموجود في مقصورة الثلجة اضغط على زر الإنذار لإلغاء التحذير.

3. وظيفة توفير الطاقة (الشاشة مطفأة):

يتم تشغيل وظيفة توفير الطاقة تلقائياً ويتم تفعيل رمز و توفير الطاقة في حال ظلت ابواب الثلجة مفتوحة لفترة طويلة.

*اختياري: إن الأشكال الواردة في هذا الدليل عبارة عن رسومات بيانية وقد لا تتطابق تماماً مع المنتج. إذا لم تكن هذه القطع واردة في هذا الجهاز الذي اشتريته، فهذا يعني أن هذه الأجزاء مناسبة لأنواع أخرى.



11. زر التجميد السريع "Quick freeze"

مفتاح تشغيل-إيقاف التجميد

اضغط على هذا الزر لفترة قصيرة لتنشيط أو تعطيل وظيفة التجميد السريع. عند تفعيلك لهذه الوظيفة، سيتم تبريد مقصورة الفريزر إلى درجة حرارة أقل من القيمة المحددة. (🔌)

لتنشيط أو تفعيل صنع الثلج اضغط واستمر بالضغط عليه لمدة 3 ثوان.

استخدم وظيفة التجميد السريع، قم بتنشيطها عندما تحتاج لتجميد الطعام الموضوع في مقصورة الثلجة سريعا. إذا أردت تجميد كمية كبيرة من الطعام، يوصى بتنشيط هذه الميزة قبل وضع الطعام في الثلجة.



إذا لم يتم إبعاده، ستلغى وظيفة التجميد السريع نفسها تلقائيا بعد مرور 4 ساعات أو عندما تصل درجة الحرارة مقصورة الثلجة إلى الدرجة المطلوبة.



لن يتم استدعاء هذه الوظيفة عندما يتم استعادة التيار الكهربائي بعد انقطاعه.



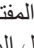
12. مؤشر الاستخدام الاقتصادي


يشير إلى أن الثلجة في وضع موفر للطاقة. (eco) يكون هذا المؤشر نشطا إذا تم ضبط الوظيفة على درجة حرارة من 0 إلى -18 درجة مئوية أو كانت وظيفة التبريد الموفرة للطاقة تعمل نتيجة لوظيفة التوفير الإضافي. Eco-Extra .

يتوقف مؤشر الاستخدام الاقتصادي عند تحديد وظائف التبريد السريع أو التجميد السريع.




7. قفل المفتاح

اضغط على زر قفل المفتاح () في نفس الوقت لمدة 3 ثوانٍ. رمز قفل المفتاح

() يضيء ويتم تفعيل وضع قفل المفتاح. لن تعمل الأزرار إذا كان وضع قفل المفتاح نشطاً. اضغط

على زر قفل المفتاح في نفس الوقت لمدة 3 ثوانٍ. سيطفاً رمز قفل المفتاح وسيتم إلغاء تنشيط وضع قفل المفتاح.

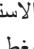
اضغط على زر **key lock** (قفل المفتاح) إذا أردت منع تغيير إعدادات درجة الحرارة الخاصة بالثلاجة ().

8. الاستخدام الاقتصادي

اضغط واستمر بالضغط على زر **eco fuzzy**

(الاستخدام الاقتصادي) لمدة ثانية واحدة لتفعيل

وظيفة الاستخدام الاقتصادي. سيبدأ تشغيل الثلاجة في أقصى وضع اقتصادي بعد مرور 6 ساعات تقريباً

وسيتم تشغيل مؤشر الاستخدام الاقتصادي عند تنشيط الوظيفة (). اضغط واستمر بالضغط على زر

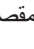
وظيفة **eco fuzzy** (الاستخدام الاقتصادي) لمدة 3 ثوانٍ لإيقاف فعالية وظيفة الاستخدام الاقتصادي.

يضيء هذا المؤشر بعد 6 عند تفعيل وظيفة الاستخدام الاقتصادي.

9. زر ضبط درجة حرارة مقصورة الفريزر


اضغط على هذا الزر لضبط درجة حرارة مقصورة

الفريزر على 18-، 19-، 20-، 21-، 22-، 23-، 24-،

على الترتيب. اضغط على هذا الزر لضبط درجة حرارة مقصورة الفريزر على القيمة المطلوبة. ()

10. مؤشر إيقاف تكوين الثلج

يشير ما إذا كان مقصورة الثلج قيد التشغيل أو

الإيقاف. يشير هذا الرمز () إلى أن مقصورة الثلج ليست قيد التشغيل. لتشغيل مقصورة الثلج مرة

أخرى اضغط واستمر بالضغط على زر تشغيل-إيقاف لمدة 3 ثوانٍ.

سيتوقف تدفق المياه من خزان المياه عندما يتم اختيار هذه الوظيفة. ومع ذلك، يمكن إخراج الثلج الموجود من وحدة التوزيع.



استخدم وظيفة التجميد السريع عندما تحتاج لتجميد الطعام الموضوع في مقصورة الثلاجة سريعاً. إذا أردت تبريد كمية كبيرة من الطعام الطازج، يوصى بتنشيط هذه الميزة قبل وضع الطعام في الثلاجة.



إذا لم يتم إلغاؤها، ستلغي وظيفة التبريد السريع نفسها تلقائياً بعد مرور 8 ساعات أو عندما تصل درجة حرارة مقصورة الثلاجة إلى الدرجة المطلوبة.



إذا ضغطت على زر التبريد السريع بشكل متكرر لفترات قصيرة، سيتم تنشيط حماية الدائرة الإلكترونية ولن يبدأ تشغيل الضاغط فوراً.

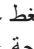


لن يتم استدعاء هذه الوظيفة عندما يتم استعادة التيار الكهربائي بعد انقطاعه.




4. زر ضبط درجة حرارة مقصورة الثلاجة

اضغط على هذا الزر لضبط درجة حرارة مقصورة الثلاجة على 8، 7، 6، 5، 4، 3، 2، 8...

بالترتيب. اضغط على هذا الزر لضبط درجة حرارة مقصورة الثلاجة على القيمة المطلوبة. ()

5. وظيفة الإجازات

بهدف تفعيل وظيفة العطلة، اضغط على الزر () لمدة 3 ثوانٍ، وسيبدأ بعدها مؤشر وضع العطلة بالعمل. عند تنشيط وظيفة الإجازة، تظهر العلامة "-"

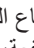
على مؤشر درجة حرارة مقصورة الثلاجة ولا يتم التبريد داخل مقصورة الثلاجة. في هذه الوظيفة، من غير المناسب الاحتفاظ بالطعام في مقصورة الثلاجة عند تفعيلها. ستستمر المقصورات الأخرى في البرودة وفقاً لدرجات الحرارة المضبوطة لها.


لإلغاء هذا الوظيفة، اضغط على زر وظيفة الإجازة / Vacation مرة أخرى.

لإلغاء هذا الوظيفة، اضغط على زر وظيفة الإجازة / Vacation مرة أخرى.

لإلغاء هذا الوظيفة، اضغط على زر وظيفة الإجازة / Vacation مرة أخرى.

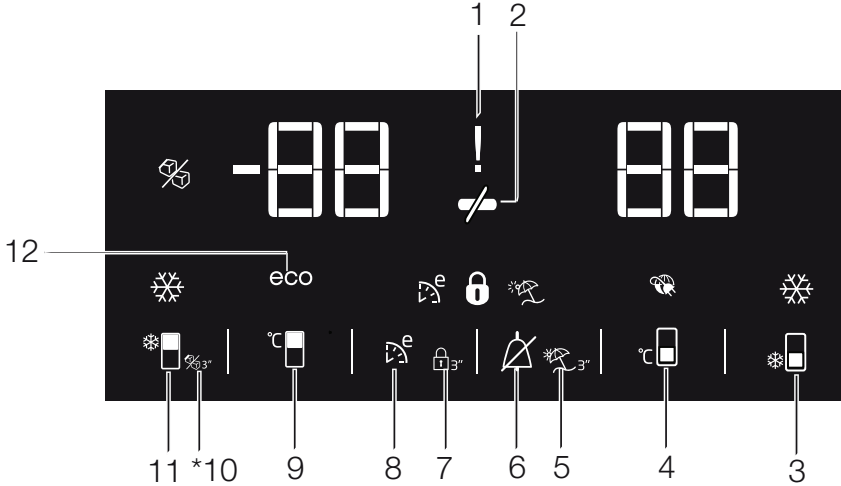
6. إلغاء التحذير:

في حال إنقطاع التيار الكهربائي/ تحذير من درجة الحرارة المرتفعة، بعد التحقق من الطعام الموجود في مقصورة الثلاجة اضغط على زر الانذار () لمسح التحذير.

في مقصورة الثلاجة اضغط على زر الانذار () لمسح التحذير.

5.5. لوحة المؤشر

تسمح لك لوحة المؤشر بضبط درجة الحرارة والتحكم في الوظائف الأخرى المتعلقة بالجهاز بدون فتح باب الجهاز. فقط اضغط على الكلمات على الأزرار المعنية لإعدادات الوظائف.



1. انقطاع الكهرباء/مؤشر درجة الحرارة المرتفعة / التحذير بوقوع خطأ

يضيء المؤشر (⚡) في حالة أعتال درجة الحرارة المرتفعة، انقطاع الكهرباء والتحذير بوقوع أخطاء. خلال انقطاع التيار الكهربائي المستمر، تظهر أعتال درجة الحرارة المرتفعة على شاشة العرض الرقمية لمقصورة الفريزر. بعد التحقق من الطعام الموجود في مقصورة الثلجة (❄️) اضغط على زر الانذار لإلغاء التحذير.

2. وظيفة توفير الطاقة (الشاشة مطفأة):

يتم تشغيل وظيفة توفير الطاقة تلقائياً ويتم تفعيل رمز توفير الطاقة في حال ظلت ابواب الثلجة مفتوحة لفترة طويلة. (⏸️)

حينما تكون وظيفة توفير الطاقة قيد التفعيل، يتم إطفاء جميع الرموز على الشاشة. عند تفعيل وظيفة توفير الطاقة، إذا تم الضغط على أي مفتاح أو تم فتح الباب، سيتم الخروج من وظيفة توفير الطاقة وستعود

الأيقونة على الشاشة إلى الوضع الطبيعي.

يتم تنشيط وظيفة توفير الطاقة أثناء التسليم من المصنع ولا يمكن أن تلغى.

3. وظيفة التبريد السريع

لهذا الزر وظيفتين. اضغط على هذا الزر لفترة قصيرة لتنشيط أو تعطيل وظيفة التبريد السريع. ينطفئ مؤشر التبريد السريع وتعود الإعدادات إلى الوضع الطبيعي. (❄️)

*اختياري: إن الأشكال الواردة في هذا الدليل عبارة عن رسومات بيانية وقد لا تتطابق تماماً مع المنتج. إذا لم تكن هذه القطع واردة في هذا الجهاز الذي اشتريته، فهذا يعني أن هذه الأجزاء مناسبة لأنواع أخرى.



1. مؤشر حجرة المبرد

يعمل ضوء حجرة المبرد عند تعديل درجة حرارة حجرة المبرد.

2. مؤشر حالة الخطأ

ينشط هذا المجس إذا كانت الثلاجة لا تبرد بشكل كاف أو في حال خلل المجس. عندما يكون هذا المؤشر نشطاً، يعرض مؤشر درجة حرارة حجرة المبرد "E" ويعرض مؤشر درجة حرارة حجرة المبرد أرقام "1، 2، 3... الخ. تهدف هذه الأرقام إلى إبلاغ كادر الخدمة عن الخلل.

3. مؤشر درجة الحرارة

يشير إلى درجة حرارة حجرتي المبرد والمجمد.

4. زر وظيفة الإجازة

لتفعيل هذه الوظيفة، اضغط باستمرار على زر الإجازة لمدة 3 ثواني. عندما تكون وظيفة الإجازة نشطة، يعرض مؤشر درجة حرارة حجرة المبرد الرسم "-" ولن يتم تنشيط أي عملية تبريد في حجرة التبريد. هذه الوظيفة غير مناسبة لحفظ الطعام في حجرة المبرد. تبقى الحجرات الأخرى باردة مع ضبط درجة الحرارة الملائمة لكل حجرة. اضغط على زر الإجازة (🔌) ثانية لإلغاء هذه الوظيفة.

5. زر تعديل درجة الحرارة

تتباين درجة حرارة كل غرفة بين -24 ، -18 و 8 إلى 1 درجة مئوية.

6. زر اختيار الحجرة

استخدم زر اختيار حجرة الثلاجة للتبديل بين حجرتي المبرد والمجمد.

7. مؤشر حجرة المبرد

يعمل ضوء حجرة المبرد عند تعديل درجة حرارة حجرة المبرد.

8. مؤشر الوضع الاقتصادي

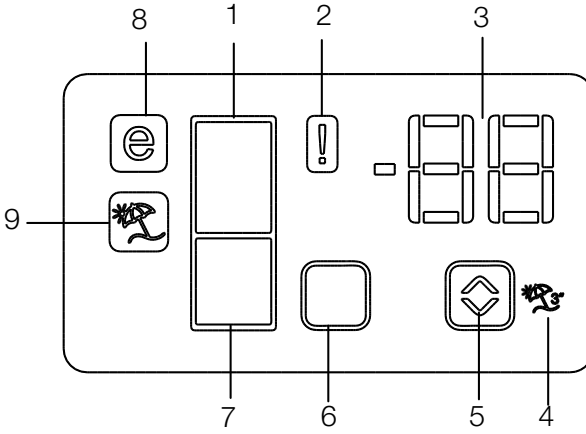
يشير إلى أن الثلاجة تعمل في وضع توفير الطاقة. يكون هذا المؤشر نشطاً عند ضبط درجة حرارة حجرة المبرد على 18- مئوية.

9. مؤشر وظيفة الإجازة

يشير إلى أن وظيفة الإجازة نشطة.

5.4. لوحة المؤشرات

قد تتباين ألواح المؤشرات بناء على موديل جهازك.
ستساعدك الوظائف الصوتية والبصرية للوحة المؤشرات على استخدام الثلاجة.



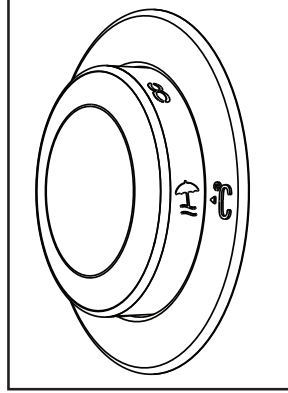
1. مؤشر حجرة المبرد
 2. مؤشر حالة الخطأ
 3. مؤشر درجة الحرارة
 4. زر وظيفة الإجازة
 5. زر تعديل درجة الحرارة
 6. زر اختيار الحجرة
 7. مؤشر حجرة المبرد
 8. مؤشر الوضع الاقتصادي
 9. مؤشر وظيفة الإجازة
- *اختياري

*اختياري إن الأشكال الواردة في هذا الدليل عبارة عن رسومات بيانية وقد لا تتطابق تمامًا مع المنتج. إذا لم تكن الأجزاء ذات الصلة غير متاحة في المنتج الذي قمت بشراؤه، ينطبق الشكل على الموديلات الأخرى.



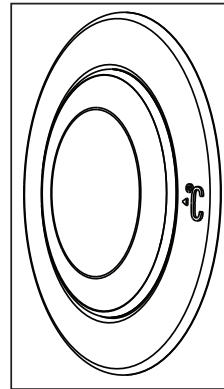
5.3. وظيفة الأجزاء

إذا لم يتم فتح أبواب المنتج لمدة 12 ساعة بعد ضبط مفتاح التحكم في درجة الحرارة على أعلى وضع درجة حرارة، فسيتم تشغيل وظيفة الأجزاء تلقائياً. لإلغاء الوظيفة، قم بتغيير إعداد المفتاح.



لا ينصح بتخزين الطعام أثناء تفعيل خاصية الأجزاء.

- عند الانتهاء من عملية الإعداد، يمكنك الضغط على مفتاح التحكم في درجة الحرارة وإخفاؤه.

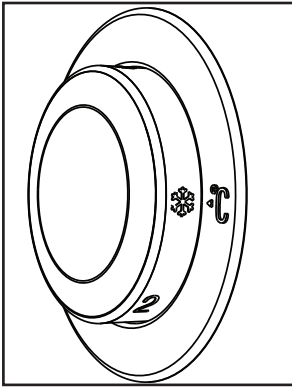


5.2. التجميد السريع

في حالة تجميد كميات كبيرة من الأطعمة الطازجة، اضبط مفتاح التحكم على الوضع (❄️) بفترة 24 ساعة قبل وضع الأطعمة الطازجة في صندوق التجميد السريع.

يوصى بشدة أن يتم بالإبقاء على المفتاح في هذا الوضع لمدة 24 ساعة لتجميد أكبر كمية من الأطعمة الطازجة المسموح بها حسب سعة التجميد. توخ الحذر جيداً لعدم خلط الأطعمة المجمدة بالأطعمة الطازجة.

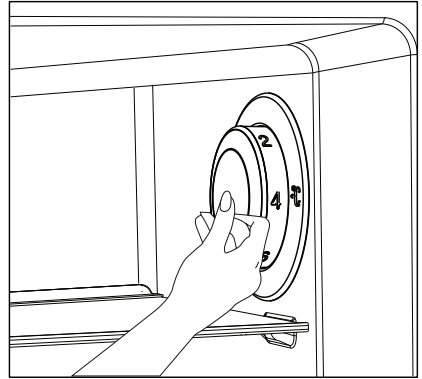
تذكر أن تدير مفتاح التحكم في درجة الحرارة إلى موضعه السابق بمجرد تجميد الطعام.



5.1. زر ضبط درجة الحرارة

تتغير درجة حرارة الثلاجة للأسباب التالية:

- درجات الحرارة الموسمية
 - فتح باب الثلاجة بشكل متكرر وتركه مفتوحاً لفترات طويلة،
 - الطعام الذي تم وضعه في الثلاجة بدون تبريده إلى درجة حرارة الغرفة،
 - مكان الثلاجة في الغرفة (مثل التعرض لأشعة الشمس).
 - يمكنك ضبط درجة حرارة الثلاجة المتغيرة لهذه الأسباب بواسطة زر الضبط.
- الأعداد الموضحة حول مفتاح التحكم توضح قيم درجة الحرارة بالدرجة المئوية "°C".
- إذا كانت درجة الحرارة المحيطة 25°م، فإننا ننصحك باستخدام مفتاح التحكم في درجة الحرارة لثلاجتك وضبطه على 4°م. ويمكن زيادة أو خفض هذه القيمة حسب ما تقتضيه درجة الحرارة المحيطة.



*اختياري إن الأشكال الواردة في هذا الدليل عبارة عن رسومات بيانية وقد لا تتطابق تمامًا مع المنتج. إذا لم تكن الأجزاء ذات الصلة غير متاحة في المنتج الذي قمت بشرائه، ينطبق الشكل على الموديلات الأخرى.

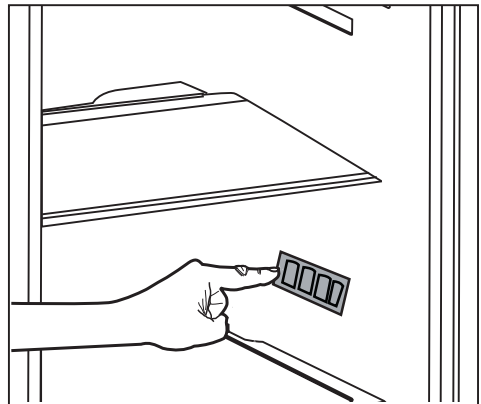


4.1. أشياء يجب عملها لتوفير الطاقة

بعد توصيل الجهاز بأنظمة توفير الطاقة الكهربائية أمرًا خطراً حيث قد يتسبب في تلف الجهاز.



- لا تترك أبواب الثلاجة مفتوحة لفترة طويلة.
- لا تضع الأطعمة أو الخضروات الساخنة في الثلاجة.
- لا تفرط في وضع الأطعمة في الثلاجة، حيث يتسبب ذلك في تقليل قدرة التبريد عند منع تدوير الهواء بالداخل.
- لتخزين أكبر قدر ممكن من الأطعمة في حيز الفريزر، فإن صندوق الثلج الموجود في حيز الفريزر يمكن فكه يدوياً بسهولة وسحبه للخارج. تم قياس واختبار قيم الحجم الصافي واستهلاك الطاقة الموضحة في لوحة بيانات الطاقة لثلاجتك في ظل إزالة صندوق الثلج. لا تخلص الأرفف الموجودة في حيز الفريزر وعلى باب حيز الفريزر، ويجب استخدامها بشكل دائم لضمان سهولة الاستخدام وكفاءة استغلال الطاقة.
- لا يجوز إعاقة تدفق الهواء من خلال وضع الأطعمة على جوانب مروحة حيز الفريزر. يجب توافر مسافة لا تقل عن 3 سم على جوانب غطاء المروحة الواقية.
- حسب الخصائص المتوفرة في جهاز، فإن إذابة الطعام المجمد في مقصورة الجهاز يوفر الطاقة ويحفظ جودة الطعام.
- يجب استخدام السلال/الجوارير التي تزود مع حجرة التبريد دائما لتقليل استهلاك الطاقة ومن أجل ظروف تخزين أفضل.
- إن احتكاك الطعام مع مجس درجة الحرارة في حجرة المجمد قد يزيد من استهلاك الطاقة في الجهاز. لذا يجب تجنب الاحتكاك مع المجس.
- لا تسمح للأطعمة بلامسة مستشعر درجة حرارة حيز التجميد الموضح في الشكل أدناه.



4.2. الاستخدام للمرة الأولى

قبل البدء في تشغيل ثلاجتك، تأكد من القيام بجميع الأعمال التحضيرية حسب الإرشادات الموضحة في أقسام "إرشادات الأمان والبيئة" و "التركيب".

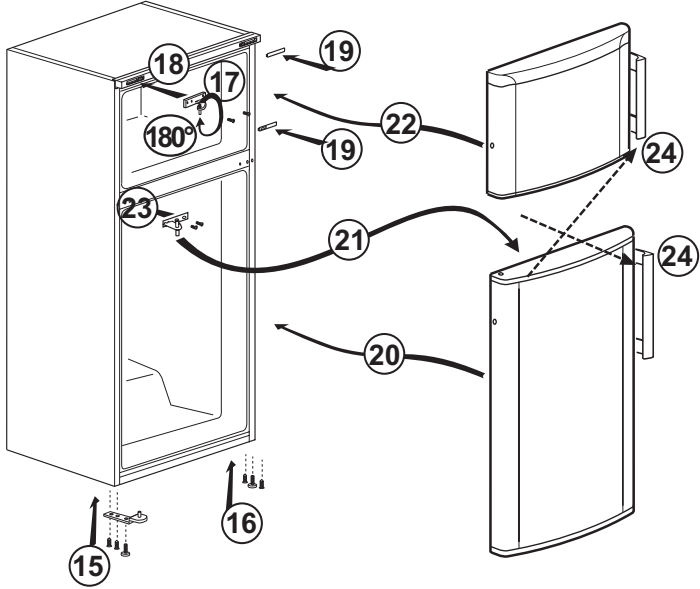
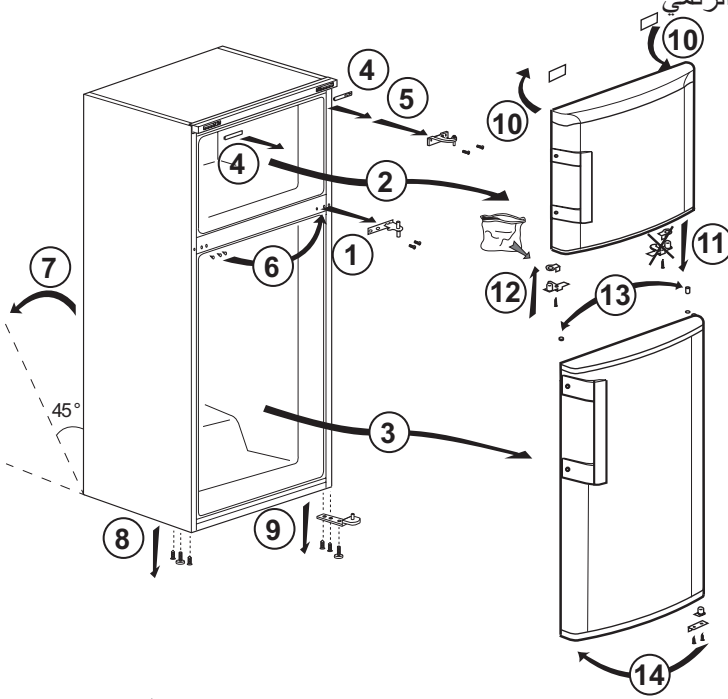
- قم بتشغيل الجهاز دون وضع أي أطعمة بداخلها لمدة 6 ساعات ولا تقم بفتح الباب ما لم تكن هناك ضرورة.

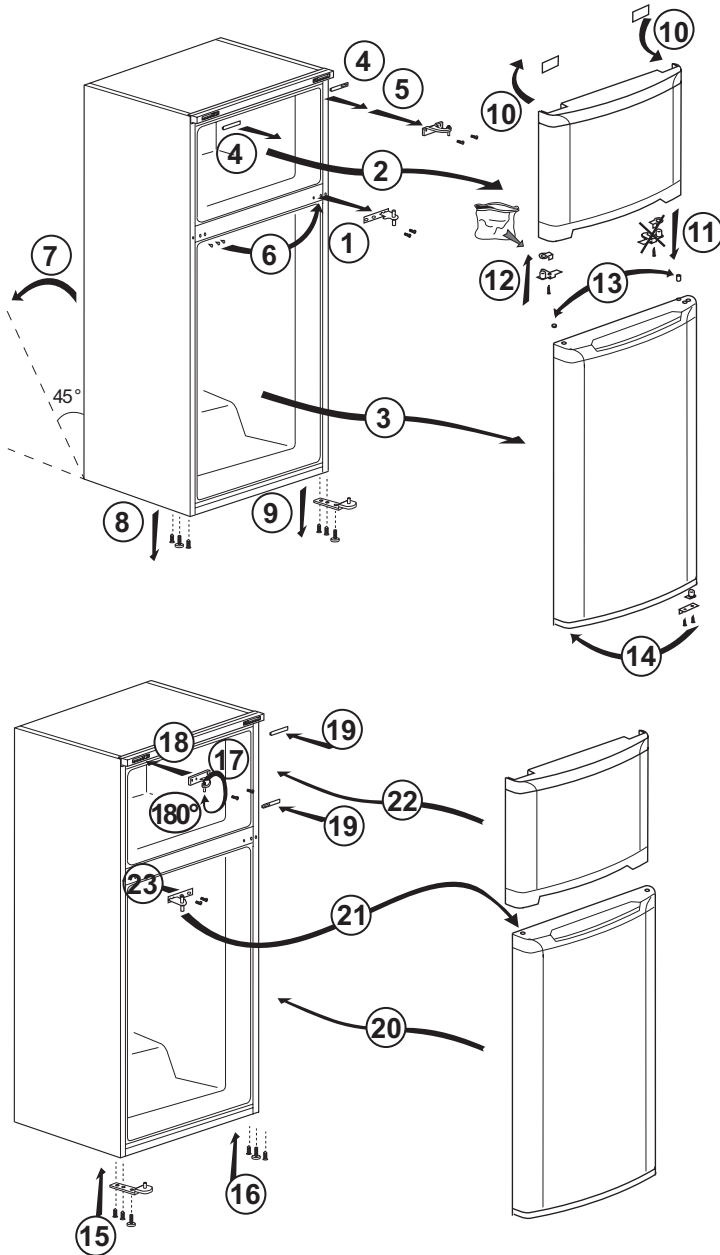
سوف تسمع ضوضاء عند بدء عمل جهاز ضغط الهواء. قد تؤدي السوائل والغازات المتسربة من نظام التبريد إلى إحداث ضوضاء، حتى إن كان جهاز ضغط الهواء لا يعمل وهذا أمر طبيعي.	
قد يكون ملمس الحواف الأمامية للجهاز دافئاً. هذا شيء طبيعي. حيث تم تصميم هذه المناطق حتى تكون دافئة تجنباً للتكاثف.	




في بعض الموديلات، تتوقف لوحة الأدوات 5 دقائق بعد إغلاق الباب. سيتم إعادة تفعيلها عند فتح الباب أو الضغط على أي مفتاح.	
---	--

3.5 عكس الأبواب


اتبع الترتيب الرقمي





<p>تحذير: لا تقم بعمل الوصلات من خلال كابلات إطالة أو قوابس متعددة.</p>	
<p>تحذير: يجب أن يقوم مندوب خدمة معتمد باستبدال كابل الطاقة التالف.</p>	
<p>إذا كنت بصدد تركيب مبردين جنباً إلى جنب، يجب المباعدة بينهما بمسافة 4 سم على الأقل.</p>	

- لن تكون شركتنا مسؤولة عن أي تلف يحدث نتيجة استخدام المنتج بدون عمل التأسيس والتوصيل بالكهرباء وفقاً للوائح المحلية.
- يجب أن يكون قابس كابل الطاقة في مكان قريب من مكان التركيب.
- لا تقم بعمل وصلات إطالة للأسلاك أو المقابس المتعددة بين جهازك والمقبس الحائطي.

<p>تحذير السطح الساخن زودت الجدران الجانبية لجهازك بأنابيب تبريد لتحسين مبرد نظام الطهي وقد تتدفق درجات حرارة عالية عبر هذه المناطق، مما يسخن الأسطح على الجدران الجانبية. هذا أمر طبيعي ولا يتطلب أي صيانة. يرجى الانتباه أثناء لمس هذه المناطق.</p>	
---	---

3.2 تركيب الأسافين البلاستيكية

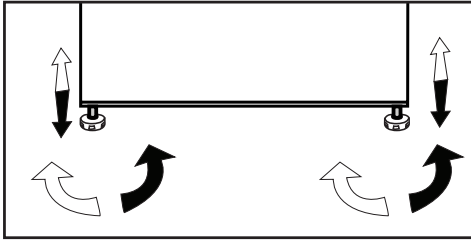
يتم استخدام الأسافين البلاستيكية الموردة مع الجهاز لإيجاد مسافة لتدوير الهواء بين المنتج والحائط الخلفي.

1. لتركيب الأسافين، اخلع البراغي الموجودة على الجهاز واستخدم البراغي الموردة مع الأسافين.

2. ادخل الطرفان البلاستيكيان داخل فتحة التهوية الخلفية كما هو موضح في الشكل.

3.3 ضبط الأقدام

إذا كان المنتج غير متزن بعد عملية التركيب، فاضبط القدم على المقدمة بعد تدويرها لليمين أو اليسار. التوصيل الكهربائي



3.1 موقع التركيب الملائم

اتصل بمركز خدمة معتمد لتركيب الجهاز. لتحضير الجهاز للاستخدام، راجع المعلومات الواردة في دليل المستخدم وتأكد من أن التركيبات الكهربائية وتركيبات المياه سليمة. إذا لم يكن الأمر كذلك، اتصل بفني كهربائي ومهندس معتمد لإجراء أية ترتيبات مطلوبة.

تحذير: لن تكون الشركة المصنعة مسؤولة عن التلف الذي يحدث نتيجة إجراء أعمال التركيب والصيانة من قبل أشخاص غير معتمدين.



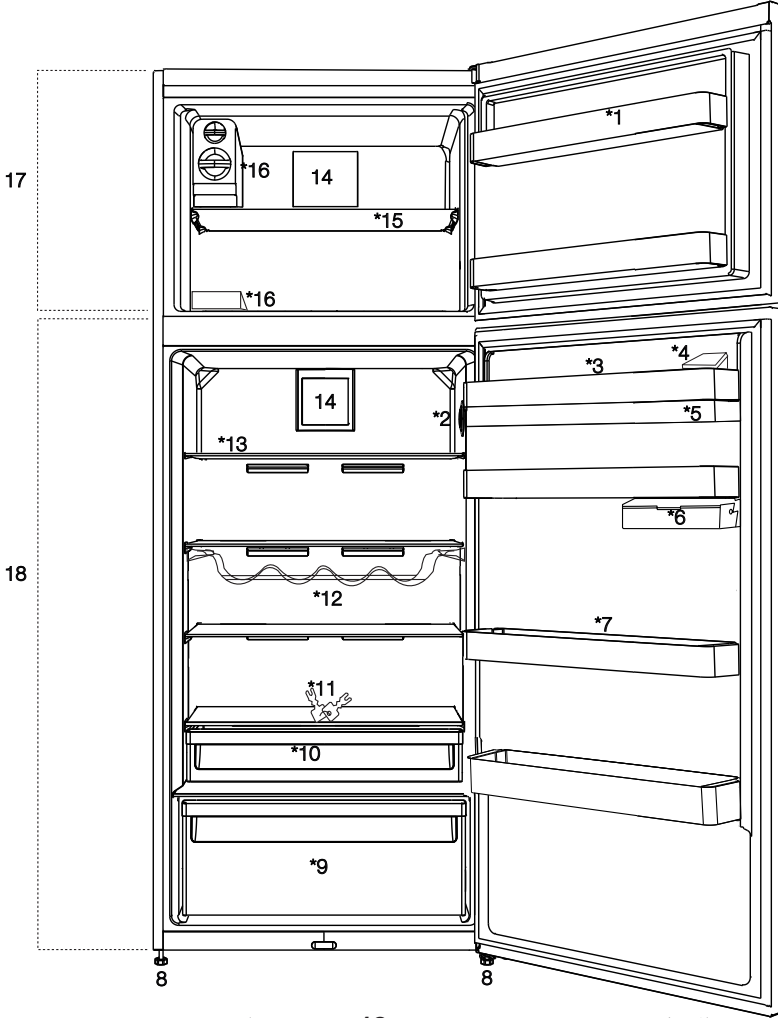
تحذير: لا يجوز توصيل قابس الجهاز بالكهرباء أثناء التركيب. وإلا، قد يكون هناك خطر الوفاة أو الإصابات الخطيرة!!



تحذير: إذا كان خلوص الباب في الغرفة غير كافٍ في موضع تركيب الجهاز بدرجة تمنع تمرير الجهاز، فاخلع باب الغرفة وقم بتمرير الجهاز عبر الباب من خلال تدويره إلى الجوانب؛ فإذا لم ينجح ذلك، اتصل بمركز الخدمة المعتمد.



- ضع المنتج على سطح مستو لمنع الحركة المفاجئة.
- قم بتركيب الجهاز على مسافة لا تقل عن 30 سم من مصادر الحرارة، مثل المواقد والسخانات والأفران وعلى مسافة لا تقل عن 5 من الأفران الكهربائية.
- لا يجوز أن يتعرض الجهاز لضوء الشمس المباشر ويحفظ في أماكن رطبة.
- يجب أن تتوفر التهوية المناسبة حول المنتج للحصول على تشغيل يتسم بالكفاءة. إذا كان سيتم وضع المنتج في تجويف داخل الحائط، فاحرص على ترك مسافة 5 سم على الأقل بين السقف والحوائط الجانبية.
- لا تقم بتركيب الجهاز في أماكن تقل فيها درجة الحرارة عن 5° م.



- | | | | |
|---------------------------------|-----|----------------------|-----|
| رف الزجاجات | .12 | رف باب صندوق الثلاجة | .1 |
| رف صندوق الثلاجة الزجاجي | .13 | زر ضبط درجة الحرارة | .2 |
| مروحة | .14 | رف تجويف باب الفريزر | .3 |
| رف صندوق الفريزر | .15 | موزع المياه ملء خزان | .4 |
| صندوق الثلج / حبيرة إعداد الثلج | .16 | القسم البيض | .5 |
| مقصورة الفريزر | .17 | خزان موزع المياه | .6 |
| مقصورة الثلاجة | .18 | تحريك رف الباب | .7 |
| | | الأرجل القابلة للضبط | .8 |
| | | مقصورة الطعام الطازج | .9 |
| | | حيز التبريد | .10 |
| | | القفل والمفتاح | .11 |

*اختياري إن الأشكال الواردة في هذا الدليل عبارة عن رسومات بيانية وقد لا تتطابق تمامًا مع المنتج. إذا لم تكن الأجزاء ذات الصلة غير متاحة في المنتج الذي قمت بشرائه، ينطبق الشكل على الموديلات الأخرى.



1.4. سلامة الأطفال

- احتفظ بمواد التغليف بعيدا عن متناول الأطفال.
- لا تسمح للأطفال بالعبث بالجهاز.
- إذا كان لباب الجهاز قفل، احتفظ بالمفتاح بعيدا عن متناول الأطفال.
- لا تمثل للتوجيهات الخاصة بنفايات الأجهزة الإلكترونية والكهربائية والتخلص منها:

هذا المنتج متوافق

مع توجيهات EU WEEE

(2012/19/EU). يحمل هذا المنتج

رمز تصنيف التخلق من الأجهزة

الكهربائية والإلكترونية (WEEE).

تم تصنيع هذا المنتج بقطع ومواد عالية

الجودة يمكن إعادة استخدامها وهي

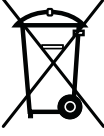
مناسبة لإعادة التدوير. لا تتخلص من المنتجات التالفة

مع النفايات المنزلية العادية والأخرى عند انتهاء

عمر الجهاز. بل يجب أخذه إلى مركز التجميع لتدوير

الأجهزة الكهربائية والإلكترونية. يرجى استشارة

السلطات المحلية لمعرفة مراكز التجميع.



- أن تكون درجة حرارة الماء 33 ف (0.6 م) كحد أدنى و100 ف (38 م) كحد أقصى.
- استعمل ماء الشرب فقط.

1.3. الاستخدام المخصص

- هذا المنتج مصمم للاستخدام المنزلي. وهو غير ملائم للاستخدام التجاري أو العام.
- يجب استخدام الجهاز لتخزين الطعام والشراب فقط.
- لا تترك المواد الحساسة التي تتطلب درجات حرارة تحت السيطرة في الثلاجة (اللقاحات، الأدوية الحساسة للحرارة، اللوازم الطبية، الخ).
- لا يتحمل المصنع أية مسؤولية عن أي ضرر بسبب سوء الاستعمال أو التعامل.
- سيتم توفير قطع غيار أصلية لمدة 10 أعوامًا، بعد تاريخ الشراء المنتج

1.5. الامتثال لتوجيهات حظر

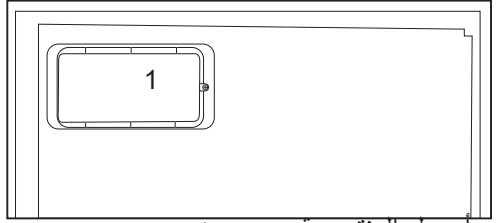
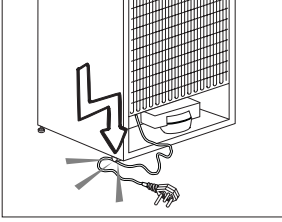
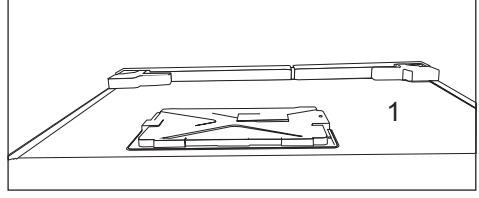
المواد الخطرة:

- هذا المنتج متوافق مع توجيهات EU WEEE (2011/65/EU). وهو لا يحتوي على مواد ضارة أو محظورة محددة في التوجيهات.

1.6. معلومات الغلاف

- تم تصنيع مواد تغليف المنتج من مواد قابلة لإعادة التدوير طبقا لأنظمة البيئة الوطنية. لا تتخلص من مواد التغليف مع النفايات المنزلية وغيرها. قم بنقلها إلى نقاط تجميع مواد التغليف المحددة من قبل السلطات المحلية.

- لا تطأ أو تتكئ على الباب والجوارير وأجزاء مماثلة من الثلاجة. سيؤدي ذلك إلى سقوط الجهاز وتضرر أجزائه.
- احذر أن يعلق كبل الطاقة.



1.2 تحذير HC

- إذا كان المنتج يشتمل على نظام تبريد باستخدام غاز R600a، احذر حتى تتجنب أضرار نظام التبريد وأنبويه أثناء استخدام الجهاز وتحريكه. هذا الغاز سريع الاشتعال. إذا تعرض نظام التبريد للتلف، أبعاد الجهاز عن مصادر الحريق وقم بتهوية الغرفة فوراً.

- أوصل المنتج بمقبس مؤرض. يجب إجراء التأريض بواسطة فني كهرباء مؤهل.
- إذا كان الجهاز يحتوي على مصابيح من نوع LED، اتصل بخدمة الصيانة المعتمدة لاستبدالها أو اتصل بها في حال حدوث أية مشاكل.

- لا تلمس الأطعمة المجمدة بأيدي مبتلة! فقد تلتصق بيديك!
- لا تخزين العبوات الزجاجية أو علب المشروبات في حجرة المجمد. فقد تنفجر!
- ضع السوائل بوضع رأسي بعد إغلاق الغطاء بإحكام.

يشير الملصق على الجهة الداخلية اليسرى إلى نوع الغاز المستعمل في المنتج.



1.1.2 للموديلات

المحتوية على موزع ماء

- يجب أن يكون ضغط مدخل الماء البارد 90psi كحد أقصى (620 kPa). إذا تجاوز ضغط الماء (80 550 kPa)، استخدم صمام حد الضغط في نظامك الرئيسي. إذا كنت لا تعلم كيف تفحص ضغط الماء الخاص بك، اطلب المساعدة من سمكري متخصص.
- إذا ظهر خطر تأثير الطرق المائي أثناء التركيب، استخدم معدات منع الطرق المائي في التركيب دائماً. استشر سمكري متخصص إن لم تكن متأكداً من عدم وجود تأثير للطرق المائي في التركيب.
- لا تركبه على مدخل الماء الساخن. يجب أخذ الحيطة من خطر تجمد الخرطوم. يجب

- لا ترش المواد سريعة الاشتعال قرب الجهاز، فقد يحترق أو ينفجر.
- لا تحتفظ بالمواد سريعة الاشتعال والمنتجات المحتوية على غاز سريع الاشتعال (مواد الرش، الخ) في الثلاجة.
- لا تضع مستوعبات السوائل على الجهاز. قد يتسبب رش الماء على جزء كهربائي بصدمة كهربائية أو خطر الحريق.
- يؤدي تعريض المنتج للمطر والتلج وأشعة الشمس والرياح إلى أضرار كهربائية. عند تغيير مكان الجهاز، لا تسحبه من مقبض الباب. فقد ينفك المقبض.
- احذر لكي لا يعلق أي جزء من يديك أو جسمك في أية أجزاء متحركة داخل الجهاز.

يوضح هذا الجزء تعليمات السلامة اللازمة لمنع خطر الإصابة والضرر المادي. يؤدي الإخفاق في التقيد بهذه التعليمات إلى بطلان جميع ضمانات الجهاز.
الغرض المخصص

- ## 1.1 السلامة العامة
- لا يجوز استخدام هذا الجهاز بواسطة أشخاص يعانون من عجز بدني أو حسي أو عقلي، دون معرفة وخبرة كافية أو بواسطة الأطفال. يمكن استخدام الجهاز من قبل هؤلاء الأشخاص فقط تحت إشراف وتوجيه شخص مسؤول عن سلامتهم. لا يجب السماح للأطفال باللعب بهذا الجهاز.
 - في حال حدوث عطل، افصل الجهاز عن الكهرباء.
 - بعد فصله عن الكهرباء، انتظر 5 دقائق على الأقل قبل توصيله مرة أخرى. افصل الجهاز عن الكهرباء في حال عدم الاستعمال. لا تلمس القابس بأيدي مبللة! لا تسحب الكبل لنزعه من الكهرباء، امسك القابس دائماً.
 - امسح رأس قابل الطاقة بقماشة ناشفة قبل نزعه من الكهرباء.
 - لا توصل التلاجة بالكهرباء إذا كان المقبس رخوا.
 - افصل المنتج أثناء التركيب والصيانة والتنظيف والتوصيل.
 - إذا كنت لا تنوي استخدام المنتج لفترة معينة، افصله عن الكهرباء وأخرج أي طعام منه.
 - لا تستعمل مواد التنظيف بالبخار لتنظيف التلاجة وإذابة الجليد داخلها. قد يتلامس البخار مع المناطق المكهربة ويتسبب بقصر الدائرة الكهربائية أو الصدمة الكهربائية!
 - لا تغسل المنتج برش الماء أو سكب عليه! خطر الصدمة الكهربائية!
 - إذا حدث عطل، لا تستخدم المنتج فقد يتسبب ذلك بصدمة كهربائية. اتصل بخدمة الصيانة المعتمدة قبل القيام بأي شيء.
 - لا تستخدم الجهاز إذا كان القسم الموجود على سطح الجهاز أو على ظهره الذي يحوي ألواحاً إلكترونية مطبوعة في الداخل مفتوحاً (غطاء لوح الدائرة الإلكترونية المطبوعة) (1).

تحذير: حافظ على فتحات التهوية في تجويف الجهاز أو في البنية المدمجة خالية من الانسداد.	
تحذير: لا تستخدم الأجهزة الميكانيكية أو الوسائل الأخرى لتسريع عملية إزالة الصقيع، غير تلك التي يوصي بها المصنع.	
تحذير: لا تتلف الدائرة الكهربائية لمادة التبريد.	
تحذير: لا تستخدم الأجهزة الكهربائية في حجرة المون في الجهاز إلا إذا كانت من النوع الذي يوصي بها المصنع.	
تحذير: لا تقم بتخزين المواد المتفجرة مثل علب الأيروسول حيث تحتوي تلك العلب على مواد قابلة للاشتعال.	

- هذا الجهاز مصمم للاستخدام المنزلي والتطبيقات المماثلة مثل
- مناطق كادر الطبخ في المتاجر والمكاتب وبيئات العمل الأخرى؛
 - المزارع و النزلاء في الفنادق وفنادق الطرق والبيئات السكنية المماثلة؛ أماكن المبيت والإفطار؛
 - أماكن المبيت والإفطار؛
 - عمليات التموين والتطبيقات المماثلة في غير محلات التجزئة.

		1	تعليمات السلامة والبيئة
حمل	5.9		
23	البيض		
	5.10	السلامة	1.1
23	المروحة	3	العامّة
	5.11	تحذير	1.2
23	مقصورة الطعام الطازج	4	HC
	5.12		1.1.2
23	التبريد	4	للموديلات المحتوية على موزع ماء
تحريك	5.13	5	1.3
24	رف الباب		الاستخدام المخصص
	5.14	سلامة	1.4
24	مقصورات التخزين المائلة	5	الأطفال
	5.15		1.5
مصباح	أزرق	5	الامتثال لتوجيهات حظر المواد الخطرة:
24	مقصورة	5	1.6
25	الطعام الطازج المحكومة من حيث الرطوبة		معلومات الغلاف
	5.17		
25	تكوين الثلج الأوتوماتيكية	6	2 جهازك
	5.18		
وصف	فلتر الروائح وتنظيفه:	7	3 التركيب
62	5.19		
استخدام	موزع المياه	موقع	3.1
26	5.20	7	التركيب الملائم
وحدة	صنع الثلج وصندوق تخزين الثلج	تركيب	3.2
26	5.21	7	الأسافين البلاستيكية
استخدام	موزع المياه	ضبط	3.3
27	5.22	7	الأقدام
تعبئة	خزان توزيع المياه	عكس	3.4
28	5.23	9	الأبواب
تنظيف	خزان المياه	عكس	3.5
28	5.24	10	الأبواب
درج	المياه		
28	5.25		
تجميد	الأطعمة الطازجة	11	4 التحضير
29	5.26	أشياء	4.1
توصيات	المحافظة على الأطعمة المجمدة	11	يجب عملها لتوفير الطاقة
29	5.27	11	4.2
معلومات	عن التجميد		الاستخدام للمرة الأولى
29	5.28		
وضع	الطعام	12	5 تشغيل الجهاز
30	5.29	زر	5.1
تحذير	فتح الباب	12	ضبط درجة الحرارة
30	10 دقائق تغلق الإضاءة الداخلية.	التجميد	5.2
30	5.30	12	السرّيع
تغيير	اتجاه فتحة الباب	وظيفة	5.3
30	5.31	13	الأجزاء
مصباح	الإضاءة	لوحة	5.4
30		14	المؤشرات
		لوحة	5.5
		16	المؤشر
31	6 والصيانة	الثلج -	5.6
	6.1	21	جهاز عمل الثلج
حماية	الأسطح البلاستيكية	حاوية	5.7
31	6.2	22	الثلج
زجاج	الباب	منتج	5.8
31		22	الأعشاب HerbBox/HerbFresh
32	7 استكشاف الأخطاء وإصلاحها		تلاجة / دليل المستخدم

الثلاجة/ دليل المستخدم

يرجى قراءة هذا الدليل قبل استخدام المنتج!

عميلنا العزيز ،

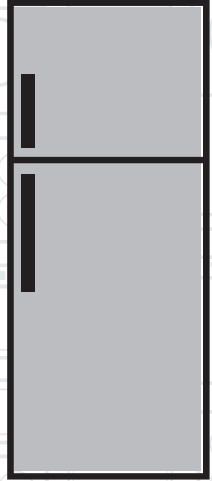
إننا نود بلوغ أعلى فعالية لمنتجاتنا، الذي تم تصنيعه في مرافق حديثة مع ضبط دقيق للجودة. لذا، ننصحك بقراءة دليل المستخدم بشكل كامل قبل استخدام المنتج. في حال تغير مالك الجهاز، لا تنس منح الدليل مع الجهاز.

سيساعدك هذا الدليل على استخدام المنتج بسرعة وأمان.

- يرجى قراءة دليل المستخدم قبل تركيب الجهاز وتشغيله.
 - تقيد بتعليمات السلامة دائما.
 - احتفظ بدليل المستخدم بالمتناول من أجل الاستخدام المستقبلي.
 - يرجى قراءة أية وثائق أخرى مزودة مع المنتج.
- تذكر أن دليل المستخدم هذا قد ينطبق على عدة موديلات. يشير الدليل بوضوح إلى أية اختلافات في الموديلات.

معلومات هامة ونصائح مفيدة.	
الخطر على الحياة والممتلكات.	
خطر الصدمة الكهربائية.	
إن غلاف المنتج مصنوع من مواد قابلة للتدوير، طبقا لأنظمة البيئة المحلية.	

الصلاحه دليل المستخدم



AR

beko



58 0263 0000/AE
EN-AR



www.beko.com