

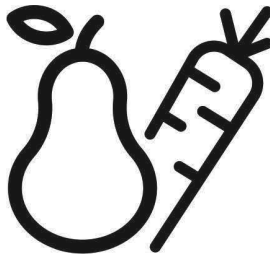


Chest Freezer

Instruction of use

المجمد الصندوقي

تعليمات الاستخدام



HSA32500S

EN-AR

WARNING!

In order to ensure a normal operation of your refrigerating appliance, which uses a completely environmentally friendly refrigerant the R600a (flammable only under certain conditions) you must observe the following rules:

- ◆ Do not hinder the free circulation of the air around the appliance.
- ◆ Do not use mechanical devices in order to accelerate the defrosting, others than the ones recommended by the manufacturer.
- ◆ Do not destroy the refrigerating circuit.
- ◆ Do not use electric appliances inside the food keeping compartment, other than those that might have been recommended by the manufacturer.

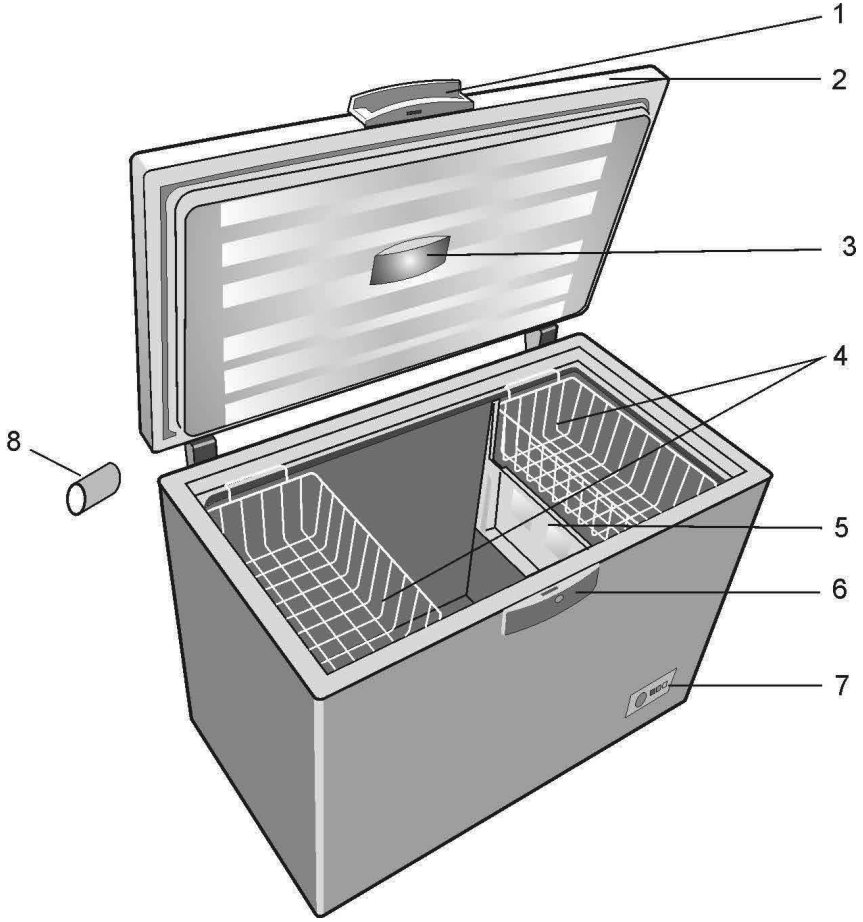
تحذير !

لضمان التشغيل الطبيعي لجهاز التبريد الخاص بك، والذي تم تعبئته بوسيلة تبريد صديقة للبيئة (مدمجة) R600a، ولتجنب الاشتعال في ظروف معينة فقط، يجب عليك مراعاة القواعد التالية:

- ◆ لا تمنع دوران الهواء بحرية حول الجهاز.
- ◆ لا تستخدم أدوات ميكانيكية لتسريع عملية إزالة الثلج، بخلاف الأدوات التي يوصي بها المصنع.
- ◆ لا تضع أي أجهزة كهربائية داخل حجرة التبريد.
- ◆ لا تستخدم أدوات كهربائية داخل صندوق ضغط الطعوم أو تدخل فتلك الأجهزة من قبل جهة المصنع.

Advice for recycling of the old appliance /1
Packing Recycling /2
Transport instructions /2
Warnings and special advice /2
Setting up /3
Electric connection /3
Switching off /3
Appliance description /4
Freezer operation /4
Advice for food conservation /4
Defrosting of the appliance /5
Cleaning of the appliance /5
Replacing the interior light bulb /5
Defects finding guide /6

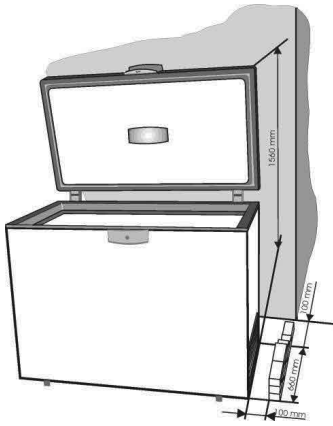
نصائح إعادة تدوير لجهاز قديم /7
إعادة تدوير مواد التغليف /8
إرشادات لنقل /8
نصائح ونصائح خاصة /8
إعداد /9
لتوصيل لكهربائي /9
طرق تشغيل /10
وصف لجهاز /10
تشغيل لمجمد /10
نصائح لضبط الأظعمة /11
إزالة الثلج عن لجهاز /11
تنظيف لجهاز /11
لتبديل جراب الإضاءة لدائمي /12
لتبديل لتعرف غي الأعتال /12



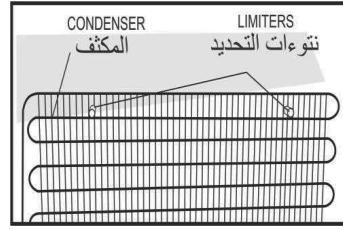
1

i Figures that take place in this instruction manual are schematic and may not correspond exactly with your product. If the subject parts are not included in the product you have purchased, then it is valid for other models.

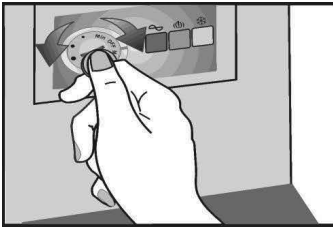
i القطع هذه تكن لم إذا الجهاز مع تماما تتطابق لا وقد بيانية رسومات هي هذا التعليمات دليل في الواردة لأشكال أخرى لأنواع مناسبة فإنها، الشريته الذي الجهاز هذا في واردة



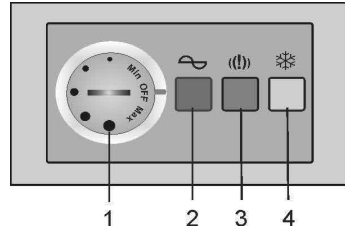
2



3



4



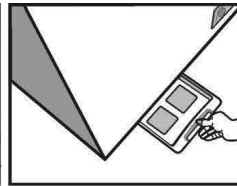
5



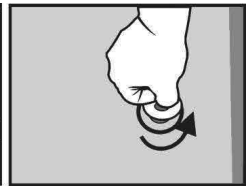
1



2



3



4

6

Congratulations for your choice!

The chest freezer you have purchased is one in the **BEKO** products range and represents a harmonious joining between the refrigeration technique with the aestetical outlook. It has a new and attractive design and is built according to the European and national standards which guarantee its operation and safety features. At the same time, the used refrigerant, R600a, is environment-friendly and it does not affect the ozone layer.

In order to use the best your freezer, we advise you to read carefully the information in these user instructions.

Advice for recycling your old appliance

If your newly purchased appliance replaces an older appliance, you must consider a few aspects.

The old appliances are not valueless scrap. Their disposal, while preserving the environment, allows the recovery of important raw materials.

Make your old appliance useless :

- disconnect the appliance from the supply;
- remove the supply cord (cut it);
- remove the eventual locks on the door to avoid the blocking of children inside, while playing, and the endangering of their lives.

The refrigerating appliances contain insulating materials and refrigerants which require a proper recycling.

This appliance is not intended for use by person with reduced physical, sensory or mental capabilities or lack of experience and knowledge unless they have been given supervision or instruction concerning use of the appliance by a person responsible for their safety. Children should be supervised to ensure that they do not play with the appliance.

Packing Recycling

WARNING!

Do not allow children to play with the packing or with parts of it. There is the risk of suffocation with parts of corrugated cardboard and with plastic film.

In order to get to you in good condition, the appliance was protected with a suitable packing. All the materials of the packing are compatible with the environment and recyclable. Please help us recycle the packing while protecting the environment !

IMPORTANT!

Before putting the appliance in operation, read carefully and entirely these instructions. They contain important information concerning the setting up, use and maintenance of the appliance.

The manufacturer is free of any responsibility if the information in this document are not observed. Keep the instructions in a safe place in order to reach them easily in case of need.

They can also be useful subsequently by another user.

ATTENTION!

This appliance must be used only for its intended purpose, (household use), in suitable areas, far from rain, moisture or other weather conditions.

Transport instructions

The appliance must be transported, as much as possible, only in vertical position. The packing must be in perfect condition during transport.

If during transport the appliance was put in horizontal position (only according to the markings on the packing), it is advised that, before putting it into operation, the appliance is left to rest for 4 hours in order to allow the settling of the refrigerating circuit.

The failure to observe these instructions can cause the breakdown of the motorcompressor and the cancellation of its warranty.

Warnings and general advice

- Do not plug in the appliance if you noticed a failure.
- The repairs must be done only by qualified personnel.
- In the following situations please unplug the appliance from the mains:
 - when you defrost completely the appliance;
 - when you clean the appliance.

To unplug the appliance, pull by the plug, not by the cable!

- Ensure the minimum space between the appliance and the wall against which it is placed.
- Do not climb on the appliance.
- Do not allow the children to play or hide inside the appliance.
- Never use electric appliances inside the freezer, for defrosting.
- Do not use the appliance near heating appliances, cookers or other sources of heat and fire.
- Do not leave the freezer door open more than it is necessary to put in or take out the food.
- Do not leave the food in the appliance if it is not working.
- Do not keep inside products containing flammable or explosive gases.
- Do not keep inside fizzy drinks (juice, mineral water, champagne, etc.) in the freezer: the bottle can explode! Do not freeze drinks in plastic bottles.
- Do not eat ice cubes or icecream immediately after having taken them out of the freezer because they may cause „freezer burns“.
- Never touch cold metal parts or frozen food with wet hands because your hands can quickly freeze on the very cold surfaces.
- For the protection of the appliance during warehousing and transport, it is provided with spacers between the door and the cabinet (in the front and rear side). These spacers will be removed before putting the appliance into operation.

• Excess deposit of ice on the frame and the baskets should be removed regularly with the plastic scraper provided. Do not use any metal parts to remove the ice.

The presence of this ice build-up makes impossible to close the door correctly.

• If you do not use your appliance for a few days, it is not advisable to switch it off. If you do not use it for a longer period, please proceed as follows :

- unplug the appliance;
 - empty the freezer;
 - defrost it and clean it;
 - leave the door open to avoid the formation of unpleasant smells.

• If the supply cord is damaged, it must be replaced by the manufacturer, its service agent or similarly qualified persons in order to avoid a hazard.

• If your appliance has a lock, keep it locked and store the key in a safe place, out of the reach of children. If you are discarding an appliance with lock, make sure that, is made ineffective. This is very important so as to avoid children being trapped inside, which may cause their loss of life.

Setting up

This appliance was designed to operate at an ambient temperature between +10°C and +43°C (SN-T class). If the ambient temperature is above +43°C, inside the appliance the temperature can increase.

Set up the appliance far from any source of heat and fire. Placing it in a warm room, the direct exposure to sunbeams or near a heat source (heaters, cookers, ovens), will increase the energy consumption and shorten the product life.

- Please observe the following minimum distances:
 - 100 cm from the cookers working with coal or oil;
 - 150 cm from the electric and gas cookers.
- Ensure the free circulation of the air around the appliance, by observing the distances shown in Item 2.
- Assemble on the condenser (in the rear side) the supplied spacers. (Item 3).

- Place the appliance in a perfectly even, dry and well ventilated place.
 Assemble the supplied accessories.

Electric connection

Your appliance is intended to operate at a single-phase voltage of 220-240V/50 Hz. Before plugging in the appliance, please make sure that the parameters of the mains in your house (voltage, current type, frequency) comply to the operation parameters of the appliance.

- The information concerning the supply voltage and the absorbed power is given on the marking label placed in the back side of the freezer.
- The electric installation must comply with the law requirements.

• The earthing of the appliance is compulsory. The manufacturer has no responsibility for any damage to persons, animals or goods which may arise from the failure to observe the specified conditions.

- The appliance is endowed with a supply cord and a plug (European type, marked 10/16A) with double earthing contact for safety. If the socket is not the same type with the plug, please ask a specialised electrician to change it.
- Do not use extension pieces or multiple adapters.

Switching off

The switching off must be possible by taking the plug out of the socket or by means of a mains two-poles switch placed before the socket.

Operation

Before putting into operation, clean the inside of the appliance (see chapter „Cleaning“). After finishing this operation please plug in the appliance, adjust the thermostat knob to an average position. The green and red LEDs in the signalling block must light. Leave the appliance work for about 2 hours without putting food inside it.

The freezing of the fresh food is possible after min. 20 hours of operation.

Appliance description

(Item. 1)

1. Door handle
2. Door
3. Lamp housing
4. Baskets
5. Tray
6. Lock housing
7. Thermostat box
8. Spacer for transport

Freezer operation

Temperature adjustment

The temperature of the freezer is adjusted by means of the knob assembled on the thermostat (item. 4), position „MAX” being the lowest temperature.

The achieved temperatures can vary according to the conditions of use of the appliance, such as: place of the appliance, ambient temperature, frequency of door opening, extent of filling with food of the freezer. The position of the thermostat knob will change according to these factors. Normally, for an ambient temperature of approx. 32°C, the thermostat will be adjusted on an average position.

The signalling system is placed on the front side of the freezer (Item 5).

It includes:

1. Thermostat adjustment knob – the inside temperature is adjusted.
2. green LED – shows that the appliance is supplied with electric energy.
3. red LED – damage – lights if the temperature in the freezer is too high. The LED will operate 15-45 minutes after the putting into operation of the freezer, then it must go off. If the LED goes on during the operation, this means that defects have occurred.
4. Orange button– fast freeze – by pushing it the orange led goes on, showing that the appliance entered into the "fast freeze" mode . The exit of this mode is done by pushing the button again, and the orange led goes off.

The three LEDs give information about the mode of operation of the freezer.

Advice for food conservation

The freezer is intended to keep the frozen food for a long time, as well as to freeze fresh food.

One of the main elements for a successful food freezing is the packing.

The main conditions that the packing must fulfill are the following: to be airtight, to be inert towards the packed food, to resist to low temperatures, to be proof to liquids, grease, water vapours, smells, to be able to be washed. These conditions are fulfilled by the following types of packings: plastic or aluminium film, plastic and aluminium vessels, waxed cardboard glasses or plastic glasses.

IMPORTANT!

- For freezing the fresh food please use the supplied baskets of the appliance.
- Do not place into the freezer a too large quantity of food at a time. The quality of the food is best kept if they are deeply frozen as quickly as possible. This is why it is advisable not to exceed the freezing capacity of the appliance specified in the "Product Fiche". In order to reduce the freezing time, push the button for „fast freeze”.
- The fresh food must not come into contact with the food already frozen.
- The frozen food you have bought can be placed into the freezer without having to adjust the thermostat.
- If the freezing date is not mentioned on the packing, please take into consideration a period of max. 3 months, as a general guide.
- The food, even partially defrosted, cannot be frozen again, it must be consumed immediately or cooked and then refrozen.
- The fizzy drinks will not be kept in the freezer.
- In case of a power failure, do not open the door of the appliance. The frozen food will not be affected if the failure lasts less than 30 hours.

DO NOT FORGET!

After 24 hours since the food was placed inside, please cancel the "fast freeze" mode by pushing again the button 4, when the orange led goes off.

Defrosting of the appliance

- We advise you to defrost the freezer at least twice a year or when the ice layer has an excessive thickness.
 - The ice build-up is a normal phenomenon.
 - The quantity and the rapidity of ice build-up depends on the ambient conditions and on the frequency of the door opening.
 - We advise you to defrost the appliance when the quantity of frozen food is the least.
 - Before defrosting, adjust the thermostat knob to a higher position so that the food stores more cold.
- Unplug the appliance.
- Take out the frozen food, wrap it in several sheets of paper and put them in refrigerator or a cool place.

Take the separator panel and put it under the freezer in the direction of the dripping tube. Take out the obstructing plug. The water which results will be collected in the special tray (separator panel). After the melting of the ice and the run-off of the water please wipe with a cloth or with a sponge, then dry well. Put the obstruction plug back in its place. (Item. 6)

For a fast thaw please leave the door open.

Do not use sharp metal objects to remove the ice.

Do not use hairdriers or other electric heating appliances for defrosting.

Inside cleaning

Before starting the cleaning, unplug the appliance from the mains.

- It is advisable to clean the appliance when you defrost it.
- Wash the inside with lukewarm water where you add some neutral detergent. Do not use soap, detergent, gasoline or acetone which can leave a strong odour.
- Wipe with a wet sponge and dry with a soft cloth.

During this operation, avoid the excess of water, in order to prevent its entrance into the thermal insulation of the appliance, which would cause unpleasant odours.

Do not forget to clean also the door gasket especially the bellow ribs, by means of a clean cloth.

Outside cleaning

- Clean the outside of the freezer by means of a sponge soaked in soapy warm water, wipe with a soft cloth and dry.
- The cleaning of the outside part of the refrigerating circuit (motorcompressor, condenser, connection tubes) will be done with a soft brush or with the vacuum-cleaner. During this operation, please take care not to distort the tubes or detach the cables.

Do not use scouring or abrasive materials !

- After having finished the cleaning, replace the accessories at their places and plug in the appliance.

Replacing the interior light bulb

If the lamp burns out, disconnect the appliance from the mains. Take out the lamp trim. Make sure the lamp is screwed correctly. Plug in the appliance again. If the lamp still does not go on, replace it with another one model E14-15W. Mount back the lamp trim in its place.

The lamp(s) used in this appliance is not suitable for household room illumination. The intended purpose of this lamp is to assist the user to place foodstuffs in the refrigerator/freezer in a safe and comfortable way.

The lamps used in this appliance have to withstand extreme physical conditions such as temperatures below -20°C.

Defects finding guide

The appliance does not work.

- There is a power failure.
- The plug of the supply cord is not inserted well into the socket.
- The fuse is blown.
- The thermostat is in „OFF” position.

The temperatures are not low enough (red LED on).

- The food prevents the door closing.
- The appliance was not placed correctly.
- The appliance is placed too close to a heat source.
- The thermostat knob is not in the correct position.

Excessive ice build-up

- The door was not closed properly.

The inside lighting does not work

- The lamp is blown. Unplug the appliance from the mains, take out the lamp and replace it with a new one.

The following are not defects

- Possible noddings and cracks coming from the product: circulation of the refrigerant in the system.

Noises during operation

In order to keep the temperature at the value you have adjusted, the compressor of the appliance starts periodically.

The noises which can be heard in such situation are normal.

They are redced as soon as the appliance reaches the operation temperature.


The humming noise is made by the compressor. It can become a little stronger when the compressor starts.

The bubbling and gurgling noises coming from the refrigerant circulating in the pipes of the appliance, are normal operating noises.

Warning !

Never try to repair yourself the appliance or its electric components. Any repair made by an unauthorised person is dangerous for the user and can result in the warranty cancellation.



The symbol  on the product or on packaging indicates that this product may not be treated as household waste. Instead it shall be handed over to the applicable collection point for the recycling of electrical and electronic equipment. By ensuring this product is disposed of correctly, you will help prevent potential negative consequences for the environment and human health, which could otherwise be otherwise be caused by inappropriate waste handling of this product. For more detailed information about recycling of this product, please contact your local city office, you household waste disposal service or the shop where you purchased the product.

تهانينا لاختيارك!

المدى لمرن ووقى الذي مقبتش رطه هو أحد مجموعة منتجات **BEKO** وبثل الربط لثمن اغميين تقوي قتلبيد والامظر لاج طلي فب هوي يتعتصم جيد وجذاب كما أن بيته تتوافق مع لاج طير الأوروبية والوطنية مما يعض منيزات لتشغيل في المدة وفي الوقت فيسويتميز سرتل قتلبيد لامتخدم R600a قبل هصديق للهيفة ويسل هتغير في طقة الألوزون.

لمضمان الليتخدم الألثل للممدفينا نرخص كقراءة الامفومات الوارد هت في مامات الامتخدم هذمعنيلة.

نصائح لإعادة تدوير الجهاز القديم

إذا كان لاج هاز لذي مقبتش رطه حيا اسوي بديل ج هازا آخر قديم فيجب مراعاة بعضة جوتب.

الاج هزة القويم ليس متفطية عيمة القيمة للتخلص في هاب المضفلة الى كونه فعاظا في للهيفة فيس م حبل ترداد للمواد لاجام ذات ال هيفة.

اجعل ج هازك القويم عي لمطيلة:

لفصل لاج هاز من لاجدر للطاقه؛

- أزل سلك الطاقه (قطع ه)؛

- أزل لأفبال لن هيفة لاج وجوده ليلباب لتجيب صال لطفال بدالجه، مثل اناء اللعاب، مما يعرض حيك هال خطر .

تخوي اج هزة قتلبيد في مواد عازلة ووسول لتبويد ولت يتطب اع هتدوي رب طوقه صيح حة .

العمر الافتراضى للجهاز لتوافر قطع الغيار سنتان من بعد انتهاء فترة الضمان الاصلية. لمزيد من المعلومات اتصل ب 16165

هذا الجهاز غير مخصص للاستخدام بواسطة أشخاص (بما في ذلك الأطفال) ذوي الحاجات الخاصة الجسدية أو الحسية أو الذهنية أو الذين يفتقرون إلى الخبرة والمعرفة ما لم يتم الإشراف عليهم أو إعطائهم تعليمات حول طريقة استخدام الجهاز بواسطة شخص مسنول عن سلامتهم . يجب الإشراف على الأطفال للتأكد من أنهم لا يعبتون بالجهاز.

إعادة تدوير مواد التغليف

التحذيرات ونصائح عامة

- المتقرب بصرياً للطاقة قبل تشغيله، خاصة في حالات وجود عطل.
- يجب إجراء الصيانة قبل تشغيله مع شخص مؤهل فقط.
- يرجى فصله عن التيار عن مصدر الطاقة لتجنب أي مخاطر كهربائية.
- - إزالة البطارية عن لاج هازبلا كامل،
- تجنب تعريضه للحرارة.

فصل الجهاز من الطاقة، اسحب القابس، وليس السلك!

- تفقد من متفطر لحد الأدنى من الكفاءة في لاج هاز وللا حراز
الموضوع أمامه لاج هاز.
- التفحص عن فوق لاج هاز.
- التمسح مع الأطفال لئلا يتدخلوا مع لاج هاز أو القضاء بدخله.
- التمسح بخدمه أجهزه كهديه للتشخيص داخل لاج هاز مطلقاً.
- التمسح بخدمه لاج هاز بالقراب من أجهزه للتشخيص، أو للمؤقت أو
مسادر للحرارة الأخرى أو الهيدروجين.
- التمسح بفتح لاج هاز فقط أو الضروري لإخراج الطعام
أو إدخاله.

- للتأكد من سلامة الجهاز، يجب فحصه مع شخص مؤهل.
- والتأكد من سلامة الحاجات التي يتسبب في إغلاقه من التمسح مع
أو الهيدروجين.
- للتأكد من سلامة المشروبات الهوائية (المحلي، اليا، إلخ) داخل
للاج هاز من عدمه، يجب أن يتفحص للاج هاز! التمسح مع المشروبات
للزجاجات البلاستيكية.
- ال تمسح مع كفاءة التمسح أو اليا، كفاءة التمسح مع إخراجها من
للاج هاز من أن لا تتسبب في "حرق أو تلف".
- ال تمسح مع أجزاء المعوي الهوائية أو الطعام مع بداية التشغيل
أو يمسح مع سرعة إعادة المسح أو السطح الذي الهوائية.
- لاج هاز ال هاز من أن التمسح والتمسح مع شخص مؤهل فقط
للاج هاز من أن التمسح مع شخص مؤهل فقط (لا يجب أن يمسح مع شخص مؤهل فقط).
- يتم إزالة هذه الأشياء قبل تشغيله لاج هاز.

تحذير!

لا يسمح للأطفال باللعب بمواد التغليف أو بأجزاء منها. فقد يتعرضوا لخطر الاختناق بأجزاء من الكرتون المجعد والغشاء البلاستيكي.

ضبط وضوء لاج هاز اليه في حالة إعادة تمسح لاج هاز بمواد غريبة من مادة. يرجى مواصلة التمسح مع الشخص المؤهل لإعادة تمسحها. للرجاء من اعتنفي إعادة تمسحها مواصلة التمسح وحفظها في مكان آمن!

هام!

يتم تشغيله لاج هاز، وللا حراز، وذلك على امتداد كامل فميضوي على علومات هامة تتعلق بإعداد لاج هاز وامتداد موصولة. الفتح لاج هاز للصين علة من أولي في حالة عدم تباع لاج هاز لاج هاز للموجود في هذه المنطقة. يجب هذه للتأكد من أن الوصول اليه ليس مبي في حالة الضرورة في مكان لاج هاز. في هذه الحالة يجب عدم استخدامه.

تنبيه!

يجب استخدام هذا الجهاز للغرض المعد له فقط، (الاستخدام المنزلي)، أو في المناطق المناسبة، أو بعيداً عن الأمطار، أو الرطوبة، أو ظروف الطقس الأخرى.

إرشادات النقل

يجب نقل هذا لاج هاز بقدر الإمكان في الوضع الذي يفيق فيجب أن تكون مواد التغليف في حالة سليمة لتأمين النقل. كما تم وضع لاج هاز في الوضع الذي يفيق في النقل (في اللوامت على مواصلة التمسح فقط) فيصحب ترك لاج هاز، وتتم التمسح مع مدة من التمسح مع مساحيق راز نظرة التمسح. يمكن أن يتسبب بطول في تباع وذلك على امتداد مخرج لضغط وإلغاء الضمان الخاص به.

التوصيل الكهربائي

يجب ازالة عكسي التثليث عن القارئ عن طريق الطاريس التي يمتصها
استخدام المظنط قبل السويقي فالدموق بال جهاز التست خدم طية
سطح مع عبي الازلا للفتلج.

وجود لفتلج الينبر كعبي عقبل اليا بيل طرقة للصنحة .

● في حلة عدم استخدام جهاز ليضغ أي ام فالينصح بيقافه .
سي حلة عدم استخدام مل مدة اطلو، يرحى للينيل متلي:

افصل الج هاز؛

فزع لام حمد؛

- ازل اللينج في ه ون ظه؛

مترك للباب فبتوخ التي بفتكون للروطح للفي هة .

● ي لجن تغي سل لكل لطاق قبو لسل طللش خص سل معمد .

● إذا كان الج مبي ضوي غي قبل القفل ه واي بظيل بنتاخي

لجان امن بيحدا عن بنق اول ال هطلال . إذا الفتست خلص من ج هاز

بضوي غي قبل فتاكده غير فمحل و مذا ضروري لك تحب

صس الطفلا بلخل ه، م قاق شي بيفي هتم .

الإعداد

هذا لج هاز مصم ليش غي لفي درجة حرارة م حيطتين $+10$

درجة هني هة و $+43$ درجة هني هة (درجة للاحرارة العاي هة

لوسية .) إذا كليت درجة للاحرارة لم حطة اغي من $+43$

اغي من بي لجن أنتيفسح درجة للاحرارة داخل لج هاز .

نمب اعداد لج هاز بيحدا عن أي حدر حرارة أو نيران فمفي حلة

وضغ في رضة ساخنة، أو بلي عرض اليماش لاشع لفلش مس، أو

بلقرب من حدر حرارة سل خانات، مؤقده، فلران) فس و في نيد

مذا من استه ال كمال طقة و فصر عمر ال يتح .

● يرحى مراجع ال حد ال نوي من ال مرفات التالي هة:

● 400 م من ال مؤقده التي يتح مله بالحم أو لاني هة؛

● 450 م من ال مؤقده لاني هة أو ال لفر بي هة .

● تتكد من تدهور ال مونا بحية حول لج هاز، من خال ال م لاني هة

على ال مرفات ال موضغ في ال موصر 2 .

لك بقطع با عدال ج دار ال موصر م عالج هاز غي ال لفتلج فلي

لج لني لني (ل موصر 3) .

● مضع ال ج هاز في لجان مبي نو و ج اف و جي دال هة .

لك بيل مل خال ال مرفقة م عالج هاز .

مذا لج هاز معد لليش غي لجمد ا حادي لدر لجة 240-220 حلت /

50 ميتر قبل تصير لجمد ا زبل طقة يرحى للتكد من أن م عبي

لحدر ال ليني لال طق في ل فيزل (لجمد، نوع اللطقة، للتردد)

تفلق م م عبي ريش غي لجمد هاز .

● لام لوموات للينيق قب حمد حدر لال طقة و اللطقة لال سب لال طقة حوض حة

غي لالهرق غي لجمد لال لني من لام حمد .

● ي جب أن ي فوق التركي ب الك موي اي م ح التطله انتل ق لوي هة .

● يجب تأريض الجهاز . لا تتحمل جهة الصنع أية مسؤولية تجاه

أي ضرر يتعلق بالأشخاص أو الحيوانات أو البضائع والذي يمكن

حوضه من عدم اتباع الشروط الموضحة .

● حال مزود بسلك وقابس هوع أو وب ببل عالم هة 10/16

لجير (مزوي ب جوي ل أرضي ليل لاس ال مة . إذا لني كمن القم بس من

نسل و غل قبالس، يرحى طلب بتي هره من كوي بلي نيم خصص .

● التست خدم طع مدي د أو جي واي ات نم حدة .

إيقاف التشغيل

يجب أن يكون نطاق التشغيل مهيئاً عن طريق سحب المقبس من المقبس أو عن طريق الفتحاح ليس يثقل في القبطي يت ريثي قبل لقيس .

التشغيل

يتم تشغيل الجهاز، من الداخل (راجع الفصل الثاني "التنظيف")

بعد الانتهاء من هذه العملية يرجى توصيل الجهاز، وضبط قبض لثرموستات على وضع نموس طبيعي يجب أن يكون لضويين الأخضر والحمري مجموع الإشارة مضامين بترك الجهاز قيد التشغيل لمدة ساعتين دون وضع الطعام بداخله .
يتاحتج بيد لطعام لطاقم جعد 20 ساعة من التشغيل بحد أقصى.

وصف الجهاز

(الصفحة 1).

1. قبض الباب
2. الباب
3. ببيت المصباح
4. المسلت
5. للصينينة
6. ببيت القب
7. على، لثرموستات
8. جباعدالجدالاستخدامفي للقل

تشغيل المجمد

ضبط درجة الحرارة

يتم ضبط درجة حرارة المجمد عن طريق القبض الموجود على لثرموستات (الصفحة 4)، مع كون الوضع ("MAX" أقصى) قبل درجة حرارة.

نفتقنوع درجات لحرارة لتيتم الوصول اليها فوق الظروف ستخادم الجاز، نخل: موضع لجاز، درجة لحرارة لمخطط، تكرافت للباب، مدى التفاعل بالظلمة يتغير موضع قبض لثرموستات فوق هذه العوامل في الأحوال العادية، درجة لحرارة لمخطط 320 درجة هي تقريباً يتم ضبط قبض لثرموستات على وضع نموس ط.

نظام الإشارة موجود على لاجلب الأممي من المجمد (الصفحة 5).

هتضمن:

1. قبض لثرموستات لضبط درجة لحرارة لدخلة .
 2. ضوء LED الأخضر يوضح إمداد الجاز بالبطقة الكهربية.
 3. ضوء LED الأحمر - عطل هتضيء عند تلفون درجة لحرارة داخل المجمد على حد أقصى صباح LED بعد 45-45 دقيقة من تشغيل المجمد يتطفئ في حالة فضاء صباح LED اللق اعطش قبل هذا يعني حدوث اعطال .
 4. لزر اليتقالتي نتجهري ع عند الضغطة على هتضيء لاجباح لليتقالتي، موضع أن لجاز هانفي وضع التجميد لسريع يتم لخرج من هذا الوضع الضغطة على هذا لزر مرة أخرى وطفاء المصباح.
- تغطي صينيني LED الثالثة علومات عن وضع تشغيل المجمد.

نصائح لحفظ الأطعمة

يتم خدمة المرحم بمبعض فضخبط الطعام لامرحم بفترة طويلة ب الضرفة ليعتجيد للطعام اللطازج .
لغذائيف هو أحد أهم العنصر لنرجاحتجيد الطعام .
للتروطوالتهيئة للتييجب أن يتهيأه للتعطيف هي التي : أن يكون مخدمًا، أن يكون مُعصرًا بلل الطعام للتعطيف، أن يحمي اوم درجات لحرارة اللقخص، أن يكون ضرد لسوطل ولشجوم بلخرة الماء ولاروطح، أن يكون قبلا للتعطيل.

تتوفر هذا لشروطي الأنواع التالية من اللغذائيف : شعاء لبالتيك أو اللووييوم، أو جي قليل السك واللووييوم، زجاحت الكتون الحليب الشمع أو لزجاحت اللبالسييعة .

هام !

- لتجيد الطعام اللطازج جرجي استخدام الصلالت الريفقة مع الجاهز .

- اللقخص عن كفي اللغيرة من اللعاجمبي المرحم في فسلا وقت تم اللعناظج و دة اللعناظج ليشرك الفضل عرتجيد ببطورة عن جي قبل كمال لغي أسرع وقت مكن لذائيف جي عديت جاوز ندره لتجيد الجاهز اللروضحفي "ووقتي ليات الجاهز . لتقليل وقت لتجيد، لضغط لغي زر "لتجيد اللريج ."

يجب الالوال مس اللطعام اللطازج الطعام المرحم .
يكن وضو اللطعام المرحم دال ذيق متبشرط في المرحم دون لاحتاج لالضبط للثر موات .

فسي حلل عدم لفر تاخي لتجيد على اللغالف جرجي اللخفي اليعبار دة 8ش مر لفترة عام .
للطعام اللذيتم لبنه، لو جوقًا، الللكن تجيده مرة أخرى، ججباته لكه على الفور أو طيه ب تجيده مرة أخرى .

لبيتم اللعناظج لشرطيات الفوار في المرحم .
فسي للتعوقو فال لطة، اللقف للبابب حتى إذا اللمرت قف لطاقه لدة 30ساعه فإن اللطعام المرحم لن يتكثر .

لا تنسى !

بعد 24 ساعة بعد وضع الطعام في المجمد، يرجى إلغاء وضع " التجميد السريع " بالضغط على الزر 4 مرة أخرى، حتى ينطفئ المصباح البرتقالي .

إزالة الثلج عن الجهاز

- لثاننصحب إزالة للثج من لامرحم مدي سنينًا لغي اللقل عر دم لتخون لطة للثج سوية جدًا .
- شر لليشلج ظاهرة عاية .
- تعبدك لليشلج اللبركمة ولفكراره لغي اللظروف اللمحيطه وعلل لفر اللجباب .
- لثاننصح بالازللثج عن المرحم عن دم لتخون كفي اللطعام لم تخيل لة .
- قبل الازللثج، لضبط قبض الترموات لغي اللعل وضو ضي لكون اللطعام المرحم لقربرودة .
- افصل اللجاهز .
- اخرج اللطعام المرحم، ولففي عدة لطات من اللورق وضوه ليل لة لة أفضي للجل بارد .
- لغل لة لفصل وضو ملتحت المرحم في لجاه ليو للقطر .
- لزل لبالبس اللعل بيتم جع الماغل لغب للصوية لالخصه لروح لفصل بلعت ذوال لثج و تصري فال مارجي مسح لاج لال لطقه ماش أو لفينج ة ثم فقه جي ذا لبالبس اللعل لغي ل لة لة لة أخرى (للبحر 7) .
- لسي ل اللوان لريج لتركه للباب فلوخا .

لا تستخدم أية أشياء معدنية حادة لإزالة الثلج.

لا تستخدم مجففات الشعر أو أي أجهزة تسخين أخرى لإذابة الثلج.

استبدال مصباح الإضاءة الداخلي

سي حلل ل لجاهز لصباح لرجي فصل لجاهز عن جدر ل لطة للوغي . لزل عطاء لصباح ل بكد من تقيت لصباح لشرك لصوح فجبب وصريل لجاهز لة أخرى . إذا كان لصباح ال زال اللعمل لليل لبا لجاهز من طراز E14-15 واط . ركب عطاء لصباح لغي ل لة لة أخرى .
للعمل للطن ل ل بمرکز

الجهاز هذا في المستخدمة (المصابيح) المصباح

المنزلية الغرف لل لإضاءة مناسبة غير

المستخدم مساعدة هو المصباح لهذا الأساسي الغرض

وأمنة سهلة بطريقة المجدّ الثلجة في الطعام أدوات لوضع

المصابيح المستخدمة في هذا الجهاز لها قدرة تحمل تتمثل

تيمونه لجرد 20- نملقًا لرا حلا لاجردي ف

