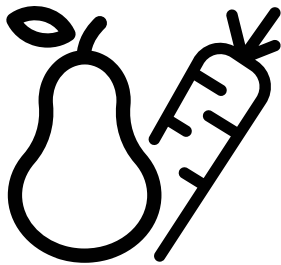
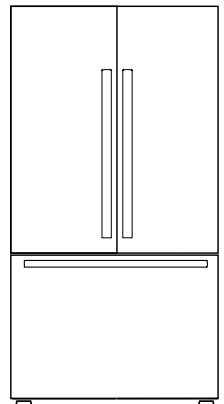




Refrigerator
User Manual
Réfrigérateur
Manuel d'utilisation
Refrigerador
Manual del usuari



BFFD3624SS
BFFD3624XSS



EN/FR/ES

57 5838 0000/BL

Congratulations on the purchase of your new Beko Refrigerator! This refrigerator has been manufactured in modern facilities with the utmost care and meticulous quality controls. We are so confident in the quality of this product that we back it with a two year parts and labor warranty, and five years on the sealed system! Please read this entire user manual before using your product, to ensure you understand all of its features and benefits and know how to operate it properly. This manual should be kept in an easily accessible location and passed on to any future owners.

This guide will help you use the product quickly and safely.

Please read the user guide carefully before installing and operating the product.

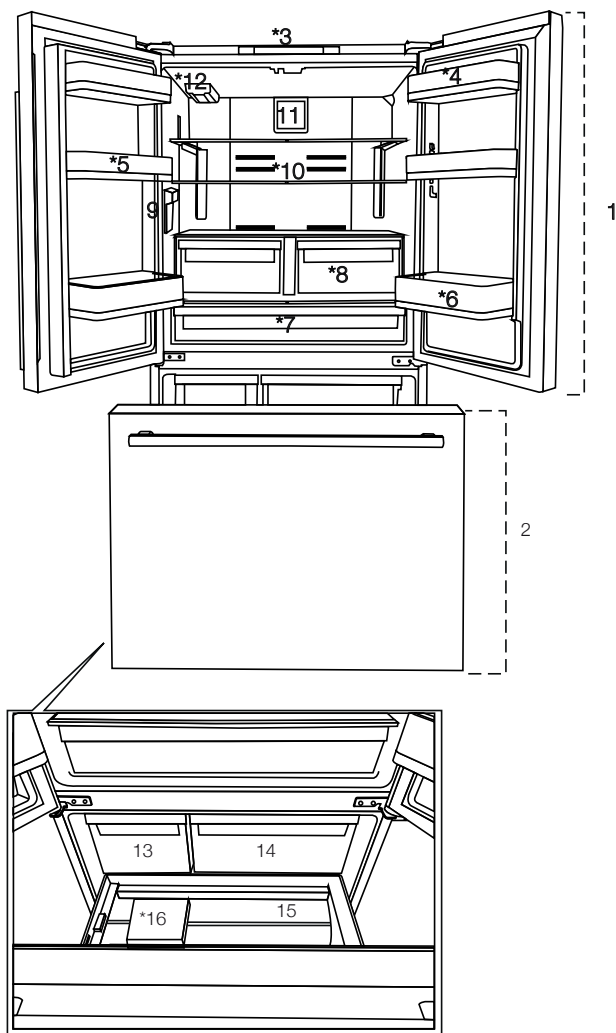
- Always observe the applicable safety instructions.
- Please read any other documents provided with the product.
- Keep in mind that this user guide may apply to several product models. Please note the various symbols used throughout this manual and what they represent.

	Important information and useful tips.
	Risk of life and property.
	Risk of electric shock.
	The product's packaging is made of recyclable materials, in accordance with the National Environment Legislation.

<i>Fill this out and keep for future reference</i>	
<i>Model</i>	
<i>Serial No</i>	
<i>Date of Purchase</i>	
<i>Original Purchaser</i>	
<i>Dealer</i>	
<i>City</i>	
<i>State</i>	
<i>Zip Code</i>	
<i>Country</i>	

1 Your Refrigerator	4	5 Preparation	20
2 Important Instructions Regarding Safety and Environment	6	6 Display and operating the product	21
2.1 Intended use	6	6.1 Indicator panel	21
2.2 General Safety	6	6.2 Sabbath Mode	22
2.3 Hydrocarbon (HC) Warning	8	6.3 Showroom Mode	22
2.4 For Products with a Water Dispenser/Ice Machine	8	6.4 High Temp Error	22
2.5 Intended Use	8	6.5 Freezing fresh food	24
2.6 Children's Safety	9	6.6 Recommendations for preserving frozen food	24
2.7 Compliance with the WEEE Directive and Disposing the Waste Product:	9	6.7 Placing the food	24
2.8 Compliance with the RoHS Directive:	9	6.8 Deep-freeze information	24
2.9 Packaging Information	9	6.9 Removing door shelves	25
3 Environmental instructions	10	6.10 Moving the FlexiLift Door Shelf	25
3.1 Compliance with the WEEE Directive and Disposing of the Waste Product:	10	6.11 Glass shelves	25
3.2 Compliance with RoHS Directive	10	6.12 Crisper bins	25
3.3 Package information	10	6.13 Deli Drawer	25
4 Installation	11	6.14 Humidity controlled crisper (EverFresh+)	26
4.1 Before Installation	15	6.15 Ice container	26
4.2 Appropriate installation location	15	6.16 Butter & Cheese section	26
4.3 Inset installations	16	6.17 Door flappers	26
4.4 Electrical connection	16	6.18 ActiveFresh Blue Light	27
4.5 Adjusting the feet	16	6.19 IonGuard	27
4.6 Illumination lamp	17	6.20 Odor filter	27
4.7 Door/Drawer Open Warning	17	6.21 Changing the temperature scale (Fahrenheit Celsius)	27
4.8 Water connection	17	7. Maintenance and cleaning	28
4.9 Connecting the water hose to the refrigerator	17	7.1 Avoiding bad odors	28
4.10 Connecting the water line to the water supply	17	7.2 Protecting the plastic surfaces	28
4.11 Installing the Internal Water Filter	18	8. Troubleshooting	29
4.12 Before using the water dispenser	19		
4.12.1 Using the Ice Maker	19		
4.13 Transportation of the product	19		

1 Your Refrigerator



1- Fridge compartment

2- Bottom Freezer

3- Display/indicator panel

4- Butter & cheese section

5- FlexiLift Door Shelves

6- Bottle shelf

7- Deli Drawer

8- Crispers

9- Water dispenser

10- Adjustable glass shelf

11- Fan Cover

12- Water filter

13- Ice container

14- Frozen Food Storage Bin

15- Freezer Drawer

16- Separator



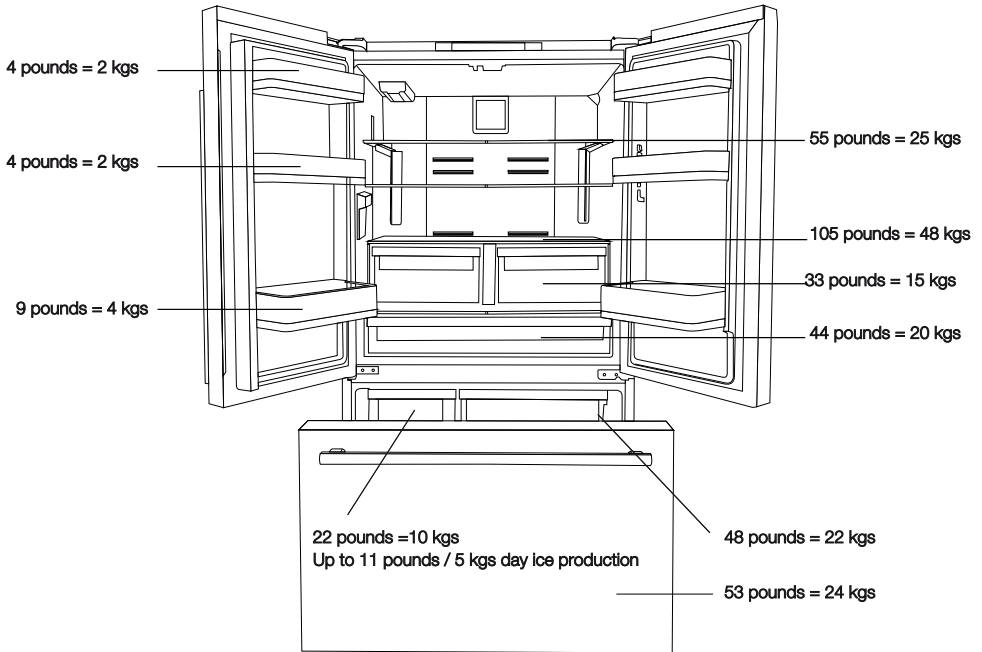
Figures in this user manual are schematic and may not match the product exactly. If the subject parts are not included in the product you have purchased, then those parts are only valid for other models.

Refrigerator Shelf Weight Limitations

Fridge compartment cantilever shelves, those that only have rear supports, are tested for max 25 kgs (55 pounds) per each part.

Crispers will hold up to 15 kgs (33 pounds) per each one. Deli Drawer will hold up to 20 kgs (44 pounds).





Ice container bin holds up to 10 kgs (22 pounds), it is for usage without ice. Freezer bin will hold up to 24 kgs (53 pounds) and drawer holds up to 30 kgs (66 pounds).



2 Important Instructions Regarding Safety and Environment

This chapter contains safety information that will help you avoid the risk personal injury or property damage. Failure to follow these instructions shall render any product warranty void.

2.1 Intended use

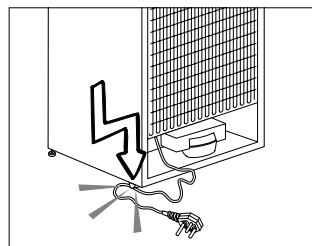
	WARNING: Keep ventilation openings, in the appliance enclosure or in the built-in structure, clear of obstruction.
	WARNING: Do not use mechanical devices or other means to accelerate the defrosting process, other than those recommended by the manufacturer.
	WARNING: Do not damage the refrigerant circuit.
	WARNING: Do not use electrical appliances inside the food storage compartments of the appliance, unless they are of the type recommended by the manufacturer.

This appliance is intended to be used in household and similar applications such as

- staff kitchen areas in shops, offices and other working environments;
- farm houses and by clients in hotels, motels and other residential type environments;
- bed and breakfast type environments;
- catering and similar non-retail applications.

2.2 General Safety

- This appliance is not intended for use by persons (including children) with reduced physical, sensory or mental capabilities, or lack of experience and knowledge, unless they have been given supervision or instruction concerning use of the appliance by a person responsible for their safety. Children should be supervised to ensure that they do not play with the appliance.
- Failure to follow the instructions and uncontrolled use of the product lead to dangerous results!
- Unplug the product if you encounter a failure during use.
- If the product malfunctions, it must not be operated until repaired by the authorised service provider. Risk of electric shock!
- Plug the product into a grounded socket protected by a fuse that corresponds to the value on its nameplate. Have a qualified electrician ground the product. Our company cannot be held responsible for damages resulting from the failure to use the product with a grounded socket pursuant to local regulations.
- Unplug the product when not in use.
- Never wash the product by spreading or pouring water onto it! Risk of electric shock!
- Never touch the plug with wet hands!
- Never unplug the product by pulling the cable. Always pull the plug by holding the socket.



Important instructions for safety and environment

- Do not plug the refrigerator if the wall socket is loose.
- Never connect your refrigerator to energy saving devices. Such systems are harmful to your product.
- Unplug the product during installation, care, cleaning and repairing procedures.
- Always have the **Authorised Service Provider** install the product and establish its electrical connections. The manufacturer cannot be held responsible for damages caused by procedures performed by unauthorised persons.
- Do not eat cone ice cream or ice cubes immediately after you take them out of the freezer compartment! This may cause frostbite in your mouth!
- Do not touch frozen food with wet hands! They may stick to your hand!
- Do not put bottled or canned liquid beverages in the freezer compartment. They may burst!
- Never use steam or steam cleaners to clean or defrost the refrigerator. Steam gets into contact with the live parts in your refrigerator, causing short circuit or electric shock!
- **WARNING:** When positioning the appliance, ensure the supply cord is not trapped or damaged. **If the supply cord is damaged, it must be replaced by the manufacturer, its service agent or similarly qualified persons in order to avoid a hazard.**
- **WARNING:** Do not locate multiple portable socket-outlets or portable power supplies at the rear of the appliance.
- Do not use mechanical devices or other means to accelerate the defrosting process other than those recommended by the manufacturer.
- Never use the parts in your refrigerator such as the door and drawer as a means of support or step. This may cause the product to tip over or damage the parts of it.
- Do not damage the parts where the refrigerant is circulating with drilling or cutting tools. The refrigerant that might blow out when the gas channels of the evaporator, pipe extensions or surface coatings are punctured causes skin irritations and eye injuries.
- Do not cover or block the ventilation holes in your refrigerator with any object.
- Place the beverage with higher proofs tightly closed and vertically.
- Do not use gaseous sprays near the product since there is the risk of fire or explosion!
- Flammable items or products that contain flammable gases (e.g. spray) as well as explosive materials should never be kept in the appliance.
- Do not place vessels filled with liquid onto the product. Splashing water on an electrical part may cause electric chock or the risk of fire.
- Do not store items that need precise temperature adjustment (such as vaccines, heat-sensitive medication, science materials etc.) in the refrigerator.
- If you are not going to use the product for a long time, unplug it and remove the food in it.
- If there is a blue light on the refrigerator, do not look at this light with optical tools.
- Exposing the product to rain, snow, sun or wind is dangerous in terms of electrical safety.

Important instructions for safety and environment

- In products with mechanical control (thermostat), wait for 5 minutes to plug in the product again after unplugging.
- Do not overload the refrigerator. Objects in the refrigerator may fall down when the door is opened, causing injury or damage. Similar problems may arise if any object is placed onto the product.
- If the product has a door handle, do not pull the handle when re-locating the product. The handle might be loose.
- Be careful not to jam your hand or any other body part in the moving parts of the refrigerator.
- Do not put your hand or any other foreign materials into the ice machine while it is operating.

2.3 Hydrocarbon (HC) Warning

- If your product's cooling system contains R600a:

This gas is flammable. Therefore, pay attention not to damage the cooling system or the piping during use and transportation. If damaged, keep the product away from potential fire sources that may cause it to catch fire and ventilate the room where the product is placed.



If the product is damaged and if you see gas leak, please keep away from the gas. It may cause frostbite when it gets into contact with the skin. (including R134)



Ignore this warning if the cooling system of your product contains R134a.



Type of gas used in the product is stated on the type plate which is on the left wall inside the refrigerator.



WARNING:

Never throw the product into fire for disposal.

2.4 For Products with a Water Dispenser/Ice Machine

- Pressure for cold water inlet shall be maximum 90 psi (620 kPa). If your water pressure exceeds 80 psi (550 kPa), use a pressure limiting valve in your mains system. If you do not know how to check your water pressure, ask for the help of a professional plumber.
- If there is a risk of water impact in your installation, always use a water impact protection equipment in that installation. Please consult professional plumbers if you are not sure if there is water impact in your installation.
- Do not make installation on the hot water inlet.
- Use drinking water only.
- Take the necessary measures against the freezing risk of the hoses. The water temperature operating range must be 0.6°C (33°F) minimum and 38°C (100°F) maximum.



WARNING:

Never connect the product to a cold water mains with a pressure of 550 kPa (80 psi) or above.

2.5 Intended Use

- This product has been designed for domestic use. It is not suitable for commercial use and it must not be used out of its intended use.
- It must be used only for storing food.

Important instructions for safety and environment

- The manufacturer will not take any responsibility for damages resulting from improper use or transport.
- Original spare parts will be available for 10 years after the purchase date of the product.

2.6 Children's Safety

- If there is a lock on the door of the product, the key should be kept out of the reach of children.
- Do not let children play with the product.

CAUTION:



To Prevent A Child From Being Entrapped, Keep Out Of Reach Of Children And Not In The Vicinity Of Freezer Or Refrigerator.

WARNING:



Before disposing your old refrigerator or freezer:

- Children may get locked inside.
- Remove the doors.
- Leave the shelves to prevent children from getting inside the product easily.

and electronic equipment. Please consult local authorities to learn about the locations of such collection centres.

2.8 Compliance with the RoHS Directive:

The unit you have purchased conforms to the EU RoHS Directive (2011/65/EU). It does not contain harmful or prohibited materials specified in the Directive.

2.9 Packaging Information

- Packaging materials of the product have been manufactured from recyclable materials in accordance with our National Environment Regulations. Do not dispose the packaging materials with normal domestic waste or other types of waste. Take these materials to a recycling point designated by local authorities.

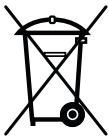
DANGER:

Risk of Fire or Explosion:



- This product uses flammable refrigerant.
- Do not use mechanical devices to defrost the refrigerator.
- Do not use chemicals for cleaning.
- Do not pierce the refrigerant pipe.
- If the refrigerant pipe is pierced, it must be repaired only by licensed service personnel.
- Please consult the repair/user manual before cleaning the product. All safety instructions must be followed.
- Dispose the product according to federal or local regulations.

2.7 Compliance with the WEEE Directive and Disposing the Waste Product:



This product conforms to the EU WEE Directive (2012/19 EU). This product bears a classification symbol for waste electrical and electronic equipment (WEEE). This product has been manufactured from high quality parts and materials which can be reused and are suitable for recycling. Therefore, do not dispose the product with normal domestic waste or other waste at the end of its service life. Take it to a collection centre for recycling electrical

3 Environmental instructions

3.1 Compliance with the WEEE Directive and Disposing of the Waste Product:

This product complies with EU WEEE Directive (2012/19/EU). This product bears a classification symbol for waste electrical and electronic equipment (WEEE).



This symbol indicates that this product shall not be disposed with other household wastes at the end of its service life. Used device must be returned to official collection point for recycling of electrical and electronic devices.

To find these collection systems please contact to your local authorities or retailer where the product was purchased. Each household performs important role in recovering and recycling of old appliance. Appropriate disposal of used appliance helps prevent potential negative consequences for the environment and human health.

3.2 Compliance with RoHS Directive

The product you have purchased complies with EU RoHS Directive (2011/65/EU). It does not contain harmful and prohibited materials specified in the Directive.

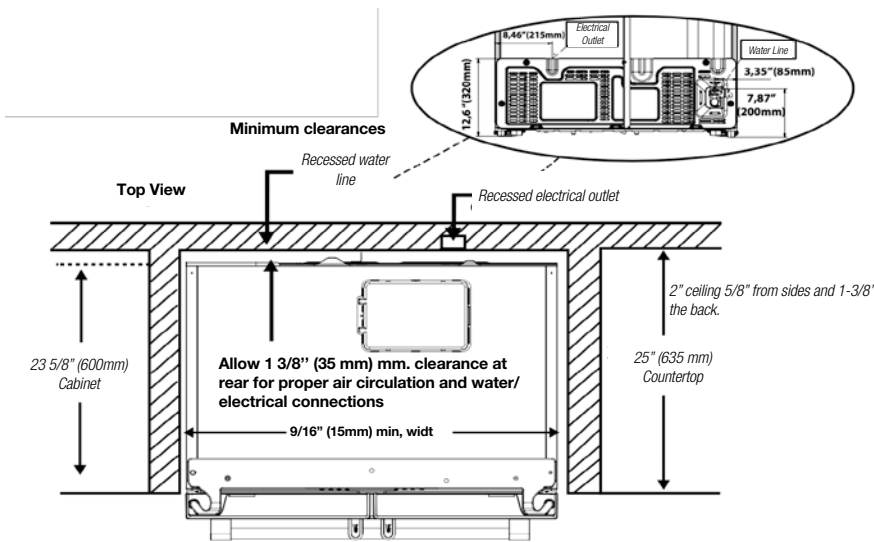
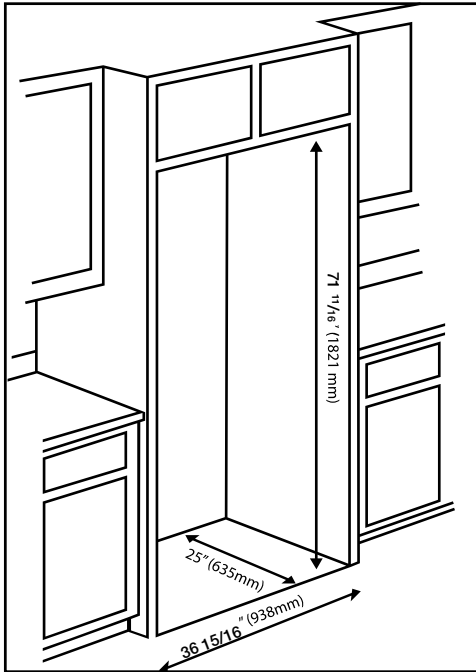
3.3 Package information



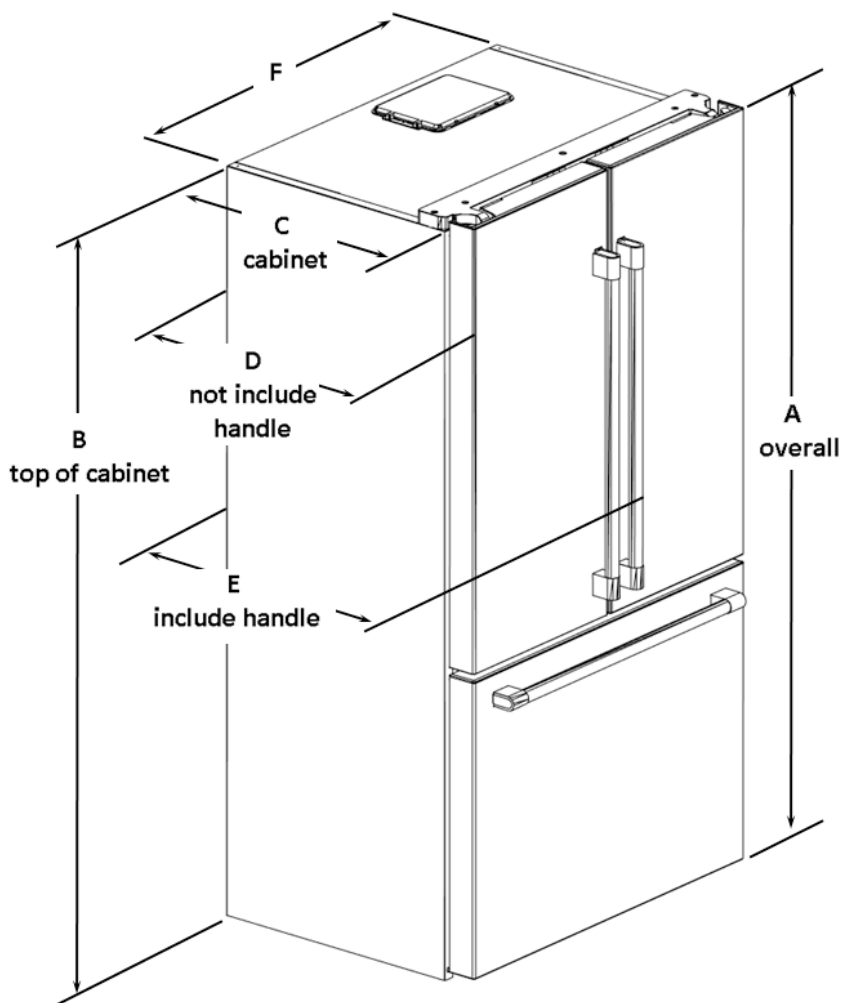
Packaging materials of the product are manufactured from recyclable materials in accordance with our National Environment Regulations. Do not

dispose of the packaging materials together with the domestic or other wastes. Take them to the packaging material collection points designated by the local authorities.

4 Installation

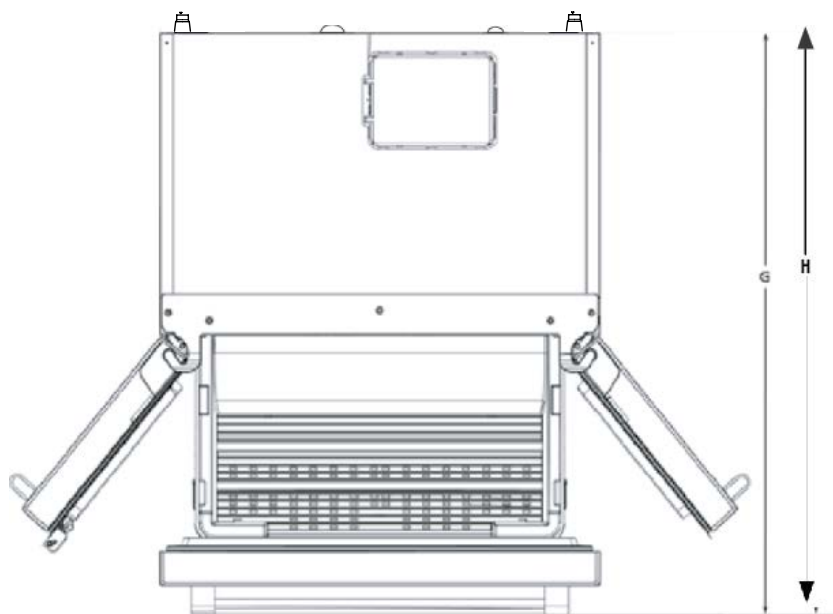


Installation



Height-Overall "A"	Height-TopOfCabinet "B"	Depth-CabinetOnly "C" "Q"	Depth-Without Handles "D"
69 3/4" (1771 mm)	67 5/16"(1710 mm)	23 5/8" (600 mm)	26 13/16" (680.5 mm)
Depth-With Handles "E"	Width-Cabinet "F"	Depth-DrawerOpen "G"	TotalDepth-DrawerOpen "H"
29" (737 mm)	35 3/4"(908 mm)	45 9/16" (1157 mm)	46 3/16" (1173.5 mm)

Installation



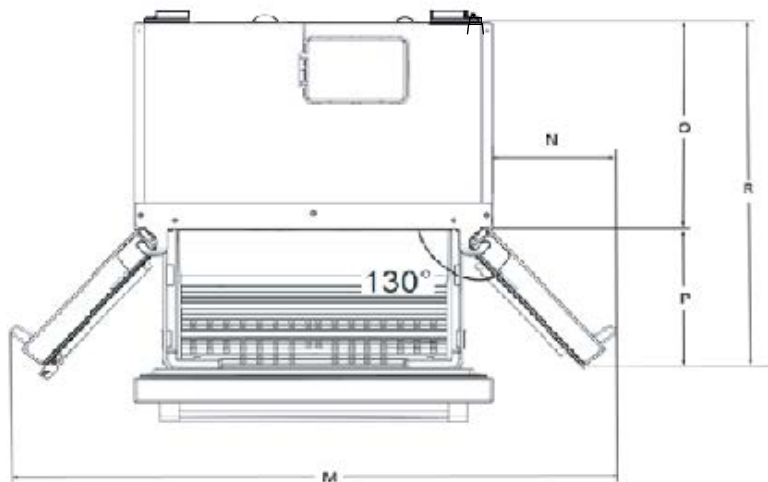
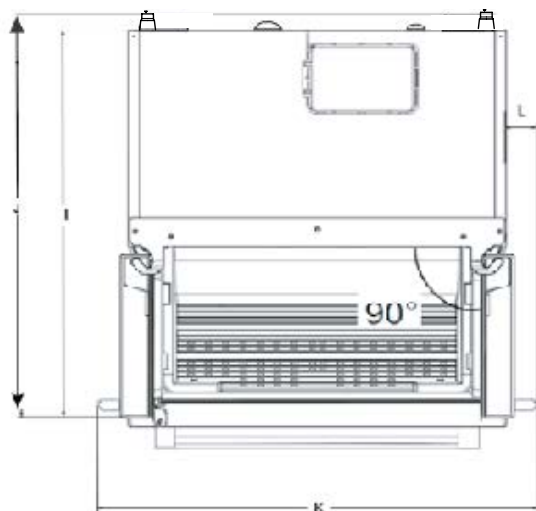
Height-Overall "A"	Height-TopOfCabinet "B"	Depth-CabinetOnly "C" "Q"	Depth-Without Handles "D"
69 3/4" (1771 mm)	67 5/16"(1710 mm)	23 5/8" (600 mm)	26 13/16" (680.5 mm)
Depth-With Handles "E"	Width-Cabinet "F"	Depth-DrawerOpen "G"	TotalDepth-DrawerOpen "H"
29" (737 mm)	35 3/4"(908 mm)	45 9/16" (1157 mm)	46 3/16" (1173.5 mm)

Min Clearance From the Top: 2" inches

Min Clearance From the Sides: 5/8" inches

Min Clearance From the Back: 1 3/8" inches

Installation



Depth-Doors Open90° "I"	Total Depth-Doors Open90° "J"	Width-Doors Open90° With Handles "K"	Width-Doors Open90°- From Cabinet To Handle "L"
42 1/4" (1072.6 mm)	43 1/16" (1094 mm)	41 11/16" (1059.2 mm)	3" (75.6 mm)
Width- Doors Open130°- From Handle To Handle "M"	Width-Doors Open 130°- From Cabinet To Handle "N"	Depth-Doors Open 130° "P"	Depth Doors Open 130° "R"
60 1/4" (1530.2 mm)	12 1/4" (311.2 mm)	15 3/8" (391 mm)	39" (991mm)

Installation






4.1 Before Installation

- Before installing, be sure the opening measurements are sufficient to receive the product and that the appropriate electrical and plumbing connections are present.

Water line pressure values	psi	kPa	bar
Max Operating pressure:	90	620	6.2
Max pressure for limiting valve device requirement:	80	550	5.5

Electrical requirements	
Voltage	120V AC
Frequency	60 Hz
Current	15 A

- Refer to the nearest Authorized Service Agent for installation of the product. To make the product ready for use, make sure that the electricity installation is appropriate before calling the Authorized Service Agent. If not, call a qualified electrician to have any necessary arrangements carried out.
- Your product comes with an internal water filter. Part number of the filter is 4918450200 and you can use this part number when ordering replacement filters.

	Preparation of the location and electrical installation at the place of installation is under customer's responsibility.
	Plumbing: The refrigerator should only be connected to the cold water line.
	Product must not be plugged in during installation. Otherwise, there is the risk of death or serious injury!
	WARNING: Installation and electrical connections of the product must be carried out by the Authorized Service Agent. Manufacturer shall not be held liable for damages that may arise from procedures carried out by unauthorized persons.
	WARNING: Prior to installation, visually check if the product has any defects on it. If so, do not have it installed. Damaged products cause risks to your safety.

4.2 Appropriate installation location

- Install the product at least 12" (30 cm) away from heat sources such as cooktops, ovens, space heaters, radiators and stoves at least 2" (5 cm) away from electrical ovens. Product must not be subjected to direct sun light and kept in humid places after installation.
- Do not place the product on the materials such as rugs or carpets.
- Place the product on an even floor surface to prevent wobbling.
- Do not install the product in places where the temperature falls below 50°F/10°C.



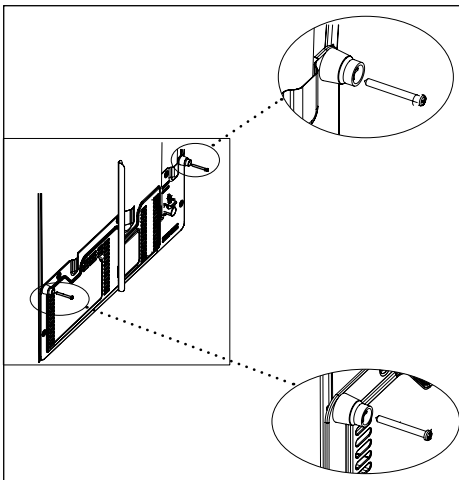
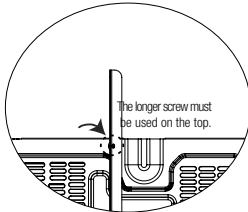
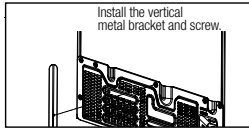
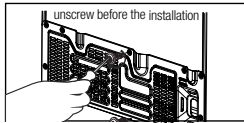
If two refrigerators are to be installed side by side, there should be at least 1 1/2" (4 cm) distance between them.

- Make sure that sufficient room is provided around the appliance to ensure free air circulation.
- For proper functionality, there should be a gap of at least 1 3/8" (35 mm) between the refrigerator and the rear wall. **To ensure this, attach the gray, circular buffers, to be installed on the rear back metal cover of the refrigerator.** These are shipped inside the crisper drawer in the Fresh Food compartment.

4.3 Inset installations

- If the product will be installed within surrounding cabinetry or in an alcove, be sure there is adequate airflow around the product for proper functionality. This refrigerator requires at least 2" from the top of the unit to the ceiling or enclosure, 5/8" on each side and 1 3/8" in the back.
- For proper air flow when installed in an inset or alcove, be sure the parts shown below are installed on the unit.

circulation part



4.4 Electrical connection

- 120VAC, 60Hz, Dedicated 15Amp Circuit.
- GFCI outlets will provide added protection, but any failure of the GFCI could cause food spoilage, which is not covered by the manufacturer's warranty.
- Electrical connection must comply with national regulations.
- Power cable plug must be within easy reach after installation.
- Do not make connections via extension cables or multi-plugs.



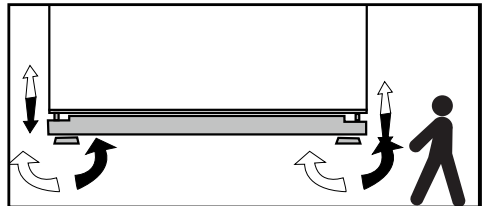
WARNING: Damaged power cable must be replaced by the Authorized Service Agents.



WARNING: If the product has a failure, it should not be operated unless it is repaired by the Authorized Service Agent! There is the risk of electric shock!

4.5 Adjusting the feet

After moving the refrigerator into place, we recommend lowering the feet to secure the product in place. You can also adjust the feet if the product is not balanced. Twist the feet in the desired direction according to the illustration below. Adjusting the feet can also be used to align the doors.



WARNING: First unplug the product. Product must not be plugged in when adjusting the feet. There is the risk of electric shock!

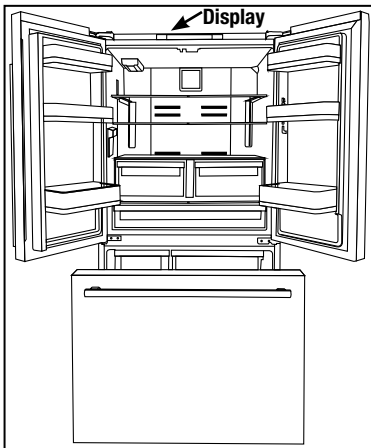
4.6 Illumination lamp

Do not attempt to repair yourself but call the Authorized Service Agent if the LED illumination lamps do not go on.

The lamp(s) used in this appliance is not suitable for household room illumination. The intended purpose of this lamp is to assist the user to place foodstuffs in the refrigerator/freezer in a safe and comfortable way.

4.7 Door/Drawer Open Warning

An audio warning signal will be given when the door of your product is left open for 1 minute. This warning will be muted when the door is closed or if any of the display buttons are pressed.



4.8 Water connection

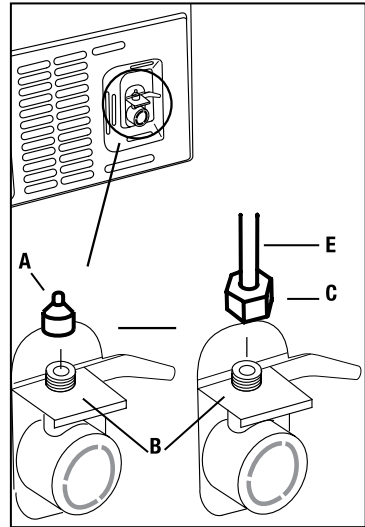
First you must connect the water hose to the refrigerator.



WARNING: Refrigerator and the pump, if any, must be unplugged during connection.

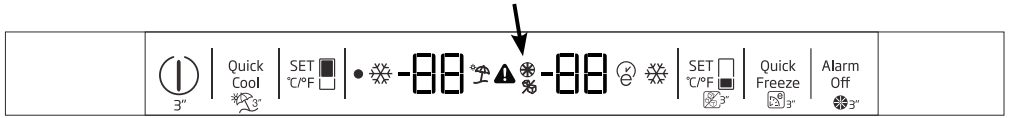
4.9 Connecting the water hose to the refrigerator

1. Remove the valve channel cover (A) from the water inlet valve.
2. Connect the water line (C) to the inlet valve (B) and tighten by hand to secure it. It is not necessary to use pliers, but if there is a leak, you may tighten slightly with a pair of pliers.

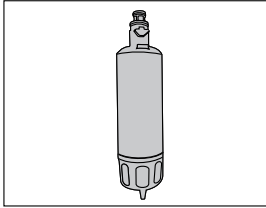


4.10 Connecting the water line to the water supply

Connect the water line to a water supply valve. If a valve is not present or you are not sure, consult a qualified plumber.







4.11 Installing the Internal Water Filter

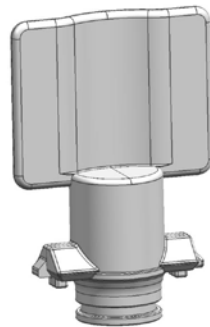
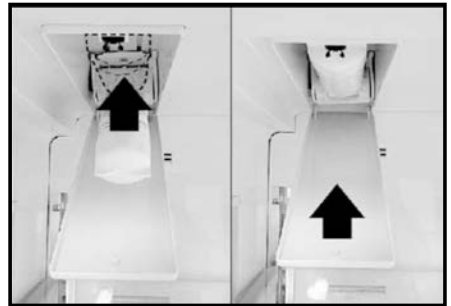


Installing the internal water filter consists of two steps:

- Physically installing the filter
- Making adjustments to the display.

1. Press and hold the Freezer Temp Set key  for 3 seconds, or until the no ice icon appears in the display.
2. Slide the filter cover forward to open the filter compartment.
3. Tilt the bypass plug down and pull straight out to remove it.
4. Insert the filter into the housing and push it up to a horizontal position.
5. Close the filter cover and push it back into place.
6. Press and hold the Freezer Temp Set key  again for 3 seconds.
You have successfully installed your filter.

The Filter End of Life warning  "3" will appear in approximate 130 days, requiring you to replace the filter with the same steps as listed above. After replacing the filter, press and hold the "Alarm Off" key  for 3 seconds, or until the Filter End of Life Warning goes out in the display.



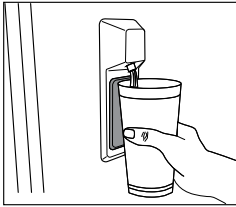
BYPASS PLUG

Installation

4.12 Before using the water dispenser

The water system connections should be made by an Authorized Service Agent, with the necessary tools.

- The water system is designed to operate only with water. Do not attempt to connect to beverages such as soft drinks or juices.
- There will be air in the water line that must be bled out of the system before the initial use. To remove the air in the line, place a container beneath the water dispenser nozzle and depress the dispenser paddle for 1-2 minutes until only water comes out.
- The first 10 glasses of water should not be consumed. It will take approximately 12 hours before the water being dispensed cools down to refrigerated temperatures.
- Wait 1 second after releasing the dispenser paddle before removing your container, as this will reduce the potential for dripping into the dispenser tray.



- Empty and clean the ice bin. Ice cubes can also stick together if they are left in the bin for too long.

4.13 Transportation of the product

1. Unplug the product before transporting it.
2. Remove water connections.
3. Secure the shelves, accessories, crisper and etc. in the refrigerator by adhesive tape before repackaging it.

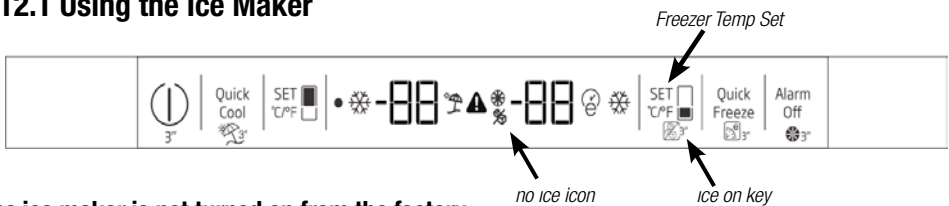


Packaging must be tied with thick tapes or strong strips and the rules of transportation printed on the package must be followed.



WARNING: Packaging materials are dangerous for the children. Keep packaging materials in a safe place away from reach of the children.

4.12.1 Using the Ice Maker



The ice maker is not turned on from the factory.

- To turn the ice maker on, press and hold the Freezer Temp Set key for 3 seconds, or until the no ice icon (❄️) disappears in the display. It will take approximately 1-2 days for the ice bin to fill with ice. If a power outage occurs while the refrigerator is running, the ice cubes may partially melt and then stick together when the re-freeze. If the power outage is prolonged, the ice cubes may turn into water, causing leakage. If such a problem occurs.

5 Preparation

Before starting to use the product, check that all preparations are made in accordance with the instructions in sections "Important instructions for safety and environment" and "Installation".

- Clean the interior of the refrigerator as recommended in the "Maintenance and cleaning (Page 25)" section. Ensure that interior is dry before operating.
- Plug the refrigerator into the grounded wall outlet. When the door is opened the interior illumination will turn on.
- Run the refrigerator without putting any food for 6 hours and do not open its door unless absolutely required.
- Do not allow the food to touch the temperature sensor in fresh food compartment.

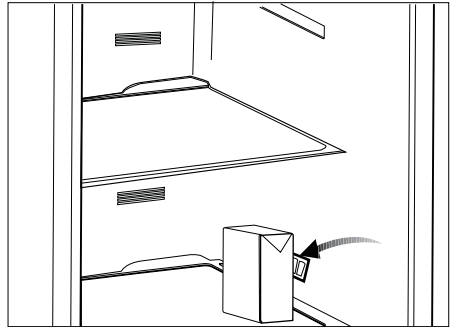
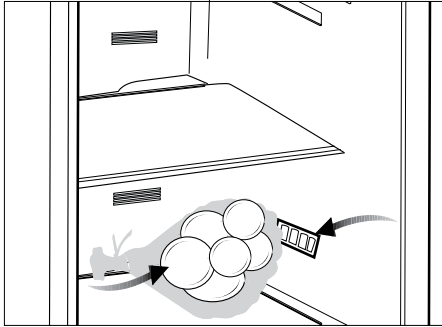


You will hear a noise when the compressor starts up. The liquids and gases sealed within the refrigeration system may also give rise to noise, even if the compressor is not running and this is quite normal.



Front edges of the refrigerator may feel warm. This is normal. These areas are designed to be warm to avoid condensation.

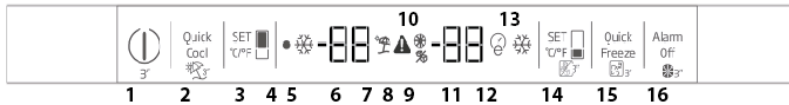
- To allow the fresh food compartment keep its ideal storage temperature, sensor must not be covered by food.



















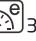
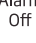

6 Display and operating the product

6.1 Indicator panel

Touch-control indicator panel allows you to set the temperature and control the other functions of the refrigerator. Just press the relevant buttons for function settings.



Note: Keys 2, 14, 15, and 16 have two functions. The second function has a “b” after the number below.

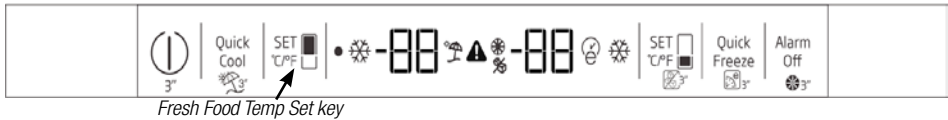
-  **1-Power key**
Press and hold this key for 3 seconds to turn the refrigerator on and off.
-  **2-Quick Cool key**
Press this key to turn on the Quick Cool option, which drops the temperature in the Fresh Food compartment to its lowest setting (33 F°) for two hours. It will return to the previously set temperature after this time.
-  **2b. Vacation Mode**
If you hold the Quick Cool key for three seconds, you will turn on the Vacation Mode. In Vacation mode the Fresh Food compartment will stay at 50 F° while the Freezer maintains its set temperature. You will know that Vacation Mode is on by the dashes in the Fresh Food temperature display (6) and the illumination of the “beach umbrella” (7). Press and hold the Quick Cool key for 3 seconds to turn this option off.
-  **3- Fresh Food Temperature set key**
Press this key to change the temperature in the Fresh Food section from between 33 F° and 40 F°. The set temperature will be displayed in the Fresh Food temperature display (6).
-  **4- Power “off” indicator light**
A red dot will be illuminated when the refrigerator is plugged in, but NOT turned on. Once the refrigerator is turned on, the red light will go out.
-  **5-Quick Cool Indicator**
A “snowflake” icon to the left of the Fresh Food temperature display lets you know the Quick Cool option is on.
-  **6-Fresh Food Temperature display**
The set temperature in the Fresh Food compartment will be displayed here.
-  **7-Vacation Mode indicator**
The “beach umbrella” icon will be illuminated when Vacation Mode is turned on. You will also see dashes in the Fresh Food temperature display.
-  **8- High Temp Warning**
The red exclamation point will be illuminated if the temperature in Freezer is too high after the initial 72 hours of operation. (See page 19 for more details)
-  **9-Ice Maker Off icon**
The ice cubes with a slash through them will be illuminated when the ice maker is turned off.
-  **10-Filter Change icon**
The filter reset icon will illuminate when it is time to replace the water filter. (For instructions on how to do that, see page 12.)
-  **11-Freezer Compartment temperature display**
The set temperature of the Freezer compartment will be shown in this display.
-  **12-Eco-Extra icon**
The Eco-Extra icon will be illuminated when Eco-Extra is turned on. (See 15b for more information on this option.)
-  **13-Quick Freeze Indicator**
A snowflake icon to the right of the Freezer Compartment temperature display will be illuminated when the Quick Freeze option is turned on. (See 15 for information on that option.)
-  **14-Freezer Temperature set key**
Press this key to adjust the temperature in the Freezer compartment, between -8 F° and 5 F°.
-  **14.b. Ice Maker on/off key**
Press and hold the Freezer Temp Set key for 3 seconds to turn the Ice Maker on and off.
-  **15-Quick Freeze key**
Press and hold the Quick Freeze key to turn on the Quick Freeze option, which will drop the temperature in the Freezer to its lowest setting (-8 F°) for 24 hours. After this time it will return to the previously set temperature.
-  **15b. Eco-Extra key**
Press and hold the Quick Freeze key for 3 seconds to turn on the Eco-Extra option. In this mode the refrigerator will operate in its most efficient way. It will only stay in this mode while the doors remain closed.
-  **16. Alarm Off key**
If the doors remain open for more than 1 minute, or if an error is detected, an alarm will sound. If this key is pressed, the alarm will be silenced.
-  **16b. Filter Change Timer Reset**
If the filter change light comes on (10), press and hold the Alarm Off key for 3 seconds to reset the timer. The filter reset light will come on after 130 days of operation.



***optional:** Figures in this user manual are schematic and may not match the product exactly. If the subject parts are not included in the product you have purchased, then those parts are valid for other models.

Display and operating the product

6.2 Sabbath Mode



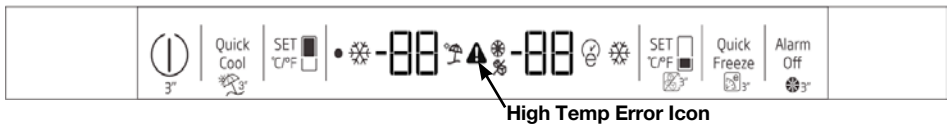
Press the Fresh Food Temp Set Function key for 3 seconds to activate or deactivate the Sabbath Mode. When Sabbath Mode is activated, the display, alarm, door opening or light buttons will not function. "SA" will appear in the display. The cooling algorithm is set according to the sabbath fashion. If the user does not deactivate the Sabbath mode, the refrigerator will automatically cancel it in 72 hours.

6.3 Showroom Mode



Showroom Mode is an option primarily used in dealer's showrooms. It allows the product to be turned on without the operation of the fans and cooling system. To activate this mode, Press and hold "Power" & "Alarm Off" until PS 0 appears. Change the 0 to an 8 by pressing the "Freezer Temperature Set" key. Then press "Fresh Food Temperature Set" key to activate. To deactivate, press and hold the "Power" & "Alarm Off" again.

6.4 High Temp Error



The High Temp Error icon is displayed when the Freezer temperature is too warm after the initial 72 hours of operation. If the Freezer temperature reaches 28F° (-2.2°C) or higher, and doesn't drop below 16 F° (-9°C) within 12 hours, the High Temp Error icon will be illuminated, an alarm will sound and the set temperature and highest temperature reached in the Freezer will alternate in the display. If you press the "Alarm Off" key, the alarm will be silenced, but the icon and flashing temperature will continue until the Freezer gets below 16F° (-9°C). If the Freezer does not cool below 16F° (-9°C) in the next 3.5 hours, the audible alarm will return. The audible alarm can be silenced again with the "Alarm Off" key. If the error continues to return, the doors should be checked for proper closure and sealing. A common cause of this error is a power failure in the circuit to which the refrigerator is connected. If the icon continues to return, an authorized service agent should be called to inspect the unit.

Operating Temperatures

Freezer Compartment Setting	Fridge Compartment Setting	Explanations
5F°/-15°C	39 F° /4°C	This is the normally recommended setting.
-4F°/-20°C	37 F° / 3°C	These settings are recommended when the ambient temperature exceeds 86 F° /30°C.
Quick Freeze	39 F° / 4°C	Use when you wish to freeze your food in a short time. Your refrigerator will return to its previous mode when the process is over.
5 F° /-15°C or colder	Quick Fridge	Use this function when you place large quantities into the fridge compartment or when you need to cool your food quickly. It is recommended that you activate Quick Fridge function 4-8 hours before placing the food in the compartment.

Operating the product

6.5 Freezing fresh food

- Wrap the food or place them in a covered container before putting them in the refrigerator.
- Hot food and beverages must cool down to room temperature before putting them in the refrigerator.
- The food that you want to freeze must be fresh and in good quality.
- Pack the food in an airtight manner to prevent them from drying even if they are going to be stored for a short time.
- Materials to be used for packaging must be tear-proof and resistant to cold, humidity, oils and acids and they must also be airtight. All packaging must be completely sealed.
- Frozen food must be used immediately after they are thawed and they should never be re-frozen.
- Do not freeze excessively large quantities of food at one time. The quality of the food is best preserved when it is frozen right through to the core as quickly as possible.
- Placing warm food into the freezer compartment causes the cooling system to operate continuously until the food is frozen solid.

6.6 Recommendations for preserving frozen food

To ensure the quality achieved by the frozen food manufacturer and food retailer is maintained, follow the steps listed below:



1. Put packets in the freezer as quickly as possible after purchase.
2. Make sure that contents of the package are labelled and dated.
3. Check whether the "Use By" and "Best Before" dates on the packaging are exceeded or not.

6.7 Placing the food

Freezer compartment shelves	Various frozen food such as meat, fish, ice cream, vegetables and etc.
Fridge compartment shelves	Food in pans, covered plates and closed containers
Fridge compartment door shelves	Small and packaged food or beverage (such as milk, fruit juice, beer and etc.)
Crisper	Vegetables and fruits
Deli drawer	Delicatessen products (cheese, butter, salami and etc.)

6.8 Deep-freeze information

You can keep the freshness of food for many months (at 5 °F / -15°C or lower temperatures in the deep freeze).

	Divided the food into portions according to your family's daily or meal based consumption needs.
	Pack the food in an airtight manner to prevent them from drying even if they are going to be stored for a short time.

- Materials necessary for packaging:
- Cold resistant adhesive tape
- Self adhesive label
- Rubber rings
- Pen

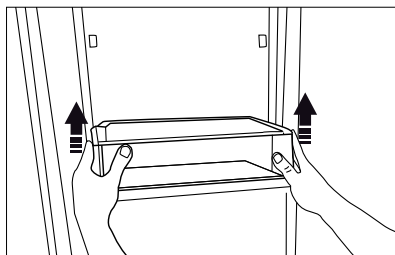
Operating the product

6.9 Removing door shelves

You can remove the door shelves to clean them. First, empty the food inside them.

Push the desired shelf up to remove it.

Do not remove the door shelf when there is food in it.



6.10 Moving the FlexiLift Door Shelf

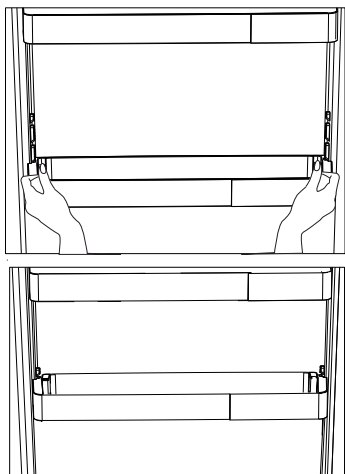
*optional

Moving the FlexiLift door shelf can be fixed in 3 different positions.

In order to move the shelf, push the buttons on the side evenly. Shelf will be movable.

Move the shelf up or down.

When the shelf is in the position that you want, release the buttons. Rack will be fixed again in the position where you have released the buttons.



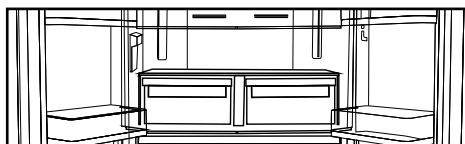
6.11 Glass shelves

You can remove the glass shelves to clean them. Be careful when removing the shelves since they are heavy.

6.12 Crisper bins

(in some models)

Crisper bins allow you to prepare the food for freezing. You can also use these compartments to store your food at a temperature a few degrees below the fridge compartment.



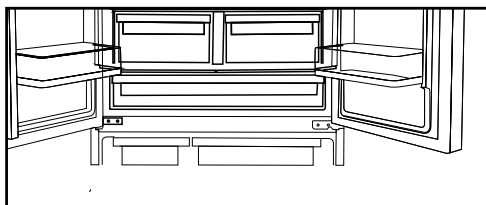
You can increase the inner volume of your refrigerator by removing any of the chiller compartments:

1. Pull the compartment towards yourself until it stops.
2. Lift the compartment about 7/16" (1cm) up and pull towards yourself to remove it from its seating.

6.13 Deli Drawer

The Deli Drawer is designed with cool air circulation intensified around it. This allows for items stored in the drawer to be generally fresh food compartment than average Fresh Food temperatures.

If required, remove door shelves prior to Deli Drawer removal



Operating the product

6.14 Humidity controlled crisper (EverFresh+)

Humidity levels of the vegetables and fruit are kept under control with the feature of humidity-controlled crisper and the food is ensured to stay fresh longer.

We recommend you to place the leafy vegetables such as lettuce, spinach and the vegetables which are sensitive to humidity loss, in a horizontal manner as much as possible inside the crisper, not on their roots in a vertical position.

While the vegetables are being placed, individual weights of the vegetables should be taken into consideration. Heavy and hard vegetables should be put at the bottom of the crisper and the lightweight and soft vegetables should be placed on top.

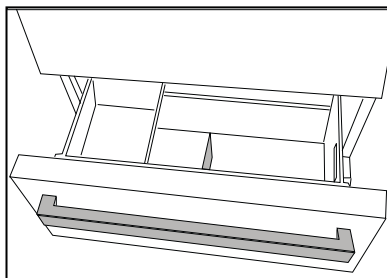
Never leave vegetables inside the crisper in their bags. This will cause them to decompose prematurely. If you wish to keep vegetables separate, use perforated paper bags or similar materials to do so. Certain fruits such as pears, apricots, peaches or apples generate high levels of ethylene gas. Do not place them with other fruits and vegetables which do not, as this will cause them to decompose faster.

6.15 Ice container

The ice container is used to collect ice produced by the ice maker. Do not put water in it to make ice as it may break. The ice container is not used for storing foods.

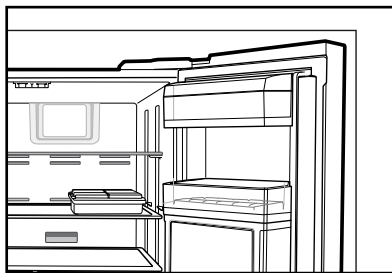


The ice machine may drop ice when the ice container is opened.



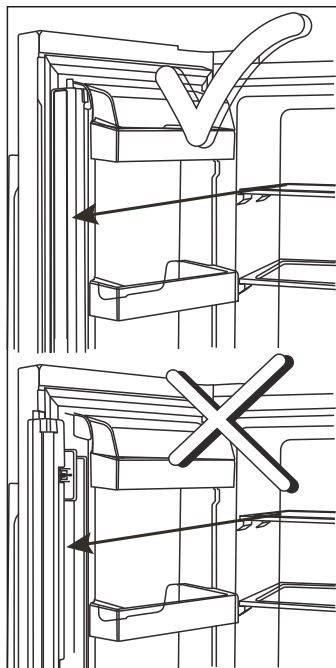
6.16 Butter & Cheese section

Store food such as butter, cheese and margarine in this section.



6.17 Door flappers

Movable door flapper is intended to prevent the cold air inside the refrigerator from escaping outside. Sealing is provided when the gaskets on the door presses on the surface of the door flapper while the fridge compartment doors are closed.



Operating the product

6.18 ActiveFresh Blue Light

Crispers of the refrigerator are illuminated with blue light. Food stored in the crispers continue their photosynthesis by means of the wavelength effect of blue light and thus, preserve their freshness and preserves their vitamin content.

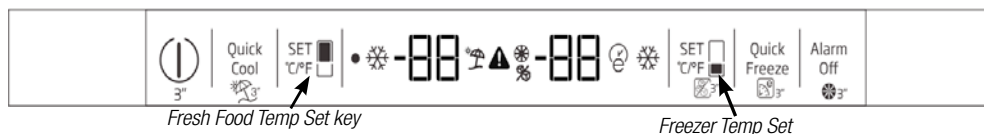
6.19 IonGuard (in some models)

Air is ionized by means of the ionizer system in the fridge compartment air duct. Thanks to this system, air-borne bacteria and odorizing molecules are removed from the air.

6.20 Odor filter

Odor filter in the air duct of the fridge compartment prevents build-up of unpleasant odors in the refrigerator.

6.21 Changing the temperature scale (Fahrenheit ↔ Celsius)



After the product is energized, press and hold the Fresh Food Temp Set and Freezer Temp Set buttons together for 3 secs.

The temperature scale change is completed. Reverse these steps to switch back to the original scale.

7. Maintenance and cleaning

The life of the product is extended and common problems are reduced, if it is cleaned regularly.



WARNING: Unplug the product before cleaning it.

- Never use gasoline, benzene or similar substances for cleaning purposes.
- Never use any sharp and abrasive tools, soap, household cleaners, detergent and wax polish for cleaning.
- Dissolve one teaspoon of baking soda in 1 pint of water. Soak a cloth with the solution and wring it thoroughly. Wipe the interior of the refrigerator with this cloth and dry thoroughly.
- Make sure that no water enters the lamp housing and other electrical items.
- If you will not use the refrigerator for a long period of time, unplug it, remove all food inside, clean it and leave the door ajar.
- Check regularly that the door gaskets are clean. If not, clean them.
- To remove door and body shelves, remove all of its contents.
- Remove the door shelves by pulling them up. After cleaning, slide them from top to bottom to install.
- Never use cleaning agents or water that contain chlorine to clean the outer surfaces and chromium coated parts of the product. Chlorine causes corrosion on such metal surfaces

7.1 Avoiding bad odors

Materials that may cause odor are not used in the production of our refrigerators. However, due to inappropriate food preserving conditions and not cleaning the inner surface of the refrigerator as required can bring forth the problem of odor. Pay attention to following to avoid this problem:

- Keeping the refrigerator clean is important. Food residuals, stains, etc. can cause odor. Therefore, clean the refrigerator with baking soda dissolved in water every 15 days. Never use detergents or soap.
- Keep the food in closed containers. Microorganisms spreading out from uncovered containers can cause unpleasant odors.
- Never keep the food that is past its expiration date or has spoiled in the refrigerator.

7.2 Protecting the plastic surfaces

Do not put liquid oils or oil-cooked meals in your refrigerator in unsealed containers as they damage the plastic surfaces of the refrigerator. If oil is spilled or smeared onto the plastic surfaces, clean and rinse the relevant part of the surface at once with warm water.

8. Troubleshooting

Check this list before contacting a servicer. Doing so will save you time and money. This list includes frequent complaints that are not related to faulty workmanship or materials. Certain features mentioned herein may not apply to your product.

The refrigerator is not working.

- The power plug is not fully seated. >>> Plug it in outlet completely into the socket.
- The fuse connected to the socket powering the product or the main fuse is blown. >>> Be sure the unit is turned on. A single red light in the display means the product is plugged in but not turned on. Press and hold the Power button for three seconds to turn the unit on.
- **Condensation on the side wall of the fresh food compartment (MULTI ZONE, COOL, CONTROL and FLEXI ZONE).**
- The door is opened too frequently >>> Take care not to open the product's door too frequently.
- The environment is too humid. >>> Do not install the product in humid environments.
- Foods containing liquids are kept in unsealed holders. >>> Keep the foods containing liquids in sealed holders.
- The product's door is left open. >>> Do not keep the product's door open for long periods.
- The thermostat is set to too low temperature. >>> Set the thermostat to appropriate temperature.

Compressor is not working.

- In case of sudden power failure or pulling the power plug off and putting back on, the gas pressure in the product's cooling system is not balanced, which triggers the compressor thermic safeguard. The product will restart after approximately 6 minutes. If the product does not restart after this period, contact a servicer.
- Defrosting is active. >>> This is normal for a fully-automatic defrosting product. The defrosting is carried out periodically.
- The product is not plugged in. >>> Make sure the power cord is plugged in.
- The temperature setting is incorrect. >>> Select the appropriate temperature setting.
- The power is out. >>> The product will continue to operate normally once the power is restored.

The refrigerator's operating noise is increasing while in use.

- The product's operating performance may vary depending on the ambient temperature variations. This is normal and not a malfunction.

The refrigerator runs too often or for too long.

- The new product may be larger than the previous one. Larger products will run for longer periods.
- The room temperature may be high. >>> The product will normally run for long periods in higher room temperature.
- The product may have been recently plugged in or a new food item is placed inside. >>> The product will take longer to reach the set temperature when recently plugged in or a new food item is placed inside. This is normal.
- Large quantities of hot food may have been recently placed into the product. >>> Do not place hot food into the product.
- The doors were opened frequently or kept open for long periods. >>> The warm air moving inside will cause the product to run longer. Do not open the doors too frequently.
- The freezer or fresh food compartment door may be ajar. >>> Check that the doors are fully closed.
- The product may be set to temperature too low. >>> Set the temperature to a higher degree and wait for the product to reach the adjusted temperature.
- The fresh food compartment or freezer door washer may be dirty, worn out, broken or not properly settled. >>> Clean or replace the gasket. Damaged / torn door washer will cause the product to run for longer periods to preserve the current temperature.

Troubleshooting

The freezer temperature is very low, but the fresh food compartment temperature is adequate.

- The freezer compartment temperature is set to a very low degree. >>> Set the freezer compartment temperature to a higher degree and check again.

The fresh food compartment temperature is very low, but the freezer temperature is adequate.

- The fresh food compartment temperature is set to a very low degree. >>> Set the freezer compartment temperature to a higher degree and check again.

The food items kept in fresh food compartment drawers are frozen.

- The fresh food compartment temperature is set to a very low degree. >>> Set the freezer compartment temperature to a higher degree and check again.

The temperature in the fresh food compartment or the freezer is too high.

- The fresh food compartment temperature is set to a very high degree. >>> Temperature setting of the fresh food compartment has an effect on the temperature in the freezer compartment. Wait until the temperature of relevant parts reach the sufficient level by changing the temperature of fresh food compartment or freezer compartments.
- The doors were opened frequently or kept open for long periods. >>> Do not open the doors too frequently.
- The door may be ajar. >>> Fully close the door.
- The product may have been recently plugged in or a new food item is placed inside. >>> This is normal. The product will take longer to reach the set temperature when recently plugged in or a new food item is placed inside.
- Large quantities of hot food may have been recently placed into the product. >>> Do not place hot food into the product.

Shaking or noise.

- The ground is not level or firm. >>> If the product is shaking when moved slowly, adjust the feet to balance the product. Also make sure the ground is sufficiently firm to bear the product.
- Any items placed on the product may cause noise. >>> Remove any items placed on the product.

The product is making noise of liquid flowing, spraying etc.

- The product's operating principles involve liquid and gas flows. >>> This is normal and not a malfunction.

There is sound of wind blowing coming from the product.

- The product uses a fan for the cooling process. This is normal and not a malfunction.

There is condensation on the product's internal walls.

- Hot or humid weather will increase icing and condensation. This is normal and not a malfunction.
- The doors were opened frequently or kept open for long periods. >>> Do not open the doors too frequently; if open, close the door.
- The door may be ajar. >>> Fully close the door.

There is condensation on the product's exterior or between the doors.

- The ambient weather may be humid, this is quite normal in humid weather. >>> The condensation will dissipate when the humidity is reduced.

The interior smells bad.

- The product is not cleaned regularly. >>> Clean the interior regularly using sponge, warm water and carbonated water.
- Certain containers and packaging materials may cause odor. >>> Use containers and packaging materials free of odor.

Troubleshooting

- The foods were placed in unsealed containers. >>> Keep the foods in sealed containers. Micro-organisms may spread out of unsealed food items and cause bad odor. Remove any expired or spoiled foods from the product.

The door is not closing.

- Food packages may be blocking the door. >>> Relocate any items blocking the doors.
- The product is not standing in full upright position on the ground. >>> Adjust the stands to balance the product.
- The ground is not level or firm. >>> Make sure the ground is level and sufficiently firm to bear the product.

The vegetable bin is jammed.

- The food items may be obstructing with the upper section of the drawer. >>> Reorganize the food items in the drawer.

If The Surface Of The Product Is Hot.

- High temperatures may be observed between the two doors, on the side panels and at the rear grill while the product is operating. This is normal and does not require service maintenance! Be careful when touching these areas.



WARNING:

If the problem persists after following the instructions in this section, contact your vendor or an Authorized Service. Do not try to repair the product.



WARNING:

- This product can expose you to chemicals including Nickel (Metallic) which is known to the State of California to cause cancer.
- For more information go to www.P65Warnings.ca.gov
- Note : Nickel is a component in all stainless steel and some other metal components.

BEKO US RESIDENTIAL PRODUCT WARRANTY

The warranties provided by Beko in these statements only apply to Beko appliance sold to the original purchaser or homeowner in the US (including Alaska, Hawaii, Puerto Rico and the US Virgin Islands) and The Cayman Islands

The factory warranty applies only to products purchased through an authorized dealer or authorized reseller. Go to www.bekoappliances.com/where-to-buy for a list of authorized dealers. Products purchased through non-authorized dealers and wholesalers will not be covered under the manufactures warranty

The warranty is not transferable. To obtain warranty service, please contact your dealer or contact us at <https://www.bekoappliances.com/support/beforecallcenter/>. You will need your product model number, serial number, retailer name and address, where purchased and purchase date / installation date. This warranty gives you specific legal rights, and you may also have other rights which vary from state to state. Also, please make sure you register your product for warranty at: <https://www.bekoappliances.com/product-registration/>

2 year (*) full warranty from date of first installation (All Beko Products)

Beko will repair or replace at no cost to the consumer any defective parts if used under normal household conditions

(Warranty is void if the product is used commercially e.g., bed + breakfast, nursing home etc.). Service must also be performed by an authorized Beko service agency. (Cosmetic defects must be reported within 10 business days from installation). 1 year warranty on the accessories is for the parts only and does not include labor.

3rd thru 5th year (*, **) Sealed System Warranty on refrigerators - Parts Only

Beko will provide (No Charge) any compressor, evaporator, condenser and filter Dryer to the consumer if material defects or workmanship have caused the damage or failure of these components.
(Trip and Labor charges are the responsibility of the consumer)

3rd thru 10th year (*, **) ProSmart™ Inverter Motor on Dishwashers - Part Only

Beko will provide (No Charge) a ProSmart Inverter Main Wash Motor if material defects or workmanship have caused the damage or failure of this component.
(Trip and Labor charges are the responsibility of the consumer)

Disclaimers of warranties and exclusions:

Warranty does not cover service costs by an authorized service agent to correct installation, electrical problems or educational instruction on the use of the electric and gas ranges. The warranty also does not cover defects or damage caused by an act of God (such as storms, floods, fires, mudslides, etc.), damage cause by use of the electric and gas ranges for purposes other than those for which it was designed, misuse, abuse, accident, alteration, improper installation, maintenance, travel fees, service calls outside normal service hours, pick up and delivery, any food loss due to product failure, unauthorized service work or work.

This product is fully tested and went through official quality assurance inspections before leaving the original manufacturing site. Warranty terms for this Beko household appliance is not valid if the product is altered, tampered, modified, additional parts assembled, fixed and re-packed by an authorized distributor, servicer, a third party retailer, reseller or by any other unauthorized person(s).

TO THE EXTENT PERMITTED BY LAW, THIS WARRANTY IS IN LIEU OF ALL OTHER EXPRESSED AND IMPLIED WARRANTIES, INCLUDING THE IMPLIED WARRANTIES OF MERCHANTABILITY AND FITNESS FOR A PARTICULAR PURPOSE. BEKO UNDERTAKES NO RESPONSIBILITY FOR THE QUALITY OF THIS PRODUCT EXCEPT AS OTHERWISE PROVIDED IN THIS WARRANTY STATEMENT. BEKO ASSUMES NO RESPONSIBILITY THAT THE PRODUCT WILL BE FIT FOR ANY PARTICULAR PURPOSE FOR WHICH YOU MAY BE BUYING THIS PRODUCT, EXCEPT AS OTHERWISE PROVIDED IN THIS WARRANTY STATEMENT.

Beko does not assume any responsibility for incidental or consequential damages. Such damages include, but are not limited to, loss of profits, loss of savings or revenue, loss of use of the electric and gas ranges or any associated equipment, cost of capital, cost of any substitute equipment, facilities or services, downtime, the claims of third parties, and injury to property. Some states do not allow the exclusion or limitation of incidental or consequential damages, so the above limitations or exclusion may not apply to you.

(*) Installation date shall refer to either purchase date or 5 business days after delivery of the product to the home, whichever is later.
(**) Parts replaced will assume the identity of the original parts + their original warranty.

No Other Warranties. This Warranty Statement is the complete and exclusive warranty from the manufacturer. No employee of Beko or any other party is authorized to make any warranty statements in addition to those made in this Warranty Statement.

Please keep this warranty card, user manual and your sales slip for future reference.

HOW TO CONTACT BEKO

Please contact Beko US at 1 (888) 352-2356 and select option 2 for customer service

HOW TO GET SERVICE

Please contact you authorized Beko dealer or visit www.bekoappliances.com to locate and get information for the closest authorized Beko service center.

Beko Warranty Information - Version 2-2-2019

Félicitations pour l'achat de votre nouveau réfrigérateur ! Ce réfrigérateur a été fabriqué dans des installations modernes avec le plus grand soin et des contrôles qualité méticuleux. Nous sommes si confiants en la qualité de ce produit que nous l'accompagnons d'une garantie de deux ans sur les pièces et la main-d'œuvre, et de cinq ans sur le système scellé ! Veuillez lire ce manuel d'utilisation dans son intégralité avant d'utiliser votre produit, afin de vous assurer que vous comprenez toutes ses caractéristiques et avantages et que vous savez comment l'utiliser correctement. Ce manuel doit être conservé dans un endroit facilement accessible et transmis à tout futur propriétaire.

Ce manuel vous aidera à utiliser votre appareil plus rapidement et en toute sécurité.

Veuillez lire attentivement le manuel d'utilisation avant d'installer et d'utiliser le réfrigérateur.

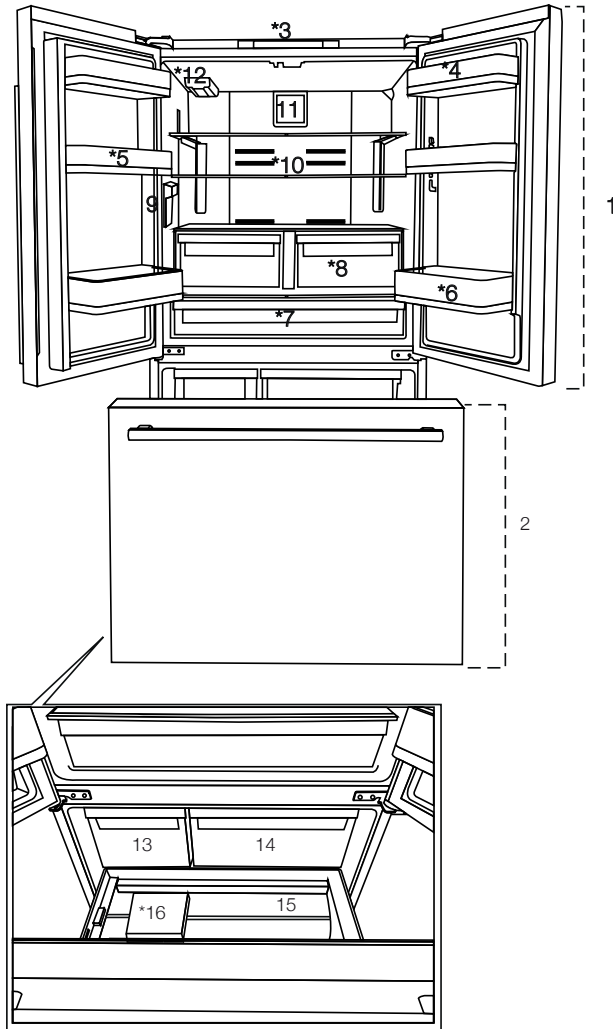
- Respectez toujours les instructions de sécurité en vigueur.
- Veuillez lire tous les autres documents fournis avec l'appareil.
- Veuillez noter que ce manuel d'utilisation peut se rapporter à plusieurs modèles de cet appareil. Veuillez noter les différents symboles utilisés dans ce manuel et ce qu'ils représentent.

	Informations importantes et renseignements utiles.
	Avertissement relatif aux conditions dangereuses pour la vie et la propriété.
	Risque d'électrocution.
	L'emballage de l'appareil a été fabriqué à partir de matériaux recyclables, conformément à la législation nationale en matière d'environnement.

<i>Remplissez ce formulaire et conservez-le pour référence ultérieure</i>	
<i>Modèle</i>	
<i>Numéro de série</i>	
<i>Date d'achat</i>	
<i>Acheteur initial</i>	
<i>Concessionnaire</i>	
<i>Ville</i>	
<i>État</i>	
<i>Code postal</i>	
<i>Pays</i>	

1	Votre réfrigérateur	3	5	Préparation	19
2	Instrucciones importantes concernant la sécurité et l'environnement	5	6	Affichage et utilisation du produit	20
2.1	Consignes de sécurité générales	5	6.1	Panneau indicateur	20
2.2	Avertissement concernant les hydrocarbures (HC)	7	6.2	Mode Sabbat	21
2.3	Pour les produits avec un distributeur d'eau/ une machine à glace	7	6.3	Mode Showroom	21
2.4	Utilisation prévue	7	6.4	Erreur de température élevée	21
2.5	La sécurité des enfants	8	6.5	Congélation des aliments frais	23
2.6	Conformité avec la directive DEEE et élimination des déchets :	8	6.6	Recommandations relatives à la conservation des aliments congelés	23
2.7	Conformité à la directive RoHS :	8	6.7	Disposition des aliments	23
2.8	Informations sur l'emballage	8	6.8	Informations relatives à la congélation	23
3	Instructions environnementales	9	6.9	Retrait des étagères de porte	24
3.1	Conformité avec la directive WEEE et mise au rebut des appareils usagés :	9	6.10	Déplacement de la tablette de porte FlexiLift24	24
3.2	Conformité avec la Directive RoHS	9	6.11	Étagères en verre	24
3.3	Informations sur l'emballage	9	6.12	Bacs à légumes (pour certains modèles)	24
4	Installation	10	6.13	Tiroir à charcuterie	24
4.1	Avant l'installation	14	6.14	Bac à humidité contrôlée (EverFresh+)	25
4.2	Emplacement approprié de l'installation	14	6.15	Bac à glaçons	25
4.3	Installations encastrées	15	6.16	Section amuse-gueule	25
4.4	Raccordement électrique	15	6.17	Clapets de porte	25
4.5	Réglage des pieds	15	6.18	Lumière bleue ActiveFresh	26
4.6	Lampe d'éclairage	16	6.19	IonGuard	26
4.7	Avertissement de porte/tiroir ouvert	16	6.20	Filtre à odeurs	26
4.8	Raccordement de l'eau	16	6.21	Modification de l'échelle de température (Fahrenheit Celcius)	26
4.9	Raccordement du tuyau d'eau au réfrigérateur	16	7. Entretien et nettoyage	27	
4.10	Raccorder la conduite d'eau à l'alimentation en eau	16	7.1	Éviter les mauvaises odeurs	27
4.11	Installation du filtre à eau interne	17	7.2	Protection des surfaces en plastique	27
4.12	Avant d'utiliser le distributeur d'eau	18	8. Dépannage	28	
4.12.1	Utiliser la machine à glaçons	18			
4.13	Transport du produit	18			

1 Votre réfrigérateur



- 1- Compartiment du réfrigérateur
- 2- Congélateur inférieur
- 3- Panneau d'affichage/indicateur
- 4- Section beurre et fromage
- 5- Étagères de porte FlexiLift
- 6- Étagère pour les bouteilles
- 7- Tiroir à charcuterie
- 8- Bacs à légumes

- 9- Distributeur d'eau
- 10- Étagère en verre réglable
- 11- Capot du ventilateur
- 12- Filtre à eau
- 13- Récipient à glace
- 14- Bac de stockage des aliments congelés
- 15- Tiroir du congélateur
- 16- Séparateur



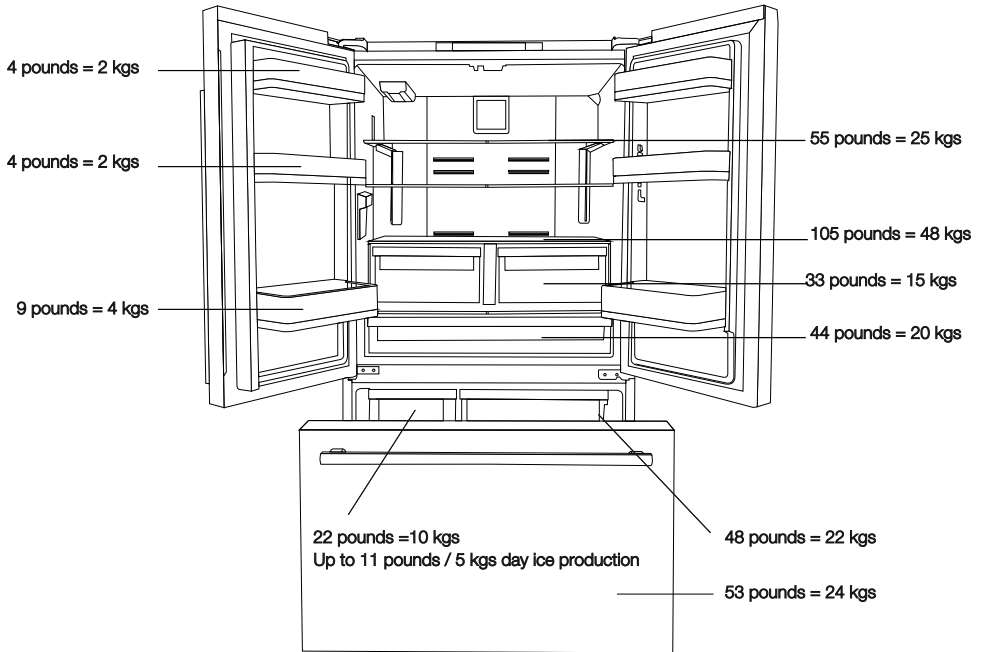
Les illustrations présentées dans ce manuel d'utilisation sont schématiques et peuvent ne pas correspondre exactement à votre produit. Si les pièces concernées ne sont pas incluses dans le produit que vous avez acheté, ces pièces ne sont valables que pour d'autres modèles.

Limites de poids des étagères du réfrigérateur

Les étagères à bascule du compartiment réfrigérateur, celles qui n'ont que des supports arrière, sont testées pour un maximum de 25 kg (55 livres) par pièce.

Les bacs à légumes peuvent contenir jusqu'à 15 kg (33 livres) chacun. Le tiroir à charcuterie peut contenir jusqu'à 20 kg (44 livres).

Le bac à glace peut contenir jusqu'à 10 kg (22 livres), il est destiné à être utilisé sans glace. Le bac de congélation peut contenir jusqu'à 24 kg (53 livres) et le tiroir jusqu'à 30 kg (66 livres).



2 Instructions importantes concernant la sécurité et l'environnement

Cette section comprend les Informations de sécurité qui vous protègent de toute blessure physique ou de tout dommage matériel. Le non-respect de ces instructions annule toute garantie.

Utilisation prévue

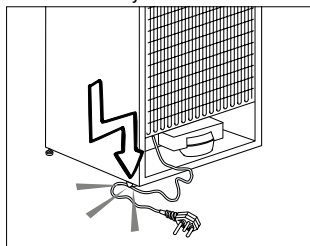
	MISE EN GARDE: Maintenir dégagées les ouvertures de ventilation dans l'enceinte de l'appareil ou dans la structure d'encastrement.
	MISE EN GARDE: Ne pas utiliser de dispositifs mécaniques ou autres moyens pour accélérer le processus de dégivrage autres que ceux recommandés par le fabricant.
	MISE EN GARDE: Ne pas endommager le circuit de réfrigération.
	MISE EN GARDE: Ne pas utiliser d'appareils électriques à l'intérieur du compartiment de stockage des denrées, à moins qu'ils ne soient du type recommandé par le fabricant.

Cet appareil est destiné à une utilisation domestique et à d'autres applications similaires, notamment :

- dans les cuisines du personnel des boutiques, des bureaux et autres environnements professionnels ;
- les maisons de campagne, les chambres d'hôtel, de motel et d'autres types de résidence ;
- dans des chambres ou des salles de petit-déjeuner ;
- les restaurants et les espaces semblables de vente au détail.

2.1 Consignes de sécurité générales

- Ce produit n'a pas été prévu pour être utilisé par des personnes (notamment les enfants) dont les capacités physiques, sensorielles ou mentales sont réduites, ou n'ayant pas suffisamment d'expérience ou de connaissances, à moins qu'une personne chargée de leur sécurité ne les surveille ou ne leur apprenne à utiliser le produit. Surveillez toujours les enfants pour s'assurer qu'ils ne jouent pas avec l'appareil.
- Le non-respect des instructions et l'utilisation incontrôlée du produit entraînent des résultats dangereux !
- Débranchez le produit si vous rencontrez une panne pendant l'utilisation.
- En cas de dysfonctionnement du produit, celui-ci ne doit pas être utilisé avant d'avoir été réparé par le prestataire de services agréé. Risque d'électrocution !
- Branchez le produit dans une prise de courant reliée à la terre et protégée par un fusible correspondant à la valeur indiquée sur sa plaque signalétique. Demandez à un électricien qualifié de mettre le produit à la terre. Notre société ne peut être tenue responsable des dommages résultant de l'absence d'utilisation du produit avec une prise de terre conformément aux réglementations locales.
- Débranchez l'appareil lorsqu'il n'est pas utilisé.
- lavez jamais l'appareil par pulvérisation ou aspersion d'eau ! Risque d'électrocution !
- Évitez de toucher la fiche avec des mains humides !
- Ne débranchez jamais le produit en tirant sur le câble. Tirez toujours la fiche en tenant la prise.



Importantes instructions sur la sécurité et l'environnement

- Évitez de brancher le réfrigérateur lorsque la prise est instable.
- Ne connectez jamais votre réfrigérateur à des dispositifs d'économie d'énergie. De tels systèmes sont nuisibles à votre produit.
- Débranchez l'appareil pendant les procédures d'installation, d'entretien, de nettoyage et de réparation.
- Faites toujours installer le produit et établir ses connexions électriques par le **prestataire de services agréé**. Le fabricant ne peut être tenu responsable des dommages causés par des procédures effectuées par des personnes non autorisées.
- Ne mangez pas les glaces en cône et les glaçons immédiatement après les avoir sortis du compartiment congélateur. Cela peut occasionner des gelures dans votre bouche !
- Évitez de toucher les aliments congelés avec des mains humides ! Ils peuvent coller à votre main !
- Ne placez pas de bouteilles ou de canettes dans le compartiment congélateur. Elles peuvent exploser !
- N'utilisez jamais de vapeur ou de nettoyeur à vapeur pour nettoyer ou dégivrer le réfrigérateur. La vapeur entre en contact avec les parties sous tension de votre réfrigérateur, provoquant un court-circuit ou un choc électrique !
- **AVERTISSEMENT** : Lorsque vous positionnez l'appareil, assurez-vous que le cordon d'alimentation n'est pas coincé ou endommagé. **Si le cordon d'alimentation est endommagé, il doit être remplacé par le fabricant, son agent de service ou des personnes de qualification similaire afin d'éviter tout danger.**
- **AVERTISSEMENT** : N'installez pas plusieurs prises d'alimentation portatives ou blocs d'alimentation portatifs à l'arrière de l'appareil.
- N'utilisez pas de dispositifs mécaniques ou autres moyens pour accélérer le processus de dégivrage autres que ceux recommandés par le fabricant.
- N'utilisez jamais les pièces de votre réfrigérateur, par exemple la porte ou le tiroir, comme moyen d'appui ou comme marche. Cela pourrait faire basculer le produit ou endommager ses pièces.
- N'endommagez pas les pièces, où circule le liquide réfrigérant avec des outils de perçage ou de découpe. Le fluide frigorigène peut s'échapper lorsque les conduits de gaz de l'évaporateur, les extensions de tuyau ou les revêtements de surface présentent des perforations, entraînant ainsi que des irritations cutanées ou des blessures aux yeux.
- Ne couvrez pas ou ne bloquez pas les orifices de ventilation de votre réfrigérateur avec un objet quelconque.
- Placez les boissons les plus alcoolisées bien fermées et verticalement.
- N'utilisez pas de pulvérisateur gazeux à proximité de l'appareil. Cela présente des risques d'incendie ou d'explosion !
- Ne conservez jamais des éléments ou des produits inflammables contenant des gaz inflammables (tels que des pulvérisateurs) ainsi que des matières explosives à l'intérieur de l'appareil.
- Ne placez pas de récipients remplis de liquide sur le produit. L'éclaboussure d'eau sur une pièce électrique peut provoquer un choc électrique ou un risque d'incendie.
- Ne conservez pas dans le réfrigérateur les articles qui nécessitent un ajustement précis de la température (comme les vaccins, les médicaments sensibles à la chaleur, le matériel scientifique, etc.
- Si vous n'avez pas l'intention d'utiliser le produit pendant une longue période, débranchez-le et retirez les aliments qu'il contient.
- S'il y a une lumière bleue sur le réfrigérateur, ne regardez pas cette lumière avec des outils optiques.
- L'exposition du produit à la pluie, à la neige, au soleil ou au vent est dangereuse en termes de sécurité électrique.
- Si votre appareil est à commande mécanique (thermostat), patientez 5 minutes avant de le rebrancher, après l'avoir débranché.

Importantes instructions sur la sécurité et l'environnement

- Ne surchargez pas le réfrigérateur. Les objets qui se trouvent dans le réfrigérateur peuvent tomber lorsque la porte est ouverte et provoquer des blessures ou des dommages. Des problèmes similaires peuvent survenir si un objet quelconque est placé sur le produit.
- Si le produit est équipé d'une poignée de porte, ne tirez pas sur la poignée lorsque vous remplacez le produit. La poignée est peut-être desserrée.
- Veillez à ne pas coincer votre main ou toute autre partie du corps dans les parties mobiles du réfrigérateur.
- Ne mettez pas votre main ou tout autre corps étranger dans la machine à glaçons pendant qu'elle fonctionne.

2.2 Avertissement concernant les hydrocarbures (HC)

- Si le système de refroidissement de votre appareil contient du R600a :

Ce gaz est inflammable. Par conséquent, faites attention à ne pas endommager le système de refroidissement ou la tuyauterie pendant l'utilisation et le transport. S'il est endommagé, éloignez le produit des sources potentielles d'incendie qui pourraient l'enflammer et ventilez la pièce où le produit est placé.



Si l'appareil est endommagé et que vous observez une fuite de gaz, éloignez-vous du gaz. Il peut provoquer des gelures au contact de la peau. (y compris R134)



Ignorez cet avertissement si le système de refroidissement de votre produit contient du R134a.



Le type de gaz utilisé dans l'appareil est indiqué sur la plaque signalétique qui se trouve sur la paroi gauche à l'intérieur du réfrigérateur.



AVERTISSEMENT :

Ne jetez jamais le produit dans le feu pour l'éliminer.

2.3 Pour les produits avec un distributeur d'eau/une machine à glace

- La pression d'arrivée d'eau froide doit avoir une valeur maximale de 90 psi (620 kPa). Si la pression d'eau est supérieure à 80 psi (550 kPa), utilisez une soupape de limitation de pression dans votre système principal. Si vous ne savez pas comment vérifier la pression d'eau, demandez l'aide d'un plombier professionnel.
- S'il existe un risque d'impact d'eau dans votre installation, utilisez toujours un équipement de protection contre l'impact d'eau dans cette installation. Veuillez consulter des plombiers professionnels si vous n'êtes pas sûr de l'impact de l'eau dans votre installation.
- Il ne faut pas effectuer l'installation sur l'arrivée d'eau chaude.
- N'utilisez que de l'eau potable.
- Prenez les mesures nécessaires contre le risque de gel des tuyaux. La plage de fonctionnement de la température de l'eau doit être comprise entre 0,6°C (33°F) au minimum et 38°C (100°F) au maximum.



AVERTISSEMENT :

Ne raccordez jamais le produit à un réseau d'eau froide dont la pression est égale ou supérieure à 550 kPa (80 psi).

2.4 Utilisation prévue

- Cet appareil a été conçu exclusivement pour un usage domestique. Il ne convient pas à l'usage commercial et ne doit pas être utilisé pour des besoins autres que son utilisation prévue.
- Utilisez cet appareil uniquement pour la conservation des aliments.
- Le fabricant n'assumera aucune responsabilité pour les dommages résultant d'une utilisation ou d'un transport inappropriés.

Importantes instructions sur la sécurité et l'environnement

- Les pièces de rechange originales seront disponibles pendant 10 ans après la date d'achat du produit.

2.5 La sécurité des enfants

- S'il y a un verrou sur la porte du produit, la clé doit être gardée hors de portée des enfants.
- Ne laissez pas les enfants jouer avec le produit.



ATTENTION :

Afin de prévenir qu'un enfant ne soit emprisonné, garder hors d'atteinte des enfants et loin du congélateur ou du réfrigérateur.

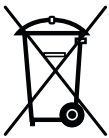


AVERTISSEMENT :

Avant de mettre au rebut votre ancien réfrigérateur ou congélateur :

- Les enfants peuvent se trouver enfermés à l'intérieur.
- Démontage des portes.
- Laissez les étagères pour empêcher les enfants de pénétrer facilement à l'intérieur du produit.

2.6 Conformité avec la directive DEEE et élimination des déchets :



Ce produit est conforme à la directive européenne DEEE (2012/19 EU). Le produit possède un symbole de classification attribué aux déchets d'équipements électriques et électroniques (DEEE). Ce produit a été fabriqué à partir de pièces et

de matériaux de haute qualité qui peuvent être réutilisés et sont recyclables. Par conséquent, ne le mettez pas au rebut avec les ordures ménagères et d'autres déchets à la fin de sa durée de vie. Apportez-le à un centre de collecte pour le recyclage des équipements électriques et électroniques. Veuillez consulter les autorités locales pour connaître l'emplacement de ces centres de collecte.

2.7 Conformité à la directive RoHS :

L'appareil que vous avez acheté est conforme à la directive européenne RoHS (2011/65/EU). Il ne comporte pas de matériaux dangereux et interdits mentionnés dans la directive.

2.8 Informations sur l'emballage

- Les matériaux d'emballage de cet appareil sont fabriqués à partir de matériaux recyclables, conformément à nos réglementations nationales en matière d'environnement. Ne jetez pas les matériaux d'emballage avec les déchets domestiques normaux ou d'autres types de déchets. Apportez ces matériaux à un point de recyclage désigné par les autorités locales.

DANGER :

Risque d'incendie ou d'explosion :

- Ce produit utilise un réfrigérant inflammable.
- N'utilisez pas de dispositifs mécaniques pour dégivrer le réfrigérateur.
- N'utilisez pas de produits chimiques pour le nettoyage.
- Ne percez pas le tuyau de réfrigérant.
- Si le tuyau de réfrigérant est percé, il doit être réparé uniquement par un personnel de service agréé.
- Veuillez consulter le manuel de réparation/utilisateur avant de nettoyer le produit. Toutes les instructions de sécurité doivent être respectées.
- Mettez le produit au rebut conformément aux réglementations fédérales ou locales.



3 Instructions environnementales

3.1 Conformité avec la directive WEEE et mise au rebut des appareils usagés :

Cet appareil est conforme à la directive WEEE de l'Union européenne (2012/19/EU). Le produit possède un symbole de classification attribué aux déchets d'équipements électriques et électroniques (WEEE).



Ce symbole indique que cet appareil ne doit pas être mis au rebut avec les ordures ménagères à la fin de sa durée de vie. Les appareils usagés doivent être retournés au point de collecte

officiel pour le recyclage des dispositifs électriques et électroniques. Pour trouver ces systèmes de collecte, veuillez contacter les autorités locales ou le détaillant à l'endroit où l'appareil a été acheté. Chaque ménage joue un rôle important dans la récupération et le recyclage des vieux appareils ménagers. La mise au rebut appropriée des appareils usagés permet de prévenir les conséquences négatives potentielles pour l'environnement et la santé humaine.

3.2 Conformité avec la Directive RoHS

Votre appareil est conforme à la directive RoHS de l'Union européenne (2011/65/EU). Il ne comporte pas de matériaux dangereux et interdits mentionnés dans la directive.

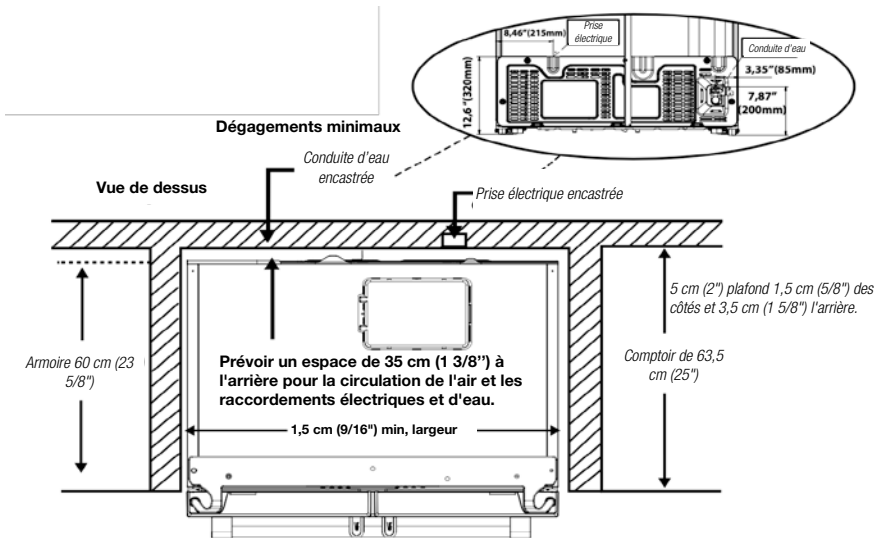
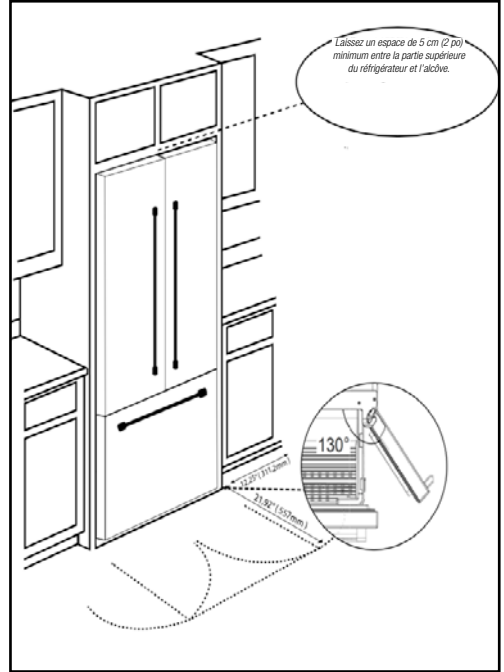
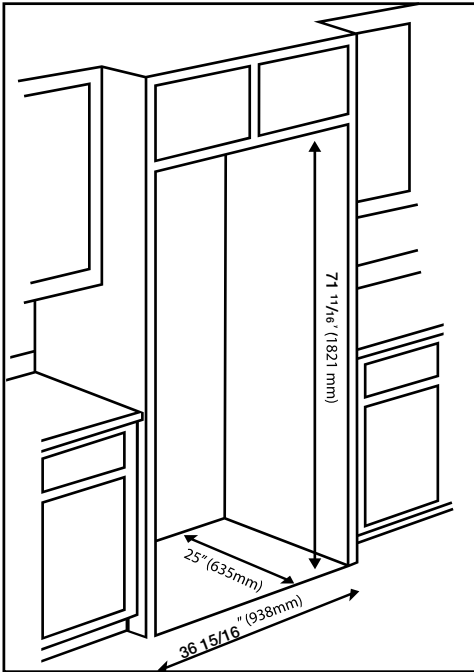
3.3 Informations sur l'emballage



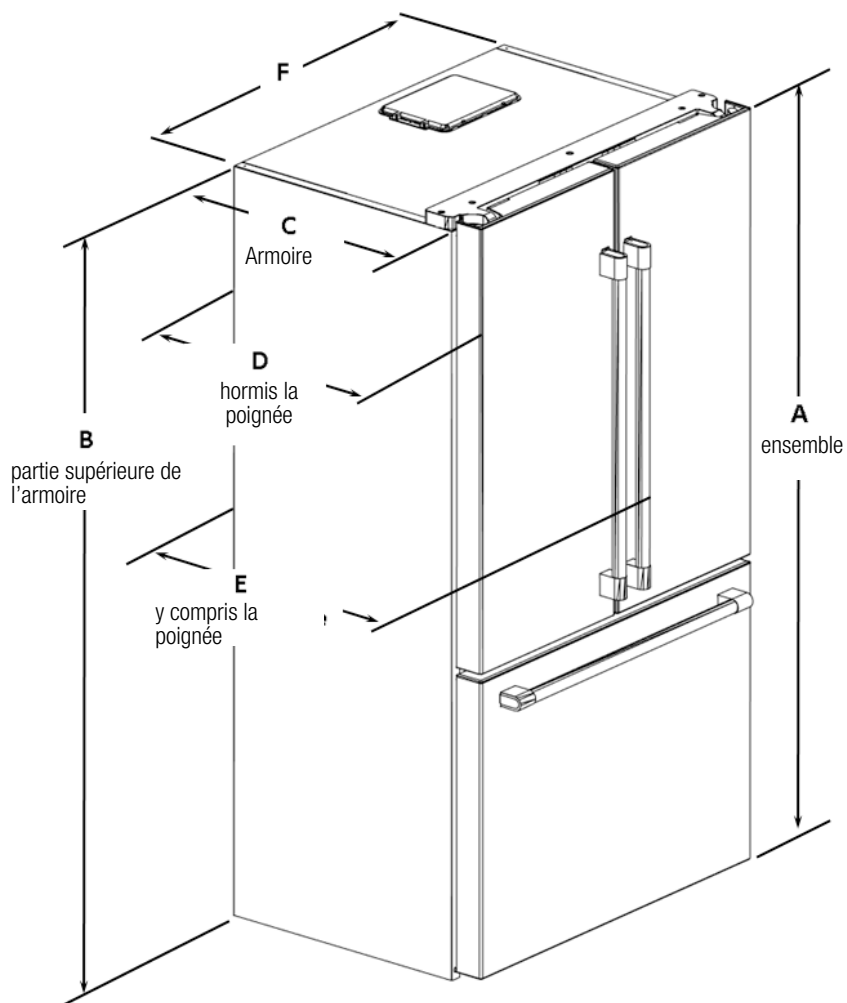
Les matériaux d'emballage de cet appareil sont fabriqués à partir de matériaux recyclables, conformément à nos réglementations nationales en

matière d'environnement. Ne mettez pas les matériaux d'emballage au rebut avec les ordures ménagères et d'autres déchets. Apportez-les aux points de collecte des matériaux d'emballage désignés par les autorités locales.

4 Installation

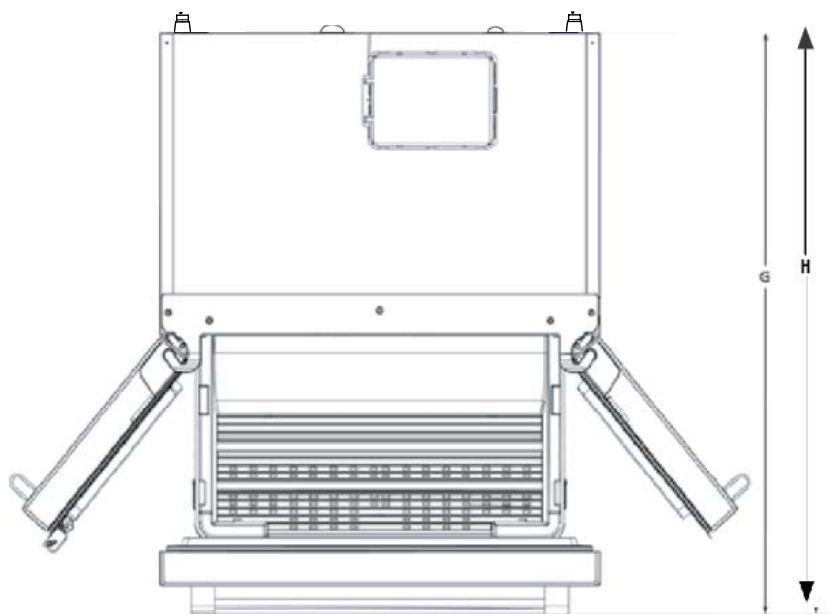


Installation



Hauteur hors-tout « A »	Hauteur-Haut de l'armoire « B »	Profondeur- ArmoireSeule « C » « 0 »	Profondeur-Sans Poignées « D »
17,7 cm (69 3/4")	17,1 cm (67 5/16")	6 cm (23 5/8")	68 cm (26 13/16")
Profondeur - Avec poignées « E »	Largeur-Armoire « F »	Profondeur-Tiroir ouvert « G »	Profondeur totale - Tiroir ouvert « H »
7,4 cm (29")	9 cm (35 3/4")	11,6 cm (45 9/16")	117,3 cm (46 3/16")

Installation



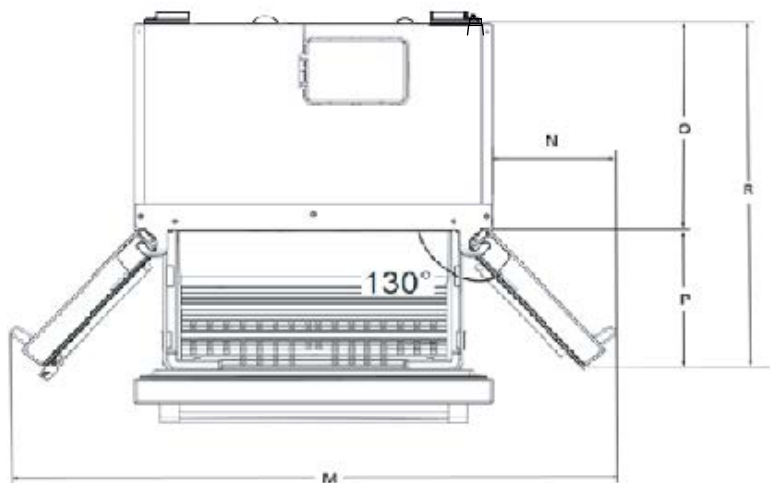
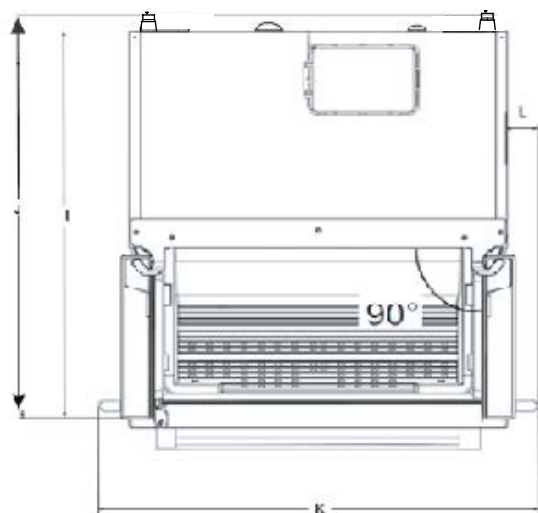
Hauteur hors-tout « A »	Hauteur-Haut de l'armoire « B »	Profondeur- ArmoireSeule « C » « O »	Profondeur-Sans Poignées « D »
17,7 cm (69 3 /4")	17,1 cm (67 5/16")	6 cm (23 5/8")	68 cm (26 13/16")
Profondeur - Avec poignées « E »	Largeur-Armoire « F »	Profondeur-Tiroir ouvert « G »	Profondeur totale - Tiroir ouvert « H »
7,4 cm (29")	9 cm (35 3/4")	11,6 cm (45 9/16")	117,3 cm (46 3/16")

Dégagement minimum au niveau de la partie supérieure : 2"

Dégagement minimum au niveau des côtés : 5/8"

Dégagement minimal à l'arrière : 1 3/8"

Installation



Profondeur - Portes ouvertes à 90° « I »	Profondeur totale- Portes ouvertes à 90° « J »	Largeur - Portes ouvertes à 90° avec poignées « K »	Largeur - Portes ouvertes à 90° - De l'armoire à la poignée en « L »
107 cm (42 1/4")	109,4 cm (43 1/16")	106 cm (41 11/16")	7,6 cm (3")
Largeur- Portes ouvertes 130°-De la Poignée à la Poignée « M »	Largeur - Portes ouvertes à 130° - De l'armoire à la poignée « N »	Profondeur-Portes ouvertes 130° « P »	Profondeur Les portes sont ouvertes à 130° « R »
153 cm (60 1/4")	31 cm (12 1/4")	39 cm (15 3/8")	99 cm (39")


4.1 Avant l'installation

- Avant de procéder à l'installation, assurez-vous que les dimensions de l'ouverture soient suffisantes pour que le produit puisse y être inséré et que les raccordements électriques et de plomberie appropriés soient présents.

Soupapes de pression des conduites d'eau	psi	kPa	bar
Pression de fonctionnement maximale :	90	620	6,2
Pression maximale requise pour le dispositif de valve de limitation :	80	550	5,5

Exigences électriques	
Tension	120V AC
Fréquence	60 Hz)
Courant	15 A

- Pour l'installation du produit, adressez-vous à l'agent de service agréé le plus proche. Pour que le produit soit prêt à l'emploi, assurez-vous que l'installation électrique est appropriée avant de contacter l'Agent de service agréé. Si tel n'est pas le cas, appelez un électricien qualifié afin qu'il effectue les réglages nécessaires.
- Votre produit est équipé d'un filtre à eau interne. Le numéro de pièce du filtre est 4918450200. Vous pouvez l'utiliser lors de la commande des filtres de rechange.

	La préparation de l'emplacement ainsi que de l'installation liée à l'électricité sur le site de l'installation relève de la responsabilité du client.
	Plomberie : Le réfrigérateur ne doit être raccordé qu'à la ligne d'eau froide.
	Ne branchez pas l'appareil pendant son installation. Sinon, cela pourrait entraîner la mort ou une blessure grave !



AVERTISSEMENT : L'installation et les raccordements électriques du produit doivent être effectués par un agent de service agréé. Le fabricant ne peut être tenu responsable des dommages pouvant résulter de procédures effectuées par des personnes non autorisées.



AVERTISSEMENT : Avant l'installation, vérifiez visuellement si l'appareil ne présente pas de défauts. Si c'est le cas, ne le faites pas installer. Les produits endommagés présentent des risques pour votre sécurité.

4.2 Emplacement approprié de l'installation

- Installez l'appareil à une distance d'au moins 30 cm des sources de chaleur telles que les tables de cuisson, les fours, les radiateurs et les poêles.
5 cm (2 po) de distance des fours électriques. L'appareil ne doit pas être exposé à la lumière directe du soleil ou placé dans un endroit humide après l'installation.
- Ne placez pas le produit sur des matériaux tels que des tapis ou des moquettes.
- Posez le réfrigérateur sur un sol de surface nivelée afin d'éviter qu'il ne vacille.
- - N'installez pas le produit dans des endroits où la température est inférieure à 10 °C/50 °F.



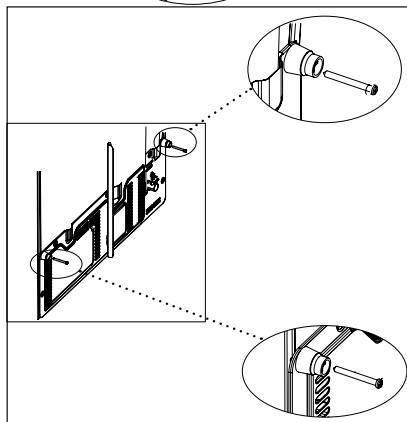
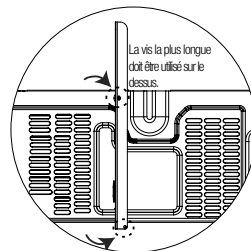
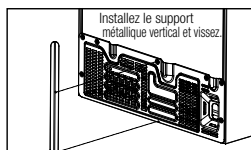
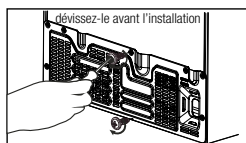
Si deux réfrigérateurs doivent être installés côte à côte, il doit y avoir un espace d'au moins 4cm (1 1/2") entre les deux.

- Veillez à ce qu'il y ait suffisamment d'espace autour de l'appareil pour que l'air puisse circuler librement.
- Pour un bon fonctionnement, il doit y avoir un espace d'au moins 3,5 cm (1 3/8") entre le réfrigérateur et le mur arrière. **Pour ce faire, fixez les tampons circulaires gris, à installer sur le couvercle arrière métallique arrière du réfrigérateur.** Ils sont expédiés à l'intérieur du tiroir à légumes dans le compartiment des aliments frais.

4.3 Installations encastrées

- Si le produit doit être installé dans une armoire ou dans une alcôve, assurez-vous qu'il y a une circulation d'air adéquate autour du produit pour un bon fonctionnement. Ce réfrigérateur nécessite au moins 2" du haut de l'appareil au plafond ou à l'enceinte, 5/8" de chaque côté et 1 3/8" à l'arrière.
- Pour une bonne circulation de l'air en cas d'installation dans un encastrement ou une alcôve, assurez-vous que les pièces indiquées ci-dessous sont installées sur l'appareil.

module de circulation



4.4 Raccordement électrique

- 120VAC, 60Hz, circuit dédié de 15Amp Circuit.
- Les prises GFCI offrent une protection supplémentaire, mais toute défaillance du GFCI peut entraîner la détérioration des aliments, ce qui n'est pas couvert par la garantie du fabricant.
- Le raccordement électrique doit être conforme à la réglementation nationale.
- La fiche du câble d'alimentation doit être facilement accessible après l'installation.
- Ne réalisez pas de branchements en utilisant des rallonges ou des multiprises.



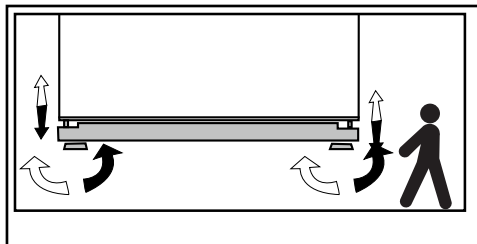
AVERTISSEMENT : Les câbles d'alimentation endommagés doivent être remplacés par des Agents de services agréés.



AVERTISSEMENT : En cas de panne, n'utilisez pas l'appareil jusqu'à ce qu'il soit réparé par un agent de service agréé ! Il existe un risque d'électrocution !

4.5 Réglage des pieds

Après avoir mis le réfrigérateur en place, nous vous recommandons d'abaisser les pieds pour fixer le produit en place. Vous pouvez également ajuster les pieds si le produit n'est pas équilibré. Tournez les pieds dans la direction souhaitée selon l'illustration ci-dessous. Le réglage des pieds peut également servir à aligner les portes.



AVERTISSEMENT : Débranchez d'abord l'appareil. L'appareil ne doit pas être branché lors du réglage des pieds. Il existe un risque d'électrocution !

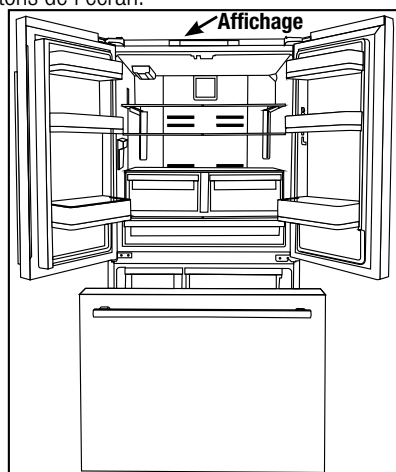
4.6 Lampe d'éclairage

N'essayez pas de réparer vous-même mais appelez l'agent de service agréé si les lampes d'éclairage DEL ne s'allument pas.

La lampe utilisée dans cet appareil n'est pas adaptée pour l'éclairage des pièces de la maison. Le but visé par cette lampe est d'aider l'utilisateur à placer les aliments dans le réfrigérateur/congélateur d'une manière sûre et confortable.

4.7 Avertissement de porte/ tiroir ouvert

Un signal d'avertissement sonore retentit lorsque la porte du réfrigérateur reste ouverte pendant 1 minute. Cet avertissement est désactivé lorsque la porte est fermée ou si l'on appuie sur l'un des boutons de l'écran.



4.8 Raccordement de l'eau

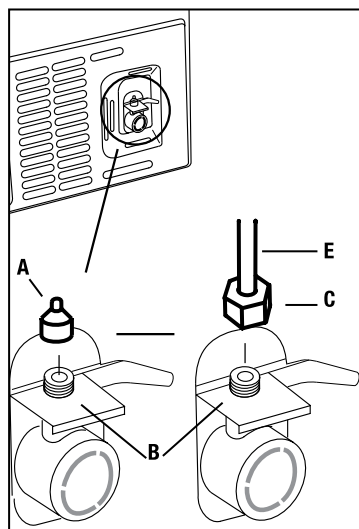
Vous devez d'abord connecter le tuyau d'eau au réfrigérateur.



AVERTISSEMENT : Le réfrigérateur et la pompe, le cas échéant, doivent être débranchés pendant le raccordement.

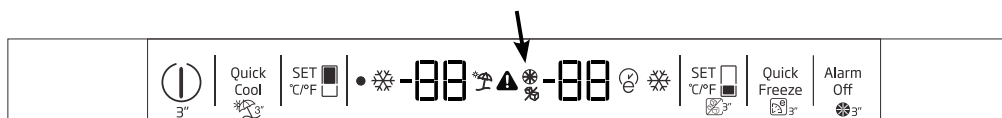
4.9 Raccordement du tuyau d'eau au réfrigérateur

1. Retirez le couvercle de la valve de dérivation (A) de la vanne d'arrivée d'eau.
2. Raccordez la conduite d'eau (C) à la valve d'entrée (B) et serrez-la à la main pour la fixer. Il n'est pas nécessaire d'utiliser des pinces, mais s'il y a une fuite, vous pouvez serrer légèrement avec une paire de pinces.

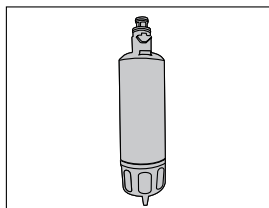


4.10 Raccorder la conduite d'eau à l'alimentation en eau

Raccordez la conduite d'eau à une vanne d'alimentation en eau. Si ce robinet est absent de votre appareil ou si vous n'en êtes pas sûr, contactez un plombier qualifié.



4.11 Installation du filtre à eau interne



L'installation du filtre à eau interne se fait en deux étapes :

- Installer physiquement le filtre
- Effectuer des ajustements sur l'affichage.

1. Appuyez sur la touche Freezer Temp Set et maintenez-la enfoncée pendant 3 secondes, ou jusqu'à ce que l'icône d'absence de glace apparaisse à l'écran.

2. Faites glisser le couvercle du filtre vers l'avant pour ouvrir le compartiment du filtre.

3. Inclinez le bouchon de dérivation vers le bas et tirez droit pour le retirer.

4. Insérez le filtre dans le boîtier et poussez-le en position horizontale.

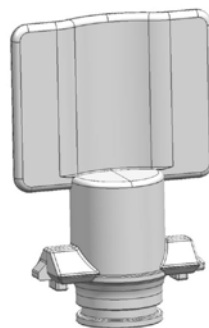
5. Fermez le couvercle du filtre et remettez-le en place.

6. Appuyez à nouveau sur la touche Freezer Temp Set pendant 3 secondes.

Vous avez installé votre filtre avec succès.

L'avertissement de fin de vie du filtre 3" apparaîtra dans environ 130 jours, vous demandant de remplacer le filtre en suivant les mêmes étapes que celles indiquées ci-dessus.

Après avoir remplacé le filtre, appuyez sur la touche « Alarm Off » et maintenez-la enfoncée pendant 3 secondes, ou jusqu'à ce que l'avertissement de fin de vie du filtre s'éteigne à l'écran.



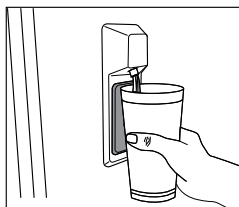
PRISE DE DÉRIVATION

Installation

4.12 Avant d'utiliser le distributeur d'eau

Les raccordements au réseau d'eau doivent être effectués par un agent de service agréé, avec les outils nécessaires.

- Le système d'eau est conçu pour fonctionner uniquement avec de l'eau. N'essayez pas de brancher des boissons telles que des boissons gazeuses ou des jus de fruits.
- Il y aura de l'air dans la conduite d'eau qui devra être purgé du système avant la première utilisation. Pour éliminer l'air dans la conduite, placez un récipient sous la buse du distributeur d'eau et appuyez sur la palette du distributeur pendant 1 à 2 minutes jusqu'à ce que seule de l'eau sorte.
- Les 10 premiers verres d'eau ne doivent pas être consommés. 12 heures environ seront nécessaires pour que l'eau distribuée se refroidisse à des températures réfrigérées.
- Attendez une seconde après avoir relâché la palette du distributeur avant de retirer votre récipient, afin de réduire le risque d'écoulement dans le plateau du distributeur.



- Videz et nettoyez le bac à glace. Les glaçons peuvent aussi se coller les uns aux autres s'ils restent trop longtemps dans le bac.

4.13 Transport du produit

1. Débranchez l'appareil avant le transport.
2. Enlevez les raccordements d'eau.
3. Fixez les étagères, les accessoires, le bac à légumes, etc. du réfrigérateur à l'aide du ruban adhésif avant de le remballer.



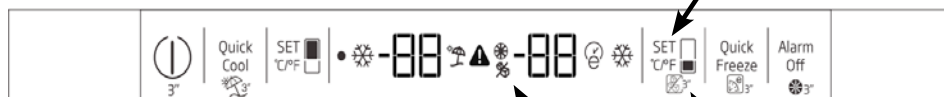
Les emballages doivent être attachés avec des rubans épais ou des bandes solides et les règles de transport imprimées sur l'emballage doivent être respectées.



AVERTISSEMENT : Les matériaux d'emballage sont dangereux pour les enfants. Gardez les matériaux d'emballage dans un endroit sécurisé, hors de la portée des enfants.

4.12.1 Utiliser la machine à glaçons

Réglage de la température du congélateur



pas d'icône glace

glace sur la touche

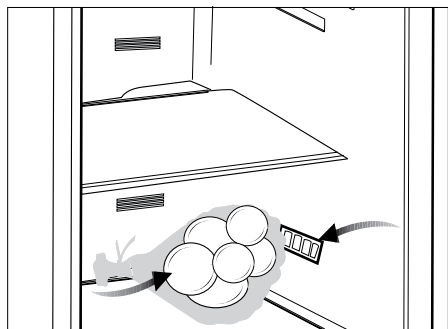
La machine à glaçons n'est pas mise en marche en usine.

- Pour mettre la machine à glaçons en marche, appuyez sur la touche Freezer Temp Set et maintenez-la enfoncée pendant 3 secondes, ou jusqu'à ce que l'icône d'absence de glaçons (☒) disparaisse de l'écran. Il faudra environ 1 à 2 jours pour que le bac à glaçons se remplisse de glaçons. Si une panne de courant survient alors que le réfrigérateur est en marche, les glaçons risquent de fondre partiellement et de se coller les uns aux autres lors de la recongélation. Si la panne de courant se prolonge, les glaçons peuvent se transformer en eau et provoquer des fuites. Si un tel problème se produit.

5 Préparation

Avant la première utilisation de votre réfrigérateur, assurez-vous que toutes les préparations sont effectuées conformément aux instructions contenues dans les sections « Consignes importantes sur la sécurité et l'environnement » et « Installation ».

- Nettoyez l'intérieur du réfrigérateur comme recommandé dans la section « Entretien et nettoyage (page 25) ». Assurez-vous que l'intérieur est sec avant d'utiliser l'appareil.
- Branchez le réfrigérateur sur la prise murale terre. Lorsque la porte est ouverte, l'éclairage intérieur s'allume.
- Laissez le réfrigérateur en marche sans y placer d'aliment, pendant 6 heures et n'ouvrez pas les portes à moins que cela soit vraiment nécessaire.
- Assurez-vous que les aliments ne touchent pas le capteur de température dans le compartiment des produits frais.

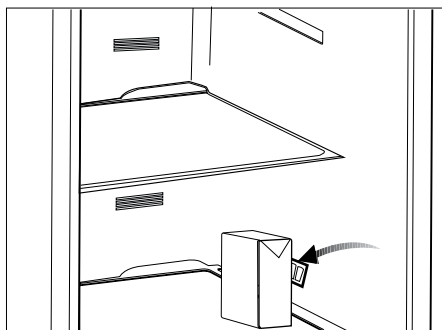


Vous entendrez un bruit au démarrage du compresseur. Les liquides et les gaz intégrés au système du réfrigérateur peuvent également faire du bruit, même lorsque le compresseur n'est pas en marche. Ceci est tout à fait normal.



Les extrémités avant du réfrigérateur peuvent chauffer. C'est normal. Ces zones doivent en principe être chaudes pour éviter tout risque de condensation.

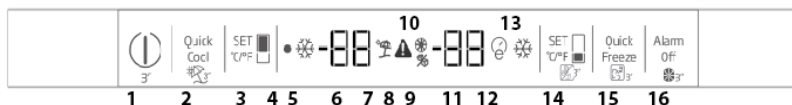
- Pour permettre au compartiment des aliments frais de conserver sa température de stockage idéale, le capteur ne doit pas être recouvert d'aliments.



6 Affichage et utilisation du produit

6.1 Panneau indicateur

Le panneau indicateur à commande tactile vous permet de régler la température et de contrôler les autres fonctions du réfrigérateur. Appuyez simplement sur le bouton approprié pour régler des fonctions.



Remarque : Les touches 2, 14, 15 et 16 ont deux fonctions. La deuxième fonction a un « b » après le numéro ci-dessous.

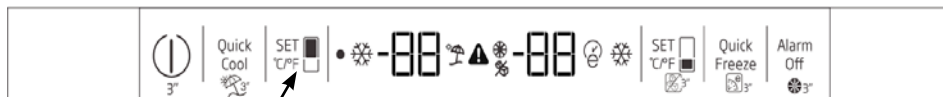
- 1-Clé d'alimentation**
Appuyez sur cette touche et maintenez-la enfoncée pendant 3 secondes pour allumer et éteindre le réfrigérateur.
- 2-Touche de refroidissement rapide**
Appuyez sur cette touche pour activer l'option de refroidissement rapide, qui abaisse la température du compartiment des aliments frais à son niveau le plus bas (33 °F/0.5 °C) pendant deux heures. Après ce laps de temps, il reviendra à la température précédemment réglée.
- 2b. Mode vacances**
Si vous maintenez la touche Quick Cool pendant trois secondes, vous activez le mode Vacances. En mode Vacances, le compartiment des aliments frais reste à 50 F° (10 °C) tandis que le congélateur maintient sa température de consigne. Vous saurez que le mode Vacances est activé grâce aux tirets de l'affichage de la température des aliments frais (6) et à l'éclairage du « parasol de plage » (7). Appuyez sur la touche Quick Cool pendant 3 secondes pour désactiver cette option.
- 3- Touche de réglage de la température des aliments frais**
Appuyez sur cette touche pour modifier la température de la section des aliments frais entre 33 °F and 40 °F(0.5 °C et 4 °C). La température réglée s'affiche sur l'écran de température des aliments frais (6).
- 4- Témoin lumineux de mise hors tension**
Un point rouge s'allume lorsque le réfrigérateur est branché, mais PAS allumé. Une fois le réfrigérateur allumé, le voyant rouge s'éteint.
- 5- Indicateur de refroidissement rapide**
Une icône en forme de flocon de neige à gauche de l'affichage de la température des aliments frais vous indique que l'option de refroidissement rapide est activée.
- 6- Affichage de la température des aliments frais**
La température réglée dans le compartiment des aliments frais s'affiche ici.
- 7-Indicateur de mode vacances**
L'icône « parasol de plage » s'allume lorsque le mode vacances est activé. Vous verrez également des tirets dans l'affichage de la température des aliments frais.
- 8- Avertissement de température élevée**
Le point d'exclamation rouge s'allume si la température du congélateur est trop élevée après les 72 premières heures de fonctionnement. (Voir page 19 pour plus de détails)
- 9-Image d'arrêt de la machine à glaçons**
Les glaçons traversés par une barre oblique s'illuminent lorsque la machine à glaçons est éteinte.
- 10- Icône de changement de filtre**
L'icône de réinitialisation du filtre s'allume lorsqu'il est temps de remplacer le filtre à eau. (Pour savoir comment procéder, voir page 12).
- 11-Affichage de la température du compartiment congélateur**
La température réglée du compartiment congélateur est affichée sur cet écran.
- 12-Icône Eco-Extra**
L'icône Eco-Extra s'allume lorsque Eco-Extra est activé. (Voir 15b pour plus d'informations sur cette option).
- 13-Indicateur de congélation rapide**
Une icône en forme de flocon de neige à droite de l'affichage de la température du compartiment congélateur s'allume lorsque l'option de congélation rapide est activée. (Voir 15 pour des informations sur cette option).
- 14-Touche de réglage de la température du congélateur**
Appuyez sur cette touche pour régler la température du compartiment Congélateur, entre -8 °F et 5 F° (-22 °C et -15 °C) .
- 14b. Touche marche/arrêt de la machine à glaçons**
Appuyez sur la touche Freezer Temp Set pendant 3 secondes pour mettre en marche et arrêter l'appareil à glaçons.
- 15-Touche de gel rapide**
Appuyez et maintenez la touche de congélation rapide pour activer l'option de congélation rapide, qui abaissera la température du congélateur à son niveau le plus bas (-8 °F/-22 °C) for 24 hours. Après ce temps, il reviendra à la température précédemment réglée.
- 15b. Touche Eco-Extra**
Appuyez sur la touche Quick Freeze (gel rapide) et maintenez-la enfoncée pendant 3 secondes pour activer l'option Eco-Extra. Dans ce mode le réfrigérateur fonctionnera de la manière la plus efficace possible. Il ne restera dans ce mode que si les portes restent fermées.
- 16. Touche Alarm Off (arrêt de l'alarme)**
If the doors remain open for more than 1 minute, or if an error is detected, an alarm will sound. Si l'on appuie sur cette touche, l'alarme s'arrête.
- 16b. Réinitialisation de la minuterie de changement de filtre**
Si le voyant de changement de filtre s'allume (10), appuyez sur la touche Arrêt de l'alarme pendant 3 secondes pour réinitialiser la minuterie. Le témoin de réinitialisation du filtre s'allume après 130 jours de fonctionnement.



***En option :** Les illustrations présentées dans ce manuel d'utilisation sont schématiques et peuvent ne pas correspondre exactement à votre produit. Si les pièces accessoires ne sont pas fournies avec l'appareil que vous avez acheté, elles conviennent pour d'autres modèles.

Modes et indications spéciaux

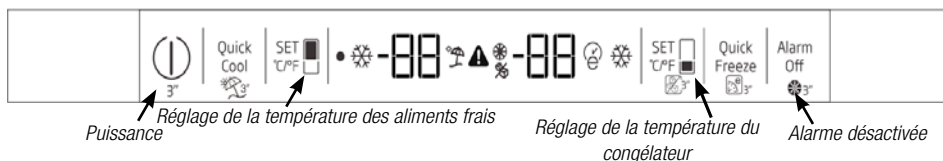
6.2 Mode Sabbat



Touche de réglage de la température des aliments frais

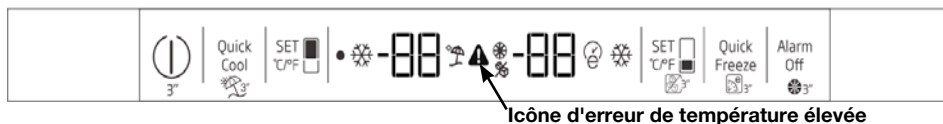
Appuyez sur la touche de fonction « Fresh Food Temp Set » pendant 3 secondes pour activer ou désactiver le mode Sabbat. Lorsque le mode Sabbat est activé, les boutons d'affichage, d'alarme, d'ouverture de porte ou d'éclairage ne fonctionnent pas. « SA » s'affiche à l'écran. L'algorithme de refroidissement est réglé en fonction du mode sabbat. Si l'utilisateur ne désactive pas le mode Sabbath, le réfrigérateur l'annulera automatiquement en 72 heures.

6.3 Mode Showroom



Le mode Showroom est une option principalement utilisée dans les salles d'exposition des concessionnaires. Il permet d'allumer le produit sans faire fonctionner les ventilateurs et le système de refroidissement. Pour activer ce mode, appuyez et maintenez enfoncées les touches « Power » et « Alarm Off » jusqu'à ce que PS 0 apparaisse. Changez le 0 en 8 en appuyant sur la touche « Freezer Temperature Set ». Appuyez ensuite sur la touche « Fresh Food Temperature Set » (Réglage de la température des aliments frais) pour l'activer. Pour désactiver, appuyez à nouveau sur les touches « Power » et « Alarm Off ».

6.4 Erreur de température élevée



L'icône d'erreur de température élevée s'affiche lorsque la température du congélateur est trop élevée après les 72 premières heures de fonctionnement. Si la température du congélateur atteint 28°F (-2,2°C) ou plus et ne redescend pas en dessous de 16°F (-9°C) dans les 12 heures, l'icône d'erreur de température élevée s'allume, une alarme retentit et la température réglée et la température la plus élevée atteinte dans le congélateur alternent à l'écran. Si vous appuyez sur la touche « Alarm Off », l'alarme s'arrêtera, mais l'icône et la température clignoteront jusqu'à ce que le congélateur descende en dessous de 16°F (-9°C). Si le congélateur ne refroidit pas en dessous de 16°F (-9°C) dans les 3,5 heures suivantes, l'alarme sonore se déclenchera à nouveau. L'alarme sonore peut à nouveau être désactivée à l'aide de la touche « Alarm Off ». Si l'erreur persiste, il faut vérifier la fermeture et l'étanchéité des portes. Une cause fréquente de cette erreur est une panne de courant dans le circuit auquel le réfrigérateur est connecté. Si l'icône continue de revenir, il faut appeler un technicien agréé pour inspecter l'appareil.

Températures de fonctionnement

Réglage du compartiment congélateur	Réglage du compartiment réfrigérateur	Explications
5 °F/-15 °C	39 °F /4 °C	Voici le réglage normal recommandé.
4 °F/-20 °C	37 °F /3 °C	Ces réglages sont recommandés lorsque la température ambiante dépasse 86 °F /30 °C.
Congélation rapide	39 °F/4 °C	Cet indicateur est utilisé lorsque vous voulez congeler vos denrées pendant une courte période. Le réfrigérateur retourne au mode de fonctionnement précédent à la fin du processus.
5 F° /-15°C ou plus froid	Réfrigération rapide	Utilisez cette fonction lorsque vous placez une importante quantité d'aliments dans le compartiment réfrigérateur ou lorsque vous voulez refroidir rapidement vos aliments. Il est conseillé d'activer la fonction de réfrigération rapide pendant 4 à 8 heures de temps avant d'introduire les aliments dans le compartiment.

6.5 Congélation des aliments frais

- Enveloppez l'aliment ou placez-le dans un récipient couvert avant de le placer dans le réfrigérateur.
- Les aliments et les boissons chauds doivent refroidir à la température ambiante avant d'être mis au réfrigérateur.
- Les aliments que vous souhaitez surgeler doivent être frais et en bon état.
- Emballez hermétiquement les aliments pour éviter qu'ils ne s'assèchent, même s'ils seront conservés pendant une courte durée.
- Les matériaux utilisés pour l'emballage doivent résister aux déchirures, au froid, à l'humidité, aux graisses, aux acides et doivent être hermétiques. Tous les emballages doivent être complètement scellés.
- Utilisez immédiatement les aliments congelés après la décongélation et évitez de les recongeler.
- Ne congelez pas de trop grandes quantités d'aliments à la fois. La qualité des aliments est préservée de façon optimale lorsqu'ils sont entièrement congelés aussi rapidement que possible.
- L'introduction d'aliments chauds dans le compartiment congélateur entraîne le fonctionnement continu du système de refroidissement jusqu'à ce que les aliments soient entièrement congelés.

6.6 Recommandations relatives à la conservation des aliments congelés

Pour garantir le maintien de la qualité atteinte par le fabricant et le détaillant de produits alimentaires surgelés, suivez les étapes énumérées ci-dessous :



- 1.** Mettez les paquets dans le congélateur aussi rapidement que possible après achat.
- 2.** Assurez-vous que le contenu de l'emballage est étiqueté et daté.
- 3.** Vérifiez si les dates « à consommer avant » et « à consommer de préférence avant » figurant sur l'emballage sont dépassées ou non.

6.7 Disposition des aliments

Balconnets du compartiment congélateur	Différents aliments congelés comme de la viande, du poisson, des crèmes glacées, des légumes, etc.
Clayettes du compartiment réfrigérateur	Aliments dans des casseroles, assiettes couvertes et récipients fermés
Balconnets de la porte du compartiment réfrigérateur	Produits ou boissons de petite taille et emballés (lait, jus de fruits ou bière, etc.)
Bac à légumes	Fruits et légumes
Tiroir à charcuterie	Produits délicats (fromage, beurre, salami, etc.)

6.8 Informations relatives à la congélation

Vous pouvez conserver la fraîcheur des aliments pendant plusieurs mois (à des températures de 5 F° / -15°C ou plus basses dans le congélateur).

	Il est conseillé de séparer les denrées en portions en fonction des besoins quotidiens de votre famille ou des repas.
	Emballer hermétiquement les aliments pour éviter qu'ils ne s'assèchent, même s'ils seront conservés pendant une courte durée.

- Matériaux nécessaires à l'emballage :
- bande adhésive résistante au froid ;
- étiquette autocollante ;
- élastiques en caoutchouc ;
- Stylo

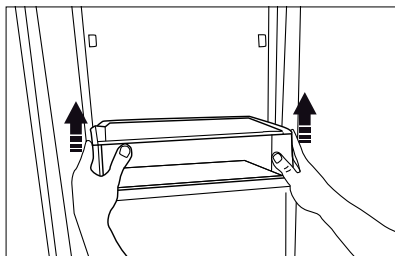
Fonctionnement de l'appareil

6.9 Retrait des étagères de porte

Vous pouvez retirer les étagères de la porte pour les nettoyer.

D'abord, videz les aliments qu'elles contiennent. Poussez l'étagère de votre choix vers le haut pour la retirer.

Ne retirez pas l'étagère de la porte lorsqu'elle contient des aliments.



6.10 Déplacement de la tablette de porte FlexiLift

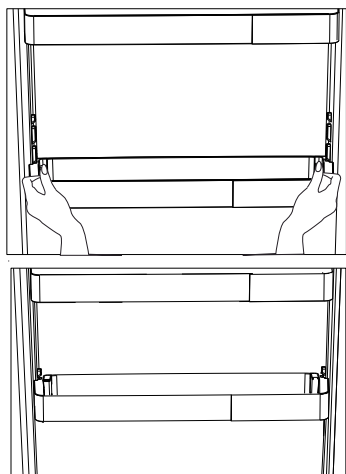
*En option

En se déplaçant, la tablette de porte FlexiLift peut être fixée dans 3 positions différentes.

Pour déplacer l'étagère, appuyez uniformément sur les boutons situés sur le côté. L'étagère sera mobile.

Déplacez l'étagère vers le haut ou vers le bas.

Lorsque la tablette est dans la position que vous souhaitez, relâchez les boutons. Le balconnet se fixe à nouveau dans la position dans laquelle vous avez relâché les boutons.



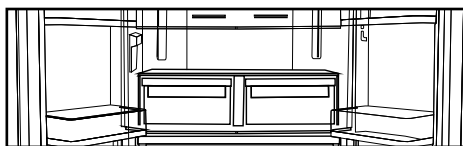
6.11 Étagères en verre

Vous pouvez retirer les étagères en verre pour les nettoyer. Faites attention lorsque vous retirez les étagères, car elles sont lourdes.

6.12 Bacs à légumes

(pour certains modèles)

Les bacs à légumes vous permettent de préparer les aliments pour la congélation. Vous pouvez également utiliser ces compartiments si vous souhaitez conserver vos aliments à une température quelque peu inférieure à celle du compartiment réfrigérateur.



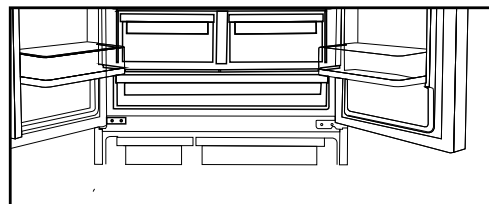
Vous pouvez augmenter le volume interne de votre réfrigérateur en enlevant le compartiment Zone fraîche souhaité.

1. Poussez le compartiment vers vous jusqu'à ce qu'il s'arrête.
2. Soulevez le compartiment d'environ 1 cm (7/16") et tirez-le vers vous pour le sortir de son logement.

6.13 Tiroir à charcuterie

Le tiroir à charcuterie est conçu avec une circulation d'air frais intensifiée autour de lui. Cela permet aux articles stockés dans le tiroir d'être généralement dans le compartiment des aliments frais à des températures inférieures aux températures moyennes des aliments frais.

Si nécessaire, retirez les étagères de la porte avant de retirer le tiroir à charcuterie.



6.14 Bac à humidité contrôlée

(EverFresh+)

Le taux d'humidité des fruits et des légumes est maintenu sous contrôle grâce au bac à humidité contrôlée. Vous avez ainsi la garantie que vos produits restent frais longtemps.

Nous vous recommandons de placer les légumes à feuilles tels que la laitue, les épinards et les légumes sensibles à la perte d'humidité, le plus possible à l'horizontal à l'intérieur du bac à légumes, et non sur leurs racines en position verticale.

Pendant la mise en place des légumes, il faut tenir compte du poids de chacun d'entre eux. Les légumes lourds et durs doivent être placés au fond du bac à légumes et les légumes légers et mous doivent être placés sur le dessus.

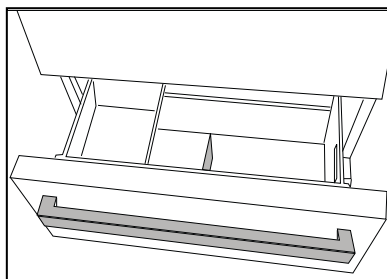
Ne laissez jamais les légumes dans leur sac dans le bac à légumes. Cela entraînera leur décomposition prématurée. Si vous souhaitez séparer les légumes, utilisez des sacs en papier perforé ou des matériaux similaires. Certains fruits comme les poires, les abricots, les pêches ou les pommes génèrent des niveaux élevés de gaz éthylène. Ne les placez pas avec d'autres fruits et légumes qui n'en ont pas, car ils se décomposeront plus vite.

6.15 Bac à glaçons

Le bac à glaçons sert à recueillir la glace produite par la machine à glaçons. Ne versez pas d'eau à l'intérieur du bac à glaçons pour obtenir des glaçons, pour ne pas l'endommager. Le bac à glaçons n'est pas destiné au stockage des aliments.

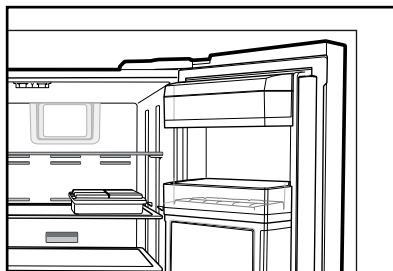


La machine à glaçons peut faire tomber des glaçons lorsque le bac à glaçons est ouvert.



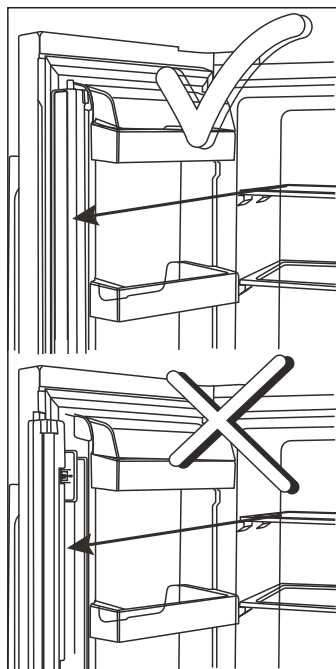
6.16 Section amuse-gueule

Stockez les aliments comme le beurre, le fromage et la margarine dans cette section.



6.17 Clapets de porte

Le clapet de porte est destiné à empêcher l'air froid à l'intérieur du réfrigérateur de s'échapper à l'extérieur. L'étanchéité est assurée lorsque les joints de la porte appuient sur la surface du clapet de la porte lorsque les portes du compartiment réfrigérateur sont fermées.



Fonctionnement de l'appareil

6.18 Lumière bleue ActiveFresh

Les bacs à légumes du réfrigérateur sont éclairés par un voyant lumineux bleu. Les aliments stockés dans les bacs à légumes poursuivent leur photosynthèse grâce à l'effet de la longueur d'onde de la lumière bleue et, ainsi, conservent leur fraîcheur et préservent leur teneur en vitamines.

6.19 IonGuard (pour certains modèles)

L'air est ionisé au moyen du système d'ionisation dans le conduit d'aération du compartiment réfrigérateur. Grâce à ce système, les bactéries et les molécules odorantes présentes dans l'air sont éliminées.

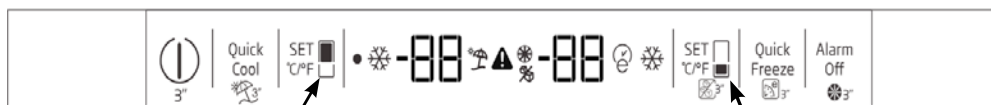
6.20 Filtre à odeurs

Le filtre anti-odeurs placé dans le conduit d'aération du compartiment réfrigérateur empêche la formation d'odeurs désagréables dans l'appareil.

6.21 Modification de l'échelle de température (Fahrenheit ↔ Celsius)

Une fois le produit mis sous tension, maintenez enfoncés les boutons Fresh Food Temp Set et Freezer Temp Set pendant 3 secondes.

Le changement d'échelle de température est terminé. Inversez ces étapes pour revenir à l'échelle d'origine.



Réglage de la température des aliments frais

Réglage de la température du congélateur

7. Entretien et nettoyage

La durée de vie du produit est prolongée et les problèmes courants sont réduits, s'il est nettoyé régulièrement.



AVERTISSEMENT : Débranchez l'appareil avant le nettoyage.

- N'utilisez jamais de l'essence, du benzène ou des substances similaires à des fins de nettoyage.
- N'utilisez jamais d'outils pointus et abrasifs, de savon, de produits d'entretien ménager, de détergent et de cirage pour le nettoyage de votre appareil.
- Dissolvez une cuillère à café de bicarbonate de soude dans un demi-litre d'eau. Trempez un chiffon dans la solution et essorez-le soigneusement. Essuyez l'intérieur du réfrigérateur avec ce chiffon et séchez-le soigneusement.
- Assurez-vous que l'eau ne pénètre pas dans le logement de la lampe et d'autres appareils électriques.
- Si vous ne souhaitez pas utiliser votre réfrigérateur pendant une longue période de temps, débranchez-le, retirez tous les aliments stockés à l'intérieur, nettoyez-le et laissez la porte entrouverte.
- Vérifiez régulièrement que les joints de la porte sont propres. Sinon, nettoyez-les.
- Pour retirer les étagères de la porte et de la carrosserie, retirez leur contenu.
- Sortez les étagères de la porte en les tirant vers le haut. Après le nettoyage, faites-les glisser du haut vers le bas pour les remettre en place.
- N'utilisez jamais de produits de nettoyage ou de l'eau contenant du chlore pour nettoyer les surfaces extérieures et les parties de l'appareil revêtues de chrome. Le chlore provoque la corrosion des surfaces métalliques.

7.1 Éviter les mauvaises odeurs

Les matériaux susceptibles d'émettre des odeurs ne sont pas utilisés lors de la fabrication de nos réfrigérateurs. Toutefois, le problème d'émission de mauvaises odeurs pourrait survenir en raison des conditions de conservation d'aliments inappropriées et d'un manque de nettoyage de la surface intérieure du réfrigérateur comme indiqué. Pour éviter ce problème, suivez les consignes suivantes :

- Il est important de garder votre réfrigérateur propre. Des résidus alimentaires, des taches, etc., peuvent être à l'origine des odeurs. Par conséquent, nettoyez le réfrigérateur avec du carbonate de soude dissous dans de l'eau tous les 15 jours. N'utilisez jamais de détergent ni de savon.
- Conservez les aliments dans des récipients fermés. Les micro-organismes provenant des récipients non couverts peuvent causer des odeurs désagréables.
- Ne conservez jamais les aliments dont la date limite de consommation est déjà dépassée ou les aliments déjà gâtés dans le réfrigérateur.

7.2 Protection des surfaces en plastique

Ne conservez pas les huiles liquides ou les aliments cuisinés avec de l'huile dans des récipients non fermés dans votre réfrigérateur, car ces derniers endommagent les surfaces en plastique du réfrigérateur. Lorsque l'huile se verse ou s'étale sur les surfaces en plastique, nettoyez et rincez immédiatement la partie indiquée de la surface avec de l'eau chaude.

8. Dépannage

Vérifiez la liste suivante avant de contacter le service après-vente. Cela devrait vous éviter de perdre du temps et de l'argent. Cette liste répertorie les plaintes fréquentes ne provenant pas de vices de fabrication ou des défauts de pièces. Certaines fonctionnalités mentionnées dans ce manuel peuvent ne pas exister sur votre modèle.

Le réfrigérateur ne fonctionne pas.

- La fiche électrique n'est pas correctement insérée. >>> Branchez-la en l'enfonçant complètement dans la prise.
- Le fusible branché à la prise qui alimente l'appareil ou le fusible principal est grillé. >>> Assurez-vous que l'appareil est allumé. Une seule lumière rouge sur l'écran signifie que le produit est branché mais pas allumé. Appuyez sur le bouton d'alimentation et maintenez-le enfoncé pendant trois secondes pour allumer l'appareil.
- **Condensation sur la paroi latérale du compartiment des aliments frais (MULTI ZONE, COOL, CONTROL et FLEXI ZONE).**
- La porte a été ouverte trop fréquemment >>> Évitez d'ouvrir trop fréquemment la porte de l'appareil.
- L'environnement est trop humide. >>> N'installez pas l'appareil dans des endroits humides.
- Les aliments contenant des liquides sont conservés dans des récipients non fermés. >>> Conservez ces aliments dans des emballages scellés.
- La porte de l'appareil est restée ouverte. >>> Ne laissez pas la porte de l'appareil ouverte longtemps.
- Le thermostat a été réglé à une température trop basse. >>> Réglez le thermostat à la température appropriée.

Le compresseur ne fonctionne pas.

- En cas de coupure soudaine de courant ou de débranchement intempestif, la pression du gaz dans le système de réfrigération de l'appareil n'est pas équilibrée, ce qui déclenche la fonction de conservation thermique du compresseur. L'appareil se remet en marche au bout de 6 minutes environ. Si l'appareil ne redémarre pas après cette période, veuillez contacter le service après-vente.
- Le dégivrage est actif. >>> Ce processus est normal pour un appareil à dégivrage complètement automatique. Le dégivrage se déclenche périodiquement.
- Le produit n'est pas branché. >>> Vérifiez que le cordon d'alimentation est branché.
- Le réglage de la température est incorrect. >>> Sélectionnez le réglage de température approprié.
- Absence d'énergie électrique. >>> Le produit continuera à fonctionner normalement une fois le courant rétabli.

Le bruit du réfrigérateur en fonctionnement s'accroît pendant son utilisation.

- Le rendement de l'appareil en fonctionnement peut varier en fonction des fluctuations de la température ambiante. Ceci est normal et ne constitue pas un dysfonctionnement.

Le réfrigérateur fonctionne fréquemment ou pendant de longues périodes.

- Il se peut que le nouvel appareil soit plus grand que l'ancien. Les appareils plus grands fonctionnent plus longtemps.
- La température de la pièce est peut-être trop élevée. >>> Il est normal que l'appareil fonctionne plus longtemps quand la température de la pièce est élevée.
- L'appareil vient peut-être d'être branché ou chargé de nouvelles denrées alimentaires. >>> L'appareil met plus longtemps à atteindre la température réglée s'il vient d'être branché ou récemment rempli de denrées. C'est normal.
- Il est possible que des quantités importantes d'aliments chauds aient été récemment placées dans l'appareil. >>> Ne mettez pas d'aliments chauds à l'intérieur de l'appareil.

Dépannage

- Les portes étaient ouvertes fréquemment ou sont restées longtemps ouvertes. >>> L'air chaud qui se déplace à l'intérieur permet au produit de fonctionner plus longtemps. N'ouvrez pas les portes trop fréquemment.
- La porte du congélateur ou du compartiment des aliments frais est peut-être entrouverte. >>> Vérifiez que les portes sont complètement fermées.
- L'appareil peut être réglé à une température trop basse. >>> Réglez la température à un degré supérieur et attendez que l'appareil atteigne la nouvelle température.
- Le lave-porte du compartiment des aliments frais ou du congélateur peut être sale, usé, cassé ou mal installé. >>> Nettoyez ou remplacez le joint. Si le joint du congélateur est endommagé ou arraché, l'appareil prendra plus longtemps à conserver la température actuelle.

La température du congélateur est très basse, mais celle du compartiment des aliments frais est adéquate.

- La température du compartiment congélateur est très basse. >>> Réglez la température du compartiment congélateur à un degré supérieur et vérifiez à nouveau.

La température du compartiment des aliments frais est très basse, mais la température du congélateur est adéquate.

- La température du compartiment des aliments frais est réglée à un degré très bas. >>> Réglez la température du compartiment congélateur à un degré supérieur et vérifiez à nouveau.

Les aliments conservés dans les tiroirs du compartiment des aliments frais sont congelés.

- La température du compartiment des aliments frais est réglée à un degré très bas. >>> Réglez la température du compartiment congélateur à un degré supérieur et vérifiez à nouveau.

La température du compartiment des aliments frais ou du congélateur est trop élevée.

- La température du compartiment des aliments frais est réglée à un degré très élevé. >>> Le réglage de la température du compartiment des aliments frais a un effet sur la température du compartiment du congélateur. Attendez que la température des parties concernées atteigne le niveau suffisant en modifiant la température du compartiment des aliments frais ou des compartiments de congélation.
- Les portes étaient ouvertes fréquemment ou sont restées longtemps ouvertes. >>> N'ouvrez pas les portes trop fréquemment.
- La porte peut être entrouverte. >>> Fermez complètement la porte.
- L'appareil vient peut-être d'être branché ou chargé de nouvelles denrées alimentaires. >>> Cela est normal. L'appareil met plus longtemps à atteindre la température réglée s'il vient d'être branché ou récemment rempli de denrées.
- Il est possible que des quantités importantes d'aliments chauds aient été récemment placées dans l'appareil. >>> Ne mettez pas d'aliments chauds à l'intérieur de l'appareil.

En cas de vibrations ou de bruits.

- Le sol n'est pas plat ou ferme. >>> Si le produit tremble lorsqu'il est déplacé lentement, ajustez les pieds pour équilibrer le produit. Assurez-vous également que le sol est suffisamment ferme pour supporter le produit.
- Les éléments placés sur l'appareil peuvent être à l'origine du bruit. >>> Retirez tous les éléments placés sur l'appareil.

L'appareil émet un bruit d'écoulement de liquide ou de pulvérisation, etc.

- Les principes de fonctionnement de l'appareil impliquent des écoulements de liquides et des émissions de gaz. >>> Ceci est normal et ne constitue pas un dysfonctionnement.

L'appareil émet un sifflement.

- L'appareil effectue le refroidissement à l'aide d'un ventilateur. Ceci est normal et ne constitue pas un dysfonctionnement.

Dépannage

Il y a de la condensation sur les parois internes de l'appareil.

- Un climat chaud ou humide accélère le processus de givrage et de condensation. Ceci est normal et ne constitue pas un dysfonctionnement.
- Les portes étaient ouvertes fréquemment ou sont restées longtemps ouvertes. >>> N'ouvrez pas les portes trop fréquemment ; fermez-les lorsqu'elles sont ouvertes.
- La porte peut être entrouverte. >>> Fermez complètement la porte.

Il y a de la condensation sur les parois externes ou entre les portes de l'appareil.

- Il se peut que le climat ambiant soit humide, auquel cas cela est normal. >>> La condensation se dissipera lorsque l'humidité sera réduite.

Présence d'une odeur désagréable dans l'appareil.

- L'appareil n'est pas nettoyé régulièrement. >>> Nettoyez régulièrement l'intérieur à l'aide d'une éponge, de l'eau tiède et du carbonate dissout dans l'eau.
- Certains récipients et matériaux d'emballage peuvent provoquer des odeurs. >>> Utilisez des récipients et des matériaux d'emballage exempts d'odeurs.
- Les aliments ont été placés dans des récipients non scellés. >>> Conservez les aliments dans des récipients fermés. Les micro-organismes peuvent se propager à partir de produits alimentaires non scellés et provoquer une mauvaise odeur. Retirez tous les aliments périmés ou avariés du produit.

La porte ne se ferme pas.

- Les paquets d'aliments peuvent bloquer la porte. >>> Déplacez tout ce qui bloque les portes.
- L'appareil ne se tient pas parfaitement droit sur le sol. >>> Ajustez les supports afin de remettre l'appareil en équilibre.
- Le sol n'est pas plat ou ferme. >>> Assurez-vous que le sol est à niveau et suffisamment stable pour supporter le produit.

Le bac à légumes est engorgé.

- Les aliments peuvent obstruer la partie supérieure du tiroir. >>> Reclassez les aliments dans le bac.

Si la surface de l'appareil est chaude.

- Des températures élevées peuvent être observées entre les deux portes, sur les panneaux latéraux et sur la grille arrière pendant le fonctionnement de l'appareil. Ceci est normal et ne nécessite pas de maintenance ! Faites attention lorsque vous touchez ces zones.



AVERTISSEMENT :

Si le problème persiste même après observation des instructions contenues dans cette partie, contactez votre fournisseur ou un service de maintenance agréé. N'essayez pas de réparer vous-même l'appareil.



AVERTISSEMENT :

- Cet appareil peut vous exposer à des produits chimiques, y compris le nickel (métallique) qui est connu dans l'État de la Californie pour causer le cancer.
- Pour plus d'informations, rendez-vous sur le site www.P65Warnings.ca.gov
- Remarque : Le nickel est un composant de tout l'acier inoxydable et de certains autres composants métalliques.

DÉCLARATION DE GARANTIE POUR LES RÉFRIGÉRATEURS BEKO

Les garanties offertes par Beko dans ces déclarations s'appliquent uniquement aux réfrigérateurs Beko vendus à l'acheteur ou propriétaire original aux États-Unis et au Canada. La garantie n'est pas transférable. Pour obtenir un service de garantie, veuillez contacter votre distributeur le plus près tel que listé par province. Vous aurez besoin du numéro de modèle du réfrigérateur, du numéro de série, du nom et de l'adresse du détaillant où vous l'avez acheté ainsi que de la date d'achat et de la date d'installation. Cette garantie vous confère des droits légaux spécifiques, et vous pouvez également bénéficier d'autres droits qui peuvent varier d'une province à l'autre. De plus, assurez-vous d'enregistrer votre produit pour la garantie au www.beko.us

2 ans (*) de garantie complète à partir de la date de la première installation

Beko réparera ou remplacera sans frais pour le consommateur toutes pièces défectueuses du réfrigérateur si utilisé sous des conditions domestiques normales (la garantie est annulée si le produit est utilisé à des fins commerciales par ex. gîtes touristiques, centre de soins, etc.). Le service doit aussi être effectué par une agence de service autorisée par Beko. (Les défauts de fabrication apparents doivent être signalés en dedans de 10 jours ouvrables de l'installation), 2 ans de garantie sur les accessoires, pour les pièces seulement et n'inclut pas la main d'oeuvre.

3-5 ans (*, **) de garantie limitée à partir de la date de la première installation

(pièces seulement 3-5 ans). Beko réparera ou remplacera tous les compresseurs, évaporateurs, condenseurs et déshydrateurs sans frais pour le consommateur si des vices de matériaux ou de main d'oeuvre ont causés des dommages ou des défaillances de ces composants.

Le réfrigérateur devra avoir été utilisé sous des conditions domestiques normales et non commerciale (Les frais de main d'oeuvre sont la responsabilité du consommateur).

Exonérations de garantie et exclusions :

La garantie ne couvre pas les frais de service d'un agent de service autorisé pour corriger des problèmes d'installation, électriques ou l'instruction éducative sur l'utilisation du réfrigérateur. La garantie ne couvre pas non plus les défauts ou les dommages causés par une catastrophe naturelle (comme des tempêtes, des inondations, des incendies, des coulées de boue, etc.), des dommages causés par l'utilisation du réfrigérateur dans des buts autres que ceux pour lesquels il a été conçu, mauvaise utilisation, abus, accident, altération, mauvaise installation, entretien, frais de déplacements, appels de service en dehors des heures de service normales, ramassage et livraison, toute perte d'aliments à cause d'une défectuosité du produit, service non autorisé ou personne de service non autorisée.

Ce produit a subi des tests complets et a eu des inspections d'assurance de qualité officiels avant de quitter le site de fabrication original. Les conditions de garantie pour cet électroménager Beko n'est pas valide si le produit a été altéré, tripoté, modifié, si des pièces supplémentaires ont été assemblées, fixées et réemballées par un distributeur autorisé, une personne d'entretien, un détaillant de tierce partie, un revendeur ou par toute(s) autre(s) personne(s) non autorisée(s).

DANS LA LIMITE DE CE QUI EST AUTORISÉ PAR LA LOI, CETTE GARANTIE TIEN LIEU DE TOUTES LES AUTRES GARANTIES, EXPRESSES OU IMPLICITES, Y COMPRIS LES GARANTIES IMPLICITES DE QUALITÉ MARCHANDE ET D'ADAPTATION À UN USAGE PARTICULIER. BEKO DÉCLINE TOUTE RESPONSABILITÉ EN CE QUI A TRAIT À LA QUALITÉ DE CE PRODUIT SAUF MENTION CONTRAIRE DANS CETTE DÉCLARATION DE GARANTIE. BEKO N'ASSUME AUCUNE RESPONSABILITÉ QUAND À L'ADAPTATION DU PRODUIT POUR TOUT BUT PARTICULIER POUR LEQUEL VOUS POURRIEZ ACHETER CE PRODUIT, SAUF MENTION CONTRAIRE DANS CETTE DÉCLARATION DE GARANTIE.

Beko n'assume aucune responsabilité pour les dommages indirects ou consécutifs. De tels dommages incluent, mais sans s'y limiter, la perte de profits, la perte d'épargnes ou de revenus, la perte de l'utilisation du réfrigérateur ou de tout équipement associé, le coût du capital, le coût de tout équipement substitué, installations ou services, pannes, les réclamations de tiers, et des dommages à la propriété. Certaines provinces n'autorisent pas l'exclusion ou la limitation des dommages accessoires ou indirects, de sorte que les limitations ou exclusions ci-dessus peuvent ne pas s'appliquer à vous.

(*) La date d'installation réfère à la date d'achat ou à 5 jours ouvrables après la livraison du produit à la maison, la plus tardive de ces deux dates prévalant. () Les pièces remplacées assumeront l'identité des pièces originales + leur garantie originale.**

Aucune autre garantie. Cette déclaration de garantie est la garantie complète et exclusive du fabricant. Aucun employé de Beko ou autre tiers n'est autorisé à faire des déclarations de garantie en plus de celles énoncées dans cette Déclaration de garantie.

Veuillez conserver cette carte de garantie, manuel d'utilisation et votre reçu de caisse pour référence future.

COMMENT CONTACTER LE SERVICE

Veuillez contacter votre distributeur local agréé Beko, ou appelez gratuitement notre service téléphonique d'assistance à la clientèle au numéro 1-888-352 BEKO (2356) pour parler à un Agent de service autorisé Beko ou allez sur notre site à l'adresse <http://www.beko.us>. Vous pouvez également consulter la liste des distributeurs agréés dans la section « Où acheter » de notre site web pour des détails supplémentaires.

¡Le felicitamos la compra de su nuevo frigorífico . Este frigorífico se ha fabricado en instalaciones modernas con el máximo cuidado y meticulosos controles de calidad. ¡Tenemos plena confianza en la calidad de nuestro producto y lo apoyamos con una garantía de dos años para las piezas y la mano de obra, y de cinco años para el sistema sellado. Antes de utilizar el producto lea este manual por completo para garantizar que haya entendido todas las características y beneficios y como operar el producto de manera adecuada. El presente manual se debe guardar en un lugar accesible y se debe entregar a los futuros dueños.

Esta guía le ayudará a utilizar el aparato de forma rápida y segura.

Por favor, lea la guía del usuario antes de instalar y operar el aparato.

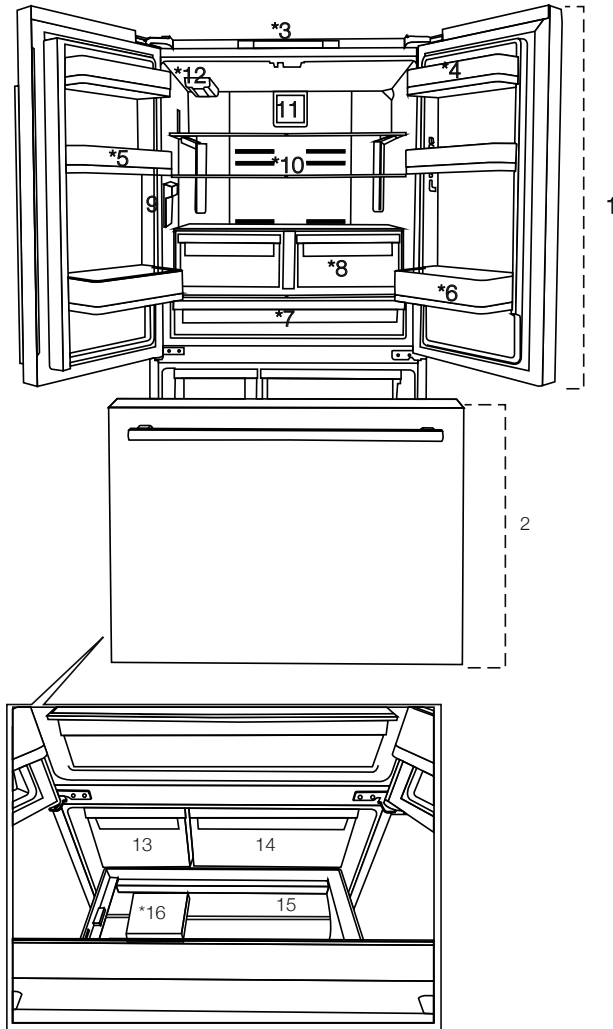
- Siempre respete las instrucciones de seguridad aplicables.
- Por favor, lea todos los demás documentos suministrados con el aparato.
- Tenga en cuenta que esta guía del usuario se puede aplicar a varios modelos de aparato. Por favor observe los símbolos utilizados en el presente manual y su significado.

	Información importante y consejos útiles.
	Riesgos para la vida y la propiedad.
	Riesgo de descarga eléctrica.
	El embalaje del aparato está hecho con materiales reciclables, de acuerdo con la Legislación Ambiental Nacional.

<i>Rellene y guarde para futuras consultas</i>	
<i>Modelo</i>	
<i>Número de Serie</i>	
<i>Fecha de Compra</i>	
<i>Comprador Original</i>	
<i>Concesionario</i>	
<i>Ciudad</i>	
<i>Estado</i>	
<i>Código Zip</i>	
<i>País</i>	

1 El frigorífico	3	5 Preparación	19
2 Instrucciones importantes de seguridad y medioambientales	5	6 Pantalla y uso del producto	20
2.1 Seguridad General	5	6.1 Panel de indicadores	20
2.2 Advertencia sobre hidrocarburos (HC)	7	6.2 Modo Sabbath	21
2.3 Para los aparatos con un dispensador de agua/máquina de hielo	7	6.3 Modo Showroom	21
2.4 Uso previsto	7	6.4 Error de Alta Temperatura	21
2.5 Seguridad de los niños	7	6.5 Congelación de alimentos frescos	23
2.6 Cumplimiento de la Directiva RAEE y eliminación del aparato de desecho:	8	6.6 Recomendaciones para conservar los alimentos congelados	23
2.7 Cumplimiento de la Directiva RoHS:	8	6.7 Colocación de los alimentos	23
2.8 Información de embalaje	8	6.8 Información sobre la congelación	23
3 Condiciones medioambientales	9	6.9 Cómo retirar los estantes de la puerta	24
3.1 En cumplimiento de la Directiva RAEE, y la eliminación del aparato:	9	6.10 Mover el Estante FlexiLift de Puerta	24
3.2 Cumplimiento de la Directiva RoHS	9	6.11 Estantes de vidrio	24
3.3 Información sobre el paquete	9	6.12 Cajones de verdura	24
4 Instalación	10	6.13 Cajón de Charcutería	24
4.1 Antes de Instalación	14	6.14 Cajón refrigerante con control de humedad25 (EverFresh+)	25
4.2 Lugar de instalación adecuado	14	6.15 Contenedor de hielo	25
4.3 Instalaciones Insertadas	15	6.16 Sección de mantequilla y queso	25
4.4 Conexión eléctrica	15	6.17 Aletas de puerta	25
4.5 Ajuste de las patas	15	6.18 ActiveFresh Luz Azul	26
4.6 Luz de iluminación	16	6.19 IonGuard	26
4.7 Aviso de Puerta/Cajón Abierto	16	6.20 Filtro de olores	26
4.8 Conexión de agua	16	6.21 Cambiar la escala de temperatura (Fahrenheit Celcius)	26
4.9 Conexión de la manguera de agua al frigorífico	16	7. Limpieza y mantenimiento	27
4.10 Conexión de la línea de agua al suministro de agua	16	7.1 Cómo evitar los malos olores	27
4.11 Instalar Filtro de Agua Interno	17	7.2 Proteger las superficies de plástico	27
4.12 Antes de utilizar el dispensador de agua	18	8. Solución de problemas	28
4.12.1 Uso de la máquina de hielo	18		
4.13 Transporte del aparato	18		

1 El frigorífico



1- Compartimento frigorífico

2- Congelador inferior

3- Pantalla/panel indicador

4- Sección de mantequilla y queso

5- Estantes de Puerta FlexiLift

6- Botellero

7- Cajón de Charcutería

8- Cajón de verduras

9- Dispensador de agua

10- Estante de vidrio ajustable

11- Tapa del ventilador

12- Filtro de agua

13- Contenedor de Hielo

14- Cajón de Almacenamiento de Alimentos Congelados

15- Cajón del congelador

16- Separador



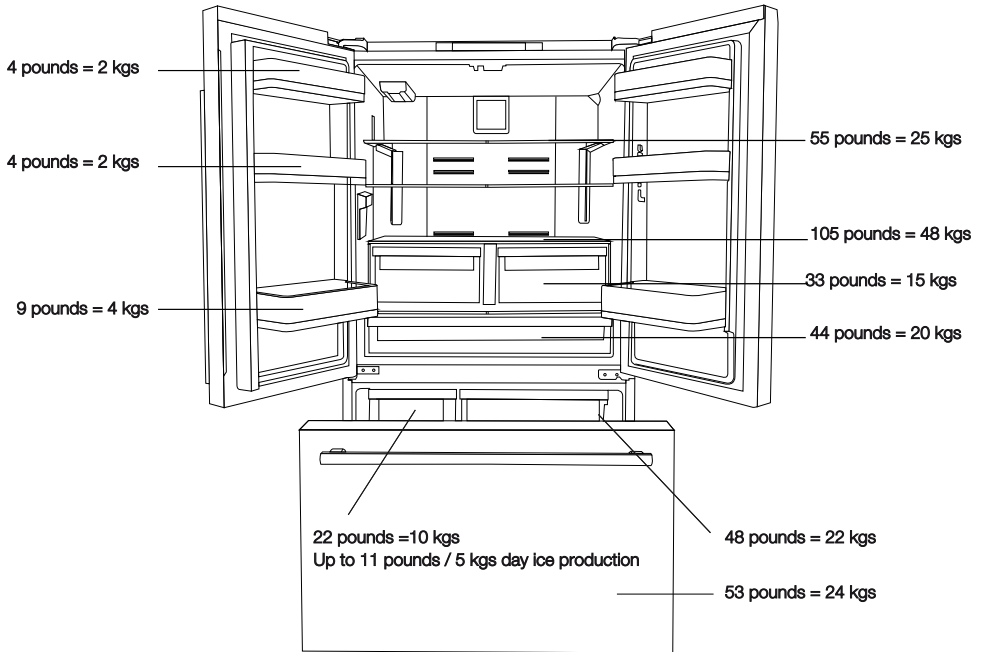
Las imágenes en este manual son esquemáticas y pueden no coincidir exactamente con el aparato. Si usted ha comprado las piezas que no se incluyen en el aparato, entonces esas piezas son solo válidas para otros modelos.

Limitaciones de peso del estante del frigorífico

Los estantes cantaleta del compartimiento refrigerador, los que sólo tienen soportes traseros, están probados para un máximo de 25 kg (55 libras) por cada pieza.

Los crispers tienen una capacidad de hasta 15 kg (33 libras) por cada uno. Cajón de Charcutería puede mantener 20 kg (44 libras).

El contenedor de hielo tiene una capacidad de hasta 10 kg (22 libras), es para el uso sin hielo. El depósito de hielo tiene capacidad para 24 kg (53 libras) y el cajón tiene capacidad para 30 kg (66 libras).



2 Instrucciones importantes de seguridad y medioambientales

Este capítulo contiene información de seguridad que le ayudará a evitar el riesgo de lesiones personales o daños a la propiedad. El incumplimiento de estas instrucciones anulará cualquier garantía del aparato.

Uso previsto

	ADVERTENCIA: Mantenga libres de obstrucciones las aberturas de ventilación, tanto las que están en el cierre de la unidad como las que están en la estructura incorporada.
	ADVERTENCIA: No utilice aparatos mecánicos ni otros medios para acelerar el proceso de descongelación, distintos de los recomendados por el fabricante.
	ADVERTENCIA: No dañe el circuito refrigerante.
	ADVERTENCIA: No utilice aparatos eléctricos dentro de los compartimentos para alimentos del aparato, a menos que sean del tipo recomendado por el fabricante.

Este aparato está destinado al uso en hogares y entornos similares, como

- zonas de cocina de personal en establecimientos, oficinas y/u otro entorno laboral;

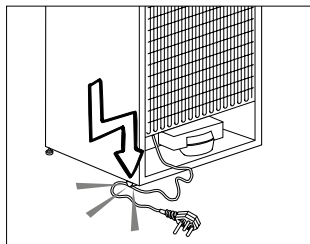
- Casas rurales y también para ser utilizada por los clientes en hoteles, moteles y otros entornos de tipo residencial;

- Entornos de hospedaje en régimen de alojamiento y desayuno.

- aplicaciones de hostelería y actividades no comerciales similares.

2.1 Seguridad General

- Este aparato no está destinado a ser utilizado por personas (incluidos los niños) con capacidades físicas, sensoriales o mentales reducidas, o con falta de experiencia y conocimientos, a menos que hayan recibido supervisión o instrucciones sobre el uso del aparato por parte de una persona responsable de su seguridad. Debe vigilarse a los niños a fin de asegurarse que no jueguen con el aparato.
- El hecho de no seguir las instrucciones, así como el uso del aparato sin control, puede dar lugar a resultados peligrosos.
- Desenchufe el aparato si encuentra algún fallo durante su uso.
- Si el aparato funciona mal, no debe ser utilizado hasta que sea reparado por el proveedor de servicios autorizado. Peligro de descarga eléctrica.
- Enchufe el aparato en un zócalo con toma de tierra protegido por un fusible que corresponde al valor en su placa de identificación. Haga que un electricista cualificado ponga a tierra el aparato. Nuestra empresa no se hace responsable de los daños que resulten de no utilizar el aparato con un enchufe con toma de tierra, de acuerdo con las normas locales.
- Desenchufe el aparato cuando no esté en uso.
- No lave nunca el aparato pulverizándolo o echándole agua. Peligro de descarga eléctrica.
- No tocar nunca el enchufe con las manos húmedas.
- Nunca desenchufe el aparato tirando del cable. Tire siempre del enchufe sujetando la toma de corriente.



- No enchufe el frigorífico si el enchufe de la pared está suelto.

Instrucciones importantes respecto a la seguridad y el medio ambiente

- No conectar nunca el frigorífico a ningún dispositivo de ahorro de energía. Estos podrían ser dañinos para el mismo.
- Desenchufe el aparato durante los procedimientos de instalación, cuidado, limpieza y reparación.
- Siempre tenga el **Proveedor de Servicios Autorizado** instalar el aparato y establecer sus conexiones eléctricas. El fabricante no se hace responsable de los daños causados por procedimientos realizados por personas no autorizadas.
- No coma helado de cucurucho o cubitos de hielo inmediatamente después de sacarlos del congelador. Esto puede causar congelación en la boca.
- ¡No toque la comida congelada con las manos mojadas! Pueden pegarse a su mano.
- No ponga bebidas líquidas embotelladas o enlatadas en el congelador. Pueden explotar.
- No utilice nunca vapor o limpiadores de vapor para limpiar o descongelar el frigorífico. El vapor entra en contacto con las partes en tensión del frigorífico, provocando un cortocircuito o una descarga eléctrica.
- **ADVERTENCIA:** Procure que el cable de corriente no quede atrapado ni dañado al colocar el aparato. **En caso de que así ocurra, deberá encargarse de cambiarlo el fabricante, su servicio técnico o una persona con cualificación similar, a fin de evitar riesgos..**
- **ADVERTENCIA:** No coloque enchufes portátiles o equipos de energía portátil en la parte posterior del aparato.
- No utilice ningún dispositivo mecánico, ni ningún otro aparato, para acelerar el proceso de descongelación, salvo los recomendados por el fabricante.
- Nunca utilice las piezas del nevera, como la puerta y el cajón, como soporte o escalón. Esto puede hacer que el aparato se vuelque o que se dañen sus partes.
- No dañe las partes por donde circula el refrigerante con herramientas de perforación o de corte. El refrigerante que puede estallar cuando se perforan los canales de gas del evaporador, las extensiones de los tubos o los revestimientos de la superficie causa irritaciones en la piel y lesiones en los ojos.
- No cubra ni bloquee los orificios de ventilación del frigorífico con ningún objeto.
- Coloque la bebida con pruebas más altas, bien cerrada y en posición vertical.
- No utilice aerosoles gaseosos cerca del aparato, ya que existe el riesgo de incendio o explosión.
- Nunca se deben guardar en el aparato artículos inflamables o aparatos que contengan gases inflamables (por ejemplo, aerosoles), así como materiales explosivos.
- No coloque recipientes llenos de líquido sobre el aparato. Salpicar agua en una pieza eléctrica puede causar un choque eléctrico o el riesgo de incendio.
- No guarde en el frigorífico objetos que necesiten un ajuste preciso de la temperatura (como vacunas, medicamentos sensibles al calor, materiales científicos, etc.).
- Si no va a utilizar el aparato durante mucho tiempo, desenchúfelo y retire la comida que contiene.
- Si hay una luz azul en el frigorífico, no mire esta luz con herramientas ópticas.
- Exponer el aparato a la lluvia, la nieve, el sol o el viento es peligroso en términos de seguridad eléctrica.
- En los aparatos con control mecánico (termostato), espere 5 minutos para volver a enchufar el aparato después de desenchufarlo.
- No sobrecargue el frigorífico. El contenido del frigorífico puede caer al abrir la puerta, causando lesiones o daños. Pueden surgir problemas similares si se coloca algún objeto sobre el aparato.
- Si el aparato tiene un tirador, no tire nunca de él al reubicar el aparato. El tirador puede estar suelto.
- Tenga cuidado de no atascar su mano o cualquier otra parte del cuerpo en las partes móviles del frigorífico.
- No introduzca la mano ni ningún otro material extraño en la máquina de hielo mientras esté funcionando.

Instrucciones importantes respecto a la seguridad y el medio ambiente

2.2 Advertencia sobre hidrocarburos (HC)

- Si el sistema de refrigeración del aparato contiene R600a:

Este gas es inflamable. Durante el transporte, cuidado con no dañar el sistema de refrigeración ni las tuberías. Si se daña, mantenga el aparato alejado de fuentes potenciales de incendio que puedan provocar que se incendie y ventile la habitación donde se coloca el aparato.

	Si el aparato está dañado y si ve una fuga de gas, por favor manténgase alejado del gas. Puede causar congelación cuando entra en contacto con la piel. (incluyendo el R134)
	Ignore esta advertencia si el sistema de refrigeración del aparato contiene R134a.
	El tipo de gas utilizado en el aparato se indica en la placa de características que está en la pared izquierda dentro del frigorífico.
	ADVERTENCIA: En ningún caso se deberá arrojar al fuego para su desecho.

2.3 Para los aparatos con un dispensador de agua/máquina de hielo

- La presión para la entrada de agua fría será de un máximo de 90 psi (620 kPa). Si la presión del agua supera los 550 kPa (80 psi), utilice una válvula limitadora de presión en la red eléctrica. Si no sabe cómo comprobar la presión del agua, pida ayuda a un fontanero profesional.

- Si hay riesgo de impacto de agua en su instalación, utilice siempre un equipo de protección contra el impacto de agua en esa instalación. Por favor, consulte a los fontaneros profesionales si no está seguro de si hay impacto de agua en su instalación.
- No lo instale en la entrada de agua caliente.
- Utilice únicamente agua potable.
- Tome las medidas necesarias contra el riesgo de congelación de las mangueras. El rango de funcionamiento de la temperatura del agua debe ser de 0,6°C (33°F) como mínimo y 38°C (100°F) como máximo.



ADVERTENCIA:

Nunca conecte el aparato a una red de agua fría con una presión de 550 kPa (80 psi) o superior.

2.4 Uso previsto

- Este aparato está destinado únicamente al uso doméstico. Este aparato no es apto para su uso comercial, por lo que no debe utilizarse para fines distintos de los previstos.
- Debe ser usado sólo para almacenar comida.
- El fabricante no se responsabiliza de los daños derivados de un uso o transporte inadecuados.
- Los repuestos originales estarán disponibles durante 10 años a partir de la fecha de compra del aparato.

2.5 Seguridad de los niños

- En caso de que el aparato tenga cerradura, deberá mantenerse la llave fuera del alcance de los niños.
- No deje que los niños jueguen con el aparato.



PRECAUCIÓN:

Para evitar que un niño quede atrapado, manténgalo fuera del alcance de los niños, y no cerca del congelador ni del frigorífico.

ADVERTENCIA:

Antes de desechar su viejo frigorífico o congelador:

- Los niños pueden quedar encerrados dentro.
- Quite las puertas.
- Deje los estantes para evitar que los niños entren fácilmente en el aparato.



PELIGRO:

Riesgo de incendio o explosión:

- Este aparato utiliza un refrigerante inflamable.
- No utilice dispositivos mecánicos para descongelar el frigorífico.
- No utilice aparatos químicos para la limpieza.
- No perforo el tubo del refrigerante.
- Si se perfora el tubo de refrigerante, sólo debe ser reparado por personal de servicio autorizado.
- Por favor, consulte el manual de reparación/usuario antes de limpiar el aparato. Deben seguirse todas las instrucciones de seguridad.
- Deseche el aparato de acuerdo con las regulaciones federales o locales.



2.6 Cumplimiento de la Directiva RAEE y eliminación del aparato de desecho:



Este aparato cumple con la Directiva WEE de la UE (2012/19 UE). Este aparato lleva un símbolo de la clasificación de los equipos eléctricos y electrónicos WEEE (RAEE). Este aparato ha sido fabricado con piezas y materiales de alta calidad

que pueden ser reutilizados y son aptos para el reciclaje. Por lo tanto, no elimine el aparato con la basura doméstica normal u otros residuos al final del vida útil. Llévelo a un centro de recogida para reciclar equipos eléctricos y electrónicos. Por favor, consulte a las autoridades locales para conocer la ubicación de dichos centros de recogida.

2.7 Cumplimiento de la Directiva RoHS:

El aparato que ha adquirido es conforme con la directiva de la UE sobre la restricción de sustancias peligrosas (RoHS) (2011/65/UE). No contiene materiales dañinos o prohibidos especificados en la Directiva.

2.8 Información de embalaje

- Los materiales de embalaje del aparato se fabrican con material reciclable, de acuerdo con nuestra Reglamentación Nacional para el Medio Ambiente. No elimine los materiales de embalaje con los residuos domésticos normales u otros tipos de residuos. Lleve estos materiales a un punto de reciclaje designado por las autoridades locales.

3 Condiciones medioambientales

3.1 En cumplimiento de la Directiva RAEE, y la eliminación del aparato:

Este aparato cumple con la Directiva WEEE de la EU (2012/19/EU). Este aparato lleva un símbolo de la clasificación de los equipos eléctricos y electrónicos WEEE.



Este símbolo indica que este aparato no se desechará con otros residuos domésticos al final de su vida útil. El aparato usado debe ser entregado en el punto de recogida oficial para el

reciclaje de aparatos eléctricos y electrónicos. Para encontrar estos puntos de limpieza, por favor, póngase en contacto con las autoridades locales o con la tienda en la que compró el aparato. Cada hogar desempeña un papel importante en la recuperación y el reciclaje de los aparatos viejos. La eliminación apropiada de los aparatos usados ayuda a prevenir posibles consecuencias negativas en el medio ambiente y la salud humana.

3.2 Cumplimiento de la Directiva RoHS

El aparato que ha adquirido cumple con la Directiva de EU RoHS (2011/65/EU). No contiene materiales nocivos ni prohibidos especificados en la Directiva.

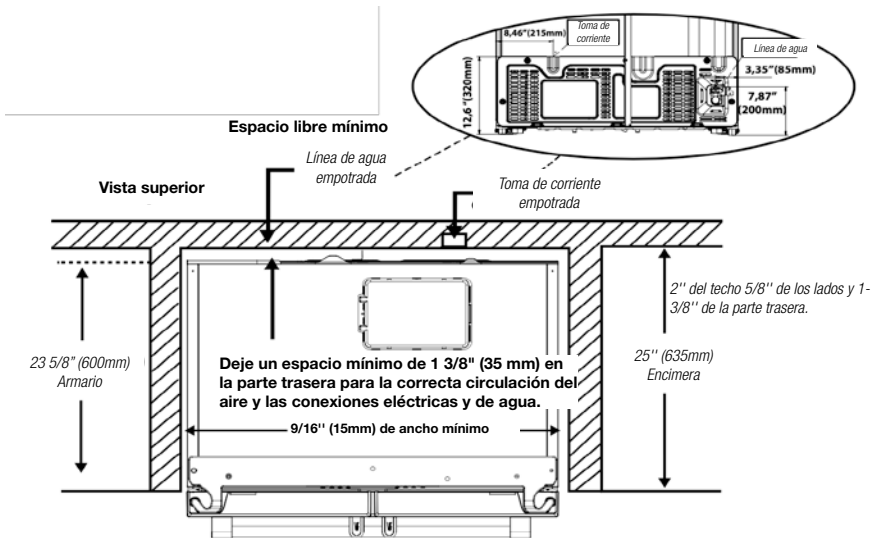
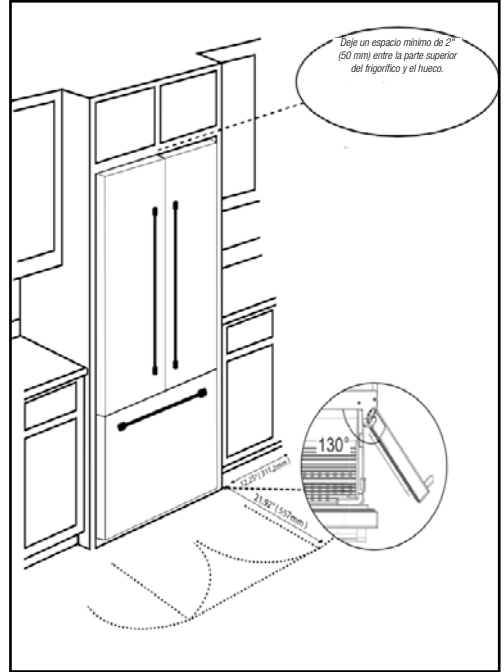
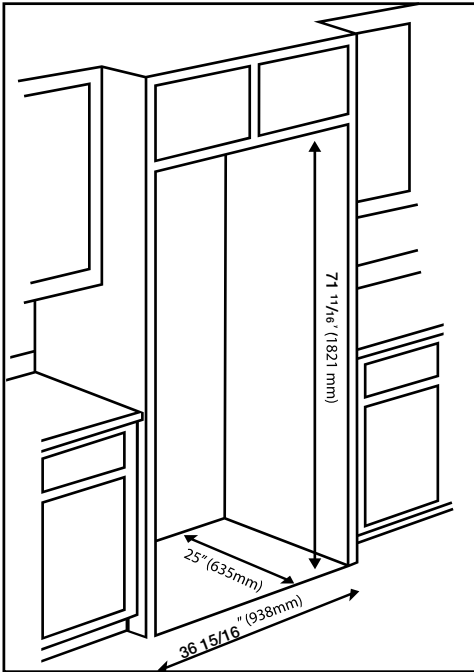
3.3 Información sobre el paquete



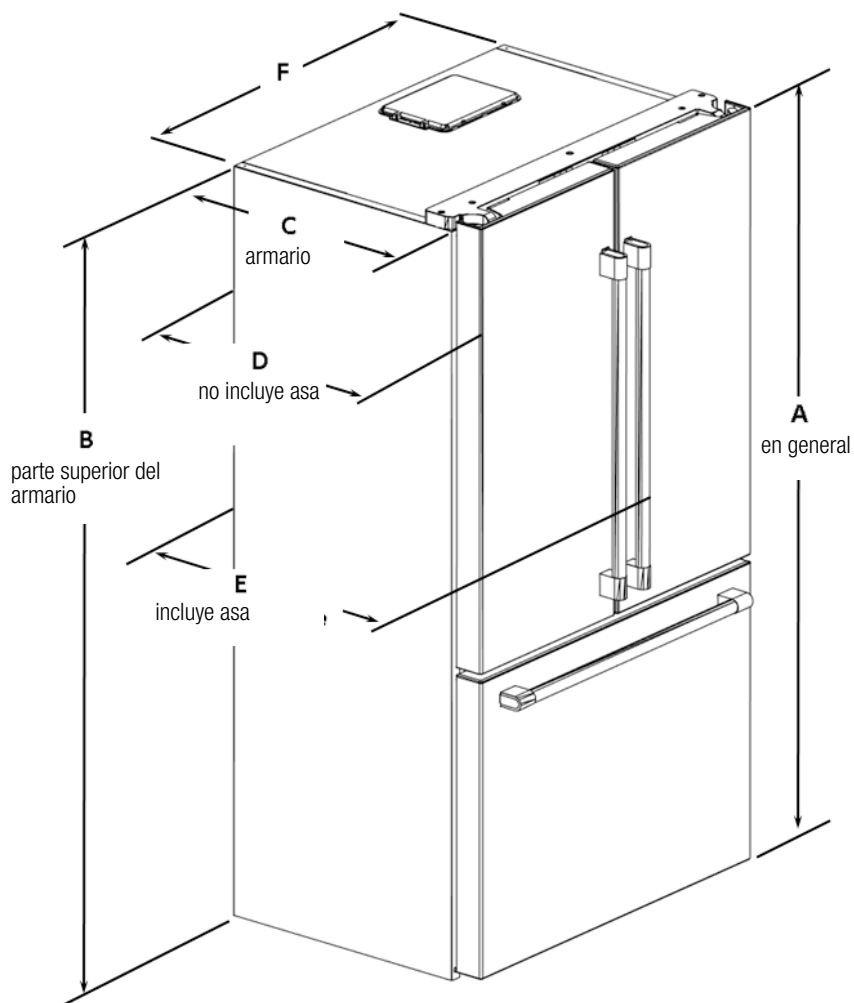
Los materiales de embalaje del aparato son fabricados a partir de materiales reciclables, de acuerdo con nuestra Reglamentación Nacional para el Medio

Ambiente. No se deshaga de los materiales de embalaje junto con los desechos domésticos o de otro tipo. Llévelos a los puntos de recolección de material de embalaje designados por las autoridades locales.

4 Instalación

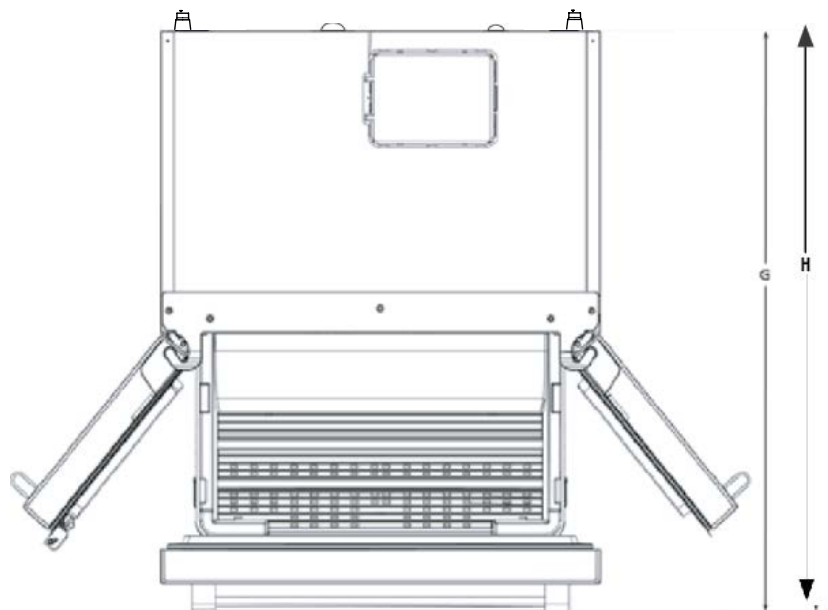


Instalación



Altura-Total "A"	Altura-Parte Superior del Armario "B"	Profundidad-Sólo Armario "C" "O"	Profundidad-Sin Asas "D"
69 3/4" (1771 mm)	67 5/16"(1710 mm)	23 5/8" (600 mm)	26 13/16" (680,5 mm)
Profundidad Con Asas "E"	Ancho-Armario "F"	Profundidad-CajónAbierto "G"	ProfundidadTotal-CajónAbierto "H"
29" (737 mm)	35 3/4"(908 mm)	45 9/16" (1157 mm)	46 3/16" (1173,5 mm)

Instalación



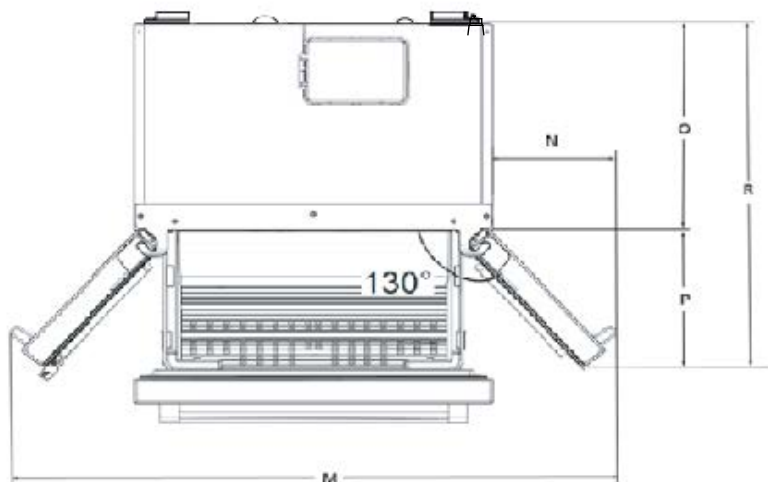
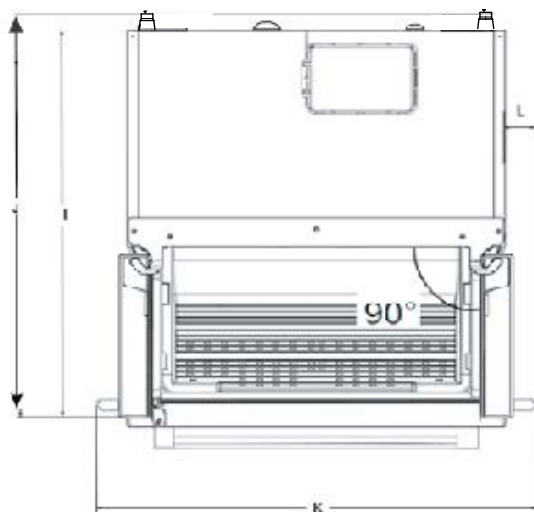
Altura-Total "A"	Altura-Parte Superior del Armario "B"	Profundidad-Sólo Armario "C" "O"	Profundidad-Sin Asas "D"
69 3/4" (1771 mm)	67 5/16"(1710 mm)	23 5/8" (600 mm)	26 13/16" (680,5 mm)
Profundidad Con Asas "E"	Ancho-Armario "F"	Profundidad-CajónAbierto "G"	ProfundidadTotal-CajónAbierto "H"
29" (737 mm)	35 3/4"(908 mm)	45 9/16" (1157 mm)	46 3/16" (1173,5 mm)

Espacio libre mínimo desde la parte superior: 2" pulgadas

Espacio libre mínimo desde los lados: 5/8" pulgadas

Espacio Libre Mínimo Desde la Parte Trasera: 1 3/8" pulgadas

Instalación



Profundidad-Puertas Abiertas 90° "I"	Profundidad Total-Puertas Abiertas 90° "J"	Ancho-Puertas Abiertas 90° Con Asas "K"	Ancho-Puertas Abiertas 90°-De Armario Al Asa "L"
42 1/4" (1072,6 mm)	43 1/16" (1094 mm)	41 11/16" (1059,2 mm)	3" (75,6 mm)
Ancho-Puertas Abiertas 130°- De Asa Al Asa "M"	Ancho-Puertas Abiertas 130°- De Armario Al Asa "N"	Ancho-Puertas Abiertas 130° "P"	Profundidad Puertas Abiertas 130° "R"
60 1/4" (1530,2 mm)	12 1/4" (311,2 mm)	15 3/8" (391 mm)	39" (991 mm)

Instalación




4.1 Antes de Instalación

- Antes de instalar, verifique que las medidas del hueco son suficientes para acoger el producto y que existen las conexiones adecuadas de electricidad y fontanería.

Válvulas de presión de línea de agua	psi	kPa	bar
Presión Máxima de Funcionamiento:	90	620	6.2
Presión máxima para el dispositivo de válvula limitadora	80	550	5.5

Requisitos eléctricos	
Tensión	120V AC
Frecuencia	60 Hz
Corriente	15 A

- Diríjase al Agente de Servicio Autorizado más cercano para la instalación del aparato. Para que el aparato esté listo para su uso, asegúrese de que la instalación eléctrica es la adecuada antes de llamar al Servicio Técnico Autorizado. En caso contrario, llame a un electricista cualificado para que realice los arreglos necesarios.
- Su producto se proporciona con un filtro de agua interno. El número de pieza del filtro es 4918450200 y puede utilizar este número de pieza cuando pida filtros de repuesto.

	La preparación de la ubicación y la instalación eléctrica en el lugar de instalación es responsabilidad del cliente.
	Fontanería: Es importante que el frigorífico se conecte únicamente a la línea de agua fría.
	El aparato no debe estar enchufado durante la instalación. De lo contrario, ¡existe el riesgo de muerte o lesiones graves!



ADVERTENCIA: La instalación y las conexiones eléctricas del aparato deben ser realizadas por el Servicio Técnico Autorizado. El fabricante no se hace responsable de los daños que puedan derivarse de los procedimientos llevados a cabo por personas no autorizadas.



ADVERTENCIA: Antes de la instalación, compruebe visualmente si el aparato tiene algún defecto. Si es así, no lo haga instalar. Los aparatos dañados causan riesgos para su seguridad.

4.2 Lugar de instalación adecuado

- Realice la instalación del producto a una distancia mínima de 30 cm (12") de fuentes de calor tales como encimeras, hornos, calefactores de espacios, radiadores y estufas, y a una distancia mínima de 5 cm (2") de hornos eléctricos. El aparato no debe ser sometido a la luz directa del sol ni mantenerse en lugares húmedos después de la instalación.
- No coloque el aparato sobre los materiales como alfombras o moquetas.
- Coloque el aparato sobre una superficie de suelo uniforme para evitar que se tambalee.
- No instale el aparato en ambientes con temperaturas inferiores a 10°C /50°F.



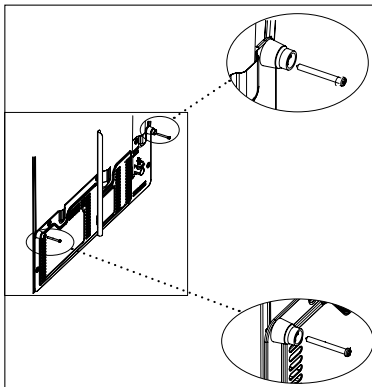
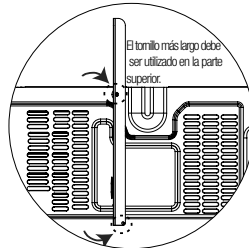
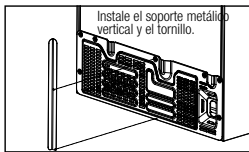
Si se van a instalar dos frigoríficos uno al lado del otro, debe haber al menos 1 1/2" (4 cm) de distancia entre ellos.

- Asegúrese de que hay espacio suficiente alrededor del aparato para garantizar la libre circulación del aire.
- Con el fin de lograr un buen funcionamiento, debe haber un espacio de al menos 35 mm (1 3/8") entre el frigorífico y la pared trasera. **Para garantizar esto, coloque los amortiguadores circulares grises que se instalarán en la cubierta metálica trasera del refrigerador.** Éstos vienen en el interior del cajón de los alimentos frescos.

4.3 Instalaciones Insertadas

- En caso de que el producto se instale dentro de un mueble o en un nicho cercano, verifique que exista un flujo de aire adecuado alrededor del producto para su correcto funcionamiento. Este frigorífico necesita un mínimo de 2" desde la parte superior de la unidad hasta el techo o recinto, 5/8" a cada lado y 1 3/8" en la parte posterior.
- Para un flujo de aire adecuado al realizar la instalación en un hueco o nicho, asegúrese de la instalación a la unidad de las piezas que se muestran a continuación.

parte de la circulación



4.4 Conexión eléctrica

- 120VAC, 60Hz, Dedicado 15Amp Circuito.
- Los enchufes GFCI ofrecen una protección extra, pero cualquier fallo del GFCI puede provocar el deterioro de los alimentos, lo que no está cubierto por la garantía del fabricante.
- La conexión eléctrica debe cumplir con la normativa nacional.
- El enchufe del cable de corriente debe ser de fácil acceso después de la instalación.
- No haga conexiones a través de cables de extensión o enchufes múltiples.



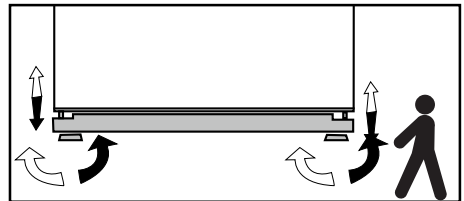
ADVERTENCIA: El cable de corriente dañado debe ser reemplazado por los Agentes de Servicio Autorizados.



ADVERTENCIA: ¡Si el aparato tiene un fallo, no debe ser operado a menos que sea reparado por el Agente de Servicio Autorizado! ¡Existe el riesgo de descarga eléctrica!

4.5 Ajuste de las patas

Tras desplazar el frigorífico a su ubicación, es recomendable bajar las patas para asegurar el producto en el lugar. También puede ajustar los pies en caso de que el producto no esté equilibrado. Tuerza los pies en la dirección deseada según la ilustración que aparece a continuación. Ajustar los pies también sirve para alinear las puertas.



ADVERTENCIA: Primero desenchufe el aparato. El aparato no debe estar enchufado durante el ajuste de las patas. ¡Existe el riesgo de descarga eléctrica!

Instalación

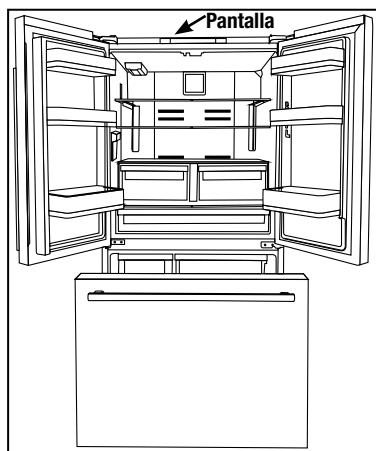
4.6 Luz de iluminación

No intente repararlo usted mismo, sino que llame al servicio técnico autorizado si las lámparas de iluminación LED no se encienden.

La lámpara(s) que se utiliza en este aparato no es adecuada para la iluminación de una estancia doméstica. El propósito de esta lámpara es ayudar al usuario a colocar los alimentos en el frigorífico / congelador en una manera segura y cómoda.

4.7 Aviso de Puerta/Cajón Abierto

Se dará una señal de alarma acústica cuando la puerta del aparato se deje abierta durante 1 minuto. Esta advertencia se silenciará cuando la puerta esté cerrada o cualquiera de los botones de la pantalla se presionen.



4.8 Conexión de agua

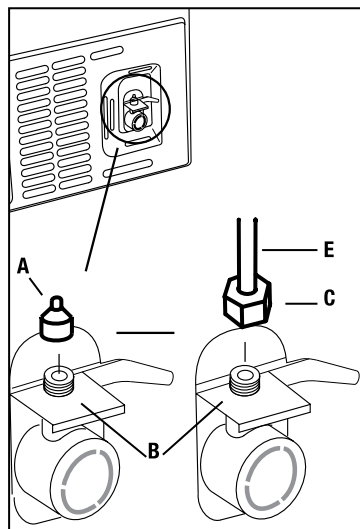
Primero debe conectar la manguera de agua al frigorífico.



ADVERTENCIA: La nevera y la bomba, si la hay, deben estar desenchufadas durante la conexión.

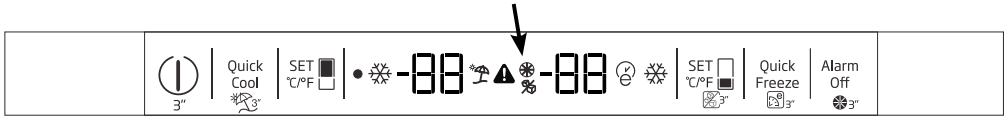
4.9 Conexión de la manguera de agua al frigorífico

1. Retire la tapa del canal de la válvula (A) de la válvula de entrada de agua.
2. Conecte la línea de agua (C) a la válvula de entrada (B) y apriétela a mano para fijarla. No es preciso el uso de alicates, pero si hay una fuga, se puede apretar ligeramente con un par de alicates.

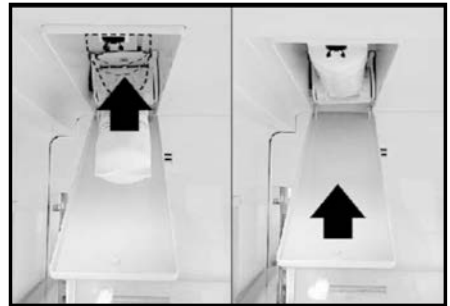
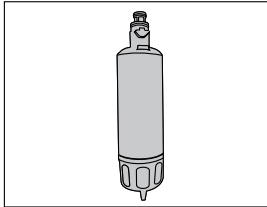


4.10 Conexión de la línea de agua al suministro de agua

Conecte la línea de agua a una válvula de suministro de agua. Si no hay una válvula o no está seguro, consulte a un fontanero cualificado.







4.11 Instalar Filtro de Agua Interno

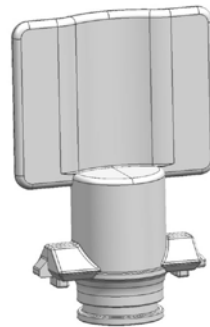


Instalar filtro de agua interno consiste de dos pasos:

- Instalar físicamente el filtro
- Realizar ajustes de pantalla.

1. Pulse y mantenga pulsada la tecla Freezer Temp Set  durante 3 segundos, o hasta que aparezca el icono de no hielo en la pantalla.
2. Para abrir el compartimento del filtro, deslice la tapa del filtro hacia delante.
3. Incline el tapón de derivación hacia abajo y tire hacia afuera para retirarlo.
4. Inserte el filtro en la carcasa y empújelo a una posición horizontal.
5. Cierre la tapa del filtro y empújela hasta su lugar.
6. Mantenga pulsada la tecla Freezer Temp Set  durante 3 segundos.
Ha instalado correctamente su filtro.

La advertencia de Fin de Vida Útil del Filtro  3" aparecerá en aproximadamente 130 días, exigiendo que se reemplace el filtro con los mismos pasos indicados anteriormente. Tras sustituir el filtro, mantenga pulsada la tecla "Alarm Off"  durante 3 segundos, o hasta que desaparezca el aviso de fin de vida útil del filtro en la pantalla.



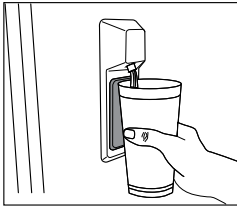
TOMA DE DERIVACIÓN

Instalación

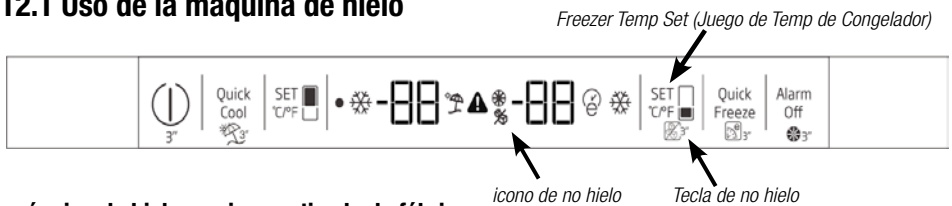
4.12 Antes de utilizar el dispensador de agua

Es necesario que las conexiones del sistema de agua se realicen por un Agente de Servicio Autorizado, con las herramientas necesarias.

- El sistema de agua está diseñado para funcionar sólo con agua. No intente conectar bebidas como refrescos o zumos.
- En la línea de agua habrá aire que debe ser purgado del sistema antes del uso inicial. Para purgar el aire de la línea, coloque un recipiente debajo de la boquilla del dispensador de agua y pulse la paleta del dispensador durante 1 ó 2 minutos hasta que sólo salga agua.
- No es conveniente consumir los primeros 10 vasos de agua, ya que pasarán aproximadamente 12 horas antes de que el agua dispensada se enfríe hasta alcanzar la temperatura de refrigeración.
- Después de soltar la paleta del dispensador, espere 1 segundo antes de sacar el recipiente, ya que esto reducirá la posibilidad de que gotee en la bandeja del dispensador.



4.12.1 Uso de la máquina de hielo



La máquina de hielo no viene activada de fábrica.

- Para encender la máquina de hielo, pulse y mantenga pulsada la tecla Freezer Temp Set durante 3 segundos, o hasta que desaparezca el icono de no hielo (☒) en la pantalla. El depósito de hielo tardará aproximadamente 1-2 días en llenarse de hielo. En caso de que se produzca un corte de energía mientras el refrigerador está en funcionamiento, los cubitos de hielo pueden derretirse parcialmente y luego pegarse cuando se vuelvan a congelar. Si el corte de energía es prolongado, los cubos de hielo pueden convertirse en agua y provocar fugas. Si se produce un problema de este tipo.

- Vacíe y limpie el depósito de hielo. Los cubitos de hielo también pueden pegarse si se dejan en el depósito durante demasiado tiempo.

4.13 Transporte del aparato

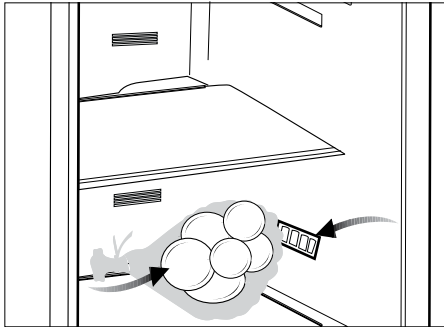
1. Desenchufe el aparato antes de transportarlo.
2. Retire las conexiones de agua.
3. Asegure los estantes, los accesorios, el cajón de verduras, etc. en el frigorífico con cinta adhesiva antes de volver a embalarlo.

	Los embalajes deben estar atados con cintas gruesas o cuerdas fuertes y deben respetarse las normas de transporte impresas en el embalaje.
	ADVERTENCIA: Los materiales de embalaje son peligrosos para los niños. Mantenga los materiales de embalaje en un lugar seguro y fuera del alcance de los niños.

5 Preparación

Antes de empezar a utilizar el aparato, compruebe que todos los preparativos se realizan de acuerdo con las instrucciones de los apartados "Instrucciones importantes para la seguridad y el medio ambiente" y "Instalación".

- Limpie el interior del frigorífico como se recomienda en el apartado "Mantenimiento y limpieza (Página 25)". Antes de operar asegúrese de que el interior esté seco.
- Enchufe el frigorífico en la toma de corriente con conexión a tierra. Al abrir la puerta se encenderá la iluminación interior.
- Haga funcionar el frigorífico sin poner ningún alimento durante 6 horas y no abra su puerta a menos que sea absolutamente necesario.
- No permita que los alimentos toquen el sensor de temperatura del compartimento de alimentos frescos.

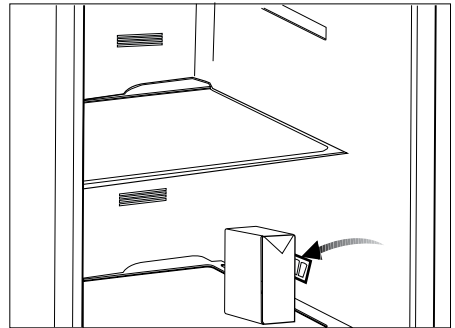


Se escuchará un ruido cuando el compresor cuando se pone en marcha. Los líquidos y gases sellados dentro del sistema de refrigeración también pueden dar lugar a ruido, incluso si el compresor no está funcionando y esto es bastante normal.



Los bordes delanteros del frigorífico pueden sentirse calientes. Esto es normal. Estas áreas están diseñadas para ser calientes para evitar la condensación.

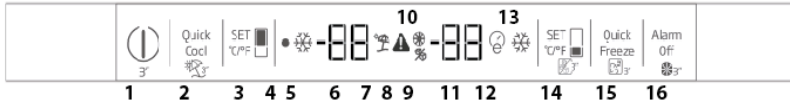
- Para que el compartimento de alimentos frescos mantenga su temperatura ideal de almacenamiento, el sensor no debe ser cubierto por los alimentos.



6 Pantalla y uso del producto

6.1 Panel de indicadores

El panel indicador de control táctil le permite ajustar la temperatura y controlar las demás funciones del refrigerador. Solo tiene que pulsar los botones correspondientes para configurar la función.



Nota: Las teclas 2, 14, 15 y 16 tienen dos funciones. La segunda función tiene una "b" después del número.



1-Tecla de potencia

Pulse y mantenga pulsada esta tecla durante 3 segundos para encender y apagar el frigorífico.



2- Botón de Refrigeración Rápida

Pulse esta tecla para activar la opción de Refrigeración Rápida, que reduce la temperatura del compartimento de alimentos frescos a su valor más bajo (33 F°) durante dos horas. Pasado este tiempo, volverá a la temperatura previamente ajustada.



2b. Modo de Vacaciones

Al mantener pulsada la tecla de Refrigeración Rápida durante tres segundos, se activará el Modo Vacaciones. En el Modo Vacaciones el compartimento de Alimentos Frescos se mantendrá a 50 F° mientras el Congelador conserva su temperatura establecida. Reconocerá que el Modo de Vacaciones está activado por los guiones en el indicador de temperatura de alimentos frescos (6) y la iluminación de la "sombrialla de playa" (7). Pulse y mantenga pulsada la tecla Refrigeración Rápida durante 3 segundos para desactivar esta opción.



3- Tecla de ajuste de Temperatura de los Alimentos Frescos

Para cambiar la temperatura en la sección de alimentos frescos entre 33 F° y 40 F° pulse esta tecla. En la pantalla de temperatura de Alimentos Frescos (6) se mostrará la temperatura ajustada.



4- Luz indicadora de "apagado" de energía

Cuando el frigorífico esté enchufado, pero NO encendido, se iluminará un punto rojo. Cuando el frigorífico se enciende, la luz roja se apaga.



5- Indicador de Refrigeración Rápida

En la pantalla de la temperatura de los alimentos frescos aparece un icono en forma de "copo de nieve" a la izquierda para indicar que la opción de Refrigeración Rápida está activada.



6- Pantalla de Temperatura de Alimentos Frescos

Aquí se visualizará la temperatura ajustada en el comportamiento de Alimentos Frescos.



7-Indicador de Modo de Vacaciones

Se iluminará el icono de la "sombrialla de playa" al activar el Modo de Vacaciones. Asimismo, aparecerán guiones en la pantalla de temperatura de alimentos frescos.



8- Advertencia de Temperatura Alta

Si la temperatura en el Congelador es demasiado alta después de las primeras 72 horas de funcionamiento, se iluminará el signo de exclamación rojo. (Vea página 19 para más detalles)



9-Icono de Máquina de Hielo Apagada

Cuando la máquina de hielo está apagada, se iluminan los cubitos de hielo con una barra.



10-Icono de Cambio de Filtro

Cuando sea el momento de cambiar el filtro de agua, se iluminará el icono de cambio de filtro. (Para obtener instrucciones sobre cómo hacerlo, consulte la página 12).



11-Indicación de Temperatura del Compartimento Congelador

Esta pantalla mostrará la temperatura ajustada del compartimento del congelador.



12-Icono Eco-Extra

El icono Eco-Extra se iluminará cuando Eco-Extra esté activado. (Vea 15b para más información sobre esta opción).



13-Indicador de Congelación Rápida

Se iluminará un icono en forma de copo de nieve a la derecha de la pantalla de temperatura del compartimento del congelador cuando esté activada la opción de Congelación Rápida. (Vea 15 para información sobre esa opción).



14-Tecla de Ajuste de Temperatura de Congelador

Pulse esta tecla para ajustar la temperatura del compartimento Congelador, entre -8 F° y 5 F°.



14.b. Tecla de encendido/apagado de Máquina de Hielo

Mantenga pulsada la tecla Freezer Temp Set durante 3 segundos para encender y apagar la Máquina de Hielo.



15-Tecla de Congelación Rápida

Pulse y mantenga pulsada la tecla de Congelación Rápida para activar la opción de Congelación Rápida, que hará descender la temperatura del Congelador a su ajuste más bajo (-8 F°) durante 24 horas. Pasado este tiempo, regresará a la temperatura previamente ajustada.



15b. Tecla Eco-Extra

Pulse y mantenga pulsada la tecla de Congelación Rápida durante 3 segundos para activar la opción Eco-Extra. En este modo el frigorífico funcionará de la forma más eficiente. Permanecerá en este modo sólo mientras las puertas permanezcan cerradas.



16. Tecla de Apagado de Alarma

En caso de que las puertas permanezcan abiertas durante más de 1 minuto, o si se detecta un error, sonará una alarma. Si se pulsa esta tecla, la alarma se silenciará.



16b. Reinicio de Temporizador de Cambio de Filtro

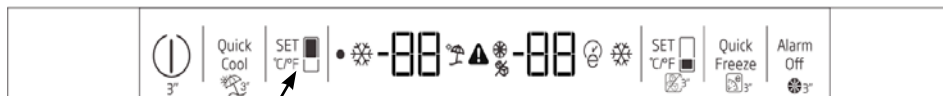
En caso de que se encienda la luz de cambio de filtro (10), mantenga pulsada la tecla de desactivación de la alarma durante 3 segundos para restablecer el temporizador. La luz de reinicio del filtro se encenderá después de 130 días de funcionamiento.



***opcional:** Las imágenes en este manual son esquemáticos y pueden no coincidir exactamente con el aparato. Si usted ha comprado las piezas que no se incluyen en el aparato, entonces esas piezas son válidas para otros modelos.

Modos e Indicaciones Especiales

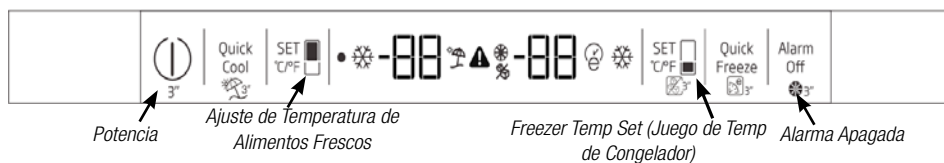
6.2 Modo Sabbath



Tecla de Ajuste de Temperatura de Alimentos Frescos

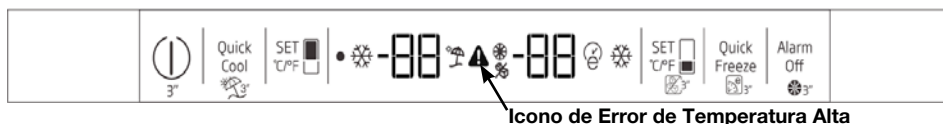
Pulse la tecla de función Fresh Food Temp Set durante 3 segundos para activar o desactivar el Modo Sabbath. Cuando el Modo Sabbath está activado, la pantalla, la alarma, la apertura de la puerta o los botones de luz no funcionarán. En la pantalla aparecerá "SA". El algoritmo de enfriamiento se ajusta de acuerdo a la moda sabática. Si el usuario no desactiva el modo Sabbath, el refrigerador lo cancelará automáticamente en 72 horas.

6.3 Modo Showroom



Modo Showroom es una opción utilizada principalmente en salas de exposición de distribuidores. Permite que el producto se encienda sin el funcionamiento de los ventiladores y el sistema de refrigeración. A fin de activar este modo, mantenga pulsado "Potencia" y "Alarma Apagada" hasta que aparezca PS 0. Utilice la tecla "Freezer Temperature Set" (Ajuste de Temperatura de Congelador) para cambiar el 0 por un 8. Después, pulse la tecla "Fresh Food Temperature Set" (Ajuste de Temperatura de Alimentos Frescos) para activarlo. Para desactivar, mantenga pulsada la tecla "Potencia" & "Alarma Apagada" de nuevo.

6.4 Error de Alta Temperatura



Icono de Error de Temperatura Alta

El icono de Error de Temperatura Alta se muestra cuando la temperatura del Congelador es demasiado alta después de las 72 horas iniciales de funcionamiento. En caso de que la temperatura del Congelador alcance 28F° (-2,2°C) o más, y no baje de 16 F° (-9°C) dentro de 12 horas, el icono de Error de Temperatura Alta se iluminará, sonará una alarma y la temperatura ajustada y la temperatura más alta alcanzada en el Congelador cambiarán en la pantalla. Al pulsar la tecla "Alarma Apagada", la alarma se silenciará, pero el icono y la temperatura parpadeante continuarán hasta que el Congelador quede por debajo de los 16F° (-9°C). En caso de que el Congelador no se enfríe por debajo de los 16F° (-9°C) en las próximas 3,5 horas, la alarma audible volverá a sonar. Es posible volver a silenciar la alarma audible con la tecla "Alarma Apagada". En el caso de que el error continúe, se debe revisar que las puertas estén bien cerradas y selladas. Por lo general, la causa de este error es un fallo de alimentación en el circuito al que está conectado el refrigerador. En caso de que el icono continúe volviendo, se debe llamar a un agente de servicio autorizado para que inspeccione la unidad.

Temperaturas de Funcionamiento

Ajuste de Compartimento Congelador	Ajuste de Compartimento Frigorífico	Explicaciones
5F°/-15°C	39 F° /4°C	Este es el ajuste normalmente recomendado.
-4F°/-20°C	37 F° / 3°C	Estos ajustes se recomiendan cuando la temperatura ambiente supera los 86 °F /30°C.
Quick Freeze	39 F° / 4°C	Úselo cuando desee congelar su comida en poco tiempo. El frigorífico volverá a su modo anterior cuando termine el proceso.
5 F° /-15°C o más frío	Quick Fridge	Utilice esta función cuando coloque grandes cantidades en el compartimento del frigorífico o cuando necesite enfriar los alimentos rápidamente. Se recomienda activar la función Frío Rápido 4-8 horas antes de colocar los alimentos en el compartimento.

Uso del aparato

6.5 Congelación de alimentos frescos

- Envuelva los alimentos o colóquelos en un recipiente con tapa antes de introducirlos en el frigorífico.
- Los alimentos y bebidas calientes deben enfriarse a la temperatura ambiente antes de meterlos en el frigorífico.
- Los alimentos que se quieran congelar deben ser frescos y de buena calidad.
- Empaque los alimentos de manera hermética para evitar que se sequen aunque vayan a ser almacenados por poco tiempo.
- Los materiales que se utilicen para el embalaje deben ser resistentes al desgarro y al frío, a la humedad, a los aceites y a los ácidos, y también deben ser herméticos. Todo el embalaje debe estar completamente sellado.
- Los alimentos congelados deben ser utilizados inmediatamente después de ser descongelados y Nunca deben ser recongelados.
- No congele cantidades excesivas de alimentos de una sola vez. La calidad de los alimentos se conserva mejor cuando se congelan hasta el núcleo lo más rápidamente posible.
- Colocar alimentos calientes en el compartimento del congelador hace que el sistema de refrigeración funcione continuamente hasta que los alimentos se congelen.

6.6 Recomendaciones para conservar los alimentos congelados

Para garantizar la calidad alcanzada por el fabricante de alimentos congelados y el restaurador de alimentos, siga los pasos indicados a continuación:



- 1.** Coloque los paquetes en el congelador lo antes posible después de la compra.
- 2.** Asegúrese de que el contenido del paquete está etiquetado y fechado.
- 3.** Comprobar si las fechas de "Consumir antes de" y "Consumir preferentemente antes de" que aparecen en el envase se superan o no.

6.7 Colocación de los alimentos

Estantes del congelador	Varios artículos congelados como carne, pescado, helados, vegetales, etc.
Estantes del compartimento frigorífico	Comida en ollas o sartenes, platos cubiertos y recipientes cerrados
Estante de puerta del compartimento frigorífico	Alimentos o bebidas pequeñas y envasadas (como leche, zumo de frutas, cerveza, etc.)
Cajón de frutas y verduras	Verduras y frutas
Cajón de charcutería	Productos de charcutería (queso, mantequilla, salami, etc.)

6.8 Información sobre la congelación

Puede mantener la frescura de los alimentos durante muchos meses (a temperaturas de 5 °F/ -15°C o inferiores en el congelador).

	Divida los alimentos en porciones de acuerdo con las necesidades de consumo diario o de comidas de su familia.
	Empaque los alimentos de manera hermética para evitar que se sequen aunque vayan a ser almacenados por poco tiempo.

- Materiales necesarios para el embalaje:
- Cinta adhesiva resistente al frío
- Etiqueta autoadhesiva
- Anillas de goma
- Bolígrafo

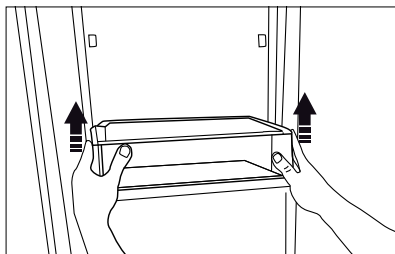
Uso del aparato

6.9 Cómo retirar los estantes de la puerta

Puede retirar los estantes de la puerta para limpiarlos.

Primero, vacíe los alimentos del interior. Empuje el estante deseado hacia arriba para retirarlo.

No retire el estante de la puerta cuando haya alimentos en él.



6.10 Mover el Estante FlexiLift de Puerta

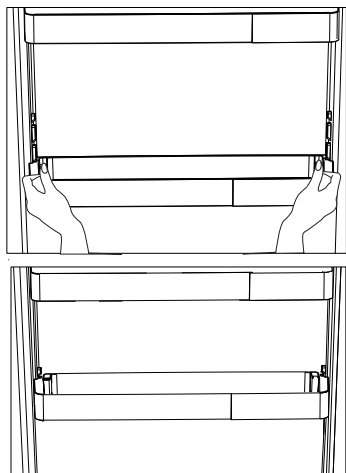
*opcional

Mover el estante FlexiLift de puerta puede realizar desde 3 posiciones diferentes.

Para mover el estante, hay que pulsar uniformemente los botones del lateral. El estante será móvil.

Mueve el estante hacia arriba o hacia abajo.

Cuando el estante esté en la posición deseada, suelte los botones. La rejilla se fijará de nuevo en la posición en la que haya soltado los botones.



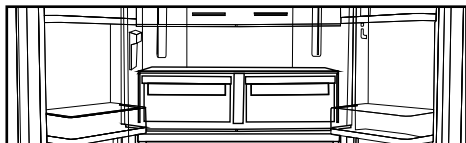
6.11 Estantes de vidrio

Puede retirar los estantes de cristal para limpiarlos. Tenga cuidado al retirar los estantes, ya que son pesados.

6.12 Cajones de verdura

(en algunos modelos)

Cajones de verdura permiten preparar la comida para la congelación. También pueden utilizar estos compartimentos para almacenar los alimentos a una temperatura de unos pocos grados por debajo del compartimento del frigorífico.



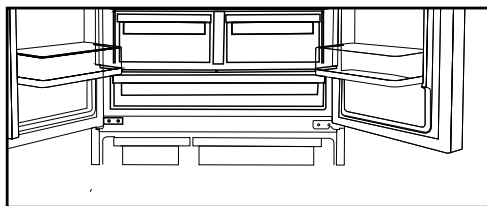
Puede aumentar el volumen interior del frigorífico mediante la eliminación de cualquiera de los compartimentos enfriadores:

1. Tire del compartimento hacia usted hasta que se detenga.
2. Levante el compartimento aproximadamente 7/16" (1 cm) hacia arriba y tire hacia usted para sacarlo de su asiento.

6.13 Cajón de Charcutería

Cajón de Charcutería fue diseñado con circulación de aire fresco alrededor. De este modo, los productos almacenados en el cajón suelen estar en un compartimento de alimentos frescos a una temperatura superior a la media de los alimentos frescos.

Si se requiere, quite los estantes de la puerta antes de quitar el Cajón de Charcutería



6.14 Cajón refrigerante con control de humedad

(EverFresh+)

Los niveles de humedad de las verduras y la fruta se mantienen bajo control con la función de crisol con control de humedad y se garantiza que los alimentos se mantengan frescos durante más tiempo.

Le recomendamos que coloque las verduras de hoja como la lechuga, las espinacas y las verduras sensibles a la pérdida de humedad, de forma horizontal en la medida de lo posible dentro del cajón, y no sobre sus raíces en posición vertical.

Mientras se colocan las verduras, debe tenerse en cuenta el peso individual de las mismas. Las verduras pesadas y duras deben colocarse en el fondo del frigorífico y las verduras ligeras y blandas deben colocarse encima.

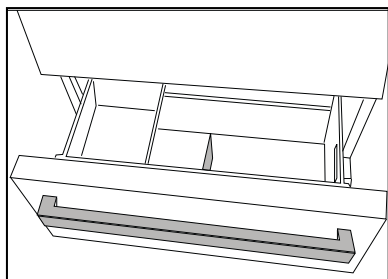
Nunca deje las verduras dentro del cajón de verduras en sus bolsas. Esto causará su descomposición prematura. En caso de querer mantener las verduras separadas, utilice bolsas de papel perforadas o materiales similares para hacerlo. Ciertas frutas tales como las peras, los albaricoques, los melocotones o las manzanas generan altos niveles de gas etileno. No las coloque con otras frutas y verduras, ya que esto hará que se descompongan más rápidamente.

6.15 Contenedor de hielo

El contenedor de hielo se utiliza para recoger el hielo producido por la máquina de hielo. No introduzca agua para hacer hielo, ya que puede romperse. El contenedor de hielo no se utiliza para almacenar alimentos.

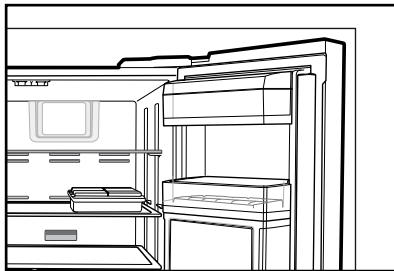


La máquina de hielo puede dejar caer hielo cuando se abre el contenedor de hielo.



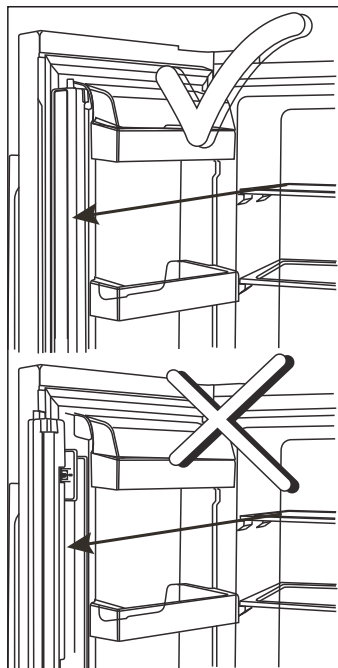
6.16 Sección de mantequilla y queso

Guarde los alimentos como la mantequilla, el queso y la margarina en esta sección.



6.17 Aletas de puerta

La aleta móvil de puerta tiene por objeto evitar que el aire frío del interior del frigorífico salga al exterior. El sellado se produce cuando las juntas de la puerta presionan la superficie de aleta de puerta mientras las puertas del compartimento del frigorífico están cerradas.



Uso del aparato

6.18 ActiveFresh Luz Azul

Los crispers del frigorífico se iluminan con luz azul. Los alimentos almacenados en los crispers continúan su fotosíntesis mediante el efecto de la longitud de onda de la luz azul y así, conservan su frescura y su contenido en vitaminas.

6.19 IonGuard (en algunos modelos)

El aire es ionizado por medio del sistema ionizador en el conducto de aire del compartimiento del refrigerador. Gracias a este sistema, se eliminan del aire las bacterias y las moléculas odorizantes.

6.20 Filtro de olores

El filtro de olores en el conducto de aire del compartimiento del frigorífico evita la acumulación de olores desagradables en el frigorífico.

6.21 Cambiar la escala de temperatura (Fahrenheit ↔ Celcius)

Después de que el producto esté energizado, presione y mantenga presionados los botones de ajuste de temperatura de alimentos frescos y ajuste de temperatura del congelador juntos durante 3 segundos. Se completa el cambio de escala de temperatura. Invierta estos pasos para volver a la escala original.



7. Limpieza y mantenimiento

La vida útil del producto se alarga y se disminuyen los problemas comunes, si se limpia regularmente.



ADVERTENCIA: Desenchufe el aparato antes de limpiarlo.

- No utilice nunca gasolina, benceno o sustancias similares para la limpieza.
- No utilice nunca herramientas afiladas y abrasivas, jabón, limpiadores domésticos, detergente y abrillantador de cera para la limpieza.
- Disuelve una cucharadita de bicarbonato de sodio en una pinta de agua. Empapar un paño con la solución y escurrirlo bien. Limpie el interior del frigorífico con este paño y séquelo bien.
- Asegúrese de que no entre agua en la carcasa de la lámpara ni en otros elementos eléctricos.
- Si no va a utilizar el frigorífico durante un largo periodo de tiempo, desenchúfelo, saque todos los alimentos del interior, límpielo y deje la puerta entreabierta.
- Compruebe regularmente que las juntas de la puerta estén limpias. Si no, límpielos.
- Para quitar la puerta y los estantes del cuerpo, retire todo su contenido.
- Retire los estantes de la puerta tirando ellos hacia arriba. Después de la limpieza, deslícelos de arriba a abajo para instalarlos.
- No utilice nunca productos de limpieza ni agua que contenga cloro para limpiar las superficies exteriores y las partes cromadas del aparato. El cloro causa corrosión en estas superficies metálicas

7.1 Cómo evitar los malos olores

En la producción de nuestros frigoríficos no se utilizan materiales que puedan causar olores. Sin embargo, debido a las condiciones inadecuadas de conservación de los alimentos y a no limpiar la superficie interior del frigorífico como es debido, puede surgir el problema de los olores. Preste atención a lo siguiente para evitar este problema:

- Es importante mantener el frigorífico limpio. Los restos de comida, las manchas, etc. pueden causar olores. Por lo tanto, limpie el refrigerador con bicarbonato de sodio disuelto en agua cada 15 días. No utilice nunca detergentes o jabón.
- Mantenga los alimentos en recipientes cerrados. Los microorganismos que se extienden desde los recipientes sin tapa pueden causar olores desagradables.
- Nunca guarde en el frigorífico los alimentos que estén caducados o estropeados.

7.2 Proteger las superficies de plástico

No introduzca en su frigorífico aceites líquidos o comidas cocinadas en aceite en recipientes sin cerrar, ya que dañan las superficies de plástico del frigorífico. Si se derrama o mancha aceite en las superficies de plástico, limpie y aclare inmediatamente la parte correspondiente de la superficie con agua caliente.

8. Solución de problemas

Compruebe esta lista antes de ponerse en contacto con el servicio técnico. Si lo hace, le ahorrará tiempo y dinero. Esta lista incluye quejas frecuentes que no están relacionados con la mano de obra ni materiales defectuosos. Algunas funciones mencionadas en este documento pueden no ser aplicables a su aparato.

El frigorífico no está funcionando.

- El enchufe de corriente no está completamente asentado. >>> Enchúfelo completamente en la toma de corriente.
- El fusible conectado a la toma de corriente del aparato o el fusible principal está fundido. >>> Asegúrese de que la unidad está encendida. Si la pantalla muestra una sola luz roja, significa que el producto está enchufado pero no encendido. Pulse y mantenga pulsado el botón de encendido durante tres segundos para encender la unidad.
- **Condensación en la pared lateral del compartimento de alimento fresco (MULTI ZONE, COOL, y FLEXI ZONE).**
- La puerta se abre con demasiada frecuencia >>> Tenga cuidado de no abrir la puerta del aparato con demasiada frecuencia.
- El medio ambiente es demasiado húmedo. >>> No instale el aparato en ambientes húmedos.
- Los alimentos que contienen líquidos se mantienen en sus envases sin sellar. >>> Mantenga los alimentos que contengan líquidos en envases sellados.
- La puerta del aparato se deja abierta. >>> No mantenga la puerta del aparato abierta durante largos períodos de tiempo.
- El termostato está ajustado a una temperatura demasiado baja. >>> Ajuste el termostato a la temperatura adecuada.

El compresor no está funcionando.

- En caso de fallo de corriente repentino o tirando del enchufe de corriente y poniéndolo de nuevo, la presión del gas en el sistema de refrigeración del aparato no será equilibrada, lo que desencadena la salvaguardia térmica del compresor. El aparato se reiniciará después de aproximadamente 6 minutos. Si el aparato no se reinicia después de este período, póngase en contacto con un servicio técnico.
- La descongelación está activa. >>> Esto es normal para un aparato de descongelación completamente automático. La descongelación se realiza periódicamente.
- El aparato no está enchufado. >>> Asegúrese de que el cable de corriente esté enchufado.
- El ajuste de la temperatura es incorrecto. >>> Seleccione el ajuste adecuado de la temperatura.
- No hay energía eléctrica. >>> El aparato continuará funcionando con normalidad una vez que se restablezca la corriente.

El ruido de funcionamiento del frigorífico aumenta durante su uso.

- El desempeño operativo del aparato puede variar en función de las variaciones de la temperatura ambiente. Esto es normal y no indica mal funcionamiento.

El frigorífico funciona demasiado a menudo o por demasiado tiempo.

- El nuevo aparato puede ser más grande que el anterior. Los aparatos de mayor tamaño se ejecutarán por períodos más largos.
- La temperatura ambiente puede ser alta. >>> El aparato normalmente funciona durante largos períodos a mayor temperatura de la habitación.
- El aparato puede haber sido conectado recientemente o un nuevo alimento fue colocado en su interior. >>> El aparato tardará más en alcanzar la temperatura fijada cuando es enchufado recientemente o si un nuevo alimento se coloca en el interior. Esto es normal.

Solución de problemas

- Grandes cantidades de alimentos calientes pueden haber sido colocados recientemente en el aparato. >>> No coloque alimentos calientes dentro del aparato.
- Las puertas se abren frecuentemente o se mantienen abiertas durante largos períodos. >>> El aire caliente que se mueve adentro hará que el aparato funcione más tiempo. No abra las puertas con demasiada frecuencia.
- La puerta del congelador o del compartimento de alimentos frescos puede estar entreabierta. >>> Compruebe que las puertas estén completamente cerradas.
- El aparato puede estar ajustado a una temperatura demasiado baja. >>> Ajuste la temperatura a un grado más alto y espere a que el aparato alcance la temperatura ajustada.
- La arandela de la puerta de compartimento de alimentos frescos o el congelador puede estar sucia, desgastada, rota o mal instalada. >>> Limpie o reemplace la arandela. Una arandela de la puerta dañada / agrietada hará que el aparato funcione durante períodos más largos para preservar la temperatura actual.

La temperatura de compartimento de alimentos frescos es muy baja, pero la temperatura del frigorífico es adecuada.

- La temperatura del compartimento congelador se establece a un grado muy bajo. >>> Ajuste la temperatura del compartimento del congelador a un grado más alto y vuelva a intentarlo.

La temperatura de compartimento de alimentos frescos es muy baja, pero la temperatura del congelador es adecuada.

- La temperatura de compartimento de alimentos frescos se establece a un grado muy bajo. >>> Ajuste la temperatura del compartimento del congelador a un grado más alto y vuelva a intentarlo.

Los alimentos guardados en los cajones de compartimento de alimentos frescos se congelan.

- La temperatura de compartimento de alimentos frescos se establece a un grado muy bajo. >>> Ajuste la temperatura del compartimento del congelador a un grado más alto y vuelva a intentarlo.

La temperatura en el frigorífico o en compartimento de alimentos frescos es demasiado alta.

- La temperatura de compartimento de alimentos frescos se establece a un grado muy alto. >>> El valor de la temperatura del compartimento de alimentos frescos tiene un efecto sobre la temperatura en el compartimento congelador. Espere hasta que la temperatura de las partes pertinentes alcancen el nivel suficiente cambiando la temperatura del frigorífico o de compartimento de alimentos frescos.
- Las puertas se abren frecuentemente o se mantienen abiertas durante largos períodos. >>> No abra las puertas con demasiada frecuencia.
- La puerta puede estar abierta. >>> Cierre la puerta por completo.
- El aparato puede haber sido conectado recientemente o un nuevo alimento fue colocado en su interior. >>> Esto es normal. El aparato tardará más en alcanzar la temperatura fijada fue enchufado recientemente o si un nuevo alimento se coloca en el interior.
- Grandes cantidades de alimentos calientes pueden haber sido colocados recientemente en el aparato. >>> No coloque alimentos calientes dentro del aparato.

Ruido o agitación.

- El suelo no está nivelado o no es firme. >>> Si el aparato está temblando cuando se mueve lentamente, ajuste las patas para equilibrar el aparato. También asegúrese de que el suelo sea lo suficientemente resistente para soportar el aparato.
- Cualquier artículo colocado sobre el aparato pueden causar ruido. >>> Retire todos los objetos colocados sobre el aparato.

El aparato está haciendo ruido de flujo de líquido, rociado, etc.

- Los principios de funcionamiento del aparato implican flujos de líquido y gas. >>> Esto es normal y no indica mal funcionamiento.

Solución de problemas

Hay sonido del viento que sopla procedente del aparato.

- El aparato utiliza un ventilador para el proceso de enfriamiento. Esto es normal y no indica mal funcionamiento.

Hay condensación en las paredes internas del aparato.

- El clima caliente o húmedo aumentarán la formación de hielo y de condensación. Esto es normal y no indica mal funcionamiento.
- Las puertas se abren frecuentemente o se mantienen abiertas durante largos períodos. >>> No abra las puertas con demasiada frecuencia, si están abiertas, ciérrelas.
- La puerta puede estar abierta. >>> Cierre la puerta por completo.

Hay condensación en el exterior del aparato o entre las puertas.

- Puede ser por que el clima ambiental sea húmedo, esto es bastante normal en ambientes húmedos. >>> La condensación se disipará cuando se reduzca la humedad.

El interior huele mal.

- El aparato es limpiado regularmente. >>> Limpie el interior con regularidad utilizando una esponja, agua caliente y agua carbonatada.
- Ciertos envases y materiales de embalaje pueden causar olor. >>> Utilice envases y materiales de embalaje que sean exentos de olores.
- Los alimentos se colocan en envases no sellado. >>> Mantenga los alimentos en envases sellados. Los microorganismos pueden propagarse fuera de los alimentos no sellados y causar mal olor. Retire todos los alimentos caducados o en mal estado del aparato.

La puerta no se cierra.

- Los paquetes de alimentos pueden estar bloqueando la puerta. >>> Cambie de lugar los elementos que bloquean las puertas.
- El aparato no está en posición vertical sobre la base. >>> Ajuste los soportes para equilibrar el aparato.
- El suelo no está nivelado o no es firme. >>> Asegúrese de que el suelo esté nivelado y sea lo suficientemente resistente para soportar el aparato.

El cajón de vegetales se ha atascado.

- Los alimentos pueden obstruir la parte superior del cajón. >>> Reorganice los alimentos en el cajón.

Si la superficie del aparato está caliente.

- Se pueden observar altas temperaturas entre las dos puertas, en los paneles laterales y en la parrilla trasera mientras el aparato está en funcionamiento. Esto es normal y no requiere mantenimiento! Tenga cuidado al tocar estas áreas.



ADVERTENCIA:

Si el problema persiste después de seguir las instrucciones de esta sección, póngase en contacto con su vendedor o un Servicio Autorizado. No trate de reparar el aparato.



ADVERTENCIA:

- Este aparato puede exponerle a sustancias químicas, incluido el níquel (metálico), del que el Estado de California sabe que provoca cáncer.
- Para más información, visite www.P65Warnings.ca.gov
- Nota : El níquel es un componente de todo el acero inoxidable y algunos otros componentes metálicos.

DECLARACIÓN DE LA GARANTÍA PARA LOS REFRIGERADORES BEKO

Las garantías proporcionadas por Beko en estas declaraciones se aplican solamente a los refrigeradores Beko vendidos al comprador o propietario original en Estados Unidos y Canadá. La garantía no es transferible. Para obtener el servicio de la garantía, comuníquese con nuestro distribuidor más cercano, según se indican por estado y provincia. Necesitará el número de modelo, el número de serie, y el nombre y dirección del vendedor de su refrigerador, donde lo compró y la fecha de compra /fecha de instalación. Esta garantía le otorga derechos legales específicos y también puede tener otros derechos, que varían según el estado. También, asegúrese de registrar su producto para la garantía en www.beko.us

2 años (*) de garantía total a partir de la fecha de la primera instalación

Beko reparará o reemplazará sin ningún costo para el consumidor las piezas defectuosas del refrigerador si se utilizó bajo condiciones de electrodoméstico normal (la garantía se anula si este producto se usa de forma comercial, por ejemplo en un hotel, hogar de ancianos, etc.) A la reparación la debe realizar una agencia de servicio autorizada de Beko. (Los defectos cosméticos se deben informar en un plazo de 10 días hábiles a partir de la instalación). La garantía de 2 años de los accesorios es para las piezas solamente y no incluye la mano de obra.

3 a 5 años (*, **) de garantía limitada a partir de la fecha de la primera instalación

(para las piezas solamente de 3 a 5 años) Beko reparará o reemplazará cualquier compresor, evaporador, condensador o secadora sin costo para el consumidor si los defectos en el material o la mano de obra causaron daños o fallas en estos componentes.

El refrigerador se debe haber usado bajo condiciones normales de electrodoméstico y no de manera comercial (los cargos por mano de obra son responsabilidad del consumidor).

Exención de las garantías y exclusiones:

La garantía no cubre los costos de reparación por parte de un agente de servicio autorizado para corregir la instalación, los problemas eléctricos o la instrucción educativa sobre el uso del refrigerador. La garantía tampoco cubre los defectos o daños causados por casos fortuitos (como tormentas, inundaciones, incendios, aludes, etc.), los daños causados por el uso del refrigerador para fines que no son para los que se diseñó, tampoco el mal uso, abuso, accidente, alteración, instalación incorrecta, mantenimiento, cargos de traslado, llamadas al servicio fuera de las horas de trabajo normales, recolección y entrega, cualquier pérdida de comida debido a la falla del producto, trabajo de reparación no autorizado o reparadores.

Este producto está completamente probado y pasó las inspecciones de control de calidad oficiales antes de dejar el sitio de fabricación original. Los términos de la garantía para este electrodoméstico Beko no son válidos si un distribuidor autorizado, reparador, vendedor de terceros, revendedor u otra persona autorizada altera, modifica o coloca piezas adicionales en el producto y vuelve a empacarlo.

EN LA MEDIDA PERMITIDA POR LA LEY, ESTA GARANTÍA SUSTITUYE TODAS LAS OTRAS GARANTÍAS EXPRESAS E IMPLÍCITAS INCLUIDAS LAS GARANTÍAS IMPLÍCITAS DE COMERCIABILIDAD Y APTITUD PARA UN FIN PARTICULAR. BEKO NO ASUME NINGUNA RESPONSABILIDAD POR LA CALIDAD DE ESTE PRODUCTO EXCEPTO LO INDICADO EN ESTA DECLARACIÓN DE GARANTÍA. BEKO NO SE HACE RESPONSABLE DE QUE EL PRODUCTO SE ADAPTE A ALGÚN FIN PARTICULAR PARA EL QUE USTED PUEDA COMPRAR ESTE PRODUCTO, EXCEPTO PARA LO INDICADO EN ESTA DECLARACIÓN DE GARANTÍA.

Beko no asume ninguna responsabilidad por los daños incidentales o resultantes. Esos daños incluyen, entre otros, pérdidas de ganancias, pérdidas de ahorros o ingresos, pérdidas del uso del refrigerador o cualquier otro equipo asociado, costos de capital, costos de cualquier equipo sustituto, instalaciones o servicios, tiempo de inactividad, reclamos de terceros y daños en la propiedad. Algunos estados no permiten la exclusión o limitación de los daños incidentales o resultantes, por lo tanto las anteriores limitaciones o exclusiones pueden no aplicarse en su caso.

(*)La fecha de instalación debe ser la fecha de compra o 5 días hábiles después de la entrega del producto al hogar, lo que ocurra después.

(**) Las piezas reemplazadas asumirán la identidad de las piezas originales + su garantía original.

Ninguna otra garantía. Esta Declaración de la garantía es la garantía completa y exclusiva del fabricante. Ningún empleado de Beko o cualquier otra parte está autorizado a realizar declaraciones de la garantía además de las que aparecen en esta Declaración de la garantía.

Guarde esta tarjeta de la garantía, el manual del usuario y el recibo de la venta para referencia futura.

CÓMO OBTENER SERVICIO

Contacte con su distribuidor autorizado Beko local, o llame a nuestro número gratuito de atención al cliente en el 1-888-352 BEKO (2356) para obtener la dirección de un agente de servicio técnico autorizado por Beko o contacte mediante la web <http://www.beko.us>. También puede buscar una lista de distribuidores autorizados en la sección "Dónde comprar" en el sitio web para obtener más referencias.