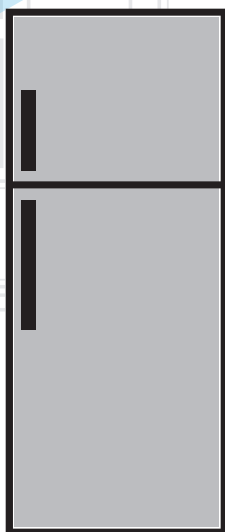


Refrigerator

User manual



DN162232DJIZX |
DN162020B
DN162220X
DN162220B

EN | IT |

beko

Please read this user manual first!

Dear Customer,

We hope that your product, which has been produced in modern plants and checked under the most meticulous quality control procedures, will provide you an effective service.

Therefore, read this entire user manual carefully before using the product and keep it as a reference. If you handover the product to someone else, give the user manual as well.

The user manual will help you use the product in a fast and safe way.

- Read the manual before installing and operating the product.
- Make sure you read the safety instructions.
- Keep the manual in an easily accessible place as you may need it later.
- Read the other documents given with the product.

Remember that this user manual is also applicable for several other models. Differences between models will be identified in the manual.

Explanation of symbols

Throughout this user manual the following symbols are used:

 Important information or useful tips.

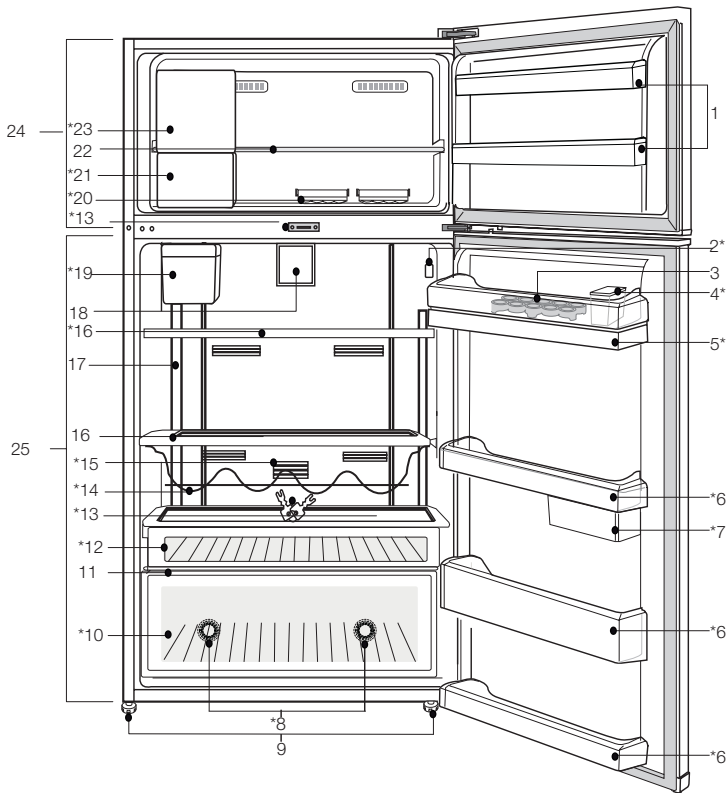
 Warning against dangerous conditions for life and property.

 Warning against electric voltage.

CONTENTS

| | | | |
|--|-----------|---|-----------|
| 1 Your Refrigerator | 3 | 5 Using your refrigerator | 14 |
| | | Indicator Panel..... | 14 |
| | | Temperature setting button..... | 25 |
| | | Setting the temperature of your refrigerator..... | 25 |
| | | Dual cooling system | 25 |
| | | Recommendations for preservation of frozen food | 26 |
| | | Defrosting..... | 26 |
| | | Placing the food | 26 |
| | | Deep-freeze information | 27 |
| | | Description and cleaning of odor filter | 28 |
| | | Water Dispenser | 29 |
| | | Blue light | 31 |
| | | Sliding storage container | 31 |
| | | Rotary storage container | 32 |
| | | Auto Icematic | 33 |
| | | Icematic and ice storage container .. | 34 |
| | | Making ice..... | 35 |
| | | Humidity-controlled crisper (Ever Fresh) | 35 |
| | | Ice-cream machine..... | 36 |
| | | 6 Maintenance and cleaning | 38 |
| | | Protection of plastic surfaces | 38 |
| 2 Important Safety Warnings | 4 | 7 Troubleshooting | 39 |
| Intended use | 4 | | |
| General safety | 4 | | |
| For products with a | 7 | | |
| water dispenser;..... | 7 | | |
| Child safety..... | 8 | | |
| Compliance with WEEE Directive and Disposing of the Waste Product: | 8 | | |
| Package information..... | 8 | | |
| HC warning | 8 | | |
| Things to be done for energy saving .. | 9 | | |
| Recommendations for the fresh food compartment..... | 9 | | |
| 3 Installation | 10 | | |
| Points to be paid attention to when the relocation of the refrigerator | 10 | | |
| Electrical connection..... | 10 | | |
| Disposing of the packaging | 11 | | |
| Disposing of your old refrigerator | 11 | | |
| Placing and Installation | 11 | | |
| Adjusting the legs | 12 | | |
| Changing the illumination lamp | 12 | | |
| Door Open Warning..... | 12 | | |
| 4 Preparation | 13 | | |

1 Your Refrigerator



- | | |
|---|--|
| 1. Door shelves of the freezer compartment | 15. Odor filter |
| 2. Temperature setting indicator | 16. Glass shelves of fridge compartment |
| 3. Egg section | 17. Illumination glass |
| 4. Water dispenser filling tank | 18. Impeller |
| 5. Water dispenser reservoir | 19. Automatic Icematic water tank |
| 6. Door shelves of fridge compartment | 20. Icebox |
| 7. Sliding and rotary storage containers | 21. Ice storage container |
| 8. Blue light | 22. Freezer compartment glass shelf |
| 9. Adjustable legs | 23. Ice-cream making machine / Quick Freeze compartment |
| 10. Crisper | 24. Freezer compartment |
| 11. Crisper cover | 25. Fridge compartment |
| 12. Breakfast compartment | |
| 13. Key | |
| 14. Bottle shelf | *optional |

ⓘ Figures in this user manual are schematic and may not correspond exactly to your product. If the subject parts are not included in the product you have purchased, then it is valid for other models.

2 Important Safety Warnings

Please review the following information. Failure to observe this information may cause injuries or material damage. Otherwise, all warranty and reliability commitments will become invalid.

Original spare parts will be provided for 10 years, following the product purchasing date.

Intended use

**WARNING:**

Keep ventilation openings, in the appliance enclosure or in the built-in structure, clear of obstruction.

**WARNING:**

Do not use mechanical devices or other means to accelerate the defrosting process, other than those recommended by the manufacturer.

**WARNING:**

Do not damage the refrigerant circuit.

**WARNING:**

Do not use electrical appliances inside the food storage compartments of the appliance, unless they are of the type recommended by the manufacturer.

**WARNING:**

Do not store explosive substances such as aerosol cans with a flammable propellant in this appliance.

This appliance is intended to be used in household and similar applications such as

- staff kitchen areas in shops, offices and other working environments;
- farm houses and by clients in hotels, motels and other residential type environments;
- bed and breakfast type environments;
- catering and similar non-retail applications.

General safety

- When you want to dispose/ scrap the product, we recommend you to consult the authorized service in order to

learn the required information and authorized bodies.

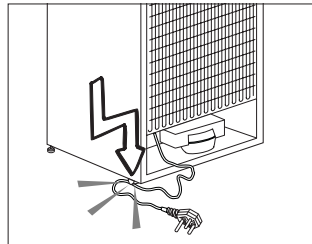
- Consult your authorized service for all your questions and problems related to the refrigerator. Do not intervene or let someone intervene to the refrigerator without notifying the authorised services.
- For products with a freezer compartment; Do not eat cone ice cream and ice cubes immediately after you take them out of the freezer compartment! (This may cause frostbite in your mouth.)
- For products with a freezer compartment; Do not put bottled and canned liquid beverages in the freezer compartment. Otherwise, these may burst.
- Do not touch frozen food by hand; they may stick to your hand.
- Unplug your refrigerator before cleaning or defrosting.
- Vapor and vaporized cleaning materials should never be used in cleaning and defrosting processes of your refrigerator. In such cases, the vapor may get in contact with the electrical parts and cause short circuit or electric shock.
- Never use the parts on your refrigerator such as the door as a means of support or step.
- Do not use electrical devices inside the refrigerator.
- Do not damage the parts, where the refrigerant is circulating, with drilling or cutting tools. The refrigerant that might blow out when the gas channels of the evaporator, pipe extensions or surface coatings are punctured causes skin irritations and eye injuries.
- Do not cover or block the ventilation holes on your refrigerator with any material.
- Electrical devices must be repaired by only authorised persons. Repairs performed by incompetent persons create a risk for the user.
- In case of any failure or during a maintenance or repair work, disconnect your refrigerator's mains supply by either turning off the relevant fuse or unplugging your appliance.
- Do not pull by the cable when pulling off the plug.
- Ensure highly alcoholic beverages are stored securely with the lid fastened and placed upright.
- Never store spray cans containing flammable and explosive substances in the refrigerator.
- Do not use mechanical devices or other means to accelerate the defrosting process, other than those recommended by the manufacturer.
- This product is not intended to be used by persons with physical, sensory or mental disorders or unlearned or inexperienced people (including

children) unless they are attended by a person who will be responsible for their safety or who will instruct them accordingly for use of the product

- Do not operate a damaged refrigerator. Consult with the service agent if you have any concerns.
- Electrical safety of your refrigerator shall be guaranteed only if the earth system in your house complies with standards.
- Exposing the product to rain, snow, sun and wind is dangerous with respect to electrical safety.
- Contact authorized service when there is a power cable damage to avoid danger.
- Never plug the refrigerator into the wall outlet during installation. Otherwise, risk of death or serious injury may arise.
- This refrigerator is intended for only storing food items. It must not be used for any other purpose.
- Label of technical specifications is located on the left wall inside the refrigerator.
- Never connect your refrigerator to electricity-saving systems; they may damage the refrigerator.
- If there is a blue light on the refrigerator, do not look at the blue light with optical tools.
- For manually controlled

refrigerators, wait for at least 5 minutes to start the refrigerator after power failure.

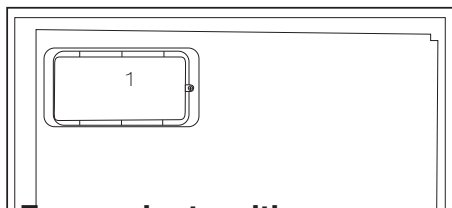
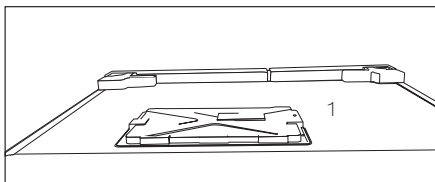
- This operation manual should be handed in to the new owner of the product when it is given to others.
- Avoid causing damage on power cable when transporting the refrigerator. Bending cable may cause fire. Never place heavy objects on power cable. Do not touch the plug with wet hands when plugging the product



- Do not plug the refrigerator if the wall outlet is loose.
- Water should not be sprayed on inner or outer parts of the product for safety purposes.
- Do not spray substances containing inflammable gases such as propane gas near the refrigerator to avoid fire and explosion risk.
- Never place containers filled with water on top of the refrigerator; in the event of spillages, this may cause electric shock or fire.
- Do not overload the refrigerator with food. If overloaded, the food items may fall down

and hurt you and damage refrigerator when you open the door.

- Never place objects on top of the refrigerator; otherwise, these objects may fall down when you open or close the refrigerator's door.
- As they require a precise temperature, vaccines, heat-sensitive medicine and scientific materials and etc. should not be kept in the refrigerator.
- If not to be used for a long time, refrigerator should be unplugged. A possible problem in power cable may cause fire.
- Refrigerator may move if adjustable legs are not properly secured on the floor. Properly securing adjustable legs on the floor can prevent the refrigerator to move.
- When carrying the refrigerator, do not hold it from door handle. Otherwise, it may be snapped.
- When you have to place your product next to another refrigerator or freezer, the distance between devices should be at least 8cm. Otherwise, adjacent side walls may be humidified.
- The product shall never be used while the compartment which is located at the top or back of your product and in which electronic boards are available (electronic board box cover) (1) is open.



For products with a water dispenser;

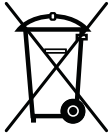
- Pressure for cold water inlet shall be maximum 90 psi (6.2 bar). If your water pressure exceeds 80 psi (5.5 bar), use a pressure limiting valve in your mains system. If you do not know how to check your water pressure, ask for the help of a professional plumber.
- If there is risk of water hammer effect in your installation, always use a water hammer prevention equipment in your installation. Consult Professional plumbers if you are not sure that there is no water hammer effect in your installation.
- Do not install on the hot water inlet. Take precautions against the risk of freezing of the hoses. Water temperature operating interval shall be 33°F (0.6°C) minimum and 100°F (38°C) maximum.

- Use only potable water.

Child safety

- If the door has a lock, the key should be kept away from reach of children.
- Children must be supervised to prevent them from tampering with the product.

Compliance with WEEE Directive and Disposing of the Waste Product:



This product complies with EU WEEE Directive (2012/19/EU). This product bears a classification symbol for waste electrical and electronic equipment (WEEE).

This product has been manufactured with high quality parts and materials which can be reused and are suitable for recycling. Therefore, do not dispose the product with normal domestic waste at the end of its service life. Take it to a collection point for the recycling of electrical and electronic equipment. Please consult your local authorities to learn the nearest collection point. Help protect the environment and natural resources by recycling used products. For children's safety, cut the power cable and break the locking mechanism of the door, if any, so that it will be non-functional before disposing of the product.

Package information

Packaging materials of the product are manufactured from recyclable materials in accordance with our National Environment Regulations. Do not dispose of the packaging materials together with the domestic or other wastes. Take them to the packaging material collection points designated by the local authorities.

Do not forget...

Any recycled substance is an indispensable matter for nature and our national asset wealth.

If you want to contribute to the re-evaluation of the packaging materials, you can consult to your environmentalist organizations or the municipalities where you are located.

HC warning

If your product's cooling system contains R600a:

This gas is flammable. Therefore, pay attention to not damaging the cooling system and piping during usage and transportation. In the event of damage, keep your product away from potential fire sources that can cause the product catch a fire and ventilate the room in which the unit is placed.

Ignore this warning if your product's cooling system contains R134a.

Type of gas used in the product is stated in the type label which is on the left wall inside the refrigerator.

Never throw the product in fire for disposal.

Things to be done for energy saving

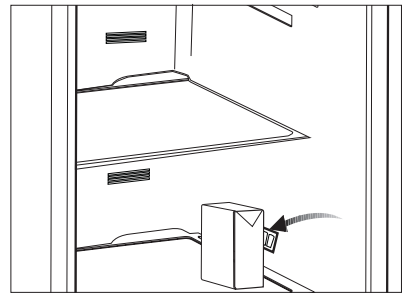
- Do not leave the doors of your refrigerator open for a long time.
- Do not put hot food or drinks in your refrigerator.
- Do not overload your refrigerator so that the air circulation inside of it is not prevented.
- Do not install your refrigerator under direct sunlight or near heat emitting appliances such as ovens, dishwashers or radiators. Keep your refrigerator at least 30cm away from heat emitting sources and at least 5cm from electrical ovens.
- Pay attention to keep your food in closed containers.
- For products with a freezer compartment; You can store maximum amount of food items in the freezer when you remove the shelf or drawer of the freezer. Energy consumption value stated for your refrigerator has been determined by removing freezer shelf or drawer and under maximum load. There is no harm to use a shelf or drawer according to the shapes and size of food to be frozen.
- Thawing frozen food in fridge compartment will both provide energy saving and preserve the food quality.

Recommendations for the fresh food compartment

***May not be available in all models**

Do not allow the food to touch the temperature sensor in fresh food compartment. To allow the fresh food compartment keep its ideal storage temperature, sensor must not be hindered by food.

Do not place hot foods in the product.



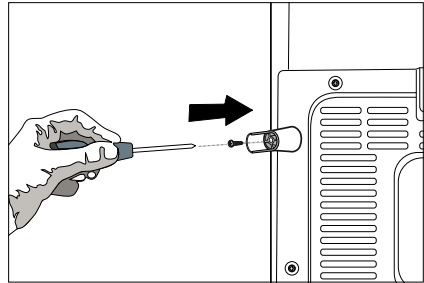
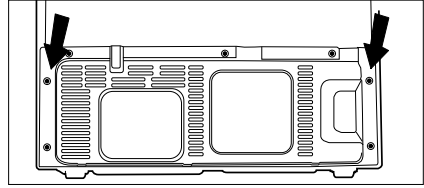
3 Installation

⚠ In case the information which are given in the user manual are not taken into account, manufacturer will not assume any liability for this.

Points to be paid attention to when the relocation of the refrigerator

1. Your refrigerator should be unplugged. Before transportation of your refrigerator, it should be emptied and cleaned.
2. Before it is re-packaged, shelves, accessories, crisper, etc. inside your refrigerator should be fixed with adhesive tape and secured against impacts. Package should be bound with a thick tape or sound ropes and the transportation rules on the package should be strictly observed.
3. Original packaging and foam materials should be kept for future transportations or moving.
Before you start the refrigerator,
Check the following before you start to use your refrigerator:

1. Attach 2 plastic wedges as illustrated below. Plastic wedges are intended to keep the distance which will ensure the air circulation between your refrigerator and the wall. (The picture is drawn up as a representation and it is not identical with your product.)
2. Clean the interior of the refrigerator as recommended in the "Maintenance and cleaning" section.
3. Connect the plug of the refrigerator to the wall socket. When the fridge door is opened, fridge internal lamp will turn on.



4. When the compressor starts to operate, a sound will be heard. The liquid and gases sealed within the refrigeration system may also give rise to noise, even if the compressor is not running and this is quite normal.
5. Front edges of the refrigerator may feel warm. This is normal. These areas are designed to be warm to avoid condensation.

Electrical connection


Connect your product to a grounded socket which is being protected by a fuse with the appropriate capacity.


Important:

The connection must be in compliance with national regulations.

- The power plug must be easily accessible after installation.
- Electrical safety of your refrigerator shall be guaranteed only if the earth system in your house complies with standards.

- The voltage stated on the label located at left inner side of your product should be equal to your network voltage.
- Extension cables and multi plugs must not be used for connection.

 A damaged power cable must be replaced by a qualified electrician.

 Product must not be operated before it is repaired! There is the risk of electric shock!

Disposing of the packaging

The packing materials may be dangerous for children. Keep the packing materials out of the reach of children or dispose of them by classifying them in accordance with the waste instructions stated by your local authorities. Do not throw away with regular house waste, throw away on packaging pick up spots designated by the local authorities.

The packing of your refrigerator is produced from recyclable materials.


Disposing of your old refrigerator

Dispose of your old refrigerator without giving any harm to the environment.

- You may consult your authorized dealer or waste collection center of your municipality about the disposal of your refrigerator.

Before disposing of your refrigerator, cut out the electric plug and, if there are any locks on the door, make them inoperable in order to protect children against any danger.

Placing and Installation

 If the entrance door of the room where the refrigerator will be installed is not wide enough for the refrigerator to pass through, then call the authorized service to have them remove the doors of your refrigerator and pass it sideways through the door.

1. Install your refrigerator to a place that allows ease of use.

2. Keep your refrigerator away from heat sources, humid places and direct sunlight.

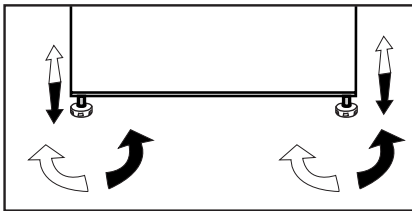
3. There must be appropriate air ventilation around your refrigerator in order to achieve an efficient operation. If the refrigerator is to be placed in a recess in the wall, there must be at least 5 cm distance with the ceiling and at least 5 cm with the wall. Do not place your product on the materials such as rug or carpet.

4. Place your refrigerator on an even floor surface to prevent jolts.

Adjusting the legs

If your refrigerator is unbalanced;

You can balance your refrigerator by turning its front legs as illustrated in the figure. The corner where the leg exists is lowered when you turn in the direction of black arrow and raised when you turn in the opposite direction. Taking help from someone to slightly lift the refrigerator will facilitate this process.



Changing the illumination lamp

To change the Bulb/LED used for illumination of your refrigerator, call your AuthorisedService.

The lamp(s) used in this appliance is not suitable for household room illumination. The intended purpose of this lamp is to assist the user to place foodstuffs in the refrigerator/freezer in a safe and comfortable way. The lamps used in this appliance have to withstand extreme physical conditions such as temperatures below -20°C .

(only chest and upright freezer)

Door Open Warning

***May not be available in all models**

An audio warning signal will be given when the door of your product is left open for at least 1 minute. This warning will be muted when the door is closed or any of the display buttons (if any) are pressed.

4 Preparation

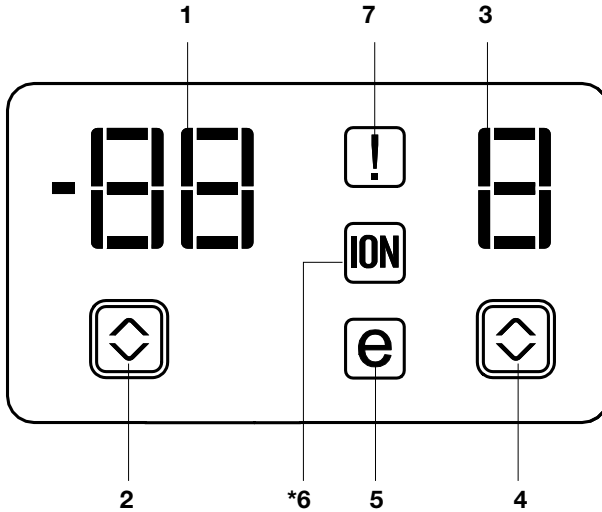
- Your cooler/freezer should be installed at least 30 cm away from heat sources such as hobs, ovens, central heater and stoves and at least 5 cm away from electrical ovens and should not be located under direct sunlight.
- Please make sure that the interior of your cooler/freezer is cleaned thoroughly.
- If two coolers are to be installed side by side, there should be at least 2 cm distance between them.
- When you operate your cooler/freezer for the first time, please observe the following instructions during the initial six hours.
- Its door should not be opened frequently.
- It must be operated empty without placing any food in it.
- Do not unplug your cooler/freezer. If a power failure occurs out of your control, please see the warnings in the "Recommended solutions for the problems" section.
- The baskets/drawers that are provided with the chill compartment must always be in use for low energy consumption and for better storage conditions.
- Food contact with the temperature sensor in the freezer compartment may increase energy consumption of the appliance. Thus any contact with the sensor(s) must be avoided.
- This product has been designed to function at ambient temperatures up to 43 °C (90 SDgrF). Even if the ambient temperature falls to -15 °C, frozen food in the freezer does not thaw thanks to its Advanced Electronic Temperature Control System. For the first installation, the product should NOT be placed under low ambient temperatures. This is because the freezer cannot go down to standard operation temperature. When reaching continuous operation, the product can be moved to another place. Thus, later you can place your product in the garage or an unheated room without the concern of causing frozen food to get rotten. However, it is likely that above mentioned low temperatures may cause the freezing of the food in the fridge compartment; thus, please consume the food items in the fridge in a controlled way as needed. When ambient temperature goes back to normal, you may change button setting according to your need.
- If the ambient temperature is below 0°C, the food in fridge compartment will freeze. Therefore, we recommend not using the fridge compartment in such low ambient temperatures. You may continue to use the freezer compartment as usual.
- In some models, the instrument panel automatically turns off 5 minutes after the door has closed. It will be reactivated when the door has opened or pressed on any key.
- Due to temperature change as a result of opening/closing the product door during operation, condensation on the door/body shelves and the glass containers is normal.

5 Using your refrigerator

Indicator Panel

Indicator panels may vary depending on your product's model.

The Indicator panel aids in using your refrigerator with its audio and visual functions.
(in some models)



1. Freezer Compartment Temperature Setting Indicator
2. Freezer Compartment Temperature Setting Button
3. Fridge Compartment Temperature Setting Indicator
4. Fridge Compartment Temperature Setting Button
5. Economy Mode Indicator
6. Ionizer Indicator
7. Error Status Indicator

***optional**

i Figures in this user manual are schematic and may not correspond exactly to your product. If the subject parts are not included in the product you have purchased, then it is valid for other models.

1. Freezer Compartment Temperature Setting Indicator

Indicates the temperature set for freezer compartment.

2. Freezer Compartment Temperature Setting Button

Press this button to set the temperature of the freezer compartment to -18, -20, -22, -24, -18... respectively. Press this button to set the desired temperature for the freezer compartment.

3. Fridge Compartment Temperature Setting Indicator

Indicates the temperature set for Fridge compartment.

4. Fridge Compartment Temperature Setting Button

Press this button to set the temperature of the fridge compartment to 8, 6, 4, 2, 8... respectively. Press this button to set the desired temperature for the fridge compartment.

5. Economy Mode Indicator

Indicates that the refrigerator is running in energy-efficient mode.

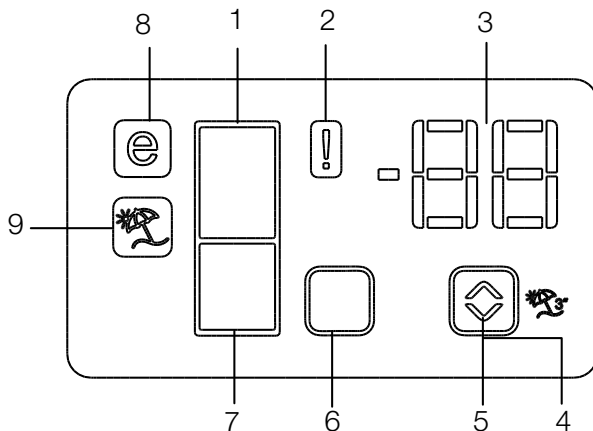
6- Ionizer Indicator

Indicator light lights up continuously. This light indicates that your refrigerator is protected against the bacteria.

7. Error Status Indicator

If your refrigerator does not cool adequately or if there is a sensor failure, this indicator will be activated. When this indicator is active, Freezer Compartment Temperature indicator will display "e" and Fridge Compartment Temperature Indicator will display numbers such as "1,2,3...". These numbers on the indicator provide information about the error to the service personnel.

Indicator panels may vary depending on the model of your product.
Audial and visual functions of the indicator panel will assist in using the product.



1. Cooler compartment indicator
2. Error status indicator
3. Temperature indicator
4. Vacation function button
5. Temperature adjustment button
6. Compartment selection button
7. Cooler compartment indicator
8. Economy mode indicator
9. Vacation function indicator

***optional**

i Figures in this user manual are schematic and may not correspond exactly to your product. If the subject parts are not included in the product you have purchased, then it is valid for other models.

1. Cooler compartment indicator

The freezer compartment light will turn on when adjusting the cooler compartment temperature.

2. Error status indicator

This sensor will activate if the refrigerator is not cooling adequately or in case of sensor fault. When this indicator is active, the freezer compartment temperature indicator will display "E" and the cooler compartment temperature indicator will display "1, 2, 3..." etc. numbers.

The numbers on the indicator serve to inform the service personnel about the fault.



3. Temperature indicator

Indicates the temperature of the freezer and cooler compartments.

4. Vacation function button

To activate this function, press and hold the Vacation button for 3 seconds. When the Vacation function is active, the cooler compartment temperature indicator displays the inscription "- -" and no cooling process will be active in the cooling compartment.

This function is not suitable to keep food in the cooler compartment. Other compartments will remain cooled with the respective temperature set for each compartment.

Push the vacation function button again to cancel this function.

5. Temperature adjustment button

Respective compartment's temperature varies in -24°C..... -18°C and 8°C...1°C ranges.

6. Compartment selection button

Use the refrigerator compartment selection button to toggle between the cooler and freezer compartments.

7. Cooler compartment indicator

The cooler compartment light will turn on when adjusting the cooler compartment temperature.

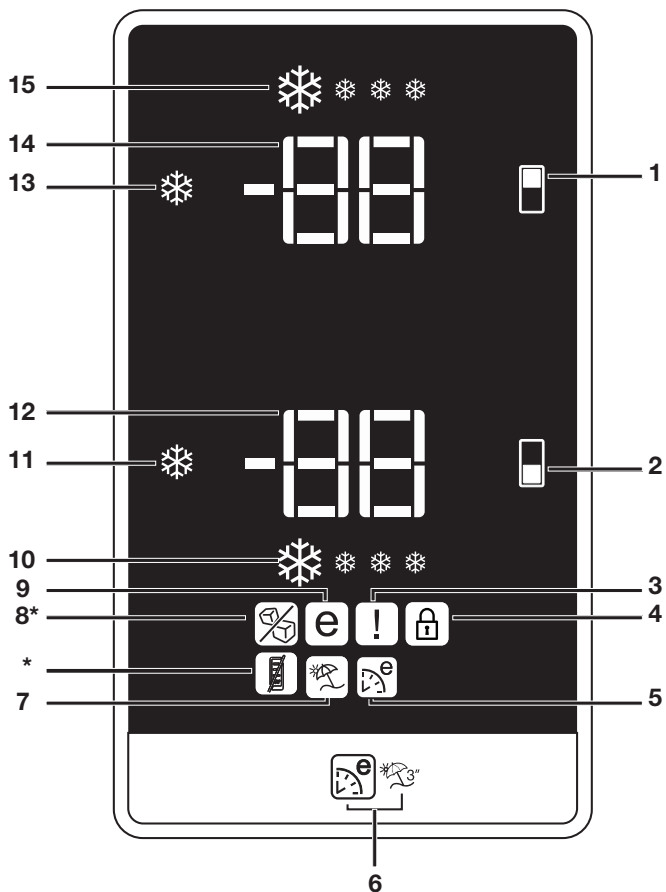
8. Economy mode indicator

Indicates the refrigerator is running on energy-saving mode. This indicator will be active when the temperature in the freezer compartment is set to -18°C.

9. Vacation function indicator

Indicates the vacation function is active.





1. Freezer Compartment Temperature Setting Button
 2. Fridge Compartment Temperature Setting Button
 3. Error Status Indicator
 4. Key Lock indicator
 5. Eco Extra Function Indicator
 6. Eco Extra / Vacation Button
 7. Vacation Function Indicator
 8. Energy saving function (display off)
 9. Icematic Off Indicator (*in some models)
 10. Economic Usage Indicator
 11. Quick Fridge Function Indicator
 12. Quick Fridge Function Button
 13. Fridge Compartment Temperature Setting Indicator
 14. Quick Freeze Function Button Icematic On-Off Button (3")
 15. Freezer Compartment Temperature Setting Indicator
 16. Quick Freeze Function Indicator
- *optional**

i Figures in this user manual are schematic and may not correspond exactly to your product. If the subject parts are not included in the product you have purchased, then it is valid for other models.

1. Freezer Compartment Temperature Setting Button

This function allows you to set the temperature of freezer compartment. Press this button to set the temperature of the freezer compartment to -18, -19, -20, -21, -22, -23 and -24, respectively.

2. Fridge Compartment Temperature Setting Button

function allows you to set the fridge compartment's temperature. Press this button to set the temperature of the fridge compartment to 8, 7, 6, 5, 4, 3, 2 degrees, respectively.

3. Error Status Indicator

If your refrigerator does not cool adequately or if there is a sensor failure, this indicator will be activated. When this indicator is active, Freezer Compartment Temperature indicator will display "E" and Fridge Compartment Temperature Indicator will display numbers such as "1,2,3...". These numbers on the indicator provide information about the error to the service personnel.

When you place hot food into the freezer compartment or if you leave the door open for a long time, exclamation mark can illuminate for some time. This is not a failure; this warning will disappear when the food cools down.

4. Key Lock Indicator

Use this function if you do not want your refrigerator temperature setting changed. Press Fridge compartment temperature setting button and Freezer compartment temperature setting button simultaneously for a long time (3 sec) to activate this function.

5. Eco Extra Function Indicator

It indicates that the Eco-Extra function is active.

If this function is active, your refrigerator will automatically detect the least usage periods and energy-efficient cooling will be performed during those times. Economy indicator will be active while energy-efficient cooling is performed.

Press the relevant button again to deactivate this function.

6. Eco Extra/Vacation Button

Press this button briefly to activate the Eco Extra function. Press and hold this button for 3 sec. to activate the Vacation function. Press this button again to deactivate the selected function.

7. Vacation Function Indicator

Indicates that the vacation function is active. If this function is active, "- -" appears on the indicator of the fridge compartment and no cooling is performed in the fridge compartment. Other compartments will continue to be cooled in accordance with the temperature set for them.

Press the relevant button again to deactivate this function.

8. Energy saving function (display off)

If the product doors are kept closed for a long time energy saving function is automatically activated and energy saving symbol is illuminated. When energy saving function is activated, all symbols on the display other than energy saving symbol will turn off. When the Energy Saving function is activated, if any button is pressed or the door is opened, energy saving function will be canceled and the symbols on display will return to normal.

Energy saving function is activated during delivery from factory and cannot be canceled.

9. Icematic Off Indicator

Icematic will not run when the indicator of this function is active.

To activate the ice off function, you need to press and hold the quick freeze button for 3 seconds.

10. Economic Usage Indicator

Indicates that the refrigerator is running in energy-efficient mode. This indicator will be active if the Freezer Compartment temperature is set to -18 or the energy efficient cooling is being performed due to Eco-Extra function.

11. Quick Fridge Function Indicator

This symbol flashes in an animated style when the Quick Fridge function is active.

12. Quick Fridge Function Button

When you press the Quick Fridge button, the temperature of the compartment will be colder than the adjusted values.

This function can be used for food placed in the fridge compartment and required to be cooled down rapidly.

If you want to cool large amounts of fresh food, it is recommended to activate this feature before putting the food into the fridge.

Quick Fridge indicator turns on when the Quick Fridge function is on. To cancel this function, press Quick Fridge button again.

If you do not cancel it, Quick Fridge will cancel itself automatically after 4 hours or when the fridge compartment reaches to the required temperature.

This function is not recalled when power restores after a power failure.

13. Fridge Compartment Temperature Setting Indicator

Indicates the temperature set for the Fridge Compartment.

14. Quick Freeze Function Button Icematic On-Off Button (3")

Indicates the temperature set for the Freezer Compartment.

To stop ice formation, press Icematic on-off button for 3 seconds. Water flow from water tank will stop when this function is selected. However, ice made previously can be taken from the Icematic. To restart ice formation, press Icematic on-off button for 3 seconds.

15. Freezer Compartment Temperature Setting Indicator

Fast Freeze indicator turns on when the Fast Freeze function is active. To cancel

this function, press Fast Freeze button again. Quick Freeze indicator will turn off and return to its normal settings. If you do not cancel it, Fast Freeze will cancel itself automatically after 8 hours or when the freezer compartment reaches to the required temperature.

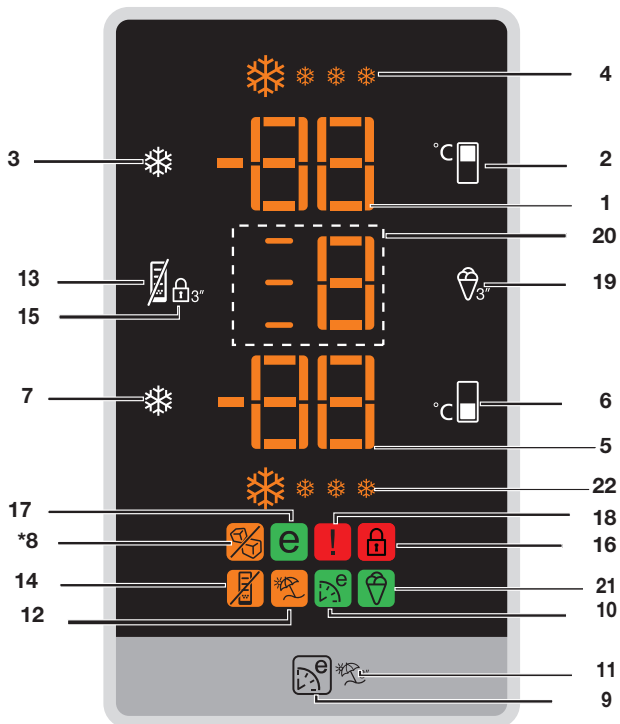
If you want to freeze large amounts of fresh food, press the Fast Freeze button before putting the food into the freezer compartment.

If you press the Fast Freeze button repeatedly with short intervals, the electronic circuit protection will be activated and the compressor will not start up immediately.

This function is not recalled when power restores after a power failure.

16. Quick Freeze Function Indicator

This symbol flashes in an animated style when the Fast Freeze function is active.



- | | |
|---|--|
| <ol style="list-style-type: none"> 1. Freezer Compartment Temperature Setting Indicator 2. Freezer Compartment Temperature Setting Function 3. Quick Freeze Function Button Icematic On-Off Button (3") 4. Quick Freeze Function Indicator 5. Fridge Compartment Temperature Setting Indicator 6. Fridge Compartment Temperature Setting Function 7. Quick Fridge Function Button 8. Icematic Off Indicator (*in some models) 9. Eco-Fuzzy (Special Economic Usage) Function | <ol style="list-style-type: none"> 10. Eco-Fuzzy (Special Economic Usage) Indicator 11. Vacation Function 12. Vacation Function Indicator 13. Energy Efficiency Function 14. Energy Efficiency Indicator 15. Key Lock Function 16. Key Lock indicator 17. Economic Usage Indicator 18. High Temperature/Error Warning Indicator 19. Ice Cream Mode Selection Function 20. Ice Cream Mode Selection Indicator 21. Ice Cream Indicator 22. Quick Fridge Indicator <p>*optional</p> |
|---|--|

i Figures in this user manual are schematic and may not correspond exactly to your product. If the subject parts are not included in the product you have purchased, then it is valid for other models.

1. Freezer Compartment Temperature Indicator

Indicates the temperature set for Freezer Compartment.

2. Freezer Compartment Temperature Setting Function

This function allows you to set the temperature of freezer compartment. Press this button to set the temperature of the freezer compartment to -18, -19, -20, -21, -22, -23 and -24, respectively.

3. Quick Freeze Function Button Icematic On-Off Button (3")

Quick Freeze indicator is illuminated when the Quick Freeze function is active. To cancel this function, press Quick Freeze button again. Quick Freeze indicator will turn off and return to its normal settings. If you do not cancel it, Quick Freeze will cancel itself automatically after 4 hours or when the freezer compartment reaches the required temperature. If you want to freeze large amounts of fresh food, press the Quick Freeze button before putting the food into the freezer compartment. If you press the Quick Freeze button repeatedly with short intervals, the electronic circuit protection will be activated and the compressor will not start up immediately. This function is not recalled when power restores after a power failure!

4. Quick Freeze Function Indicator

This symbol flashes in an animated style when the Quick Freeze function is active.

5. Fridge Compartment Temperature Setting Indicator

Indicates the temperature set for the Fridge Compartment.

6. Fridge Compartment Temperature Setting Function

function allows you to set the fridge compartment's temperature. Press this button to set the temperature of the fridge

compartment to 8, 7, 6, 5, 4, 3, 2 degrees, respectively.

7. Quick Fridge Function Button

When you press the Quick Fridge button, the temperature of the compartment will be colder than the adjusted values. This function can be used for food required to be cooled down rapidly in the fridge compartment. If you want to cool large amounts of fresh food, it is recommended to activate this function before putting the food into the fridge. Quick Fridge indicator is illuminated when the Quick Fridge function is active. To cancel this function, press Quick Fridge button again. Quick Fridge indicator will turn off and return to its normal settings. If you do not cancel it, Quick Fridge function will cancel itself automatically after 2 hours or when the fridge compartment reaches the required temperature.

This function is not recalled when power restores after a power failure.

8. Icematic Off Indicator

Icematic will not run when the indicator of this function is active.

To activate the ice off function, you need to press and hold the quick freeze button for 3 seconds.

9. Eco-Fuzzy (Special Economic Usage) Function

When you press Eco-Fuzzy button, Eco Fuzzy Function will be activated and Eco-Fuzzy Indicator will illuminate. Refrigerator will start operating in the most economic mode at least 6 hours later and the economic usage indicator will turn on when the function is active. To deactivate the Eco Fuzzy function, You need to press on the Eco-Fuzzy button again.

10. Eco-Fuzzy (Special Economic Usage) Indicator

This symbol illuminates when the Eco-Fuzzy Function is active.

11. Vacation Function

Press and hold Eco Fuzzy button for 3 seconds to activate Vacation Function and illuminate Vacation Indicator. The cooling of Fridge Compartment is stopped and temperature of Fridge Compartment is fixed to 15 degrees to prevent bad odors. When this function is active, Fridge Compartment Temperature Indicator will not display the temperature. To deactivate Vacation Function, press and hold Eco-Fuzzy button for 3 seconds.

12. Vacation Function Indicator

This indicator illuminates when Vacation Function is active.

13. Energy Saving Function

When you press Energy Efficiency button, Energy Efficiency Function will be activated and Energy Efficiency Indicator will illuminate. When Energy Efficiency Function is active, all indicators, except for Energy Efficiency Indicator, will turn off. This function will be deactivated when any button is pressed or door is opened; display indicators will return normal settings and Energy Efficiency Indicator will stay illuminated. If you do not press any button or open the door within 5 minutes when Energy Efficiency Indicator is still illuminated, Energy Efficiency Function will be activated again and display indicators will turn off. If you press Energy Efficiency button when the function is not active but the indicator is still illuminated, this will deactivate Energy Efficiency function and turn off Energy Efficiency Indicator.

14. Energy Saving Indicator

This indicator illuminates when Energy Efficiency Function is selected.

15. Key Lock Function

When you press and hold Key Lock button for 3 seconds, Key Lock Function will be activated and Key Lock Indicator will illuminate. No button will operate when this function is active. Press and hold Key Lock

button for 3 seconds again to deactivate this function.

16. Key Lock Indicator

This indicator will illuminate when Key Lock Function is active.

17. Economic Usage Indicator

Economic Usage Indicator turns on when the Freezer Compartment is set to -18°C. When Quick Freeze or Quick Fridge is selected, Economic Usage Indicator will not illuminate.

18. High Temperature/Error Warning Indicator

This light illuminates during high temperature failures and error warnings.

19. Ice Cream Mode Selection Function

When the Ice Cream button is pressed for 3 seconds; it will flash.

If this button is not pressed again in 30 seconds, display will return to its previous view, Ice Cream mode selection indicators will turn off.

With every short press of the Ice Cream button, the number will increase by one.

When the Ice Cream button is pressed again for 3 seconds, Ice Cream symbol on the display will turn on again. Thus, Ice Cream mode is selected and the number will turn on solid while the symbols on the left side will illuminate with animations.

When the Ice Cream process is completed, the symbols start to flash and an audio warning is given. All Ice Cream symbols will turn off after this 5-minute warning.

Just press the Ice Cream button briefly to terminate the audio warning; Ice Cream buttons will turn off too.

If the Ice Cream button is pressed briefly when the Ice Cream process is in progress, no change will take place on the display.



When the Ice Cream Function is active, if a power cut occurs and then power is resumed again, Ice Cream process will be maintained from where it is interrupted.

If the Ice Cream function is tried to be activated when the freezer compartment is at a temperature higher than $-10\text{ }^{\circ}\text{C}$, 'E' and the warning symbol on the display will flash for 30 seconds. If the user presses the Ice Cream function selection button briefly (for 3 seconds), display will return to its normal Ice Cream view, Ice Cream symbol and warning symbol will turn off.

20. Ice Cream Mode Selection Function

It shows the set Ice Cream mode.

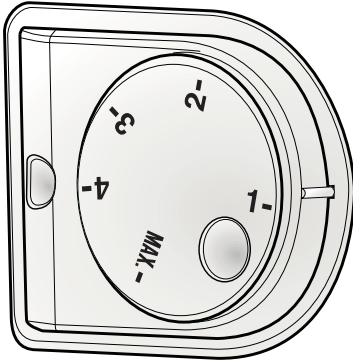
21. Ice Cream Indicator

It turns on when the Ice Cream mode is activated.

22. Quick Fridge Indicator

This symbol flashes in an animated style when the Quick Fridge function is active.

*Optional



Dual cooling system

Your refrigerator is equipped with two separate cooling systems to cool the fresh food compartment and freezer compartment. Thus, air in the fresh food compartment and freezer compartment do not get mixed. Thanks to these two separate cooling systems, cooling speed is much higher than other refrigerators. Odors in the compartments do not get mixed. Also additional power saving is provided since the automatic defrosting is performed individually.

Temperature setting button

Temperature Setting button allows you to make the temperature setting of your refrigerator.

Setting the temperature of your refrigerator

The overall temperature setting of your refrigerator is made by means of the temperature setting button on the right wall of the fridge compartment. This button has 5 different temperature setting position. Select the position suitable to your needs.

Level number 1 shows when the fridge is at its hottest and the max position shows its coldest setting.

- Hot food must cool down to the room temperature before putting them in the refrigerator.
- The foodstuff that you want to freeze must be fresh and in good quality.
- Foodstuff must be divided into portions according to the family's daily or meal based consumption needs.
- Foodstuff must be packaged in an airtight manner to prevent them from drying even if they are going to be kept for a short time.
- Materials to be used for packagings must be resistant to cold and humidity and they must be airtight. The packaging material of the food must be at a sufficient thickness and durability. Otherwise the food hardened due to freezing may puncture the packaging. It is important for the packaging to be closed securely for safe storage of the food.

ⓘ Figures in this user manual are schematic and may not correspond exactly to your product. If the subject parts are not included in the product you have purchased, then it is valid for other models.

- Frozen food must be used immediately after they are thawed and they should never be re-frozen.
 - Please observe the following instructions to obtain the best results.
1. If the fridge has a quick freeze function, activate the quick freeze function when you want to freeze the food.

2. Do not freeze too large quantities of food at one time. The quality of the food is best preserved when it is frozen right through to the core as quickly as possible.
3. Take special care not to mix already frozen food and fresh food.
4. Make sure raw foods are not in contact with cooked foods in the fridge.

| F r e e z e r C o m p a r t m e n t S e t t i n g | F r i d g e C o m p a r t m e n t S e t t i n g | R e m a r k s |
|--|--|---|
| -18°C | 4°C | This is the normal recommended setting. |
| -20, -22 or -24°C | 4°C | These settings are recommended when the ambient temperature exceeds 30°C. |
| Quick Freeze | 4°C | Use when you wish to freeze your food in a short time. It is recommended to be used to maintain the quality of meat and fish products. |
| -18°C or colder | 2°C | If you think that your fridge compartment is not cold enough because of the hot conditions or frequent opening and closing of the door. |
| -18°C or colder | Quick Fridge | You can use it when your fridge compartment is overloaded or if you wish to cool down your food rapidly. It is recommended that you activate the quick freeze function 4-8 hours before placing the food. |

Recommendations for preservation of frozen food

- Pre-packed commercially frozen food should be stored in accordance with the frozen food manufacturer's instructions in a frozen food storage compartment.
- To ensure that the high quality supplied by the frozen food manufacturer and the food retailer is maintained, following points should be noted:
 1. Put packages in the freezer as quickly as possible after purchase.
 2. Ensure that contents of the package are labeled and dated.

3. Do not exceed "Use By", "Best Before" dates on the packaging.

Defrosting

The freezer compartment defrosts automatically.

Placing the food

| | |
|-----------------------------|--|
| Freezer compartment shelves | Various frozen food such as meat, fish, ice cream, vegetables and etc. |
|-----------------------------|--|

| | |
|------------------------------------|---|
| Egg section | Egg |
| Fridge compartment shelves | Food in pans, covered plates and closed containers |
| Door shelves of fridge compartment | Small and packaged food and drinks (such as milk, fruit juice and beer) |
| Crisper | Vegetables and fruits |
| Freshzone compartment | Delicatessen products (cheese, butter, salami and etc.) |

Materials to be used for packaging the foodstuff must be tear-proof and resistant to cold, humidity, dour, oils and acids.

Foodstuff to be frozen should not be allowed to come in contact with the previously frozen items to prevent their partial thawing. Thawed out food must be consumed and must not be frozen again.

Deep-freeze information

Food must be frozen as rapidly as possible when they are put in the freezer in order to keep them in good quality.

It is possible to preserve the food for a long time only at -18°C or lower temperatures.

You can keep the freshness of food for many months (at -18°C or lower temperatures in the deep freeze).

WARNING!

- Foodstuff must be divided into portions according to the family's daily or meal based consumption needs.

- Foodstuff must be packaged in an airtight manner to prevent them from drying even if they are going to be kept for a short time.

Materials necessary for packaging:

- Cold resistant adhesive tape
- Self-adhesive label
- Rubber rings
- Pen

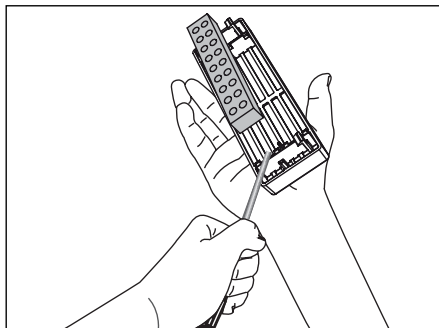
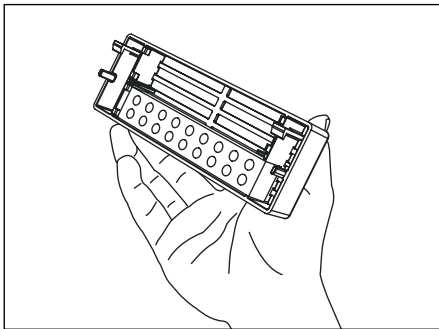
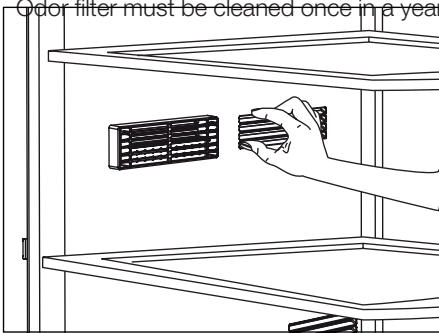
Description and cleaning of odor filter

***May not be available in all models**

Odor filter prevents unpleasant odor build-up in your refrigerator.

Pull the cover into which the odor filter is installed downwards from the front section and remove as illustrated. Leave the filter under sunlight for one day. Filter will be cleaned during this time. Install the filter back to its place.

Odor filter must be cleaned once in a year.

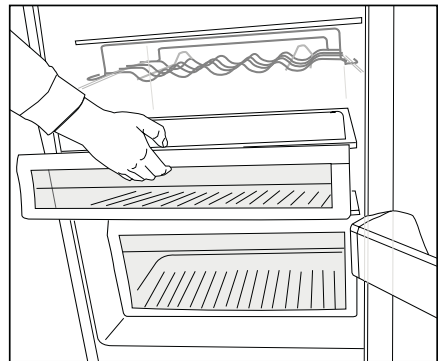


Breakfast Compartment

Because products such as fish, red meat, chicken meat, and dairy products such as cheese, yoghurt and milk need to be kept in an ambient a few degrees cooler than the fridge compartment, it is recommended to store these goods in the breakfast compartment. It is not recommended to place fruit and vegetables in the breakfast compartment. Especially tomatoes, eggplants, zucchinis, cucumbers and lemons are sensitive to the cold. They should not be stored in the breakfast compartment.

You can increase the inner volume of your refrigerator by removing the breakfast compartment.

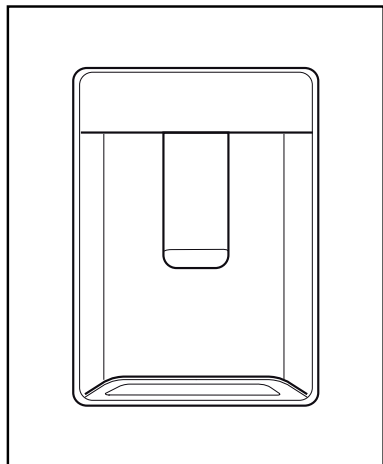
1. Pull the compartment towards yourself until it rests and stops against the stopper.
2. Lift the front section and pull towards yourself to remove the compartment from its seating.



Water Dispenser

*optional

Water dispenser is a very useful feature based on reaching cold water without opening the door of your refrigerator. As you will not have to open your refrigerator door frequently, you will have saved energy.



Using the water dispenser

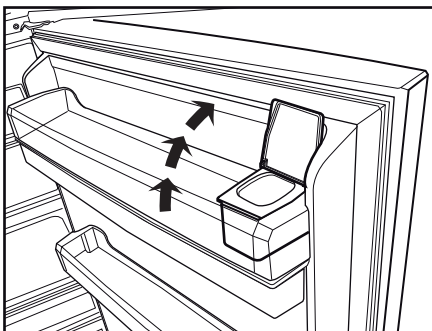
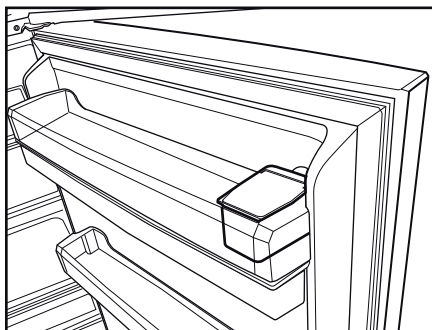
Push the arm of the water dispenser with your glass. The dispenser will cease operating once you release the arm.

When operating the water dispenser, maximum flow can be obtained by pressing the arm fully. Please remember that the amount of flow from the dispenser is subject to the degree you press the arm.

As the level of the water in your glass/container rises, slightly lessen the pressure on the arm to prevent the overspill. If you slightly press the arm, the water will drip; this is quite normal and not a failure.

Filling the water dispenser's tank

Water tank filling reservoir is located inside the door rack. You can open the reservoir cover and fill it with potable water. And then, close the lid.



Warning!

- Do not fill the water tank with any liquid other than water, such as fruit juices, milk, carbonated beverages or alcoholic drinks which are not suitable to use in the water dispenser. Water dispenser will be irreparably damaged if these kinds of liquids are used. Warranty does not cover such usages. Some chemical substances and additives contained in these kinds of drinks/liquids may damage the water tank and its materials.

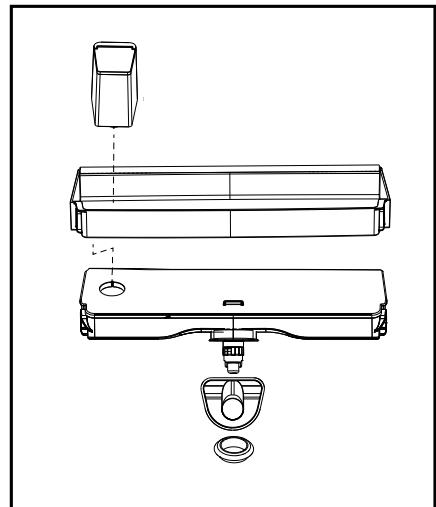
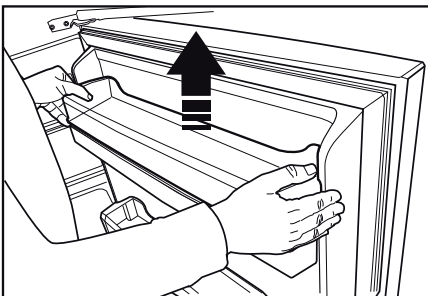
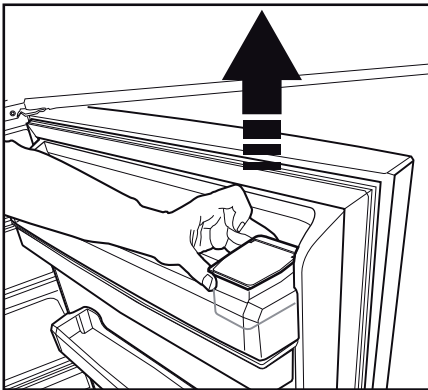
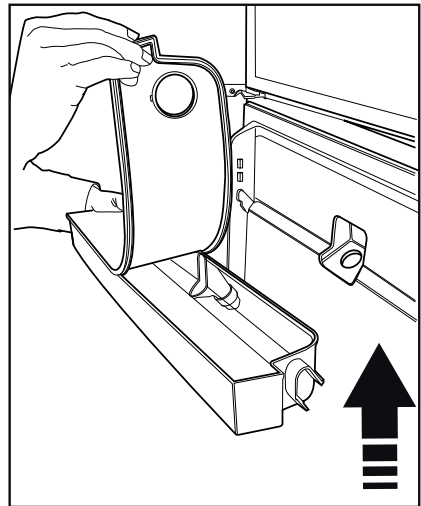
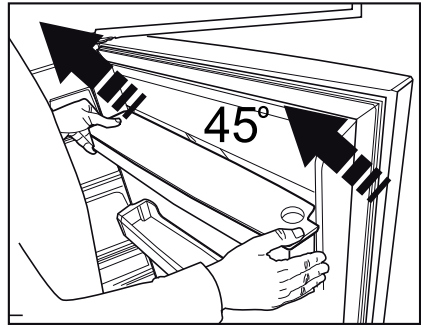
- Use clean drinking water only.
- Capacity of the water tank is 3 liters; do not overfill.
- Push the arm of the water dispenser with a rigid glass. If you are using disposable plastic glasses, push the arm with your fingers from behind the glass.

Cleaning the water tank

- Remove the water filling reservoir inside the door rack.
- Remove the door rack by holding from both sides.
- Grab the water tank from both sides and remove it with an angle of 45°C.
- Clean the water tank by removing its lid.

Important:

Components of the water tank and water dispenser should not be washed in dishwasher.

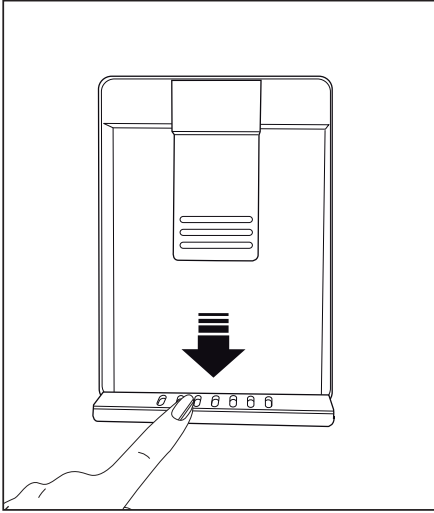


Water tray

Water that dripped while using the water dispenser accumulates in the spillage tray.

Take out the plastic strainer as shown in the figure.

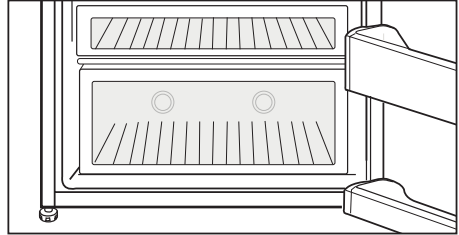
With a clean and dry cloth, remove the water that has accumulated.



Blue light

***May not be available in all models**

Foodstuff stored in the crispers that are enlightened with a blue light continue their photosynthesis by means of the wavelength effect of blue light and thus, preserve their freshness and increase their vitamin content.

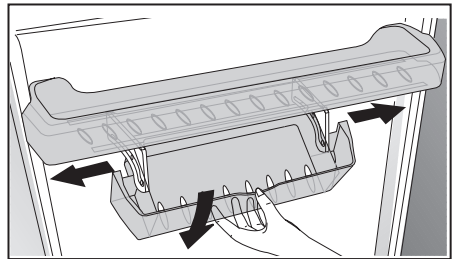


Sliding storage container

***optional**

This accessory is designed to increase the usage volume of the door shelves. It allows you to easily place the tall bottles, jars and tins to the lower bottle shelf thanks to its ability to move right or left.

(The illustrated figure is only an example and does not match exactly with your product.)



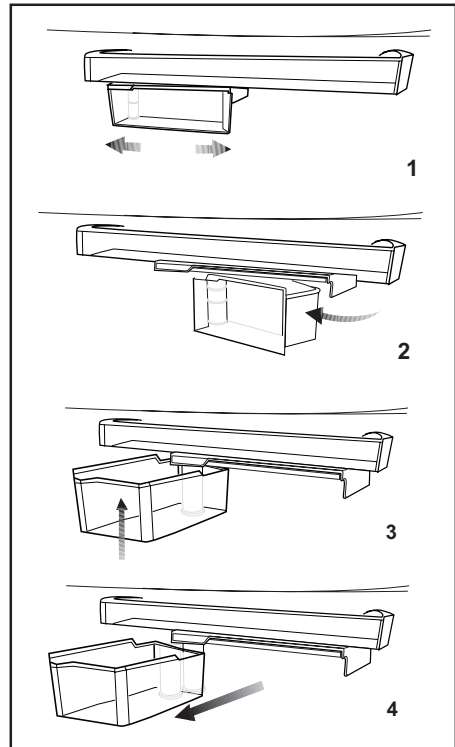
Rotary storage container

(in some models)

Sliding body shelf can be moved to left or right in order to allow you place the tall bottles, jars or boxes to the lower shelf (Fig. 1)

You can reach the food that you have placed into the shelf by grabbing and turning it from its right edge (Fig.2).

When you want to load or remove it to clean, turn it by 90 degrees, raise it up and pull towards yourself (Fig. 3-4).



Auto Icematic

*optional

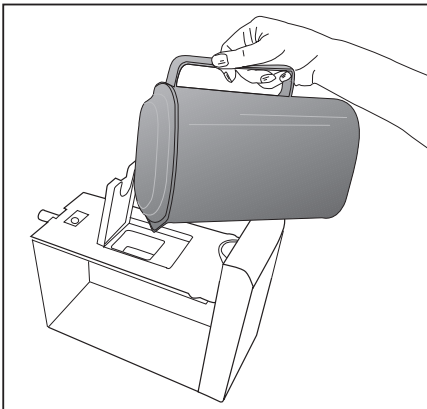
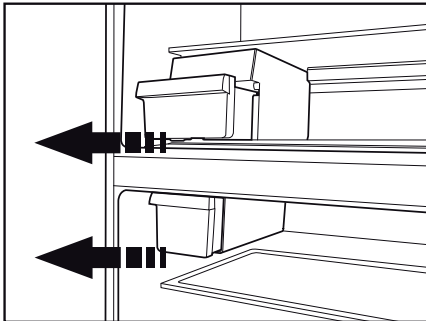
The Auto Icematic allows you to make ice in the fridge easily. Remove the water tank in the fridge compartment, fill it with water and install it back to obtain ice from the Icematic.

First ice cubes will be ready in approximately 2 hours in the Icematic drawer located in the freezer compartment.

If you fill the water tank completely, you will be able to obtain approximately 60-70 ice cubes.

Change the water in water tank if it has waited around 2-3 weeks.

Note: For the products having automatic Icematic, sound may be heard during ice pouring. This sound is normal and does not signal any error.



Icematic and ice storage container

***May not be available in all models**

Using the Icematic

Fill the Icematic with water and place it into its seat. Your ice will be ready approximately in two hours. Do not remove the Icematic from its seating to take ice.

Turn the knobs on the ice reservoirs clockwise by 90 degrees.

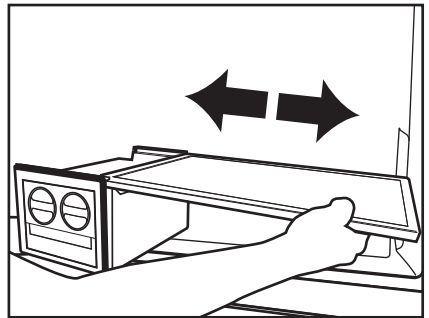
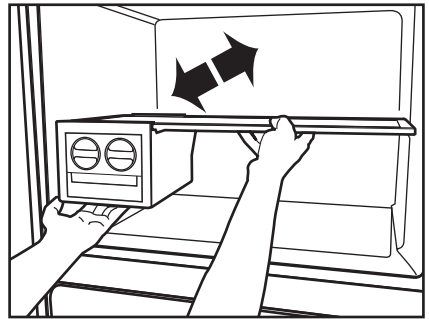
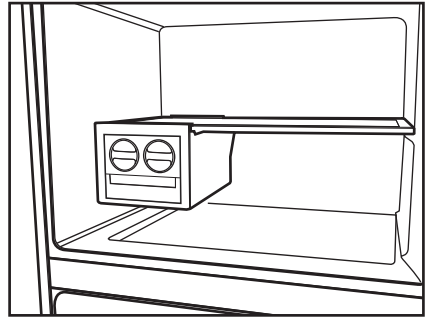
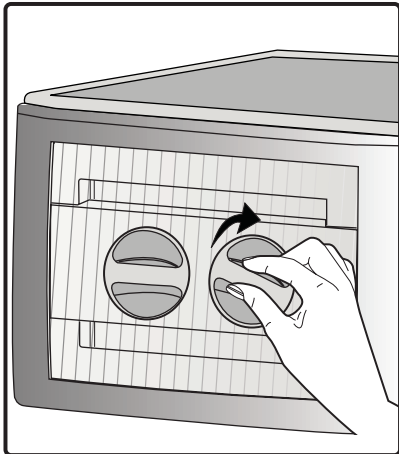
Ice cubes in the reservoirs will fall down into the ice storage container below.

You may take out the ice storage container and serve the ice cubes.

If you wish, you may keep the ice cubes in the ice storage container.

Ice storage container

Ice storage container is only intended for accumulating the ice cubes. Do not put water in it. Otherwise, it will break.

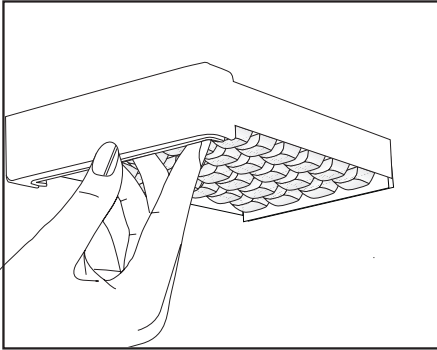


Making ice

*optional

Fill the ice container with water and place it into the freezer compartment. Your ice will be ready approximately in two hours.

You can remove the ice in the ice container by removing it from the freezer and twisting it.



Humidity-controlled crisper (Ever Fresh)

*optional

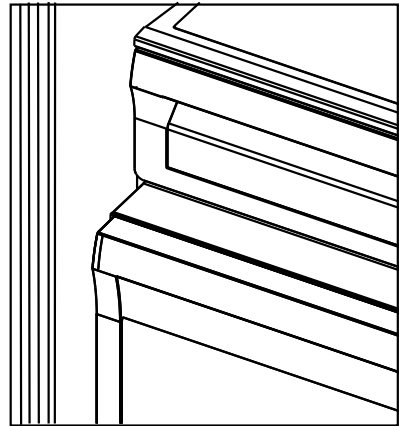
Humidity rates of the vegetables and fruit are kept under control with the feature of humidity-controlled crisper and the food is ensured to stay fresh for longer.

Never leave the vegetables inside the crisper in their bags. If the vegetables are left inside their bags, this will cause them to decompose in a short period of time. When a high level of humidity is set, your vegetables keep their humidity content and can be preserved for a reasonable period of time without needing to leave them inside their bags. In case contacting with other vegetables is not preferred for hygiene concerns, use a perforated paper, foam and other similar packaging materials instead of a bag.

While the vegetables are being placed, specific gravity of the vegetables should be taken into consideration. Heavy and hard vegetables should be put at the bottom of the crisper and the lightweight and soft vegetables should be placed over.

Do not place together the pear, apricot, peach, etc. and apple in particular which have a high level of generation of ethylene gas in the same crisper with the other vegetables and fruit. The ethylene gas which is emitted by these fruit may cause the other fruit to ripen faster and decompose in a shorter time.

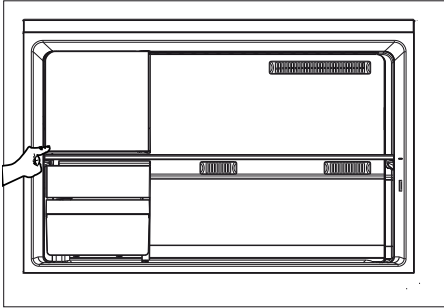
Do not take the crisper main body out of the refrigerator apart from the drawers unless you have to, and call for technical service if necessary. Before removing the crisper main body from its place, wipe and clean it with a wet piece of cloth.



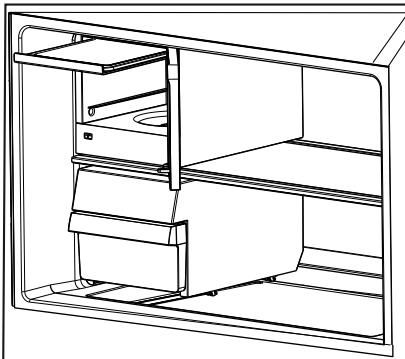
Ice-cream machine

*optional

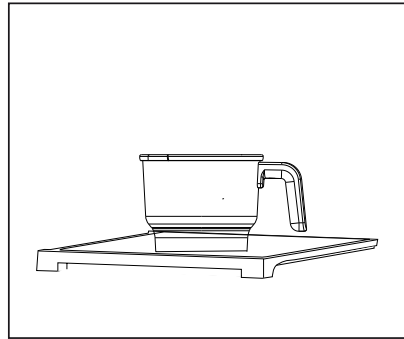
- Open the freezer compartment of the refrigerator,
- Push and release open the cover of the ice-cream making compartment in the freezer compartment,



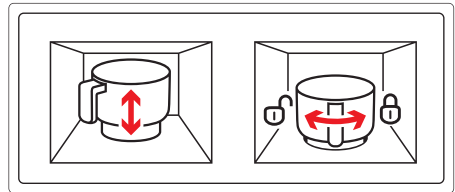
- Place the fresh freeze tray inside the base cover and slide it into the highest shelf inside the compartment,

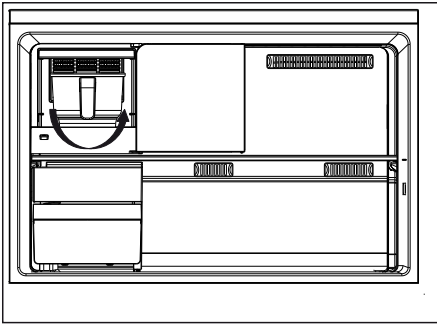


- Take the ice-cream mix which is cooled to room temperature to the ice-cream making container,



- The ice-cream mix which will be placed in the ice cream boxes must not exceed the amount stated in the ice cream recipes. If more ice cream mix is placed in the boxes than indicated in the recipe, it will overflow.
- Place the container into the housing at the bottom of the compartment towards the left side.
- Turn the container to the right side and lock it into its place.





- Close the cover of the ice-making compartment, push and release to lock it.
- Close the door of the freezer compartment.
- i** You can determine the ice cream mode from the ice cream recipe book.
- i** Set the ice cream mode depending on the ice cream type from the display on the door.
- i** Do not wash the ice cream making container in the dishwasher.
- i** During the ice cream making process, the fridge, depending on the current working conditions, will work with a slight noise for a while.

6 Maintenance and cleaning

- ⚠ Never use gasoline, benzene or similar substances for cleaning purposes.
- ⚠ We recommend that you unplug the appliance before cleaning.
- ⚠ Never use any sharp abrasive instrument, soap, household cleaner, detergent and wax polish for cleaning.
- ⚠ For non-No Frost products, water drops and frosting up to a fingerbreadth occur on the rear wall of the Fridge compartment. Do not clean it; never apply oil or similar agents on it.
- ⚠ Only use slightly damp microfiber cloths to clean the outer surface of the product. Sponges and other types of cleaning cloths may scratch the surface.
- ℹ Use lukewarm water to clean the cabinet of your refrigerator and wipe it dry.
- ℹ Use a damp cloth wrung out in a solution of one teaspoon of bicarbonate of soda to one pint of water to clean the interior and wipe it dry.
- ⚠ Make sure that no water enters the lamp housing and other electrical items.
- ⚠ If your refrigerator is not going to be used for a long period of time, unplug the power cable, remove all food, clean it and leave the door ajar.
- ℹ Check door seals regularly to ensure they are clean and free from food particles.
- ⚠ To remove door racks, remove all the contents and then simply push the door rack upwards from the base.
- ⚠ Never use cleaning agents or water that contain chlorine to clean the outer surfaces and chromium coated parts of the product. Chlorine causes corrosion on such metal surfaces.
- ⚠ Do not use sharp, abrasive tools, soap, household cleaning agents, detergents, kerosene, fuel oil, varnish etc. to prevent removal and deformation of the prints on the plastic part. Use lukewarm water and a soft cloth for cleaning and then wipe it dry.

Protection of plastic surfaces

- ℹ Do not put the liquid oils or oil-cooked meals in your refrigerator in unsealed containers as they damage the plastic surfaces of your refrigerator. In case of spilling or smearing oil on the plastic surfaces, clean and rinse the relevant part of the surface at once with warm water.

7 Troubleshooting

Please review this list before calling the service. It will save your time and money. This list includes frequent complaints that are not arising from defective workmanship or material usage. Some of the features described here may not exist in your product.

| |
|--|
| The refrigerator does not operate. |
| <ul style="list-style-type: none">• The plug is not inserted into the socket correctly. >>> <i>Insert the plug into the socket securely.</i>• The fuse of the socket which your refrigerator is connected to or the main fuse have blown out. >>> <i>Check the fuse.</i> |
| Condensation on the side wall of the fridge compartment (MULTIZONE, COOL CONTROL and FLEXI ZONE). |
| <ul style="list-style-type: none">• Ambient is very cold. >>> <i>Do not install the refrigerator in places where the temperature falls below 10 °C.</i>• Door has been opened frequently. >>> <i>Do not open and close the door of refrigerator frequently.</i>• Ambient is very humid. >>> <i>Do not install your refrigerator into highly humid places.</i>• Food containing liquid is stored in open containers. >>> <i>Do not store food with liquid content in open containers.</i>• Door of the refrigerator is left ajar. >>> <i>Close the door of the refrigerator.</i>• Thermostat is set to a very cold level. >>> <i>Set the thermostat to a suitable level.</i> |
| Compressor is not running |

| |
|---|
| i Protective thermic of the compressor will blow out during sudden power failures or plug-out plug-ins as the refrigerant pressure in the cooling system of the refrigerator has not been balanced yet. The refrigerator will start running approximately after 6 minutes. Please call the service if the refrigerator does not startup at the end of this period. |
| <ul style="list-style-type: none">• The refrigerator is in defrost cycle. >>> <i>This is normal for a full-automatically defrosting refrigerator. Defrosting cycle occurs periodically.</i>• The refrigerator is not plugged into the socket. >>> <i>Make sure that the plug is fit into the socket.</i>• Temperature settings are not made correctly. >>> <i>Select the suitable temperature value.</i>• There is a power failure. >>> <i>Refrigerator returns to normal operation when the power restores.</i> |
| The operation noise increases when the refrigerator is running. |
| i The operating performance of the refrigerator may change due to the changes in the ambient temperature. It is normal and not a fault. |
| The refrigerator is running frequently or for a long time. |

- i** New product may be wider than the previous one. Larger refrigerators operate for a longer period of time.
- The ambient temperature may be high. >>> *It is normal that the product operates for longer periods in hot ambient.*
 - The refrigerator is plugged in or loaded with food recently. >>> *When the refrigerator is plugged in or loaded with food recently, it will take longer for it to attain the set temperature. This is normal.*
 - Large amounts of hot food may have been put in the refrigerator recently. >>> *Do not put hot food into the refrigerator.*
 - Doors are opened frequently or left ajar for a long time. >>> *The warm air that has entered into the refrigerator causes the refrigerator to run for longer periods. Do not open the doors frequently.*
 - Freezer or fridge compartment door is left ajar. >>> *Check if the doors are closed completely.*
 - The refrigerator is adjusted to a very low temperature. >>> *Adjust the refrigerator temperature to a warmer degree and wait until the temperature is achieved.*
 - Door seal of the fridge or freezer may be soiled, worn out, broken or not properly seated. >>> *Clean or replace the seal. Damaged/broken seal causes the refrigerator to run for a longer period of time in order to maintain the current temperature.*

Freezer temperature is very low while the fridge temperature is sufficient.

- The freezer temperature is adjusted to a very low value. >>> *Adjust the freezer temperature to a warmer degree and check.*

Fridge temperature is very low while the freezer temperature is sufficient.

- The fridge temperature is adjusted to a very low value. >>> *Adjust the fridge temperature to a warmer degree and check.*

Food kept in the fridge compartment drawers are frozen.

- The fridge temperature is adjusted to a very high value. >>> *Adjust the fridge temperature to a lower value and check.*

Temperature in the fridge or freezer is very high.

- The fridge temperature is adjusted to a very high value. >>> *Fridge compartment temperature setting has an effect on the temperature of the freezer. Change the temperatures of the fridge or freezer and wait until the relevant compartments attain a sufficient temperature.*
- Doors are opened frequently or left ajar for a long time. >>> *Do not open the doors frequently.*
- Door is ajar. >>> *Close the door completely.*
- The refrigerator is plugged in or loaded with food recently. >>> *This is normal. When the refrigerator is plugged in or loaded with food recently, it will take longer for it to attain the set temperature.*
- Large amounts of hot food may have been put in the refrigerator recently. >>> *Do not put hot food into the refrigerator.*

Vibrations or noise.

- The floor is not level or stable. >>> *If the refrigerator rocks when moved slowly, balance it by adjusting its legs. Also make sure that the floor is strong enough to carry the refrigerator, and level.*
- The items put onto the refrigerator may cause noise. >>> *Remove the items on top of the refrigerator.*

There are noises coming from the refrigerator like liquid flowing or spraying.

- i** Liquid and gas flows happen in accordance with the operating principles of your refrigerator. It is normal and not a fault.

Whistle comes from the refrigerator.

- i** Fans are used in order to cool the refrigerator. It is normal and not a fault.

Condensation on the inner walls of refrigerator.

- i** Hot and humid weather increases icing and condensation. It is normal and not a fault.
- Doors are opened frequently or left ajar for a long time. >>> *Do not open the doors frequently. Close them if they are open.*
- Door is ajar. >>> *Close the door completely.*

Humidity occurs on the outside of the refrigerator or between the doors.

- i** There may be humidity in the air; this is quite normal in humid weather. When the humidity is less, condensation will disappear.

Bad odor inside the refrigerator.

- No regular cleaning is performed. >>> *Clean the inside of the refrigerator regularly with a sponge, lukewarm water or sodium bicarbonate diluted in water.*
- Some containers or package materials may cause the smell. >>> *Use a different container or different brand packaging material.*
- Food is put into the refrigerator in uncovered containers. >>> *Keep the food in closed containers. Microorganisms spreading out from uncovered containers can cause unpleasant odors.*

- i** Remove the foods that have expired best before dates and spoiled from the refrigerator.

The door is not closing.

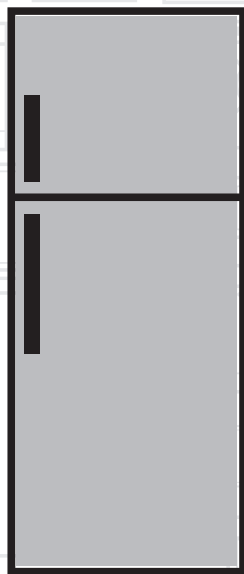
- Food packages are preventing the door from closing. >>> *Replace the packages that are obstructing the door.*
- The refrigerator is not completely even on the floor. >>> *Adjust the legs to balance the refrigerator.*
- The floor is not level or strong. >>> *Make sure that the floor is level and capable to carry the refrigerator.*

Crispers are stuck.

- The food is touching the ceiling of the drawer. >>> *Rearrange food in the drawer.*

Frigorifero

Manuale utente



it |

beko

Leggere innanzitutto questo manuale utente!

Gentile Cliente,

ci auguriamo che l'articolo da Lei scelto, prodotto in moderni stabilimenti e sottoposto ai più severi controlli di qualità, risponda interamente alle Sue esigenze.

Leggere, pertanto, il manuale per intero con attenzione prima di utilizzare l'apparecchio e conservarlo come riferimento. Se l'apparecchio viene dato a terzi, dare anche il manuale utente.

Questo manuale utente aiuta a utilizzare l'apparecchio in modo veloce e sicuro.

- Leggere le istruzioni per l'uso prima di installare e utilizzare l'apparecchio.
- Assicurarsi di leggere le istruzioni di sicurezza.
- Conservare il presente manuale in un luogo facilmente accessibile per eventuali future consultazioni.
- Leggere gli altri documenti allegati all'apparecchio.

Ricordare che questo manuale utente è applicabile anche per diversi altri modelli. Le differenze tra i modelli saranno identificate nel manuale.

Spiegazione dei simboli

In tutto questo manuale utente si utilizzano i simboli che seguono:

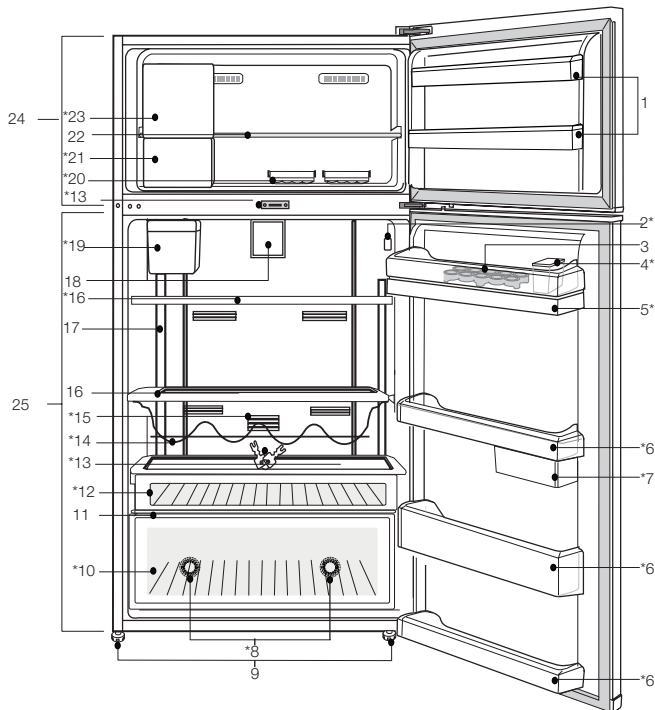
 Informazioni importanti o consigli utili.

 Segnale di avvertimento in caso di situazioni pericolose per la persona o i beni.

 Segnale di avvertimento in caso di problemi con il voltaggio.

| | | | |
|---|-----------|---|-----------|
| 1 Il frigorifero | 3 | 4 Preparazione | 14 |
| 2 Importanti avvertenze per la sicurezza | 4 | 5 Utilizzo del frigorifero | 15 |
| Usò previsto | 4 | Pannello dei comandi | 15 |
| Sicurezza generale | 4 | Congelamento di alimenti freschi | 26 |
| Sicurezza bambini | 8 | Tasto di impostazione della temperatura..... | 26 |
| Conformità alla direttiva WEEE e allo smaltimento dei rifiuti: | 8 | Impostazione della temperatura del frigorifero | 26 |
| Conformità alla Direttiva RoHS:..... | 9 | Sistema dual cooling | 26 |
| Informazioni sulla confezione | 9 | Consigli per la conservazione di alimenti congelati | 28 |
| Avvertenza HC..... | 9 | Sbrinamento..... | 28 |
| Cose da fare per risparmiare energia . | 9 | Posizionamento alimenti | 28 |
| Consigli per lo scomparto alimenti freschi | 10 | Informazioni di congelamento profondo | 28 |
| 3 Installazione | 11 | Descrizione e pulizia del filtro odori: . | 29 |
| Punti a cui prestare attenzione quando si sposta il frigorifero | 11 | Erogatore d'acqua..... | 30 |
| Prima di avviare il frigorifero, | 11 | Spia blu | 32 |
| Collegamenti elettrici..... | 11 | Contenitore scorrevole per la conservazione | 32 |
| Smaltimento del materiale di imballaggio | 12 | Contenitore girevole per la conservazione | 33 |
| Smaltimento del vecchio frigorifero .. | 12 | Sezione uova..... | 33 |
| Posizionamento e installazione | 12 | Auto Icematic | 34 |
| Regolazione dei piedini | 13 | Icematic e contenitore per conservare il ghiaccio..... | 35 |
| Cambiare la lampadina di illuminazione | 13 | Preparazione ghiaccio | 36 |
| Avvertenza sportello aperto | 13 | Scomparto frutta e verdura a umidità controllata (sempre fresco)..... | 36 |
| | | Macchina per il gelato..... | 37 |
| | | 6 Manutenzione e pulizia | 39 |
| | | Protezione delle superfici di plastica | 39 |
| | | 7 Ricerca e risoluzione dei problemi | 40 |

1 Il frigorifero



1. Ripiani dello sportello dello scomparto freezer
 2. Indicatore impostazione temperatura
 3. Sezione uova
 4. Serbatoio riempimento erogatore acqua
 5. Serbatoio erogatore acqua
 6. Ripiani dello sportello dello scomparto frigo
 7. Contenitori scorrevoli e girevoli
 8. Spia blu
 9. Piedini regolabili
 10. Scomparto frutta e verdura
 11. Coperchio scomparto frutta e verdura
 12. Scomparto colazione
 13. Chiave
 14. Ripiano bottiglie
 15. Filtro odori
 16. Ripiani in vetro dello scomparto frigo
 17. Vetro illuminazione
 18. Girante
 19. Serbatoio acqua Icematic automatico
 20. Scatola del ghiaccio
 21. Contenitore per la conservazione del ghiaccio
 22. Mensola in vetro dello scomparto freezer
 23. Macchina per la preparazione del gelato / Scomparto congelamento rapido
 24. Scomparto freezer
 25. Scomparto frigo
- *opzionale**

i Le illustrazioni contenute in questo manuale utente sono schematiche e potrebbero non corrispondere esattamente all'apparecchio in uso. Se le parti in oggetto non sono incluse nell'apparecchio acquistato, significa che sono da intendersi per altri modelli.

2 Importanti avvertenze per la sicurezza

Prendere in esame le seguenti informazioni. La mancata osservanza di queste informazioni può provocare lesioni o danni materiali. Quindi tutte le garanzie e gli impegni sull'affidabilità diventerebbero privi di validità.

I pezzi di ricambio originali verranno forniti per 10 anni, successivamente alla data di acquisto del prodotto.

Uso previsto

| | |
|---|---|
| ⚠ | AVVERTENZA: Assicurarsi che i fori di ventilazione non sono chiusi quando il dispositivo è nella sua custodia o quando lo si inserisce nel suo alloggiamento. |
| ⚠ | AVVERTENZA: Non utilizzare alcun dispositivo meccanico o altri dispositivi per accelerare il processo di sbrinamento e seguire solo i consigli del fabbricante. |
| ⚠ | AVVERTENZA: Non danneggiare il circuito del liquido refrigerante. |

| | |
|---|---|
| ⚠ | AVVERTENZA: Non utilizzare apparecchi elettrici non consigliati dal fabbricante all'interno dei vani per la conservazione degli alimenti. |
| ⚠ | AVVERTENZA: Non conservare sostanze esplosive come aerosol con gas propellenti infiammabili nell'apparecchio. |

Questo apparecchio è stato progettato per applicazioni domestiche e per la seguenti applicazioni simili:

- Per essere utilizzato nelle cucine del personale di negozi, uffici e altri luoghi di lavoro;
- Per essere utilizzato dai clienti negli alberghi e nelle case di campagna, motel e altri luoghi di alloggio;
- in ambienti tipo pensioni
- in luoghi simili che non offrano servizi di ristorazione e non siano di vendita al dettaglio.

Sicurezza generale

- Quando si vuole smaltire/eliminare l'apparecchio, è consigliabile consultare il servizio autorizzato per apprendere le informazioni necessarie e conoscere gli enti autorizzati.

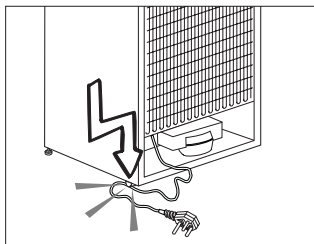
- Consultare il servizio di manutenzione autorizzato per tutti i problemi relativi al frigorifero. Non intervenire o far intervenire sul frigorifero senza informare il servizio manutenzione autorizzato.
- Per apparecchi dotati di scomparto freezer; non mangiare coni gelato o cubetti di ghiaccio o gelati appena estratti dal freezer! (Ciò potrebbe causare sintomi di congelamento in bocca).
- Per apparecchi dotati di scomparto freezer; non mettere bottiglie e lattine di bibite liquide nello scomparto del freezer altrimenti potrebbero esplodere.
- Non toccare con le mani gli alimenti gelati; possono incollarsi ad esse.
- Scollegare il frigorifero prima della pulizia o dello sbrinamento.
- Il vapore e i materiali per la pulizia vaporizzati non devono mai essere usati per pulire e scongelare il frigorifero. In queste situazioni, il vapore può entrare in contatto con le parti elettriche e provocare corto circuito o scossa elettrica.
- Non usare mai parti del frigorifero come lo sportello come mezzo di supporto o movimento.
- Non utilizzare dispositivi elettrici all'interno del frigorifero.
- Non danneggiare le parti, in cui circola il refrigerante, con utensili perforanti o taglienti. Il refrigerante può scoppiare quando i canali del gas dell'evaporatore, le estensioni dei tubi o le pellicole superficiali vengono punti e provocano irritazioni alla pelle e lesioni agli occhi.
- Non bloccare o coprire la ventilazione dell'elettrodomestico.
- I dispositivi elettrici devono essere riparati solo da persone autorizzate. Le riparazioni eseguite da personale non competente provocano danni all'utilizzatore.
- In caso di guasto o durante lavori di riparazione e manutenzione, scollegare la fornitura d'energia principale spegnendo il fusibile principale o scollegando la presa dell'apparecchio.
- Non tirare dal cavo quando si estrae la spina.
- Assicurarsi che le bevande alcoliche siano conservate in modo sicuro con il coperchio

chiuso e posizionate in verticale.

- Non conservare mai nel frigorifero contenitori spray che contengano sostanze infiammabili ed esplosive.
 - Non utilizzare apparecchiature meccaniche o altri mezzi diversi da quelli consigliati dal produttore per accelerare il processo di sbrinamento.
 - Questo apparecchio non deve essere usato da persone con disturbi fisici, sensoriali o mentali o persone non preparate o senza esperienza (compresi bambini) a meno che non ricevano la supervisione da parte di una persona responsabile della loro sicurezza che li instruirà sull'uso corretto dell'apparecchio.
 - Non utilizzare frigoriferi danneggiati. Consultare l'agente per l'assistenza in caso di dubbi.
 - La sicurezza elettrica del frigorifero è garantita unicamente se il sistema di messa a terra dell'apparecchiatura è conforme agli standard.
 - L'esposizione dell'apparecchio a pioggia, neve, sole e vento è pericolosa per la sicurezza elettrica.
 - Contattare l'assistenza autorizzata quando ci sono
- danni ai cavi in modo da evitare pericoli.
 - Non collegare mai il frigorifero alla presa a muro durante l'installazione, per evitare il rischio di morte o lesioni gravi.
 - Questo frigorifero è destinato solo alla conservazione di alimenti. Non deve essere usato per altri scopi.
 - L'etichetta con le specifiche tecniche si trova sulla parete sinistra nella parte interna del frigorifero.
 - Non collegare mai il frigorifero a sistemi di risparmio energetico; potrebbero danneggiare il frigorifero.
 - Se c'è una luce blu sul frigorifero, non guardarla a lungo a occhio nudo o con strumenti ottici.
 - Per i frigoriferi con controllo manuale, attendere almeno 5 minuti per avviare il frigorifero dopo un'assenza di elettricità.
 - Questo manuale operativo deve essere dato al nuovo proprietario dell'apparecchio quando il prodotto stesso viene dato ad altri.
 - Evitare di provocare danni al cavo di alimentazione quando si trasporta il frigorifero. Piegare il cavo può provocare un incendio. Non mettere mai oggetti pesanti

sul cavo di alimentazione.

- Non toccare la spina con le mani bagnate quando si collega l'apparecchio alla rete elettrica.



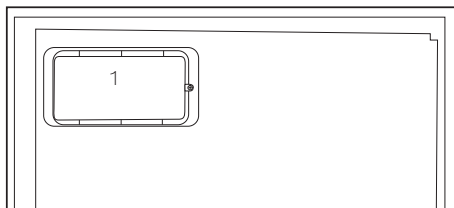
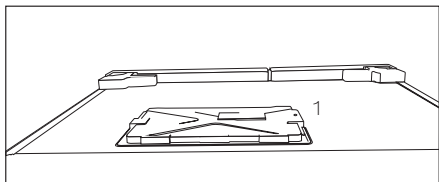
- Non collegare il frigorifero alla rete se la presa elettrica è allentata.
- Non deve essere spruzzata acqua sulle parti interne o esterne dell'apparecchio per motivi di sicurezza.
- Non spruzzare sostanze contenenti gas infiammabili come gas propano vicino al frigorifero per evitare rischio di incendio ed esplosione.
- Non mettere mai contenitori pieni di acqua sopra al frigorifero; in caso di schizzi, questo potrebbe provocare shock elettrico o incendio.
- Non sovraccaricare il frigorifero di alimenti. In caso di sovraccarico, gli alimenti potrebbero cadere provocando

lesioni alla persona e danni al frigorifero quando si apre lo sportello.

- Non mettere mai oggetti sopra al frigorifero; altrimenti questi oggetti potrebbero cadere quando si apre o si chiude lo sportello del frigorifero.
- Poiché necessitano di un controllo preciso della temperatura, vaccini, medicine sensibili al calore e materiali scientifici non devono essere conservati nel frigorifero.
- Se non sarà usato per un lungo periodo, il frigorifero deve essere scollegato. Un problema possibile nel cavo di alimentazione può provocare un incendio.
- Il frigorifero potrebbe spostarsi se i piedini regolabili non sono assicurati correttamente al pavimento. Assicurare correttamente i piedini al pavimento può evitare che il frigorifero si sposti.
- Quando si trasporta il frigorifero, non tenerlo dalla maniglia dello sportello. Altrimenti si stacca.
- Quando è necessari posizionare l'apparecchio vicino ad un altro frigorifero o freezer, la distanza tra i dispositivi deve essere di almeno 8 cm.

Altrimenti le pareti laterali vicine potrebbero produrre condensa.

- Non usare mai il prodotto se la sezione che si trova sulla parte superiore o posteriore del prodotto, con le schede dei circuiti elettronici stampati all'interno, è aperta (copri schede dei circuiti elettronici stampati) (1).

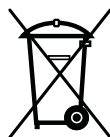


Sicurezza bambini

- La pressione per l'ingresso dell'acqua fredda dovrebbe essere al massimo 90 psi (6.2 bar). Qualora la pressione dell'acqua superi il valore 80 psi (5.5 bar), usare una valvola di limitazione della pressione nel sistema principale. Qualora non si sappia come verificare la pressione dell'acqua, chiedere aiuto a un idraulico professionista.

- In caso di rischio dell'effetto "martello acqua" nel proprio impianto, usare sempre una strumentazione per evitare l'effetto "martello d'acqua" nel proprio impianto. Rivolgersi a idraulici professionisti in caso di dubbio relativamente alla presenza o meno dell'effetto "martello d'acqua" nel proprio impianto.
- Non installare l'ingresso dell'acqua calda. Prendere precauzioni contro il rischio di congelamento dei tubi. La gamma di funzionamento della temperatura dell'acqua dovrebbe essere 33°F (0.6°C) come minimo e 100°F (38°C) al massimo.
- I bambini devono ricevere supervisione per evitare che interferiscano con l'apparecchio.

Conformità alla direttiva WEEE e allo smaltimento dei rifiuti:



Questo apparecchio è conforme alla Direttiva UE WEEE (2012/19/EU). Questo apparecchio riporta il simbolo di classificazione per i rifiuti delle apparecchiature elettriche ed elettroniche (WEEE).

Questo apparecchio è stato realizzato con parti e materiali di alta qualità che possono essere riutilizzati e sono adatti ad essere

riciclati. Non smaltire i rifiuti dell'apparecchio con i normali rifiuti domestici e gli altri rifiuti alla fine della vita di servizio. Portarlo al centro di raccolta per il riciclaggio di apparecchiature elettriche ed elettroniche. Consultare le autorità locali per conoscere la collocazione di questi centri di raccolta.

Conformità alla Direttiva RoHS:

L'apparecchio acquistato è conforme alla Direttiva UE RoHS (2011/65/EU). Non contiene materiali pericolosi o proibiti specificati nella Direttiva.

Informazioni sulla confezione

I materiali di imballaggio del prodotto sono realizzati con materiali riciclabili secondo i nostri regolamenti nazionali sull'ambiente. Non smaltire i materiali di imballaggio con i rifiuti domestici o altri rifiuti. Portarli ai punti di raccolta dedicati ai materiali di imballaggio, previsti dalle autorità locali.

Cose da non dimenticare...

Tutte le sostanze riciclate sono elementi indispensabili per la natura e la nostra ricchezza nazionale.

Se si desidera contribuire alla rivalutazione dei materiali di imballaggio, è possibile consultare le organizzazioni ambientaliste o le autorità del comune in cui si vive.

Avvertenza HC

Se il sistema di raffreddamento dell'apparecchio contiene R600a:

Questo gas è infiammabile. Pertanto, fare attenzione a non danneggiare il sistema di raffreddamento e le tubazioni durante l'uso e il trasporto. In caso di danni, tenere l'apparecchio lontano da potenziali fonti di incendio che possono provocarne l'incendio e ventilare la stanza in cui si trova l'unità.

Ignorare questa avvertenza se il sistema di raffreddamento dell'apparecchio contiene R134a.

Il tipo di gas usato nell'apparecchio è descritto nell'etichetta con il tipo sulla parete sinistra nella parte interna del frigorifero.

Non gettare mai l'apparecchio nel fuoco per lo smaltimento.

Cose da fare per risparmiare energia

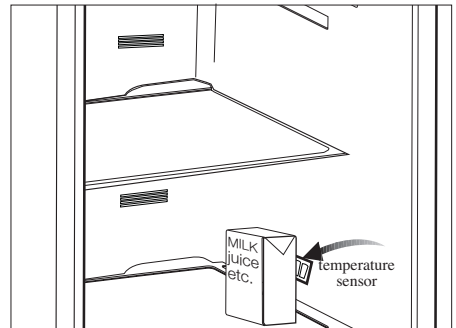
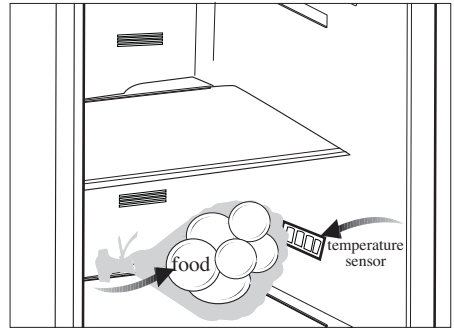
- Non lasciare lo sportello del frigorifero aperto per lungo tempo.
- Non inserire alimenti caldi o bevande calde nell'elettrodomestico.
- Non sovraccaricare il frigorifero impedendo la circolazione dell'aria al suo interno.
- Non installare il frigorifero sotto la luce diretta del sole o nelle vicinanze di forni, lavastoviglie o radiatori. Tenere il frigorifero ad almeno 30 cm dalle fonti che emettono calore e ad almeno 5 cm dai forni elettrici.
- Porre attenzione nel conservare gli alimenti in contenitori chiusi.
- Per apparecchi dotati di scomparto freezer; è possibile conservare la quantità massima di alimenti nel freezer quando si rimuove il ripiano o il cassetto del freezer. Il valore di consumo energetico dichiarato per il frigorifero è stato determinato rimuovendo il ripiano del freezer o il cassetto e in condizione di carico massimo. Non c'è pericolo nell'usare un ripiano o un cassetto secondo le forme e le dimensioni degli alimenti da congelare.
- Scongelare alimenti congelati nello scomparto frigo garantisce risparmio energetico e conserva la qualità degli alimenti.

Consigli per lo scomparto alimenti freschi

***opzionale**

- Non lasciare che gli alimenti tocchino il sensore della temperatura nello scomparto alimenti freschi. Per consentire allo scomparto per gli alimenti freschi di conservare la temperatura ideale, il sensore non deve essere ostruito dagli alimenti.

- Non mettere alimenti caldi nell'apparecchio.



3 Installazione

⚠ Se le informazioni date in questo manuale utente non sono prese in considerazione, il produttore non accetta alcuna responsabilità per questo.

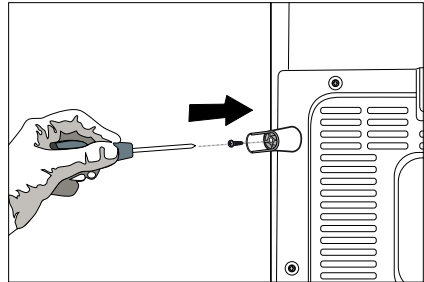
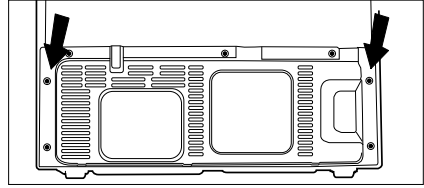
Punti a cui prestare attenzione quando si sposta il frigorifero

1. Il frigorifero deve essere scollegato. Prima del trasporto, il frigorifero deve essere svuotato e pulito.
2. Prima di imballarlo di nuovo, ripiani, accessori, scomparto frutta e verdura, ecc. all'interno del frigorifero devono essere fissati con nastro adesivo e assicurati contro i colpi. L'imballaggio deve essere eseguito con un nastro doppio o cavi sicuri e bisogna osservare rigorosamente le norme per il trasporto presenti sulla confezione.
3. Conservare i materiali originali di imballaggio per futuri trasporti o spostamenti.

Prima di avviare il frigorifero,

Controllare quanto segue prima di utilizzare il frigorifero:

1. Montare i 2 cunei in plastica come illustrato sotto. I cunei in plastica servono a mantenere la distanza che assicura la circolazione dell'aria tra frigorifero e parete. (L'immagine è creata per illustrare e non è identica all'apparecchio).
2. Pulire la parte interna del frigorifero come consigliato nella sezione "Manutenzione e pulizia".
3. Collegare la spina del frigorifero alla presa elettrica. Quando lo sportello del frigorifero è aperto, la lampadina interna si accende.



4. Quando il compressore comincia a funzionare, si sente un rumore. I liquidi e i gas sigillati nel sistema refrigerante possono produrre dei rumori, anche se il compressore non è in funzione; questo è abbastanza normale.
5. I bordi anteriori del frigorifero possono essere tiepidi. Questo è normale. Queste zone sono progettate per essere tiepide per evitare la condensazione.


Collegamenti elettrici


Collegare il frigorifero ad una presa di messa a terra protetta da un fusibile della capacità appropriata.

Importante:

- Il collegamento deve essere conforme ai regolamenti nazionali.
- La spina elettrica deve essere facilmente accessibile dopo l'installazione.
- La sicurezza elettrica del frigorifero è garantita unicamente se il sistema di messa a terra dell'apparecchiatura è conforme agli standard.
- La tensione dichiarata sull'etichetta che si trova nel lato interno a sinistra dell'apparecchio deve essere pari alla tensione di rete.

- Le prolunghe e le prese multiple non devono essere usate per il collegamento.

 Un cavo di alimentazione danneggiato deve essere sostituito da un elettricista qualificato.

 L'apparecchio non deve essere usato finché non viene riparato! C'è rischio di shock elettrico!

Smaltimento del materiale di imballaggio

I materiali di imballaggio potrebbero essere dannosi per i bambini. Tenere i materiali di imballaggio fuori dalla portata dei bambini o smaltirli classificandoli secondo le istruzioni sui rifiuti comunicate dalle autorità locali. Non smaltire assieme ai normali rifiuti domestici, smaltire nei punti di raccolta appositi indicati dalle autorità locali.

L'imballaggio del frigorifero è prodotto con materiali riciclabili.


Smaltimento del vecchio frigorifero

Smaltire il vecchio frigorifero senza danni per l'ambiente.

- Bisogna consultare il rivenditore autorizzato o il centro di raccolta rifiuti della propria città per quanto riguarda lo smaltimento del frigorifero.

Prima di smaltire il frigorifero, tagliare la spina elettrica e, se ci sono blocchi allo sportello, renderli inutilizzabili per proteggere i bambini da eventuali pericoli.

Posizionamento e installazione

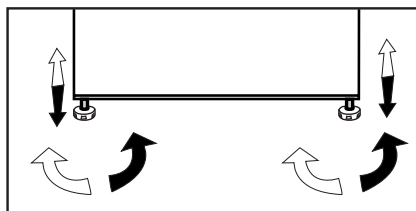
 Nel caso in cui la porta di ingresso della stanza in cui il frigorifero deve essere posizionato non è abbastanza grande per il passaggio del frigorifero, chiamare il servizio autorizzato per rimuovere le porte del frigorifero e per farlo passare attraverso la porta.

1. Installare il frigorifero in un luogo che ne permetta il facile utilizzo.
2. Tenere il frigorifero lontano da fonti di calore, luoghi umidi e luce diretta del sole.
3. Intorno al frigorifero deve esserci ventilazione appropriata per poter avere operatività efficiente. Se il frigorifero deve essere posizionato in un recesso della parete, è necessario porlo ad almeno 5 cm di distanza dal soffitto e a 5 cm dalla parete. Non posizionare l'apparecchio su materiali come tappetini o tappeti.
4. Posizionare l'elettrodomestico solo su superfici uniformi e piane per evitare dondoli.

Regolazione dei piedini

Se il frigorifero non è in equilibrio:

è possibile bilanciare il frigorifero ruotando i piedini anteriori come illustrato in figura. L'angolo in cui i piedini sono più bassi quando girati in direzione della freccia nera e rialzati quando girati in direzione opposta. Un aiuto per sollevare leggermente il frigorifero faciliterà tale processo.



Cambiare la lampadina di illuminazione

Per cambiare lampadina/LED utilizzati per illuminare il frigorifero, rivolgersi al Servizio Assistenza Autorizzato.

La lampada (le lampade) usata (usate) nell'apparecchiatura non è (sono) adatta (adatte) per l'illuminazione domestica. L'obiettivo previsto per questa lampada è quello di assistere l'utente in fase di posizionamento degli alimenti all'interno del frigorifero / congelatore in modo sicuro e comodo.

Le lampadine utilizzate in questo apparecchio devono sopportare condizioni fisiche estreme come temperature inferiori a -20 °C.

Avvertenza sportello aperto

(Questa funzione è opzionale)

Un segnale di avvertenza audio viene emesso quando lo sportello dell'apparecchio viene lasciato aperto per almeno 1 minuto. Questa avvertenza scompare quando lo sportello viene chiuso o se viene premuto uno dei pulsanti del display (se presenti).

4 Preparazione

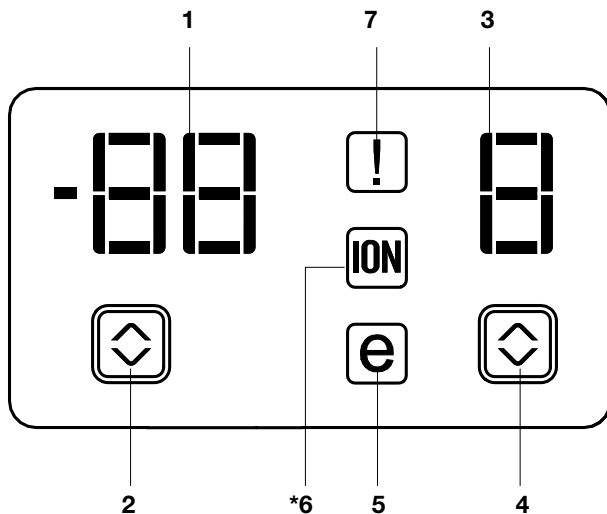
- Il frigorifero dovrà essere installato ad almeno 30 cm lontano da fonti di calore, come forni, riscaldamento centrale e stufe, e ad almeno 5 cm da forni elettrici e non deve essere esposto alla luce diretta del sole
- Assicurarsi che l'interno del frigorifero sia ben pulito.
- In caso di installazione di due frigoriferi l'uno accanto all'altro, devono esservi almeno 2 cm di distanza tra di loro.
- Quando il frigorifero viene messo in funzione per la prima volta, osservare le seguenti istruzioni per le prime sei ore.
- Lo sportello non deve essere aperto frequentemente.
- Deve funzionare vuoto senza riporvi alimenti all'interno.
- Non staccare il frigo dalla presa elettrica. Se si verifica un calo di potenza al di là del controllo dell'utente, vedere le avvertenze nella sezione "Soluzioni consigliate per i problemi".
- Questo elettrodomestico è stato concepito per funzionare a temperature ambiente fino a 43 °C (90 F). Anche se la temperatura ambiente scende fino a -15 °C, gli alimenti congelati nel freezer non si scongelano grazie al sistema per il controllo della temperatura Advanced Electronic Temperature Control System [AETCS]. Per la prima installazione, l'apparecchio NON deve essere sottoposto a temperature ambiente basse. Questo perché il freezer non può funzionare al di sotto della temperatura di funzionamento standard. Quando si raggiunge il funzionamento continuo, l'apparecchio può essere spostato altrove. Quindi in seguito è possibile posizionare l'apparecchio nel garage o in un ambiente non riscaldato senza preoccuparsi che gli alimenti congelati si rovinino. Comunque è probabile che le suddette temperature basse possano provocare il congelamento degli alimenti nello scomparto frigo; pertanto, consumare gli alimenti nel frigo in modo controllato, come necessario. Quando la temperatura ambiente torna normale, si può modificare l'impostazione del pulsante secondo le esigenze personali.
- Se la temperatura ambiente è al di sotto di 0°C, gli alimenti nello scomparto frigo si congelano. Pertanto consigliamo di non usare lo scomparto frigo con temperature ambiente così basse. Si può continuare ad usare lo scomparto freezer come al solito.
- In alcuni modelli, il pannello si spegne automaticamente 5 minuti dopo che la porta è stata chiusa. Si riattiva automaticamente quando la porta viene aperta o premendo qualsiasi pulsante.
- A causa del cambiamento di temperatura dovuto all'apertura/alla chiusura dello sportello dell'apparecchio durante il funzionamento, la formazione di condensa su sportello/ripiani e sui contenitori di vetro è normale.

5 Utilizzo del frigorifero

Pannello dei comandi

I pannelli degli indicatori possono variare secondo il modello del prodotto.

Il pannello degli indicatori aiuta ad usare il frigorifero con le relative funzioni audio e visive.
(in alcuni modelli)



1. Indicatore impostazione temperatura scomarto Freezer
2. Pulsante di impostazione della temperatura scomarto freezer
3. Indicatore impostazione temperatura scomarto frigo
4. Pulsante di impostazione temperatura scomarto frigo
5. Indicatore modalità risparmio
6. Indicatore ionizzatore
7. Indicatore stato errore

***opzionale**

i Le illustrazioni contenute in questo manuale utente sono schematiche e potrebbero non corrispondere esattamente all'apparecchio in uso. Se le parti in oggetto non sono incluse nell'apparecchio acquistato, significa che sono da intendersi per altri modelli.

1. Indicatore impostazione temperatura scomparto Freezer

Indica la temperatura impostata per lo scomparto freezer.

2. Pulsante di impostazione temperatura scomparto freezer

Premere questo pulsante per impostare la temperatura dello scomparto freezer rispettivamente su -18, -20, -22, -24, -18... Premere questo pulsante per impostare la temperatura desiderata per lo scomparto freezer.

3. Indicatore impostazione temperatura scomparto frigo

Indica la temperatura impostata per lo scomparto frigo.

4. Pulsante di impostazione temperatura scomparto frigo

Premere questo pulsante per impostare la temperatura dello scomparto frigo rispettivamente su 8, 6, 4, 2, 8... Premere questo pulsante per impostare la temperatura desiderata per lo scomparto frigo.

5. Indicatore modalità risparmio

Indica che il frigorifero è in funzione in modalità a risparmio energetico.

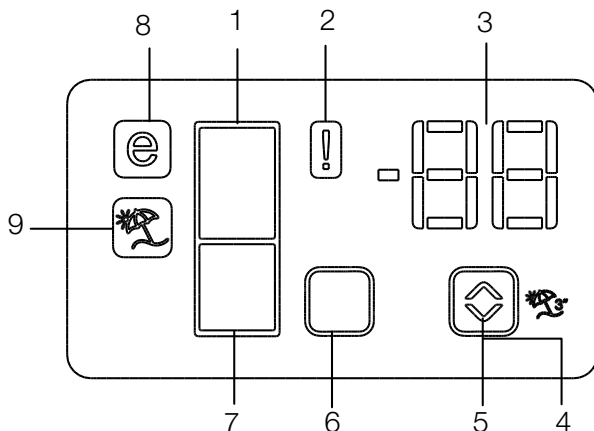
6- Indicatore ionizzatore

La spia indicatore resta accesa in modo continuo. Questa luce indica che il frigorifero è protetto contro i batteri.

7. Indicatore stato errore

Se il frigo non raffredda in modo adeguato o se c'è un guasto ai sensori, questo indicatore sarà attivato. Quando questo indicatore è attivo, l'indicatore della temperatura dello scomparto freezer visualizza "e" e l'indicatore della temperatura dello scomparto frigo visualizza numeri come "1,2,3...". Questi numeri sull'indicatore forniscono informazioni sull'errore al personale dell'assistenza.

I pannelli indicatori possono variare a seconda del modello del prodotto.
Le funzioni audio e video dei pannelli indicatori assistono in fase di utilizzo del prodotto.



1. Indicatore scomparto frigorifero
2. Indicatore di stato errore
3. Indicatore della temperatura
4. Pulsante funzione vacanza
5. Tasto impostazione temperatura
6. Tasto Selezione vano
7. Indicatore scomparto frigorifero
8. Indicatore Modalità Economy
9. Indicatore funzione vacanza

***opzionale**

❶ Le illustrazioni contenute in questo manuale utente sono schematiche e potrebbero non corrispondere esattamente all'apparecchio in uso. Se le parti in oggetto non sono incluse nell'apparecchio acquistato, significa che sono da intendersi per altri modelli.

1. Indicatore scomparto frigorifero

La spia dello scomparto congelatore si accende in una fase di regolazione della temperatura dello scomparto del frigorifero.

2. Indicatore di stato errore

Questo sensore si attiva se il frigorifero non sta raffreddando in modo adeguato oppure in caso di guasto del sensore. Quando questo indicatore è attivo, l'indicatore di temperatura dello scomparto del congelatore visualizza una lettera, "E", e l'indicatore della temperatura dello scomparto del frigorifero visualizza i numeri "1, 2, 3..."ecc..

I numeri sull'indicatore servono a comunicare al personale di servizio il tipo di guasto. (❗)

3. Indicatore della temperatura

Indica la temperatura degli scomparti congelatore e frigorifero.

4. Pulsante funzione vacanza

Per attivare questa funzione, premere e tenere premuto il pulsante vacanza per 3 secondi. Quando la funzione vacanza è attiva, l'indicatore di temperatura dello scomparto del frigorifero visualizza la dicitura "- -" e nessun processo di raffreddamento sarà attivo all'interno dello scomparto di raffreddamento.

Questa funzione non è adatta per conservare alimenti all'interno dello scomparto frigorifero. Gli altri scomparti rimarranno freschi con la rispettiva temperatura impostata per ogni singolo scomparto.

Premere nuovamente il pulsante funzione vacanza per annullare questa funzione. (🏠)

5. Tasto impostazione temperatura

La temperatura del relativo scomparto varia a intervalli di -24°C..... -18°C e 8°C...1°C. (🌡)

6. Tasto Selezione vano

Servirsi del pulsante di selezione dello scomparto frigorifero per spostarsi fra lo scomparto frigorifero e lo scomparto congelatore. (□)

7. Indicatore scomparto frigorifero

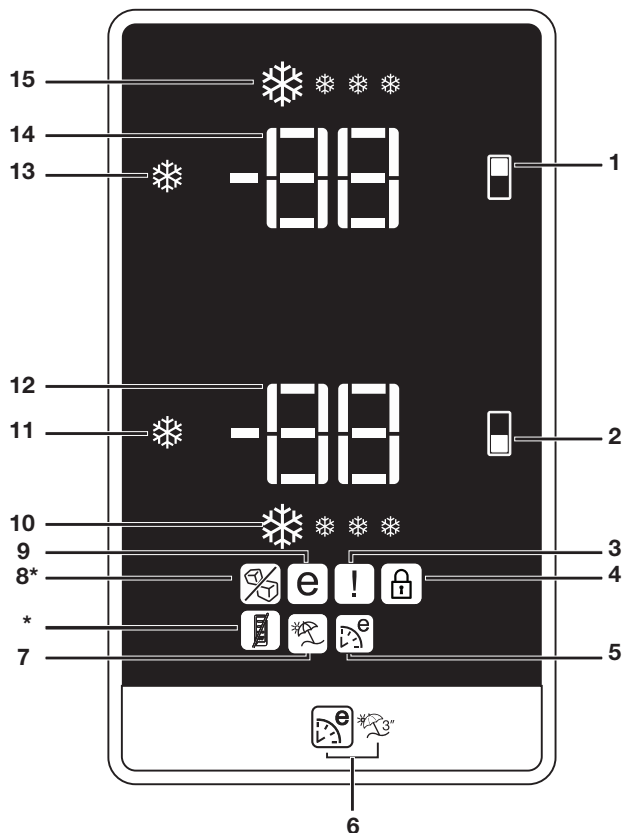
La spia dello scomparto frigorifero si accende in una fase di regolazione della temperatura dello scomparto del frigorifero.

8. Indicatore Modalità Economy

Indica che il frigorifero sta funzionando in modalità di risparmio energetico. Questo indicatore sarà attivo quando la temperatura nello scomparto del congelatore viene impostata a -18°. (🌡)

9. Indicatore funzione vacanza

Indica che la funzione vacanza è attiva. (🏠)



- | | |
|---|---|
| <p>1. Pulsante di impostazione temperatura scomparto freezer</p> <p>2. Pulsante di impostazione temperatura scomparto frigo</p> <p>3. Indicatore stato errore</p> <p>4. Indicatore di blocco tasti</p> <p>5. Indicatore funzione Eco-Extra</p> <p>6. Pulsante Eco-Extra/Vacation</p> <p>7. Indicatore funzione assenza</p> <p>8. Funzione risparmio energetico (display spento)</p> <p>9. Indicatore Icematic disattivato (*in alcuni modelli)</p> | <p>10. Indicatore uso economico</p> <p>11. Indicatore funzione di raffreddamento rapido</p> <p>12. Pulsante funzione di raffreddamento rapido</p> <p>13. Indicatore impostazione temperatura scomparto frigo</p> <p>14. Pulsante funzione di raffreddamento rapido Pulsante attivazione-disattivazione Icematic (3")</p> <p>15. Indicatore impostazione temperatura scomparto Freezer</p> <p>16. Indicatore funzione congelamento rapido</p> |
|---|---|

***opzionale**

i Le illustrazioni contenute in questo manuale utente sono schematiche e potrebbero non corrispondere esattamente all'apparecchio in uso. Se le parti in oggetto non sono incluse nell'apparecchio acquistato, significa che sono da intendersi per altri modelli.

1. Pulsante di impostazione temperatura scomparto freezer

Questa funzione consente di impostare la temperatura dello scomparto freezer. Premere questo pulsante per impostare la temperatura dello scomparto freezer a -18, -19, -20, -21 -22, -23 e -24, rispettivamente.

2. Pulsante di impostazione temperatura scomparto frigo

Questa funzione consente di impostare la temperatura dello scomparto frigo. Premere questo pulsante per impostare la temperatura dello scomparto frigo rispettivamente su 8, 7, 6, 5, 4, 3, 2 gradi.

3. Indicatore stato errore

Se il frigo non raffredda in modo adeguato o se c'è un guasto ai sensori, questo indicatore sarà attivato. Quando questo indicatore è attivo, l'indicatore della temperatura dello scomparto freezer visualizza "E" e l'indicatore della temperatura dello scomparto frigo visualizza numeri come "1,2,3...". Questi numeri sull'indicatore forniscono informazioni sull'errore al personale dell'assistenza.

Quando si mettono alimenti caldi nello scomparto freezer o si lascia lo sportello aperto a lungo, un punto esclamativo può illuminarsi per un certo periodo. Non è un guasto; questa avvertenza scompare quando gli alimenti si raffreddano.

4. Indicatore blocco tasti

Usare questa funzione se non si desidera cambiare l'impostazione della temperatura del frigo. Premere il pulsante di impostazione della temperatura del frigo e il pulsante di impostazione della temperatura del freezer contemporaneamente a lungo (3 sec) per attivare questa funzione.

5. Indicatore funzione Eco-Extra

Indica che la funzione Eco-Extra è attiva.

Se questa funzione è attiva, il frigorifero automaticamente rileva i periodi di minore uso e sarà impostato il raffreddamento a risparmio energetico in tali periodi. L'indicatore risparmio sarà attivo con il raffreddamento a risparmio energetico.

Premere il pulsante apposito di nuovo per disattivare questa funzione.

6. Pulsante Eco-Extra/Vacation

Premere brevemente questo pulsante per attivare la funzione Eco-Extra. Tenere premuto questo pulsante per 3 secondi per attivare la funzione assenza. Premere di nuovo questo pulsante per disattivare la funzione selezionata.

7. Indicatore funzione assenza

Indica che la funzione assenza è attiva. Se questa funzione è attiva, "- -" compare sull'indicatore dello scomparto frigo e non viene eseguito alcun raffreddamento nello scomparto stesso. Gli altri scomparti continueranno a essere raffreddati secondo la temperatura impostata.

Premere il pulsante apposito di nuovo per disattivare questa funzione.

8. Funzione risparmio energetico (display spento)

Se gli sportelli dell'apparecchio sono tenuti chiusi a lungo, si attiva automaticamente una funzione di risparmio energetico a lungo termine e si accende il simbolo del risparmio energetico.

Quando la funzione di risparmio energetico è attiva, tutti simboli sul display tranne quella del risparmio energetico si spengono. Quando la funzione risparmio energetico è attivata, se viene premuto un pulsante o lo sportello è aperto, si esce dalla modalità risparmio energetico e i simboli sul display tornano normali.

9. Indicatore disattivazione Icematic

Icematic non funziona quando l'indicatore di questa funzione è attiva.

Per attivare la funzione di disattivazione del ghiaccio, bisogna tenere premuto il pulsante Quick freeze per 3 secondi.

10. Indicatore uso economico

Indica che il frigorifero è in funzione in modalità a risparmio energetico. Questo indicatore sarà attivo se la temperatura dello scomparto freezer è impostata su -18 o se il raffreddamento a risparmio energetico è attivo grazie alla funzione Eco-Extra.

11. Indicatore funzione di raffreddamento rapido

Questo simbolo lampeggia quando la funzione frigo rapido è attiva.

12. Pulsante funzione di raffreddamento rapido

Quando si preme il pulsante Quick Fridge, la temperatura dello scomparto diverrà più fredda dei valori regolati.

Questa funzione può essere usata per alimenti posti nello scomparto del frigo e che necessitano di raffreddare velocemente.

Se è necessario congelare grandi quantità di alimenti freschi, si consiglia di attivare questa funzione prima di inserire gli alimenti nel frigo.

L'indicatore raffreddamento rapido si accende quando è attivata la funzione raffreddamento rapido. Per annullare questa funzione premere nuovamente il pulsante Quick Fridge.

Se non viene annullata dall'utente, la funzione raffreddamento rapido si annullerà automaticamente dopo 4 ore o quando lo scomparto frigo ha raggiunto la temperatura richiesta.

Questa funzione non viene ripristinata quando viene ripristinata l'alimentazione in seguito a un'interruzione della stessa.

13. Indicatore impostazione temperatura scomparto frigo

Indica la temperatura impostata per lo scomparto frigo.

14. Pulsante funzione congelamento rapido Pulsante attivazione-disattivazione Icematic (3")

Indica la temperatura impostata per lo scomparto freezer.

Per arrestare la formazione del ghiaccio, premere per 3 secondi il pulsante di attivazione-disattivazione Icematic. Il flusso dell'acqua dal serbatoio dell'acqua si arresta quando viene selezionata questa funzione. Il ghiaccio preparato in precedenza, però, può essere prelevato da Icematic. Per riavviare la formazione del ghiaccio, premere per 3 secondi il pulsante di attivazione-disattivazione Icematic.

15. Indicatore impostazione temperatura scomparto Freezer

L'indicatore di congelamento rapido si accende quando è attivata la funzione congelamento rapido. Per annullare questa funzione premere nuovamente il pulsante Fast Freeze. L'indicatore di congelamento rapido si spegnerà e tornerà alle sue impostazioni normali. Se non si annulla manualmente, la funzione di congelamento rapido si annullerà automaticamente dopo 8 ore o quando lo scomparto freezer ha raggiunto la temperatura richiesta.

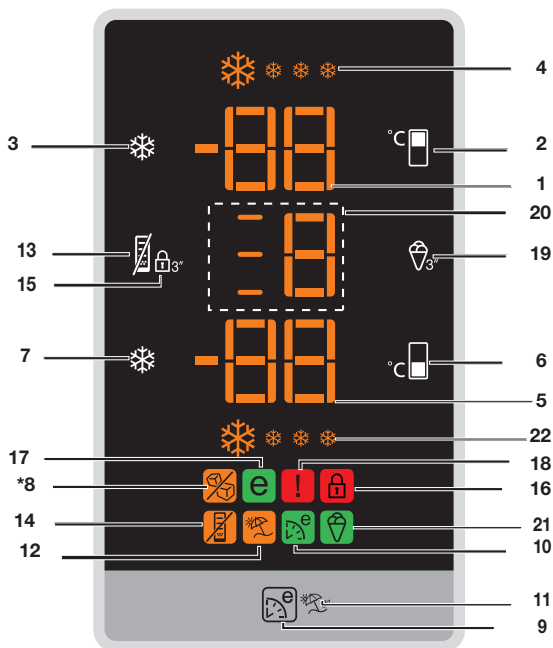
Se si vogliono congelare grandi quantità di cibo fresco, premere il pulsante di congelamento rapido prima di inserire il cibo nello scomparto freezer.

Premendo il pulsante Fast Freeze ripetutamente a brevi intervalli, il compressore non comincerà a funzionare immediatamente, in quanto il sistema di protezione del circuito elettronico sarà attivato.

Questa funzione non viene ripristinata quando viene ripristinata l'alimentazione in seguito a un'interruzione della stessa.

16. Indicatore funzione congelamento rapido

Questo simbolo lampeggia in modo animato quando la funzione congelamento rapido è attiva.



1. Indicatore impostazione temperatura scomparto Freezer
2. Funzione impostazione temperatura scomparto Freezer
3. Pulsante funzione di raffreddamento rapido Pulsante attivazione-disattivazione Icematic (3")
4. Indicatore funzione congelamento rapido
5. Indicatore impostazione temperatura scomparto frigo
6. Funzione impostazione temperatura scomparto frigo
7. Pulsante funzione di raffreddamento rapido
8. Indicatore Icematic disattivato (*in alcuni modelli)
9. Funzione Eco-Fuzzy (uso economico speciale)

10. Indicatore Eco-Fuzzy (uso economico speciale)
11. Funzione assenza
12. Indicatore funzione assenza
13. Funzione efficienza energetica
14. Indicatore efficienza energetica
15. Funzione blocco tasti
16. Indicatore di blocco tasti
17. Indicatore uso economico
18. Indicatore avvertenza errore/alta temperatura
19. Funzione selezione modalità gelato
20. Indicatore selezione modalità gelato
21. Indicatore gelato
22. Indicatore raffreddamento rapido

***opzionale**

i Le illustrazioni contenute in questo manuale utente sono schematiche e potrebbero non corrispondere esattamente all'apparecchio in uso. Se le parti in oggetto non sono incluse nell'apparecchio acquistato, significa che sono da intendersi per altri modelli.

1. Indicatore temperatura scomparto freezer

Indica la temperatura impostata per lo scomparto freezer.

2. Funzione impostazione temperatura scomparto freezer

Questa funzione consente di impostare la temperatura dello scomparto freezer. Premere questo pulsante per impostare la temperatura dello scomparto freezer a -18, -19, -20, -21 -22, -23 e -24, rispettivamente.

3. Pulsante funzione congelamento rapido Pulsante attivazione-disattivazione Icematic (3")

L'indicatore congelamento rapido si accende quando è attivata la funzione congelamento rapido. Per annullare questa funzione premere nuovamente il tasto Quick Freeze. L'indicatore di congelamento rapido si spegnerà e tornerà alle sue impostazioni normali. Se non si annulla manualmente, la funzione congelamento rapido si annullerà automaticamente dopo 4 ore o quando lo scomparto freezer ha raggiunto la temperatura richiesta. Se si vogliono congelare grandi quantità di alimenti freschi, premere il pulsante Quick Freeze prima di inserire gli alimenti nello scomparto freezer. Premendo il pulsante Quick Freeze ripetutamente a brevi intervalli, il compressore non comincerà a funzionare immediatamente, in quanto il sistema di protezione del circuito elettronico sarà attivato. Questa funzione non viene richiamata quando l'alimentazione si ripristina dopo un'assenza di corrente!

4. Indicatore funzione congelamento rapido

Questo simbolo lampeggia quando la funzione congelamento rapido è attiva.

5. Indicatore impostazione temperatura scomparto frigo

Indica la temperatura impostata per lo scomparto frigo.

6. Funzione impostazione temperatura scomparto frigo

Questa funzione consente di impostare la temperatura dello scomparto frigo. Premere questo tasto per impostare la temperatura dello scomparto frigo rispettivamente su 8, 7, 6, 5, 4, 3, 2 gradi.

7. Pulsante funzione di raffreddamento rapido

Quando si preme il pulsante Quick Fridge, la temperatura dello scomparto diverrà più fredda dei valori regolati. Questa funzione può essere usata per alimenti posti nello scomparto del frigo e che necessitano di raffreddare velocemente. Se è necessario congelare grandi quantità di cibo fresco, si consiglia di attivare questa funzione prima di inserire il cibo nel frigo. L'indicatore frigo rapido si accende quando è attivata la funzione frigo rapido. Per annullare questa funzione premere nuovamente il pulsante Quick Fridge. L'indicatore frigo rapido si spegnerà e tornerà alle sue normali impostazioni. Se non si annulla manualmente, la funzione frigo rapido si annullerà automaticamente dopo 2 ore o quando lo scomparto frigo ha raggiunto la temperatura richiesta.

Questa funzione non viene ripristinata quando viene ripristinata l'alimentazione in seguito a un'interruzione della stessa.

8. Indicatore disattivazione Icematic

Icematic non funziona quando l'indicatore di questa funzione è attiva.

Per attivare la funzione di disattivazione del ghiaccio, bisogna tenere premuto il pulsante Quick freeze per 3 secondi.

9. Funzione Eco-Fuzzy (uso economico speciale)

Quando si preme il tasto Eco-Fuzzy, la funzione Eco-Fuzzy si attiva e l'indicatore Eco-Fuzzy si accende. Se viene attivata questa funzione, il frigo comincia a funzionare con la modalità più economica minimo 6 ore dopo e l'indicatore di uso economico si accende. Per disattivare la funzione Eco Fuzzy, bisogna premere di nuovo il pulsante Eco Fuzzy.

10. Indicatore Eco-Fuzzy (uso economico speciale)

Questo simbolo si accende quando la funzione Eco-Fuzzy è attiva.

11. Funzione assenza

Tenere premuto il tasto Eco-Fuzzy per 3 secondi per attivare la funzione assenza e accendere l'indicatore assenza. Il raffreddamento dello scomparto frigo si arresta e la temperatura dello scomparto frigo si fissa su 15 gradi per impedire la formazione di cattivi odori. Quando questa funzione è attiva, l'indicatore temperatura dello scomparto frigo non visualizza la temperatura. Per disattivare la funzione assenza, tenere premuto il tasto Eco-Fuzzy per 3 secondi.

12. Indicatore funzione assenza

L'indicatore si accende quando la funzione assenza è attiva.

13. Funzione risparmio energetico

Quando si preme il tasto Energy Efficiency, la funzione efficienza energetica si attiva e il relativo indicatore si accende. Quando la funzione efficienza energetica è attiva, tutti gli indicatori, tranne quello di efficienza energetica, si spengono. Questa funzione si disattiva quando si preme qualsiasi tasto o si apre lo sportello; gli indicatori sul display tornano alle impostazioni normali e l'indicatore efficienza energetica resta acceso. Se non si preme alcun tasto o si apre lo sportello entro 5 minuti quando l'indicatore efficienza energetica è ancora acceso, la relativa funzione si attiva di nuovo e gli indicatori sul display si spengono. Se si preme il tasto Energy Efficiency quando la funzione non è attiva ma l'indicatore è ancora acceso, questo disattiva la funzione efficienza energetica e fa spegnere l'indicatore di efficienza energetica.

14. Indicatore risparmio energetico

Questo indicatore si accende quando la funzione efficienza energetica è selezionata.

15. Funzione blocco tasti

Quando si preme il tasto Key Lock per 3 secondi, la relativa funzione di blocco tasti si attiva e l'indicatore di blocco tasti si accende. Nessun tasto funziona quando questa funzione è attiva. Tenere premuto di nuovo il tasto Key Lock per 3 secondi per disattivare questa funzione.

16. Indicatore blocco tasti

Questo indicatore si accende quando la funzione blocco tasti è attiva.

17. Indicatore uso economico

L'indicatore uso economico si accende quando lo scomparto freezer è impostato su -18°C . Quando si seleziona congelamento rapido o frigo rapido, l'indicatore uso economico non si accende.

18. Indicatore avvertenza errore/alta temperatura

Questa spia si accende in caso di problemi di alta temperatura e avvertenze di errore.

19. Funzione selezione modalità gelato

Quando viene premuto il pulsante Ice Cream per 3 secondi, lampeggia.

Se questo pulsante non viene premuto di nuovo entro 30 secondi, il display torna alla visualizzazione precedente e gli indicatori di selezione della modalità gelato si spengono.

A ogni breve pressione del pulsante Ice Cream, il numero aumenta di uno.

Quando il pulsante Ice Cream è premuto di nuovo per 3 secondi, il simbolo del gelato sul display si attiva di nuovo. Per cui la modalità gelato è selezionata e il numero diventa fisso mentre i simboli sul lato sinistro si accendono con animazioni.

Quando il processo del gelato è completo, i simboli cominciano a lampeggiare e si sente un avviso sonoro. Tutti i simboli del gelato si disattivano dopo questo avviso di 5 minuti.

Basta premere brevemente il pulsante Ice Cream per interrompere l'avviso sonoro; anche i pulsanti Ice Cream si disattivano.

Se il pulsante Ice Cream viene premuto brevemente quando la preparazione del gelato è in corso, non avviene alcuna modifica sul display.



Quando la funzione gelato è attiva, in caso di assenza di alimentazione e di successivo ripristino, la preparazione del gelato viene ripreso dal punto dell'interruzione.

Se si cerca di attivare la funzione gelato quando lo scomparto freezer è a temperatura superiore a -10°C , 'E' e il simbolo di avvertenza sul display lampeggiano per 30 secondi. Se l'utente preme brevemente il pulsante di selezione della funzione gelato (per 3 secondi), il display torna alla visualizzazione normale per il gelato, il simbolo del gelato e il simbolo di avvertenza si spengono.

20. Funzione selezione modalità gelato

Mostra la modalità gelato impostata.

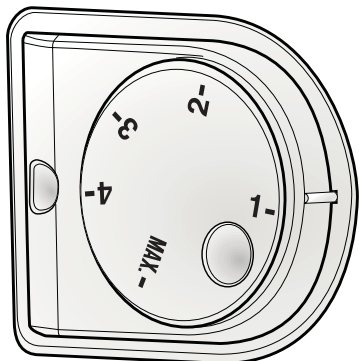
21. Indicatore gelato

Si attiva quando è attivata la modalità gelato.

22. Indicatore raffreddamento rapido

Questo simbolo lampeggia quando la funzione frigo rapido è attiva.

*Opzionale



Tasto di impostazione della temperatura

Il pulsante di impostazione della temperatura consente di impostare la temperatura del frigorifero.

Impostazione della temperatura del frigorifero

L'impostazione complessiva della temperatura del frigorifero si esegue usando il tasto di impostazione della temperatura sulla parete destra dello scomparto frigo. Il tasto ha 5 diverse posizioni di impostazione della temperatura. Selezionare quella più adatta alle proprie esigenze.

Il livello numero 1 mostra quando il frigo è nella posizione più calda mentre la posizione max mostra l'impostazione più fredda.

Sistema dual cooling

Il frigorifero è dotato di due sistemi di raffreddamento separati per raffreddare lo scomparto alimenti freschi e lo scomparto freezer. In questo modo, l'aria nello scomparto alimenti freschi e quella dello scomparto freezer non si mescolano. Grazie a questi due sistemi di raffreddamento separati, la velocità di raffreddamento è molto più alta di quella degli altri frigoriferi. Gli odori negli scomparti non si mischiano. Viene assicurato inoltre un risparmio energetico aggiuntivo dal momento che lo sbrinamento automatico è eseguito individualmente.

Congelamento di alimenti freschi

- Avvolgere o coprire gli alimenti prima di metterli nel frigorifero
- I cibi caldi devono essere raffreddati fino alla temperatura ambiente prima di essere riposti nel frigorifero.
- Il cibo da congelare deve essere di buona qualità e fresco.
- Gli alimenti devono essere suddivisi in porzioni in base alle necessità quotidiane della famiglia o di un pasto.
- Gli alimenti devono essere imballati in modo da evitarne l'asciugatura, quando devono essere conservati per breve tempo.
- I materiali da utilizzare per l'imballaggio devono essere resistenti al caldo e all'umidità e devono essere ermetici. I materiali di imballaggio degli alimenti devono avere spessore e durata sufficienti. Altrimenti gli alimenti induriti dal congelamento possono forare l'imballaggio. L'imballaggio deve essere chiuso in modo sicuro per la conservazione sana degli alimenti.

📌 Le illustrazioni contenute in questo manuale utente sono schematiche e potrebbero non corrispondere esattamente all'apparecchio in uso. Se le parti in oggetto non sono incluse nell'apparecchio acquistato, significa che sono da intendersi per altri modelli.

- Gli alimenti congelati devono essere prontamente utilizzati dopo scongelati e assolutamente non ricongelati.

- Attenersi alle seguenti istruzioni per ottenere i risultati migliori.

1. Se il frigo ha una funzione di congelamento rapido, attivare la funzione di congelamento rapido quando si desidera congelare gli alimenti.

2. Non congelare quantità troppo grandi in una volta sola. La qualità degli alimenti viene preservata in modo ottimale quando gli alimenti vengono congelati il più velocemente possibile.

3. Fare attenzione a non mescolare cibi già congelati e cibi freschi.

4. Assicurarsi che gli alimenti crudi non entrino in contatto con gli alimenti cotti nel frigo.

| Impostazione scomparto freezer | Impostazione scomparto frigo | Note |
|---------------------------------------|-------------------------------------|--|
| -18°C | 4°C | Queste sono i consigli di impostazione normale. |
| -20,-22 o -24°C | 4°C | Queste impostazioni sono consigliate quando la temperatura ambiente supera i 30°C. |
| Quick Freeze (congelamento rapido) | 4°C | Usare quando si desidera congelare gli alimenti in poco tempo. Se ne consiglia l'utilizzo per conservare la qualità di carne e pesce. |
| -18°C o inferiore | 2°C | Se si pensa che il frigorifero non è abbastanza freddo a causa di condizioni troppo calde o di frequenti aperture dello sportello. |
| -18°C o inferiore | Raffreddamento rapido | Si può usare quando lo scomparto del frigorifero è sovraccarico o se si desidera che gli alimenti si raffreddino velocemente. Si consiglia di attivare la funzione di congelamento rapido 4-8 prima di mettere gli alimenti. |

Consigli per la conservazione di alimenti congelati

- Il cibo congelato commercialmente deve essere riposto secondo le istruzioni del fabbricante per un congelamento del cibo nello scomparto apposito.
- Per assicurare che sia conservata l'alta qualità del cibo congelato dal fabbricante e dal rivenditore, considerare i seguenti punti:

1. Il cibo da congelare deve essere posto nello scomparto del freezer il più presto possibile dopo l'acquisto.

2. Verificare che il contenuto del pacchetto sia etichettato e datato.

3. Che non superi "usare entro" "preferibilmente entro" le date sul pacco.

Sbrinamento

Lo scomparto freezer si sbrina automaticamente.

Posizionamento alimenti

| | |
|---|---|
| Ripiani dello scomparto freezer | Diversi alimenti congelati come carne, pesce, gelato, verdura ecc. |
| Sezione uova | Uova |
| Ripiani scomparto frigo | Alimenti in padelle, piatti coperti e contenitori chiusi |
| Ripiani dello sportello dello scomparto frigo | Alimenti piccoli e imballati e bevande (come latte, succhi di frutta e birra) |
| Scomparto frutta e verdura | Verdura e frutta |
| Scomparto zona fresca | Prodotti di gastronomia (formaggio, burro, salumi, ecc.) |

Informazioni di congelamento profondo

Per conservare la qualità degli alimenti, il congelamento deve avvenire quanto più rapidamente possibile quando vengono posti nel freezer.

È possibile conservare gli alimenti per un lungo periodo di tempo a -18°C o a temperature inferiori.

È possibile conservare la freschezza degli alimenti per molti mesi (a -18°C o temperatura inferiore nel freezer)

AVVERTENZA! ⚠

- Gli alimenti devono essere suddivisi in porzioni in base alle necessità quotidiane della famiglia o di un pasto.

- Gli alimenti devono essere imballati in modo da evitarne l'asciugatura, quando devono essere conservati per breve tempo.

Materiali necessari per l'imballo:

- Nastro adesivo resistente al freddo
- Etichette auto adesive
- Anelli in gomma
- Penna

I materiali da utilizzare per l'imballaggio devono essere a prova di strappo e resistenti al caldo, all'umidità, agli odori oli e acidi e devono anche essere liberati dall'aria.

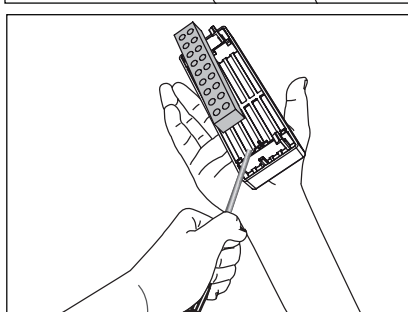
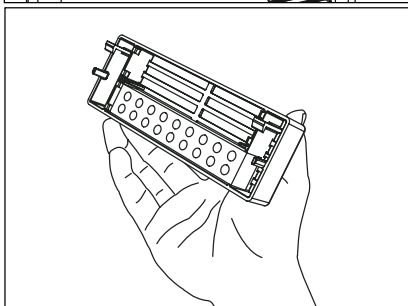
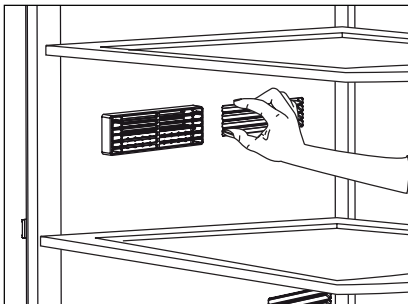
Evitare che vengano in contatto con articoli precedentemente congelati per evitarne il parziale scongelamento. Gli alimenti scongelati devono essere consumati e non devono essere ricongelati.

Descrizione e pulizia del filtro odori:

Il filtro odori evita la formazione di odori sgradevoli nel frigorifero.

Tirare verso il basso il coperchio in cui è installato il filtro odori dalla sezione anteriore e rimuovere secondo l'illustrazione. Lasciare il filtro per un giorno alla luce del sole. Il filtro si pulirà in questo lasso di tempo. Installare di nuovo il filtro in posizione.

Il filtro odori deve essere pulito una volta all'anno.

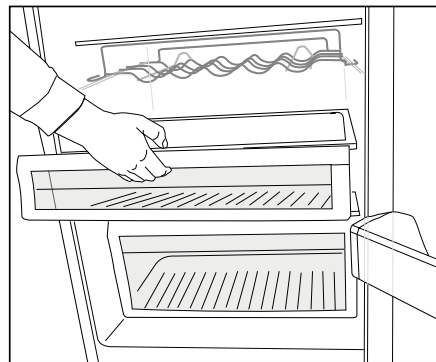


Scomparto colazione

Poiché i prodotti come pesce, carne rossa, pollo e prodotti caseari come formaggio, yogurt e latte devono essere tenuti in un ambiente con qualche grado in più rispetto allo scomparto frigo, si consiglia di conservarli nello scomparto colazione. Si consiglia di non mettere frutta e verdura nello scomparto colazione. Soprattutto pomodori, melanzane, zucchine, cetrioli e limoni sono sensibili al freddo. Non devono essere conservati nello scomparto colazione.

È possibile aumentare il volume interno del frigo estraendo lo scomparto colazione.

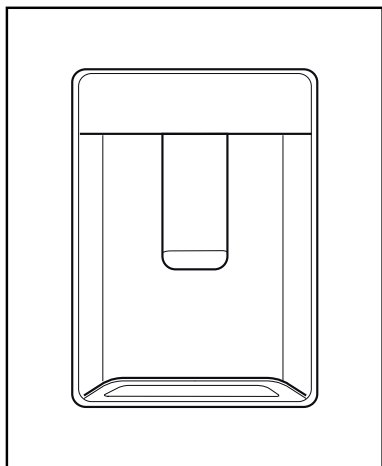
1. Tirare lo scomparto verso di sé fino a che non viene fermato dal blocco.
2. Sollevare la sezione anteriore e tirare verso di sé per rimuovere lo scomparto dalla sede.



Erogatore d'acqua

*opzionale

L'erogatore dell'acqua è una funzione molto utile per ottenere acqua fredda senza aprire lo sportello del frigorifero. Dal momento che non bisogna aprire con frequenza lo sportello del frigorifero, si risparmia energia.



Uso dell'erogatore d'acqua

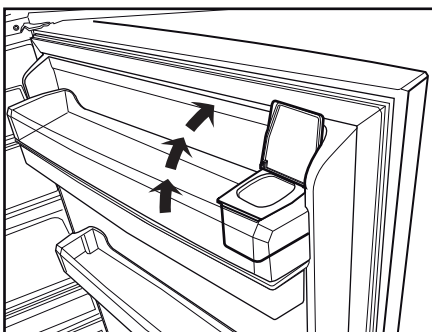
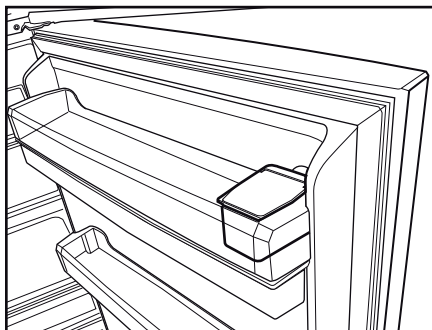
Premere il braccio dell'erogatore d'acqua col bicchiere. L'erogatore smette di erogare quando viene rilasciato il braccio.

Quando si usa l'erogatore dell'acqua, il flusso massimo può essere ottenuto premendo completamente il braccio. Ricordare che la quantità del flusso dall'erogatore è soggetta al livello di pressione sul braccio.

Quando il livello dell'acqua nel bicchiere/nel contenitore aumenta, diminuire leggermente la pressione sul braccio per evitare traboccamento. Se si preme delicatamente il braccio, l'acqua gocciola; questo è normale e non è un guasto.

Riempimento del serbatoio dell'erogatore d'acqua

Il serbatoio per il riempimento dell'acqua si trova all'interno della rastrelliera dello sportello. Si può aprire la copertura del serbatoio e riempirlo di acqua potabile. E poi chiudere il coperchio.



Avvertenza!

- Non riempire il serbatoio per l'acqua con liquidi diversi dall'acqua, come succhi di frutta, latte, bevande gassate o bevande alcoliche che non sono adatte per essere usate nell'erogatore d'acqua. L'erogatore d'acqua si danneggerebbe in modo irreparabile a causa dell'uso di questi liquidi. La garanzia non copre tali usi. Alcune sostanze chimiche e alcuni additivi contenuti in questo tipo di bevande/liquidi possono danneggiare il serbatoio dell'acqua e il relativo materiale.

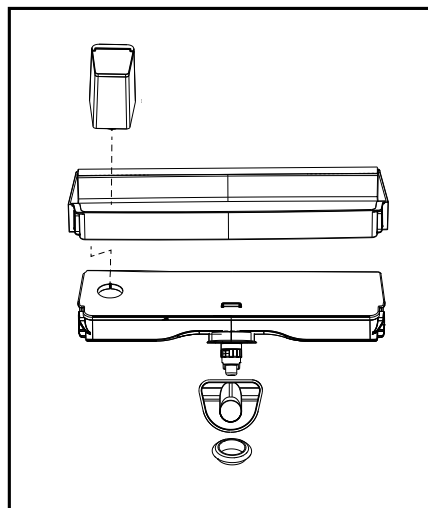
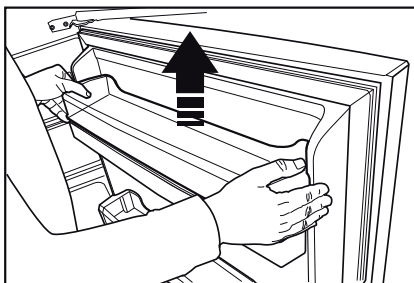
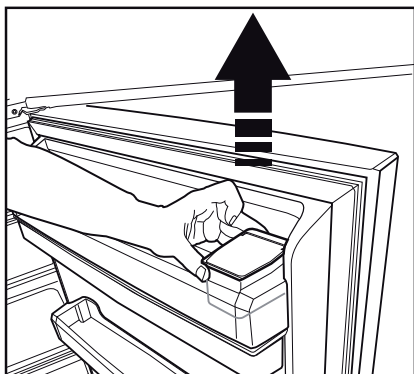
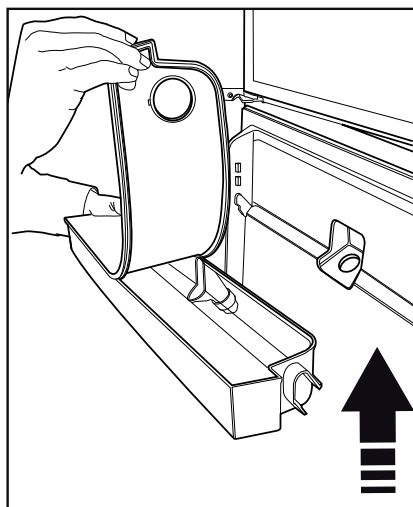
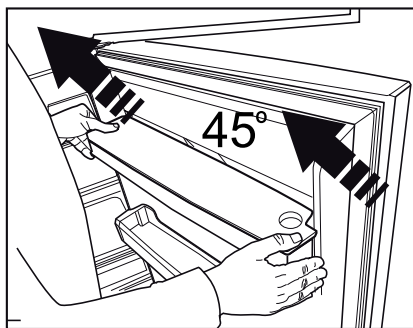
- Usare solo acqua potabile pulita.
- La capacità del serbatoio dell'acqua è 3 litri; non riempire oltre.
- Premere il braccio dell'erogatore d'acqua con un bicchiere rigido. Se si usano bicchieri di plastica usa e getta, spingere il braccio con le dita da dietro il bicchiere.

Pulizia del serbatoio dell'acqua

- Rimuovere il serbatoio di riempimento dell'acqua dalla rastrelliera interna dello sportello.
- Rimuovere la rastrelliera tenendo da entrambi i lati.
- Afferrare il serbatoio dell'acqua da entrambi i lati e rimuoverlo con un angolo di 45°C.
- Pulire il serbatoio dell'acqua rimuovendone il coperchio.

Importante:

I componenti del serbatoio dell'acqua e dell'erogatore dell'acqua non devono essere lavati in lavastoviglie.

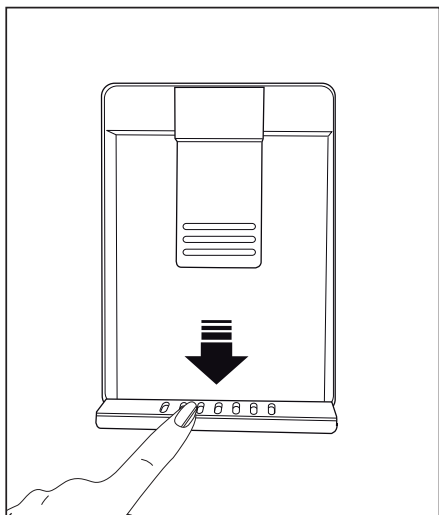


Vaschetta per l'acqua

L'acqua che sgocciola durante l'uso dell'erogatore si accumula nell'apposita vaschetta.

Estrarre la vaschetta in plastica come mostrato nella figura.

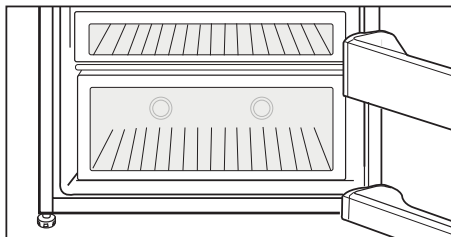
Con un panno asciutto e pulito, rimuovere l'acqua accumulata.



Spia blu

***opzionale**

Gli alimenti immagazzinati nei cestelli che sono segnati da una spia blu continuano la loro fotosintesi grazie all'effetto delle onde della luce blu e quindi conservano la freschezza e aumentano il contenuto di vitamine.

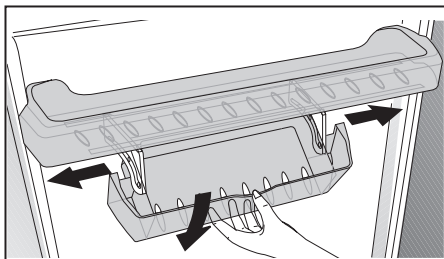


Contentitore scorrevole per la conservazione

***opzionale**

Questo accessorio è progettato per accrescere il volume dei ripiani dello sportello. Consente di posizionare facilmente bottiglie alte, barattoli e lattine sul ripiano inferiore per le bottiglie grazie alla possibilità di spostarlo a destra o a sinistra.

(La figura è soltanto un esempio e non rappresenta l'esatto modello dell'apparecchio).



Contenitore girevole per la conservazione

(in alcuni modelli)

Il ripiano scorrevole può essere spostato verso sinistra o verso destra per consentire di riporre bottiglie alte, barattoli o scatoli su un ripiano inferiore (Fig. 1).

È possibile raggiungere gli alimenti posti sul ripiano afferrandolo e ruotandolo dal bordo destro (Fig.2).

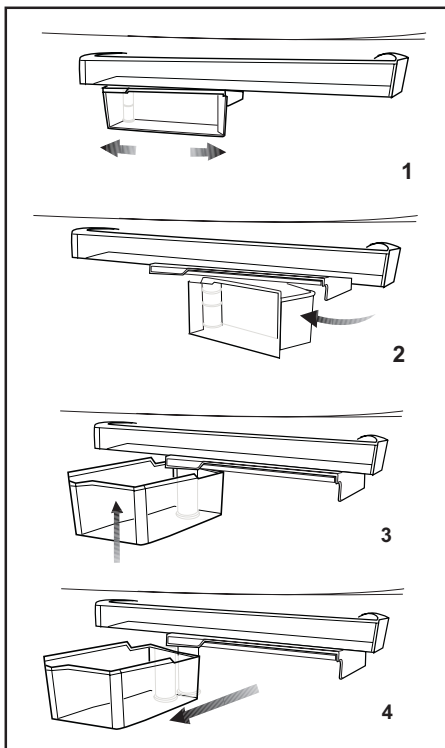
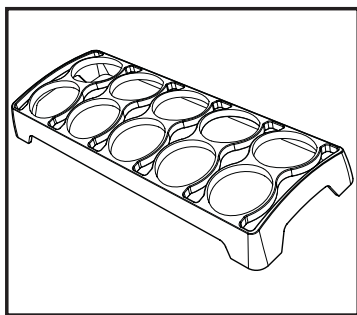
Quando si desidera caricarlo o rimuoverlo per pulirlo, ruotarlo a 90 gradi, sollevarlo e tirarlo verso di sé (Fig. 3-4).

Sezione uova

La sezione uova può essere posizionata in uno dei ripiani dello sportello. Se sarà posizionata nel corpo, sono consigliati ripiani inferiori perché sono più freddi.

Non porre mai le uova nello scomparto del freezer.

Evitare il contatto diretto tra uova e altri alimenti.



Auto Icematic

*opzionale

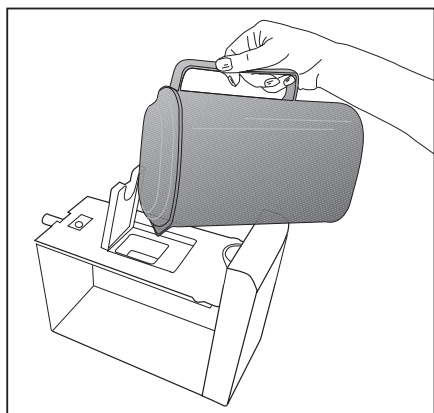
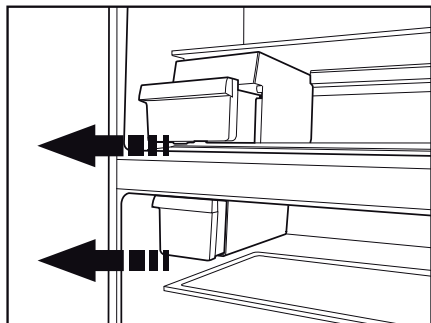
La funzione Icematic automatica consente di preparare facilmente il ghiaccio nel frigo. Rimuovere il serbatoio dell'acqua dallo scomparto frigo, riempirlo di acqua e reinstallarlo per ottenere il ghiaccio dall'Icematic.

I primi cubetti di ghiaccio saranno pronti in circa 2 ore nel cassetto Icematic che si trova nello scomparto freezer.

Se si riempie completamente il serbatoio dell'acqua, sarà possibile ottenere circa 60-70 cubetti di ghiaccio.

Cambiare l'acqua nel serbatoio dell'acqua dopo circa 2-3 settimane.

Nota: per gli apparecchi dotati della funzione Icematic automatica, si può avvertire un rumore durante il versamento del ghiaccio. Questo rumore è normale e non indica un errore.



Icematic e contenitore per conservare il ghiaccio

***opzionale**

Uso di Icematic

Riempire Icematic con acqua e metterlo in sede. Il ghiaccio sarà pronto in due ore circa. Non rimuovere l'Icematic dalla sua sede per prendere il ghiaccio.

Ruotare le manopole dei serbatoi del ghiaccio in senso orario a 90 gradi.

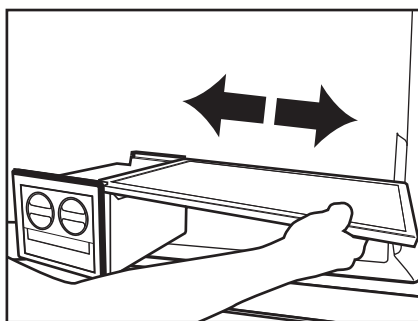
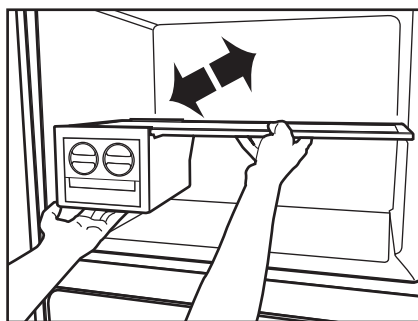
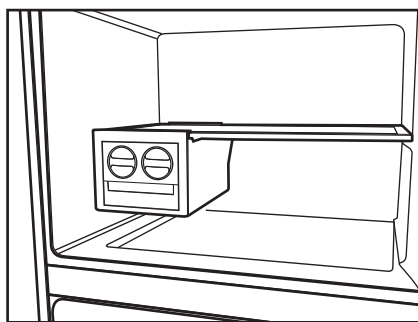
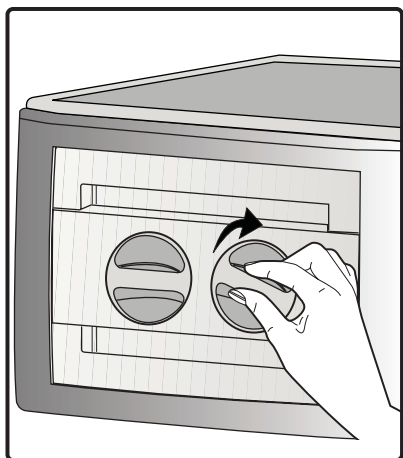
I cubetti di ghiaccio dai serbatoi cadono nel contenitore per la conservazione del ghiaccio sotto.

È possibile estrarre il contenitore per la conservazione del ghiaccio e servire i cubetti.

Se lo si desidera, è possibile lasciare i cubetti nel contenitore per la conservazione del ghiaccio.

Contenitore per la conservazione del ghiaccio

Il contenitore per la conservazione del ghiaccio ha solo lo scopo di conservare i cubetti di ghiaccio. Non inserirvi dell'acqua, altrimenti si romperà.

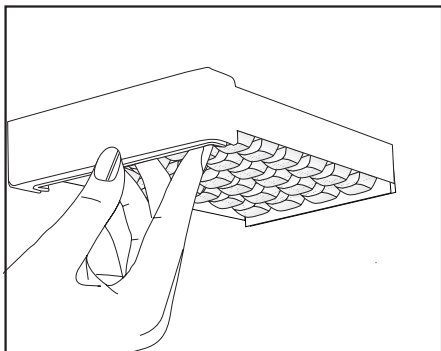


Preparazione ghiaccio

*opzionale

Riempire il contenitore del ghiaccio con acqua e metterlo nello scomparto freezer. Il ghiaccio sarà pronto in due ore circa.

Si può rimuovere il ghiaccio dal contenitore apposito togliendolo dal freezer e torcendolo.



Scomparto frutta e verdura a umidità controllata (sempre fresco)

*opzionale

I valori di umidità di verdura e frutta sono tenuti sotto controllo con la funzione dello scomparto frutta e verdura a umidità controllata e gli alimenti così vengono conservati freschi più a lungo.

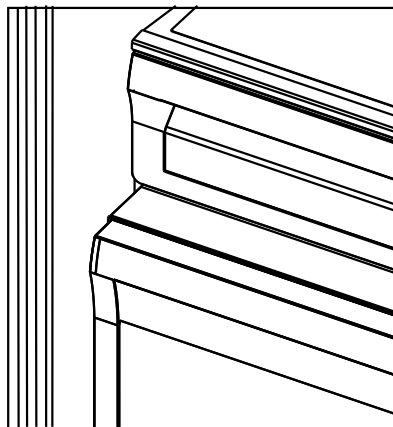
Mettere le verdure a foglia, come lattuga, spinaci, e le verdure che soffrono la perdita di umidità, in orizzontale per quanto più possibile all'interno dello scomparto, non sulle radici, in posizione verticale.

Non lasciare mai le verdure all'interno dello scomparto frutta e verdura nei loro sacchetti. Se le verdure restano nel sacchetto, si decompongono in breve tempo. Quando si imposta un livello di umidità alto, le verdure trattengono il contenuto di umidità e possono essere conservate per un ragionevole periodo di tempo senza bisogno di lasciarle nei sacchetti. Se il contatto con altre verdure non è consigliato per questioni

di igiene, utilizzare carta traforata, schiuma o altri materiali simili di imballaggio invece di un sacchetto.

Mentre si posizionano le verdure, bisogna tenere in considerazione il peso specifico delle verdure stesse. Le verdure pesanti e dure devono essere poste sul fondo dello scomparto e le verdure leggere e morbide devono essere poste sopra.

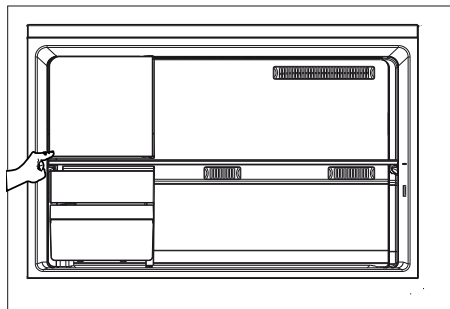
Non mettere assieme nello stesso scomparto con altra frutta e verdura pere, albicocche, pesche, ecc., e mele in particolare, perché hanno un alto livello di generazione di gas etilene. Il gas etilene emesso da questa frutta può provocare il deterioramento rapido dell'altra frutta con conseguente decomposizione.



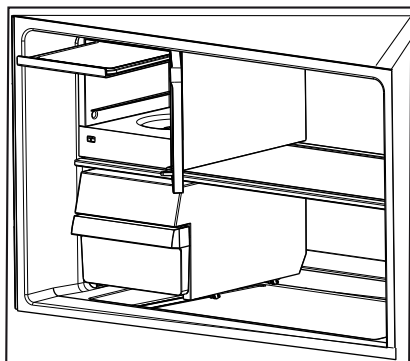
Macchina per il gelato

*opzionale

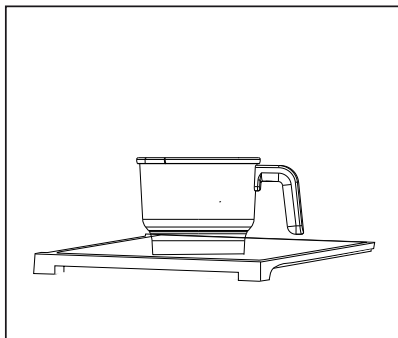
- Aprire lo scomparto freezer del frigorifero,
- Spingere e rilasciare per aprire la copertura dello scomparto per la preparazione del gelato nello scomparto freezer,



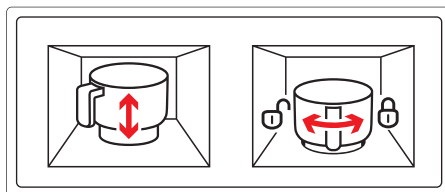
- Mettere il vassoio per il congelamento di cibi freschi all'interno della copertura di base e farla scorrere nel ripiano più alto all'interno dello scomparto,

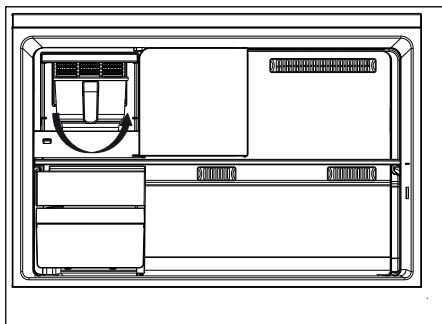


- Portare la miscela per il gelato raffreddata a temperatura ambiente nel contenitore per la preparazione del gelato,



- La miscela per il gelato che viene posta nelle vaschette per il gelato non deve superare la quantità dichiarata nelle ricette. Se viene posta nelle vaschette miscela in eccesso rispetto a quella indicata nella ricetta, essa fuoriesce.
- Mettere il contenitori nell'alloggiamento sul fondo dello scomparto verso il lato sinistro.
- Ruotare il contenitore sul lato destro e bloccarlo in posizione.





- Chiudere la copertura dello scomparto per la preparazione del ghiaccio, premere e rilasciare per bloccarlo.
 - Chiudere lo sportello dello scomparto freezer.
- i** Si può stabilire la modalità gelato dal libro delle ricette per i gelati.
- i** Impostare la modalità gelato a seconda del tipo di gelato dal display sullo sportello.
- i** Non lavare il contenitore per la preparazione del gelato nella lavastoviglie.
- i** Durante il processo di preparazione del gelato, il frigorifero, a seconda delle condizioni di lavoro corrente, funziona per un po' con un lieve rumore.

6 Manutenzione e pulizia

- ⚠ Non usare mai gasolio, benzene o sostanze simili per scopi di pulizia.
- ⚠ È consigliato scollegare l'apparecchio prima della pulizia.
- ⚠ Non utilizzare mai attrezzi appuntiti o sostanze abrasive, saponi, detergenti per la casa o cere per la pulizia.
- ⚠ Per i prodotti non-No Frost, si verifica la formazione di gocce di acqua e ghiaccio fino allo spessore di un dito sulla parete posteriore dello scomparto frigo. Non pulire; non applicare mai olio né agenti simili.
- ⚠ Utilizzare solo panni umidi in microfibra per pulire la superficie esterna del prodotto. Spugne e altri tipi di panni per la pulizia possono graffiare la superficie.
- ℹ Utilizzare acqua tiepida per pulire l'alloggiamento del frigorifero e asciugarlo.
- ℹ Utilizzare un panno umido intriso di una soluzione composta da un cucchiaino di bicarbonato di soda e da circa mezzo litro di acqua e pulire l'interno, quindi asciugare.
- ⚠ Assicursi che l'acqua non penetri nel quadro di comando della temperatura.
- ⚠ Se il frigorifero non viene usato per un lungo periodo di tempo, scollegare il cavo di alimentazione, rimuovere tutti gli alimenti dal suo interno, pulirlo e lasciare lo sportello aperto.
- ℹ Controllare le guarnizioni dello sportello periodicamente per garantire che siano pulite e che non siano presenti particelle di alimenti.
- ⚠ Per rimuovere le rastrelliere dello sportello, rimuovere tutto il contenuto e spingere semplicemente le rastrelliere verso l'alto.
- ⚠ Non utilizzare mai agenti di pulizia o acqua contenente cloro per pulire le superfici esterne e le parti rivestite in cromo dell'apparecchio. Il cloro provoca corrosione su tali superfici di metallo.
- ⚠ Non usare strumenti affilati e abrasivi o sapone, agenti detergenti domestici, detergenti, gasolio, benzene, cera, ecc., altrimenti le indicazioni sulle parti in plastica si toglieranno e si verificherà deformazione. Usare acqua tiepida e un panno morbido unicamente per le operazioni di pulizia e asciugatura.

Protezione delle superfici di plastica

- ℹ Non inserire oli liquidi o piatti cotti in olio nel frigorifero se in contenitori non sigillati poiché questi possono danneggiare le superfici in plastica del frigorifero. In caso di fuoriuscita di olio sulle superfici in plastica, pulire e asciugare le parti della superficie con acqua tiepida.

7 Ricerca e risoluzione dei problemi

Prima di chiamare il servizio assistenza, rivedere la lista precedente. Si risparmierà tempo e denaro. Questa lista comprende frequenti reclami che non derivano da difetti di lavorazione o dai materiali utilizzati. Alcune delle funzioni

descritte qui potrebbero non esistere nel proprio apparecchio.

Il frigorifero non funziona.

- La spina non è inserita correttamente nella presa. >>>Inserire in modo sicuro la spina nella presa.
- Il fusibile della presa a cui è collegato il frigorifero o il fusibile principale sono saltati. >>>Controllare il fusibile.

Condensa sulla parete laterale dello scomparto frigo (MULTIZONE, COOL CONTROL e FLEXI ZONE).

- Lo sportello è stato aperto con eccessiva frequenza. >>>Non aprire e chiudere lo sportello del frigorifero con eccessiva frequenza.
- L'ambiente è molto umido. >>>Non installare il frigorifero in luoghi molto umidi.
- Gli alimenti che contengono liquidi sono conservati in contenitori aperti. >>>Non conservare alimenti che contengono liquido in contenitori aperti.
- Lo sportello del frigorifero è lasciato aperto. >>>Chiudere lo sportello del frigorifero.
- Il termostato è impostato ad un livello molto freddo. >>>Impostare il termostato ad un livello adatto.

Il compressore non funziona

- La protezione termica del compressore è inattiva in caso di mancanza di corrente o di mancato collegamento alla presa, se il sistema refrigerante non è ancora stato regolato. Il frigorifero comincerà a funzionare dopo circa 6 minuti. Chiamare il servizio assistenza se il frigorifero non inizia a funzionare al termine di questo periodo.

- Il frigorifero è nel ciclo di sbrinamento. >>>Si tratta di una cosa per un frigorifero con sbrinamento completamente automatico. Il ciclo di sbrinamento si verifica periodicamente.

- L'elettrodomestico non è collegato alla presa. >>>Accertarsi che la spina sia inserita nella presa.

- Le regolazioni di temperatura non sono eseguite in modo corretto. >>>Selezionare il valore di temperatura adatto.

- Vi è una mancanza di alimentazione. >>>Il frigorifero torna ad un funzionamento normale quando viene ripristinata l'alimentazione.

Il rumore aumenta quando il frigorifero sta lavorando.

- La performance operativa del frigorifero può cambiare secondo i cambiamenti della temperatura ambiente. Si tratta di una cosa normale e non di un guasto.

Il frigorifero funziona frequentemente o per lunghi periodi.

• Il nuovo apparecchio è più grande del precedente. I frigoriferi più grandi lavorano per un più lungo periodo di tempo.

• La temperatura ambiente può essere alta. >>>È normale che l'apparecchio funzioni per periodi più lunghi in ambienti caldi.

• Il frigorifero è stato collegato alla presa di recente o è stato riempito di cibo. >>>Quando il frigorifero è stato appena collegato all'alimentazione o caricato con alimenti, ci vuole più tempo per raggiungere la temperatura impostata. Questo è normale.

• Grandi quantità di cibo caldo sono state recentemente inserite. >>>Non mettere alimenti caldi nel frigorifero.

• Gli sportelli sono aperti con eccessiva frequenza o sono stati lasciati aperti a lungo. >>>L'aria tiepida entrata nel frigorifero ne provoca il funzionamento per un periodo più lungo. Non aprire gli sportelli di frequente.

• Lo sportello del freezer o dello scomparto frigo sono rimasti aperti. >>>Controllare se gli sportelli sono perfettamente chiusi.

• Il frigo è regolato a temperatura molto bassa. >>>Regolare la temperatura del frigorifero ad un livello più alto e attendere fino a che la stessa sia acquisita.

• La chiusura dello sportello del frigorifero o del freezer può essere usurata, rotta o non inserita in modo appropriato. >>>Pulire o sostituire la guarnizione. Guarnizioni rotte o danneggiate provocano il funzionamento del frigo per periodi più lunghi per mantenere la temperatura corrente.

La temperatura ambiente è molto bassa mentre la temperatura del frigorifero è sufficiente.

• La temperatura del freezer è regolata a temperatura molto bassa. >>>Regolare la temperatura ad un livello più alto e controllare.

La temperatura ambiente è molto bassa mentre la temperatura del freezer è sufficiente.

• La temperatura del frigo è regolata a temperatura molto bassa. >>>Regolare la temperatura ad un livello più alto e controllare.

Gli alimenti che sono nei cassetti dello scomparto frigo sono congelati.

• La temperatura del frigo è regolata su un valore molto alto. >>>Regolare la temperatura del frigo ad un livello più basso e controllare.

La temperatura del frigo o freezer è molto alta.

• La temperatura del frigo è regolata su un valore molto alto. >>>L'impostazione della temperatura dello scomparto frigo provoca effetti sulla temperatura del freezer. Cambiare le temperature di frigo o freezer e aspettare finché i relativi scomparti non raggiungono una temperatura sufficiente.

• Gli sportelli sono aperti con eccessiva frequenza o sono stati lasciati aperti a lungo. >>>Non aprire gli sportelli di frequente.

• Lo sportello è aperto. >>>Chiudere completamente lo sportello.

• Il frigorifero è stato recentemente collegato all'alimentazione o caricato con alimenti. >>>Questo è normale. Quando il frigorifero è stato appena collegato all'alimentazione o caricato con alimenti, ci vuole più tempo per raggiungere la temperatura impostata.

• Grandi quantità di cibo caldo sono state recentemente inserite. >>>Non mettere alimenti caldi nel frigorifero.

• Vibrazioni o rumore.

• Il pavimento non è orizzontale o stabile. >>>Se il frigorifero ondeggia quando è mosso lentamente, equilibrarlo regolando i piedini. Accertarsi anche che il pavimento sia in piano e forte abbastanza da sopportare il frigorifero.

• Gli articoli messi sul frigorifero possono provocare rumore. >>>Rimuovere gli articoli da sopra al frigorifero.

Ci sono rumori che provengono dal frigorifero come gocciolamenti, spruzzo di liquidi, ecc.

- Il flusso di liquido e gas si verifica secondo i principi operativi del frigorifero. Si tratta di una cosa normale e non di un guasto.

Dal frigorifero si sente un fischio.

- Le ventole sono usate per raffreddare il frigorifero. Si tratta di una cosa normale e non di un guasto.

Condensa sulla parete interna del frigorifero.

- Il clima caldo/umido aumenta il ghiaccio e la condensa. Si tratta di una cosa normale e non di un guasto.

- Gli sportelli sono aperti con eccessiva frequenza o sono stati lasciati aperti a lungo. >>>Non aprire gli sportelli di frequente. Chiuderli se sono aperti.

- Lo sportello è aperto. >>>Chiudere completamente lo sportello.

Umidità al di fuori del frigorifero o tra le porte.

- Potrebbe esserci umidità nell'aria; questo è normale nei climi umidi. Al diminuire dell'umidità, la condensa scompare.

Odore cattivo dentro al frigorifero.

- Non viene eseguita una pulizia regolare. >>>Pulire regolarmente l'interno del frigorifero con una spugna, acqua tiepida o carbonato di sodio diluito in acqua.

- Alcuni contenitori o alcuni materiali per la confezione possono provocare odori. >>>Usare contenitori diversi o marche diverse.

- Gli alimenti sono posti nel frigorifero in contenitori non coperti. >>>Tenere gli alimenti in contenitori chiusi. I microrganismi che fuoriescono da contenitori non coperti possono provocare odori sgradevoli.

- Rimuovere gli alimenti scaduti e che si sono rovinati nel frigorifero.

Lo sportello non è chiuso.

- Gli imballaggi degli alimenti impediscono la chiusura dello sportello. >>>Sostituire le confezioni che ostruiscono lo sportello.

- Il frigorifero non è completamente poggiato sul pavimento. >>>Regolare i piedini per bilanciare il frigorifero.

- Il pavimento non è orizzontale o forte. >>>Accertarsi che il pavimento sia in piano, forte e in grado di sopportare il frigorifero.

Gli scomparti frutta e verdura sono bloccati.

- Gli alimenti potrebbero toccare il tetto del cassetto. >>>Risistemare gli alimenti nel cassetto.

Se La Superficie Del Prodotto È Bollente.

- Quando il prodotto è in funzione, possono essere osservate alte temperature tra i due sportelli, sui pannelli laterali e sul grill posteriore. Ciò è normale e non richiede manutenzione!



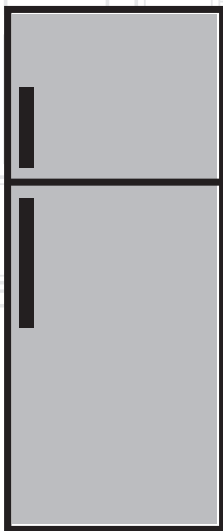
57.3319.0000/BF
1/2
EN-IT



www.beko.com

Refrigerator

User manual

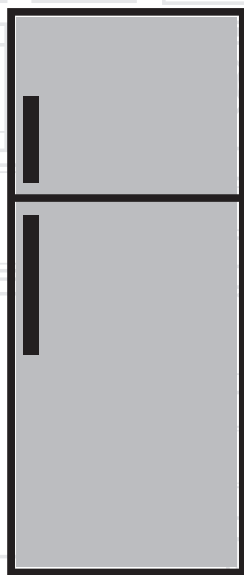


DN162232DJIZX
DN162020B
DN162220X
DN162220B

RU|UK

beko

Холодильник- морозильник



RU |

beko

Обязательно прочтите данное руководство!

Уважаемый покупатель!

Надеемся, что наше изделие, изготовленное на современном оборудовании, и прошедшее тщательный контроль качества, будет надежно служить вам.

Поэтому, прежде чем пользоваться прибором, рекомендуем внимательно изучить данное руководство и всегда держать его под рукой в качестве справочника.




Данное руководство

- Поможет вам быстро и безопасно пользоваться изделием.
- Прежде чем устанавливать изделие и пользоваться им, прочтите руководство.
- Соблюдайте инструкции, особенно в отношении техники безопасности.
- Храните руководство в легко доступном месте, так как оно может понадобиться вам в будущем.
- Кроме того, прочитайте другие документы, поставляющиеся в комплекте с изделием.

Учтите, что данное руководство по эксплуатации может применяться и для других моделей.

Условные обозначения

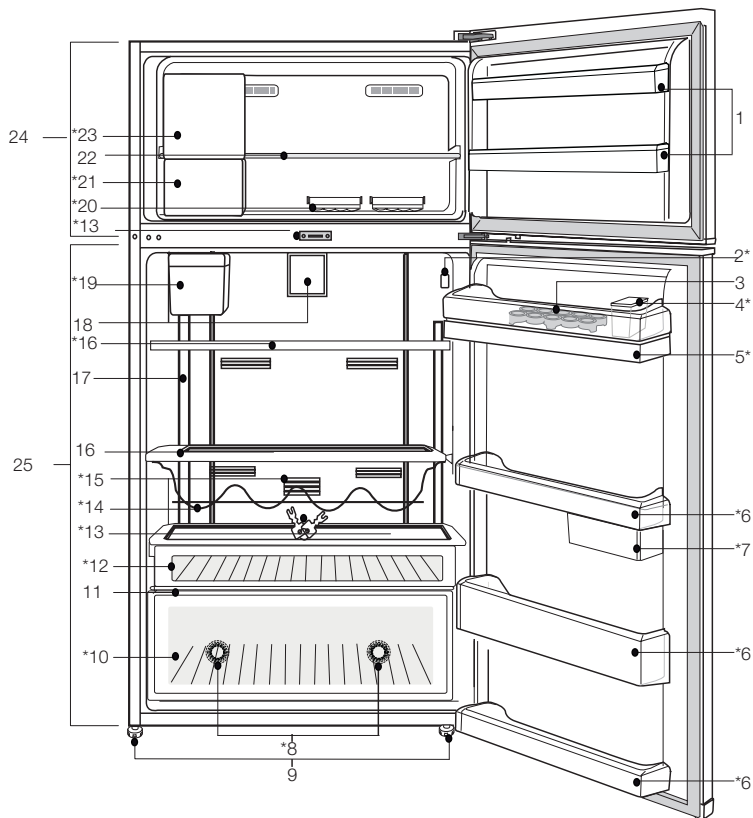
В данном руководстве по эксплуатации используются следующие условные обозначения:

-  Важная информация или полезные советы по эксплуатации.
-  Предупреждение об опасности для жизни и имущества.
-  Предупреждение об опасном электрическом напряжении.

СОДЕРЖАНИЕ

| | | | |
|---|-----------|--|-----------|
| 1 Ваш холодильник | 3 | Настройка температуры холодильника | 30 |
| 2 Важные указания по технике безопасности | 4 | Система двойного охлаждения..... | 30 |
| Использование по назначению..... | 4 | Замораживание свежих продуктов..... | 32 |
| Для изделий с раздатчиком охлажденной воды:..... | 8 | Рекомендации по хранению замороженных продуктов..... | 32 |
| Безопасность детей..... | 8 | Размещение продуктов | 33 |
| Соответствие Директиве ЕС об утилизации электрического и электронного оборудования (WEEE) и утилизация вышедшего из употребления оборудования:..... | 9 | Информация о глубоком замораживании | 33 |
| Соответствие Директиве ЕС об ограничении содержания вредных веществ (RoHS): | 9 | Лоток для яиц..... | 34 |
| Информация об упаковке..... | 9 | Сдвижной контейнер для хранения | 34 |
| Технические характеристики..... | 10 | Описание и очистка фильтра запахов: | 35 |
| Рекомендации по экономии электроэнергии | 10 | Лотки для закусок | 35 |
| Рекомендации по использованию отделения для свежих продуктов | 11 | Диспенсер для воды..... | 36 |
| 3 Установка | 12 | Синий свет..... | 38 |
| Правила транспортировки холодильника | 12 | Вращающийся контейнер для хранения..... | 39 |
| Подготовка к эксплуатации | 12 | Автоматический льдогенератор “Auto Icematic” | 40 |
| Утилизация упаковки..... | 13 | Льдогенератор Icematic и контейнер для хранения льда..... | 41 |
| Утилизация старого холодильника | 13 | Приготовление льда | 42 |
| Размещение и установка..... | 13 | Контейнер для фруктов и овощей с контролем уровня влажности (постоянная свежесть)..... | 42 |
| Регулировка ножек..... | 14 | Машина для приготовления мороженого | 43 |
| Замена лампочки | 14 | 6 Обслуживание и чистка | 45 |
| 4 Подготовка | 15 | Защита пластмассовых поверхностей | 45 |
| 5 Эксплуатация холодильника | 17 | 7 Рекомендации по устранению неисправностей | 46 |
| Индикаторная панель..... | 17 | | |
| Кнопка установки температуры ... | 30 | | |

1 Ваш холодильник



- | | |
|--|---|
| <p>1. Дверные полки морозильной камеры</p> <p>2. Индикатор температуры</p> <p>3. Отсек для яиц</p> <p>4. Бачок диспенсера для воды</p> <p>5. Резервуар диспенсера для воды</p> <p>6. Дверные полки холодильной камеры</p> <p>7. Выдвижные и поворотные контейнеры для хранения</p> <p>8. Синий световой индикатор</p> <p>9. Регулируемые ножки</p> <p>10. Ящик для фруктов и овощей</p> <p>11. Крышка ящика для фруктов и овощей</p> <p>12. Отделение для завтрака</p> <p>13. Ключ</p> | <p>14. Полка для бутылок</p> <p>15. Фильтр запаха</p> <p>16. Стекланные полки холодильной камеры</p> <p>17. Стекло подсветки</p> <p>18. Рабочее колесо</p> <p>19. Емкость для воды для автоматического льдогенератора "Icematic"</p> <p>20. Ледник</p> <p>21. Контейнер для хранения льда</p> <p>22. Стекланная полка морозильной камеры</p> <p>23. Машина для приготовления мороженого / Отделение быстрой заморозки</p> <p>24. Морозильная камера</p> <p>25. Холодильное отделение</p> <p>*опция</p> |
|--|---|



Иллюстрации в данной инструкции являются схематичными и могут не соответствовать вашей модели. Некоторые компоненты, которые не входят в состав приобретенного вами изделия, используются в других моделях.



2 Важные указания по технике безопасности

Обязательно ознакомьтесь со следующей информацией. Игнорирование данной информации может привести к причинению травм или повреждению имущества. Кроме того, гарантийные обязательства и обязательства по эксплуатации и надёжности утратят силу.

Оригинальные запасные части будут предоставлены в течение 10 лет с момента покупки изделия.

Использование по назначению

| | |
|---|---|
|  | ПРЕДУПРЕЖДЕНИЕ: Во время хранения или установки устройства убедитесь в том, что его вентиляционные отверстия открыты. |
|  | ПРЕДУПРЕЖДЕНИЕ: Для ускорения процесса оттаивания льда не пользуйтесь какими-либо механическими устройствами или другими устройствами, за исключением рекомендуемых производителем. |

| | |
|---|---|
|  | ПРЕДУПРЕЖДЕНИЕ: Не допускайте повреждения цепи хладагента. |
|  | ПРЕДУПРЕЖДЕНИЕ: Не пользуйтесь в отсеках для хранения продуктов питания устройства электрическими приборами, не рекомендуемыми изготовителем. |

Это устройство разработано для использования в быту или подобных условиях

- Для использования на служебных кухнях магазинов, офисов и других рабочих мест;

- Для использования клиентами в фермерских домах и отелях, мотелях и других гостиничных заведениях.

- в пансионатах;

- в других сферах применения, за исключением предприятий общественного питания и розничной торговли.

Общие правила техники безопасности

- В случае необходимости утилизировать или уничтожить изделие для получения необходимой информации рекомендуется обратиться в фирменный сервисный центр, а также в местные органы власти.
- По всем вопросам,

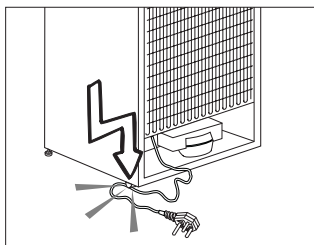
- касающимся холодильника, обращайтесь в фирменный сервисный центр. Не вмешивайтесь в работу изделия и не разрешайте этого другим без уведомления фирменного сервисного центра.
- Для изделий с морозильным отделением: не ешьте мороженое в рожках и кубики льда сразу после их извлечения из морозильного отделения! (Это может вызвать обморожение полости рта.)
 - Для изделий с морозильным отделением: не помещайте напитки в бутылках и банках в морозильное отделение. Они могут лопнуть.
 - Не дотрагивайтесь до замороженных продуктов – они могут примерзнуть к рукам.
 - Отключайте холодильник от сети перед чисткой или размораживанием.
 - Ни в коем случае не используйте для чистки и размораживания холодильника пар или аэрозольные чистящие средства. В этом случае пар может попасть на электрические компоненты, что приведет к короткому замыканию или поражению электрическим током.
 - Ни в коем случае не используйте холодильник или его части (например, дверцу) в качестве подставки или опоры.
 - Не используйте электрические приборы внутри холодильника.
 - Не допускайте повреждения частей, в которых циркулирует хладагент, используя режущие или сверильные инструменты. Хладагент может вырваться из пробитого испарителя, трубопроводов или покрытий поверхности и вызвать раздражение кожи и поражение глаз.
 - Ни в коем случае не закрывайте и не закупоривайте вентиляционные отверстия холодильника.
 - Ремонт электрического оборудования должны производить только квалифицированные специалисты. Ремонт, выполненный некомпетентными лицами, может создать опасность для потребителя.
 - В случае неполадок во время эксплуатации, а также при проведении техобслуживания или ремонта отключите холодильник, выключив соответствующий предохранитель или вынув шнур питания из розетки.
 - Не тяните за сетевой шнур, вынимая вилку из розетки.
 - Крепкие алкогольные

напитки должны плотно закрываться крышкой и храниться в вертикальном положении .

- Нельзя хранить в холодильнике банки с горючими и взрывоопасными веществами.
- Для ускорения процесса размораживания не используйте механические устройства или другие средства, кроме тех, которые рекомендованы производителем.
- Данный электроприбор не предназначен для использования лицами (включая детей) с ограниченными физическими, сенсорными и интеллектуальными возможностями либо не имеющими опыта и знаний. Они могут пользоваться электроприбором только под наблюдением лица, ответственного за их безопасность, или под его руководством.
- Ни в коем случае нельзя пользоваться неисправным холодильником. При возникновении вопросов обращайтесь к квалифицированному специалисту.
- Электрическая безопасность гарантируется только в том случае, если система заземления в вашем доме соответствует стандартам.
- Воздействие на устройство дождя, снега, солнца или ветра опасно с точки зрения электробезопасности.
- В случае повреждения шнура питания и т.п. обратитесь в фирменный сервисный центр, чтобы не подвергать себя опасности.
- Ни в коем случае нельзя включать холодильник в розетку во время установки. Это может привести к серьезным травмам или смерти.
- Этот холодильник предназначен только для хранения пищевых продуктов. Его нельзя использовать для каких-либо иных целей.
- Табличка с техническими характеристиками находится слева на внутренней стенке холодильника.
- Ни в коем случае нельзя подключать холодильник к электронным системам экономии электроэнергии, поскольку это может привести к его поломке.
- Если в холодильнике есть источник синего света, не смотрите на него долгое время ни незащищенными глазами, ни через какие-либо оптические приборы или инструменты.
- При отключении от сети электропитания холодильника с ручным управлением

подождите не менее 5 минут, прежде чем подключать его снова.

- В случае продажи изделия эту инструкцию по эксплуатации следует передать новому владельцу.
- При транспортировке холодильника избегайте повреждения шнура питания. Изгибание шнура питания может привести к возгоранию. Не ставьте на него тяжелые предметы. При подключении холодильника к сети электропитания не прикасайтесь к вилке влажными руками.

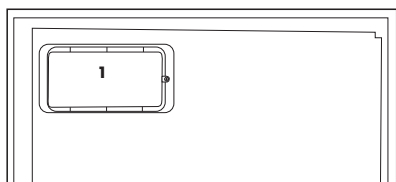
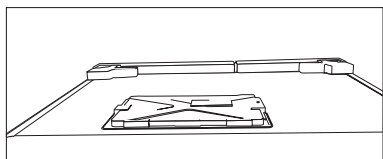


- Ни в коем случае нельзя подключать холодильник к плохо закрепленной стенной розетке сети электропитания.
- Из соображений безопасности не допускайте попадания воды на внешние или внутренние части холодильника.
- Не распыляйте рядом с холодильником воспламеняющиеся газы, такие как газ пропан, ввиду риска пожара или взрыва.

- Не ставьте сосуды с водой на холодильник, поскольку это может привести к поражению электрическим током или пожару.
- Не загружайте холодильник продуктами сверх меры. Если холодильник перегружен, продукты могут выпасть при открытии дверцы и травмировать вас или повредить холодильник. Не кладите предметы на холодильник, поскольку они могут упасть при открытии или закрытии дверцы.
- В холодильнике нельзя хранить вещества, требующие определенных температурных условий, такие как вакцины, термочувствительные медикаменты, материалы для научных исследований и т.п.
- Холодильник следует отключить от электросети, если он не будет использоваться в течение длительного времени. Неисправность шнура питания может привести к возгоранию.
- Холодильник может смещаться, если регулируемые ножки не зафиксированы на полу. Фиксирование регулируемых ножек на полу предотвратит смещение холодильника.
- При перемещении

холодильника не держите его за ручку. В противном случае он может сломаться.

- При установке холодильника расстояние между ним и другим холодильником или морозильником должно составлять минимум 8 см. В противном случае боковые прилегающие стенки будут увлажняться.
- Никогда не используйте данное изделие, если его часть, расположенная сверху или сзади и имеющая электронные печатные платы внутри, открыта (крышка электронной печатной платы) (1).



Для изделий с раздатчиком охлажденной воды:

- Давление холодной воды на входе должно составлять максимум 90 фунтов на квадратный дюйм (6.2 бар). Если давление воды будет превышать 80 фунтов на

квадратный дюйм (5,5 бар), следует использовать для в водопроводной системы клапан ограничения давления. Если Вы не знаете, как проверить давление воды, обратитесь за помощью к профессиональному сантехнику.

- Если во время установки существует риск гидравлического удара, всегда используйте оборудование для предотвращения гидроудара. Если Вы не уверены в отсутствии риска гидроудара, обратитесь к профессиональным сантехникам.
- Не устанавливайте на входе горячей воды. Следует предпринять необходимые меры предосторожности для предотвращения риска замерзания шлангов. Рабочий интервал температур воды будет составлять не менее 33°F (0,6°C) и не более 100°F (38°C).
- Используйте только питьевую воду.

Безопасность детей

- Если на дверце есть замок, ключ следует хранить в недоступном для детей месте.
- Следует присматривать за детьми и не разрешать им

портить холодильник.

Соответствие Директиве ЕС об утилизации электрического и электронного оборудования (WEEE) и утилизация вышедшего из употребления оборудования:



Данное изделие соответствует Директиве ЕС об утилизации электрического и электронного оборудования (2012/19/EU). Данное изделие

имеет маркировку, указывающую на утилизацию его как электрического и электронного оборудования (WEEE). Это изделие произведено из высококачественных деталей и материалов, которые подлежат повторному использованию и переработке. Поэтому не выбрасывайте изделие с обычными бытовыми отходами после завершения его эксплуатации. Его следует сдать в соответствующий центр по утилизации электрического и электронного оборудования. О местонахождении таких центров вы можете узнать в местных органах власти.

Соответствие Директиве ЕС об ограничении содержания вредных веществ (RoHS):

Приобретенное вами изделие соответствует Директиве ЕС о правилах ограничения содержания вредных веществ (2011/65/

EU). Оно не содержит вредных и запрещенных материалов, указанных в Директиве.

Информация об упаковке

Упаковочные материалы изделия изготовлены из материалов, подлежащих вторичной переработке, в соответствии с местными нормативами и правилами касательно защиты окружающей среды. Не утилизируйте упаковочные материалы вместе с бытовыми или другими отходами. Отнесите их в один из пунктов приема упаковочных материалов, назначенных местными органами власти.

Если система охлаждения вашего изделия содержит R600a:

Этот газ огнеопасен, поэтому будьте осторожны, чтобы не повредить систему охлаждения и трубопроводы при эксплуатации и во время транспортировки. В случае повреждения уберите устройство подальше от потенциальных источников огня, которые могут привести к возгоранию, а также проветривайте помещение, в котором находится устройство.

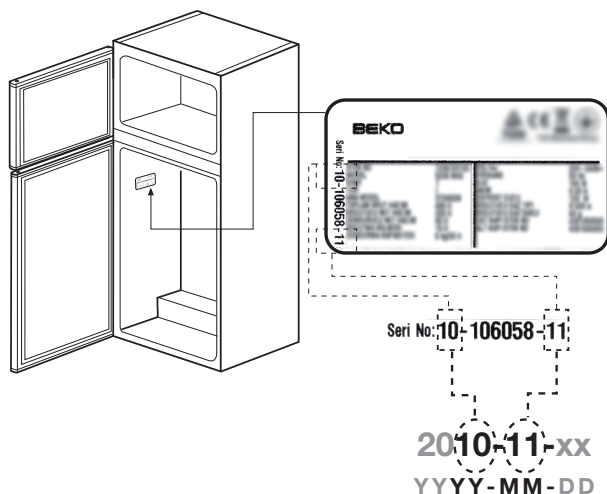
Не обращайтесь внимания на предупреждение, если система охлаждения вашего изделия содержит R134a.

Тип газа, используемого изделием, указан на паспортной табличке, расположенной слева на внутренней стенке холодильника.

Не сжигайте изделие в целях утилизации.

Рекомендации по экономии электроэнергии

- Не оставляйте дверцу холодильника открытой на длительное время.
- Не кладите в холодильник горячие продукты или напитки.
- Не перегружайте холодильник, чтобы не нарушать циркуляцию воздуха.
- Не устанавливайте холодильник в местах, где на него попадают прямые солнечные лучи, или поблизости от источников тепла, таких как плита, посудомоечная машина или радиатор отопления.
- Следите за тем, чтобы контейнеры с продуктами были закрыты.
- Для изделий с морозильным отделением: в морозильное отделение холодильника можно заложить максимальное количество продуктов, если достать из него полку или ящик. Указанное в технических характеристиках энергопотребление холодильника определено при условии, что полка или ящик морозильного отделения извлечены, и в него загружено максимально возможное количество продуктов. Полку и ящик можно использовать для замораживания продуктов в соответствии с их формой и размером.
- Таяние замороженных продуктов в холодильном отделении обеспечит экономию электроэнергии и сохранение качества продуктов.



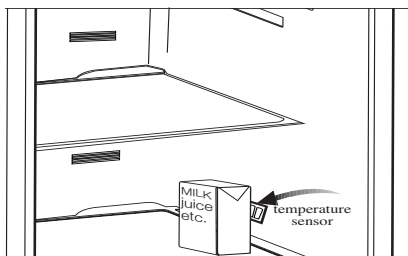
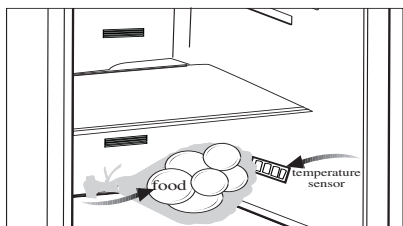
| Технические характеристики | |
|------------------------------------|--------|
| Класс энергетической эффективности | A+_A++ |
| Класс защиты | 1 |

- Степень защиты IP 42

Рекомендации по использованию отделения для свежих продуктов

*необязательный

- Не допускайте какого-либо контакта продуктов с температурным датчиком в отделении для свежих продуктов. Для поддержания идеальной температуры хранения в отделении для свежих продуктов датчик не должен закрываться хранящимися там продуктами.
- Не помещайте в холодильник горячие продукты.



3 Установка

- И** Учтите, что производитель не несет ответственности в случае несоблюдения указаний, приведенных в данном руководстве.

Правила транспортировки холодильника

1. Перед транспортировкой следует вынуть из холодильника все продукты и вымыть его.
2. Перед упаковкой следует надежно закрепить все полки, оборудование, контейнеры для овощей и фруктов и т.п. при помощи клейкой ленты, чтобы предохранить их от тряски.
3. Холодильник следует обвязать лентами из плотного материала и прочными веревками. При транспортировке следует придерживаться правил, напечатанных на упаковке.

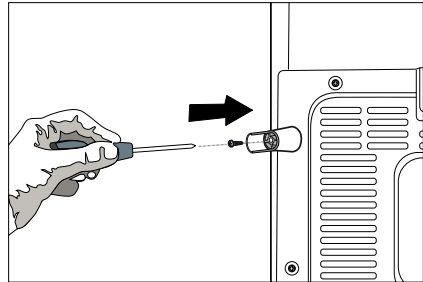
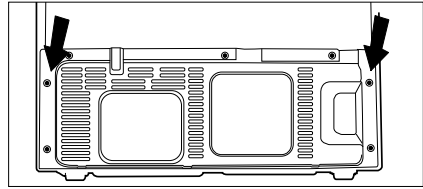
Не забывайте о том, что...

Вторичное использование материалов очень важно для сохранения природы и наших национальных богатств.

Если вы решите сдать упаковочные материалы на переработку, обратитесь за подробной информацией в организации по охране окружающей среды или в местные органы власти.

Подготовка к эксплуатации

Перед началом эксплуатации холодильника выполните следующие действия.



1. Убедитесь, что внутри холодильника сухо, и воздух может свободно циркулировать позади холодильника.
2. Можно установить два пластиковых упора, как показано на рисунке. Пластиковые упоры обеспечат необходимое расстояние между холодильником и стеной для надлежащей циркуляции воздуха. (Изображение на рисунке предназначено только для иллюстрации и не совпадает полностью с вашим изделием.)
3. Выполните чистку холодильника в соответствии с рекомендациями, приведенными в разделе "Обслуживание и чистка".
4. Подключите холодильник к электрической сети. При открытии двери холодильника включается лампочка внутреннего освещения.

5. При запуске компрессора будет слышен шум. Жидкость и газы, находящиеся внутри герметичной системы охлаждения, также могут создавать шум, независимо от того, работает компрессор или нет, что является вполне нормальным явлением.
6. Передние кромки холодильника могут казаться теплыми на ощупь. Это нормально. Эти области подогреваются, чтобы предупредить конденсацию.

Подключение к электросети Подсоедините холодильник к заземленной розетке с предохранителем соответствующего номинала.

- Важное замечание
 - Подключение следует выполнять в соответствии с местными нормами и правилами.
 - Место подключения шнура питания к розетке должно быть легкодоступным.
 - Напряжение в сети должно соответствовать данным, указанным в характеристиках холодильника.
 - Запрещается использовать при установке удлинители и многоместные розетки.
- ⚠ Замену поврежденного шнура питания должен выполнять квалифицированный электрик.
- ⚠ Запрещается пользоваться неисправным электроприбором! Это может привести к поражению электрическим током.

Утилизация упаковки

Упаковочные материалы могут быть опасны для детей. Храните упаковочные материалы в недоступном для детей месте или выбросьте их, рассортировав в соответствии с правилами утилизации отходов. Не выбрасывайте их вместе с обычными бытовыми отходами.

Упаковка холодильника изготовлена из материалов, подлежащих вторичной переработке.

Утилизация старого холодильника

Утилизация старого прибора должна выполняться экологически безопасным способом.

- Сведения об утилизации прибора можно получить у официального дилера или в пункте сбора отходов по месту жительства.

Перед утилизацией холодильника следует отрезать шнур питания и сломать замки на дверцах (при наличии), чтобы предотвратить опасные ситуации для детей.

Размещение и установка

⚠ Если дверь помещения, в котором будет установлен холодильник, недостаточно широка, можно снять дверцы холодильника и внести его в дверь боком. Для того чтобы снять дверцы, обратитесь в фирменный сервисный центр.

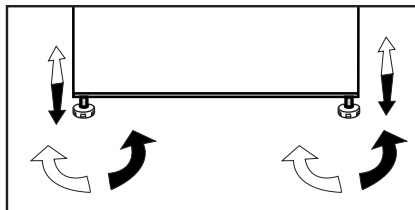
1. Устанавливайте холодильник в удобном для использования месте.

2. Холодильник следует устанавливать в местах, защищенных от прямых солнечных лучей, вдали от источников тепла и повышенной влажности.
3. Для более эффективной работы необходимо обеспечить хорошую вентиляцию вокруг холодильника.
4. Если холодильник устанавливается в нише, минимальное расстояние до потолка и стен должно быть не менее 5 см. При установке на ковровое покрытие следует приподнять холодильник на 2.5 см от пола.
5. Холодильник следует устанавливать на ровную поверхность, иначе может возникнуть вибрация.

Регулировка ножек

Если холодильник расположен неустойчиво:

Вы можете отрегулировать устойчивое положение холодильника вращением передних ножек, как показано на рисунке. Угол холодильника, под которым находится ножка, будет опускаться, если поворачивать ее в направлении черной стрелки, или подниматься, если поворачивать ее в противоположном направлении. Если слегка приподнять холодильник, это облегчит процесс.



Замена лампочки

Для замены лампочки освещения холодильника обратитесь в авторизованный сервисный центр.

Лампа (-ы), используемая (-ые) в данном изделии, не подходит (-ят) для бытового освещения помещений. Данная лампа предназначена для освещения при размещении пользователем продуктов питания в холодильной/морозильной камере, обеспечивая безопасность и удобство.

Лампы, используемые в этом приборе, должны выдерживать экстремальные физические условия, например, температуру ниже 20 °С.

Предупреждение об открытии дверцы

*опция

Если дверь холодильника будет оставаться открытой продолжительное время, прозвучит предупреждающий сигнал. Подача предупреждающего сигнала прекратится после нажатия любой кнопки индикатора или закрытия дверцы.

4 Подготовка

- Ваш холодильник следует установить, по крайней мере, в 30 см от источников тепла, таких как газовые конфорки, плиты, батареи центрального отопления и печи, и, по крайней мере, в 5 см от электрических плит, в месте, куда не попадает прямой солнечный свет.
- Содержите внутреннее пространство холодильника в чистоте.
- Если два холодильника устанавливаются рядом, то между ними должно быть расстояние не менее 2 см.
- При первом включении холодильника просим соблюдать следующие инструкции во время первых шести часов работы.
- Не открывайте дверцу слишком часто.
- Не загружайте в холодильник продукты.
- Не отключайте холодильник от электрической сети. Если произошло отключение электроэнергии не по вашей вине, см. указания в разделе «Рекомендации по устранению неполадок».
- Оригинальную упаковку и пленку следует сохранить для последующей транспортировки или перевозки изделия.
- Этот прибор, в котором предусмотрены описанные в таблице температурные режимы, оснащен электронной системой регулирования температуры [Advanced Electronic Temperature Control System, AETCS], благодаря которой при установке рекомендованного режима [положение регулятора термостата 4] в морозильном отделении поддерживается постоянная температура, и замороженные продукты не растают, даже если температура в помещении упадет до -15°C . После достижения устойчивого рабочего режима прибор можно перенести в другое место, например, в гараж или другое неотапливаемое помещение, не опасаясь, что продукты могут растаять. Однако учтите, что при очень низкой температуре в помещении продукты в морозильном отделении могут смерзнуться. Поэтому следует регулярно проверять морозильное отделение и использовать хранящиеся там продукты. Когда температура в помещении снова станет нормальной, можно при необходимости установить регулятор термостата в другое положение.
- Если температура помещения ниже 0°C , продукты в холодильном отделении заморозятся, поэтому не рекомендуем использовать холодильное отделение при таких низких температурах. При этом морозильное отделение холодильника будет работать как обычно.

- В некоторых моделях панель управления автоматически отключается через 5 минут после закрывания дверцы. Она включается снова при открывании дверцы или нажатии любой кнопки.
- Конденсация влаги на полках дверцы/корпуса и стеклянных контейнерах является нормальным явлением и возникает благодаря изменению температуры при открытии/закрытии дверцы во время работы изделия.

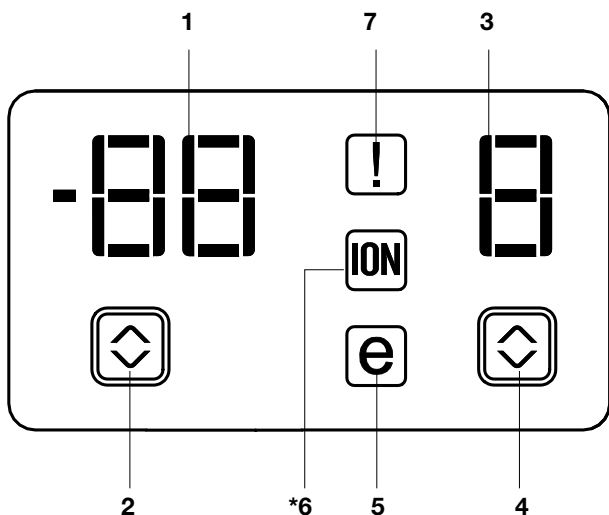
5 Эксплуатация холодильника

Индикаторная панель

Индикаторные панели могут отличаться в зависимости от модели изделия.

Индикаторная панель помогает в эксплуатации холодильника за счет звуковых и визуальных функций.

(в некоторых моделях)



1. Индикатор регулировки температуры морозильной камеры
2. Кнопка регулировки температуры морозильной камеры
3. Индикатор регулировки температуры холодильной камеры
4. Кнопка регулировки температуры холодильной камеры
5. Индикатор экономичного режима
6. Индикатор ионизатора
7. Указатель возможных неисправностей

***опция**

И Рисунки в данном руководстве пользователя являются схематичными и могут не соответствовать в точности Вашему изделию. Если указанные детали отсутствуют в приобретенном изделии, они относятся к другим моделям.

1. Индикатор регулировки температуры морозильной камеры

Указывает температуру, установленную для морозильной камеры.

2. Кнопка регулировки температуры морозильной камеры

Нажмите эту кнопку для установки температуры морозильной камеры -18, -20, -22, -24, -18... соответственно. Нажмите данную кнопку для установки требуемой температуры морозильной камеры.

3. Индикатор регулировки температуры холодильной камеры

Указывает температуру, установленную для холодильной камеры.

4. Кнопка регулировки температуры холодильной камеры

Нажмите эту кнопку для установки температуры холодильной камеры 8, 6, 4, 2, 8... соответственно. Нажмите данную кнопку для установки требуемой температуры холодильной камеры.

5. Индикатор экономичного режима

Указывает, что холодильник работает в режиме энергосбережения.

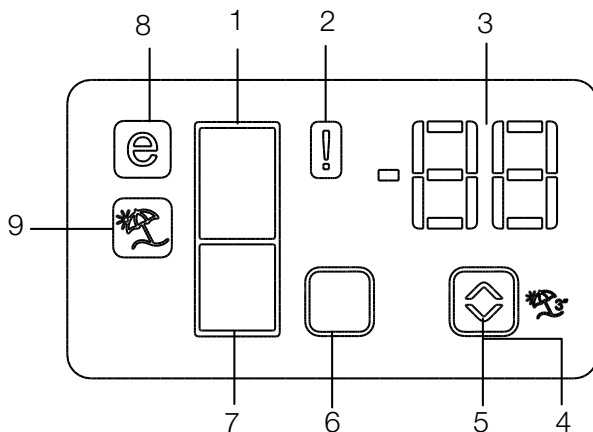
6- Индикатор ионизатора

Световой индикатор горит постоянно. Этот световой индикатор указывает на то, что холодильник защищен от бактерий.

7. Указатель возможных неисправностей

Если холодильник не охлаждает должным образом, либо в случае неисправностей датчика будет включен данный индикатор. Когда этот индикатор является активным, на индикаторе температуры морозильной камеры отобразится буква "E", а на индикаторе температуры холодильной камеры отобразятся цифры "1,2,3...". Эти цифры на индикаторе содержат информацию об ошибке для ремонтного персонала.

Индикаторные панели могут быть разными - это зависит от модели устройства.
При эксплуатации холодильника помогут звуковые и визуальные функции.



1. Индикатор холодильной камеры
2. Индикатор ошибки
3. Индикатор температуры
4. Кнопка функции «Отпуск»
5. Кнопка настройки температуры
6. Кнопка выбора отсека
7. Индикатор холодильной камеры
8. Индикатор режима экономии
9. Индикатор функции «Отпуск»

***в зависимости от модели**


❶ Рисунки в данном руководстве пользователя являются схематичными и могут не соответствовать в точности Вашему изделию. Если указанные детали отсутствуют в приобретенном изделии, они относятся к другим моделям.

1. Индикатор холодильной камеры

После того, как будет установлена температура в холодильной камере, загорится соответствующая лампочка для морозильной камеры.

2. Индикатор ошибки

Данный датчик активируется, когда холодильник не охлаждается надлежащим образом, а также в случае неисправности датчика. Когда этот индикатор является активным, на индикаторе температуры морозильной камеры отобразится буква "E", а на индикаторе температуры холодильной камеры отобразятся цифры "1,2,3...".

Цифры на индикаторе служат для информирования сервисного персонала о возникновении неисправности. ()


3. Индикатор температуры

Показывает температуру в морозильной и холодильной камерах.


4. Кнопка функции «Отпуск»

Чтобы включить функцию «Отпуск», нажмите и удерживайте кнопку в течение 3 сек. В режиме «Отпуск» индикатор температуры холодильной камеры отображает «--», а процесс охлаждения в холодильной камере прекращается.


Данная функция не подходит для хранения продуктов в холодильной камере. В других отсеках охлаждение будет осуществляться в соответствии с температурой, установленной для каждого отсека.

Чтобы выключить эту функцию, снова нажмите кнопку «Отпуск». ()

5. Кнопка настройки температуры

Температура соответствующего отделения варьирует в пределах диапазонов -24°C..... -18°C и 8°C...1°C. ()


6. Кнопка выбора отсека

При помощи кнопки выбора отсека можно переключаться между морозильной камерой и холодильной камерой. ()


7. Индикатор холодильной камеры

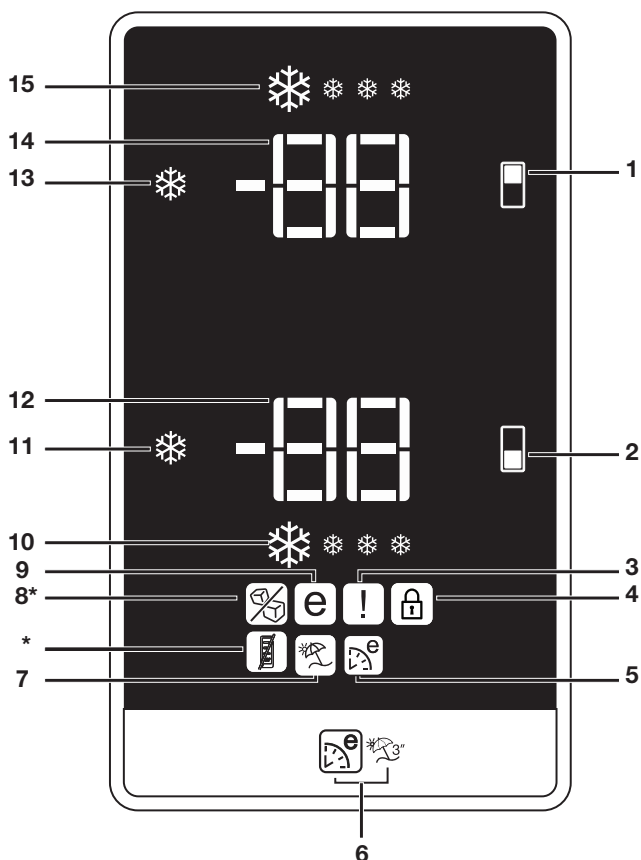
После того, как будет установлена температура в холодильной камере, загорится соответствующая лампочка.

8. Индикатор режима экономии

Указывает на то, что холодильник работает в энергосберегающем режиме. Этот индикатор включается, когда температура в морозильной камере установлена на -18°C. ()

9. Кнопка функции «Отпуск»

Указывает на то, что функция «Отпуск» включена. ()



1. Кнопка регулировки температуры морозильной камеры
2. Кнопка регулировки температуры холодильной камеры
3. Указатель возможных неисправностей
4. Индикатор блокировки кнопок
5. Индикатор функции Eco Extra
6. Кнопка Eco Extra / "Отпуск"
7. Индикатор функции "Отпуск"
8. Режим энергосбережения (дисплей выключен)
9. Кнопка выключения льдогенератора "Icematic" (*в некоторых моделях)
10. Индикатор экономичного режима
11. Индикатор функции быстрого охлаждения
12. Кнопка функции быстрого охлаждения
13. Индикатор регулировки температуры холодильной камеры
14. Кнопка включения-выключения функции быстрого замораживания (3°)
15. Индикатор регулировки температуры морозильной камеры
16. Индикатор функции быстрой заморозки

ⓘ Рисунки в данном руководстве пользователя являются схематичными и могут не соответствовать в точности Вашему изделию. Если указанные детали отсутствуют в приобретенном изделии, они относятся к другим моделям.

1. Кнопка регулировки температуры морозильной камеры

Эта функция позволяет устанавливать температуру морозильной камеры. Нажмите эту кнопку для установки температуры морозильной камеры -18, -19, -20, -21 -22, -23 и -24, соответственно.

2. Кнопка регулировки температуры холодильной камеры

Эта функция позволяет установить температуру холодильной камеры. Нажмите эту кнопку для установки температуры холодильной камеры 8, 7, 6, 5, 4, 3, 2 градусов соответственно.

3. Указатель возможных неисправностей

Если холодильник не охлаждает должным образом, либо в случае неисправностей датчика будет включен данный индикатор. Когда этот индикатор является активным, на индикаторе температуры морозильной камеры отобразится буква "E", а на индикаторе температуры холодильной камеры отобразятся цифры "1,2,3...". Эти цифры на индикаторе содержат информацию об ошибке для ремонтного персонала.

При помещении горячих продуктов в морозильную камеру или оставлении дверцы открытой в течение долгого времени некоторое время будет гореть восклицательный знак. Это не является сбоем; восклицательный знак исчезнет, когда продукты охладятся.

4. Индикатор блокировки кнопок

Используйте эту функцию, если Вы не хотите менять настройки температуры холодильника. Для включения этой функции нажмите одновременно кнопку настройки температуры холодильной и морозильной камеры и долго удерживайте их (3 с).

5. Индикатор функции Eco Extra

Указывает, что функция Eco-Extra включена.

Если эта функция включена, холодильник автоматически распознает периоды наименьшего использования, и в течение данных периодов времени будет производиться энергосберегающее охлаждение. Во время энергосберегающего охлаждения будет включен индикатор экономичного режима.

Для выключения данной функции повторно нажмите соответствующую кнопку.

6. Кнопка Eco Extra / "Отпуск"

Для включения функции Eco Extra нажмите на короткое время данную кнопку. Для включения функции "Отпуск" нажмите и удерживайте эту кнопку 3 с. Для выключения выбранной функции повторно нажмите данную кнопку.

7. Индикатор функции "Отпуск"

Указывает, что функция "Отпуск" включена. Если эта функция включена, на индикаторе холодильной камеры появится символ "- -", и охлаждение в холодильной камере не будет производиться. Охлаждение в других отделениях продолжится в соответствии с установленной для них температурой.

Для выключения данной функции повторно нажмите соответствующую кнопку.

8. Режим энергосбережения (дисплей выключен)

Если дверцы изделия держатся закрытыми в течение длительного периода времени, автоматически включается режим энергосбережения и загорается значок энергосбережения.

После включения режима энергосбережения все значки, кроме значка энергосбережения, гаснут. Если режим энергосбережения включен и нажимается любая кнопка или открываются дверцы, режим энергосбережения отменяется и значки отображаются в нормальном виде.

Режим энергосбережения включается при транспортировке с места производства и его невозможно отменить.

9. Кнопка выключения льдогенератора “Icematic”

Льдогенератор “Icematic” не будет работать, когда индикатор данной функции включен.

Для использования функции выключения приготовления льда необходимо нажать и удерживать в течение 3 секунд кнопку быстрой заморозки.

10. Индикатор экономичного режима

Указывает, что холодильник работает в режиме энергосбережения. Данный индикатор будет включен, если установлена температура морозильной камеры -18, либо производится энергоэффективное охлаждение в связи с включением функции Eco-Extra.

11. Индикатор функции быстрого охлаждения

Этот символ мигает в анимированном стиле, когда включена функция “Быстрое охлаждение” (“Quick Fridge”).

12. Кнопка функции быстрого охлаждения

При нажатии кнопки “Quick Fridge” температура отделения будет ниже установленных значений.

Эта функция может использоваться, если продукты, размещаемые в холодильной

камере, должны быстро охладиться.

Если Вы хотите охладить большое количество свежих продуктов, рекомендуется включить данную функцию перед их размещением.

Когда функция “Быстрое охлаждение” включена, включается индикатор “Quick Fridge”. Для отмены этой функции повторно нажмите кнопку “Quick Fridge”.

Если Вы не хотите отменять ее, функция “Быстрое охлаждение” отключится автоматически через 4 часа, или когда температура холодильной камеры достигнет требуемого значения.

Эта функция функция не может быть включена повторно после восстановления питания в случае его отказа.

13. Индикатор регулировки температуры холодильной камеры

Указывает температуру, установленную для холодильной камеры.

14. Кнопка включения-выключения функции быстрого замораживания (3”)

Указывает температуру, установленную для морозильной камеры.

Для отключения функции приготовления льда нажмите кнопку включения льдогенератора “Icematic” и удерживайте ее в течение 3 секунд. При выборе данной функции подача воды из емкости для воды прекратится. Однако лед, приготовленный ранее, может быть извлечен из льдогенератора “Icematic”.

Для повторного включения функции приготовления льда нажмите кнопку включения-выключения льдогенератора “Icematic” и удерживайте ее в течение 3 секунд.

15. Индикатор регулировки температуры морозильной камеры

Когда функция “Быстрая заморозка” включена, включается индикатор “Fast Freeze”. Для отмены этой функции повторно нажмите кнопку “Fast Freeze”. Индикатор быстрой заморозки выключится и вернется к стандартным настройкам. Если Вы не хотите отменять ее, функция “Быстрая заморозка” отключится автоматически через 8 часов, или когда температура морозильной камеры достигнет требуемого значения.

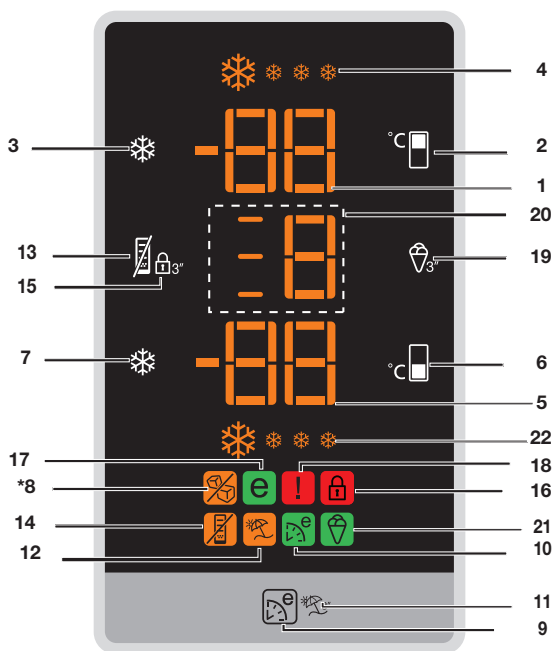
Если Вы хотите заморозить большое количество свежих продуктов, перед размещением продуктов в морозильной камере нажмите кнопку “Fast Freeze”.

При многократном нажатии кнопки “Fast Freeze” с короткими интервалами будет включена защита электронной цепи, и компрессор не включится сразу.

Эта функция функция не может быть включена повторно после восстановления питания в случае его отказа.

16. Индикатор функции быстрой заморозки

Этот символ мигает в анимированном стиле, когда включена функция “Быстрая заморозка” (“Fast Freeze”).



1. Индикатор регулировки температуры морозильной камеры
2. Функция регулировки температуры морозильной камеры
3. Кнопка включения-выключения функции быстрого замораживания (3°)
4. Индикатор функции быстрой заморозки
5. Индикатор регулировки температуры холодильной камеры
6. Функция регулировки температуры холодильной камеры
7. Кнопка функции быстрого охлаждения
8. Кнопка выключения льдогенератора "Icematic" (*в некоторых моделях)
9. Функция "Eco-Fuzzy" (специальное экономичное использование)
10. Индикатор "Eco-Fuzzy" (специальное экономичное использование)
11. Функция "Отпуск"
12. Индикатор функции "Отпуск"
13. Функция "Энергосбережение"
14. Индикатор "Энергосбережение"
15. Функция блокировки кнопок
16. Индикатор блокировки кнопок
17. Индикатор "Экономичное использование"
18. Индикатор высокой температуры/предупреждения об ошибке
19. Функция выбора режима мороженого
20. Индикатор выбора режима мороженого
21. Индикатор мороженого
22. Индикатор функции быстрого охлаждения

***опция**

❗ Рисунок в данном руководстве пользователя является схематичным и может не соответствовать в точности Вашему изделию. Если указанные детали отсутствуют в приобретенном изделии, они относятся к другим моделям.

1. Индикатор температуры морозильной камеры

Указывает температуру, установленную для морозильной камеры.

2. Функция регулировки температуры морозильной камеры

Эта функция позволяет устанавливать температуру морозильной камеры. Нажмите эту кнопку для установки температуры морозильной камеры -18, -19, -20, -21 -22, -23 и -24, соответственно.

3. Кнопка включения-выключения функции быстрого замораживания (3")

Когда функция "Быстрая заморозка" включена, включается индикатор "Quick Freeze". Для отмены этой функции повторно нажмите кнопку "Quick Freeze". Индикатор быстрой заморозки выключится и вернется к стандартным настройкам. Если Вы не хотите отменять ее, функция "Быстрая заморозка" отключится автоматически через 4 часа, или когда температура морозильной камеры достигнет требуемого значения. Если Вы хотите заморозить большое количество свежих продуктов, перед размещением продуктов в морозильной камере нажмите кнопку "Quick Freeze". При многократном нажатии кнопки "Quick Freeze" с короткими интервалами будет включена защита электронной цепи, и компрессор не включится сразу. Эта функция не может быть включена повторно после восстановления питания в случае его отказа!

4. Индикатор функции быстрой заморозки

Этот символ мигает в анимированном

стиле, когда включена функция "Быстрая заморозка" ("Quick Freeze").

5. Индикатор регулировки температуры холодильной камеры

Указывает температуру, установленную для холодильной камеры.

6. Функция регулировки температуры холодильной камеры

Эта функция позволяет установить температуру холодильной камеры. Нажмите эту кнопку для установки температуры холодильной камеры 8, 7, 6, 5, 4, 3, 2 градусов соответственно.

7. Кнопка функции быстрого охлаждения

При нажатии кнопки "Quick Fridge" температура отделения будет ниже установленных значений. Эта функция может использоваться для продуктов, которые необходимо быстро охладить в морозильной камере. Если Вы хотите охладить большое количество свежих продуктов, рекомендуется включить данную функцию перед их размещением. Когда функция "Быстрое охлаждение" включена, включается индикатор "Quick Fridge". Для отмены этой функции повторно нажмите кнопку "Quick Fridge". Индикатор быстрого охлаждения выключится и вернется к стандартным настройкам. Если Вы не хотите отменять ее, функция "Быстрое охлаждение" отключится автоматически через 2 часа, или когда температура холодильной камеры достигнет требуемого значения.

Эта функция не может быть включена повторно после восстановления питания в случае его отказа.

8. Кнопка выключения льдогенератора “Icematic”

Льдогенератор “Icematic” не будет работать, когда индикатор данной функции включен.

Для использования функции выключения приготовления льда необходимо нажать и удерживать в течение 3 секунд кнопку быстрой заморозки.

9. Функция Eco-Fuzzy (специальное экономичное использование)

При нажатии кнопки “Eco-Fuzzy” будет включена функция “Eco-Fuzzy”, и загорится индикатор “Eco-Fuzzy”. Холодильник начнет работу в наиболее экономичном режиме не менее, чем через 6 часов, и загорится индикатор экономичного использования, когда функция будет включена. Для выключения функции “Eco-Fuzzy” необходимо повторно нажать кнопку “Eco-Fuzzy”.

10. Индикатор “Eco-Fuzzy” (специальное экономичное использование)

Этот символ загорается, когда включена функция “Eco-Fuzzy”.

11. Функция “Отпуск”

Нажмите и удерживайте 3 секунды кнопку “Eco-Fuzzy” для включения функции “Отпуск”, и загорится индикатор “Отпуск” (“Vacation”). Охлаждение холодильной камеры прекращено, и температура холодильной камеры является фиксированной и составляет 15 градусов для предотвращения появления неприятных запахов. Когда эта функция будет включена, индикатор температуры холодильной камеры не будет отображать

температуру. Для выключения функции “Отпуск” нажмите и удерживайте 3 секунды кнопку “Eco-Fuzzy”.

12. Индикатор функции “Отпуск”

Этот индикатор загорается, когда включена функция “Отпуск”.

13. Функция “Энергосбережение” (“Energy Efficiency”)

При нажатии кнопки “Energy Efficiency” будет включена функция “Энергосбережение”, и загорится индикатор “Energy Efficiency”. Когда будет включена функция “Энергосбережение”, все индикаторы, за исключением индикатора энергосбережения, будут выключены. Эта функция будет выключена при нажатии любой кнопки или открывании дверцы, индикаторы дисплея будут показывать стандартные настройки, и индикатор энергосбережения (“Energy Efficiency”) будет продолжать гореть. Если не нажимать кнопки и не открывать дверцу в течение 5 минут, когда индикатор энергосбережения все еще горит, функция энергосбережения будет снова включена, и индикаторы дисплея будут выключены. При нажатии кнопки энергосбережения, когда данная функция не будет включена, но индикатор все еще будет гореть, функция “Энергосбережение” будет отключена, и индикатор энергосбережения будет выключен.

14. Индикатор энергосбережения (“Energy Efficiency”)

Этот индикатор загорается, когда выбрана функция “Энергосбережение”.

15. Функция блокировки кнопок (“Key Lock”)

При нажатии и удерживании кнопки блокировки кнопок в течение 3 секунд функция блокировки кнопок будет включена, и загорится индикатор блокировки кнопок. Во время включения этой функции ни одна из кнопок не будет работать. Для отключения данной функции нажать и удерживать повторно кнопку блокировки кнопок в течение 3 секунд.

16. Индикатор блокировки кнопок

Этот индикатор загорается, когда включена функция блокировки кнопок.

17. Индикатор “Экономичное использование”

Индикатор экономичного использования включается, когда установлена температура морозильной камеры -18°C . При выборе функции быстрой заморозки (“Quick Freeze”) и быстрого охлаждения (“Quick Freeze”) индикатор экономичного использования не будет гореть.

18. Индикатор высокой температуры/предупреждения об ошибке

Данный световой индикатор горит во время сбоев высокой температуры и появления предупреждений об ошибке.

19. Функция выбора режима мороженого

При нажатии и удерживании в течение 3 секунд кнопки “Ice Cream” (“Мороженое”) она начнет гореть.

Если через 30 секунд эта кнопка не будет нажата еще раз, дисплей вернется к своему предыдущему виду, индикаторы выбора режима “Мороженое” будут выключены.

При каждом коротком нажатии кнопки “Ice Cream” значение будет увеличиваться на один.

При повторном нажатии и удерживании в течение 3 секунд кнопки “Ice Cream” символ мороженого на дисплее снова включится. Выбран режим “Мороженое”, и цифра будет включена неподвижной, при этом символы с левой стороны будут гореть в анимированном стиле.

Когда процесс “Мороженое” будет завершен, загорятся соответствующие символы, и будет подан звуковой предупреждающий сигнал.

Все символы мороженого погаснут через 5 минут после включения предупреждающего сигнала.

Для выключения звукового предупредительного сигнала просто нажмите кнопку “Ice Cream” на короткое время; кнопки “Ice Cream” также будут выключены.

Если во время процесса “Мороженое” кнопка “Ice Cream” будет нажата на короткое время, на дисплее изменения не будут осуществлены.



Когда функция “Мороженое” будет включена в случае отключения электропитания и его последующего включения, процесс “Мороженое” будет возобновлен с места, в котором он был прерван.

При попытке включения функции “Мороженое” при температуре морозильной камеры -10 °С, на дисплее загорится на 30 секунд буква “Е” и символ предупреждения. Если пользователь нажмет кнопку выбора функции “Мороженое” на короткое время (3 секунды), дисплей вернется к стандартному виду мороженого, символ мороженого и символ предупреждения будут выключены.

20. Функция выбора режима мороженого

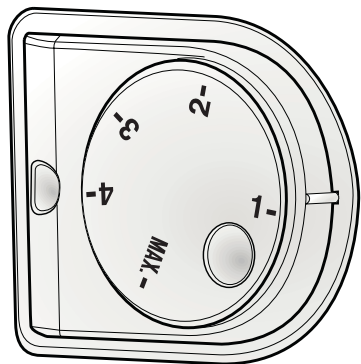
Показывает установленный режим “Мороженое”.

21. Индикатор мороженого

Загорается при включении режима “Мороженое”.

22. Индикатор функции быстрого охлаждения

Данный символ горит в анимированном стиле, когда включена функция “Быстрое охлаждение” (“Quick Fridge”).



Кнопка установки температуры

Кнопка установки температуры позволяет осуществлять настройку температуры холодильника.

Настройка температуры холодильника

Настройка общей температуры холодильника осуществляется посредством кнопки настройки температуры на правой стенке холодильной камеры. Данная кнопка имеет 5 различных положений настройки температуры. Выберите положение, которое соответствует Вашим потребностям.

Уровень 1 показывает, когда температура холодильника является наиболее высокой, и максимальное положение показывает самую низкую температуру.

Система двойного охлаждения

Ваш холодильник оснащен двумя системами охлаждения для отделения свежих продуктов и морозильной камеры. Таким образом, воздух в отделении свежих продуктов и морозильной камере не смешивается. Благодаря этим двум отдельным системам охлаждения скорость охлаждения является намного выше, чем в других холодильниках. Запахи в камерах не перемешиваются. Также обеспечивается дополнительное энергосбережение за счет отдельной автоматической разморозки.

| Регулировка морозильного отделения | Регулировка холодильного отделения | Пояснения |
|------------------------------------|------------------------------------|---|
| -18°C | 4°C | Это рекомендуемые стандартные настройки. |
| -20, -22 или -24°C | 4°C | Рекомендуется использовать при температуре окружающей среды выше 30°C. |
| Быстрое замораживание | 4°C | Рекомендуется для быстрого замораживания продуктов. По завершении процесса холодильник переключится в предыдущий режим. |
| -18°C или ниже | 2°C | Рекомендуется для ситуаций, когда возможной причиной недостаточно низкой температуры в холодильной камере является жаркая погода или частое открывание дверцы. |
| -18°C или ниже | Быстрое охлаждение | Рекомендуется использовать в тех случаях, когда холодильная камера перегружена или же нужно быстро охладить продукты. Режим быстрого охлаждения рекомендуется включать за 4-8 часов до помещения продуктов в холодильник. |

Замораживание свежих продуктов

- Рекомендуется завернуть или накрыть продукты перед тем, как помещать их в холодильник.
- Горячие продукты нужно сначала остудить до комнатной температуры, и только затем помещать в холодильник.
- Замораживаемые продукты должны быть качественными и свежими.
- Продукты должны быть разделены на порции, соответствующие ежедневному потреблению семьи либо используемые при приготовлении блюд для одного приема пищи.
- Продукты, даже если они будут храниться недолго, нужно помещать в герметичную упаковку, чтобы предотвратить их высыхание.
- Материалы, используемые для упаковки, должны быть прочными и устойчивыми к холоду, влажности, запахам, маслам и кислотам, а также воздухонепроницаемыми. Материалы, из которых изготовлена упаковка, должны быть пригодны для глубокой заморозки. Кроме того, упаковка должна плотно закрываться.
- Замороженные продукты необходимо использовать сразу после размораживания. Их нельзя замораживать снова.
- Для достижения наилучших результатов придерживайтесь приведенных ниже указаний.

1. Не замораживайте большое количество продуктов одновременно. Качество продуктов сохраняется лучше всего, если они полностью промерзают за как можно более короткое время.
2. Если поместить в морозильное отделение теплые продукты, системе охлаждения придется работать непрерывно, пока они не замерзнут полностью.
3. Ни в коем случае не храните вместе замороженные и свежие продукты.

Рекомендации по хранению замороженных продуктов

- Упакованные продукты, замороженные промышленным способом, следует хранить в соответствии с инструкциями их изготовителей для камер хранения замороженных продуктов класса *** ** *** (4 звезды).
- Чтобы сохранить качество продуктов, замороженных промышленным способом, следуйте таким правилам:
 1. Сразу же помещайте купленные продукты в морозильник.
 2. Проверьте, есть ли на упаковке этикетка и дата изготовления/срок годности.
 3. Не превышайте сроки употребления и хранения, указанные на упаковке.

Размораживание

Морозильное отделение размораживается автоматически.

Размещение продуктов

| | |
|--|--|
| Полки морозильного отделения | Различные замороженные продукты, такие как мясо, рыба, мороженое, овощи и т.п. |
| Лоток для яиц | Яйца |
| Полки холодильного отделения | Продукты в кастрюлях, на накрытых тарелках, в закрытых контейнерах |
| Полки на дверце холодильного отделения | Мелкие продукты и упаковки, напитки (например, молоко, фруктовый сок и пиво) |
| Контейнер для овощей и фруктов | Овощи и фрукты |
| Отделение для свежих продуктов | Деликатесы (сыры, сливочное масло, колбаса и т. п.) |

Информация о глубоком замораживании

Чтобы сохранить качество продуктов, помещенных в холодильник, их нужно замораживать как можно быстрее.

По нормам Турецкого института стандартов (определенными для соответствующих условий измерения) требуется, чтобы за 24 часа при температуре окружающего воздуха 32°C на каждые 100 литров объема морозильной камеры холодильника можно было заморозить 4,5 кг продуктов до температуры не менее -18°C.

Продукты можно хранить длительное время только при температуре не выше -18°C.

Продукты могут сохранять свежесть в течение многих месяцев (в условиях глубокой заморозки при температуре не выше -18°C).

ВНИМАНИЕ! ⚠

- Продукты нужно делить на порции, которые требуются для приготовления блюд или которые можно употребить за день.
- Продукты, даже если они будут храниться недолго, нужно помещать в герметичную упаковку, чтобы предотвратить их высыхание.

Материалы, необходимые для упаковки:

- Морозостойкая клейкая лента
- Самоклеящаяся этикетка
- Резиновые кольца
- Ручка

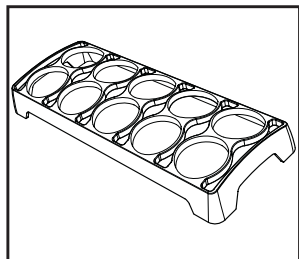
Материалы, используемые для упаковки, должны быть прочными и устойчивыми к холоду, влажности, запахам, маслам и кислотам.

Еже не замороженные продукты не должны соприкасаться с замороженными, чтобы предотвратить их частичное оттаивание.

Замороженные продукты необходимо использовать сразу после размораживания. Их нельзя замораживать снова.

Лоток для яиц

- Вы можете установить держатель для яиц на полочку двери или обычную полку, как вам удобнее.
- Никогда не помещайте держатель для яиц в камеру морозильника.

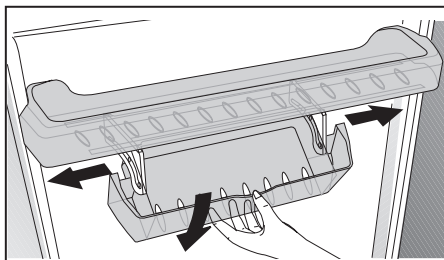


Сдвигной контейнер для хранения

(в некоторых моделях)

Эта принадлежность предназначена для увеличения полезного объема дверных полок.

Она позволяет легко ставить высокие бутылки и банки на нижнюю полку для бутылок, благодаря возможности сдвинуть ее вправо или влево.



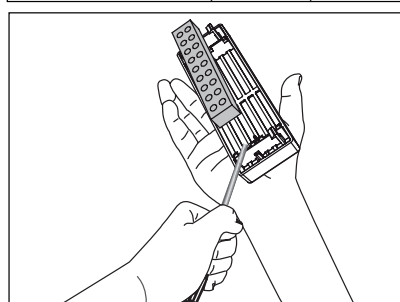
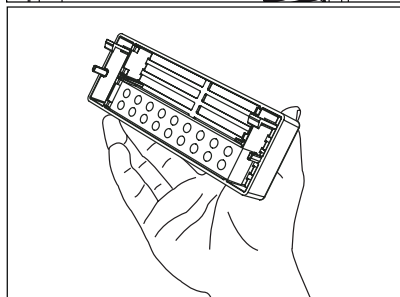
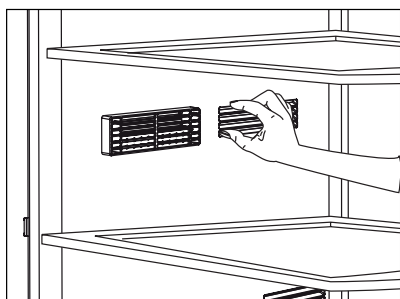
Описание и очистка фильтра запахов:

*опция

Фильтр запахов предотвращает появление в холодильнике неприятного запаха.

Потяните вниз крышку, в которую вставляется фильтр запахов, от передней секции и снимите его, как показано на рисунке. Оставьте фильтр на солнце на один день. За это время фильтр очистится. Установите фильтр обратно на место.

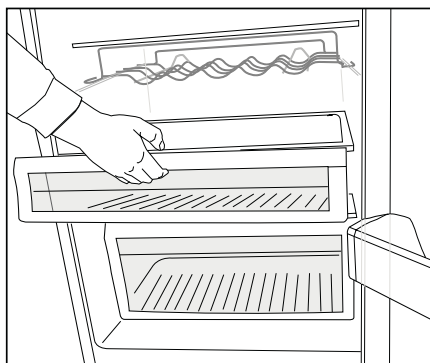
Очистка фильтра запахов должна производиться один раз в год.



Лотки для закусок

Вы можете освободить место внутри холодильника, вынув выбранный лоток для закусок. Потяните лоток на себя, пока он не упрется в стопор. Поднимите переднюю сторону примерно на 1 см и снова потяните лоток на себя, чтобы полностью его вынуть.

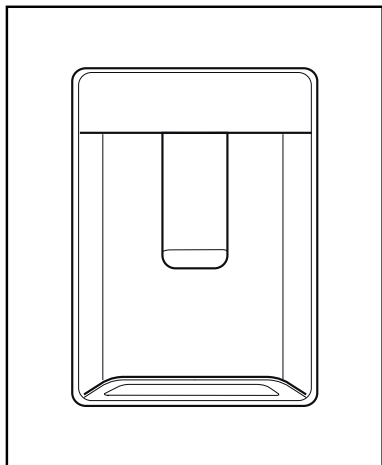
В эти лотки можно помещать продукты для предварительного охлаждения, которые вы хотите потом заморозить. Кроме того, эти лотки можно использовать для хранения продуктов при температуре, на несколько градусов ниже температуры холодильной камеры.



Диспенсер для воды

*опция

Диспенсер для воды является очень полезной функцией в связи с возможностью получения доступа к холодной воде без необходимости открывания дверцы холодильника. Так как дверца холодильника не будет открываться часто, Вы сможете сэкономить электроэнергию.



Использование диспенсера для воды

Нажмите на рычаг диспенсера для воды стаканом. Диспенсер прекратит работу, когда Вы отпустите рычаг.

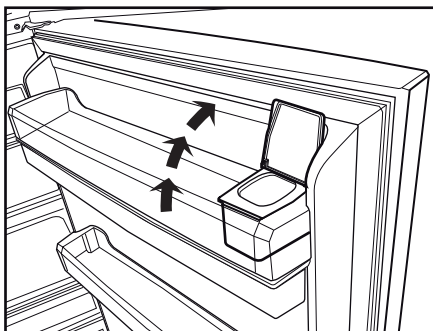
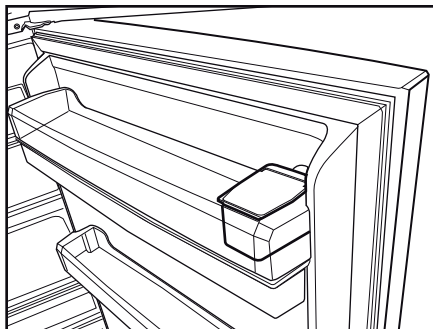
Во время использования диспенсера для воды возможно обеспечение максимального потока путем полного нажатия на рычаг.

Следует помнить, что интенсивность потока из диспенсера зависит от степени нажатия на рычаг.

Так как уровень воды в стакане/контейнере увеличивается, необходимо слегка уменьшить давление на рычаг для предотвращения переливания через край. Если слегка нажать на рычаг, вода начнет капать; это нормально и не является признаком неисправности.

Наполнение емкости диспенсера для воды

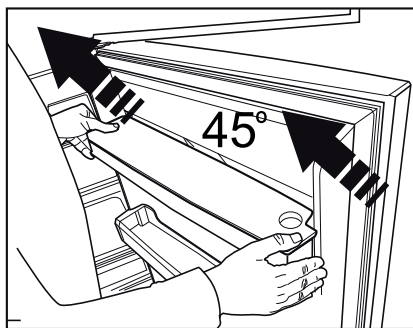
Наполнительный резервуар емкости для воды расположен внутри стойки дверцы. Вы можете открыть крышку данного резервуара и заполнить его питьевой водой. Затем необходимо закрыть крышку.



Внимание!

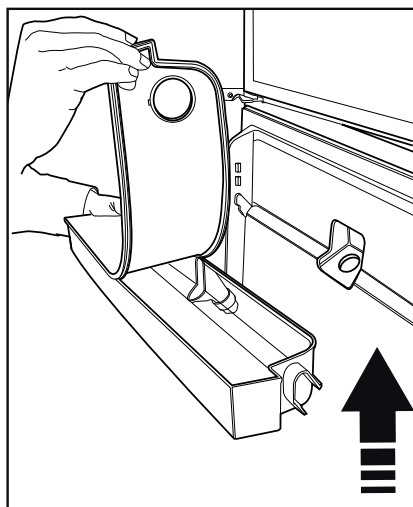
- Не заполняйте емкость для воды какой-либо жидкостью, кроме воды (например, фруктовыми соками, молоком, газированными или алкогольными напитками), которые не подходят для использования в диспенсере для воды. В случае использования данных жидкостей диспенсер для воды будет испорчен и не будет подлежать ремонту. В таком случае гарантия не будет действовать. Некоторые химические вещества и добавки, содержащиеся в данных напитках/жидкостях, могут повредить емкость для воды и ее материалы.

- Используйте только чистую питьевую воду.
- Вместимость емкости для воды составляет 3 литра; не заливайте большее количество воды.
- Нажмите на рычаг дисперсера для воды твердым стаканом. В случае использования одноразовых пластмассовых стаканов нажимайте на рычаг пальцами за стаканом.



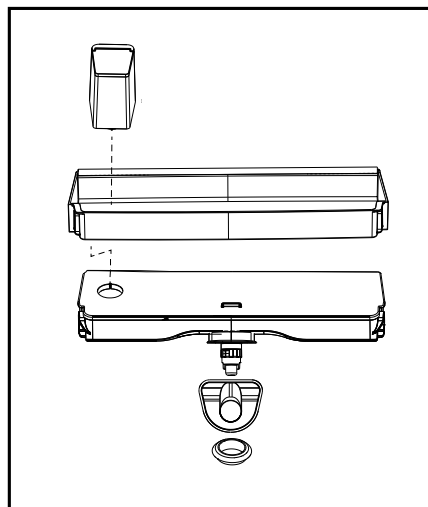
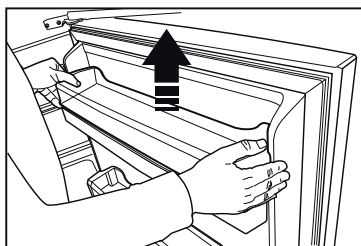
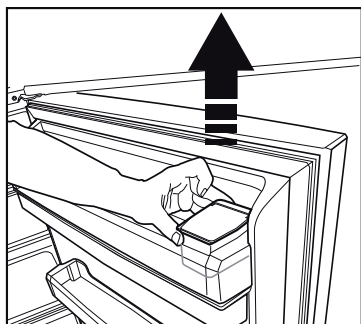
Очистка емкости для воды

- Снимите резервуар для воды внутри стойки дверцы.
- Снимите стойку дверцы, удерживая ее с обеих сторон.
- Захватите емкость для воды с обеих сторон и снимите ее под углом 45°С.
- Произведите очистку емкости для воды, сняв ее крышку.



Важно:

Детали емкости для воды и диспенсера для воды не должны мыться в посудомоечной машине.

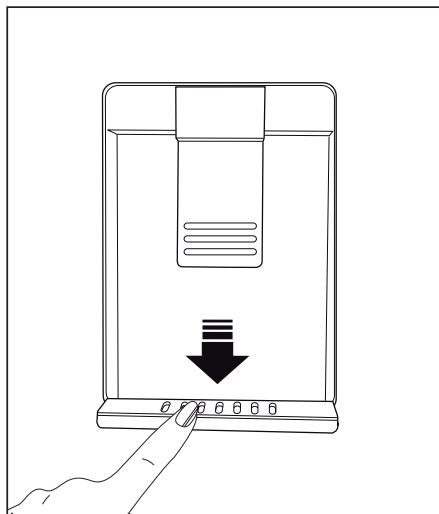


Лоток для воды

Вода, которая капает при использовании диспенсера для воды, собирается в лотке для сбора капель.

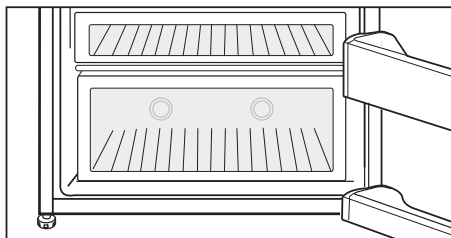
Снимите пластмассовое ситечко, как показано на рисунке.

Удалите собравшуюся воду с помощью чистой и сухой ткани.



Синий свет

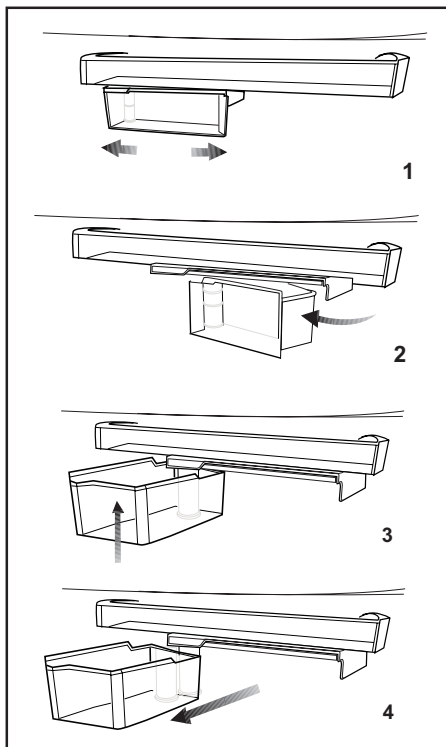
В продуктах, хранящихся в контейнерах для фруктов и овощей с синей подсветкой, продолжается процесс фотосинтеза, благодаря длине волн синего света и, таким образом, они сохраняют свою свежесть, а содержание витаминов в них увеличивается.



Вращающийся контейнер для хранения

Выдвижную полку можно двигать влево или вправо, чтобы размещать высокие бутылки, банки или коробки на нижней полке (рис. 1).

Вы можете достать еду, находящуюся на полке, взявшись за ее правый край и повернув (рис. 2). При желании загрузить или вынуть полку для чистки поверните ее на 90 градусов, поднимите и потяните на себя (рис. 3-4).



Автоматический льдогенератор “Auto Icematic”

*опция

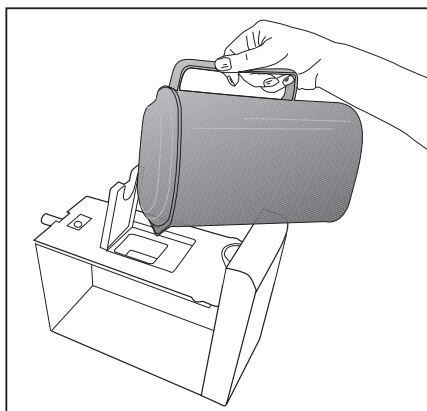
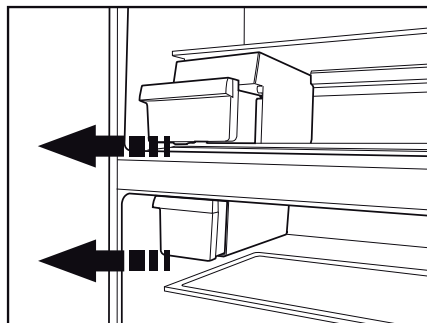
Автоматический льдогенератор “Auto Icematic” позволяет с легкостью осуществлять приготовление льда в холодильнике. Снимите емкость для воды в холодильной камере, заполните ее водой и установите обратно для получения льда из льдогенератора “Icematic”.

Сначала кубики льда будут готовы приблизительно через 2 часа в ящике “Icematic”, расположенной в морозильной камере.

Если емкость для воды будет полностью заполнена, Вы сможете получить приблизительно 60-70 кубиков льда.

Если вода в емкости для воды находилась приблизительно 2-3 недели, замените ее.

Примечание: В изделиях с автоматическим льдогенератором “Icematic” во время укладки льда. Этот звук является нормальным и не является признаком какой-либо неисправности.



Ледогенератор Icematic и контейнер для хранения льда

Использование ледогенератора Icematic

Наполните ледогенератор Icematic водой и вставьте его на место. Лед будет готов приблизительно через два часа. Не вынимайте ледогенератор из его гнезда, чтобы взять лёд.

Поверните ручки по часовой стрелке на 90 градусов.

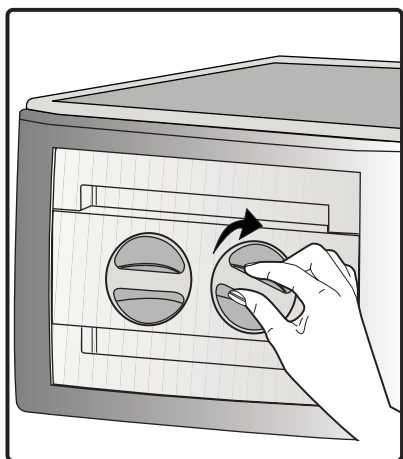
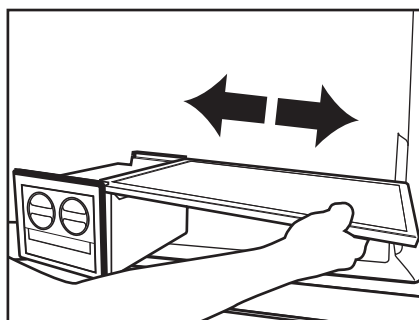
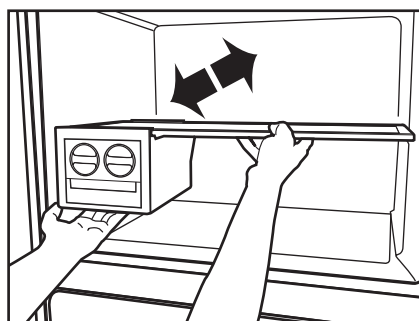
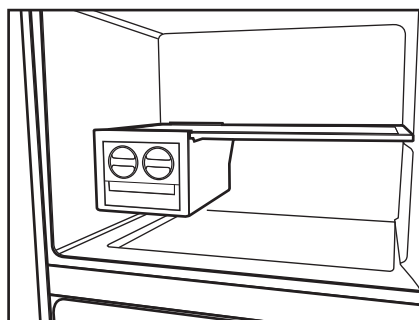
Кубики льда из ячеек упадут в контейнер для хранения льда под ними.

Вы можете взять контейнер для хранения льда и использовать кубики льда.

По желанию Вы можете оставить кубики льда в контейнере для хранения льда.

Контейнер для хранения льда

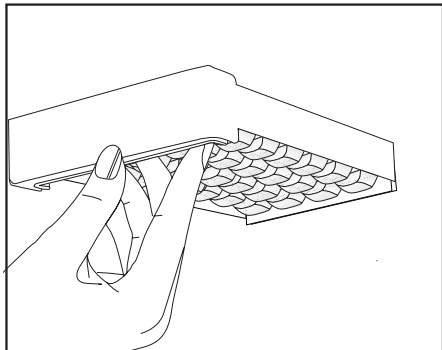
Контейнер для хранения льда предназначен только для сбора кубиков льда. Не наливайте в него воду. В противном случае он может лопнуть.



Приготовление льда

Наполните контейнер для льда водой и вставьте его на место. Лед будет готов приблизительно через два часа.

Лед можно легко вынуть, слегка изогнув контейнер.



Контейнер для фруктов и овощей с контролем уровня влажности (постоянная свежесть)

*опция

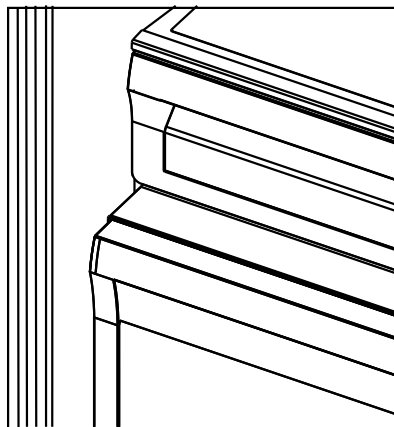
Влагосодержание овощей и фруктов контролируется с помощью функции контроля влажности ящика для фруктов и овощей, и продукты всегда остаются свежими в течение более длительного времени.

Никогда не оставляйте овощи внутри ящика в пакетах. Если овощи будут оставлены внутри в пакетах, это приведет к их быстрой порче. При установке высокого уровня влажности овощи будут сохранять высокое влагосодержание и смогут храниться в течение разумного периода времени без необходимости оставления их в пакетах. Соприкосновение с другими овощами нежелательно из гигиенических соображений, используйте

перфорированную бумагу, пену и другие аналогичные упаковочные материалы вместо пакетов.

Во время размещения овощей необходимо учитывать удельную плотность овощей. Тяжелые и твердые овощи должны размещаться в нижней части ящика, а легкие и мягкие овощи должны размещаться сверху.

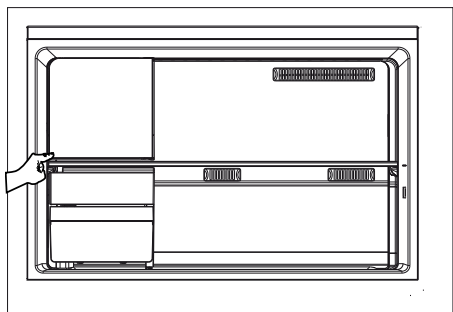
Не извлекайте главный корпус ящика для фруктов и овощей из холодильника отдельно от ящиков, если это не требуется, и обращайтесь в службу технической поддержки в случае необходимости. Перед снятием главного корпуса ящика для фруктов и овощей необходимо его вытереть и очистить влажной тканью.



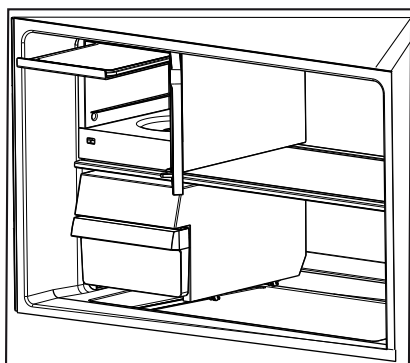
Машина для приготовления мороженого

*опция

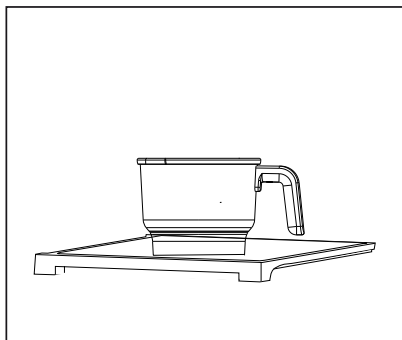
- Откройте морозильную камеру холодильника,
- Толкните и отпустите крышку отделения для приготовления мороженого в морозильной камере, чтобы она открылась,



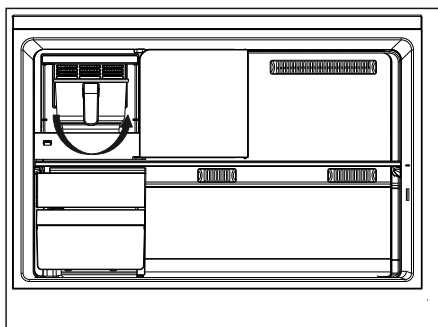
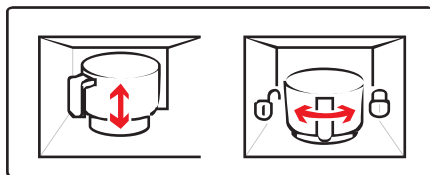
- Поместите лоток для заморозки свежих продуктов внутрь основания крышки и вставьте его в самую высокую полочку внутри камеры.



- Поместите смесь для мороженого, которая охладилась до комнатной температуры, в контейнер для приготовления мороженого,



- Смесь для мороженого, которая будет помещена в ящички для мороженого, не должна превышать количество, указанное в рецептах по приготовлению мороженого. В случае помещения в ящички смеси для мороженого в количестве, превышающем количество, указанное в рецепте, оно вытечет наружу.
- Установите контейнер в корпус в нижней части отделения по направлению к левой стороне.
- Поверните контейнер в правую сторону и заблокируйте его на месте.



- Закройте крышку отделения для приготовления мороженого, протолкните ее и отпустите для ее блокировки.
 - Закройте дверцу морозильной камеры.
- ❶ Вы можете определить режим приготовления мороженого с помощью книги рецептов по приготовлению мороженого.
 - ❷ Установите режим приготовления мороженого в зависимости от типа мороженого с помощью дисплея на дверце.
 - ❸ Не производите мойку контейнера для приготовления мороженого в посудомоечной машине.
 - ❹ Во время приготовления мороженого холодильник, в зависимости от текущих рабочих условий, в течение некоторого времени будет работать с легким шумом.

6 Обслуживание и чистка

- ⚠ Ни в коем случае не используйте бензин, бензол или подобные вещества для чистки.
- ⚠ Перед чисткой рекомендуем отсоединить изделие от электросети.
- ⓘ Не используйте для чистки острые абразивные инструменты, мыло, бытовые чистящие средства, моющие средства и восковую политуру.
- ⓘ Если говорить об изделиях без автоматического размораживания, то на задней стенке холодильной камеры образуются стекающие капли воды и слой наледи размером с ширину пальца. Запрещается чистить, наносить масло или аналогичные вещества.
- ⓘ Используйте только слегка увлажненные ткани из микрофибры для очистки наружной поверхности изделия. Губки и другие типы чистящих салфеток могут поцарапать поверхность.
- ⓘ Корпус изделия промойте теплой водой и затем вытрите насухо.
- ⓘ Протрите внутреннюю поверхность изделия хорошо отжатой тканью, смоченной в растворе пищевой соды (1 чайная ложка на пол-литра воды), и вытрите насухо.
- ⚠ Не допускайте попадания воды в корпус лампочки и в другие электрические компоненты.
- ⚠ Если холодильник не будет использоваться в течение длительного времени, отключите сетевой шнур, извлеките все продукты, выполните чистку и оставьте дверцу приоткрытой.
- ⓘ Регулярно проверяйте, не испачканы ли уплотнитель дверцы частицами пищи.
- ⓘ Для снятия полок в дверце полностью разгрузите их, а затем просто приподнимите вверх.
- ⓘ Для чистки наружных поверхностей и хромированных деталей изделия ни в коем случае не используйте чистящие средства или воду, содержащие хлор. Хлор вызывает коррозию таких металлических поверхностей.
- ⓘ Не используйте острые и абразивные инструменты или мыло, бытовые чистящие средства, синтетические моющие средства, бензин, бензол, воск и т.д., иначе маркировка на пластиковых деталях исчезнет, и будет иметь место деформация. Используйте для очистки и вытирания насухо теплую воду и мягкую ткань.

Защита пластмассовых поверхностей

- Не храните жидкое масло или продукты, приготовленные с добавлением масла, в морозильной камере в открытых контейнерах, так как они могут повредить пластмассовые поверхности. Если же масло протекло или попало на пластмассовую поверхность, сразу же очистите и промойте это место теплой водой.

7 Рекомендации по устранению неисправностей

Прежде чем обращаться в сервисный центр, просмотрите этот перечень. Это может помочь сэкономить время и деньги. Ниже перечислены часто возникающие проблемы, причиной которых не являются дефекты производства или материалов. Некоторые из описанных здесь функций могут отсутствовать в

вашей модели.

Холодильник не работает.

- Правильно ли включен холодильник в сеть? Вставьте вилку в розетку электросети.
- Не перегорел ли предохранитель розетки, в которую включен холодильник, или главный предохранитель? Проверьте предохранитель.

Конденсация на боковой стенке отделения холодильника (MULTI ZONE, COOL CONTROL и FLEXI ZONE).

- Очень низкая температура окружающей среды. Частое открывание и закрывание дверцы. Изделие работает в условиях повышенной влажности. Хранение продуктов, содержащих жидкость, в открытых контейнерах. Неплотно закрыта дверца.

- Переключите термостат на более низкую температуру.

- Сократите периоды, когда дверца остается открытой, или открывайте ее реже.

- Накройте продукты, хранящиеся в открытых контейнерах, подходящим материалом.

- Вытрите конденсат сухой тканью и проверьте, не образуется ли он снова.

Не работает компрессор

• Термозащита компрессора может сработать при неожиданных отключениях энергоснабжения либо при выключении-включении прибора, поскольку давление хладагента в системе охлаждения не успевает стабилизироваться.

• Холодильник начнет работать примерно через 6 минут. Если по истечении этого времени холодильник не заработал, обратитесь в сервисный центр.

• Холодильник находится в режиме размораживания. Это нормально для холодильника с автоматическим размораживанием. Размораживание выполняется регулярно.

• Холодильник не включен в розетку электросети. Убедитесь, что вилка плотно вставлена в розетку электросети.

• Правильно ли отрегулирована температура? Нарушение подачи электроэнергии. Обратитесь к поставщику электроэнергии.

Холодильник включается слишком часто или работает слишком долго.

• Новый холодильник может быть больше того, которым вы пользовались раньше. Это вполне нормально – большие холодильники работают в течение более длительных периодов времени.

• Возможно, температура в помещении повышена. Это вполне нормально.

• Возможно, холодильник был недавно включен или только что загружен продуктами. Полное охлаждение холодильника может продолжаться на несколько часов дольше.

• Возможно, в холодильник недавно поместили большое количество горячих продуктов. Из-за наличия горячих продуктов холодильник будет работать дольше, чтобы достичь нужной температуры хранения.

• Возможно, дверцы часто открываются либо оставались приоткрытыми в течение длительного времени. При попадании в холодильник теплого воздуха, он будет работать дольше. Открывайте дверцы реже.

• Неплотно закрыта дверца морозильного или холодильного отделения. Проверьте, плотно ли закрыты дверцы.

• Холодильник отрегулирован на очень низкую температуру. Установите в холодильнике более высокую температуру и подождите, пока установленная температура не будет достигнута.

• Возможно, уплотнитель дверцы холодильного или морозильного отделения загрязнен, изношен, разорван или неправильно установлен. Почистите или замените уплотнитель. Из-за поврежденного или разорванного уплотнителя холодильник будет работать дольше, чтобы поддерживать текущую температуру.

Температура в морозильном отделении слишком низкая, в то время как температура в холодильном отделении достаточная.

• Температура морозильного отделения установлена на очень низкое значение. Установите в морозильном отделении более высокую температуру и проверьте работу.

Температура холодильного отделения очень низкая, в то время как температура в морозильном отделении достаточная.

- Температура в холодильном отделении установлена на очень низкое значение. Установите в холодильном отделении более высокую температуру и проверьте работу.

Замерзают продукты в выдвижных контейнерах холодильного отделения.

- Температура в холодильном отделении установлена на очень низкое значение. Установите в холодильном отделении более высокую температуру и проверьте работу.

Температура в холодильном и морозильном отделении слишком высокая.

- Температура в холодильном отделении установлена на очень высокое значение. Температура в холодильном отделении влияет на температуру в морозильном отделении. Изменяйте температуру в холодильном или морозильном отделении, пока не будет достигнут нужный уровень температуры.

- Возможно, неплотно закрыта дверца. Полностью закройте дверцу.

- Возможно, в холодильник недавно поместили большое количество горячих продуктов. Подождите, пока холодильное или морозильное отделение достигнет нужной температуры.

- Возможно, холодильник был недавно включен в сеть. Для полного охлаждения потребуется некоторое время из-за большого размера холодильника.

Из холодильника доносится шум, похожий на тиканье механических часов.

- Этот шум вызван работой электромагнитного клапана холодильника. Он обеспечивает прохождение хладагента, который выполняет охлаждение, через отделения холодильника, в которых установлена температура охлаждения или замораживания. Это вполне нормально и не является неисправностью.

Уровень рабочего шума повышается во время работы холодильника.

• Рабочие характеристики изделия могут изменяться в зависимости от изменений температуры окружающей среды. Это нормально и не является неисправностью.

Вибрация или шум.

• Пол неровный или нежесткий. Холодильник медленно перемещается и при этом дрожит. Убедитесь в том, что пол ровный и достаточно прочный, чтобы выдержать вес изделия.

• Шум могут вызывать предметы, которые находятся на холодильнике. Такие предметы следует убрать с холодильника.

Слышен шум льющейся или разбрызгивающейся жидкости.

• Расход жидкости и газа изменяется в соответствии с принципами работы изделия. Это нормально и не является неисправностью.

Слышен шум, похожий на шум ветра.

• Для обеспечения эффективного охлаждения в холодильнике используются устройства подачи воздуха (вентиляторы). Это нормально и не является неисправностью.

Конденсация влаги на внутренних стенках холодильника.

• Жаркая и влажная погода способствует образованию льда и конденсации влаги. Это нормально и не является неисправностью.

• Дверцы приоткрыты. Убедитесь, что дверцы полностью закрыты.

• Возможно, дверцы открывались очень часто, или дверца оставалась открытой длительное время. Открывайте дверцу реже.

Появление влаги снаружи холодильника или между дверцами.

• Возможно, причина во влажной погоде. Это вполне нормально при влажной погоде. Когда влажность уменьшится, конденсация исчезнет.

Неприятный запах внутри холодильника.

• Следует выполнить чистку внутри холодильника. Протрите холодильник внутри губкой, смоченной в теплой воде или в газированной воде.

• Некоторые контейнеры или упаковочные материалы также могут быть источником запаха. Используйте другой контейнер или упаковочный материал другой марки.

Дверца (дверцы) не закрывается (не закрываются).

• Упаковки продуктов могут препятствовать закрыванию дверцы. Переместите упакованные продукты, препятствующие закрытию дверцы.

• Возможно, холодильник стоит не совсем вертикально, это может вызвать дрожание при любом перемещении. Отрегулируйте регулировочные винты.

• Пол неровный или нежесткий. Убедитесь в том, что пол ровный и может выдержать вес холодильника.

Контейнеры для фруктов и овощей прилипли.

• Возможно, продукты касаются верхней части контейнера. Переместите продукты в контейнере.

Горячая Поверхность Изделия

• Во время работы изделия поверхность между двумя дверцами, на боковых панелях и у задней решетки может нагреваться до высокой температуры. Это нормальное явление, не требующее сервисного обслуживания!

Изготовитель: «Arcelik A.S.» Юридический адрес: Караач Джаддеси № 2-6 34445 Сютлюдже Стамбул, Турция (Karaağaç Caddesi No:2-6 Sütlüce, 34445, Turkey)

Произведено в Турции

Импортер на территории РФ: ООО «БЕКО» Юридический адрес: 601021 Россия, Владимирская обл., Киржачский р-н, МОСП Першинское, дер. Федоровское, ул. Сельская, д. 49.

Информацию о сертификации продукта Вы можете уточнить, позвонив на горячую линию 8-800-200-23-56.

Официальный представитель на территории Украины: ООО "Беко Украина", адрес: 01021, г. Киев, ул. Кловский спуск, д. 5.

Информацию о сертификации можно получить в информационно-справочной службе по телефону 0-800-500-4-3-2

Дата производства включена в серийный номер продукта, указанный на этикетке, расположенной на продукте, а именно: первые две цифры серийного номера обозначают год производства, а последние две – месяц. Например, "10-100001-05» обозначает, что продукт произведен в мае 2010 года.

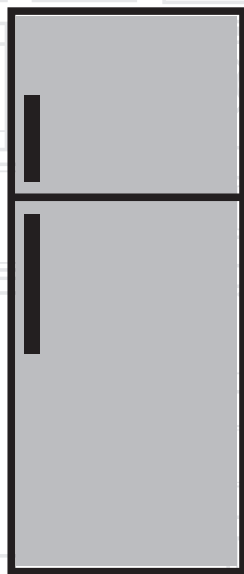
Изготовитель оставляет за собой право на внесение изменений в конструкцию, дизайн и комплектацию электроприбора.

изготовитель оставляет за собой право вносить изменения в конструкцию, дизайн и комплектацию электроприбора.

ERLCE

Холодильники

Посібник користувача



UKI

beko

Будь ласка, спочатку прочитайте цю інструкцію!

Шановний покупець!

Сподіваємося, що цей товар, виготовлений на сучасних підприємствах і перевірений за допомогою найприскіпливіших процедур контролю, ефективно слугуватиме вам у побуті.




Для цього рекомендуємо вам прочитати всю інструкцію до кінця, перш ніж користуватися холодильником, і зберегти її для майбутнього використання у довідкових цілях.

Ця інструкція

- допоможе вам користуватися приладом у швидкий і безпечний спосіб;
 - прочитайте інструкцію, перш ніж встановлювати холодильник і користуватися ним;
 - дотримуйтесь інструкцій, особливо з питань техніки безпеки;
 - зберігайте інструкцію в легкодоступному місці, оскільки вона може знадобитися вам пізніше;
 - крім того, прочитайте також інші документи, що надаються разом із холодильником.
- Зверніть увагу, що ця інструкція може бути дійсною для інших моделей.

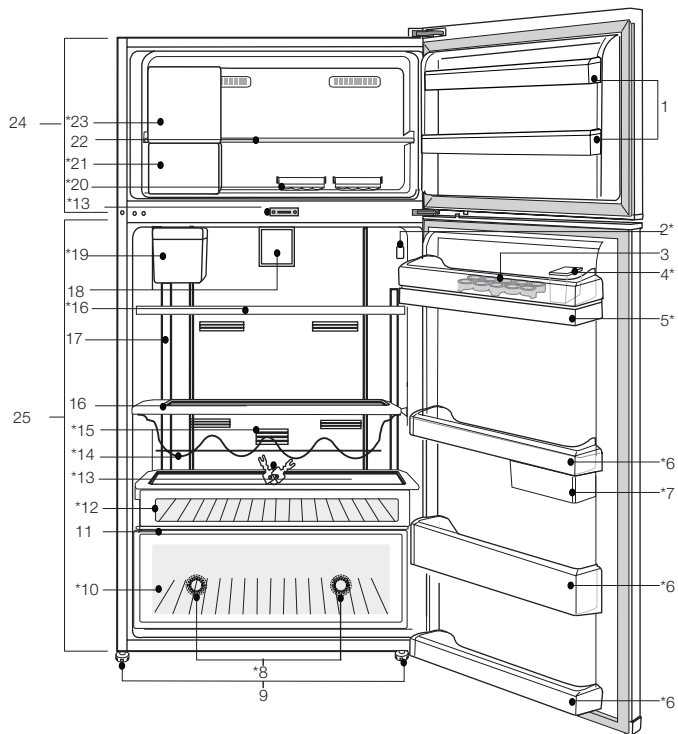
Символи та їхній опис

Ця інструкція містить наступні символи:

-  Важлива інформація або корисні поради з користування.
-  Попередження про небезпечні ситуації для життя та майна.
-  Попередження про електричну напругу.

| | | | | | |
|----------|--|-----------|----------|---|-----------|
| 1 | Опис холодильника | 3 | 5 | Користування холодильником | 16 |
| 2 | Важливі вказівки з техніки безпеки | 4 | | Панель індикаторів | 16 |
| | Призначення..... | 4 | | Кнопка регулювання температури..... | 27 |
| | | 8 | | Регулювання температури в холодильнику | 27 |
| | Для пристроїв із | 8 | | Подвійна система охолодження .. | 27 |
| | розподільником води: | 8 | | Замороження свіжих продуктів | 28 |
| | Безпека дітей | 8 | | Рекомендації щодо зберігання заморожених продуктів | 29 |
| | Відповідність Директиві щодо відпрацьованого електричного й електронного обладнання (Директива WEEE) й утилізація відходів | 8 | | Інформація про глибоке замороження | 29 |
| | Відповідність Директиві щодо обмеження використанням шкідливих речовин (RoHS)..... | 9 | | Розміщення продуктів..... | 30 |
| | Інформація про упаковку..... | 9 | | Рекомендації щодо відділення для свіжих продуктів | 30 |
| | Як заощадити електроенергію..... | 9 | | Опис і чистка фільтра запахів | 31 |
| | Рекомендації щодо використання відділення для свіжих продуктів .. | 11 | | Охолоджувач | 31 |
| 3 | Установка | 12 | | Лоток для яєць | 31 |
| | Що слід врахувати при транспортуванні приладу | 12 | | Розподільник води | 32 |
| | Перед увімкненням холодильника..... | 12 | | Блакитне освітлення..... | 34 |
| | Підключення до електромережі... .. | 12 | | Регульовані полиці відділення | 34 |
| | Утилізація упаковки | 13 | | Контейнер для зберігання, що обертається..... | 35 |
| | Утилізація вашого старого холодильника | 13 | | Автоматичний льодогенератор Icematic | 36 |
| | Розміщення та Установка | 13 | | Льодогенератор і контейнер для зберігання льоду | 37 |
| | Регулювання ніжок..... | 14 | | Приготування льоду..... | 38 |
| | Заміна лампочки освітлення | 14 | | Контейнер з регулюванням вологості (Ever Fresh) | 38 |
| | Попередження про відкриті дверцята | 14 | | Машина для приготування морозива..... | 39 |
| 4 | Підготовка | 15 | 6 | Догляд та очищення | 41 |
| | | | | Захист пластикових поверхонь ... | 41 |
| | | | 7 | Рекомендації з усунення несправностей | 42 |

1 Опис холодильника






1. Полиці дверцят морозильного відділення
 2. Індикатор температурного режиму
 3. Відділення для яєць
 4. Бак наповнення розподільника води
 5. Бак роздавача охолодженої води
 6. Полиці дверцят холодильного відділення
 7. Висувні контейнери для зберігання, які обертаються
 8. Синє світло
 9. Регульовані ніжки
 10. Контейнер для овочів і фруктів
 11. Кришка контейнера для фруктів та овочів
 12. Відділення для сніданку
 13. ключ
 14. Полиця для пляшок
 15. Фільтр запахів
 16. Скляні полиці холодильного відділення
 17. Скло підсвітки
 18. Крильчатка
 19. Бак для води автоматичного льодогенератора Icematic
 20. Контейнер для льоду
 21. Контейнер для зберігання льоду
 22. Скляна полиця морозильного відділення
 23. Машина для приготування морозива/ камера швидкого заморожування
 24. Морозильне відділення
 25. Холодильне відділення
- *опція**

❏ Ілюстрації в цій інструкції користувача носять схематичний характер і можуть не збігатися в точності з Вашим приладом. Якщо до комплектації моделі, яку Ви придбали, не входять згадані деталі, вони призначені для інших моделей.

2 Важливі вказівки з техніки безпеки

Ознайомтеся з наведеною нижче інформацією. Ігнорування цієї інформації може призвести до травмування чи пошкодження пристрою. В такому разі гарантія і будь-які зобов'язання виробника стосовно надійної роботи пристрою будуть анульовані. Оригінальні запасні частини будуть постачатися протягом 10 років з моменту придбання виробу.

Призначення

| | |
|---|--|
|  | ПОПЕРЕДЖЕННЯ: Під час зберігання або встановлення пристрою вентиляційні отвори повинні бути відкриті. |
|  | ПОПЕРЕДЖЕННЯ: Для того, щоб прискорити процес розморожування не використовуйте механічні та інші предмети, крім пристосувань, рекомендованих виробником. |
|  | ПОПЕРЕДЖЕННЯ: Контур холодоагенту не повинен бути пошкоджений. |

ПОПЕРЕДЖЕННЯ



:Не кладіть всередину камери для зберігання продуктів електричні прилади, які не рекомендовані виробником.

Прилад призначений лише для використання в домашніх або нижченаведених умовах:

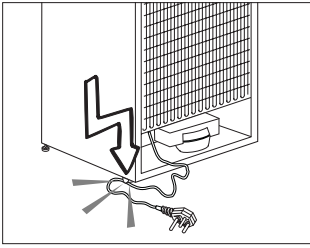
- на кухнях для персоналу в магазинах, офісах та інших установах;
- на фермах або готелях, в мотелях та інших гостьових будинках для використання клієнтами.
- готелі типу «ліжко та сніданок»;
- підприємства громадського харчування та інші види використання не в роздрібній торгівлі

Загальні правила техніки безпеки

- Якщо ви бажаєте утилізувати/ліквідувати пристрій, рекомендуємо звернутися до авторизованої сервісної служби та компетентних органів для отримання необхідної інформації.
- З усіма питаннями та проблемами стосовно холодильника звертайтеся до уповноваженої сервісної служби. Без повідомлення уповноваженої сервісної служби не втручайтеся в роботу холодильника й не дозволяйте робити це іншим.

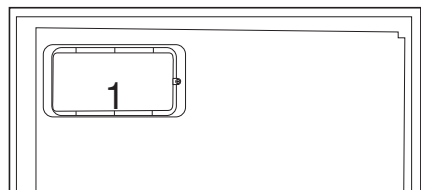
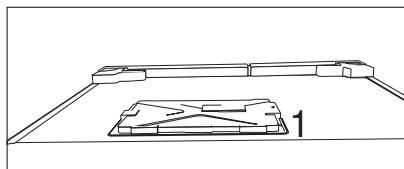
- Для пристроїв з морозильним відділенням: не їжте морозиво та кубики льоду одразу після виймання їх з морозильного відділення! (Це може викликати обмороження ротової порожнини.)
- Для приладів з морозильним відділенням: не ставте рідкі напої у пляшках чи банках до морозильного відділення. Вони можуть лопнути.
- Не торкайтеся руками заморожених продуктів; вони можуть примерзнути до шкіри.
- Перед чисткою чи розморожуванням від'єднуйте холодильник від електромережі.
- Не використовуйте пару та засоби для чищення, які можуть випаруватися, для чищення та розморожування вашого холодильника. У такому випадку пара може сконтакувати з електричними частинами та викликати коротке замикання чи удар електричним струмом " to " Не використовуйте пару та засоби для чищення, які можуть випаруватися, для чищення та розморожування вашого холодильника. У такому випадку пара може сконтакувати з електричними частинами та викликати коротке замикання чи удар електричним струмом.
- Не використовуйте такі частини холодильника, як дверцята, як підставку чи опору.
- Не використовуйте електричні прилади всередині холодильника.
- Не допускайте пошкодження частин, у яких циркулює хладагент, ріжучими чи свердловальними інструментами. Хладагент може з'явитися із випаровувача, на трубопроводі чи на покриттях і викликати подразнення шкіри чи ураження очей.
- Не закривайте вентиляційні отвори вашого холодильника
- Ремонт електроприладів мають виконувати тільки кваліфіковані фахівці. Ремонт, виконаний недосвідченими особами, може спричинити ризик для користувача.
- У випадку несправностей під час експлуатації чи ремонту вимкніть холодильник, вимкнувши запобіжник чи вийнявши з розетки шнур живлення.
- При від'єднанні від мережі не тягніть за кабель – тільки за штепсель.
- Пляшки з алкогольними напоями мають зберігатися у надійному місці, із закритою кришкою та у вертикальному положенні.
- Суворо заборонено зберігати в холодильнику пляшки з горючими чи вибухонебезпечними речовинами.

- Не застосовуйте механічні пристрої або інші засоби для прискорення розмороження, крім рекомендованих виробником.
- Цей електроприлад не призначений для використання особами (включаючи дітей) зі зниженими фізичними, чутливими або розумовими можливостями або з браком досвіду і знань, якщо вони не перебувають під наглядом або не пройшли інструктаж щодо користування пристроєм від відповідальної за їхню безпеку особи.
- Не використовуйте несправний холодильник. При виникненні запитань звертайтеся до кваліфікованого фахівця.
- Електрична безпека може гарантуватися лише в тому випадку, якщо система заземлення у вашому будинку відповідає стандартам.
- Вплив на пристрій дощу, снігу, сонця чи вітру небезпечний з точки зору електробезпеки.
- Зверніться до сервісної служби, якщо пошкоджено шнур живлення, щоб це не створило небезпеку для вас.
- Не вмикайте холодильник в розетку під час його встановлення. Ризик смертельного випадку чи серйозних ушкоджень дуже високий.
- Цей холодильник призначений лише для зберігання харчових продуктів. Його не слід використовувати з будь-якою іншою метою.
- таблиця з описом технічних специфікацій виробу розташована зліва на внутрішній стінці холодильника.
- Не підключайте холодильник до електронних систем енергозбереження, оскільки це може призвести до несправності виробу.
- Якщо в холодильнику є підсвічування синім світлом, не слід довго дивитися на нього голим оком або через оптичні пристрої.
- У разі відключення холодильників із ручним управлінням від мережі електроживлення зачекайте щонайменше 5 хвилин, перш ніж підключати живлення.
- У випадку продажу виробу цю інструкцію з експлуатації слід передати новому господарю.
- Під'єднуючи холодильник до електромережі, не торкайтеся до штепсельної вилки мокрими руками" to "Під'єднавши холодильник до електромережі, не торкайтеся до штепсельної вилки вологими руками



- Не підключайте холодильник до погано закріпленої стінної розетки мережі електропостачання.
- Із міркувань безпеки не допускайте потрапляння води безпосередньо на зовнішні або внутрішні частини холодильника.
- Не розбризкуйте поряд із холодильником займисті матеріали, такі як газ пропан, через ризик пожежі та вибуху.
- Не ставте посудини з водою на холодильник, оскільки це може призвести до ураження електричним струмом або пожежі.
- Не перевантажуйте холодильник надмірною кількістю продуктів. Якщо холодильник перевантажено, продукти можуть випасти при відчиненні дверцят і травмувати вас чи пошкодити холодильник. Не кладіть предмети на холодильник, оскільки вони можуть впасти під час відчинення чи зачинення дверцят.
- У холодильнику не можна зберігати речовини,

- що вимагають певних температурних умов (вакцини, термочутливі медикаменти, наукові матеріали тощо).
- Холодильник слід від'єднати від електромережі, якщо він не буде використовуватися протягом тривалого часу. Можливі несправності шнура живлення можуть призвести до пожежі.
 - Холодильник може переміщатися, якщо регульовані ніжки не зафіксовано на підлозі. Фіксація регульованих ніжок на підлозі може запобігти його переміщенню.
 - При переміщенні холодильника не тримайте його за ручку, бо вона може зламатися.
 - При встановленні холодильника відстань між ним й іншим холодильником чи морозильником має становити щонайменше 8 см. В іншому разі бічні стінки, що прилягають, зволожуватимуться.
 - Ніколи не використовуйте цей виріб, якщо верхня або задня кришка відкрита та відкривають доступ до електронних плат (кришки електронних плат) (1).



Для пристроїв із розподільником води:

- Тиск в місці підведення холодної води не повинен перевищувати 90 фунтів на квадратний дюйм (6,2 бар). Якщо тиск води перевищує 80 фунтів на квадратний дюйм (5,5 бар), встановіть у своїй магістральній мережі клапан обмеження тиску. Якщо ви не знаєте, як перевірити тиск води, зверніться за допомогою професійного сантехніка.
- Якщо у вашій установці існує ризик виникнення гідравлічного удару, обов'язково встановіть захисне обладнання для запобігання ризику виникнення гідравлічного удару. У разі виникнення сумнівів стосовно можливості виникнення гідравлічного удару у вашій установці, зверніться за допомогою до професійних сантехніків.

- Забороняється виконувати встановлення у місці підведення гарячої води. Необхідно вжити запобіжних заходів для запобігання ризику замерзання шлангів. Температура робочої води повинна знаходитися в інтервалі від 33 °F (0,6 °C) до 100 °F (38 °C).
- Використовуйте лише питну воду.

Безпека дітей

- Якщо на дверцятах є замок, тримайте ключ у місці, недосяжному для дітей.
- Слід наглядати за дітьми та не дозволяти їм псувати пристрій.

Відповідність Директиві щодо відпрацьованого електричного й електронного обладнання (Директива WEEE) й утилізація відходів



Цей прилад відповідає вимогам Директиви WEEE (2012/19/EU). Цей виріб позначений символом

приналежності до категорії відходів електричного й електронного обладнання (WEEE).

Цей прилад виготовлений з високоякісних деталей та матеріалів, які підлягають повторному використанню й переробці. Після закінчення терміну експлуатації цей прилад не можна викидати

разом зі звичайними побутовими відходами. Його слід здати у відповідний пункт збору відходів електричного й електронного обладнання як вторинної сировини. Інформацію про місцезнаходження найближчого пункту збору відходів можна отримати в місцевих органах влади.

Відповідність Директиви щодо обмеження використання шкідливих речовин (RoHS)

Цей прилад відповідає вимогам Директиви RoHS (2011/65/EU). Він не містить шкідливих та інших речовин, використання яких заборонено цією Директивою.

Інформація про упаковку

Упаковка цього виробу виготовлена з матеріалів, які підлягають повторній переробці згідно з національними нормами й правилами щодо охорони довкілля. Ці пакувальні матеріали не можна викидати разом з побутовими чи іншими відходами. Їх слід здати в один з пунктів збору пакувальних матеріалів, визначених місцевими органами влади

Попередження HC

Якщо система охолодження вашого пристрою містить R600a:

Цей газ горючий. Тому будьте уважні, не допускайте пошкодження системи

охолодження та труб під час використання і транспортування. У випадку пошкодження пристрою зберігайте його подалі від потенційного джерела займання та провітрюйте приміщення, в якому знаходиться прилад.

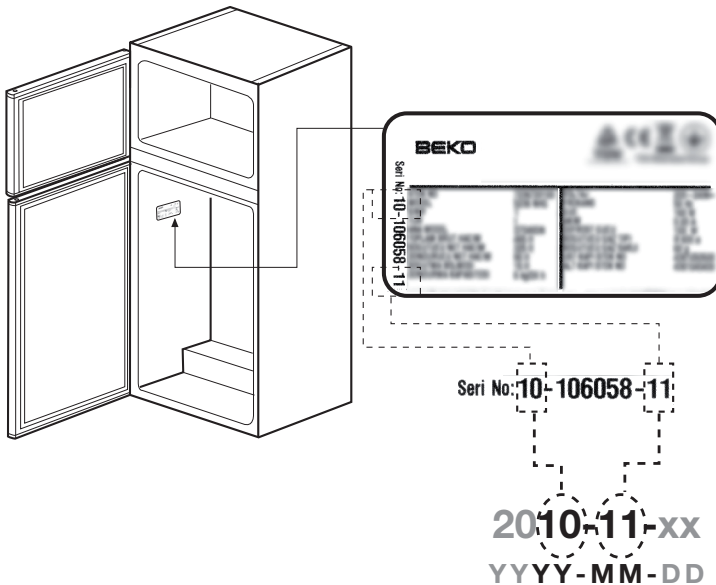
Не звертайте уваги на попередження, якщо система охолодження вашого пристрою містить R134a.

Тип газу, що використовується у приладі, наведений у паспортній таблиці, розташованій зліва на внутрішній стінці холодильника

Як заощадити електроенергію

- Не тримайте двері холодильника відчиненими тривалий час.
- Не закладайте до холодильника гарячі продукти чи напої.
- Не зберігайте у холодильнику гарячі напої чи продукти.
- Не встановлюйте холодильник під прямим сонячним промінням чи поблизу джерела тепла, наприклад, плити, посудомийної машини чи радіатора опалення.
- Слідкуйте за тим, щоб продукти зберігалися у закритих контейнерах.

- Для холодильників із морозильним відділенням: у морозильному відділенні холодильника можна зберігати максимальну кількість продуктів, якщо дістати з нього полиці чи скрині. Наведене в технічних характеристиках енергоспоживання холодильника визначено за умови, що полиці чи скрині морозильного відділення вийняті, й у нього завантажена максимальна можлива кількість продуктів. Полицю чи скриню можна використовувати відповідно до форми й розміру продуктів для заморожування.
- Розморожування заморожених продуктів у холодильному відділенні забезпечить економію електроенергії та збереження якості продуктів.
- Дата виробництва міститься в серійному номері продукту, що вказаний на етикетці, розташованій на продукті, а саме, перші дві цифри серійного номера позначають рік виробництва, а останні дві - місяць. Наприклад, «10-100001-05» означає, що продукт виготовлений в травні 2010 року.

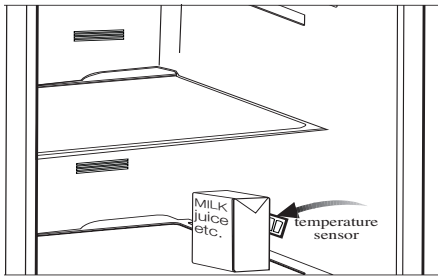
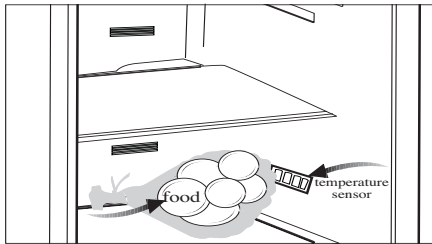


Дата виготовлення товарів зазначена в серійному номері товару, який вказаний на етикетці, розташованій на товарі, а саме: перші дві цифри серійного номеру означають рік виробництва, а останні дві – місяць.

Рекомендації щодо використання відділення для свіжих продуктів

* Опція

- Не допускайте контакту будь-яких продуктів із датчиком температури у відділенні для свіжих продуктів. Для підтримання ідеальної температури зберігання у відділенні для свіжих продуктів датчик не повинен закриватись продуктами, що там зберігаються.
- Не кладіть у холодильник гарячі продукти.



3 Установка

⚠ Будь ласка, пам'ятайте, що виробник не нестиме відповідальність, якщо не дотримано порад, наведених в інструкції з користування.

Що слід враховувати при транспортуванні приладу

1. Перед будь-яким транспортуванням холодильник має бути спорожнений і вимитий.
2. Перед упакуванням холодильника всі полиці, приналежності, контейнери для фруктів та овочів тощо у вашому холодильнику слід міцно закріпити скотчем для запобігання струсам.
3. Упакувати холодильник слід за допомогою товстих стрічок і міцних мотузок, а також дотримуватися правил транспортування, надрукованих на упаковці.

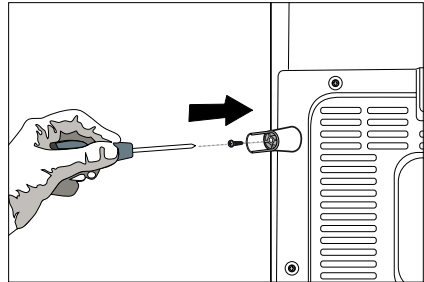
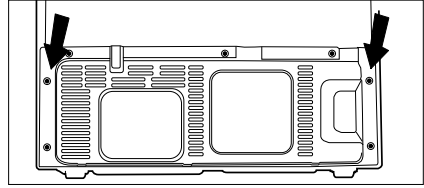
Упевніться в тому, що всередині холодильника старанно вимитий. Повторне використання матеріалів надзвичайно важливе для природи та наших національних ресурсів.

Якщо ви бажаєте посприяти повторному використанню матеріалів упаковки, ви можете отримати більше інформації від органів охорони довкілля або від органів місцевої влади.

Перед увімкненням холодильника

Перш ніж розпочати експлуатацію холодильника, перевірте дотримання таких умов:

1. Усередині холодильника сухо, ніщо не заважає вільній циркуляції повітря позаду приладу.
2. Вставте 2 пластмасові розпірки для вентиляції на задню стінку, як показано на наступному малюнку. Пластмасові розпірки забезпечать потрібну відстань між холодильником і стіною для циркуляції повітря.



3. Вимийте внутрішню частину холодильника, як рекомендовано у розділі “Обслуговування й чищення”.
4. Під'єднайте холодильник до розетки електромережі. При відчиненні дверцят холодильника вмикається внутрішнє освітлення холодильного відділення.
5. Коли компресор почне працювати, ви почуєте шум. Рідина та гази всередині холодильної системи також можуть створювати шум, навіть якщо компресор не працює, що є цілком нормальним явищем.
6. Передні кромки холодильника можуть бути теплими на дотик. Це нормально. Ці області мають нагріватися, щоб уникнути конденсації.

Підключення до електромережі

Підключіть холодильник до заземленої розетки, захищеної плавким запобіжником відповідної потужності.

Важливо!

- Підключення має відповідати національним нормам і правилам.
- Після встановлення холодильника має бути забезпечений легкий доступ до штепселя шнура живлення.

- Указана напруга має відповідати напрузі вашої електромережі.
 - Для підключення не слід використовувати подовжувачі та штепсельні колодки на декілька гнізд.
- ⚠ У разі пошкодження шнура живлення його заміну має здійснювати кваліфікований електрик.

⚠ Забороняється користуватися холодильником, доки його не буде відремонтовано! Існує небезпека ураження електричним струмом!

Утилізація упаковки

Пакувальні матеріали можуть становити небезпеку для дітей. Зберігайте пакувальні матеріали у недоступному для дітей місці, або утилізуйте їх, розсортувавши відповідно до інструкцій з утилізації відходів. Не утилізуйте їх разом із звичайними побутовими відходами.

Упаковка вашого холодильника вироблена з матеріалів, що можуть бути використані повторно.

Утилізація вашого старого холодильника

Утилізуйте старий холодильник, не завдаючи шкоди довкіллю.

- З питань щодо утилізації холодильника ви можете звернутися до пункту збору відходів вашого населеного пункту.

Перед утилізацією холодильника відріжте штепсель електрошнура, а також виведіть з ладу замки (якщо такі існують) дверцят, щоб захистити дітей від небезпеки зачинення всередині.

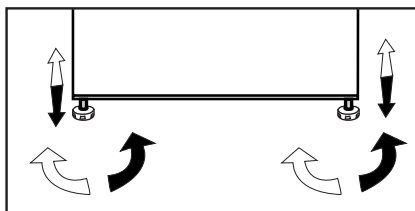
Розміщення та Установка

⚠ Якщо двері приміщення, в якому буде встановлено холодильник, недостатньо широкі, зверніться до сервісної служби; її співробітники допоможуть зняти двері з холодильника та пронести його боком.

1. Встановлюйте холодильник у місці, зручному для його використання.
2. Холодильник має знаходитися в місці, віддаленому від джерела тепла, підвищеної вологості та прямих сонячних променів.
3. Для ефективнішої роботи необхідно забезпечити гарну вентиляцію навколо холодильника. Якщо холодильник встановлюється в ніші стіни, мінімальна відстань має бути 5 см до стелі та 5 см до стіни. Якщо на підлозі лежить килим, треба підняти холодильник на 2,5 см над рівнем підлоги.
4. Холодильник має стояти на рівній поверхні, щоб не виникало трясіння.

Регулювання ніжок

Якщо холодильник не збалансовано; Ви можете збалансувати холодильник, обертаючи його передні ніжки, як показано на малюнку. Кут холодильника, в якому знаходиться ніжка, опускатиметься, якщо повертати в напрямку чорної стрілки, і підійматиметься, якщо повертати у зворотному напрямку. Якщо хтось допоможе підняти холодильник, це полегшить процес.



Заміна лампочки освітлення

Для заміни лампи освітлення холодильника зверніться до авторизованого сервісного центру.

Ламп(и) з цього пристрою не призначена(і) для освітлення кімнати. Призначення цієї лампи - полегшити розташування продуктів у холодильнику / морозильнику безпечним та зручним чином.

Лампи, що використовуються у цьому пристрої, повинні витримувати важкі умови експлуатації, такі як температура нижче -20 °С.

Попередження про відкриті дверцята

*опція

Якщо дверцята холодильного чи морозильного відділення залишити відкритими на певний час, прозвучить застережний сигнал. Застережний звуковий сигнал припиниться після натискання будь-якої кнопки на дисплеї, або після зачинення дверцят.

4 Підготовка

- Холодильник слід встановити на відстані щонайменше 30 см від джерел тепла, таких як жарівниці, плити, батареї центрального опалення й печі, а також не ближче 5 см від електричних духових шаф, у місцях, куди не духових шаф пічопряме сонячне світло.
- Температура повітря в приміщенні, де встановлюється холодильник, має бути не менше 10°C. Використовувати холодильник в умовах нижчої температури не рекомендується з міркувань його низької ефективності.
- Упевніться в тому, що всередині холодильник старанно вимитий.
- Якщо два холодильники встановлюються поряд, між ними має бути відстань не менше 2 см.
- При першому увімкненні холодильника, протягом перших шести годин роботи дотримуйтеся наступних інструкцій.
- Не відчиняйте часто дверцята.
- Холодильник мусить працювати порожнім, без продуктів усередині.
- Не відключайте холодильник від електромережі. Якщо сталося порушення електропостачання, див. застереження у розділі "Рекомендації з вирішення проблем".
- Для забезпечення низького споживання енергії та поліпшення умов зберігання необхідно використовувати контейнери/ящики, що постачаються разом з морозильною камерою.
- Контакт їжі з датчиком температури в морозильній камері може спричинити збільшення споживання енергії пристроєм. Таким чином, слід уникати будь-якого контакту з датчиком(ами).
- Оригінальну упаковку та плівку слід зберегти для транспортування або переміщення холодильника в майбутньому.
- В деяких моделях приладова панель автоматично вимикається через 5 хвилин після закривання дверей. Вона повторно активізується після відчинення дверей або натискання будь-якої клавіші.
- Конденсація вологи на полицях дверцят/корпусу та скляних контейнерах є нормальним явищем і виникає завдяки зміні температури внаслідок відкриття/закриття дверцят під час функціонування виробу.

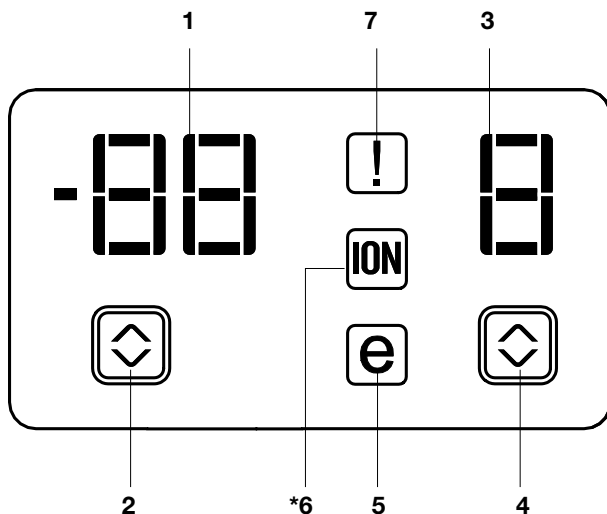
5 Користування холодильником

Панель індикаторів

Вигляд панелі індикаторів залежить від моделі холодильника.

Панель індикаторів з функціями візуальної і звукової індикації призначена для більшої зручності користування холодильником.

(в окремих моделях)



1. Індикатор налаштування температури морозильного відділення
 2. Кнопка налаштування температури морозильного відділення
 3. Індикатор налаштування температури холодильного відділення
 4. Кнопка регулювання температури холодильного відділення
 5. Індикатор економічного режиму
 6. Індикатор іонізатора
 7. Індикатор несправності
- *опція

❏ Ілюстрації в цій інструкції користувача носять схематичний характер і можуть не збігатися в точності з Вашим приладом. Якщо до комплектації моделі, яку Ви придбали, не входять згадані деталі, вони призначені для інших моделей.

1. Індикатор регулювання температури морозильного відділення

Вказує температуру, встановлену для морозильного відділення.

2. Кнопка регулювання температури морозильного відділення

Натисніть цю кнопку, щоб налаштувати такі значення температури у морозильному відділенні: -18, -20, -22, -24, -18... відповідно. Натисніть на цю кнопку, щоб встановити потрібну температуру морозильного відділення.

3. Індикатор регулювання температури холодильного відділення

Вказує температуру, встановлену для холодильного відділення.

4. Кнопка регулювання температури холодильного відділення

Натисніть цю кнопку, щоб налаштувати такі значення температури холодильного відділення: 8, 6, 4, 2, 8... відповідно. Натисніть цю кнопку, щоб встановити потрібну температуру холодильного відділення.

5. Індикатор економічного режиму

Світиться, коли холодильник працює в режимі енергозбереження.

6- Індикатор іонізатора

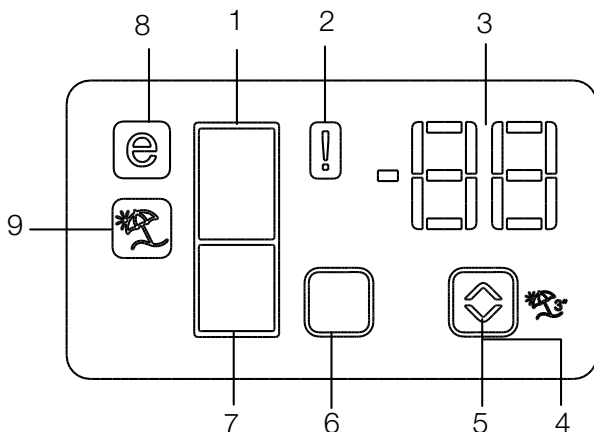
Лампочка індикатора світиться постійно.

Це вказує на те, що холодильник захищений від бактерій.

7. Індикатор несправності

Цей індикатор вмикається при порушенні нормальної роботи холодильника або при несправності датчика. Якщо цей індикатор активний, на індикаторі температури морозильного відділення з'явиться символ «e», а на індикаторі холодильного відділення – числа «1,2,3...». Ці цифри вказують працівникам сервісного центру на тип несправності.

Індикаторні панелі можуть відрізнятися залежно від моделі придбаного виробу.
Індикаторна панель виконує функцію відображення звукової і візуальної інформації, що сприяє використанню виробу.



1. Індикатор охолоджувальної камери
2. Індикатор стану помилки
3. Індикатор температури
4. Кнопка функції Vacation («Відпустка»).
5. Кнопка налаштування температури
6. Кнопка вибору камери
7. Індикатор охолоджувальної камери
8. Індикатор економного режиму
9. Індикатор функції Vacation («Відпустка»).

***додатково**


❗ Ілюстрації в цій інструкції користувача носять схематичний характер і можуть не збігатися в точності з Вашим приладом. Якщо до комплектації моделі, яку Ви придбали, не входять згадані деталі, вони призначені для інших моделей.

1. Індикатор охолоджувальної камери

Під час регулювання температури охолоджувальної камери горить індикаторна лампа морозильної камери.

2. Індикатор стану помилки

Цей чутливий елемент активується, якщо функція охолодження не виконується належним чином, або у разі несправності чутливого елемента. Якщо цей індикатор є активним, на індикаторі температури морозильної камери відображається буква «E», а на індикаторі температури охолоджувальної камери відображаються цифри «1, 2, 3...» і т. д.

Цифри, які відображаються на індикаторі, призначені для надання фахівцям з технічного обслуговування інформації стосовно помилки. ()

3. Індикатор температури

Вказує температуру в морозильній і охолоджувальній камерах.


4. Кнопка функції Vacation

(«Відпустка»).


Щоб активувати цю функцію, натисніть і утримуйте кнопку Vacation («Відпустка») протягом 3 секунд. Якщо ввімкнено режим Vacation («Відпустка»), на індикаторі температури охолоджувальної камери відображається знак «- -» і процес охолодження в охолоджувальній камері є неактивним.

Ця функція не призначена для зберігання продуктів в охолоджувальній камері.


В інших камерах підтримується режим охолодження при відповідній температурі, встановленій для кожної з камер.

Щоб скасувати цю функцію, ще раз натисніть кнопку функції Vacation («Відпустка»). ()

5. Кнопка налаштування температури

Температуру у відповідній камері можна змінювати в діапазоні від -24 °C до -18 °C і від 8 °C до 1 °C. ()

6. Кнопка вибору камери

Кнопка вибору камери холодильника використовується для переключення між охолоджувальною і морозильною камерами. ()

7. Індикатор охолоджувальної камери


Під час регулювання температури охолоджувальної камери горить індикаторна лампа охолоджувальної камери.

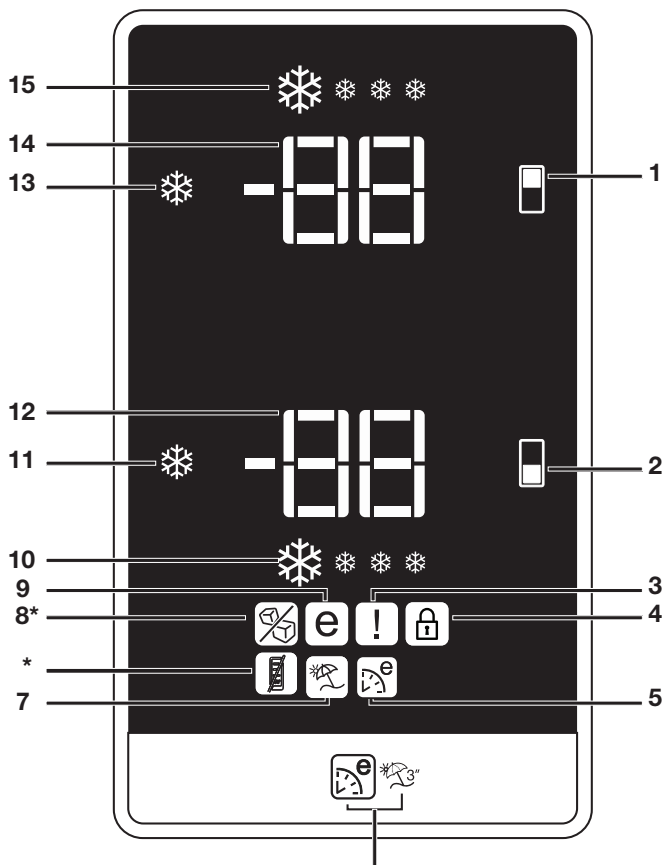
8. Індикатор економного режиму

Вказує, що холодильник працює в енергозберігаючому режимі. Цей індикатор є активним, якщо температура в морозильній камері встановлена на відмітку -18 °C. (XXX)

9. Індикатор функції Vacation

(«Відпустка»).

Вказує, що ввімкнено режим Vacation («Відпустка»). ()



- | | |
|--|--|
| <ul style="list-style-type: none"> 1. Кнопка регулювання температури морозильного відділення 2. Кнопка регулювання температури холодильного відділення 3. Індикатор несправності 4. Індикатор блокування кнопок 5. Індикатор режиму Eco Extra 6. Кнопка Eco Extra/кнопка тимчасового вимкнення 7. Індикатор режиму тимчасового вимкнення 8. Функція економії електроенергії (вимкнення дисплея) 9. Індикатор вимкнення льодогенератора Icematic (*в деяких моделях) | <ul style="list-style-type: none"> 10. Індикатор економічного режиму 11. Індикатор функції швидкого охолодження 12. Кнопка функції швидкого охолодження 13. Індикатор регулювання температури холодильного відділення 14. Кнопка функції швидкого заморожування Кнопка увімкнення/вимкнення льодогенератора Icematic (3") 15. Індикатор регулювання температури морозильного відділення 16. Індикатор режиму швидкого заморожування |
|--|--|

1. Кнопка регулювання температури морозильного відділення

За допомогою цієї функції можна налаштувати температуру морозильного відділення. Натисніть цю кнопку, щоб встановити в морозильному відділенні температуру: -18, -19, -20, -21, -22, -23 або -24 градусів відповідно.

2. Кнопка регулювання температури холодильного відділення

за допомогою цієї функції можна налаштувати температуру морозильного відділення. Натисніть цю кнопку, щоб встановити в холодильному відділенні температуру: 8, 7, 6, 5, 4, 3, 2 градуса відповідно.

3. Індикатор несправності

Цей індикатор вмикається при порушенні нормальної роботи холодильника або при несправності датчика. Коли світиться цей індикатор, на індикаторі температури морозильного відділення з'являється символ «E», а на індикаторі холодильного відділення — цифри «1,2,3...». Ці цифри вказують працівникам сервісного центру на тип несправності.

Якщо ви поставите в морозильне відділення гарячу їжу чи залишите дверцята відчиненими протягом тривалого часу, певний час світитиметься знак оклику. Це не несправність; попередження зникне, коли їжа охолоне.

4. Індикатор блокування кнопок

Використовуючи цей режим, можна запобігти зміні налаштувань температури в холодильнику. Для його увімкнення одночасно натисніть кнопки регулювання температури холодильного та морозильного відділень й утримуйте їх протягом щонайменше 3 секунд.

5. Індикатор режиму Eco Extra

Вказує, що режим Eco Extra увімкнено. У цьому режимі холодильник автоматично визначає періоди мінімального завантаження, протягом яких охолодження відбуватиметься в режимі енергозбереження. Під час дії режиму енергозбереження світиться індикатор економічного режиму.

Щоб вимкнути цей режим, натисніть на відповідну кнопку ще раз.

6. Кнопка «Eco Extra»/кнопка тимчасового вимкнення

При короткочасному натисканні цієї кнопки вмикається режим Eco-Extra. Після натискання й утримання кнопки протягом 3 секунд вмикається режим тимчасового вимкнення. Для вимкнення вибраного режиму слід знову натиснути цю кнопку.

7. Індикатор режиму тимчасового вимкнення

Світиться, коли режим тимчасового вимкнення увімкнений. Під час дії цього режиму на індикаторі холодильного відділення відображаються символи «- -», і відділення не охолоджується. Інші відділення охолоджуються відповідно до встановленої температури.

Щоб вимкнути цей режим, натисніть на відповідну кнопку ще раз.

8. Функція економії електроенергії (вимкнення дисплея)

Якщо двері холодильника закриті протягом тривалого часу, автоматично вмикаються функції енергозбереження і горить символ енергозбереження.

У режимі економії електроенергії на дисплеї світиться тільки значок цього режиму, а всі інші індикатори вимкнені. Якщо при ввімкненому режимі економії електроенергії натиснути якусь кнопку або відкрити дверцята, панель управління переходить у звичайний режим, а індикація на дисплеї відновлюється.

Функція економії енергії активізується під час доставки від фабрики і не можуть бути скасовані.

9. Індикатор вимкнення льодогенератора Icematic

Якщо індикатор цього режиму світиться, автоматичний льодогенератор Icematic не запуститься.

Після натискання й утримання кнопки швидкого заморожування протягом 3 секунд режим автоматичної роботи льодогенератора буде вимкнено.

10. Індикатор економічного режиму

Світиться, коли холодильник працює в режимі енергозбереження. Цей індикатор

світиться, якщо для морозильного відділення встановлено температуру -18 або під час роботи функції Eco-Extra, коли використовується енергозберігаючий режим охолодження.

11. Індикатор функції швидкого охолодження

Цей анімований індикатор починає блимати при активації функції швидкого охолодження.

12. Кнопка функції швидкого охолодження

При натисканні кнопки «Quick Fridge» («Швидке охолодження») температура відділення стане холоднішою за задані значення.

Цю функцію можна використовувати, коли продукти, покладені до холодильного відділення, треба швидко охолодити.

Якщо потрібно охолодити велику кількість свіжих продуктів, увімкніть цей режим, перш ніж покласти продукти в холодильник.

Індикатор режиму швидкого охолодження світиться, коли увімкнено цю функцію.

Для скасування цієї функції знову натисніть кнопку швидкого охолодження.

Якщо не скасувати функцію швидкого охолодження вручну, вона вимкнеться автоматично через 4 години, або коли в холодильному відділенні буде досягнуто потрібної температури.

При відновленні електроживлення після перерви ця функція не поновлюється.

13. Індикатор регулювання температури холодильного відділення

Вказує температуру, встановлену для холодильного відділення.

14. Кнопка Функції Швидкого Заморожування Кнопка увімкнення/вимкнення льодогенератора Icematic (3")

Вказує температуру, встановлену для морозильного відділення.

Щоб зупинити формування льоду, натисніть кнопку увімкнення/вимкнення льодогенератора Icematic на 3 секунди.

При виборі цієї функції подача води з баку для води припиняється. Однак з льодогенератора можна взяти вже утворений лід. Щоб відновити формування льоду, натисніть кнопку увімкнення/вимкнення льодогенератора Icematic на 3 секунди.

15. Індикатор регулювання температури морозильного відділення

Індикатор режиму швидкого заморожування світиться, коли увімкнено цю функцію.

Щоб скасувати цю функцію, знову натисніть кнопку швидкого заморожування. Індикатор швидкого заморожування згасне, а температура повернеться до звичайного значення.

Якщо ви не скасуєте функцію швидкого заморожування вручну, вона вимкнеться автоматично через 8 годин, або коли в морозильному відділенні буде досягнута потрібна температура.

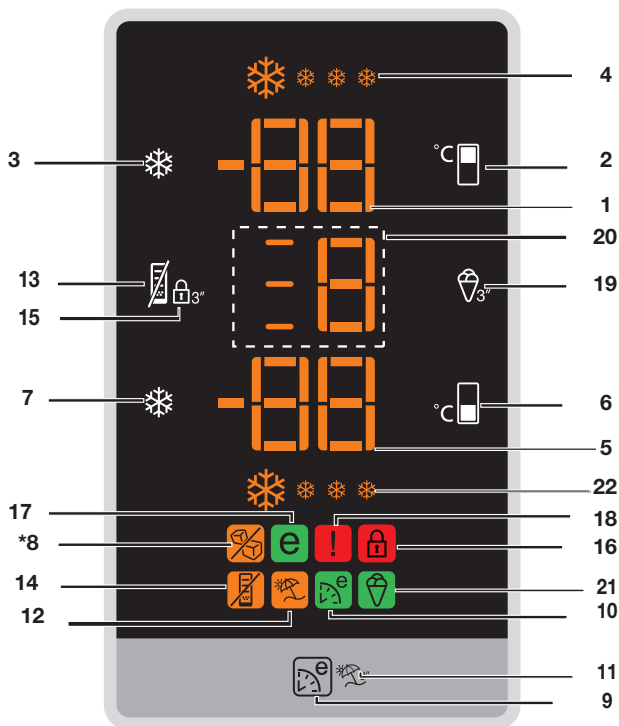
Якщо потрібно заморозити велику кількість свіжих продуктів, натисніть кнопку швидкого заморожування, перш ніж покласти продукти до морозильного відділення.

Якщо натиснути кнопку швидкого заморожування кілька разів з короткими інтервалами, увімкнеться електронна система захисту, і компресор почне працювати не одразу.

При відновленні електроживлення після перерви ця функція не поновлюється.

16. Індикатор режиму швидкого заморожування

Цей анімований індикатор починає блимати при активації функції швидкого заморожування.



1. Індикатор регулювання температури морозильного відділення
 2. Функція регулювання температури морозильного відділення
 3. Кнопка функції швидкого заморожування Кнопка увімкнення/вимкнення льодогенератора Icematic (3")
 4. Індикатор режиму швидкого заморожування
 5. Індикатор регулювання температури холодильного відділення
 6. Функція регулювання температури холодильного відділення
 7. Кнопка функції швидкого охолодження
 8. Індикатор вимкнення льодогенератора Icematic (*в деяких моделях)
 9. Режим Eco-Fuzzy (особливий економічний режим роботи)
 10. Індикатор режиму Eco-Fuzzy (особливий економічний режим роботи)
 11. Режим тимчасового вимкнення
 12. Індикатор режиму тимчасового вимкнення
 13. Режим економії електроенергії
 14. Індикатор економії електроенергії
 15. Функція блокування кнопок
 16. Індикатор блокування кнопок
 17. Індикатор економічного режиму
 18. Індикатор підвищеної температури/попередження про помилку
 19. Функція вибору режиму приготування морозива
 20. Індикатор вибору режиму приготування морозива
 21. Індикатор приготування морозива
 22. Індикатор швидкого охолодження
- *опція**

ⓘ Ілюстрації в цій інструкції користувача носять схематичний характер і можуть не збігатися в точності з Вашим приладом. Якщо до комплектації моделі, яку ви придбали, не входять згадані деталі, вони призначені для інших моделей.

1. Індикатор температури морозильного відділення

Вказує температуру, встановлену для морозильного відділення.

2. Регулювання температури морозильного відділення

За допомогою цієї функції можна налаштувати температуру морозильного відділення. Натисніть цю кнопку, щоб встановити в морозильному відділенні температуру: -18, -19, -20, -21, -22, -23 або -24 градусів відповідно.

3. Кнопка функції швидкого заморожування Кнопка увімкнення/вимкнення льодогенератора Icematic (3")

Індикатор режиму швидкого заморожування світиться, коли увімкнено цю функцію. Щоб скасувати цю функцію, ще раз натисніть кнопку швидкого заморожування. Індикатор швидкого заморожування згасне, а температура повернеться до звичайного значення. Якщо ви не скасуєте функцію швидкого заморожування вручну, вона вимкнеться автоматично через 4 години, або коли в морозильному відділенні буде досягнута потрібна температура. Якщо потрібно заморозити велику кількість свіжих продуктів, натисніть кнопку швидкого заморожування, перш ніж покласти продукти до морозильного відділення. Якщо натиснути кнопку швидкого заморожування кілька разів з короткими інтервалами, увімкнеться електронна система захисту, а компресор почне працювати не одразу. Ця функція не відновлюється при відновленні подачі електроживлення після його порушення!

4. Індикатор режиму швидкого заморожування

Цей анімований індикатор починає блимати при активації функції швидкого заморожування.

5. Індикатор регулювання температури холодильного відділення

Вказує температуру, встановлену для холодильного відділення.

6. Функція регулювання температури холодильного відділення

За допомогою цієї функції можна налаштувати температуру морозильного відділення. Натисніть цю кнопку, щоб встановити в холодильному відділенні температуру: 8, 7, 6, 5, 4, 3, 2 градуса відповідно.

7. Кнопка функції швидкого охолодження

При натисканні кнопки «Quick Fridge» («Швидке охолодження») температура відділення стане холоднішою за задані значення. Цю функцію можна використовувати, коли продукти, покладені до холодильного відділення, треба швидко охолодити. Якщо потрібно охолодити велику кількість свіжих продуктів, увімкніть цей режим, перш ніж покласти продукти в холодильник. Індикатор режиму швидкого охолодження світиться, коли увімкнено функцію швидкого охолодження. Для скасування цієї функції знову натисніть кнопку швидкого охолодження. Індикатор швидкого охолодження згасне, а температура повернеться до звичайного значення. Якщо не скасувати функцію швидкого охолодження вручну, вона вимкнеться автоматично через 2 години, або коли в холодильному відділенні буде досягнуто потрібної температури. При відновленні електроживлення після перерви ця функція не поновлюється.

8. Індикатор вимкнення льодогенератора Icematic

Якщо індикатор цього режиму світиться, льодогенератор Icematic не запуститься. Після натискання й утримання кнопки швидкого заморожування протягом 3 секунд режим автоматичної роботи льодогенератора буде вимкнено.

9. Режим Eco-Fuzzy (особливий економічний режим роботи)

Після натискання кнопки Eco-Fuzzy вмикається функція Eco Fuzzy та починає світитися індикатор Eco-Fuzzy. Коли діє цей режим, холодильник протягом щонайменше 6 годин працюватиме в найекономічнішому режимі. При цьому світитиметься індикатор економічного режиму. Щоб відключити режим Eco-Fuzzy, знову натисніть кнопку Eco Fuzzy.

10. Індикатор режиму Eco-Fuzzy (особливий економічний режим роботи)

Цей значок світиться, коли діє режим Eco-Fuzzy.

11. Режим тимчасового вимкнення

Після натискання й утримання кнопки Eco Fuzzy протягом 3 секунд вмикається режим тимчасового вимкнення та починає світитися індикатор тимчасового вимкнення. Охолодження холодильного відділення припиняється, а температура холодильного відділення підтримується на рівні 15°C для запобігання появи неприємного запаху. При увімкненні цієї функції індикатор температури холодильного відділення не відображає температуру. Після натискання й утримання кнопки «Eco-fuzzy» протягом 3 секунд режим Eco-fuzzy вмикається.

12. Індикатор режиму тимчасового вимкнення

Вказує, що функція тимчасового вимкнення активна.

13. Режим економії електроенергії

Після натискання кнопки економії електроенергії вмикається функція економії електроенергії та починає світитися індикатор економії електроенергії. Коли увімкнено режим економії електроенергії, всі індикатори, крім індикатору економії електроенергії, не світяться. Ця функція буде відключена при натисканні будь-якої кнопки або

при відкритті дверцят; індикатори дисплея повернуться до нормального налаштування, а індикатор економії електроенергії залишиться горіти. Якщо не натискати будь-яку кнопку та не відкривати дверцята протягом 5 хвилин, коли індикатор економії електроенергії залишається горіти, режим економії електроенергії активується знову та індикатори дисплею згаснуть. Якщо натиснути кнопку економії електроенергії, коли індикатор економії електроенергії ще залишається горіти, це призведе до відключення функції економії електроенергії, а індикатор економії електроенергії згасне.

14. Індикатор режиму економії електроенергії:

Вказує на те, що режим економії електроенергії увімкнено.

15. Функція блокування кнопок

Після натискання клавіші блокування кнопок і її утримання протягом 3 секунд буде ввімкнена функція блокування кнопок та загориться індикатор блокування кнопок. Якщо ця функція активна, ніяка кнопка не працюватиме. Щоб вимкнути цю функцію, ще раз натисніть і утримуйте кнопку блокування клавіш протягом 3 секунд.

16. Індикатор блокування кнопок

Вказує, що функція блокування кнопок активна.

17. Індикатор економічного режиму

Індикатор економічного режиму вмикається, якщо температура морозильного відділення встановлена на позначку -18°C. Якщо вибрана функція швидкого охолодження або швидкого заморожування, індикатор не вмикається.

18. Індикатор підвищеної температури/ попередження про помилку

Цей індикатор вмикається при підвищенні температури або для попередження про помилку.

19. Функція вибору режиму приготування морозива

Якщо кнопку приготування морозива натискати протягом 3 секунд, вона заблимає.

Якщо цю кнопку не натиснути знову протягом 30 секунд, дисплей повернеться до свого попереднього вигляду, а символ приготування морозива зникне.

Якщо короткочасно натиснути кнопку приготування морозива, число збільшиться на один.

Якщо кнопку приготування морозива знову натискати протягом 3 секунд, символ приготування морозива знову з'явиться на дисплеї. Таким чином можна вибрати режим приготування морозива. Число почне світитися безперервно, а також загоряться анімовані символи на лівій стороні.

Коли процес приготування морозива завершено, символи починають блимати та подається звуковий попереджувальний сигнал. Після цього 5-ти хвилинного попередження усі символи згаснуть.

Щоб вимкнути звуковий попереджувальний сигнал, треба короткочасно натиснути кнопку приготування морозива; при цьому кнопки приготування морозива згаснуть теж.

Якщо під час процесу приготування морозива короткочасно натиснути кнопку приготування морозива, на дисплеї не відбудеться ніяких змін.



Якщо під час приготування морозива відбудеться відключення електроживлення, а потім електроживлення поновиться знову, процес приготування морозива буде виконуватися з моменту його переривання.

Якщо спробувати запустити функцію приготування морозива у випадку, коли температура морозильного відділення перевищує -10°C , на дисплеї протягом 30 секунд почне блимати символ «E» та попереджувальний символ. Якщо користувач на короткий час (на 3 секунди) натисне клавішу функції приготування морозива, дисплей повернеться до свого нормального вигляду, а символ приготування морозива та попереджувальний символ зникнуть.

20. Функція вибору режиму приготування морозива

Відображає налаштування режиму приготування морозива.

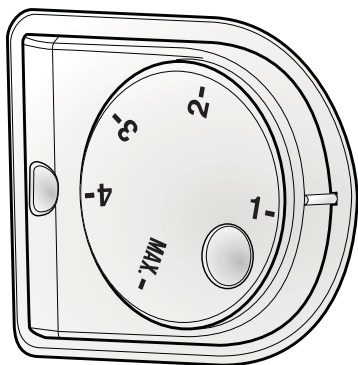
21. Індикатор приготування морозива

Вмикається, коли активується режим приготування морозива.

22. Індикатор швидкого охолодження

Цей анімований індикатор починає блимати при активації функції швидкого охолодження.

*Optional



Кнопка регулювання температури

Кнопка регулювання температури призначена для встановлення потрібної температури всередині холодильника

Регулювання температури в холодильнику

Загальне регулювання температури в холодильнику виконується за допомогою кнопки регулювання температури, розташованої на правій стінці холодильного відділення. Ця кнопка має п'ять положень, які відповідають різним рівням температури. Встановіть цю кнопку в потрібне положення

Подвійна система охолодження

Холодильник оснащений двома окремими системами охолодження — для відділення свіжих продуктів і морозильного відділення. Таким чином повітря з відділення для свіжих продуктів не змішується з повітрям у морозильному відділенні. Завдяки використанню двох окремих систем охолодження швидкість охолодження в цьому холодильнику набагато вища, ніж в інших. Запахи з одного відділення не потрапляють в інше. Крім того, це забезпечує додаткову економію електроенергії, оскільки розморожування відбувається окремо

системами охолодження: відділення для свіжих продуктів і морозильного відділення. Через це повітря відділення для свіжих продуктів не змішується з повітрям у морозильному відділенні. Завдяки використанню двох окремих систем охолодження, швидкість охолодження набагато вища, ніж у звичайних холодильниках. Запахи у відділеннях не змішуються. Крім того, це забезпечує економію електроенергії, оскільки розмороження відбувається окремо.

| Налаштування морозильного відділення | Налаштування холодильного відділення | Пояснення |
|--------------------------------------|--------------------------------------|---|
| -18°C | +4°C | Це нормальний рекомендований режим. |
| -20, -22 або -24°C | +4°C | Ці режими рекомендується використовувати, коли температура навколишнього середовища перевищує 30°C. |
| Швидке замороження | +4°C | Використовуйте цю функцію, якщо хочете швидко заморозити продукти. По завершенні процесу холодильник повернеться до попереднього режиму. |
| -18°C або нижче | +2°C | Рекомендується для випадків, коли можливою причиною недостатньо низької температури в холодильному відділенні є спекотна погода або часте відчинення й зачинення дверей. |
| -18°C або нижче | Швидке охолодження | Використовується, коли холодильне відділення перевантажене, або коли ви хочете швидко охолодити продукти. Функцію швидкого охолодження рекомендується вмикати за 4-8 годин до завантаження продуктів у холодильник. |

Замороження свіжих продуктів

- Краще загорнути або накрити продукти, перш ніж завантажувати їх у холодильник.
 - Перш ніж класти гарячі продукти до морозильного відділення, слід охолодити їх до кімнатної температури.
 - Заморожені продукти мають бути свіжими та якісними.
 - Продукти слід розділити на порції відповідно до щоденних потреб родини, або до використання для приготування страв.
 - Продукти мають бути герметично упаковані для запобігання висиханню, навіть якщо вони призначені для нетривалого зберігання.
 - Матеріали для упаковки мають бути міцними та стійкими до холоду, вологості, запаху, олій та кислот, а також герметичними. Крім того, вони мають добре закриватися і бути виготовлені з легких у використанні матеріалів, які можуть бути використані для глибокого замороження.
- Для початкового замороження рекомендується класти продукти на верхню полицю морозильного відділення.
 - Наведені дані про морозильну здатність холодильника можуть бути досягнені, якщо покласти продукти на верхню полицю, а функцію швидкого замороження активувати за 4 години до завантаження продуктів.
 - Продукти, які необхідно заморозити, слід покласти до морозильного відділення. (Вони не мають торкатися вже заморожених продуктів, щоб запобігти їх частковому таненню. Морозильну здатність приладу наведено в технічних характеристиках холодильника).
 - Періоди, вказані в інформації про глибине замороження, мають відповідати часу зберігання.
 - Заморожені продукти слід використати одразу після відтанення і ніколи не заморожувати їх знову.
 - Для досягнення найкращих результатів дотримуйтеся наступних інструкцій.
 1. Не заморожуйте одночасно занадто велику кількість продуктів. Якість продуктів підтримується найкращим чином, якщо вони якнайшвидше промерзають.

2. Розміщення теплих продуктів у морозильному відділенні примушує компресор холодильника працювати безперервно, до повного замороження продуктів.
3. Зверніть особливу увагу на те, що не можна змішувати вже заморожені та свіжі продукти.

Рекомендації щодо зберігання заморожених продуктів

- Упаковані продукти, заморожені в промислових умовах, слід зберігати відповідно до інструкцій їхнього виробника для відділення **★***** (4 зірки) зберігання заморожених продуктів.
- Не розміщуйте продукти перед вентилятором морозильного відділення, щоб не перешкоджати циркуляції повітря. Завантаження продуктів таким чином призведе до підвищеного споживання електроенергії та погіршення ефективності зберігання продуктів у морозильному відділенні холодильника.
- Для забезпечення якісного та корисного для здоров'я зберігання продуктів, слід пам'ятати наступне:
 1. Розміщуйте упаковки з продуктами в морозильному відділенні якомога швидше після придбання.
 2. Перевірте, щоб вміст було марковано й датовано.
 3. Не перевищуйте терміни зберігання та вживання продуктів. У випадку порушення електропостачання не відчиняйте дверцята морозильного відділення. Навіть якщо тривалість відсутності електроенергії перевищує «Час підвищення температури», вказаний у розділі «Технічні характеристики вашого холодильника», це не вплине на заморожені продукти. Якщо електроенергія відсутня довше, продукти слід перевірити і, в разі необхідності, негайно вжити або заморозити після приготування.

- Під час придбання продуктів зважайте на кінцеву дату придатності до вживання, максимальний дозволений період зберігання, а також на рекомендовану температуру зберігання продуктів. Якщо дату придатності до вживання перевищено, не споживайте продукти.
- Якщо заморожені продукти відтанули, не заморозуйте їх знову. Продукти, що відтали, слід вжити в їжу або негайно приготувати. Рекомендується приготувати страви з таких продуктів, перш ніж заморозити їх знову, в разі необхідності.
- Час підвищення температури в морозильному відділенні покращиться, якщо акумулятори холоду розмістити в місцях, вказаних на малюнку нижче. Наведений час підвищення температури досягається, якщо розміщувати акумулятори холоду у відповідних місцях, як показано нижче.

Розморозження

Морозильне відділення розморозжується автоматично.

Інформація про глибоке замороження

Продукти, покладені в холодильник, мають бути заморожені якомога швидше, щоб зберегти їх у гарній якості.

Ви можете зберігати продукти свіжими протягом багатьох місяців (при температурі -18°C або нижче в умовах глибокого замороження), відповідно до інструкцій, наведених на упаковці виробника продуктів.

ПОПЕРЕДЖЕННЯ!

- Продукти слід розділити на порції відповідно до щоденних потреб родини, або до використання для приготування страв.
- Продукти мають бути герметично упаковані для запобігання висиханню, навіть якщо вони призначені для нетривалого зберігання.

Матеріали, необхідні для пакування:

- Холодостійка клейка стрічка
- Наклейки
- Гумові кільця
- Авторучка

Матеріали для упаковки мають бути міцними та стійкими до холоду, вологості, запаху, олій та кислот.

Продукти, призначені для замороження, не повинні торкатися вже заморожених продуктів, щоб запобігти їх частковому таненню.

Дотримуйтеся значень, вказаних у таблицях періодів зберігання.

Заморожені продукти слід використати одразу після відтанення, і ніколи не заморожувати їх знову.

- Не кладіть у холодильник гарячі продукти.

Розміщення продуктів

| | |
|---------------------------------------|---|
| Полиці морозильного відділення | Різні заморожені продукти, наприклад, м'ясо, риба, морозиво, овочі тощо |
| Відділення для яєць | Яйця |
| Полиці холодильного відділення | Продукти в каструлях, на накритих тарілках і в закритих контейнерах |
| Дверні полиці холодильного відділення | Невеликі й упаковані продукти та напої (молоко, фруктовий сік, пиво) |

| | |
|--------------------------------|--|
| Контейнер для овочів і фруктів | Овочі та фрукти |
| Відділення зони свіжості | Делікатесні продукти (сир, масло, сальмі тощо) |

Рекомендації щодо відділення для свіжих продуктів

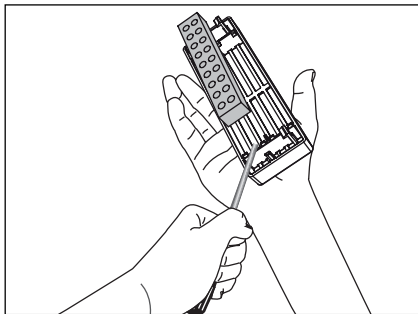
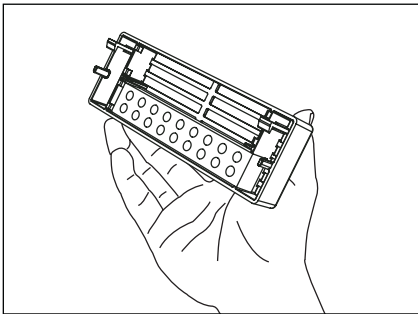
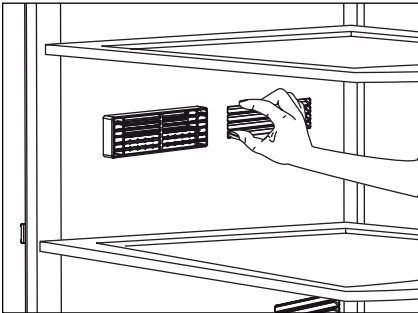
- Не допускайте контакту будь-яких продуктів із датчиком температури у відділенні для свіжих продуктів. Для підтримання ідеальної температури зберігання у відділенні для свіжих продуктів датчик не повинен закриватись продуктами, що там зберігаються.
- Не кладіть у холодильник гарячі продукти.

Опис і чистка фільтра запахів

* Опція

Фільтр запахів запобігає накопиченню неприємних запахів усередині холодильника.

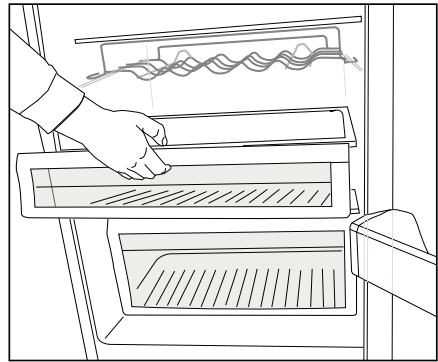
Потягніть кришку, в якій встановлено фільтр запахів, униз і вийміть, як показано на малюнку. На один день залиште фільтр на сонці. За цей час фільтр очиститься. Встановіть фільтр на місце. Фільтр запахів слід очищати раз на рік.



Охолоджувач

Ви можете збільшити внутрішній простір холодильника, вийнявши будь-яке відділення для закусок. Для цього потягніть відділення на себе; коли буде досягнуто обмежувача, відділення зупиниться. Підніміть передню сторону приблизно на 1 см і знову потягніть лоток на себе, щоб повністю його вийняти.

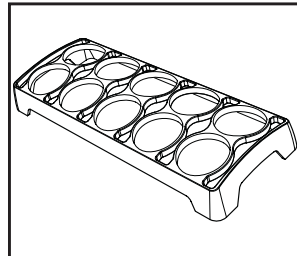
У цих лотках можна розміщувати продукти, які ви хочете згодом заморозити, для попереднього охолодження. Крім того, ви можете використовувати ці відділення для зберігання продуктів при температурі, на кілька градусів нижчій за температуру холодильного відділення.



Лоток для яєць

Відділення для яєць можна, за бажанням, встановити на двері чи полицю відділення.

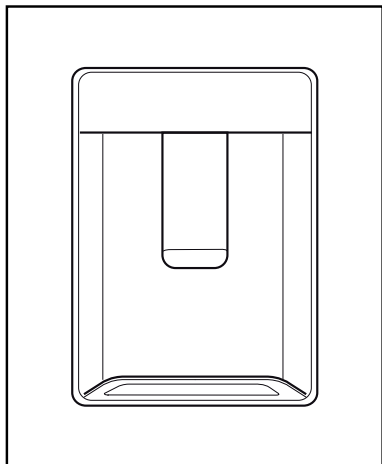
Не розміщуйте відділення для яєць у морозильному відділенні.



Розподільник води

*опція

Розподільник води є дуже зручним засобом отримання охолодженої води, не відчиняючи дверцята холодильника. Оскільки дверцята холодильника відчинятимуться рідше, це допоможе зберегти енергію.



Використання розподільника води

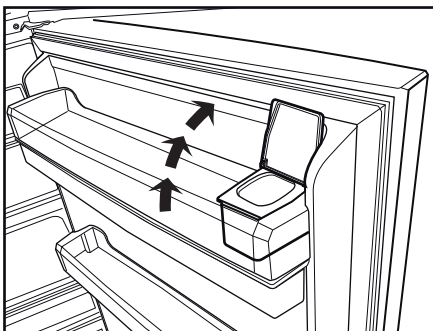
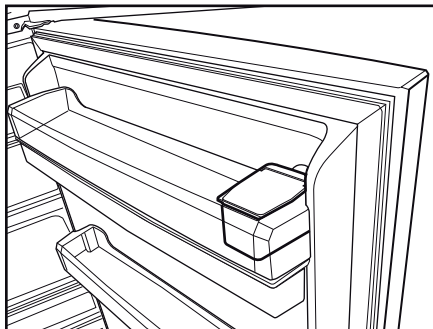
Натисніть склянкою на важілець розподільника води. Розподільник припинить працювати, щойно звільните важілець.

Максимальний потік досягається натисканням на важілець до впирання. Пам'ятайте, що сила потоку з розподільника води залежить від тиску на важілець.

Коли рівень води в чашці/склянці підвищиться, зменшіть силу натискання на важілець для запобігання проливанню. Якщо натиснути на важілець злегка, вода тектиме краплями; це цілком нормально і не свідчить про несправність.

Наповнення бака розподільника води

Резервуар наповнення бака для води розташований у дверній полиці. Відкрийте кришку резервуара та залийте чисту питну воду. Потім закрийте кришку.



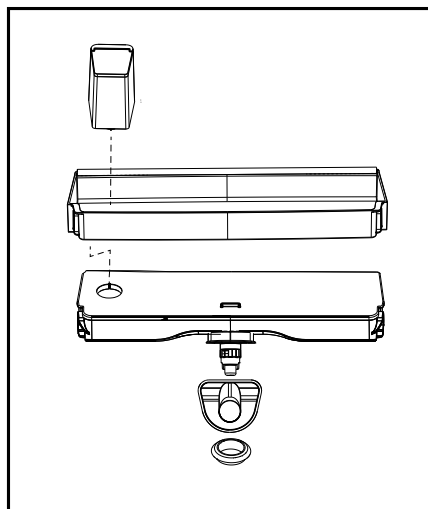
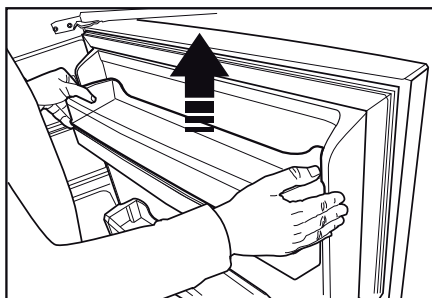
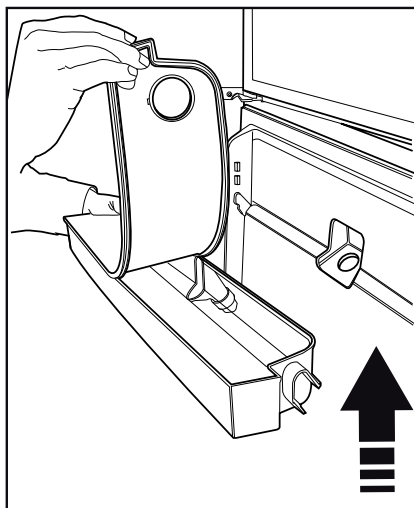
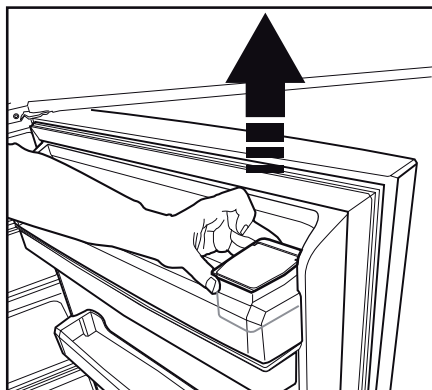
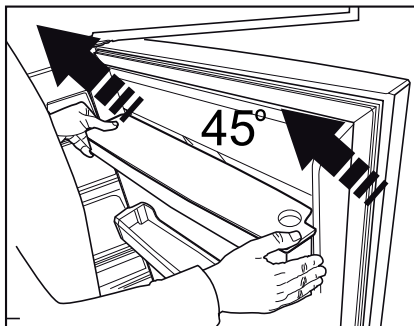
Попередження!

- Не заливайте в бак для води жодну іншу рідину, крім питної води; такі напої, як фруктові соки, молоко, газовані й алкогольні напої, непридатні для використання в розподільнику води. Якщо такі напої буде використано, розподільник води може бути пошкоджений без можливості ремонту. Гарантія на такі випадки не поширюється. Деякі хімічні складники й добавки, які містяться в таких видах напоїв/рідин, можуть пошкодити бак для води та його матеріали.

- Використовуйте тільки чисту питну воду.
- Ємність бака для води становить 3 літра, запобігайте переповненню.
- Натисніть на важілець розподільника води твердою склянкою. У разі використання пластикової склянки натискайте на важілець пальцями ззаду склянки.

Очищення бака для води

- Зніміть резервуар наповнення, що знаходиться у дверній полиці.
- Зніміть дверну полицю, тримаючи її з обох боків.
- Візьміться за бак для води з обох боків та витягніть його під кутом 45°С.
- Зніміть кришку бака для води та промийте його.



Важливе зауваження:

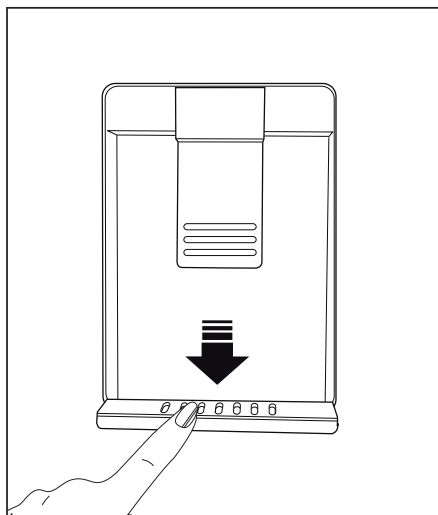
Компоненти бака для води та розподільник води не призначені для миття в посудомийній машині.

Піддон для води

Вода, що крапає під час використання розподільника, накопичується в лотку внизу.

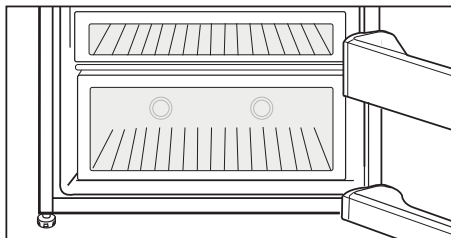
Вийміть пластиковий фільтр, як показано на малюнку.

Чистою і сухою тканиною видаліть воду, що зібралася.



Блакитне освітлення

У продуктах, які зберігаються в контейнерах із блакитним освітленням, триває процес фотосинтезу завдяки довжині хвиль синього світла; таким чином вони зберігають свіжість, а вміст вітамінів у них збільшується.

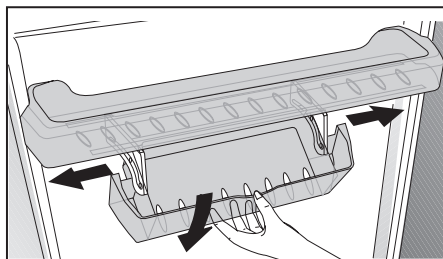


Регульовані полиці відділення

Регульовані полиці відділення можна висувати, трохи піднявши спереду й посуваючи вперед і назад. При висуванні вперед вони фіксуються, аби ви могли дістати продукти з полиці; полицю відділення можна зняти, висунувши її до другої точки фіксації та трохи піднявши спереду.

Щоб запобігти перекиданню полиці, міцно тримайте її знизу. Полиці відділення встановлено на напрямних по боках корпусу холодильника, аби її можна було переміщувати нижче чи вище.

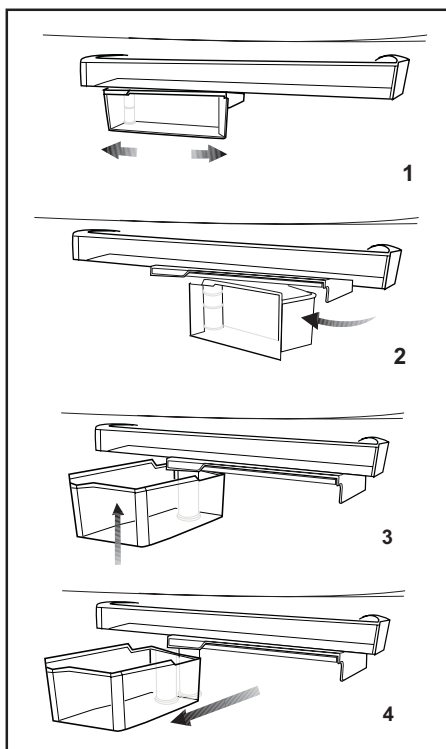
Щоб повернути полицю на місце, посуньте її назад.



Контейнер для зберігання, що обертається

Висувну полицю можна рухати праворуч і ліворуч, аби розміщувати високі пляшки, банки чи коробки на нижній полиці (мал. 1).

Ви можете дістати їжу, що знаходиться на полиці, взявшись за її правий край і повернувши (мал. 2). За бажання завантажити чи вийняти полицю поверніть її на 90 градусів, підніміть і потягніть на себе (мал. 3-4).



Автоматичний льодогенератор Icematic

*опція

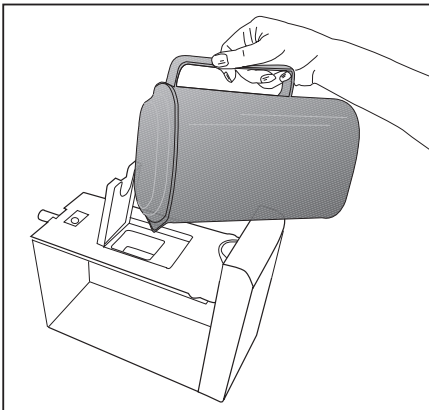
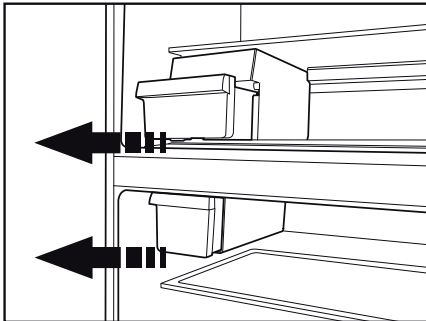
Автоматичний льодогенератор Icematic дозволяє легко виробляти лід у холодильнику. Дістаньте бак для води з холодильного відділення, наповніть його водою та встановіть на місце для утворення льоду за допомогою льодогенератора Icematic.

Перша партія льоду буде готова приблизно за 2 години в контейнері Icematic морозильного відділення.

При повному заповненні бака для води ви отримаєте приблизно 60-70 кубиків льоду.

Якщо вода стояла в баку близько 2-3 тижнів, замініть її.

Примітка: В приладах, що мають автоматичний льодогенератор Icematic, може чути звук при розливі. Цей нормально і не свідчить про несправність.



Льодогенератор і контейнер для зберігання льоду

Використання льодогенератора

* Наповніть льодогенератор водою та встановіть у гніздо. Лід буде готовий приблизно за дві години. Не виймайте льодогенератор із його гнізда, щоб узяти лід.

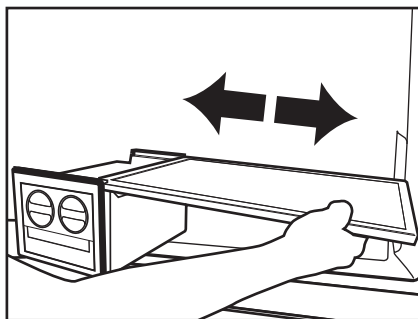
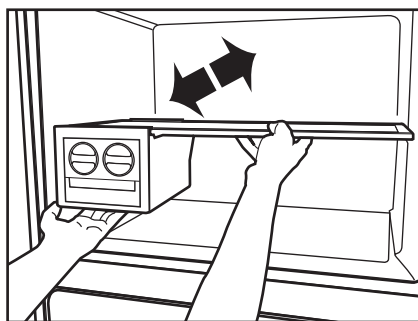
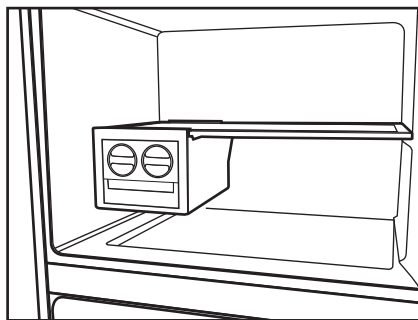
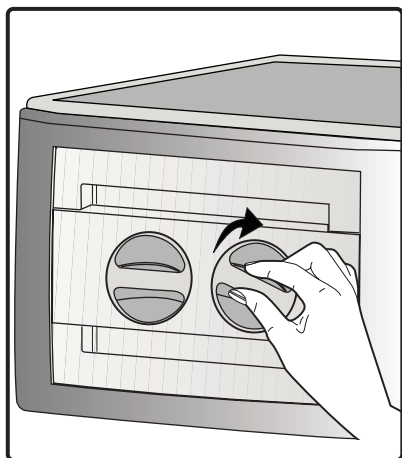
* Поверніть ручки за годинниковою стрілкою на 90 градусів.

Кубики льоду з чарунок впадуть у контейнер для зберігання льоду під ними.

* Ви можете вийняти контейнер для зберігання льоду й використати кубики льоду.

* За бажанням можна залишити кубики льоду в контейнері для зберігання льоду.

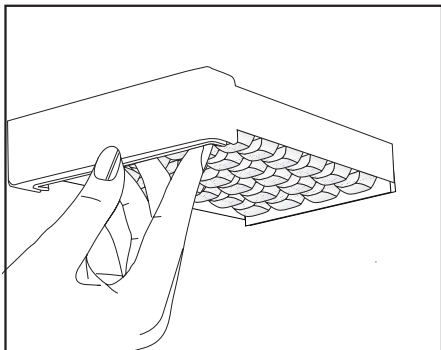
Контейнер для зберігання льоду призначений лише збирання кубиків льоду. Не заливайте в нього воду. У такому разі він зламається.



Приготування льоду

Наповніть контейнер для льоду водою та встановіть у гніздо. Лід буде готовий приблизно за дві години.

Лід можна легко вийняти, якщо злегка скрутити контейнер для льоду.



Контейнер з регулюванням вологості (Ever Fresh)

*опція

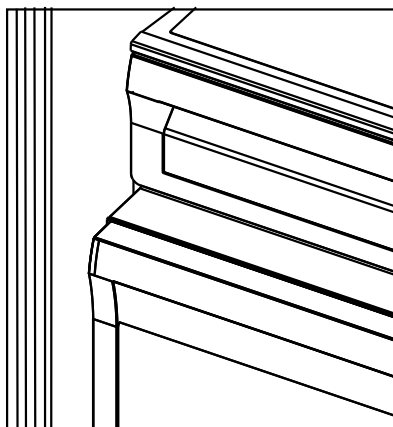
Вологість овочів та фруктів знаходить під контролем завдяки особливостям контейнера з регулюванням вологості, в якому їжа гарантовано залишається свіжою тривалий період часу.

Помістіть листові овочі, такі як салат, шпинат і овочі, які чутливі до втрати вологи, горизонтально, якомога ближче до середини контейнера. Не слід поміщати їх на коріння вертикально.

Ніколи не залишайте овочі всередині контейнера у торбинах. Якщо овочі залишаються у торбинах, вони розкладаються протягом короткого періоду часу. Коли встановлений високий рівень вологості, овочі не втрачають вологість та можуть зберігатися протягом розумного періоду часу без необхідності залишати їх у торбинах. Контакт з іншими овочами є небажаним з точки зору. Тому, замість торбин, використовуйте перфорований папір, спінений матеріал та інші подібні пакувальні матеріали.

У момент завантаження відділення овочами треба прийняти до уваги питому вагу овочів. Важкі та тверді овочі слід розміщувати в нижній частині контейнера; легкі та м'які овочі слід розміщувати в верхній частині контейнера.

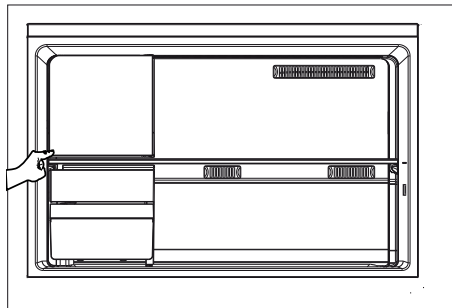
Не розміщуйте разом з іншими овочами і фруктами, в одному і тому ж контейнері, такі фрукти, як груша, абрикос, персик і т.д. та яблуко, які мають високий рівень генерації газоподібного етилену. Газоподібний етилен, який генерується цими фруктами, може прискорити дозрівання інших фруктів. Це веде до того, що вони розкладаються в більш короткий термін.



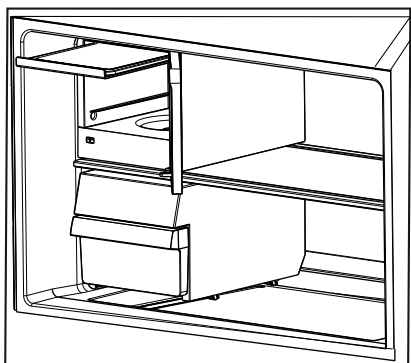
Машина для приготування морозива

*опція

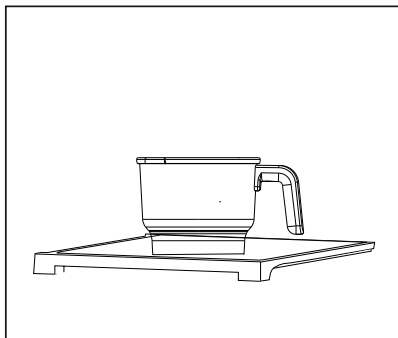
- Відкрийте морозильне відділення холодильника,
- Для відкриття натисніть і відпустіть кришку відділення для приготування морозива у морозильній камері,



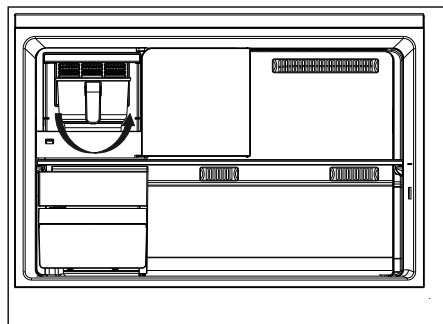
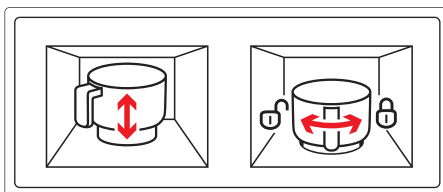
- Помістіть лоток для заморожування свіжих продуктів у нижню кришку та поставте його на саму верхню полицю в середині відділення,



- Візьміть суміш морозива, яка перед тим була охолоджена до кімнатної температури, і помістіть її у відділення для приготування морозива,



- Кількість суміші морозива, яка завантажується у контейнери для морозива, не повинна перевищувати кількість, зазначену у рецептах по приготуванню морозива. Якщо у контейнери для морозива завантажується більша кількість суміші морозива, ніж зазначено у рецепті, контейнер переповниться.
- Помістіть контейнер у корпус, в нижню частину відділення, у напрямку лівого боку.
- Поверніть контейнер на правий бік та зафіксуйте його на своєму місці.



- Закрийте кришку відділення для приготування льоду, натисніть і відпустіть, щоб зафіксувати її.
- Закрийте дверцята морозильного відділення,
 - i** Ви можете визначити режим приготування морозива за допомогою книги рецептів.
 - i** За допомогою дисплея на дверцятах встановіть режим приготування морозива в залежності від типу морозива.
 - i** Не мийте контейнер для приготування морозива в посудомийній машині.
 - i** Під час процесу приготування морозива, холодильник, в залежності від поточних умов виробництва, буде деякий час працювати з незначним шумом.

6 Догляд та очищення

- ⚠ Не використовуйте бензин чи подібні матеріали для чищення.
- ⚠ Перед виконанням чищення рекомендуємо від'єднати холодильник від електромережі.
- ⓘ Заборонено використовувати для чистки гострі абразивні засоби, мило, засоби для видалення плям, миючі засоби та поліролі на основі воску.
- ⓘ Промийте шафу холодильника ледь теплою водою та витріть насухо.
- ⓘ У приладах без функції розморожування No Frost на задній стінці холодильного відділення можуть утворюватися краплі води та шар інею завтовшки не більше товщини пальця. Не зчищайте його; не застосовуйте для чищення масляні або аналогічні засоби.
- ⓘ Для чищення зовнішньої поверхні приладу використовуйте тільки злегка зволожену ганчірку з мікрофібри. Губки та інші види ганчірок можуть подряпати поверхню.
- ⓘ Для мийки відділень усередині холодильника користуйтеся ганчіркою, змоченою у розчині, який складається з чайної ложки питної соди на півлітра води, потім витріть їх насухо.
- ⚠ Слідкуйте, щоб вода не потрапила до корпусу лампочки та в інші електричні прилади.
- ⚠ Якщо прилад не буде використовуватися протягом тривалого часу, вимкніть його з електромережі, звільніть від усіх продуктів, протріть і залишіть дверцята відчиненими.
- ⓘ Регулярно перевіряйте, чи не забруднений шматочками їжі ущільнювач на дверях.
- ⓘ Для знімання лотка у дверях розвантажте його, а потім просто підштовхніть угору.
- ⓘ У жодному разі не використовуйте засоби для чищення чи воду, що містять хлор, для чищення зовнішніх поверхонь або хромованих деталей виробу. Хлор викликає корозію таких металевих поверхонь.
- ⓘ Не використовуйте гострі та абразивні засоби або мило, засоби для догляду за оселею, синтетичні миючі засоби, бензин, бензол, віск і т.д., в іншому випадку на пластикових частинах з'являться сліди і відбудеться їх деформація. Використовуйте для чищення теплу воду і м'яку тканину, а потім витріть насухо.

Захист пластикових поверхонь

- ⓘ Не зберігайте рідкі олії чи продукти з додаванням олії в холодильник у відкритому вигляді чи негерметичній упаковці, вони можуть зіпсувати пластикові поверхні холодильника. У разі потрапляння олії на пластикову поверхню очистіть цю частину поверхні теплою водою.

7 Рекомендації з усунення несправностей

Перед тим як звертатися до авторизованої сервісної служби, ознайомтеся з наведеною інформацією. Це допоможе вам заощадити гроші й час. Наведений нижче перелік містить найчастіші несправності, не викликані зіпсованим обладнанням чи матеріалом. Деякі з функцій, що наведені тут, можуть бути відсутні у вашому виробі.

Холодильник не працює.

- Чи під'єднаний холодильник до мережі правильним чином? Вставте штепсель до настінної розетки.
- Чи справна запобіжна пробка, до якої підключено холодильник, чи не перегорів запобіжник? Перевірте запобіжник.

Конденсація на бічній стінці холодильного відділення (MULTI ZONE, COOL CONTROL і FLEXI ZONE).

- Дуже низька температура навколишнього середовища. Дверцята холодильника часто відчиняють і зачиняють. Висока вологість навколишнього середовища. Зберігання продуктів, які містять рідину, у відкритих контейнерах. Нещільно зачинені дверцята. Перемикніть термостат на нижчу температуру
- Не тримайте дверцята відчиненими або відчиняйте їх рідше.
- Накривайте продукти, які зберігаються у відкритих контейнерах, відповідним матеріалом.
- Витріть конденсат сухою тканиною та перевірте, чи з'являється він знову.

Компресор не працює.

- Термозахист компресора може бути пошкоджений в результаті несподіваного збою енергопостачання чи увімкнення-вимкнення, оскільки тиск хладагенту в системі охолодження не встиг збалансуватися. Холодильник почне працювати орієнтовно через 6 хвилин. Якщо після закінчення цього періоду холодильник не запрацює, зверніться до сервісної служби.
- Холодильник перебуває у стані розморожування. Для холодильника, що розморожується автоматично, це цілком нормально. Розморожування відбувається періодично.
- Холодильник не під'єднано до мережі. Переконайтеся, що вилка належним чином вставлена в розетку.
- Чи правильно відрегульовано температуру?
- Можливо, відключена подача електроенергії.

Холодильник вмикається занадто часто або працює занадто довго.

- Ваш новий холодильник може бути ширшим за попередній. Це цілком нормально. Великі холодильники працюють протягом тривалішого часу.
- Температура навколишнього середовища може бути зависокою. Це цілком нормально.
- Холодильник міг бути нещодавно увімкнений чи завантажений продуктами. Повне охолодження холодильника може тривати на кілька годин довше.
- Можливо, у холодильник нещодавно завантажили велику кількість гарячих продуктів. Гарячі продукти спричиняють довшу роботу холодильника з метою досягнення потрібної температури зберігання.
- Можливо, двері часто відчиняють, або вони тривалий час були нещільно зачинені. Тепле повітря, що потрапляє до холодильника, спричиняє його довшу роботу. Відчиняйте дверцята рідше.
- Нещільно зачинені двері холодильного чи морозильного відділень. Перевірте, чи щільно зачинені дверцята.
- Холодильник відрегульовано на дуже низьку температуру. Відрегулюйте температуру холодильного відділення до вищого значення, поки не буде досягнута потрібна температура.
- Ущільнювач дверцята холодильного чи морозильного відділень, можливо, забруднений, зношений, зіпсутий або неправильно встановлений. Ущільнювач дверей треба почистити чи замінити. Пошкоджений ущільнювач примушує холодильник працювати довше для того, щоб підтримувати температуру.

Температура морозильного відділення занижена, тоді як температура холодильника достатня.

- Морозильне відділення відрегульовано на дуже низьку температуру. Відрегулюйте температуру морозильного відділення до вищого значення та перевірте.

Температура холодильника занижена, тоді як температура морозильного відділення достатня.

- Холодильник налаштовано на дуже низьку температуру. Відрегулюйте температуру холодильника до вищого значення та перевірте.

Продукти, що зберігаються у холодильному відділенні, заморожуються.

- Холодильник налаштовано на дуже низьку температуру. Відрегулюйте температуру холодильника до вищого значення та перевірте.

Температура у холодильному чи морозильному відділеннях зависока.

- Холодильник налаштовано на дуже високу температуру. Температура холодильного відділення впливає на температуру морозильного. Змініть температуру холодильника чи морозильника, поки не буде досягнуто потрібне значення.
- Можливо, дверцята часто відчиняють, або вони тривалий час були нещільно зачинені; відчиняйте дверцята рідше.
- Можливо, дверцята холодильника прочинені; зачиніть їх повністю.
- Можливо, у холодильник нещодавно завантажили велику кількість гарячих продуктів. Заждіть, поки холодильник чи морозильник досягне потрібної температури.
- Можливо, холодильник нещодавно увімкнули. На повне охолодження холодильника буде потрібен час.

Рівень робочого шуму підвищується під час роботи холодильника.

- Робочі характеристики холодильника можуть змінюватися у залежності від температури навколишнього середовища. Це цілком нормально і не свідчить про несправність.

Вібрації або шум

| |
|---|
| <ul style="list-style-type: none"> • Нерівна чи нестійка підлога. При повільному переміщенні холодильник дрижить. Переконайтеся, що підлога рівна і може витримати вагу холодильника. • Шум може бути спричинений предметами, що покладені зверху на холодильник. Сторонні предмети слід прибрати з холодильника. |
| З холодильника лунає шум, наче летіється чи розбризкується рідина. |
| <ul style="list-style-type: none"> • Рідини і гази протікають у системі охолодження холодильника відповідно до принципу його роботи. Це цілком нормально і не свідчить про несправність. |
| Чується шум, наче дме вітер. |
| <ul style="list-style-type: none"> • Для охолодження холодильника використовуються вентилятори. Це цілком нормально і не свідчить про несправність. |
| Конденсат на внутрішніх стінках холодильника. |
| <ul style="list-style-type: none"> • Спекотна й волога погода сприяє утворенню льоду та появі конденсату. Це цілком нормально і не свідчить про несправність. • Можливо, дверцята холодильника прочинені; зачиніть їх повністю. • Можливо, дверцята часто відчиняють, або вони тривалий час були нещільно зачинені; відчиняйте дверцята рідше. |
| Поява вологи зовні холодильника чи між стулками дверей. |
| <ul style="list-style-type: none"> • Повітря вологе; при вологій погоді це цілком нормально. Коли волога зменшиться, конденсація зникне. |
| Поганий запах всередині холодильника. |

| |
|--|
| <ul style="list-style-type: none"> • Слідкуйте за тим, щоб холодильник усередині був чистим. Протріть внутрішню частину холодильника губкою, змоченою в теплій чи газованій воді. • Деякі види упаковки чи контейнерів для зберігання також можуть бути джерелом запаху. Використовуйте інший контейнер чи матеріал для упакування. |
| Дверцята не зачиняються. |
| <ul style="list-style-type: none"> • Продукти можуть заважати зачиненню дверцят. Перекладіть продукти, які заважають зачиненню дверцят. • Можливо, холодильник стоїть не зовсім вертикально. Це може викликати дрижання при найменшому русі. Відрегулюйте гвинт регулювання висоти. • Нерівна чи неміцна підлога. Переконайтеся, що підлога рівна і може витримати вагу холодильника. |
| Контейнери злиплися. |
| <ul style="list-style-type: none"> • Можливо, продукти торкаються верхньої частини контейнера. Перекладіть продукти в контейнері. |
| Якщо Поверхня Пристрою Є Гарячою |
| <ul style="list-style-type: none"> • Під час роботи пристрою простір між двома дверима, бічні панелі й задня решітка можуть нагріватися до високої температури. Це цілком нормально і не потребує технічного обслуговування. |

Офіційний представник на території України: ТОВ «Беко Україна», адреса: 01021, м. Київ, вул. Кловський узвіз, буд. 5 тел/факс.: 0-800-500-4-3-2”

Інформацію про сертифікацію продукту Ви можете уточнити зателефонувавши на гарячу лінію 0-800-500-4-3-2.

Термін служби десять років



57 3319 0000/BF
2/2
RU-UK



www.beko.com