

beko

Refrigerator

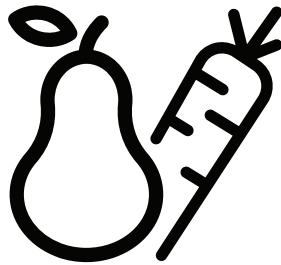
User manual

Kühlschrank/Gefrierschrank

Bedienungsanleitung

Chłodziarka

Instrukcja użytkowania



RCNE560E50ZXPN

EN / DE / PL



RECYCLED &
RECYCLABLE PAPER



RECYCELTES UND
RECYCELBARES PAPIER



PAPIER Z RECYKLINGU I
NADAJĄCY SIĘ DO PONOWNEGO
PRZETWORZENIA

58 4489 0000 / AF

1/2

Please read this manual before using the product!

Dear Valued Customer,




We wish you to get the best results from your product that has been manufactured meticulously at modern plants and tested with detailed quality control checks.

For this reason, we recommend that you read this user manual thoroughly before starting the product. If you hand over the product to someone else, please remember to give the user manual as well.

This manual will help you use your appliance in a fast and safe way.

- Please read this user manual carefully before installing and using the product.
- Always follow the applicable safety instructions.
- Keep the user manual in an easily accessible place for further use.
- Please read all the other documents provided with the product.

Please keep in mind that this manual may apply to several product models. This manual expressly indicates the differences between various models.

| | |
|--|--|
|  | Important information and useful hints. |
|  | Risk of injury and property damage. |
|  | Risk of electric shock. |
|  | Packaging materials of this product has been manufactured from recyclable materials in accordance with the National Environment Regulations. |

INFORMATION



SUPPLIER'S NAME

MODEL IDENTIFIER → (*)

A

A

The model information as stored in the product data base can be reached by entering following website and searching for your model identifier (*) found on energy label.

<https://eprel.ec.europa.eu/>

1 Important Instructions Regarding Safety and Environment 9

- 1.1. General Safety 9
 - 1.1.1 Hydrocarbon (HC) Warning 11
 - 1.1.2 For Products with a Water Dispenser/Ice Machine 11
- 1.2. Intended Use 12
- 1.3. Children's Safety 12
- 1.4. Compliance with the WEEE Directive and Disposing the Waste Product: 12
- 1.5. Compliance with the RoHS Directive: 12
- 1.6. Packaging Information 12

2 Your Refrigerator 13

3 Installation 14

- 3.1. Right place for installation. 14
- 3.2. Attaching the plastic wedges 14
- 3.3. Adjusting the stands 14
- 3.4. Power connection. 14

4 Preparation 15

- 4.1. What to do for energy saving 15
- 4.2. First Use 15

5 Using the product 16

- 5.1. Indicator panel 16
- 5.2. Ice bucket 18
- 5.3. Eggholder 18
- 5.4. Fan 18
- 5.5. Vegetable bin 18
- 5.6. Zero degree compartment 18
- 5.7. Using the second crisper of the product; 19
- 5.8. Moving door rack 20
- 5.9. Sliding storage box 20
- 5.10. Moisture controlled vegetable bin 20
- 5.11. Deodoriser Module 21
- 5.12. Automatic ice machine 21
- 5.13. Ice maker and ice storage container 22
- 5.14. Using the water dispenser 22
- 5.15. Filling the water dispenser's tank 23

- 5.16. Cleaning the water tank 23
- 5.17. Drip tray. 24
- 5.18. HerbBox/HerbFresh 24
- 5.19. Freezing fresh food. 25
- 5.20. Recommendations for storing frozen foods 25
- 5.21. Deep freezer details 26
- 5.22. Placing the food 26
- 5.23. Door open alert 26
- 5.24. Changing the opening direction of the door 26
- 5.25. Interior light 26
- 5.26. Blue light/HarvestFresh 26
- 5.27. The dairy (cold storage) bin 26

6 Care and Cleaning 27

- 6.1. Avoiding Bad Odours 27
- 6.2. Protection of plastic surfaces 27
- 6.3. Cleaning the Inner Surface 27
- 6.4. Stainless Steel Outer Surfaces 27

6 Care and Cleaning 28





- 6.5. Cleaning Products with Glass Doors 28

7 Troubleshooting 29

1 Important Instructions Regarding Safety and Environment

This chapter contains safety information that will help you avoid the risk personal injury or property damage. Failure to follow these instructions shall render any product warranty void.

Intended use

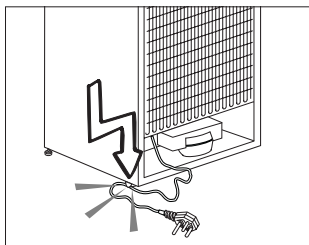
| | |
|--|---|
|  | WARNING: Keep ventilation openings, in the appliance enclosure or in the built-in structure, clear of obstruction. |
|  | WARNING: Do not use mechanical devices or other means to accelerate the defrosting process, other than those recommended by the manufacturer. |
|  | WARNING: Do not damage the refrigerant circuit. |
|  | WARNING: Do not use electrical appliances inside the food storage compartments of the appliance, unless they are of the type recommended by the manufacturer. |

This appliance is intended to be used in household and similar applications such as

- staff kitchen areas in shops, offices and other working environments;
- farm houses and by clients in hotels, motels and other residential type environments;
- bed and breakfast type environments;
- catering and similar non-retail applications.

1.1. General Safety

- Persons with physical, sensory or mental disabilities; persons who lack experience and information and children should not approach, enter or play with the product.
- Failure to follow the instructions and uncontrolled use of the product lead to dangerous results!
- Unplug the product if you encounter a failure during use.
- If the product malfunctions, it must not be operated until repaired by the authorised service provider. Risk of electric shock!
- Plug the product into a grounded socket protected by a fuse that corresponds to the value on its nameplate. Have a qualified electrician ground the product. Our company cannot be held responsible for damages resulting from the failure to use the product with a grounded socket pursuant to local regulations.
- Unplug the product when not in use.
- Never wash the product by spreading or pouring water onto it! Risk of electric shock!
- Never touch the plug with wet hands!
- Never unplug the product by pulling the cable. Always pull the plug by holding the socket.



Safety and environment instructions

- Do not plug the refrigerator if the wall socket is loose.
- Never connect your refrigerator to energy saving devices. Such systems are harmful to your product.
- Unplug the product during installation, care, cleaning and repairing procedures.
- Always have the **Authorised Service Provider** install the product and establish its electrical connections. The manufacturer cannot be held responsible for damages caused by procedures performed by unauthorised persons.
- Do not eat cone ice cream or ice cubes immediately after you take them out of the freezer compartment! This may cause frostbite in your mouth!
- Do not touch frozen food with wet hands! They may stick to your hand!
- Do not put bottled or canned liquid beverages in the freezer compartment. They may burst!
- Never use steam or steam cleaners to clean or defrost the refrigerator. Steam gets into contact with the live parts in your refrigerator, causing short circuit or electric shock!
- Do not use mechanical devices or other means to accelerate the defrosting process other than those recommended by the manufacturer.
- Never use the parts in your refrigerator such as the door and drawer as a means of support or step. This may cause the product to tip over or damage the parts of it.
- Do not damage the parts where the refrigerant is circulating with drilling or cutting tools. The refrigerant that might blow out when the gas channels of the evaporator, pipe extensions or surface coatings are punctured causes skin irritations and eye injuries.
- Do not cover or block the ventilation holes in your refrigerator with any object.
- Place the beverage with higher proofs tightly closed and vertically.
- Do not use gaseous sprays near the product since there is the risk of fire or explosion!
- Flammable items or products that contain flammable gases (e.g. spray) as well as explosive materials should never be kept in the appliance.
- Do not place vessels filled with liquid onto the product. Splashing water on an electrical part may cause electric chock or the risk of fire.
- Do not store items that need precise temperature adjustment (such as vaccines, heat-sensitive medication, science materials etc.) in the refrigerator.
- If you are not going to use the product for a long time, unplug it and remove the food in it.
- If there is a blue light on the refrigerator, do not look at this light with optical tools.
- Exposing the product to rain, snow, sun or wind is dangerous in terms of electrical safety.
- In products with mechanical control (thermostat), wait for 5 minutes to plug in the product again after unplugging.
- Do not overload the refrigerator. Objects in the refrigerator may fall down when the door is opened, causing injury or damage. Similar

Safety and environment instructions




problems may arise if any object is placed onto the product.

- If the product has a door handle, do not pull the handle when re-locating the product. The handle might be loose.
- Be careful not to jam your hand or any other body part in the moving parts of the refrigerator.
- Do not put your hand or any other foreign materials into the ice machine while it is operating.

1.1.1 Hydrocarbon (HC) Warning

- If your product's cooling system contains R600a:

This gas is flammable. Therefore, pay attention not to damage the cooling system or the piping during use and transportation. If damaged, keep the product away from potential fire sources that may cause it to catch fire and ventilate the room where the product is placed.

| | |
|---|--|
|  | If the product is damaged and if you see gas leak, please keep away from the gas. It may cause frostbite when it gets into contact with the skin. (including R134) |
|  | Ignore this warning if the cooling system of your product contains R134a. |
|  | Type of gas used in the product is stated on the type plate which is on the left wall inside the refrigerator. |



WARNING:

Never throw the product into fire for disposal.

1.1.2 For Products with a Water Dispenser/Ice Machine

- Pressure for cold water inlet shall be maximum 90 psi (620 kPa). If your water pressure exceeds 80 psi (550 kPa), use a pressure limiting valve in your mains system. If you do not know how to check your water pressure, ask for the help of a professional plumber.
- If there is a risk of water impact in your installation, always use a water impact protection equipment in that installation. Please consult professional plumbers if you are not sure if there is water impact in your installation.
- Do not make installation on the hot water inlet.
- Use drinking water only.
- Take the necessary measures against the freezing risk of the hoses. The water temperature operating range must be 0.6°C (33°F) minimum and 38°C (100°F) maximum.



WARNING:

Never connect the product to a cold water mains with a pressure of 550 kPa (80 psi) or above.

Safety and environment instructions

1.2. Intended Use

- This product has been designed for domestic use. It is not suitable for commercial use and it must not be used out of its intended use.
- It must be used only for storing food.
- The manufacturer will not take any responsibility for damages resulting from improper use or transport.
- Original spare parts will be available for 10 years after the purchase date of the product.

1.3. Children's Safety

- If there is a lock on the door of the product, the key should be kept out of the reach of children.
- Do not let children play with the product.

DANGER:

Before disposing your old refrigerator or freezer:

- Children may get locked inside.
- Remove the doors.
- Leave the shelves to prevent children from getting inside the product easily.



1.4. Compliance with the WEEE Directive and Disposing the Waste Product:



This product conforms to the EU WEE Directive (2012/19 EU). This product bears a classification symbol for waste electrical and electronic equipment (WEEE). This product has been manufactured from high quality parts and materials which can be reused and are suitable for recycling. Therefore, do not dispose the product with normal domestic waste or other waste at the end of its service life. Take it to a collection centre for recycling electrical and electronic equipment. Please consult local authorities to learn about the locations of such collection centres.

1.5. Compliance with the RoHS Directive:

The unit you have purchased conforms to the EU RoHS Directive (2011/65/EU). It does not contain harmful or prohibited materials specified in the Directive.

1.6. Packaging Information

- Packaging materials of the product have been manufactured from recyclable materials in accordance with our National Environment Regulations. Do not dispose the packaging materials with normal domestic waste or other types of waste. Take these materials to a recycling point designated by local authorities.

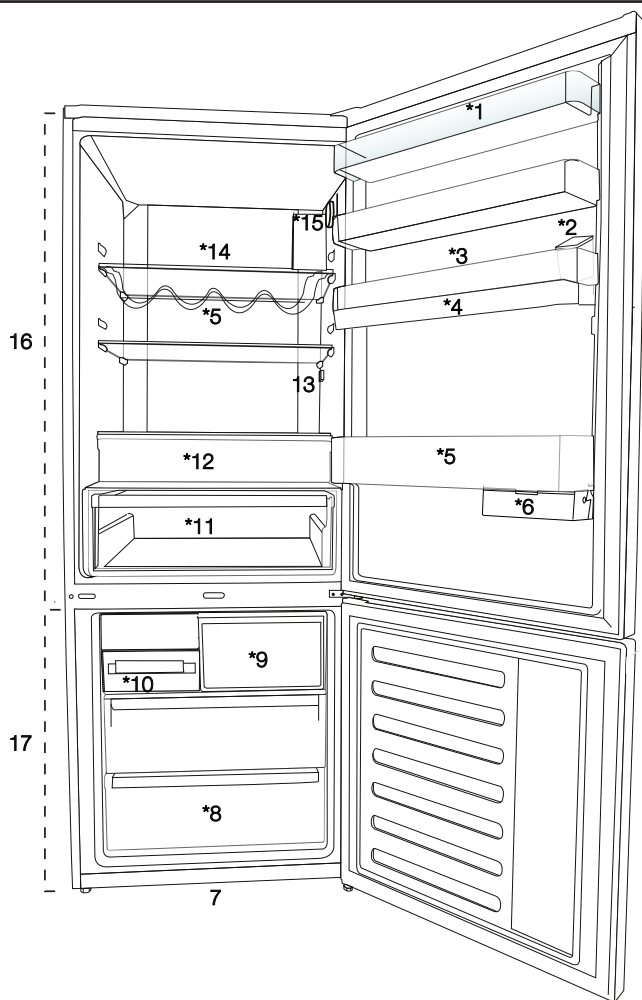
DANGER:

Risk of Fire or Explosion:

- This product uses flammable refrigerant.
- Do not use mechanical devices to defrost the refrigerator.
- Do not use chemicals for cleaning.
- Do not pierce the refrigerant pipe.
- If the refrigerant pipe is pierced, it must be repaired only by licensed service personnel.
- Please consult the repair/user manual before cleaning the product. All safety instructions must be followed.
- Dispose the product according to federal or local regulations.



2 Your Refrigerator



1. Cooler compartment door shelf
2. Water dispenser filling tank
3. Egg section
4. Water dispenser reservoir
5. Bottle shelf
6. Sliding storage box
7. Adjustable legs
8. Deep freezer compartment
9. Quick freeze compartment
10. Ice cube tray & Ice bank
11. Vegetable bin
12. Dairy (cold storage) bin
13. Interior light
14. Cooler compartment glass shelf
15. Temperature adjustment button
16. Cooler compartment
17. Freezer compartment




May not be available in all models



***optional:** Pictures given in this manual are given as example figures and they may not be exactly the same as your product. If your product does not comprise the relevant parts, the information pertains to other models.

3.1. Right place for installation

Contact the Authorized Service for the product's installation. To ready the product for installation, see the information in the user guide and make sure the electric and water utilities are as required. If not, call an electrician and plumber to arrange the utilities as necessary.

| | |
|--|---|
|  | WARNING: The manufacturer assumes no responsibility for any damage caused by the work carried out by unauthorized persons. |
|  | WARNING: The product's power cable must be unplugged during installation. Failure to do so may result in death or serious injuries! |
|  | WARNING: If the door span is too narrow for the product to pass, remove the door and turn the product sideways; if this does not work, contact the authorized service. |

- Place the product on a flat surface to avoid vibration.
- Place the product at least 30 cm away from the heater, stove and similar sources of heat and at least 5 cm away from electric ovens.
- Do not expose the product to direct sunlight or keep in damp environments.
- The product requires adequate air circulation to function efficiently.
- If the product will be placed in an alcove, remember to leave at least 5 cm distance between the product and the ceiling and the walls.
- Do not install the product in environments with temperatures below -5°C.
- Your product requires adequate air circulation to function efficiently. If the product will be placed in an alcove, remember to leave at least 5 cm clearance between the product and the ceiling, rear wall and the side walls.
- If the product will be placed in an alcove, remember to leave at least 5 cm clearance between the product and the ceiling, rear wall and the side walls. Check if the rear wall clearance protection component is present at its location (if provided with the product). If the component is not available, or if it is lost or fallen, position the product so that at least 5 cm clearance shall be left between the rear surface of the product and the wall of the room. The clearance at the rear is important for efficient operation of the product.

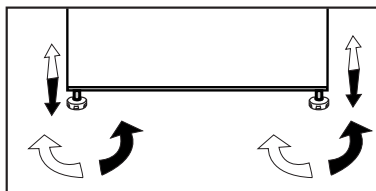
3.2. Attaching the plastic wedges

Use the plastic wedges in the provided with the product to provide sufficient space for air circulation between the product and the wall.




1. To attach the wedges, remove the screws on the product and use the screws provided with the wedges.
2. Attach 2 plastic wedges on the ventilation cover as shown in the figure.

3.3. Adjusting the stands


If the product is not in balanced position, adjust the front adjustable stands by rotating right or left.



3.4. Power connection

| | |
|---|--|
|  | WARNING: Do not use extension or multi sockets in power connection. |
|  | WARNING: Damaged power cable must be replaced by Authorized Service. |
|  | When placing two coolers in adjacent position, leave at least 4 cm distance between the two units. |

- Our firm will not assume responsibility for any damages due to usage without earthing and power connection in compliance with national regulations.
- The power cable plug must be easily accessible after installation.
- Do not use multi-group plug with or without extension cable between the wall socket and the refrigerator.

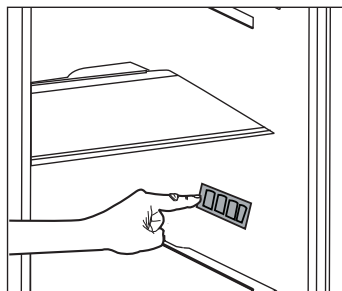
| | |
|---|--|
|  | Hot Surface Warning! Side walls of your product is equipped with refrigerant pipes to improve the cooling system. Refrigerant with high temperatures may flow through these areas, resulting in hot surfaces on the side walls. This is normal and does not need any servicing. Please pay attention while touching these areas. |
|---|--|

4.1. What to do for energy saving



Connecting the product to electronic energy-saving systems is harmful, as it may damage the product.

- For a freestanding appliance; 'this refrigerating appliance is not intended to be used as a built-in appliance' .
- Do not keep the refrigerator doors open for long periods.
- Do not place hot food or beverages into the refrigerator.
- Do not overfill the refrigerator; blocking the internal air flow will reduce cooling capacity.
- In order to store the maximum amount of food into the cooler compartment of your refrigerator, you should take out the upper drawers and place it onto the glass rack. The declared energy consumption of your refrigerator was determined by taking out the cooler, ice tray and upper drawers in a way that will enable maximum storage. Using the below drawer when storing is strongly recommended. Energy saving function should be activated for best energy consumption.
- You should not block the airflow by putting food in front of the cooler fan. A space of minimum 3cm must be left in front of the protective fan wire when placing food.
- Depending on the product's features; defrosting frozen foods in the cooler compartment will ensure energy saving and preserve food quality.
- Food should be stored using the drawers in the cooler compartment in order to ensure energy saving and protect food in better conditions.
- Food packages should not be in direct contact with the heat sensor located in the cooler compartment. If they are in contact with the sensor, energy consumption of the appliance might increase.
- Make sure the foods are not in contact with the cooler compartment temperature sensor described below.



- In case of multiple options are present glass shelves must be placed so that the air outlets at the backwall are not blocked, preferably air outlets are remaining below the glass shelf. This combination may help improving air distribution and energy efficiency.

4.2. First Use

Before using your refrigerator, make sure the necessary preparations are made in line with the instructions in "Safety and environment instructions" and "Installation" sections.

- Keep the product running with no food inside for 6 and do not open the door, unless absolutely necessary.



A sound will be heard when the compressor is engaged. It is normal to hear sound even when the compressor is inactive, due to the compressed liquids and gasses in the cooling system.



Front edges of the product might heat up. This is normal. These areas are designed to warm up in order to prevent condensation.

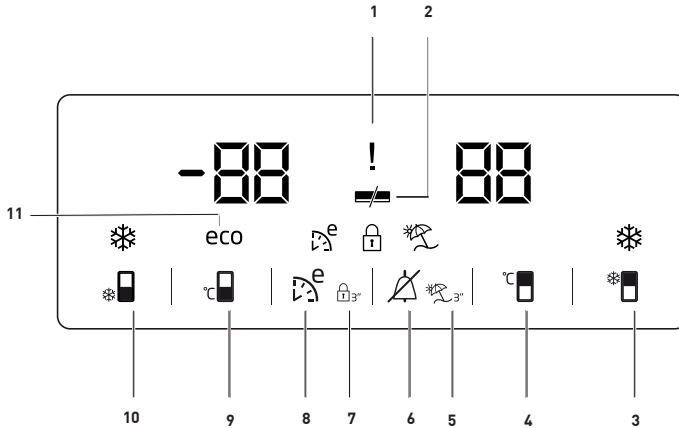


In some models indicator panel turns off automatically 5 minutes after the door closes. It will be reactivated when the door is open or any button is pressed.

- Since hot and humid air will not directly penetrate into your product when the doors are not opened, your product will optimize itself in conditions sufficient to protect your food. Functions and components such as compressor, fan, heater, defrost, lighting, display and so on will operate according to the needs to consume minimum energy under these circumstances.

5.1. Indicator panel

Indicator panel allows you to set the temperature and control the other functions related to the product without opening the door of the product. Just press the inscriptions on relevant buttons for function settings.



1. Power Failure / High temperature / Error status indicator

This indicator (!) illuminates in case of power failure, high temperature and error warnings.

When the temperature of the freezer compartment is heated up to a critical level for the frozen food, the maximum value reached by the freezer compartment temperature flashes on the digital indicator.

Check the food in the freezer compartment.

This is not a malfunction. The warning may be deleted by pressing any button or on high temperature alarm off button. (Cancelling by pressing any button is not applicable for every model.)

This indicator (!) illuminated when a sensor failure occurs, too. When this indicator is illuminated, "E" and figures such as "1,2,3..." are displayed alternatively on the temperature indicator. These figures on the indicator inform the service personnel about the error.

2. Energy saving function (display off)

If the product doors are kept closed for a long time energy saving function is automatically activated and energy saving symbol is illuminated. (☞)

When energy saving function is activated, all symbols on the display other than energy saving symbol will turn

off. When the Energy Saving function is activated, if any button is pressed or the door is opened, energy saving function will be canceled and the symbols on display will return to normal.

Energy saving function is activated during delivery from factory and cannot be canceled.

3. Quick fridge function

The button has two functions. To activate or deactivate the quick cool function press it briefly. Quick Cool indicator will turn off and the product will return to its normal settings. (☞)



i Use quick cooling function when you want to quickly cool the food placed in the fridge compartment. If you want to cool large amounts of fresh food, activate this function before putting the food into the product.

i If you do not cancel it, quick cooling will cancel itself automatically after 1 hours or when the fridge compartment reaches to the required temperature.

May not be available in all models

i ***Optional:** The figures in this user guide are intended as drafts and may not perfectly match your product. If your product does not comprise the relevant parts, the information pertains to other models.

Using the product

| | |
|---|--|
|  | If you press the quick cooling button repeatedly with short intervals, the electronic circuit protection will be activated and the compressor will not start up immediately. |
|  | This function is not recalled when power restores after a power failure. |

4. Fridge compartment temperature setting button

Press this button to set the temperature of the fridge compartment to 8,7,6, 5,4,3, 2 ,1 ,8... respectively. Press this button to set the fridge compartment temperature to the desired value. (🔧)

5. Vacation Function

In order to activate vacation function, press the this button (🌴) for 3 seconds, and the vacation mode indicator (🌴) will be activated. When the vacation function is activated, "- -" is displayed on the fridge compartment temperature indicator and no active cooling is performed on the fridge compartment. It is not suitable to keep the food in the fridge compartment when this function is activated. Other compartments shall be continued to be cooled as per their set temperature.

To cancel this function press Vacation function button again.

6. Termination of the High Temperature Warning:

In case of power failure/high temperature warning, you may delete the warning (🔔) by pressing any button on the indicator or high temperature alarm off button for 1 second after checking the food inside the freezer compartment.

Note: Cancelling by pressing any button is not applicable for every model.

7. Key lock

Press key lock button (🔒) simultaneously for 3 seconds. Key lock symbol

(🔒) will light up and key lock mode will be activated. Buttons will not function if the Key lock mode is active. Press key lock button simultaneously for 3 seconds again. Key lock symbol will turn off and the key lock mode will be exited.

Press the **key lock** button if you want to prevent changing of the temperature setting of the refrigerator (🔒).

8. Eco fuzzy

Press and hold eco fuzzy button for 1 seconds to activate eco fuzzy function. Refrigerator will start operating in the most economic mode at least 6 hours later and the economic usage indicator will turn on when the function is active (🌿). Press and hold eco fuzzy function button for 3 seconds to deactivate eco fuzzy function.

This indicator is illuminated after 6 hours when eco fuzzy is activated.




9. Freezer compartment temperature setting button

Press this button to set the temperature of the freezer compartment to -18,-19,-20,-21, -22, -23,-24, -18... respectively. Press this button to set the freezer compartment temperature to the desired value. (🔧)

10. Quick freeze function button/ icematic on-off button


Press this button to activate or deactivate the quick freezing function. When you activate the function, the freezer compartment will be cooled to a temperature lower than the set value. (🔑)

To turn on and off the icematic press and hold it for 3 seconds.

| | |
|---|--|
|  | Use the quick freeze function when you want to quickly freeze the food placed in fridge compartment. If you want to freeze large amounts of fresh food, activate this function before putting the food into the product. |
|  | If you do not cancel it, Quick Freeze will cancel itself automatically after 24 hours or when the fridge compartment reaches to the required temperature. |
|  | This function is not recalled when power restores after a power failure. |

11. Economic usage indicator

Indicates that the product is running in energy-efficient mode. (eco) This indicator will be active if the Freezer Compartment temperature is set to -18 or the energy efficient cooling is being performed due to Eco-Extra function.

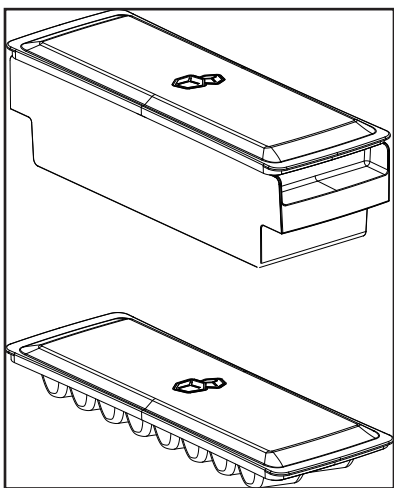
| | |
|---|---|
|  | Economic usage indicator is turned off when quick cooling or quick freeze functions are selected. |
|---|---|

Using the product

5.2. Ice bucket

*optional

- Take the ice bucket from the freezer compartment.
- Fill the ice bucket with water.
- Place the ice bucket into the freezer compartment.
- The ice will be ready after approximately two hours. Take the ice bucket from the freezer compartment and bend in slightly over the holder that you are going to serve. Ice will easily pour into the serving holder.



5.3. Eggholder

You can put the eggholder on the door or body rack of your choice. If you decide to put it on the body rack, it is recommended to prefer the shelves below as they are colder.

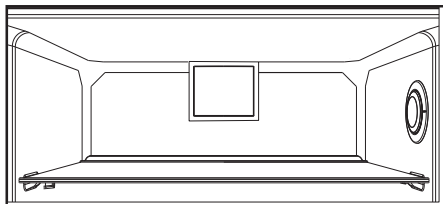


Do not put the eggholder into the freezer compartment.

5.4. Fan

Fan was designed to distribute circulate the cold air inside your refrigerator homogeneously. Operating time of the fan might vary depending the features of your product.

While in some products fan only operates with compressor, in others control system determines the operating time based on the need for cooling.



5.5. Vegetable bin

*optional

Product's vegetable bin is designed to keep vegetables fresh by preserving humidity. For this purpose, the overall cold air circulation is intensified in the vegetable bin.

5.6. Zero degree compartment

*optional

Use this compartment to keep delicatessen at lower temperatures or meat products for immediate consumption.

Zero degree compartment is the coolest place where foods such as dairy products, meat, fish and chicken can be stored in ideal storage conditions. Vegetables and/or fruits should not be stored in this compartment.

Using the product

5.7. Using the second crisper of the product;



Figure 1.

As shown in the figure, there are 2 stoppers in the second crisper of K70560 model product.



Figure 2.

The second crisper looks like Figure 2 when closed.



Figure 3.

With the door is open 90°, pull the second crisper up to the first stopper as shown in Figure 3.

In the case that the drawer is more open, first of all, open the door by at least 135° degrees. After that, as shown in Figure 4, lift the second crisper for about 5 mm so that it is freed from the first stopper.



Figure 4.

After lifting, pull the second drawer up to the second stopper as shown in Figure 5.



Figure 5.

Using the product

5.8. Moving door rack

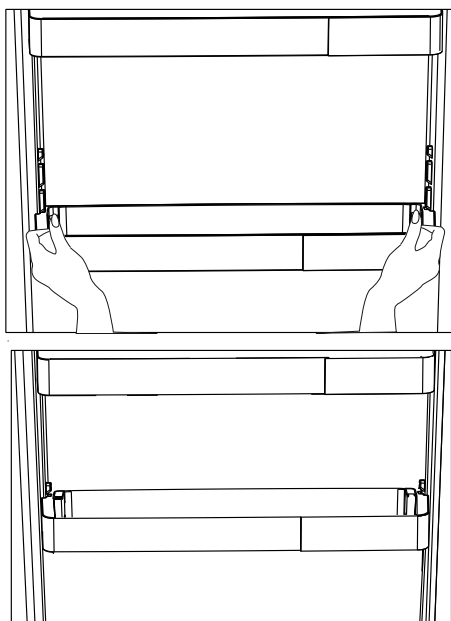
*optional

Moving door rack can be fixed in 3 different positions.

In order to move the rack, push the buttons on the side evenly. Rack will be movable.

Move the rack up or down.

When the rack is in the position that you want, release the buttons. Rack will be fixed again in the position where you have released the buttons.

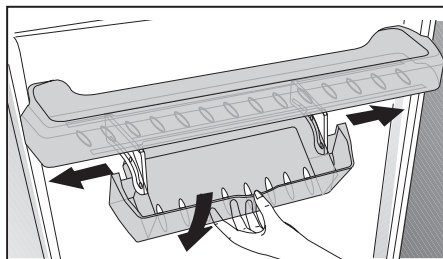


5.9. Sliding storage box

*optional

This accessory has been designed to increase the usage volume of the door racks.

Thanks to its ability to move sideways, it enables you to easily place long bottle, jar or boxes that you put in the bottle rack below.



5.10. Moisture controlled vegetable bin

*optional

With moisture control feature, moisture rates of vegetables and fruits are kept under control and ensures a longer freshness period for foods.

It is recommended to store leafed vegetables such as lettuce and spinach and similar vegetables prone to moisture loss not on their roots but in horizontal position into the vegetable bin as much as possible. When placing the vegetables, place heavy and hard vegetables at the bottom and light and soft ones on the top, taking into account the specific weights of vegetables.

Do not leave vegetables in the vegetable bin in plastic bags. Leaving them in plastic bags causes vegetables to rot in a short time. In situations where contact with other vegetables is not preferred, use packaging materials such as paper that has a certain porosity in terms of hygiene.

Do not put fruits that have a high ethylene gas production such as pear, apricot, peach and particularly apple in the same vegetable bin with other vegetables and fruits. The ethylene gas coming out of these fruits might cause other vegetables and fruits to mature faster and rot in a shorter period of time.

Using the product

5.11. Deodoriser Module

(FreshGuard) *optional

The deodoriser module quickly eliminates the bad smells in your refrigerator before they permeate the surfaces. Thanks to this module, which is placed on the ceiling of the fresh food compartment, the bad odours dissolve while the air is actively being passed on the odour filter, then the air that has been cleaned by the filter is re-emitted to the fresh food compartment. This way, the unwanted odours that may emerge during the storage of foods in the refrigerator are eliminated before they permeate the surfaces.

This is achieved thanks to the fan, LED and the odour filter integrated into the module. In daily use, the deodoriser module will turn on automatically on a periodic basis. To maintain efficient performance, it is recommended to have the filter in the deodoriser module by the authorised service provider every 5 years. Due to the fan integrated into the module, the noise you will hear during operation is normal. If you open the door of the fresh food compartment while the module is active, the fan will pause temporarily and resume where it has left off after some time the door is closed again. In case of power failure, the deodoriser module will resume where it has left off in the total operation duration once the power is back.

Info: It is recommended to store aromatic foods (such as cheese, olives and delicatessen foods) in their packaging and sealed to avoid bad odours that may result when smells of various foods get mixed. Besides, it is recommended to take spoiled foods out of the refrigerator quickly to prevent the other foods from getting spoiled and avoid bad odours.

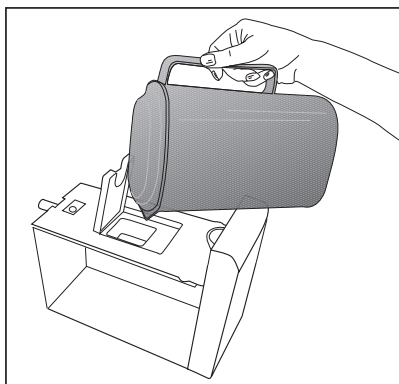
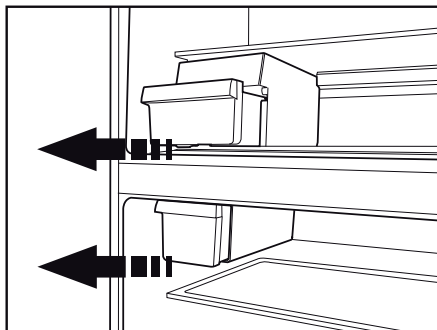
5.12. Automatic ice machine

*optional

Automatic ice machine enables you to easily make ice in your refrigerator. In order to obtain ice from the ice machine, take out the water tank in the cooler compartment, fill it with water and fix it back. First ice will be ready in about 2 hours in the ice machine drawer in the cooler compartment. After placing the full water tank, you can obtain about 60-70 cubes of ice until it is fully empty. If the water in the tank has waited for 2-3 weeks, it should be changed.



In products with automatic ice machine, you might hear a sound when pouring the ice. This sound is normal and is not a sign of failure.



Using the product

5.13. Icematic and ice storage container

*optional

Using the Icematic

Fill the Icematic with water and place it into its seat. Your ice will be ready approximately in two hours. Do not remove the Icematic from its seating to take ice. Turn the knobs on the ice reservoirs clockwise by 90 degrees.

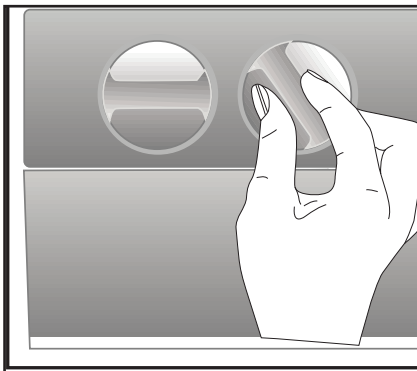
Ice cubes in the reservoirs will fall down into the ice storage container below.

You may take out the ice storage container and serve the ice cubes.

If you wish, you may keep the ice cubes in the ice storage container.

Ice storage container

Ice storage container is only intended for accumulating the ice cubes. Do not put water in it. Otherwise, it will break.



5.14. Using the water dispenser

*optional

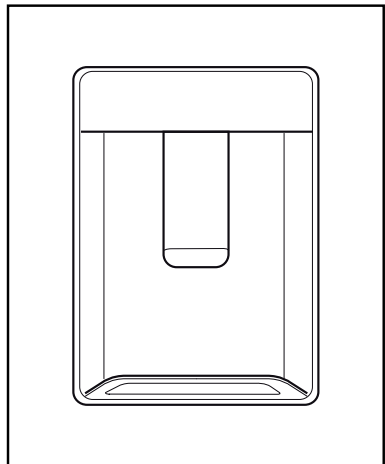


It is normal for the first few glasses of water taken from the dispenser to be warm.



If the water dispenser is not used for a long period of time, dispose of first few glasses of water to obtain fresh water.

1. Push in the lever of the water dispenser with your glass. If you are using a soft plastic cup, pushing the lever with your hand will be easier.
2. After filling the cup up to the level you want, release the lever.



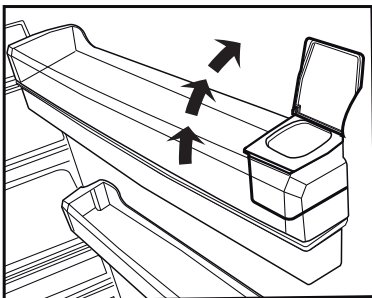
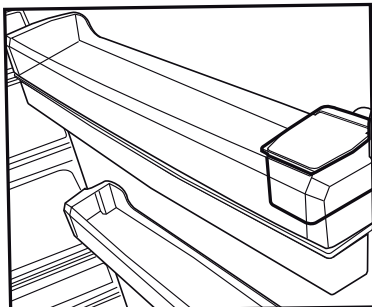
Please note, how much water flows from the dispenser depends on how far you depress the lever. As the level of water in your cup / glass rises, gently reduce the amount of pressure on the lever to avoid overflow. If you slightly press the arm, the water will drip; this is quite normal and not a failure.

Using the product

5.15. Filling the water dispenser's tank

Water tank filling reservoir is located inside the door rack.

1. Open the cover of the tank.
2. Fill the tank with fresh drinking water.
3. Close the cover.



Do not fill the water tank with any other liquid except for water such as fruit juices, carbonated beverages or alcoholic drinks which are not suitable to use in the water dispenser. Water dispenser will be irreparably damaged if these kinds of liquids are used. Warranty does not cover such usages. Some chemical substances and additives contained in these kinds of drinks/liquids may damage the water tank.



Use clean drinking water only.



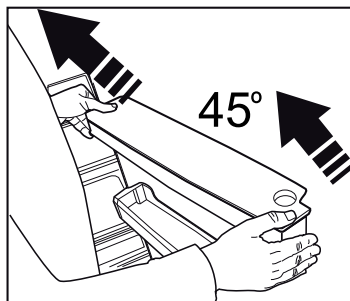
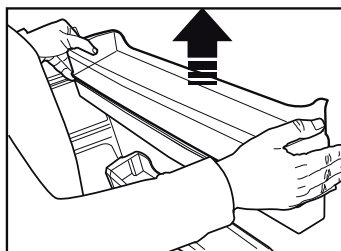
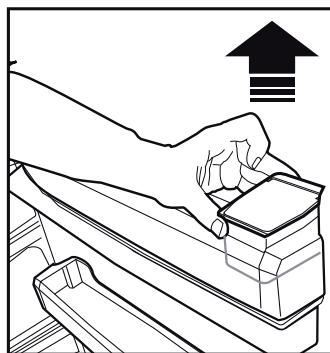
Capacity of the water tank is 3 litres; do not overfill.

5.16. Cleaning the water tank

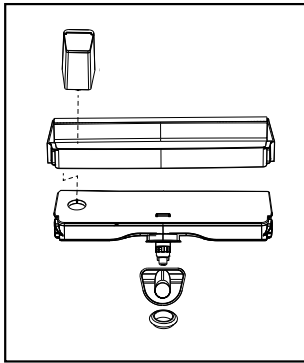
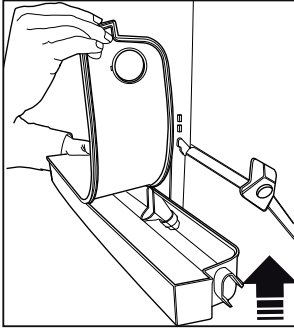
1. Remove the water filling reservoir inside the door rack.
2. Remove the door rack by holding from both sides.
3. Grab the water tank from both sides and remove it with an angle of 45°C.
4. Remove the cover of the water tank and clean the tank.



Components of the water tank and water dispenser should not be washed in dishwasher.



Using the product

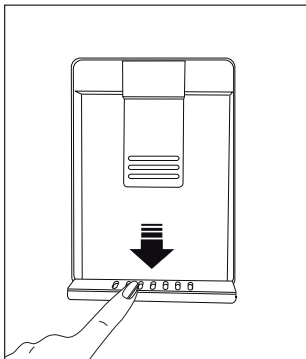


5.17. Drip tray

Water that dripped while using the water dispenser accumulates in the spillage tray.

Remove the plastic filter as shown in the figure.

With a clean and dry cloth, remove the water that has accumulated.



5.18. HerbBox/HerbFresh

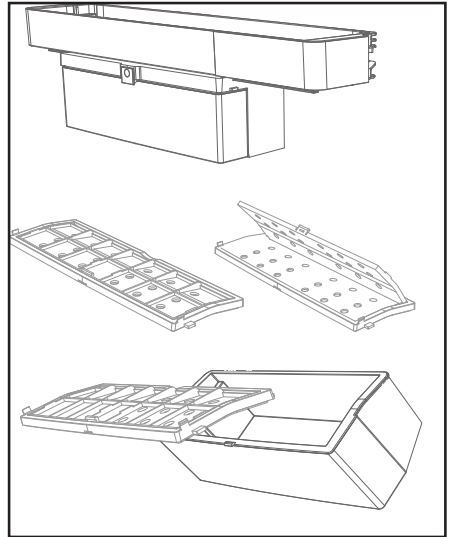
Remove the film container from HerbBox/HerbFresh+

Take the film out of the bag and put it into the film container as shown in the image.

Seal the container again and replace it into HerbBox/HerbFresh+ unit.

HerbBox-HerbFresh+ sections are especially ideal for storage of various herbs that are supposed to be kept in delicate conditions. You can store your unbagged herbs (parsley, dill, etc.) in this section horizontally and keep them fresh for a much longer period.

The film shall be replaced in every six months.



Using the product

5.19. Freezing fresh food

- To preserve food quality, the food items placed in the freezer compartment must be frozen as quickly as possible, use the rapid freezing for this.
- Freezing the food items when fresh will extend the storage time in the freezer compartment.
- Pack the food items in air-tight packs and seal tightly.
- Make sure the food items are packed before putting in the freezer. Use freezer holders, tinfoil and damp-proof paper, plastic bag or similar packaging materials instead of traditional packaging paper.



Ice in the freezing compartment thaws automatically.

- Mark each food pack by writing the date on the package before freezing. This will allow you to determine the freshness of each pack every time the freezer is opened. Keep the earlier food items in the front to ensure they are used first.

- Frozen food items must be used immediately after defrosting and should not be frozen again.
- Do not free large quantities of food at once.

5.20. Recommendations for storing frozen foods

The compartment must be set to at least -18°C .

1. Place the food items in the freezer as quickly as possible to avoid defrosting.
2. Before freezing, check the "Expiry Date" on the package to make sure it is not expired.
3. Make sure the food's packaging is not damaged.

| Freezer Compartment Temperature Setting | Cooler Compartment Temperature Setting | Details |
|---|--|--|
| -18°C | 4°C | This is the default, recommended setting. |
| $-20, -22$ or -24°C | 4°C | These settings are recommended for ambient temperatures exceeding 30°C . |
| Quick Freeze | 4°C | Use when you want to freeze your food in a short time. When the process ends, the product will regain its position. |
| -18°C or colder | 2°C | Use these settings if you believe the cooler compartment is not cold enough due to ambient temperature or frequently opening the door. |

Using the product

5.21. Deep freezer details

As per the IEC 62552 standards, the freezer must have the capacity to freeze 4,5 kg of food items at -18°C or lower temperatures in 24 hours for each 100 litres of freezer compartment volume.

Food items can only be preserved for extended periods at or below temperature of -18°C .

You can keep the foods fresh for months (in deep freezer at or below temperatures of 18°C).

The food items to be frozen must not contact the already-frozen food inside to avoid partial defrosting.

Boil the vegetables and filter the water to extend the frozen storage time. Place the food in air-tight packages after filtering and place in the freezer.

Bananas, tomatoes, lettuce, celery, boiled eggs, potatoes and similar food items should not be frozen. In case this food rots, only nutritional values and eating qualities will be negatively affected. A rotting threatening human health is not in question.

5.22. Placing the food

| | |
|---------------------------------|--|
| Freezer compartment shelves | Various frozen goods including meat, fish, ice cream, vegetables etc. |
| Cooler compartment shelves | Food items inside pots, capped plate and capped cases, eggs (in capped case) |
| Cooler compartment door shelves | Small and packed food or beverages |
| Vegetable bin | Fruits and vegetables |
| Fresh food compartment | Delicatessen (breakfast food, meat products to be consumed in short notice) |

5.23. Door open alert

(Optional)

An audible alert will be heard if the product's door remains open for at least 1 minute. The audible alert will stop when the door is closed or any button on the display (if available) is pressed.

Door open alert is indicated to the user both audibly and visually. Interior lighting will turn off if the warning continues for 10 min.

5.24. Changing the opening direction of the door

You can change the direction of opening of your refrigerator depending on the location where you use it. When you need this, consult the closest Authorized Service.

The explanation above is a general statement. You should check the warning tag located inside the product package about the changeability of direction of the door.

5.25. Interior light

Interior light uses a LED type lamp. Contact the authorized service for any problems with this lamp. Lamp(s) used in this appliance cannot be used for house lighting. Intended use of this lamp is to help the user place food into the refrigerator / freezer safely and comfortably.

5.26. Blue light/HarvestFresh

***May not be available in all models**

For the blue light,

Fruits and vegetables stored in the crispers that are illuminated with a blue light continue their photosynthesis by means of the wavelength effect of blue light and thus preserve their vitamin content.

For HarvestFresh,

Fruits and vegetables stored in crispers illuminated with the HarvestFresh technology preserve their vitamins for a longer time thanks to the blue, green, red lights and dark cycles, which simulate a day cycle. If you open the door of the refrigerator during the dark period of the HarvestFresh technology, the refrigerator will automatically detect this and enable the blue-green or red light to illuminate the crisper for your convenience. After you have closed the door of the refrigerator, the dark period will continue, representing the night time in a day cycle.

5.27. The dairy (cold storage) bin

Provides lower temperature within the refrigerator compartment. Use this bin to store delicatessen (salami, sausages, dairy products and etc.) that requires lower storage temperature or meat, chicken or fish products for immediate consumption. Do not store fruits and vegetables inside this bin.

Service life of the product will extend and frequently encountered problems will decrease if the product is cleaned periodically.



WARNING: Switch off the product before cleaning.



WARNING: It is recommended to clean the condenser every six months using gloves. You must not use vacuum cleaners.

- Never use gasoline, benzene or similar substances for cleaning purposes.
- Never use any sharp abrasive instruments, soap, household cleaners, detergent or wax polish for cleaning.
- Dissolve one teaspoon of carbonate in half liter of water. Soak a cloth in the solution and wring it thoroughly. Wipe the interior of the refrigerator with this cloth and the dry thoroughly.
- Make sure that no water enters the lamp housing or other electrical parts.
- If you will not use the refrigerator for a long time, unplug it, remove all food inside, clean it and leave the door ajar.
- Check regularly that the door gaskets are clean. If not, clean them.
- Take out all items in the product to remove the door and body shelves.
- Remove the door shelves by pulling them up. Slide the shelves downwards to re-install them after cleaning.
- Never use chloric cleaning agents or water to clean outer surfaces or chrome-coated parts of the product. Chlorine causes abrasion on such metal surfaces.
- For non-No Frost products, water drops and frosting up to a fingerbreadth occur on the rear wall of the Fridge compartment. Do not clean it; never apply oil or similar agents on it.
- Only use slightly damp microfiber cloths to clean the outer surface of the product. Sponges and other types of cleaning cloths may scratch the surface.

6.1. Avoiding Bad Odours

Materials that may cause odour are not used in the production of our refrigerators. However, odour may be emitted if foods are stored improperly or if the inner surface of the product is not cleaned as required. Please consider the following to avoid this problem:

- It is important that the refrigerator is kept clean. Food residuals, stains, etc. can cause odour. For this reason, clean your refrigerator with carbonate solved in water every 15 days. Never use detergents or soap.
- Keep your foods in closed vessels. Microorganisms emitted from vessels without a cover may cause unpleasant odours.
- Never keep expired or spoiled foods in your refrigerator.

6.2. Protection of plastic surfaces

Do not put liquid oils or oil-cooked meals in your refrigerator in unsealed containers as they damage the plastic surfaces of your refrigerator. If oil is spilled or smeared onto the plastic surfaces, clean and rinse the relevant part of the surface with warm water immediately.

6.3. Cleaning the Inner Surface

To clean the inner surfaces and all removable parts, wash them with a mild solution comprising soap, water and carbonate. Rinse and dry thoroughly. Prevent the water from contacting the lighting means and control panel.



ATTENTION:

Do not use vinegar, rubbing alcohol or other alcohol-based cleaning agents on any of the inner surfaces.

6.4. Stainless Steel Outer Surfaces

Use a stainless steel cleaning agent that is non-abrasive and apply it with a lint-free, soft cloth. For polishing, wipe the surface softly with a damp microfiber cloth and use dry wash-leather. Always follow the strands of the stainless steel.

6.5. Cleaning Products with Glass Doors

Remove the protection foil on the glass.

There is a coating on the surface of the glass. This coating minimises stain formation and ensures that stains and dirt are cleaned easily. Glasses that are not protected by a coating might be exposed to permanent bonding of organic or inorganic, air or waterborne pollutants such as limescale, mineral salts, unburned hydrocarbons, metal oxides and silicones, which lead to stains and physical damage in a short time. Despite regular washing, the glass becomes very hard to keep clean, though not impossible. As a result, the clarity and good appearance of the glass reduces. Hard and abrasive cleaning compounds and methods increase these defects even further and accelerate the deterioration process.

*Non-alkali, non-abrasive and water-based cleaning products must be used for routine cleaning procedures. For the coating to have long service life, alkali or abrasive substances must not be used during cleaning processes.

These glasses were subject to a tempering process to increase their impact and breakage resistance. As an additional safety measure, there is a safety film on the back surfaces of the glasses to ensure that they will not harm the environment in case of breakage.

Please review this list before calling the service. This will save you time and money. This list contains frequently encountered problems that are not results of faulty workmanship or material use. Your product may not have some of the features described here.

The refrigerator is not operating.

- It may not be plugged in properly. >>>Plug in the product properly.
- The fuse of the socket to which your refrigerator is connected or the main fuse may have blown. >>>Check the fuse.

Condensation on the side wall of the fridge compartment (MULTI ZONE, COOL CONTROL and FLEXI ZONE).

- The door may have been opened/closed frequently. >>>Do not open/close the refrigerator door frequently.
- The environment may be too humid. >>>Do not install the refrigerator at locations with a very high level of humidity.
- Foods containing liquid may have been placed into the refrigerator in vessels without covers. >>>Do not place foods containing liquid into the refrigerator in unsealed vessels.
- Door of the refrigerator may have been left ajar. >>>Do not keep the doors of your refrigerator open for a long time.
- The thermostat may have been set to a very cold level. >>>Set the thermostat to an appropriate level.

The compressor is not operating.

- Protective thermal of the compressor will blow out during sudden power failures or plug-out plug-ins as the refrigerant pressure in the cooling system of the refrigerator has not been balanced yet. The refrigerator will start running approximately after 6 minutes. Please call the Authorised Service Provider if the refrigerator does not start at the end of this period.
- The freezer is in defrosting cycle. >>>This is normal for a refrigerator that performs full-automatic defrosting. Defrosting cycle is performed periodically.
- The refrigerator may not be plugged in. >>>Make sure that the plug fits the socket.
- Temperature settings may be incorrect. >>>Select the correct temperature value.
- Possible power failure. >>>The refrigerator will start to operate normally when power restores.

The operation noise increases when the refrigerator is running.

- Operating performance of the refrigerator may vary based on the ambient temperature changes. This is normal and not a fault.

The fridge is running frequently or for a long time.

- Your new product may be bigger than the previous one. Larger refrigerators operate for a longer period of time.
- The room temperature may be high. >>> It is normal that the product operates for longer periods in hot environments.
- The refrigerator may have just been plugged in or loaded with food. >>>It takes the product longer to reach the set temperature when it has just been plugged in or loaded with food. This is normal.
- Large amounts of hot food may have been placed into the refrigerator recently. >>>Do not place hot foods into the refrigerator.
- The doors may have been opened frequently or left ajar for a long time. >>>The warm air that enters the refrigerator causes it to operate for a longer period of time. Do not open the doors frequently.
- Freezer or fridge compartment door may have been left ajar. >>> Check if the doors are closed completely.
- The appliance may be set to a very low temperature. >>> Set the refrigerator temperature to a warmer degree and wait until the product reaches this temperature.
- Door seal of the fridge or freezer compartment may be soiled, worn out, broken or not properly seated. >>> Clean or replace the seal. Damaged/broken seal causes the refrigerator to run for a longer period of time to maintain the current temperature.

Fridge temperature is adequate but the freezer temperature is very low.

- The freezer compartment temperature may be set to a very low value. >>> Set the freezer compartment temperature to a higher value and check.

Freezer temperature is adequate but the fridge temperature is very low.

- The fridge temperature is adjusted to a very low value. >>> Adjust the fridge temperature to a higher value and check.

Troubleshooting

Food kept in the fridge compartment drawers is frozen.

- The fridge compartment temperature may be set to a very high value. >>> Set the fridge compartment temperature to a lower value and check.

Temperature in the fridge or freezer is very high.

- The fridge compartment temperature may be set to a very high value. >>> Fridge compartment temperature setting has an effect on the temperature of the freezer. Change the temperature of the fridge or freezer compartment until the fridge or freezer compartment temperature reaches an adequate level.
- The doors may have been opened frequently or left ajar for a long time. >>>Do not open the doors frequently.
- The door may have been left ajar. >>>Close the door completely.
- The refrigerator may have been just plugged in or loaded with food. >>>This is normal. It takes the product longer to reach the set temperature when it has just been plugged in or loaded with food.
- Large amounts of hot food may have been placed into the refrigerator recently. >>>Do not place hot foods into the refrigerator.

Vibration or noise.

- The floor may not be stable or level. >>>If the refrigerator shakes when moved slightly, adjust the feet to balance it. Make sure that the floor is level and capable of carrying the refrigerator.
- Objects placed onto the refrigerator may cause noise. >>>Remove the objects on the refrigerator.

There are noises coming from the refrigerator like liquid spilling or spraying.

- Liquid and gas flows occur in accordance with the operating principles of the refrigerator. >>>This is normal and not a fault.

Whistle is heard from the refrigerator.

- There are fans that are used to cool the refrigerator. This is normal and not a fault.

Damp accumulates on the inner walls of refrigerator.

- Hot and humid weather increases icing and condensation. This is normal and not a fault.
- The doors may have been opened frequently or left ajar for a long time. >>>Do not open the doors frequently. Close the doors, if open.
- The door may have been left ajar. >>>Close the door completely.

Humidity occurs on the outer surface of the refrigerator or between the doors.

- Air might be humid. This is quite normal in humid weathers. >>>Condensation will disappear when the humidity level decreases.
- There might be external condensation at the section between two doors of the refrigerator if you use your product rarely. This is normal. Condensation will disappear upon frequent use.

There is a bad odour inside the refrigerator.

- No regular cleaning may have been performed. Clean the inside of the refrigerator with a sponge, lukewarm water or carbonated water.
- Some vessels or packaging materials may cause the odour. >>>Use another vessel, or packaging materials from another brand.
- Foods may have been placed into the refrigerator in vessels without covers. >>>Store the foods in closed vessels. Microorganisms emitted from vessels without a cover may cause unpleasant odours.
- Take out expired or spoiled foods from the refrigerator.

The door cannot be closed.

- Food packages may be preventing the door from closing. >>> Re-locate the packages that are obstructing the door.
- The refrigerator may be unstable on the floor. >>>Adjust the refrigerator feet as required to keep the refrigerator in balance.
- The floor may not be level or solid. >>>Make sure that the floor is level and capable of carrying the refrigerator.

Crispers are stuck.

- Foods may be touching the upper wall of the crisper. >>>Re-organise the foods in the crisper.

If The Surface Of The Product Is Hot.

High temperatures may be observed between the two doors, on the side panels and at the rear grill while the product is operating. This is normal and does not require service maintenance!

Fan keeps running when the door is open.

The fan may keep running when the door of the freezer is open.



WARNING: If you cannot eliminate the problem although you follow the instructions in this section, consult your dealer or the Authorised Service Provider. Never attempt to repair a malfunctioned product.

DISCLAIMER / WARNING

Some (simple) failures can be adequately handled by the end-user without any safety issue or unsafe use arising, provided that they are carried out within the limits and in accordance with the following instructions (see the "Self-Repair" section).

Therefore, unless otherwise authorized in the "Self-Repair" section below, repairs shall be addressed to registered professional repairers in order to avoid safety issues. A registered professional repairer is a professional repairer that has been granted access to the instructions and spare parts list of this product by the manufacturer according to the methods described in legislative acts pursuant to Directive 2009/125/EC.

However, only the service agent (i.e. authorized professional repairers) that you can reach through the phone number given in the user manual/warranty card or through your authorized dealer may provide service under the guarantee terms. Therefore, please be advised that repairs by professional repairers (who are not authorized by Beko) shall void the guarantee.

Self-Repair

Self-repair can be done by the end-user with regard to the following spare parts: door handles, door hinges, trays, baskets and door gaskets (an updated list is also available in support.beko.com as of 1st March 2021).

Moreover, to ensure product safety and to prevent risk of serious injury, the mentioned self-repair shall be done following the instructions in the user manual for self-repair or which are available in support.beko.com. For your safety, unplug the product before attempting any self-repair.

Repair and repair attempts by end-users for parts not included in such list and/or not following the instructions in the user manuals for self-repair or which are available in support.beko.com, might give rise to safety issues not attributable to Beko, and will void the warranty of the product.

Therefore, it is highly recommended that end-users refrain from the attempt to carry out repairs falling outside the mentioned list of spare parts, contacting in such cases authorized professional repairers or registered professional repairers. On the contrary, such attempts by end-users may cause safety issues and damage the product and subsequently cause fire, flood, electrocution and serious personal injury to occur.

By way of example, but not limited to, the following repairs must be addressed to authorized professional repairers or registered professional repairers: compressor, cooling circuit, main board, inverter board, display board, etc.

The manufacturer/seller cannot be held liable in any case where end-users do not comply with the above.

The spare part availability of the refrigerator that you purchased is 10 years.

During this period, original spare parts will be available to operate the refrigerator properly. The minimum duration of guarantee of the refrigerator that you purchased is 24 months. This product is equipped with a lighting source of the "G" energy class.

The lighting source in this product shall only be replaced by professional repairers.

Bitte lesen Sie vor Inbetriebnahme des Gerätes diese Anleitung!

Sehr geschätzte Kundin, sehr geschätzter Kunde,





wir hoffen, dass Sie mit Ihrem Produkt, das sorgfältig in modernen Anlagen hergestellt und mit detaillierten Qualitätsprüfungen getestet wurde, optimale Ergebnisse erzielen.

Daher empfehlen wir Ihnen, diese Bedienungsanleitung vor Inbetriebnahme des Produktes aufmerksam zu lesen. Falls Sie das Gerät an jemand anderen weitergeben, vergessen Sie nicht, diese Bedienungsanleitung ebenfalls beizulegen.

Die Anleitung hilft Ihnen, Ihr Gerät schnell und sicher zu bedienen.

- Bitte lesen Sie die Bedienungsanleitung aufmerksam, bevor Sie das Produkt aufstellen und bedienen.
- Halten Sie stets die zutreffenden Sicherheitshinweise ein.
- Bewahren Sie die Bedienungsanleitung zum künftigen Nachschlagen an einem leicht zugänglichen Ort auf.
- Bitte lesen Sie alle anderen mit dem Produkt bereitgestellten Dokumente.

Beachten Sie, dass diese Bedienungsanleitung auf verschiedene Produktmodelle zutreffen kann. Diese Anleitung weist ausdrücklich auf Unterschiede zwischen verschiedenen Modellen hin.

| | |
|--|---|
|  | Wichtige Informationen und nützliche Hinweise. |
|  | Gefahr von Verletzungen und Sachschäden. |
|  | Stromschlaggefahr. |
|  | Die Verpackungsmaterialien des Gerätes wurden gemäß nationalen Umweltschutzbestimmungen aus recyclingfähigen Materialien hergestellt. |

ANGABEN



Die Modellinformationen, wie sie in der Produktdatenbank gespeichert sind, können durch Eingabe der folgenden Website und Suche nach Ihrer Modellkennung (*) auf dem Energieticket erreicht werden.

<https://eprel.ec.europa.eu/>

1 Wichtige Hinweise zu Sicherheit und Umwelt 3

| | |
|--|---|
| 1.1. Allgemeine Hinweise zu Ihrer Sicherheit | 3 |
| 1.1.1 Kohlenwasserstoff-Warnung | 6 |
| 1.1.2 Bei Produkten mit Wasserspender/Eisbereiter | 6 |
| 1.2. Bestimmungsgemäßer Einsatz | 6 |
| 1.3. Sicherheit von Kindern | 7 |
| 1.4. Erfüllung der WEEE-Vorgaben zur Entsorgung von Altgeräten: | 7 |
| 1.5. Einhaltung von RoHS-Vorgaben: | 7 |
| 1.6. Verpackungsinformationen | 7 |

2 Ihr Kühlschrank 8

3 Installation 9

| | |
|--|---|
| 3.1. Der richtige Aufstellungsort. | 9 |
| 3.2. Kunststoffkeile anbringen | 9 |
| 3.3. Füße einstellen. | 9 |
| 3.4. Stromanschluss | 9 |

4 Vorbereitungen 11

| | |
|--|----|
| 4.1. Maßnahmen zum Energiesparen | 11 |
| 4.2. Erste Inbetriebnahme | 11 |

5 Produkt verwenden 12

| | |
|---|----|
| 5.1. Anzeigefeld | 12 |
| 5.2. Eisbehälter | 14 |
| 5.3. Eierhalter | 14 |
| 5.4. Lüfter | 14 |
| 5.5. Gemüsefach | 14 |
| 5.6. 0-Grad-Fach | 14 |
| 5.7. Das zweite gemüsefach des produktes verwenden | 15 |
| 5.8. Bewegliche Türablage | 16 |
| 5.9. Verschiebbarer Vorratsbehälter | 16 |
| 5.10. HerbBox/HerbFresh | 16 |
| 5.11. Feuchtigkeitskontrolliertes Gemüsefach. | 17 |

| | |
|---|----|
| 5.12. Automatischer Eisbereiter | 17 |
| 5.13. Eisbereiter und Eisbehälter | 18 |
| 5.14. Wasserspender | 19 |
| 5.15. So benutzen Sie den Wasserspender. | 19 |
| 5.16. Wassertank reinigen | 19 |
| 5.17. Tropfschale | 21 |
| 5.18. Frische Lebensmittel tiefkühlen | 22 |
| 5.19. Empfehlungen zur Lagerung gefrorener Lebensmittel. | 22 |
| 5.20. Hinweise zum Tiefkühlbereich | 22 |
| 5.21. Lebensmittel einlagern | 23 |
| 5.22. Tür-offen-Alarm | 23 |
| 5.23. Wechseln des Türanschlags | 23 |
| 5.24. Innenbeleuchtung. | 23 |
| 5.25. Blaues Licht/HarvestFresh | 23 |
| 5.26. Der Milchbehälter (Kühlagerung) | 23 |

6 Wartung und Reinigung 24

| | |
|--|----|
| 6.1. Unangenehme Gerüche verhindern | 24 |
| 6.2. Kunststoffflächen schützen | 24 |
| 6.3. Innenfläche reinigen | 24 |
| 6.4. Edelstahl-Außenflächen | 25 |
| 6.5. Produkte mit Glastüren reinigen | 25 |

6 Reinigung und Pflege 25

7 Problemlösung 26

1 Wichtige Hinweise zu Sicherheit und Umwelt

Dieses Kapitel enthält Sicherheitshinweise, die Ihnen dabei helfen, die Gefahr von Verletzungen oder Sachschäden zu verhindern. Bei Nichtbeachtung dieser Anweisungen erlöschen sämtliche Gewährleistungen.

Bestimmungsgemäßer Einsatz

ACHTUNG:

Stellen Sie sicher, dass die Entlüftungsöffnungen am Aufstellort des Gerätes nicht blockiert sind.

ACHTUNG:

Um den Auftauvorgang zu beschleunigen, keine anderen mechanischen Geräte oder Geräte verwenden, die nicht vom Hersteller empfohlen sind.

ACHTUNG:

Dem Kühlmittelkreislauf keine Schäden zufügen.

ACHTUNG:

In den Lebensmittelaufbewahrungsfächern keine Geräte verwenden, die nicht vom Hersteller empfohlen sind.



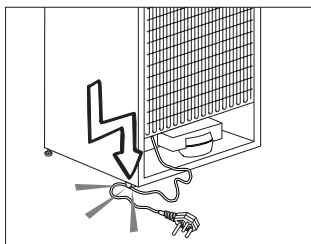
Dieses Gerät ist für die private Nutzung oder für den Gebrauch bei folgenden ähnlichen Anwendungen konzipiert worden

- In Personalküchen in Geschäften, Büros und anderen Arbeitsumgebungen;
- In Bauernhöfen, Hotels, Motels und anderen Unterkünften, für den Gebrauch der Kunden;
- Umgebungen mit Übernachtung und Frühstück;

1.1. Allgemeine Hinweise zu Ihrer Sicherheit

- Personen mit körperlichen, sensorischen oder geistigen Behinderungen, oder die sich mit dem Gerät nicht auskennen, sollten es nicht nutzen. Kinder sollten nicht daran spielen oder hineinklettern.

- Die Nichteinhaltung der Anweisungen zum Gerät oder eine unkontrollierte Nutzung des Gerätes könnten zu gefährlichen Situationen führen!
- Ziehen Sie den Netzstecker, falls während der Benutzung eine Störung auftritt.
- Falls das Produkt nicht richtig funktioniert, darf es erst nach Reparatur durch einen autorisierten Serviceanbieter in Betrieb genommen werden. Stromschlaggefahr!
- Schließen Sie das Gerät an eine geerdete Steckdose an, die mit einer Sicherung, die dem Wert auf dem Typenschild entspricht, ausgestattet ist. Lassen Sie das Produkt von einem qualifizierten Elektriker erden. Unser Unternehmen übernimmt keine Verantwortung für Schäden aufgrund einer nicht gemäß den örtlichen Bestimmungen geerdeten Steckdose.
- Ziehen Sie den Netzstecker, wenn Sie das Gerät nicht nutzen.
- Lassen Sie niemals Wasser direkt auf das Gerät gelangen; auch nicht zum Reinigen! Stromschlaggefahr!
- Berühren Sie den Netzstecker niemals mit feuchten oder gar nassen Händen!
- Trennen Sie das Gerät niemals durch Ziehen am Kabel vom Stromnetz. Greifen Sie beim Ziehen immer am Stecker.



- Achten Sie beim Aufstellen des Gerätes darauf, dass das Netzkabel nicht eingeklemmt oder anderweitig beschädigt wird.

Hinweise zu Sicherheit und Umwelt

- Platzieren Sie nicht mehrere Mehrfachsteckdosen oder Netzteile hinter dem Gerät.
- Schließen Sie den Kühlschrank nicht an lose Steckdosen an.
- Verbinden Sie Ihren Kühlschrank nie mit Energiesparvorrichtungen. Solche Systeme können dem Gerät schaden.
- Sorgen Sie dafür, dass das Gerät bei Installation, Pflege, Reinigung und Reparaturen komplett vom Stromnetz getrennt wird.
- Überlassen Sie die Produktaufstellung und den elektrischen Anschluss immer einem **autorisierten Serviceanbieter**. Der Hersteller übernimmt keine Verantwortung für Schäden, die durch von nicht autorisierten Personen ausgeführten Arbeitsschritten verursacht werden.
- Verzehren Sie Speiseeis und Eiswürfel nicht unmittelbar nach der Entnahme aus dem Tiefkühlbereich! Andernfalls kann es zu Erfrierungen an den Lippen kommen.
- Berühren Sie gefrorene Lebensmittel nicht mit feuchten Händen! Die Lebensmittel können an den Händen festfrieren!
- Bewahren Sie Getränke in Flaschen und Dosen niemals im Tiefkühlbereich auf. Sie können platzen!
- Verwenden Sie zum Reinigen oder Abtauen des Kühlschranks niemals Dampf oder Dampfreiniger. Wenn Dampf mit spannungsführenden Teilen in Ihrem Kühlschrank in Berührung kommt, drohen Kurzschlüsse und Stromschläge!
- Nutzen Sie keine mechanischen oder anderen Hilfsmittel, um das Gerät abzutauen – es sei denn, solche Hilfsmittel werden ausdrücklich vom Hersteller empfohlen.
- Missbrauchen Sie niemals Teile Ihres Kühlschranks (z. B. Tür oder Schubladen) als Befestigungen oder Kletterhilfen. Mit anderen Worten: Stellen Sie sich niemals auf Teile Ihres Kühlschranks, hängen Sie sich nicht daran. Dies gilt natürlich auch für Kinder. Andernfalls kann das Gerät umkippen und beschädigt werden.
- Achten Sie darauf, den Kühlkreislauf keinesfalls mit Bohr- oder Schneidwerkzeugen zu beschädigen. Das Kühlmittel kann herausspritzen, wenn die Gaskanäle des Verdunsters, Rohr- und Schlauchleitungen oder Oberflächenversiegelungen beschädigt werden. Dies kann zu Hautreizungen und Augenverletzungen führen.
- Decken Sie keinerlei Belüftungsöffnungen des Kühlschranks ab.
- Lagern Sie hochprozentige alkoholische Getränke gut verschlossen und aufrecht.
- Benutzen Sie keine Sprays in der Nähe des Gerätes; es besteht eine gewisse Brand- und Explosionsgefahr!
- Bewahren Sie in dem Gerät niemals entflammbare oder explosive Produkte auf oder solche, die entflammbare oder explosive Gase (z. B. Spray) enthalten.
- Stellen Sie keine mit Flüssigkeiten gefüllten Gegenstände auf dem Produkt ab. Falls Wasser oder

Hinweise zu Sicherheit und Umwelt

- andere Flüssigkeiten an elektrische Teile gelangen, kann es zu Stromschlägen oder Bränden kommen.
- Bewahren Sie Gegenstände, die eine präzise Temperatureinstellung benötigen (wie Impfstoffe, hitzeempfindliche Medikamente, wissenschaftliche Materialien usw.) nicht im Kühlschrank auf.
 - Ziehen Sie den Netzstecker und entnehmen Sie die Lebensmittel, falls das Produkt voraussichtlich längere Zeit nicht benutzen.
 - Falls der Kühlschrank über ein blaues Licht verfügt, blicken Sie nicht mit optischen Werkzeugen in dieses Licht.
 - In Bezug auf die elektrische Sicherheit besteht Gefahr, wenn das Produkt Regen, Schnee, direkter Sonneneinstrahlung und Wind ausgesetzt wird.
 - Bei Geräten mit mechanischer Temperaturregelung (Thermostat) warten Sie nach Unterbrechungen der Stromversorgung grundsätzlich mindestens 5 Minuten lang ab, bevor Sie den Netzstecker wieder einstecken.
 - Überladen Sie den Kühlschrank nicht. Gegenstände im Kühlschrank könnten herunterfallen und Verletzungen oder Schäden verursachen, wenn die Tür geöffnet wird. Ähnliche Probleme können auftreten, wenn ein Gegenstand auf dem Produkt platziert wird.
 - Falls das Gerät einen Türgriff hat, bewegen Sie es nicht durch Ziehen am Griff. Der Griff könnte sich lockern.
 - Achten Sie darauf, dass Ihre Hände sowie andere Körperteile nicht zwischen die beweglichen Teile des Kühlschranks geraten.
 - Stecken Sie weder Ihre Hand noch irgendwelche Gegenstände in den Eisbereiter, während er in Betrieb ist.
 - Kinder im Alter von 3 bis 8 Jahren dürfen Kühlgeräte ein- und ausräumen.
 - Vermeiden Sie durch Einhaltung der folgenden Anweisungen Lebensmittelkontamination:
 - Durch langes Öffnen der Tür kann die Temperatur in den Fächern des Gerätes drastisch ansteigen.
 - Reinigen Sie die Oberflächen, die mit Lebensmitteln in Berührung kommen, sowie zugängliche Ableitungssysteme regelmäßig.
 - Reinigen Sie Wassertanks, wenn diese 48 Stunden lang nicht benutzt wurden; spülen Sie das an die Wasserversorgung angeschlossene Wassersystem durch, falls 5 Tage lang kein Wasser entnommen wurde.
 - Bewahren Sie rohes Fleisch und Fisch in geeigneten Behältern im Kühlschrank auf, damit diese nicht mit anderen
 - Lebensmitteln in Berührung kommen.
 - Zwei-Sterne-Gefrierfächer eignen sich zur Aufbewahrung von Tiefkühlkost, zur Lagerung oder Herstellung von Speiseeis und zur Herstellung von Eiswürfeln.
 - Ein-, Zwei- und Drei-Sterne-Fächer eignen sich nicht zum Einfrieren frischer Lebensmittel.

Hinweise zu Sicherheit und Umwelt

- Falls das Kühlgerät lange Zeit leer bleibt, sollten Sie es abschalten, abtauen, reinigen, trocknen und die
- Tür geöffnet lassen, damit sich kein Schimmel im Gerät bildet.
- Achten Sie beim Aufstellen des Gerätes darauf, dass das Netzkabel nicht eingeklemmt oder anderweitig beschädigt wird.
- Platzieren Sie nicht mehrere Mehrfachsteckdosen oder Netzteile hinter dem Gerät.

1.1.1 Kohlenwasserstoff-Warnung

- Falls das Kühlsystem Ihres Produktes R600a enthält:
Dieses Gas ist leicht entflammbar. Achten Sie also darauf, Kühlkreislauf und Leitungen während Betrieb und Transport nicht zu beschädigen. Halten Sie das Produkt bei Schäden von möglichen Feuerquellen fern und belüften Sie den Raum, in dem das Produkt aufgestellt ist.

| | |
|---|---|
|  | Halten Sie sich vom Gas fern, falls das Produkt beschädigt ist und offensichtlich Gas austritt. Es kann bei Hautkontakt Erfrierungen verursachen. (Einschließlich R134) |
|  | Ignorieren Sie diese Warnung, falls das Kühlsystem Ihres Produktes R134a enthält. |
|  | Die Art des im Produkt eingesetzten Gases wird auf dem Typenschild an der linken Innenwand des Kühlschranks angegeben. |
|  | WARNUNG: Entsorgen Sie das Produkt keinesfalls durch Verbrennen. |

1.1.2 Bei Produkten mit Wasserspender/Eisbereiter

- Der Druck für die Kaltwasserzufuhr sollte maximal 90 psi (620 kPa) betragen. Wenn der Wasserdruck in Ihrem Haushalt 80 psi (550 kPa) übersteigt, verwenden Sie bitte ein Druckbegrenzungsventil in Ihrem Leitungssystem. Sollten Sie nicht wissen, wie der Wasserdruck gemessen wird, ziehen Sie bitte einen Fachinstallateur hinzu.
- Falls die Gefahr von Wasserschlägen in Ihrer Installation besteht, nutzen Sie immer eine Wasserschlag-Präventionsausrüstung in dieser Installation. Wenden Sie sich an einen professionellen Klempner, wenn Sie nicht sicher sind, ob bei Ihrer Installation die Gefahr eines Wasserschlags besteht.
- Nehmen Sie keine Installation am Warmwasserzulauf vor.
- Nutzen Sie ausschließlich Trinkwasser.
- Schützen Sie die Schläuche mit geeigneten Maßnahmen vor Frost. Der Wassertemperaturbereich muss zwischen 0,6 und 38 °C liegen.

| | |
|---|---|
|  | WARNUNG: Schließen Sie das Produkt niemals an einen Kaltwasseranschluss mit einem Druck von 550 kPa oder mehr an. |
|---|---|

1.2. Bestimmungsgemäßer Einsatz

- Dieses Gerät ist zur Nutzung im Haushalt vorgesehen. Es eignet sich nicht zum kommerziellen Einsatz und darf nur für seinen bestimmungsgemäßen Einsatzzweck verwendet werden.

Hinweise zu Sicherheit und Umwelt

- Es darf nur zur Aufbewahrung von Lebensmitteln genutzt werden.
- Der Hersteller übernimmt keine Verantwortung für Schäden aufgrund von unsachgemäßem Gebrauch oder Transport.
- Originalersatzteile sind ab Kaufdatum des Produktes 10 Jahre erhältlich.

1.3. Sicherheit von Kindern

- Wenn Sie ein Schloss an der Gerätetür haben, sollte der Schlüssel außerhalb der Reichweite von Kindern aufbewahrt werden.
- Kinder dürfen nicht mit dem Gerät spielen.



GEFAHR:
Bevor Sie Ihr Altgerät entsorgen:

- Kinder könnten sich im Inneren des Gerätes einsperren.
- Entfernen Sie die Türen.
- Lassen Sie die Ablagen im Gerät, damit Kinder nicht so einfach in das Produkt gelangen.

1.4. Ihre Pflichten als Endnutzer



Dieses Elektro- bzw. Elektronikgerät ist mit einer durchgestrichenen Abfalltonne auf Rädern gekennzeichnet. Das Gerät darf deshalb nur getrennt vom unsortierten Siedlungsabfall gesammelt und zurückgenommen werden. Es darf somit nicht in den Hausmüll gegeben werden. Das Gerät kann z.B. bei einer kommunalen Sammelstelle oder ggf. bei einem Vertreter (siehe unten zu

deren Rücknahmepflichten in Deutschland) abgegeben werden.

Das gilt auch für alle Bauteile, Unterbaugruppen und Verbrauchsmaterialien des zu entsorgenden Altgeräts.

Bevor das Altgerät entsorgt werden darf, müssen alle Altbatterien und Altakkumulatoren vom Altgerät getrennt werden, die nicht vom Altgerät umschlossen sind. Das gleiche gilt für Lampen, die zerstörungsfrei aus dem Altgerät entnommen werden können. Der Endnutzer ist zudem selbst dafür verantwortlich, personenbezogene Daten auf dem Altgerät zu löschen.

1.5. Einhaltung der RoHS-Richtlinie:

Das von Ihnen gekaufte Gerät entspricht der RoHS-Richtlinie der EU (2011/65/EU). Es enthält keinerlei Materialien, die gemäß der Richtlinie als schädlich oder verboten gelten.

1.6. Hinweise zum Recycling



Helfen Sie mit, alle Materialien zu recyceln, die mit diesem Symbol gekennzeichnet sind. Entsorgen Sie solche Materialien, insbesondere Verpackungen, nicht im Hausmüll, sondern über die bereitgestellten Recyclingbehälter oder die entsprechenden örtlichen Sammelsysteme.

Recyceln Sie zum Umwelt- und Gesundheitsschutz elektrische und elektronische Geräte.

1.7. Rücknahmepflichten der Vertreter

Wer auf mindestens 400 m² Verkaufsfläche Elektro- und Elektronikgeräte vertreibt oder diese gewerblich an Endnutzer abgibt, ist verpflichtet, bei Abgabe eines neuen Gerätes, ein Altgerät des Endnutzers der gleichen Geräteart, das im Wesentlichen die gleichen Funktionen wie das neue Gerät erfüllt, am Ort der Abgabe oder in unmittelbarer Nähe, unentgeltlich zurückzunehmen. Das gilt auch

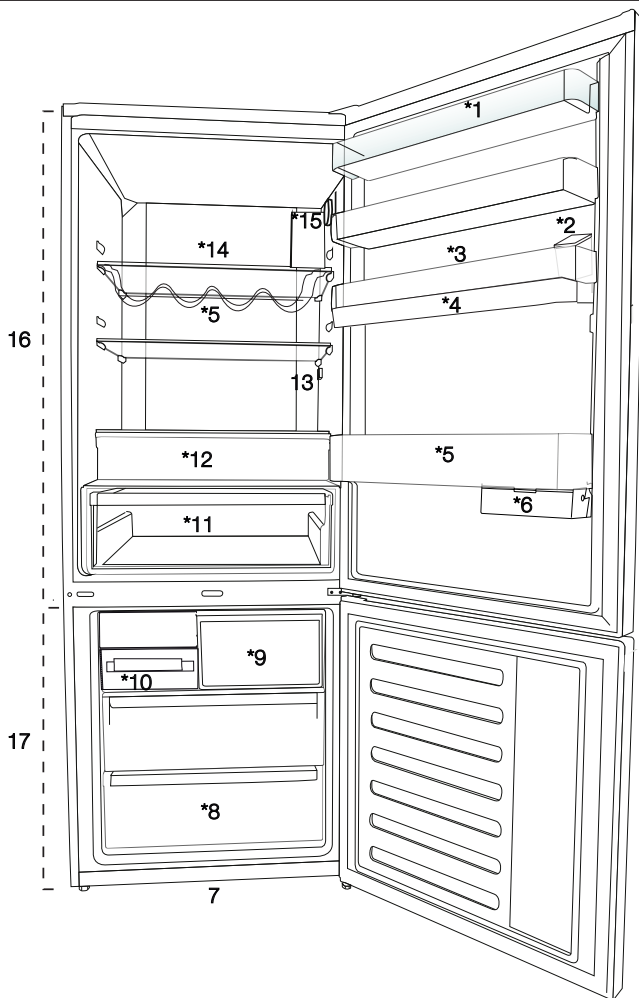
Hinweise zu Sicherheit und Umwelt

für Vertreiber von Lebensmitteln mit einer Gesamtverkaufsfläche von mindestens 800 m², die mehrmals im Kalenderjahr oder dauerhaft Elektro- und Elektronikgeräte anbieten und auf dem Markt bereitstellen. Solche Vertreiber müssen zudem auf Verlangen des Endnutzers Altgeräte, die in keiner äußeren Abmessung größer als 25 cm sind, (kleine Elektrogeräte) im Einzelhandelsgeschäft oder in unmittelbarer Nähe hierzu unentgeltlich zurückzunehmen; die Rücknahme darf in diesem Fall nicht an den Kauf eines Elektro- oder Elektronikgerätes verknüpft, kann aber auf drei Altgeräte pro Geräteart beschränkt werden.

Ort der Abgabe ist auch der private Haushalt, wenn das neue Elektro- oder Elektronikgerät dorthin geliefert wird; in diesem Fall ist die Abholung des Altgerätes für den Endnutzer kostenlos.

Die vorstehenden Pflichten gelten auch für den Vertrieb unter Verwendung von Fernkommunikationsmitteln, wenn die Vertreiber Lager- und Versandflächen für Elektro- und Elektronikgeräte bzw. Gesamtlager und Versandflächen für Lebensmittel beinhalten, die den oben genannten Verkaufsflächen entsprechen. Die unentgeltliche Abholung von Elektro- und Elektronikgeräten ist dann

aber auf Wärmeüberträger (z.B. Kühlschrank), Bildschirme, Monitore und Geräte, die Bildschirme mit einer Oberfläche von mehr als 100 cm² enthalten und Geräte beschränkt, bei denen mindestens eine der äußeren Abmessungen mehr als 50 cm beträgt. Für alle übrigen Elektro- und Elektronikgeräte muss der Vertreiber geeignete Rückgabemöglichkeiten in zumutbarer Entfernung zum jeweiligen Endnutzer gewährleisten; das gilt auch für kleine Elektrogeräte (s.o.), die der Endnutzer zurückgeben möchte, ohne ein neues Gerät zu erwerben.



- | | |
|--|--|
| <ol style="list-style-type: none"> 1. Kühlbereich-Türablage 2. Wasserspender-Befüllung 3. Eierhalter 4. Wasserspender-Tank 5. Flaschenablage 6. Verschiebbarer Vorratsbehälter 7. Einstellbare Füße 8. Tiefkühlbereich 9. Schnellgefrierfach 10. Eisbereiter und Eisbehälter | <ol style="list-style-type: none"> 11. Gemüsefach 12. Der Milchbehälter (Kühlagerung) 13. Innenbeleuchtung 14. Kühlbereichsglasablage 15. Temperatureinstelltaste 16. Kühlbereich 17. Tiefkühlbereich |
|--|--|




Trifft möglicherweise nicht auf alle Modelle zu



* **Optional:** Die Abbildungen in dieser Anleitung dienen lediglich der Veranschaulichung und müssen nicht absolut exakt mit Ihrem Produkt übereinstimmen. Falls Ihr Produkt nicht über die entsprechenden Teile verfügt, betreffen die Informationen andere Modelle.

3.1. Der richtige Aufstellungsort

Wenden Sie sich zur Aufstellung des Gerätes an den autorisierten Kundendienst. Bereiten Sie das Gerät auf die Aufstellung vor, indem Sie die Informationen in der Bedienungsanleitung beachten und sicherstellen, dass Strom- und Wasseranschlüsse wie erforderlich vorhanden sind. Falls nicht, wenden Sie sich zum Nachrüsten an einen Elektriker oder Klempner.

| | |
|--|---|
|  | WARNUNG: Der Hersteller haftet nicht für jegliche Schäden, die durch Arbeiten entstanden sind, die nicht von autorisierten Personen durchgeführt wurden. |
|  | WARNUNG: Bei der Aufstellung muss das Gerät vollständig vom Stromnetz getrennt sein. Andernfalls drohen ernsthafte oder sogar tödliche Verletzungen! |
|  | WARNUNG: Falls das Gerät nicht durch die Tür passt, entfernen Sie die Gerätetür und drehen Sie das Gerät auf die Seite; falls es dennoch nicht passt, wenden Sie sich an den autorisierten Kundendienst. |

- Stellen Sie das Gerät auf einem flachen Untergrund auf, damit es weder wackelt noch kippt.
- Stellen Sie das Gerät mindestens 30 cm von Heizungen, Öfen und ähnlichen Wärmequellen auf; halten Sie einen Mindestabstand von 5 cm zu elektrischen Öfen ein.
- Setzen Sie das Gerät keinem direkten Sonnenlicht und keinen feuchten Umgebungen aus.
- Damit das Gerät effizient arbeitet, ist eine angemessene Luftzirkulation erforderlich.
- Falls Sie das Gerät in einer Nische aufstellen, achten Sie darauf, dass mindestens 5 cm zur Decke und zu den Wänden frei bleiben.
- Stellen Sie das Gerät nicht in Umgebungen mit Temperaturen unter -5 °C auf.
- Ihr Produkt benötigt eine ausreichende Luftzirkulation, um effizient zu funktionieren. Wenn das Produkt in eine Nische gestellt wird, denken Sie daran, mindestens 5 cm Abstand zwischen dem Produkt und der Decke, der Rückwand und den Seitenwänden zu lassen.
- Wenn das Produkt in eine Nische gestellt wird, denken Sie daran, mindestens 5 cm Abstand zwischen dem Produkt und der Decke, der Rückwand und den Seitenwänden zu lassen. Prüfen Sie, ob die Rückwand-Abstandsschutzkomponente an ihrem Standort vorhanden ist (falls mit

dem Produkt geliefert). Wenn die Komponente nicht verfügbar ist oder verloren geht oder heruntergefallen ist, positionieren Sie das Produkt so, dass zwischen der Rückseite des Produkts und der Wand des Raums mindestens 5 cm Abstand verbleiben. Der Freiraum an der Rückseite ist wichtig für den effizienten Betrieb des Produkts.

3.2. Kunststoffkeile anbringen

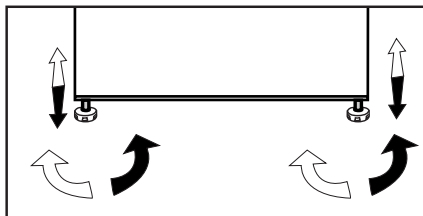
Sorgen Sie zur Gewährleistung einer angemessenen Luftzirkulation mit Hilfe der mitgelieferten Kunststoffkeile für genügend Platz zwischen dem Gerät und der Wand.

1. Zur Befestigung der Keile entfernen Sie die Schrauben am Produkt und verwenden die mit den Keilen gelieferten Schrauben.




2. Befestigen Sie die beiden Kunststoffkeile wie in der Abbildung gezeigt an der Abdeckung der Belüftungöffnungen.

3.3. FüÙe einstellen

Falls das Produkt nicht exakt in Waage steht, passen Sie die vorderen einstellbaren FüÙe durch Drehen nach rechts oder links an.



3.4. Stromanschluss

| | |
|---|---|
|  | WARNUNG: Verwenden Sie keine Mehrfachsteckdosen oder Verlängerungskabel. |
|  | WARNUNG: Beschädigte Netzkabel müssen vom autorisierten Kundendienst ausgetauscht werden. |
|  | Wenn Sie zwei Kühlgeräte nebeneinander aufstellen, halten Sie einen Mindestabstand von 4 cm zwischen den Geräten ein. |

- Unser Unternehmen haftet nicht für jegliche Schäden, die durch eine Inbetriebnahme ohne Erdung oder einen nicht mit nationalen Richtlinien übereinstimmenden Stromanschluss verursacht werden.

- Der Netzstecker muss nach der Installation frei zugänglich bleiben.
- Verwenden Sie zwischen Steckdose und Kühlschrank keine Mehrfachsteckdose mit oder ohne Verlängerungskabel.



Achtung: Warnung vor heißen Oberflächen

Die Seitenwände Ihres Geräts sind mit Kühlmittelleitungen für ein verbessertes Kühlsystem ausgestattet.

Kühlmittel mit hohen Temperaturen können in diesen Bereichen der Seitenwände fließen.

Das ist normal und erfordert keinerlei Reparatur oder Wartung.

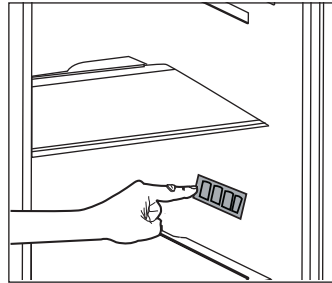
Bitte seien Sie vorsichtig, wenn Sie diese Bereiche berühren.

4.1. Maßnahmen zum Energiesparen



Der Anschluss des Gerätes an Energiesparsysteme birgt Risiken, da Schäden am Gerät auftreten können.

- Für ein freistehendes Gerät; „Dieses Kühlgerät darf nicht als Einbaugerät verwendet werden.“
- Geräetüren nicht längere Zeit offen stehen lassen.
- Keine warmen oder gar heißen Lebensmittel oder Getränke in den Kühlschrank geben.
- Kühlschrank nicht überladen; wird der interne Luftstrom blockiert, verringert sich die Kühlkapazität.
- Damit Sie die maximale Menge Lebensmittel im Kühlbereich Ihres Kühlschranks einlagern können, sollten Sie die oberen Schubladen herausnehmen und auf die Glasablage stellen. Der angegebene Energieverbrauch Ihres Kühlschranks wurde ohne Kühlbereich, Eisablage und obere Schubladen zur Erzielung maximalen Stauraums ermittelt. Beim Einlagern wird die Verwendung der unteren Schublade dringend empfohlen. Für optimalen Energieverbrauch sollte die Energiesparfunktion aktiviert werden.
- Platzieren Sie Lebensmittel nicht vor dem Lüfter, damit die Luftzirkulation nicht blockiert wird. Halten Sie beim Verstauen von Lebensmitteln einen Mindestabstand von 3 cm vor dem Schutzgitter des Lüfters ein.
- Je nach Produktmerkmalen können Sie durch Auftauen gefrorener Lebensmittel im Kühlbereich Energie sparen und die Qualität der Lebensmittel bewahren.
- Lebensmittel sollten zur Gewährleistung eines geringen Energieverbrauchs und zum Schutz der Lebensmittel unter besseren Bedingungen in den Schubladen im Kühlbereich verstaut werden.
- Verpackte Lebensmittel sollten den Wärmesensor im Kühlfach nicht berühren. Andernfalls kann sich der Energieverbrauch des Gerätes erhöhen.
- Achten Sie darauf, dass Lebensmittel nicht den nachstehend beschriebenen Temperatursensor im Kühlbereich berühren.
- Wenn mehrere Optionen vorhanden sind, müssen Glasregale so platziert werden, dass die Luftauslässe an der Rückwand nicht blockiert werden. Vorzugsweise verbleiben Luftauslässe unter dem Glasregal. Diese Kombination kann dazu beitragen, die Luftverteilung und die Energieeffizienz zu verbessern.



- Da bei geöffneten Türen heiße und feuchte Luft nicht direkt in Ihr Produkt eindringt, optimiert sich Ihr Produkt unter ausreichenden Bedingungen zum Schutz Ihrer Lebensmittel. Funktionen und Komponenten wie Kompressor, Gebläse, Heizgerät, Abtaufunktion, Beleuchtung, Anzeige usw. arbeiten entsprechend den Anforderungen, um unter diesen Bedingungen minimale Energie zu verbrauchen.

4.2. Erste Inbetriebnahme

Stellen Sie vor Inbetriebnahme Ihres Kühlschranks sicher, dass die erforderlichen Vorbereitungen entsprechend den Anweisungen in den Abschnitten „Hinweise zu Sicherheit und Umwelt“ und „Installation“ getroffen wurden.

- Lassen Sie den Kühlschrank etwa 6 Stunden lang leer arbeiten; verzichten Sie in dieser Zeit möglichst vollständig auf das Öffnen der Türen.



Beim Anspringen des Kompressors sind Geräusche zu hören. Es ist normal, dass das Gerät auch bei inaktivem Kompressor Geräusche macht; diese werden durch komprimierte Flüssigkeiten und Gase im Kühlsystem verursacht.



Die Vorderkanten des Kühlschranks können sich etwas erwärmen. Dies ist völlig normal. Diese Bereiche wärmen sich etwas auf, damit sich kein Kondenswasser bildet.

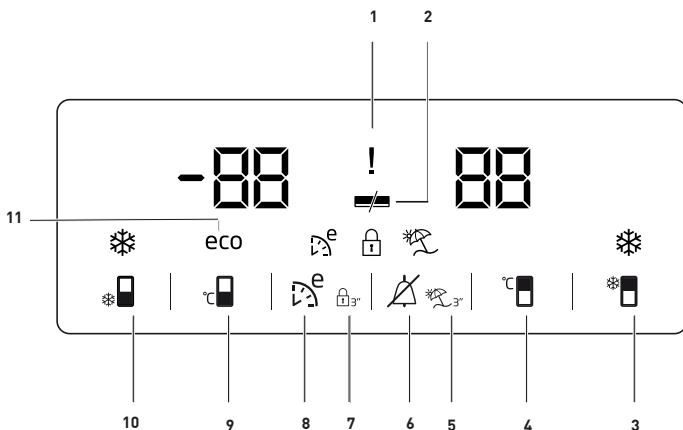


Bei einigen Modellen verdunkelt sich das Anzeigefeld automatisch 5 Minuten nach Schließen der Tür. Beim Öffnen der Tür oder bei Betätigung einer Taste wird es wieder aktiviert.

5 Produkt verwenden

5.1. Anzeigefeld

Das Anzeigefeld ermöglicht Ihnen die Einstellung der Temperatur und die Steuerung anderer Funktionen, ohne dass Sie die Tür des Geräts öffnen müssen. Drücken Sie einfach die die Inschriften auf den entsprechenden Tasten zur Funktionseinstellung.



1. Stromausfall / Hohe Temperatur / Fehlerstatusanzeige

Diese Anzeige () leuchtet bei Stromausfall, hohen Temperaturen und Fehlerwarnungen.

Wenn die Temperatur des Gefrierfachs auf ein für die Tiefkühlkost kritisches Niveau erwärmt wird, blinkt der von der Gefrierfachtemperatur erreichte Maximalwert auf der Digitalanzeige.

Kontrollieren Sie die Lebensmittel im Gefrierfach.

Dies ist keine Fehlfunktion. Die Warnung kann durch Drücken einer beliebigen Taste oder durch Drücken der Hochtemperaturalarm Aus-Taste gelöscht werden. (Das Abbrechen durch Drücken einer beliebigen Taste gilt nicht für jedes Modell.)

Diese Anzeige () leuchtet auch, wenn ein Sensorfehler auftritt. Wenn diese Anzeige leuchtet, werden alternativ auf der Temperaturanzeige „E“ und Zahlen wie „1,2,3 ...“ angezeigt. Diese Zahlen auf der Anzeige informieren das Servicepersonal über den Fehler.

2. Energiesparfunktion (Display aus):

Falls die Gerätetüren lange Zeit geschlossen bleiben, wird die Energiesparfunktion automatisch aktiviert und das Energiesparsymbol leuchtet. ()

Bei aktiver Energiesparfunktion erlöschen sämtliche Display-Symbole mit Ausnahme des Energiesparsymbols. Die Energiesparfunktion wird aufgehoben, sobald Tasten betätigt werden oder die Tür geöffnet wird. Das Display zeigt wieder die normalen Symbole.

Die Energiesparfunktion wird während der Lieferung ab Werk aktiviert und kann nicht aufgehoben werden.

3. Schnellkühlfunktion

Diese Taste erfüllt zwei Funktionen. Zum Ein- und Ausschalten der Schnellkühlfunktion drücken Sie die Taste einmal kurz. Die Schnellkühlanzeige erlischt, der Kühlschrank arbeitet wieder mit normalen Einstellungen. ()






Die Schnellkühlfunktion nutzen Sie, wenn Sie Lebensmittel im Kühlbereich besonders schnell abkühlen möchten. Wenn Sie große Mengen frischer Lebensmittel kühlen möchten, sollten Sie diese Funktion vor dem Einlagern der Lebensmittel einschalten.

Trifft möglicherweise nicht auf alle Modelle zu



* **Optional:** Die Abbildungen in dieser Anleitung dienen lediglich der Veranschaulichung und müssen nicht absolut exakt mit Ihrem Produkt übereinstimmen. Falls Ihr Produkt nicht über die entsprechenden Teile verfügt, betreffen die Informationen andere Modelle.



Produkt verwenden

| | |
|---|---|
|  | Sofern Sie diese Funktion nicht vorzeitig abschalten, wird das Schnellkühlen beendet, sobald die nötige Temperatur erreicht ist, spätestens jedoch nach 1 Stunden. |
|  | Sollten Sie die Schnellkühltaste mehrmals innerhalb kurzer Zeit drücken, greift eine elektronische Schutzschaltung ein und sorgt dafür, dass der Kompressor nicht sofort anläuft. |
|  | Diese Funktion wird nach einem Stromausfall nicht automatisch wieder eingeschaltet. |

4. Kühlbereichstemperatur-Einstelltaste

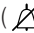
Durch mehrmaliges Drücken dieser Taste stellen Sie die Kühlbereichstemperatur auf 8, 7, 6, 5, 4, 3, 2, 1, 8, ... ein. Stellen Sie den Kühlbereich mit dieser Taste auf die gewünschte Temperatur ein. 

5. Urlaubsfunktion

Um die Urlaubsfunktion zu aktivieren, drücken Sie diese Taste () für 3 Sekunden und die Urlaubsfunktionsanzeige () wird aktiviert. Wenn die Urlaubsfunktion aktiv ist, erscheint „-“ in der Kühlbereichstemperaturanzeige; der Kühlbereich wird nun nicht mehr aktiv gekühlt. Wenn diese Funktion aktiv ist, sollten keine Lebensmittel im Kühlbereich aufbewahrt werden. Andere Bereiche werden entsprechend der eingestellten Temperatur weiterhin gekühlt.

Zum Aufheben dieser Funktion drücken Sie die Urlaubsfunktions-taste noch einmal.

6. Beendigung der Hochtemperaturwarnung:

Im Falle eines Stromausfalls/einer Hochtemperaturwarnung können Sie die Warnung () löschen, indem Sie eine beliebige Taste auf der Anzeige oder die Hochtemperaturalarm Aus-Taste.1 Sekunde lang drücken, nachdem Sie die Lebensmittel im Gefrierfach kontrolliert haben.

Hinweis: Das Abbrechen durch Drücken einer beliebigen Taste gilt nicht für jedes Modell.

7. Tastensperre


Halten Sie die Tastensperre-Taste () 3 Sekunden lang gedrückt. Tastensperre-Symbol

() leuchtet auf, die Tastensperre ist aktiv. Bei aktiver Tastensperre reagiert das Gerät nicht auf Tastenbetätigungen. Halten Sie die Tastensperre-

Taste noch einmal 3 Sekunden lang gedrückt. Das Tastensperre-Symbol erlischt, die Tastensperre wird abgeschaltet.


Drücken Sie die Taste **Tastensperre**, wenn Sie eine Änderung der Temperatureinstellung des Kühlschranks verhindern wollen ()³.

8. Öko-Fuzzy


Drücken und halten Sie die Öko-Fuzzy-Taste zum Aktivieren der Öko-Fuzzy-Funktion 1 Sekunden. Spätestens sechs Stunden später arbeitet Ihr Kühlgerät besonders ökonomisch; die Energiesparanzeige leuchtet ()³). Drücken und halten Sie die Öko-Fuzzy-Taste zum Deaktivieren der Öko-Fuzzy-Funktion 3 Sekunden.

Diese Anzeige leuchtet nach 6 Stunden auf, wenn Öko-Fuzzy aktiv ist.




9. Tiefkühlbereichstemperatur-Einstelltaste

Durch mehrmaliges Drücken dieser Taste stellen Sie die Tiefkühlbereichstemperatur auf -18 °, -19 °, -20 °, -21 °, -22 °, -23 °, -24 °, -18 °C, ... ein. Mit dieser Taste stellen Sie die gewünschte Temperatur des Tiefkühlbereiches ein. 

10. Schnellgefrier-taste/Eisbereiter-ein/aus-Taste

Mit dieser Taste schalten Sie die Schnellgefrierfunktion ein und aus. Wenn diese Funktionen aktiv ist, wird der Tiefkühlbereich besonders stark (über die eingestellte Temperatur hinaus) gekühlt. ()³

Zum Ein- und Ausschalten des Eisbereiters halten Sie die Taste 3 Sekunden lang gedrückt.

| | |
|---|--|
|  | Die Schnellgefrierfunktion nutzen Sie, wenn Sie die Lebensmittel im Tiefkühlbereich besonders schnell abkühlen möchten. Wenn Sie große Mengen frischer Lebensmittel kühlen möchten, sollten Sie diese Funktion vor dem Einlagern der Lebensmittel einschalten. |
|  | Sofern Sie diese Funktion nicht vorzeitig abschalten, wird das Schnellgefrieren beendet, sobald die nötige Temperatur erreicht ist, spätestens jedoch nach 24 Stunden. |
|  | Diese Funktion wird nach einem Stromausfall nicht automatisch wieder eingeschaltet. |

Produkt verwenden

11. Energiesparanzeige

Zeigt an, dass das Gerät besonders energiesparend arbeitet. (eco) Diese Anzeige leuchtet auf, wenn die Temperatur des Tiefkühlbereiches auf $-18\text{ }^{\circ}\text{C}$ eingestellt ist oder das Gerät mit der Öko-Extra-Funktion besonders ökonomisch arbeitet.

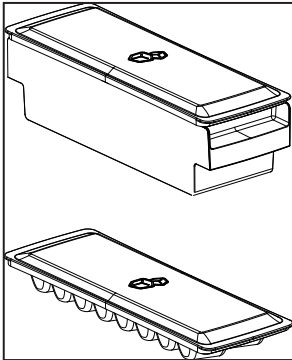


Die Energiesparanzeige erlischt, wenn Sie Schnellkühlen oder Schnellgefrieren zuschalten.

5.2. Eisbehälter

(optional)

- Nehmen Sie den Eisbehälter aus dem Tiefkühlbereich.
- Füllen Sie den Eisbehälter mit Trinkwasser.
- Geben Sie den Eisbehälter in den Tiefkühlbereich.
- Das Eis ist nach etwa zwei Stunden fertig. Nehmen Sie den Eisbehälter aus dem Tiefkühlbereich und biegen Sie ihn leicht über dem Gefäß, das Sie servieren möchten. Das Eis gelangt in den Behälter.



5.3. Eierhalter

Sie können den Eierhalter in der Tür oder auf der Ablage Ihrer Wahl platzieren. Falls Sie sich für die Ablagen entscheiden, sollten Sie tiefer gelegene Ablagen wählen, da es dort kühler ist.

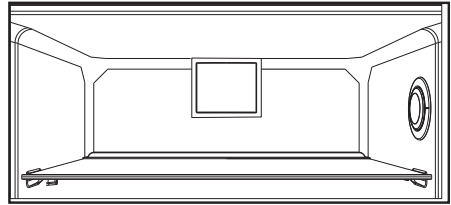


Geben Sie den Eierhalter nicht in den Tiefkühlbereich.

5.4. Lüfter

Der Lüfter wurde dazu entwickelt, die kalte Luft im Inneren Ihres Kühlschranks gleichmäßig zu verteilen. Je nach Modell und Bedarf arbeitet der Lüfter auf unterschiedliche Weise.

Während der Lüfter in einigen Produkten nur mit einem Kompressor arbeitet, ermittelt in anderen Modellen ein Kontrollsystem die Betriebszeit basierend auf den Kühlanforderungen.



5.5. Gemüsefach

(optional)

Das Gemüsefach des Produktes ist darauf ausgelegt, Gemüse durch Bewahren der Feuchtigkeit frisch zu halten. Aus diesem Grund wird die Gesamtzirkulation kalter Luft im Gemüsefach intensiviert.

5.6. 0-Grad-Fach

(optional)

Bewahren Sie in diesem Bereich Feinkost bei geringeren Temperaturen oder schnell verderbliche Fleischprodukte auf.

Das 0-Grad-Fach ist der kälteste Bereich, in dem Sie Lebensmittel, wie Milchprodukte, Fleisch, Fisch und Geflügel, bei idealen Lagerungsbedingungen aufbewahren können. Gemüse und/oder Obst gehören nicht in dieses Fach.

Produkt verwenden

5.7. Das zweite Gemüsefach des Produktes verwenden

Abbildung 1.



Wie abgebildet gibt es im zweiten Gemüsefach des Produktmodells K70560 2 Stopper.



Abbildung 2.

Das zweite Gemüsefach sieht im geschlossenen Zustand wie in Abbildung 2 aus.



Abbildung 3.

Ziehen Sie das zweite Gemüsefach wie in Abbildung 3 gezeigt bis zum ersten Stopper, wenn die Tür um 90 Grad geöffnet ist.

Falls die Schublade weiter geöffnet ist, öffnen Sie zunächst die Tür um mindestens 135 Grad. Anschließend heben Sie das zweite Gemüsefach wie in Abbildung 4 gezeigt um etwa 5 mm an, sodass es vom ersten Stopper befreit wird.



Abbildung 4.

Ziehen Sie die zweite Schublade nach dem Anheben wie in Abbildung 5 gezeigt bis zum zweiten Stopper nach oben.



Abbildung 5.

Produkt verwenden

5.8. Bewegliche Türablage

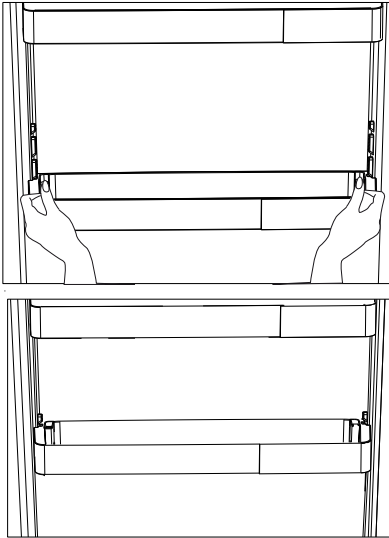
(optional)

Die bewegliche Türablage kann in 3 verschiedenen Positionen fixiert werden.

Zum Bewegen der Ablage drücken Sie die Tasten an der Seite gleichmäßig. Die Ablage wird beweglich.

Bewegen Sie die Ablage nach oben oder unten.

Wenn sich die Ablage in der gewünschten Position befindet, lassen Sie die Tasten los. Die Ablage wird wieder in der Position fixiert, in der Sie die Tasten losgelassen haben.

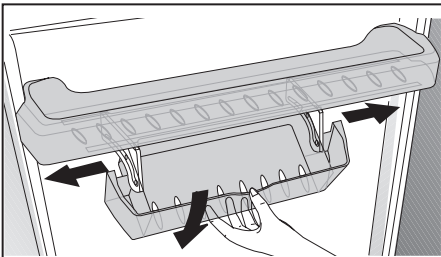


5.9. Verschiebbarer Vorratsbehälter

(optional)

Dieses Zubehör ist so konstruiert, dass das Volumen der Türablagen vergrößert wird.

Dank seiner Fähigkeit zur Seitwärtsbewegung können Sie mühelos lange Flaschen, Gläser oder Kartons im Flaschenhalter darunter verstauen.



5.10. HerbBox/HerbFresh

Das Foliengehäuse vom HerbBox/HerbFresh+ entfernen.

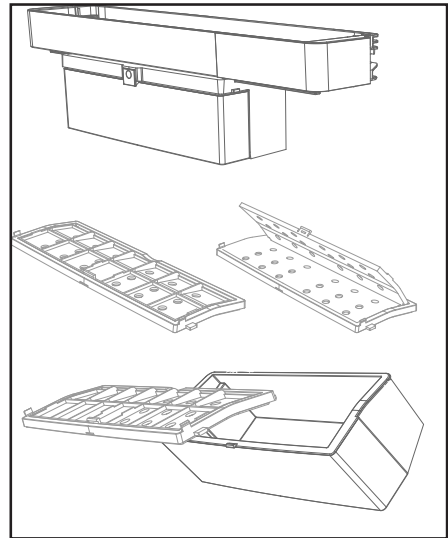
Nehmen Sie die Folie aus dem Beutel und legen Sie es wie auf der Abbildung angezeigt in das Foliengehäuse.

Schließen Sie das Gehäuse und legen Sie es wieder in die HerbBox/HerbFresh+.

Die HerbBox-HerbFresh+ Fächer sind besonders ideal für Kräuter, die in empfindlichen Bedingungen aufbewahrt werden müssen.

Ihr Grünzeug (Petersilie, Dill, usw.), das aus seinem Beutel ausgepackt wurde, können Sie in diesem Fach in horizontaler Position länger frisch aufbewahren.

Die Schicht wird alle sechs Monate ausgetauscht.



Produkt verwenden

5.11. Feuchtigkeitskontrolliertes Gemüsefach

(optional)

Dank der Feuchtigkeitsregelung bleibt der Feuchtigkeitsgehalt von Gemüse und Obst unter Kontrolle, die Lebensmittel bleiben länger frisch.

Es wird empfohlen, Blattgemüse, wie Salat, Spinat und dergleichen, das zu Feuchtigkeitsverlust neigt, nicht auf den Wurzeln, sondern nach Möglichkeit in horizontaler Position im Gemüsefach aufzubewahren.

Beim Einlagern von Gemüse platzieren Sie schweres, hartes Gemüse im unteren Bereich und leichtes, weiches Gemüse darüber; achten Sie auf das jeweilige Gewicht der Lebensmittel.

Lassen Sie Gemüse nicht in Plastikbeuteln im Gemüsefach. Bleibt das Gemüse in Plastikbeuteln, kann es in kurzer Zeit verderben. Falls Kontakt mit anderem Gemüse vermieden werden soll, sollten Sie Verpackungsmaterialien wie Papier verwenden, die eine bestimmte Durchlässigkeit in Sachen Hygiene aufweisen.

Geben Sie Obst mit einer hohen Ethylenfreisetzung, wie Birnen, Aprikosen, Pfirsiche und bestimmte Apfelsorten, nicht mit anderem Obst und Gemüse in das Gemüsefach. Das von solchen Früchten freigesetzte Ethylen kann dazu führen, dass anderes Obst und Gemüse in kurzer Zeit reift und verdirbt.

5.12. Automatischer Eisbereiter

(optional)

Der automatische Eisbereiter ermöglicht Ihnen die einfache Bereitung von Eis in Ihrem Kühlschrank. Damit Sie Eis vom Eisbereiter erhalten, nehmen Sie den Wassertank aus dem Kühlbereich, füllen ihn mit Wasser und setzen ihn wieder ein.

Nach etwa zwei Stunden liegen die ersten Eiswürfel in der Eisbereiter-Schublade im Kühlbereich für Sie bereit.

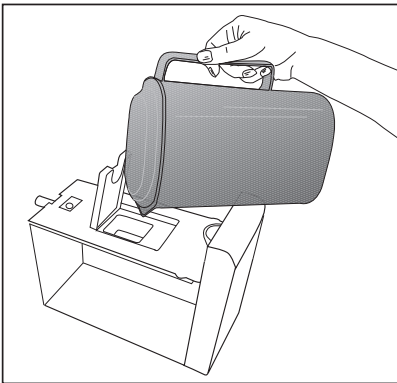
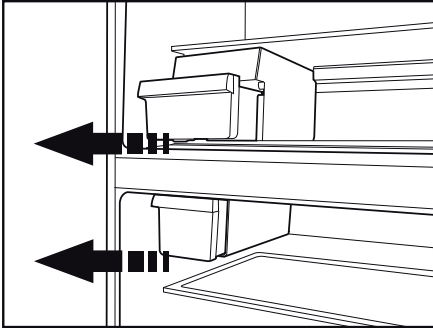
Nach Einsetzen des vollen Wassertanks erhalten Sie 60 bis 70 Eiswürfel, bis er vollständig leer ist.

Wenn das Wasser 2 bis 3 Wochen im Tank war, sollte es ausgewechselt werden.

Produkt verwenden



In Produkten mit automatischem Eisbereiter hören Sie möglicherweise einen Ton beim Ausgießen von Eis. Dieser Ton ist völlig normal und keine Zeichen für einen Fehler.



5.13. Eisbereiter und Eisbehälter (optional)

Eisbereiter verwenden

Füllen Sie den Eisbereiter mit Wasser, setzen Sie ihn in seine Halterung. Ihr Eis ist nach etwa zwei Stunden fertig. Zum Entnehmen des Eises nehmen Sie den Eisbereiter nicht heraus.

Drehen Sie die Knöpfe daran um 90 ° im Uhrzeigersinn.

Die Eiswürfel fallen in den darunter liegenden Eiswürfelbehälter.

Sie können den Eisbehälter zum Servieren der Eiswürfel herausnehmen.

Wenn Sie möchten, können Sie das Eis auch im Eisbehälter aufbewahren.

Eisbehälter

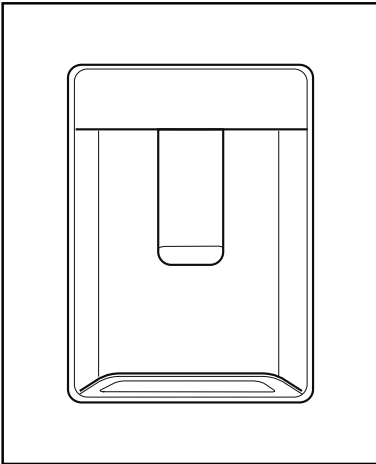
Der Eisbehälter dient ausschließlich zum Sammeln der Eiswürfel. Füllen Sie kein Wasser ein. Der Behälter wird sonst platzen.

Produkt verwenden

5.14. Wasserspender

(bei bestimmten Modellen)

Der Wasserspender ist eine praktische Einrichtung, mit der Sie kühles Wasser zapfen können, ohne dabei die Tür Ihres Kühlschranks öffnen zu müssen. Da Sie die Tür des Gerätes nicht häufig öffnen müssen, sparen Sie eine Menge Energie.



5.15. So benutzen Sie den Wasserspender

Drücken Sie mit dem Glas gegen den Hebel des Wasserspenders. Die Wasserausgabe stoppt, sobald der Hebel losgelassen wird.

Den schnellsten Durchfluss erreichen Sie, wenn Sie den Hebel komplett eindrücken. Denken Sie daran, dass die Stärke des Wasserdurchflusses davon abhängt, wie weit der Hebel eingedrückt wird.

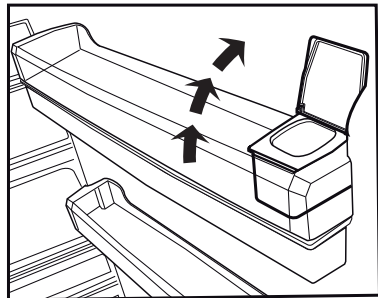
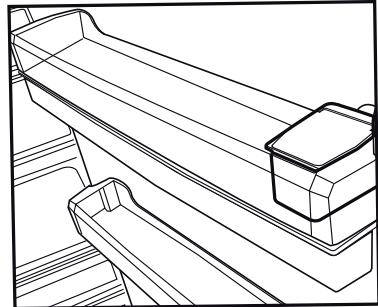
Geben Sie den Hebel langsam wieder frei, sobald das Glas fast vollständig gefüllt ist, damit nichts überläuft. Das Wasser tritt nur tropfenweise aus, wenn Sie den Hebel nur leicht betätigen; dies ist völlig normal.

Wasserbehälter füllen

Der Wassertank befindet sich an der Innenseite der Türablage. Öffnen Sie die Abdeckung des Behälters, füllen Sie Trinkwasser ein. Schließen Sie anschließend den Deckel.

Warnung!

- Füllen Sie den Wassertank nur mit sauberem Trinkwasser, nicht mit anderen Flüssigkeiten gleich welcher Art. Falls andere Flüssigkeiten eingefüllt werden, kann der Wasserspender irreparabel beschädigt werden. Solche



Beschädigungen werden nicht durch die Garantie abgedeckt. Viele Flüssigkeiten und Getränke enthalten Zusätze, die das Material des Wassertanks angreifen können.

- Nutzen Sie ausschließlich klares Trinkwasser.
- Die Kapazität des Wassertanks beträgt 3 Liter; füllen Sie nicht mehr hinein.
- Drücken Sie mit einem haltbaren Glas gegen den Hebel des Wasserspenders. Falls Sie Einwegbecher verwenden, betätigen Sie den Hebel mit dem Finger.

5.16. Wassertank reinigen

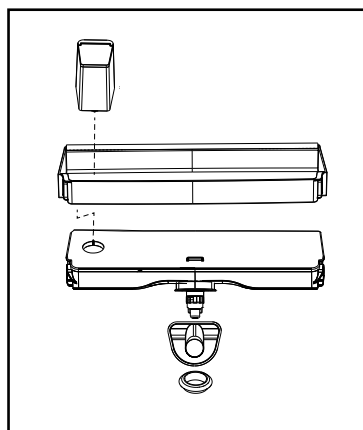
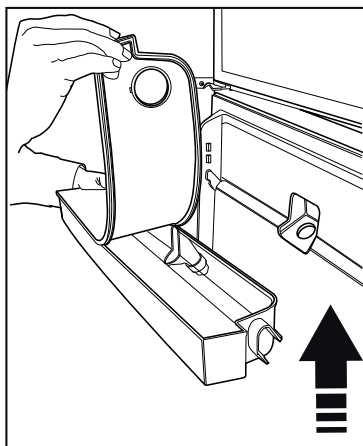
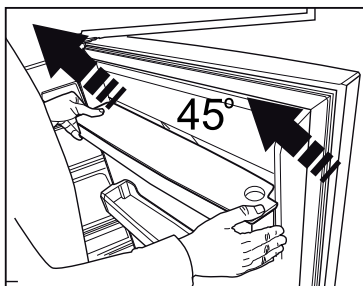
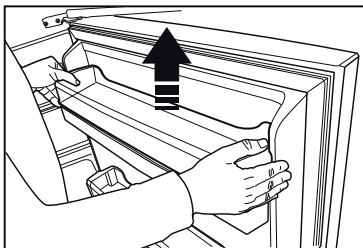
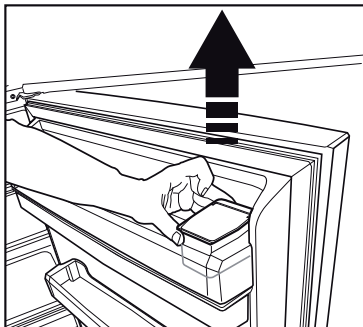
- Entfernen Sie den Füllbehälter auf der Innenseite der Türablage.
- Entfernen Sie die Türablage, indem Sie diese an beiden Seiten greifen.

Produkt verwenden

- Greifen Sie den Wassertank an beiden Seiten und entfernen ihn in einem Winkel von 45 ° C.
- Öffnen Sie die Abdeckung und reinigen den Wassertank.

Wichtig:

Die Komponenten des Wasserspenders und des Wassertanks sollten nicht in der Spülmaschine gereinigt werden.



Produkt verwenden

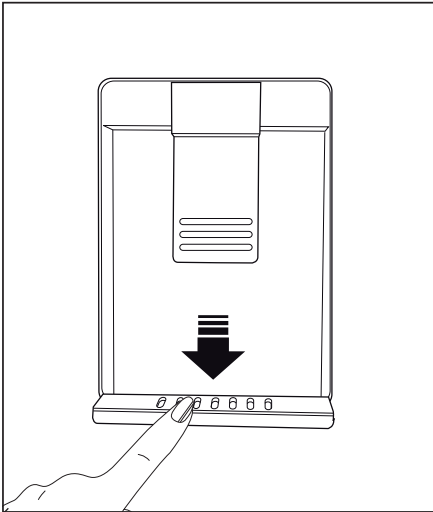
5.17. Tropfschale

Wasser, das bei der Nutzung des Wasserspenders heruntertropft, sammelt sich in der Tropfschale.

Nehmen Sie das Kunststoffsieb wie in der Abbildung gezeigt heraus.

Entfernen Sie angesammeltes Wasser mit einem sauberen, trockenen Tuch.

Achtung: Nur an Trinkwasserleitungen anschließen.



Produkt verwenden

5.18. Frische Lebensmittel tiefkühlen

- Zur Gewährleistung der Lebensmittelqualität müssen im Tiefkühlbereich gelagerte Lebensmittel so schnell wie möglich eingefroren werden; nutzen Sie dazu die Schnellgefrierfunktion.
- Das Einfrieren frischer Lebensmittel verlängert die Aufbewahrungsdauer im Tiefkühlbereich.
- Verpacken Sie Lebensmittel in sicher verschlossenen luftdichten Behältern.
- Stellen Sie sicher, dass die Lebensmittel verpackt sind, bevor Sie sie in den Tiefkühlbereich geben. Verwenden Sie statt herkömmlichen Packpapiers tiefkühlgeeignete Behälter, Alufolie und feuchtigkeitsbeständiges Papier, Plastikbeutel oder ähnliche Verpackungsmaterialien.



Eis im Tiefkühlbereich taut automatisch.

- Beschriften Sie die Behälter vor dem Einfrieren mit dem Datum. Dadurch können Sie beim Öffnen des Tiefkühlbereichs stets die Frische der verpackten Lebensmittel prüfen. Bewahren Sie ältere Lebensmittel weiter vorne auf, damit sie zuerst verbraucht werden.
- Gefrorene Lebensmittel müssen unmittelbar nach dem Auftauen verbraucht und dürfen nicht wieder eingefroren werden.

- Frieren Sie nicht zu große Mengen auf einmal

5.19. ^{ein}Empfehlungen zur Lagerung gefrorener Lebensmittel

Der Bereich muss auf mindestens -18 °C eingestellt sein.

1. Geben Sie Lebensmittel so schnell wie möglich in den Tiefkühlbereich, damit sie nicht auftauen.
2. Prüfen Sie vor dem Einfrieren, ob das Verfallsdatum auf der Verpackung bereits abgelaufen ist.
3. Stellen Sie sicher, dass die Lebensmittelverpackung nicht beschädigt ist.

5.20. Hinweise zum Tiefkühlbereich

Gemäß den Standards IEC 62552 muss der Tiefkühlbereich über die Kapazität verfügen, 4,5 kg Lebensmittel bei -18 °C oder geringeren Temperaturen je 100 Liter Volumen des Tiefkühlbereichs in 24 Stunden einzufrieren. Lebensmittel können nur bei Temperaturen von -18 °C und darunter längere Zeit aufbewahrt werden. Sie können Lebensmittel monatelang frisch halten (im Tiefkühlbereich bei oder unter 18 °C). Lebensmittel, die eingefroren werden sollen, dürfen keine bereits eingefrorenen Lebensmittel berühren, da diese andernfalls antauen könnten. Gekochtes Gemüse und gefiltertes Wasser können länger im Tiefkühlbereich aufbewahrt werden. Geben

| Tiefkühlbereich temperatureinstellung | Kühlbereich temperatureinstellung | Details |
|---------------------------------------|-----------------------------------|--|
| -18 °C | 4 °C | Dies ist die allgemein empfohlene Einstellung. |
| -20 °C, -22 °C oder -24 °C | 4 °C | Diese Einstellungen empfehlen wir bei Umgebungstemperaturen über 30 °C. |
| Schnellgefrieren | 4 °C | Diese Funktion nutzen Sie zum Einfrieren von Lebensmitteln in kurzer Zeit. Wenn der Vorgang endet, nimmt das Produkt wieder seine Position ein. |
| -18 °C und kälter | 2 °C | Nutzen Sie diese Einstellungen, falls Sie meinen, dass der Kühlbereich aufgrund der Umgebungstemperatur oder zu häufigen Öffnens und Schließens der Tür nicht kalt genug wird. |

Produkt verwenden

Sie die Lebensmittel nach dem Filtern in luftdichten Verpackungen in den Tiefkühlbereich. Bananen, Tomaten, Salat, Sellerie, gekochte Eier, Kartoffeln und ähnliche Lebensmittel sollten nicht eingefroren werden. Falls diese Lebensmittel verderben, werden nur Nährwert und Geschmack negativ beeinträchtigt. Es besteht keine Gefahr für die menschliche Gesundheit.

5.21. Lebensmittel einlagern

| | |
|---------------------------|--|
| Tiefkühlbereich-Ablagen | Unterschiedliche gefrorene Lebensmittel wie Fleisch, Fisch, Speiseeis, Gemüse etc. |
| Kühlbereich-Ablagen | Lebensmittel in Töpfen, auf abgedeckten Tellern und in bedeckten Behältern, Eier (in abgedecktem Behälter) |
| Kühlbereich-Türablagen | Kleine und verpackte Lebensmittel oder Getränke |
| Gemüsefach | Obst und Gemüse |
| Frischlebensmittelbereich | Feinkost (Frühstücksprodukte, schnell verderbliche Fleischprodukte) |

5.22. Tür-offen-Alarm

(optional)

Wenn die Gerätetür mindestens 1 Minute offen bleibt, wird ein akustischer Alarm ausgegeben. Dieser akustische Alarm verstummt, sobald Sie die Tür schließen oder eine beliebige Taste am Display (sofern vorhanden) drücken.

Der Tür-offen-Alarm wird sowohl akustisch als auch visuell ausgegeben. Die Innenbeleuchtung schaltet sich aus, wenn die Warnung 10 Minuten lang anhält.

5.23. Wechseln des Türanschlags

Sie können den Türanschlag Ihres Kühlschranks je nach Aufstellungsort wechseln. Wenden Sie sich in diesem Fall an den autorisierten Kundendienst in Ihrer Nähe.

Die obige Erklärung ist allgemeiner Natur. Sie sollten das Warnschild in der Produktverpackung auf Möglichkeit zum Wechseln des Türanschlags prüfen.

5.24. Innenbeleuchtung

Die Innenbeleuchtung nutzt eine LED-Lampe. Wenden Sie sich bei jeglichen Problemen mit dieser Lampe an den autorisierten Kundendienst.

Die in diesem Gerät verwendete(n) Lampe(n) können nicht zur Raumbelichtung verwendet werden. Der vorgesehene Zweck dieser Lampe dient dem sicheren und komfortablen Einlagern von Lebensmitteln im Kühl- / Tiefkühlbereich.

5.25. Blaues Licht/HarvestFresh

***Möglicherweise nicht in allen Modellen verfügbar**

Für das blaue Licht,

Obst und Gemüse, die im Gemüsefach gelagert werden, das mit blaues Licht beleuchtet wird, setzen ihre Photosynthese durch den Wellenlängeneffekt des blauen Lichts fort und bewahren so ihren Vitamingehalt.

Für HarvestFresh,

Obst und Gemüse, im Gemüsefach gelagert werden, das mit der HarvestFresh-Technologie beleuchtet wird, bewahren ihren Vitamingehalt länger dank der blauen, grünen, roten Lichter und dunklen Zyklen, die einen Tageszyklus simulieren.

Wenn Sie die Kühlschranktür während der Dunkelumlaufzeit der HarvestFresh-Technologie öffnen, erkennt der Kühlschrank dies automatisch und ermöglicht es dem blaugrünen oder roten Licht, das Gemüsefach für Ihre Bequemlichkeit zu beleuchten. Nachdem Sie die Kühlschranktür geschlossen haben, wird die Dunkelumlaufzeit fortgesetzt, was die Nachtzeit in einem Tageszyklus darstellt.

5.26. Der Milchbehälter (Kühlagerung)

Sorgt für eine niedrigere Temperatur im Kühlschrankfach. Verwenden Sie diesen Behälter, um Delikatessen (Salami, Würstchen, Milchprodukte usw.) aufzubewahren, die eine niedrigere Lagertemperatur erfordern, oder Fleisch-, Hühner- oder Fischprodukte für den sofortigen Verzehr. Bewahren Sie kein Obst und Gemüse in diesem Behälter auf.

6 Wartung und Reinigung

Die Einsatzdauer des Produktes verlängert sich und häufige Probleme lassen nach, wenn das Produkt regelmäßig gereinigt wird.



WARNUNG: Schalten Sie das Gerät ab, bevor Sie es reinigen.



WARNUNG: Es wird empfohlen, den Kondensator alle sechs Monate mit Handschuhen zu reinigen. Sie dürfen keine Staubsauger verwenden.

- Verwenden Sie zu Reinigungszwecken niemals Benzin oder ähnliche Substanzen.
- Verwenden Sie zur Reinigung niemals scharfe Gegenstände, Seife, Haushaltsreiniger, Waschmittel oder Wachspolituren.
- Lösen Sie einen Teelöffel Natron in einem halben Liter Wasser auf. Tränken Sie ein Tuch mit der Lösung, wringen Sie das Tuch gut aus. Waschen Sie die Innenflächen des Kühlschranks gründlich mit diesem Tuch ab; anschließend gut trocknen.
- Achten Sie darauf, dass kein Wasser in das Lampengehäuse oder in andere elektrische Komponenten eindringt.
- Falls Sie den Kühlschrank längere Zeit nicht benutzen, ziehen Sie den Netzstecker, nehmen sämtliche Lebensmittel heraus, reinigen das Gerät und lassen die Tür offen stehen.
- Prüfen Sie die Türdichtungen regelmäßig auf Sauberkeit. Bei Bedarf reinigen.
- Nehmen Sie zum Entfernen der Tür- und Gehäuseablagen alle Gegenstände aus dem Produkt heraus.
- Ziehen Sie die Türablagen nach oben heraus. Setzen Sie die Ablagen nach der Reinigung wieder ein, indem Sie sie nach unten schieben.
- Reinigen Sie Außenflächen und verchromte Teile des Produktes niemals mit chlorhaltigen Reinigern oder Wasser. Chlor greift Metalloberflächen an.
- Bei Geräten ohne No-Frost-Einrichtung können Wassertropfen entstehen und sich mit der Zeit bis zu fingerbreite Eisschichten an Rückwand und Seiten des Tiefkühlfachs bilden. Niemals reinigen; niemals Öl oder andere Substanzen aufbringen.

- Verwenden Sie nur ein leicht angefeuchtetes Mikrofasertuch zum Reinigen der Geräteaußenflächen. Scheuerschwämme oder grobe Reinigungstücher könnten die Oberflächen verkratzen.

6.1. Unangenehme Gerüche verhindern

Bei der Herstellung Ihres Kühlschranks wurde darauf geachtet, dass keine Materialien verwendet werden, die unangenehme Gerüche verursachen können. Allerdings können Gerüche abgesondert werden, wenn Lebensmittel falsch aufbewahrt werden oder die Innenseite des Gerätes nicht wie erforderlich gereinigt wird. Dieses Problem können Sie mit folgenden Hinweisen vermeiden:

- Es ist wichtig, dass Kühlschrank sauber zu halten. Lebensmittelreste, Verschmutzungen usw. können Gerüche verursachen. Reinigen Sie den Kühlschrank daher alle 15 Tage mit etwas in Wasser aufgelöstem Natron. Verzichteten Sie grundsätzlich auf Reinigungsmittel und Seifen.
- Bewahren Sie Ihre Lebensmittel in geschlossenen Behältern auf. Mikroorganismen aus Behältern ohne Deckel können unangenehme Gerüche verursachen.
- Bewahren Sie keine abgelaufenen oder verdorbenen Lebensmittel in Ihrem Kühlschrank auf.

6.2. Kunststoffflächen schützen

Geben Sie keine Öle oder stark fetthaltige Speisen offen in Ihren Kühlschrank – dadurch können die Kunststoffflächen angegriffen werden. Sollten Kunststoffteile einmal mit Öl in Berührung kommen, reinigen Sie die entsprechenden Stellen möglichst sofort mit warmem Wasser.

6.3. Innenfläche reinigen

Reinigen Sie die Innenflächen und alle herausnehmbaren Teile mit einer milden Lösung aus Seife, Wasser und Karbonat. Gründlich abspülen und abtrocknen Achten Sie darauf, dass Wasser nicht mit Leuchtmitteln und Bedienfeld in Berührung kommt.



ACHTUNG:

Reinigen Sie die Innenflächen nicht mit Essig, Reinigungsalkohol oder anderen alkoholbasierten Reinigern.

6.4. Edelstahl-Außenflächen

Verwenden Sie einen nicht scheuernden Edelstahl-Reiniger und tragen Sie ihn auf ein fusselfreies, weiches Tuch auf. Zum Polieren wischen Sie die Oberfläche vorsichtig mit einem feuchten Mikrofaser Tuch und einem trockenen Fensterleder ab. Folgen Sie immer den Strängen des Edelstahls.

6.5. Produkte mit Glastüren reinigen

Entfernen Sie die Schutzfolie von den Scheiben. Die Oberfläche der Scheiben ist beschichtet. Diese Beschichtung minimiert Fleckenbildung und sorgt dafür, dass sich Flecken und Schmutz leicht entfernen lassen. Auf Scheiben, die nicht durch eine Beschichtung geschützt sind, können sich dauerhaft organische oder anorganische in Luft oder Wasser befindliche Verunreinigungen, wie Kalk, Mineralsalze, unverbrannte Kohlenwasserstoffe, Metalloxide und Silikone, ablagern, die innerhalb kurzer Zeit zu Flecken und Materialschäden führen. Trotz regelmäßiger Reinigung lässt sich das Glas nur mit großer Mühe sauber halten. Dadurch lassen Klarheit und Aussehen der Scheiben nach. Aggressive und scheuernde Reinigungsmittel und Methoden verstärken diese Mängel weiter und beschleunigen den Verschleiß.

*Verwenden Sie zur regelmäßigen Reinigung Mittel auf Wasserbasis, die weder alkalisch noch scheuernd sind. Damit die Beschichtung lange hält, dürfen während der Reinigung keine alkalischen oder scheuernden Substanzen zum Einsatz kommen.

Die Scheiben wurden zur Erhöhung ihrer Stoß- und Bruchfestigkeit gehärtet.

Als zusätzliche Sicherheitsmaßnahme befindet sich auf der Rückseite der Scheiben eine Sicherheitsfolie, damit das Glas keine Schäden im Umfeld anrichtet, falls es bricht.

Bitte arbeiten Sie diese Liste durch, bevor Sie sich an den Kundendienst wenden. Das kann Ihnen Zeit und Geld sparen. Diese Liste enthält häufig aufgetretene Probleme, die nicht auf Material- oder Verarbeitungsfehler zurückzuführen sind. Nicht alle hier beschriebenen Funktionen sind bei jedem Modell verfügbar.

Der Kühlschrank schaltet sich nicht ein.

- Möglicherweise ist er nicht richtig angeschlossen. >>> Schließen Sie das Gerät richtig an.
- Die entsprechende Haussicherung ist herausgesprungen oder durchgebrannt. >>> Prüfen Sie die Sicherung.

Kondensation an den Seitenwänden des Kühlbereiches (Multizone, Kühlkontrolle und FlexiZone).

- Die Tür wurde häufig geöffnet/geschlossen. >>> Verzichten Sie auf häufiges Öffnen/Schließen der Kühlschranktür.
- Die Umgebung könnte zu feucht sein. >>> Installieren Sie das Kühlschrank nicht an sehr feuchten Orten.
- Lebensmittel mit hohem Feuchtigkeitsgehalt wurden in Behältern ohne Deckel in den Kühlschrank gegeben. >>> Geben Sie Lebensmittel mit hohem Feuchtigkeitsgehalt nicht in offenen Behältern in den Kühlschrank.
- Die Kühlschranktür steht offen. >>> Halten Sie die Kühlschranktüren nur möglichst kurz geöffnet.
- Das Thermostat wurde auf eine sehr niedrige Temperatur eingestellt. >>> Stellen Sie das Thermostat auf einen geeigneten Wert ein.

Der Kompressor arbeitet nicht.

- Eine Schutzschaltung stoppt den Kompressor bei kurzzeitigen Unterbrechungen der Stromversorgung und wenn das Gerät zu oft und schnell ein- und ausgeschaltet wird, um eine Überdruck des Kühlmittels im System zu vermeiden. Der Kühlschrank beginnt nach etwa sechs Minuten wieder zu arbeiten. Bitte wenden Sie sich an den autorisierten Kundendienst, falls Ihr Kühlschrank nach Ablauf dieser Zeit nicht wieder zu arbeiten beginnt.
- Das Kühlgerät wird abgetaut. >>> Dies ist bei einem Kühlschrank mit vollautomatischem Abtauen völlig normal. Das Gerät wird regelmäßig abgetaut.
- Der Kühlschrank ist nicht angeschlossen. >>> Achten Sie darauf, dass der Stecker in die Steckdose passt.
- Die Temperatureinstellungen stimmen nicht. >>> Wählen Sie den richtigen Temperaturwert.
- Es liegt ein Stromausfall vor. >>> Der Kühlschrank setzt seinen Betrieb fort, wenn die Stromversorgung wiederhergestellt ist.

Das Betriebsgeräusch nimmt zu, wenn der Kühlschrank arbeitet.

- Das Leistungsverhalten des Kühlgerätes kann sich je nach Umgebungstemperatur ändern. Dies ist völlig normal und keine Fehlfunktion.

Der Kühlschrank arbeitet sehr intensiv oder über eine sehr lange Zeit.

- Ihr neues Gerät ist vielleicht etwas größer als sein Vorgänger. Große Kühlgeräte arbeiten oft längere Zeit.
- Die Umgebungstemperatur ist eventuell sehr hoch. >>> Bei hohen Umgebungstemperaturen arbeitet das Gerät etwas länger.
- Der Kühlschrank wurde erst vor Kurzem in Betrieb genommen oder mit Lebensmitteln gefüllt. >>> Wenn das Gerät erst vor Kurzem in Betrieb genommen oder mit Lebensmitteln gefüllt wurde, dauert es etwas länger, bis die eingestellte Temperatur erreicht ist. Dies ist völlig normal.
- Kurz zuvor wurden größere Mengen warmer Speisen in den Kühlschrank gestellt. >>> Geben Sie keine warmen oder gar heißen Speisen in den Kühlschrank.
- Die Türen wurden häufig geöffnet oder längere Zeit nicht richtig geschlossen. >>> Der Kühlschrank muss länger arbeiten, weil warme Luft in den Innenraum eingedrungen ist. Vermeiden Sie häufiges Öffnen der Türen.
- Die Tür des Kühl- oder Tiefkühlbereichs war nur angelehnt. >>> Vergewissern Sie sich, dass die Türen richtig geschlossen wurden.
- Die Kühlschranktemperatur ist sehr niedrig eingestellt. >>> Stellen Sie die Kühlschranktemperatur höher ein. Warten Sie dann ab, bis diese Temperatur erreicht ist.
- Die Türdichtungen von Kühl- oder Gefrierbereich sind verschmutzt, verschlissen, beschädigt oder sitzen nicht richtig. >>> Reinigen oder ersetzen Sie die Dichtung. Beschädigte oder defekte Dichtungen führen dazu, dass der Kühlschrank länger arbeiten muss, um die Temperatur halten zu können.

Die Temperatur im Kühlbereich ist angemessen, während Temperatur im Tiefkühlbereich sehr niedrig ist.

Problemlösung

- Die Tiefkühlbereichstemperatur ist sehr niedrig eingestellt. >>> Tiefkühlbereichstemperatur höher einstellen, Temperatur nach einer Weile prüfen.

Die Temperatur im Tiefkühlbereich ist angemessen, während die Temperatur im Kühlbereich sehr niedrig ist.

- Die Kühltemperatur ist sehr niedrig eingestellt. >>> Stellen Sie die Kühltemperatur wärmer ein, prüfen Sie die Temperatur nach einer Weile.

Im Kühlbereich gelagerte Lebensmittel frieren ein.

- Die Kühlbereichstemperatur ist sehr hoch eingestellt. >>> Kühlbereichstemperatur niedriger einstellen, Temperatur nach einer Weile prüfen.

Die Temperatur im Kühl- oder Tiefkühlbereich ist sehr hoch.

- Die Kühlbereichstemperatur ist sehr hoch eingestellt. >>> Die Kühlbereichstemperatur wirkt sich auf die Temperatur des Tiefkühlbereichs aus. Stellen Sie den Kühl- oder Tiefkühlbereich auf eine geeignete Temperatur ein.
- Türen wurden häufig geöffnet oder längere Zeit nicht richtig geschlossen. >>> Verzichten Sie auf häufiges Öffnen der Türen.
- Die Tür wurde eventuell nicht richtig geschlossen. >>> Tür richtig schließen.
- Der Kühlschrank wurde erst vor Kurzem in Betrieb genommen oder mit Lebensmitteln gefüllt. >>> Dies ist normal. Wenn das Gerät erst vor Kurzem in Betrieb genommen oder mit Lebensmitteln gefüllt wurde, dauert es etwas länger, bis die eingestellte Temperatur erreicht ist.
- Kurz zuvor wurden größere Mengen warmer Speisen in den Kühlschrank gestellt. >>> Geben Sie keine warmen oder gar heißen Speisen in den Kühlschrank.

Vibrationen oder Betriebsgeräusche.

- Der Boden ist nicht stabil oder gerade. >>> Falls der Kühlschrank bei Bewegung leicht wackelt, richten Sie ihn mit den Füßen aus. Achten Sie darauf, dass der Boden eben ist und das Gewicht des Kühlschranks problemlos tragen kann.
- Gegenstände, die auf dem Kühlschrank abgestellt wurden, können Geräusche verursachen. >>> Nehmen Sie die Gegenstände herunter.

Fließ- oder Spritzgeräusche sind zu hören.

- Aus technischen Gründen bewegen sich Flüssigkeiten und Gase innerhalb des Gerätes. >>> Dies ist völlig normal und keine Fehlfunktion.

Der Kühlschrank pfeift.

- Im Inneren befinden sich Gebläse zum Kühlen des Gerätes. Dies ist völlig normal und keine Fehlfunktion.

Feuchtigkeit an den Kühlschrankinnenflächen.

- Bei heißen und feuchten Wetterlagen treten verstärkt Eisbildung und Kondensation auf. Dies ist völlig normal und keine Fehlfunktion.
- Türen wurden häufig geöffnet oder längere Zeit nicht richtig geschlossen. >>> Verzichten Sie auf häufiges Öffnen der Türen. Schließen Sie die Türen, falls sie offen sind.
- Eine Tür wurde eventuell nicht richtig geschlossen. >>> Tür richtig schließen.

Feuchtigkeit sammelt sich an der Außenseite des Kühlschranks oder an den Türen an.

- Hohe Luftfeuchtigkeit. Dies ist bei feuchtem Wetter völlig normal. >>> Die Kondensation verschwindet, wenn der Feuchtigkeitsgehalt abnimmt.
- Externer Feuchtigkeitsniederschlag im Bereich zwischen den beiden Türen des Kühlschranks, wenn das Gerät selten benutzt wird. Dies ist völlig normal. Der Feuchtigkeitsniederschlag verschwindet bei häufiger Verwendung.

Unangenehmer Geruch im Kühlschrank.

- Das Gerät wurde nicht regelmäßig gereinigt. Reinigen Sie das Innere des Kühlschranks mit einem Schwamm, den Sie mit lauwarmem oder kohlen säurehaltigem Wasser angefeuchtet haben.
- Einige Behälter oder Verpackungsmaterialien können Gerüche verursachen. >>> Andere Behälter und Verpackungsmaterialien bzw. Produkte anderer Hersteller verwenden.
- Lebensmittel wurden in Behältern ohne Deckel in den Kühlschrank gegeben. >>> Lebensmittel in geschlossenen Behältern aufbewahren. Mikroorganismen aus Behältern ohne Deckel können unangenehme Gerüche verursachen.
- Nehmen Sie abgelaufene oder verdorbene Lebensmittel aus dem Kühlschrank.

Die Tür kann nicht geschlossen werden.

- Lebensmittelpackungen verhindern ein vollständiges Schließen der Tür. >>> Entfernen Sie die Verpackungen, welche die Tür blockieren.
- Der Kühlschrank hat keinen stabilen Stand. >>> Passen Sie die Kühlschrankfüße so an, dass der Kühlschrank in Waage ist.
- Der Boden ist nicht eben oder nicht stabil genug. >>> Achten Sie darauf, dass der Boden eben ist und das Gewicht des Kühlschranks problemlos tragen kann.

Problemlösung

Das Gemüsefach klemmt.

- Lebensmittel könnten die obere Wand des Gemüsefachs berühren. >>> Verteilen Sie die Lebensmittel im Gemüsefach anders.

Wenn die Geräteoberfläche heiß ist.

Die Bereiche zwischen den beiden Türen, an den Seitenflächen und hinten am Grill können im Betrieb sehr heiß werden. Dies ist völlig normal und weist nicht auf eine Fehlfunktion hin.

Gebälse läuft weiter, wenn die Tür geöffnet wird.

Es ist normal, dass das Gebläse weiterläuft, wenn die Tür des Tiefkühlbereichs geöffnet wird.



WARNUNG: Falls sich ein Problem nicht mit den Hinweisen in diesem Abschnitt lösen lassen sollte, wenden Sie sich bitte an Ihren Händler oder an den autorisierten Kundendienst. Versuchen Sie niemals, ein fehlerhaftes Produkt selbst zu reparieren.

HAFTUNGSAUSSCHLUSS / WARNUNG

Einige (einfache) Fehler können vom Endbenutzer angemessen behandelt werden, ohne dass Sicherheitsprobleme oder unsichere Verwendung auftreten, sofern sie innerhalb der Grenzen und gemäß den folgenden Anweisungen ausgeführt werden (siehe Abschnitt „Selbstreparatur“).

Sofern im Abschnitt „Selbstreparatur“ unten nichts anderes autorisiert ist, sind Reparaturen an registrierte professionelle Reparaturtechniker zu richten, um Sicherheitsprobleme zu vermeiden. Ein registrierter professioneller Reparaturbetrieb ist ein professioneller Reparaturtechniker, dem vom Hersteller Zugang zu den Anweisungen und der Ersatzteilliste dieses Produkts gemäß den in den Rechtsakten entsprechend der Richtlinie 2009/125/EG beschriebenen Methoden gewährt wurde.

Allerdings kann nur der Dienstleister (d.h. autorisierte professionelle Reparaturtechniker), den Sie über die in der Bedienungsanleitung/ Garantiekarte angegebene Telefonnummer oder über Ihren autorisierten Händler erreichen können, einen Service gemäß den Garantiebedingungen anbieten. Bitte beachten Sie daher, dass Reparaturen durch professionelle Reparaturtechniker (die nicht von Bekoautorisiert sind) zum Erlischen der Garantie führen.

Selbstreparatur

Die Selbstreparatur kann vom Endbenutzer in Bezug auf folgende Ersatzteile durchgeführt werden: Dichtungen, Filter, Türscharniere, Körbe, Propeller, Kunststoffzubehör usw. (eine aktualisierte Liste ist ab dem 1. März 2021 ebenfalls in support.beko.com verfügbar).

Um die Produktsicherheit zu gewährleisten und das Risiko schwerer Verletzungen zu vermeiden, muss die erwähnte Selbstreparatur gemäß den Anweisungen im Benutzerhandbuch zur Selbstreparatur durchgeführt werden, die unter support.beko.com verfügbar sind. Ziehen Sie zu Ihrer Sicherheit den Stecker aus der Steckdose, bevor Sie eine Selbstreparatur durchführen.

Reparatur- und Reparaturversuche von Endbenutzern für Teile, die nicht in dieser Liste enthalten sind und/oder die Anweisungen in den Benutzerhandbüchern zur Selbstreparatur nicht befolgen oder die auf support.beko.com verfügbar sind, können zu Sicherheitsproblemen führen, die nicht auf Bekozurückzuführen sind, und führt zum Erlöschen der Garantie des Produkts.

Deshalb wird dringend empfohlen, dass Endbenutzer nicht versuchen, Reparaturen durchzuführen, die außerhalb der genannten Ersatzteilliste liegen, und sich in solchen Fällen an autorisierte professionelle Reparaturtechniker oder registrierte professionelle Reparaturtechniker wenden. Ansonsten können solche Versuche von Endbenutzern Sicherheitsprobleme verursachen und das Produkt beschädigen und anschließend Brand, Überschwemmungen, Stromschläge und schwere Personenschäden verursachen.

Beispielsweise müssen, ohne darauf beschränkt zu sein, die folgenden Reparaturen an autorisierte professionelle Reparaturtechniker oder registrierte professionelle Reparaturtechniker gerichtet werden: Kompressor, Kühlkreislauf, Hauptplatine, Wechselrichterplatte, Anzeigetafel usw.

Der Hersteller/Verkäufer kann in keinem Fall haftbar gemacht werden, in dem Endbenutzer die oben genannten Bestimmungen nicht einhalten.

Die Ersatzteilverfügbarkeit des von Ihnen gekauften Kühlschranks beträgt 10 Jahre. Während dieser Zeit stehen Originalersatzteile zur Verfügung, um den Kühlschrank ordnungsgemäß zu betreiben.

Die Mindestgarantiedauer für den von Ihnen gekauften Kühlschrank beträgt 24 Monate. Dieses Produkt ist mit einer Lichtquelle der Energieklasse „G“ ausgestattet. Die Lichtquelle in diesem Produkt darf nur von professionellen Reparaturtechnikern ersetzt werden.

Drogi kliencie,

Chcemy, abyś mógł uzyskać optymalną efektywność naszego produktu, który został wyprodukowany w nowoczesnym zakładzie i przy drobiazgowej kontroli jakości.

W tym celu prosimy przeczytać całą instrukcję obsługi przed użyciem produktu i przechowywać ją do ewentualnego użycia w przyszłości. Jeśli ten produkt zostanie przekazany innej osobie, prosimy przekazać tę instrukcję wraz z produktem.

Instrukcja obsługi zapewnia szybkie i bezpieczne korzystanie z produktu.

- Przed zainstalowaniem i rozpoczęciem korzystania z produktu należy przeczytać instrukcję obsługi.
- Należy zawsze przestrzegać mających zastosowanie instrukcji dotyczących bezpieczeństwa.
- Instrukcję obsługi należy mieć pod ręką, aby móc łatwo z niej korzystać.
- Prosimy przeczytać wszelkie inne dokumenty dostarczane wraz z produktem.

Należy pamiętać, że ta instrukcja obsługi może się odnosić do kilku modeli produktu. W instrukcji zostały wyraźnie określone różnice między modelami.

Symbole i uwagi

W tej instrukcji obsługi są używane następujące symbole:

| | |
|---|---|
|  | Ważne informacje i przydatne wskazówki. |
|  | Zagrożenie dla życia i majątku. |
|  | Zagrożenie porażeniem elektrycznym. |
|  | Opakowanie produktu jest wykonane z materiałów umożliwiających recykling zgodnie z krajowymi przepisami środowiskowymi. |

INFORMACJE



ENERGY



SUPPLIER'S NAME

MODEL IDENTIFIER

(*)

A

A

Informacje o modelu zapisane w bazie danych produktów można uzyskać, wchodząc na następującą stronę internetową i wyszukując identyfikator modelu (*) znajdujący się na etykiecie efektywności energetycznej.

<https://eprel.ec.europa.eu/>

1 Instrukcje dotyczące bezpieczeństwa i środowiska 3

| | |
|--|---|
| 1.1. Bezpieczeństwo ogólne | 3 |
| 1.1.1 Ostrzeżenie HC | 5 |
| 1.1.2 Dla modeli z wodotryskiem | 5 |
| 1.2. Przeznaczenie | 6 |
| 1.3. Bezpieczeństwo dzieci | 6 |
| 1.4. Zgodność z dyrektywą WEEE i usuwanie odpadów: | 6 |
| 1.5. Zgodność z dyrektywą RoHS: | 6 |
| 1.6. Informacje o opakowaniu | 6 |

2 Oto Twoja chłodziarka 7

3 Instalacja 8

| | |
|---|---|
| 3.1. Odpowiednie miejsce na instalację. | 8 |
| 3.2. Zakładanie klinów plastikowych | 8 |
| 3.3. Regulacja nóżek | 8 |
| 3.4. Połączenie elektryczne | 9 |

4 Przygotowanie 10

| | |
|--|----|
| 4.1. Co zrobić, aby oszczędzać energię | 10 |
| 4.2. Pierwsze uruchomienie | 10 |

5 Użytkowanie chłodziarki 11

| | |
|--|----|
| 5.1. Panel wskaźników | 11 |
| 5.2. Pojemnik na lód | 14 |
| 5.3. Pojemnik na jajka | 14 |
| 5.4. Wentylator | 14 |
| 5.5. Pojemnik na warzywa | 14 |
| 5.6. Komora o temperaturze zero | 14 |
| 5.7. Użycie drugiego pojemnika na świeże warzywa | 15 |
| 5.8. Ruchomy stelaż na drzwiach | 16 |
| 5.9. Pojemnik przesuwany | 16 |
| 5.10. Pochłaniacz zapachów | 16 |
| 5.11. Pojemnik na warzywa z kontrolą wilgotności | 17 |
| 5.12. Automatyczna maszyna do lodu | 17 |
| 5.13. Kostkarka do lodu Icematic i pojemnik na lód | 18 |

| | |
|--|----|
| 5.14. Korzystanie z dozownika wody | 18 |
| 5.15. Napełnianie zbiornika dozownika wodą | 19 |
| 5.16. Czyszczenie zbiornika na wodę | 20 |
| 5.17. Tacka na krople | 21 |
| 5.18. Zamrażanie żywności świeżej | 22 |
| 5.19. Przechowywanie żywności mrożonej | 22 |
| 5.20. Informacje o komorze głębokiego zamrażania | 22 |
| 5.21. Rozmieszczenie żywności | 23 |
| 5.22. Alarm o otwartych drzwiach | 23 |
| 5.23. Zmiana kierunku otwierania drzwi | 23 |
| 5.24. Oświetlenie wewnętrzne | 23 |
| 5.25. Niebieskie światło/Harvest Fresh | 24 |

6 Konserwacja i czyszczenie 25

| | |
|---|----|
| 6.1. Jak unikać nieprzyjemnych zapachów | 25 |
| 6.2. Jak zabezpieczać powierzchnie plastikowe | 25 |
| 6.3. Szkło w drzwiach | 25 |

7 Rozwiązywanie problemów 26

1 Instrukcje dotyczące bezpieczeństwa i środowiska

Ten rozdział zawiera instrukcje dotyczące bezpieczeństwa służące unikaniu obrażeń i szkód materialnych. Nieprzestrzeganie tych instrukcji spowoduje unieważnienie wszelkich typów gwarancji produktu.

Zamierzone przeznaczenie

| | |
|--|--|
|  | OSTRZEŻENIE: Nie blokuj otworów wentylacyjnych urządzenia ani w zabudowie. |
|  | OSTRZEŻENIE: Nie używaj urządzeń mechanicznych, ani innych środków do przyspieszenia procesu rozmrażania, poza tymi, które zaleca producent. |
|  | OSTRZEŻENIE: Nie uszkodz obieg chłodzącego. |
|  | OSTRZEŻENIE: Nie używaj urządzeń elektrycznych w komorze do przechowywania żywności, chyba, że są rekomendowane przez producenta. |

Urządzenie to jest przeznaczone do użytku domowego lub w podobnych miejscach, np.

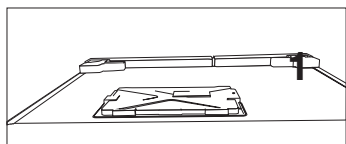
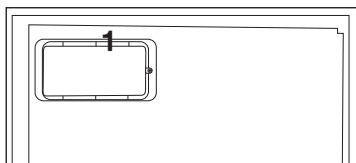
- w kuchniach personelu sklepu, biur i innych środowisk pracy;
- gospodarstwa rolne, przez klientów hoteli, moteli i innych miejsc typu mieszkalnego
- pensjonaty;
- catering i podobne aplikacje niehandlo

1.1. Bezpieczeństwo ogólne

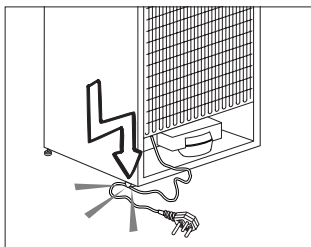
- Produkt nie może być używany przez osoby z niepełnosprawnością fizyczną, czuciową i umysłową, bez wystarczającej wiedzy i doświadczenia ani przez dzieci. Urządzenie może być używane przez takie osoby pod nadzorem i z użyciem wskazówek osoby odpowiedzialnej za ich bezpieczeństwo. Dzieciom nie wolno się bawić urządzeniem.
- W przypadku awarii urządzenia należy odłączyć od zasilania.
- Po odłączeniu należy odczekać przynajmniej 5 minut przed jego ponownym podłączeniem. Nieużywane urządzenie należy odłączyć od zasilania. Nie wolno dotykać wtyczki mokrymi rękami! Nie wolno ciągnąć za kabel, aby odłączyć zasilanie, zawsze należy trzymać za wtyk.
- Lodówki nie wolno podłączać do luźnego gniazda.
- Podczas instalacji, konserwacji, czyszczenia i naprawy produkt powinien być odłączony.
- Jeśli produkt nie będzie używany przez dłuższy czas, odłącz zasilanie i usuń całą żywność ze środka.
- Do czyszczenia lodówki i topienia lodu we wnętrzu nie wolno używać pary ani parowanych materiałów czyszczących. Para może trafić na powierzchnie elektryczne i spowodować zwarcie lub porażenie elektryczne!
- Nie wolno myć produktu, spryskując go lub polewając wodą! Zagrożenie porażeniem elektrycznym!

Instrukcje dotyczące bezpieczeństwa i środowiska

- Nigdy nie korzystaj z urządzenia, jeśli górna lub tylna jego część, zawierająca płytki obwodów drukowanych jest otwarta (osłona płytki obwodów drukowanych) (1).



- W przypadku awarii nie wolno używać produktu, ponieważ może to spowodować porażenie elektryczne. Przed wykonaniem jakichkolwiek czynności należy skontaktować się z autoryzowanym serwisem.
- Produkt należy podłączyć do uziemionego gniazdka. Uziemienie musi być wykonane przez wykwalifikowanego elektryka.
- Jeśli produkt ma oświetlenie typu LED, w celu wymiany lub usunięcia problemu należy się skontaktować z autoryzowanym serwisem.
- Nie wolno dotykać zamrożonej żywności mokrymi rękami! Może ona przymarznąć do rąk!
- Do komory zamrażarki nie wolno wkładać płynów w butelkach ani w puszkach. Mogą one wybuchnąć!
- Płyny należy stawiać pionowo po dokładnym zamknięciu pokrywy.
- W pobliżu produktu nie wolno rozpryskiwać substancji łatwopalnych, ponieważ mogą się one zapalić lub wybuchnąć.
- W lodówce nie wolno przechowywać materiałów łatwopalnych ani produktów z gazem łatwopalnym (aerzoli itp.).
- Na produkcie nie wolno kłaść pojemników z płynem. Zalanie wodą części elektrycznej może spowodować porażenie elektryczne i pożar.
- Narażenie produktu na deszcz, śnieg, bezpośrednie promienie słoneczne i wiatr spowoduje zagrożenie elektryczne. Podczas przemieszczania produktu nie wolno ciągnąć za uchwyt drzwiowy. Uchwyt może nie wytrzymać.
- Należy uważać, aby uniknąć pochwycenia ręki lub innej części ciała przez ruchome części wewnątrz produktu.
- Nie wolno stawać ani opierać się o drzwi, szuflady ani podobne części lodówki. Spowoduje to przewrócenie produktu i uszkodzenie części.
- Należy uważać, aby nie przytrzasnąć kabla zasilania.



- Podczas ustawiania urządzenia należy się upewnić, że przewód zasilający nie został przytrzaśnięty ani nie jest uszkodzony.
- Nie umieszcza przenośnej listwy zasilającej ani przenośnych zasilaczy z tyłu urządzenia.

Instrukcje dotyczące bezpieczeństwa i środowiska

- Lodówka Side by Side wymaga podłączenia do wody. Jeśli nie jeszcze dostępnego zaworu i musisz zadzwonić po hydraulika, zwróć uwagę na to, że: jeśli Twój dom jest wyposażony w system ogrzewania podłogowego, weź pod uwagę, że wiercenie otworów w betonowym suficie może uszkodzić ten system ogrzewania.
- Dzieci w wieku od 3 do 8 lat mogą wkładać żywność do chłodziarek i wyjmować ją.
- Aby uniknąć zanieczyszczenia żywności, należy przestrzegać poniższych wskazówek:
 - Otwarcie drzwi na dłuższy czas może spowodować znaczny wzrost temperatury w komorach chłodziarki.
 - Regularnie czyścić powierzchnie, które mogą mieć kontakt z żywnością i dostępnymi systemami odpływowymi.
 - Oczyszczyć zbiorniki wody, jeśli nie były używane przez 48 godz.; przepłukać system wodny podłączony do dopływu, jeśli woda nie była pobierana przez 5 dni.
 - Surowe mięso i ryby należy przechowywać w odpowiednich pojemnikach w lodówce, tak aby się z nimi nie stykały ani nie skapywały na inną żywność.
 - Komory na żywność mrożoną oznaczone dwiema gwiazdkami nadają się do przechowywania żywności wstępnie zamrożonej, przechowywania lub wytwarzania lodów oraz robienia kostek lodu.
- – Komory oznaczone jedną, dwiema lub trzema gwiazdkami nie nadają się do zamrażania świeżej żywności.
- – Jeżeli urządzenie chłodnicze ma być przez dłuższy czas puste, należy je wyłączyć, rozmrozić, oczyścić, wysuszyć i pozostawić otwarte drzwi, aby zapobiec rozwojowi pleśni wewnątrz urządzenia.

1.1.1 Ostrzeżenie HC

Jeśli produkt zawiera układ chłodzenia używający gazu R600a, należy uważać, aby nie uszkodzić układu chłodzenia i jego rurki podczas używania i przemieszczania produktu. Ten gaz jest łatwopalny. W razie uszkodzenia układu chłodzenia należy trzymać produkt z dala od źródeł ognia i natychmiast przewietrzyć pomieszczenie.



Etykieta wewnątrz z lewej strony wskazuje typ gazu użyty w produkcie.

1.1.2 Dla modeli z wodotryskiem

- Maksymalnie dopuszczalne ciśnienie dla dopływu zimnej wody wynosi 620 kPa (90 psi). Jeśli ciśnienie wody w Państwa instalacji przekroczy 550 kPa (80 psi), należy zastosować zawór ograniczający ciśnienie w Państwa sieci wodociągowej. Jeśli nie wiedzą Państwo w jaki sposób sprawdzić ciśnienie wody, prosimy poprosić o pomoc profesjonalnego hydraulika.
- Jeśli w Państwa instalacji występuje ryzyko uderzenia wodnego, należy zawsze stosować wyposażenie zapobiegające przed uderzeniem wodnym. Jeśli nie mają Państwo pewności co do występowania

Instrukcje dotyczące bezpieczeństwa i środowiska

efektu uderzenia wodnego w swojej instalacji, prosimy zasięgnąć porady u profesjonalnego hydraulika.

- Nie podłączać do dopływu ciepłej wody. Zachować środki ostrożności przed ryzykiem zamarznięcia przewodów. Temperatura robocza wody powinna mieścić się w zakresie od 0,6°C (33°F) do 38°C (100°F).
- Należy używać tylko wody pitnej.

1.2. Przeznaczenie

- Ten produkt jest przeznaczony do użytku domowego. Nie jest on przeznaczony do użytku komercyjnego.
- Produkt powinien być używany jedynie do przechowywania żywności i napojów.
- W lodówce nie wolno przechowywać produktów wymagających temperatur kontrolowanych (szczepionek, leków wrażliwych na ciepło, materiałów medycznych itd.).
- Producent nie bierze na siebie odpowiedzialności za jakiegokolwiek uszkodzenia spowodowane niepoprawnym użytkowaniem lub obsługą.
- Oryginalne części zamienne będą dostępne przez 10 lat od daty zakupu produktu.

1.3. Bezpieczeństwo dzieci

- Materiały opakowaniowe należy przechowywać poza zasięgiem dzieci.
- Nie wolno pozwalać dzieciom na zabawę produktem.
- Jeśli drzwi produktu mają zamek, klucz należy przechowywać poza zasięgiem dzieci.

1.4. Zgodność z dyrektywą WEEE i usuwanie odpadów:

Niniejszy wyrób jest zgodny z dyrektywą Parlamentu Europejskiego i Rady (2012/19/WE). Wyrób ten oznaczony jest symbolem klasyfikacji zużytych urządzeń elektrycznych i elektronicznych (WEEE).



Ten symbol oznacza, że sprzęt nie może być umieszczany łącznie z innymi odpadami gospodarstwa domowego po okresie jego użytkowania. Zużyte urządzenie należy oddać do specjalnego punktu zbiórki zużytego sprzętu elektrycznego i elektronicznego w celu utylizacji. Aby uzyskać informacje o punktach zbiórki w swojej okolicy należy skontaktować się z lokalnymi władzami lub punktem sprzedaży tego produktu. Gospodarstwo domowe spełnia ważną rolę w przyczynianiu się do ponownego użycia i odzysku zużytego sprzętu. Odpowiednie postępowanie ze zużytym sprzętem zapobiega potencjalnym negatywnym konsekwencjom dla środowiska naturalnego i ludzkiego zdrowia.

1.5. Zgodność z dyrektywą RoHS:

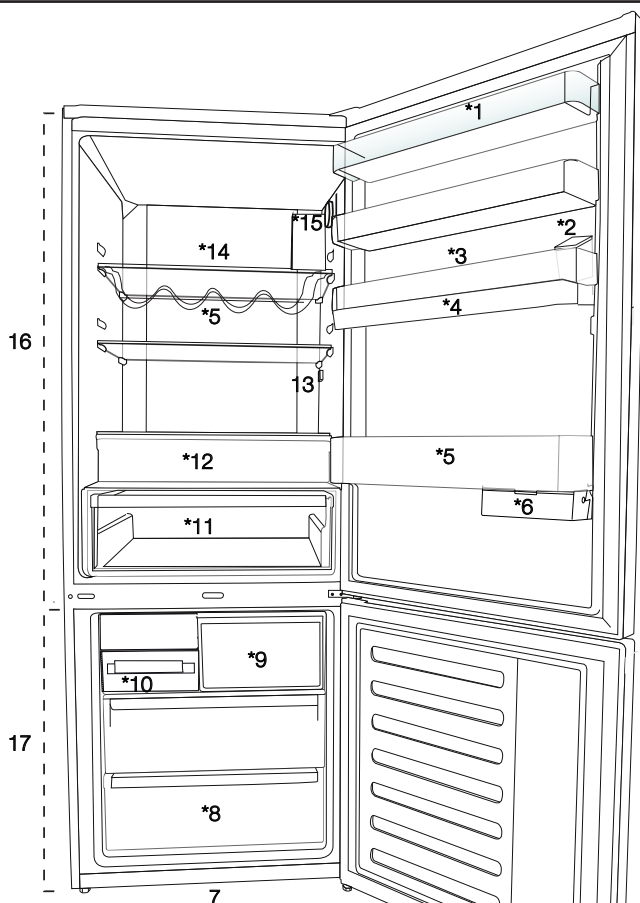
Niniejszy wyrób jest zgodny z dyrektywą Parlamentu Europejskiego i Rady RoHS (Ograniczenie użycia substancji niebezpiecznych) (2011/65/WE). Nie zawiera szkodliwych i zakazanych materiałów, podanych w tej dyrektywie.

1.6. Informacje o opakowaniu



Opakowanie tego wyrobu wykonano z materiałów nadających się do recyklingu, zgodnie z naszym ustawodawstwem krajowym. Nie wyrzucaj materiałów opakowaniowych do śmieci wraz z innymi odpadkami domowymi. Oddaj je w jednym z wyznaczonych przez władze lokalne punktów zbiórki materiałów opakowaniowych.

2 Oto Twoja chłodziarka



1. Półka w drzwiach komory chłodziarki
2. Zbiornik dozownika wody
3. Miejsce na jajka
4. Zbiornik dozownika wody
5. Półka na butelki
6. Pojemnik przesuwany
7. Regulowane nóżki
8. Komora głębokiego zamrażania
9. Komora szybkiego zamrażania
10. Tacka na kostki lodu & zapas kostek lodu
11. Pojemnik na warzywa
12. Komora o temperaturze zero
13. Oświetlenie wewnętrzne
14. Szklana półka komory chłodzenia
15. Przycisk regulacji temperatury
16. Komora chłodzenia
17. Komora zamrażalnika



***Opcjonalne:** Rysunki w tej instrukcji obsługi są tylko szkieletowe i mogą nie odpowiadać dokładnie posiadanemu produktowi. Jeśli posiadany produkt nie zawiera odpowiednich części, informacje dotyczą innych modeli.

3 Instalacja

3.1. Odpowiednie miejsce na instalację

W sprawie instalacji produktu skontaktuj się z autoryzowanym serwisem. Aby przygotować produkt do instalacji, zapoznaj się z informacjami w instrukcji użytkownika i sprawdź, czy zasilanie elektryczne i dopływ wody są zgodne z wymaganiami. Jeśli nie, skontaktuj się elektrykiem i hydraulikiem, aby dokonać stosownych zmian.



OSTRZEŻENIE: Producent nie bierze żadnej odpowiedzialności za szkody spowodowane pracami wykonywanymi przez osoby nieupoważnione.



OSTRZEŻENIE: Podczas instalacji kabel zasilający produktu musi być odłączony od sieci. W przeciwnym razie może to skutkować śmiercią lub poważnymi obrażeniami!



OSTRZEŻENIE: Jeśli drzwi są zbyt wąskie, aby przenieść przez nie produkt, zdejmij jego drzwiczki i obróć go na bok; jeśli to nie pomoże, skontaktuj się z autoryzowanym serwisem.

- Aby uniknąć wibracji, chłodziarkę należy ustawić na równej powierzchni.
- Zainstaluj produkty co najmniej 30 cm od podgrzewacza, piecyka i podobnych źródeł ciepła, oraz co najmniej 5 cm od kuchenek elektrycznych.
- Nie narażaj produktu na bezpośrednie działanie promieni słonecznych ani nie trzymaj go w wilgotnym otoczeniu.
- Produkt wymaga odpowiedniej cyrkulacji powietrza, aby działać wydajnie.
- Jeśli chłodziarka ma stać we wnęce w ścianie, należy zwrócić uwagę, aby pozostawić co najmniej 5 cm odstępu od sufitu i ścian.
- Nie instaluj chłodziarki w miejscu, gdzie temperatura spada poniżej -5°C .
- Produkt wymaga odpowiedniej cyrkulacji powietrza, aby mógł działać skutecznie. Jeśli produkt zostanie umieszczony we wnęce, pamiętaj o pozostawieniu co najmniej 5 cm

odstępu między produktem a sufitem, ścianą tylną i ścianami bocznymi.

- Jeśli produkt zostanie umieszczony we wnęce, pamiętaj o pozostawieniu co najmniej 5 cm odstępu między produktem a sufitem, ścianą tylną i ścianami bocznymi. Sprawdź, czy element zabezpieczający tylną ścianę znajduje się na swoim miejscu (jeśli został dostarczany z produktem). Jeśli element nie jest dostępny lub został zgubiony, lub upadł, ustaw produkt w taki sposób, aby pozostawić przynajmniej 5 cm odstępu między przestrzenią za produktem a ścianami. Odstęp z tyłu jest ważny dla efektywnego działania produktu.

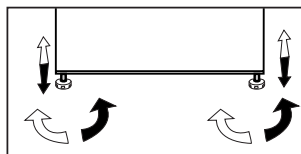
3.2. Zakładanie klinów plastikowych

Użyj klinów plastikowych dostarczonych wraz z produktem, aby zapewnić wystarczająco dużo miejsca na cyrkulację powietrza między produktem a ścianą.

1. Aby założyć kliny, wyjmij śruby z produktu i użyj śrub dostarczonych w tej samej torebce, co kliny.
2. Włóż 2 plastikowe kliny w tylną płytę wentylacyjną, jak pokazano na rysunku.




3.3. Regulacja nóżek

Jeśli produkt nie jest ustawiony równo, wyreguluj przednie regulowane nóżki, obracając je w prawo lub w lewo.




Instalacja

3.4. Połączenie elektryczne

| | |
|--|--|
|  | OSTRZEŻENIE: Do podłączania zasilania nie używaj przedłużacza ani wtyczki wielokrotnej. |
|  | OSTRZEŻENIE: Wymianę uszkodzonego przewodu zasilającego należy zlecić autoryzowanemu serwisowi. |
|  | W przypadku umieszczenia dwóch chłodziarek obok siebie należy zostawić między nimi odstęp przynajmniej 4 cm. |

- Nasza firma nie bierze odpowiedzialności za jakiegokolwiek szkody powstałe na skutek używania bez uziemienia i korzystania z połączenia elektrycznego niezgodnego z przepisami krajowymi.
- Po instalacji wtyczka zasilania musi być łatwo dostępna.
- Nie używaj wtyczki wielokrotnej bez przedłużacza ani z nim do połączenia gniazdka w ścianie z chłodziarką.

| | |
|--|---|
|  | Ostrzeżenie o gorącej powierzchni W bocznych ściankach produktu poprowadzone są przewody z chłodziwem dla poprawy systemu chłodzenia. Czynnik chłodniczy w wysokich temperaturach może przepływać przez te obszary, co może bardzo rozgrzać powierzchnie ścianek bocznych. Jest to normalne i nie wymaga żadnego serwisowania. Proszę zachować ostrożność podczas dotykania tych obszarów. |
|--|---|

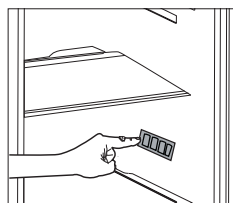
4.1. Co zrobić, aby oszczędzać energię



Podłączanie produktu do elektronicznych systemów oszczędzania energii jest niebezpieczne, ponieważ może uszkodzić produkt.

- W przypadku urządzenia wolnostojącego; „Urządzenie chłodnicze nie jest przeznaczone do stosowania jako urządzenie wbudowane”;
- Nie trzymaj chłodziarki otwartej przez dłuższy czas.
- Nie wkładaj gorącej żywności ani napojów do chłodziarki.
- Nie przepelniaj chłodziarki; zablokowanie wewnętrznego przepływu powietrza zmniejsza wydajność chłodzenia.
- Aby przechowywać maksymalną możliwą ilość żywności w komorze chłodzenia chłodziarki, należy wyjąć górne szuflady i umieścić żywność na półkach szklanych. Deklarowane zużycie energii chłodziarki zostało określone przy wyjęciu komory chłodzenia, tacki na lód i górnych szuflad w sposób, który umożliwi przechowywanie maksymalnej ilości żywności. Korzystanie z dolnej szuflady do przechowywania jest zdecydowanie zalecane. Należy włączyć funkcję oszczędzania energii w celu zoptymalizowania jej zużycia.
- Nie należy blokować przepływu powietrza, umieszczając żywność przed wentylatorem. Wkładając żywność, należy zachować minimum 3 cm odstępów od osłony wentylatora.
- W zależności od funkcji produktu; rozmrażanie zamrożonej żywności w komorze chłodzenia zapewni oszczędność energii i zachowanie jakości produktów spożywczych.
- Żywność należy przechowywać w szufladach w komorze chłodzenia, aby zapewnić oszczędność energii i lepsze warunki przechowywania.
- Pojemniki z żywnością nie powinny stykać się bezpośrednio z czujnikiem temperatury umieszczonym w komorze chłodzenia. Jeśli stykają się one z czujnikiem, zużycie energii przez urządzenie może wzrosnąć.
- Upewnij się, że żywność nie styka się z czujnikiem temperatury komory chłodzenia opisanym poniżej.

- Ponieważ gorące i wilgotne powietrze nie będzie miało bezpośredniego dostępu do Twojego produktu kiedy drzwi będą zamknięte, produkt dokona samodzielnej optymalizacji w warunkach wystarczających do ochrony Twojej żywności. W takich okolicznościach, funkcje i komponenty, takie jak kompresor, wentylator, podgrzewacz, rozmrażanie, oświetlenie, wyświetlacz itp. będą działały w taki sposób, aby zużywać minimalną potrzebną ilość energii.
- W przypadku wielu opcji półki szklane należy umieścić tak, aby wyloty powietrza znajdujące się na tylnej ścianie nie zostały zablokowane. Najlepiej, aby wyloty powietrza pozostawały pod szklaną półką. Poprawi to dystrybucję powietrza i efektywność energetyczną.



4.2. Pierwsze uruchomienie

Przed użyciem chłodziarki wykonaj odpowiednie przygotowania zgodnie z instrukcjami w sekcjach „Instrukcje dotyczące bezpieczeństwa i ochrony środowiska” i „Instalacja”.

- Zostaw produkt włączony bez żywności w środku na 6 godzin i nie otwieraj drzwi, jeśli nie jest to absolutnie konieczne.



Gdy zaczyna działać sprężarka, rozlega się dźwięk. Nawet jeśli sprężarka jest wyłączona, dźwięki są normalne z powodu skompresowanych cieczy i gazów w systemie chłodzenia.



Przednie krawędzie produktu mogą się nagrzewać. Jest to całkiem normalne. Te obszary zostały zaprojektowane, aby się nagrzewać w celu zapobiegnięcia kondensacji.

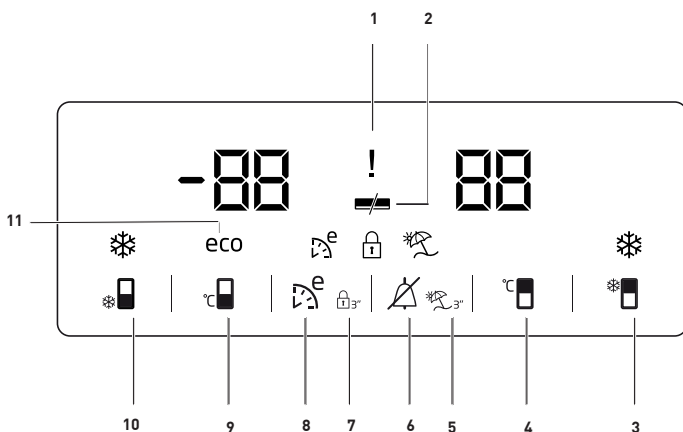


W niektórych modelach panel wskaźników wyłącza się automatycznie po 5 minutach od zamknięcia drzwi. Włącza się on ponownie w momencie otwarcia drzwi lub naciśnięcia dowolnego przycisku.

5 Użytkowanie chłodziarki

5.1. Panel wskaźników

Panel wskaźników umożliwia nastawianie temperatury i sterowanie innymi funkcjami produktu bez otwierania drzwi. Po prostu naciśnij napisy na odpowiednich przyciskach, aby ustawić funkcje.



1. Awaria zasilania/Wysoka temperatura/ Wskaźnik błędu

Wskaźnik ten (!) zaświeci się w przypadku awarii zasilania, wysokiej temperatury i ostrzeżeń o błędach.

Gdy temperatura w komorze zamrażarki podniesie się do poziomu krytycznego dla zamrożonej żywności, na cyfrowym wskaźniku zamiga maksymalna temperatura osiągnięta w komorze zamrażarki.

Sprawdź żywność w komorze zamrażarki

Nie jest to oznaką niesprawności urządzenia.

Ostrzeżenie można usunąć, naciskając dowolny przycisk lub przycisk wyłączenia alarmu wysokiej temperatury. (Anulowanie przez naciśnięcie dowolnego przycisku nie dotyczy wszystkich modeli).

Wskaźnik ten (!) świeci się również w przypadku awarii czujnika. Gdy wskaźnik ten się świeci, na wskaźniku temperatury wyświetlane są naprzemiennie „E” i cyfry, takie jak „1, 2, 3...”. Te liczby na wskaźniku informują personel serwisowy o błędzie.

2. Funkcji oszczędzania energii (wyświetlacz wyłączony)

Jeśli drzwiczki tego urządzenia są zamknięte przez dłuższy czas, funkcja oszczędzania energii uruchamia się automatycznie i zapala się symbol oszczędzania energii. (🔋)

Gdy czynna jest funkcja oszczędzania energii, gasną wszystkie inne symbole na wyświetlaczu. Funkcja oszczędzania energii wyłącza się za naciśnięciem dowolnego przycisku lub za otwarciem drzwiczek, a symbole na wyświetlaczu powracają do stanu normalnego.

Funkcja oszczędzania energii jest uruchamiana w czasie dostawy z fabryki i nie można jej skasować.

3. Funkcja szybkiego chłodzenia

Przycisk ma dwie funkcje. Aby włączyć lub wyłączyć funkcję szybkiego chłodzenia, naciśnij go krótko. Wskaźnik Quick Cool (Szybkiego chłodzenia) zgaśnie i ustawienia powrócą do normalnych wartości. (❄️)



***Opcjonalne:** Rysunki w tej instrukcji obsługi są tylko szkieletowe i mogą nie odpowiadać dokładnie posiadanemu produktowi. Jeśli posiadany produkt nie zawiera odpowiednich części, informacje dotyczą innych modeli.

Korzystanie z produktu

| | |
|---|--|
|  | Korzystaj z funkcji szybkiego chłodzenia, kiedy chcesz szybko schłodzić żywność umieszczoną w komorze chłodzenia. Jeśli schłodzona ma być znaczna ilość świeżej żywności, zaleca się uruchomienie tej funkcji przed włożeniem żywności do chłodziarki. |
|  | Jeśli nie wyłączysz szybkiego chłodzenia, funkcja ta wyłączy się automatycznie po 1 godzinach lub gdy temperatura w komorze chłodzenia osiągnie żądaną wartość. |
|  | Jeśli będziesz naciskać przycisk szybkiego zamrażania Quick Freeze kilkakrotnie co chwilę, uruchomi się elektroniczne zabezpieczenie i sprężarka nie zostanie bezwzględnie uruchomiona. |
|  | Funkcja ta nie zostanie wywołana przy przywróceniu zasilania po jego awaryjnym wyłączeniu. |

4. Przycisk nastawienia temperatury w komorze chłodzenia

Naciśnij ten przycisk, aby nastawić temperaturę w komorze chłodzenia odpowiednio na 8,7, 6, 5,4,3, 2, 1, 8... Naciśnij ten przycisk, aby nastawić żądaną temperaturę w komorze chłodzenia. (🔍)

5. Funkcja Vacation

Aby wyłączyć funkcję Vacation naciśnij i przez 3 sekundy przytrzymaj ten przycisk (🔍), a włączy się wskaźnik trybu Vacation (🌞). Gdy czynna jest funkcja opróżniania, na wskaźniku temperatury w komorze chłodzenia wyświetla się "- -", i komora ta nie jest aktywnie chłodzona. Gdy ta funkcja ta jest załączona, nie należy trzymać żywności w komorze chłodzenia. Inne komory będą nadal

chłodzone odpowiednio do nastawionych w nich temperaturach.

Aby wyłączyć tę funkcję, ponownie naciśnij przycisk funkcji Vacation.

6. Zakończenie ostrzeżenia o wysokiej temperaturze:

W przypadku awarii zasilania/ostrzeżenia o wysokiej temperaturze, można usunąć ostrzeżenie (🔍), naciskając dowolny przycisk na wskaźniku lub przycisk wyłączenia alarmu wysokiej temperatury na 1 sekundę, po uprzednim sprawdzeniu żywności w zamrażarce.

Uwaga: Anulowanie przez naciśnięcie dowolnego przycisku nie dotyczy wszystkich modeli.

7. Blokada przycisków

Naciśnij przycisk blokady przycisków [🔒] na 3 sekundy. Symbol blokady przycisków Zapali się (🔒) i włączy się tryb blokady przycisków. Przy załączonej blokadzie przyciski nie działają. Ponownie naciśnij przycisk Key Lock [Blokada przycisków] na 3 sekundy. Ikona blokady przycisków zgaśnie i blokada wyłączy się.

Naciśnij przycisk **blokady przycisków**, jeśli chcesz uniemożliwić zmianę ustawień temperatury w chłodziarce (🔒).

8. Eco fuzzy

Naciśnij i przez 1 sekundę przytrzymaj przycisk eco fuzzy, aby uruchomić funkcję oszczędnego użytkowania eco fuzzy. Chłodziarka zostanie uruchomiona w najbardziej oszczędnym trybie co najmniej 6 godzin później, a gdy funkcja ta jest aktywna zapali się wskaźnik oszczędnego użytkowania (🌿). Naciśnij i przez 3 sekundy przytrzymaj przycisk funkcji eco fuzzy, aby wyłączyć funkcję oszczędnego użytkowania eco fuzzy.

Wskaźnik ten zapala się po 6 godzinach, gdy jest włączona jest funkcja eco fuzzy.

Korzystanie z produktu

9. Przycisk nastawienia temperatury w komorze zamrażalnika.

Naciśnij ten przycisk, aby nastawić temperaturę w komorze zamrażalnika odpowiednio na -18, -19, -20, -21, -22, -23, -24, -18... Naciśnij ten przycisk, aby nastawić żadaną temperaturę w komorze zamrażalnika. (🔍)

10. Przycisk funkcji szybkiego zamrażania / włączania / wyłączenia Icematic

Aby włączyć lub wyłączyć funkcję szybkiego zamrażania, naciśnij ten przycisk. Kiedy włączysz tę funkcję, komora zamrażalnika zostanie schłodzona do temperatury niższej niż ustawiona wartość. (🔍) Aby włączyć lub wyłączyć kostkarkę Icematic, naciśnij ten przycisk i przytrzymaj go przez 3 sekundy.



Korzystaj z funkcji szybkiego chłodzenia, kiedy chcesz szybko schłodzić żywność umieszczoną w komorze chłodzenia. Jeśli schłodzona ma być znaczna ilość świeżej żywności, zaleca się uruchomienie tej funkcji przed włożeniem żywności do chłodziarki.



Jeśli nie wyłączysz szybkiego zamrażania, funkcja ta wyłączy się automatycznie po 24 godzinach lub gdy temperatura w komorze chłodzenia osiągnie żadaną wartość.



Funkcja ta nie zostanie wywołana przy przywróceniu zasilania po jego awaryjnym wyłączeniu.

11. Wskaźnik użytkownika oszczędnego

Wskazuje, że produkt działa w trybie oszczędzania energii. (eco) Wskaźnik ten będzie aktywny, jeśli temperaturę komory zamrażania nastawiono na -18 stopni lub zgodnie z funkcją Eco-Extra chłodzenie przebiega w trybie energooszczędnym.



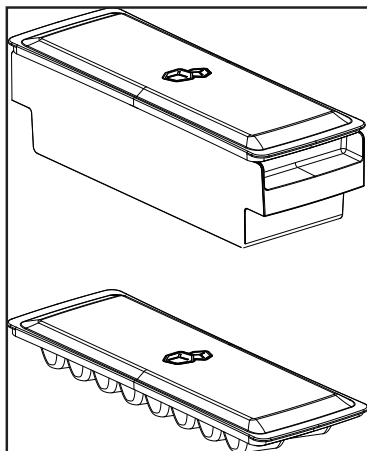
Wskaźnik użytkownika oszczędnego gaśnie, gdy zostanie wybrana funkcja szybkiego chłodzenia lub szybkiego zamrażania.

Korzystanie z produktu

5.2. Pojemnik na lód

(Opcja)

- Wyjmij pojemnik na lód z komory zamrażalnika.
- Wypełnij pojemnik na lód wodą.
- Włóż pojemnik na lód do komory zamrażalnika.
- Lód będzie gotowy za ok. dwie godziny. Wyjmij pojemnik na lód z komory zamrażalnika i zegnij go lekko nad pojemnikiem, w którym zamierzasz go podać. Lód łatwo wypadnie do pojemnika.



5.3. Pojemnik na jajka

Pojemnik na jajka możesz umieścić na drzwiach lub w głównej komorze. Jeśli zdecydujesz się go umieścić w głównej komorze, zaleca się korzystanie z dolnych półek, ponieważ jest tam chłodniej.

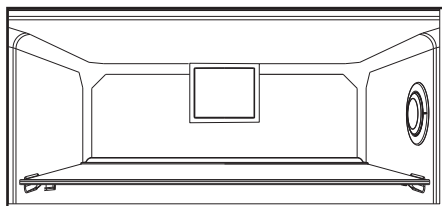


Nie wkładaj pojemnika na jajka do komory zamrażalnika.

5.4. Wentylator

Wentylator został zaprojektowany, aby równomiernie rozprowadzać chłodne powietrze we wnętrzu chłodziarki. Czas działania wentylatora może się różnić w zależności od własności chłodziarki.

W niektórych chłodziarkach wentylator działa tylko wtedy, kiedy sprężarka, w innych system sterowania określa czas działania w zależności od zapotrzebowania.



5.5. Pojemnik na warzywa

(Opcja)

Pojemnik na warzywa został zaprojektowany, aby utrzymać świeżość warzyw poprzez zachowanie wilgotności. W tym celu ogólna cyrkulacja zimnego powietrza jest intensywniejsza w tym pojemniku.

5.6. Komora o temperaturze zero

(Opcja)

Używaj tej komory, aby przechowywać delikaty w niższych temperaturach lub produkty mięsne do szybkiego spożycia. Komora o temperaturze zero to najchłodniejsze miejsce, gdzie możesz przechowywać artykuły spożywcze takie jak nabiał, mięso, ryby i drób w idealnych warunkach. W tej komorze nie należy przechowywać warzyw ani owoców.

5.7. Użycie drugiego pojemnika na świeże warzywa.



Rysunek 1.

Jak pokazano na rysunku, w drugiej komorze na świeże warzywa w modelu K70560 znajdują się 2 blokady.



Rysunek 2.

Zamknięty drugi pojemnik na świeże warzywa wygląda tak, jak pokazano na rysunku 2.



Rysunek 3.

Przy otwartych pod kątem 90° drzwiach wysunąć drugi pojemnik na świeże warzywa do pierwszej blokady, jak pokazano na rysunku 3.



W przypadku większego wysunięcia szuflady należy najpierw otworzyć drzwi przynajmniej pod kątem 135°. Następnie, jak pokazano na rysunku 4, podnieść drugi pojemnik na świeże warzywa na ok. 5 mm, aby zwolnić pierwszą blokadę.



Rysunek 4.

Po podniesieniu wysunąć drugą szufladę do drugiej blokady, jak pokazano na rysunku 5.

Rysunek 5.

Korzystanie z produktu

5.8. Ruchomy stelaż na drzwiach

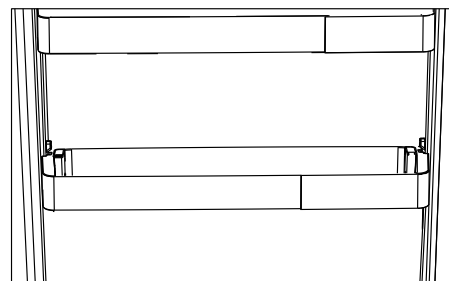
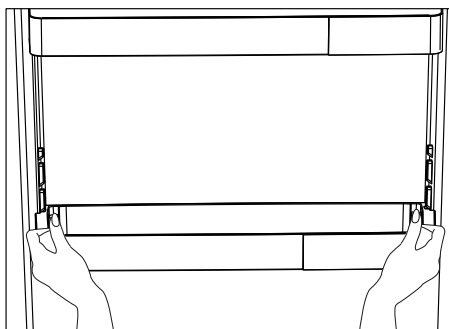
(Opcja)

Ruchomy stelaż na drzwiach można zamocować w 3 różnych pozycjach.

Aby przesunąć stelaż, naciśnij jednocześnie przyciski z boku. Stelaż można przesunąć.

Przesuń stelaż w górę lub w dół.

Kiedy stelaż znajdzie się w żądanej pozycji, zwolnij przyciski. Stelaż zostanie zamocowany w pozycji, w jakiej zwolnisz przyciski.

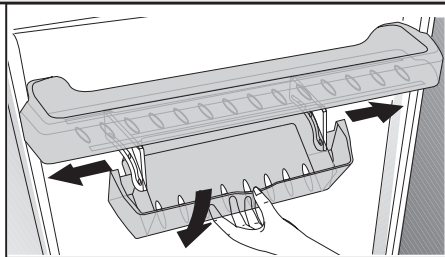


5.9. Pojemnik przesuwany

(Opcja)

Ten element wyposażenia został zaprojektowany, aby zwiększyć używalność stelaży na drzwiach.

Dzięki możliwości przesuwania na boki, ułatwia on ułożenie długiej butelki, słoika lub pudełek, które wkładasz w uchwyt na butelki poniżej.



5.10. Pochłaniacz zapachów

(FreshGuard) * opcja

Pochłaniacz zapachów błyskawicznie usuwa z lodówki nieprzyjemne zapachy, zanim przenikną do powierzchni. Urządzenie znajduje się na suficie komory na świeżą żywność. Dzięki niemu nieprzyjemne zapachy zostają zneutralizowane podczas aktywnego przepływu powietrza przez filtr zapachowy. Po oczyszczeniu powietrze wraca do komory na świeżą żywność. Dzięki temu nieprzyjemne zapachy pochodzące z żywności przechowywanej w lodówce zostają usunięte, zanim przenikną do powierzchni.

Jest to możliwe dzięki wentylatorowi, diodzie LED oraz filtrowi zapachowemu – wszystkie te elementy stanowią integralną część pochłaniacza zapachów. Podczas codziennego użytkowania pochłaniacz zapachów okresowo włącza się automatycznie. Aby zapewnić skuteczne działanie wyrobu, zaleca się wymianę filtra zapachowego przez autoryzowany serwis co 5 lat. Ponieważ pochłaniacz zapachów jest wyposażony w wentylator, podczas pracy emituje hałas – jest to normalne zjawisko. W przypadku gdy drzwi komory na świeżą żywność zostaną otwarte podczas pracy pochłaniacza, wentylator wstrzyma działanie, a po zamknięciu drzwi wznowi pracę po pewnym czasie. W przypadku awarii zasilania pochłaniacz wznowi pracę po przywróceniu zasilania na tym samym etapie cyklu działania, na którym została ona przerwana.

Corystanie z produktu

Informacja: Zaleca się przechowywanie żywności o silnym zapachu (takiej jak sery, oliwki i wyroby garmażeryjne) w zamkniętym opakowaniu, aby uniknąć nieprzyjemnej woni powstałej na skutek wymieszania zapachów różnych produktów. Ponadto zaleca się szybkie wyjmowanie z lodówki zepsutych produktów, aby zapobiec nieprzyjemnym zapachom oraz zepsuciu innych artykułów.

5.11. Pojemnik na warzywa z kontrolą wilgotności

(Opcja)

Funkcja kontroli wilgotności umożliwia zachowanie odpowiedniej wilgotności warzyw i owoców oraz zapewnia dłuższą świeżość żywności.

Zaleca się w miarę możliwości przechowywanie w pojemniku warzyw liściastych, jak sałata, szpinak itp. w pozycji poziomej, a nie opartych o korzeń, ze względu na utratę wilgotności.

Układając warzywa, ciężkie i twarde należy układać na dole, a lekkie i miękkie na górze, biorąc pod uwagę konkretną wagę warzyw.

Nie zostawiać w pojemniku warzyw w plastikowych torebkach. Zostawienie ich w plastikowej torebce spowoduje, że szybko zgniją. W sytuacjach, kiedy styczność z innymi warzywami jest niezalecana, używaj materiałów opakowaniowych takich jak papier, które mają pewną porowatość pozwalającą zachować higienę.

Nie wkładaj owoców, które wydzielają dużo gazowego etylenu, jak gruszki, morele, brzoskwinie, a przede wszystkim jabłka, do tego samego pojemnika na warzywa, co inne warzywa i owoce. Gazowy etylen wydobywający się z tych owoców może spowodować szybsze dojrzewanie i gnicie pozostałych warzyw i owoców.

5.12. Automatyczna maszyna do lodu

(Opcja)

Automatyczna maszyna do lodu umożliwia łatwe wytwarzanie lodu w chłodziarce. Aby wytworzyć lód za pomocą maszyny do lodu, wyjmij zbiornik wody z komory chłodzenia, napełnij go wodą i włóż z powrotem.

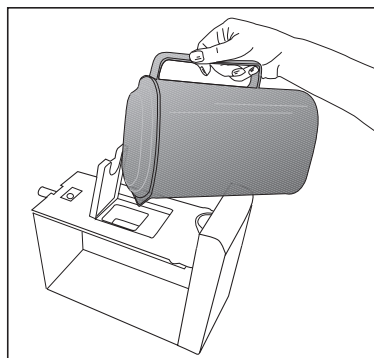
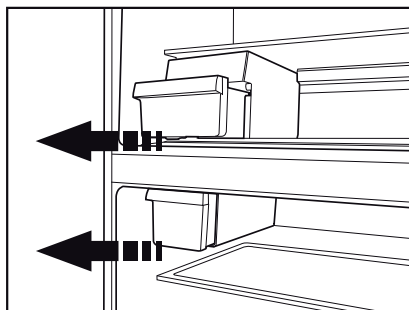
Pierwszy lód powstanie po dwóch godzinach w szufladzie na lód znajdującej się w komorze chłodzenia.

Po włożeniu pełnego zbiornika wody możesz uzyskać z niego 60-70 kostek lodu.

Jeśli woda w zbiorniku stała przez 2-3 tygodnie, należy ją wymienić.



W przypadku produktów z automatyczną maszyną do lodu możesz słyszeć dźwięk podczas wysypywania lodu. Jest to zupełnie normalne i nie świadczy o awarii.



Korzystanie z produktu

5.13. Kostkarka do lodu Icematic i pojemnik na lód

*opcja

Obsługa kostkarki do lodu Icematic

Napełnij Icematic wodą i włóż do obudowy. Lód będzie gotowy za ok. dwie godziny. Nie wyjmuj Icematic z obudowy, aby wyjąć lód.

Obróć pokrętkę na zbiornikach lodu zgodnie z ruchem wskazówek zegara o 90 stopni.

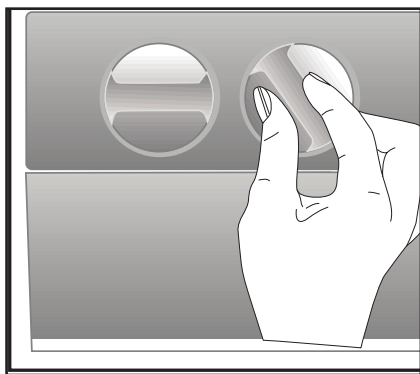
Kostki lodu w zbiornikach wypadną do pojemnika na lód pod nimi.

Teraz możesz wyjąć pojemnik na lód i podać kostki lodu.

Jeśli chcesz, możesz trzymać kostki lodu w tym pojemniku.

Pojemnik na lód

Pojemnik na lód służy wyłącznie do gromadzenia kostek lodu. Nie wlewaj do niego wody. W przeciwnym razie ulegnie uszkodzeniu.



5.14. Korzystanie z dozownika wody

*opcja



Pierwsze kilka szklanek wody z dozownika mogą być ciepłe i jest to całkiem normalne.

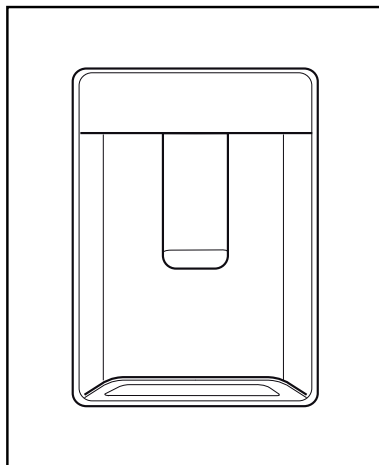


Jeżeli dozownika wody nie używa się przez dłuższy czas, wylewa się pierwsze kilka szklanek wody, aby uzyskać wodę świeżą.

1. Naciśnij szklanką dźwignię dozownika wody. Jeśli korzystasz z miękkiego plastikowego kubka, naciśnięcie dźwigni ręką będzie łatwiejsze.
2. Po napełnieniu kubka dożądanego poziomu puść dźwignię.



Prosimy zwrócić uwagę, że ilość wody wypływającej z dozownika zależy od tego, jak bardzo wciśnięto dźwignię. W miarę jak podnosi się poziom wody w kubku lub szklance delikatnie zmniejszaj nacisk na dźwignię, aby uniknąć przelania się wody. Jeśli lekko nacisnąc ramię, woda kapie, co jest całkiem normalne i nie świadczy o awarii.



Korzystanie z produktu

5.15. Napełnianie zbiornika dozownika wodą

Zbiornik wody mieści się w stelażu na drzwiach.

1. Otwórz pokrywę zbiornika.
2. Napełnij zbiornik świeżą wodą pitną.
3. Zamknij pokrywkę.



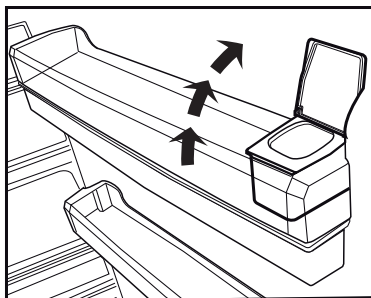
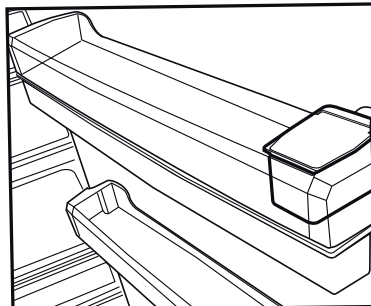
Nie napełniaj zbiornika na wodę innym płynem niż woda, np. sokiem owocowym, napojem gazowanym, czy napojem alkoholowym, które nie nadają się do stosowania w zbiorniku na wodę. Użycie płynu tego rodzaju spowoduje trwałe uszkodzenie dozownika. Użytkowania takiego nie obejmuje gwarancja. Pewne zawarte w takich płynach substancje chemiczne i dodatki mogą uszkodzić zbiornik na wodę.



Używaj tylko świeżej, czystej wody pitnej.



Pojemność zbiornika na wodę wynosi 3 litry, nie należy jej przekraczać.



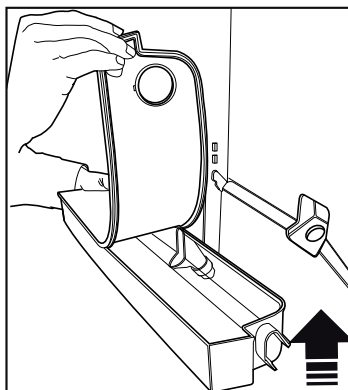
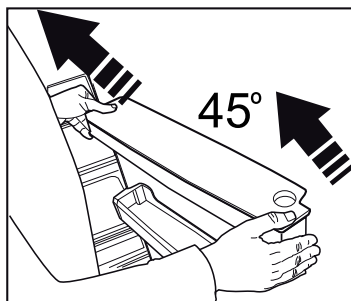
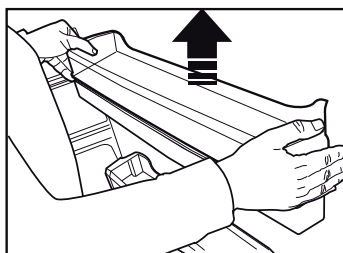
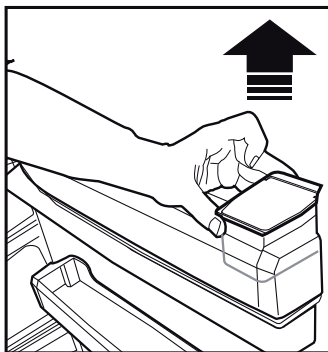
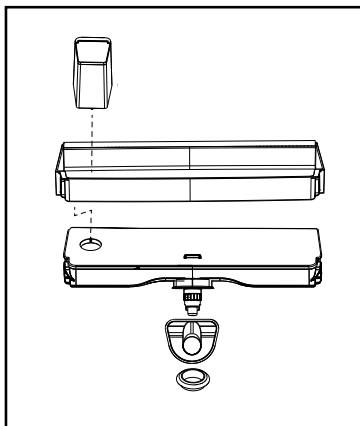
Korzystanie z produktu

5.16. Czyszczenie zbiornika na wodę

1. Wyjmij zbiornik na wodę ze stelaża na drzwiach.
2. Wyjmij stelaż na drzwiach, trzymając go z obu stron.
3. Chwyć zbiornik na wodę z obu stron i wyjmij go pod kątem 45°C.
4. Zdejmij pokrywę zbiornika na wodę i wyczyść go.



Elementów zbiornika i dozownika nie należy myć w zmywarkach do naczyń.



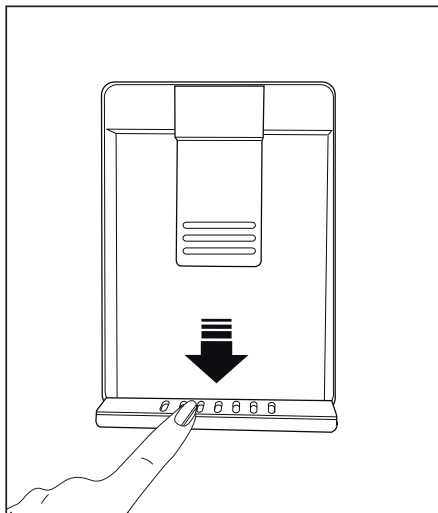
Korzystanie z produktu

5.17. Tacka na krople

Woda, która kapie przy korzystaniu z dozownika zbiera się w tacce na krople.

Wyjmij plastikowy filtr tak jak pokazano na rysunku.

Wytrzyj zebraną wodę za pomocą czystej i suchej ściereczki.



HerbBox/HerbFresh

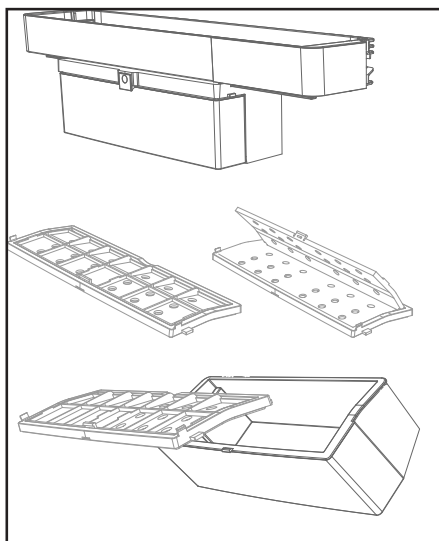
Wyjmij woreczek foliowy z pojemnika HerbBox/HerbFresh+.

Wyjmij folię z woreczka i włóż do ją do osłony tak, jak pokazano na ilustracji.

Zamknij pojemnik i umieść go w części HerbBox/HerbFresh+.

HerbBox/HerbFresh+ jest idealne do przechowywania różnorodnych, delikatnych ziół, wymagających odpowiednich warunków. W pojemniku tym możesz przechowywać na poziomo zioła wyjęte z opakowań (pietruszka, koperek, itp.), co zapewni im świeżość przez znacznie dłuższy okres.

Folię należy wymieniać co pół roku.



Korzystanie z produktu

5.18. Zamrażanie żywności świeżej

- Aby zachować jakość żywności, produkty spożywcze włożone do komory zamrażalnika powinny zostać zamrożone jak najszybciej. W tym celu użyj funkcji szybkiego zamrażania.
- Zamrażanie świeżych produktów spożywczych przedłuża ich czas przechowywania w komorze zamrażalnika.
- Zapakuj produkty spożywcze w hermetyczne opakowania i dobrze zamknij.
- Sprawdź, czy produkty są zapakowane przed włożeniem ich do zamrażalnika. Użyj pojemników do zamrażalnika, folii aluminiowej, papieru pergaminowego, woreczków plastikowych lub podobnych materiałów opakowaniowych zamiast tradycyjnego papieru do pakowania.
- Oznacz każde opakowanie przed zamrożeniem, pisząc na nim datę. Pozwoli Ci to określić świeżość każdego opakowania za każdym otwarciem zamrażalnika. Przechowuj wcześniej włożone produkty spożywcze z przodu, aby zostały użyte pierwsze.
- Zamrożone produkty należy zużyć zaraz po rozmrożeniu i nie wolno ich zamrażać ponownie.
- Nie należy zamrażać dużych ilości żywności na raz.



Lód w komorze zamrażania jest rozmrażany automatycznie.

| Regulacja temperatury w komorze zamrażalnika. | Regulacja temperatury w komorze chłodzenia. | Informacje |
|---|---|--|
| -18°C | 4°C | To domyślne, zalecane ustawienie. |
| -20, -22 lub -24°C | 4°C | Te ustawienia są zalecane, jeśli temperatura otoczenia przekracza 30°C. |
| Quick Freeze | 4°C | Funkcji tej używa się do szybkiego zamrażania żywności. Kiedy ten proces się zakończy, chłodziarka wróci do poprzedniego ustawienia. |
| -18°C lub zimniej | 2°C | Użyj tych ustawień, jeśli uważasz, że w komorze chłodzenia nie jest dostatecznie zimno z powodu temperatury otoczenia lub częstego otwierania drzwiczek. |

5.19. Przechowywanie żywności mrożonej

Temperatura komory musi być ustawiona na co najmniej -18°C.

1. Zamrożone produkty należy wkładać do zamrażalnika możliwie jak najszybciej, aby uniknąć rozmrożenia.
2. Przed zamrożeniem sprawdź datę ważności na opakowaniu, aby mieć pewność, że jest ona aktualna.

3. Sprawdź, że opakowanie żywności nie jest uszkodzone.

5.20. Informacje o komorze głębokiego zamrażania

Zgodnie ze standardem IEC 62552 zamrażalnik musi mieć zdolność zamrożenia 4,5 kg żywności w temperaturze -18°C lub niższej w ciągu 24 godzin na każde 100 litrów objętości komory zamrażalnika.

Corzystanie z produktu

Produkty spożywcze można przechowywać przez dłuższy czas tylko w temperaturze -18°C lub niższej.

Możesz zachować świeżość żywności przez kilka miesięcy (w komorze głębokiego zamrażania w temperaturze -18°C lub niższej). Produkty spożywcze, które mają zostać zamrożone, nie mogą się stykać z już zamrożonymi produktami, aby uniknąć ich częściowego rozmrożenia.

Ugotuj warzywa i filtruj wodę, aby przedłużyć czas przechowywania. Umieść żywność w hermetycznych opakowaniach po filtrowaniu i umieść w zamrażalniku. Banany, pomidory, sałata, seler, gotowane jajka, ziemniaki i podobne artykuły nie powinny być zamrażane. Jeśli te artykuły zepsują się, wpłynie to negatywnie tylko na wartości odżywcze i smak. Zepsucie zagrażające zdrowiu ludzkiemu nie wchodzi w grę.

5.21. Rozmieszczenie żywności

| | |
|-------------------------------------|--|
| Półki w komorze zamrażalnika | Różne mrozonki, np. mięso, ryby, lody, warzywa itp. |
| Półki komory chłodzenia | Produkty spożywcze w garnkach, na przykrytych talerzach, zamkniętych pudełkach, jajka (w zamkniętym pudełku) |
| Półki na drzwiach komory chłodzenia | Małe i zapakowane produkty spożywcze oraz napoje |
| Pojemnik na warzywa | Owoce i warzywa |
| Komora na żywność świeżą | Delikatesy (produkty śniadaniowe, produkty mięsne do szybkiego spożycia) |

5.22. Alarm o otwartych drzwiach (Opcja)

Jeśli drzwi chłodziarki będą otwarte przez co najmniej minutę, rozlegnie się słyszalny alarm. Alarm ten wyłączy się po zamknięciu drzwi lub naciśnięciu dowolnego przycisku na wyświetlaczu (jeśli dostępny).

Alarm o otwartych drzwiach jest prezentowany użytkownikowi słyszalnie i wizualnie. Oświetlenie wewnętrzne wyłączy się, jeśli ostrzeżenie będzie trwało 10 min.

5.23. Zmiana kierunku otwierania drzwi

Możesz zmienić kierunek otwierania chłodziarki, w zależności od miejsca użytkowania. Jeśli musisz to zrobić, skontaktuj się z najbliższym autoryzowanym serwisem. Powyższe wyjaśnienie to stwierdzenie ogólne. Aby uzyskać informacje o możliwości zmiany kierunku otwierania drzwi, sprawdź etykietę ostrzegawczą wewnątrz opakowania produktu.

5.24. Oświetlenie wewnętrzne

Oświetlenie wewnętrzne korzysta z lampek typu LED. W przypadku problemów z lampką skontaktuj się z autoryzowanym serwisem. Lampek używanych w tym urządzeniu nie można użyć do oświetlania domu. Zgodne z przeznaczeniem użycie tej lampki to pomoc użytkownikowi w bezpiecznym i wygodnym umieszczeniu żywności w chłodziarce/ zamrażalniku.

Korzystanie z produktu

5.25. Niebieskie światło/ Harvest Fresh

*** Funkcja nie jest dostępna w niektórych modelach**

W przypadku niebieskiego światła,

owoce i warzywa przechowywane w pojemnikach oświetlonych niebieskim światłem dalej wytwarzają fotosyntezę. Dzieje się tak dzięki efektowi długości fali niebieskiego światła, a tym samym zachowują one witaminy.

W przypadku Harvest Fresh,

owoce i warzywa przechowywane w pojemnikach oświetlonych technologią Harvest Fresh dłużej zachowują witaminy. Dzieje się tak dzięki cyklom niebieskiego, zielonego, czerwonego światła oraz ciemności, które symulują cykl dzienny.

Jeśli otworzysz drzwi lodówki podczas ciemnego cyklu technologii Harvest Fresh, lodówka automatycznie to wykryje i umożliwi niebiesko-zielone lub czerwone światło, aby podświetlić pojemnik na warzywa. Po zamknięciu drzwi lodówki cykl ciemności będzie kontynuowany, symulując noc w cyklu dziennym.

6 Konserwacja i czyszczenie

Czas eksploatacji urządzenia wydłuża się, jeśli jest ono regularnie czyszczone.



OSTRZEŻENIE: Przed czyszczeniem chłodziarki odłącz ją od prądu.

- Do czyszczenia nie wolno stosować żadnych ostrych ani szorstkich narzędzi, mydła, domowych środków czystości, detergentów, ani wosku do polerowania.
- Rozpuść łyżeczkę węglanu w pół litrze wody. Namoczyc ściereczkę w roztworze i dokładnie ją wyjmij. Przetrzyj wnętrze chłodziarki tą ściereczką i dokładnie wytrzyj do sucha.
- Dbaj, aby do obudowy lampki i innych urządzeń elektrycznych nie dostała się woda.
- Wyczyść drzwi wilgotną ściereczką. Aby wyjąć półki z drzwi i wnętrza chłodziarki, opróżnij je z całej zawartości. Wyjmij półki z drzwi, przesuwając je w górę. Po oczyszczeniu, wsuń je od góry do dołu, aby włożyć na miejsce.
- Do czyszczenia powierzchni zewnętrznych i chromowanych części produktu nie należy używać ani środków czyszczących, ani wody z zawartością chloru. Chlor powoduje korozję takich powierzchni metalowych.
- Nie używaj ostrych ani szorstkich narzędzi, mydła, domowych środków czystości, detergentów, nafty, oleju napędowego, lakieru itp., aby zapobiec odpadnięciu i odkształceniu plastikowych części. Do czyszczenia użyj letniej wody i miękkiej ściereczki, a następnie wytrzyj do sucha.

6.1. Jak unikać nieprzyjemnych zapachów

Do wyrobu chłodziarek nie używa się materiałów powodujące zapachy. Jednak w wyniku niewłaściwego przechowywania żywności i nieczyszczenia wnętrza chłodziarki mogą powstawać nieprzyjemne zapachy.

A zatem co 15 dni czyść chłodziarkę roztworem węglanu w wodzie.

- Żywność przechowuje się w zamkniętych pojemnikach. Wydostające się z odkrytych pojemników mikroorganizmy mogą powodować nieprzyjemne zapachy.

- W chłodziarce nie wolno przechowywać żywności zepsutej ani takiej, której termin przydatności do spożycia upłynął.

6.2. Jak zabezpieczać powierzchnie plastykowe.

Wymyć od razu ciepłą wodą, ponieważ olej może spowodować uszkodzenie plastikowej powierzchni.

6.3. Szkło w drzwiach

Zdejmij folię ochronną ze szkła.

Na powierzchni szkła znajduje się pokrycie.

To pokrycie ogranicza możliwość powstawania plam i ułatwia usuwanie ewentualnych plam i zabrudzeń. Szkło niechronione takim pokryciem może ulec trwałemu zabrudzeniu organicznymi lub nieorganicznymi związkami opartymi na powietrzu lub wodzie, jak kamień, sole mineralne, niespalone węglowodory, tlenki metali i silikony, które łatwo i szybko powodują powstanie plam i szkody materialne. Utrzymanie szkła w czystości staje się zbyt trudne pomimo regularnego czyszczenia. W konsekwencji pogarsza się wygląd i zmniejsza przezroczystość szkła. Ostre i szorstkie metody i środki czyszczące zwiększą te problemy i przyspieszą proces niszczenia.

Należy używać niezasadowych i łagodnych środków czyszczących opartych na wodzie.

Do czyszczenia należy używać niezasadowych i łagodnych środków czyszczących, aby wydłużyć trwałość tej powłoki.

Szkło to hartuje się, aby zwiększyć odporność na uderzenie i pęknięcie.

Na jego tylne powierzchnie nakłada się także folie ochronne jako dodatkowe zabezpieczenie w celu zapobieżenia szkodom w otoczeniu w przypadku jego pośluzienia.

* Zasady to podstawa do tworzenia jonów wodorotlenku (OH⁻) po rozpuszczeniu w wodzie. Li (lit), Na (sód), K (potas) Rb (rubid), Cs (cez) oraz sztuczny i radioaktywny Fr (frans) są nazywane METALAMI ALKALICZNYMI.

Przed skontaktowaniem się z serwisem należy sprawdzić tę listę. Umożliwi to zaoszczędzenie czasu i pieniędzy. Ta lista zawiera często spotykane problemy niezwiązane z wadami jakości wykonania lub materiałów. Pewne wymienione tutaj funkcje mogą nie dotyczyć posiadanego produktu.

Lodówka nie działa.

- Wtyk zasilania nie jest włożony do końca. >>> Dociśnij go do końca w gniazdku.
- Bezpiecznik podłączony do gniazda zasilającego produkt lub bezpiecznik główny jest przepalony. >>> Sprawdź bezpieczniki.

Kondensacja na bocznej ścianie komory chłodziarki (WIELOSTREFOWE, CHŁODZENIE, KONTROLA I STREFA ELASTYCZNA).

- Drzwi są za często otwierane >>> Należy pamiętać, aby nie otwierać drzwi produktu za często.
- Środowisko jest za wilgotne. >>> Produktu nie należy instalować w wilgotnych środowiskach.
- Żywność zawierająca płyny jest przechowywana w nieszczelnych opakowaniach. >>> Żywność zawierająca płyny należy przechowywać w zamkniętych opakowaniach.
- Drzwi produktu pozostały otwarte. >>> Nie wolno pozostawiać otwartych drzwi produktu przez długi czas.
- Termostat jest ustawiony na za niską temperaturę. >>> Ustaw termostat na odpowiednią temperaturę.

Sprężarka nie działa.

- W przypadku nagłej awarii zasilania lub wyciągnięcia kabla zasilającego z gniazda i podłączenia go z powrotem ciśnienie gazu w układzie chłodzenia produktu jest nierównoważone, co wyzwała zabezpieczenie termiczne sprężarki. Produkt ponownie się uruchomi po około 6 minutach. Jeśli produkt nie uruchomi się po tym czasie, skontaktuj się z serwisem.
- Odmrażanie jest aktywne. >>> To jest normalne w przypadku produktu z całkowicie zautomatyzowanym odmrażaniem. Odmrażanie odbywa się okresowo.
- Produkt nie jest podłączony. >>> Upewnij się, że kabel zasilania jest podłączony.
- Nastawa temperatury jest niepoprawna. >>> Wybierz poprawną nastawę temperatury.
- Brak zasilania. >>> Po przywróceniu zasilania produkt będzie kontynuował normalną pracę.

Hałas pracy lodówki zwiększa się podczas używania.

- Wydajność robocza produktu może się zmieniać w zależności od zmian temperatury otoczenia. To jest sytuacja normalna, a nie awaria.

Lodówka włącza się za często lub na zbyt długo.

Rozwiązywanie problemów

- Nowy produkt może być większy niż poprzedni. Większe produkty pracują dłużej.
- Temperatura w pomieszczeniu może być wysoka. >>> Produkt będzie normalnie działał przed dłuższy czas przy wyższej temperaturze w pomieszczeniu.
- Produkt mógł zostać niedawno podłączony lub do środka została włożona nowa porcja żywności. >>> Produkt będzie potrzebował więcej czasu na osiągnięcie ustawionej temperatury, jeśli został niedawno podłączony lub do środka została włożona nowa porcja żywności. To jest normalne.
- Do produktu włożono ostatnio dużą ilość gorącej żywności. >>> Do produktu nie wolno wkładać gorącej żywności.
- Drzwi były często otwierane lub były otwarte przez dłuższy czas. >>> Ciepłe powietrze przedostające się do środka spowoduje wydłużenie pracy produktu. Nie należy za często otwierać drzwi.
- Drzwi zamrażarki lub chłodziarki mogą być uchylone. >>> Sprawdź, czy drzwi są całkowicie zamknięte.
- Produkt może mieć ustawioną za niską temperaturę. >>> Ustaw wyższą temperaturę i poczekaj aż produkt ją osiągnie.
- Uszczelka drzwi chłodziarki lub zamrażarki może być zabrudzona, zużyta, uszkodzona lub niepoprawnie ułożona. >>> Oczyszczyć lub wymieść uszczelkę. Uszkodzona/podarta uszczelka drzwi spowoduje wydłużenie działania produktu w celu utrzymania bieżącej temperatury.

Temperatura zamrażarki jest bardzo niska, ale temperatura chłodziarki jest odpowiednia.

- Temperatura komory zamrażarki jest ustawiona bardzo nisko. >>> Ustaw wyższą temperaturę komory zamrażarki i sprawdź ponownie.

Temperatura chłodziarki jest bardzo niska, ale temperatura zamrażarki jest odpowiednia.

- Temperatura komory chłodziarki jest ustawiona bardzo nisko. >>> Ustaw wyższą temperaturę komory chłodziarki i sprawdź ponownie.

Żywność przechowywana w szufladach komory chłodziarki jest zamrznięta.

- Temperatura komory chłodziarki jest ustawiona bardzo nisko. >>> Ustaw wyższą temperaturę komory zamrażarki i sprawdź ponownie.

Temperatura chłodziarki lub zamrażarki jest za wysoka.

- Temperatura komory chłodziarki jest ustawiona bardzo wysoko. >>> Nastawa temperatury komory chłodziarki wpływa na temperaturę komory zamrażarki. Zmień temperaturę komory chłodziarki lub zamrażarki i poczekaj aż odpowiednia komora osiągnie ustawiony poziom temperatury.
- Drzwi były często otwierane lub były otwarte przez dłuższy czas. >>> Nie należy za często otwierać drzwi.
- Drzwi mogą być uchylone. >>> Całkowicie zamknij drzwi.
- Produkt mógł zostać niedawno podłączony lub do środka została włożona nowa porcja żywności. >>> To jest normalne. Produkt będzie potrzebował więcej czasu na osiągnięcie ustawionej temperatury, jeśli został niedawno podłączony lub do środka została włożona nowa porcja żywności.
- Do produktu włożono ostatnio dużą ilość gorącej żywności. >>> Do produktu nie wolno wkładać gorącej żywności.

Wstrząsy lub hałas.

Rozwiązywanie problemów

- Podłoże nie jest poziome lub wytrzymałe. >>> Jeśli produkt się kołysze podczas powolnego przemieszczania, wyreguluj nóżki w celu zrównoważenia produktu. Upewnij się też, że podłoże jest wystarczająco wytrzymałe i uniesie produkt.

- Wszelkie przedmioty umieszczone na produkcie mogą powodować hałas. >>> Zdejmij wszelkie przedmioty umieszczone na produkcie.

Produkt wytwarza dźwięki przepływającego płynu, rozpryskiwania itd.

- Zasada działania produktu obejmuje przepływ płynu i gazu. >>> To jest sytuacja normalna, a nie awaria.

Z produktu słychać odgłos dmuchającego wiatru.

- Produkt używa wentylatora w procesie chłodzenia. To jest sytuacja normalna, a nie awaria.

Na wewnętrznych ściankach produktu występuje kondensacja.

- Gorąca lub zimna pogoda zwiększy zalodzenie i kondensację. To jest sytuacja normalna, a nie awaria.
- Drzwi były często otwierane lub były otwarte przez dłuższy czas. >>> Nie należy otwierać drzwi za często, a jeśli są otwarte należy je zamknąć.
- Drzwi mogą być uchylone. >>> Całkowicie zamknij drzwi.

Na powierzchni zewnętrznej lub między drzwiami produktu występuje kondensacja.

- Pogoda może być wilgotna i to zjawisko jest normalne w takich warunkach. >>> Po zmniejszeniu wilgotności kondensacja zniknie.

Nieprzyjemny zapach we wnętrzu.

- Produkt nie jest regularnie czyszczony. >>> Czyść wnętrze regularnie za pomocą gąbki, ciepłej wody i wody z węglanem.
- Niektóre pojemniki i opakowania mogą wywoływać nieprzyjemne zapachy. >>> Należy używać pojemników i opakowań z materiałów niewydzielających zapachów.
- Żywność została umieszczona w nieszczelnym opakowaniu. >>> Żywność należy przechowywać w zamkniętych opakowaniach. Drobnoustroje mogą się rozprzestrzeniać z niezamkniętych opakowań i powodować nieprzyjemne zapachy.
- Z produktu należy usunąć żywność przeterminowaną i zepsutą żywność.

Drzwi się nie zamykają.

- Opakowania żywności mogą blokować drzwi. >>> Przesuń przedmioty blokujące drzwi.
- Produkt nie stoi całkowicie pionowo na ziemi. >>> Wyreguluj nóżki, aby zrównoważyć produkt.
- Podłoże nie jest poziome lub wytrzymałe. >>> Upewnij się, że podłoże jest poziome i wystarczająco wytrzymałe oraz uniesie produkt.

Zaciął się pojemnik na warzywa.

- Żywność może się stykać z górną częścią szuflady. >>> Zmień ułożenie żywności w szufladzie.

Jeśli powierzchnia produktu jest gorąca.

- Podczas pracy produktu obszar między drzwiczkami, panele boczne i tylny ruszt mogą osiągać wysoką temperaturę. Jest to normalne zjawisko i nie oznacza konieczności dokonywania naprawy!



OSTRZEŻENIE: Jeśli problem nie zniknie po wykonaniu instrukcji podanych w tym rozdziale, skontaktuj się ze sprzedawcą lub autoryzowanym serwisem. Nie próbuj naprawiać produktu.

Gwarancja jakości

Twój produkt marki BEKO posiada gwarancję jakości udzieloną przez Beko S.A z siedzibą w Warszawie ul. Puławska 366, 02-819 Warszawa (dalej Gwarant). Gwarancja jakości udzielana jest wyłącznie na produkty marki BEKO wprowadzane do obrotu na terytorium Rzeczypospolitej Polskiej przez Gwaranta. Termin gwarancji wynosi 24 miesiące od daty zakupu produktu. Oświadczenie gwarancyjne określające warunki gwarancji znajdziesz na stronie internetowej www.beko.pl w sekcji serwis.

Warunkiem wykonywania uprawnień z gwarancji jest przedstawienie dowodu zakupu produktu lub zarejestrowanie produktu na stronie www.beko.pl w sekcji serwis .

Zarejestruj swój produkt.

Załącz konto oraz zarejestruj teraz swój produkt marki BEKO objęty gwarancją na naszej stronie internetowej www.beko.pl w sekcji serwis. Dzięki temu nie będziesz musiał się martwić w sytuacji gdy zgubisz dowód zakupu. Ponadto będziesz miał możliwość otrzymania oświadczenia gwarancyjnego w postaci „cyfrowej karty gwarancyjnej”.

Obsługa klienta – infolinia 22 250 14 14

W celu zgłoszenia reklamacji lub usterki produktu marki BEKO prosimy o kontakt telefoniczny z infolinią . Nasi konsultanci pomogą ci rozwiązać problem lub skierują do właściwego serwisu BEKO.

Infolinia czynna jest 7 dni w tygodniu od 8.00 do 20:00.

* Koszt połączenia jak za połączenie lokalne (z telefonu stacjonarnego) lub według stawek operatora sieci komórkowej.



Podpis i pieczęć instalatora (z numerem uprawnienia) w przypadku montażu urządzeń gazowych lub płyt i piekarników elektrycznych

Aby otrzymać więcej informacji dotyczących serwisu BEKO np. gdzie kupić części zamienne lub akcesoria należy odwiedzić stronę internetową www.beko.pl i wybrać zakładkę serwis.

ZASTRZEŻENIE/OSTRZEŻENIE

Niektóre (proste) awarie mogą być naprawione przez użytkownika końcowego bez obawy przed niebezpieczeństwem lub wynikającym z tego niebezpiecznego użytkownika, pod warunkiem, że naprawy zostaną wykonane w określonych granicach i zgodnie z następującymi instrukcjami (patrz rozdział „Samodzielna naprawa”).

Dlatego, o ile nie określono inaczej w rozdziale "Samodzielna naprawa", naprawy powinny być zlecane do profesjonalnych warsztatów w celu uniknięcia problemów związanych z bezpieczeństwem. Zarejestrowany profesjonalny podmiot zajmujący się naprawami to profesjonalny warsztat, któremu producent przyznał dostęp do instrukcji i wykazu części zamiennych produktu zgodnie z metodami opisanymi w aktach ustawodawczych zgodnie z dyrektywą 2009/125/WE.

Jednak tylko przedstawiciel serwisu (tj. autoryzowane profesjonalne warsztaty), z którym można skontaktować się pod numerem telefonu podanym w instrukcji obsługi/karcie gwarancyjnej lub za pośrednictwem autoryzowanego sprzedawcy, może świadczyć usługi na warunkach gwarancji. W związku z tym należy pamiętać, że naprawy wykonywane przez profesjonalne warsztaty (nieautoryzowane przez Beko) powodują utratę gwarancji.

Samodzielna naprawa

Użytkownik końcowy może samodzielnie naprawić następujące części zamienne: klamki, zawiasy drzwi, tace, kosze i uszczelki drzwi (zaktualizowana lista jest również dostępna na support.beko.com od 1 marca 2021).

Ponadto, aby zapewnić bezpieczeństwo produktu i zapobiec ryzyku poważnych obrażeń, samodzielną naprawę należy wykonać zgodnie ze wskazówkami zawartymi w instrukcji obsługi w rozdziale "Samodzielna naprawa" lub

dostępny w support.beko.com Dla własnego bezpieczeństwa, przed samodzielną naprawą, odłącz urządzenie od zasilania.

Naprawy i próby naprawy dokonywane przez użytkowników końcowych w przypadku części niewymienionych na liście i/lub nieprzestrzeganie wskazówek zawartych w rozdziale „Samodzielna naprawa” lub dostępnych w support.beko.com, mogą stanowić zagrożenie, którego nie można przypisać do Beko, oraz spowodują utratę gwarancji.

W związku z tym zdecydowanie zaleca się, aby użytkownicy końcowi powstrzymali się od podejmowania prób wykonywania napraw spoza wymienionego wykazu części zamiennych, kontaktując się w takich przypadkach z autoryzowanymi warsztatami lub profesjonalnymi warsztatami. Samodzielne próby naprawy mogą stwarzać zagrożenie i uszkodzić urządzenie, a następnie spowodować pożar, powódź, porażenie prądem i poważne obrażenia ciała.

Na przykład, ale nie tylko, następujące naprawy muszą zostać zlecane w autoryzowanych warsztatach lub zarejestrowanych profesjonalnych warsztatach: sprężarka, obwód chłodzenia, płyta główna, płyta falownika, tablica wyświetlacza itp.

Producent/sprzedawca nie ponosi odpowiedzialności w przypadku gdy użytkownik nie stosuje się do zaleceń.

Dostępność części zamiennych do zakupionej lodówkę wynosi 10 lat.

Przez ten czas dostępne będą oryginalne części zamienne do prawidłowej eksploatacji lodówkę.

Minimalny okres gwarancji na zakupioną lodówkę wynosi 24 miesiące.

Ten produkt jest wyposażony w źródło światła o klasie energetycznej "G".

Źródło światła w tym produkcie może być wymieniane wyłącznie przez profesjonalnych serwisantów.

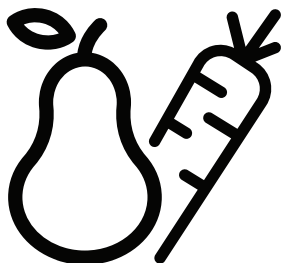
beko

Hűtőszekrény

Használati útmutató

Хладилник

Ръководство за употреба



RCNE560E50ZXPN

HU / BG



ÚJRAHASZNOSÍTOTT ÉS
ÚJRAFELDOLGOZHATÓ
PAPÍR



РЕЦИКЛИРАНА И
РЕЦИКЛИРУЕМА ХАРТИЯ

58 4489 0000 / AF

2/2

Tisztelt vásárlónk!

Bízunk benne, hogy termékünk, mely egy modern gyárban készült, és a legaprólékosabb minőségirányítási eljárások alapján lett tesztelve, hatékony szolgáltatást fog biztosítani az Ön számára. Ehhez azt javasoljuk, hogy használat előtt alaposan olvassa el a teljes használati útmutatót, és azt ne dobja ki, mert a jövőben még szüksége lehet rá.. Ha a terméket átadja egy másik személynek, a termékek együtt adja át ezt a használati útmutatót is.



Ez a használati útmutató segít a készüléket gyors és biztonságos módon használni.


- A termék beszerelése és használata előtt olvassa el a használati útmutatót.
- Mindig tartsa be az alkalmazható biztonsági előírásokat.
- A használati útmutatót tartsa olyan helyen, ahol a jövőben könnyen hozzá tud férni.
- Olvassa el a többi dokumentumot is, melyet a termékhez kapott.






Ne feledje, ez a használati útmutató más modellekre is érvényes lehet. A használati útmutató egyértelműen jelöli a különböző modellek közötti eltéréseket.

Szimbólumok és észrevételek

Ez a használati útmutató a következő szimbólumokat tartalmazza:

| | |
|--|--|
|  | Fontos információ vagy hasznos tippek |
|  | Figyelmeztetés élet vagy tulajdonra veszélyes körülményekre. |
|  | Figyelmeztetés áramütés veszélyére. |

| | |
|---|---|
|  | A termék csomagolása újrahasznosítható anyagból készült a Nemzeti környezetvédő törvényeknek megfelelően. |
|---|---|

| | |
|--|---|
|  INFORMÁCIÓ | |
|  |  |
| SUPPLIER'S NAME | MODEL IDENTIFIER (*) |
|  |  |
| A termékdatabázisban tárolt modellinformációkat elérheti a következő weboldalra belépéssel és az energiacímkén található modell azonosítójának (*) megkeresésével. | |
| https://eprel.ec.europa.eu/ | |

Tartalomjegyzék

| | | | |
|---|-----------|--|-----------|
| 1 Biztonsági és környezetvédelmi utasítások | 3 | 5 A termék használata | 11 |
| 1.1. Általános tudnivalók | | 5.1. Kijelző panel | 11 |
| 1.1.1 HC figyelmeztetés | | 5.2. Ventilátor | 14 |
| 1.1.2 Vízagolóval felszerelt modellek esetén | | 5.3. Zöldségtartó | 14 |
| 1.2. Rendeltetésszerű használat | | 5.4. Nullfokos tárolórekesz | 14 |
| 1.3. Gyermekbiztonság | | 5.5. Mozgó ajtórekesz | 14 |
| 1.4. A WEEE irányelvnek való megfelelés és a hulladék termék megsemmisítése | | 5.6. Csúszó tárolódoboz | 15 |
| 1.5. Az RoHS irányelvnek való megfelelés | | 5.7. HerbBox/HerbFresh | 15 |
| 1.6. Csomagolásra vonatkozó információ | | 5.8. Ellenőrzött páratartalmú zöldségtartó | 16 |
| | | 5.9. Automatikus jégkockakészítő | 16 |
| | | 5.10. Icematic és jégdoboz | 17 |
| 2 Hűtőszekrény | 7 | 5.11. A vízagoló használata | 17 |
| | | 5.12. A víztartály feltöltése | 18 |
| 3 Üzembe helyezés | 8 | 5.13. A víztartály tisztítása | 19 |
| | | 5.14. Csepegtetőtálca | 20 |
| 3.1. A megfelelő elhelyezés | | 5.15. Friss étel lefagyasztása | 21 |
| 3.2. A műanyag ékek rögzítése | | 5.16. Típek a fagyasztott ételek tárolásához | 21 |
| 3.3. A lábak beállítása | | 5.17. Tudnivalók a mélyfagyasztásról | 21 |
| 3.4. Elektromos összeköttetés | | 5.22. Kék fény/HarvestFresh | 22 |
| 4 Előkészítés | 10 | 5.23. A tejtermék (hűtő tároló) rekesz | 22 |
| | | 5.18. Az élelmiszer elhelyezése | 22 |
| 4.1. Teendők az energiatakaré- kosság érdekében | | 5.19. Nyitott ajtó riasztás | 22 |
| 4.2. Az első használat | | 5.20. Belső világítás | 22 |
| | | 5.21. Az ajtó nyitási irányának módosítása | 22 |
| | | 6 Tisztítás és karbantartás | 23 |
| | | 6.1. A kellemetlen szagok elkerülése | 23 |
| | | 6.2. A műanyag felületek védelme | 23 |
| | | 7 A problémák javasolt megoldása | 24 |

1 Biztonsági és környezetvédelmi utasítások

Ez a rész bemutatja a sérülés és az anyagi kár megelőzéséhez szükséges utasításokat. Amennyiben ezeket az utasításokat figyelmen kívül hagyja, az a termékre vonatkozó mindennemű garanciát érvénytelenít.

Rendeltetészerű használat

| | |
|--|---|
|  | FIGYELMEZTETÉS: Tartsa szabadon a készülék burkolatában vagy a belső szerkezetében lévő szellőzőnyílásokat. |
|  | FIGYELMEZTETÉS: Ne használjon mechanikus eszközöket vagy más módszereket a leolvasztás felgyorsításához, kizárólag a gyártó által ajánlottakat. |
|  | FIGYELMEZTETÉS: Ne sértse meg a hűtőközeg keringési rendszerét! |
|  | FIGYELMEZTETÉS: Ne használjon elektromos berendezést a készülék élelmiszer tárolására alkalmas rekeszeiben, kivéve a gyártó által ajánlott típusokat. |
|  | FIGYELMEZTETÉS: Ne tároljon a készülékben gyúlékony anyagokat, pl. aeroszolos dobozokat. |

A készülék kizárólag háztartásokban és egyéb hasonló helyeken használható, pl.:

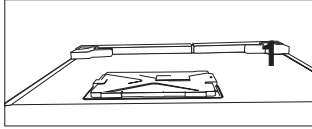
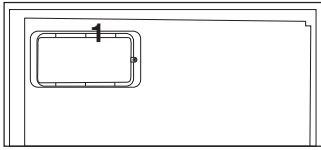
- boltok, irodák és egyéb munkakörnyezetek személyzeti konyhái;
- gazdaságok és hotelben, motelben vagy egyéb lakókörnyezetben megszálló vendégek;

- panzió típusú környezetek;
- vendéglátás és hasonló, nem kereskedelmi alkalmazások.

1.1. Általános tudnivalók

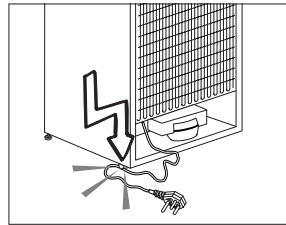
- Ezt a terméket nem használhatják gyerekek és olyan, csökkent fizikai, érzékszervi illetve mentális képességű személyek, akik nem rendelkeznek elegendő tudással és tapasztalattal. Ilyen személyek csak egy, a biztonságukért felelős személy felügyelete alatt és az ő utasításával használhatják a készüléket. Gyermek nem játszhatnak a készülékkel.
- Meghibásodás esetén áramtalanítsa a készüléket.
- Miután kihúzta, várjon legalább 5 percet, mielőtt újra bedugná.
- Ha a készülék nincs használatban, húzza ki a hálózati dugaszát.
- Ne érjen a dugóhoz nedves kézzel! Ne a kábelnél fogva húzza ki, mindig fogja meg a dugót.
- A hűtőszekrényt ne csatlakoztassa laza konnektorba.
- Az üzembe helyezés, karbantartás, tisztítás és javítás idejére húzza ki a terméket.
- Ha a terméket egy ideig nem fogja használni húzza ki a hálózati dugaszt, és az összes élelmiszert távolítsa el belőle.
- Ne használja a terméket, ha a termék hátoldalának felső részén elhelyezkedő áramköri kártyákat tartalmazó rekesz (elektromos kártyadoboz fedele) (1) nyitva van.

Biztonsági és környezetvédelmi figyelmeztetések



- Ne használjon gőzt vagy gőzzel tisztító anyagokat a hűtőszekrény tisztítására és a belső jég olvasztására. A gőz eljuthat az árammal ellátott területekre és rövidzárlatot vagy áramütést okozhat!
- Ne mossa meg a terméket permetezéssel vagy víz ráöntésével! Áramütés veszélye áll fenn!
- Meghibásodás esetén ne használja a terméket, mert áramütést okozhat. Mielőtt bármit csinálna, lépjen kapcsolatba a minősített szervizzel.
- A terméket földelt konnektorba dugja be. A földelést egy képzett villanyszerelőnek kell elvégeznie.
- Ha a terméknek LED típusú világítása van, a cserét illetően vagy bármilyen probléma esetén lépjen kapcsolatba a minősített szervizzel.
- Ne érjen hozzá fagyasztott élelmiszerhez nedves kézzel! Hozzátapadhat a kezéhez!
- Ne helyezzen üvegekben vagy konzervdobozokban tárolt folyadékot a fagyasztórekeszbe. Szétrobbánhatnak!
- A folyadékokat függőleges helyzetben helyezze el, miután jól rászorította a kupakot.
- Ne permetezzen gyúlékony anyagokat a termék közelében, mert felgyulladhatnak vagy felrobbanhatnak.

- Ne tartson gyúlékony anyagokat vagy gyúlékony gázokat tartalmazó termékeket (spray-k stb.) a hűtőszekrényben.
- Ne helyezzen folyadékot tartalmazó tárolókat a termék tetejére. Az árammal ellátott alkatrészekre kifröccsenő víz áramütést vagy tüzet okozhat.
- Ne tegye ki a terméket esőnek, hónak, napsütésnek és szélnek, mert ez elektromos veszélyt okoz. A terméket áthelyezéskor ne az ajtó fogantyújánál fogva húzza. A fogantyú leválhat.
- Ügyeljen, hogy a kezének vagy testének semmilyen része ne szoruljon be a termék belsejében található bármilyen mozgó alkatrészbe.
- Ne lépjen rá és ne dőljön rá a hűtőszekrény ajtajára, a fiókjaira vagy más hasonló részeire. Ez a termék lezuhanását okozhatja és károsítja az alkatrészeket.
- Ügyeljen rá, hogy a tápkábel ne szoruljon be.



1.1.1 HC figyelmeztetés

Ha a termék R600a gázzal működő hűtőrendszerrel van felszerelve, ügyeljen rá, hogy ne károsítsa a hűtőrendszert és annak csövét a termék használata és mozgatása közben. Ez a gáz gyúlékony. Ha a hűtőrendszer károsodott, tartsa távol a terméket a gyújtóforrásoktól és azonnal szellőztesse ki a helyiséget.

Biztonsági és környezetvédelmi figyelmeztetések



A bal oldal belsején található címke jelzi a termékben használt gáz típusát.

1.1.2 Vízadagolóval felszerelt modellek esetén

- A hideg víz beömlőnyílásának nyomása legfeljebb 620 kPa (90 psi) lehet. Ha a víznyomás túllépi az 550 kPa (80 psi) értéket, a fő vízellátó rendszeren használjon nyomáshatároló szelepet. Ha nem tudja, hogyan kell megmérni a víznyomást, kérjen segítséget egy vízvezeték-szerelő szakembertől.
- Ha fennáll a vízütés jelenség veszélye az Ön rendszerében, mindig használjon vízütés-megelőző berendezést a rendszerben. Kérjen tanácsot vízvezeték-szerelő szakemberektől, ha nem biztos benne, hogy fennáll-e a vízütés jelensége az Ön rendszerében.
- A forró vizet ne kösse be. Tegyen óvintézkedéseket a tömlők fagyásának veszélye ellen. A vízhőmérséklet üzemi tartománya minimum 0,6 °C (33 °F) és maximum 38 °C (100 °F).
- Csak ivóvizet használjon.

1.2. Rendeltetészerű használat

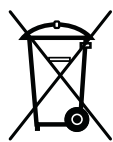
- A terméket otthoni használatra tervezték. Nem való kereskedelmi használatra.
- A terméket csak étel és ital tárolására lehet használni.
- A hűtőszekrényben ne tartson érzékeny termékeket, amelyek ellenőrzött hőmérsékletet igényelnek (oltóanyagok, hőérzékeny gyógyszer, orvosi eszközök stb.).
- A gyártó nem vállal semmilyen felelősséget a helytelen használat miatt okozott károkért.
- Eredeti pótalkatrészeket a termék megvásárlását követően 10 évig biztosítanak.

1.3. Gyermekbiztonság

- A csomagolóanyagokat tartsa távol a gyermekektől.
- Ne engedje, hogy a gyermekek játszanak a termékkel.
- Ha termék ajtajához zár tartozik, a kulcsot tartsa távol a gyermekektől.

1.4. A WEEE irányelvnek való megfelelés és a hulladék termék megsemmisítése

A termék megfelel az uniós WEEE irányelv (2012/19/EU) követelményeinek. A terméken megtalálható az elektromos és elektronikus hulladékok besorolására vonatkozó szimbólum (WEEE).



Ez a készülék kiváló minőségű újra felhasználható és újrahasznosítható alkatrészekből és anyagokból készült. A hulladék terméket annak élettartamának végén ne a szokásos háztartási vagy egyéb hulladékkal együtt selejtezze le. Vigye el egy, az elektromos és elektronikus berendezések újrahasznosítására szakosodott begyűjtőhelyre. A begyűjtőhelyek kapcsán tájékozódjon a helyi hatóságoknál.

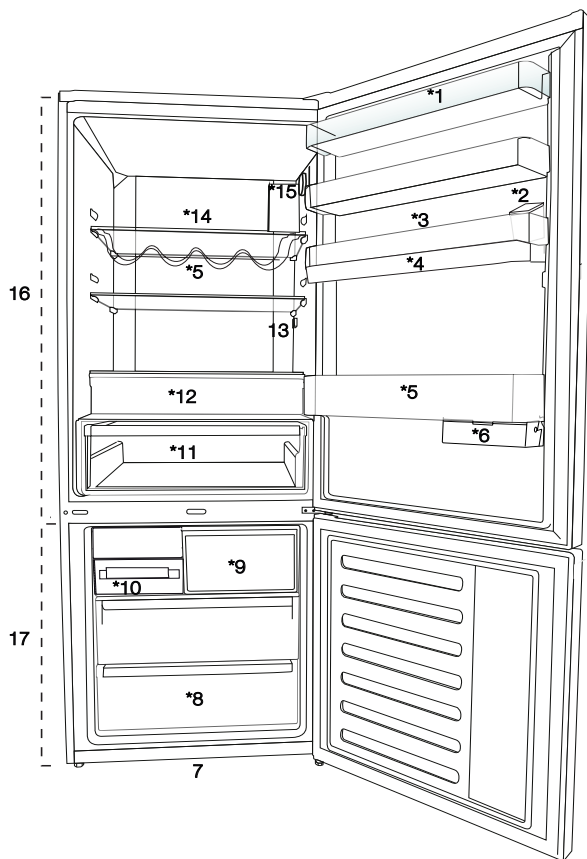
1.5. Az RoHS irányelvnek való megfelelés

- A termék megfelel az uniós WEEE irányelv (2011/65/EU) követelményeinek. A termék nem tartalmaz az irányelvben meghatározott káros vagy tiltott anyagokat.

1.6. Csomagolásra vonatkozó információ

A termék csomagolóanyagai, a nemzeti környezetvédelmi előírásokkal összhangban, újrahasznosítható anyagokból készültek. A csomagolóanyagokat ne a háztartási vagy egyéb hulladékokkal együtt dobja ki. Vigye el őket a helyi hatóságok által e célra kijelölt csomagolóanyag-begyűjtő pontokra.

2 Hűtőszekrény



1. Hűtőszekrény ajtópolc
2. Vízádagoló töltőtartály
3. Tojástartó
4. Vízádagoló tároló
5. Üvegtartó polc
6. Csúszo tárolódoboz
7. Állítható lábak
8. Mélyhűtő rekesz
9. Gyorsfagyasztó rekesz
10. Jégkockatartó & Ice bank
11. Zöldségtartó
12. A tejtermék (hűtő tároló) rekesz
13. Belső világítás
14. Hűtőszekrény üvegpalc
15. Hőmérsékletszabályzó gomb
16. Hűtőszekrény
17. Fagyasztószekrény



*Opcionális: A használati útmutatóban található képek szemléltető jellegűek, nem a valódi terméket ábrázolják. Amennyiben olyan részeket talál, melyek nem találhatók meg, az Ön által megvásárolt termékben, akkor azok más modellekre vonatkoznak.

3 Üzembe helyezés

3.1. A megfelelő elhelyezés

A termék üzembe helyezéséhez lépjen kapcsolatba a hivatalos szervizzel. A termék üzembe helyezésének befejezéséhez olvassa el a használati utasítást és győződjön meg róla, hogy az elektromos és a vízcsatlakozások megfelelnek a követelményeknek. Ellenkező esetben hívjon egy villanszerelőt és egy vízszerelőt a csatlakozások biztosítása érdekében.



FIGYELEM: A gyártó nem vállal felelősséget az illetéktelen személyek által végzett munkából származó károkért.



FIGYELEM: Beszerelés közben ne dugja be a hűtőt a konnektorba. Ellenkező esetben súlyos vagy halálos sérülést szenvedhet.



FIGYELEM: Amennyiben a hűtőszekrény tárolására kijelölt szoba ajtaja nem elég széles, a hűtők ajtajainak eltávolításához hívja ki a hivatalos szervizt.

- A rázkódások elkerülése érdekében a hűtőszekrényt egy egyenes padlón helyezze el.
- A hűtőt legalább 30 cm-re kell elhelyezni minden hőforrástól (pl. kandalló, sütő, fűzőlap) és legalább 5 cm-re az elektromos sütőtől.
- Tartsa távol a hűtőszekrényt a közvetlen napsütéstől és a nedves helyektől.
- A hatékony működés érdekében a hűtőszekrényt egy jól szellőző helyen kell elhelyezni.
- Amennyiben a hűtőszekrényt egy fal bemélyedésbe helyezi be, a készülék körül minden irányból legalább 5 cm helyet kell hagyni.
- Ne tartsa a hűtőszekrényt -5°C -nál alacsonyabb hőmérsékleten.
- Az Ön terméke a hatékony működéshez megfelelő légáramlást igényel. Ha a terméket egy alkóvba helyezi, ne felejtse el hagyni legalább 5 cm távolságot a termék, a mennyezet és a hátsó és oldal falak között.
- Ha a terméket egy alkóvba helyezi, ne felejtse el hagyni legalább 5 cm távolságot a termék, a mennyezet és a hátsó és oldal falak között. Ellenőrizze, hogy a hátsó fal védőkomponense a helyén van-e (ha a termékkel együtt szállították). Ha az alkatrész nem áll

rendelkezésre, vagy elveszett vagy leesett, helyezze el a terméket úgy, hogy legalább 5 cm szabad hely maradjon a termék hátó része és a szoba fala között. A termék hatékony működése szempontjából fontos a hátsó hézag.

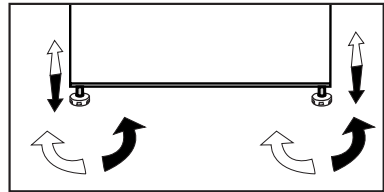
3.2. A műanyag ékek rögzítése

A mellékelt műanyag ékek segítenek megtartani a szükséges távolságot a hűtő és a fal között, és így a levegő szabadon tud áramolni.

1. Az ékek rögzítéséhez csavarozza ki a jelenlegieket, és használja azokat a csavarokat, amelyek az ékeket tartalmazó zacskóban vannak.
2. Rögzítse a 2 műanyag éket a ventilátor fedelére a az ábrán látható módon.

3.3. A lábak beállítása

Ha a hűtőszekrény nincs egy kiegyensúlyozott helyzetben, állítsa be az előlső állítható lábakat jobbra vagy balra forgatva.



3.4. Elektromos összeköttetés



FIGYELEM: Ne használjon hosszabbítót vagy elosztót.



FIGYELEM: A sérült tápkábel cseréjét bízza a hivatalos szervizre.



két hűtőt kíván egymás mellett elhelyezni, kérjük, hagyjon legalább 4 cm helyet közöttük.

- A vállalatunk nem vállal semmiféle felelősséget azokért a károkért, melyek a hűtőszekrény nem a nemzeti előírásoknak megfelelő földeléssel vagy elektromos összeköttetéssel való használatából erednek.
- Ügyeljen rá, hogy a tápkábel könnyen hozzáférhető legyen a hűtő elhelyezése után.
- Csatlakoztassa a hűtőszekrényt egy földelt 220-240 Voltos, 50 Hz-es áramú hálózathoz. A dugónak rendelkeznie kell egy 10-16A-os biztosítókkal.
- Ne használjon elosztót hosszabbítóval vagy hosszabbító nélkül a fali konnektor és a hűtőszekrény között.



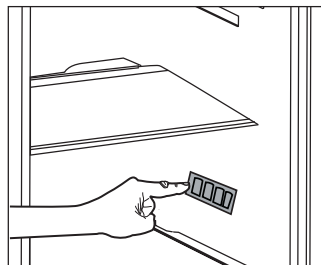
Forró felület figyelmeztetés!
A termék oldalsó falaiiba hűtőcsöveket vezettek, a hűtőrendszer teljesítményének javítása érdekében. Ezeken a területeken magas hőfokú hűtőfolyadék áramolhat, az oldalsó falak magas hőmérsékletét okozva. Ez természetes és nem igényel javítást. Óvatosan érintse ezeket a felületeket.

4.1. Teendők az energiatakarékosságot érdekében



A termék csatlakoztatása elektromos energiatakarékos rendszerekhez káros és károsíthatja a terméket.

- Szabadon álló készülékek; „ezt a hűtőkészüléket nem beépített készülékként történő felhasználásra szánták”;
- Ne hagyja sokáig nyitva a hűtő ajtaját. Ne tegyen meleg ételt vagy italt a hűtőbe.
- Csak annyi ételt/italt tegyen a hűtőbe, hogy az ne akadályozza a belső levegő cirkulációt.
- A hűtőgép hűtőszekrény részében a maximális mennyiségű étel tárolása érdekében vegye ki a felső fiókot és helyezze az üvegtartóra. Az energiafogyasztást úgy határozták meg, hogy eltávolították a fagyasztó felső polcát, a jégkockatartót és a felső polcot, hogy a terméket maximálisan meg lehessen pakolni. Tárolás során az alsó polc használata kifejezetten ajánlott. A legoptimálisabb energiafogyasztás érdekében kapcsolja be az energiatakarékos funkciót.
- Ne akadályozza a levegőáramlást azáltal, hogy élelmiszert helyez a hűtőventilátor elé. Ételt behelyezésekor hagyjon legalább 3 cm szabad helyet a védőventilátor kábele előtt.
- A termék tulajdonságaitól függően a fagyasztott élelmiszer hűtőszekrényben történő felolvasztása energiát takarít meg, és megőrzi az étel minőségét.
- Az energiatakarékosság és az ételek minőségének megőrzése érdekében az ételeket a hűtőszekrény fiókjaiban kell tárolni. Az ételcsomagok ne érintkezzenek a hűtőszekrényben elhelyezett hőmérsékletérzékelővel. Ha érintkeznek az érzékelővel, akkor a készülék energiafogyasztása növekedhet.
- Győződjön meg róla, hogy az ételek nincsenek érintkezésben a fagyasztó alább bemutatott hőmérsékletérzékelőjével.
- Mivel a párás, meleg levegő nem jut közvetlenül a belső térbe, amikor az ajtó nincsenek nyitva, a berendezés lehetőség szerint minden körülmények között a lehető legoptimálisabb működés mellett biztosítja az



ételek védelmét. Megfelelő esetben tehát a gép funkciói és alkatrészei (pl. kompresszor, ventilátor, kiolvasztó funkció, világítás, kijelző, stb.) a lehető legkisebb energia felhasználásával működnek.

- Többféle lehetőség esetén az üvegpalcokat úgy kell elhelyezni, hogy a falon lévő légkimenetek ne legyenek eldugulva, előnyösen a légkivezetések maradjanak az üvegpalc alatt. Ez a kombináció segíthet a levegőelosztás és az energiahatékonyság csökkentésében.

4.2. Az első használat

A hűtőszekrény használata előtt győződjön meg róla, hogy elvégezte a „Biztonsági és környezetvédelmi utasítások” és az „Üzembe helyezés” bekezdés alatt felsorolt összes előkészületi műveletet.

- Működtesse a terméket étel nélkül 6 óráig és ne nyissa ki az ajtót, kivéve ha ez elengedhetetlenül fontos.



A kompresszor bekapcsolását egy hangjelzés jelzi. A hűtőrendszerben lévő folyadékok és gázok hangja akkor is hallható, ha a kompresszor nem üzemel és ez normális jelenség.



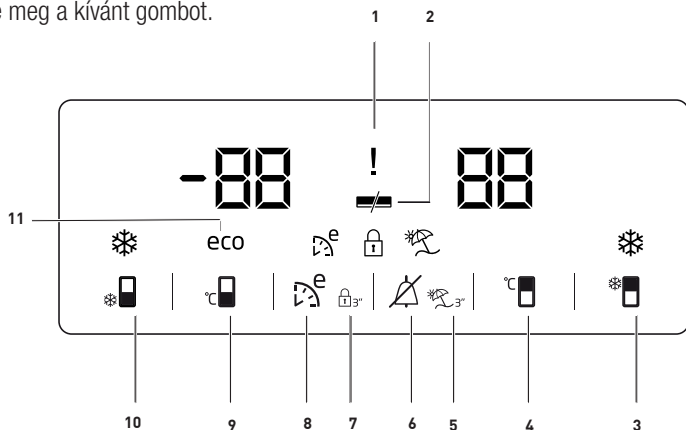
Lehetséges, hogy a hűtő elülső éleít melegek érzi. Ez normális jelenség. Ezek a részek azért melegednek fel, hogy így elejét vegyék a páralecsapódásnak.



Néhány modell esetén a kijelző az ajtó bezárása után 5 perccel automatikusan kikapcsol. Ismét bekapcsol, ha kinyitja az ajtót vagy lenyom egy gombot.

5.1. Kijelző panel

Ennek a kijelző panelnek a segítségével beállíthatja a hőmérsékletet és vezérelheti a termék egyéb funkcióit anélkül, hogy ehhez ki kellene nyitnia a hűtőt. A funkció k beállításához egyszerűen csak érintse meg a kívánt gombot.



1. Áramszünet/ Magas hőmérséklet / Hibaállapot visszajelző

Ez a visszajelző (!) áramszünet, magas hőmérséklet és hiba esetén világít.

Ha a fagyasztórekesz hőmérséklete a fagyasztott élelmiszer szempontjából kritikusan felmelegszik, a fagyasztórekesz maximális hőmérsékletértéke villog a digitális kijelzőn.

Ellenőrizze az élelmiszert a fagyasztórekeszben.

Ez nem hiba. A figyelmeztetés bármelyik gomb vagy a magas hőmérséklet riasztás kikapcsoló gombjának megnyomásával törölhető. (A bármelyik gomb megnyomásával történő kikapcsolás nem alkalmazható minden modellen.)

Ez a visszajelző (!) világít, ha az érzékelő is meghibásodik. Ha ez a visszajelző világít, a hőmérséklet visszajelzőjén az „E”, illetve az „1, 2, 3...”- hoz hasonló ábrák jelennek meg. Ezek a kijelzőn megjelenő ábrák tájékoztatják a szerviz munkatársait a hibáról.

2. Energiatakarékos funkció (kijelző ki van kapcsolva):

Ha a hűtőszekrény ajtajai huzamosabb ideig zárva maradnak, akkor az energiatakarékos funkció automatikusan bekapcsol és az energiatakarékos szimbólum világít. (☞)

Amikor az energiatakarékos funkció be van kapcsolva, akkor a kijelzőn az energiatakarékos szimbólumon kívül az összes többi szimbólum kikapcsol. Ha az energiatakarékos funkció be van kapcsolva és megnyom egy gombot vagy kinyitja az ajtót, akkor az energiatakarékos funkció törlésre kerül és a kijelzőn lévő szimbólumok visszaállnak a normális állapotba. Az energiatakarékos funkció a gyárból való kiszállítás során bekapcsol és nem lehet törölni.



***Opcionális:** A használati útmutatóban található képek szemléltető jellegűek, nem a valódi terméket ábrázolják. Amennyiben olyan részeket talál, melyek nem találhatók meg, az Ön által megvásárolt termékben, akkor azok más modellekre vonatkoznak.

A termék használata

3. Mélyhűtő rekesz hőmérséklet beállító gomb

Nyomja meg ezt a gombot a mélyhűtő rekesz hőmérsékletének -18,-19,-20,-21, -22, -23,-24, -18...-ra való állításához. Nyomja meg ezt a gombot a mélyh-23űtő rekesz hőmérsékletének a kívánt értékre való állításához. (❄️)



Akkor használja a gyorsfűtés funkciót, ha a hűtőrekeszbe helyezett ételt gyorsan szeretné lefagyasztani. Ha nagy mennyiségű friss ételt kíván fagyasztani, akkor aktiválja ezt a funkciót, mielőtt berámolná az ételeket a fagyasztórekeszbe.



Ha nem törli, akkor a gyorsfűtő funkció 1 óra eltelte után automatikusan kikapcsol, vagy amikor a hűtőrekesz eléri a kívánt hőmérsékletet.



Ha a gyorsfagyasztás gombot egy más után többször és gyorsan megnyomja, bekapcsol az elektronikus áramköri védelem, és a kompresszor nem fog automatikusan elindulni.



Ez a funkció nem kerül visszaállításra áramkimaradás esetén.

4. Hűtőrekesz hőmérséklet beállító gomb

Nyomja meg ezt a gombot a hűtőrekesz hőmérsékletének 8, 7,6, 5,4,3, 2, 8...-ra való állításához. Nyomja meg ezt a gombot a hűtőrekesz hőmérsékletének a kívánt értékre való állításához. (🌡️)

5. Vacation Function

Ha a Szabadó funkciót aktiválni szeretné, nyomja meg a (🏖️) gombot 3 másodpercig, amivel aktiválja a Szünidő funkció kijelzőt. Ha a szünidő funkció (🌴) aktiválva van, a hűtőrekesz hőmérséklet kijelzőn megjelenik a " - " jelzés és a hűtőszekrényben nem történik aktív hűtés. Nem alkalmas étel tárolására a hűtőtérben, ha ez a funkció be van kapcsolva. A többi rekesz a beállított hőmérsékletnek megfelelően továbbra is hűtésre kerül. A funkció törléséhez nyomja meg még egyszer a Vakáció funkció gombot.

6. Vészjelzés ki figyelmeztetés:

Áramszünet/Magas hőmérséklet vészjelzés esetén, miután ellenőrizte az ételt a mélyhűtő rekeszben, a figyelmeztetés törléséhez nyomja meg a vészjelzés ki gombot (🚨).

7. Billentyűzár

Nyomja le a Billentyűzár gombot (🔒) egyidejűleg 3 másodpercig. Billentyűzár szimbólum (🔒) világít és a billentyűzár mód be van kapcsolva. Ha a Billentyűzár mód be van kapcsolva, akkor a gombok nem működnek. Nyomja le a Billentyűzár gombot egyidejűleg 3 másodpercig. A Billentyűzár szimbólum kikapcsol és kilép a billentyűzár módból.

Nyomja meg a billentyűzár gombot, ha meg akarja akadályozni a hűtőszekrény hőmérséklet beállításának módosítását (🔒).

8. Eco fuzzy

Az Eco fuzzy funkció bekapcsolásához nyomja meg és tartsa lenyomva 1 másodpercig az Eco fuzzy gombot. A fagyasztó a lehető legtakarékosabb üzemmódban fog elindulni legalább 6 órával később, és az gazdaságos használat visszajelzője bekapcsol, amíg a funkció aktív (🌿). Az Eco fuzzy funkció kikapcsolásához nyomja meg és tartsa lenyomva 3 másodpercig az Eco fuzzy gombot. Ez a kijelző 6 óra eltelte után világít, amikor az Eco fuzzy funkció be van kapcsolva.

9. Gyorsfagyasztás funkció

A gomb két funkcióval rendelkezik. A gyorsfagyasztás funkció ki- és bekapcsolásához nyomja meg rövid ideig. A gyorsfagyasztás kijelző kikapcsol és a hűtőszekrény visszaállítja a normális beállításokat. (❄️)

10. Gyorsfagyasztás funkciógomb/Icematic be/ki gomb

Nyomja meg ezt a gombot a gyorsfagyasztás funkció be- vagy kikapcsolásához. Ha aktiválja a funkciót, akkor a mélyhűtő rekesz a beállítottnál alacsonyabb hőmérsékletre hűl le. (❄️)

Az Icematic be- és kikapcsolásához nyomja meg és tartsa lenyomva 3 másodpercig.

A termék használata



Használja a gyorshűtés funkciót, ha a mélyhűtő rekeszbe helyezett ételt gyorsan szeretné lefagyasztani. Ha nagy mennyiségű friss ételt kíván fagyasztani, akkor aktiválja ezt a funkciót, mielőtt berámolná az ételeket a mélyhűtő rekeszbe.



Ha nem tölti, akkor a Gyorsfagyasztó funkció 24 óra eltelte után automatikusan kikapcsol, vagy amikor a mélyhűtő rekesz eléri a kívánt hőmérsékletet.



Ez a funkció nem kerül visszaállításra áramkimaradás esetén.

11. Gazdaságos használat kijelző

Azt jelzi, hogy a hűtő energiatakarékos üzemmódban van. **(eco)**Ez a jelző akkor látható, ha a mélyhűtő rekesz hőmérséklete -18 fokra van állítva vagy az Eco-Extra funkció miatt energiahatékony hűtés van működésben.

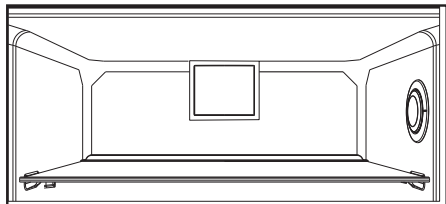


A gazdaságos üzemmód kijelző ki van kapcsolva, ha a gyorshűtés vagy a gyorsfagyasztás funkció ki van választva.

5.2. Ventilátor

A ventilátor a hűtőszekrényben a hideg levegőt keringeti egyenletesen. A ventilátor üzemi ideje a termék tulajdonságaitól függően változhat.

Néhány termék esetén a ventilátor csak kompresszorral működik, mások esetében a vezérlőrendszer állapítja meg az üzemi időt a hűtés szükségességétől függően.



5.3. Zöldségtartó

*választható

A termék zöldségtartója frissen tartja a zöldségeket a nedvesség megőrzésével. Ezért a hideg levegő keringtetése a zöldségtartóban fokozott.

5.4. Nullfokos tárolórekesz

*választható

Használja ezt a rekeszt az élelmiszerek vagy húsok alacsony hőmérsékleten való tárolására, melyek azonnali fogyasztásra kerülnek.

A nullfokos rekesz a leghidegebb olyan rekesz, melyben tejtermékek, hús, hal és csirke tárolható ideális feltételek mellett. Zöldséget/gyümölcsöt ne rakjon ebbe a rekeszbe!

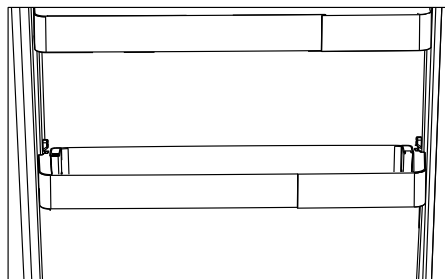
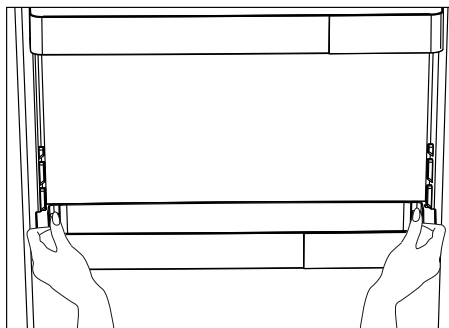
5.5. Mozgó ajtórekesz

*választható

A mozgó ajtórekesz 3 különböző pozícióban rögzíthető.

A rekesz mozgatása érdekében nyomja meg az oldalsó gombokat. A rekeszt ekkor el lehet távolítani. Tegye feljebb vagy lejjebb a rekeszt.

Amikor a rekesz eléri a kívány magasságot, akkor engedje fel a gombokat. A rekesz ismét rögzül abban a helyzetben, melyben felengedte a gombokat.



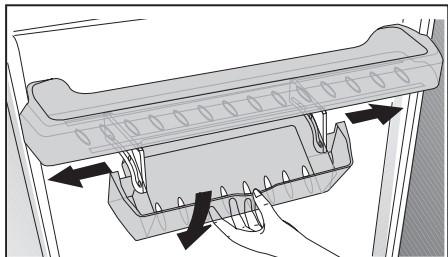
A termék használata

5.6. Csúszó tárolódoboz

*választható

Ez a kiegészítő növeli az ajtórekesz használati térfogatát.

Mivel oldalra is mozog, ezért könnyen tárolhat benne hosszú üvegeket vagy dobozokat, melyeket az alsó üvegtartóra helyez.



5.7. HerbBox/HerbFresh

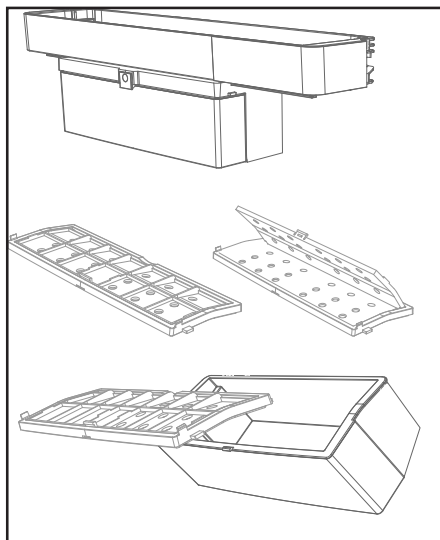
Vegye ki a filmes tárolóedényt a HerbBox/HerbFresh+ -ből

Vegye ki a filmet a zacskóból és tegye be a filmes tárolóedénybe, ahogy a képen látható.

Zárja vissza a tárolóedényt és helyezze vissza a HerbBox/HerbFresh+ -ba

A HerbBox/HerbFresh+ részleg speciálisan alkalmas különféle fűszerek tárolására, és kitűnő állapotban tartására. A nem becsomagolt fűszernövényeit (petrezselyem, kapor stb.) vízszintesen tárolhatja és sokkal tovább megtarthatja frissességüket.

A filmet hat havonta cserélni kell.



A termék használata

5.8. Ellenőrzött páratartalmú zöldségtartó

*választható

A páratartalom ellenőrzés funkcióval a zöldségek és gyümölcsök nedvességtartalma ellenőrizhető és így az ételek sokáig frissek maradnak.

A nedvességtartalom veszteségek kitétt zöldlevelű zöldségeket, pl. salátát, spenótot, stb. ne függőlegesen, hanem vízszintesen tároljon a zöldségtartóban.

A zöldségek beráolásakor a nehéz és kemény zöldségeket alulra, a könnyű és puha zöldségeket pedig felülre helyezze a zöldséget adott súlyát figyelembe véve.

A zöldségtartóban ne tárolja a zöldségeket műanyag zacskóban. Ha műanyag zacskókban hagyja a zöldségeket, akkor hamar elrohadnak. Amennyiben kerülni kell a zöldségek egymással való érintkezését, akkor használjon papírt, mely higiéniai szempontból megfelelő porozitással rendelkezik.

A többi zöldséggel és gyümölccsel együtt ne helyezzen a zöldségtartóba olyan gyümölcsöt, mely sok etilengázt termel, pl. körte, sárgabarack, őszibarack és alma.

A gyümölcsök által kibocsátott etilengáz felgyorsítja a többi zöldség és gyümölcs érési folyamatát és ezért hamarabb elrohadnak.

5.9. Automatikus jégkockakészítő

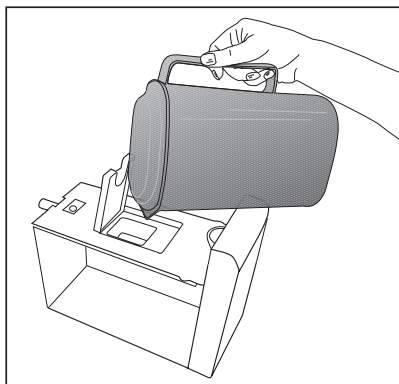
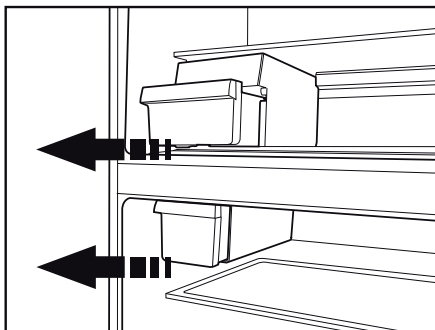
*választható

Az automatikus jégkockakészítő segítségével könnyen készíthet jeget a hűtőszekrényben. Annak érdekében, hogy a jégkészítő jeget készítsen, vegye ki a víztartályt a hűtőrekeszből, töltsse fel vízzel és helyezze vissza.

Az első jég kb. 2 óra eltelte után lesz kész. A teli víztartály behelyezése után kb. 60-70 jégkocka készíthető. Ha a tartályban lévő víz 2-3 hétnél régebbi, akkor cserélje ki.



Automatikus jégkockakészítővel rendelkező hűtőszekrény esetén a jég kiöntésekor zajt hallhat. Ez normális jelenség.



A termék használata

5.10. Icematic és jégdoboz

*választható

Az Icematic használata

Töltse fel az Icematic-ot vízzel és tegye vissza a helyére. A jég kb. 2 óra alatt lesz kész. A jég kivételéhez ne vegye ki az Icematic-ot a helyéről.

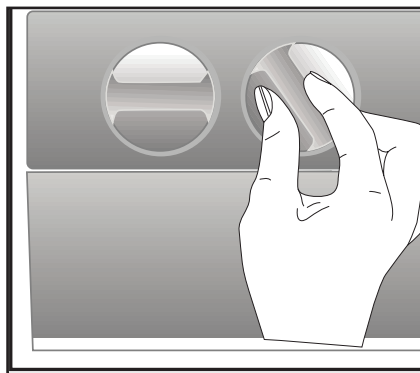
Fordítsa el a jégtartályon lévő gombokat 90 fokkal az óramutató járásával megegyező irányba.

A tartályban lévő jégkockák beleesnek az alatta lévő jégkockatároló rekeszbe. Kiveheti a jégkockatároló rekeszt és felszolgálhatja a jégkockákat.

A jégkockákat a jégkockatároló rekeszben is hagyhatja.

Jégkockatároló rekesz

A jégkockatároló rekesz csak jégkockák tárolására alkalmas. Ne öntsön bele vizet. Eltérő esetben eltörik.



5.11. A vízadagoló használata

* választható



Az teljesen szokványos, hogy a vízadagolóból kifolyó néhány első pohár víz általában meleg.

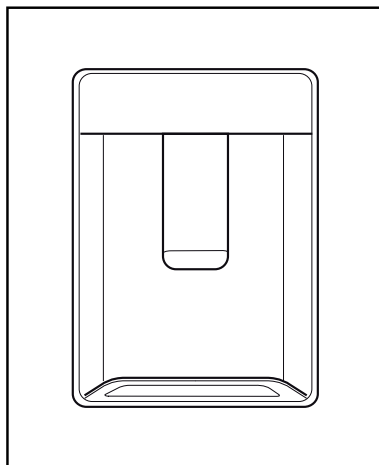


Ha a vízadagolót hosszabb ideig nem használták, hogy tiszta vizet kapjon, a néhány első pohárnyi vizet öntse ki.

1. Nyomja a poharát a vízadagoló adagoló karjához. Ha puha műanyag poharat használ, egyszerűbb lesz, ha az adagoló kart a kezével nyomja meg.
2. Ha a pohár megtelik a kívánt szintig, engedje el az adagoló kart.



Figyeljen arra, hogy az adagolóból annyi víz folyik ki, amilyen mélyre benyomja az adagoló kart. Ha a víz szintje a csészéjében / poharában megemelkedik, óvatosan csökkentse a nyomást az adagoló karra, hogy megakadályozza a túlfolyást. Ha az adagoló kart óvatosan megnyomja, a víz csepegni fog, ez teljesen normális, nem hiba.



A termék használata

5.12.A víztartály feltöltése

A víztartály az ajtó belsejében található.

1. Nyissa ki a tartály tetejét.
2. Töltsé fel a tartályt friss ivóvízzel.
3. Zárja vissza a fedelet.



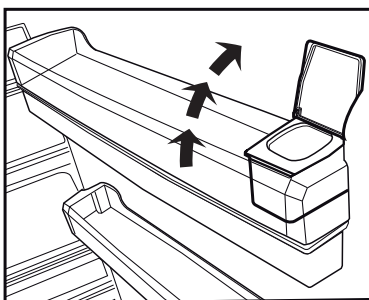
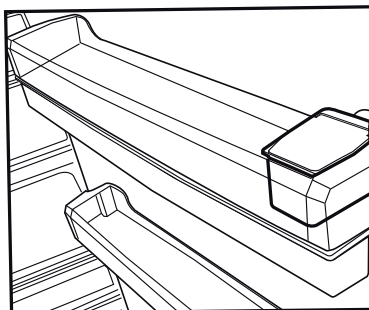
A tartályba vizen kívül ne töltsön egyéb folyadékot, pl. gyümölcslé, szénsavas italokat vagy szeszes italokat, mert ezek nem alkalmasak erre. A vízadagoló helyrehozhatatlanul károsul, ha ilyen folyadékokat használ. A garancia erre nem érvényes. Az ezekben az italokban/ folyadékokban lévő vegyi anyagok és adalékok károsíthatják a víztartályt.



Csak tiszta ivóvizet használjon.



A víztartály kapacitása 3 liter, ne töltsé túl.



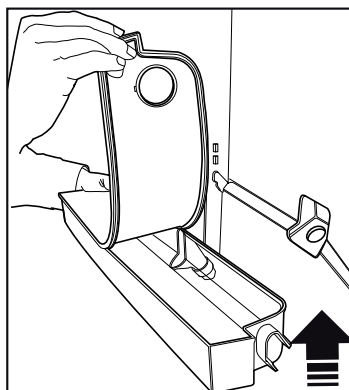
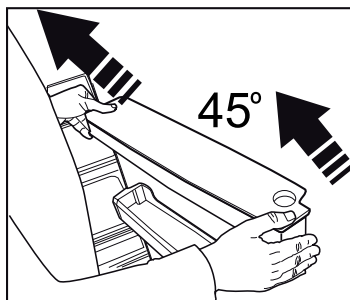
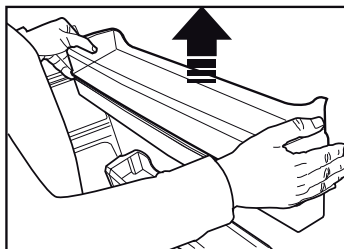
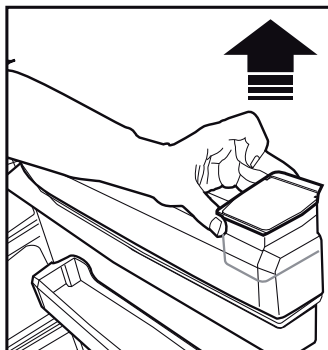
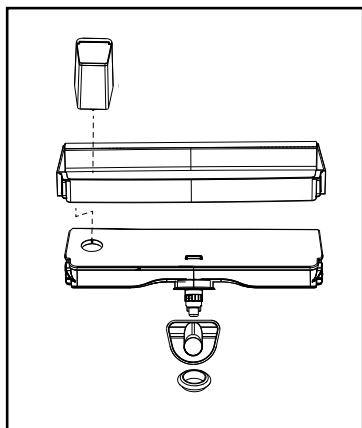
A termék használata

5.13. A víztartály tisztítása

1. Vegye ki az ajtórekeszben lévő víztartályt.
2. Vegye le az ajtórekeszt mindkét oldalánál fogva.
3. Markolja meg a víztartályt mindkét oldalon és 45°-os szögben vegye ki.
4. Vegye le a víztartály fedelét és tisztítsa meg a tartályt.



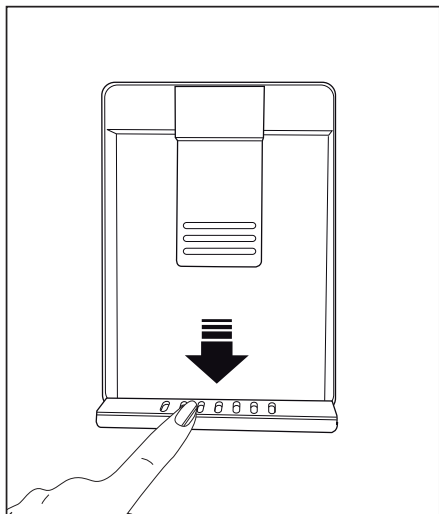
A víztartály alkatrészeit és a vízadagolót ne mossa mosogatógépben.



5.14. Csepegtetőtálca

A vízadagoló használata során kicsepegtő víz a cseppgyűjtő tálcába kerül. Vegye le a műanyag szűrőt az ábrán látható módon.

Egy tiszta és száraz ruhával távolítsa el a felhalmozódott vizet.



A termék használata

5.15. Friss étel lefagyasztása

- A élelmiszert a lehető leggyorsabban kell lefagyasztani miután a hűtőbe helyezte, hogy megtartsa jó minőségét. Ezért használja a gyorsfagyasztót.
- A friss ételek fagyasztása növeli a tárolási időt a fagyasztórekeszben.
- Az élelmiszert légmentesen záró csomagolásba kell helyezni.
- Győződjön meg róla, hogy az élelmiszer be van csomagolva, mielőtt a fagyasztórekeszbe helyezné azt. A hagyományos csomagolóanyagok helyett használjon fagyasztásra alkalmas csomagolóanyagokban, műanyag tasakokban vagy hasonló csomagolóanyagokban tárolja.
- Fagyasztás előtt jelölje meg minden csomagon a dátumot. Ez lehetővé teszi minden csomag frissességének a megállapítását, amikor kinyitja a fagyasztórekeszt. Először a régebbi ételeket használja fel.
- A lefagyasztott élelmiszert felengedésük után azonnal használja fel, és soha ne fagyassza újra.
- Ne fagyasszon le egyszerre túl nagy mennyiségű élelmiszert.

5.16. Tippek a fagyasztott ételek tárolásához

A rekeszt legalább -18°C -ra kell állítani.

1. Az ételt a lehető leggyorsabban helyezze a fagyasztóba, hogy ne engedjen fel.
2. Fagyasztás előtt ellenőrizze a lejárat dátumot, hogy biztos legyen benne, hogy a termék nem járt le.
3. Győződjön meg róla, hogy a csomagolás nem sérült.

5.17. Tudnivalók a mélyfagyasztásról

Az IEC 62552 szabvány megköveteli (bizonyos mérési körülmények szerint), hogy ahűtő legalább 4,5 kg élelmiszert 32°C -os környezeti hőmérsékleten -18°C -ra vagy kevesebbre hűti 24 órán belül a hűtő teljes, 100 literes térfogatával. Élelmiszert csak -18°C -on vagy alacsonyabb hőmérsékleten lehet hosszú ideig eltárolni. Az élelmiszer frissességét több hónapig megtarthatja (-18°C -on vagy alacsonyabb hőmérsékleten mélyfagyasztásban).

A fagyasztandó élelmiszer ne kerüljön kapcsolatba korábban lefagyasztott dolgokkal, hogy megakadályozza azok részleges kiolvadását.

| Fagyasztó-rekesz beállítása | Hűtőrekesz beállítása | Leírás |
|--|-----------------------|---|
| -18°C | 4°C | Ez az alapértelmezett, javasolt beállítás. |
| $-20, -22$ vagy -24°C | 4°C | Ez a javasolt beállítás 30°C -ot meghaladó környezeti hőmérséklet esetén. |
| Gyorsfagyasztás | 4°C | Használja ezt az ételek gyors lefagyasztásához. A hűtőszekrény visszaáll az előző beállításra, amikor a folyamat befejeződött. |
| -18°C vagy alacsonyabb | 2°C | Használja ezt a beállítást, ha úgy gondolja, hogy a hűtőrekesz nem elég hideg a környezeti hőmérséklet vagy az ajtó gyakori kinyitása miatt. Hűtőszekrény / Használati utasítás |

A termék használata

A zöldségeket forralja fel és szűrje le a vizet a fagyasztási idő meghosszabbítása érdekében. Az élelmiszert a szűrés után légmentesen záró csomagolásba kell helyezni és a fagyasztóba tenni. Banánt, paradicsomot, salátát, zellert, főtt tojást, burgonyát és hasonló élelmiszereket ne fagyasszon le. Ezen ételek lefagyasztása csökkenti a tápértéket és a minőséget és káros lehet az egészségre.

5.18. Az élelmiszer elhelyezése

| | |
|-------------------------|--|
| Fagyasztó-rekesz polcai | Különböző fagyott élelmiszer, például hús, hal, jégkrém, zöldségek, stb. |
| Hűtőrekesz polcai | Serpenyőben, lefedett tányéron és zárt tartókban lévő élelmiszer, tojás (lefedett serpenyőben) |
| Hűtőrekesz ajtópolcai | Kis és csomagolt élelmiszer és italok |
| Zöldségtartó | Zöldségek és gyümölcsök |
| Friss étel tartórekesz | Delikát termékek (reggelihez való termékek, húsok, melyek hamar felhasználásra kerülnek) |

5.19. Nyitott ajtó riasztás

(opcionális)

Ha a hűtőszekrény ajtaja legalább 1 percig nyitva marad, egy hangjelzés hallható. A riasztás elnémitásához egyszerűen csak nyomjon meg egy gombot a kijelzőn (ha van), vagy csukja be az ajtót.

5.20. Belső világítás

A belső világítás egy LED lámpát alkalmaz. Ha bármilyen probléma áll fenn a lámpával, lépjen kapcsolatba a hivatalos szolgáltatóval. A készülékben lévő lámpa/lámpák háztartásban lévő helyiségek megvilágítására nem alkalmas/alkalmasak. A lámpa rendeltetése, hogy segítse a felhasználót az élelmiszerek hűtőszekrénybe/fagyasztószekrénybe való gyors és biztonságos behelyezésében.

5.21. Az ajtó nyitási irányának módosítása

A hűtőszekrény ajtajának nyitási iránya a rendelkezésre álló hely függvényében módosítható. Amennyiben szükséges, kérjük, forduljon a legközelebbi hivatalos szervizhez.

5.22. Kék fény/HarvestFresh

***Nem minden modellben érhető el**

Kék fény

A Zöldségtároló rekeszben tárolt, kék lámpával megvilágított gyümölcsök és zöldségek a kék fény hullámhossz hatása révén folytatják a fotoszintézist és így megőrzik vitamin-tartalmukat.

HarvestFresh,

A Zöldségtároló rekeszben tárolt, a HarvestFresh technológiával megvilágított gyümölcsök és zöldségek hosszabb ideig megőrzik vitaminjait a kék, zöld, piros fény és sötét ciklusoknak köszönhetően, amelyek a napi ciklust szimulálják. Ha a hűtőszekrény ajtaját a HarvestFresh technológia periódusában nyitja ki, akkor a hűtőszekrény automatikusan észleli ezt, és lehetővé teszi, hogy a kék-zöld vagy a piros fény világítsa meg a Zöldségtároló rekeszt az Ön kényelme érdekében. Miután becsukta a hűtőszekrény ajtaját, a sötét periódus folytatódik, amely az éjszakai időt jelenti egy napi ciklusban.

5.23. A tejtermék (hűtő tároló) rekesz

Alacsonyabb hőmérsékletet biztosít a hűtőtérben. Használja ezt a rekeszt olyan csemegék (szalámi, kolbász, tejtermékek stb.) tárolására, amelyek alacsonyabb tárolási hőmérsékletet igényelnek, vagy azonnali fogyasztásra szánt hús-, csirke- vagy haltermékek tárolására. Ne tároljon gyümölcsöt és zöldséget ebben a rekeszben.

6 Tisztítás és karbantartás

A termék rendszeres tisztítása növeli az élettartamát.



VIGYZAT: Tisztítás előtt húzza ki a hűtőszekrényt.

- Soha ne használjon éles, csiszoló anyagot, szappant, háztartási tisztítót, tisztítószert, gázt, benzint vagy viaszpolitúrt a tisztításhoz.
- A nem No Frost felszereltségű termékek esetében vízcseppek és ujjnyi vastagságú jég képződhet a hűtőtér hátsó falán. Ne tisztítsa le. Soha ne kenjen rá olajat vagy hasonló szereket.
- Kizárólag enyhén nedves mikroszálás ruhát használjon a termék külső felületének tisztítására. A szivacsok és más típusú tisztító ruhák megkarcolhatják a felületet.
- Oldjon fel egy teáskanál szódadibikarbónát vízben. Mártson bele egy ruhát és csavarja ki. Törölje át a hűtőszekrényt a ruhával, majd törölje szárazra.
- Ügyeljen rá, hogy ne kerüljön víz a lámpabúra alá ill. ne kerüljön kapcsolatba más elektromos résszel.
- A hűtőajtót tisztítsa meg egy nedves ruhával. Távolítsa el minden élelmiszert az ajtópolcok és polcok kivételéhez. A kivételhez emelje fel az ajtópolcokat. Tisztítsa meg és szárítsa meg a polcokat, majd csúsztassa őket a helyükre.
- A termék külső felületeinek és a krómbevonatos részek tisztításához soha ne használjon tisztítószereket vagy klórt tartalmazó vizet. A klór korróziót okoz az ilyen fémfelületeken.

- Ne használjon éles vagy csiszoló hatású eszközöket, szappant, háztartási tisztítószereket, mosószereket, benzint, viaszt stb., mert a műanyag részekről lekopnak a nyomtatott minták és deformációt okoznak. Tisztítsa meg meleg vízzel és egy puha ruhával, majd törölje szárazra.

6.1. A kellemetlen szagok elkerülése

A termék nem tartalmaz kellemetlen szagú anyagot. Ugyanakkor, ha az ételeket nem tárolja a megfelelő rekeszben vagy a belső felületek tisztítása nem megfelelő, akkor ez kellemetlen szagokat okozhat.

Ennek elkerülése érdekében kéthetente tisztítsa meg a belső felületeket szódadibikarbónátos vízzel.

- Az ételeket jól lezárt edényekben tárolja. A nem jól lezárt ételekből származó mikroorganizmusok kellemetlen szagokat okozhatnak.
- A hűtőszekrényben ne tároljon lejárt vagy romlott éteket.

6.2. A műanyag felületek védelme

Amennyiben olaj kerül a műanyag felületekre, öblítse le és tisztítsa meg az adott részt langyos vízzel.

7 A problémák javasolt megoldása

Kérjük, mielőtt kihívná a szervizt, oldassa át a következő listát. Ezzel időt és pénzt takaríthat meg. Ez a lista azon gyakran előforduló panaszokat tartalmazza, melyek nem a hibás gyártásból vagy anyagokból erednek. Az itt ismertetett tulajdonságok közül nem mindegyik található meg az Ön készülékén.

A hűtőszekrény nem működik

- A hűtőszekrény megfelelően be van dugva? >>> *Dugja be a dugót a fali aljzatba.*
- Nem olvadt le a főbiztosíték vagy annak a konnektornak a biztosítóka, melyhez a hűtőszekrényt csatlakoztatta? >>> *Ellenőrizze a biztosítékot.*

Lecsapódás található a fagyasztó oldalfalán (MULTIZONE, COOL, CONTROL és FLEXIZONE).

- Nagyon hideg környezeti körülmények. >>> *A hűtőszekrényt ne telepítse -5°C alatti helyre.*
- z ajtó gyakori kinyitása és becsukása >>> *Ne nyissa ki az ajtót túl gyakran.*
- Magas páratartalmú környezet. >>> *A hűtőszekrényt ne telepítse magas páratartalmú helyre.*
- Olyan nyitott edényben lévő élelmiszer tárolása, mely folyadékot tartalmaz. >>> *A nyitott edényben tárolt élelmiszert fedje le egy megfelelő anyaggal.*
- Nyitva hagyta az ajtót. >>> *Csökkentse az időt, amíg az ajtó nyitva van.*
- A termosztát túl alacsony hőmérsékletre van állítva. >>> *Állítsa a termosztátot a megfelelő hőmérsékletre.*

A kompresszor nem működik.

- A kompresszor biztosítóka hirtelen áramkimaradások esetén kiolvadt, illetve a folyamatos árammegszakítások után a hűtőszekrény hűtő rendszere még nem került egyensúlyba. A hűtőszekrény kb. 6 perc után fog bekapcsolni. Kérjük, hívja ki a szervizt, ha a 6 perc után nem indul be a hűtőszekrény.
- A hűtőszekrény olvasztási ciklusban van. >>> *Ez egy teljesen automatikusan olvasztó hűtőszekrény esetében természetes. Az olvasztási ciklus megadott időközönként megy végbe.*
- A hűtőszekrény nincs bedugva. >>> *Győződjön meg róla, hogy a dugó megfelelően van-e csatlakoztatva a fali aljzathoz.*
- efgfelelőek a hőmérséklet beállítások? >>> *Válassza ki a megfelelő hőmérsékletbeállítást.*
- Áramszünet van. >>> *Az áramszünet után a termék megfelelően fog működni.*

A működés zaja a hűtő működése közben egyre hangosabb.

- A hűtőszekrény működési teljesítménye a környezeti hőmérséklet változásának függvényében változik. Ez teljesen normális, nem utal hibára.

A problémák javasolt megoldása

A hűtőszekrény gyakran vagy hosszú ideig működik.

- Az új hűtőszekrénye lehet, hogy nagyobb, mint az előző. A nagyobb hűtőszekrények hosszabb ideig működnek.
- Lehet, hogy túl magas a szobahőmérséklet. >>> *Magasabb szobahőmérséklet esetén a hűtőszekrény tovább működik.*
- Előfordulhat, hogy a hűtőszekrény nem régen lett bedugva, vagy tele lett pakolva élelmiszerrel. >>> *A hűtőszekrény lehűtése ezekben az esetekben néhány órával tovább tarthat. Ez teljesen normális.*
- Nemrégiben nagy mennyiségű forró ételt helyezett a hűtőszekrénybe. >>> *Ne helyezzen forró ételt a hűtőszekrénybe.*
- Lehet, hogy az ajtók gyakran vagy hosszú ideig voltak kinyitva. >>> *Meleg levegő jutott a hűtőszekrénybe, melynek hatására a hűtőszekrény hosszabb ideig üzemel. Kevesebb alkalommal nyissa ki az ajtókat.*
- A fagyasztó vagy a hűtő rész ajtaja lehet, hogy nyitva maradt. >>> *Ellenőrizze, hogy az ajtók megfelelően be vannak-e csukva.*
- A hűtőszekrény nagyon alacsony hőmérsékletre lett állítva. >>> *Állítsa a hűtőszekrény hőmérsékletét magasabbra, és várja meg, míg eléri ezt a hőmérsékletet.*
- A hűtő ajtajának szigetelése elképzelhető, hogy koszos, kopott, törött vagy nem megfelelően van behelyezve. >>> *Tisztítsa meg, vagy cserélje ki a szigetelést. A sérült/törött szigetelés hatására a tovább ideig működik annak érdekében, hogy fenn tudja tartani az aktuális hőmérsékletet.*

A fagyasztó hőmérséklete túl alacsony, miközben a hűtő hőmérséklete megfelelő.

- A fagyasztó nagyon alacsony hőmérsékletre lett állítva. >>> *Állítsa a fagyasztó hőmérsékletét magasabbra, és ellenőrizze.*

A hűtő hőmérséklete túl alacsony, miközben a fagyasztó hőmérséklete megfelelő.

- A hűtő nagyon alacsony hőmérsékletre lett állítva. >>> *Állítsa a hűtő hőmérsékletét magasabbra, és ellenőrizze.*

A hűtő fiókjában tartott élelmiszerek magfagynak.

- A hűtő nagyon alacsony hőmérsékletre lett állítva. >>> *Állítsa a fagyasztó hőmérsékletét magasabbra, és ellenőrizze.*

A hűtő vagy a fagyasztó hőmérséklete nagyon magas.

- A hűtő nagyon magas hőmérsékletre lett állítva. >>> *A hűtő hőmérséklete hatással van a fagyasztó hőmérsékletére. Módosítsa úgy a hűtő és a fagyasztó hőmérsékletét, hogy ezek elérjék a kívánt szintet.*
- Lehet, hogy az ajtók gyakran vagy hosszú ideig voltak kinyitva. >>> *Kevesebb alkalommal nyissa ki az ajtókat.*
- Lehet, hogy az ajtó nyitva maradt. >>> *Csukja be rendesen az ajtót.*
- Előfordulhat, hogy a hűtőszekrény nem régen lett bedugva, vagy tele lett pakolva élelmiszerrel. >>> *Ez teljesen normális. A hűtőszekrény lehűtése ezekben az esetekben néhány órával tovább tarthat.*
- Nemrégiben nagy mennyiségű forró ételt helyezett a hűtőszekrénybe. >>> *Ne helyezzen forró ételt a hűtőszekrénybe.*

Rezgés vagy zaj.

- A padló nem egyenes vagy gyenge. >>> *A hűtő a lassú mozgás miatt ad ki hangot. Győződjön meg róla, hogy a padló egyenes-e, illetve elég erős-e ahhoz, hogy elbírja a hűtőszekrényt.*
- A zajt a hűtőszekrény tetejére helyezett tárgyak is okozhatják. >>> *Az ilyen tárgyakat el kell távolítani a hűtőszekrény tetejéről.*

Csöpögéshez vagy fúváshoz hasonló hangot hallani.

- A hűtőszekrény működésének megfelelő folyadék vagy gázáramlás történik. >>> *Ez teljesen normális, nem utal hibára.*

A problémák javasolt megoldása

Szélfúváshoz hasonló hangot hallani.

- A hűtés hatékonyságának érdekében a hűtőszekrény ventilátorokat is működtet. Ez teljesen normális, nem utal hibára.

Kondenzáció a hűtőszekrény belső falain.

- A meleg vagy párás levegő növeli a jégképződést és a kondenzációt. Ez teljesen normális, nem utal hibára.
- Lehet, hogy az ajtók gyakran vagy hosszú ideig voltak kinyitva. >>> *Kevesebb alkalommal nyissa ki az ajtókat. Ha nyitva van, zárja be az ajtót.*
- Lehet, hogy az ajtó nyitva maradt. >>> *Csukja be rendszeren az ajtót.*

Pára jelenik meg a hűtőszekrény külső részén vagy az ajtók közt.

- Lehet, hogy párás az idő. A párás idő teljesen normális. >>> *Ha a páratartalom kevesebb lesz, a kondenzáció eltűnik.*

Kellemetlen szag érezhető a hűtőben.

- A hűtőszekrény belső tisztításra szorul. >>> *Egy szivacs, meleg víz vagy szóda segítségével tisztítsa meg a hűtőszekrény belső részét.*
- A szagot lehet, hogy néhány edény vagy csomagolóanyag okozza. >>> *Használjon másik edényt, vagy más gyártótól származó csomagolóanyagot.*
- Az ételek nyitott edényben vannak. >>> *Az ételeket jól lezárt edényekben tárolja. A nem jól lezárt ételekből származó mikroorganizmusok kellemetlen szagokat okozhatnak.*
- Vegye ki a lejárt vagy romlott ételeket a hűtőszekrényből.

Az ajtó nem zárul be.

- Az élelmiszerek csomagolásai megakadályozhatják az ajtó becsukását. >>> *Távolítsa el azokat a csomagokat, melyek akadályozzák az ajtót.*
- A hűtőszekrény valószínűleg nem teljesen áll függőlegesen a padlón. >>> *Állítsa be a szintbeállító csavarokat.*
- A padló nem egyenes vagy gyenge. >>> *Győződjön meg róla, hogy a padló egyenes-e, illetve elég erős-e ahhoz, hogy elbírja a hűtőszekrényt.*

A zöldségtartó beragadt.

- Az élelmiszer lehet, hogy hozzáér a fiók tetejéhez. >>> *Rendezze át az élelmiszereket a fiókban.*

Ha A Termék Felülete Forró.

- A termék működése közben magas hőmérséklet figyelhető meg a két ajtó között, az oldalsó paneleken és a hátsó grillnél. Ez nem rendellenes jelenség és nem igényel szervizi karbantartást! Legyen óvatos, amikor megérinti ezeket a területeket.



VIGYÁZAT: Ha a hiba ezen utasítások elvégzése után továbbra is jelentkezik, forduljon a helyi forgalmazóhoz vagy szervizközponthoz. Ne próbálja megjavítani a terméket.

NYILATKOZAT / FIGYELMEZTETÉS

Néhány (egyszerű) hibát a végfelhasználó is elháríthat anélkül, hogy bármilyen biztonsági kérdés vagy nem biztonságos használat merülne fel, feltéve, hogy azokat az itt meghatározott utasításoknak megfelelően hajtja végre (lásd: „Önállóan elvégezhető javítások” c. részt).

Hacsak az „Önállóan elvégezhető javítások” c. részben másképpen meghatározásra nem került, a javításokat regisztrált szakszervezeteknek kell elvégezni a biztonsági problémák elkerülése érdekében. Regisztrált szakszerviznek számít az a szerviz, akinek a gyártó a 2009/125/EK irányelv mentén megalkotott törvényi rendelkezések alapján hozzáférést biztosít a különböző utasításokhoz és pótalkatrészlistákhoz.

A garanciális feltételeknek megfelelően azonban csak az a szervizszolgáltató (pl.: hivatalos szakszerviz) nyújthat szolgáltatást, aki a felhasználói kézikönyvben/jótállási jegyen feltüntetett telefonszámon, vagy a hivatalos márkakereskedőn keresztül elérhető. Ezért kérjük, vegye figyelembe, hogy egyéb szervizek (akiket a Beko nem hagyott jóvá) által elvégzett javítások miatt a garancia érvényét veszti.

Önállóan elvégezhető javítások

A felhasználó a következő alkatrészek javítását végezheti el saját maga: ajtónyitó fogantyúk, ajtózsanérok, tálcák, kosarak és ajtótomítések (a frissített lista a support.beko.com oldalon érhető el
2021. március 1-től).

Ezen felül, a termék biztonságának biztosítása és a súlyos sérülések elkerülése érdekében az említett önállóan elvégezhető javításokat a felhasználói útmutató vonatkozó részében feltüntetettek szerint kell elvégezni, amely elérhető a(z): support.beko.com-ben/-ban. A saját biztonsága érdekében az önállóan elvégezhető javítások előtt válassza le a terméket az elektromos hálózatról.

A végfelhasználók által az ilyen listán nem szereplő alkatrészek javítása és javítási kísérlete és/vagy a(z) support.beko.com-ben/-ban elérhető használati útmutatókban szereplő utasítások be nem tartása miatt, biztonsági kérdések merülnek fel, amelyek nem róhatók fel a Beko-nak/-nek, és a termék garanciája megszűnik.

Ezért javasolt, hogy a végfelhasználók ne kíséreljék meg az említett alkatrészlistán kívül eső alkatrészek javítását, ilyen esetekben vegyék fel a kapcsolatot a szakszervezetekkel vagy a regisztrált szakemberekkel. A végfelhasználók által végrehajtott ilyen kísérletek biztonsági problémákat okozhatnak, a termék károsodhat, amely tűzhoz, csőtöréshez, áramütéshez és egyéb súlyos személyi sérüléshez vezethet.

A nem kizárólagos listán példaként felsorolt alkatrészek javítását hivatalos márkaszervizzel vagy regisztrált szakemberrel kell elvégeztetni: kompresszor, hűtőkör, fő panel, inverterpanel, kijelzőpanel, stb.

A gyártó/eladó nem vonható felelősségre, ha a végfelhasználó nem tartja be a fent leírtakat.

A megvásárolt hűtőbereni alkatrészeinek rendelkezésre állása 10 év.

Ezen idő alatt, a hűtőbereni megfelelő üzemelése érdekében, biztosítjuk az eredeti cserealkatrészeket.

A megvásárolt hűtőberendezésre vonatkozó minimum garancia 24 hónap.

A termék „G” energiaosztályú fényforrással van felszerelve.

A termékben lévő fényforrást csak szakszerviz cserélheti ki.

Моля, прочетете това ръководство, преди да използвате продукта!

Уважаеми клиенти,

Бихме желали да извлечете най-доброто при употребата на този продукт, който е произведен в модерни предприятия с грижа и щателен контрол на качеството.

Поради тази причина Ви препоръчваме да прочетете цялото ръководство, преди да използвате този продукт. В случай, че продуктът премине в други ръце, не забравяйте да предадете ръководството на своя нов собственик заедно с продукта.






Това ръководство ще Ви помогне да използвате бързо и безопасно продукта.

- Моля, преди да инсталирате и работите с продукта, прочетете внимателно ръководството за потребителя.
- Винаги спазвайте съответните инструкции за безопасност.
- Съхранявайте ръководството за потребителя на леснодостъпно място за бъдещи справки.
- Моля, прочетете всички други документи, придружаващи продукта.

Имайте предвид, че това ръководство може да се прилага за няколко модела на продукта.

Ръководството ясно показва всякакви изменения на различните модели.

| | |
|--|---|
|  | Важна информация и полезни съвети. |
|  | Риск за живота и имуществото. |
|  | Опасност от токов удар. |
|  | Опаковката на продукта е произведена от рециклирани материали, в съответствие с националното законодателство за опазване на околната среда. |

| | | |
|--|---|---|
|  | ИНФОРМАЦИЯ | |
|  | ENERGY |  |
| <small>SUPPLIER'S NAME</small> | <small>MODEL IDENTIFIER</small> (*) | |
|  |  | |
| <p>Информацията за модела, съхранявана в базата данни на продукта, може да бъде получена, като въведете следния уебсайт и потърсите идентификатора на вашия модел (*), намиращ се на енергийния етикет.</p> <p>https://eprel.ec.europa.eu/</p> | | |




Съдържание



| | | | |
|--|-----------|---|-----------|
| 1 Инструкции за безопасност и опазване на околната среда | 3 | 5.11. Употреба на водния диспенсър | 18 |
| 1.1. Общи правила за безопасност | 3 | 5.12. Пълнене на резервоара на диспенсъра за вода | 19 |
| 1.1.1 НС предупреждение | 5 | 5.13. Почистване на резервоара за вода | 20 |
| 1.1.2 За модели с воден фонтан | 5 | 5.14. Тавичка за оттичане | 20 |
| 1.2. Употреба по предназначение | 5 | 5.15. Използване на втория контейнер за свежи храни | 21 |
| 1.3. Безопасност за децата | 6 | 5.16. Замразяване на прясна храна | 22 |
| 1.4. Съответствие с Директива ОЕЕО за изхвърляне на отпадъчни продукти | 6 | 5.17. Препоръки за съхранение на замразена храна | 22 |
| 1.5. Съответствие с Директива RoHS | 6 | 5.18. Подробности за дълбокото замразяване | 22 |
| 1.6. Информация за опаковката | 6 | 5.19. Поставяне на храната | 23 |
| 2 Хладилник | 7 | 5.20. Аларма за отворена врата | 23 |
| 3 Монтаж | 8 | 5.21. Вътрешно осветление | 23 |
| 3.1. Правилно място за монтаж | 8 | 5.22. Смяна посоката на отваряне на вратата | 23 |
| 3.2. Поставяне на пластмасови клинове | 8 | 5.23. Синя светлина / HarvestFresh | 23 |
| 3.3. Нивелиращи крачета | 9 | 5.24. Кошчето за млечни продукти (хладилно хранилище) | 23 |
| 3.4. Свързване към захранването | 9 | 6 Поддръжка и почистване | 24 |
| 4 Подготовка | 10 | 6.1. Предотвратяване на образуване на лоши миризми | 24 |
| 4.1. Как да спестим енергия | 10 | 6.2. Защита на пластмасовите повърхности | 24 |
| 4.2. Използване за първи път | 10 | 6.3. Стъкла на вратите | 24 |
| 5 Използване на продукта | 12 | 7. Отстраняване на неизправности | 25 |
| 5.8 Индикаторен панел | 12 | | |
| 5.1. Кофичка за лед | 14 | | |
| 5.2. Поставка за яйца | 15 | | |
| 5.3. Вентилатор | 15 | | |
| 5.4. Кош за зеленчуци | 15 | | |
| 5.5. Отделение с нулева температура | 15 | | |
| 5.6. Подвижни рафтове на вратата | 16 | | |
| 5.7. Плъзгащ се контейнер за съхранение | 16 | | |
| 5.8. Кош за зеленчуци с контролиране на влажността | 17 | | |
| 5.9. Автоматична машина за лед | 17 | | |
| 5.10. Icematic и контейнер за съхранение на лед | 18 | | |

1. Инструкции за безопасност и опазване на околната среда

Този раздел съдържа инструкции за безопасност, необходими за избягване на риска от нараняване и материални щети. Неспазването на тези инструкции ще обезсили всички видове продуктова гаранция.

Употреба на уреда

| | |
|--|---|
|  | ВНИМАНИЕ: Уверете се решетките на вентилационните отвори да са отворени при положение на устройството в амбалажния пакет или след поставяне на работното му място. |
|  | ВНИМАНИЕ: С изключение на препоръките, допустими от производителя, не използвайте механични или всякакви други устройства с цел ускоряване процеса на размразяване на устройството. |
|  | ВНИМАНИЕ: Не повреждайте действието на охлаждащата система на фреона. |

| | |
|---|--|
|  | ВНИМАНИЕ: Не използвайте електрическо оборудване в отделението за съхранение на хранителни продукти, недопустимо от производителя на устройството. |
|  | ВНИМАНИЕ: Не съхранявайте експлозивни вещества като например аерозолни спрейове в уреда. |

-Това устройство е предназначено за домашна употреба или за използване при следните условия

-В магазини, офиси и други работни среди с цел използване от членовете на персонала в кухнята на работната среда.

- Във фермерни къщи, хотели, мотели и други среди, предназначени за настаняване на гражданите за почивка;

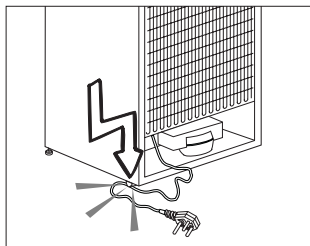
1.1. Общи правила за безопасност

- Този продукт не трябва да се използва от лица с физически, сензорни и ментални увреждания, без достатъчно знания и опит или от деца. Уредът може да се използва от тези лица само под надзора и спазвайки инструкциите на лицата, отговорни за тяхната безопасност. Децата не трябва да си играят с този уред.
- В случай на неизправност, изключете уреда от контакта.
- След изваждане на щепсела от контакта, изчакайте 5 минути, преди отново да включите щепсела от контакта. Изключвайте уреда от контакта, ако няма

Инструкции за безопасност и опазване на околната среда

да го използвате. Не пипайте щепсела с мокри ръце! Не дърпайте кабела, а винаги дръжте щепсела.

- Избършете щепсела със суха кърпа, преди да го включите в контакта.
- Не включвайте хладилника, ако контактът е разхлабен.
- Изключвайте уреда по време на монтаж, поддръжка, почистване и ремонт.
- Ако известно време няма да използвате уреда, изключете го от контакта и извадете храната.
- Не използвайте пара или втечнени почистващи препарати за почистване на хладилника и стопяване на леда вътре в него. Парата може да се свърже с електрифицираните зони и да предизвика късо съединение или токов удар!
- Не мийте уреда чрез пръскане или обливане с вода върху него! Опасност от токов удар!
- В случай на неизправност, не използвайте продукта, тъй като може да предизвика токов удар. Свържете се с оторизиран сервиз, преди да предприемете каквито и да е дейности.
- Включете продукта в заземен контакт. Заземяването трябва да е извършено от квалифициран електротехник.
- Ако продуктът има светодиодно осветление, свържете се с оторизиран сервиз за смяна или в случай на друг проблем.
- Не пипайте замразената храна с мокри ръце! Може да залепне за ръцете Ви!
- Не поставяйте течности в бутилки и кенчета във фризерното отделение. Могат да се взривят!
- Поставете течности в изправено положение след плътно затваряне на капачката.
- Не пръскайте запалими вещества в близост до продукта, тъй като може да изгори или да се взриви.



- Не съхранявайте запалими материали и продукти със запалими газове (спрейове и т.н.) в хладилника.
- Не поставяйте съдове с течности върху продукта. Пръскането
- на вода върху електрическите части може да причини токов удар и риск от пожар.
- Излагането на продукта на дъжд, сняг, слънце и вятър може да предизвика електрическа опасност. При преместване на уреда, не дърпайте, държейки дръжката на вратата. Дръжката може да се изтръгне.
- Внимавайте части от ръцете и тялото Ви да не бъдат захванати от движещите се части вътре в продукта.
- Не стъпвайте и не се облягайте на вратата, чекмеджетата и други части на хладилника. Това може да доведе до падане на продукта и повреждане на части.
- Внимавайте да не притиснете ذخарнаващия кабел.
- Когато поставяте уреда, проверете дали ذخарнаващият кабел не е захванат или повреден.
- Не поставяйте няколко разклонителя или преносими ذخарнаващи устройства в задната част на уреда.
- Вашият хладилник „Side by Side“ се нуждае от свързване с водоизточник. Ако все още няма кран за вода и трябва да се обадите на водопроводчик, моля, обърнете внимание: В случай че домът Ви е оборудван със система за подово отопление, моля, имайте предвид, че пробиването на дупки в бетонния таван може да повреди тази отоплителна система.

Инструкции за безопасност и опазване на околната среда

- Деца на възраст между 3 и 8 години могат да зареждат и разтоварват хладилни уреди.
- За да се избегне замърсяването на храната, моля придържайте се към следните указания:
- Отварянето на вратата на уреда за продължителни периоди от време може да доведе до значително нарастване на температурата в отделенията на уреда.
- Почиствайте редовно повърхностите, които влизат в контакт с храна и достъпните дренажни системи.
- Почиствайте контейнерите за вода, ако не са били използвани в продължение на 48 ч; промийте системата за вода, свързана с водоснабдителната
- мрежа, ако не е била източвана вода в продължение на 5 дни.
- Съхранявайте суровото месо и риба в подходящи контейнери в хладилника, за да не влизат в контакт с или да капят в други храни.
- Отделенията за замразени храни с две звезди са подходящи за съхранение на предварително замразени храни, за съхранение или подготвяне на сладолед и правене на кубчета лед.
- Отделенията с една, две и три звезди не са подходящи за замразяване на пресни храни.
- Ако хладилният уред бъде оставен празен за продължителни периоди от време, изключете го, размразете, почистете, подсушете и оставете
- вратата му отворена, за да предотвратите образуването на плесен в уреда.

1.1.1 НС предупреждение

Ако продуктът има система за охлаждане с R600a газ, погрижете се да избягвате повреда на системата за охлаждане и тръбата, докато използвате

и преместване на продукта. Този газ е запалим. Ако охлаждащата система е повредена, дръжте продукта далече от източници на пожар и незабавно проветрете помещението.



Етикетът върху в ътрешната страна отляво показва типа на използвания в този уред газ.

1.1.2 За модели с воден фонтан

- Налягането на входа за студена вода трябва да е максимум 90 psi (620 kPa). Ако налягането на водата надвиши 80 psi (550 kPa), използвайте клапана за ограничаване на налягането в мрежовата система. Ако не знаете как да проверите налягането на водата, потърсете помощ от професионален водопроводчик.
- Ако има риск от хидравлически удар във вашата инсталация, винаги използвайте оборудване за предотвратяване на хидравлически удар. Консултирайте се с професионален водопроводчик, ако не сте сигурни, че във вашата инсталация няма да възникне хидравлически удар.
- Не инсталирайте на входа за гореща вода. Вземете предпазни мерки срещу замръзване на маркучите. Работният интервал на температурата на водата трябва да е минимум 33°F (0,6°C) и максимум 100°F (38°C).

1.2. Употреба по предназначение

- Този уред е предназначен за домашна употреба. Не е предназначен за използване в търговска цел.
- Продуктът трябва да се използва само и единствено за съхранение на храна и течности.
- В хладилника не съхранявайте чувствителни продукти, които изискват контролирани

Инструкции за безопасност и опазване на околната среда

температури (ваксини, чувствителни на топлина лекарства, медицински консумативи и т.н.).

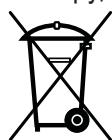
- Производителят не поема никаква отговорност за повреди, причинени от неправилна употреба или неправилно боравене.
- Оригинални резервни части ще бъдат предоставяни 10 години след датата на покупка на продукта.

1.3. Безопасност за децата

- Съхранявайте опаковъчните материали на недостъпно за деца място.
- Не позволявайте на децата да си играят с продукта.
- Ако вратата на уреда е оборудвана с ключалка, пазете ключа на място, недостъпно за деца.

1.4. Съответствие с Директива ОЕЕО за изхвърляне на отпадъчни продукти

Този продукт съответства на Директива ОЕЕО ЕС (2012/19/ЕС). Този символ носи символ за класификация за отпадък от електрическо и електронно оборудване (ОЕЕО).



Този продукт е произведен от висококачествени части и материали, които могат да се използват повторно и са подходящи за рециклиране. Не изхвърляйте продукта с нормалните битови

отпадъци и другите отпадъци в края на експлоатационния му живот. Предайте го в събирателния център

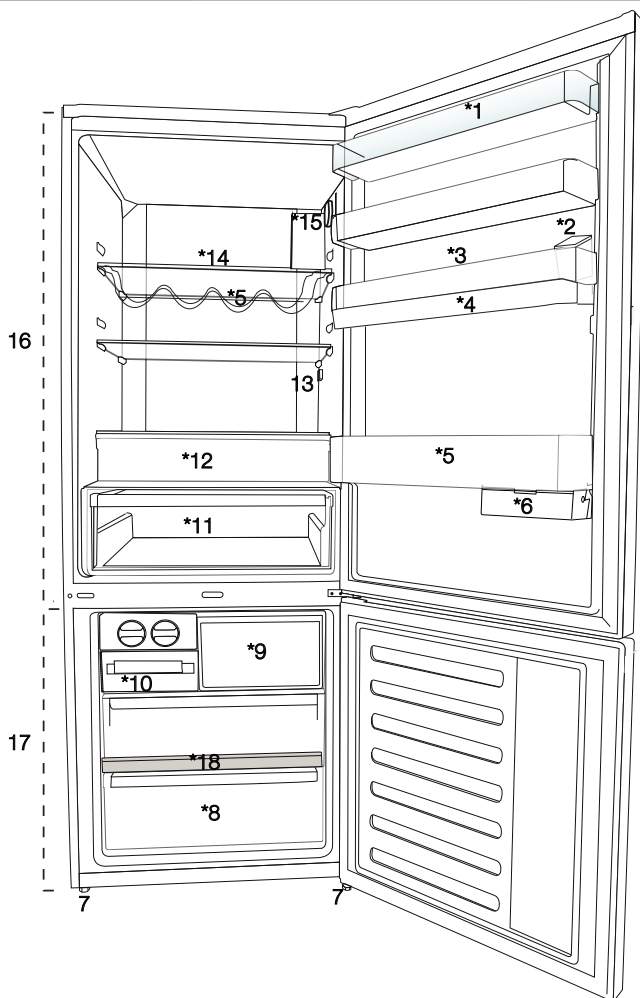
за рециклиране на електрическо и електронно оборудване. Моля, консултирайте се с местните власти, за да научите повече за тези центрове за събиране.

1.5. Съответствие с Директива RoHS

- Този продукт съответства на Директива ОЕЕО ЕС (2011/65/ЕС). Не съдържа вредни и забранени материали, посочени в Директивата.

1.6. Информация за опаковката

- Опаковката на продукта е произведена от рециклирани материали в съответствие с нашите национални разпоредби за опазване на околната среда. Не изхвърляйте опаковката заедно с местните и други отпадъци. Върнете ги в пунктовете за събиране на опаковъчни материали, определени от местните власти.





- | | |
|--|---|
| <ol style="list-style-type: none"> 1. Рафт на вратата на хладилното отделение 2. Диспенсър за вода с резервоар за пълнене 3. Отделение за яйца 4. Воден резервоар на диспенсъра 5. Рафт за бутилки 6. Плъзгач се контейнер за съхранение 7. Регулируеми крачета 8. Фризерно отделение за дълбоко замразяване | <ol style="list-style-type: none"> 9. Отделение за бързо замразяване 10. Тавичка за натрупалите се кубчета лед 11. Чекмедже за зеленчуци: 12. Кошчето за млечни продукти (хладилно хранилище) 13. Вътрешна лампа 14. Стъклен рафт на хладилното отделение 15. Бутон за регулиране на температурата 16. Хладилно отделение 17. Фризерно отделение |
|--|---|



*Опция: Фигурите в това ръководство са схематични и може да не съответстват точно на Вашия продукт. Ако Вашият продукт не съдържа съответните части, информацията се отнася за други модели.

3.1. Правилно място за монтаж

За монтажа на продукта се свържете с оторизиран сервиз. За да подготвите продукта за монтаж, вижте информацията в ръководството за експлоатация и се уверете, че електрическите и водните съоръжения отговарят на изискванията. Ако не, обадете се на електротехник и водопроводчик.

| | |
|--|--|
|  | ПРЕДУПРЕЖДЕНИЕ: Производителят не поема никаква отговорност за щети, причинени от работа, извършена от неоторизирани лица. |
|  | ПРЕДУПРЕЖДЕНИЕ: По време на монтажа захранващият кабел на продукта трябва да е изключен. Неспазването на това изискване може да доведе до смърт или сериозни наранявания. |
|  | ПРЕДУПРЕЖДЕНИЕ: Ако вратата не е достатъчно широка, за да може продуктът да премине свободно, демонтирайте я и завъртете продукта настрана; ако това не помогне, свържете се с оторизиран сервиз. |

- Поставете продукта върху плоска повърхност, за да избегнете вибрации.
- Поставете продукта най-малко на 30 см от нагревател, печка или други източници на топлина и най-малко на 5 см от електрически печки.
- Не излагайте продукта на директна слънчева светлина и не го дръжте във влажна среда.
- Продуктът изисква достатъчна циркулация на въздуха, за да функционира ефективно. Ако ще монтирате уреда в ниша, не забравяйте да оставите разстояние от най-малко 5 см между продукта и тавана и стените.
- Не монтирайте продукт в среда с температура под -5°C .

- Вашият продукт изисква адекватна циркулация на въздуха, за да функционира ефективно. Ако продуктът ще бъде поставен в ниша, не забравяйте да оставите поне 5 см разстояние между продукта, тавана и стените.
- Ако продуктът ще бъде поставен в ниша, не забравяйте да оставите поне 5 см разстояние между продукта, тавана и стените. Проверете дали компонентът за защита на хлабина на задната стена присъства на мястото му (ако е предоставен с продукта). Ако компонентът не е налице или е изгубен или паднал, поставете продукта така, че да остане поне 5 см разстояние между задната повърхност на продукта и стените на помещението. Свободното пространство отзад е важно за ефективната работа на продукта.

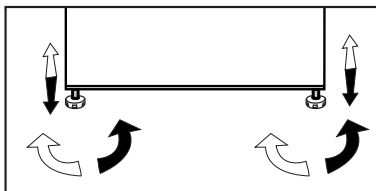
3.2. Поставяне на пластмасови клинове

Използвайте включените в обема на доставката на продукта пластмасови клинове, за да осигурите достатъчно пространство за вентилация на въздуха между продукта и стената.

1. Може да монтирате двата пластамасови клина както е показано на илюстрацията. Пластмасовите клинове осигуряват нужната дистанция между хладилника и стената, така че да се осигури циркулация на въздух. (Илюстрацията на фигурата е само пример и не отговаря точно на вашия продукт.)

3.3. Нивелиращи крачета

Ако продуктът не е в положение за балансиране, регулирайте предните нивелиращи крачета, като въртите наляво или надясно.



3.4. Свързване към захранването



ПРЕДУПРЕЖДЕНИЕ: не използвайте удължители или разклонители в електрическата мрежа.



ПРЕДУПРЕЖДЕНИЕ: Повреден захранващ кабел трябва да се подменя в оторизиран сервиз. Когато поставите два охладителя в съседна позиция, оставете разстояние от поне 4 см между двата уреда.



Фирмата ни не носи отговорност за каквито и да било щети, дължащи се на употреба без заземяване и свързване към електрическата мрежа в съответствие с националните разпоредби.

- След монтажа щепселът на захранващия кабел трябва да е лесно достъпен.
- Не използвайте многогрупов щепсел с или без удължител между контакта на стената и хладилника.

Предупреждение за гореща повърхност!

Страничните стени на Вашия продукт е оборудван с тръбите с хладилен агент за подобряване на системата на охлаждане.



Хладилен агент с висока температура може да премине през тези зони, водещ до нагорещяване на страничните стени.

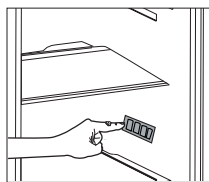
Това е нормално и не се нуждае от сервизиране. Моля, бъдете внимателни, когато докосвате тези зони.

4.1. Как да спестим енергия



Свързването на продукта с енергоспестяващи системи е опасно и може да доведе до повреда на продукта.

- за свободно стоящ уред; „Този хладилен уред не е предназначен да се използва като вграден уред“.
- Не дръжте вратите на хладилника отворени дълго време.
- Не слагайте гореща храна или напитки в хладилника.
- Не препълвайте хладилника; блокирането на вътрешния въздушен поток ще намали капацитета на охлаждане.
- За да съхранявате максимално количество храна в хладилното отделение на хладилника, трябва да извадите по-горните чекмеджета и да поставите храната върху стъкления рафт. Декларираната енергийна консумация на хладилника се определя чрез изваждане на охладителя, тавата за лед и горните чекмеджета по начин, което ще даде възможност за максимално съхранение. Когато съхраняването е строго препоръчително, използвайте долните чекмеджета. За най-добър разход на енергия, трябва да бъде активирана функцията пестене на енергия.
- Не трябва да блокирате въздушния поток като поставяте храна пред охлаждащия вентилатор. Пред защитната решетка на вентилатора, трябва да се оставя свободно пространство в размер най-малко 3 см.
- В зависимост от характеристиките на продукта; размразяването на замразени храни в хладилното отделение ще осигури спестяване на енергия и запазване на качеството на храните.
- За да се гарантира икономия на енергия и защита на храните в по-добри условия, храните трябва да се съхраняват в чекмеджетата в хладилното отделение.
- Опаковките на храните не трябва да са в пряк контакт с топлинния сензор, разположен в хладилното отделение. Ако те са в контакт със сензора, потреблението



В случай, че са налични множество опции, стъклените рафтове трябва да бъдат поставени така, че изпускателните отвори на задната стена да не бъдат запушени, за предпочитане въздушните изходи да останат под стъкления рафт. Тази комбинация може да помогне за подобряване на разпределението на въздуха и енергийната ефективност.

4.2. Използване за първи път

Преди да използвате вашия хладилник, уверете се, че необходимата подготовка се прави в съответствие с инструкциите за „Безопасност и опазване на околната среда“ и „Инсталиране“.

- Оставете уреда да работи в продължение на 6 часа, без да има храна в него, и не отваряйте вратата, освен ако не е абсолютно необходимо.



Когато компресорът работи ще се чува звук. Нормално е да чувате звук, дори когато компресорът не работи, това е продиктувано от компресираните течностите и газовете в охладителната система.



Предните ъгли на хладилника може да са топли на пипане. Това е нормално. Тези зони са проектирани да се затоплят, за да се избегне кондензацията.

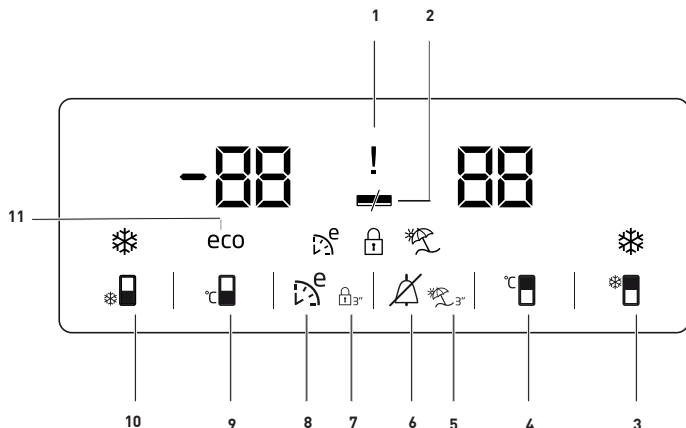


При някои модели информационният панел се изключва автоматично 5 минути след затварянето на вратата. Той ще бъде активиран отново, когато вратата се отвори или се натисне бутона.

- Тъй като във вашия продукт няма да проникне директно горещ и влажен въздух, когато вратите не се отварят, вашият продукт ще се оптимизира до условия достатъчни да предпазят храната ви. При тези обстоятелства функции и компоненти като компресор, вентилатор, нагревател, размразяване, осветление, дисплей и други ще работят според нуждите при консумиране на минимално количество енергия.

5.8 Индикаторен панел

Индикаторният панел ви позволява да задавате температура и да контролирате останалите функции на уреда, без да отваряте вратата му. Просто натискайте надписите върху съответните бутони за настройки на функцията.



1. Прекъсване на захранването / висока температура / индикатор за състояние на грешка

Този индикатор (!) свети в случай на спиране на тока, предупреждения за висока температура и грешки.

Когато температурата във фризерното отделение се нагрява до критично ниво за замразените храни, максималната стойност, достигната от температурата на фризерното отделение, мига на цифровия индикатор. Проверете храната във фризерното отделение. Това не е неизправност. Предупреждението може да бъде изтрито чрез натискане на който и да е бутон или на бутона за изключване на алармата за висока температура. (Отмяната чрез натискане на който и да е бутон не е приложима за всеки модел.)

Този индикатор (!) свети, когато възникне и повреда на сензора. Когато този индикатор свети, „E“ и цифри като „1,2,3 ...“ се показват съответно на температурния индикатор. Тези цифри на индикатора информират обслужващия персонал за грешката.

2. Функция за пестене на енергия (изключване на дисплея)

Ако вратите на уреда се държат затворени за дълго време, функцията за спестяване на енергия ще се активира автоматично и символът на енергоспестяването ще светне. (☞) Когато енергоспестяващата функция е активирана, всички символи на дисплея, различни от символа за енергоспестяване, ще изгаснат. Ако при активирана функция за енергоспестяване се натисне бутон или се отвори вратата на уреда, енергоспестяващият режим се изключва, а символите на дисплея се връщат към нормално отчитане.

Може да не е достъпно във всички режими.



*Опция: Фигурите в това ръководство са схематични и може да не съответстват точно на Вашия продукт. Ако Вашият продукт не съдържа съответните части, информацията се отнася за други модели.

Отстраняване на неизправности

Енергоспестяващата функция се активира по време на доставката от фабриката и не може да бъде отменена.

3. Функция за бързо охлаждане

Този бутон има две функции. Натиснете го за кратко време, за да активирате или деактивирате функцията за бързо охлаждане. Индикаторът за бързо охлаждане ще се изключи и ще се върне към нормалните си настройки. (🔌)



Използвайте функцията за бързо охлаждане, когато искате храната, която е поставена в хладилното отделение да се охлади бързо. Ако желаете да охладите големи количества прясна храна, е препоръчително да активирате тази функция преди да сложите храната в хладилника.



Ако не изключите бързото охлаждане, то ще се изключи от само себе си след 8 часа или когато хладилното отделение достигне нужната температура.



Ако натиснете бутона „Бързо охлаждане“ многократно за кратък период от време, защитата от късо съединение ще се включи и компресорът няма да стартира веднага.



Този бутон не се запазва в паметта на хладилника при прекъсване в електрическото захранване.

4. Бутон за температурната настройка във хладилното отделение

Натиснете този бутон, за да настроите температурата в хладилното отделение съответно на 8, 7, 6, 5, 4, 3, 2, 8... Натиснете бутона, за да настроите желаната температура в хладилното отделение. (🔌)

5. Функция „Ваканция“

За да активирате функцията „Ваканция“, натиснете и задръжте бутона (🌴) за 3

секунди и индикаторът на режима за ваканция (🌴) ще се активира. Когато функцията „Ваканция“ се активира, „-“ се показва на индикатора за температурата в хладилното отделение и хладилното отделение не се охлажда. Когато тази функция е активирана, не е подходящо да се държи храна в хладилното отделение. Другите отделения ще продължат да се охлаждат според зададената им температура.

За да отмените тази функция, натиснете отново бутона на **функцията Ваканция**.

6. Прекратяване на предупреждението за висока температура:

В случай на спиране на тока / предупреждение за висока температура, можете да изтриете предупреждението (🔌), като натиснете произволен бутон на индикатора или бутона за изключване на алармата за висока температура за 1 секунда, след като проверите храната във фризерното отделение.

Забележка: Отмяната чрез натискане на който и да е бутон не е приложимо за всеки модел.

7. Заклучване на бутоните

Натиснете бутона за заключване (🔒) едновременно за 3 секунди. Символът за заключване на клавишите (🔒) ще светне и режимът за заключване ще се активира. При активиран режим на заключване, бутоните няма да функционират. Натиснете отново бутона за заключване на клавишите за 3 последователни секунди. Символът за заключване на клавишите ще изгасне и режимът на заключване на клавишите ще се деактивира. Ако искате да предотвратите промяна на температурните настройки на хладилника, натиснете **бутона за заключване на клавишите** на хладилника (🔒).

Отстраняване на неизправности

8. Еко охлаждане

Натиснете и задръжте бутона за еко охлаждане за 1 секунда, за да активирате функцията за еко охлаждане. Хладилникът ще започне да работи в най-икономичния режим най-малко след 6 часа, а индикаторът за икономична употреба ще се включи, когато функцията е активна (E). Натиснете и задръжте бутона за еко охлаждане за 3 секунди, за да деактивирате функцията за еко охлаждане.

Този индикатор свети 6 часа, след като функцията за еко охлаждане е активирана.

9. Бутон за температурната настройка в отделението на фризера

Натиснете този бутон, за да настроите температурата във отделението на фризера съответно на -18,-19,-20,-21, -22, -23,-24, -18...т.н. Натиснете бутона, за да настроите желаната температура във фризерното отделение. (C)

10. Бутон на функцията за бързо замразяване / бутон за включване-изключване за образуване на лед

Натиснете този бутон, за да активирате или деактивирате функцията за бързо замразяване. Когато активирате функцията, фризерното отделение ще се охлажда до температура, по-ниска от зададената стойност. (D)

За да включите или изключите образуването на лед, натиснете и го задръжте за 3 секунди.



Използвайте функцията за бързо замразяване, когато искате храната, която е поставена в отделението на фризера да се замрази бързо. Ако желаете да замразите големи количества прясна храна, е препоръчително да активирате тази функция преди да сложите храната в хладилника.



Ако не изключите бързото замразяване, то ще се изключи от само себе си след 4 часа или когато хладилното отделение достигне нужната температура.



Този индикатор не се запазва в паметта на хладилника при прекъсване в електрическото захранване.

11. Индикатор за икономична употреба

Показва, че уредът работи в енергийно-ефективен режим. (ECO). Този индикатор ще бъде активен, ако температурата на отделение на фризера е настроена на -18 или енергийно ефективното охлаждане се осъществява благодарение на функцията „Еко-Екстра“.

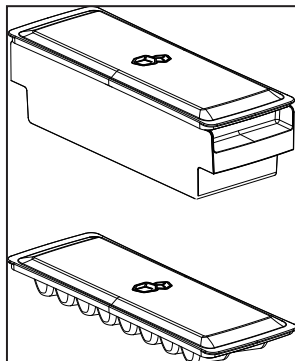


Индикаторът за икономично използване е изключен, когато са избрани функциите за бързо охлаждане или бързо замразяване.

5.1. Кофичка за лед

(опционално)

- Вземете кофичката за лед от фризерното отделение.
- Напълнете кофичката за лед с вода.
- Поставете кофичката за лед във фризерното отделение.
- Ледът ще бъде готов след около два часа. Вземете кофичката за лед от фризерното отделение и я огнете върху съда, в който ще го поставите. Ледът лесно ще изпадне в съда за сервиране.



Използване на продукта

5.2. Поставка за яйца

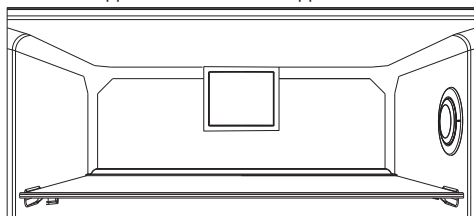
Можете да поставите поставката за яйца, по ваш избор, на рафт на вратата или в хладилника. Ако решите да я поставите в хладилника, се препоръчва да се предпочитат рафтовете долу, тъй като там е по-студено.



Не поставяйте поставката за яйца във фризерното отделение.

5.3. Вентилатор

Вентилаторът е проектиран да разпространява хомогенно циркулиращия студен въздух във вашия хладилник. Времето на работа на охлаждащия вентилатор може да варира в зависимост от характеристиките на уреда ви. Докато в някои уреди вентилаторът работи само с компресор, при други системи за контрол се определя време на работа на базата на необходимостта от охлаждане.



5.4. Кош за зеленчуци

(Опционално)

Кошът за зеленчуци е предназначен да пази пресните зеленчуци като запазва влагата. За тази цел, в кош за зеленчуци се засилва общата циркулация на студения въздух.

5.5. Отделение с нулева температура

(Опционално)

Използвайте това отделение, за да запазите деликатесите при по-ниски температури или месните продукти за директна консумация. Отделението с нулева температура е най-хладното място, където храни като млечни продукти, месо, риба и пилешко месо може да се съхраняват при идеални условия за съхранение. Зеленчуците и/или плодовете не трябва да се поставят в това отделение.

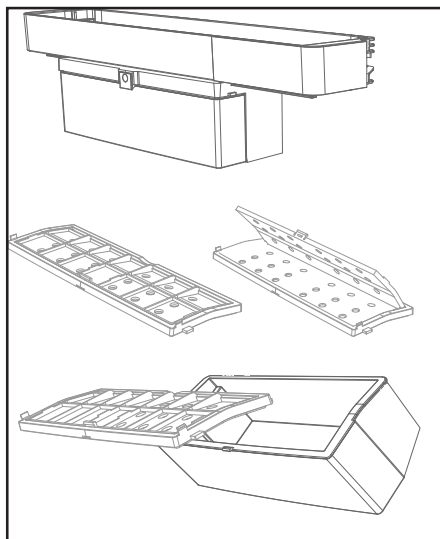
HerbBox/HerbFresh

Извадете контейнера от HerbBox/HerbFresh+
Извадете тънкия пласт от торбичката и го поставете в контейнера, както е показано на изображението.

Затворете контейнера и го поставете в HerbBox/HerbFresh+.

HerbBox-HerbFresh+ са особено подходящи за съхранение на различни билки, които трябва да се съхраняват в специални условия. Можете да съхранявате неопакowanите билки (магданоз, копър и т.н.) в това отделение хоризонтално и ги запазете свежи за по-продължителен период от време.

Слоят трябва да се сменя на всеки шест месеца.



Използване на продукта

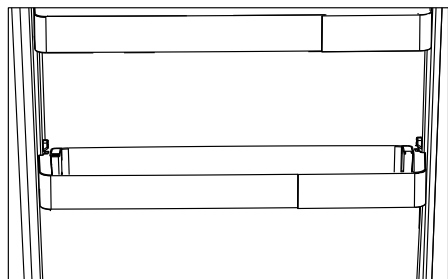
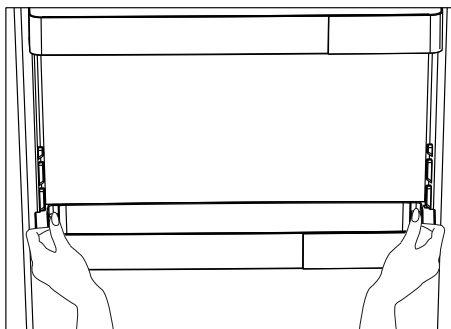
5.6. Подвижни рафтове на вратата (Опционално)

Подвижните рафтове на вратата могат да се поставят на 3 различни позиции.

За да преместите рафт, натиснете равномерно бутоните отстрани. Рафтът ще се стане подвижен.

Преместете рафта нагоре и надолу.

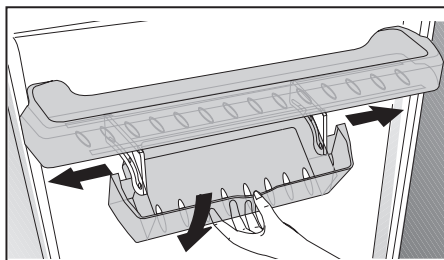
Когато рафтът е в позицията, която вие желаете, освободете бутоните. Рафтът ще бъде закрепен в позицията, при която сте освободили бутоните.



5.7. Плъзгащ се контейнер за съхранение (Опционално)

Този аксесоар е проектиран да увеличи обема на рафтовете на вратата.

Благодарение на способността си да се движи настрани, той ви позволява лесно да поставите висока бутилка, буркан или кутии, които ще поставите в мястото за бутилки по-долу.



Използване на продукта

5.8. Кош за зеленчуци с контролиране на влажността (Опционално)

С функцията за контрол на влагата, процентът на влажност на зеленчуците и плодовете се контролира и това осигурява свежи храни за по-дълъг период.

Препоръчително е, листните зеленчуци, като марули, спанак и други зеленчуци, склонни към загуба на влага, да се съхраняват не с корените си надолу, а в хоризонтално положение в коша за зеленчуци.

Когато поставяте зеленчуците, поставяйте тежките и твърдите зеленчуци на дъното и леките и меките зеленчуци върху тях, като се взимат предвид специфичните тегла на зеленчуците.

Не оставяйте зеленчуците в коша за зеленчуци в найлонови торбички. Ако оставите зеленчуците в найлонови торби, те ще изгният много бързо. В случаите, когато не е желателен допирът на едни зеленчуци с други, използвайте опаковъчни материали, като например хартия, която има определена шупливост по отношение на хигиената.

Не поставяйте плодове, които отделят газ етилен, като круши, кайсии, праскови и особено ябълки в същия кош за зеленчуци, с другите зеленчуци и плодове. Газът етилен може да бъде причина другите плодове и зеленчуци да узреят по-бързо и да започнат да гният.

5.9. Автоматична машина за лед (Опционално)

Автоматична машина за лед ви дава възможност лесно да правите лед във вашия хладилник. За да получите лед от машината за лед, извадете резервоара за вода от охладителното отделение, напълнете го с вода и го върнете обратно.

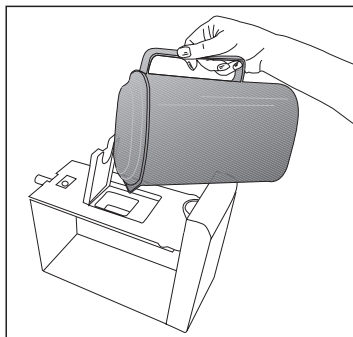
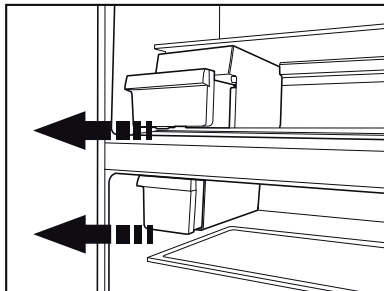
Първият лед ще бъде готов след около 2 часа в чекмеджето на машината за лед в охладителното отделение.

След като поставите пълен резервоар с вода, можете да получите около 60-70 кубчета лед.

Ако водата в резервоара е престояла 2-3 седмици, трябва да я смените.



В продукти с автоматична машина за лед, когато се изсипва леда, можете да чуете звук. Този звук е нормално нещо и не е сигнал за тревога.



Използване на продукта

5.10. Icematic и контейнер за съхранение на лед

*опция

Употреба на Icematic

Напълнете Icematic с вода и го поставете в гнездото му. Ледът ще бъде готов след около 2 часа. Не сваляйте Icematic от гнездото му при вземането на леда.

Завъртете копчетата на клетките за лед на 90 градуса.

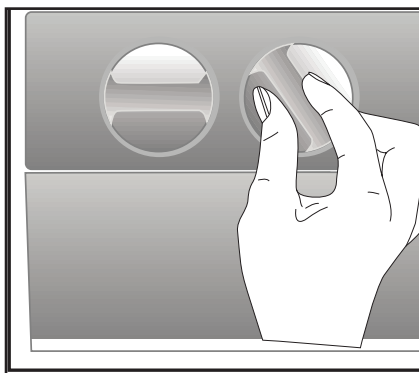
Кубчетата лед от клетките ще изпаднат в контейнера за съхранение на лед отдолу.

Може да извадите контейнера за съхранение на лед и да сервирате кубчетата лед.

Ако желаете може да запазите кубчетата лед в контейнера за съхранение на лед.

Контейнер за съхраняване на лед

Контейнерът за съхранение на лед е предназначен единствено за събиране на кубчета лед. Не сипвайте вода в него. В противен случай той ще се счупи.



5.11. Употреба на водния диспенсър

*опция



Нормално е първите няколко чаши вода, сипани от диспенсера да са топли.

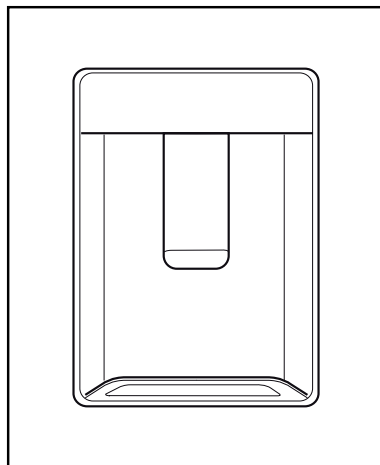


Ако водният диспенсър не е използван дълго време, изхвърлете първите няколко чаши вода, докато не получите свежа вода.

1. Натиснете ръчката на диспенсера с чашата си. Ако използвате мека пластмасова чаша, ще ви е по-лесно да натиснете ръчката с ръка.
2. След като напълните чашата до нивото, което желаете, освободете ръчката.



Моля забележете, че водната струя зависи от натиска, който оказвате на ръчката. Когато водното ниво в порцелановата / стъклена чаша се покачи, леко намалете натиска върху ръчката, за да избегнете разлив на вода. Ако натиснете леко ръчката, водата ще протече; това е съвсем нормално, а не дефект.



5.12. Пълнене на резервоара на диспенсъра за вода

Резервоарът за пълнене с вода се намира вътре при стелажите на вратата.

1. Отворете капака на резервоара.
2. Напълнете резервоара с прясна питейна вода.
3. Затворете капака.



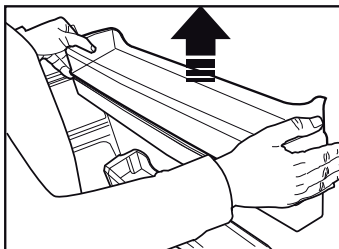
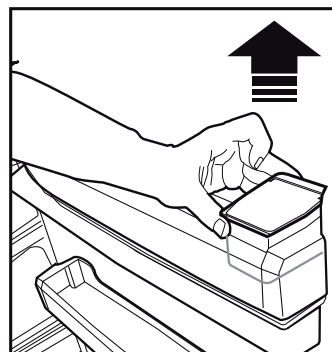
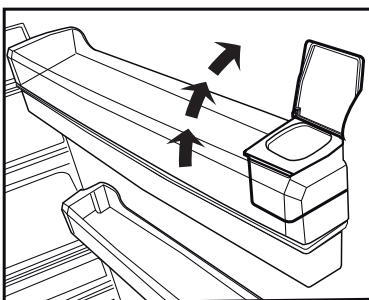
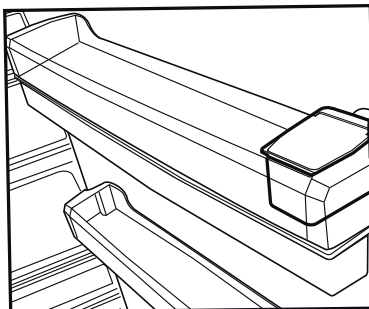
Не пълнете водния резервоар с никакви други течности освен вода, като например плодови сокове, газирани напитки или алкохол - те не са подходящи за водния диспенсър. Той ще се повреди непоправимо ако го използвате за този вид течности. Гаранционното обслужване не покрива повреди от такава употреба. Някои химически вещества и добавки, съдържащи се в тези напитки/течности може да повреди водния резервоар.



Използвайте само чиста питейна вода.



Резервоарът за вода има капацитет 3 литра; не го препълвайте.



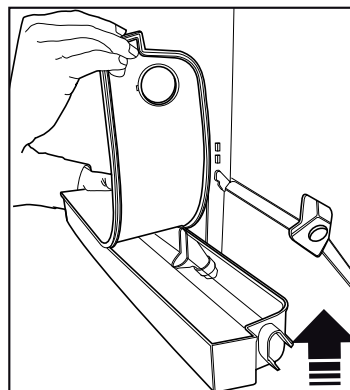
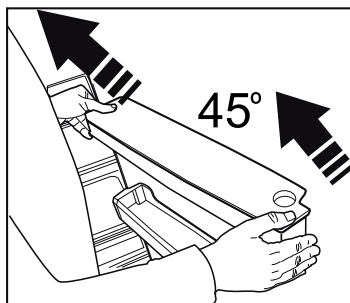
Използване на продукта

5.13. Почистване на резервоара за вода

1. Извадете резервоара за вода от стелажите на вратата.
2. Премахнете стелажите на вратата като ги държите от двете страни.
3. Хванете резервоара за вода и от двете страни и го извадете под ъгъл от 45°С.
4. Отворете капака на резервоара и почистете резервоара.

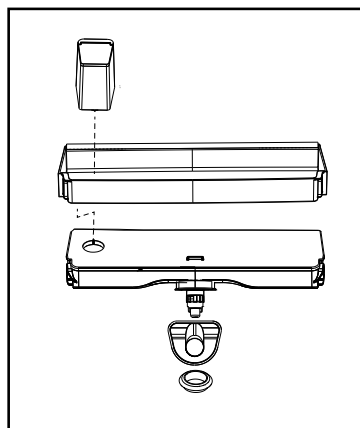
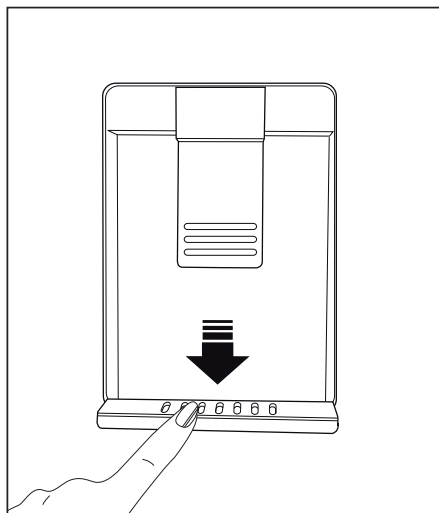


Частите на водния резервоар и на диспенсера не бива да се мият в съдомиялна машина.



5.14. Тавичка за оттичане

Водата, която капе при използването на диспенсера се събира в оттичащата тавица. Отстранете пластмасовия филтър, както е показано на фигурата. Отстранете водата, която се е събрала, с чиста и суха кърпа.



5.15. Използване на втория контейнер за свежи храни



Фигура 1.

Както е показано на фигурата, в контейнера за свежи храни на модел К70560 има 2 стопера.



Фигура 2.

Вторият контейнер за свежи храни изглежда като показания на фигура 2, когато е затворен. Докато вратата е отворена на 90°, издърпайте



Фигура 3.

вторият контейнер за свежи храни нагоре до първи стопер, както е показано на фигура 3. Ако чекмеджето е отворено повече, първо отворете вратата на поне 135° градуса. След това, както е показано на фигура 4, повдигнете втория контейнер за свежи храни на около 5 mm, така че да се освободи от първия стопер.

Фигура 4.



След повдигане издърпайте второто чекмедже нагоре до втория контейнер за свежи храни, както е показано на



Фигура 5.

5.16. Замразяване на прясна храна

- За да запазите качеството на храната, хранителните продукти във фризерното отделение трябва да се замразят възможно най-бързо, използвайки функцията за бързо замразяване.
- Замразяването на пресни хранителни продукти ще удължи времето им за съхранение във фризерното отделение.
- Опаковайте хранителните продукти в херметически затворени опаковки и запечатайте плътно.
- Уверете се, че хранителните продукти са опаковани, преди да ги поставите във фризера. Използвайте държките на фризера, станиол и влагоустойчива хартия, пластмасова чанта или подобни опаковъчни материали, вместо традиционната хартия за опаковане.
- Надпишете датата върху всеки хранителен продукт, преди да го замразите. Това ще Ви позволи да определите свежестта на всеки пакет, всеки път когато отворите фризера. Дръжте по-рано замразените продукти в предната част, за да ги използвате първи.
- Замразените хранителни продукти трябва да се използват веднага след размразяване и не трябва да се замразяват отново.
- Не замразявайте големи количества храна наведнъж.

5.17. Препоръки за съхранение на замразена храна

Отделението трябва да се настрои най-малко на -18°C .

1. Поставете хранителните продукти във фризера възможно най-бързо, за да се избегне размразяване.
2. Преди замразяване проверете “Срок на годност” на опаковката, за да се уверите, че не е изтекъл.
3. Уверете се, че опаковката не е повредена

5.18. Подробности за дълбокото замразяване

Съгласно IEC 62552 стандартите, фризерът трябва да е в състояние да замрази 4,5 кг хранителни продукти при -18°C или по-ниски температури в рамките на 24 часа за всеки 100 литра обем на фризерното отделение. Хранителните продукти могат да се запазят само за продължителни периоди от време при температура от -18°C . Можете да запазите хранителните продукти свежи в продължение на месеци (във фризер за дълбоко замразяване при или под 18°C). Хранителните продукти, които ще се замразяват, не трябва да влизат в контакт с вече замразената храна, за да се избегне частично размразяване. Сварете зеленчуците и филтрирайте водата, за да удължите периода на съхранение. Поставете храната в херметически затворени опаковки след филтриране и поставете във фризера. Банани, домати, маруля, целина, варени яйца, картофи и други подобни хранителни продукти не трябва да се замразяват. Замразяването на тези хранителни продукти просто ще намали хранителната им стойност и хранителните им качества, като е възможно и разваляне, което е вредно за здравето.

| Фризер | Хладилник | Описания |
|--------------------------------------|---------------------|---|
| -18°C | 4°C | Това е препоръчителната настройка по подразбиране. |
| $-20, -22$ или -24°C | 4°C | Тези настройки са препоръчителни за температури на околната среда над 30°C . |
| Бързо замразяване | 4°C | Използвайте, за да замразите бързо хранителните продукти, продуктът ще се върне към първоначалните настройки, когато процесът приключи. |
| -18°C или по-студено | 2°C | Използвайте тези настройки, ако смятате, че хладилното отделение не е достатъчно студено, поради температурата на околната среда или честото отваряне на вратата. |

5.19. Поставяне на храната

| | |
|------------------------|--|
| Фризер | Различни замразени стоки, включително месо, риба, сладолед, зеленчуци и т.н. |
| Хладилник | Хранителни стоки в тенджери и други домакински съдове с капаци, яйца (в покрит съд) |
| Хладилник | Малка и опакована храна или течности |
| Отделения за зеленчуци | Плодове и зеленчуци |
| Прясна храна | Деликатесни храни (закуски, месни продукти, които трябва да се консумират в кратък срок) |

5.20. Аларма за отворена врата

(Опция)

Ще чуete звуков сигнал, ако вратата на уреда е оставена затворена в продължение на 1 минута. Звуковият сигнал ще спре, когато вратата се затвори или се натисне някой бутон на дисплея (ако е приложимо).

5.21. Вътрешно осветление

Вътрешното осветление е светодиодна лампа. Свържете се с оторизиран сервиз за всякакви проблеми, свързани с тази лампа. Лампата(ите), използвана(и) в този уред, не е(са) подходяща(и) за осветление на дома. Лампата е предназначена да подпомага потребителя при оставяне на хранителните продукти в хладилника/фризера по безопасен и удобен начин.

5.22. Смяна посоката на отваряне на вратата

Посоката, на която се отваря вратата на хладилника, може да се промени според мястото, на което го използвате. При необходимост се свържете с най-близкия оторизиран сервиз.

5.23. Синя светлина / HarvestFresh

* Може да не е налично при всички модели

За синята светлина,

Плодовете и зеленчуците, съхранявани в чекмеджетата, които са осветени със синя светлина, продължават фотосинтезата си чрез ефекта на дължината на вълната на синята светлина и по този начин запазват съдържанието на витамини.

Относно HarvestFresh,

Плодовете и зеленчуците, съхранявани в чекмеджетата, осветени с технологията HarvestFresh запазват витамините си за по-дълго време благодарение на сините, зелените, червените светлини и тъмните цикли, които симулират дневен цикъл. Ако отворите вратата на хладилника през тъмния период на технологията HarvestFresh, хладилникът автоматично ще улови това и ще даде възможност на синьо-зелената или червената светлина да освети чекмеджетата за ваше удобство. След като затворите вратата на хладилника, тъмният период ще продължи, представяйки нощното време в дневен цикъл.

5.24. Кошчето за млечни продукти (хладилно хранилище)

Осигурява по-ниска температура в отделението на хладилника. Използвайте този кош за съхранение на деликатеси (салам, колбаси, млечни продукти и др.), които изискват по-ниска температура на съхранение или месо, пиле или рибни продукти за незабавна консумация. Не съхранявайте плодове и зеленчуци в този кош.

6 Поддръжка и почистване

Редовното почистване на продукта ще удължи сервизния му живот.



ПРЕДУПРЕЖДЕНИЕ: Изключете захранването, преди да почистите хладилника.

- Не използвайте остри и абразивни инструменти, сапун, почистващи препарати са дома, детергенти, газ, бензин, лак и други подобни вещества за почистване.
- Разтворете една чаена лъжичка сода бикарбонат във вода. Навлажнете парче плат и изстискайте. Избършете уреда с тази кърпа и подсушете добре.
- Погрижете се върху капака на лампата и другите електрически части да не попадне вода.
- Почистете водата с помощта на влажна кърпа. Извадете всички предмети, за да извадите вратата и рафтовете. Повдигнете рафтовете на вратата, за да ги извадите. Почистете и подсушете рафтовете, след това ги монтирайте отново, плъзгайки ги отгоре.
- Не използвайте хлорна вода или продукти за почистване на външната повърхност и хромираните части на продукта. Хлорът ще предизвика ръжда по тези метални повърхности.

6.1. Предотвратяване на образуване на лоши миризми

Продуктът се произвежда без никакви миризливи материали. Въпреки това съхранението на хранителните продукти в неподходящи секции и неправилното почистване на вътрешните повърхности може да доведе до образуване на лоши миризми. За да избегнете това, почиствайте вътрешността с газирана вода на всеки 15 дни.

- Съхранявайте храната в затворени съдове. Микроорганизмите могат да се разпространят извън незапечатани хранителни продукти и да причинят лоши миризми.
- Да не се съхраняват храни с изтекъл срок на годност и развалени такива в хладилника.

- Не използвайте остри и абразивни инструменти или сапун, домашни почистващи препарати, перилни препарати, бензин, бензол, восъчни и т.н., в противен случай щампите върху пластмасови части ще изчезнат и ще настъпи деформация. Използвайте топла вода и мека кърпа за почистване и подсушаване.

6.2. Защита на пластмасовите повърхности

Разлятото олио върху пластмасовите повърхности може да повреди повърхностите и трябва веднага да се почисти с топла вода.

6.3. Стъкла на вратите

- Свалете предпазното фолио на стъклата.
- Върху повърхността на стъклата има специално покритие. Ова покритие намалява образуването на петна и спомага за по-лесното премахване на възможни петна и мръсотия. Стъклата без такова покритие са изложени на постоянното влияние на органични или неорганични замърсители във въздуха или водата, като например варовик, минерални соли, неогорени въглеводороди, метални оксиди и силикони, които лесно и бързо водят до петна и материални щети. Поддържането на стъклото чисто е много трудно дори и при редовно почистване. В следствие на това изгледът и прозрачността на стъклото се съсипва. Груби и абразивни методи и материали за почистване усилват тези дефекти и засилват процесът на разлагане.
- За редовно почистване трябва да се използват неалкални и неабразивни почистващи препарати на водна основа.
- За почистване трябва да се ползват неалкални неабразивни материали с цел удължаване оперативния живот на това покритие.
- Стъклата са закалени за да се увеличат тяхната устойчивост срещу ведно влияние и счупване.
- Задните повърхности също са покрити с предпазен слой като допълнителна предпазна мярка при счупване с цел предпазване на околните части.
- *Алкалите са основи, които образуват хидроксидни йони (OH^-) когато се разтворят във вода.
- Металите Li (литий), Na (натрий), K (калий) Rb (рубидий), Cs (цезий) и изкуствения радиоактивен Fr (франций) се наричат АЛКАЛНИ МЕТАЛИ.

7. Отстраняване на неизправности

Проверете този списък, преди да се свържете със сервиза. Това ще Ви спести време и пари. Този списък включва честите оплаквания, които не са свързани с дефектна изработка или материали. Някои функции, споменати тук, може да не са валидни за вашия продукт.

Хладилникът не работи.

- Щепселът не е влезнал добре >>> Включете го, за да влезе напълно в контакта.
- Предпазителят, свързан към гнездото за захранване на продукта или на главния предпазител, е изгорял. >>> Проверете предпазителите.

Кондензацията на страничната стена на хладилното отделение (MULTI ZONE, COOL, CONTROL и FLEXI ZONE).

- Вратата се отваря твърде често >>> Внимавайте да не отваряте вратата твърде често.
- Околната среда е твърде влажна. >>> Не инсталирайте продукта във влажна околна среда.
- Храните, съдържащи течности, се съхраняват в незапечатани съдове >>> Съхранявайте храните, съдържащи течности, в затворени съдове.
- Вратата на уреда е оставена отворена. >>> Не дръжте вратата на уреда отворена за дълго време.
- Термостатът е настроен на твърде ниска температура. >>> Настройте термостата на подходяща температура.

Компресорът не работи.

- В случай на внезапно прекъсване на захранването или издърпване щепсела на захранването и повторното му включване, налягането на газа в охладителната система на продукта не е балансиран, което задейства термична защита на компресора. Продуктът ще се рестартира след около 6 минути. Ако продуктът не се рестартира след този период, свържете се със сервиза.
- Размразяването е активно. >>> Това е нормално за напълно автоматичното размразяване на продукта. Размразяването става периодично.
- Продуктът не е включен. >>> Уверете се, че захранващият кабел е включен.
- Неправилна настройка на температурата. >>> Изберете подходящата настройка на температурата.
- Захранването е изключено. >>> Продуктът ще продължи да работи нормално след възстановяване на захранването.

Работният шум на хладилника се увеличава по време на употреба.

- Работата на продукта може да варира в зависимост от промените на стайната температура. Това е нормално и не е неизправност.

Хладилникът работи твърде често или твърде дълго.

Отстраняване на неизправности

- Новият продукт може да е по-голям от предишния. По-големите продукти ще работят по-дълго.
- Температурата в помещението може да е висока. >>> Продуктът обикновено ще работи по-дълго при висока температура в помещението.
- Продуктът може да е включен наскоро или нов хранителен продукт да е поставен вътре. >>> На продуктът ще му отнеме повече време, за да достигне зададената температура, когато е наскоро включен или в него е поставен нов хранителен продукт. Това е нормално.
- В продукта скоро може да са били поставени големи количества гореща храна. >>> Не поставяйте гореща храна или напитки в хладилника.
- Вратите са отваряни често или са били държани отворени дълго. >>> Движещият се вътре топъл въздух ще позволи на продукта да работи по-дълго. Не отваряйте твърде често вратите.
- Вратата на фризера или хладилника може да е открената. >>> Уверете се, че вратите са напълно затворени.
- Зададената температура може да е твърде ниска. >>> Задайте по-висока температура и изчакайте продукта да достигне настроената температура.
- Шайбата на вратата на хладилника или фризера може да е замърсена, износена, счупена или да не е поставена правилно. >>> Почистете или сменете шайбата. Повредената/ износена шайба на вратата ще доведе до по-продължителна работа на продукта, за да се запази текущата температура.

Температурата във фризера е твърде ниска, но температурата в хладилника е достатъчна.

- Твърде ниска зададена температура във фризерното отделение >>> Задайте по-висока температура във фризерното отделение и проверете отново.

Температурата в хладилника е твърде ниска, но температурата във фризера е достатъчна.

- Твърде ниска зададена температура в хладилното отделение >>> Задайте по-висока температура във фризерното отделение и проверете отново.

Съхраняваните в хладилното отделение хранителни продукти са замразени.

- Твърде ниска зададена температура в хладилното отделение >>> Задайте по-висока температура във фризерното отделение и проверете отново.

Температурата в хладилника или фризера е твърде висока.

Отстраняване на неизправности

- Твърде висока зададена температура в хладилното отделение. >>> Зададената температура в хладилното отделение влияе и на температурата във фризерното отделение. Промяна на температурата на охладителя или фризер отделение и изчакайте, докато температурата на свързаните отделения достигне подходящо ниво.
- Вратите са отворени често или са били държани отворени дълго. >>> Не отваряйте твърде често вратите.
- Вратата може да е открехната. >>> Напълно затворете вратата.
- Продуктът може да е включен наскоро или нов хранителен продукт да е поставен вътре. >>> Това е нормално. На продукта ще му отнеме повече време, за да достигне зададената температура, когато е наскоро включен или в него е поставен нов хранителен продукт.
- В продукта скоро може да са били поставени големи количества гореща храна. >>> Не поставяйте гореща храна или напитки в хладилника.

Разклащане или шум.

- Теренът не е равен или устойчив. >>> Ако продуктът се тресе, когато се премества бавно, настройте крачетата за балансиране на продукта. Уверете се, че основата е достатъчно устойчива да издържи продукта.
- Всички предмети, поставени върху хладилника, може да предизвика шум. >>> Отстранете всички предмети, поставени върху продукта.

Продуктът издава шум на течаша, изтичаща и пръскаща течност.

- Принципите на функциониране на продукта включват течни и газови потоци. >>> Това е нормално и не е неизправност.

От продукта се чува звук на вятър.

- Продуктът използва вентилатор за процеса на охлаждане. Това е нормално и не е неизправност.

Има конденз по вътрешните стени на продукта.

- Горещото или влажно време ще увеличи леда и конденза. Това е нормално и не е неизправност.
- Вратите са отворени често или са били държани отворени дълго. >>> Не отваряйте вратите твърде често; ако е отворена, затворете вратата.
- Вратата може да е открехната. >>> Напълно затворете вратата.

Отстраняване на неизправности

Има конденз върху екстериора на продукта или между вратите.

- Времето на околната среда може да е влажно, това е съвсем нормално при влажно време. >>> Кондензът ще се разсеи, когато влажността на въздуха намалее.

Интериорът мирише лошо.

- Продуктът не се почиства редовно. >>> Почистете вътрешността редовно, използвайки гъба, топла вода и газирана вода.
- Някои съдове и опаковъчни материали може да предизвикат миризми. >>> Използвайте съдове и опаковъчни материали без мирис.
- Храната е поставена в неправилен съд. >>> Съхранявайте храната в затворени съдове. Микроорганизмите могат да се разпространят извън незапечатани хранителни продукти и да причинят лоши миризми.
- Отстранете всякакви развалени храни или такива с изтекъл срок на годност от продукта.

Вратата не се затваря.

- Хранителните пакети може да блокират вратата. >>> Преместете всички продукти, блокиращи вратите.
- Продуктът не е в изцяло изправено положение върху пода. >>> Настройте крачетата, за да балансирате продукта.
- Теренът не е равен или устойчив. >>> Уверете се, че основата е достатъчно устойчива и равна, за да издържи продукта.

Отделението за зеленчуци е заседнало.

- Хранителните продукти може да са в контакт с горната част на чекмеджето. >>> Препоредете хранителните продукти в чекмеджето.

Ако Повърхностите На Уреда Са Горещи

- Докато уредът работи, могат да се наблюдават високи температури между двете врати, страничните панели и задната решетка. Това е нормално и не изисква сервизна услуга! Бъдете внимателни, когато докосвате тези зони.



ПРЕДУПРЕЖДЕНИЕ: Ако проблемът не бъде отстранен, след като следвате инструкциите в този раздел, свържете се с вашия доставчик или с оторизиран сервиз. Не се опитвайте да ремонтирате уреда.

ТКАЗ ОТ ОТГОВОРНОСТ / ПРЕДУПРЕЖДЕНИЕ

Някои (прости) неизправности могат да бъдат адекватно обработени от крайния потребител, без да възникнат проблеми с безопасността или опасна употреба, при условие че те се извършват в границите и в съответствие със следващите инструкции (вижте раздела „Саморемонт“).

Следователно, освен ако не е разрешено друго в раздела „Саморемонт“ по-долу, ремонтите ще бъдат адресирани до регистрирани професионални сервизи, за да се избегнат проблеми с безопасността. Регистриран професионален сервиз е професионален сервиз, който е получил достъп до инструкциите и списъка с резервни части на този продукт от производителя съгласно методите, описани в законодателните актове съгласно Директива 2009/125 / ЕО.

Само сервизният агент (т.е. оторизиран професионален сервиз), с когото можете да се свържете чрез телефонния номер, даден в ръководството за потребителя / гаранционната карта или чрез Вашия оторизиран дилър, може да предоставя услуга при условията на гаранцията.

Ето защо, моля, имайте предвид, че ремонтите от професионални сервизи (които не са упълномощени от Веко) анулират гаранцията.

Саморемонт

Саморемонтът може да се извърши от крайния потребител по отношение на следните резервни части: дръжки на вратите, панти, тави, кошници и уплътнения на вратите (актуализиран списък е наличен и в support.beko.com от 1 март 2021 г.).

Освен това, за да се гарантира безопасността на продукта и да се предотврати риск от сериозни наранявания, споменатият саморемонт трябва да се извърши, следвайки инструкциите

в ръководството за потребителя за саморемонт или които са налични в support.beko.com За Ваша безопасност, изключете продукта от контакта, преди да опитате да извършите ремонт.

Ремонтите и опитите за поправка от крайни потребители за части, които не са включени в такъв списък и / или не следват инструкциите в ръководствата за потребителя за самостоятелно поправяне или които са налични в support.beko.com, може да повдигнат проблеми с безопасността, които не могат да бъдат отнесени Веко, и ще анулират гаранцията на продукта.

Поради това е силно препоръчително крайните потребители да се въздържат от опитите да извършват ремонти, попадащи извън посочения списък с резервни части, като в такива случаи се свързват с упълномощени професионални сервизи или регистрирани професионални сервизи. Напротив, такива опити от крайни потребители могат да причинят проблеми с безопасността и да повредят продукта и впоследствие да причинят пожар, наводнение, токов удар и сериозно нараняване.

Като пример, но не само, следните ремонти трябва да бъдат адресирани до оторизирани професионални сервизи или регистрирани професионални сервизи: компресор, охладителна верига, основна платка, инверторна платка, табло за показване и др.

Производителят / продавачът не може да носи отговорност във всеки случай, когато крайните потребители не спазват горното.

Наличността на резервни части на хладилник, която сте закупили, е 10 години. През този период ще бъдат на разположение оригинални резервни части за правилна експлоатация на хладилник. Минималната продължителност на гаранцията на закупения от вас хладилник е 24 месеца.

Този продукт е оборудван с източник на осветление от енергиен клас "G".

Източникът на осветление в този продукт може да бъде заменен само от професионални сервизни техници.