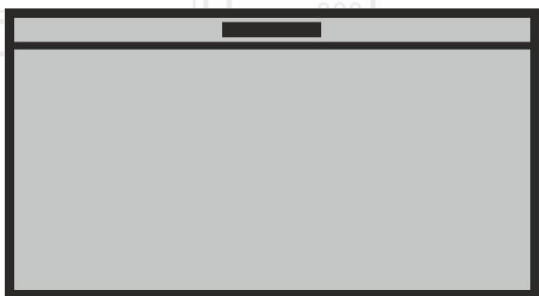


Chest Freezer

Horizontale Gefrieranlage

Instruction of use
Gebrauchsanweisung



HSA47530

ENID



WARNING!

In order to ensure a normal operation of your refrigerating appliance, which uses a completely environmentally friendly refrigerant the R600a (flammable only under certain conditions) you must observe the following rules:

- ◆ Do not hinder the free circulation of the air around the appliance.
- ◆ Do not use mechanical devices in order to accelerate the defrosting, others than the ones recommended by the manufacturer.
- ◆ Do not destroy the refrigerating circuit.
- ◆ Do not use electric appliances inside the food keeping compartment, other than those that might have been recommended by the manufacturer.

WARNUNG!

Ihr Gerät verwendet ein umweltverträgliches Kältemittel, R 600a (nur unter bestimmten Umständen brennbar). Um einen einwandfreien Betrieb Ihres Gerätes sicherzustellen, beachten Sie bitte folgende Vorschriften:

- ◆ Die Luftzirkulation um das Gerät darf nicht behindert sein.
- ◆ Verwenden Sie außer der vom Hersteller empfohlenen, keine mechanischen Hilfsmittel, um den Abtauprozess zu beschleunigen.
- ◆ Der Kältemittelkreislauf darf nicht beschädigt werden.
- ◆ Verwenden Sie im Lebensmittelaufbewahrungsbereich Ihres Gerätes keine elektrischen Geräte, es sei denn, sie sind vom Hersteller empfohlen.

EN

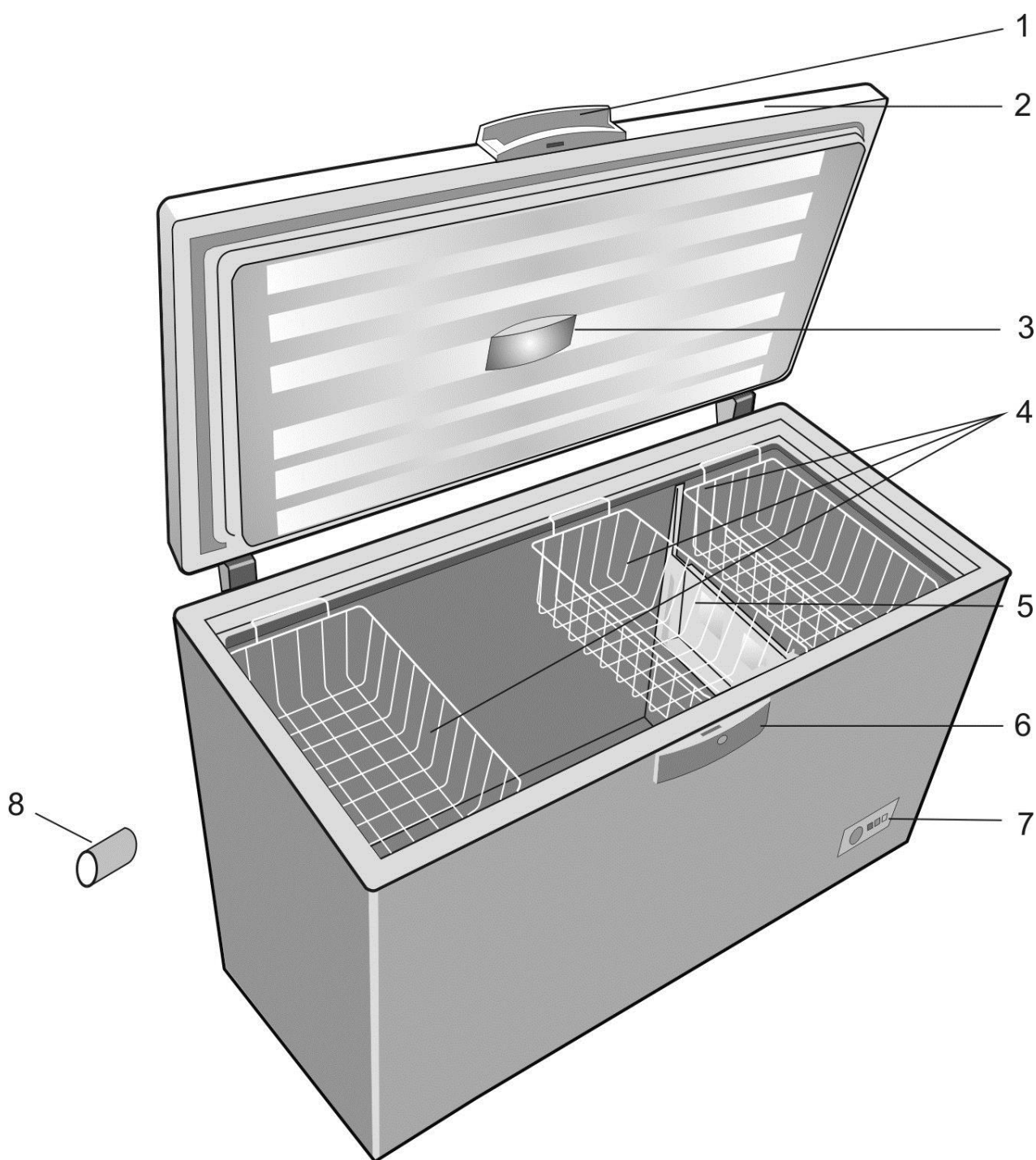
Content

Advice for recycling of the old appliance	/1
Packing Recycling	/2
Transport instructions	/2
Warnings and special advice	/2
Setting up	/3
Electric connection	/3
Switching off	/4
Appliance description	/4
Freezer operation	/4
Advice for food conservation	/4
Defrosting of the appliance	/5
Cleaning of the appliance	/5
Replacing the interior light bulb	/6
Defects finding guide	/6

D

Inhalt

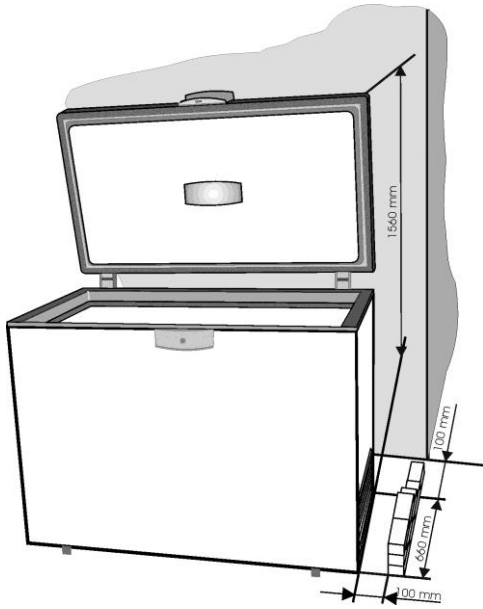
Empfehlungen zum Recycling Ihres alten Gerätes	/7
Recycling der Verpackung	/8
Transportvorschriften	/8
Allgemeine Vorsichtsmaßnahmen und Empfehlungen	/8
Die Umgebungstemperatur	/9
Anschließen an das Spannungsnetz	/9
Inbetriebnahme	/10
Beschreibung des Gerätes	/10
Einstellen der Temperatur	/10
Tiefgefrieren von Lebensmitteln	/11
Empfehlungen für das Enteisen des Gerätes	/11
Innere Reinigung	/12
Äußere Reinigung	/12
Erneuern der inneren Glühbirne	/12
Fehlersuchplan	/13



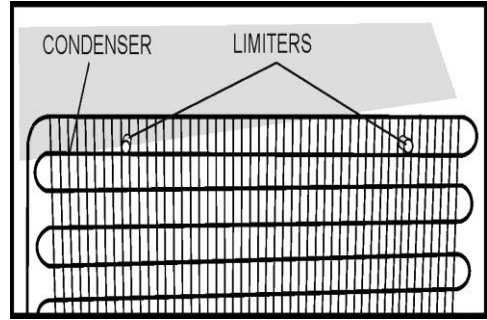
1

ⓘ Figures that take place in this instruction manual are schematic and may not correspond exactly with your product. If the subject parts are not included in the product you have purchased, then it is valid for other models.

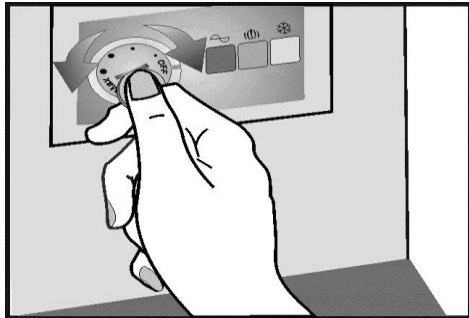
ⓘ Abbildungen und Angaben in dieser Anleitung sind schematisch und können etwas von Ihrem Produkt abweichen. Falls Teile nicht zum Lieferumfang des erworbenen Gerätes zählen, gelten sie für andere Modelle.



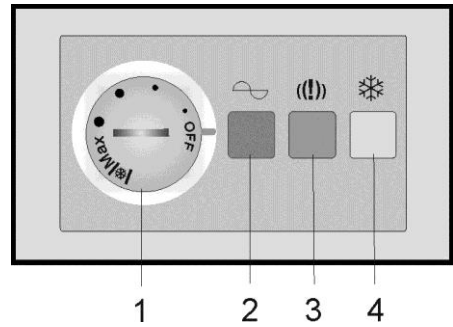
2



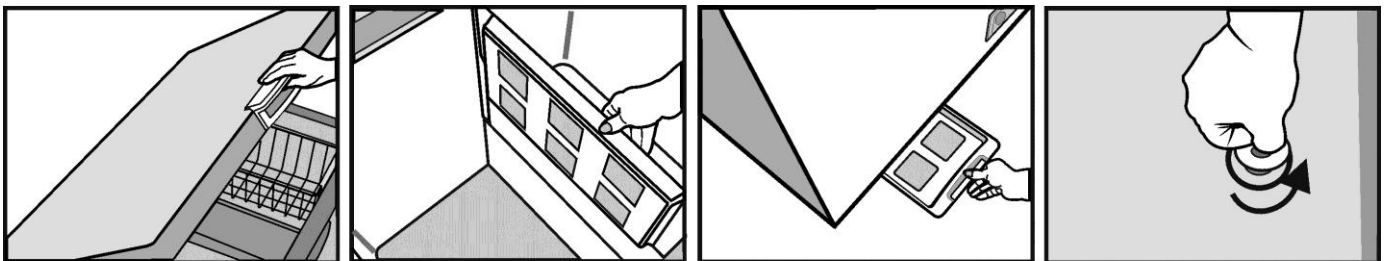
3



4



5



6

Congratulations for your choice!

The chest freezer you have purchased is one in the BEKO products range and represents a harmonious joining between the refrigeration technique with the aestetical outlook. It has a new and attractive design and is built according to the European and national standards which guarantee its operation and safety features. At the same time, the used refrigerant, R600a, is environment-friendly and it does not affect the ozone layer.

In order to use the best your freezer, we advise you to read carefully the information in these user instructions.

Advice for recycling your old appliance

If your newly purchased appliance replaces an older appliance, you must consider a few aspects.

The old appliances are not valueless scrap. Their disposal, while preserving the environment, allows the recovery of important raw materials.

Make your old appliance useless :

- disconnect the appliance from the supply;
- remove the supply cord (cut it);
- remove the eventual locks on the door to avoid the blocking of children inside, while playing, and the endangering of their lives.

The refrigerating appliances contain insulating materials and refrigerants which require a proper recycling.

Original Spare parts will be provided for 10 years, following the product purchasing date.

**This appliance is not intended for use by person with reduced physical, sensory or mental capabilities or lack of experience and knowledge unless they have been given supervision or instruction concerning use of the appliance by a person responsible for their safety.
Children should be supervised to ensure that they do not play with the appliance.**

Packing Recycling

WARNING!

Do not allow children to play with the packing or with parts of it. There is the risk of suffocation with parts of corrugated cardboard and with plastic film.

In order to get to you in good condition, the appliance was protected with a suitable packing. All the materials of the packing are compatible with the environment and recyclable. Please help us recycle the packing while protecting the environment !

IMPORTANT!

Before putting the appliance in operation, read carefully and entirely these instructions. They contain important information concerning the setting up, use and maintenance of the appliance.

The manufacturer is free of any responsibility if the information in this document are not observed. Keep the instructions in a safe place in order to reach them easily in case of need. They can also be useful subsequently by another user.

ATTENTION!

This appliance must be used only for its intended purpose, (household use), in suitable areas, far from rain, moisture or other weather conditions.

Transport instructions

The appliance must be transported, as much as possible, only in vertical position. The packing must be in perfect condition during transport.

If during transport the appliance was put in horizontal position (only according to the markings on the packing), it is advised that, before putting it into operation, the appliance is left to rest for 4 hours in order to allow the settling of the refrigerating circuit.

The failure to observe these instructions can cause the breakdown of the motorcompressor and the cancellation of its warranty.

Warnings and general advice

- Do not plug in the appliance if you noticed a failure.
- The repairs must be done only by qualified personnel.
- In the following situations please unplug the appliance from the mains:
 - when you defrost completely the appliance;
 - when you clean the appliance.

To unplug the appliance, pull by the plug, not by the cable!

- Ensure the minimum space between the appliance and the wall against which it is placed.
- Do not climb on the appliance.
- Do not allow the children to play or hide inside the appliance.
- Never use electric appliances inside the freezer, for defrosting.
- Do not use the appliance near heating appliances, cookers or other sources of heat and fire.
- Do not leave the freezer door open more than it is necessary to put in or take out the food.
- Do not leave the food in the appliance if it is not working.
- Do not keep inside products containing flammable or explosive gases.
- Do not keep inside fizzy drinks (juice, mineral water, champagne, etc.) in the freezer: the bottle can explode! Do not freeze drinks in plastic bottles.
- Do not eat ice cubes or icecream immediately after having taken them out of the freezer because they may cause „freezer burns“.
- Never touch cold metal parts or frozen food with wet hands because your hands can quickly freeze on the very cold surfaces.
- For the protection of the appliance during warehousing and transport, it is provided with spacers between the door and the cabinet (in the front and rear side). These spacers will be removed before putting the appliance into operation.

- Excess deposit of ice on the frame and the baskets should be removed regularly with the plastic scraper provided. Do not use any metal parts to remove the ice.

The presence of this ice build-up makes impossible to close the door correctly.

- If you do not use your appliance for a few days, it is not advisable to switch it off. If you do not use it for a longer period, please proceed as follows :

- unplug the appliance;
- empty the freezer;
- defrost it and clean it;
- leave the door open to avoid the formation of unpleasant smells.

- If the supply cord is damaged, it must be replaced by the manufacturer, its service agent or similarly qualified persons in order to avoid a hazard.

- If your appliance has a lock, keep it locked and store the key in a safe place, out of the reach of children. If you are discarding an appliance with lock, make sure that, is made ineffective. This is very important so as to avoid children being trapped inside, which may cause their loss of life.

Setting up

Your product was designed to operate at an ambient temperature between -15°C and +43°C. If the ambient temperature is above +43°C, inside the appliance the temperature can increase.

Set up the appliance far from any source of heat and fire. Placing it in a warm room, the direct exposure to sunbeams or near a heat source (heaters, cookers, ovens), will increase the energy consumption and shorten the product life.

- Please observe the following minimum distances:

- 100 cm from the cookers working with coal or oil;
- 150 cm from the electric and gas cookers.
- Ensure the free circulation of the air around the appliance, by observing the distances shown in Item 2.

Assemble on the condenser (in the rear side) the supplied spacers. (Item 3).

- Place the appliance in a perfectly even, dry and well ventilated place.

Assemble the supplied accessories.

Electric connection

Your appliance is intended to operate at a single-phase voltage of 220-240V/50 Hz. Before plugging in the appliance, please make sure that the parameters of the mains in your house (voltage, current type, frequency) comply to the operation parameters of the appliance.

- The information concerning the supply voltage and the absorbed power is given on the marking label placed in the back side of the freezer.

- The electric installation must comply with the law requirements.

- **The earthing of the appliance is compulsory. The manufacturer has no responsibility for any damage to persons, animals or goods which may arise from the failure to observe the specified conditions.**

- The appliance is endowed with a supply cord and a plug (European type, marked 10/16A) with double earthing contact for safety. If the socket is not the same type with the plug, please ask a specialised electrician to change it.

- Do not use extension pieces or multiple adapters.

Switching off

The switching off must be possible by taking the plug out of the socket or by means of a mains two-poles switch placed before the socket.

Operation

Before putting into operation, clean the inside of the appliance (see chapter „Cleaning“). After finishing this operation please plug in the appliance, adjust the thermostat knob to an average position. The green and red LEDs in the signalling block must light. Leave the appliance work for about 2 hours without putting food inside it. The freezing of the fresh food is possible after min. 20 hours of operation.

Appliance description

(Item. 1)

1. Door handle
2. Door
3. Lamp housing
4. Baskets
5. Tray
6. Lock housing
7. Thermostat box
8. Spacer for transport

Freezer operation

Temperature adjustment

The temperature of the freezer is adjusted by means of the knob assembled on the thermostat (item. 4), position „MAX” being the lowest temperature.

The achieved temperatures can vary according to the conditions of use of the appliance, such as: place of the appliance, ambient temperature, frequency of door opening, extent of filling with food of the freezer. The position of the thermostat knob will change according to these factors. Normally, for an ambient temperature of approx. 32°C, the thermostat will be adjusted on an average position.

The signalling system is placed on the front side of the freezer (Item 5).

It includes:

1. Thermostat adjustment knob – the inside temperature is adjusted.
2. green LED – shows that the appliance is supplied with electric energy.
3. red LED – damage – lights if the temperature in the freezer is too high. The LED will operate 15-45 minutes after the putting into operation of the freezer, then it must go off. If the LED goes on during the operation, this means that defects have occurred.
4. LED Orange– fast freeze function activated – by setting the knob to Superfreeze position the orange led goes on, showing that the appliance entered into the "fast freeze" mode. The exit of this mode is done automatically after 50 hours then the appliance runs in economic mode, and the orange led goes off.

The three LEDs give information about the mode of operation of the freezer.

Advice for food conservation

The freezer is intended to keep the frozen food for a long time, as well as to freeze fresh food.

One of the main elements for a successful food freezing is the packing.

The main conditions that the packing must fulfill are the following: to be airtight, to be inert towards the packed food, to resist to low temperatures, to be proof to liquids, grease, water vapours, smells, to be able to be washed. These conditions are fulfilled by the following types of packings: plastic or aluminium film, plastic and aluminium vessels, waxed cardboard glasses or plastic glasses.

IMPORTANT!

- For freezing the fresh food please use the supplied baskets of the appliance.
- Do not place into the freezer a too large quantity of food at a time. The quality of the food is best kept if they are deeply frozen as quickly as possible. This is why it is advisable not to exceed the freezing capacity of the appliance specified in the "Product Fiche".
- The fresh food must not come into contact with the food already frozen.
- The frozen food you have bought can be placed into the freezer without having to adjust the thermostat.
- If the freezing date is not mentioned on the packing, please take into consideration a period of max. 3 months, as a general guide.
- The food, even partially defrosted, cannot be frozen again, it must be consumed immediately or cooked and then refrozen.
- The fizzy drinks will not be kept in the freezer.
- In case of a power failure, do not open the door of the appliance. The frozen food will not be affected if the failure lasts less than 38 hours.

Freezing with Superfrost

- Place the knob to super frost position. The Superfrost lamp comes on.
- Wait 24 hours.
- Place the fresh food in the freezer. In order to achieve fast freezing, food should be in contact with the interior walls when it is placed in the freezer.
- The Superfrost facility automatically switches the fast freezing procedure off after 50 hours.

Important

When you place the knob to Superfrost position, the compressor might not switch on for a few minutes. This is due to the integrated rise-delay switch which is designed to increase the life span of the refrigeration unit.

You should not switch on the Superfrost function:

- when placing frozen food in the freezer;
- when freezing up to approx. 2 kg fresh food daily.

Defrosting of the appliance

- We advise you to defrost the freezer at least twice a year or when the ice layer has an excessive thickness.
- The ice build-up is a normal phenomenon.
- The quantity and the rapidity of ice build-up depends on the ambient conditions and on the frequency of the door opening.
- We advise you to defrost the appliance when the quantity of frozen food is the least.
- Before defrosting, adjust the thermostat knob to a higher position so that the food stores more cold.
- Unplug the appliance.
- Take out the frozen food, wrap it in several sheets of paper and put them in refrigerator or a cool place.

Take the separator panel and put it under the freezer in the direction of the dripping tube. Take out the obstructing plug. The water which results will be collected in the special tray (separator panel). After the melting of the ice and the run-off of the water please wipe with a cloth or with a sponge, then dry well. Put the obstruction plug back in its place. (Item. 6)

For a fast thaw please leave the door open.
Do not use sharp metal objects to remove the ice.

Do not use hairdriers or other electric heating appliances for defrosting.

Inside cleaning

Before starting the cleaning, unplug the appliance from the mains.

- It is advisable to clean the appliance when you defrost it.
- Wash the inside with lukewarm water where you add some neutral detergent. Do not use soap, detergent, gasoline or acetone which can leave a strong odour.
- Wipe with a wet sponge and dry with a soft cloth.

During this operation, avoid the excess of water, in order to prevent its entrance into the thermal insulation of the appliance, which would cause unpleasant odours.

Do not forget to clean also the door gasket especially the bellow ribs, by means of a clean cloth.

Outside cleaning

- Clean the outside of the freezer by means of a sponge soaked in soapy warm water, wipe with a soft cloth and dry.
 - The cleaning of the outside part of the refrigerating circuit (motorcompressor, condenser, connection tubes) will be done with a soft brush or with the vacuum-cleaner. During this operation, please take care not to distort the tubes or detach the cables.
- Do not use scouring or abrasive materials !**
- After having finished the cleaning, replace the accessories at their places and plug in the appliance.

Replacing the interior light bulb

If the lamp burns out, disconnect the appliance from the mains. Take out the lamp trim. Make sure the lamp is screwed correctly. Plug in the appliance again. If the lamp still does not go on, replace it with another one model E14-15W. Mount back the lamp trim in its place.

The lamp(s) used in this appliance is not suitable for household room illumination. The intended purpose of this lamp is to assist the user to place foodstuffs in the refrigerator/freezer in a safe and comfortable way.

The lamps used in this appliance have to withstand extreme physical conditions such as temperatures below -20°C.

Noises during operation

In order to keep the temperature at the value you have adjusted, the compressor of the appliance starts periodically.

The noises which can be heard in such situation are normal.

They are reduced as soon as the appliance reaches the operation temperature.

The humming noise is made by the compressor. It can become a little stronger when the compressor starts.

The bubbling and gurgling noises coming from the refrigerant circulating in the pipes of the appliance, are normal operating noises.

Warning !

Never try to repair yourself the appliance or its electric components. Any repair made by an unauthorised person is dangerous for the user and can result in the warranty cancellation.

Defects finding guide

The appliance does not work.

- There is a power failure.
- The plug of the supply cord is not inserted well into the socket.
- The fuse is blown.
- The thermostat is in „OFF” position.

The temperatures are not low enough (red LED on).

- The food prevents the door closing.
- The appliance was not placed correctly.
- The appliance is placed too close to a heat source.
- The thermostat knob is not in the correct position.

Excessive ice build-up

- The door was not closed properly.


The inside lighting does not work

- The lamp is blown. Unplug the appliance from the mains, take out the lamp and replace it with a new one.

The following are not defects

- Possible noddings and cracks coming from the product: circulation of the refrigerant in the system.



The symbol  on the product or on packaging indicates that this product may not be treated as household waste. Instead it shall be handed over to the applicable collection point for the recycling of electrical and electronic equipment. By ensuring this product is disposed of correctly, you will help prevent potential negative consequences for the environment and human health, which could otherwise be otherwise be caused by inappropriate waste handling of this product. For more detailed information about recycling of this product, please contact your local city office, your household waste disposal service or the shop where you purchased the product.

Herzlichen Glückwunsch für Ihre Entscheidung !

Die von Ihnen erworbene waagerechte Tiefkühltruhe ist unser neuestes BEKO Produkt in der Baureihe . Sie hat ein neues ansprechendes Design, und wurde entwickelt, um den europäischen und nationalen Vorschriften zu entsprechen, was die beste Funktion und Sicherheit bietet.

Der Betrieb mit nur einem Kompressor, das Steuer- und Regelsystem mit einem einzigen Thermostat sichern einen guten Temperaturabgleich und einen geringen Energiebedarf. Hinzu sei erwähnt, daß das Kühlmittel R600a, welches in diesen Anlagen verwendet wird, umweltfreundlich ist und nicht die Ozonschicht der Atmosphäre beeinträchtigt.

Um dieses Gerät optimal zu nutzen, empfehlen wir ihnen, diese Betriebsanleitung aufmerksam durchzulesen.

Empfehlungen zum Recycling Ihres alten Gerätes

Sollte das neu erworbene Gerät ein altes ersetzen, bitten wir Sie, folgendes zu beachten:

- Die gebrauchten Geräte sind nicht wertlose Abfälle. Deren umweltfreundliche Entsorgung erlaubt die Rückgewinnung von wichtigen Rohstoffen.
- Das alte Gerät kann unter Einhaltung folgender Schritte entsorgt werden:
 - Gerät vom elektrischen Netz abschließen
 - Spannungsversorgungskabel entfernen (abtrennen);
 - Eventuell vorhanden Schlösser entfernen, um das Einschließen von verhindern (z.B. Kinder) - Lebensgefahr.
- Die Kühlgeräte enthalten Dämmmaterialien und Kühlmittel, welche besonderen Entsorgungsmethoden bedürfen.

Originalersatzteile stehen für einen Zeitraum von 10 Jahren ab Kaufdatum zur Verfügung.

Dieses Gerät ist nicht dafür bestimmt durch Personen (einschließlich Kinder) mit eingeschränkten physischen, sensorischen oder geistigen Fähigkeiten oder mangels Erfahrung und/oder mangels Wissen benutzt zu werden, es sei denn, sie werden durch eine für ihre Sicherheit zuständige Person beaufsichtigt oder erhalten von ihr Anweisungen, wie das Gerät zu benutzen ist.

Recycling der Verpackung

Vorsicht!

Gestatten Sie den Kindern nicht, mit der Verpackung oder mit Teilen der Verpackung zu spielen. Es besteht Erstickungsgefahr durch Wellpapier oder Kunststoffolie. Um eine Beschädigung des Gerätes beim Transport zu verhindern, wurden alle Materialien der Verpackung entsprechend den Vorschriften zur umweltfreundlichen Entsorgung entwickelt. Wir empfehlen die Verwertung der Verpackung, um die Umwelt zu schonen!

WICHTIG!

Lesen Sie diese Anweisungen vollständig vor der Inbetriebnahme des Gerätes. Sie beinhalten wichtige Informationen zu der Aufstellung, dem Betrieb und der Wartung Ihres Gerätes. Bewahren sie die Gebrauchsanweisungen sicher auf, um auch später leicht zugänglich zu sein, Sie sind auch weiteren Benutzern des Gerätes sehr behilflich.

WICHTIG!

Dieses Gerät ist nur für die vorgesehenen Zwecke zu betreiben (Haushalt), in entsprechenden Räumen, vor Regen, Feuchtigkeit oder anderen Umwelteinflüssen geschützt.

Transportvorschriften

Wir empfehlen, das Gerät auch beim Transport nur in waagerechter Position zu halten. Während dem Transport muß die Verpackung unbeschädigt sein. Vor der Inbetriebnahme lassen Sie das Gerät für 4 Stunden stehen. Beim Transport sollte jedwelche Einwirkung auf den Kühlkreislauf vermieden werden (Gefahr von Verformungen an den Leitungen). Die Nichteinhaltung dieser Vorschriften kann zu Schäden an dem Motorkompressor führen und zum Erlöschen der Gewährleistung für das Gerät.

Allgemeine Vorsichtsmaßnahmen und Empfehlungen

- Nehmen Sie das Gerät nicht in Betrieb, wenn ein Fehler daran bemerkt wurde.
- Vermeiden Sie die Verformung des Kühlmittelkreislaufes (Leitungen) beim Transport und bei der Aufstellung des Gerätes.
- Die Tiefkühltruhe sollte nur zur Aufbewahrung von tiefgefrorenen Lebensmitteln, das Tiefrieren von frischen Lebensmitteln und für die Herstellung von Eiswürfeln verwendet werden.
- Lassen sie die Türe des Gerätes nicht länger offen, als zum Herausnehmen oder Einlegen von Lebensmitteln notwendig ist.
- Im Inneren dürfen keine Produkte gehalten werden, welche brennbare oder explosive Gase enthalten.
- Verzehren Sie nicht Eiswürfel gleich nachdem sie aus der Tiefkühltruhe geholt wurden. Sie können Frostbiss verursachen.
- Berühren Sie niemals kalte metallische Teile oder tiefgefrorene Lebensmittel mit feuchten Händen. Ihre Hand kann sehr schnell an die sehr kalten Oberflächen anfrieren.
- Verbieten Sie den Kindern, sich hinter dem Gerät zu verstecken oder da zu spielen.
- Vor jedwelcher Reinigungsarbeit ist das Gerät von dem Spannungsnetz zu trennen.
- Um das Gerät vom Netz zu trennen, ziehen Sie an dem Stecker, nicht am Kabel!
- Steigen Sie nicht auf das Gerät.
- Betreiben Sie nicht das Gerät in der Nähe von Heizkörpern, Kochöfen oder anderen Hitzequellen oder neben Feuer.
- Zum Schutz des Gerätes bei Lagerung und Transport befinden sich Distanzstücke zwischen Tür und Gehäuse (vorne und hinten). Diese Distanzstücke werden entfernt, bevor das Gerät in Betrieb genommen wird.
- Überschüssiges Eis an Rahmen und Ablagen sollte regelmäßig mit dem mitgelieferten Plastikschaber entfernt werden. Nutzen Sie keine Metallgegenstände zur Eisentfernung. Durch Eisansammlung lässt sich die Tür nicht mehr richtig schließen.

- Lassen Sie keine Lebensmittel in dem Gerät wenn es nicht in Betrieb ist.
- Wird das Gerät nur für ein paar Tage nicht genutzt, ist es ratsam, es gar nicht abzustellen. Sollten Sie es für einen längeren Zeitraum nicht benutzen, gehen Sie wie folgt vor:
 - Ziehen Sie den Stecker des Netzkabels aus der Steckdose
 - Leeren Sie die Tiefkühltruhe;
 - Entfrosteten Sie diese und reinigen Sie sie.;
 - Lassen Sie den Deckel offen um unangenehme Geruchsentwicklung zu vermeiden.
- Wenn die Netzanschlussleitung dieses Gerätes beschädigt wird, muss sie durch den Hersteller oder seinen Kundendienst oder eine ähnlich qualifizierte Person ersetzt werden, um Gefährdungen zu vermeiden.

Die Umgebungstemperatur

Ihr Produkt wurde zum Einsatz bei Umgebungstemperaturen zwischen -15 und 43°C entwickelt. Bei Umgebungstemperaturen unter der Minimalgrenze oder über der Maximalgrenze können Störungen im Betrieb des Gerätes auftreten.

Bei Umgebungstemperaturen über der Maximalgrenze von 32°C, umso mehr diese Temperatur überschritten wird, verkürzen sich die Pausen in dem Betrieb des Gerätes, dieses hat die Tendenz, ständig zu laufen, die inneren Temperaturen steigen an wie auch der Energieverbrauch.

Das Gerät ist weit von jedwelches Hitze- und Feuerquelle aufzustellen.

Das Aufstellen in einen warmen Raum oder in der Nähe von Hitzequellen (Heizkörper, Kochöfen, Backöfen usw.) führen zu einem erhöhten Stromverbrauch und mindern die Lebensdauer des Gerätes.

Bei der Aufstellung des Gerätes in Ihrer Wohnung, sind folgende minimale Abstände einzuhalten:

- 100 cm von den Kochöfen, welche mit Kohle oder Öl geheizt werden;
- 150 cm von den elektrischen Kochöfen und/auch Gasöfen.

Sichern Sie die freie Luftzirkulation in der Umgebung des Gerätes indem Sie die Abstände einhalten, welche im Abb. 2 eingetragen sind.

Bauen Sie an den Kondensator die mitgelieferten Distanzstücke ein (Abb. 3).

- Der Boden oder das Gerüst, auf welches das Gerät aufgebaut wird, hat perfekt flach zu sein.

Bauen Sie das mitgelieferte Zubehör ein.

Anschließen an das Spannungsnetz

- Ihr Gerät ist gebaut, um unter Wechselstrom, bei 220-240V/50 Hz. betrieben zu werden. Bevor Sie das Gerät an das Netz anschließen, überprüfen Sie die Kenndaten des Stromnetzes (Spannung, Art des Stromes, Frequenz) und deren Übereinstimmung mit den Kenndaten des Gerätes. Informationen zu der Versorgungsspannung und die Leistungsabnahme finden Sie auf dem Typenschild auf der Rückseite des Gerätes.

- Die elektrische Anlage muß den gesetzlichen Vorschriften entsprechen.

- Es ist gesetzlich vorgeschrieben, daß das Gerät nur an eine Steckdose mit Schutzkontakt (Erdung) erlaubt ist. Der Hersteller zieht sich aus jedwelcher Haftung zurück in Fällen, in denen Sachschäden oder Verletzungen an Tieren oder Personen wegen Nichteinhaltung der o.g. Vorschriften auftreten.

- Das Gerät ist mit einer elektrischen Anschlußschnur und einem Stecker nach europäischen Normen. Der Stecker trägt die Markierung 10/16A und hat doppelten Schutzkontakt für die Erdung.

- Sollte die Steckdose nicht zu diesem Stecker passen, ist ein autorisierter Elektriker mit dem Tausch der Steckdose zu beauftragen.

- Es wird empfohlen, das Gerät nicht über Verlängerungskabel oder Adapter anzuschließen.

Sollte das Gerät zwischen zwei Möbelstücken eingebaut sein, vergewissern Sie sich, daß diese nicht den Anschlußkabel zerquetschen.

Trennen vom Stromversorgungsnetz

Die Trennung von dem Netz sollte immer gegeben sein, entweder durch das Abziehen des Steckers aus der Steckdose oder durch einen zweiadrigen Netz-Trennschalter vor der Steckdose.

Inbetriebnahme

Vor der Inbetriebnahme ist der Innenteil des Gerätes zu säubern. (**näheres dazu unter** Kapitel "Wartung und Reinigung des Gerätes").

Nach Beendigung dieses Arbeitsschrittes schließen Sie das Gerät an das Stromversorgungsnetz und drehen Sie den Thermostatregler in eine mittlere Position. Die grüne und die rote LED im Warnungsblock müssen aufleuchten. Lassen Sie das Gerät für etwa 2 Std. laufen, ohne Lebensmittel hineinzulegen.

Das Tiefgefrieren der frischen Lebensmittel ist erst nach mindestens 20 Std. Funktion gewährleistet.

Appliance description

(Abb. 1)

1. Griff
2. Tür
3. Glühbirne Innenbeleuchtung
4. Körbe
5. Trennwand
6. Schloß
7. Anzeigeblock
8. Abstandhalter für Transport

Einstellen der Temperatur

Die Temperatur der Tiefkühltruhe wird über den Drehknopf Thermostat geregelt (Abb. 4). „MAX“ bedeutet niedrigste Temperatur. Die erzielten Temperaturen können unterschiedlich sein, je nach der Umgebungstemperatur, Aufstellungsort des Gerätes, Häufigkeit der Öffnung der Tür, Befüllungsgrad mit Lebensmitteln. Die Einstellung an dem Drehknopf Thermostat hat nach diesen Kriterien stattzufinden.. Gewöhnlicherweise ist bei einer Außentemperatur von ca. 32°C, der Drehknopf auf eine mittlere Stellung zu bringen.

Das Anzeigesystem ist an der vorderen Seite des Gerätes angebracht (Abb. 5).

Es beinhaltet:

1. Drehknopf Regelung Thermostat - Innentemperatur wird eingestellt
2. LED grün - Bestätigt, daß das Gerät Spannungsversorgung hat.
3. LED rot - Störung - leuchtet auf, wenn die Temperatur im Inneren zu hoch ist. Die LED wird nach dem Einschalten des Gerätes für ca. 15-45 Minuten aufleuchten, danach muß sie aber erlöschen. Sollte die LED während des Betriebes leuchten, deutet dies auf einen Störung hin.
4. Orange LED – Schnellgefrieren aktiviert. Nach Einstellung des Knopfs auf die Superfreeze-Position leuchtet die orange LED auf; sie zeigt an, dass das Gerät auf „Schnellgefrieren“ eingestellt ist. Dieser Modus wird nach 50 Stunden automatisch verlassen; anschließend läuft das Gerät im Energiesparmodus, die orange LED erlischt. Die drei LED liefern die Informationen über den Betriebszustand des Gerätes.

Tiefgefrieren von Lebensmitteln

Die Tiefkühltruhe dient zur zeitmäßig langen Aufbewahrung von tiefgefrorenen Lebensmitteln.

• Wichtig für das erfolgreiche Tiefgefrieren der Lebensmittel ist die Verpackung. Anbei die wichtigsten Merkmale einer guten Verpackung für tiefgefrorene Lebensmittel:

diese sollten dicht sein, nicht mit den beinhalteten Lebensmitteln reagieren, tiefen Temperaturen standhalten, undurchlässig für Flüssigkeiten, Fette, Wasserdämpfe, Gerüche sein und auch waschbar sein.

Diese Bedingungen werden von folgenden Arten von Verpackungen erfüllt: Folie aus Aluminium oder Kunststoff, Gefäße aus Kunststoff, Gefäße aus Aluminium, Becher auch Wachskarton oder Kunststoff.

Wichtig

Laden Sie die Tiefkühltruhe nicht auf einmal mit einer zu großen Menge an Lebensmitteln. Die Lebensmittel sollten möglichst schnell und vollständig tiefgefroren werden, da nur auf diese Weise der Vitamingehalt, der Nahrungswert, das Aussehen und der Geschmack erhalten bleiben. Deshalb sollte die Tiefgefrierleistung nicht überschritten werden. Diese ist auf dem Typenschild des Gerätes eingetragen.

24 Stunden nach dem Hineinlegen der Lebensmittel ist das schnelle Tiefgefrieren zu deaktivieren, indem man erneut die Taste 4 drückt, wodurch auch die orangefarbene LED erlischt.

- Beim Tiefgefrieren von frischen Lebensmitteln sind die Körbe in dem Gerät zu verwenden.

- Heiße Lebensmittel sind vor den Tiefgefrieren bis auf Raumtemperatur abkühlen zu lassen.

- Frische Lebensmittel sollten nicht mit tiefgefrorenen in Berührung kommen.

- Die tiefgefrorenen Lebensmittel, welche man aus dem Fachhandel bezogen hat, können direkt in die Tiefkühltruhe gelegt werden, ohne daß eine Einstellung am Thermostat durchzuführen wäre.

- Sollte auf der Verpackung nicht das Datum der Tiefgefrierens eingetragen sein, kann man eine maximale Frist von 3 Monaten in betracht nehmen (als Richtwert).

- Lebensmittel, welche nach dem Tiefgefrieren auch nur teilweise aufgetaut sind, dürfen nicht mehr tiefgefroren werden. Es ist sofort zu gebrauchen oder nach dem Kochen, als Fertigpräparat wieder tiefzufrieren.

- Sprudelgetränke sind nicht in der Tiefkühltruhe aufzubewahren.

- Bei einem Stromausfall ist die Tür des Gerätes nicht zu öffnen. Tiefgefrorene Lebensmittel sind nicht beeinträchtigt, wenn der Stromausfall nicht länger als 38 Stunden dauert.

Einfrieren mit Superfrost

• Stellen Sie den Knopf auf die Superfrost-Position ein. Die Superfrost-Lampe leuchtet auf.

• Warten Sie 24 Stunden.

• Geben Sie frische Lebensmittel in den Tiefkühlbereich. Damit die Lebensmittel schnell einfrieren, sollten sie beim Einlagern im Tiefkühlbereich mit Innenwänden in Kontakt stehen.

• Die Superfrost-Anlage schaltet das Verfahren zum Schnellgefrieren nach 50 Stunden automatisch ab.

Wichtig

Wenn Sie den Knopf auf die Superfrost-Position einstellen, schaltet sich der Kompressor möglicherweise einige Minuten nicht ein. Dies liegt am integrierten Einschaltverzögerungsschalter, der zur Erhöhung der Betriebslebenszeit des Kühlgerätes entwickelt wurde.

In folgenden Fällen sollten Sie die Superfrost-Funktion nicht einschalten:

- Wenn Sie gefrorene Lebensmittel in den Tiefkühlbereich geben;

- Wenn Sie etwa bis zu 2 kg frische Lebensmittel täglich einfrieren.

Empfehlungen für das Enteisen des Gerätes

• Die Bildung einer Eisschicht ist normal.

• Die Menge und die Geschwindigkeit der Ablagerung von Eis hängt von der Umgebungstemperatur ab und der Häufigkeit, mit der die Tür geöffnet wird.

• Wir empfehlen:

- die Tiefkühltruhe wenigstens 2 mal im Jahr komplett auftauen zu lassen, oder auch jedes mal wenn die Eisschicht zu dick wird.

- die Enteisung dann durchzuführen, wenn die Menge von Lebensmitteln am geringsten ist.

• Wenigstens 2 Stunden vor der Enteisung sollte die Taste „Schnelles Tiefgefrieren“ (4) gedrückt werden, damit die Lebensmittel eine möglichst große Menge an Kälte aufnehmen können.

- Trennen Sie das Gerät von dem Netz.
- Entnehmen Sie alle tiefgefrorenen Lebensmittel, Wickeln Sie diese in mehrere lagen Papier und legen Sie diese in einen Kühlschrank oder an eine kühlen Ort.
- Nehmen Sie die Trennwand und Legen Sie diese unter die Tiefkühltruhe, unter die Abflußleitung. Ziehen Sie den Verschlußstopfen. Das abgefangene Wasser wird in die Tafel der Trennwand aufgenommen. Nach dem Schmelzen des Eises un Abtropfen des Wassers, wischen Sie das Gerät mit einem Lappen oder einem Schwamm und trocknen Sie es gut ab. Stecken Sie den Verschlußstopfen zurück in die Ablaufleitung.
- Um das Auftauen zu beschleunigen, lassen Sie die Türe offen.

Es dürfen niemals spitze metallische Gegenstände für die Entfernung der Eiskruste verwendet werden.

Es dürfen nicht Haartrockner (Föhne) oder andere gleichartigen Heizgeräte zum beschleunigten Auftauen verwendet werden.

Innere Reinigung

Vor dem Reinigen schalten Sie das Gerät vom Netz ab.

- Es ist empfehlenswert, das Gerät bei dem Auftauen auch zu reinigen.
- Die inneren Flächen werden mit lauwarmem Wasser und einem neutralen Spülmittel gewaschen. Verwenden Sie keine Seife, Waschmittel, Benzin oder Azeton, da sie einen prägnanten Geruch hinterlassen.
- Wischen Sie mit einem feuchten Schwamm und wischen Sie mit einem weichen Tuch.. Dabei ist ein Überschuß an Wasser zu vermeiden, um es zu verhindern, daß dieses in die Wärmeisolation des Gerätes dringt. Dieses könnte zu vermehrter Geruchsentwicklung beitragen.

Vermeiden Sie den Wassereintritt in die Kiste der Innenbeleuchtung!

Vergessen Sie nicht, auch die Dichtung der Tür mit einem reinen Lappen zu wischen.

Äußere Reinigung

- Die äußeren Bereiche des Gerätes wischen Sie mit einem feuchten Schwamm, in Spülmittellösung getränkt.
 - Die Reinigung der äußeren Teile der Kühlanlage (Motorkompressor, Kondensator, Leitungen) erfolgt mit einer weichen Bürste oder mit dem Staubsauger. Dabei ist zu beachten, daß. Dabei ist Vorsicht zu tragen, um nicht die Leitungen zu verbiegen oder den Leitungssatz zu beschädigen.
- Es darf kein Reinigungssand oder Scheuermittel verwendet werden!**
- Nach dem Reinigen ist das ganze Zubehör zurück einzubauen.

Erneuern der inneren Glühbirne

Sollte die Glühbirne durchbrennen, trennen sie zu erst das Gerät von dem Netz. Bauen Sie die Leuchteinheit aus. Vergewissern Sie sich zu erst, ob die Birne richtig eingeschraubt war. Schließen Sie das Gerät wieder an. Sollte die Birne trotzdem nicht leuchten, ist sie durch eine vom Typ E14-15W erneuern. Bauen Sie die Dacheinheit ein.

Die Glühbirnen für dieses Haushaltsgerät sind für Beleuchtungszwecke nicht geeignet. Die beabsichtigte Aufgabe dieser Lampe ist es den Benutzer zu ermöglichen die Plazierung der Lebensmittel in den Kühlschrank / Eiskühltruhe sicher und bequem vorzunehmen.

Die in diesem Gerät verwendeten Lampen müssen extremen physikalischen Bedingungen, wie z. B. Temperaturen von -20°C, standhalten.

Fehlersuchplan

Sollte ihr Gerät nicht funktionieren, dan ist folgendes zu überprüfen:

- Stromversorgung unterbrochen.
- Stecker des Anschlußkabels richtig in Steckdose gesteckt. Der Stecker des Anschlußkabels ist richtig in die Steckdose gesteckt.
- Sicherung durchgebrannt
- Thermostat auf **OFF**.

Temperatur nicht niedrig genug (rote LED leuchte).

- Lebensmittel verhidern das vollständige Schließen der Tür.
- Gerät nicht ordnungsgemäß aufgestellt.
- Gerät zu nahe an einer Wärmequelle.
- Thermostatregeldreher nicht in der richtigen Position.

Übermäßige Eisbildung

Tür nicht richtig geschlossen.

Innenbeleuchtung hat keine Funktion.

- Glühbirne durchgebrannt.

Automatischer Schalter in der Tür defekt.

Geräusche im Betrieb

Um die eingestellte Temperatur zu halten, muß der Motorkompressor von Zeit zu Zeit starten.

Die dabei entstehenden Geräusche sind normal.

Sie mindern sobald das Gerät die Betriebtemperatur erreicht hat.

Summen wird verursacht von dem Motorkompressor. Das Geräusch ist etwas lauter, wenn der Kompressor startet.

Gurgeln und Zurren werden vin dem Kältemittel verursacht, wenn dieser durch die Leitungen der Kühlanlage rinnt. Diese Geräusche sind als normale Betriebsgeräusche zu betrachten..

Jedes mal wenn das Thermostat ein- oder ausschaltet, ist ein metallisches Klingeln zu hören.



Bedeutung des Symbols „Mülltonne“

Schonen Sie unsere Umwelt, Elektrogeräte gehören nicht in den Hausmüll.

Nutzen Sie die für die Entsorgung von Elektrogeräten vorgesehenen Sammelstellen und geben dort Ihre Elektrogeräte ab die Sie nicht mehr benutzen werden.

Sie helfen damit die potenziellen Auswirkungen, durch falsche Entsorgung, auf die Umwelt und die menschliche Gesundheit zu vermeiden.

Sie leisten damit Ihren Beitrag zur Wiederverwertung, zum Recycling und zu anderen Formen der Verwertung von Elektro- und Elektronik-Altgeräten.

Informationen, wo die Geräte zu entsorgen sind, erhalten Sie über Ihre Kommunen oder die Gemeindeverwaltungen.

In vielen Ländern der EU ist die Entsorgung von Elektro- und Elektronik-Altgeräten über den Haus- und/oder Restmüll ab 13.8.2005 verboten.

In Deutschland ab 23.3.2006.



www.beko.com

4578334032/AC
EN-D