

# beko



## **Refrigerator-Freezer type I**

Instruction of use

## **Kühl-Gefrier-Typ I**

Gebrauchsanweisung

## **Réfrigérateur-Congélateur de type I**

Notice d'utilisation

## **Frigo-Congelatore di tipo I**

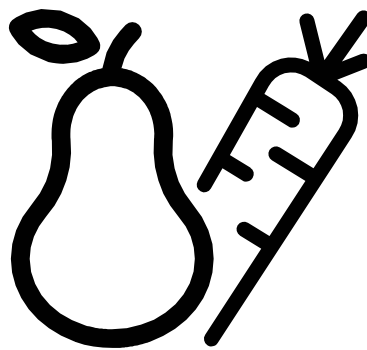
Istruzioni per l'uso

## **Chłodziarko-Zamrażarka typu I**

Instrukcja obsługi

## **Koel-Vriescombinatie type I**

Gebruiksaanwijzing



RCSA270K30WN

EN-DE-FR-IT-PL-NL



### **WARNING!**

In order to ensure a normal operation of your refrigerating appliance, which uses a completely environmentally friendly refrigerant the R600a (flammable only under certain conditions) you must observe the following rules:

- ◆ Do not hinder the free circulation of the air around the appliance.
- ◆ Do not use mechanical devices in order to accelerate the defrosting, others than the ones recommended by the manufacturer.
- ◆ Do not destroy the refrigerating circuit.
- ◆ Do not use electric appliances inside the food keeping compartment, other than those that might have been recommended by the manufacturer.

### **WARNUNG!**

Ihr Gerät verwendet ein umweltverträgliches Kältemittel, R600a (nur unter bestimmten Umständen brennbar). Um einen einwandfreien Betrieb Ihres Gerätes sicherzustellen, beachten Sie bitte folgende Vorschriften:

- ◆ Die Luftzirkulation um das Gerät darf nicht behindert sein.
- ◆ Verwenden Sie außer der vom Hersteller empfohlenen, keine mechanischen Hilfsmittel, um den Abtauprozess zu beschleunigen.
- ◆ Der Kältemittelkreislauf darf nicht beschädigt werden.
- ◆ Verwenden Sie im Lebensmittelaufbewahrungsbereich Ihres Gerätes keine elektrischen Geräte, es sei denn, sie sind vom Hersteller empfohlen.

### **ATTENTION!**

Pour assurer un fonctionnement normal de votre appareil qui utilise un agent frigorifique écologique, R600a (inflammable seulement sous certaines conditions) vous devez respecter les règles suivantes:

- ◆ N'empêchez pas la libre circulation de l'air autour de l'appareil.
- ◆ N'utilisez pas des dispositifs mécaniques pour accélérer le dégivrage, autres que ceux recommandés par le fabricant.
- ◆ Ne détruisez pas le circuit frigorifique.
- ◆ N'utilisez pas des appareils électriques à l'intérieur du compartiment pour conserver les aliments, hormis celles qui sont éventuellement recommandés par le fabricant.

### **AVVERTENZA!**

Per garantire il funzionamento adeguato dell'elettrodomestico, che utilizza il refrigerante R600a completamente adatto all'ambiente (inflammabile solo in determinate condizioni), è necessario attenersi alle seguenti regole:

- ◆ Non ostacolare la libera circolazione dell'aria attorno all'elettrodomestico.
- ◆ Per accelerare lo sbrinatorio non utilizzare dispositivi meccanici diversi da quelli consigliati dal produttore.
- ◆ Non danneggiare il circuito refrigerante.
- ◆ Non utilizzare all'interno del comparto del cibo elettrodomestici diversi da quelli consigliati dal produttore.

### **UWAGA!**

Aby zapewnić normalną pracę tej, wykorzystującej całkowicie przyjazny środowisku (łatwopalny tylko w pewnych warunkach) środek chłodniczy R600a, chłodziarko-zamrażarki, należy przestrzegać następujących zasad:

- ◆ Nie należy blokować swobodnego przepływu powietrza wokół chłodziarko-zamrażarki.
- ◆ W celu przyspieszenia rozmrażania nie należy używać żadnych innych urządzeń mechanicznych niż zalecane przez producenta.
- ◆ Nie wolno uszkodzić obwodu chłodniczego.
- ◆ Wewnątrz komory przechowywania żywności nie należy używać żadnych innych urządzeń elektrycznych niż ewentualnie zalecanych przez producenta.

### **WAARSCHUWING!**

U moet de volgende regels in acht nemen om de normale werking van uw koelkast, die het volledig milieuvriendelijke koelmiddel R600a gebruikt, te verzekeren:

- ◆ Hinder de vrije luchtcirculatie rond het toestel niet.
- ◆ Gebruik geen andere mechanische toestellen om het ontdooien te versnellen dan de toestellen die door de fabrikant worden aangeraden.
- ◆ Vernietig het koelcircuit niet.
- ◆ Gebruik geen andere elektrische toestellen in de bewaarlade voor etenswaren dan de toestellen die eventueel door de fabrikant worden aangeraden.

## EN Index

Safety first /1  
Electrical requirements /2  
Transportation instructions /2  
Installation instructions /2  
Getting to know your appliance /2  
Suggested arrangement of food in the appliance /3  
Temperature control and adjustment /3  
Before operating /3  
Storing frozen food /3  
Freezing fresh food /3  
Making ice cubes /4  
Defrosting /4  
Replacing the interior light bulb /4  
Cleaning and care /4  
Repositioning the door /5  
Do's and don'ts /5  
Energy consumption /5  
Information about operating noises /6  
Troubleshooting /6

## DE Inhalt

Wichtige Hinweise für Ihre Sicherheit /7  
Elektrischer Anschluss; Transporthinweise /8  
Aufstellen /8  
Geräteübersicht /9  
Allgemeine Einlagerungsempfehlungen /9  
Temperaturregelung. Einstellung der Temperatur /9  
Bevor der Inbetriebnahme /9  
Lagern von tiefgefrorenen Lebensmitteln /9  
Einfrieren von frischen Lebensmitteln /10  
Abtauen des Gerätes /10  
Wechseln des Türanschlages /10  
Wechsel der Glühlampe /10  
Reinigung und Pflege /10  
Was Sie tun sollten und was auf keinen fall-einige Hinweise /11  
Energieverbrauch /12  
Hinweise zu Geräuschen und Vibrationen, die im Betrieb auftreten können /12  
Massnahmen bei Betriebsstörung /12

## FR Sommaire

Premièrement la sécurité! /13  
Avertissements et conseils importants /14  
Installation /14  
Branchement au réseau /14  
Présentation de l'appareil /14  
Réversibilité de la porte /14  
Mise en fonctionnement /14  
Entreposage des produits à conserver /14  
Réglage de la température /15  
Changement de l'ampoule /15  
Congélation des produits frais /15  
Conservation des produits congelés /15  
Production des cubes de glace /16  
Décongélation /16  
Dégivrage /16  
Nettoyage /16  
Consommation énergétique /16  
Remarques sur les bruits de fonctionnement /17

## IT Indice

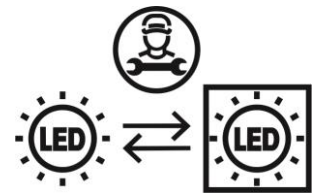
Sicurezza iniziale /18  
Requisiti elettrici /19  
Istruzioni per il trasporto; Istruzioni di installazione /19  
Conoscere l'elettrodomestico /20  
Suggerimenti sulla disposizione del cibo nell'elettrodomestico /20  
Controllo e regolazione della temperatura /20  
Prima della messa in funzione /20  
Conservazione di cibo congelato /21  
Congelamento di cibi freschi; Preparazione dei cubetti di ghiaccio /21  
Sbrinatorio; Sostituzione della lampadina interna /21  
Pulizia e manutenzione /21  
Riposizionamento dello sportello /22  
Cosa fare e cosa non fare /22  
Consumo energetico /23  
Informazioni sui rumori di funzionamento /23  
Risoluzione dei problemi /23

## PL Spis treści

Bezpieczeństwo przede wszystkim /24  
Podłączenie do zasilania /25  
Instrukcja transportu i ustawienia; Montaż /25  
Zapoznaj się z Twoim urządzeniem /25  
Porady dotyczące przechowywania żywności /26  
Regulacja temperatury /26  
Uruchamianie /26  
Porady dotyczące przechowywania zamrożonej żywności /26  
Mrożenie świeżej żywności; Jak robić kostki lodu /27  
Odmrażanie; Wymiana żarówki /27  
Czyszczenie urządzenia /27  
Zmiana kierunku otwierania drzwi /28  
Środki ostrożności w trakcie użytkowania /28  
Dźwięki wydawane podczas pracy /28  
Odzysk opakowania /28  
Ustawianie /29  
Rozmieszczenie żywności /29  
Przykłady zastosowań; Zalecane ustawienia /29  
Zużycie energii /30  
Odzysk starego urządzenia chłodniczego /30  
Gwarancja /31

## NL Index

Veiligheid eerst /32  
Elektriciteitsvereisten /33  
Transportinstructies; Installatie-instructies /33  
Uw toestel leren kennen /33  
Voorstel voor de schikking van de etenswaren in het toestel /34  
Opmeting en regeling van de temperatuur /34  
Alvorens de inwerkstelling /34  
Diepvriesproducten bewaren /34  
Verse etenswaren invriezen /35  
Ijsblokjes maken; Ontdooien /35  
Het binnenlichtje vervangen /35  
Schoonmaak en onderhoud /35  
De deur verplaatsen /36  
Wel en niet /36  
Energieverbruik /37  
Informatie met betrekking tot geluid /37  
Problemen oplossen /37



EN

This product is equipped with a lighting source of the "G" energy class. The lighting source in this product shall only be replaced by professional repairers.

DE

Dieses Produkt ist mit einer Lichtquelle der Energieklasse „G“ ausgestattet. Die Lichtquelle in diesem Produkt darf nur von professionellen Reparaturtechnikern ersetzt werden.

FR

Cet appareil est doté d'une source d'éclairage de classe énergétique "G". Seuls des réparateurs qualifiés sont autorisés à procéder au remplacement de la source d'éclairage de cet appareil.

IT

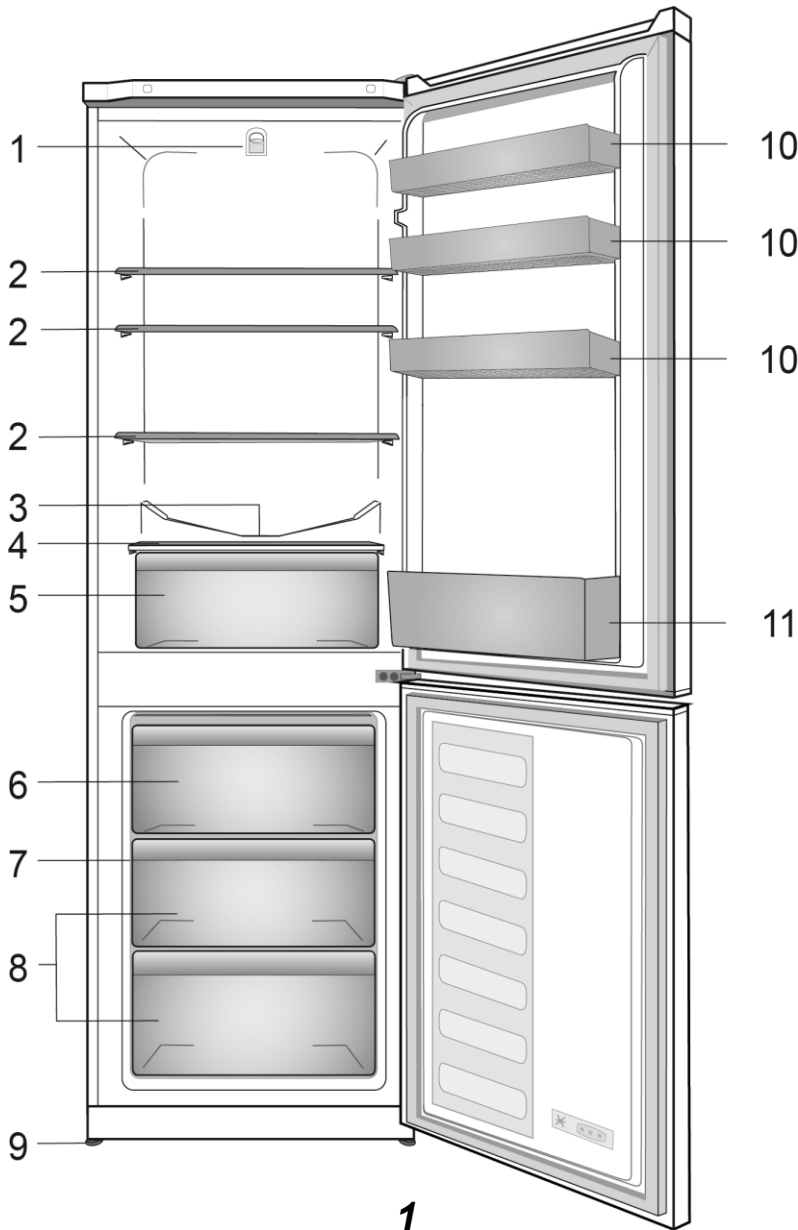
Questo prodotto è dotato di una sorgente di illuminazione con classe energetica "G". La sorgente di illuminazione nel prodotto dovrà essere sostituita solo da professionisti nel campo della riparazione.

PL

Ten produkt jest wyposażony w źródło światła o klasie energetycznej "G". Źródło światła w tym produkcie może być wymieniane wyłącznie przez profesjonalnych serwisantów.

NL

Dit product is uitgerust met een lichtbron van de "G"-energieklasse. De lichtbron in dit product mag enkel worden vervangen door professionele reparateurs.



1

**i** Figures that take place in this instruction manual are schematic and may not correspond exactly with your product. If the subject parts are not included in the product you have purchased, then it is valid for other models.

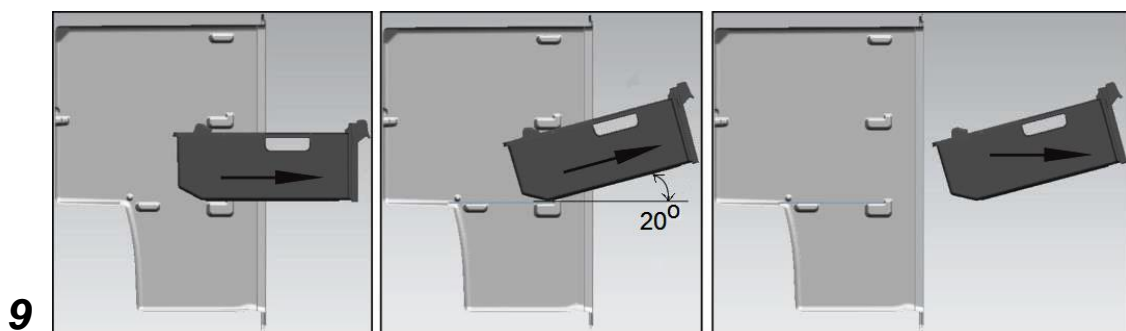
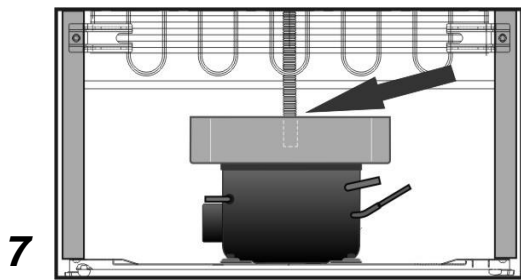
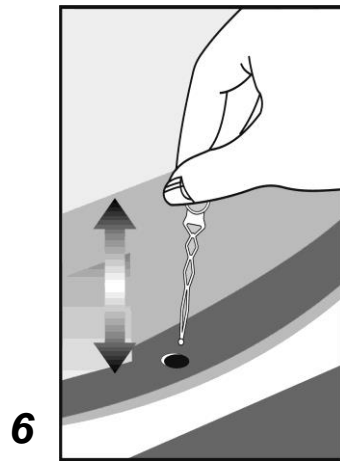
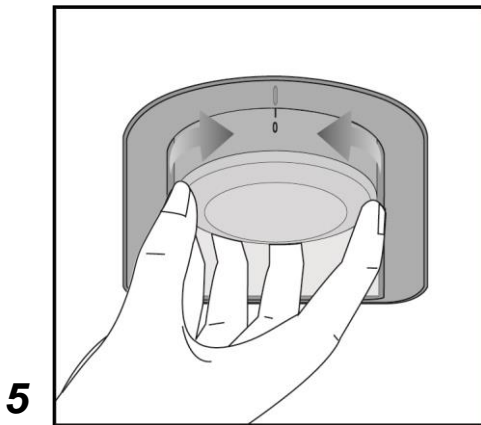
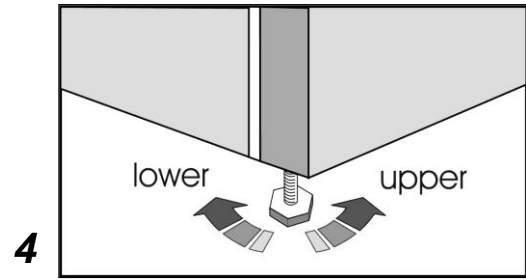
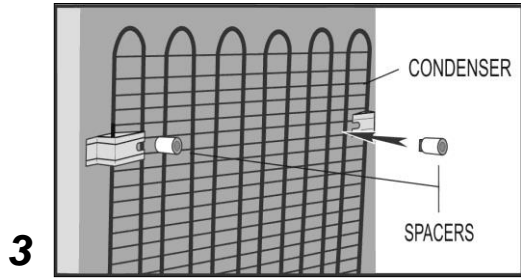
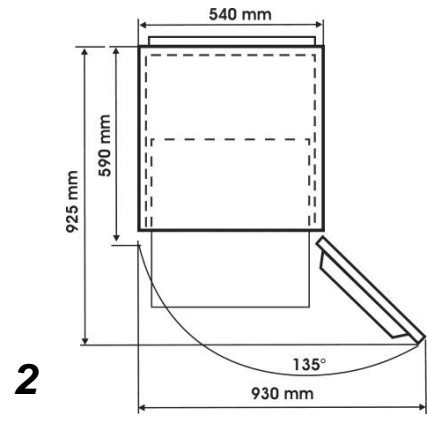
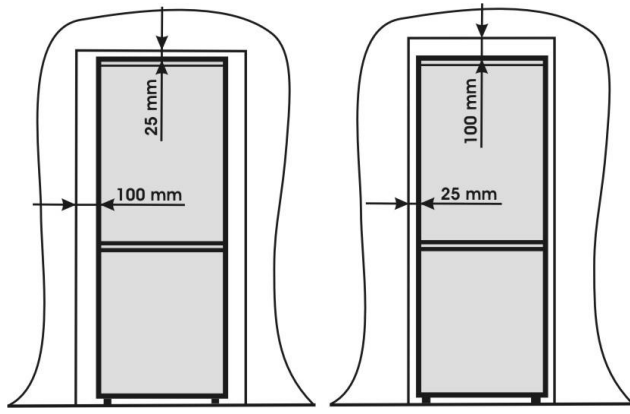
**i** Abbildungen und Angaben in dieser Anleitung sind schematisch und können etwas von Ihrem Produkt abweichen. Falls Teile nicht zum Lieferumfang des erworbenen Gerätes zählen, gelten sie für andere Modelle.

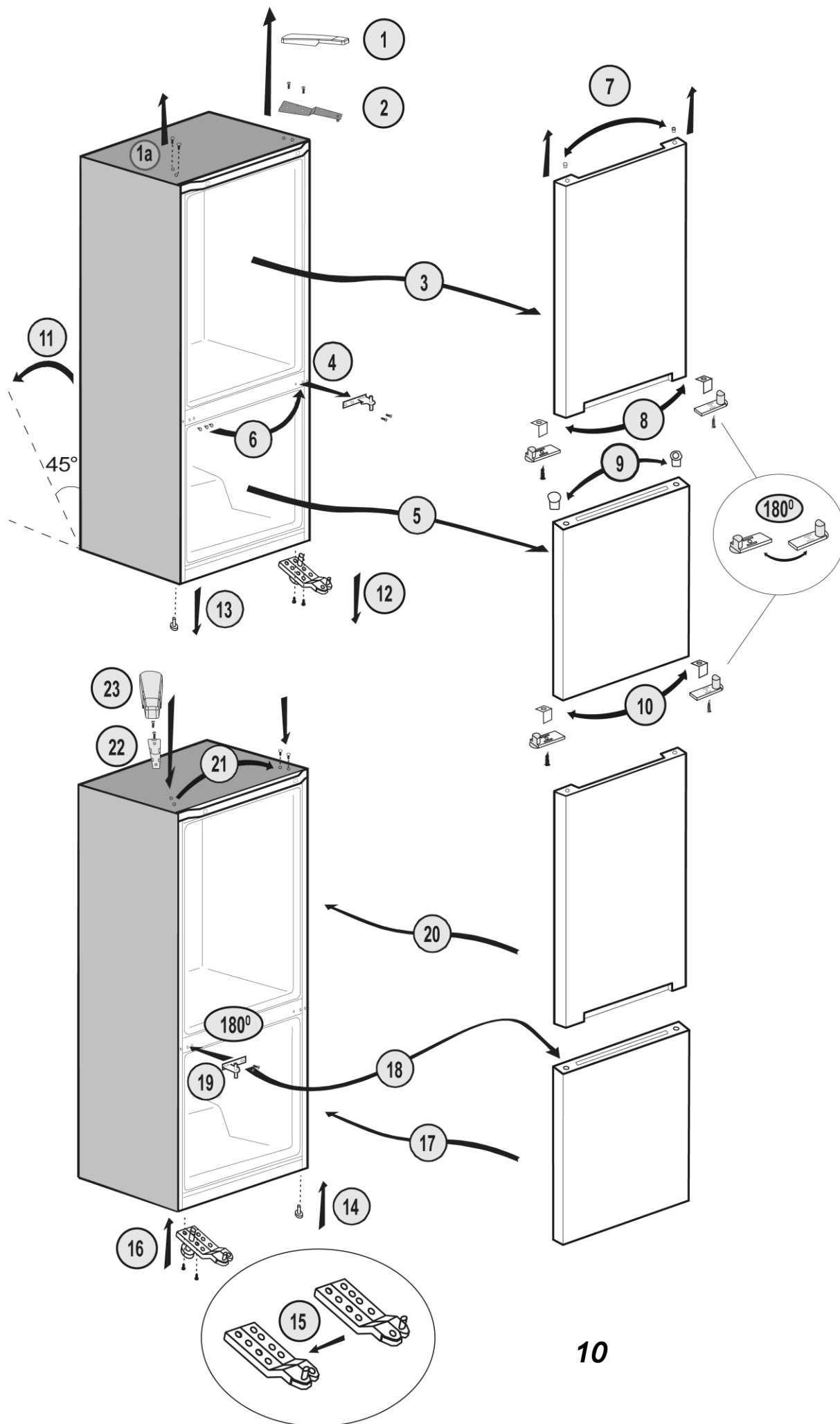
**i** Les illustrations présentées dans cette notice d'utilisation sont schématiques et peuvent ne pas correspondre exactement à votre produit. Si certains éléments illustrés ne sont pas inclus dans le produit que vous avez acheté, ils concerneront d'autres modèles.

**i** Le illustrazioni contenute in questa guida sono schematiche e potrebbero non corrispondere esattamente all'apparecchio in uso. Se le parti in oggetto non sono incluse nell'apparecchio acquistato, significa che sono da intendersi per altri modelli.

**i** Rysunki w niniejszej instrukcji to tylko schematy i nie muszą ściśle odpowiadać waszemu modelowi lodówki. Jeśli pewnych części nie ma w Waszej lodówce, to znaczy, że odnoszą się do innych modeli.

**i** De afbeeldingen in deze gebruiksaanwijzing zijn schematisch en hoeven niet exact met uw product overeen te komen. Wanneer onderdelen niet tot het product behoren dat u hebt gekocht, gelden deze voor andere modellen.





Congratulations on your choice of a **Beko** Quality Appliance, designed to give you many years of service.

### **Safety first!**

Do not connect your appliance to the electricity supply until all packing and transit protectors have been removed.

- Leave to stand for at least 4 hours before switching on, to allow compressor oil to settle, if transported horizontally.
- If you are discarding an old appliance with a lock or latch fitted to the door, ensure that it is left in a safe condition to prevent the entrapment of children.
- This appliance must only be used for its intended purpose.
- This appliance can be used by children aged from 8 years and above and persons with reduced physical, sensory or mental capabilities or lack of experience and knowledge if they have been given supervision or instruction concerning use of the appliance in a safe way and understand the hazards involved. Children shall not play with the appliance. Cleaning and user maintenance shall not be made by children without supervision.
- Do not dispose of the appliance on a fire. Your appliance contains non CFC substances in the insulation which are flammable. We suggest you contact your local authority for information on disposal and available facilities.
- We do not recommend use of this appliance in an unheated, cold room. (e.g. garage, conservatory, annex, shed, out-house etc.)


To obtain the best possible performance and trouble free operation from your appliance it is very important to read these instructions carefully. Failure to observe these instructions may invalidate your right to free service during the guarantee period.

Please keep these instructions in a safe place for easy reference.

Original Spare parts will be provided for 10 years, following the product purchasing date.

**This appliance is not intended for use by persons (including children) with reduced physical, sensory or mental capabilities, or lack of experience and knowledge, unless they have been given supervision or instruction concerning use of the appliance by a person responsible for their safety. Children should be supervised to ensure that they do not play with the appliance.**

***📄 Please scan the QR code to find all the information relating to the packaging and how to manage the packaging waste.***

<b><span style="border: 1px solid black; border-radius: 50%; padding: 2px;">i</span> INFORMATION</b>	
	<p>The model information as stored in the product data base can be reached by entering following website and searching for your model identifier (*) found on energy label.</p> <p><a href="https://eprel.ec.europa.eu/">https://eprel.ec.europa.eu/</a></p>

### **Electrical requirements**

Before inserting the plug into the wall socket make sure that the voltage and the frequency shown in the rating plate inside the appliance corresponds to your electricity supply.

We recommend that this appliance is connected to the mains supply via a suitably switched and fused socket in a readily accessible position.

#### **Warning! This appliance must be earthed.**

Repairs to electrical equipment should only be performed by a qualified technician. Incorrect repairs carried out by an unqualified person are carry risks that may have critical consequences for the user of the appliance.

#### **ATTENTION!**

This appliance operates with R600a which is an environmental friendly but flammable gas. During the transportation and fixing of the product, care must be taken not to damage the cooling system. If the cooling system is damaged and there is a gas leakage from the system, keep the product away from open flame sources and ventilate the room for a while.

**WARNING** - Do not use mechanical devices or other means to accelerate the defrosting process, others than those recommended by the manufacturer.

**WARNING** - Do not damage the refrigerant circuit.

**WARNING** - Do not use electrical appliances inside the food storage compartments of the appliance, unless they are of the type recommended by the manufacturer.

**WARNING** - If the supply cord is damaged, it must be replaced by the manufacturer, its service agent or similarly qualified persons in order to avoid a hazard.

### **Transportation instructions**

1. The appliance should be transported only in an upright position. The packing as supplied must be intact during transportation.
2. If during the transport the appliance, has been positioned horizontally, it must not be operated for at least 4 hours, to allow the system to settle.
3. Failure to comply with the above instructions could result in damage to the appliance, for which the manufacturer will not be held liable.
4. The appliance must be protected against rain, moisture and other atmospheric influences.

#### **Important!**

• Care must be taken while cleaning/carrying the appliance not to touch the bottom of the condenser metal wires at the back of the appliance, as this could cause injury to fingers and hands.

- Do not attempt to sit or stand on top of your appliance as it is not designed for such use. You could injure yourself or damage the appliance.
- Make sure that the mains cable is not caught under the appliance during and after moving, as this could damage the cable.
- Do not allow children to play with the appliance or tamper with the controls.

### **Installation instructions**

1. Do not keep your appliance in a room where the temperature is likely to fall below 10 degrees C (50 degrees F) at night and/or especially in winter, as it is designed to operate in ambient temperatures between +10 and +38 degrees C (50 and 100 degrees F). At lower temperatures the appliance may not operate, resulting in a reduction in the storage life of the food.
2. Do not place the appliance near cookers or radiators or in direct sunlight, as this will cause extra strain on the appliance's functions. If installed next to a source of heat or freezer, maintain the following minimum side clearances:  
From Cookers 30 mm  
From Radiators 300 mm  
From Freezers 25 mm
3. Make sure that sufficient room is provided around the appliance to ensure free air circulation **(Item 2)**.  
• Put the back airing lid to the back of your refrigerator to set the distance between the refrigerator and the wall **(Item 3)**.
4. The appliance should be positioned on a smooth surface. The two front feet can be adjusted as required. To ensure that your appliance is standing upright adjust the two front feet by turning clockwise or anti-clockwise, until firm contact is secured with the floor. Correct adjustment of feet prevents excessive vibration and noise **(Item 4)**.
5. Refer to "Cleaning and Care" section to prepare your appliance for use.




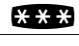
### **Getting to know your appliance (Item 1)**

- 1 - Thermostat and lamp housing
- 2 - Adjustable Cabinet shelves
- 3 - Water collector
- 4 - Crisper cover
- 5 - Crispers
- 6 - Compartment for quickly freezing
- 7 - Ice tray support & ice tray
- 8 - Compartments for frozen foods keeping
- 9 - Adjustable foot
- 10 - Shelf for jars
- 11 - Shelf for bottles



## **Suggested arrangement of food in the appliance**

Guidelines for obtaining optimum storage and hygiene:

1. The fridge compartment is for the short-term storage of fresh food and drinks.
2. The freezer compartment is   rated and suitable for the freezing and storage of pre-frozen food. The recommendation for   storage as stated on the food packaging should be observed at all times.
3. Dairy products should be stored in the special compartment provided in the door liner.
4. Cooked dishes should be stored in airtight containers.
5. Fresh wrapped produce can be kept on the shelf. Fresh fruit and vegetables should be cleaned and stored in the crispers.
6. Bottles can be kept in the door section.
7. To store raw meat, wrap in polythene bags and place on the lowest shelf. Do not allow to come into contact with cooked food, to avoid contamination. For safety, only store raw meat for two to three days.
8. For maximum efficiency, the removable shelves should not be covered with paper or other materials to allow free circulation of cool air.
9. Do not keep vegetable oil on door shelves. Keep the food packed, wrapped or covered. Allow hot food and beverages to cool before refrigerating. Leftover canned food should not be stored in the can.
10. Fizzy drinks should not be frozen and products such as flavoured water ices should not be consumed too cold.
11. Some fruit and vegetables suffer damage if kept at temperatures near 0°C. Therefore wrap pineapples, melons, cucumbers, tomatoes and similar produce in polythene bags.
12. High-proof alcohol must be stored upright in tightly closed containers. Never store products that contain an inflammable propellant gas (e.g. cream dispensers, spray cans, etc.) or explosive substances. These are an explosion hazard.
13. To take out the baskets from the freezer compartment please proceed as in **Item 9**.

## **Temperature control and adjustment**

Operating temperatures are controlled by the thermostat knob (**Item 5**) and may be set at any position between 1 and 5 (the coldest position). The average temperature inside the fridge should be around +5°C (+41°F). Therefore adjust the thermostat to obtain the desired temperature.

Some sections of the fridge may be cooler or warmer (such as salad crisper and top part of the cabinet) which is quite normal. We recommend that you check the temperature periodically with a thermometer to ensure that the cabinet is kept to this temperature. Frequent door openings cause internal temperatures to rise, so it is advisable to close the door as soon as possible after use.

## **Before operating**

### **Final Check**

Before you start using the appliance check that:

1. The feet have been adjusted for perfect levelling.
2. The interior is dry and air can circulate freely at the rear.
3. The interior is clean as recommended under "Cleaning and care."
4. The plug has been inserted into the wall socket and the electricity is switched on. When the door is open the interior light will come on.

### **And note that:**

5. You will hear a noise as the compressor starts up. The liquid and gases sealed within the refrigeration system may also make some (noise), whether the compressor is running or not. This is quite normal.
6. Slight undulation of the top of the cabinet is quite normal due to the manufacturing process used; it is not a defect.
7. We recommend setting the thermostat knob midway and monitor the temperature to ensure the appliance maintains desired storage temperatures (See section Temperature Control and Adjustment).
8. Do not load the appliance immediately it is switched on. Wait until the correct storage temperature has been reached. We recommend checking the temperature with an accurate thermometer (see; Temperature Control and Adjustment).

## **Storing frozen food**

Your freezer is suitable for the long-term storage of commercially frozen foods and also can be used to freeze and store fresh food.

If there is a power failure, do not open the door. Frozen food should not be affected if the failure lasts for less than 13 hrs. If the failure is longer, then the food should be checked and either eaten immediately or cooked and then re-frozen.

## **Freezing fresh food**

Please observe the following instructions to obtain the best results. Do not freeze too large a quantity at any one time. The quality of the food is best preserved when it is frozen right through to the core as quickly as possible.

Do not exceed the freezing capacity of your appliance in 24 h. Placing warm food into the freezer compartment causes the refrigeration machine to operate continuously until the food is frozen solid. This can temporarily lead to excessive cooling of the refrigeration compartment. When freezing fresh food, keep the thermostat knob at medium position. Small quantities of food up to 1/2 kg. (1 lb) can be frozen without adjusting the temperature control knob. Take special care not to mix already frozen food and fresh food.

### **Making ice cubes**

Fill the ice - cube tray 3/4 full with water and place it in the freezer. Loosen frozen trays with a spoon handle or a similar implement; never use sharp-edged objects such as knives or forks.

### **Defrosting**

#### **A) Fridge compartment**

The fridge compartment defrosts automatically. The defrost water runs to the drain tube via a collection container at the back of the appliance (**Item 6**). During defrosting, water droplets may form at the back of the fridge compartment where a concealed evaporator is located. Some droplets may remain on the liner and refreeze when defrosting is completed. Do not use pointed or sharp-edged objects such as knives or forks to remove the droplets which have refrozen. If, at any time, the defrost water does not drain from the collection channel, check that no food particles have blocked the drain tube. The drain tube can be cleared with a pipe-cleaner or similar implement. Check that the tube is permanently placed with its end in the collecting tray on the compressor to prevent the water spilling on the electric installation or on the floor (**Item 7**).

#### **B) Freezer compartment**

Defrosting is very straightforward and without mess, thanks to a special defrost collection basin. Defrost twice a year or when a frost layer of around 7 (1/4") mm has formed. To start the defrosting procedure, switch off the appliance at the socket outlet and pull out the mains plug. All food should be wrapped in several layers of newspaper and stored in a cool place (e.g. fridge or larder). Containers of warm water may be placed carefully in the freezer to speed up the defrosting.

**Do not use pointed or sharp-edged objects, such as knives or forks to remove the frost.**

Never use hairdryers, electrical heaters or other such electrical appliances for defrosting. Sponge out the defrost water collected in the bottom of the freezer compartment. After defrosting, dry the interior thoroughly (**Item 8**). Insert the plug into the wall socket and switch on the electricity supply.

### **Replacing the interior light bulb**

To change the Bulb/LED used for illumination of your refrigerator, call your AuthorisedService. The lamp(s) used in this appliance is not suitable for household room illumination. The intended purpose of this lamp is to assist the user to place foodstuffs in the refrigerator/freezer in a safe and comfortable way. The lamps used in this appliance have to withstand extreme physical conditions such as temperatures below -20°C.

### **Cleaning and care**

1. We recommend that you switch off the appliance at the socket outlet and pull out the mains plug before cleaning.
2. Never use any sharp instruments or abrasive substances, soap, household cleaner, detergent or wax polish for cleaning.
3. Use luke warm water to clean the cabinet of the appliance and wipe it dry.
4. Use a damp cloth wrung out in a solution of one teaspoon of bicarbonate of soda to one pint of water to clean the interior and wipe it dry.
5. Make sure that no water enters the temperature control box.
6. If the appliance is not going to be used for a long period of time, switch it off, remove all food, clean it and leave the door ajar.
7. We recommend that you polish the metal parts of the product (i.e. door exterior, cabinet sides) with a silicone wax (car polish) to protect the high quality paint finish.
8. Any dust that gathers on the condenser, which is located at the back of the appliance, should be removed once a year with a vacuum cleaner.
9. Check door seals regularly to ensure they are clean and free from food particles.
10. Never:
  - Clean the appliance with unsuitable material; eg petroleum based products.
  - Subject it to high temperatures in any way,
  - Scour, rub etc., with abrasive material.
11. Removal of dairy cover and door tray:
  - To remove the dairy cover, first lift the cover up by about an inch and pull it off from the side where there is an opening on the cover.
  - To remove a door tray, remove all the contents and then simply push the door tray upwards from the base.
12. Make sure that the special plastic container at the back of the appliance which collects defrost water is clean at all times. If you want to remove the tray to clean it, follow the instructions below:
  - Switch off at the socket outlet and pull out the mains plug.

- Gently uncrimp the stud on the compressor, using a pair of pliers, so that the tray can be removed.
- Lift it up.
- Clean and wipe it dry.
- Reassemble, reversing the sequence and operations.

13. To remove a drawer, pull it as far as possible, tilt it upwards and then pull it out completely.

### **Repositioning the door**

Proceed in numerical order (**Item 10**).

#### **Do's and don'ts**

- Do-** Clean and defrost your appliance regularly (See "Defrosting").
- Do-** Keep raw meat and poultry below cooked food and dairy products.
- Do-** Take off any unusable leaves on vegetables and wipe off any soil.
- Do-** Leave lettuce, cabbage, parsley and cauliflower on the stem.
- Do-** Wrap cheese firstly in greaseproof paper and then in a polythene bag, excluding as much air as possible. For best results, take out of the fridge compartment an hour before eating.
- Do-** Wrap raw meat and poultry loosely in polythene or aluminium foil. This prevents drying.
- Do-** Wrap fish and offal in polythene bags.
- Do-** Wrap food with a strong odour or which may dry out, in polythene bags, or aluminium foil or place in airtight container.
- Do-** Wrap bread well to keep it fresh.
- Do-** Chill white wines, beer, lager and mineral water before serving.
- Do-** Check contents of the freezer every so often.
- Do-** Keep food for as short a time as possible and adhere to "Best Before" and "Use by" etc. dates.
- Do-** Store commercially frozen food in accordance with the instructions given on the packets.
- Do-** Always choose high quality fresh food and be sure it is thoroughly clean before you freeze it.
- Do-** Prepare fresh food for freezing in small portions to ensure rapid freezing.
- Do-** Wrap all food in aluminium foil or freezer quality polythene bags and make sure any air is excluded.
- Do-** Wrap frozen food immediately after purchasing and put it in to the freezer as soon as possible.
- Do-** Defrost food in the fridge compartment.

- Don't-** Store bananas in your fridge compartment.
- Don't-** Store melon in your fridge. It can be chilled for short periods as long as it is wrapped to prevent it flavouring other food.
- Don't-** Cover the shelves with any protective materials which may obstruct air circulation.
- Don't-** Store poisonous or any dangerous substances in your appliance. It has been designed for the storage of edible foodstuffs only.
- Don't-** Consume food which has been refrigerated for an excessive length of time.
- Don't-** Store cooked and fresh food together in the same container. They should be packaged and stored separately.
- Don't-** Let defrosting food or food juices drip onto food.
- Don't-** Leave the door open for long periods, as this will make the appliance more costly to run and cause excessive ice formation.
- Don't-** Use sharp edged objects such as knives or forks to remove the ice.
- Don't-** Put hot food into the appliance. Let it cool down first.
- Don't-** Put liquid-filled bottles or sealed cans containing carbonated liquids into the freezer, as they may burst.
- Don't-** Exceed the maximum freezing loads when freezing fresh food.
- Don't-** Give children ice-cream and water ices direct from the freezer. The low temperature may cause 'freezer burns' on lips.
- Don't-** Freeze fizzy drinks.
- Don't-** Try to keep frozen food which has thawed; it should be eaten within 24 hours or cooked and refrozen.
- Don't-** Remove items from the freezer with wet hands.

#### **Energy Consumption**

Maximum frozen food storage volume is achieved without using the drawers provided in the freezer compartment. Energy consumption of your appliance is declared while the freezer compartment is fully loaded without using the drawers.

#### **Practical advice concerning the reduction of the electricity consumption**

1. Make sure that the appliance is located in well-ventilated areas, far from any source of heat (cooker, radiator etc.). At the same time, the location of the appliance must be done in such a way that it prevents it to be under the direct incidence of the sunbeams.

2. Make sure that the food purchased in refrigerated/frozen condition is placed into the appliance as soon as possible, especially during summertime. It is recommended to use thermal insulated bags to transport the food home.
3. We recommend the thawing of the packets taken out from the freezer compartment be done in the refrigerator compartment. For this purpose, the packet which is going to be thawed will be placed in a vessel so that the water resulting from the thawing does not leak in the refrigerator compartment. We recommend you to start the thawing at least 24 hours before the use of the frozen food.
4. We recommend reducing the number of door openings to the minimum.
5. Do not keep the door of the appliance open more than necessary and make sure that after each opening the door is well closed.

### ***Information concerning the noise and the vibrations which might appear during the operation of the appliance***

1. The operation noise can increase during the operation.
  - In order to keep the temperatures at the adjusted temperatures, the compressor of the appliance starts periodically. The noise produced by the compressor becomes stronger when it starts and a click can be heard when it stops.
  - The performance and operation features of the appliance can change according to the modifications of the temperature of the ambient environment. They must be considered as normal.
2. Noises like liquids flowing or as being sprayed
  - These noises are caused by the flow of the refrigerant in the circuit of the appliance and comply with the operation principle of the appliance.

### 3. Other vibrations and noises.

- The level of noise and vibrations can be caused by the type and the aspect of the floor on which the appliance is placed. Make sure that the floor does not have significant level distortions or if it can yield to the weight of the appliance (it is flexible).
- Another source of noise and vibrations is represented by the objects placed on the appliance. These objects must be removed from the appliance.
- The bottles and the vessels placed in the refrigerator touching each other. In such cases move the bottles and the vessels so that there is a small distance between them.

### ***Troubleshooting***


If the appliance does not operate when switched on, check:

- That the plug is inserted properly in the socket and that the power supply is on. (To check the power supply to the socket, plug in another appliance).
- Whether the fuse has blown/circuit breaker has tripped/main distribution switch has been turned off.
- That the temperature control has been set correctly.
- That the new plug is wired correctly, if you have changed the fitted, moulded plug.

If the appliance is still not operating at all after above checks, contact the dealer from whom you purchased the unit.

Please ensure that above checks have been done, as a charge will be made if no fault is found.



The symbol  on the product or on packaging indicates that this product may not be treated as household waste. Instead it shall be handed over to the applicable collection point for the recycling of electrical and electronic equipment. By ensuring this product is disposed of correctly, you will help prevent potential negative consequences for the environment and human health, which could otherwise be caused by inappropriate waste handling of this product. For more detailed information about recycling of this product, please contact your local city office, your household waste disposal service or the shop where you purchased the product.

Wir danken Ihnen, dass Sie sich für den Kauf eines **Beko** Produkte entschieden haben. Ihr Gerät genügt hohen Ansprüchen und wurde für eine langjährige Benutzung entworfen.

### **Wichtige Hinweise für Ihre Sicherheit!**

- Entfernen Sie das gesamte Verpackungsmaterial, bevor Sie das Gerät einschalten.
- Nachdem Sie das Gerät aufgestellt haben, sollten Sie mit dem Anschliessen und Einschalten mindestens 4 Stunden warten, damit sich das Kältemittel im Kreislauf setzen kann.
- Schnapp- oder Riegelverschluss vom ausgedienten Gerät entfernen oder unbrauchbar machen, damit sich spielende Kinder nicht selbst im alten Gerät einschliessen können.
- Das Gerät ist nur für den Gebrauch im Haushalt bestimmt.
- Werfen Sie das Gerät nicht ins Feuer. Für das in dem Gerät verwendete Kühlmittel und die Gase in der Isolierung sind spezielle Entsorgungsverfahren vorgeschrieben. Befolgen Sie die Müllverordnungen in Ihrer Region, um das Gerät sicher zu entsorgen.
- Nicht zu empfehlen ist die Verwendung des Gerätes in sehr kalten, unbeheizten Räumen (Garage, Keller, Lagerräume, usw.)

Damit Sie den größtmöglichen Nutzen aus Ihrem Gerät ziehen und es optimal und störungsfrei benutzen können, lesen Sie bitte die Bedienungsanleitung aufmerksam durch. Bewahren Sie sie für den Bedarfsfall sorgfältig auf. Die Nichtachtung dieser Hinweise können zu Sachschäden und zum Verlust der Garantie führen.

Originalersatzteile stehen für einen Zeitraum von 10 Jahren ab Kaufdatum zur Verfügung.

**Dieses Gerät ist nicht dafür bestimmt durch Personen (einschließlich Kinder) mit eingeschränkten physischen, sensorischen oder geistigen Fähigkeiten oder mangels Erfahrung und/oder mangels Wissen benutzt zu werden, es sei denn, sie werden durch eine für ihre Sicherheit zuständige Person beaufsichtigt oder erhielten von ihr Anweisungen, wie das Gerät zu benutzen ist.**



### **Bedeutung des Symbols „Mülltonne“**

Schonen Sie unsere Umwelt, Elektrogeräte gehören nicht in den Hausmüll.

Nutzen Sie die für die Entsorgung von Elektrogeräten vorgesehenen Sammelstellen und geben dort Ihre Elektrogeräte ab die Sie nicht mehr benutzen werden. Sie helfen damit die potenziellen Auswirkungen, durch falsche Entsorgung, auf die Umwelt und die menschliche Gesundheit zu vermeiden. Sie leisten damit Ihren Beitrag zur Wiederverwertung, zum Recycling und zu anderen Formen der Verwertung von Elektro- und Elektronik-Altgeräten. Informationen, wo die Geräte zu entsorgen sind, erhalten Sie über Ihre Kommunen oder die Gemeindeverwaltungen. In vielen Ländern der EU ist die Entsorgung von Elektro- und Elektronik-Altgeräten über den Haus- und/oder Restmüll ab 13.8.2005 verboten. In Deutschland ab 23.3.2006.

### **i ANGABEN**



Die Modellinformationen, wie sie in der Produktdatenbank gespeichert sind, können durch Eingabe der folgenden Website und Suche nach Ihrer Modellkennung (\*) auf dem Energieetikett erreicht werden.

<https://eprel.ec.europa.eu/>

### Elektrischer Anschluss

Bevor Sie das Gerät anschließen, prüfen Sie unbedingt, ob die auf dem Typenschild angegebene Wechselspannung mit der Netzspannung übereinstimmt. Die elektrischen Anschlüsse müssen den gesetzlichen Vorschriften entsprechen. Schließen Sie das Gerät an eine leicht zugängliche Steckdose an.

#### Warnung!

Dieses Gerät muss richtig geerdet werden. Reparatur- und Wartungsarbeiten sollten nur von Fachkräften durchgeführt werden. Reparaturen, die von nicht qualifizierten Personen ausgeführt werden, sind eine Gefahrenquelle und können gefährliche Konsequenzen für den Benutzer des Gerätes haben.

#### Achtung!

Dieses Gerät verwendet das Kühlmittel R600a, ein Gas mit hoher Umweltverträglichkeit, das aber brennbar ist. Achten Sie beim Transportieren und Aufstellen des Geräts darauf, daß keine Teile des Kühlmittelkreislaufs beschädigt werden.

Vermeiden Sie bei Beschädigungen offenes Feuer oder Zündquellen, und lüften Sie den Raum, in dem sich das Gerät befindet, mehrere Minuten lang.

#### Warnung!

Verwenden Sie zur Beschleunigung des Abtauprozesses keine mechanischen oder anderen Hilfsmittel als die vom Hersteller empfohlenen Mittel.

#### Warnung!

Achten Sie darauf, dass der Kühlmittelkreislauf nicht beschädigt wird.

#### Warnung!

Keine elektrische Geräte benutzen um den Abtauprozess zu beschleunigen. Verwenden Sie in der Kühl-Gefrier - Kombination keine anderen als die vom Hersteller empfohlenen elektrischen Geräte.

#### Warnung!

Wenn die Netzanschlussleitung dieses Gerätes beschädigt wird, muss sie durch den Hersteller oder seinen Kundendienst oder eine ähnlich qualifizierte Person ersetzt werden, um Gefährdungen zu vermeiden.

### Transporthinweise

1. Während des Transports sollte das Gerät stets aufrecht stehend und in Originalverpackung transportiert werden.

2. Wurde das Gerät waagrecht transportiert, so muß es zur Beruhigung des Kältekreislaufes wenigstens 4 Stunden ruhig lassen, bevor der Inbetriebnahme.

3. Für Schäden infolge Nichtbeachtung haftet der Hersteller nicht.

4. Das Gerät muss vor Regen, Feuchtigkeit oder anderen Witterungsbedingungen geschützt werden.

#### Wichtig!

- Greifen Sie nicht mit der Hand unter das Gerät während der Reinigung oder des Transportes. Sie könnten sich an scharfen Kanten oder an die Rohre auf der Geräterückseite verletzen.
- Setzen Sie sich nicht auf das Gerät. Sie könnten sich verletzen oder Beschädigungen am Gerät bewirken.
- Keine schweren Gegenstände bzw. das Gerät selbst auf das Netzkabel stellen. Das könnte zur Beschädigung des Netzkabels führen.
- Lassen Sie Kinder nicht mit dem Gerät spielen.

### Aufstellen

1. Die Umgebungstemperatur hat eine Auswirkung auf den Energieverbrauch und die anwandfreie Funktion des Kühlgerätes. Bei der Standortwahl sollten Sie darauf achten, das Gerät in einem Raum mit einer konstanten Umgebungstemperatur in Betrieb zu setzen die seiner Klimaklasse entspricht, dh. + 10...+38°C. (50...100°F).

Ein Raum mit schwankenden Temperaturen (insbesondere nachts oder im Winter unter 10°C) ist zu vermeiden.

2. Bei niedrigen Temperaturen ist es möglich, dass das Gerät nicht funktioniert. Das bewirkt eine Verminderung der Lagerungsdauer von Lebensmitteln, mindert unnötig den Nährwert und im schlechtesten Fall können Lebensmittel frühzeitig verderben.

Vermeiden Sie direkte Sonneneinstrahlung, und stellen Sie das Gerät nie in der Nähe einer direkten Wärmequelle auf. (Heizkörper, Herd, Ofen).

Die Mindestabstände zu solchen Geräten betragen:

zu Gasherden	300 mm
zu Heizkörper	300 mm
zu Gefriergeräten	25 mm

3. Halten Sie einen Raum um das Gerät, damit die Luft frei zirkulieren kann (**Abb. 2**).

Lüftungsgitter auf der Geräterückseite einsetzen (**Abb. 3**).

4. Das Gerät muss auf einem festen, ebenen Untergrund stehen. Bodenunebenheiten durch Ein-oder Herausdrehen der beiden Stellfüßen vorne ausgleichen. Vermeiden Sie starke Geräusche durch richtige Ausrichtung (**Abb. 4**).

5. Lesen Sie Kap. „Reinigung und Instandhaltung“ bevor der Inbetriebnahme.

**Geräteübersicht (Abb. 1)**

- 1 - Thermostat und Beleuchtungsarmatur
- 2 - Höhenverstellbare Ablagen
- 3 - Tauwasserablauf
- 4 - Deckel für Gemüseschubladen
- 5 - Gemüseschubladen
- 6 - Schnellgefrierabteil
- 7 - Eiswürfelfach mit Eiswürfelschale
- 8 - Gefrierschubladen zur Aufbewahrung von tiefgefrorenen Lebensmitteln
- 9 - Höhenverstellbare Füßen
- 10 - Gläserfach
- 11 - Flaschenfach

**Allgemeine Einlagerungsempfehlungen**

1. Im Kühlteil werden frische Lebensmittel und Getränke für kurze Zeit aufbewahrt
2. Im Gefrierfach sind im Handel erhältliche tiefgefrorene Produkte für einen langen Zeitraum aufzubewahren, und außerdem besteht die Möglichkeit frische Lebensmittel einzufrieren und zu lagern. Bei abgepackten Waren auf Haltbarkeits- bzw. Verbrauchsdatum achten und die angegebenen Lagerbedingungen unbedingt einhalten.
3. Bewahren Sie Milchprodukte im speziellen Türfach auf.
4. Gekochte Speisen in dicht schliessenden Gefäßen aufbewahren.
5. Frische Lebensmittel, gut verpackt, können auf den Ablagengittern aufbewahrt werden. Gemüse und Obst werden in den Gemüseschubladen aufbewahrt.
6. Bewahren Sie Flaschen im Türfach auf.
7. Frisches Fleisch, in Polyäthylenbeutel gut verpackt, kann nur für einige Tagen auf die unterste Ablage im Kühlabteil gelagert werden. Vermeiden Sie, dass das Fleisch in Berührung mit den gekochten Speisen kommt.
8. Decken Sie die Ablagegitter nicht mit Papier ab, damit die Luft zirkulieren kann.
9. Kein Pflanzöl im Türfach aufbewahren. Vergewissern Sie sich, daß die Lebensmittel gut verpackt bzw. abgedeckt sind, bevor Sie sie einlagern. Lassen Sie warme Lebensmittel und Getränke abkühlen, bevor Sie sie im Gerät einlagern. Keine Konserven nach dem Öffnen im Kühlschrank aufbewahren.
10. Glasflaschen mit kohlenensäurehaltigen Sodawasser dürfen nicht im Gefrierabteil aufbewahrt werden.
11. Kälteempfindliche Gemüsearten (Paradeiser, Gurken) und Obst (Ananas, Wassermelonen) mit luftdichter Verpackung aufbewahren.
12. Hochprozentiger Alkohol darf nur aufrecht in fest versiegelten Behältern aufbewahrt werden. Lagern Sie im Kühlschrank keine flüchtigen, explosiven oder brennbaren Stoffe.

**Temperaturregelung.****Einstellung der Temperatur**

Mit den Thermostat kann die gewünschte Lagertemperatur eingestellt werden (**Abb. 5**). Wenn das Gerät die eingestellte Temperatur erreicht hat, schaltet sich der Thermostat automatisch aus, steigt die Temperatur wieder, so schaltet es sich wieder ein. Stellung „5“ bedeutet die niedrigste Innentemperatur (kälteste Einstellung). Wird der Temperaturregler auf Stufe Mitte zwischen 1 und 5 eingestellt, so wird im Kühlbereich automatisch +5°C (+41°F) erreicht. Im Kühlschrank gibt es kältere und wärmere Zonen (Gemüseschublade, oberes Teil des Kühlschranks). Jedes Lebensmittel sollte den richtigen Platz bekommen, damit es lange frisch bleibt. Wir empfehlen, die Temperatur der Raumtemperatur, der Häufigkeit mit der der Kühlschrank geöffnet wird, sowie der Menge der eingelagerten Lebensmittel entsprechend einzustellen. Die Temperatur im Kühlschrank regelmäßig an verschiedenen Stellen mit einem Thermometer messen. Vermeiden Sie unnötiges und zu langes Öffnen der Tür.

**Bevor der Inbetriebnahme**

Bevor der Inbetriebnahme prüfen Sie ob:

1. Die Stellfüßen vorne ausgeglichen wurden.
2. Der Innenraum gereinigt wurde und die Luft frei zirkulieren kann.
3. Der Innenraum sauber ist (gem. den Empfehlungen im Kap. „Reinigung“).
4. Der Netzstecker richtig eingesteckt ist.

**Achtung:**

5. Immer wenn das Gerät einschaltet, werden Sie ein Summen hören, das von dem Kompressor des Kühlschranks erzeugt wird Geräusche werden auch vom Kühlmittel der Kühl-Gefrier-Kombination erzeugt. Diese sind normale Betriebsgeräusche.
6. Die leicht gewölbte Form des Kühlschranks, fabrikationsbedingt, ist kein Defekt.
7. Um den korrekten Betrieb des Geräts zu erhalten, den Thermostat auf eine mittlere Position einstellen.
8. Sie können Lebensmittel in das Gerät einräumen, wenn eine geeignete Kühltemperatur erreicht ist. Prüfen Sie die Temperatur im Kühlabteil mit einem Thermometer.

**Lagern von tiefgefrorenen Lebensmitteln**

Im Gefrierschrank sind im Handel erhältliche tiefgefrorene Produkte für einen langen Zeitraum aufzubewahren. Sollte der Strom ausfallen, öffnen Sie die Tür nicht. Falls die Unterbrechung nicht mehr als 13 Stunden dauert, werden die Lebensmittel im Gefrierfach nicht beeinträchtigt. Einmal aufgetaute oder angetaute Produkte sollten sobald wie möglich verzehrt werden und nicht wieder einfrieren, außer sie werden zu einem Fertiggericht weiter verarbeitet.

### **Einfrieren von frischen Lebensmitteln**

Einige Regeln sollten beachtet werden, um Qualitätsverluste zu vermeiden und die Erhaltung von Konsistenz, Geschmack, Nährwert, Vitamineninhalt und Aussehen der Tiefkühlkost zu garantieren: Frieren Sie nie eine zu große Menge frische Ware auf einmal ein, sonst kann die Ware nicht schnell genug bis zum Kern durchgefroren werden und so können, nach dem Auftauen, Qualität- und Geschmacksverluste auftreten. Das Gefriervermögen des Gerätes nicht zu überschreiten. Möglichst schnell einfrieren! Die einzulegenden Lebensmittel nicht mit den bereits im Fach befindlichen in Berührung zu kommen. Lassen Sie warme Lebensmittel abkühlen, bevor Sie sie im Gerät einlagern.

### **Abtauen des Gerätes**

#### **A) Kühlabteil**

Das Abtauen erfolgt vollautomatisch während der Kompressor von dem Thermostat unterbrochen wird. Keine Eingriffe sind erforderlich. Das Abtauwasser läuft durch den Tauwasserablauf in die Auffangschale auf dem Kompressor und verdunstet dort durch die Wärme des Kompressors (**Abb. 6**). Das Auftreten von Wassertropfen auf der inneren Rückwand des Kühlraums zeigt die automatische Abtauphase an. Nach dem Abtauen sind Reif- bzw. Eisschichtflecken auf der Rückseite des Kühlschranks nicht unüblich. Verwenden Sie keine spitzen Gegenstände wie Messer oder Gabeln, um diese zu entfernen. Die Abflußöffnung regelmäßig mit einem Reinigungsstäbchen reinigen, damit das Tauwasser stetig und zügig abfließen kann. Halten Sie die Auffangrinne und die Ablauföffnung sauber. Ist diese verstopft, dann lassen sich die Verschmutzungen mit dem gelieferten Werkstück beseitigen (**Abb. 7**).

#### **B) Gefrierabteil**

Durch den eingebauten Tauwassersammelbehälter gestaltet sich das Abtauen sehr einfach und unkompliziert. Sie sollten etwa zweimal pro Jahr abtauen, bzw. wenn sich eine Eisschicht von etwa 7 mm (1/4") Stärke gebildet hat. Schalten Sie zum Abtauen das Gerät ggf. an der Steckdose ab und ziehen Sie den Netzstecker. Wickeln Sie die Lebensmittel in mehrere Lagen Zeitungspapier und verstauen Sie dann alles an einem kühlen Ort (z.B. Kühlschrank oder Speisekammer). Um das Abtauen zu beschleunigen, können Sie vorsichtig Behälter mit warmem Wasser in das Gefrierabteil stellen. Verwenden Sie zum Entfernen des Eises niemals einen spitzen oder scharfen Gegenstand, wie etwa ein Messer oder eine Gabel.

Verwenden Sie zum Abtauen niemals einen Haartrockner, ein elektrisches Heizgerät oder ähnliche Elektroapparate. Wischen Sie das Tauwasser auf, das sich am Boden des Gefrierabteils angesammelt hat, und trocknen Sie den Innenraum nach dem Abtauen gründlich ab (**Abb. 8 & 9**). Verbinden Sie den Netzstecker mit der Steckdose und schalten Sie den Strom wieder an.

### **Wechseln des Türanschlags**

Befolgen Sie nacheinander die einzelnen Schritte entsprechend der Numerierung (**Abb. 10**).

### **Wechsel der Glühlampe**

Die Innenbeleuchtung Ihres Kühlschranks sollte ausschließlich vom autorisierten Kundendienst ausgetauscht werden. Die Glühbirnen für dieses Haushaltsgerät sind für Beleuchtungszwecke nicht geeignet. Die beabsichtigte Aufgabe dieser Lampe ist es den Benutzer zu ermöglichen die Platzierung der Lebensmittel in den Kühlschrank / Eiskühltruhe sicher und bequem vorzunehmen. Die in diesem Gerät verwendeten Lampen müssen extremen physikalischen Bedingungen, wie z. B. Temperaturen von -20°C, standhalten.

### **Reinigung und Pflege**

1. Vor der Reinigung empfiehlt es sich, das Gerät ggf. an der Steckdose abzuschalten und den Netzstecker zu ziehen.
2. Verwenden Sie zum Reinigen weder scharfe Gegenstände noch Scheuermittel, Seife, Haushaltsreiniger, andere Putzmittel oder Wachspolitur.
3. Reinigen Sie den Innenraum des Geräts mit lauwarmem Wasser und reiben Sie ihn dann trocken.
4. Befeuchten Sie zum Reinigen ein Tuch in einer Lösung aus einem Teelöffel Natriumbikarbonat (doppeltkohlensaures Natron) und einem halben Liter Wasser, und wischen Sie den Innenraum damit aus.
5. Achten Sie darauf, daß kein Wasser in die Thermostateinheit gelangt.
6. Wenn das Gerät für eine längere Zeit nicht verwendet werden soll, dann schalten Sie es ab, nehmen Sie sämtliche Lebensmittel heraus, reinigen Sie es, und lassen Sie die Tür leicht geöffnet.
7. Zum Polieren der Metallteile des Geräts (d.h. die Türaußenseite und die seitlichen Außenwände) empfehlen wir die Verwendung eines Wachses auf Silikonbasis (Autopolitur). Auf diese Weise wird die hochwertige Außenlackierung geschützt.
8. Staub, der sich auf dem Kondensator hinter dem Gerät ansammelt, sollte einmal pro Jahr mit einem Staubsauger entfernt werden.



9. Überprüfen Sie die Türdichtung regelmäßig auf Sauberkeit und achten Sie darauf, daß sich keine Reste von Lebensmitteln o.ä. darauf befinden.

10. Vermeiden Sie es in jedem Fall,

- das Gerät mit ungeeigneten Substanzen zu reinigen, wie etwa mit benzinhaltigen Mitteln,
- es allzu hohen Temperaturen auszusetzen,
- es mit scheuernden Substanzen zu putzen, abzureiben o.ä.

11. Ausbau des Deckels des Milchproduktefachs und der Türablage:

- Zum Ausbau den Deckel zunächst 2-3 cm anheben und dann an der Seite abziehen, an der sich im Deckel eine Öffnung befindet.

- Um eine Türablage zu entfernen, zunächst den gesamten Inhalt der Ablage entfernen und dann einfach vom Boden her nach oben drücken.

12. Achten Sie darauf, daß die Plastikschaale an der Rückseite des Geräts, die zum Sammeln von Tauwasser dient, immer sauber bleibt. Wenn Sie die Schale zum Reinigen ausbauen wollen, dann gehen Sie wie folgt vor:

- Das Gerät ggf. an der Steckdose abschalten und den Netzstecker ziehen.
- Den Stift am Kompressor vorsichtig mit einer Zange zurückbiegen, so daß die Schale freiliegt.
- Die Schale abnehmen.
- Die Schale reinigen und trockenreiben.
- Zum Wiedereinbauen die gleichen Schritte in umgekehrter Reihenfolge ausführen.

13. Stärkere Eisablagerungen sollten regelmäßig mittels ein Eisschabers aus Plastik entfernt werden. Massive Eisablagerungen vermindern die Kühlleistung Ihres Geräts.

### **Was Sie tun sollten und was auf keinen fall-einige Hinweise**

**Richtig:** Das Gerät regelmäßig reinigen und abtauen (siehe Abschnitt „Abtauen“).

**Richtig:** Rohes Fleisch und Geflügel tiefer lagern als gekochte Speisen und Molkereiprodukte.

**Richtig:** Bei Gemüse alles unbrauchbare Blattwerk entfernen und etwaigen Schmutz abwischen.

**Richtig:** Blattsalat, Kohl, Petersilie und Blumenkohl am Stiel belassen.

**Richtig:** Käse fest in Butterbrotpapier und dann in einen Beutel aus Polyethylen wickeln, und die Luft soweit als möglich herausdrücken. Käse schmeckt am besten, wenn er eine Stunde vor dem Verzehr aus dem Kühlabteil genommen wird.

**Richtig:** Rohes Fleisch und Geflügel nicht zu fest in Polyethylen- oder Aluminiumfolie einwickeln, um ein Austrocknen zu verhindern.

**Richtig:** Fisch und Innereien in Polyethylenbeutel wickeln.

**Richtig:** Lebensmittel, die einen starken Geruch haben oder nicht austrocknen sollen, in Polyethylenbeutel oder Aluminiumfolie wickeln oder in luftdichten Behältern lagern.

**Richtig:** Brot gut einwickeln, damit es frisch bleibt.

**Richtig:** Weißwein, Bier und Mineralwasser vor dem Servieren gut kühlen.

**Richtig:** Von Zeit zu Zeit den Inhalt des Gefrierabteils überprüfen.

**Richtig:** Lebensmittel so kurz wie möglich aufbewahren und die Angaben „Mindestens haltbar bis:“ bzw.

**Richtig:** Handelsübliche Tiefkühlware entsprechend der Hinweise auf der jeweiligen Verkaufsverpackung lagern.

**Richtig:** Zum Einfrieren nur frische Lebensmittel bester Qualität verwenden und diese vorher gründlich säubern.

**Richtig:** Einzufrierende Lebensmittel vorher in kleine Portionen zerlegen, damit sie rasch durchfrieren.

**Richtig:** Lebensmittel zum Einfrieren in Aluminiumfolie oder Gefrierbeutel aus einwandfreiem Polyethylen packen und darauf achten, daß die Luft vollständig herausgedrückt wurde.

**Richtig:** Tiefkühlware gleich nach dem Einkaufen einwickeln und sobald als möglich in das Gefrierabteil legen.

**Richtig:** Tiefkühlware zum Auftauen ins Kühlabteil legen.

**Falsch:** Bananen im Kühlabteil lagern.

**Falsch:** Melonen im Kühlabteil lagern. - Melonen können allerdings für kurze Zeit gekühlt werden, solange sie eingewickelt werden, so daß sich ihr Aroma nicht auf andere Lebensmittel überträgt.

**Falsch:** Die Ablagen mit einem schonenden Material bedecken. - Dies würde die Kaltluftzirkulation behindern.

**Falsch:** Gifte oder Gefahrenstoffe im Gerät lagern. - Das Gerät ist ausschließlich für die Lagerung von Lebensmitteln bestimmt.

**Falsch:** Lebensmittel verzehren, die zu lange im Gerät gelagert wurden.

**Falsch:** Gekochte Speisen und frische Lebensmittel zusammen in einen Behälter tun. - Beides sollte getrennt verpackt und gelagert werden.

**Falsch:** Beim Auftauen Wasser oder Flüssigkeit von Lebensmitteln auf andere Lebensmittel tropfen lassen.

**Falsch:** Die Tür längere Zeit offenstehen lassen. - Hierdurch wird der Betrieb des Geräts teurer, und die Eisbildung verstärkt sich.

**Falsch:** Zum Entfernen des Eises spitze oder scharfe Gegenstände verwenden, wie etwa ein Messer oder eine Gabel.

**Falsch:** Warme Speisen ins Gerät stellen. - Besser zuerst abkühlen lassen.

**Falsch:** Mit Flüssigkeit gefüllte Flaschen oder ungeöffnete Konserven mit kohlenensäurehaltigen Getränken in das Gefrierabteil stellen. - Diese können zerplatzen.

**Falsch:** Beim Einfrieren frischer Lebensmittel das maximale Gefriervermögen überschreiten.

**Falsch:** Kindern Speiseeis oder Eissorbetts unmittelbar nach dem Herausnehmen aus dem Gefrierabteil geben. - Die sehr niedrige Temperatur kann zu 'kalten Verbrennungen' an den Lippen führen.

**Falsch:** Kohlenensäurehaltige Getränke einfrieren.

**Falsch:** Aufgetaute Tiefkühlware weiter aufbewahren. - Statt dessen innerhalb von 24 Stunden verzehren oder kochen und wieder einfrieren.

**Falsch:** Mit feuchten Händen etwas aus dem Gefrierabteil herausnehmen.

### **Energieverbrauch**

Das maximale TK-Stauvolumen wird ohne Schubladen im Tiefkühlfach erreicht. Der Energieverbrauch Ihres Gerätes wurde bei komplett gefülltem Tiefkühlfach ohne Schubladen ermittelt.

### **Praktische Tipps zum Energiesparen**

1. Sorgen Sie dafür, dass das Gerät an einer gut belüfteten Stelle und nicht in der Nähe von Wärmequellen (Herd, Heizung, usw.) aufgestellt wird. Achten Sie gleichzeitig darauf, dass das Gerät nicht im prallen Sonnenlicht steht.
2. Sorgen Sie dafür, dass gekühlte oder gefrorene Speisen so schnell wie möglich in das Gerät gegeben werden; dies gilt natürlich insbesondere im Sommer. Wir empfehlen, Kühltaschen zum Transport von Lebensmitteln zu verwenden.
3. Geben Sie Speisen zum Auftauen in den Kühlbereich. Vergessen Sie nicht, die Speisen in einen Behälter zu geben, damit kein Tauwasser in den Kühlbereich ausläuft. Beginnen Sie mindestens 24 Stunden im Voraus mit dem Auftauen.
4. Versuchen Sie, die Tür so selten wie möglich zu öffnen.
5. Öffnen Sie die Tür des Gerätes nicht unnötig, achten Sie darauf, dass die Tür anschließend wieder richtig geschlossen wird.

### **Hinweise zu Geräuschen und Vibrationen, die im Betrieb auftreten können**

1. Das Betriebsgeräusch kann im laufenden Betrieb zunehmen.
  - Um die vorgegebenen Temperaturen zu halten, springt der Kompressor des Gerätes von Zeit zu Zeit an. Das Betriebsgeräusch kann bei laufendem Kompressor zunehmen, beim Anhalten des Kompressors kann ein Klicken zu hören sein.
  - Die Leistung des Gerätes kann sich je nach Temperatureinstellung und unmittelbarer Umgebung ändern. Dies muss als normal betrachtet werden.
2. Geräusche wie fließende Flüssigkeiten oder Spritzer.
  - Diese Geräusche werden durch den Durchfluss des Kühlmittels im Gerät verursacht; dies ist in Anbetracht der Funktionsweise des Gerätes völlig normal.
3. Sonstige Vibrationen und Geräusche.
  - Geräusche und Vibrationen können je nach Typ und Neigung des Untergrundes, auf dem das Gerät aufgestellt wurde, stärker oder schwächer ausfallen. Achten Sie darauf, dass der Boden möglichst eben ist und das Gewicht des Gerätes mühelos tragen kann.
  - Weitere Geräusche und Vibrationen können durch auf dem Gerät abgestellte Gegenstände verursacht werden. Nehmen Sie solche Gegenstände vom Gerät herunter.
  - Im Gerät gelagerte Flaschen oder andere Behälter berühren einander. Ordnen Sie Flaschen und Behälter so an, dass sich diese nicht berühren können.

### **Massnahmen bei Betriebsstörungen**

Wenn das Gerät nach dem Einschalten nicht funktionieren sollte, dann prüfen Sie, ob:

- der Netzstecker richtig in der Steckdose steckt, und daß der Strom angeschaltet ist (zum Prüfen der Stromversorgung können Sie ein anderes Gerät an die Steckdose anschließen);
- ob evtl. die Sicherung durchgebrannt ist / der Sicherungsautomat ausgelöst wurde oder der Hauptschalter auf Aus steht;
- ob der Temperaturwahlschalter richtig eingestellt wurde;
- (falls der angegossene Stecker ersetzt wurde) ob der neu angebrachter Stecker richtig verdrahtet wurde.

Sollte das Gerät nach dieser Überprüfung immer noch nicht funktionieren, dann setzen Sie sich bitte mit dem Händler in Verbindung, bei dem Sie das Gerät erworben haben.

Denken bitte Sie daran, daß eine Gebühr fällig wird, wenn am Gerät kein Fehler gefunden werden sollte; prüfen Sie das Gerät daher auf jeden Fall wie oben beschrieben.

Félicitations pour avoir choisi un appareil **Beko**, fabriqué dans des usines modernes.

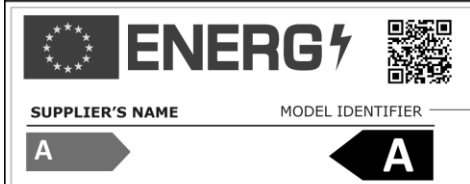
### **Premièrement la sécurité!**

- Ne pas connecter votre appareil au réseau électrique avant d'avoir enlevé tout l'emballage ou pièce de protection pour le transport
- Laissez l'appareil rester pendant au moins 4 heures avant de le mettre en fonction, pour permettre la stabilisation de l'huile du compresseur, si l'appareil a été transporté horizontalement.
- Si vous recyclez un vieil appareil ayant un verrou attaché dans la porte, assurez-vous qu'il ai été laissé en bonne condition pour prévenir l'entrée des enfants.
- L'appareil doit être utilisé exclusivement dans le but pour lequel il a été fabriqué.
- Ne pas jeter l'appareil au feu. Votre appareil contient des substances sans CFC dans l'isolation, qui sont inflammables. Nous vous suggérons de contacter votre autorité locale pour recevoir des informations concernant le recyclage et les centres recommandés.
- Nous ne recommandons pas l'utilisation de l'appareil dans un espace non chauffé, froid. (ex: garage, annexe, etc.)
- Pour obtenir un fonctionnement meilleur et irréprochable de votre appareil il est très important de lire attentivement ces instructions. Si vous ne respectez pas ces instructions votre droit de recevoir service gratuit sera annulé.
- Nous vous prions de garder ces instructions dans une place sûre pour référence rapide.

Les pièces détachées d'origine sont disponibles pendant 10 ans, à compter de la date d'achat du produit.

**Cet appareil peut être utilisé par des enfants âgés d'au moins 8 ans et par des personnes ayant des capacités physiques, sensorielles ou mentales réduites ou dénuées d'expérience ou de connaissance, s'ils (si elles) sont correctement surveillé(es) ou si des instructions relatives à l'utilisation de l'appareil en toute sécurité leur ont été données et si les risques encourus ont été appréhendés. Les enfants ne doivent pas jouer avec l'appareil. Le nettoyage et l'entretien par l'usager de doivent pas être effectués par des enfants sans surveillance.**

## **INFORMATIONS**



Vous pouvez accéder aux informations relatives au modèle telles que sauvegardées dans la base de données des produits en entrant le site internet suivant et en recherchant l'identifiant de votre modèle (\*) qui se trouve sur la vignette énergie

<https://eprel.ec.europa.eu/>

### **Avertissements et conseils importants**

Il est très important que cette notice d'utilisation soit gardée avec l'appareil pour toute future consultation. Si cet appareil devait être vendu ou transféré à une autre personne, assurez-vous que la notice suive l'appareil de façon à ce que le nouvel utilisateur puisse être informé du fonctionnement de celui-ci et des avertissements relatifs. Ces avertissements sont donnés pour votre sûreté et pour celle d'autrui. Nous vous prions donc de bien vouloir les lire attentivement avant d'installer et d'utiliser votre réfrigérateur.

#### **Sûreté**

- ◆ Cet appareil a été conçu pour être utilisé par des adultes. Veillez donc à ce que les enfants n'y touchent pas ou qu'ils l'utilisent comme un jouet.
- ◆ Débranchez toujours la prise de courant avant de procéder au nettoyage intérieur et au remplacement de la lampe d'éclairage.
- ◆ Cet appareil est lourd; faites attention lors d'un déplacement.
- ◆ Si le cordon d'alimentation est endommagé, celui-ci doit être remplacé par le fabricant, ses agents agréés ou tout autre agent qualifié afin d'être à l'abri de tout danger.

#### **Service / réparation**

- ◆ Il est dangereux de modifier ou d'essayer de modifier les caractéristiques de cet appareil.
- ◆ En cas de panne, n'essayez pas de réparer l'appareil vous-même. Les réparations effectuées par du personnel non qualifié peuvent provoquer des dommages. Contactez le service après vente de votre revendeur et exigez des pièces détachées d'origine.

#### **Utilisation**

- ◆ Les réfrigérateurs ménagers sont destinés uniquement à la conservation des aliments et des boissons.

#### **Installation**

- ◆ Assurez-vous qu'après avoir installé l'appareil, celui-ci ne repose pas sur le câble d'alimentation.
- ◆ L'appareil chauffe sensiblement au niveau du condenseur et du compresseur. Veillez à ce que l'air circule librement autour de l'appareil. Une ventilation insuffisante entraînerait un mauvais fonctionnement et une augmentation de la consommation d'électricité.
- ◆ Si l'appareil a été transporté couché, il est recommandé d'attendre environ 4 heures avant de le brancher.

#### **Installation**

Si cet appareil, muni d'une fermeture magnétique, doit être employé pour en remplacer une autre muni d'une fermeture à ressort, nous vous conseillons de rendre cette dernière inutilisable avant de mettre l'ancien appareil au rebut.

Cela dans le but d'éviter que des enfants puissent s'y enfermer et mettre ainsi leur vie en danger.

#### **Emplacement**

- ◆ Placez de préférence votre appareil loin d'une source de chaleur (chauffage, cuisson, rayons solaires trop intenses). Pour le bon fonctionnement de votre appareil, la température ambiante du local doit être comprise entre +10<sup>0</sup> et +38<sup>0</sup>C (classe SN-ST). En dehors de ces limites, l'appareil ne fonctionne plus normalement.
- ◆ Veillez à la bonne circulation de l'air à l'arrière de l'appareil. Pour un meilleur rendement de celui-ci, la distance minimale entre la partie supérieure de l'appareil et un éventuel élément de cuisine doit être au moins de 100 mm (**fig. 2**).
- ◆ Montez les deux entretoises arrière livrées séparément (**fig. 3**).
- ◆ Mettez l'appareil de niveau en agissant sur les pieds réglables (**fig. 4**).

#### **Branchement au réseau**

Votre appareil est prévu pour fonctionner sous une tension de 220-240 volts monophasée. Il doit être raccordé à une prise murale munie d'un contact de terre. Le fabricant décline toute responsabilité si cette prévention contre les accidents n'est pas respectée.

#### **Présentation de l'appareil (fig. 1)**

- 1 - Thermostat et logement de la lampe
- 2 - Clayettes réglables
- 3 - Récupérateur d'eau
- 4 - Couvercle du bac à légumes
- 5 - Bac à légumes
- 6 - Compartiment de congélation rapide
- 7 - Bac à glaçons et support
- 8 - Compartiment de conservation des denrées surgelées
- 9 - Pied ajustable
- 10 - Balconnet à bords
- 11 - Balconnet range-bouteilles

#### **Réversibilité de la porte (fig. 10)**

Procédez suivant l'ordre numérique.

#### **Mise en fonctionnement**

L'appareil étant convenablement installé, nous vous conseillons de nettoyer l'intérieur avec de l'eau tiède légèrement savonneuse (produit à vaisselle). N'utilisez ni produit abrasif, ni poudre à récuser qui risqueraient d'endommager les finitions.

#### **Entreposage des produits à conserver**

Une conservation et une hygiène optimales sont obtenues dans les conditions suivantes:

- ◆ Les denrées à conserver dans le réfrigérateur doivent être fraîches et refroidies à la température ambiante. Elles doivent être emballées dans des récipients hermétiques (boîtes, sachets en polyéthylène, feuille d'aluminium alimentaire) pour qu'elles ne s'impregnent ni ne dégagent d'odeur ou d'humidité.

- ◆ Les produits lactés (oeufs, beurre...) sont conservés dans l'étagère supérieure de porte.
- ◆ Les aliments préparés sont conservés sur les clayettes, les fruits et légumes verts dans le bac à légumes. Les bananes ne doivent pas être conservées dans un réfrigérateur.
- ◆ Les viandes crues, poissons et charcuterie doivent être conservés sur les clayettes inférieures (zone la plus froide).  
Disposer les aliments de telle sorte que l'air puisse circuler librement tout autour. Ne couvrez pas les clayettes de papier ou d'un plateau.

### **Réglage de la température**

La température intérieure est réglée par le thermostat (**fig. 5**). Les températures obtenues à l'intérieur de l'armoire peuvent varier en fonction des conditions d'utilisation: emplacement, température ambiante, fréquence de l'ouverture des portes, quantité de denrées à l'intérieur. En général, pour une température ambiante de +25°C, la manette du thermostat sera placée sur une position moyenne. Le thermostat assure aussi le dégivrage automatique de la partie réfrigérateur. Évitez un réglage qui pourrait provoquer une marche continue: la température intérieure pourrait baisser en dessous de 0°C d'où un risque de prise en glace des boissons et une formation excessive de givre sur les parois ainsi qu'une augmentation de la consommation d'électricité.

### **Changement de l'ampoule**

Pour remplacer la lampe LED du réfrigérateur, veuillez contacter le service après-vente agréé. La lampe (s) utilisée dans cet appareil ne convient pas pour l'éclairage de la cuisine. Le but visé par cette lampe est d'aider à l'utilisateur de placer les aliments dans le réfrigérateur / congélateur d'une manière sûre et confortable. Les voyants utilisés dans cet appareil doivent résister aux conditions physiques extrêmes telles que des températures inférieures à -20°C.

### **Congélation des produits frais**

- ◆ Congelez exclusivement des produits de première qualité après les avoir nettoyés et préparés si nécessaire.
- ◆ Laissez les plats cuisinés refroidir à la température ambiante avant de les introduire dans le congélateur.
- ◆ Tous les produits à congeler devront être emballés dans des sachets de polyéthylène, des barquettes d'aluminium « spécial congélation », des boîtes en plastique. Ces emballages doivent être hermétiques.

- ◆ Chaque paquet doit être proportionné à l'importance de la consommation familiale de manière à être utilisés en une seule fois. Des paquets de petites dimensions permettent d'obtenir une congélation rapide et uniforme.
- ◆ Ne pas congeler en une seule fois une quantité de produit supérieure à la capacité de congélation de l'appareil indiquée sur la plaque signalétique.
- ◆ Un produit décongelé ne doit jamais être recongelé.
- ◆ Ne pas placer dans le congélateur des bouteilles ou boîtes de boissons gazeuses, elles pourraient éclater.
- ◆ Ne consommez pas les bâtonnets glacés dès leur sortie du congélateur pour éviter les brûlures dues au froid.

### **Pour congeler des produits frais:**

Ne congelez pas en une seule fois plus que la capacité de congélation indiquée sur la plaque signalétique (4kg / 24h) 24 heures avant d'introduire des aliments frais dans le congélateur placez le bouton du thermostat sur une position plus froide sans pour autant que la température intérieure du réfrigérateur descende en dessous de 0°C. Disposez les paquets à congeler dans le compartiment supérieur. N'ouvrez pas la porte du congélateur pendant l'opération de congélation. Laissez l'appareil en régime de congélation pendant 24 heures, puis, au bout de ce laps de temps, remplacez le bouton du thermostat en position moyenne. Mettez les produits congelés dans les tiroirs inférieurs.

### **Conservation des produits congelés**

- ◆ Les produits congelés peuvent être rangés à n'importe quel emplacement de la partie congélateur. Nous vous conseillons cependant de les placer dans les tiroirs inférieurs, si possible, afin de laisser libres l'espace pour la congélation.
- ◆ Quand vous achetez un produit surgelé, assurez-vous que l'emballage est intact, qu'il ne présente aucune trace d'humidité, qu'il ne soit pas gonflé, ce qui serait le signe d'un début de décongélation.
- ◆ Respectez la durée de conservation indiquée par le fabricant des produits surgelés.
- ◆ Évitez d'ouvrir trop souvent la porte et ne la laisser ouverte que le temps nécessaire. Une augmentation de la température peut réduire la durée de conservation des aliments.
- ◆ Après avoir refermé la porte, attendez environ 30 secondes avant de tenter de l'ouvrir à nouveau, le temps que la dépression créée par le froid s'atténue.

### **Production des cubes de glace**

Remplissez le bac à cubes de glace à trois quarts et mettez-la dans le congélateur. Les cubes de glace se détachent plus simplement si vous passez le bac pour quelques secondes sous un jet d'eau froide.

### **Décongélation**

Les viandes, volailles et poissons doivent être décongelés dans le réfrigérateur pour éviter le développement de bactéries. Les autres produits peuvent être décongelés à l'air ambiant.

Les petites portions peuvent être cuisinées dès leur sortie du congélateur. Beaucoup de plats prêts à cuire peuvent être également cuisinés sans décongélation préalable. Conformez-vous toujours aux recommandations figurant sur l'emballage. Le pain et les pâtisseries peuvent être décongelés à four chaud. Les fours à micro-ondes peuvent être utilisés pour décongeler la plupart des aliments. Respectez les conseils figurant dans la notice de ces fours. En cas de coupure de courant, si l'arrêt de fonctionnement ne dépasse pas 13 heures, il n'y a aucun risque d'altération des aliments congelés. Abstenez-vous cependant d'ouvrir la porte (le temps de remontée en température peut sensiblement être diminué si l'appareil est peu chargé). Dès que vous constatez un début de décongélation, les aliments doivent être consommés le plus rapidement possible. Ne jamais recongeler un aliment qui a été décongelé.

### **Dégivrage**

#### **a) partie réfrigérateur**

Le dégivrage de votre réfrigérateur est entièrement automatique et se produit à chaque arrêt du compresseur. Aucune intervention de votre part n'est nécessaire. Pendant le fonctionnement on constate l'apparition de gouttes de condensation ou de glace sur la paroi arrière. Elles seront éliminées pendant le dégivrage automatique. L'eau produite s'écoulera par le trou d'évacuation (**fig. 6**) elle sera collectée dans le bac situé sur le compresseur d'où elle s'évaporera.

#### **Important:**

Gardez propre le collecteur et le tube d'écoulement de l'eau de dégivrage. Pour cela, utilisez la pièce de défonçage livrée avec l'appareil. Veillez à ce que le tube soit tout le temps avec l'extrémité dans l'intérieur du bac collecteur situé sur le moteur pour prévenir l'écoulement de l'eau sur l'installation électrique ou sur le plancher (**fig. 7**).

#### **b) partie congélateur**

La formation de givre à l'intérieur de l'appareil ne peut être évitée. Le givre se forme quand l'humidité contenue dans l'air vient en contact avec les surfaces froides du congélateur.

C'est pourquoi la porte ne doit être ouverte qu'en cas de nécessité. Une mince couche de givre ne nuit pas au fonctionnement de l'appareil. Quand la couche de givre atteint une dizaine de millimètres, il faut procéder au dégivrage complet. Nous vous conseillons de faire cette opération quand l'appareil est peu chargé.

- ♦ Avant le dégivrage, si l'appareil n'est pas vide, mettez le bouton du thermostat sur une position plus froide pour que les produits soient portés à très basse température.
  - ♦ Débranchez l'appareil.
  - ♦ Sortez les produits congelés et conservez-les dans un endroit frais en les enveloppant dans plusieurs feuilles de papier journal ou mieux dans des emballages isothermes (sacs isothermes, feuilles de plastique à bulles...).
  - ♦ Laissez la porte ouverte.
- N'employer en aucun cas des objets tranchants pour gratter le givre ni d'appareils électriques chauffants (seche-cheveux, radiateurs).*
- ♦ Après la fonte du givre, essuyez et séchez soigneusement l'armoire.

### **Nettoyage**

*Avant toute opération de nettoyage, prenez la précaution de débrancher l'appareil.*

#### **Nettoyage intérieur:**

Il est recommandé de nettoyer le réfrigérateur très régulièrement.

- Retirez tous les accessoires (clayettes, balconnets, bac à légumes...). Lavez-les à l'eau tiède additionnée d'un détergent doux (produit utilisé pour la vaisselle par exemple); rincez à l'eau javellisée et séchez soigneusement.
- Lavez les parois intérieures. Soignez les supports de clayettes.
- Lavez le joint de porte sans omettre de nettoyer également sous le joint (**fig. 8 et 9**).

#### **Nettoyage extérieur:**

Lavez l'ensemble de la carrosserie à l'eau tiède légèrement savonneuse. Rincez et séchez. De temps en temps, dépoussiérez le condenseur avec une brosse douce ou un aspirateur.

#### **Arrêt prolongé**

Lorsque l'appareil doit rester à l'arrêt pendant un certain temps: débranchez la prise de courant; videz l'appareil; nettoyez-le à fond; laissez la porte entrouverte pour éviter l'apparition de mauvaises odeurs.

### **Consommation énergétique**

Vous pouvez conserver le maximum d'aliments congelés sans recourir aux étagères centrales et supérieures du compartiment du congélateur.

La consommation énergétique de votre appareil est enclenchée alors que le compartiment du congélateur est entièrement chargé sans utiliser les étagères.

### Conseil pratique concernant la réduction de la consommation électrique

1. Veillez à ce que l'appareil se trouve dans un espace bien aéré, loin d'une éventuelle source de chaleur (cuisinière, radiateur, etc.). Parallèlement, le choix de l'emplacement de l'appareil doit se faire de façon à éviter qu'il se trouve exposé aux rayons directs du soleil.
2. Veillez à ce que les aliments déjà réfrigérés/congelés au moment de leur achat soient introduites dans l'appareil le plus tôt possible, surtout pendant l'été. Nous vous conseillons d'utiliser des sacs à isolation thermique pour conserver vos denrées d'un réfrigérateur/congélateur à un autre.
3. Nous vous recommandons également de veiller à ce que le dégivrage des emballages sortis du compartiment congélateur se fasse dans le compartiment réfrigérateur. Pour cela, l'emballage à dégivrer sera introduit dans un récipient de sorte que l'eau issue du dégivrage ne connaisse pas de fuite dans le compartiment réfrigérateur. Nous vous conseillons de commencer le processus de dégivrage 24 heures au moins avant l'utilisation de l'aliment congelé.
4. Nous vous recommandons d'ouvrir la porte de la machine le moins de fois possible.
5. Évitez de laisser inutilement la porte de l'appareil ouverte et veillez à ce que celle-ci soit bien fermée après chaque ouverture.

### Informations concernant les bruits et les vibrations susceptibles de se produire pendant le fonctionnement de l'appareil

1. Les bruits peuvent augmenter pendant le fonctionnement de l'appareil.
  - Afin de maintenir les températures au niveau de la valeur réglée, le compresseur de l'appareil démarre de manière périodique. Les bruits émis par le compresseur deviennent plus importants lorsqu'ils commencent et un clic se fait entendre au moment où ils s'arrêtent.
  - Les fonctions de performance et de fonctionnement de l'appareil peuvent varier en fonction des modifications de la température et de l'environnement ambiant. Ces phénomènes sont tout à fait normaux.
2. Bruits semblables à ceux d'un écoulement ou d'une vaporisation de liquide.
  - Ces bruits sont provoqués par l'écoulement du réfrigérant à l'intérieur du circuit de l'appareil et sont en conformité avec le principe de fonctionnement de l'appareil.
3. Autres vibrations et bruits.
  - Le niveau de bruits et de vibrations peut être provoqué par le type et l'aspect du sol sur lequel l'appareil est installé. Assurez-vous que le sol sur lequel l'appareil est installé est à niveau et peut supporter le poids de l'appareil (flexible).
  - Une autre source de bruits et de vibrations peut être constituée par les objets placés sur l'appareil. Ces objets doivent en effet être posés ailleurs que sur l'appareil.
  - Les bouteilles et les récipients posés dans le réfrigérateur se touchent. Dans ce cas, déplacez les bouteilles et les récipients de façon à créer un petit écart entre eux.

#### Recyclage



Ce produit est marqué du symbole du tri sélectif, relatif aux déchets d'équipements électriques et électroniques. Cela signifie que ce produit doit être pris en charge par un système de collecte sélectif conformément à la directive européenne 2012/19/EU, afin de pouvoir être recyclé ou démantelé dans le but de réduire tout impact sur l'environnement. Attention les produits électroniques n'ayant pas fait l'objet d'un tri sélectif sont potentiellement dangereux pour l'environnement et la santé humaine en raison de la présence potentielle de substances dangereuses.

Complimenti per la scelta di un **Beko** elettrodomestico di qualità, progettato per una lunga durata.

### ***Innanzitutto la sicurezza!***

Non collegare l'elettrodomestico all'alimentazione elettrica finché non sono stati rimossi l'imballaggio e le protezioni per il trasporto.

- Lasciare l'elettrodomestico diritto per almeno 4 ore prima di accenderlo, per consentire all'olio del compressore di risistemarsi se è stato trasportato in modo orizzontale.
- Se si dismette un elettrodomestico vecchio con lucchetto o chiusura sullo sportello, assicurarsi che sia in condizione di sicurezza per evitare che un bambino vi resti intrappolato.
- Questo elettrodomestico deve essere utilizzato esclusivamente per l'uso per cui è stato progettato.
- Non gettare l'elettrodomestico nel fuoco.

L'elettrodomestico contiene sostanze non CFC nel materiale isolante che sono infiammabili. Si consiglia di contattare l'autorità locale per informazioni sullo smaltimento e sugli impianti disponibili.

- È sconsigliato l'utilizzo dell'elettrodomestico in ambienti freddi e non riscaldati (ad esempio garage, serra, dipendenza, rimessa, giardino, etc.).

Per ottenere le migliori prestazioni possibili e un funzionamento senza problemi è molto importante leggere con attenzione le seguenti informazioni. La mancata osservanza di queste istruzioni può invalidare il diritto alla manutenzione gratuita in periodo di garanzia.


Conservare queste istruzioni al sicuro per una rapida consultazione.

I pezzi di ricambio originali verranno forniti per 10 anni, successivamente alla data di acquisto del prodotto.

**Questo apparecchio elettrico non è inteso per essere utilizzato da persona con handicap fisico, e/o mentale o con mancanza di esperienza e competenza anche se ad esse siano state date istruzioni concernenti l'uso da un supervisore o da persona con esperienza.**

**I bambini devono essere supervisionati da un un adulto affinché non utilizzino l'apparecchio per il gioco.**



Il simbolo  sul prodotto o sulla confezione indica che questo prodotto non può essere trattato come normale rifiuto domestico. Invece deve essere portato al punto di raccolta adatto per il riciclaggio delle apparecchiature elettriche ed elettroniche. Assicurando il corretto smaltimento di questo prodotto, si evitano potenziali conseguenze negative per l'ambiente e la salute, che potrebbero derivare da una gestione inappropriata del prodotto. Per informazioni più dettagliate sul riciclaggio di questo prodotto, contattare l'ufficio cittadino locale, il servizio di smaltimento dei rifiuti domestici o il negozio dove è stato acquistato il prodotto.

***Scansiona il QR code per trovare tutte le informazioni relative all'imballo e come gestirne lo smaltimento.***



## INFORMAZIONI



# ENERG



SUPPLIER'S NAME

MODEL IDENTIFIER

(\*)

A

A

Le informazioni sul modello memorizzate nella banca dati dei prodotti possono essere consultate sul seguente sito web, cercando l'identificativo del modello (\*) presente sull'etichetta energetica.

<https://eprel.ec.europa.eu/>



### Requisiti elettrici

Prima di inserire la spina nella presa a muro assicurarsi che la tensione e la frequenza riportate sull'etichetta informativa all'interno dell'elettrodomestico corrispondano all'alimentazione in uso. Si consiglia di collegare questo elettrodomestico alla rete di alimentazione tramite una presa dotata di interruttore e fusibile in una posizione facilmente accessibile.

**Avvertenza! Questo elettrodomestico deve essere dotato di messa a terra.**

Le riparazioni all'apparecchiatura elettrica devono essere eseguite esclusivamente da tecnici qualificati. Riparazioni errate eseguite da persone non qualificate possono provocare conseguenze cruciali per l'utilizzatore dell'elettrodomestico.

### ATTENZIONE!

Questo elettrodomestico utilizza il gas R600a che rispetta l'ambiente ma è infiammabile. Durante il trasporto e l'installazione del prodotto è necessario fare attenzione a non danneggiare il sistema di raffreddamento. Se il sistema di raffreddamento è danneggiato e vi è perdita di gas dal sistema, tenere il prodotto lontano da fiamme e ventilare la stanza per il tempo necessario.

**AVVERTENZA** - Non utilizzare apparecchiature meccaniche o altri mezzi diversi da quelli consigliati dal produttore per accelerare il processo di sbrinamento.

**AVVERTENZA** - Non danneggiare il circuito del refrigerante.

**AVVERTENZA** - Non utilizzare componenti elettrici all'interno degli scomparti per la conservazione del cibo, a meno che non siano del tipo consigliato dal produttore.

**AVVERTENZA** - Se il cavo di alimentazione è danneggiato, deve essere sostituito dal produttore, dal suo agente per l'assistenza o da persone similmente qualificate per evitare rischi.

### Istruzioni per il trasporto

1. L'elettrodomestico deve essere trasportato solo in posizione verticale. L'imballaggio fornito deve essere intatto durante il trasporto.

2. Se l'elettrodomestico è stato trasportato in posizione orizzontale, non deve essere messo in funzione per almeno 4 ore per consentire al sistema di risistemarsi.

3. La mancata osservanza delle istruzioni sopra riportate può causare danni all'elettrodomestico dei quali il produttore non è responsabile.

4. L'elettrodomestico deve essere protetto da pioggia, umidità e altri fenomeni atmosferici.

### Importante!

- È necessario fare attenzione quando si pulisce/trasporta l'elettrodomestico affinché quest'ultimo non tocchi la parte inferiore dei cavi metallici del condensatore sulla parte posteriore dell'elettrodomestico in quanto potrebbero verificarsi lesioni alle dita e alle mani.

- Non tentare di sedersi o di stare in piedi sull'elettrodomestico poiché non è progettato per tale uso. Potrebbero risultarne lesioni personali o danni all'elettrodomestico.

- Assicurarsi che i cavi principali non siano impigliati sotto l'elettrodomestico durante e dopo lo spostamento poiché potrebbero derivarne danni ai cavi.

- Non permettere ai bambini di giocare con l'elettrodomestico o di manomettere i comandi.

### Istruzioni di installazione

1. Non tenere l'elettrodomestico in un ambiente in cui la temperatura scenderà con ogni probabilità sotto i 10°C (50°F) di notte e/o in inverno, poiché è progettato per il funzionamento a temperature comprese tra i +10 e +38°C (50 e 100°F). A temperature più basse, l'elettrodomestico potrebbe non funzionare, provocando una riduzione nella durata di conservazione del cibo.

2. Non posizionare l'elettrodomestico vicino a fornelli o radiatori o alla luce diretta del sole, poiché ciò causerebbe ulteriore sollecitazione sulle funzioni dell'elettrodomestico. Se viene installato accanto a una fonte di calore o a un freezer, mantenere le seguenti distanze laterali minime:

Da fornelli 30 mm

Da radiatori 300 mm

Da freezer 25 mm

3. Assicurarsi che ci sia spazio sufficiente intorno all'elettrodomestico per garantire la libera circolazione dell'aria (**elemento 2**).

- Collocare il coperchio di aerazione posteriore sul retro del frigorifero per impostare la distanza tra il frigorifero e il muro (**elemento 3**).

4. L'elettrodomestico deve essere collocato su una superficie piana. È possibile regolare i due piedi anteriori come necessario. Per assicurare che l'elettrodomestico sia in posizione verticale regolare i due piedi anteriori ruotandoli in senso orario o antiorario finché non si ottiene contatto stabile con il pavimento. La corretta regolazione dei piedi previene vibrazione e rumore eccessivi (**elemento 4**).

5. Consultare il capitolo "Pulizia e manutenzione" per preparare l'elettrodomestico per l'uso.



## Conoscere l'elettrodomestico

### (elemento 1)

- 1 - Alloggiamento del termostato e della spia
- 2 - Mensole regolabili dell'armadietto
- 3 - Raccoglitore d'acqua
- 4 - Coperchio scomparto frutta e verdura
- 5 - Scomparti frutta e verdura
- 6 - Scomparto per il congelamento rapido
- 7 - Supporto per vaschetta del ghiaccio e vaschetta del ghiaccio
- 8 - Scomparti per la conservazione di cibi congelati
- 9 - Piedini regolabili
- 10 - Mensola per barattoli
- 11 - Mensola per bottiglie

## Suggerimenti sulla disposizione del cibo nell'elettrodomestico

Linee guida per ottenere la conservazione e l'igiene ottimale:

1. Lo scomparto frigo serve per la conservazione a breve termine di cibi freschi e bevande.
2. Lo scomparto del freezer è  adatto al congelamento e alla conservazione di cibo precongelato. È necessario osservare sempre i consigli per la conservazione  riportati sulla confezione dei cibi.
3. I prodotti caseari devono essere conservati in uno scomparto speciale presente nello sportello.
4. I piatti cotti devono essere conservati in contenitori a tenuta d'aria.
5. I prodotti freschi incartati possono essere conservati sulla mensola. La frutta fresca e le verdure devono essere puliti e conservati nello scomparto apposito.
6. È possibile conservare le bottiglie nell'apposito spazio nello sportello.
7. Per conservare carne cruda avvolgerla in buste di polietilene e collocarla sulla mensola più bassa. Non mettere la carne cruda in contatto con cibi cotti, per evitare contaminazioni. Per sicurezza conservare la carne cruda solo per due o tre giorni.
8. Per la massima efficienza le mensole amovibili non devono essere coperte di carta o altri materiali affinché sia possibile la libera circolazione dell'aria fredda.
9. Non conservare oli vegetali sulle mensole dello sportello. Conservare i cibi confezionati, incartati o coperti. Permettere ai cibi e alle bevande calde di raffreddarsi prima di inserirle nel frigorifero. I cibi in scatole di latta parzialmente consumati non devono essere conservati nella latta.
10. Non congelare bevande gasate e non consumare prodotti come cubetti di ghiaccio aromatizzati troppo freddi.

11. Alcuni tipi di frutta e verdura si rovinano se conservati a temperature intorno a 0°C. Pertanto avvolgere ananas, meloni, cetrioli e prodotti simili in buste di polietilene.

12. I super alcolici devono essere conservati in posizione verticale in contenitori ben chiusi. Non conservare mai prodotti che contengono gas propellenti infiammabili (ad esempio erogatori di crema, bombolette spray, ecc.) o sostanze esplosive. Sono a rischio di esplosione.

## Controllo e regolazione della temperatura

Le temperature di funzionamento vengono regolate con la manopola del termostato (**elemento 5**) e possono essere impostate tra i valori 1 e 5 (la posizione più fredda). La temperatura media all'interno del frigo dovrebbe essere intorno a +5°C (+41°F). Pertanto regolare il termostato per ottenere la temperatura desiderata. Alcune sezioni del frigorifero possono essere più calde o più fredde (come lo scomparto per l'insalata e la parte superiore dell'armadietto) il che è normale. Si consiglia di controllare periodicamente la temperatura con un termometro per garantire che l'armadietto mantenga questa temperatura. Aperture frequenti dello sportello causano l'innalzamento della temperatura interna, pertanto si consiglia di chiudere lo sportello appena possibile dopo l'utilizzo.

## Prima della messa in funzione

### Controllo finale

Prima di cominciare a utilizzare l'elettrodomestico controllare che:

1. I piedi siano stati regolati per un livellamento perfetto.
2. L'interno sia asciutto e l'aria circoli liberamente nella parte posteriore.
3. L'interno sia pulito come consigliato nel capitolo "Pulizia e manutenzione".
4. La spina sia stata inserita nella presa a muro e l'elettricità sia accesa. Quando lo sportello è aperto la luce interna è accesa.

### Si noti che:

5. Si udrà un rumore quando il compressore si avvia. I liquidi e i gas sigillati nel sistema refrigerante possono produrre dei rumori, che il compressore sia in funzione o meno. Ciò è abbastanza normale.
6. La leggera ondulazione della parte superiore dell'armadietto è abbastanza normale a causa del processo di fabbricazione utilizzato: non si tratta di un difetto.
7. Si consiglia di impostare la manopola del termostato a metà strada e di monitorare la temperatura per assicurare che l'elettrodomestico mantenga la temperatura di conservazione desiderata (vedere il capitolo Controllo e regolazione della temperatura).

8. Non caricare l'elettrodomestico appena lo si accende. Attendere finché non viene raggiunta la temperatura di conservazioni corretta. Si consiglia di controllare la temperatura con un termometro di precisione (vedere il capitolo Controllo e regolazione della temperatura).

### **Conservazione di cibo congelato**

Il freezer è adatto alla conservazione a lungo termine di cibi congelati disponibili in commercio e può essere inoltre utilizzato per congelare e conservare cibi freschi. Per conservare cibi freschi congelati a casa consultare la guida alla conservazione sullo sportello. In caso di interruzione di alimentazioni, non aprire lo sportello. Il cibo congelato non verrà danneggiato se la mancanza di alimentazione dura meno di 13 ore. Se dura di più, è necessario controllare il cibo e mangiarlo immediatamente o cuocerlo e quindi congelarlo di nuovo.

### **Congelamento di cibi freschi**

Attenersi alle seguenti istruzioni per ottenere i risultati migliori. Non congelare quantità troppo grandi in una volta sola. La qualità del cibo viene preservata in modo ottimale quando il cibo viene congelato il più velocemente possibile. Non superare la capacità di congelamento dell'elettrodomestico in 24 ore. Il posizionamento di cibi caldi nello scomparto freezer provoca il funzionamento continuo del refrigeratore finché il cibo non si solidifica. Ciò può causare un raffreddamento temporaneo eccessivo dello scomparto di refrigerazione. Quando si congela cibo fresco, tenere la manopola del termostato in una posizione intermedia. È possibile congelare piccole quantità di cibo fino a 1/2 kg. (1 lb) senza regolare la manopola della temperatura. Fare attenzione a non mescolare cibi già congelati e cibi freschi.

### **Preparazione dei cubetti di ghiaccio**

Riempire la vaschetta per cubetti di ghiaccio per 3/4 con acqua e metterla nel freezer. Allentare la vaschetta congelata con un cucchiaino o un attrezzo simile; non utilizzare mai oggetti appuntiti come coltelli o forchette.

### **Sbrinamento**

#### **A) Scomparto frigo**

Lo scomparto frigo si sbrina automaticamente. L'acqua di sbrinamento scorre nel tubo di scarico tramite un contenitore di raccolta posizionato nella parte posteriore dell'elettrodomestico (**elemento 6**). Durante lo sbrinamento, possono formarsi goccioline d'acqua nella parte posteriore dello scomparto frigo in cui è posto un evaporatore nascosto. Alcune goccioline possono rimanere sul bordo e congelarsi di nuovo al termine dello sbrinamento.

Non utilizzare oggetti appuntiti come coltelli o forchette per rimuovere le goccioline ricongelate. Se in qualsiasi momento l'acqua di sbrinamento non viene scaricata dal canale di raccolta, controllare che il tubo di scarico non sia stato ostruito da particelle di cibo. È possibile pulire il tubo di scarico con un pulitore per tubi o un attrezzo analogo. Controllare che il tubo sia collocato in modo stabile con l'estremità nel vassoio di raccolta sul compressore per evitare che l'acqua spruzzi sull'installazione elettrica o sul pavimento (**elemento 7**).

#### **B) Scomparto freezer**

Lo sbrinamento è diretto e senza problemi, grazie a un bacino speciale di raccolta per lo sbrinamento. Sbrinare due volte all'anno o quando si crea uno spessore di ghiaccio di circa 7 mm (1/4"). Per avviare la procedura di sbrinamento, spegnere l'elettrodomestico sulla presa e scollegare il cavo di alimentazione. Tutto il cibo deve essere incartato in diversi strati di carta di giornale e conservato in un luogo fresco (ad esempio un frigorifero o una dispensa). È possibile porre con attenzione contenitori di acqua calda nel freezer per accelerare lo sbrinamento.

#### **Non utilizzare oggetti appuntiti come coltelli o forchette per rimuovere il ghiaccio.**

Non utilizzare mai asciugacapelli, stufe o altri elettrodomestici simili per lo sbrinamento. Pulire via l'acqua di sbrinamento raccolta nella parte inferiore dello scomparto freezer. Dopo lo sbrinamento, asciugare completamente l'interno (**elemento 8 & 9**). Inserire la spina nella presa a muro e accendere l'alimentazione elettrica.

#### **Sostituzione della lampadina interna**

Per cambiare lampadina/LED utilizzati per illuminare il frigorifero, rivolgersi al Servizio Assistenza Autorizzato. La lampada (le lampade) usata (usate) nell'apparecchiatura non è (sono) adatta (adatte) per l'illuminazione domestica. L'obiettivo previsto per questa lampada è quello di assistere l'utente in fase di posizionamento degli alimenti all'interno del frigorifero / congelatore in modo sicuro e comodo. Le lampadine utilizzate in questo apparecchio devono sopportare condizioni fisiche estreme come temperature inferiori a -20°C.

#### **Pulizia e manutenzione**

1. Si consiglia di spegnere l'elettrodomestico dalla presa e di scollegare il cavo di alimentazione prima di pulire.
2. Non utilizzare mai attrezzi appuntiti o sostanze abrasive, saponi, detersivi per la casa o cere per la pulizia.
3. Utilizzare acqua tiepida per pulire l'armadietto del dispositivo e asciugarlo.

4. Utilizzare un panno umido intriso di una soluzione composta da un cucchiaino di bicarbonato di soda e da circa mezzo litro di acqua e pulire l'interno, quindi asciugare.

5. Assicurarsi che l'acqua non penetri nel quadro di comando della temperatura.

6. Se l'elettrodomestico non viene usato per un lungo periodo di tempo, spegnerlo, togliere tutti gli alimenti dal suo interno, pulirlo e lasciare lo sportello aperto.

7. Si consiglia di pulire le parti metalliche del prodotto (ad esempio l'esterno dello sportello e i lati dell'armadietto) con una cera al silicone (lucidante per auto) per proteggere la finitura della vernice di alta qualità.

8. La polvere che si raccoglie sul condensatore, che si trova sul retro dell'elettrodomestico, deve essere rimossa una volta all'anno con un aspirapolvere.

9. Controllare le guarnizioni dello sportello periodicamente per garantire che siano pulite e che non siano presenti particelle di cibo.

10. Non:

- Pulire l'elettrodomestico con sostanze non adatte ad esempio prodotti a base di petrolio.
- Esporre mai ad alte temperature in alcun modo.
- Strofinare, sfregare o simili con sostanze abrasive.

11. Rimozione del coperchio dello scomparto latticini e del vassoio dello sportello:

- Per rimuovere il coperchio dello scomparto latticini, sollevare prima il coperchio di circa tre centimetri ed estrarlo lateralmente dove si trova un'apertura sul coperchio.

- Per rimuovere il vassoio dello sportello, rimuovere tutto il contenuto e spingere semplicemente il vassoio verso l'alto.

12. Verificare che il contenitore speciale in plastica sul retro dell'elettrodomestico che raccoglie l'acqua di sbrinamento sia sempre pulito. Per rimuovere il vassoio per pulirlo, attenersi alle istruzioni seguenti:

- Spegnerne la presa di corrente ed estrarre la spina di rete.
- Aprire delicatamente la borchia sul compressore utilizzando un paio di pinze in modo che sia possibile rimuovere il vassoio.
- Sollevarlo.
- Pulire e asciugare.
- Rimontare invertendo la sequenza delle operazioni.

13. Per rimuovere un cassetto, tirarlo fuori per quanto è possibile, rovesciarlo e poi estrarlo completamente.

### **Riposizionamento dello sportello**

Procedere seguendo l'ordine numerico (elemento 10).

### **Cosa fare e cosa non fare**

- Sì** - Pulire e sbrinare periodicamente l'elettrodomestico (vedere "Sbrinamento").
- Sì** - Conservare la carne e il pollame crudi sotto il cibo cotto e i prodotti caseari.
- Sì** - Togliere le foglie delle verdure non utilizzabili ed eliminare eventuale terra.
- Sì** - Lavare lattuga, cavolo, prezzemolo e cavolfiore su gambo.
- Sì** - Avvolgere i formaggi prima in carta a prova di grasso e quindi in una bustina in polietilene, escludendo l'aria quanto più possibile. Per migliori risultati estrarre il cibo dal frigorifero un'ora prima di mangiarlo.
- Sì** - Incartare la carne e il pollame crudi in fogli di polietilene o alluminio. In tal modo si evita la secchezza.
- Sì** - Avvolgere il pesce e le interiora in bustine in polietilene.
- Sì** - Avvolgere i cibi con odore forte o che possono seccarsi in bustine di polietilene o in fogli di alluminio oppure riporli in contenitori a tenuta d'aria.
- Sì** - Incartare bene il pane per conservarne la freschezza.
- Sì** - Raffreddare vini bianchi, birra, birra chiara e acqua minerale prima di servirli.
- Sì** - Controllare il contenuto del freezer frequentemente.
- Sì** - Conservare il cibo per brevi periodi come possibile e attenersi alle date di scadenza.
- Sì** - Conservare i cibi congelati in commercio seguendo le istruzioni presenti sulla confezione.
- Sì** - Scegliere sempre cibo fresco di alta qualità e assicurarsi che sia completamente pulito prima di congelarlo.
- Sì** - Preparare il cibo fresco per il congelamento in piccole porzioni per assicurare un congelamento rapido.
- Sì** - Incartare tutti i cibi in foglie di alluminio o in sacchetti in polietilene per freezer e assicurarsi di avere eliminato l'aria.
- Sì** - Avvolgere i cibi congelati subito dopo l'acquisto e metterli nel freezer appena possibile.
- Sì** - Scongelerare i cibi nello scomparto frigo.
- No** - Non conservare banane nello scomparto frigo.
- No** - Non conservare melone nel frigo. Può essere raffreddato per brevi periodi purché incartato per evitare che l'aroma contamini gli altri cibi.
- No** - Non coprire le mensole con sostanze protettive che possono ostruire la circolazione dell'aria.
- No** - Non conservare sostanze velenose o pericolose nell'elettrodomestico. È stato progettato solo per la conservazione di cibi commestibili.

- No** - Non consumare cibo che è stato raffreddato per troppo tempo.
- No** - Non conservare cibi freschi e cotti insieme, nello stesso contenitore. Devono essere confezionati e conservati separatamente.
- No** - Non consentire a cibi scongelati o succhi di sgocciolare nei cibi.
- No** - Non lasciare lo sportello aperto per lunghi periodi poiché il funzionamento dell'elettrodomestico diventa più costoso e causa un'eccessiva formazione di ghiaccio.
- No** - Non usare mai oggetti con bordi taglienti come coltelli o forchette per rimuovere il ghiaccio.
- No** - Non introdurre cibi caldi nell'elettrodomestico. Attendere prima che si raffreddino.
- No** - Non inserire bottiglie riempite di liquidi o barattoli di latta contenenti liquidi carbonati nel freezer in quanto possono scoppiare.
- No** - Non superare il carico massimo di congelamento durante il congelamento di cibi freschi.
- No** - Non dare ai bambini gelati e ghiaccio presi direttamente dal freezer. La bassa temperatura può provocare bruciature da freddo alle labbra.
- No** - Non congelare bevande gasate.
- No** - Non tentare di conservare cibi congelati che si sono scongelati; devono essere mangiati entro 24 ore o cucinati e ricongelati.
- No** - Non rimuovere il cibo dal freezer con le mani bagnate.

### **Consumo energetico**

Il volume massimo di conservazione di cibi freddi può essere ottenuto senza usare il cassetto centrale e quello superiore che si trovano nello scomparto freezer. Il consumo energetico dell'apparecchio è dichiarato quando lo scomparto freezer è completamente carico senza usare il cassetto centrale e quello superiore.

### **Consigli pratici sulla riduzione del consumo energetico**

1. Assicurarsi che l'apparecchio si trovi in aree ben ventilate, lontano da fonti di calore (cucina, termosifoni, ecc.). Allo stesso tempo, la posizione dell'apparecchio deve essere scelta in modo tale da impedire che sia sotto la luce diretta dei raggi solari.
2. Assicurarsi che gli alimenti acquistati raffreddati/congelati siano posti nell'apparecchio appena possibile, soprattutto in estate. Si consiglia di usare borse termiche isolate per trasportare gli alimenti a casa.
3. Consigliamo di eseguire nello scomparto frigorifero lo scongelamento dei pacchetti estratti dallo scomparto freezer. A questo scopo, la confezione che deve essere scongelata sarà posta in un contenitore così l'acqua risultante dallo scongelamento non scorrerà nello scomparto frigorifero. Consigliamo di cominciare a scongelare 24 ore prima di usare gli alimenti congelati.

4. Consigliamo di ridurre al minimo il numero di aperture dello sportello.
5. Non tenere lo sportello dell'apparecchio aperto più del necessario ed assicurarsi che dopo ogni apertura lo sportello sia ben chiuso.

### **Informazioni sul rumore e sulle vibrazioni che possono presentarsi durante il funzionamento dell'apparecchio**

1. Il rumore del funzionamento può aumentare durante l'uso.
  - Per mantenere le temperature ai valori regolati, i compressori dell'elettrodomestico si avviano periodicamente. Il rumore prodotto dal compressore diventa più forte quando si avvia e si può sentire un clic quando si arresta.
  - Le prestazioni e le caratteristiche di funzionamento dell'apparecchio possono cambiare secondo le modifiche della temperatura nell'ambiente. Ciò è considerato normale.
2. Rumori come liquidi che scorrono o vengono spruzzati.
  - Questi rumori sono provocati dal flusso del refrigerante nel circuito dell'apparecchio e sono conformi al principio di funzionamento dell'apparecchio.
3. Ulteriori vibrazioni e rumori.
  - Il livello di rumore e vibrazioni può essere provocato dal tipo e dall'aspetto del pavimento su cui l'apparecchio è posizionato. Assicurarsi che il pavimento non abbia significativi livelli di distorsione o che possa sostenere il peso dell'apparecchio (è flessibile).
  - Un'altra fonte di rumore e vibrazioni è rappresentata dagli oggetti posti sull'apparecchio. Questi oggetti devono essere rimossi dall'apparecchio.
  - Le bottiglie e i contenitori posti nel frigorifero si toccano. In questi casi spostare bottiglie e contenitori in modo che ci sia dello spazio fra essi.

### **Risoluzione dei problemi**

Se l'elettrodomestico non funziona quando è acceso, controllare:

- che la spina sia inserita correttamente nella presa e che l'alimentazione sia accesa (per controllare l'alimentazione della presa, collegare ad essa un altro elettrodomestico).
- se il fusibile è bruciato/l'interruttore di distribuzione è spento.
- che il comando della temperatura sia impostato correttamente.
- che la nuova spina sia cablata correttamente se è stata cambiata la spina.

Se l'elettrodomestico ancora non funziona dopo i controlli elencati in precedenza, contattare il distributore presso il quale è stata acquistata l'unità. Assicurarsi di aver effettuato questi controlli poiché verrà richiesto un sovrapprezzo se non viene trovato alcun guasto.

## Gratulujemy dokonania mądrego wyboru!

**Beko** to jedna z wiodących marek sprzętu AGD w Europie. Produkty naszej marki to dla konsumentów w ponad 100 krajach synonim funkcjonalności, niezawodności i przystępnej ceny. Obecnie już ponad 250 milionów użytkowników urządzeń **Beko** potwierdza, że był to mądry wybór.

### Bezpieczeństwo przede wszystkim

Opisana tu chłodziarko-zamrażarka jest najnowszym modelem urządzeń chłodniczych wchodzących w skład serii produktów **Beko**.

Została ona zaprojektowana i wyprodukowana zgodnie z międzynarodowymi normami. Przed przystąpieniem do użytkowania prosimy zapoznać się uważnie z instrukcją obsługi. Zastosowanie się do poniższych zaleceń zagwarantuje uzyskanie optymalnego zużycia energii elektrycznej i zapewnieni bezpieczeństwo eksploatacji oraz ochroni przed powstaniem przypadkowych uszkodzeń.

### Ostrzeżenie!

Urządzenie to może być użytkowane wyłącznie zgodnie z przeznaczeniem, dla którego zostało wyprodukowane. Urządzenie należy instalować w miejscu o odpowiednich wymiarach oraz nie narażonym na działanie deszczu, wilgoci, itd.

### Ważne!

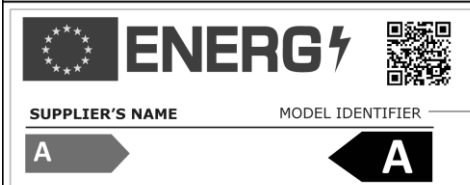
Producent nie będzie ponosić odpowiedzialności za szkody wynikłe z niestosowania się do zaleceń zawartych w instrukcji obsługi. Instrukcję obsługi należy przechowywać w bezpiecznym miejscu tak, aby można było z niej korzystać w razie konieczności. Może być ona przydatna również dla innego użytkownika.

Oryginalne części zamienne będą dostępne przez 10 lat od daty zakupu produktu.

**Używanie urządzenia przez osoby z fizycznymi sensorycznymi lub mentalnymi ograniczeniami powinno odbywać się tylko pod kontrolą osób odpowiedzialnych za ich bezpieczeństwo.**

**Należy dopilnować, aby dzieci nie używały urządzenia do zabawy.**

## INFORMACJE



Informacje o modelu zapisane w bazie danych produktów można uzyskać, wchodząc na następującą stronę internetową i wyszukując identyfikator modelu (\*) znajdujący się na etykiecie efektywności energetycznej.

<https://eprel.ec.europa.eu/>

### **Podłączenie do zasilania**

Urządzenie jest przeznaczone do pracy przy zasilaniu ~230V, 50 Hz. Przed podłączeniem urządzenia do sieci należy upewnić się, czy napięcie, rodzaj prądu i częstotliwość w sieci są zgodne z wartościami podanymi na tabliczce znamionowej urządzenia.

Nie należy podłączać urządzenia za pośrednictwem przedłużaczy elektrycznych.

**Zanim podłączysz kabel do gniazda elektrycznego sprawdź czy nie jest uszkodzony.** Jeżeli kabel ulegnie uszkodzeniu, to powinien być on zastąpiony specjalnym kablem dostępnym w autoryzowanym serwisie.

#### **Ostrzeżenie!**

Bezpieczeństwo elektryczne urządzenia jest gwarantowane tylko wtedy, gdy jego gniazdo zasilające jest uziemione zgodnie z obowiązującymi przepisami.

#### **Podłączenie uziemiające jest obowiązkowe!**

Nie należy dotykać urządzenia gołymi rękoma będąc boso.

#### **Ostrzeżenie!**

Nie wolno nigdy próbować samemu naprawiać urządzeń elektrycznych. Wszelkie naprawy wykonywane (oprócz czynności opisanych w tabeli poniżej) przez osoby nieuprawnione są niebezpieczne dla użytkownika i powodują utratę uprawnień gwarancyjnych.

W razie uszkodzenia przewodu zasilającego, aby uniknąć niebezpieczeństwa, musi go wymienić producent, jego agent serwisowy lub podobnie wykwalifikowany personel.

### **Podłączenie do zasilania**

#### **Ostrzeżenie!**

#### **Urządzenie to musi być uziemione**

- Należy sprawdzić, czy rodzaj i napięcie zasilania w miejscu ustawienia zamrażarki odpowiadają danym na tabliczce znamionowej w jej wnętrzu,
- Bezpieczeństwo zamrażarki pod względem elektrycznym zapewnione jest tylko wtedy, jeśli domowy system uziemienia zainstalowano zgodnie z przepisami.
- Ustawiając zamrażarkę należy zadbać, aby nie stała na przewodzie zasilającym, co może grozić jego uszkodzeniem.
- Należy zapewnić łatwy dostęp do wtyczki w gniazdku zasilającym. Nie należy stosować ani przedłużaczy ani rozdzielników.
- Parametry elektryczne zamrażarki podano na tabliczce znamionowej umieszczonej w jej wnętrzu.
- Elektryczny przewód zasilający należy ułożyć tak, aby można go było łatwo włączyć i wyłączyć po zakończeniu instalacji.

- Jeśli nie ma dostępu do przewodu zasilającego należy użyć przekładki izolacyjnej (dla modeli do zabudowy).

(!) Urządzenie jest przeznaczone do pracy przy zasilaniu ~220-240V.

### **Instrukcje transportu i ustawiania**

Urządzenie musi być transportowane wyłącznie w pozycji pionowej. W trakcie transportu nie wolno naruszać opakowania. Gdyby jednak zdarzyło się, iż urządzenie było transportowane w pozycji poziomej, to przed uruchomieniem należy pozostawić je w pozycji pionowej - nie uruchamiając, przez co najmniej 4 godzin. Niezastosowanie się do powyższej instrukcji może spowodować uszkodzenie sprężarki i nie uznanie naprawy gwarancyjnej. Przesuwając, ustawiając lub podnosząc urządzenie nie należy tego robić chwytając za ręczki lub skraplacz (umieszczony z tyłu lodówki).

### **Montaż**

Urządzenie będzie pracować prawidłowo w zakresie temperatur otoczenia od +10°C do +38°C. Jeżeli temperatura w pomieszczeniu przekroczy +38°C, to wtedy temperatura wewnątrz urządzenia może wzrosnąć. Urządzenie należy umieścić w odpowiedniej odległości od ściany, z dala od grzejników, kuchenek lub innych źródeł ciepła. Będą one powodować niepotrzebne uruchamianie się całego urządzenia, co prowadzi do większego zużycia energii i skrócenia jego czasu eksploatacji. Jeżeli jest to niemożliwe należy zachować następujące minimalne odległości:

- od kuchni 30 mm
- od grzejników 300 mm
- od zamrażarek 25 mm

Należy zapewnić wolną przestrzeń wokół całego urządzenia w celu uzyskania prawidłowej cyrkulacji powietrza (patrz **rys. 2**).

Po ustawieniu urządzenia na równej powierzchni, należy je wypoziomować przez pokręcanie jego nóżek w prawo lub w lewo dotąd, aż wszystkie będą się stykać z podłogą (patrz **rys. 4**).

Prawidłowe wyregulowanie nóżek pozwoli uniknąć wibracji i nadmiernego hałasu.

Dwie poprzeczki dystansowe skraplacza umożliwiające właściwą cyrkulację powietrza należy zamontować w sposób pokazany na rysunku 3 (patrz **rys. 3**).

### **Zapoznaj się z twoim urządzeniem**

(patrz **rys. 1**)

1. Obudowa termostatu i lampy
2. Półki wyjmowane
3. Rynienka odprowadzająca wodę z odszraniania
4. Pokrywa pojemnika na owoce i warzywa
5. Pojemnik na owoce i warzywa
6. Komora szybkiego zamrażania

7. Pojemnik na kostki lodu
8. Komora zamrożonej żywności
9. Regulowane nóżki
10. Balkonik na nabiół
11. Balkonik na butelki

## **Porady dotyczące przechowywania żywności**

### **Aby efekty i higiena przechowywania były najlepsze:**

- Chłodziarka jest przeznaczona do krótkotrwałego przechowywania świeżej żywności i napoi.
- Zamrażarka jest przeznaczona do przechowywania żywności zamrożonej oraz do zamrażania żywności świeżej.
- Produkty gotowane należy przechowywać w szczelnych pojemnikach, przez okres nie dłuższy niż 2-3 dni.
- Produkty świeże w opakowaniach można kłaść na półkach. Świeże warzywa i owoce należy przechowywać w pojemniku na owoce i warzywa (**rys. 1/5**).
- Butelki należy przechowywać w balkoniku na butelki (**rys. 1/11**) znajdującym się po wewnętrznej stronie drzwi.
- Aby zachować świeżość chłodzonego mięsa, należy zapakować je do woreczków przeznaczonych do przechowywania żywności. Nie może ono stykać się z żywnością gotową do spożycia. Świeżego mięsa nie należy przechowywać dłużej niż 2 lub 3 dni.
- Aby zapewnić optymalną wydajność chłodzenia, nie należy przykrywać półek papierem lub innym materiałem; umożliwi to swobodną cyrkulację zimnego powietrza.
- Całą żywność należy przechowywać zapakowaną lub przykrytą. Żywność w puszkach konserwowych należy po ich otwarciu przenieść do szczelnego pojemnika przeznaczonego do przechowywania produktów spożywczych.
- Gorącą żywność należy ostudzić przed włożeniem do chłodziarki.
- Aby uniknąć ryzyka eksplozji, napoje z dużą zawartością alkoholu należy przechowywać w pozycji pionowej, w dobrze uszczelnionych pojemnikach.

## **Regulacja temperatury**

### **Chłodziarka**

Temperaturę wnętrza należy regulować pokrętkiem termostatu (**rys. 5**). Temperatura wnętrza urządzenia może się wahać w zależności od takich warunków jego użytkowania, jak: miejsce ustawienia, temperatura w pomieszczeniu, częstotliwość otwierania drzwi oraz ilość przechowywanej żywności; zależnie od tych warunków należy odpowiednio ustawiać pokrętko termostatu.

Przy temperaturze pomieszczenia równej 25°C zaleca się ustawienie pokrętki regulacji termostatu w pozycji środkowej. Termostat zapewnia również automatyczne odszranianie chłodziarki. Podczas odszraniania temperatura wewnątrz chłodziarki może się podnieść do +8°C, lecz w trakcie chłodzenia spada ona do 2-3°C dając średnią temperaturę całego cyklu roboczego około +5°C. Należy unikać ustawiania pokrętki termostatu na zbyt niską temperaturę, która powoduje ciągłą pracę urządzenia. Efektem tego będzie spadek temperatury poniżej 0°C, co powoduje zamrożenie napoi i świeżej żywności oraz nadmierne gromadzenie się lodu na wewnętrznych ścianach; wszystko to prowadzi do zwiększenia zużycia energii i spadku wydajności urządzenia. Podczas pracy chłodziarki na tylnej ścianie gromadzi się skroplona woda lub cząsteczki lodu. Nie jest konieczne usuwanie tego osadu, gdyż ścianka ta jest automatycznie odszraniana. Woda z odszraniania jest odprowadzana przez specjalny odpływ i zbiera się w waniencie ściekowej umieszczonej na sprężarce, gdzie ulega odparowaniu. Co jakiś czas należy oczyścić odpływ, aby woda mogła swobodnie spłynąć do wanienki ściekowej.

### **Zamrażarka**

Ustawienie termostatu może mieć również wpływ na temperaturę w zamrażarce. Ogólnie, temperatura ta waha się w granicach od -18°C do -28°C w trakcie całego cyklu roboczego.

### **Uruchamianie**

Przed uruchomieniem urządzenia należy wyczyścić jego wnętrze (jak podano w rozdziale "Czyszczenie urządzenia"). Do czyszczenia nie należy używać produktów ściernych i silnych detergentów. Po zakończeniu czyszczenia, urządzenie należy podłączyć do sieci zasilającej, następnie otworzyć drzwi (powinna zaświecić się lampka) i ustawić pokrętko termostatu w pozycji środkowej. Pozostawić urządzenie uruchomione, lecz puste, przez około 2 godziny. Świeżą żywność można włożyć i zacząć zamrażać po upływie minimum 12 godzin od włączenia.

### **Porady odnośnie przechowywania zamrożonej żywności**

Zamrażarka jest przeznaczona do zamrażania świeżej żywności oraz do przechowywania mrożonek przez dłuższy okres czasu. Aby osiągnąć najlepsze rezultaty zamrażania, żywność należy szczelnie opakować. Materiał opakowania powinien: nie przepuszczać powietrza, być obojętny chemicznie w stosunku do opakowanej żywności, być odporny na niskie temperatury, nie nasiąkać płynami, tłuszczem, parą wodną i zapachami oraz powinien być zmywalny.



Na opakowania odpowiednie są takie materiały jak folie plastikowe i aluminiowe oraz pojemniki plastikowe, aluminiowe przeznaczone do bezpośredniego kontaktu z żywnością. Nie należy przechowywać zamrożonej żywności w szklanych opakowaniach. W przypadku przerwy w dopływie prądu nie należy otwierać drzwi urządzenia. Jeżeli przerwa w dopływie prądu trwa krócej niż kilka godzin, to nie będzie to mieć szkodliwego wpływu na zamrożoną żywność.

### **Mrożenie świeżej żywności**

- Do zamrażania świeżej żywności należy używać komory oznaczonej 4 gwiazdkami (czyli komory szybkiego zamrażania).
- Nie należy zamrażać jednocześnie dużych ilości żywności. Najlepsze rezultaty w przechowywaniu żywności są osiągane wtedy, gdy jest ona głęboko zamrażana w możliwie jak najkrótszym czasie. Dlatego nie powinno się przekraczać wydajności zamrażania, podanej w charakterystyce technicznej. Ustawienie termostatu należy wtedy tak wyregulować, aby w zamrażarce osiągnąć jak najniższą temperaturę, lecz jednocześnie żeby temperatura w chłodziarce nie spadła poniżej 0°C.
- Produkty spożywcze już zamrożone (gotowe mrożonki) można wkładać od razu do zamrażarki, bez potrzeby regulowania termostatu.
- Jeżeli na opakowaniu nie podano daty zamrożenia, to jako maksymalny okres przechowywania należy ogólnie przyjąć 3 miesiące.
- Nie wolno ponownie zamrażać żadnej rozmrożonej żywności, nawet, gdy jest ona tylko częściowo rozmrożona. Żywność taką należy skosztować niezwłocznie lub ugotować i dopiero wtedy - ponownie zamrozić.

### **Jak robić kostki lodu**

Napełnić wodą pojemnik na lód do 3/4 wysokości i włożyć go do zamrażarki. Kostki lodu można łatwo wyjąć wstawiając pojemnik z lodem na kilka sekund pod strumień zimnej bieżącej wody.

### **Odmrażanie**

#### **Chłodziarka**

Odmrażanie chłodziarki następuje całkowicie samoczynnie za każdym razem, gdy termostat wyłączy sprężarkę. Nie jest przy tym konieczna żadna ingerencja użytkownika. Powstała w wyniku rozmrażania woda zbiera się w waniencie ściekowej umieszczonej na sprężarce (**rys. 6**) i jest odparowywana przez ciepło wytwarzane przez sprężarkę.

#### **WAŻNE!**

Kolektor wodny i wąż odprowadzający należy utrzymywać w czystości, aby umożliwić swobodny odpływ wody powstałej podczas odszraniania. Należy sprawdzać, czy koniec węża odpływowego znajduje się zawsze wewnątrz wanienci ściekowej na sprężarce,

aby zapobiec wylewaniu się wody na okablowanie elektryczne lub na podłogę (**rys. 7**). Należy regularnie sprawdzać grubość osadzonego lodu wewnątrz zamrażarki. Odszranianie należy wykonywać 2 razy w roku lub gdy grubość warstwy lodu osiągnie 6-8 mm (co się zdarza raz lub dwa razy w roku); jest to konieczne, gdyż lód jest izolatorem ciepła i powoduje zmniejszenie wydajności zamrażania, a co za tym idzie zwiększenie zużycia energii elektrycznej. Przed rozpoczęciem odszraniania należy ustawić pokrętkę termostatu na maksimum, w celu głębokiego zamrożenia żywności. Następnie należy wyjąć zamrożoną żywność, owinąć ją w papier i położyć w zimnym miejscu. Później wyjąć wtyczkę z gniazda sieci zasilającej. Drzwiczki zamrażarki należy pozostawić otwarte, a do jej wnętrza można wstawić pojemnik z gorącą wodą (o temperaturze maks. 80°C); przyspieszy to proces odszraniania. Nie należy usuwać lodu przy użyciu ostrych przedmiotów metalowych aby nie uszkodzić ścianek zamrażarki. Nie należy przyspieszać odszraniania przy użyciu suszarek do włosów lub innych urządzeń elektrycznych. Wodę ze stopionego lodu należy usunąć z pojemnika na ściekającą wodę (**rys. 8 i 9**), a następnie wytrzeć go suchą gąbką lub szmatką.

### **Wymiana żarówki**

Aby wymienić lampkę używaną do oświetlenia chłodziarki, prosimy wezwać autoryzowany serwis. Lampa (lampy) wykorzystywane w tym urządzeniu nie są przeznaczone do oświetlania pomieszczeń. Lampa ta ma pomagać użytkownikowi wygodnie i bezpiecznie umieszczać pożywienie w lodówce/zamrażarce. Żarówki używane w urządzeniu muszą wytrzymywać ekstremalne warunki fizyczne, jak np. temperatury poniżej -20°C.

### **Czyszczenie urządzenia**

#### **Czyszczenie wnętrza**

Przed rozpoczęciem czyszczenia należy odłączyć urządzenie od sieci elektrycznej. Czyszczenie urządzenia zaleca się wykonywać po każdym jego odmrożeniu. Wnętrze urządzenia należy czyścić letnią wodą z dodatkiem sody amoniakalnej (w stężeniu 1 łyżeczka sody na 4 litry wody); nie wolno nigdy używać mydła, detergentów, benzyny lub acetonu, gdyż mają one nieprzyjemny zapach. Do czyszczenia należy używać wilgotnej gąbki, a do suszenia - miękkiej szmatki. W trakcie czyszczenia nie należy stosować nadmiaru wody, aby nie przedostała się ona do wnętrza izolacji termicznej, gdyż może to spowodować wydzielanie nieprzyjemnego zapachu. Nie wolno dopuszczać do tego, aby do wnętrza termostatu przedostała się woda. Po zakończeniu czyszczenia należy ponownie podłączyć urządzenie do sieci elektrycznej.

W trakcie czyszczenia prosimy pamiętać o dokładnym wytarciu suchą szmatką uszczelki drzwi.

### **Czyszczenie zewnętrznych powierzchni**

Części zewnętrzne należy czyścić gąbką nasączoną ciepłą wodą z mydłem, a następnie miękką suchą szmatką. Nie wolno nigdy używać proszków do czyszczenia, silnych detergentów lub narzędzi ściernych.

### **Czyszczenie zespołu sprężarka-skraplacz**

Przed rozpoczęciem czyszczenia należy wyjąć wtyczkę z gniazda sieci zasilającej. Zespół sprężarki ze skraplaczem (zamontowany z tyłu urządzenia) należy czyścić z kurzu przy użyciu miękkiej szczotki lub odkurzacza. W trakcie czyszczenia należy uważać, aby nie zgiąć rurek lub nie uszkodzić przewodów elektrycznych. Po zakończeniu czyszczenia wstawić akcesoria na swoje miejsce i ponownie podłączyć urządzenie do sieci elektrycznej.

### **Zmiana kierunku otwierania drzwi**

Należy wykonać kolejno czynności pokazane na rysunku 10.

### **Środki ostrożności w trakcie użytkowania**

- Wszelkie naprawy mogą być wykonywane wyłącznie przez autoryzowany serwis.
- Urządzenie należy odłączyć od źródła zasilania podczas odmrażania i czyszczenia.

### **Urządzenie należy odłączać przez wyjęcie wtyczki z gniazda. Nigdy nie wolno tego robić przez pociąganie za kabel.**

- Nie należy nigdy wspinać się na urządzenie lub stawać na jego poprzeczce, drzwiach, komorach czy półkach.
- W urządzeniu nie wolno przechowywać produktów lub pojemników zawierających palne lub wybuchowe gazy.
- Nie wolno zostawiać otwartych drzwi urządzenia na dłużej, niż to jest konieczne do wyjęcia lub włożenia żywności.
- Gdy urządzenie nie jest używane, nie należy pozostawiać żywności w zamrażarce.
- Napoje gazowane (np. napoje bezalkoholowe, woda mineralna oraz szampan) nie powinny być przechowywane w zamrażarce; ich butelki mogą tam eksplodować. Nie należy zamrażać plastikowych butelek.
- Nie wolno nigdy dawać dzieciom lodów prosto z zamrażarki; niska temperatura może spowodować urazy.
- Nie należy dotykać zimnych części metalowych lub wewnętrznych ścianek urządzenia, gdyż mogą one spowodować odmrożenia.
- Jeżeli urządzenie ma pozostać nie używane przez kilka dni, to nie ma potrzeby, żeby odłączyć je od zasilania. Jednak gdy przerwa ta ma trwać dłużej niż kilka dni, należy postępować w sposób następujący:

- odłączyć urządzenie od sieci zasilającej;
- opróżnić chłodziarkę i zamrażarkę;
- odszronić i wyczyścić wewnątrz urządzenia;
- pozostawić drzwi otwarte, aby zapobiec powstaniu nieprzyjemnych zapachów.

### **W przypadku zauważenia...**

- Wibracji kratek lub półek: należy sprawdzić, czy są one wstawione całkowicie do oporu, na swoje miejsce.
- Hałasy powodowane przez stykające się butelki lub pojemniki; należy pozostawić między nimi niewielki odstęp.

### **Informacja dotycząca odgłosów i drgań, które mogą wystąpić przy pracy chłodziarki**

1. Odgłos ten może się nasilić w trakcie pracy.
  - Aby utrzymać nastawioną temperaturę, co jakiś czas uruchamia się sprężarka chłodziarki. Odgłos sprężarki nasila się, gdy się uruchamia, zaś kiedy się wyłącza może być słychać kliknięcie.
  - Wydajność i własności użytkowe chłodziarki mogą się zmieniać wraz ze zmianami temperatury otoczenia. Jest to zupełnie normalne.
2. Odgłosy przepływu lub rozpylania płynu.
  - Odgłosy te powoduje przepływ chłodziwa w obwodzie chłodziarki i są zgodne z zasadą jej działania.
3. Inne drgania i odgłosy
  - Pewne odgłosy i drgania może powodować rodzaj i powierzchnia podłogi, na której stoi chłodziarka. Upewnij się, że podłoga jest równa i płaska oraz że nie ugina się pod ciężarem chłodziarki (jest sztywna).
  - Kolejnym źródłem odgłosów i drgań mogą być przedmioty ustawione na chłodziarce. Należy je z niej zdjąć.
  - Butelki i naczynia ustawione w chłodziarce stykają się ze sobą. W takich przypadkach przesunąć butelki i naczynia tak, aby zachować między nimi niewielki odstęp.

### **Odzysk opakowania**

#### **Ostrzeżenie!**

Nie należy trzymać opakowań w zasięgu dzieci. Zabawa ze złożonymi kartonami lub arkuszami plastikowymi niesie ze sobą niebezpieczeństwo uduszenia się dziecka. Urządzenie to zostało zapakowane w sposób wystarczający na czas transportu. Wszystkie materiały pakunkowe zostały wyprodukowane zgodnie z przepisami ochrony środowiska i dlatego mogą być poddane odzyskowi. Prosimy o pomoc w ochronie środowiska naturalnego przez umożliwienie ponownego uzdatniania odpadów wszędzie tam, gdzie jest to możliwe.

**Usuwanie usterek**

Problem	Możliwe przyczyny	Środki zaradcze
1. Lampka nie świeci podczas pracy urządzenia.	Żarówka jest spalona.	Aby wymienić lampkę używaną do oświetlenia chłodziarki, prosimy wezwać autoryzowany serwis.
2. Woda gromadzi się w dolnej części chłodziarki.	Zatkany kanał odpływowy wody.	Wyczyścić kanał i rurę odprowadzania wody.
3. Urządzenie chłodnicze uruchamia się zbyt często i pracuje przez dłuższe niż normalnie okresy czasu.	- Drzwiczki urządzenia są zbyt często otwierane. - Wokół urządzenia nie ma swobodnego przepływu powietrza.	- Należy unikać niepotrzebnego otwierania drzwiczek. - Umożliwić swobodny przepływ powietrza wokół urządzenia.
4. Urządzenie nie chłodzi.	- Urządzenie zostało unieruchomione lub odłączone od zasilania elektrycznego. - Termostat ustawiony w pozycji "0" .	- Sprawdzić, czy jest prąd w sieci elektrycznej, czy nie są spalone bezpieczniki oraz czy kable wtyczki są podłączone prawidłowo. - Zmienić pozycję pokrętła termostatu z "0" na inną.

**Rozmieszczenie żywności**

Półki w komorze zamrażalnika	Różne mrożonki, np. mięso, ryby, lody, warzywa, itp.
Taca na jajka	Jajka
Półki komory chłodniczej	Potrawy w garnkach, na talerzach z pokrywkami i w zamkniętych pojemnikach
Balkoniki w drzwiczkach komory chłodniczej	Niewielkie zapakowane potrawy lub napoje (np. mleko, soki owocowe, piwo)
Pojemnik na świeże warzywa	Warzywa i owoce

**Przykłady zastosowań**

Białe wino, piwo i woda mineralna	schłodzić przed użyciem
Banany	nie przechowywać w chłodziarce
Ryby lub podroby	przechowywać wyłącznie w woreczkach polietylenowych
Ser	użyć pojemników hermetycznych lub woreczków polietylenowych; najlepiej wyjąć z chłodziarki na godzinę przed spożyciem.
Melony	przechowywać tylko przez krótki okres czasu, użyć hermetycznego pojemnika/ opakowania
Surowe mięso i drób	nie przechowywać razem z żywnością delikatną, taką jak potrawy gotowane lub mleko

**Zalecane ustawienia**

Pozycja pokrętła termostatu	Objaśnienia
2 ½	Jest to ustawienie normalne i zalecane.
1	Najniższa intensywność chłodzenia/mrożenia
5	Najwyższa intensywność chłodzenia/mrożenia
1-5	Jeśli użytkownik uważa, że w komorze chłodzenia nie jest dostatecznie zimno z powodu wysokiej temperatury otoczenia lub częstego otwierania i zamykania drzwiczek.

## Zużycie energii

Maksymalną ilość przechowywanych mrozonek można osiągnąć nie używając środkowej i górnej szuflady umieszczonych w komorze zamrażania. Zużycie energii przez chłodziarkę określono przy całkowicie wypełnionej komorze zamrażania i nie używając środkowej i górnej szuflady.

### Rady praktyczne jak zmniejszyć zużycie energii elektrycznej

1. Upewnij się, że chłodziarka stoi w dobrze wentylowanym miejscu, z dala od źródeł ciepła (kuchenka, kaloryfer, itp.). Jednocześnie chłodziarka powinna stać tam, gdzie nie będzie narażona na bezpośrednie działanie promieni słonecznych.
2. Dbaj o to, aby żywność kupowana w stanie schłodzonym/ zamrożonym wkładać do chłodziarki możliwie najprędzej, zwłaszcza latem. Zaleca się używanie izolowanych termicznie toreb do przenoszenia żywności do domu.
3. Zalecamy rozmrażanie w komorze chłodzenia paczek wyjętych z komory zamrażalnika. W tym celu paczkę, która ma zostać rozmrożona, umieszcza się w naczyniu, aby powstała przy tym woda nie wyciekła do komory chłodzenia. Zalecamy rozpoczynać rozmrażanie zamrożonej żywności na co najmniej 24 godziny przez jej użyciem.
4. Zalecamy otwierać drzwiczki najrzadziej, jak to możliwe.
5. Nie należy trzymać drzwiczek otwartych dłużej niż to konieczne i dbać o to, aby po każdym otwarciu starannie je zamykać.

## Odzysk starego urządzenia chłodniczego

Jeżeli to urządzenie chłodnicze ma zastąpić urządzenie starsze, to prosimy przeczytać uważnie poniżej podane uwagi.

Stare urządzenia chłodnicze nie są bezużytecznymi odpadkami; usunięcie ich zgodnie z przepisami o ochronie środowiska naturalnego pozwoli na odzyskanie wielu cennych surowców wtórnych.

Z urządzeniem, którego chcemy się pozbyć należy postąpić w następujący sposób:

- odłączyć je od źródła zasilania;
- odciąć kabel zasilania;
- wymontować wszelkie zamki drzwiowe, aby ochronić dzieci przed zatrzaśnięciem się wewnątrz.

Chłodziarko-zamrażarki zawierają materiały izolacyjne i czynniki chłodnicze, które należy poddać odpowiedniej utylizacji (uzdatnieniu do ponownego użycia).

Urządzenie to zawiera czynnik chłodzący R600a, który spełnia wymogi norm ochrony środowiska. Prosimy dopilnować tego, aby nie uszkodzić obiegu chłodniczego i opróżnić z niego czynnik chłodniczy w sposób zgodny z obowiązującymi przepisami.

### UWAGA!

To urządzenie jest oznaczone zgodnie z Dyrektywą Europejską 2012/19/EU oraz polską Ustawą o zużytych sprzęcie elektrycznym i elektronicznym symbolem przekreślonego kontenera na odpady.



Takie oznakowanie informuje, że sprzęt ten, po okresie jego użytkowania nie może być umieszczany łącznie z innymi odpadami pochodzącymi z gospodarstwa domowego.

Użytkownik jest zobowiązany do oddania go prowadzącym zbieranie zużytego sprzętu elektrycznego i elektronicznego. Prowadzący zbieranie, w tym lokalne punkty zbiórki, sklepy oraz gminne jednostki, tworzą odpowiedni system umożliwiający oddanie tego sprzętu.

Właściwe postępowanie ze zużytym sprzętem elektrycznym i elektronicznym przyczynia się do uniknięcia szkodliwych dla zdrowia ludzi i środowiska naturalnego konsekwencji, wynikających z obecności składników niebezpiecznych oraz niewłaściwego składowania i przetwarzania takiego sprzętu.

Importer:  
Beko S.A.  
ul. Puławska 366,  
02-819 Warszawa  
www.beko.pl  
Wyprodukowano w Rumunii

## Gwarancja jakości

Twój produkt marki BEKO posiada gwarancję jakości udzieloną przez Beko S.A z siedzibą w Warszawie ul. Puławska 366, 02-819 Warszawa (dalej Gwarant).

Gwarancja jakości udzielana jest wyłącznie na produkty marki BEKO wprowadzane do obrotu na terytorium Rzeczypospolitej Polskiej przez Gwaranta. Termin gwarancji wynosi 24 miesiące od daty zakupu produktu. Oświadczenie gwarancyjne określające warunki gwarancji znajdziesz na stronie internetowej **www.beko.pl** w sekcji serwis.

**Warunkiem wykonywania uprawnień z gwarancji jest przedstawienie dowodu zakupu produktu lub zarejestrowanie produktu na stronie [www.beko.pl](http://www.beko.pl) w sekcji serwis.**

## Zarejestruj swój produkt.

Załącz konto oraz zarejestruj teraz swój produkt marki BEKO objęty gwarancją na naszej stronie internetowej **www.beko.pl** w sekcji serwis. Dzięki temu nie będziesz musiał się martwić w sytuacji gdy zgubisz dowód zakupu. Ponadto będziesz miał możliwość otrzymania oświadczenia gwarancyjnego w postaci „cyfrowej karty gwarancyjnej”.

## Obsługa klienta – infolinia 22 250 14 14

W celu zgłoszenia reklamacji lub usterki produktu marki BEKO prosimy o kontakt telefoniczny z infolinią. Nasi konsultanci pomogą ci rozwiązać problem lub skierują do właściwego serwisu BEKO.

**Infolinia czynna jest 7 dni w tygodniu od 8.00 do 20:00.**

\* Koszt połączenia jak za połączenie lokalne (z telefonu stacjonarnego) lub według stawek operatora sieci komórkowej.



Podpis i pieczęć instalatora (z numerem uprawnienia) w przypadku montażu urządzeń gazowych lub płyt i piekarników elektrycznych

**Aby otrzymać więcej informacji dotyczących serwisu BEKO np. gdzie kupić części zamienne lub akcesoria należy odwiedzić stronę internetową [www.beko.pl](http://www.beko.pl) i wybrać zakładkę serwis.**

Gefeliciteerd met uw keuze voor een kwaliteitstoestel van **Beko**, ontwikkeld voor vele jaren dienst.




### ***Veiligheid eerst!***

Sluit uw toestel niet op de stroomtoevoer aan totdat alle verpakking en transportbescherming werd verwijderd.

- Laat de koelkast, als ze horizontaal werd vervoerd, minstens 4 uur stilstaan alvorens ze in werking te stellen. Dit dient om de olie van de compressor te laten zakken.
  - Als u een oud toestel met een slot of een klink aan de deur vervangt, zorg er dan voor dat het op een veilige manier wordt achtergelaten zodat kinderen er niet in opgesloten kunnen geraken.
  - Dit toestel mag enkel worden gebruikt voor het doel waar het voor dient.
  - Verbrand uw apparaat niet. Het apparaat bevat bestanddelen zonder C.F.K. in de isolatie. Deze zijn brandbaar. Wij raden u aan om de plaatselijke instanties te contacteren voor informatie over de beschikbare faciliteiten voor het verwijderen van uw toestel.
  - Wij raden het gebruik van dit toestel af in een onverwarmde, koude ruimte. (bijv. garage, serre, aanbouw, schuurtje, bijgebouw, enz.)
- Het is heel belangrijk deze instructies zorgvuldig te lezen om de best mogelijke en probleemloze werking van uw toestel te bewerkstelligen. Het niet opvolgen van deze instructies kan uw recht op gratis service tijdens de garantieperiode doen vervallen. Gelieve deze instructies op een veilige plaats te bewaren voor eenvoudige raadpleging.

De originele onderdelen worden beschikbaar gehouden gedurende een periode van 10 jaar vanaf de aankoopdatum.

**Dieses Gerät ist nicht dafür bestimmt durch Personen (einschließlich Kinder) mit eingeschränkten physischen, sensorischen oder geistigen Fähigkeiten oder mangels Erfahrung und/oder mangels Wissen benutzt zu werden, es sei denn, sie werden durch eine für ihre Sicherheit zuständige Person beaufsichtigt oder erhielten von ihr Anweisungen, wie das Gerät zu benutzen ist.**

 <b>INFORMATIE</b>	
  <p>SUPPLIER'S NAME      MODEL IDENTIFIER → (*)</p> <p><b>A</b>      <b>A</b></p>	<p>De informatie van het model zoals opgeslagen in de product-databank is toegankelijk op de onderstaande website. Zoek uw model identificatie (*) vermeld op het energielabel.</p> <p><a href="https://eprel.ec.europa.eu/">https://eprel.ec.europa.eu/</a></p>

### Elektriciteitsvereisten

Vergewis u ervan, alvorens u de stekker in het stopcontact steekt, dat de voltage en de frequentie op de kwalificatieplaat binnenin het toestel overeenkomen met uw stroomtoevoer. Wij raden u aan dit toestel aan te sluiten op de hoofdtoevoer via een naar behoren aangesloten en verzekerd stopcontact op een onmiddellijk bereikbare plaats.

**Waarschuwing! Dit toestel moet worden geaard.**

Herstellingen aan de elektrische uitrusting mogen enkel door een gekwalificeerde technicus worden uitgevoerd. Foutieve herstellingen, die werden uitgevoerd door een ongekwalificeerde persoon, houden risico's in die kritieke gevolgen kunnen hebben voor de gebruiker van het toestel.

### OPGELET!

Dit toestel werkt op R600a. Dit is een milieuvriendelijk, maar brandbaar gas. Tijdens het transport en de plaatsing van het product moet er zorg voor worden gedragen dat het koelsysteem niet wordt beschadigd. Als het koelsysteem toch wordt beschadigd en er ontstaat een gaslek, houd het product dan verwijderd van open vuurbronnen en verlucht de kamer een tijdje.

**WAARSCHUWING** - Gebruik geen andere mechanische toestellen of andere middelen om het ontdooiingsproces te versnellen dan die toestellen of middelen die door de fabrikant worden aangeraden.

**WAARSCHUWING** - Beschadig het koelcircuit niet.

**WAARSCHUWING** - Gebruik geen elektrische toestellen in de bewaarladen van het toestel, tenzij ze door de fabrikant worden aangeraden.

**WAARSCHUWING** - Indien het netsnoer beschadigd is, moet dit door de producent, de dealer of een ander gekwalificeerd persoon worden gerepareerd om gevaar te voorkomen.

### Transportinstructies

1. Het toestel mag enkel in staande positie worden vervoerd. De oorspronkelijke verpakking moet intact blijven tijdens het transport.
2. Als het toestel tijdens het transport horizontaal werd geplaatst, mag het minstens gedurende 4 uur niet in werking worden gesteld zodat het systeem kan stabiliseren.
3. Het niet naleven van de bovenstaande instructies kan het toestel beschadigen. Hiervoor kan de fabrikant niet verantwoordelijk worden gehouden.
4. Het apparaat moet worden beschermd tegen regen, vochtigheid en andere weersinvloeden.

### Belangrijk!

• Tijdens het schoonmaken/dragen van het toestel dient u ervoor te zorgen dat de metalen draden aan de onderkant van de condensor, die zich aan de achterkant van het toestel bevindt, niet worden aangeraakt. Deze kunnen vingers en handen kwetsen.

- Probeer niet bovenop het toestel te gaan zitten of staan, omdat het daar niet voor werd ontworpen. U zou zichzelf kunnen kwetsen of het toestel beschadigen.
- Zorg ervoor dat de hoofdkabel niet onder het toestel komt vast te zitten tijdens en na het verplaatsen ervan. Dit zou de kabel kunnen beschadigen.
- Laat kinderen niet met het toestel spelen of aan de knoppen komen.

### Installatie-instructies

1. Plaats uw toestel niet in een kamer waar de temperatuur 's nachts en/of vooral 's winters lager dan 10°C (50°F) kan worden. Het werd ontworpen voor een werking in een omgevingstemperatuur tussen +10°C en +38°C (50°F en 100°F). Bij lagere temperaturen zou het apparaat mogelijk niet kunnen werken. Dit zou de bewaartijd van de etenswaren verkorten.

2. Plaats het toestel niet in direct zonlicht of in de nabijheid van een fornuis of een radiator. Dit zou de functies van het toestel extra belasten. Als het toch naast een warmtebron of een diepvriezer wordt geplaatst, neem dan de volgende minimumafstanden in acht:

Van een fornuis 30 mm

Van een radiator 300 mm

Van een diepvriezer 25 mm

3. Zorg voor voldoende ruimte rond het toestel, zodat de lucht er vrij kan circuleren (**Afbeelding 2**).

• Bevestig het verluchtingstokje aan de achterkant van uw koelkast om de afstand tussen de koelkast en de muur te bepalen (**Afbeelding 3**).

4. Het toestel moet op een vlak oppervlak worden geplaatst. De twee voorste voetjes kunnen naar wens worden aangepast. Draai ze met of tegen de richting van de klok, totdat ze veilig en stevig de grond raken en uw toestel goed recht staat.

Het juist afstellen van de voetjes voorkomt overdreven trillingen en lawaai (**Afbeelding 4**).

5. Raadpleeg het onderdeel "Schoonmaak en Onderhoud" om uw toestel klaar te maken voor gebruik.

### Uw toestel leren kennen (Afbeelding 1)

- 1 - Thermostaat en lampkast
- 2 - Aanpasbare kabinetsschappen
- 3 - Watercollector
- 4 - Deksel van de groentelade
- 5 - Groentelades
- 6 - Lade voor snel invriezen
- 7 - Houder voor ijschaal en ijschaal
- 8 - Lade voor het bewaren van ingevroren etenswaren
- 9 - Aanpasbaar voetje
- 10 - Schap voor glazen potten
- 11 - Vak voor flessen

## Voorstel voor de schikking van de etenswaren in het toestel

Richtlijnen voor het bereiken van een optimale opslagruimte en hygiëne:

1. De koelruimte dient voor het gedurende korte termijn bewaren van vers voedsel en drank.
2. Het diepvriezergedeelte is  gekwalificeerd en is geschikt voor het invriezen en bewaren van diepvriesproducten. De aanbeveling voor  -bewaring, zoals vermeld op de verpakking van de diepvriesproducten, moet altijd in acht worden genomen.
3. Melkproducten moeten worden bewaard in het speciale vak voorzien in de deur.
4. Bereide gerechten moeten in luchtdichte containers worden bewaard.
5. Verse ingepakte producten kunnen op het schap worden bewaard. Vers fruit en groenten moeten worden schoongemaakt en worden bewaard in de groentelade.
6. Flessen kunnen in het deurvak worden bewaard.
7. Rauw vlees pakt u in een plastic zakje en bewaart u op het onderste schap. Zorg ervoor dat het niet in contact komt met bereide etenswaren, zodat besmetting wordt vermeden. Bewaar rauw vlees uit veiligheid niet langer dan twee of drie dagen.
8. Voor maximale efficiëntie mogen de verwijderbare schappen niet worden bedekt met papier of andere materialen, zodat de koele lucht er vrij rond kan circuleren.
9. Bewaar geen plantaardige olie in de deurvakken. Bewaar de etenswaren verpakt, ingepakt of bedekt. Laat warm eten en warme dranken eerst afkoelen, alvorens u ze in de koelkast plaatst. Overschot van ingeblikte etenswaren mag niet in het blik worden bewaard.
10. Bruisende dranken mogen niet worden ingevroren en producten zoals ijslolly's mogen niet te koud worden gegeten.
11. Sommige stukken fruit en groenten worden slecht wanneer ze worden bewaard bij temperaturen rond 0°C. Daarom pakt u ananassen, meloenen, komkommers, tomaten en gelijkaardige producten beter in plastic zakjes in.
12. Sterk alcoholische dranken moeten rechtstaand worden bewaard in veilig gesloten containers. Bewaar nooit producten met een ontvlambaar drijfgas (vb. slagroomverdelers, spuitbussen, enz.) of met explosieve bestanddelen. Zij vormen ontploffingsgevaar.

## Opmeting en regeling van de temperatuur

De temperatuur wordt geregeld door de thermostaatknop (**Afbeelding 5**) en mag op eender welke positie tussen 1 en 5 (de koudste positie) worden ingesteld. De gemiddelde temperatuur in de koelkast zou ongeveer +5°C (+41°F) moeten bedragen.

Regel daarom de thermostaat zo dat de gewenste temperatuur wordt bereikt. Sommige gedeelten van de koelkast kunnen koeler of warmer zijn (zoals de groentelade en het bovenste gedeelte van de koelkast). Dit is normaal. Wij raden u aan om de temperatuur af en toe te controleren met een thermometer, zodat u ervoor kan zorgen dat deze temperatuur blijft behouden. Het frequent openen van de deur doet de inwendige temperatuur stijgen. U wordt daarom aangeraden de deur zo snel mogelijk na gebruik te sluiten.

## Alvorens de inwerkingstelling

### Laatste controle

Alvorens u het toestel begint te gebruiken, controleer of:

1. De voetjes zo werden geregeld dat de koelkast perfect recht staat.
2. De binnenkant droog is en dat de lucht achteraan vrij kan circuleren.
3. De binnenkant proper is, zoals aanbevolen onder "Schoonmaak en onderhoud".
4. De stekker in het stopcontact zit en de elektriciteit is aangesloten. Wanneer de deur wordt geopend, zal het binnenlichtje aangaan.

### Ter informatie:

5. U zult een geluid horen wanneer de compressor opstart. De vloeistof en de gassen die zich in het koelsysteem bevinden, zouden ook wat lawaai kunnen veroorzaken en dit ongeacht of de compressor aan het werken is of niet. Dit is normaal.
6. Een lichte golving van de bovenkant van de koelkast is normaal wegens het gebruikte fabricatieproces; het is geen defect.
7. Wij raden u aan de thermostaatknop halfweg in te stellen en de temperatuur op te volgen, zodat het toestel de vereiste bewaartemperaturen behoudt (Zie onderdeel Opmeting en regeling van de temperatuur).
8. Laad het toestel niet onmiddellijk, nadat het is aangeschakeld. Wacht tot de juiste bewaar temperatuur wordt bereikt. Wij raden u aan de temperatuur op te meten met een accurate thermometer (zie: Opmeting en regeling van de temperatuur).

## Diepvriesproducten bewaren

Uw diepvriezer is geschikt voor het langdurige bewaren van commercieel ingevroren etenswaren en kan ook worden gebruikt om verse etenswaren in te vriezen en te bewaren. Open de deur niet in geval van een elektriciteitspanne. De ingevroren etenswaren zouden niet mogen worden aangetast, als de panne minder dan 13 uur duurt. Als ze langer duurt, moeten de etenswaren worden nagekeken en ofwel onmiddellijk worden opgegeten, ofwel worden klaargemaakt en dan opnieuw ingevroren.



### **Verse etenswaren invriezen**

Gelieve de volgende instructies in acht te nemen om de beste resultaten te bereiken. Vries nooit een al te grote hoeveelheid in één keer in. De kwaliteit van het eten blijft het best geconserveerd wanneer het zo snel mogelijk goed tot in het hart wordt ingevroren. Overschrijd de vriescapaciteit van uw toestel niet binnen een tijdspanne van 24 uur. Warm eten in de diepvriezer plaatsen, heeft tot gevolg dat de machine aan één stuk door zal blijven koelen totdat het eten vast is diepgevroren. Dit kan tijdelijk leiden tot een overdreven afkoeling van het koelkastgedeelte. Houd de thermostaatknop op de middenpositie wanneer u verse etenswaren invriest. Kleine hoeveelheden etenswaren, tot ½ kg. (1 lb.), kunnen worden ingevroren zonder de temperatuurknop te verdraaien. Zorg er goed voor geen diepvriesproducten te mengen met verse etenswaren.

### **Ijsblokjes maken**

Vul de vorm voor  $\frac{3}{4}$  met water en plaats hem in de diepvriezer. Maak aangevoren vormen los met het uiteinde van een lepel of een gelijkaardig instrument; gebruik nooit scherpe voorwerpen, zoals messen of vorken.

### **Ontdooien**

#### **A) Koelkastgedeelte**

Het koelkastgedeelte ontdooit automatisch. Het dooiwater loopt naar de afvoerpijp via een verzamelbak aan de achterkant van het toestel (**Afbeelding 6**). Tijdens het ontdooien kunnen er waterdruppels worden gevormd aan de achterkant van het koelkastgedeelte, waar er zich een verborgen verdampert bevindt. Sommige druppels zouden op de voering kunnen blijven zitten en opnieuw aanvriezen wanneer het ontdooiingsproces is afgelopen. Gebruik geen puntige of scherpe voorwerpen, zoals messen of vorken, om de opnieuw aangevoren druppels te verwijderen. Als het dooiwater op een bepaald moment niet afloopt van het verzamelkanaal, controleer dan of er geen etensresten de afvoerpijp hebben geblokkeerd. De afvoerpijp kan met een pijpreiniger of een gelijkaardig instrument worden vrijgemaakt. Controleer of de slang op permanente wijze met het ene uiteinde in de verzamelbak op de compressor is geplaatst om te voorkomen dat water op de elektrische installatie of op de vloer wordt gemorst (**Afbeelding 7**).

#### **B) Het diepvriesgedeelte**

Ontdooien is zeer eenvoudig en zonder vuiligheid, dankzij een speciale verzamelbak voor het dooiwater. Ontdooi twee keer per jaar of wanneer er zich een ijslaag van ongeveer 7 mm ( $\frac{1}{4}$ " ) heeft gevormd. Om de ontdooiprocedure te beginnen, schakel het toestel uit aan het stopcontact en trek de hoofdstekker uit.

Al de etenswaren moeten in verschillende lagen krantenpapier worden ingepakt en worden bewaard in een koele ruimte (vb. koelkast of provisiekamer). U mag eventueel komen met warm water voorzichtig in de diepvriezer plaatsen om het ontdooien te versnellen.

#### **Gebruik geen puntige of scherpe voorwerpen, zoals messen of vorken, om het ijs te verwijderen.**

Gebruik nooit haardrogers, elektrische verwarmingstoestellen of andere gelijkaardige elektrische toestellen om te ontdooien. Spons het verzamelde dooiwater op de bodem van het diepvriesgedeelte op. Maak de binnenkant na het ontdooien goed droog (**Afbeelding 8 & 9**). Steek de stekker in het stopcontact en schakel de stroomtoevoer aan.

#### **Het binnenlichtje vervangen**

Om de lamp/led voor de binnenverlichting van uw koelkast te vervangen, bel uw bevoegde onderhoudsdienst. De lamp of lampen voorzien in dit apparaat mogen niet worden gebruikt voor de verlichting van huishoudelijke ruimten. Het beoogde gebruik van deze lamp is de gebruiker te helpen etenswaren op veilige en comfortabele wijze in de koelkast/diepvriezer te plaatsen. De lampen die in dit apparaat worden gebruikt moeten bestendig zijn tegen extreme fysieke omstandigheden, zoals temperaturen beneden de  $-20^{\circ}\text{C}$ .

#### **Schoonmaak en onderhoud**

1. Wij raden u aan het toestel uit te schakelen aan het stopcontact en de hoofdstekker uit te trekken voor het schoonmaken.
2. Gebruik nooit scherpe instrumenten of schurende bestanddelen, zeep, huishoudproducten, afwasmiddel of boenwas om te poetsen.
3. Gebruik lauw water om het kabinet van het toestel schoon te maken en wrijf het droog.
4. Gebruik een vochtige doek, uitgewrongen in een oplossing van één koffielepel natriumbicarbonaat voor 50 cl water, om de binnenkant schoon te maken en wrijf vervolgens droog.
5. Zorg ervoor dat er geen water de temperatuurregelaar binnensijpelt.
6. Als het toestel voor een lange periode niet zal worden gebruikt, schakel het dan uit, verwijder al de etenswaren, maak het schoon en laat de deur op een kier staan.
7. Wij raden u aan de metalen onderdelen van het product (d.i. de buitenkant van de deur, de wanden van de kast) op te poetsen met een siliconewas (autoboenwas) om de verfafwerking van hoge kwaliteit te beschermen.
8. Al het stof dat zich op de condensator nestelt, die zich achteraan het toestel bevindt, moet één keer per jaar met een stofzuiger worden verwijderd.
9. Kijk de deurgrendels regelmatig na om u ervan te vergewissen dat ze proper en vrij van etensresten zijn.

## 10. Nooit doen:

- Maak het toestel nooit schoon met ongeschikt materiaal; vb. producten op basis van petroleum.
- Stel het toestel nooit bloot aan hoge temperaturen op eender welke manier.
- Schrob, wrijf, enz. nooit met schurend materiaal.

## 11. Verwijdering van de zuivelbeschermer en het deurvak:

- Om de zuivelbeschermer te verwijderen, licht u hem eerst ongeveer enkele centimeters op en trekt u hem dan van de kant waar er een opening is in de beschermer.
- Om een deurvak te verwijderen, neemt u er al de inhoud eerst uit en drukt u het deurvak vervolgens eenvoudigweg naar boven van de basis.

## 12. Zorg ervoor dat de speciale plastic bak, die achteraan het toestel het dooiwater opvangt, altijd proper is. Als u de bak wilt verwijderen om hem schoon te maken, volg dan de onderstaande instructies:

- Schakel het toestel uit aan het stopcontact en trek de hoofdstekker uit.
- Plooi de nagel op de compressor voorzichtig recht met een tang, zodat de bak kan worden verwijderd.
- Hef de bak op.
- Maak de bak schoon en wrijf hem droog.
- Zet het geheel terug in elkaar door de volgorde van de handelingen om te draaien.

## 13. Om een lade te verwijderen, trekt u hem zo ver mogelijk uit het toestel, licht u hem op en trekt u hem er vervolgens volledig uit.

**De deur verplaatsen**

Ga te werk in de volgorde van de getallen (Afbeelding 10).

**Wel en niet doen**

- Wel-** Uw toestel regelmatig schoonmaken en ontdooien (Zie "Ontdooien").
- Wel-** Rauw vlees en gevogelte bewaren onder klaargemaakte etenswaren en zuivelproducten.
- Wel-** Onbruikbare bladeren van groenten verwijderen en eventuele aarde er afwrijven.
- Wel-** Laat sla, kool, peterselie en bloemkool op hun stengel.
- Wel-** Pak kaas eerst in vetvrij papier in en vervolgens in een plastic zakje. Probeer zo veel mogelijk lucht buiten te sluiten. Voor het beste resultaat neemt u de kaas een uur voor de maaltijd uit de koelkast.
- Wel-** Pak rauw vlees en gevogelte los in plastic of aluminiumfolie in. Dit voorkomt uitdroging.
- Wel-** Pak vis en restafval in plastic zakjes in.
- Wel-** Pak etenswaren met een sterke geur of etenswaren die kunnen uitdrogen in plastic zakjes of aluminiumfolie in of plaats ze in een luchtdichte bak.
- Wel-** Pak brood goed in, zodat het vers blijft.
- Wel-** Koel witte wijn, bier, pils en mineraalwater alvorens op te dienen.
- Wel doen -** Kijk de inhoud van de diepvriezer nu en dan eens na.

- Wel-** Bewaar etenswaren zo kort mogelijk en houdt u aan de vervaldatum.
- Wel-** Bewaar diepvriesproducten volgens de instructies op de verpakking.
- Wel-** Opteer altijd voor verse etenswaren van hoge kwaliteit en zorg ervoor dat ze volledig proper zijn alvorens u ze invriest.
- Wel-** Verdeel in te vriezen verse etenswaren in kleine porties, zodat ze snel kunnen invriezen.
- Wel-** Pak al de etenswaren in aluminiumfolie of plastic diepvrieszakjes in en zorg ervoor dat alle lucht wordt buitengesloten.
- Wel-** Pak diepvriesproducten onmiddellijk in na aankoop en plaats ze zo snel mogelijk in de diepvriezer.
- Wel-** Ontdooi etenswaren in het koelkastgedeelte.
- Niet-** Bananen bewaren in het koelkastgedeelte.
- Niet-** Meloen bewaren in uw koelkast. De meloen kan voor korte perioden worden afgekoeld, zolang hij is ingepakt en niet de smaak van andere etenswaren kan bederven.
- Niet-** De schappen bedekken met beschermend materiaal. Dit zou de luchtcirculatie kunnen hinderen.
- Niet-** Giftige of gevaarlijke bestanddelen in uw koelkast bewaren. Het toestel werd namelijk enkel ontworpen voor het bewaren van eetbare producten.
- Niet-** Etenswaren consumeren die overdreven lang in de koelkast hebben gestaan.
- Niet-** Klaargemaakte en verse etenswaren samen in dezelfde bak bewaren. Zij moeten afzonderlijk worden ingepakt en bewaard.
- Niet-** Ontdooiende etenswaren of sappen van etenswaren op andere etenswaren laten druppelen.
- Niet-** De deur voor een lange tijd open laten staan. Dit zal het toestel kostelijker maken en overdreven ijsaanslag veroorzaken.
- Niet-** Scherpe objecten, zoals messen of vorken, gebruiken om het ijs te verwijderen.
- Niet-** Warm eten in het toestel plaatsen. Laat het eerst afkoelen.
- Niet-** Flessen of luchtdichte blikken met koolzuurhoudende vloeistoffen in de diepvriezer plaatsen. Deze zouden namelijk kunnen barsten.
- Niet-** De maximumlading overschrijden wanneer u verse etenswaren invriest.
- Niet-** Ijsjes of ijslolly's, die direct uit de diepvriezer komen, aan kinderen geven. De lage temperatuur kan 'vriesbrandwonden' veroorzaken op de lippen.
- Niet-** Bruisende dranken diepvriezen.
- Niet-** Ingevroren etenswaren, die zijn ontdooid, proberen te bewaren; zij moeten binnen de 24 uur worden opgegeten of worden klaargemaakt en opnieuw ingevroren.
- Niet-** Items uit de diepvriezer nemen met natte handen.

### Energieverbruik

Een maximaal bruikbaar volume voor het bewaren van diepvriesproducten krijgt u wanneer u de laden in het vriesvak niet gebruikt. Het energieverbruik van uw apparaat is gebaseerd op het apparaat met het vriesvak volledig gevuld zonder het gebruik van de laden.

### Praktisch advies met betrekking tot vermindering van het elektriciteitsverbruik

1. Controleer of het apparaat geplaatst is in een goed geventileerde ruimte, weg van hittebronnen (fornuis, radiator etc.). Tegelijkertijd moet plaatsing van het apparaat zo worden uitgevoerd dat het apparaat niet in direct zonlicht staat.
2. Zorg ervoor dat aangekochte gekoelde / ingevroren levensmiddelen zo snel mogelijk in het apparaat worden geplaatst, met name tijdens de zomerperioden. Het is raadzaam om voor het vervoer van deze levensmiddelen koel- of diepvriestassen (thermische isolatie) te gebruiken.
3. Wij raden aan om de pakketjes die uit de vriezer worden gehaald in de koelkast te ontdooien. Plaats hiervoor het te ontdooien pakketje in een bak zodat het dooiwater niet in het koelgedeelte lekt. Wij raden aan om ingevroren levensmiddelen minimaal 24 uur voor gebruik uit de diepvriezer te halen om ze te laten ontdooien.
4. Wij raden aan om de deur zo min mogelijk te openen.
5. Laat de deur van het apparaat niet langer open staan dan nodig is en controleer na elke opening of de deur weer goed is gesloten.

### Informatie met betrekking tot geluid en trillingen die tijdens de werking van uw apparaat kunnen optreden


1. Het werkingsgeluid kan tijdens de werking van het apparaat toenemen.
  - Om de temperatuur op de ingestelde temperatuur te houden, start de compressor van het apparaat regelmatig op. Het geluid dat door de compressor wordt geproduceerd, wordt luider wanneer deze opstart. Als de compressor stopt kunt u een klik horen.

- De prestatie- en werkingskenmerken van het apparaat kunnen veranderen als gevolg van wijzigingen in de omgevingstemperatuur. Dit is normaal.
- 2. Geluid van stromende of sproeiende vloeistof.
  - Deze geluiden worden veroorzaakt door de stroming van het koelmiddel in het circuit van het apparaat en zijn normaal voor het werkingsprincipe van het apparaat.
- 3. Ander geluid en andere trillingen.
  - Het geluid- en trillingsniveau kan veroorzaakt worden door het type en de ligging van de vloer waarop het apparaat is geplaatst. Zorg dat er in de vloer geen te grote niveauverschillen zijn of dat deze kan bezwijken onder het gewicht van het apparaat (vloer die meegeeft).
  - Geluid en trillingen kunnen tevens veroorzaakt worden door voorwerpen die op het apparaat zijn geplaatst. Deze voorwerpen moeten van het apparaat verwijderd worden.
  - Flessen of bakjes die in de koelkast zijn geplaatst kunnen elkaar raken. In dat geval, verplaatst de flessen en bakjes zodat hier enige ruimte tussen ontstaat.

### Problemen oplossen

- Als het toestel niet werkt wanneer het is aangeschakeld, controleer dan het volgende:
- Of de stekker goed in het stopcontact steekt en of de stroomtoevoer aanstaat. (Om de stroomtoevoer naar het stopcontact te testen, sluit u een ander toestel erop aan).
  - Of de zekering is gesprongen / de stroomonderbreker is doorgeslagen / de hoofddistributie werd afgesloten.
  - Of de temperatuurregeling juist werd ingesteld.
  - Of de nieuwe stekker juist werd aangesloten, als u de aangeleverde standaardstekker heeft vervangen.
- Als het toestel nog altijd niet werkt na alle bovenstaande controles, contacteer dan de verdeler van wie u het toestel heeft gekocht. Gelieve ervoor te zorgen dat de bovenstaande controles werden uitgevoerd, aangezien u de verplaatsing zal worden aangerekend als er geen fout wordt vastgesteld.



Het symbool  op het product of op de verpakking geeft aan dat het product niet als huishoudelijke afval kan worden behandeld. In plaats daarvan moet het worden afgegeven in het toepasselijke recyclagecentrum voor het recyclen van elektrische en elektronische apparaten. Door ervoor te zorgen dat dit product op de juiste manier wordt verwijderd, helpt u potentiële negatieve gevolgen te vermijden voor het milieu en de menselijke gezondheid, die anders veroorzaakt zouden kunnen worden door de verkeerde afvalbehandeling van dit product. Voor meer gedetailleerde informatie over het recyclen van dit product, neem contact op met de plaatselijke instanties, uw huishoudafval-verwerkingsdienst of de winkel waar u het product hebt aangekocht.

